

0CNP6-M00080EN

Contents

Fig. No. Fig. Name

FRONT LOADER SECTION

1. LABEL
2. LABEL(SAFETY)
3. SUPPORT FRAME
4. BRACKET
5. BOOM
6. QUICK(UNIVERSAL
7. INDICATOR
8. CYLINDER
9. HYDRAULIC
10. PROTECTOR
11. STAND
12. BUCKET
13. MANUAL

OPTIONAL SECTION

14. OPTION(FRENCH)
15. MANUAL(SPAHISH)

Fig. No. Fig. Name

Fig.2. LABEL(SAFETY)

(A)=YL210
(B)=
(C)=

(D)=
(E)=
(F)=

No.	Lev.	Parts No.	Description	Q'ty						I	R
				(A)	(B)	(C)	(D)	(E)	(F)		
1	1	1TN328-01200	LABEL KIT, YL	1							
2	2	1TN328-01210	LABEL, DANGER ROLL	1							
3	2	1TN328-01220	LABEL, DANGER FALL	1							
4	2	1TN328-01310	LABEL, WARNING	1							
5	2	1TN328-01320	LABEL, WARNING SHOCK	1							
6	2	1TN328-01410	LABEL, CAUTION	1							
7	2	1TN331-01420	LABEL, WARNING QUICK	1							

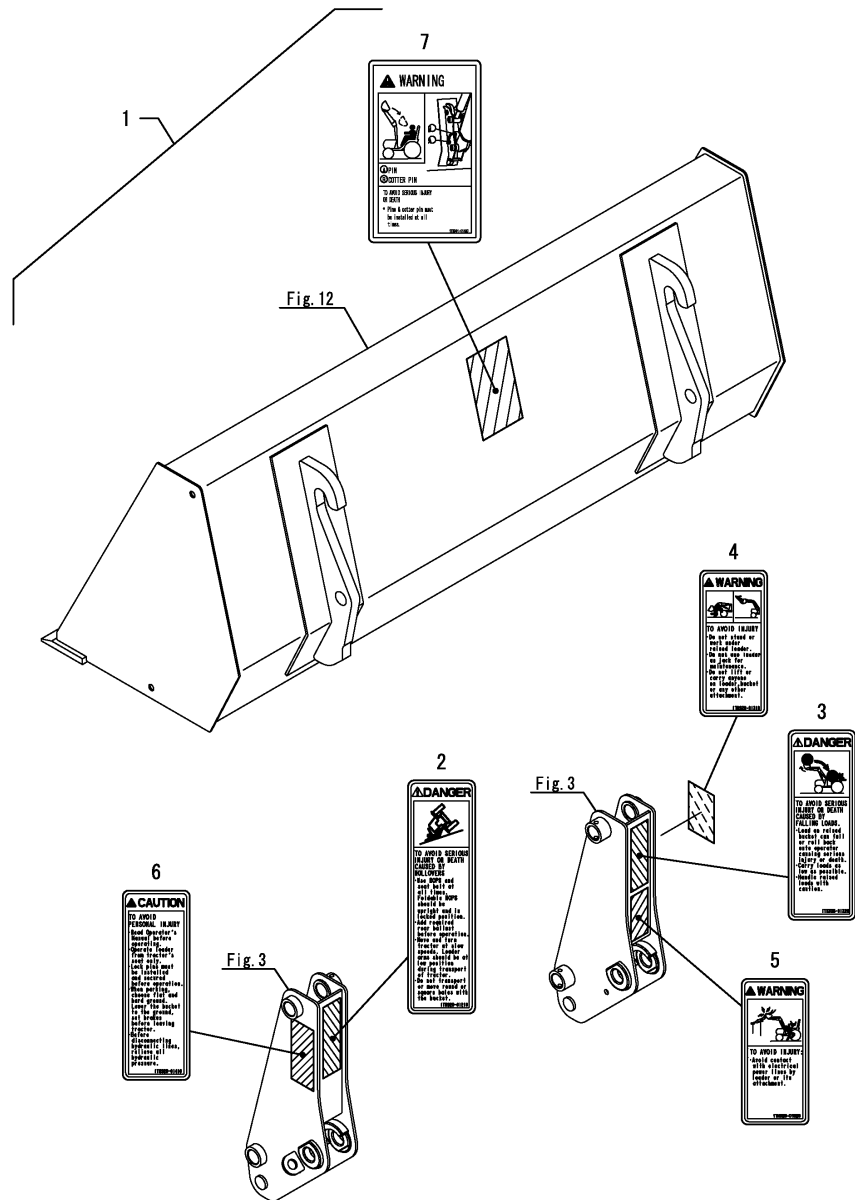
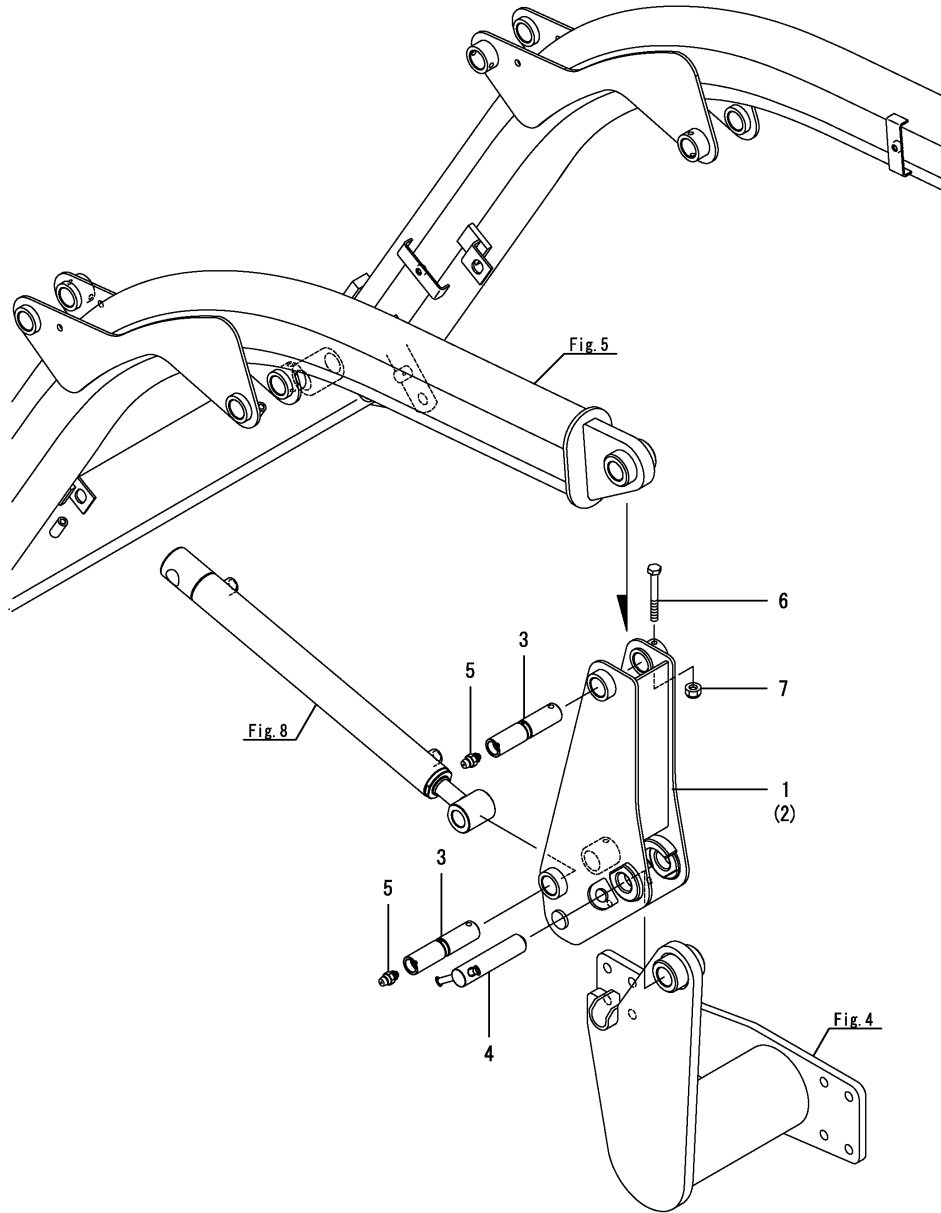


Fig.3. SUPPORT FRAME

(A)=YL210
(B)=
(C)=

(D)=
(E)=
(F)=

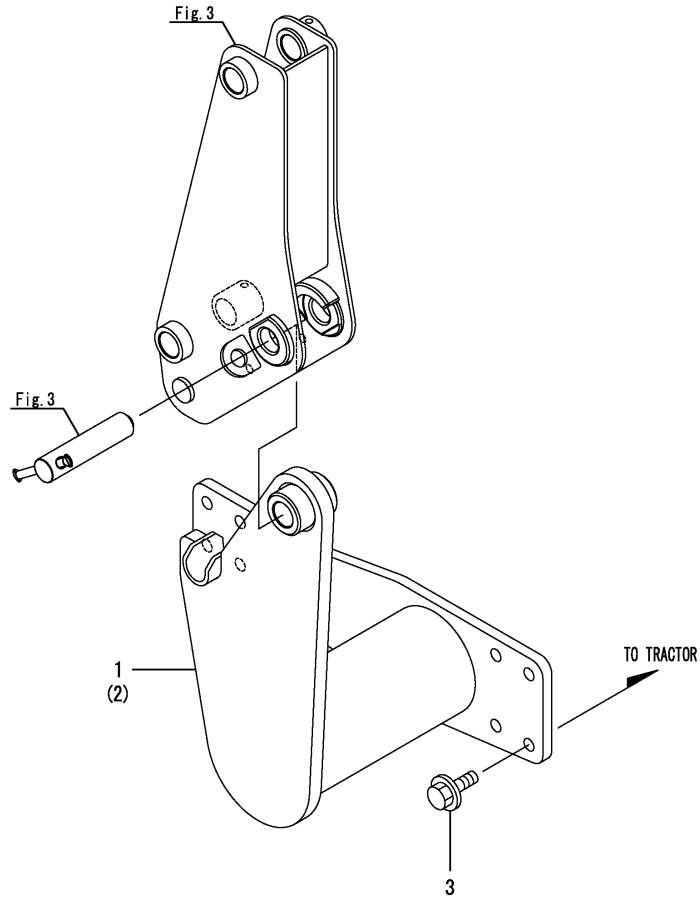


No.	Lev.	Parts No.	Description	Q'ty						I	R
				(A)	(B)	(C)	(D)	(E)	(F)		
1	1	1TN329-11010	SUPPORT ASSY, PL L	1							
2	1	1TN329-11020	SUPPORT ASSY, PL R	1							
3	1	1TN325-73110	1-115 PIN	4							
4	1	1TN331-73310	PIN ASSY, LOCK	2							
5	1	24761-010000	NIPPLE, GREASE M6F	4							
6	1	26116-060502	BOLT, M6X 50 PLATED	4							
7	1	26347-060002	NUT, M6	4							

Fig.4. BRACKET

(A)=YL210
(B)=
(C)=

(D)=
(E)=
(F)=

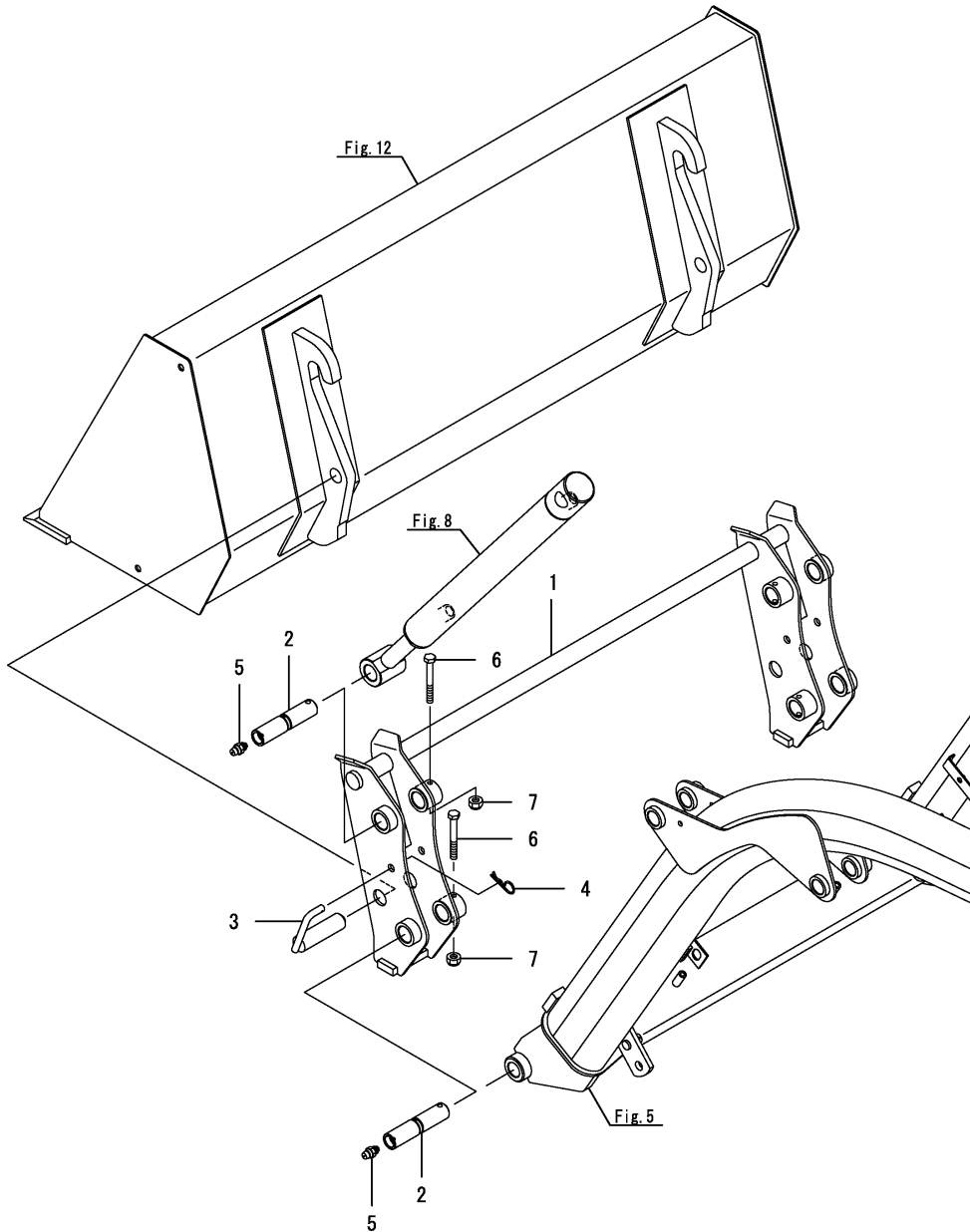


No.	Lev.	Parts No.	Description	Q'ty						I	R
				(A)	(B)	(C)	(D)	(E)	(F)		
1	1	1TN329-13100	BRACKET ASSY, L	1							
2	1	1TN329-13200	BRACKET ASSY, R	1							
3	1	198165-85970	BOLT, M12X35	16							

Fig.6. QUICK(UNIVERSAL)

(A)=YL210
(B)=
(C)=

(D)=
(E)=
(F)=



No.	Lev.	Parts No.	Description	Q'ty						I	R
				(A)	(B)	(C)	(D)	(E)	(F)		
1	1	1TN331-23100	HITCH ASSY, QUICK	1							
2	1	1TN325-73110	1-115 PIN	4							
3	1	1TN331-73350	PIN, HITCH	2							
4	1	1TN331-73510	PIN, R 10	2							
5	1	24761-010000	NIPPLE, GREASE M6F	4							
6	1	26116-060502	BOLT, M6X 50 PLATED	4							
7	1	26347-060002	NUT, M6	4							

Fig.7. INDICATOR

(A)=YL210
(B)=
(C)=

(D)=
(E)=
(F)=

No.	Lev.	Parts No.	Description	Qty						I	R
				(A)	(B)	(C)	(D)	(E)	(F)		
1	1	1TN329-33210	INDICATOR	1							
2	1	1TN328-33250	STAY, INDICATOR	1							
3	1	26106-080162	BOLT, M8X 16 PLATED	1							
4	1	26366-080002	NUT, M8	1							

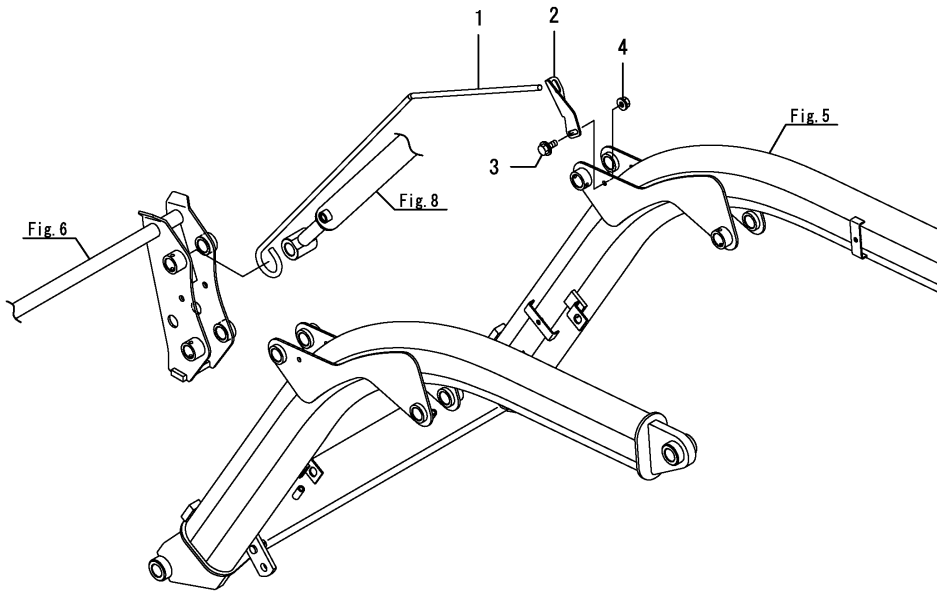
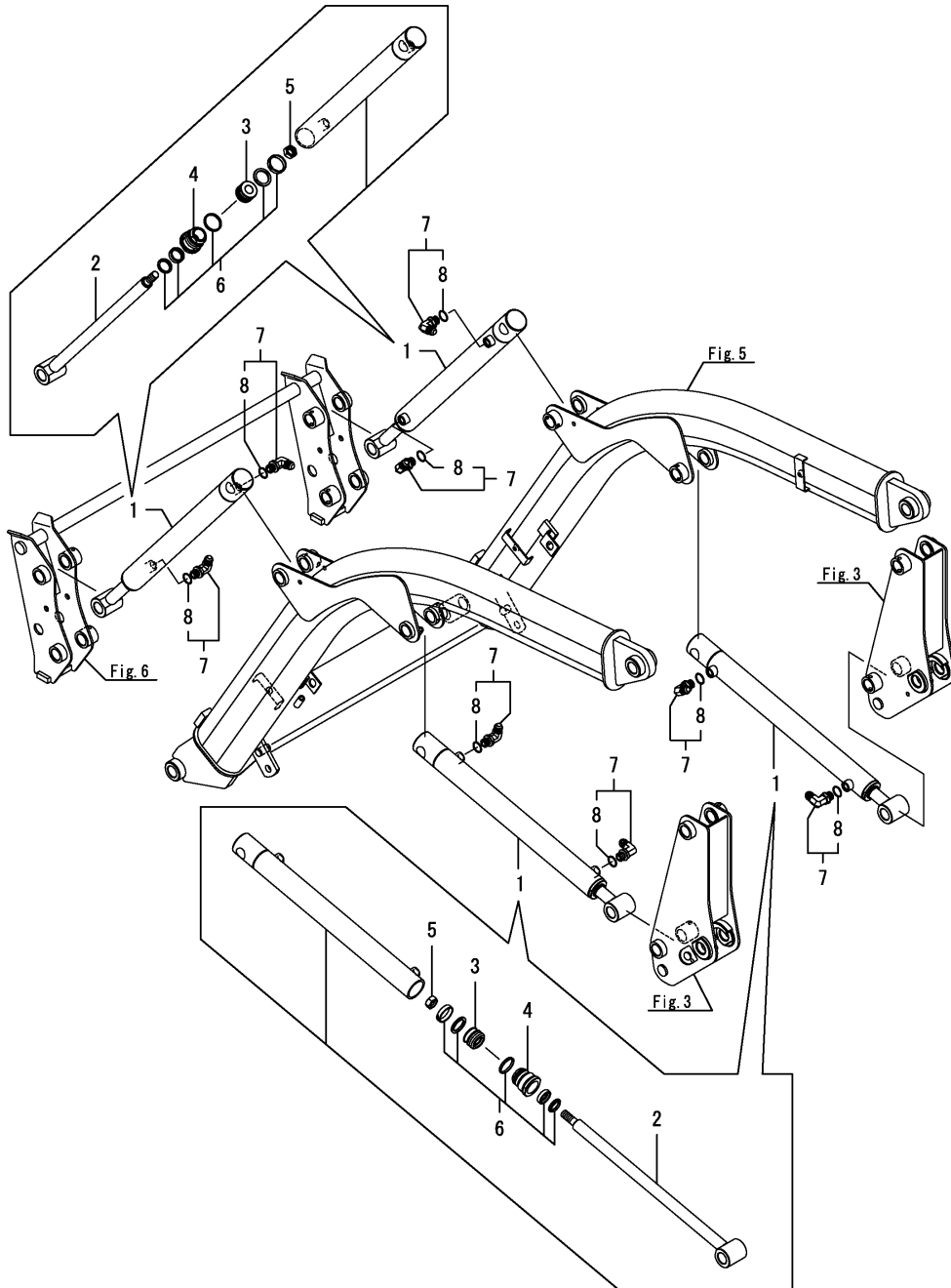


Fig.8. CYLINDER

(A)=YL210
(B)=
(C)=

(D)=
(E)=
(F)=



No.	Lev.	Parts No.	Description	Q'ty						
				(A)	(B)	(C)	(D)	(E)	(F)	
1	1	1TN325-38100	LIFT CYLINDER ASSY	4						
2	2	1TN325-38110	WELDED ROD CPL, LIFT	4						
3	2	1TN325-38310	PISTON	4						
4	2	1TN325-38330	HEAD	4						
5	2	1TN325-38340	SELF LOCKING NUT	4						
6	2	1TN325-38370	SEAL KIT	4						
7	1	1TN322-38910	JOINT,90SAE9/16-18			8				
8	2	1TN322-38930	PACKING, JOINT			8				

Fig.9. HYDRAULIC

(A)=YL210

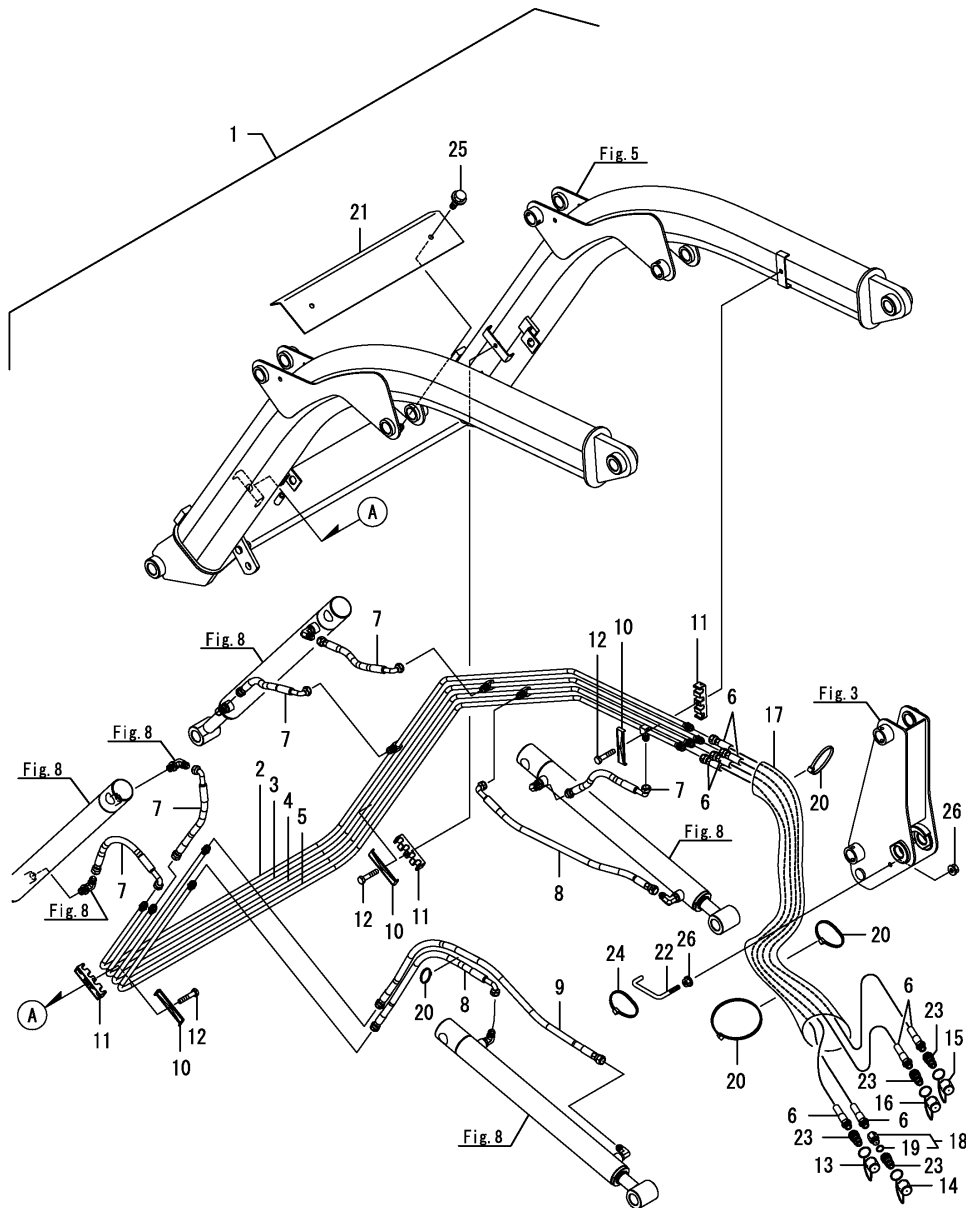
(B)=

(C)=

(D)=

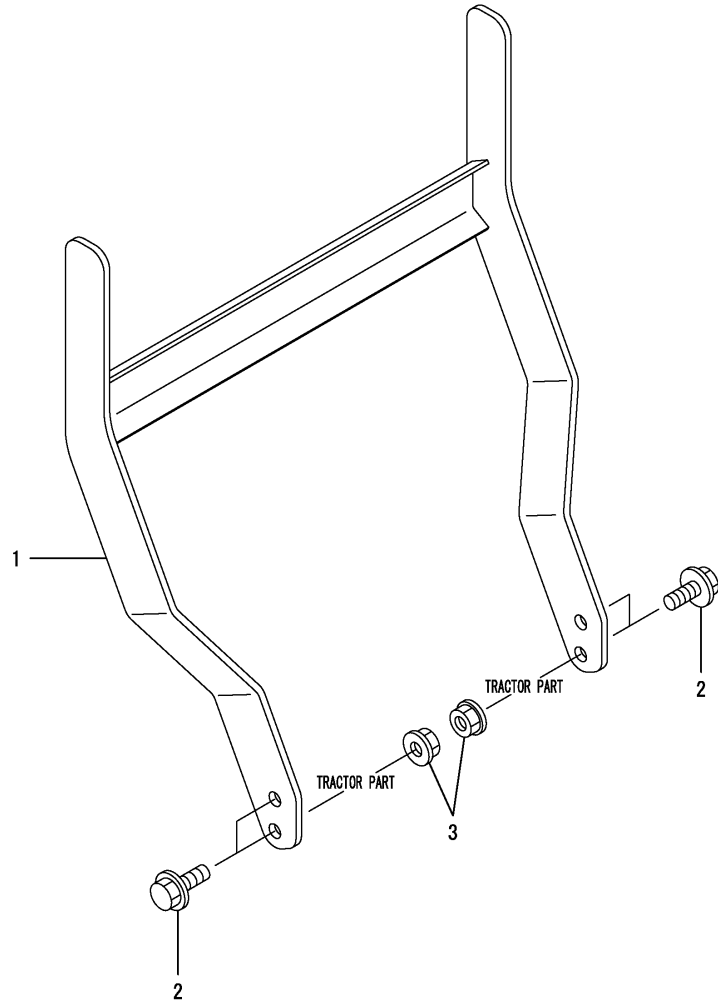
(E)=

(F)=



No.	Lev.	Parts No.	Description	Qty						I	R
				(A)	(B)	(C)	(D)	(E)	(F)		
1	1	1TN329-41100	PIPE ASSY	1							
2	2	1TN329-41110	PIPE ASSY, A	1							
3	2	1TN329-41120	PIPE ASSY, B	1							
4	2	1TN329-41130	PIPE ASSY, C	1							
5	2	1TN329-41140	PIPE ASSY, D	1							
6	2	1TN331-41310	HOSE, HP INTAKE	4							
7	2	1TN325-41410	HP HOSE A	5							
8	2	1TN325-41430	HP HOSE B	2							
9	2	1TN331-41450	HOSE, C	1							
10	2	1TN325-41550	COVER, CLAMP	3							
11	2	1TN325-41560	CLAMP, PIPE	3							
12	2	1TN325-41610	BOLT, 6X30	3							
13	2	1TN325-41750	DUST PLUG, RED M	1							
14	2	1TN325-41760	DUST PLUG, BLUE M	1							
15	2	1TN325-41770	DUST PLUG, YELLOW M	1							
16	2	1TN325-41780	DUST PLUG, GREEN M	1							
17	2	1TN331-41790	COVER, HOSE INTAKE	1							
18	2	1TN325-41970	ORIFICE ASSY, 1/8	1							
19	3	194850-49290	PACKING, 6-1	1							
20	2	1A8300-51210	BAND, REPEAT	4							
21	1	1TN331-41510	COVER, PIPE	1							
22	1	1TN325-41730	CLAMP, HOSE	1							
23	1	1TN325-41910	COUPLER, QUICK 1/4M	4							
24	1	1A8300-51210	BAND, REPEAT	1							
25	1	26106-080162	BOLT, M8X 16 PLATED	2							
26	1	26366-080002	NUT, M8	2							

Fig.10. PROTECTOR



(A)=YL210
(B)=
(C)=

(D)=
(E)=
(F)=

No.	Lev.	Parts No.	Description	Q'ty						I	R	
				(A)	(B)	(C)	(D)	(E)	(F)			
1	1	1TN328-51100	GUARD ASSY, GRILLE	1								
2	1	26106-120302	BOLT, M12X 30 PLATED	4								
3	1	26366-120002	NUT, M12	4								

Fig.11. STAND

(A)=YL210
(B)=
(C)=

(D)=
(E)=
(F)=

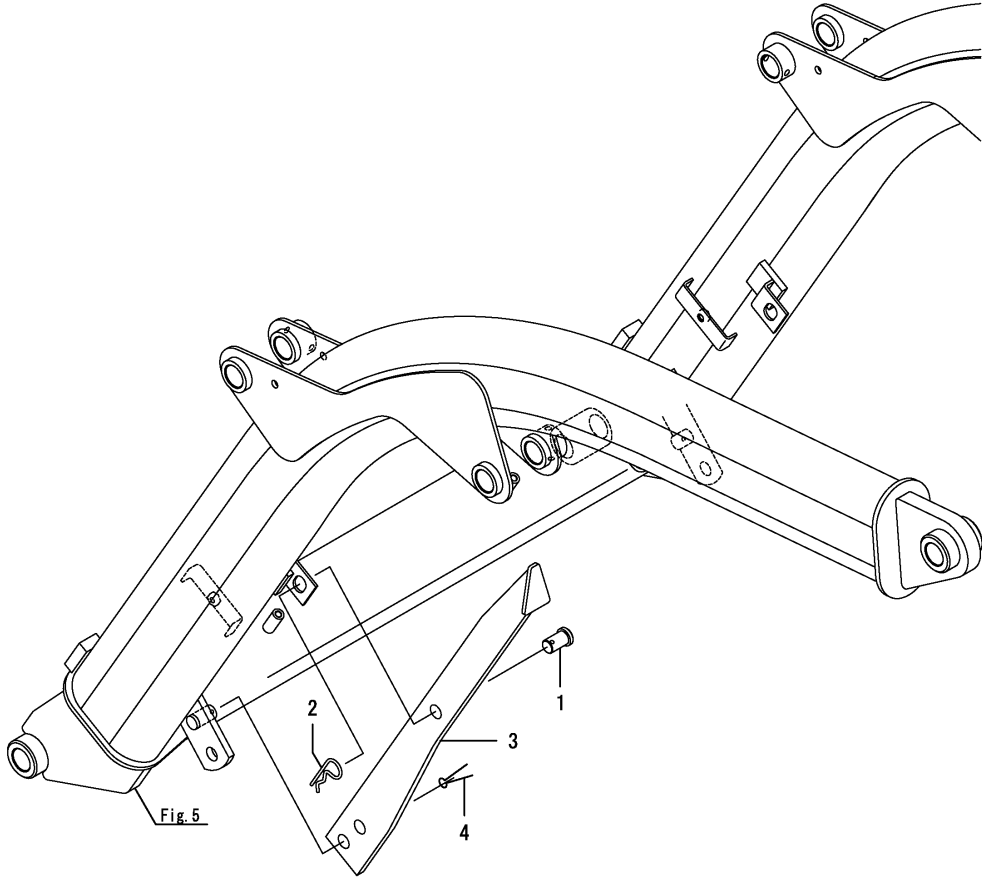


Fig. 5

No.	Lev.	Parts No.	Description	Q'ty						I	R
				(A)	(B)	(C)	(D)	(E)	(F)		
1	1	1TN329-71150	PIN, 16X25	2							
2	1	1TN322-71170	BETA PIN	2							
3	1	1TN329-71610	STAND ASSY	2							
4	1	22417-320320	PIN, COTTER 3.2X32	2							

Fig.12. BUCKET

(A)=YL210
(B)=
(C)=

(D)=
(E)=
(F)=

No.	Lev.	Parts No.	Description	Q'ty						I	R
				(A)	(B)	(C)	(D)	(E)	(F)		
1	1	1TN329-81100	BUCKET ASSY, PL	1							

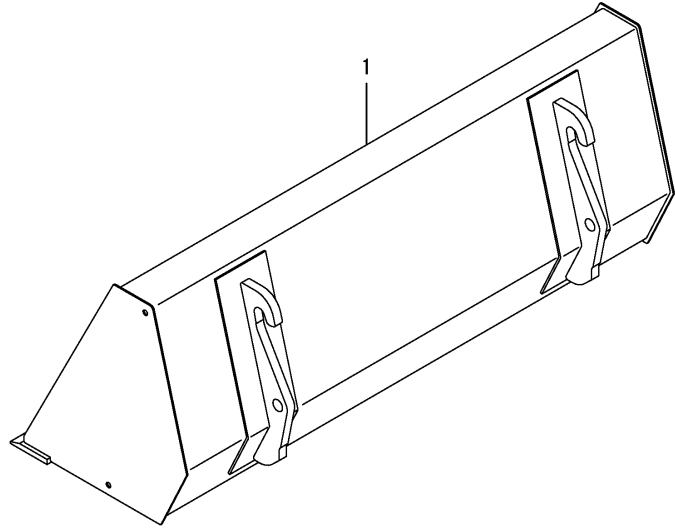
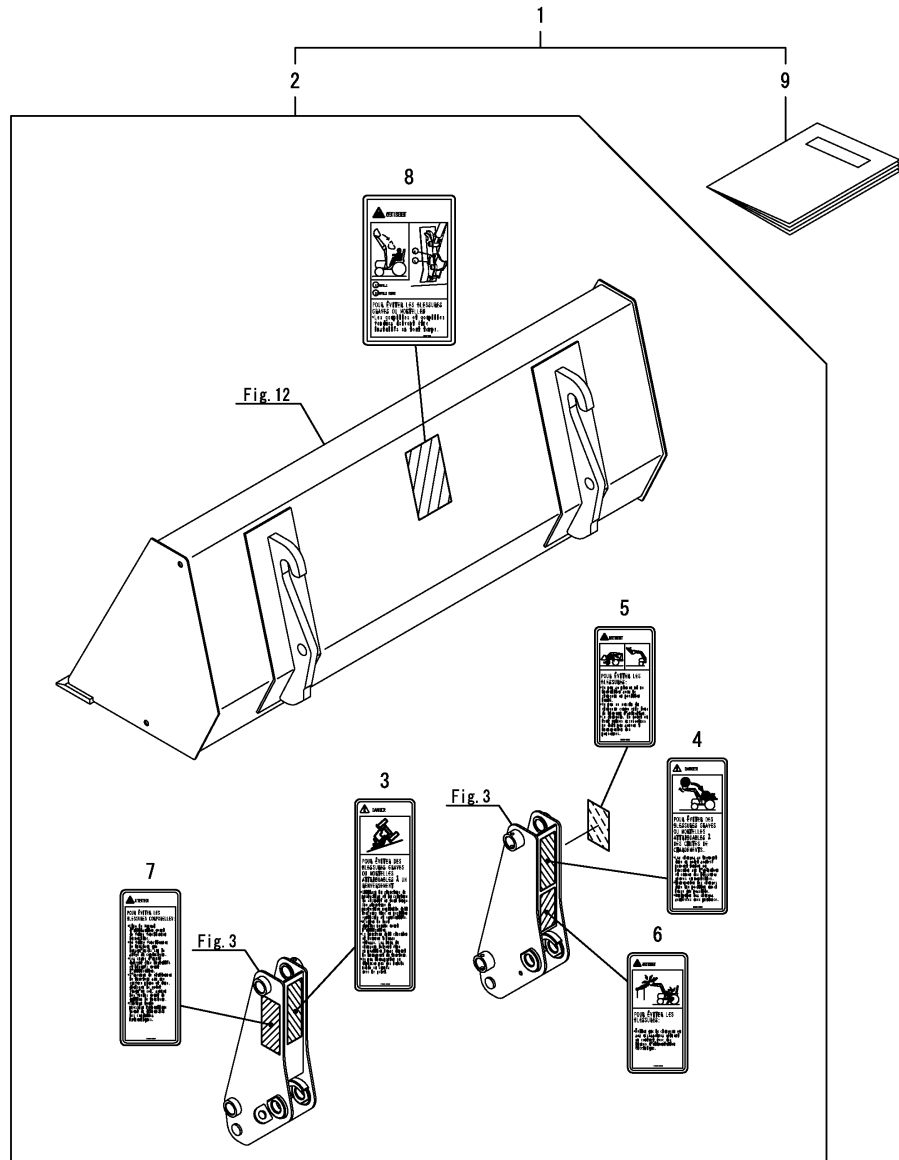


Fig.14. OPTION(FRENCH)



(A)=YL210
(B)=
(C)=

(D)=
(E)=
(F)=

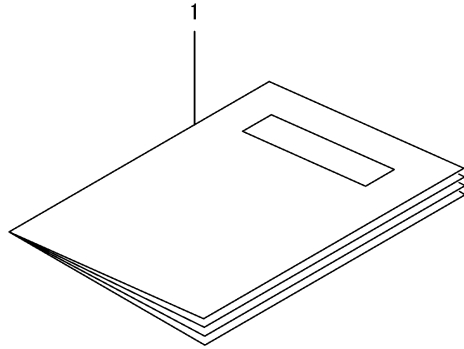
No.	Lev.	Parts No.	Description	Q'ty						I	R
				(A)	(B)	(C)	(D)	(E)	(F)		
1	1	1TN328-99200	OPTION KIT, FRENCH	1							
2	2	1TN331-01920	LABEL KIT, YL FR	1							
3	3	1TN331-01260	LABEL, DANGER ROLL	1							
4	3	1TN331-01270	LABEL, DANGER FALL	1							
5	3	1TN331-01360	LABEL, WARNING	1							
6	3	1TN331-01370	LABEL, WARNING SHOCK	1							
7	3	1TN331-01460	LABEL, CAUTION	1							
8	3	1TN331-01470	LABEL, WARNING QUICK	1							
9	2	0A052-F00900	OPERATION MANUAL	1							

Fig.15. MANUAL(SPANHISH)

(A)=YL210
(B)=
(C)=

(D)=
(E)=
(F)=

No.	Lev.	Parts No.	Description	Q'ty						I	R
				(A)	(B)	(C)	(D)	(E)	(F)		
1	1	0A052-ES0010	OPERATION MANUAL	1							



Parts No. Index

Parts No.	Fig. No.	Ref. No.
0A052-ES0010	15	1
0A052-F00900	14	9
0A052-U00900	13	1
194850-49290	9	19
198165-85970	4	3
1A8300-51210	9	20
		24
1TN322-01530	1	1
1TN322-38910	8	7
1TN322-38930	8	8
1TN322-71170	11	2
1TN325-38100	8	1
1TN325-38110	8	2
1TN325-38310	8	3
1TN325-38330	8	4
1TN325-38340	8	5
1TN325-38370	8	6
1TN325-41410	9	7
1TN325-41430	9	8
1TN325-41550	9	10
1TN325-41560	9	11
1TN325-41610	9	12
1TN325-41730	9	22
1TN325-41750	9	13
1TN325-41760	9	14
1TN325-41770	9	15
1TN325-41780	9	16
1TN325-41910	9	23
1TN325-41970	9	18
1TN325-73110	3	3
	5	2
	6	2
1TN328-01200	2	1
1TN328-01210	2	2
1TN328-01220	2	3
1TN328-01310	2	4
1TN328-01320	2	5
1TN328-01410	2	6
1TN328-33250	7	2
1TN328-51100	10	1
1TN328-99200	14	1
1TN329-01550	1	2
1TN329-11010	3	1
1TN329-11020	3	2
1TN329-13100	4	1
1TN329-13200	4	2
1TN329-21000	5	1
1TN329-33210	7	1
1TN329-41100	9	1
1TN329-41110	9	2

Parts No.	Fig. No.	Ref. No.
1TN329-41120	9	3
1TN329-41130	9	4
1TN329-41140	9	5
1TN329-71150	11	1
1TN329-71610	11	3
1TN329-81100	12	1
1TN331-01260	14	3
1TN331-01270	14	4
1TN331-01360	14	5
1TN331-01370	14	6
1TN331-01420	2	7
1TN331-01460	14	7
1TN331-01470	14	8
1TN331-01920	14	2
1TN331-23100	6	1
1TN331-41310	9	6
1TN331-41450	9	9
1TN331-41510	9	21
1TN331-41790	9	17
1TN331-73310	3	4
1TN331-73350	6	3
1TN331-73510	6	4
22417-320320	11	4
24761-010000	3	5
	5	3
	6	5
26106-080162	7	3
	9	25
26106-120302	10	2
26116-060502	3	6
	5	4
	6	6
26347-060002	3	7
	5	5
	6	7
26366-080002	7	4
	9	26
26366-120002	10	3

Parts No.	Fig. No.	Ref. No.
-----------	----------	----------

Parts No.	Fig. No.	Ref. No.
-----------	----------	----------