

0CNP5-M81300EN

Contents

OCNP5-M81300

Fig. No. Fig. Name

Fig. No. Fig. Name

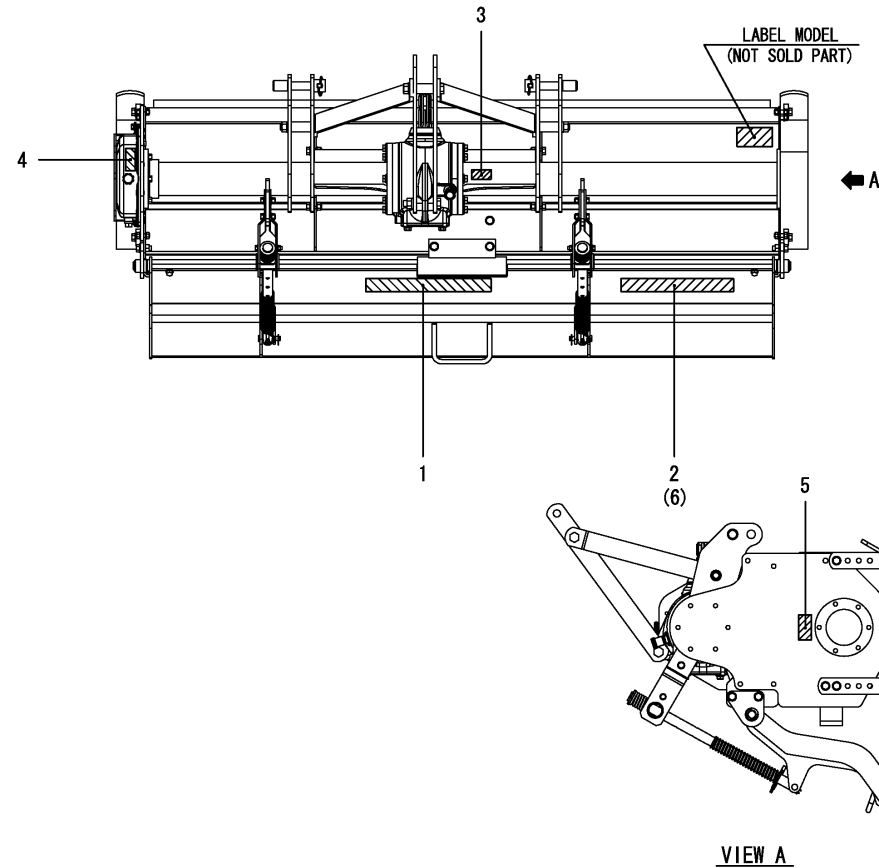
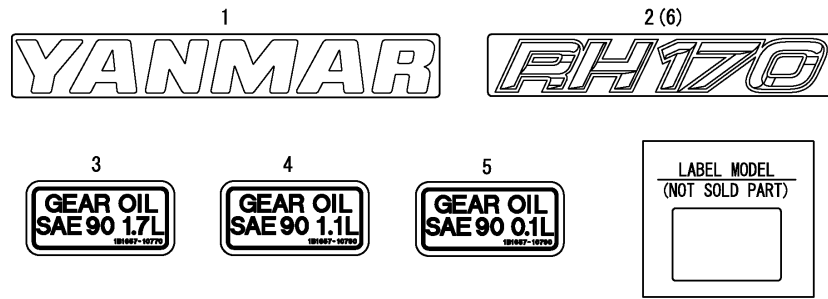
ROTARY

1. LABEL
2. LABEL(SAFETY)
3. DRIVE SHAFT
4. HOUSING
5. MAIN FRAME
6. DRIVE
7. CHAIN CASE
8. ROTOR SHAFT
9. ROTOR SHAFT CASE(RIGHT)
10. BLADE
11. UPPER ARM
12. SIDE SUPPORT
13. ROTARY COVER
14. REAR COVER
15. REAR COVER HANGER
16. SLED
17. MANUAL

Fig.1. LABEL

(A)=RH170(ID)
(B)=RH190(ID)
(C)=

(D)=
(E)=
(F)=

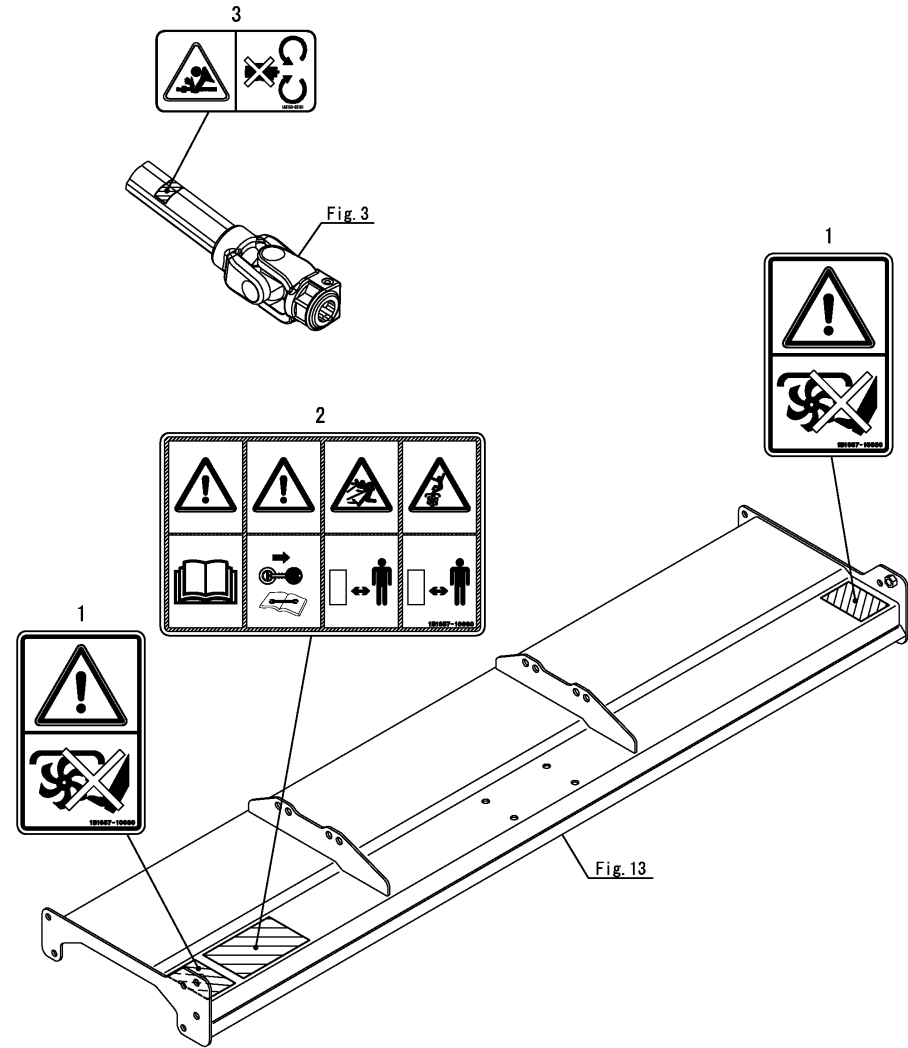


No.	Lev.	Parts No.	Description	Q'ty						I	R	
				(A)	(B)	(C)	(D)	(E)	(F)			
1	1	1B1657-10400	LABEL, YANMAR	1	1							
2	1	1B1657-10520	LABEL, NAME	1								
3	1	1B1657-10770	LABEL, OIL 1.7	1	1							
4	1	1B1657-10780	LABEL, OIL 1.1	1	1							
5	1	1B1657-10790	LABEL, OIL 0.1	1	1							
6	1	1B1659-10520	LABEL, NAME		1							

Fig.2. LABEL(SAFETY)

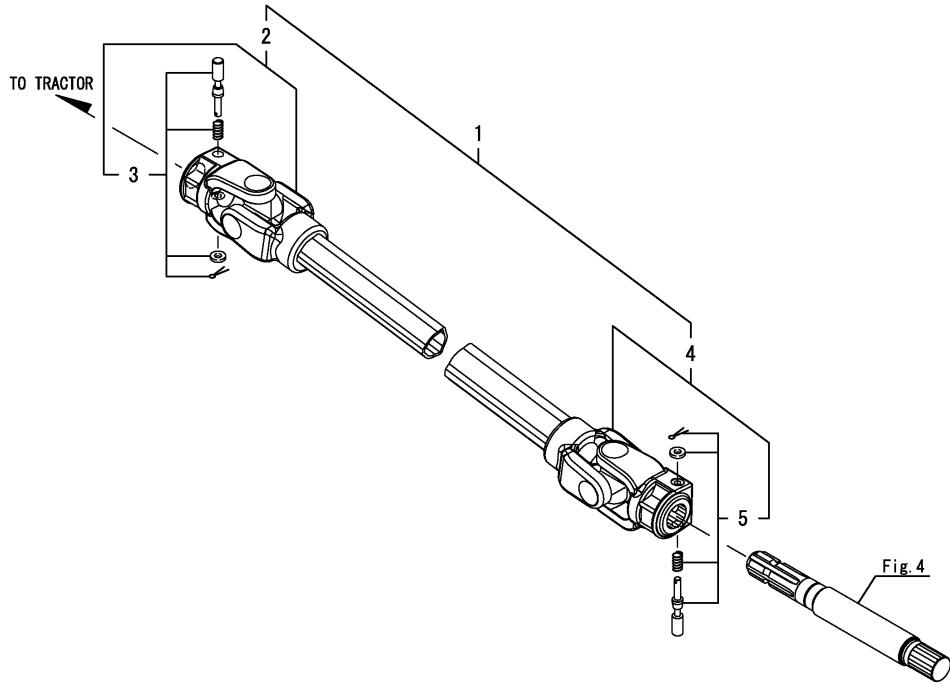
(A)=RH170(ID)
(B)=RH190(ID)
(C)=

(D)=
(E)=
(F)=



No.	Lev.	Parts No.	Description	Q'ty						I	R
				(A)	(B)	(C)	(D)	(E)	(F)		
1	1	1B1657-10630	LABEL, WARNING ROTAR	2	2						
2	1	1B1657-10660	LABEL, CAUTION	1	1						
3	1	1A6150-93151	LABEL,COVER	1	1						

Fig.3. DRIVE SHAFT



(A)=RH170(ID)
(B)=RH190(ID)
(C)=

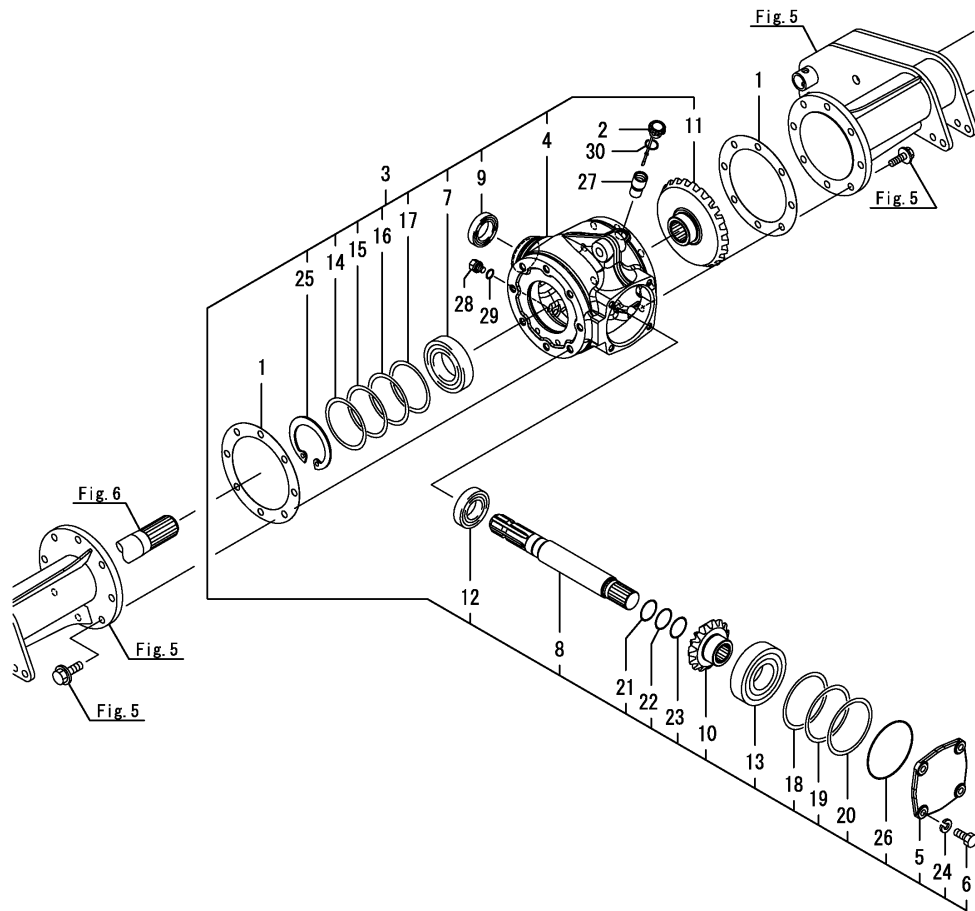
(D)=
(E)=
(F)=

No.	Lev.	Parts No.	Description	Q'ty						I	R
				(A)	(B)	(C)	(D)	(E)	(F)		
1	1	1B1657-11301	SHAFT ASSY, DRIVE	1	1						
2	2	1B1657-11320	SHAFT ASSY, INNER	1	1						
3	3	1B1657-11500	PIN KIT, LOCK	1	1						
4	2	1B1657-11330	SHAFT ASSY, OUTER	1	1						
5	3	1B1657-11500	PIN KIT, LOCK	1	1						

Fig.4. HOUSING

(A)=RH170(ID)
 (B)=RH190(ID)
 (C)=

(D)=
 (E)=
 (F)=

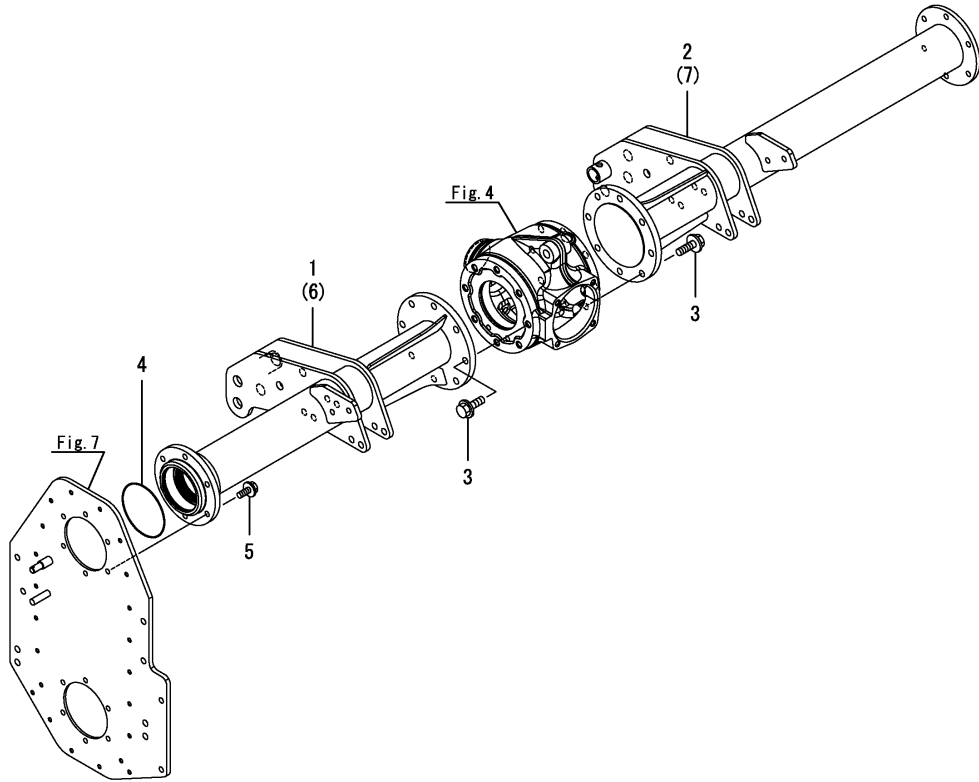


No.	Lev.	Parts No.	Description	Q'ty						I	R
				(A)	(B)	(C)	(D)	(E)	(F)		
1	1	1B1657-13120	GASKET, GEAR BOX	2	2						
2	1	195450-13171	PLUG, OIL	1	1						
3	1	1B1657-14100	GEARBOX ASSY	1	1						
4	2	1B1657-13110	HOUSING, GEAR	1	1						
5	2	1B1657-13150	COVER, GEAR BOX	1	1						
6	2	1B1657-13160	BOLT,M10X25	4	4						
7	2	1A8296-13960	BEARING, 6211	1	1						
8	2	1B1657-14110	PINION, SHAFT	1	1						
9	2	1B1657-14120	SEAL, TC356212	1	1						
10	2	1B1657-14130	GEAR, BEVEL 14	1	1						
11	2	1B1657-14150	GEAR, BEVEL 27	1	1						
12	2	1B1657-14160	BEARING, 6207	1	1						
13	2	1B1657-14170	BEARING, 6310	1	1						
14	2	1B1657-14260	SHIM, 0.5	1	1						
15	2	1B1657-14270	SHIM, 0.3	1	1						
16	2	1B1657-14280	SHIM, 0.2	1	1						
17	2	1B1657-14290	SHIM, 1.0	1	1						
18	2	1B1657-14310	SHIM, 0.2 D110	1	1						
19	2	1B1657-14320	SHIM, 0.3 D110	1	1						
20	2	1B1657-14330	SHIM, 0.5 D110	1	1						
21	2	1B1657-14360	SHIM, 0.2 D40	1	1						
22	2	1B1657-14370	SHIM, 0.3 D40	1	1						
23	2	1B1657-14380	SHIM, 0.5 D40	1	1						
24	2	22217-100000	WASHER, SPRING 10	4	4						
25	2	22252-001000	RING, 100	1	1						
26	2	24321-001100	O-RING, 1AG110.0	1	1						
27	1	195505-15250	PIPE, OIL 45	1	1						
28	1	23491-100002	PLUG, 10	1	1						
29	1	24311-000120	O-RING, 1AP12.0	1	1						
30	1	24341-000180	O-RING, 1AS18.0	1	1						

Fig.5. MAIN FRAME

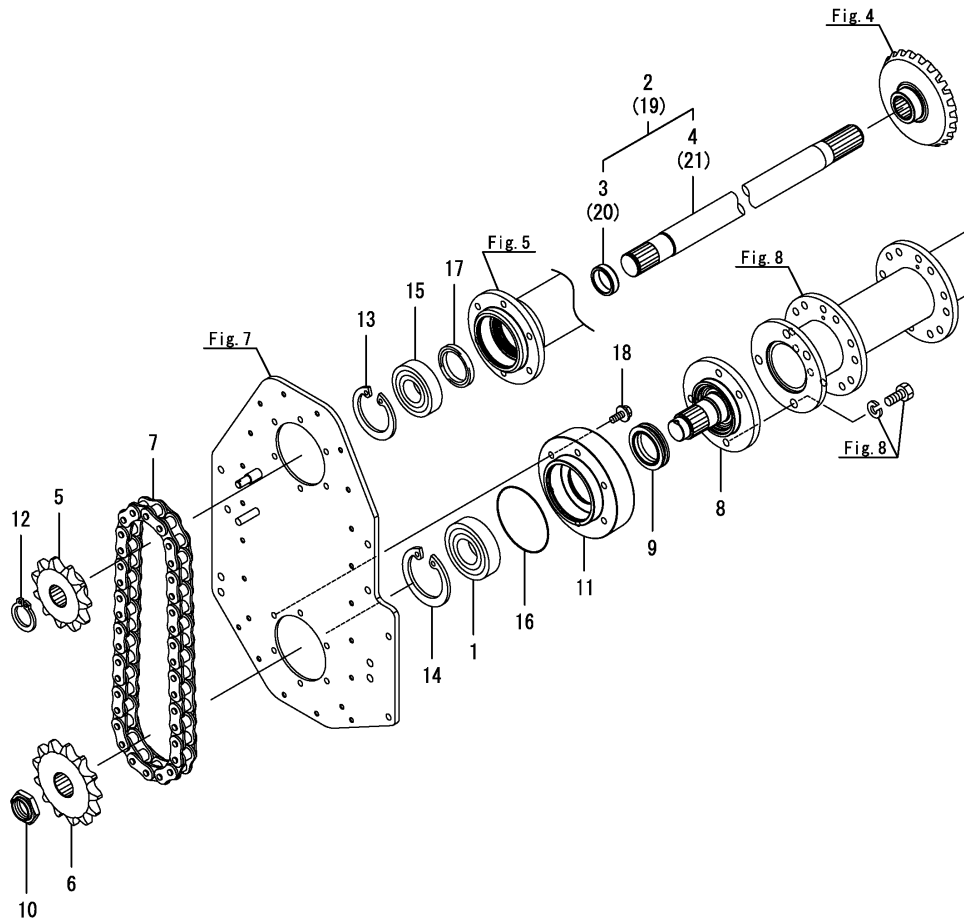
(A)=RH170(ID)
(B)=RH190(ID)
(C)=

(D)=
(E)=
(F)=



No.	Lev.	Parts No.	Description	Q'ty						I	R
				(A)	(B)	(C)	(D)	(E)	(F)		
1	1	1B1657-13400	FRAME ASSY, MAIN L	1							
2	1	1B1657-13600	FRAME ASSY, MAIN R	1							
3	1	198133-13780	BOLT, M12X30	16	16						
3-1	1	1A6770-85920 (A=*2013.12) (B=*2013.12)	BOLT, M12X30	16	16						N
4	1	24321-001100	O-RING, 1AG110.0	1	1						
5	1	26106-100252	BOLT, M10X 25 PLATED	6	6						
6	1	1B1659-13400	FRAME ASSY, MAIN L								
7	1	1B1659-13600	FRAME ASSY, MAIN R								

Fig.6. DRIVE



(A)=RH170(ID)
 (B)=RH190(ID)
 (C)=

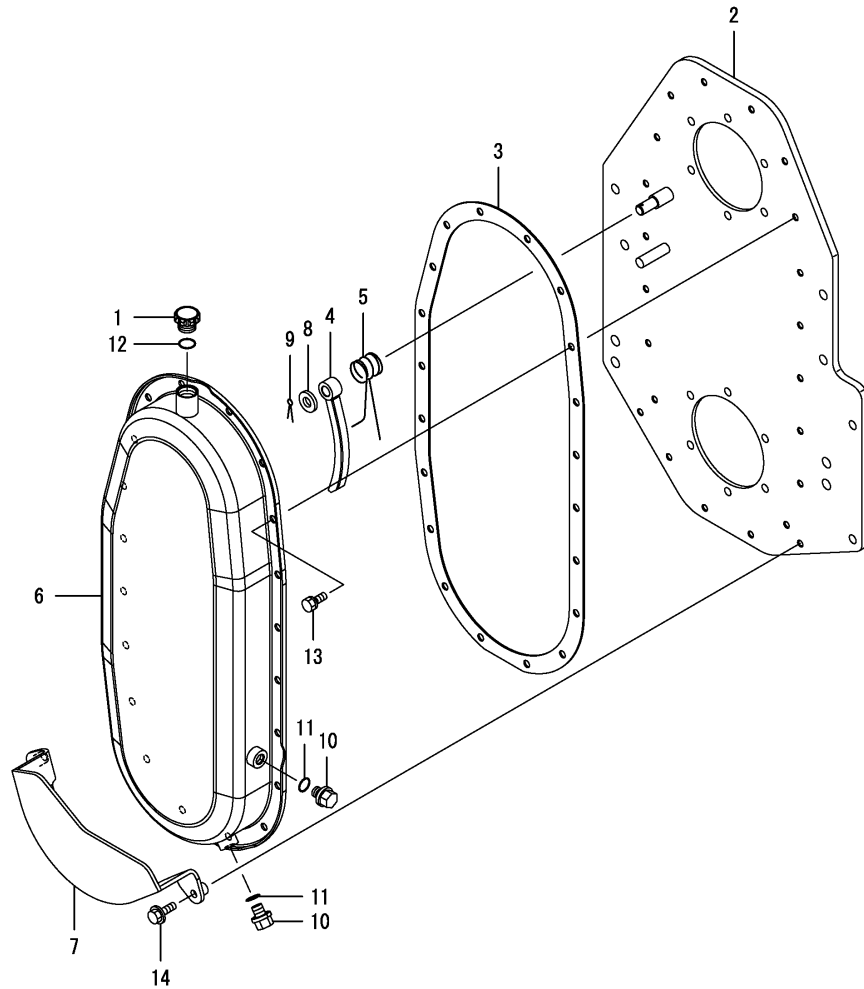
(D)=
 (E)=
 (F)=

No.	Lev.	Parts No.	Description	Q'ty						I	R
				(A)	(B)	(C)	(D)	(E)	(F)		
1	1	105400-02300	BEARING, 6309G3C3	1	1						
2	1	1B1657-14200	SHAFT ASSY, DRIVEN	1							
3	2	1B1657-14190	COLLAR, DRIVEN SHAFT	1							
4	2	1B1657-14210	SHAFT, DRIVEN	1							
5	1	1B1657-14701	SPROCKET, 11	1	1						
6	1	1B1657-14711	SPROCKET, 13	1	1						
7	1	1B1659-14730	CHAIN,SUP 100X36L	1	1						
8	1	1B1657-14810	SHAFT, FINAL	1	1						
9	1	1B1657-14840	SEAL, FLOATING	1	1						
10	1	1B1657-14850	NUT, M36R	1	1						
11	1	1B1657-15120	CASE, FINAL	1	1						
12	1	22242-000400	RING, 40	1	1						
13	1	22252-000900	RING, 90	1	1						
14	1	22252-001000	RING, 100	1	1						
15	1	24104-063084	BEARING, BALL 6308UU	1	1						
16	1	24321-001150	O-RING, 1AG115.0	1	1						
17	1	24411-507209	OIL SEAL SC50729	1	1						
18	1	26106-100252	BOLT, M10X 25 PLATED	6	6						
19	1	1B1659-14200	SHAFT ASSY, DRIVEN		1						
20	2	1B1657-14190	COLLAR, DRIVEN SHAFT		1						
21	2	1B1659-14210	SHAFT, DRIVEN		1						

Fig.7. CHAIN CASE

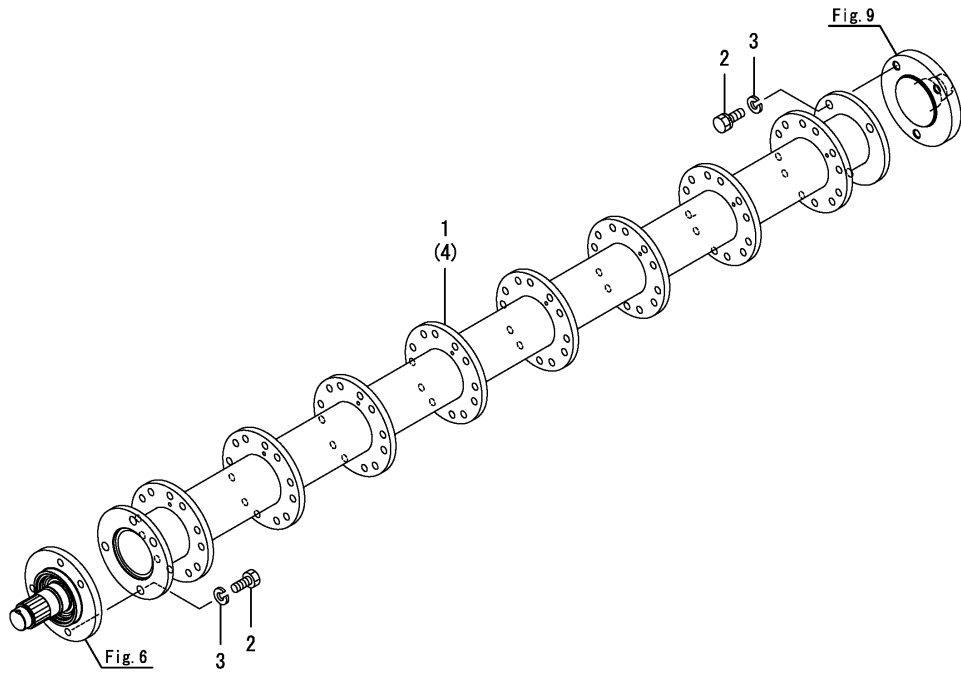
(A)=RH170(ID)
(B)=RH190(ID)
(C)=

(D)=
(E)=
(F)=



No.	Lev.	Parts No.	Description	Q'ty						I	R
				(A)	(B)	(C)	(D)	(E)	(F)		
1	1	195230-12190	PLUG, OIL	1	1						
2	1	1B1657-15100	PLATE ASSY, CHAIN	1	1						
3	1	1B1657-15180	GASKET,CH COVER	1	1						
4	1	1B1657-15210	TENSIONER ASSY	1	1						
5	1	1B1657-15280	SPRING, TENSION	1	1						
6	1	1B1657-15300	COVER ASSY, CHAIN	1	1						
7	1	1B1657-15700	PROTECTOR ASSY	1	1						
8	1	22137-120000	WASHER, 12	1	1						
9	1	22411-320250	COTTER PIN 3.2X25	1	1						
10	1	23491-120002	PLUG, 12	2	2						
11	1	24311-000140	O-RING, 1AP14.0	2	2						
12	1	24341-000180	O-RING, 1AS18.0	1	1						
13	1	26013-080162	BOLT, M8X 16	20	20						
14	1	26106-080252	BOLT, M8X 25 PLATED	2	2						

Fig.8. ROTOR SHAFT



(A)=RH170(ID)
(B)=RH190(ID)
(C)=

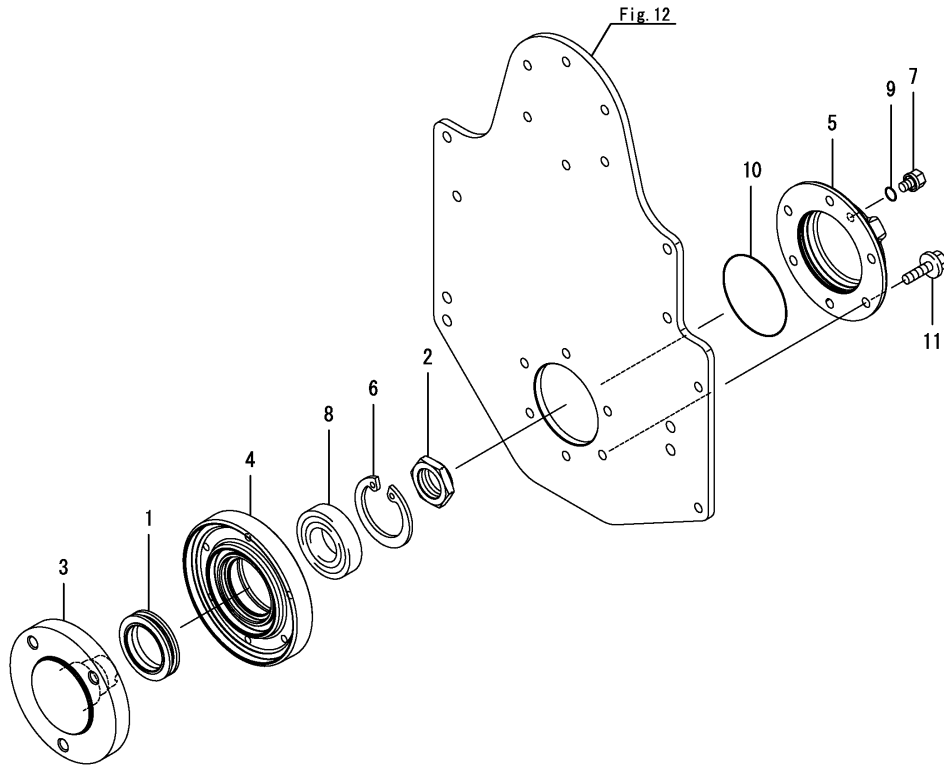
(D)=
(E)=
(F)=

No.	Lev.	Parts No.	Description	Qty						I	R
				(A)	(B)	(C)	(D)	(E)	(F)		
1	1	1B1657-17100	SHAFT ASSY, ROTOR	1							
2	1	1E6A10-73420	BOLT, 14X30 10.9	7	7						
3	1	22217-140000	WASHER, SPRING 14	7	7						
4	1	1B1659-17100	SHAFT ASSY, ROTOR			1					

Fig.9. ROTOR SHAFT CASE(RIGHT)

(A)=RH170(ID)
 (B)=RH190(ID)
 (C)=

(D)=
 (E)=
 (F)=



No.	Lev.	Parts No.	Description	Q'ty						I	R
				(A)	(B)	(C)	(D)	(E)	(F)		
1	1	1B1657-14840	SEAL, FLOATING	1	1						
2	1	1B1657-14860	NUT, M36L	1	1						
3	1	1B1657-17510	SHAFT, END	1	1						
4	1	1B1657-19750	CASE, BEARING R	1	1						
5	1	1B1657-19820	PROTECTOR, R	1	1						
6	1	22252-000800	RING, 80	1	1						
7	1	23491-100002	PLUG, 10	1	1						
8	1	24101-062084	BEARING, BALL 6208	1	1						
9	1	24311-000120	O-RING, 1AP12.0	1	1						
10	1	24321-000950	O-RING, 1AG95.0	1	1						
11	1	26106-100302	BOLT, M10X 30 PLATED	6	6						

Fig.10. BLADE

(A)=RH170(ID)
 (B)=RH190(ID)
 (C)=

(D)=
 (E)=
 (F)=

No.	Lev.	Parts No.	Description	Q'ty						I	R
				(A)	(B)	(C)	(D)	(E)	(F)		
1	1	1B1657-18110	BLADE ASSY, 48	1							
2	2	1B1657-18560	ROTARY-BLADE, L	24							
3	2	1B1657-18570	ROTARY-BLADE, R	24							
4	1	1B1617-18880	BOLT, M12X35	96	108						
5	1	22217-120000	WASHER, SPRING 12	96	108						
6	1	26606-120002	NUT, M12	96	108						
7	1	1B1659-18110	BLADE ASSY, 54							1	
8	2	1B1657-18560	ROTARY-BLADE, L							27	
9	2	1B1657-18570	ROTARY-BLADE, R							27	

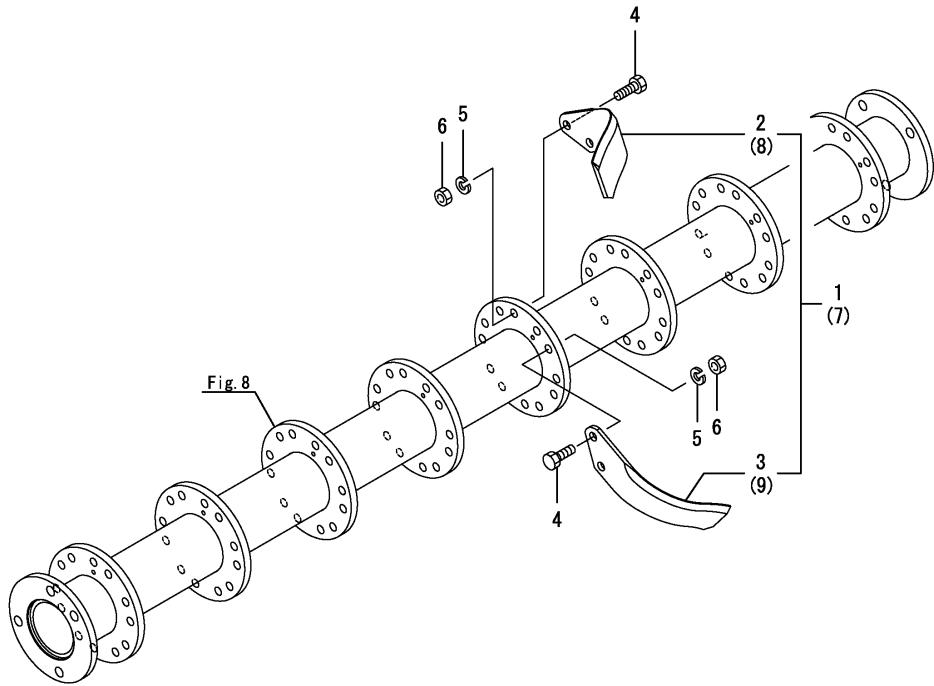


Fig.11. UPPER ARM

(A)=RH170(ID)
 (B)=RH190(ID)
 (C)=

(D)=
 (E)=
 (F)=

No.	Lev.	Parts No.	Description	Q'ty						I	R
				(A)	(B)	(C)	(D)	(E)	(F)		
1	1	1B1657-19110	MAST	2	2						
2	1	1B1657-19130	PIPE	1	1						
3	1	1B1657-19310	PIN, LOWER LINK	2	2						
4	1	1B1657-19510	STAY, ARM	2	2						
5	1	1B1657-19520	PIPE	2	2						
6	1	194130-71410	PIN ASSY, BALL	2	2						
7	1	22217-160000	WASHER, SPRING 16	4	4						
8	1	26116-160902	BOLT M16X 90 PLATED	1	1						
9	1	26116-161002	BOLT, M16X100 PLATED	3	3						
10	1	26716-160002	NUT, M16	4	4						

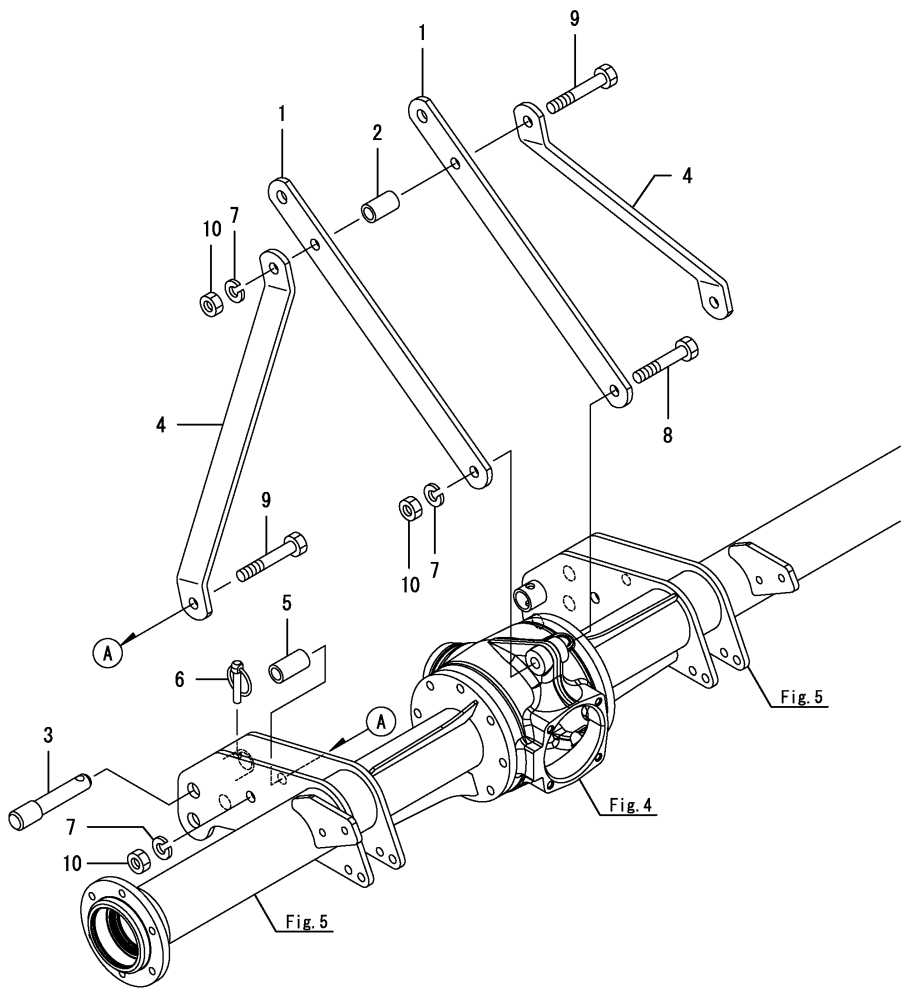


Fig.12. SIDE SUPPORT

(A)=RH170(ID)
(B)=RH190(ID)
(C)=

(D)=
(E)=
(F)=

No.	Lev.	Parts No.	Description	Q'ty						I	R
				(A)	(B)	(C)	(D)	(E)	(F)		
1	1	1B1657-19710	SUPPORT, SIDE	1	1						
2	1	22217-100000	WASHER, SPRING 10	6	6						
3	1	26106-100302	BOLT, M10X 30 PLATED	6	6						
4	1	26716-100002	NUT, M10	6	6						

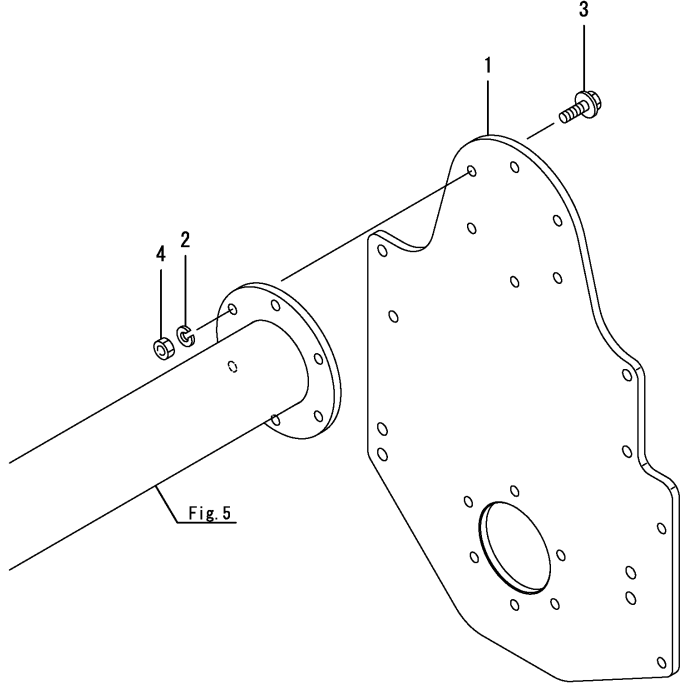
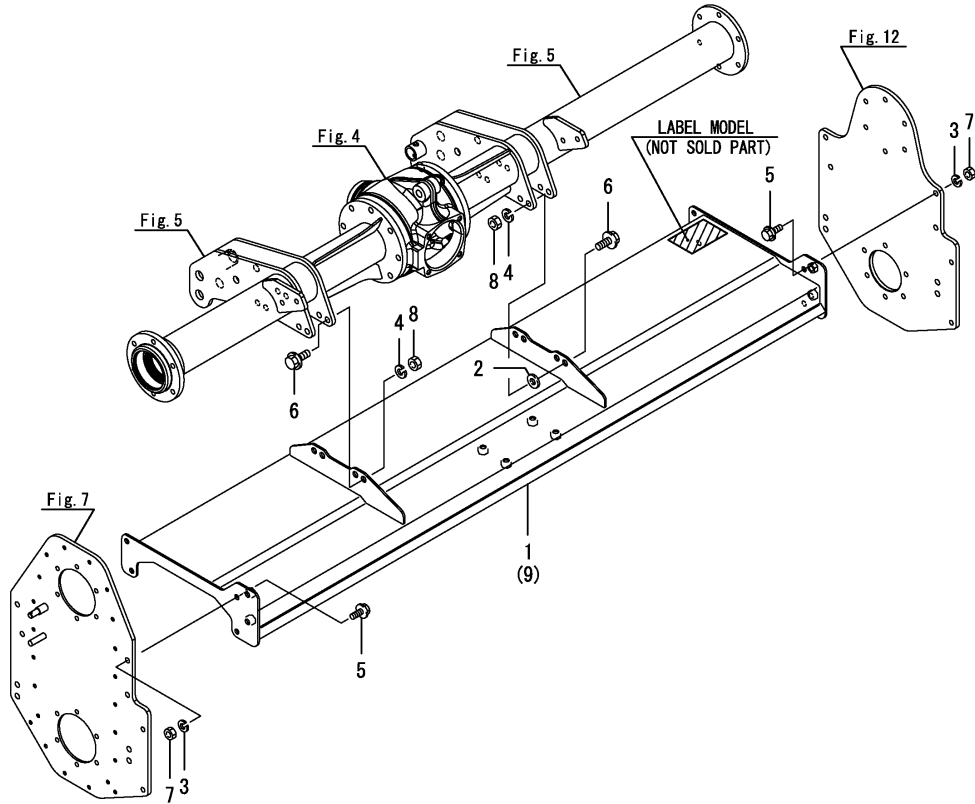


Fig.13. ROTARY COVER

(A)=RH170(ID)
(B)=RH190(ID)
(C)=

(D)=
(E)=
(F)=

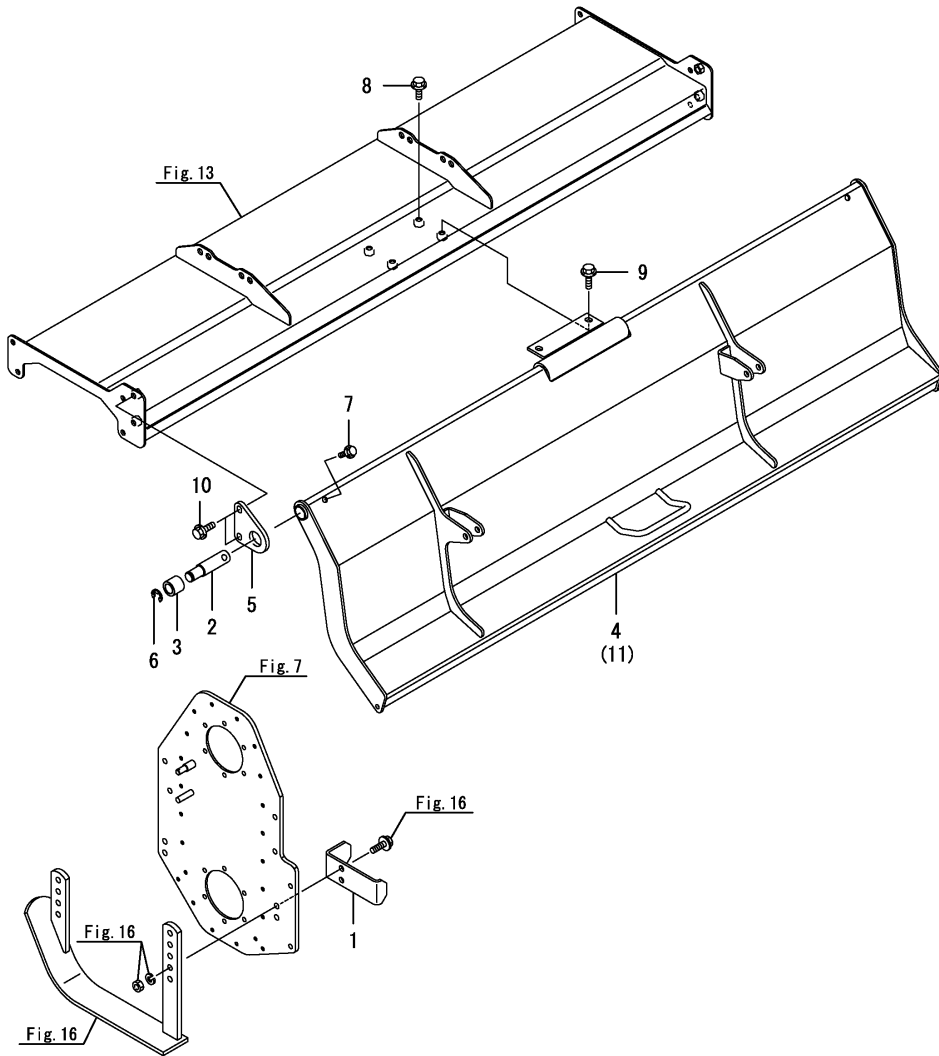


No.	Lev.	Parts No.	Description	Q'ty						I	R
				(A)	(B)	(C)	(D)	(E)	(F)		
1	1	1B1657-20051	MASSY, COVER ROTARY	1							
2	1	22137-120000	WASHER, 12	2	2						
3	1	22217-100000	WASHER, SPRING 10	8	8						
4	1	22217-120000	WASHER, SPRING 12	4	4						
5	1	26106-100252	BOLT, M10X 25 PLATED	8	8						
6	1	26106-120302	BOLT, M12X 30 PLATED	4	4						
7	1	26716-100002	NUT, M10	8	8						
8	1	26716-120002	NUT, M12	4	4						
9	1	1B1659-20051	MASSY, COVER ROTARY								1

Fig.14. REAR COVER

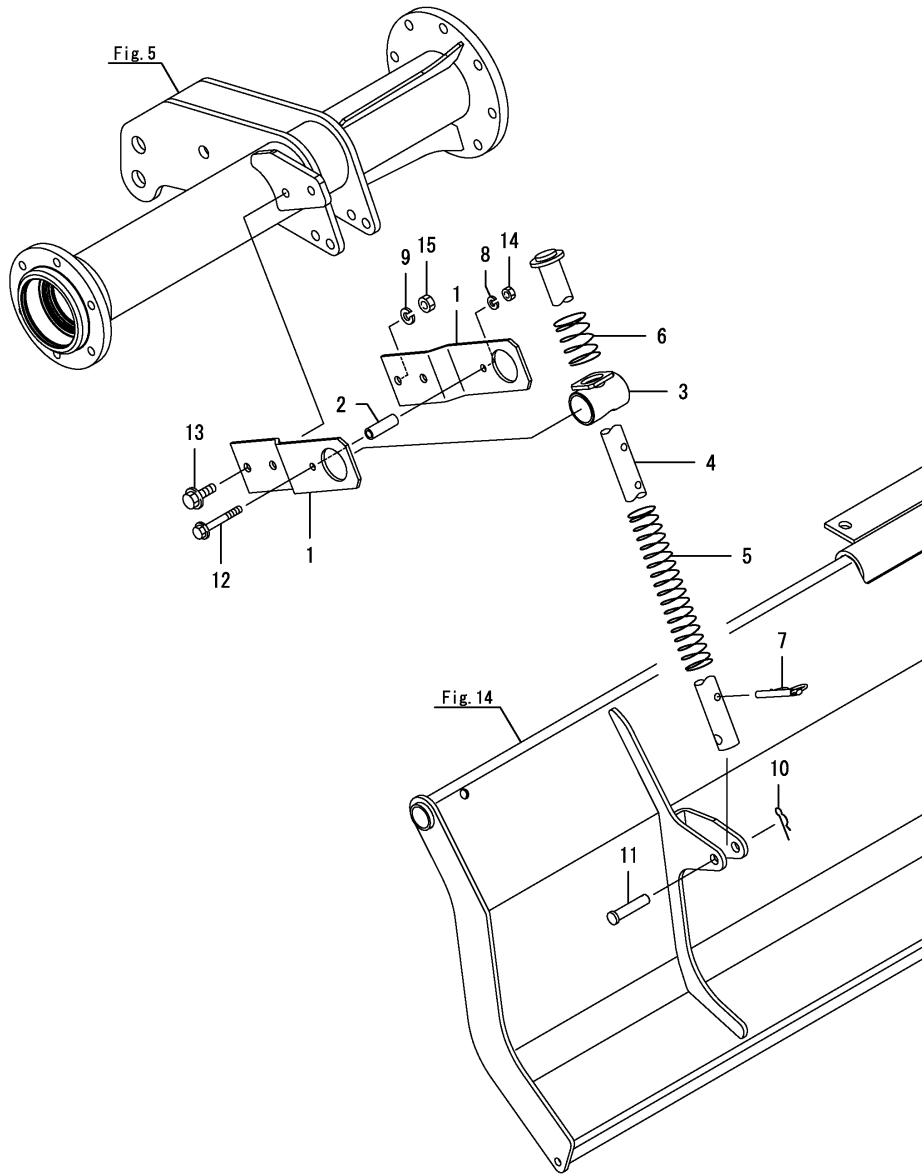
(A)=RH170(ID)
 (B)=RH190(ID)
 (C)=

(D)=
 (E)=
 (F)=



No.	Lev.	Parts No.	Description	Qty						I	R
				(A)	(B)	(C)	(D)	(E)	(F)		
1	1	1B1657-20810	STOPPER ASSY, COVER	2	2						
2	1	1B1657-21350	PIN, HINGE	2	2						
3	1	1B1657-21360	COLLAR	2	2						
4	1	1B1657-41100	COVER ASSY, REAR	1							
5	1	1B1657-41720	GUIDE	2	2						
6	1	22273-000150	RING, 15	2	2						
7	1	26106-100302	BOLT, M10X 30 PLATED	2	2						
8	1	26106-120162	BOLT, M12X 16 PLATED	2	2						
9	1	26106-120202	BOLT, M12X 20 PLATED	2	2						
10	1	26106-120302	BOLT, M12X 30 PLATED	4	4						
11	1	1B1659-41100	COVER ASSY, REAR		1						

Fig.15. REAR COVER HANGER



(A)=RH170(ID)
(B)=RH190(ID)
(C)=

(D)=
(E)=
(F)=

No.	Lev.	Parts No.	Description	Q'ty						I	R
				(A)	(B)	(C)	(D)	(E)	(F)		
1	1	1B1657-22510	STAY	4	4						
2	1	1B1657-22540	PIPE	2	2						
3	1	1B1657-22630	SUPPORT ASSY	2	2						
4	1	1B1657-22700	ROD ASSY, HANGER	2	2						
5	1	1B1657-22750	SPRING, L	2	2						
6	1	1B1657-22760	SPRING, S	2	2						
7	1	1B1657-22800	PIN ASSY,SNAP	2	2						
8	1	22217-080000	WASHER, SPRING 8	2	2						
9	1	22217-100000	WASHER, SPRING 10	4	4						
10	1	22372-120000	PIN, SNAP 12	2	2						
11	1	22486-120500	PIN, H12X 50	2	2						
12	1	26106-080652	BOLT, M8X 65 PLATED	2	2						
13	1	26106-100302	BOLT, M10X 30 PLATED	4	4						
14	1	26716-080002	NUT, M8	2	2						
15	1	26716-100002	NUT, M10	4	4						

Parts No. Index

Parts No.	Fig. No.	Ref. No.
0A051-B00200	17	1
105400-02300	6	1
194130-71410	11	6
195230-12190	7	1
195450-13171	4	2
195505-15250	4	27
198133-13780	5	3
1A6150-93151	2	3
1A6770-85920	5	3 -1
1A8296-13960	4	7
1B1617-18880	10	4
1B1657-10400	1	1
1B1657-10520	1	2
1B1657-10630	2	1
1B1657-10660	2	2
1B1657-10770	1	3
1B1657-10780	1	4
1B1657-10790	1	5
1B1657-11301	3	1
1B1657-11320	3	2
1B1657-11330	3	4
1B1657-11500	3	3
		5
1B1657-13110	4	4
1B1657-13120	4	1
1B1657-13150	4	5
1B1657-13160	4	6
1B1657-13400	5	1
1B1657-13600	5	2
1B1657-14100	4	3
1B1657-14110	4	8
1B1657-14120	4	9
1B1657-14130	4	10
1B1657-14150	4	11
1B1657-14160	4	12
1B1657-14170	4	13
1B1657-14190	6	3
		20
1B1657-14200	6	2
1B1657-14210	6	4
1B1657-14260	4	14
1B1657-14270	4	15
1B1657-14280	4	16
1B1657-14290	4	17
1B1657-14310	4	18
1B1657-14320	4	19
1B1657-14330	4	20
1B1657-14360	4	21
1B1657-14370	4	22
1B1657-14380	4	23

Parts No.	Fig. No.	Ref. No.
1B1657-14701	6	5
1B1657-14711	6	6
1B1657-14810	6	8
1B1657-14840	6	9
	9	1
1B1657-14850	6	10
1B1657-14860	9	2
1B1657-15100	7	2
1B1657-15120	6	11
1B1657-15180	7	3
1B1657-15210	7	4
1B1657-15280	7	5
1B1657-15300	7	6
1B1657-15700	7	7
1B1657-17100	8	1
1B1657-17510	9	3
1B1657-18110	10	1
1B1657-18560	10	2
		8
1B1657-18570	10	3
		9
1B1657-19110	11	1
1B1657-19130	11	2
1B1657-19310	11	3
1B1657-19510	11	4
1B1657-19520	11	5
1B1657-19710	12	1
1B1657-19750	9	4
1B1657-19820	9	5
1B1657-20051	13	1
1B1657-20810	14	1
1B1657-21350	14	2
1B1657-21360	14	3
1B1657-22510	15	1
1B1657-22540	15	2
1B1657-22630	15	3
1B1657-22700	15	4
1B1657-22750	15	5
1B1657-22760	15	6
1B1657-22800	15	7
1B1657-25100	16	1
1B1657-25150	16	2
1B1657-41100	14	4
1B1657-41720	14	5
1B1659-10520	1	6
1B1659-13400	5	6
1B1659-13600	5	7
1B1659-14200	6	19
1B1659-14210	6	21
1B1659-14730	6	7

Parts No.	Fig. No.	Ref. No.
1B1659-17100	8	4
1B1659-18110	10	7
1B1659-20051	13	9
1B1659-41100	14	11
1E6A10-73420	8	2
22137-120000	7	8
	13	2
22217-080000	15	8
22217-100000	4	24
	12	2
	13	3
	15	9
22217-120000	10	5
	13	4
	16	3
22217-140000	8	3
22217-160000	11	7
22242-000400	6	12
22252-000800	9	6
22252-000900	6	13
22252-001000	4	25
	6	14
22273-000150	14	6
22372-120000	15	10
22411-320250	7	9
22486-120500	15	11
23491-100002	4	28
	9	7
23491-120002	7	10
24101-062084	9	8
24104-063084	6	15
24311-000120	4	29
	9	9
24311-000140	7	11
24321-000950	9	10
24321-001100	4	26
	5	4
24321-001150	6	16
24341-000180	4	30
	7	12
24411-507209	6	17
26013-080162	7	13
26106-080252	7	14
26106-080652	15	12
26106-100252	5	5
	6	18
	13	5
26106-100302	9	11
	12	3
	14	7

Parts No.	Fig. No.	Ref. No.
26106-100302	15	13
26106-120162	14	8
26106-120202	14	9
26106-120302	13	6
	14	10
26106-120352	16	4
26106-120402	16	5
26116-160902	11	8
26116-161002	11	9
26606-120002	10	6
26716-080002	15	14
26716-100002	12	4
	13	7
	15	15
26716-120002	13	8
	16	6
26716-160002	11	10