

0CNP5-M78001EN

# Contents

OCNP5-M78001

Fig. No. Fig. Name

## ENGINE CONTROL SECTION

1. ENGINE RELATED(1)
2. ENGINE RELATED(2)
3. ENGINE ACCESSORIES
4. ACCEL LEVER
5. EXHAUST
6. EXTEND EXHAUST
7. FUEL TANK
8. TANK BRACKET
9. FUEL PIPE
10. SHUTTER PLATE

## FRONT AXLE SECTION

11. FRONT BRACKET
12. CENTER PIN
13. ARM
14. TIE ROD
15. RING GEAR
16. DIFFERENTIAL GEAR
17. PROPELLER SHAFT
18. FRONT SHAFT(1)
19. FRONT AXLE CASE
20. FRONT GEAR CASE
21. FRONT SHAFT(2)
22. FRONT SPINDLE

Fig. No. Fig. Name

23. SHAFT COVER
24. FRONT WHEEL TIRE
25. HUB BOLT
26. STEERING WHEEL
27. PST CYLINDER
28. PST VALVE
29. PST PIPING

## TRANSMISSION SECTION

30. CLUTCH HOUSING
31. DOCKING BOLT
32. SINGLE CLUTCH
33. CLUTCH RELEASE(1)
34. CLUTCH RELEASE(2)
35. CLUTCH PEDAL
36. TRANSMISSION CASE
37. CENTER PLATE
38. OIL STRAINER
39. MAIN SHAFT
40. DRIVEN SHAFT
41. COUNTER SHAFT
42. REDUCTION SHAFT
43. REVERSE GEAR
44. CONNECTING SHAFT
45. PTO DRIVE SHAFT

# Contents

0CNP5-M78001

Fig. No. Fig. Name

- 46. PTO SHAFT
- 47. PTO SHAFT COVER
- 48. MAIN CHANGE(1)
- 49. MAIN CHANGE(2)
- 50. REVERSER CHANGE(1)
- 51. REVERSER CHANGE(2)
- 52. REVERSER LINK
- 53. RANGE SHIFT LEVER KNOB
- 54. RANGE SHIFT
- 55. PTO SHIFT
- 56. PTO SHIFT KNOB
- 57. FRONT DRIVE
- 58. FRONT SHIFT KNOB
- 59. FRONT SHIFT

## REAR AXLE SECTION

- 60. RING GEAR
- 61. DIFFERENTIAL GEAR
- 62. DIFFERENTIAL CARRIER
- 63. REAR HOUSING
- 64. DIFFERENTIAL LOCK
- 65. DIFFERENTIAL LOCK ACCESSORIES
- 66. FINAL PINION
- 67. FINAL GEAR
- 68. REAR AXLE SHAFT

Fig. No. Fig. Name

- 69. REAR WHEEL TIRE
- 70. HUB BOLT
- 71. BRAKE
- 72. BRAKE PEDAL

## HYDRAULIC CONTROL SECTION

- 73. HYDRAULIC PUMP
- 74. HYDRAULIC CYLINDER CASE(1)
- 75. HYDRAULIC CYLINDER CASE(2)
- 76. HYDRAULIC ADAPTER
- 77. HYDRAULIC CYLINDER CASE(3)
- 78. PISTON
- 79. LIFT CRANK
- 80. CONTROL VALVE
- 81. RELIEF VALVE
- 82. STOP VALVE
- 83. STOP VALVE CONTROL
- 84. SAFETY VALVE
- 85. HYDRAULIC CONTROL
- 86. HYDRAULIC CONTROL LEVER KNOB
- 87. HYDRAULIC LINE
- 88. HYDRAULIC FILTER

## ELECTRICAL PARTS SECTION

- 89. WIRE HARNESS

# Contents

0CNP5-M78001

Fig. No. Fig. Name

- 90. BATTERY
- 91. BATTERY CLAMP
- 92. SWITCH
- 93. LAMPS
- 94. FRONT LAMP
- 95. METER
- 96. HORN
- 97. RELAY

## FITTINGS SECTION

- 98. FRONT FRAME
- 99. HOOD FRAME
- 100. HOOD
- 101. FRONT GRILLE
- 102. SIDE COVER
- 103. HOOD GROMMET
- 104. DASHBOARD
- 105. FENDER
- 106. STEP
- 107. FOOTREST STAY(1)
- 108. FOOTREST STAY(2)
- 109. SEAT
- 110. SEAT BELT
- 111. LABELS
- 112. LABELS(SAFETY)

Fig. No. Fig. Name

## HITCH SECTION

- 113. 3P LINK KIT
- 114. BASE PLATE
- 115. DRAWBAR HITCH

## SAFETY FRAME SECTION

- 116. SAFETY FRAME

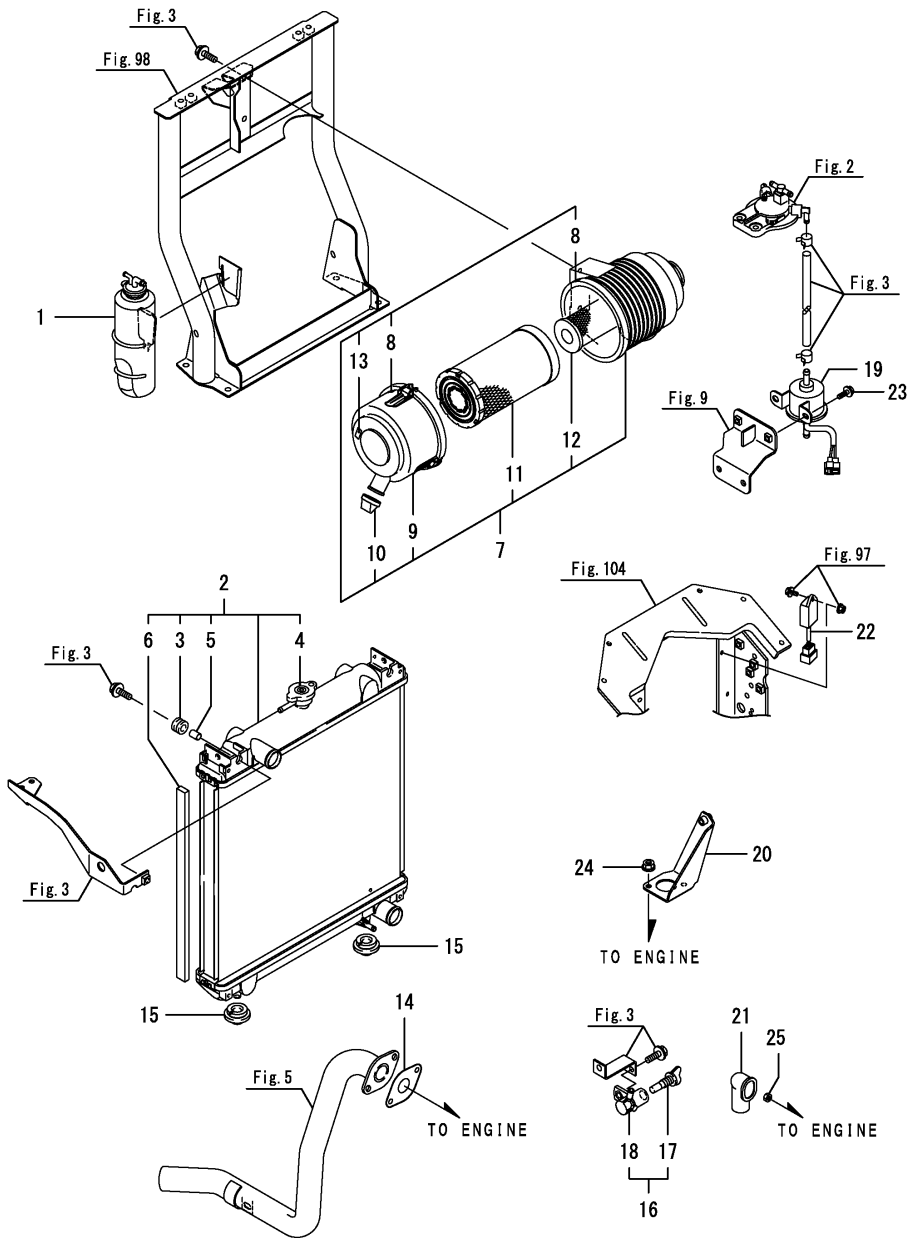
## ACCESSORIES SECTION

- 117. MANUAL

## OPTIONAL SECTION

- 118. ROOF
- 119. FILTER

Fig.1. ENGINE RELATED(1)



(A)=EF494T(ID)  
(B)=  
(C)=

(D)=  
(E)=  
(F)=

No.	Lev.	Parts No.	Description	Qty						I	R
				(A)	(B)	(C)	(D)	(E)	(F)		
1	1	1A8115-00650	TANK ASSY, SUB	1							
2	1	1A7781-01510	RADIATOR SUB-ASSY	1							
3	2	129467-44580	MOUNT, RUBBER	2							
4	2	129107-44590	CAP, RADIATOR	1							
5	2	129467-44590	COLLAR	2							
6	2	129956-44730	SEAL, RADIATOR	4							
7	1	129659-12520	CLEANER ASSY, AIR	1							
8	2	129418-12530	LABEL, MARK	2							
9	2	129900-12530	COVER ASSY	1							
10	2	119808-12540	VALVE, UNLOADER	1							
11	2	129062-12560	ELEMENT	1							
12	2	119005-12571	ELEMENT	1							
13	2	129612-12650	LABEL, MARKING	1							
14	1	129052-13550	GASKET	1							
15	1	119255-44660	ABSORBER	2							
16	1	129550-49101	COCK ASSY, 2-WAY	1							
17	2	129150-49081	COCK, DRAIN	1							
18	2	129550-49090	BODY, 2-WAY COCK	1							
19	1	1A7781-52100	PUMP, FUEL FEED	1							
20	1	1A7781-61630	STAND ASSY, HOOD	1							
21	1	124550-77030	COVER, TERMINAL	1							
22	1	129211-77920	TIMER	1							
23	1	26106-060122	BOLT, M6X 12 PLATED	2							
24	1	26306-080002	NUT, M8	2							
25	1	26756-060002	NUT, LOCK M6	1							

Fig.2. ENGINE RELATED(2)

(A)=EF494T(ID)  
(B)=  
(C)=

(D)=  
(E)=  
(F)=

No.	Lev.	Parts No.	Description	Q'ty						I	R
				(A)	(B)	(C)	(D)	(E)	(F)		
1	1	119934-55611	BRACKET, FILTER	1							
2	1	119802-55700	SEPARATOR ASSY	1							
3	2	129100-55690	RING, RETAINING	1							
4	2	119802-55710	ELEMENT	1							
5	2	119802-55730	CUP ASSY	1							
6	2	24311-000160	O-RING, 1AP16.0	1							
7	2	24321-000650	O-RING, 1AG65.0	1							
8	1	129907-55810	FILTER, FUEL	1							
9	1	26106-080302	BOLT, M8X 30 PLATED	2							
10	1	26106-080702	BOLT, M8X 70 PLATED	1							

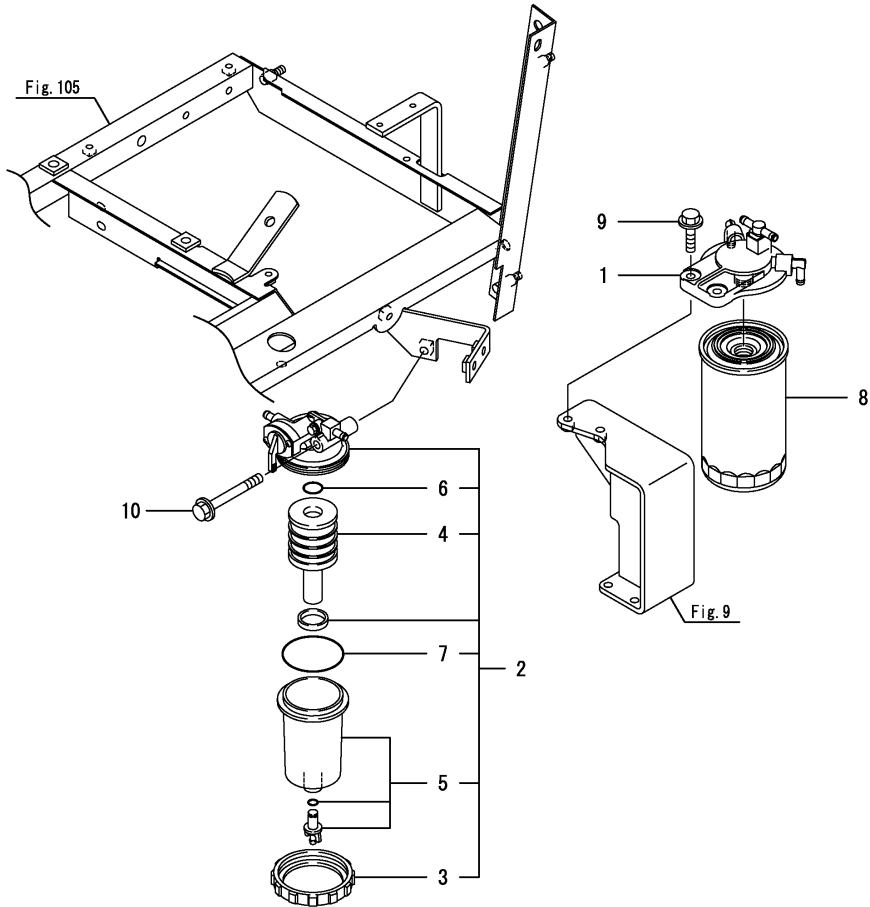


Fig.3. ENGINE ACCESSORIES

(A)=EF494T(ID

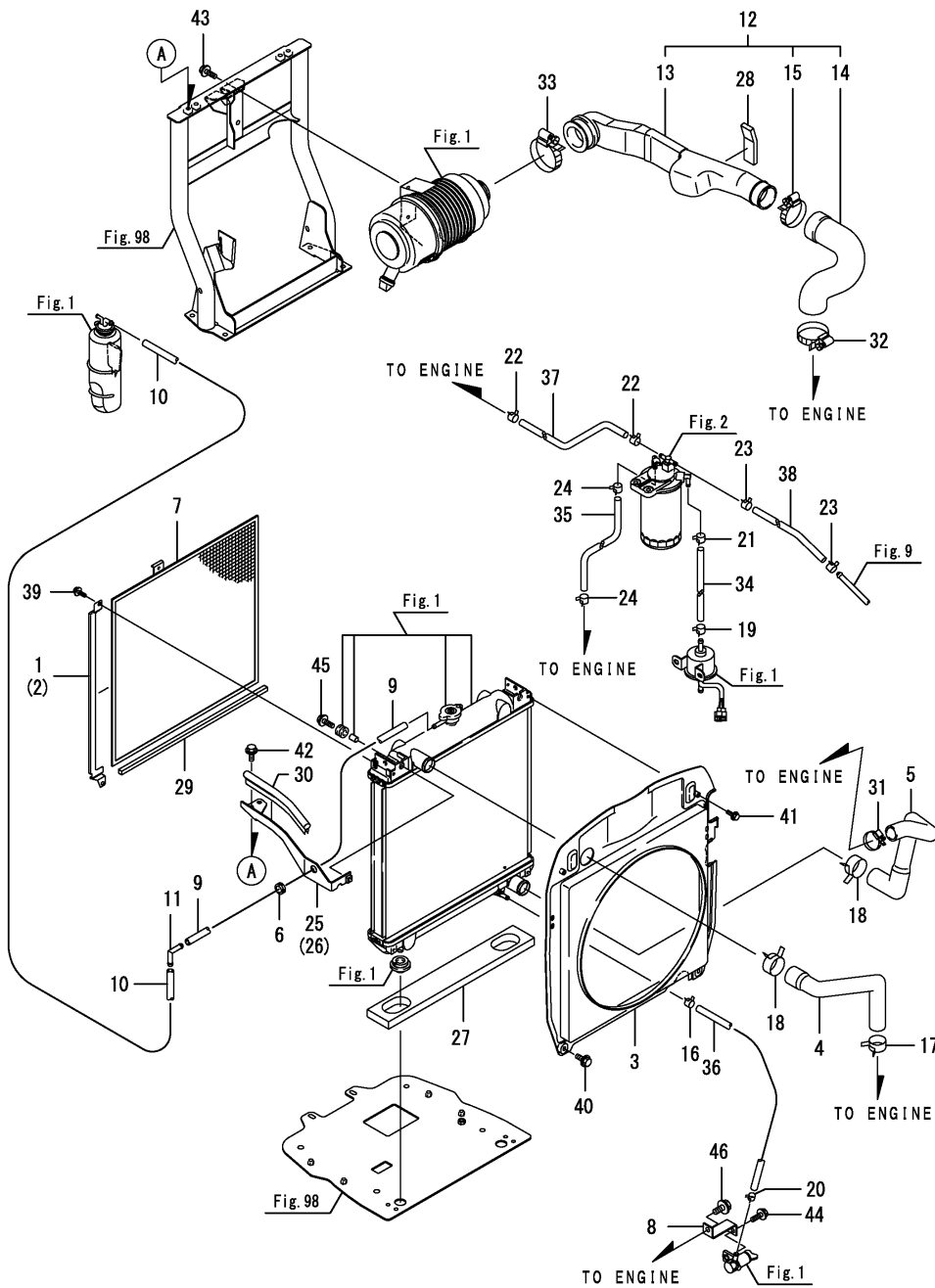
(B)=

(C)=

(D)=

(E)=

(F)=



No.	Lev.	Parts No.	Description	Q'ty						I	R
				(A)	(B)	(C)	(D)	(E)	(F)		
1	1	1A7260-01030	RAIL, RADIATOR L	1							
2	1	1A7260-01040	RAIL, RADIATOR R	1							
3	1	1A7260-01200	SHROUD, FAN	1							
4	1	1A7260-01210	PIPE, WATER A	1							
5	1	1A7260-01220	PIPE, WATER B	1							
6	1	194180-01240	GROMMET, 13	1							
7	1	1A7780-01250	SCREEN, RADIATOR	1							
8	1	198242-02310	STAY, DRAIN	1							
9	1	1A7260-03160	PIPE, OVERFLOW A	1							
10	1	1A7260-03170	PIPE, OVERFLOW B	1							
11	1	1A7260-03180	ELBOW	1							
12	1	1A7310-06200	PIPE ASSY, INTAKE	1							
13	2	1A7300-06210	PIPE, AIR INTAKE A	1							
14	2	1A7270-06220	PIPE, AIR INTAKE B	1							
15	2	129956-12160	CLAMP, HOSE	1							
16	1	106990-44660	CLIP, HOSE 12.5	1							
17	1	175022-49730	CRIP 31, HOSE	1							
18	1	175022-49750	CLIP 37, HOSE	2							
19	1	114270-59010	CLIP, HOSE 12	1							
20	1	124766-59050	CLIP, HOSE 11.5	1							
21	1	124766-59050	CLIP, HOSE 11.5	1							
22	1	124766-59050	CLIP, HOSE 11.5	2							
23	1	124766-59050	CLIP, HOSE 11.5	2							
24	1	124766-59050	CLIP, HOSE 11.5	2							
25	1	1A7270-60211	STAY ASSY, RADIATOR	1							
26	1	1A7270-60221	STAY ASSY, RADIATOR	1							
27	1	1A7780-60860	URETHANE, RADIATOR	1							
28	1	1A7260-60880	URETHANE, HOSE	1							
29	1	198071-61990	URETHANE, RADIATOR	2							
30	1	1A7781-63660	WEATHER-STRIP, 250	2							
31	1	23000-035000	CLAMP, 35	1							
32	1	23000-070000	CLAMP, 70	1							
33	1	23000-080000	CLAMP, 80	1							
34	1	23980-730250	HOSE, 7.3X 250	1							
35	1	23980-730400	HOSE, 7.3X 400	1							
36	1	23980-730400	HOSE, 7.3X 400	1							
37	1	23980-730420	HOSE, 7.3X 420	1							
38	1	23980-730760	HOSE, 7.3X 760	1							
39	1	26106-060122	BOLT, M6X 12 PLATED	4							
40	1	26106-060122	BOLT, M6X 12 PLATED	2							
41	1	26106-060252	BOLT, M6X 25 PLATED	2							
42	1	26106-080162	BOLT, M8X 16 PLATED	4							
43	1	26106-080162	BOLT, M8X 16 PLATED	2							
44	1	26106-080162	BOLT, M8X 16 PLATED	1							
45	1	26106-080252	BOLT, M8X 25 PLATED	2							
46	1	26106-100162	BOLT, M10X 16 PLATED	1							

Fig.4. ACCEL LEVER

(A)=EF494T(ID)  
(B)=  
(C)=

(D)=  
(E)=  
(F)=

No.	Lev.	Parts No.	Description	Qty						I	R
				(A)	(B)	(C)	(D)	(E)	(F)		
1	1	7A7780-01110	LEVER KIT	1							
2	2	194740-00160	SPRING, 10	4							
3	2	1A7780-01110	LEVER ASSY	1							
4	2	198165-01130	PLATE, FRICTION	1							
5	2	198220-01140	BRACKET, LEVER	1							
6	2	194150-01270	SPACER, 20	1							
7	2	198242-01350	LEVER, LINK	1							
8	2	194145-61570	WASHER, 10	1							
9	2	22157-100000	WASHER, 10	1							
10	2	26716-100002	NUT, M10	1							
11	2	26756-100002	NUT, LOCK M10	1							
12	1	1A8115-01190	KNOB, LEVER	1							
13	1	1A7780-01320	ROD, LINK	1							
14	1	1A7781-01400	PEDAL ASSY, CONTROL	1							
15	2	24550-014200	BUSH, 14X20	1							
16	1	198240-01450	ROD, ACCELERATOR	1							
17	1	198240-01470	BOLT, M10	1							
18	1	1A7781-04400	SPRING, RETURN	1							
19	1	22137-080000	WASHER, 8	1							
20	1	22137-080000	WASHER, 8	2							
21	1	22137-100000	WASHER, 10	1							
22	1	22217-100000	WASHER, SPRING 10	1							
23	1	22417-250300	PIN, COTTER 2.5X30	1							
24	1	22417-250300	PIN, COTTER 2.5X30	2							
25	1	26106-080162	BOLT, M8X 16 PLATED	2							
26	1	26716-080002	NUT, M8	2							

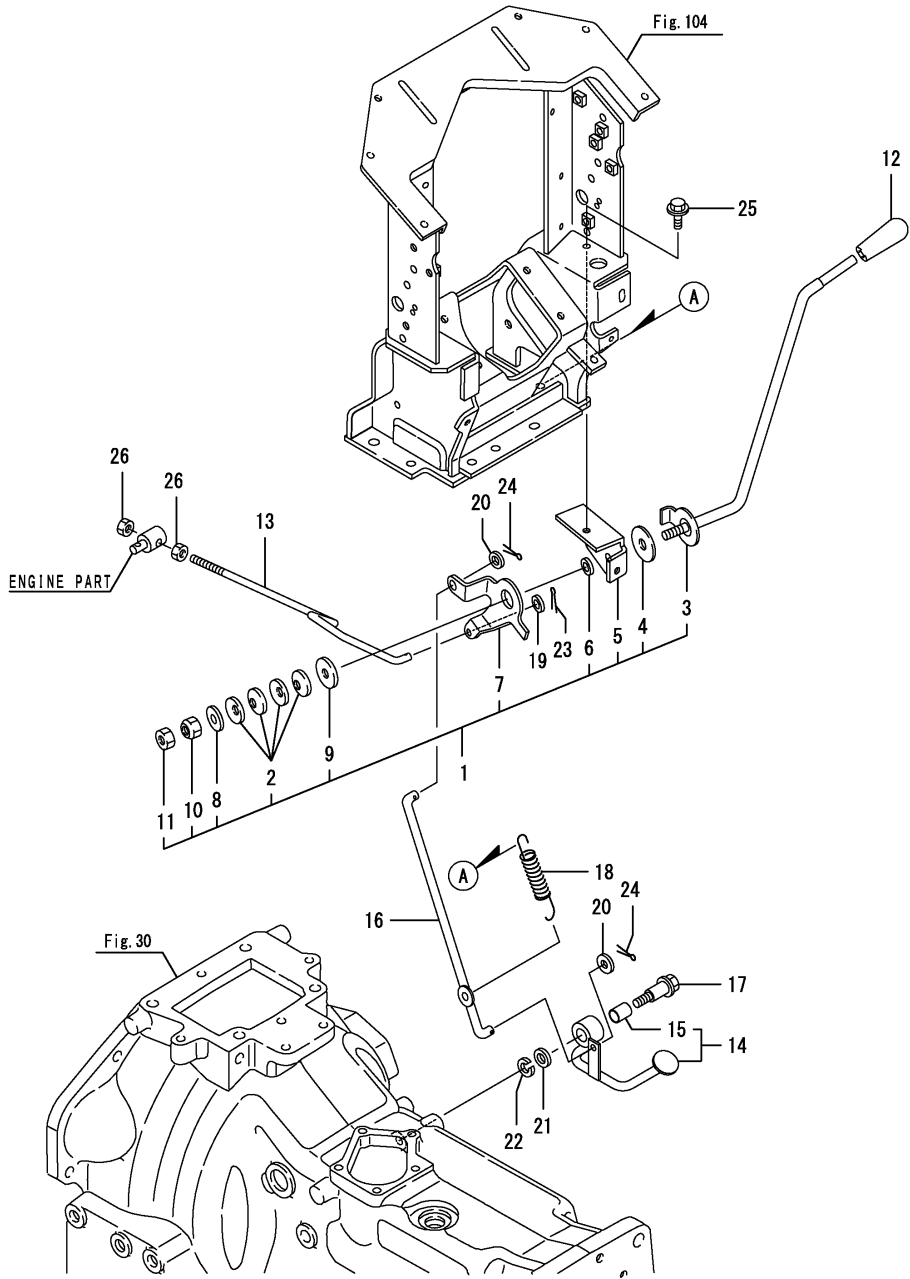




Fig.5. EXHAUST

(A)=EF494T(ID)  
(B)=  
(C)=

(D)=  
(E)=  
(F)=

No.	Lev.	Parts No.	Description	Q'ty						I	R
				(A)	(B)	(C)	(D)	(E)	(F)		
1	1	1A7780-03110	PIPE, EXHAUST	1							
2	1	26106-080202	BOLT, M8X 20 PLATED	1							
3	1	26106-080202	BOLT, M8X 20 PLATED	2							

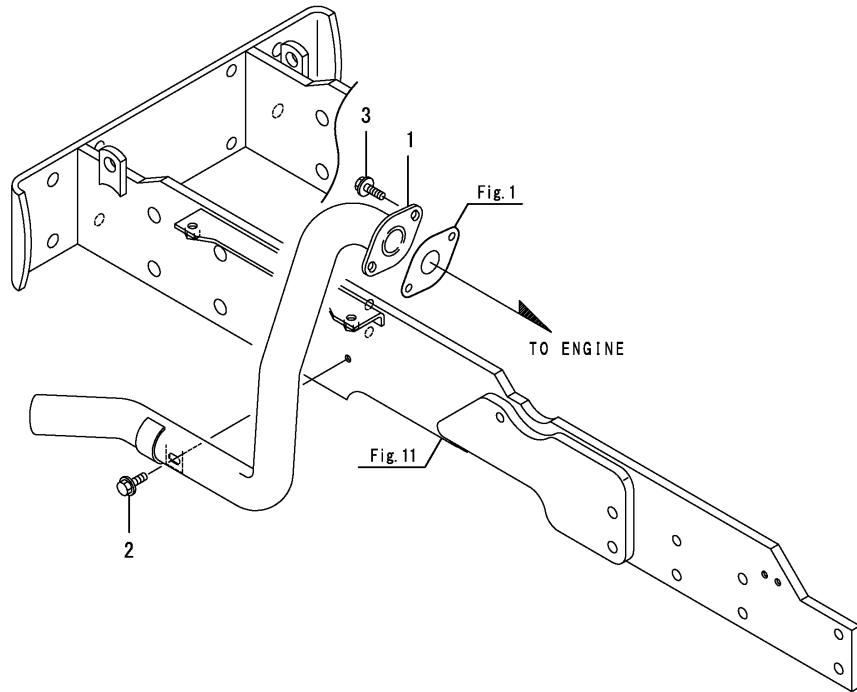


Fig.6. EXTEND EXHAUST

(A)=EF494T(ID  
(B)=  
(C)=

(D)=  
(E)=  
(F)=

No.	Lev.	Parts No.	Description	Q'ty						I	R
				(A)	(B)	(C)	(D)	(E)	(F)		
1	1	1A7780-03300	PIPE KIT, EXTENSION	1							
2	2	1A7780-03350	PIPE, EXTENSION 453T	1							
3	2	194990-22140	NUT, M8	1							
4	2	26106-080202	BOLT, M8X 20 PLATED	1							

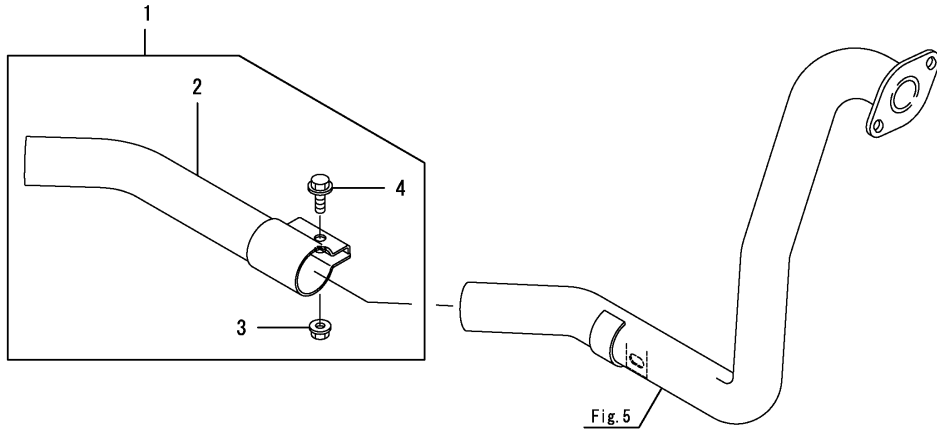


Fig.7. FUEL TANK

(A)=EF494T(ID)  
(B)=  
(C)=

(D)=  
(E)=  
(F)=

No.	Lev.	Parts No.	Description	Q'ty						I	R
				(A)	(B)	(C)	(D)	(E)	(F)		
1	1	1A7780-04111	TANK ASSY, FUEL	1							
2	1	198071-04500	CAP ASSY, FILLER	1							
3	2	1A1120-61541	SEAL, RUBBER	1							
4	1	198072-04510	FILTER	1							
5	1	198230-04750	JOINT, PIPE	1							
6	1	194170-51210	GROMMET	1							
7	1	24311-000150	O-RING, 1AP15.0	1							

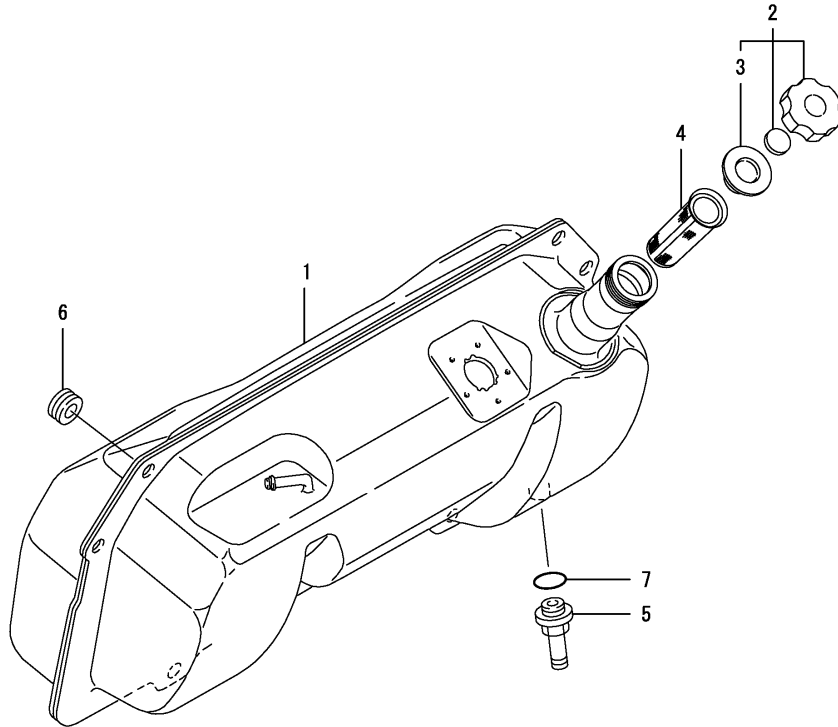
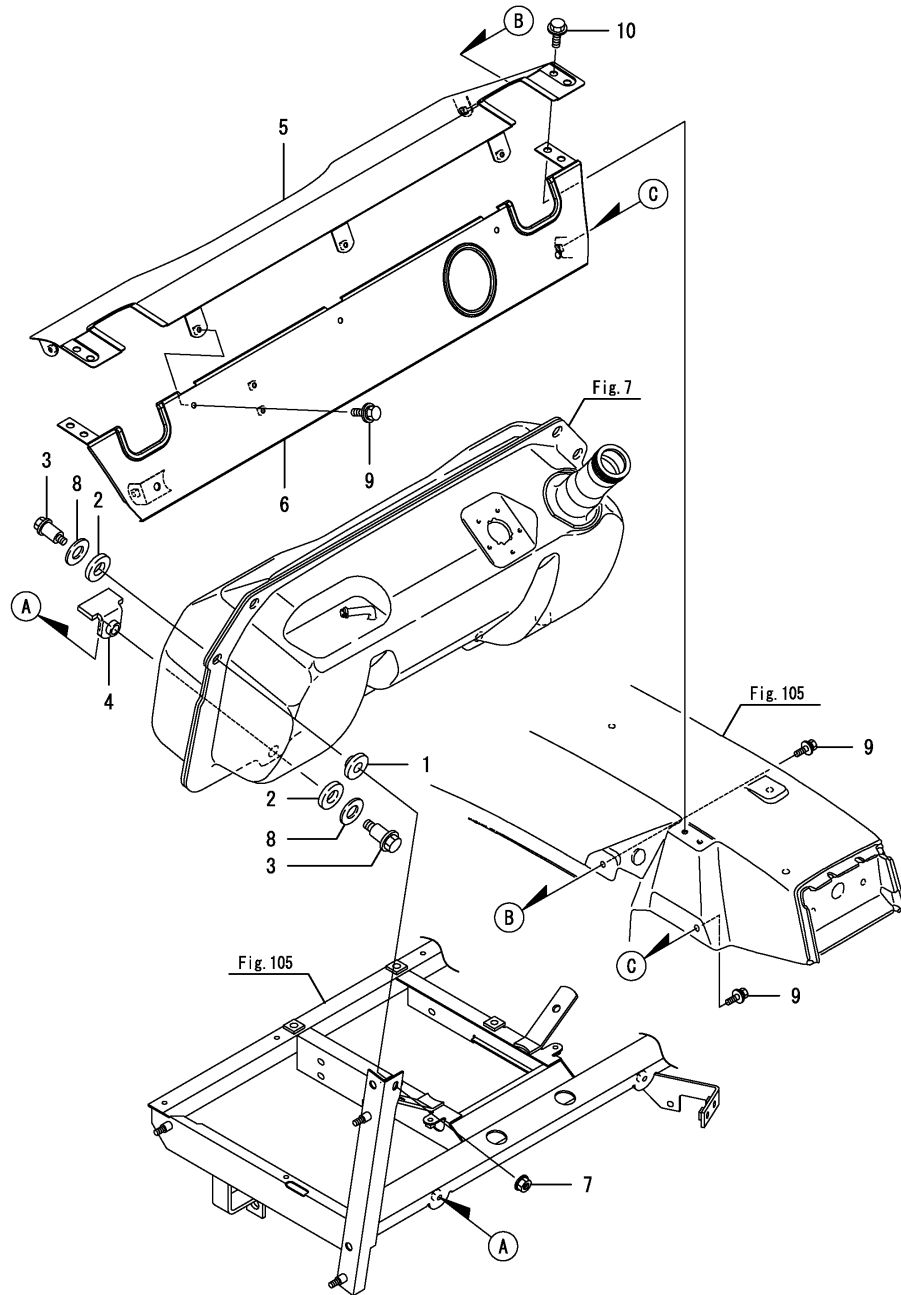


Fig.8. TANK BRACKET



(A)=EF494T(ID)  
(B)=  
(C)=

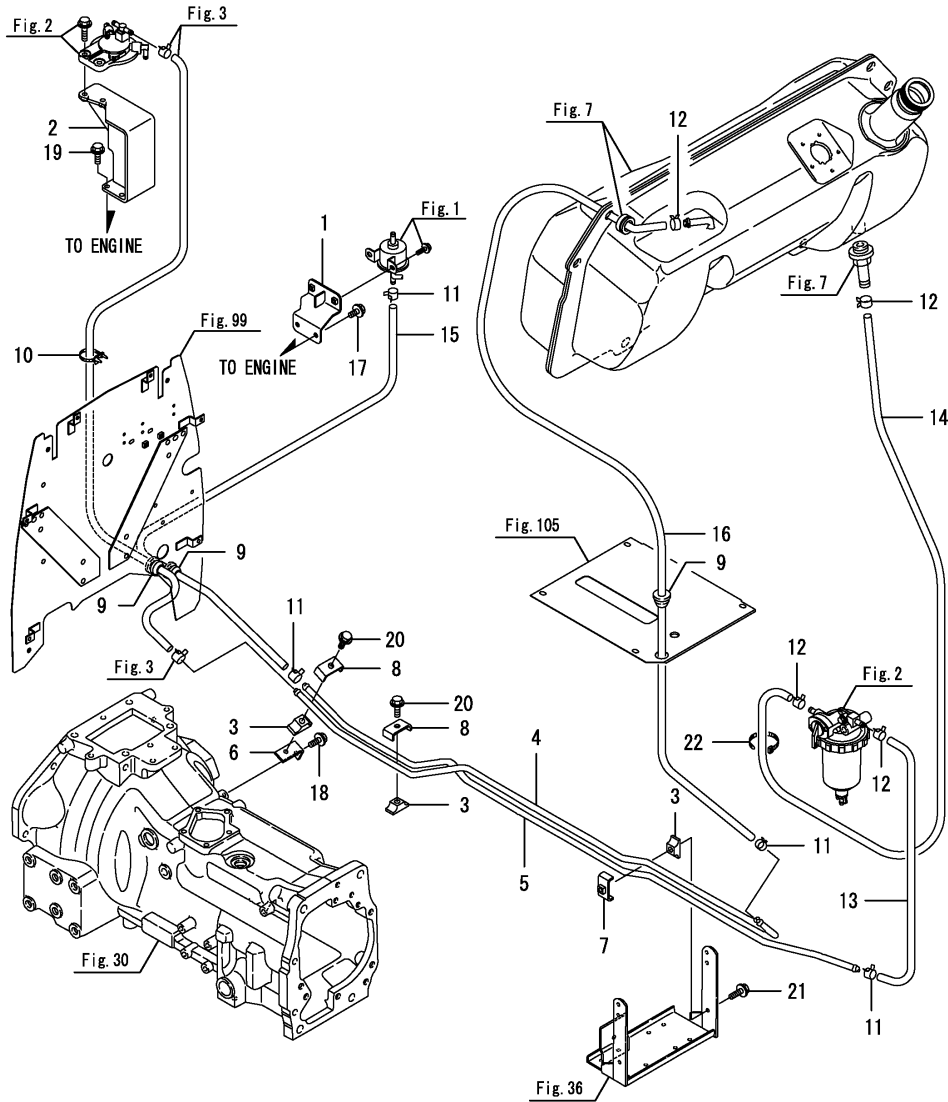
(D)=  
(E)=  
(F)=

No.	Lev.	Parts No.	Description	Q'ty						I	R
				(A)	(B)	(C)	(D)	(E)	(F)		
1	1	194555-04260	PACKING, TANK A	2							
2	1	194555-04270	PACKING, TANK B	4							
3	1	194555-04280	BOLT, M8X26	4							
4	1	198220-04290	GASKET, TANK	2							
5	1	198320-04300	COVER, TANK FRONT	1							
6	1	1A7780-04350	COVER, TANK REAR M	1							
7	1	194990-22140	NUT, M8	2							
8	1	22157-120000	WASHER, 12	4							
9	1	26018-060162	BOLT, M6X 16	7							
10	1	26106-080162	BOLT, M8X 16 PLATED	4							

Fig.9. FUEL PIPE

(A)=EF494T(ID)  
(B)=  
(C)=

(D)=  
(E)=  
(F)=



No.	Lev.	Parts No.	Description	Qty						I	R
				(A)	(B)	(C)	(D)	(E)	(F)		
1	1	1A7781-04500	BRACKET, FEED PUMP	1							
2	1	1A7781-04610	STAY ASSY, FO FILTER	1							
3	1	198240-04710	BASE, CLAMP	3							
4	1	198240-04750	PIPE, FUEL	1							
5	1	198240-04760	PIPE, FUEL	1							
6	1	198240-04780	PLATE	1							
7	1	198327-04840	CLAMP	1							
8	1	194180-17770	CLAMP, PIPE	2							
9	1	194170-51210	GROMMET	3							
10	1	198448-51910	CLIP, BAND	1							
11	1	114270-59010	CLIP, HOSE 12	4							
12	1	124766-59050	CLIP, HOSE 11.5	4							
13	1	23980-730300	HOSE, 7.3X 300	1							
14	1	23980-730300	HOSE, 7.3X 300	1							
15	1	23980-730450	HOSE, 7.3X 450	1							
16	1	23980-731120	HOSE, 7.3X1120	1							
17	1	26013-080162	BOLT, M8X 16	2							
18	1	26106-080162	BOLT, M8X 16 PLATED	1							
19	1	26106-080202	BOLT, M8X 20 PLATED	2							
20	1	26106-080252	BOLT, M8X 25 PLATED	2							
21	1	26106-080302	BOLT, M8X 30 PLATED	1							
22	1	29622-140001	BAND, RF140	1							

Fig.10. SHUTTER PLATE

(A)=EF494T(ID  
(B)=  
(C)=

(D)=  
(E)=  
(F)=

No.	Lev.	Parts No.	Description	Q'ty						I	R
				(A)	(B)	(C)	(D)	(E)	(F)		
1	1	1A8205-05510	PLATE, SHUTTER	1							
2	1	194990-22140	NUT, M8	2							

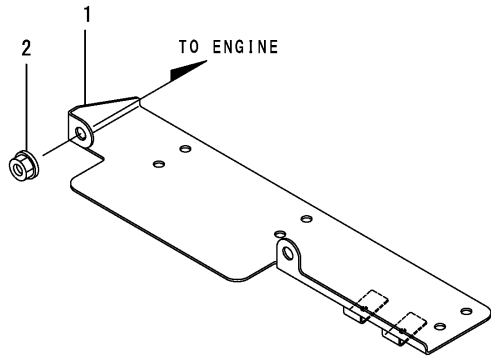
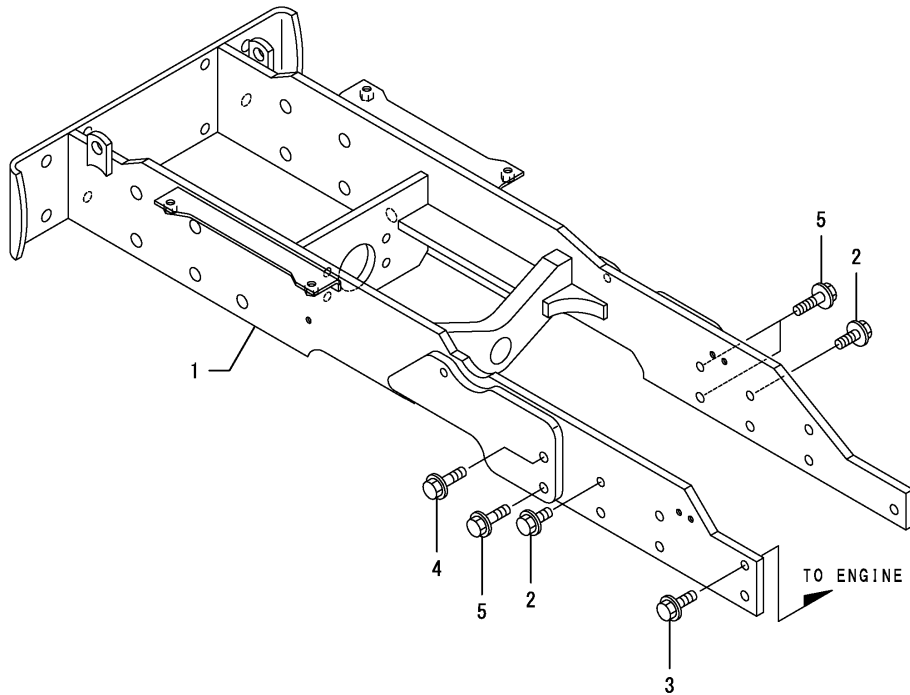


Fig.11. FRONT BRACKET



(A)=EF494T(ID)  
(B)=  
(C)=

(D)=  
(E)=  
(F)=

No.	Lev.	Parts No.	Description	Qty						I	R
				(A)	(B)	(C)	(D)	(E)	(F)		
1	1	1A7781-11090	BRACKET MASSY, AXLE	1							
2	1	1A7780-11510	BOLT, M12X30	10							
3	1	198240-11620	BOLT, M12X34	1							
4	1	198240-11640	BOLT, M12X46	1							
5	1	198240-11650	BOLT, M12X45	3							

Fig.12. CENTER PIN

(A)=EF494T(ID)  
(B)=  
(C)=

(D)=  
(E)=  
(F)=

No.	Lev.	Parts No.	Description	Q'ty						I	R
				(A)	(B)	(C)	(D)	(E)	(F)		
1	1	198240-11500	PIN ASSY, CENTER	1							
2	2	24761-040000	NIPPLE, GREASE B	1							
3	1	198240-11540	SHIM SET	1							
4	1	198240-11550	SPACER, 36X62X27	1							
5	1	1A6770-85920	BOLT, M12X30	4							

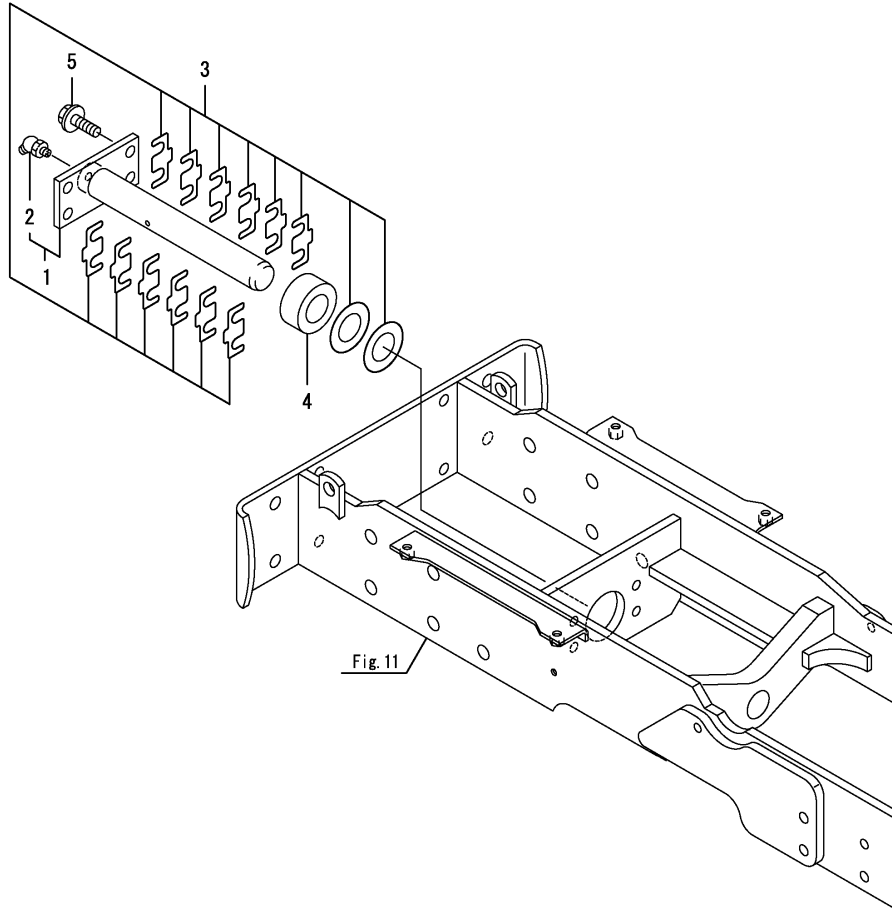


Fig. 11



Fig.13. ARM

(A)=EF494T(ID)  
(B)=  
(C)=

(D)=  
(E)=  
(F)=

No.	Lev.	Parts No.	Description	Q'ty						I	R
				(A)	(B)	(C)	(D)	(E)	(F)		
1	1	198251-11800-2	ARM ASSY, KNUCKLE L	1							
2	2	23871-040000	PLUG, R04	1							
3	1	198251-11820-2	ARM ASSY, KNUCKLE R	1							
4	2	198251-13630	GAUGE, OIL LEVEL	1							
5	2	24311-000180	O-RING, 1AP18.0	1							
6	1	22217-120000	WASHER, SPRING 12	4							
7	1	22312-100180	PIN, PARALLEL M10X18	4							
8	1	26013-120802	BOLT, M12X 80	4							
9	1	26216-120352	STUD, M12X 35	4							
10	1	26716-120002	NUT, M12	4							

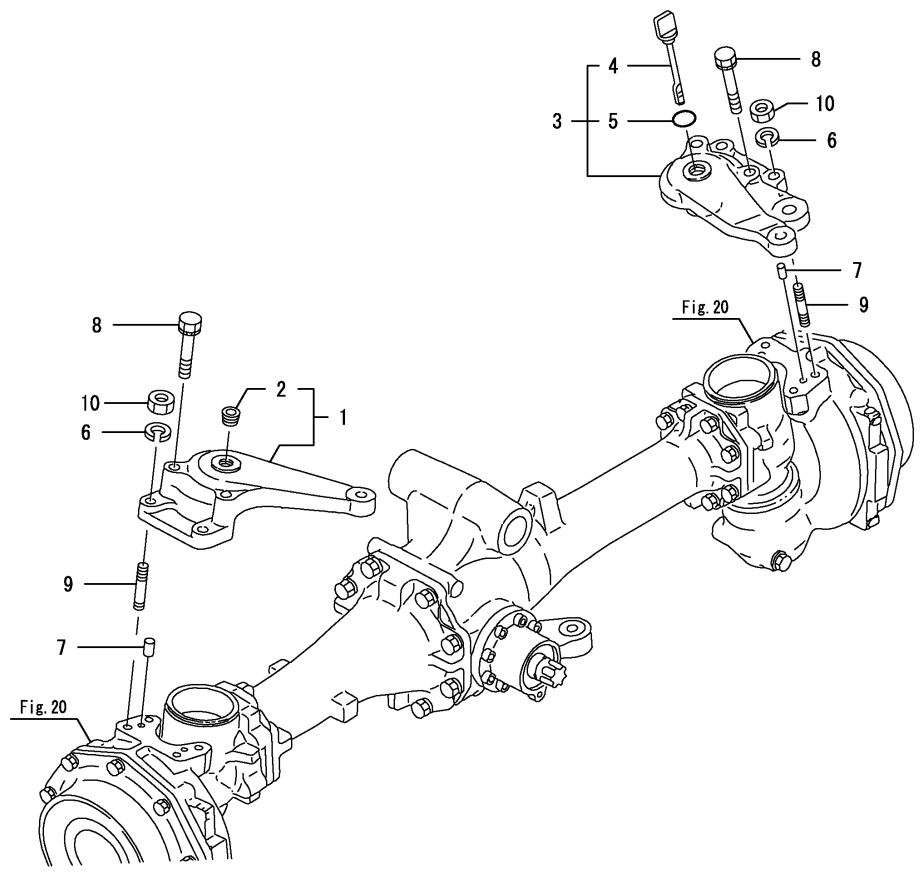
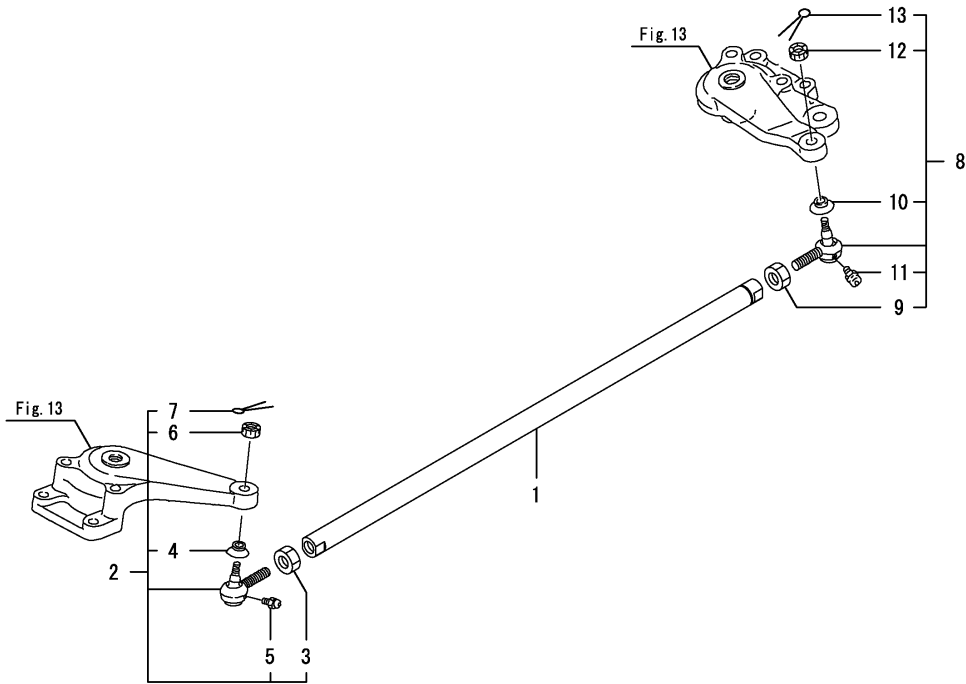


Fig.14. TIE ROD

(A)=EF494T(ID)  
(B)=  
(C)=

(D)=  
(E)=  
(F)=



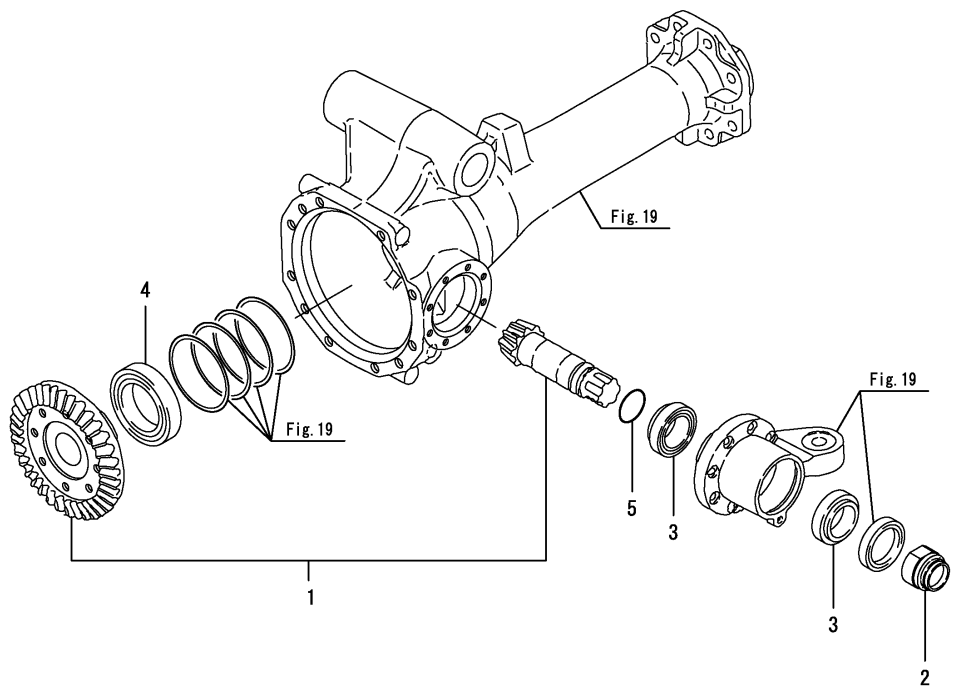
No.	Lev.	Parts No.	Description	Q'ty						I	R
				(A)	(B)	(C)	(D)	(E)	(F)		
1	1	198251-12310-2	TIE-ROD	1							
2	1	198240-18120-1	END KIT, TIE-ROD LR	1							
3	2	194990-22831	NUT, LOCK M17 L	1							
4	2	194730-57220	COVER, DUCT	1							
5	2	24761-060000	NIPPLE, GREASE MT6X1	1							
6	2	198240-12590	NUT, M12	1							
7	2	22417-300250	PIN, COTTER 3.0X25	1							
8	1	198240-18130-1	END KIT, TIE-ROD RL	1							
9	2	194990-22841	NUT, M17	1							
10	2	194730-57220	COVER, DUCT	1							
11	2	24761-060000	NIPPLE, GREASE MT6X1	1							
12	2	198240-12590	NUT, M12	1							
13	2	22417-300250	PIN, COTTER 3.0X25	1							

Fig.15. RING GEAR

(A)=EF494T(ID)  
(B)=  
(C)=

(D)=  
(E)=  
(F)=

No.	Lev.	Parts No.	Description	Q'ty						I	R
				(A)	(B)	(C)	(D)	(E)	(F)		
1	1	198251-13100	GEAR ASSY, RING	1							
2	1	1A7780-13670	COLLAR, SEAL	1							
3	1	198133-13810	BEARING, ET-32007XST	2							
4	1	24101-060124	BEARING, BALL 6012	1							
5	1	24341-000315	O-RING, 1AS31.5	1							



0CNP5-M78001 FRONT AXLE SECTION  
**Fig.16. DIFFERENTIAL GEAR**

0CNP5-M78001 Fig.16

(A)=EF494T(ID)  
 (B)=  
 (C)=

(D)=  
 (E)=  
 (F)=

No.	Lev.	Parts No.	Description	Q'ty						I	R
				(A)	(B)	(C)	(D)	(E)	(F)		
1	1	194641-13210	CASE, DIFFERENTIAL	1							
2	1	194321-13230	PINION, DIFFERENTIAL	2							
3	1	194465-13240	LINER, DIFFERENTIAL	2							
4	1	194321-13250	GEAR, DIFFERENTIAL	2							
5	1	194465-13260	WASHER, DIFFERENTIAL	2							
6	1	194321-13270	SHAFT, DIFFERENTIAL	1							
7	1	194480-33550	BOLT, M10X70	6							
8	1	22312-100180	PIN, PARALLEL M10X18	2							
9	1	22351-035032	PIN, SPRING 3.5X32	1							
10	1	22351-060032	PIN, SPRING 6.0X32	1							
11	1	24101-060104	BEARING, BALL 6010	1							

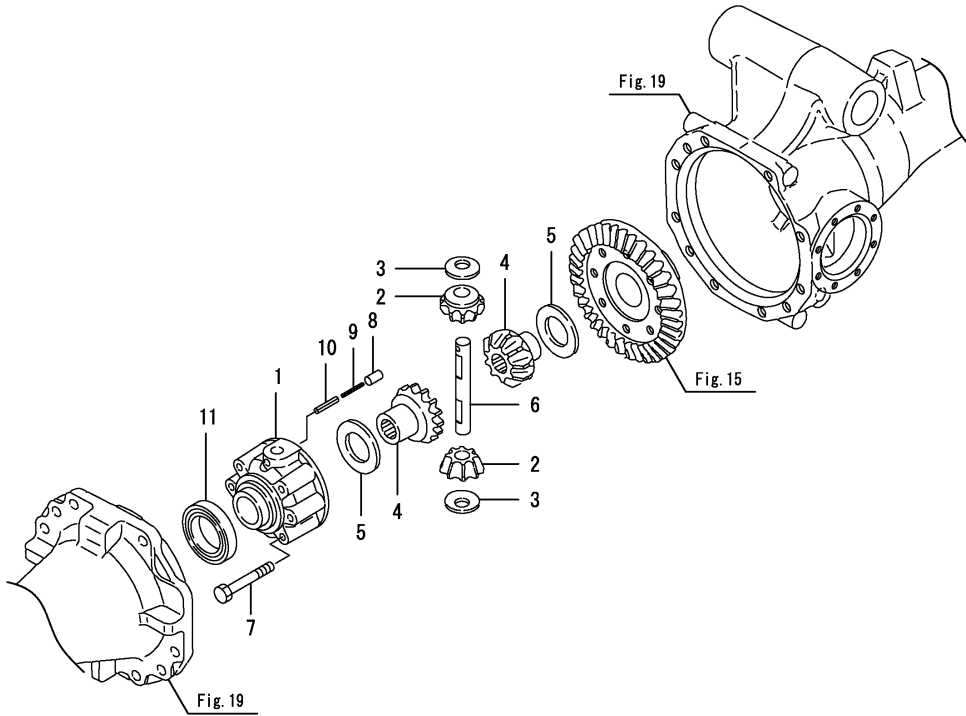


Fig.17. PROPELLER SHAFT

(A)=EF494T(ID)  
(B)=  
(C)=

(D)=  
(E)=  
(F)=

No.	Lev.	Parts No.	Description	Q'ty						I	R
				(A)	(B)	(C)	(D)	(E)	(F)		
1	1	198251-13270	SPACER, 33X48X 2	1							
2	1	198241-13280	SPACER, 33X40X15.5	1							
3	1	198137-13300	SHAFT ASSY,PROPELLER	1							
4	2	198133-13340	COUPLING, B	1							
5	2	198137-13350	SHAFT, PROPELLER	1							
6	1	194274-13350	BOOT, RUBBER	2							
7	1	198441-13370	SPRING, RETAINER	1							
8	1	194321-13380	SEAL, SPLINE SHAFT	1							
9	1	1A7260-43650	SPACER	2							
10	1	22417-400500	PIN, COTTER 4.0X50	1							
11	1	24190-110001	BALL, STEEL 11/32	12							

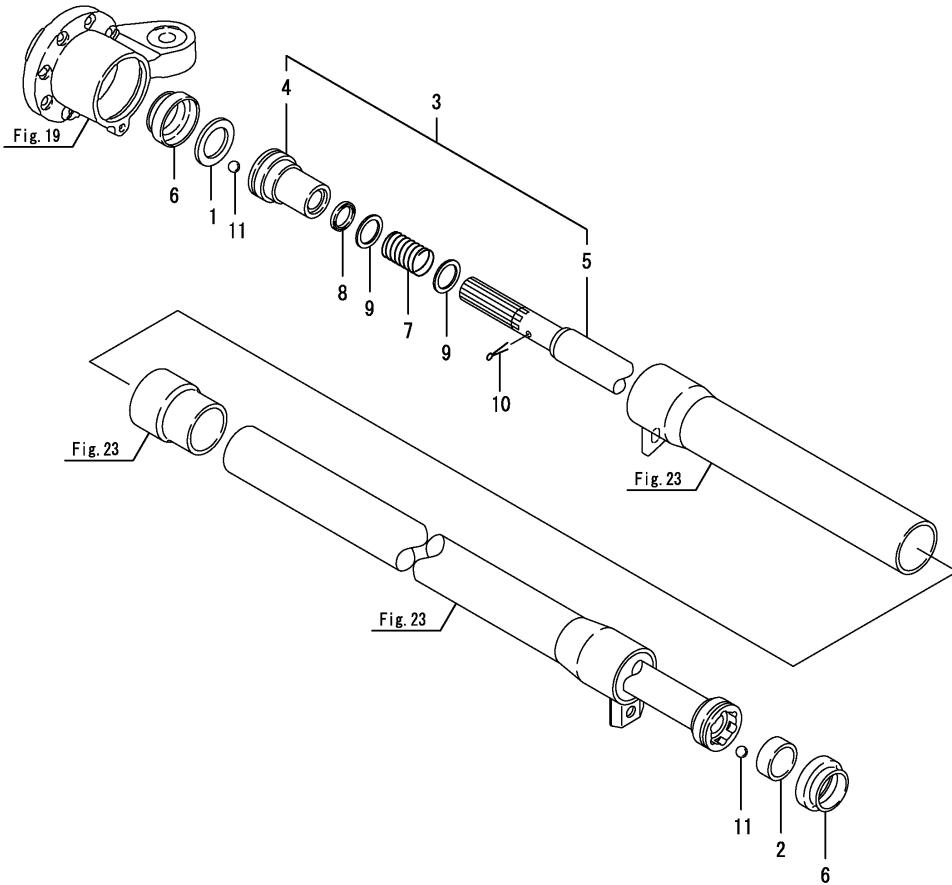
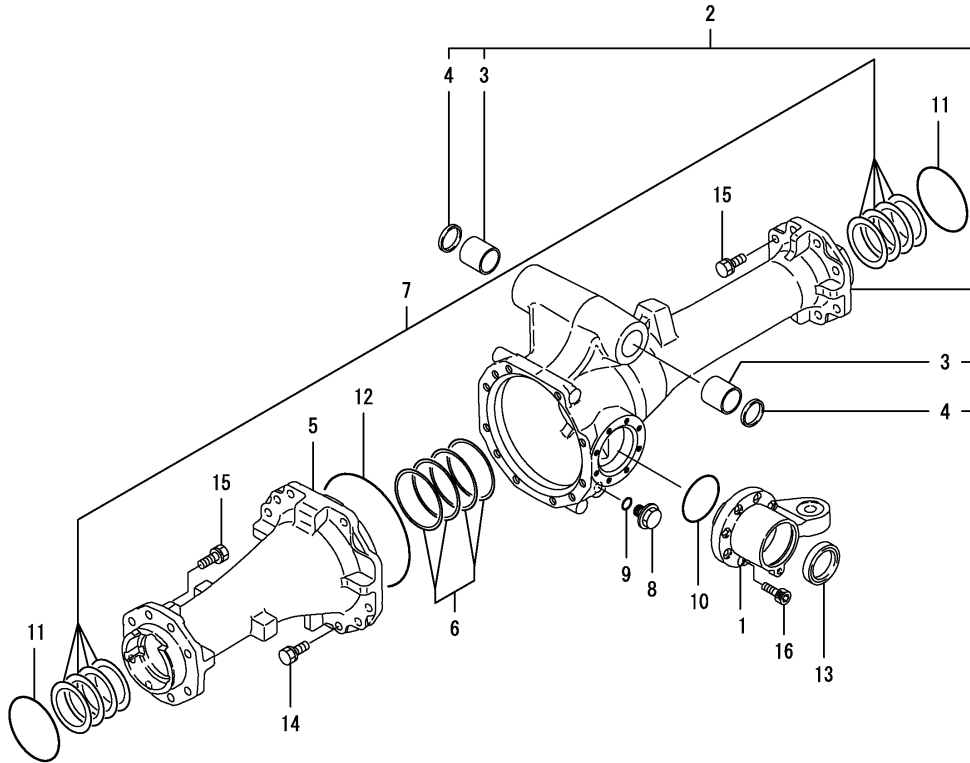




Fig.19. FRONT AXLE CASE

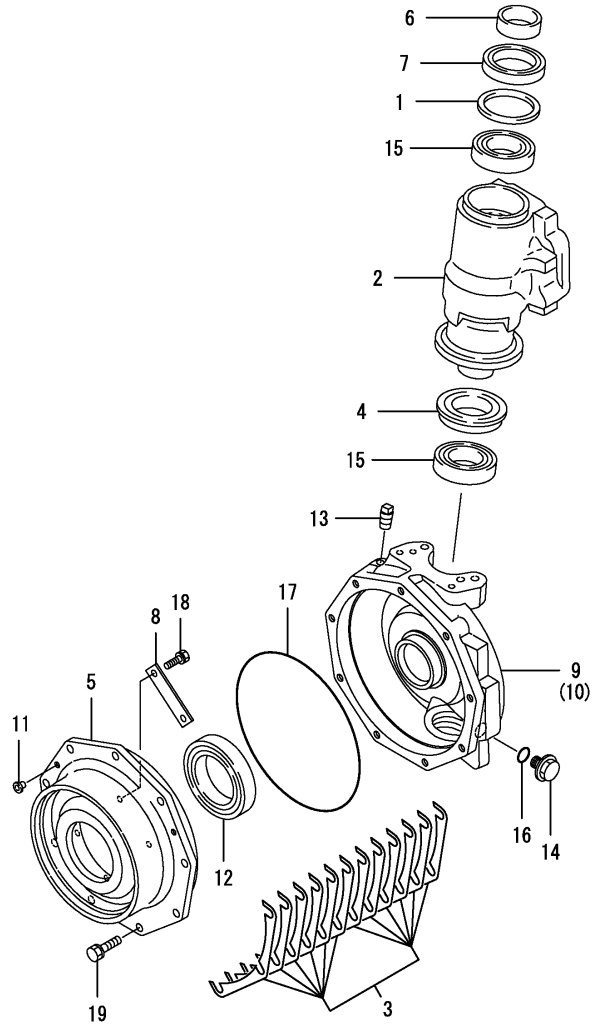
(A)=EF494T(ID)  
(B)=  
(C)=

(D)=  
(E)=  
(F)=



No.	Lev.	Parts No.	Description	Q'ty						I	R
				(A)	(B)	(C)	(D)	(E)	(F)		
1	1	198251-13450-2	RETAINER, BEARING	1							
2	1	198251-13600-2	HOUSING ASSY, AXLE R	1							
3	2	198251-11220	BUSH, 35X41X40				2				
4	2	194321-11940	SEAL, OIL VB354105				2				
5	1	198251-13610-2	HOUSING, FRONT AXLE	1							
6	1	794321-13660	SHIM SET	1							
7	1	194641-13670	SHIM SET, PINION	1							
8	1	23491-140002	PLUG, 14	1							
9	1	24311-000160	O-RING, 1AP16.0	1							
10	1	24321-000700	O-RING, 1AG70.0	1							
11	1	24321-001000	O-RING, 1AG100.0	2							
12	1	24321-001700	O-RING, 1AG170.0	1							
13	1	24421-456209	SEAL, OIL TC456209	1							
14	1	26013-120302	BOLT, M12X 30						11		
15	1	26013-120302	BOLT, M12X 30						16		
16	1	26450-080252	BOLT, M8X 25						8		

Fig.20. FRONT GEAR CASE



(A)=EF494T(ID)  
(B)=  
(C)=

(D)=  
(E)=  
(F)=

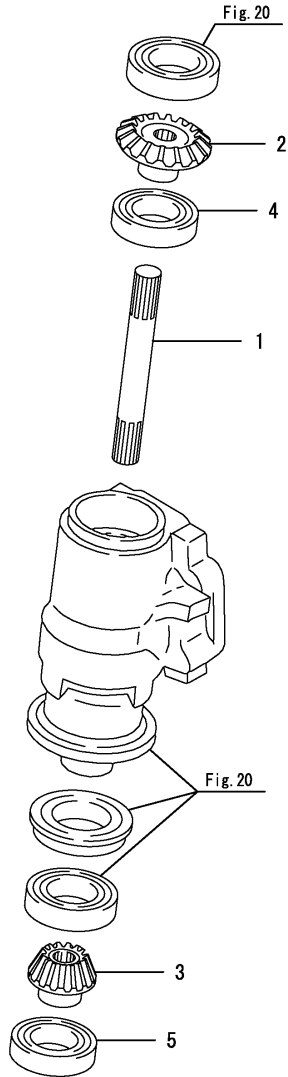
No.	Lev.	Parts No.	Description	Q'ty						I	R
				(A)	(B)	(C)	(D)	(E)	(F)		
1	1	194321-13680	SPACER, 85X1	2							
2	1	198251-13710-2	CASE, FRONT GEAR	2							
3	1	198401-13720	SHIM SET	1							
4	1	194641-13760	SEAL, OIL 55X85	2							
5	1	198401-13770-3	CASE, FRONT BEARING	2							
6	1	194641-13780	SLEEVE, SI 50X55X18	2							
7	1	194641-13790	SEAL, OIL TC6Y558514	2							
8	1	198401-13790	RETAINER, BEARING	4							
9	1	198401-13750-3	BOX, GEAR L	1							
10	1	198401-13850-3	BOX, GEAR R	1							
11	1	194275-27750	PLUG, 7.8	6							
12	1	194180-32670	SEAL, TC6Y8010515	2							
13	1	194151-36670	PLUG, PF02	2							
14	1	23491-140002	PLUG, 14	2							
15	1	24101-062094	BEARING, BALL 6209	4							
16	1	24311-000160	O-RING, 1AP16.0	2							
17	1	24321-002200	O-RING, 1AG220.0	2							
18	1	26013-080252	BOLT, M8X 25	8							
19	1	26013-100252	BOLT, M10X 25	18							



Fig.21. FRONT SHAFT(2)

(A)=EF494T(ID  
(B)=  
(C)=

(D)=  
(E)=  
(F)=



No.	Lev.	Parts No.	Description	Q'ty						I	R
				(A)	(B)	(C)	(D)	(E)	(F)		
1	1	198251-13810	SHAFT, FRONT 2ND	2							
2	1	1A7780-13820	GEAR, FRONT SHAFT	2							
3	1	1A7780-13830	PINION, FRONT FINAL	2							
4	1	194641-13840	BEARING, BALL TMB208	2							
5	1	192160-34150	BALL BEARING	2							

Fig.22. FRONT SPINDLE

(A)=EF494T(ID)  
(B)=  
(C)=

(D)=  
(E)=  
(F)=

No.	Lev.	Parts No.	Description	Qty						I	R
				(A)	(B)	(C)	(D)	(E)	(F)		
1	1	198208-11310	BOLT, M10X 25	6							
2	1	198401-14110-3	SPINDLE, FRONT	2							
3	1	198401-14120	GEAR, FRONT SHAFT	2							
4	1	198401-14130	COLLAR, SEAL	2							
5	1	1A7780-14180	WASHER	2							
6	1	24101-060144	BEARING, BALL 6014	2							
7	1	24101-062134	BEARING, BALL 6213	2							
8	1	24325-000650	O-RING, 1BG65.0	2							

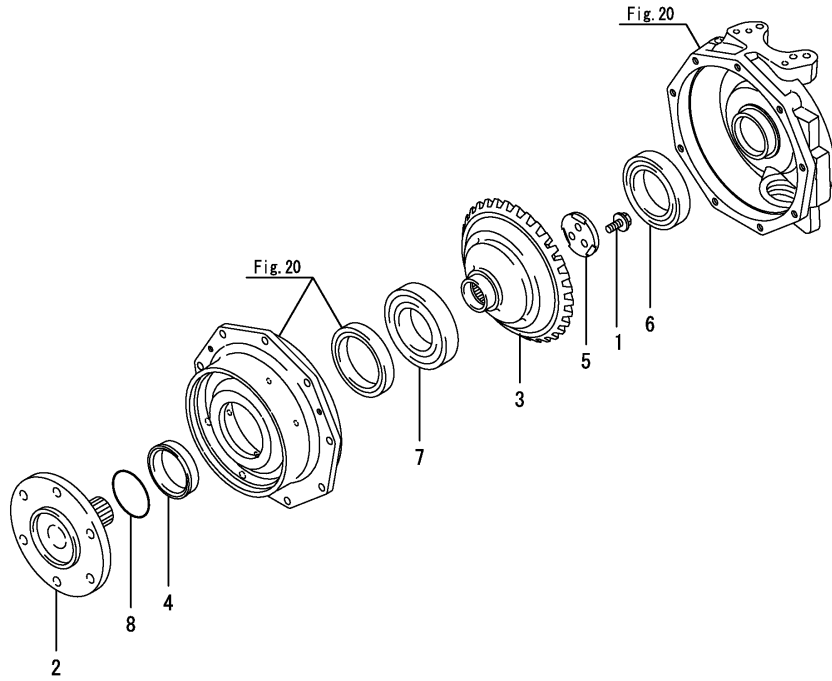
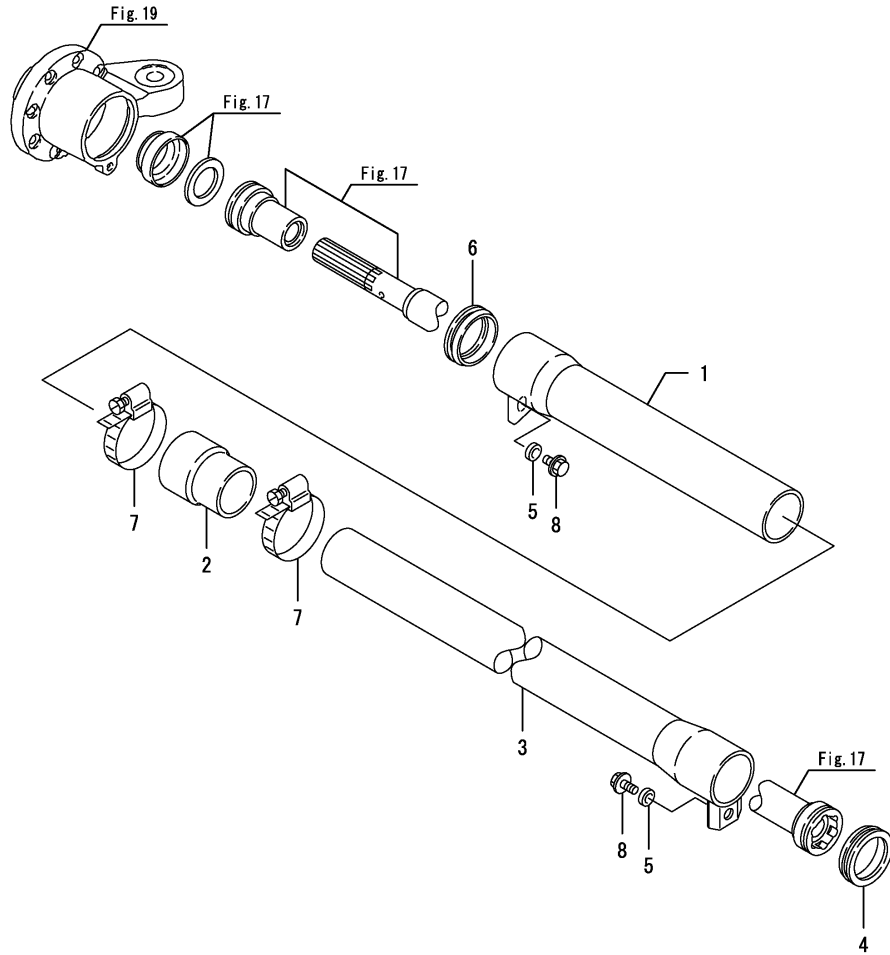


Fig.23. SHAFT COVER



(A)=EF494T(ID)  
(B)=  
(C)=

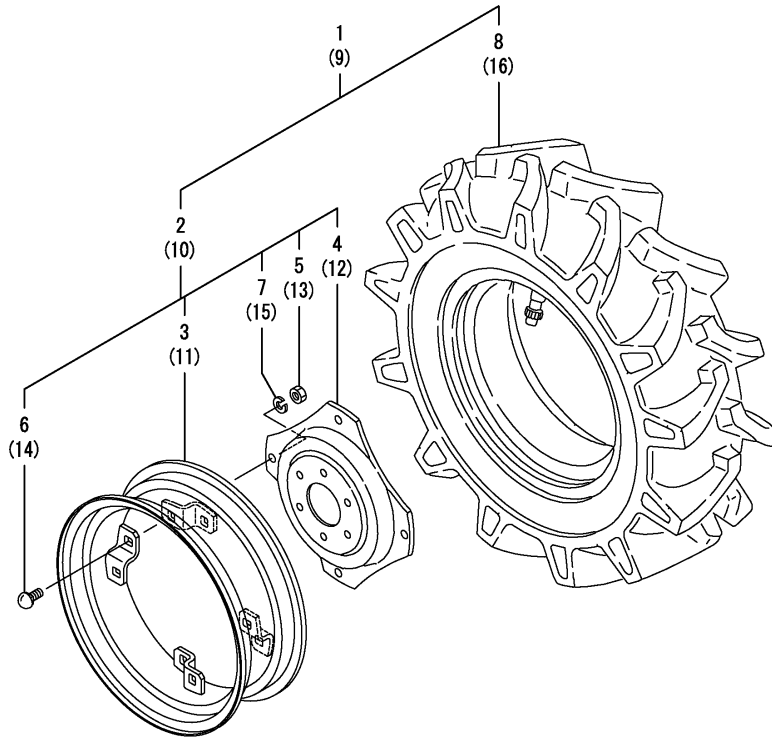
(D)=  
(E)=  
(F)=

No.	Lev.	Parts No.	Description	Q'ty						I	R
				(A)	(B)	(C)	(D)	(E)	(F)		
1	1	1A7780-14600	COVER, SHAFT FRONT	1							
2	1	1A7781-14650	BOOT, SHAFT COVER	1							
3	1	1A7780-14700	COVER, SHAFT	1							
4	1	198255-14740	SEAL, COVER 62	1							
5	1	1A7780-14740	COLLAR, 8.1X10.5X4	2							
6	1	198255-14760	SEAL, COVER 65	1							
7	1	23000-070000	CLAMP, 70	2							
8	1	26106-080122	BOLT, M8X 12 PLATED	2							

Fig.24. FRONT WHEEL TIRE

(A)=EF494T(ID)  
(B)=  
(C)=

(D)=  
(E)=  
(F)=



No.	Lev.	Parts No.	Description	Q'ty						I	R
				(A)	(B)	(C)	(D)	(E)	(F)		
1	1	1A7780-14301	TIRE KIT, 8-18-6 LH	1							
2	2	1A7780-14140	WHEEL ASSY, W6X18	1							
3	3	1A7780-14110	RIM, W6X18	1							
4	3	1A7780-14120	DISK	1							
5	3	1A7780-14770	NUT, M16	4							
6	3	1A7780-14790	BOLT, M16X37	4							
7	3	194065-34170	WASHER, 16	4							
8	2	1A7780-14310	TIRE ASSY, 8-18-6	1							
9	1	1A7780-14351	TIRE KIT, 8-18-6 LR	1							
10	2	1A7780-14140	WHEEL ASSY, W6X18	1							
11	3	1A7780-14110	RIM, W6X18	1							
12	3	1A7780-14120	DISK	1							
13	3	1A7780-14770	NUT, M16	4							
14	3	1A7780-14790	BOLT, M16X37	4							
15	3	194065-34170	WASHER, 16	4							
16	2	1A7780-14310	TIRE ASSY, 8-18-6	1							

Fig.25. HUB BOLT

(A)=EF494T(ID)  
(B)=  
(C)=

(D)=  
(E)=  
(F)=

No.	Lev.	Parts No.	Description	Q'ty						I	R
				(A)	(B)	(C)	(D)	(E)	(F)		
1	1	194881-12650	BOLT, M14X24	8							
2	1	194279-14220	WASHER, 14	4							
3	1	198200-34130	STUD, M14X31	4							
4	1	198200-34190	NUT, M14	4							

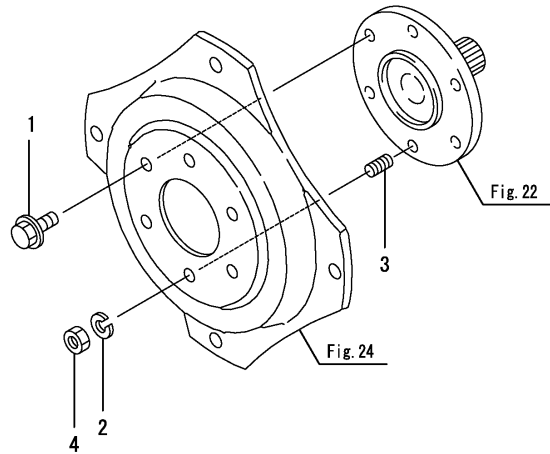
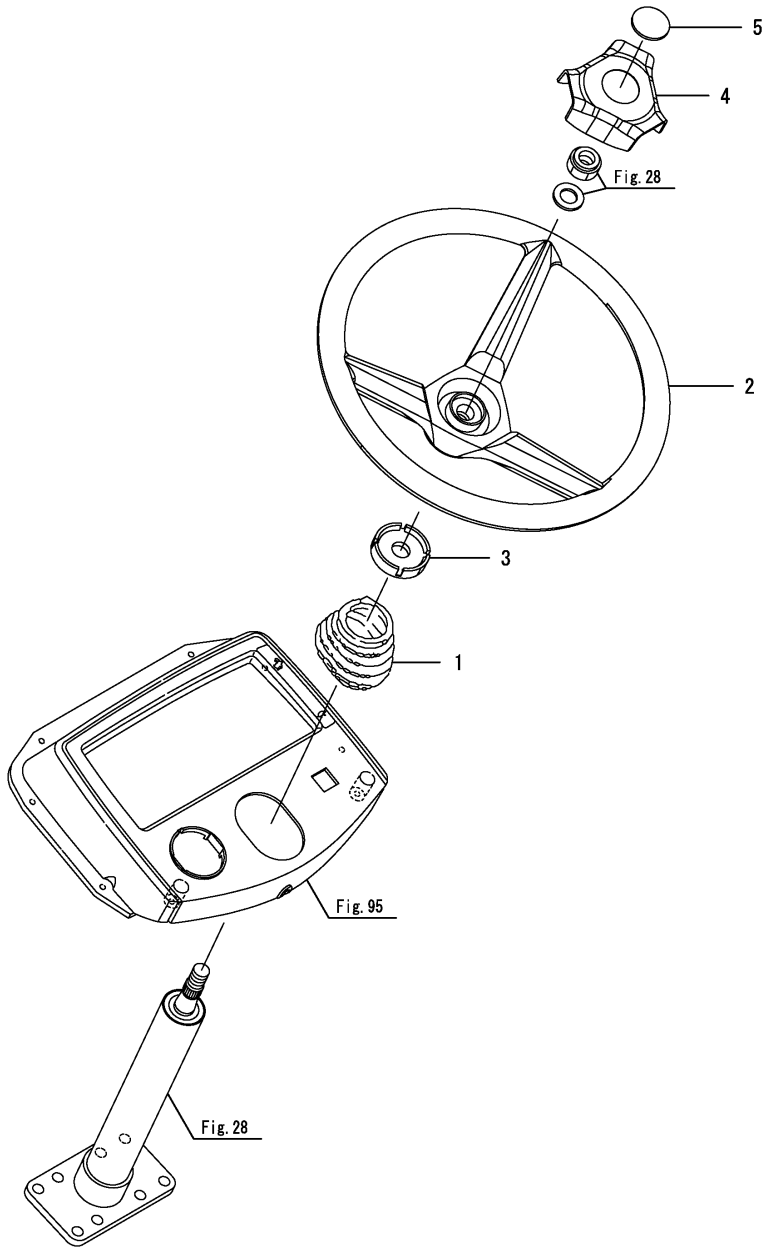


Fig.26. STEERING WHEEL

(A)=EF494T(ID)  
(B)=  
(C)=

(D)=  
(E)=  
(F)=

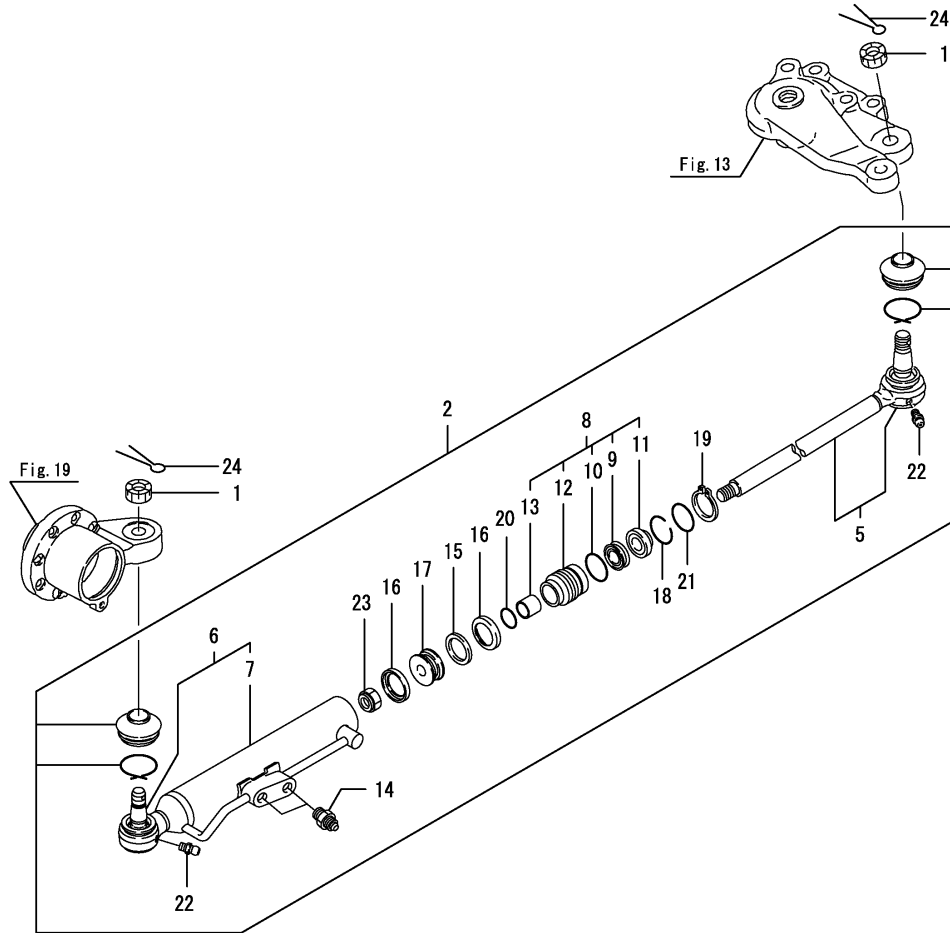


No.	Lev.	Parts No.	Description	Q'ty						I	R
				(A)	(B)	(C)	(D)	(E)	(F)		
1	1	198220-15650	COVER, COLUMN	1							
2	1	198133-15710	WHEEL, STEERING	1							
3	1	1A8115-15720	COVER, STEERING	1							
4	1	198133-15750	CAP, STEERING	1							
5	1	198133-15780	NAMEPLATE,HANDLE	1							

Fig.27. PST CYLINDER

(A)=EF494T(ID)  
(B)=  
(C)=

(D)=  
(E)=  
(F)=

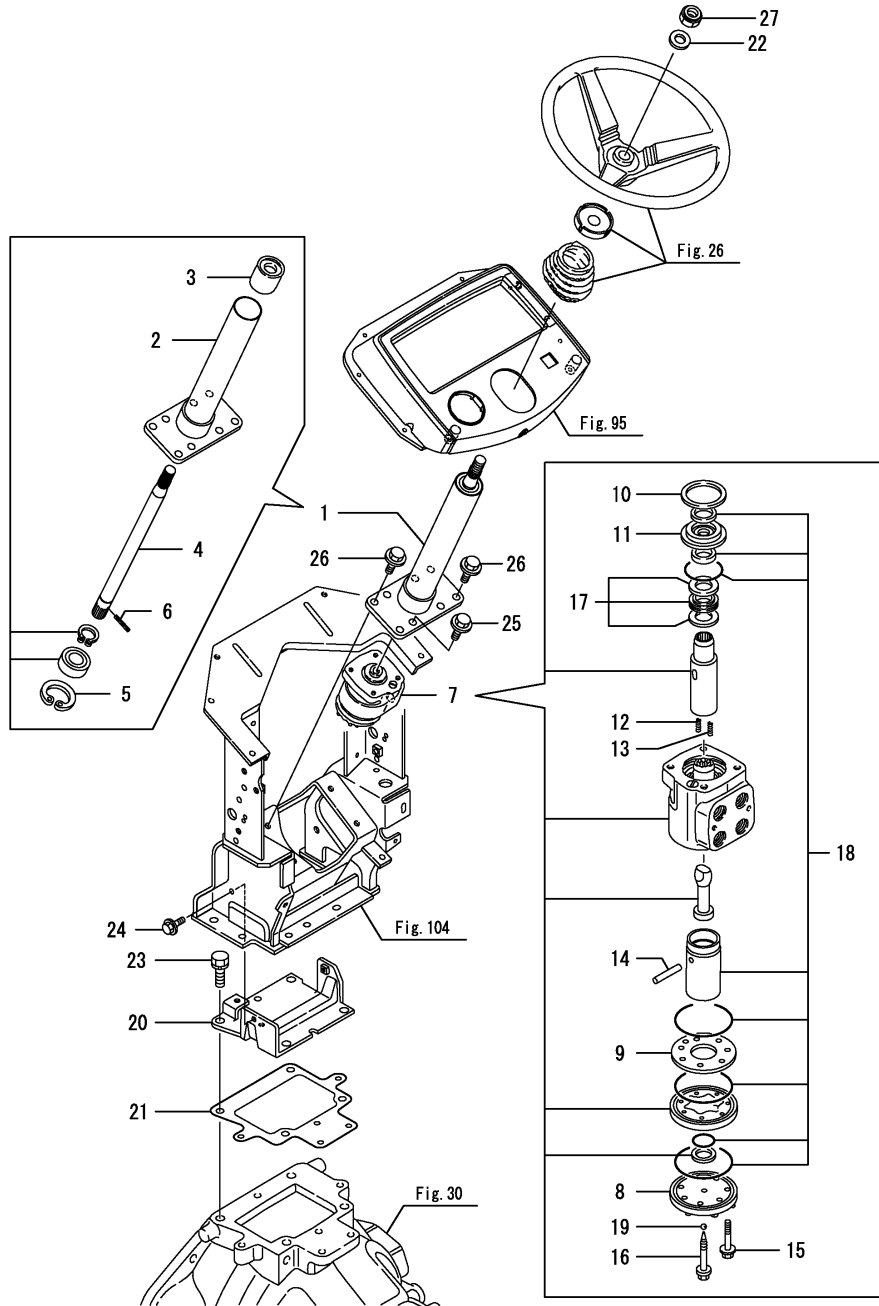


No.	Lev.	Parts No.	Description	Q'ty						I	R
				(A)	(B)	(C)	(D)	(E)	(F)		
1	1	194180-12471	NUT, CASTLE M16	2							
2	1	7A7780-17501	CYLINDER ASSY	1							
5	2	1A7780-17511	ROD ASSY, STEERING	1							
6	2	1A7780-17530	TUBE ASSY, CYLINDER	1							
7	3	1A7780-17540	TUBE, CYLINDER	1							
8	2	1A7780-17551	CAP ASSY, CYLINDER	1							
9	3	1A7780-17560	PACKING, 22	1							
10	3	1A7780-17570	PACKING, 34	1							
11	3	1A7780-17581	SCRAPER, 22	1							
12	3	1A7780-17591	CAP, CYLINDER	1							
13	3	24550-022200	BUSH, 22X20	1							
14	2	194065-38380	ADAPTER, 1/4	2							
15	2	172156-72330	PACKING	1							
16	2	172156-72340	BEARING	2							
17	2	198071-72750	PISTON, CYLINDER	1							
18	2	22207-040320	RING, 40X3.2	1							
19	2	22242-000360	RING, 36	1							
20	2	24315-000180	O-RING, 1BP18.0	1							
21	2	24351-240350	O-RING, 1A24035	1							
22	2	24761-060000	NIPPLE, GREASE MT6X1	2							
23	2	26356-140002	NUT, M14	1							
24	1	22417-400250	PIN, COTTER 4.0X25	2							

Fig.28. PST VALVE

(A)=EF494T(ID)  
(B)=  
(C)=

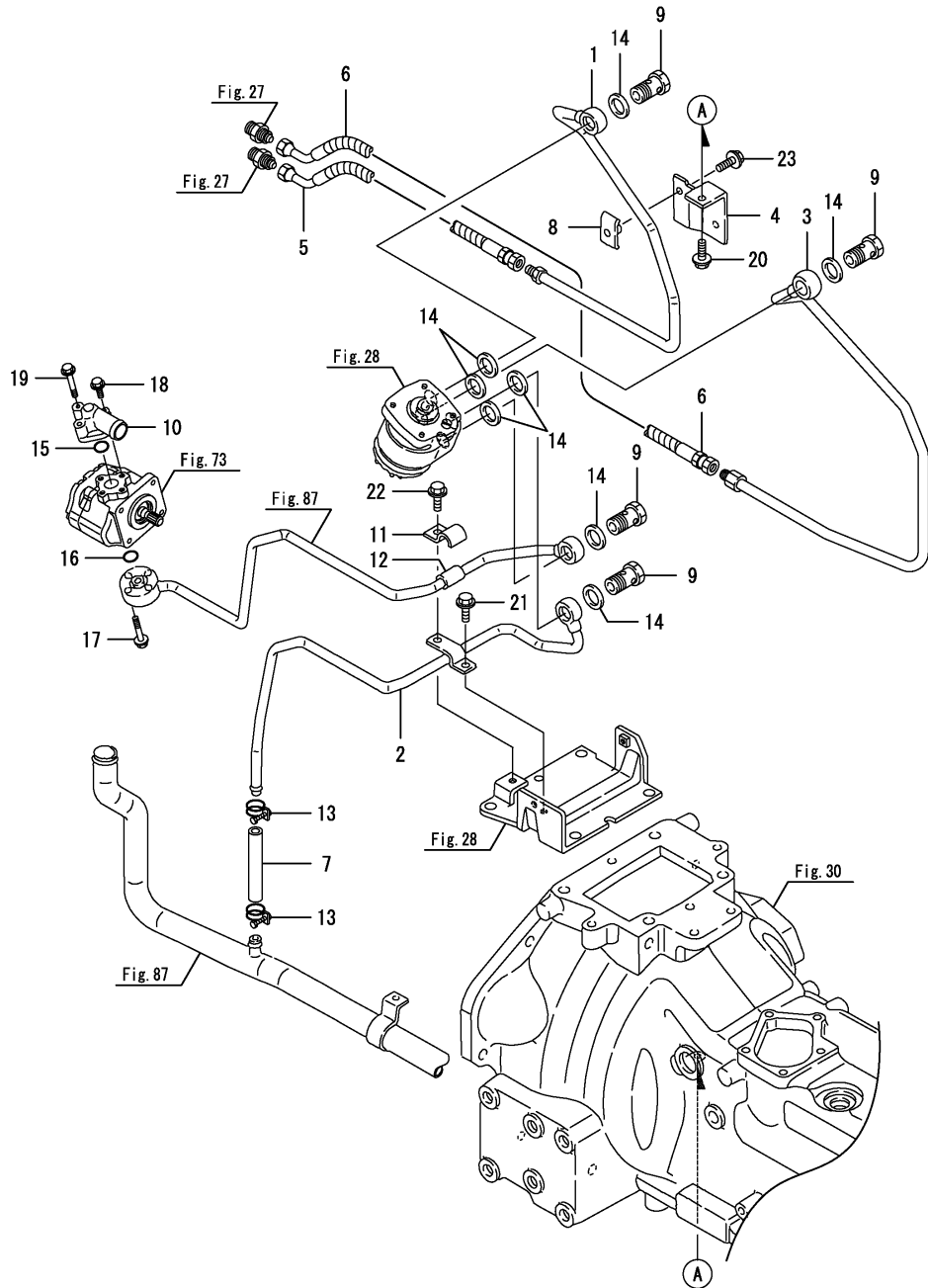
(D)=  
(E)=  
(F)=



No.	Lev.	Parts No.	Description	Q'ty						I	R
				(A)	(B)	(C)	(D)	(E)	(F)		
1	1	1A7780-17300	COLUMN ASSY,STEERING	1							
2	2	198230-17311	COLUMN ASSY,STEERING	1							
3	2	194640-17340	BUSH, COLUMN	1							
4	2	1A7780-17370	SHAFT, STEERING 1	1							
5	2	22252-000420	RING, 42	1							
6	2	22351-040025	PIN, SPRING 4.0X25	1							
7	1	198251-17500	VALVE ASSY, STEERING	1							
8	2	194337-17220	CAP, END	1							
9	2	194337-17251	PLATE, SPACER	1							
10	2	194337-17390	RING, RETAINING	1							
11	2	194337-17400	BUSH, SEAL GRAND	1							
12	2	194337-17520	SPRING	4							
13	2	194337-17530	SPRING	2							
14	2	194337-17540	PIN	1							
15	2	198220-17610	SCREW	6							
16	2	198220-17620	SCREW ASSY, RETAINER	1							
17	2	198153-17630	BEARING ASSY, NEEDLE	1							
18	2	198220-17642	SEAL KIT	1							
19	2	24190-070001	BALL, STEEL 7/32	1							
20	1	198240-17870	COVER, HOUSING	1							
21	1	198327-21150	PACKING, CLUTCH	1							
22	1	22137-160000	WASHER, 16	1							
23	1	26013-120202	BOLT, M12X 20	4							
24	1	26106-080162	BOLT, M8X 16 PLATED	2							
25	1	26106-100202	BOLT, M10X 20 PLATED	4							
26	1	26106-100202	BOLT, M10X 20 PLATED	4							
27	1	26356-160002	NUT, M16	1							



Fig.29. PST PIPING

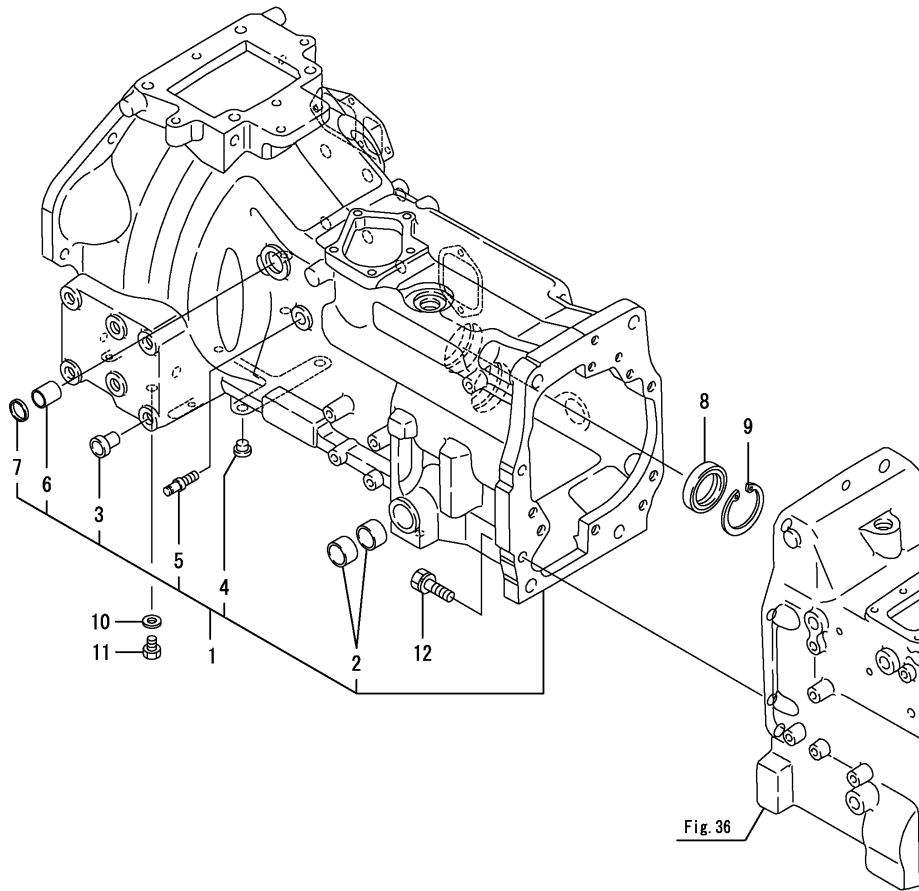


(A)=EF494T(ID)  
(B)=  
(C)=

(D)=  
(E)=  
(F)=

No.	Lev.	Parts No.	Description	Q'ty						I	R
				(A)	(B)	(C)	(D)	(E)	(F)		
1	1	198253-17700	PIPE, PRESSURE L	1							
2	1	198253-17750	PIPE, PRESSURE T	1							
3	1	1A7780-17780	PIPE, PRESSURE R	1							
4	1	198240-17840	BRACKET	1							
5	1	1A7781-17850	HOSE, HYDRAULIC 450	1							
6	1	1A7781-17860	HOSE, HYDRAULIC 350	1							
7	1	194556-17870	HOSE, RETURN RUBBER	1							
8	1	198220-46560	CLAMP, PIPE 12	1							
9	1	198245-46680	BOLT, M3/4-16	4							
10	1	198220-48140	FLANGE, PIPE P	1							
11	1	194450-48830	CLAMP	1							
12	1	194464-48850	RUBBER, ABSORBER	1							
13	1	23010-018000	CLAMP, 18	2							
14	1	23414-190000	GASKET, 19X1.0	8							
15	1	24311-000200	O-RING, 1AP20.0	1							
16	1	24311-000200	O-RING, 1AP20.0	1							
17	1	26018-060352	BOLT, M6X 35	4							
18	1	26106-060202	BOLT, M6X 20 PLATED	1							
19	1	26106-060402	BOLT, M6X 40 PLATED	2							
20	1	26106-080162	BOLT, M8X 16 PLATED	1							
21	1	26106-080162	BOLT, M8X 16 PLATED	1							
22	1	26106-080202	BOLT, M8X 20 PLATED	1							
23	1	26106-080202	BOLT, M8X 20 PLATED	1							

Fig.30. CLUTCH HOUSING



(A)=EF494T(ID)  
(B)=  
(C)=

(D)=  
(E)=  
(F)=

No.	Lev.	Parts No.	Description	Q'ty						I	R
				(A)	(B)	(C)	(D)	(E)	(F)		
1	1	1A7780-21100-1	HOUSING ASSY, CLUTCH	1							
2	2	194740-06080	BUSH, 25X30X18	4							
3	2	194450-11190	PLUG, 15.0	11							
4	2	194150-21910	PLUG, 11.2	4							
5	2	194150-22250	PIN, HOOK	2							
6	2	194680-22280	BUSH, 20X26X22	2							
7	2	194680-22290	SEAL, OIL G202604	2							
8	1	198240-25180	SEAL, OIL TC4 05812	1							
9	1	22252-000620	RING, 62	1							
10	1	23414-100000	GASKET, 10X1.0	1							
11	1	23887-100002	PLUG, 10	1							
12	1	26013-120402	BOLT, M12X 40	2							

Fig.31. DOCKING BOLT

(A)=EF494T(ID)  
(B)=  
(C)=

(D)=  
(E)=  
(F)=

No.	Lev.	Parts No.	Description	Q'ty						I	R
				(A)	(B)	(C)	(D)	(E)	(F)		
1	1	198327-21130	COVER, HOUSING A	1							
2	1	198327-21180	COVER, HOUSING B	1							
3	1	198240-21220	BOLT, M12X40	1							
4	1	198240-21250	BOLT, M12X170	2							
5	1	198240-21260	BOLT, M12X100	2							
6	1	198240-21270	BOLT, M12X30	3							
7	1	22351-080018	PIN, SPRING 8.0X18	2							
8	1	23414-100000	GASKET, 10X1.0	1							
9	1	23887-100002	PLUG, 10	1							
10	1	24761-020000	NIPPLE, GREASE PT1/8	2							
11	1	26106-080162	BOLT, M8X 16 PLATED	3							
12	1	26106-080162	BOLT, M8X 16 PLATED	2							
13	1	26116-160302	BOLT, M16X 30 PLATED	2							
14	1	26366-120002	NUT, M12	2							

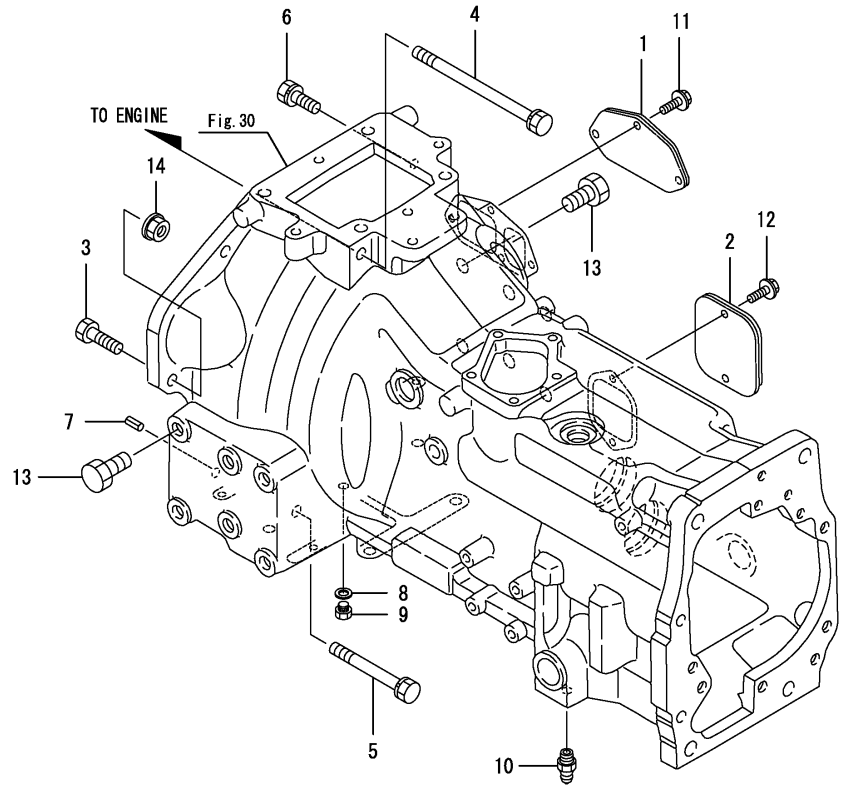


Fig.32. SINGLE CLUTCH

(A)=EF494T(ID)  
(B)=  
(C)=

(D)=  
(E)=  
(F)=

No.	Lev.	Parts No.	Description	Q'ty						I	R
				(A)	(B)	(C)	(D)	(E)	(F)		
1	1	198440-21611	CLUTCH KIT, SINGLE	1							
2	2	198440-21402	DISK, CLUTCH	1							
3	2	198440-21700	PLATE, PRESSURE	1							
4	1	22351-080018	PIN, SPRING 8.0X18	3							
5	1	26106-080162	BOLT, M8X 16 PLATED	9							

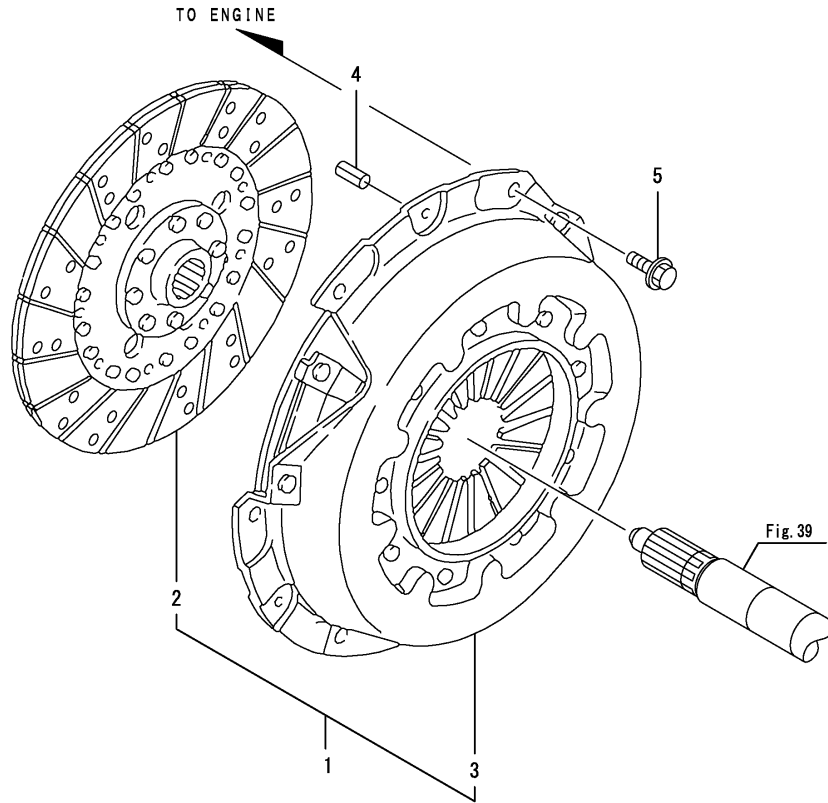


Fig.33. CLUTCH RELEASE(1)

(A)=EF494T(ID  
(B)=  
(C)=

(D)=  
(E)=  
(F)=

No.	Lev.	Parts No.	Description	Q'ty						I	R
				(A)	(B)	(C)	(D)	(E)	(F)		
1	1	1A7780-22251-2	SHAFT,CLUTCH RELEASE	1							
2	1	198149-22280	YOKE, CLUTCH SHIFT	1							
3	1	198071-22320	BOLT, M8X40	2							

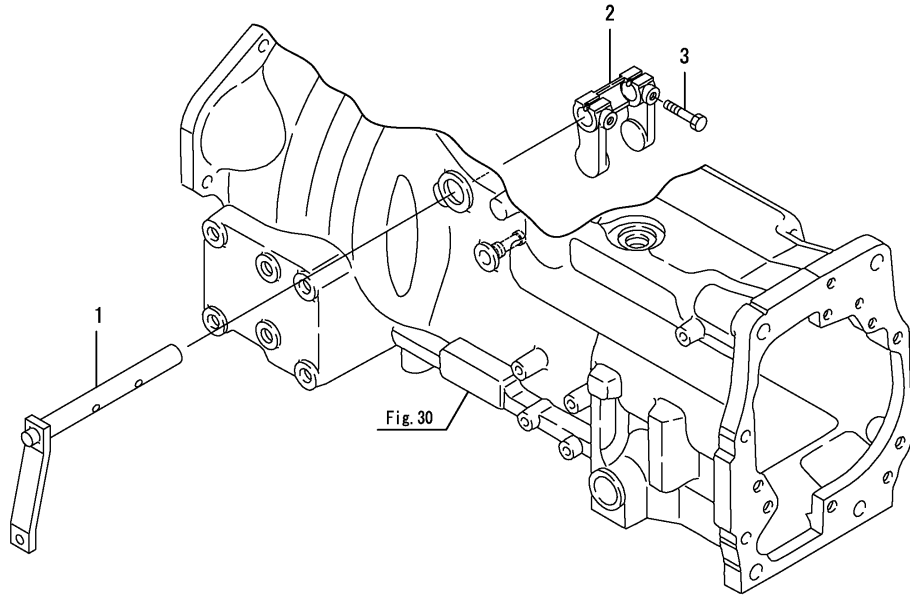
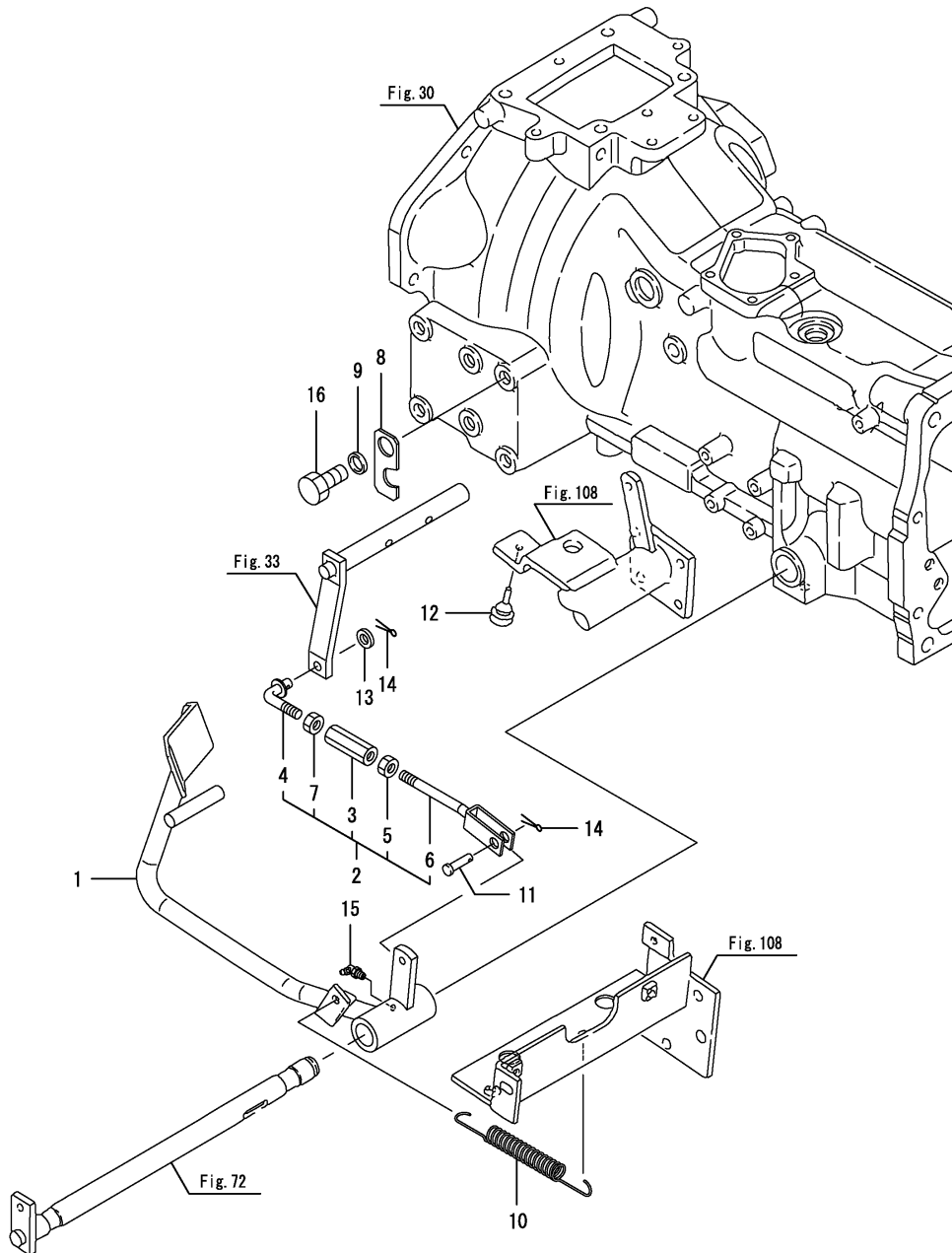




Fig.35. CLUTCH PEDAL

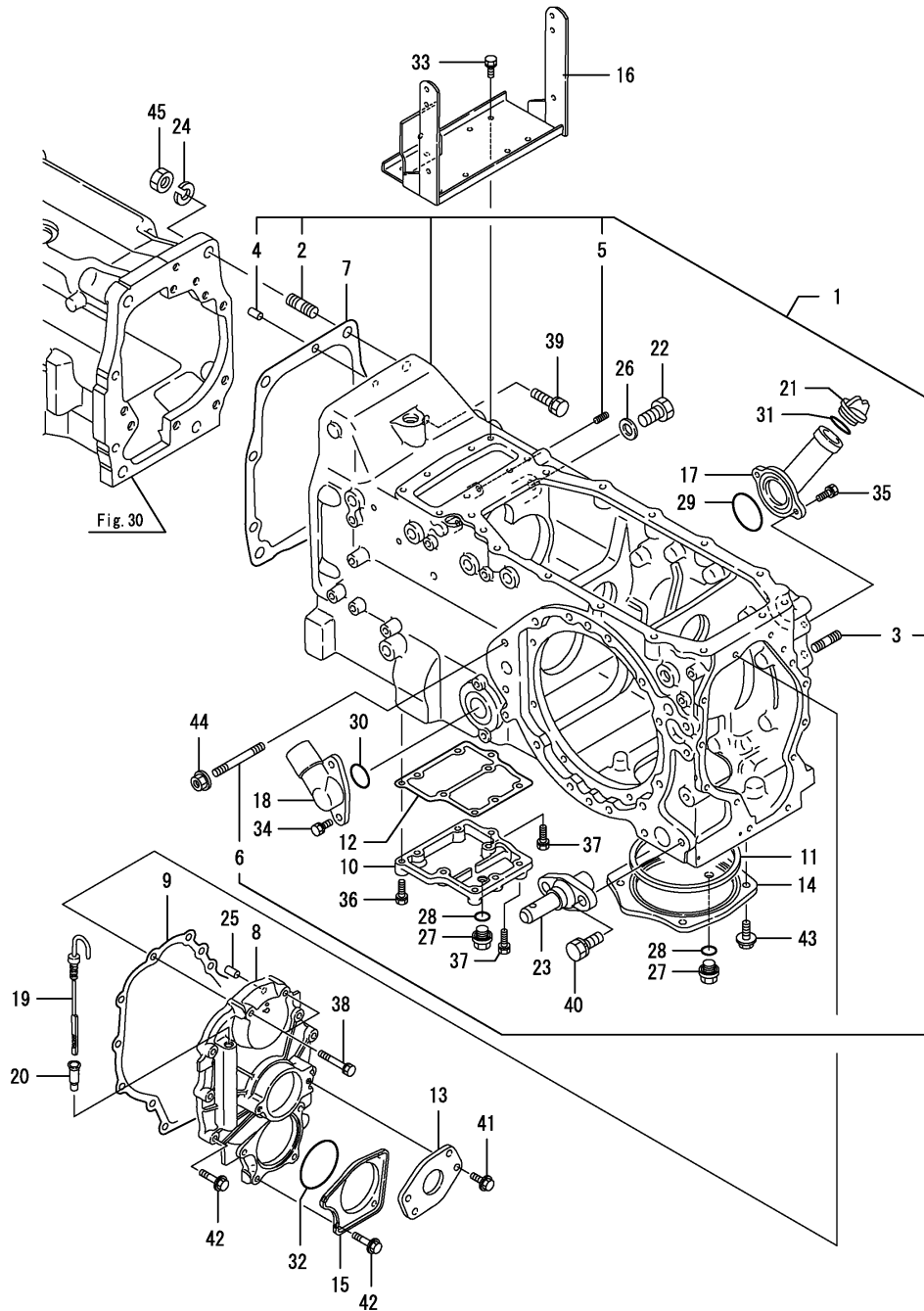
(A)=EF494T(ID)  
(B)=  
(C)=

(D)=  
(E)=  
(F)=



No.	Lev.	Parts No.	Description	Qty						I	R
				(A)	(B)	(C)	(D)	(E)	(F)		
1	1	1A7781-22410	PEDAL, CLUTCH	1							
2	1	798240-22470	ROD KIT, CLUTCH	1							
3	2	194300-22260	TURNBUCKLE, M10	1							
4	2	198240-22470	ROD, CLUTCH	1							
5	2	194150-22480	NUT, M10 L	1							
6	2	198240-22550	ROD, CLUTCH	1							
7	2	26716-100002	NUT, M10	1							
8	1	1A7100-22920	LOCK, CLUTCH PEDAL	1							
9	1	198327-22930	COLLAR, 16.1X21.7X4	1							
10	1	198240-37510	SPRING, RETURN	1							
11	1	198220-37900	PIN, 8X24	1							
12	1	194330-62530	STOPPER, PEDAL	1							
13	1	22137-100000	WASHER, 10	1							
14	1	22417-250300	PIN, COTTER 2.5X30	2							
15	1	24761-040000	NIPPLE, GREASE B	1							
16	1	26116-160302	BOLT, M16X 30 PLATED	1							

Fig.36. TRANSMISSION CASE



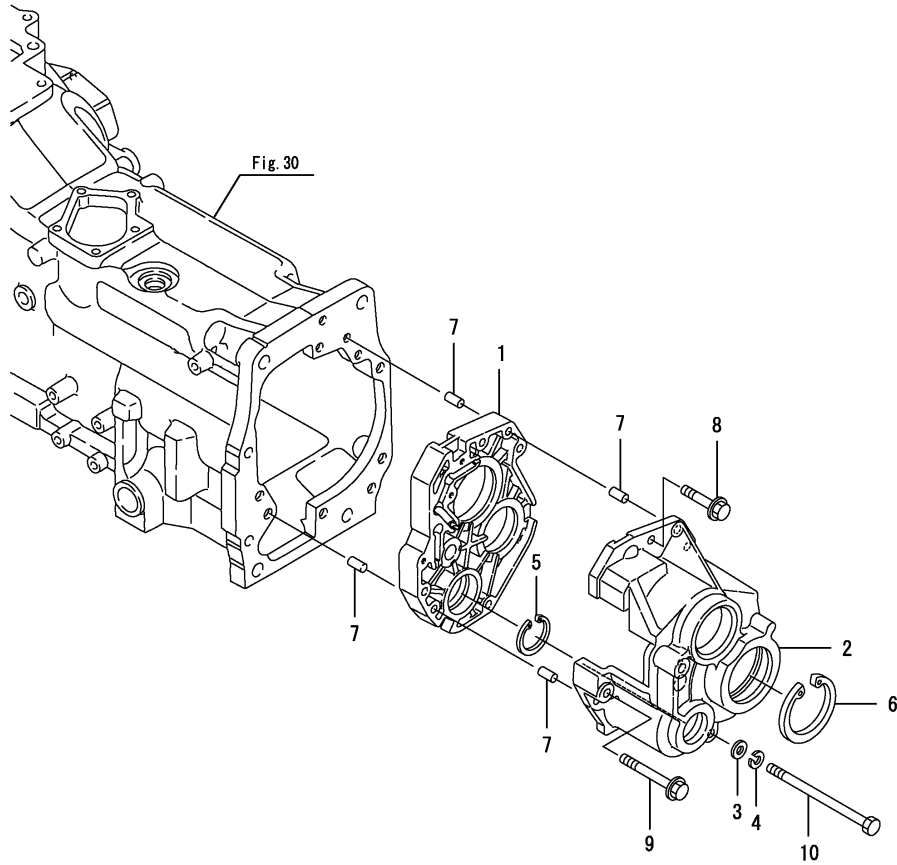
(A)=EF494T(ID)  
(B)=  
(C)=

(D)=  
(E)=  
(F)=

No.	Lev.	Parts No.	Description	Q'ty						I	R
				(A)	(B)	(C)	(D)	(E)	(F)		
1	1	1A7780-24100-1	HOUSING ASSY, XMSN.	1							
2	2	198240-24120	STUD, M16X45	4							
3	2	198240-24530	STUD, M12X45	2							
4	2	22312-100180	PIN, PARALLEL M10X18	2							
5	2	26218-080202	STUD, M8X 20	1							
6	2	26218-100902	STUD, M10X 90	2							
7	1	198240-24140	PACKING, MISSION	1							
8	1	198327-24240-2	COVER, REAR	1							
9	1	198240-24320	PACKING	1							
10	1	198133-24370-2	COVER, FRONT DRIVE	1							
11	1	198133-24380	PACKING, 140X3	1							
12	1	198138-24390	PACKING	1							
13	1	198255-24460-4	PLATE, OIL SEAL	1							
14	1	198240-24480-2	COVER, PTO	1							
15	1	198240-24510-2	COVER, REAR COVER	1							
16	1	1A7781-24680-1	COVER, MISSION CASE	1							
17	1	198240-24690-1	NECK, FILLER	1							
18	1	198240-24920-2	FLANGE, PIPE S	1							
19	1	194850-24960	GAUGE ASSY, LEVEL	1							
20	1	119860-34810	GUIDE, DIPSTICK	1							
21	1	194850-42500	CAP, OIL M33	1							
21-1	1	1A7870-24910	CAP, OIL	1							R
(A=FXXXXX)											
22	1	198220-45920	PLUG, 3/4-16UNF	1							
23	1	194640-73180	PIN, LOWER LINK	2							
24	1	22217-160000	WASHER, SPRING 16	4							
25	1	22312-100180	PIN, PARALLEL M10X18	2							
26	1	23414-190000	GASKET, 19X1.0	1							
27	1	23491-140002	PLUG, 14	2							
28	1	24311-000160	O-RING, 1AP16.0	2							
29	1	24311-000500	O-RING, 1AP50.0	1							
30	1	24321-000300	O-RING, 1AG30.0	1							
31	1	24321-000300	O-RING, 1AG30.0	1							
31-1	1	24351-240300	O-RING, 1A24030	1							R
(A=FXXXXX)											
32	1	24321-000750	O-RING, 1AG75.0	1							
33	1	26013-080162	BOLT, M8X 16	8							
34	1	26013-080202	BOLT, M8X 20	2							
35	1	26013-080202	BOLT, M8X 20	2							
36	1	26013-080252	BOLT, M8X 25	5							
37	1	26013-080302	BOLT, M8X 30	4							
38	1	26013-080502	BOLT, M8X 50	2							
39	1	26013-120402	BOLT, M12X 40	2							
40	1	26013-140352	BOLT, M14X 35	4							
41	1	26106-080162	BOLT, M8X 16 PLATED	2							
42	1	26106-080352	BOLT, M8X 35 PLATED	10							
43	1	26106-100252	BOLT, M10X 25 PLATED	4							
44	1	26366-100002	NUT, M10	2							
45	1	26716-160002	NUT, M16	4							



Fig.37. CENTER PLATE



(A)=EF494T(ID)  
 (B)=  
 (C)=

(D)=  
 (E)=  
 (F)=

No.	Lev.	Parts No.	Description	Q'ty						I	R
				(A)	(B)	(C)	(D)	(E)	(F)		
1	1	198133-24361	PLATE, CENTER	1							
2	1	198133-25311	RETAINER, BEARING	1							
3	1	22137-100000	WASHER, 10	1							
4	1	22217-100000	WASHER, SPRING 10	1							
5	1	22252-000470	RING, 47	1							
6	1	22252-000800	RING, 80	1							
7	1	22312-100200	PIN, PARALLEL M10X20	4							
8	1	26106-100502	BOLT, M10X 50 PLATED	2							
9	1	26106-100802	BOLT, M10X 80 PLATED	1							
10	1	26116-101502	BOLT, M10X150 PLATED	1							

Fig.38. OIL STRAINER

(A)=EF494T(ID)  
 (B)=  
 (C)=

(D)=  
 (E)=  
 (F)=

No.	Lev.	Parts No.	Description	Q'ty						I	R
				(A)	(B)	(C)	(D)	(E)	(F)		
1	1	198240-24900-2	COVER, STRAINER	1							
2	1	194322-24980	PLUG, 1-2NPT	1							
3	1	194275-48400	STRAINER, OIL	1							
4	1	24321-000650	O-RING, 1AG65.0	1							
5	1	26013-080202	BOLT, M8X 20	2							

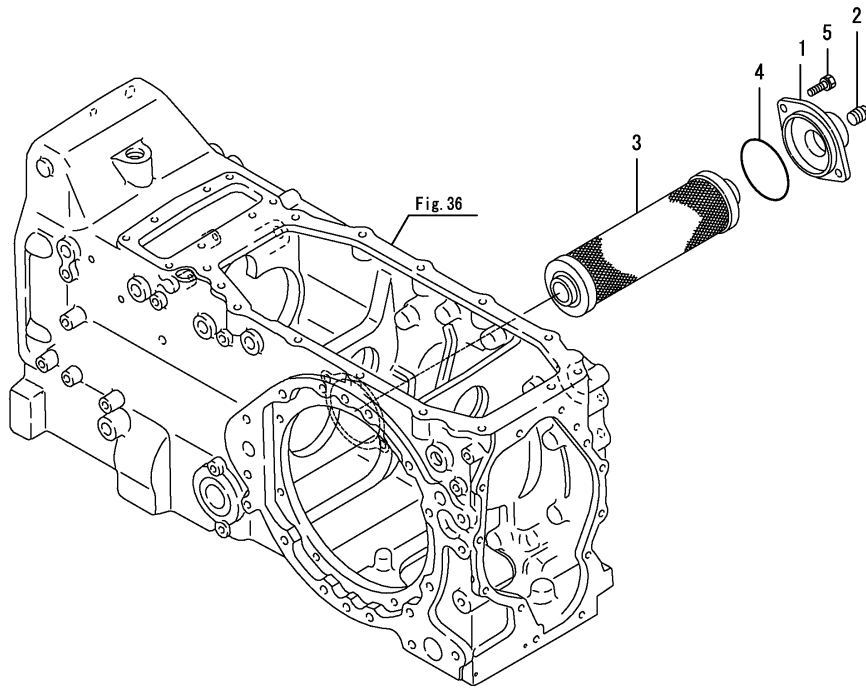
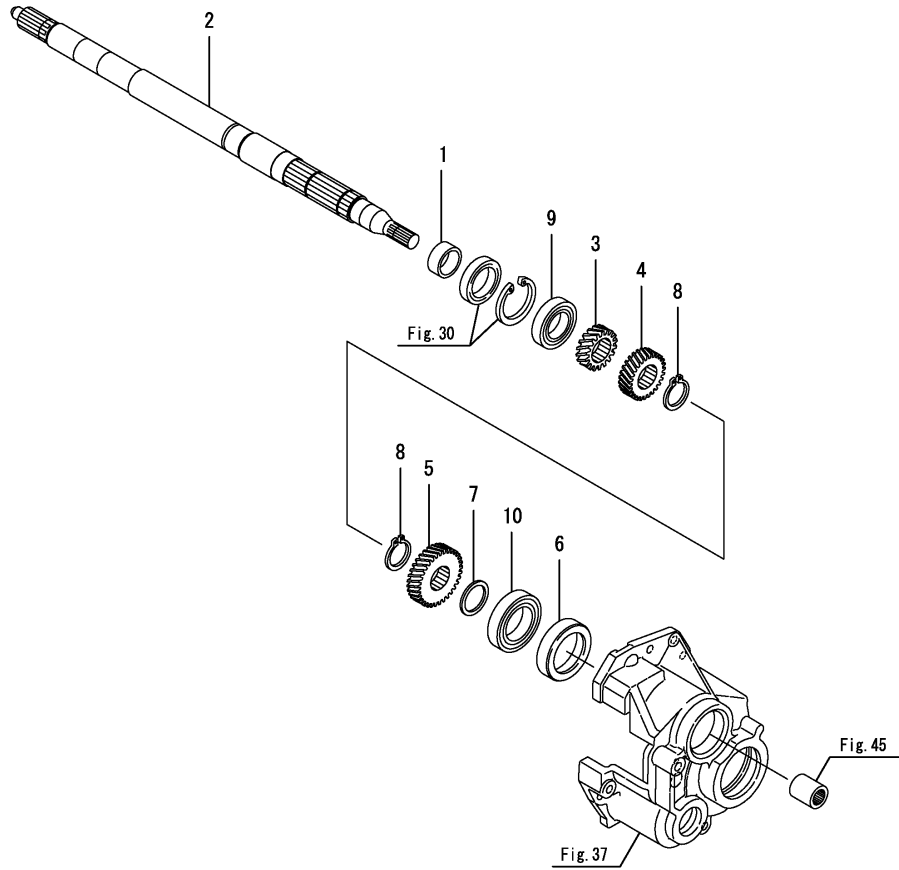


Fig.39. MAIN SHAFT

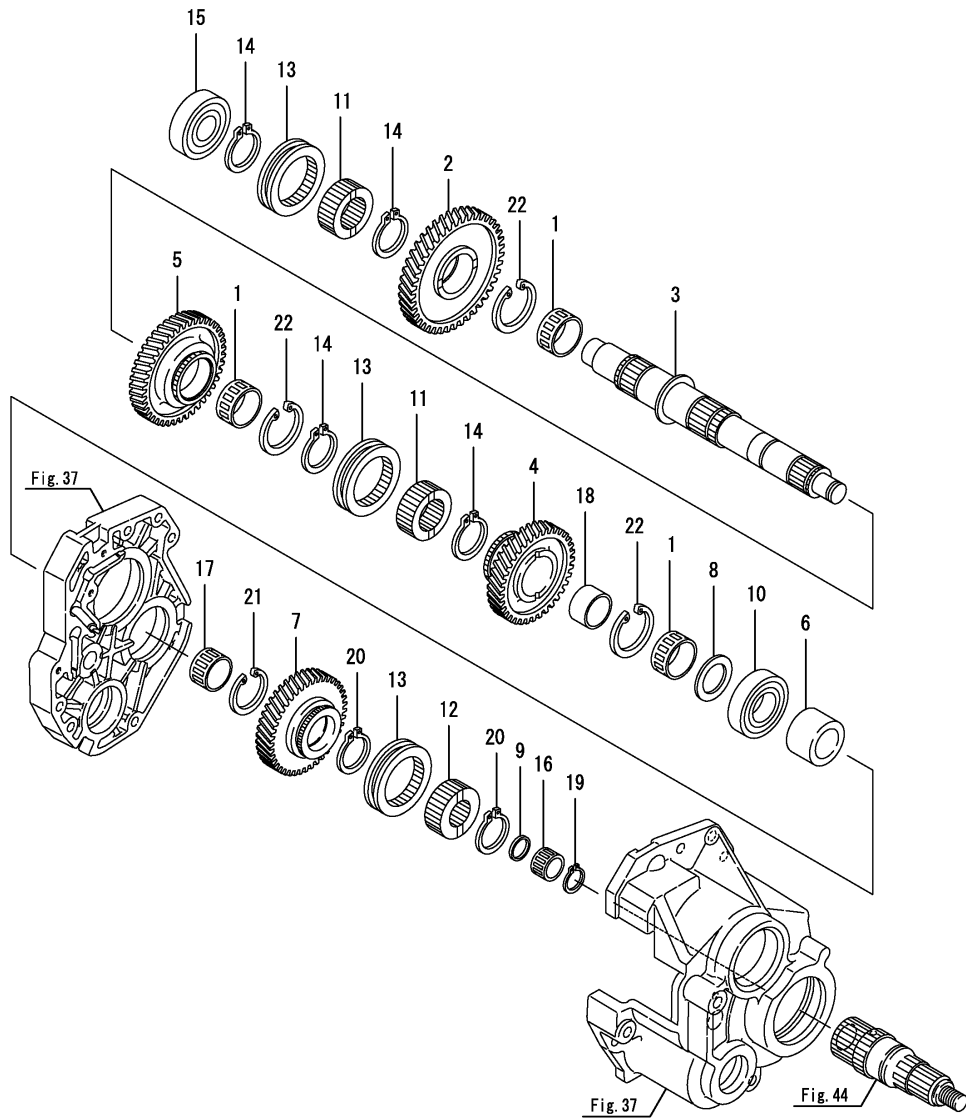


(A)=EF494T(ID)  
(B)=  
(C)=

(D)=  
(E)=  
(F)=

No.	Lev.	Parts No.	Description	Q'ty						I	R
				(A)	(B)	(C)	(D)	(E)	(F)		
1	1	194274-22090	SLEEVE, SI 35X40X17	1							
2	1	1A7780-22121	SHAFT, MAIN DRIVE	1							
3	1	198240-25220	GEAR, MAIN 21	1							
4	1	198133-25230	GEAR, MAIN 27	1							
5	1	198133-25240	GEAR, MAIN 33	1							
6	1	1A7780-25270	HOLDER, BEARING	1							
7	1	194312-25470	SPACER, 30X40X2	1							
8	1	22242-000340	RING, 34	2							
9	1	24101-060074	BEARING, BALL 6007	1							
10	1	24101-062064	BEARING, BALL 6206	1							

Fig.40. DRIVEN SHAFT



(A)=EF494T(ID)  
(B)=  
(C)=

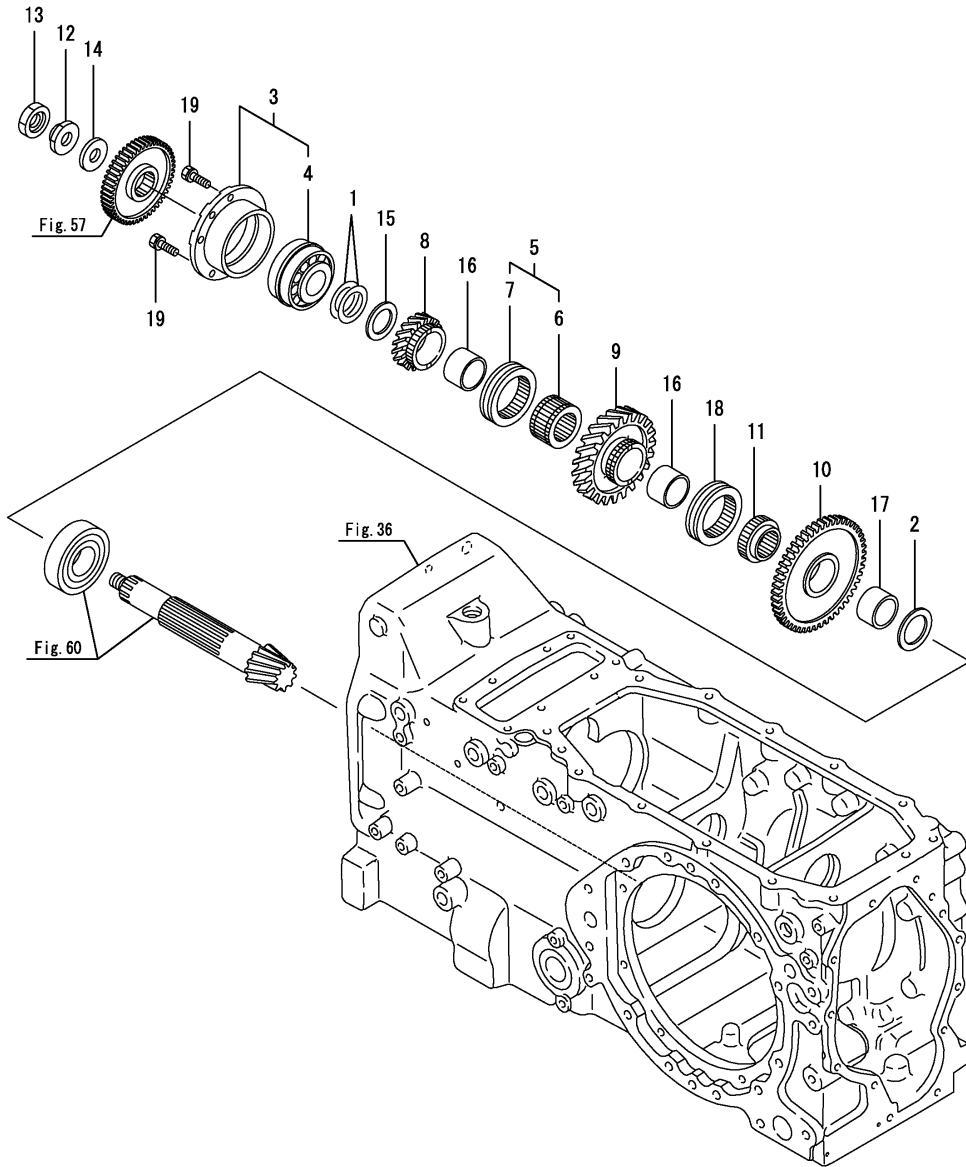
(D)=  
(E)=  
(F)=

No.	Lev.	Parts No.	Description	Q'ty						I	R
				(A)	(B)	(C)	(D)	(E)	(F)		
1	1	194250-25240	BEARING, 354019	3							
2	1	198240-25440	GEAR, DRIVEN 53	1							
3	1	198133-25451	SHAFT, DRIVEN	1							
4	1	1A7780-25460	GEAR, DRIVEN 41	1							
5	1	1A7780-25480	GEAR, DRIVE 49	1							
6	1	198133-25761	COLLAR, 30X45X20	1							
7	1	1A7780-25820	GEAR, DRIVE 44	1							
8	1	194640-25860	WASHER, 30X45X3	1							
9	1	198133-25870	COLLAR, 20X24X3.5	1							
10	1	194640-26440	BEARING, BALL TMB206	1							
11	1	198360-26610	COLLAR, SPLINE	2							
12	1	1A7780-26610	COLLAR, SPLINE	1							
13	1	194555-26620	SHIFTER	3							
14	1	22292-000340	RING, S-34	4							
15	1	24107-063054	BEARING, BALL 6305ZZ	1							
16	1	24161-202617	BEARING, 202617	1							
17	1	24161-303520	BEARING, 303520	1							
18	1	24163-305200	RING, INNER 303520	1							
19	1	24164-000202	CIRCLIP, 20	1							
20	1	24164-000302	CIRCLIP, 30	2							
21	1	24165-000352	C-CIRCLIP 35H	1							
22	1	24165-000402	CIRCLIP, 40	3							

Fig.41. COUNTER SHAFT

(A)=EF494T(ID)  
(B)=  
(C)=

(D)=  
(E)=  
(F)=



No.	Lev.	Parts No.	Description	Q'ty						I	R
				(A)	(B)	(C)	(D)	(E)	(F)		
1	1	194301-12730	SHIM, 30X45X0.1	2							
2	1	194180-25550	WASHER, 35X50X3	1							
3	1	198149-25600	BEARING ASSY	1							
4	2	194464-25600	BEARING, 4T-30306DDB	1							
5	1	198149-25700	COLLAR ASSY, SPLINE	1							
6	2	198149-25780	COLLAR, SPLINE A	1							
7	2	198149-25890	SHIFTER	1							
8	1	198149-25740	GEAR, COUNTER 21	1							
9	1	198149-25750	GEAR, COUNTER 45	1							
10	1	198149-25760	GEAR, COUNTER 53	1							
11	1	198149-25790	COLLAR, SPLINE B	1							
12	1	198220-25830	NUT, LOCK M16	1							
13	1	198220-25840	NUT, LOCK M16	1							
14	1	198415-25840	SPACER, 16X38X4.5	1							
15	1	194640-25860	WASHER, 30X45X3	1							
16	1	198133-25860	BUSH, 34X40X26	2							
17	1	198149-25880	BUSH, 35X40X19	1							
18	1	198149-25890	SHIFTER	1							
19	1	26013-080252	BOLT, M8X 25	4							

Fig.42. REDUCTION SHAFT

(A)=EF494T(ID)  
 (B)=  
 (C)=

(D)=  
 (E)=  
 (F)=

No.	Lev.	Parts No.	Description	Q'ty						I	R
				(A)	(B)	(C)	(D)	(E)	(F)		
1	1	198149-25690	GEAR ASSY, REDUCTION	1							
2	2	24550-016150	BUSH, 16X15	1							
3	1	198133-25701	COLLAR, BEARING	1							
4	1	22242-000290	RING, 29	1							
5	1	24101-063044	BEARING, BALL 6304	1							
6	1	24101-063064	BEARING, BALL 6306	1							

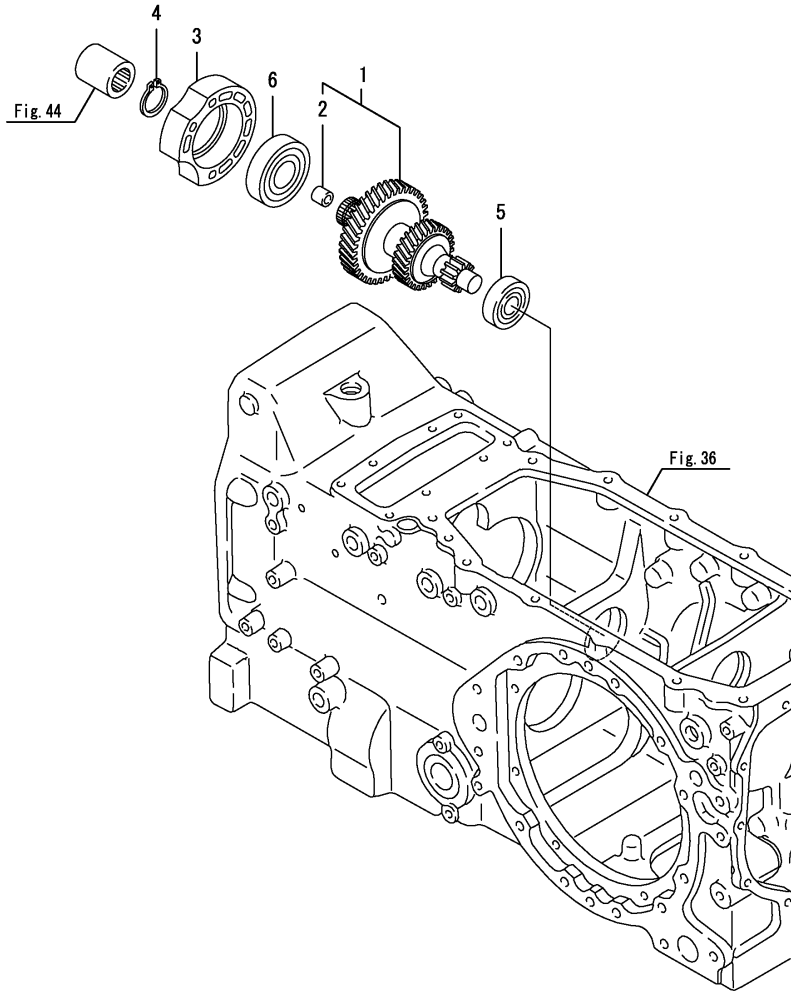


Fig.43. REVERSE GEAR

(A)=EF494T(ID)  
(B)=  
(C)=

(D)=  
(E)=  
(F)=

No.	Lev.	Parts No.	Description	Q'ty						I	R
				(A)	(B)	(C)	(D)	(E)	(F)		
1	1	1A7780-25830	GEAR, DRIVEN	1							
2	1	198133-25850	NEEDLE, 202615	2							
3	1	198133-25890	WASHER, 20X32X2	1							
4	1	198133-25911	GEAR, REVERSE IDLE	1							
5	1	198240-25930	WASHER, 17X32	1							
6	1	198133-25941	GEAR, REVERSE IDLE	1							
7	1	198133-25960	SHAFT, REVERSE IDLE	1							
8	1	198133-25970	PLATE, KEEP	1							
9	1	24101-062044	BEARING, BALL 6204	2							
10	1	26106-080162	BOLT, M8X 16 PLATED	1							

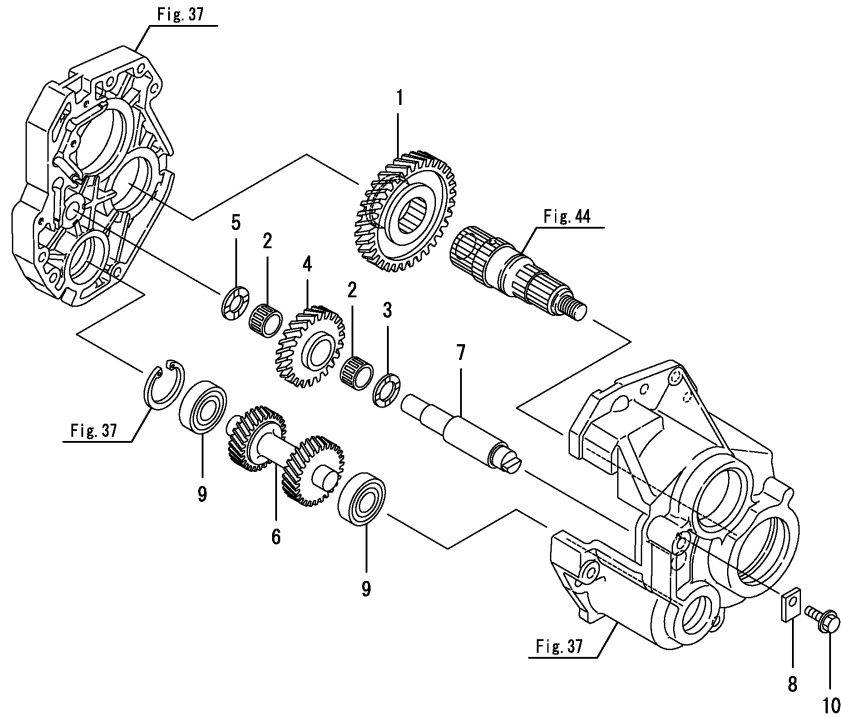


Fig.44. CONNECTING SHAFT

(A)=EF494T(ID)  
(B)=  
(C)=

(D)=  
(E)=  
(F)=

No.	Lev.	Parts No.	Description	Q'ty						I	R
				(A)	(B)	(C)	(D)	(E)	(F)		
1	1	198242-25350	SHAFT, CONNECTING	1							
2	1	194640-26130	COUPLING, PTO	1							
3	1	22242-000400	RING, 40	1							
4	1	24101-062084	BEARING, BALL 6208	1							

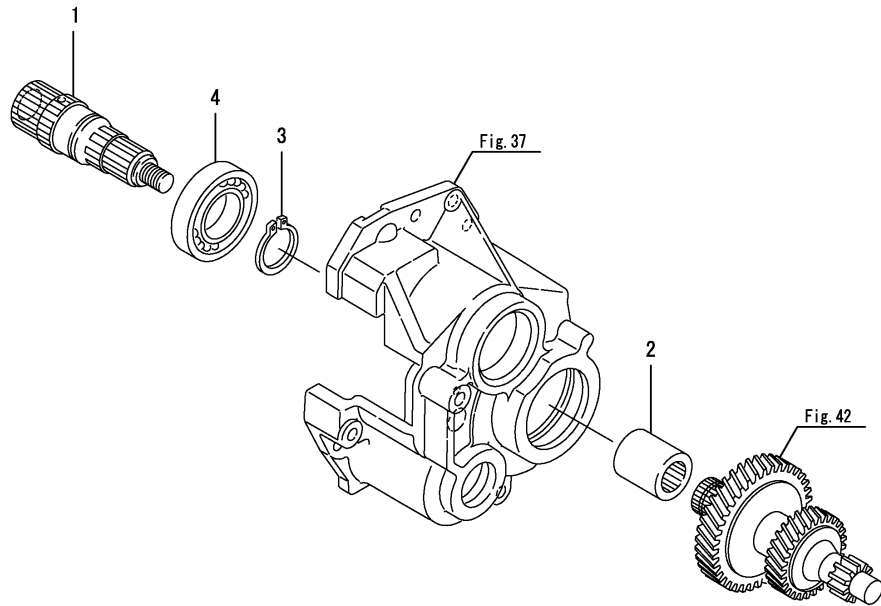




Fig.45. PTO DRIVE SHAFT

(A)=EF494T(ID)  
(B)=  
(C)=

(D)=  
(E)=  
(F)=

No.	Lev.	Parts No.	Description	Q'ty						I	R
				(A)	(B)	(C)	(D)	(E)	(F)		
1	1	194447-13860	BEARING, TMB304CX1	1							
2	1	194310-25100	JOINT	2							
3	1	198240-25292	SHAFT, CONNECTING	1							
4	1	194197-25810	BEARING, BALL TMB306	1							
5	1	1A7780-26110	SHAFT, PTO PINION	1							
6	1	22252-000170	RING, 17	2							

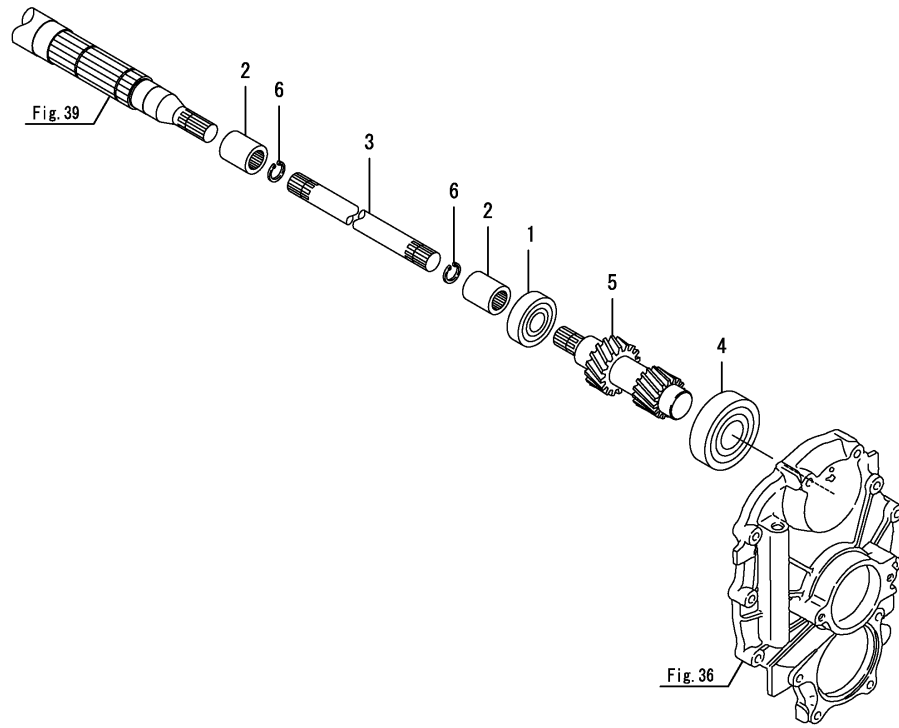
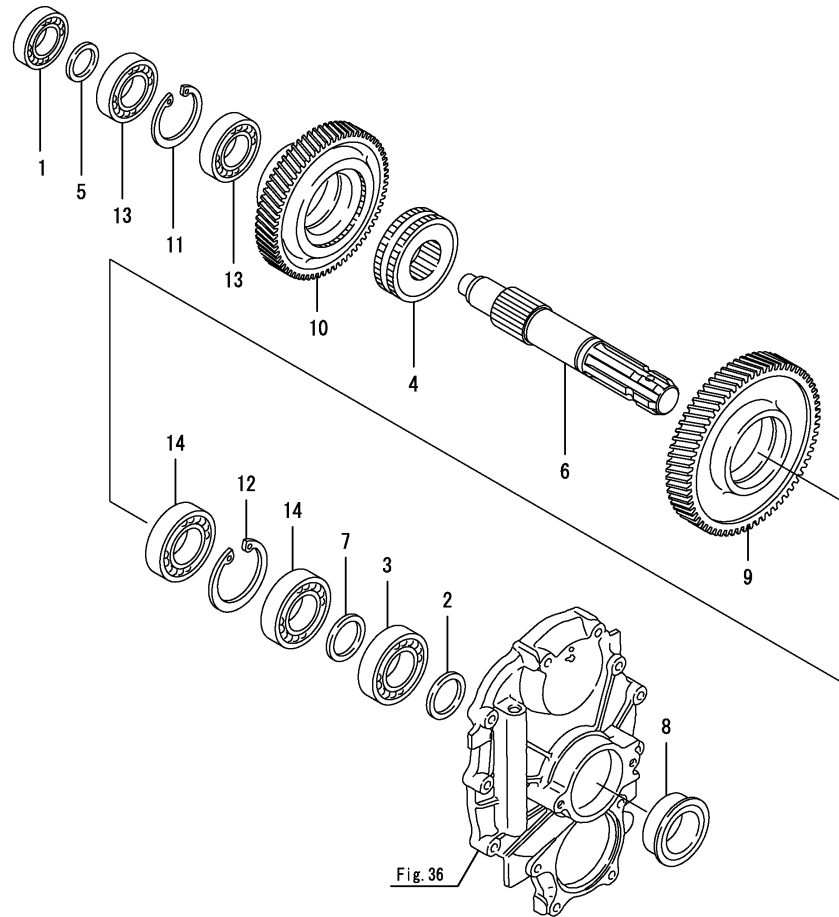


Fig.46. PTO SHAFT



(A)=EF494T(ID)  
(B)=  
(C)=

(D)=  
(E)=  
(F)=

No.	Lev.	Parts No.	Description	Q'ty						I	R
				(A)	(B)	(C)	(D)	(E)	(F)		
1	1	194447-13860	BEARING, TMB304CX1	1							
2	1	194310-25660	COLLAR, 35X45X5	1							
3	1	194430-25810	BEARING, BALL TMB207	1							
4	1	1A7780-26121	SLIDER, PTO	1							
5	1	1A7780-26160	COLLAR	1							
6	1	1A7780-26310	SHAFT, PTO	1							
7	1	1A7781-26330	WASHER, 35X46X3.2	1							
8	1	194370-26350	SEAL, OIL QLF356019	1							
9	1	198240-26520	GEAR, PTO	1							
10	1	1A7780-26530	GEAR, PTO Z=51	1							
11	1	22252-000620	RING, 62	1							
12	1	22252-000720	RING, 72	1							
13	1	24101-062064	BEARING, BALL 6206	2							
14	1	24101-062074	BEARING, BALL 6207	2							

Fig.47. PTO SHAFT COVER

(A)=EF494T(ID  
(B)=  
(C)=

(D)=  
(E)=  
(F)=

No.	Lev.	Parts No.	Description	Q'ty						I	R
				(A)	(B)	(C)	(D)	(E)	(F)		
1	1	1A7100-26850	COVER ASSY, SHAFT M	1							
2	1	26106-080122	BOLT, M8X 12 PLATED	2							

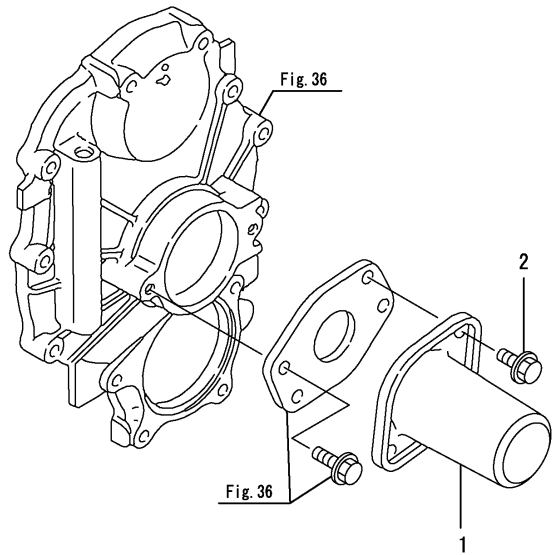
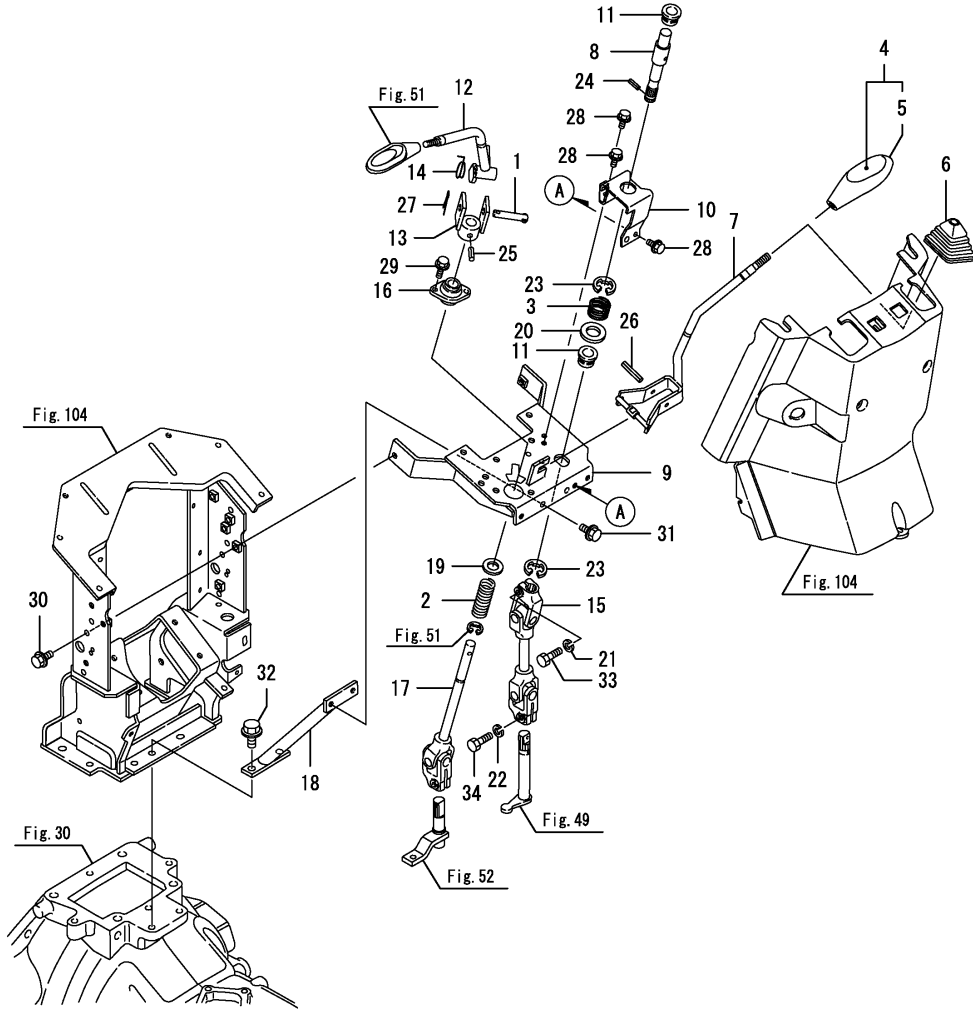


Fig.48. MAIN CHANGE(1)

(A)=EF494T(ID)  
(B)=  
(C)=

(D)=  
(E)=  
(F)=

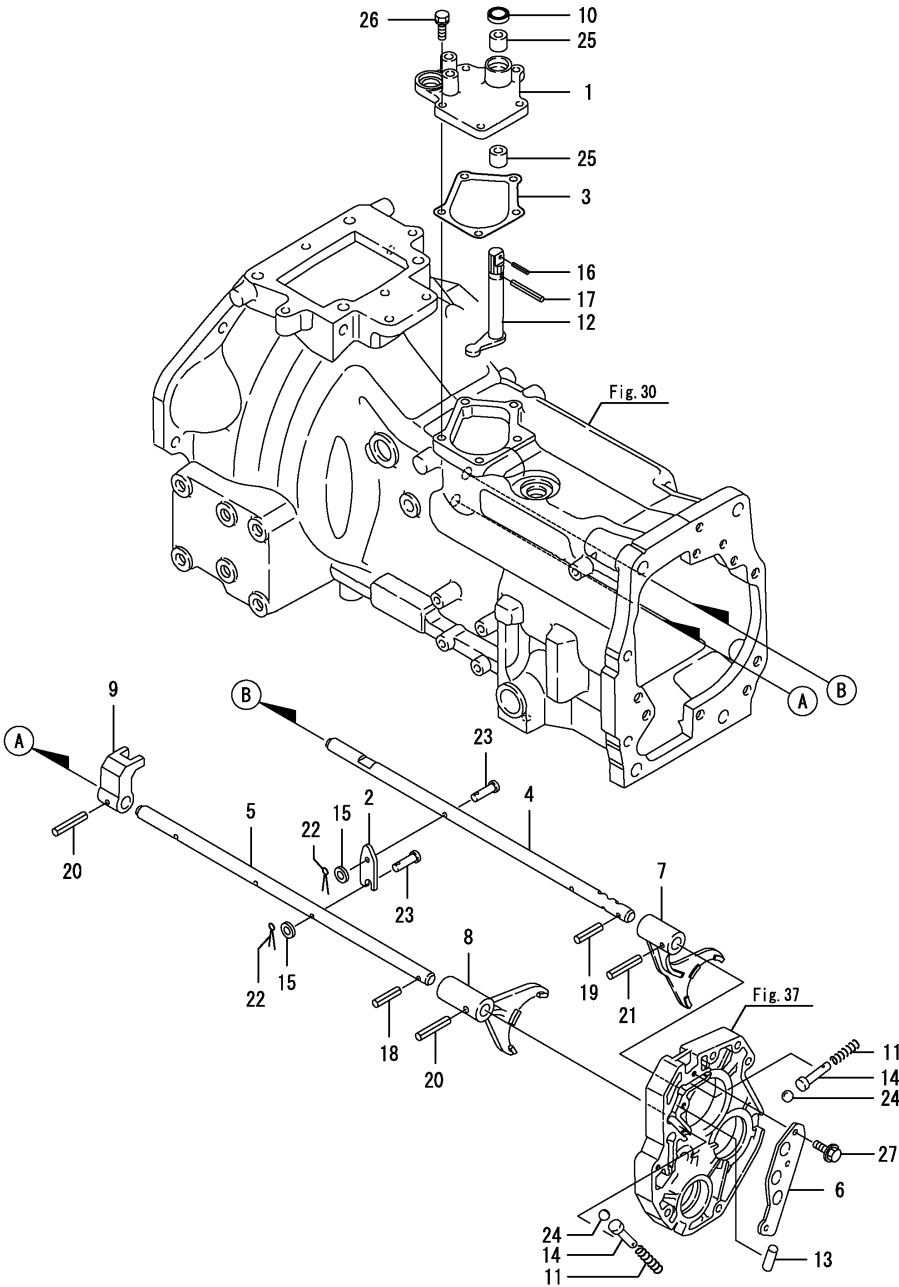


No.	Lev.	Parts No.	Description	Qty						I	R
				(A)	(B)	(C)	(D)	(E)	(F)		
1	1	198075-18311	PIN, 8X52	1							
2	1	198133-27060	SPRING, REVERSER	1							
3	1	198133-27070	SPRING	1							
4	1	1A8170-27100	KNOB, MAIN SHIFT	1							
5	2	198273-18360	KNOB, ORANGE	1							
6	1	198133-27350	BOOT	1							
7	1	1A7780-27360	LEVER, MAIN SHIFT	1							
8	1	198133-27401	SHAFT ASSY	1							
9	1	198133-27652	BRACKET, SHIFT	1							
10	1	198133-27711	STAY, MAIN SHIFT	1							
11	1	198133-27720	BUSH, MAIN SHIFT	2							
12	1	1A7780-27751	LEVER, REVERSER	1							
13	1	198133-27781	HOLDER, REVERSER	1							
14	1	198133-27820	SPRING, RETURN	1							
15	1	1A7781-27850	JOINT ASSY, SHIFT	1							
16	1	198133-27881	FLANGE, REVERSER	1							
17	1	1A7781-27940	SHAFT ASSY, REVERSER	1							
18	1	198133-27950	STAY ASSY, SHIFT	1							
19	1	22137-140000	WASHER, 14	1							
20	1	22137-220000	WASHER, 22	1							
21	1	22217-080000	WASHER, SPRING 8	1							
22	1	22217-080000	WASHER, SPRING 8	1							
23	1	22272-000190	RING, E-19	2							
24	1	22351-020012	PIN, SPRING 2.0X12	1							
25	1	22351-060032	PIN, SPRING 6.0X32	1							
26	1	22351-080040	PIN, SPRING 8.0X40	1							
27	1	22417-200300	PIN, COTTER 2.0X30	1							
28	1	26106-060162	BOLT, M6X 16 PLATED	3							
29	1	26106-060162	BOLT, M6X 16 PLATED	2							
30	1	26106-080162	BOLT, M8X 16 PLATED	2							
31	1	26106-080162	BOLT, M8X 16 PLATED	2							
32	1	26106-100202	BOLT, M10X 20 PLATED	2							
33	1	26116-080252	BOLT, M8X 25 PLATED	1							
34	1	26116-080252	BOLT, M8X 25 PLATED	1							

Fig.49. MAIN CHANGE(2)

(A)=EF494T(ID)  
(B)=  
(C)=

(D)=  
(E)=  
(F)=

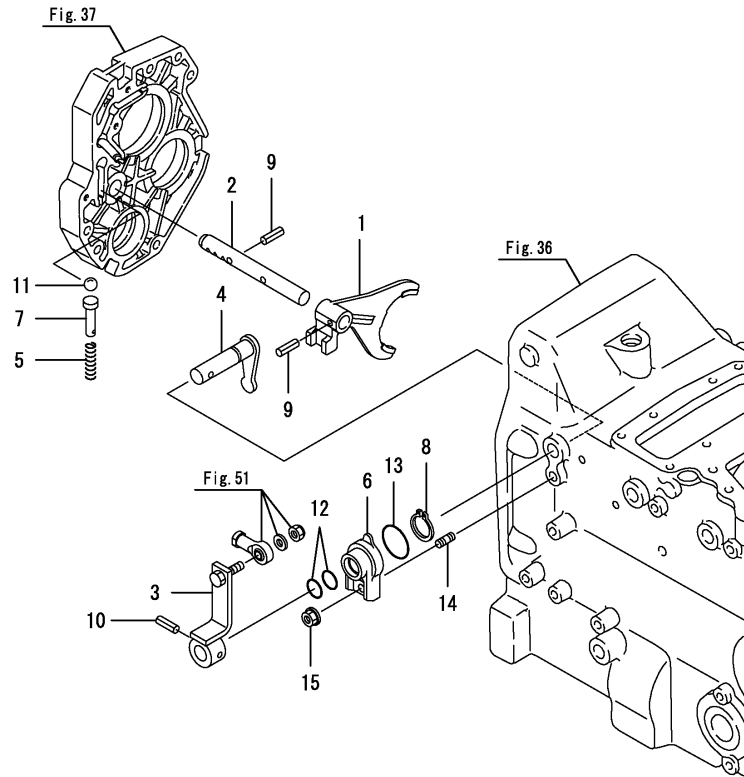


No.	Lev.	Parts No.	Description	Q'ty						I	R
				(A)	(B)	(C)	(D)	(E)	(F)		
1	1	1A7780-27150-2	RETAINER, LEVER	1							
2	1	194250-27160	ARM, SWITCH	1							
3	1	198133-27170	GASKET, RETAINER	1							
4	1	198137-27180	SHAFT, FORK 2-3	1							
5	1	198137-27190	SHAFT, FORK 1	1							
6	1	198133-27280	HOLDER, INTERLOCK	1							
7	1	1A7780-27310	FORK, SHIFT 2-3	1							
8	1	198240-27320	FORK, SHIFT 2-3	1							
9	1	198133-27330	SHIFTER	1							
10	1	198133-27340	SEAL, OIL KBY172406	1							
11	1	194145-27450	SPRING	2							
12	1	198133-27450	ARM, SHIFT	1							
13	1	194130-27490	SPINDLE	1							
14	1	198071-27860	PIN, 4X35	2							
15	1	1C6460-84420	SPACER, 6.4X12.5X1	2							
16	1	22351-020012	PIN, SPRING 2.0X12	1							
17	1	22351-040032	PIN, SPRING 4.0X32	1							
18	1	22351-060025	PIN, SPRING 6.0X25	1							
19	1	22351-060025	PIN, SPRING 6.0X25	1							
20	1	22351-060032	PIN, SPRING 6.0X32	2							
21	1	22351-060032	PIN, SPRING 6.0X32	1							
22	1	22417-160180	PIN, COTTER 1.6X18	2							
23	1	22487-060200	PIN, H 6X 20	2							
24	1	24190-100001	BALL, STEEL 5/16	2							
25	1	24550-017150	BUSH, 17X15	2							
26	1	26013-080252	BOLT, M8X 25	5							
27	1	26106-080162	BOLT, M8X 16 PLATED	3							

Fig.50. REVERSER CHANGE(1)

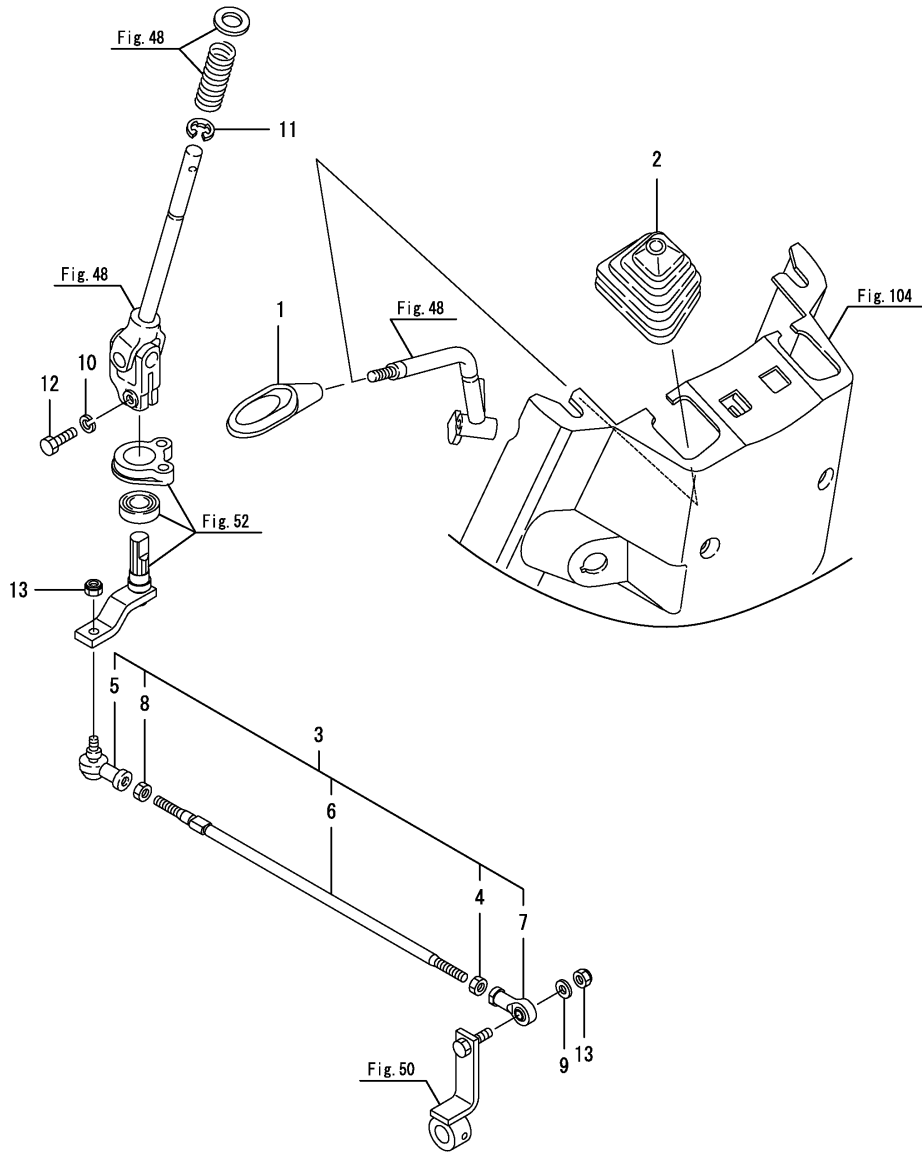
(A)=EF494T(ID)  
(B)=  
(C)=

(D)=  
(E)=  
(F)=



No.	Lev.	Parts No.	Description	Q'ty						I	R
				(A)	(B)	(C)	(D)	(E)	(F)		
1	1	1A7780-27110	FORK, SHIFT REVERSER	1							
2	1	198133-27120	SHAFT, REVERSER FORK	1							
3	1	1A7780-27180-2	ARM, SHIFT	1							
4	1	198133-27300	ARM, SHIFT	1							
5	1	194145-27450	SPRING	1							
6	1	198071-27470-3	HOLDER, SHIFT ARM	1							
7	1	198071-27860	PIN, 4X35	1							
8	1	22242-000170	RING, 17	1							
9	1	22351-060025	PIN, SPRING 6.0X25	2							
10	1	22351-060032	PIN, SPRING 6.0X32	1							
11	1	24190-100001	BALL, STEEL 5/16	1							
12	1	24311-000160	O-RING, 1AP16.0	2							
13	1	24321-000250	O-RING, 1AG25.0	1							
14	1	26218-080202	STUD, M8X 20	1							
15	1	26366-080002	NUT, M8	1							

Fig.51. REVERSER CHANGE(2)



(A)=EF494T(ID)  
(B)=  
(C)=

(D)=  
(E)=  
(F)=

No.	Lev.	Parts No.	Description	Q'ty						I	R
				(A)	(B)	(C)	(D)	(E)	(F)		
1	1	1A8115-18350	KNOB, LEVER	1							
2	1	198133-27350	BOOT	1							
3	1	1A7780-27900	ROD ASSY, REVERSER	1							
4	2	194990-20170	NUT, M8	1							
5	2	194820-27370	END, ROD L	1							
6	2	1A7780-27910	ROD, SHIFT	1							
7	2	172122-46571	END, ROD	1							
8	2	26716-080002	NUT, M8	1							
9	1	22137-080000	WASHER, 8	1							
10	1	22217-080000	WASHER, SPRING 8	1							
11	1	22272-000120	RING, E-12	1							
12	1	26116-080252	BOLT, M8X 25 PLATED	1							
13	1	26346-080002	NUT, M8	2							

Fig.52. REVERSER LINK

(A)=EF494T(ID)  
(B)=  
(C)=

(D)=  
(E)=  
(F)=

No.	Lev.	Parts No.	Description	Q'ty						I	R
				(A)	(B)	(C)	(D)	(E)	(F)		
1	1	1A7780-27161-2	HOLDER, ARM	1							
2	1	1A7780-27210-2	ARM, LINK	1							
3	1	24104-060014	BEARING, BALL 6001UU	1							
4	1	24104-060034	BEARING, BALL 6003UU	1							
5	1	26013-080252	BOLT, M8X 25	2							

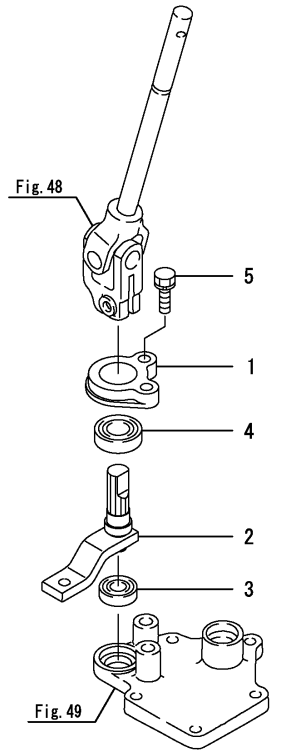




Fig.53. RANGE SHIFT LEVER KNOB

(A)=EF494T(ID)  
(B)=  
(C)=

(D)=  
(E)=  
(F)=

No.	Lev.	Parts No.	Description	Q'ty						I	R
				(A)	(B)	(C)	(D)	(E)	(F)		
1	1	194990-22150	NUT, M10	1							
2	1	198253-27510	KNOB, LEVER	1							
3	1	198253-27520	LEVER, RANGE SHIFT	1							
4	1	22351-035032	PIN, SPRING 3.5X32	1							
5	1	22351-060032	PIN, SPRING 6.0X32	1							

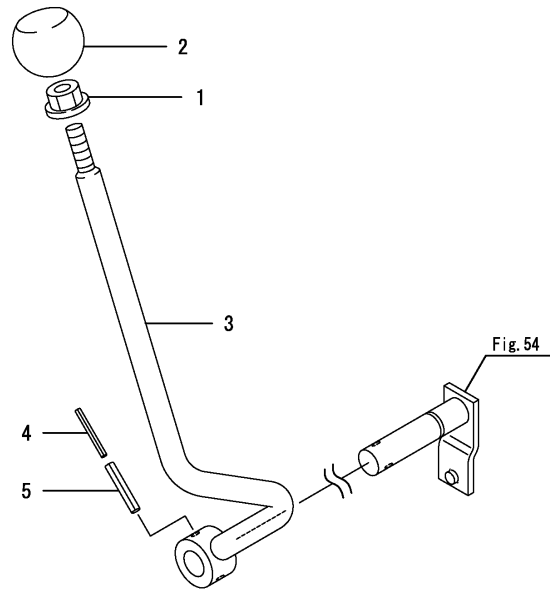
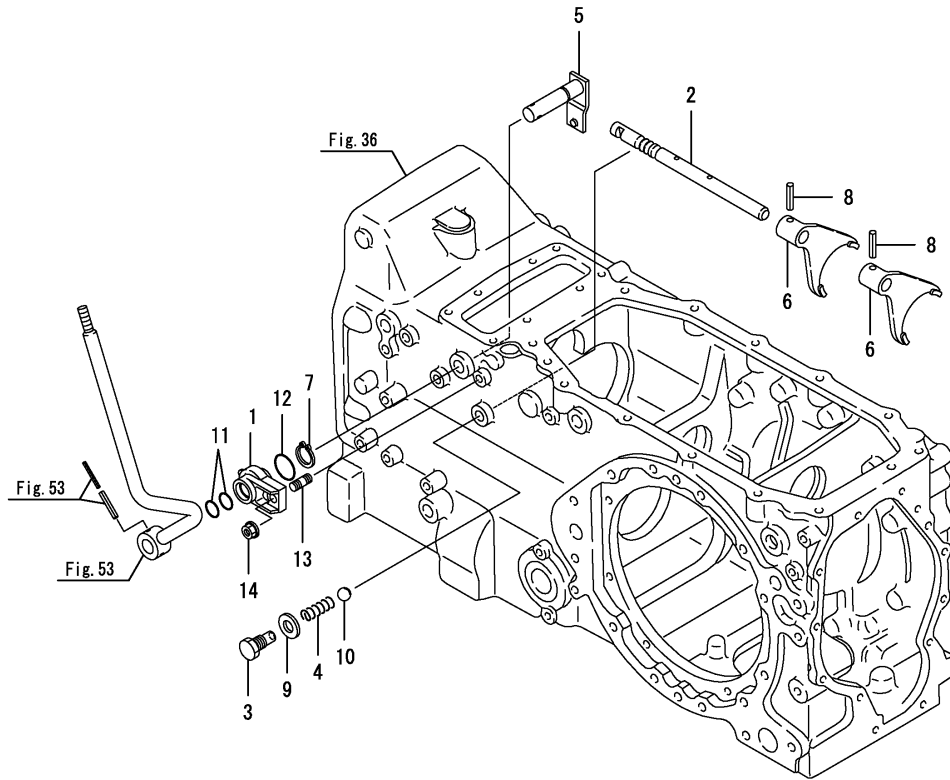


Fig.54. RANGE SHIFT

(A)=EF494T(ID)  
(B)=  
(C)=

(D)=  
(E)=  
(F)=

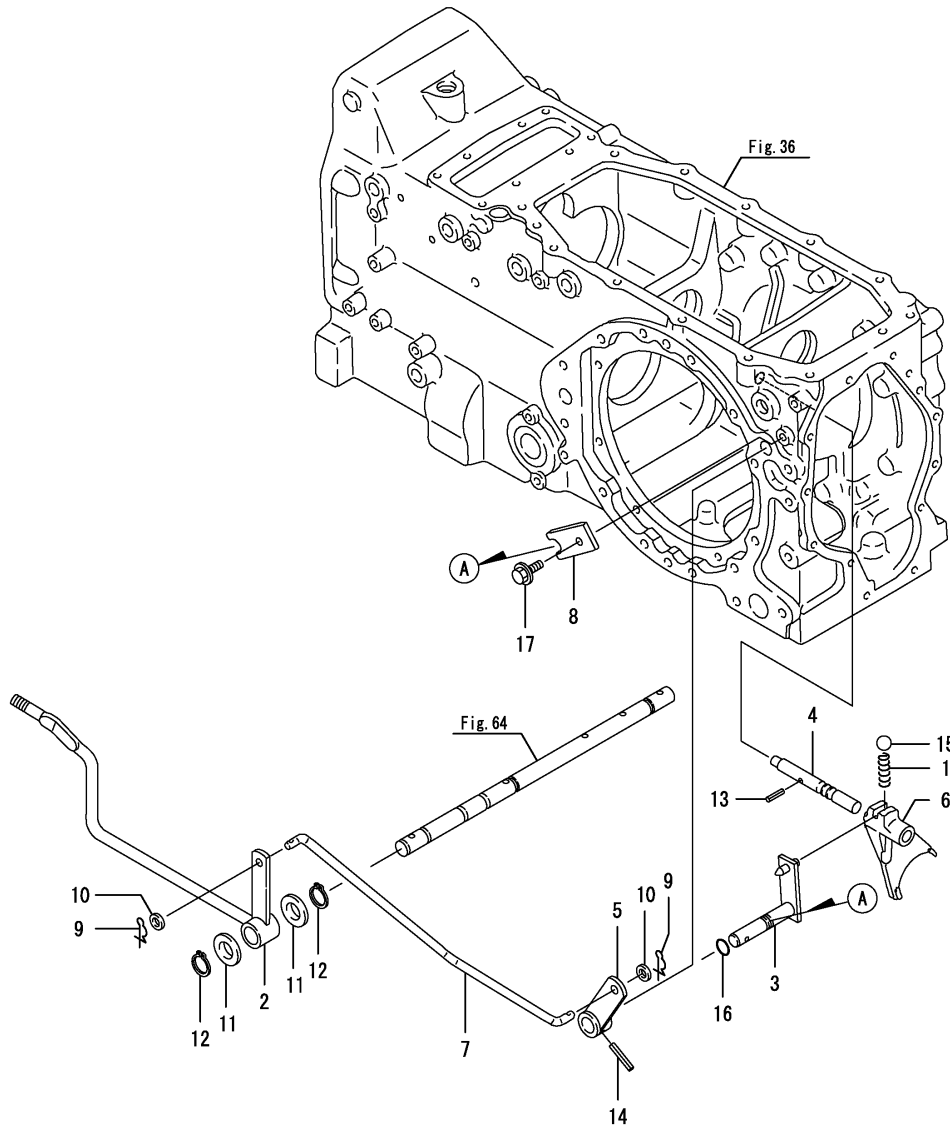


No.	Lev.	Parts No.	Description	Q'ty						I	R
				(A)	(B)	(C)	(D)	(E)	(F)		
1	1	198071-27470-3	HOLDER, SHIFT ARM	1							
2	1	198149-27490	SHAFT, FORK	1							
3	1	198149-27531	PLUG, M12	1							
4	1	194680-27540	SPRING, FORK LOCK	1							
5	1	198149-27560	ARM, SHIFT	1							
6	1	198149-27570	FORK, SHIFT	2							
7	1	22242-000170	RING, 17	1							
8	1	22351-060032	PIN, SPRING 6.0X32	2							
9	1	23414-120016	GASKET, 12X1.0	1							
10	1	24190-080001	BALL, STEEL 1/4	1							
11	1	24311-000160	O-RING, 1AP16.0	2							
12	1	24321-000250	O-RING, 1AG25.0	1							
13	1	26218-080202	STUD, M8X 20	1							
14	1	26366-080002	NUT, M8	1							

Fig.55. PTO SHIFT

(A)=EF494T(ID)  
(B)=  
(C)=

(D)=  
(E)=  
(F)=



No.	Lev.	Parts No.	Description	Q'ty						I	R
				(A)	(B)	(C)	(D)	(E)	(F)		
1	1	194680-27540	SPRING, FORK LOCK	1							
2	1	1A7780-27820-1	LEVER ASSY, PTO	1							
3	1	198240-27841	ARM, SHIFT	1							
4	1	1A7780-27881	SHAFT, PTO FORK	1							
5	1	198240-27890-3	ARM, CHANGE	1							
6	1	198325-27951	FORK, PTO SHIFT	1							
7	1	198240-27961-2	ROD, PTO	1							
8	1	198220-27990	PLATE, KEEP	1							
9	1	1C6281-52320	PIN, SNAP 8	2							
10	1	22137-100000	WASHER, 10	2							
11	1	22137-200000	WASHER, 20	2							
12	1	22242-000200	RING, 20	2							
13	1	22351-060025	PIN, SPRING 6.0X25	1							
14	1	22351-060032	PIN, SPRING 6.0X32	1							
15	1	24190-080001	BALL, STEEL 1/4	1							
16	1	24311-000125	O-RING, 1AP12.5	1							
17	1	26106-080162	BOLT, M8X 16 PLATED	1							

Fig.56. PTO SHIFT KNOB

(A)=EF494T(ID  
(B)=  
(C)=

(D)=  
(E)=  
(F)=

No.	Lev.	Parts No.	Description	Q'ty						I	R
				(A)	(B)	(C)	(D)	(E)	(F)		
1	1	194990-22150	NUT, M10	1							
2	1	198220-27290	KNOB, LEVER	1							
3	1	23065-160080	PIPE, 16X 80	1							

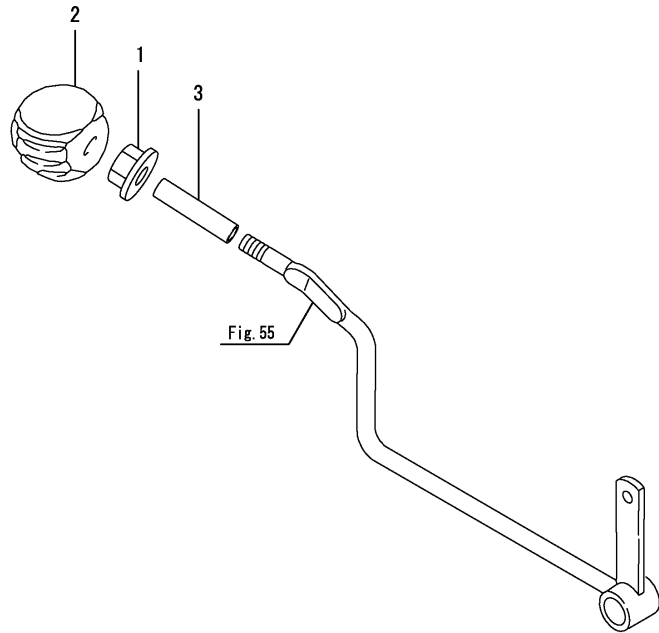
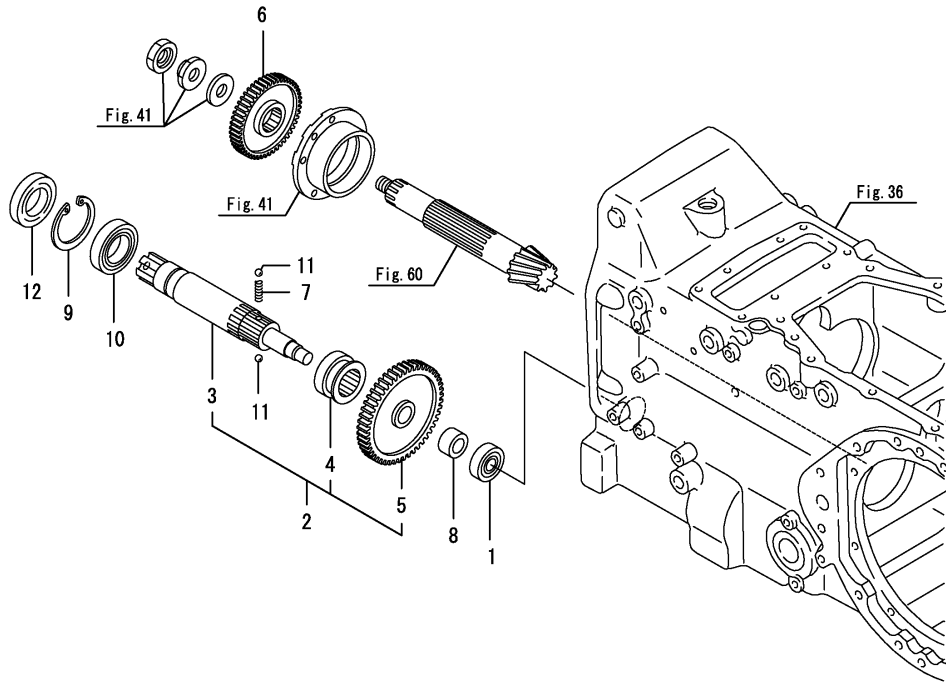


Fig.57. FRONT DRIVE



(A)=EF494T(ID)  
(B)=  
(C)=

(D)=  
(E)=  
(F)=

No.	Lev.	Parts No.	Description	Qty						I	R
				(A)	(B)	(C)	(D)	(E)	(F)		
1	1	194446-25450	BEARING, BALL TM302	1							
2	1	1A7780-28100	GEAR ASSY, DRIVE	1							
3	2	198133-28110	SHAFT, FRONT DRIVE	1							
4	2	194765-28180	SLIDER	1							
5	2	1A7780-28230	GEAR, DRIVE 54	1							
6	1	1A7780-28220	PINION, DRIVE Z=43	1							
7	1	194321-28230	SPRING, 26.2	1							
8	1	198241-28240	COLLAR, 18X30X15	1							
9	1	22252-000620	RING, 62	1							
10	1	24101-060074	BEARING, BALL 6007	1							
11	1	24190-080001	BALL, STEEL 1/4	2							
12	1	24421-356212	SEAL, OIL TC356212	1							

Fig.58. FRONT SHIFT KNOB

(A)=EF494T(ID  
(B)=  
(C)=

(D)=  
(E)=  
(F)=

No.	Lev.	Parts No.	Description	Q'ty						I	R
				(A)	(B)	(C)	(D)	(E)	(F)		
1	1	194990-22150	NUT, M10	1							
2	1	198253-27510	KNOB, LEVER	1							

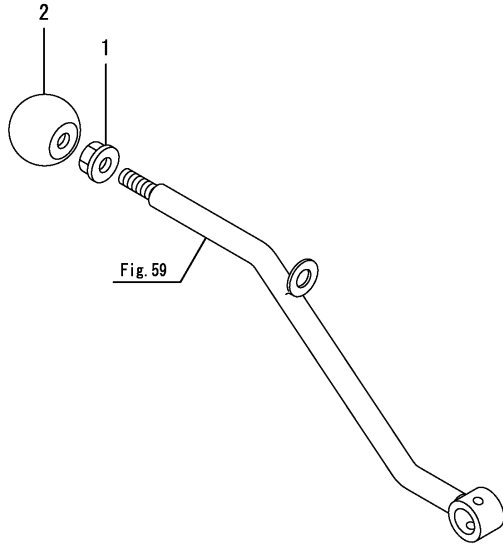
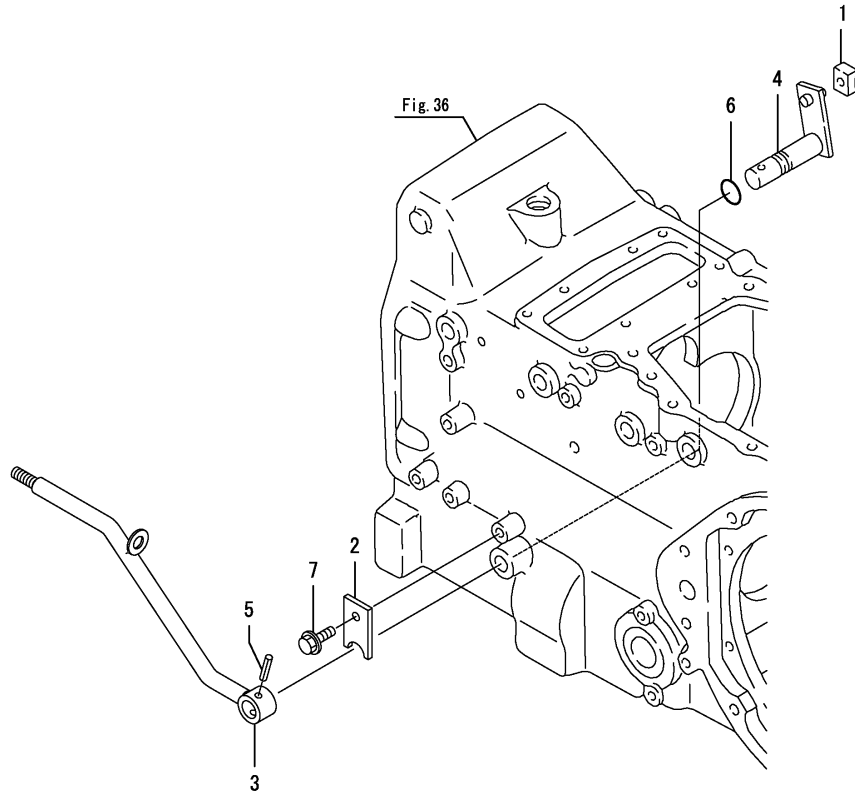


Fig.59. FRONT SHIFT



(A)=EF494T(ID)  
(B)=  
(C)=

(D)=  
(E)=  
(F)=

No.	Lev.	Parts No.	Description	Q'ty						I	R
				(A)	(B)	(C)	(D)	(E)	(F)		
1	1	198220-26790	BLOCK, SHIFT	1							
2	1	198220-27990	PLATE, KEEP	1							
3	1	198254-28270-2	ARM, CHANGE	1							
4	1	198241-28310	ARM, SHIFT	1							
5	1	22351-060032	PIN, SPRING 6.0X32	1							
6	1	24311-000125	O-RING, 1AP12.5	1							
7	1	26106-080162	BOLT, M8X 16 PLATED	1							

Fig.60. RING GEAR

(A)=EF494T(ID)  
(B)=  
(C)=

(D)=  
(E)=  
(F)=

No.	Lev.	Parts No.	Description	Q'ty						I	R
				(A)	(B)	(C)	(D)	(E)	(F)		
1	1	198390-25790	BEARING, 6307R SH2	1							
2	1	198149-31400	GEAR ASSY, RING	1							

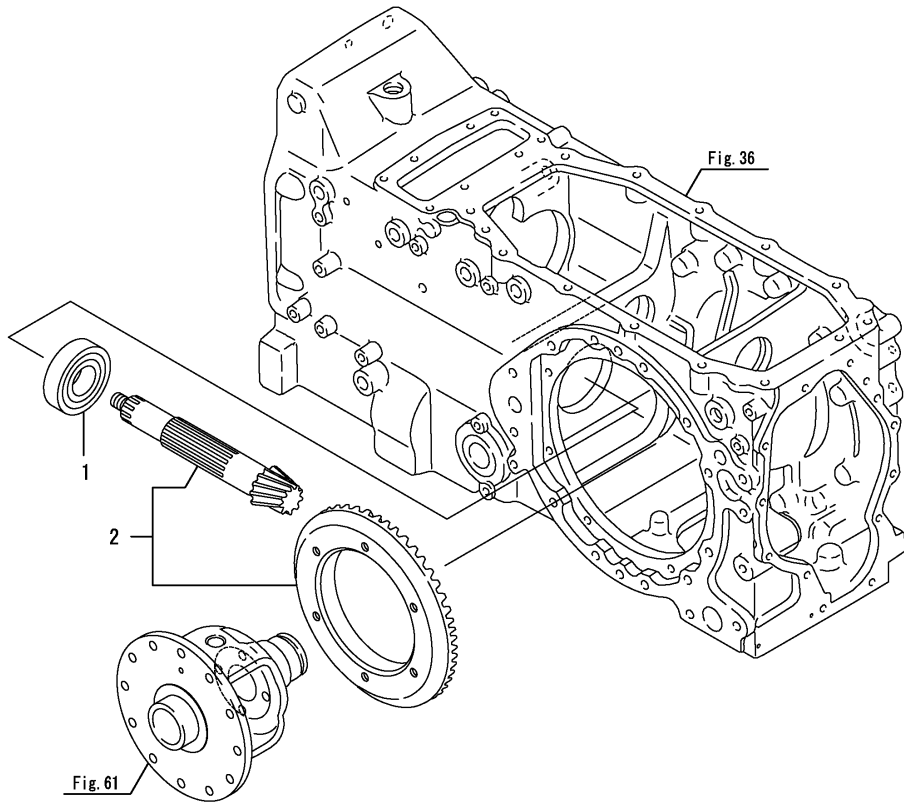
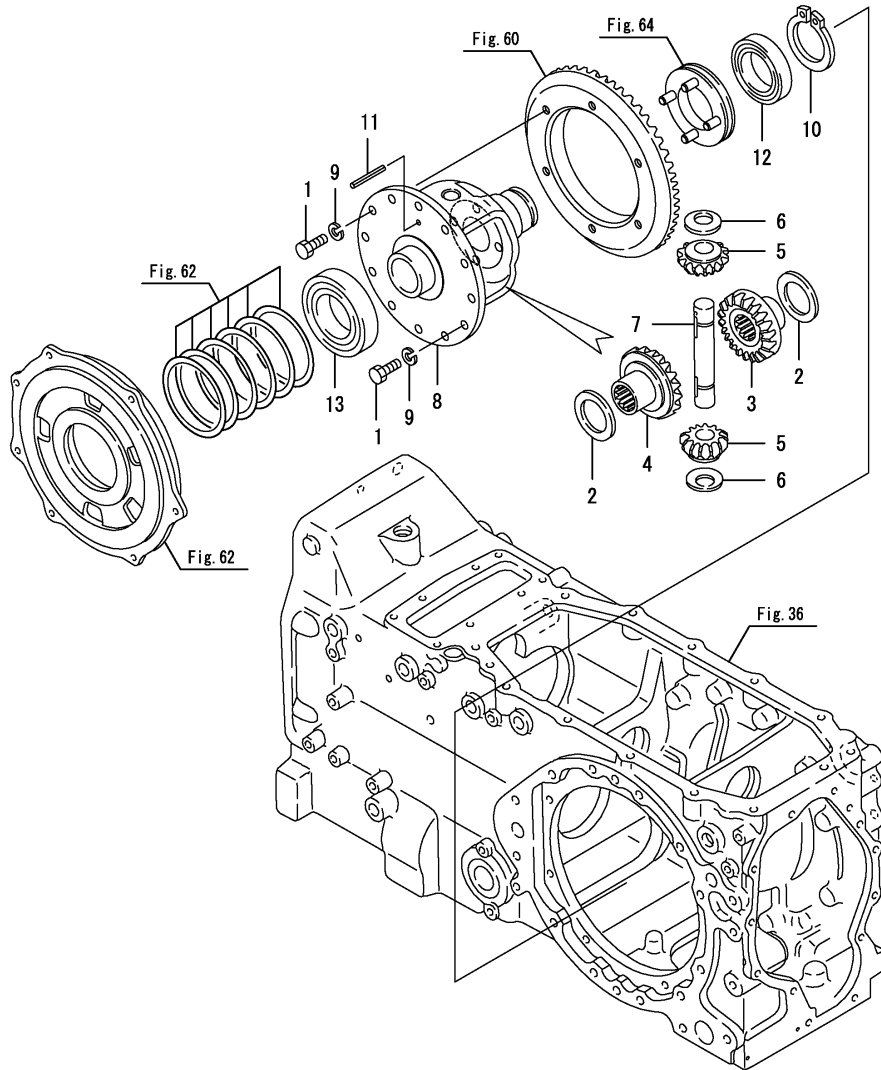




Fig.61. DIFFERENTIAL GEAR



(A)=EF494T(ID)  
(B)=  
(C)=

(D)=  
(E)=  
(F)=

No.	Lev.	Parts No.	Description	Qty						I	R
				(A)	(B)	(C)	(D)	(E)	(F)		
1	1	194066-13130	BOLT, M10X25	6							
2	1	198320-31530	WASHER, DIFFERENTIAL	2							
3	1	198320-31550	GEAR, DIFFERENTIAL	1							
4	1	194320-31560	GEAR, DIFFERENTIAL	1							
5	1	198320-31570	PINION, DIFFERENTIAL	2							
6	1	198320-31630	WASHER, DIFFERENTIAL	2							
7	1	198320-31820	SHAFT, DIFFERENTIAL	1							
8	1	198320-32111	CASE, DIFFERENTIAL	1							
9	1	22217-100000	WASHER, SPRING 10	6							
10	1	22242-000500	RING, 50	1							
11	1	22351-060050	PIN, SPRING 6.0X50	1							
12	1	24101-060104	BEARING, BALL 6010	1							
13	1	24101-062114	BEARING, BALL 6211	1							

Fig.62. DIFFERENTIAL CARRIER

(A)=EF494T(ID)  
(B)=  
(C)=

(D)=  
(E)=  
(F)=

No.	Lev.	Parts No.	Description	Q'ty						I	R
				(A)	(B)	(C)	(D)	(E)	(F)		
1	1	794251-13910	SHIM SET	1							
2	1	1A7601-32310	CARRIER, DIFF.	1							
3	1	26106-080252	BOLT, M8X 25 PLATED	7							

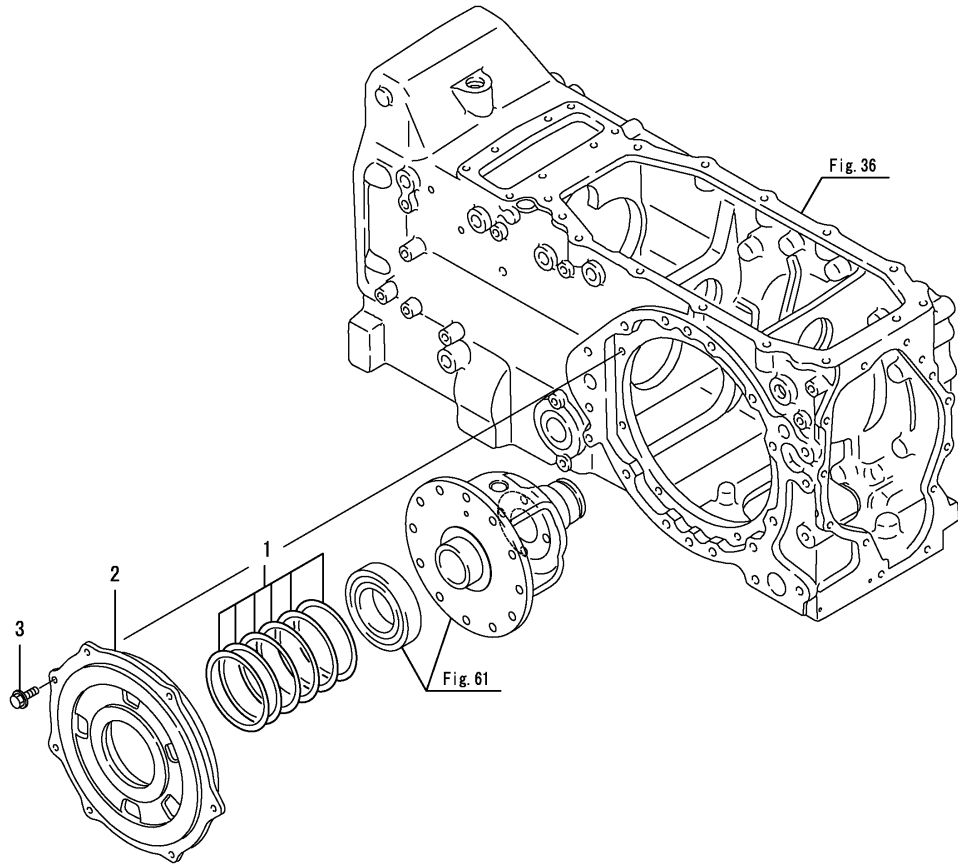
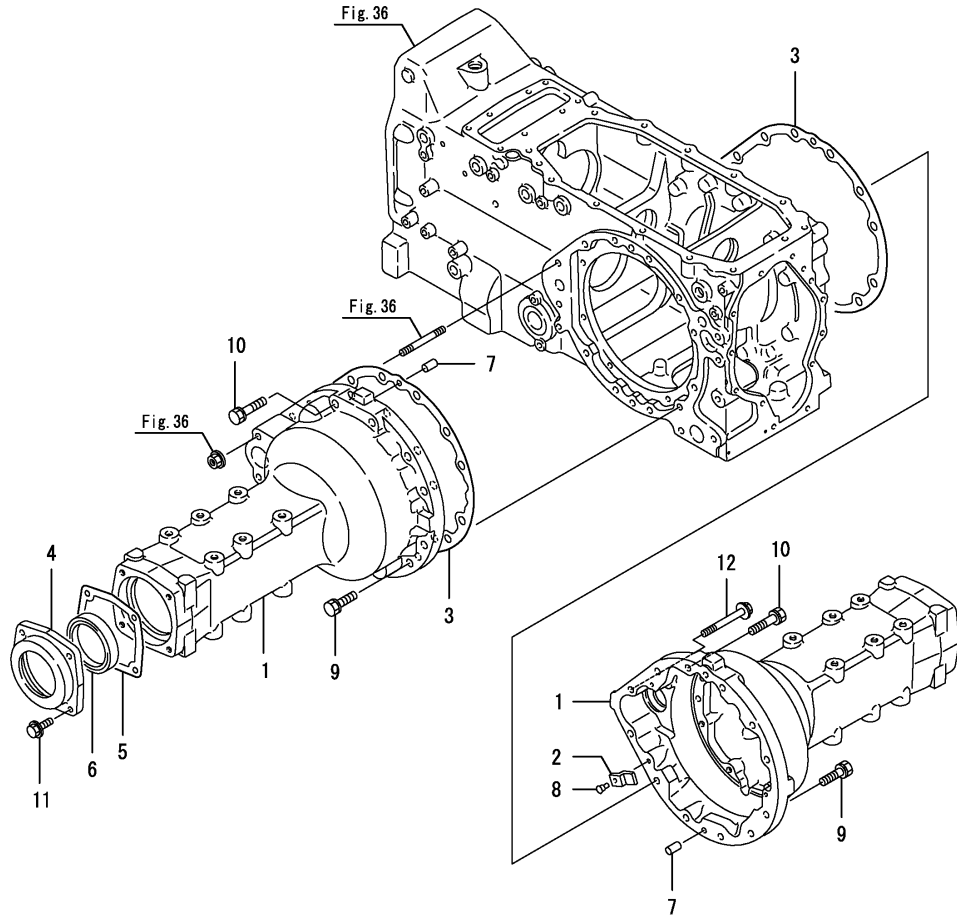


Fig.63. REAR HOUSING

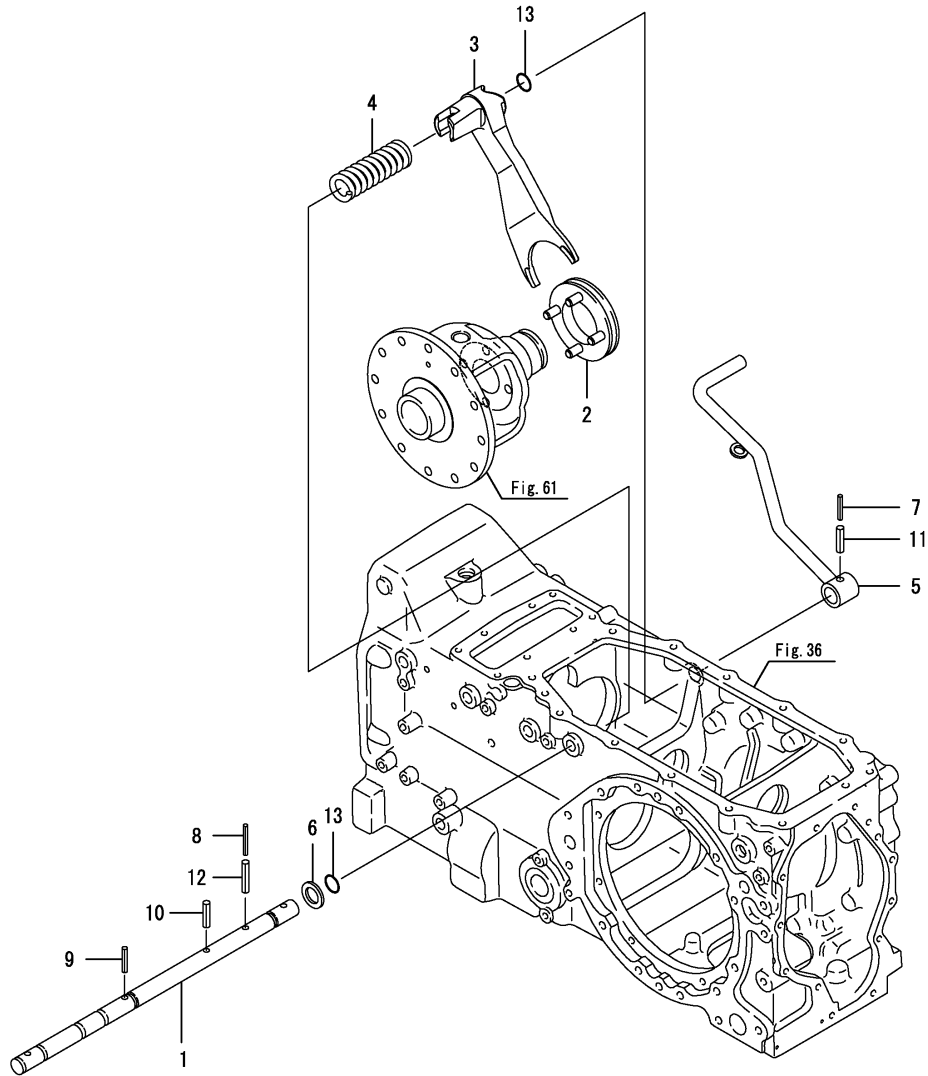


(A)=EF494T(ID)  
(B)=  
(C)=

(D)=  
(E)=  
(F)=

No.	Lev.	Parts No.	Description	Q'ty						I	R
				(A)	(B)	(C)	(D)	(E)	(F)		
1	1	198212-32611-X	HOUSING, REAR AXLE	2							
2	1	194180-32640	PLATE, PUSH	3							
3	1	198240-32640	PACKING, AXLE	2							
4	1	194640-32650-3	CASE, OIL SEAL	2							
5	1	198320-32660	GASKET, SEAL CASE	2							
6	1	198535-32660	SEAL, QLNY7210016	2							
7	1	22312-100180	PIN, PARALLEL M10X18	4							
8	1	22635-600120	RIVET, 6.0X12	3							
9	1	26013-120402	BOLT, M12X 40	16							
10	1	26013-120502	BOLT, M12X 50	4							
11	1	26106-100302	BOLT, M10X 30 PLATED	8							
12	1	26106-100852	BOLT, M10X 85 PLATED	2							

Fig.64. DIFFERENTIAL LOCK



(A)=EF494T(ID)  
(B)=  
(C)=

(D)=  
(E)=  
(F)=

No.	Lev.	Parts No.	Description	Qty						I	R
				(A)	(B)	(C)	(D)	(E)	(F)		
1	1	198254-33110	SHAFT, LOCK	1							
2	1	194464-33130	SLIDER, DIFFERENTIAL	1							
3	1	1A7350-33140	FORK, SHIFT	1							
4	1	194150-33150	SPRING, RETURN	1							
5	1	198240-33151	PEDAL, LOCK	1							
6	1	194300-33200	SPACER, 20X32X3.2	1							
7	1	22351-050032	PIN, SPRING 5.0X32	1							
8	1	22351-050040	PIN, SPRING 5.0X40	1							
9	1	22351-060032	PIN, SPRING 6.0X32	1							
10	1	22351-080032	PIN, SPRING 8.0X32	1							
11	1	22351-080032	PIN, SPRING 8.0X32	1							
12	1	22351-080040	PIN, SPRING 8.0X40	1							
13	1	24311-000150	O-RING, 1AP15.0	2							

Fig.65. DIFFERENTIAL LOCK ACCESSORIES

(A)=EF494T(ID  
(B)=  
(C)=

(D)=  
(E)=  
(F)=

No.	Lev.	Parts No.	Description	Q'ty						I	R
				(A)	(B)	(C)	(D)	(E)	(F)		
1	1	1A7781-33170	SPRING, PEDAL	1							
2	1	1A7781-33180	PIPE, LEVER PROTECT	1							

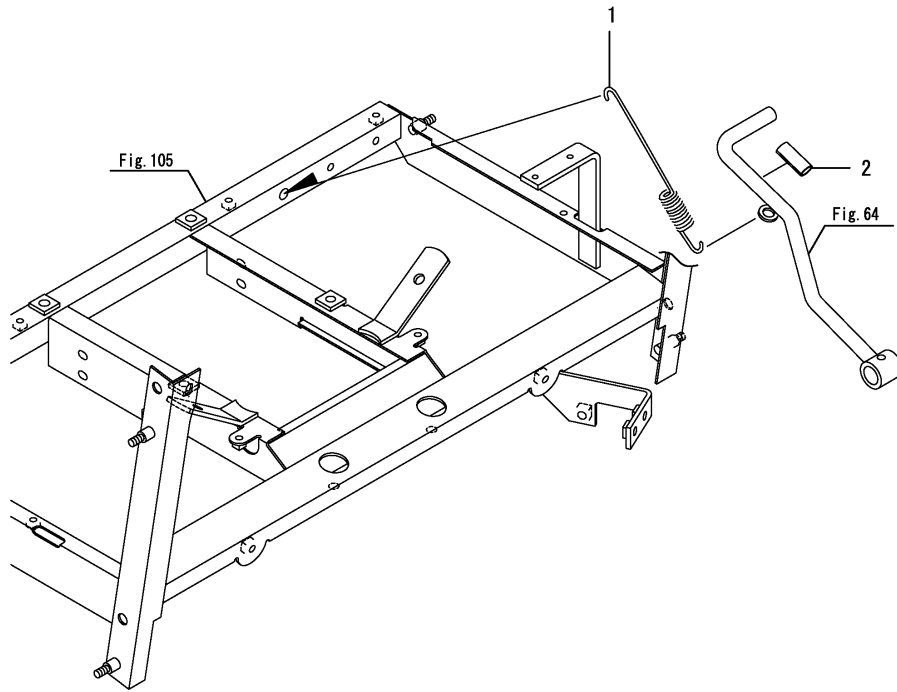


Fig.66. FINAL PINION

(A)=EF494T(ID)  
(B)=  
(C)=

(D)=  
(E)=  
(F)=

No.	Lev.	Parts No.	Description	Q'ty						I	R
				(A)	(B)	(C)	(D)	(E)	(F)		
1	1	198320-33412	PINION, FINAL L	1							
2	1	198320-33422	PINION, FINAL R	1							

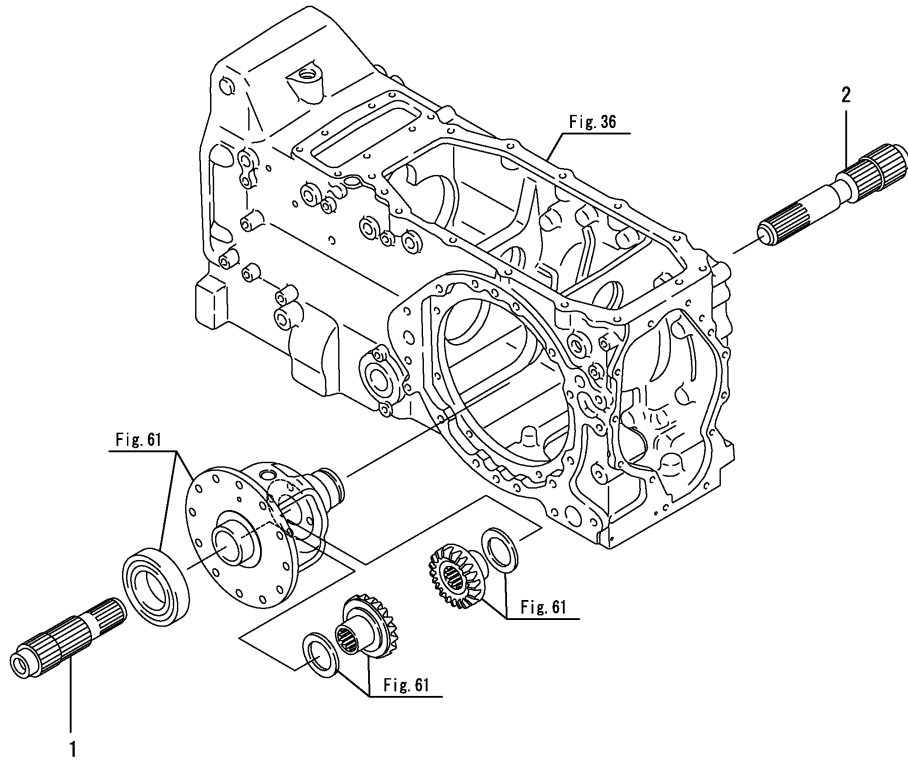


Fig.67. FINAL GEAR

(A)=EF494T(ID)  
(B)=  
(C)=

(D)=  
(E)=  
(F)=

No.	Lev.	Parts No.	Description	Q'ty						I	R
				(A)	(B)	(C)	(D)	(E)	(F)		
1	1	198320-33540	PINION, PLANETARY	6							
2	1	198320-33550	SHAFT, PLANETARY	6							
3	1	198320-33560	NEEDLE, 4.5X31.8	63							
4	1	198320-33560	NEEDLE, 4.5X31.8	63							
5	1	198320-33570	CARRIER, PLANETARY	2							
6	1	198320-33610	GEAR, INTERNAL	2							
7	1	198320-33620	WASHER, 26X42X1	12							
8	1	198217-33650	BOLT, M10X55	16							
9	1	22312-100180	PIN, PARALLEL M10X18	4							
10	1	22351-080040	PIN, SPRING 8.0X40	6							

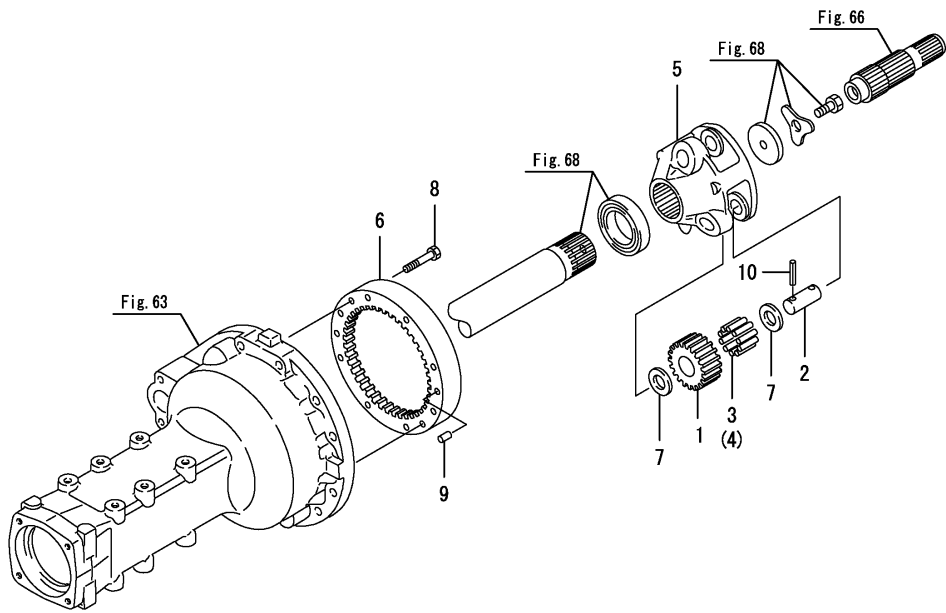
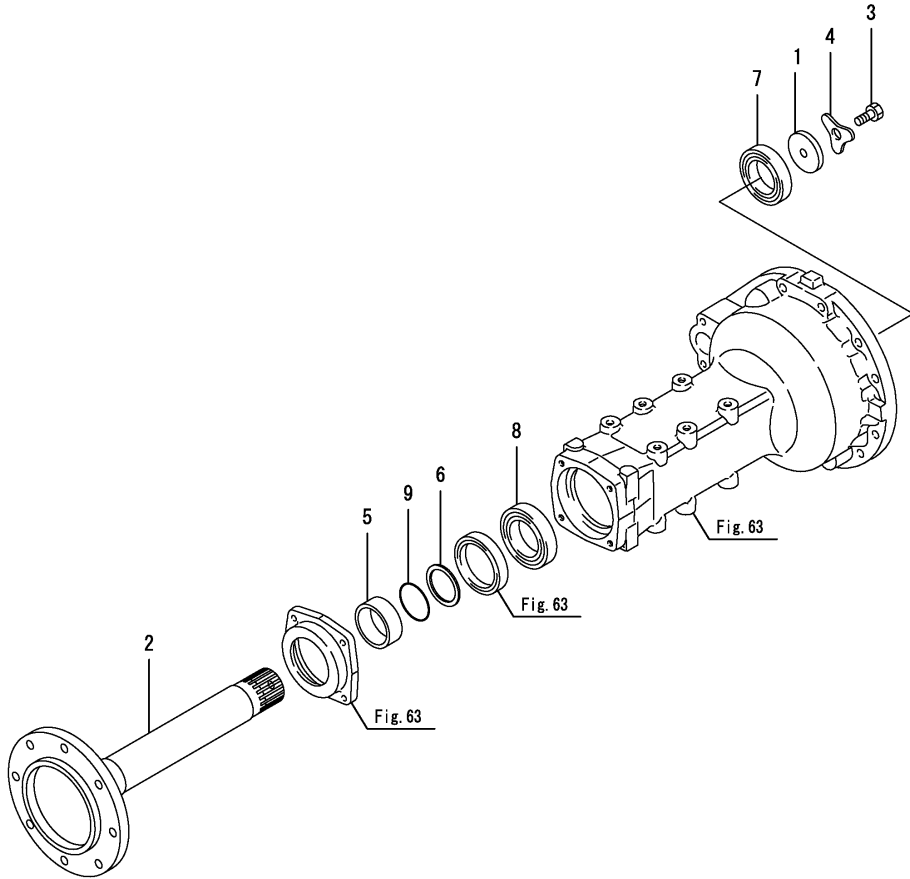


Fig.68. REAR AXLE SHAFT

(A)=EF494T(ID)  
 (B)=  
 (C)=

(D)=  
 (E)=  
 (F)=

No.	Lev.	Parts No.	Description	Q'ty						I	R
				(A)	(B)	(C)	(D)	(E)	(F)		
1	1	194640-34130	WASHER, 13X64X9	2							
2	1	1A7781-34130	SHAFT, REAR AXLE	2							
3	1	194640-34140	BOLT, M12X30	2							
4	1	194640-34150	WASHER, THRUST	2							
5	1	198535-34360	COLLAR, 60X72X26	2							
6	1	194145-34390	SPACER, O-RING	2							
7	1	24101-060114	BEARING, BALL 6011	2							
8	1	24101-062124	BEARING, BALL 6212	2							
9	1	24321-000600	O-RING, 1AG60.0	2							




---

---

---

---

---

---

---

---

---

---

---

---

---

---

---

---

---

---

---

---

---

---

---

---



Fig.69. REAR WHEEL TIRE

(A)=EF494T(ID)  
(B)=  
(C)=

(D)=  
(E)=  
(F)=

No.	Lev.	Parts No.	Description	Q'ty						I	R
				(A)	(B)	(C)	(D)	(E)	(F)		
1	1	1A7781-34550	TIRE&WHEEL KIT, L.H.	1							
2	2	1A7781-34630	TIRE ASSY, 13.6-26-6	1							
3	2	1A7781-34750	WHEEL ASSY, W11-26W	1							
4	1	1A7781-34560	TIRE&WHEEL KIT, R.H.	1							
5	2	1A7781-34630	TIRE ASSY, 13.6-26-6	1							
6	2	1A7781-34750	WHEEL ASSY, W11-26W	1							

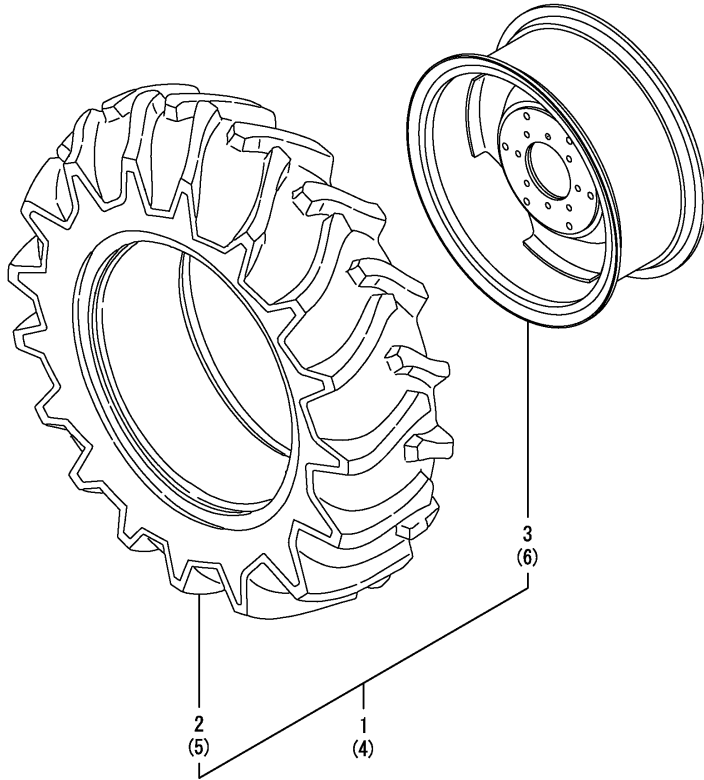


Fig.70. HUB BOLT

(A)=EF494T(ID)  
(B)=  
(C)=

(D)=  
(E)=  
(F)=

No.	Lev.	Parts No.	Description	Q'ty						I	R
				(A)	(B)	(C)	(D)	(E)	(F)		
1	1	194279-14220	WASHER, 14	4							
2	1	198146-34120	BOLT, M14X45	12							
3	1	198282-34160	STUD, M14X40	4							
4	1	198200-34190	NUT, M14	4							

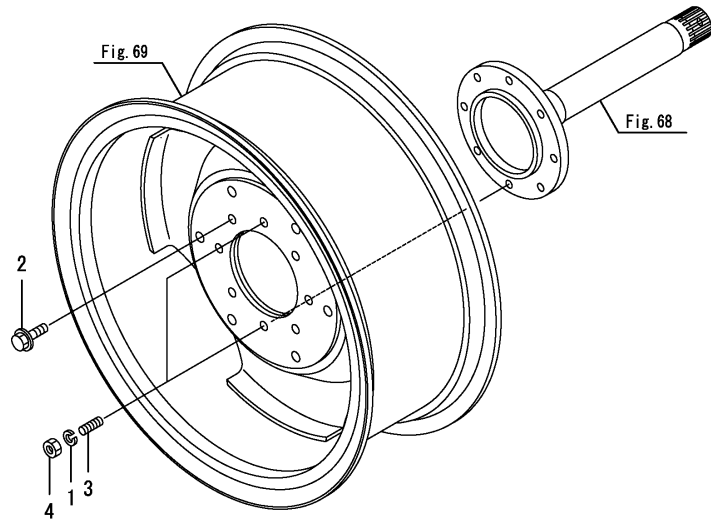
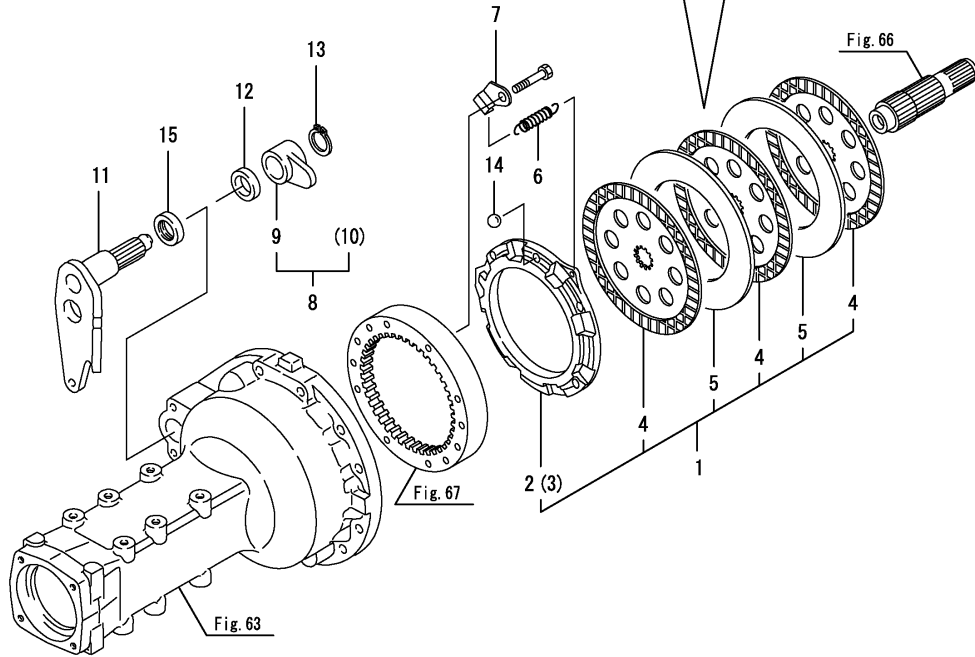
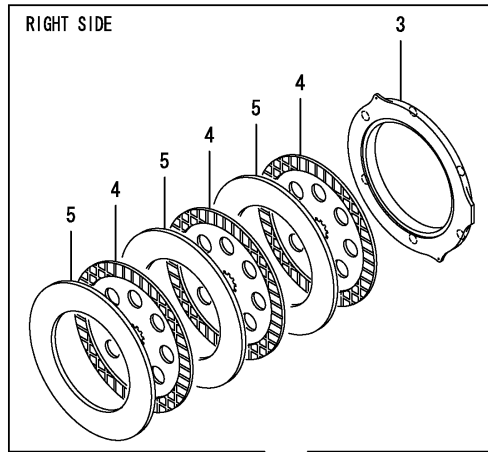


Fig.71. BRAKE

(A)=EF494T(ID)  
(B)=  
(C)=

(D)=  
(E)=  
(F)=

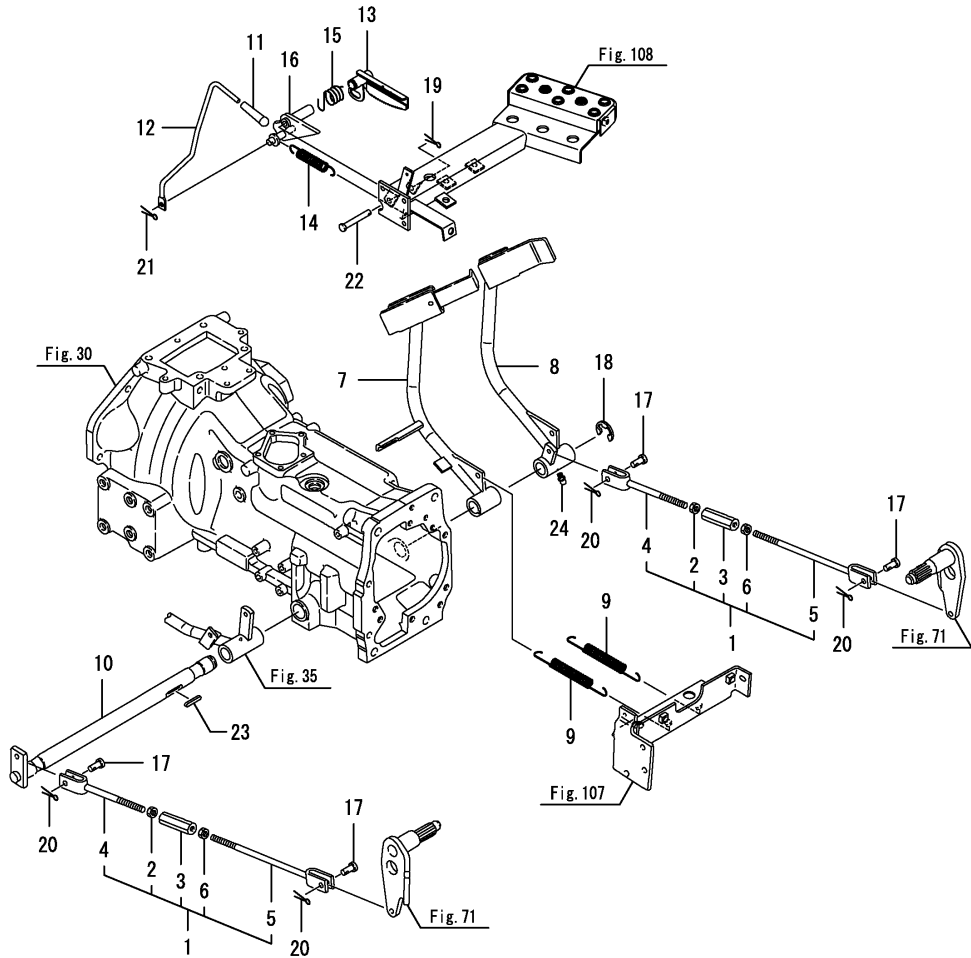


No.	Lev.	Parts No.	Description	Q'ty						I	R
				(A)	(B)	(C)	(D)	(E)	(F)		
1	1	1A7601-36200	BRAKE ASSY	1							
2	2	1A7601-36310	ACTUATOR, L	1							
3	2	1A7601-36320	ACTUATOR, R	1							
4	2	1A7601-36350	PLATE, FRICTION 226	6							
5	2	1A8275-36520	PLATE, STEEL 3.2	5							
6	1	194205-36320	SPRING, ACTUATOR	4							
7	1	198240-36380	HOOK, RETURN SPRING	4							
8	1	198240-36700	LEVER ASSY, CAM	1							
9	2	198240-36710	CAMSHAFT, BRAKE L	1							
10	2	198240-36720	CAMSHAFT, BRAKE R	1							
11	1	198240-36730-2	SHAFT, CAM LEVER	2							
12	1	198320-36790	SLEEVE, CAM LEVER	2							
13	1	22242-000290	RING, 29	2							
14	1	24190-180001	BALL, STEEL 9/16	12							
15	1	24421-304208	SEAL, OIL TC304208	2							

Fig.72. BRAKE PEDAL

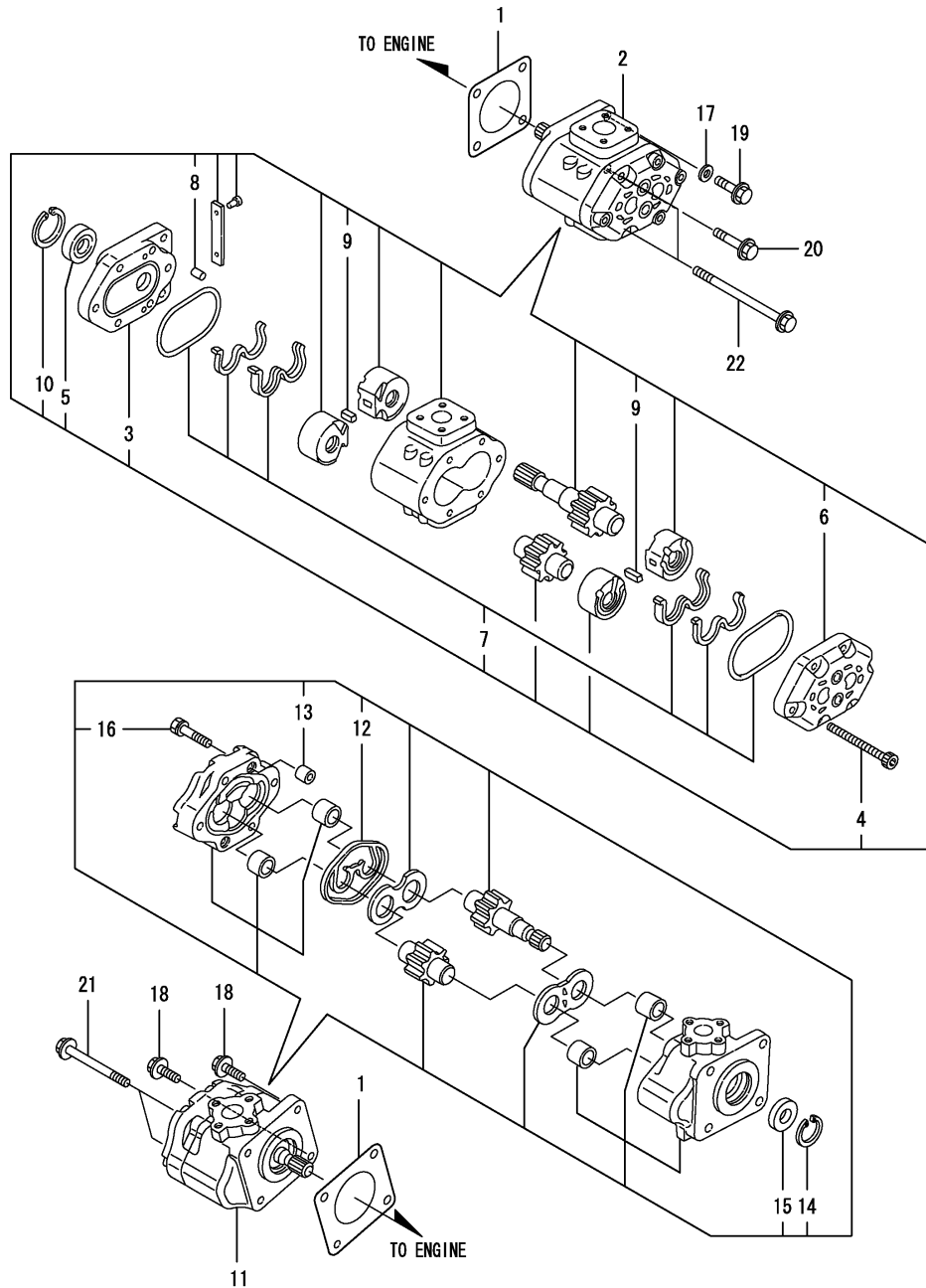
(A)=EF494T(ID)  
(B)=  
(C)=

(D)=  
(E)=  
(F)=



No.	Lev.	Parts No.	Description	Q'ty						I	R
				(A)	(B)	(C)	(D)	(E)	(F)		
1	1	794525-37000	ROD ASSY, BRAKE	2							
2	2	194150-22480	NUT, M10 L	2							
3	2	194130-37730	TURNBUCKLE	2							
4	2	194310-37741	ROD, BRAKE L	2							
5	2	194134-37771	ROD, BRAKE R	2							
6	2	26716-100002	NUT, M10	2							
7	1	1A7781-37420	PEDAL, L.H. BRAKE	1							
8	1	1A7781-37470	PEDAL, R.H. BRAKE	1							
9	1	198240-37510	SPRING, RETURN	2							
10	1	198240-37550-1	SHAFT, BRAKE PEDAL	1							
11	1	198253-37610	KNOB, PARKING BRAKE	1							
12	1	1A7781-37640	ROD, PARKING	1							
13	1	198254-37660	LEVER, BRAKE LOCK	1							
14	1	198220-37700	SPRING, RETURN	1							
15	1	1A7781-37720	SPRING,	1							
16	1	198240-37850	LEVER, PARKING B	1							
17	1	198220-37900	PIN, 8X24	4							
18	1	22272-000190	RING, E-19	1							
19	1	22417-200300	PIN, COTTER 2.0X30	1							
20	1	22417-250300	PIN, COTTER 2.5X30	4							
21	1	22417-250300	PIN, COTTER 2.5X30	1							
22	1	22487-100700	PIN, H10X 70	1							
23	1	22512-070400	KEY, 7X 40	1							
24	1	24761-010000	NIPPLE, GREASE M6F	1							

Fig.73. HYDRAULIC PUMP

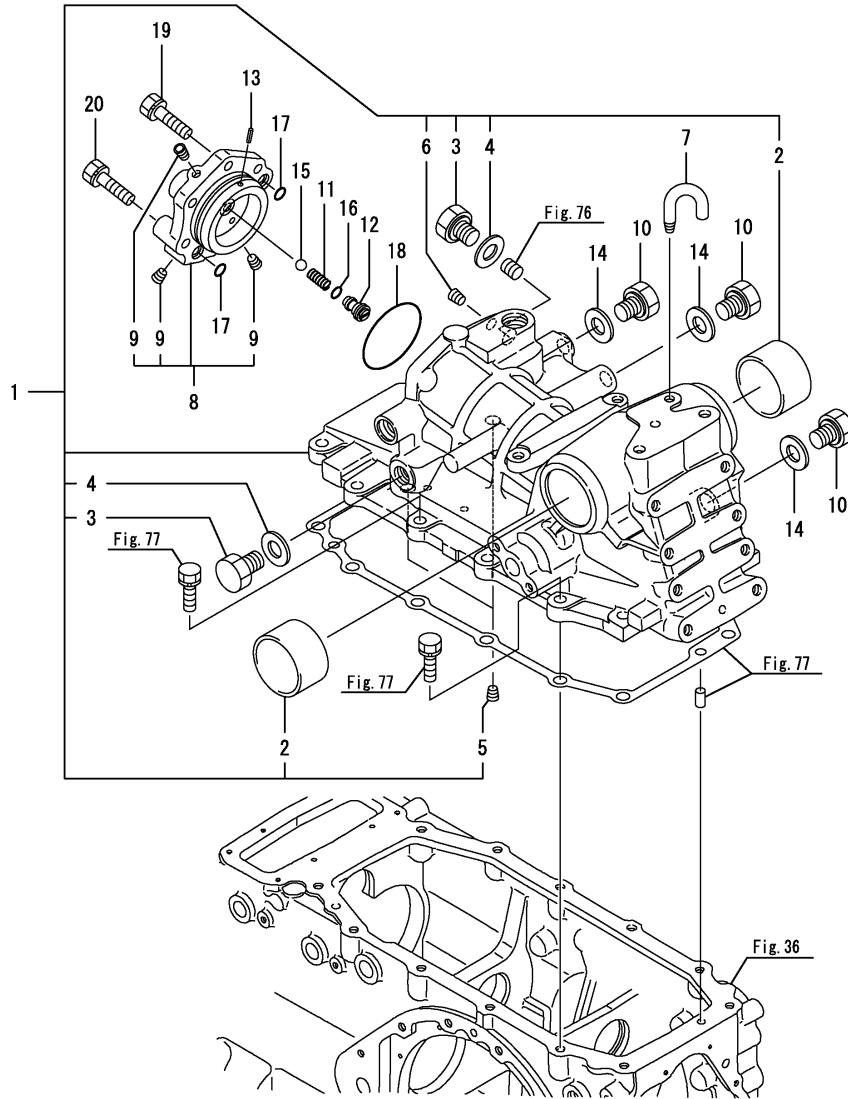


(A)=EF494T(ID)  
(B)=  
(C)=

(D)=  
(E)=  
(F)=

No.	Lev.	Parts No.	Description	Q'ty						I	R
				(A)	(B)	(C)	(D)	(E)	(F)		
1	1	124240-01883	GASKET	2							
2	1	198240-41110	PUMP, HY/ZFD100/13L	1							
3	2	194278-41151	FLANGE	1							
4	2	198240-41150	BOLT, M8X83.5	4							
5	2	194278-41160	SEAL, OIL TC173008	1							
6	2	194278-41190	COVER	1							
7	2	794275-41200	SEAL KIT	1							
8	2	194065-41210	PIN, PARALLEL 6X12	2							
9	2	194278-41210	KEY	2							
10	2	22252-000300	RING, 30	1							
11	1	178070-44000	PUMP ASSY, HYDRAULIC	1							
12	2	178070-10401	RING	1							
13	2	194521-41570	PIN, 11X7	2							
14	2	22252-000320	RING, 32	1							
15	2	24421-153207	SEAL, OIL TC153207	1							
16	2	26016-080352	BOLT, M8X 35	4							
17	1	22190-080002	WASHER, SEAL 8	1							
18	1	26106-080252	BOLT, M8X 25 PLATED	2							
19	1	26106-080302	BOLT, M8X 30 PLATED	1							
20	1	26106-080402	BOLT, M8X 40 PLATED	1							
21	1	26106-080802	BOLT, M8X 80 PLATED	2							
22	1	26106-081202	BOLT, M8X120 PLATED	2							

Fig.74. HYDRAULIC CYLINDER CASE(1)



No.	Lev.	Parts No.	Description	Q'ty						I	R
				(A)	(B)	(C)	(D)	(E)	(F)		
1	1	198133-42102	HOUSING ASSY	1							
2	2	198133-42130	BUSH, 65X70X40	2							
3	2	198220-45920	PLUG, 3/4-16UNF	2							
4	2	23414-190000	GASKET, 19X1.0	2							
5	2	23871-010000	PLUG, R01	2							
6	2	23871-020000	PLUG, R02	1							
7	1	194150-42280	BREATHER, AIR	1							
8	1	194640-43201	HEAD ASSY, CYLINDER	1							
9	2	23871-010000	PLUG, R01	3							
10	1	198220-45920	PLUG, 3/4-16UNF	3							
11	1	194555-46380	SPRING	1							
12	1	194555-46730	PLUG, CHECK VALVE	1							
13	1	22351-040016	PIN, SPRING 4.0X16	1							
14	1	23414-190000	GASKET, 19X1.0	3							
15	1	24190-130003	BALL, STEEL 13/32	1							
16	1	24315-000120	O-RING, 1BP12.0	1							
17	1	24315-000140	O-RING, 1BP14.0	2							
18	1	24325-000800	O-RING, 1BG80.0	1							
19	1	26013-120352	BOLT, M12X 35	5							
20	1	26013-120552	BOLT, M12X 55	1							

Fig.75. HYDRAULIC CYLINDER CASE(2)

(A)=EF494T(ID  
(B)=  
(C)=

(D)=  
(E)=  
(F)=

No.	Lev.	Parts No.	Description	Q'ty						I	R
				(A)	(B)	(C)	(D)	(E)	(F)		
1	1	1A7781-42810	HINGE, TOP LINK	1							
2	1	26013-120352	BOLT, M12X 35	6							

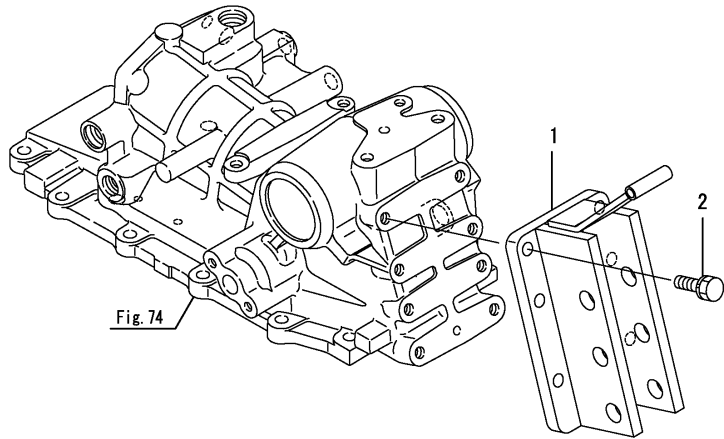


Fig.76. HYDRAULIC ADAPTER

(A)=EF494T(ID)  
(B)=  
(C)=

(D)=  
(E)=  
(F)=

No.	Lev.	Parts No.	Description	Q'ty						I	R
				(A)	(B)	(C)	(D)	(E)	(F)		
1	1	198245-42160	PLUG, 1/4	1							
2	1	1A7780-45950	ADAPTER ASSY, FILTER	1							
3	1	23414-190000	GASKET, 19X1.0	1							

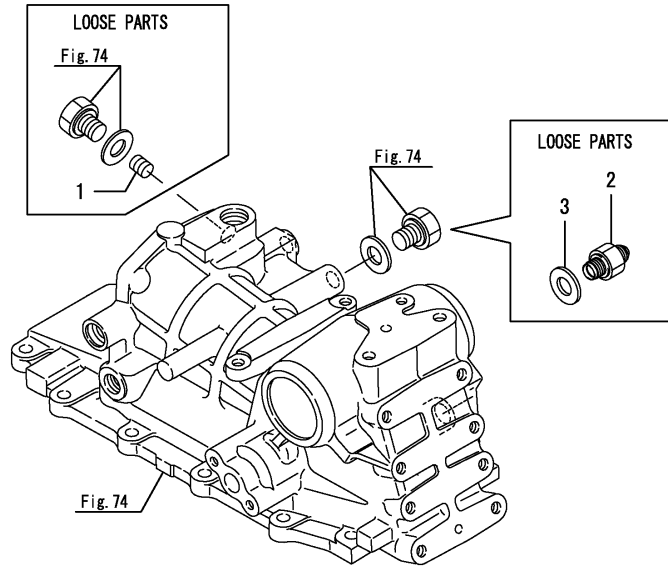




Fig.77. HYDRAULIC CYLINDER CASE(3)

(A)=EF494T(ID)  
(B)=  
(C)=

(D)=  
(E)=  
(F)=

No.	Lev.	Parts No.	Description	Q'ty						I	R
				(A)	(B)	(C)	(D)	(E)	(F)		
1	1	198240-42130	PACKING, HOUSING	1							
2	1	22312-100180	PIN, PARALLEL M10X18	2							
3	1	26013-120352	BOLT, M12X 35	12							

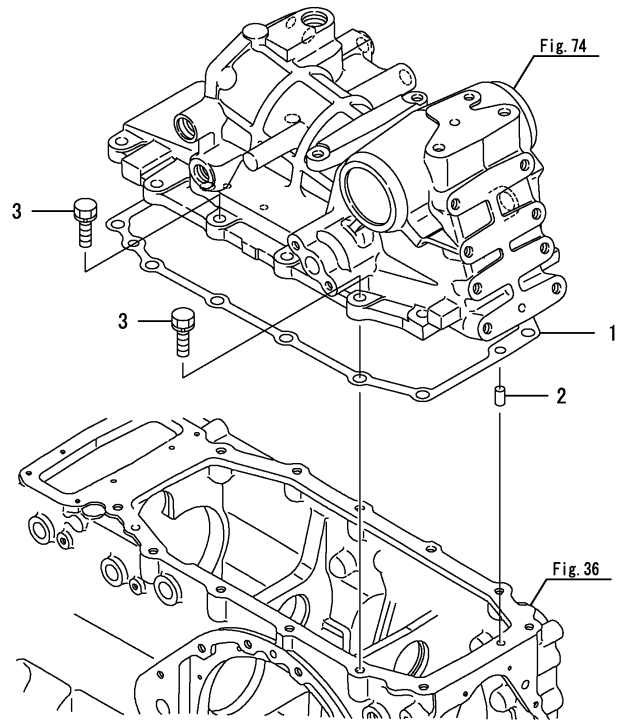
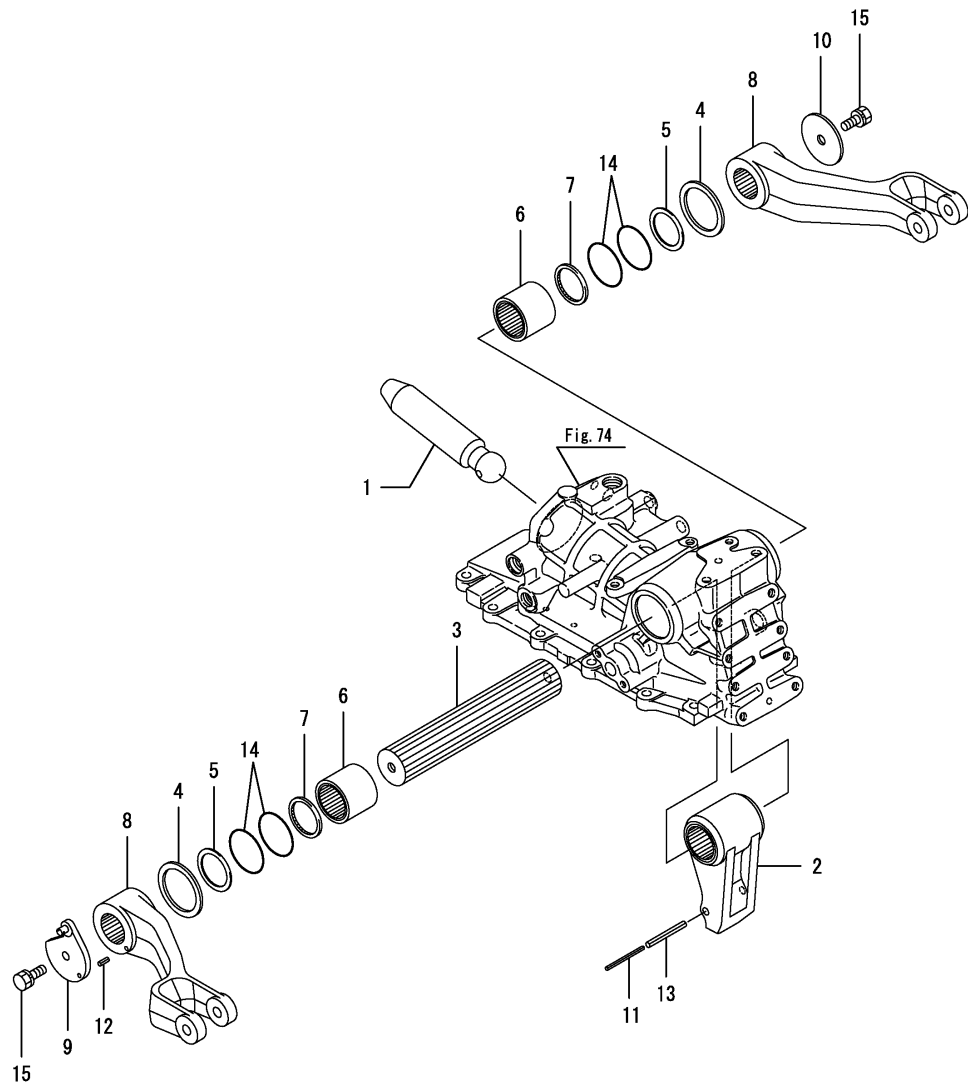




Fig.79. LIFT CRANK

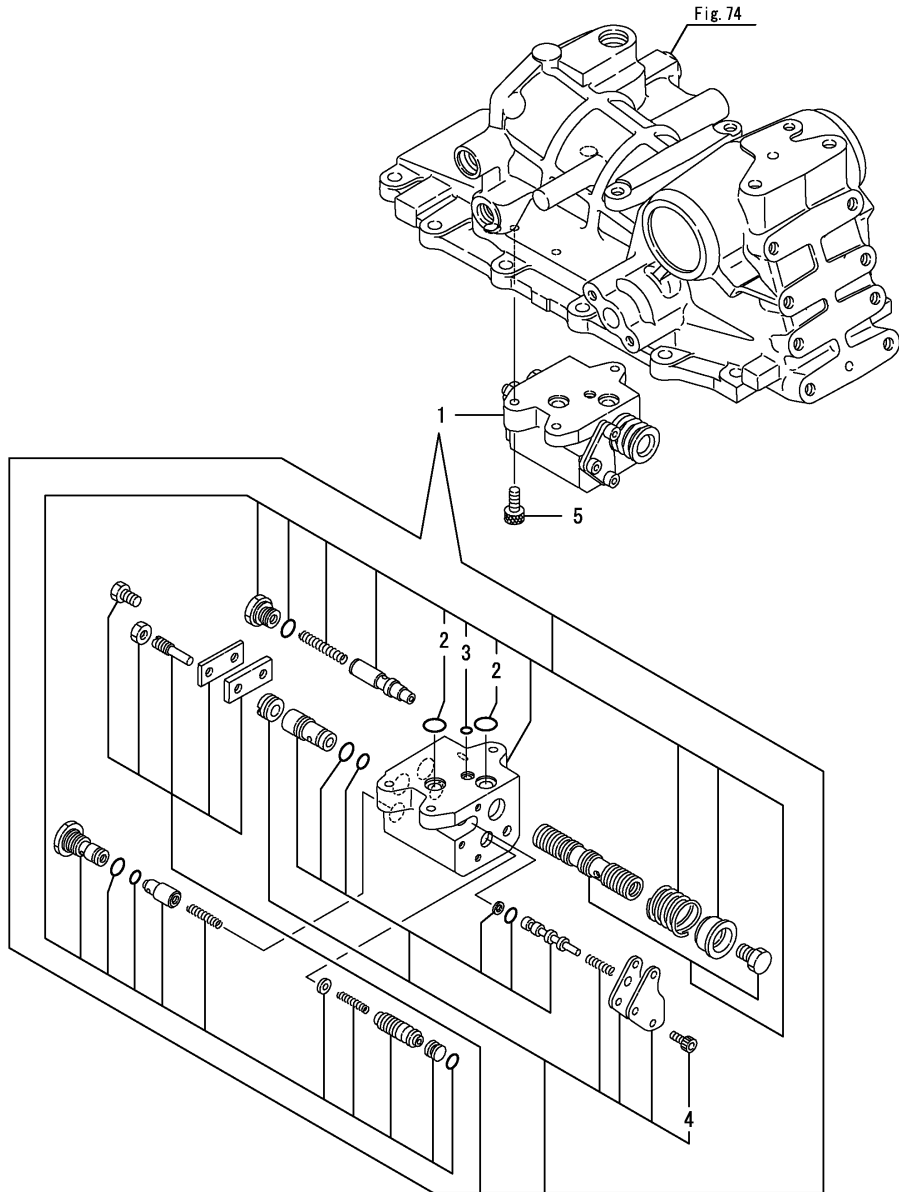


(A)=EF494T(ID)  
(B)=  
(C)=

(D)=  
(E)=  
(F)=

No.	Lev.	Parts No.	Description	Q'ty						I	R
				(A)	(B)	(C)	(D)	(E)	(F)		
1	1	194180-43410	ROD, PISTON	1							
2	1	198215-44110	CRANK, LIFT	1							
3	1	198133-44210	SHAFT, LIFTING	1							
4	1	1A7640-44230	WASHER, 65X82X2	2							
5	1	1A7640-44240	PLATE, 50X64X2	2							
6	1	1A7780-44250	SLEEVE, LIFT SHAFT	2							
7	1	194640-44261	SEAL, SPLINE	2							
8	1	198133-44411	ARM, LIFT	2							
9	1	1A7780-44510	PLATE, FEEDBACK	1							
10	1	194640-44540	RETAINER, SHAFT	1							
11	1	22351-050070	PIN, SPRING 5.0X70	1							
12	1	22351-060016	PIN, SPRING 6.0X16	1							
13	1	22351-080070	PIN, SPRING 8.0X70	1							
14	1	24321-000650	O-RING, 1AG65.0	4							
15	1	26013-120352	BOLT, M12X 35	2							

Fig.80. CONTROL VALVE



(A)=EF494T(ID)  
(B)=  
(C)=

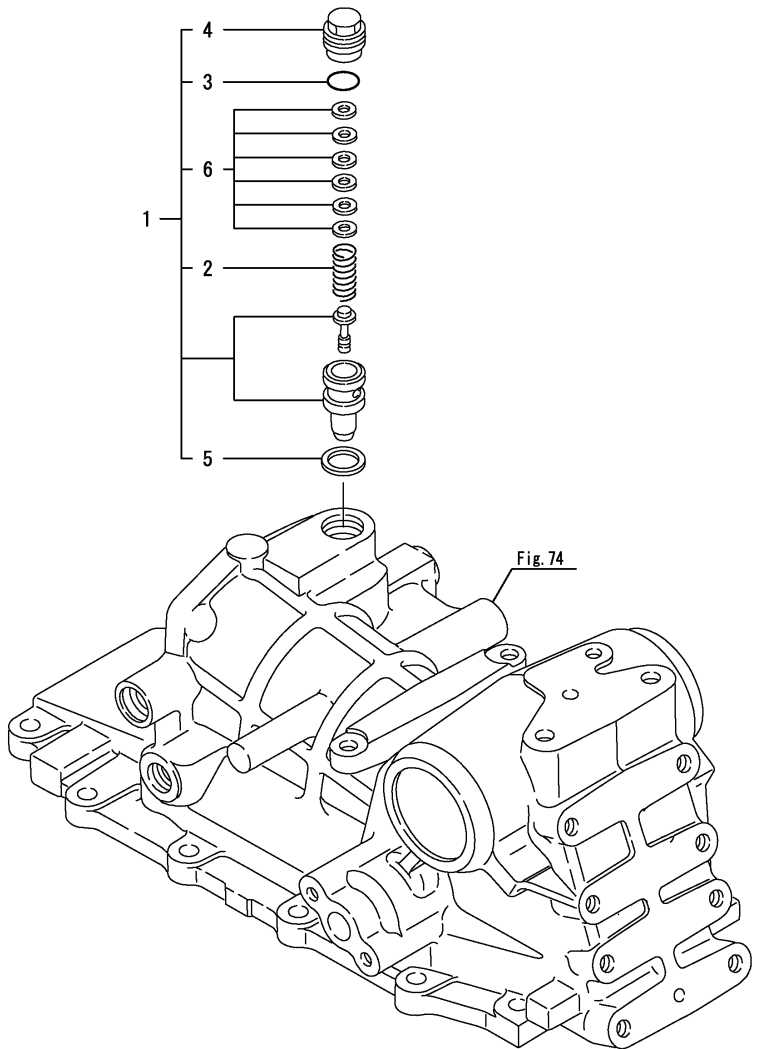
(D)=  
(E)=  
(F)=

No.	Lev.	Parts No.	Description	Q'ty						I	R
				(A)	(B)	(C)	(D)	(E)	(F)		
1	1	168246-00110	CONTROL VALVE(6F-11	1							
2	2	194327-45120	O-RING, 1BP14.0	2							
3	2	194327-45130	O-RING, 1BP7.0	1							
4	2	26450-080142	BOLT, M8X 14	3							
5	1	26450-080202	BOLT, M8X 20	3							

### Fig.81. RELIEF VALVE

(A)=EF494T(ID  
(B)=  
(C)=

(D)=  
(E)=  
(F)=



No.	Lev.	Parts No.	Description	Q'ty								
				(A)	(B)	(C)	(D)	(E)	(F)			
1	1	198133-45600	VALVE ASSY, RELIEF	1								
2	2	194180-45620	SPRING	1								
3	2	194450-45630	O-RING, 2.5X23	1								
4	2	194450-45640	PLUG, RELIEF VALVE	1								
5	2	194450-45650	GASKET, 20X27.8X2	1								
6	2	794464-45660	SHIM SET	1								

Fig.82. STOP VALVE

(A)=EF494T(ID)  
(B)=  
(C)=

(D)=  
(E)=  
(F)=

No.	Lev.	Parts No.	Description	Q'ty						I	R
				(A)	(B)	(C)	(D)	(E)	(F)		
1	1	194555-46300	VALVE, STOP	1							
2	1	198240-46620	BOLT, STOP	1							
3	1	194312-46630	HOLDER, VALVE	1							
4	1	22117-080000	WASHER, 8	1							
5	1	22351-040012	PIN, SPRING 4.0X12	1							
6	1	24311-000110	O-RING, 1AP11.0	2							
7	1	24311-000120	O-RING, 1AP12.0	1							

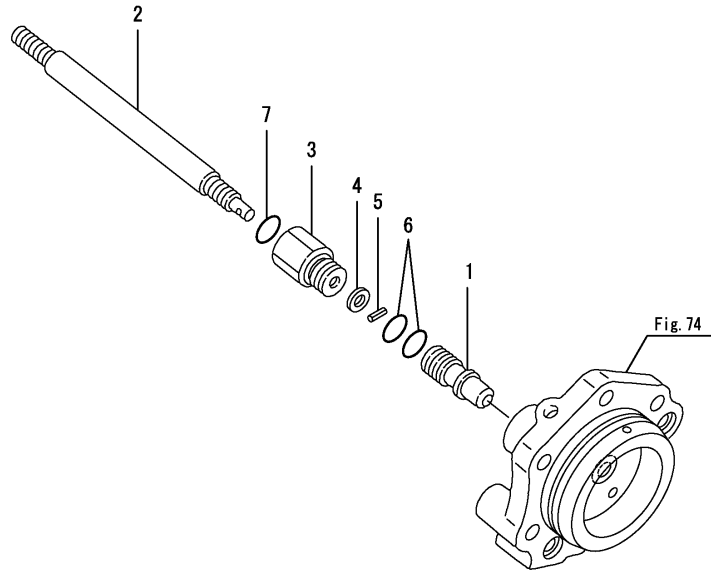


Fig.83. STOP VALVE CONTROL

(A)=EF494T(ID  
(B)=  
(C)=

(D)=  
(E)=  
(F)=

No.	Lev.	Parts No.	Description	Q'ty						I	R
				(A)	(B)	(C)	(D)	(E)	(F)		
1	1	1A8160-46670	KNOB, VALVE	1							
2	1	26716-100002	NUT, M10	1							

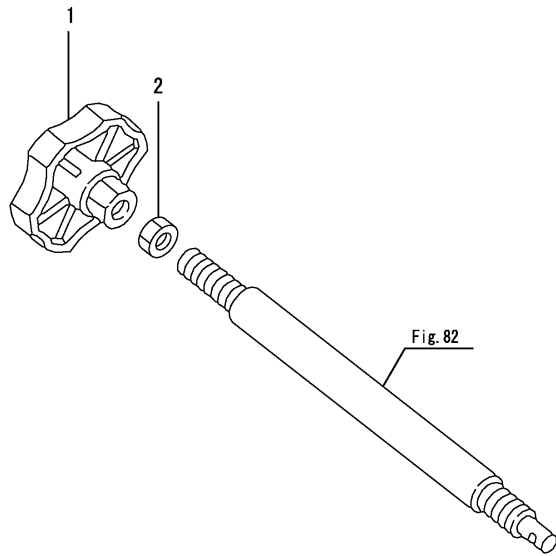


Fig.84. SAFETY VALVE

(A)=EF494T(ID)  
(B)=  
(C)=

(D)=  
(E)=  
(F)=

No.	Lev.	Parts No.	Description	Q'ty						I	R
				(A)	(B)	(C)	(D)	(E)	(F)		
1	1	1A7680-45320	SPRING	1							
2	1	1A7680-45370	PLUG, SAFETY VALVE	1							
3	1	198220-46400	SHIM SET	1							
4	1	1A7680-46410	SEAT, SAFETY VALVE	1							
5	1	194640-46420	POPPET	1							
6	1	22351-060030	PIN, SPRING 6.0X30	1							
7	1	24315-000120	O-RING, 1BP12.0	1							
8	1	24315-000180	O-RING, 1BP18.0	1							

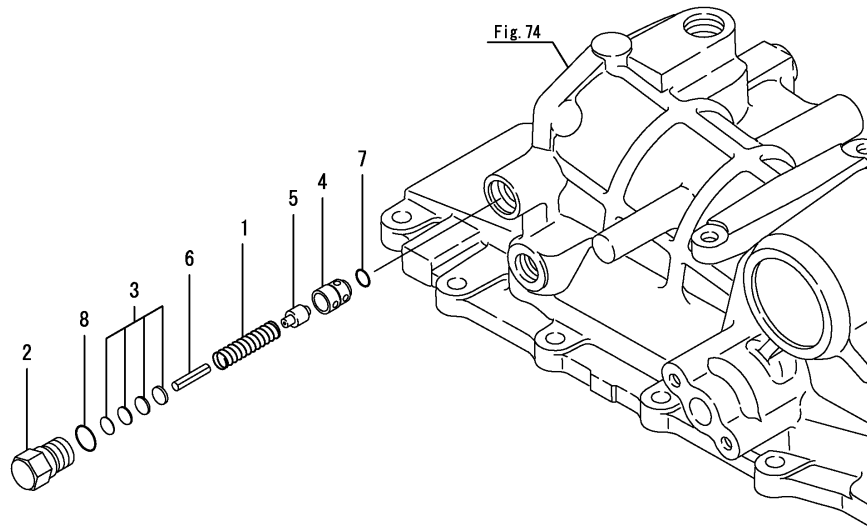
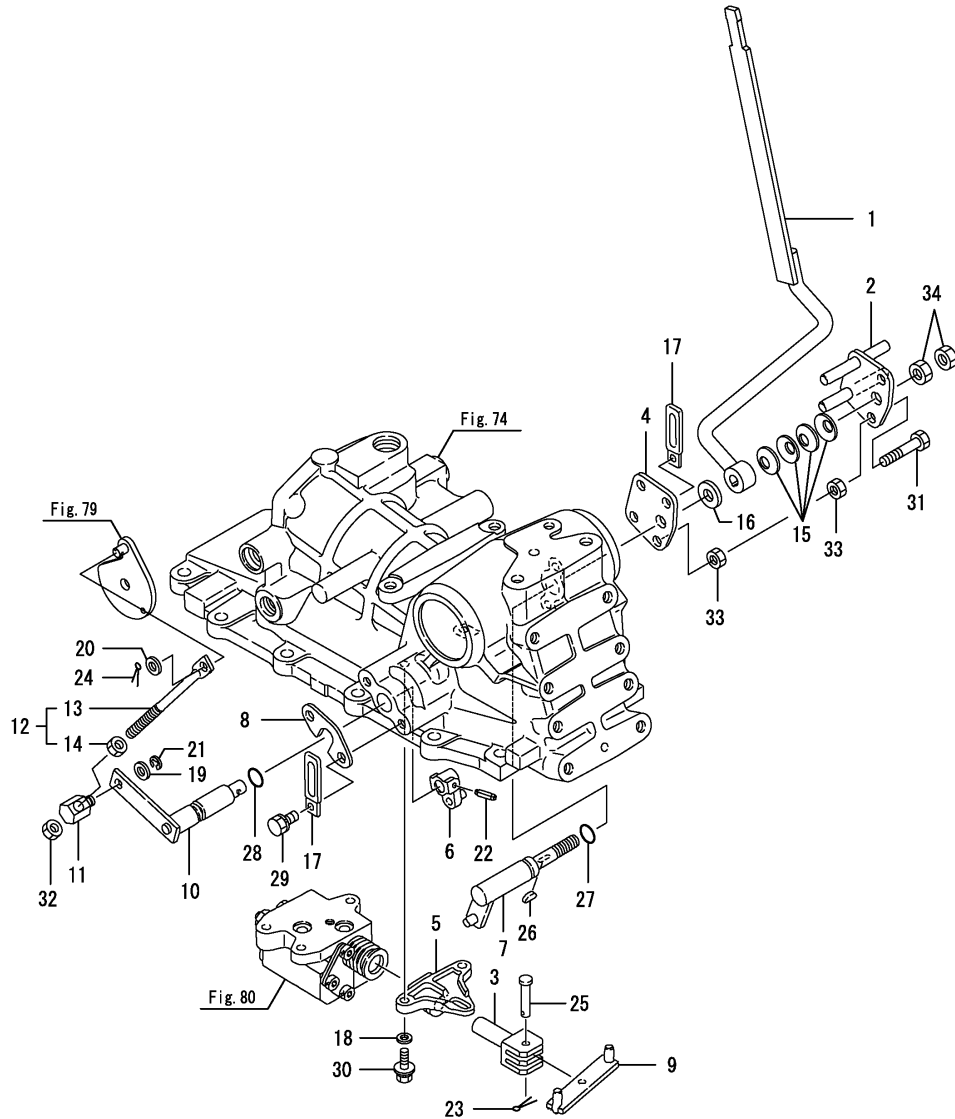




Fig.85. HYDRAULIC CONTROL



(A)=EF494T(ID)  
(B)=  
(C)=

(D)=  
(E)=  
(F)=

No.	Lev.	Parts No.	Description	Q'ty						I	R
				(A)	(B)	(C)	(D)	(E)	(F)		
1	1	1A7780-47300	LEVER, P CONTROL	1							
2	1	198320-47321	PLATE, FRICTION	1							
3	1	198360-47320	ROD, CONTROL	1							
4	1	198320-47330	PLATE	1							
5	1	198360-47330	PLATE, CONTROL	1							
6	1	198254-47370	ARM, CONTROL	1							
7	1	198240-47380	SHAFT, CONTROL	1							
8	1	198320-47410	PLATE, A	1							
9	1	1A7780-47420	ROD, CONTROL	1							
10	1	198240-47430	ARM	1							
11	1	194550-47530	ADJUSTER	1							
12	1	194640-47550	ROD ASSY, FEEDBACK	1							
13	2	194640-47560	ROD, FEEDBACK	1							
14	2	26716-100002	NUT, M10	1							
15	1	194151-47760	WASHER, 12	4							
16	1	194310-47790	PLATE, FRICTION	1							
17	1	194180-51640	CLAMP, HARNESS	2							
18	1	22137-080000	WASHER, 8	2							
19	1	22137-100000	WASHER, 10	1							
20	1	22137-100000	WASHER, 10	1							
21	1	22272-000070	RING, E- 7	1							
22	1	22351-050025	PIN, SPRING 5.0X25	1							
23	1	22417-200160	PIN, COTTER 2.0X16	1							
24	1	22417-300200	PIN, COTTER 3.0X20	1							
25	1	22487-080350	PIN, H 8X 35	1							
26	1	22522-030130	KEY, WOODRUFF 3X13	1							
27	1	24311-000150	O-RING, 1AP15.0	1							
28	1	24311-000150	O-RING, 1AP15.0	1							
29	1	26013-100162	BOLT, M10X 16	2							
30	1	26014-080202	BOLT, M8X 20	2							
31	1	26116-100504	BOLT, M10X 50 PLATED	2							
32	1	26716-100002	NUT, M10	1							
33	1	26716-100002	NUT, M10	4							
34	1	26716-120002	NUT, M12	2							

Fig.86. HYDRAULIC CONTROL LEVER KNOB

(A)=EF494T(ID)  
 (B)=  
 (C)=

(D)=  
 (E)=  
 (F)=

No.	Lev.	Parts No.	Description	Q'ty						I	R	
				(A)	(B)	(C)	(D)	(E)	(F)			
1	1	1A8115-47810	KNOB, BLACK	1								

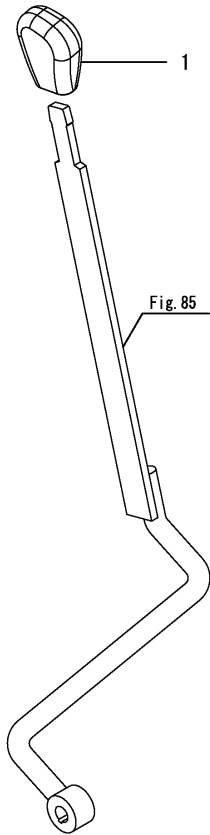
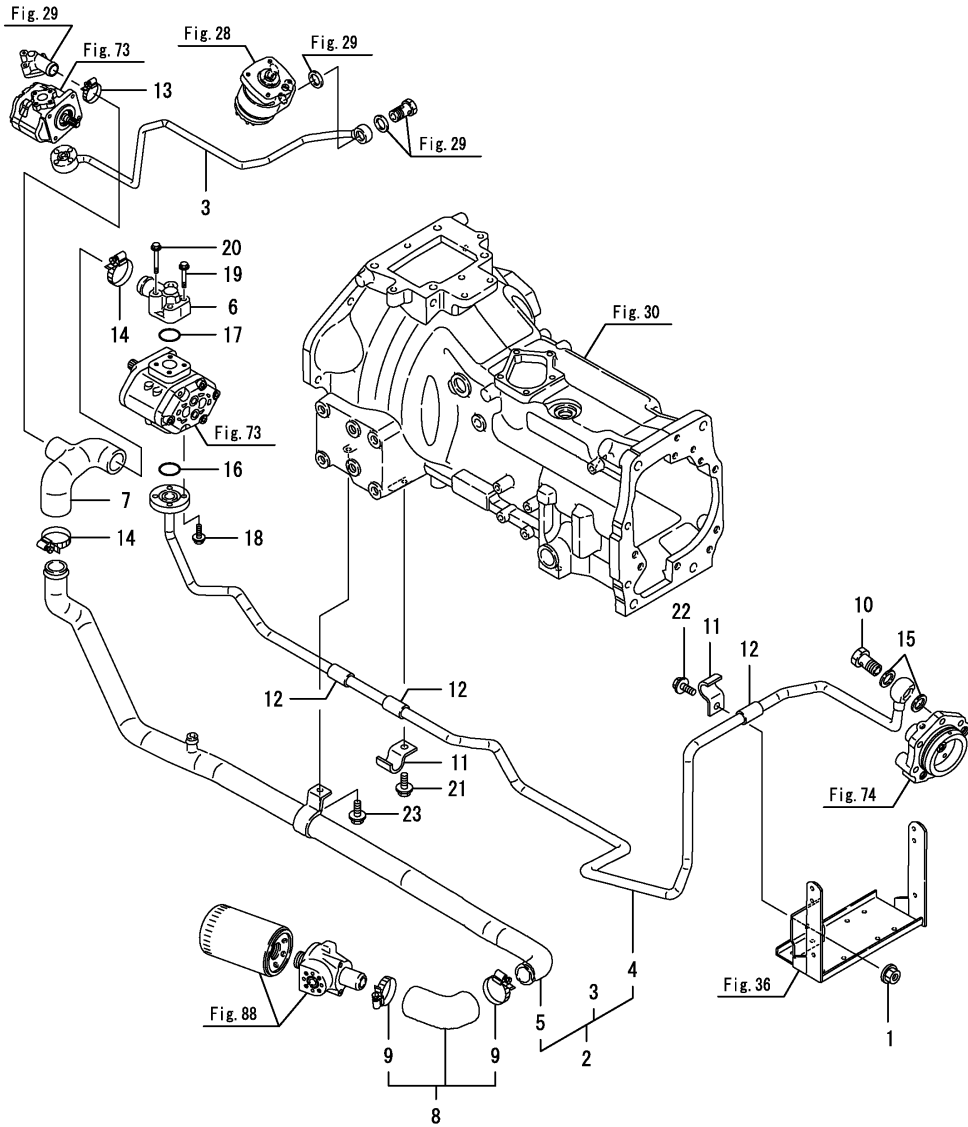


Fig.87. HYDRAULIC LINE



(A)=EF494T(ID)  
(B)=  
(C)=

(D)=  
(E)=  
(F)=

No.	Lev.	Parts No.	Description	Q'ty						I	R
				(A)	(B)	(C)	(D)	(E)	(F)		
1	1	194990-22140	NUT, M8	1							
2	1	798253-48080-1	PIPE KIT	1							
3	2	198320-17720	PIPE, PRESSURE P	1							
4	2	198250-48100	PIPE, PRESSURE	1							
5	2	198320-48150-1	PIPE, PRESSURE	1							
6	1	198240-48140	FLANGE, PIPE P	1							
7	1	198320-48220	HOSE, PRESSURE	1							
8	1	198240-48500	HOSE, PRESSURE S	1							
9	2	23000-048000	CLAMP, 48	2							
10	1	198361-48750	BOLT ASSY, JOINT	1							
11	1	198240-48830	CLAMP	2							
12	1	198240-48850	CLAMP, ABSORBER	3							
13	1	23000-035000	CLAMP, 35	1							
14	1	23000-048000	CLAMP, 48	2							
15	1	23414-200026	GASKET, 20X1.0	2							
16	1	24321-000250	O-RING, 1AG25.0	1							
17	1	24341-000250	O-RING, 1AS25.0	1							
18	1	26018-060252	BOLT, M6X 25	4							
19	1	26106-060402	BOLT, M6X 40 PLATED	2							
20	1	26106-060502	BOLT, M6X 50 PLATED	2							
21	1	26106-080162	BOLT, M8X 16 PLATED	1							
22	1	26106-080162	BOLT, M8X 16 PLATED	1							
23	1	26106-080162	BOLT, M8X 16 PLATED	1							

Fig.88. HYDRAULIC FILTER

(A)=EF494T(ID)  
(B)=  
(C)=

(D)=  
(E)=  
(F)=

No.	Lev.	Parts No.	Description	Q'ty						I	R
				(A)	(B)	(C)	(D)	(E)	(F)		
1	1	198240-48300-1	PIPE, PRESSURE	1							
2	1	1A8115-48310	FILTER, HYDRAULIC	1							
3	1	194555-48350	COVER ASSY, FILTER	1							
4	1	198240-48380	BRACKET, FILTER	1							
5	1	198240-48410	PROTECTOR, FILTER	1							
6	1	198240-48500	HOSE, PRESSURE S	1							
7	2	23000-048000	CLAMP, 48		2						
8	1	24321-000250	O-RING, 1AG25.0		1						
9	1	26106-060602	BOLT, M6X 60 PLATED		4						
10	1	26106-080162	BOLT, M8X 16 PLATED		2						
11	1	26106-080162	BOLT, M8X 16 PLATED		3						
12	1	26106-080202	BOLT, M8X 20 PLATED		2						

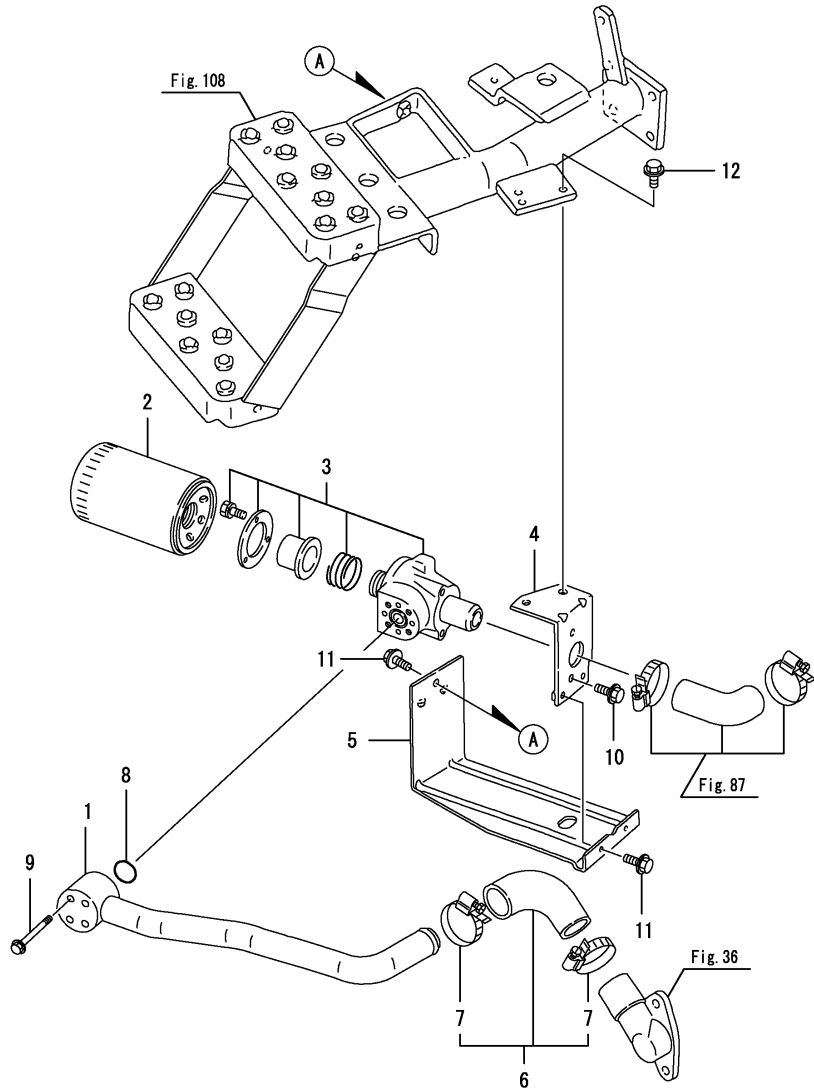
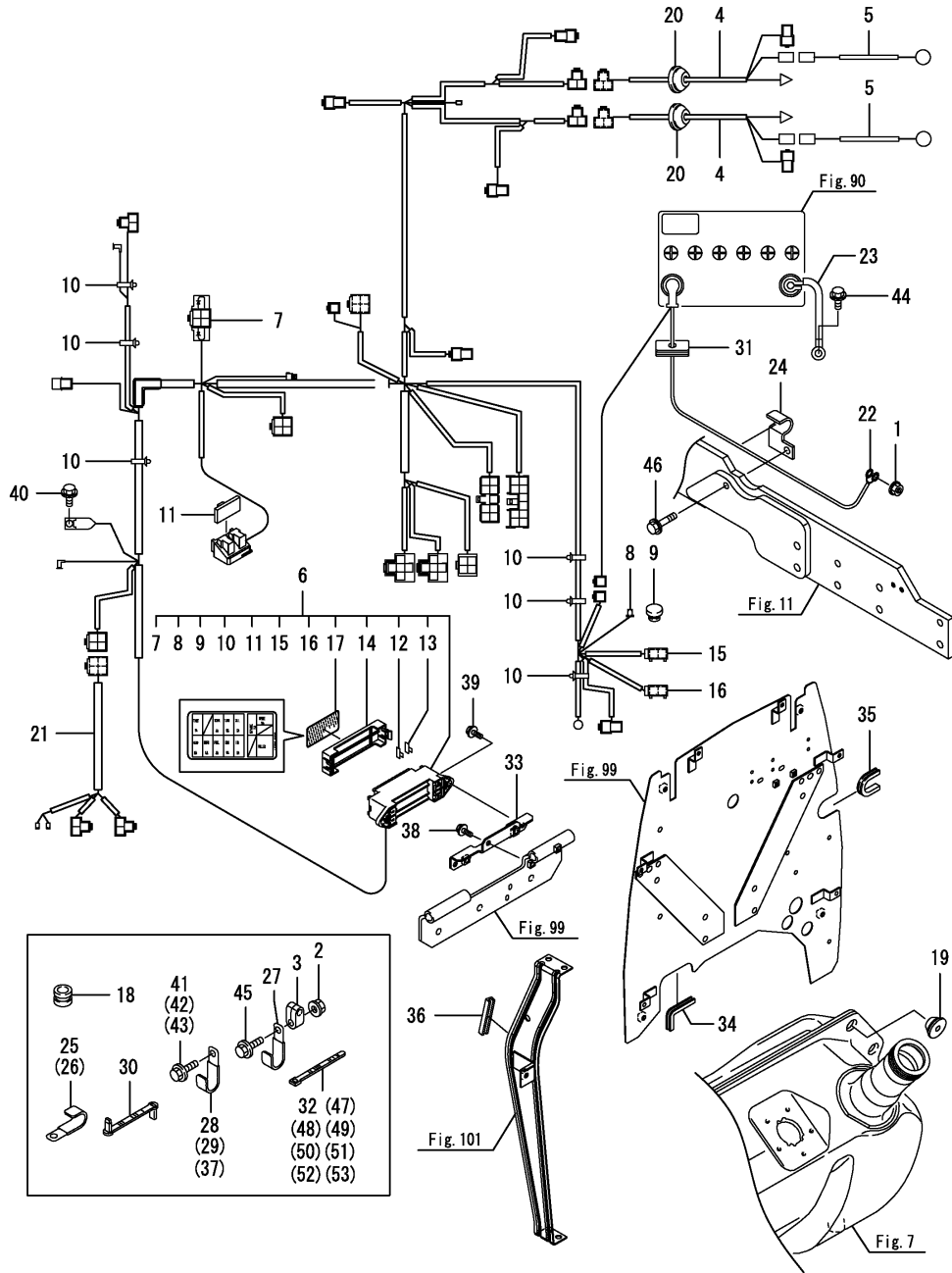


Fig.89. WIRE HARNESS



(A)=EF494T(ID

(B)=

(C)=

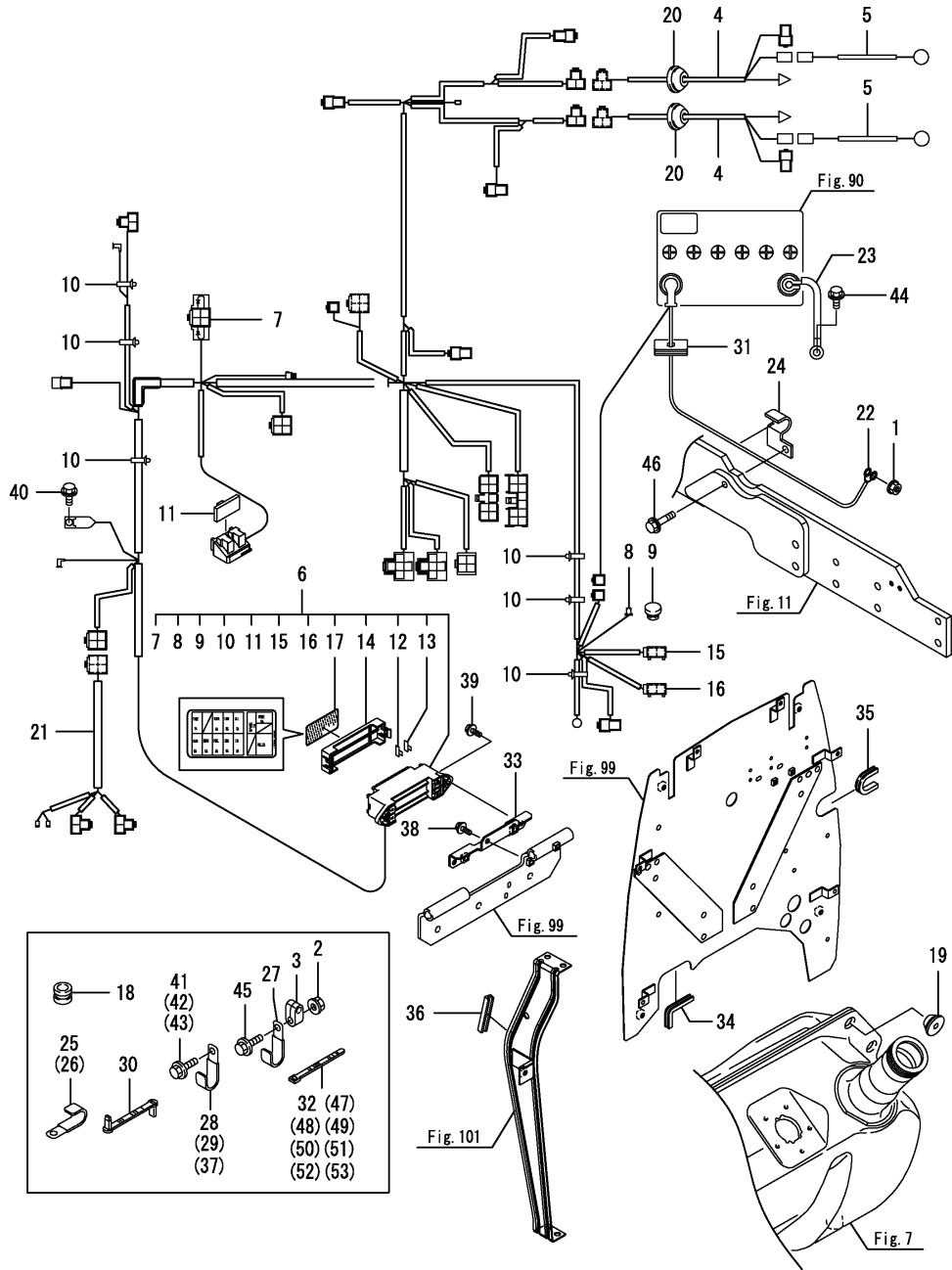
(D)=

(E)=

(F)=

No.	Lev.	Parts No.	Description	Qty						I	R
				(A)	(B)	(C)	(D)	(E)	(F)		
1	1	194990-22140	NUT, M8	1							
2	1	194990-22140	NUT, M8	2							
3	1	1E8080-43850	CLAMP, WIRE	2							
4	1	198242-51130	HARNESS, WIRE	2							
5	1	198121-51190	HARNESS, WIRE	2							
6	1	1A7780-51202	WIRING HARNESS, A	1							
7	2	1A8160-51130	DIODE, 3.0AX2	1							
8	2	194275-51160	COUPLER	1							
9	2	194275-51170	PLUG	1							
10	2	1A7500-51170	CLIP, HARNESS	6							
11	2	1A7880-51730	CLIP	1							
12	2	198535-52110	FUSE, 5A	9							
13	2	198535-52130	FUSE, 15A	2							
14	2	1A7531-52420	COVER, FUSE BOX	1							
15	2	1A6380-52700	FUSE, SLOW BLOW 60A	1							
16	2	1A6380-52700	FUSE, SLOW BLOW 60A	1							
17	2	1A7780-65470	LABEL, FUSE	1							
18	1	194170-51210	GROMMET	2							
19	1	194275-51210	GROMMET	1							
20	1	194275-51210	GROMMET	2							
21	1	1A7780-51320	WIRING HARNESS,	1							
22	1	198071-51411	CABLE, BATTERY 1150	1							
23	1	198153-51420	CABLE, BATTERY EARTH	1							
24	1	198121-51430	CLAMP, CABLE B	1							
25	1	194440-51620	CLAMP	2							
26	1	194440-51620	CLAMP	1							
27	1	194440-51620	CLAMP	2							
28	1	194440-51620	CLAMP	1							
29	1	194440-51620	CLAMP	1							
30	1	194250-51650	CLAMP, SPEED 63	4							
31	1	1A7260-51710	GROMMET, CABLE	1							
32	1	198153-51810	BAND, NYLON 150	1							
33	1	1A7780-52510	STAY, FUSE BOX	1							
34	1	1A7000-61490	TRIM, 120	1							
35	1	1A7000-61490	TRIM, 120	1							
36	1	198291-77870	COVER, GUARD	1							
37	1	1E6102-83230	CLAMP, CABLE	2							
38	1	26106-060122	BOLT, M6X 12 PLATED	2							
39	1	26106-060162	BOLT, M6X 16 PLATED	2							
40	1	26106-080122	BOLT, M8X 12 PLATED	1							
41	1	26106-080122	BOLT, M8X 12 PLATED	1							
42	1	26106-080122	BOLT, M8X 12 PLATED	1							
43	1	26106-080162	BOLT, M8X 16 PLATED	2							
44	1	26106-080162	BOLT, M8X 16 PLATED	1							
45	1	26106-080252	BOLT, M8X 25 PLATED	2							
46	1	26106-080352	BOLT, M8X 35 PLATED	1							
47	1	29622-140001	BAND, RF140	1							
48	1	29622-140001	BAND, RF140	2							
49	1	29622-140001	BAND, RF140	2							
50	1	29622-140001	BAND, RF140	1							
51	1	29622-140001	BAND, RF140	1							

Fig.89. WIRE HARNESS



(A)=EF494T(ID)  
(B)=  
(C)=

(D)=  
(E)=  
(F)=

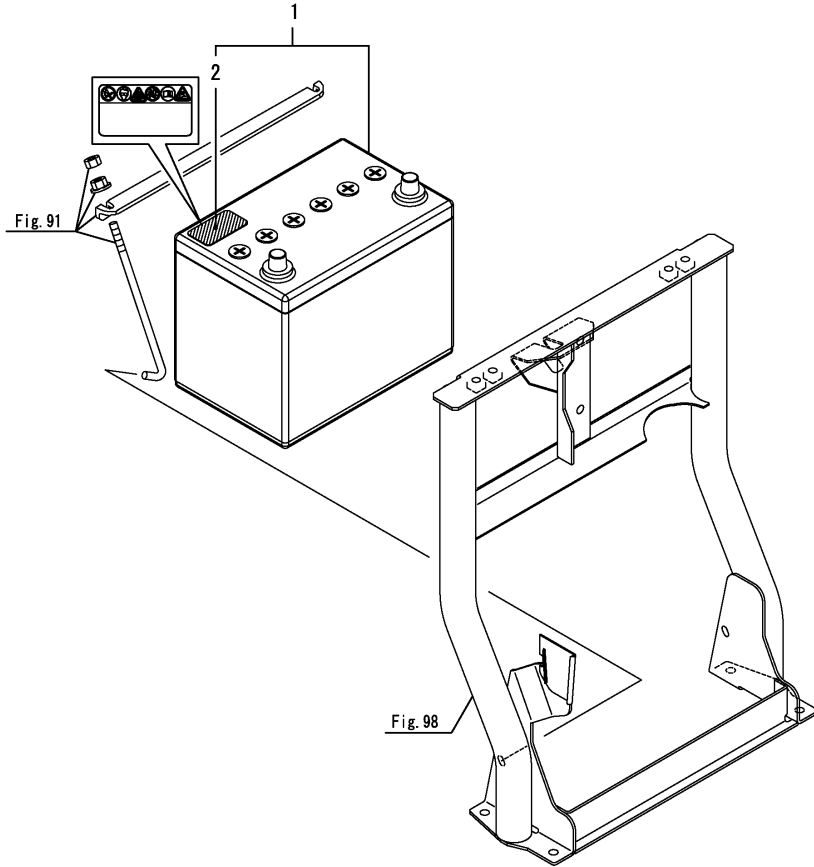
No.	Lev.	Parts No.	Description	Q'ty						I	R
				(A)	(B)	(C)	(D)	(E)	(F)		
52	1	29622-140001	BAND, RF140	4							
53	1	29622-250001	BAND, RF250	1							

Fig.90. BATTERY

(A)=EF494T(ID  
(B)=  
(C)=

(D)=  
(E)=  
(F)=

No.	Lev.	Parts No.	Description	Q'ty						I	R
				(A)	(B)	(C)	(D)	(E)	(F)		
1	1	1A7781-51500	BATTERY ASSY, 75D26R	1							
2	2	1A7781-51520	LABEL, BATTERY THAI	1							



# Fig.91. BATTERY CLAMP

(A)=EF494T(ID)  
(B)=  
(C)=

(D)=  
(E)=  
(F)=

No.	Lev.	Parts No.	Description	Q'ty						I	R
				(A)	(B)	(C)	(D)	(E)	(F)		
1	1	194990-22140	NUT, M8	2							
2	1	1A7260-51540	ROD, BATTERY CLAMP	2							
3	1	198240-51561	CLAMP, BATTERY	1							
4	1	26716-080002	NUT, M8	2							

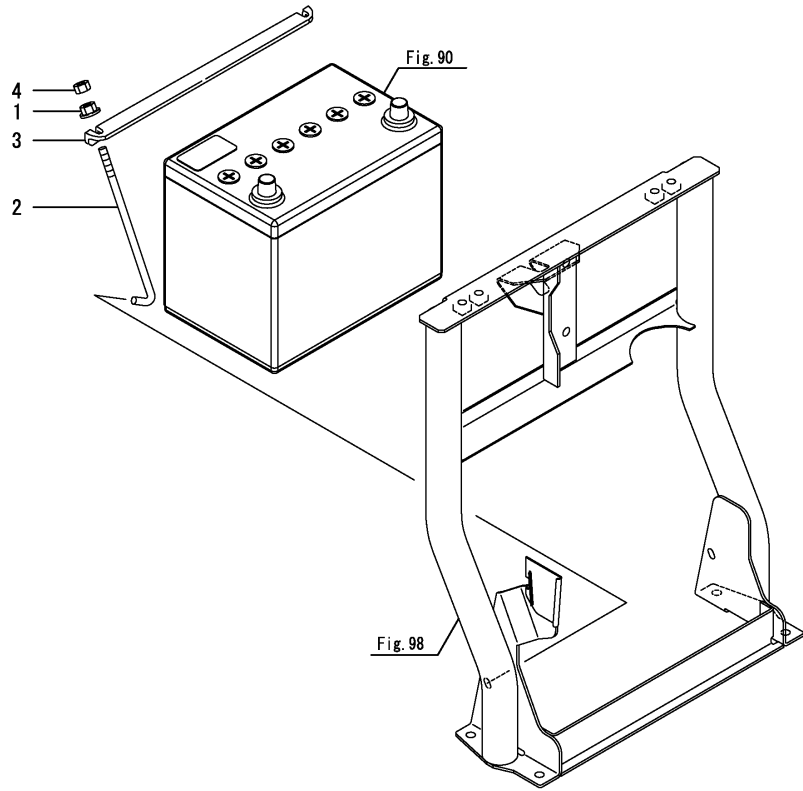
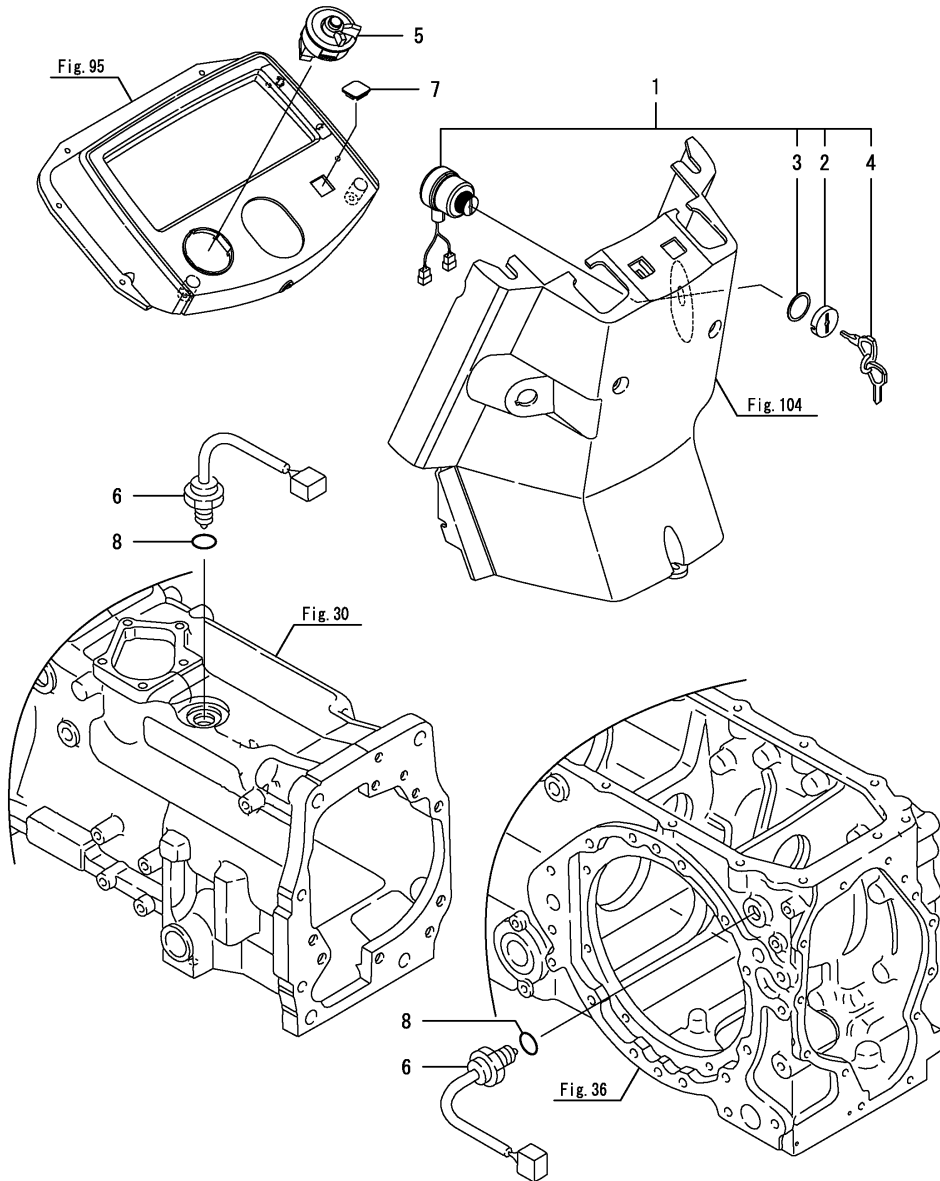




Fig.92. SWITCH

(A)=EF494T(ID)  
(B)=  
(C)=

(D)=  
(E)=  
(F)=

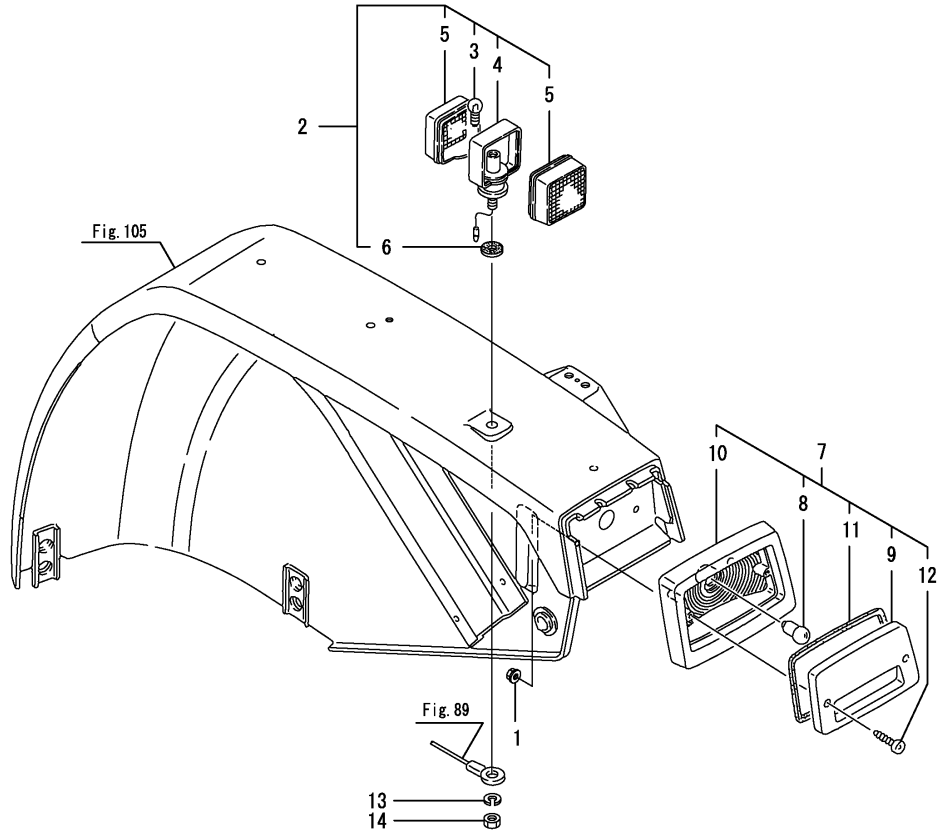


No.	Lev.	Parts No.	Description	Q'ty						I	R
				(A)	(B)	(C)	(D)	(E)	(F)		
1	1	198162-52110	SWITCH, STARTING	1							
2	2	198360-52320	NUT, RING	1							
3	2	198360-52330	WASHER	1							
4	2	198162-52150	KEY ASSY	1							
5	1	198200-52140	SWITCH, COMBINATION	1							
6	1	194464-52190	SWITCH, SAFETY START	2							
7	1	1E8560-61290	CAP, 20X20	1							
8	1	24311-000180	O-RING, 1AP18.0	2							

Fig.93. LAMPS

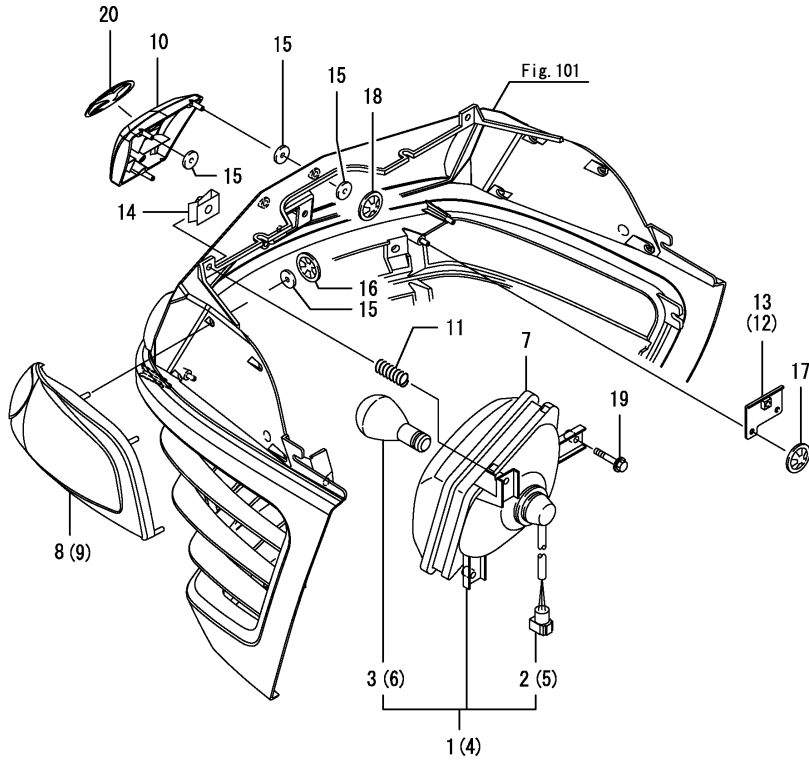
(A)=EF494T(ID)  
(B)=  
(C)=

(D)=  
(E)=  
(F)=



No.	Lev.	Parts No.	Description	Q'ty						I	R
				(A)	(B)	(C)	(D)	(E)	(F)		
1	1	194990-22130	NUT, M6	4							
2	1	198010-53420	LAMP, FLASHER	2							
3	2	194200-53400	BULB, 12V-20W	2							
4	2	198010-53410	BODY ASSY	2							
5	2	198511-53430	LENS	4							
6	2	198511-53450	GASKET	2							
7	1	198254-53600	LAMP, TAIL	2							
8	2	198254-53610	BULB, 12V-8W	2							
9	2	198254-53620	LENS ASSY	2							
10	2	198254-53630	HOUSING ASSY, SEMI	2							
11	2	1A7335-53640	GASKET	2							
12	2	198254-53650	SCREW, TAPPING M6X16	4							
13	1	22217-100000	WASHER, SPRING 10	2							
14	1	26776-100002	NUT, LOCK M10	2							

Fig.94. FRONT LAMP



(A)=EF494T(ID)  
(B)=  
(C)=

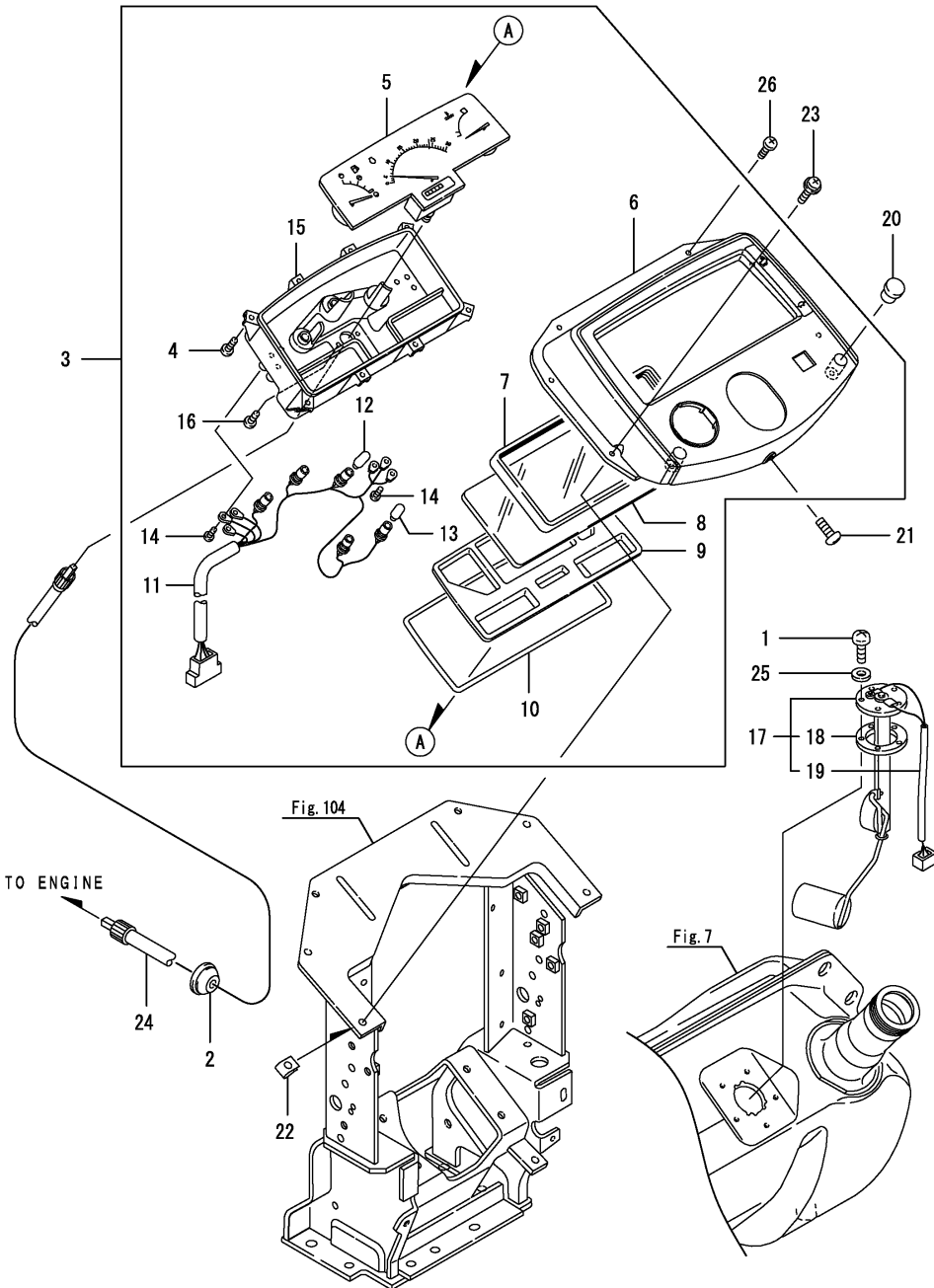
(D)=  
(E)=  
(F)=

No.	Lev.	Parts No.	Description	Q'ty						I	R
				(A)	(B)	(C)	(D)	(E)	(F)		
1	1	1A7780-53200	LAMP ASSY, HEAD L	1							
2	2	1A7000-53230	WIRE ASSY, LEAD	1							
3	2	198448-53320	BULB, 12V45/45W	1							
4	1	1A7780-53300	LAMP ASSY, HEAD R	1							
5	2	1A7000-53230	WIRE ASSY, LEAD	1							
6	2	198448-53320	BULB, 12V45/45W	1							
7	1	1A7260-53350	SEAL, HEAD LAMP	2							
8	1	1A7780-53350	LENS, SIDE L	1							
9	1	1A7780-53360	LENS, SIDE R	1							
10	1	1A8310-53370	LENS, CENTER	1							
11	1	198153-53410	SPRING, ADJUST	6							
12	1	1A7260-61250	BRACKET ASSY, GRILLE	1							
13	1	1A7260-61260	BRACKET ASSY, GRILLE	1							
14	1	198071-61890	NUT, SPEED M6	4							
15	1	198475-65030	CUSHION	13							
16	1	198071-65610	NUT, SPEED M5	8							
17	1	198071-65610	NUT, SPEED M5	4							
18	1	198071-65610	NUT, SPEED M5	3							
19	1	26106-060352	BOLT, M6X 35 PLATED	6							
20	1	41800-110040	EMBLEM, S 04	1							

Fig.95. METER

(A)=EF494T(ID)  
(B)=  
(C)=

(D)=  
(E)=  
(F)=



No.	Lev.	Parts No.	Description	Q'ty						I	R
				(A)	(B)	(C)	(D)	(E)	(F)		
1	1	198240-04550	SCREW, M5X12	5							
2	1	194275-51210	GROMMET	1							
3	1	1A7780-56502	PANEL, INSTRUMENT	1							
4	2	198220-53170	SCREW	8							
5	2	198220-56111	METER ASSY	1							
6	2	1A7335-56120	VISOR	1							
7	2	198220-56130	PACKING	1							
8	2	198220-56140	GLASS	1							
9	2	198220-56150	REFLECTOR	1							
10	2	198220-56160	PACKING	1							
11	2	1A8160-56211	HARNES, WIRE	1							
12	3	198220-56220	BULB, 12V-3.4W	3							
13	3	124617-91920	BULB, 12V-3W	3							
14	2	198220-56230	SCREW, M3X22	6							
15	2	1A7780-56300	CASE ASSY	1							
16	2	26022-030062	SCREW, M3X 6	2							
17	1	198240-56600	GAUGE ASSY, FUEL	1							
18	2	194420-56620	GASKET	1							
19	2	198240-56630	WIRE, LEAD	1							
20	1	194555-56890	GROMMET, 15	2							
21	1	194065-60580	SCREW, M6X25	1							
22	1	194145-61651	NUT, SPEED M5	4							
23	1	194940-61790	SCREW, TAPPING M5X16	4							
24	1	124701-91140	CABLE, L=985	1							
25	1	22190-050000	WASHER, SEAL 5	5							
26	1	26589-060162	SCREW, M6	2							

Fig.96. HORN

(A)=EF494T(ID  
(B)=  
(C)=

(D)=  
(E)=  
(F)=

No.	Lev.	Parts No.	Description	Q'ty						I	R
				(A)	(B)	(C)	(D)	(E)	(F)		
1	1	1A8115-57150	HOON	1							
2	1	26106-060122	BOLT, M6X 12 PLATED	1							

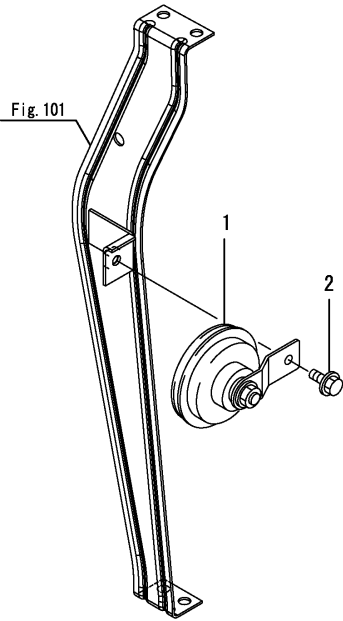
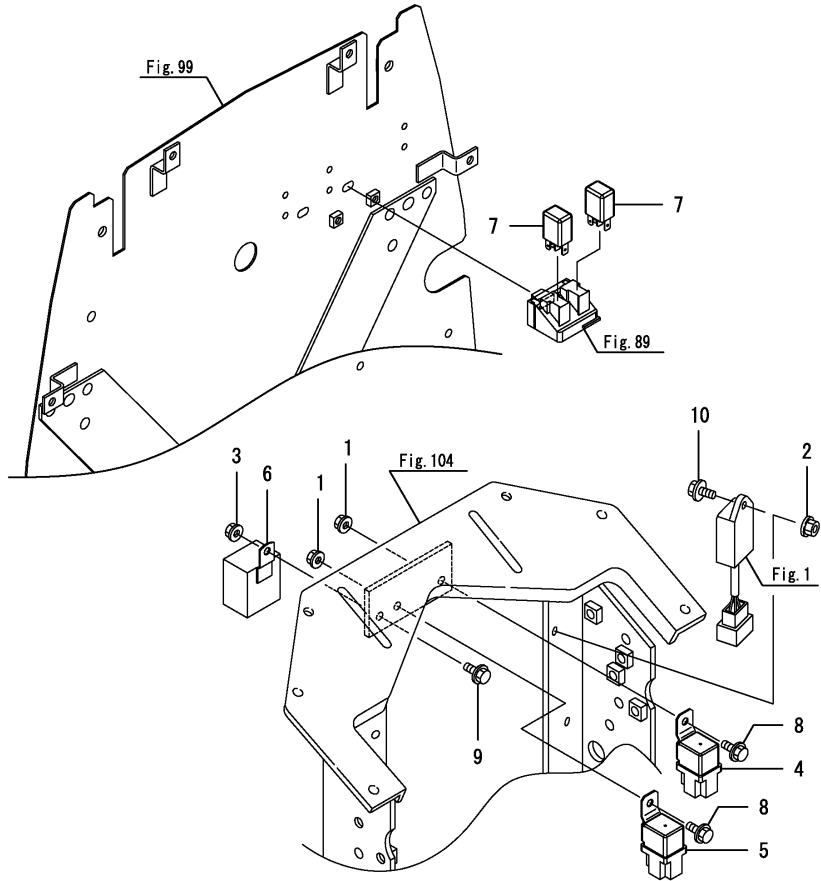


Fig.97. RELAY

(A)=EF494T(ID)  
(B)=  
(C)=

(D)=  
(E)=  
(F)=



No.	Lev.	Parts No.	Description	Q'ty						I	R
				(A)	(B)	(C)	(D)	(E)	(F)		
1	1	194990-22130	NUT, M6	2							
2	1	194990-22130	NUT, M6	1							
3	1	194990-22130	NUT, M6	1							
4	1	1A7870-52950	RELAY, CB	1							
5	1	1A7870-52950	RELAY, CB	1							
6	1	1E6650-82400	RELAY	1							
7	1	1K1140-82500	RELAY(ACM13211M01	2							
8	1	26106-060122	BOLT, M6X 12 PLATED	2							
9	1	26106-060122	BOLT, M6X 12 PLATED	1							
10	1	26106-060162	BOLT, M6X 16 PLATED	1							

Fig.98. FRONT FRAME

(A)=EF494T(ID)  
(B)=  
(C)=

(D)=  
(E)=  
(F)=

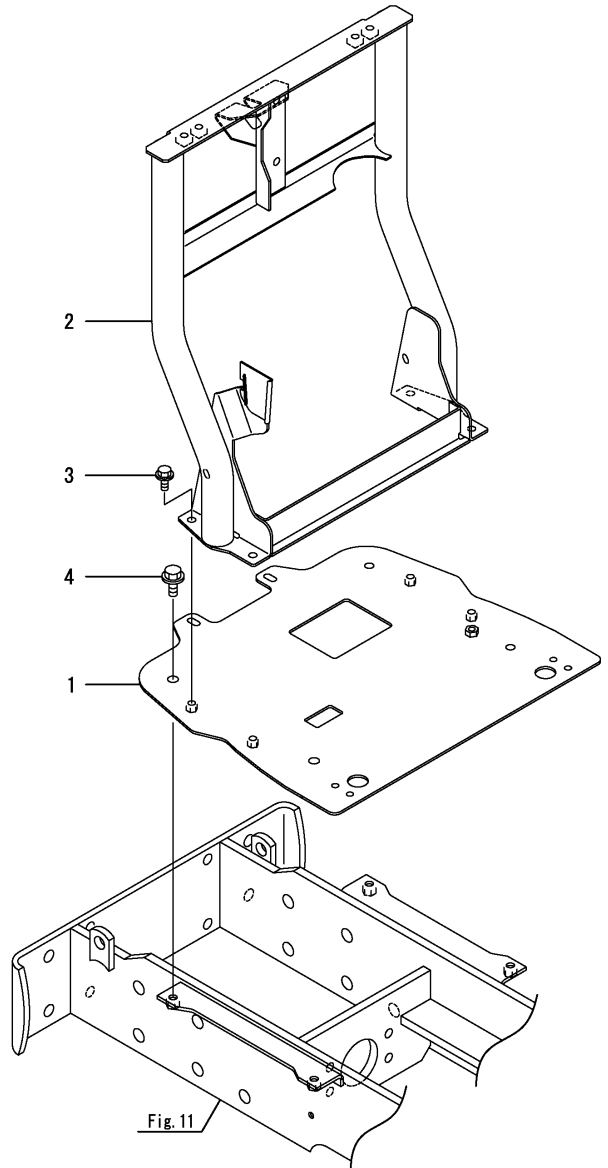


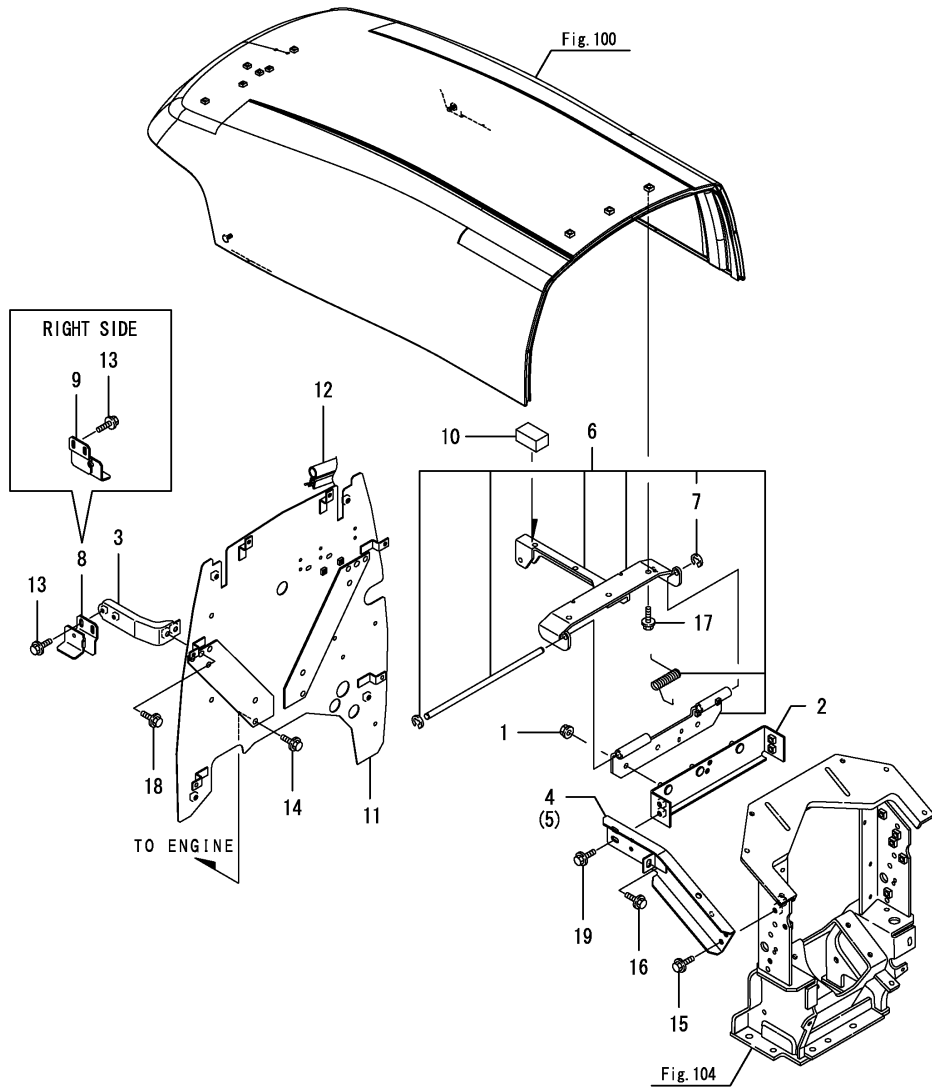
Fig.11

No.	Lev.	Parts No.	Description	Q'ty						I	R
				(A)	(B)	(C)	(D)	(E)	(F)		
1	1	1A7781-11160	STAY ASSY, HOOD	1							
2	1	1A7781-60100	FRAME ASSY, FRONT	1							
3	1	26106-080162	BOLT, M8X 16 PLATED	4							
4	1	26106-100202	BOLT, M10X 20 PLATED	4							

Fig.99. HOOD FRAME

(A)=EF494T(ID)  
(B)=  
(C)=

(D)=  
(E)=  
(F)=



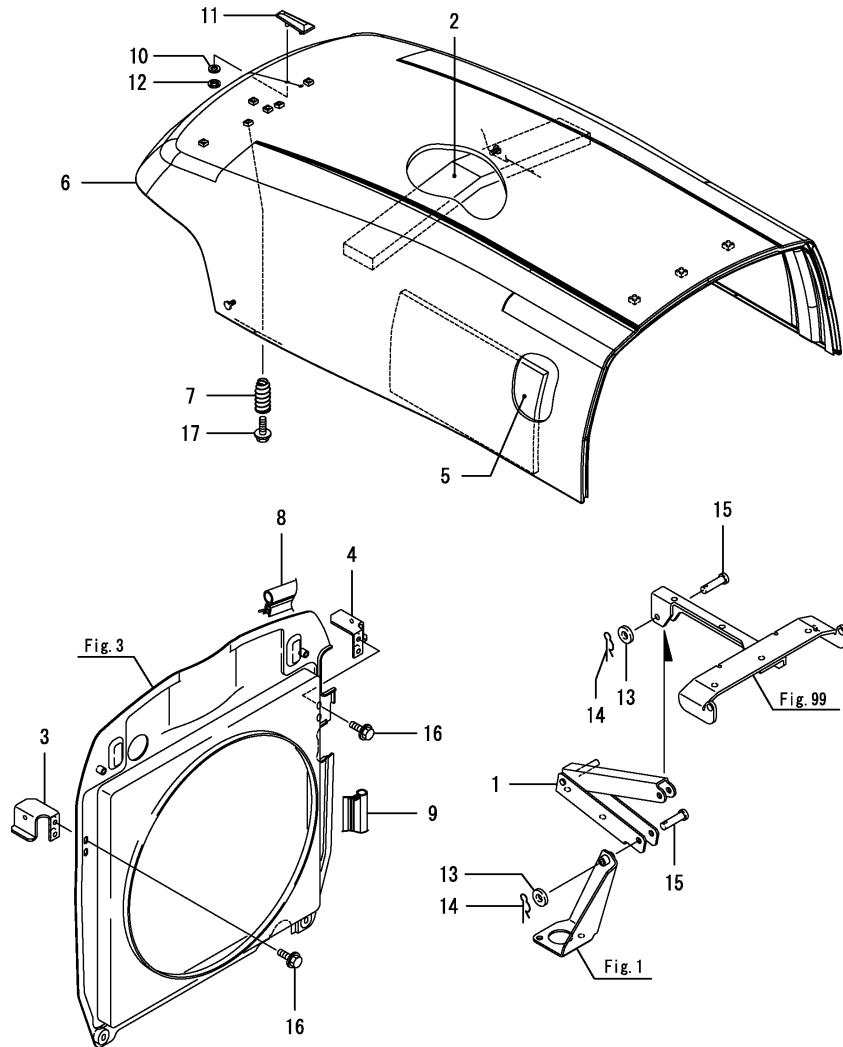
No.	Lev.	Parts No.	Description	Q'ty						I	R
				(A)	(B)	(C)	(D)	(E)	(F)		
1	1	194990-22140	NUT, M8	3							
2	1	1A7780-60370	PLATE ASSY, UPPER	1							
3	1	1A7780-60450	SUPPORT, SIDE COVER	2							
4	1	1A7780-60600	FRAME ASSY, SIDE L	1							
5	1	1A7780-60610	FRAME ASSY, SIDE R	1							
6	1	1A7891-60910	HINGE ASSY, BONNET	1							
7	2	22272-000080	RING, E- 8	2							
8	1	1A7260-60920	BRACKET, COVER	1							
9	1	1A7260-60930	BRACKET, COVER	1							
10	1	1A7890-60980	RUBBER, CUSHION	1							
11	1	1A7780-61673	PLATE ASSY, AIR CUT	1							
12	1	1A7781-89730	WEATHER-STRIP, 1520	1							
13	1	26106-060122	BOLT, M6X 12 PLATED	4							
14	1	26106-080122	BOLT, M8X 12 PLATED	4							
15	1	26106-080162	BOLT, M8X 16 PLATED	6							
16	1	26106-080162	BOLT, M8X 16 PLATED	2							
17	1	26106-080162	BOLT, M8X 16 PLATED	3							
18	1	26106-080162	BOLT, M8X 16 PLATED	4							
19	1	26106-080162	BOLT, M8X 16 PLATED	4							



Fig.100. HOOD

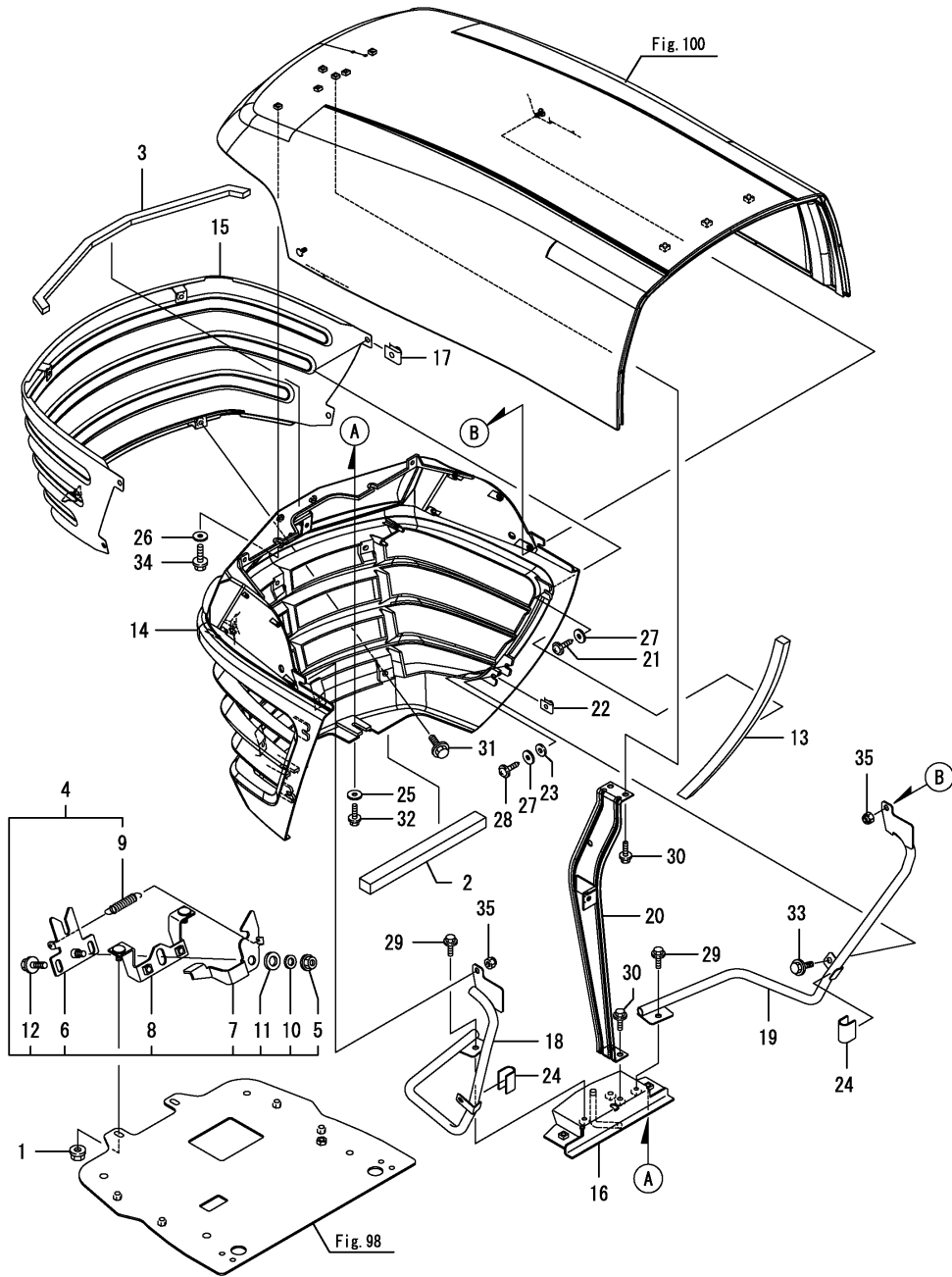
(A)=EF494T(ID)  
(B)=  
(C)=

(D)=  
(E)=  
(F)=



No.	Lev.	Parts No.	Description	Qty						I	R
				(A)	(B)	(C)	(D)	(E)	(F)		
1	1	1A7780-60250	STAND ASSY, BONNET	1							
2	1	1A7270-60610	URETHANE, BONNET U	1							
3	1	1A7260-60780	BRACKET, GUIDE	1							
4	1	1A7260-60790	BRACKET, GUIDE	1							
5	1	1A7260-60890	URETHANE, BONNET UL	1							
6	1	1A7780-61100	HOOD ASSY,	1							
7	1	1A7781-61340	SPRING, HOOD LOCK	2							
8	1	1A7781-61860	WEATHER-STRIP, 1130	1							
9	1	1A7781-61970	WEATHER-STRIP, 390	1							
10	1	198475-65030	CUSHION	2							
11	1	194940-65590	MARK, TOP	1							
12	1	198071-65610	NUT, SPEED M5	2							
13	1	22137-080000	WASHER, 8	2							
14	1	22372-080000	PIN, SNAP 8	2							
15	1	22487-080300	PIN, H 8X 30	2							
16	1	26106-060122	BOLT, M6X 12 PLATED	4							
17	1	26106-060122	BOLT, M6X 12 PLATED	2							

Fig.101. FRONT GRILLE

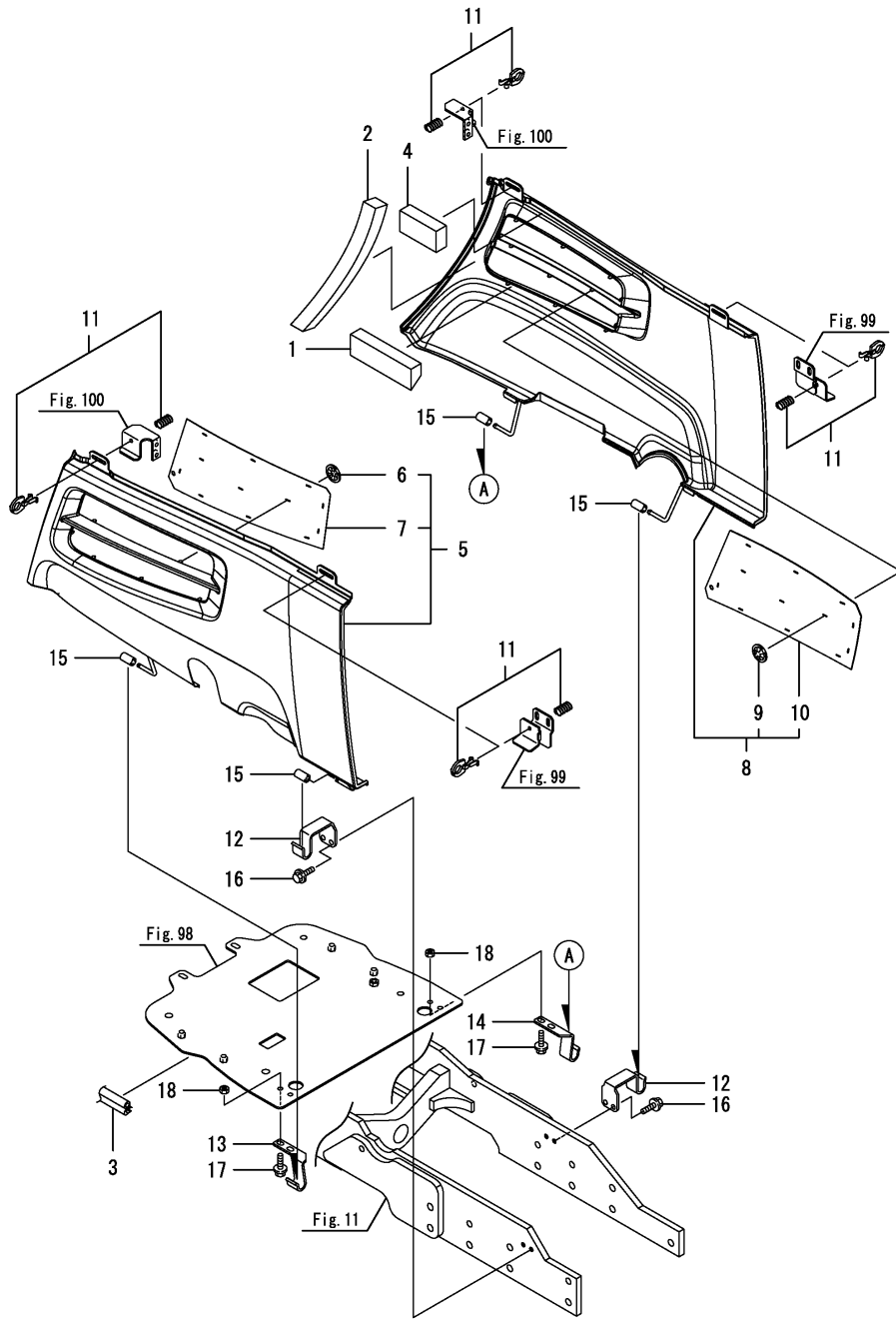


(A)=EF494T(ID)  
(B)=  
(C)=

(D)=  
(E)=  
(F)=

No.	Lev.	Parts No.	Description	Q'ty						I	R
				(A)	(B)	(C)	(D)	(E)	(F)		
1	1	194990-22140	NUT, M8	2							
2	1	1A7260-60661	GASKET	1							
3	1	1A7260-60680	URETHANE, GRILLE	1							
4	1	1A7780-60800	CATCH ASSY, LOCK	1							
5	2	194990-22140	NUT, M8	1							
6	2	1A7260-60800	CATCH, LOCK	1							
7	2	1A7260-60810	LEVER, LOCK	1							
8	2	1A7260-60820	PLATE, BASE	1							
9	2	198230-61960	SPRING	1							
10	2	22137-080000	WASHER, 8	1							
11	2	22137-120000	WASHER, 12	1							
12	2	26106-080122	BOLT, M8X 12 PLATED	2							
13	1	1A7260-60870	SEAL, GRILLE SIDE	2							
14	1	1A7890-61301	GRILLE, FRONT	1							
14-1	1	1A7260-61300	GRILLE, FRONT	1							N
(A=FXXXXX)											
15	1	1A7260-61310	NET ASSY, GRILLE	1							
16	1	1A7260-61550	STAY ASSY, LOCK	1							
17	1	194145-61651	NUT, SPEED M5	4							
18	1	1A7260-61650	FRAME ASSY, GRILLE L	1							
19	1	1A7260-61660	FRAME ASSY, GRILLE R	1							
20	1	1A7780-61750	STAY ASSY, GRILL	1							
21	1	194940-61790	SCREW, TAPPING M5X16	2							
22	1	198071-61890	NUT, SPEED M6	2							
23	1	198220-62150	WASHER	2							
24	1	198093-84810	SEAL, FENDER	2							
25	1	22157-060000	WASHER, 6	2							
26	1	22157-060000	WASHER, 6	2							
27	1	22157-060000	WASHER, 6	4							
28	1	22859-500202	SCREW, 5X20	2							
29	1	26106-060122	BOLT, M6X 12 PLATED	2							
30	1	26106-060122	BOLT, M6X 12 PLATED	4							
31	1	26106-060162	BOLT, M6X 16 PLATED	4							
32	1	26106-060162	BOLT, M6X 16 PLATED	2							
33	1	26106-060162	BOLT, M6X 16 PLATED	2							
34	1	26106-060162	BOLT, M6X 16 PLATED	2							
35	1	26346-060002	NUT, M6	2							

Fig.102. SIDE COVER



(A)=EF494T(ID)  
(B)=  
(C)=

(D)=  
(E)=  
(F)=

No.	Lev.	Parts No.	Description	Q'ty						I	R
				(A)	(B)	(C)	(D)	(E)	(F)		
1	1	1A7260-60640	URETHANE, COVER A	2							
2	1	1A7260-60670	URETHANE, COVER B	2							
3	1	1A7781-60750	WEATHER-STRIP, 440	2							
4	1	1A7260-60900	URETHANE, COVER C	2							
5	1	1A7780-61000	COVER ASSY, SIDE L M	1							
6	2	198129-05190	NUT, PUSH M6	12							
7	2	1A7260-61150	NET, SIDE COVER	1							
8	1	1A7780-61010	COVER ASSY, SIDE R M	1							
9	2	198129-05190	NUT, PUSH M6	12							
10	2	1A7260-61150	NET, SIDE COVER	1							
11	1	198220-61351	LOCK ASSY, CAM	4							
12	1	1A7260-61400	STAY, SIDE COVER R	2							
13	1	1A7260-61450	STAY, SIDE COVER FL	1							
14	1	1A7260-61460	STAY, SIDE COVER FR	1							
15	1	198220-61800	RUBBER, CUSHION	4							
16	1	26106-080102	BOLT, M8X 10 PLATED	4							
17	1	26106-080162	BOLT, M8X 16 PLATED	4							
18	1	26716-080002	NUT, M8	4							

**Fig.103. HOOD GROMMET**

(A)=EF494T(ID)  
(B)=  
(C)=

(D)=  
(E)=  
(F)=

No.	Lev.	Parts No.	Description	Q'ty						I	R
				(A)	(B)	(C)	(D)	(E)	(F)		

1	1	1A8160-60720	GROMMET	1							

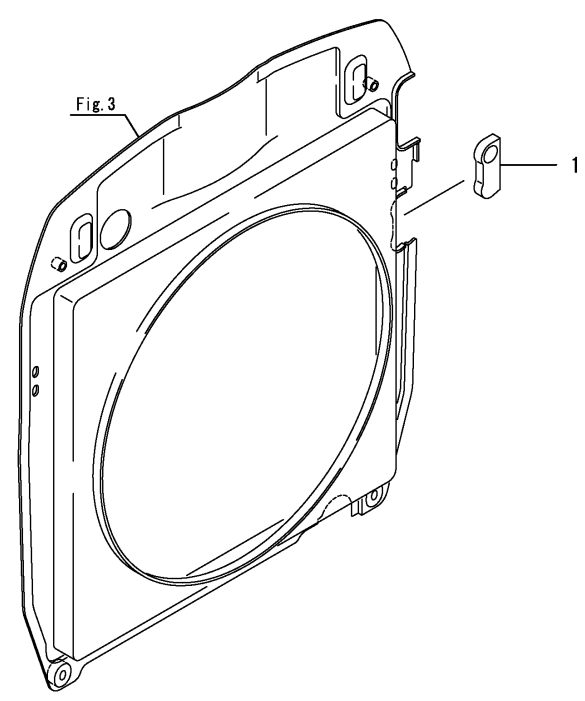
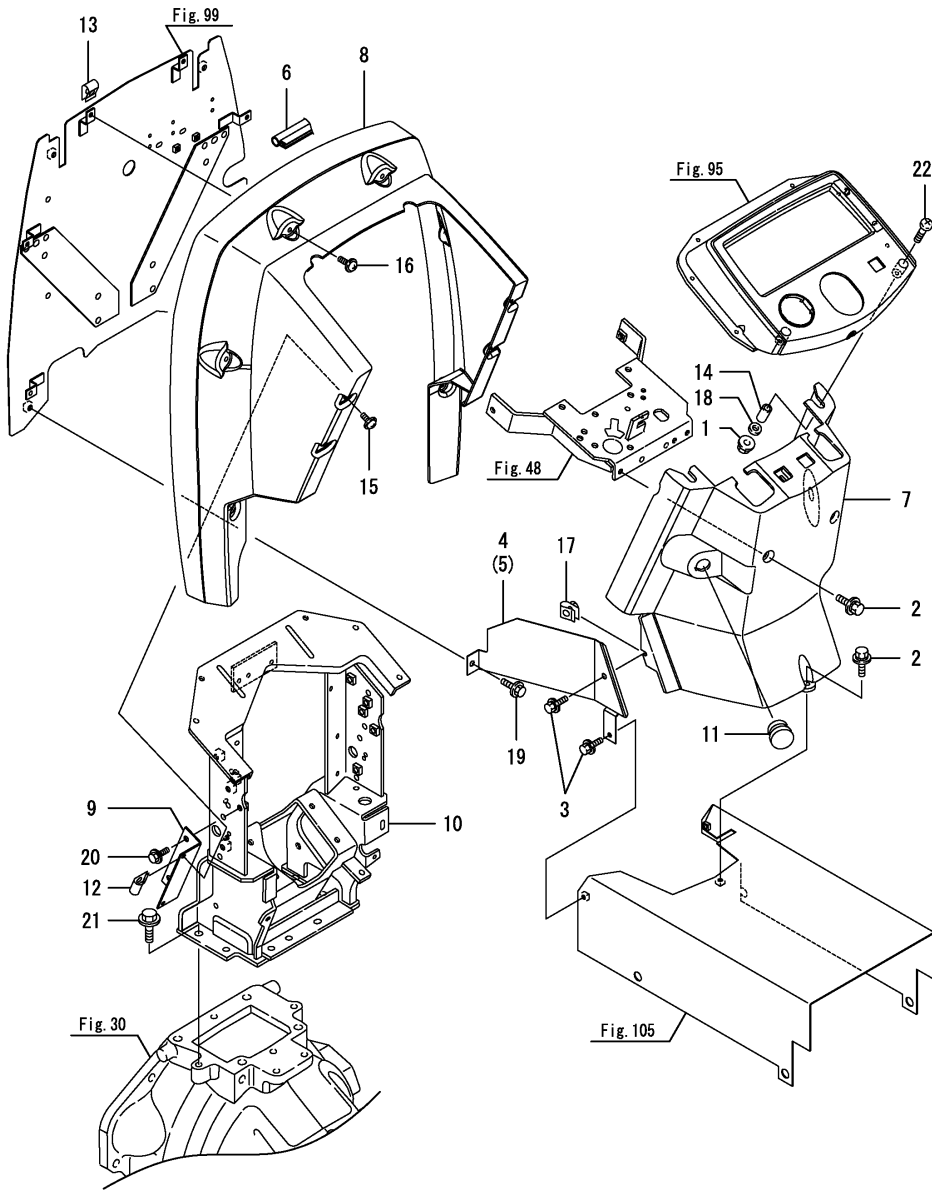


Fig.104. DASHBOARD

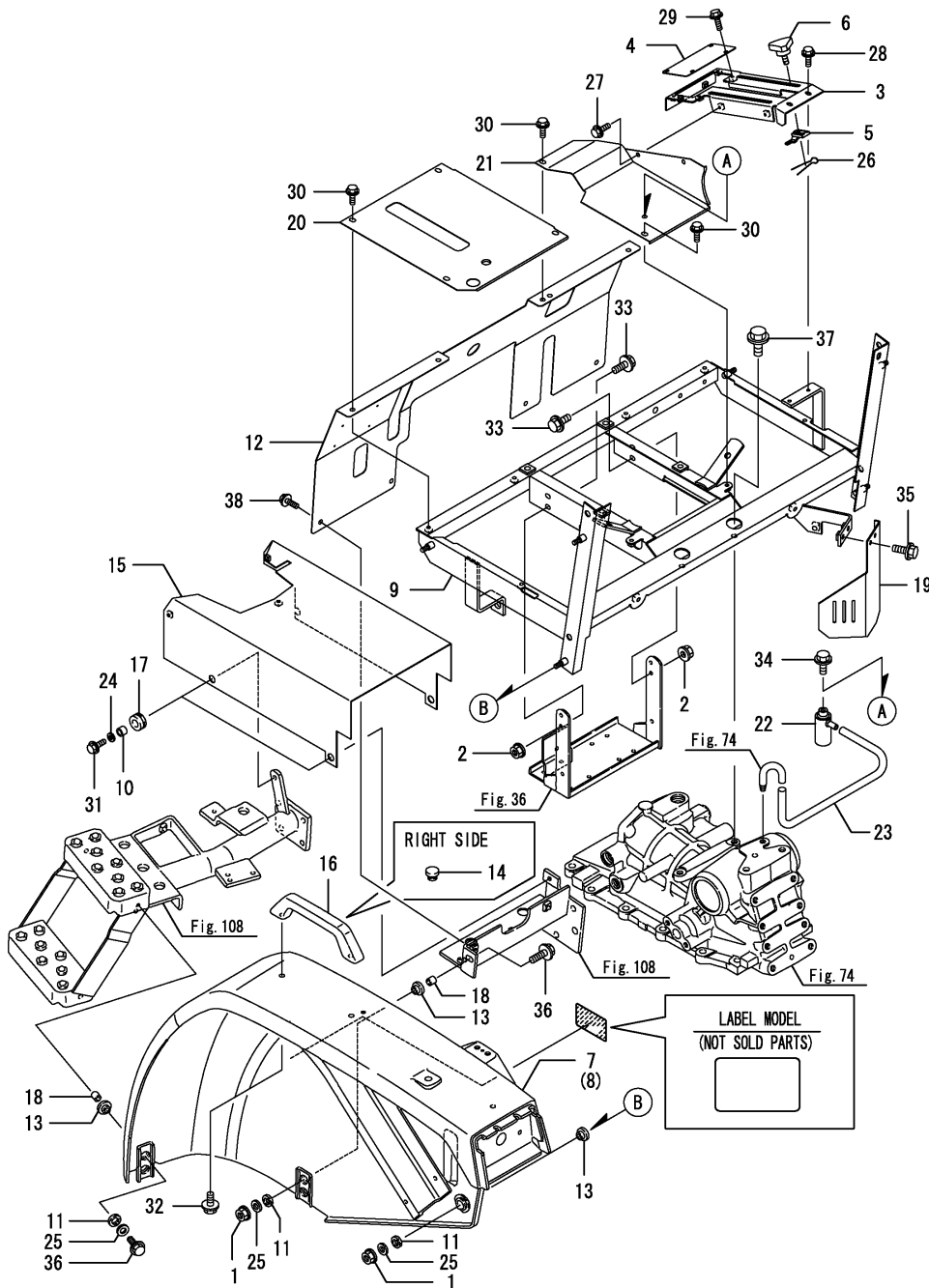
(A)=EF494T(ID)  
(B)=  
(C)=

(D)=  
(E)=  
(F)=



No.	Lev.	Parts No.	Description	Qty						I	R
				(A)	(B)	(C)	(D)	(E)	(F)		
1	1	194990-22130	NUT, M6	2							
2	1	198461-60590	BOLT, M6X20	3							
3	1	198461-60590	BOLT, M6X20	4							
4	1	1A7780-61410-1	COVER ASSY, LOWER L	1							
5	1	1A7780-61420-1	COVER ASSY, LOWER R	1							
6	1	1A7781-61520	WEATHER-STRIP, 1670	1							
7	1	198138-61531	COVER, DASHBOARD	1							
8	1	1A7780-61540	COVER, DASHBOARD	1							
9	1	1A7780-61550	STAY, DASHBOARD	2							
10	1	1A7780-61600	STAY ASSY, DASHBOARD	1							
11	1	194448-61620	GROMMET, 20.5	1							
12	1	194167-61650	NUT, SPEED	4							
13	1	194167-61650	NUT, SPEED	6							
14	1	198133-61690	COLLAR, 10.5X17	2							
15	1	194940-61790	SCREW, TAPPING M5X16	4							
16	1	194940-61790	SCREW, TAPPING M5X16	6							
17	1	198071-61890	NUT, SPEED M6	2							
18	1	22117-060000	WASHER, 6	2							
19	1	26106-080122	BOLT, M8X 12 PLATED	2							
20	1	26106-080162	BOLT, M8X 16 PLATED	4							
21	1	26106-100202	BOLT, M10X 20 PLATED	4							
22	1	26587-060352	SCREW, M6X35	2							

Fig.105. FENDER



(A)=EF494T(ID

(B)=

(C)=

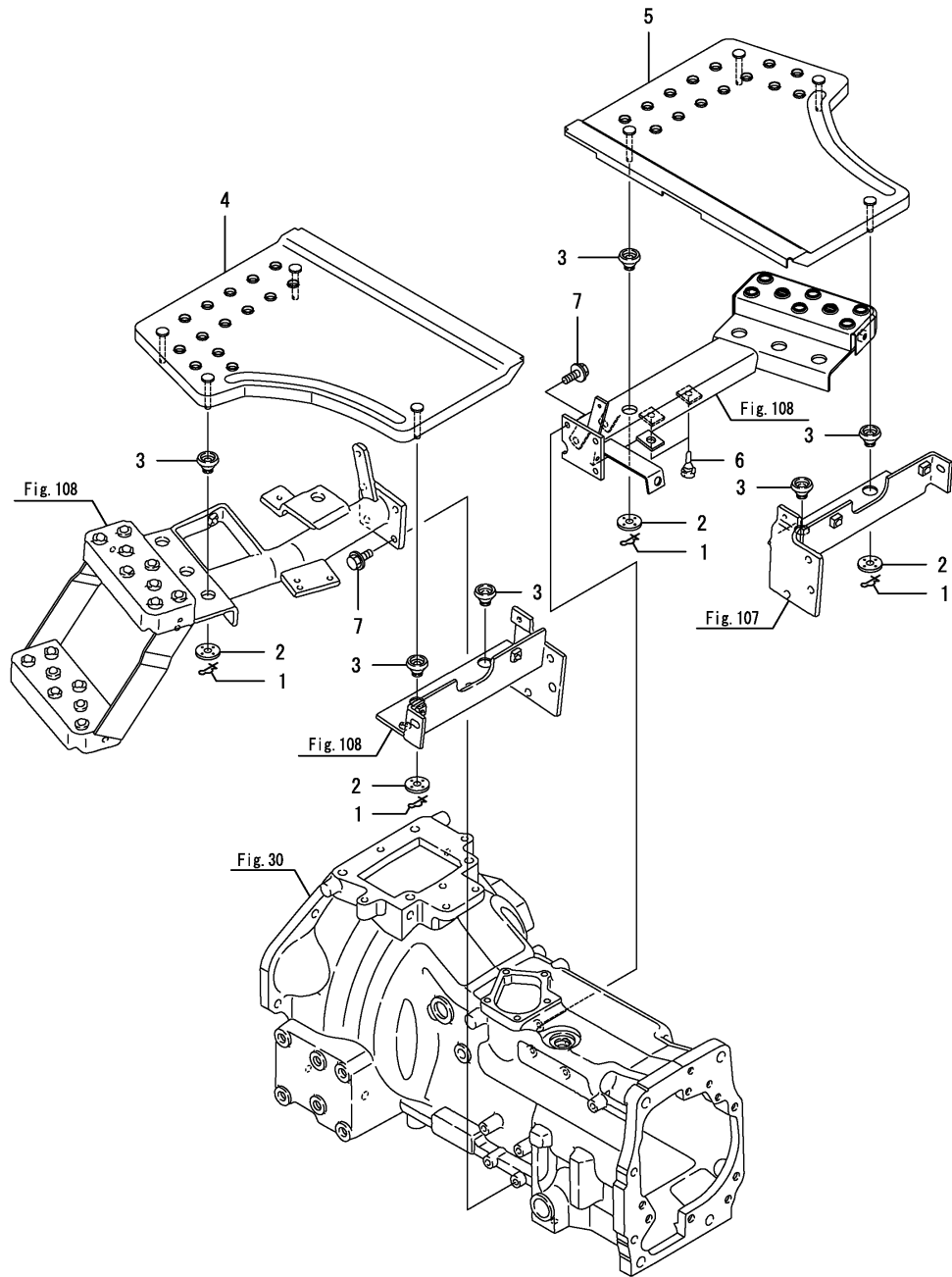
(D)=

(E)=

(F)=

No.	Lev.	Parts No.	Description	Q'ty						I	R
				(A)	(B)	(C)	(D)	(E)	(F)		
1	1	194990-22140	NUT, M8	8							
2	1	194990-22140	NUT, M8	4							
3	1	198240-47710	GUIDE, LEVER	1							
4	1	198240-47730	COVER, LEVER GUIDE	1							
5	1	198220-47750	STOPPER, LEVER	1							
6	1	194130-47851	BOLT, M6X15	1							
7	1	198240-62110	FENDER	1							
8	1	198240-62120	FENDER	1							
9	1	1A7781-62150	BRACKET, FENDER	1							
9-1	1	1A7781-62151	BRACKET, FENDER	1							N
		(A=F108406)									
10	1	198220-62220	COLLAR	4							
11	1	198220-62260	CUSHION, RUBBER	10							
12	1	1A7780-62260	MASSY,HOUSING IDN	1							
13	1	198220-62270	CUSHION, RUBBER	10							
14	1	194275-62310	CAP, RUBBER 10	2							
15	1	1A7780-62340	MASSY,C-COVER OTHER	1							
16	1	198220-62410	BAR, ASSIST	1							
17	1	198220-62440	GROMMET	4							
18	1	198220-62920	COLLAR, ABSORBER	4							
19	1	1A7780-63060	COVER, SEPARATOR	1							
20	1	1A7780-63090	COVER, DUST L	1							
21	1	1A7780-63100	COVER, DUST R	1							
22	1	194205-63550	BREATHER, AIR	1							
23	1	194640-63560	PIPE, AIR BREATHER	1							
24	1	22157-060000	WASHER, 6	4							
25	1	22157-080000	WASHER, 8	10							
26	1	22417-200160	PIN, COTTER 2.0X16	1							
27	1	26106-060122	BOLT, M6X 12 PLATED	2							
28	1	26106-060122	BOLT, M6X 12 PLATED	4							
29	1	26106-060122	BOLT, M6X 12 PLATED	4							
30	1	26106-060122	BOLT, M6X 12 PLATED	6							
31	1	26106-060202	BOLT, M6X 20 PLATED	4							
32	1	26106-080122	BOLT, M8X 12 PLATED	2							
33	1	26106-080162	BOLT, M8X 16 PLATED	4							
34	1	26106-080162	BOLT, M8X 16 PLATED	1							
35	1	26106-080162	BOLT, M8X 16 PLATED	2							
36	1	26106-080302	BOLT, M8X 30 PLATED	4							
37	1	26106-100252	BOLT, M10X 25 PLATED	2							
38	1	26106-060162	BOLT, M6X 16 PLATED	4							

Fig.106. STEP



(A)=EF494T(ID)  
(B)=  
(C)=

(D)=  
(E)=  
(F)=

No.	Lev.	Parts No.	Description	Qty						I	R
				(A)	(B)	(C)	(D)	(E)	(F)		
1	1	1C6281-52320	PIN, SNAP 8	8							
2	1	198220-62150	WASHER	8							
3	1	198240-62451	ABSORBER, STEP	10							
4	1	198320-62510	STEP ASSY, L	1							
5	1	198320-62520	STEP ASSY, R	1							
6	1	194330-62530	STOPPER, PEDAL	2							
7	1	26106-08020	BOLT, M8X 20 PLATED	7							

Fig.107. FOOTREST STAY(1)

(A)=EF494T(ID)  
(B)=  
(C)=

(D)=  
(E)=  
(F)=

No.	Lev.	Parts No.	Description	Qty						I	R
				(A)	(B)	(C)	(D)	(E)	(F)		
1	1	194990-22140	NUT, M8	1							
2	1	198320-62580-2	SUPPORT R.H.,RUBBER	1							
3	1	26106-080162	BOLT, M8X 16 PLATED	1							

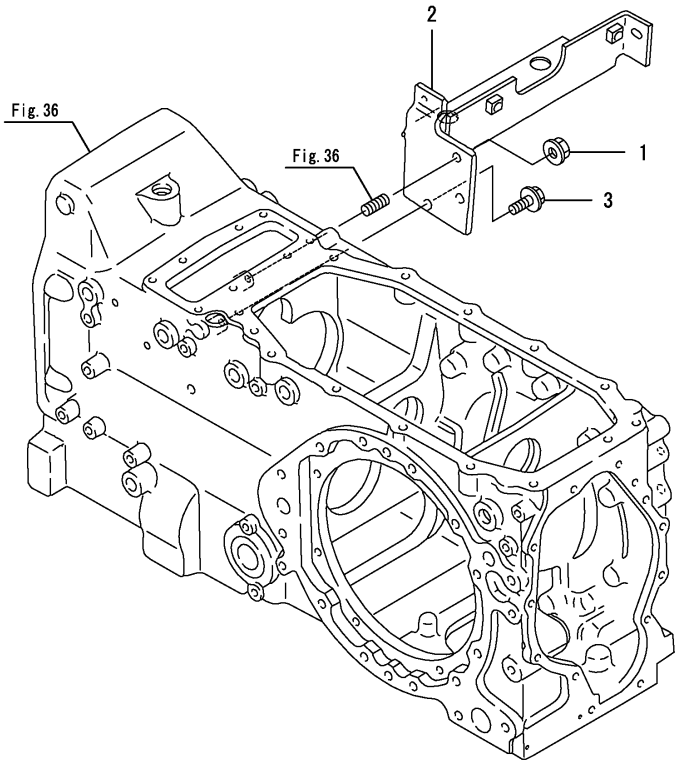




Fig.108. FOOTREST STAY(2)

(A)=EF494T(ID)  
(B)=  
(C)=

(D)=  
(E)=  
(F)=

No.	Lev.	Parts No.	Description	Q'ty						I	R
				(A)	(B)	(C)	(D)	(E)	(F)		
1	1	198320-62531	STAY, STEP L	1							
2	1	1A7781-62540	STAY, STEP R.H	1							
3	1	198320-62610	STAY, ABSORBER L	1							
4	1	26106-080162	BOLT, M8X 16 PLATED	2							

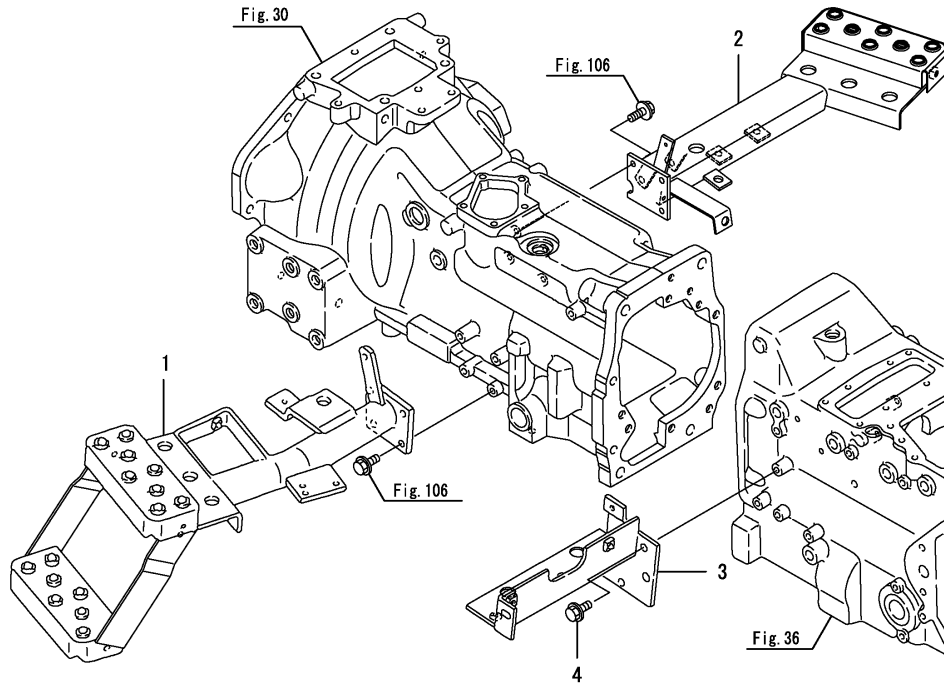
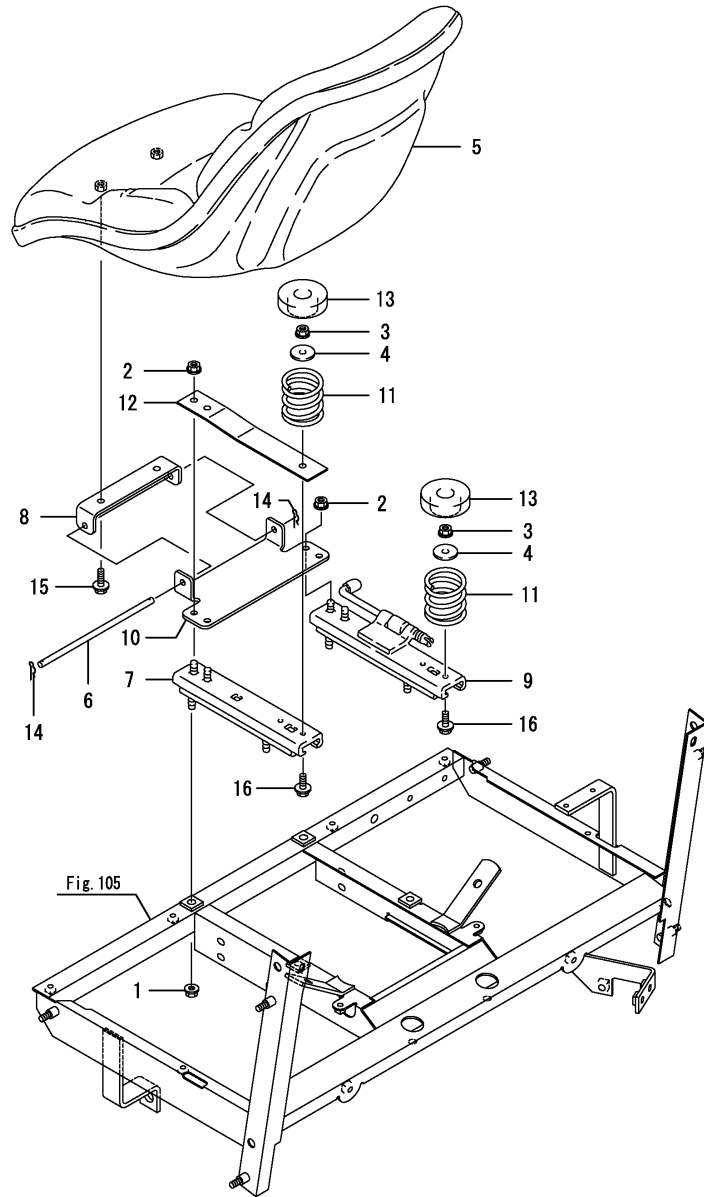


Fig.109. SEAT



(A)=EF494T(ID)  
(B)=  
(C)=

(D)=  
(E)=  
(F)=

No.	Lev.	Parts No.	Description	Q'ty						I	R
				(A)	(B)	(C)	(D)	(E)	(F)		
1	1	194990-22140	NUT, M8	4							
2	1	194990-22140	NUT, M8	4							
3	1	194990-22140	NUT, M8	2							
4	1	1C6140-47210	WASHER, 9X32X3.2	2							
5	1	1A7781-63120	SEAT ASSY,	1							
6	1	1A7781-63140	PIN, HINGE	1							
7	1	198071-63150	RAIL, L	1							
8	1	1A7781-63150	STAY, SEAT	1							
9	1	198071-63160	RAIL, R	1							
10	1	1A7781-63260	BRACKET, SEAT	1							
11	1	1A8115-63260	SPRING	2							
12	1	1A7780-63270	STAY, SEAT RAIL	1							
13	1	1A8115-63270	STOPPER, SEAT	2							
14	1	22372-080000	PIN, SNAP 8	2							
15	1	26106-080202	BOLT, M8X 20 PLATED	2							
16	1	26106-080252	BOLT, M8X 25 PLATED	2							

Fig.110. SEAT BELT

(A)=EF494T(ID)  
(B)=  
(C)=

(D)=  
(E)=  
(F)=

No.	Lev.	Parts No.	Description	Q'ty						I	R
				(A)	(B)	(C)	(D)	(E)	(F)		
1	1	194990-22150	NUT, M10	2							
2	1	194180-63150	BELT ASSY, SEAT	1							
3	1	26106-100252	BOLT, M10X 25 PLATED	2							

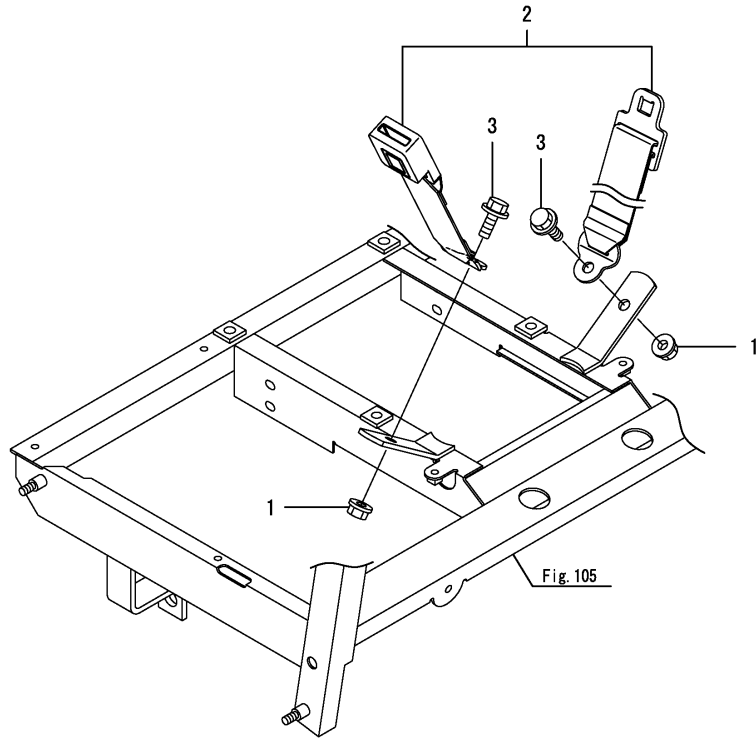
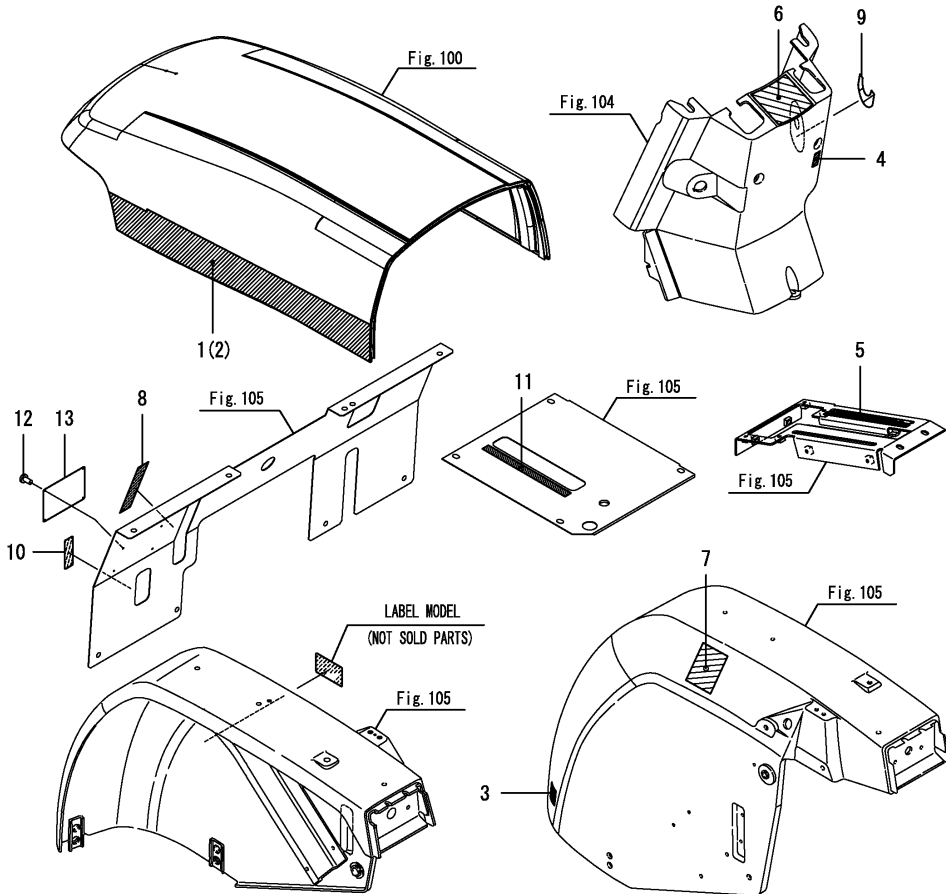
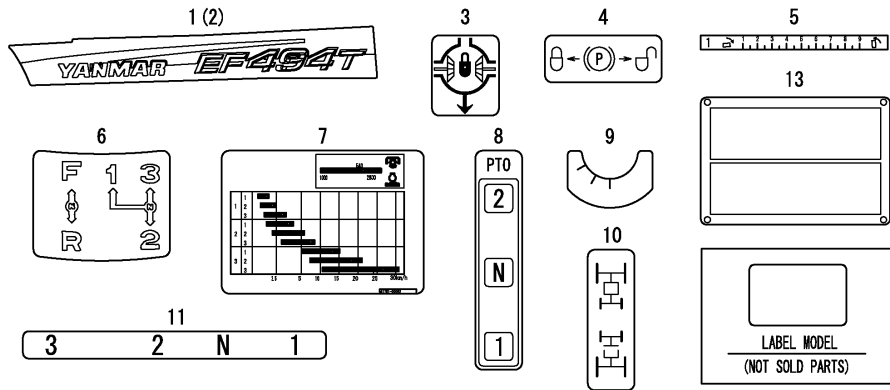


Fig.105

Fig.111. LABELS

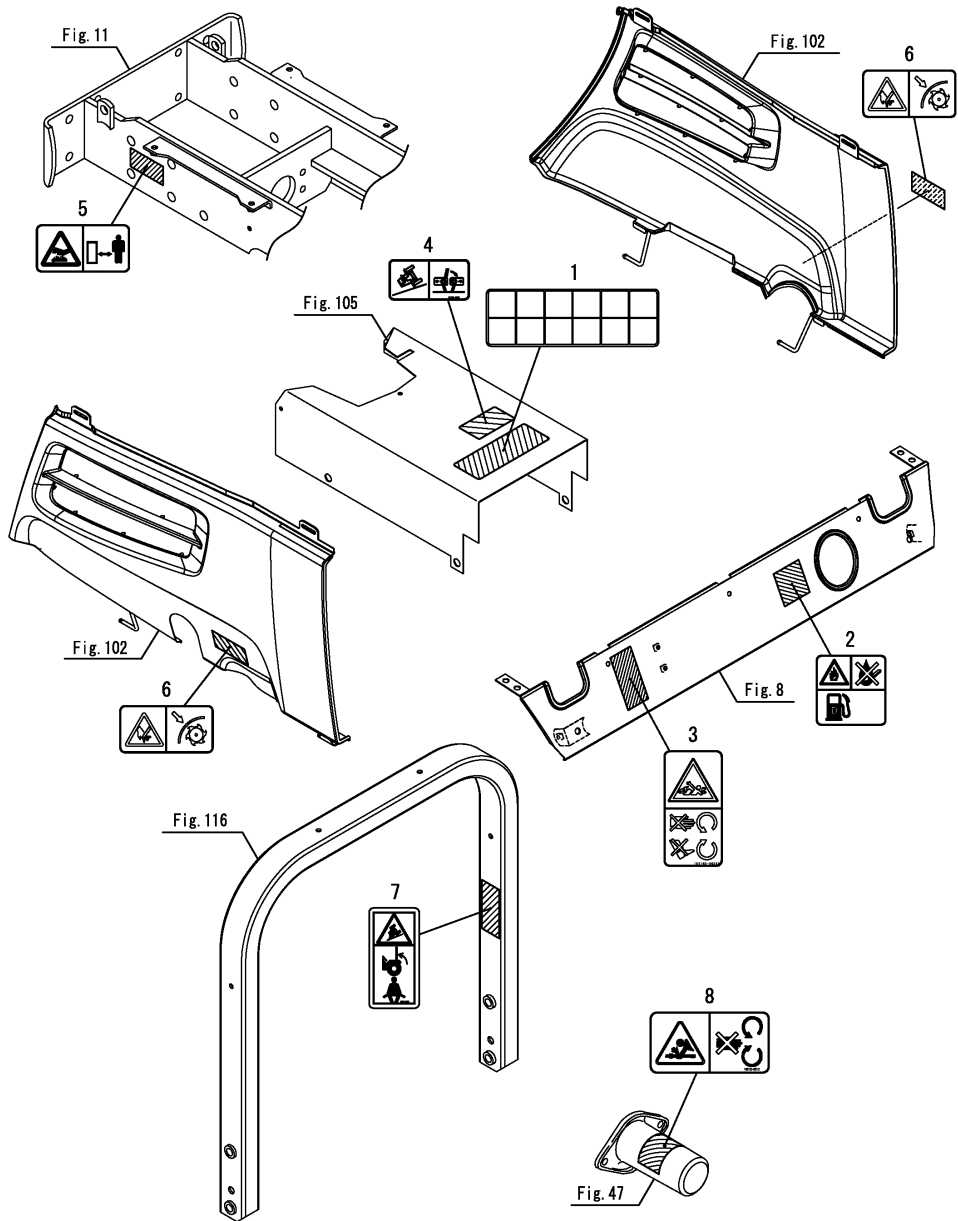


(A)=EF494T(ID)  
(B)=  
(C)=

(D)=  
(E)=  
(F)=

No.	Lev.	Parts No.	Description	Q'ty						I	R
				(A)	(B)	(C)	(D)	(E)	(F)		
1	1	1A7781-64830	LABEL, L	1							
2	1	1A7781-64840	LABEL, R	1							
3	1	194240-65441	LABEL, DIFF. LOCK	1							
4	1	198036-65470	LABEL, BRAKE LOCK	1							
5	1	198220-65470	LABEL, LEVER	1							
6	1	198175-65500	LABEL,MAIN CHANGE	1							
7	1	1A7781-65560	LABEL,	1							
8	1	198327-65620	LABEL, P.T.O	1							
9	1	198327-65720	LABEL, KEY SWITCH	1							
10	1	198221-65740	LABEL, MFWD	1							
11	1	198242-65940	LABEL,SUB CHANGE	1							
12	1	22695-320321	RIVET, 3.2X 3.2	4							
13	1	1A8310-65320	LABEL,PROHIBITION EX	1							

Fig.112. LABELS(SAFETY)



(A)=EF494T(ID)  
(B)=  
(C)=

(D)=  
(E)=  
(F)=

No.	Lev.	Parts No.	Description	Qty						I	R
				(A)	(B)	(C)	(D)	(E)	(F)		
1	1	1A8310-65310	LABEL,SAFETY OPRATIO	1							
2	1	1A8310-65340	LABEL, FIRE CAUTION	1							
3	1	198163-65350	DANGER,ROTAT.SHAFT	1							
4	1	1A7874-65360	LABEL, BRAKE COUPLIN	1							
4-1	1	1A8310-65360	LABEL, BRAKE COUPLIN	1							N
			(A=F108406)								
5	1	198163-65930	CAUTION,MUFFLER	1							
6	1	198163-65940	CAUTION,SAFETY COVER	2							
7	1	198163-65950	LABEL, SEATBELT	1							
7-1	1	1A8310-65950	LABEL, SEAT BELT	1							N
			(A=F108406)								
8	1	1A6150-93151	LABEL,COVER	1							

Fig.113. 3P LINK KIT

(A)=EF494T(ID

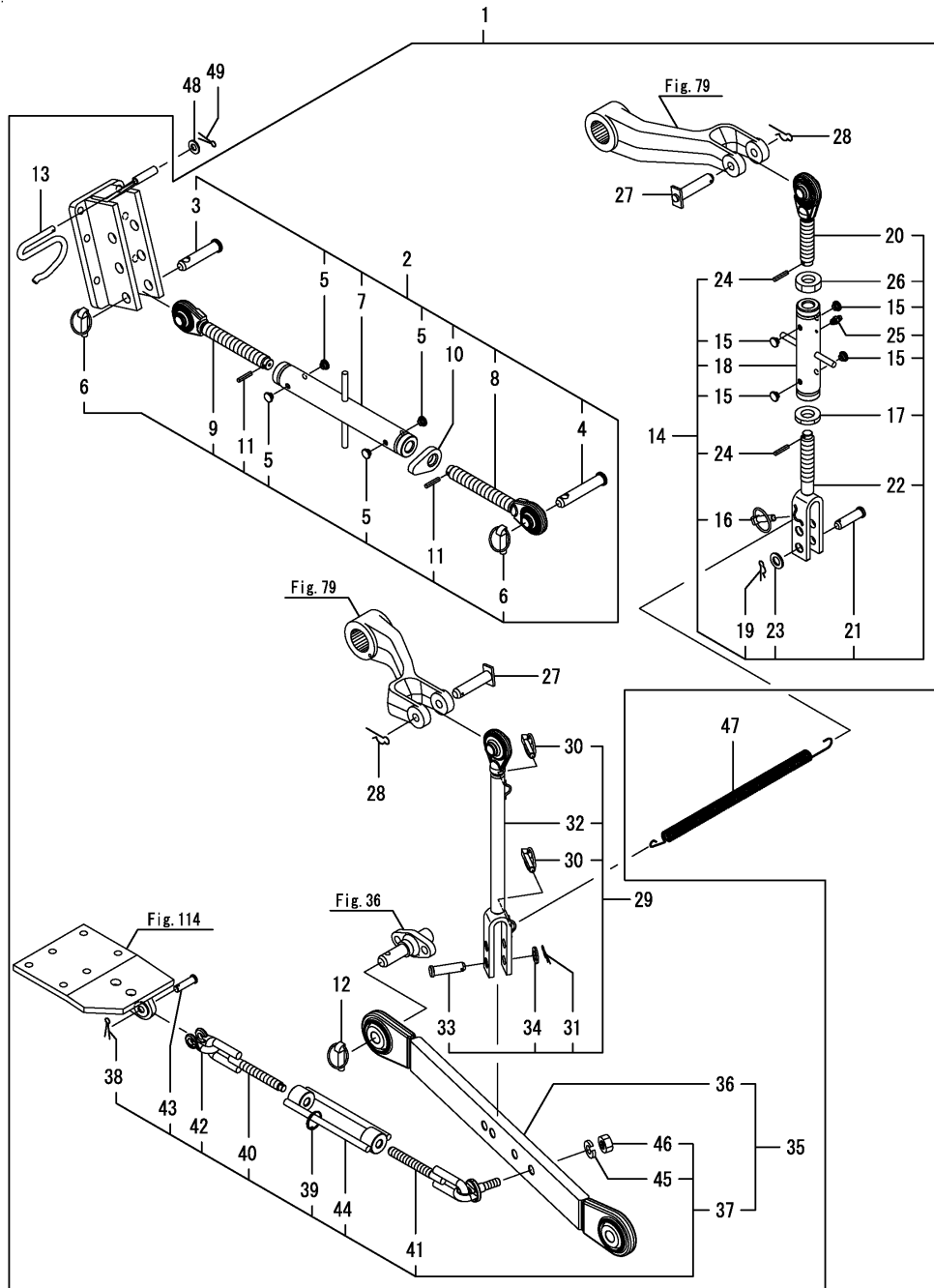
(B)=

(C)=

(D)=

(E)=

(F)=

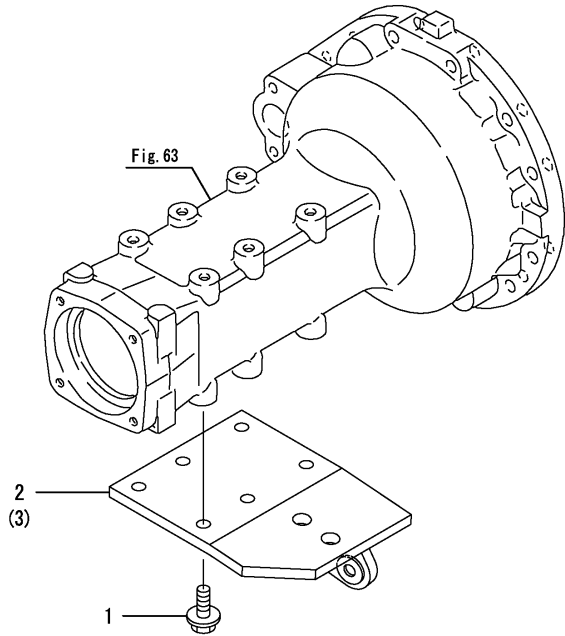


No.	Lev.	Parts No.	Description	Qty						I	R
				(A)	(B)	(C)	(D)	(E)	(F)		
1	1	1A7781-71000	LINK KIT, 3-POINT	1							
2	2	198254-71100	LINK KIT, TOP	1							
3	3	1A7335-71230	PIN, LINK	1							
4	3	1A7335-71240	PIN, HITCH	1							
5	3	1A7335-71250	CAP	4							
6	3	1A7335-71410	PIN ASSY, BALL	2							
7	3	198254-71500	TURNBUCKLE ASSY	1							
8	3	198254-71600	LINK ASSY, TOP R	1							
9	3	198254-71700	LINK ASSY, TOP L	1							
10	3	1A7335-71750	NUT, LOCK M24	1							
11	3	1A7335-71760	PIN, SPRING 5.0X25	2							
12	2	1A7335-71410	PIN ASSY, BALL	2							
13	2	1A7880-71550	SPRING	1							
14	2	1A7781-72100	LINK KIT, LIFT R	1							
15	3	1A7335-71250	CAP	4							
16	3	1A7335-71410	PIN ASSY, BALL	1							
17	3	1A8170-72110	NUT, LOCK M24 L	1							
18	3	198254-72150	TURNBUCKLE ASSY	1							
19	3	1A8275-72180	SNAP PIN 13-19	1							
20	3	198254-72200	BOLT ASSY, EYE	1							
21	3	198253-72550	PIN, 16X53	1							
22	3	1A8170-72800	YOKE ASSY, LINK R	1							
23	3	22137-160000	WASHER, 16	1							
24	3	22351-050022	PIN, SPRING 5.0X22	2							
25	3	24761-060000	NIPPLE, GREASE MT6X1	1							
26	3	26756-240002	NUT, LOCK M24	1							
27	2	1A8275-72150	PIN, LIFT ARM	2							
28	2	1A8275-72180	SNAP PIN 13-19	2							
29	2	1A7781-72500	LINK KIT, LIFT L	1							
30	3	1A7335-71410	PIN ASSY, BALL	2							
31	3	1A8275-72180	SNAP PIN 13-19	1							
32	3	1A8170-72530	LINK ASSY, LIFT L	1							
33	3	198253-72550	PIN, 16X53	1							
34	3	22137-160000	WASHER, 16	1							
35	2	1A7781-73400	LINK & CHAIN KIT,	2							
36	3	1A7781-73100	LINK ASSY, LOWER	2							
37	3	1A7781-74500	STABILIZER KIT,	2							
38	4	1A7500-72180	PIN, COTTER	2							
39	4	198283-74370	RING	2							
40	4	1A8170-74510	CHAIN ASSY, CHECK F	2							
41	4	1A8170-74550	CHAIN ASSY, CHECK R	2							
42	4	198254-74620	SHACKLE	2							
43	4	198181-74630	PIN, CHAIN	2							
44	4	1A8170-74700	TURNBUCKLE, M16	2							
45	4	22217-160000	WASHER, SPRING 16	2							
46	4	26736-160002	NUT, M16	2							
47	1	1A7781-73150	SPRING, 3POINT LOCK	1							
48	1	22137-080000	WASHER, 8	1							
49	1	22417-300250	PIN, COTTER 3.0X25	1							

Fig.114. BASE PLATE

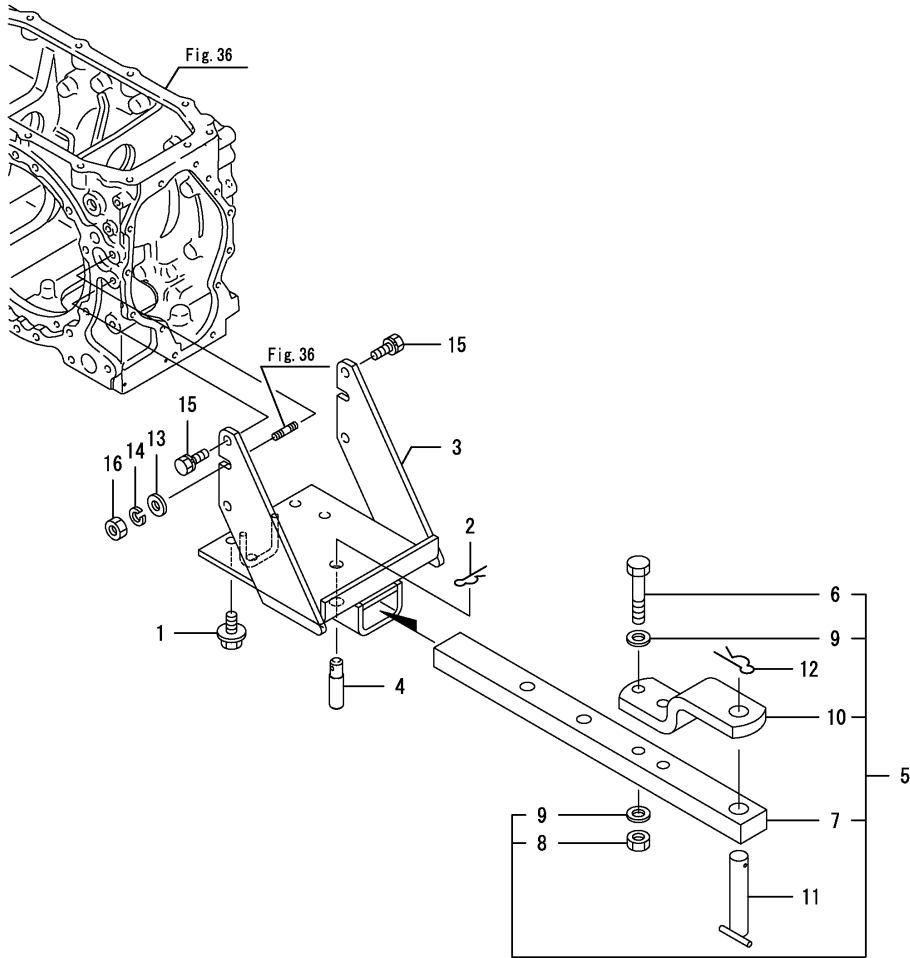
(A)=EF494T(ID)  
(B)=  
(C)=

(D)=  
(E)=  
(F)=



No.	Lev.	Parts No.	Description	Q'ty						I	R
				(A)	(B)	(C)	(D)	(E)	(F)		
1	1	198220-11510	BOLT, M12X27	12							
2	1	1A7780-85300-1	PLATE ASSY, BASE L	1							
3	1	1A7780-85350-1	PLATE ASSY, BASE R	1							

Fig.115. DRAWBAR HITCH



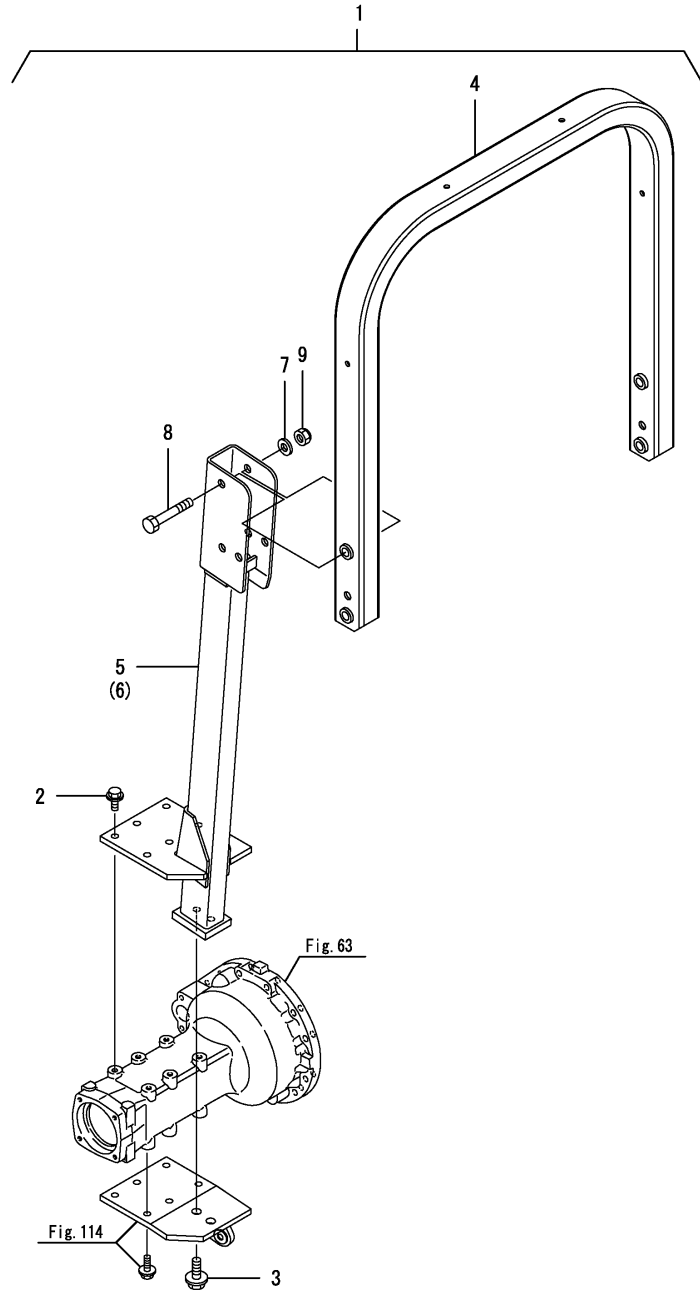
(A)=EF494T(ID)  
(B)=  
(C)=

(D)=  
(E)=  
(F)=

No.	Lev.	Parts No.	Description	Q'ty						I	R
				(A)	(B)	(C)	(D)	(E)	(F)		
1	1	198240-12650	BOLT, M14X28	4							
2	1	195230-17260	PIN, SNAP 22S	1							
3	1	1A7780-75130	BRACKET, DRAWBAR	1							
4	1	198253-75430	PIN, HITCH	1							
5	1	1A7781-75710	HITCH KIT, DRAWBAR	1							
6	2	1A7781-75100	BOLT, 16X85	2							
7	2	1A7780-75111	HITCH, DRAWBAR	1							
8	2	1A7781-75110	NUT, 16	2							
9	2	1A7781-75120	WASHER, 16	4							
10	2	194180-75810	BRACKET, CLEVIS	1							
11	1	1A7780-75750	PIN ASSY, HITCH 25	1							
12	1	194080-75790	PIN, SNAP 28	1							
13	1	22137-120000	WASHER, 12	2							
14	1	22217-120000	WASHER, SPRING 12	2							
15	1	26013-120302	BOLT, M12X 30	4							
16	1	26716-120002	NUT, M12	2							



Fig.116. SAFETY FRAME



(A)=EF494T(ID)  
(B)=  
(C)=

(D)=  
(E)=  
(F)=

No.	Lev.	Parts No.	Description	Q'ty						I	R
				(A)	(B)	(C)	(D)	(E)	(F)		
1	1	1A7781-85100	ROPS KIT	1							
2	2	198220-11510	BOLT, M12X27	12							
3	2	198220-85290	BOLT, M16X40	4							
4	2	1A7781-85650	FRAME M ASSY, UPPER	1							
5	2	1A7780-89771	ROPS ASSY, LOWER L	1							
6	2	1A7780-89781	ROPS ASSY, LOWER R	1							
7	2	22137-160000	WASHER, 16	8							
8	2	26156-161002	BOLT, M16X100 PLATED	4							
9	2	26356-160002	NUT, M16	4							

Fig.117. MANUAL

(A)=EF494T(ID  
(B)=  
(C)=

(D)=  
(E)=  
(F)=

No.	Lev.	Parts No.	Description	Q'ty						I	R
				(A)	(B)	(C)	(D)	(E)	(F)		
1	1	0A042-B00300	OPERATION MANUAL	1							
1-1	1	0A042-B00301 (A=FXXXXX)	OPERATION MANUAL	1							N

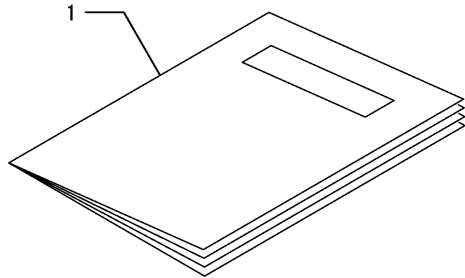
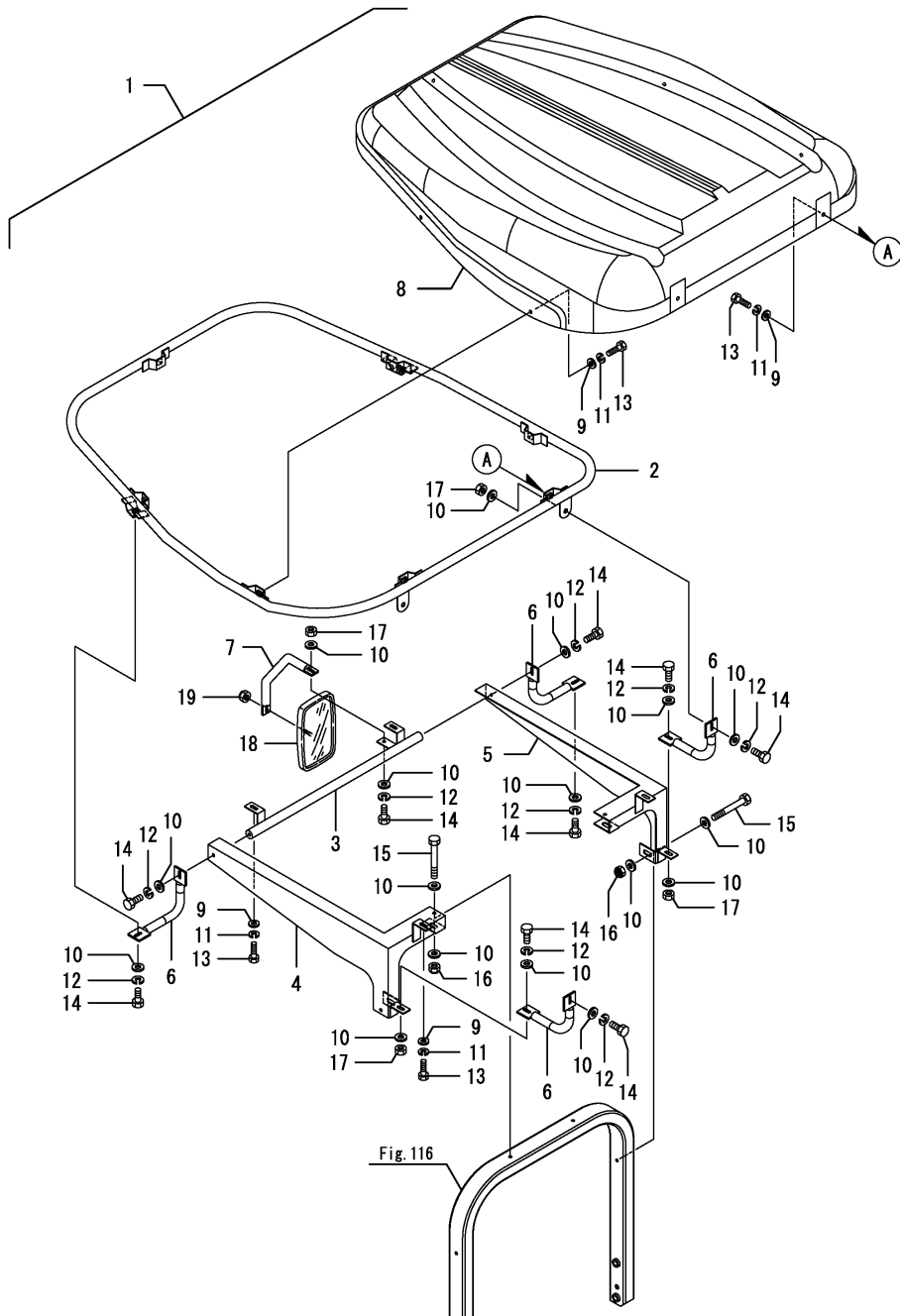


Fig.118. ROOF



(A)=EF494T(ID)  
(B)=  
(C)=

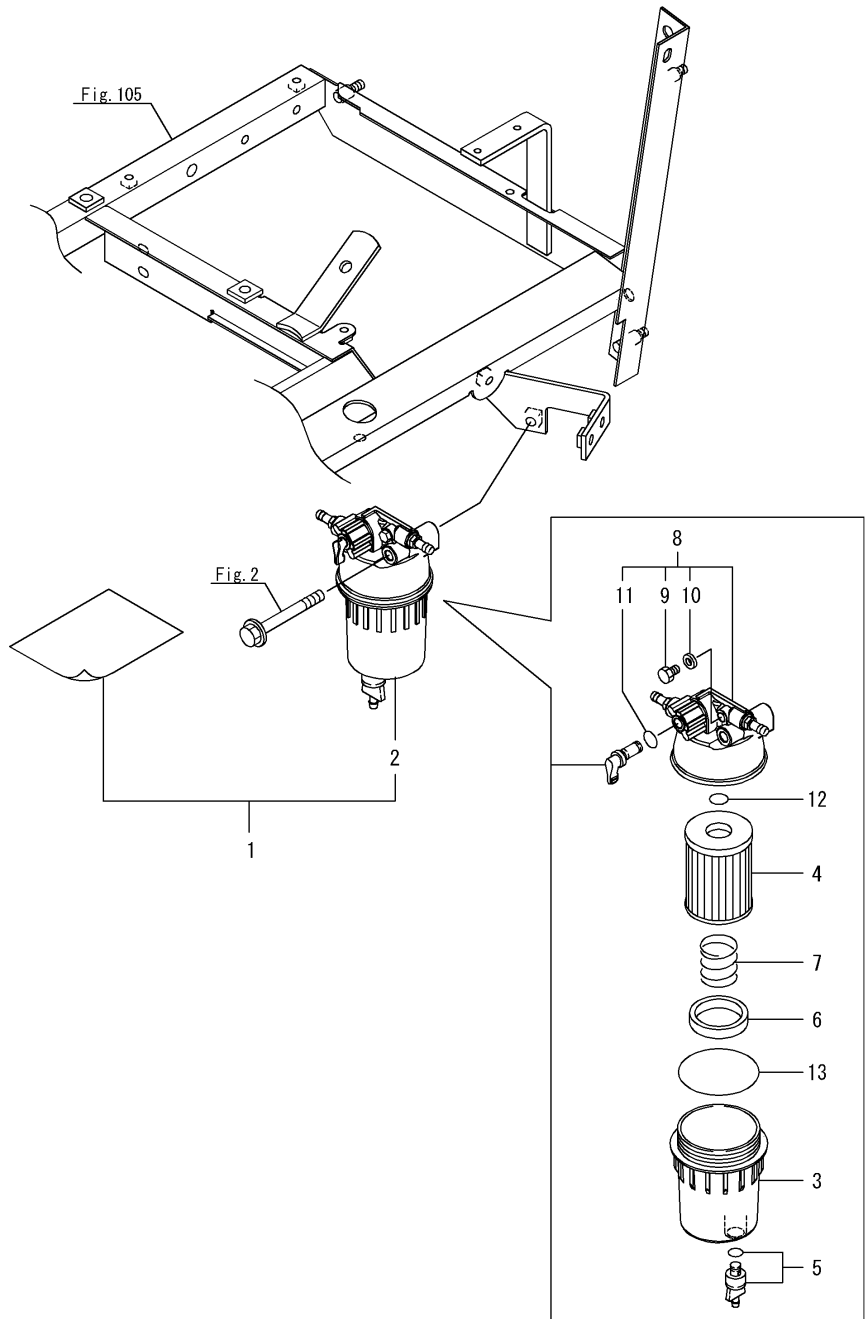
(D)=  
(E)=  
(F)=

No.	Lev.	Parts No.	Description	Qty						I	R
				(A)	(B)	(C)	(D)	(E)	(F)		
1	1	1A7781-89200	CANOPY KIT,	1							
2	2	1A7781-89220	PIPE, FRAME	1							
3	2	1A7781-89230	FRAME, FRONT	1							
4	2	1A7781-89240	FRAME, LH	1							
5	2	1A7781-89250	FRAME, RH	1							
6	2	1A7781-89260	STAY, 1	4							
7	2	1A7781-89270	STAY, 2	1							
8	2	1A7781-89210	ROOF,	1							
9	2	22137-080000	WASHER, 8	11							
10	2	22137-100000	WASHER, 10	22							
11	2	22217-080000	WASHER, SPRING 8	11							
12	2	22217-100000	WASHER, SPRING 10	9							
13	2	26116-080252	BOLT, M8X 25 PLATED	11							
14	2	26116-100252	BOLT, M10X 25 PLATED	9							
15	2	26116-100752	BOLT, M10X 75 PLATED	4							
16	2	26346-100002	NUT, M10	4							
17	2	26716-100002	NUT, M10	5							
18	2	1A7781-89280	MIRROR	1							
19	2	26346-100002	NUT, M10	1							

Fig.119. FILTER

(A)=EF494T(ID)  
(B)=  
(C)=

(D)=  
(E)=  
(F)=



No.	Lev.	Parts No.	Description	Q'ty						I	R
				(A)	(B)	(C)	(D)	(E)	(F)		
1	1	1A7781-93100	FILTER KIT,PRE-FO	1							
2	2	129267-55700	FILTER, FUEL OIL PRE	1							
3	3	129242-55720	CUP	1							
4	3	129630-55731	ELEMENT, FO FILTER	1							
5	3	129242-55740	PLUG, DRAIN	1							
6	3	129242-55770	FLOAT	1							
7	3	129630-55780	SPRING	1							
8	3	129267-55800	BODY ASSY	1							
9	4	129242-55750	VALVE, AIR VENT	1							
10	4	129242-55760	GASKET	1							
11	4	24311-000110	O-RING, 1AP11.0	1							
12	3	24311-000160	O-RING, 1AP16.0	1							
13	3	24321-000750	O-RING, 1AG75.0	1							

## Parts No. Index

Parts No.	Fig. No.	Ref. No.
0A042-B00300	117	1
0A042-B00301	117	1 -1
106990-44660	3	16
114270-59010	3	19
	9	11
119005-12571	1	12
119255-44660	1	15
119802-55700	2	2
119802-55710	2	4
119802-55730	2	5
119808-12540	1	10
119860-34810	36	20
119934-55611	2	1
124240-01883	73	1
124550-77030	1	21
124617-91920	95	13
124701-91140	95	24
124766-59050	3	20
		21
		22
		23
		24
	9	12
129052-13550	1	14
129062-12560	1	11
129100-55690	2	3
129107-44590	1	4
129150-49081	1	17
129211-77920	1	22
129242-55720	119	3
129242-55740	119	5
129242-55750	119	9
129242-55760	119	10
129242-55770	119	6
129267-55700	119	2
129267-55800	119	8
129418-12530	1	8
129467-44580	1	3
129467-44590	1	5
129550-49090	1	18
129550-49101	1	16
129612-12650	1	13
129630-55731	119	4
129630-55780	119	7
129659-12520	1	7
129900-12530	1	9
129907-55810	2	8
129956-12160	3	15
129956-44730	1	6
168246-00110	80	1

Parts No.	Fig. No.	Ref. No.
172122-46571	51	7
172156-72330	27	15
172156-72340	27	16
175022-49730	3	17
175022-49750	3	18
178070-10401	73	12
178070-44000	73	11
192160-34150	21	5
194065-34170	24	7
		15
194065-38380	27	14
194065-41210	73	8
194065-60580	95	21
194066-13130	61	1
194080-75790	115	12
194130-27490	49	13
194130-37730	72	3
194130-47851	105	6
194134-37771	72	5
194145-21121	34	2
194145-27450	49	11
	50	5
194145-34390	68	6
194145-61570	4	8
194145-61651	95	22
	101	17
194150-01270	4	6
194150-21910	30	4
194150-22250	30	5
194150-22480	35	5
	72	2
194150-33150	64	4
194150-42280	74	7
194151-36670	20	13
194151-47760	85	15
194167-61650	104	12
		13
194170-51210	7	6
	9	9
	89	18
194180-01240	3	6
194180-12471	27	1
194180-17770	9	8
194180-25550	41	2
194180-32640	63	2
194180-32670	20	12
194180-43410	79	1
194180-45620	81	2
194180-51640	85	17
194180-63150	110	2

Parts No.	Fig. No.	Ref. No.
194180-75810	115	10
194197-25810	45	4
194200-53400	93	3
194205-36320	71	6
194205-63550	105	22
194240-65441	111	3
194250-25240	40	1
194250-27160	49	2
194250-51650	89	30
194274-13350	17	6
194274-22090	39	1
194275-27750	20	11
194275-48400	38	3
194275-51160	89	8
194275-51170	89	9
194275-51210	89	19
		20
	95	2
194275-62310	105	14
194278-41151	73	3
194278-41160	73	5
194278-41190	73	6
194278-41210	73	9
194279-14220	25	2
	70	1
194300-22260	35	3
194300-33200	64	6
194301-12730	41	1
194310-25100	45	2
194310-25660	46	2
194310-37741	72	4
194310-47790	85	16
194312-25470	39	7
194312-46630	82	3
194320-31560	61	4
194321-11940	19	4
194321-13230	16	2
194321-13250	16	4
194321-13270	16	6
194321-13380	17	8
194321-13680	20	1
194321-28230	57	7
194322-24980	38	2
194327-45120	80	2
194327-45130	80	3
194330-62530	35	12
	106	6
194337-17220	28	8
194337-17251	28	9
194337-17390	28	10

Parts No.	Fig. No.	Ref. No.
194337-17400	28	11
194337-17520	28	12
194337-17530	28	13
194337-17540	28	14
194370-26350	46	8
194420-56620	95	18
194430-25810	46	3
194440-51620	89	25
		26
		27
		28
		29
194446-25450	57	1
194447-13860	45	1
	46	1
194448-61620	104	11
194450-11190	30	3
194450-45630	81	3
194450-45640	81	4
194450-45650	81	5
194450-48830	29	11
194464-25600	41	4
194464-33130	64	2
194464-48850	29	12
194464-52190	92	6
194465-13240	16	3
194465-13260	16	5
194480-33550	16	7
194521-41570	73	13
194550-47530	85	11
194555-04260	8	1
194555-04270	8	2
194555-04280	8	3
194555-26620	40	13
194555-46300	82	1
194555-46380	74	11
194555-46730	74	12
194555-48350	88	3
194555-56890	95	20
194556-17870	29	7
194640-17340	28	3
194640-25860	40	8
	41	15
194640-26130	44	2
194640-26440	40	10
194640-32650-3	63	4
194640-34130	68	1
194640-34140	68	3
194640-34150	68	4
194640-43201	74	8

## Parts No. Index

Parts No.	Fig. No.	Ref. No.
194640-44261	79	7
194640-44540	79	10
194640-46420	84	5
194640-47550	85	12
194640-47560	85	13
194640-63560	105	23
194640-73180	36	23
194641-13210	16	1
194641-13670	19	7
194641-13760	20	4
194641-13780	20	6
194641-13790	20	7
194641-13840	18	4
	21	4
194680-22230	34	5
194680-22280	30	6
194680-22290	30	7
194680-27540	54	4
	55	1
194730-57220	14	4
		10
194740-00160	4	2
194740-06080	30	2
194765-28180	57	4
194820-27370	51	5
194850-24960	36	19
194850-42500	36	21
194881-12650	25	1
194940-61790	95	23
	101	21
	104	15
		16
194940-65590	100	11
194990-20170	51	4
194990-22130	93	1
	97	1
		2
		3
	104	1
194990-22140	6	3
	8	7
	10	2
	87	1
	89	1
		2
	91	1
	99	1
	101	1
		5
	105	1

Parts No.	Fig. No.	Ref. No.
194990-22140	105	2
	107	1
	109	1
		2
		3
194990-22150	53	1
	56	1
	58	1
	110	1
194990-22831	14	3
194990-22841	14	9
195230-17260	115	2
198010-53410	93	4
198010-53420	93	2
198036-65470	111	4
198071-04500	7	2
198071-22320	33	3
198071-27470-3	50	6
	54	1
198071-27860	49	14
	50	7
	89	22
198071-51411	94	14
198071-61890		101
		104
		17
198071-61990	3	29
198071-63150	109	7
198071-63160	109	9
198071-65610	94	16
		17
		18
	100	12
198071-72750	27	17
198072-04510	7	4
198075-18311	48	1
198093-84810	101	24
198121-51190	89	5
198121-51430	89	24
198129-05190	102	6
		9
198133-13340	17	4
198133-13810	15	3
198133-15710	26	2
198133-15750	26	4
198133-15780	26	5
198133-24361	37	1
198133-24370-2	36	10
198133-24380	36	11
198133-25230	39	4
198133-25240	39	5

Parts No.	Fig. No.	Ref. No.
198133-25311	37	2
198133-25451	40	3
198133-25701	42	3
198133-25761	40	6
198133-25850	43	2
198133-25860	41	16
198133-25870	40	9
198133-25890	43	3
198133-25911	43	4
198133-25941	43	6
198133-25960	43	7
198133-25970	43	8
198133-27060	48	2
198133-27070	48	3
198133-27120	50	2
198133-27170	49	3
198133-27280	49	6
198133-27300	50	4
198133-27330	49	9
198133-27340	49	10
198133-27350	48	6
	51	2
198133-27401	48	8
198133-27450	49	12
198133-27652	48	9
198133-27711	48	10
198133-27720	48	11
198133-27781	48	13
198133-27820	48	14
198133-27881	48	16
198133-27950	48	18
198133-28110	57	3
198133-42102	74	1
198133-42130	74	2
198133-43310	78	1
198133-43330	78	2
198133-43360	78	3
198133-44210	79	3
198133-44411	79	8
198133-45600	81	1
198133-61690	104	14
198137-13300	17	3
198137-13350	17	5
198137-27180	49	4
198137-27190	49	5
198138-24390	36	12
198138-61531	104	7
198146-34120	70	2
198149-22280	33	2
198149-25600	41	3

Parts No.	Fig. No.	Ref. No.
198149-25690	42	1
198149-25700	41	5
198149-25740	41	8
198149-25750	41	9
198149-25760	41	10
198149-25780	41	6
198149-25790	41	11
198149-25880	41	17
198149-25890	41	7
		18
198149-27490	54	2
198149-27531	54	3
198149-27560	54	5
198149-27570	54	6
198149-31400	60	2
198153-17630	28	17
198153-51420	89	23
198153-51810	89	32
198153-53410	94	11
198162-52110	92	1
198162-52150	92	4
198163-65350	112	3
198163-65930	112	5
198163-65940	112	6
198163-65950	112	7
198165-01130	4	4
198175-65500	111	6
198181-74630	113	43
198200-34130	25	3
198200-34190	25	4
	70	4
198200-52140	92	5
198208-11310	22	1
198212-32611-X	63	1
198215-44110	79	2
198217-33650	67	8
198220-01140	4	5
198220-04290	8	4
198220-11510	114	1
	116	2
198220-15650	26	1
198220-17610	28	15
198220-17620	28	16
198220-17642	28	18
198220-25830	41	12
198220-25840	41	13
198220-26790	59	1
198220-27290	56	2
198220-27990	55	8
	59	2

## Parts No. Index

Parts No.	Fig. No.	Ref. No.
198220-37700	72	14
198220-37900	35	11
	72	17
198220-45920	36	22
	74	3
		10
198220-46400	84	3
198220-46560	29	8
198220-47750	105	5
198220-48140	29	10
198220-53170	95	4
198220-56111	95	5
198220-56130	95	7
198220-56140	95	8
198220-56150	95	9
198220-56160	95	10
198220-56220	95	12
198220-56230	95	14
198220-61351	102	11
198220-61800	102	15
198220-62150	101	23
	106	2
198220-62220	105	10
198220-62260	105	11
198220-62270	105	13
198220-62410	105	16
198220-62440	105	17
198220-62920	105	18
198220-65470	111	5
198220-85290	116	3
198221-65740	111	10
198230-04750	7	5
198230-17311	28	2
198230-61960	101	9
198240-01450	4	16
198240-01470	4	17
198240-04550	95	1
198240-04710	9	3
198240-04750	9	4
198240-04760	9	5
198240-04780	9	6
198240-11500	12	1
198240-11540	12	3
198240-11550	12	4
198240-11620	11	3
198240-11640	11	4
198240-11650	11	5
198240-12590	14	6
		12
198240-12650	115	1

Parts No.	Fig. No.	Ref. No.
198240-17840	29	4
198240-17870	28	20
198240-18120-1	14	2
198240-18130-1	14	8
198240-21220	31	3
198240-21250	31	4
198240-21260	31	5
198240-21270	31	6
198240-22470	35	4
198240-22550	35	6
198240-24120	36	2
198240-24140	36	7
198240-24320	36	9
198240-24480-2	36	14
198240-24510-2	36	15
198240-24530	36	3
198240-24690-1	36	17
198240-24900-2	38	1
198240-24920-2	36	18
198240-25180	30	8
198240-25220	39	3
198240-25292	45	3
198240-25440	40	2
198240-25930	43	5
198240-26520	46	9
198240-27320	49	8
198240-27841	55	3
198240-27890-3	55	5
198240-27961-2	55	7
198240-32640	63	3
198240-33151	64	5
198240-36380	71	7
198240-36700	71	8
198240-36710	71	9
198240-36720	71	10
198240-36730-2	71	11
198240-37510	35	10
	72	9
198240-37550-1	72	10
198240-37850	72	16
198240-41110	73	2
198240-41150	73	4
198240-42130	77	1
198240-46620	82	2
198240-47380	85	7
198240-47430	85	10
198240-47710	105	3
198240-47730	105	4
198240-48140	87	6
198240-48300-1	88	1

Parts No.	Fig. No.	Ref. No.
198240-48380	88	4
198240-48410	88	5
198240-48500	87	8
	88	6
198240-48830	87	11
198240-48850	87	12
198240-51561	91	3
198240-56600	95	17
198240-56630	95	19
198240-62110	105	7
198240-62120	105	8
198240-62451	106	3
198241-13280	17	2
198241-28240	57	8
198241-28310	59	4
198242-01350	4	7
198242-02310	3	8
198242-25350	44	1
198242-51130	89	4
198242-65940	111	11
198245-42160	76	1
198245-46680	29	9
198250-48100	87	4
198251-11220	19	3
198251-11800-2	13	1
198251-11820-2	13	3
198251-12310-2	14	1
198251-13100	15	1
198251-13270	17	1
198251-13450-2	19	1
198251-13510	18	1
198251-13520	18	2
198251-13600-2	19	2
198251-13610-2	19	5
198251-13630	13	4
198251-13710-2	20	2
198251-13810	21	1
198251-17500	28	7
198253-17700	29	1
198253-17750	29	2
198253-27510	53	2
	58	2
198253-27520	53	3
198253-37610	72	11
198253-72550	113	21
		33
198253-75430	115	4
198254-28270-2	59	3
198254-33110	64	1
198254-37660	72	13

Parts No.	Fig. No.	Ref. No.
198254-47370	85	6
198254-53600	93	7
198254-53610	93	8
198254-53620	93	9
198254-53630	93	10
198254-53650	93	12
198254-71100	113	2
198254-71500	113	7
198254-71600	113	8
198254-71700	113	9
198254-72150	113	18
198254-72200	113	20
198254-74620	113	42
198255-14740	23	4
198255-14760	23	6
198255-24460-4	36	13
198273-18360	48	5
198282-34160	70	3
198283-74370	113	39
198291-77870	89	36
198320-04300	8	5
198320-17720	87	3
198320-31530	61	2
198320-31550	61	3
198320-31570	61	5
198320-31630	61	6
198320-31820	61	7
198320-32111	61	8
198320-32660	63	5
198320-33412	66	1
198320-33422	66	2
198320-33540	67	1
198320-33550	67	2
198320-33560	67	3
		4
198320-33570	67	5
198320-33610	67	6
198320-33620	67	7
198320-36790	71	12
198320-47321	85	2
198320-47330	85	4
198320-47410	85	8
198320-48150-1	87	5
198320-48220	87	7
198320-62510	106	4
198320-62520	106	5
198320-62531	108	1
198320-62580-2	107	2
198320-62610	108	3
198325-27951	55	6

## Parts No. Index

Parts No.	Fig. No.	Ref. No.
198327-04840	9	7
198327-21130	31	1
198327-21150	28	21
198327-21180	31	2
198327-22230	34	6
198327-22930	35	9
198327-24240-2	36	8
198327-65620	111	8
198327-65720	111	9
198360-26610	40	11
198360-47320	85	3
198360-47330	85	5
198360-52320	92	2
198360-52330	92	3
198361-48750	87	10
198390-25790	60	1
198401-13720	20	3
198401-13750-3	20	9
198401-13770-3	20	5
198401-13790	20	8
198401-13850-3	20	10
198401-14110-3	22	2
198401-14120	22	3
198401-14130	22	4
198415-25840	41	14
198440-21402	32	2
198440-21611	32	1
198440-21700	32	3
198441-13370	17	7
198448-51910	9	10
198448-53320	94	3
		6
198461-60590	104	2
		3
198475-65030	94	15
	100	10
198511-53430	93	5
198511-53450	93	6
198535-32660	63	6
198535-34360	68	5
198535-52110	89	12
198535-52130	89	13
1A1120-61541	7	3
1A6150-93151	112	8
1A6380-52700	89	15
		16
1A6770-85920	12	5
1A7000-53230	94	2
		5
1A7000-61490	89	34

Parts No.	Fig. No.	Ref. No.
1A7000-61490	89	35
1A7100-22920	35	8
1A7100-26850	47	1
1A7260-01030	3	1
1A7260-01040	3	2
1A7260-01200	3	3
1A7260-01210	3	4
1A7260-01220	3	5
1A7260-03160	3	9
1A7260-03170	3	10
1A7260-03180	3	11
1A7260-43650	17	9
1A7260-51540	91	2
1A7260-51710	89	31
1A7260-53350	94	7
1A7260-60640	102	1
1A7260-60661	101	2
1A7260-60670	102	2
1A7260-60680	101	3
1A7260-60780	100	3
1A7260-60790	100	4
1A7260-60800	101	6
1A7260-60810	101	7
1A7260-60820	101	8
1A7260-60870	101	13
1A7260-60880	3	28
1A7260-60890	100	5
1A7260-60900	102	4
1A7260-60920	99	8
1A7260-60930	99	9
1A7260-61150	102	7
		10
1A7260-61250	94	12
1A7260-61260	94	13
1A7260-61300	101	14
1A7260-61310	101	15
1A7260-61400	102	12
1A7260-61450	102	13
1A7260-61460	102	14
1A7260-61550	101	16
1A7260-61650	101	18
1A7260-61660	101	19
1A7270-06220	3	14
1A7270-60211	3	25
1A7270-60221	3	26
1A7270-60610	100	2
1A7300-06210	3	13
1A7310-06200	3	12
1A7335-53640	93	11
1A7335-56120	95	6

Parts No.	Fig. No.	Ref. No.
1A7335-71230	113	3
1A7335-71240	113	4
1A7335-71250	113	5
		15
1A7335-71410	113	6
		12
		16
		30
1A7335-71750	113	10
1A7335-71760	113	11
1A7350-33140	64	3
1A7500-51170	89	10
1A7500-72180	113	38
1A7531-52420	89	14
1A7601-32310	62	2
1A7601-36200	71	1
1A7601-36310	71	2
1A7601-36320	71	3
1A7601-36350	71	4
1A7640-44230	79	4
1A7640-44240	79	5
1A7680-45320	84	1
1A7680-45370	84	2
1A7680-46410	84	4
1A7780-01110	4	3
1A7780-01250	3	7
1A7780-01320	4	13
1A7780-03110	5	1
1A7780-03300	6	1
1A7780-03350	6	2
1A7780-04111	7	1
1A7780-04350	8	6
1A7780-11510	11	2
1A7780-13520	18	3
1A7780-13670	15	2
1A7780-13820	21	2
1A7780-13830	21	3
1A7780-14110	24	3
		11
1A7780-14120	24	4
		12
1A7780-14140	24	2
		10
1A7780-14180	22	5
1A7780-14301	24	1
1A7780-14310	24	8
		16
1A7780-14351	24	9
1A7780-14600	23	1
1A7780-14700	23	3

Parts No.	Fig. No.	Ref. No.
1A7780-14740	23	5
1A7780-14770	24	5
		13
1A7780-14790	24	6
		14
1A7780-17300	28	1
1A7780-17370	28	4
1A7780-17511	27	5
1A7780-17530	27	6
1A7780-17540	27	7
1A7780-17551	27	8
1A7780-17560	27	9
1A7780-17570	27	10
1A7780-17581	27	11
1A7780-17591	27	12
1A7780-17780	29	3
1A7780-21100-1	30	1
1A7780-22121	39	2
1A7780-22170	34	3
1A7780-22210	34	1
1A7780-22220	34	4
1A7780-22251-2	33	1
1A7780-24100-1	36	1
1A7780-25270	39	6
1A7780-25460	40	4
1A7780-25480	40	5
1A7780-25820	40	7
1A7780-25830	43	1
1A7780-26110	45	5
1A7780-26121	46	4
1A7780-26160	46	5
1A7780-26310	46	6
1A7780-26530	46	10
1A7780-26610	40	12
1A7780-27110	50	1
1A7780-27150-2	49	1
1A7780-27161-2	52	1
1A7780-27180-2	50	3
1A7780-27210-2	52	2
1A7780-27310	49	7
1A7780-27360	48	7
1A7780-27751	48	12
1A7780-27820-1	55	2
1A7780-27881	55	4
1A7780-27900	51	3
1A7780-27910	51	6
1A7780-28100	57	2
1A7780-28220	57	6
1A7780-28230	57	5
1A7780-44250	79	6



## Parts No. Index

Parts No.	Fig. No.	Ref. No.
1A7780-44510	79	9
1A7780-45950	76	2
1A7780-47300	85	1
1A7780-47420	85	9
1A7780-51202	89	6
1A7780-51320	89	21
1A7780-52510	89	33
1A7780-53200	94	1
1A7780-53300	94	4
1A7780-53350	94	8
1A7780-53360	94	9
1A7780-56300	95	15
1A7780-56502	95	3
1A7780-60250	100	1
1A7780-60370	99	2
1A7780-60450	99	3
1A7780-60600	99	4
1A7780-60610	99	5
1A7780-60800	101	4
1A7780-60860	3	27
1A7780-61000	102	5
1A7780-61010	102	8
1A7780-61100	100	6
1A7780-61410-1	104	4
1A7780-61420-1	104	5
1A7780-61540	104	8
1A7780-61550	104	9
1A7780-61600	104	10
1A7780-61673	99	11
1A7780-61750	101	20
1A7780-62260	105	12
1A7780-62340	105	15
1A7780-63060	105	19
1A7780-63090	105	20
1A7780-63100	105	21
1A7780-63270	109	12
1A7780-65470	89	17
1A7780-75111	115	7
1A7780-75130	115	3
1A7780-75750	115	11
1A7780-85300-1	114	2
1A7780-85350-1	114	3
1A7780-89771	116	5
1A7780-89781	116	6
1A7781-01400	4	14
1A7781-01510	1	2
1A7781-04400	4	18
1A7781-04500	9	1
1A7781-04610	9	2
1A7781-11090	11	1

Parts No.	Fig. No.	Ref. No.
1A7781-11160	98	1
1A7781-14650	23	2
1A7781-17850	29	5
1A7781-17860	29	6
1A7781-22410	35	1
1A7781-24680-1	36	16
1A7781-26330	46	7
1A7781-27850	48	15
1A7781-27940	48	17
1A7781-33170	65	1
1A7781-33180	65	2
1A7781-34130	68	2
1A7781-34550	69	1
1A7781-34560	69	4
1A7781-34630	69	2
		5
1A7781-34750	69	3
		6
1A7781-37420	72	7
1A7781-37470	72	8
1A7781-37640	72	12
1A7781-37720	72	15
1A7781-42810	75	1
1A7781-51500	90	1
1A7781-51520	90	2
1A7781-52100	1	19
1A7781-60100	98	2
1A7781-60750	102	3
1A7781-61340	100	7
1A7781-61520	104	6
1A7781-61630	1	20
1A7781-61860	100	8
1A7781-61970	100	9
1A7781-62150	105	9
1A7781-62151	105	9 -1
1A7781-62540	108	2
1A7781-63120	109	5
1A7781-63140	109	6
1A7781-63150	109	8
1A7781-63260	109	10
1A7781-63660	3	30
1A7781-64830	111	1
1A7781-64840	111	2
1A7781-65560	111	7
1A7781-71000	113	1
1A7781-72100	113	14
1A7781-72500	113	29
1A7781-73100	113	36
1A7781-73150	113	47
1A7781-73400	113	35

Parts No.	Fig. No.	Ref. No.
1A7781-74500	113	37
1A7781-75100	115	6
1A7781-75110	115	8
1A7781-75120	115	9
1A7781-75710	115	5
1A7781-85100	116	1
1A7781-85650	116	4
1A7781-89200	118	1
1A7781-89210	118	8
1A7781-89220	118	2
1A7781-89230	118	3
1A7781-89240	118	4
1A7781-89250	118	5
1A7781-89260	118	6
1A7781-89270	118	7
1A7781-89280	118	18
1A7781-89730	99	12
1A7781-93100	119	1
1A7870-24910	36	21 -1
1A7870-52950	97	4
		5
1A7874-65360	112	4
1A7880-51730	89	11
1A7880-71550	113	13
1A7890-60980	99	10
1A7890-61301	101	14
1A7891-60910	99	6
1A8115-00650	1	1
1A8115-01190	4	12
1A8115-15720	26	3
1A8115-18350	51	1
1A8115-47810	86	1
1A8115-48310	88	2
1A8115-57150	96	1
1A8115-63260	109	11
1A8115-63270	109	13
1A8160-46670	83	1
1A8160-51130	89	7
1A8160-56211	95	11
1A8160-60720	103	1
1A8170-27100	48	4
1A8170-72110	113	17
1A8170-72530	113	32
1A8170-72800	113	22
1A8170-74510	113	40
1A8170-74550	113	41
1A8170-74700	113	44
1A8205-05510	10	1
1A8275-36520	71	5
1A8275-72150	113	27

Parts No.	Fig. No.	Ref. No.
1A8275-72180	113	19
		28
		31
1A8310-53370	94	10
1A8310-65310	112	1
1A8310-65320	111	13
1A8310-65340	112	2
1A8310-65360	112	4 -1
1A8310-65950	112	7 -1
1C6140-47210	109	4
1C6281-52320	55	9
	106	1
1C6460-84420	49	15
1E6102-83230	89	37
1E6650-82400	97	6
1E8080-43850	89	3
1E8560-61290	92	7
1K1140-82500	97	7
22117-060000	104	18
22117-080000	82	4
22137-080000	4	19
		20
	51	9
	85	18
	100	13
	101	10
	113	48
	118	9
22137-100000	4	21
	35	13
	37	3
	55	10
	85	19
		20
	118	10
22137-120000	101	11
	115	13
22137-140000	48	19
22137-160000	28	22
	113	23
		34
	116	7
22137-200000	55	11
22137-220000	48	20
22157-060000	101	25
		26
		27
	105	24
22157-080000	105	25
22157-100000	4	9

## Parts No. Index

Parts No.	Fig. No.	Ref. No.
22157-120000	8	8
22190-050000	95	25
22190-080002	73	17
22207-040320	27	18
22217-080000	48	21
		22
	51	10
	118	11
22217-100000	4	22
	37	4
	61	9
	93	13
	118	12
22217-120000	13	6
	115	14
22217-160000	36	24
	113	45
22242-000170	50	8
	54	7
22242-000200	55	12
22242-000290	42	4
	71	13
22242-000340	39	8
22242-000360	27	19
22242-000400	44	3
22242-000500	61	10
22252-000170	45	6
22252-000300	73	10
22252-000320	73	14
22252-000420	28	5
22252-000470	37	5
22252-000620	30	9
	46	11
	57	9
22252-000720	46	12
22252-000800	37	6
22272-000070	85	21
22272-000080	99	7
22272-000120	51	11
22272-000190	48	23
	72	18
22292-000340	40	14
22312-100180	13	7
	16	8
	36	4
		25
	63	7
	67	9
	77	2
22312-100200	37	7

Parts No.	Fig. No.	Ref. No.
22351-020012	48	24
	49	16
22351-035032	16	9
	53	4
22351-040012	82	5
22351-040016	74	13
22351-040025	28	6
22351-040032	49	17
22351-050022	113	24
22351-050025	85	22
22351-050032	64	7
22351-050040	64	8
22351-050070	79	11
22351-060016	79	12
22351-060025	49	18
		19
	50	9
	55	13
22351-060030	84	6
22351-060032	16	10
	48	25
	49	20
		21
	50	10
	53	5
	54	8
	55	14
	59	5
	64	9
22351-060050	61	11
22351-080018	31	7
	32	4
22351-080032	64	10
		11
22351-080040	48	26
	64	12
	67	10
22351-080070	79	13
22372-080000	100	14
	109	14
22417-160180	49	22
22417-200160	85	23
	105	26
22417-200300	48	27
	72	19
22417-250300	4	23
		24
	35	14
	72	20
		21

Parts No.	Fig. No.	Ref. No.
22417-300200	85	24
22417-300250	14	7
		13
	113	49
22417-400250	27	24
22417-400500	17	10
22487-060200	49	23
22487-080300	100	15
22487-080350	85	25
22487-100700	72	22
22512-070400	72	23
22522-030130	85	26
22635-600120	63	8
22695-320321	111	12
22859-500202	101	28
23000-035000	3	31
	87	13
23000-048000	87	9
		14
	88	7
23000-070000	3	32
	23	7
23000-080000	3	33
23010-018000	29	13
23065-160080	56	3
23414-100000	30	10
	31	8
23414-120016	54	9
23414-190000	29	14
	36	26
	74	4
		14
	76	3
23414-200026	87	15
23491-140002	19	8
	20	14
	36	27
23871-010000	74	5
		9
23871-020000	74	6
23871-040000	13	2
23887-100002	30	11
	31	9
23980-730250	3	34
23980-730300	9	13
		14
23980-730400	3	35
		36
23980-730420	3	37
23980-730450	9	15

Parts No.	Fig. No.	Ref. No.
23980-730760	3	38
23980-731120	9	16
24101-060074	39	9
	57	10
24101-060104	16	11
	61	12
24101-060114	68	7
24101-060124	15	4
24101-060144	22	6
24101-062044	43	9
24101-062064	39	10
	46	13
24101-062074	46	14
24101-062084	44	4
24101-062094	20	15
24101-062114	61	13
24101-062124	68	8
24101-062134	22	7
24101-063044	42	5
24101-063064	42	6
24104-060014	52	3
24104-060034	52	4
24107-063054	40	15
24161-202617	40	16
24161-303520	40	17
24163-305200	40	18
24164-000202	40	19
24164-000302	40	20
24165-000352	40	21
24165-000402	40	22
24190-070001	28	19
24190-080001	54	10
	55	15
	57	11
24190-100001	49	24
	50	11
24190-110001	17	11
24190-130003	74	15
24190-180001	71	14
24311-000110	82	6
	119	11
24311-000120	82	7
24311-000125	55	16
	59	6
24311-000150	7	7
	64	13
	85	27
		28
24311-000160	2	6
	19	9

## Parts No. Index

Parts No.	Fig. No.	Ref. No.
24311-000160	20	16
	36	28
	50	12
	54	11
	119	12
24311-000180	13	5
	92	8
24311-000200	29	15
		16
24311-000500	36	29
24315-000120	74	16
	84	7
24315-000140	74	17
24315-000180	27	20
	84	8
24321-000250	50	13
	54	12
	87	16
	88	8
24321-000300	36	30
		31
24321-000600	68	9
24321-000650	2	7
	38	4
	79	14
24321-000700	19	10
24321-000750	36	32
	119	13
24321-001000	19	11
24321-001700	19	12
24321-002200	20	17
24325-000650	22	8
24325-000800	74	18
24341-000250	87	17
24341-000315	15	5
24351-240300	36	31 -1
24351-240350	27	21
24421-153207	73	15
24421-304208	71	15
24421-356212	57	12
24421-456209	19	13
24550-014200	4	15
24550-016150	42	2
24550-017150	49	25
24550-022200	27	13
24761-010000	72	24
24761-020000	31	10
24761-040000	12	2
	35	15
24761-060000	14	5

Parts No.	Fig. No.	Ref. No.
24761-060000	14	11
	27	22
	113	25
26013-080162	9	17
	36	33
26013-080202	36	34
		35
	38	5
26013-080252	20	18
	36	36
	41	19
	49	26
	52	5
26013-080302	36	37
26013-080502	36	38
26013-100162	85	29
26013-100252	20	19
26013-120202	28	23
26013-120302	19	14
		15
	115	15
26013-120352	74	19
	75	2
	77	3
	79	15
26013-120402	30	12
	36	39
	63	9
26013-120502	63	10
26013-120552	74	20
26013-120802	13	8
26013-140352	36	40
26014-080202	85	30
26016-080352	73	16
26018-060162	8	9
26018-060252	87	18
26018-060352	29	17
26022-030062	95	16
26106-060122	1	23
	3	39
		40
	89	38
	96	2
	97	8
		9
	99	13
	100	16
		17
	101	29
		30

Parts No.	Fig. No.	Ref. No.
26106-060122	105	27
		28
		29
		30
26106-060162	48	28
		29
	89	39
	97	10
	101	31
		32
		33
		34
	105	38
26106-060202	29	18
	105	31
26106-060252	3	41
26106-060352	94	19
26106-060402	29	19
	87	19
26106-060502	87	20
26106-060602	88	9
26106-080102	102	16
26106-080122	23	8
	47	2
	89	40
		41
		42
	99	14
	101	12
	104	19
	105	32
26106-080162	3	42
		43
		44
	4	25
	8	10
	9	18
	28	24
	29	20
		21
	31	11
		12
	32	5
	36	41
	43	10
	48	30
		31
	49	27
	55	17
	59	7

Parts No.	Fig. No.	Ref. No.
26106-080162	87	21
		22
		23
	88	10
		11
	89	43
		44
	98	3
	99	15
		16
		17
		18
		19
	102	17
	104	20
	105	33
		34
		35
	107	3
	108	4
26106-080202	5	2
		3
	6	4
	9	19
	29	22
		23
	88	12
	106	7
	109	15
26106-080252	3	45
	9	20
	62	3
	73	18
	89	45
	109	16
26106-080302	2	9
	9	21
	73	19
	105	36
26106-080352	36	42
	89	46
26106-080402	73	20
26106-080702	2	10
26106-080802	73	21
26106-081202	73	22
26106-100162	3	46
26106-100202	28	25
		26
	48	32
	98	4

## Parts No. Index

Parts No.	Fig. No.	Ref. No.
26106-100202	104	21
26106-100252	36	43
	105	37
	110	3
26106-100302	63	11
26106-100502	37	8
26106-100802	37	9
26106-100852	63	12
26116-080252	48	33
		34
	51	12
	118	13
26116-100252	118	14
26116-100504	85	31
26116-100752	118	15
26116-101502	37	10
26116-160302	31	13
	35	16
26156-161002	116	8
26216-120352	13	9
26218-080202	36	5
	50	14
	54	13
26218-100902	36	6
26306-080002	1	24
26346-060002	101	35
26346-080002	51	13
26346-100002	118	16
		19
26356-140002	27	23
26356-160002	28	27
	116	9
26366-080002	50	15
	54	14
26366-100002	36	44
26366-120002	31	14
26450-080142	80	4
26450-080202	80	5
26450-080252	19	16
26587-060352	104	22
26589-060162	95	26
26716-080002	4	26
	51	8
	91	4
	102	18
26716-100002	4	10
	35	7
	72	6
	83	2
	85	14

Parts No.	Fig. No.	Ref. No.
26716-100002	85	32
		33
	118	17
26716-120002	13	10
	85	34
	115	16
26716-160002	36	45
26736-160002	113	46
26756-060002	1	25
26756-100002	4	11
26756-240002	113	26
26776-100002	93	14
29622-140001	9	22
	89	47
		48
		49
		50
		51
		52
29622-250001	89	53
41800-110040	94	20
794251-13910	62	1
794275-41200	73	7
794321-13660	19	6
794464-45660	81	6
794525-37000	72	1
798240-22470	35	2
798253-48080-1	87	2
7A7780-01110	4	1
7A7780-17501	27	2

Parts No.	Fig. No.	Ref. No.
-----------	----------	----------

Parts No.	Fig. No.	Ref. No.
-----------	----------	----------