

0CNP5-M76500EN

Contents

Fig. No. Fig. Name

3TNV82A-MJKE1

1. CYLINDER BLOCK
2. GEAR HOUSING
3. MOUNTING FLANGE & OIL SUMP
4. CYLINDER HEAD & BONNET
5. SUCTION MANIFOLD & AIR CLEANER
6. EXHAUST MANIFOLD & SILENCER
7. CAMSHAFT & DRIVING GEAR
8. CRANKSHAFT & PISTON
9. HYDRAULIC PUMP
10. LUB. OIL SYSTEM
11. COOLING WATER SYSTEM
12. FUEL INJECTION PUMP
13. GOVERNOR
14. FUEL INJECTION VALVE
15. FUEL LINE
16. STARTING MOTOR
17. GENERATOR
18. GASKET SET

Fig. No. Fig. Name

Fig.1. CYLINDER BLOCK

(A)=3TNV82A-MJKE1

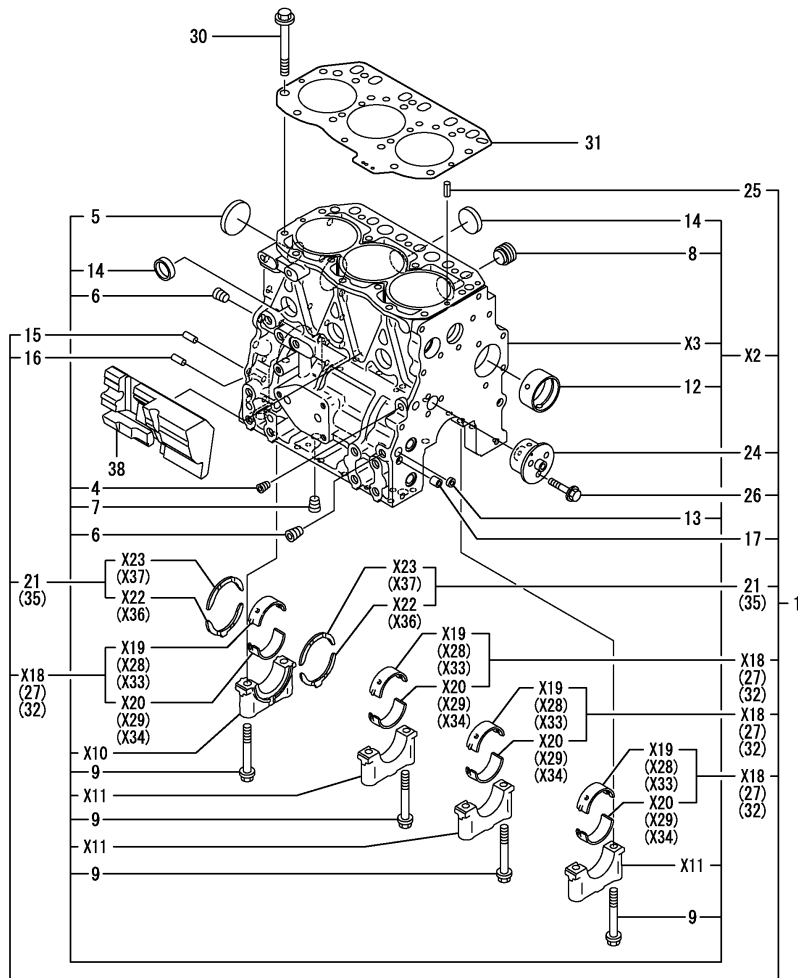
(B)=

(C)=

(D)=

(E)=

(F)=



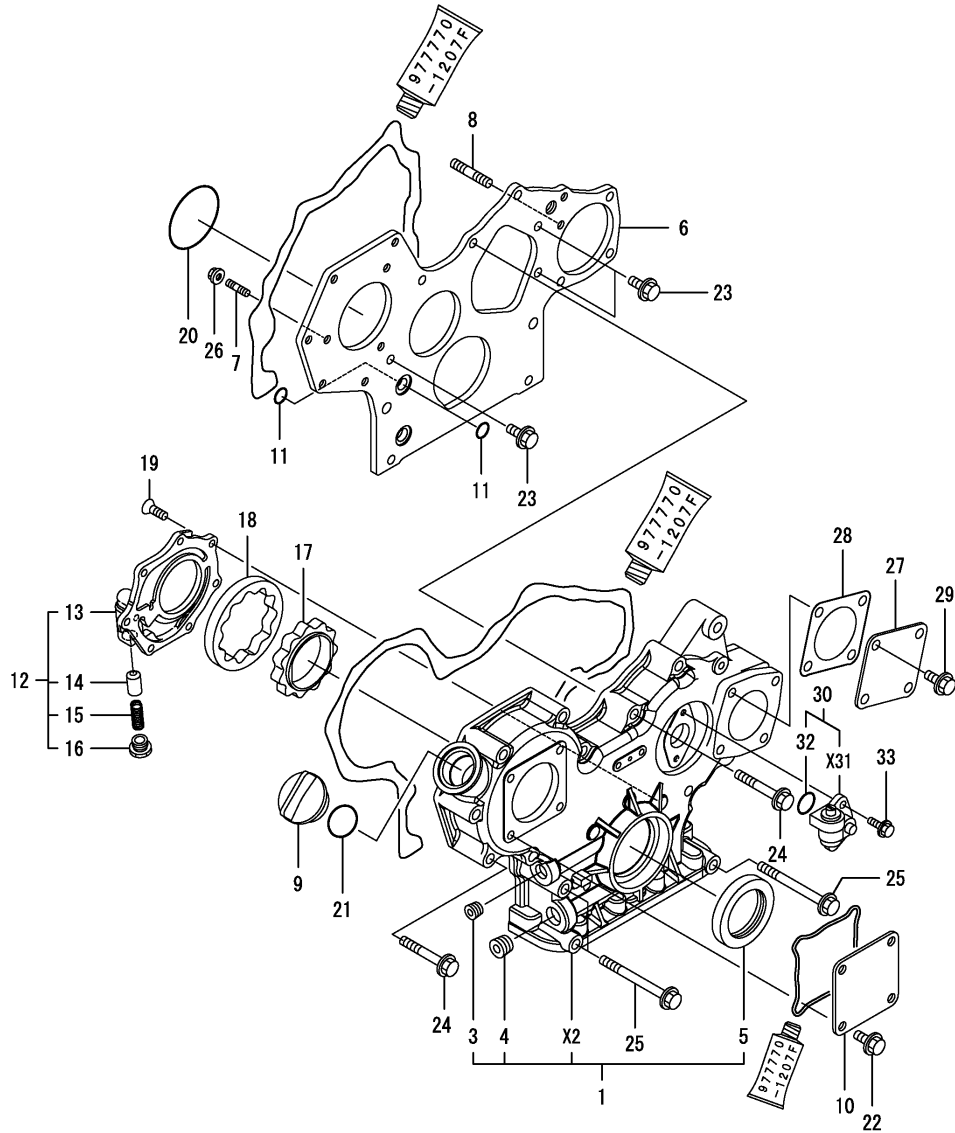
X-MARK PARTS: NOT SOLD SEPARATELY

No.	Lev.	Parts No.	Description	Q'ty						I	R
				(A)	(B)	(C)	(D)	(E)	(F)		
1	1	119934-01560	BLOCK ASSY, CYLINDER	1							
4	3	124060-01050	PLUG, PT1/8	1							
5	3	129001-01250	PLUG, 50	1							
6	3	124160-01910	PLUG, PT1/4	2							
7	3	124160-01910	PLUG, PT1/4	1							
8	3	171051-01921	PLUG, NPTF1	1							
9	3	119620-02020	BOLT, METAL CAP	8							
12	3	129795-02412	BUSH, CAMSHAFT	1							
13	3	27241-120000	PLUG, 12	2							
14	3	27241-300000	PLUG 30	6							
15	2	129100-01580	PIN, M8X16	2							
16	2	129100-01580	PIN, M8X16	2							
17	2	129795-01950	PIPE, KNOCK L=18	2							
21	2	119810-02931	BEARING, THRUST	2							
24	2	119802-25051	SHAFT, IDLE	1							
25	2	22351-060012	PIN, SPRING 6.0X12	2							
26	2	26106-080402	BOLT, M8X 40 PLATED	3							
27	1	719810-02981	BEARING, MAIN	4							1
30	1	119810-01200	BOLT, HEAD	14							
31	1	119812-01330	GASKET, HEAD	1							
32	1	119810-02871	BEARING, 0.25 US	4							2
35	1	119810-02941	BEARING, THRUST 0.25	2							3
38	1	119802-01190	SPACER	1							

Remarks

- (1) Spare part.
- (2) Under-sized(U.S.=0.25)part.
- (3) Over-sized(O.S.=0.25)part.

Fig.2. GEAR HOUSING



(A)=3TNV82A-MJKE1

(B)=

(C)=

(D)=

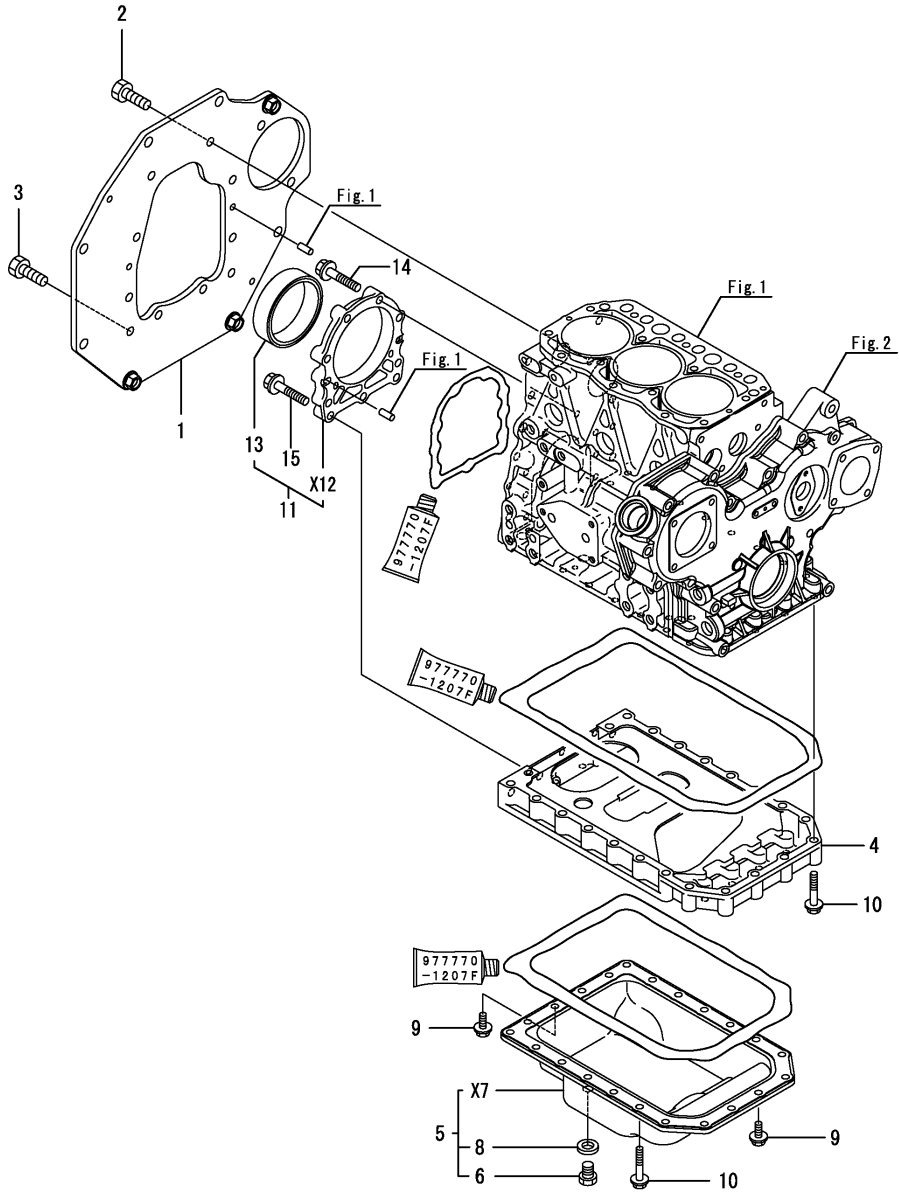
(E)=

(F)=

No.	Lev.	Parts No.	Description	Q'ty						I	R
				(A)	(B)	(C)	(D)	(E)	(F)		
1	1	729235-01500	CASE ASSY, GEAR	1							
3	2	23876-030000	PLUG, R03	1							
4	2	23876-040000	PLUG, R04	1							
5	2	119934-01800	SEAL, OIL	1							
6	1	129004-01520	FLANGE, GEAR CASE	1							
7	1	119802-01561	STUD, M8X25	3							
8	1	129150-01580	STUD, M8X30	1							
9	1	124160-01751	COVER, FILLER	1							
10	1	124240-01871	COVER	1							
11	1	119609-32040	O-RING, P16	4							
12	1	119802-32100	COVER ASSY	1							
13	2	119802-32070	COVER	1							
14	2	129900-32130	VALVE, RELIEF	1							
15	2	129418-32320	SPRING	1							
16	2	129001-32330	PLUG	1							
17	1	119802-32111	ROTOR, INNER	1							
18	1	119802-32120	ROTOR, OUTER	1							
19	1	119802-32130	SCREW, M6X16	7							
20	1	121850-51960	O-RING	1							
21	1	24311-000320	O-RING, 1AP32.0	1							
22	1	26106-080162	BOLT, M8X 16 PLATED	4							
23	1	26106-080162	BOLT, M8X 16 PLATED	3							
24	1	26106-080552	BOLT, M8X 55 PLATED	11							
25	1	26106-080852	BOLT, M8X 85 PLATED	3							
26	1	26306-080002	NUT, M8	3							
27	1	124240-01871	COVER	1							
28	1	129C26-01890	GASKET, HO-P	1							
29	1	26106-080122	BOLT, M8X 12 PLATED	4							
30	1	129150-91400	GEAR	1							
32	2	24341-000240	O-RING, 1AS24.0	1							
33	1	26106-060162	BOLT, M6X 16 PLATED	2							

X-MARK PARTS: NOT SOLD SEPARATELY

Fig.3. MOUNTING FLANGE & OIL SUMP



(A)=3TNV82A-MJKE1

(B)=

(C)=

(D)=

(E)=

(F)=

No.	Lev.	Parts No.	Description	Q'ty						I	R
				(A)	(B)	(C)	(D)	(E)	(F)		
1	1	119923-01611	FLANGE, MOUNTING	1							
2	1	26206-100202	BOLT, M10X 20 PLATED	6							
3	1	26206-100252	BOLT, M10X 25 PLATED	4							
4	1	119810-01730	SPACER, OIL SUMP	1							
5	1	119852-01771	SUMP ASSY, OIL	1							
6	2	129054-01640	PLUG, DRAIN 12	1							
8	2	22190-120002	WASHER, SEAL 12	1							
9	1	26106-080162	BOLT, M8X 16 PLATED	6							
10	1	26106-080452	BOLT, M8X 45 PLATED	22							
11	1	729402-01650	CASE ASSY, OIL SEAL	1							
13	2	129120-01780	SEAL, OIL	1							
14	1	129486-01670	BOLT, M8X30	6							
15	1	26106-080352	BOLT, M8X 35 PLATED	3							

X-MARK PARTS: NOT SOLD SEPARATELY

Fig.4. CYLINDER HEAD & BONNET

(A)=3TNV82A-MJKE1

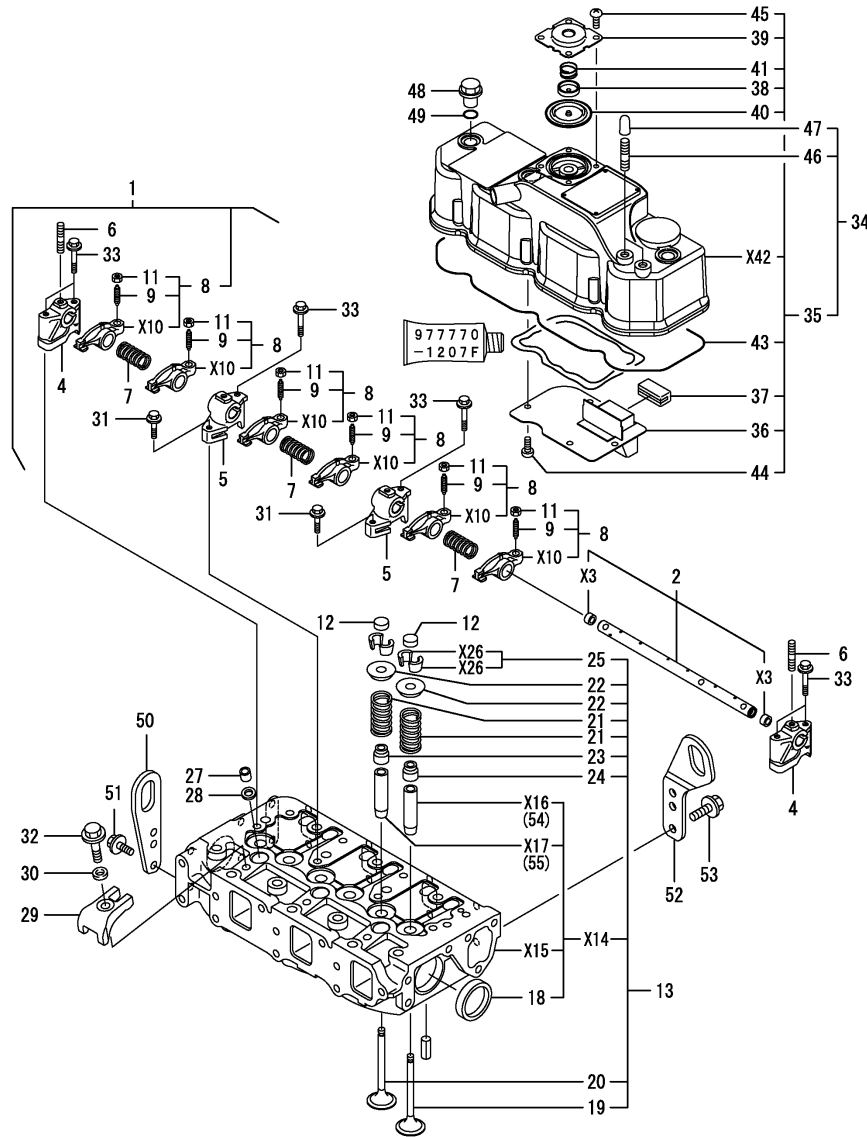
(B)=

(C)=

(D)=

(E)=

(F)=



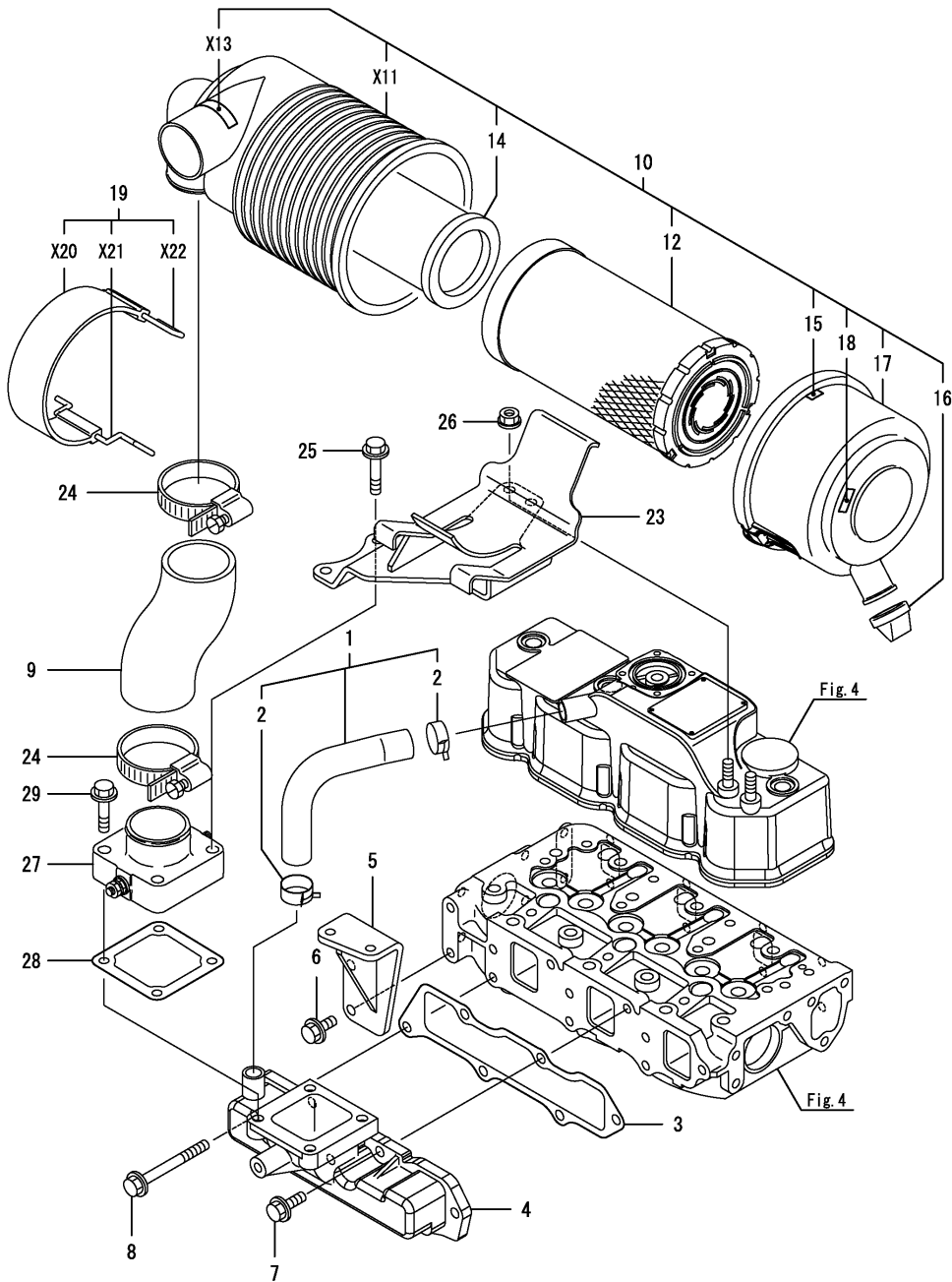
X-MARK PARTS: NOT SOLD SEPARATELY

No.	Lev.	Parts No.	Description	Q'ty						I	R
				(A)	(B)	(C)	(D)	(E)	(F)		
1	1	119802-11241	SHAFT ASSY, ROCKER	1							
2	2	119802-11251	SHAFT, ROCKER ARM	1							
4	2	119802-11260	SUPPORT, ROCKER ARM	2							
5	2	119802-11270	SUPPORT, ROCKER ARM	2							
6	2	119802-11280	STUD	3							
7	2	129150-11280	SPRING	3							
8	2	119802-11650	ARM, ROCKER	6							
9	3	129150-11230	SCREW, VALVE ADJUST	6							
11	3	129150-11750	NUT, M8	6							
12	1	104211-11370	CAP, VALVE	6							
13	1	119802-11700	HEAD ASSY, CYLINDER	1							
18	3	27241-400000	PLUG, 40	2							
19	2	119802-11100	VALVE, INTAKE	3							
20	2	119802-11110	VALVE, EXHAUST	3							
21	2	119810-11120	SPRING, VALVE	6							
22	2	104211-11180	RETAINER, SPRING	6							
23	2	119803-11340	SEAL, VALVE STEM	3							
24	2	124160-11340	SEAL, VALVE STEM	3							
25	2	27310-070001	COTTER, 7	6							
27	1	119802-11870	PROTECTOR, NOZZLE	3							
28	1	119625-11880	SEAT, NOZZLE	3							
29	1	119802-11900	RETAINER, NOZZLE	3							
30	1	120270-54410	WASHER, INJECTOR	3							
31	1	26106-080252	BOLT, M8X 25 PLATED	2							
32	1	26106-080452	BOLT, M8X 45 PLATED	3							
33	1	26106-080502	BOLT, M8X 50 PLATED	6							
34	1	119934-11350	BONNET ASSY, HEAD	1							
35	2	119852-11350	BONNET ASSY, HEAD	1							
36	3	119802-03010	PLATE	1							
37	3	129150-03070	BAFFLE, BREATHER	1							
38	3	119802-03110	PLATE	1							
39	3	119802-03121	COVER, DIAPHRAGM	1							
40	3	119802-03130	DIAPHRAGM	1							
41	3	119802-03141	SPRING, DIAPHRAGM	1							
43	3	119802-11310	GASKET, BONNET	1							
44	3	22857-500100	SCREW, 5X10	4							
45	3	22857-500100	SCREW, 5X10	4							
46	2	129555-44750	STUD, M8X30	2							
47	2	49933-000138	CAP	2							
48	1	124160-11360	KNOB	3							
49	1	24311-000120	O-RING, 1AP12.0	3							
50	1	119226-07900	LIFTER	1							
51	1	26106-080162	BOLT, M8X 16 PLATED	2							
52	1	119980-07900	LIFTER	1							
53	1	26106-080142	BOLT, M8X 14 PLATED	2							
54	1	124060-11800	GUIDE, VALVE	3							1
55	1	119802-11810	GUIDE, VALVE	3							1

Remarks
(1) Spare part.

N:Old $\begin{matrix} \text{Yes} \\ \text{No} \end{matrix}$ New, Q:Old $\begin{matrix} \text{No} \\ \text{Yes} \end{matrix}$ New, R:Old $\begin{matrix} \text{Yes} \\ \text{No} \end{matrix}$ New, S:Old $\begin{matrix} \text{No} \\ \text{Yes} \end{matrix}$ New, W:Add, Z:Discontinued, F:Interchangeable by set, K:Q'ty Change

Fig.5. SUCTION MANIFOLD & AIR CLEANER



(A)=3TNV82A-MJKE1

(B)=

(C)=

(D)=

(E)=

(F)=

No.	Lev.	Parts No.	Description	Qty						I	R
				(A)	(B)	(C)	(D)	(E)	(F)		
1	1	129005-03080	PIPE , BREATHER	1							
2	2	129410-03990	CLIP	2							
3	1	119813-12110	GASKET, MANIFOLD	1							
4	1	119802-12120	MANIFOLD, AIR INTAKE	1							
5	1	119934-55620	BRACKET, FILTER	1							
6	1	26106-080162	BOLT, M8X 16 PLATED	2							
7	1	26106-080202	BOLT, M8X 20 PLATED	4							
8	1	26106-080802	BOLT, M8X 80 PLATED	2							
9	1	119934-12200	PIPE, AIR INTAKE	1							
10	1	119934-12501	CLEANER ASSY, AIR	1							
12	2	119808-12520	ELEMENT	1							
14	2	129051-12530	ELEMENT	1							
15	2	129418-12530	LABEL, MARK	2							
16	2	119808-12540	VALVE, UNLOADER	1							
17	2	119866-12541	COVER ASSY	1							
18	2	129612-12650	LABEL, MARKING	1							
19	1	119865-12600	BAND ASSY, CLEANER	1							
23	1	119934-12601	SUPPORT, AIR CLEANER	1							
24	1	23000-060000	CLAMP, 60	2							
25	1	26106-080402	BOLT, M8X 40 PLATED	2							
26	1	26306-080002	NUT, M8	1							
27	1	129120-77502	HEATER	1							
28	1	129150-77511	GASKET	1							
29	1	26106-080352	BOLT, M8X 35 PLATED	4							

X-MARK PARTS: NOT SOLD SEPARATELY

Fig.6. EXHAUST MANIFOLD & SILENCER

(A)=3TNV82A-MJKE1

(B)=

(C)=

(D)=

(E)=

(F)=

No.	Lev.	Parts No.	Description	Q'ty						I	R
				(A)	(B)	(C)	(D)	(E)	(F)		
1	1	119810-13110	GASKET	1							
2	1	119934-13130	MANIFOLD, EXHAUST	1							
3	1	119802-13640	BOLT, M8X60 10.9T	4							
4	1	119802-13740	STUD, M8X60	2							
5	1	119131-18320	STUD, M8X22	4							
6	1	26306-080002	NUT, M8	2							
7	1	129004-13200	GASKET, SILENCER	1							
8	1	119852-13520	SILENCER	1							
9	1	26306-080002	NUT, M8	4							

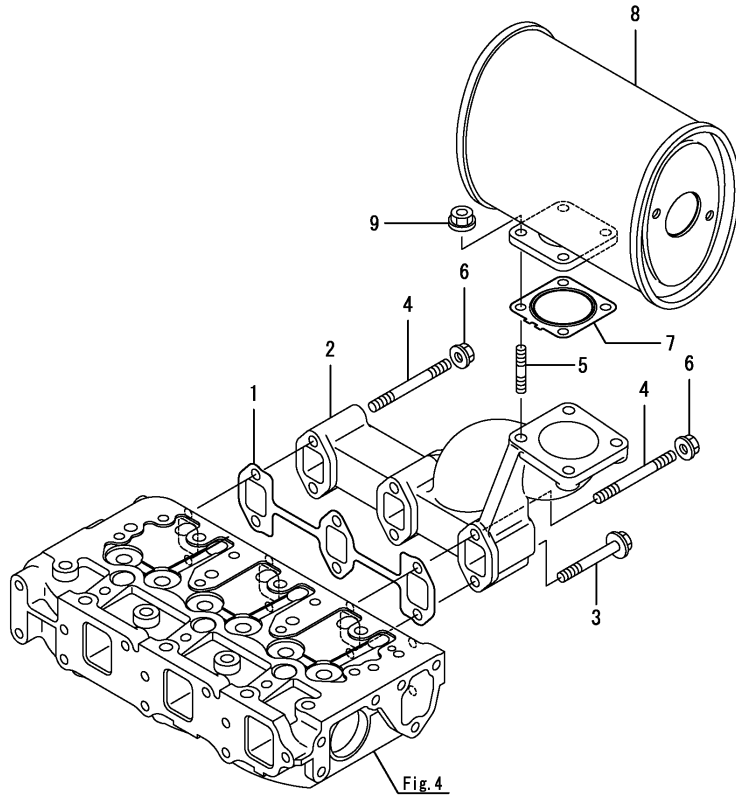


Fig.7. CAMSHAFT & DRIVING GEAR

(A)=3TNV82A-MJKE1

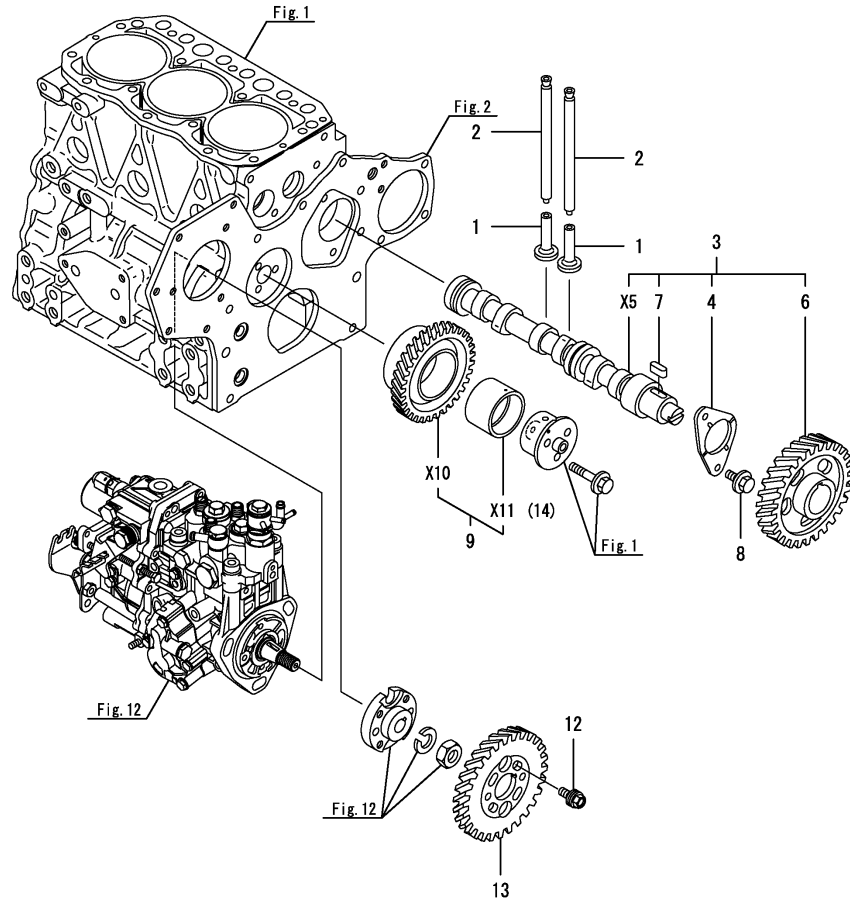
(B)=

(C)=

(D)=

(E)=

(F)=

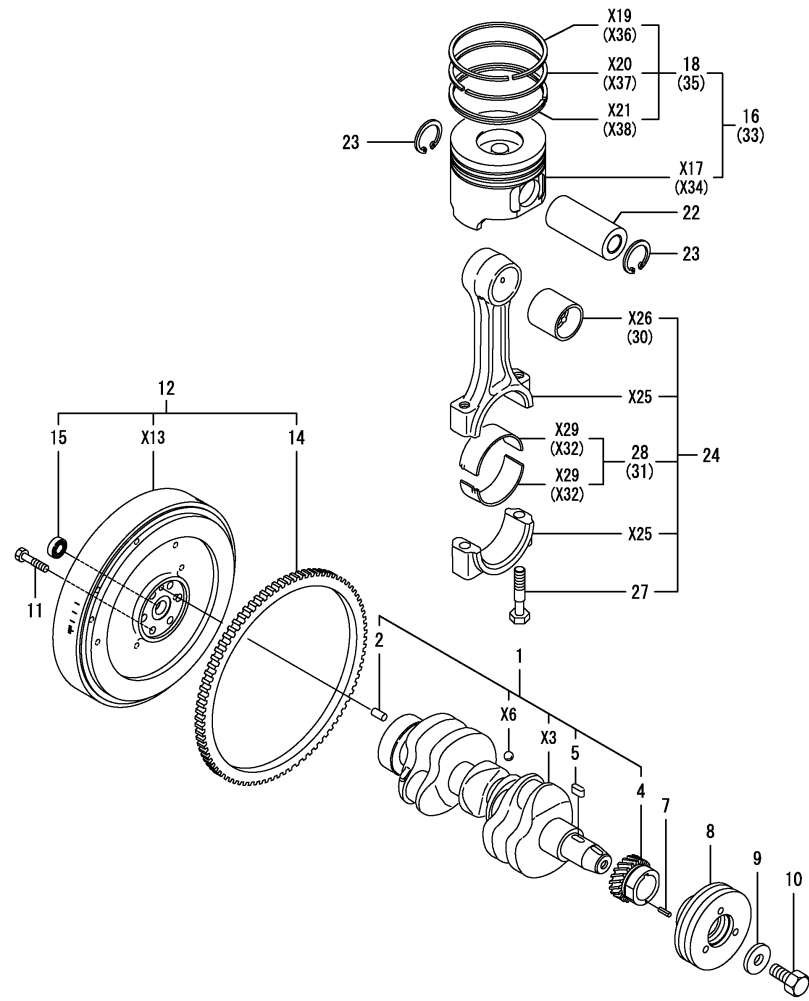


No.	Lev.	Parts No.	Description	Qty						I	R
				(A)	(B)	(C)	(D)	(E)	(F)		
1	1	129150-14200	TAPPET	6							
2	1	119810-14400	ROD, PUSH	6							
3	1	119802-14580	CAMSHAFT ASSY	1							
4	2	129150-02450	BEARING, THRUST	1							
6	2	129150-14101	GEAR, CAMSHAFT	1							
7	2	22512-070140	KEY, 7X 14	1							
8	1	26106-080142	BOLT, M8X 14 PLATED	2							
9	1	119802-25101	GEAR ASSY, IDLE	1							
12	1	129150-25301	BOLT	4							
13	1	119802-25901	GEAR, PUMP	1							
14	1	119802-25071	BUSH, IDLE GEAR	1							1

X-MARK PARTS: NOT SOLD SEPARATELY

Remarks
(1)Spare part.

Fig.8. CRANKSHAFT & PISTON



X-MARK PARTS: NOT SOLD SEPARATELY

(A)=3TNV82A-MJKE1

(B)=

(C)=

(D)=

(E)=

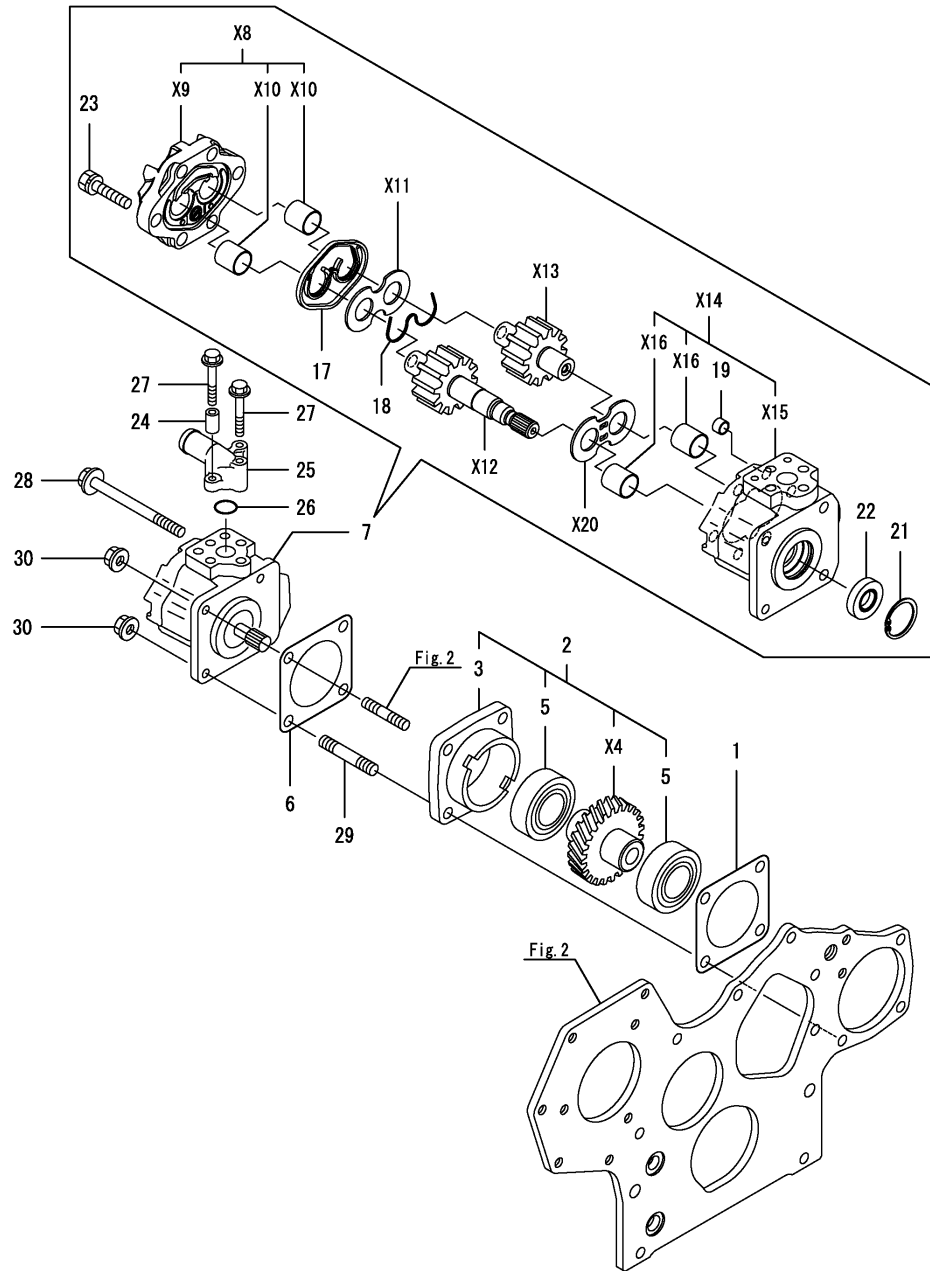
(F)=

No.	Lev.	Parts No.	Description	Q'ty						I	R
				(A)	(B)	(C)	(D)	(E)	(F)		
1	1	119802-21002	CRANKSHAFT ASSY	1							
2	2	129100-01580	PIN, M8X16	1							
4	2	119802-21202	GEAR, CRANKSHAFT	1							
5	2	22512-070140	KEY, 7X 14	1							
7	1	22351-030010	PIN, SPRING 3.0X10	1							
8	1	119802-21650	V-PULLEY, 110	1							
9	1	129795-21661	WASHER	1							
10	1	121850-21680	BOLT	1							
11	1	121111-21501	BOLT, FLYWHEEL	6							
12	1	119934-21570	FLYWHEEL ASSY	1							
14	2	119865-21600	GEAR, RING	1							
15	2	119626-21700	BEARING, 6901	1							
16	1	119802-22080	PISTON ASSY	3							
18	2	119802-22500	RING SET, PISTON	3							
22	1	119813-22300	PIN, PISTON	3							
23	1	129792-22400	CIRCLIP, 23	6							
24	1	719810-23100	ROD ASSY, CONNECTING	3							
27	2	119810-23200	BOLT, CONNECTING ROD	6							
28	2	119810-23601	BEARING, CRANK PIN	3							
30	1	119810-23910	BEARING, PISTON PIN	3							1
31	1	119810-23611	BEARING, 0.25 US	3							2
33	1	119802-22900	PISTON ASSY, 0.25 OS	3							3
35	2	119802-22950	RING SET, 0.25 OS	3							3

Remarks

- (1) Spare part.
- (2) Under-sized(U.S.=0.25)part.
- (3) Over-sized(O.S.=0.25)part.

Fig.9. HYDRAULIC PUMP



X-MARK PARTS: NOT SOLD SEPARATELY

(A)=3TNV82A-MJKE1

(B)=

(C)=

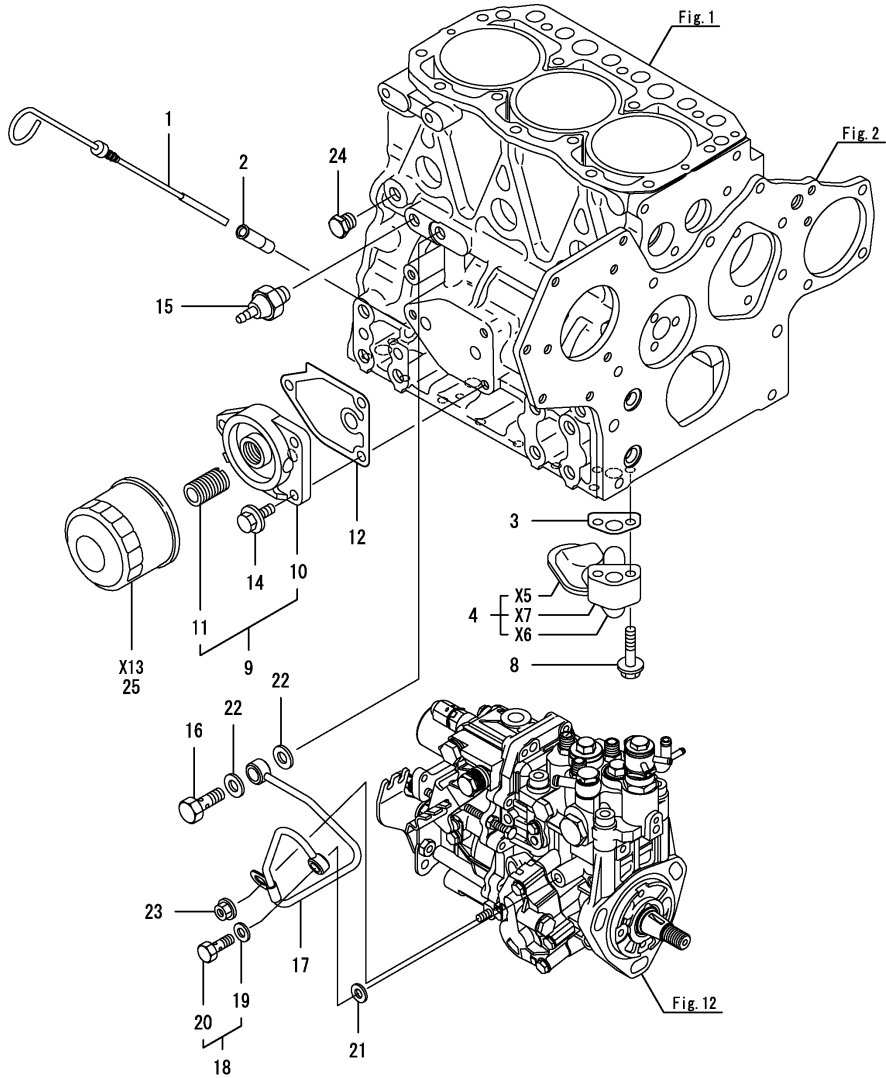
(D)=

(E)=

(F)=

No.	Lev.	Parts No.	Description	Q'ty						I	R
				(A)	(B)	(C)	(D)	(E)	(F)		
1	1	129150-01881	GASKET	1							
2	1	129150-26000	DRIVE ASSY, PUMP	1							
3	2	129150-26050	BRACKET, PUMP	1							
5	2	24105-060064	BEARING, BALL 6006Z	2							
6	1	129C26-01890	GASKET, HO-P	1							
7	1	119923-26010	PUMP ASSY, HYDRAULIC	1							
17	2	178077-15400	SEAL RING	1							
18	2	178077-15410	BACKUP RING	1							
19	2	194521-41570	PIN, 11X7	2							
21	2	22252-000320	RING, 32	1							
22	2	24421-153207	SEAL, OIL TC153207	1							
23	2	26016-080352	BOLT, M8X 35	4							
24	1	119626-26690	SPACER	1							
25	1	198220-48140	FLANGE, PIPE P	1							
26	1	24311-000200	O-RING, 1AP20.0	1							
27	1	26106-060402	BOLT, M6X 40 PLATED	3							
28	1	26106-080952	BOLT, M8X 95 PLATED	2							
29	1	26216-080402	STUD, M8X 40	1							
30	1	26306-080002	NUT, M8	2							

Fig.10. LUB. OIL SYSTEM



X-MARK PARTS: NOT SOLD SEPARATELY

(A)=3TNV82A-MJKE1

(B)=

(C)=

(D)=

(E)=

(F)=

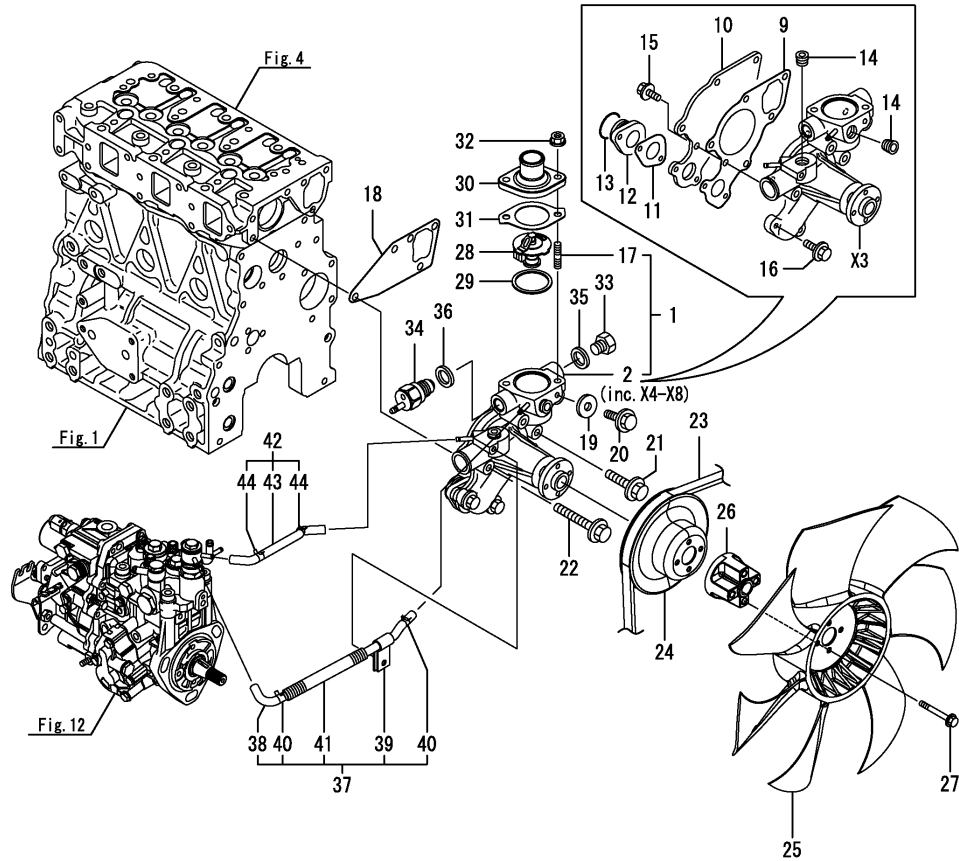
No.	Lev.	Parts No.	Description	Q'ty						I	R
				(A)	(B)	(C)	(D)	(E)	(F)		
1	1	119802-34812	DIPSTICK, OIL	1							
2	1	121520-34810	GUIDE, DIPSTICK	1							
3	1	129150-35042	GASKET	1							
4	1	119810-35401	PIPE ASSY, OIL INLET	1							
8	1	26106-080352	BOLT, M8X 35 PLATED	2							
9	1	119802-35100	BRACKET ASSY, FILTER	1							
10	2	119802-35110	BRACKET, FILTER	1							
11	2	129100-35140	STUD	1							
12	1	129150-35111	GASKET	1							
14	1	26106-080202	BOLT, M8X 20 PLATED	3							
15	1	114250-39450	SWITCH, 0.5KG	1							
16	1	124160-39140	BOLT, PIPE JOINT M10	1							
17	1	119802-39450	PIPE ASSY, OIL	1							
18	1	129005-59830	BOLT ASSY, JOINT M8	1							
19	2	22190-080002	WASHER, SEAL 6	1							
20	2	23857-030000	BOLT, JOINT 3	1							
21	1	22190-080002	WASHER, SEAL 6	1							
22	1	22190-100002	WASHER, SEAL 10	2							
23	1	26366-060002	NUT, M6	1							
24	1	171056-49120	PLUG, DRAIN	1							
25	1	129150-35153	FILTER	1							1

Remarks

(1) Spare part.

N:Old $\begin{matrix} \leftarrow \text{Yes} \\ \text{No} \end{matrix}$ New, Q:Old $\begin{matrix} \leftarrow \text{No} \\ \text{Yes} \end{matrix}$ New, R:Old $\begin{matrix} \leftarrow \text{Yes} \\ \text{Yes} \end{matrix}$ New, S:Old $\begin{matrix} \leftarrow \text{No} \\ \text{No} \end{matrix}$ New, W:Add, Z:Discontinued, F:Interchangeable by set, K:Q'ty Change

Fig.11. COOLING WATER SYSTEM



(A)=3TNV82A-MJKE1

(B)=

(C)=

(D)=

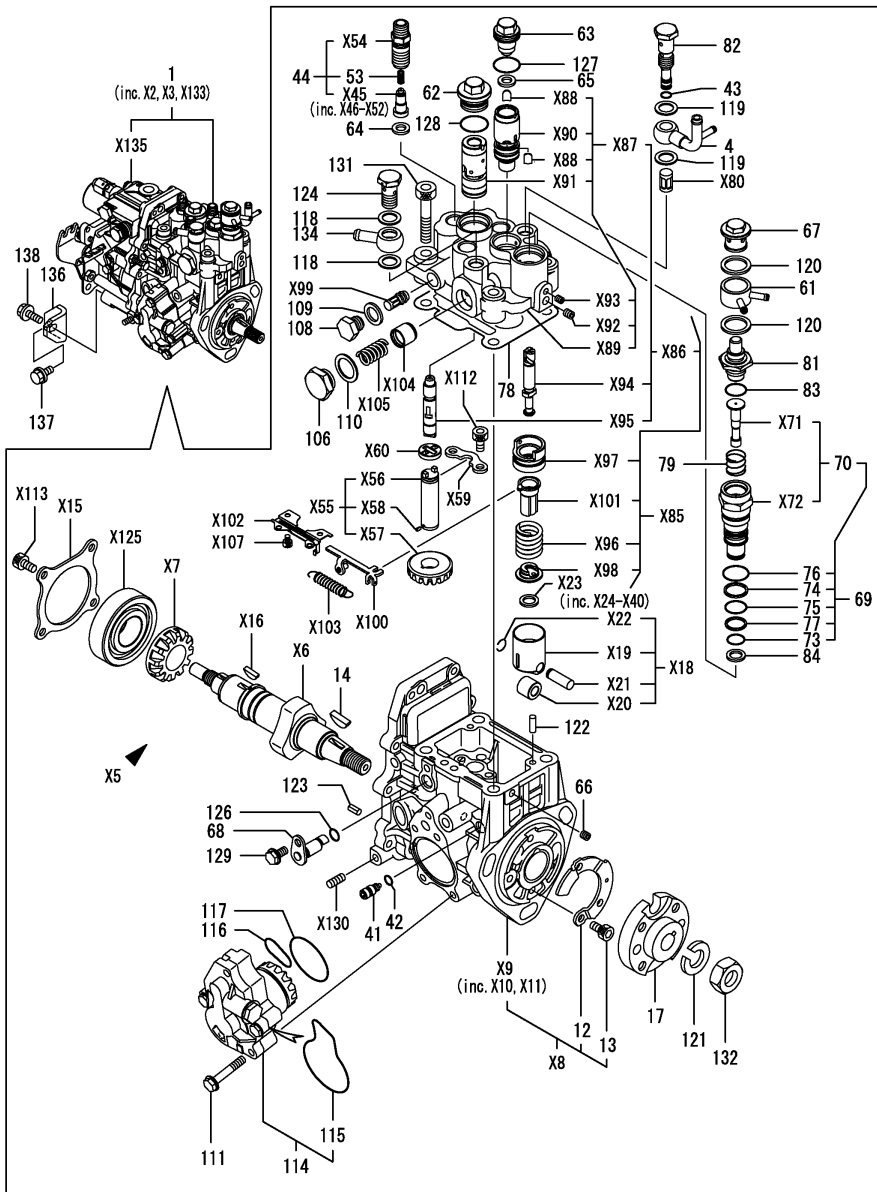
(E)=

(F)=

No.	Lev.	Parts No.	Description	Q'ty						I	R
				(A)	(B)	(C)	(D)	(E)	(F)		
1	1	119934-42001	PUMP ASSY, WATER	1							
2	2	119802-42001	PUMP ASSY, WATER	1							
9	3	119810-42051	GASKET, WATER PUMP	1							
10	3	119810-42120	PLATE	1							
11	3	119810-42281	GASKET, WATER PUMP	1							
12	3	119810-42290	PIPE	1							
13	3	129054-42320	O-RING	1							
14	3	23876-030000	PLUG, R03	2							
15	3	26106-060142	BOLT, M6X 14 PLATED	2							
16	3	26106-060202	BOLT, M6X 20 PLATED	2							
17	2	129555-44750	STUD, M8X30	2							
18	1	129486-42050	GASKET, WATER PUMP	1							
19	1	23414-080000	GASKET, 8X1.0	1							
20	1	26106-080122	BOLT, M8X 12 PLATED	1							
21	1	26106-080352	BOLT, M8X 35 PLATED	1							
22	1	26106-080552	BOLT, M8X 55 PLATED	3							
23	1	25132-003800	V-BELT, A38	1							
24	1	129120-42351	V-PULLEY, CW PUMP	1							
25	1	129655-44740	FAN, COOLING D380	1							
26	1	129030-44760	SPACER, FAN L38.5	1							
27	1	26106-060502	BOLT, M6X 50 PLATED	4							
28	1	129155-49801	THERMOSTAT, 71	1							
29	1	129150-49811	GASKET, THERMOSTAT	1							
30	1	129350-49530	COVER, THERMOSTAT	1							
31	1	129795-49551	GASKET	1							
32	1	26306-080002	NUT, M8	2							
33	1	121450-42450	PLUG, M16	1							
34	1	121250-44901	SWITCH, 110	1							
35	1	124465-44950	GASKET, 16	1							
36	1	124465-44950	GASKET, 16	1							
37	1	119802-49610	PIPE ASSY, WATER	1							
38	2	119802-49711	PIPE ASSY, WATER	1							
39	2	119802-49730	RETAINER, PIPE	1							
40	2	124722-59050	CLIP, HOSE 9	2							
41	2	119802-59320	TUBE, CORRUGATED	1							
42	1	119802-49620	PIPE ASSY, WATER	1							
43	2	119802-49721	PIPE ASSY, WATER	1							
44	2	124722-59050	CLIP, HOSE 9	2							

X-MARK PARTS: NOT SOLD SEPARATELY

Fig.12. FUEL INJECTION PUMP



X-MARK PARTS: NOT SOLD SEPARATELY

Remarks
 (1)Governor(Fig.13)is incorporated in this Fuel Injection Pump (Ref.1).

(A)=3TNV82A-MJKE1

(B)=

(C)=

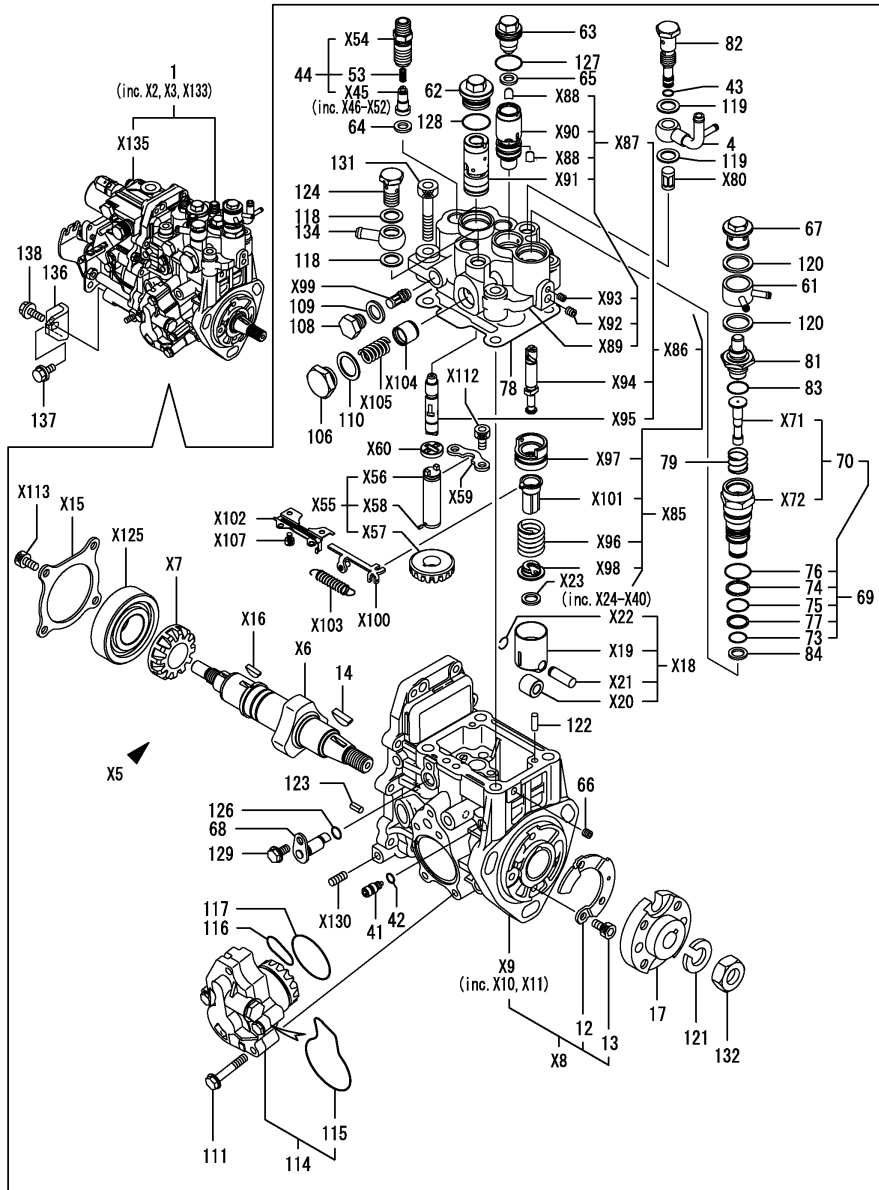
(D)=

(E)=

(F)=

No.	Lev.	Parts No.	Description	Q'ty						I	R
				(A)	(B)	(C)	(D)	(E)	(F)		
1	1	719934-51340	FIE ASSY	1							1
4	2	158552-51670	JOINT, OVER FLOW	1							
12	4	129008-51900	COVER, GEAR CASE	1							
13	4	129008-51920	BOLT, M6X10	2							
14	3	119802-51090	KEY, 4X16	1							
17	3	158552-51151	FLANGE	1							
41	3	158600-51270	STOPPER, TAPPET	1							
42	3	158563-51281	O-RING, 4D S6	1							
43	3	158563-51281	O-RING, 4D S6	1							
44	3	129509-51390	VALVE ASSY, DELIVERY	3							
53	4	158563-51330	SPRING, DELIVERY	3							
61	3	158553-51551	JOINT	1							
62	3	158601-51550	PLUG	1							
63	3	119802-51560	PLUG, BARREL	1							
64	3	158552-51571	GASKET	3							
65	3	158552-51571	GASKET	1							
66	3	158557-51570	PLUG	1							
67	3	158601-51570	PLUG	1							
68	3	158552-51580	LIFTER	1							
69	3	119802-51590	TIMER SET	1							
70	4	119802-51600	TIMER ASSY	1							
73	4	158553-51670	O-RING, 1011	1							
74	4	119802-51680	RING, BACK UP	1							
75	4	119802-51690	O-RING	1							
76	4	24356-190200	O-RING, 4D19020	1							
77	4	24372-000150	RING, BACK UP T2P15	1							
78	3	158552-51600	GASKET	1							
79	3	158553-51630	SPRING, TIMER	1							
81	3	158553-51640	ELEMENT	1							
82	3	158601-51650	JOINT, OVER FLOW	1							
83	3	158553-51660	O-RING, P14	1							
84	3	158553-51680	GASKET	1							
106	4	158601-51790	PLUG	1							
108	4	158553-51930	PLUG, M12	1							
109	4	22190-120002	WASHER, SEAL 12	1							
110	4	22190-180002	WASHER, SEAL 18	1							
111	3	158553-51770	BOLT	4							
114	3	158552-52100	PUMP ASSY, FUEL FEED	1							
115	4	158552-52500	O-RING	1							
116	3	158552-52311	O-RING	1							
117	3	158552-52400	O-RING, 4E S42	1							
118	3	22190-120002	WASHER, SEAL 12	2							
119	3	22190-120002	WASHER, SEAL 12	2							
120	3	22190-180002	WASHER, SEAL 18	2							
121	3	22217-140000	WASHER, SPRING 14	1							
122	3	22312-050140	PIN, PARALLEL M5X14	2							
123	3	22351-050010	PIN, SPRING 5.0X10	2							
124	3	23857-060000	BOLT, JOINT 6	1							
126	3	24311-000070	O-RING, 1AP7.0	1							
127	3	24356-190180	O-RING, 4D19018	1							
128	3	24356-190200	O-RING, 4D19020	1							

Fig.12. FUEL INJECTION PUMP



X-MARK PARTS: NOT SOLD SEPARATELY

(A)=3TNV82A-MJKE1

(B)=

(C)=

(D)=

(E)=

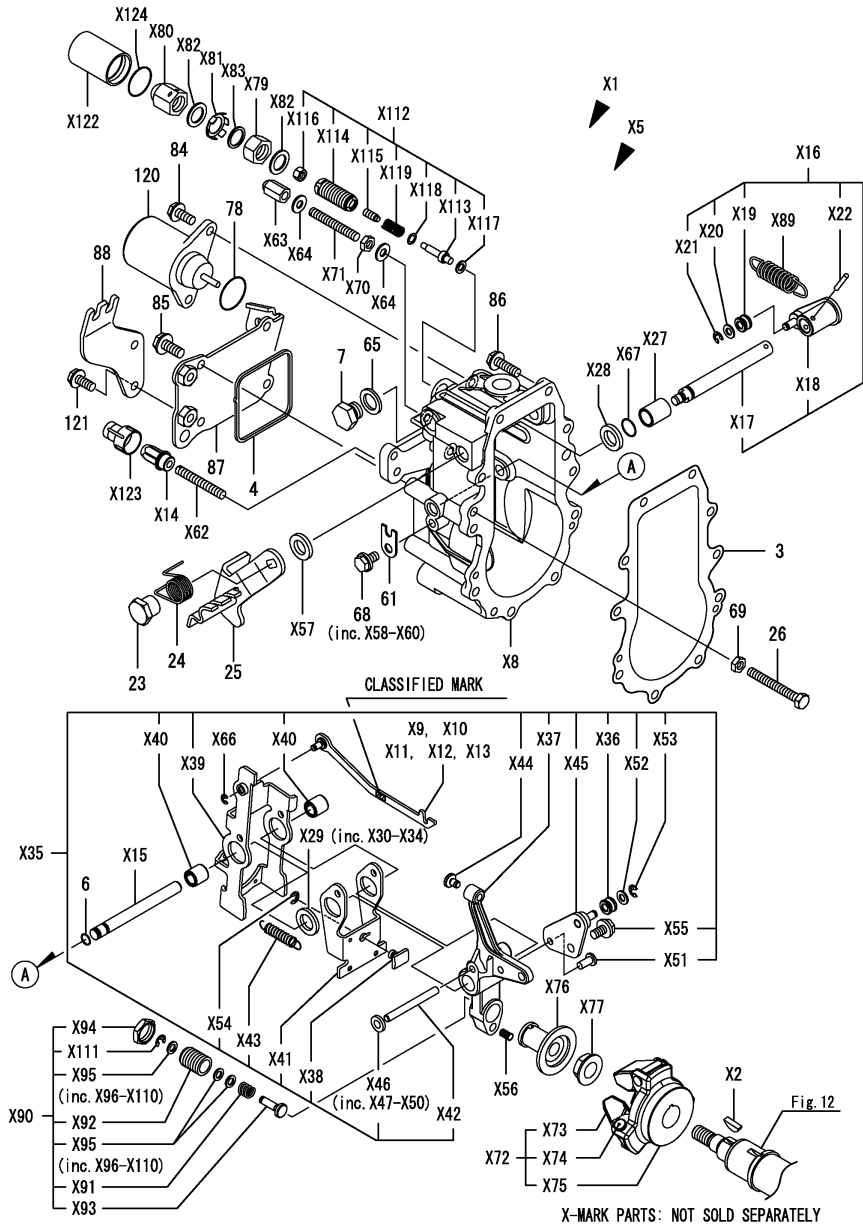
(F)=

No.	Lev.	Parts No.	Description	Q'ty						I	R
				(A)	(B)	(C)	(D)	(E)	(F)		
129	3	26106-060102	BOLT, M6X 10 PLATED	1							
131	3	26450-080452	BOLT, M8X 45	4							
132	3	26776-140002	NUT, LOCK M14	1							
134	2	129916-59020	JOINT, PIPE 12	1							
136	1	119802-51250	RETAINER, PUMP	1							
137	1	26106-080162	BOLT, M8X 16 PLATED	1							
138	1	26106-080202	BOLT, M8X 20 PLATED	1							

Remarks

(1)Governor(Fig.13)is incorporated in this Fuel Injection Pump (Ref.1).

Fig.13. GOVERNOR



(A)=3TNV82A-MJKE1

(B)=

(C)=

(D)=

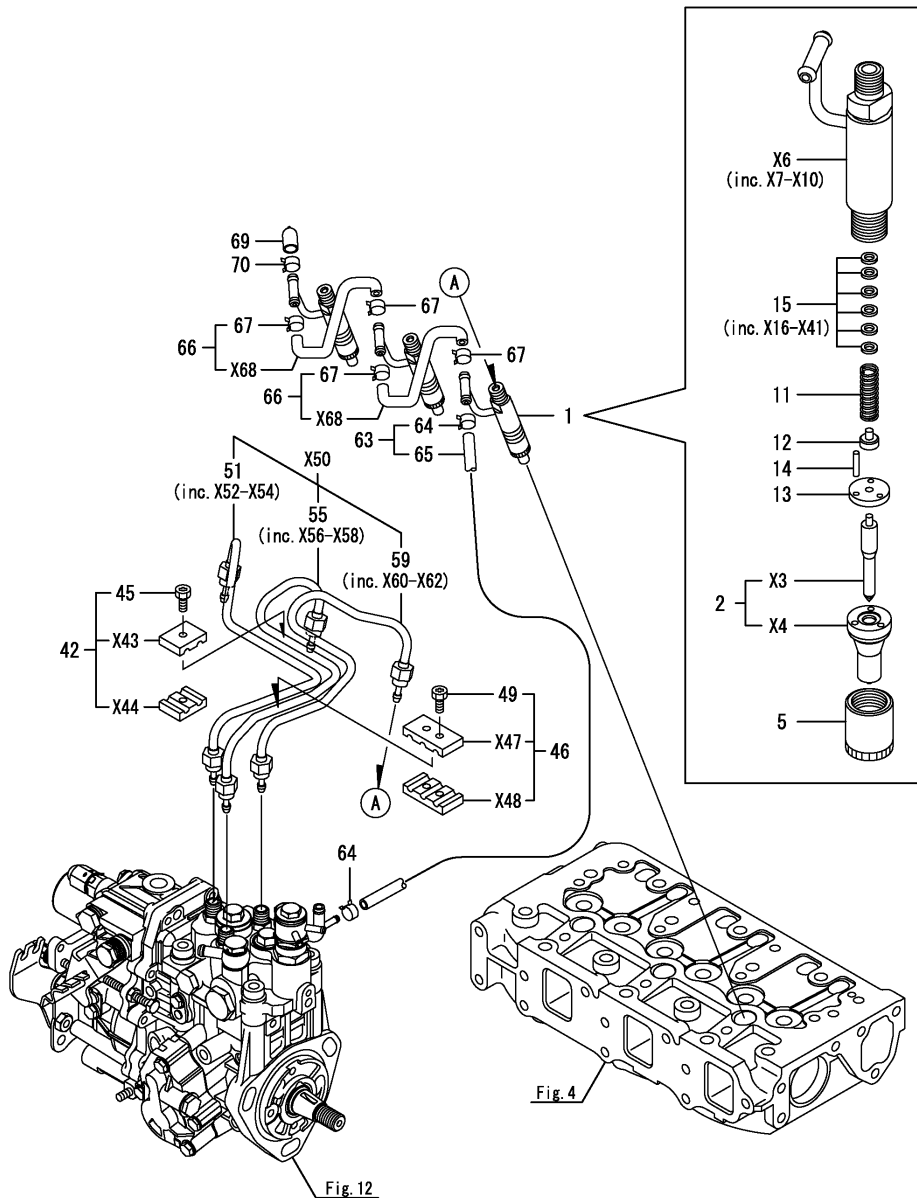
(E)=

(F)=

No.	Lev.	Parts No.	Description	Q'ty						I	R
				(A)	(B)	(C)	(D)	(E)	(F)		
3	3	158553-61050	GASKET	1							
4	3	158553-61070	GASKET	1							
6	4	129155-51280	O-RING, S6	1							
7	4	158553-51930	PLUG, M12	1							
23	4	129255-61410	NUT, LOCK	1							
24	4	119807-61420	SPRING, RETURN	1							
25	4	119852-61440	LEVER ASSY,REGULATOR	1							
26	4	129155-61460	BOLT, IDLE	1							
61	4	119660-61901	RETAINER, SHAFT	1							
65	4	22190-120002	WASHER, SEAL 12	1							
68	4	26106-060102	BOLT, M6X 10 PLATED	1							
69	4	26756-060002	NUT, LOCK M6	1							
78	3	158552-61900	O-RING	1							
84	3	26106-060142	BOLT, M6X 14 PLATED	2							
85	3	26106-060142	BOLT, M6X 14 PLATED	4							
86	3	26106-060202	BOLT, M6X 20 PLATED	10							
87	2	158552-61061	COVER, GOVERNOR CASE	1							
88	2	119852-61080	SUPPORT, WIRE	1							
120	2	119233-77932	SOLENOID, STOP	1							
121	2	26106-060142	BOLT, M6X 14 PLATED	2							

Remarks
 *This figure(Governor)is incorporated
 in the Fuel Injection Pump (Fig.12).

Fig.14. FUEL INJECTION VALVE



(A)=3TNV82A-MJKE1

(B)=

(C)=

(D)=

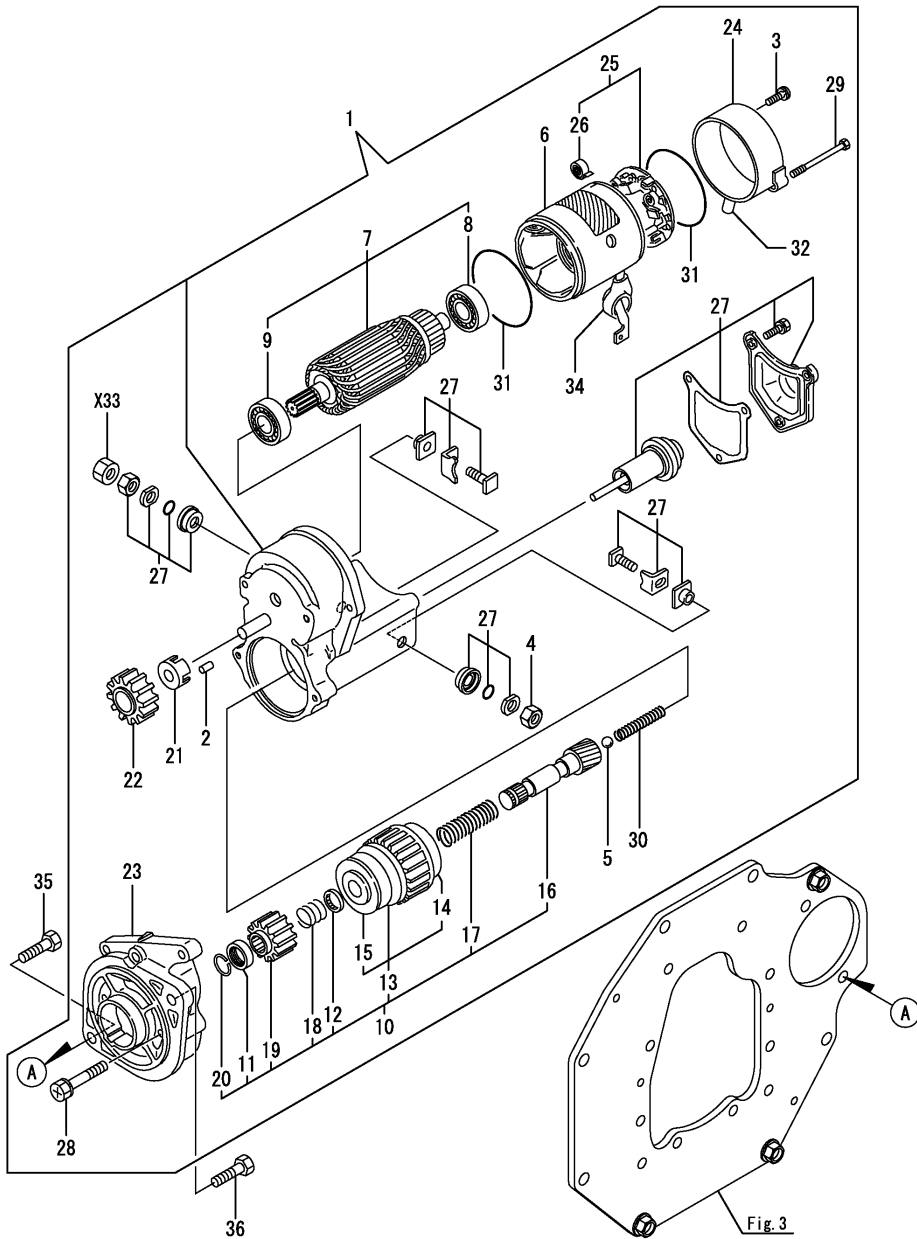
(E)=

(F)=

No.	Lev.	Parts No.	Description	Q'ty						I	R
				(A)	(B)	(C)	(D)	(E)	(F)		
1	1	729244-53100	VALVE ASSY,INJECTION	3							
2	2	129234-53001	VALVE ASSY,INJECTION	3							
5	2	114250-53080	NUT, NOZZLE D16.95	3							
11	2	114250-53120	SPRING, NOZZLE	3							
12	2	114250-53130	SEAT, SPRING	3							
13	2	114250-53140	PLATE	3							
14	2	114250-53210	PIN	6							
15	2	119803-53400	SHIM SET	3							
42	1	119305-59120	RETAINER, PIPE	1							
45	2	129150-59131	BOLT, M4X14	1							
46	1	129150-59120	RETAINER, PIPE	1							
49	2	129150-59131	BOLT, M4X14	2							
51	2	119802-59810	PIPE ASSY, INJECTION	1							
55	2	119934-59820	PIPE ASSY, INJECTION	1							
59	2	119802-59830	PIPE ASSY, INJECTION	1							
63	1	119802-59550	PIPE ASSY, RETURN	1							
64	2	124722-59050	CLIP, HOSE 9	2							
65	2	119802-59560	PIPE, FUEL RETURN	1							
66	1	129486-59551	PIPE ASSY, RETURN	2							
67	2	124722-59050	CLIP, HOSE 9	4							
69	1	119593-59581	CAP	1							
70	1	124060-77680	CLIP, HOSE 10	1							

X-MARK PARTS: NOT SOLD SEPARATELY

Fig.16. STARTING MOTOR



(A)=3TNV82A-MJKE1

(B)=

(C)=

(D)=

(E)=

(F)=

No.	Lev.	Parts No.	Description	Q'ty						I	R
				(A)	(B)	(C)	(D)	(E)	(F)		
1	1	129407-77010	STARTER, RA1.4	1							
2	2	X0283060061	ROLLER	5							
3	2	129129-77460	SCREW	2							
4	2	X9490561370	NUT	1							
5	2	X9491200240	BALL	1							
6	2	129407-77210	YOKE ASSY	1							
7	2	129407-77220	ARMATURE ASSY	1							
8	3	129129-77230	BEARING, BALL	1							
9	3	129129-77240	BEARING, BALL	1							
10	2	129407-77250	STARTER	1							
11	3	X0280210230	NUT	1							
12	3	X0283270140	RETAINER	1							
13	3	129407-77390	CLUTCH ASSY	1							
14	4	129129-77440	BEARING, BALL	1							
15	4	129129-77450	BEARING, BALL	1							
16	3	129129-77400	SHAFT	1							
17	3	129129-77410	SPRING, COIL	1							
18	3	129407-77410	SPRING	1							
19	3	129129-77420	PINION, STARTER	1							
20	3	129129-77430	RING	1							
21	2	129129-77260	RETAINER	1							
22	2	129129-77270	PINION	1							
23	2	129407-77280	HOUSING	1							
24	2	129407-77290	FRAME	1							
25	2	129407-77300	HOLDER ASSY	1							
26	3	X9491730461	SPRING	4							
27	2	129407-77310	SWITCH ASSY	1							
28	2	129129-77320	BOLT	2							
29	2	129407-77330	BOLT	2							
30	2	129129-77340	SPRING	1							
31	2	129129-77350	O-RING	2							
32	2	129129-77362	COVER	1							
34	2	129129-77380	CAP	1							
35	1	129155-77060	BOLT	1							
36	1	26116-120202	BOLT, M12X 20 PLATED	1							

X-MARK PARTS: NOT SOLD SEPARATELY

Fig.17. GENERATOR

(A)=3TNV82A-MJKE1

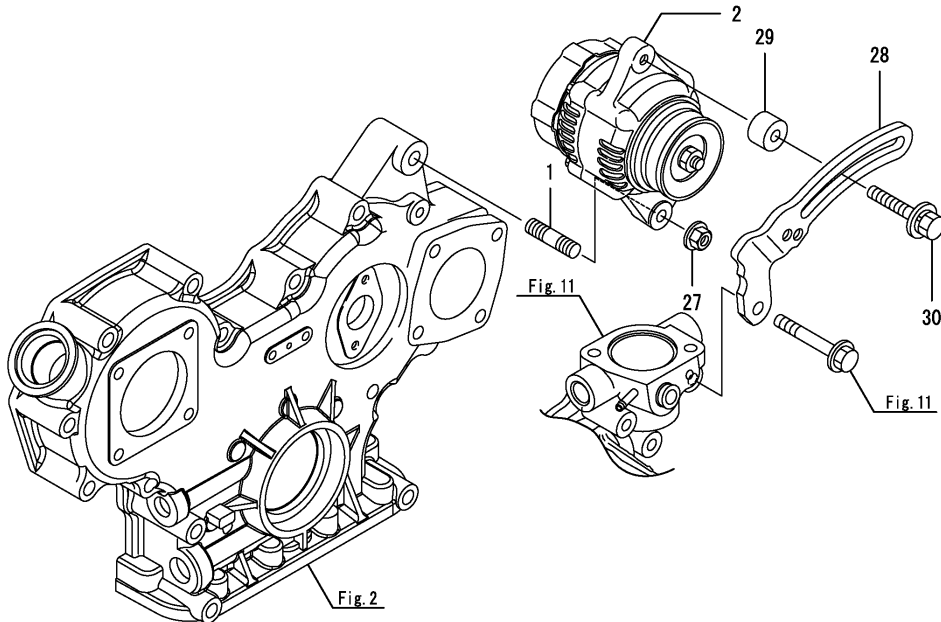
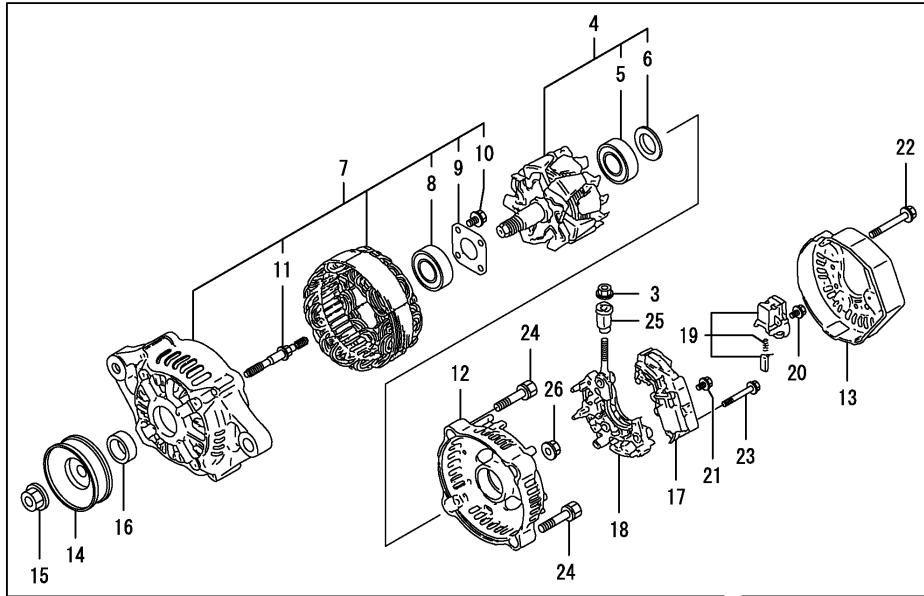
(B)=

(C)=

(D)=

(E)=

(F)=



No.	Lev.	Parts No.	Description	Q'ty						I	R
				(A)	(B)	(C)	(D)	(E)	(F)		
1	1	129795-01900	STUD	1							
2	1	129052-77220	GENERATOR, 12V-55A	1							
3	2	X9490561001	NUT	1							
4	2	129052-77380	ROTOR ASSY	1							
5	3	123501-79240	BEARING, BALL	1							
6	3	119620-79250	COVER	1							
7	2	129052-77422	FRAME ASSY	1							
8	3	119620-79200	BEARING, BALL	1							
9	3	119620-79210	PLATE, RETAINER	1							
10	3	119620-79220	SCREW	4							
11	3	119620-79230	STUD	2							
12	2	128401-77440	FRAME	1							
13	2	128401-77450	COVER	1							
14	2	119620-77461	PULLEY	1							
15	2	119620-77471	NUT	1							
16	2	119620-77490	COLLAR	1							
17	2	119620-77710	REGULATOR ASSY	1							
18	2	129052-79260	HOLDER	1							
19	2	129052-79270	HOLDER, BRUSH	1							
20	2	119620-79290	SCREW	6							
21	2	119620-79300	SCREW	1							
22	2	119620-79310	BOLT	3							
23	2	119620-79320	SCREW	2							
24	2	119620-79330	BOLT	2							
25	2	119620-79340	BUSH, INSULATION	1							
26	2	119620-79350	NUT	2							
27	1	26306-100002	NUT, M10	1							
28	1	129064-77330	ADJUSTER	1							
29	1	129067-77340	SPACER	1							
30	1	129972-77341	BOLT, ADJUSTER L=50	1							

Fig.18. GASKET SET

(A)=3TNV82A-MJKE1

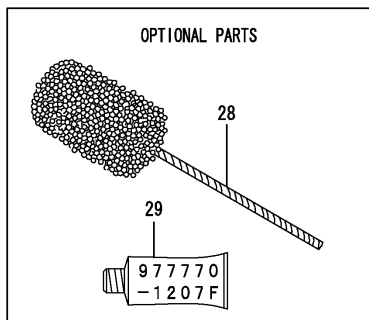
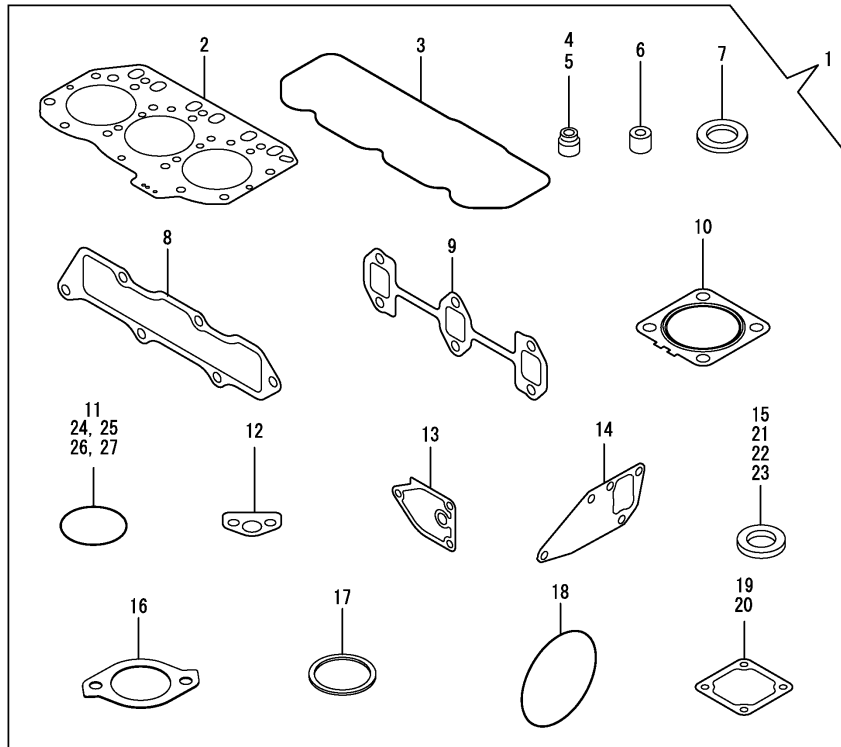
(B)=

(C)=

(D)=

(E)=

(F)=



No.	Lev.	Parts No.	Description	Q'ty						I	R
				(A)	(B)	(C)	(D)	(E)	(F)		
1	1	719802-92600	GASKET SET	1							1
2	2	119812-01330	GASKET, HEAD	1							
3	2	119802-11310	GASKET, BONNET	1							
4	2	119803-11340	SEAL, VALVE STEM	3							
5	2	124160-11340	SEAL, VALVE STEM	3							
6	2	119802-11870	PROTECTOR, NOZZLE	3							
7	2	119625-11880	SEAT, NOZZLE	3							
8	2	119813-12110	GASKET, MANIFOLD	1							
9	2	119810-13110	GASKET	1							
10	2	129004-13200	GASKET, SILENCER	1							
11	2	119609-32040	O-RING, P16	4							
12	2	129150-35042	GASKET	1							
13	2	129150-35111	GASKET	1							
14	2	129486-42050	GASKET, WATER PUMP	1							
15	2	124465-44950	GASKET, 16	2							
16	2	129795-49551	GASKET	1							
17	2	129150-49811	GASKET, THERMOSTAT	1							
18	2	121850-51960	O-RING	1							
19	2	129100-77510	GASKET	1							
20	2	129150-77511	GASKET	1							
21	2	22190-080002	WASHER, SEAL 6	2							
22	2	22190-100002	WASHER, SEAL 10	2							
23	2	22190-220002	WASHER, SEAL 22	1							
24	2	24311-000120	O-RING, 1AP12.0	3							
25	2	24311-000320	O-RING, 1AP32.0	2							
26	2	24311-240100	O-RING, 1AP10A	1							
27	2	24341-000240	O-RING, 1AS24.0	1							
28	1	129400-92420	HONE	1							1
29	1	977770-1207F	GASKET.LIQUID	1							1

Remarks

(1)Optional parts.

Parts No. Index

Parts No.	Fig. No.	Ref. No.
104211-11180	4	22
104211-11370	4	12
105025-59560	15	9
114250-39450	10	15
114250-53080	14	5
114250-53120	14	11
114250-53130	14	12
114250-53140	14	13
114250-53210	14	14
119131-18320	6	5
119226-07900	4	50
119233-77932	13	120
119305-59120	14	42
119593-59581	14	69
119609-32040	2	11
	18	11
119620-02020	1	9
119620-77461	17	14
119620-77471	17	15
119620-77490	17	16
119620-77710	17	17
119620-79200	17	8
119620-79210	17	9
119620-79220	17	10
119620-79230	17	11
119620-79250	17	6
119620-79290	17	20
119620-79300	17	21
119620-79310	17	22
119620-79320	17	23
119620-79330	17	24
119620-79340	17	25
119620-79350	17	26
119625-11880	4	28
	18	7
119626-21700	8	15
119626-26690	9	24
119660-61901	13	61
119802-01190	1	38
119802-01561	2	7
119802-03010	4	36
119802-03110	4	38
119802-03121	4	39
119802-03130	4	40
119802-03141	4	41
119802-11100	4	19
119802-11110	4	20
119802-11241	4	1
119802-11251	4	2
119802-11260	4	4

Parts No.	Fig. No.	Ref. No.
119802-11270	4	5
119802-11280	4	6
119802-11310	4	43
	18	3
119802-11650	4	8
119802-11700	4	13
119802-11810	4	55
119802-11870	4	27
	18	6
119802-11900	4	29
119802-12120	5	4
119802-13640	6	3
119802-13740	6	4
119802-14580	7	3
119802-21002	8	1
119802-21202	8	4
119802-21650	8	8
119802-22080	8	16
119802-22500	8	18
119802-22900	8	33
119802-22950	8	35
119802-25051	1	24
119802-25071	7	14
119802-25101	7	9
119802-25901	7	13
119802-32070	2	13
119802-32100	2	12
119802-32111	2	17
119802-32120	2	18
119802-32130	2	19
119802-34812	10	1
119802-35100	10	9
119802-35110	10	10
119802-39450	10	17
119802-42001	11	2
119802-49610	11	37
119802-49620	11	42
119802-49711	11	38
119802-49721	11	43
119802-49730	11	39
119802-51090	12	14
119802-51250	12	136
119802-51560	12	63
119802-51590	12	69
119802-51600	12	70
119802-51680	12	74
119802-51690	12	75
119802-55801	15	2
119802-59320	11	41
119802-59550	14	63

Parts No.	Fig. No.	Ref. No.
119802-59560	14	65
119802-59810	14	51
119802-59830	14	59
119803-11340	4	23
	18	4
119803-53400	14	15
119807-61420	13	24
119808-12520	5	12
119808-12540	5	16
119810-01200	1	30
119810-01730	3	4
119810-02871	1	32
119810-02931	1	21
119810-02941	1	35
119810-11120	4	21
119810-13110	6	1
	18	9
119810-14400	7	2
119810-23200	8	27
119810-23601	8	28
119810-23611	8	31
119810-23910	8	30
119810-35401	10	4
119810-42051	11	9
119810-42120	11	10
119810-42281	11	11
119810-42290	11	12
119812-01330	1	31
	18	2
119813-12110	5	3
	18	8
119813-22300	8	22
119852-01771	3	5
119852-11350	4	35
119852-13520	6	8
119852-61080	13	88
119852-61440	13	25
119865-12600	5	19
119865-21600	8	14
119866-12541	5	17
119923-01611	3	1
119923-26010	9	7
119934-01560	1	1
119934-01800	2	5
119934-11350	4	34
119934-12200	5	9
119934-12501	5	10
119934-12601	5	23
119934-13130	6	2
119934-21570	8	12

Parts No.	Fig. No.	Ref. No.
119934-42001	11	1
119934-55620	5	5
119934-59820	14	55
119980-07900	4	52
120270-54410	4	30
121111-21501	8	11
121250-44901	11	34
121450-42450	11	33
121520-34810	10	2
121850-21680	8	10
121850-51960	2	20
	18	18
123501-79240	17	5
124060-01050	1	4
124060-11800	4	54
124060-77680	14	70
124160-01751	2	9
124160-01910	1	6
		7
124160-11340	4	24
	18	5
124160-11360	4	48
124160-39140	10	16
124240-01871	2	10
		27
124465-44950	11	35
		36
	18	15
124722-59050	11	40
		44
	14	64
		67
124766-59050	15	5
		8
128401-77440	17	12
128401-77450	17	13
129001-01250	1	5
129001-32330	2	16
129004-01520	2	6
129004-13200	6	7
	18	10
129004-55612	15	1
129005-03080	5	1
129005-59830	10	18
129008-51900	12	12
129008-51920	12	13
129030-44760	11	26
129051-12530	5	14
129052-77220	17	2
129052-77380	17	4

Parts No. Index

Parts No.	Fig. No.	Ref. No.
129052-77422	17	7
129052-79260	17	18
129052-79270	17	19
129054-01640	3	6
129054-42320	11	13
129064-77330	17	28
129067-77340	17	29
129100-01580	1	15
		16
	8	2
129100-35140	10	11
129100-77510	18	19
129120-01780	3	13
129120-42351	11	24
129120-77502	5	27
129129-77230	16	8
129129-77240	16	9
129129-77260	16	21
129129-77270	16	22
129129-77320	16	28
129129-77340	16	30
129129-77350	16	31
129129-77362	16	32
129129-77380	16	34
129129-77400	16	16
129129-77410	16	17
129129-77420	16	19
129129-77430	16	20
129129-77440	16	14
129129-77450	16	15
129129-77460	16	3
129150-01580	2	8
129150-01881	9	1
129150-02450	7	4
129150-03070	4	37
129150-11230	4	9
129150-11280	4	7
129150-11750	4	11
129150-14101	7	6
129150-14200	7	1
129150-25301	7	12
129150-26000	9	2
129150-26050	9	3
129150-35042	10	3
	18	12
129150-35111	10	12
	18	13
129150-35153	10	25
129150-49811	11	29
	18	17

Parts No.	Fig. No.	Ref. No.
129150-59120	14	46
129150-59131	14	45
		49
129150-77511	5	28
	18	20
129150-91400	2	30
129155-49801	11	28
129155-51280	13	6
129155-61460	13	26
129155-77060	16	35
129210-59060	15	4
129210-59110	15	7
129234-53001	14	2
129255-61410	13	23
129350-49530	11	30
129400-92420	18	28
129407-77010	16	1
129407-77210	16	6
129407-77220	16	7
129407-77250	16	10
129407-77280	16	23
129407-77290	16	24
129407-77300	16	25
129407-77310	16	27
129407-77330	16	29
129407-77390	16	13
129407-77410	16	18
129410-03990	5	2
129418-12530	5	15
129418-32320	2	15
129486-01670	3	14
129486-42050	11	18
	18	14
129486-59551	14	66
129509-51390	12	44
129555-44750	4	46
	11	17
129612-12650	5	18
129655-44740	11	25
129792-22400	8	23
129795-01900	17	1
129795-01950	1	17
129795-02412	1	12
129795-21661	8	9
129795-49551	11	31
	18	16
129900-32130	2	14
129916-59020	12	134
129972-77341	17	30
129C26-01890	2	28

Parts No.	Fig. No.	Ref. No.
129C26-01890	9	6
158552-51151	12	17
158552-51571	12	64
		65
158552-51580	12	68
158552-51600	12	78
158552-51670	12	4
158552-52100	12	114
158552-52311	12	116
158552-52400	12	117
158552-52500	12	115
158552-61061	13	87
158552-61900	13	78
158553-51551	12	61
158553-51630	12	79
158553-51640	12	81
158553-51660	12	83
158553-51670	12	73
158553-51680	12	84
158553-51770	12	111
158553-51930	12	108
	13	7
158553-61050	13	3
158553-61070	13	4
158557-51570	12	66
158563-51281	12	42
		43
158563-51330	12	53
158600-51270	12	41
158601-51550	12	62
158601-51570	12	67
158601-51650	12	82
158601-51790	12	106
171051-01921	1	8
171051-59050	15	6
171056-49120	10	24
178077-15400	9	17
178077-15410	9	18
194521-41570	9	19
198220-48140	9	25
22190-080002	10	19
		21
	18	21
22190-100002	10	22
	18	22
22190-120002	3	8
	12	109
		118
		119
	13	65

Parts No.	Fig. No.	Ref. No.
22190-180002	12	110
		120
22190-220002	18	23
22217-140000	12	121
22252-000320	9	21
22312-050140	12	122
22351-030010	8	7
22351-050010	12	123
22351-060012	1	25
22512-070140	7	7
	8	5
22857-500100	4	44
		45
23000-060000	5	24
23414-080000	11	19
23857-030000	10	20
23857-060000	12	124
23876-030000	2	3
	11	14
23876-040000	2	4
24105-060064	9	5
24311-000070	12	126
24311-000120	4	49
	18	24
24311-000200	9	26
24311-000320	2	21
	18	25
24311-240100	18	26
24341-000240	2	32
	18	27
24356-190180	12	127
24356-190200	12	76
		128
24372-000150	12	77
24421-153207	9	22
25132-003800	11	23
26016-080352	9	23
26106-060102	12	129
	13	68
26106-060142	11	15
	13	84
		85
		121
26106-060162	2	33
26106-060202	11	16
	13	86
26106-060402	9	27
26106-060502	11	27
26106-080122	2	29
	11	20

Parts No. Index

Parts No.	Fig. No.	Ref. No.
26106-080142	4	53
	7	8
26106-080162	2	22
		23
	3	9
	4	51
	5	6
	12	137
26106-080202	5	7
	10	14
	12	138
26106-080252	4	31
26106-080302	15	3
26106-080352	3	15
	5	29
	10	8
	11	21
26106-080402	1	26
	5	25
26106-080452	3	10
	4	32
26106-080502	4	33
26106-080552	2	24
	11	22
26106-080802	5	8
26106-080852	2	25
26106-080952	9	28
26116-120202	16	36
26206-100202	3	2
26206-100252	3	3
26216-080402	9	29
26306-080002	2	26
	5	26
	6	6
		9
	9	30
	11	32
26306-100002	17	27
26366-060002	10	23
26450-080452	12	131
26756-060002	13	69
26776-140002	12	132
27241-120000	1	13
27241-300000	1	14
27241-400000	4	18
27310-070001	4	25
49933-000138	4	47
719802-92600	18	1
719810-02981	1	27
719810-23100	8	24

Parts No.	Fig. No.	Ref. No.
719934-51340	12	1
729235-01500	2	1
729244-53100	14	1
729402-01650	3	11
977770-1207F	18	29
X0280210230	16	11
X0283060061	16	2
X0283270140	16	12
X9490561001	17	3
X9490561370	16	4
X9491200240	16	5
X9491730461	16	26

Parts No.	Fig. No.	Ref. No.
-----------	----------	----------

Parts No.	Fig. No.	Ref. No.
-----------	----------	----------