

0CNP5-M64300EN

Directions for the Parts Catalog.

1. This Parts Catalog shows both standard and optional parts.
2. Parts may change without prior notice.
3. The following is an example of the Parts Catalog format.

REF.	LEV.	PARTS NO.	DESCRIPTION	Q'TY						I	R
				(A)	(B)	(C)	(D)	(E)	(F)		
1	1	729595-51390	FUEL INJECTION PUMP	1	1	1	1	1			1
1-1	1	729595-51391	FUEL INJECTION PUMP	1	1	1	1	1		N	1
		(A=E00185) (B=E00200)									
3	2	26022-060162	SCREW M 6X 16	9	9	9	9	9			
3-1	2	26022-060162	SCREW M 6X 16	4	4	4	4	4		K	
		(A=E00156) (B=E00156) (C=E00156) (D=E00156) (E=E00156)									
4	2	129470-51040	CAMSHAFT	1	1	1	1	1			
5	2	122710-51050	BEARING, ROLLER	2	2	2	2	2			
6	2	129470-51060	RETAINER	1	1	1	1	1			

Remarks
(1) BOOST COMPEMSATOR TYPE. OPTIONAL PART, TO E00155,(4JH-DT, 4JH-DTZ

① Ref. No.

The Ref. No. listed may not be in accordance with the illustration Ref. No.

(Ex.) Illustration No.

List Ref No.

1

1

(Before change)

1-1

(After change)

For interchangeable symbols N, R and K, illustrations for new parts may be abbreviated.

② Lev. (Level)

Level indication

The numbers below indicate the level of relativity towards the main part.

1 ----- Main parts (Assembly parts)

2 ----- Sub component included in " 1 ".

3 ----- Sub component included in " 2 ".

Note) Parts that are not for sale are partially illustrated but not listed.

③ Interchangeability Symbol

When a part change takes place, one of the following interchangeability symbols is indicated beside the part.

Symbol	Interchangeability	Contents note
N	Old $\begin{matrix} \leftarrow \text{Yes} \\ \text{No} \rightarrow \end{matrix}$ New	New Part is interchangeable for Old Part but Old Part is not interchangeable for New Part.
Q	Old $\begin{matrix} \leftarrow \text{No} \\ \text{Yes} \rightarrow \end{matrix}$ New	New Part is not interchangeable for Old Part but Old Part is interchangeable for New Part.
R	Old $\begin{matrix} \leftarrow \text{Yes} \\ \text{Yes} \rightarrow \end{matrix}$ New	New/ Old Parts are both interchangeable.
S	Old $\begin{matrix} \leftarrow \text{No} \\ \text{No} \rightarrow \end{matrix}$ New	New/ Old Parts are both not interchangeable.
W		Part newly added.
Z		Part discontinued.
F		Not interchangeable by a single part but interchangeable together with related parts.
K		Changes only for used parts quantities.

④ Effective Machine No.

When a part changes, the effective Machine No. will be indicated in the (A)-(F) column.

Product Symbol	Product No.	Product Symbol	Product No.
C	Clutch No. Compressor No.	F	Machine No. (Agricultural Equip.)
D	Drive No.	M	Machine No.
E	Engine No.		

Note 1) A date may follow the symbol. (Ex.) 1996.01

Note 2) "XXXXX" and "ZZZZZ" are for parts that could not be predicted or for engine models that could not be identified.

Note 3) (A=E00185) is the E (Engine Serial Number) for the column (A) model (in this case 4JH-DT) after the parts design change.

⑤ Remarks

Figures or alphabets (symbols) are entered in the remarks column.

The comments (remarks) on parts that are indicated at the bottom of the illustration are the same symbols as those stated above.

Contents

Fig. No. Fig. Name

FRONT LOADER SECTION

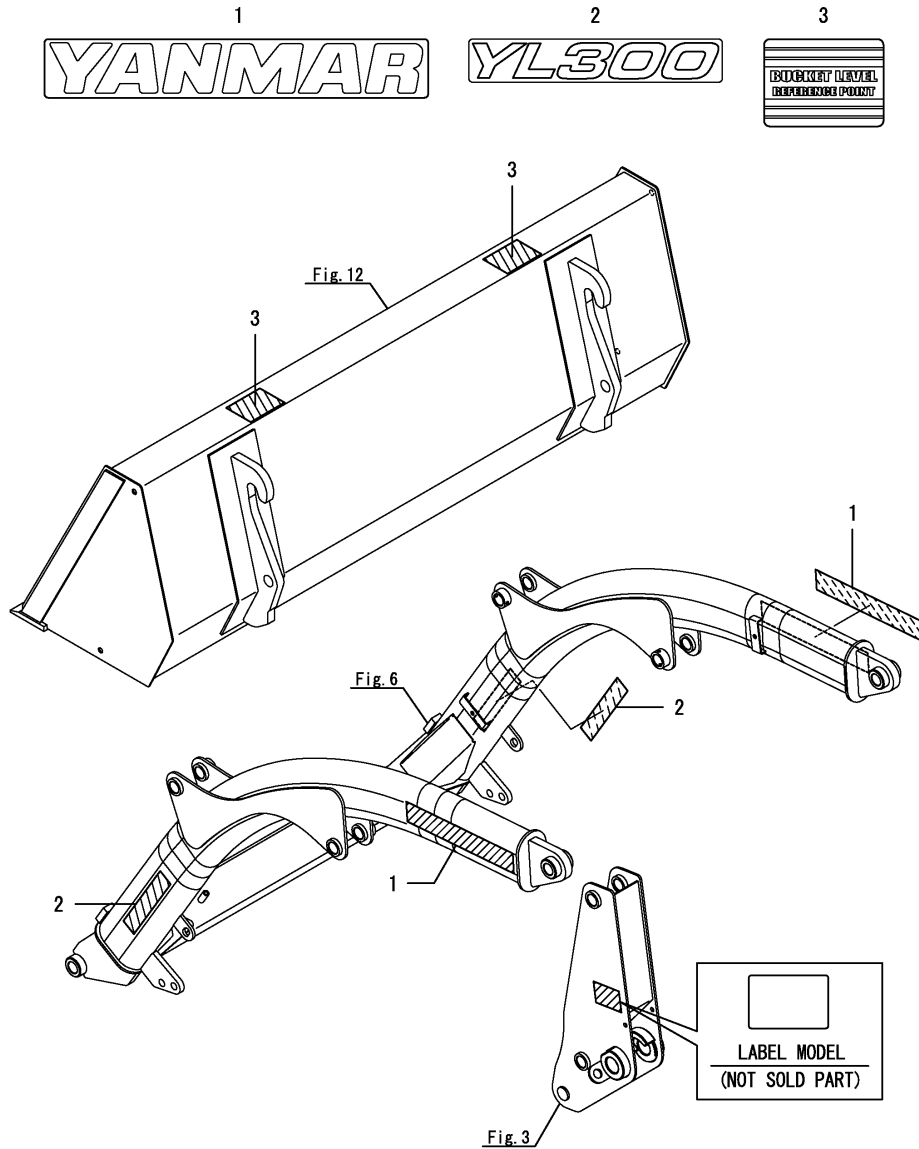
1. LABEL
2. LABEL(SAFETY)
3. FRAME , SUPPORT
4. BRACKET
5. FRAME
6. BOOM
7. QUICK
8. CYLINDER
9. HYDRAULIC
10. PROTECTOR
11. STAND
12. BUCKET
13. MANUAL

OPTIONAL SECTION

14. OPTION , FRENCH

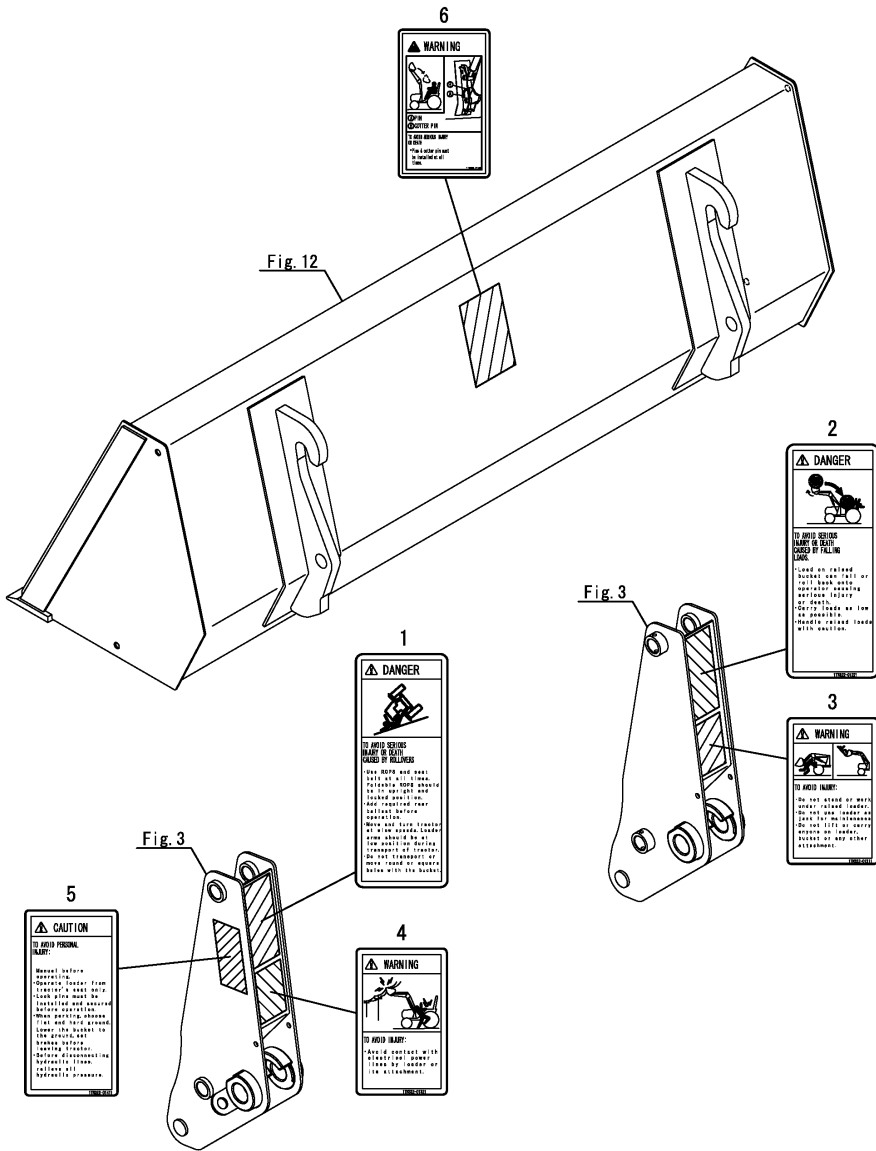
Fig. No. Fig. Name

Fig.1. LABEL



No.	Lev.	Parts No.	Description	Q'ty						I	R	
				(A)	(B)	(C)	(D)	(E)	(F)			
1	1	1TN322-01530	LABEL, YANMAR	2								
2	1	1TN330-01550	LABEL, NAME YL300	2								
3	1	1TN322-01610	LABEL,BUCKET	2								

Fig.2. LABEL(SAFETY)



(A)=YL300

(B)=

(C)=

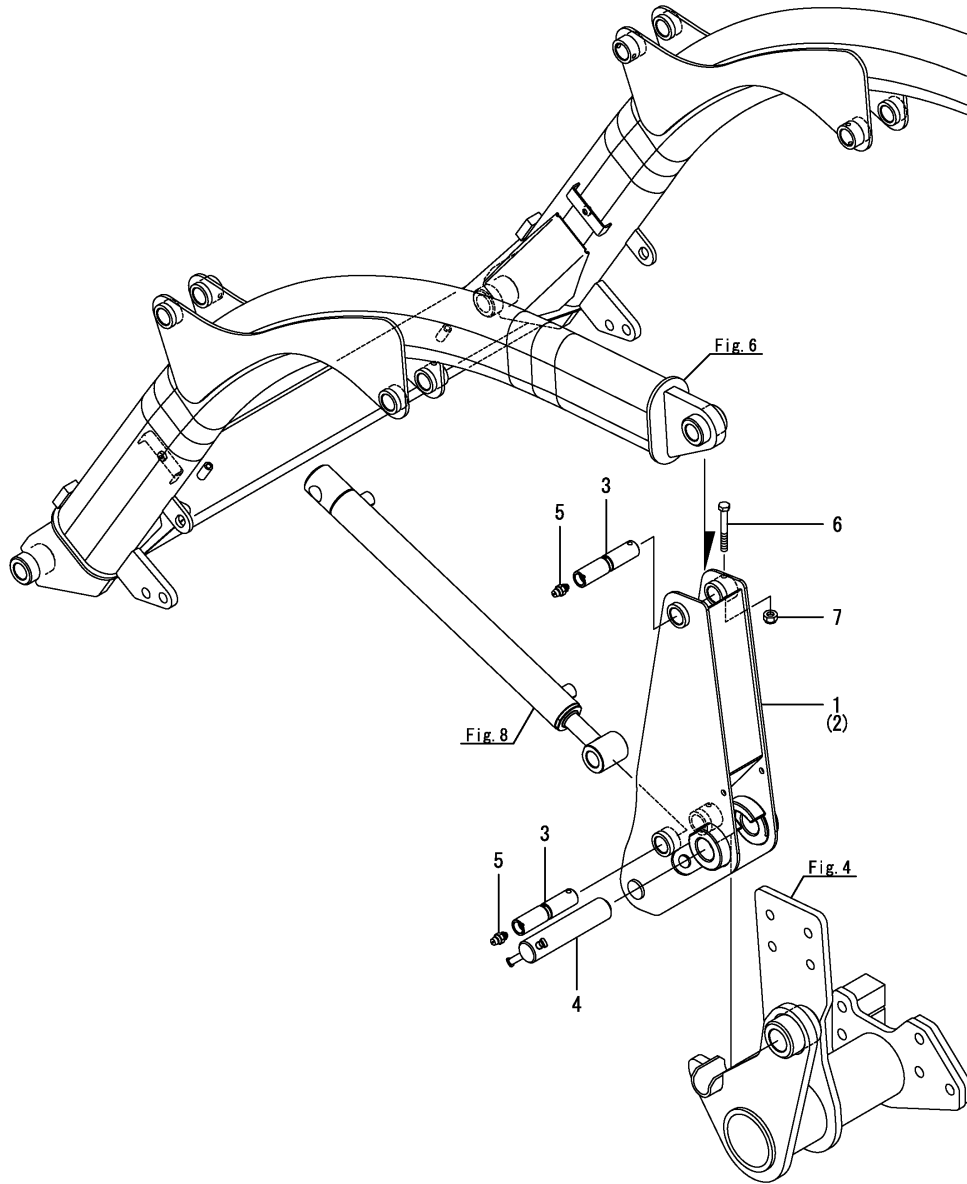
(D)=

(E)=

(F)=

No.	Lev.	Parts No.	Description	Q'ty						I	R
				(A)	(B)	(C)	(D)	(E)	(F)		
1	1	1TN322-01211	LABEL, DANGER ROLL	1							
2	1	1TN322-01221	LABEL, DANGER FALL	1							
3	1	1TN322-01311	LABEL, WARNING	1							
4	1	1TN322-01321	LABEL, WARNING SHOCK	1							
5	1	1TN322-01411	LABEL, CAUTION	1							
6	1	1TN325-01421	LABEL, WARNING, QUICK	1							

Fig.3. FRAME , SUPPORT



(A)=YL300
(B)=
(C)=

(D)=
(E)=
(F)=

No.	Lev.	Parts No.	Description	Q'ty						I	R
				(A)	(B)	(C)	(D)	(E)	(F)		
1	1	1TN330-11010	SUPPORT ASSY, PL L	1							
2	1	1TN330-11020	SUPPORT ASSY, PL R	1							
3	1	1TN325-73110	1-115 PIN	4							
4	1	1TN322-73310	LOCK PIN CMP	2							
5	1	24761-010000	NIPPLE, GREASE M6F	4							
6	1	26116-060502	BOLT, M6X 50 PLATED	4							
7	1	26347-060002	NUT, M6	4							

Fig.4. BRACKET

(A)=YL300
(B)=
(C)=

(D)=
(E)=
(F)=

No.	Lev.	Parts No.	Description	Q'ty						I	R
				(A)	(B)	(C)	(D)	(E)	(F)		
1	1	1TN330-13100	BRACKET ASSY, L	1							
2	1	1TN330-13200	BRACKET ASSY, R	1							
3	1	1TN330-16450	BOLT, M16X95 10.9	4							
4	1	198220-75810	BOLT, M16X55	6							

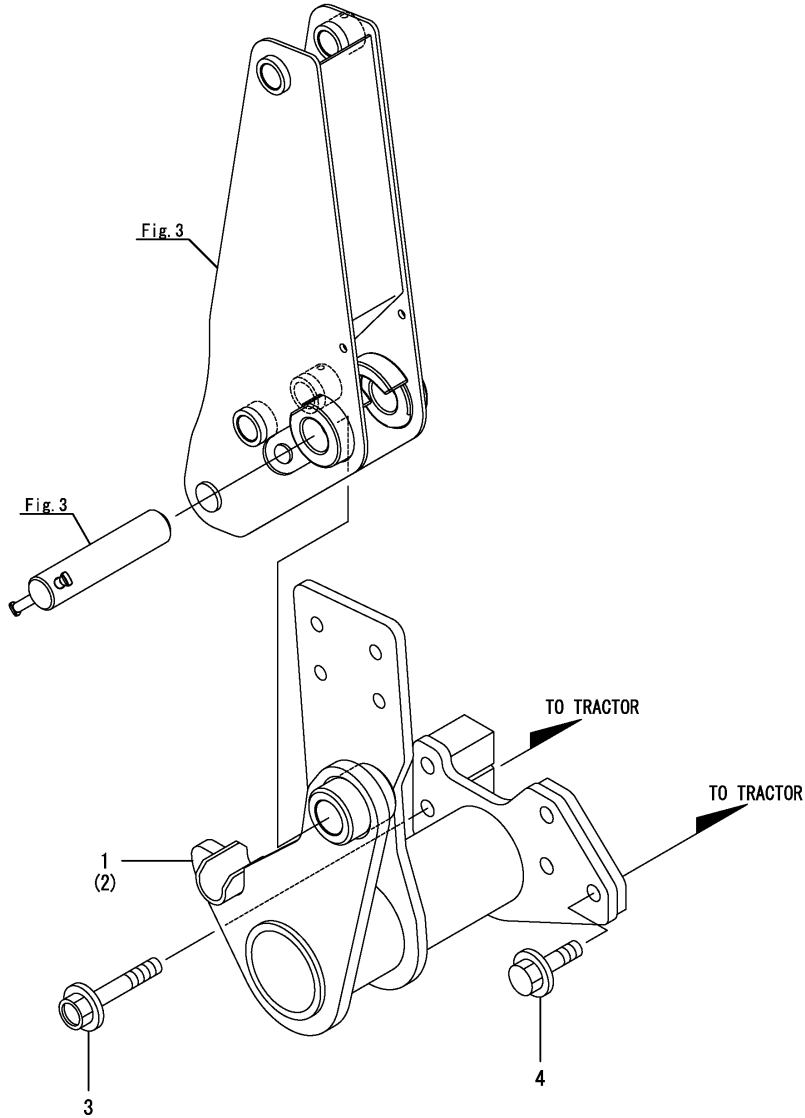
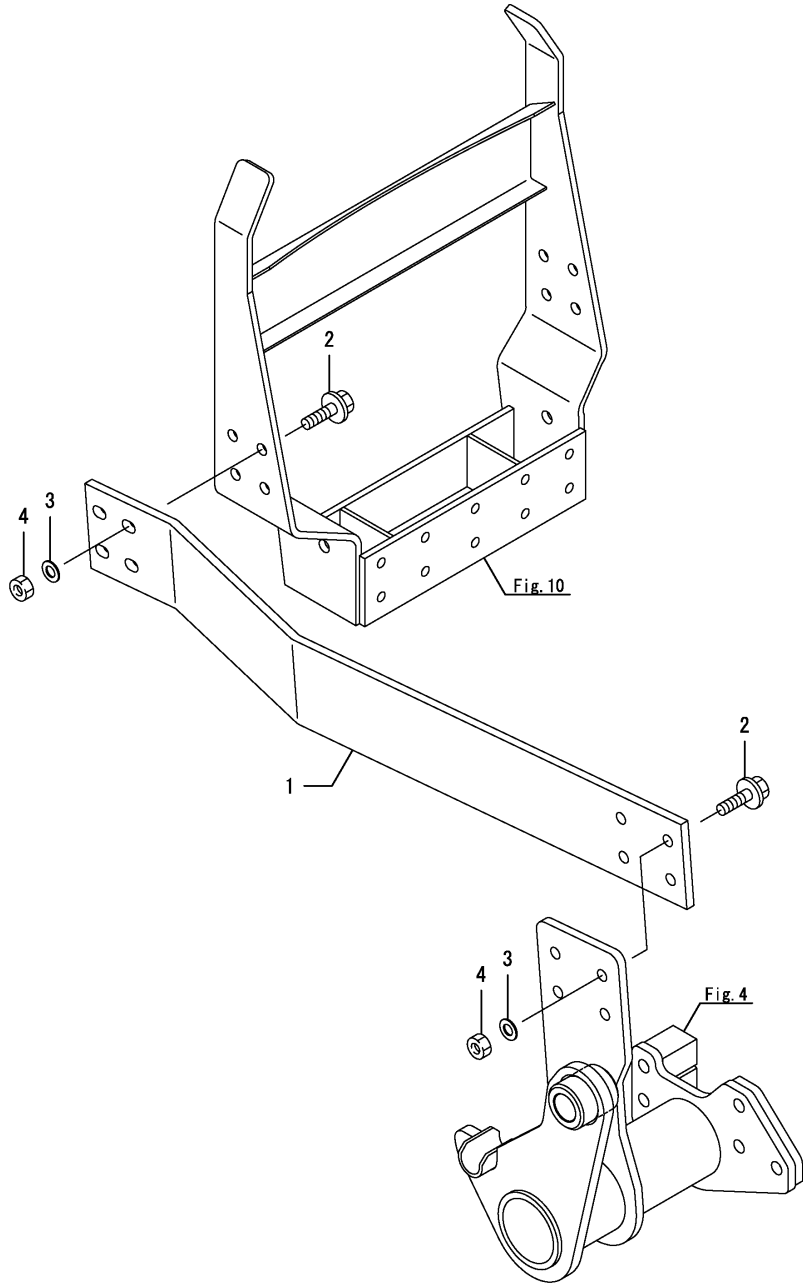


Fig.5. FRAME

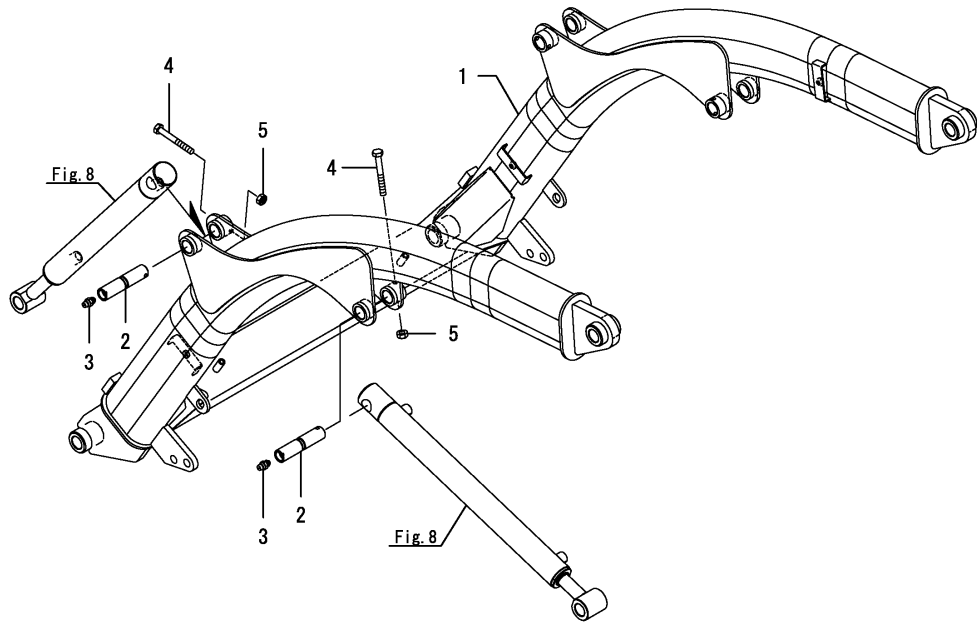


(A)=YL300
(B)=
(C)=

(D)=
(E)=
(F)=

No.	Lev.	Parts No.	Description	Q'ty						I	R	
				(A)	(B)	(C)	(D)	(E)	(F)			
1	1	1TN330-13340	FRAME, SUB	2								
2	1	1TN330-16500	BOLT, M14X40 10.9	16								
3	1	1TN330-16570	WASHER, FLAT 9/16	16								
4	1	26716-140002	NUT, M14	16								

Fig.6. BOOM

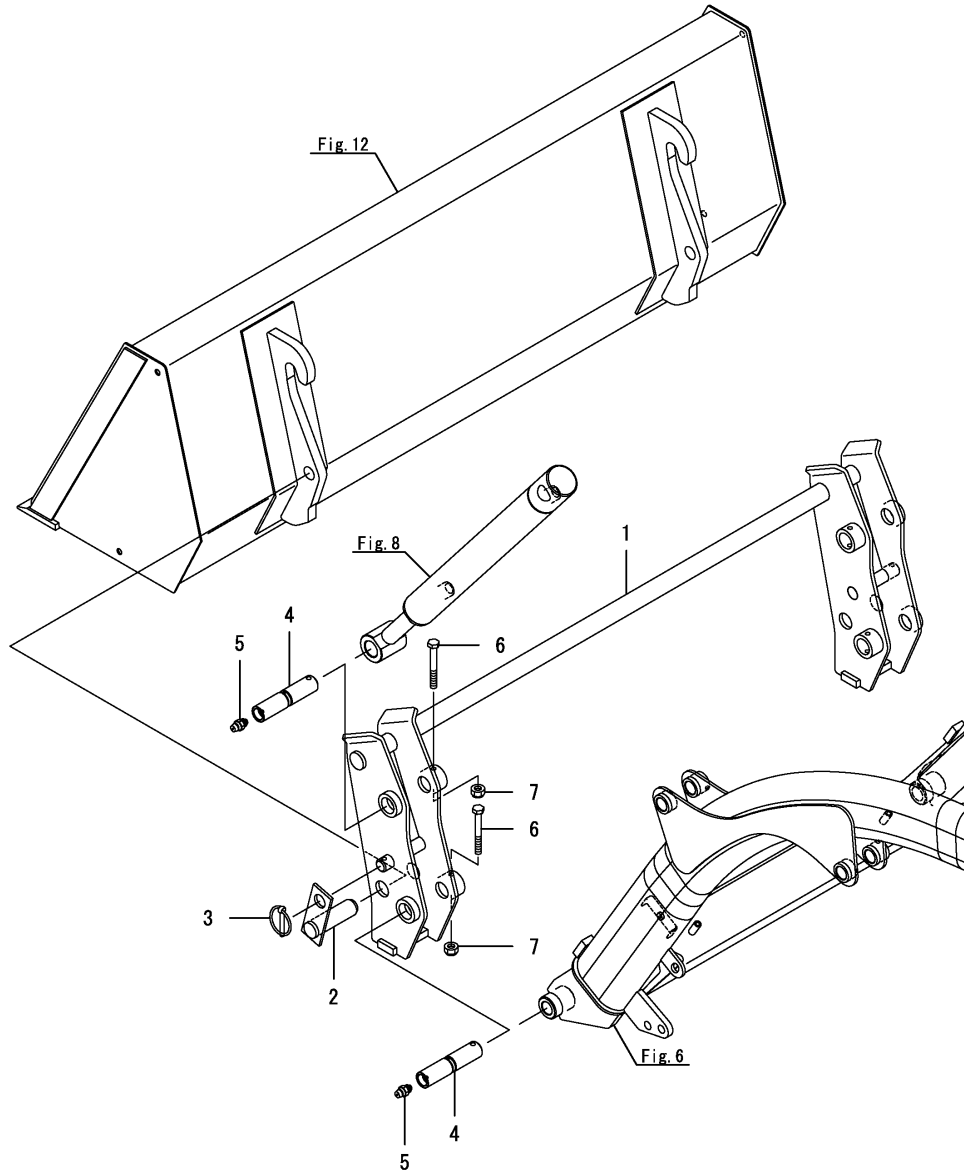


(A)=YL300
(B)=
(C)=

(D)=
(E)=
(F)=

No.	Lev.	Parts No.	Description	Qty						I	R
				(A)	(B)	(C)	(D)	(E)	(F)		
1	1	1TN325-21000	BOOM CMP	1							
2	1	1TN325-73110	1-115 PIN	4							
3	1	24761-010000	NIPPLE, GREASE M6F	4							
4	1	26116-060502	BOLT, M6X 50 PLATED	4							
5	1	26347-060002	NUT, M6	4							

Fig.7. QUICK

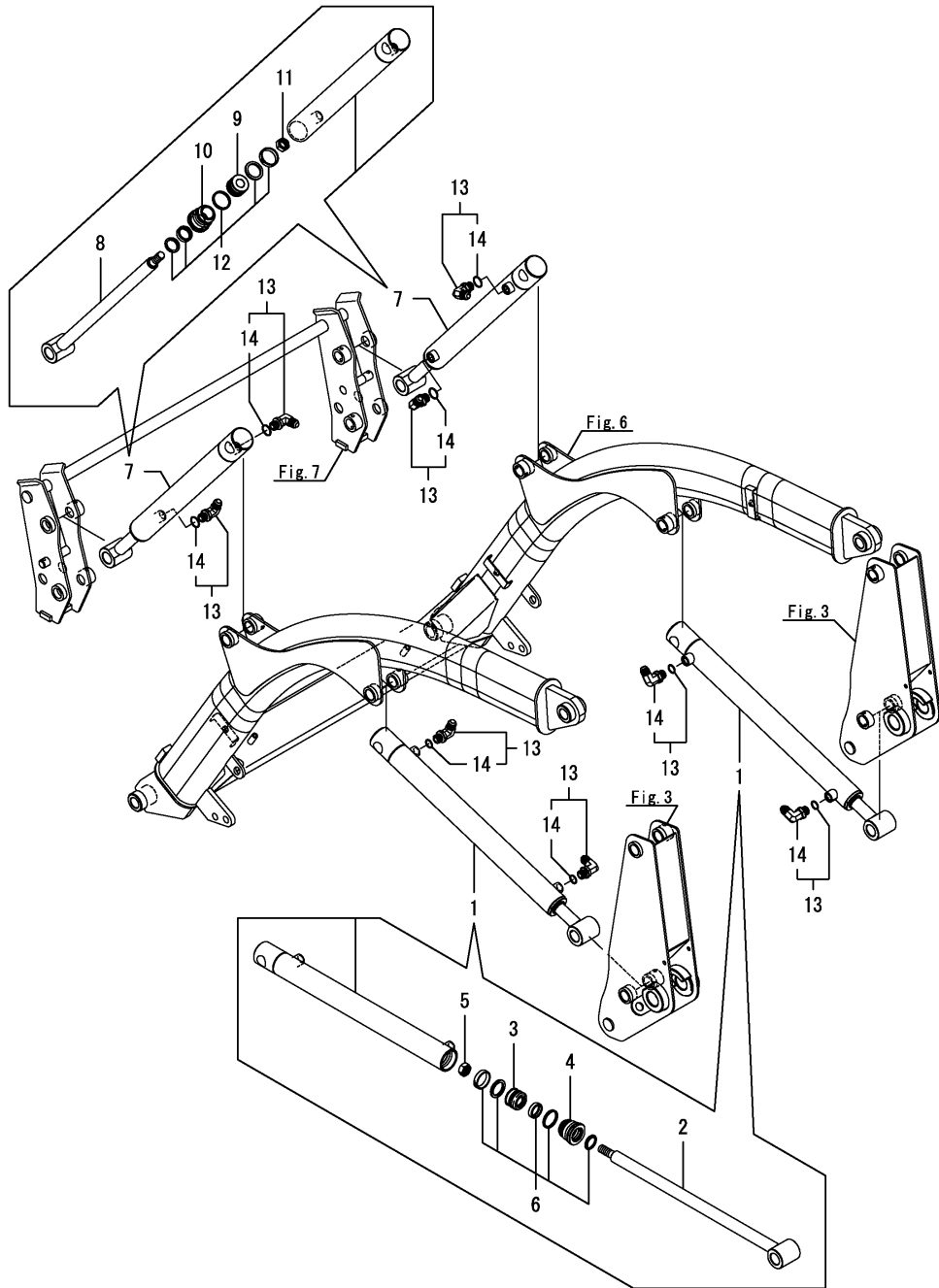


(A)=YL300
(B)=
(C)=

(D)=
(E)=
(F)=

No.	Lev.	Parts No.	Description	Q'ty						I	R
				(A)	(B)	(C)	(D)	(E)	(F)		
1	1	1TN325-23100	QUICK LINK ASSY	1							
2	1	1TN325-23310	RETAINING PIN CMP	2							
3	1	194180-72950	PIN ASSY, LOCK	2							
4	1	1TN325-73110	1-115 PIN	4							
5	1	24761-010000	NIPPLE, GREASE M6F	4							
6	1	26116-060502	BOLT, M6X 50 PLATED	4							
7	1	26347-060002	NUT, M6	4							

Fig.8. CYLINDER

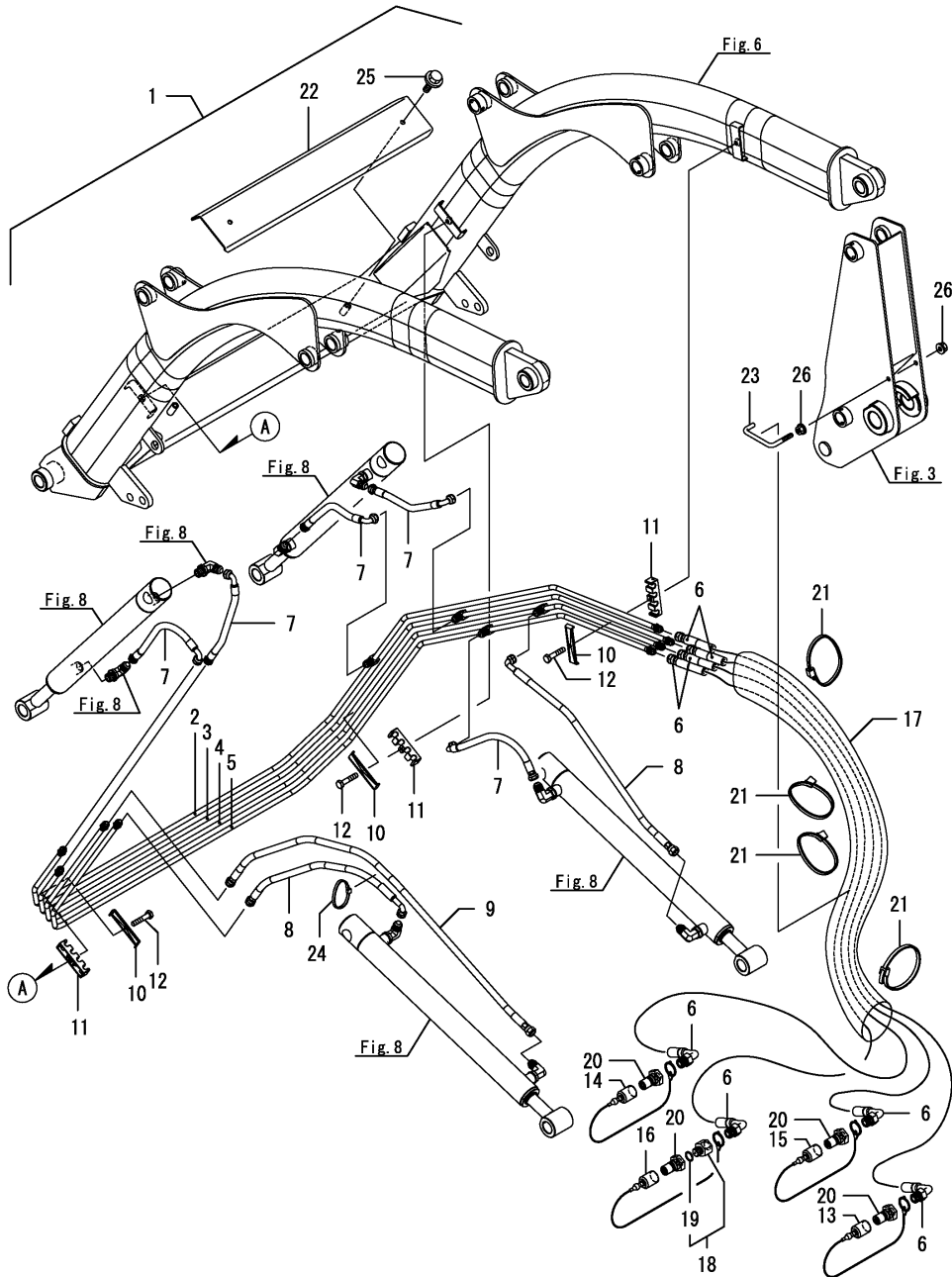


(A)=YL300
(B)=
(C)=

(D)=
(E)=
(F)=

No.	Lev.	Parts No.	Description	Q'ty						I	R
				(A)	(B)	(C)	(D)	(E)	(F)		
1	1	1TN330-38100	CYLINDER ASSY	2							
2	2	1TN330-38110	ROD ASSY	2							
3	2	1TN325-38310	PISTON	2							
4	2	1TN325-38330	HEAD	2							
5	2	1TN325-38340	SELF LOCKING NUT	2							
6	2	1TN325-38370	SEAL KIT	2							
7	1	1TN325-38200	DUMP CYLINDER ASSY	2							
8	2	1TN325-38210	WELDED ROD CPL, DUMP	2							
9	2	1TN325-38310	PISTON	2							
10	2	1TN325-38330	HEAD	2							
11	2	1TN325-38340	SELF LOCKING NUT	2							
12	2	1TN325-38370	SEAL KIT	2							
13	1	1TN322-38910	JOINT,90SAE9/16-18	8							
14	2	1TN322-38930	PACKING, JOINT	8							

Fig.9. HYDRAULIC



(A)=YL300

(B)=

(C)=

(D)=

(E)=

(F)=

No.	Lev.	Parts No.	Description	Qty						I	R
				(A)	(B)	(C)	(D)	(E)	(F)		
1	1	1TN330-41100	PIPE ASSY	1							
2	2	1TN325-41110	HP PIPE A2	1							
3	2	1TN325-41120	HP PIPE B2	1							
4	2	1TN325-41130	HP PIPE A1	1							
5	2	1TN325-41140	HP PIPE B1	1							
6	2	1TN330-41310	HOSE, HP INTAKE	4							
7	2	1TN325-41410	HP HOSE A	5							
8	2	1TN330-41430	HOSE, B	2							
9	2	1TN330-41450	HOSE, C	1							
10	2	1TN325-41550	COVER, CLAMP	3							
11	2	1TN325-41560	CLAMP, PIPE	3							
12	2	1TN325-41610	BOLT,6X30	3							
13	2	1TN322-41750	DUST PLUG,M RED	1							
14	2	1TN322-41760	DUST PLUG,M BLUE	1							
15	2	1TN322-41770	DUST PLUG,M YELLOW	1							
16	2	1TN322-41780	DUST PLUG,M GREEN	1							
17	2	1TN325-41790	COVER, HOSE INTAKE	1							
18	2	1TN322-41970	FITTING,ORIFICE	1							
19	3	194464-45930	O-RING, 8-1	1							
20	2	1A8160-48820	COUPLER, QUICK 3/8	4							
21	2	1A8300-51210	BAND, REPEAT	4							
22	1	1TN325-41510	COVER, PIPE	1							
23	1	1TN325-41730	CLAMP, HOSE	1							
24	1	1A8300-51210	BAND, REPEAT	1							
25	1	26106-080162	BOLT, M8X 16 PLATED	2							
26	1	26366-080002	NUT, M8	2							

Fig.10. PROTECTOR

(A)=YL300
(B)=
(C)=

(D)=
(E)=
(F)=

No.	Lev.	Parts No.	Description	Q'ty						I	R
				(A)	(B)	(C)	(D)	(E)	(F)		
1	1	194990-22160	NUT, M12	6							
2	1	1TN330-51100	GUARD ASSY, GRILLE	1							
3	1	26116-120352	BOLT, M12X 35 PLATED	6							

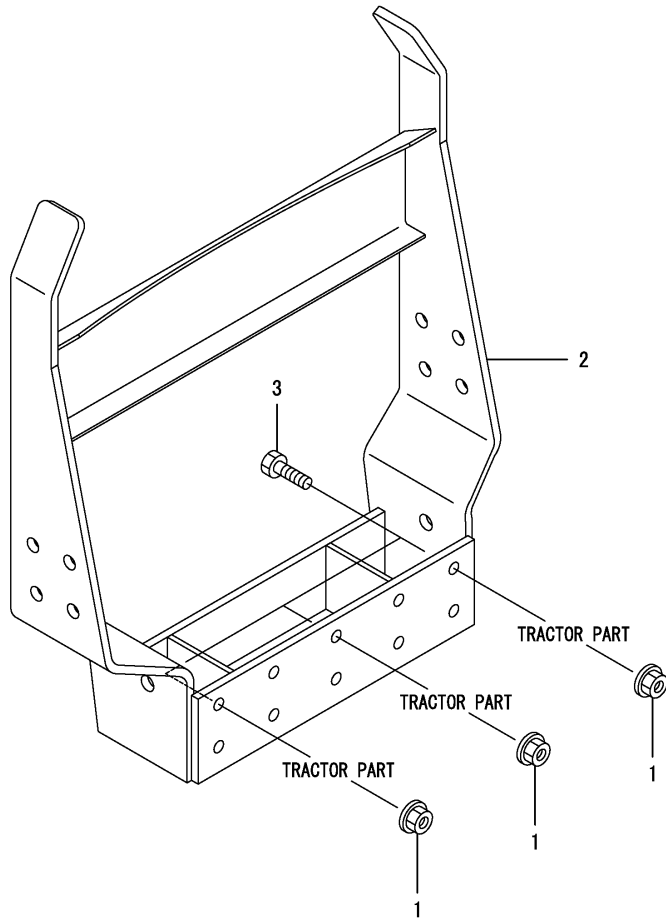
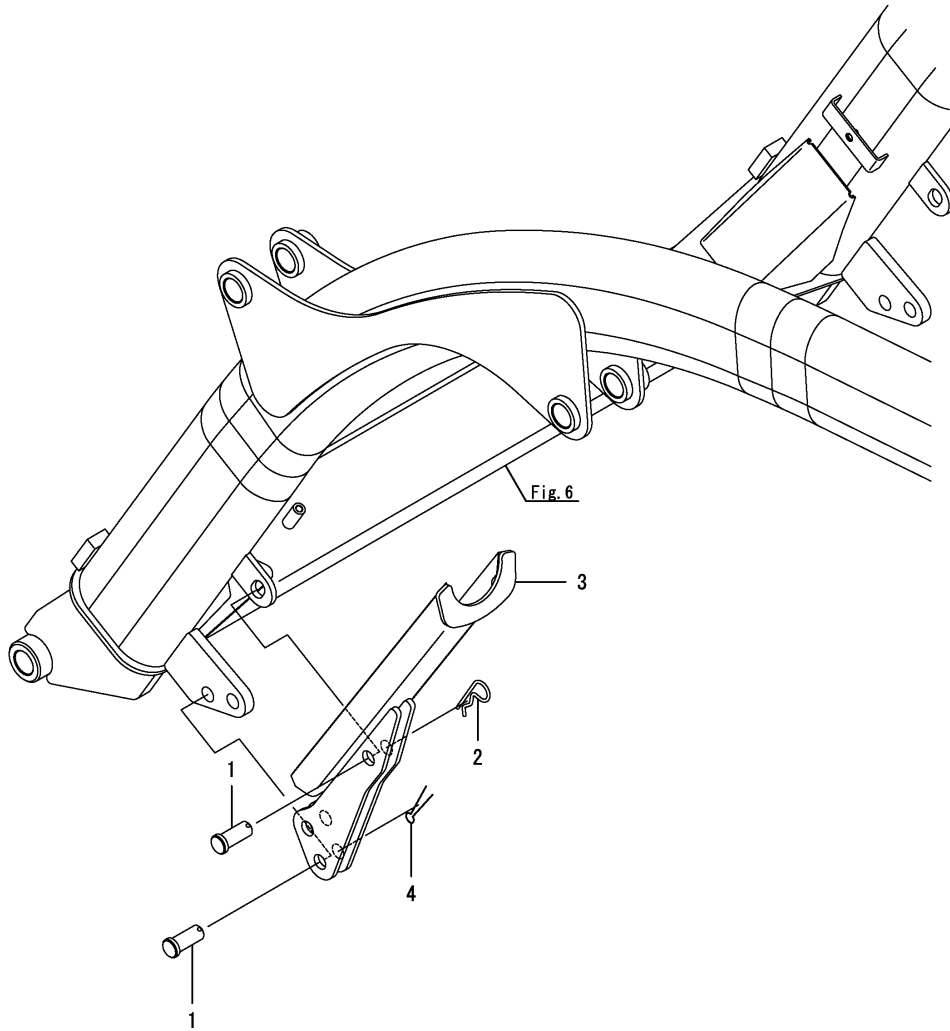


Fig.11. STAND



(A)=YL300
(B)=
(C)=

(D)=
(E)=
(F)=

No.	Lev.	Parts No.	Description	Q'ty						I	R
				(A)	(B)	(C)	(D)	(E)	(F)		
1	1	1TN325-71150	PIN, 16X30	4							
2	1	1TN322-71170	BETA PIN	2							
3	1	1TN325-71300	STAND CMP	2							
4	1	22417-320320	PIN, COTTER 3.2X32	2							

Fig.12. BUCKET

(A)=YL300
(B)=
(C)=

(D)=
(E)=
(F)=

No.	Lev.	Parts No.	Description	Q'ty						I	R
				(A)	(B)	(C)	(D)	(E)	(F)		
1	1	1TN322-01610	LABEL,BUCKET	2							
2	1	1TN325-81300	BUCKET 61 PL ASSY	1							

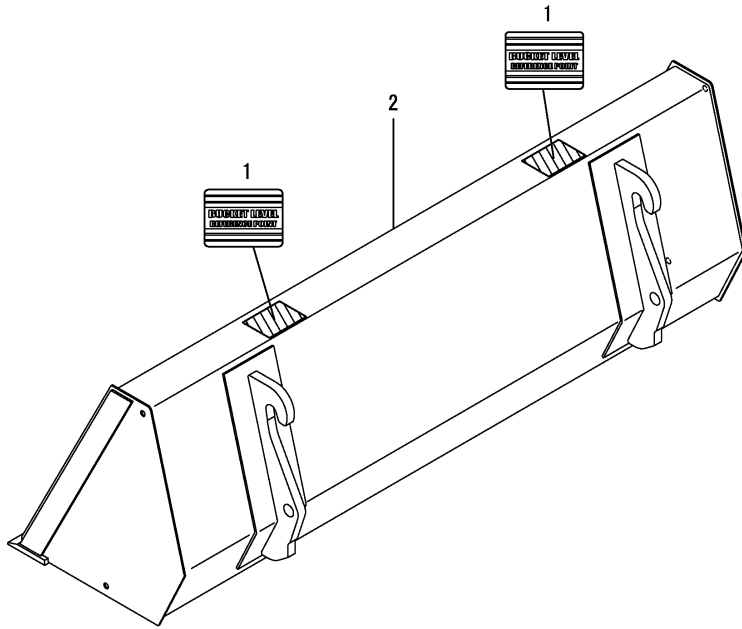
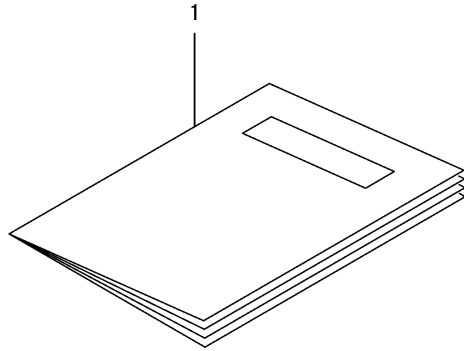


Fig.13. MANUAL

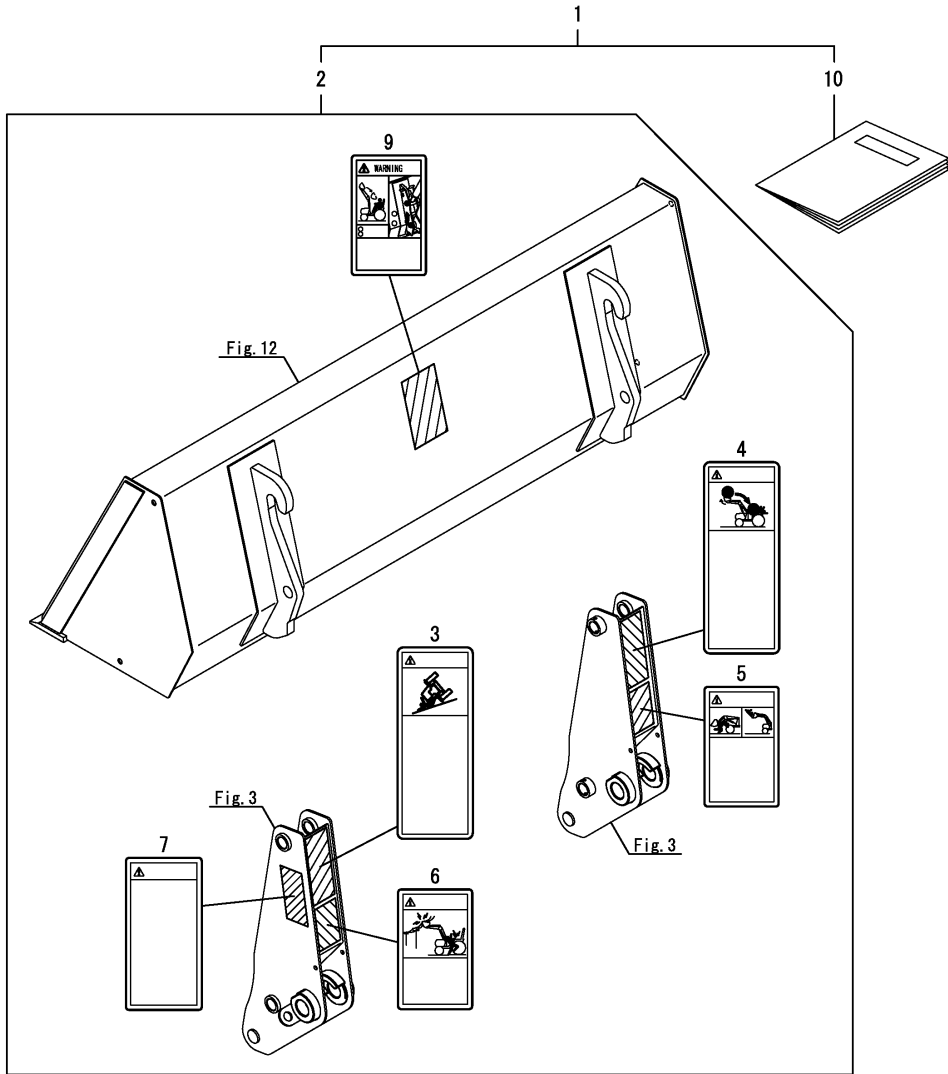


No.	Lev.	Parts No.	Description	(A)	(B)	(C)	Q'ty				I	R
							(D)	(E)	(F)			
1	1	0A052-U00800	OPERATION MANUAL	1								

(A)=YL300
(B)=
(C)=

(D)=
(E)=
(F)=

Fig.14. OPTION , FRENCH



(A)=YL300
(B)=
(C)=

(D)=
(E)=
(F)=

No.	Lev.	Parts No.	Description	Q'ty						I	R
				(A)	(B)	(C)	(D)	(E)	(F)		
1	1	1TN330-99200	OPTION KIT, FRENCH	1							
2	2	1TN322-01920	LABEL KIT, LOADER FR	1							
3	3	1TN322-01260	LABEL, DANGER ROLL	1							
4	3	1TN322-01270	LABEL, DANGER FALL	1							
5	3	1TN322-01360	LABEL, WARNING FR	1							
6	3	1TN322-01370	LABEL, WARNING SHOCK	1							
7	3	1TN322-01460	LABEL, CAUTION FR	1							
9	3	1TN325-01470	LABEL, WARNING QUICK	1							
10	2	0A052-F00800	OPERATION MANUAL	1							

Parts No. Index

Parts No.	Fig. No.	Ref. No.
0A052-F00800	14	10
0A052-U00800	13	1
194180-72950	7	3
194464-45930	9	19
194990-22160	10	1
198220-75810	4	4
1A8160-48820	9	20
1A8300-51210	9	21
		24
1TN322-01211	2	1
1TN322-01221	2	2
1TN322-01260	14	3
1TN322-01270	14	4
1TN322-01311	2	3
1TN322-01321	2	4
1TN322-01360	14	5
1TN322-01370	14	6
1TN322-01411	2	5
1TN322-01460	14	7
1TN322-01530	1	1
1TN322-01610	1	3
	12	1
1TN322-01920	14	2
1TN322-38910	8	13
1TN322-38930	8	14
1TN322-41750	9	13
1TN322-41760	9	14
1TN322-41770	9	15
1TN322-41780	9	16
1TN322-41970	9	18
1TN322-71170	11	2
1TN322-73310	3	4
1TN325-01421	2	6
1TN325-01470	14	9
1TN325-21000	6	1
1TN325-23100	7	1
1TN325-23310	7	2
1TN325-38200	8	7
1TN325-38210	8	8
1TN325-38310	8	3
		9
1TN325-38330	8	4
		10
1TN325-38340	8	5
		11
1TN325-38370	8	6
		12
1TN325-41110	9	2
1TN325-41120	9	3
1TN325-41130	9	4

Parts No.	Fig. No.	Ref. No.
1TN325-41140	9	5
1TN325-41410	9	7
1TN325-41510	9	22
1TN325-41550	9	10
1TN325-41560	9	11
1TN325-41610	9	12
1TN325-41730	9	23
1TN325-41790	9	17
1TN325-71150	11	1
1TN325-71300	11	3
1TN325-73110	3	3
	6	2
	7	4
1TN325-81300	12	2
1TN330-01550	1	2
1TN330-11010	3	1
1TN330-11020	3	2
1TN330-13100	4	1
1TN330-13200	4	2
1TN330-13340	5	1
1TN330-16450	4	3
1TN330-16500	5	2
1TN330-16570	5	3
1TN330-38100	8	1
1TN330-38110	8	2
1TN330-41100	9	1
1TN330-41310	9	6
1TN330-41430	9	8
1TN330-41450	9	9
1TN330-51100	10	2
1TN330-99200	14	1
22417-320320	11	4
24761-010000	3	5
	6	3
	7	5
26106-080162	9	25
26116-060502	3	6
	6	4
	7	6
26116-120352	10	3
26347-060002	3	7
	6	5
	7	7
26366-080002	9	26
26716-140002	5	4

Parts No.	Fig. No.	Ref. No.
-----------	----------	----------

Parts No.	Fig. No.	Ref. No.
-----------	----------	----------