

0CNP5-M64200EN

## Directions for the Parts Catalog.

1. This Parts Catalog shows both standard and optional parts.
2. Parts may change without prior notice.
3. The following is an example of the Parts Catalog format.

REF.	LEV.	PARTS NO.	DESCRIPTION	Q'TY						I	R
				(A)	(B)	(C)	(D)	(E)	(F)		
1	1	729595-51390	FUEL INJECTION PUMP	1	1	1	1	1			1
1-1	1	729595-51391	FUEL INJECTION PUMP	1	1	1	1	1		N	1
		(A=E00185) (B=E00200)									
3	2	26022-060162	SCREW M 6X 16	9	9	9	9	9			
3-1	2	26022-060162	SCREW M 6X 16	4	4	4	4	4		K	
		(A=E00156) (B=E00156) (C=E00156) (D=E00156) (E=E00156)									
4	2	129470-51040	CAMSHAFT	1	1	1	1	1			
5	2	122710-51050	BEARING, ROLLER	2	2	2	2	2			
6	2	129470-51060	RETAINER	1	1	1	1	1			

Remarks
(1) BOOST COMPEMSATOR TYPE. OPTIONAL PART, TO E00155,(4JH-DT, 4JH-DTZ

### ① Ref. No.

The Ref. No. listed may not be in accordance with the illustration Ref. No.

(Ex.) Illustration No.

List Ref No.

1

1

(Before change) → 1-1 (After change)

For interchangeable symbols N, R and K, illustrations for new parts may be abbreviated.

### ② Lev. (Level)

Level indication

The numbers below indicate the level of relativity towards the main part.

1 ----- Main parts (Assembly parts)

2 ----- Sub component included in " 1 ".

3 ----- Sub component included in " 2 ".

Note) Parts that are not for sale are partially illustrated but not listed.

### ③ Interchangeability Symbol

When a part change takes place, one of the following interchangeability symbols is indicated beside the part.

Symbol	Interchangeability	Contents note
N	Old $\begin{matrix} \leftarrow \text{Yes} \\ \text{No} \rightarrow \end{matrix}$ New	New Part is interchangeable for Old Part but Old Part is not interchangeable for New Part.
Q	Old $\begin{matrix} \leftarrow \text{No} \\ \text{Yes} \rightarrow \end{matrix}$ New	New Part is not interchangeable for Old Part but Old Part is interchangeable for New Part.
R	Old $\begin{matrix} \leftarrow \text{Yes} \\ \text{Yes} \rightarrow \end{matrix}$ New	New/ Old Parts are both interchangeable.
S	Old $\begin{matrix} \leftarrow \text{No} \\ \text{No} \rightarrow \end{matrix}$ New	New/ Old Parts are both not interchangeable.
W		Part newly added.
Z		Part discontinued.
F		Not interchangeable by a single part but interchangeable together with related parts.
K		Changes only for used parts quantities.

### ④ Effective Machine No.

When a part changes, the effective Machine No. will be indicated in the (A)-(F) column.

Product Symbol	Product No.	Product Symbol	Product No.
C	Clutch No. Compressor No.	F	Machine No. (Agricultural Equip.)
D	Drive No.	M	Machine No.
E	Engine No.		

Note 1) A date may follow the symbol. (Ex.) 1996.01

Note 2) "XXXXX" and "ZZZZZ" are for parts that could not be predicted or for engine models that could not be identified.

Note 3) (A=E00185) is the E (Engine Serial Number) for the column (A) model (in this case 4JH-DT) after the parts design change.

### ⑤ Remarks

Figures or alphabets (symbols) are entered in the remarks column.

The comments (remarks) on parts that are indicated at the bottom of the illustration are the same symbols as those stated above.

# Contents

Fig. No. Fig. Name

## FRONT LOADER SECTION

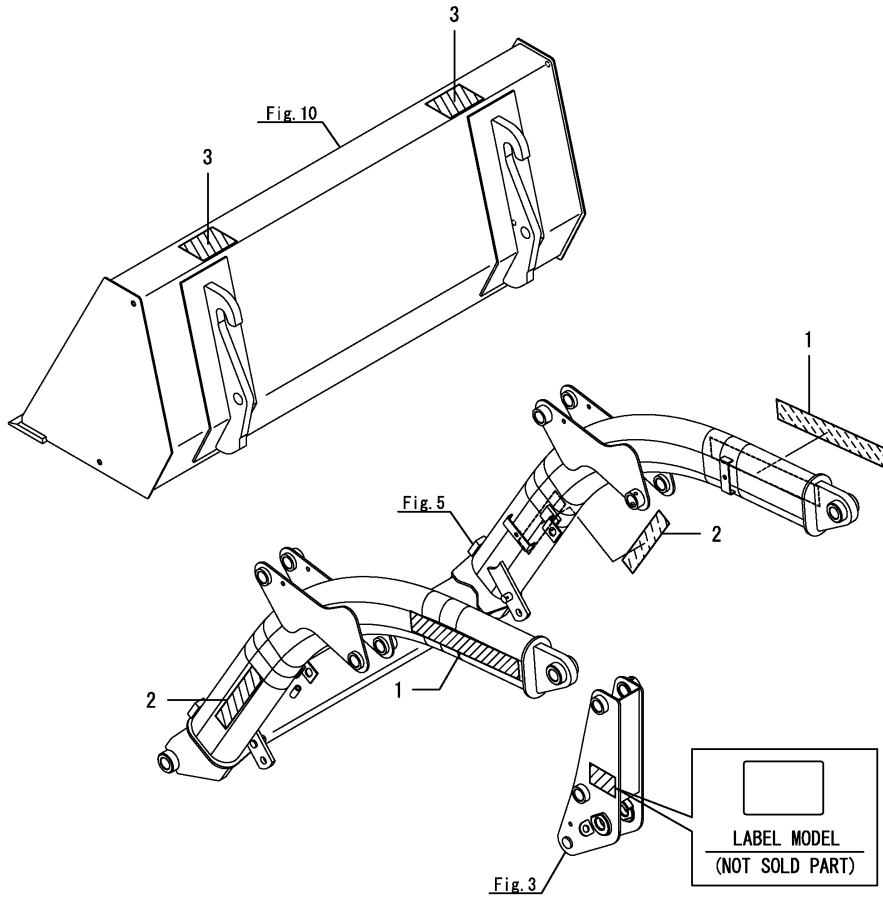
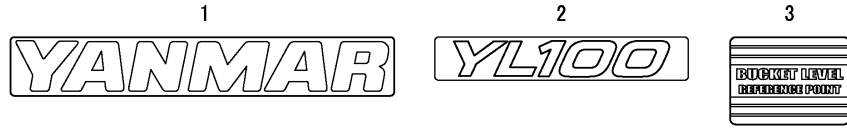
1. LABEL
2. LABEL(SAFETY)
3. FRAME , SUPPORT
4. BRACKET
5. BOOM
6. QUICK(UNIVERSAL
7. CYLINDER
8. HYDRAULIC
9. STAND
10. BUCKET
11. FRONT GRILLE GUARD
12. MANUAL

## OPTIONAL SECTION

13. OPTION , FRENCH

Fig. No. Fig. Name

# Fig.1. LABEL

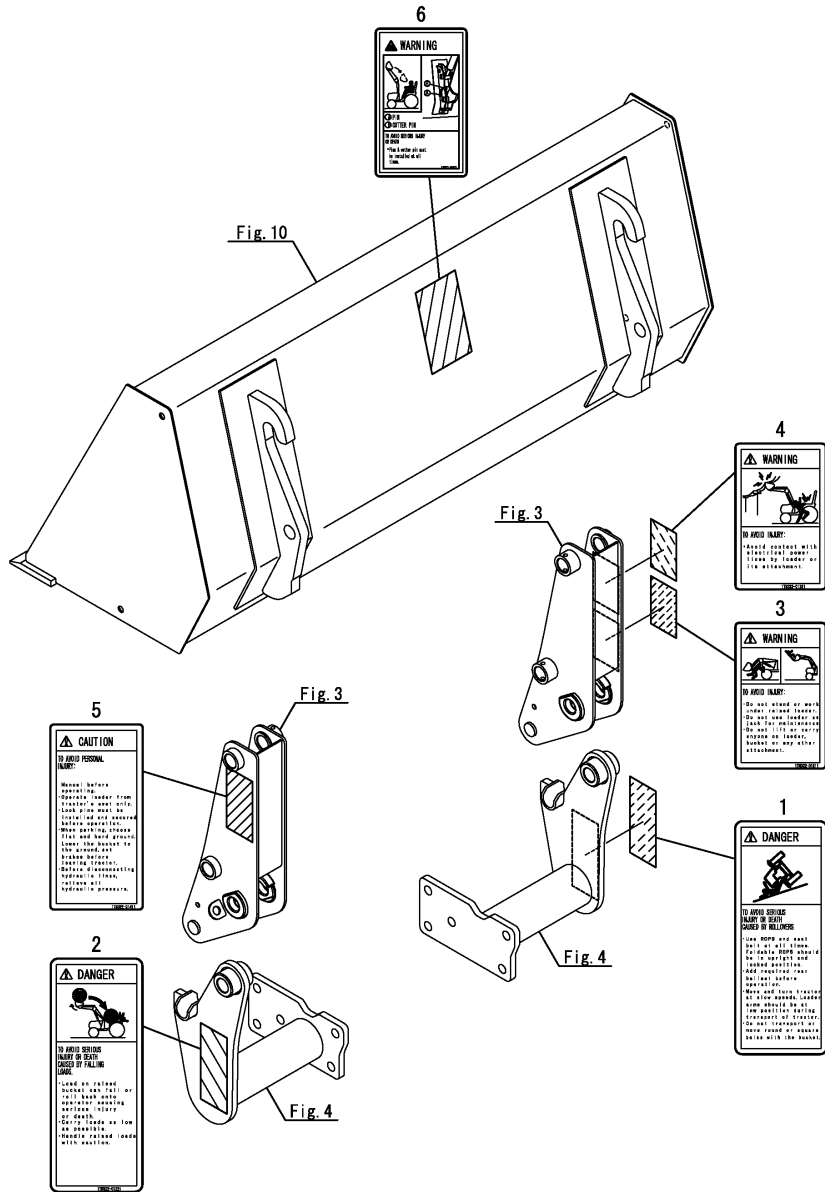


(A)=YL100  
(B)=  
(C)=

(D)=  
(E)=  
(F)=

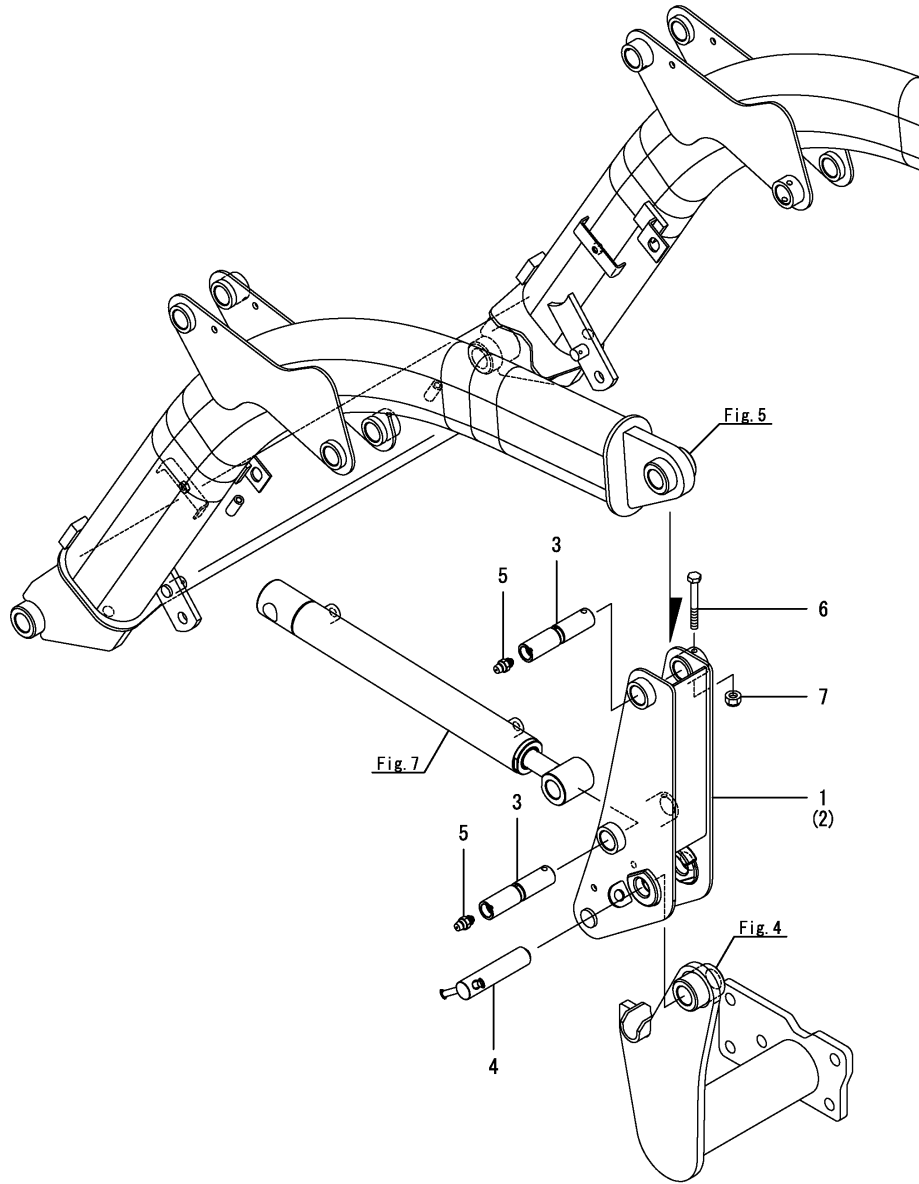
No.	Lev.	Parts No.	Description	Qty						I	R	
				(A)	(B)	(C)	(D)	(E)	(F)			
1	1	1TN322-01530	LABEL, YANMAR	2								
2	1	1TN331-01550	LABEL, NAME YL100	2								
3	1	1TN322-01610	LABEL,BUCKET	2								

Fig.2. LABEL(SAFETY)



No.	Lev.	Parts No.	Description	Qty						I	R
				(A)	(B)	(C)	(D)	(E)	(F)		
1	1	1TN322-01211	LABEL, DANGER ROLL	1							
2	1	1TN322-01221	LABEL, DANGER FALL	1							
3	1	1TN322-01311	LABEL, WARNING	1							
4	1	1TN322-01321	LABEL, WARNING SHOCK	1							
5	1	1TN322-01411	LABEL, CAUTION	1							
6	1	1TN331-01420	LABEL, WARNING QUICK	1							

Fig.3. FRAME , SUPPORT

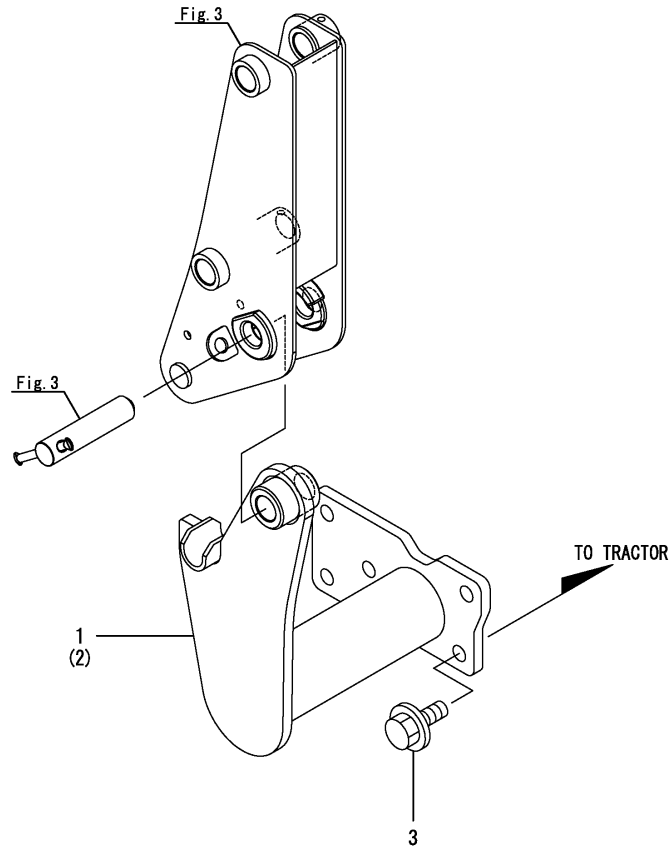


(A)=YL100  
(B)=  
(C)=

(D)=  
(E)=  
(F)=

No.	Lev.	Parts No.	Description	Q'ty						I	R
				(A)	(B)	(C)	(D)	(E)	(F)		
1	1	1TN331-11010	SUPPORT ASSY, PL L	1							
2	1	1TN331-11020	SUPPORT ASSY, PL R	1							
3	1	1TN325-73110	1-115 PIN	4							
4	1	1TN331-73310	PIN ASSY, LOCK	2							
5	1	24761-010000	NIPPLE, GREASE M6F	4							
6	1	26116-060502	BOLT, M6X 50 PLATED	4							
7	1	26347-060002	NUT, M6	4							

# Fig.4. BRACKET

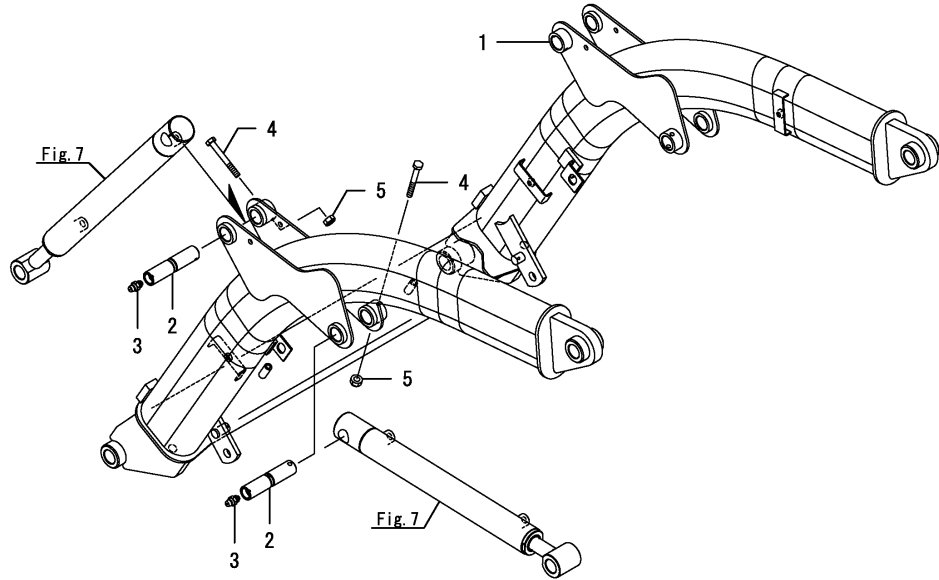


(A)=YL100  
(B)=  
(C)=

(D)=  
(E)=  
(F)=

No.	Lev.	Parts No.	Description	Q'ty						I	R
				(A)	(B)	(C)	(D)	(E)	(F)		
1	1	1TN331-13010	BRACKET ASSY, PL L	1							
2	1	1TN331-13020	BRACKET ASSY, PL R	1							
3	1	198220-85290	BOLT, M16X40	10							

Fig.5. BOOM



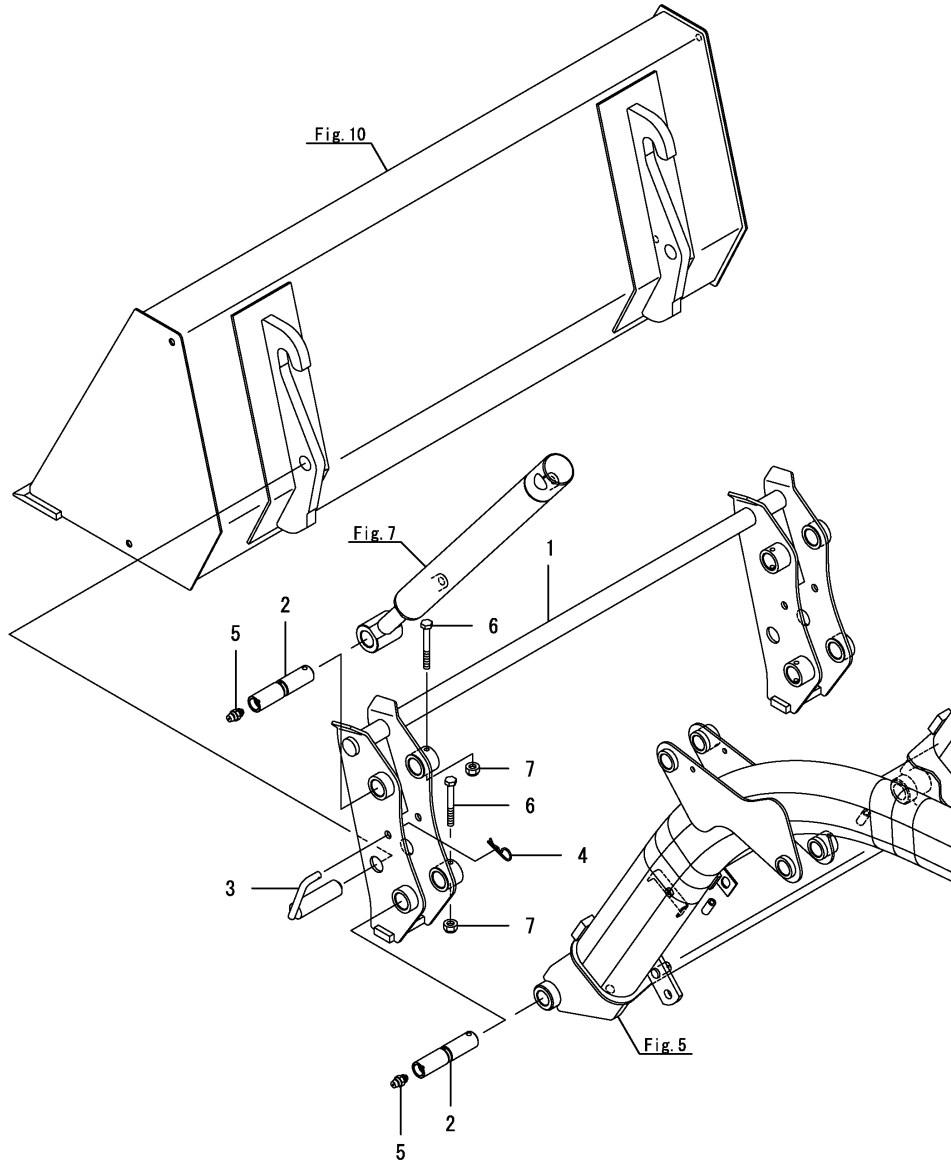
(A)=YL100  
(B)=  
(C)=

(D)=  
(E)=  
(F)=

No.	Lev.	Parts No.	Description	Q'ty						I	R
				(A)	(B)	(C)	(D)	(E)	(F)		
1	1	1TN331-21000	BOOM ASSY	1							
2	1	1TN325-73110	1-115 PIN	4							
3	1	24761-010000	NIPPLE, GREASE M6F	4							
4	1	26116-060502	BOLT, M6X 50 PLATED	4							
5	1	26347-060002	NUT, M6	4							



Fig.6. QUICK(UNIVERSAL)

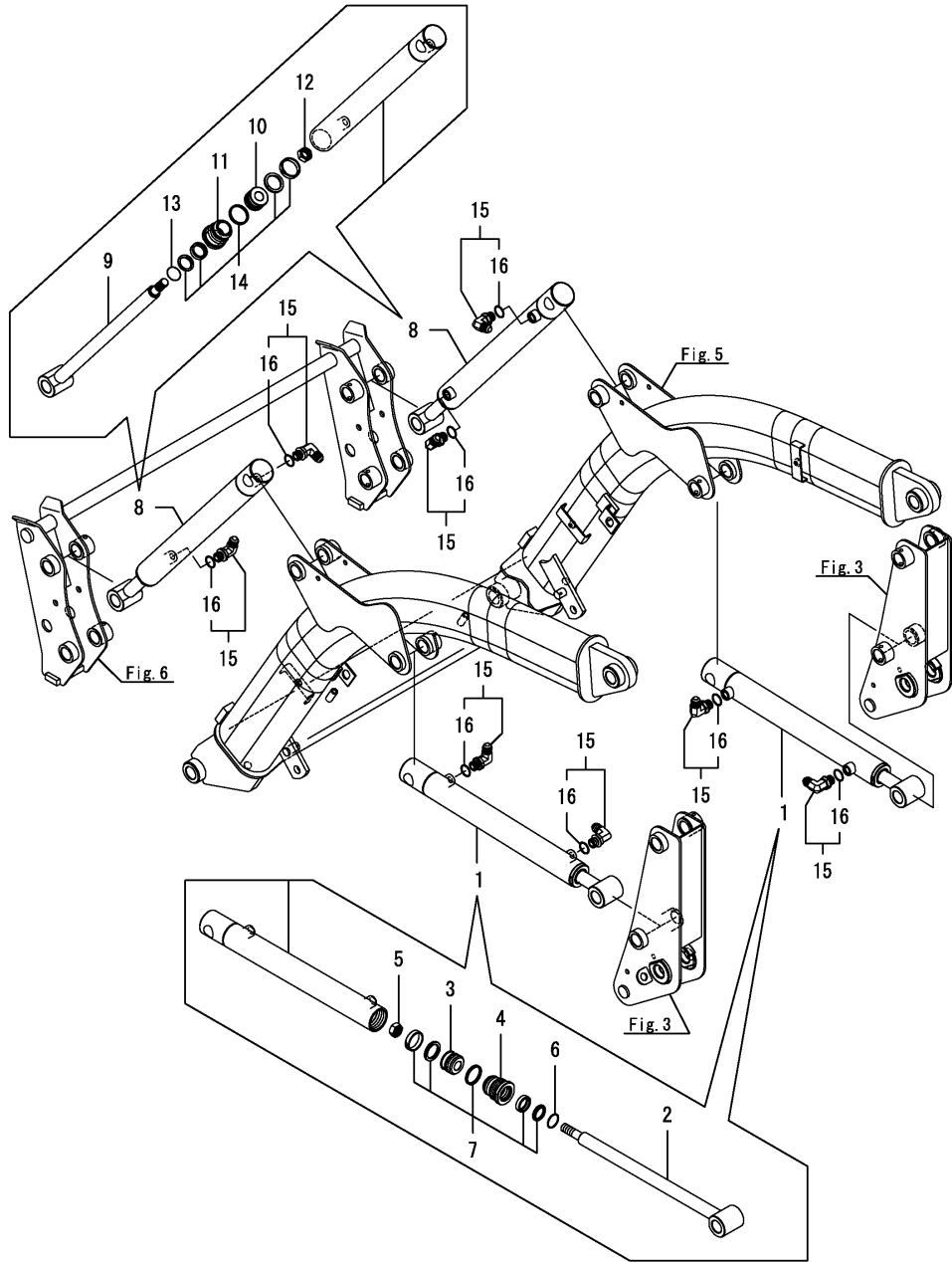


(A)=YL100  
(B)=  
(C)=

(D)=  
(E)=  
(F)=

No.	Lev.	Parts No.	Description	Q'ty						I	R
				(A)	(B)	(C)	(D)	(E)	(F)		
1	1	1TN331-23100	HITCH ASSY, QUICK	1							
2	1	1TN325-73110	1-115 PIN	4							
3	1	1TN331-73350	PIN, HITCH	2							
4	1	1TN331-73510	PIN, R 10	2							
5	1	24761-010000	NIPPLE, GREASE M6F	4							
6	1	26116-060502	BOLT, M6X 50 PLATED	4							
7	1	26347-060002	NUT, M6	4							

Fig.7. CYLINDER



(A)=YL100  
(B)=  
(C)=

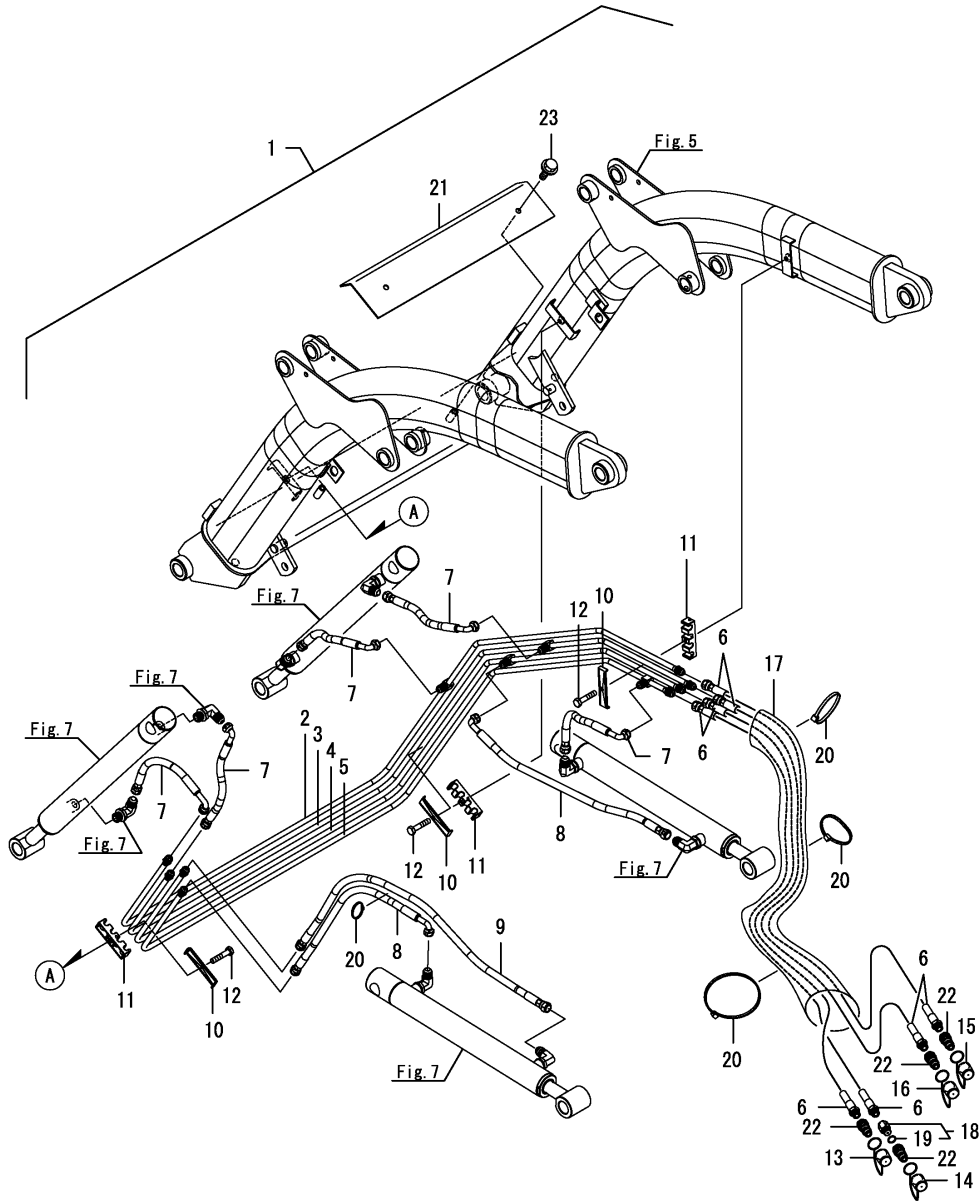
(D)=  
(E)=  
(F)=

No.	Lev.	Parts No.	Description	Q'ty						I	R
				(A)	(B)	(C)	(D)	(E)	(F)		
1	1	1TN331-38100	CYLINDER ASSY, A	2							
2	2	1TN331-38110	ROD ASSY, A	2							
3	2	1TN331-38310	PISTON	2							
4	2	1TN331-38330	HEAD	2							
5	2	1TN331-38340	NUT, LOCK	2							
6	2	1TN331-38350	O-RING	2							
7	2	1TN331-38370	SEAL KIT	2							
8	1	1TN331-38200	CYLINDER ASSY, B	2							
9	2	1TN331-38210	ROD ASSY, B	2							
10	2	1TN331-38310	PISTON	2							
11	2	1TN331-38330	HEAD	2							
12	2	1TN331-38340	NUT, LOCK	2							
13	2	1TN331-38350	O-RING	2							
14	2	1TN331-38370	SEAL KIT	2							
15	1	1TN322-38910	JOINT,90SAE9/16-18	8							
16	2	1TN322-38930	PACKING, JOINT	8							

Fig.8. HYDRAULIC

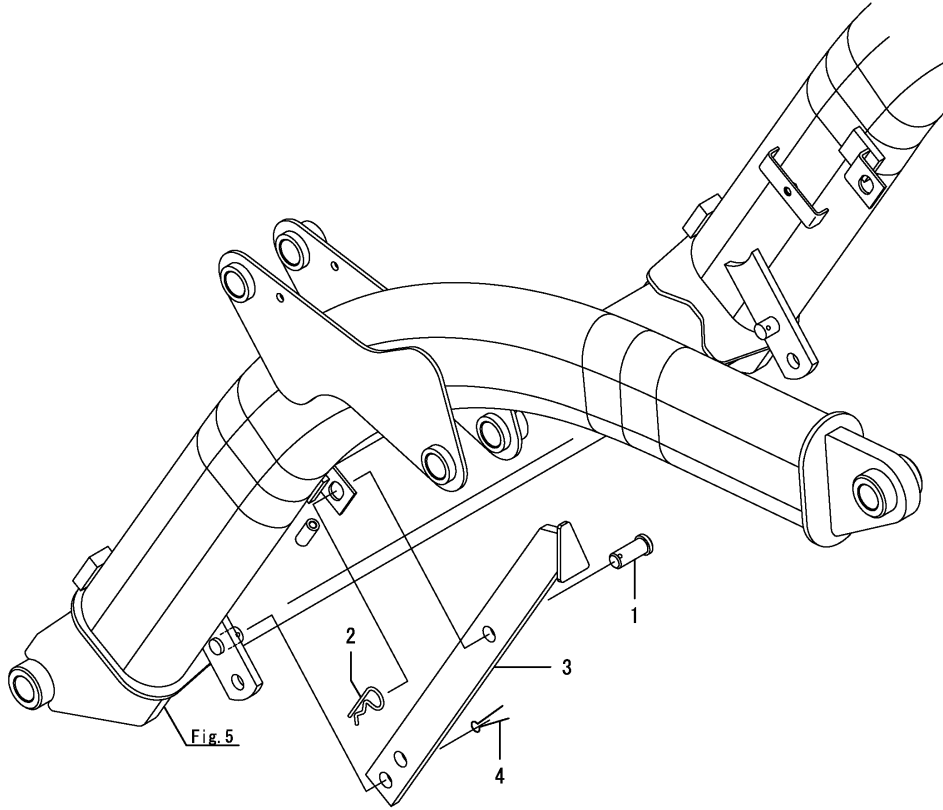
(A)=YL100  
(B)=  
(C)=

(D)=  
(E)=  
(F)=



No.	Lev.	Parts No.	Description	Qty						I	R
				(A)	(B)	(C)	(D)	(E)	(F)		
1	1	1TN331-41100	PIPE ASSY	1							
2	2	1TN331-41110	PIPE ASSY, A	1							
3	2	1TN331-41120	PIPE ASSY, B	1							
4	2	1TN331-41130	PIPE ASSY, C	1							
5	2	1TN331-41140	PIPE ASSY, D	1							
6	2	1TN331-41310	HOSE, HP INTAKE	4							
7	2	1TN325-41410	HP HOSE A	5							
8	2	1TN325-41430	HP HOSE B	2							
9	2	1TN331-41450	HOSE, C	1							
10	2	1TN325-41550	COVER, CLAMP	3							
11	2	1TN325-41560	CLAMP, PIPE	3							
12	2	1TN325-41610	BOLT,6X30	3							
13	2	1TN325-41750	DUST PLUG, RED M	1							
14	2	1TN325-41760	DUST PLUG, BLUE M	1							
15	2	1TN325-41770	DUST PLUG, YELLOW M	1							
16	2	1TN325-41780	DUST PLUG, GREEN M	1							
17	2	1TN331-41790	COVER, HOSE INTAKE	1							
18	2	1TN325-41970	ORIFICE ASSY, 1/8	1							
19	3	194850-49290	PACKING, 6-1	1							
20	2	1A8300-51210	BAND, REPEAT	4							
21	1	1TN331-41510	COVER, PIPE	1							
22	1	1TN325-41910	COUPLER,QUICK 1/4M	4							
23	1	26106-080162	BOLT, M8X 16 PLATED	2							

Fig.9. STAND

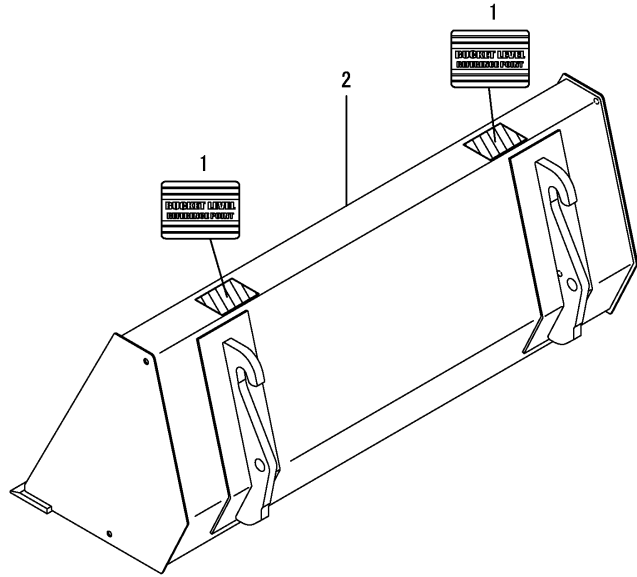


(A)=YL100  
(B)=  
(C)=

(D)=  
(E)=  
(F)=

No.	Lev.	Parts No.	Description	Q'ty						I	R
				(A)	(B)	(C)	(D)	(E)	(F)		
1	1	1TN325-71150	PIN, 16X30	2							
2	1	1TN322-71170	BETA PIN	2							
3	1	1TN331-71610	STAND ASSY	2							
4	1	22417-320320	PIN, COTTER 3.2X32	2							

Fig.10. BUCKET



(A)=YL100  
(B)=  
(C)=

(D)=  
(E)=  
(F)=

No.	Lev.	Parts No.	Description	Q'ty						I	R
				(A)	(B)	(C)	(D)	(E)	(F)		
1	1	1TN322-01610	LABEL,BUCKET	2							
2	1	1TN331-81100	BUCKET ASSY, PL	1							

Fig.11. FRONT GRILLE GUARD

(A)=YL100  
(B)=  
(C)=

(D)=  
(E)=  
(F)=

No.	Lev.	Parts No.	Description	Q'ty						I	R
				(A)	(B)	(C)	(D)	(E)	(F)		
1	1	194990-22160	NUT, M12	4							
2	1	194330-62530	STOPPER, PEDAL	1							
3	1	1A7882-63560	SPRING, SEAT STAY	1							
4	1	1A7882-93000	GUARD ASSY, GRILLE	1							
5	1	1A7882-93050	PIN	1							
6	1	1A7882-93060	SPACER	2							
7	1	1A7882-93100	BRACKET ASSY	1							
8	1	1A7882-93110	BRACKET ASSY	1							
9	1	22137-140000	WASHER, 14	2							
10	1	22417-250300	PIN, COTTER 2.5X30	3							
11	1	26106-100402	BOLT, M10X 40 PLATED	2							
12	1	26106-120452	BOLT, M12X 45 PLATED	4							
13	1	26716-100002	NUT, M10	2							

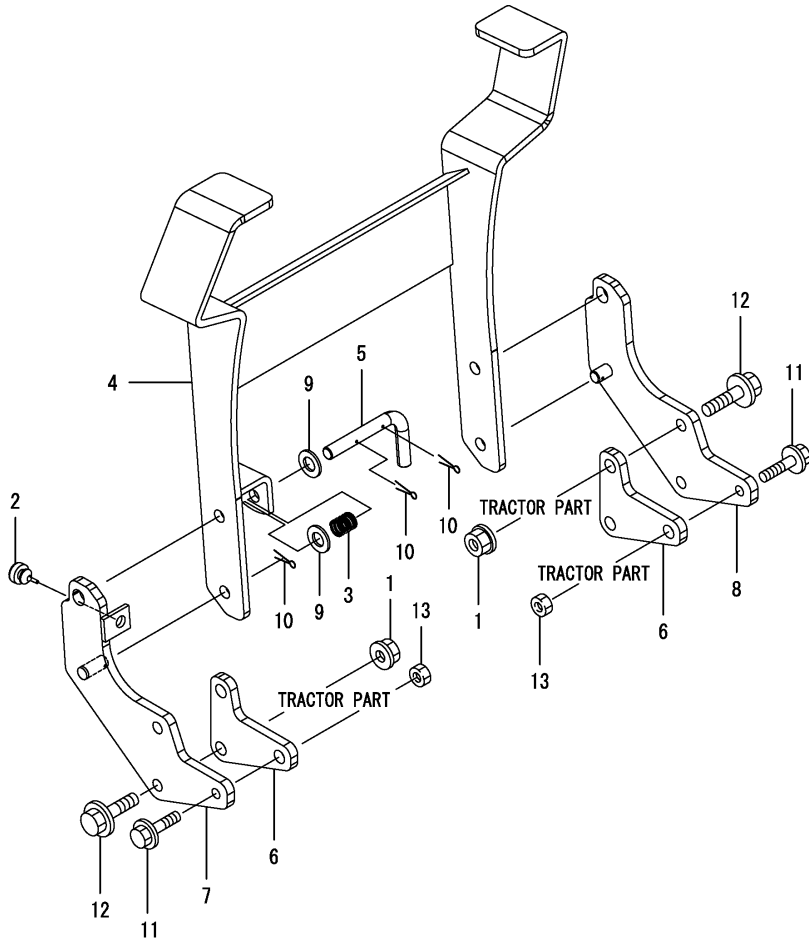


Fig.12. MANUAL

(A)=YL100  
(B)=  
(C)=

(D)=  
(E)=  
(F)=

No.	Lev.	Parts No.	Description	Q'ty						I	R
				(A)	(B)	(C)	(D)	(E)	(F)		
1	1	0A052-U00700	OPERATION MANUAL	1							

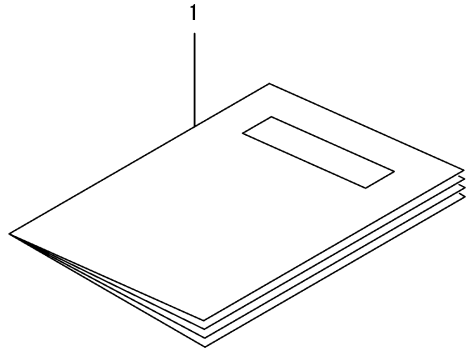
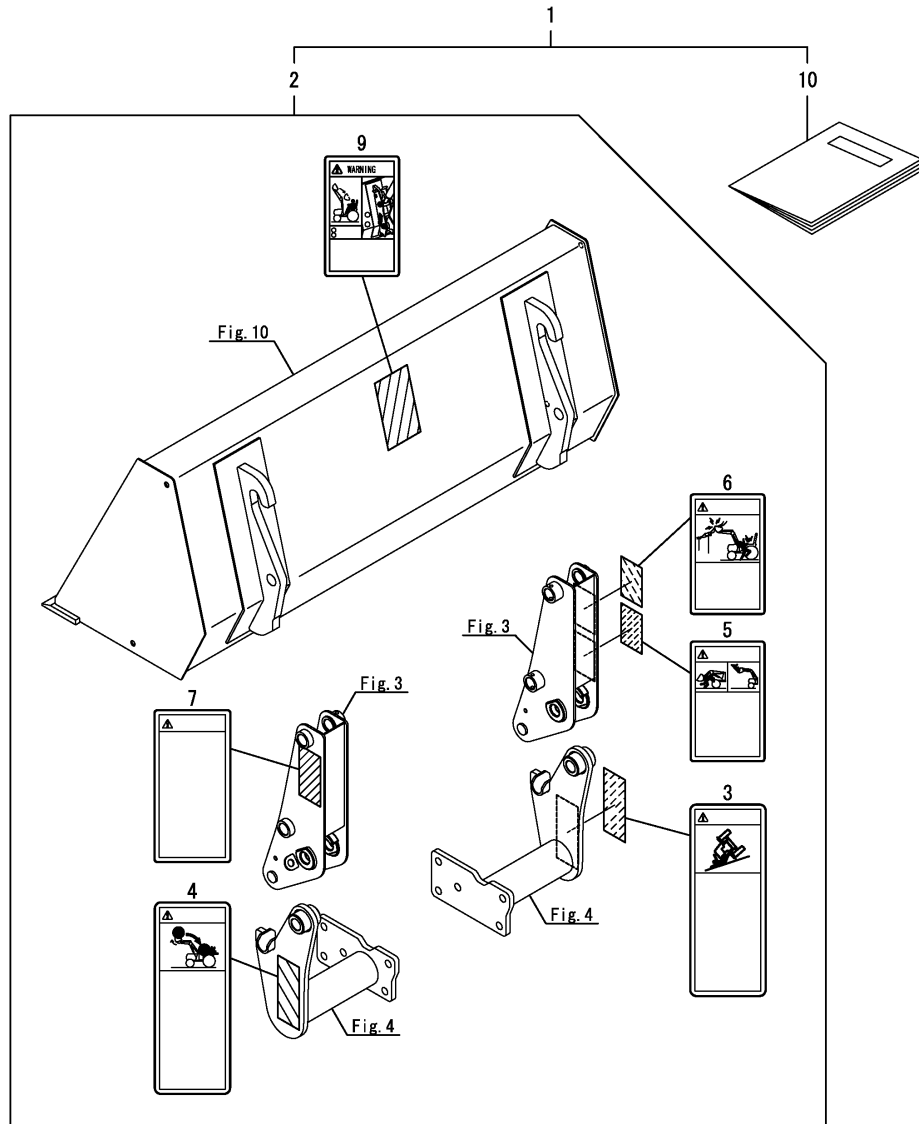


Fig.13. OPTION , FRENCH



(A)=YL100  
(B)=  
(C)=

(D)=  
(E)=  
(F)=

No.	Lev.	Parts No.	Description	Qty						I	R
				(A)	(B)	(C)	(D)	(E)	(F)		
1	1	1TN331-99200	OPTION KIT, FRENCH	1							
2	2	1TN322-01920	LABEL KIT, LOADER FR	1							
3	3	1TN322-01260	LABEL, DANGER ROLL	1							
4	3	1TN322-01270	LABEL, DANGER FALL	1							
5	3	1TN322-01360	LABEL, WARNING FR	1							
6	3	1TN322-01370	LABEL, WARNING SHOCK	1							
7	3	1TN322-01460	LABEL, CAUTION FR	1							
9	3	1TN325-01470	LABEL, WARNING QUICK	1							
10	2	0A052-F00700	OPERATION MANUAL	1							



## Parts No. Index

Parts No.	Fig. No.	Ref. No.
0A052-F00700	13	10
0A052-U00700	12	1
194330-62530	11	2
194850-49290	8	19
194990-22160	11	1
198220-85290	4	3
1A7882-63560	11	3
1A7882-93000	11	4
1A7882-93050	11	5
1A7882-93060	11	6
1A7882-93100	11	7
1A7882-93110	11	8
1A8300-51210	8	20
1TN322-01211	2	1
1TN322-01221	2	2
1TN322-01260	13	3
1TN322-01270	13	4
1TN322-01311	2	3
1TN322-01321	2	4
1TN322-01360	13	5
1TN322-01370	13	6
1TN322-01411	2	5
1TN322-01460	13	7
1TN322-01530	1	1
1TN322-01610	1	3
	10	1
1TN322-01920	13	2
1TN322-38910	7	15
1TN322-38930	7	16
1TN322-71170	9	2
1TN325-01470	13	9
1TN325-41410	8	7
1TN325-41430	8	8
1TN325-41550	8	10
1TN325-41560	8	11
1TN325-41610	8	12
1TN325-41750	8	13
1TN325-41760	8	14
1TN325-41770	8	15
1TN325-41780	8	16
1TN325-41910	8	22
1TN325-41970	8	18
1TN325-71150	9	1
1TN325-73110	3	3
	5	2
	6	2
1TN331-01420	2	6
1TN331-01550	1	2
1TN331-11010	3	1
1TN331-11020	3	2

Parts No.	Fig. No.	Ref. No.
1TN331-13010	4	1
1TN331-13020	4	2
1TN331-21000	5	1
1TN331-23100	6	1
1TN331-38100	7	1
1TN331-38110	7	2
1TN331-38200	7	8
1TN331-38210	7	9
1TN331-38310	7	3
		10
1TN331-38330	7	4
		11
1TN331-38340	7	5
		12
1TN331-38350	7	6
		13
1TN331-38370	7	7
		14
1TN331-41100	8	1
1TN331-41110	8	2
1TN331-41120	8	3
1TN331-41130	8	4
1TN331-41140	8	5
1TN331-41310	8	6
1TN331-41450	8	9
1TN331-41510	8	21
1TN331-41790	8	17
1TN331-71610	9	3
1TN331-73310	3	4
1TN331-73350	6	3
1TN331-73510	6	4
1TN331-81100	10	2
1TN331-99200	13	1
22137-140000	11	9
22417-250300	11	10
22417-320320	9	4
24761-010000	3	5
	5	3
	6	5
26106-080162	8	23
26106-100402	11	11
26106-120452	11	12
26116-060502	3	6
	5	4
	6	6
26347-060002	3	7
	5	5
	6	7
26716-100002	11	13

Parts No.	Fig. No.	Ref. No.
-----------	----------	----------

Parts No.	Fig. No.	Ref. No.
-----------	----------	----------