

0CNP5-M63801EN

# Contents

OCNP5-M63801

Fig. No. Fig. Name

Fig. No. Fig. Name

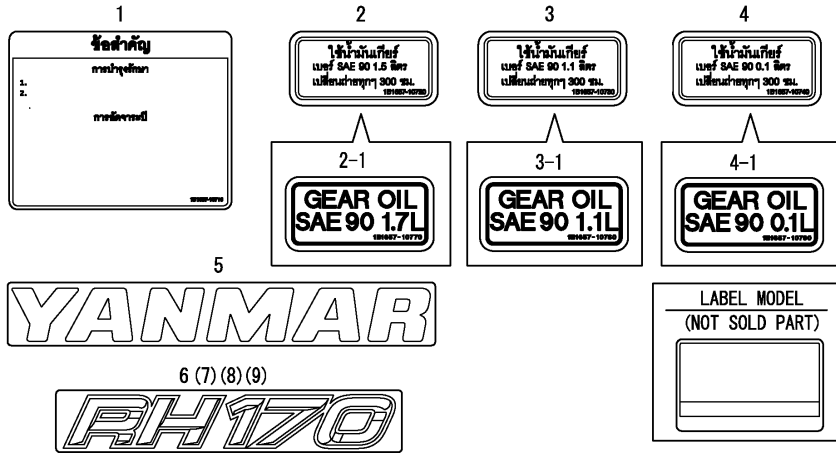
## ROTARY

1. LABEL
2. LABEL(SAFETY)
3. DRIVE SHAFT
4. HOUSING
5. MAIN FRAME
6. DRIVE
7. CHAIN CASE
8. ROTOR SHAFT
9. ROTOR SHAFT CASE(RIGHT)
10. BLADE
11. UPPER ARM
12. SIDE SUPPORT
13. ROTARY COVER
14. SIDE COVER
15. REAR COVER
19. REAR COVER
16. LEVELLER
17. REAR COVER HANGER
18. SLED
20. DOCUMENT

Fig.1. LABEL

(A)=RH170  
(B)=RH190  
(C)=RH170-L

(D)=RH190-L  
(E)=RH160  
(F)=RH180



| No. | Lev. | Parts No.    | Description   | Q'ty |     |     |     |     |     | I | R |
|-----|------|--------------|---|------|-----|-----|-----|-----|-----|---|---|
|     |      |              |   | (A)  | (B) | (C) | (D) | (E) | (F) |   |   |
| 1   | 1    | 1B1657-10710 | LABEL, USE POINT<br>(A=F100106) (B=F100124) (C=F500105) (D=F500106) | 1    | 1   | 1   | 1   |     |     |   | Z |
| 2   | 1    | 1B1657-10720 | LABEL, OIL 1.7  | 1    | 1   | 1   | 1   |     |     |   |   |
| 2-1 | 1    | 1B1657-10770 | LABEL, OIL 1.7<br>(A=F100106) (B=F100124) (C=F500105) (D=F500106)   | 1    | 1   | 1   | 1   | 1   | 1   | 1 | S |
| 3   | 1    | 1B1657-10730 | LABEL, OIL 1.1  | 1    | 1   | 1   | 1   |     |     |   |   |
| 3-1 | 1    | 1B1657-10780 | LABEL, OIL 1.1<br>(A=F100106) (B=F100124) (C=F500105) (D=F500106)   | 1    | 1   | 1   | 1   | 1   | 1   | 1 | S |
| 4   | 1    | 1B1657-10740 | LABEL, OIL 0.1  | 1    | 1   | 1   | 1   |     |     |   |   |
| 4-1 | 1    | 1B1657-10790 | LABEL, OIL 0.1<br>(A=F100106) (B=F100124) (C=F500105) (D=F500106)   | 1    | 1   | 1   | 1   | 1   | 1   | 1 | S |
| 5   | 1    | 1B1657-10400 | LABEL, YANMAR   | 1    | 1   | 1   | 1   | 1   | 1   |   |   |
| 6   | 1    | 1B1657-10520 | LABEL, NAME   | 1    |     | 1   |     |     |     |   |   |
| 7   | 1    | 1B1659-10520 | LABEL, NAME   |      | 1   |     | 1   |     |     |   |   |
| 8   | 1    | 1B1656-10520 | LABEL, NAME   |      |     |     |     |     | 1   |   |   |
| 9   | 1    | 1B1658-10520 | LABEL, NAME   |      |     |     |     |     |     | 1 |   |

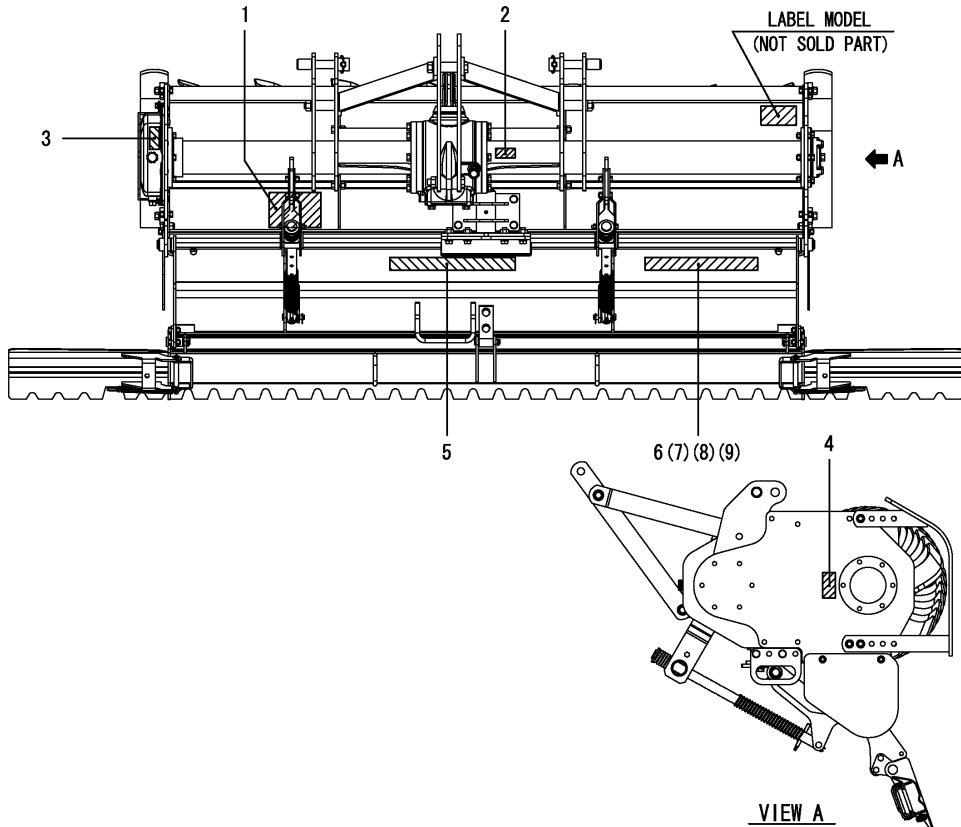
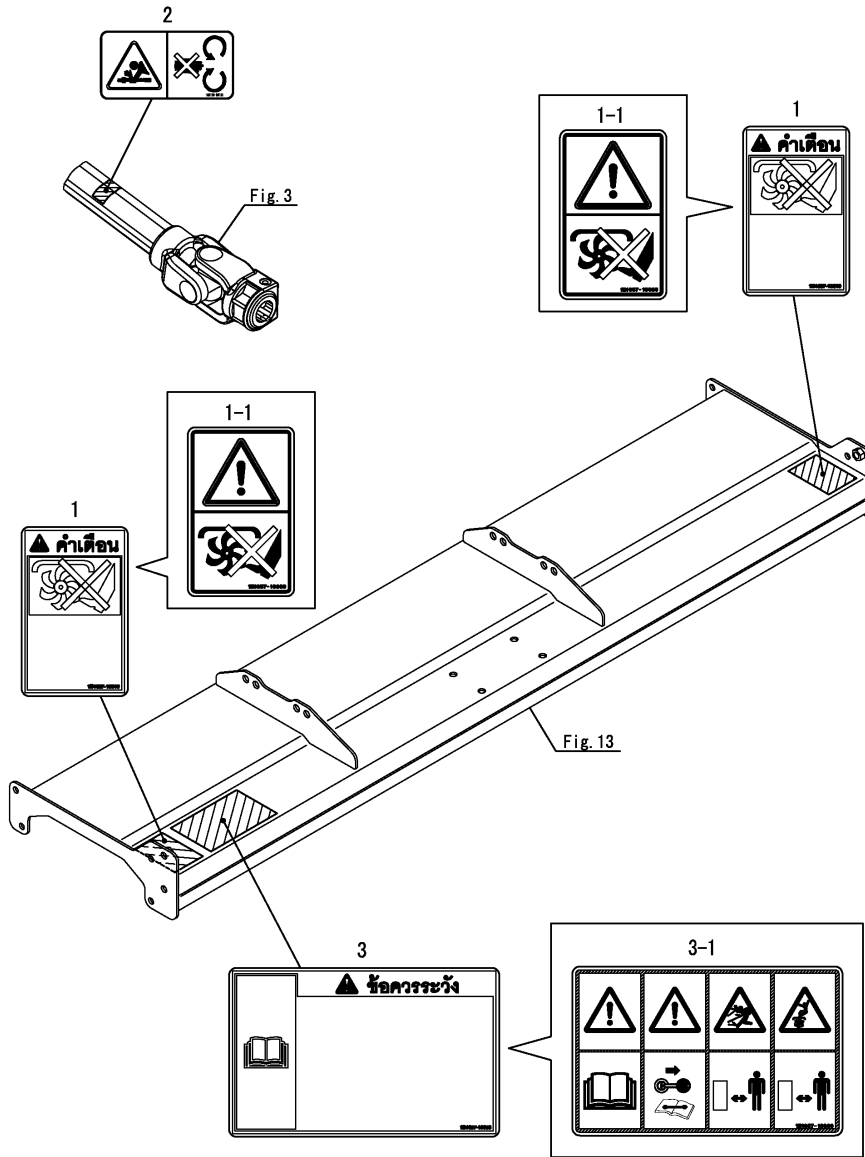


Fig.2. LABEL(SAFETY)

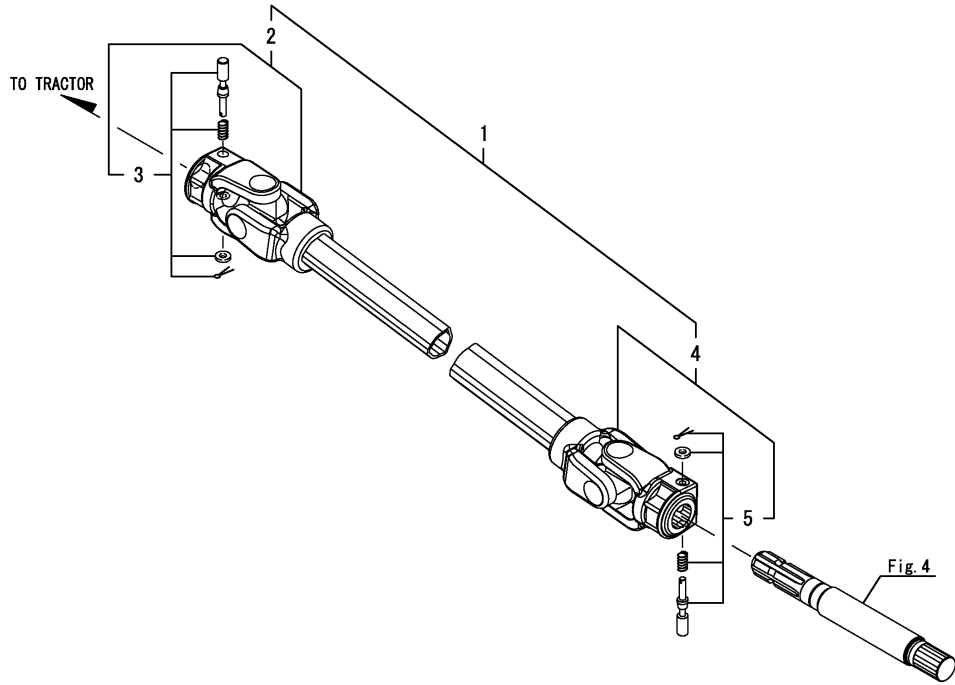
(A)=RH170  
(B)=RH190  
(C)=RH170-L

(D)=RH190-L  
(E)=RH160  
(F)=RH180



| No. | Lev. | Parts No.    | Description          | Q'ty        |             |     |     |     |     | I | R |
|-----|------|--------------|----------------------|-------------|-------------|-----|-----|-----|-----|---|---|
|     |      |              |                      | (A)         | (B)         | (C) | (D) | (E) | (F) |   |   |
| 1   | 1    | 1B1657-10610 | LABEL, WARNING ROTAR | 2           | 2           | 2   | 2   |     |     |   |   |
| 1-1 | 1    | 1B1657-10630 | LABEL, WARNING ROTAR | 2           | 2           | 2   | 2   | 2   | 2   | S |   |
|     |      | (A=F100106)  | (B=F100124)          | (C=F500105) | (D=F500106) |     |     |     |     |   |   |
| 2   | 1    | 1A6150-93151 | LABEL,COVER          | 1           | 1           | 1   | 1   | 1   | 1   |   |   |
| 3   | 1    | 1B1657-10650 | LABEL, CAUTION       | 1           | 1           | 1   | 1   |     |     |   |   |
| 3-1 | 1    | 1B1657-10660 | LABEL, CAUTION       | 1           | 1           | 1   | 1   | 1   | 1   | S |   |
|     |      | (A=F100106)  | (B=F100124)          | (C=F500105) | (D=F500106) |     |     |     |     |   |   |

Fig.3. DRIVE SHAFT

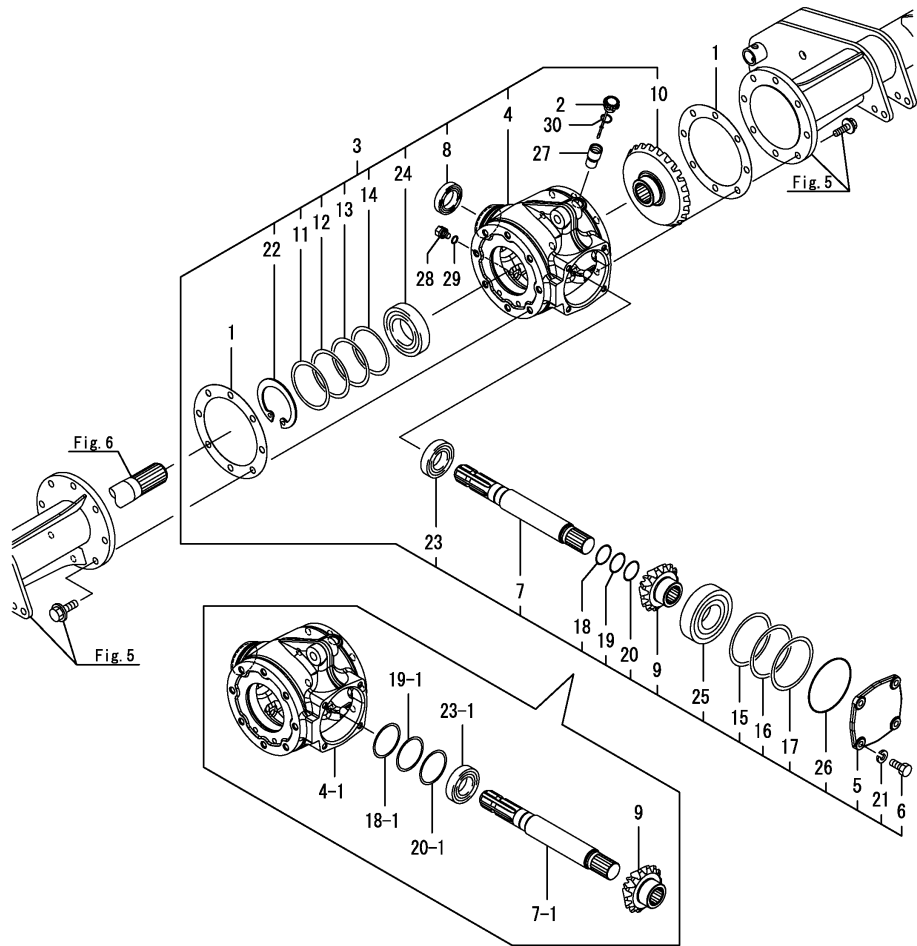


(A)=RH170  
(B)=RH190  
(C)=RH170-L

(D)=RH190-L  
(E)=RH160  
(F)=RH180

| No. | Lev. | Parts No.    | Description       | Q'ty |     |     |     |     |     | I | R |
|-----|------|--------------|-------------------|------|-----|-----|-----|-----|-----|---|---|
|     |      |              |                   | (A)  | (B) | (C) | (D) | (E) | (F) |   |   |
| 1   | 1    | 1B1657-11301 | SHAFT ASSY, DRIVE | 1    | 1   | 1   | 1   | 1   | 1   |   |   |
| 2   | 2    | 1B1657-11320 | SHAFT ASSY, INNER | 1    | 1   | 1   | 1   | 1   | 1   |   |   |
| 3   | 3    | 1B1657-11500 | PIN KIT, LOCK     | 1    | 1   | 1   | 1   | 1   | 1   |   |   |
| 4   | 2    | 1B1657-11330 | SHAFT ASSY, OUTER | 1    | 1   | 1   | 1   | 1   | 1   |   |   |
| 5   | 3    | 1B1657-11500 | PIN KIT, LOCK     | 1    | 1   | 1   | 1   | 1   | 1   |   |   |

Fig.4. HOUSING



(A)=RH170  
(B)=RH190  
(C)=RH170-L

(D)=RH190-L  
(E)=RH160  
(F)=RH180

| No.  | Lev. | Parts No.   | Description       | Q'ty |     |     |     |     |     | I | R   |
|------|------|---|-------------------|------|-----|-----|-----|-----|-----|---|-----|
|      |      |   |                   | (A)  | (B) | (C) | (D) | (E) | (F) |   |     |
| 1    | 1    | 1B1657-13120  | GASKET, GEAR BOX  | 2    | 2   | 2   | 2   | 2   | 2   |   |     |
| 2    | 1    | 195450-13171  | PLUG, OIL         | 1    | 1   | 1   | 1   | 1   | 1   |   |     |
| 3    | 1    | 1B1657-14100  | GEARBOX ASSY      | 1    | 1   | 1   | 1   |     |     |   |     |
| 3-1  | 1    | 1B1657-14101<br>(A=F100153) (B=F100169) (C=F500127) (D=F500117) | GEARBOX ASSY      | 1    | 1   | 1   | 1   | 1   | 1   | 1 | R   |
| 4    | 2    | 1B1657-13110  | HOUSING, GEAR     | 1    | 1   | 1   | 1   |     |     |   |     |
| 4-1  | 2    | 1B1657-13111<br>(A=F100153) (B=F100169) (C=F500127) (D=F500117) | HOUSING, GEAR     | 1    | 1   | 1   | 1   | 1   | 1   | 1 | F 1 |
| 5    | 2    | 1B1657-13150  | COVER, GEAR BOX   | 1    | 1   | 1   | 1   | 1   | 1   |   |     |
| 6    | 2    | 1B1657-13160  | BOLT,M10X25       | 4    | 4   | 4   | 4   | 4   | 4   |   |     |
| 7    | 2    | 1B1657-14110  | PINION, SHAFT     | 1    | 1   | 1   | 1   |     |     |   |     |
| 7-1  | 2    | 1B1657-14111<br>(A=F100153) (B=F100169) (C=F500127) (D=F500117) | PINION, SHAFT     | 1    | 1   | 1   | 1   | 1   | 1   | 1 | F 1 |
| 8    | 2    | 1B1657-14120  | SEAL, TC356212    | 1    | 1   | 1   | 1   | 1   | 1   |   |     |
| 9    | 2    | 1B1657-14130  | GEAR, BEVEL 14    | 1    | 1   | 1   | 1   | 1   | 1   |   |     |
| 10   | 2    | 1B1657-14150  | GEAR, BEVEL 27    | 1    | 1   | 1   | 1   | 1   | 1   |   |     |
| 11   | 2    | 1B1657-14260  | SHIM, 0.5         | 1    | 1   | 1   | 1   | 1   | 1   |   |     |
| 12   | 2    | 1B1657-14270  | SHIM, 0.3         | 1    | 1   | 1   | 1   | 1   | 1   |   |     |
| 13   | 2    | 1B1657-14280  | SHIM, 0.2         | 1    | 1   | 1   | 1   | 1   | 1   |   |     |
| 14   | 2    | 1B1657-14290  | SHIM, 1.0         | 1    | 1   | 1   | 1   | 1   | 1   |   |     |
| 15   | 2    | 1B1657-14310  | SHIM, 0.2 D110    | 1    | 1   | 1   | 1   |     |     |   |     |
| 15-1 | 2    | 1B1657-14440<br>(A=F100153) (B=F100169) (C=F500127) (D=F500117) | SHIM, 0.1         | 1    | 1   | 1   | 1   | 1   | 1   | 1 | S   |
| 16   | 2    | 1B1657-14320  | SHIM, 0.3 D110    | 1    | 1   | 1   | 1   | 1   | 1   |   |     |
| 17   | 2    | 1B1657-14330  | SHIM, 0.5 D110    | 1    | 1   | 1   | 1   | 1   | 1   |   |     |
| 18   | 2    | 1B1657-14360  | SHIM, 0.2 D40     | 1    | 1   | 1   | 1   |     |     |   |     |
| 18-1 | 2    | 1B1657-14410<br>(A=F100153) (B=F100169) (C=F500127) (D=F500117) | SHIM, 0.1         | 1    | 1   | 1   | 1   | 1   | 1   | 1 | F 1 |
| 19   | 2    | 1B1657-14370  | SHIM, 0.3 D40     | 1    | 1   | 1   | 1   |     |     |   |     |
| 19-1 | 2    | 1B1657-14420<br>(A=F100153) (B=F100169) (C=F500127) (D=F500117) | SHIM, 0.3         | 1    | 1   | 1   | 1   | 1   | 1   | 1 | F 1 |
| 20   | 2    | 1B1657-14380  | SHIM, 0.5 D40     | 1    | 1   | 1   | 1   |     |     |   |     |
| 20-1 | 2    | 1B1657-14430<br>(A=F100153) (B=F100169) (C=F500127) (D=F500117) | SHIM, 0.5         | 1    | 1   | 1   | 1   | 1   | 1   | 1 | F 1 |
| 21   | 2    | 22217-100000  | WASHER, SPRING 10 | 4    | 4   | 4   | 4   | 4   | 4   |   |     |
| 22   | 2    | 22252-001000  | RING, 100         | 1    | 1   | 1   | 1   | 1   | 1   |   |     |
| 23   | 2    | 1B1657-14160  | BEARING, 6207     | 1    | 1   | 1   | 1   |     |     |   |     |
| 23-1 | 2    | 1B1657-14560<br>(A=F100153) (B=F100169) (C=F500127) (D=F500117) | BEARING, 6207     | 1    | 1   | 1   | 1   | 1   | 1   | 1 | R   |
| 24   | 2    | 1A8296-13960  | BEARING, 6211     | 1    | 1   | 1   | 1   |     |     |   |     |
| 24-1 | 2    | 1B1657-14580<br>(A=F100153) (B=F100169) (C=F500127) (D=F500117) | BEARING, 6211     | 1    | 1   | 1   | 1   | 1   | 1   | 1 | R   |
| 25   | 2    | 1B1657-14170  | BEARING, 6310     | 1    | 1   | 1   | 1   |     |     |   |     |
| 25-1 | 2    | 1B1657-14570<br>(A=F100153) (B=F100169) (C=F500127) (D=F500117) | BEARING, 6310     | 1    | 1   | 1   | 1   | 1   | 1   | 1 | R   |
| 26   | 2    | 24321-001100  | O-RING, 1AG110.0  | 1    | 1   | 1   | 1   | 1   | 1   |   |     |
| 27   | 1    | 195505-15250  | PIPE, OIL 45      | 1    | 1   | 1   | 1   | 1   | 1   |   |     |
| 28   | 1    | 23491-100002  | PLUG, 10          | 1    | 1   | 1   | 1   | 1   | 1   |   |     |
| 29   | 1    | 24311-000120  | O-RING, 1AP12.0   | 1    | 1   | 1   | 1   | 1   | 1   |   |     |
| 30   | 1    | 24341-000180  | O-RING, 1AS18.0   | 1    | 1   | 1   | 1   | 1   | 1   |   |     |

Remarks

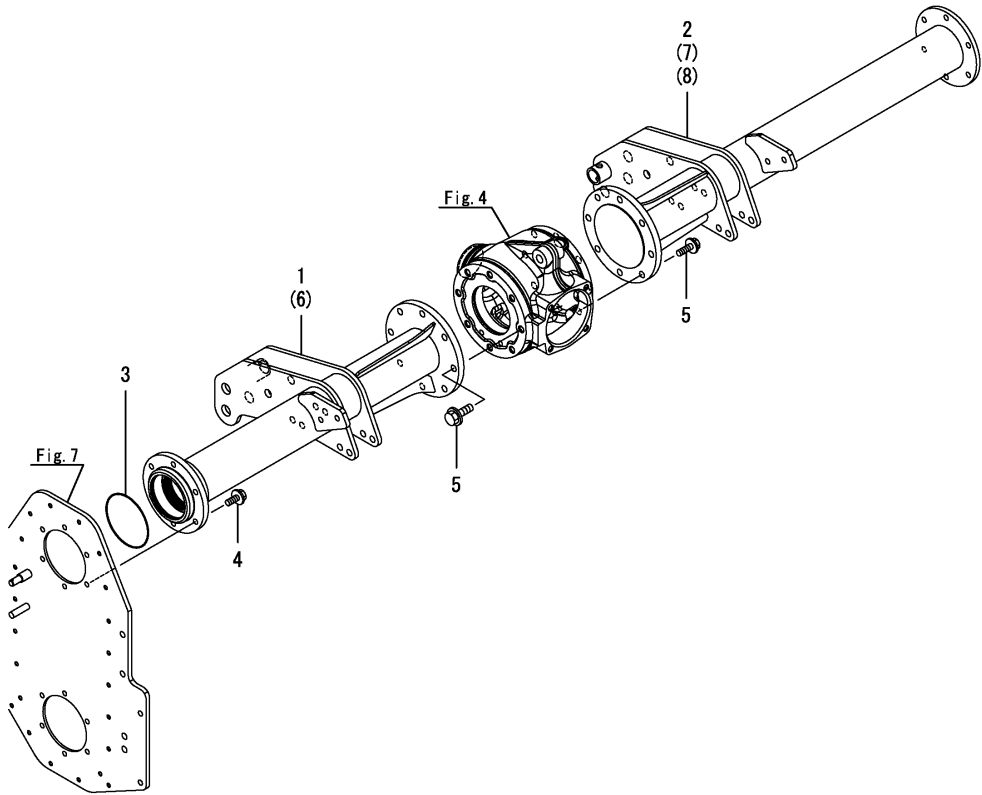
(1)No.4-1, 7-1, 18-1, 19-1 & 20-1 interchangeable by set.

N:Old  $\frac{\text{Yes}}{\text{No}}$  New, Q:Old  $\frac{\text{No}}{\text{Yes}}$  New, R:Old  $\frac{\text{Yes}}{\text{No}}$  New, S:Old  $\frac{\text{No}}{\text{Yes}}$  New, W:Add, Z:Discontinued, F:Interchangeable by set, K:Q'ty Change

Fig.5. MAIN FRAME

(A)=RH170  
(B)=RH190  
(C)=RH170-L

(D)=RH190-L  
(E)=RH160  
(F)=RH180

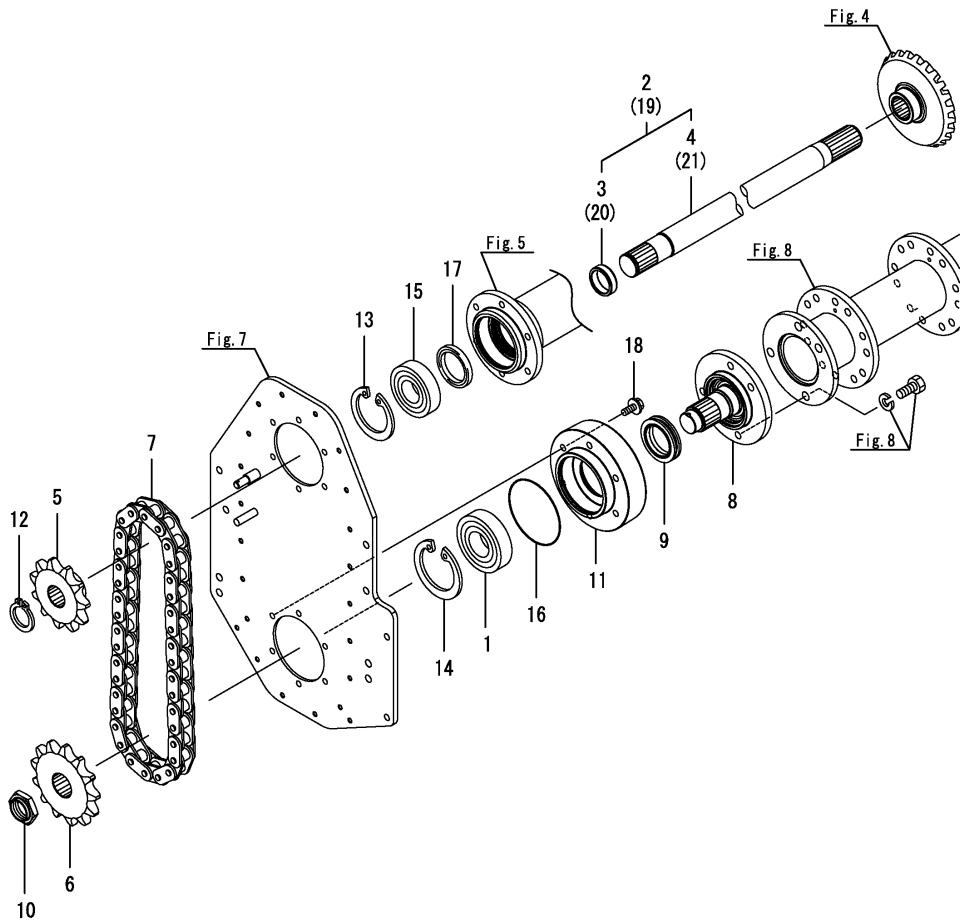


| No. | Lev. | Parts No.    | Description          | Q'ty |     |     |     |     |     | I  | R |
|-----|------|--------------|----------------------|------|-----|-----|-----|-----|-----|----|---|
|     |      |              |                      | (A)  | (B) | (C) | (D) | (E) | (F) |    |   |
| 1   | 1    | 1B1657-13400 | FRAME ASSY, MAIN L   | 1    |     | 1   |     |     | 1   |    |   |
| 2   | 1    | 1B1657-13600 | FRAME ASSY, MAIN R   | 1    |     | 1   |     |     |     | 1  |   |
| 3   | 1    | 24321-001100 | O-RING, 1AG110.0     | 1    | 1   | 1   | 1   | 1   | 1   | 1  |   |
| 4   | 1    | 26106-100252 | BOLT, M10X 25 PLATED | 6    | 6   | 6   | 6   | 6   | 6   | 6  |   |
| 5   | 1    | 1A6770-85920 | BOLT, M12X30         | 16   | 16  | 16  | 16  | 16  | 16  | 16 |   |
| 6   | 1    | 1B1659-13400 | FRAME ASSY, MAIN L   |      |     | 1   |     | 1   |     |    | 1 |
| 7   | 1    | 1B1659-13600 | FRAME ASSY, MAIN R   |      |     | 1   |     | 1   |     |    |   |
| 8   | 1    | 1B1656-13600 | FRAME ASSY, MAIN R   |      |     |     |     |     |     | 1  |   |

Fig.6. DRIVE

(A)=RH170  
(B)=RH190  
(C)=RH170-L

(D)=RH190-L  
(E)=RH160  
(F)=RH180

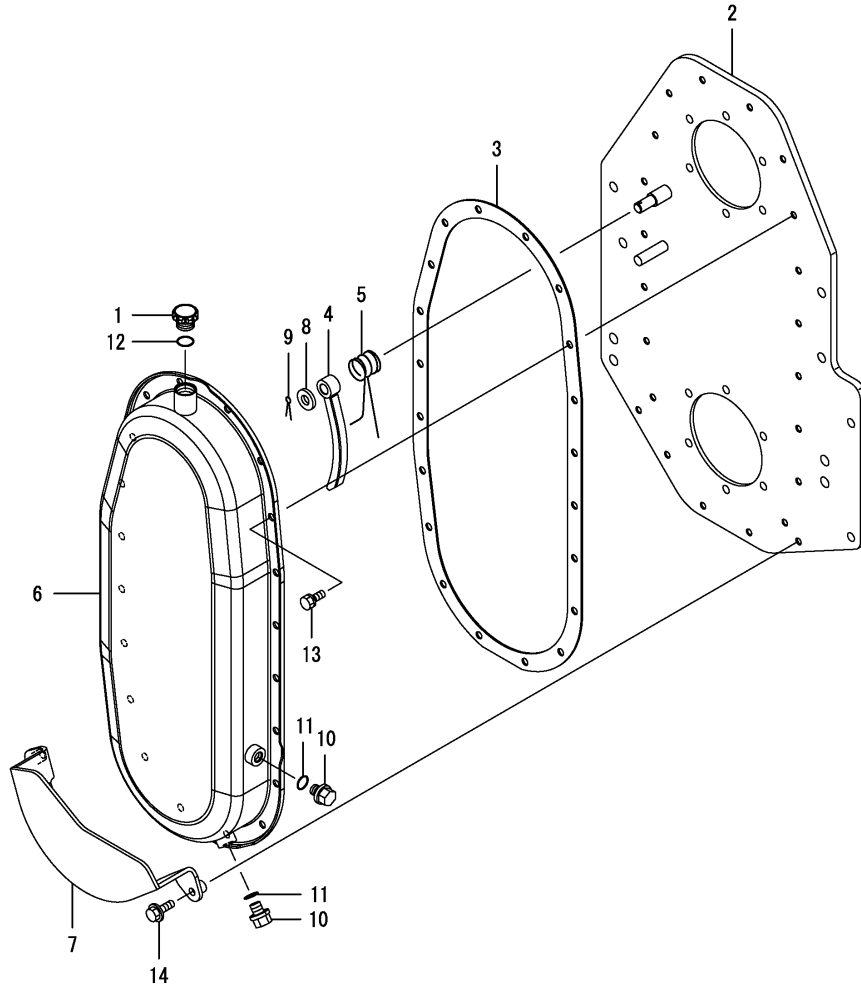


| No. | Lev. | Parts No.    | Description          | Q'ty |     |     |     |     |     | I | R |
|-----|------|--------------|----------------------|------|-----|-----|-----|-----|-----|---|---|
|     |      |              |                      | (A)  | (B) | (C) | (D) | (E) | (F) |   |   |
| 1   | 1    | 105400-02300 | BEARING, 6309G3C3    | 1    | 1   | 1   | 1   | 1   | 1   |   |   |
| 2   | 1    | 1B1657-14200 | SHAFT ASSY, DRIVEN   | 1    |     | 1   |     | 1   |     |   |   |
| 3   | 2    | 1B1657-14190 | COLLAR, DRIVEN SHAFT | 1    |     | 1   |     | 1   |     |   |   |
| 4   | 2    | 1B1657-14210 | SHAFT, DRIVEN        | 1    |     | 1   |     | 1   |     |   |   |
| 5   | 1    | 1B1657-14701 | SPROCKET, 11         | 1    | 1   | 1   | 1   | 1   | 1   |   |   |
| 6   | 1    | 1B1657-14711 | SPROCKET, 13         | 1    | 1   | 1   | 1   | 1   | 1   |   |   |
| 7   | 1    | 1B1659-14730 | CHAIN,SUP 100X36L    | 1    | 1   | 1   | 1   | 1   | 1   |   |   |
| 8   | 1    | 1B1657-14810 | SHAFT, FINAL         | 1    | 1   | 1   | 1   | 1   | 1   |   |   |
| 9   | 1    | 1B1657-14840 | SEAL, FLOATING       | 1    | 1   | 1   | 1   | 1   | 1   |   |   |
| 10  | 1    | 1B1657-14850 | NUT, M36R            | 1    | 1   | 1   | 1   | 1   | 1   |   |   |
| 11  | 1    | 1B1657-15120 | CASE, FINAL          | 1    | 1   | 1   | 1   | 1   | 1   |   |   |
| 12  | 1    | 22242-000400 | RING, 40             | 1    | 1   | 1   | 1   | 1   | 1   |   |   |
| 13  | 1    | 22252-000900 | RING, 90             | 1    | 1   | 1   | 1   | 1   | 1   |   |   |
| 14  | 1    | 22252-001000 | RING, 100            | 1    | 1   | 1   | 1   | 1   | 1   |   |   |
| 15  | 1    | 24104-063084 | BEARING, BALL 6308UU | 1    | 1   | 1   | 1   | 1   | 1   |   |   |
| 16  | 1    | 24321-001150 | O-RING, 1AG115.0     | 1    | 1   | 1   | 1   | 1   | 1   |   |   |
| 17  | 1    | 24411-507209 | OIL SEAL SC50729     | 1    | 1   | 1   | 1   | 1   | 1   |   |   |
| 18  | 1    | 26106-100252 | BOLT, M10X 25 PLATED | 6    | 6   | 6   | 6   | 6   | 6   |   |   |
| 19  | 1    | 1B1659-14200 | SHAFT ASSY, DRIVEN   |      | 1   |     | 1   |     | 1   |   |   |
| 20  | 2    | 1B1657-14190 | COLLAR, DRIVEN SHAFT |      | 1   |     | 1   |     | 1   |   |   |
| 21  | 2    | 1B1659-14210 | SHAFT, DRIVEN        |      | 1   |     | 1   |     | 1   |   |   |



(A)=RH170  
 (B)=RH190  
 (C)=RH170-L

(D)=RH190-L  
 (E)=RH160  
 (F)=RH180

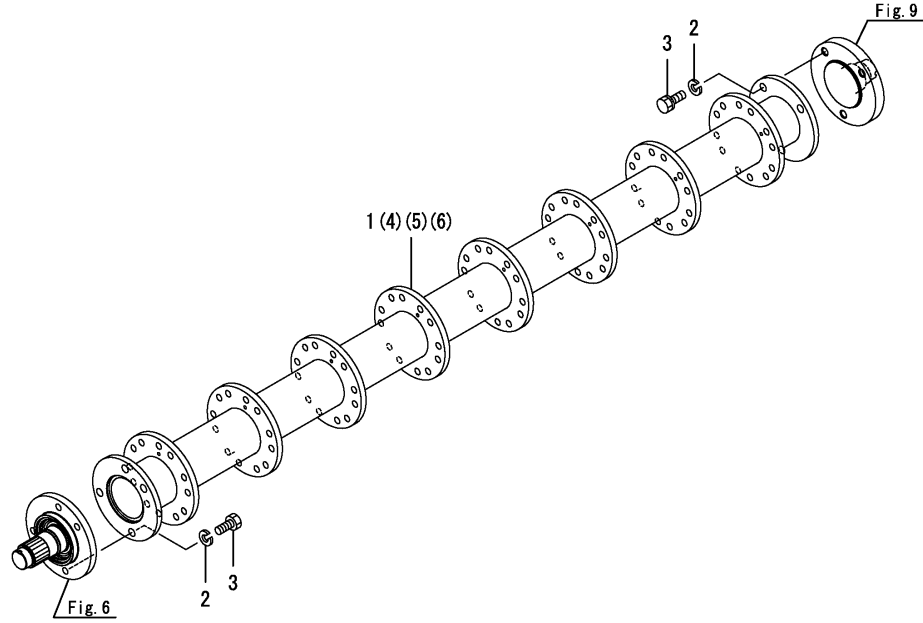


| No. | Lev. | Parts No.    | Description         | Qty |     |     |     |     |     | I | R |
|-----|------|--------------|---------------------|-----|-----|-----|-----|-----|-----|---|---|
|     |      |              |                     | (A) | (B) | (C) | (D) | (E) | (F) |   |   |
| 1   | 1    | 195230-12190 | PLUG, OIL           | 1   | 1   | 1   | 1   | 1   | 1   |   |   |
| 2   | 1    | 1B1657-15100 | PLATE ASSY, CHAIN   | 1   | 1   | 1   | 1   | 1   | 1   |   |   |
| 3   | 1    | 1B1657-15180 | GASKET,CH COVER     | 1   | 1   | 1   | 1   | 1   | 1   |   |   |
| 4   | 1    | 1B1657-15210 | TENSIONER ASSY      | 1   | 1   | 1   | 1   | 1   | 1   |   |   |
| 5   | 1    | 1B1657-15280 | SPRING, TENSION     | 1   | 1   | 1   | 1   | 1   | 1   |   |   |
| 6   | 1    | 1B1657-15300 | COVER ASSY, CHAIN   | 1   | 1   | 1   | 1   | 1   | 1   |   |   |
| 7   | 1    | 1B1657-15700 | PROTECTOR ASSY      | 1   | 1   | 1   | 1   | 1   | 1   |   |   |
| 8   | 1    | 22137-120000 | WASHER, 12          | 1   | 1   | 1   | 1   | 1   | 1   |   |   |
| 9   | 1    | 22411-320250 | COTTER PIN 3.2X25   | 1   | 1   | 1   | 1   | 1   | 1   |   |   |
| 10  | 1    | 23491-120002 | PLUG, 12            | 2   | 2   | 2   | 2   | 2   | 2   |   |   |
| 11  | 1    | 24311-000140 | O-RING, 1AP14.0     | 2   | 2   | 2   | 2   | 2   | 2   |   |   |
| 12  | 1    | 24341-000180 | O-RING, 1AS18.0     | 1   | 1   | 1   | 1   | 1   | 1   |   |   |
| 13  | 1    | 26013-080162 | BOLT, M8X 16        | 20  | 20  | 20  | 20  | 20  | 20  |   |   |
| 14  | 1    | 26106-080252 | BOLT, M8X 25 PLATED | 2   | 2   | 2   | 2   | 2   | 2   |   |   |

Fig.8. ROTOR SHAFT

(A)=RH170  
(B)=RH190  
(C)=RH170-L

(D)=RH190-L  
(E)=RH160  
(F)=RH180

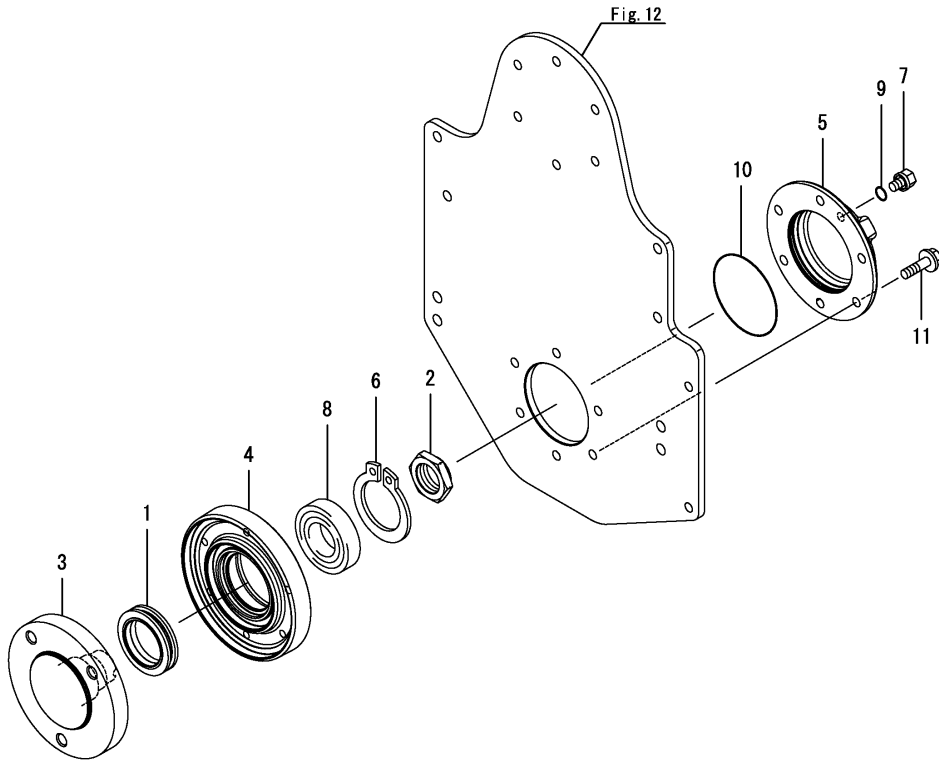


| No. | Lev. | Parts No.    | Description       | Q'ty |     |     |     |     |     | I | R |
|-----|------|--------------|-------------------|------|-----|-----|-----|-----|-----|---|---|
|     |      |              |                   | (A)  | (B) | (C) | (D) | (E) | (F) |   |   |
| 1   | 1    | 1B1657-17100 | SHAFT ASSY, ROTOR | 1    |     | 1   |     |     |     |   |   |
| 2   | 1    | 22217-140000 | WASHER, SPRING 14 | 7    | 7   | 7   | 7   | 7   | 7   |   |   |
| 3   | 1    | 1E6A10-73420 | BOLT, 14X30 10.9  | 7    | 7   | 7   | 7   | 7   | 7   |   |   |
| 4   | 1    | 1B1659-17100 | SHAFT ASSY, ROTOR |      | 1   |     | 1   |     |     |   |   |
| 5   | 1    | 1B1656-17100 | SHAFT ASSY, ROTOR |      |     |     |     |     | 1   |   |   |
| 6   | 1    | 1B1658-17100 | SHAFT ASSY, ROTOR |      |     |     |     |     |     |   | 1 |

Fig.9. ROTOR SHAFT CASE(RIGHT)

(A)=RH170  
(B)=RH190  
(C)=RH170-L

(D)=RH190-L  
(E)=RH160  
(F)=RH180

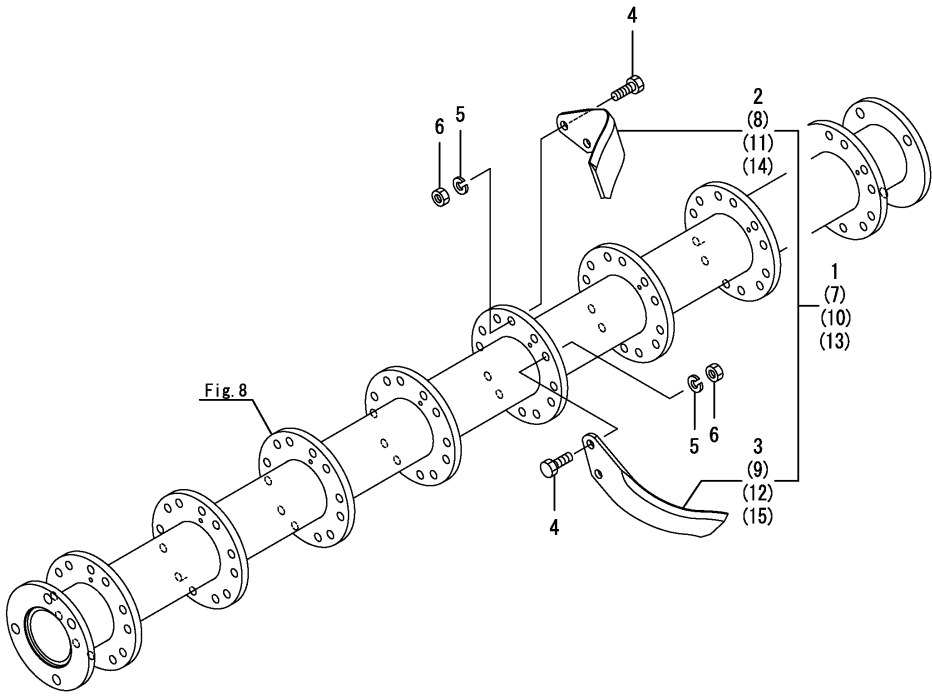


| No. | Lev. | Parts No.    | Description          | Q'ty |     |     |     |     |     | I | R |
|-----|------|--------------|----------------------|------|-----|-----|-----|-----|-----|---|---|
|     |      |              |                      | (A)  | (B) | (C) | (D) | (E) | (F) |   |   |
| 1   | 1    | 1B1657-14840 | SEAL, FLOATING       | 1    | 1   | 1   | 1   | 1   | 1   |   |   |
| 2   | 1    | 1B1657-14860 | NUT, M36L            | 1    | 1   | 1   | 1   | 1   | 1   |   |   |
| 3   | 1    | 1B1657-17510 | SHAFT, END           | 1    | 1   | 1   | 1   | 1   | 1   |   |   |
| 4   | 1    | 1B1657-19750 | CASE, BEARING R      | 1    | 1   | 1   | 1   | 1   | 1   |   |   |
| 5   | 1    | 1B1657-19820 | PROTECTOR, R         | 1    | 1   | 1   | 1   | 1   | 1   |   |   |
| 6   | 1    | 22252-000800 | RING, 80             | 1    | 1   | 1   | 1   | 1   | 1   |   |   |
| 7   | 1    | 23491-100002 | PLUG, 10             | 1    | 1   | 1   | 1   | 1   | 1   |   |   |
| 8   | 1    | 24101-062084 | BEARING, BALL 6208   | 1    | 1   | 1   | 1   | 1   | 1   |   |   |
| 9   | 1    | 24311-000120 | O-RING, 1AP12.0      | 1    | 1   | 1   | 1   | 1   | 1   |   |   |
| 10  | 1    | 24321-000950 | O-RING, 1AG95.0      | 1    | 1   | 1   | 1   | 1   | 1   |   |   |
| 11  | 1    | 26106-100302 | BOLT, M10X 30 PLATED | 6    | 6   | 6   | 6   | 6   | 6   |   |   |

Fig.10. BLADE

(A)=RH170  
(B)=RH190  
(C)=RH170-L

(D)=RH190-L  
(E)=RH160  
(F)=RH180

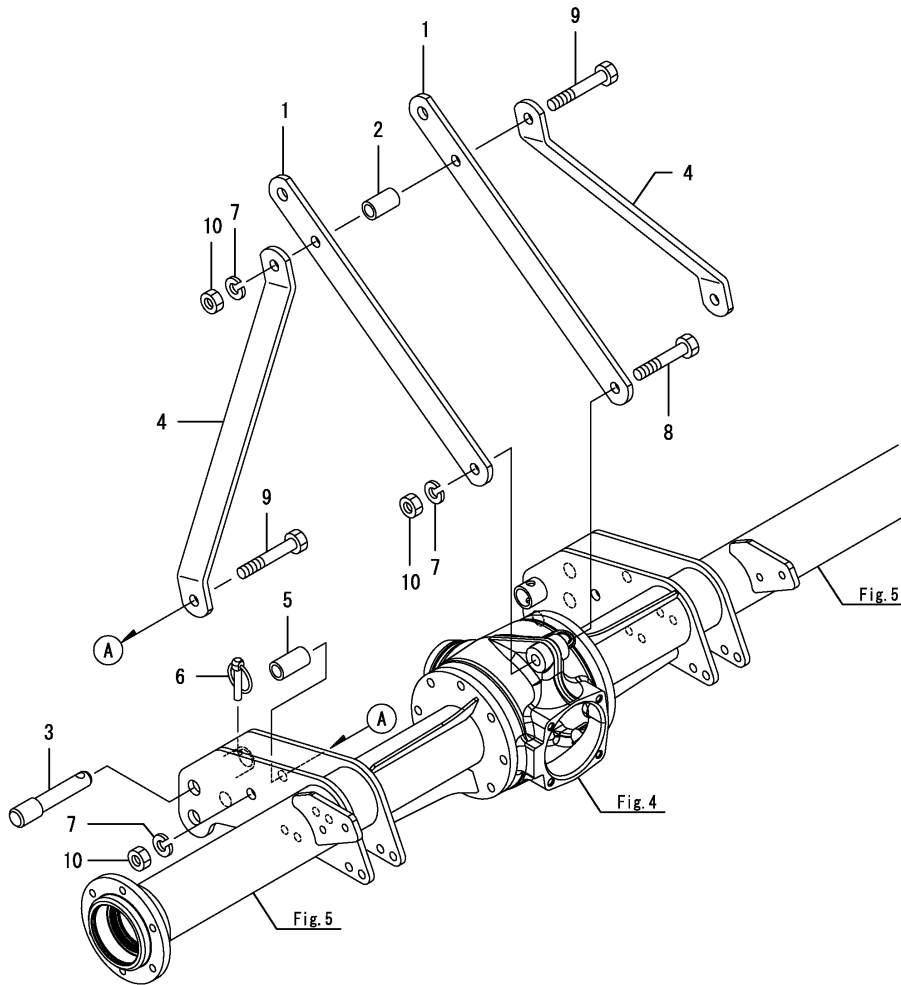


| No. | Lev. | Parts No.    | Description       | Q'ty |     |     |     |     |     | I | R  |
|-----|------|--------------|-------------------|------|-----|-----|-----|-----|-----|---|----|
|     |      |              |                   | (A)  | (B) | (C) | (D) | (E) | (F) |   |    |
| 1   | 1    | 1B1657-18100 | BLADE ASSY, 48    | 1    |     | 1   |     |     |     |   |    |
| 2   | 2    | 1B1657-18510 | ROTARY-BLADE, L   | 24   |     | 24  |     |     |     |   |    |
| 3   | 2    | 1B1657-18520 | ROTARY-BLADE, R   | 24   |     | 24  |     |     |     |   |    |
| 4   | 1    | 1B1617-18880 | BOLT, M12X35      | 96   | 108 | 96  | 108 | 96  | 108 |   |    |
| 5   | 1    | 22217-120000 | WASHER, SPRING 12 | 96   | 108 | 96  | 108 | 96  | 108 |   |    |
| 6   | 1    | 26606-120002 | NUT, M12          | 96   | 108 | 96  | 108 | 96  | 108 |   |    |
| 7   | 1    | 1B1659-18100 | BLADE ASSY, 54    |      |     | 1   |     | 1   |     |   |    |
| 8   | 2    | 1B1657-18510 | ROTARY-BLADE, L   |      |     | 27  |     | 27  |     |   |    |
| 9   | 2    | 1B1657-18520 | ROTARY-BLADE, R   |      |     | 27  |     | 27  |     |   |    |
| 10  | 1    | 1B1657-18110 | BLADE ASSY, 48    |      |     |     |     |     |     |   | 1  |
| 11  | 2    | 1B1657-18560 | ROTARY-BLADE, L   |      |     |     |     |     |     |   | 24 |
| 12  | 2    | 1B1657-18570 | ROTARY-BLADE, R   |      |     |     |     |     |     |   | 24 |
| 13  | 1    | 1B1659-18110 | BLADE ASSY, 54    |      |     |     |     |     |     |   | 1  |
| 14  | 2    | 1B1657-18560 | ROTARY-BLADE, L   |      |     |     |     |     |     |   | 27 |
| 15  | 2    | 1B1657-18570 | ROTARY-BLADE, R   |      |     |     |     |     |     |   | 27 |

Fig.11. UPPER ARM

(A)=RH170  
(B)=RH190  
(C)=RH170-L

(D)=RH190-L  
(E)=RH160  
(F)=RH180



| No. | Lev. | Parts No.    | Description          | Qty |     |     |     |     |     | I | R |
|-----|------|--------------|----------------------|-----|-----|-----|-----|-----|-----|---|---|
|     |      |              |                      | (A) | (B) | (C) | (D) | (E) | (F) |   |   |
| 1   | 1    | 1B1657-19110 | MAST                 | 2   | 2   | 2   | 2   | 2   | 2   |   |   |
| 2   | 1    | 1B1657-19130 | PIPE                 | 1   | 1   | 1   | 1   | 1   | 1   |   |   |
| 3   | 1    | 1B1657-19310 | PIN, LOWER LINK      | 2   | 2   | 2   | 2   | 2   | 2   |   |   |
| 4   | 1    | 1B1657-19510 | STAY, ARM            | 2   | 2   | 2   | 2   | 2   | 2   |   |   |
| 5   | 1    | 1B1657-19520 | PIPE                 | 2   | 2   | 2   | 2   | 2   | 2   |   |   |
| 6   | 1    | 194130-71410 | PIN ASSY, BALL       | 2   | 2   | 2   | 2   | 2   | 2   |   |   |
| 7   | 1    | 22217-160000 | WASHER, SPRING 16    | 4   | 4   | 4   | 4   | 4   | 4   |   |   |
| 8   | 1    | 26116-160902 | BOLT M16X 90 PLATED  | 1   | 1   | 1   | 1   | 1   | 1   |   |   |
| 9   | 1    | 26116-161002 | BOLT, M16X100 PLATED | 3   | 3   | 3   | 3   | 3   | 3   |   |   |
| 10  | 1    | 26716-160002 | NUT, M16             | 4   | 4   | 4   | 4   | 4   | 4   |   |   |

# Fig.12. SIDE SUPPORT

(A)=RH170  
(B)=RH190  
(C)=RH170-L

(D)=RH190-L  
(E)=RH160  
(F)=RH180

| No. | Lev. | Parts No.    | Description          | Q'ty |     |     |     |     |     | I | R |
|-----|------|--------------|----------------------|------|-----|-----|-----|-----|-----|---|---|
|     |      |              |                      | (A)  | (B) | (C) | (D) | (E) | (F) |   |   |
| 1   | 1    | 1B1657-19710 | SUPPORT, SIDE        | 1    | 1   | 1   | 1   | 1   | 1   |   |   |
| 2   | 1    | 22217-100000 | WASHER, SPRING 10    | 6    | 6   | 6   | 6   | 6   | 6   |   |   |
| 3   | 1    | 26106-100302 | BOLT, M10X 30 PLATED | 6    | 6   | 6   | 6   | 6   | 6   |   |   |
| 4   | 1    | 26716-100002 | NUT, M10             | 6    | 6   | 6   | 6   | 6   | 6   |   |   |

---

---

---

---

---

---

---

---

---

---

---

---

---

---

---

---

---

---

---

---

---

---

---

---

---

---

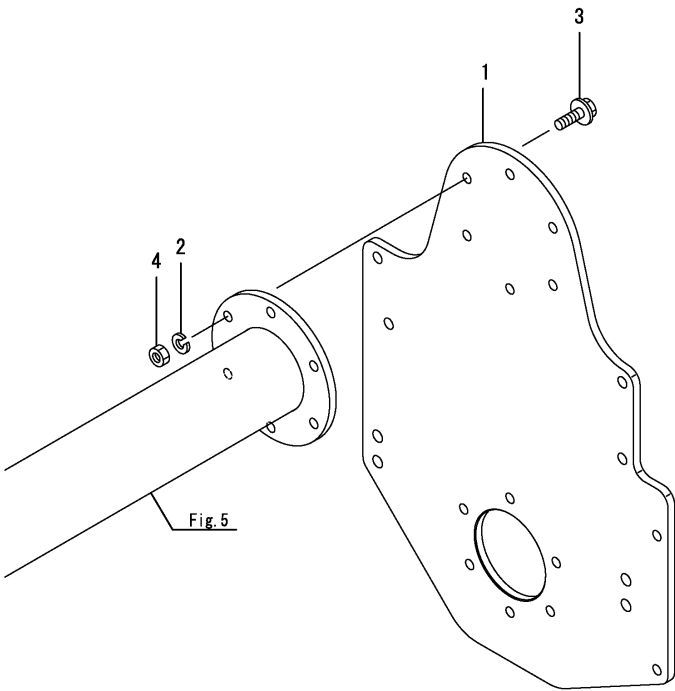
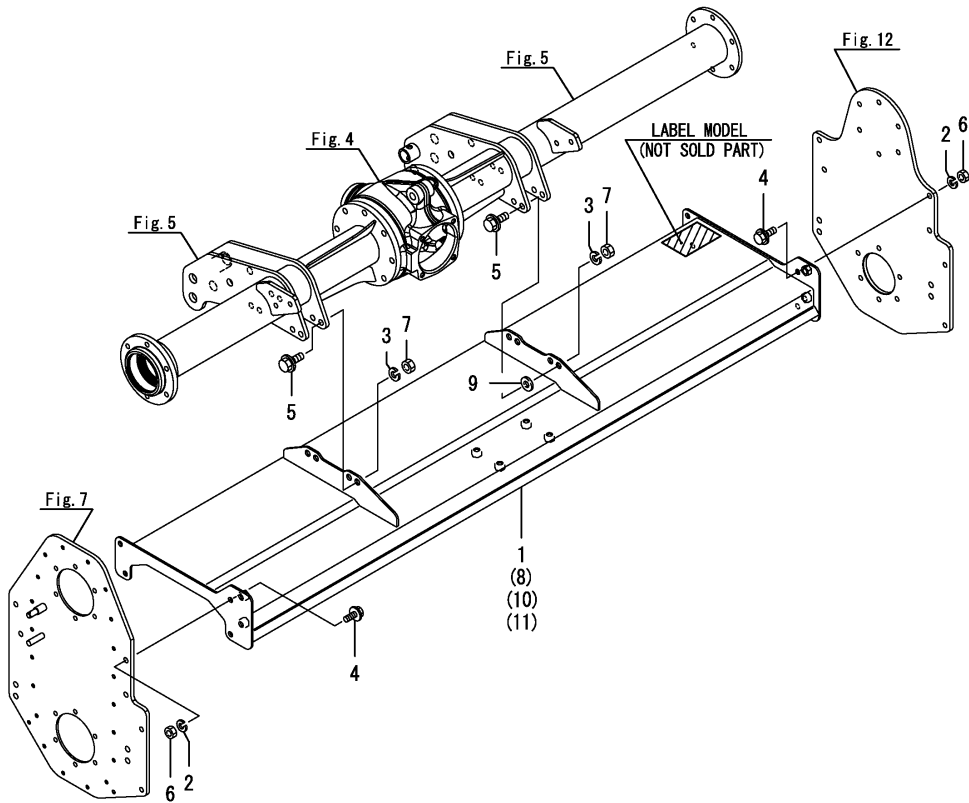


Fig.13. ROTARY COVER

(A)=RH170  
(B)=RH190  
(C)=RH170-L

(D)=RH190-L  
(E)=RH160  
(F)=RH180



| No.                     | Lev. | Parts No.    | Description          | Q'ty |     |     |     |     |     | I | R |
|-------------------------|------|--------------|----------------------|------|-----|-----|-----|-----|-----|---|---|
|                         |      |              |                      | (A)  | (B) | (C) | (D) | (E) | (F) |   |   |
| 1                       | 1    | 1B1657-20050 | MASSY, COVER ROTARY  | 1    | 1   |     |     |     |     |   |   |
| 1-1                     | 1    | 1B1657-20051 | MASSY, COVER ROTARY  | 1    | 1   |     |     |     |     |   | S |
| (A=F100106) (C=F500105) |      |              |                      |      |     |     |     |     |     |   |   |
| 2                       | 1    | 22217-100000 | WASHER, SPRING 10    | 8    | 8   | 8   | 8   | 8   | 8   |   |   |
| 3                       | 1    | 22217-120000 | WASHER, SPRING 12    | 4    | 4   | 4   | 4   | 4   | 4   |   |   |
| 4                       | 1    | 26106-100252 | BOLT, M10X 25 PLATED | 8    | 8   | 8   | 8   | 8   | 8   |   |   |
| 5                       | 1    | 26106-120302 | BOLT, M12X 30 PLATED | 4    | 4   | 4   | 4   | 4   | 4   |   |   |
| 6                       | 1    | 26716-100002 | NUT, M10             | 8    | 8   | 8   | 8   | 8   | 8   |   |   |
| 7                       | 1    | 26716-120002 | NUT, M12             | 4    | 4   | 4   | 4   | 4   | 4   |   |   |
| 8                       | 1    | 1B1659-20050 | MASSY, COVER ROTARY  |      | 1   |     | 1   |     |     |   |   |
| 8-1                     | 1    | 1B1659-20051 | MASSY, COVER ROTARY  |      | 1   |     | 1   |     |     |   | S |
| (B=F100124) (D=F500106) |      |              |                      |      |     |     |     |     |     |   |   |
| 9                       | 1    | 22137-120000 | WASHER, 12           | 2    | 2   | 2   | 2   | 2   | 2   |   |   |
| 10                      | 1    | 1B1656-20050 | MASSY, COVER ROTARY  |      |     |     |     |     | 1   |   |   |
| 11                      | 1    | 1B1658-20050 | MASSY, COVER ROTARY  |      |     |     |     |     |     |   | 1 |

Fig.14. SIDE COVER

(A)=RH170  
(B)=RH190  
(C)=RH170-L

(D)=RH190-L  
(E)=RH160  
(F)=RH180

| No. | Lev. | Parts No.    | Description          | Qty |     |     |     |     |     | I | R |
|-----|------|--------------|----------------------|-----|-----|-----|-----|-----|-----|---|---|
|     |      |              |                      | (A) | (B) | (C) | (D) | (E) | (F) |   |   |
| 1   | 1    | 1B1657-20600 | PLATE, SIDE          | 2   | 2   | 2   | 2   |     |     |   |   |
| 2   | 1    | 22217-100000 | WASHER, SPRING 10    | 4   | 4   | 4   | 4   |     |     |   |   |
| 3   | 1    | 26106-100252 | BOLT, M10X 25 PLATED | 4   | 4   | 4   | 4   |     |     |   |   |
| 4   | 1    | 26716-100002 | NUT, M10             | 4   | 4   | 4   | 4   |     |     |   |   |

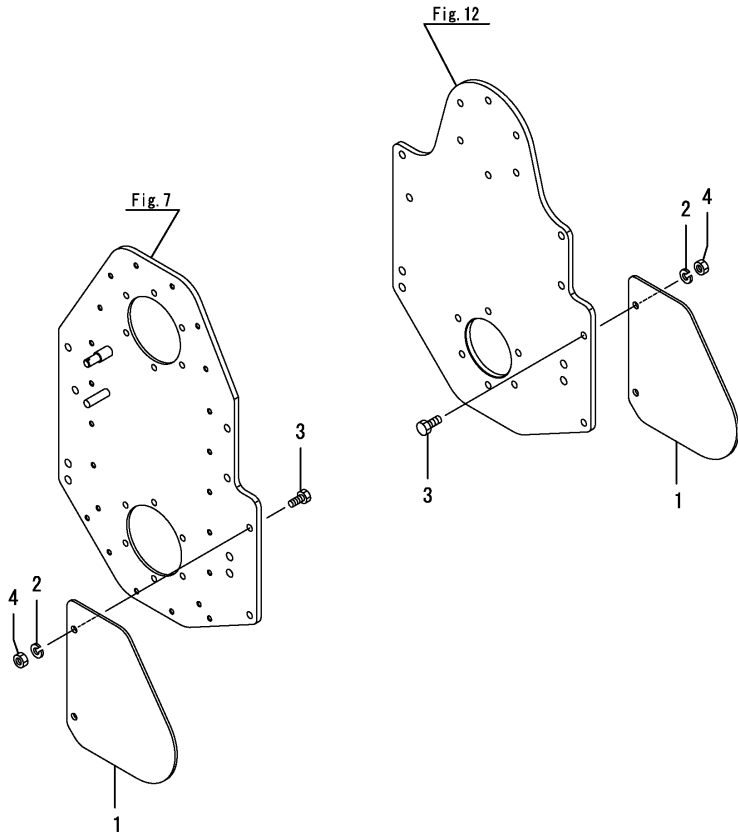
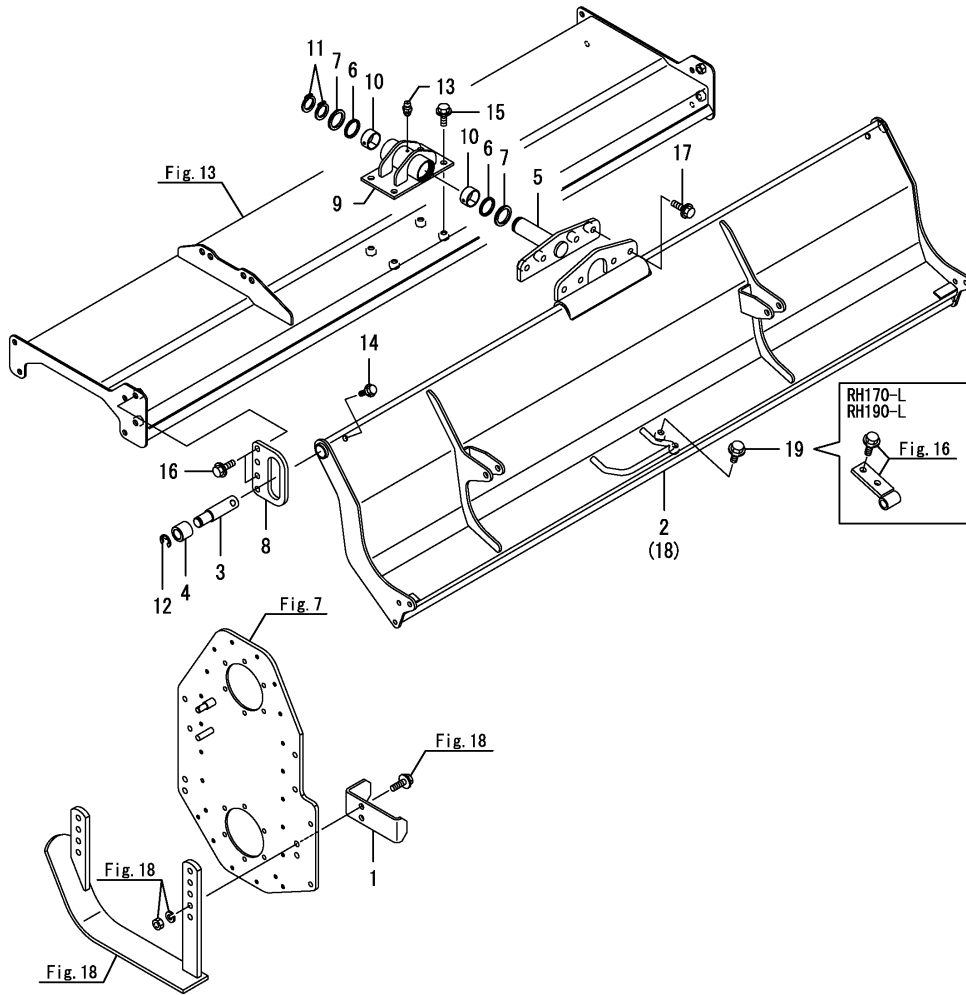




Fig.15. REAR COVER

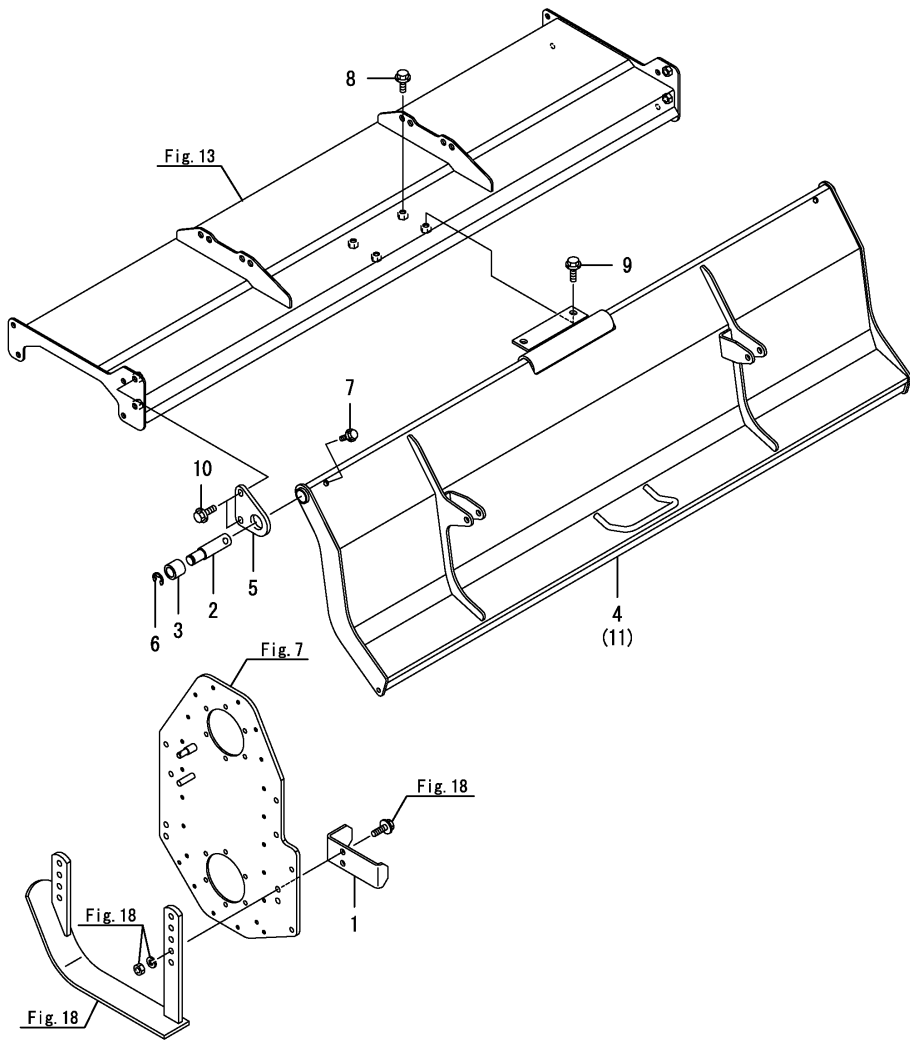
(A)=RH170  
(B)=RH190  
(C)=RH170-L

(D)=RH190-L  
(E)=RH160  
(F)=RH180



| No. | Lev. | Parts No.    | Description          | Q'ty |     |     |     |     |     | I | R |
|-----|------|--------------|----------------------|------|-----|-----|-----|-----|-----|---|---|
|     |      |              |                      | (A)  | (B) | (C) | (D) | (E) | (F) |   |   |
| 1   | 1    | 1B1657-20810 | STOPPER ASSY, COVER  | 2    | 2   | 2   | 2   |     |     |   |   |
| 2   | 1    | 1B1657-21100 | COVER ASSY, REAR     | 1    |     | 1   |     |     |     |   |   |
| 3   | 1    | 1B1657-21350 | PIN, HINGE           | 2    | 2   | 2   | 2   |     |     |   |   |
| 4   | 1    | 1B1657-21360 | COLLAR               | 2    | 2   | 2   | 2   |     |     |   |   |
| 5   | 1    | 1B1657-21600 | SHAFT ASSY, SWING    | 1    | 1   | 1   | 1   |     |     |   |   |
| 6   | 1    | 1B1657-21650 | SEAL, G35424         | 2    | 2   | 2   | 2   |     |     |   |   |
| 7   | 1    | 1B1657-21670 | COLLAR               | 2    | 2   | 2   | 2   |     |     |   |   |
| 8   | 1    | 1B1657-21720 | GUIDE                | 2    | 2   | 2   | 2   |     |     |   |   |
| 9   | 1    | 1B1657-21750 | HOLDER ASSY, SHAFT   | 1    | 1   | 1   | 1   |     |     |   |   |
| 10  | 1    | 1A7530-24330 | BUSH, DRY 35X20      | 2    | 2   | 2   | 2   |     |     |   |   |
| 11  | 1    | 22242-000340 | RING, 34             | 2    | 2   | 2   | 2   |     |     |   |   |
| 12  | 1    | 22273-000150 | RING, 15             | 2    | 2   | 2   | 2   |     |     |   |   |
| 13  | 1    | 24761-010000 | NIPPLE, GREASE M6F   | 1    | 1   | 1   | 1   |     |     |   |   |
| 14  | 1    | 26106-100302 | BOLT, M10X 30 PLATED | 2    | 2   | 2   | 2   |     |     |   |   |
| 15  | 1    | 26106-120202 | BOLT, M12X 20 PLATED | 4    | 4   | 4   | 4   |     |     |   |   |
| 16  | 1    | 26106-120302 | BOLT, M12X 30 PLATED | 4    | 4   | 4   | 4   |     |     |   |   |
| 17  | 1    | 26106-120302 | BOLT, M12X 30 PLATED | 4    | 4   | 4   | 4   |     |     |   |   |
| 18  | 1    | 1B1659-21100 | COVER ASSY, REAR     |      |     | 1   |     |     |     |   |   |
| 19  | 1    | 26106-120202 | BOLT, M12X 20 PLATED | 2    | 2   |     |     |     |     |   |   |

Fig.19. REAR COVER



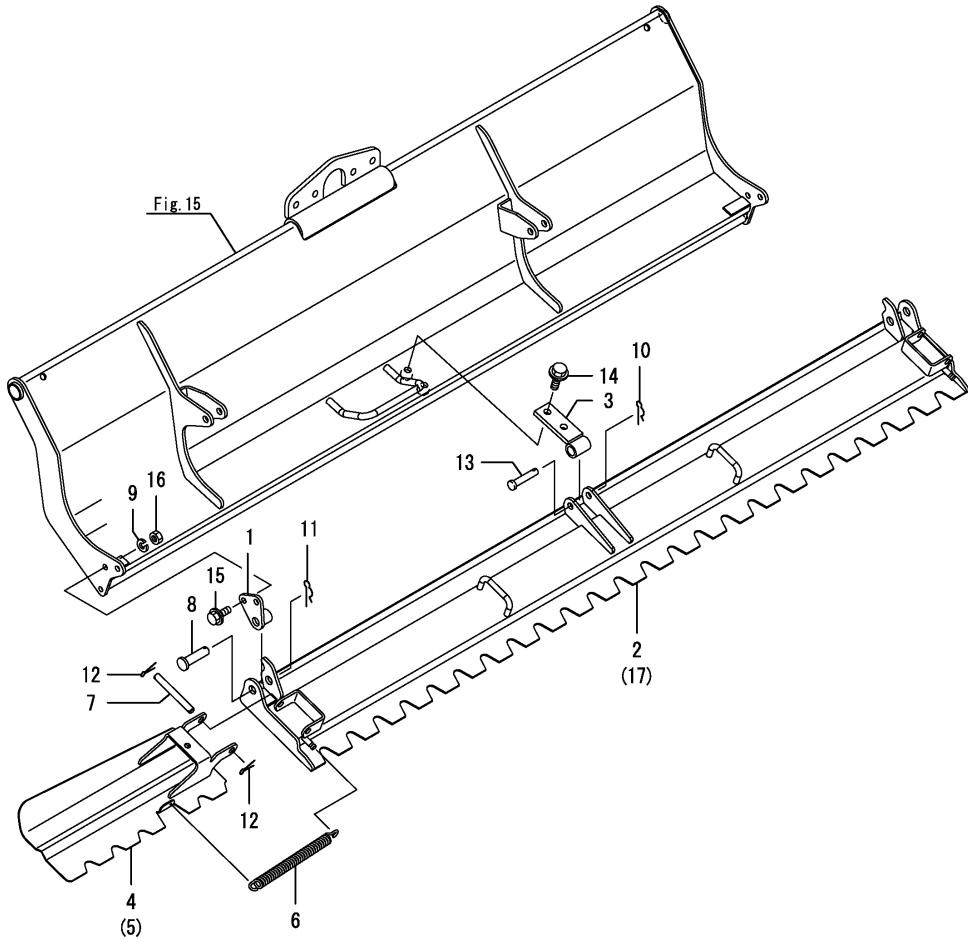
(A)=RH170  
(B)=RH190  
(C)=RH170-L

(D)=RH190-L  
(E)=RH160  
(F)=RH180

| No. | Lev. | Parts No.    | Description          | Q'ty |     |     |     |     |     | I | R |
|-----|------|--------------|----------------------|------|-----|-----|-----|-----|-----|---|---|
|     |      |              |                      | (A)  | (B) | (C) | (D) | (E) | (F) |   |   |
| 1   | 1    | 1B1657-20810 | STOPPER ASSY, COVER  |      |     |     |     | 2   | 2   |   |   |
| 2   | 1    | 1B1657-21350 | PIN, HINGE           |      |     |     |     | 2   | 2   |   |   |
| 3   | 1    | 1B1657-21360 | COLLAR               |      |     |     |     | 2   | 2   |   |   |
| 4   | 1    | 1B1656-41100 | COVER ASSY, REAR     |      |     |     |     | 1   |     |   |   |
| 5   | 1    | 1B1657-41720 | GUIDE                |      |     |     |     | 2   | 2   |   |   |
| 6   | 1    | 22273-000150 | RING, 15             |      |     |     |     | 2   | 2   |   |   |
| 7   | 1    | 26106-100302 | BOLT, M10X 30 PLATED |      |     |     |     | 2   | 2   |   |   |
| 8   | 1    | 26106-120162 | BOLT, M12X 16 PLATED |      |     |     |     | 2   | 2   |   |   |
| 9   | 1    | 26106-120202 | BOLT, M12X 20 PLATED |      |     |     |     | 2   | 2   |   |   |
| 10  | 1    | 26106-120302 | BOLT, M12X 30 PLATED |      |     |     |     | 4   | 4   |   |   |
| 11  | 1    | 1B1658-41100 | COVER ASSY, REAR     |      |     |     |     |     |     |   | 1 |

(A)=RH170  
 (B)=RH190  
 (C)=RH170-L

(D)=RH190-L  
 (E)=RH160  
 (F)=RH180

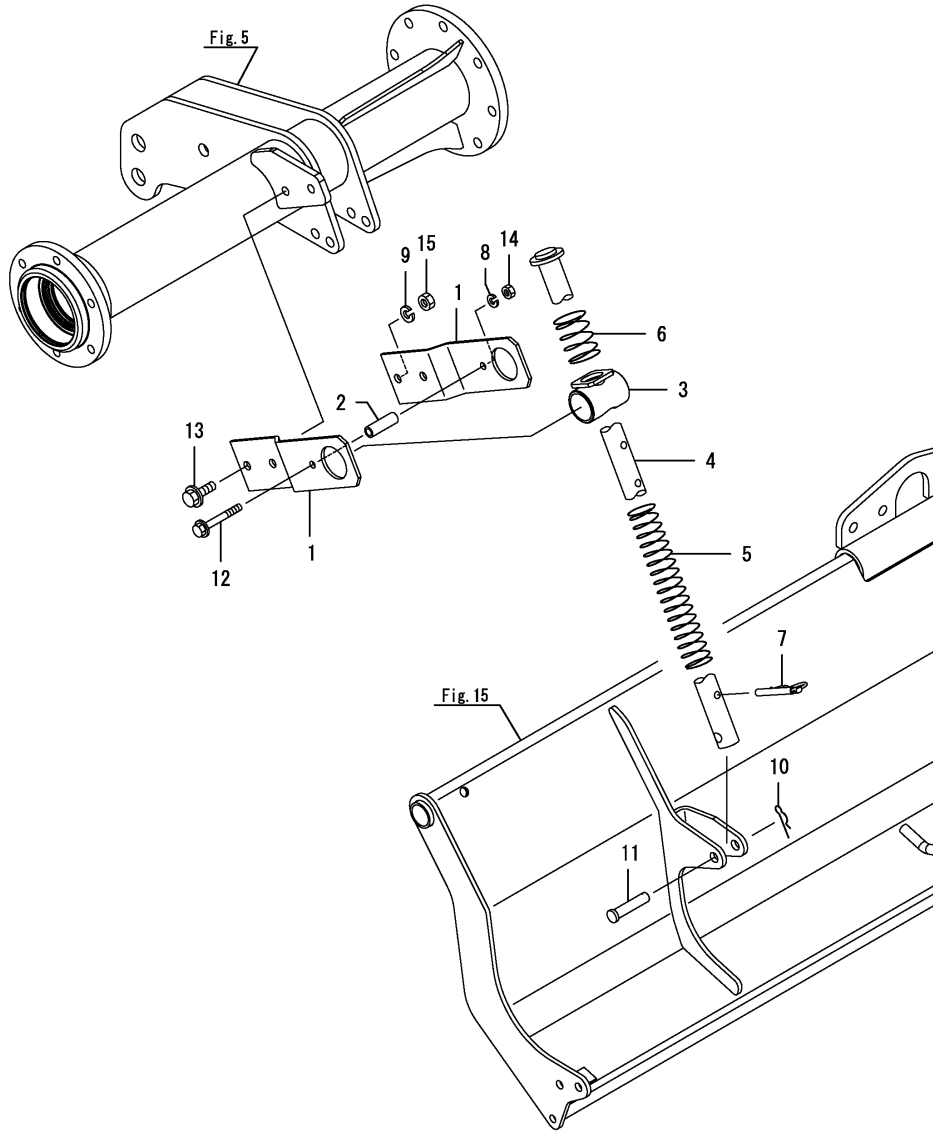


| No. | Lev. | Parts No.    | Description          | Qty |     |     |     |     |     | I | R |
|-----|------|--------------|----------------------|-----|-----|-----|-----|-----|-----|---|---|
|     |      |              |                      | (A) | (B) | (C) | (D) | (E) | (F) |   |   |
| 1   | 1    | 1B1657-21270 | PLATE ASSY           |     |     | 2   | 2   |     |     |   |   |
| 2   | 1    | 1B1657-21800 | LEVELLER ASSY        |     |     | 1   |     |     |     |   |   |
| 3   | 1    | 1B1657-22100 | HINGE ASSY, LEVELLER |     |     | 1   | 1   |     |     |   |   |
| 4   | 1    | 1B1657-22300 | LEVELLER ASSY, EXT L |     |     | 1   | 1   |     |     |   |   |
| 5   | 1    | 1B1657-22400 | LEVELLER ASSY, EXT R |     |     | 1   | 1   |     |     |   |   |
| 6   | 1    | 1B1657-22450 | SPRING, EX LEVELLER  |     |     | 2   | 2   |     |     |   |   |
| 7   | 1    | 1B1657-22460 | PIN, 12X100          |     |     | 2   | 2   |     |     |   |   |
| 8   | 1    | 194680-74100 | PIN, SHACKLE SA10    |     |     | 2   | 2   |     |     |   |   |
| 9   | 1    | 22217-100000 | WASHER, SPRING 10    |     |     | 4   | 4   |     |     |   |   |
| 10  | 1    | 22372-120000 | PIN, SNAP 12         |     |     | 1   | 1   |     |     |   |   |
| 11  | 1    | 22372-160000 | PIN, SNAP 16         |     |     | 2   | 2   |     |     |   |   |
| 12  | 1    | 22417-250250 | PIN, COTTER 2.5X25   |     |     | 4   | 4   |     |     |   |   |
| 13  | 1    | 22486-120600 | PIN, H12X 60         |     |     | 1   | 1   |     |     |   |   |
| 14  | 1    | 26106-120302 | BOLT, M12X 30 PLATED |     |     | 2   | 2   |     |     |   |   |
| 15  | 1    | 26106-100252 | BOLT, M10X 25 PLATED |     |     | 4   | 4   |     |     |   |   |
| 16  | 1    | 26716-100002 | NUT, M10             |     |     | 4   | 4   |     |     |   |   |
| 17  | 1    | 1B1659-21800 | LEVELLER ASSY        |     |     |     | 1   |     |     |   |   |

Fig.17. REAR COVER HANGER

(A)=RH170  
(B)=RH190  
(C)=RH170-L

(D)=RH190-L  
(E)=RH160  
(F)=RH180



| No. | Lev. | Parts No.    | Description          | Q'ty |     |     |     |     |     | I | R |
|-----|------|--------------|----------------------|------|-----|-----|-----|-----|-----|---|---|
|     |      |              |                      | (A)  | (B) | (C) | (D) | (E) | (F) |   |   |
| 1   | 1    | 1B1657-22510 | STAY                 | 4    | 4   | 4   | 4   | 4   | 4   |   |   |
| 2   | 1    | 1B1657-22540 | PIPE                 | 2    | 2   | 2   | 2   | 2   | 2   |   |   |
| 3   | 1    | 1B1657-22630 | SUPPORT ASSY         | 2    | 2   | 2   | 2   | 2   | 2   |   |   |
| 4   | 1    | 1B1657-22700 | ROD ASSY, HANGER     | 2    | 2   | 2   | 2   | 2   | 2   |   |   |
| 5   | 1    | 1B1657-22750 | SPRING, L            | 2    | 2   | 2   | 2   | 2   | 2   |   |   |
| 6   | 1    | 1B1657-22760 | SPRING, S            | 2    | 2   | 2   | 2   | 2   | 2   |   |   |
| 7   | 1    | 1B1657-22800 | PIN ASSY,SNAP        | 2    | 2   | 2   | 2   | 2   | 2   |   |   |
| 8   | 1    | 22217-080000 | WASHER, SPRING 8     | 2    | 2   | 2   | 2   | 2   | 2   |   |   |
| 9   | 1    | 22217-100000 | WASHER, SPRING 10    | 4    | 4   | 4   | 4   | 4   | 4   |   |   |
| 10  | 1    | 22372-120000 | PIN, SNAP 12         | 2    | 2   | 2   | 2   | 2   | 2   |   |   |
| 11  | 1    | 22486-120500 | PIN, H12X 50         | 2    | 2   | 2   | 2   | 2   | 2   |   |   |
| 12  | 1    | 26106-080652 | BOLT, M8X 65 PLATED  | 2    | 2   | 2   | 2   | 2   | 2   |   |   |
| 13  | 1    | 26106-100302 | BOLT, M10X 30 PLATED | 4    | 4   | 4   | 4   | 4   | 4   |   |   |
| 14  | 1    | 26716-080002 | NUT, M8              | 2    | 2   | 2   | 2   | 2   | 2   |   |   |
| 15  | 1    | 26716-100002 | NUT, M10             | 4    | 4   | 4   | 4   | 4   | 4   |   |   |

Fig.18. SLED

(A)=RH170  
 (B)=RH190  
 (C)=RH170-L

(D)=RH190-L  
 (E)=RH160  
 (F)=RH180

| No. | Lev. | Parts No.    | Description          | Q'ty |     |     |     |     |     | I | R |
|-----|------|--------------|----------------------|------|-----|-----|-----|-----|-----|---|---|
|     |      |              |                      | (A)  | (B) | (C) | (D) | (E) | (F) |   |   |
| 1   | 1    | 1B1657-25100 | SLED ASSY, L         | 1    | 1   | 1   | 1   | 1   | 1   |   |   |
| 2   | 1    | 1B1657-25150 | SLED ASSY, R         | 1    | 1   | 1   | 1   | 1   | 1   |   |   |
| 3   | 1    | 22217-120000 | WASHER, SPRING 12    | 6    | 6   | 6   | 6   | 6   | 6   |   |   |
| 4   | 1    | 26106-120352 | BOLT, M12X 35 PLATED | 2    | 2   | 2   | 2   | 2   | 2   |   |   |
| 5   | 1    | 26106-120402 | BOLT, M12X 40 PLATED | 4    | 4   | 4   | 4   | 4   | 4   |   |   |
| 6   | 1    | 26716-120002 | NUT, M12             | 6    | 6   | 6   | 6   | 6   | 6   |   |   |

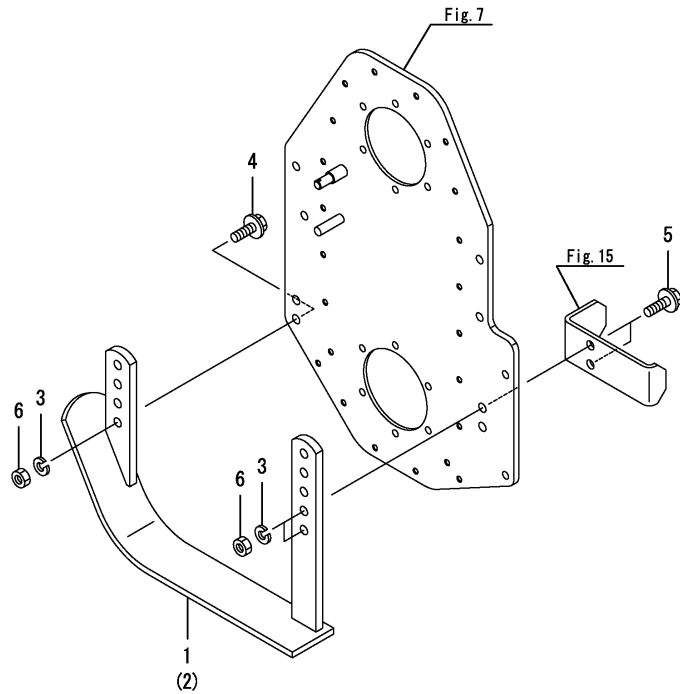
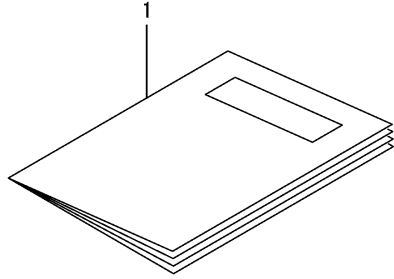


Fig.20. DOCUMENT

(A)=RH170  
(B)=RH190  
(C)=RH170-L

(D)=RH190-L  
(E)=RH160  
(F)=RH180

| No. | Lev. | Parts No.    | Description      | Q'ty        |             |     |     |     |     | I | R |
|-----|------|--------------|------------------|-------------|-------------|-----|-----|-----|-----|---|---|
|     |      |              |                  | (A)         | (B)         | (C) | (D) | (E) | (F) |   |   |
| 1   | 1    | 0A051-B00100 | OPERATION MANUAL | 1           | 1           | 1   | 1   |     |     |   |   |
| 1-1 | 1    | 0A051-B00101 | OPERATION MANUAL | 1           | 1           | 1   | 1   |     |     |   | S |
|     |      | (A=F100106)  | (B=F100124)      | (C=F500105) | (D=F500106) |     |     |     |     |   |   |



## Parts No. Index

| Parts No.    | Fig. No. | Ref. No. |
|--------------|----------|----------|
| 0A051-B00100 | 20       | 1        |
| 0A051-B00101 | 20       | 1 -1     |
| 105400-02300 | 6        | 1        |
| 194130-71410 | 11       | 6        |
| 194680-74100 | 16       | 8        |
| 195230-12190 | 7        | 1        |
| 195450-13171 | 4        | 2        |
| 195505-15250 | 4        | 27       |
| 1A6150-93151 | 2        | 2        |
| 1A6770-85920 | 5        | 5        |
| 1A7530-24330 | 15       | 10       |
| 1A8296-13960 | 4        | 24       |
| 1B1617-18880 | 10       | 4        |
| 1B1656-10520 | 1        | 8        |
| 1B1656-13600 | 5        | 8        |
| 1B1656-17100 | 8        | 5        |
| 1B1656-20050 | 13       | 10       |
| 1B1656-41100 | 19       | 4        |
| 1B1657-10400 | 1        | 5        |
| 1B1657-10520 | 1        | 6        |
| 1B1657-10610 | 2        | 1        |
| 1B1657-10630 | 2        | 1 -1     |
| 1B1657-10650 | 2        | 3        |
| 1B1657-10660 | 2        | 3 -1     |
| 1B1657-10710 | 1        | 1        |
| 1B1657-10720 | 1        | 2        |
| 1B1657-10730 | 1        | 3        |
| 1B1657-10740 | 1        | 4        |
| 1B1657-10770 | 1        | 2 -1     |
| 1B1657-10780 | 1        | 3 -1     |
| 1B1657-10790 | 1        | 4 -1     |
| 1B1657-11301 | 3        | 1        |
| 1B1657-11320 | 3        | 2        |
| 1B1657-11330 | 3        | 4        |
| 1B1657-11500 | 3        | 3        |
|              |          | 5        |
| 1B1657-13110 | 4        | 4        |
| 1B1657-13111 | 4        | 4 -1     |
| 1B1657-13120 | 4        | 1        |
| 1B1657-13150 | 4        | 5        |
| 1B1657-13160 | 4        | 6        |
| 1B1657-13400 | 5        | 1        |
| 1B1657-13600 | 5        | 2        |
| 1B1657-14100 | 4        | 3        |
| 1B1657-14101 | 4        | 3 -1     |
| 1B1657-14110 | 4        | 7        |
| 1B1657-14111 | 4        | 7 -1     |
| 1B1657-14120 | 4        | 8        |
| 1B1657-14130 | 4        | 9        |
| 1B1657-14150 | 4        | 10       |

| Parts No.    | Fig. No. | Ref. No. |
|--------------|----------|----------|
| 1B1657-14160 | 4        | 23       |
| 1B1657-14170 | 4        | 25       |
| 1B1657-14190 | 6        | 3        |
|              |          | 20       |
| 1B1657-14200 | 6        | 2        |
| 1B1657-14210 | 6        | 4        |
| 1B1657-14260 | 4        | 11       |
| 1B1657-14270 | 4        | 12       |
| 1B1657-14280 | 4        | 13       |
| 1B1657-14290 | 4        | 14       |
| 1B1657-14310 | 4        | 15       |
| 1B1657-14320 | 4        | 16       |
| 1B1657-14330 | 4        | 17       |
| 1B1657-14360 | 4        | 18       |
| 1B1657-14370 | 4        | 19       |
| 1B1657-14380 | 4        | 20       |
| 1B1657-14410 | 4        | 18 -1    |
| 1B1657-14420 | 4        | 19 -1    |
| 1B1657-14430 | 4        | 20 -1    |
| 1B1657-14440 | 4        | 15 -1    |
| 1B1657-14560 | 4        | 23 -1    |
| 1B1657-14570 | 4        | 25 -1    |
| 1B1657-14580 | 4        | 24 -1    |
| 1B1657-14701 | 6        | 5        |
| 1B1657-14711 | 6        | 6        |
| 1B1657-14810 | 6        | 8        |
| 1B1657-14840 | 6        | 9        |
|              | 9        | 1        |
| 1B1657-14850 | 6        | 10       |
| 1B1657-14860 | 9        | 2        |
| 1B1657-15100 | 7        | 2        |
| 1B1657-15120 | 6        | 11       |
| 1B1657-15180 | 7        | 3        |
| 1B1657-15210 | 7        | 4        |
| 1B1657-15280 | 7        | 5        |
| 1B1657-15300 | 7        | 6        |
| 1B1657-15700 | 7        | 7        |
| 1B1657-17100 | 8        | 1        |
| 1B1657-17510 | 9        | 3        |
| 1B1657-18100 | 10       | 1        |
| 1B1657-18110 | 10       | 10       |
| 1B1657-18510 | 10       | 2        |
|              |          | 8        |
| 1B1657-18520 | 10       | 3        |
|              |          | 9        |
| 1B1657-18560 | 10       | 11       |
|              |          | 14       |
| 1B1657-18570 | 10       | 12       |
|              |          | 15       |
| 1B1657-19110 | 11       | 1        |

| Parts No.    | Fig. No. | Ref. No. |
|--------------|----------|----------|
| 1B1657-19130 | 11       | 2        |
| 1B1657-19310 | 11       | 3        |
| 1B1657-19510 | 11       | 4        |
| 1B1657-19520 | 11       | 5        |
| 1B1657-19710 | 12       | 1        |
| 1B1657-19750 | 9        | 4        |
| 1B1657-19820 | 9        | 5        |
| 1B1657-20050 | 13       | 1        |
| 1B1657-20051 | 13       | 1 -1     |
| 1B1657-20600 | 14       | 1        |
| 1B1657-20810 | 15       | 1        |
|              | 19       | 1        |
| 1B1657-21100 | 15       | 2        |
| 1B1657-21270 | 16       | 1        |
| 1B1657-21350 | 15       | 3        |
|              | 19       | 2        |
| 1B1657-21360 | 15       | 4        |
|              | 19       | 3        |
| 1B1657-21600 | 15       | 5        |
| 1B1657-21650 | 15       | 6        |
| 1B1657-21670 | 15       | 7        |
| 1B1657-21720 | 15       | 8        |
| 1B1657-21750 | 15       | 9        |
| 1B1657-21800 | 16       | 2        |
| 1B1657-22100 | 16       | 3        |
| 1B1657-22300 | 16       | 4        |
| 1B1657-22400 | 16       | 5        |
| 1B1657-22450 | 16       | 6        |
| 1B1657-22460 | 16       | 7        |
| 1B1657-22510 | 17       | 1        |
| 1B1657-22540 | 17       | 2        |
| 1B1657-22630 | 17       | 3        |
| 1B1657-22700 | 17       | 4        |
| 1B1657-22750 | 17       | 5        |
| 1B1657-22760 | 17       | 6        |
| 1B1657-22800 | 17       | 7        |
| 1B1657-25100 | 18       | 1        |
| 1B1657-25150 | 18       | 2        |
| 1B1657-41720 | 19       | 5        |
| 1B1658-10520 | 1        | 9        |
| 1B1658-17100 | 8        | 6        |
| 1B1658-20050 | 13       | 11       |
| 1B1658-41100 | 19       | 11       |
| 1B1659-10520 | 1        | 7        |
| 1B1659-13400 | 5        | 6        |
| 1B1659-13600 | 5        | 7        |
| 1B1659-14200 | 6        | 19       |
| 1B1659-14210 | 6        | 21       |
| 1B1659-14730 | 6        | 7        |
| 1B1659-17100 | 8        | 4        |

| Parts No.    | Fig. No. | Ref. No. |
|--------------|----------|----------|
| 1B1659-18100 | 10       | 7        |
| 1B1659-18110 | 10       | 13       |
| 1B1659-20050 | 13       | 8        |
| 1B1659-20051 | 13       | 8 -1     |
| 1B1659-21100 | 15       | 18       |
| 1B1659-21800 | 16       | 17       |
| 1E6A10-73420 | 8        | 3        |
| 22137-120000 | 7        | 8        |
|              | 13       | 9        |
| 22217-080000 | 17       | 8        |
| 22217-100000 | 4        | 21       |
|              | 12       | 2        |
|              | 13       | 2        |
|              | 14       | 2        |
|              | 16       | 9        |
|              | 17       | 9        |
| 22217-120000 | 10       | 5        |
|              | 13       | 3        |
|              | 18       | 3        |
| 22217-140000 | 8        | 2        |
| 22217-160000 | 11       | 7        |
| 22242-000340 | 15       | 11       |
| 22242-000400 | 6        | 12       |
| 22252-000800 | 9        | 6        |
| 22252-000900 | 6        | 13       |
| 22252-001000 | 4        | 22       |
|              | 6        | 14       |
| 22273-000150 | 15       | 12       |
|              | 19       | 6        |
| 22372-120000 | 16       | 10       |
|              | 17       | 10       |
| 22372-160000 | 16       | 11       |
| 22411-320250 | 7        | 9        |
| 22417-250250 | 16       | 12       |
| 22486-120500 | 17       | 11       |
| 22486-120600 | 16       | 13       |
| 23491-100002 | 4        | 28       |
|              | 9        | 7        |
| 23491-120002 | 7        | 10       |
| 24101-062084 | 9        | 8        |
| 24104-063084 | 6        | 15       |
| 24311-000120 | 4        | 29       |
|              | 9        | 9        |
| 24311-000140 | 7        | 11       |
| 24321-000950 | 9        | 10       |
| 24321-001100 | 4        | 26       |
|              | 5        | 3        |
| 24321-001150 | 6        | 16       |
| 24341-000180 | 4        | 30       |
|              | 7        | 12       |

# Parts No. Index

| Parts No.    | Fig. No. | Ref. No. |
|--------------|----------|----------|
| 24411-507209 | 6        | 17       |
| 24761-010000 | 15       | 13       |
| 26013-080162 | 7        | 13       |
| 26106-080252 | 7        | 14       |
| 26106-080652 | 17       | 12       |
| 26106-100252 | 5        | 4        |
|              | 6        | 18       |
|              | 13       | 4        |
|              | 14       | 3        |
|              | 16       | 15       |
| 26106-100302 | 9        | 11       |
|              | 12       | 3        |
|              | 15       | 14       |
|              | 17       | 13       |
|              | 19       | 7        |
| 26106-120162 | 19       | 8        |
| 26106-120202 | 15       | 15       |
|              | 19       | 19       |
|              | 19       | 9        |
| 26106-120302 | 13       | 5        |
|              | 15       | 16       |
|              |          | 17       |
|              | 16       | 14       |
|              | 19       | 10       |
| 26106-120352 | 18       | 4        |
| 26106-120402 | 18       | 5        |
| 26116-160902 | 11       | 8        |
| 26116-161002 | 11       | 9        |
| 26606-120002 | 10       | 6        |
| 26716-080002 | 17       | 14       |
| 26716-100002 | 12       | 4        |
|              | 13       | 6        |
|              | 14       | 4        |
|              | 16       | 16       |
|              | 17       | 15       |
| 26716-120002 | 13       | 7        |
|              | 18       | 6        |
| 26716-160002 | 11       | 10       |

| Parts No. | Fig. No. | Ref. No. |
|-----------|----------|----------|
|-----------|----------|----------|

| Parts No. | Fig. No. | Ref. No. |
|-----------|----------|----------|
|-----------|----------|----------|

| Parts No. | Fig. No. | Ref. No. |
|-----------|----------|----------|
|-----------|----------|----------|