

0CNP5-M53900EN

Contents

0CNP5-M53900

Fig. No.	Fig. Name
ENGINE CONTROL SECTION	
1.	ENGINE ACCESSORIES
2.	ACCEL LEVER
3.	TANK,FUEL OIL
4.	FUEL PIPE
FRONT AXLE SECTION	
5.	FRONT BRACKET
6.	CENTER PIN
7.	TIE ROD
8.	DRIVE PINION
9.	DIFFERENTIAL GEAR
10.	PROPELLER SHAFT
11.	FRONT SHAFT(1)
12.	FRONT AXLE HOUSING
13.	FRONT GEAR CASE
14.	FRONT SHAFT(2)
15.	INPUT SHAFT
16.	FRONT SPINDLE
17.	SHAFT COVER
18.	FRONT TIRE R3
19.	FRONT TIRE R4
20.	HUB BOLT,FRONT
21.	STEERING WHEEL
22.	PST VALVE

Fig. No.	Fig. Name
23.	PST CYLINDER
24.	PST PIPING(A)
25.	PST PIPING(B)
TRANSMISSION SECTION	
26.	CLUTCH HOUSING
27.	DOCKING BOLT
28.	DAMPER DISC
29.	CLUTCH SHAFT
30.	TRANSMISSION CASE
31.	CENTER PLATE
32.	OIL CAP
33.	OIL STRAINER
34.	INPUT SHAFT
35.	MAIN SHAFT
36.	COUNTER SHAFT
37.	PTO DRIVE SHAFT
38.	PTO CLUTCH SHAFT
39.	PTO SHAFT
40.	MID PTO SHAFT
41.	INERTIA BRAKE
42.	RANGE SHIFT
43.	PTO CHANGE
44.	FRONT DRIVE
45.	FRONT SHIFT

Contents

0CNP5-M53900

Fig. No. Fig. Name

46. H.S.T. CONTROL(1

47. H.S.T. CONTROL(2

48. H.S.T.

REAR AXLE SECTION

49. RING GEAR

50. DIFFERENTIAL GEAR

51. DIFFERENTIAL CARRIER

52. REAR HOUSING

53. DIFFERENTIAL LOCK

54. FINAL PINION

55. FINAL GEAR

56. REAR AXLE SHAFT

57. TIRE REAR R3

58. TIRE REAR R4

59. HUB BOLT,REAR

60. HYDRAULIC PEDAL

61. CRUISE CONTROL

62. DISC BRAKE

63. BRAKE PEDAL

64. PARKING BRAKE

HYDRAULIC CONTROL SECTION

65. HYDRAULIC LIFT

66. HYDRAULIC CONTROL

Fig. No. Fig. Name

67. STOP VALVE

68. SUB CONTROL VALVE

69. VALVE ACCESSORIES

70. HYDRAULIC LINE

ELECTRICAL PARTS SECTION

71. WIRE HARNESS

72. BUTTERY

73. CLAMP,BATTERY

74. SWITCH(1

75. SWITCH(2

76. SWITCH(3

77. LAMP

78. METER

79. RELAY

FITTINGS SECTION

80. HOOD

81. DASHBOARD

82. FENDER

83. FENDER(BOLT

84. STEP

85. SEAT BRACKET

86. DRIVER SEAT

87. BRACKET,SEAT

Contents

OCNP5-M53900

Fig. No. Fig. Name

- 88. LABEL(1)
- 89. LABEL(2)
- 90. LABEL(3)
- 91. LABEL(SAFETY)

Fig. No. Fig. Name

- 105. FUEL LINE(FAME)
- 106. PTO CLUTCH KIT
- 107. REAR HYDRAULIC

HITCH SECTION

- 92. PTO GUARD
- 93. PTO SHAFT COVER
- 94. OIL SEAL COVER
- 95. 3-POINT HITCH
- 96. REAR HITCH
- 97. DRAWBAR HITCH

SAFETY FRAME SECTION

- 98. ROPS(1)
- 99. ROPS(2)
- 100. BOLT,ROPS
- 101. SMV(1)
- 102. SMV(2)

ACCESSORIES SECTION

- 103. MANUAL

OPTIONAL SECTION

- 104. WEIGHT LOCK PIN

Fig.1. ENGINE ACCESSORIES

(A)=EB3100

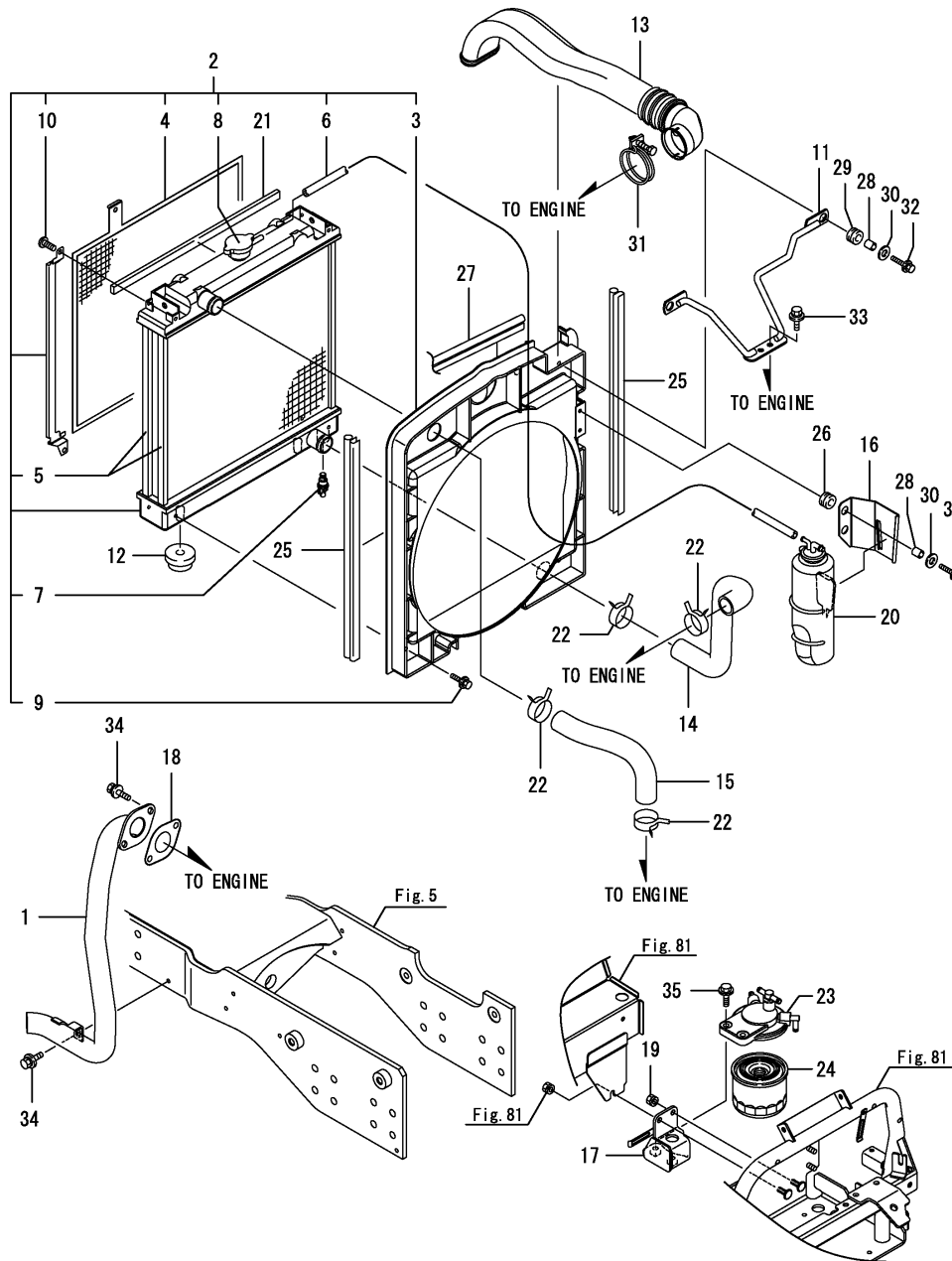
(B)=

(C)=

(D)=

(E)=

(F)=



No.	Lev.	Parts No.	Description	Qty						I	R
				(A)	(B)	(C)	(D)	(E)	(F)		
1	1	1A7540-00511	PIPE ASSY, EXHAUST	1							
2	1	1A8300-00600	RADIATOR ASSY, M	1							
3	2	1A8300-00610	SHROUD ASSY, M	1							
4	2	1A7530-00620	PROTECTOR	1							
5	2	1A7530-00690	PACKING	4							
6	2	121250-44570	PIPE, 7X300	1							
7	2	119924-44580	VALVE ASSY, DRAIN	1							
8	2	129107-44590	CAP, RADIATOR	1							
9	2	26014-060202	BOLT, M6X 20	4							
10	2	26557-060122	SCREW, M6X12	4							
11	1	1A7540-00630	ROD ASSY, SUPPORT	1							
12	1	198162-00640	SUPPORT, RADIATOR	2							
13	1	1A8300-00680	PIPE, EXTENSION	1							
14	1	1A7540-00720	PIPE, WATER L	1							
15	1	1A7540-00730	PIPE, WATER U	1							
16	1	1A7530-00750	STAY, SUB TANK	1							
17	1	1A7540-04150	BRACKET ASSY, FILTER	1							
18	1	129052-13550	GASKET	1							
19	1	194990-22050	NUT, M8	1							
20	1	129263-44510	TANK ASSY, SUB	1							
21	1	121454-44590	PAD, URETHANE	1							
22	1	175022-49730	CRIP 31, HOSE	4							
23	1	129004-55612	BRACKET, FILTER	1							
24	1	119802-55810	FILTER, FO	1							
25	1	198448-60780	WEATHER-STRIP, 470	2							
26	1	198220-62440	GROMMET	2							
27	1	172164-66620	RUBBER, SEAL 320	1							
28	1	198129-78710	SPACER, 6-10	4							
29	1	198129-78720	GROMMET, 10-16	2							
30	1	22157-060000	WASHER, 6	4							
31	1	23010-060000	CLAMP, 60	1							
32	1	26018-060302	BOLT, M6X 30	4							
33	1	26018-080202	BOLT, M8X 20	2							
34	1	26018-080252	BOLT, M8X 25	3							
35	1	26106-080302	BOLT, M8X 30 PLATED	2							

Fig.2. ACCEL LEVER

(A)=EB3100
(B)=
(C)=

(D)=
(E)=
(F)=

No.	Lev.	Parts No.	Description	Q'ty						I	R
				(A)	(B)	(C)	(D)	(E)	(F)		
1	1	1A7510-01100	LEVER ASSY	1							
2	1	198165-01130	PLATE, FRICTION	1							
3	1	1A7510-01151	SHAFT ASSY	1							
4	1	198071-01160	RUBBER	1							
5	1	1A7510-01180	WIRE, ACCELERATOR	1							
6	1	198253-01190	KNOB, LEVER	1							
7	1	1A7510-01240	CAP, RUBBER	1							
8	1	198421-01250	BOLT, M6X40	1							
9	1	194151-47760	WASHER, 12	3							
10	1	1C6281-52310	PIN, SNAP 6	1							
11	1	22157-060000	WASHER, 6	1							
12	1	26716-120002	NUT, M12	2							

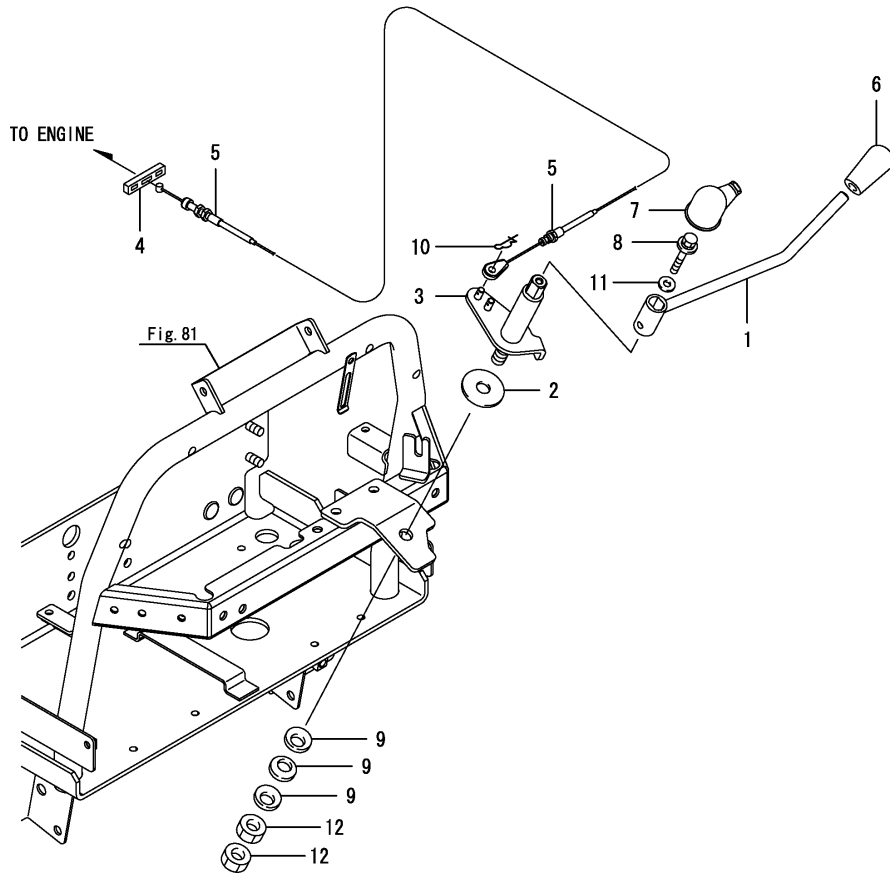
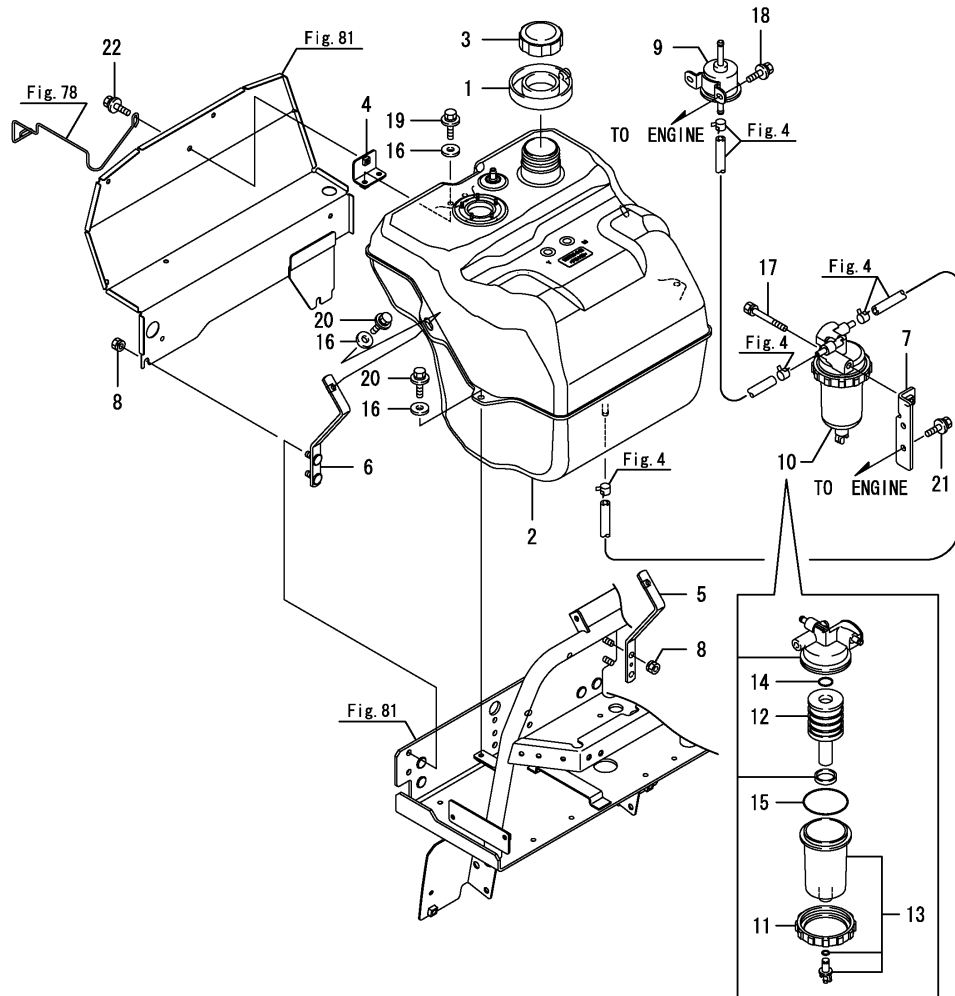


Fig.3. TANK,FUEL OIL

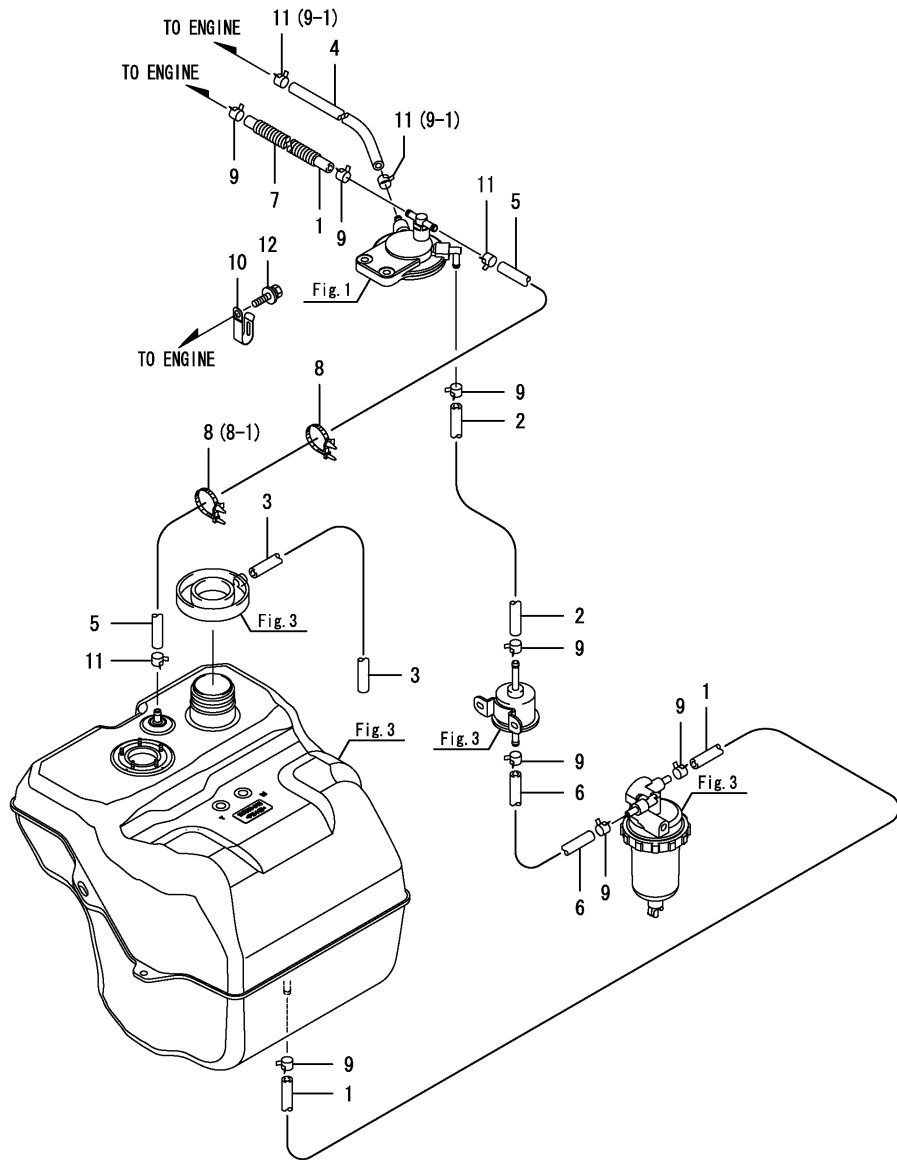
(A)=EB3100
(B)=
(C)=

(D)=
(E)=
(F)=



No.	Lev.	Parts No.	Description	Qty						I	R
				(A)	(B)	(C)	(D)	(E)	(F)		
1	1	1C6860-02300	PAN,FUEL	1							
2	1	1A7530-04110	TANK, FUEL	1							
3	1	1A8160-04130	CAP, FUEL TANK	1							
4	1	1A7530-04310	STAY ASSY, TANK F	1							
5	1	1A7530-04330	STAY ASSY, TANK R	1							
6	1	1A7530-04340	STAY ASSY, TANK	1							
7	1	1A7531-04410	STAY ASSY, SEPARATER	1							
8	1	194990-22050	NUT, M8	4							
9	1	119225-52102	PUMP ASSY, FUEL FEED	1							
10	1	119802-55700	SEPARATOR ASSY	1							
11	2	129100-55690	RING, RETAINING	1							
12	2	119802-55710	ELEMENT	1							
13	2	119802-55730	CUP ASSY	1							
14	2	24311-000160	O-RING, 1AP16.0	1							
15	2	24321-000650	O-RING, 1AG65.0	1							
16	1	22157-060000	WASHER, 6	6							
17	1	26013-080702	BOLT, M8X 70	1							
18	1	26018-060162	BOLT, M6X 16	2							
19	1	26018-060202	BOLT, M6X 20	2							
20	1	26018-060252	BOLT, M6X 25	4							
21	1	26018-080162	BOLT, M8X 16	2							
22	1	26019-060162	BOLT, M6X 16	1							

Fig.4. FUEL PIPE



(A)=EB3100
(B)=
(C)=

(D)=
(E)=
(F)=

No.	Lev.	Parts No.	Description	Q'ty						I	R
				(A)	(B)	(C)	(D)	(E)	(F)		
1	1	1A7530-04410	HOSE, FUEL	2							
2	1	1A7540-04410	HOSE, FUEL	1							
3	1	198421-04430	PIPE, FUEL SUMP	1							
4	1	1A7510-04430	HOSE, FUEL F-P	1							
5	1	1A7540-04430	HOSE, FUEL	1							
6	1	1A7540-04440	HOSE, FUEL	1							
7	1	198463-51170	TUBE, CORRUGATED 13	1							
8	1	194680-51670	BAND, CLIP	2							
8-1	1	194680-51670	BAND, CLIP	1							K
(A=FXXXXX)											
9	1	114270-59010	CLIP, HOSE 12	8							
9-1	1	114270-59010	CLIP, HOSE 12	10							K
(A=FXXXXX)											
10	1	1E6102-83230	CLAMP, CABLE	1							
11	1	23080-012000	CLAMP, 12	4							
11-1	1	23080-012000	CLAMP, 12	2							K
(A=FXXXXX)											
12	1	26018-080162	BOLT, M8X 16	1							

Fig.5. FRONT BRACKET

(A)=EB3100
(B)=
(C)=

(D)=
(E)=
(F)=

No.	Lev.	Parts No.	Description	Q'ty						I	R
				(A)	(B)	(C)	(D)	(E)	(F)		
1	1	1A7540-11101	BRACKET ASSY, AXLE	1							
2	1	26108-120252	BOLT, M12X 25 PLATED	16							

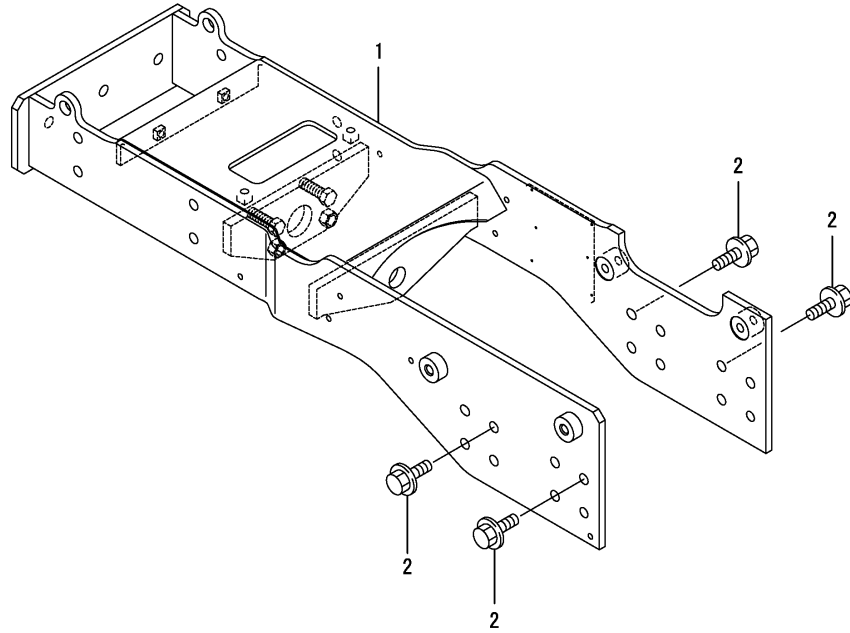


Fig.6. CENTER PIN

(A)=EB3100
(B)=
(C)=

(D)=
(E)=
(F)=

No.	Lev.	Parts No.	Description	Q'ty						I	R
				(A)	(B)	(C)	(D)	(E)	(F)		
1	1	1A7531-11510	PIN, CENTER	1							
2	1	198165-11540	BUSH, PIN	1							
3	1	1A7531-11550	SHIM KIT, CENTER PIN	1							
4	2	1A7531-11560	SHIM, CENTER PIN 0.2	2							
5	2	1A7531-11570	SHIM, CENTER PIN 0.5	2							
6	2	1A7531-11580	SHIM, CENTER PIN 0.1	2							
7	1	198435-16230	NIPPLE, GRESAE 6	1							
8	1	26106-120302	BOLT, M12X 30 PLATED	2							
9	1	26366-120002	NUT, M12	2							

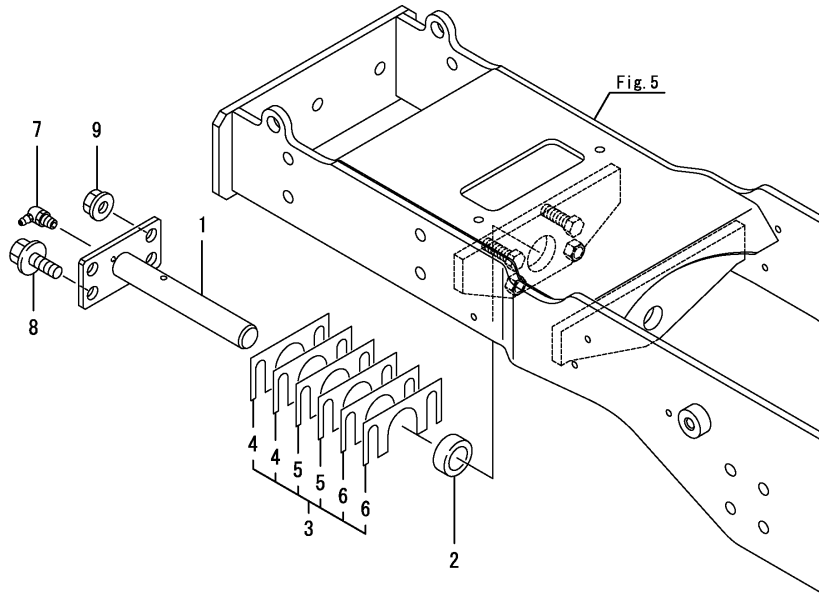


Fig.7. TIE ROD

(A)=EB3100
(B)=
(C)=

(D)=
(E)=
(F)=

No.	Lev.	Parts No.	Description	Q'ty						I	R
				(A)	(B)	(C)	(D)	(E)	(F)		
1	1	198165-12310-1	TIE-ROD ASSY	1							
2	2	24761-060000	NIPPLE, GREASE MT6X1	2							
3	1	194215-12340	NUT, CASTLE M10	2							
4	1	22417-250250	PIN, COTTER 2.5X25	2							

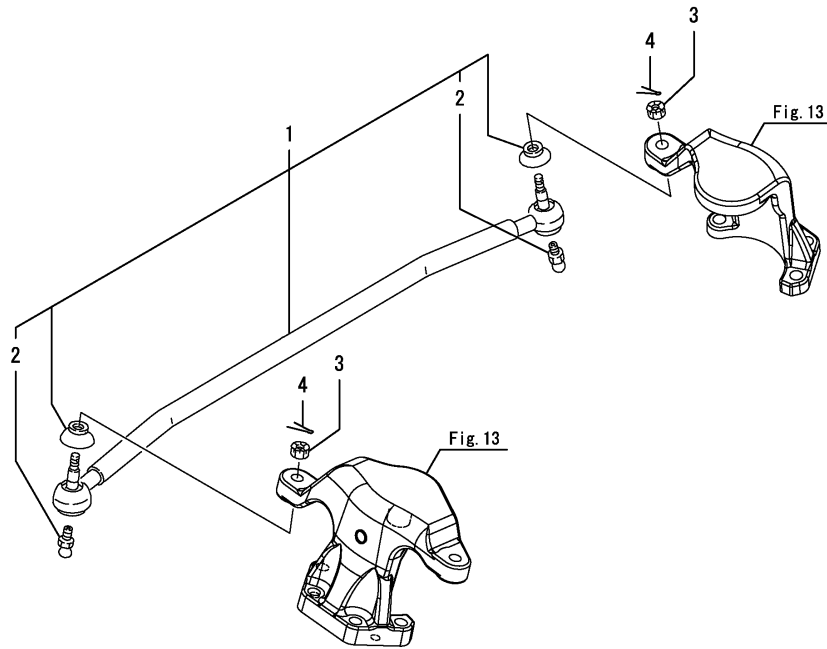
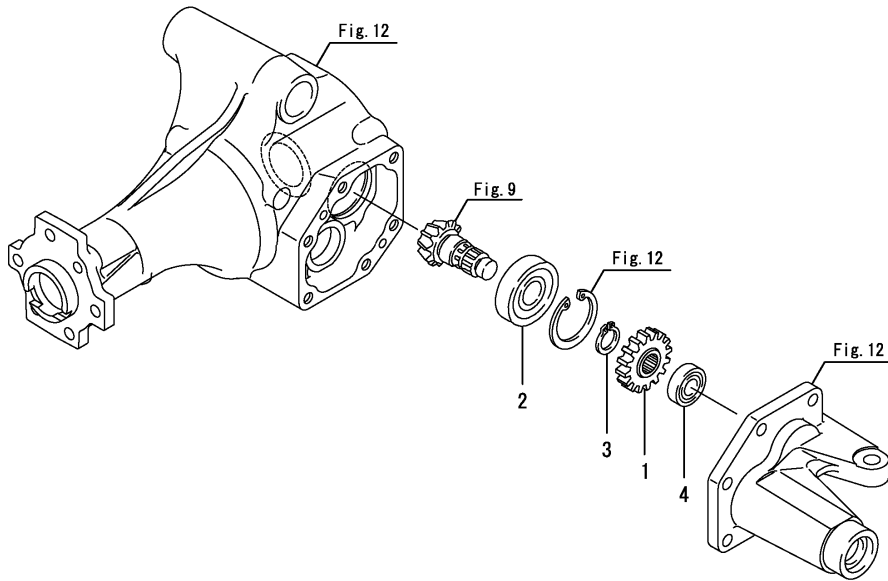


Fig.8. DRIVE PINION

(A)=EB3100
(B)=
(C)=

(D)=
(E)=
(F)=

No.	Lev.	Parts No.	Description	Q'ty						I	R
				(A)	(B)	(C)	(D)	(E)	(F)		
1	1	1A7540-13120	GEAR, FRONT 16T	1							
2	1	194447-13860	BEARING, TMB304CX1	1							
3	1	22242-000200	RING, 20	1							
4	1	24101-062024	BEARING, BALL 6202	1							



0CNP5-M53900 FRONT AXLE SECTION
Fig.9. DIFFERENTIAL GEAR

0CNP5-M53900 Fig.9

(A)=EB3100
 (B)=
 (C)=

(D)=
 (E)=
 (F)=

No.	Lev.	Parts No.	Description	Q'ty						I	R
				(A)	(B)	(C)	(D)	(E)	(F)		
1	1	198165-13101	PINION KIT, DRIVE	1							
2	1	198421-13221	GEAR, DIFFERENTIAL	2							
3	1	1A7050-13230	PINION, DIFFERENTIAL	2							
4	1	198421-13240	SHAFT, DIFFERENTIAL	1							
5	1	24101-060054	BEARING, BALL 6005	1							
6	1	24101-060074	BEARING, BALL 6007	1							

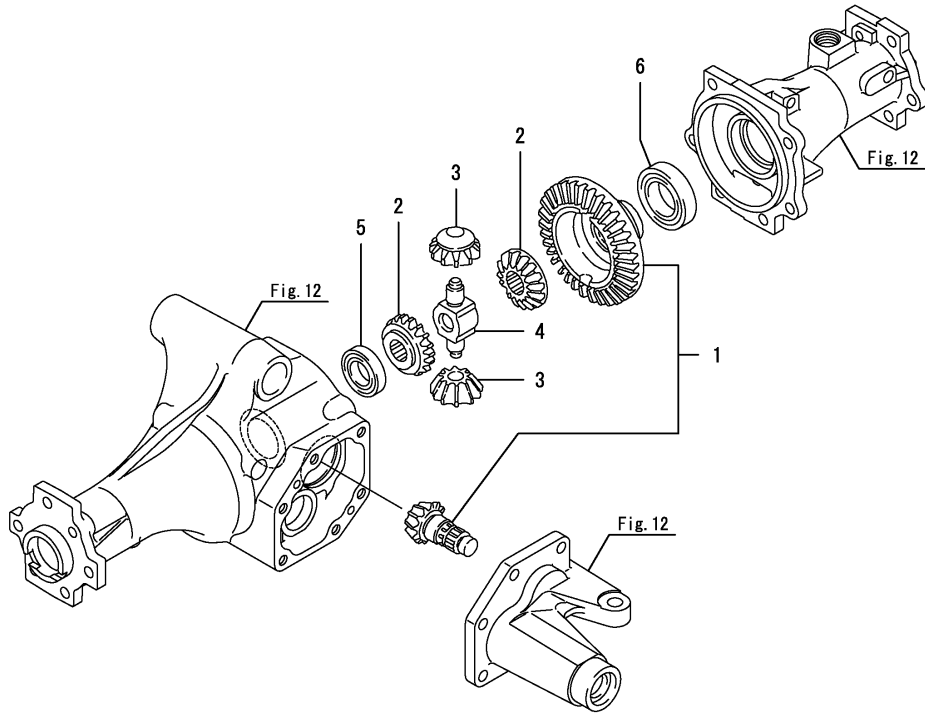


Fig.10. PROPELLER SHAFT

(A)=EB3100
(B)=
(C)=

(D)=
(E)=
(F)=

No.	Lev.	Parts No.	Description	Q'ty						I	R
				(A)	(B)	(C)	(D)	(E)	(F)		
1	1	1A7540-13310	SHAFT ASSY,PROPELLER	1							
2	1	22242-000360	RING, 36	1							
3	1	22351-035032	PIN, SPRING 3.5X32	1							
4	1	22351-060032	PIN, SPRING 6.0X32	1							

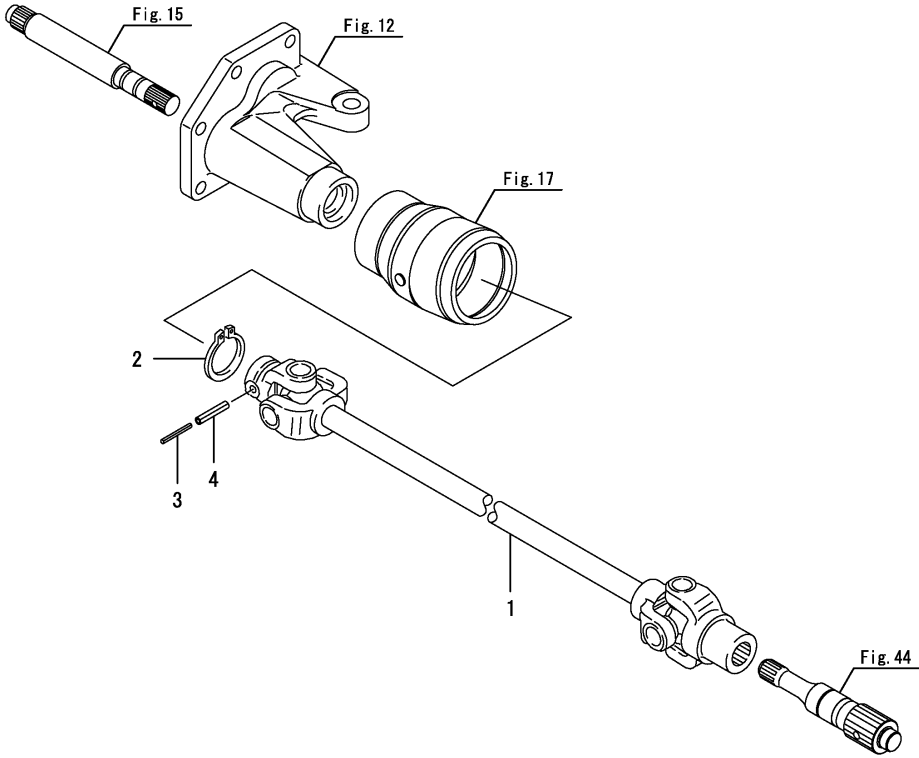


Fig.11. FRONT SHAFT(1)

(A)=EB3100
(B)=
(C)=

(D)=
(E)=
(F)=

No.	Lev.	Parts No.	Description	Q'ty						I	R
				(A)	(B)	(C)	(D)	(E)	(F)		
1	1	198165-13511	SHAFT, FRONT 1ST L	1							
2	1	198165-13521	SHAFT, FRONT 1ST R	1							
3	1	198165-13532	GEAR, FRONT SHAFT	2							
4	1	24101-062054	BEARING, BALL 6205	2							

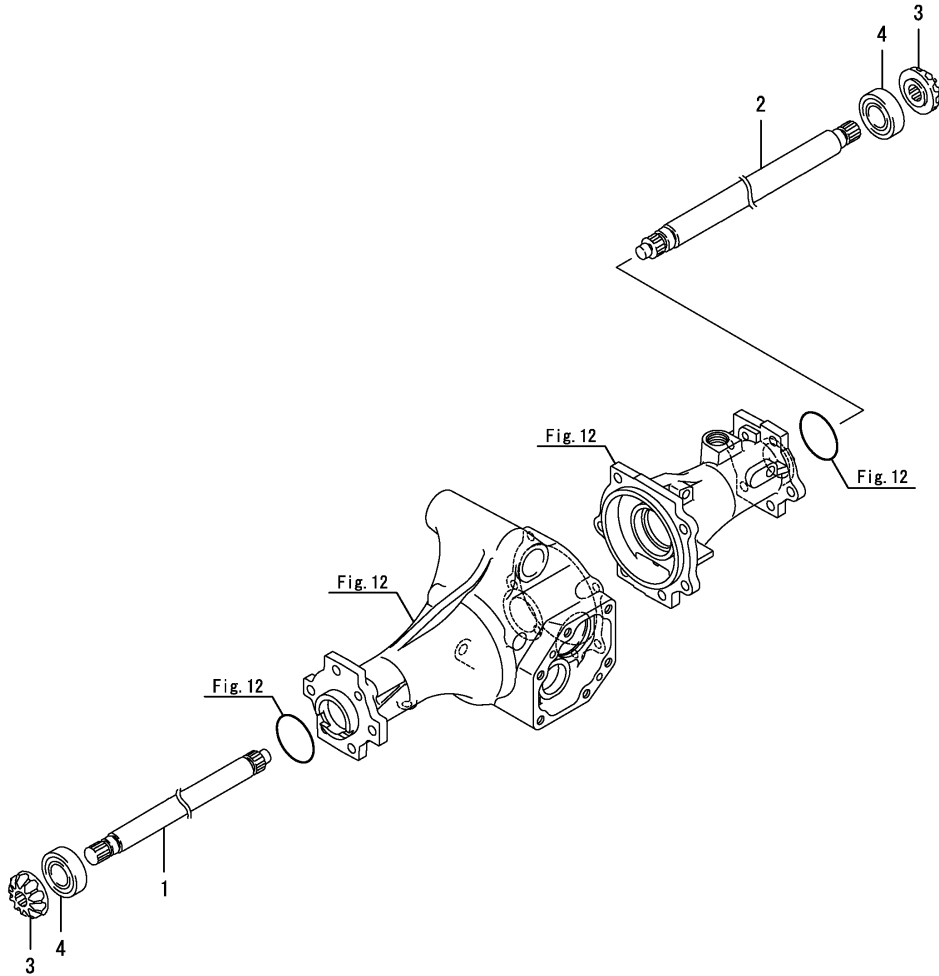
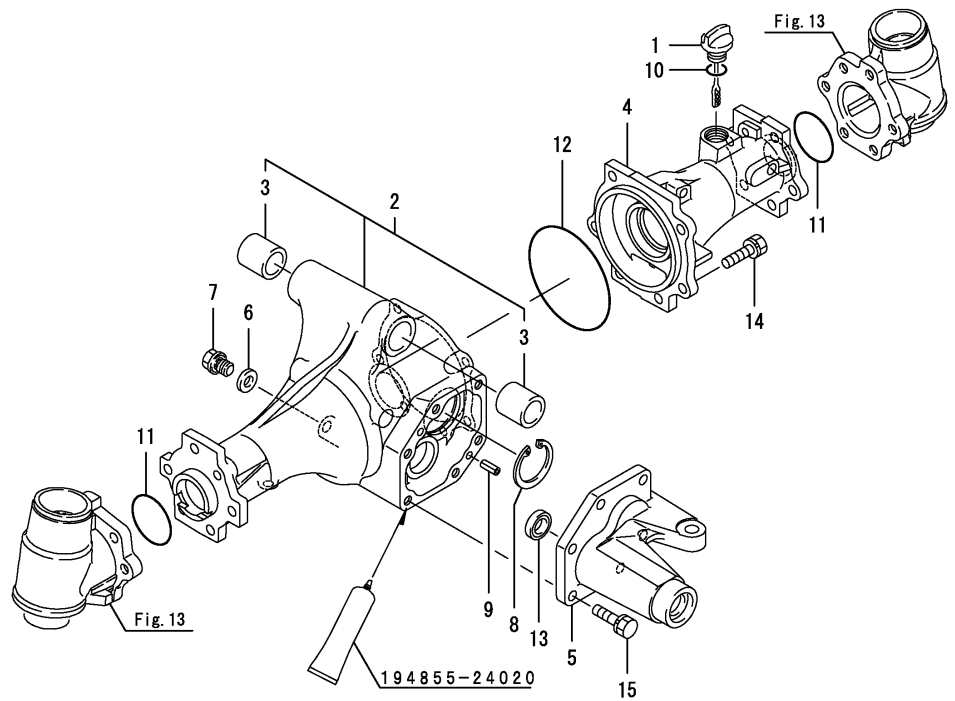


Fig.12. FRONT AXLE HOUSING

(A)=EB3100
(B)=
(C)=

(D)=
(E)=
(F)=



No.	Lev.	Parts No.	Description	Q'ty						I	R
				(A)	(B)	(C)	(D)	(E)	(F)		
1	1	194447-13490	GAUGE, OIL LEVEL	1							
2	1	198165-13600	HOUSING ASSY, AXLE L	1							
3	2	194850-13660	BUSH, 25X32X35	2							
4	1	198165-13620-2	HOUSING, AXLE R	1							
5	1	198165-13631-1	COVER, AXLE CASE	1							
6	1	198165-24440	GASKET, 20X12X2	1							
7	1	198165-24490	BOLT, M12X12	1							
8	1	22252-000520	RING, 52	1							
9	1	22351-080020	PIN, SPRING 8.0X20	2							
10	1	24311-000180	O-RING, 1AP18.0	1							
11	1	24321-000500	O-RING, 1AG50.0	2							
12	1	24321-001150	O-RING, 1AG115.0	1							
13	1	24421-173007	SEAL, OIL TC173007	1							
14	1	26013-100302	BOLT, M10X 30	6							
15	1	26016-100302	BOLT, M10X 30	6							

Fig.13. FRONT GEAR CASE

(A)=EB3100

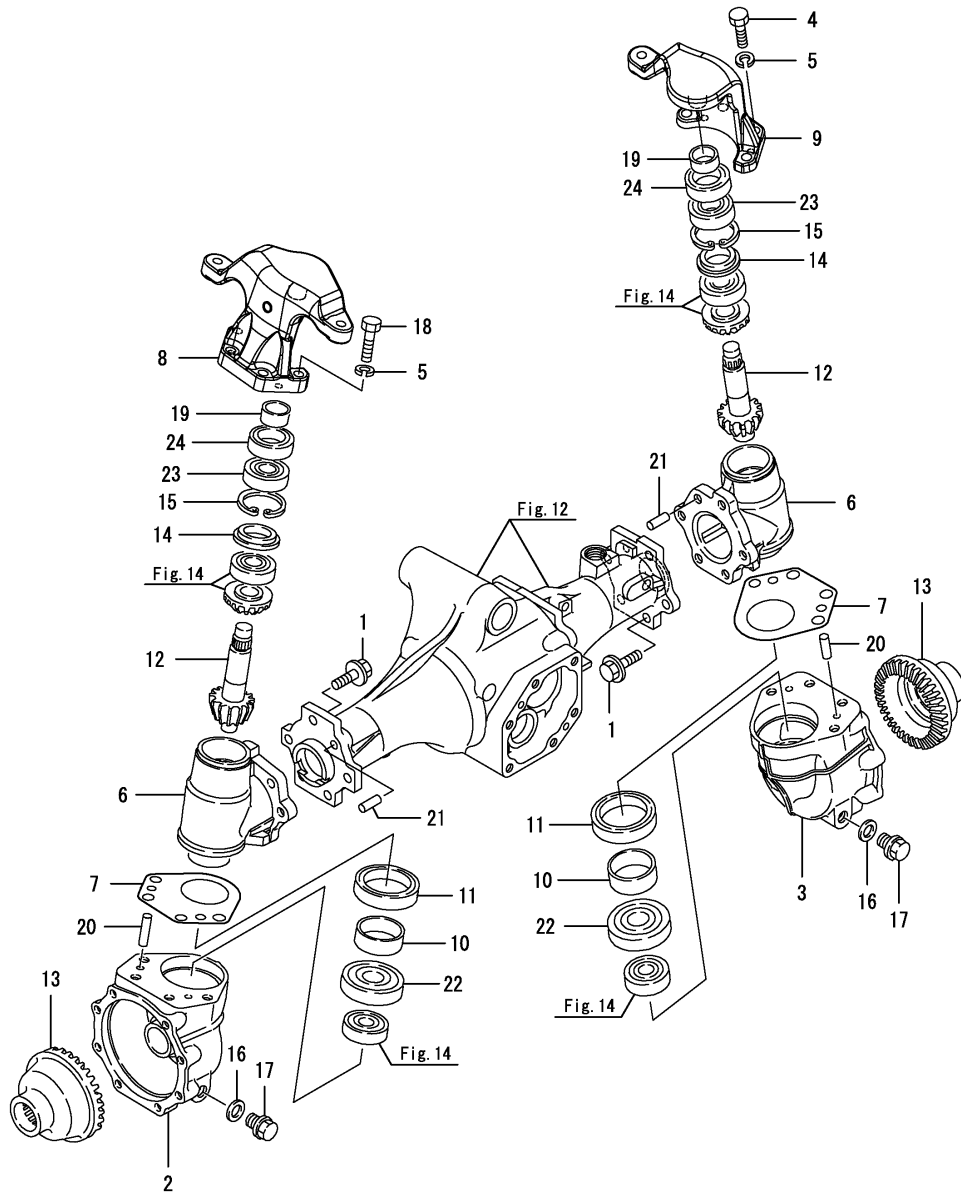
(B)=

(C)=

(D)=

(E)=

(F)=



No.	Lev.	Parts No.	Description	Qty						I	R
				(A)	(B)	(C)	(D)	(E)	(F)		
1	1	1A7531-11350	BOLT, M10X25	10							
2	1	1A7531-13730	BOX, GEAR L	1							
3	1	1A7531-13740	BOX, GEAR R	1							
4	1	194274-13550	BOLT, M10X30	4							
5	1	194274-13570	WASHER, SPRING 10	8							
6	1	1A7531-13710	CASE, FRONT GEAR	2							
7	1	198165-13750	SHIM, T=0.1	2							
8	1	1A8300-13750	SUPPORT, KING PIN L	1							
9	1	1A8300-13760	SUPPORT, KING PIN R	1							
10	1	194516-13770	SLEEVE, SI 45X50X16	2							
11	1	194516-13780	SEAL TC6Y 506812.5	2							
12	1	1A7531-13810	PINION, FRONT FINAL	2							
13	1	198165-14120	GEAR, FRONT SHAFT	2							
14	1	1D4110-13870	WASHER	2							
15	1	1A6780-13890	RING, 47H	2							
16	1	198165-24440	GASKET, 20X12X2	2							
17	1	198165-24490	BOLT, M12X12	2							
18	1	194320-42150	BOLT, M10X35	4							
19	1	1E6190-54080	SLEEVE SI25X30X13	2							
20	1	22312-080200	PIN, PARALLEL M8X20	4							
21	1	22312-100200	PIN, PARALLEL M10X20	2							
22	1	24101-060084	BEARING, BALL 6008	2							
23	1	24104-062044	BEARING, BALL 6204UU	2							
24	1	24421-304708	SEAL, OIL TC304708	2							

Fig.16. FRONT SPINDLE

(A)=EB3100
(B)=
(C)=

(D)=
(E)=
(F)=

No.	Lev.	Parts No.	Description	Q'ty						I	R
				(A)	(B)	(C)	(D)	(E)	(F)		
1	1	1A6780-14110	SPINDLE, FRONT	2							
2	1	1A6780-14131	CASE, FRONT BEARING	2							
3	1	198165-14140	GASKET, BEARING CASE	2							
4	1	194151-36670	PLUG, PF02	2							
5	1	1E8420-55430	SEAL, QLFY40X62X14	2							
6	1	22242-000350	RING, 35	2							
7	1	24101-060084	BEARING, BALL 6008	2							
8	1	24101-062074	BEARING, BALL 6207	2							
9	1	26016-080252	BOLT, M8X 25	16							

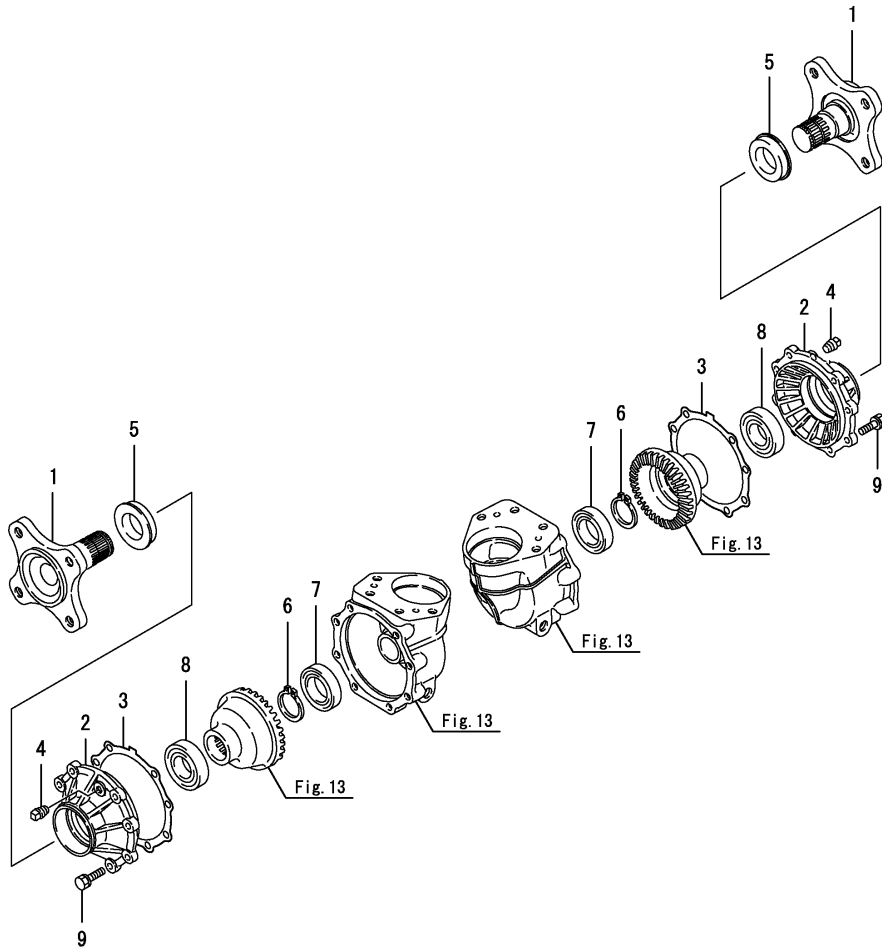


Fig.17. SHAFT COVER

(A)=EB3100
(B)=
(C)=

(D)=
(E)=
(F)=

No.	Lev.	Parts No.	Description	Q'ty						I	R
				(A)	(B)	(C)	(D)	(E)	(F)		
1	1	1A7531-14620	BOOT, RUBBER	1							
2	1	198421-14630	COLLAR, BOOT	1							
3	1	23000-070000	CLAMP, 70	1							

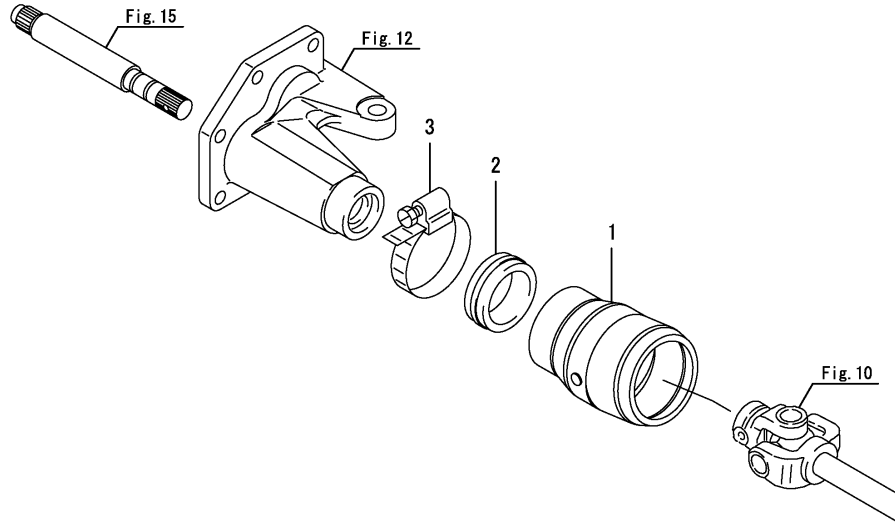
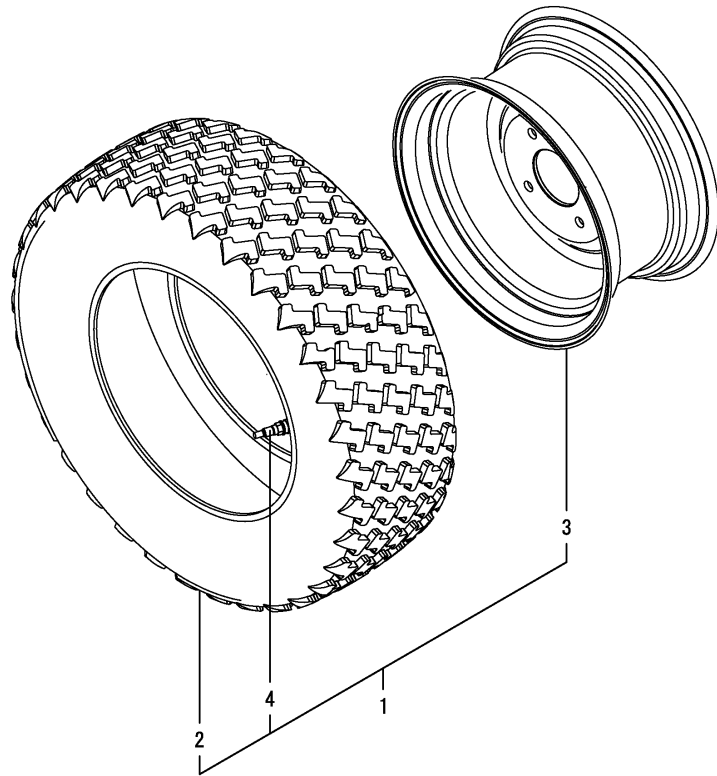


Fig.18. FRONT TIRE R3

(A)=EB3100
(B)=
(C)=

(D)=
(E)=
(F)=



No.	Lev.	Parts No.	Description	Q'ty						I	R
				(A)	(B)	(C)	(D)	(E)	(F)		
1	1	1A8300-14700-1	TIRE KIT, FRONT R3	2							
2	2	1A8300-14710	TIRE, 24X8.50-14 R3	2							
3	2	1A8300-14730-1	WHEEL,	2							
4	2	1A8300-14740	VALVE, TR412	2							

Fig.19. FRONT TIRE R4

(A)=EB3100
(B)=
(C)=

(D)=
(E)=
(F)=

No.	Lev.	Parts No.	Description	Q'ty						I	R
				(A)	(B)	(C)	(D)	(E)	(F)		
1	1	1A8300-14800-1	TIRE KIT, FRONT L R4	1							
2	2	1A8300-14820	TIRE, 23X8.5-12 R4	1							
3	2	1A8300-14830-1	WHEEL,	1							
4	2	1A8300-14840	VALVE, TR412	1							
5	1	1A8300-14810-1	TIRE KIT, FRONT R R4	1							
6	2	1A8300-14820	TIRE, 23X8.5-12 R4	1							
7	2	1A8300-14830-1	WHEEL,	1							
8	2	1A8300-14840	VALVE, TR412	1							

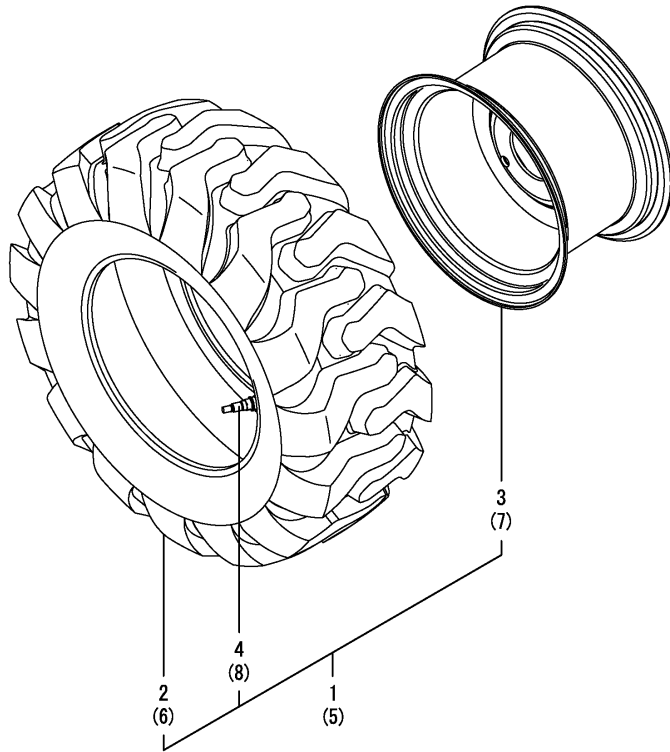


Fig.21. STEERING WHEEL

(A)=EB3100
(B)=
(C)=

(D)=
(E)=
(F)=

No.	Lev.	Parts No.	Description	Q'ty						I	R
				(A)	(B)	(C)	(D)	(E)	(F)		
1	1	1A7880-15700	WHEEL, STEERING	1							
2	1	1A7880-15740	CAP, STEERING WHEEL	1							

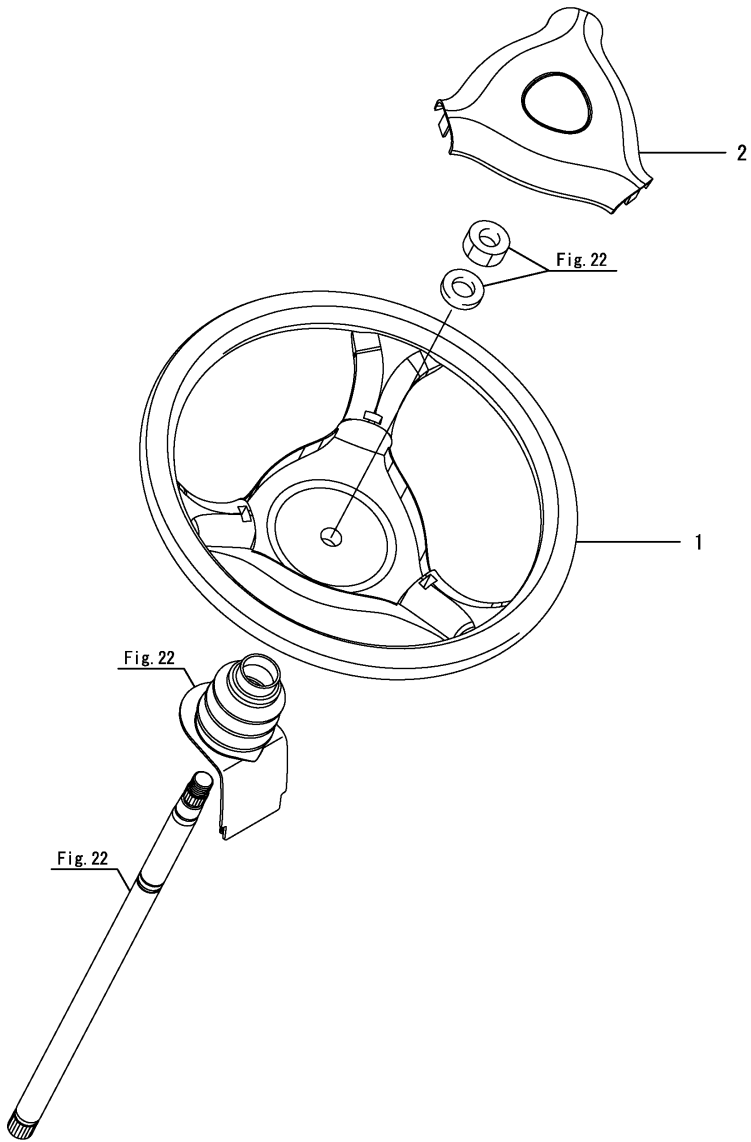
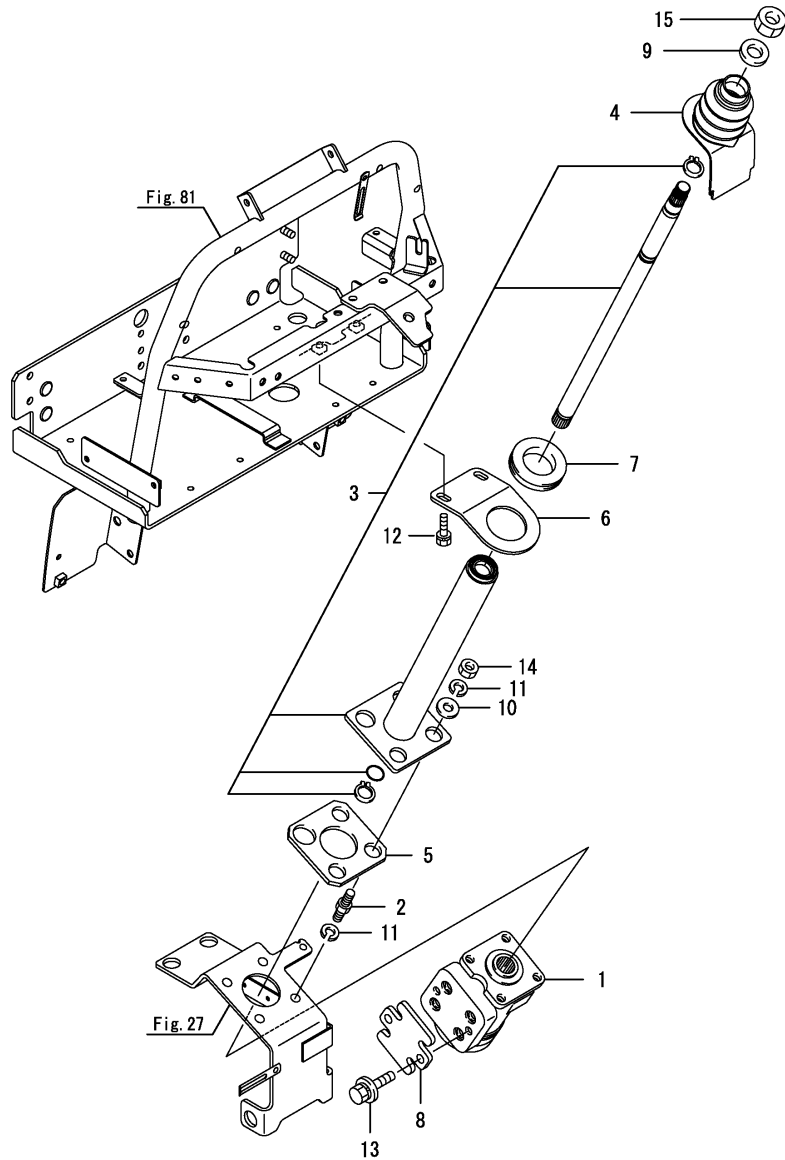


Fig.22. PST VALVE



(A)=EB3100
(B)=
(C)=

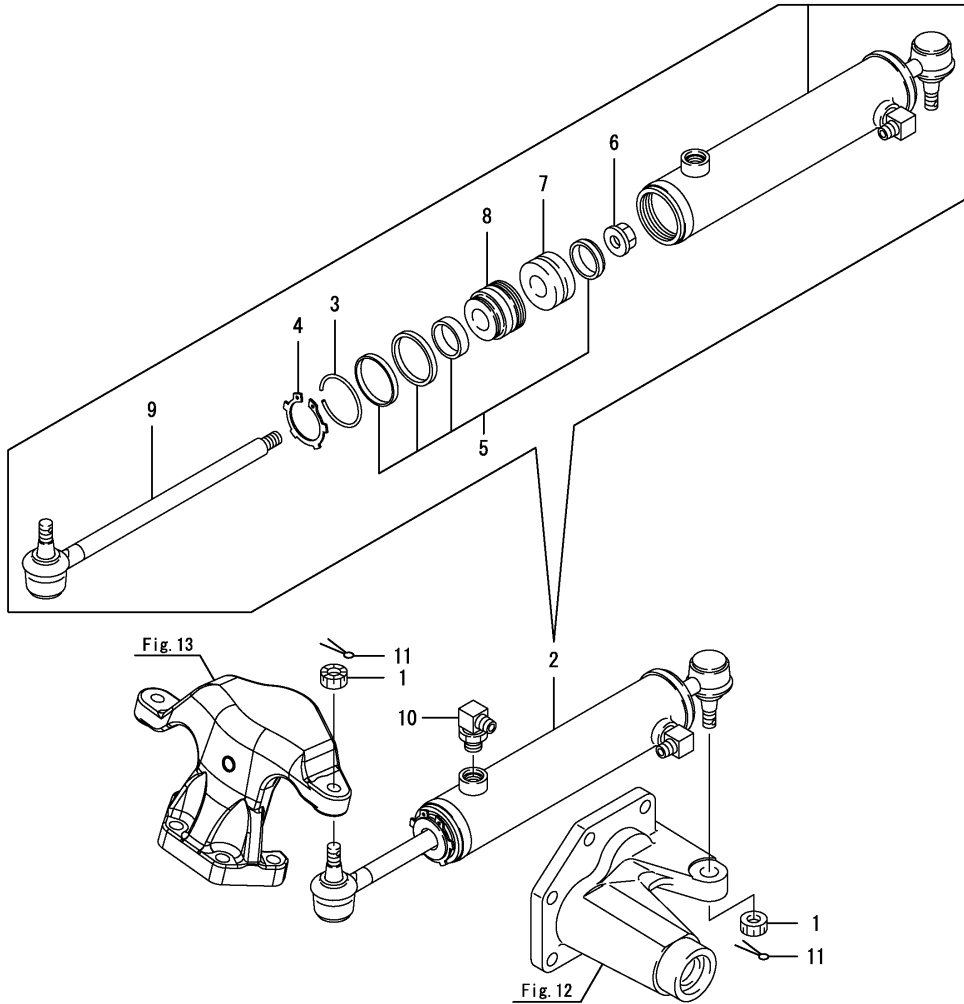
(D)=
(E)=
(F)=

No.	Lev.	Parts No.	Description	Q'ty						I	R
				(A)	(B)	(C)	(D)	(E)	(F)		
1	1	1A7530-17300	VALVE ASSY, STEERING	1							
2	1	1A7510-17310	BOLT, M10	4							
3	1	1A7530-17410	COLUMN SET, STEERING	1							
4	1	1A7510-17470	BOOT, STEERING	1							
5	1	1A6770-17510	PLATE, COLUMN	1							
6	1	1A7530-17550	STAY, STEERING	1							
7	1	1A7530-17571	RUBBER, STS	1							
8	1	1A7500-17910	PLATE	1							
9	1	22137-160000	WASHER, 16	1							
10	1	22157-100000	WASHER, 10	4							
11	1	22217-100000	WASHER, SPRING 10	8							
12	1	26013-080202	BOLT, M8X 20	2							
13	1	26018-100202	BOLT, M10X 20	2							
14	1	26736-100002	NUT, M10	4							
15	1	26776-160002	NUT, LOCK M16	1							

Fig.23. PST CYLINDER

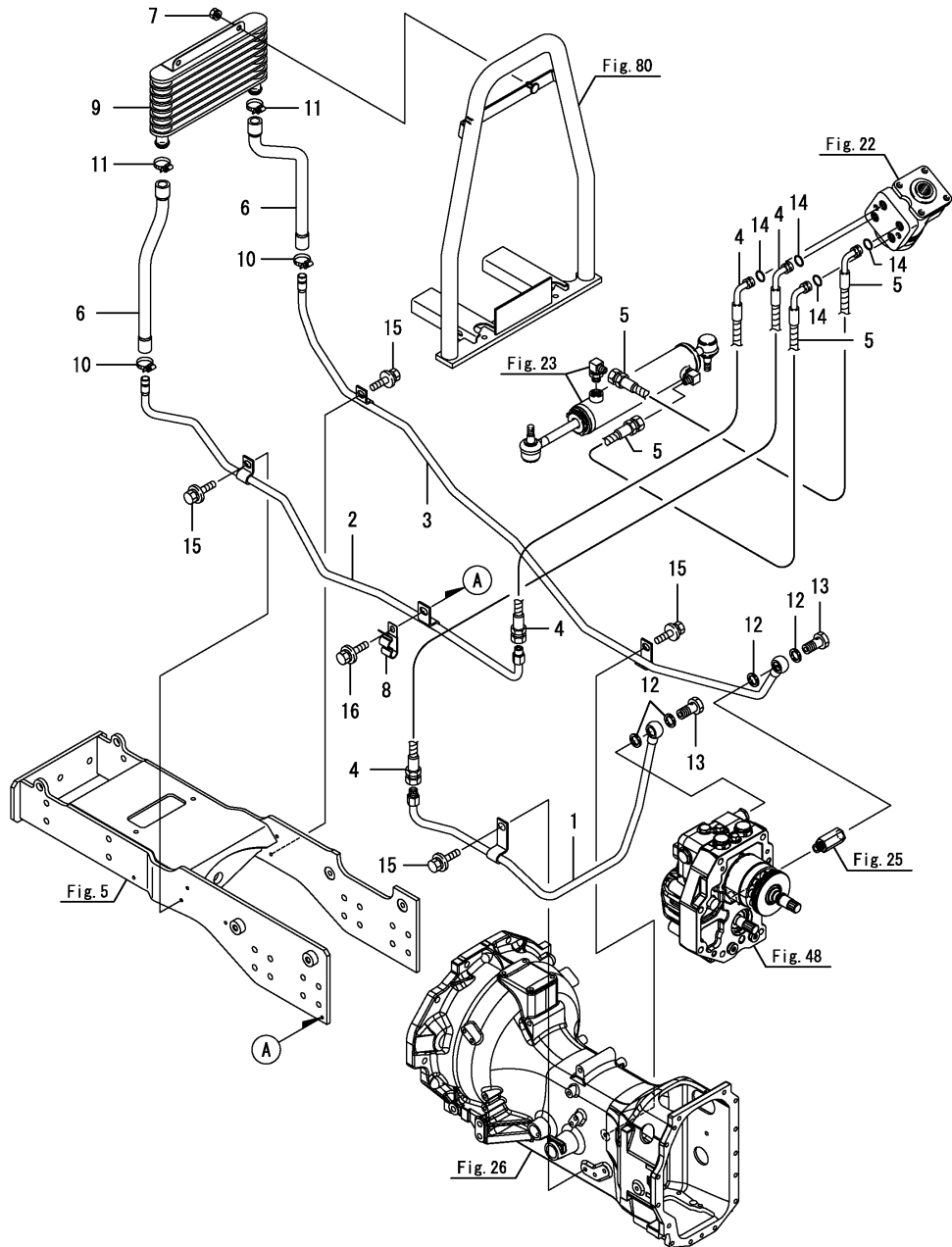
(A)=EB3100
(B)=
(C)=

(D)=
(E)=
(F)=



No.	Lev.	Parts No.	Description	Q'ty						I	R
				(A)	(B)	(C)	(D)	(E)	(F)		
1	1	194215-12341	NUT, CASTLE M10	2							
2	1	1A7531-17541	CYLINDER ASSY	1							
3	2	1A7335-17520	CIRCLIP	1							
4	2	1A7335-17530	CIRCLIP	1							
5	2	1A7500-17551	SEAL KIT	1							
6	2	1A7500-17560	NUT, LOCK	1							
7	2	1A7500-17570	PISTON	1							
8	2	1A7500-17580	CAP, CYLINDER	1							
9	2	1A7510-17590	ROD ASSY, STEERING	1							
10	1	198165-17781	ELBOW, 1/4X1/4	1							
11	1	22417-250250	PIN, COTTER 2.5X25	2							

Fig.24. PST PIPING(A)



(A)=EB3100
(B)=
(C)=

(D)=
(E)=
(F)=

No.	Lev.	Parts No.	Description	Q'ty						I	R
				(A)	(B)	(C)	(D)	(E)	(F)		
1	1	1A7530-17640	PIPE, PRESSURE PS	1							
2	1	1A7540-17670	PIPE, OUTLET PS	1							
3	1	1A7540-17710	PIPE, DRAIN	1							
4	1	1A7530-17821	HOSE, PRESSURE	2							
5	1	1A7530-17830	HOSE, PRESSURE	2							
6	1	1A8300-17940	HOSE, PRESSURE	2							
7	1	194990-22050	NUT, M8	2							
8	1	1A7130-48110	CLAMP, PIPE	1							
9	1	1E8600-66700	COOLER, OIL	1							
10	1	23000-019000	CLAMP, 19	2							
11	1	23000-022000	CLAMP, 22	2							
12	1	23414-160021	GASKET, 16X1.0	4							
13	1	23857-100000	BOLT, JOINT 10	2							
14	1	24311-000120	O-RING, 1AP12.0	4							
15	1	26018-080202	BOLT, M8X 20	4							
16	1	26018-080202	BOLT, M8X 20	1							

Fig.25. PST PIPING(B)

(A)=EB3100
(B)=
(C)=

(D)=
(E)=
(F)=

No.	Lev.	Parts No.	Description	Q'ty						I	R
				(A)	(B)	(C)	(D)	(E)	(F)		
1	1	1A6680-48910	CONNECTOR	1							
2	1	24311-000140	O-RING, 1AP14.0	1							

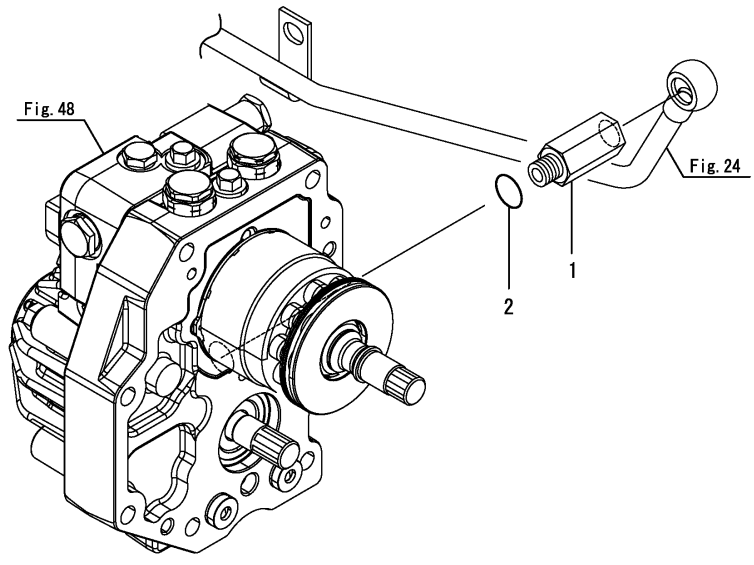
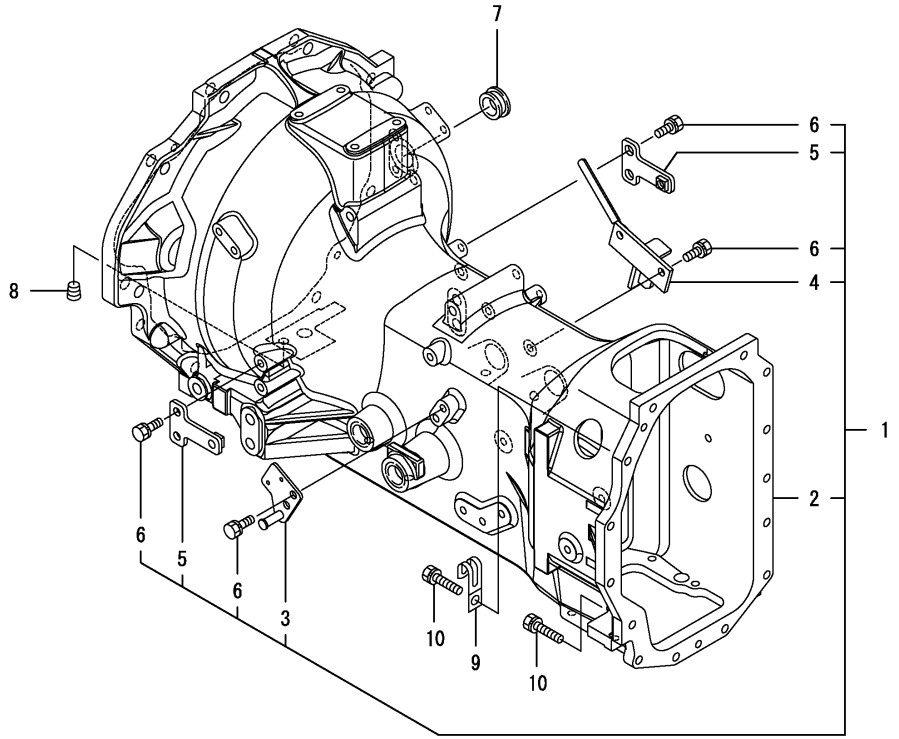


Fig.26. CLUTCH HOUSING

(A)=EB3100
(B)=
(C)=

(D)=
(E)=
(F)=

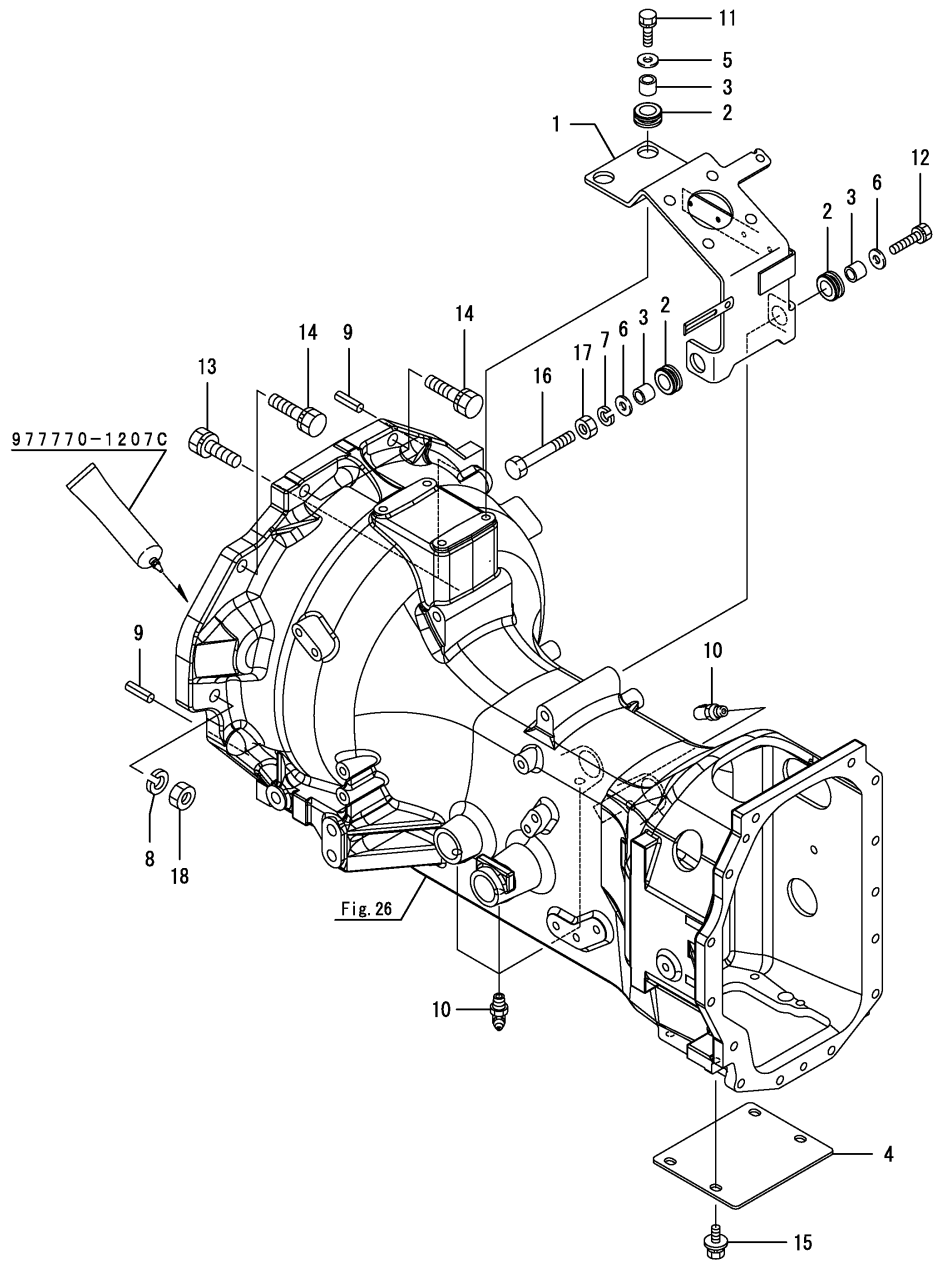


No.	Lev.	Parts No.	Description	Q'ty						I	R
				(A)	(B)	(C)	(D)	(E)	(F)		
1	1	1A7540-21100	HOUSING ASSY, CLUTCH	1							
2	2	1A7540-21110	HOUSING, CLUTCH	1							
3	2	1A6680-21120	STAY ASSY, SWITCH	1							
4	2	1A6680-21200	STOPPER ASSY	1							
5	2	1A6680-21250	STAY, STEP L	2							
6	2	26016-080202	BOLT, M8X 20	8							
7	1	1A6680-21460	CAP, RUBBER 25	1							
8	1	194151-36670	PLUG, PF02	1							
9	1	1E6102-83230	CLAMP, CABLE	1							
10	1	26016-080352	BOLT, M8X 35	14							

Fig.27. DOCKING BOLT

(A)=EB3100
(B)=
(C)=

(D)=
(E)=
(F)=



No.	Lev.	Parts No.	Description	Q'ty						I	R
				(A)	(B)	(C)	(D)	(E)	(F)		
1	1	1A7530-21150	STAY ASSY, BOX	1							
2	1	1A7530-21210	RUBBER, ST	4							
3	1	1A7530-21220	COLLAR, HOUSING	4							
4	1	1A7530-21320	PLATE, C/H	1							
5	1	22157-080000	WASHER, 8	2							
6	1	22157-100000	WASHER, 10	2							
7	1	22217-100000	WASHER, SPRING 10	1							
8	1	22217-120000	WASHER, SPRING 12	1							
9	1	22351-080016	PIN, SPRING 8.0X16	2							
10	1	24761-040000	NIPPLE, GREASE B	4							
11	1	26013-080252	BOLT, M8X 25	2							
12	1	26013-100352	BOLT, M10X 35	1							
13	1	26013-120352	BOLT, M12X 35	3							
14	1	26013-120452	BOLT, M12X 45	5							
15	1	26018-080162	BOLT, M8X 16	4							
16	1	26116-100804	BOLT, M10X 80 PLATED	1							
17	1	26716-100002	NUT, M10	1							
18	1	26756-120002	NUT, LOCK M12	1							

Fig.28. DAMPER DISC

(A)=EB3100
(B)=
(C)=

(D)=
(E)=
(F)=

No.	Lev.	Parts No.	Description	Q'ty						I	R
				(A)	(B)	(C)	(D)	(E)	(F)		
1	1	198167-21410	DISK, DAMPER	1							
2	1	22351-080016	PIN, SPRING 8.0X16	2							
3	1	26013-080162	BOLT, M8X 16	6							

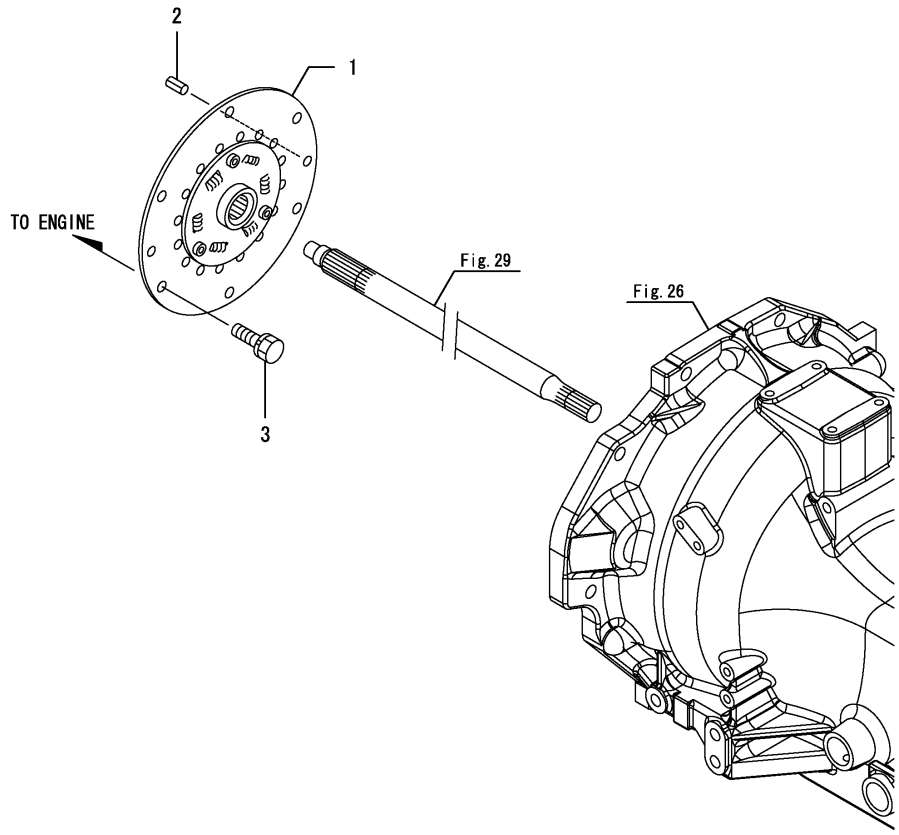


Fig.29. CLUTCH SHAFT

(A)=EB3100
(B)=
(C)=

(D)=
(E)=
(F)=

No.	Lev.	Parts No.	Description	Q'ty						I	R
				(A)	(B)	(C)	(D)	(E)	(F)		
1	1	1A7530-22110	SHAFT, MAIN DRIVE	1							
2	1	194300-25100	COUPLING	1							
3	1	22252-000150	RING, 15	1							

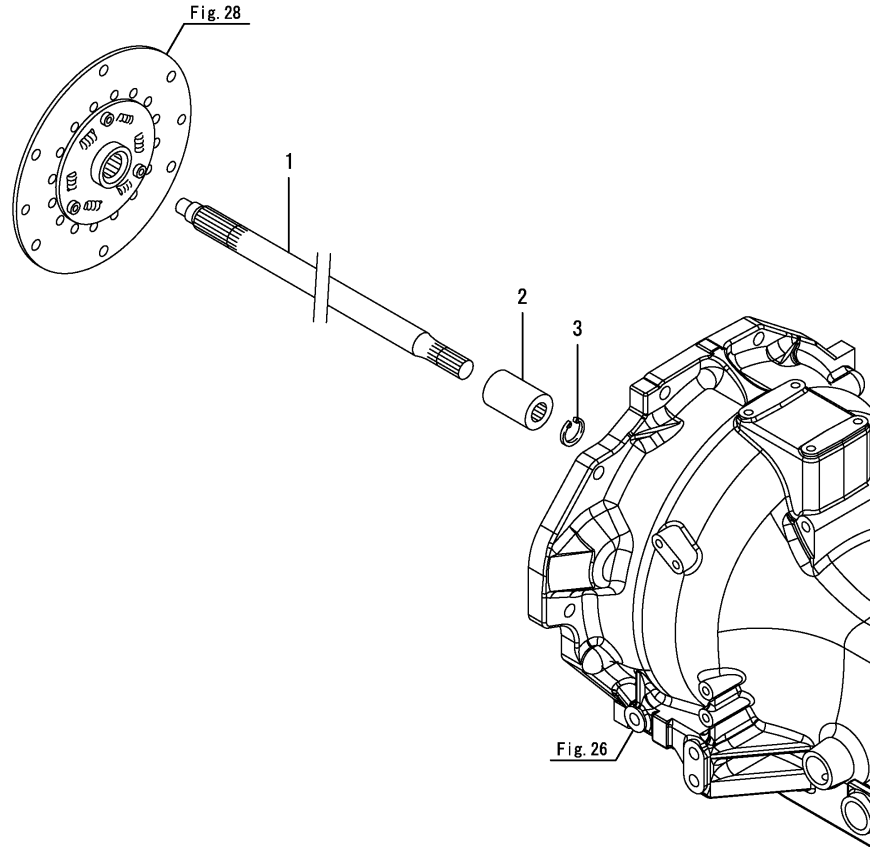
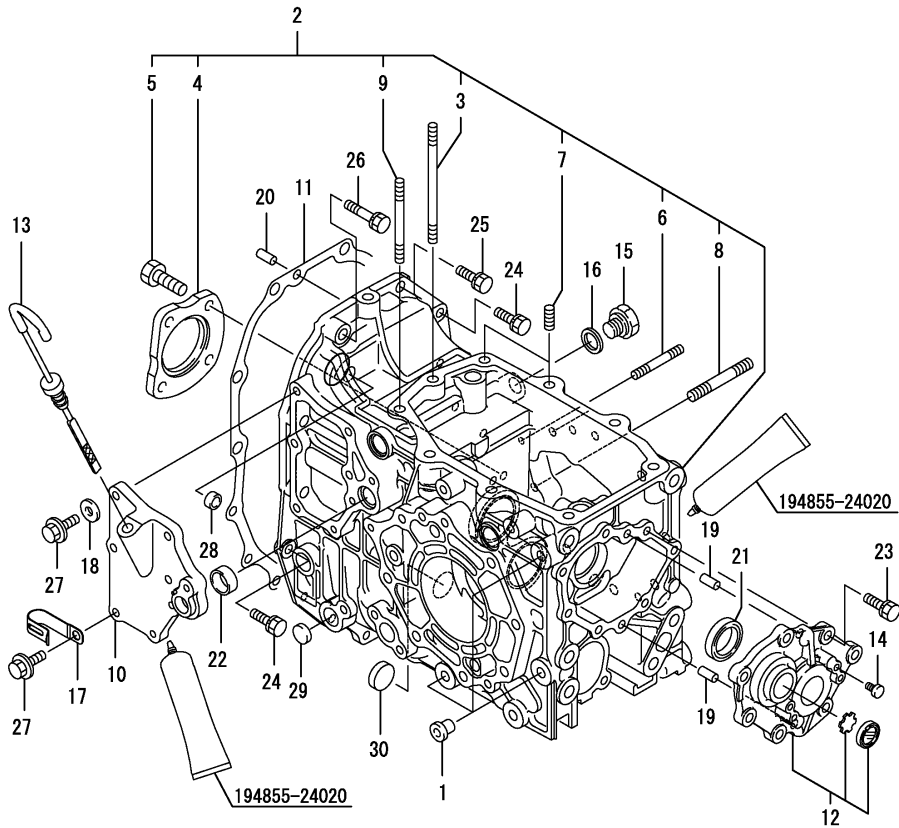


Fig.30. TRANSMISSION CASE

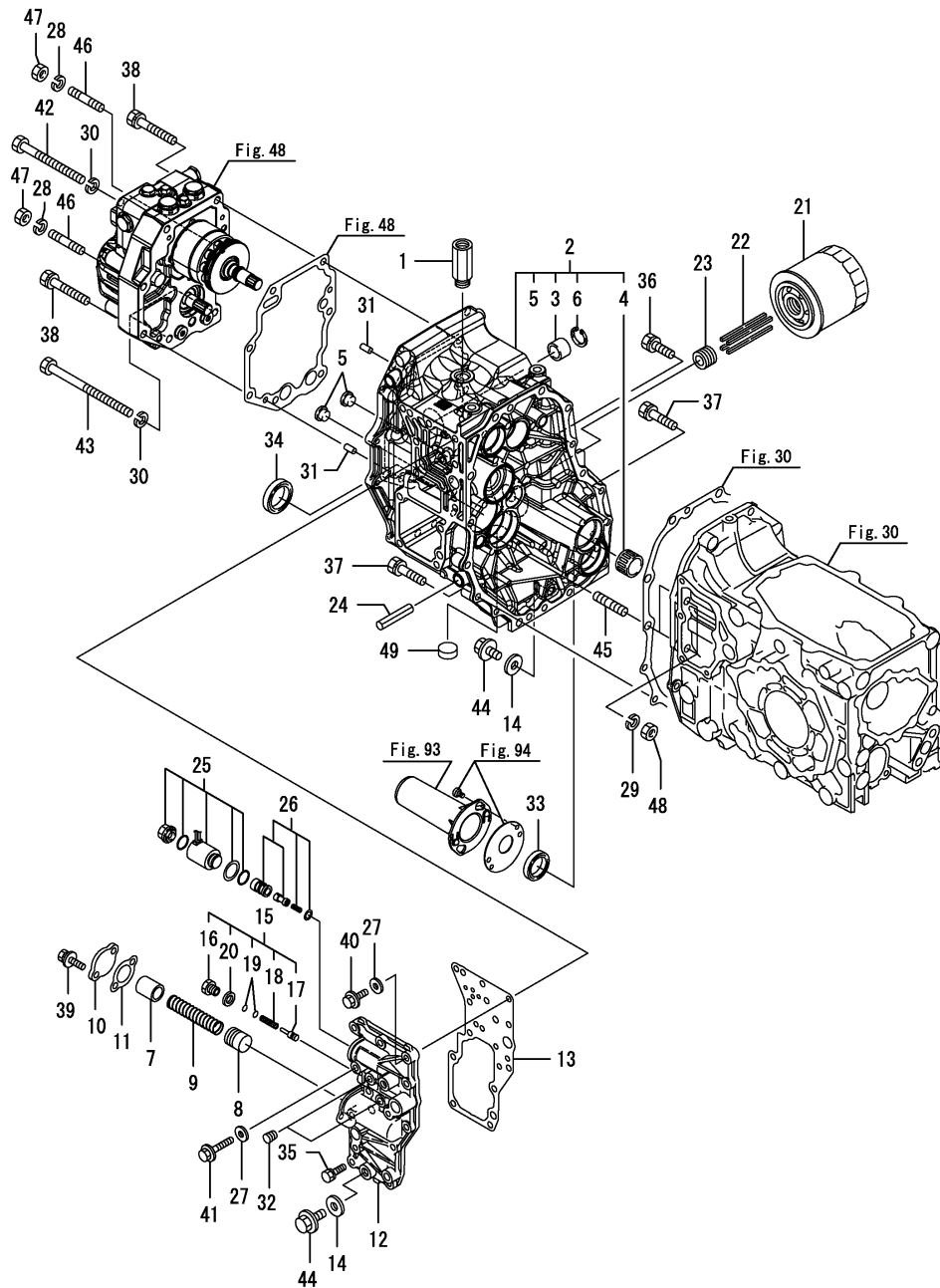


(A)=EB3100
(B)=
(C)=

(D)=
(E)=
(F)=

No.	Lev.	Parts No.	Description	Q'ty						I	R
				(A)	(B)	(C)	(D)	(E)	(F)		
1	1	194201-11230	CAP. SCREW 12.0	6							
2	1	1A7530-24100	CASE ASSY, MISSION	1							
3	2	198165-24480	STUD, M10X130	1							
4	2	198165-25851	HOLDER, BEARING	1							
5	2	198165-25870	BOLT, M10X20	4							
6	2	26228-080602	STUD, M8X 60	1							
7	2	26228-100252	STUD, M10X 25	2							
8	2	26228-100752	STUD, M10X 75	1							
9	2	26228-100902	STUD, M10X 90	1							
10	1	198167-24150	PLATE, SIDE	1							
11	1	198165-24160	PACKING, MISSION	1							
12	1	1A7530-24500	COVER ASSY, CASE	1							
13	1	198167-24980	GAUGE, OIL LEVEL	1							
14	1	194250-32530	PIN, HOOK	2							
15	1	194312-46750	PLUG, PF3/8	1							
16	1	194555-77910	GASKET, 17	1							
17	1	1E6102-83230	CLAMP, CABLE	1							
18	1	22190-080000	WASHER, SEAL 8	5							
19	1	22312-080160	PIN, PARALLEL M8X16	2							
20	1	22312-080160	PIN, PARALLEL M8X16	2							
21	1	24421-284008	SEAL, OIL TC284008	1							
22	1	24550-020100	BUSH, 20X10	1							
23	1	26016-080252	BOLT, M8X 25	7							
24	1	26016-080302	BOLT, M8X 30	2							
25	1	26016-100302	BOLT, M10X 30	1							
26	1	26016-100452	BOLT, M10X 45	1							
27	1	26106-080252	BOLT, M8X 25 PLATED	6							
28	1	27260-150000	PLUG, 15	1							
29	1	27260-170000	PLUG, 17	1							
30	1	27260-260000	PLUG, 26	1							

Fig.31. CENTER PLATE



(A)=EB3100
(B)=
(C)=

(D)=
(E)=
(F)=

No.	Lev.	Parts No.	Description	Qty						I	R
				(A)	(B)	(C)	(D)	(E)	(F)		
1	1	195450-13141	PIPE, OILING L	1							
2	1	1A7530-24300	HOUSING ASSY, CENTER	1							
3	2	1A7530-24330	BUSH, DRY 35X20	1							
4	2	198167-24390	BEARING, NEEDLE 2516	1							
5	2	192157-24801	STRAINER	2							
6	2	24165-000402	CIRCLIP, 40	1							
7	1	198167-24340	COLLAR, ACCUMULATOR	1							
8	1	198167-24350	PISTON, ACCUMULATOR	1							
9	1	198167-24360	SPRING, ACC	1							
10	1	198167-24370	COVER, ACC	1							
11	1	198167-24380	PACKING, COVER ACC	1							
12	1	198167-24400	COVER, SIDE L	1							
13	1	198167-24410	PACKING, COVER L	1							
14	1	198165-24440	GASKET, 20X12X2	2							
15	1	1A7530-24550	RELIEF KIT, PTO	1							
16	2	192157-24770	PLUG,PTO	1							
17	2	192157-24780	VALVE,RELIEF	1							
18	2	192162-25250	SPRING 29.5	1							
19	2	1E6217-56160	SHIM 0.5	2							
20	2	23414-120016	GASKET, 12X1.0	1							
21	1	198167-24900	FILTER, OIL	1							
22	1	198129-24930	MAGNET, FILTER	4							
23	1	198167-24950	JOINT, STRAINER	1							
24	1	1A6781-24990	PIN, SPRING 12X60	1							
25	1	1A6770-26600	SOLENOID ASSY	1							
26	1	192157-26611	VALVE SOLENOID CMP	1							
27	1	22190-080000	WASHER, SEAL 8	7							
28	1	22287-100000	WASHER, 10	2							
29	1	22287-100000	WASHER, 10	2							
30	1	22287-100000	WASHER, 10	3							
31	1	22312-080160	PIN, PARALLEL M8X16	4							
32	1	23871-010000	PLUG, R01	2							
33	1	24421-304208	SEAL, OIL TC304208	1							
34	1	24421-304708	SEAL, OIL TC304708	1							
35	1	26016-080302	BOLT, M8X 30	4							
36	1	26016-080302	BOLT, M8X 30	3							
37	1	26016-080402	BOLT, M8X 40	7							
38	1	26016-100602	BOLT, M10X 60	2							
39	1	26018-080202	BOLT, M8X 20	2							
40	1	26106-080302	BOLT, M8X 30 PLATED	6							
41	1	26106-080552	BOLT, M8X 55 PLATED	1							
42	1	26116-101102	BOLT, M10X110 PLATED	1							
43	1	26116-101352	BOLT, M10X135 PLATED	2							
44	1	26136-120202	BOLT, M12X 20 PLATED	2							
44-1	1	198165-24490	BOLT, M12X12	2							R
(A=FXXXXX)											
45	1	26226-100452	STUD, M10X 45	2							
46	1	26226-100552	STUD, M10X 55	2							
47	1	26716-100002	NUT, M10	2							
48	1	26716-100002	NUT, M10	2							
49	1	27260-260000	PLUG, 26	1							

N:Old $\begin{matrix} \leftarrow \text{Yes} \\ \text{No} \end{matrix}$ New, Q:Old $\begin{matrix} \leftarrow \text{No} \\ \text{Yes} \end{matrix}$ New, R:Old $\begin{matrix} \leftarrow \text{Yes} \\ \text{Yes} \end{matrix}$ New, S:Old $\begin{matrix} \leftarrow \text{No} \\ \text{No} \end{matrix}$ New, W:Add, Z:Discontinued, F:Interchangeable by set, K:Q'ty Change

Fig.32. OIL CAP

(A)=EB3100
(B)=
(C)=

(D)=
(E)=
(F)=

No.	Lev.	Parts No.	Description	Q'ty						I	R
				(A)	(B)	(C)	(D)	(E)	(F)		
1	1	194855-24290	CAP, OIL M20	1							
2	1	24311-000180	O-RING, 1AP18.0	1							

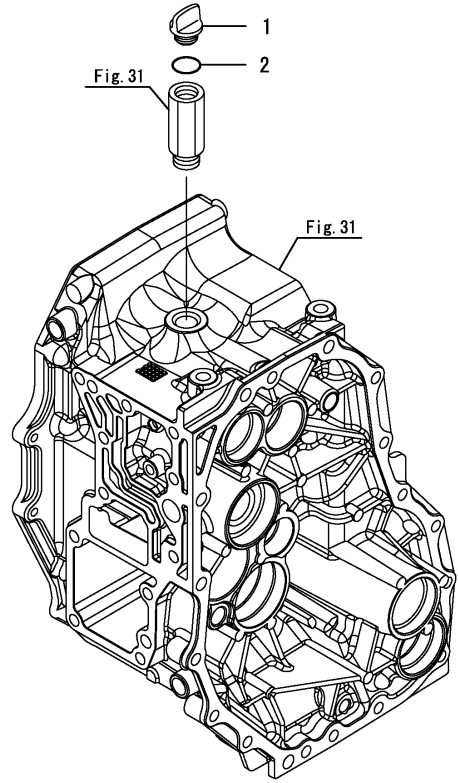


Fig.33. OIL STRAINER

(A)=EB3100
(B)=
(C)=

(D)=
(E)=
(F)=

No.	Lev.	Parts No.	Description	Q'ty						I	R
				(A)	(B)	(C)	(D)	(E)	(F)		
1	1	198421-24910	STRAINER, OIL	1							
2	1	198129-24930	MAGNET, FILTER	4							
3	1	194305-24970	COVER, OIL STRAINER	1							
4	1	194322-24980	PLUG, 1-2NPT	1							
5	1	1A7870-24980	RING	1							
5-1	1	1A7542-24980	O-RING,SACTION	1							N
(A=*2013.06.)											
6	1	26013-080252	BOLT, SPRING M8X 25	2							

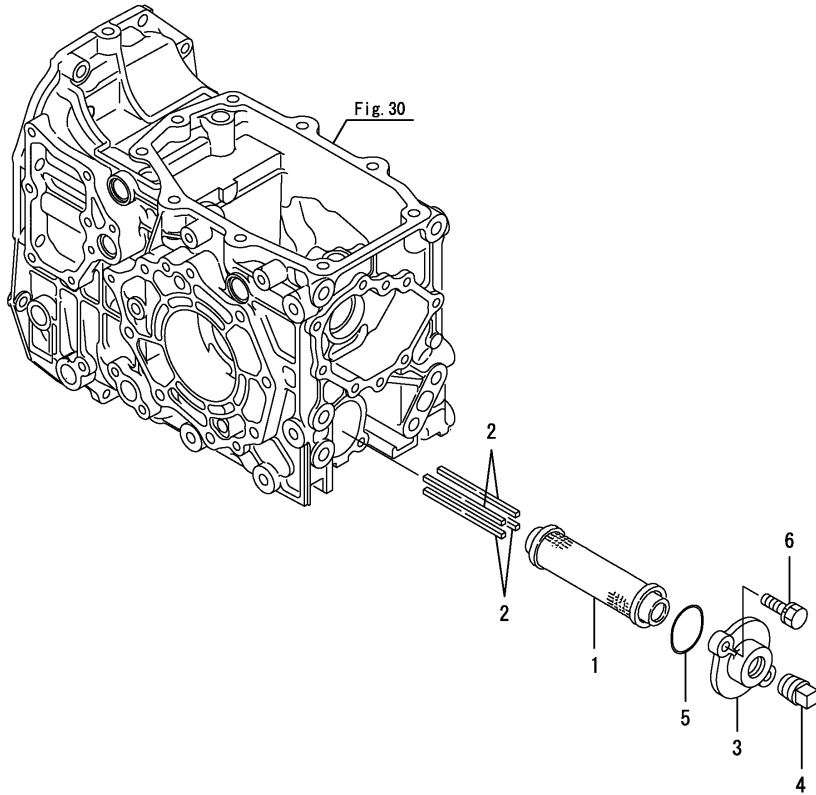


Fig.34. INPUT SHAFT

(A)=EB3100
(B)=
(C)=

(D)=
(E)=
(F)=

No.	Lev.	Parts No.	Description	Q'ty						I	R
				(A)	(B)	(C)	(D)	(E)	(F)		
1	1	1A7530-25100	SHAFT ASSY, INPUT	1							
2	1	194305-25160	BEARING, BALL TMB203	1							
3	1	24101-060054	BEARING, BALL 6005	1							

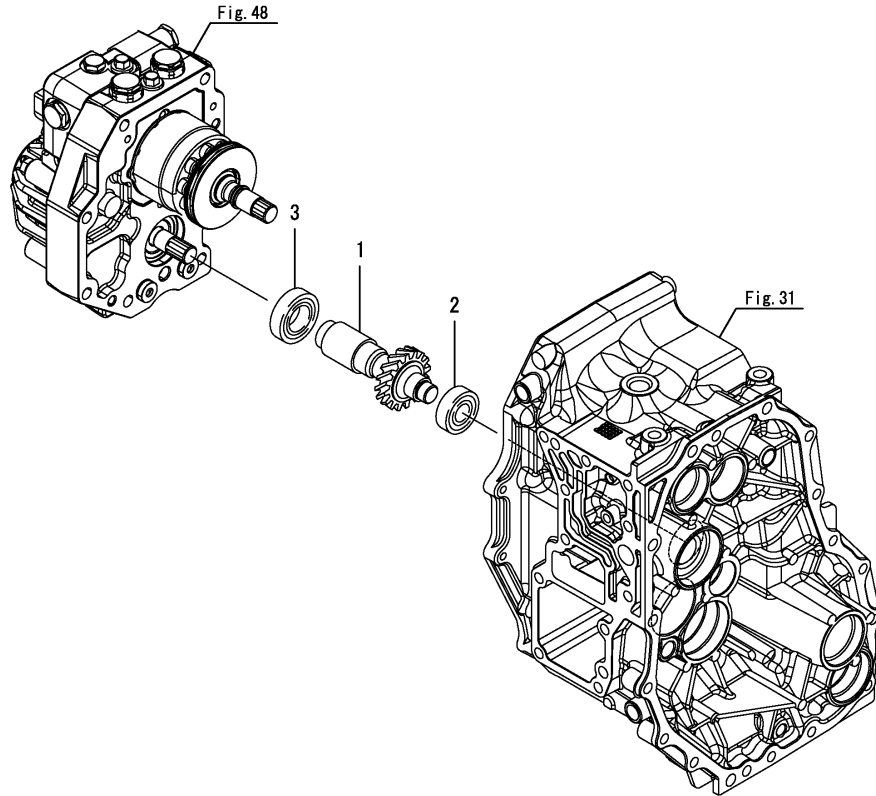


Fig.35. MAIN SHAFT

(A)=EB3100
(B)=
(C)=

(D)=
(E)=
(F)=

No.	Lev.	Parts No.	Description	Q'ty						I	R
				(A)	(B)	(C)	(D)	(E)	(F)		
1	1	194305-25160	BEARING, BALL TMB203	1							
2	1	1A7540-25170	GEAR, DRIVEN 21	1							
3	1	1A7540-25191	SHAFT, MAIN	1							
4	1	1E6190-54430	THRUST WASHER (C)	1							
5	1	22242-000240	RING, 24	1							
6	1	24104-062054	BEARING, BALL 6205UU	2							

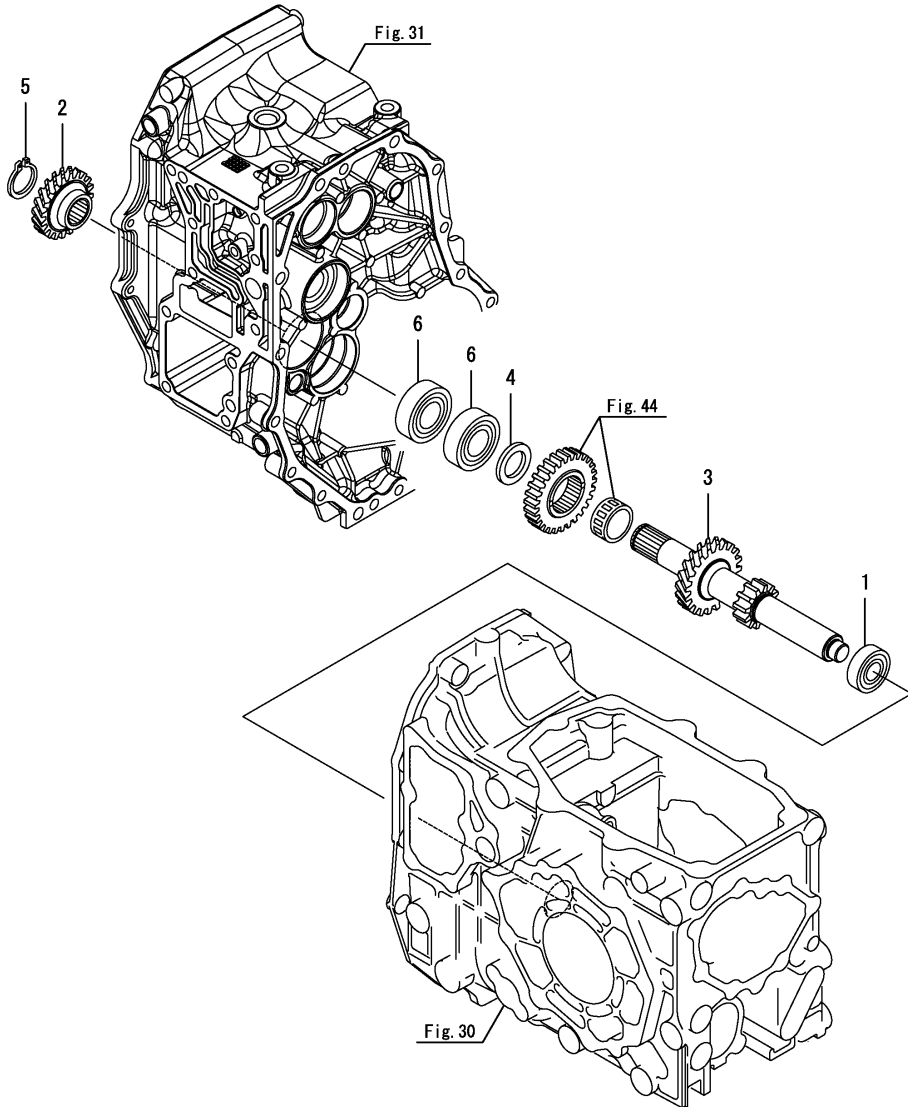
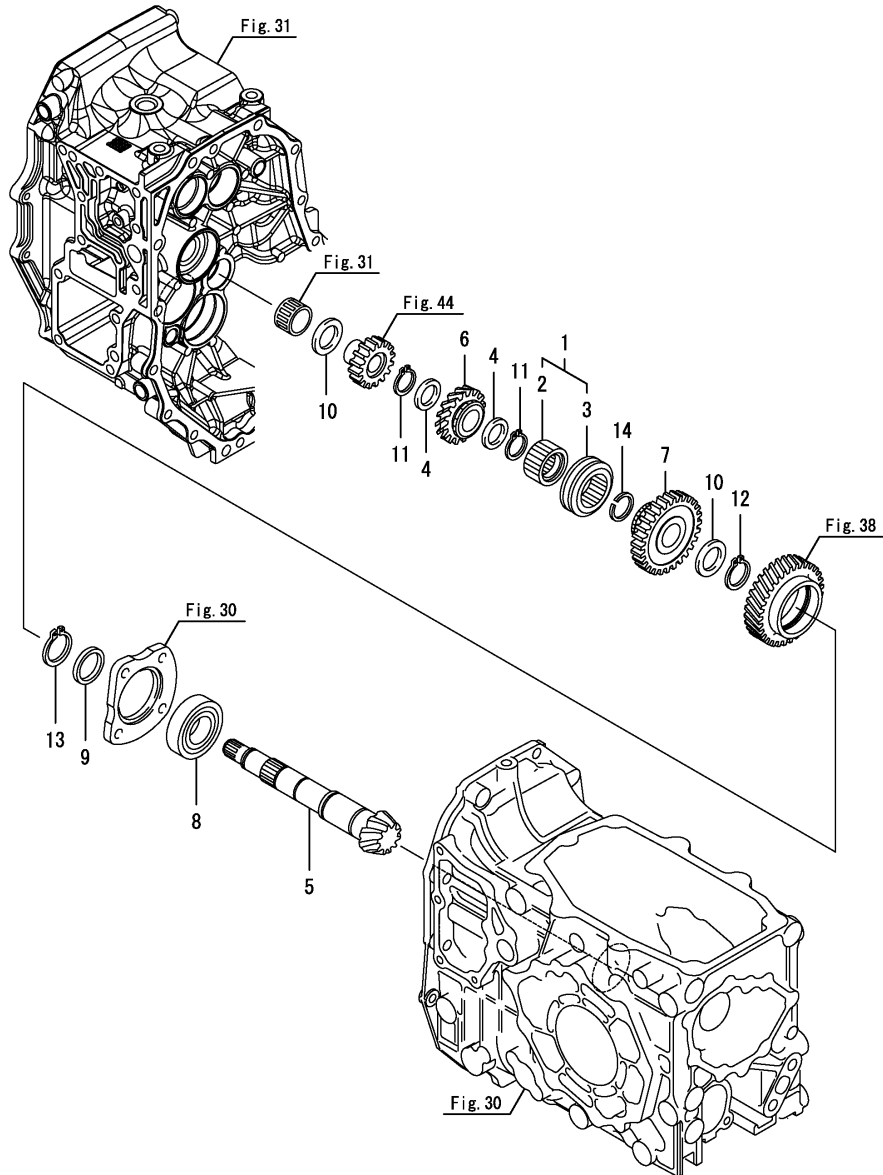


Fig.36. COUNTER SHAFT

(A)=EB3100
(B)=
(C)=

(D)=
(E)=
(F)=



No.	Lev.	Parts No.	Description	Q'ty						I	R
				(A)	(B)	(C)	(D)	(E)	(F)		
1	1	198167-25080	COLLAR SET	1							
2	2	198167-25750	COLLAR, SPLINE	1							
3	2	198167-25770	COLLAR, SHIFT	1							
4	1	194856-25330	WASHER, 22X32X2.5	2							
5	1	1A7540-25710	SHAFT, COUNTER	1							
6	1	1A7540-25730	GEAR, COUNTER HIGH	1							
7	1	1A7540-25740	GEAR, COUNTER LOW	1							
8	1	198165-25810	BEARING, HTFHR6206	1							
9	1	198165-25840	COLLAR, 30X38X4.5	1							
10	1	1E6190-54430	THRUST WASHER (C)	2							
11	1	1E6820-54560	CIRCLIP 22	2							
12	1	22242-000250	RING, 25	1							
13	1	22242-000290	RING, 29	1							
14	1	22292-000240	RING, S-24	1							

Fig.37. PTO DRIVE SHAFT

(A)=EB3100
(B)=
(C)=

(D)=
(E)=
(F)=

No.	Lev.	Parts No.	Description	Q'ty						I	R
				(A)	(B)	(C)	(D)	(E)	(F)		
1	1	198220-25130	SPACER, 25X33X2	1							
2	1	192167-25310	CIRCLIP,17	1							
3	1	194850-25760	BEARING, BALL 6203	2							
4	1	1A7450-25870	BEARING, TMB005UU	1							
5	1	1A7530-26050	SHAFT ASSY, INPUT	1							
6	1	1A6781-26090	BEARING, 6201SH2	1							
7	1	1A7530-26110	GEAR, PTO DRIVE 15	1							
8	1	1A7530-26130	GEAR, IDLE 18	1							
9	1	22242-000250	RING, 25	1							
10	1	22252-000400	RING, 40	1							
11	1	24101-062034	BEARING, BALL 6203	1							

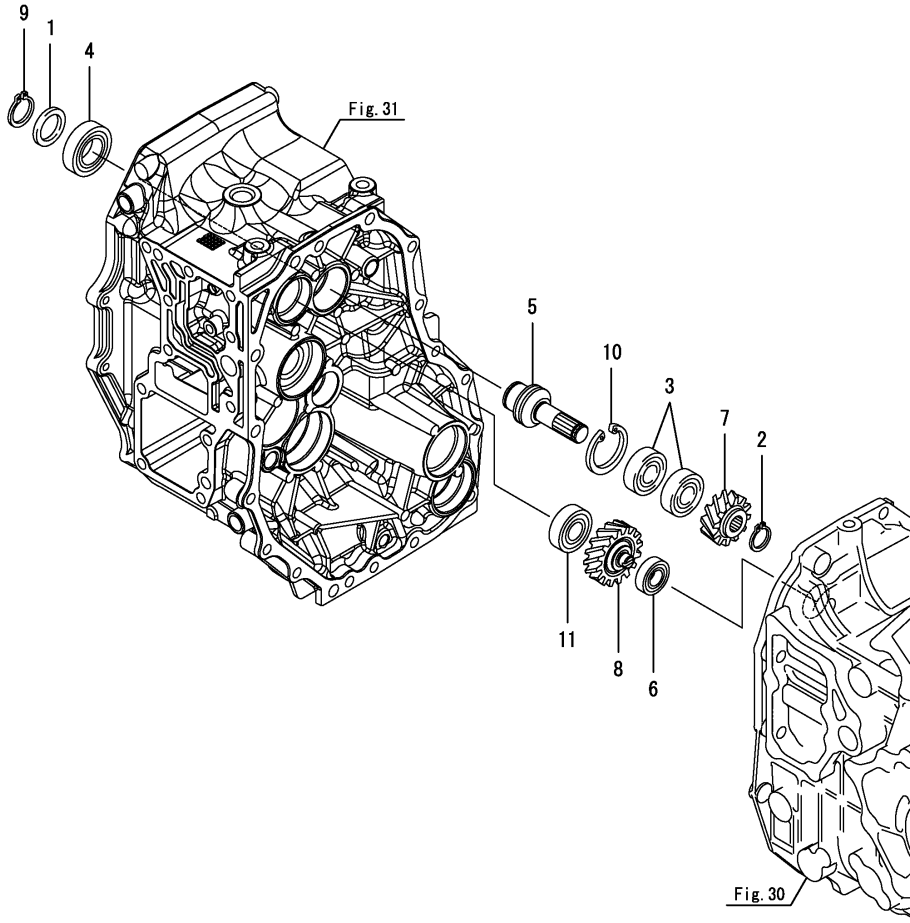
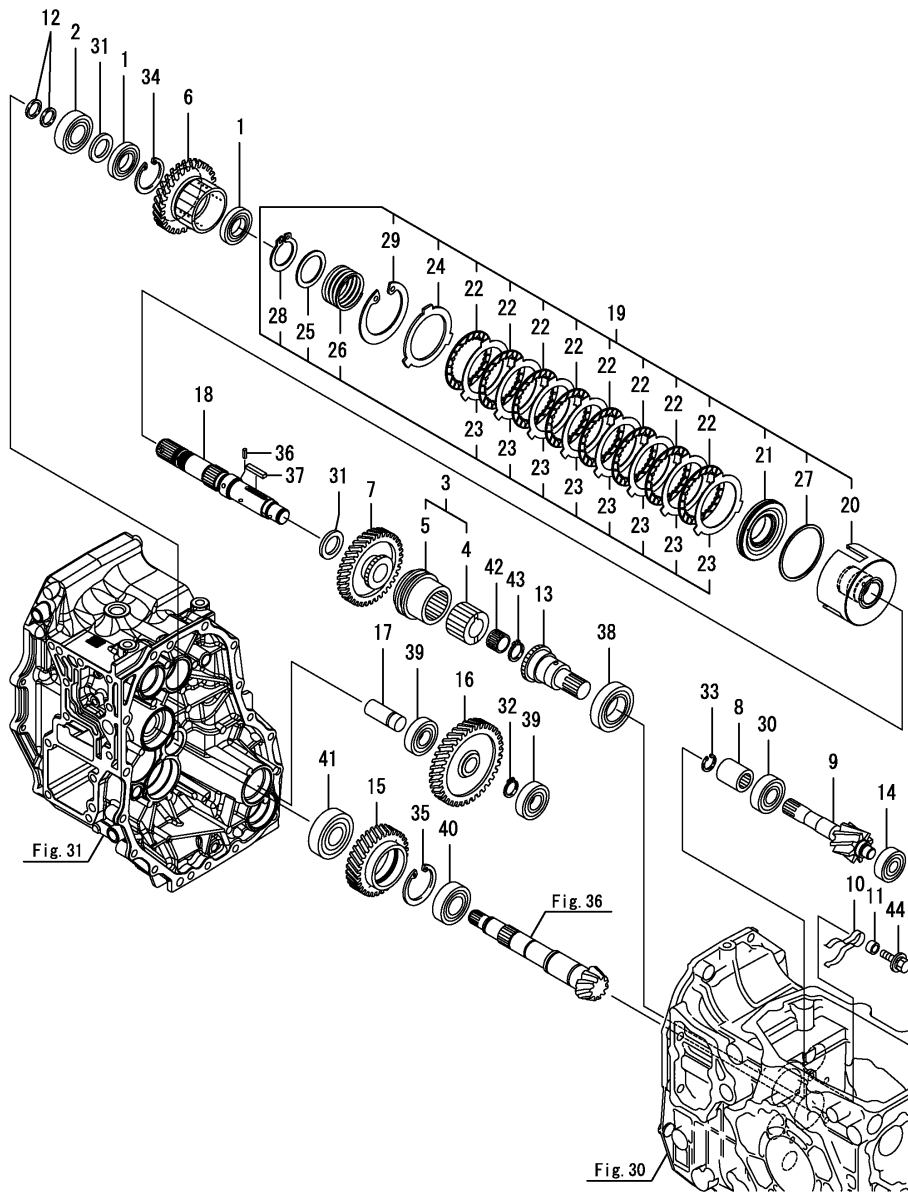


Fig.38. PTO CLUTCH SHAFT



(A)=EB3100
(B)=
(C)=

(D)=
(E)=
(F)=

No.	Lev.	Parts No.	Description	Q'ty						I	R
				(A)	(B)	(C)	(D)	(E)	(F)		
1	1	1C6560-13170	BEARING, BALL 16005	2							
2	1	194640-25390	BEARING, BALL TMB205	1							
3	1	198167-26080	COLLAR SET	1							
4	2	198165-26150	COLLAR, PTO SPLINE	1							
5	2	198167-26220	COLLAR, SHIFT	1							
6	1	1A7540-26160	GEAR, PTO CLUTCH 33	1							
7	1	1A6680-26170	GEAR, PTO DRIVE 41	1							
8	1	198165-26180	JOINT	1							
9	1	1A7530-26190	GEAR, PTO 10T	1							
10	1	198165-26210	BRAKE, PREVENTION	1							
11	1	198165-26240	COLLAR, 15X3.5	1							
12	1	198167-26240	RING, SEAL 21X25X3	2							
13	1	198167-26250	SHAFT, PTO DRIVE	1							
14	1	198165-26270	BEARING, TMB302	1							
15	1	1A7540-26310	GEAR, IDLE 35	1							
16	1	1A7530-26330	GEAR, IDLE 45	1							
17	1	198167-26340	SHAFT, MID IDLE	1							
18	1	1A7540-26480	SHAFT ASSY, CLUTCH	1							
19	1	1A7540-26600	CLUTCH ASSY, PTO	1							
20	2	1A7540-26220	CYLINDER, CLUTCH PTO	1							
21	2	1A7540-26610	PISTON	1							
22	2	1A7540-26620	FRICITION PLATE 80	8							
23	2	1A7540-26630	PLATE, STEEL 1.2	8							
24	2	1A7540-26640	PLATE, STEEL 3.18	1							
25	2	1A7540-26650	THRUST WASHER	1							
26	2	1A7540-26660	SPRING, PTO	1							
27	2	1A7540-26670	D-RING	1							
28	2	22242-000360	RING, 36	1							
29	2	22252-000800	RING, 80	1							
30	1	192159-31410	BEARING, 6204R SH2	1							
31	1	1E6190-54430	THRUST WASHER (C)	2							
32	1	22242-000200	RING, 20	1							
33	1	22252-000180	RING, 18	1							
34	1	22252-000470	RING, 47	1							
35	1	22252-000520	RING, 52	1							
36	1	22351-030008	PIN, SPRING 3.0X 8	1							
37	1	22551-050300	KEY, 5X 30	1							
38	1	24101-060074	BEARING, BALL 6007	1							
39	1	24101-062044	BEARING, BALL 6204	2							
40	1	24101-062054	BEARING, BALL 6205	1							
41	1	24101-063054	BEARING, BALL 6305	1							
42	1	24161-202417	BEARING, 202417	1							
43	1	24164-000202	CIRCLIP, 20	1							
44	1	26018-080352	BOLT, M8X 35	1							

Fig.39. PTO SHAFT

(A)=EB3100
(B)=
(C)=

(D)=
(E)=
(F)=

No.	Lev.	Parts No.	Description	Q'ty						I	R
				(A)	(B)	(C)	(D)	(E)	(F)		
1	1	194306-13140	CIRCLIP, C24-S	1							
2	1	198220-25130	SPACER, 25X33X2	1							
3	1	1A7530-26220	SHAFT, PTO	1							
4	1	1A7530-26230	GEAR, REAR PTO 21T	1							
5	1	1C6220-32250	SPACER, 15.5X27X1	1							
6	1	24101-062054	BEARING, BALL 6205	1							
7	1	24101-063024	BEARING, BALL 6302	1							

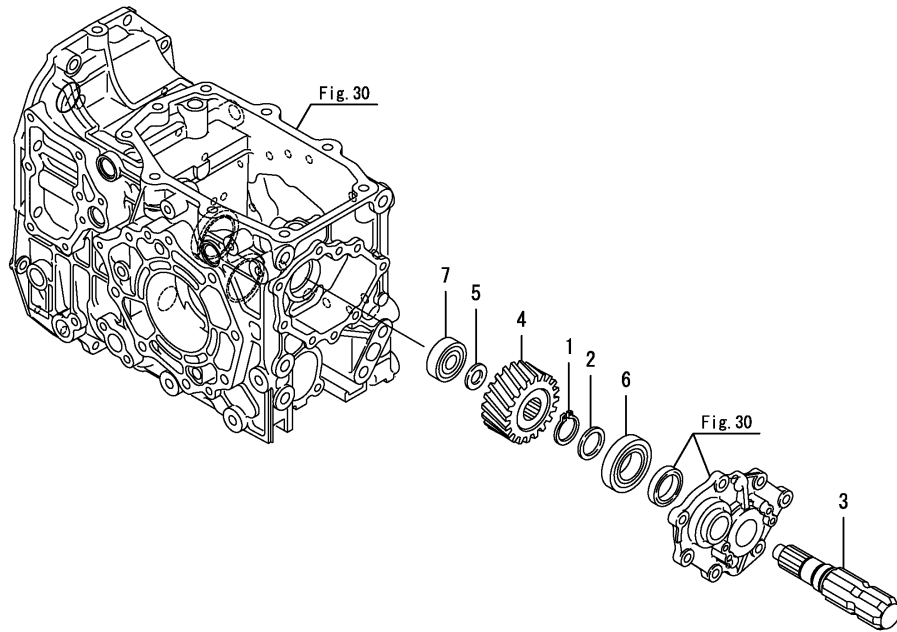


Fig.40. MID PTO SHAFT

(A)=EB3100
(B)=
(C)=

(D)=
(E)=
(F)=

No.	Lev.	Parts No.	Description	Q'ty						I	R
				(A)	(B)	(C)	(D)	(E)	(F)		
1	1	1A7530-26400	SHAFT, MID PTO	1							
2	1	1E6190-54080	SLEEVE SI25X30X13	1							
3	1	24101-060054	BEARING, BALL 6005	2							

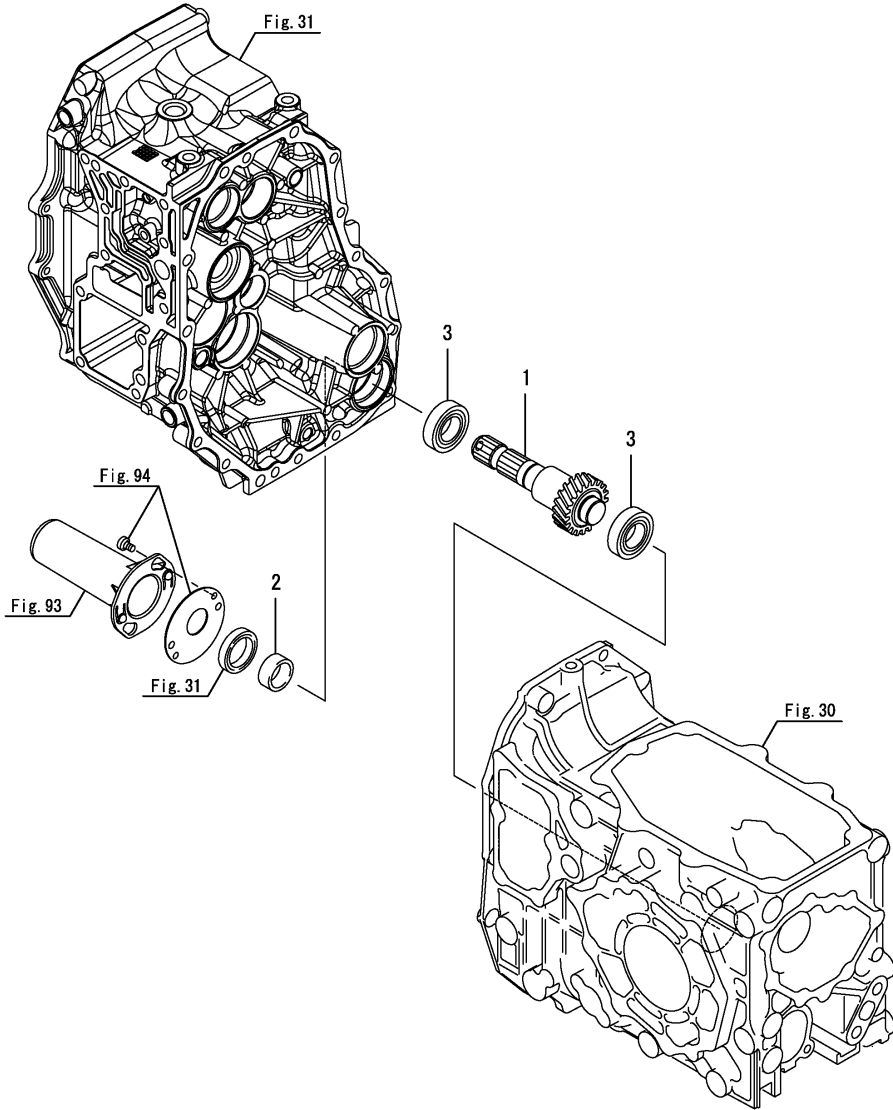


Fig.41. INERTIA BRAKE

(A)=EB3100
(B)=
(C)=

(D)=
(E)=
(F)=

No.	Lev.	Parts No.	Description	Q'ty						I	R
				(A)	(B)	(C)	(D)	(E)	(F)		
1	1	198167-26500	CASE ASSY, SEAL	1							
2	2	198167-26510	CASE, SEAL	1							
3	2	198167-26520	CLIP, 45	1							
4	2	198167-26530	PISTON, INERTIA	1							
5	2	198167-26540	CASE, BRAKE	1							
6	2	198167-26550	PLATE	1							
7	2	198167-26580	SPRING, BRAKE	1							
8	2	1A7540-26710	FRICITION PLATE 40	5							
9	2	1A7540-26720	STEEL PLATE 1.2	6							
10	2	24321-000300	O-RING, 1AG30.0	1							
11	2	24321-000500	O-RING, 1AG50.0	1							
12	2	24341-000120	O-RING, 1AS12.0	1							
13	1	26016-080352	BOLT, M8X 35	3							
14	1	26016-100302	BOLT, M10X 30	1							

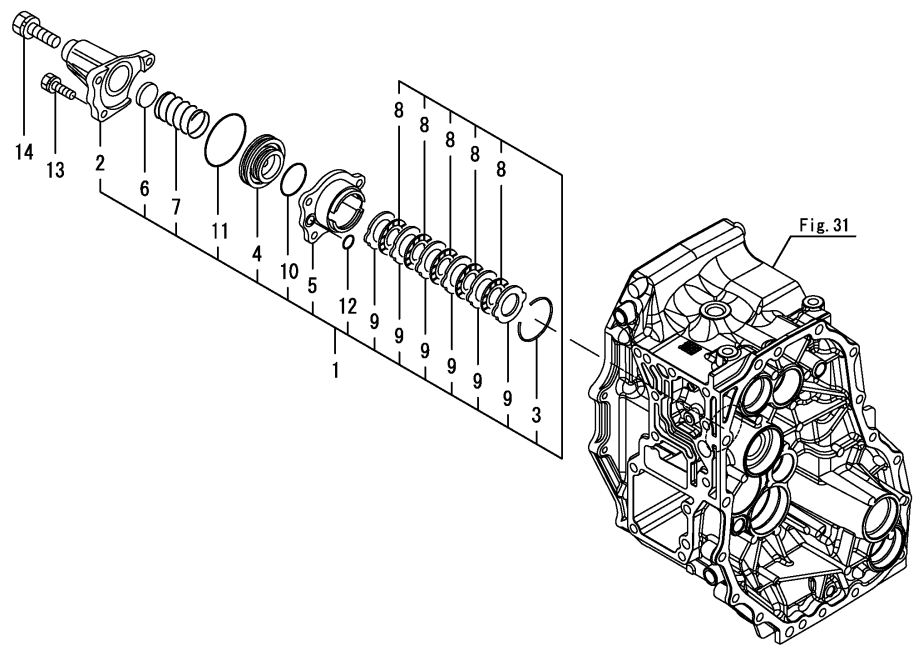
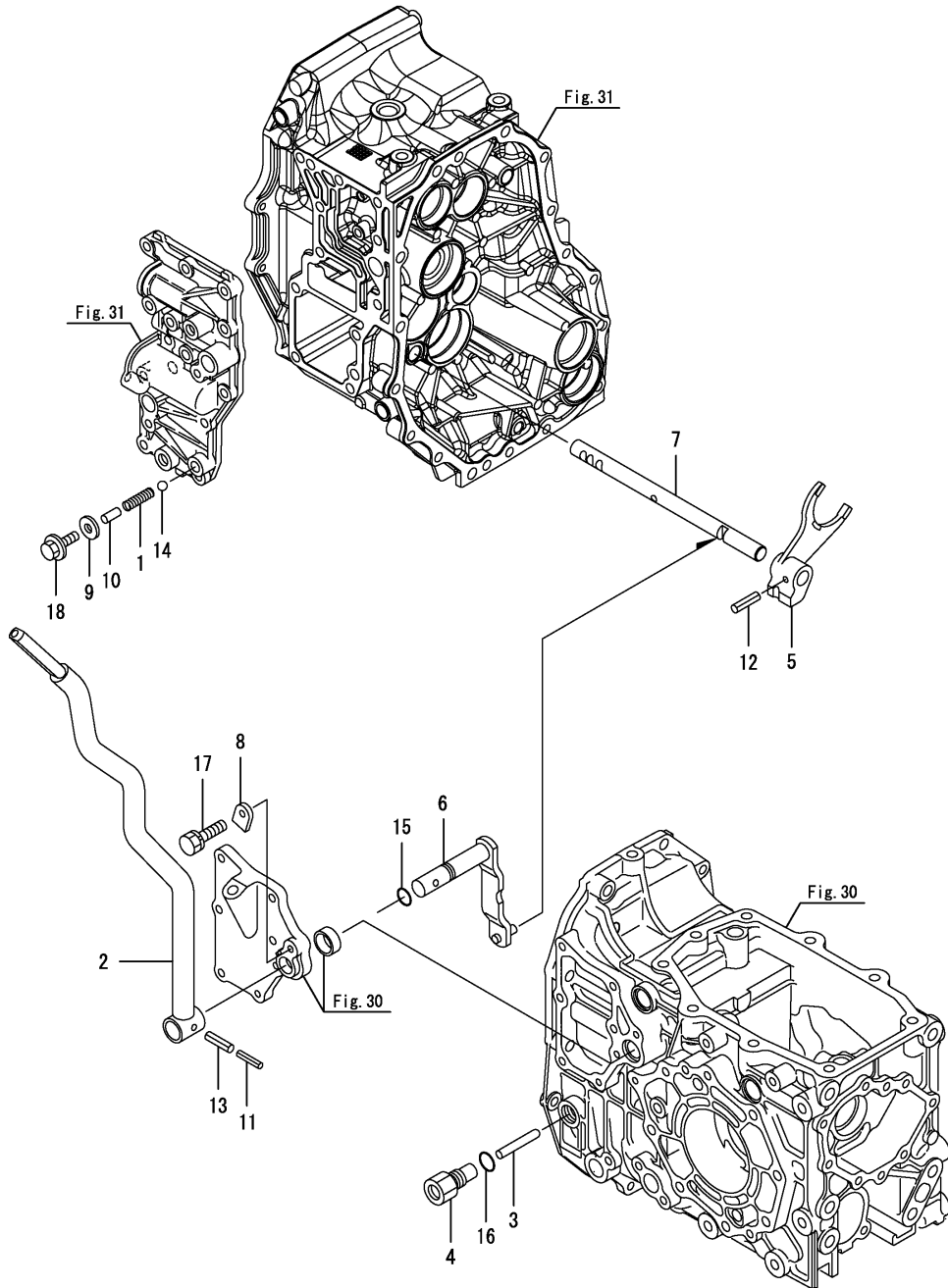


Fig.42. RANGE SHIFT

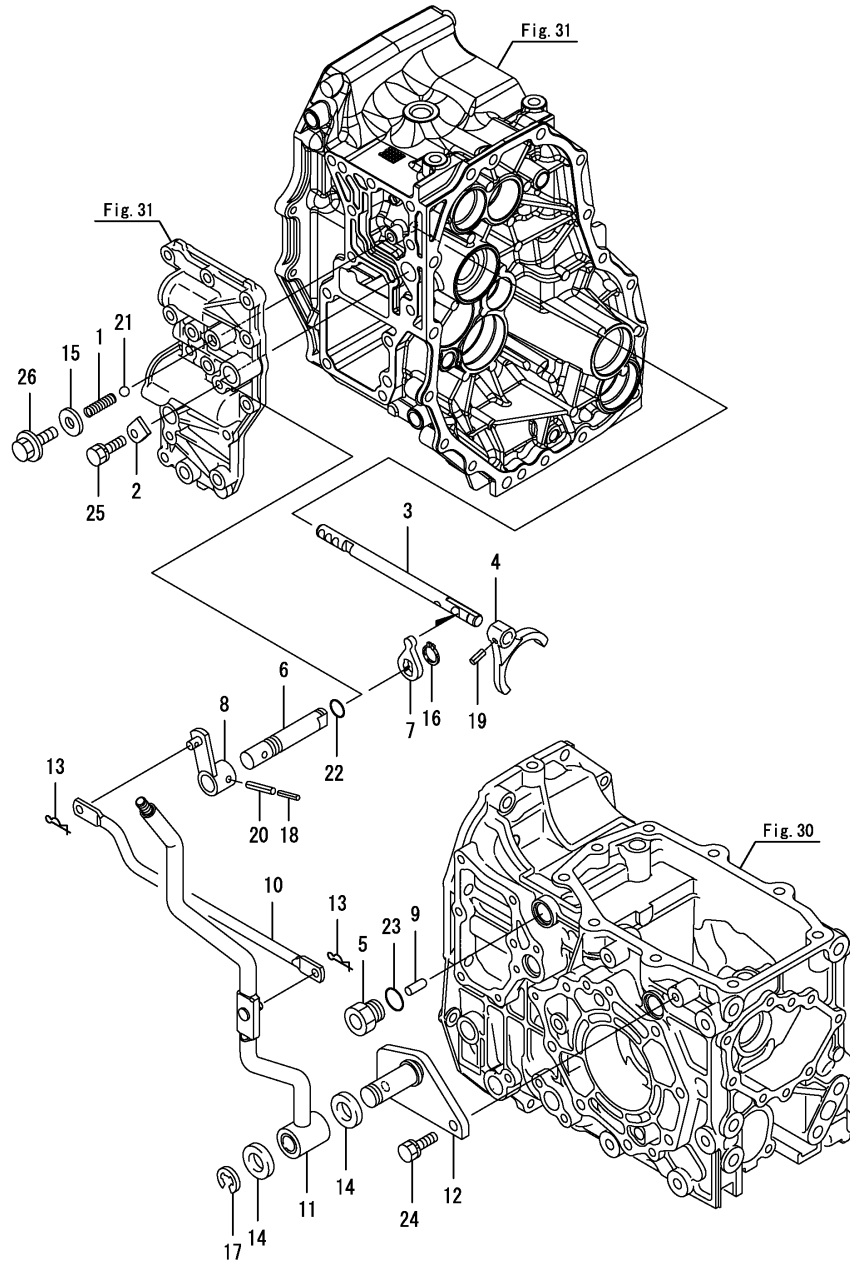


(A)=EB3100
(B)=
(C)=

(D)=
(E)=
(F)=

No.	Lev.	Parts No.	Description	Q'ty						I	R
				(A)	(B)	(C)	(D)	(E)	(F)		
1	1	198421-27110	SPRING, 38.4	1							
2	1	1A7530-27410	LEVER ASSY, RANGE	1							
3	1	198167-27480	PIN, SWITCH	1							
4	1	198167-27490	HOLDER, SWITCH	1							
5	1	198167-27521	FORK, RANGE SHIFT	1							
6	1	198167-27530	ARM ASSY, SHIFT	1							
7	1	1A7530-27610	SHAFT, RANGE FORK	1							
8	1	194197-27681	PLATE, KEEP	1							
9	1	22190-100000	WASHER, SEAL 10	1							
10	1	22312-080180	PIN, PARALLEL M8X18	1							
11	1	22351-035032	PIN, SPRING 3.5X32	1							
12	1	22351-060025	PIN, SPRING 6.0X25	1							
13	1	22351-060032	PIN, SPRING 6.0X32	1							
14	1	24190-100001	BALL, STEEL 5/16	1							
15	1	24311-000125	O-RING, 1AP12.5	1							
16	1	24311-000140	O-RING, 1AP14.0	1							
17	1	26016-080352	BOLT, M8X 35	1							
18	1	26106-100252	BOLT, M10X 25 PLATED	1							

Fig.43. PTO CHANGE



(A)=EB3100
(B)=
(C)=

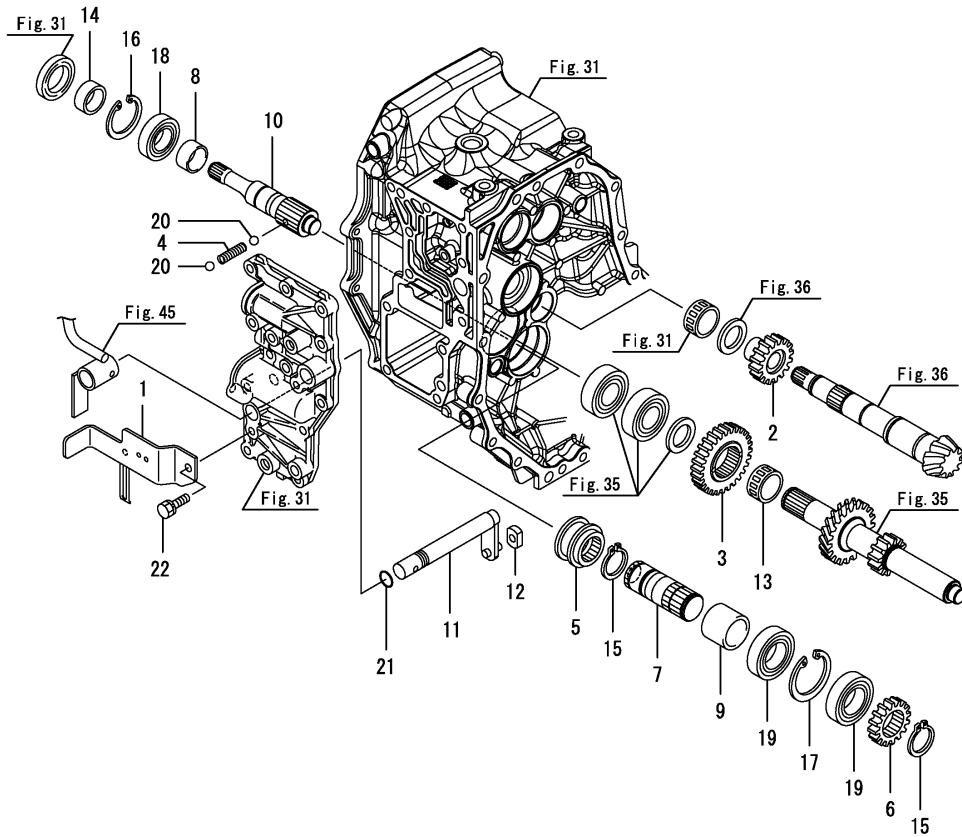
(D)=
(E)=
(F)=

No.	Lev.	Parts No.	Description	Q'ty						I	R
				(A)	(B)	(C)	(D)	(E)	(F)		
1	1	198421-27110	SPRING, 38.4	1							
2	1	194197-27681	PLATE, KEEP	1							
3	1	1A7530-27720	SHAFT, PTO FORK	1							
4	1	198167-27730	FORK, PTO SHIFT	1							
5	1	198165-27750	HOLDER, SWITCH M20	1							
6	1	198167-27770	SHAFT, PTO SHIFT	1							
7	1	198167-27780	ARM, SHIFT	1							
8	1	198167-27810	ARM ASSY, SHIFT	1							
9	1	198165-27820	PIN, SWITCH	1							
10	1	1A7530-27850	LINK, PTO SHIFT	1							
11	1	1A7530-27870	LEVER ASSY, PTO	1							
12	1	198167-27930	BRACKET, PTO LEVER	1							
13	1	1C6281-52320	PIN, SNAP 8	2							
14	1	22137-180000	WASHER, 18	2							
15	1	22190-100000	WASHER, SEAL 10	1							
16	1	22242-000170	RING, 17	1							
17	1	22272-000150	RING, E-15	1							
18	1	22351-035032	PIN, SPRING 3.5X32	1							
19	1	22351-060020	PIN, SPRING 6.0X20	1							
20	1	22351-060032	PIN, SPRING 6.0X32	1							
21	1	24190-100001	BALL, STEEL 5/16	1							
22	1	24311-000125	O-RING, 1AP12.5	1							
23	1	24311-000180	O-RING, 1AP18.0	1							
24	1	26013-080252	BOLT, M8X 25	2							
25	1	26016-080202	BOLT, M8X 20	1							
26	1	26106-100252	BOLT, M10X 25 PLATED	1							

Fig.44. FRONT DRIVE

(A)=EB3100
(B)=
(C)=

(D)=
(E)=
(F)=



No.	Lev.	Parts No.	Description	Q'ty						I	R
				(A)	(B)	(C)	(D)	(E)	(F)		
1	1	1A7530-27650	STAY ASSY, SWITCH	1							
2	1	198167-28210	GEAR, MFWD DRIVE	1							
3	1	1A7540-28220	GEAR, MFWD IDLE	1							
4	1	194311-28230	SPRING, 21.2	1							
5	1	198165-28240	COLLAR, SHIFT	1							
6	1	198167-28240	GEAR, MFWD DRIVEN	1							
7	1	1A7530-28250	SHAFT, MFWD DRIVE	1							
8	1	1A7530-28270	COLLAR, 25.4X30X14.8	1							
9	1	1A7530-28280	COLLAR, 30X38X30.7	1							
10	1	1A7530-28290	SHAFT, FRONT DRIVE	1							
11	1	198167-28310	ARM ASSY, SHIFT	1							
12	1	198165-28330	BLOCK, SHIFT	1							
13	1	1A7540-28880	BEARING, 283516	1							
14	1	1E6190-54080	SLEEVE SI25X30X13	1							
15	1	22242-000290	RING, 29	2							
16	1	22252-000470	RING, 47	1							
17	1	22252-000550	RING, 55	1							
18	1	24101-060054	BEARING, BALL 6005	1							
19	1	24104-060064	BEARING, BALL 6006UU	2							
20	1	24190-080001	BALL, STEEL 1/4	2							
21	1	24311-000125	O-RING, 1AP12.5	1							
22	1	26016-080202	BOLT, M8X 20	1							

Fig.45. FRONT SHIFT

(A)=EB3100
(B)=
(C)=

(D)=
(E)=
(F)=

No.	Lev.	Parts No.	Description	Q'ty						I	R
				(A)	(B)	(C)	(D)	(E)	(F)		
1	1	1A7530-28351	LEVER, 4WD	1							
2	1	22351-035032	PIN, SPRING 3.5X32	1							
3	1	22351-060032	PIN, SPRING 6.0X32	1							

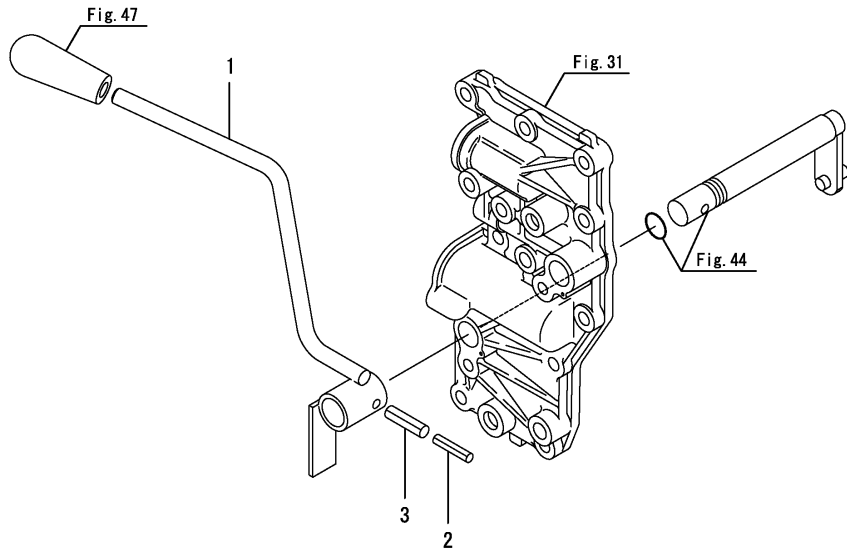
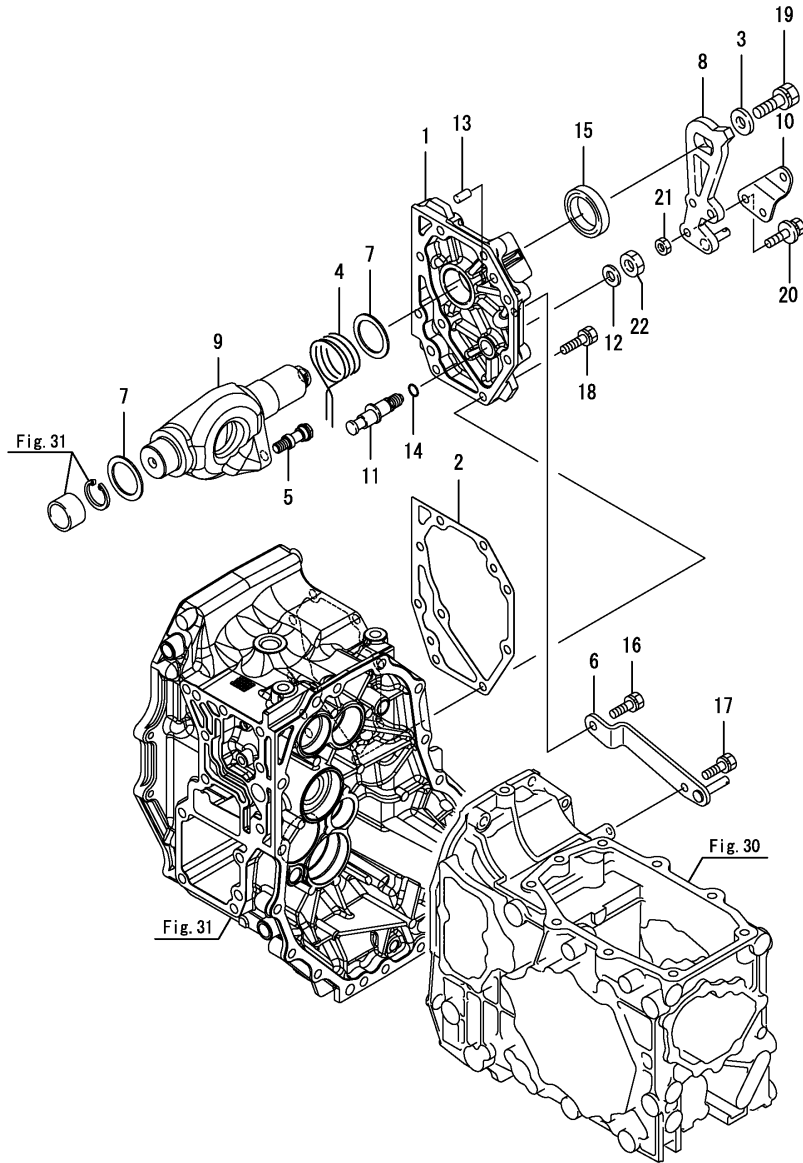


Fig.46. H.S.T. CONTROL(1)



(A)=EB3100
(B)=
(C)=

(D)=
(E)=
(F)=

No.	Lev.	Parts No.	Description	Q'ty						I	R
				(A)	(B)	(C)	(D)	(E)	(F)		
1	1	1A7530-24450	COVER ASSY, SIDE R	1							
2	1	1A7530-24470	GASKET, COVER	1							
3	1	194180-25930	WASHER, 12X27X4.5	1							
4	1	1A7530-27510	SPRING, RETURN	1							
5	1	1A7530-27520	FULCRUM	1							
6	1	1A7530-27550	STAY ASSY, ABSORBER	1							
7	1	1A7530-27570	WASHER, 35X47X2	2							
8	1	192157-27600	CONTROL ARM COMP.	1							
9	1	1A7530-28800	PLATE, SWASH	1							
10	1	1A7530-28850	PLATE, CONTROL ARM	1							
11	1	1E1270-29701	SUPPORT	1							
12	1	22137-120000	WASHER, 12	1							
13	1	22312-080160	PIN, PARALLEL M8X16	2							
14	1	24311-240100	O-RING, 1AP10A	1							
15	1	24421-355008	SEAL, OIL TC355008	1							
16	1	26016-080162	BOLT, M8X 16	1							
17	1	26016-080202	BOLT, M8X 20	1							
18	1	26016-080402	BOLT, M8X 40	9							
19	1	26016-120302	BOLT, M12X 30	1							
20	1	26018-080252	BOLT, M8X 25	1							
21	1	26716-080002	NUT, M8	1							
22	1	26776-120002	NUT, LOCK M12	1							

Fig.47. H.S.T. CONTROL(2)

(A)=EB3100
(B)=
(C)=

(D)=
(E)=
(F)=

No.	Lev.	Parts No.	Description	Q'ty						I	R
				(A)	(B)	(C)	(D)	(E)	(F)		
1	1	198253-01190	KNOB, LEVER	1							
2	1	192154-29610	SHOCK ABSORBER	1							
3	1	1C6281-52320	PIN, SNAP 8	2							
4	1	22137-080000	WASHER, 8	2							
5	1	22487-080350	PIN, H 8X 35	1							

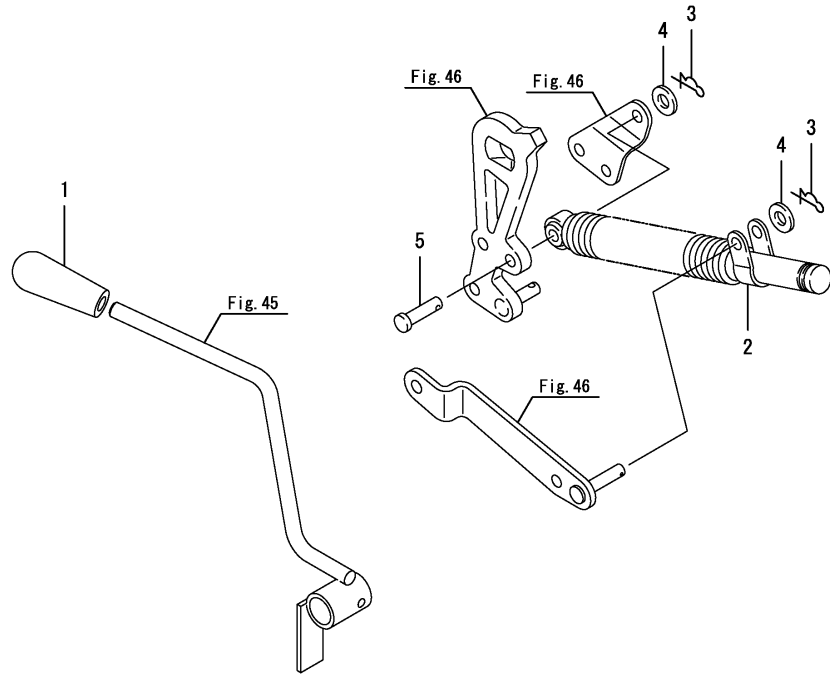


Fig.48. H.S.T.

(A)=EB3100

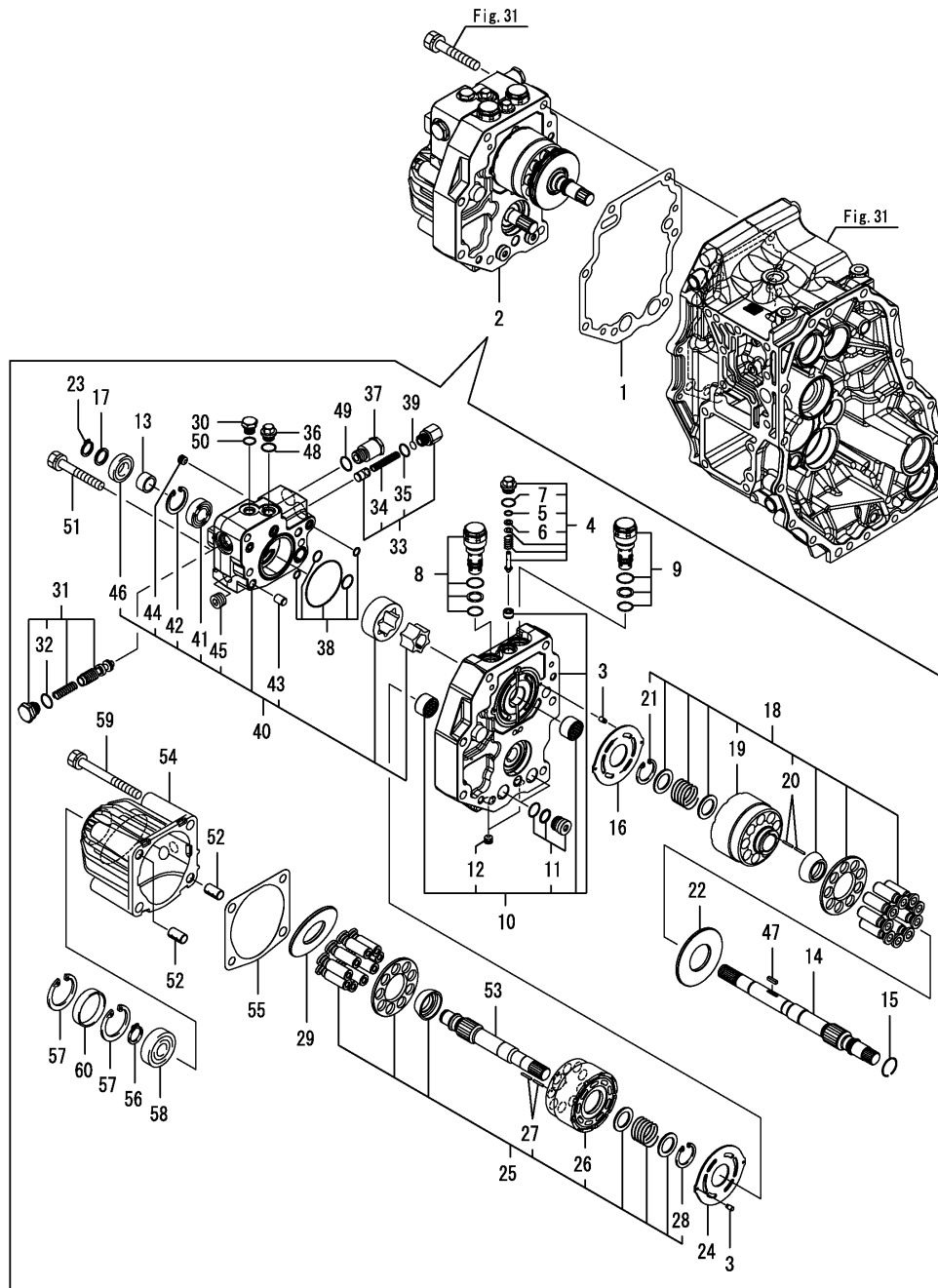
(B)=

(C)=

(D)=

(E)=

(F)=

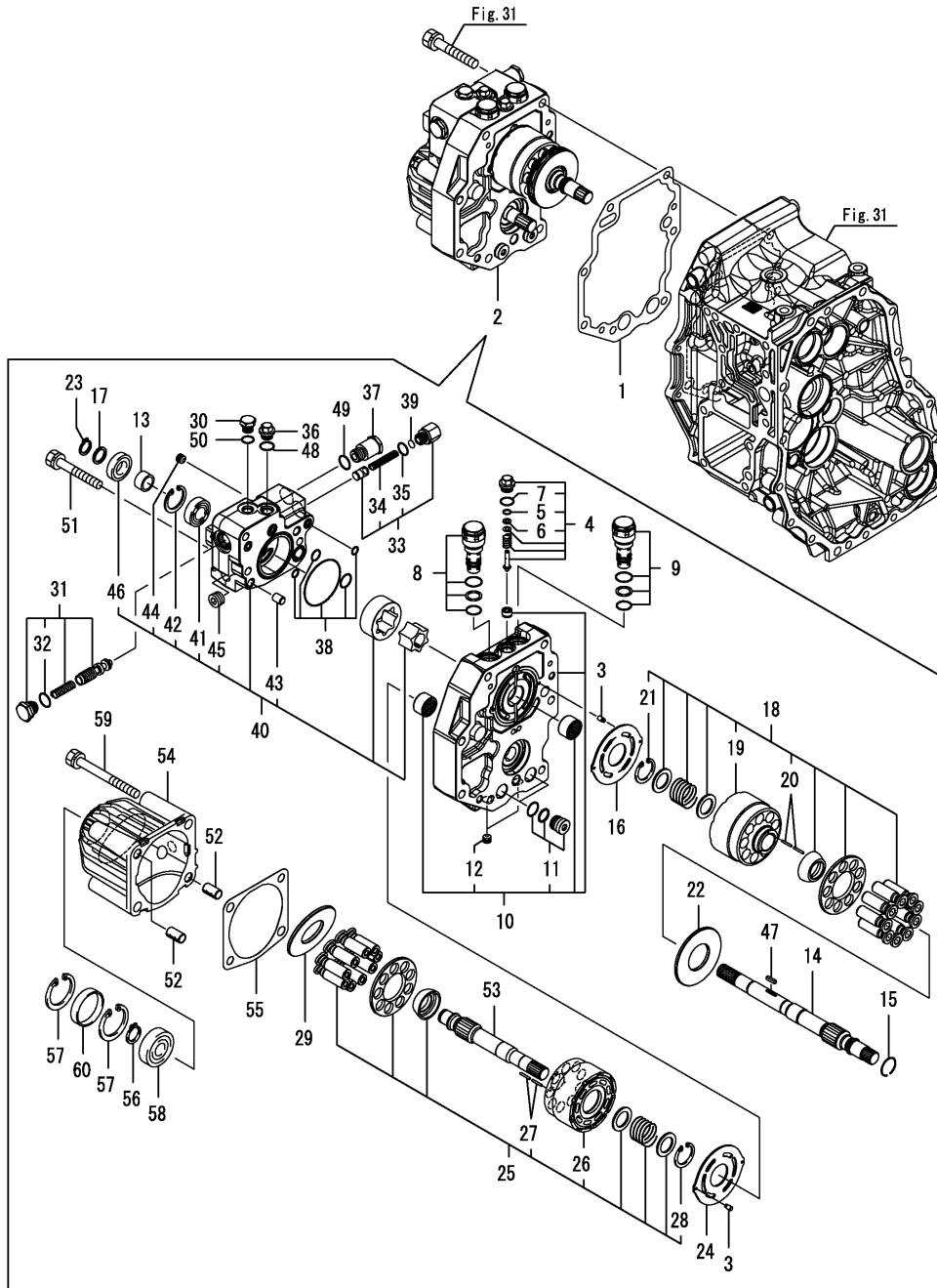


No.	Lev.	Parts No.	Description	Q'ty						I	R
				(A)	(B)	(C)	(D)	(E)	(F)		
1	1	198167-24330	PACKING, HOUSING	1							
2	1	1A7540-29100	HST ASSY	1							
3	2	192163-24420	PIN, KNOCK 3.5	4							
4	2	198167-24710	RELIEF ASSY	1							
5	3	192157-24750	PACKING P 5	1							
6	3	22137-050000	WASHER, 5	1							
7	3	24311-000120	O-RING, 1AP12.0	1							
8	2	168HK1-29040	VALVE ASSY	1							
9	2	168HK1-29050	VALVE ASSY	1							
10	2	168HK1-29110	CASE ASSY, CENTER	1							
11	3	1A6750-29510	BODY ASSY, SUCTION	2							
12	3	23871-010000	PLUG, R01	2							
13	2	194300-25180	SLEEVE, SI 17X22X12	1							
14	2	168HK1-29220	SHAFT, PUMP	1							
15	2	168HK0-29230	RING 23	1							
16	2	168HK0-29251	VALVE PLATE(P	1							
17	2	168HK1-29450	SPACER 17X22	1							
18	2	168HK0-29600	BLOCK ASSY, CYL	1							
19	3	168HK0-29610	BLOCK, CYLINDER	1							
20	3	168HK0-29690	PIN, F2X13.8	6							
21	3	22252-000320	RING, 32	1							
22	2	168HK0-29620	PLATE, THRUST	1							
23	2	22242-000170	RING, 17	1							
24	2	168HK0-29351	VALVE PLATE(M	1							
25	2	168HK0-29600	BLOCK ASSY, CYL	1							
26	3	168HK0-29610	BLOCK, CYLINDER	1							
27	3	168HK0-29690	PIN, F2X13.8	6							
28	3	22252-000320	RING, 32	1							
29	2	168HK0-29620	PLATE, THRUST	1							
30	2	192157-26460	PLUG 1/2-20 UNF	1							
31	2	192157-26470	VALVE ASSY, REDUCING	1							
32	3	24311-000140	O-RING, 1AP14.0	1							
33	2	192157-26520	VALVE ASSY	1							
34	3	192157-26740	SPRING	1							
35	3	24311-000120	O-RING, 1AP12.0	1							
36	2	198167-29250	PLUG	1							
37	2	198167-29330	ADAPTER	1							
38	2	198167-29340	PACKING KIT	1							
39	2	198167-29390	SHIM, T=0.3	1							
40	2	168HK1-29410	PUMP ASSY, HYDRAULIC	1							
41	3	192152-26160	BEARING	1							
42	3	22252-000350	RING, 35	1							
43	3	22312-100120	PIN, PARALLEL M10X12	2							
44	3	23871-010000	PLUG, R01	1							
45	3	23871-030000	PLUG, R03	1							
46	3	24421-223508	SEAL, OIL TC223508	1							
47	2	168HK0-29430	KEY 14.2	1							
48	2	24311-000120	O-RING, 1AP12.0	1							
49	2	24311-000140	O-RING, 1AP14.0	1							
50	2	24361-090500	O-RING, 1AAS905	1							
51	2	26016-100702	BOLT, M10X 70	2							

Fig.48. H.S.T.

(A)=EB3100
(B)=
(C)=

(D)=
(E)=
(F)=



No.	Lev.	Parts No.	Description	Q'ty						I	R
				(A)	(B)	(C)	(D)	(E)	(F)		
52	2	192157-24850	PIN 12X22,KNOCK	2							
53	2	168HK0-29520	SHAFT, MOTOR	1							
54	2	168HK0-29530	CASE, MOTOR	1							
55	2	198167-29640	PACKING, CASE	1							
56	2	22242-000170	RING, 17	1							
57	2	22252-000470	RING, 47	2							
58	2	24101-063034	BEARING, BALL 6303	1							
59	2	26016-101002	BOLT, M10X100	2							
60	2	27260-470000	PLUG, 47	1							

Fig.49. RING GEAR

(A)=EB3100
(B)=
(C)=

(D)=
(E)=
(F)=

No.	Lev.	Parts No.	Description	Q'ty						I	R
				(A)	(B)	(C)	(D)	(E)	(F)		
1	1	1A6780-31400	GEAR, RING	1							

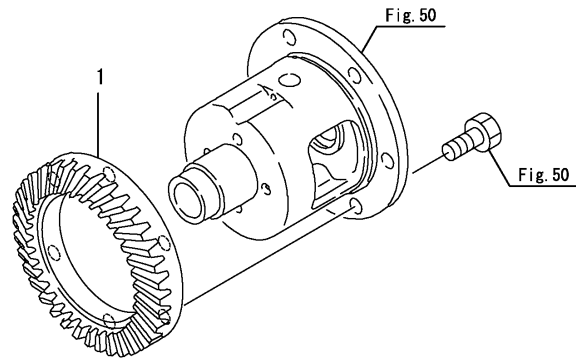


Fig.50. DIFFERENTIAL GEAR

(A)=EB3100
(B)=
(C)=

(D)=
(E)=
(F)=

No.	Lev.	Parts No.	Description	Q'ty						I	R
				(A)	(B)	(C)	(D)	(E)	(F)		
1	1	1A6780-31500	HOUSING ASSY, B	1							
2	2	198421-31510	GEAR, DIFFERENTIAL	1							
3	2	1A6780-31520	GEAR, DIFFERENTIAL	1							
4	2	198421-31530	CASE, DIFFERENTIAL	1							
5	2	198421-31550	WASHER, DIFFERENTIAL	2							
6	2	194300-31560	GEAR, PINION	2							
7	2	194300-31570	SHAFT, DIFFERENTIAL	1							
8	2	194300-31620	WASHER, DIFFERENTIAL	2							
9	2	22351-040040	PIN, SPRING 4.0X40	1							
10	1	24101-060064	BEARING, BALL 6006	1							
11	1	24101-060074	BEARING, BALL 6007	1							
12	1	26156-100162	BOLT, M10X 16 PLATED	6							

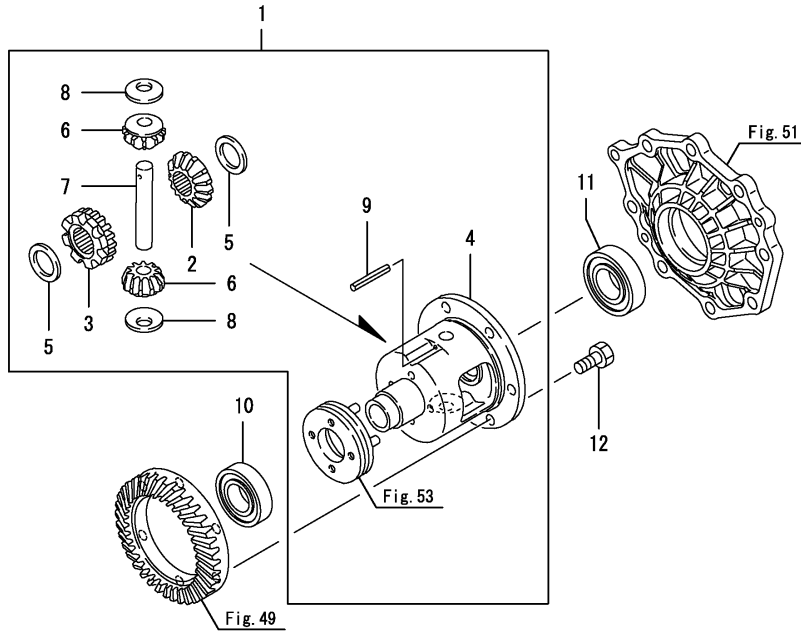


Fig.51. DIFFERENTIAL CARRIER

(A)=EB3100
(B)=
(C)=

(D)=
(E)=
(F)=

No.	Lev.	Parts No.	Description	Q'ty						I	R
				(A)	(B)	(C)	(D)	(E)	(F)		
1	1	198165-32311	CARRIER	1							
2	1	198165-32320	SHIM SET	1							

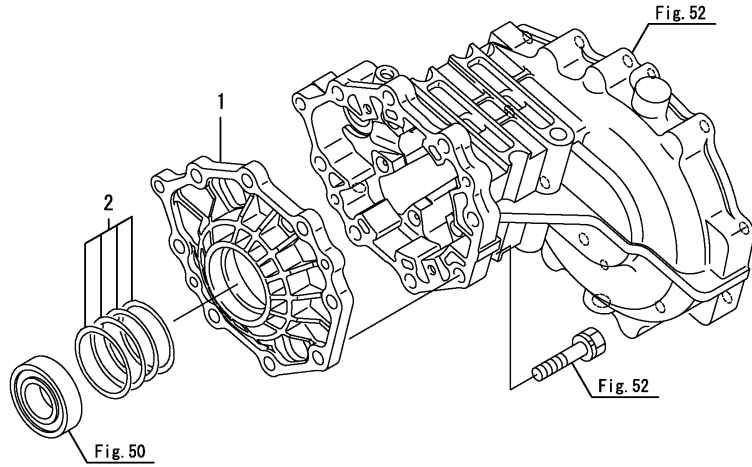
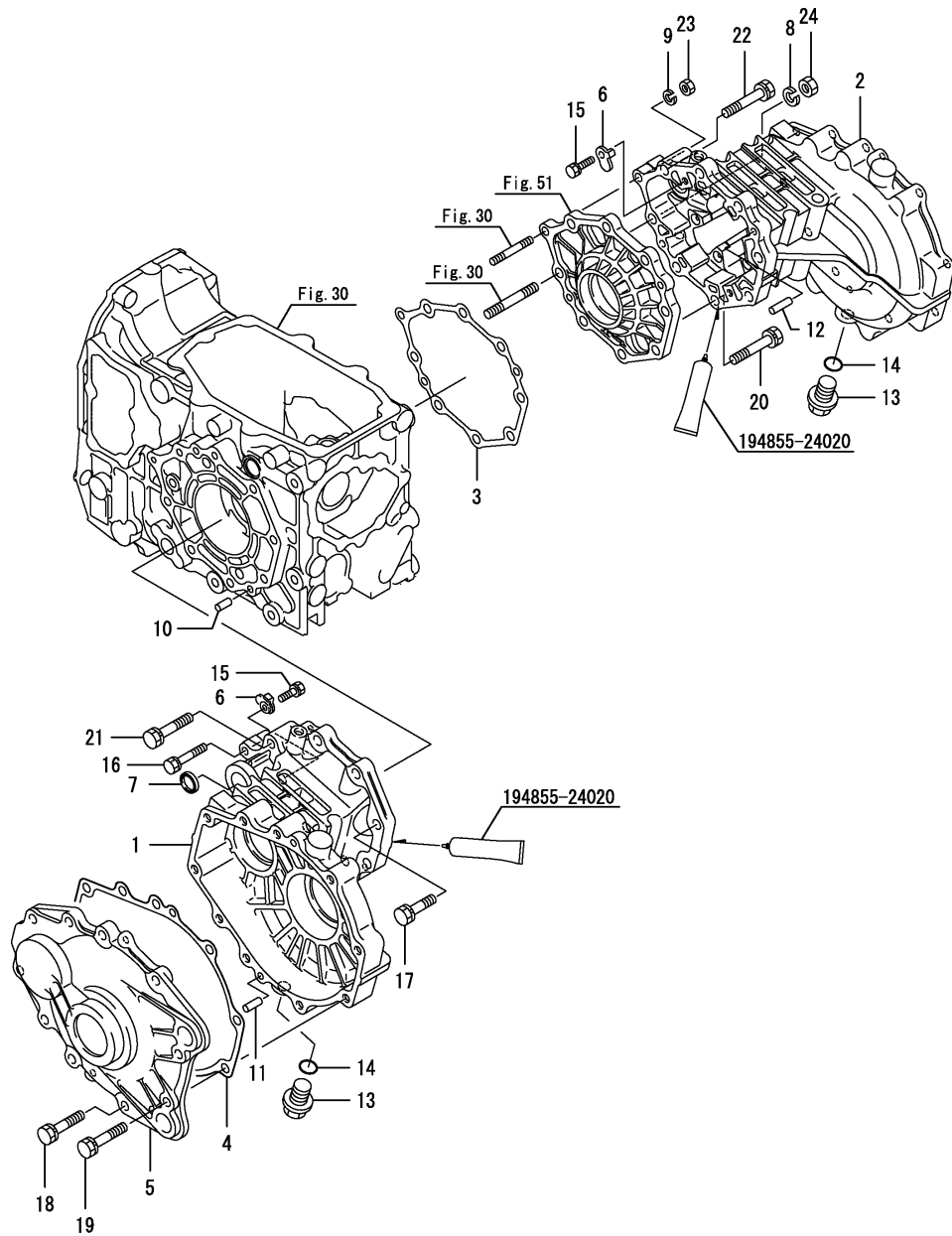


Fig.52. REAR HOUSING



(A)=EB3100

(B)=

(C)=

(D)=

(E)=

(F)=

No.	Lev.	Parts No.	Description	Q'ty						I	R
				(A)	(B)	(C)	(D)	(E)	(F)		
1	1	1A7540-32610	HOUSING, REAR AXLE L	1							
2	1	1A7540-32620	HOUSING, REAR AXLE R	1							
3	1	198165-32630	PACKING, HOUSING	1							
4	1	1A6680-32630	GASKET, REAR AXLE	2							
5	1	1A7540-32640	COVER, REAR AXLE	2							
6	1	198421-32660	STOPPER, PLATE	4							
7	1	198290-32750	SEAL, OIL TC253506	2							
8	1	22217-100000	WASHER, SPRING 10	1							
9	1	22287-080000	WASHER, 8	1							
10	1	22312-080180	PIN, PARALLEL M8X18	2							
11	1	22312-080200	PIN, PARALLEL M8X20	4							
12	1	22312-080320	PIN, PARALLEL M8X32	2							
13	1	23491-140002	PLUG, 14	2							
14	1	24311-000160	O-RING, 1AP16.0	2							
15	1	26013-080202	BOLT, M8X 20	4							
16	1	26013-080502	BOLT, M8X 50	1							
17	1	26013-100402	BOLT, M10X 40	6							
18	1	26013-100452	BOLT, M10X 45	16							
19	1	26013-100502	BOLT, M10X 50	4							
20	1	26013-100502	BOLT, M10X 50	6							
21	1	26013-100552	BOLT, M10X 55	2							
22	1	26013-100652	BOLT, M10X 65	1							
23	1	26716-080002	NUT, M8	1							
24	1	26716-100002	NUT, M10	1							

Fig.53. DIFFERENTIAL LOCK

(A)=EB3100
(B)=
(C)=

(D)=
(E)=
(F)=

No.	Lev.	Parts No.	Description	Q'ty						I	R
				(A)	(B)	(C)	(D)	(E)	(F)		
1	1	1A7530-33100	LOCK KIT	1							
2	2	22351-080032	PIN, SPRING 8.0X32	1							
3	1	198421-33110	SLIDER, LOCK	1							
4	1	198421-33140	SPRING	1							
5	1	198421-33170	SPACER, 20X25X3.2	1							
6	1	22351-050040	PIN, SPRING 5.0X40	1							
7	1	22351-080032	PIN, SPRING 8.0X32	1							
8	1	22351-080040	PIN, SPRING 8.0X40	1							
9	1	24311-000160	O-RING, 1AP16.0	2							

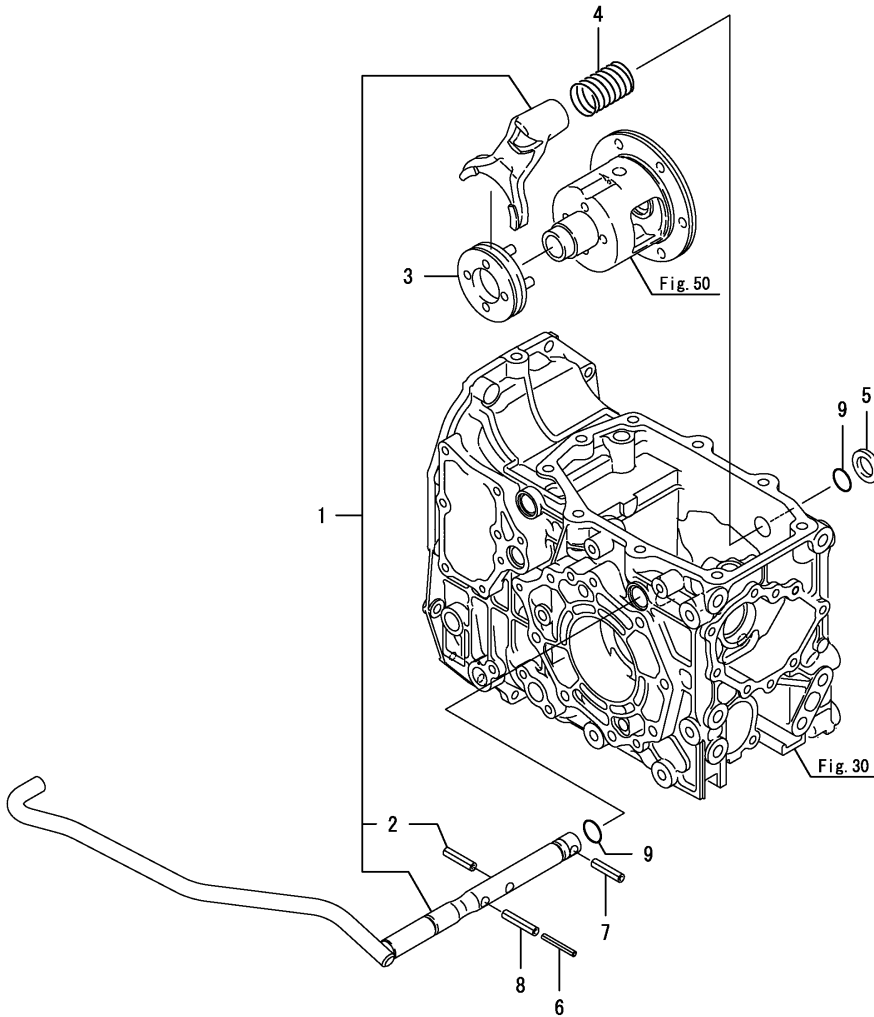


Fig.54. FINAL PINION

(A)=EB3100
(B)=
(C)=

(D)=
(E)=
(F)=

No.	Lev.	Parts No.	Description	Q'ty						I	R
				(A)	(B)	(C)	(D)	(E)	(F)		
1	1	194105-25390	BEARING, TMB305C-C3	2							
2	1	194640-26470	BEARING, TMB206C3	2							
3	1	1A7540-33410	PINION, FINAL L	1							
4	1	1A7540-33420	PINION, FINAL R	1							

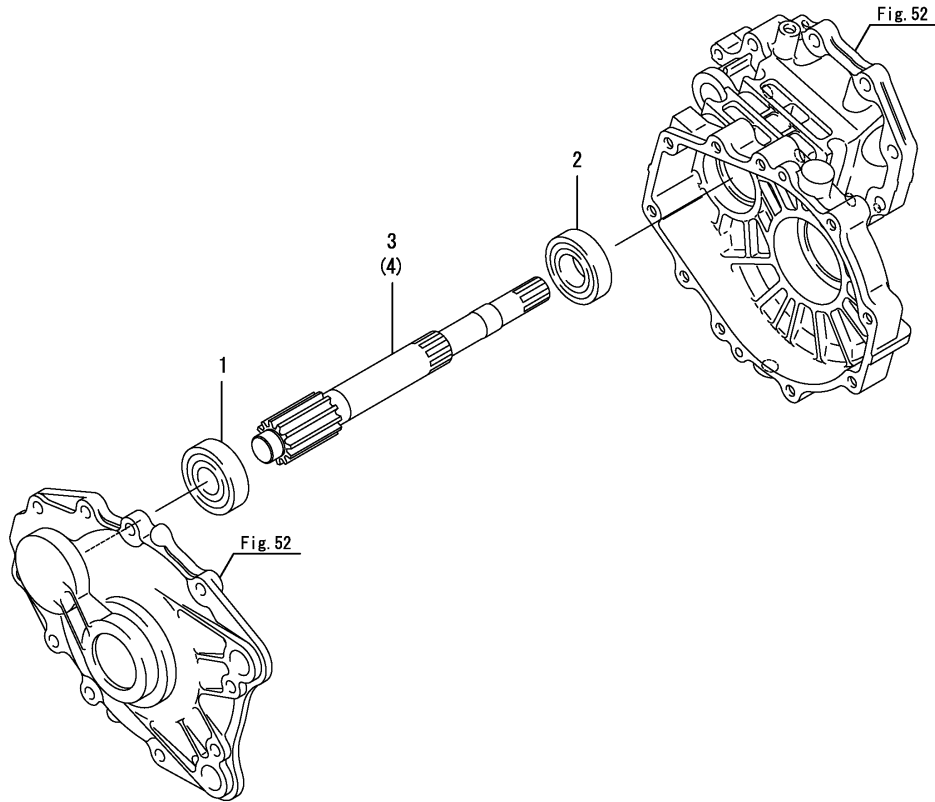


Fig.55. FINAL GEAR

(A)=EB3100
(B)=
(C)=

(D)=
(E)=
(F)=

No.	Lev.	Parts No.	Description	Q'ty						I	R
				(A)	(B)	(C)	(D)	(E)	(F)		
1	1	1A7540-33510	GEAR, FINAL 48	2							

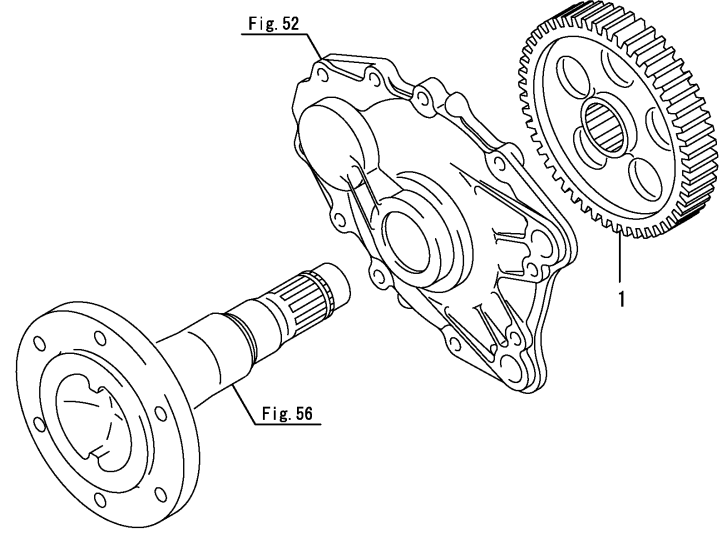


Fig.56. REAR AXLE SHAFT

(A)=EB3100
(B)=
(C)=

(D)=
(E)=
(F)=

No.	Lev.	Parts No.	Description	Qty						I	R
				(A)	(B)	(C)	(D)	(E)	(F)		
1	1	194516-13770	SLEEVE, SI 45X50X16	2							
2	1	194516-13780	SEAL TC6Y 506812.5	2							
3	1	1A7540-34110	SHAFT, REAR AXLE	2							
4	1	198165-34140	COLLAR	2							
5	1	22242-000400	RING, 40	2							
6	1	24101-062090	BEARING, BALL 6209C3	2							
7	1	24101-063070	BEARING, BALL 6307C3	2							

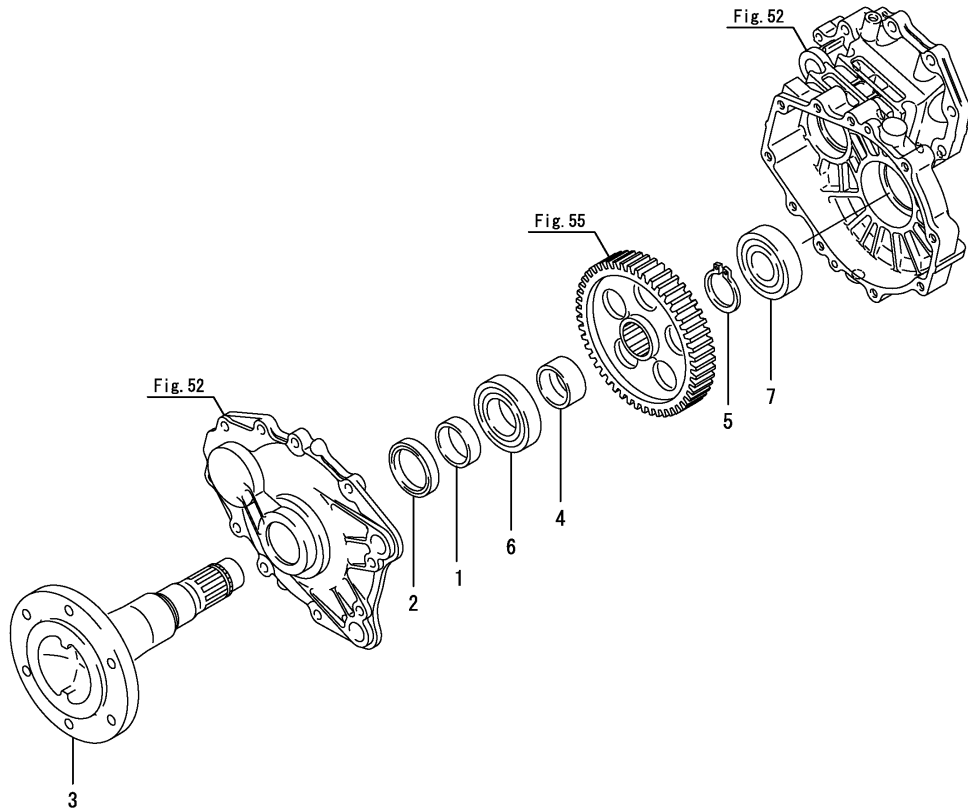


Fig.57. TIRE REAR R3

(A)=EB3100
(B)=
(C)=

(D)=
(E)=
(F)=

No.	Lev.	Parts No.	Description	Q'ty						I	R
				(A)	(B)	(C)	(D)	(E)	(F)		
1	1	1A8300-34700-1	TIRE KIT, REAR R3	2							
2	2	1A8300-34710	TIRE, 36X13.50-15 R3	2							
3	2	1A8300-34730-1	WHEEL,	2							
4	2	1A8300-34740	VALVE, TR415	2							

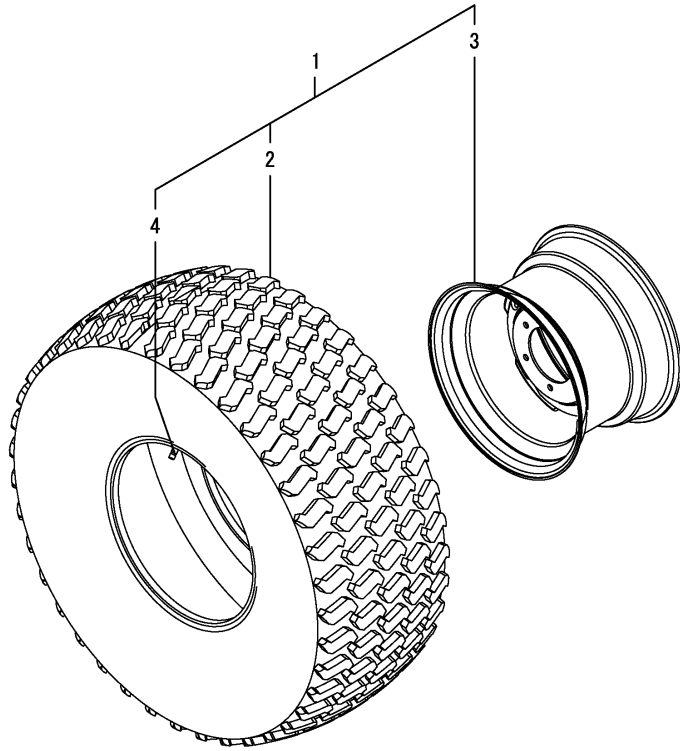
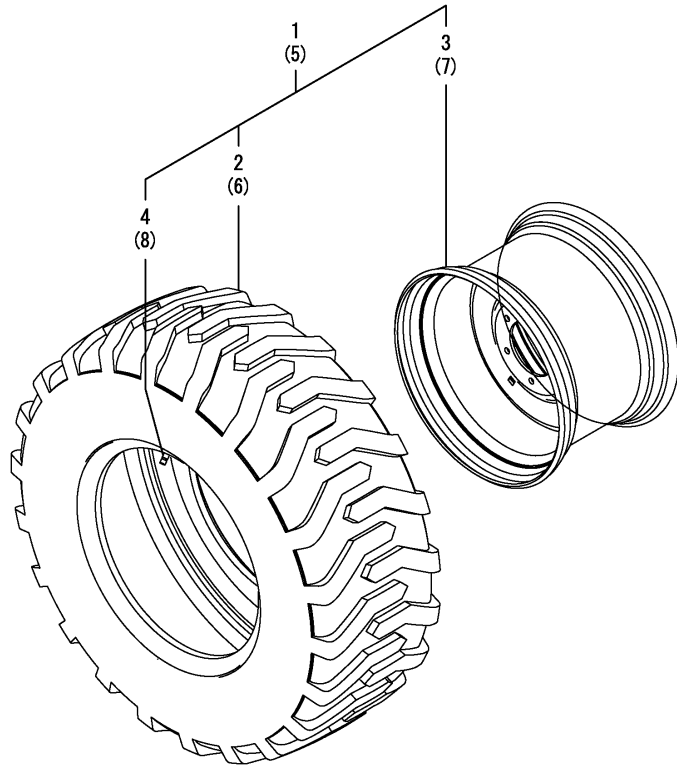


Fig.58. TIRE REAR R4

(A)=EB3100
(B)=
(C)=

(D)=
(E)=
(F)=

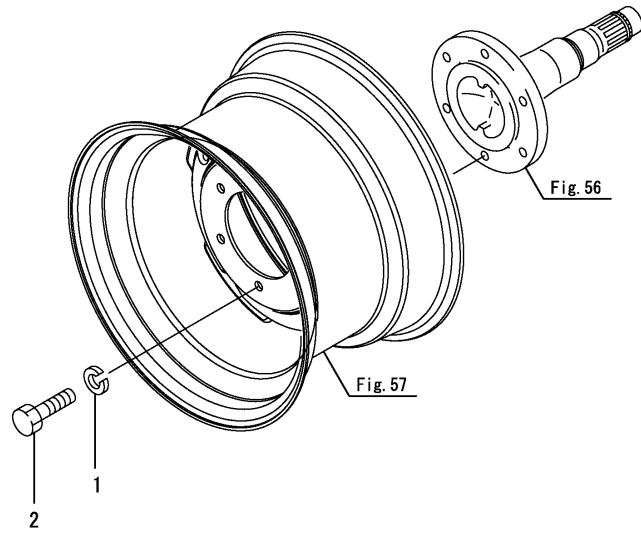


No.	Lev.	Parts No.	Description	Qty						I	R
				(A)	(B)	(C)	(D)	(E)	(F)		
1	1	1A8300-34800-1	TIRE KIT, REAR L R4	1							
2	2	1A8300-34820	TIRE, 14X17.5 R4	1							
3	2	1A8300-34830-1	WHEEL,	1							
4	2	1A8300-34840	VALVE, TR618A	1							
5	1	1A8300-34810-1	TIRE KIT, REAR R R4	1							
6	2	1A8300-34820	TIRE, 14X17.5 R4	1							
7	2	1A8300-34830-1	WHEEL,	1							
8	2	1A8300-34840	VALVE, TR618A	1							

Fig.59. HUB BOLT,REAR

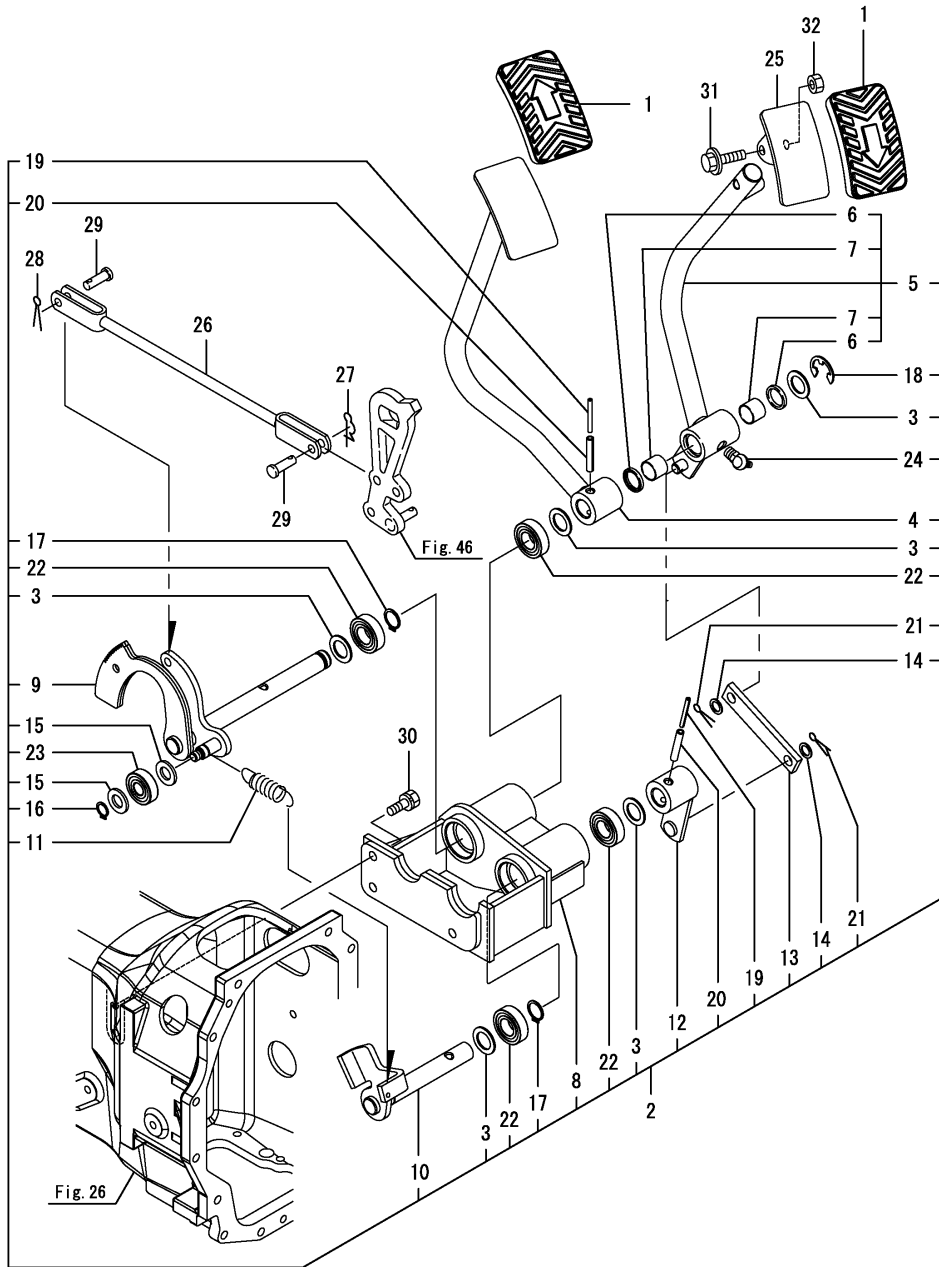
(A)=EB3100
(B)=
(C)=

(D)=
(E)=
(F)=



No.	Lev.	Parts No.	Description	Q'ty						I	R
				(A)	(B)	(C)	(D)	(E)	(F)		
1	1	22217-120000	WASHER, SPRING 12	12							
2	1	26086-120302	BOLT, 10.912X 30	12							

Fig.60. HYDRAULIC PEDAL



(A)=EB3100
(B)=
(C)=

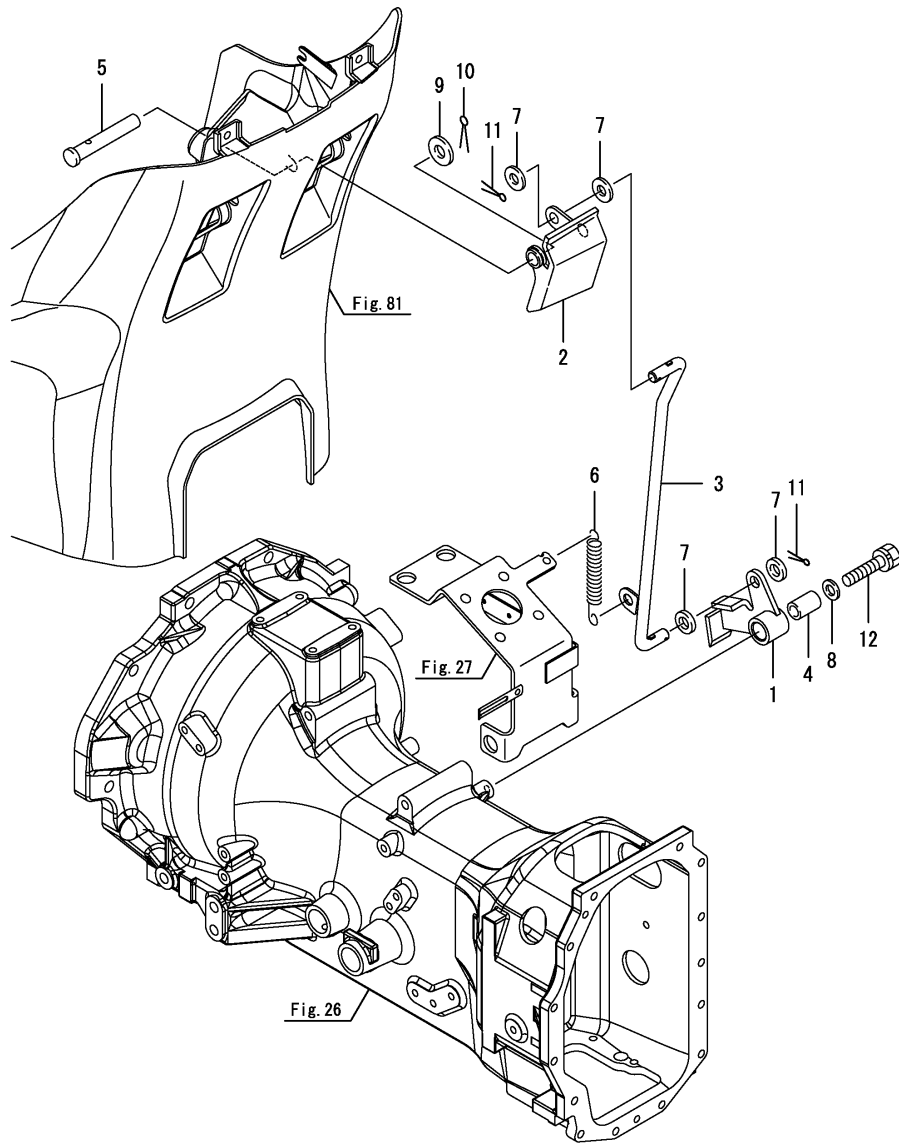
(D)=
(E)=
(F)=

No.	Lev.	Parts No.	Description	Q'ty						I	R
				(A)	(B)	(C)	(D)	(E)	(F)		
1	1	1A8160-35080	HEAD, PEDAL	2							
2	1	1A8300-35100	PEDAL KIT, HST	1							
3	2	194630-27190	LINER, 17.5X27X1.6	5							
4	2	1A8300-35110	PEDAL ASSY	1							
5	2	1A8300-35200	PEDAL ASSY	1							
6	3	1A8300-35270	SEAL, OIL G172303	2							
7	3	24550-017150	BUSH, 17X15	2							
8	2	1A8300-35240	BRACKET, PEDAL	1							
9	2	1A8300-35320	SHAFT ASSY, PEDAL	1							
10	2	1A8300-35360	SHAFT ASSY, COUNTER	1							
11	2	198167-35411	SPRING, PEDAL	1							
12	2	1A8300-35410	ARM ASSY, SHAFT	1							
13	2	1A8300-35460	PLATE, LINK	1							
14	2	1C6900-63890	SPACER, 10X15X1	2							
15	2	22137-120000	WASHER, 12	2							
16	2	22242-000120	RING, 12	1							
17	2	22242-000170	RING, 17	2							
18	2	22272-000150	RING, E-15	1							
19	2	22351-035036	PIN, SPRING 3.5X36	2							
20	2	22351-060036	PIN, SPRING 6.0X36	2							
21	2	22417-160160	PIN, COTTER 1.6X16	2							
22	2	24104-060034	BEARING, BALL 6003UU	4							
23	2	24104-062014	BEARING, BALL 6201UU	1							
24	2	24761-040000	NIPPLE, GREASE B	1							
25	1	1A8300-35170	HEAD ASSY	1							
26	1	1A7530-35450	ROD, CONTROL	1							
27	1	1C6281-52320	PIN, SNAP 8	1							
28	1	22417-200200	PIN, COTTER 2.0X20	1							
29	1	22487-080180	PIN, H 8X 18	2							
30	1	26013-080252	BOLT, M8X 25	3							
31	1	26106-080352	BOLT, M8X 35 PLATED	1							
32	1	26716-080002	NUT, M8	1							

Fig.61. CRUISE CONTROL

(A)=EB3100
(B)=
(C)=

(D)=
(E)=
(F)=



No.	Lev.	Parts No.	Description	Q'ty						I	R
				(A)	(B)	(C)	(D)	(E)	(F)		
1	1	1A7530-35500	RATCHET ASSY, CRUISE	1							
2	1	1A7510-35510	LEVER, CONTROL	1							
3	1	1A7530-35551	ROD ASSY, CRUISE	1							
4	1	1A6680-35580	COLLAR, RATCHET	1							
5	1	198162-61670	PIN, LEVER	1							
6	1	1C6720-73330	SPRING, FLOAT	1							
7	1	22137-100000	WASHER, 10	4							
8	1	22137-100000	WASHER, 10	1							
9	1	22137-120000	WASHER, 12	1							
10	1	22417-200320	PIN, COTTER 2.0X32	1							
11	1	22417-250250	PIN, COTTER 2.5X25	2							
12	1	26013-100452	BOLT, M10X 45	1							

Fig.62. DISC BRAKE

(A)=EB3100
(B)=
(C)=

(D)=
(E)=
(F)=

No.	Lev.	Parts No.	Description	Q'ty						I	R
				(A)	(B)	(C)	(D)	(E)	(F)		
1	1	1A7531-36080	BRAKE SET, DISK	1							
2	2	1A7531-36310	ACTUATOR	1							
3	2	1A7531-36320	PLATE, STEEL	4							
4	2	198165-36330-2	SHAFT L,CAM LEVER	1							
5	2	1A7531-36380	PLATE, FRICTION 114	4							
6	2	1A7531-36410	ACTUATOR	1							
7	2	198165-36430-2	SHAFT R,CAM LEVER	1							
8	1	22242-000250	RING, 25	2							
9	1	24190-160001	BALL, STEEL 1/2	6							

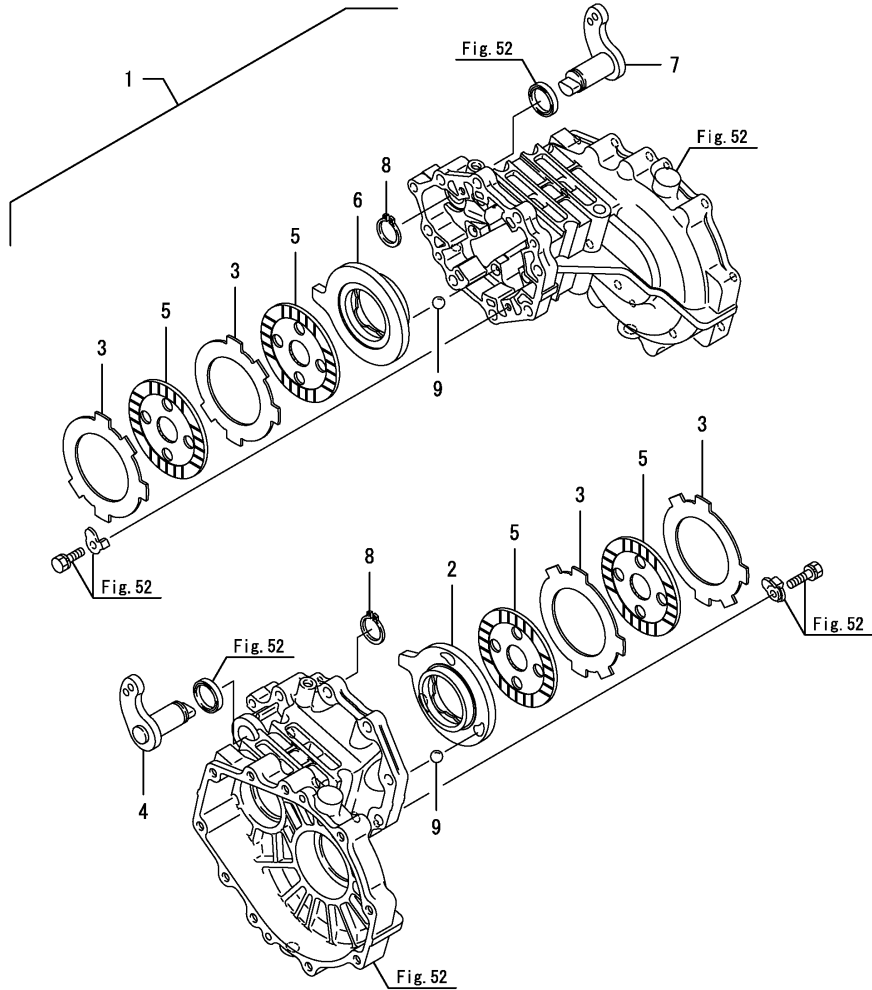
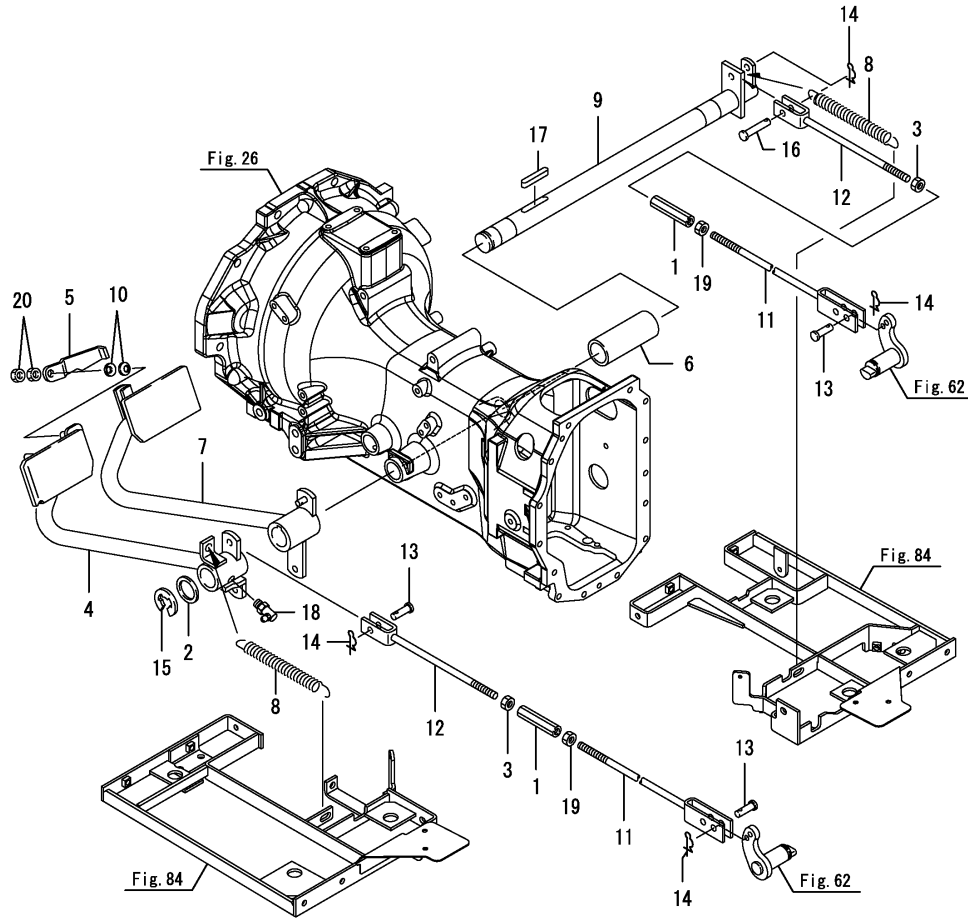


Fig.63. BRAKE PEDAL

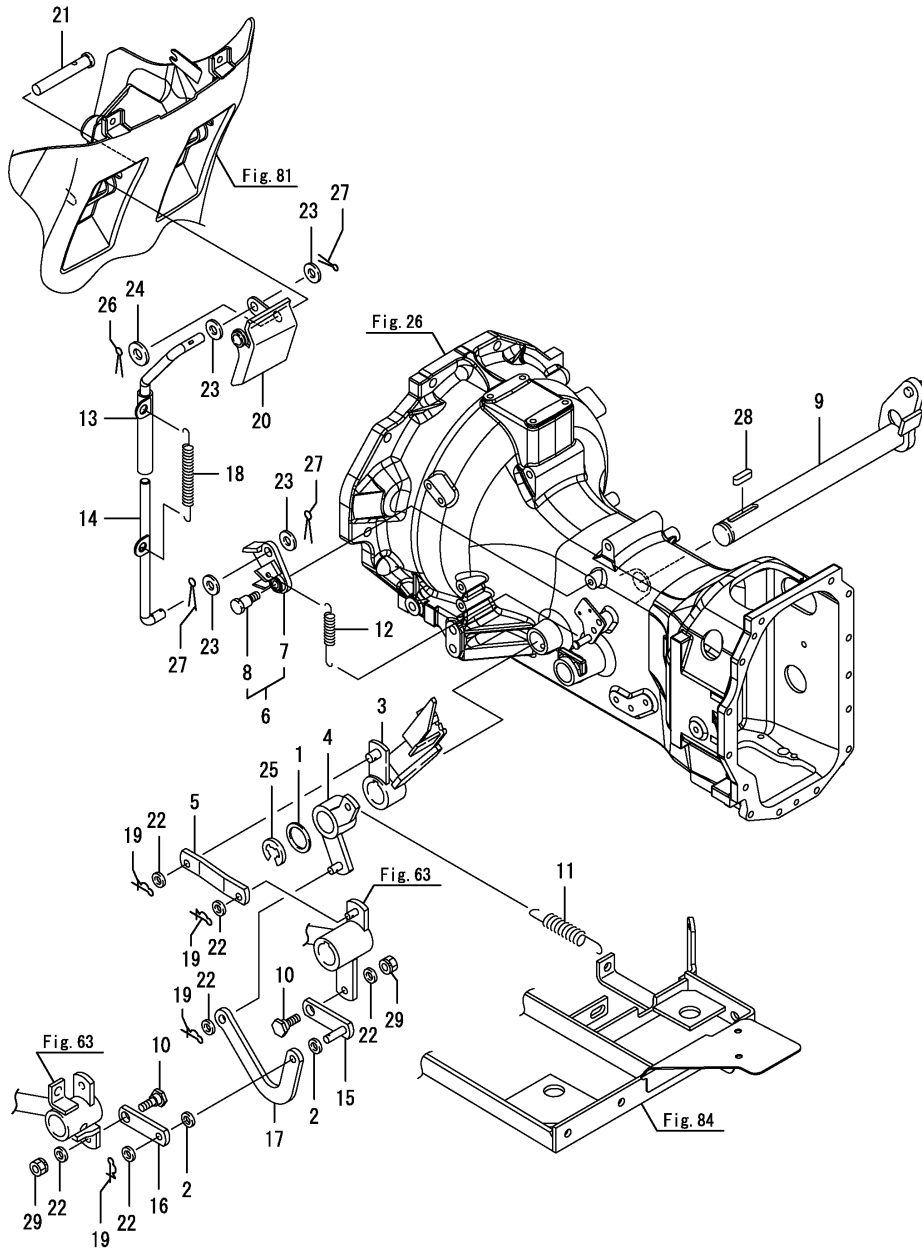
(A)=EB3100
(B)=
(C)=

(D)=
(E)=
(F)=



No.	Lev.	Parts No.	Description	Q'ty						I	R
				(A)	(B)	(C)	(D)	(E)	(F)		
1	1	194740-00322	ADJUSTER	2							
2	1	1C6140-14050	SPACER, 25.2X34X2	1							
3	1	194990-20170	NUT, M8	2							
4	1	1A6781-37300	PEDAL ASSY, BRAKE L	1							
5	1	198165-37340	CONNECTOR, BRAKE	1							
6	1	198167-37350	COLLAR, 34X85	1							
7	1	1A7530-37400	PEDAL ASSY, BRAKE R	1							
8	1	198421-37511	SPRING, RETURN	2							
9	1	1A7530-37550	SHAFT, BRAKE PEDAL	1							
10	1	194300-37570	SPRING	2							
11	1	198165-37760	ROD, BRAKE R	2							
12	1	198165-37770	ROD, BRAKE L	2							
13	1	194080-37781	PIN, 8X25	3							
14	1	1C6281-52320	PIN, SNAP 8	4							
15	1	22272-000190	RING, E-19	1							
16	1	22487-080400	PIN, H 8X 40	1							
17	1	22512-070400	KEY, 7X 40	1							
18	1	24761-040000	NIPPLE, GREASE B	1							
19	1	26716-080002	NUT, M8	2							
20	1	26716-080002	NUT, M8	2							

Fig.64. PARKING BRAKE

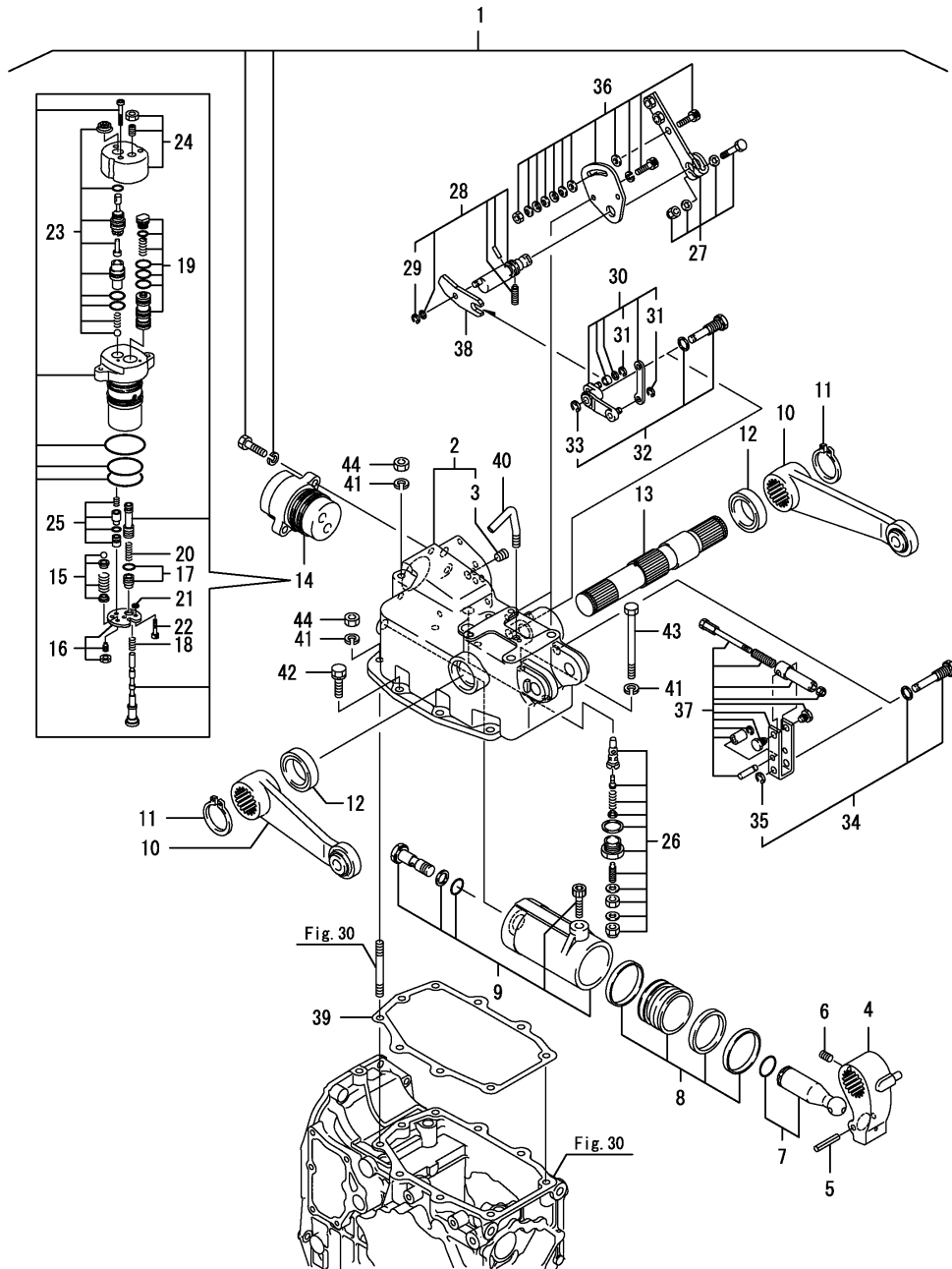


(A)=EB3100
(B)=
(C)=

(D)=
(E)=
(F)=

No.	Lev.	Parts No.	Description	Q'ty						I	R
				(A)	(B)	(C)	(D)	(E)	(F)		
1	1	1C6140-14050	SPACER, 25.2X34X2	1							
2	1	1C6053-32020	WASHER, 8.5X20X3.2	2							
3	1	1A6781-37500	ARM ASSY, PARKING	1							
4	1	1A6781-37530	ARM ASSY, CRUISE	1							
5	1	1A6781-37590	ARM	1							
6	1	1A7530-37590	RATCHET KIT, LOCK	1							
7	2	1A7530-37600	RATCHET ASSY, LOCK	1							
8	2	1A7530-37710	BOLT, STEPPED M8	1							
9	1	1A6781-37600	SHAFT ASSY, CRUISE	1							
10	1	1A6640-37640	BOLT, STEPPED M8	2							
11	1	1A6781-37660	SPRING, RETURN	1							
12	1	1A6781-37710	SPRING, LOCK	1							
13	1	1A7530-37742	ROD ASSY, BRAKE	1							
14	1	1A7530-37781	ROD ASSY, BRAKE	1							
15	1	1A6781-37800	LINK ASSY, CRUISE	1							
16	1	1A6781-37810	LINK, CRUISE A	1							
17	1	1A7530-37830	LINK, CRUISE B	1							
18	1	198165-37840	SPRING, BRAKE	1							
19	1	1C6281-52320	PIN, SNAP 8	4							
20	1	198162-61661	LEVER, BRAKE	1							
21	1	198162-61670	PIN, LEVER	1							
22	1	22137-080000	WASHER, 8	6							
23	1	22137-100000	WASHER, 10	4							
24	1	22137-120000	WASHER, 12	1							
25	1	22272-000190	RING, E-19	1							
26	1	22417-200320	PIN, COTTER 2.0X32	1							
27	1	22417-250250	PIN, COTTER 2.5X25	3							
28	1	22512-070200	KEY, 7X 20	1							
29	1	26051-080002	NUT, M8	2							

Fig.65. HYDRAULIC LIFT



(A)=EB3100

(B)=

(C)=

(D)=

(E)=

(F)=

No.	Lev.	Parts No.	Description	Q'ty						I	R
				(A)	(B)	(C)	(D)	(E)	(F)		
1	1	1A6780-42010	LIFT ASSY, HYDRAULIC	1							
2	2	198165-42100	HOUSING ASSY	1							
3	3	198165-42400	PLUG, M10	1							
4	2	1A6780-44110	CRANK ASSY, LIFT	1							
5	2	198165-44140	PIN, 6X40	1							
6	2	198165-44170	SCREW, M8X16	1							
7	2	198165-44180	ROD ASSY, PISTON	1							
8	2	1A6780-44200	PISTON ASSY	1							
9	2	1A6780-44240	CYLINDER ASSY	1							
10	2	198165-44410	ARM ASSY, LIFT	2							
11	2	198165-44440	CIRCLIP	2							
12	2	198165-44450	SEAL,354507 OIL	2							
13	2	1A6780-44460	SHAFT, LIFT	1							
14	2	198165-45101	VALVE ASSY, CONTROL	1							
15	3	198165-45010	VALVE KIT, SAFETY	1							
16	3	198165-45020	PLATE KIT, CENTER	1							
17	3	198165-45030	PLUG KIT	1							
18	3	198165-45140	SPRING, PILOT	1							
19	3	198165-45191	VALVE ASSY	1							
20	3	198165-45270	SPRING	1							
21	3	198165-45290	SPACER	3							
22	3	198165-45370	BOLT, M6X18	3							
23	3	198165-45400	LEVER ASSY, RETURN	1							
24	3	198165-45500	COVER KIT	1							
25	3	198165-45600	VALVE KIT	1							
26	2	198165-45800	VALVE ASSY, RELIEF	1							
27	2	198165-47020	LEVER KIT	1							
28	2	198165-47030	CAMSHAFT KIT	1							
29	3	198165-47520	CIRCLIP, 6	1							
30	2	198165-47040	ARM KIT	1							
31	3	198165-47520	CIRCLIP, 6	2							
32	2	1A6780-47050	PIN KIT	1							
33	3	198165-47530	CIRCLIP, 7	1							
34	2	198165-47060	PIN KIT, B	1							
35	3	198165-47530	CIRCLIP, 7	1							
36	2	198165-47100	GUIDE KIT, LEVER	1							
37	2	198165-47300	LINK KIT, LEVER	1							
38	2	198165-47440	LEVER, B	1							
39	1	198165-42120	GASKET, HOUSING	1							
40	1	194205-42280	PIPE, AIR BREATHER	1							
41	1	22217-100000	WASHER, SPRING 10	5							
42	1	26013-100302	BOLT, M10X 30	4							
43	1	26116-101202	BOLT, M10X120 PLATED	1							
44	1	26716-100002	NUT, M10	4							

Fig.66. HYDRAULIC CONTROL

(A)=EB3100
(B)=
(C)=

(D)=
(E)=
(F)=

No.	Lev.	Parts No.	Description	Q'ty						I	R
				(A)	(B)	(C)	(D)	(E)	(F)		
1	1	1A7530-47360	LEVER, CONTROL	1							
2	1	198220-47370	KNOB, LEVER	1							
3	1	26013-080202	BOLT, M8X 20	2							

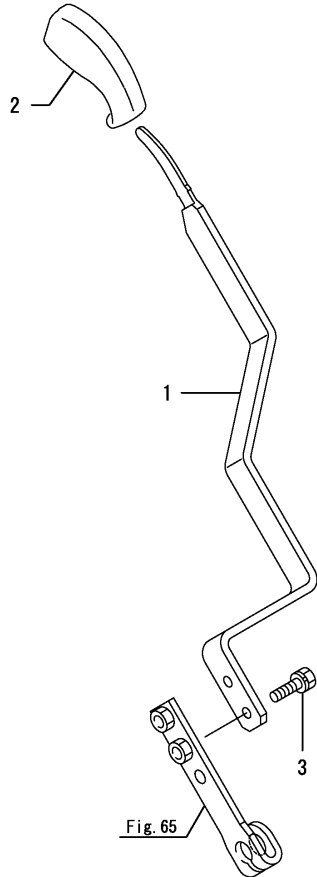


Fig.67. STOP VALVE

(A)=EB3100
(B)=
(C)=

(D)=
(E)=
(F)=

No.	Lev.	Parts No.	Description	Q'ty						I	R
				(A)	(B)	(C)	(D)	(E)	(F)		
1	1	198165-42150	JOINT, HYDRAULIC	1							
2	1	1A7530-42170	STAY ASSY, BOLT	1							
3	1	1A6770-46620	BOLT, STOP	1							
4	1	1A8160-46670	KNOB, VALVE	1							
5	1	26018-080202	BOLT, M8X 20	1							
6	1	26716-100002	NUT, M10	1							

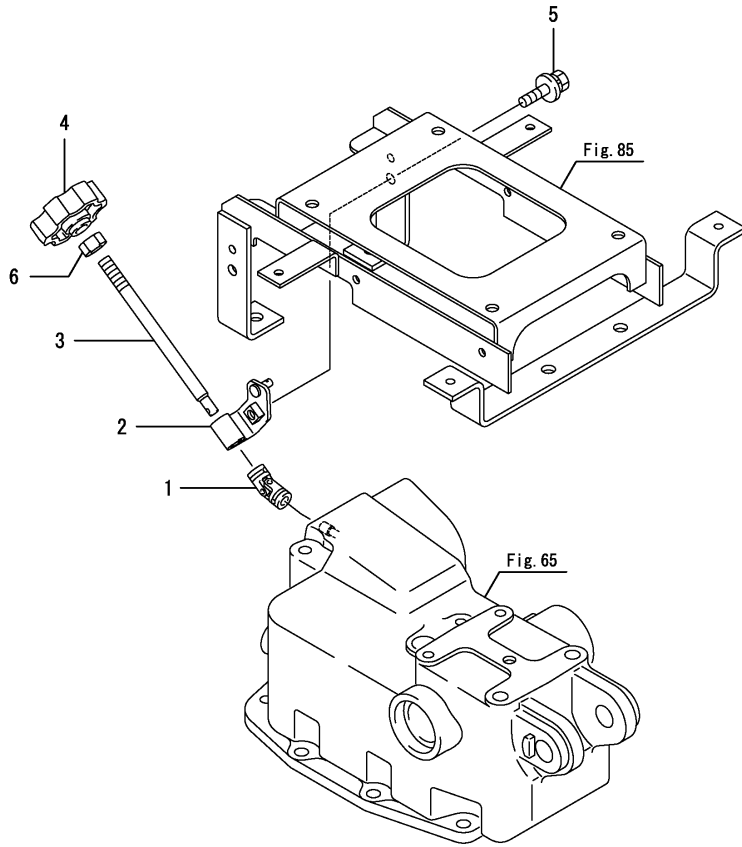
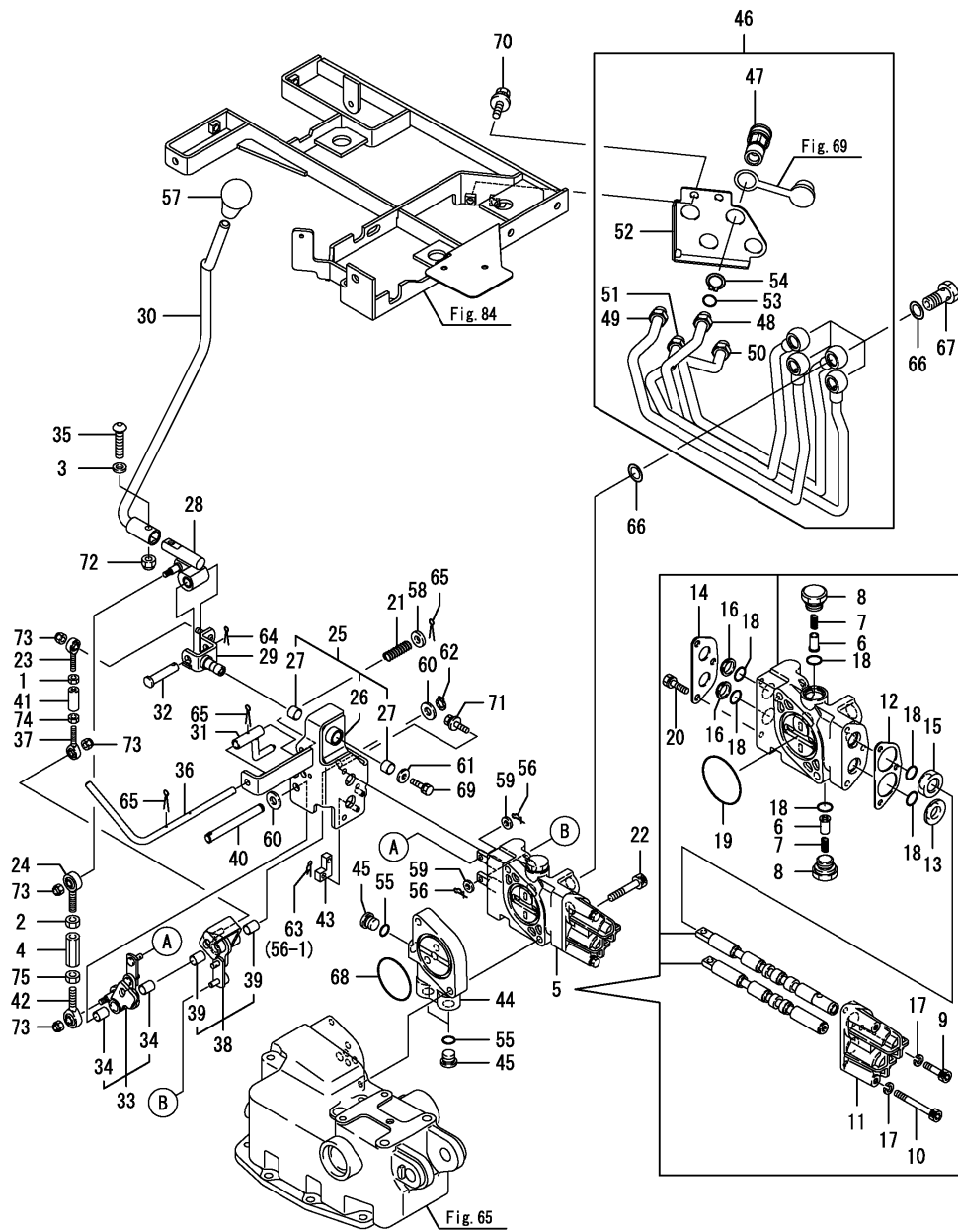


Fig.68. SUB CONTROL VALVE



(A)=EB3100

(B)=

(C)=

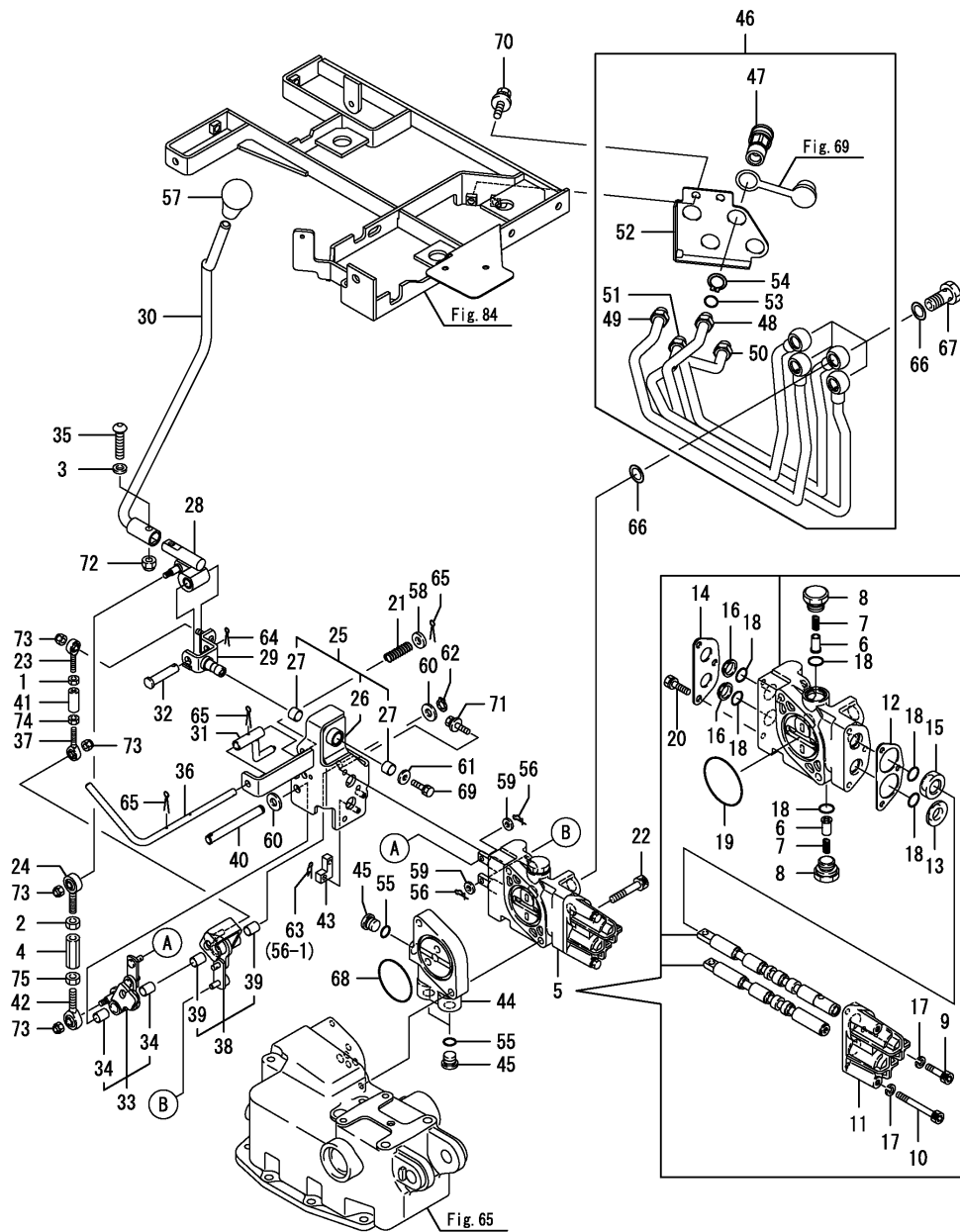
(D)=

(E)=

(F)=

No.	Lev.	Parts No.	Description	Q'ty						I	R
				(A)	(B)	(C)	(D)	(E)	(F)		
1	1	194130-01390	NUT, M6	1							
2	1	194990-20170	NUT, M8	1							
3	1	1C6053-32020	WASHER, 8.5X20X3.2	1							
4	1	192157-33780	NUT	1							
5	1	198165-46110	CONTROL ASSY, SUB	1							
6	2	198165-46130	VALVE, CHECK	2							
7	2	198165-46140	SPRING	2							
8	2	198165-46150	PLUG, CHECK	2							
9	2	1A6780-46160	BOLT, M6X25	1							
10	2	1A6780-46170	BOLT, M6X55	2							
11	2	198165-46200	COVER, SPOOL	1							
12	2	198165-46210	GASKET	1							
13	2	198165-46220	ADAPTER	1							
14	2	198165-46240	COVER, SEAL	1							
15	2	198165-46370	DETENT	1							
16	2	172510-74410	SEAL, DUST	2							
17	2	22287-060000	WASHER 6	3							
18	2	24311-000140	O-RING, 1AP14.0	6							
19	2	24321-000500	O-RING, 1AG50.0	1							
20	2	26016-060102	BOLT M6X 10	3							
21	1	198220-46200	SPRING	1							
22	1	1A6780-46260	BOLT, M8X65	2							
23	1	198165-46470	END, ROD 6	1							
24	1	198165-46480	END, ROD 8	1							
25	1	1A7500-46491	HOLDER ASSY, LEVER	1							
26	2	1A7500-46501	HOLDER ASSY, LEVER	1							
27	2	24550-012100	BUSH 12X10	2							
28	1	1A7530-46601	LEVER KIT, SCV	1							
29	1	1A6780-46650	LEVER ASSY, B	1							
30	1	1A7530-46651	LEVER ASSY, SCV	1							
31	1	1A7500-46750	PIN ASSY, STOPPER	1							
32	1	198165-46780	PIN, LEVER	1							
33	1	1A7500-46800	CAM ASSY, LINK L	1							
34	2	24550-010150	BUSH, 10X15	2							
35	1	1A7510-46850	BOLT,ROUND HEAD 8X35	1							
36	1	1A8300-46860	PIN,	1							
37	1	198165-46880	END, ROD 6	1							
38	1	1A7500-46900	CAM ASSY, LINK B	1							
39	2	24550-010150	BUSH, 10X15	2							
40	1	1A6780-46910	SHAFT, CAM	1							
41	1	198165-46961	ROD, LINK B	1							
42	1	198165-46980	END, ROD	1							
43	1	198165-46991	LINK, C	1							
44	1	198165-48550	PLATE, AUX	1							
45	1	198165-48560	PLUG, 9/16	3							
46	1	1A8300-48600	PIPE KIT, SCV	1							
47	2	198223-46250	COUPLER, QUICK	4							
48	2	1A7530-48610	PIPE, SCV 1	1							
49	2	1A7530-48620	PIPE, SCV 2	1							
50	2	1A7530-48630	PIPE, SCV 3	1							
51	2	1A7530-48640	PIPE, SCV 4	1							

Fig.68. SUB CONTROL VALVE



(A)=EB3100

(B)=

(C)=

(D)=

(E)=

(F)=

No.	Lev.	Parts No.	Description	Q'ty						I	R
				(A)	(B)	(C)	(D)	(E)	(F)		
52	2	1A7530-48760	MOUNT, COUPLER	1							
53	2	194850-49290	PACKING, 6-1	4							
54	2	22242-000220	RING, 22	4							
55	1	194850-49290	PACKING, 6-1	3							
56	1	1C6281-52310	PIN, SNAP 6	2							
56-1	1	1C6281-52310	PIN, SNAP 6	3							K
(A=FXXXXX)											
57	1	194990-85561	KNOB, HIGH/LOW	1							
58	1	22117-080000	WASHER, 8	1							
59	1	22137-060000	WASHER, 6	2							
60	1	22137-100000	WASHER, 10	2							
61	1	22157-060000	WASHER, 6	1							
62	1	22242-000100	RING, 10	1							
63	1	22372-060000	PIN, SNAP 6	1							Z
(A=FXXXXX)											
64	1	22417-200160	PIN, COTTER 2.0X16	1							
65	1	22417-250250	PIN, COTTER 2.5X25	3							
66	1	23414-160021	GASKET, 16X1.0	8							
67	1	23857-100000	BOLT, JOINT 10	4							
68	1	24321-000550	O-RING, 1AG55.0	1							
69	1	26013-060162	BOLT, M6X 16	1							
70	1	26013-080202	BOLT, M8X 20	2							
71	1	26018-060162	BOLT, M6X 16	3							
72	1	26346-080002	NUT, M8	1							
73	1	26347-060002	NUT, M6	4							
74	1	26716-060002	NUT, M6	1							
75	1	26716-080002	NUT, M8	1							

Fig.69. VALVE ACCESSORIES

(A)=EB3100
(B)=
(C)=

(D)=
(E)=
(F)=

No.	Lev.	Parts No.	Description	Q'ty						I	R
				(A)	(B)	(C)	(D)	(E)	(F)		
1	1	1A7880-47550	PLUG, DUST RED	1							
2	1	1A7880-47560	PLUG, DUST BLUE	1							
3	1	1A7880-47570	PLUG, DUST YELLOW	1							
4	1	1A7880-47580	PLUG, DUST GREEN	1							

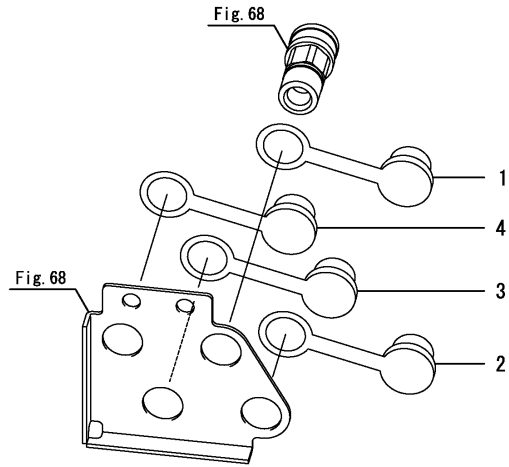
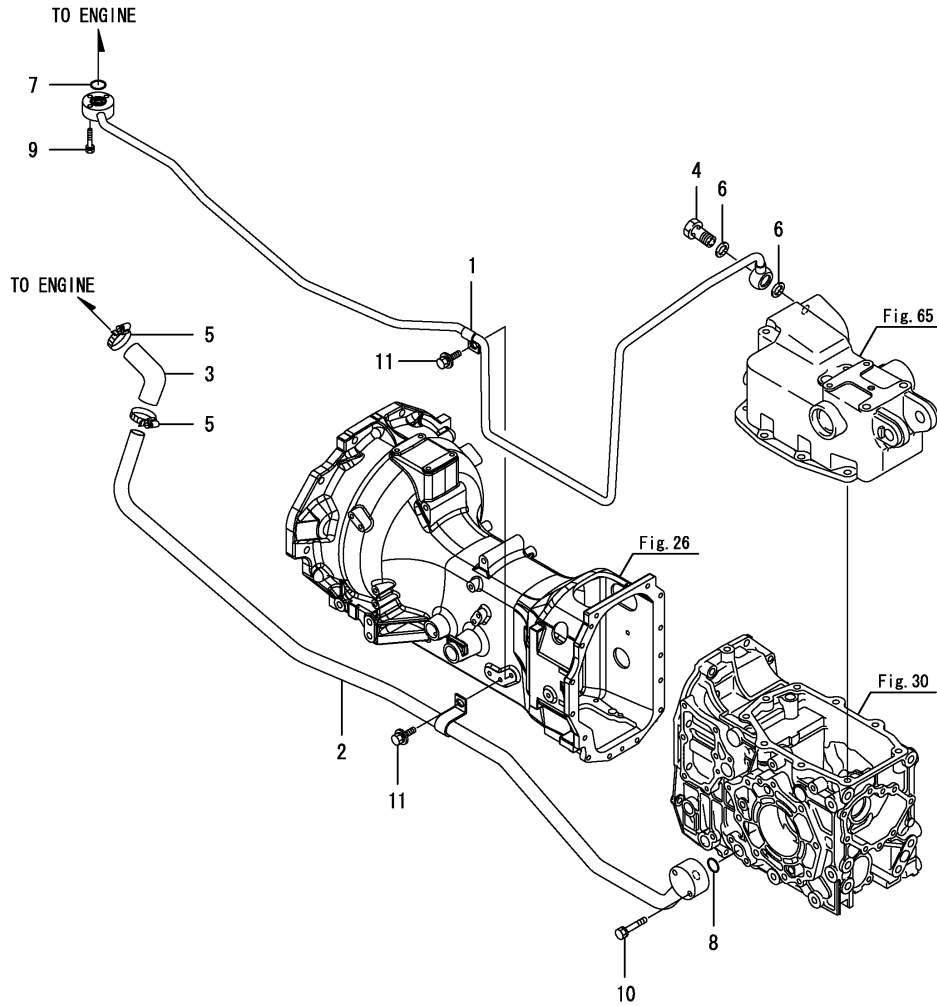


Fig.70. HYDRAULIC LINE

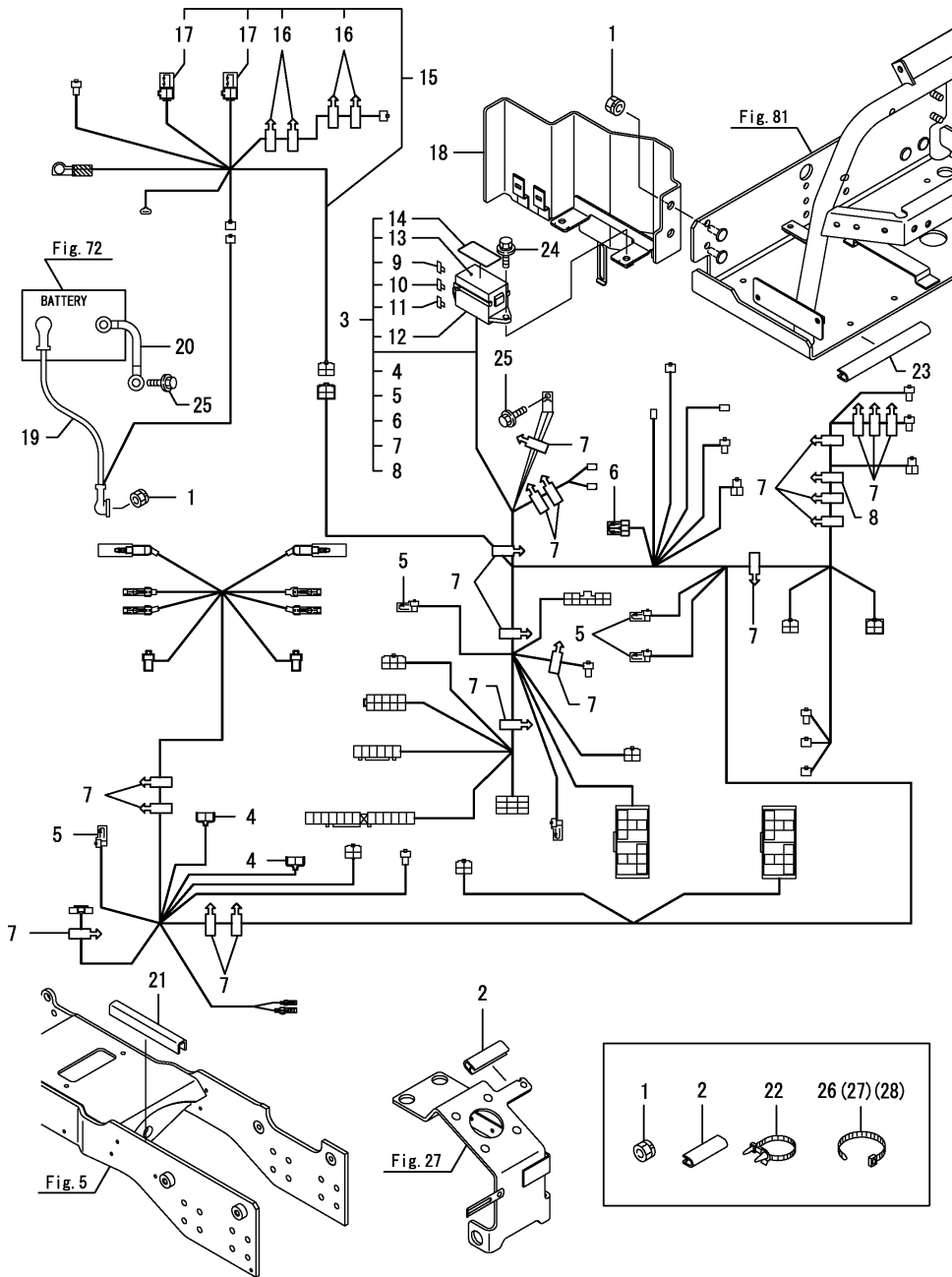


(A)=EB3100
(B)=
(C)=

(D)=
(E)=
(F)=

No.	Lev.	Parts No.	Description	Q'ty						I	R
				(A)	(B)	(C)	(D)	(E)	(F)		
1	1	1A7540-48110	PIPE, PRESSURE	1							
2	1	1A7530-48320	PIPE, PRESSURE	1							
3	1	198167-48340	HOSE, PRESSURE	1							
4	1	198220-48750	BOLT ASSY, JOINT	1							
5	1	23000-035000	CLAMP, 35	2							
6	1	23414-180023	GASKET, 18X1.0	2							
7	1	24311-000200	O-RING, 1AP20.0	1							
8	1	24311-000220	O-RING, 1AP22.0	1							
9	1	26013-060322	BOLT, M6X 32	3							
10	1	26013-080452	BOLT, M8X 45	2							
11	1	26018-080202	BOLT, M8X 20	2							

Fig.71. WIRE HARNESS



(A)=EB3100

(B)=

(C)=

(D)=

(E)=

(F)=

No.	Lev.	Parts No.	Description	Q'ty						I	R
				(A)	(B)	(C)	(D)	(E)	(F)		
1	1	194990-22050	NUT, M8	4							
2	1	195616-24930	TRIM	2							
3	1	1A8300-51111	HARNESS, WIRE A	1							
4	2	1A7510-01240	CAP, RUBBER	2							
5	2	1A7130-51130	DIODE, 1.5A	4							
6	2	1A7500-51180	DIODE, 1.5AX2 KOREA	1							
7	2	1A7500-51160	CLIP, HARNESS	18							
8	2	1A7500-51170	CLIP, HARNESS	1							
9	2	198535-52120	FUSE, 10A	4							
10	2	198535-52130	FUSE, 15A	3							
11	2	1A7450-52180	FUSE, 25A	2							
12	2	1A7531-52410	BOX, FUSE	1							
13	2	1A7531-52420	COVER, FUSE BOX	1							
14	2	1A7531-65780	LABEL,FUSE	1							
15	1	1A7531-51150	HARNESS, WIRE	1							
16	2	1A7500-51160	CLIP, HARNESS	4							
17	2	198153-51700	FUSE, SLOW BLOW 80A	2							
18	1	1A7531-51400	STAY ASSY, FUSE BOX	1							
19	1	1A6780-51410	CABLE, BATTERY	1							
20	1	1A7500-51420	CABLE, BATTERY EARTH	1							
21	1	1A7500-51810	SEAL, HARNESS	1							
22	1	1A1380-55310	CLAMP, WIRE	1							
23	1	1A7000-61490	TRIM, 120	3							
24	1	26018-060202	BOLT, M6X 20	2							
25	1	26106-080162	BOLT, M8X 16 PLATED	2							
26	1	29622-140001	BAND, RF140	6							
27	1	29622-250001	BAND, RF250	10							
28	1	29622-140001	BAND, RF140	1							

Fig.72. BUTTERY

(A)=EB3100
(B)=
(C)=

(D)=
(E)=
(F)=

No.	Lev.	Parts No.	Description	Q'ty						I	R
				(A)	(B)	(C)	(D)	(E)	(F)		
1	1	1A8160-51550	BATTERY ASSY,DRY526R	1							
2	2	1A8160-51570	LABEL, BATTERY	1							
3	2	1A8160-51580	LABEL, BATTERY	1							

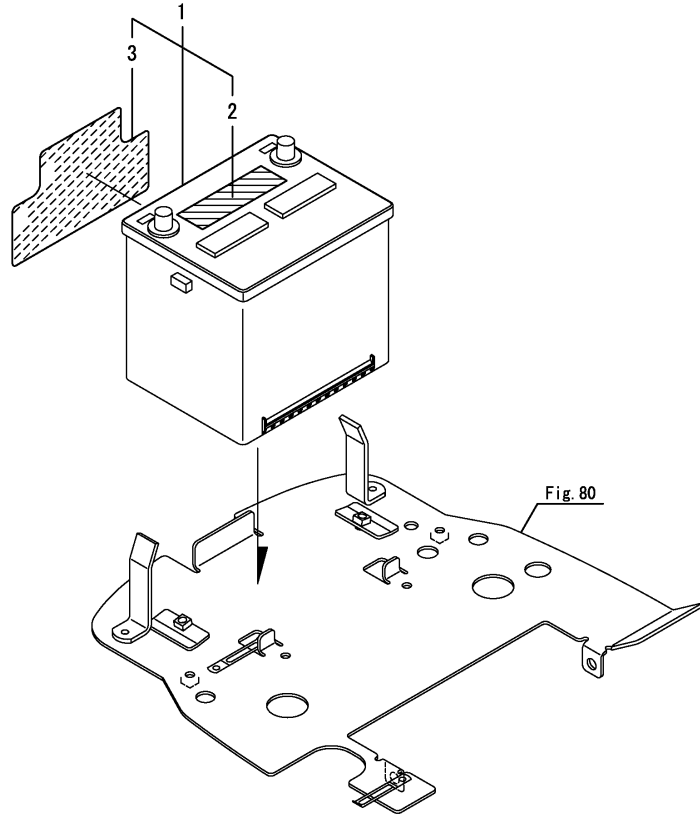


Fig.73. CLAMP,BATTERY

(A)=EB3100
(B)=
(C)=

(D)=
(E)=
(F)=

No.	Lev.	Parts No.	Description	Q'ty						I	R
				(A)	(B)	(C)	(D)	(E)	(F)		
1	1	194990-22130	NUT, M6	2							
2	1	1A8160-51600	CLAMP, BATTERY 6-245	1							
3	1	1A8160-51610	ROD, BATTERY CLAMP A	2							
4	1	26716-060002	NUT, M6	2							

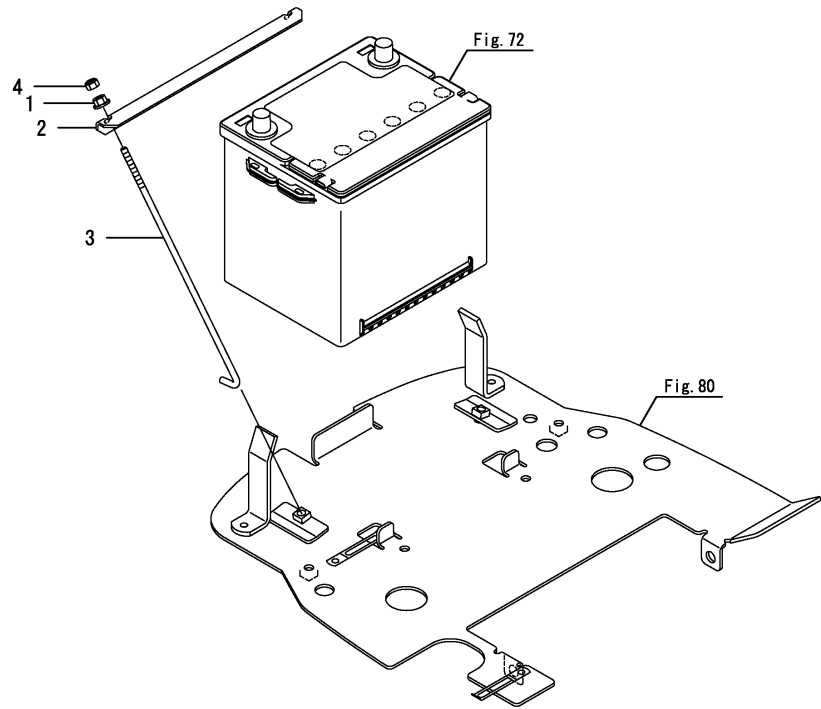
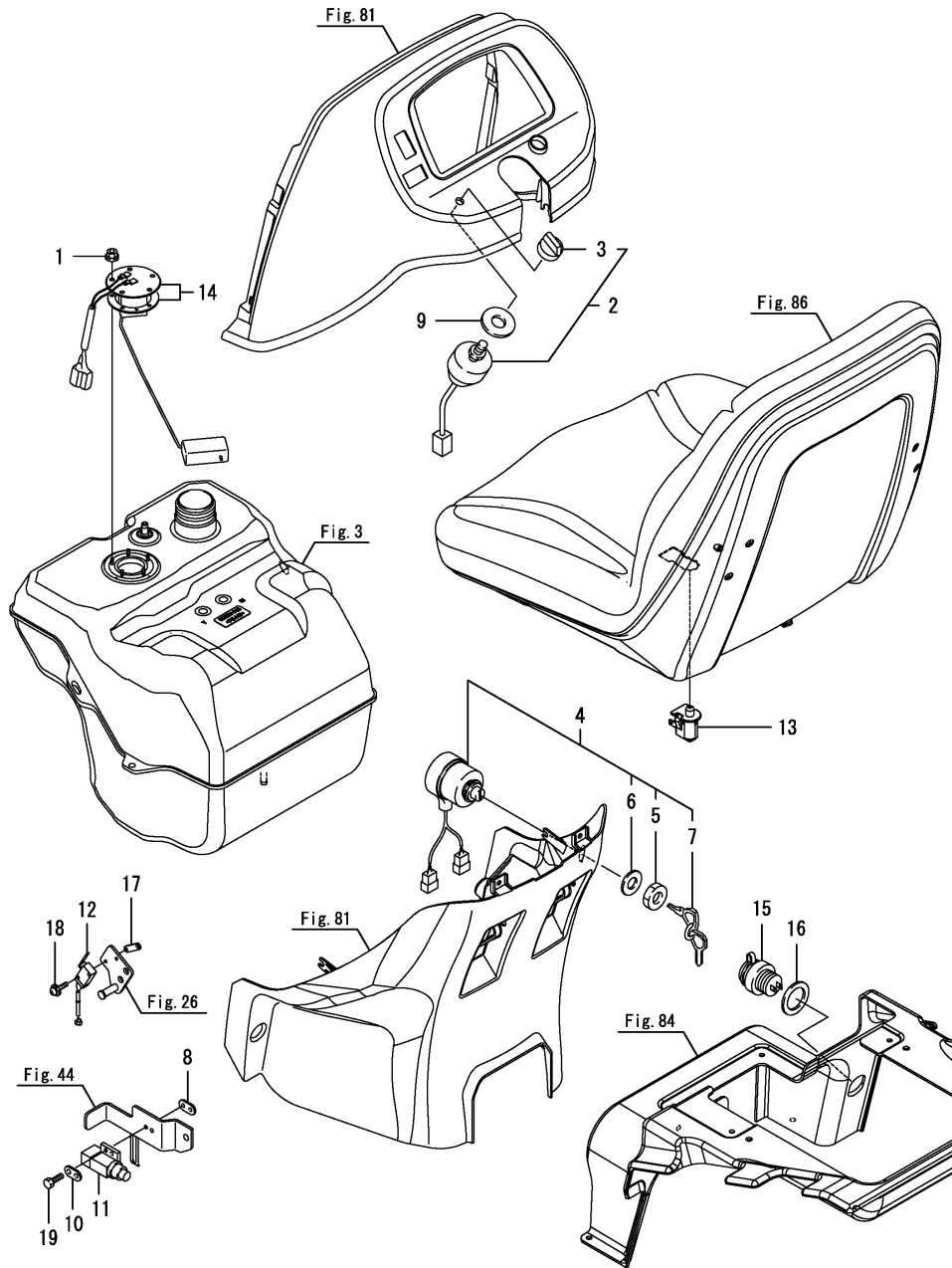


Fig.74. SWITCH(1)



(A)=EB3100
(B)=
(C)=

(D)=
(E)=
(F)=

No.	Lev.	Parts No.	Description	Qty						I	R
				(A)	(B)	(C)	(D)	(E)	(F)		
1	1	194990-22110	NUT, M4	5							
2	1	198165-52100	SWITCH ASSY, LIGHT	1							
3	2	198165-52110	KNOB, SWITCH	1							
4	1	198162-52110	SWITCH, STARTING	1							
5	2	198360-52320	NUT, RING	1							
6	2	198360-52330	WASHER	1							
7	2	198162-52150	KEY ASSY	1							
8	1	1A7510-52110	NUT, 2-M4	1							
9	1	198165-52120	SEAL, SWITCH	1							
10	1	1A7510-52120	WASHER, SWITCH	1							
11	1	1A7335-52150	SWITCH, STOP LAMP	1							
12	1	198167-52180	SWITCH, BRAKE	1							
13	1	1A8160-52310	SWITCH, SEAT DELTA	1							
14	1	1A7500-56610	GAUGE, FUEL	1							
15	1	1A7880-57100	SOCKET, POWER SOUCE	1							
16	1	1A7500-79720	WASHER, 31X45X2	1							
17	1	1E6460-84220	NUT, SWITCH 2-M3	1							
18	1	26023-030202	SCREW, M3X20	2							
19	1	26117-040162	BOLT, M4X 16 PLATED	2							

Fig.75. SWITCH(2)

(A)=EB3100
(B)=
(C)=

(D)=
(E)=
(F)=

No.	Lev.	Parts No.	Description	Q'ty						I	R
				(A)	(B)	(C)	(D)	(E)	(F)		
1	1	194850-49290	PACKING, 6-1	2							
2	1	198165-50110	SWITCH, NEUTRAL	2							

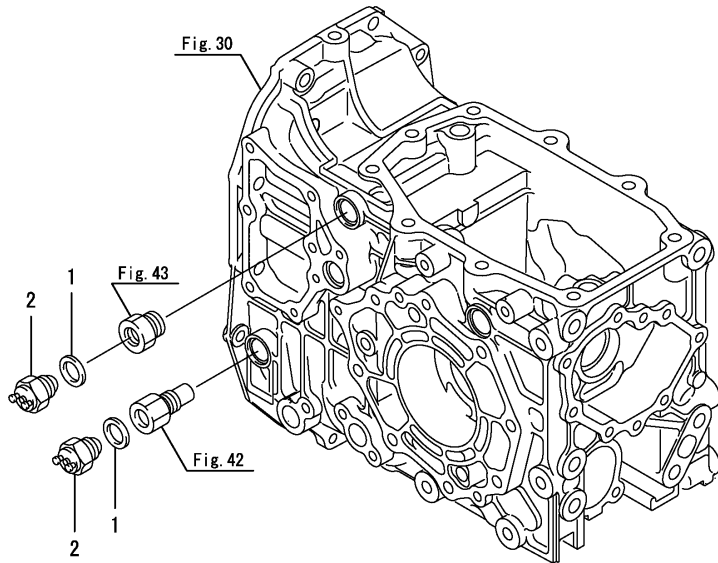


Fig.76. SWITCH(3)

(A)=EB3100
(B)=
(C)=

(D)=
(E)=
(F)=

No.	Lev.	Parts No.	Description	Q'ty						I	R
				(A)	(B)	(C)	(D)	(E)	(F)		
1	1	172531-17300	SWITCH, PTO	1							
2	1	1A8300-52150	SWITCH, TURN SIGNAL	1							

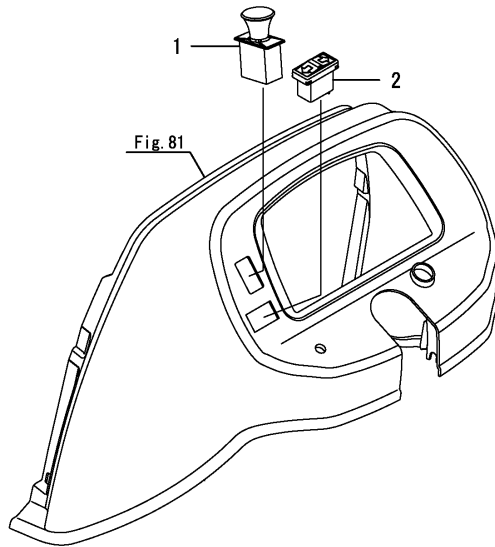


Fig.77. LAMP

(A)=EB3100
(B)=
(C)=

(D)=
(E)=
(F)=

No.	Lev.	Parts No.	Description	Qty						I	R
				(A)	(B)	(C)	(D)	(E)	(F)		
1	1	1A8300-53210	LAMP, WARNING L	1							
2	2	1A8300-53250	BULB, 27W-12.8V	1							
3	2	1A8300-53260	BULB, 4.9W-12.8V	1							
4	1	1A8300-53220	LAMP, WARNING R	1							
5	2	1A8300-53250	BULB, 27W-12.8V	1							
6	2	1A8300-53260	BULB, 4.9W-12.8V	1							

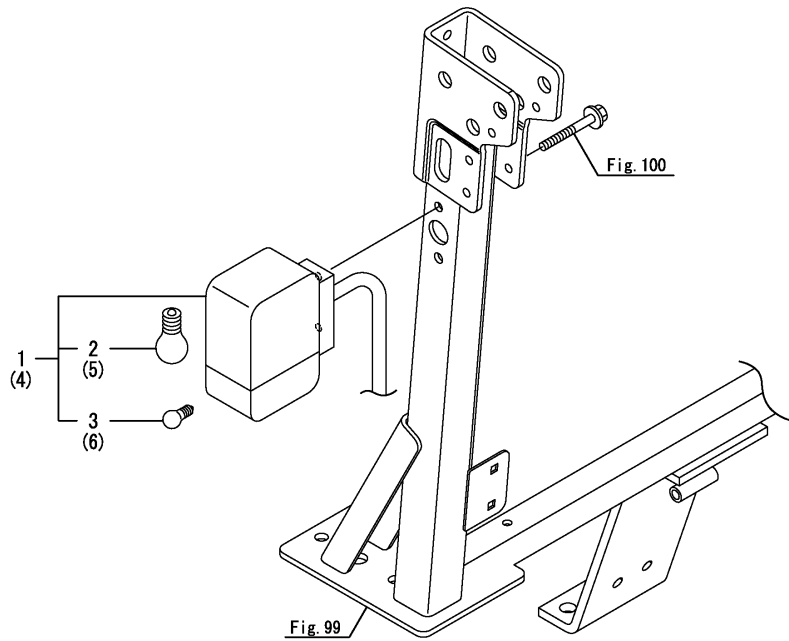
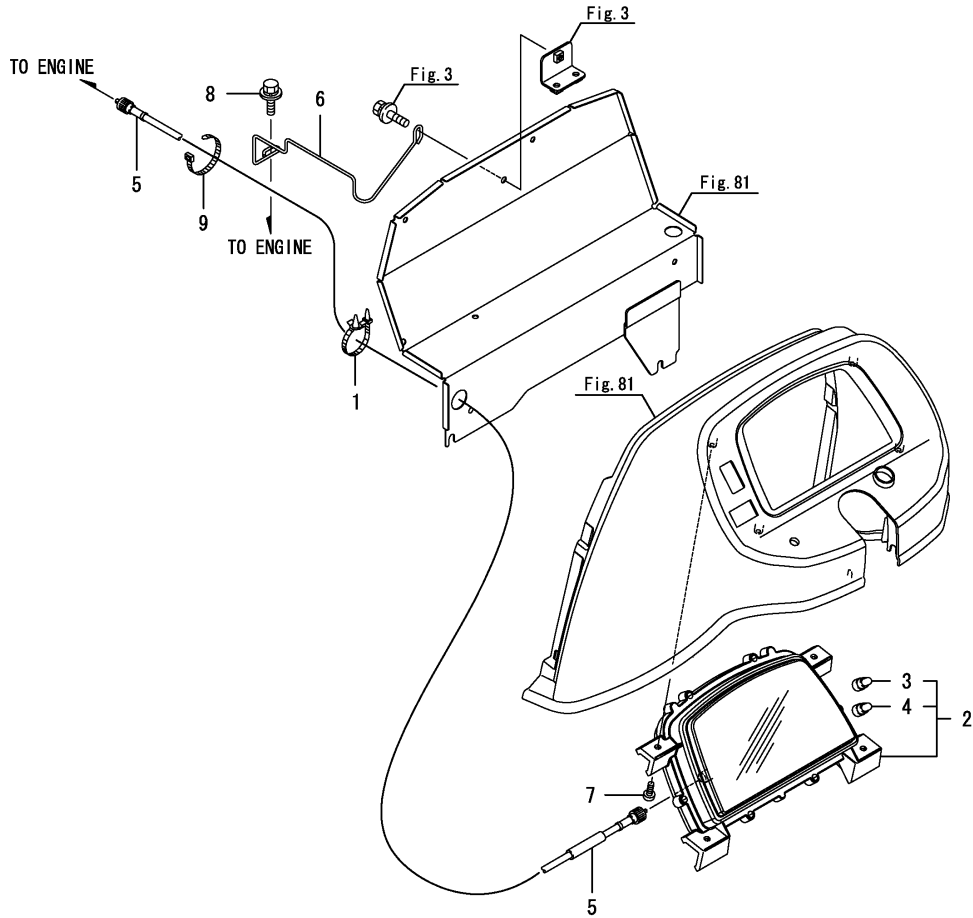


Fig.78. METER

(A)=EB3100
(B)=
(C)=

(D)=
(E)=
(F)=



No.	Lev.	Parts No.	Description	Q'ty						I	R
				(A)	(B)	(C)	(D)	(E)	(F)		
1	1	194680-51670	BAND, CLIP	1							
2	1	1A7531-56100	PANEL ASSY	1							
3	2	1A7510-56110	BULB, 12V2.0W	9							
4	2	198448-56150	BULB, 14V-1.4W	2							
5	1	1A7500-56900	CABLE, METER	1							
6	1	1A7540-56960	GUIDE, CABLE	1							
7	1	22857-600160	SCREW, 6X16	4							
8	1	26019-060162	BOLT, M6X 16	1							
9	1	29622-250001	BAND, RF250	1							

Fig.79. RELAY

(A)=EB3100
(B)=
(C)=

(D)=
(E)=
(F)=

No.	Lev.	Parts No.	Description	Q'ty						I	R
				(A)	(B)	(C)	(D)	(E)	(F)		
1	1	1A7531-51460	STAY, RELAY	2							
2	1	198220-52180	RELAY, STARTER	1							
3	1	1A7510-57101	STAY ASSY, REGULATOR	1							
4	1	1A6780-57200	FLASHER	1							
5	1	119650-77911	RELAY ASSY, GLOW	1							
6	1	128300-77920	TIMER	1							
7	1	129211-77920	TIMER	1							
8	1	1K1140-82500	RELAY(ACM13211M01	4							
9	1	26018-060122	BOLT M 6X 12	2							
10	1	26018-060162	BOLT, M6X 16	6							
11	1	26018-080202	BOLT, M8X 20	2							

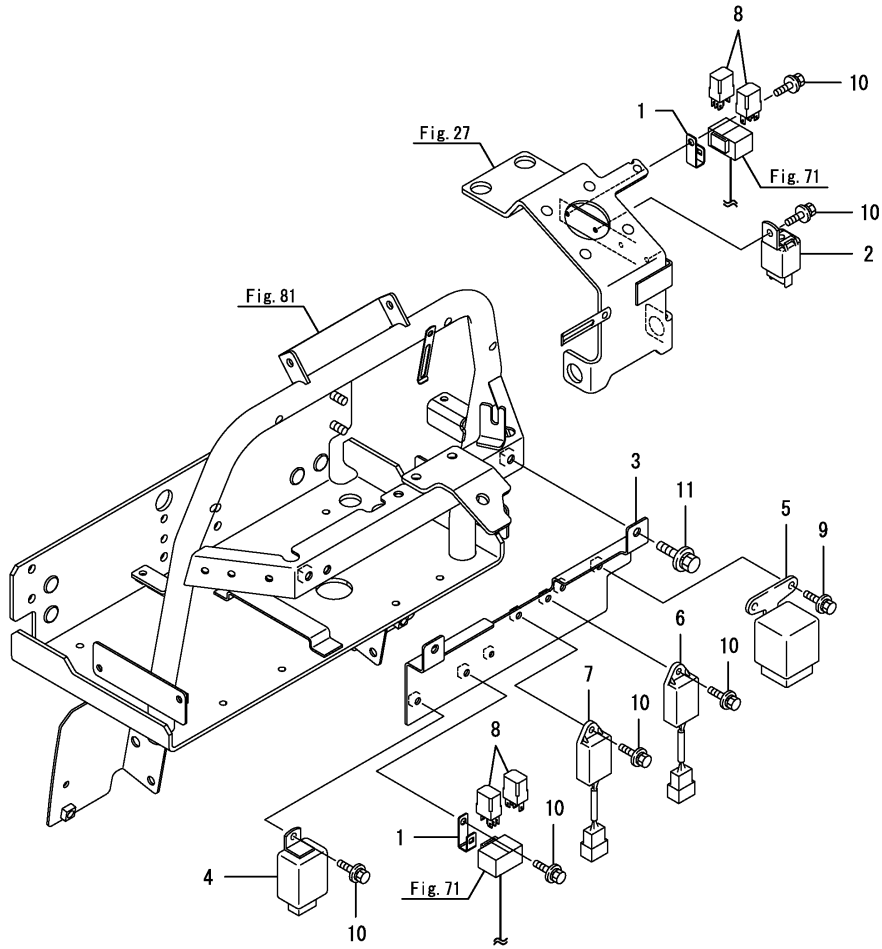


Fig.80. HOOD

(A)=EB3100

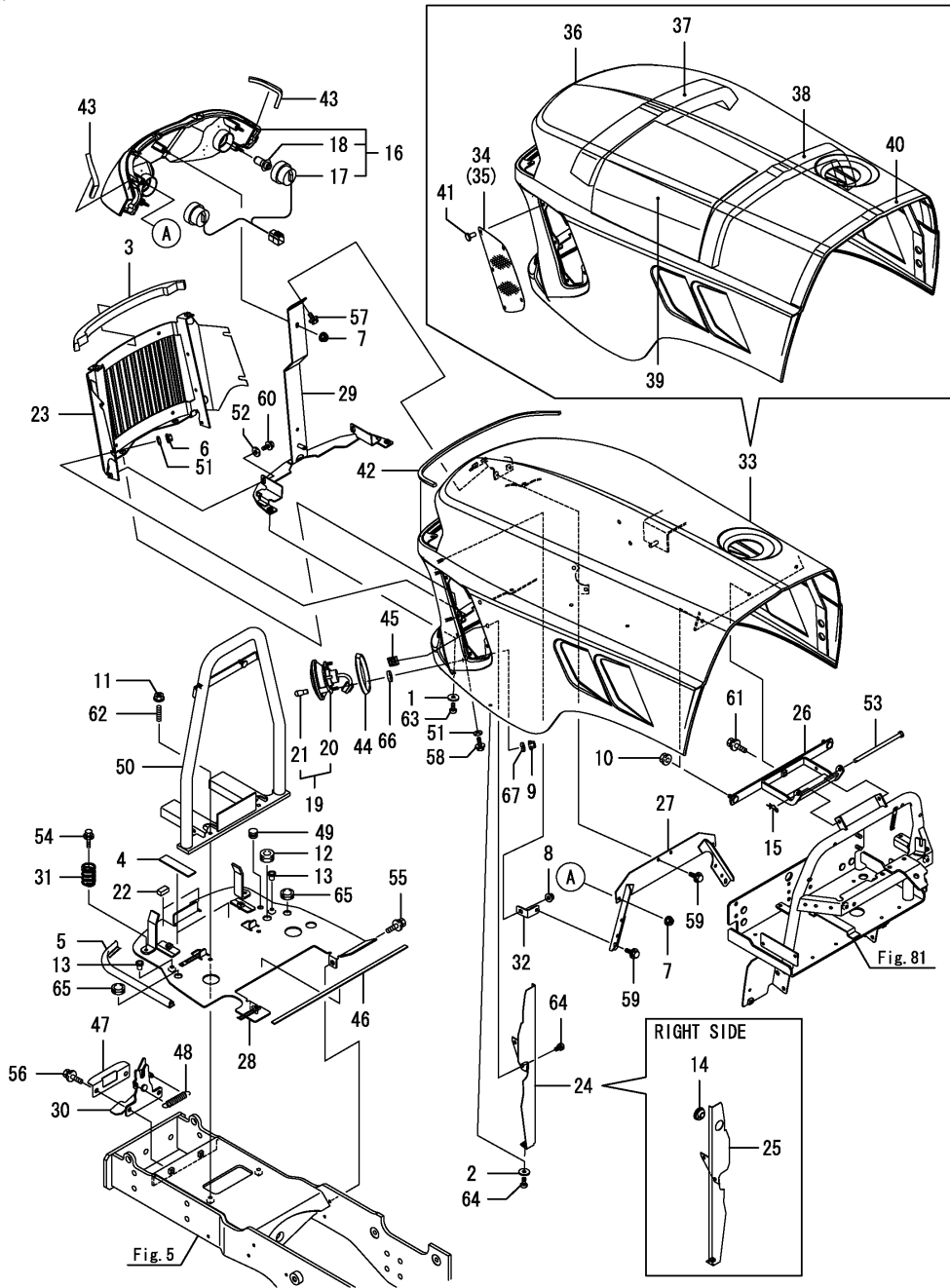
(B)=

(C)=

(D)=

(E)=

(F)=



No.	Lev.	Parts No.	Description	(A)	(B)	(C)	Q'ty	(D)	(E)	(F)	I	R
1	1	194515-01190	WASHER, 6	2								
2	1	194515-01190	WASHER, 6	2								
3	1	1A7880-01440	SEAL, RADIATOR	1								
4	1	198165-04380	RUBBER, 100X25X3	2								
5	1	1A7510-10191	SEAL, F DECK C	1								
6	1	194990-22130	NUT, M6	4								
7	1	194990-22130	NUT, M6	5								
8	1	194990-22130	NUT, M6	2								
9	1	194990-22130	NUT, M6	4								
9-1	1	26347-060002	NUT, M6	4								N
(A=F100126)												
10	1	194990-22140	NUT, M8	2								
11	1	194990-22140	NUT, M8	2								
12	1	198448-22520	GROMMET, CABLE	1								
13	1	194275-27750	PLUG, 7.8	2								
14	1	194170-51210	GROMMET	1								
15	1	1C6281-52320	PIN, SNAP 8	1								
16	1	1A7880-53050	LAMP ASSY, HEAD	1								
17	2	1A7880-53070	WIRE, HEAD LAMP	1								
18	2	1A7880-53080	BULB, 12V30/30W	2								
19	1	1A8300-53290	LAMP ASSY, SIDE	2								
20	2	1A7880-53310	CASE ASSY, SIDE LAMP	2								
21	2	1A7880-53320	BULB, 12V/15W	2								
22	1	1A7510-60980	STOPPER	2								
22-1	1	1A8300-61990	RUBBER, STOPPER	2								N
(A=F100126)												
23	1	1A8300-61010	GRILLE ASSY, FRONT	1								
24	1	1A8300-61250	PLATE ASSY, SEAL L	1								
25	1	1A8300-61260	PLATE ASSY, SEAL R	1								
26	1	1A7530-61300	HINGE ASSY, BONNET	1								
27	1	1A8300-61310	STAY ASSY, HEAD LAMP	1								
28	1	1A7540-61351	DECK ASSY, FRONT	1								
29	1	1A8300-61360	STAY ASSY	1								
30	1	1A7510-61450	LOCK ASSY, BONNET	1								
31	1	1A7500-61480	SPRING, BONNET	2								
32	1	1A8300-61590	STAY ASSY	2								
33	1	1A8300-61700	HOOD KIT	1								
34	2	1A8300-61210	SCREEN, BONNET SIDE	1								
35	2	1A8300-61220	SCREEN, HOOD SIDE R	1								
36	2	1A8300-61710	HOOD ASSY	1								
37	2	1A8300-61810	SEAL, BONNET A	1								
38	2	1A8300-61860	SEAL, AIR SHIELD	1								
39	2	1A8300-61910	INSULATOR	1								
40	2	1A8300-61960	SEAL, BONNET B	1								
41	2	197810-84840	RIVET, NYLON	10								
42	1	1A8300-61770	SEAL, HEAD LAMP A	1								
43	1	1A8300-61780	SEAL, HEAD LAMP B	2								
44	1	1A8300-61780	SEAL, HEAD LAMP B	2								
45	1	198071-61890	NUT, SPEED M6	4								
46	1	1A7530-61890	SEAL, SHROUD LOWER	1								
47	1	1A7510-61900	PLATE, SEAL	1								

Fig.80. HOOD

(A)=EB3100

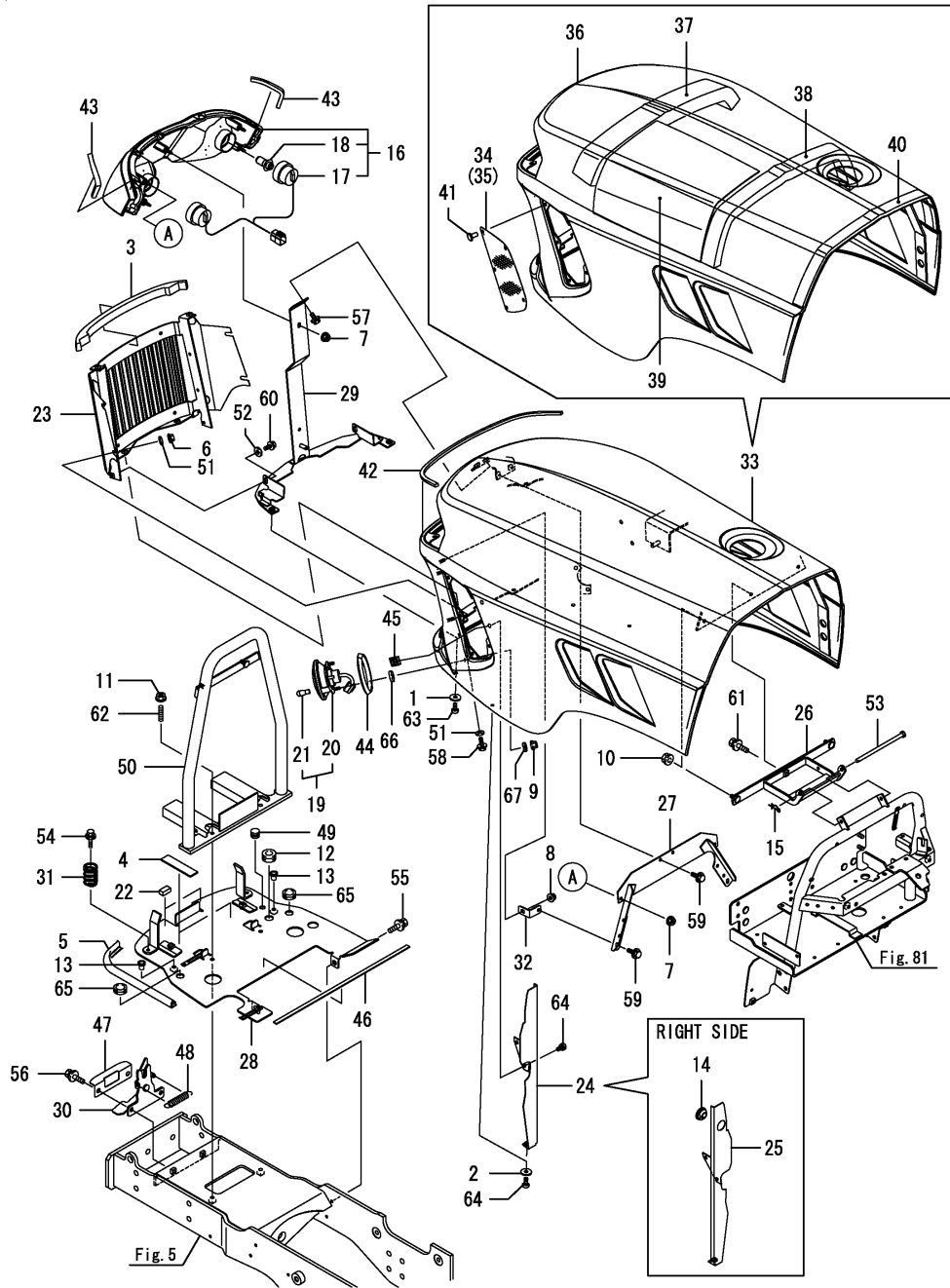
(B)=

(C)=

(D)=

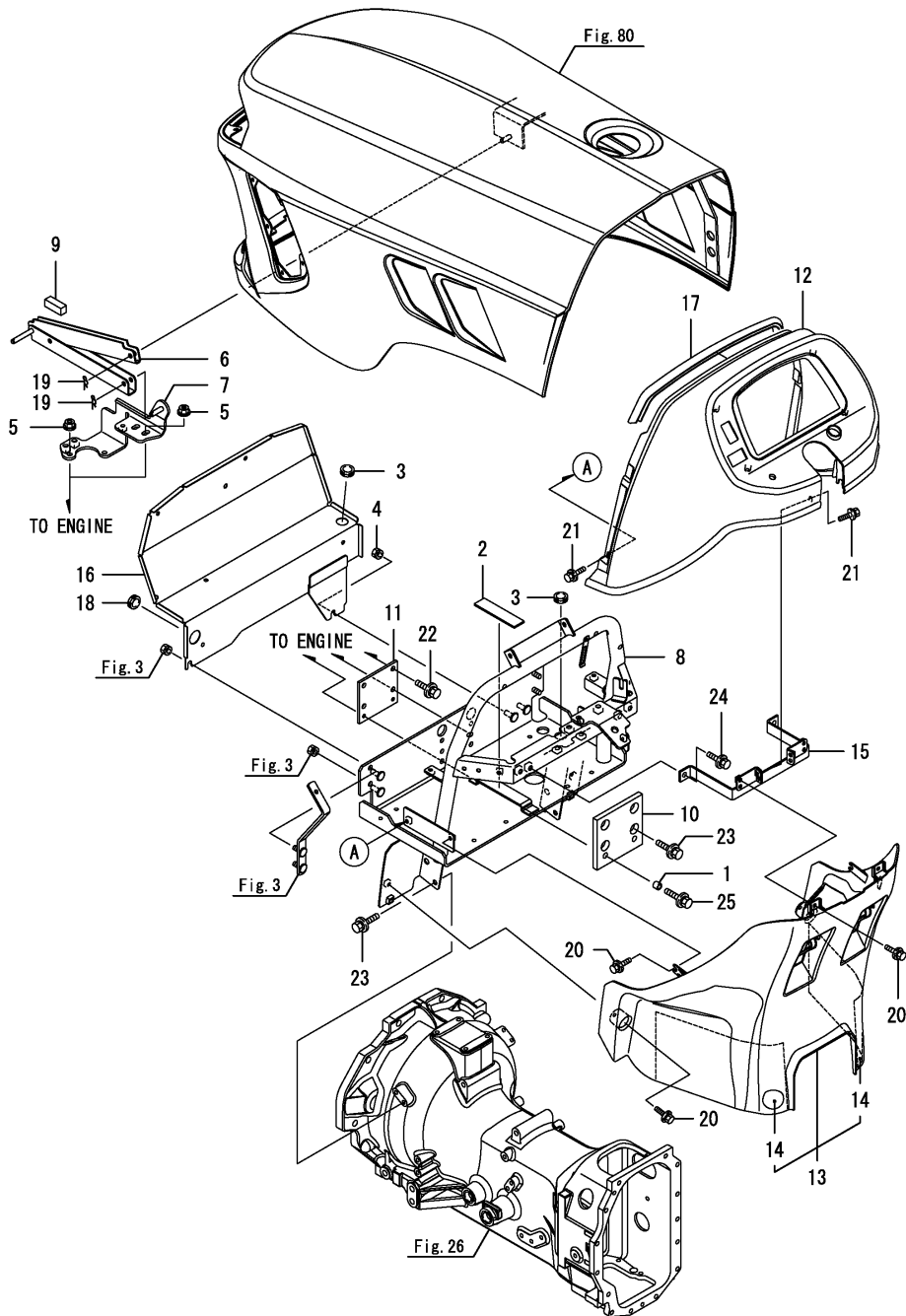
(E)=

(F)=



No.	Lev.	Parts No.	Description	Q'ty						I	R
				(A)	(B)	(C)	(D)	(E)	(F)		
48	1	198230-61960	SPRING	1							
49	1	194630-62360	GROMMET	1							
50	1	1A8300-85710	FRAME ASSY, FRONT	1							
51	1	22157-060000	WASHER, 6	8							
52	1	22157-060000	WASHER, 6	2							
53	1	22487-081500	PIN, H 8X150	1							
54	1	26018-060162	BOLT, M6X 16	2							
55	1	26018-080202	BOLT, M8X 20	2							
56	1	26018-080252	BOLT, M8X 25	2							
57	1	26106-060122	BOLT, M6X 12 PLATED	2							
58	1	26106-060162	BOLT, M6X 16 PLATED	4							
59	1	26106-060162	BOLT, M6X 16 PLATED	4							
60	1	26106-060162	BOLT, M6X 16 PLATED	2							
61	1	26106-080252	BOLT, M8X 25 PLATED	1							
62	1	26216-080302	STUD, M8X 30	2							
63	1	26589-060162	SCREW, M6	2							
64	1	26589-060162	SCREW, M6	6							
65	1	29331-124000	GROMMET, 12.0X4	2							
66	1	22137-060000	WASHER, 6	4							W
		(A=F100126)									
67	1	22217-060000	WASHER, SPRING 6	4							W
		(A=F100126)									

Fig.81. DASHBOARD



(A)=EB3100

(B)=

(C)=

(D)=

(E)=

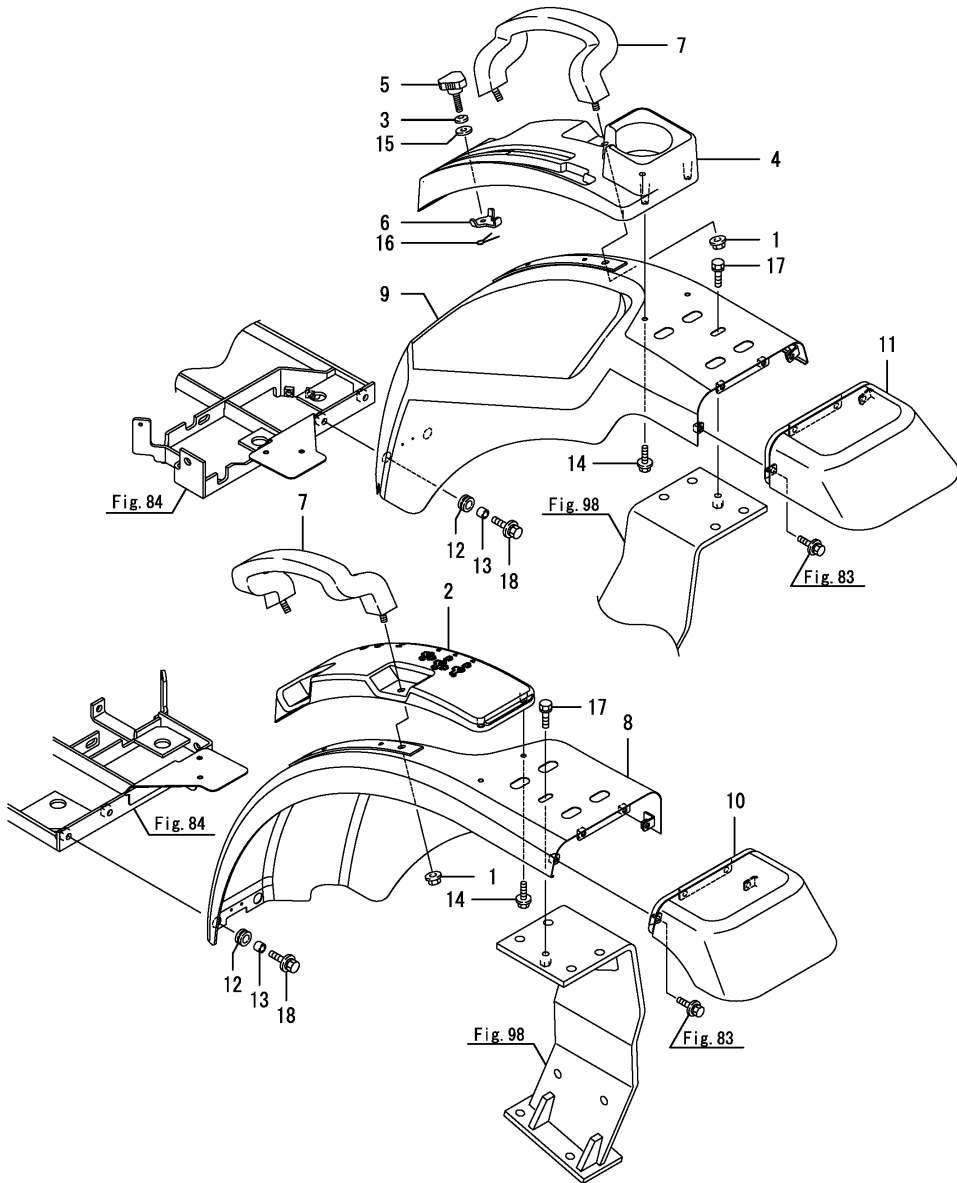
(F)=

No.	Lev.	Parts No.	Description	Q'ty						I	R
				(A)	(B)	(C)	(D)	(E)	(F)		
1	1	194215-04220	SPACER, 8X10X10	2							
2	1	198165-04380	RUBBER, 100X25X3	1							
3	1	1A7530-21210	RUBBER, ST	2							
4	1	194990-22050	NUT, M8	1							
5	1	194990-22140	NUT, M8	4							
6	1	1A7530-61420	STAND ASSY, BONNET	1							
7	1	1A7540-61450	STAY ASSY, ROD	1							
8	1	1A7540-61500	STAY ASSY, DASHBOARD	1							
9	1	198200-61550	STOPPER, STAND	1							
10	1	1A7540-61580	SPACER	1							
11	1	1A7540-61590	PLATE, ENGINE	1							
12	1	1A7510-61610	DASHBOARD, UPPER	1							
13	1	1A8300-61650	DASHBOARD ASSY, M	1							
14	2	198165-64260	MATERIAL, DAMPING E	2							
15	1	1A7510-61670	STAY ASSY, LOWER	1							
16	1	1A7531-61801	PLATE ASSY, AIR CUT	1							
17	1	1A7510-61850	TRIM, DASHBOARD	1							
18	1	1E6910-83500	GROMMET, 30	1							
19	1	22372-080000	PIN, SNAP 8	2							
20	1	26018-060162	BOLT, M6X 16	6							
21	1	26018-060162	BOLT, M6X 16	4							
22	1	26018-080162	BOLT, M8X 16	2							
23	1	26018-080202	BOLT, M8X 20	4							
24	1	26018-080202	BOLT, M8X 20	2							
25	1	26018-080252	BOLT, M8X 25	2							

Fig.82. FENDER

(A)=EB3100
(B)=
(C)=

(D)=
(E)=
(F)=



No.	Lev.	Parts No.	Description	Q'ty						I	R
				(A)	(B)	(C)	(D)	(E)	(F)		
1	1	194990-22140	NUT, M8	4							
2	1	1A7510-27450	GUIDE, CHANGE LEVER	1							
3	1	194300-37570	SPRING	1							
4	1	1A7510-47711	GUIDE, LEVER	1							
5	1	198165-47750	KNOB, CONTROL	1							
6	1	1A7510-47760	STOPPER, CONTROL	1							
7	1	1A7510-62100	BAR, ASSIST	2							
8	1	1A8300-62110-1	FENDER L(M ASSY	1							
9	1	1A8300-62120-1	FENDER R (M ASSY	1							
10	1	1A7510-62130-2	FENDER EXT L CMP	1							
11	1	1A7510-62140-2	FENDER EXT R CMP	1							
12	1	1A6640-62960	GROMMET	4							
13	1	1A6640-62970	COLLAR, 8.8X12X10	4							
14	1	198165-63130	SCREW, SMV	6							
15	1	22157-080000	WASHER, 8	1							
16	1	22417-200160	PIN, COTTER 2.0X16	1							
17	1	26013-080252	BOLT, M8X 25	2							
18	1	26018-080252	BOLT, M8X 25	4							

Fig.83. FENDER(BOLT

(A)=EB3100
(B)=
(C)=

(D)=
(E)=
(F)=

No.	Lev.	Parts No.	Description	Q'ty						I	R
				(A)	(B)	(C)	(D)	(E)	(F)		
1	1	26018-060162	BOLT, M6X 16	8							

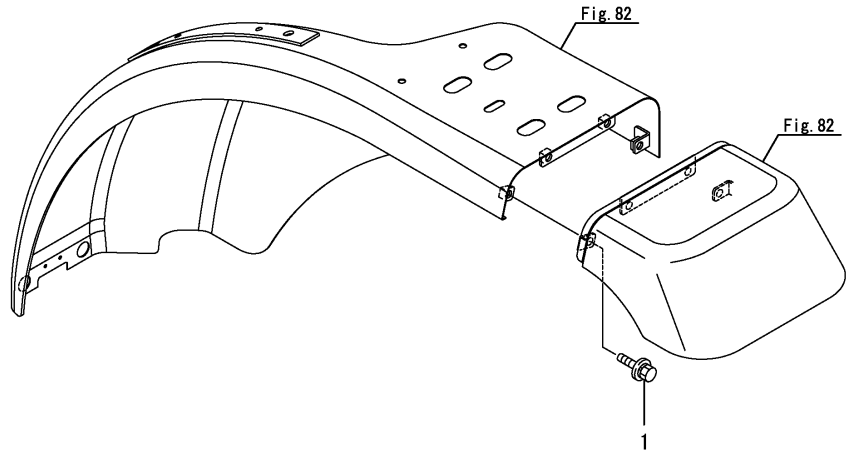


Fig.84. STEP

(A)=EB3100

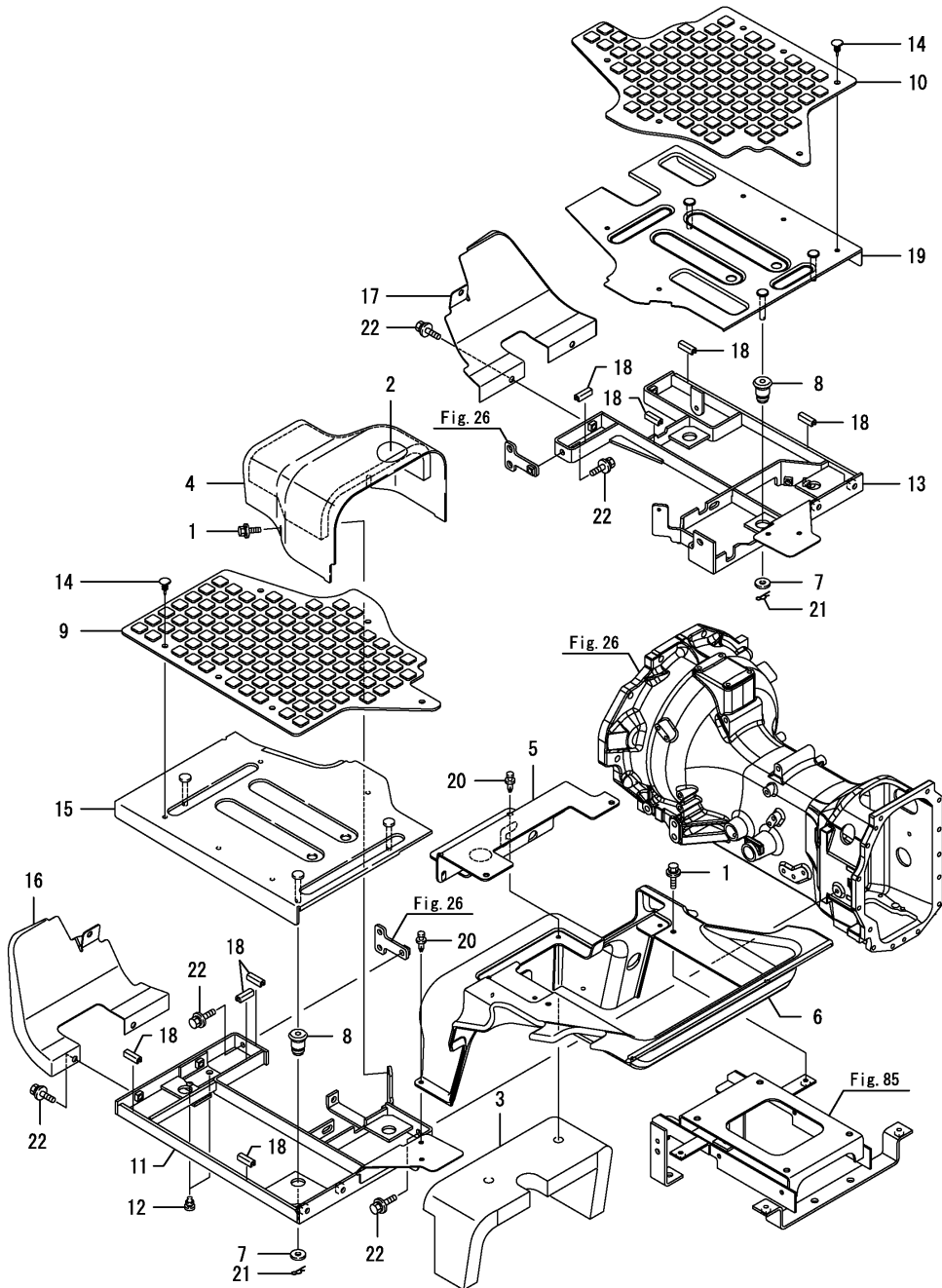
(B)=

(C)=

(D)=

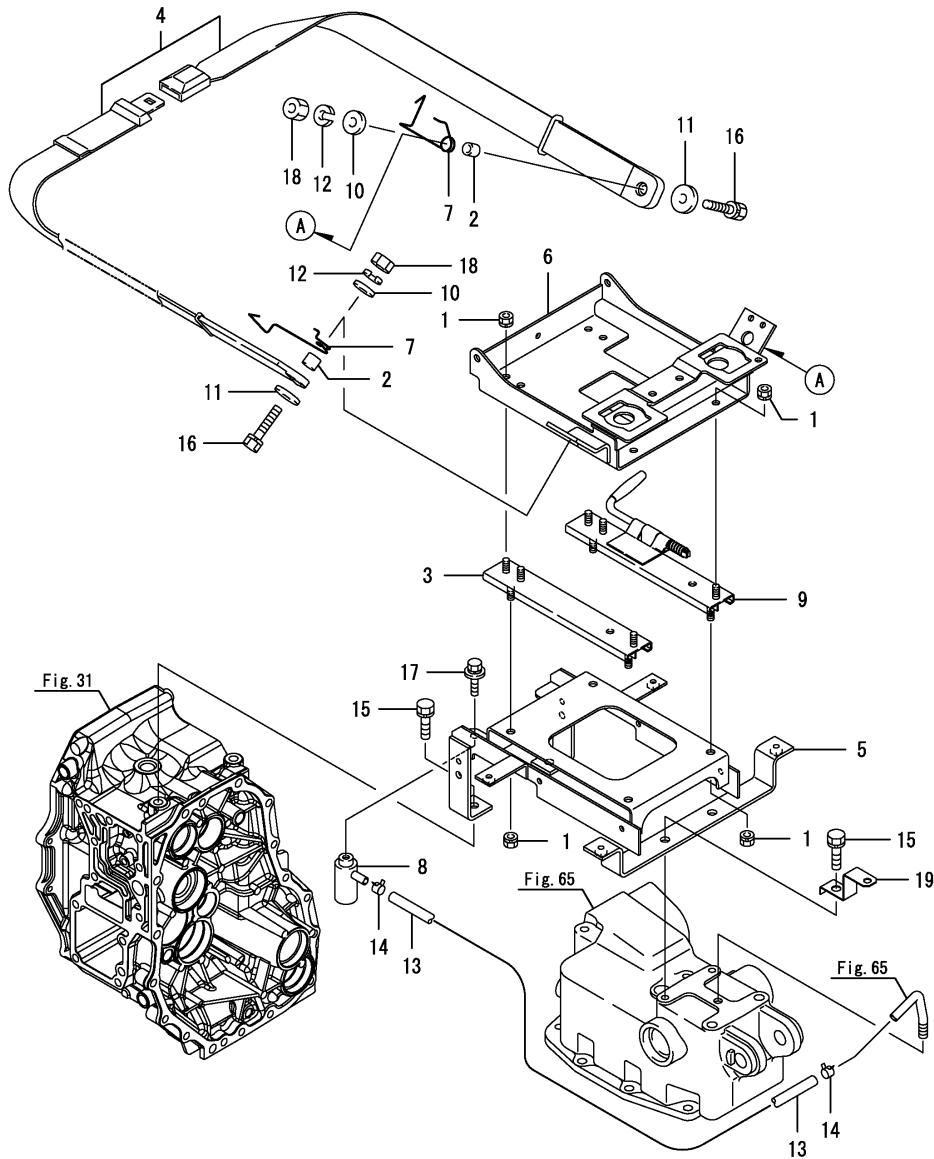
(E)=

(F)=



No.	Lev.	Parts No.	Description	Q'ty						I	R
				(A)	(B)	(C)	(D)	(E)	(F)		
1	1	198421-61620	BOLT, M6X20	6							
2	1	1A7530-61970	SEAL, FRONT COVER	1							
3	1	1A7530-61981	SEAL, COVER R	1							
4	1	1A7530-62030	COVER ASSY, FRONT FH	1							
5	1	1A7530-62060	COVER, SEAT	1							
6	1	1A7531-62070	CLOSE OUT, SEAT	1							
7	1	198220-62150	WASHER	6							
8	1	198240-62451	ABSORBER, STEP	6							
9	1	1A7530-62470	RUBBER, STEP L	1							
10	1	1A7530-62480	RUBBER, STEP R-H	1							
11	1	1A7530-62500	FRAME ASSY, STEP L	1							
12	1	194330-62530	STOPPER, PEDAL	2							
13	1	1A7530-62600	FRAME ASSY, STEP R	1							
14	1	198162-62630	FASNER	12							
15	1	198165-62661-1	STEP ASSY, L	1							
16	1	1A7530-62810-1	COVER ASSY, FOOT L	1							
17	1	1A7530-62820-1	COVER ASSY, FOOT R	1							
18	1	198220-62890	RUBBER, STOPPER	8							
19	1	1A7530-62930-1	STEP ASSY, R	1							
20	1	197810-84840	RIVET, NYLON	7							
21	1	22372-080000	PIN, SNAP 8	6							
22	1	26018-080202	BOLT, M8X 20	10							

Fig.85. SEAT BRACKET



(A)=EB3100

(B)=

(C)=

(D)=

(E)=

(F)=

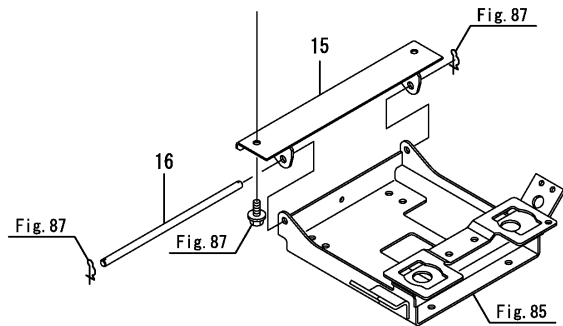
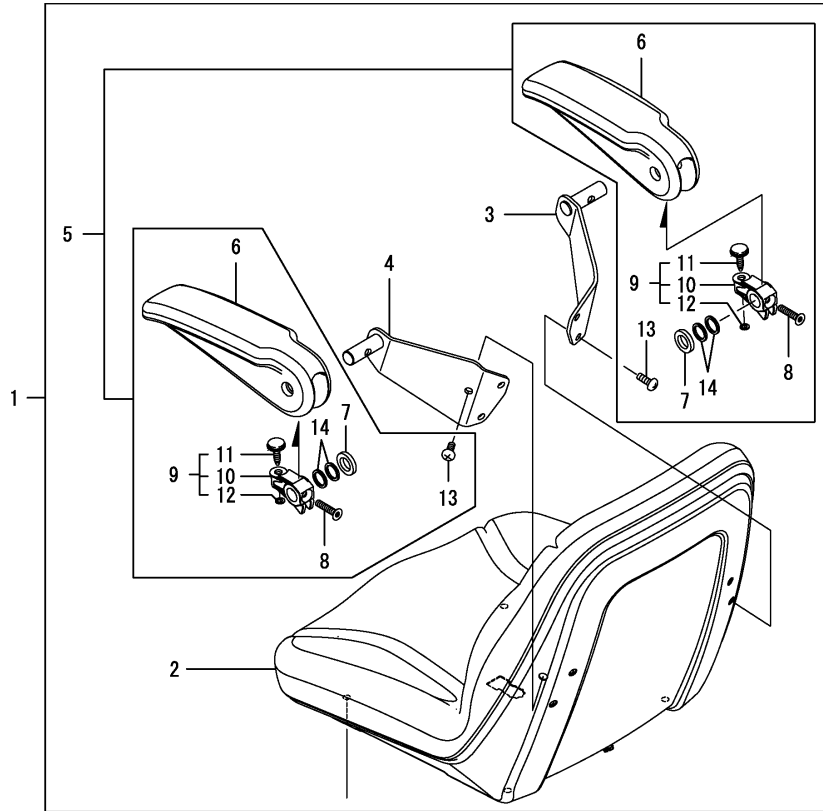
No.	Lev.	Parts No.	Description	Q'ty						I	R
				(A)	(B)	(C)	(D)	(E)	(F)		
1	1	194990-22050	NUT, M8	10							
2	1	1C6720-47780	COLLAR, 10X16X15	2							
3	1	198220-63150	ADJUSTER, SEAT	1							
4	1	1A7500-63171	BELT, SEAT	1							
5	1	1A7530-63200	BRACKET ASSY, SEAT	1							
6	1	1A7530-63400	SLIDER ASSY, SEAT	1							
7	1	198220-63450	HOLDER, BELT	2							
8	1	194205-63550	BREATHER, AIR	1							
9	1	1A6770-63850	ADJUSTER, SEAT	1							
10	1	22137-100000	WASHER, 10	2							
11	1	22157-100000	WASHER, 10	2							
12	1	22217-100000	WASHER, SPRING 10	2							
13	1	23065-090450	PIPE, 9X 450	1							
14	1	23080-012000	CLAMP, 12	2							
15	1	26013-100202	BOLT, M10X 20	4							
16	1	26013-100352	BOLT, M10X 35	2							
17	1	26018-080162	BOLT, M8X 16	1							
18	1	26716-100002	NUT, M10	2							
19	1	1A8300-63990	CLAMP, HARNESS	1							W

(A)=F100126

Fig.86. DRIVER SEAT

(A)=EB3100
(B)=
(C)=

(D)=
(E)=
(F)=

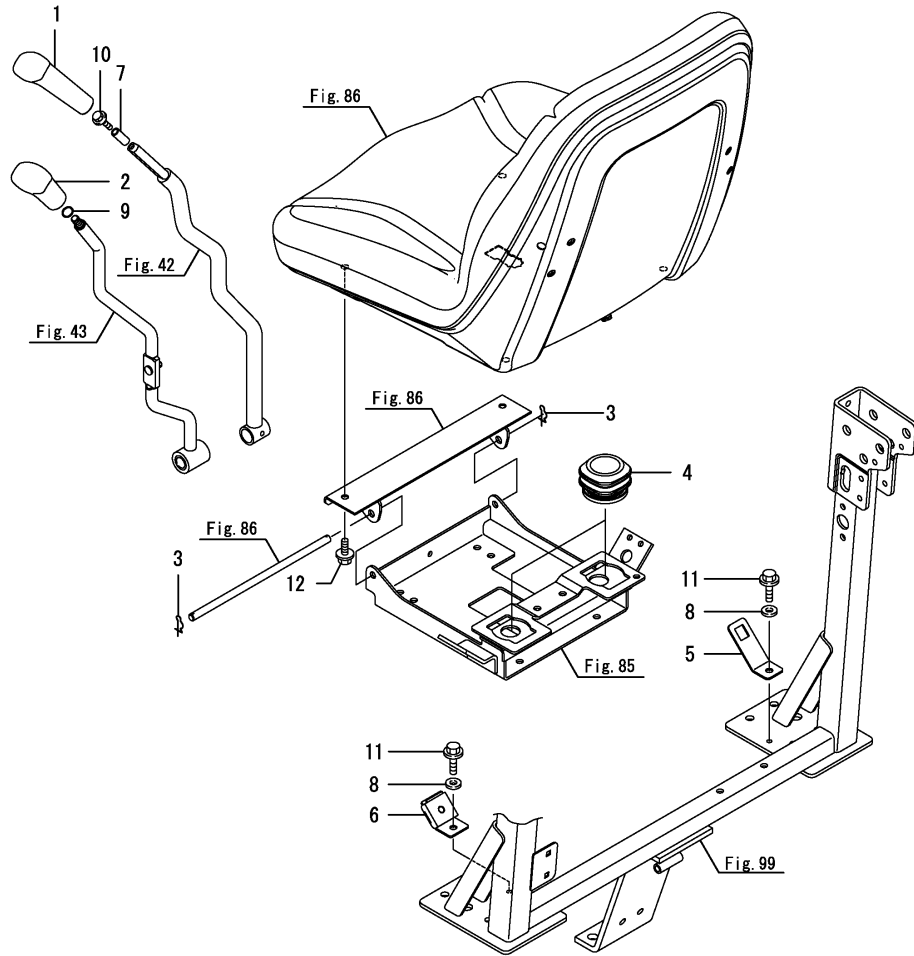


No.	Lev.	Parts No.	Description	Q'ty						I	R
				(A)	(B)	(C)	(D)	(E)	(F)		
1	1	1A8300-63000	SEAT ASSY, OPERATOR	1							
2	2	1A8300-63010	SEAT ASSY, OPERATOR	1							
3	2	1A8300-63500	BRACKET ASSY	1							
4	2	1A8300-63550	BRACKET ASSY	1							
5	2	1A8300-63600	REPLACE KIT, ARMREST	1							
6	3	1A8300-63620	ARMREST	2							
7	3	1A8300-63660	SPACER	2							
8	3	1A8300-63670	SCREW, 5/16-18UNC	2							
9	3	1A8300-63680	STOP ASSY, ARMREST	2							
10	4	1A8300-63690	STOP, ARMREST	2							
11	4	1A8300-63700	KNOB, ADJUSTING	2							
12	4	1A8300-63710	RING, RETAINING	2							
13	3	1A8300-63720	SCREW, 5/16-18	6							
14	3	1A8300-63730	SPACER	4							
15	1	1A8300-63100	HINGE ASSY, SEAT	1							
16	1	1A8300-63200	PIN, SEAT	1							

Fig.87. BRACKET,SEAT

(A)=EB3100
(B)=
(C)=

(D)=
(E)=
(F)=



No.	Lev.	Parts No.	Description	Q'ty						I	R
				(A)	(B)	(C)	(D)	(E)	(F)		
1	1	1A8300-27810	KNOB, SHIFT	1							
2	1	1A8300-27830	KNOB, PTO	1							
3	1	1C6281-52320	PIN, SNAP 8	2							
4	1	1A8300-63140	RUBBER, CUSHION	2							
5	1	1A7130-63190	HOOK, R	1							
6	1	1A7130-63600	HOOK, L	1							
7	1	198200-78710	COLLAR, 6.5X21X2	1							
8	1	22137-080000	WASHER, 8	2							
9	1	24311-000110	O-RING, 1AP11.0	1							
10	1	26106-060352	BOLT, M6X 35 PLATED	1							
11	1	26106-080122	BOLT, M8X 12 PLATED	2							
12	1	26106-080162	BOLT, M8X 16 PLATED	2							

Fig.88. LABEL(1)

(A)=EB3100
(B)=
(C)=

(D)=
(E)=
(F)=

No.	Lev.	Parts No.	Description	Q'ty						I	R
				(A)	(B)	(C)	(D)	(E)	(F)		
1	1	41800-110040	EMBLEM, S 04	1							
2	1	198220-65410	LABEL, SCV LEVER	1							
3	1	1A8300-65430	LABEL, SCV COUPLER	1							
4	1	1A7530-65471	LABEL, HYD.LEVER	1							
5	1	1A7520-65480	LABEL B, HYD.LEVER	1							
6	1	1A8300-65530	LABEL, LOGO L EB	1							
7	1	1A8300-65540	LABEL, LOGO R EB	1							
8	1	198165-65690	DECAL,	1							

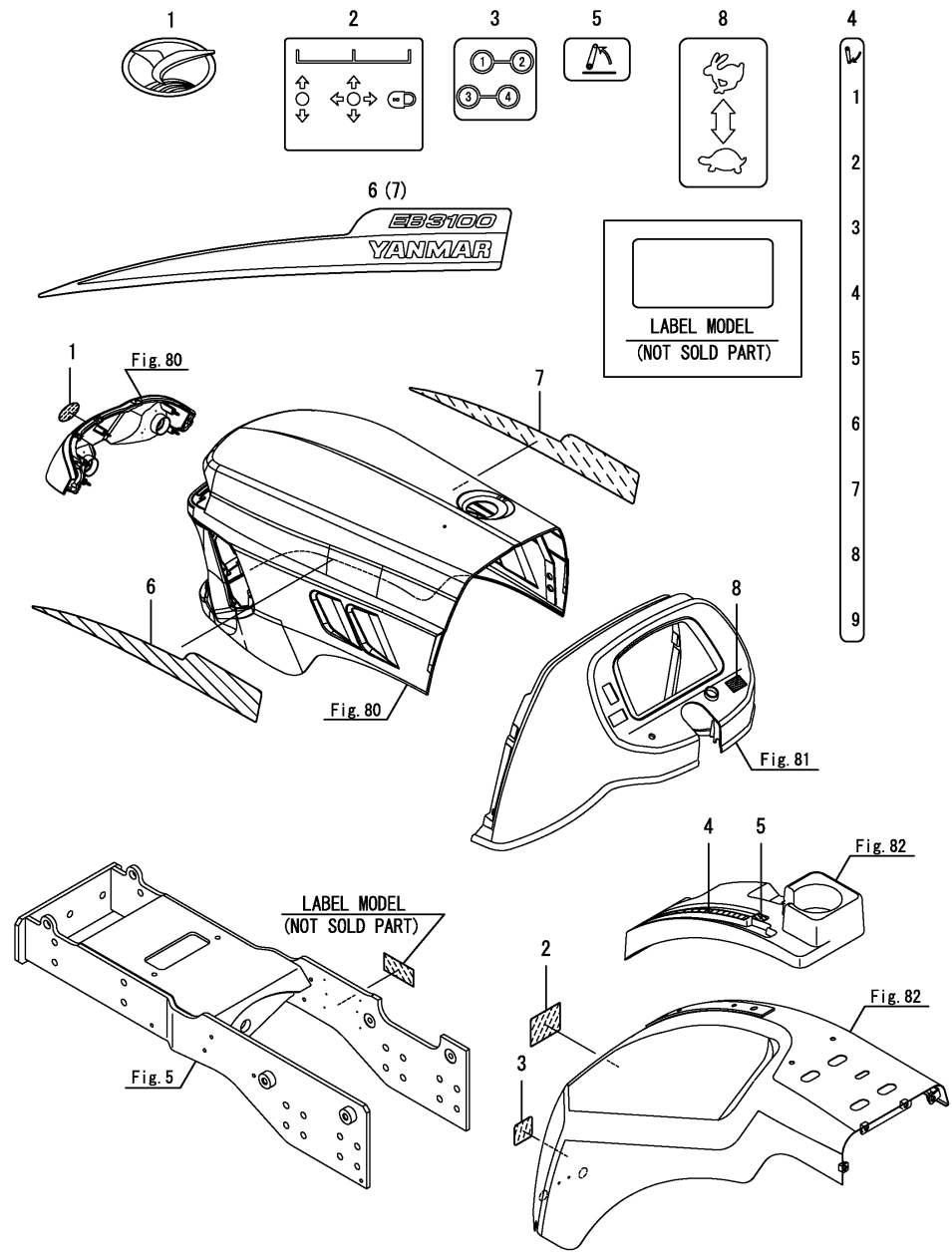


Fig.89. LABEL(2)

(A)=EB3100
(B)=
(C)=

(D)=
(E)=
(F)=

No.	Lev.	Parts No.	Description	Q'ty						I	R
				(A)	(B)	(C)	(D)	(E)	(F)		
1	1	1A8300-65421	LABEL, START SWITCH	1							
2	1	1A8250-65630	LABEL, SOCKET	1							
3	1	1A8300-65630	DECAL, SCV LOCK	1							
4	1	1A8300-65730	DECAL, LIGHT	1							

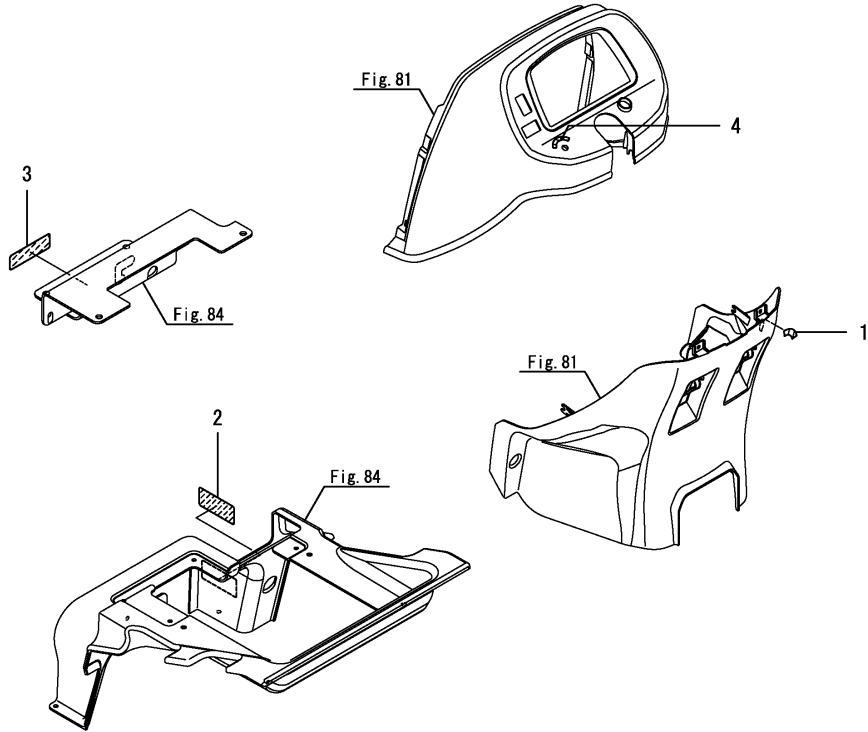
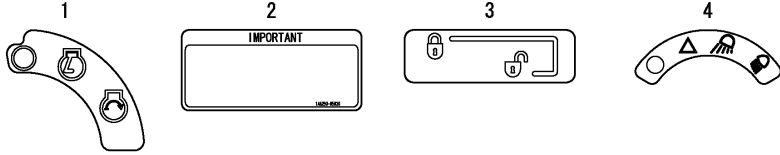


Fig.90. LABEL(3)

(A)=EB3100
(B)=
(C)=

(D)=
(E)=
(F)=

No.	Lev.	Parts No.	Description	Q'ty						I	R
				(A)	(B)	(C)	(D)	(E)	(F)		
1	1	1A7880-15880	PLATE	1							
2	1	1A8160-65860	TAPE, 50X115	2							

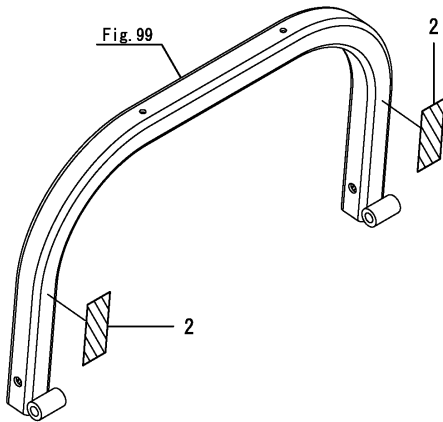
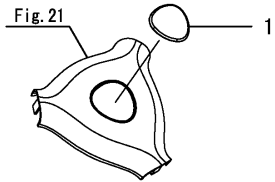
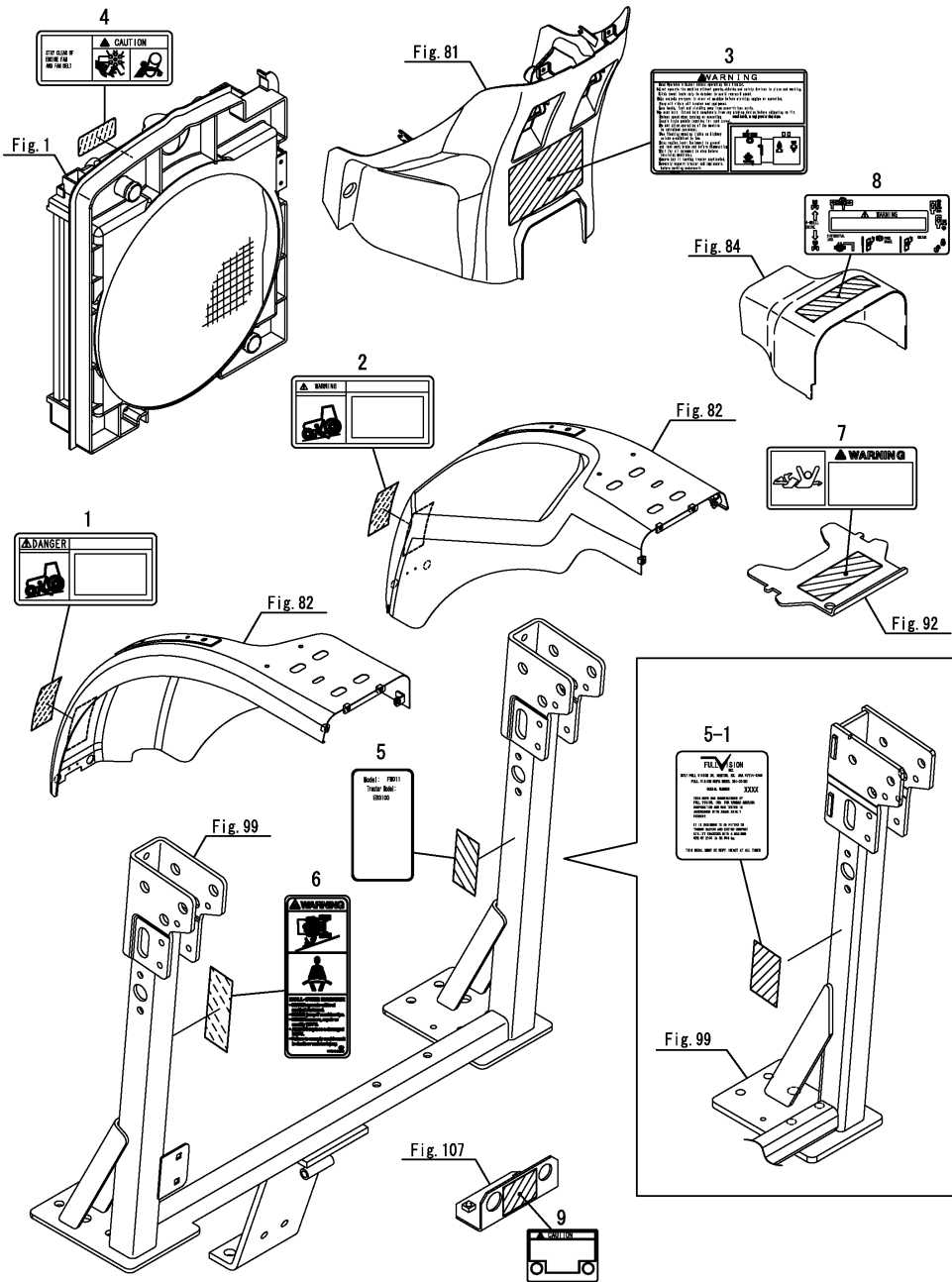


Fig.91. LABEL(SAFETY)



(A)=EB3100
(B)=
(C)=

(D)=
(E)=
(F)=

No.	Lev.	Parts No.	Description	Q'ty						I	R
				(A)	(B)	(C)	(D)	(E)	(F)		
1	1	1A8160-65300	LABEL,DANGER,START	1							
2	1	1A8160-65310	LABEL,WARNIBG,STOP	1							
3	1	1A8300-65320	LABEL, WARINING	1							
4	1	1A7880-65610	LABEL,WARNING,FAN	1							
5	1	1A8300-65990	LABEL, ROPS EB	1							
5-1	1	1A8300-65960	LABEL, ROPS STANDARD	1							S
(A=F100221)											
6	1	1A7340-65850	LABEL,ROPS WARNING	1							
7	1	198220-65621	LABEL, P.T.O.WARNING	1							
8	1	1A7510-65201	LABEL,OPERATION H	1							
9	1	1A8300-65400	LABEL, CAUTION	1							

Fig.92. PTO GUARD

(A)=EB3100
(B)=
(C)=

(D)=
(E)=
(F)=

No.	Lev.	Parts No.	Description	Q'ty						I	R
				(A)	(B)	(C)	(D)	(E)	(F)		
1	1	1A7530-26580	PLATE KIT, PTO GUARD	1							
2	1	198165-26600	COVER ASSY, PTO	1							
3	1	198165-26700	COVER ASSY, PTO	1							
4	1	26018-060162	BOLT, M6X 16	4							

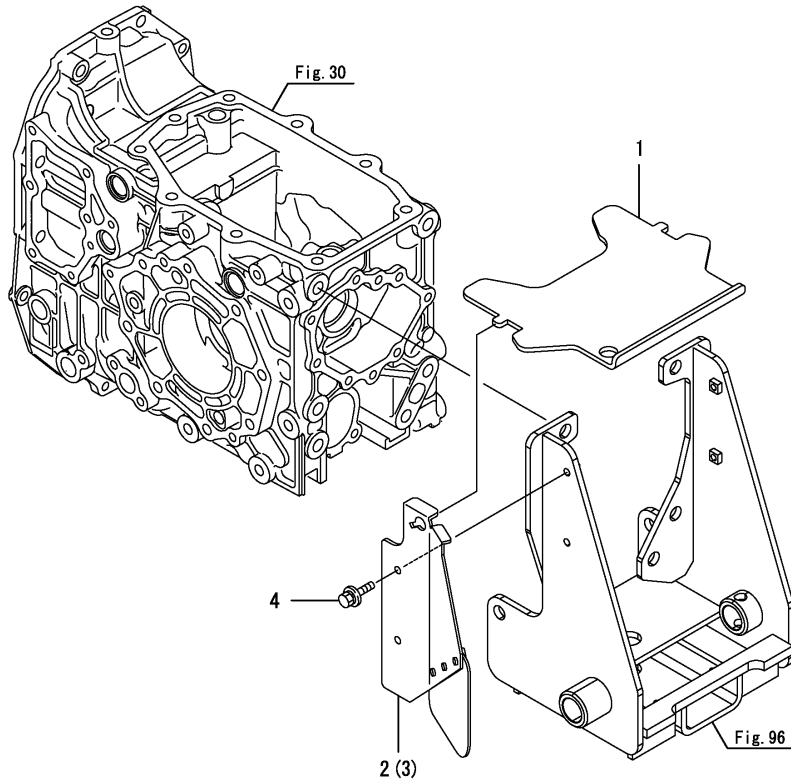


Fig.93. PTO SHAFT COVER

(A)=EB3100
(B)=
(C)=

(D)=
(E)=
(F)=

No.	Lev.	Parts No.	Description	Q'ty						I	R
				(A)	(B)	(C)	(D)	(E)	(F)		
1	1	1A7510-26850	COVER, SHAFT	1							

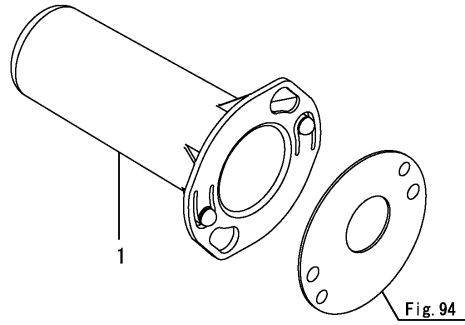


Fig.94. OIL SEAL COVER

(A)=EB3100
(B)=
(C)=

(D)=
(E)=
(F)=

No.	Lev.	Parts No.	Description	Q'ty						I	R
				(A)	(B)	(C)	(D)	(E)	(F)		
1	1	1A7530-26490	COVER, OIL SEAL	1							
2	1	194250-32530	PIN, HOOK	2							

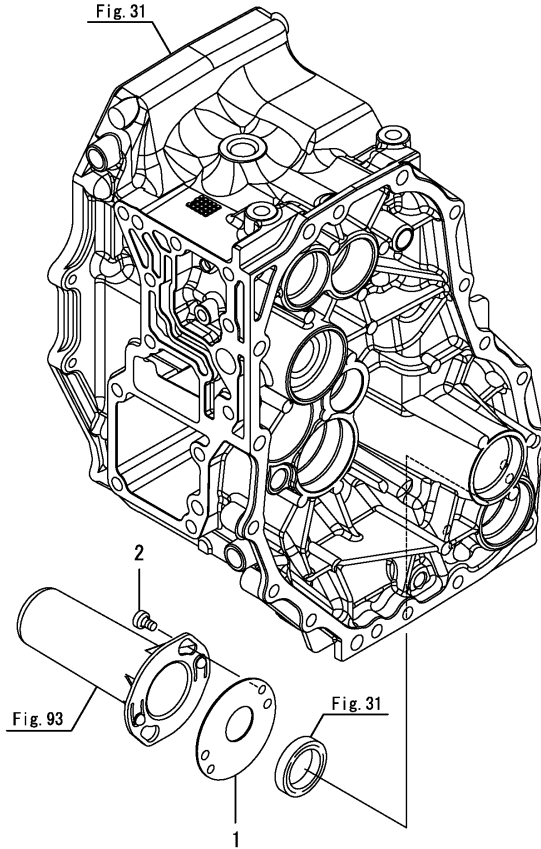


Fig.95. 3-POINT HITCH

(A)=EB3100

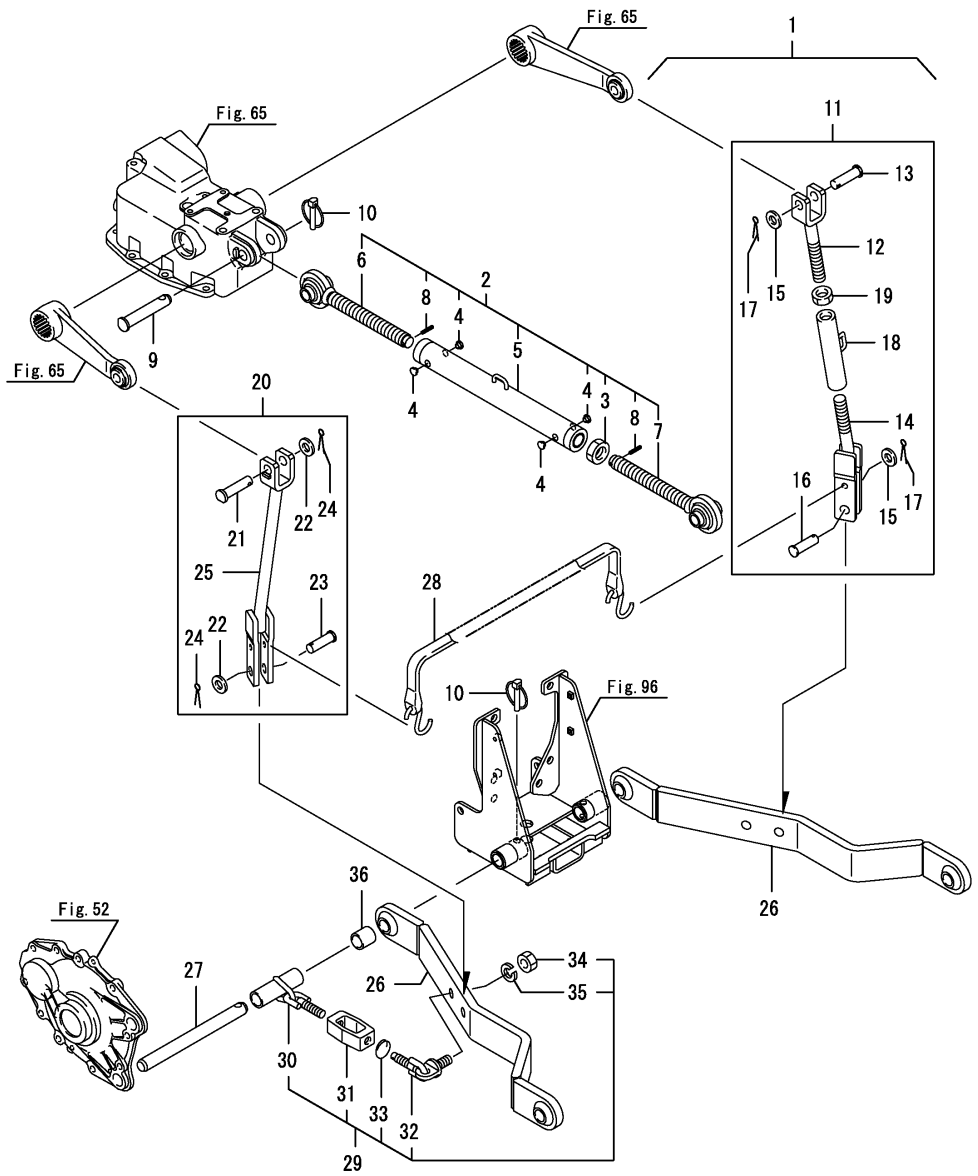
(B)=

(C)=

(D)=

(E)=

(F)=



No.	Lev.	Parts No.	Description	Qty						I	R
				(A)	(B)	(C)	(D)	(E)	(F)		
1	1	1A7540-71100	HITCH ASSY, 3-POINT	1							
2	2	1A7500-71112	LINK ASSY, UPPER	1							
3	3	1A7500-71200	NUT, LOCK M24	1							
4	3	1A7335-71250	CAP	4							
5	3	1A7500-71251	TUBE ASSY	1							
6	3	1A7500-71271	BOLT, EYE	1							
7	3	1A7500-71291	BOLT ASSY, EYE	1							
8	3	22351-050025	PIN, SPRING 5.0X25	2							
9	2	1A7530-71120	PIN, LINK	1							
10	2	1A7500-71130	PIN ASSY, LINTCH	3							
11	2	1A7530-72110	LINK ASSY, LIFT R	1							
12	3	1A7530-72120	CLEVIS ASSY	1							
13	3	1A7500-72150	PIN	1							
14	3	1A7530-72150	END ASSY, LOWER	1							
15	3	1A7500-72160	WASHER, 16	2							
16	3	1A7500-72170	PIN	1							
17	3	1A7500-72180	PIN, 4.0X32	2							
18	3	1A7500-72350	TURNBUCKLE	1							
19	3	1A7500-72380	NUT, M20X2.5	1							
20	2	1A7530-72210	LINK ASSY, LIFT L	1							
21	3	1A7500-72150	PIN	1							
22	3	1A7500-72160	WASHER, 16	2							
23	3	1A7500-72170	PIN	1							
24	3	1A7500-72180	PIN, 4.0X32	2							
25	3	1A7530-72220	LINK ASSY, LIFT L	1							
26	2	1A7530-73111	LINK, LOWER	2							
27	2	1A7530-73120	PIN, HINGE	2							
28	2	1A7500-73310	STRAP, LINK	1							
29	2	1A7530-74610	CHAIN ASSY, SWAY	2							
30	3	1A7530-74630	CHAIN ASSY	2							
31	3	1A7500-74640	TURNBUCKLE	2							
32	3	1A7530-74650	CHAIN ASSY	2							
33	3	1A7500-74661	RING, 32	2							
34	3	1A7500-74670	NUT, M16	2							
35	3	1A7500-74680	WASHER, SPRING 16	2							
36	2	1A7530-74620	COLLAR, HINGE PIN	2							

Fig.96. REAR HITCH

(A)=EB3100
(B)=
(C)=

(D)=
(E)=
(F)=

No.	Lev.	Parts No.	Description	Qty						I	R
				(A)	(B)	(C)	(D)	(E)	(F)		
1	1	1A7531-75400	HITCH ASSY, REAR	1							
2	1	26013-120302	BOLT, M12X 30	8							

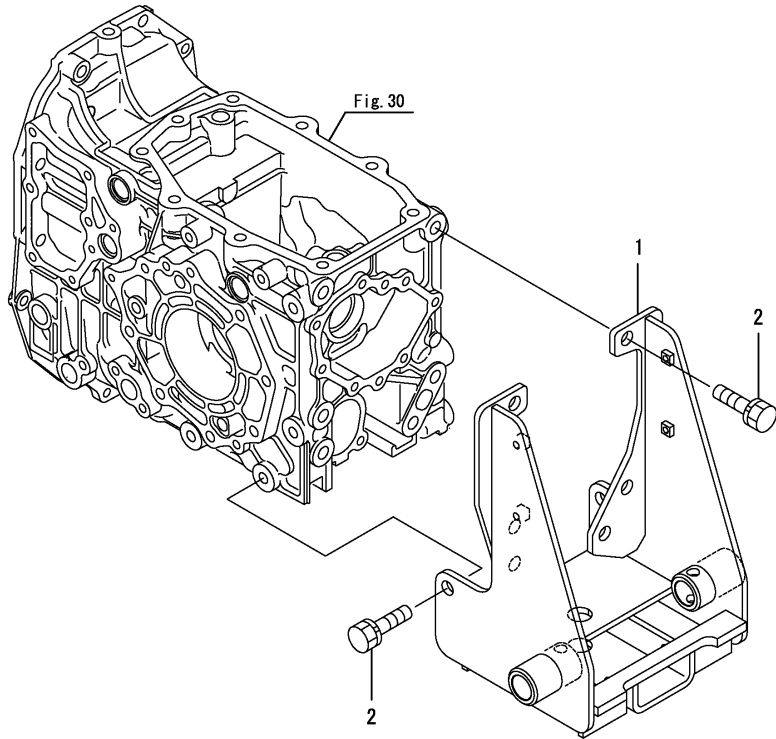


Fig.97. DRAWBAR HITCH

(A)=EB3100
(B)=
(C)=

(D)=
(E)=
(F)=

No.	Lev.	Parts No.	Description	Q'ty						I	R
				(A)	(B)	(C)	(D)	(E)	(F)		
1	1	194145-75250	RING, STOPPER	1							
2	1	198165-75710	DRAWBAR	1							
3	1	198165-75720	PIN, DRAWBAR	1							

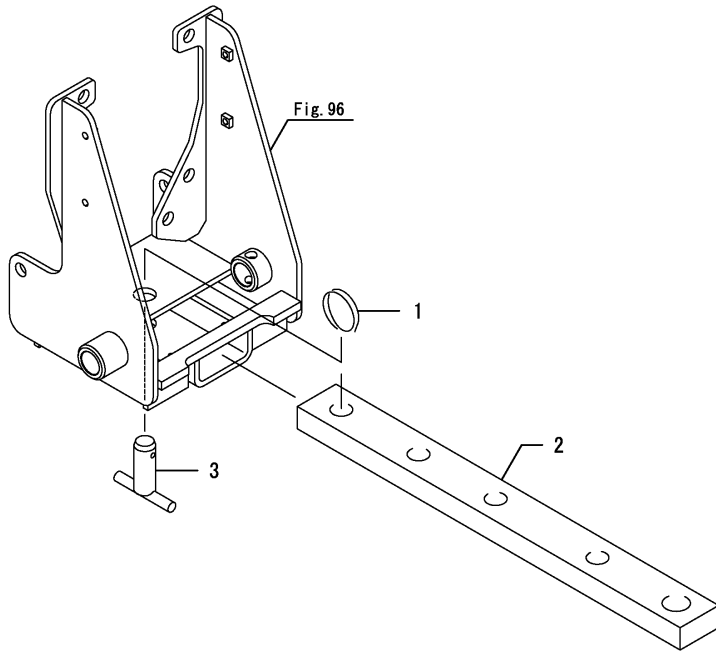


Fig.98. ROPS(1)

(A)=EB3100
(B)=
(C)=

(D)=
(E)=
(F)=

No.	Lev.	Parts No.	Description	Q'ty						I	R
				(A)	(B)	(C)	(D)	(E)	(F)		
1	1	1A7530-85080	ROPS KIT, LOWER 2520	1							
2	2	1A7530-85200	FRAME ASSY, LOWER L	1							
3	2	1A7530-85250	FRAME ASSY, LOWER R	1							
4	1	1A7530-85301	PLATE ASSY, LOWER	2							
5	1	1A7530-85950	BOLT, M12X155	8							

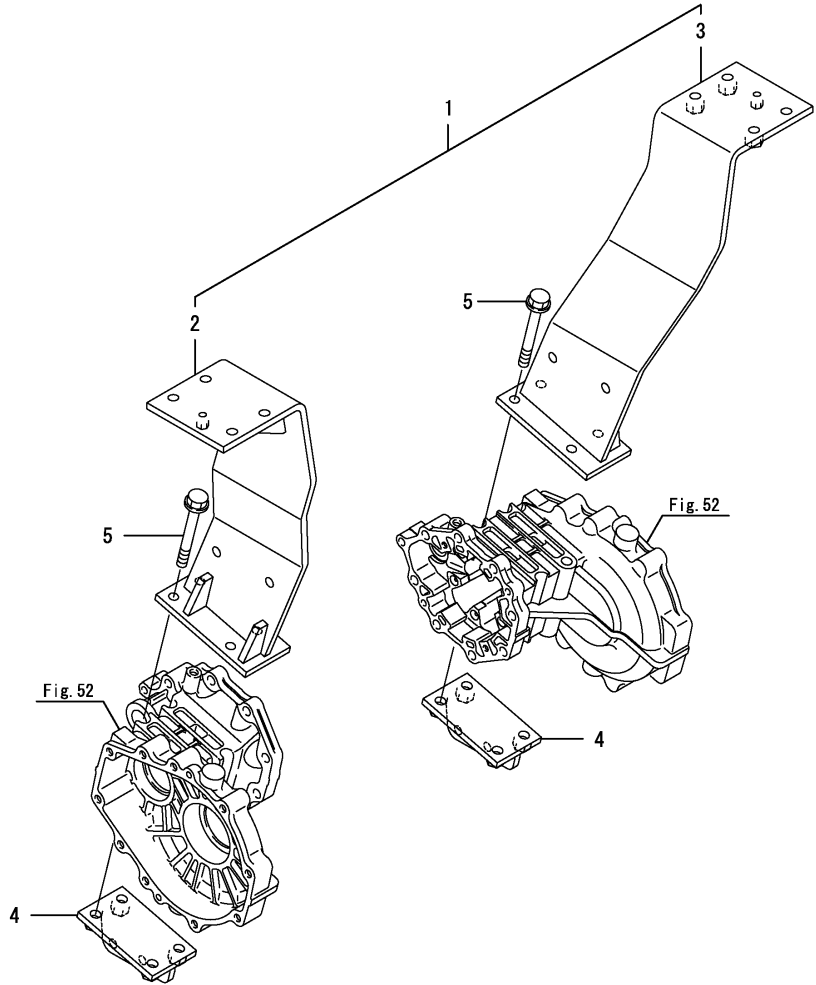
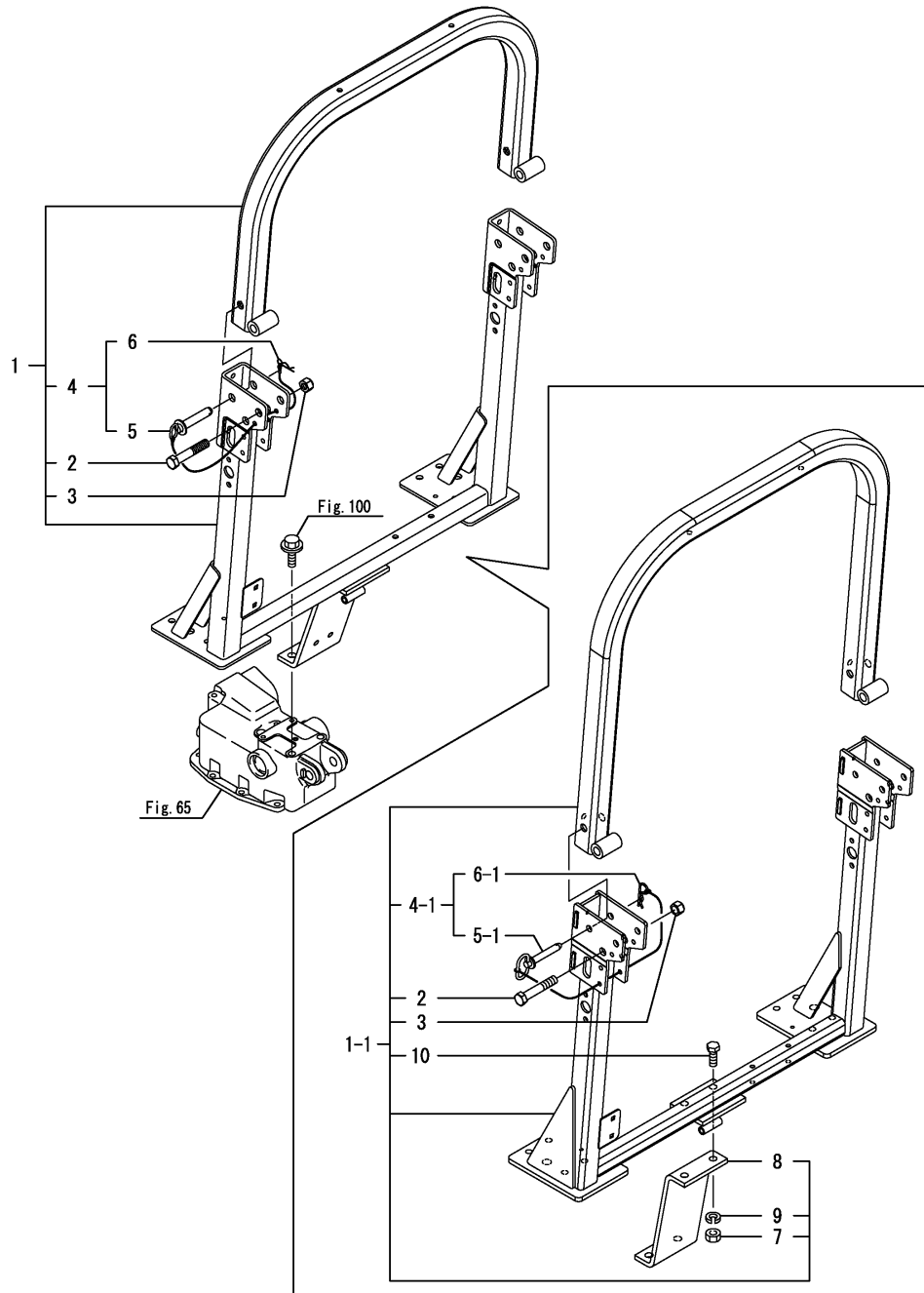


Fig.99. ROPS(2)

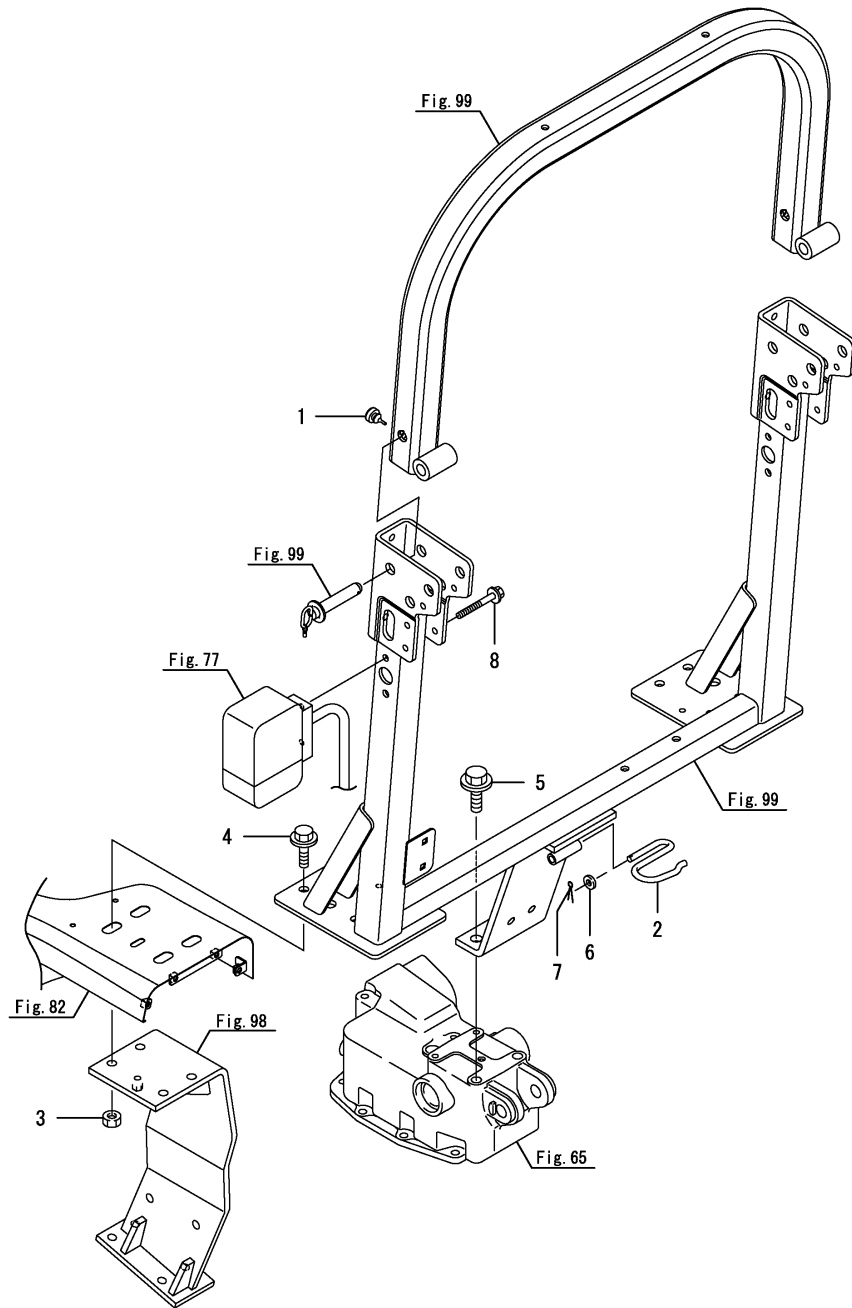


(A)=EB3100
(B)=
(C)=

(D)=
(E)=
(F)=

No.	Lev.	Parts No.	Description	Q'ty						I	R
				(A)	(B)	(C)	(D)	(E)	(F)		
1	1	1A8300-85080	ROPS ASSY,M	1							
1-1	1	1A8300-85410	MASSY, ROPS	1							S
(A=F100221)											
2	2	1A8300-85430	BOLT, M16X90	2							
3	2	1A8300-85440	NUT, M16	2							
4	2	1A8300-85910	PIN ASSY, STOPPER	2							
4-1	2	1A8160-85311	PIN ASSY, HITCH	2							S
(A=F100221)											
5	3	1A8300-85920	STOPPER ASSY, PIN	2							
5-1	3	1A8160-85320	PIN, HITCH	2							S
(A=F100221)											
6	3	1A8300-85930	CLIP, PIN	2							
6-1	3	1TN322-71170	BETA PIN	2							S
(A=F100221)											
7	2	194450-21980	NUT, M14	2							W
(A=F100221)											
8	2	1A8300-85800	PLATE ASSY, CENTER	1							W
(A=F100221)											
9	2	22217-140000	WASHER, SPRING 14	2							W
(A=F100221)											
10	2	26086-140402	BOLT, 10.914X 40	2							W
(A=F100221)											

Fig.100. BOLT,ROPS



(A)=EB3100
(B)=
(C)=

(D)=
(E)=
(F)=

No.	Lev.	Parts No.	Description	Q'ty						I	R
				(A)	(B)	(C)	(D)	(E)	(F)		
1	1	194330-62530	STOPPER, PEDAL	2							
2	1	1A7880-71550	SPRING	1							
3	1	198172-85440	NUT, M12	8							
4	1	198165-85970	BOLT, M12X35	8							
5	1	198165-85980	BOLT, M14X30	2							
6	1	22137-080000	WASHER, 8	1							
7	1	22417-300250	PIN, COTTER 3.0X25	1							
8	1	26106-080702	BOLT, M8X 70 PLATED	4							

Fig.101. SMV(1)

(A)=EB3100
(B)=
(C)=

(D)=
(E)=
(F)=

No.	Lev.	Parts No.	Description	Q'ty						I	R
				(A)	(B)	(C)	(D)	(E)	(F)		
1	1	194990-22130	NUT, M6	2							
2	1	194990-22140	NUT, M8	2							
3	1	26106-060162	BOLT, M6X 16 PLATED	2							
4	1	26487-080163	BOLT, M8X16	2							

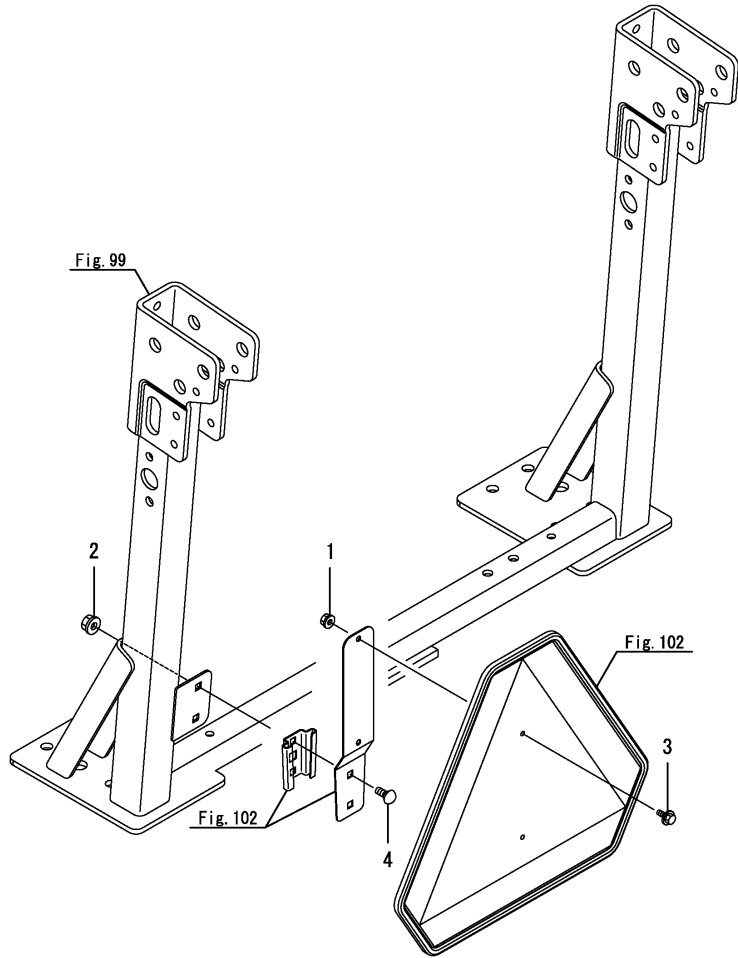


Fig.102. SMV(2)

(A)=EB3100
(B)=
(C)=

(D)=
(E)=
(F)=

No.	Lev.	Parts No.	Description	Q'ty						I	R
				(A)	(B)	(C)	(D)	(E)	(F)		
1	1	1A8160-65800	EMBLEM, SMV	1							
2	1	1A7882-85620	STAY, SMV	1							
3	1	1A7882-85630	HOLDER, SMV	1							

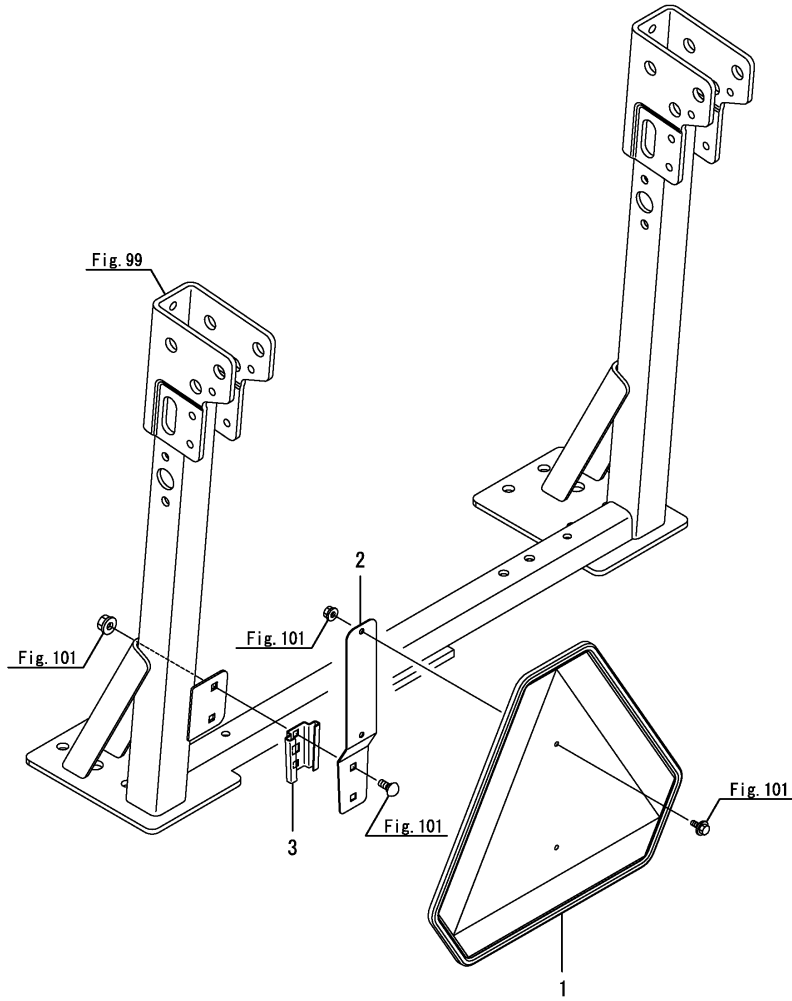
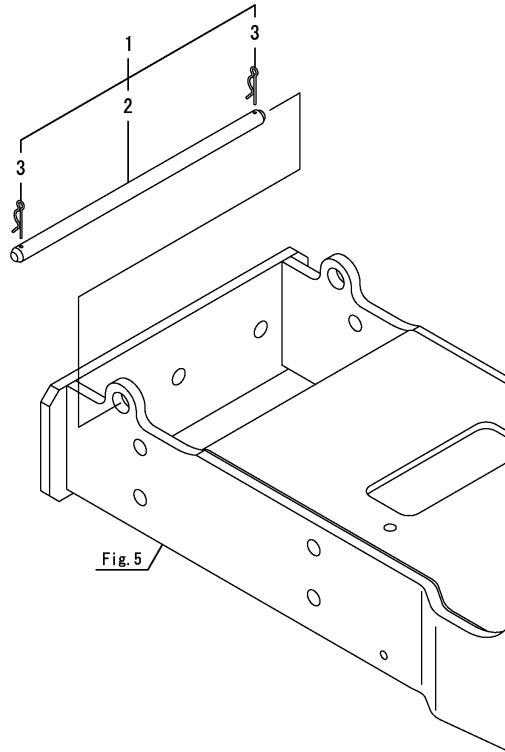


Fig.104. WEIGHT LOCK PIN

(A)=EB3100
(B)=
(C)=

(D)=
(E)=
(F)=

No.	Lev.	Parts No.	Description	Q'ty						I	R
				(A)	(B)	(C)	(D)	(E)	(F)		
1	1	1A8300-10650	PIN ASSY,WEIGHT LOCK	1							
2	2	1A7880-10641	PIN	1							
3	2	22372-160000	PIN, SNAP 16	2							



Remarks
* Optional parts.

Fig.105. FUEL LINE(FAME)

(A)=EB3100

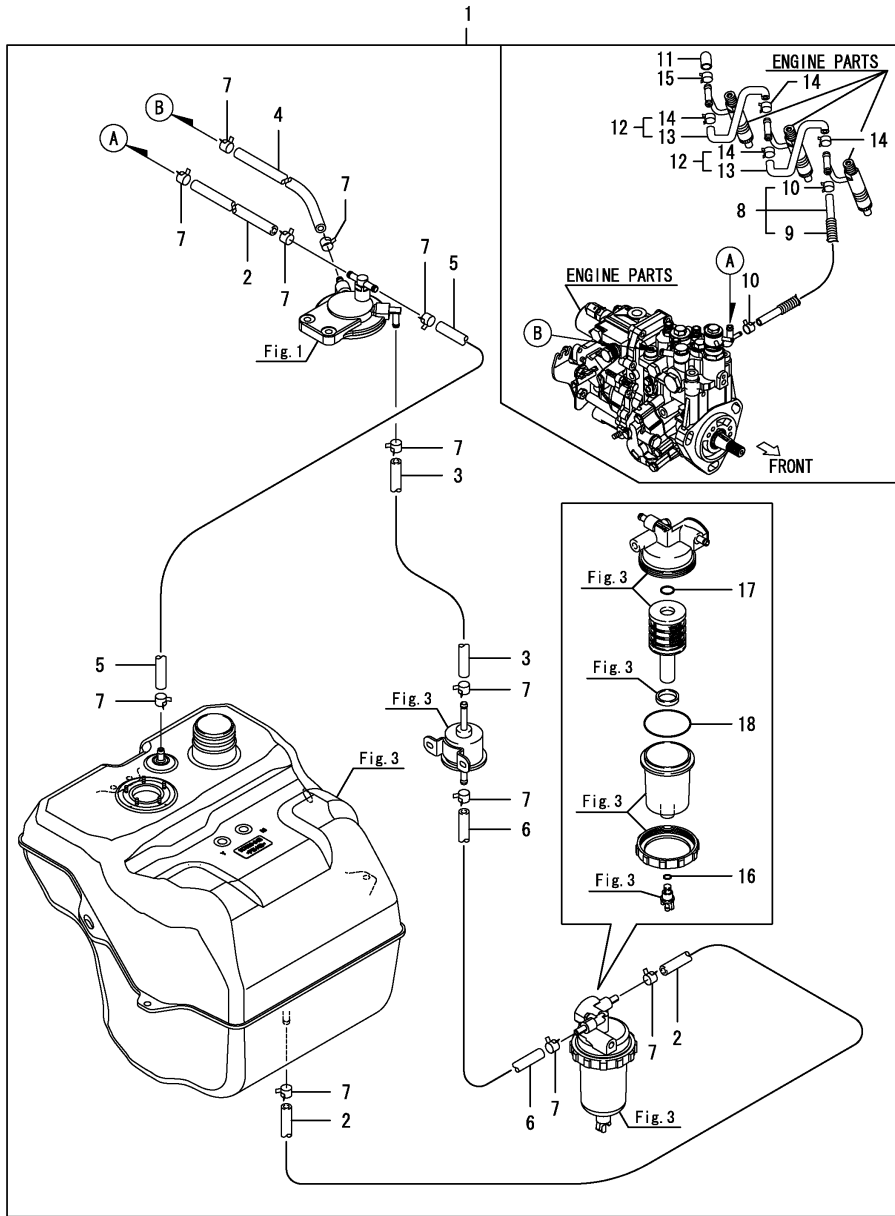
(B)=

(C)=

(D)=

(E)=

(F)=



No.	Lev.	Parts No.	Description	Qty						I	R
				(A)	(B)	(C)	(D)	(E)	(F)		
1	1	1A7540-04250	HOSE KIT , FUEL	1							
2	2	1A7530-04560	HOSE, FUEL 35X350X35	2							
3	2	1A7540-04570	HOSE, FUEL 70X45X270	1							
4	2	1A7510-04580	HOSE, FUEL 40X290	1							
5	2	1A7540-04580	HOSE, FUEL 33X650X33	1							
6	2	1A7540-04590	HOSE, FUEL 70X70	1							
7	2	114270-59010	CLIP, HOSE 12	12							
8	2	129268-59551	PIPE ASSY, RETURN	1							
9	3	129237-59120	PROTECTOR,HOSE	1							
10	3	124060-77680	CLIP, HOSE 10	2							
11	2	119593-59581	CAP	1							
12	2	129486-59581	HOSE, FUEL	2							
13	3	129486-59521	PIPE, FUEL RETURN	2							
14	3	124060-77680	CLIP, HOSE 10	4							
15	2	124060-77680	CLIP, HOSE 10	1							
16	2	24316-000070	O-RING, 4DP7.0	1							
17	2	24316-000160	O-RING, 4DP16.0	1							
18	2	24326-000650	O-RING, 4DG65.0	1							

Remarks

* Optional parts.

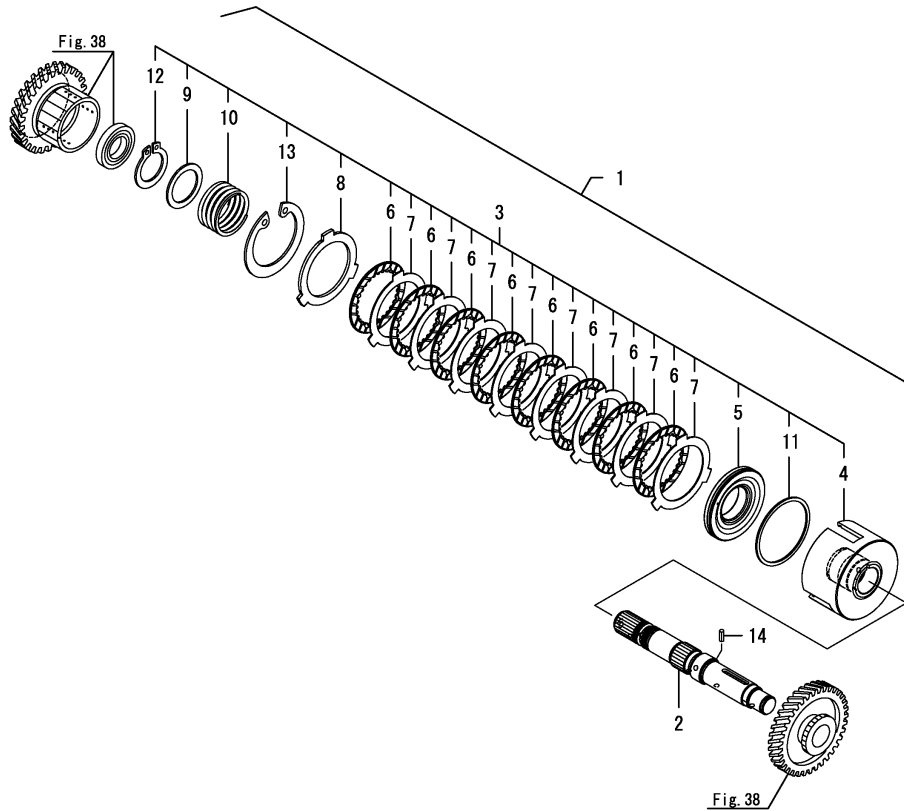
N:Old $\xrightarrow{\text{Yes}}$ New, Q:Old $\xrightarrow{\text{No}}$ New, R:Old $\xrightarrow{\text{Yes}}$ New, S:Old $\xrightarrow{\text{No}}$ New, W:Add, Z:Discontinued, F:Interchangeable by set, K:Q'ty Change

0CNP5-M53900 OPTIONAL SECTION
Fig.106. PTO CLUTCH KIT

(A)=EB3100
 (B)=
 (C)=

(D)=
 (E)=
 (F)=

No.	Lev.	Parts No.	Description	Q'ty						I	R
				(A)	(B)	(C)	(D)	(E)	(F)		
1	1	1A7540-26400	KIT, PTO CLUTCH	1							
2	2	1A7540-26480	SHAFT ASSY, CLUTCH	1							
3	2	1A7540-26600	CLUTCH ASSY, PTO	1							
4	3	1A7540-26220	CYLYNDER, CLUTCH PTO	1							
5	3	1A7540-26610	PISTON	1							
6	3	1A7540-26620	FRICION PLATE 80	8							
7	3	1A7540-26630	PLATE, STEEL 1.2	8							
8	3	1A7540-26640	PLATE, STEEL 3.18	1							
9	3	1A7540-26650	THRUST WASHER	1							
10	3	1A7540-26660	SPRING, PTO	1							
11	3	1A7540-26670	D-RING	1							
12	3	22242-000360	RING, 36	1							
13	3	22252-000800	RING, 80	1							
14	2	22351-030008	PIN, SPRING 3.0X 8	1							



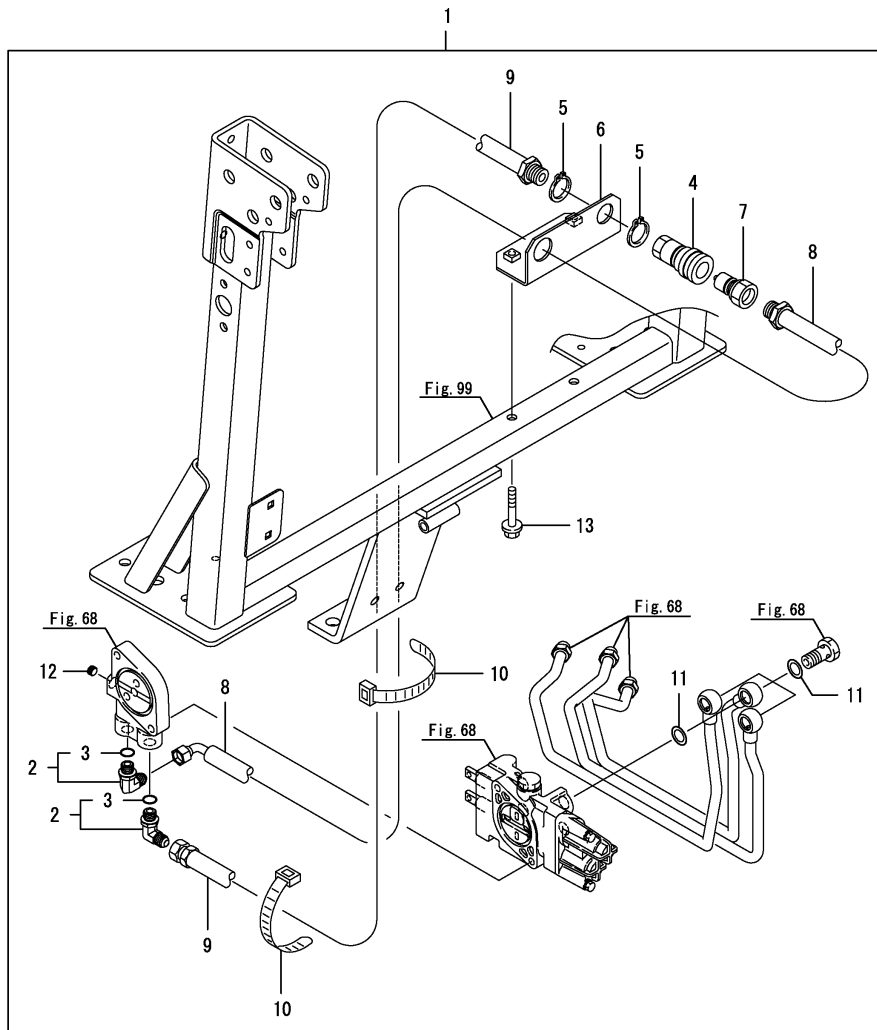
Remarks
 * Optional parts.

OCNP5-M53900 OPTIONAL SECTION
Fig.107. REAR HYDRAULIC

(A)=EB3100
 (B)=
 (C)=

(D)=
 (E)=
 (F)=

No.	Lev.	Parts No.	Description	Q'ty						I	R
				(A)	(B)	(C)	(D)	(E)	(F)		
1	1	1A8300-48800	POWER BEYOND KIT	1							
2	2	1TN322-38910	JOINT,90SAE9/16-18	2							
3	3	1TN322-38930	PACKING, JOINT	2							
4	2	1A8160-46250	COUPLER, QUICK 3/8	1							
5	2	198240-46260	RING, SNAP	2							
6	2	1A8300-47500	STAY M(CMP)	1							
7	2	1A8160-48820	COUPLER, QUICK 3/8	1							
8	2	1A8300-48820	HOSE, A	1							
9	2	1A8300-48830	HOSE, B	1							
10	2	1A8300-51210	BAND, REPEAT	2							
11	2	23414-160021	GASKET, 16X1.0	6							
12	2	23871-010000	PLUG, R01	1							
13	2	26106-080502	BOLT, M8X 50 PLATED	2							



Remarks
 * Optional parts.

Parts No. Index

Parts No.	Fig. No.	Ref. No.
0A041-G00700	103	1
114270-59010	4	9
		9 -1
	105	7
119225-52102	3	9
119593-59581	105	11
119650-77911	79	5
119802-55700	3	10
119802-55710	3	12
119802-55730	3	13
119802-55810	1	24
119924-44580	1	7
121250-44570	1	6
121454-44590	1	21
124060-77680	105	10
		14
		15
128300-77920	79	6
129004-55612	1	23
129052-13550	1	18
129100-55690	3	11
129107-44590	1	8
129211-77920	79	7
129237-59120	105	9
129263-44510	1	20
129268-59551	105	8
129486-59521	105	13
129486-59581	105	12
168HK0-29230	48	15
168HK0-29251	48	16
168HK0-29351	48	24
168HK0-29430	48	47
168HK0-29520	48	53
168HK0-29530	48	54
168HK0-29600	48	18
		25
168HK0-29610	48	19
		26
168HK0-29620	48	22
		29
168HK0-29690	48	20
		27
168HK1-29040	48	8
168HK1-29050	48	9
168HK1-29110	48	10
168HK1-29220	48	14
168HK1-29410	48	40
168HK1-29450	48	17
172164-66620	1	27
172510-74410	68	16

Parts No.	Fig. No.	Ref. No.
172531-17300	76	1
175022-49730	1	22
192152-26160	48	41
192154-29610	47	2
192157-24750	48	5
192157-24770	31	16
192157-24780	31	17
192157-24801	31	5
192157-24850	48	52
192157-26460	48	30
192157-26470	48	31
192157-26520	48	33
192157-26611	31	26
192157-26740	48	34
192157-27600	46	8
192157-33780	68	4
192159-31410	38	30
192162-25250	31	18
192163-24420	48	3
192167-25310	37	2
194080-37781	63	13
194105-25390	54	1
194130-01390	68	1
194145-75250	97	1
194151-36670	16	4
	26	8
194151-47760	2	9
194170-51210	80	14
194180-25930	46	3
194197-27681	42	8
	43	2
194201-11230	30	1
194205-42280	65	40
194205-63550	85	8
194215-04220	81	1
194215-12340	7	3
194215-12341	23	1
194250-32530	30	14
	94	2
194274-13550	13	4
194274-13570	13	5
194275-27750	80	13
194300-25100	29	2
194300-25180	48	13
194300-31560	50	6
194300-31570	50	7
194300-31620	50	8
194300-37570	63	10
	82	3
194305-24970	33	3

Parts No.	Fig. No.	Ref. No.
194305-25160	34	2
	35	1
194306-13140	39	1
194311-28230	44	4
194312-46750	30	15
194320-42150	13	18
194322-24980	33	4
194330-62530	84	12
	100	1
194447-13490	12	1
194447-13860	8	2
194450-21980	99	7
194515-01190	80	1
		2
194516-13770	13	10
	56	1
194516-13780	13	11
	56	2
194555-77910	30	16
194630-27190	60	3
194630-62360	80	49
194640-25390	38	2
194640-26470	54	2
194680-51670	4	8
		8 -1
	78	1
194740-00322	63	1
194850-13660	12	3
194850-25760	37	3
194850-49290	68	53
		55
	75	1
194855-24290	32	1
194856-25330	36	4
194881-12650	20	1
194990-20170	63	3
	68	2
194990-22050	1	19
	3	8
	24	7
	71	1
	81	4
	85	1
194990-22110	74	1
194990-22130	73	1
	80	6
		7
		8
		9
	101	1

Parts No.	Fig. No.	Ref. No.
194990-22140	80	10
		11
	81	5
	82	1
	101	2
194990-85561	68	57
195450-13141	31	1
195616-24930	71	2
197810-84840	80	41
	84	20
198071-01160	2	4
198071-61890	80	45
198129-24930	31	22
	33	2
198129-78710	1	28
198129-78720	1	29
198153-51700	71	17
198162-00640	1	12
198162-52110	74	4
198162-52150	74	7
198162-61661	64	20
198162-61670	61	5
	64	21
198162-62630	84	14
198165-01130	2	2
198165-04380	80	4
	81	2
198165-11540	6	2
198165-12310-1	7	1
198165-13101	9	1
198165-13511	11	1
198165-13521	11	2
198165-13532	11	3
	14	1
198165-13600	12	2
198165-13620-2	12	4
198165-13631-1	12	5
198165-13750	13	7
198165-13910	15	1
198165-14120	13	13
198165-14140	16	3
198165-17781	23	10
198165-24160	30	11
198165-24440	12	6
	13	16
	31	14
198165-24480	30	3
198165-24490	12	7
	13	17
	31	44 -1

Parts No. Index

Parts No.	Fig. No.	Ref. No.
198165-25810	36	8
198165-25840	36	9
198165-25851	30	4
198165-25870	30	5
198165-26150	38	4
198165-26180	38	8
198165-26210	38	10
198165-26240	38	11
198165-26270	38	14
198165-26600	92	2
198165-26700	92	3
198165-27750	43	5
198165-27820	43	9
198165-28240	44	5
198165-28330	44	12
198165-32311	51	1
198165-32320	51	2
198165-32630	52	3
198165-34140	56	4
198165-36330-2	62	4
198165-36430-2	62	7
198165-37340	63	5
198165-37760	63	11
198165-37770	63	12
198165-37840	64	18
198165-42100	65	2
198165-42120	65	39
198165-42150	67	1
198165-42400	65	3
198165-44140	65	5
198165-44170	65	6
198165-44180	65	7
198165-44410	65	10
198165-44440	65	11
198165-44450	65	12
198165-45010	65	15
198165-45020	65	16
198165-45030	65	17
198165-45101	65	14
198165-45140	65	18
198165-45191	65	19
198165-45270	65	20
198165-45290	65	21
198165-45370	65	22
198165-45400	65	23
198165-45500	65	24
198165-45600	65	25
198165-45800	65	26
198165-46110	68	5
198165-46130	68	6

Parts No.	Fig. No.	Ref. No.
198165-46140	68	7
198165-46150	68	8
198165-46200	68	11
198165-46210	68	12
198165-46220	68	13
198165-46240	68	14
198165-46370	68	15
198165-46470	68	23
198165-46480	68	24
198165-46780	68	32
198165-46880	68	37
198165-46961	68	41
198165-46980	68	42
198165-46991	68	43
198165-47020	65	27
198165-47030	65	28
198165-47040	65	30
198165-47060	65	34
198165-47100	65	36
198165-47300	65	37
198165-47440	65	38
198165-47520	65	29
	31	
198165-47530	65	33
		35
198165-47750	82	5
198165-48550	68	44
198165-48560	68	45
198165-50110	75	2
198165-52100	74	2
198165-52110	74	3
198165-52120	74	9
198165-62661-1	84	15
198165-63130	82	14
198165-64260	81	14
198165-65690	88	8
198165-75710	97	2
198165-75720	97	3
198165-85970	100	4
198165-85980	100	5
198167-21410	28	1
198167-24150	30	10
198167-24330	48	1
198167-24340	31	7
198167-24350	31	8
198167-24360	31	9
198167-24370	31	10
198167-24380	31	11
198167-24390	31	4
198167-24400	31	12

Parts No.	Fig. No.	Ref. No.
198167-24410	31	13
198167-24710	48	4
198167-24900	31	21
198167-24950	31	23
198167-24980	30	13
198167-25080	36	1
198167-25750	36	2
198167-25770	36	3
198167-26080	38	3
198167-26220	38	5
198167-26240	38	12
198167-26250	38	13
198167-26340	38	17
198167-26500	41	1
198167-26510	41	2
198167-26520	41	3
198167-26530	41	4
198167-26540	41	5
198167-26550	41	6
198167-26580	41	7
198167-27480	42	3
198167-27490	42	4
198167-27521	42	5
198167-27530	42	6
198167-27730	43	4
198167-27770	43	6
198167-27780	43	7
198167-27810	43	8
198167-27930	43	12
198167-28210	44	2
198167-28240	44	6
198167-28310	44	11
198167-29250	48	36
198167-29330	48	37
198167-29340	48	38
198167-29390	48	39
198167-29640	48	55
198167-35411	60	11
198167-37350	63	6
198167-48340	70	3
198167-52180	74	12
198172-85440	100	3
198200-61550	81	9
198200-78710	87	7
198220-25130	37	1
	39	2
198220-46200	68	21
198220-47370	66	2
198220-48750	70	4
198220-52180	79	2

Parts No.	Fig. No.	Ref. No.
198220-62150	84	7
198220-62440	1	26
198220-62890	84	18
198220-63150	85	3
198220-63450	85	7
198220-65410	88	2
198220-65621	91	7
198223-46250	68	47
198230-61960	80	48
198240-46260	107	5
198240-62451	84	8
198253-01190	2	6
	47	1
198290-32750	52	7
198360-52320	74	5
198360-52330	74	6
198421-01250	2	8
198421-04430	4	3
198421-13221	9	2
198421-13240	9	4
198421-14630	17	2
198421-24910	33	1
198421-27110	42	1
	43	1
198421-31510	50	2
198421-31530	50	4
198421-31550	50	5
198421-32660	52	6
198421-33110	53	3
198421-33140	53	4
198421-33170	53	5
198421-37511	63	8
198421-61620	84	1
198435-16230	6	7
198448-22520	80	12
198448-56150	78	4
198448-60780	1	25
198463-51170	4	7
198535-52120	71	9
198535-52130	71	10
1A1380-55310	71	22
1A6640-37640	64	10
1A6640-62960	82	12
1A6640-62970	82	13
1A6680-21120	26	3
1A6680-21200	26	4
1A6680-21250	26	5
1A6680-21460	26	7
1A6680-26170	38	7
1A6680-32630	52	4

Parts No. Index

Parts No.	Fig. No.	Ref. No.
1A6680-35580	61	4
1A6680-48910	25	1
1A6750-29510	48	11
1A6770-17510	22	5
1A6770-26600	31	25
1A6770-46620	67	3
1A6770-63850	85	9
1A6780-13890	13	15
1A6780-13910	14	2
1A6780-14110	16	1
1A6780-14131	16	2
1A6780-31400	49	1
1A6780-31500	50	1
1A6780-31520	50	3
1A6780-42010	65	1
1A6780-44110	65	4
1A6780-44200	65	8
1A6780-44240	65	9
1A6780-44460	65	13
1A6780-46160	68	9
1A6780-46170	68	10
1A6780-46260	68	22
1A6780-46650	68	29
1A6780-46910	68	40
1A6780-47050	65	32
1A6780-51410	71	19
1A6780-57200	79	4
1A6781-24990	31	24
1A6781-26090	37	6
1A6781-37300	63	4
1A6781-37500	64	3
1A6781-37530	64	4
1A6781-37590	64	5
1A6781-37600	64	9
1A6781-37660	64	11
1A6781-37710	64	12
1A6781-37800	64	15
1A6781-37810	64	16
1A7000-61490	71	23
1A7050-13230	9	3
1A7130-48110	24	8
1A7130-51130	71	5
1A7130-63190	87	5
1A7130-63600	87	6
1A7335-17520	23	3
1A7335-17530	23	4
1A7335-52150	74	11
1A7335-71250	95	4
1A7340-65850	91	6
1A7450-25870	37	4

Parts No.	Fig. No.	Ref. No.
1A7450-52180	71	11
1A7500-17551	23	5
1A7500-17560	23	6
1A7500-17570	23	7
1A7500-17580	23	8
1A7500-17910	22	8
1A7500-46491	68	25
1A7500-46501	68	26
1A7500-46750	68	31
1A7500-46800	68	33
1A7500-46900	68	38
1A7500-51160	71	7
		16
1A7500-51170	71	8
1A7500-51180	71	6
1A7500-51420	71	20
1A7500-51810	71	21
1A7500-56610	74	14
1A7500-56900	78	5
1A7500-61480	80	31
1A7500-63171	85	4
1A7500-71112	95	2
1A7500-71130	95	10
1A7500-71200	95	3
1A7500-71251	95	5
1A7500-71271	95	6
1A7500-71291	95	7
1A7500-72150	95	13
		21
1A7500-72160	95	15
		22
1A7500-72170	95	16
		23
1A7500-72180	95	17
		24
1A7500-72350	95	18
1A7500-72380	95	19
1A7500-73310	95	28
1A7500-74640	95	31
1A7500-74661	95	33
1A7500-74670	95	34
1A7500-74680	95	35
1A7500-79720	74	16
1A7510-01100	2	1
1A7510-01151	2	3
1A7510-01180	2	5
1A7510-01240	2	7
	71	4
1A7510-04430	4	4
1A7510-04580	105	4

Parts No.	Fig. No.	Ref. No.
1A7510-10191	80	5
1A7510-17310	22	2
1A7510-17470	22	4
1A7510-17590	23	9
1A7510-26850	93	1
1A7510-27450	82	2
1A7510-35510	61	2
1A7510-46850	68	35
1A7510-47711	82	4
1A7510-47760	82	6
1A7510-52110	74	8
1A7510-52120	74	10
1A7510-56110	78	3
1A7510-57101	79	3
1A7510-60980	80	22
1A7510-61450	80	30
1A7510-61610	81	12
1A7510-61670	81	15
1A7510-61850	81	17
1A7510-61900	80	47
1A7510-62100	82	7
1A7510-62130-2	82	10
1A7510-62140-2	82	11
1A7510-65201	91	8
1A7520-65480	88	5
1A7530-00620	1	4
1A7530-00690	1	5
1A7530-00750	1	16
1A7530-04110	3	2
1A7530-04310	3	4
1A7530-04330	3	5
1A7530-04340	3	6
1A7530-04410	4	1
1A7530-04560	105	2
1A7530-17300	22	1
1A7530-17410	22	3
1A7530-17550	22	6
1A7530-17571	22	7
1A7530-17640	24	1
1A7530-17821	24	4
1A7530-17830	24	5
1A7530-21150	27	1
1A7530-21210	27	2
	81	3
1A7530-21220	27	3
1A7530-21320	27	4
1A7530-22110	29	1
1A7530-24100	30	2
1A7530-24300	31	2
1A7530-24330	31	3

Parts No.	Fig. No.	Ref. No.
1A7530-24450	46	1
1A7530-24470	46	2
1A7530-24500	30	12
1A7530-24550	31	15
1A7530-25100	34	1
1A7530-26050	37	5
1A7530-26110	37	7
1A7530-26130	37	8
1A7530-26190	38	9
1A7530-26220	39	3
1A7530-26230	39	4
1A7530-26330	38	16
1A7530-26400	40	1
1A7530-26490	94	1
1A7530-26580	92	1
1A7530-27410	42	2
1A7530-27510	46	4
1A7530-27520	46	5
1A7530-27550	46	6
1A7530-27570	46	7
1A7530-27610	42	7
1A7530-27650	44	1
1A7530-27720	43	3
1A7530-27850	43	10
1A7530-27870	43	11
1A7530-28250	44	7
1A7530-28270	44	8
1A7530-28280	44	9
1A7530-28290	44	10
1A7530-28351	45	1
1A7530-28800	46	9
1A7530-28850	46	10
1A7530-33100	53	1
1A7530-35450	60	26
1A7530-35500	61	1
1A7530-35551	61	3
1A7530-37400	63	7
1A7530-37550	63	9
1A7530-37590	64	6
1A7530-37600	64	7
1A7530-37710	64	8
1A7530-37742	64	13
1A7530-37781	64	14
1A7530-37830	64	17
1A7530-42170	67	2
1A7530-46601	68	28
1A7530-46651	68	30
1A7530-47360	66	1
1A7530-48320	70	2
1A7530-48610	68	48

Parts No. Index

Parts No.	Fig. No.	Ref. No.
1A7530-48620	68	49
1A7530-48630	68	50
1A7530-48640	68	51
1A7530-48760	68	52
1A7530-61300	80	26
1A7530-61420	81	6
1A7530-61890	80	46
1A7530-61970	84	2
1A7530-61981	84	3
1A7530-62030	84	4
1A7530-62060	84	5
1A7530-62470	84	9
1A7530-62480	84	10
1A7530-62500	84	11
1A7530-62600	84	13
1A7530-62810-1	84	16
1A7530-62820-1	84	17
1A7530-62930-1	84	19
1A7530-63200	85	5
1A7530-63400	85	6
1A7530-65471	88	4
1A7530-71120	95	9
1A7530-72110	95	11
1A7530-72120	95	12
1A7530-72150	95	14
1A7530-72210	95	20
1A7530-72220	95	25
1A7530-73111	95	26
1A7530-73120	95	27
1A7530-74610	95	29
1A7530-74620	95	36
1A7530-74630	95	30
1A7530-74650	95	32
1A7530-85080	98	1
1A7530-85200	98	2
1A7530-85250	98	3
1A7530-85301	98	4
1A7530-85950	98	5
1A7531-04410	3	7
1A7531-11350	13	1
1A7531-11510	6	1
1A7531-11550	6	3
1A7531-11560	6	4
1A7531-11570	6	5
1A7531-11580	6	6
1A7531-13710	13	6
1A7531-13730	13	2
1A7531-13740	13	3
1A7531-13810	13	12
1A7531-14620	17	1

Parts No.	Fig. No.	Ref. No.
1A7531-17541	23	2
1A7531-36080	62	1
1A7531-36310	62	2
1A7531-36320	62	3
1A7531-36380	62	5
1A7531-36410	62	6
1A7531-51150	71	15
1A7531-51400	71	18
1A7531-51460	79	1
1A7531-52410	71	12
1A7531-52420	71	13
1A7531-56100	78	2
1A7531-61801	81	16
1A7531-62070	84	6
1A7531-65780	71	14
1A7531-75400	96	1
1A7540-00511	1	1
1A7540-00630	1	11
1A7540-00720	1	14
1A7540-00730	1	15
1A7540-04150	1	17
1A7540-04250	105	1
1A7540-04410	4	2
1A7540-04430	4	5
1A7540-04440	4	6
1A7540-04570	105	3
1A7540-04580	105	5
1A7540-04590	105	6
1A7540-11101	5	1
1A7540-13120	8	1
1A7540-13310	10	1
1A7540-13920	15	2
1A7540-17670	24	2
1A7540-17710	24	3
1A7540-21100	26	1
1A7540-21110	26	2
1A7540-25170	35	2
1A7540-25191	35	3
1A7540-25710	36	5
1A7540-25730	36	6
1A7540-25740	36	7
1A7540-26160	38	6
1A7540-26220	38	20
	106	4
1A7540-26310	38	15
1A7540-26400	106	1
1A7540-26480	38	18
	106	2
1A7540-26600	38	19
	106	3

Parts No.	Fig. No.	Ref. No.
1A7540-26610	38	21
	106	5
1A7540-26620	38	22
	106	6
1A7540-26630	38	23
	106	7
1A7540-26640	38	24
	106	8
1A7540-26650	38	25
	106	9
1A7540-26660	38	26
	106	10
1A7540-26670	38	27
	106	11
1A7540-26710	41	8
1A7540-26720	41	9
1A7540-28220	44	3
1A7540-28880	44	13
1A7540-29100	48	2
1A7540-32610	52	1
1A7540-32620	52	2
1A7540-32640	52	5
1A7540-33410	54	3
1A7540-33420	54	4
1A7540-33510	55	1
1A7540-34110	56	3
1A7540-48110	70	1
1A7540-56960	78	6
1A7540-61351	80	28
1A7540-61450	81	7
1A7540-61500	81	8
1A7540-61580	81	10
1A7540-61590	81	11
1A7540-71100	95	1
1A7542-24980	33	5 -1
1A7870-24980	33	5
1A7880-01440	80	3
1A7880-10641	104	2
1A7880-15700	21	1
1A7880-15740	21	2
1A7880-15880	90	1
1A7880-47550	69	1
1A7880-47560	69	2
1A7880-47570	69	3
1A7880-47580	69	4
1A7880-53050	80	16
1A7880-53070	80	17
1A7880-53080	80	18
1A7880-53310	80	20
1A7880-53320	80	21

Parts No.	Fig. No.	Ref. No.
1A7880-57100	74	15
1A7880-65610	91	4
1A7880-71550	100	2
1A7882-85620	102	2
1A7882-85630	102	3
1A8160-04130	3	3
1A8160-35080	60	1
1A8160-46250	107	4
1A8160-46670	67	4
1A8160-48820	107	7
1A8160-51550	72	1
1A8160-51570	72	2
1A8160-51580	72	3
1A8160-51600	73	2
1A8160-51610	73	3
1A8160-52310	74	13
1A8160-65300	91	1
1A8160-65310	91	2
1A8160-65800	102	1
1A8160-65860	90	2
1A8160-85311	99	4 -1
1A8160-85320	99	5 -1
1A8250-65630	89	2
1A8300-00600	1	2
1A8300-00610	1	3
1A8300-00680	1	13
1A8300-10650	104	1
1A8300-13750	13	8
1A8300-13760	13	9
1A8300-14700-1	18	1
1A8300-14710	18	2
1A8300-14730-1	18	3
1A8300-14740	18	4
1A8300-14800-1	19	1
1A8300-14810-1	19	5
1A8300-14820	19	2
		6
1A8300-14830-1	19	3
		7
1A8300-14840	19	4
		8
1A8300-17940	24	6
1A8300-27810	87	1
1A8300-27830	87	2
1A8300-34700-1	57	1
1A8300-34710	57	2
1A8300-34730-1	57	3
1A8300-34740	57	4
1A8300-34800-1	58	1
1A8300-34810-1	58	5

Parts No. Index

Parts No.	Fig. No.	Ref. No.
1A8300-34820	58	2
		6
1A8300-34830-1	58	3
		7
1A8300-34840	58	4
		8
1A8300-35100	60	2
1A8300-35110	60	4
1A8300-35170	60	25
1A8300-35200	60	5
1A8300-35240	60	8
1A8300-35270	60	6
1A8300-35320	60	9
1A8300-35360	60	10
1A8300-35410	60	12
1A8300-35460	60	13
1A8300-46860	68	36
1A8300-47500	107	6
1A8300-48600	68	46
1A8300-48800	107	1
1A8300-48820	107	8
1A8300-48830	107	9
1A8300-51111	71	3
1A8300-51210	107	10
1A8300-52150	76	2
1A8300-53210	77	1
1A8300-53220	77	4
1A8300-53250	77	2
		5
1A8300-53260	77	3
		6
1A8300-53290	80	19
1A8300-61010	80	23
1A8300-61210	80	34
1A8300-61220	80	35
1A8300-61250	80	24
1A8300-61260	80	25
1A8300-61310	80	27
1A8300-61360	80	29
1A8300-61590	80	32
1A8300-61650	81	13
1A8300-61700	80	33
1A8300-61710	80	36
1A8300-61770	80	42
1A8300-61780	80	43
		44
1A8300-61810	80	37
1A8300-61860	80	38
1A8300-61910	80	39
1A8300-61960	80	40

Parts No.	Fig. No.	Ref. No.
1A8300-61990	80	22 -1
1A8300-62110-1	82	8
1A8300-62120-1	82	9
1A8300-63000	86	1
1A8300-63010	86	2
1A8300-63100	86	15
1A8300-63140	87	4
1A8300-63200	86	16
1A8300-63500	86	3
1A8300-63550	86	4
1A8300-63600	86	5
1A8300-63620	86	6
1A8300-63660	86	7
1A8300-63670	86	8
1A8300-63680	86	9
1A8300-63690	86	10
1A8300-63700	86	11
1A8300-63710	86	12
1A8300-63720	86	13
1A8300-63730	86	14
1A8300-63990	85	19
1A8300-65320	91	3
1A8300-65400	91	9
1A8300-65421	89	1
1A8300-65430	88	3
1A8300-65530	88	6
1A8300-65540	88	7
1A8300-65630	89	3
1A8300-65730	89	4
1A8300-65960	91	5 -1
1A8300-65990	91	5
1A8300-85080	99	1
1A8300-85410	99	1 -1
1A8300-85430	99	2
1A8300-85440	99	3
1A8300-85710	80	50
1A8300-85800	99	8
1A8300-85910	99	4
1A8300-85920	99	5
1A8300-85930	99	6
1C6053-32020	64	2
	68	3
1C6140-14050	63	2
	64	1
1C6220-32250	39	5
1C6281-52310	2	10
	68	56
		56 -1
1C6281-52320	43	13
	47	3

Parts No.	Fig. No.	Ref. No.
1C6281-52320	60	27
	63	14
	64	19
	80	15
	87	3
1C6560-13170	38	1
1C6720-47780	85	2
1C6720-73330	61	6
1C6860-02300	3	1
1C6900-63890	60	14
1D4110-13870	13	14
1E1270-29701	46	11
1E6102-83230	4	10
	26	9
	30	17
1E6190-54080	13	19
	40	2
	44	14
1E6190-54430	35	4
	36	10
	38	31
1E6217-56160	31	19
1E6460-84220	74	17
1E6820-54560	36	11
1E6910-83500	81	18
1E8420-55430	16	5
1E8600-66700	24	9
1K1140-82500	79	8
1TN322-38910	107	2
1TN322-38930	107	3
1TN322-71170	99	6 -1
22117-080000	68	58
22137-050000	48	6
22137-060000	68	59
	80	66
22137-080000	47	4
	64	22
	87	8
	100	6
22137-100000	61	7
		8
	64	23
	68	60
	85	10
22137-120000	46	12
	60	15
	61	9
	64	24
22137-160000	22	9
22137-180000	43	14

Parts No.	Fig. No.	Ref. No.
22157-060000	1	30
	2	11
	3	16
	68	61
	80	51
		52
22157-080000	27	5
	82	15
22157-100000	22	10
	27	6
	85	11
22190-080000	30	18
	31	27
22190-100000	42	9
	43	15
22217-060000	80	67
22217-100000	22	11
	27	7
	52	8
	65	41
	85	12
22217-120000	27	8
	59	1
22217-140000	99	9
22242-000100	68	62
22242-000120	60	16
22242-000170	43	16
	48	23
		56
	60	17
22242-000200	8	3
	38	32
22242-000220	68	54
22242-000240	35	5
22242-000250	36	12
	37	9
	62	8
22242-000290	36	13
	44	15
22242-000350	16	6
22242-000360	10	2
	38	28
	106	12
22242-000400	56	5
22252-000150	29	3
22252-000180	38	33
22252-000320	48	21
		28
22252-000350	48	42
22252-000400	37	10

Parts No. Index

Parts No.	Fig. No.	Ref. No.
22252-000470	38	34
	44	16
	48	57
22252-000520	12	8
	38	35
22252-000550	44	17
22252-000800	38	29
	106	13
22272-000150	43	17
	60	18
22272-000190	63	15
	64	25
22287-060000	68	17
22287-080000	52	9
22287-100000	31	28
		29
		30
22292-000240	36	14
22312-080160	30	19
		20
	31	31
	46	13
22312-080180	42	10
	52	10
22312-080200	13	20
	52	11
22312-080320	52	12
22312-100120	48	43
22312-100200	13	21
22351-030008	38	36
	106	14
22351-035032	10	3
	42	11
	43	18
	45	2
22351-035036	60	19
22351-040040	50	9
22351-050025	95	8
22351-050040	53	6
22351-060020	43	19
22351-060025	42	12
22351-060032	10	4
	42	13
	43	20
	45	3
22351-060036	60	20
22351-080016	27	9
	28	2
22351-080020	12	9
22351-080032	53	2

Parts No.	Fig. No.	Ref. No.
22351-080032	53	7
22351-080040	53	8
22372-060000	68	63
22372-080000	81	19
	84	21
22372-160000	104	3
22417-160160	60	21
22417-200160	68	64
	82	16
22417-200200	60	28
22417-200320	61	10
	64	26
22417-250250	7	4
	23	11
	61	11
	64	27
	68	65
22417-300250	100	7
22487-080180	60	29
22487-080350	47	5
22487-080400	63	16
22487-081500	80	53
22512-070200	64	28
22512-070400	63	17
22551-050300	38	37
22857-600160	78	7
23000-019000	24	10
23000-022000	24	11
23000-035000	70	5
23000-070000	17	3
23010-060000	1	31
23065-090450	85	13
23080-012000	4	11
		11 -1
	85	14
23414-120016	31	20
23414-160021	24	12
	68	66
	107	11
23414-180023	70	6
23491-140002	52	13
23857-100000	24	13
	68	67
23871-010000	31	32
	48	12
		44
	107	12
23871-030000	48	45
24101-060034	15	3
24101-060054	9	5

Parts No.	Fig. No.	Ref. No.
24101-060054	34	3
	40	3
	44	18
24101-060064	50	10
24101-060074	9	6
	38	38
	50	11
24101-060084	13	22
	16	7
24101-062024	8	4
	15	4
24101-062034	37	11
24101-062044	38	39
24101-062054	11	4
	38	40
	39	6
24101-062074	16	8
24101-062090	56	6
24101-063024	39	7
24101-063034	48	58
24101-063054	38	41
24101-063070	56	7
24104-060034	60	22
24104-060064	44	19
24104-062014	60	23
24104-062044	13	23
24104-062054	35	6
24104-063034	14	3
24161-202417	38	42
24164-000202	38	43
24165-000402	31	6
24190-080001	44	20
24190-100001	42	14
	43	21
24190-160001	62	9
24311-000110	87	9
24311-000120	24	14
	48	7
		35
		48
24311-000125	42	15
	43	22
	44	21
24311-000140	25	2
	42	16
	48	32
		49
	68	18
24311-000160	3	14
	52	14

Parts No.	Fig. No.	Ref. No.
24311-000160	53	9
24311-000180	12	10
	32	2
	43	23
24311-000200	70	7
24311-000220	70	8
24311-240100	46	14
24316-000070	105	16
24316-000160	105	17
24321-000300	41	10
24321-000500	12	11
	41	11
	68	19
24321-000550	68	68
24321-000650	3	15
24321-001150	12	12
24326-000650	105	18
24341-000120	41	12
24361-090500	48	50
24421-173007	12	13
24421-223508	48	46
24421-284008	30	21
24421-304208	31	33
24421-304708	13	24
	31	34
24421-355008	46	15
24550-010150	68	34
		39
24550-012100	68	27
24550-017150	60	7
24550-020100	30	22
24761-040000	27	10
	60	24
	63	18
24761-060000	7	2
26013-060162	68	69
26013-060322	70	9
26013-080162	28	3
26013-080202	22	12
	52	15
	66	3
	68	70
26013-080252	27	11
	33	6
	43	24
	60	30
	82	17
26013-080452	70	10
26013-080502	52	16
26013-080702	3	17

Parts No. Index

Parts No.	Fig. No.	Ref. No.
26013-100202	85	15
26013-100302	12	14
	65	42
26013-100352	27	12
	85	16
26013-100402	52	17
26013-100452	52	18
	61	12
26013-100502	52	19
		20
26013-100552	52	21
26013-100652	52	22
26013-120302	96	2
26013-120352	27	13
26013-120452	27	14
26014-060202	1	9
26016-060102	68	20
26016-080162	46	16
26016-080202	26	6
	43	25
	44	22
	46	17
26016-080252	16	9
	30	23
26016-080302	30	24
	31	35
		36
26016-080352	26	10
	41	13
	42	17
26016-080402	31	37
	46	18
26016-100302	12	15
	30	25
	41	14
26016-100452	30	26
26016-100602	31	38
26016-100702	48	51
26016-101002	48	59
26016-120302	46	19
26018-060122	79	9
26018-060162	3	18
	68	71
	79	10
	80	54
	81	20
		21
	83	1
	92	4
26018-060202	3	19

Parts No.	Fig. No.	Ref. No.
26018-060202	71	24
26018-060252	3	20
26018-060302	1	32
26018-080162	3	21
	4	12
	27	15
	81	22
	85	17
26018-080202	1	33
	24	15
		16
	31	39
	67	5
	70	11
	79	11
	80	55
	81	23
		24
	84	22
26018-080252	1	34
	46	20
	80	56
	81	25
	82	18
26018-080352	38	44
26018-100202	22	13
26019-060162	3	22
	78	8
26023-030202	74	18
26051-080002	64	29
26086-120302	59	2
26086-140402	99	10
26106-060122	80	57
26106-060162	80	58
		59
		60
	101	3
26106-060352	87	10
26106-080122	87	11
26106-080162	71	25
	87	12
26106-080252	30	27
	80	61
26106-080302	1	35
	31	40
26106-080352	60	31
26106-080502	107	13
26106-080552	31	41
26106-080702	100	8
26106-100252	42	18

Parts No.	Fig. No.	Ref. No.
26106-100252	43	26
26106-120302	6	8
26108-120252	5	2
26116-100804	27	16
26116-101102	31	42
26116-101202	65	43
26116-101352	31	43
26117-040162	74	19
26136-120202	31	44
26156-100162	50	12
26216-080302	80	62
26226-100452	31	45
26226-100552	31	46
26228-080602	30	6
26228-100252	30	7
26228-100752	30	8
26228-100902	30	9
26346-080002	68	72
26347-060002	68	73
	80	9 -1
26366-120002	6	9
26487-080163	101	4
26557-060122	1	10
26589-060162	80	63
		64
26716-060002	68	74
	73	4
26716-080002	46	21
	52	23
	60	32
	63	19
		20
	68	75
26716-100002	27	17
	31	47
		48
	52	24
	65	44
	67	6
	85	18
26716-120002	2	12
26736-100002	22	14
26756-120002	27	18
26776-120002	46	22
26776-160002	22	15
27260-150000	30	28
27260-170000	30	29
27260-260000	30	30
	31	49
27260-470000	48	60

Parts No.	Fig. No.	Ref. No.
29331-124000	80	65
29622-140001	71	26
		28
29622-250001	71	27
	78	9
41800-110040	88	1