

0CNP5-M53800EN

Contents

OCNP5-M53800

Fig. No. Fig. Name

ENGINE CONTROL SECTION

1. ENGINE RELATED
2. ENGINE ACCESSORIES
3. ACCEL LEVER
4. EXHAUST
5. FUEL TANK
6. TANK BRACKET
7. FUEL PIPE
8. SHUTTER PLATE

FRONT AXLE SECTION

9. FRONT BRACKET
10. CENTER PIN
11. KNUCKLE ARM
12. TIE ROD
13. RING GEAR
14. DIFFERENTIAL GEAR
15. PROPELLER SHAFT
16. FRONT SHAFT(1)
17. FRONT AXLE HOUSING
18. FRONT GEAR CASE
19. FRONT SHAFT(2)
20. FRONT SPINDLE
21. SHAFT COVER
22. FRONT WHEEL TIRE R1

Fig. No. Fig. Name

23. FRONT WHEEL TIRE R3
24. FRONT WHEEL TIRE R4
25. FRONT WHEEL TIRE R3G
26. HUB BOLT
27. STEERING WHEEL
28. PST CYLINDER
29. PST VALVE
30. PST PIPING

TRANSMISSION SECTION

31. CLUTCH HOUSING
32. DOCKING BOLT
33. DUAL CLUTCH
34. CLUTCH SHAFT
35. CLUTCH RELEASE(1)
36. CLUTCH RELEASE(2)
37. CLUTCH PEDAL
38. TRANSMISSION CASE
39. CENTER PLATE
40. OIL STRAINER
41. MAIN SHAFT
42. DRIVEN SHAFT
43. COUNTER SHAFT
44. REDUCTION SHAFT
45. REVERSE GEAR

Contents

0CNP5-M53800

Fig. No. Fig. Name

- 46. CONNECTING SHAFT
- 47. PTO DRIVE SHAFT
- 48. PTO SHAFT
- 49. MAIN CHANGE LEVER
- 50. MAIN CHANGE
- 51. REVERSER CHANGE
- 52. REVERSER LEVER
- 53. REVERSER LINK
- 54. SUB CHANGE LEVER
- 55. SUB CHANGE
- 56. PTO CHANGE
- 57. PTO CHANGE KNOB
- 58. FRONT DRIVE
- 59. FRONT SHIFT KNOB
- 60. FRONT SHIFT

REAR AXLE SECTION

- 61. RING GEAR
- 62. DIFFERENTIAL GEAR
- 63. DIFFERENTIAL CARRIER
- 64. REAR HOUSING
- 65. DIFFERENTIAL LOCK(1)
- 66. DIFFERENTIAL LOCK(2)
- 67. FINAL PINION
- 68. FINAL GEAR

Fig. No. Fig. Name

- 69. REAR AXLE SHAFT
- 70. REAR WHEEL TIRE R1
- 71. REAR WHEEL TIRE R3
- 72. REAR WHEEL TIRE R4
- 73. REAR WHEEL TIRE R3G
- 74. HUB BOLT
- 75. BRAKE
- 76. BRAKE PEDAL

HYD. CONTROL SECTION

- 77. SUB CONTROL VALVE
- 78. HYD.CYLINDER CASE
- 79. PISTON
- 80. LIFT CRANK
- 81. CONTROL VALVE
- 82. RELIEF VALVE
- 83. STOP VALVE
- 84. STOP VALVE KNOB
- 85. SAFETY VALVE
- 86. REAR REMOTE VALVE
- 87. HYDRAULIC CONTROL
- 88. HYDRAULIC CONTROL KNOB
- 89. HYDRAULIC LINE
- 90. HYDRAULIC FILTER
- 91. SEAL

Contents

OCNP5-M53800

Fig. No. Fig. Name

ELECTRICAL PARTS SECTION

- 92. WIRE HARNESS
- 93. WIRE HARNESS
- 94. BATTERY
- 95. BATTERY CLAMP
- 96. SWITCHES
- 97. SEAT SWITCH
- 98. LAMPS
- 99. FRONT LAMP
- 100. METER
- 101. RELAY

FITTING SECTION

- 102. FRONT FRAME
- 103. HOOD FRAME
- 104. HOOD
- 105. FRONT GRILLE
- 106. SIDE COVER
- 107. HOOD GROMMET
- 108. DASHBOARD
- 109. FENDER
- 110. STEP
- 111. STEP STAY(1
- 112. STEP STAY(2

Fig. No. Fig. Name

- 113. DRIVER SEAT
- 114. SEAT BELT
- 115. LABEL
- 116. LABEL
- 117. LABEL(SAFETY
- 118. SMV

HITCH SECTION

- 119. THREE POINT LINK
- 120. TOP HOOK
- 121. DRAWBAR HITCH
- 122. PTO GUARD

SAFETY FRAME SECTION

- 123. SAFETY FRAME

ACCESSORIES SECTION

- 124. ACCESSORY

OPTIONAL SECTION

- 125. FRONT WEIGHT
- 126. BLOCK HEATER
- 127. FRONT HITCH
- 128. HEATER
- 129. WORK LAMP

Contents

0CNP5-M53800

Fig. No.	Fig. Name
130.	FO HOSE(FAME
131.	FUEL TANK(FAME
132.	EXTRA HITCH
133.	LABEL(FRENCH

Fig. No.	Fig. Name
----------	-----------

Fig.1. ENGINE RELATED

(A)=EX450(YANMAR)

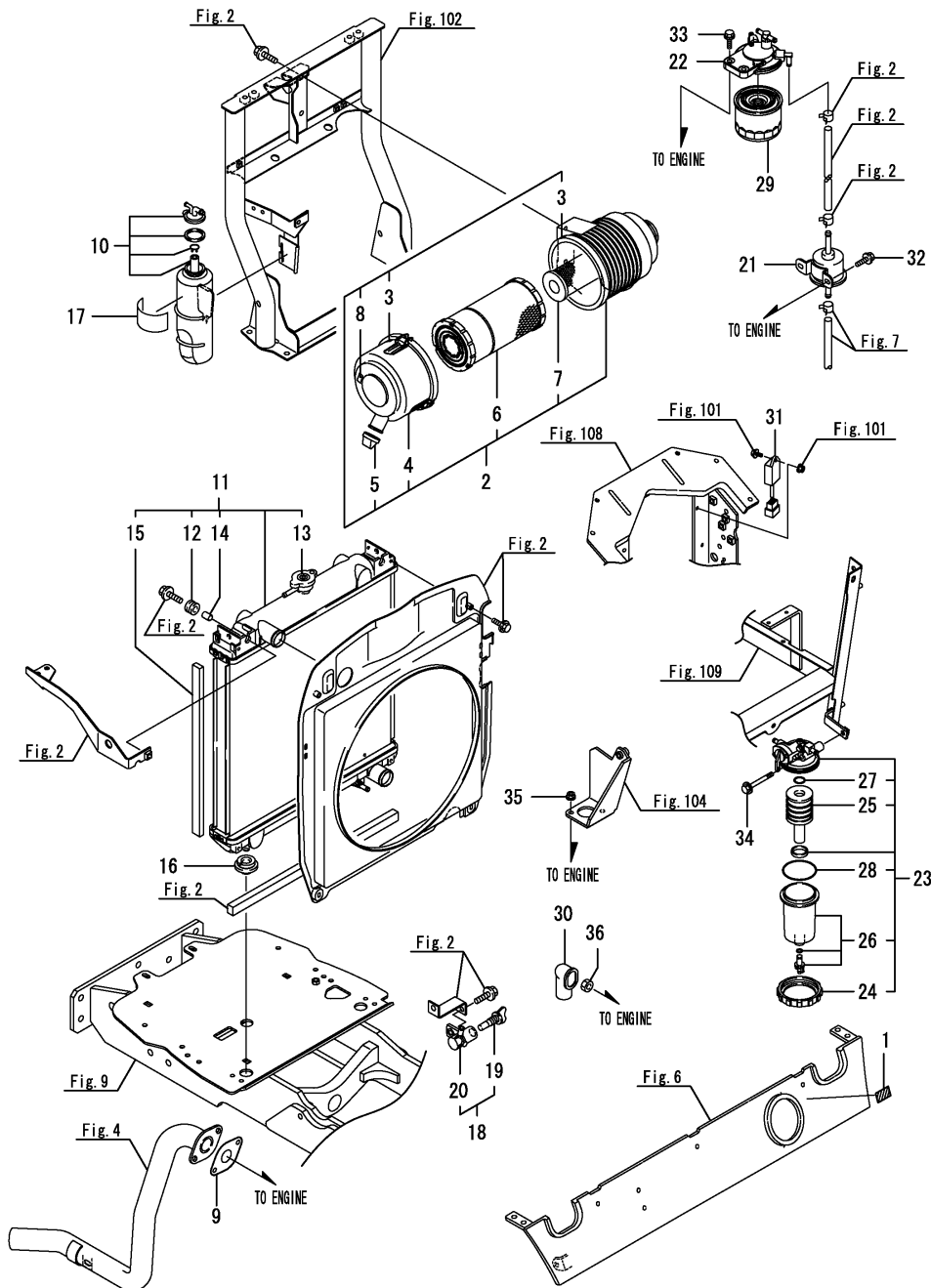
(B)=

(C)=

(D)=

(E)=

(F)=



No.	Lev.	Parts No.	Description	(A)	(B)	(C)	(D)	(E)	(F)	Q'ty	I	R
1	1	114110-07761	LABEL, FUEL OIL CAUT	1								
2	1	129659-12520	CLEANER ASSY, AIR	1								
3	2	129418-12530	LABEL, MARK	2								
4	2	129900-12530	COVER ASSY	1								
5	2	119808-12540	VALVE, UNLOADER	1								
6	2	129062-12560	ELEMENT	1								
7	2	119005-12571	ELEMENT	1								
8	2	129612-12650	LABEL, MARKING	1								
9	1	129052-13550	GASKET	1								
10	1	129263-44510	TANK ASSY, SUB	1								
11	1	129659-44510	RADIATOR ASSY	1								
12	2	129467-44580	MOUNT, RUBBER	2								
13	2	129107-44590	CAP, RADIATOR	1								
14	2	129467-44590	COLLAR	2								
15	2	129956-44730	SEAL, RADIATOR	4								
16	1	119255-44660	ABSORBER	2								
17	1	124764-44810	LABEL, SUB-TANK	1								
18	1	129550-49101	COCK ASSY, 2-WAY	1								
19	2	129150-49081	COCK, DRAIN	1								
20	2	129550-49090	BODY, 2-WAY COCK	1								
21	1	119225-52102	PUMP ASSY, FUEL FEED	1								
22	1	129004-55612	BRACKET, FILTER	1								
23	1	119802-55700	SEPARATOR ASSY	1								
24	2	129100-55690	RING, RETAINING	1								
25	2	119802-55710	ELEMENT	1								
26	2	119802-55730	CUP ASSY	1								
27	2	24311-000160	O-RING, 1AP16.0	1								
28	2	24321-000650	O-RING, 1AG65.0	1								
29	1	119802-55810	FILTER, FO	1								
30	1	124550-77030	COVER, TERMINAL	1								
31	1	129211-77920	TIMER	1								
32	1	26106-060122	BOLT, M6X 12 PLATED	2								
33	1	26106-080302	BOLT, M8X 30 PLATED	2								
34	1	26106-080702	BOLT, M8X 70 PLATED	1								
35	1	26306-080002	NUT, M8	2								
36	1	26756-060002	NUT, LOCK M6	1								

Fig.2. ENGINE ACCESSORIES

(A)=EX450(YANMAR)

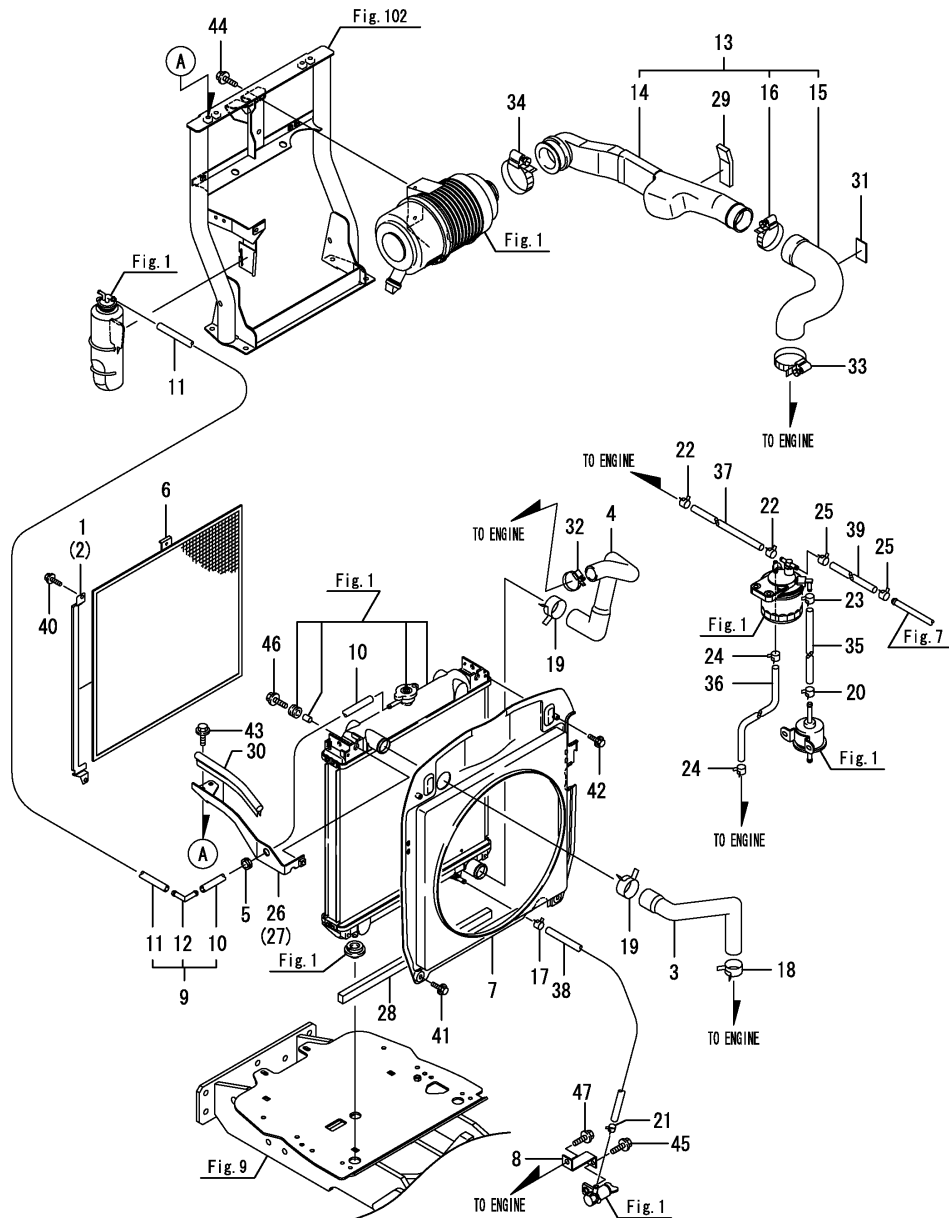
(B)=

(C)=

(D)=

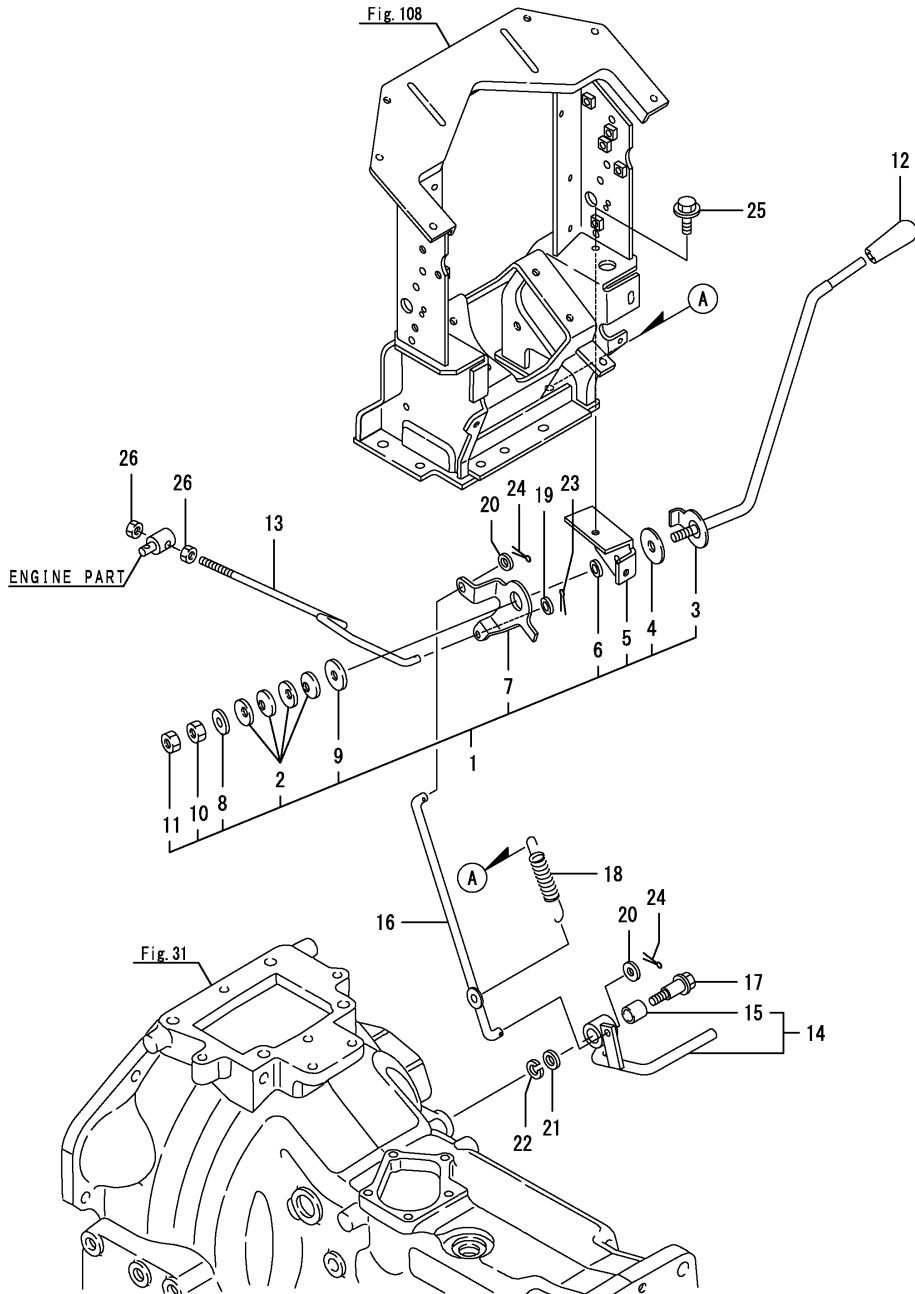
(E)=

(F)=



No.	Lev.	Parts No.	Description	Q'ty						I	R
				(A)	(B)	(C)	(D)	(E)	(F)		
1	1	1A7260-01030	RAIL, RADIATOR L	1							
2	1	1A7260-01040	RAIL, RADIATOR R	1							
3	1	1A7260-01210	PIPE, WATER A	1							
4	1	1A7260-01220	PIPE, WATER B	1							
5	1	194180-01240	GROMMET, 13	1							
6	1	1A7780-01250	SCREEN, RADIATOR	1							
7	1	1A8170-01300	SHROUD ASSY, FAN M	1							
8	1	198242-02310	STAY, DRAIN	1							
9	1	1A7780-03150	HOSE ASSY, OVERFLOW	1							
10	2	1A7260-03160	PIPE, OVERFLOW A	1							
11	2	1A7260-03170	PIPE, OVERFLOW B	1							
12	2	1A7260-03180	ELBOW	1							
13	1	1A7310-06200	PIPE ASSY, INTAKE	1							
14	2	1A7300-06210	PIPE, AIR INTAKE A	1							
15	2	1A7270-06220	PIPE, AIR INTAKE B	1							
16	2	129956-12160	CLAMP, HOSE	1							
17	1	106990-44660	CLIP, HOSE 12.5	1							
18	1	175022-49730	CRIP 31, HOSE	1							
19	1	175022-49750	CLIP 37, HOSE	2							
20	1	114270-59010	CLIP, HOSE 12	1							
21	1	124766-59050	CLIP, HOSE 12	1							
22	1	124766-59050	CLIP, HOSE 12	2							
23	1	124766-59050	CLIP, HOSE 12	1							
24	1	124766-59050	CLIP, HOSE 12	2							
25	1	124766-59050	CLIP, HOSE 12	2							
26	1	1A7270-60211	STAY ASSY, RADIATOR	1							
27	1	1A7270-60221	STAY ASSY, RADIATOR	1							
28	1	1A7780-60860	URETHANE, RADIATOR	1							
29	1	1A7260-60880	URETHANE, HOSE	1							
30	1	198146-63660	WEATHER-STRIP, 250	2							
31	1	198093-84810	SEAL, FENDER	1							
32	1	23000-035000	CLAMP, 35	1							
33	1	23000-070000	CLAMP, 70	1							
34	1	23000-080000	CLAMP, 80	1							
35	1	23980-730180	HOSE, 7.3X 180	1							
36	1	23980-730350	HOSE, 7.3X 350	1							
37	1	23980-730400	HOSE, 7.3X 400	1							
38	1	23980-730400	HOSE, 7.3X 400	1							
39	1	23980-730680	HOSE, 7.3X 680	1							
40	1	26106-060122	BOLT, M6X 12 PLATED	4							
41	1	26106-060122	BOLT, M6X 12 PLATED	2							
42	1	26106-060252	BOLT, M6X 25 PLATED	2							
43	1	26106-080162	BOLT, M8X 16 PLATED	4							
44	1	26106-080162	BOLT, M8X 16 PLATED	2							
45	1	26106-080162	BOLT, M8X 16 PLATED	1							
46	1	26106-080252	BOLT, M8X 25 PLATED	2							
47	1	26106-100162	BOLT, M10X 16 PLATED	1							

Fig.3. ACCEL LEVER



(A)=EX450(YANMAR)

(B)=

(C)=

(D)=

(E)=

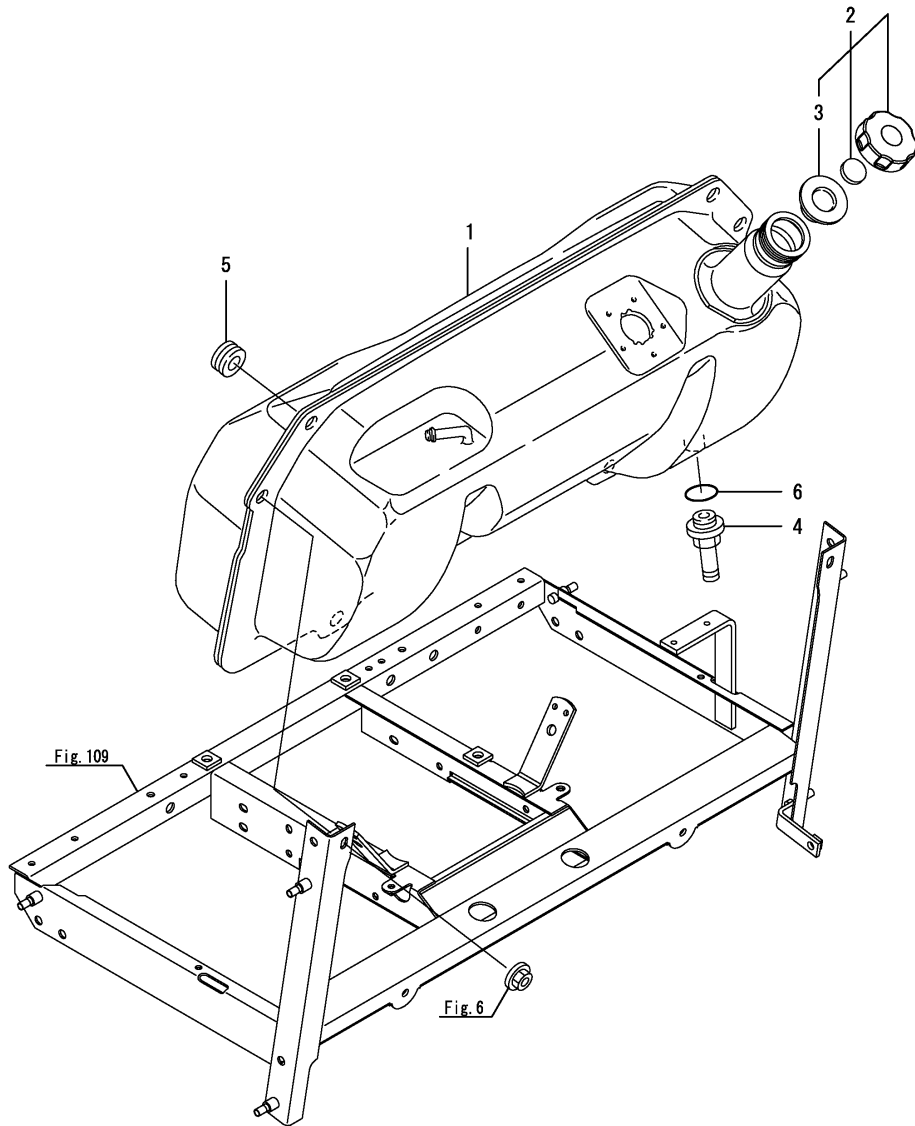
(F)=

No.	Lev.	Parts No.	Description	Q'ty						I	R
				(A)	(B)	(C)	(D)	(E)	(F)		
1	1	7A7780-01110	LEVER KIT	1							
2	2	194740-00160	SPRING, 10	4							
3	2	1A7780-01110	LEVER ASSY	1							
4	2	198165-01130	PLATE, FRICTION	1							
5	2	198220-01140	BRACKET, LEVER	1							
6	2	194150-01270	SPACER, 20	1							
7	2	198242-01350	LEVER, LINK	1							
8	2	194145-61570	WASHER, 10	1							
9	2	22157-100000	WASHER, 10	1							
10	2	26716-100002	NUT, M10	1							
11	2	26756-100002	NUT, LOCK M10	1							
12	1	198253-01190	KNOB, LEVER	1							
13	1	1A7780-01320	ROD, LINK	1							
14	1	198240-01400	PEDAL ASSY, THROTTLE	1							
15	2	24550-014200	BUSH, 14X20	1							
16	1	198240-01450	ROD, ACCELERATOR	1							
17	1	198240-01470	BOLT, M10	1							
18	1	194750-04400	SPRING, RETURN	1							
19	1	22137-080000	WASHER, 8	1							
20	1	22137-080000	WASHER, 8	2							
21	1	22137-100000	WASHER, 10	1							
22	1	22217-100000	WASHER, SPRING 10	1							
23	1	22417-250300	PIN, COTTER 2.5X30	1							
24	1	22417-250300	PIN, COTTER 2.5X30	2							
25	1	26106-080162	BOLT, M8X 16 PLATED	2							
26	1	26716-080002	NUT, M8	2							

Fig.5. FUEL TANK

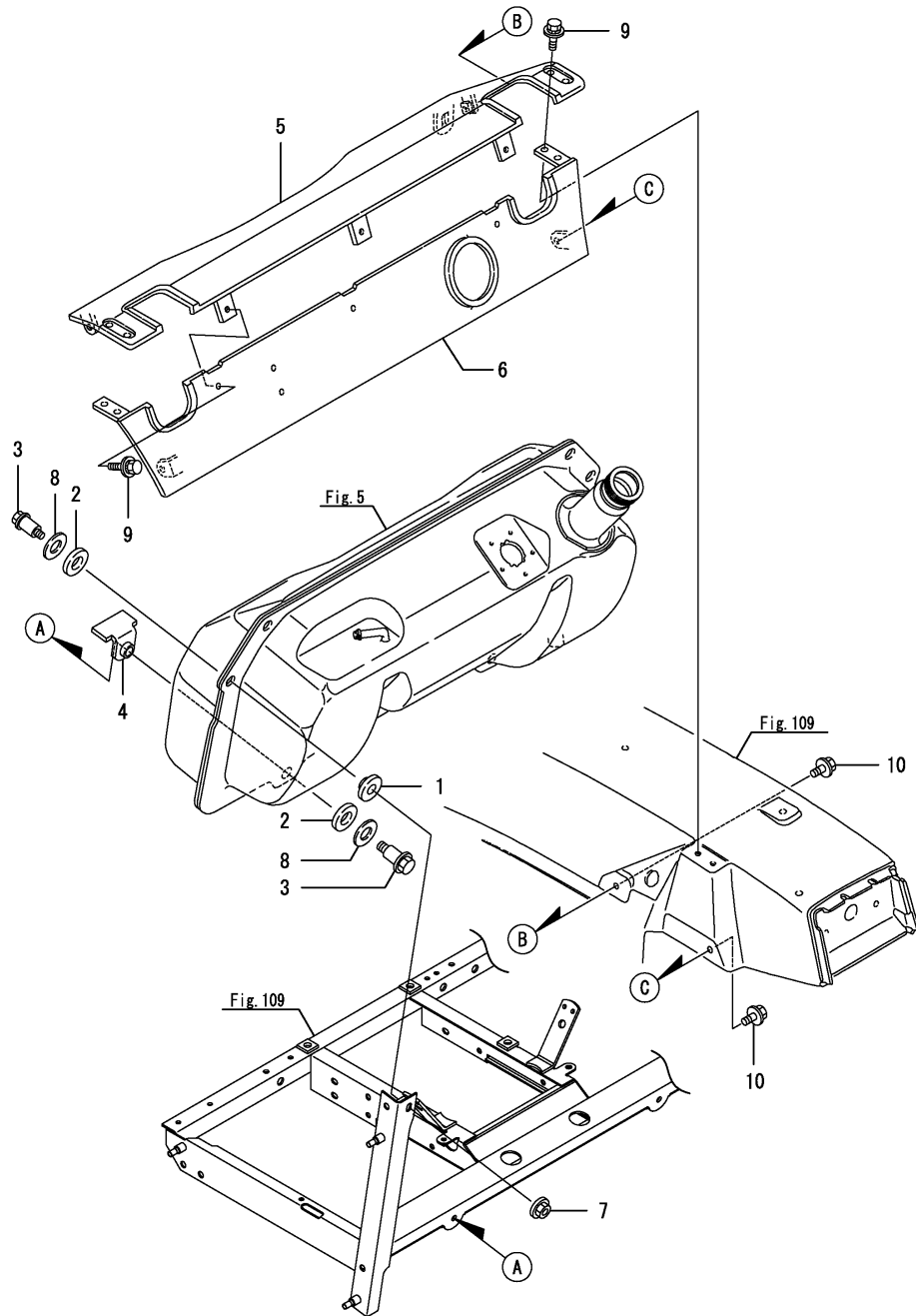
(A)=EX450(YANMAR)
 (B)=
 (C)=

(D)=
 (E)=
 (F)=



No.	Lev.	Parts No.	Description	Qty						I	R
				(A)	(B)	(C)	(D)	(E)	(F)		
1	1	1A7780-04111-1	TANK ASSY, FUEL	1							
2	1	198071-04500-2	CAP ASSY, FILLER	1							
3	2	1A1120-61541	SEAL, RUBBER	1							
4	1	198230-04750	JOINT, PIPE	1							
5	1	194170-51210	GROMMET 25	1							
6	1	24311-000150	O-RING, 1AP15.0	1							

Fig.6. TANK BRACKET



(A)=EX450(YANMAR)
 (B)=
 (C)=

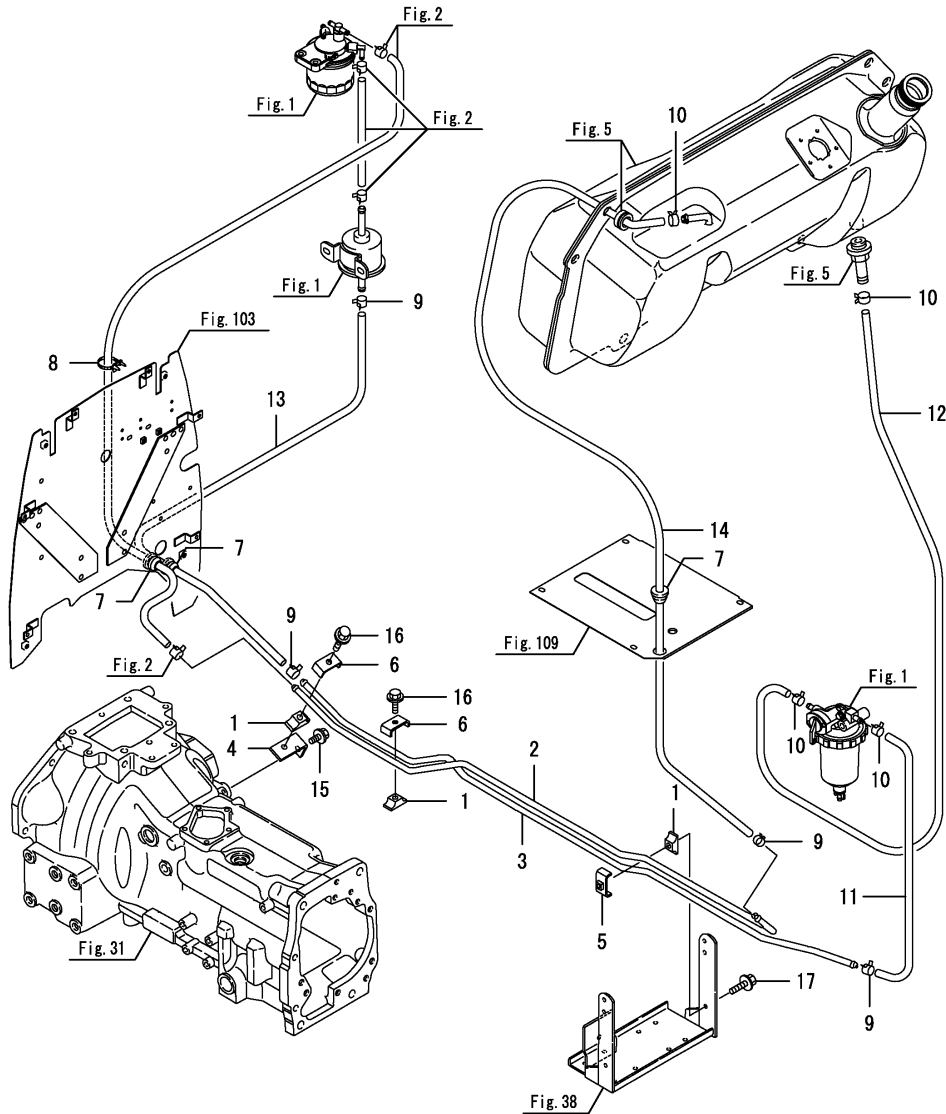
(D)=
 (E)=
 (F)=

No.	Lev.	Parts No.	Description	Q'ty						I	R
				(A)	(B)	(C)	(D)	(E)	(F)		
1	1	194555-04260	PACKING, TANK A	2							
2	1	194555-04270	PACKING, TANK B	4							
3	1	194555-04280	BOLT, M8X26	4							
4	1	198220-04290	GASKET, TANK	2							
5	1	198320-04300-1	COVER, TANK FRONT	1							
6	1	198320-04350-2	COVER, TANK REAR	1							
7	1	194990-22140	NUT, M8	2							
8	1	22157-120000	WASHER, 12	4							
9	1	26018-060162	BOLT, M6X 16	7							
10	1	26106-080162	BOLT, M8X 16 PLATED	4							

Fig.7. FUEL PIPE

(A)=EX450(YANMAR)
(B)=
(C)=

(D)=
(E)=
(F)=



No.	Lev.	Parts No.	Description	Qty						I	R
				(A)	(B)	(C)	(D)	(E)	(F)		
1	1	198240-04710	BASE, CLAMP	3							
2	1	198240-04750	PIPE, FUEL	1							
3	1	198240-04760	PIPE, FUEL	1							
4	1	198240-04780	PLATE	1							
5	1	198327-04840	CLAMP	1							
6	1	194180-17770	CLAMP, PIPE	2							
7	1	194170-51210	GROMMET 25	3							
8	1	198448-51910	CLIP, BAND	1							
9	1	114270-59010	CLIP, HOSE 12	4							
10	1	124766-59050	CLIP, HOSE 12	4							
11	1	23980-730300	HOSE, 7.3X 300	1							
12	1	23980-730300	HOSE, 7.3X 300	1							
13	1	23980-730450	HOSE, 7.3X 450	1							
14	1	23980-731120	HOSE, 7.3X1120	1							
15	1	26106-080162	BOLT, M8X 16 PLATED	1							
16	1	26106-080252	BOLT, M8X 25 PLATED	2							
17	1	26106-080302	BOLT, M8X 30 PLATED	1							

Fig.8. SHUTTER PLATE

(A)=EX450(YANMAR)
 (B)=
 (C)=

(D)=
 (E)=
 (F)=

No.	Lev.	Parts No.	Description	Q'ty						I	R
				(A)	(B)	(C)	(D)	(E)	(F)		
1	1	1A8205-05510	PLATE, SHUTTER	1							
2	1	194990-22140	NUT, M8	2							

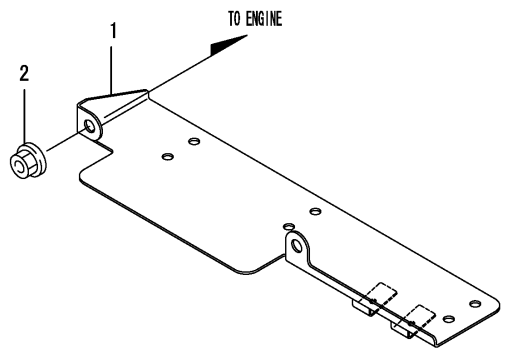
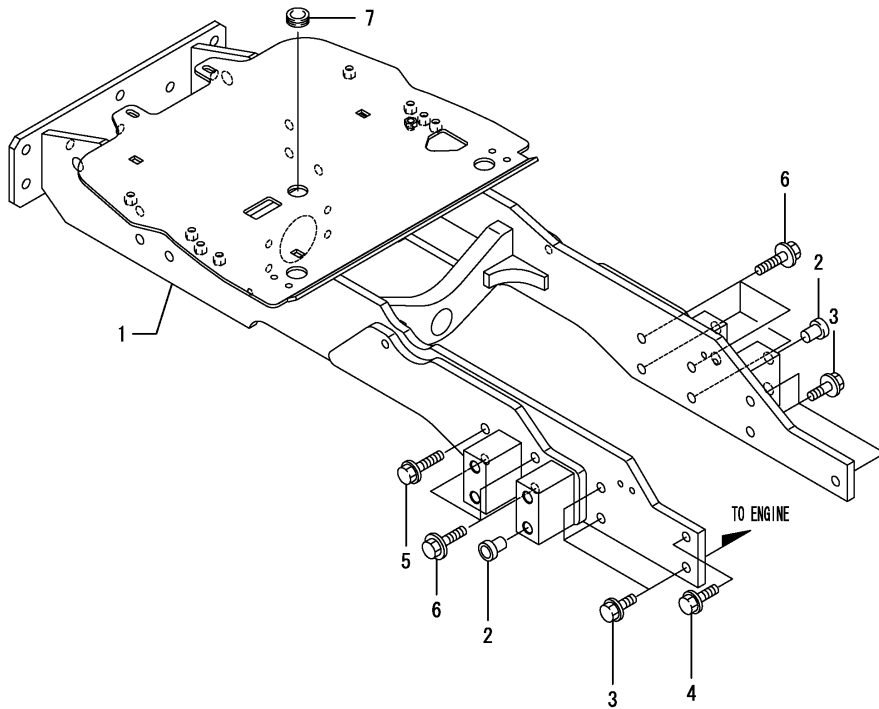


Fig.9. FRONT BRACKET

(A)=EX450(YANMAR)
 (B)=
 (C)=

(D)=
 (E)=
 (F)=



No.	Lev.	Parts No.	Description	Qty						I	R
				(A)	(B)	(C)	(D)	(E)	(F)		
1	1	1A8170-11100	BRACKET ASSY, AXLE	1							
2	1	194450-11190	PLUG, 15.0	8							
3	1	1A7780-11510	BOLT, M12X30	6							
4	1	198240-11620	BOLT, M12X34	1							
5	1	198240-11640	BOLT, M12X46	1							
6	1	198240-11650	BOLT, M12X45	7							
7	1	194180-61980	GROMMET, 24	4							

Fig.10. CENTER PIN

(A)=EX450(YANMAR)
 (B)=
 (C)=

(D)=
 (E)=
 (F)=

No.	Lev.	Parts No.	Description	Q'ty						I	R
				(A)	(B)	(C)	(D)	(E)	(F)		
1	1	198240-11500	PIN ASSY, CENTER	1							
2	2	24761-040000	NIPPLE, GREASE B	1							
3	1	198240-11550	SPACER, 36X62X27	1							
4	1	26106-120352	BOLT, M12X 35 PLATED	4							
5	1	198240-11540	SHIM SET	1							

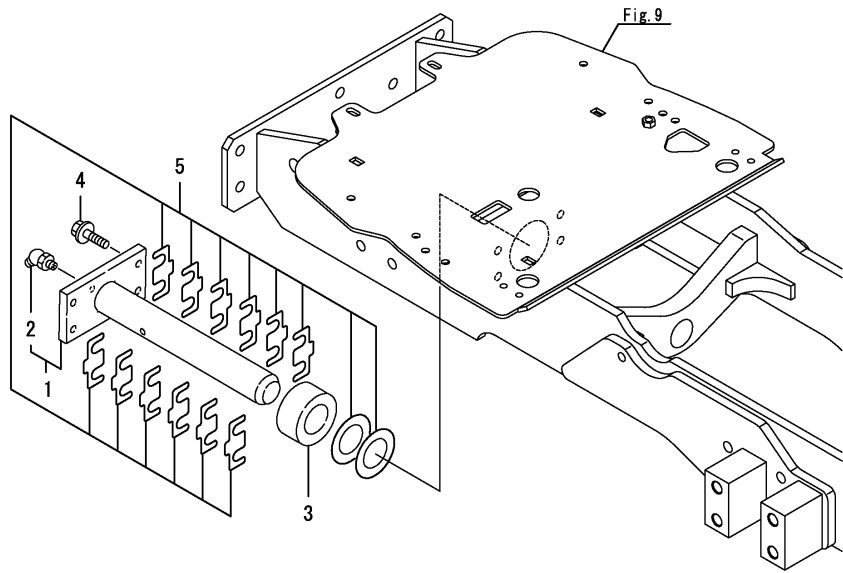


Fig.11. KNUCKLE ARM

(A)=EX450(YANMAR)
 (B)=
 (C)=

(D)=
 (E)=
 (F)=

No.	Lev.	Parts No.	Description	Q'ty						I	R
				(A)	(B)	(C)	(D)	(E)	(F)		
1	1	198251-11800-1	ARM ASSY, KNUCKLE L	1							
2	2	23876-040000	PLUG, R04	1							
3	1	198251-11820-1	ARM ASSY, KNUCKLE R	1							
4	2	198251-13630	GAUGE, OIL LEVEL	1							
5	2	24311-000180	O-RING, 1AP18.0	1							
6	1	22217-120000	WASHER, SPRING 12	4							
7	1	22312-100180	PIN, PARALLEL M10X18	4							
8	1	26013-120802	BOLT, M12X 80	4							
9	1	26216-120352	STUD, M12X 35	4							
10	1	26716-120002	NUT, M12	4							

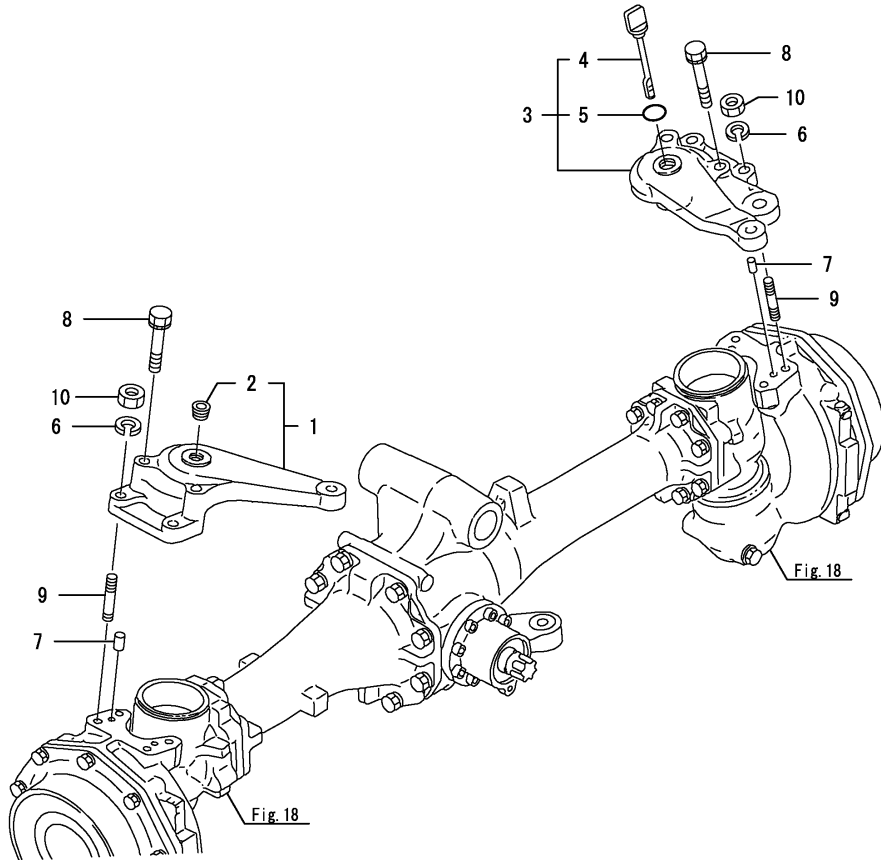
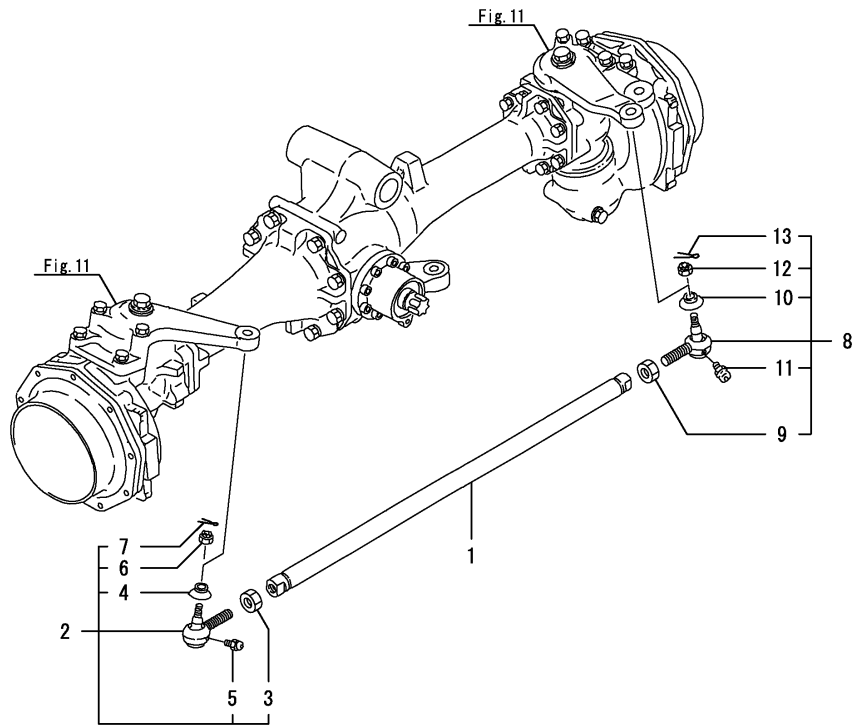


Fig.12. TIE ROD

(A)=EX450(YANMAR)
 (B)=
 (C)=

(D)=
 (E)=
 (F)=



No.	Lev.	Parts No.	Description	Q'ty						I	R
				(A)	(B)	(C)	(D)	(E)	(F)		
1	1	198251-12310-1	TIE-ROD	1							
2	1	198240-18120-2	TIRE-ROD END KIT(LR)	1							
3	2	194990-22831	NUT, LOCK M17 L	1							
4	2	194730-57220	COVER, DUCT	1							
5	2	24761-060000	NIPPLE, GREASE MT6X1	1							
6	2	198240-12590	NUT, M12	1							
7	2	22417-300250	PIN, COTTER 3.0X25	1							
8	1	198240-18130-2	END KIT, TIE ROD	1							
9	2	194990-22841	NUT, M17	1							
10	2	194730-57220	COVER, DUCT	1							
11	2	24761-060000	NIPPLE, GREASE MT6X1	1							
12	2	198240-12590	NUT, M12	1							
13	2	22417-300250	PIN, COTTER 3.0X25	1							

Fig.13. RING GEAR

(A)=EX450(YANMAR)
 (B)=
 (C)=

(D)=
 (E)=
 (F)=

No.	Lev.	Parts No.	Description	Qty						I	R
				(A)	(B)	(C)	(D)	(E)	(F)		
1	1	198251-13100	GEAR ASSY, RING	1							
2	1	1A7780-13670	COLLAR, SEAL	1							
3	1	24101-060124	BEARING, BALL 6012	1							
4	1	24141-320070	BEARING, 32007	2							
5	1	24341-000315	O-RING, 1AS31.5	1							

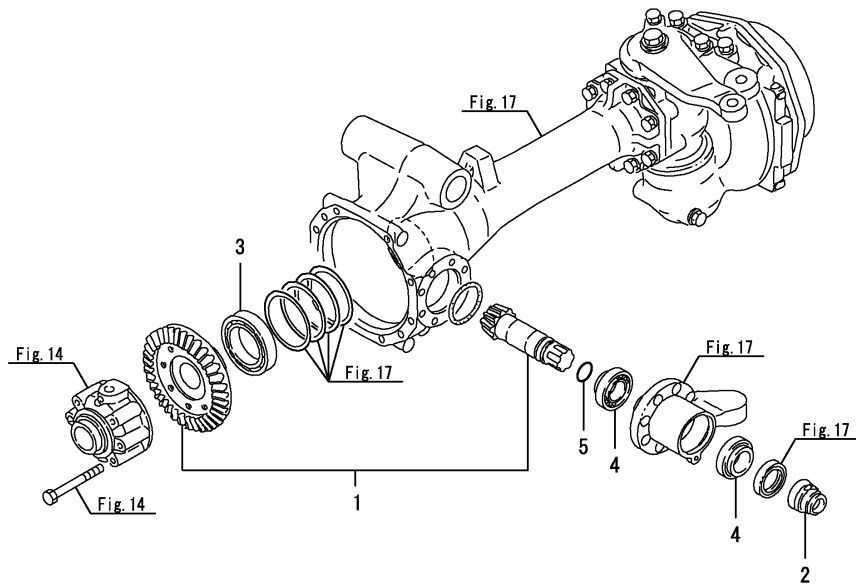


Fig.15. PROPELLER SHAFT

(A)=EX450(YANMAR)
 (B)=
 (C)=

(D)=
 (E)=
 (F)=

No.	Lev.	Parts No.	Description	Q'ty						I	R
				(A)	(B)	(C)	(D)	(E)	(F)		
1	1	198251-13270	SPACER, 33X48X 2	1							
2	1	198241-13280	SPACER, 33X40X15.5	1							
3	1	198137-13300	SHAFT ASSY,PROPELLER	1							
4	2	198133-13340	COUPLING, B	1							
5	2	198137-13350	SHAFT, PROPELLER	1							
6	1	194274-13350	BOOT, RUBBER	2							
7	1	198441-13370	SPRING, RETAINER	1							
8	1	194321-13380	SEAL, SPLINE SHAFT	1							
9	1	1A7260-43650	SPACER	2							
10	1	24190-110001	BALL, STEEL 11/32	12							
11	1	22417-400500	PIN, COTTER 4.0X50	1							

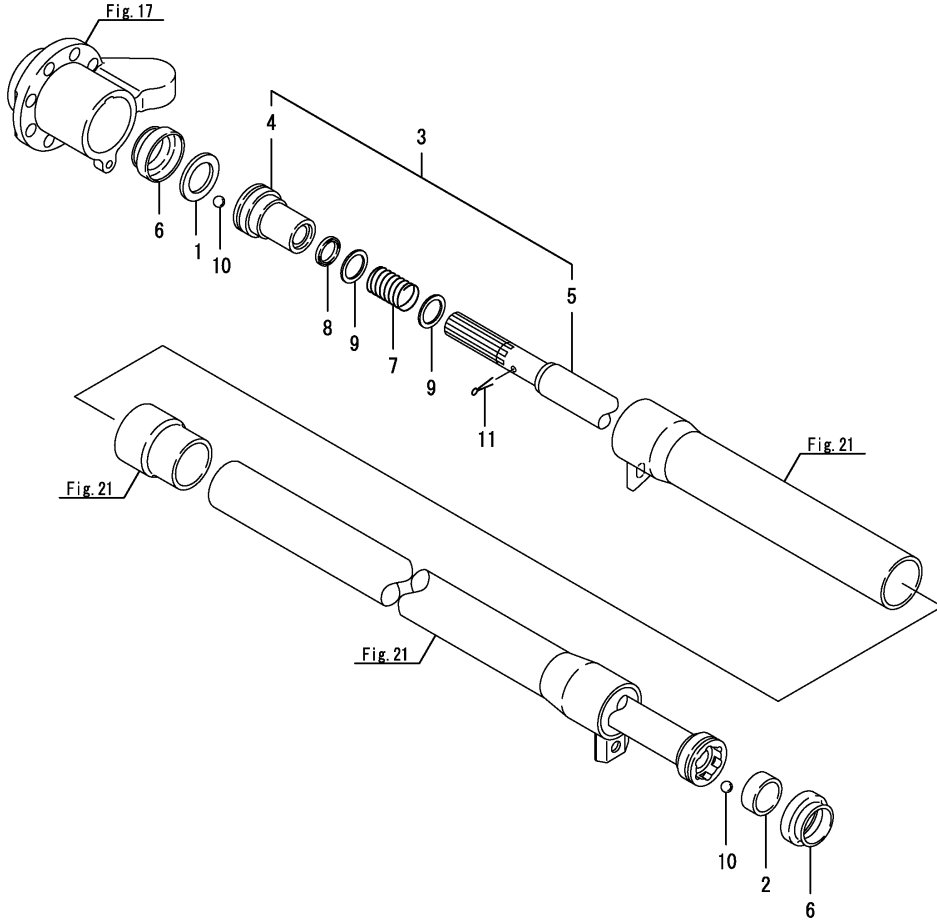


Fig.16. FRONT SHAFT(1)

(A)=EX450(YANMAR)
 (B)=
 (C)=

(D)=
 (E)=
 (F)=

No.	Lev.	Parts No.	Description	Q'ty						I	R
				(A)	(B)	(C)	(D)	(E)	(F)		
1	1	198251-13510	SHAFT, FRONT 1ST L	1							
2	1	198153-13521	PINION, SHAFT	2							
3	1	198251-13520	SHAFT, FRONT 1ST R	1							
4	1	24101-062084	BEARING, BALL 6208	2							

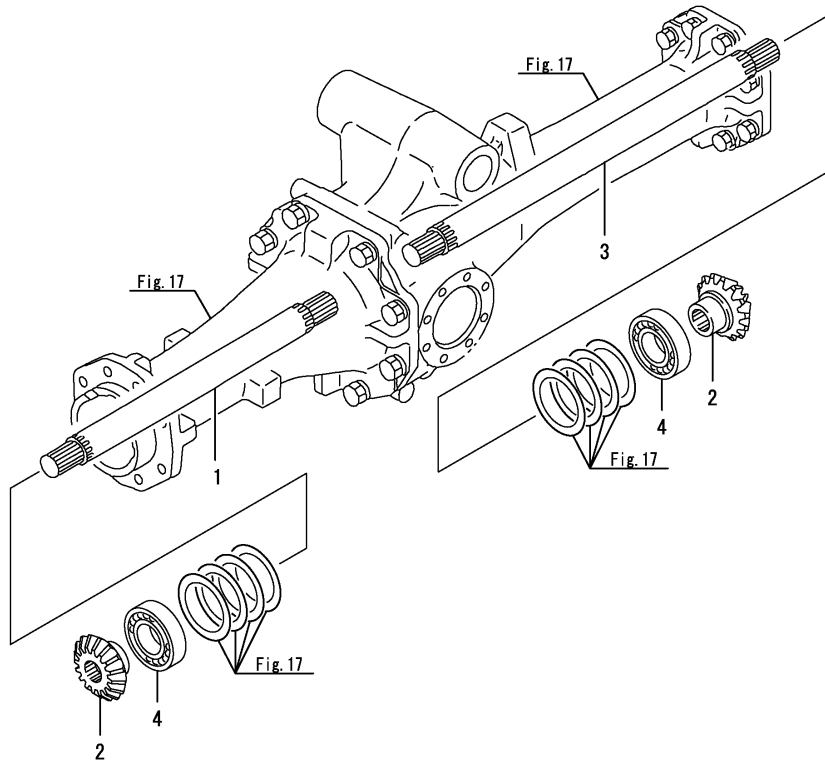
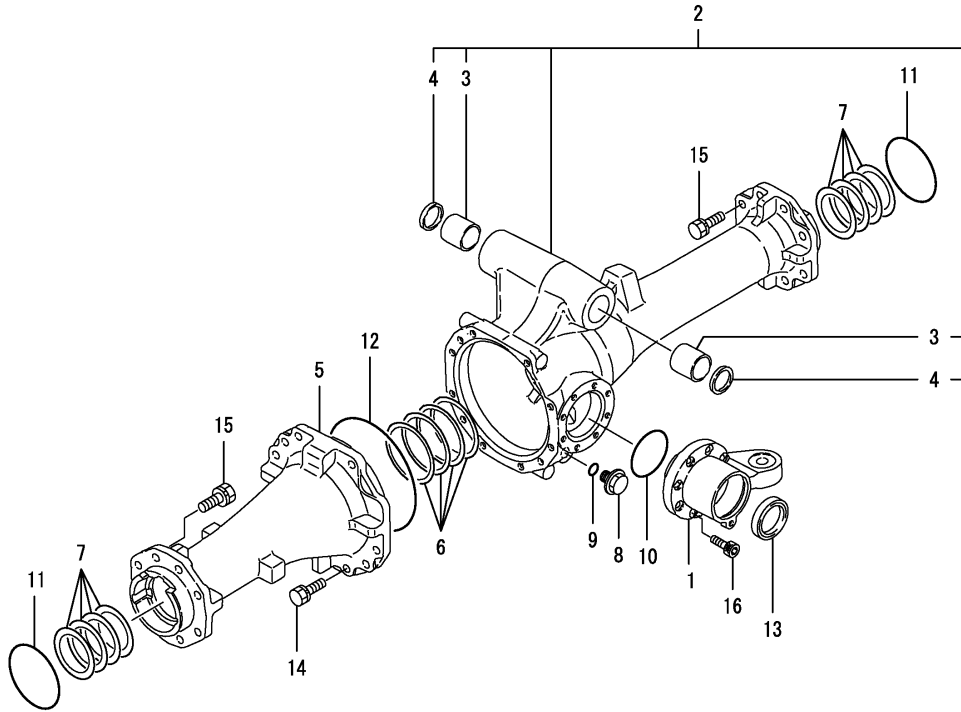


Fig.17. FRONT AXLE HOUSING

(A)=EX450(YANMAR)
(B)=
(C)=

(D)=
(E)=
(F)=

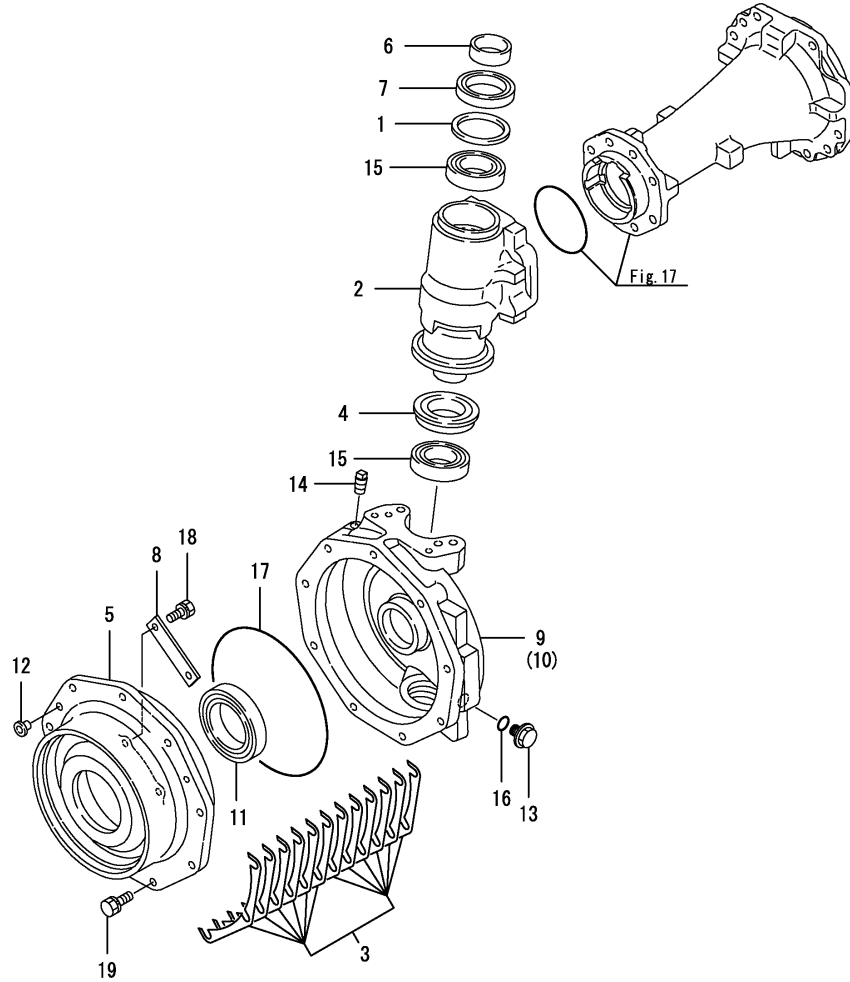


No.	Lev.	Parts No.	Description	Q'ty						I	R
				(A)	(B)	(C)	(D)	(E)	(F)		
1	1	198251-13450-1	RETAINER, BEARING	1							
2	1	198251-13600-1	HOUSING ASSY, AXLE R	1							
3	2	198251-11220	BUSH, 35X41X40	2							
4	2	194321-11940	SEAL, OIL VB354105	2							
5	1	198251-13610-1	HOUSING, FRONT AXLE	1							
6	1	794321-13660	SHIM SET	1							
7	1	194641-13670	SHIM SET, PINION	1							
8	1	23491-140002	PLUG, 14	1							
9	1	24311-000160	O-RING, 1AP16.0	1							
10	1	24321-000700	O-RING, 1AG70.0	1							
11	1	24321-001000	O-RING, 1AG100.0	2							
12	1	24321-001700	O-RING, 1AG170.0	1							
13	1	24421-456209	SEAL, OIL TC456209	1							
14	1	26013-120302	BOLT, M12X 30	11							
15	1	26013-120302	BOLT, M12X 30	16							
16	1	26450-080252	BOLT, M8X 25	8							

Fig.18. FRONT GEAR CASE

(A)=EX450(YANMAR)
(B)=
(C)=

(D)=
(E)=
(F)=

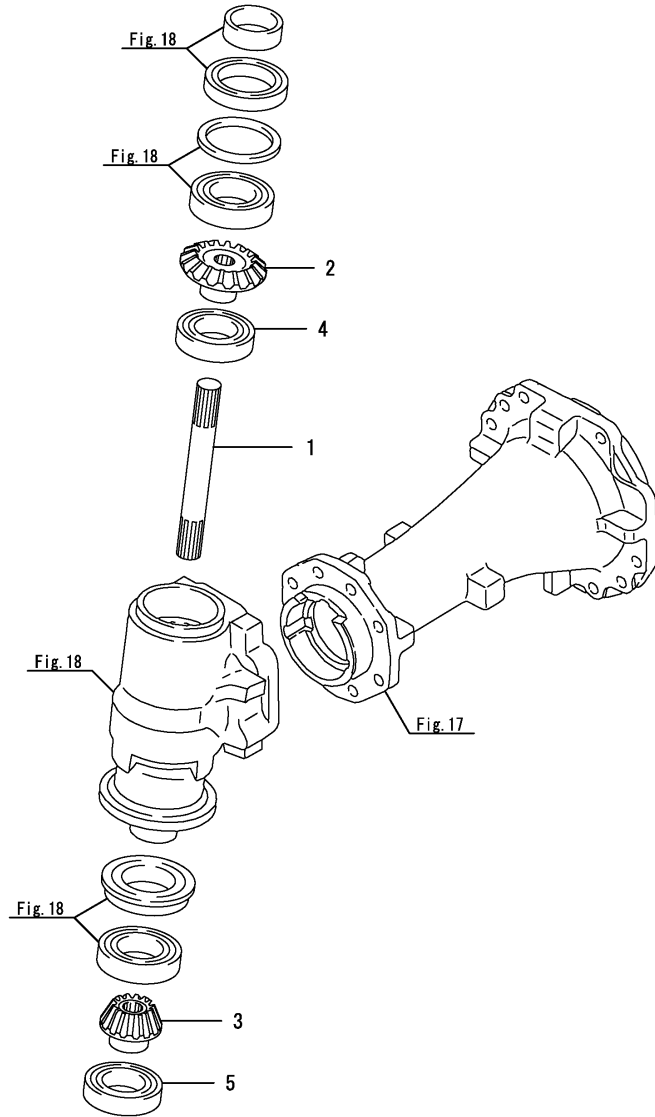


No.	Lev.	Parts No.	Description	Q'ty						I	R
				(A)	(B)	(C)	(D)	(E)	(F)		
1	1	194321-13680	SPACER, 85X1	2							
2	1	198251-13710-1	CASE, FRONT GEAR	2							
3	1	198401-13720	SHIM SET	1							
4	1	194641-13760	SEAL, OIL 55X85	2							
5	1	198401-13770-1	CASE, FRONT BEARING	2							
6	1	194641-13780	SLEEVE, SI 50X55X18	2							
7	1	194641-13790	SEAL, OIL TC6Y558514	2							
8	1	198401-13790	RETAINER, BEARING	4							
9	1	198401-13750-1	BOX, GEAR L	1							
10	1	198401-13850-1	BOX, GEAR R	1							
11	1	194180-32670	SEAL, TC6Y8010515	2							
12	1	1A1120-68070	CAP, SCREW 6.8	6							
13	1	23491-140002	PLUG, 14	2							
14	1	23876-010000	PLUG, R01	2							
15	1	24101-062094	BEARING, BALL 6209	4							
16	1	24311-000160	O-RING, 1AP16.0	2							
17	1	24321-002200	O-RING, 1AG220.0	2							
18	1	26013-080252	BOLT, M8X 25	8							
19	1	26013-100252	BOLT, M10X 25	18							

Fig.19. FRONT SHAFT(2)

(A)=EX450(YANMAR)
 (B)=
 (C)=

(D)=
 (E)=
 (F)=



No.	Lev.	Parts No.	Description	Q'ty						I	R
				(A)	(B)	(C)	(D)	(E)	(F)		
1	1	198251-13810	SHAFT, FRONT 2ND	2							
2	1	198251-13820	GEAR, 2ND SHAFT	2							
3	1	194641-13830	PINION, FRONT FINAL	2							
4	1	194641-13840	BEARING, BALL TMB208	2							
5	1	192160-34150	BALL BEARING	2							

Fig.21. SHAFT COVER

(A)=EX450(YANMAR)
 (B)=
 (C)=

(D)=
 (E)=
 (F)=

No.	Lev.	Parts No.	Description	Q'ty						I	R
				(A)	(B)	(C)	(D)	(E)	(F)		
1	1	1A7780-14600-1	COVER, SHAFT FRONT	1							
2	1	198241-14650	BOOT, SHAFT COVER	1							
3	1	1A7780-14700-1	COVER, SHAFT	1							
4	1	23000-070000	CLAMP, 70	2							
5	1	198255-14740	SEAL, COVER 62	1							
6	1	1A7780-14740	COLLAR, 8.1X10.5X4	2							
7	1	198255-14760	SEAL, COVER 65	1							
8	1	26106-080122	BOLT, M8X 12 PLATED	2							

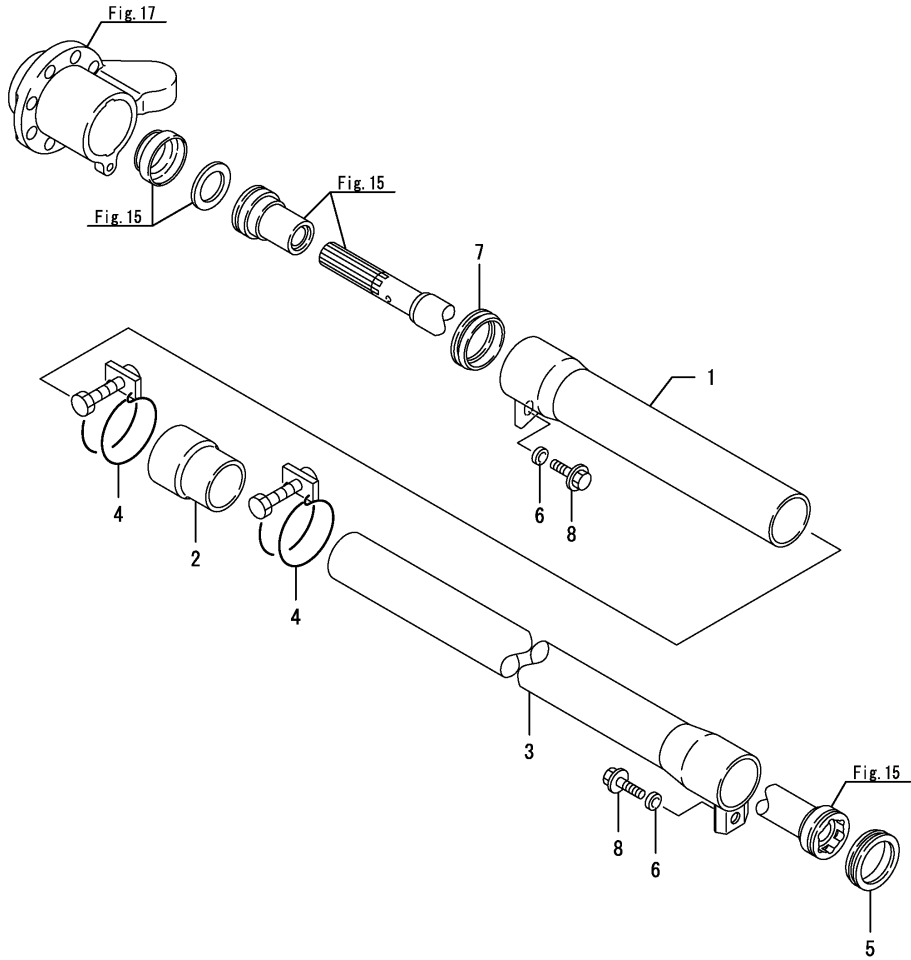


Fig.22. FRONT WHEEL TIRE R1

(A)=EX450(YANMAR)
 (B)=
 (C)=

(D)=
 (E)=
 (F)=

No.	Lev.	Parts No.	Description	Q'ty						I	R
				(A)	(B)	(C)	(D)	(E)	(F)		
1	1	1A8170-14300	TIRE KIT, FRONT R1 L	1							
2	2	1A8170-14310	TIRE, FRONT R1 8X16	1							
3	2	1A8170-14330	WHEEL, R1 F	1							
4	2	1A8170-14350	VALVE, TIRE R1 F	1							
5	1	1A8170-14400	TIRE KIT, FRONT R1 R	1							
6	2	1A8170-14310	TIRE, FRONT R1 8X16	1							
7	2	1A8170-14330	WHEEL, R1 F	1							
8	2	1A8170-14350	VALVE, TIRE R1 F	1							

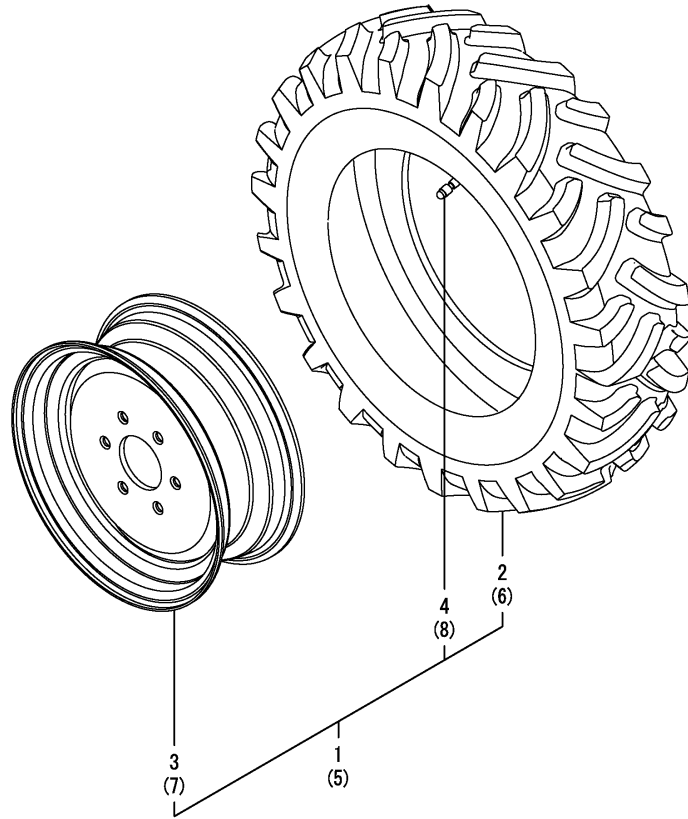


Fig.23. FRONT WHEEL TIRE R3

(A)=EX450(YANMAR)
 (B)=
 (C)=

(D)=
 (E)=
 (F)=

No.	Lev.	Parts No.	Description	Q'ty						I	R
				(A)	(B)	(C)	(D)	(E)	(F)		
1	1	1A8170-14500	TIRE KIT, FRONT R3	2							
2	2	1A8170-14350	VALVE, TIRE R1 F	2							
3	2	1A8170-14510	TIRE, R3 27X10.5-15	2							
4	2	1A8170-14530	WHEEL, R3 F	2							

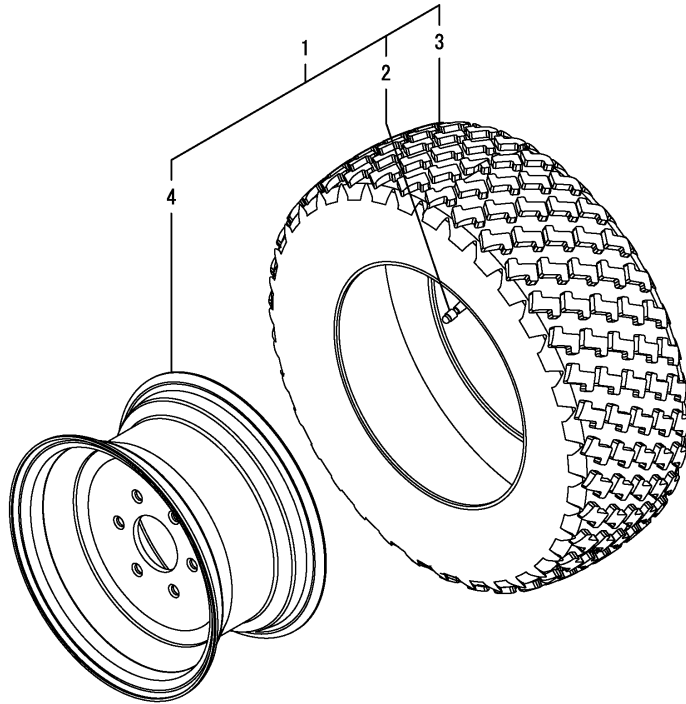


Fig.24. FRONT WHEEL TIRE R4

(A)=EX450(YANMAR)
 (B)=
 (C)=

(D)=
 (E)=
 (F)=

No.	Lev.	Parts No.	Description	Q'ty						I	R
				(A)	(B)	(C)	(D)	(E)	(F)		
1	1	1A8170-14700	TIRE KIT, FRONT R4 L	1							
2	2	1A8170-14710	TIRE, R4 10X16.5	1							
3	2	1A8170-14730	WHEEL, R4 F	1							
4	2	1A8170-14750	VALVE, TIRE	1							
5	1	1A8170-14800	TIRE KIT, FRONT R4 R	1							
6	2	1A8170-14710	TIRE, R4 10X16.5	1							
7	2	1A8170-14730	WHEEL, R4 F	1							
8	2	1A8170-14750	VALVE, TIRE	1							

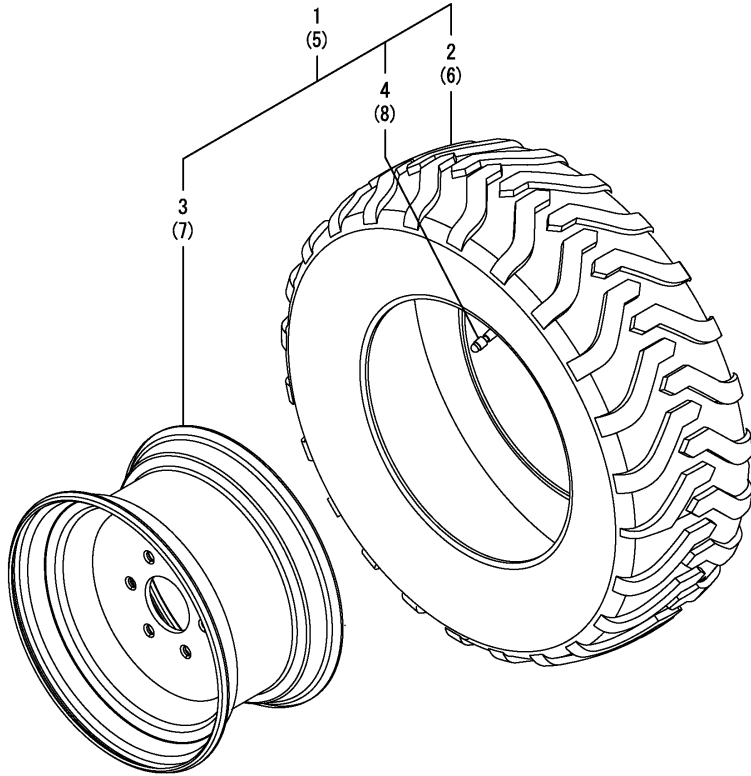


Fig.26. HUB BOLT

(A)=EX450(YANMAR)
 (B)=
 (C)=

(D)=
 (E)=
 (F)=

No.	Lev.	Parts No.	Description	Q'ty						I	R
				(A)	(B)	(C)	(D)	(E)	(F)		
1	1	1A8170-14210	BOLT, HUB M14	12							

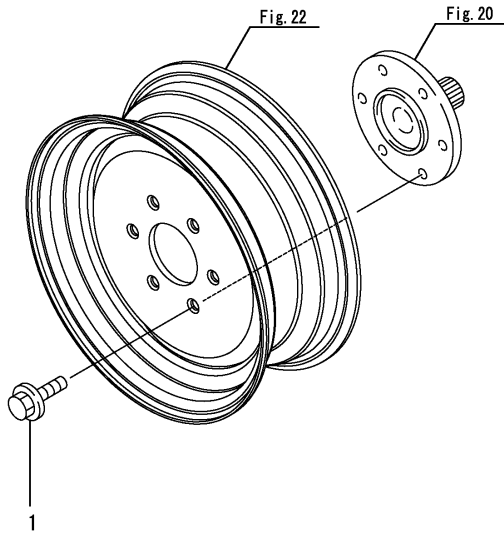


Fig.27. STEERING WHEEL

(A)=EX450(YANMAR)
 (B)=
 (C)=

(D)=
 (E)=
 (F)=

No.	Lev.	Parts No.	Description	Q'ty						I	R
				(A)	(B)	(C)	(D)	(E)	(F)		
1	1	198220-15650	COVER, COLUMN	1							
2	1	198133-15710	WHEEL, STEERING	1							
3	1	198133-15750	CAP, STEERING	1							
4	1	22137-160000	WASHER, 16	1							
5	1	26356-160002	NUT, M16	1							

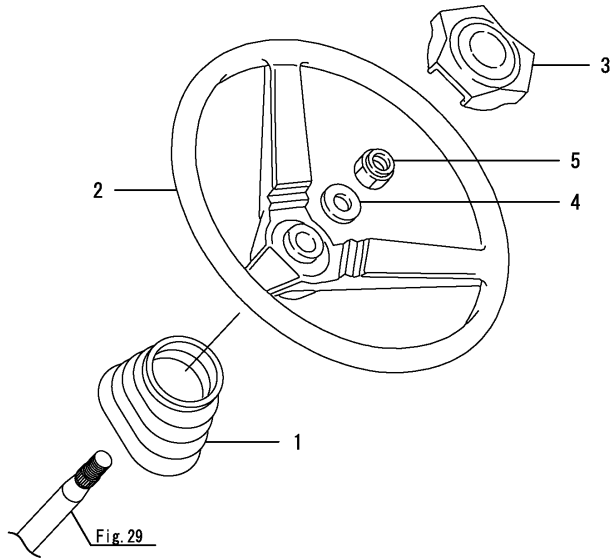
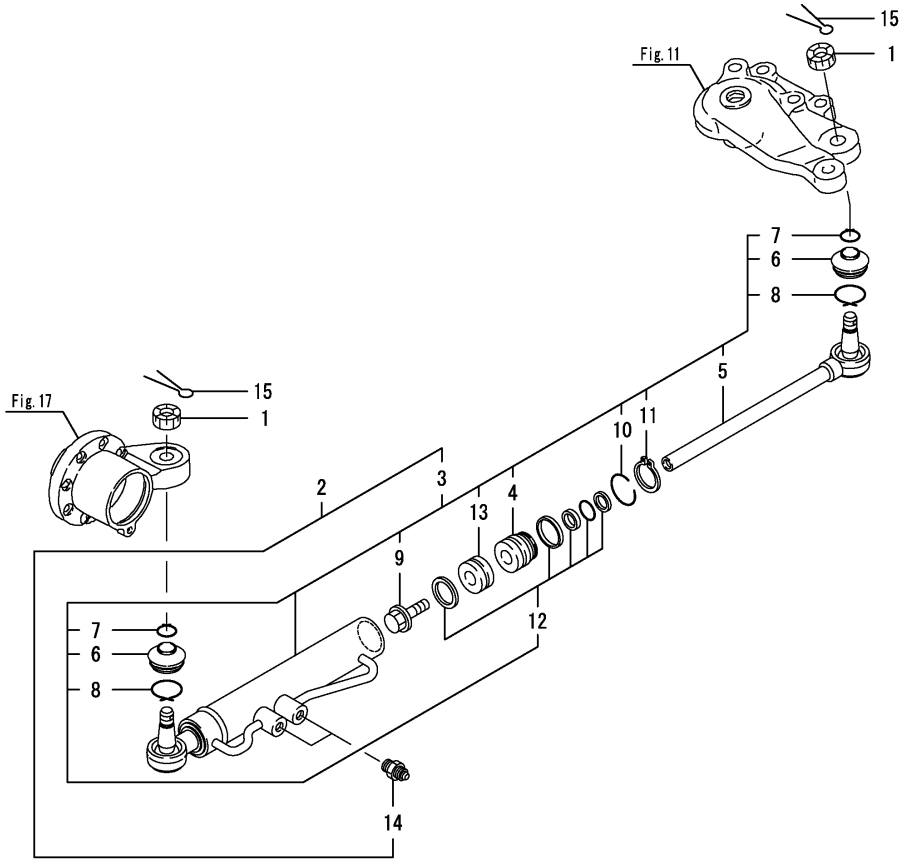


Fig.28. PST CYLINDER



(A)=EX450(YANMAR)
(B)=
(C)=

(D)=
(E)=
(F)=

No.	Lev.	Parts No.	Description	Q'ty						I	R
				(A)	(B)	(C)	(D)	(E)	(F)		
1	1	194180-12471	NUT, CASTLE M16	2							
2	1	798254-17500	CYLINDER ASSY	1							
3	2	198254-17511	CYLINDER ASSY	1							
4	3	1A7335-17310	CAP, CYLINDER	1							
5	3	1A7335-17410	ROD ASSY, STEERING	1							
6	3	1A7780-17450	BOOT, RUBBER	2							
7	3	1A7780-17460	STOPPER	2							
8	3	1A7780-17470	STOPPER	2							
9	3	1A7335-17500	BOLT, M12X1.25	1							
10	3	1A7335-17520	CIRCLIP	1							
11	3	1A7335-17530	CIRCLIP	1							
12	3	1A7335-17551	SEAL KIT	1							
13	3	1A7335-17750	PISTON	1							
14	2	194065-38380	ADAPTER, 1/4	2							
15	1	22417-400250	PIN, COTTER 4.0X25	2							

Fig.29. PST VALVE

(A)=EX450(YANMAR)

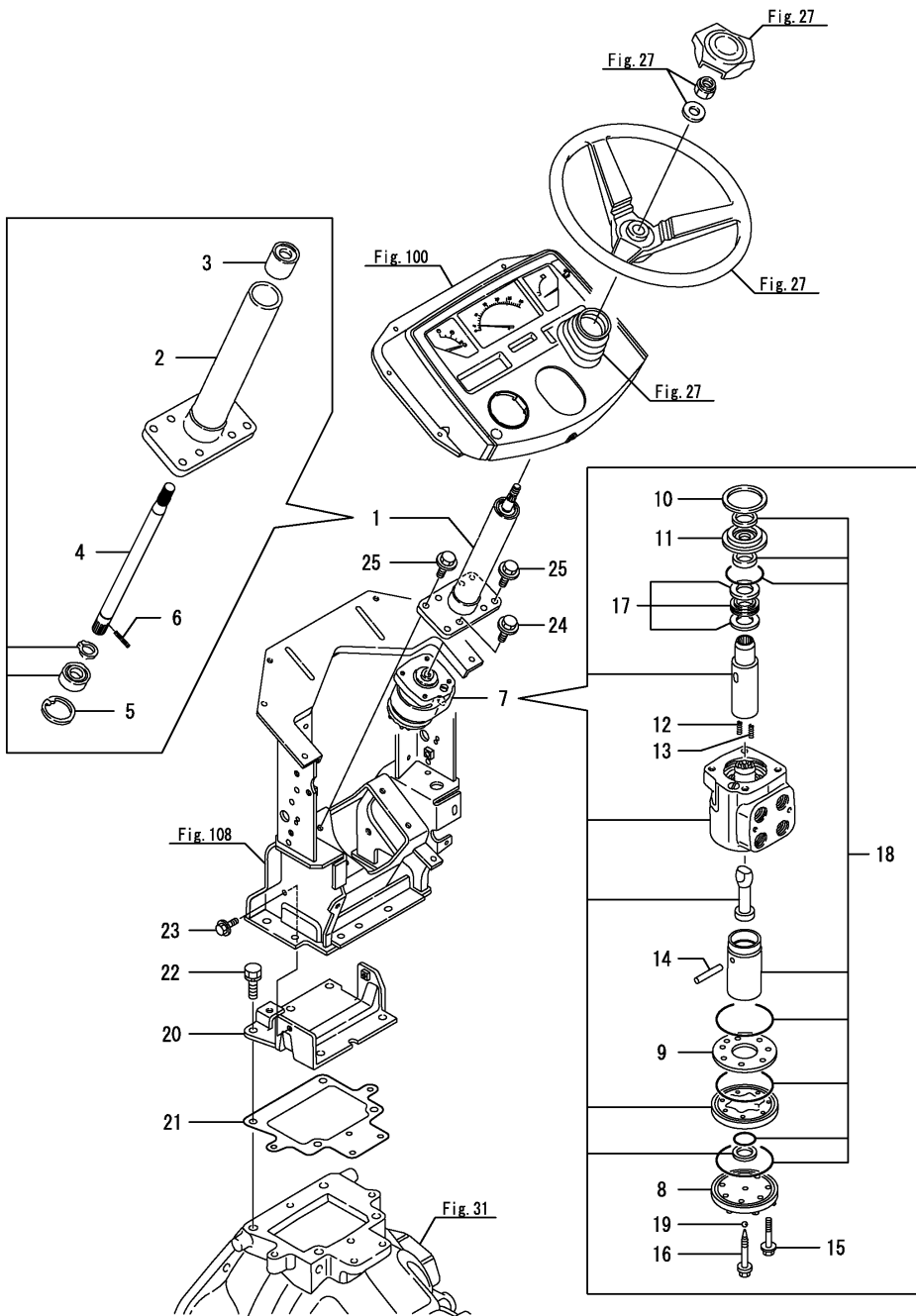
(B)=

(C)=

(D)=

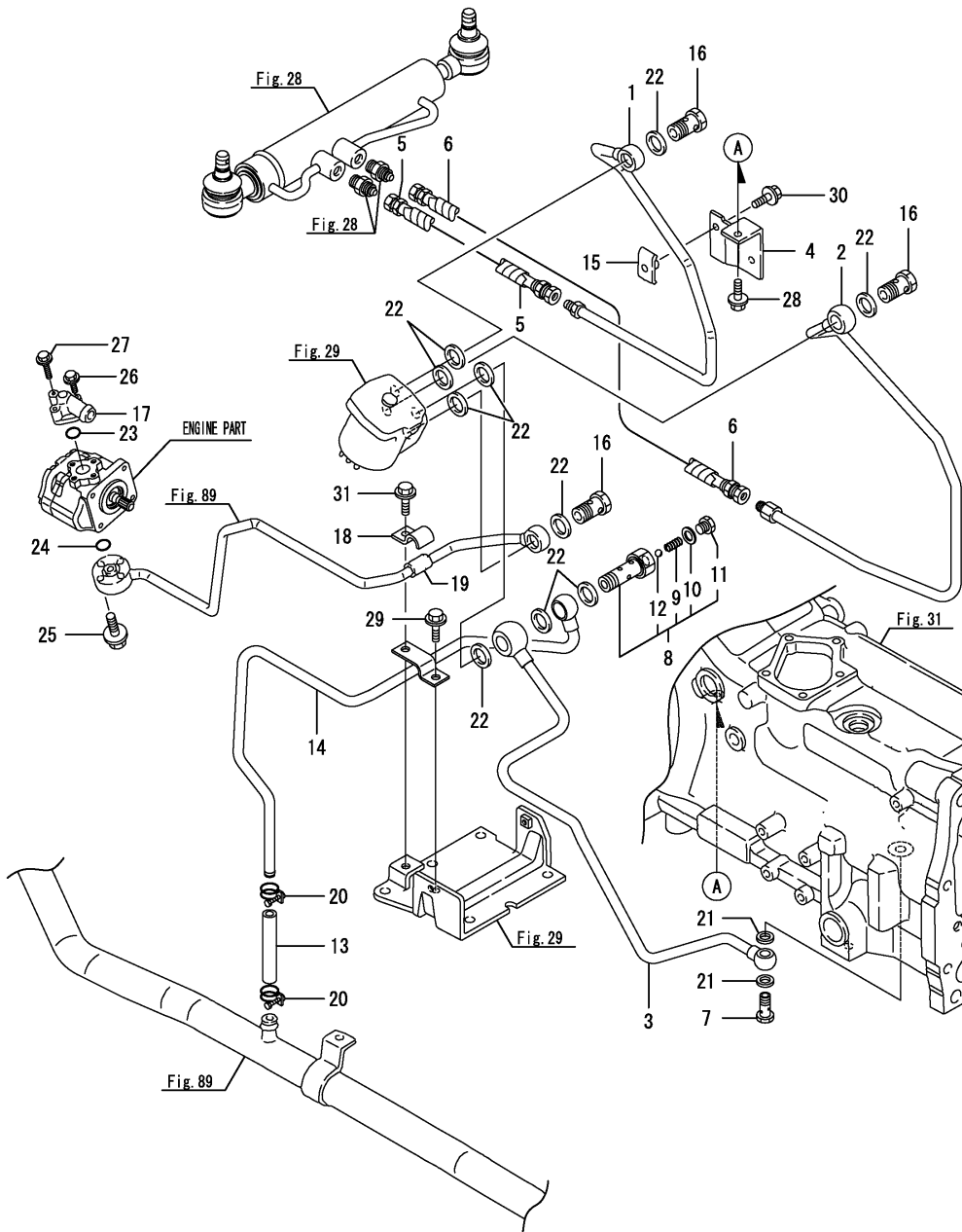
(E)=

(F)=



No.	Lev.	Parts No.	Description	Q'ty						I	R
				(A)	(B)	(C)	(D)	(E)	(F)		
1	1	1A7780-17300	COLUMN ASSY,STEERING	1							
2	2	198230-17311	COLUMN ASSY,STEERING	1							
3	2	194640-17340	BUSH, COLUMN	1							
4	2	1A7780-17370	SHAFT, STEERING 1	1							
5	2	22252-000420	RING, 42	1							
6	2	22351-040025	PIN, SPRING 4.0X25	1							
7	1	198251-17500	VALVE ASSY, STEERING	1							
8	2	194337-17220	CAP, END	1							
9	2	194337-17251	PLATE, SPACER	1							
10	2	194337-17390	RING, RETAINING	1							
11	2	194337-17400	BUSH, SEAL GRAND	1							
12	2	194337-17520	SPRING	4							
13	2	194337-17530	SPRING	2							
14	2	194337-17540	PIN	1							
15	2	198220-17610	SCREW	6							
16	2	198220-17620	SCREW ASSY, RETAINER	1							
17	2	198153-17630	BEARING ASSY, NEEDLE	1							
18	2	198220-17642	SEAL KIT	1							
19	2	24190-070001	BALL, STEEL 7/32	1							
20	1	198240-17870	COVER, HOUSING	1							
21	1	198327-21150	PACKING, CLUTCH	1							
22	1	26013-120202	BOLT, M12X 20	4							
23	1	26106-080162	BOLT, M8X 16 PLATED	2							
24	1	26106-100252	BOLT, M10X 25 PLATED	4							
25	1	26106-100252	BOLT, M10X 25 PLATED	4							

Fig.30. PST PIPING



(A)=EX450(YANMAR)
(B)=
(C)=

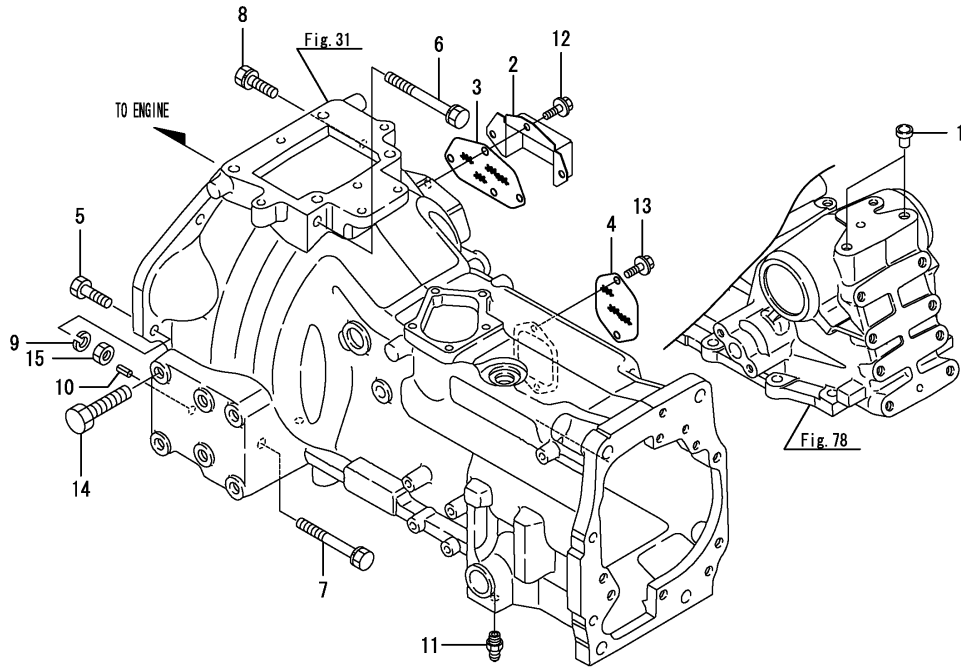
(D)=
(E)=
(F)=

No.	Lev.	Parts No.	Description	Qty						I	R
				(A)	(B)	(C)	(D)	(E)	(F)		
1	1	198253-17700-1	PIPE, PRESSURE L	1							
2	1	1A7780-17780-1	PIPE, PRESSURE R	1							
3	1	1A7780-17800-1	PIPE, SYNCHRO	1							
4	1	198240-17840	BRACKET	1							
5	1	198240-17850	HOSE, 400	1							
6	1	198251-17850	HOSE, 350	1							
7	1	1A7780-17850	BOLT, JOINT M6	1							
8	1	1A7780-17860	BOLT ASSY, JOINT 3/4	1							
9	2	198448-48690	SPRING, CHECK VALVE	1							
10	2	23414-120000	GASKET, 12X1.0	1							
11	2	23887-120002	PLUG, 12	1							
12	2	24190-100001	BALL, STEEL 5/16	1							
13	1	194556-17870	HOSE, RETURN RUBBER	1							
14	1	1A7780-17900-1	PIPE, PRESSURE T	1							
15	1	198220-46560	CLAMP, PIPE 12	1							
16	1	198245-46680	BOLT, M3/4-16	3							
17	1	198220-48140	FLANGE, PIPE P	1							
18	1	194450-48830	CLAMP	1							
19	1	194464-48850	RUBBER, ABSORBER	1							
20	1	23010-018000	CLAMP, 18	2							
21	1	23414-120000	GASKET, 12X1.0	2							
22	1	23414-190000	GASKET, 19X1.0	9							
23	1	24311-000200	O-RING, 1AP20.0	1							
24	1	24311-000200	O-RING, 1AP20.0	1							
25	1	26018-060352	BOLT, M6X 35	4							
26	1	26106-060202	BOLT, M6X 20 PLATED	1							
27	1	26106-060402	BOLT, M6X 40 PLATED	2							
28	1	26106-080162	BOLT, M8X 16 PLATED	1							
29	1	26106-080162	BOLT, M8X 16 PLATED	1							
30	1	26106-080202	BOLT, M8X 20 PLATED	1							
31	1	26106-080202	BOLT, M8X 20 PLATED	1							

Fig.32. DOCKING BOLT

(A)=EX450(YANMAR)
 (B)=
 (C)=

(D)=
 (E)=
 (F)=

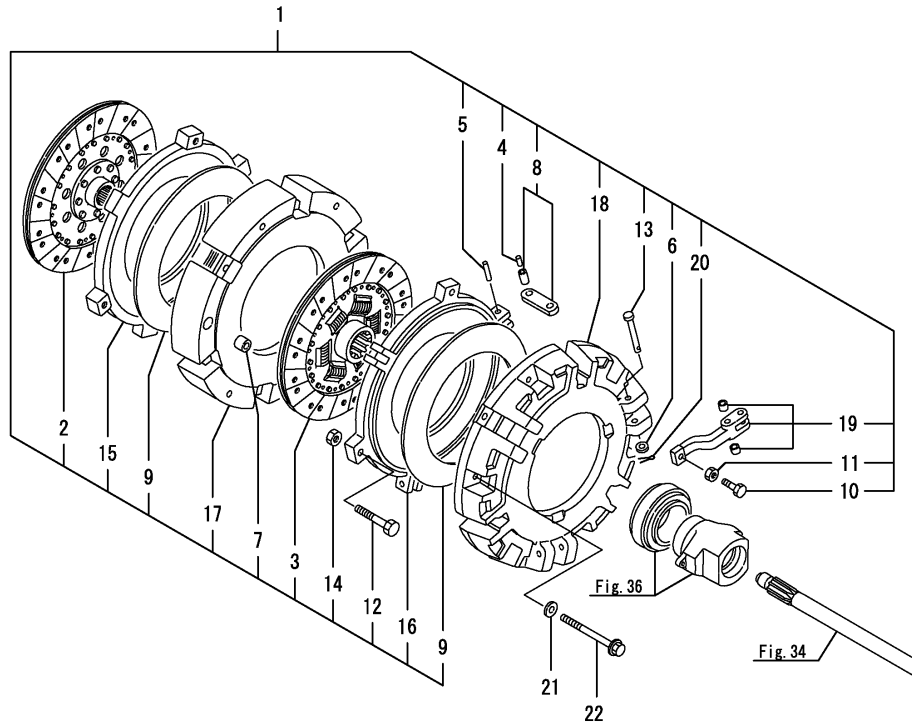


No.	Lev.	Parts No.	Description	Q'ty						I	R
				(A)	(B)	(C)	(D)	(E)	(F)		
1	1	194450-11190	PLUG, 15.0	2							
2	1	1A8170-21130	COVER, HOUSING	1							
3	1	198220-21171-1	COVER, HOUSING A	1							
4	1	198240-21180	COVER, HOUSING B	1							
5	1	198240-21220	BOLT, M12X40	1							
6	1	198240-21250	BOLT, M12X170	2							
7	1	198240-21260	BOLT, M12X100	2							
8	1	198240-21270	BOLT, M12X30	3							
9	1	22217-120000	WASHER, SPRING 12	2							
10	1	22351-080018	PIN, SPRING 8.0X18	2							
11	1	24761-020000	NIPPLE, GREASE PT1/8	2							
12	1	26106-080122	BOLT, M8X 12 PLATED	3							
13	1	26106-080122	BOLT, M8X 12 PLATED	2							
14	1	26116-160302	BOLT, M16X 30 PLATED	2							
15	1	26716-120002	NUT, M12	2							

Fig.33. DUAL CLUTCH

(A)=EX450(YANMAR)
(B)=
(C)=

(D)=
(E)=
(F)=



No.	Lev.	Parts No.	Description	Q'ty						I	R
				(A)	(B)	(C)	(D)	(E)	(F)		
1	1	1A7780-21400	CLUTCH ASSY, DUAL	1							
2	2	1A7780-21410	DISK, PTO CLUTCH	1							
3	2	1A7780-21420	DISK, MAIN CLUTCH	1							
4	2	194274-21510	PIN, PARALLEL	3							
5	2	194274-21520	PIN, PARALLEL	3							
6	2	194274-21530	WASHER	3							
7	2	194274-21550	PIN, KNOCK	4							
8	2	194274-21610	ROD ASSY, RELEASE	3							
9	2	194278-21640	SPRING, DIAPHRAGM	2							
10	2	194274-21650	BOLT, ADJUST	3							
11	2	194274-21660	NUT	3							
12	2	194278-21670	BOLT	3							
13	2	194274-21680	PIN	3							
14	2	194274-21690	NUT, M10	3							
15	2	194278-21710	PLATE, PRESSURE A	1							
16	2	198325-21720	PLATE, PRESSURE B	1							
17	2	198325-21730	COVER, CLUTCH	1							
18	2	198327-21740	COVER, CLUTCH	1							
19	2	194274-21750	LEVER ASSY, RELEASE	3							
20	2	22417-160150	PIN, COTTER 1.6X15	3							
21	1	22137-080000	WASHER, 8	2							
22	1	26106-080802	BOLT, M8X 80 PLATED	6							

Fig.34. CLUTCH SHAFT

(A)=EX450(YANMAR)
 (B)=
 (C)=

(D)=
 (E)=
 (F)=

No.	Lev.	Parts No.	Description	Q'ty						I	R
				(A)	(B)	(C)	(D)	(E)	(F)		
1	1	198133-22121	SHAFT, MAIN DRIVE	1							

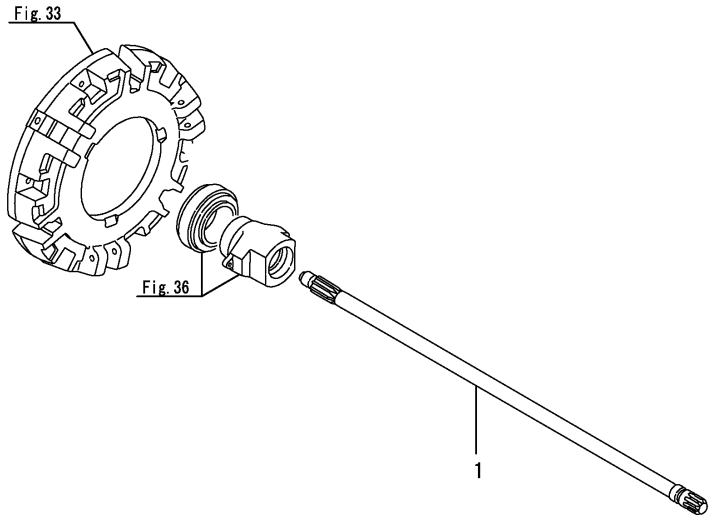
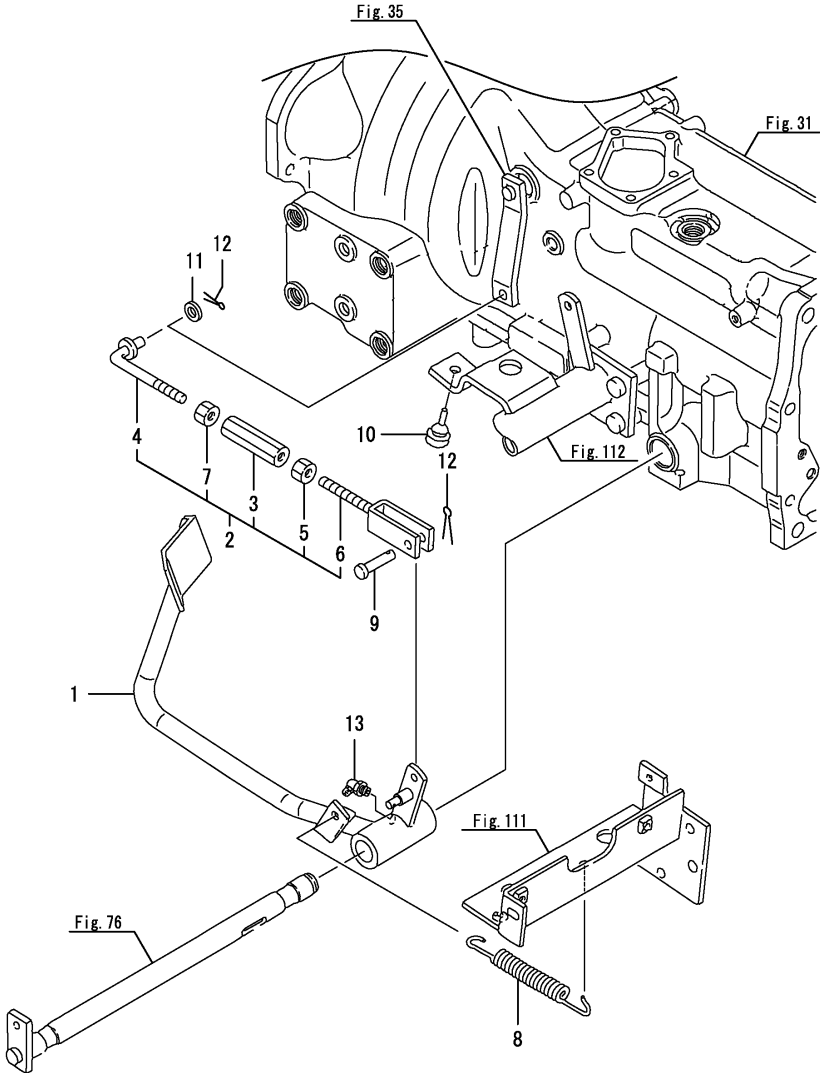


Fig.37. CLUTCH PEDAL

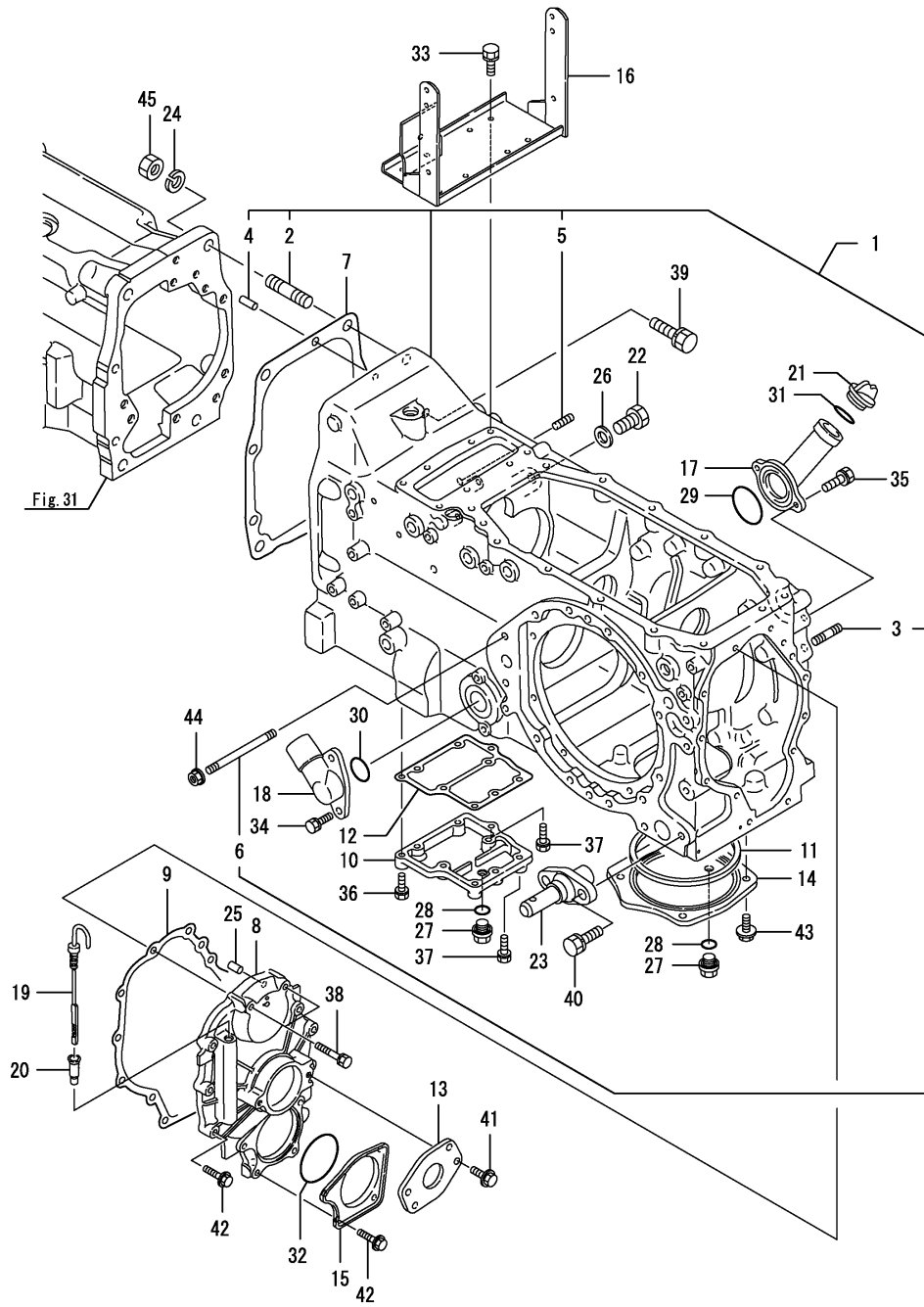
(A)=EX450(YANMAR)
 (B)=
 (C)=

(D)=
 (E)=
 (F)=



No.	Lev.	Parts No.	Description	Q'ty						I	R
				(A)	(B)	(C)	(D)	(E)	(F)		
1	1	198320-22410-1	PEDAL, CLUTCH	1							
2	1	798240-22470	ROD KIT, CLUTCH	1							
3	2	194300-22260	TURNBUCKLE, M10								
4	2	198240-22470	ROD, CLUTCH	1							
5	2	194150-22480	NUT, M10 L	1							
6	2	198240-22550	ROD, CLUTCH	1							
7	2	26716-100002	NUT, M10	1							
8	1	198240-37510	SPRING, RETURN	1							
9	1	198220-37900	PIN, 8X24	1							
10	1	194330-62530	STOPPER, PEDAL	1							
11	1	22137-100000	WASHER, 10	1							
12	1	22417-250300	PIN, COTTER 2.5X30	2							
13	1	24761-040000	NIPPLE, GREASE B	1							

Fig.38. TRANSMISSION CASE



(A)=EX450(YANMAR)

(B)=

(C)=

(D)=

(E)=

(F)=

No.	Lev.	Parts No.	Description	Q'ty						I	R
				(A)	(B)	(C)	(D)	(E)	(F)		
1	1	1A7780-24100	HOUSING ASSY, XMSN.	1							
2	2	198240-24120	STUD, M16X45	4							
3	2	198240-24530	STUD, M12X45	2							
4	2	22312-100180	PIN, PARALLEL M10X18	2							
5	2	26218-080202	STUD, M8X 20	2							
6	2	26218-100902	STUD, M10X 90	2							
7	1	198240-24140	PACKING, MISSION	1							
8	1	198327-24240-1	COVER, REAR	1							
9	1	198240-24320	PACKING	1							
10	1	198133-24370-1	COVER, FRONT DRIVE	1							
11	1	198133-24380	PACKING, 140X3	1							
12	1	198138-24390	PACKING	1							
13	1	198255-24460	PLATE, OIL SEAL	1							
14	1	198240-24480-1	COVER, PTO	1							
15	1	198240-24510-1	COVER, REAR COVER	1							
16	1	1A7781-24680	COVER, MISSION CASE	1							
17	1	198240-24690-2	CAP ASSY	1							
18	1	198240-24920-1	FLANGE, PIPE S	1							
19	1	194850-24960	GAUGE ASSY, LEVEL	1							
20	1	119860-34810	GUIDE, DIPSTICK	1							
21	1	194850-42500	CAP, OIL M33	1							
22	1	198220-45920	PLUG, 3/4-16UNF	1							
23	1	194640-73180	PIN, LOWER LINK	2							
24	1	22217-160000	WASHER, SPRING 16	4							
25	1	22312-100180	PIN, PARALLEL M10X18	2							
26	1	23414-190000	GASKET, 19X1.0	1							
27	1	23491-140002	PLUG, 14	2							
28	1	24311-000160	O-RING, 1AP16.0	2							
29	1	24311-000500	O-RING, 1AP50.0	1							
30	1	24321-000300	O-RING, 1AG30.0	1							
31	1	24321-000300	O-RING, 1AG30.0	1							
32	1	24321-000750	O-RING, 1AG75.0	1							
33	1	26013-080162	BOLT, M8X 16	8							
34	1	26013-080202	BOLT, M8X 20	2							
35	1	26013-080202	BOLT, M8X 20	2							
36	1	26013-080252	BOLT, M8X 25	5							
37	1	26013-080302	BOLT, M8X 30	4							
38	1	26013-080502	BOLT, M8X 50	2							
39	1	26013-120402	BOLT, M12X 40	2							
40	1	26013-140352	BOLT, M14X 35	4							
41	1	26106-080162	BOLT, M8X 16 PLATED	2							
42	1	26106-080352	BOLT, M8X 35 PLATED	10							
43	1	26106-100252	BOLT, M10X 25 PLATED	4							
44	1	26366-100002	NUT, M10	2							
45	1	26716-160002	NUT, M16	4							

Fig.39. CENTER PLATE

(A)=EX450(YANMAR)
 (B)=
 (C)=

(D)=
 (E)=
 (F)=

No.	Lev.	Parts No.	Description	Q'ty						I	R
				(A)	(B)	(C)	(D)	(E)	(F)		
1	1	198133-24361	PLATE, CENTER	1							
2	1	198133-25311	RETAINER, BEARING	1							
3	1	22117-100000	WASHER, 10	1							
4	1	22252-000470	RING, 47	1							
5	1	22252-000620	RING, 62	1							
6	1	22252-000800	RING, 80	1							
7	1	22312-100200	PIN, PARALLEL M10X20	4							
8	1	26013-101502	BOLT, M10X150	1							
9	1	26106-100502	BOLT, M10X 50 PLATED	2							
10	1	26106-100802	BOLT, M10X 80 PLATED	1							

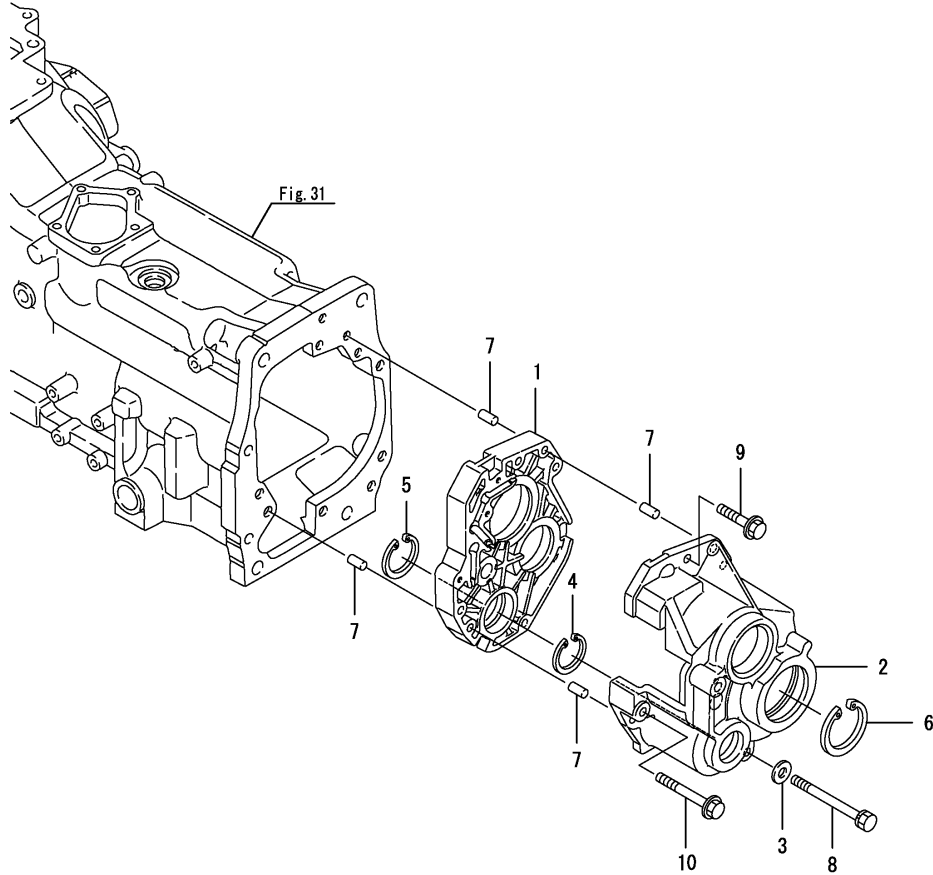


Fig.40. OIL STRAINER

(A)=EX450(YANMAR)
 (B)=
 (C)=

(D)=
 (E)=
 (F)=

No.	Lev.	Parts No.	Description	Q'ty						I	R
				(A)	(B)	(C)	(D)	(E)	(F)		
1	1	198240-24900-1	COVER, STRAINER	1							
2	1	194322-24980	PLUG, 1-2NPT	1							
3	1	194275-48400	STRAINER, OIL	1							
4	1	24321-000650	O-RING, 1AG65.0	1							
5	1	26013-080202	BOLT, M8X 20	2							

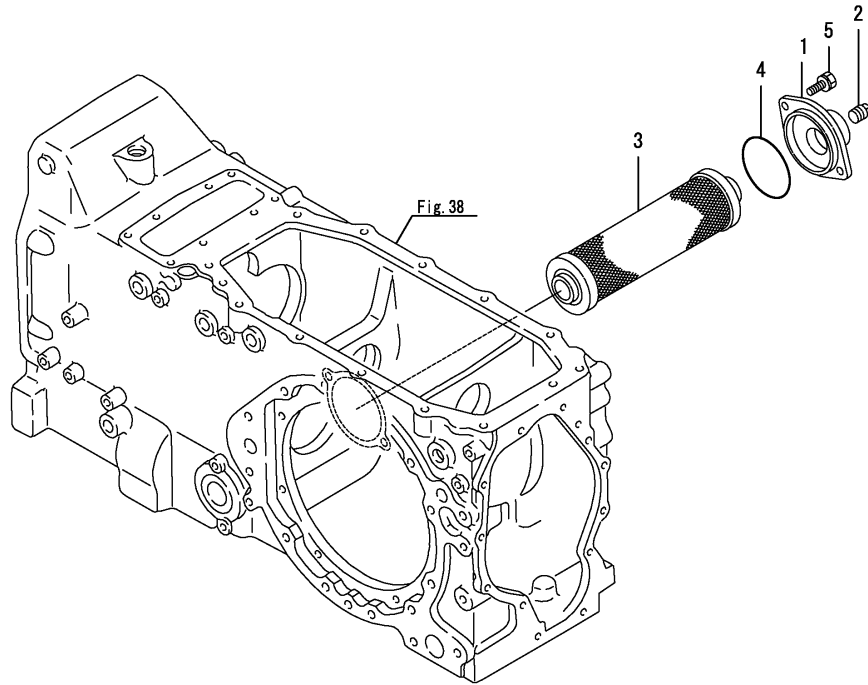
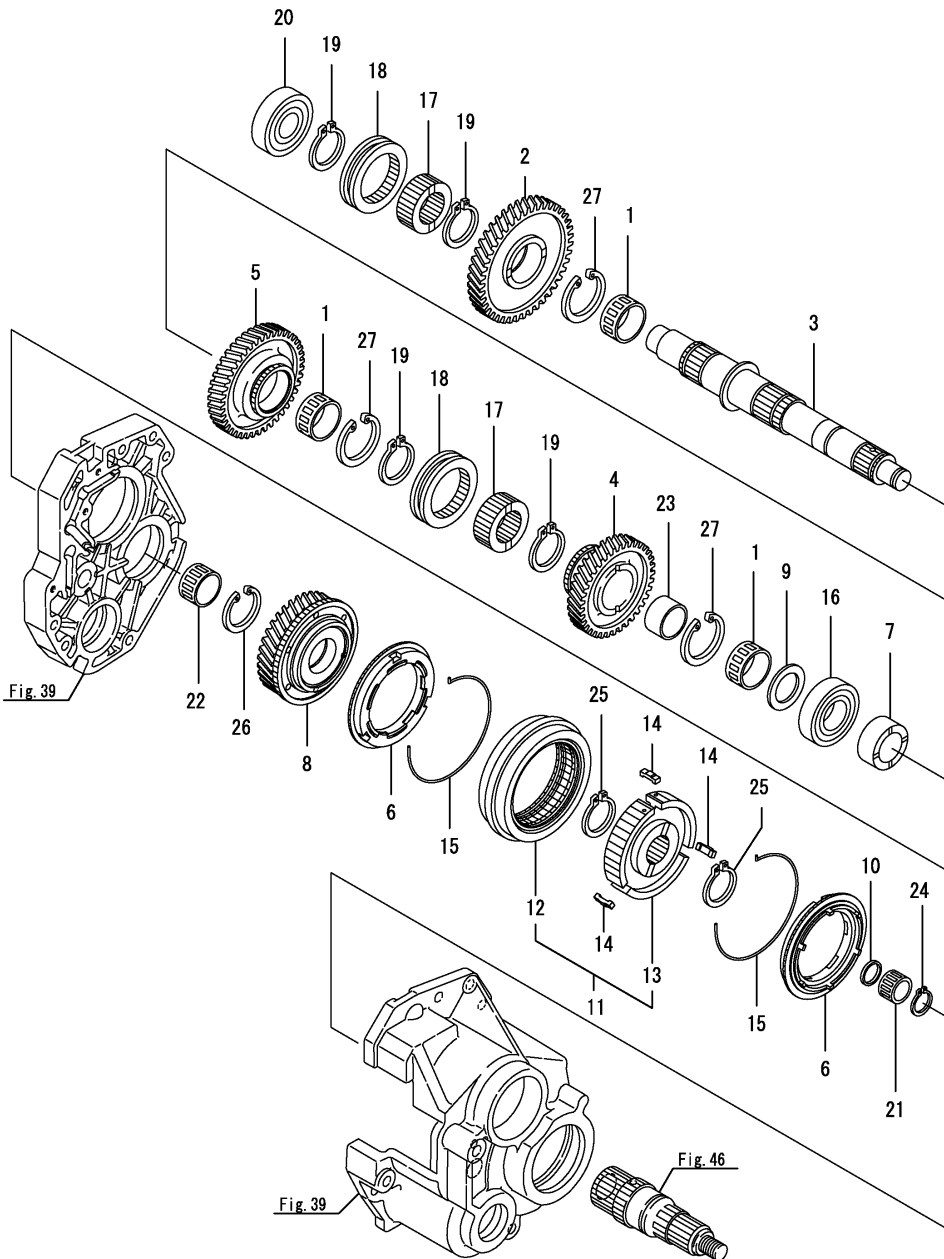


Fig.42. DRIVEN SHAFT

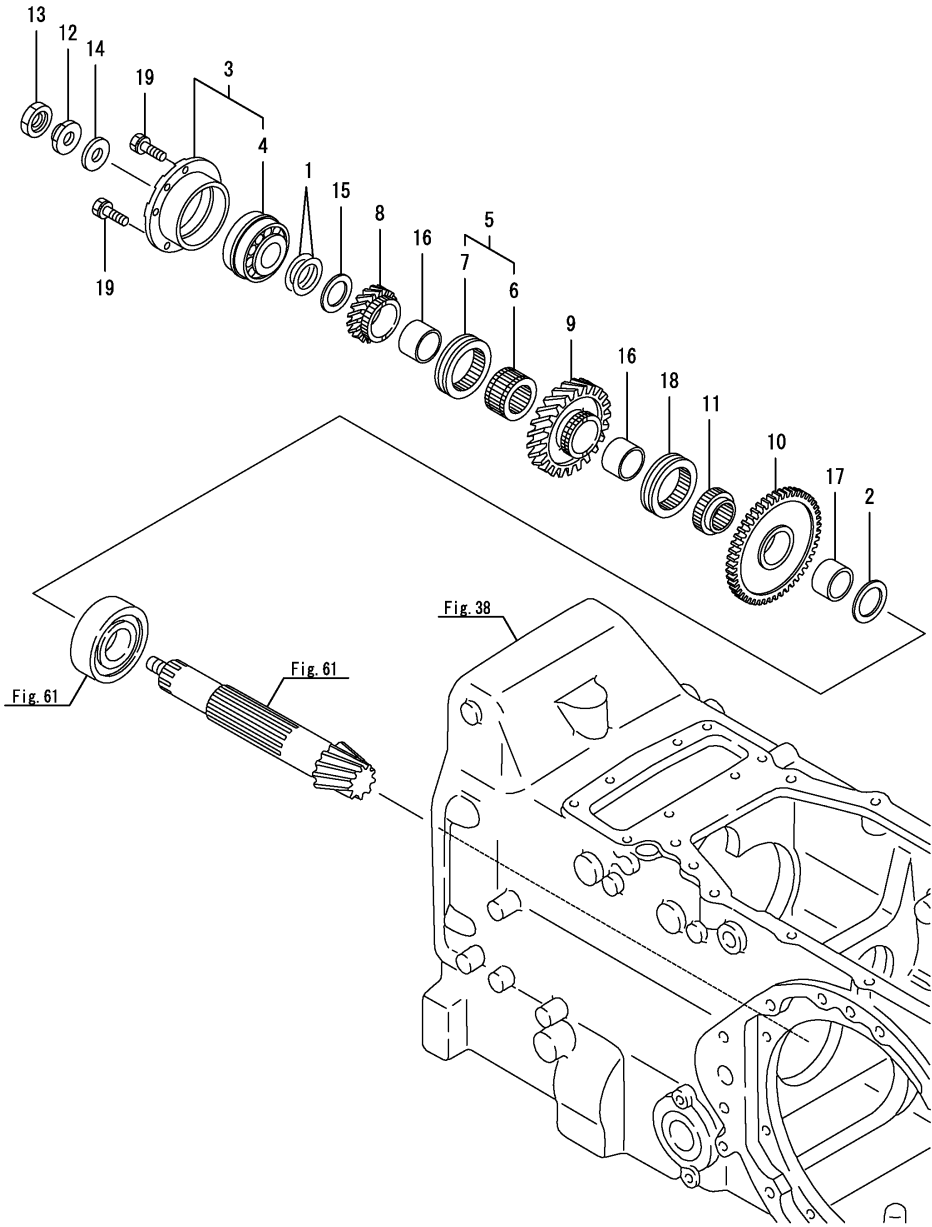


(A)=EX450(YANMAR)
(B)=
(C)=

(D)=
(E)=
(F)=

No.	Lev.	Parts No.	Description	Q'ty						I	R
				(A)	(B)	(C)	(D)	(E)	(F)		
1	1	194250-25240	BEARING, 354019	3							
2	1	198240-25440	GEAR, DRIVEN 53	1							
3	1	1A7780-25450	SHAFT, DRIVEN S	1							
4	1	1A7780-25460	GEAR, DRIVEN 41	1							
5	1	1A7780-25480	GEAR, DRIVE 49	1							
6	1	198133-25501	RING ASSY	2							
7	1	198133-25761	COLLAR, 30X45X20	1							
8	1	198133-25822	GEAR ASSY, 44T	1							
9	1	194640-25860	WASHER, 30X45X3	1							
10	1	198133-25870	COLLAR, 20X24X3.5	1							
11	1	1A7780-25930	SLIDER ASSY, SYNCHRO	1							
12	2	198133-25841	SLIDER, SYNCHRO	1							
13	2	1A7780-25950	SYNCHRO	1							
14	1	198133-25980	KEY, SYNCHRO	3							
15	1	198133-25990	SPRING, SYNCHRO	2							
16	1	194640-26440	BEARING, BALL TMB206	1							
17	1	198360-26610	COLLAR, SPLINE	2							
18	1	194555-26620	SHIFTER	2							
19	1	22292-000340	RING, S-34	4							
20	1	24107-063054	BEARING, BALL 6305ZZ	1							
21	1	24161-202617	BEARING, 202617	1							
22	1	24161-303520	BEARING, 303520	1							
23	1	24163-305200	RING, INNER 303520	1							
24	1	24164-000202	CIRCLIP, 20	1							
25	1	24164-000302	CIRCLIP, 30	2							
26	1	24165-000352	C-CIRCLIP 35H	1							
27	1	24165-000402	CIRCLIP, 40	3							

Fig.43. COUNTER SHAFT



(A)=EX450(YANMAR)
(B)=
(C)=

(D)=
(E)=
(F)=

No.	Lev.	Parts No.	Description	Q'ty						I	R
				(A)	(B)	(C)	(D)	(E)	(F)		
1	1	194301-12730	SHIM, 30X45X0.1	2							
2	1	194180-25550	WASHER, 35X50X3	1							
3	1	198149-25600	BEARING ASSY	1							
4	2	194464-25600	BEARING, 4T-30306DDB	1							
5	1	198149-25700	COLLAR ASSY, SPLINE	1							
6	2	198149-25780	COLLAR, SPLINE A	1							
7	2	198149-25890	SHIFTER	1							
8	1	198149-25740	GEAR, COUNTER 21	1							
9	1	198149-25750	GEAR, COUNTER 45	1							
10	1	198149-25760	GEAR, COUNTER 53	1							
11	1	198149-25790	COLLAR, SPLINE B	1							
12	1	198220-25830	NUT, LOCK M16	1							
13	1	198220-25840	NUT, LOCK M16	1							
14	1	198415-25840	SPACER, 16X38X4.5	1							
15	1	194640-25860	WASHER, 30X45X3	1							
16	1	198133-25860	BUSH, 34X40X26	2							
17	1	198149-25880	BUSH, 35X40X19	1							
18	1	198149-25890	SHIFTER	1							
19	1	26013-080252	BOLT, M8X 25	4							

Fig.44. REDUCTION SHAFT

(A)=EX450(YANMAR)
 (B)=
 (C)=

(D)=
 (E)=
 (F)=

No.	Lev.	Parts No.	Description	Q'ty						I	R
				(A)	(B)	(C)	(D)	(E)	(F)		
1	1	198149-25690	GEAR ASSY, REDUCTION	1							
2	2	24550-016150	BUSH, 16X15	1							
3	1	198133-25701	COLLAR, BEARING	1							
4	1	22242-000290	RING, 29	1							
5	1	24101-063044	BEARING, BALL 6304	1							
6	1	24101-063064	BEARING, BALL 6306	1							

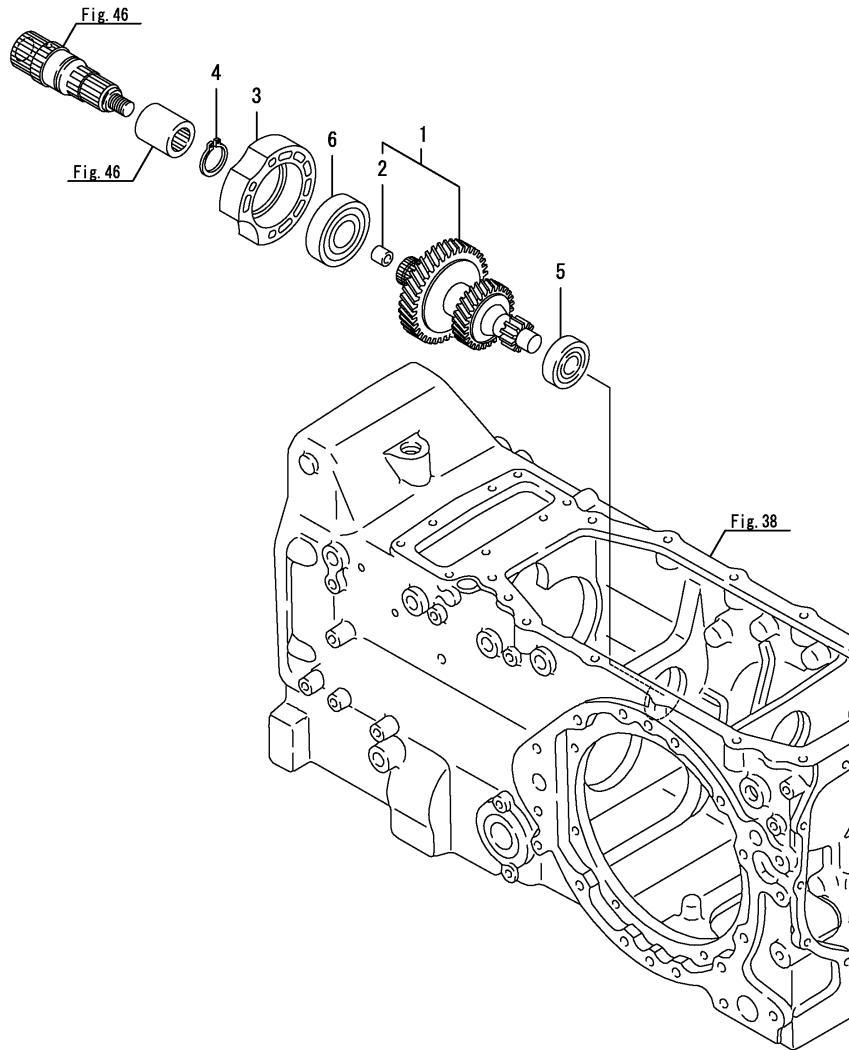


Fig.45. REVERSE GEAR

(A)=EX450(YANMAR)
 (B)=
 (C)=

(D)=
 (E)=
 (F)=

No.	Lev.	Parts No.	Description	Q'ty						I	R
				(A)	(B)	(C)	(D)	(E)	(F)		
1	1	198133-25832	GEAR ASSY, 48L	1							
2	1	198133-25850	NEEDLE, 202615	2							
3	1	198133-25890	WASHER, 20X32X2	1							
4	1	198133-25911	GEAR, REVERSE IDLE	1							
5	1	198240-25930	WASHER, 17X32	1							
6	1	198133-25941	GEAR, REVERSE IDLE	1							
7	1	198133-25960	SHAFT, REVERSE IDLE	1							
8	1	198133-25970	PLATE, KEEP	1							
9	1	24101-062044	BEARING, BALL 6204	2							
10	1	26106-080162	BOLT, M8X 16 PLATED	1							

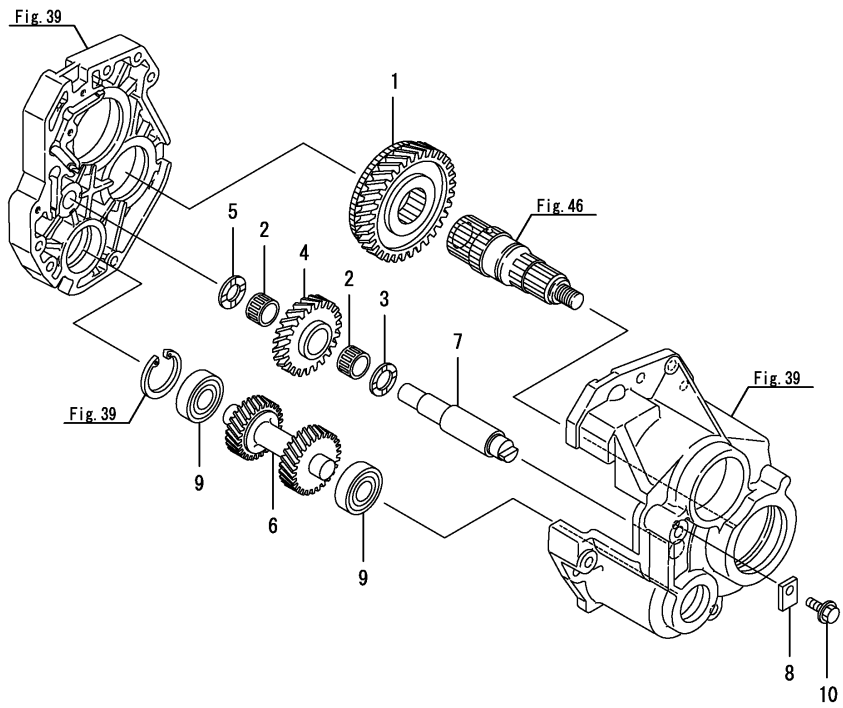


Fig.46. CONNECTING SHAFT

(A)=EX450(YANMAR)
 (B)=
 (C)=

(D)=
 (E)=
 (F)=

No.	Lev.	Parts No.	Description	Q'ty						I	R
				(A)	(B)	(C)	(D)	(E)	(F)		
1	1	198242-25350	SHAFT, CONNECTING	1							
2	1	194640-26130	COUPLING, PTO	1							
3	1	22242-000400	RING, 40	1							
4	1	24101-062084	BEARING, BALL 6208	1							

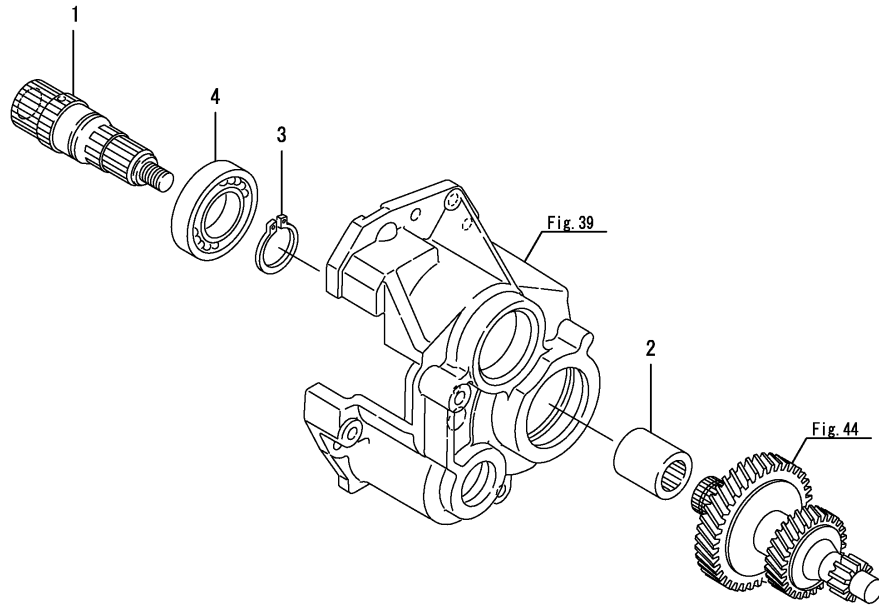


Fig.47. PTO DRIVE SHAFT

(A)=EX450(YANMAR)
 (B)=
 (C)=

(D)=
 (E)=
 (F)=

No.	Lev.	Parts No.	Description	Q'ty						I	R
				(A)	(B)	(C)	(D)	(E)	(F)		
1	1	194447-13860	BEARING, TMB304CX1	1							
2	1	194310-25100	JOINT	2							
3	1	198133-25291	SHAFT, CONNECTING	1							
4	1	194197-25810	BEARING, BALL TMB306	1							
5	1	198240-26110	SHAFT, PTO PINION	1							
6	1	22252-000170	RING, 17	2							

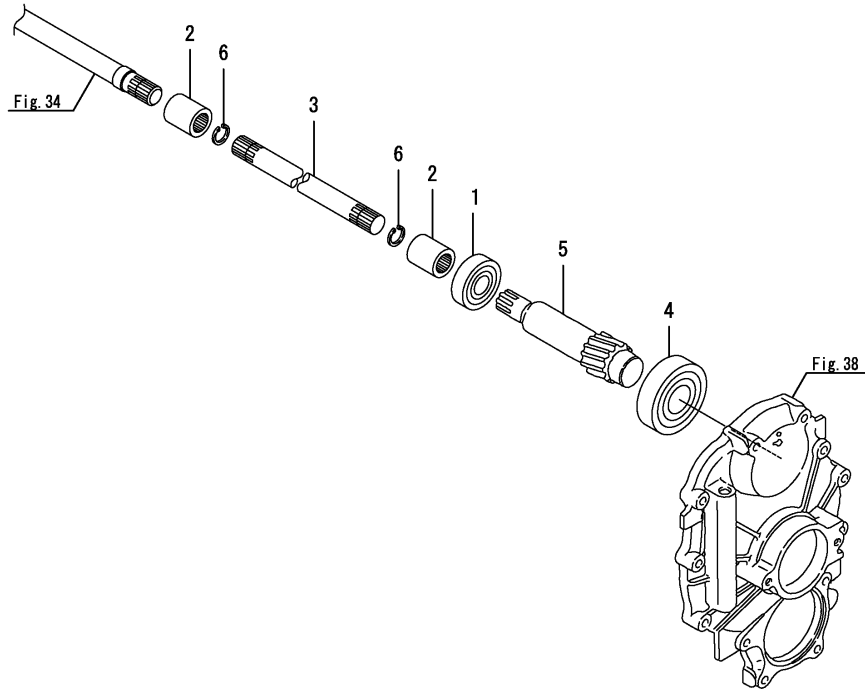
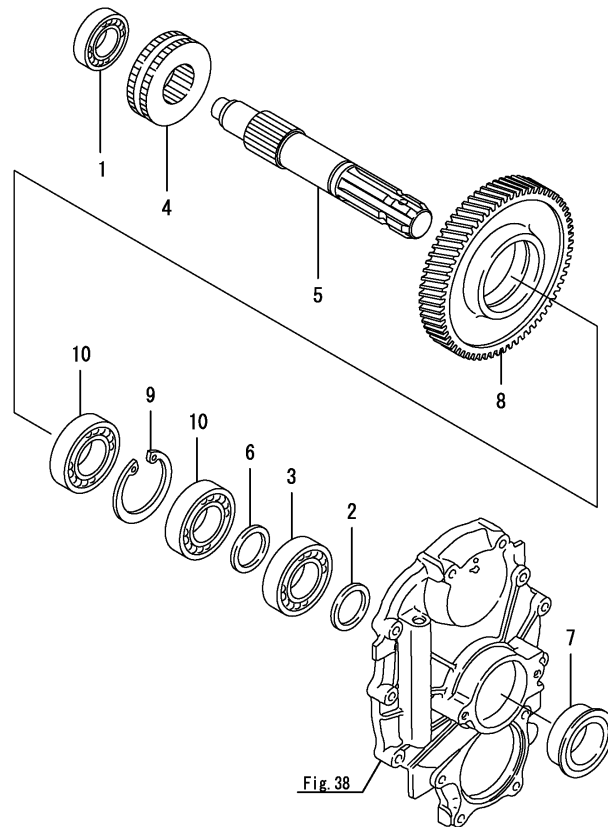


Fig.48. PTO SHAFT

(A)=EX450(YANMAR)
(B)=
(C)=

(D)=
(E)=
(F)=



No.	Lev.	Parts No.	Description	Q'ty						I	R
				(A)	(B)	(C)	(D)	(E)	(F)		
1	1	194447-13860	BEARING, TMB304CX1	1							
2	1	194310-25660	COLLAR, 35X45X5	1							
3	1	194430-25810	BEARING, BALL TMB207	1							
4	1	1A7780-26121	SLIDER, PTO	1							
5	1	1A7780-26310	SHAFT, PTO	1							
6	1	194640-26330	WASHER, 35X46X32	1							
7	1	194370-26350	SEAL, OIL QLF356019	1							
8	1	198240-26520	GEAR, PTO	1							
9	1	22252-000720	RING, 72	1							
10	1	24101-062074	BEARING, BALL 6207	2							

Fig.49. MAIN CHANGE LEVER

(A)=EX450(YANMAR)

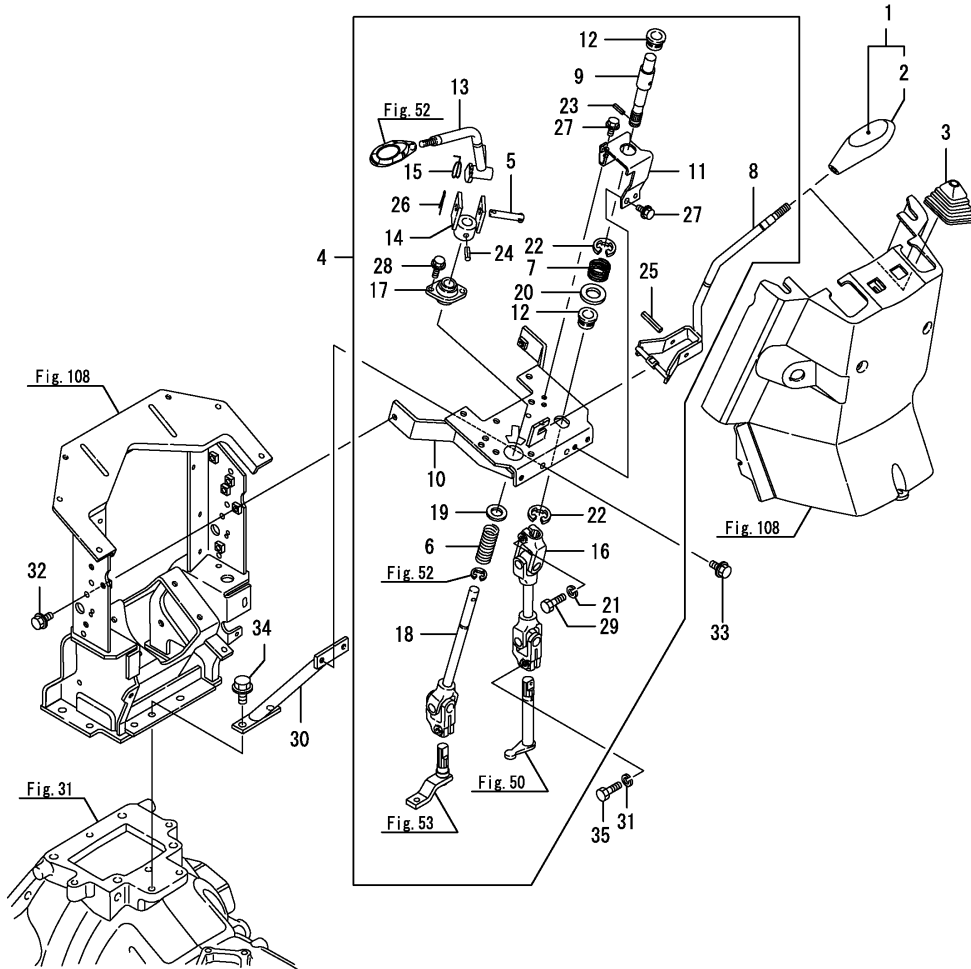
(B)=

(C)=

(D)=

(E)=

(F)=

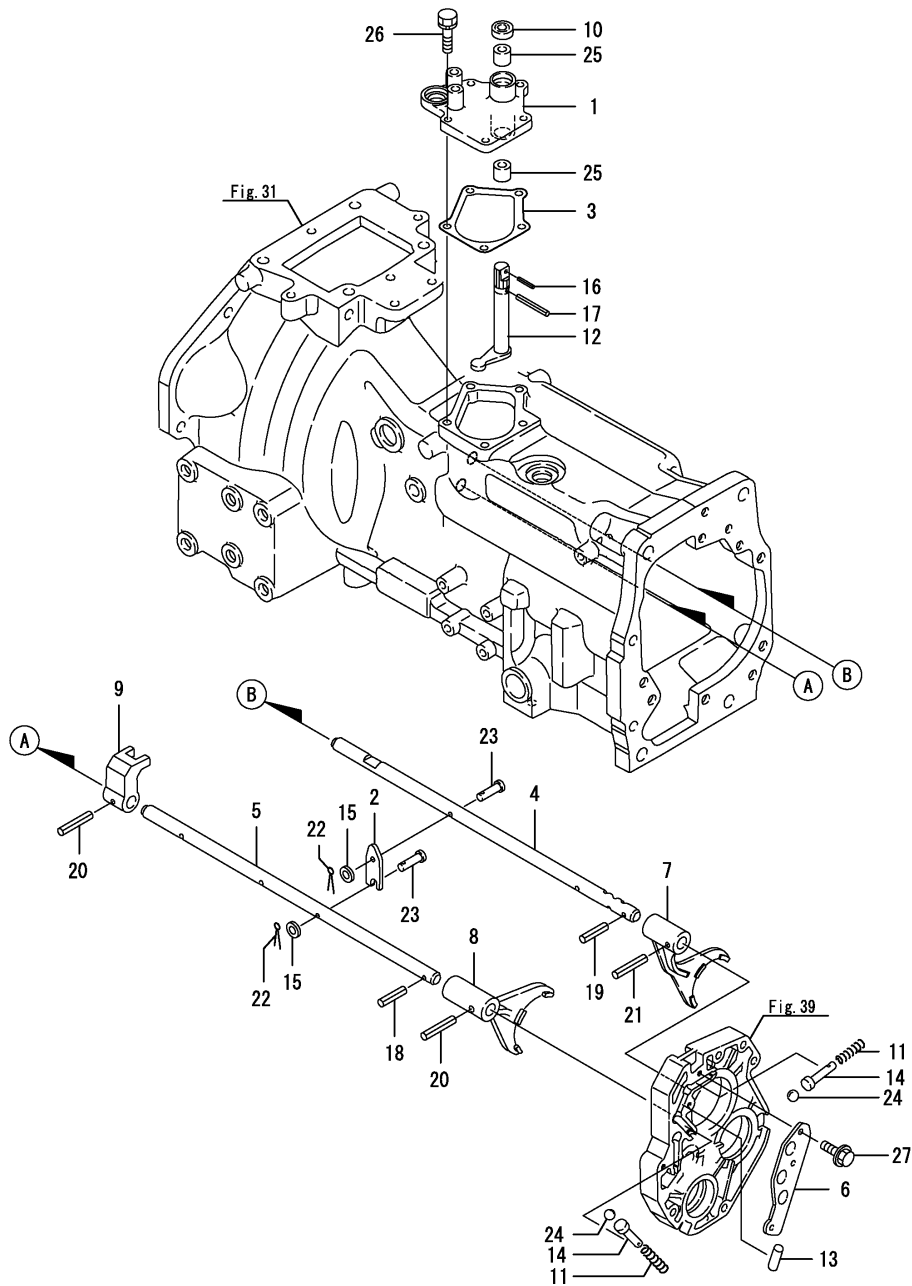


No.	Lev.	Parts No.	Description	Q'ty						I	R
				(A)	(B)	(C)	(D)	(E)	(F)		
1	1	1A8170-27100	KNOB, MAIN SHIFT	1							
2	2	198273-18360	KNOB, ORANGE	1							
3	1	198133-27350	BOOT	1							
4	1	1A7780-27801	SHIFT ASSY, COLUMN	1							
5	2	198075-18311	PIN, 8X52	1							
6	2	198133-27060	SPRING, REVERSER	1							
7	2	198133-27070	SPRING	1							
8	2	1A7780-27360	LEVER, MAIN SHIFT	1							
9	2	198133-27401	SHAFT ASSY	1							
10	2	198133-27652	BRACKET, SHIFT	1							
11	2	198133-27711	STAY, MAIN SHIFT	1							
12	2	198133-27720	BUSH, MAIN SHIFT	2							
13	2	1A7780-27751	LEVER, REVERSER	1							
14	2	198133-27781	HOLDER, REVERSER	1							
15	2	198133-27820	SPRING, RETURN	1							
16	2	198133-27850	JOINT ASSY, SHIFT	1							
17	2	198133-27881	FLANGE, REVERSER	1							
18	2	198133-27940	SHAFT ASSY, REVERSER	1							
19	2	22137-140000	WASHER, 14	1							
20	2	22137-220000	WASHER, 22	1							
21	2	22217-080000	WASHER, SPRING 8	1							
22	2	22272-000190	RING, E-19	2							
23	2	22351-020012	PIN, SPRING 2.0X12	1							
24	2	22351-060032	PIN, SPRING 6.0X32	1							
25	2	22351-080040	PIN, SPRING 8.0X40	1							
26	2	22417-200300	PIN, COTTER 2.0X30	1							
27	2	26106-060162	BOLT, M6X 16 PLATED	3							
28	2	26106-060162	BOLT, M6X 16 PLATED	2							
29	2	26116-080252	BOLT, M8X 25 PLATED	1							
30	1	198133-27950	STAY ASSY, SHIFT	1							
31	1	22217-080000	WASHER, SPRING 8	1							
32	1	26106-080162	BOLT, M8X 16 PLATED	2							
33	1	26106-080162	BOLT, M8X 16 PLATED	2							
34	1	26106-100202	BOLT, M10X 20 PLATED	2							
35	1	26116-080252	BOLT, M8X 25 PLATED	1							

Fig.50. MAIN CHANGE

(A)=EX450(YANMAR)
 (B)=
 (C)=

(D)=
 (E)=
 (F)=



No.	Lev.	Parts No.	Description	Q'ty						I	R
				(A)	(B)	(C)	(D)	(E)	(F)		
1	1	1A7780-27150-1	RETAINER, LEVER	1							
2	1	194250-27160	ARM, SWITCH	1							
3	1	198133-27170	GASKET, RETAINER	1							
4	1	198137-27180	SHAFT, FORK 2-3	1							
5	1	198137-27190	SHAFT, FORK 1	1							
6	1	198133-27280	HOLDER, INTERLOCK	1							
7	1	1A7780-27310	FORK, SHIFT 2-3	1							
8	1	198240-27320	FORK, SHIFT 2-3	1							
9	1	198133-27330	SHIFTER	1							
10	1	198133-27340	SEAL, OIL KBY172406	1							
11	1	194145-27450	SPRING	2							
12	1	198133-27450	ARM, SHIFT	1							
13	1	194130-27490	SPINDLE	1							
14	1	198071-27860	PIN, 4X35	2							
15	1	1C6460-84420	SPACER, 6.4X12.5X1	2							
16	1	22351-020012	PIN, SPRING 2.0X12	1							
17	1	22351-040032	PIN, SPRING 4.0X32	1							
18	1	22351-060025	PIN, SPRING 6.0X25	1							
19	1	22351-060025	PIN, SPRING 6.0X25	1							
20	1	22351-060032	PIN, SPRING 6.0X32	2							
21	1	22351-060032	PIN, SPRING 6.0X32	1							
22	1	22417-160180	PIN, COTTER 1.6X18	2							
23	1	22487-060200	PIN, H 6X 20	2							
24	1	24190-100001	BALL, STEEL 5/16	2							
25	1	24550-017150	BUSH, 17X15	2							
26	1	26013-080252	BOLT, M8X 25	5							
27	1	26106-080162	BOLT, M8X 16 PLATED	3							

Fig.53. REVERSER LINK

(A)=EX450(YANMAR)
 (B)=
 (C)=

(D)=
 (E)=
 (F)=

No.	Lev.	Parts No.	Description	Q'ty						I	R
				(A)	(B)	(C)	(D)	(E)	(F)		
1	1	1A7780-27161-1	HOLDER, REVERSER ARM	1							
2	1	1A7780-27210-1	ARM, LINK	1							
3	1	24104-060014	BEARING, BALL 6001UU	1							
4	1	24104-060034	BEARING, BALL 6003UU	1							
5	1	26013-080252	BOLT, M8X 25	2							

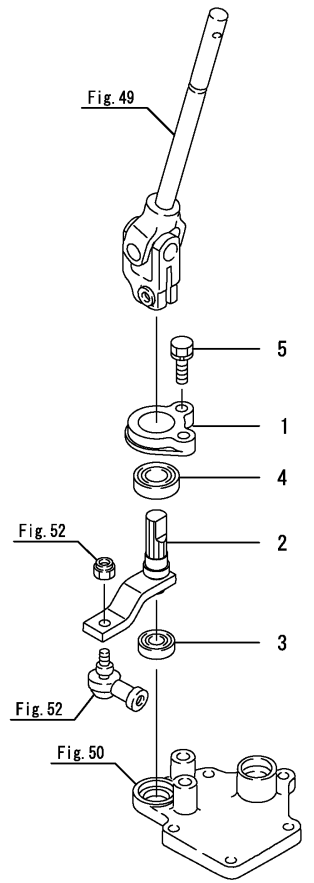


Fig.54. SUB CHANGE LEVER

(A)=EX450(YANMAR)
 (B)=
 (C)=

(D)=
 (E)=
 (F)=

No.	Lev.	Parts No.	Description	Q'ty						I	R
				(A)	(B)	(C)	(D)	(E)	(F)		
1	1	194990-22150	NUT, M10	1							
2	1	198253-27510	KNOB, LEVER	1							

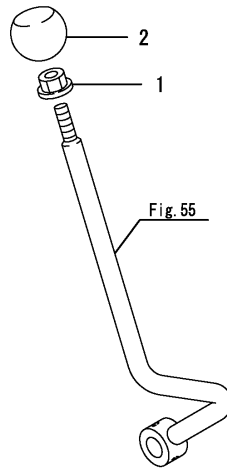
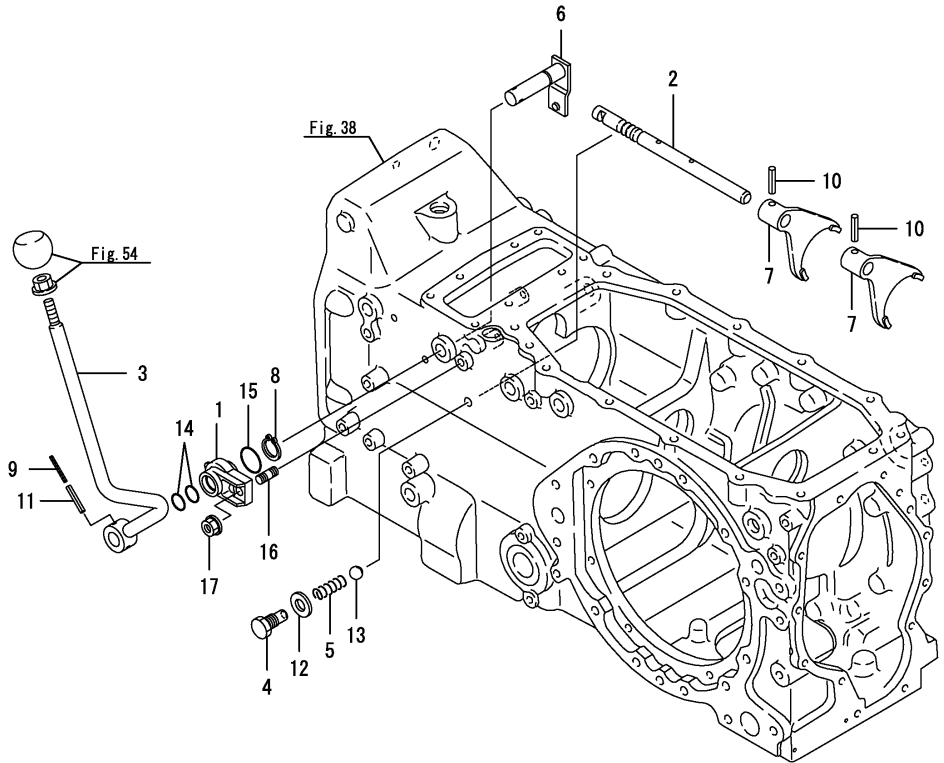


Fig.55. SUB CHANGE

(A)=EX450(YANMAR)
(B)=
(C)=

(D)=
(E)=
(F)=

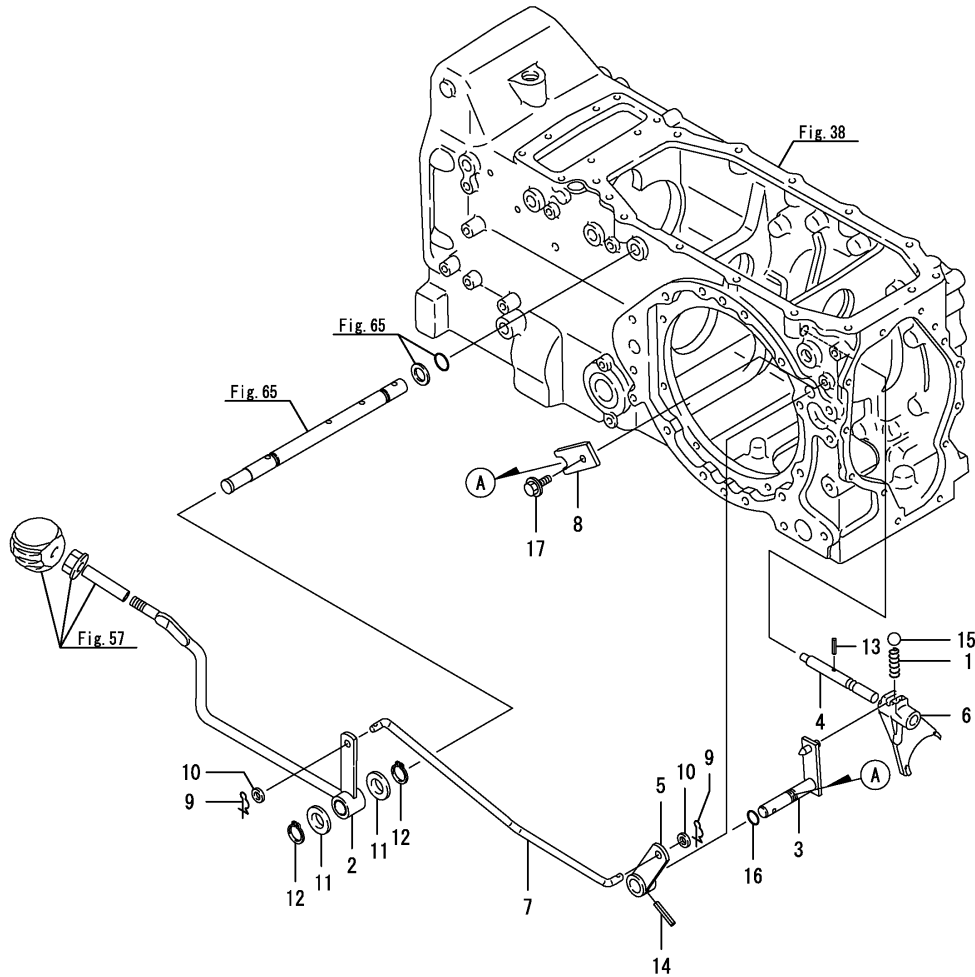


No.	Lev.	Parts No.	Description	Q'ty						I	R
				(A)	(B)	(C)	(D)	(E)	(F)		
1	1	198071-27470-1	HOLDER, SHIFT ARM	1							
2	1	198149-27490	SHAFT, FORK	1							
3	1	198253-27520-1	LEVER, RANGE SHIFT	1							
4	1	198149-27531	PLUG, M12	1							
5	1	194680-27540	SPRING, FORK LOCK	1							
6	1	198149-27560	ARM, SHIFT	1							
7	1	198149-27570	FORK, SHIFT	2							
8	1	22242-000170	RING, 17	1							
9	1	22351-035032	PIN, SPRING 3.5X32	1							
10	1	22351-060032	PIN, SPRING 6.0X32	2							
11	1	22351-060032	PIN, SPRING 6.0X32	1							
12	1	23414-120016	GASKET, 12X1.0	1							
13	1	24190-080001	BALL, STEEL 1/4	1							
14	1	24311-000160	O-RING, 1AP16.0	2							
15	1	24321-000250	O-RING, 1AG25.0	1							
16	1	26218-080202	STUD, M8X 20	1							
17	1	26366-080002	NUT, M8	1							

Fig.56. PTO CHANGE

(A)=EX450(YANMAR)
 (B)=
 (C)=

(D)=
 (E)=
 (F)=



No.	Lev.	Parts No.	Description	Qty						I	R
				(A)	(B)	(C)	(D)	(E)	(F)		
1	1	194680-27540	SPRING, FORK LOCK	1							
2	1	1A7780-27820-2	LEVER ASSY, PTO	1							
3	1	198240-27841	ARM, SHIFT	1							
4	1	198240-27880	SHAFT, PTO FORK	1							
5	1	198240-27890-1	ARM, CHANGE	1							
6	1	198240-27950	FORK, PTO SHIFT	1							
7	1	198240-27961-1	ROD, PTO	1							
8	1	198220-27990	PLATE, KEEP	1							
9	1	1C6281-52320	PIN, SNAP 8	2							
10	1	22137-100000	WASHER, 10	2							
11	1	22137-200000	WASHER, 20	2							
12	1	22242-000200	RING, 20	2							
13	1	22351-060025	PIN, SPRING 6.0X25	1							
14	1	22351-060032	PIN, SPRING 6.0X32	1							
15	1	24190-080001	BALL, STEEL 1/4	1							
16	1	24311-000125	O-RING, 1AP12.5	1							
17	1	26106-080162	BOLT, M8X 16 PLATED	1							

Fig.57. PTO CHANGE KNOB

(A)=EX450(YANMAR)
 (B)=
 (C)=

(D)=
 (E)=
 (F)=

No.	Lev.	Parts No.	Description	Q'ty						I	R
				(A)	(B)	(C)	(D)	(E)	(F)		
1	1	194990-22150	NUT, M10	1							
2	1	198220-27290	KNOB, LEVER	1							
3	1	23065-160080	PIPE, 16X 80	1							

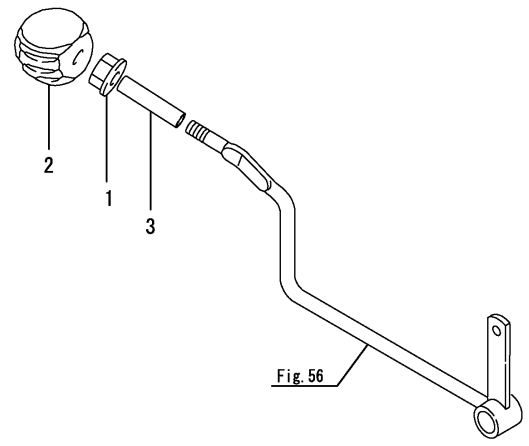


Fig. 56

Fig.59. FRONT SHIFT KNOB

(A)=EX450(YANMAR)
 (B)=
 (C)=

(D)=
 (E)=
 (F)=

No.	Lev.	Parts No.	Description	Q'ty						I	R
				(A)	(B)	(C)	(D)	(E)	(F)		
1	1	194990-22150	NUT, M10	1							
2	1	198253-27510	KNOB, LEVER	1							

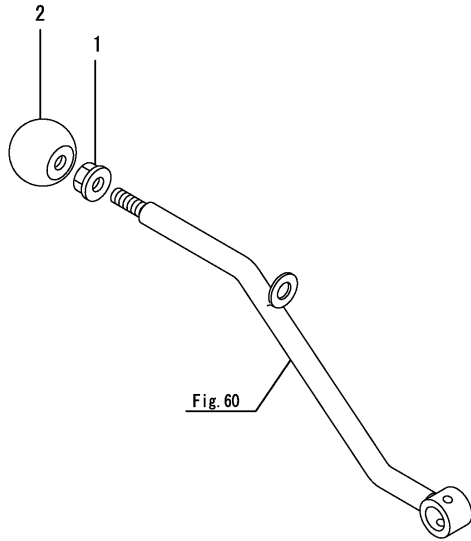


Fig.61. RING GEAR

(A)=EX450(YANMAR)
 (B)=
 (C)=

(D)=
 (E)=
 (F)=

No.	Lev.	Parts No.	Description	Q'ty						I	R
				(A)	(B)	(C)	(D)	(E)	(F)		
1	1	198390-25790	BEARING, 6307R SH2	1							
2	1	198149-31400	GEAR ASSY, RING	1							

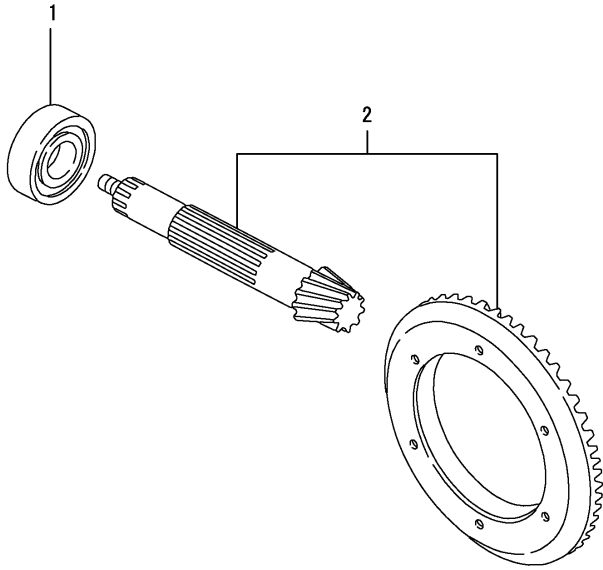
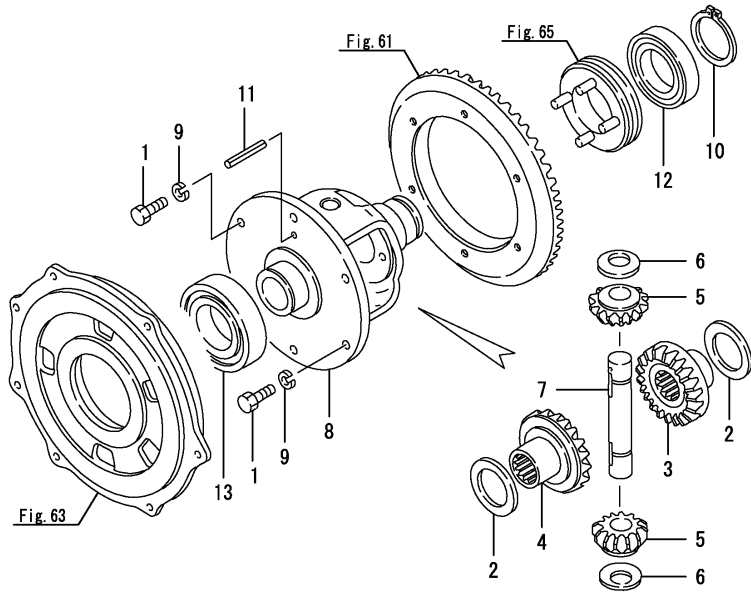


Fig.62. DIFFERENTIAL GEAR

(A)=EX450(YANMAR)
(B)=
(C)=

(D)=
(E)=
(F)=



No.	Lev.	Parts No.	Description	Q'ty						I	R
				(A)	(B)	(C)	(D)	(E)	(F)		
1	1	194066-13130	BOLT, M10X25	6							
2	1	198320-31530	WASHER, DIFFERENTIAL	2							
3	1	198320-31550	GEAR, DIFFERENTIAL	1							
4	1	194320-31560	GEAR, DIFFERENTIAL	1							
5	1	198320-31570	PINION, DIFFERENTIAL	2							
6	1	198320-31630	WASHER, DIFFERENTIAL	2							
7	1	198320-31820	SHAFT, DIFFERENTIAL	1							
8	1	198320-32111	CASE, DIFFERENTIAL	1							
9	1	22217-100000	WASHER, SPRING 10	6							
10	1	22242-000500	RING, 50	1							
11	1	22351-060050	PIN, SPRING 6.0X50	1							
12	1	24101-060104	BEARING, BALL 6010	1							
13	1	24101-062114	BEARING, BALL 6211	1							

Fig.64. REAR HOUSING

(A)=EX450(YANMAR)
 (B)=
 (C)=

(D)=
 (E)=
 (F)=

No.	Lev.	Parts No.	Description	Q'ty						I	R
				(A)	(B)	(C)	(D)	(E)	(F)		
1	1	198212-32611-1	HOUSING, REAR AXLE	2							
2	1	194180-32640	PLATE, PUSH	3							
3	1	198240-32640	PACKING, AXLE	2							
4	1	194640-32650-1	CASE, OIL SEAL	2							
5	1	198320-32660	GASKET, SEAL CASE	2							
6	1	194327-32730	SEAL, TC6Y7510014.5	2							
7	1	22312-100180	PIN, PARALLEL M10X18	4							
8	1	22635-600120	RIVET, 6.0X12	3							
9	1	26013-120402	BOLT, M12X 40	16							
10	1	26013-120502	BOLT, M12X 50	4							
11	1	26106-100302	BOLT, M10X 30 PLATED	8							
12	1	26106-100852	BOLT, M10X 85 PLATED	2							

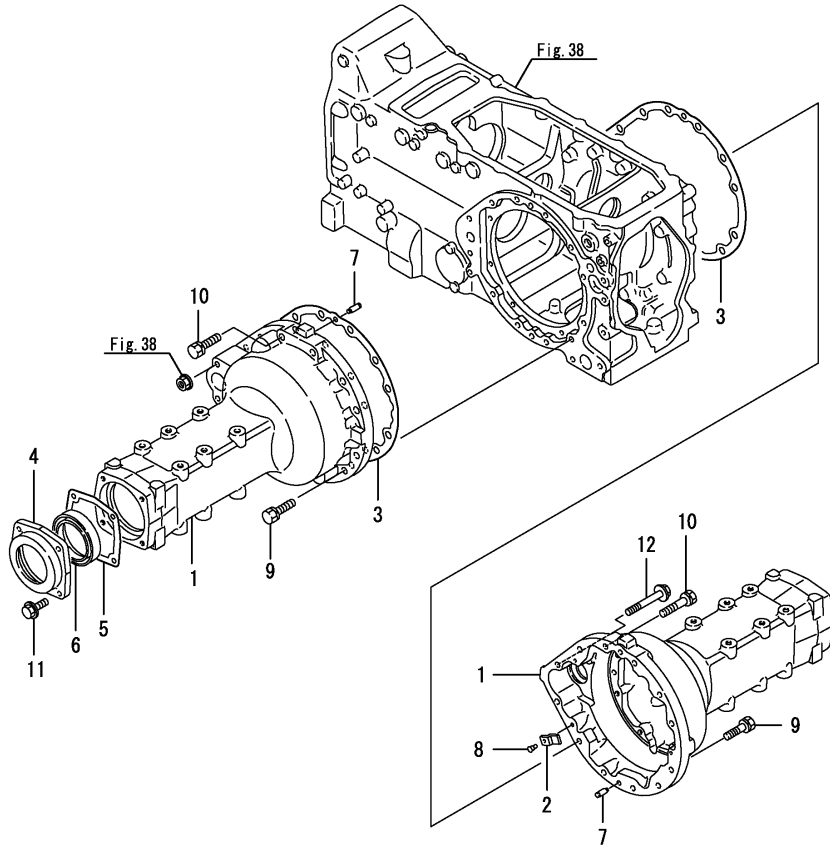


Fig.65. DIFFERENTIAL LOCK(1)

(A)=EX450(YANMAR)
 (B)=
 (C)=

(D)=
 (E)=
 (F)=

No.	Lev.	Parts No.	Description	Q'ty						I	R
				(A)	(B)	(C)	(D)	(E)	(F)		
1	1	198254-33110	SHAFT, LOCK	1							
2	1	194464-33130	SLIDER, DIFFERENTIAL	1							
3	1	198240-33130-1	PEDAL ASSY, LOCK	1							
4	1	1A7350-33140	FORK, SHIFT	1							
5	1	194150-33150	SPRING, RETURN	1							
6	1	194300-33200	SPACER, 20X32X3.2	1							
7	1	22351-050032	PIN, SPRING 5.0X32	1							
8	1	22351-050040	PIN, SPRING 5.0X40	1							
9	1	22351-060032	PIN, SPRING 6.0X32	1							
10	1	22351-080032	PIN, SPRING 8.0X32	1							
11	1	22351-080032	PIN, SPRING 8.0X32	1							
12	1	22351-080040	PIN, SPRING 8.0X40	1							
13	1	24311-000150	O-RING, 1AP15.0	2							

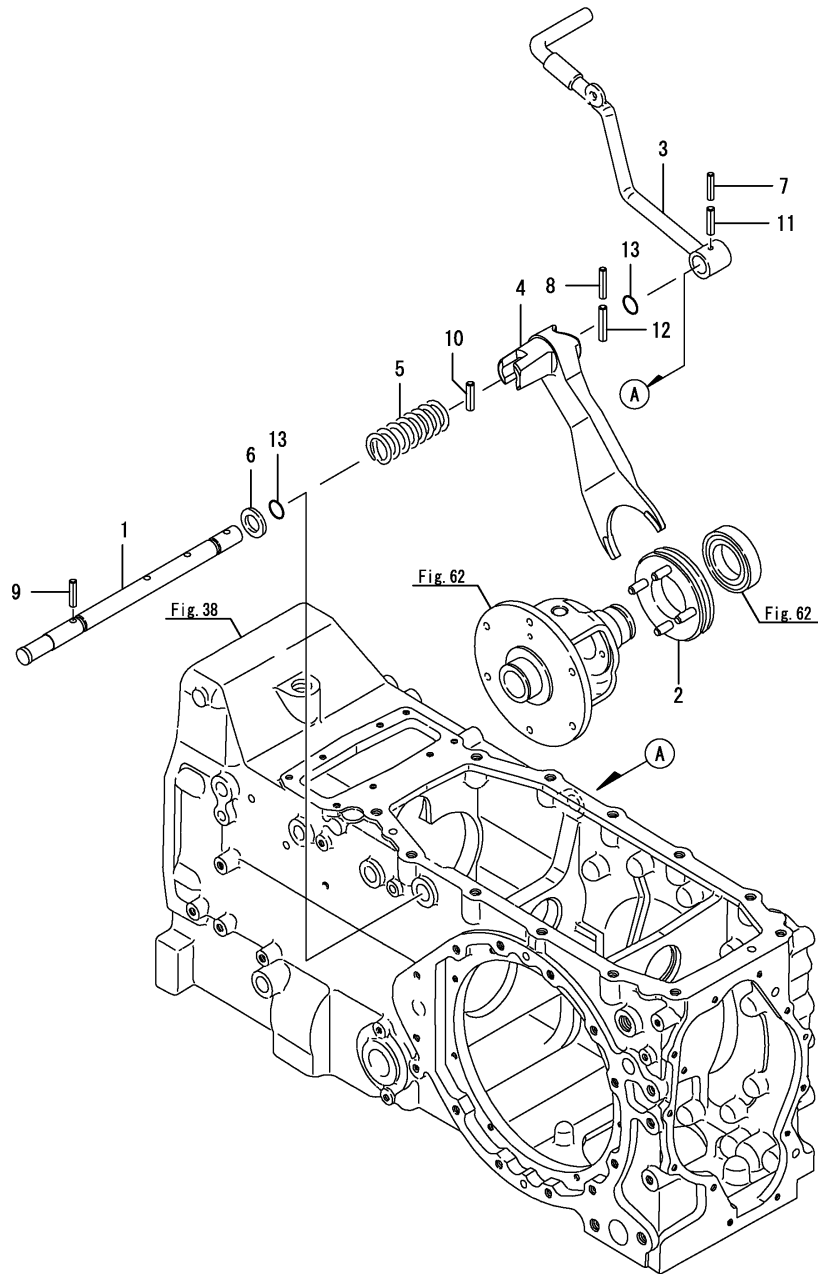


Fig.67. FINAL PINION

(A)=EX450(YANMAR)
 (B)=
 (C)=

(D)=
 (E)=
 (F)=

No.	Lev.	Parts No.	Description	Qty						I	R
				(A)	(B)	(C)	(D)	(E)	(F)		
1	1	198320-33412	PINION, FINAL L	1							
2	1	198320-33422	PINION, FINAL R	1							

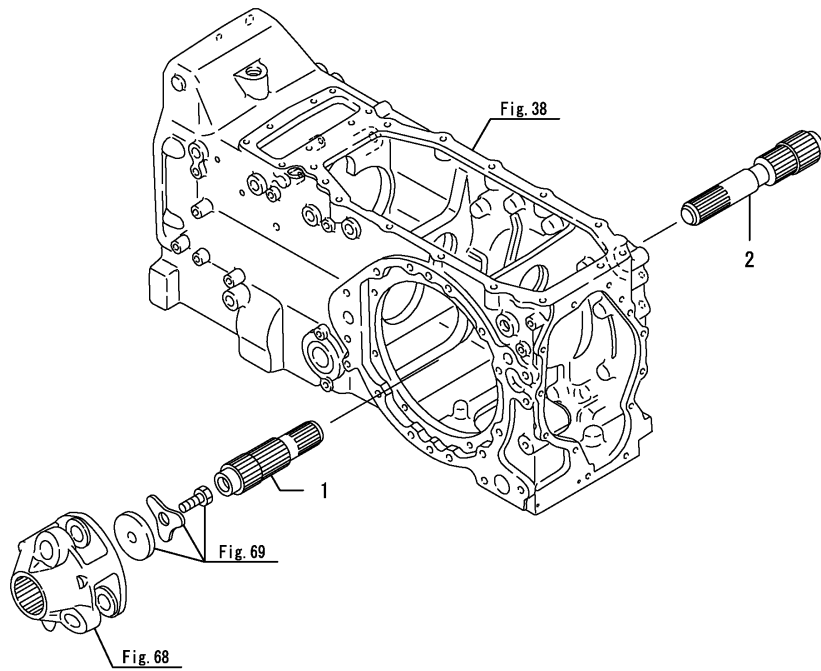


Fig.68. FINAL GEAR

(A)=EX450(YANMAR)
 (B)=
 (C)=

(D)=
 (E)=
 (F)=

No.	Lev.	Parts No.	Description	Q'ty						I	R
				(A)	(B)	(C)	(D)	(E)	(F)		
1	1	198320-33540	PINION, PLANETARY	6							
2	1	198320-33550	SHAFT, PLANETARY	6							
3	1	198320-33560	NEEDLE, 4.5X31.8	63							
4	1	198320-33560	NEEDLE, 4.5X31.8	63							
5	1	198320-33570	CARRIER, PLANETARY	2							
6	1	198320-33610	GEAR, INTERNAL	2							
7	1	198320-33620	WASHER, 26X42X1	12							
8	1	198217-33650	BOLT, M10X55	16							
9	1	22312-100180	PIN, PARALLEL M10X18	4							
10	1	22351-080040	PIN, SPRING 8.0X40	6							

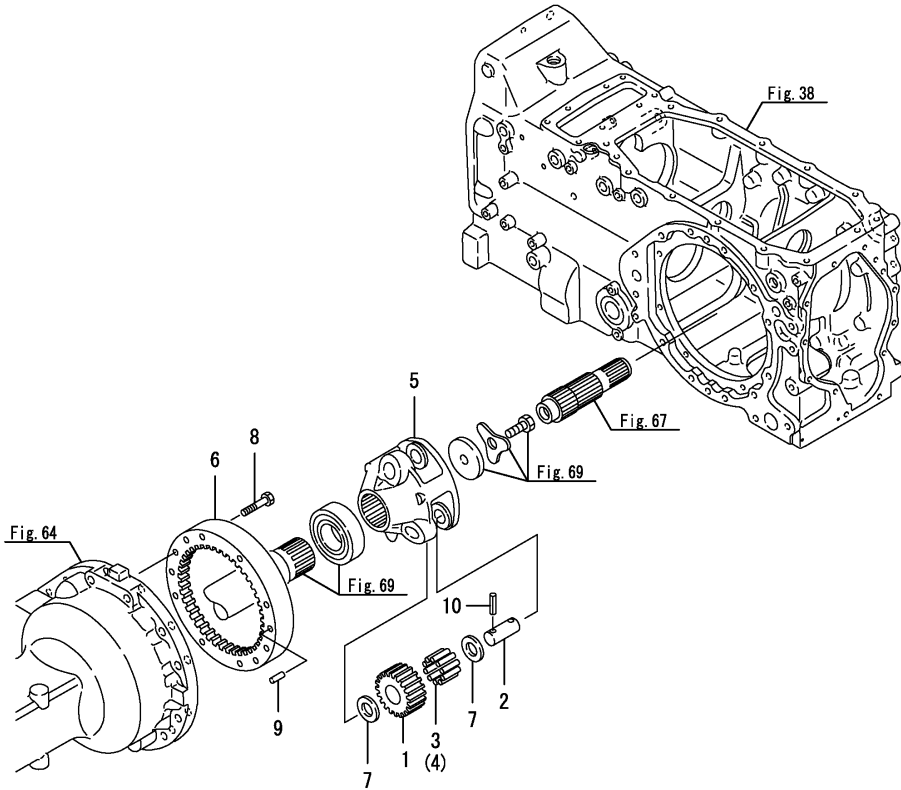
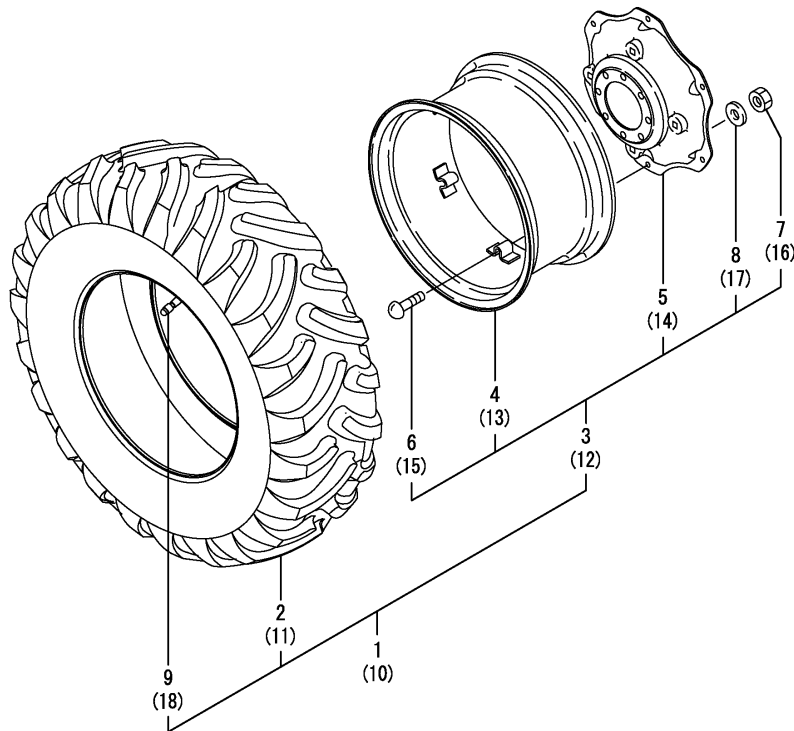


Fig.70. REAR WHEEL TIRE R1

(A)=EX450(YANMAR)
 (B)=
 (C)=

(D)=
 (E)=
 (F)=



No.	Lev.	Parts No.	Description	Q'ty						I	R
				(A)	(B)	(C)	(D)	(E)	(F)		
1	1	1A8170-34300	TIRE KIT, REAR R1 L	1							
2	2	1A8170-34310	TIRE, R1 14.9X24	1							
3	2	1A8170-34330	WHEEL, R1 R	1							
4	3	1A8170-34340	RIM ASSY, R1	1							
5	3	1A8170-34360	DISK ASSY, R1	1							
6	3	1A8170-34370	BOLT, R1	6							
7	3	1A8170-34380	NUT, R1	6							
8	3	1A8170-34390	WASHER, R1	6							
9	2	1A8170-34350	VALVE, TIRE R1 R	1							
10	1	1A8170-34400	TIRE KIT, REAR R1 R	1							
11	2	1A8170-34310	TIRE, R1 14.9X24	1							
12	2	1A8170-34330	WHEEL, R1 R	1							
13	3	1A8170-34340	RIM ASSY, R1	1							
14	3	1A8170-34360	DISK ASSY, R1	1							
15	3	1A8170-34370	BOLT, R1	6							
16	3	1A8170-34380	NUT, R1	6							
17	3	1A8170-34390	WASHER, R1	6							
18	2	1A8170-34350	VALVE, TIRE R1 R	1							

Fig.71. REAR WHEEL TIRE R3

(A)=EX450(YANMAR)
 (B)=
 (C)=

(D)=
 (E)=
 (F)=

No.	Lev.	Parts No.	Description	Q'ty						I	R
				(A)	(B)	(C)	(D)	(E)	(F)		
1	1	1A8170-34500	TIRE KIT, REAR R3	2							
2	2	1A8170-34350	VALVE, TIRE R1 R	2							
3	2	1A8170-34510	TIRE, R3 44X18.00-20	2							
4	2	1A8170-34530	WHEEL, R3 R	2							

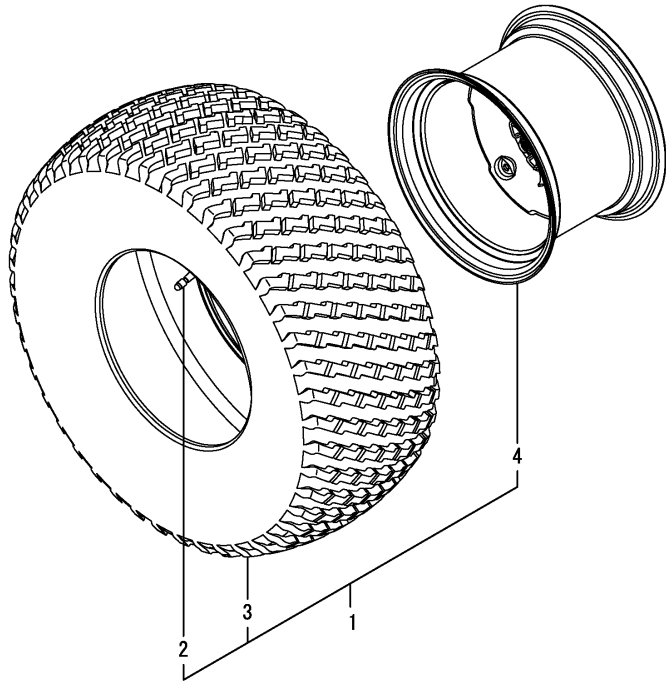
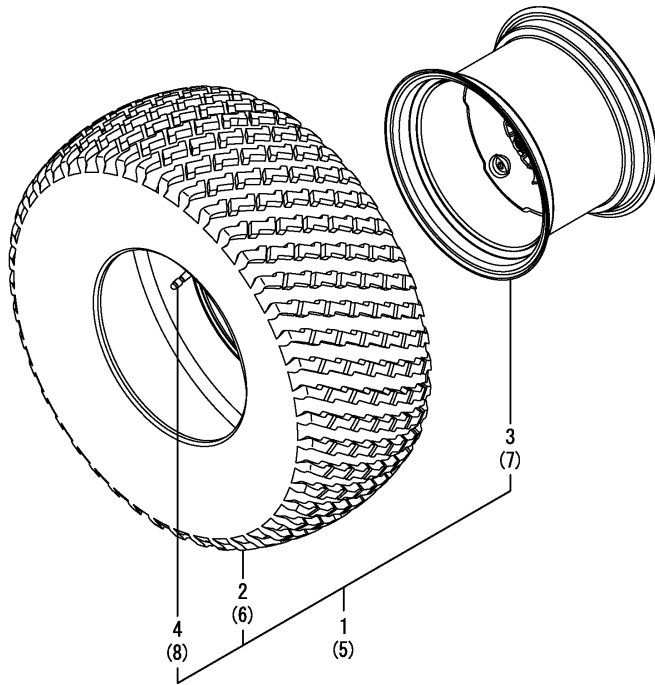


Fig.72. REAR WHEEL TIRE R4

(A)=EX450(YANMAR)
 (B)=
 (C)=

(D)=
 (E)=
 (F)=



No.	Lev.	Parts No.	Description	Q'ty						I	R
				(A)	(B)	(C)	(D)	(E)	(F)		
1	1	1A8170-34700	TIRE KIT, REAR R4 L	1							
2	2	1A8170-34710	TIRE, R4 17.5LX24	1							
3	2	1A8170-34730	WHEEL, R4 R	1							
4	2	1A8170-34750	VALVE, TIRE	1							
5	1	1A8170-34800	TIRE KIT, REAR R4 R	1							
6	2	1A8170-34710	TIRE, R4 17.5LX24	1							
7	2	1A8170-34730	WHEEL, R4 R	1							
8	2	1A8170-34750	VALVE, TIRE	1							

Fig.73. REAR WHEEL TIRE R3G

(A)=EX450(YANMAR)
 (B)=
 (C)=

(D)=
 (E)=
 (F)=

No.	Lev.	Parts No.	Description	Q'ty						I	R
				(A)	(B)	(C)	(D)	(E)	(F)		
1	1	1A8170-34600	TIRE KIT, REAR R3G	2							
2	2	1A8170-34610	TIRE, R3G22.5LL-16.1	2							
3	2	1A8170-34630	WHEEL, R3G R	2							
4	2	1A8170-34650	VALVE, R3G R	2							

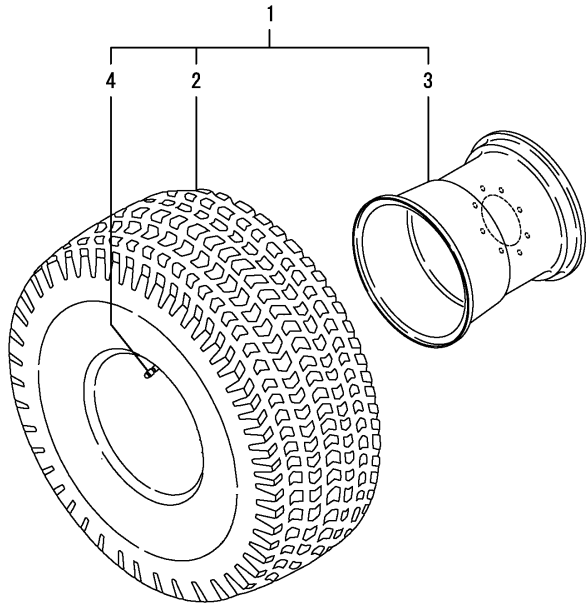
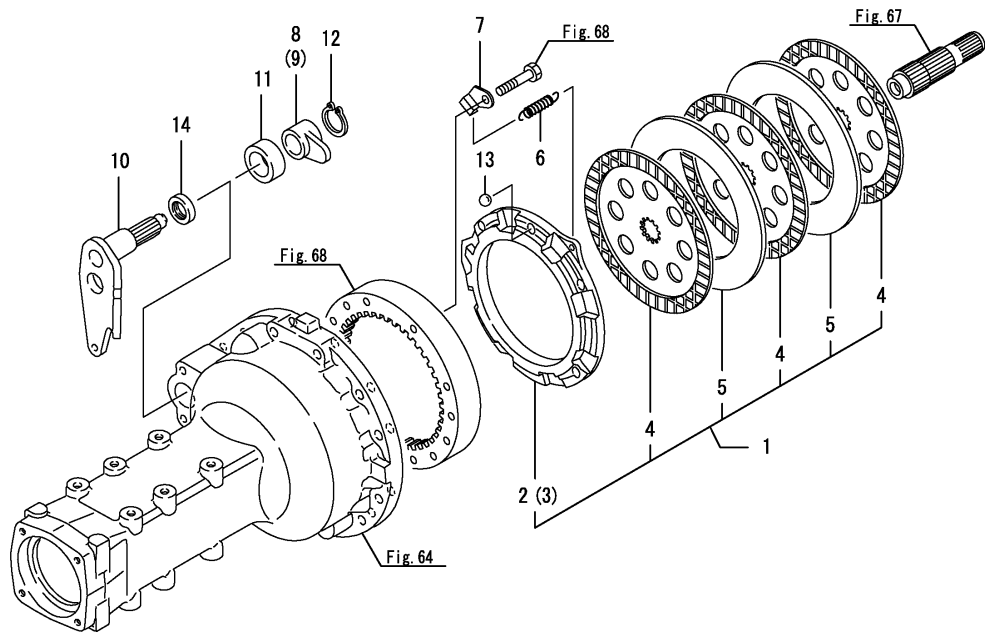


Fig.75. BRAKE

(A)=EX450(YANMAR)
 (B)=
 (C)=

(D)=
 (E)=
 (F)=



No.	Lev.	Parts No.	Description	Q'ty						I	R
				(A)	(B)	(C)	(D)	(E)	(F)		
1	1	1A7601-36200	BRAKE ASSY	1							
2	2	1A7601-36310	ACTUATOR, L	1							
3	2	1A7601-36320	ACTUATOR, R	1							
4	2	1A7601-36350	PLATE, FRICTION 226	6							
5	2	1A8275-36520	PLATE, STEEL 3.2	5							
6	1	194205-36320	SPRING, ACTUATOR	4							
7	1	198240-36380	HOOK, RETURN SPRING	4							
8	2	198240-36710	CAMSHAFT, BRAKE L	1							
9	2	198240-36720	CAMSHAFT, BRAKE R	1							
10	1	198240-36730-1	SHAFT, CAM LEVER	2							
11	1	198320-36790	SLEEVE, CAM LEVER	2							
12	1	22242-000290	RING, 29	2							
13	1	24190-180001	BALL, STEEL 9/16	12							
14	1	24421-304208	SEAL, OIL TC304208	2							

Fig.76. BRAKE PEDAL

(A)=EX450(YANMAR)

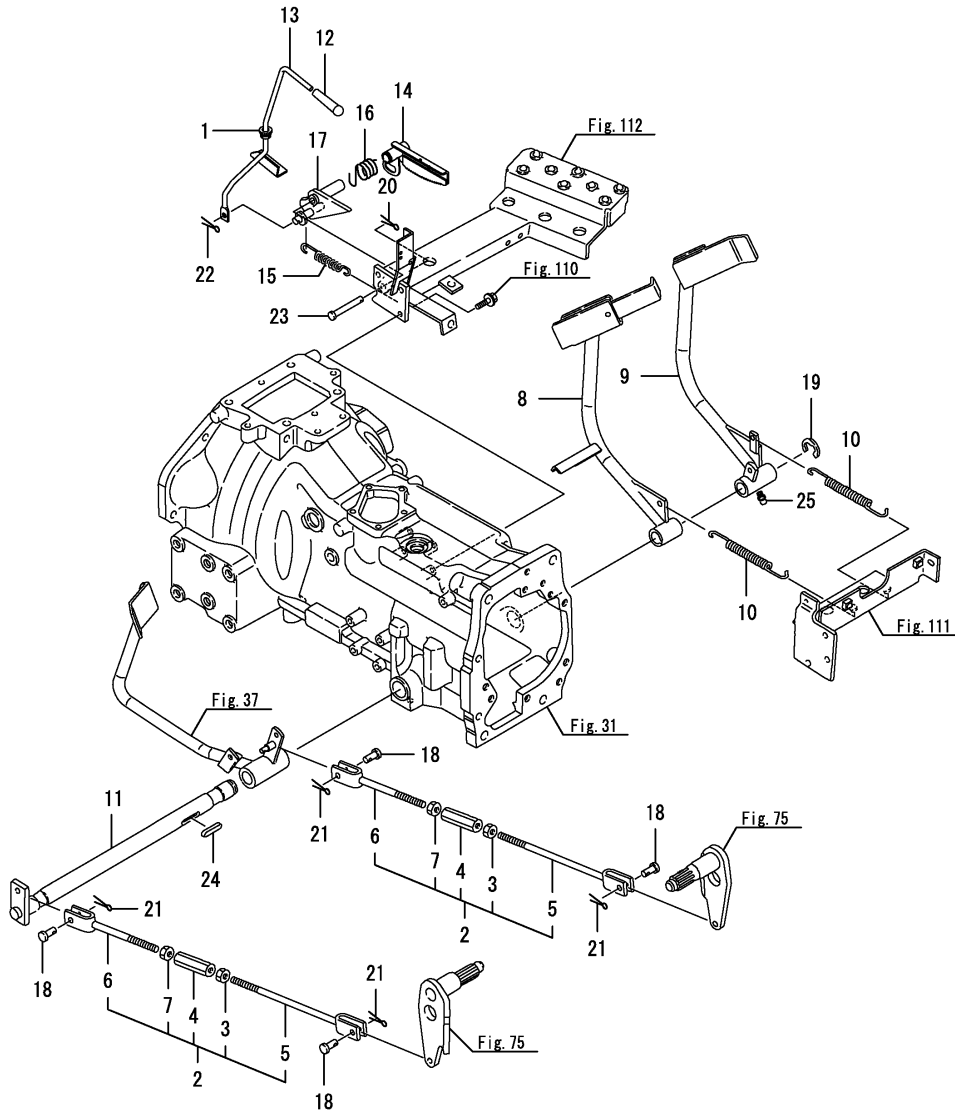
(B)=

(C)=

(D)=

(E)=

(F)=



No.	Lev.	Parts No.	Description	Q'ty						I	R
				(A)	(B)	(C)	(D)	(E)	(F)		
1	1	198241-28330	GUIDE, SHIFT	1							
2	1	794525-37000	ROD ASSY, BRAKE	2							
3	2	194150-22480	NUT, M10 L	2							
4	2	194130-37730	TURNBUCKLE M10X70	2							
5	2	194310-37741	ROD, BRAKE L	2							
6	2	194134-37771	ROD, BRAKE R	2							
7	2	26716-100002	NUT, M10	2							
8	1	198240-37420-2	PEDAL, BRAKE L	1							
9	1	198240-37470-2	PEDAL, BRAKE R	1							
10	1	198240-37510	SPRING, RETURN	2							
11	1	198240-37550-1	SHAFT, BRAKE PEDAL	1							
12	1	198253-37610	KNOB, PARKING BRAKE	1							
13	1	1A7780-37620	ROD ASSY, PARKING	1							
14	1	198254-37660	LEVER, BRAKE LOCK	1							
15	1	198220-37700	SPRING, RETURN	1							
16	1	198220-37720	SPRING	1							
17	1	198240-37850	LEVER, PARKING B	1							
18	1	198220-37900	PIN, 8X24	4							
19	1	22272-000190	RING, E-19	1							
20	1	22417-200300	PIN, COTTER 2.0X30	1							
21	1	22417-250300	PIN, COTTER 2.5X30	4							
22	1	22417-250300	PIN, COTTER 2.5X30	1							
23	1	22487-100700	PIN, H10X 70	1							
24	1	22512-070400	KEY, 7X 40	1							
25	1	24761-010000	NIPPLE, GREASE M6F	1							

Fig.77. SUB CONTROL VALVE

(A)=EX450(YANMAR)

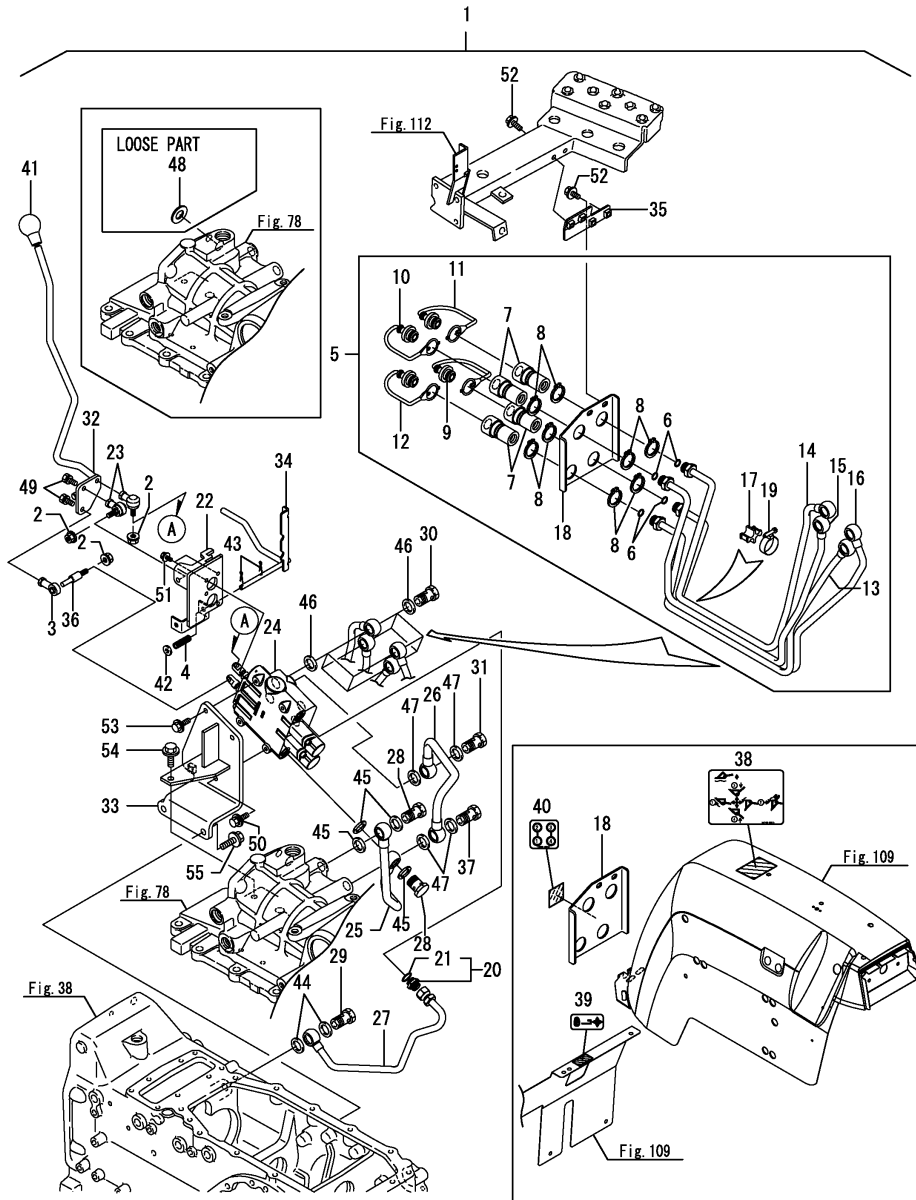
(B)=

(C)=

(D)=

(E)=

(F)=



No.	Lev.	Parts No.	Description	Qty						I	R
				(A)	(B)	(C)	(D)	(E)	(F)		
1	1	1A8170-40400	VALVE KIT, SUB	1							
2	2	194990-22140	NUT, M8	3							
3	2	198164-27970	END, ROD 8R	1							
4	2	198220-46200	SPRING	1							
5	2	1A8170-46410	PIPE, SCV	1							
6	3	194464-45930	O-RING, 8-1	4							
7	3	1A8160-46250	COUPLER, QUICK 3/8	4							
8	3	198240-46260	RING, SNAP	8							
9	3	1A8160-46280	PLUG, DUST RED	1							
10	3	1A8160-46290	PLUG, DUST BLUE	1							
11	3	1A8160-46300	PLUG, DUST YELLOW	1							
12	3	1A8160-46310	PLUG, DUST GREEN	1							
13	3	1A8170-46420	PIPE, PRESSURE B	1							
14	3	1A8170-46440	PIPE, PRESSURE C	1							
15	3	1A8170-46460	PIPE, PRESSURE A	1							
16	3	1A8170-46480	PIPE, PRESSURE D	1							
17	3	198220-46500	CLAMP	1							
18	3	1A8160-46930	SUPPORT, SCV COUPLER	1							
19	3	23000-035000	CLAMP, 35	1							
20	2	1A8170-46510	CONNECTOR ASSY	1							
21	3	194464-45930	O-RING, 8-1	1							
22	2	1A8170-46550	BRACKET ASSY, LEVER	1							
23	2	172122-46590	ELBOW	2							
24	2	1A8170-46600	CONTROL ASSY, SUB	1							
25	2	1A8170-46610	PIPE, PRESSURE P	1							
26	2	1A8170-46630	PIPE, PRESSURE C	1							
27	2	1A8170-46650	PIPE, PRESSURE T	1							
28	2	198245-46680	BOLT, M3/4-16	2							
29	2	198245-46680	BOLT, M3/4-16	1							
30	2	198245-46680	BOLT, M3/4-16	4							
31	2	198245-46680	BOLT, M3/4-16	1							
32	2	1A8170-46800	LEVER, CONTROL	1							
33	2	1A8170-46850	BRACKET, SCV	1							
34	2	1A8170-46900	PLATE ASSY, LOCK	1							
35	2	1A8170-46950	BRACKET, SCV SUPPORT	1							
36	2	1A7880-47750	BOLT, LEVER	1							
37	2	198327-48750	BOLT ASSY, JOINT	1							
38	2	1A8170-65410	LABEL, SCV LEVER	1							
39	2	1A8170-65420	LABEL, SCV LOCK	1							
40	2	1A8160-65430	LABEL, SCV COUPLER	1							
41	2	194990-85561	KNOB, HIGH/LOW	1							
42	2	22117-080000	WASHER, 8	1							
43	2	22417-250300	PIN, COTTER 2.5X30	2							
44	2	23414-190000	GASKET, 19X1.0	2							
45	2	23414-190000	GASKET, 19X1.0	4							
46	2	23414-190000	GASKET, 19X1.0	8							
47	2	23414-190000	GASKET, 19X1.0	4							
48	2	23414-190000	GASKET, 19X1.0	1							
49	2	26013-080162	BOLT, M8X 16	3							
50	2	26014-080202	BOLT, M8X 20	1							
51	2	26106-060162	BOLT, M6X 16 PLATED	4							

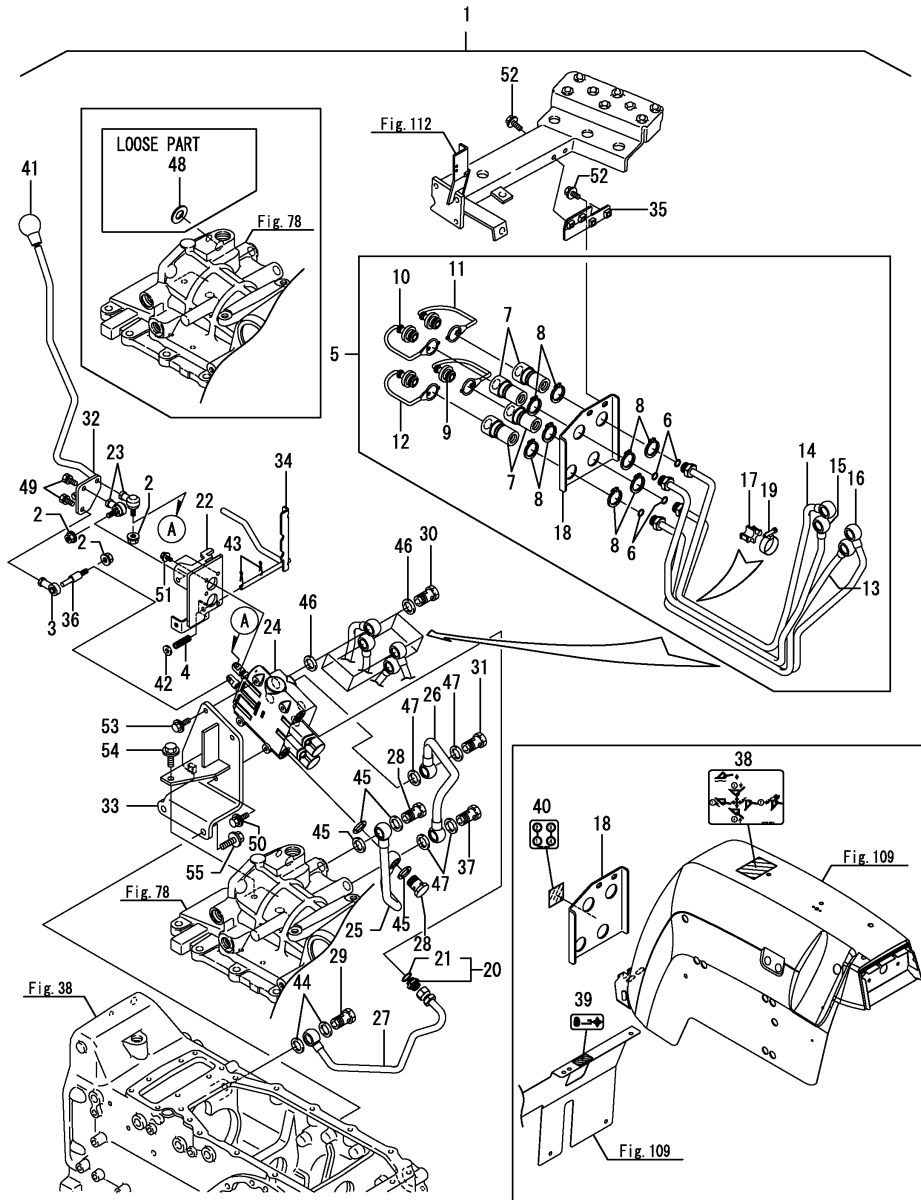
Remarks

* Optional parts.

Fig.77. SUB CONTROL VALVE

(A)=EX450(YANMAR)
 (B)=
 (C)=

(D)=
 (E)=
 (F)=



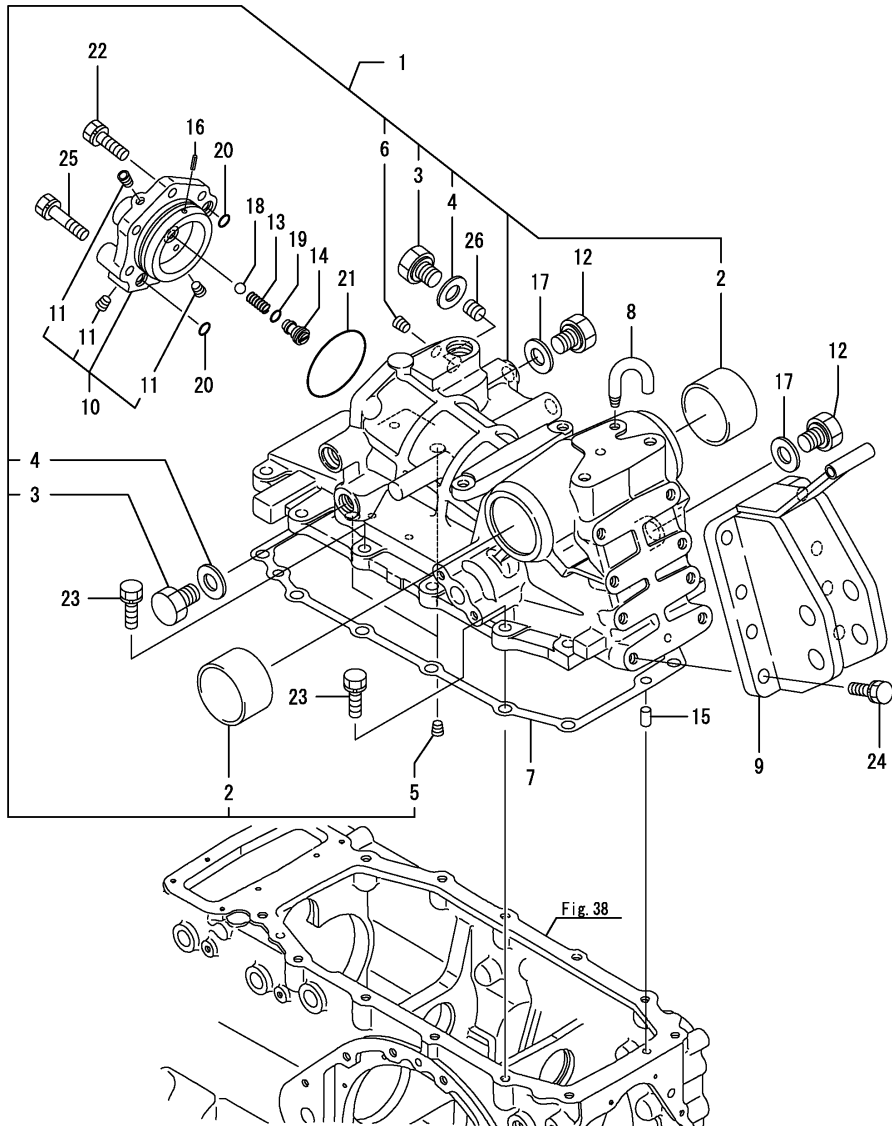
No.	Lev.	Parts No.	Description	Q'ty						I	R
				(A)	(B)	(C)	(D)	(E)	(F)		
52	2	26106-080202	BOLT, M8X 20 PLATED	4							
53	2	26106-080202	BOLT, M8X 20 PLATED	2							
54	2	26106-100202	BOLT, M10X 20 PLATED	1							
55	2	26106-100252	BOLT, M10X 25 PLATED	2							

Remarks
 * Optional parts.

Fig.78. HYD.CYLINDER CASE

(A)=EX450(YANMAR)
(B)=
(C)=

(D)=
(E)=
(F)=



No.	Lev.	Parts No.	Description	Q'ty						I	R
				(A)	(B)	(C)	(D)	(E)	(F)		
1	1	1A8170-42100	HOUSING ASSY	1							
2	2	198133-42130	BUSH, 65X70X40	2							
3	2	198220-45920	PLUG, 3/4-16UNF	2							
4	2	23414-190000	GASKET, 19X1.0	2							
5	2	23876-010000	PLUG, R01	2							
6	2	23876-020000	PLUG, R02	1							
7	1	198240-42130	PACKING, HOUSING	1							
8	1	194150-42280-1	BREATHER, AIR	1							
9	1	198240-42810-1	HINGE, TOP LINK	1							
10	1	194640-43201-1	HEAD ASSY, CYLINDER	1							
11	2	23876-010000	PLUG, R01	3							
12	1	198220-45920	PLUG, 3/4-16UNF	3							
13	1	194555-46380	SPRING	1							
14	1	194555-46730	PLUG, CHECK VALVE	1							
15	1	22312-100180	PIN, PARALLEL M10X18	2							
16	1	22351-040016	PIN, SPRING 4.0X16	1							
17	1	23414-190000	GASKET, 19X1.0	3							
18	1	24190-130003	BALL, STEEL 13/32	1							
19	1	24315-000120	O-RING, 1BP12.0	1							
20	1	24315-000140	O-RING, 1BP14.0	2							
21	1	24325-000800	O-RING, 1BG80.0	1							
22	1	26013-120352	BOLT, M12X 35	5							
23	1	26013-120352	BOLT, M12X 35	12							
24	1	26013-120352	BOLT, M12X 35	8							
25	1	26013-120552	BOLT, M12X 55	1							
26	1	198245-42160	PLUG, 1/4	1							

Fig.79. PISTON

(A)=EX450(YANMAR)
 (B)=
 (C)=

(D)=
 (E)=
 (F)=

No.	Lev.	Parts No.	Description	Q'ty						I	R
				(A)	(B)	(C)	(D)	(E)	(F)		
1	1	198133-43310	PISTON, HYDRAULIC	1							
2	1	198133-43330	PACKING	1							
3	1	198133-43360	SLEEVE	1							

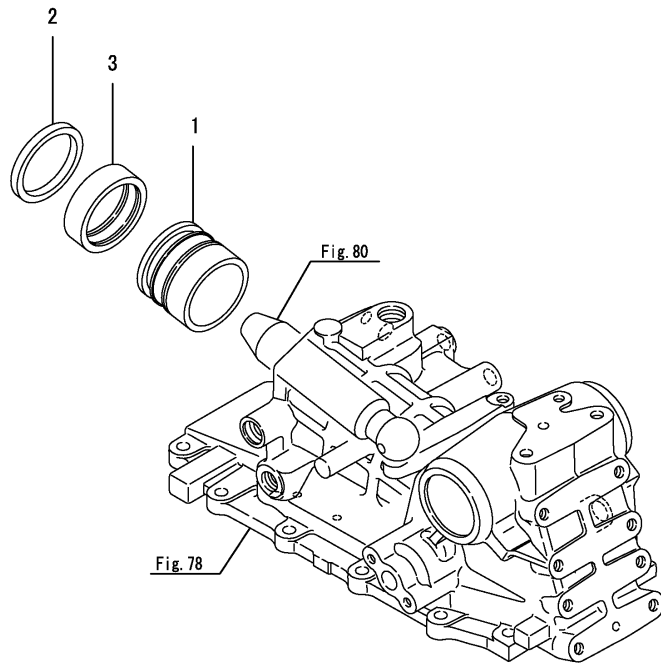
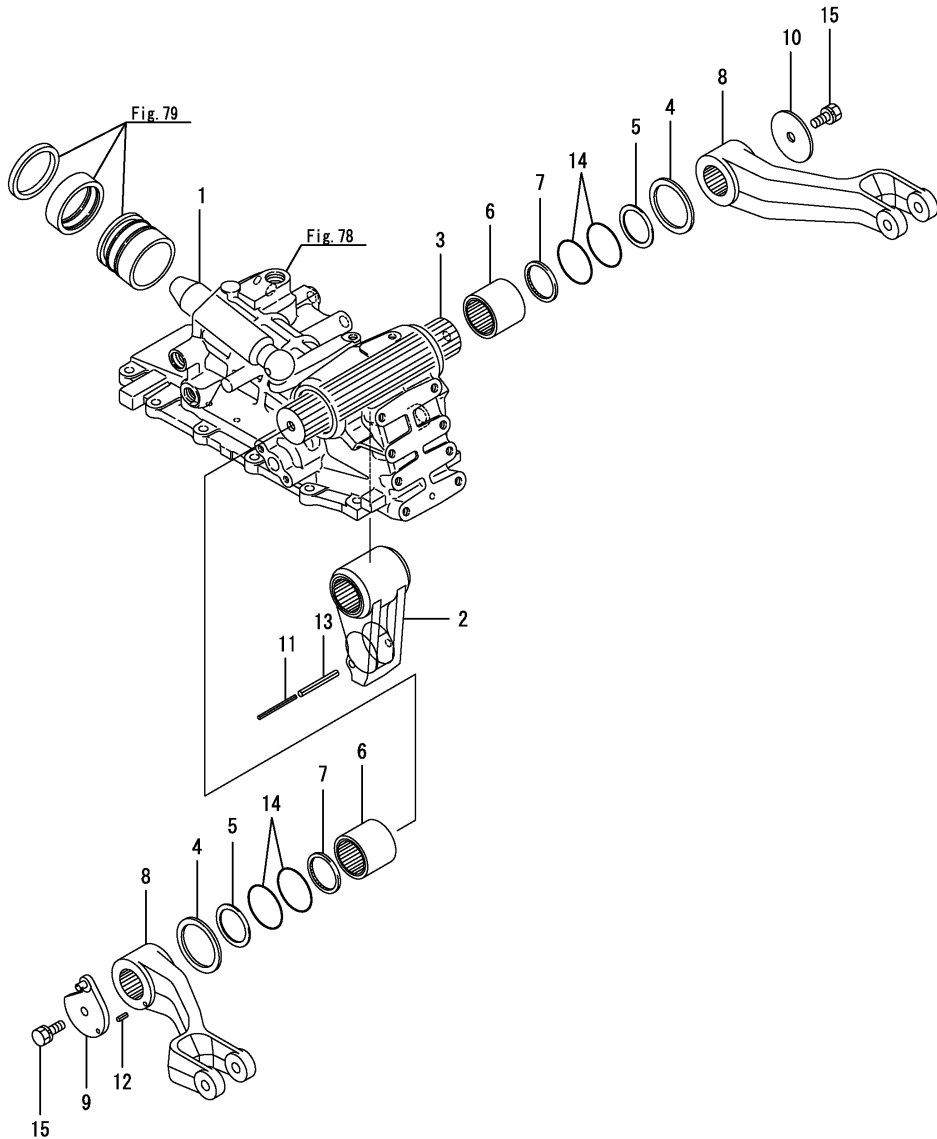


Fig.80. LIFT CRANK



(A)=EX450(YANMAR)
(B)=
(C)=

(D)=
(E)=
(F)=

No.	Lev.	Parts No.	Description	Q'ty						I	R
				(A)	(B)	(C)	(D)	(E)	(F)		
1	1	194180-43410	ROD, PISTON	1							
2	1	198215-44110-1	CRANK,LIFT	1							
3	1	198133-44210	SHAFT, LIFTING	1							
4	1	1A7640-44230	WASHER, 65X82X2	2							
5	1	1A7640-44240	PLATE, 50X64X2	2							
6	1	1A7780-44250	SLEEVE, LIFT SHAFT	2							
7	1	194640-44261	SEAL, SPLINE	2							
8	1	198133-44410-1	ARM, LIFT	2							
8-1	1	198133-44411-1	ARM, LIFT	2							N
(A=FZZZZZ)											
9	1	1A7780-44510-1	PLATE, FEEDBACK	1							
10	1	194640-44540	RETAINER, SHAFT	1							
11	1	22351-050070	PIN, SPRING 5.0X70	1							
12	1	22351-060016	PIN, SPRING 6.0X16	1							
13	1	22351-080070	PIN, SPRING 8.0X70	1							
14	1	24321-000650	O-RING, 1AG65.0	4							
15	1	26013-120352	BOLT, M12X 35	2							

Fig.81. CONTROL VALVE

(A)=EX450(YANMAR)
 (B)=
 (C)=

(D)=
 (E)=
 (F)=

No.	Lev.	Parts No.	Description	Qty						I	R
				(A)	(B)	(C)	(D)	(E)	(F)		
1	1	168246-00110	CONTROL VALVE(6F-11	1							
2	2	194327-45120	O-RING, 1BP14.0	2							
3	2	194327-45130	O-RING, 1BP7.0	1							
4	2	26450-080142	BOLT, M8X 14	3							
5	1	26450-080202	BOLT, M8X 20	3							

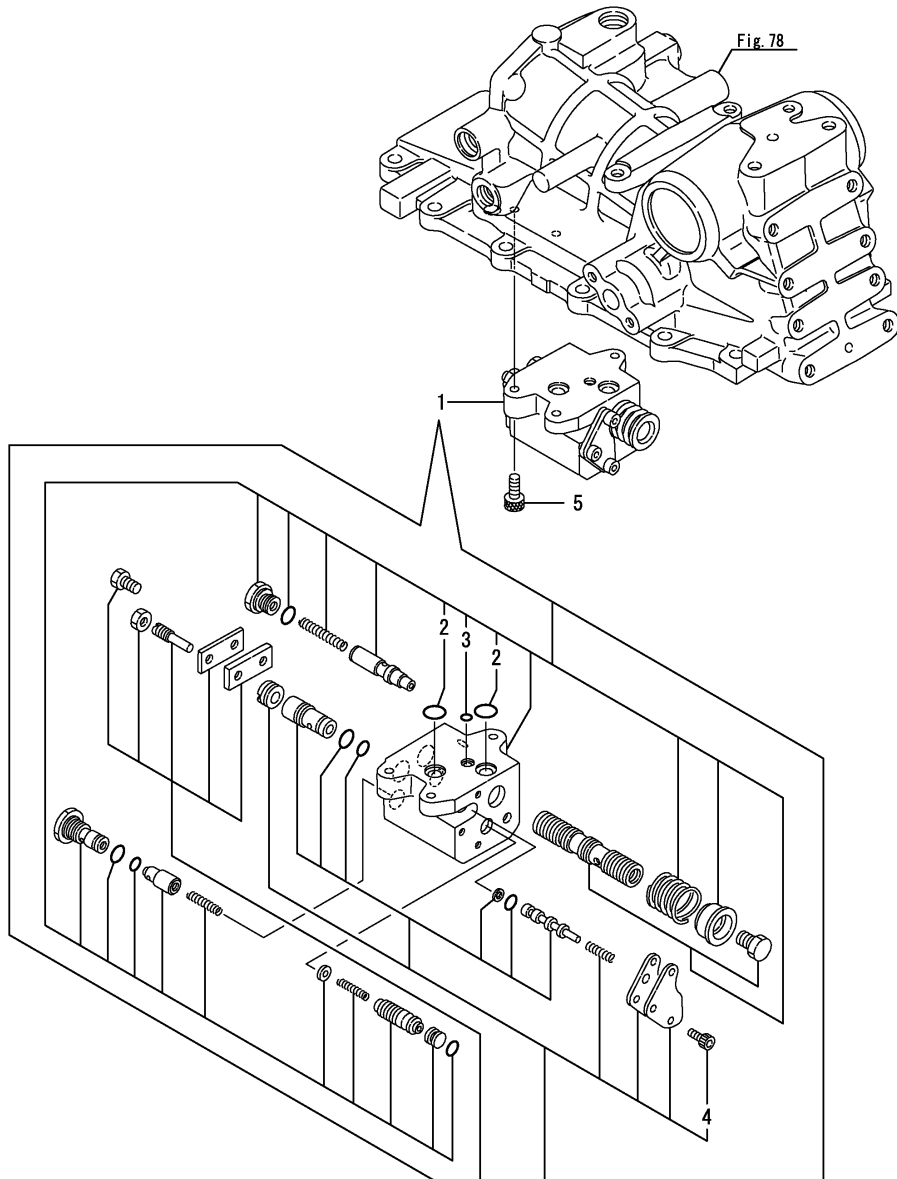


Fig.82. RELIEF VALVE

(A)=EX450(YANMAR)
 (B)=
 (C)=

(D)=
 (E)=
 (F)=

No.	Lev.	Parts No.	Description	Q'ty						I	R
				(A)	(B)	(C)	(D)	(E)	(F)		
1	1	198133-45600	VALVE ASSY, RELIEF	1							
2	2	194180-45620	SPRING	1							
3	2	194450-45630	O-RING, 2.5X23	1							
4	2	194450-45640-1	PLUG, RELIEF VALVE	1							
5	2	194450-45650	GASKET, 20X27.8X2	1							
6	2	794464-45660	SHIM SET	1							

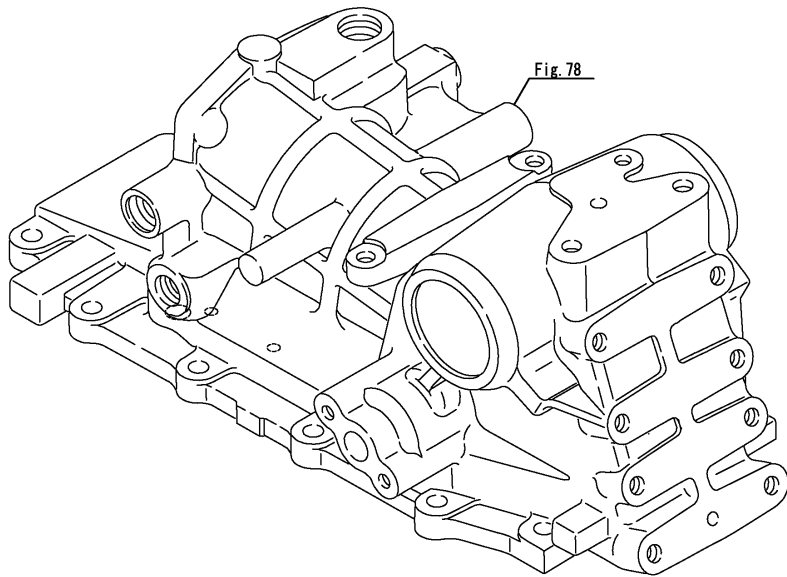
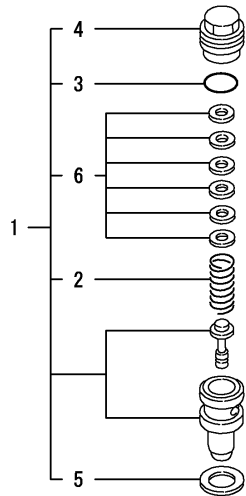


Fig.83. STOP VALVE

(A)=EX450(YANMAR)
 (B)=
 (C)=

(D)=
 (E)=
 (F)=

No.	Lev.	Parts No.	Description	Q'ty						I	R
				(A)	(B)	(C)	(D)	(E)	(F)		
1	1	194555-46300	VALVE, STOP	1							
2	1	198240-46620	BOLT, STOP	1							
3	1	194312-46630	HOLDER, VALVE	1							
4	1	22117-080000	WASHER, 8	1							
5	1	22351-040012	PIN, SPRING 4.0X12	1							
6	1	24311-000110	O-RING, 1AP11.0	2							
7	1	24311-000120	O-RING, 1AP12.0	1							

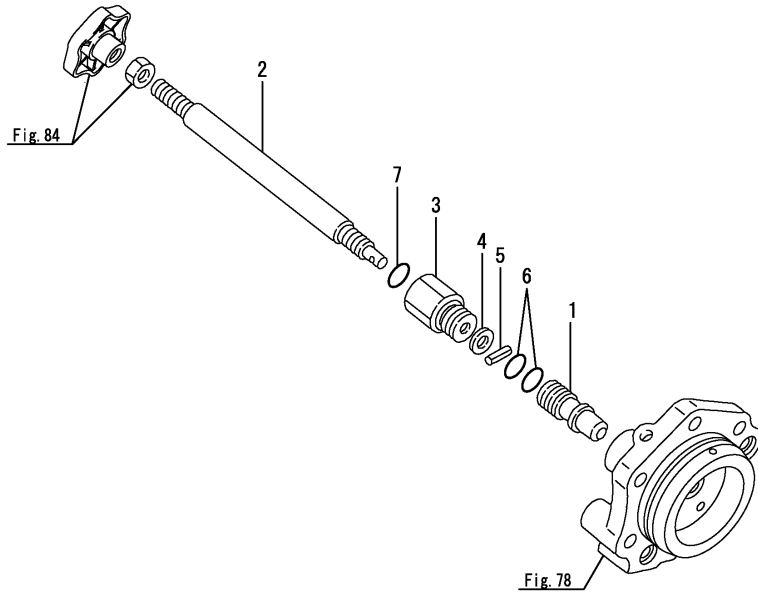


Fig.84. STOP VALVE KNOB

(A)=EX450(YANMAR)
 (B)=
 (C)=

(D)=
 (E)=
 (F)=

No.	Lev.	Parts No.	Description	Q'ty						I	R
				(A)	(B)	(C)	(D)	(E)	(F)		
1	1	1A8160-46670	KNOB, VALVE	1							
2	1	26716-100002	NUT, M10	1							

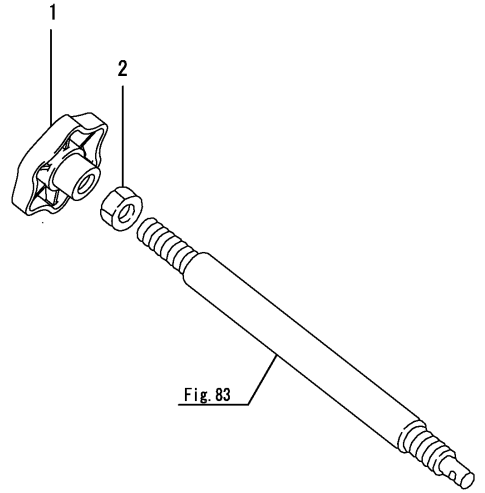


Fig.85. SAFETY VALVE

(A)=EX450(YANMAR)
 (B)=
 (C)=

(D)=
 (E)=
 (F)=

No.	Lev.	Parts No.	Description	Q'ty						I	R
				(A)	(B)	(C)	(D)	(E)	(F)		
1	1	1A7680-45320	SPRING	1							
2	1	1A7680-45370	PLUG, SAFETY VALVE	1							
3	1	198220-46400	SHIM SET	1							
4	1	1A7680-46410	SEAT, SAFETY VALVE	1							
5	1	194640-46420	POPPET	1							
6	1	22351-060030	PIN, SPRING 6.0X30	1							
7	1	24315-000120	O-RING, 1BP12.0	1							
8	1	24315-000180	O-RING, 1BP18.0	1							

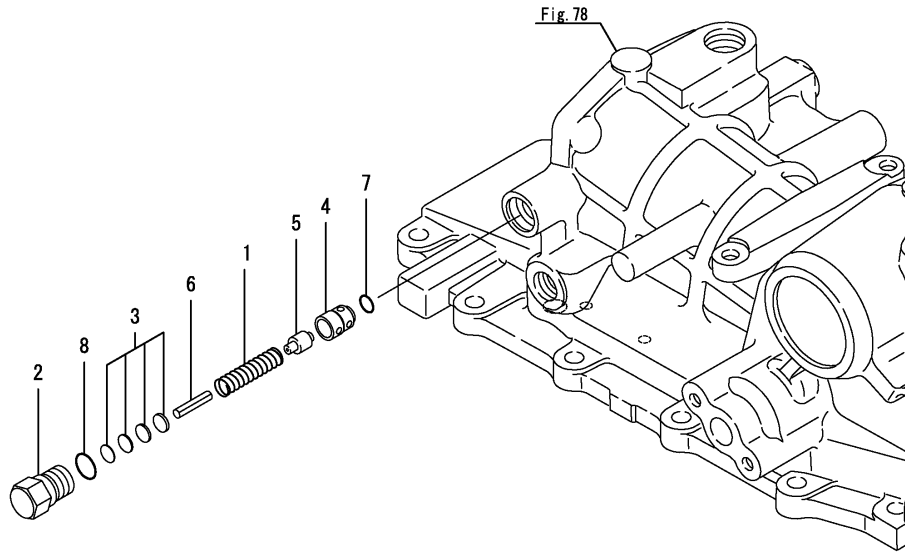
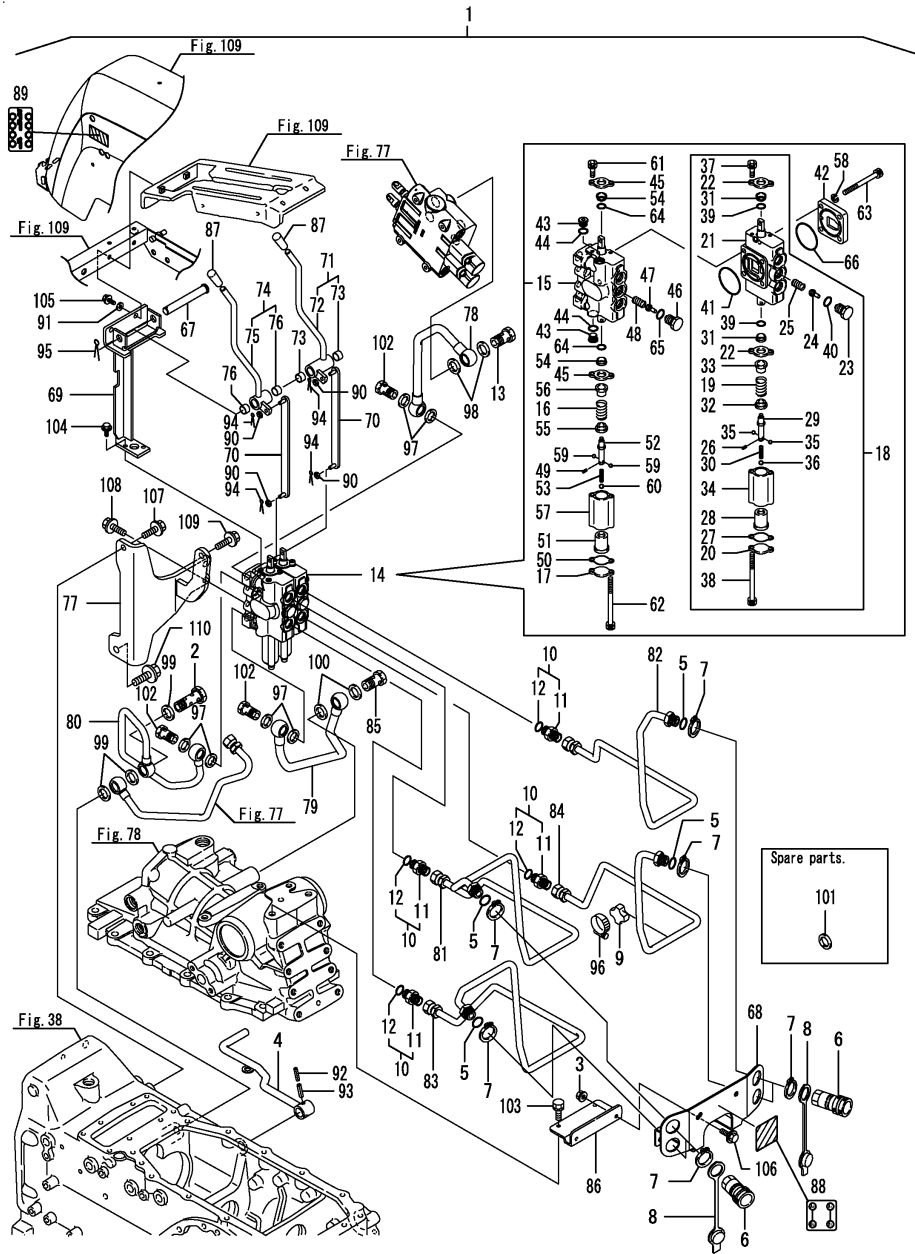


Fig.86. REAR REMOTE VALVE



(A)=EX450(YANMAR)

(B)=

(C)=

(D)=

(E)=

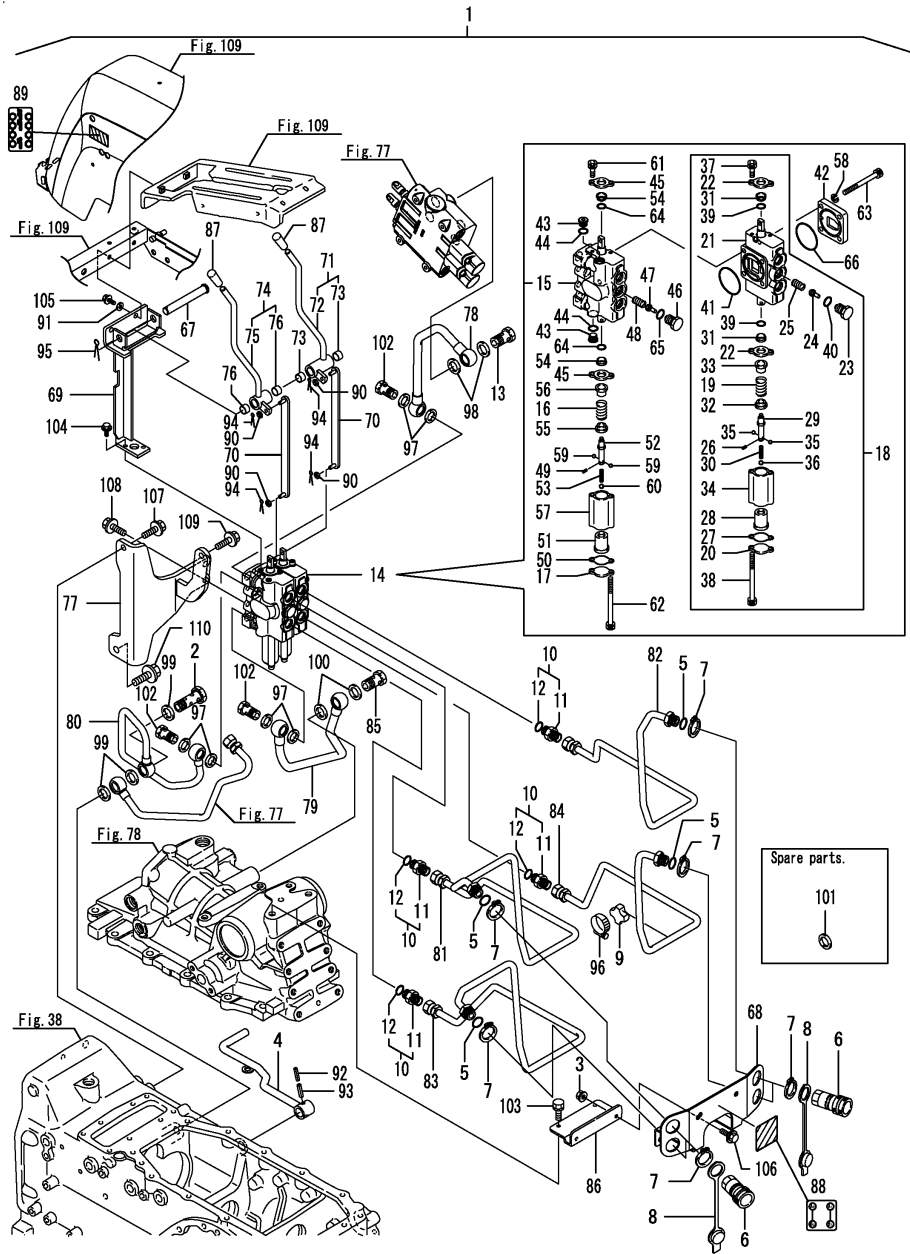
(F)=

No.	Lev.	Parts No.	Description	Q'ty						I	R
				(A)	(B)	(C)	(D)	(E)	(F)		
1	1	1A8170-46710	REMOTE KIT, REAR	1							
2	2	1A8170-17870	BOLT, JOINT 3/4-16	1							
3	2	194990-22140	NUT, M8	2							
4	2	1A8170-33150	PEDAL, LOCK	1							
5	2	194464-45930	O-RING, 8-1	4							
6	2	1A8160-46250	COUPLER, QUICK 3/8	4							
7	2	198240-46260	RING, SNAP	8							
8	2	198240-46280	PLUG, DUST	4							
9	2	198220-46500	CLAMP	1							
10	2	1A7780-46530	CONNECTOR ASSY	4							
11	3	1A7780-46540	CONNECTOR, G3/8-G3/8	4							
12	3	24311-000140	O-RING, 1AP14.0	4							
13	2	198245-46680	BOLT, M3/4-16	1							
14	2	198448-46702	CONTROLLER ASSY	1							
15	3	178076-04111	BODY(A-1 CMP)	1							
16	3	178076-04140	SPRING(4P)	1							
17	3	178076-04150	COVER	1							
18	3	178076-04300	SCV CMP	1							
19	4	178076-04140	SPRING(4P)	1							
20	4	178076-04150	COVER	1							
21	4	178076-04210	BODY ASSY, A-2	1							
22	4	194850-49340	PLATE, SEAL	2							
23	4	194850-49380	PLUG, CHECK	1							
24	4	194850-49400	VALVE, CHECK	1							
25	4	194850-49410	SPRING	1							
26	4	194850-49440	PIN, SPRING 2X9	1							
27	4	194850-49450	PACKING	1							
28	4	194850-49460	HOLDER, DETENT	1							
29	4	194850-49480	SLIDER	1							
30	4	194850-49490	SPRING	1							
31	4	172510-74410	SEAL, DUST	2							
32	4	172510-74440	RETAINER, SPRING	1							
33	4	172510-74450	RETAINER, SPRING	1							
34	4	172510-74471	COVER ASSY	1							
35	4	24190-050001	BALL, STEEL 5/32	2							
36	4	24190-070001	BALL, STEEL 7/32	1							
37	4	26450-060102	BOLT, M6X 10	2							
38	4	26450-060802	BOLT, M6X 80	2							
39	4	41850-000140	O RING 14.0 ACM	2							
40	4	41851-000140	O RING P 14.0 HNBR	1							
41	4	41856-020530	PACKING,2053	1							
42	3	178076-04310	COVER	1							
43	3	198165-48560	PLUG, 9/16	2							
44	3	194850-49290	PACKING, 6-1	2							
45	3	194850-49340	PLATE, SEAL	2							
46	3	194850-49380	PLUG, CHECK	1							
47	3	194850-49400	VALVE, CHECK	1							
48	3	194850-49410	SPRING	1							
49	3	194850-49440	PIN, SPRING 2X9	1							
50	3	194850-49450	PACKING	1							
51	3	194850-49460	HOLDER, DETENT	1							

Remarks

* Optional parts.

Fig.86. REAR REMOTE VALVE



(A)=EX450(YANMAR)

(B)=

(C)=

(D)=

(E)=

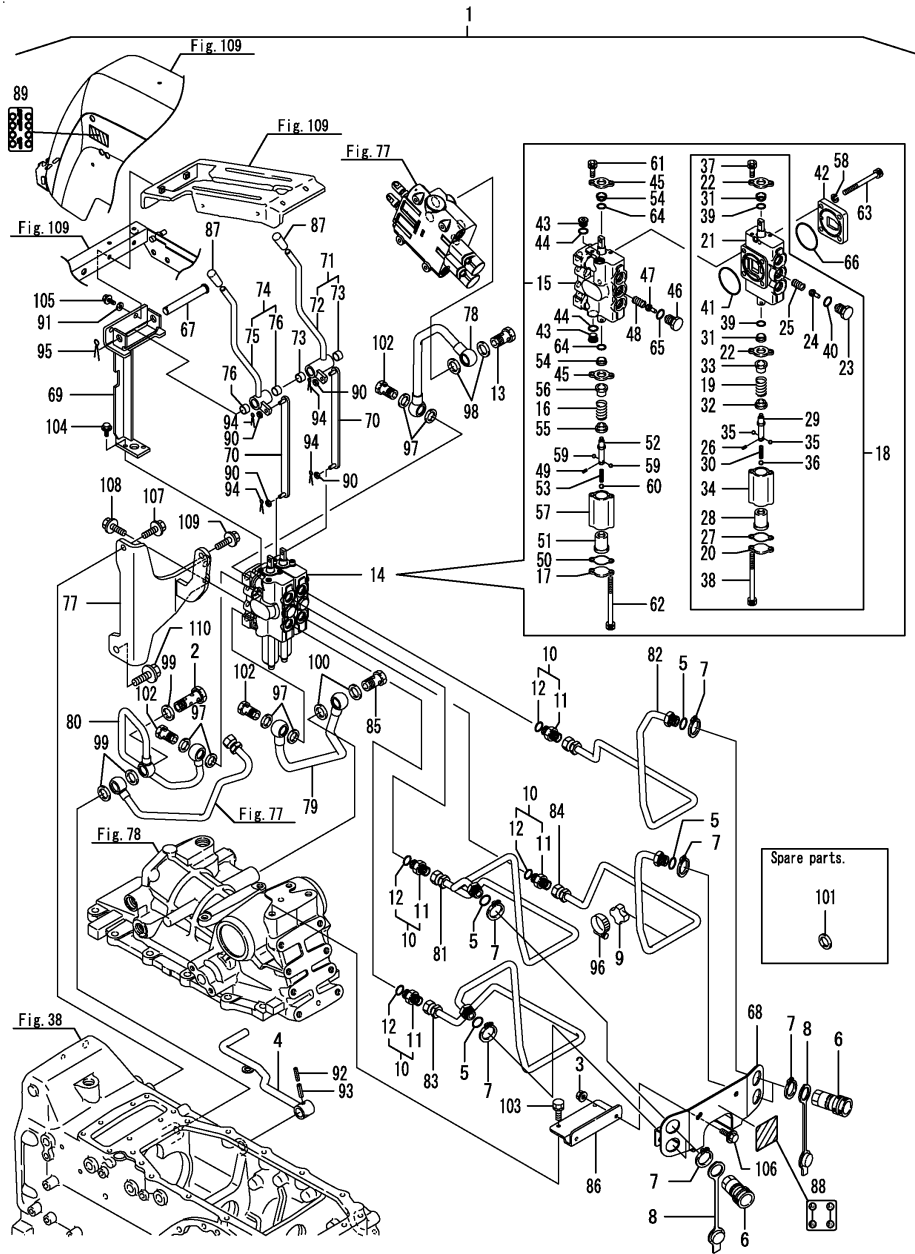
(F)=

No.	Lev.	Parts No.	Description	Q'ty						I	R
				(A)	(B)	(C)	(D)	(E)	(F)		
52	3	194850-49480	SLIDER	1							
53	3	194850-49490	SPRING	1							
54	3	172510-74410	SEAL, DUST	2							
55	3	172510-74440	RETAINER, SPRING	1							
56	3	172510-74450	RETAINER, SPRING	1							
57	3	172510-74471	COVER ASSY	1							
58	3	22287-080000	WASHER, 8	4							
59	3	24190-050001	BALL, STEEL 5/32	2							
60	3	24190-070001	BALL, STEEL 7/32	1							
61	3	26450-060102	BOLT, M6X 10	2							
62	3	26450-060802	BOLT, M6X 80	2							
63	3	26450-080652	BOLT, M8X 65	4							
64	3	41850-000140	O RING 14.0 ACM	2							
65	3	41851-000140	O RING P 14.0 HNBR	1							
66	3	41856-020530	PACKING,2053	1							
67	2	1A7780-46750	SHAFT, LEVER	1							
68	2	1A7780-46790	BRACKET, PORT	1							
69	2	1A7780-47510	BRACKET ASSY, LEVER	1							
70	2	1A7780-47570	ROD, LEVER	2							
71	2	1A7780-47650	LEVER ASSY, REMOTE A	1							
72	3	1A7780-47660	LEVER, A R REMOTE	1							
73	3	24550-014100	BUSH, 14X10	2							
74	2	1A7780-47710	LEVER ASSY, REMOTE B	1							
75	3	1A7780-47720	LEVER, B R REMOTE	1							
76	3	24550-014100	BUSH, 14X10	2							
77	2	1A8170-47750	BRACKET, REMOTE	1							
78	2	1A8170-48210	PIPE, PRESSURE P	1							
79	2	1A8170-48230	PIPE, PRESSURE C	1							
80	2	1A8170-48250	PIPE, PRESSURE T	1							
81	2	1A8170-48510	PIPE, PRESSURE A1	1							
82	2	1A8170-48530	PIPE, PRESSURE A2	1							
83	2	1A8170-48550	PIPE, PRESSURE B1	1							
84	2	1A8170-48570	PIPE, PRESSURE B2	1							
85	2	198327-48750	BOLT ASSY, JOINT	1							
86	2	198240-48780	STAY, REAR PIPE	1							
87	2	1E4130-51400	GRIP, LEVER	2							
88	2	1A8170-65670	LABEL, R REMOTE PORT	1							
89	2	1A8170-65680	LABEL, R REMOTE LEVER	1							
90	2	22137-060000	WASHER, 6	4							
91	2	22157-060000	WASHER, 6	2							
92	2	22351-050032	PIN, SPRING 5.0X32	1							
93	2	22351-080032	PIN, SPRING 8.0X32	1							
94	2	22417-160160	PIN, COTTER 1.6X16	4							
95	2	22417-250300	PIN, COTTER 2.5X30	1							
96	2	23000-035000	CLAMP, 35	1							
97	2	23414-180023	GASKET, 18X1.0	6							
98	2	23414-190000	GASKET, 19X1.0	2							
99	2	23414-190000	GASKET, 19X1.0	3							
100	2	23414-190000	GASKET, 19X1.0	2							
101	2	23414-190000	GASKET, 19X1.0	10							
102	2	23857-120000	BOLT, JOINT 12	3							

Remarks

* Optional parts.

Fig.86. REAR REMOTE VALVE



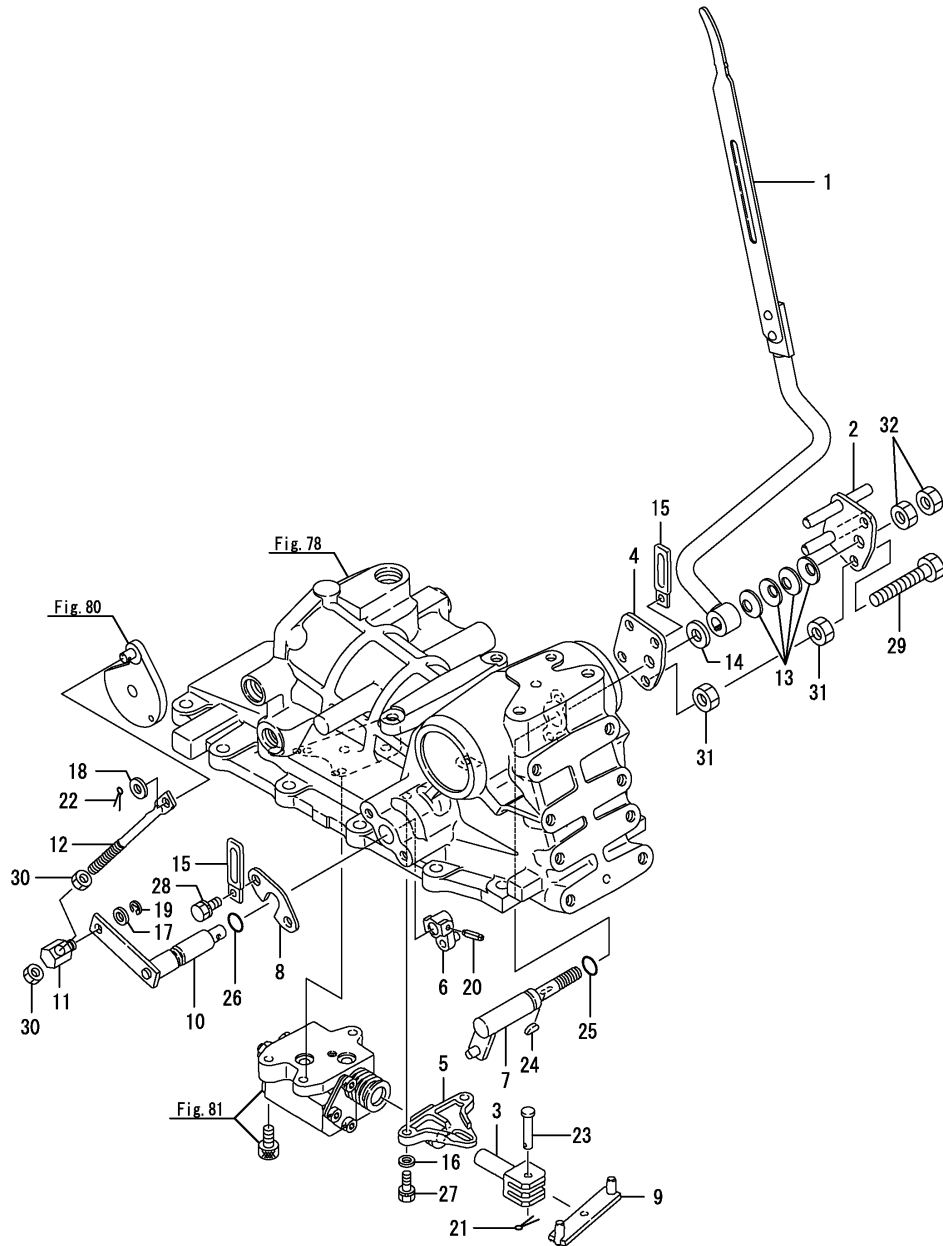
(A)=EX450(YANMAR)
(B)=
(C)=

(D)=
(E)=
(F)=

No.	Lev.	Parts No.	Description	Qty						I	R
				(A)	(B)	(C)	(D)	(E)	(F)		
103	2	26013-140252	BOLT, M14X 25	2							
104	2	26106-060162	BOLT, M6X 16 PLATED	2							
105	2	26106-060202	BOLT, M6X 20 PLATED	2							
106	2	26106-080162	BOLT, M8X 16 PLATED	2							
107	2	26106-100252	BOLT, M10X 25 PLATED	1							
108	2	26106-100252	BOLT, M10X 25 PLATED	2							
109	2	26106-100302	BOLT, M10X 30 PLATED	1							
110	2	26106-120252	BOLT, M12X 25 PLATED	1							

Remarks
* Optional parts.

Fig.87. HYDRAULIC CONTROL



(A)=EX450(YANMAR)
(B)=
(C)=

(D)=
(E)=
(F)=

No.	Lev.	Parts No.	Description	Q'ty						I	R
				(A)	(B)	(C)	(D)	(E)	(F)		
1	1	198178-47300-1	LEVER, CONTROL	1							
2	1	198320-47321-1	PLATE, FRICTION	1							
3	1	198360-47320	ROD, CONTROL	1							
4	1	198320-47330-1	PLATE	1							
5	1	198360-47330	PLATE, CONTROL	1							
6	1	198254-47370	ARM, CONTROL	1							
7	1	198240-47380	SHAFT, CONTROL	1							
8	1	198320-47410-1	PLATE, A	1							
9	1	1A7780-47420	ROD, CONTROL	1							
10	1	198240-47430-1	ARM	1							
11	1	194550-47530	ADJUSTER	1							
12	1	194640-47560	ROD, FEEDBACK	1							
13	1	194151-47760	WASHER, 12	4							
14	1	194310-47790	PLATE, FRICTION	1							
15	1	194180-51640	CLAMP, HARNESS	2							
16	1	22137-080000	WASHER, 8	2							
17	1	22137-100000	WASHER, 10	1							
18	1	22137-100000	WASHER, 10	1							
19	1	22272-000070	RING, E- 7	1							
20	1	22351-050025	PIN, SPRING 5.0X25	1							
21	1	22417-200160	PIN, COTTER 2.0X16	1							
22	1	22417-300200	PIN, COTTER 3.0X20	2							
23	1	22487-080350	PIN, H 8X 35	1							
24	1	22522-030130	KEY, WOODRUFF 3X13	1							
25	1	24311-000150	O-RING, 1AP15.0	1							
26	1	24311-000150	O-RING, 1AP15.0	1							
27	1	26013-080202	BOLT, M8X 20	2							
28	1	26013-100162	BOLT, M10X 16	2							
29	1	26116-100504	BOLT, M10X 50 PLATED	2							
30	1	26716-100002	NUT, M10	2							
31	1	26716-100002	NUT, M10	4							
32	1	26716-120002	NUT, M12	2							

Fig.89. HYDRAULIC LINE

(A)=EX450(YANMAR)

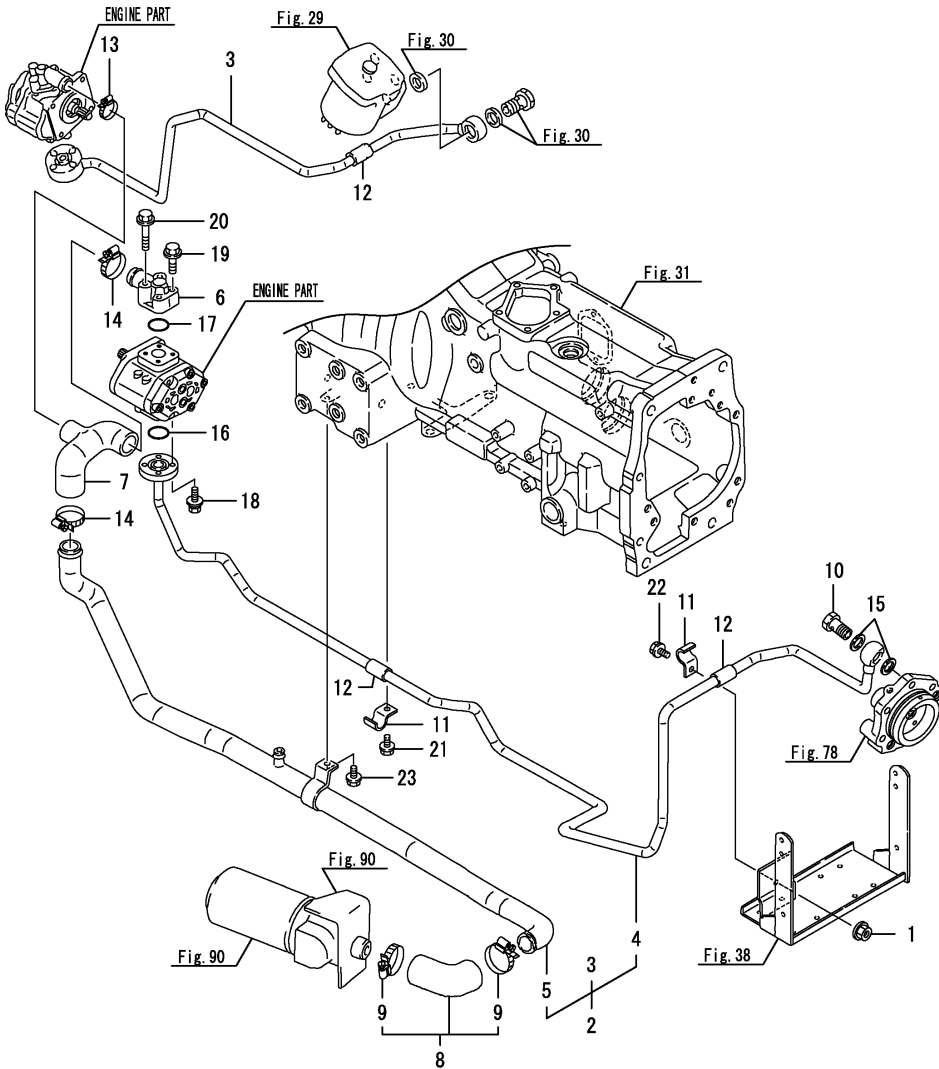
(B)=

(C)=

(D)=

(E)=

(F)=



No.	Lev.	Parts No.	Description	Q'ty						I	R
				(A)	(B)	(C)	(D)	(E)	(F)		
1	1	194990-22140	NUT, M8	1							
2	1	1A8170-48080	PIPE KIT	1							
3	2	198320-17720-1	PIPE, PRESSURE P	1							
4	2	1A8170-48100	PIPE, PRESSURE	1							
5	2	1A8170-48150	PIPE, PRESSURE	1							
6	1	198240-48140	FLANGE, PIPE P	1							
7	1	198320-48220	HOSE, PRESSURE	1							
8	1	198240-48500	HOSE, PRESSURE S	1							
9	2	23000-048000	CLAMP, 48	2							
10	1	198361-48750	BOLT ASSY, JOINT	1							
11	1	198240-48830	CLAMP	2							
12	1	198240-48850	CLAMP, ABSORBER	3							
13	1	23000-035000	CLAMP, 35	1							
14	1	23000-048000	CLAMP, 48	2							
15	1	23414-200026	GASKET, 20X1.0	2							
16	1	24321-000250	O-RING, 1AG25.0	1							
17	1	24341-000250	O-RING, 1AS25.0	1							
18	1	26018-060252	BOLT, M6X 25	4							
19	1	26106-060402	BOLT, M6X 40 PLATED	2							
20	1	26106-060502	BOLT, M6X 50 PLATED	2							
21	1	26106-080162	BOLT, M8X 16 PLATED	1							
22	1	26106-080162	BOLT, M8X 16 PLATED	1							
23	1	26106-080162	BOLT, M8X 16 PLATED	1							

Fig.90. HYDRAULIC FILTER

(A)=EX450(YANMAR)
 (B)=
 (C)=

(D)=
 (E)=
 (F)=

No.	Lev.	Parts No.	Description	Q'ty						I	R
				(A)	(B)	(C)	(D)	(E)	(F)		
1	1	198240-48300-1	PIPE, PRESSURE	1							
2	1	198240-48380	BRACKET, FILTER	1							
3	1	1A8160-48400	FILTER KIT	1							
4	2	198119-48310	FILTER	1							
5	2	194555-48350	COVER ASSY, FILTER	1							
6	1	198240-48500	HOSE, PRESSURE S	1							
7	2	23000-048000	CLAMP, 48	2							
8	1	24321-000250	O-RING, 1AG25.0	1							
9	1	26106-060602	BOLT, M6X 60 PLATED	4							
10	1	26106-080162	BOLT, M8X 16 PLATED	2							
11	1	26106-080202	BOLT, M8X 20 PLATED	2							

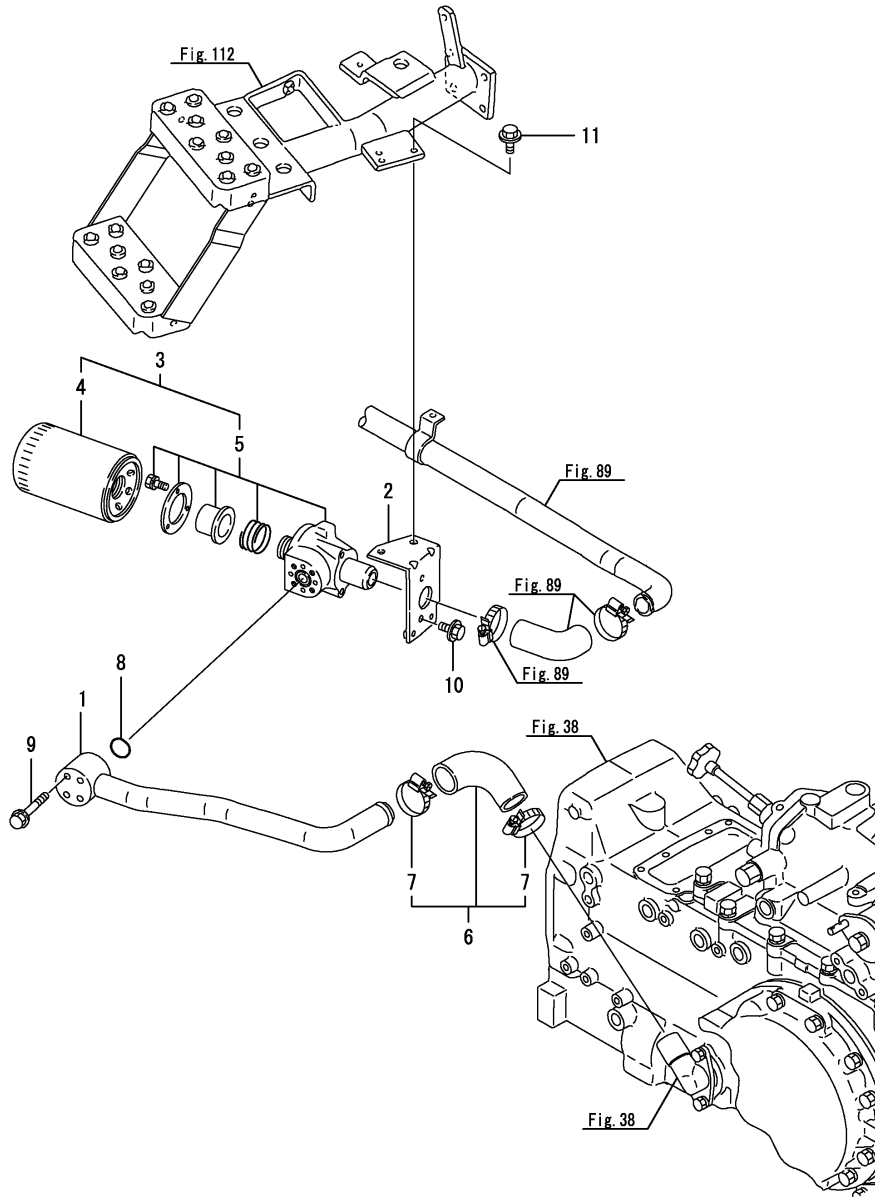
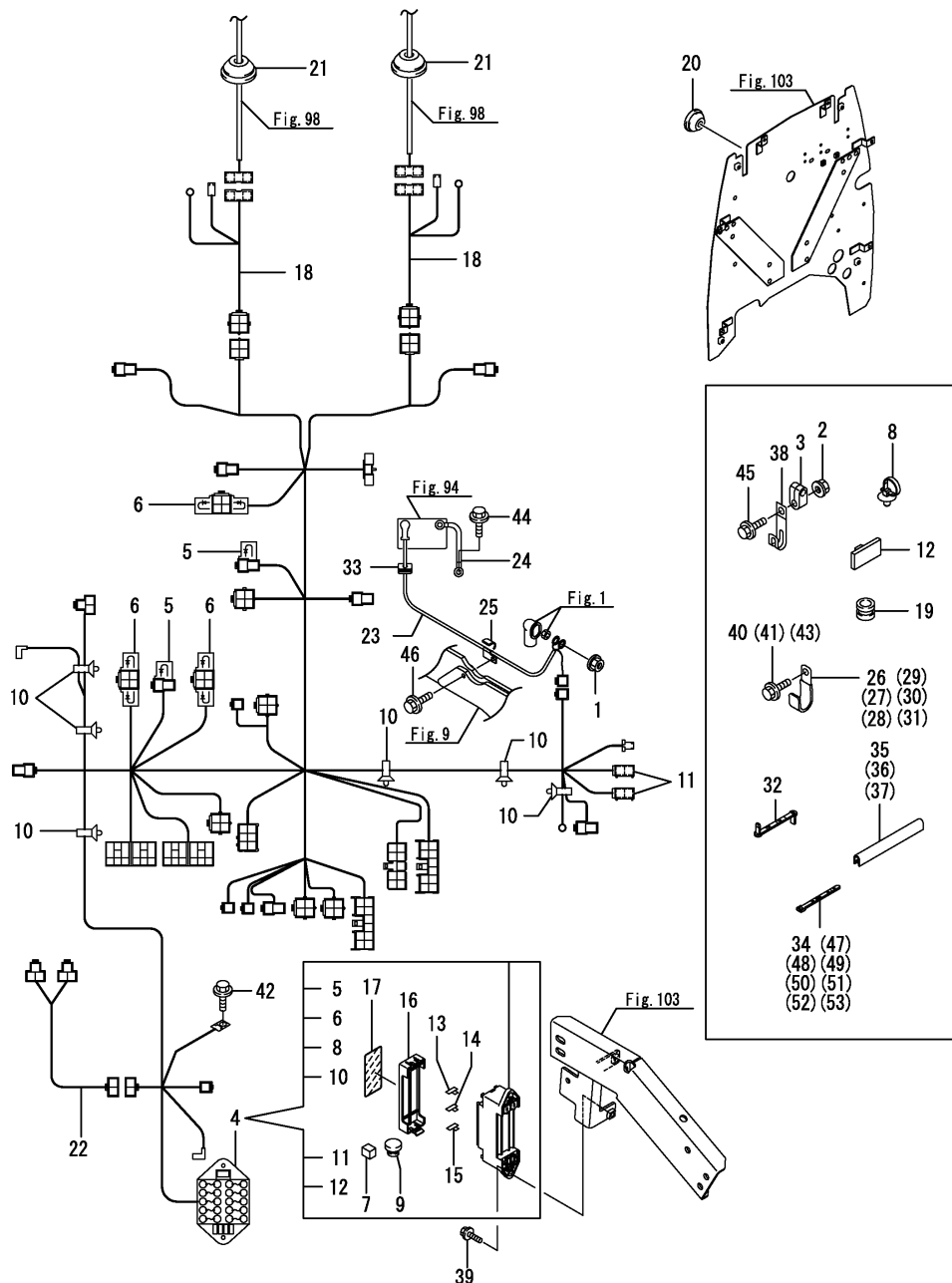
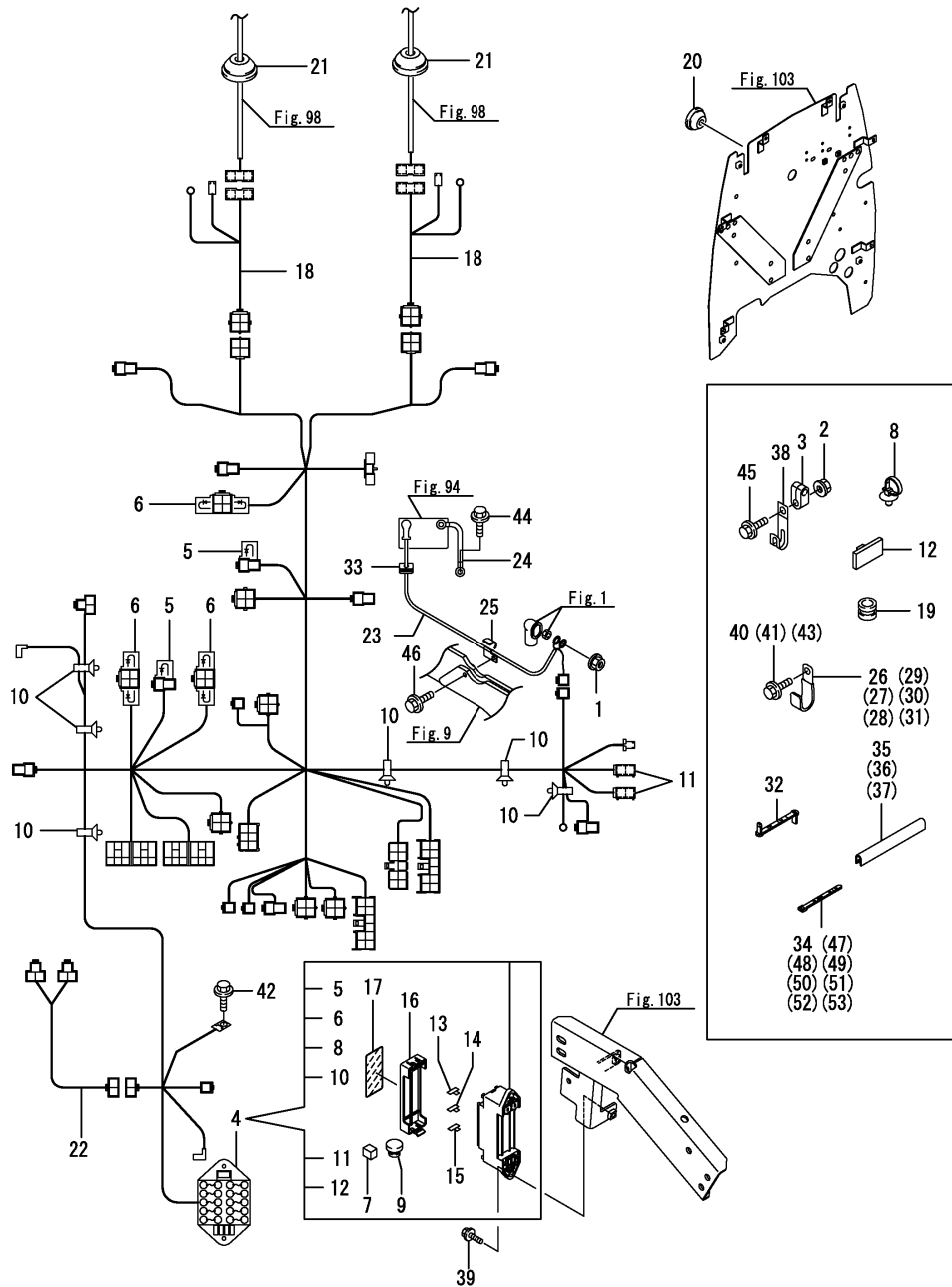


Fig.92. WIRE HARNESS



No.	Lev.	Parts No.	Description	Qty						I	R
				(A)	(B)	(C)	(D)	(E)	(F)		
1	1	194990-22140	NUT, M8	1							
2	1	194990-22140	NUT, M8	2							
3	1	1E8080-43850	CLAMP, WIRE	2							
4	1	1A8170-51100	HARNESS ASSY, WIRE A	1							
5	2	1A7500-51130	DIODE, 3.0A	2							
6	2	1A8160-51130	DIODE, 3.0AX2	3							
7	2	194275-51160	COUPLER	1							
8	2	1A7500-51160	CLIP, HARNESS	1							
9	2	194275-51170	PLUG	1							
10	2	1A7500-51170	CLIP, HARNESS	6							
11	2	198153-51700	FUSE, SLOW BLOW 80A	2							
12	2	1A7880-51730	CLIP	2							
13	2	198535-52110	FUSE, 5A	5							
14	2	198535-52120	FUSE, 10A	4							
15	2	198535-52130	FUSE, 15A	2							
16	2	1A7531-52420	COVER, FUSE BOX	1							
17	2	1A8170-65440	LABEL, FUSE	1							
18	1	1A8170-51130	HARNESS ASSY, WIRE C	2							
19	1	194170-51210	GROMMET 25	2							
20	1	194275-51210	GROMMET 25	1							
21	1	194275-51210	GROMMET 25	2							
22	1	1A8160-51310	HARNESS, WIRE	1							
23	1	198071-51411	CABLE, BATTERY 1150	1							
24	1	198153-51420	CABLE, BATTERY EARTH	1							
25	1	198121-51430	CLAMP, CABLE B	1							
26	1	194440-51620	CLAMP	2							
27	1	194440-51620	CLAMP	1							
28	1	194440-51620	CLAMP	2							
29	1	194440-51620	CLAMP	1							
30	1	194440-51620	CLAMP	1							
31	1	194440-51620	CLAMP	1							
32	1	194250-51650	CLAMP, SPEED 63	4							
33	1	1A7260-51710	GROMMET, CABLE	1							
34	1	198153-51810	BAND, NYLON 150	1							
35	1	1A7000-61490	TRIM, 120	1							
36	1	1A7000-61490	TRIM, 120	1							
37	1	198291-77870	COVER, GUARD	1							
38	1	1E6102-83230	CLAMP, CABLE	2							
39	1	26106-060162	BOLT, M6X 16 PLATED	2							
40	1	26106-080122	BOLT, M8X 12 PLATED	1							
41	1	26106-080122	BOLT, M8X 12 PLATED	1							
42	1	26106-080122	BOLT, M8X 12 PLATED	1							
43	1	26106-080162	BOLT, M8X 16 PLATED	2							
44	1	26106-080162	BOLT, M8X 16 PLATED	1							
45	1	26106-080252	BOLT, M8X 25 PLATED	2							
46	1	26106-080352	BOLT, M8X 35 PLATED	1							
47	1	29622-100001	BAND, RF100	4							
48	1	29622-140001	BAND, RF140	1							
49	1	29622-140001	BAND, RF140	1							
50	1	29622-140001	BAND, RF140	1							
51	1	29622-140001	BAND, RF140	2							

Fig.92. WIRE HARNESS



(A)=EX450(YANMAR)
(B)=
(C)=

(D)=
(E)=
(F)=

No.	Lev.	Parts No.	Description	Q'ty						I	R
				(A)	(B)	(C)	(D)	(E)	(F)		
52	1	29622-140001	BAND, RF140	2							
53	1	29622-250001	BAND, RF250	1							

Fig.93. WIRE HARNESS

(A)=EX450(YANMAR)
 (B)=
 (C)=

(D)=
 (E)=
 (F)=

No.	Lev.	Parts No.	Description	Q'ty						I	R
				(A)	(B)	(C)	(D)	(E)	(F)		
1	1	194180-51640	CLAMP, HARNESS	1							
2	1	26013-100162	BOLT, M10X 16	1							

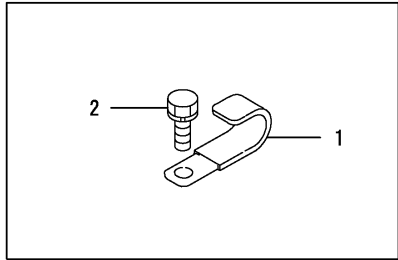


Fig.95. BATTERY CLAMP

(A)=EX450(YANMAR)
 (B)=
 (C)=

(D)=
 (E)=
 (F)=

No.	Lev.	Parts No.	Description	Q'ty						I	R
				(A)	(B)	(C)	(D)	(E)	(F)		
1	1	194990-22140	NUT, M8	2							
2	1	198234-48650	SPACER	2							
3	1	1A7260-51540	ROD, BATTERY CLAMP	2							
4	1	198240-51561	CLAMP, BATTERY	1							
5	1	26716-080002	NUT, M8	2							

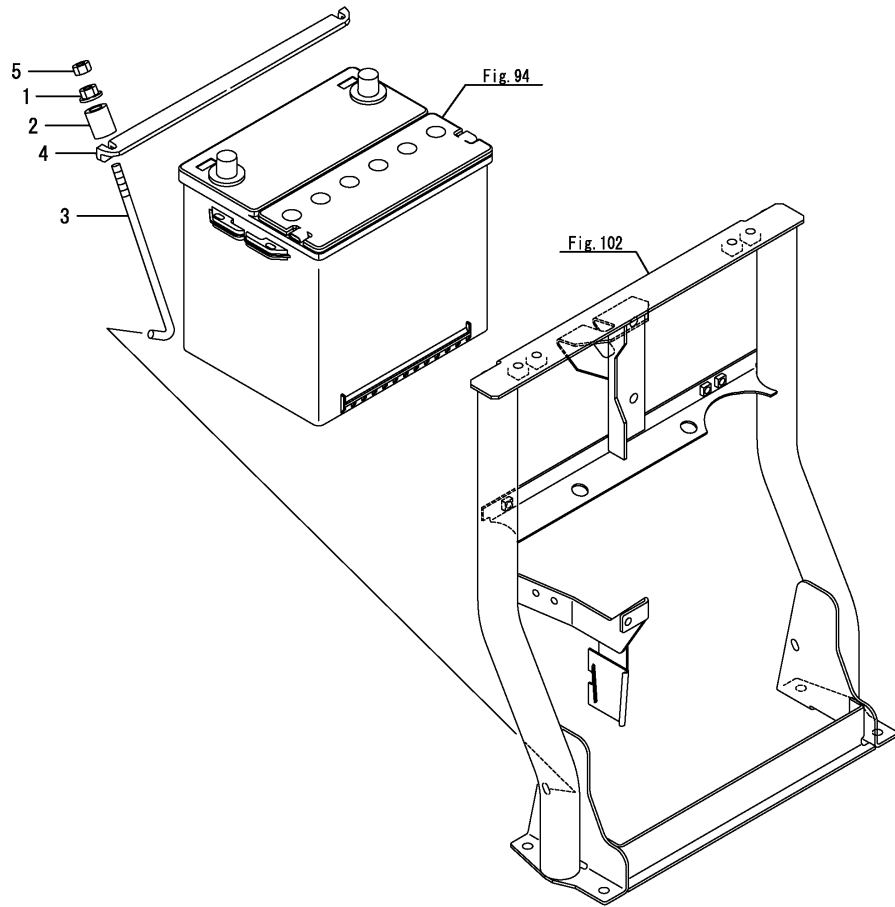
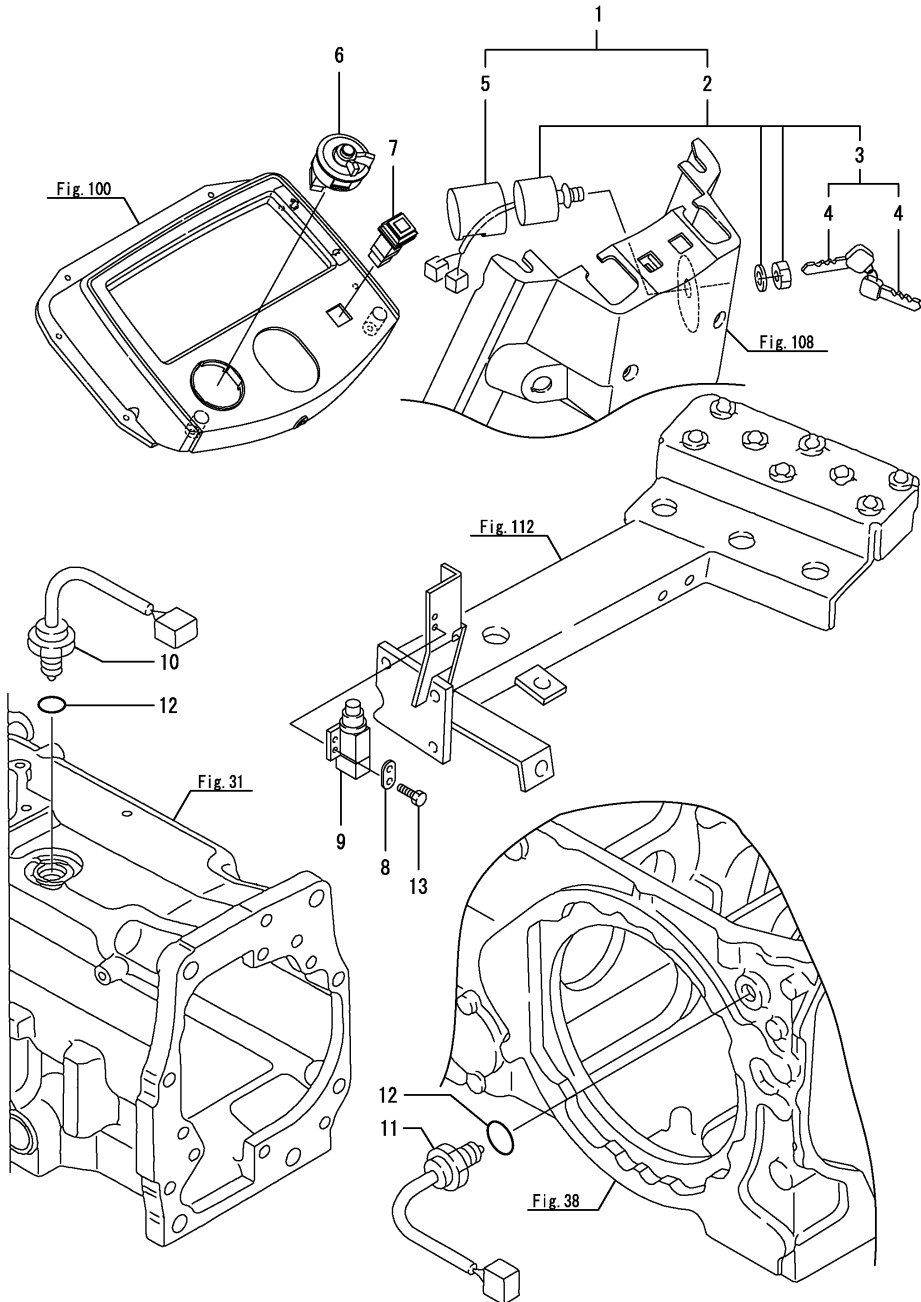


Fig.96. SWITCHES

(A)=EX450(YANMAR)
(B)=
(C)=

(D)=
(E)=
(F)=



No.	Lev.	Parts No.	Description	Q'ty						I	R
				(A)	(B)	(C)	(D)	(E)	(F)		
1	1	1A7780-52000	SWITCH ASSY, STARTER	1							
2	2	198226-52100	SWITCH ASSY, STARTER	1							
3	3	194155-52160	KEY ASSY	1							
4	4	194155-52190	KEY	2							
5	2	1A7780-52150	COVER, SWITCH	1							
6	1	1A7335-52110	SWITCH, COMBINATION	1							
7	1	1A7335-52120	SWITCH, HAZARD	1							
8	1	1A7510-52120	WASHER, SWITCH	1							
9	1	1A7335-52150	SWITCH, STOP LAMP	1							
10	1	194464-52190	SWITCH, SAFETY START	1							
11	1	194464-52190	SWITCH, SAFETY START	1							
12	1	24311-000180	O-RING, 1AP18.0	2							
13	1	26117-040162	BOLT, M4X 16 PLATED	2							

Fig.97. SEAT SWITCH

(A)=EX450(YANMAR)
 (B)=
 (C)=

(D)=
 (E)=
 (F)=

No.	Lev.	Parts No.	Description	Q'ty						I	R
				(A)	(B)	(C)	(D)	(E)	(F)		
1	1	1A8160-52300	SWITCH, SEAT DELTA	1							
2	2	1A8160-52310	SWITCH, SEAT DELTA	1							
3	2	1A8160-52330	COVER, GUARD	1							

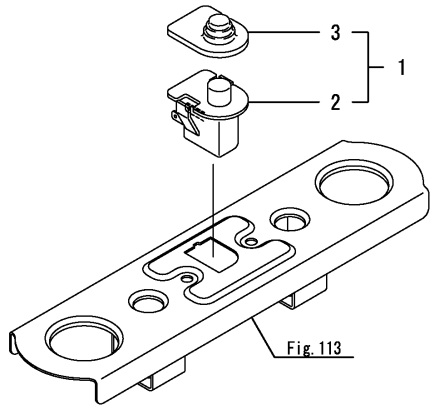
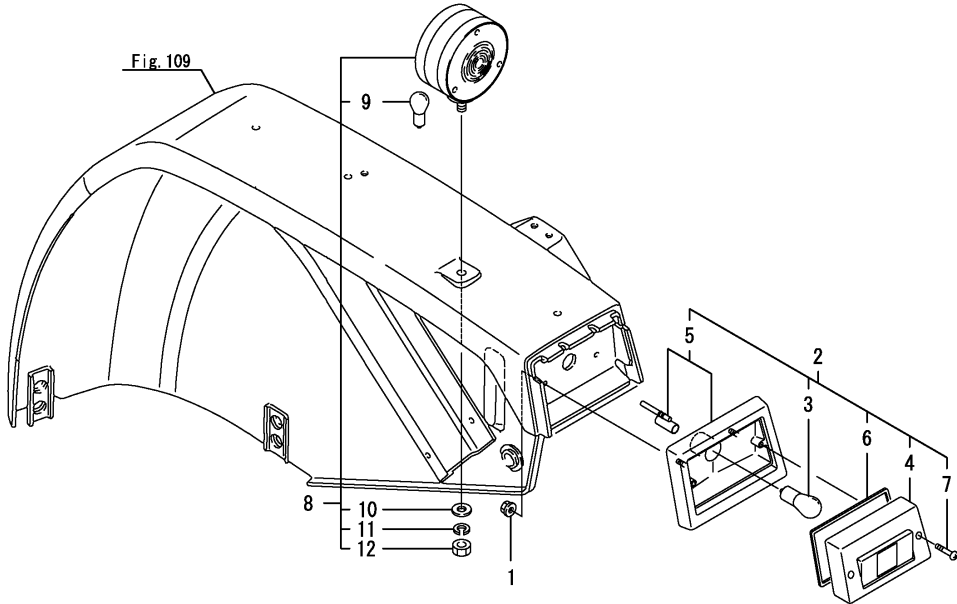


Fig.98. LAMPS

(A)=EX450(YANMAR)
(B)=
(C)=

(D)=
(E)=
(F)=

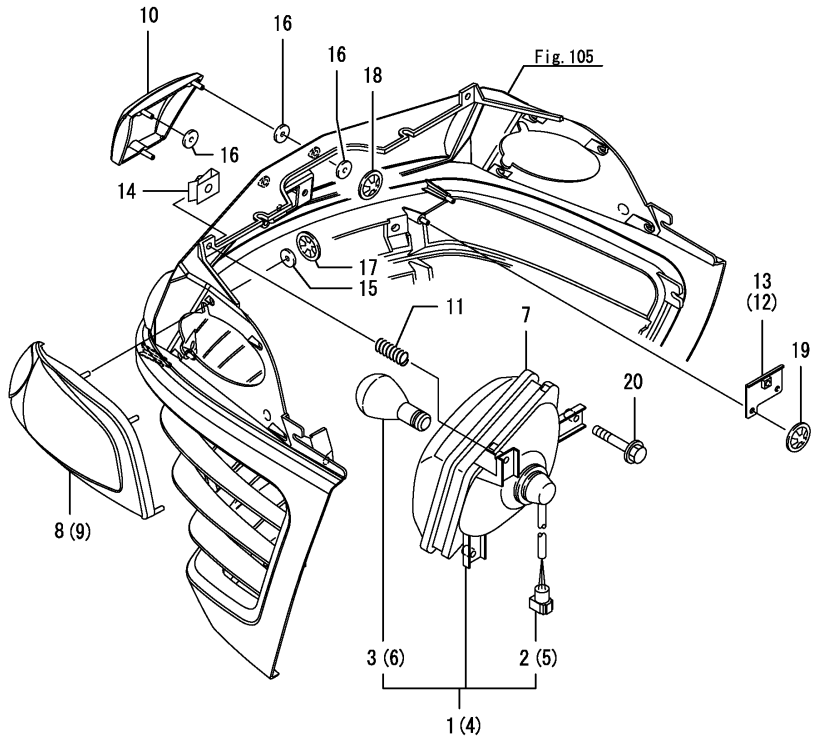


No.	Lev.	Parts No.	Description	Q'ty						I	R
				(A)	(B)	(C)	(D)	(E)	(F)		
1	1	194990-22130	NUT, M6	4							
2	1	1A7335-53600	LAMP, TAIL	2							
3	2	1A7335-53610	BULB, 12V-21/5W	2							
4	2	1A7335-53620	LENS ASSY	2							
5	2	1A7335-53630	HOUSING ASSY, SEMI	2							
6	2	1A7335-53640	GASKET	2							
7	2	1A7335-53650	SCREW, TAPPING M6X32	4							
8	1	7A7330-53400	LAMP KIT, WARNING	2							
9	2	1A7330-53430	BULB, 12V27W	2							
10	2	22137-120000	WASHER, 12	2							
11	2	22217-120000	WASHER, SPRING 12	2							
12	2	26776-120002	NUT, LOCK M12	2							

Fig.99. FRONT LAMP

(A)=EX450(YANMAR)
 (B)=
 (C)=

(D)=
 (E)=
 (F)=

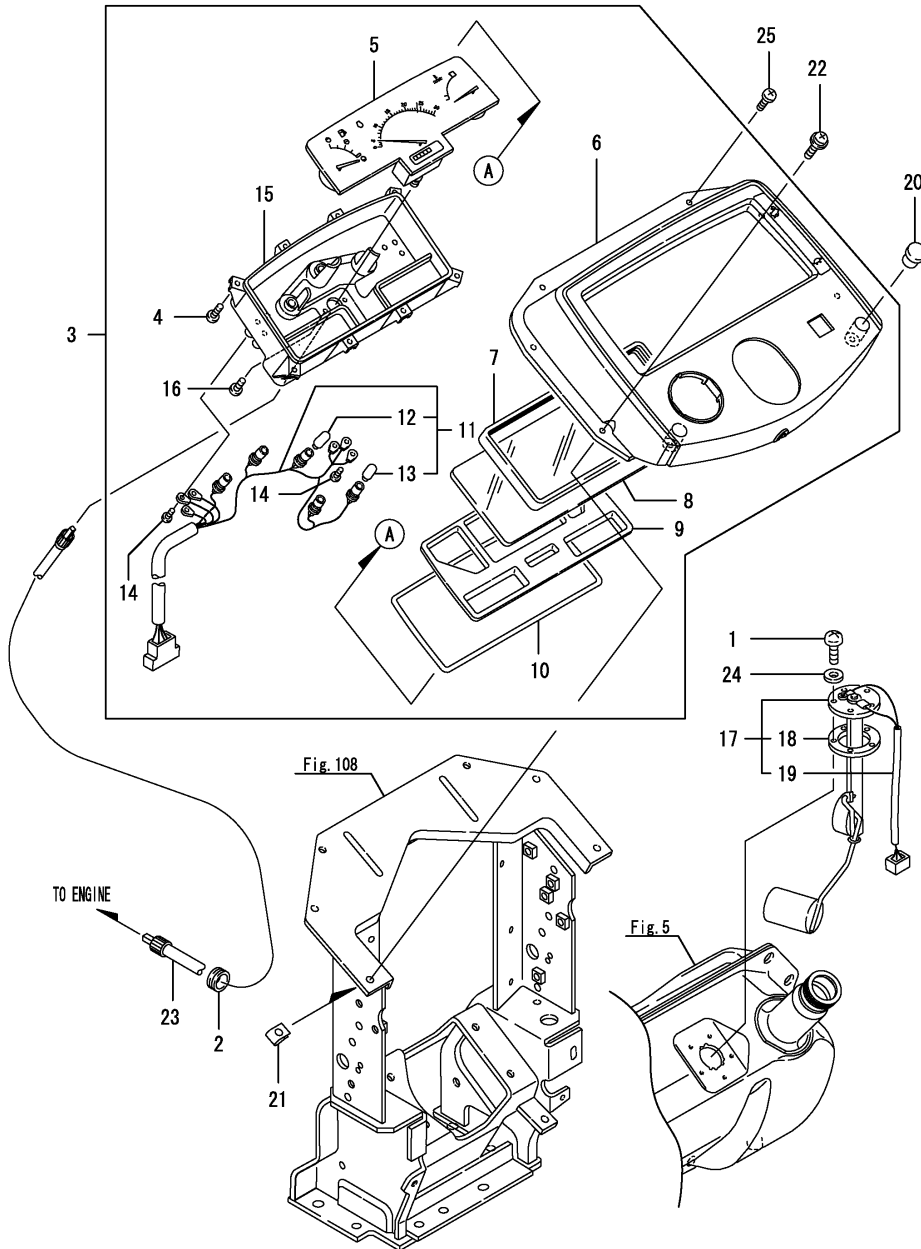


No.	Lev.	Parts No.	Description	Q'ty						I	R
				(A)	(B)	(C)	(D)	(E)	(F)		
1	1	1A7780-53200	LAMP ASSY, HEAD L	1							
2	2	1A7000-53230	WIRE ASSY, LEAD	1							
3	2	198448-53320	BULB, 12V45/45W	1							
4	1	1A7780-53300	LAMP ASSY, HEAD R	1							
5	2	1A7000-53230	WIRE ASSY, LEAD	1							
6	2	198448-53320	BULB, 12V45/45W	1							
7	1	1A7260-53350	SEAL, HEAD LAMP	2							
8	1	1A7780-53350	LENS, SIDE L	1							
9	1	1A7780-53360	LENS, SIDE R	1							
10	1	1A7780-53370	LENS, CENTER	1							
11	1	198153-53410	SPRING, ADJUST	6							
12	1	1A7260-61250	BRACKET ASSY, GRILLE	1							
13	1	1A7260-61260	BRACKET ASSY, GRILLE	1							
14	1	198071-61890	NUT, SPEED M6	4							
15	1	198475-65030	CUSHION	8							
16	1	198475-65030	CUSHION	6							
17	1	198071-65610	NUT, SPEED M5	8							
18	1	198071-65610	NUT, SPEED M5	3							
19	1	198071-65610	NUT, SPEED M5	4							
20	1	26106-060352	BOLT, M6X 35 PLATED	6							

Fig.100. METER

(A)=EX450(YANMAR)
(B)=
(C)=

(D)=
(E)=
(F)=



No.	Lev.	Parts No.	Description	Qty						I	R
				(A)	(B)	(C)	(D)	(E)	(F)		
1	1	198240-04550	SCREW, M5X12	5							
2	1	194275-51210	GROMMET 25	1							
3	1	1A7780-56502	PANEL, INSTRUMENT	1							
4	2	198220-53170	SCREW	8							
5	2	198220-56111	METER ASSY	1							
6	2	1A7335-56120	VISOR	1							
7	2	198220-56130	PACKING	1							
8	2	198220-56140	GLASS	1							
9	2	198220-56150	REFLECTOR	1							
10	2	198220-56160	PACKING	1							
11	2	1A8160-56211	HARNES, WIRE	1							
12	3	198220-56220	BULB, 12V-3.4W	3							
13	3	124617-91920	BULB, 12V-3W	3							
14	2	198220-56230	SCREW, M3X22	6							
15	2	1A7780-56300	CASE ASSY	1							
16	2	26022-030062	SCREW, M3X 6	2							
17	1	198240-56600	GAUGE ASSY, FUEL	1							
18	2	194420-56620	GASKET	1							
19	2	198240-56630	WIRE, LEAD	1							
20	1	194555-56890	GROMMET, 15	2							
21	1	194145-61651	NUT, SPEED M5	4							
22	1	194940-61790	SCREW, TAPPING M5X16	4							
23	1	124701-91140	CABLE, L=985	1							
24	1	22190-050000	WASHER, SEAL 5	5							
25	1	26589-060162	SCREW, M6	2							

Fig.101. RELAY

(A)=EX450(YANMAR)
 (B)=
 (C)=

(D)=
 (E)=
 (F)=

No.	Lev.	Parts No.	Description	Q'ty						I	R
				(A)	(B)	(C)	(D)	(E)	(F)		
1	1	194990-22130	NUT, M6	2							
2	1	194990-22130	NUT, M6	1							
3	1	194990-22130	NUT, M6	1							
4	1	198220-52180	RELAY, STARTER	1							
5	1	198220-52180	RELAY, STARTER	1							
6	1	1A6780-57200	FLASHER	1							
7	1	119650-77911	RELAY ASSY, GLOW	1							
8	1	1K1140-82500	RELAY(ACM13211M01	1							
9	1	1K1140-82500	RELAY(ACM13211M01	1							
10	1	1K1140-82500	RELAY(ACM13211M01	1							
11	1	26106-060162	BOLT, M6X 16 PLATED	2							
12	1	26106-060162	BOLT, M6X 16 PLATED	1							
13	1	26106-060162	BOLT, M6X 16 PLATED	1							

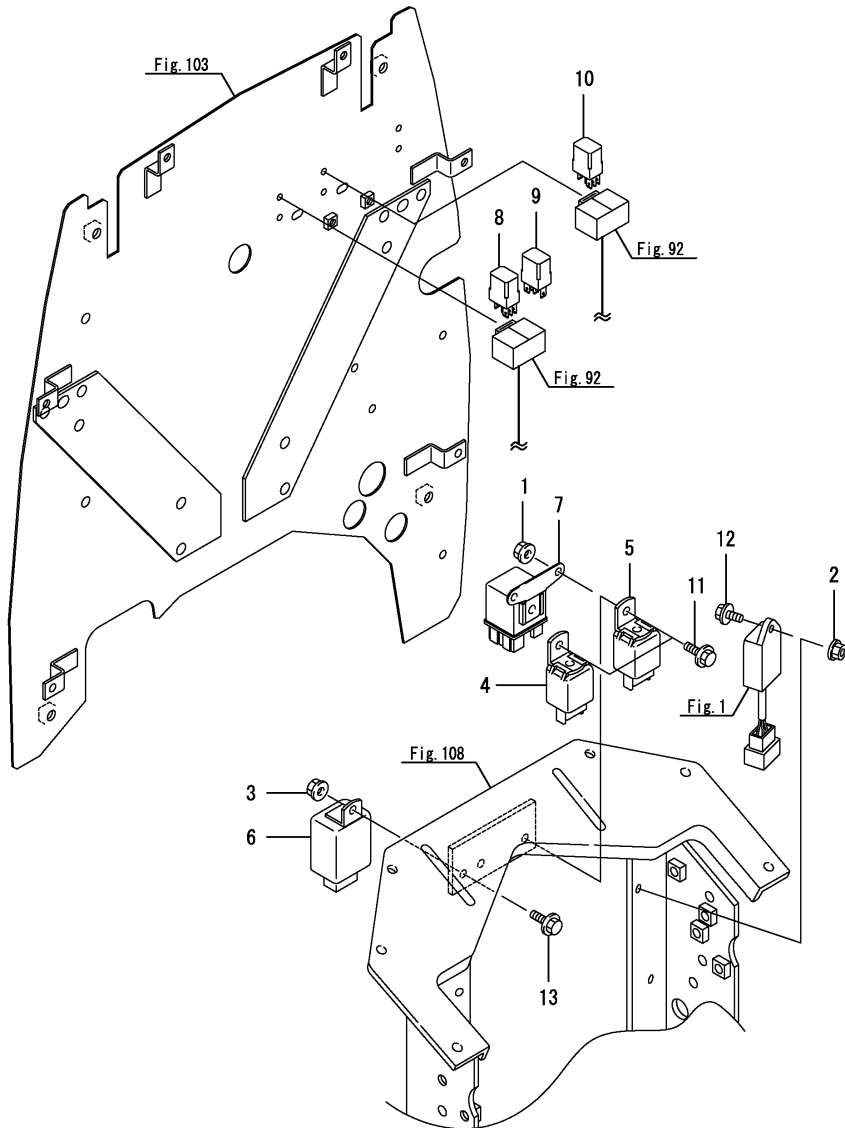


Fig.102. FRONT FRAME

(A)=EX450(YANMAR)
 (B)=
 (C)=

(D)=
 (E)=
 (F)=

No.	Lev.	Parts No.	Description	Q'ty						I	R
				(A)	(B)	(C)	(D)	(E)	(F)		
1	1	1A7780-60200	FRAME ASSY, FRONT	1							
2	1	26106-080162	BOLT, M8X 16 PLATED	4							

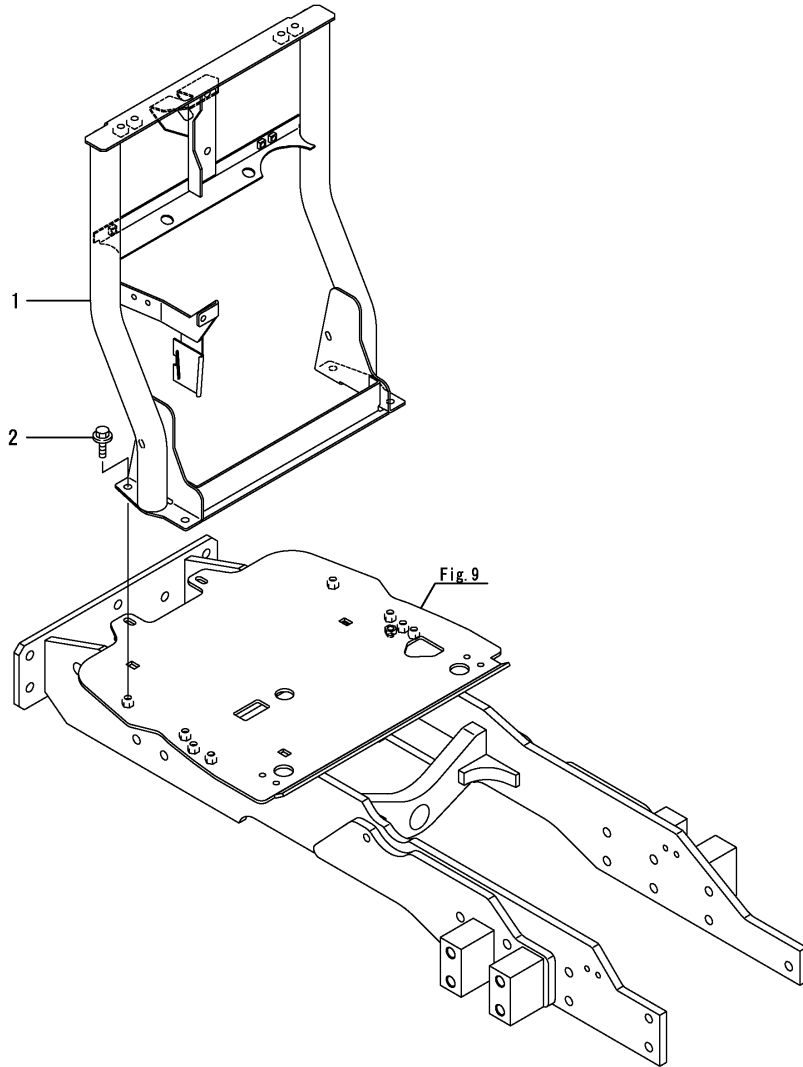
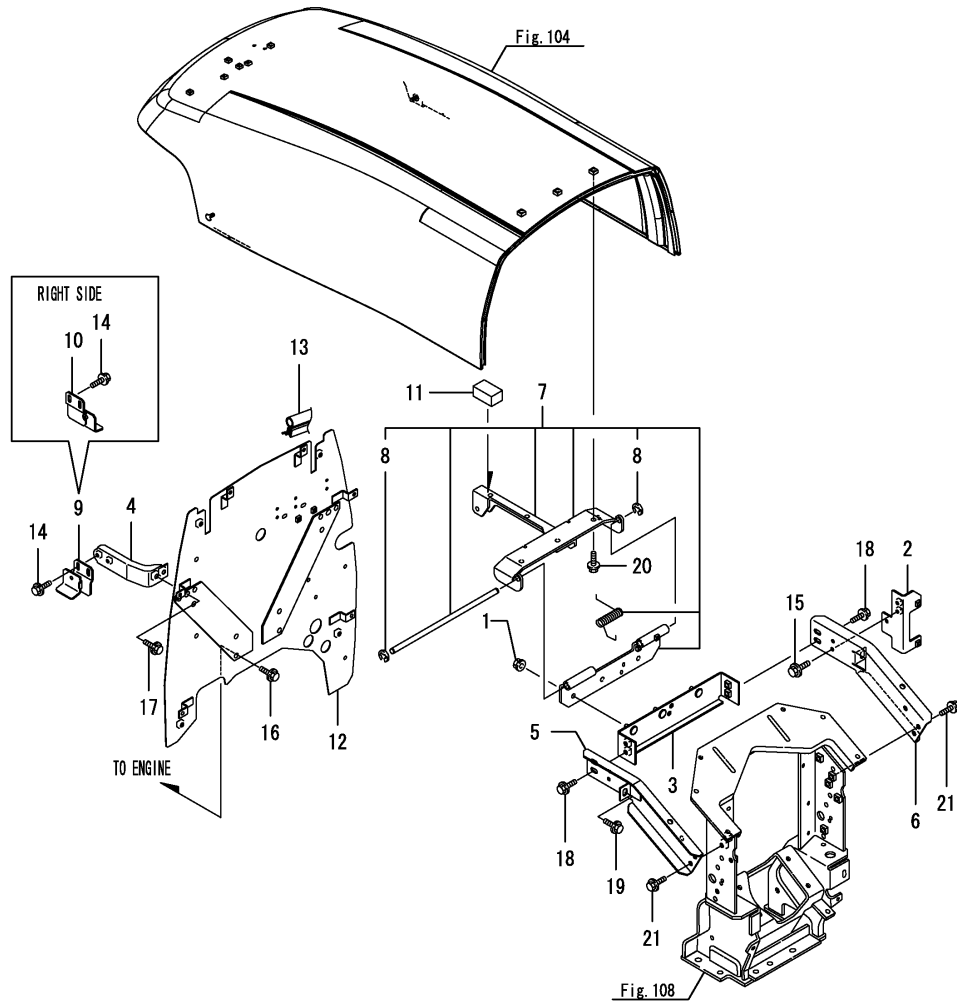


Fig.103. HOOD FRAME

(A)=EX450(YANMAR)
(B)=
(C)=

(D)=
(E)=
(F)=



No.	Lev.	Parts No.	Description	Q'ty						I	R
				(A)	(B)	(C)	(D)	(E)	(F)		
1	1	194990-22140	NUT, M8	3							
2	1	1A8170-52540	BRACKET, FUSE BOX	1							
3	1	1A7780-60370	PLATE ASSY, UPPER	1							
4	1	1A7780-60450	SUPPORT, SIDE COVER	2							
5	1	1A7780-60600	FRAME ASSY, SIDE L	1							
6	1	1A7780-60610	FRAME ASSY, SIDE R	1							
7	1	1A7891-60910	HINGE ASSY, BONNET	1							
8	2	22272-000080	RING, E- 8	2							
9	1	1A7260-60920	BRACKET, COVER	1							
10	1	1A7260-60930	BRACKET, COVER	1							
11	1	1A7890-60980	RUBBER, CUSHION	1							
12	1	1A7780-61673	PLATE ASSY, AIR CUT	1							
13	1	198153-89730	WEATHER-STRIP, 1520	1							
14	1	26106-060122	BOLT, M6X 12 PLATED	4							
15	1	26106-060162	BOLT, M6X 16 PLATED	2							
16	1	26106-080122	BOLT, M8X 12 PLATED	4							
17	1	26106-080162	BOLT, M8X 16 PLATED	4							
18	1	26106-080162	BOLT, M8X 16 PLATED	4							
19	1	26106-080162	BOLT, M8X 16 PLATED	2							
20	1	26106-080162	BOLT, M8X 16 PLATED	3							
21	1	26106-080162	BOLT, M8X 16 PLATED	6							

Fig.104. HOOD

(A)=EX450(YANMAR)
(B)=
(C)=

(D)=
(E)=
(F)=

No.	Lev.	Parts No.	Description	Q'ty						I	R
				(A)	(B)	(C)	(D)	(E)	(F)		
1	1	1C6281-52320	PIN, SNAP 8	2							
2	1	198448-60080	TRIM, 40	1							
3	1	1A7780-60550	STAND ASSY, HOOD	1							
4	1	1A7270-60610	URETHANE, BONNET U	1							
5	1	1A7260-60780	BRACKET, GUIDE	1							
6	1	1A7260-60790	BRACKET, GUIDE	1							
7	1	1A7260-60890	URETHANE, BONNET UL	1							
8	1	1A7780-61100-2	HOOD ASSY,	1							
9	1	198220-61340	SPRING	2							
10	1	1A7780-61650	STAY ASSY,HOOD STAND	1							
11	1	1A7260-61860	WEATHER-STRIP, 1130	1							
12	1	1A7260-61970	WEATHER-STRIP, 390	1							
13	1	198475-65030	CUSHION	2							
14	1	194940-65590	MARK, TOP	1							
15	1	198071-65610	NUT, SPEED M5	2							
16	1	22137-080000	WASHER, 8	2							
17	1	22487-080300	PIN, H 8X 30	2							
18	1	26106-060122	BOLT, M6X 12 PLATED	4							
19	1	26106-060162	BOLT, M6X 16 PLATED	2							

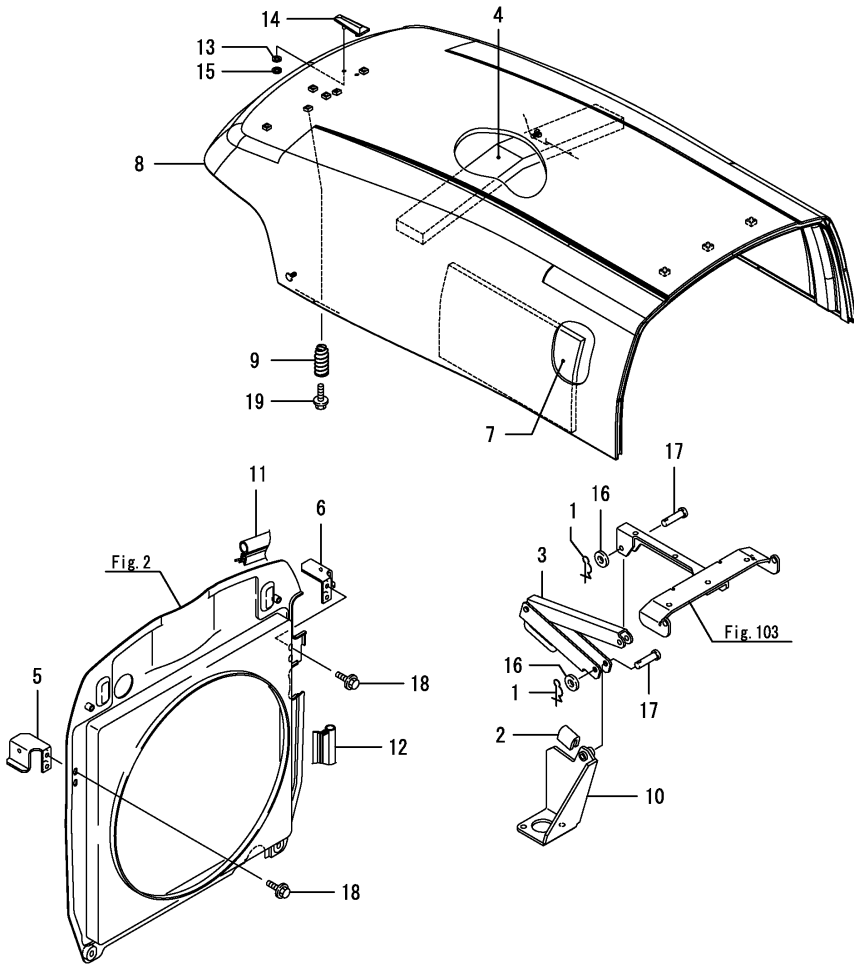


Fig.105. FRONT GRILLE

(A)=EX450(YANMAR)

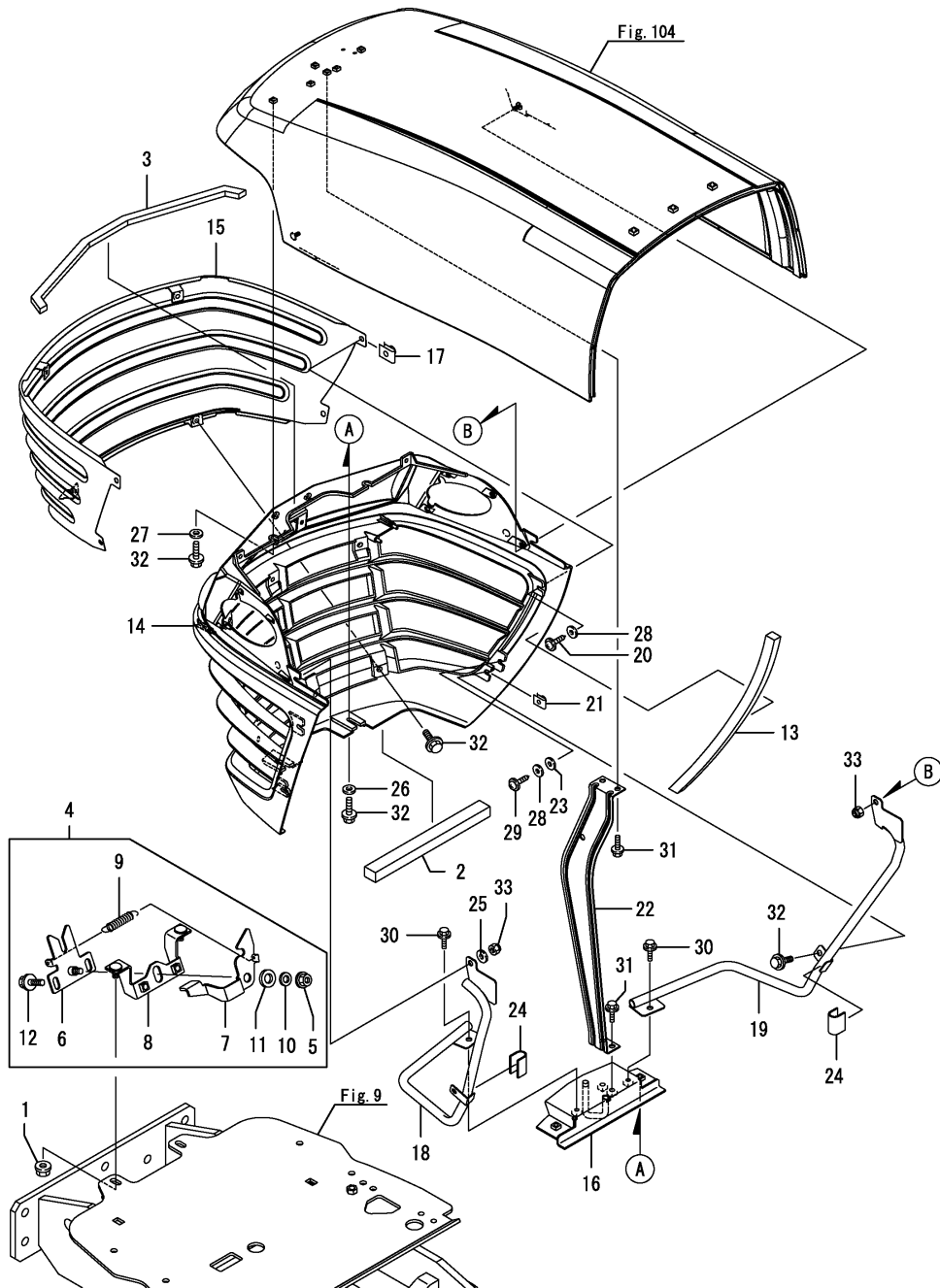
(B)=

(C)=

(D)=

(E)=

(F)=

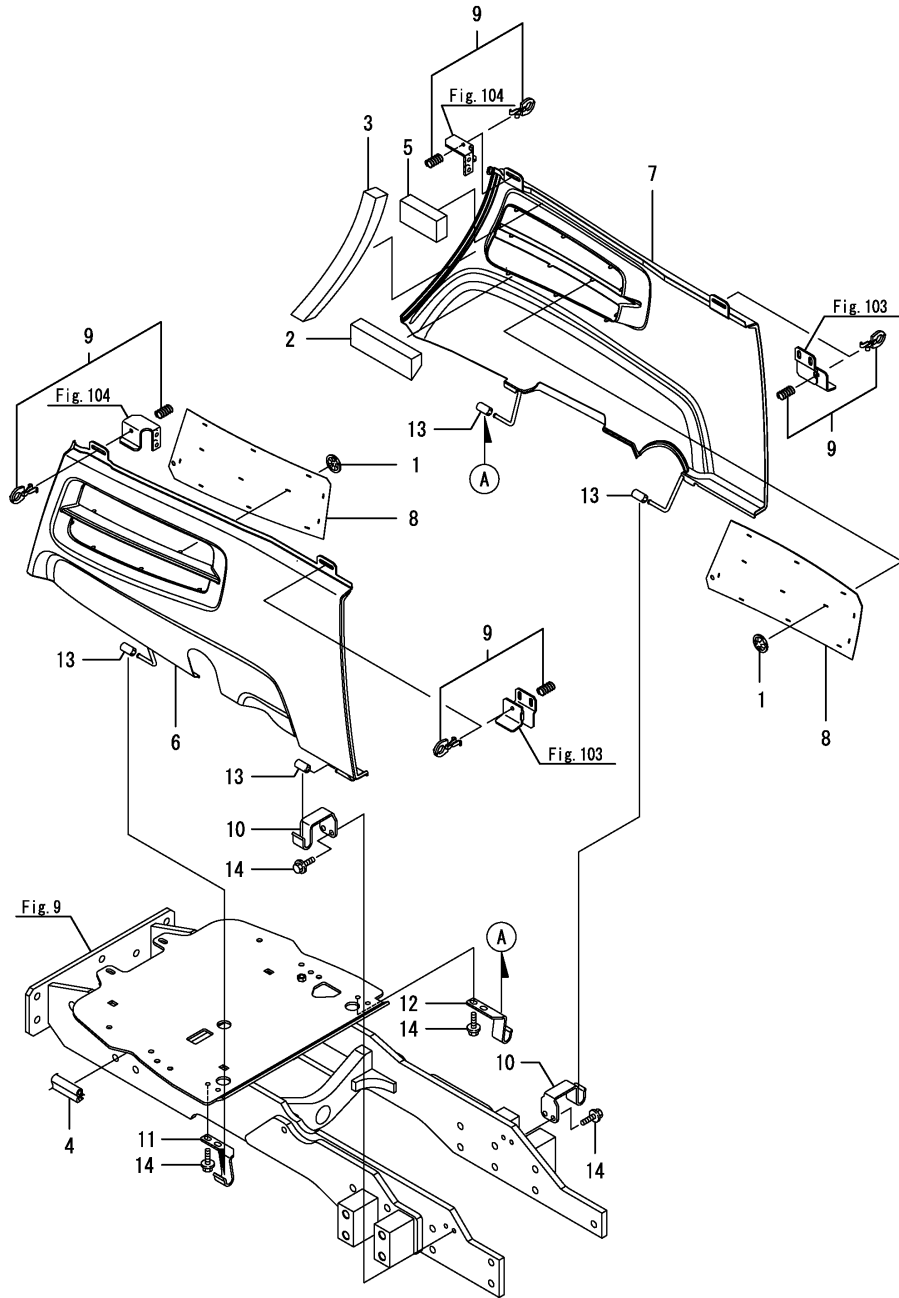


No.	Lev.	Parts No.	Description	Qty						I	R
				(A)	(B)	(C)	(D)	(E)	(F)		
1	1	194990-22140	NUT, M8	2							
2	1	1A7260-60661	GASKET	1							
3	1	1A7260-60680	URETHANE, GRILLE	1							
4	1	1A7780-60800	CATCH ASSY, LOCK	1							
5	2	194990-22140	NUT, M8	1							
6	2	1A7260-60800	CATCH, LOCK	1							
7	2	1A7260-60810	LEVER, LOCK	1							
8	2	1A7260-60820	PLATE, BASE	1							
9	2	198230-61960	SPRING	1							
10	2	22137-080000	WASHER, 8	1							
11	2	22137-120000	WASHER, 12	1							
12	2	26106-080122	BOLT, M8X 12 PLATED	2							
13	1	1A7260-60870	SEAL, GRILLE SIDE	2							
14	1	1A8160-61300	GRILLE, FRONT	1							
15	1	1A7260-61310-1	NET ASSY, GRILLE	1							
16	1	1A7260-61550	STAY ASSY, LOCK	1							
17	1	194145-61651	NUT, SPEED M5	4							
18	1	1A7260-61650	FRAME ASSY, GRILLE L	1							
19	1	1A7260-61660	FRAME ASSY, GRILLE R	1							
20	1	194940-61790	SCREW, TAPPING M5X16	2							
21	1	198071-61890	NUT, SPEED M6	2							
22	1	1A7260-61920	STAY, FRONT GRILLE	1							
23	1	198220-62150	WASHER	2							
24	1	198093-84810	SEAL, FENDER	2							
25	1	22137-060000	WASHER, 6	2							
26	1	22157-060000	WASHER, 6	2							
27	1	22157-060000	WASHER, 6	2							
28	1	22157-060000	WASHER, 6	4							
29	1	22859-500202	SCREW, 5X20	2							
30	1	26106-060122	BOLT, M6X 12 PLATED	2							
31	1	26106-060122	BOLT, M6X 12 PLATED	4							
32	1	26106-060162	BOLT, M6X 16 PLATED	10							
33	1	26346-060002	NUT, M6	2							

Fig.106. SIDE COVER

(A)=EX450(YANMAR)
 (B)=
 (C)=

(D)=
 (E)=
 (F)=



No.	Lev.	Parts No.	Description	Q'ty						I	R
				(A)	(B)	(C)	(D)	(E)	(F)		
1	1	198129-05190	NUT, PUSH M6	24							
2	1	1A7260-60640	URETHANE, COVER A	2							
3	1	1A7260-60670	URETHANE, COVER B	2							
4	1	1A7270-60750	WEATHER-STRIP, 440	2							
5	1	1A7260-60900	URETHANE, COVER C	2							
6	1	1A7780-61020-1	COVER ASSY, SIDE L	1							
7	1	1A7780-61030-1	COVER ASSY, SIDE R	1							
8	1	1A7260-61150-1	NET, SIDE COVER	2							
9	1	198220-61351	LOCK ASSY, CAM	4							
10	1	1A7260-61400	STAY, SIDE COVER R	2							
11	1	1A7260-61450	STAY, SIDE COVER FL	1							
12	1	1A7260-61460	STAY, SIDE COVER FR	1							
13	1	198220-61800	RUBBER, CUSHION	4							
14	1	26106-080102	BOLT, M8X 10 PLATED	8							

Fig.107. HOOD GROMMET

(A)=EX450(YANMAR)
 (B)=
 (C)=

(D)=
 (E)=
 (F)=

No.	Lev.	Parts No.	Description	Q'ty						I	R
				(A)	(B)	(C)	(D)	(E)	(F)		
1	1	1A8160-60720	GROMMET	1							

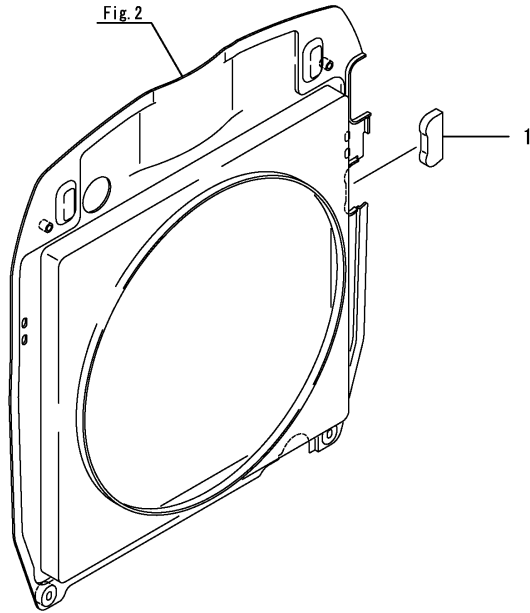
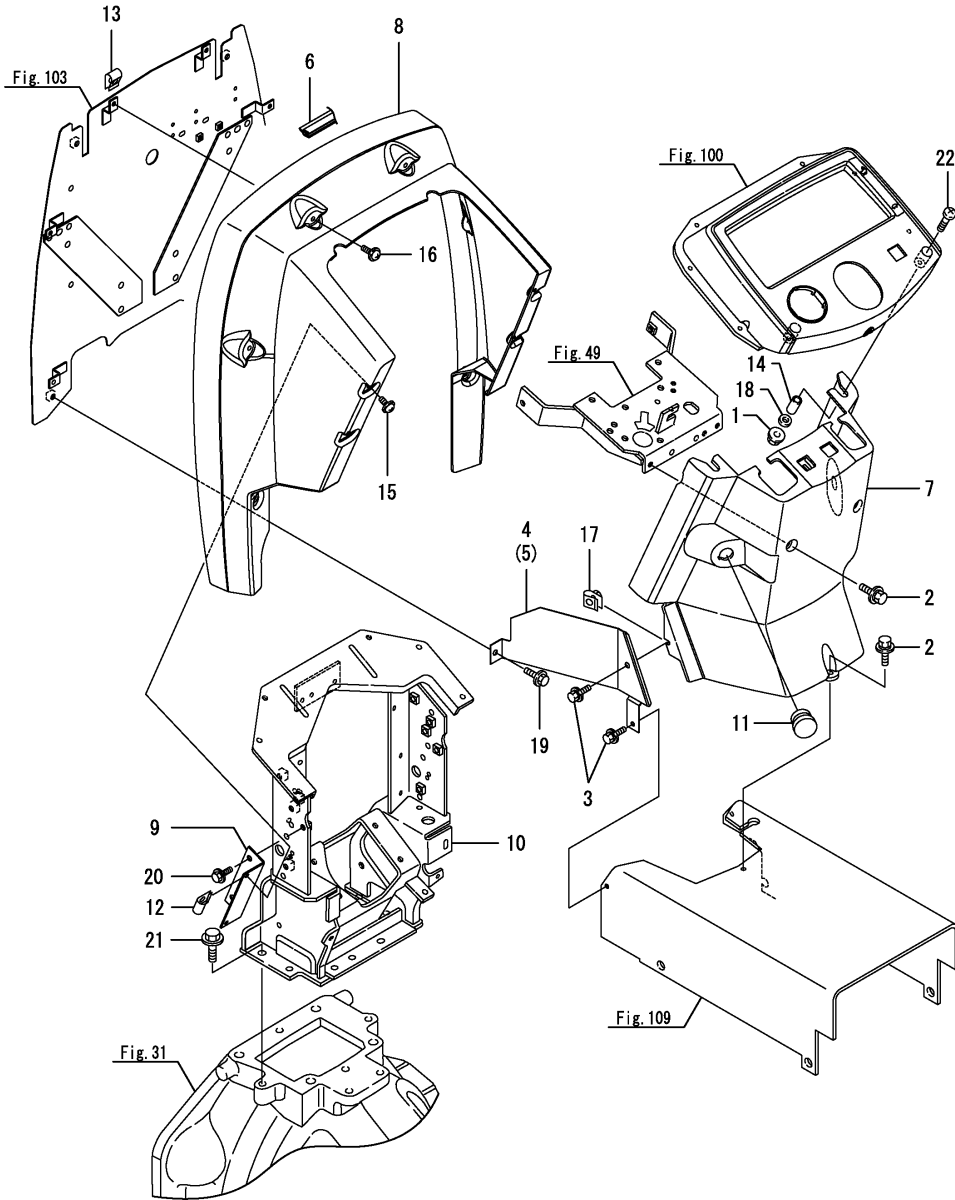


Fig.108. DASHBOARD

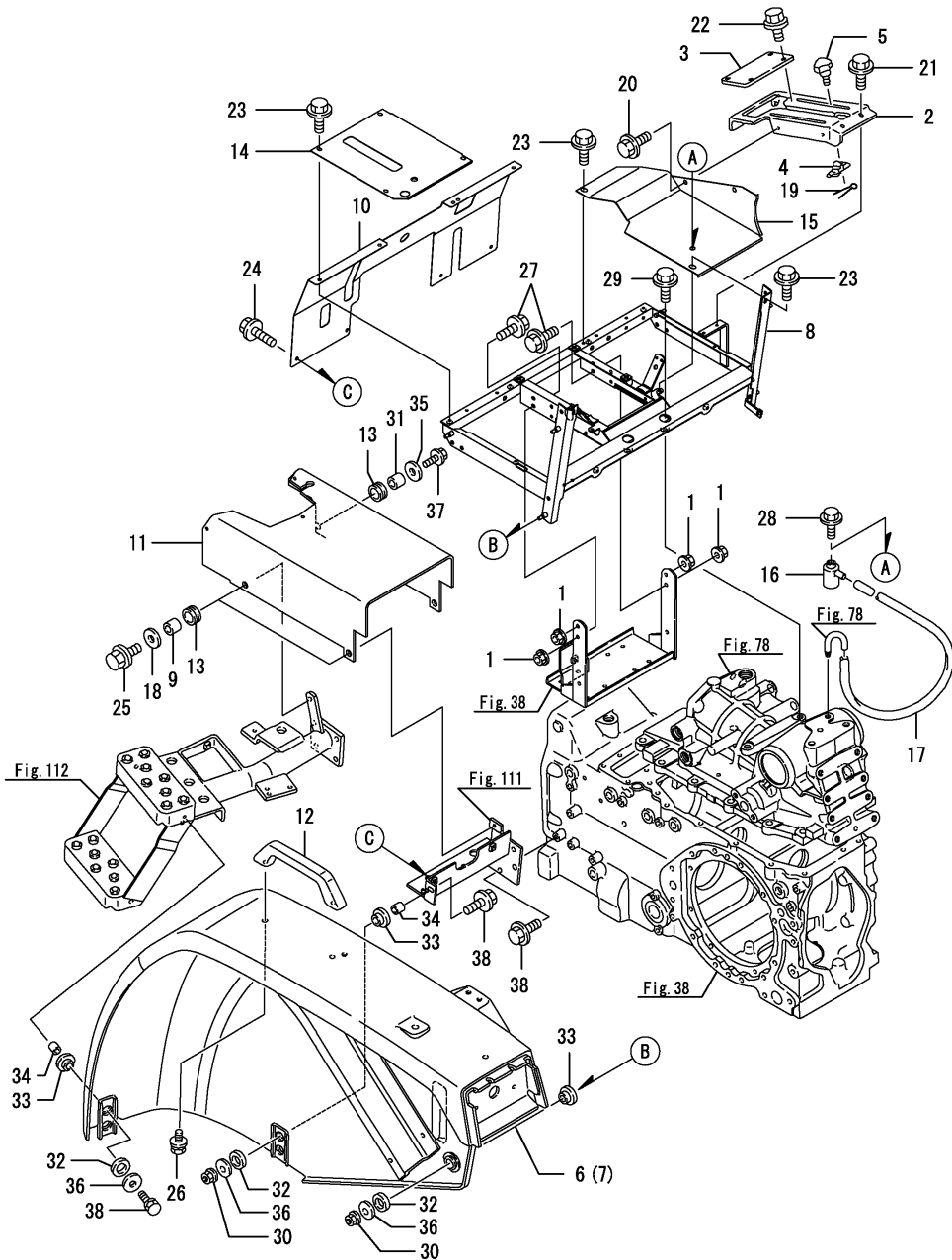
(A)=EX450(YANMAR)
(B)=
(C)=

(D)=
(E)=
(F)=



No.	Lev.	Parts No.	Description	Q'ty						I	R
				(A)	(B)	(C)	(D)	(E)	(F)		
1	1	194990-22130	NUT, M6	2							
2	1	198461-60590	BOLT, M6X20	3							
3	1	198461-60590	BOLT, M6X20	4							
4	1	1A7780-61410-1	COVER ASSY, LOWER L	1							
5	1	1A7780-61420-1	COVER ASSY, LOWER R	1							
6	1	1A7780-61511	WEATHER-STRIP, 1670	1							
7	1	198138-61531	COVER, DASHBOARD	1							
8	1	1A7780-61540	COVER, DASHBOARD	1							
9	1	1A7780-61550	STAY, DASHBOARD	2							
10	1	1A7780-61600	STAY ASSY, DASHBOARD	1							
11	1	194448-61620	GROMMET, 20.5	1							
12	1	194167-61650	NUT 5008	4							
13	1	194167-61650	NUT 5008	6							
14	1	198133-61690	COLLAR, 10.5X17	2							
15	1	194940-61790	SCREW, TAPPING M5X16	4							
16	1	194940-61790	SCREW, TAPPING M5X16	6							
17	1	198071-61890	NUT, SPEED M6	2							
18	1	22117-060000	WASHER, 6	2							
19	1	26106-080122	BOLT, M8X 12 PLATED	2							
20	1	26106-080162	BOLT, M8X 16 PLATED	4							
21	1	26106-100202	BOLT, M10X 20 PLATED	4							
22	1	26587-060352	SCREW, M6X35	2							

Fig.109. FENDER



(A)=EX450(YANMAR)

(B)=

(C)=

(D)=

(E)=

(F)=

No.	Lev.	Parts No.	Description	Q'ty						I	R
				(A)	(B)	(C)	(D)	(E)	(F)		
1	1	194990-22140	NUT, M8	4							
2	1	198240-47710-2	GUIDE, LEVER	1							
3	1	198240-47730-2	COVER, LEVER GUIDE	1							
4	1	198220-47750	STOPPER, LEVER	1							
5	1	194130-47851	BOLT, M6X15	1							
6	1	1A8170-62010	FENDER ASSY, L M	1							
7	1	1A8170-62020	FENDER ASSY, R M	1							
8	1	1A8170-62150	BRACKET, FENDER	1							
9	1	198220-62220	COLLAR	3							
10	1	1A7780-62280-1	COVER, CASE	1							
11	1	1A8170-62400	COVER ASSY, CLUTCH M	1							
12	1	198220-62410	BAR, ASSIST	2							
13	1	198220-62440	GROMMET	4							
14	1	1A7780-63090-1	COVER, DUST L	1							
15	1	1A7780-63100-1	COVER, DUST R	1							
16	1	194205-63550	BREATHER, AIR	1							
17	1	194640-63560	PIPE, AIR BREATHER	1							
18	1	22157-060000	WASHER, 6	3							
19	1	22417-200160	PIN, COTTER 2.0X16	1							
20	1	26106-060122	BOLT, M6X 12 PLATED	2							
21	1	26106-060122	BOLT, M6X 12 PLATED	4							
22	1	26106-060122	BOLT, M6X 12 PLATED	4							
23	1	26106-060122	BOLT, M6X 12 PLATED	6							
24	1	26106-060122	BOLT, M6X 12 PLATED	4							
25	1	26106-060202	BOLT, M6X 20 PLATED	3							
26	1	26106-080122	BOLT, M8X 12 PLATED	4							
27	1	26106-080162	BOLT, M8X 16 PLATED	4							
28	1	26106-080162	BOLT, M8X 16 PLATED	1							
29	1	26106-100252	BOLT, M10X 25 PLATED	2							
30	1	194990-22140	NUT, M8	8							
31	1	198220-62220	COLLAR	1							
32	1	198220-62260	CUSHION, RUBBER	10							
33	1	198220-62270	CUSHION, RUBBER	10							
34	1	198220-62920	COLLAR, ABSORBER	4							
35	1	22157-060000	WASHER, 6	1							
36	1	22157-080000	WASHER, 8	10							
37	1	26106-060202	BOLT, M6X 20 PLATED	1							
38	1	26106-080302	BOLT, M8X 30 PLATED	4							

Fig.110. STEP

(A)=EX450(YANMAR)
(B)=
(C)=

(D)=
(E)=
(F)=

No.	Lev.	Parts No.	Description	Q'ty						I	R
				(A)	(B)	(C)	(D)	(E)	(F)		
1	1	198220-62150	WASHER	4							
2	1	198240-62451	ABSORBER, STEP	5							
3	1	198320-62510-2	STEP ASSY, L	1							
4	1	198320-62520-2	STEP ASSY, R	1							
5	1	194330-62530	STOPPER, PEDAL	2							
6	1	22417-250300	PIN, COTTER 2.5X30	4							
7	1	26106-080202	BOLT, M8X 20 PLATED	3							

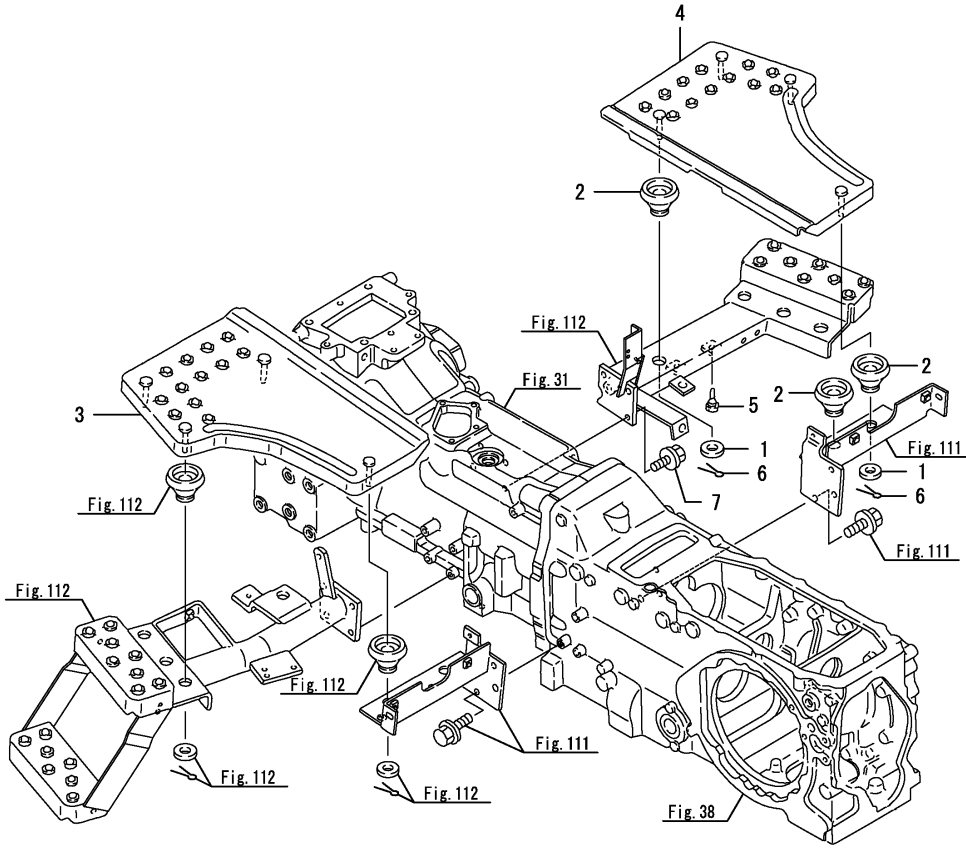


Fig.111. STEP STAY(1)

(A)=EX450(YANMAR)
 (B)=
 (C)=

(D)=
 (E)=
 (F)=

No.	Lev.	Parts No.	Description	Q'ty						I	R
				(A)	(B)	(C)	(D)	(E)	(F)		
1	1	194990-22140	NUT, M8	1							
2	1	198320-62580-1	STAY, ABSORBER R	1							
3	1	198320-62610-1	STAY, ABSORBER L	1							
4	1	26106-080162	BOLT, M8X 16 PLATED	3							

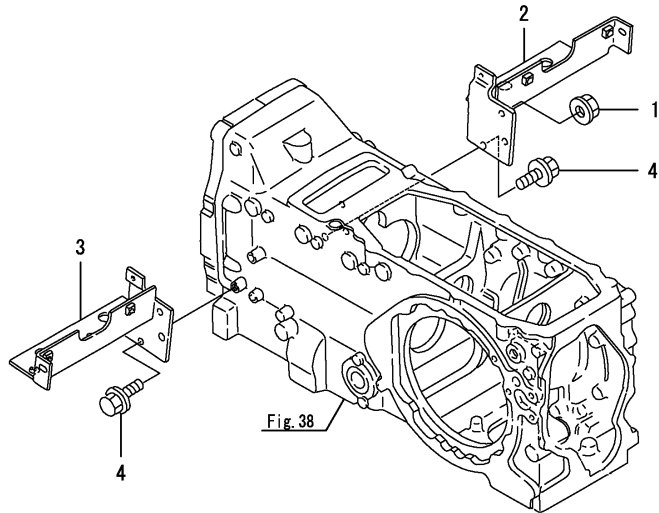
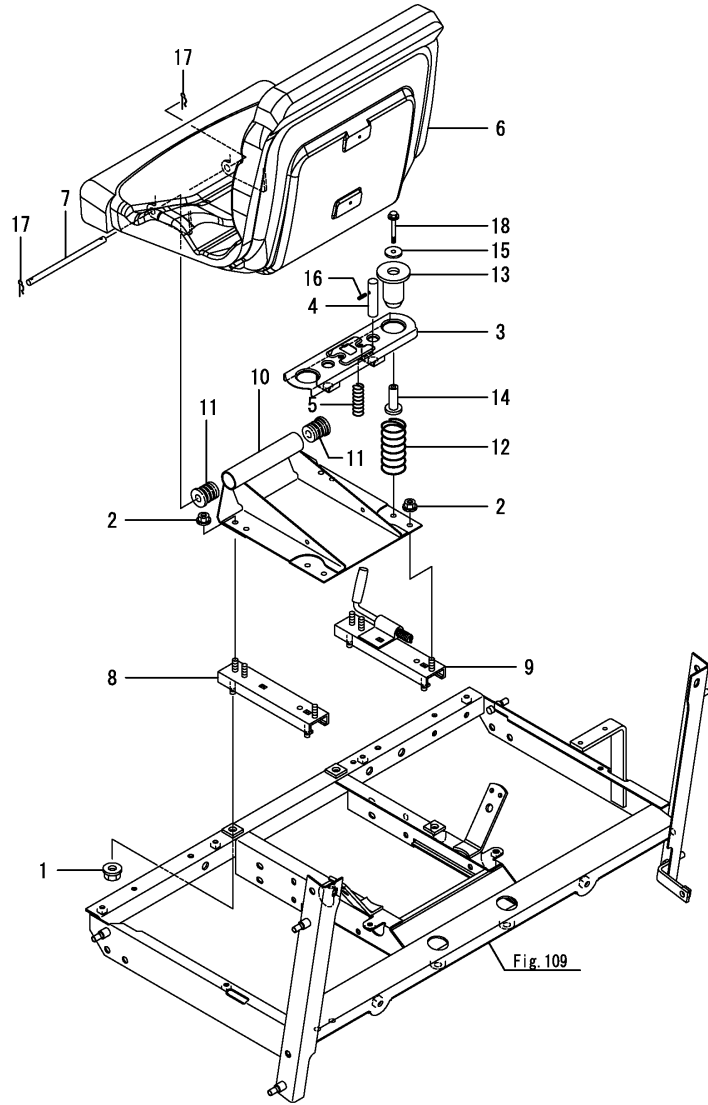


Fig.113. DRIVER SEAT

(A)=EX450(YANMAR)
(B)=
(C)=

(D)=
(E)=
(F)=



No.	Lev.	Parts No.	Description	Q'ty						I	R
				(A)	(B)	(C)	(D)	(E)	(F)		
1	1	194990-22140	NUT, M8	4							
2	1	194990-22140	NUT, M8	6							
3	1	1A8160-52320	BRACKET, SPRING	1							
4	1	198220-52410	PIN, 16X77.5	2							
5	1	198220-52420	SPRING, 17X60	2							
6	1	198240-63110	SEAT ASSY, OPERATOR	1							
7	1	198220-63120	PIN, HINGE	1							
8	1	198220-63150	ADJUSTER, SEAT	1							
9	1	198220-63160	ADJUSTER, SEAT	1							
10	1	1A8160-63200	BRACKET, SEAT LOWER	1							
11	1	198220-63240	DAMPER	2							
12	1	198220-63260	SPRING, CUSHION	2							
13	1	198220-63270	RUBBER, CUSHION	2							
14	1	198220-63280	COLLAR, SPRING	2							
15	1	1E6213-64490	WASHER, 8.5X22X2.3	2							
16	1	22351-030025	PIN, SPRING 3.0X25	2							
17	1	22372-120000	PIN, SNAP 12	2							
18	1	26106-080702	BOLT, M8X 70 PLATED	2							

Fig.114. SEAT BELT

(A)=EX450(YANMAR)
 (B)=
 (C)=

(D)=
 (E)=
 (F)=

No.	Lev.	Parts No.	Description	Q'ty						I	R
				(A)	(B)	(C)	(D)	(E)	(F)		
1	1	1A8160-63400	BELT ASSY, SEAT	1							
2	2	1A8160-63410	BELT ASSY, SEAT	1							
3	2	1A8160-63420	BELT ASSY, SEAT	1							
4	1	1A8160-63440	COLLAR, SEAT BELT	2							
5	1	26106-100352	BOLT, M10X 35 PLATED	2							
6	1	26346-100002	NUT, M10	2							

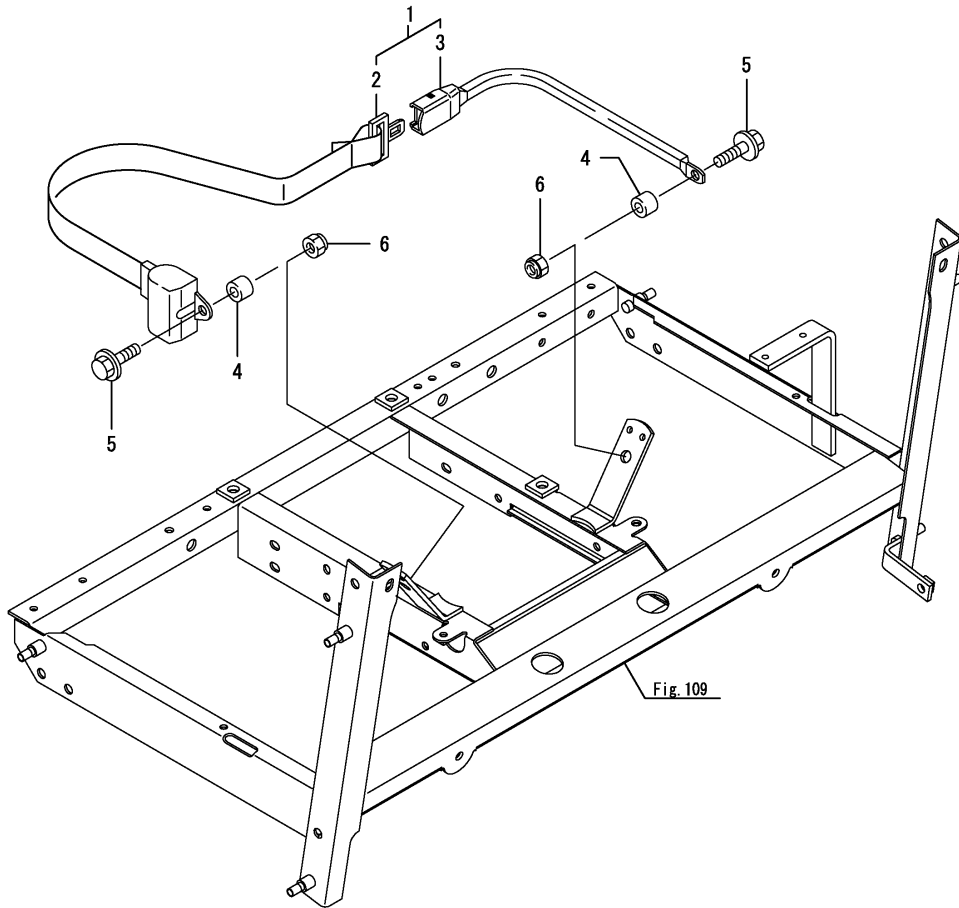


Fig. 109

Fig.115. LABEL

(A)=EX450(YANMAR)
 (B)=
 (C)=

(D)=
 (E)=
 (F)=

No.	Lev.	Parts No.	Description	Qty						I	R
				(A)	(B)	(C)	(D)	(E)	(F)		
1	1	198220-65350	DECAL,COLD START	1							
2	1	1A8160-65370	LABEL,IMPORTANT,DIFF	1							
3	1	1A8160-65421	LABEL,START SWITCH	1							
4	1	198220-65470	LABEL, LEVER	1							
5	1	1A7480-65470	LABEL,	1							
6	1	198175-65500	LABEL,MAIN CHANGE	1							
7	1	1A8170-65560	LABEL, SPEED	1							
8	1	1A8160-65610	LABEL,PTO	1							
9	1	1A8170-65750	LABEL, 4WD	1							
10	1	194275-65790	LABEL, FUEL CAUTION	1							
11	1	198242-65940	LABEL,SUB CHANGE	1							

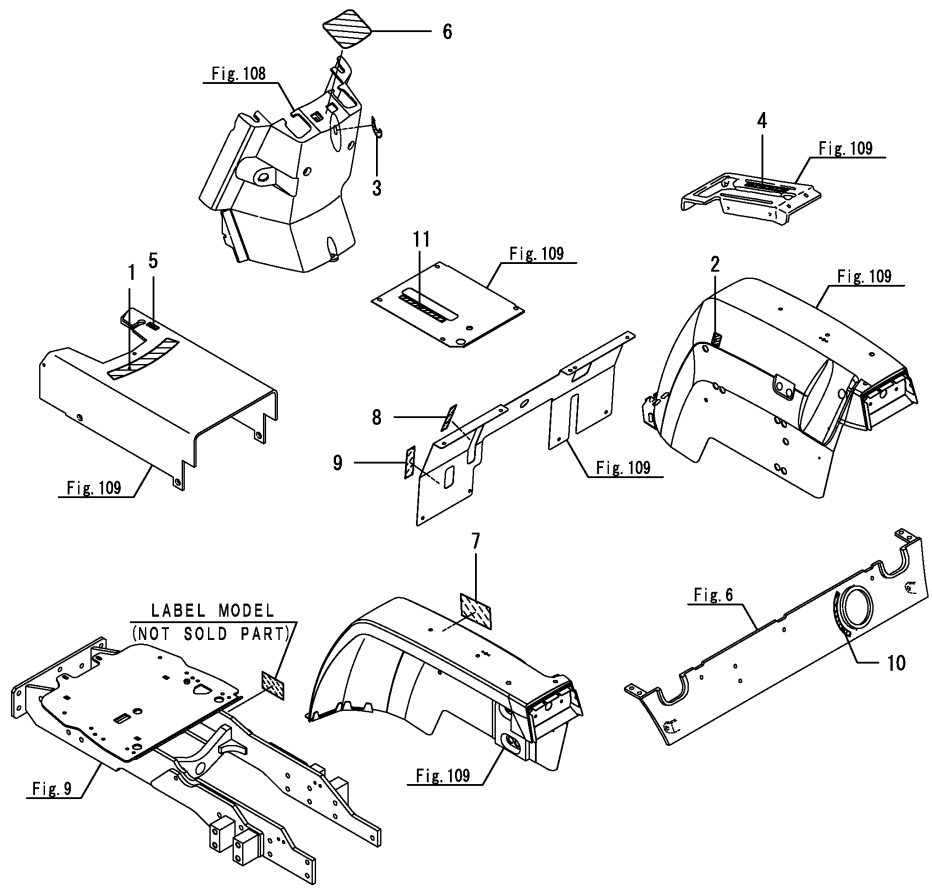
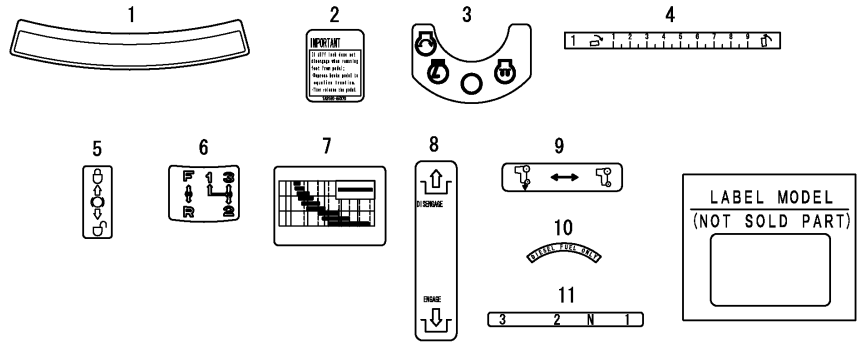
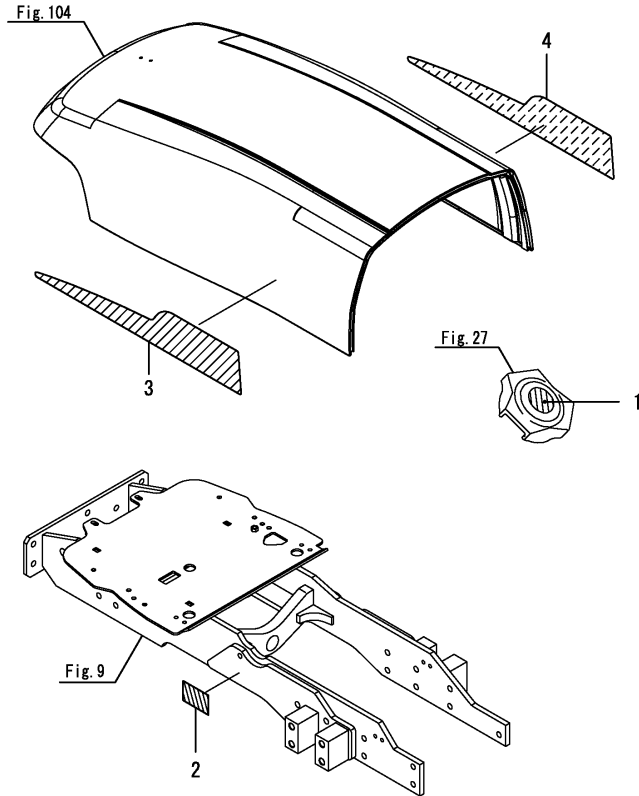


Fig.116. LABEL

(A)=EX450(YANMAR)
 (B)=
 (C)=

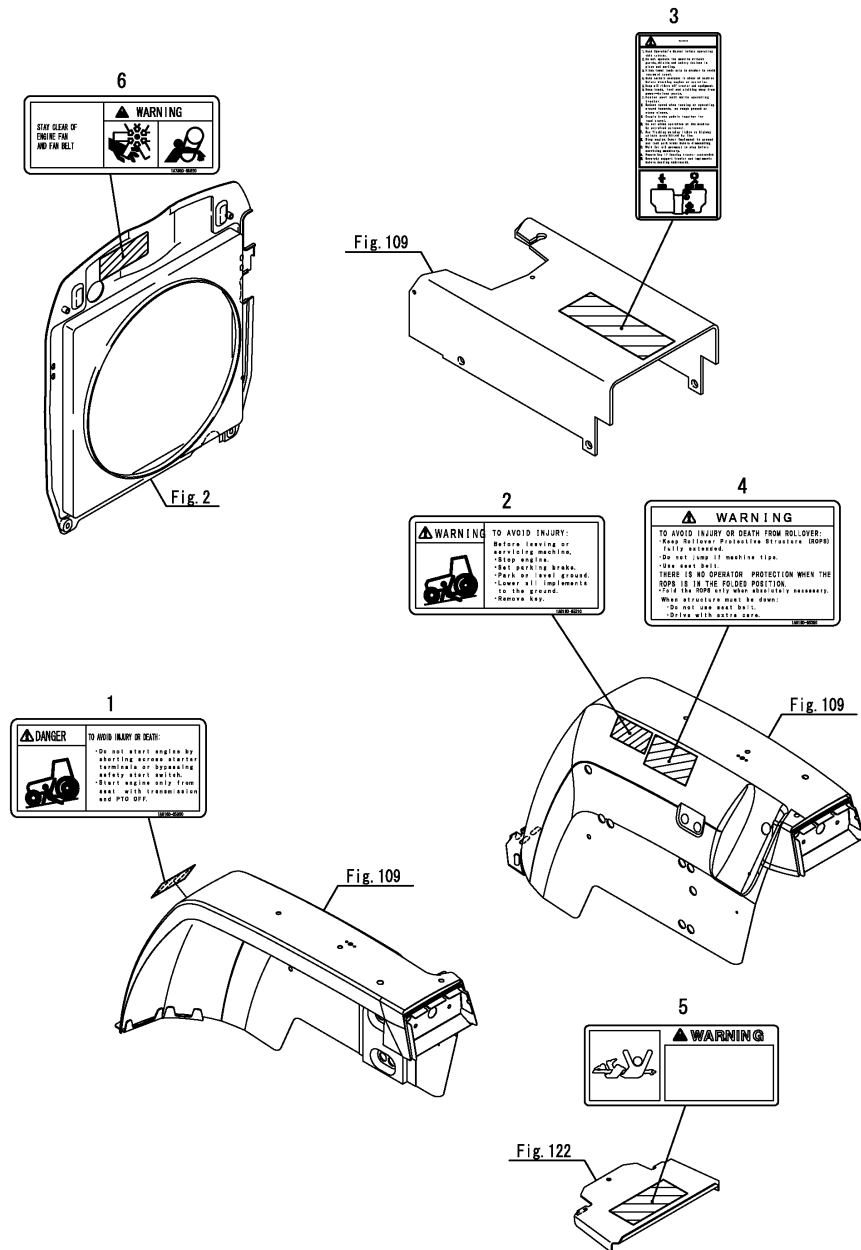
(D)=
 (E)=
 (F)=

No.	Lev.	Parts No.	Description	Q'ty						I	R
				(A)	(B)	(C)	(D)	(E)	(F)		
1	1	1A8250-15790	LABEL, STEERING	1							
2	1	1A8250-65390	LABEL, SPARK ARRESTOR	1							
3	1	1A8170-65580	LABEL, NAME PLATE L	1							
4	1	1A8170-65590	LABEL, NAME PLATE R	1							



(A)=EX450(YANMAR)
 (B)=
 (C)=

(D)=
 (E)=
 (F)=



No.	Lev.	Parts No.	Description	Q'ty						I	R
				(A)	(B)	(C)	(D)	(E)	(F)		
1	1	1A8160-65300	LABEL,DANGER,START	1							
2	1	1A8160-65310	LABEL,WARNIBG,STOP	1							
3	1	1A8170-65320	LABEL, WARNING	1							
4	1	1A8160-65350	LABEL,WARNING,ROPS	1							
5	1	198220-65621	LABEL, P.T.O.WARNING	1							
6	1	1A7880-65620	LABEL,WARNING,FAN	1							

Fig.118. SMV

(A)=EX450(YANMAR)
 (B)=
 (C)=

(D)=
 (E)=
 (F)=

No.	Lev.	Parts No.	Description	Q'ty						I	R
				(A)	(B)	(C)	(D)	(E)	(F)		
1	1	1A8160-65800	EMBLEM, SMV	1							
2	1	198240-65900	BRACKET, EMBLEM	1							
3	1	26106-060162	BOLT, M6X 16 PLATED	2							
4	1	26589-060202	SCREW, M6X20	2							

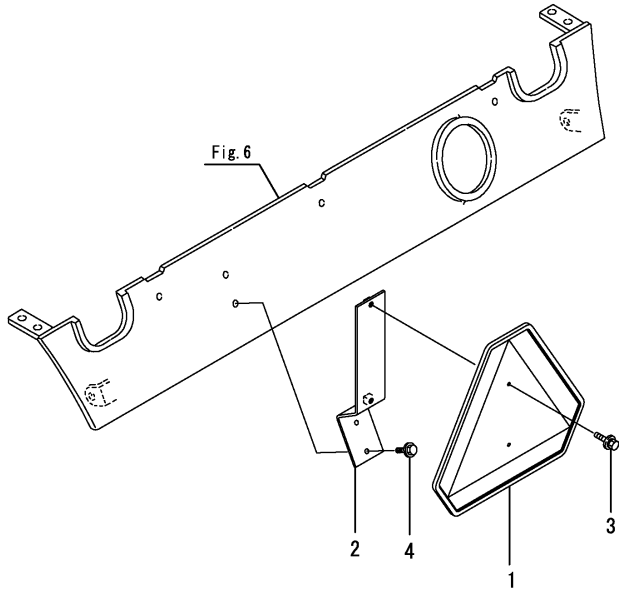


Fig.119. THREE POINT LINK

(A)=EX450(YANMAR)

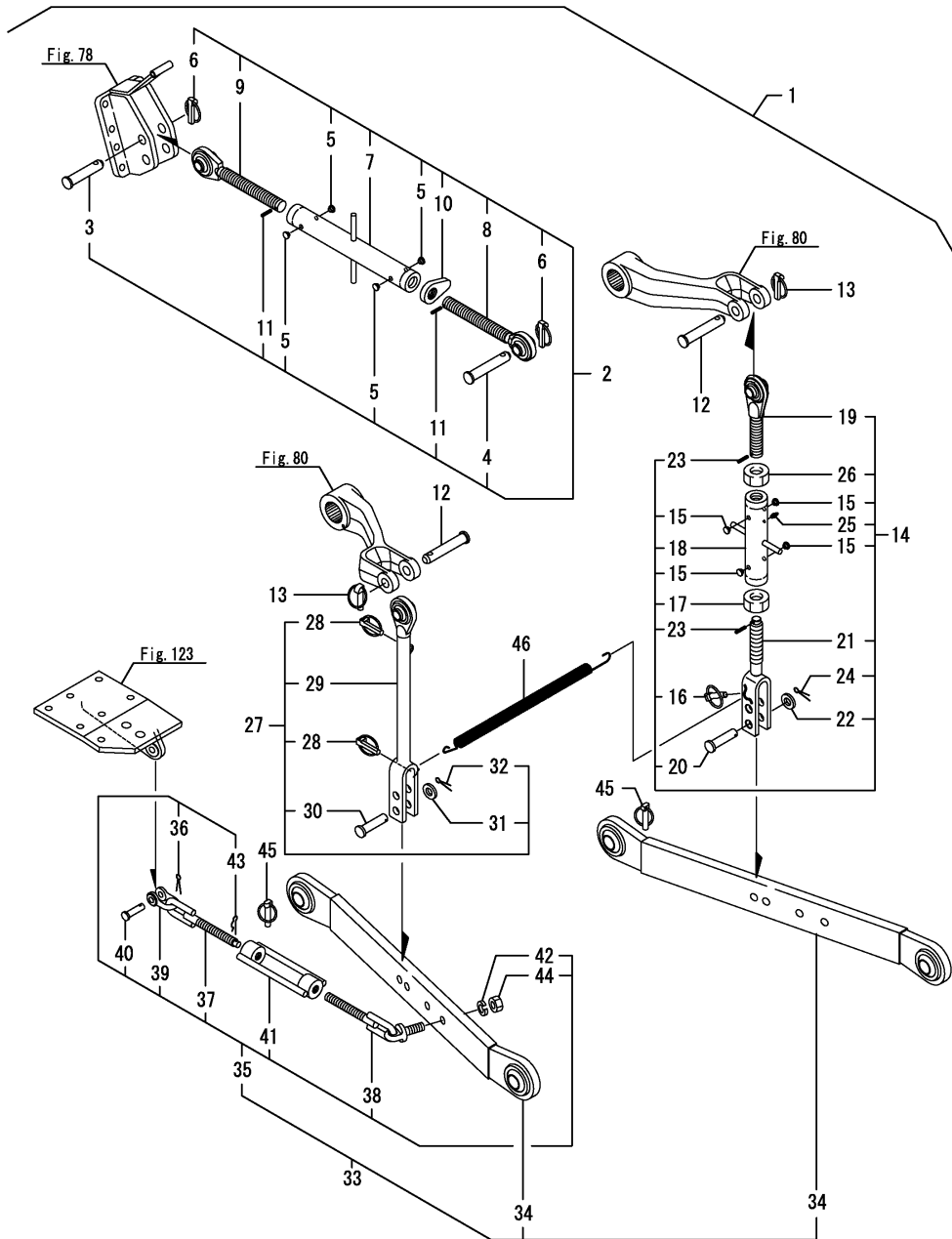
(B)=

(C)=

(D)=

(E)=

(F)=

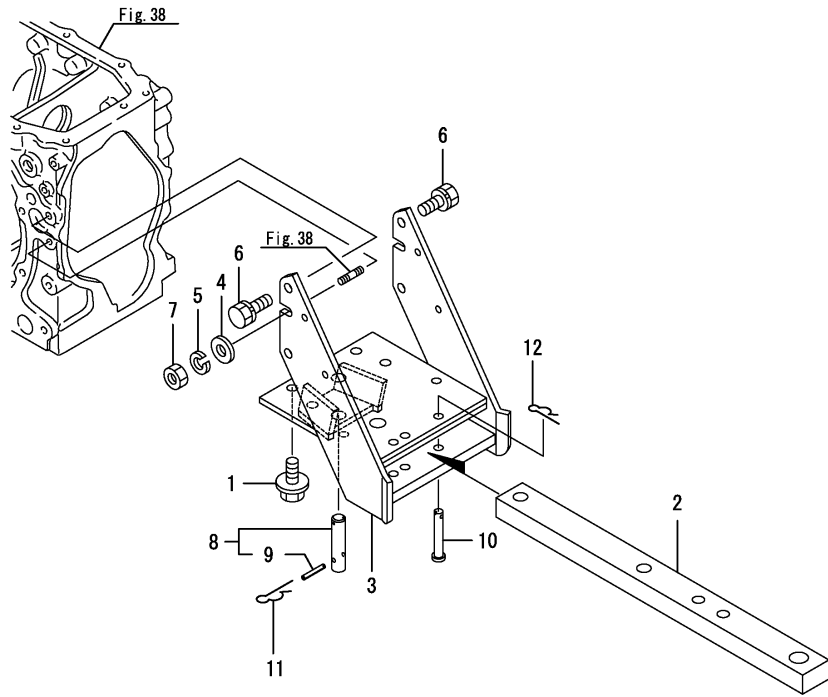


No.	Lev.	Parts No.	Description	Qty						I	R
				(A)	(B)	(C)	(D)	(E)	(F)		
1	1	1A8170-71000	HITCH KIT, 3 POINT	1							
2	2	198254-71100	LINK KIT, TOP	1							
3	3	1A7335-71230	PIN, LINK	1							
4	3	1A7335-71240	PIN, HITCH	1							
5	3	1A7335-71250	CAP	4							
6	3	1A7335-71410	PIN ASSY, BALL	2							
7	3	198254-71500	TURNBUCKLE ASSY	1							
8	3	198254-71600	LINK ASSY, TOP R	1							
9	3	198254-71700	LINK ASSY, TOP L	1							
10	3	1A7335-71750	NUT, LOCK M24	1							
11	3	1A7335-71760	PIN, SPRING 5.0X25	2							
12	2	1A7335-71240	PIN, HITCH	2							
13	2	1A7335-71410	PIN ASSY, BALL	2							
14	2	1A8170-72100	LINK KIT, LIFT R	1							
15	3	1A7335-71250	CAP	4							
16	3	1A7335-71410	PIN ASSY, BALL	1							
17	3	1A8170-72110	NUT, LOCK M24 L	1							
18	3	198254-72150	TURNBUCKLE ASSY	1							
19	3	198254-72200	BOLT ASSY, EYE	1							
20	3	198253-72550	PIN, 16X53	1							
21	3	1A8170-72800	YOKE ASSY, LINK R	1							
22	3	22137-160000	WASHER, 16	1							
23	3	22351-050022	PIN, SPRING 5.0X22	2							
24	3	22417-320320	PIN, COTTER 3.2X32	1							
25	3	24761-060000	NIPPLE, GREASE MT6X1	1							
26	3	26756-240002	NUT, LOCK M24	1							
27	2	1A8170-72500	LINK KIT, LIFT L	1							
28	3	1A7335-71410	PIN ASSY, BALL	2							
29	3	1A8170-72530	LINK ASSY, LIFT L	1							
30	3	198234-72550	PIN, 16X44	1							
31	3	22137-160000	WASHER, 16	1							
32	3	22417-320320	PIN, COTTER 3.2X32	1							
33	2	1A8170-73400	LINK KIT, LOWER	2							
34	3	1A8170-73100	LINK ASSY, LOWER	2							
35	3	1A8170-74500	CHAIN KIT, CHECK	2							
36	4	1A7500-72180	PIN, 4.0X32	2							
37	4	1A8170-74510	CHAIN ASSY, CHECK F	2							
38	4	1A8170-74550	CHAIN ASSY, CHECK R	2							
39	4	198254-74620	SHACKLE	2							
40	4	198181-74630	PIN, CHAIN	2							
41	4	1A8170-74700	TURNBUCKLE, M16	2							
42	4	22217-160000	WASHER, SPRING 16	2							
43	4	22360-180000	PIN, SNAP 18	2							
44	4	26736-160002	NUT, M16	2							
45	1	794130-71410	PIN ASSY, BALL	2							
46	1	194145-73150	SPRING, LOCK	1							

Fig.121. DRAWBAR HITCH

(A)=EX450(YANMAR)
(B)=
(C)=

(D)=
(E)=
(F)=

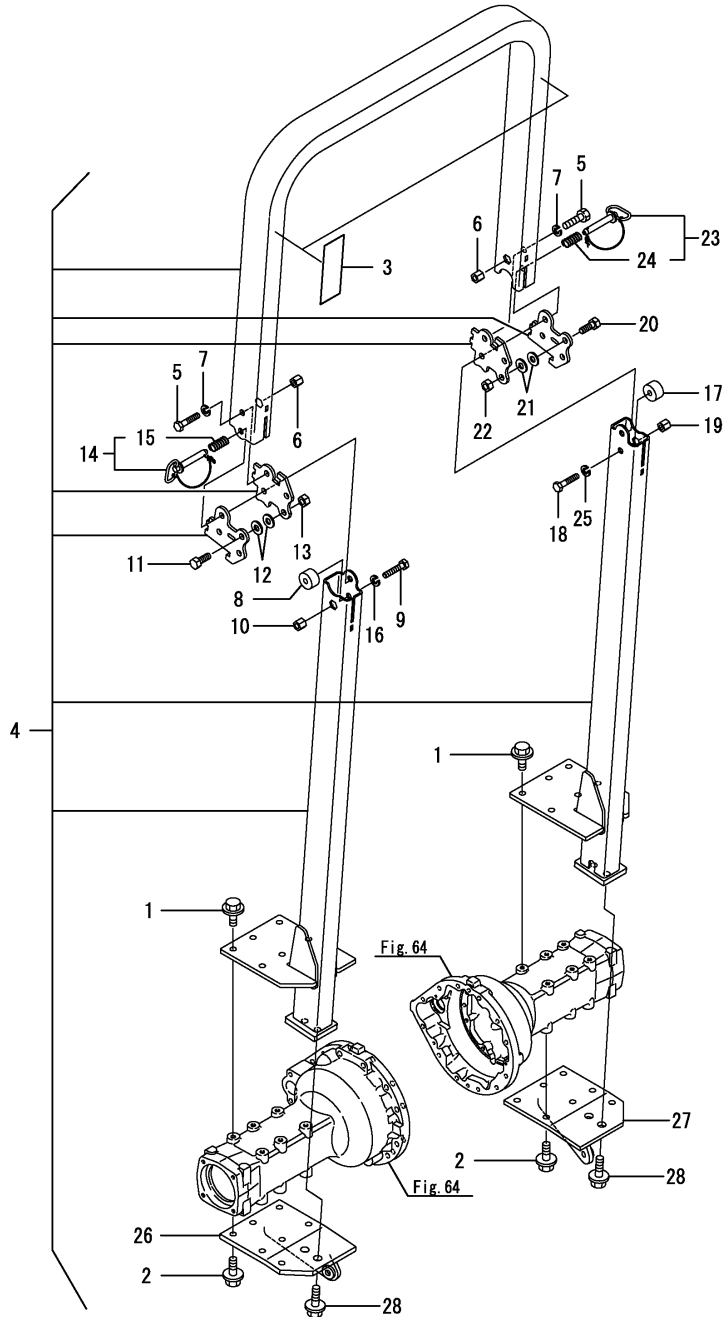


No.	Lev.	Parts No.	Description	Q'ty						I	R
				(A)	(B)	(C)	(D)	(E)	(F)		
1	1	198240-12650	BOLT, M14X28	4							
2	1	198133-75110-1	HITCH, DRAWBAR	1							
3	1	198133-75130-1	BRACKET, DRAWBAR	1							
4	1	22137-120000	WASHER, 12	2							
5	1	22217-120000	WASHER, SPRING 12	2							
6	1	26013-120302	BOLT, M12X 30	4							
7	1	26716-120002	NUT, M12	2							
8	1	198133-75320	PIN ASSY, HITCH	1							
9	2	22351-060040	PIN, SPRING 6.0X40	1							
10	1	198240-75440	PIN, STOPPER 12X74	2							
11	1	22360-200000	PIN, SNAP 20	1							
12	1	22372-120000	PIN, SNAP 12	2							

Fig.123. SAFETY FRAME

(A)=EX450(YANMAR)
(B)=
(C)=

(D)=
(E)=
(F)=



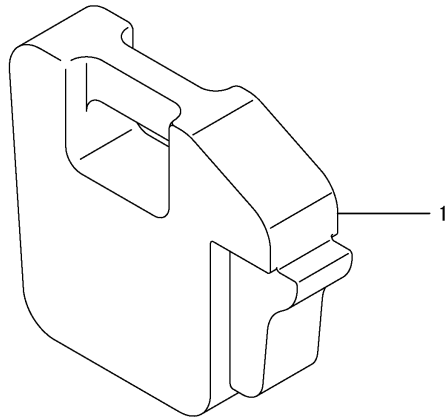
No.	Lev.	Parts No.	Description	Q'ty						I	R
				(A)	(B)	(C)	(D)	(E)	(F)		
1	1	198220-11510	BOLT, M12X27	12							
2	1	198220-11510	BOLT, M12X27	12							
3	1	1A8160-65860	TAPE, 50X115	2							
4	1	1A8170-85110	ROPS KIT	1							
5	2	1A8160-85070	BOLT, 1/2-20X2.25	2							
6	2	1A8160-85080	NUT, 1/2-20	2							
7	2	1A8160-85200	WASHER, 1/2	2							
8	2	1A8160-85060	COLLAR, HINGE	1							
9	2	1A8160-85070	BOLT, 1/2-20X2.25	1							
10	2	1A8160-85080	NUT, 1/2-20	1							
11	2	1A8160-85090	BOLT, 1/2-13X1.25	1							
12	2	1A8160-85100	WASHER	2							
13	2	1A8160-85110	NUT, 1/2-13	1							
14	2	1A8160-85120	PIN ASSY, HITCH	1							
15	3	1A8160-85130	SPRING	1							
16	2	1A8160-85200	WASHER, 1/2	1							
17	2	1A8160-85060	COLLAR, HINGE	1							
18	2	1A8160-85070	BOLT, 1/2-20X2.25	1							
19	2	1A8160-85080	NUT, 1/2-20	1							
20	2	1A8160-85090	BOLT, 1/2-13X1.25	1							
21	2	1A8160-85100	WASHER	2							
22	2	1A8160-85110	NUT, 1/2-13	1							
23	2	1A8160-85120	PIN ASSY, HITCH	1							
24	3	1A8160-85130	SPRING	1							
25	2	1A8160-85200	WASHER, 1/2	1							
26	2	1A8170-85500	PLATE ASSY, BASE L	1							
27	2	1A8170-85550	PLATE ASSY, BASE R	1							
28	1	198220-85290	BOLT, M16X40	4							

Fig.125. FRONT WEIGHT

(A)=EX450(YANMAR)
 (B)=
 (C)=

(D)=
 (E)=
 (F)=

No.	Lev.	Parts No.	Description	Q'ty						I	R
				(A)	(B)	(C)	(D)	(E)	(F)		
1	1	1A8160-91000	WEIGHT, FRONT 20KG	1							



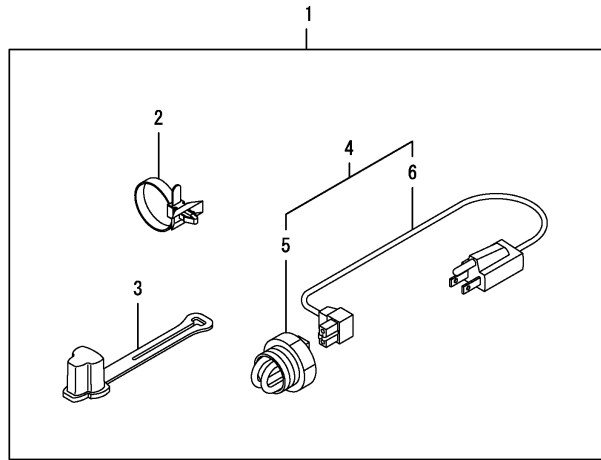
Remarks
 * Optional parts.

Fig.126. BLOCK HEATER

(A)=EX450(YANMAR)
 (B)=
 (C)=

(D)=
 (E)=
 (F)=

No.	Lev.	Parts No.	Description	Q'ty						I	R
				(A)	(B)	(C)	(D)	(E)	(F)		
1	1	129652-95020	HEATER ASSY,BLOCK	1							
2	2	1A7500-51170	CLIP, HARNESS	1							
3	2	1A7880-57260	PROTECTOR, PLUG	1							
4	2	129269-95010	HEATER ASSY	1							
5	3	171015-77900	HEATER	1							
6	3	171015-77910	CORD, HEATER	1							



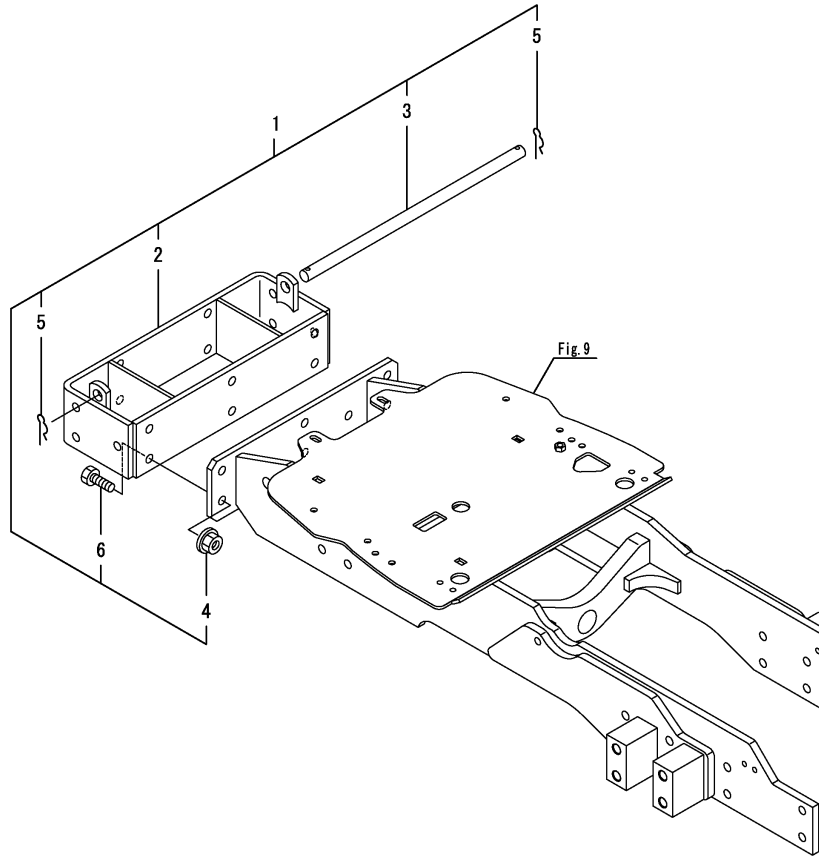
Remarks
 * Optional parts.

Fig.127. FRONT HITCH

(A)=EX450(YANMAR)
 (B)=
 (C)=

(D)=
 (E)=
 (F)=

No.	Lev.	Parts No.	Description	Q'ty						I	R
				(A)	(B)	(C)	(D)	(E)	(F)		
1	1	1A8160-11050	HITCH KIT, FRONT	1							
2	2	1A8160-11120	HITCH, FRONT	1							
3	2	194197-11140	PIN, WEIGHT LOCK	1							
4	2	194990-22160	NUT, M12	6							
5	2	22372-160000	PIN, SNAP 16	2							
6	2	26116-120352	BOLT, M12X 35 PLATED	6							



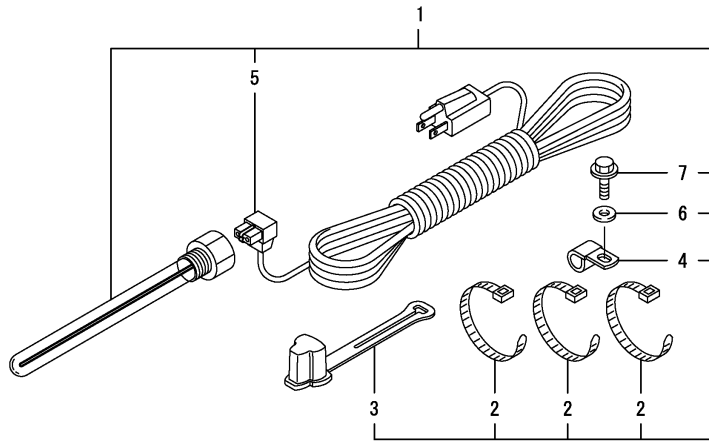
Remarks
 * Optional parts.

Fig.128. HEATER

(A)=EX450(YANMAR)
 (B)=
 (C)=

(D)=
 (E)=
 (F)=

No.	Lev.	Parts No.	Description	Q'ty						I	R
				(A)	(B)	(C)	(D)	(E)	(F)		
1	1	1A8170-99010	HEATER KIT, TM	1							
2	2	1A8300-51210	BAND, REPEAT	3							
3	2	1A7880-57260	PROTECTOR, PLUG	1							
4	2	1E6213-83410	CLIP, HARNESS 18	1							
5	2	1A8160-99020	CODE, POWER	1							
6	2	22157-060000	WASHER, 6	1							
7	2	26106-060202	BOLT, M6X 20 PLATED	1							



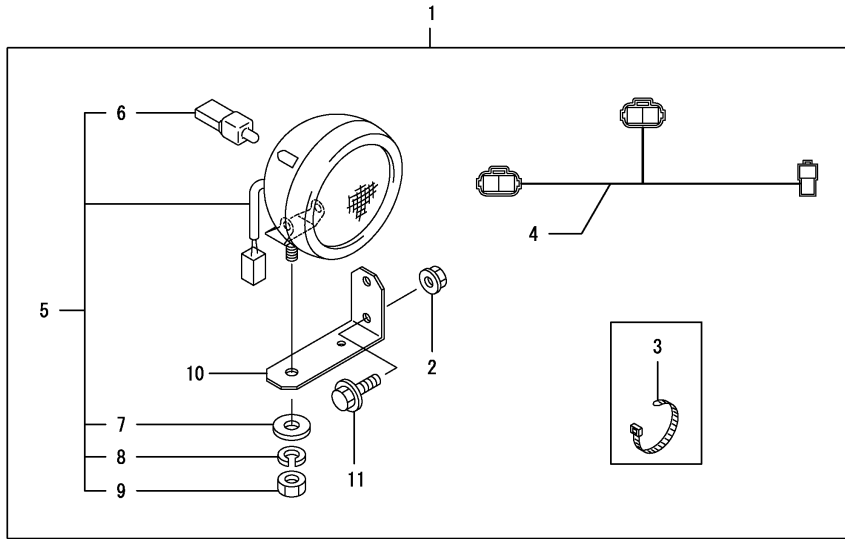
Remarks
 * Optional parts.

Fig.129. WORK LAMP

(A)=EX450(YANMAR)
 (B)=
 (C)=

(D)=
 (E)=
 (F)=

No.	Lev.	Parts No.	Description	Q'ty						I	R
				(A)	(B)	(C)	(D)	(E)	(F)		
1	1	1A8170-53300	LAMP KIT, WORK	1							
2	2	194990-22140	NUT, M8	4							
3	2	1A8300-51210	BAND, REPEAT	13							
4	2	1A8275-51260	LEAD, WORK LAMP	1							
5	2	1A7340-54100	LAMP ASSY, WORKING	2							
6	3	1A7470-86270	BULB, 12V-35W	2							
7	3	22137-100000	WASHER, 10	2							
8	3	22217-100000	WASHER, SPRING 10	2							
9	3	26736-100002	NUT, M10	2							
10	2	1A8250-99320	STAY, WORK LAMP	2							
11	2	26106-080202	BOLT, M8X 20 PLATED	4							



Remarks
 * Optional parts.

Fig.130. FO HOSE(FAME

(A)=EX450(YANMAR)

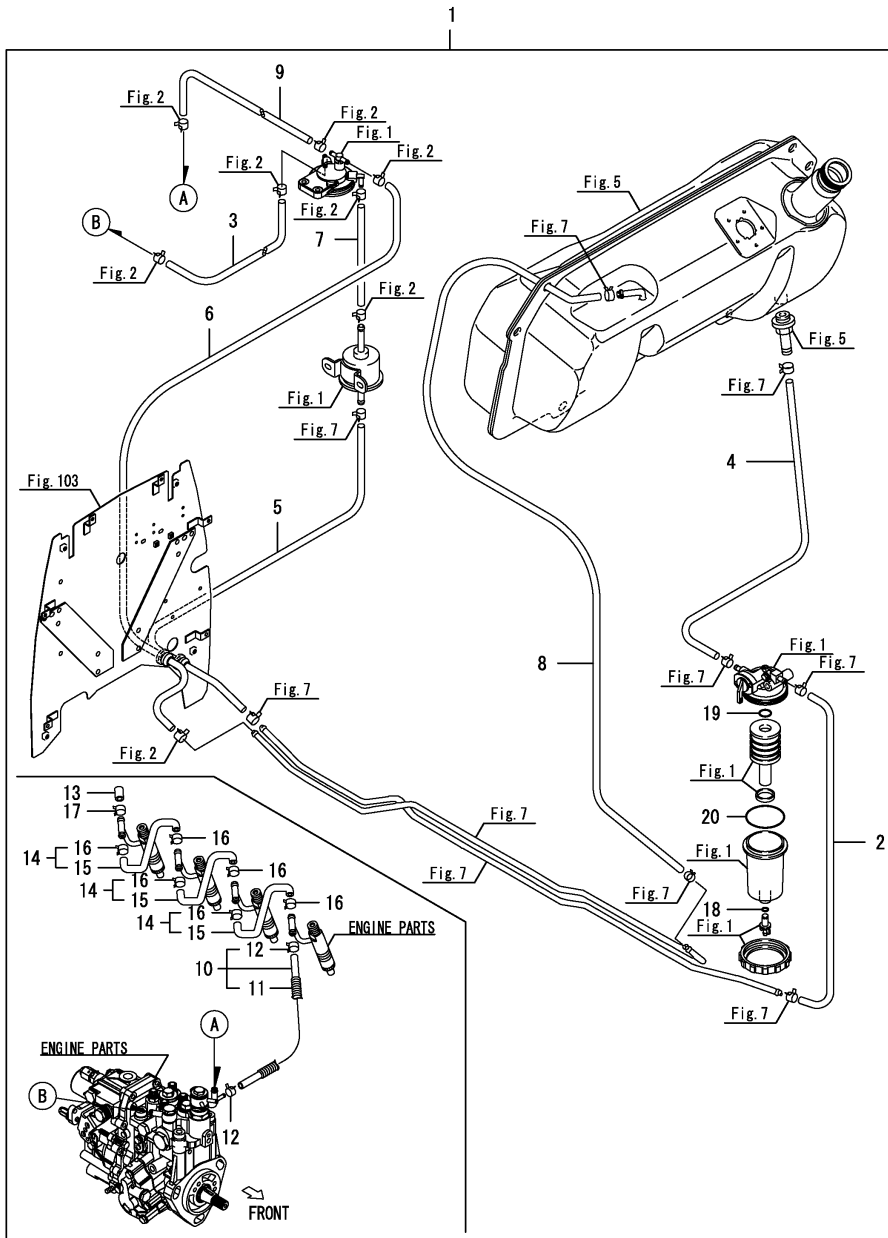
(B)=

(C)=

(D)=

(E)=

(F)=



No.	Lev.	Parts No.	Description	Q'ty						I	R
				(A)	(B)	(C)	(D)	(E)	(F)		
1	1	1A8170-04250	HOSE KIT, FUEL	1							
2	2	1A7780-04200	HOSE, FUEL 300	1							
3	2	1A7780-04210	HOSE, FUEL 350	1							
4	2	1A7780-04230	HOSE, FUEL 420	1							
5	2	1A7780-04240	HOSE, FUEL 450	1							
6	2	1A7780-04250	HOSE, FUEL 680	1							
7	2	198280-04260	HOSE, FUEL	1							
8	2	1A7780-04270	HOSE, FUEL 1120	1							
9	2	198280-04290	HOSE, FUEL	1							
10	2	129268-59551	PIPE ASSY, RETURN	1							
11	3	129237-59120	PROTECTOR,HOSE	1							
12	3	124060-77680	CLIP, HOSE 10	2							
13	2	119593-59581	CAP	1							
14	2	129486-59581	HOSE, FUEL	3							
15	3	129486-59521	PIPE, FUEL RETURN	3							
16	3	124060-77680	CLIP, HOSE 10	6							
17	2	124060-77680	CLIP, HOSE 10	1							
18	2	24316-000070	O-RING, 4DP7.0	1							
19	2	24316-000160	O-RING, 4DP16.0	1							
20	2	24326-000650	O-RING, 4DG65.0	1							

Remarks

* Optional parts.

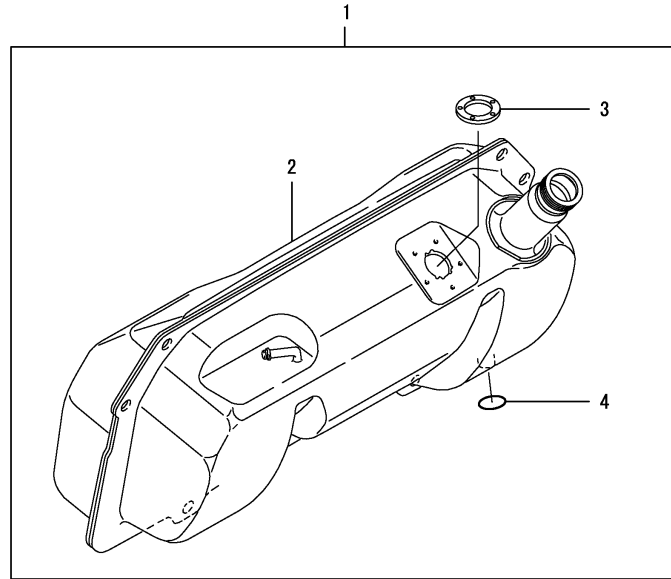
N:Old $\begin{matrix} \text{Yes} \\ \text{No} \end{matrix}$ New, Q:Old $\begin{matrix} \text{No} \\ \text{Yes} \end{matrix}$ New, R:Old $\begin{matrix} \text{Yes} \\ \text{No} \end{matrix}$ New, S:Old $\begin{matrix} \text{No} \\ \text{Yes} \end{matrix}$ New, W:Add, Z:Discontinued, F:Interchangeable by set, K:Q'ty Change

Fig.131. FUEL TANK(FAME

(A)=EX450(YANMAR)
 (B)=
 (C)=

(D)=
 (E)=
 (F)=

No.	Lev.	Parts No.	Description	Q'ty						I	R
				(A)	(B)	(C)	(D)	(E)	(F)		
1	1	1A8170-04260	TANK KIT , FUEL	1							
2	2	1A7780-04111-1	TANK ASSY, FUEL	1							
3	2	194420-56620	GASKET	1							
4	2	24311-000150	O-RING, 1AP15.0	1							



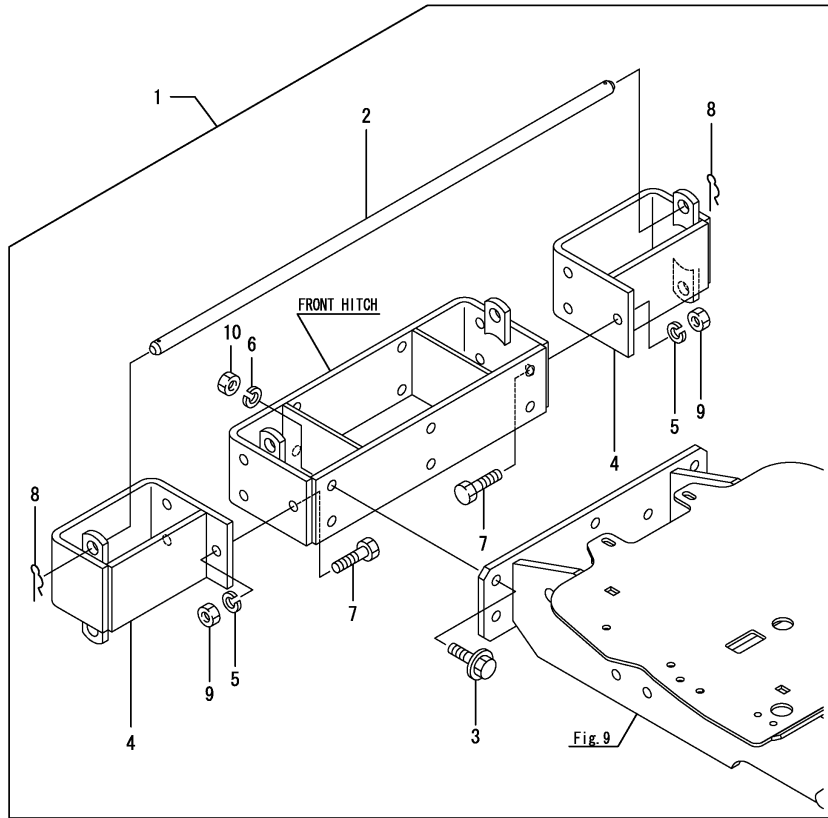
Remarks
 * Optional parts.

Fig.132. EXTRA HITCH

(A)=EX450(YANMAR)
 (B)=
 (C)=

(D)=
 (E)=
 (F)=

No.	Lev.	Parts No.	Description	Q'ty						I	R
				(A)	(B)	(C)	(D)	(E)	(F)		
1	1	1A8160-11920	HITCH KIT, FRONT EXT	1							
2	2	198220-11350	PIN, WEIGHT LOCK	1							
3	2	198220-11520	BOLT, M12X38	6							
4	2	198220-11900	HITCH, EXTRA	2							
5	2	194274-13580	WASHER, SPRING 12	6							
6	2	194274-13580	WASHER, SPRING 12	6							
7	2	194465-13650	BOLT, M12X32	6							
8	2	22372-160000	PIN, SNAP 16	2							
9	2	26716-120002	NUT, M12	6							
10	2	26716-120002	NUT, M12	6							



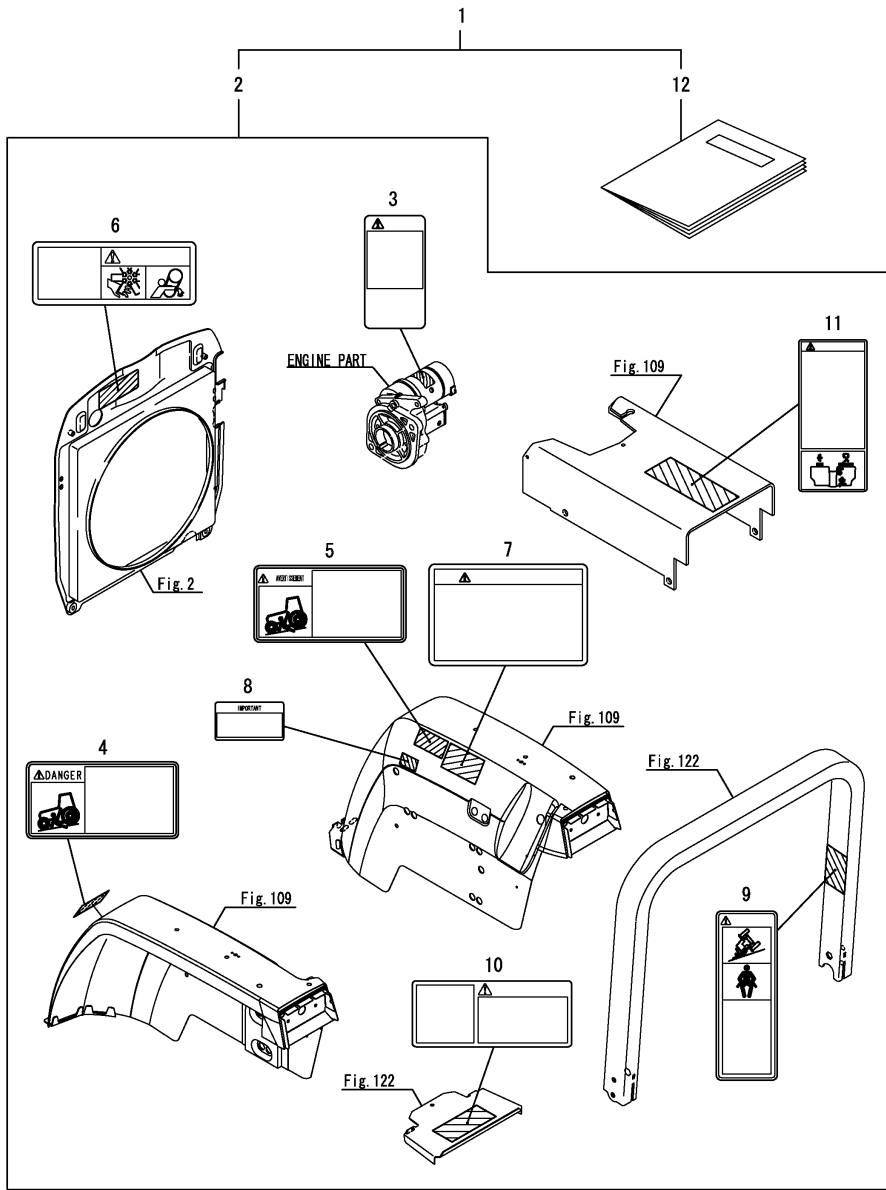
Remarks
 * Optional parts.

Fig.133. LABEL(FRENCH

(A)=EX450(YANMAR)
 (B)=
 (C)=

(D)=
 (E)=
 (F)=

No.	Lev.	Parts No.	Description	Q'ty						I	R
				(A)	(B)	(C)	(D)	(E)	(F)		
1	1	1A8170-99300	OPTION KIT, FRENCH	1							
2	2	1A8170-65010	LABEL KIT, EX450 FR	1							
3	3	1A8170-65090	LABEL, STARTER	1							
4	3	1A8250-65100	LABEL, DANGER START	1							
5	3	1A8250-65110	LABEL, WARNING STOP	1							
6	3	1A7880-65120	LABEL, WARNING FAN	1							
7	3	1A8250-65130	LABEL, WARNING ROPS	1							
8	3	1A8250-65140	LABEL,IMPORTANT DIFF	1							
9	3	1A8250-65160	LABEL, WARNING ROPS	1							
10	3	1A8250-65180	LABEL, WARNING PTO	1							
11	3	1A8170-65330	LABEL, WARNING	1							
12	2	0A042-F00500	OPERATION MANUAL	1							



Remarks
 * Optional parts.

Parts No. Index

Parts No.	Fig. No.	Ref. No.
0A042-F00500	133	12
0A042-U00500	124	1
106990-44660	2	17
114110-07761	1	1
114270-59010	2	20
	7	9
119005-12571	1	7
119225-52102	1	21
119255-44660	1	16
119593-59581	130	13
119650-77911	101	7
119802-55700	1	23
119802-55710	1	25
119802-55730	1	26
119802-55810	1	29
119808-12540	1	5
119860-34810	38	20
124060-77680	130	12
		16
		17
124550-77030	1	30
124617-91920	100	13
124701-91140	100	23
124764-44810	1	17
124766-59050	2	21
		22
		23
		24
		25
	7	10
129004-55612	1	22
129052-13550	1	9
129062-12560	1	6
129100-55690	1	24
129107-44590	1	13
129150-49081	1	19
129211-77920	1	31
129237-59120	130	11
129263-44510	1	10
129268-59551	130	10
129269-95010	126	4
129418-12530	1	3
129467-44580	1	12
129467-44590	1	14
129486-59521	130	15
129486-59581	130	14
129550-49090	1	20
129550-49101	1	18
129612-12650	1	8
129652-95020	126	1

Parts No.	Fig. No.	Ref. No.
129659-12520	1	2
129659-44510	1	11
129900-12530	1	4
129956-12160	2	16
129956-44730	1	15
168246-00110	81	1
171015-77900	126	5
171015-77910	126	6
172122-46571	52	9
172122-46590	77	23
172510-74410	86	31
		54
172510-74440	86	32
		55
172510-74450	86	33
		56
172510-74471	86	34
		57
175022-49730	2	18
175022-49750	2	19
178076-04111	86	15
178076-04140	86	16
		19
178076-04150	86	17
		20
178076-04210	86	21
178076-04300	86	18
178076-04310	86	42
192160-34150	19	5
194065-38380	28	14
194066-13130	62	1
194130-27490	50	13
194130-37730	76	4
194130-47851	109	5
194134-37771	76	6
194145-27450	50	11
	51	5
194145-34360	69	5
194145-34390	69	6
194145-61570	3	8
194145-61651	100	21
	105	17
194145-73150	119	46
194150-01270	3	6
194150-21910	31	4
194150-22250-1	31	5
194150-22480	37	5
	76	3
194150-33150	65	5
194150-42280-1	78	8

Parts No.	Fig. No.	Ref. No.
194151-47760	87	13
194155-52160	96	3
194155-52190	96	4
194167-61650	108	12
		13
194170-51210	5	5
	7	7
	92	19
194180-01240	2	5
194180-12471	28	1
194180-17770	7	6
194180-25550	43	2
194180-32640	64	2
194180-32670	18	11
194180-43410	80	1
194180-45620	82	2
194180-51640	87	15
	93	1
194180-61980	9	7
194197-11140	127	3
194197-25810	47	4
194205-36320	75	6
194205-63550	109	16
194250-25240	42	1
194250-25520	41	7
194250-27160	50	2
194250-51650	92	32
194274-13350	15	6
194274-13580	132	5
		6
194274-21510	33	4
194274-21520	33	5
194274-21530	33	6
194274-21550	33	7
194274-21610	33	8
194274-21650	33	10
194274-21660	33	11
194274-21680	33	13
194274-21690	33	14
194274-21750	33	19
194274-22090	41	1
194274-22160	36	2
194274-22170	36	3
194274-22290	36	5
194275-48400	40	3
194275-51160	92	7
194275-51170	92	9
194275-51210	92	20
		21
	100	2

Parts No.	Fig. No.	Ref. No.
194275-65790	115	10
194278-21640	33	9
194278-21670	33	12
194278-21710	33	15
194300-22260	37	3
194300-33200	65	6
194301-12730	43	1
194310-25100	47	2
194310-25660	48	2
194310-37741	76	5
194310-47790	87	14
194312-46630	83	3
194320-31560	62	4
194321-11940	17	4
194321-13230	14	2
194321-13250	14	4
194321-13270	14	6
194321-13380	15	8
194321-13680	18	1
194321-28230	58	7
194322-24980	40	2
194323-13290	14	7
194327-32730	64	6
194327-45120	81	2
194327-45130	81	3
194330-62530	37	10
	110	5
194337-17220	29	8
194337-17251	29	9
194337-17390	29	10
194337-17400	29	11
194337-17520	29	12
194337-17530	29	13
194337-17540	29	14
194370-26350	48	7
194420-56620	100	18
	131	3
194430-25810	48	3
194440-51620	92	26
		27
		28
		29
		30
		31
194446-25450	58	1
194447-13860	47	1
	48	1
194448-61620	108	11
194450-11190	9	2
	31	3

Parts No. Index

Parts No.	Fig. No.	Ref. No.
194450-11190	32	1
194450-45630	82	3
194450-45640-1	82	4
194450-45650	82	5
194450-48830	30	18
194464-25600	43	4
194464-33130	65	2
194464-45930	77	6
		21
	86	5
194464-48850	30	19
194464-52190	96	10
		11
194465-13240	14	3
194465-13260	14	5
194465-13650	132	7
194550-47530	87	11
194555-04260	6	1
194555-04270	6	2
194555-04280	6	3
194555-26620	42	18
194555-46300	83	1
194555-46380	78	13
194555-46730	78	14
194555-48350	90	5
194555-56890	100	20
194556-17870	30	13
194630-62360	122	4
194640-17340	29	3
194640-25860	42	9
	43	15
194640-26130	46	2
194640-26330	48	6
194640-26440	42	16
194640-32650-1	64	4
194640-34130	69	2
194640-34140	69	3
194640-34150	69	4
194640-43201-1	78	10
194640-44261	80	7
194640-44540	80	10
194640-46420	85	5
194640-47560	87	12
194640-63560	109	17
194640-73180	38	23
194641-13210	14	1
194641-13670	17	7
194641-13760	18	4
194641-13780	18	6
194641-13790	18	7

Parts No.	Fig. No.	Ref. No.
194641-13830	19	3
194641-13840	19	4
194680-22280	31	6
194680-22290	31	7
194680-27540	55	5
	56	1
194697-62560	91	2
194730-57220	12	4
		10
194740-00160	3	2
194740-06080	31	2
194750-04400	3	18
194765-28170	58	4
194765-28180	58	5
194820-27370	52	7
194850-24960	38	19
194850-42500	38	21
194850-49290	86	44
194850-49340	86	22
		45
194850-49380	86	23
		46
194850-49400	86	24
		47
194850-49410	86	25
		48
194850-49440	86	26
		49
194850-49450	86	27
		50
194850-49460	86	28
		51
194850-49480	86	29
		52
194850-49490	86	30
		53
194940-61790	100	22
	105	20
	108	15
		16
194940-65590	104	14
194990-20170	52	6
194990-22130	98	1
		101
		1
		2
		3
	108	1
194990-22140	6	7
	8	2
	77	2

Parts No.	Fig. No.	Ref. No.
194990-22140	86	3
	89	1
	92	1
		2
	95	1
	103	1
	105	1
		5
	109	1
		30
	111	1
	113	1
		2
	129	2
194990-22150	54	1
	57	1
	59	1
194990-22160	127	4
194990-22831	12	3
194990-22841	12	9
194990-85561	77	41
198071-04500-2	5	2
198071-22320	35	3
198071-27470-1	51	6
	55	1
198071-27860	50	14
	51	7
198071-51411	92	23
198071-61890	99	14
	105	21
	108	17
198071-65610	99	17
		18
		19
	104	15
198075-18311	49	5
198093-84810	2	31
	105	24
198119-48310	90	4
198121-51430	92	25
198129-05190	106	1
198133-13340	15	4
198133-15710	27	2
198133-15750	27	3
198133-22121	34	1
198133-24361	39	1
198133-24370-1	38	10
198133-24380	38	11
198133-25210	41	2
198133-25230	41	4

Parts No.	Fig. No.	Ref. No.
198133-25240	41	5
198133-25270	41	6
198133-25291	47	3
198133-25311	39	2
198133-25501	42	6
198133-25701	44	3
198133-25761	42	7
198133-25822	42	8
198133-25832	45	1
198133-25841	42	12
198133-25850	45	2
198133-25860	43	16
198133-25870	42	10
198133-25890	45	3
198133-25911	45	4
198133-25941	45	6
198133-25960	45	7
198133-25970	45	8
198133-25980	42	14
198133-25990	42	15
198133-27060	49	6
198133-27070	49	7
198133-27110	51	1
198133-27120	51	2
198133-27170	50	3
198133-27280	50	6
198133-27300	51	4
198133-27330	50	9
198133-27340	50	10
198133-27350	49	3
	52	4
198133-27401	49	9
198133-27450	50	12
198133-27652	49	10
198133-27711	49	11
198133-27720	49	12
198133-27781	49	14
198133-27820	49	15
198133-27850	49	16
198133-27881	49	17
198133-27940	49	18
198133-27950	49	30
198133-28110	58	3
198133-42130	78	2
198133-43310	79	1
198133-43330	79	2
198133-43360	79	3
198133-44210	80	3
198133-44410-1	80	8
198133-44411-1	80	8 -1

Parts No. Index

Parts No.	Fig. No.	Ref. No.
198133-45600	82	1
198133-61690	108	14
198133-75110-1	121	2
198133-75130-1	121	3
198133-75320	121	8
198137-13300	15	3
198137-13350	15	5
198137-27180	50	4
198137-27190	50	5
198138-24390	38	12
198138-61531	108	7
198146-63660	2	30
198149-22280	35	2
198149-25600	43	3
198149-25690	44	1
198149-25700	43	5
198149-25740	43	8
198149-25750	43	9
198149-25760	43	10
198149-25780	43	6
198149-25790	43	11
198149-25880	43	17
198149-25890	43	7
		18
198149-27490	55	2
198149-27531	55	4
198149-27560	55	6
198149-27570	55	7
198149-31400	61	2
198153-13521	16	2
198153-17630	29	17
198153-51420	92	24
198153-51700	92	11
198153-51810	92	34
198153-53410	99	11
198153-89730	103	13
198164-27970	77	3
198165-01130	3	4
198165-48560	86	43
198175-65500	115	6
198178-47300-1	87	1
198178-62541-1	112	2
198181-74630	119	40
198200-18350	52	1
198200-18370	52	3
198208-11310	20	8 -1
198212-32611-1	64	1
198215-44110-1	80	2
198217-33650	68	8
198220-01140	3	5

Parts No.	Fig. No.	Ref. No.
198220-04290	6	4
198220-11350	132	2
198220-11510	123	1
		2
198220-11520	132	3
198220-11900	132	4
198220-15650	27	1
198220-17610	29	15
198220-17620	29	16
198220-17642	29	18
198220-21171-1	32	3
198220-25830	43	12
198220-25840	43	13
198220-26790	60	1
198220-27290	57	2
198220-27990	56	8
	60	2
198220-37700	76	15
198220-37720	76	16
198220-37900	37	9
	76	18
198220-45920	38	22
	78	3
		12
198220-46200	77	4
198220-46400	85	3
198220-46500	77	17
	86	9
198220-46560	30	15
198220-47370	88	1
198220-47750	109	4
198220-48140	30	17
198220-52180	101	4
		5
198220-52410	113	4
198220-52420	113	5
198220-53170	100	4
198220-56111	100	5
198220-56130	100	7
198220-56140	100	8
198220-56150	100	9
198220-56160	100	10
198220-56220	100	12
198220-56230	100	14
198220-61340	104	9
198220-61351	106	9
198220-61800	106	13
198220-62150	105	23
	110	1
	112	3

Parts No.	Fig. No.	Ref. No.
198220-62220	109	9
		31
198220-62260	109	32
198220-62270	109	33
198220-62410	109	12
198220-62440	109	13
198220-62920	109	34
198220-63120	113	7
198220-63150	113	8
198220-63160	113	9
198220-63240	113	11
198220-63260	113	12
198220-63270	113	13
198220-63280	113	14
198220-65350	115	1
198220-65470	115	4
198220-65621	117	5
198220-85290	123	28
198226-52100	96	2
198230-04750	5	4
198230-17311	29	2
198230-61960	105	9
198234-48650	95	2
198234-72550	119	30
198240-01400	3	14
198240-01450	3	16
198240-01470	3	17
198240-04550	100	1
198240-04710	7	1
198240-04750	7	2
198240-04760	7	3
198240-04780	7	4
198240-11500	10	1
198240-11540	10	5
198240-11550	10	3
198240-11620	9	4
198240-11640	9	5
198240-11650	9	6
198240-12590	12	6
		12
198240-12650	121	1
198240-17840	30	4
198240-17850	30	5
198240-17870	29	20
198240-18120-2	12	2
198240-18130-2	12	8
198240-21180	32	4
198240-21220	32	5
198240-21250	32	6
198240-21260	32	7

Parts No.	Fig. No.	Ref. No.
198240-21270	32	8
198240-22200	36	1
198240-22220	36	4
198240-22470	37	4
198240-22550	37	6
198240-24120	38	2
198240-24140	38	7
198240-24320	38	9
198240-24480-1	38	14
198240-24510-1	38	15
198240-24530	38	3
198240-24690-2	38	17
198240-24900-1	40	1
198240-24920-1	38	18
198240-25180	31	8
198240-25220	41	3
198240-25440	42	2
198240-25930	45	5
198240-26110	47	5
198240-26520	48	8
198240-26910-1	122	1
198240-26921-1	122	2
198240-26930-1	122	3
198240-27320	50	8
198240-27841	56	3
198240-27880	56	4
198240-27890-1	56	5
198240-27950	56	6
198240-27961-1	56	7
198240-32640	64	3
198240-33130-1	65	3
198240-33170	66	1
198240-36380	75	7
198240-36710	75	8
198240-36720	75	9
198240-36730-1	75	10
198240-37420-2	76	8
198240-37470-2	76	9
198240-37510	37	8
	76	10
198240-37550-1	76	11
198240-37850	76	17
198240-42130	78	7
198240-42810-1	78	9
198240-46260	77	8
	86	7
198240-46280	86	8
198240-46620	83	2
198240-47380	87	7
198240-47430-1	87	10

Parts No. Index

Parts No.	Fig. No.	Ref. No.
198240-47710-2	109	2
198240-47730-2	109	3
198240-48140	89	6
198240-48300-1	90	1
198240-48380	90	2
198240-48500	89	8
	90	6
198240-48780	86	86
198240-48830	89	11
198240-48850	89	12
198240-51561	95	4
198240-56600	100	17
198240-56630	100	19
198240-62451	110	2
	112	4
198240-63110	113	6
198240-65900	118	2
198240-75440	121	10
198241-13280	15	2
198241-14650	21	2
198241-28100	58	2
198241-28220	58	6
198241-28240	58	8
198241-28310	60	4
198241-28330	76	1
198242-01350	3	7
198242-02310	2	8
198242-25350	46	1
198242-65940	115	11
198245-42160	78	26
198245-46680	30	16
	77	28
		29
		30
		31
	86	13
198251-11220	17	3
198251-11800-1	11	1
198251-11820-1	11	3
198251-12310-1	12	1
198251-13100	13	1
198251-13270	15	1
198251-13450-1	17	1
198251-13510	16	1
198251-13520	16	3
198251-13600-1	17	2
198251-13610-1	17	5
198251-13630	11	4
198251-13710-1	18	2
198251-13810	19	1

Parts No.	Fig. No.	Ref. No.
198251-13820	19	2
198251-17500	29	7
198251-17850	30	6
198253-01190	3	12
198253-17700-1	30	1
198253-27510	54	2
	59	2
198253-27520-1	55	3
198253-37610	76	12
198253-72550	119	20
198254-17511	28	3
198254-28270-1	60	3
198254-33110	65	1
198254-37660	76	14
198254-47370	87	6
198254-71100	119	2
198254-71500	119	7
198254-71600	119	8
198254-71700	119	9
198254-72150	119	18
198254-72200	119	19
198254-74620	119	39
198255-14740	21	5
198255-14760	21	7
198255-24460	38	13
198255-34110-1	69	1
198273-18360	49	2
	52	2
198280-04260	130	7
198280-04290	130	9
198291-77870	92	37
198320-04300-1	6	5
198320-04350-2	6	6
198320-17720-1	89	3
198320-22410-1	37	1
198320-31530	62	2
198320-31550	62	3
198320-31570	62	5
198320-31630	62	6
198320-31820	62	7
198320-32111	62	8
198320-32660	64	5
198320-33412	67	1
198320-33422	67	2
198320-33540	68	1
198320-33550	68	2
198320-33560	68	3
		4
198320-33570	68	5
198320-33610	68	6

Parts No.	Fig. No.	Ref. No.
198320-33620	68	7
198320-36790	75	11
198320-47321-1	87	2
198320-47330-1	87	4
198320-47410-1	87	8
198320-48220	89	7
198320-62510-2	110	3
198320-62520-2	110	4
198320-62531-1	112	1
198320-62580-1	111	2
198320-62610-1	111	3
198325-21720	33	16
198325-21730	33	17
198327-04840	7	5
198327-21150	29	21
198327-21740	33	18
198327-22230	36	6
198327-24240-1	38	8
198327-48750	77	37
	86	85
198360-26610	42	17
198360-47320	87	3
198360-47330	87	5
198361-48750	89	10
198390-25790	61	1
198401-13720	18	3
198401-13750-1	18	9
198401-13770-1	18	5
198401-13790	18	8
198401-13850-1	18	10
198401-14110-1	20	1
198401-14120	20	2
198401-14130	20	3
198415-25840	43	14
198441-13370	15	7
198448-46702	86	14
198448-48690	30	9
198448-51910	7	8
198448-53320	99	3
		6
198448-60080	104	2
198461-60590	108	2
		3
198475-65030	99	15
		16
	104	13
198535-52110	92	13
198535-52120	92	14
198535-52130	92	15
1A1120-61541	5	3

Parts No.	Fig. No.	Ref. No.
1A1120-68070	18	12
1A6780-57200	101	6
1A7000-53230	99	2
		5
1A7000-61490	92	35
		36
1A7260-01030	2	1
1A7260-01040	2	2
1A7260-01210	2	3
1A7260-01220	2	4
1A7260-03160	2	10
1A7260-03170	2	11
1A7260-03180	2	12
1A7260-43650	15	9
1A7260-51540	95	3
1A7260-51710	92	33
1A7260-53350	99	7
1A7260-60640	106	2
1A7260-60661	105	2
1A7260-60670	106	3
1A7260-60680	105	3
1A7260-60780	104	5
1A7260-60790	104	6
1A7260-60800	105	6
1A7260-60810	105	7
1A7260-60820	105	8
1A7260-60870	105	13
1A7260-60880	2	29
1A7260-60890	104	7
1A7260-60900	106	5
1A7260-60920	103	9
1A7260-60930	103	10
1A7260-61150-1	106	8
1A7260-61250	99	12
1A7260-61260	99	13
1A7260-61310-1	105	15
1A7260-61400	106	10
1A7260-61450	106	11
1A7260-61460	106	12
1A7260-61550	105	16
1A7260-61650	105	18
1A7260-61660	105	19
1A7260-61860	104	11
1A7260-61920	105	22
1A7260-61970	104	12
1A7270-06220	2	15
1A7270-49221	91	1
1A7270-60211	2	26
1A7270-60221	2	27
1A7270-60610	104	4

Parts No. Index

Parts No.	Fig. No.	Ref. No.
1A7270-60750	106	4
1A7300-06210	2	14
1A7310-06200	2	13
1A7330-53430	98	9
1A7335-17310	28	4
1A7335-17410	28	5
1A7335-17500	28	9
1A7335-17520	28	10
1A7335-17530	28	11
1A7335-17551	28	12
1A7335-17750	28	13
1A7335-52110	96	6
1A7335-52120	96	7
1A7335-52150	96	9
1A7335-53600	98	2
1A7335-53610	98	3
1A7335-53620	98	4
1A7335-53630	98	5
1A7335-53640	98	6
1A7335-53650	98	7
1A7335-56120	100	6
1A7335-71230	119	3
1A7335-71240	119	4
1A7335-71250	119	5
1A7335-71410	119	6
1A7335-71750	119	10
1A7335-71760	119	11
1A7340-54100	129	5
1A7350-33140	65	4
1A7470-86270	129	6
1A7480-65470	115	5
1A7500-51130	92	5
1A7500-51160	92	8
1A7500-51170	92	10
1A7500-72180	119	36
1A7510-52120	96	8
1A7531-52420	92	16
1A7601-32310	63	2
1A7601-36200	75	1
1A7601-36310	75	2
1A7601-36320	75	3
1A7601-36350	75	4
1A7640-44230	80	4
1A7640-44240	80	5

Parts No.	Fig. No.	Ref. No.
1A7680-45320	85	1
1A7680-45370	85	2
1A7680-46410	85	4
1A7780-01110	3	3
1A7780-01250	2	6
1A7780-01320	3	13
1A7780-03110	4	1
1A7780-03150	2	9
1A7780-04111-1	5	1
1A7780-04200	131	2
1A7780-04210	130	2
1A7780-04230	130	3
1A7780-04240	130	4
1A7780-04250	130	5
1A7780-04270	130	6
1A7780-11510	9	8
1A7780-11510	9	3
1A7780-13670	13	2
1A7780-14180	20	4
1A7780-14600-1	21	1
1A7780-14700-1	21	3
1A7780-14740	21	6
1A7780-17300	29	1
1A7780-17370	29	4
1A7780-17450	28	6
1A7780-17460	28	7
1A7780-17470	28	8
1A7780-17780-1	30	2
1A7780-17800-1	30	3
1A7780-17850	30	7
1A7780-17860	30	8
1A7780-17900-1	30	14
1A7780-21150-1	31	1
1A7780-21400	33	1
1A7780-21410	33	2
1A7780-21420	33	3
1A7780-22251-1	35	1
1A7780-24100	38	1
1A7780-25450	42	3
1A7780-25460	42	4
1A7780-25480	42	5
1A7780-25930	42	11
1A7780-25950	42	13
1A7780-26121	48	4
1A7780-26310	48	5
1A7780-27150-1	50	1
1A7780-27161-1	53	1
1A7780-27180-1	51	3
1A7780-27210-1	53	2
1A7780-27310	50	7

Parts No.	Fig. No.	Ref. No.
1A7780-27360	49	8
1A7780-27751	49	13
1A7780-27801	49	4
1A7780-27820-2	56	2
1A7780-27900	52	5
1A7780-27910	52	8
1A7780-37620	76	13
1A7780-44250	80	6
1A7780-44510-1	80	9
1A7780-46530	86	10
1A7780-46540	86	11
1A7780-46750	86	67
1A7780-46790	86	68
1A7780-47420	87	9
1A7780-47510	86	69
1A7780-47570	86	70
1A7780-47650	86	71
1A7780-47660	86	72
1A7780-47710	86	74
1A7780-47720	86	75
1A7780-52000	96	1
1A7780-52150	96	5
1A7780-53200	99	1
1A7780-53300	99	4
1A7780-53350	99	8
1A7780-53360	99	9
1A7780-53370	99	10
1A7780-56300	100	15
1A7780-56502	100	3
1A7780-60200	102	1
1A7780-60370	103	3
1A7780-60450	103	4
1A7780-60550	104	3
1A7780-60600	103	5
1A7780-60610	103	6
1A7780-60800	105	4
1A7780-60860	2	28
1A7780-61020-1	106	6
1A7780-61030-1	106	7
1A7780-61100-2	104	8
1A7780-61410-1	108	4
1A7780-61420-1	108	5
1A7780-61511	108	6
1A7780-61540	108	8
1A7780-61550	108	9
1A7780-61600	108	10
1A7780-61650	104	10
1A7780-61673	103	12
1A7780-62280-1	109	10
1A7780-63090-1	109	14

Parts No.	Fig. No.	Ref. No.
1A7780-63100-1	109	15
1A7781-24680	38	16
1A7880-47750	77	36
1A7880-51730	92	12
1A7880-57260	126	3
1A7880-65120	128	3
1A7880-65120	133	6
1A7880-65620	117	6
1A7880-71550	120	1
1A7890-60980	103	11
1A7891-60910	103	7
1A8160-11050	127	1
1A8160-11120	127	2
1A8160-11920	132	1
1A8160-46250	77	7
1A8160-46280	86	6
1A8160-46280	77	9
1A8160-46290	77	10
1A8160-46300	77	11
1A8160-46310	77	12
1A8160-46670	84	1
1A8160-46930	77	18
1A8160-48400	90	3
1A8160-51130	92	6
1A8160-51310	92	22
1A8160-51550	94	1
1A8160-51570	94	2
1A8160-51580	94	3
1A8160-52300	97	1
1A8160-52310	97	2
1A8160-52320	113	3
1A8160-52330	97	3
1A8160-56211	100	11
1A8160-60720	107	1
1A8160-61300	105	14
1A8160-63200	113	10
1A8160-63400	114	1
1A8160-63410	114	2
1A8160-63420	114	3
1A8160-63440	114	4
1A8160-65300	117	1
1A8160-65310	117	2
1A8160-65350	117	4
1A8160-65370	115	2
1A8160-65421	115	3
1A8160-65430	77	40
1A8160-65610	115	8
1A8160-65800	118	1
1A8160-65860	123	3
1A8160-85060	123	8

Parts No. Index

Parts No.	Fig. No.	Ref. No.
1A8160-85060	123	17
1A8160-85070	123	5
		9
		18
1A8160-85080	123	6
		10
		19
1A8160-85090	123	11
		20
1A8160-85100	123	12
		21
1A8160-85110	123	13
		22
1A8160-85120	123	14
		23
1A8160-85130	123	15
		24
1A8160-85200	123	7
		16
		25
1A8160-91000	125	1
1A8160-99020	128	5
1A8170-01300	2	7
1A8170-04250	130	1
1A8170-04260	131	1
1A8170-11100	9	1
1A8170-14210	26	1
	74	1
1A8170-14300	22	1
1A8170-14310	22	2
		6
1A8170-14330	22	3
		7
1A8170-14350	22	4
		8
	23	2
1A8170-14400	22	5
1A8170-14500	23	1
1A8170-14510	23	3
1A8170-14530	23	4
1A8170-14600	25	1
1A8170-14610	25	2
1A8170-14630	25	3
1A8170-14650	25	4
1A8170-14700	24	1
1A8170-14710	24	2
		6
1A8170-14730	24	3
		7
1A8170-14750	24	4

Parts No.	Fig. No.	Ref. No.
1A8170-14750	24	8
1A8170-14800	24	5
1A8170-17870	86	2
1A8170-21130	32	2
1A8170-27100	49	1
1A8170-33150	86	4
1A8170-34300	70	1
1A8170-34310	70	2
		11
1A8170-34330	70	3
		12
1A8170-34340	70	4
		13
1A8170-34350	70	9
		18
	71	2
1A8170-34360	70	5
		14
1A8170-34370	70	6
		15
1A8170-34380	70	7
		16
1A8170-34390	70	8
		17
1A8170-34400	70	10
1A8170-34500	71	1
1A8170-34510	71	3
1A8170-34530	71	4
1A8170-34600	73	1
1A8170-34610	73	2
1A8170-34630	73	3
1A8170-34650	73	4
1A8170-34700	72	1
1A8170-34710	72	2
		6
1A8170-34730	72	3
		7
1A8170-34750	72	4
		8
1A8170-34800	72	5
1A8170-40400	77	1
1A8170-42100	78	1
1A8170-46410	77	5
1A8170-46420	77	13
1A8170-46440	77	14
1A8170-46460	77	15
1A8170-46480	77	16
1A8170-46510	77	20
1A8170-46550	77	22
1A8170-46600	77	24

Parts No.	Fig. No.	Ref. No.
1A8170-46610	77	25
1A8170-46630	77	26
1A8170-46650	77	27
1A8170-46710	86	1
1A8170-46800	77	32
1A8170-46850	77	33
1A8170-46900	77	34
1A8170-46950	77	35
1A8170-47750	86	77
1A8170-48080	89	2
1A8170-48100	89	4
1A8170-48150	89	5
1A8170-48210	86	78
1A8170-48230	86	79
1A8170-48250	86	80
1A8170-48510	86	81
1A8170-48530	86	82
1A8170-48550	86	83
1A8170-48570	86	84
1A8170-51100	92	4
1A8170-51130	92	18
1A8170-52540	103	2
1A8170-53300	129	1
1A8170-62010	109	6
1A8170-62020	109	7
1A8170-62150	109	8
1A8170-62400	109	11
1A8170-65010	133	2
1A8170-65090	133	3
1A8170-65320	117	3
1A8170-65330	133	11
1A8170-65410	77	38
1A8170-65420	77	39
1A8170-65440	92	17
1A8170-65560	115	7
1A8170-65580	116	3
1A8170-65590	116	4
1A8170-65670	86	88
1A8170-65680	86	89
1A8170-65750	115	9
1A8170-71000	119	1
1A8170-72100	119	14
1A8170-72110	119	17
1A8170-72500	119	27
1A8170-72530	119	29
1A8170-72800	119	21
1A8170-73100	119	34
1A8170-73400	119	33
1A8170-74500	119	35
1A8170-74510	119	37

Parts No.	Fig. No.	Ref. No.
1A8170-74550	119	38
1A8170-74700	119	41
1A8170-85110	123	4
1A8170-85500	123	26
1A8170-85550	123	27
1A8170-99010	128	1
1A8170-99300	133	1
1A8205-05510	8	1
1A8250-15790	116	1
1A8250-65100	133	4
1A8250-65110	133	5
1A8250-65130	133	7
1A8250-65140	133	8
1A8250-65160	133	9
1A8250-65180	133	10
1A8250-65390	116	2
1A8250-99320	129	10
1A8275-36520	75	5
1A8275-51260	129	4
1A8300-51210	128	2
	129	3
1C6281-52320	56	9
	104	1
1C6460-84420	50	15
1E4130-51400	86	87
1E6102-83230	92	38
1E6213-64490	113	15
1E6213-83410	128	4
1E8080-43850	92	3
1K1140-82500	101	8
		9
		10
22117-060000	108	18
22117-080000	77	42
	83	4
22117-100000	39	3
22137-060000	86	90
	105	25
22137-080000	3	19
		20
	33	21
	52	11
	87	16
	104	16
	105	10
	120	2
22137-100000	3	21
	37	11
	56	10
	87	17

Parts No. Index

Parts No.	Fig. No.	Ref. No.
22137-100000	87	18
	129	7
22137-120000	98	10
	105	11
	121	4
22137-140000	49	19
22137-160000	27	4
	119	22
		31
22137-200000	56	11
22137-220000	49	20
22157-060000	86	91
	105	26
		27
		28
	109	18
		35
	128	6
22157-080000	109	36
22157-100000	3	9
22157-120000	6	8
22190-050000	100	24
22217-080000	49	21
		31
	52	12
22217-100000	3	22
	62	9
	129	8
22217-120000	11	6
	32	9
	98	11
	121	5
22217-160000	38	24
	119	42
22242-000170	51	8
	55	8
22242-000200	56	12
22242-000290	44	4
	75	12
22242-000340	41	8
22242-000400	46	3
22242-000450	41	9
22242-000500	62	10
22252-000170	47	6
22252-000420	29	5
	41	10
22252-000470	39	4
22252-000620	31	9
	39	5
22252-000720	48	9

Parts No.	Fig. No.	Ref. No.
22252-000800	39	6
22272-000070	87	19
22272-000080	103	8
22272-000120	52	13
22272-000190	49	22
	76	19
22287-080000	86	58
22292-000340	42	19
22312-100180	11	7
	14	8
	38	4
		25
	64	7
	68	9
	78	15
22312-100200	39	7
22351-020012	49	23
	50	16
22351-030025	113	16
22351-035032	14	9
	55	9
22351-040012	83	5
22351-040016	78	16
22351-040025	29	6
22351-040032	50	17
22351-050022	119	23
22351-050025	87	20
22351-050032	65	7
	86	92
22351-050040	65	8
22351-050070	80	11
22351-060016	80	12
22351-060025	50	18
		19
	51	9
	56	13
22351-060030	85	6
22351-060032	14	10
	49	24
	50	20
		21
	51	10
	55	10
		11
	56	14
	60	5
	65	9
22351-060040	121	9
22351-060050	62	11
22351-080018	32	10

Parts No.	Fig. No.	Ref. No.
22351-080032	65	10
		11
	86	93
22351-080040	49	25
	65	12
	68	10
22351-080070	80	13
22360-180000	119	43
22360-200000	121	11
22372-120000	113	17
	121	12
22372-160000	127	5
	132	8
22417-160150	33	20
22417-160160	86	94
22417-160180	50	22
22417-200160	87	21
	109	19
22417-200300	49	26
	76	20
22417-250300	3	23
		24
	37	12
	76	21
		22
	77	43
	86	95
	110	6
	112	5
22417-300200	87	22
22417-300250	12	7
		13
	120	3
22417-320320	119	24
		32
22417-400250	28	15
22417-400500	15	11
22487-060200	50	23
22487-080300	104	17
22487-080350	87	23
22487-100700	76	23
22512-070400	76	24
22522-030130	87	24
22635-600120	64	8
22859-500202	105	29
23000-035000	2	32
	77	19
	86	96
	89	13
23000-048000	89	9

Parts No.	Fig. No.	Ref. No.
23000-048000	89	14
	90	7
23000-070000	2	33
	21	4
23000-080000	2	34
23010-018000	30	20
23065-160080	57	3
23414-120000	30	10
		21
23414-120016	55	12
23414-180023	86	97
23414-190000	30	22
	38	26
	77	44
		45
		46
		47
		48
	78	4
		17
	86	98
		99
		100
		101
23414-200026	89	15
23491-140002	17	8
	18	13
	38	27
23857-120000	86	102
23876-010000	18	14
	78	5
		11
23876-020000	78	6
23876-040000	11	2
23887-120002	30	11
23980-730180	2	35
23980-730300	7	11
		12
23980-730350	2	36
23980-730400	2	37
		38
23980-730450	7	13
23980-730680	2	39
23980-731120	7	14
24101-060044	41	11
24101-060074	41	12
	58	9
24101-060094	41	13
24101-060104	14	11
	62	12

Parts No. Index

Parts No.	Fig. No.	Ref. No.
24101-060114	69	7
24101-060124	13	3
24101-060144	20	5
24101-062044	45	9
24101-062074	48	10
24101-062084	16	4
	46	4
24101-062094	18	15
24101-062114	62	13
24101-062124	69	8
24101-062134	20	6
24101-063044	44	5
24101-063064	44	6
24104-060014	53	3
24104-060034	53	4
24107-063054	42	20
24141-320070	13	4
24161-202617	42	21
24161-303520	42	22
24163-305200	42	23
24164-000202	42	24
24164-000302	42	25
24164-000352	41	14
24165-000352	42	26
24165-000402	42	27
24190-050001	86	35
		59
24190-070001	29	19
	86	36
		60
24190-080001	55	13
	56	15
	58	10
24190-100001	30	12
	50	24
	51	11
24190-110001	15	10
24190-130003	78	18
24190-180001	75	13
24311-000110	83	6
24311-000120	83	7
24311-000125	56	16
	60	6
24311-000140	86	12
24311-000150	5	6
	65	13
	87	25
		26
	131	4
24311-000160	1	27

Parts No.	Fig. No.	Ref. No.
24311-000160	17	9
	18	16
	38	28
	51	12
	55	14
24311-000180	11	5
	96	12
24311-000200	30	23
		24
24311-000500	38	29
24315-000120	78	19
	85	7
24315-000140	78	20
24315-000180	85	8
24316-000070	130	18
24316-000160	130	19
24321-000250	51	13
	55	15
	89	16
	90	8
24321-000300	38	30
		31
24321-000600	69	9
24321-000650	1	28
	40	4
	80	14
24321-000700	17	10
24321-000750	38	32
24321-001000	17	11
24321-001700	17	12
24321-002200	18	17
24325-000650	20	7
24325-000800	78	21
24326-000650	130	20
24341-000250	89	17
24341-000315	13	5
24421-223508	41	15
24421-304208	75	14
24421-356212	58	11
24421-456209	17	13
24550-014100	86	73
		76
24550-014200	3	15
24550-016150	44	2
24550-017150	50	25
24761-010000	76	25
24761-020000	32	11
24761-040000	10	2
	37	13
24761-060000	12	5

Parts No.	Fig. No.	Ref. No.
24761-060000	12	11
	119	25
26013-080162	38	33
	77	49
26013-080202	38	34
		35
	40	5
	87	27
26013-080252	18	18
	38	36
	43	19
	50	26
	53	5
26013-080302	38	37
26013-080502	38	38
26013-100162	87	28
	93	2
26013-100252	18	19
26013-101502	39	8
26013-120202	29	22
26013-120302	17	14
		15
	121	6
26013-120352	78	22
		23
		24
	80	15
26013-120402	31	10
	38	39
	64	9
26013-120502	64	10
26013-120552	78	25
26013-120802	11	8
26013-140252	86	103
26013-140352	38	40
26014-080202	77	50
26018-060162	6	9
26018-060252	89	18
26018-060352	30	25
26022-030062	100	16
26106-060122	1	32
	2	40
		41
	103	14
	104	18
	105	30
		31
	109	20
		21
		22

Parts No.	Fig. No.	Ref. No.
26106-060122	109	23
		24
26106-060162	49	27
		28
	77	51
	86	104
	92	39
	101	11
		12
		13
	103	15
	104	19
	105	32
	118	3
26106-060202	30	26
	86	105
	109	25
		37
	128	7
26106-060252	2	42
26106-060352	99	20
26106-060402	30	27
	89	19
26106-060502	89	20
26106-060602	90	9
26106-080102	106	14
26106-080122	21	8
	32	12
		13
	92	40
		41
		42
	103	16
	105	12
	108	19
	109	26
26106-080162	2	43
		44
		45
	3	25
	6	10
	7	15
	29	23
	30	28
		29
	38	41
	45	10
	49	32
		33
	50	27

Parts No. Index

Parts No.	Fig. No.	Ref. No.
26106-080162	56	17
	60	7
	86	106
	89	21
		22
		23
	90	10
	92	43
		44
	102	2
	103	17
		18
		19
		20
		21
	108	20
	109	27
		28
	111	4
26106-080202	4	2
		3
	30	30
		31
	77	52
		53
	90	11
	110	7
	112	6
	129	11
26106-080252	2	46
	7	16
	63	3
	92	45
26106-080302	1	33
	7	17
	109	38
26106-080352	38	42
	92	46
26106-080702	1	34
	113	18
26106-080802	33	22
26106-100162	2	47
	122	5
26106-100202	49	34
	77	54
	108	21
26106-100252	20	8
	29	24
		25
	38	43

Parts No.	Fig. No.	Ref. No.	
26106-100252	77	55	
	86	107	
		108	
	109	29	
26106-100302	64	11	
	86	109	
26106-100352	114	5	
26106-100502	39	9	
26106-100802	39	10	
26106-100852	64	12	
26106-120252	86	110	
26106-120352	10	4	
26116-080252	49	29	
		35	
		52	
		14	
	26116-100504	87	29
	26116-120352	127	6
	26116-160302	32	14
	26117-040162	96	13
	26216-120352	11	9
	26218-080202	38	5
	51	14	
	55	16	
26218-100902	38	6	
26306-080002	1	35	
26346-060002	105	33	
26346-080002	52	15	
26346-100002	114	6	
26356-160002	27	5	
26366-080002	51	15	
	55	17	
26366-100002	38	44	
26450-060102	86	37	
		61	
26450-060802	86	38	
		62	
26450-080142	81	4	
26450-080202	81	5	
26450-080252	17	16	
26450-080652	86	63	
26587-060352	108	22	
26589-060162	100	25	
26589-060202	118	4	
26716-080002	3	26	
		52	
		10	
		95	
		5	
26716-100002	3	10	
		37	
		7	
		76	
		7	
		42	

Parts No.	Fig. No.	Ref. No.
26716-100002	87	30
		31
26716-120002	11	10
	32	15
	87	32
	121	7
	132	9
		10
26716-160002	38	45
26736-100002	129	9
26736-160002	119	44
26756-060002	1	36
26756-100002	3	11
26756-240002	119	26
26776-120002	98	12
29622-100001	92	47
29622-140001	92	48
		49
		50
		51
		52
29622-250001	92	53
41850-000140	86	39
		64
41851-000140	86	40
		65
41856-020530	86	41
		66
794130-71410	119	45
794251-13910	63	1
794321-13660	17	6
794464-45660	82	6
794525-37000	76	2
798240-22470	37	2
798254-17500	28	2
7A7330-53400	98	8
7A7780-01110	3	1

Parts No.	Fig. No.	Ref. No.
-----------	----------	----------