

0CNP5-M50600EN

Contents

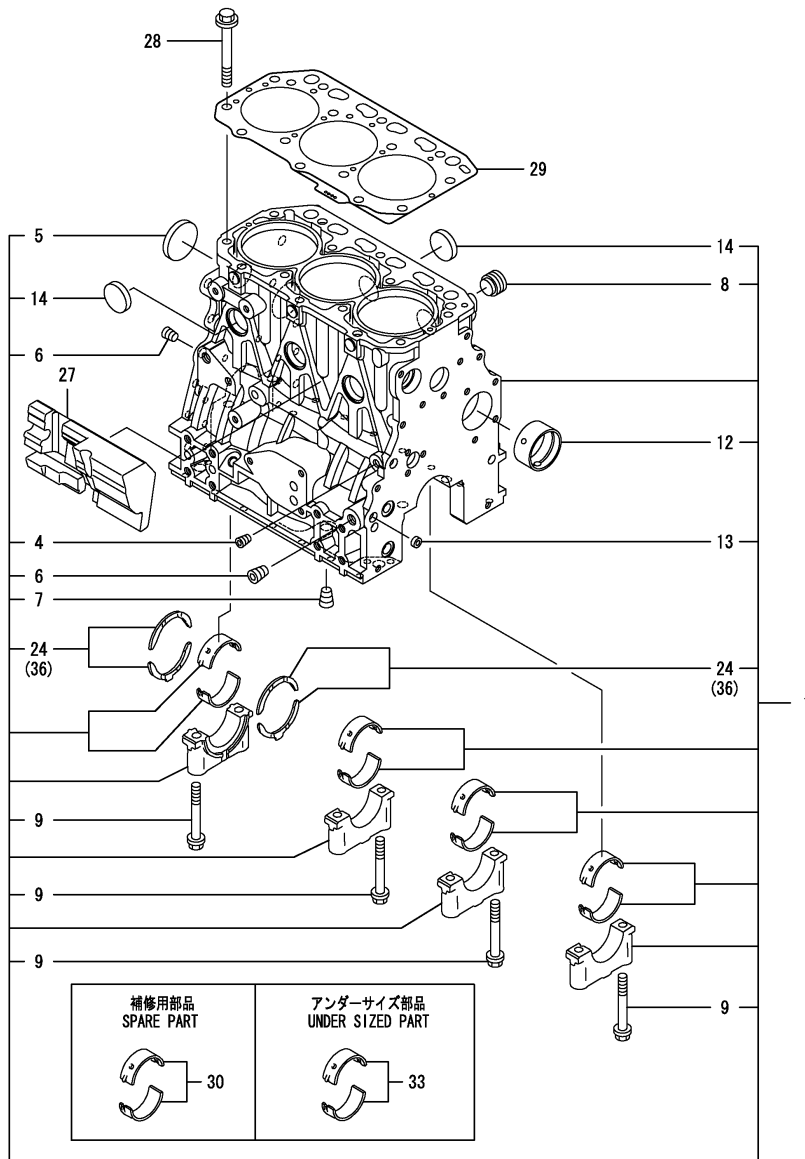
OCNP5-M50600

Fig. No.	Fig. Name	Fig. No.	Fig. Name
ENGINE			
1.	CYLINDER BLOCK		
2.	GEAR HOUSING		
3.	MOUNTING FLANGE & OIL SUMP		
4.	CYLINDER HEAD & BONNET		
5.	SUCTION MANIFOLD		
6.	CAMSHAFT & DRIVING GEAR		
7.	CRANKSHAFT & PISTON		
8.	LUB. OIL SYSTEM		
9.	COOLING WATER SYSTEM		
10.	FUEL INJECTION PUMP		
11.	GOVERNOR		
12.	FUEL INJECTION VALVE		
13.	STARTING MOTOR		
14.	GENERATOR		

Fig.1. CYLINDER BLOCK

(A)=3TNV88-XKRY2
(B)=
(C)=

(D)=
(E)=
(F)=



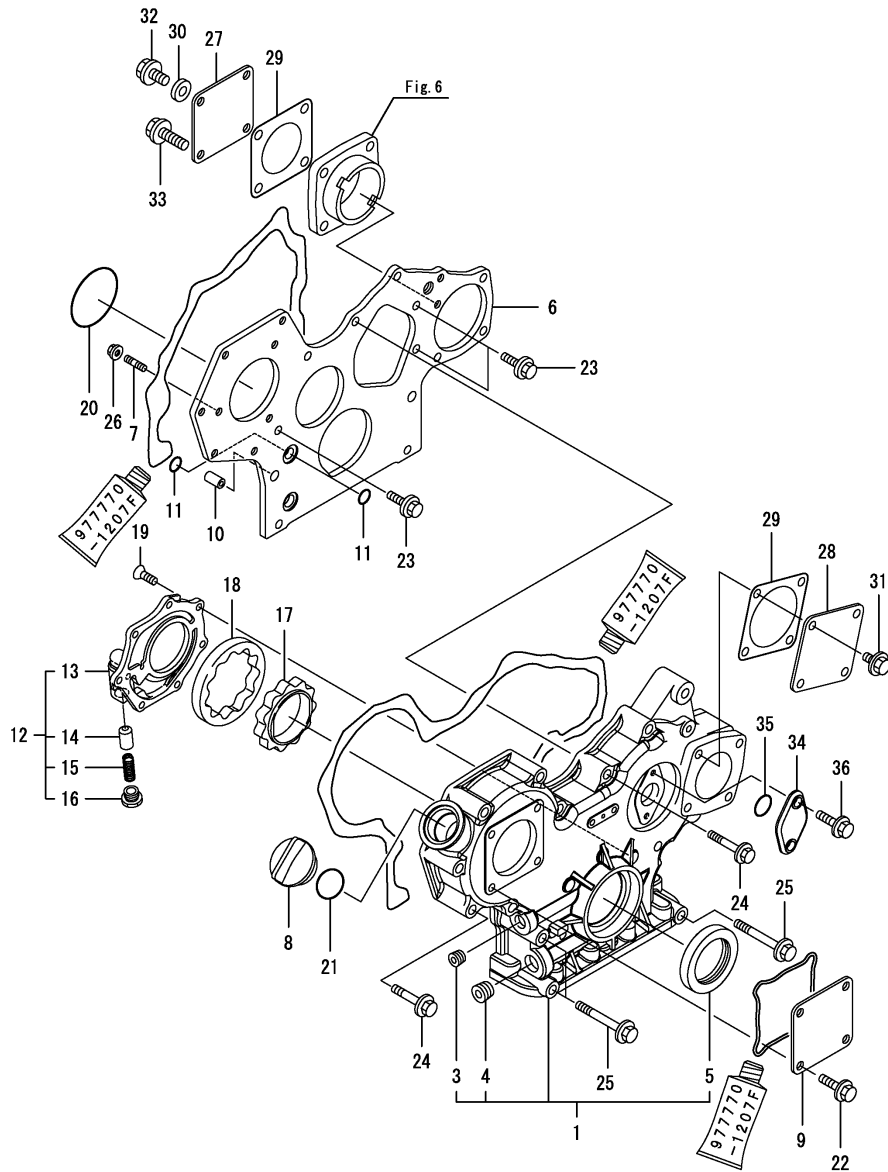
No.	Lev.	Parts No.	Description	Q'ty						I	R
				(A)	(B)	(C)	(D)	(E)	(F)		
1	1	729005-01560	BLOCK ASSY, CYLINDER	1							
4	2	124060-01050	PLUG, PT1/8	1							
5	2	129001-01250	PLUG, 50	1							
6	2	124160-01910	PLUG, PT1/4	2							
7	2	124160-01910	PLUG, PT1/4	1							
8	2	171051-01921	PLUG, NPTF1	1							
9	2	129150-02020	BOLT, METAL CAP	8							
12	2	129795-02412	BUSH, CAMSHAFT	1							
13	2	27241-120000	PLUG, 12	2							
14	2	27241-300000	PLUG 30	6							
24	2	129150-02931	BEARING, THRUST	2							
27	1	129004-01190	SPACER	1							
28	1	129150-01200	BOLT, HEAD	14							
29	1	129001-01340	GASKET, HEAD	1							
30	1	129001-02931	BEARING, MAIN	4							1
33	1	129150-02871	BEARING, 0.25 US	4							2
36	1	129150-02941	BEARING, THRUST 0.25	1							3

Remarks

Note : "Effective Machine No." of the Engine Section is indicated on the Model Label which is shown in Fig.4.

- (1) Spare parts.
- (2) Under-sized(U.S.=0.25) parts.
- (3) Over-sized(O.S.=0.25) parts.

Fig.2. GEAR HOUSING



(A)=3TNV88-XKRY2

(B)=

(C)=

(D)=

(E)=

(F)=

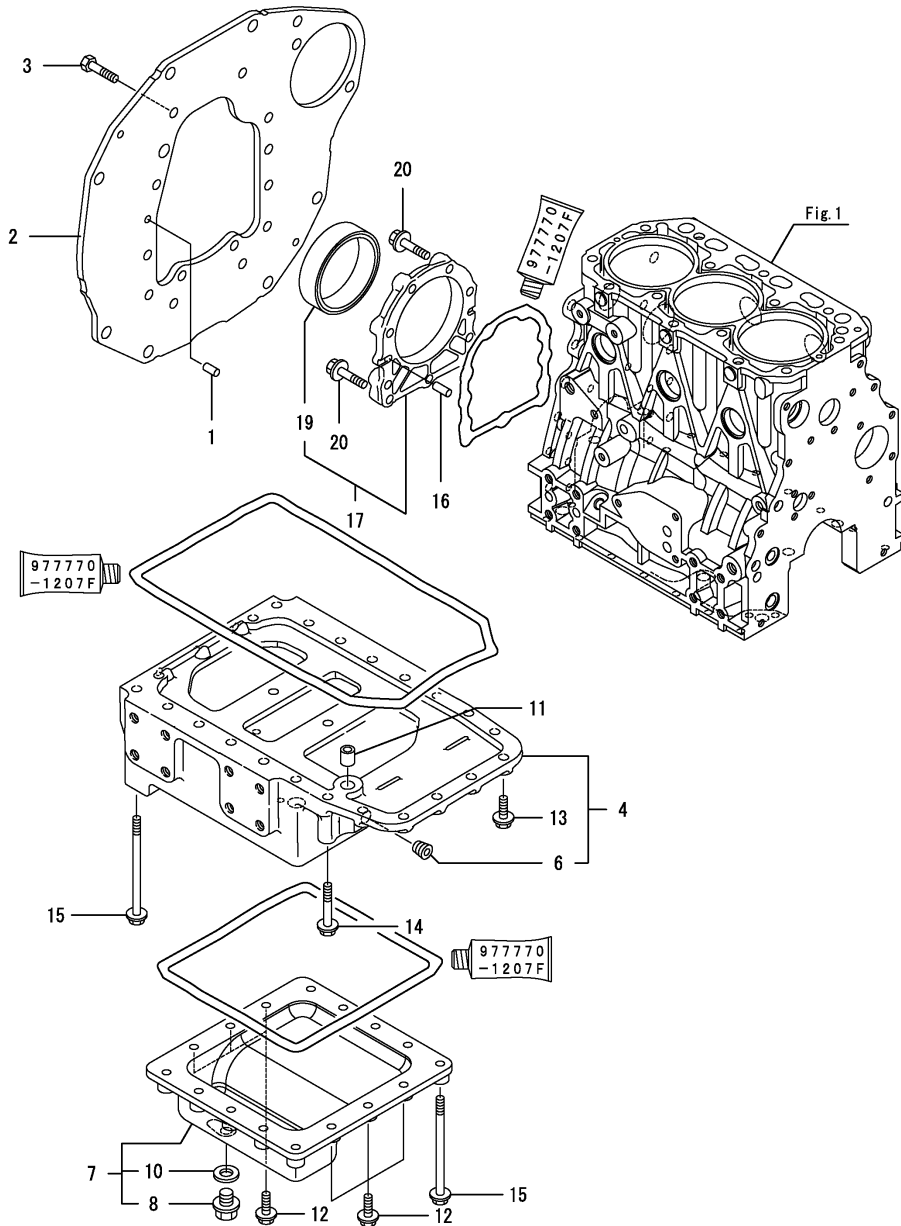
No.	Lev.	Parts No.	Description	Q'ty						I	R
				(A)	(B)	(C)	(D)	(E)	(F)		
1	1	729235-01500	CASE ASSY, GEAR	1							
3	2	23876-030000	PLUG, R03	1							
4	2	23876-040000	PLUG, R04	1							
5	2	119934-01800	SEAL, OIL	1							
6	1	129004-01520	FLANGE, GEAR CASE	1							
7	1	119802-01561	STUD, M8X25	3							
8	1	124160-01751	COVER, FILLER	1							
9	1	124240-01871	COVER	1							
10	1	129795-01950	PIPE, KNOCK L=18	2							
11	1	119609-32040	O-RING, P16	4							
12	1	119802-32100	COVER ASSY	1							
13	2	119802-32070	COVER	1							
14	2	129900-32130	VALVE, RELIEF	1							
15	2	129418-32320	SPRING	1							
16	2	129001-32330	PLUG	1							
17	1	119802-32111	ROTOR, INNER	1							
18	1	119802-32120	ROTOR, OUTER	1							
19	1	119802-32130	SCREW, M6X16	7							
20	1	121850-51960	O-RING	1							
21	1	24311-000320	O-RING, 1AP32.0	1							
22	1	26106-080162	BOLT, M8X 16 PLATED	4							
23	1	26106-080162	BOLT, M8X 16 PLATED	3							
24	1	26106-080552	BOLT, M8X 55 PLATED	11							
25	1	26106-080852	BOLT, M8X 85 PLATED	3							
26	1	26306-080002	NUT, M8	3							
27	1	124240-01871	COVER	1							
28	1	124240-01871	COVER	1							
29	1	124240-01883	GASKET	2							
30	1	22190-080002	WASHER, SEAL 6	1							
31	1	26106-080162	BOLT, M8X 16 PLATED	4							
32	1	26106-080202	BOLT, M8X 20 PLATED	1							
33	1	26106-080302	BOLT, M8X 30 PLATED	3							
34	1	121023-01551	COVER	1							
35	1	24341-000240	O-RING, 1AS24.0	1							
36	1	26106-060162	BOLT, M6X 16 PLATED	2							

Remarks

Note : "Effective Machine No." of the Engine Section is indicated on the Model Label which is shown in Fig.4.

N:Old $\xrightarrow{\text{Yes}}$ New, Q:Old $\xrightarrow{\text{No}}$ New, R:Old $\xrightarrow{\text{Yes}}$ New, S:Old $\xrightarrow{\text{No}}$ New, W:Add, Z:Discontinued, F:Interchangeable by set, K:Q'ty Change

Fig.3. MOUNTING FLANGE & OIL SUMP



(A)=3TNV88-XKRY2
(B)=
(C)=

(D)=
(E)=
(F)=

No.	Lev.	Parts No.	Description	Q'ty						I	R
				(A)	(B)	(C)	(D)	(E)	(F)		
1	1	129100-01580	PIN, M8X16	2							
2	1	129267-01620	FLANGE, MOUNTING	1							
3	1	26206-100202	BOLT, M10X 20 PLATED	8							
4	1	129052-01692	SUMP ASSY, OIL	1							
6	2	124160-01910	PLUG, PT1/4	1							
7	1	129267-01710	COVER ASSY,OIL PAN	1							
8	2	129054-01640	PLUG, DRAIN 12	1							
10	2	22190-120002	WASHER, SEAL 12	1							
11	1	129555-01750	PIPE, KNOCK 14X18	1							
12	1	26106-080252	BOLT, M8X 25 PLATED	6							
13	1	26106-080252	BOLT, M8X 25 PLATED	6							
14	1	26106-080502	BOLT, M8X 50 PLATED	2							
15	1	26106-081202	BOLT, M8X120 PLATED	14							
16	1	129100-01580	PIN, M8X16	2							
17	1	129648-01600	CASE ASSY, OIL SEAL	1							
19	2	129648-01780	SEAL, OIL	1							
20	1	129486-01670	BOLT, M8X30	9							

Remarks

Note : "Effective Machine No." of the Engine Section is indicated on the Model Label which is shown in Fig.4.

N:Old $\xrightarrow{\text{Yes}}$ New, Q:Old $\xrightarrow{\text{No}}$ New, R:Old $\xrightarrow{\text{Yes}}$ New, S:Old $\xrightarrow{\text{No}}$ New, W:Add, Z:Discontinued, F:Interchangeable by set, K:Q'ty Change

Fig.4. CYLINDER HEAD & BONNET

(A)=3TNV88-XKRY2

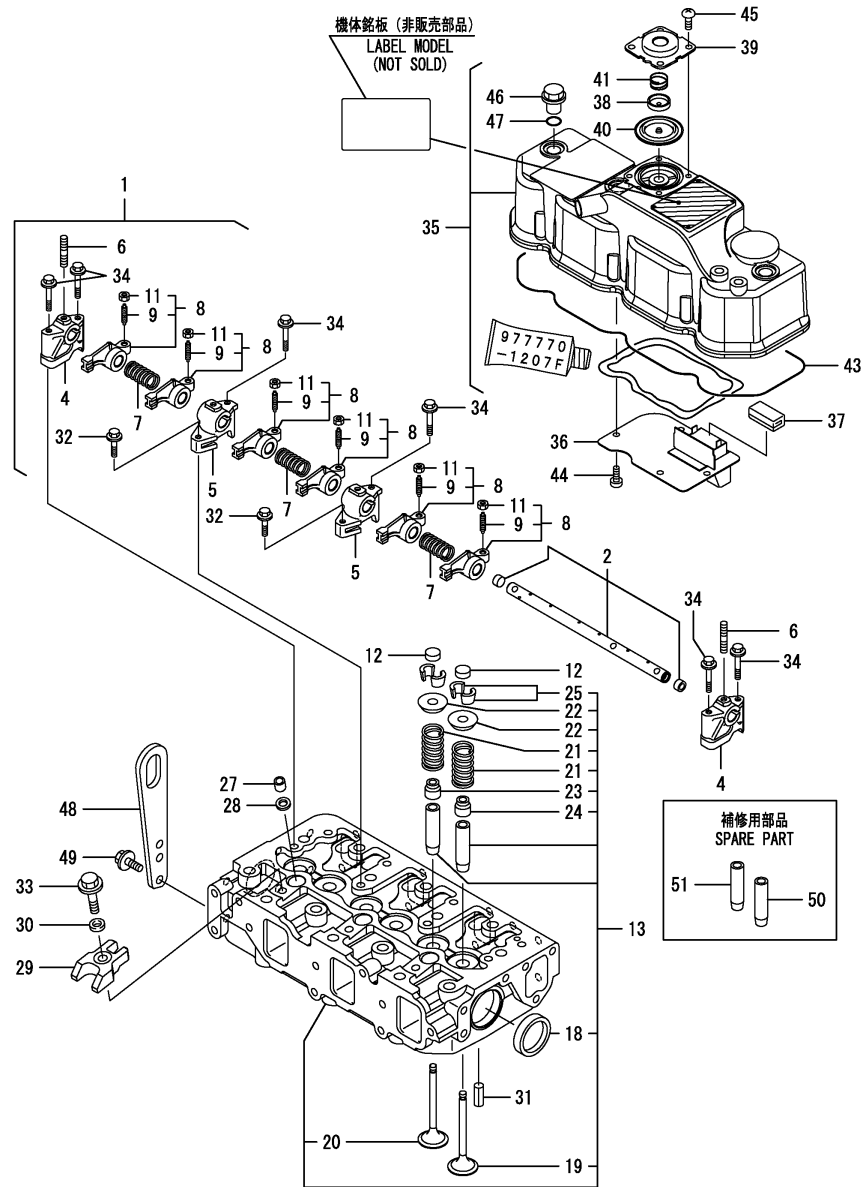
(B)=

(C)=

(D)=

(E)=

(F)=



No.	Lev.	Parts No.	Description	Q'ty						I	R
				(A)	(B)	(C)	(D)	(E)	(F)		
1	1	129004-11241	SHAFT ASSY, ROCKER	1							
2	2	129004-11251	SHAFT, ROCKER ARM	1							
4	2	119802-11260	SUPPORT, ROCKER ARM	2							
5	2	119802-11270	SUPPORT, ROCKER ARM	2							
6	2	119802-11280	STUD	3							
7	2	129150-11280	SPRING	3							
8	2	129004-11650	ARM, ROCKER	6							
9	3	129150-11230	SCREW, VALVE ADJUST	6							
11	3	129150-11750	NUT, M8	6							
12	1	129150-11370	CAP, VALVE	6							
13	1	129005-11700	HEAD ASSY, CYLINDER	1							
18	2	27241-400000	PLUG, 40	2							
19	2	129005-11100	VALVE, INTAKE	3							
20	2	129100-11112	VALVE, EXHAUST	3							
21	2	129795-11120	SPRING, VALVE	6							
22	2	129795-11180	RETAINER, SPRING	6							
23	2	121400-11340	SEAL, VALVE STEM	3							
24	2	124460-11340	SEAL, VALVE STEM	3							
25	2	27310-080001	COTTER, 8	6							
27	1	119802-11870	PROTECTOR, NOZZLE	3							
28	1	119625-11880	SEAT, NOZZLE	3							
29	1	129004-11900	RETAINER, NOZZLE	3							
30	1	120270-54410	WASHER, INJECTOR	3							
31	1	22351-060012	PIN, SPRING 6.0X12	2							
32	1	26106-080252	BOLT, M8X 25 PLATED	2							
33	1	26106-080352	BOLT, M8X 35 PLATED	3							
34	1	26106-080502	BOLT, M8X 50 PLATED	6							
35	1	129055-11350	BONNET ASSY, HEAD	1							
36	2	129004-03010	PLATE	1							
37	2	129150-03070	BAFFLE, BREATHER	1							
38	2	119802-03110	PLATE	1							
39	2	119802-03121	COVER, DIAPHRAGM	1							
40	2	119802-03130	DIAPHRAGM	1							
41	2	119802-03141	SPRING, DIAPHRAGM	1							
43	2	129004-11310	GASKET, BONNET	1							
44	2	22857-500100	SCREW, 5X10	4							
45	2	22857-500100	SCREW, 5X10	4							
46	1	124160-11360	KNOB	3							
47	1	24311-000120	O-RING, 1AP12.0	3							
48	1	129900-07900	LIFTER	1							
49	1	26106-080162	BOLT, M8X 16 PLATED	2							
50	1	120130-11860	GUIDE, VALVE	3							1
51	1	129150-11810	GUIDE, VALVE	3							1

Remarks

Note : "Effective Machine No." of the Engine Section is indicated on the Model Label which is shown in Fig.4.

(1) Spare parts.

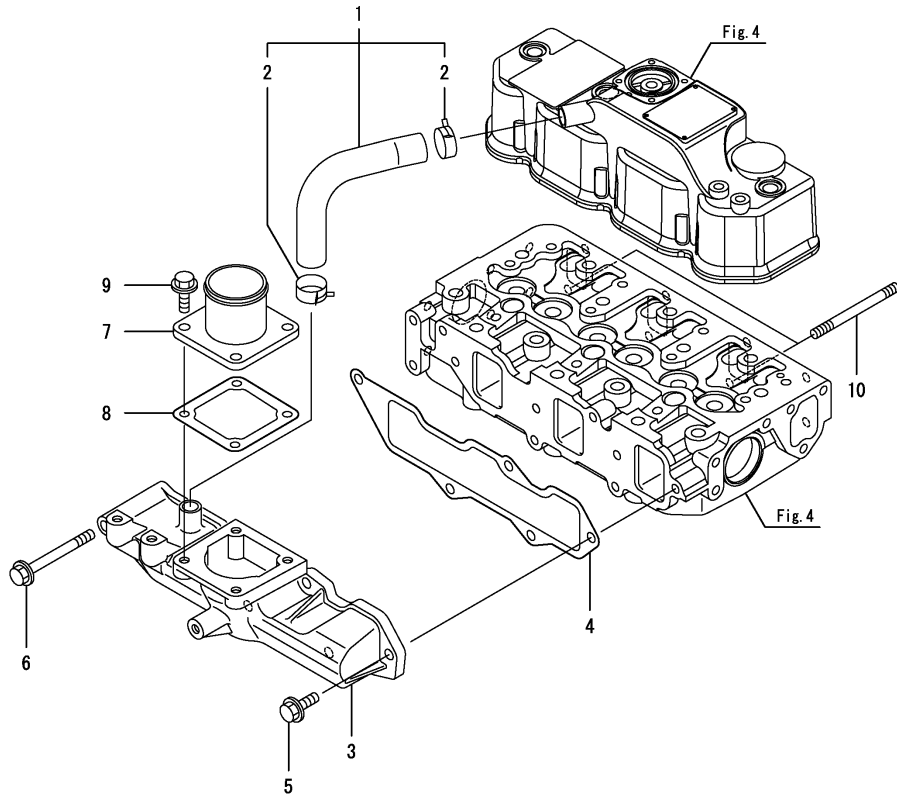
N:Old $\xrightarrow{\text{Yes}}$ New, Q:Old $\xrightarrow{\text{No}}$ New, R:Old $\xrightarrow{\text{Yes}}$ New, S:Old $\xrightarrow{\text{No}}$ New, W:Add, Z:Discontinued, F:Interchangeable by set, K:Q'ty Change

Fig.5. SUCTION MANIFOLD

(A)=3TNV88-XKRY2
(B)=
(C)=

(D)=
(E)=
(F)=

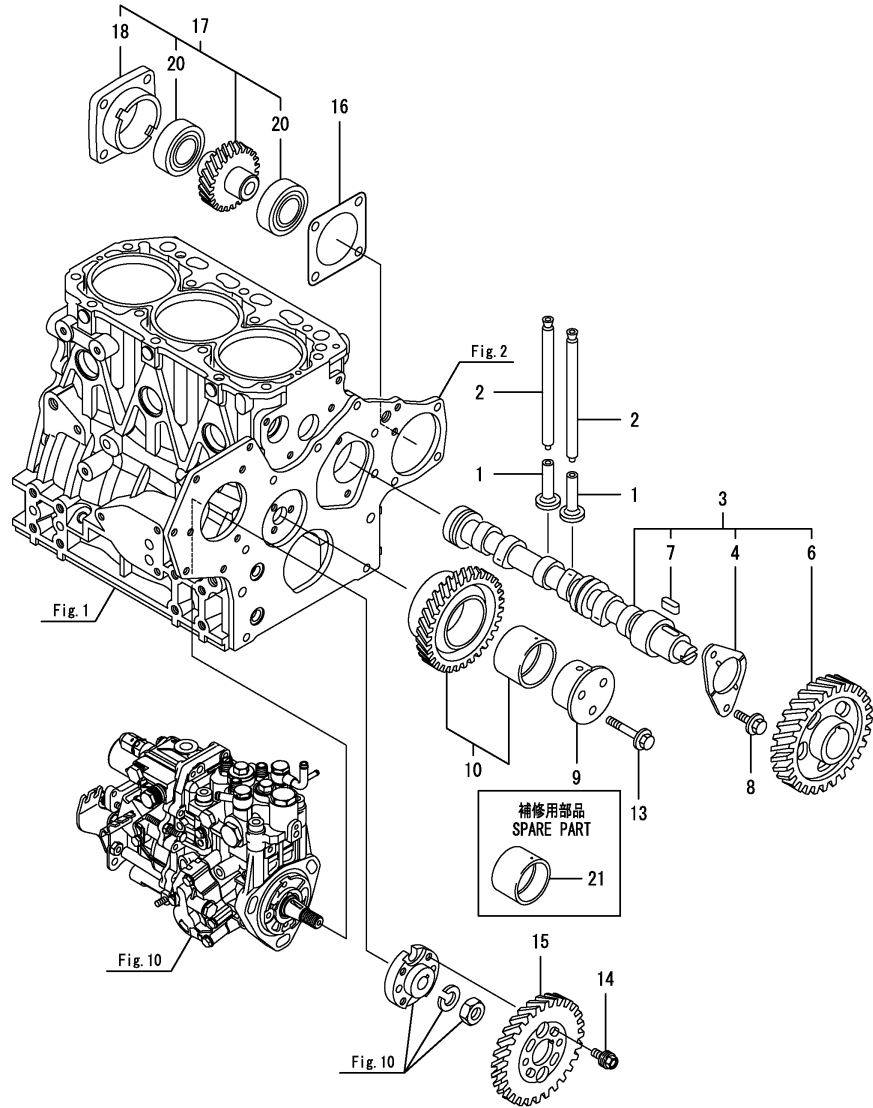
No.	Lev.	Parts No.	Description	Q'ty						I	R
				(A)	(B)	(C)	(D)	(E)	(F)		
1	1	129005-03080	PIPE , BREATHER	1							
2	2	129410-03990	CLIP	2							
3	1	129005-12101	MANIFOLD, AIR INTAKE	1							
4	1	129001-12110	GASKET, MANIFOLD	1							
5	1	26106-080202	BOLT, M8X 20 PLATED	4							
6	1	26106-080802	BOLT, M8X 80 PLATED	1							
7	1	129486-12581	JOINT, MANIFOLD	1							
8	1	129150-77511	GASKET	1							
9	1	26106-080202	BOLT, M8X 20 PLATED	4							
10	1	129263-13220	STUD, M8X95	2							



Remarks

Note : "Effective Machine No." of the Engine Section is indicated on the Model Label which is shown in Fig.4.

Fig.6. CAMSHAFT & DRIVING GEAR



(A)=3TNV88-XKRY2

(B)=

(C)=

(D)=

(E)=

(F)=

No.	Lev.	Parts No.	Description	Q'ty						I	R
				(A)	(B)	(C)	(D)	(E)	(F)		
1	1	129150-14200	TAPPET	6							
2	1	129150-14400	ROD, PUSH L=178	6							
3	1	129129-14580	CAMSHAFT ASSY	1							
4	2	129150-02450	BEARING, THRUST	1							
6	2	129150-14101	GEAR, CAMSHAFT	1							
7	2	22512-070140	KEY, 7X 14	1							
8	1	26106-080142	BOLT, M8X 14 PLATED	2							
9	1	119802-25051	SHAFT, IDLE	1							
10	1	119802-25101	GEAR ASSY, IDLE	1							
13	1	26106-080402	BOLT, M8X 40 PLATED	3							
14	1	129150-25301	BOLT	4							
15	1	119802-25901	GEAR, PUMP	1							
16	1	129150-01881	GASKET	1							
17	1	129150-26000	DRIVE ASSY, PUMP	1							
18	2	129150-26050	BRACKET, PUMP	1							
20	2	24105-060064	BEARING, BALL 6006Z	2							
21	1	119802-25071	BUSH, IDLE GEAR	1							1

Remarks

Note : "Effective Machine No." of the Engine Section is indicated on the Model Label which is shown in Fig.4.

(1)Spare parts.

N:Old $\xrightarrow{\text{Yes}}$ New, Q:Old $\xrightarrow{\text{No}}$ New, R:Old $\xrightarrow{\text{Yes}}$ New, S:Old $\xrightarrow{\text{No}}$ New, W:Add, Z:Discontinued, F:Interchangeable by set, K:Q'ty Change

Fig.7. CRANKSHAFT & PISTON

(A)=3TNV88-XKRY2

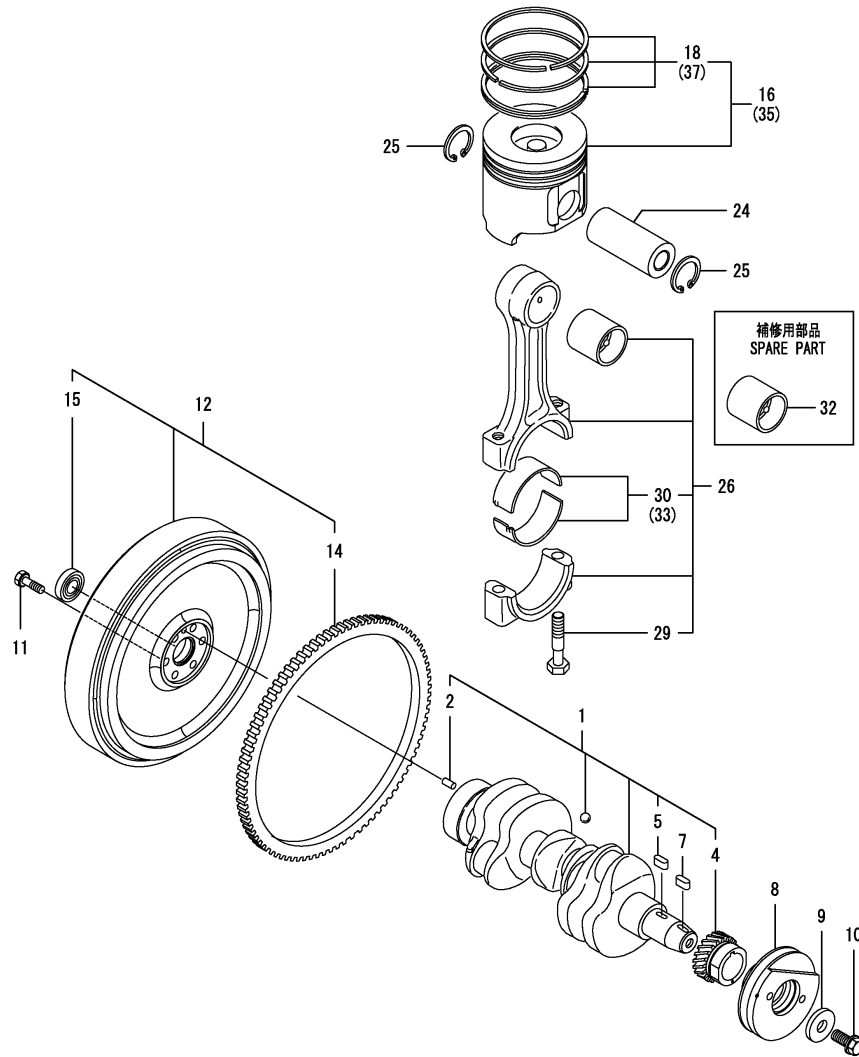
(B)=

(C)=

(D)=

(E)=

(F)=



No.	Lev.	Parts No.	Description	Q'ty						I	R
				(A)	(B)	(C)	(D)	(E)	(F)		
1	1	129004-21002	CRANKSHAFT ASSY	1							
2	2	129100-01580	PIN, M8X16	1							
4	2	119802-21202	GEAR, CRANKSHAFT	1							
5	2	22512-070140	KEY, 7X 14	1							
7	1	22512-070140	KEY, 7X 14	1							
8	1	129055-21650	V-PULLEY, 120	1							
9	1	129795-21661	WASHER	1							
10	1	121850-21680	BOLT	1							
11	1	121111-21501	BOLT, FLYWHEEL	6							
12	1	129267-21560	FLYWHEEL ASSY	1							
14	2	124550-21600	GEAR, RING	1							
15	2	24104-063020	BEARING, 6302UUC3	1							
16	1	129005-22080	PISTON ASSY	3							
18	2	129005-22500	RING SET, PISTON	3							
24	1	129202-22300	PIN, PISTON D26 L70	3							
25	1	22252-000260	RING, 26	6							
26	1	729402-23100	ROD ASSY, CONNECTING	3							
29	2	121550-23200	BOLT, CONNECTING ROD	6							
30	2	129150-23601	BEARING, CRANK PIN	3							
32	1	129100-23910	BEARING, PISTON PIN	3							1
33	1	129150-23611	BEARING, 0.25 US	3							2
35	1	129005-22900	PISTON ASSY, 0.25 OS	3							3
37	2	129005-22950	RING SET, 0.25 OS	3							3

Remarks

Note : "Effective Machine No." of the Engine Section is indicated on the Model Label which is shown in Fig.4.

- (1) Spare parts.
- (2) Under-sized (U.S.=0.25) parts.
- (3) Over-sized (O.S.=0.25) parts.

Fig.8. LUB. OIL SYSTEM

(A)=3TNV88-XKRY2

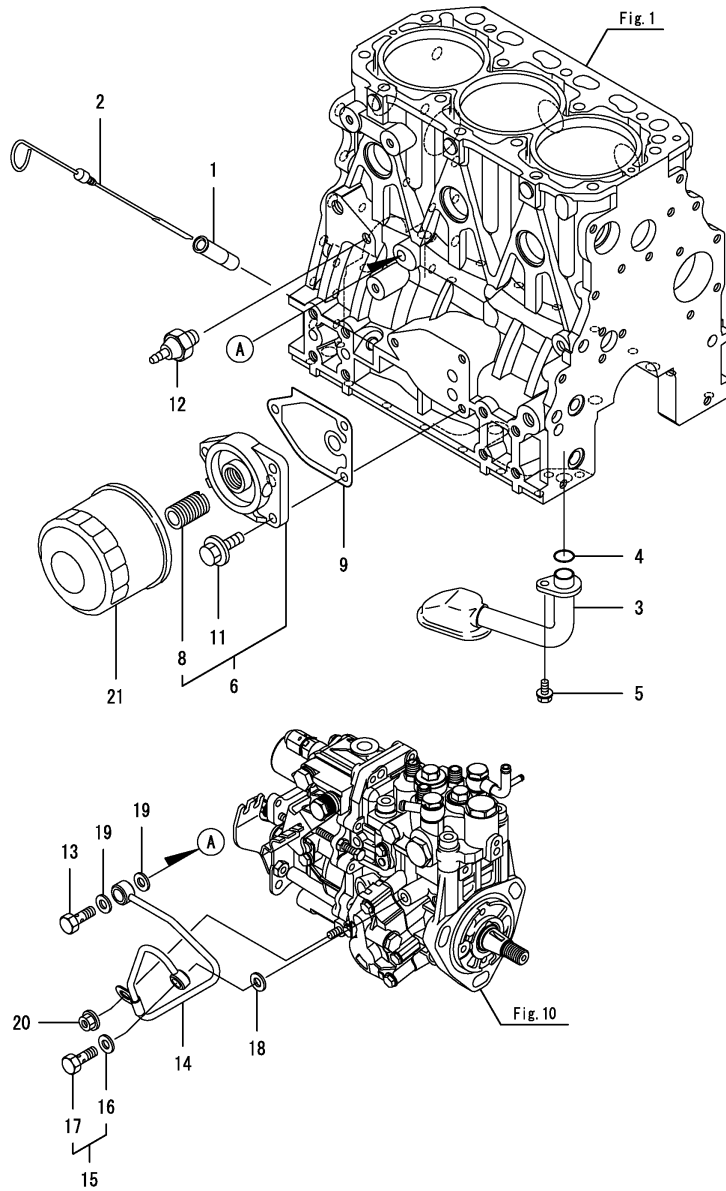
(B)=

(C)=

(D)=

(E)=

(F)=



No.	Lev.	Parts No.	Description	Q'ty						I	R
				(A)	(B)	(C)	(D)	(E)	(F)		
1	1	121520-34810	GUIDE, DIPSTICK	1							
2	1	129263-34811	DIPSTICK, OIL	1							
3	1	129052-35090	PIPE ASSY, OIL INLET	1							
4	1	24311-000160	O-RING, 1AP16.0	1							
5	1	26106-060122	BOLT, M6X 12 PLATED	1							
6	1	119802-35100	BRACKET ASSY, FILTER	1							
8	2	129100-35140	STUD	1							
9	1	129150-35111	GASKET	1							
11	1	26106-080202	BOLT, M8X 20 PLATED	3							
12	1	114250-39450	SWITCH, 0.5KG	1							
13	1	124160-39140	BOLT, PIPE JOINT M10	1							
14	1	119802-39450	PIPE ASSY, OIL	1							
15	1	129005-59830	BOLT ASSY, JOINT M8	1							
16	2	22190-080002	WASHER, SEAL 6	1							
17	2	23857-030000	BOLT, JOINT 3	1							
18	1	22190-080002	WASHER, SEAL 6	1							
19	1	22190-100002	WASHER, SEAL 10	2							
20	1	26366-060002	NUT, M6	1							
21	1	129150-35153	FILTER	1							1

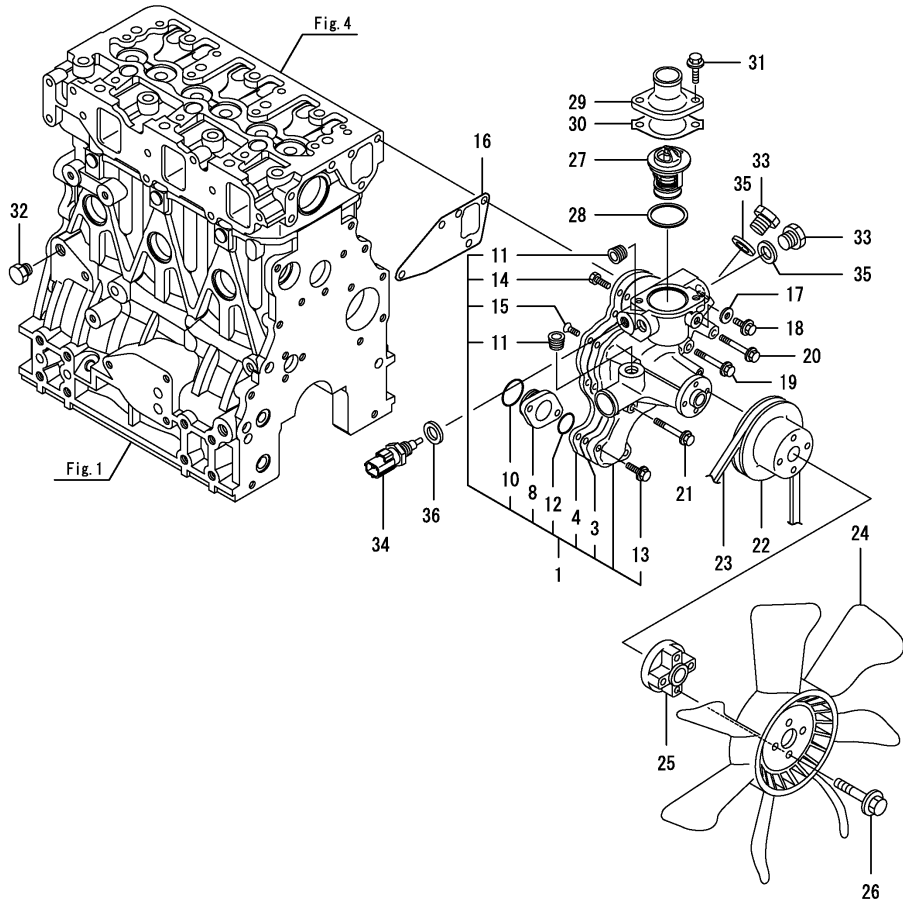
Remarks

Note : "Effective Machine No." of the Engine Section is indicated on the Model Label which is shown in Fig.4.

(1)Spare parts.

N:Old $\xrightarrow{\text{Yes}}$ New, Q:Old $\xrightarrow{\text{No}}$ New, R:Old $\xrightarrow{\text{Yes}}$ New, S:Old $\xrightarrow{\text{No}}$ New, W:Add, Z:Discontinued, F:Interchangeable by set, K:Q'ty Change

Fig.9. COOLING WATER SYSTEM



(A)=3TNV88-XKRY2

(B)=

(C)=

(D)=

(E)=

(F)=

No.	Lev.	Parts No.	Description	Q'ty						I	R
				(A)	(B)	(C)	(D)	(E)	(F)		
1	1	129054-42003	PUMP ASSY, WATER	1							
3	2	129457-42050	GASKET	1							
4	2	129457-42121	PLATE	1							
8	2	129150-42301	FLANGE	1							
10	2	129054-42320	O-RING	1							
11	2	129916-49740	PLUG, R03	2							
12	2	24358-240310	O-RING, 524031	1							
13	2	26106-060202	BOLT, M6X 20 PLATED	2							
14	2	26116-060162	BOLT, M6X 16 PLATED	5							
15	2	26577-060162	SCREW, M6X16	1							
16	1	129486-42050	GASKET, WATER PUMP	1							
17	1	23414-080000	GASKET, 8X1.0	1							
18	1	26106-080122	BOLT, M8X 12 PLATED	1							
19	1	26106-080552	BOLT, M8X 55 PLATED	2							
20	1	26106-080602	BOLT, M8X 60 PLATED	1							
21	1	26106-080702	BOLT, M8X 70 PLATED	1							
22	1	129550-42350	V-PULLEY, D=120	1							
23	1	25132-003900	V-BELT, A39	1							
24	1	129556-44740	FAN, COOLING	1							
25	1	171353-44760	SPACER, FAN	1							
26	1	26106-060402	BOLT, M6X 40 PLATED	4							
27	1	129155-49801	THERMOSTAT, 71	1							
28	1	129150-49811	GASKET, THERMOSTAT	1							
29	1	129350-49530	COVER, THERMOSTAT	1							
30	1	129795-49551	GASKET	1							
31	1	26106-080222	BOLT, M8X 22 PLATED	2							
32	1	171056-49120	PLUG, DRAIN	1							
33	1	121450-42450	PLUG, M16	2							
34	1	129927-44900	SENSOR	1							
35	1	124465-44950	GASKET, 16	2							
36	1	22190-120002	WASHER, SEAL 12	1							

Remarks

Note : "Effective Machine No." of the Engine Section is indicated on the Model Label which is shown in Fig.4.

N:Old $\xrightarrow{\text{Yes}}$ New, Q:Old $\xrightarrow{\text{No}}$ New, R:Old $\xrightarrow{\text{Yes}}$ New, S:Old $\xrightarrow{\text{No}}$ New, W:Add, Z:Discontinued, F:Interchangeable by set, K:Q'ty Change

Fig.10. FUEL INJECTION PUMP

(A)=3TNV88-XKRY2

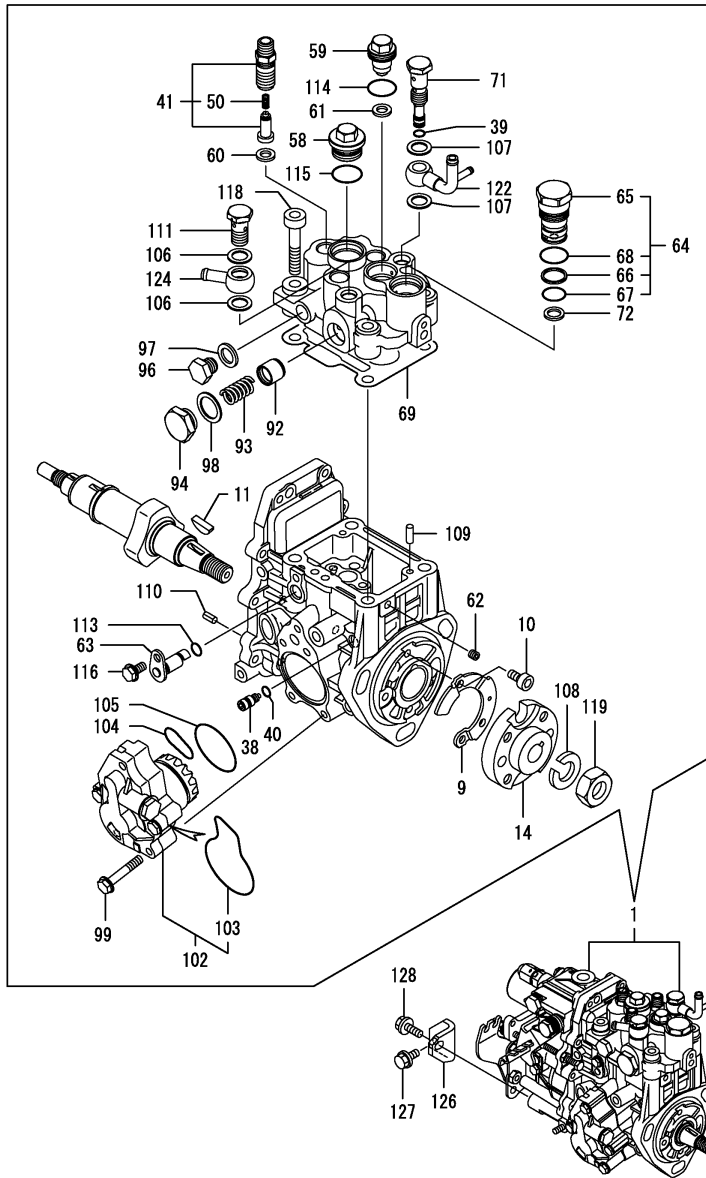
(B)=

(C)=

(D)=

(E)=

(F)=



No.	Lev.	Parts No.	Description	Q'ty						I	R
				(A)	(B)	(C)	(D)	(E)	(F)		
1	1	729267-51360	FIE ASSY	1							1
1-1	1	729267-51361	FIE ASSY	1							N 1
(A=E_K8385)											
9	2	129008-51900	COVER, GEAR CASE	1							
10	2	129008-51920	BOLT, M6X10	2							
11	2	119802-51090	KEY, 4X16	1							
14	2	158552-51151	FLANGE	1							
38	2	158600-51270	STOPPER, TAPPET	1							
39	2	158563-51281	O-RING, 4D S6	1							
40	2	158563-51281	O-RING, 4D S6	1							
41	2	129509-51390	VALVE ASSY, DELIVERY	3							
50	3	158563-51330	SPRING, DELIVERY	3							
58	2	158601-51550	PLUG	1							
59	2	119802-51560	PLUG, BARREL	1							
60	2	158552-51571	GASKET	3							
61	2	158552-51571	GASKET	1							
62	2	158557-51570	PLUG	1							
63	2	158552-51580	LIFTER	1							
64	2	129271-51590	PLUG SET, TIMER	1							
65	3	129271-51600	PLUG, TIMER	1							
66	3	119802-51680	RING, BACK UP	1							
67	3	119802-51690	O-RING	1							
68	3	24356-190200	O-RING, 4D19020	1							
69	2	158552-51600	GASKET	1							
71	2	158601-51650	JOINT, OVER FLOW	1							
72	2	158553-51680	GASKET	1							
92	2	158601-51770	PISTON	1							
93	2	158552-51781	SPRING	1							
94	2	158601-51790	PLUG	1							
96	2	158553-51930	PLUG, M12	1							
97	2	22190-120002	WASHER, SEAL 12	1							
98	2	22190-180002	WASHER, SEAL 18	1							
99	2	158553-51770	BOLT	4							
102	2	158552-52100	PUMP ASSY, FUEL FEED	1							
103	3	158552-52500	O-RING	1							
104	2	158552-52311	O-RING	1							
105	2	158552-52400	O-RING, 4E S42	1							
106	2	22190-120002	WASHER, SEAL 12	2							
107	2	22190-120002	WASHER, SEAL 12	2							
108	2	22217-140000	WASHER, SPRING 14	1							
109	2	22312-050140	PIN, PARALLEL M5X14	2							
110	2	22351-050010	PIN, SPRING 5.0X10	2							
111	2	23857-060000	BOLT, JOINT 6	1							
113	2	24311-000070	O-RING, 1AP7.0	1							
114	2	24356-190180	O-RING, 4D19018	1							
115	2	24356-190200	O-RING, 4D19020	1							
116	2	26106-060102	BOLT, M6X 10 PLATED	1							
118	2	26450-080452	BOLT, M8X 45	4							
119	2	26776-140002	NUT, LOCK M14	1							
122	2	158552-51670	JOINT, OVER FLOW	1							
124	2	129916-59020	JOINT, PIPE 12	1							

Remarks

Note : "Effective Machine No." of the Engine Section is indicated on the Model Label which is shown in Fig.4.

(1)Governor(Fig.11) is incorporated in this Fuel Injection Pump(No.1).

N:Old $\frac{Yes}{No}$ New, Q:Old $\frac{No}{Yes}$ New, R:Old $\frac{Yes}{Yes}$ New, S:Old $\frac{No}{No}$ New, W:Add, Z:Discontinued, F:Interchangeable by set, K:Q'ty Change

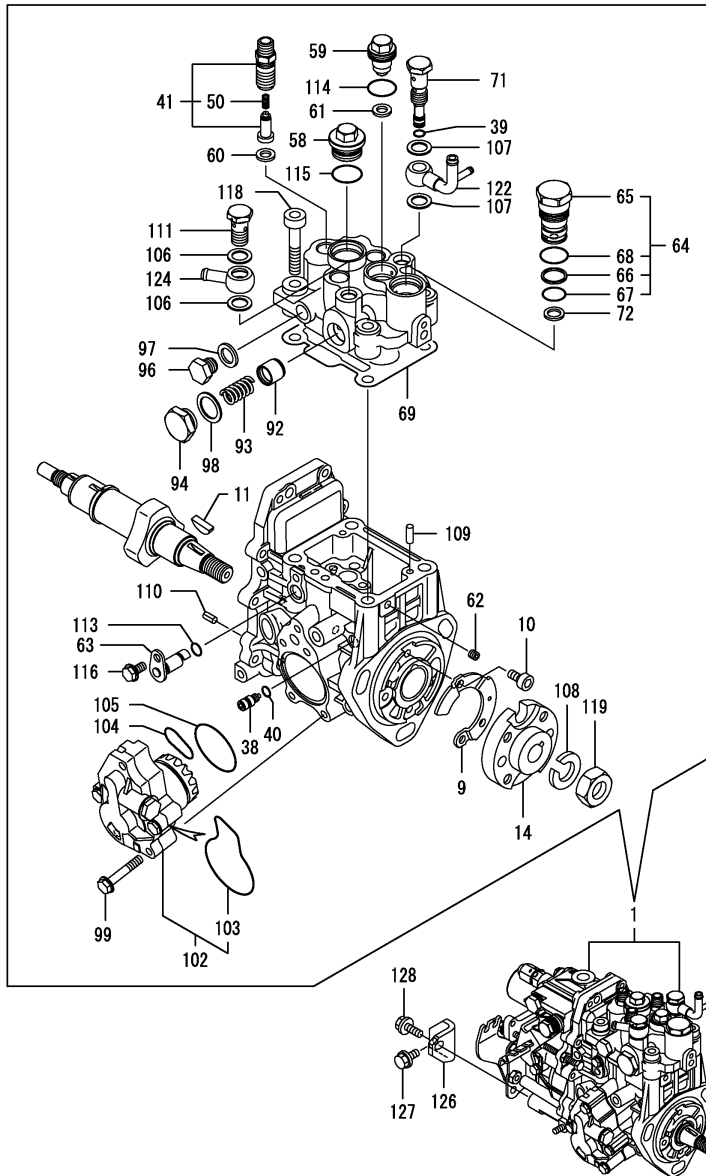
++ CONTINUE ++

Copyright (C) YANMAR CO., LTD. All Rights Reserved.

Fig.10. FUEL INJECTION PUMP

(A)=3TNV88-XKRY2
(B)=
(C)=

(D)=
(E)=
(F)=



No.	Lev.	Parts No.	Description	Q'ty						I	R
				(A)	(B)	(C)	(D)	(E)	(F)		
126	1	119802-51250	RETAINER, PUMP	1							
127	1	26106-080162	BOLT, M8X 16 PLATED	1							
128	1	26106-080202	BOLT, M8X 20 PLATED	1							

Remarks

Note : "Effective Machine No." of the Engine Section is indicated on the Model Label which is shown in Fig.4.

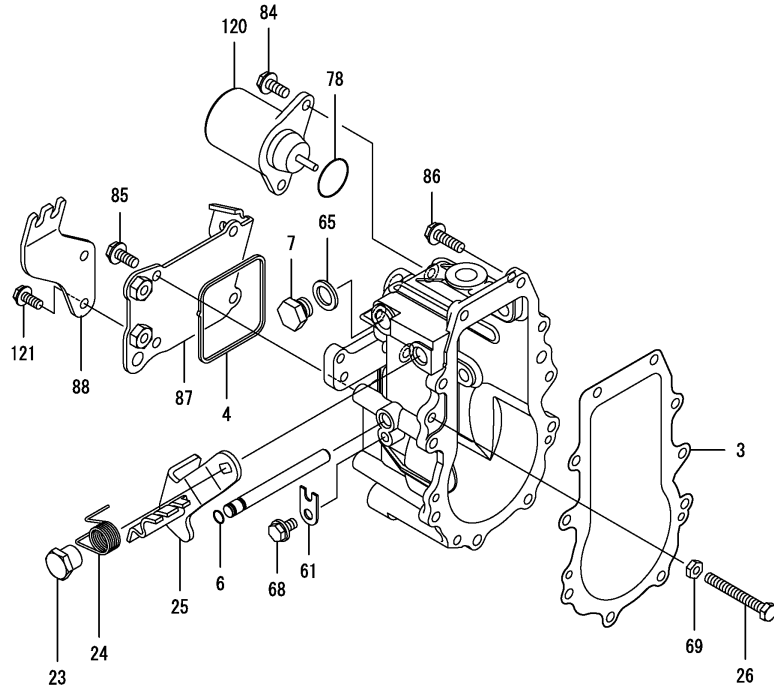
(1)Governor(Fig.11) is incorporated in this Fuel Injection Pump(No.1).

N:Old $\xrightarrow{\text{Yes}}$ New, Q:Old $\xrightarrow{\text{No}}$ New, R:Old $\xrightarrow{\text{Yes}}$ New, S:Old $\xrightarrow{\text{No}}$ New, W:Add, Z:Discontinued, F:Interchangeable by set, K:Q'ty Change

Fig.11. GOVERNOR

(A)=3TNV88-XKRY2
(B)=
(C)=

(D)=
(E)=
(F)=



No.	Lev.	Parts No.	Description	Q'ty						I	R
				(A)	(B)	(C)	(D)	(E)	(F)		
3	2	158553-61050	GASKET	1							
4	2	158553-61070	GASKET	1							
6	2	129155-51280	O-RING, S6	1							
7	2	158553-51930	PLUG, M12	1							
23	2	129255-61410	NUT, LOCK	1							
24	2	119807-61420	SPRING, RETURN	1							
25	2	119852-61440	LEVER ASSY,REGULATOR	1							
26	2	129155-61460	BOLT, IDLE	1							
61	2	119660-61901	RETAINER, SHAFT	1							
65	2	22190-120002	WASHER, SEAL 12	1							
68	2	26106-060102	BOLT, M6X 10 PLATED	1							
69	2	26756-060002	NUT, LOCK M6	1							
78	2	158552-61900	O-RING	1							
84	2	26106-060142	BOLT, M6X 14 PLATED	2							
85	2	26106-060142	BOLT, M6X 14 PLATED	4							
86	2	26106-060202	BOLT, M6X 20 PLATED	10							
87	2	158552-61061	COVER, GOVERNOR CASE	1							
88	2	119852-61080	SUPPORT, WIRE	1							
120	2	119233-77932	SOLENOID, STOP	1							
121	2	26106-060142	BOLT, M6X 14 PLATED	2							

Remarks

Note : "Effective Machine No." of the Engine Section is indicated on the Model Label which is shown in Fig.4.

* This figure(Governor) is incorporated in the Fuel Injection Pump(Fig.10).

N:Old $\xrightarrow{\text{Yes}}$ New, Q:Old $\xrightarrow{\text{No}}$ New, R:Old $\xrightarrow{\text{Yes}}$ New, S:Old $\xrightarrow{\text{No}}$ New, W:Add, Z:Discontinued, F:Interchangeable by set, K:Q'ty Change

Fig.12. FUEL INJECTION VALVE

(A)=3TNV88-XKRY2

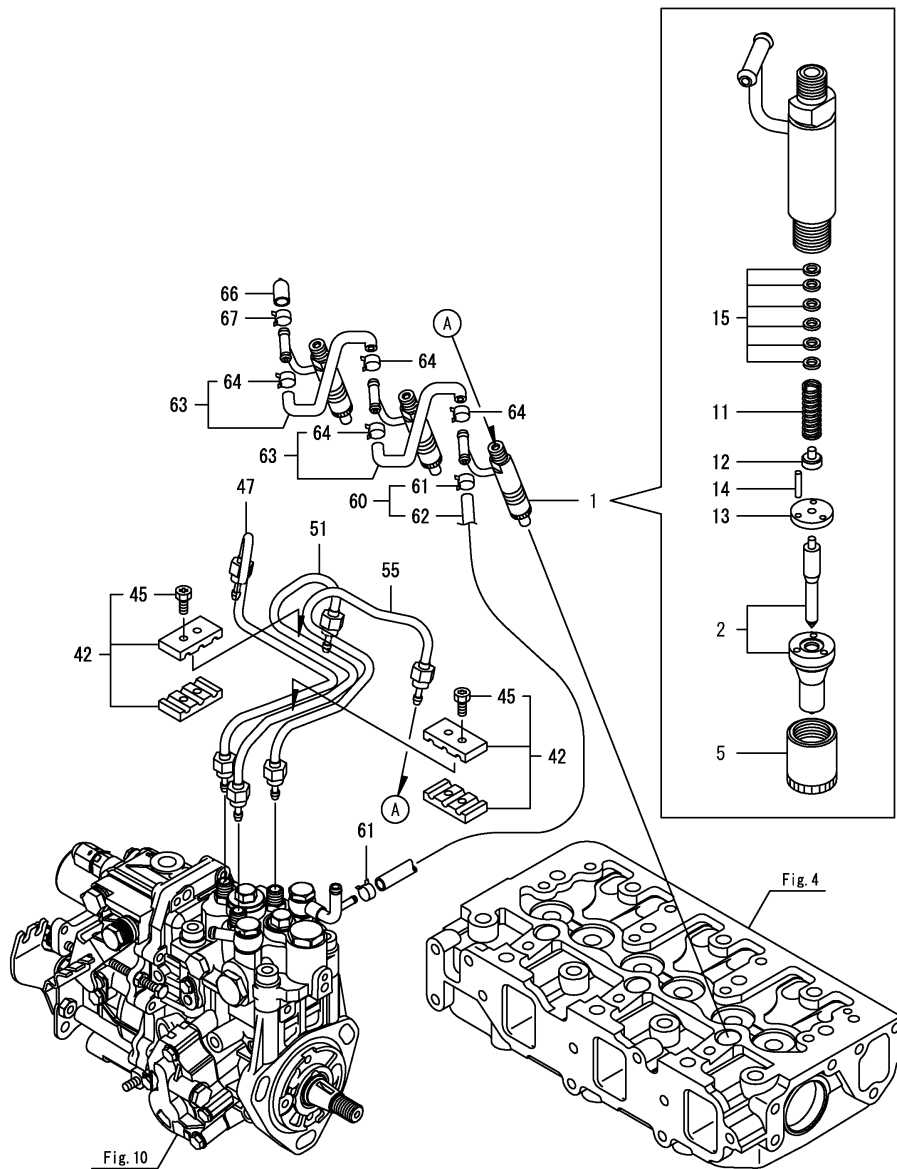
(B)=

(C)=

(D)=

(E)=

(F)=



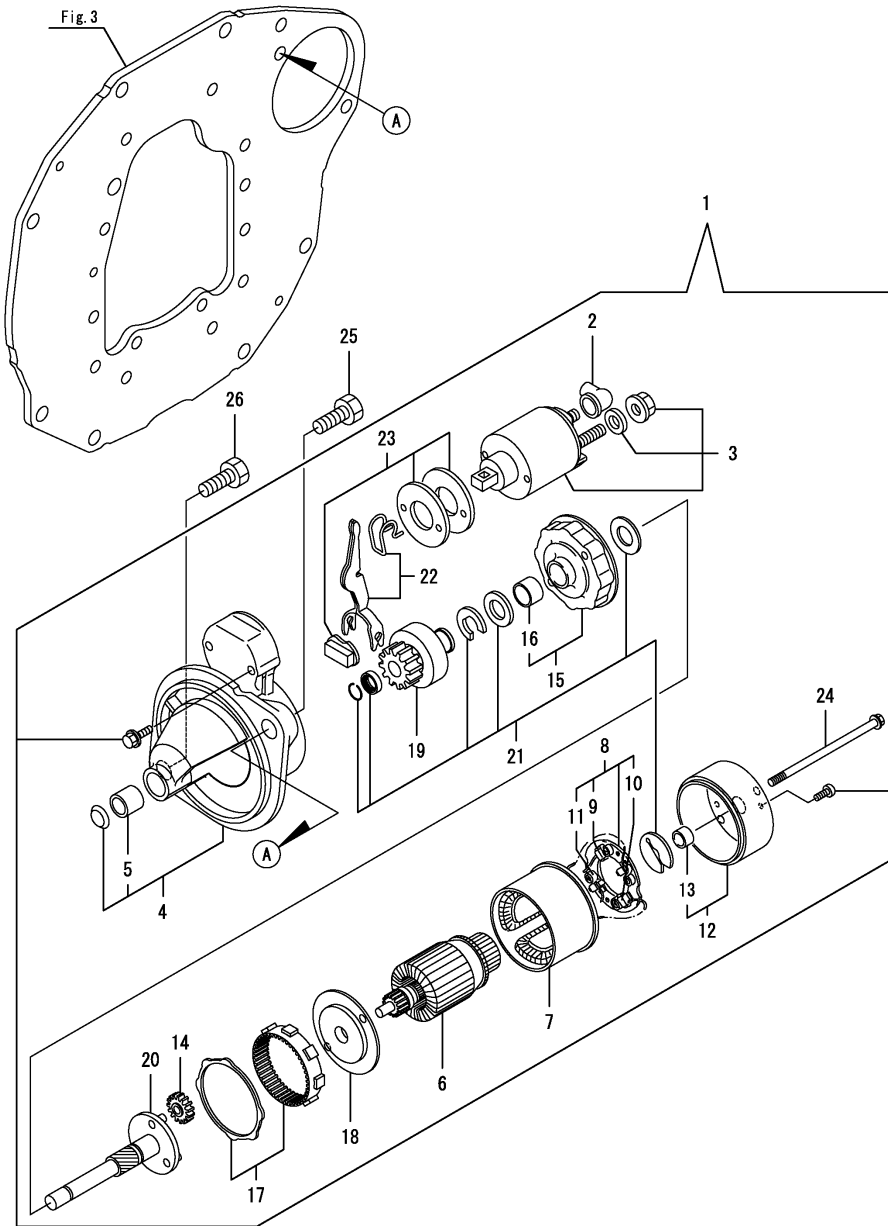
No.	Lev.	Parts No.	Description	Q'ty						I	R
				(A)	(B)	(C)	(D)	(E)	(F)		
1	1	729005-53101	VALVE ASSY,INJECTION	3							
2	2	129005-53001	VALVE ASSY,INJECTION	3							
5	2	114250-53080	NUT, NOZZLE D16.95	3							
11	2	114250-53120	SPRING, NOZZLE	3							
12	2	114250-53130	SEAT, SPRING	3							
13	2	114250-53140	PLATE	3							
14	2	114250-53210	PIN	6							
15	2	119803-53400	SHIM SET	3							
42	1	129150-59120	RETAINER, PIPE	2							
45	2	129150-59131	BOLT, M4X14	4							
47	1	129004-59811	PIPE ASSY, INJECTION	1							
51	1	129004-59821	PIPE ASSY, INJECTION	1							
55	1	129004-59831	PIPE ASSY, INJECTION	1							
60	1	119802-59550	PIPE ASSY, RETURN	1							
61	2	124722-59050	CLIP, HOSE 9	2							
62	2	119802-59560	PIPE, FUEL RETURN	1							
63	1	129486-59551	PIPE ASSY, RETURN	2							
64	2	124722-59050	CLIP, HOSE 9	4							
66	1	119593-59581	CAP	1							
67	1	124060-77680	CLIP, HOSE 10	1							

Remarks

Note : "Effective Machine No." of the Engine Section is indicated on the Model Label which is shown in Fig.4.

N:Old $\xrightarrow{\text{Yes}}$ New, Q:Old $\xrightarrow{\text{No}}$ New, R:Old $\xrightarrow{\text{Yes}}$ New, S:Old $\xrightarrow{\text{No}}$ New, W:Add, Z:Discontinued, F:Interchangeable by set, K:Q'ty Change

Fig.13. STARTING MOTOR



(A)=3TNV88-XKRY2
(B)=
(C)=

(D)=
(E)=
(F)=

No.	Lev.	Parts No.	Description	Q'ty						I	R
				(A)	(B)	(C)	(D)	(E)	(F)		
1	1	129052-77010	STARTER, CR1.2	1							
2	2	X2114274200	COVER	1							
3	2	129698-77020	SWITCH ASSY	1							
4	2	129052-77030	HOUSING ASSY, GEARS	1							
5	3	X2114535200	METAL, STARTER	1							
6	2	129698-77101	ARMATURE ASSY	1							
7	2	129698-77110	YOKE ASSY	1							
8	2	129698-77120	HOLDER ASSY, BRUSH	1							
9	3	129698-77130	BRUSH	2							
10	3	129698-77140	BRUSH SET	1							
11	3	129698-77150	SPRING, BRUSH	4							
12	2	129698-77161	COVER ASSY	1							
13	3	129698-77170	BEARING	1							
14	2	118400-77170	GEAR	3							
15	2	129698-77180	BRACKET	1							
16	3	129698-77190	BRACKET	1							
17	2	129698-77200	GEAR, INTERNAL	1							
18	2	129698-77210	BRACKET	1							
19	2	129698-77220	PINION ASSY	1							
20	2	129698-77230	SHAFT	1							
21	2	129698-77250	WASHER SET	1							
22	2	129698-77270	LEVER SET, SHIFT	1							
23	2	129698-77280	COVER KIT	1							
24	2	124195-77770	BOLT, THROUGH	2							
25	1	129155-77060	BOLT	1							
26	1	26116-120202	BOLT, M12X 20 PLATED	1							

Remarks

Note : "Effective Machine No." of the Engine Section is indicated on the Model Label which is shown in Fig.4.

Fig.14. GENERATOR

(A)=3TNV88-XKRY2

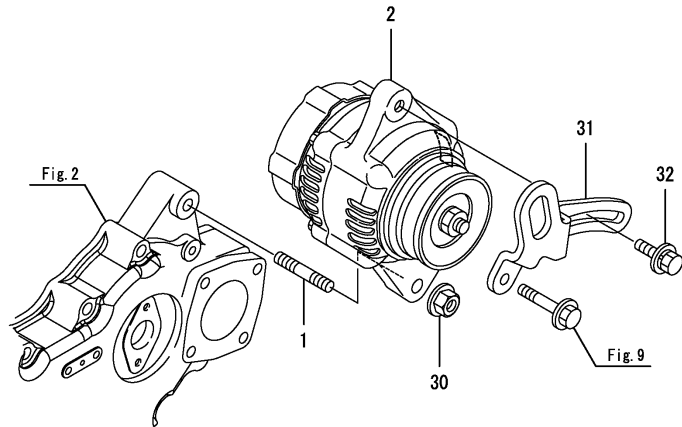
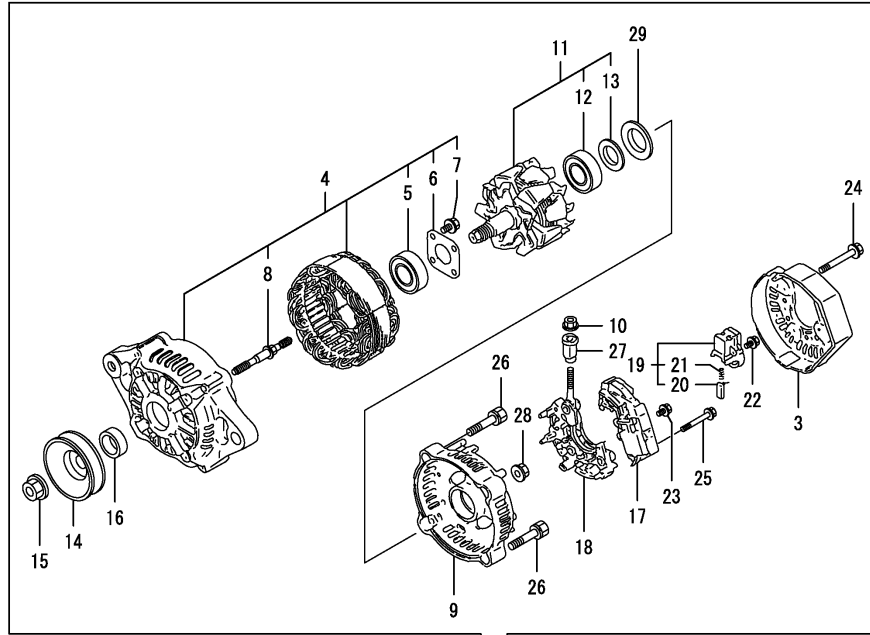
(B)=

(C)=

(D)=

(E)=

(F)=



No.	Lev.	Parts No.	Description	Q'ty						I	R
				(A)	(B)	(C)	(D)	(E)	(F)		
1	1	129795-01900	STUD	1							
2	1	119751-77200	GENERATOR, 12V-40AP	1							
3	2	X0215512440	COVER	1							
4	2	X1214001430	FRAME ASSY, DRIVE	1							
5	3	119620-79200	BEARING, BALL	1							
6	3	119620-79210	PLATE, RETAINER	1							
7	3	119620-79220	SCREW	4							
8	3	119620-79230	STUD	2							
9	2	X1215011050	FRAME ASSY	1							
10	2	X9490561001	NUT	1							
11	2	119620-77380	ROTOR ASSY	1							
12	3	119620-79240	BEARING, BALL	1							
13	3	119620-79250	COVER	1							
14	2	119620-77461	PULLEY	1							
15	2	119620-77471	NUT	1							
16	2	119620-77490	COLLAR	1							
17	2	129423-77710	REGULATOR ASSY	1							
18	2	119620-79260	HOLDER	1							
19	2	129052-79270	HOLDER, BRUSH	1							
20	3	119620-77480	BRUSH ASSY	2							
21	3	119620-79280	SPRING	2							
22	2	119620-79290	SCREW	6							
23	2	119620-79300	SCREW	1							
24	2	119620-79310	BOLT	3							
25	2	119620-79320	SCREW	2							
26	2	119620-79330	BOLT	2							
27	2	119620-79340	BUSH, INSULATION	1							
28	2	119620-79350	NUT	2							
29	2	119620-79360	WASHER, THRUST	1							
30	1	26306-100002	NUT, M10	1							
31	1	129263-77330	ADJUSTER	1							
32	1	119810-77340	BOLT, ADJUSTER	1							

Remarks

Note : "Effective Machine No." of the Engine Section is indicated on the Model Label which is shown in Fig.4.

N:Old $\xrightarrow{\text{Yes}}$ New, Q:Old $\xrightarrow{\text{No}}$ New, R:Old $\xrightarrow{\text{Yes}}$ New, S:Old $\xrightarrow{\text{No}}$ New, W:Add, Z:Discontinued, F:Interchangeable by set, K:Q'ty Change

Parts No. Index

Parts No.	Fig. No.	Ref. No.
114250-39450	8	12
114250-53080	12	5
114250-53120	12	11
114250-53130	12	12
114250-53140	12	13
114250-53210	12	14
118400-77170	13	14
119233-77932	11	120
119593-59581	12	66
119609-32040	2	11
119620-77380	14	11
119620-77461	14	14
119620-77471	14	15
119620-77480	14	20
119620-77490	14	16
119620-79200	14	5
119620-79210	14	6
119620-79220	14	7
119620-79230	14	8
119620-79240	14	12
119620-79250	14	13
119620-79260	14	18
119620-79280	14	21
119620-79290	14	22
119620-79300	14	23
119620-79310	14	24
119620-79320	14	25
119620-79330	14	26
119620-79340	14	27
119620-79350	14	28
119620-79360	14	29
119625-11880	4	28
119660-61901	11	61
119751-77200	14	2
119802-01561	2	7
119802-03110	4	38
119802-03121	4	39
119802-03130	4	40
119802-03141	4	41
119802-11260	4	4
119802-11270	4	5
119802-11280	4	6
119802-11870	4	27
119802-21202	7	4
119802-25051	6	9
119802-25071	6	21
119802-25101	6	10
119802-25901	6	15
119802-32070	2	13
119802-32100	2	12

Parts No.	Fig. No.	Ref. No.
119802-32111	2	17
119802-32120	2	18
119802-32130	2	19
119802-35100	8	6
119802-39450	8	14
119802-51090	10	11
119802-51250	10	126
119802-51560	10	59
119802-51680	10	66
119802-51690	10	67
119802-59550	12	60
119802-59560	12	62
119803-53400	12	15
119807-61420	11	24
119810-77340	14	32
119852-61080	11	88
119852-61440	11	25
119934-01800	2	5
120130-11860	4	50
120270-54410	4	30
121023-01551	2	34
121111-21501	7	11
121400-11340	4	23
121450-42450	9	33
121520-34810	8	1
121550-23200	7	29
121850-21680	7	10
121850-51960	2	20
124060-01050	1	4
124060-77680	12	67
124160-01751	2	8
124160-01910	1	6
		7
	3	6
124160-11360	4	46
124160-39140	8	13
124195-77770	13	24
124240-01871	2	9
		27
		28
124240-01883	2	29
124460-11340	4	24
124465-44950	9	35
124550-21600	7	14
124722-59050	12	61
		64
129001-01250	1	5
129001-01340	1	29
129001-02931	1	30
129001-12110	5	4

Parts No.	Fig. No.	Ref. No.
129001-32330	2	16
129004-01190	1	27
129004-01520	2	6
129004-03010	4	36
129004-11241	4	1
129004-11251	4	2
129004-11310	4	43
129004-11650	4	8
129004-11900	4	29
129004-21002	7	1
129004-59811	12	47
129004-59821	12	51
129004-59831	12	55
129005-03080	5	1
129005-11100	4	19
129005-11700	4	13
129005-12101	5	3
129005-22080	7	16
129005-22500	7	18
129005-22900	7	35
129005-22950	7	37
129005-53001	12	2
129005-59830	8	15
129008-51900	10	9
129008-51920	10	10
129052-01692	3	4
129052-35090	8	3
129052-77010	13	1
129052-77030	13	4
129052-79270	14	19
129054-01640	3	8
129054-42003	9	1
129054-42320	9	10
129055-11350	4	35
129055-21650	7	8
129100-01580	3	1
		16
	7	2
129100-11112	4	20
129100-23910	7	32
129100-35140	8	8
129129-14580	6	3
129150-01200	1	28
129150-01881	6	16
129150-02020	1	9
129150-02450	6	4
129150-02871	1	33
129150-02931	1	24
129150-02941	1	36
129150-03070	4	37

Parts No.	Fig. No.	Ref. No.
129150-11230	4	9
129150-11280	4	7
129150-11370	4	12
129150-11750	4	11
129150-11810	4	51
129150-14101	6	6
129150-14200	6	1
129150-14400	6	2
129150-23601	7	30
129150-23611	7	33
129150-25301	6	14
129150-26000	6	17
129150-26050	6	18
129150-35111	8	9
129150-35153	8	21
129150-42301	9	8
129150-49811	9	28
129150-59120	12	42
129150-59131	12	45
129150-77511	5	8
129155-49801	9	27
129155-51280	11	6
129155-61460	11	26
129155-77060	13	25
129202-22300	7	24
129255-61410	11	23
129263-13220	5	10
129263-34811	8	2
129263-77330	14	31
129267-01620	3	2
129267-01710	3	7
129267-21560	7	12
129271-51590	10	64
129271-51600	10	65
129350-49530	9	29
129410-03990	5	2
129418-32320	2	15
129423-77710	14	17
129457-42050	9	3
129457-42121	9	4
129486-01670	3	20
129486-12581	5	7
129486-42050	9	16
129486-59551	12	63
129509-51390	10	41
129550-42350	9	22
129555-01750	3	11
129556-44740	9	24
129648-01600	3	17
129648-01780	3	19

Parts No. Index

Parts No.	Fig. No.	Ref. No.
129698-77020	13	3
129698-77101	13	6
129698-77110	13	7
129698-77120	13	8
129698-77130	13	9
129698-77140	13	10
129698-77150	13	11
129698-77161	13	12
129698-77170	13	13
129698-77180	13	15
129698-77190	13	16
129698-77200	13	17
129698-77210	13	18
129698-77220	13	19
129698-77230	13	20
129698-77250	13	21
129698-77270	13	22
129698-77280	13	23
129795-01900	14	1
129795-01950	2	10
129795-02412	1	12
129795-11120	4	21
129795-11180	4	22
129795-21661	7	9
129795-49551	9	30
129900-07900	4	48
129900-32130	2	14
129916-49740	9	11
129916-59020	10	124
129927-44900	9	34
158552-51151	10	14
158552-51571	10	60
		61
158552-51580	10	63
158552-51600	10	69
158552-51670	10	122
158552-51781	10	93
158552-52100	10	102
158552-52311	10	104
158552-52400	10	105
158552-52500	10	103
158552-61061	11	87
158552-61900	11	78
158553-51680	10	72
158553-51770	10	99
158553-51930	10	96
	11	7
158553-61050	11	3
158553-61070	11	4
158557-51570	10	62

Parts No.	Fig. No.	Ref. No.
158563-51281	10	39
		40
158563-51330	10	50
158600-51270	10	38
158601-51550	10	58
158601-51650	10	71
158601-51770	10	92
158601-51790	10	94
171051-01921	1	8
171056-49120	9	32
171353-44760	9	25
22190-080002	2	30
	8	16
		18
22190-100002	8	19
22190-120002	3	10
	9	36
	10	97
		106
		107
	11	65
22190-180002	10	98
22217-140000	10	108
22252-000260	7	25
22312-050140	10	109
22351-050010	10	110
22351-060012	4	31
22512-070140	6	7
	7	5
		7
22857-500100	4	44
		45
23414-080000	9	17
23857-030000	8	17
23857-060000	10	111
23876-030000	2	3
23876-040000	2	4
24104-063020	7	15
24105-060064	6	20
24311-000070	10	113
24311-000120	4	47
24311-000160	8	4
24311-000320	2	21
24341-000240	2	35
24356-190180	10	114
24356-190200	10	68
		115
24358-240310	9	12
25132-003900	9	23
26106-060102	10	116

Parts No.	Fig. No.	Ref. No.
26106-060102	11	68
26106-060122	8	5
26106-060142	11	84
		85
		121
26106-060162	2	36
26106-060202	9	13
	11	86
26106-060402	9	26
26106-080122	9	18
26106-080142	6	8
26106-080162	2	22
		23
		31
	4	49
	10	127
26106-080202	2	32
	5	5
		9
	8	11
	10	128
26106-080222	9	31
26106-080252	3	12
		13
	4	32
26106-080302	2	33
26106-080352	4	33
26106-080402	6	13
26106-080502	3	14
	4	34
26106-080552	2	24
	9	19
26106-080602	9	20
26106-080702	9	21
26106-080802	5	6
26106-080852	2	25
26106-081202	3	15
26116-060162	9	14
26116-120202	13	26
26206-100202	3	3
26306-080002	2	26
26306-100002	14	30
26366-060002	8	20
26450-080452	10	118
26577-060162	9	15
26756-060002	11	69
26776-140002	10	119
27241-120000	1	13
27241-300000	1	14
27241-400000	4	18

Parts No.	Fig. No.	Ref. No.
27310-080001	4	25
729005-01560	1	1
729005-53101	12	1
729235-01500	2	1
729267-51360	10	1
729267-51361	10	1 -1
729402-23100	7	26
X0215512440	14	3
X1214001430	14	4
X1215011050	14	9
X2114274200	13	2
X2114535200	13	5
X9490561001	14	10