

0CNP5-M50301EN

# Contents

OCNP5-M50301

Fig. No. Fig. Name

## ENGINE CONTROL

1. RELAY(ENGINE)
2. ENGINE RELATED
3. RADIATOR
4. ACCEL
5. FOOT ACCEL
6. MUFFLER
7. EXHAUST PORT
8. FUEL TANK
9. FUEL PIPE
10. FUEL FILTER
11. AIR CLEANER

## FRONT AXLE

12. FRONT BRACKET
13. FRONT SUPPORT(1)
14. FRONT SUPPORT(2)
15. BREATHER
16. TIE ROD
17. RING GEAR
18. DIFFERENTIAL GEAR
19. PROPELLER SHAFT
20. FRONT SHAFT(1)
21. FRONT AXLE CASE
22. FRONT GEAR CASE

Fig. No. Fig. Name

23. FRONT SHAFT(2)
24. FRONT SPINDLE
25. SHAFT COVER
26. FRONT WHEEL TIRE
27. HUB BOLT
28. STEERING COLUMN
29. STEERING WHEEL
30. STEERING COVER
31. P.S.T. CYLINDER
32. P.S.T. VALVE
33. P.S.T. HOSE

## TRANSMISSION

34. CLUTCH HOUSING
35. DOCKING BOLT
36. SINGLE CLUTCH
37. CLUTCH SHAFT
38. CLUTCH RELEASE(1)
39. CLUTCH RELEASE(2)
40. TRANSMISSION CASE
41. CENTER PLATE
42. MAIN DRIVE SHAFT
43. MAIN SHAFT
44. REVERSER SHAFT
45. REDUCTION SHAFT

# Contents

OCNP5-M50301

Fig. No. Fig. Name

- 46. COUNTER SHAFT
- 47. REVERSER IDLE SHAFT
- 48. P.T.O. DRIVE SHAFT
- 49. P.T.O. SHAFT
- 50. P.T.O. SHAFT COVER
- 51. MAIN SHIFT
- 52. SHIFT LEVER
- 53. REVERSER SHIFT
- 54. REVERSER LEVER
- 55. SUB SHIFT
- 56. SHIFT LINK
- 57. P.T.O. SHIFT
- 58. SHIFT KNOB
- 59. FRONT DRIVE
- 60. FRONT SHIFT

## REAR AXLE

- 61. RING GEAR
- 62. DIFFERENTIAL GEAR
- 63. DIFFERENTIAL CARRIER
- 64. REAR HOUSING
- 65. DIFFERENTIAL LOCK
- 66. FINAL PINION
- 67. FINAL GEAR
- 68. REAR AXLE SHAFT

Fig. No. Fig. Name

- 69. REAR WHEEL TIRE
- 70. HUB BOLT
- 71. BRAKE
- 72. PEDAL
- 73. BRAKE LINK
- 74. PARKING

## HYDRAULIC CONTROL

- 75. HYDRAULIC PUMP
- 76. HYDRAULIC CYLINDER CASE(1)
- 116. HYDRAULIC CYLINDER CASE(2)
- 77. PISTON
- 78. LIFT CRANK
- 79. CONTROL VALVE
- 80. RELIEF VALVE
- 81. HYDRAULIC CONTROL
- 82. HYDRAULIC LEVER
- 83. STOP VALVE KNOB
- 84. PIPE(HYDRAULIC)
- 85. PIPE(TRANSMISSION)
- 86. HYDRAULIC FILTER

## ELECTRICAL PARTS

- 87. WIRE HARNESS
- 88. BATTERY

# Contents

OCNP5-M50301

Fig. No. Fig. Name

89. SWITCH(FLOOR)

90. LAMP

91. METER

92. HORN

93. SWITCH

## FITTINGS

94. BATTERY SUPPORT

95. HOOD

96. HOOD STAND

97. HOOD LOCK

98. DASHBOARD

99. COLUMN COVER

100. FENDER

101. BREATHER

102. FLOOR

103. SUB STEP

104. SEAT

105. SEAT BRACKET

106. SEAT BELT

107. LABEL

108. LABEL

109. LABEL(SAFETY)

Fig. No. Fig. Name

HITCH

110. THREE POINT HITCH

111. DRAWBAR HITCH

SAFETY FRAME

112. ROPS

ACCESSORIES

113. ACCESSORY

OPTIONAL

114. REARVIEW MIRROR

115. ROOF

Fig.1. RELAY(ENGINE)

(A)=EF393T  
(B)=  
(C)=

(D)=  
(E)=  
(F)=

No.	Lev.	Parts No.	Description	Q'ty						I	R
				(A)	(B)	(C)	(D)	(E)	(F)		
1	1	1A7870-52950	RELAY, CB	2							
2	1	1K1140-82500	RELAY(ACM13211M01	1							
3	1	26106-060162	BOLT, M6X 16 PLATED	1							
4	1	26106-060162	BOLT, M6X 16 PLATED	1							

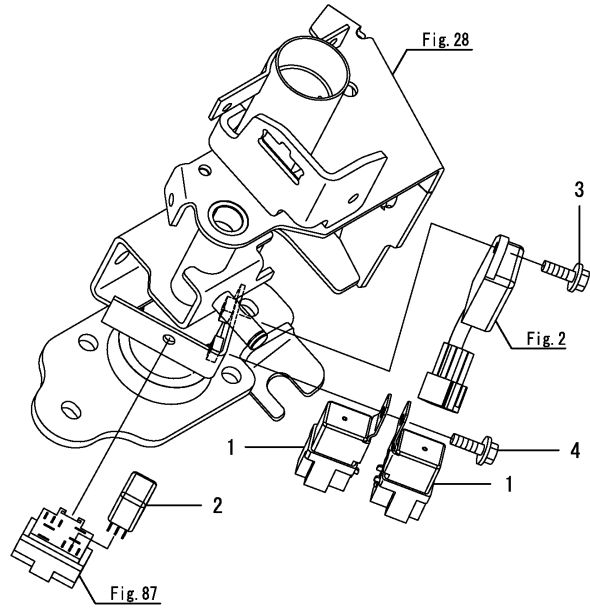
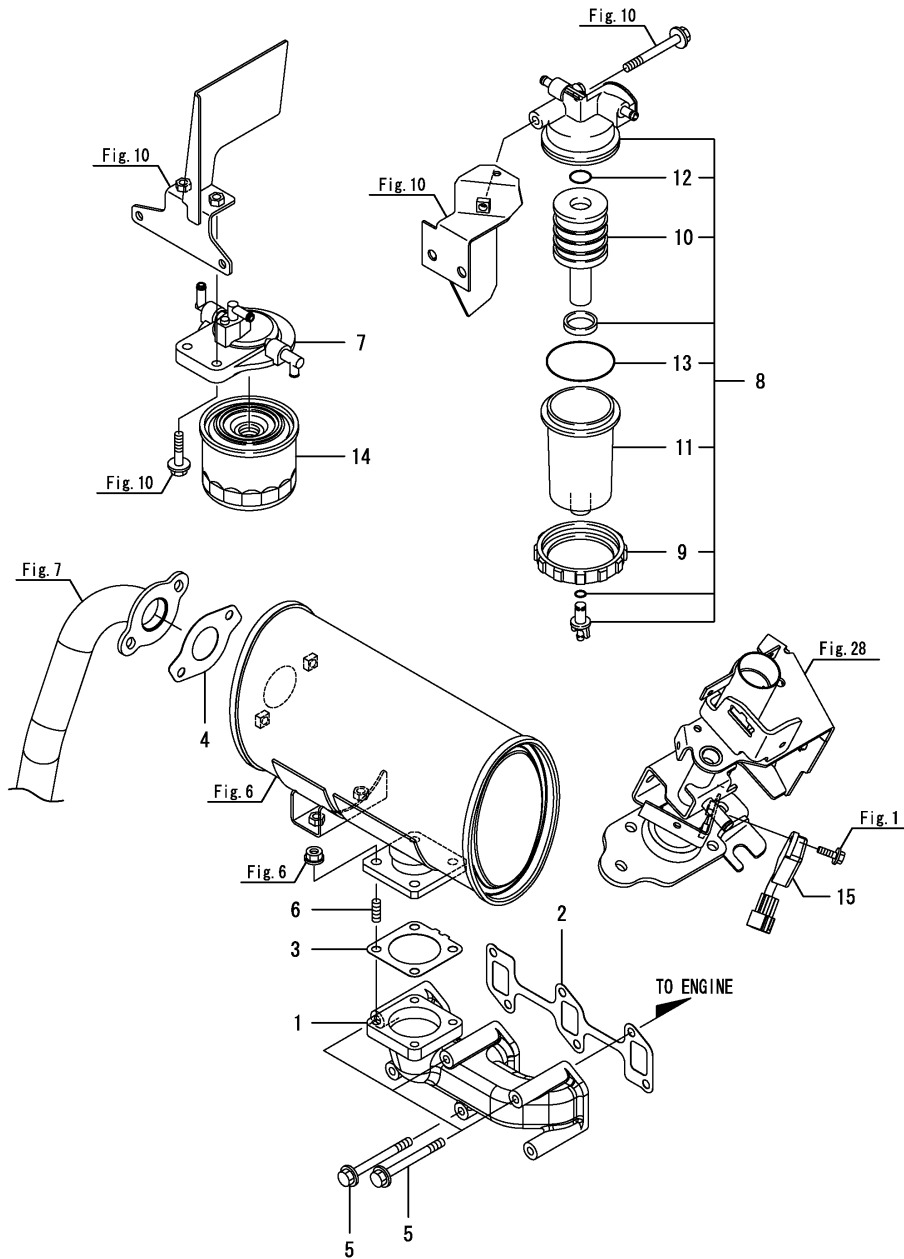


Fig.2. ENGINE RELATED

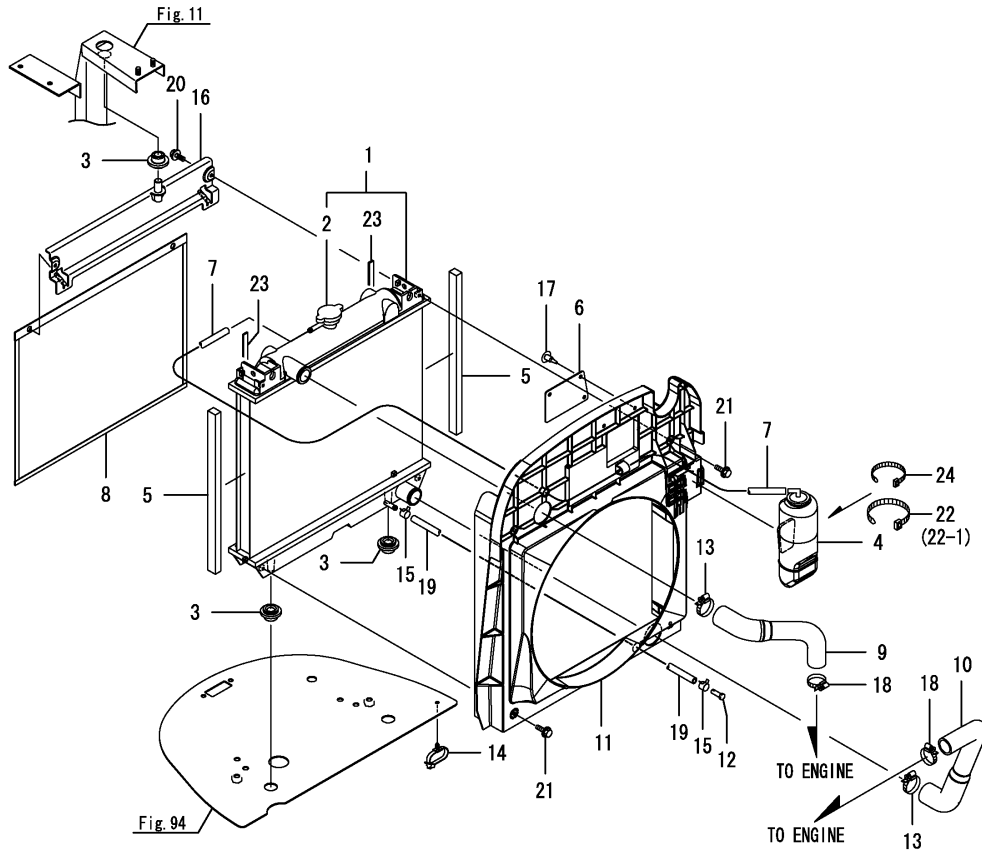
(A)=EF393T  
(B)=  
(C)=

(D)=  
(E)=  
(F)=



No.	Lev.	Parts No.	Description	Qty						I	R
				(A)	(B)	(C)	(D)	(E)	(F)		
1	1	171350-13100	MANIFOLD, EXHAUST	1							
2	1	129150-13110	GASKET	1							
3	1	129004-13200	GASKET, SILENCER	1							
4	1	129052-13550	GASKET	1							
5	1	123900-13630	BOLT, M8X80	4							
6	1	119131-18320	STUD, M8X22	4							
7	1	119852-55612	BRACKET, FILTER	1							
8	1	119802-55700	SEPARATOR ASSY	1							
9	2	129100-55690	RING, RETAINING	1							
10	2	119802-55710	ELEMENT	1							
11	2	119802-55730	CUP ASSY	1							
12	2	24311-000160	O-RING, 1AP16.0	1							
13	2	24321-000650	O-RING, 1AG65.0	1							
14	1	129004-55810	FILTER, FUEL	1							
15	1	129211-77920	TIMER	1							

Fig.3. RADIATOR



(A)=EF393T  
(B)=  
(C)=

(D)=  
(E)=  
(F)=

No.	Lev.	Parts No.	Description	Q'ty						I	R
				(A)	(B)	(C)	(D)	(E)	(F)		
1	1	1A8310-00600	RADIATOR ASSY,	1							
2	2	129107-44590	CAP, RADIATOR	1							
3	1	1A8115-00610	RUBBER, ABSORBER	3							
4	1	1A8115-00650	TANK ASSY, SUB	1							
5	1	1A8310-00660	SEAL, RADIATOR	2							
6	1	1A8310-00670	COVER, SHROUD	1							
7	1	1A8310-00680	PIPE, OVERFLOW	1							
8	1	1A8310-01210	SCREEN ASSY,RADIATOR	1							
9	1	1A8310-01410	HOSE, COOLING WATER	1							
10	1	1A8310-01450	HOSE, COOLING WATER	1							
11	1	1A8310-01510	SHROUD, FAN	1							
12	1	198220-37900	PIN, 8X24	1							
13	1	175022-49750	CLIP 37, HOSE	2							
14	1	1A8275-51670	CLIP, M8 HOLE	1							
15	1	114270-59010	CLIP, HOSE 12	2							
16	1	1A8310-60710	HOOK ASSY, SCREEN	1							
17	1	194697-62560	CAP, HOLE	3							
18	1	23000-035000	CLAMP, 35	2							
19	1	23980-730300	HOSE, 7.3X 300	1							
20	1	26106-060122	BOLT, M6X 12 PLATED	2							
21	1	26106-060202	BOLT, M6X 20 PLATED	4							
22	1	1A8310-01590	BAND, NYLON 350	1							W
		(A=F100111)									
22-1	1	29622-250001	BAND, RF250	1							S
		(A=*2012.03)									
23	1	1A7320-87110	SEAL, CONDENSER	2							W
		(A=F102603)									
24	1	29622-140001	BAND, RF140	1							W
		(A=*2012.03)									

Fig.4. ACCEL

(A)=EF393T  
(B)=  
(C)=

(D)=  
(E)=  
(F)=

No.	Lev.	Parts No.	Description	Q'ty						I	R
				(A)	(B)	(C)	(D)	(E)	(F)		
1	1	1A8310-01150	CABLE ASSY, CONTROL	1							
2	1	1A8275-51670	CLIP, M8 HOLE	1							
3	1	22137-060000	WASHER, 6	1							
4	1	22417-160180	PIN, COTTER 1.6X18	1							

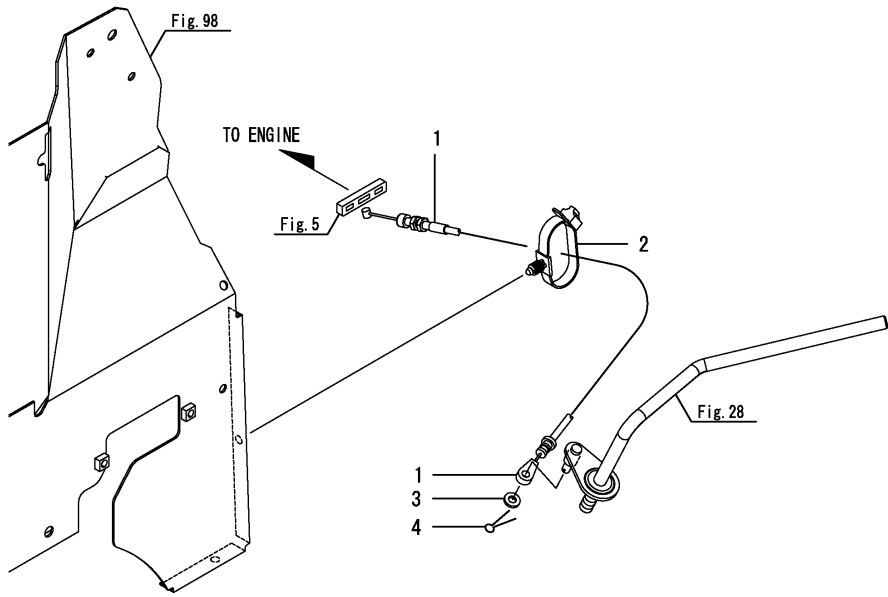
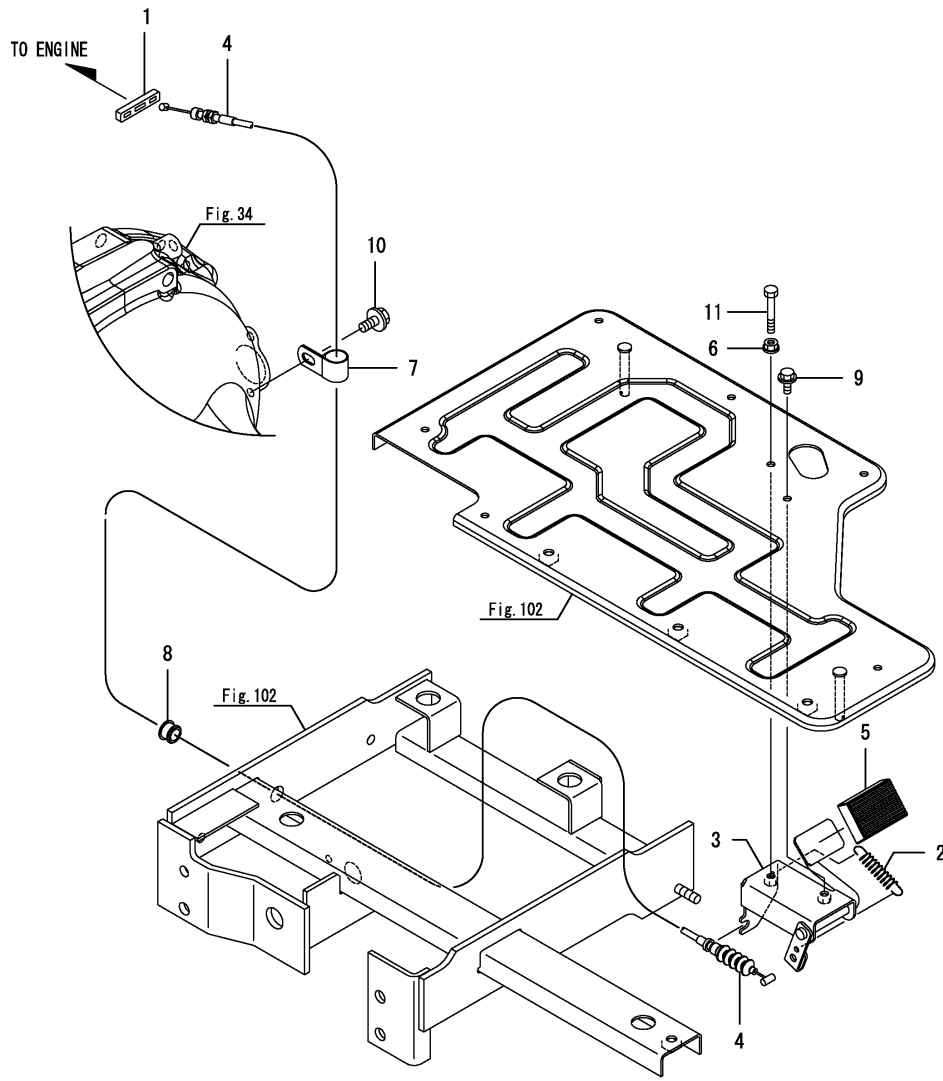




Fig.5. FOOT ACCEL

(A)=EF393T  
(B)=  
(C)=

(D)=  
(E)=  
(F)=

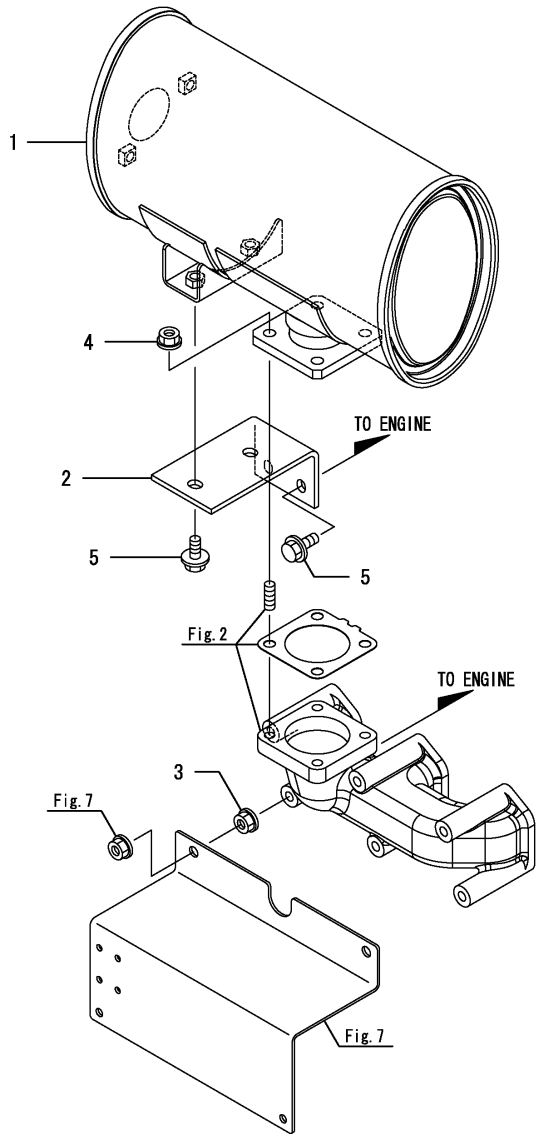


No.	Lev.	Parts No.	Description	Q'ty						I	R
				(A)	(B)	(C)	(D)	(E)	(F)		
1	1	1A8115-01160	RUBBER	1							
2	1	1A8115-01280	SPRING, RETURN	1							
3	1	1A8310-01300	ACCEL UNIT, FOOT	1							
4	1	1A8310-01350	CABLE ASSY, FOOTACCEL	1							
5	1	1A8310-01400	RUBBER, FOOT ACCELE	1							
6	1	194990-22130	NUT, M6	1							
7	1	1E6213-83410	CLIP, HARNESS 18	1							
8	1	197830-85490	GROMMET	1							
9	1	26106-060122	BOLT, M6X 12 PLATED	1							
10	1	26106-080162	BOLT, M8X 16 PLATED	1							
11	1	26116-060404	BOLT, M6X 40 PLATED	1							

Fig.6. MUFFLER

(A)=EF393T  
(B)=  
(C)=

(D)=  
(E)=  
(F)=



No.	Lev.	Parts No.	Description	Q'ty						I	R
				(A)	(B)	(C)	(D)	(E)	(F)		
1	1	1A8310-03200	SILENCER ASSY,	1							
2	1	1A8310-03280	STAY, SILENCER	1							
3	1	194990-22140	NUT, M8	2							
4	1	194990-22140	NUT, M8	4							
5	1	26106-080162	BOLT, M8X 16 PLATED	4							

Fig.7. EXHAUST PORT

(A)=EF393T  
(B)=  
(C)=

(D)=  
(E)=  
(F)=

No.	Lev.	Parts No.	Description	Q'ty						I	R
				(A)	(B)	(C)	(D)	(E)	(F)		
1	1	1A8310-03510	PIPE, EXHAUST	1							
2	1	1A8310-05510	PLATE, SILENCER	1							
3	1	194990-22140	NUT, M8				2				
4	1	22157-080000	WASHER, 8	1							
5	1	26106-080202	BOLT, M8X 20 PLATED	1							
6	1	26106-080202	BOLT, M8X 20 PLATED	2							

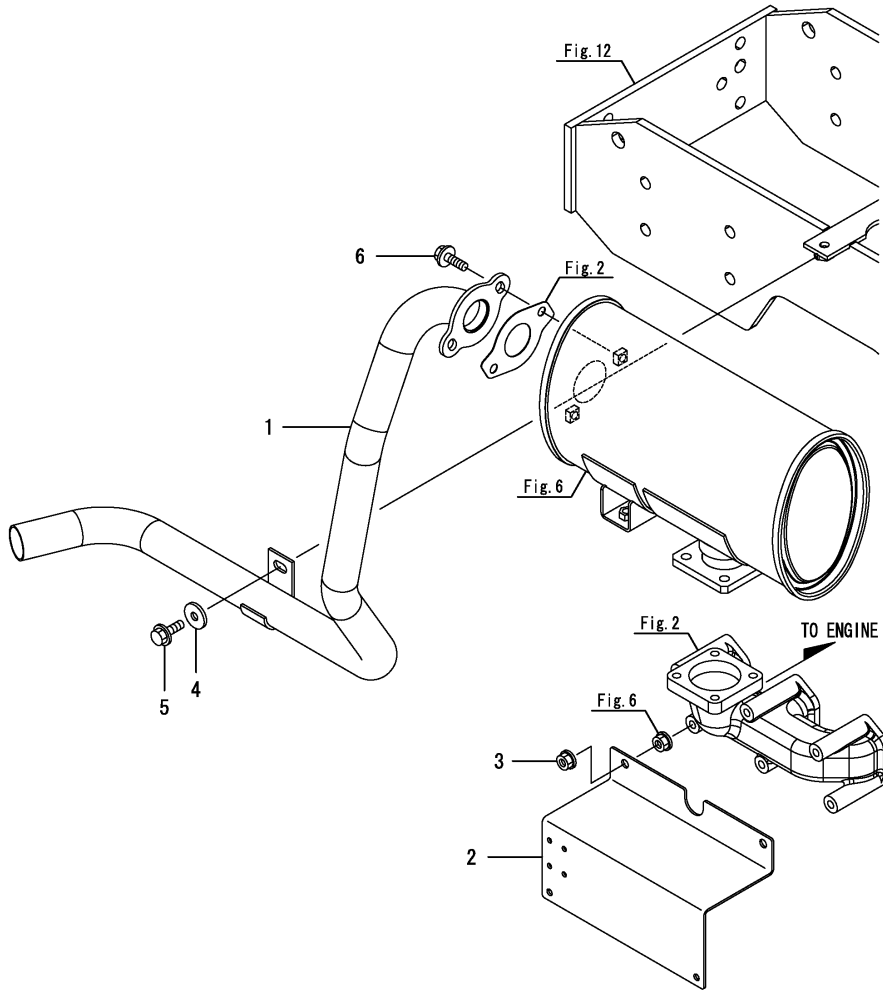
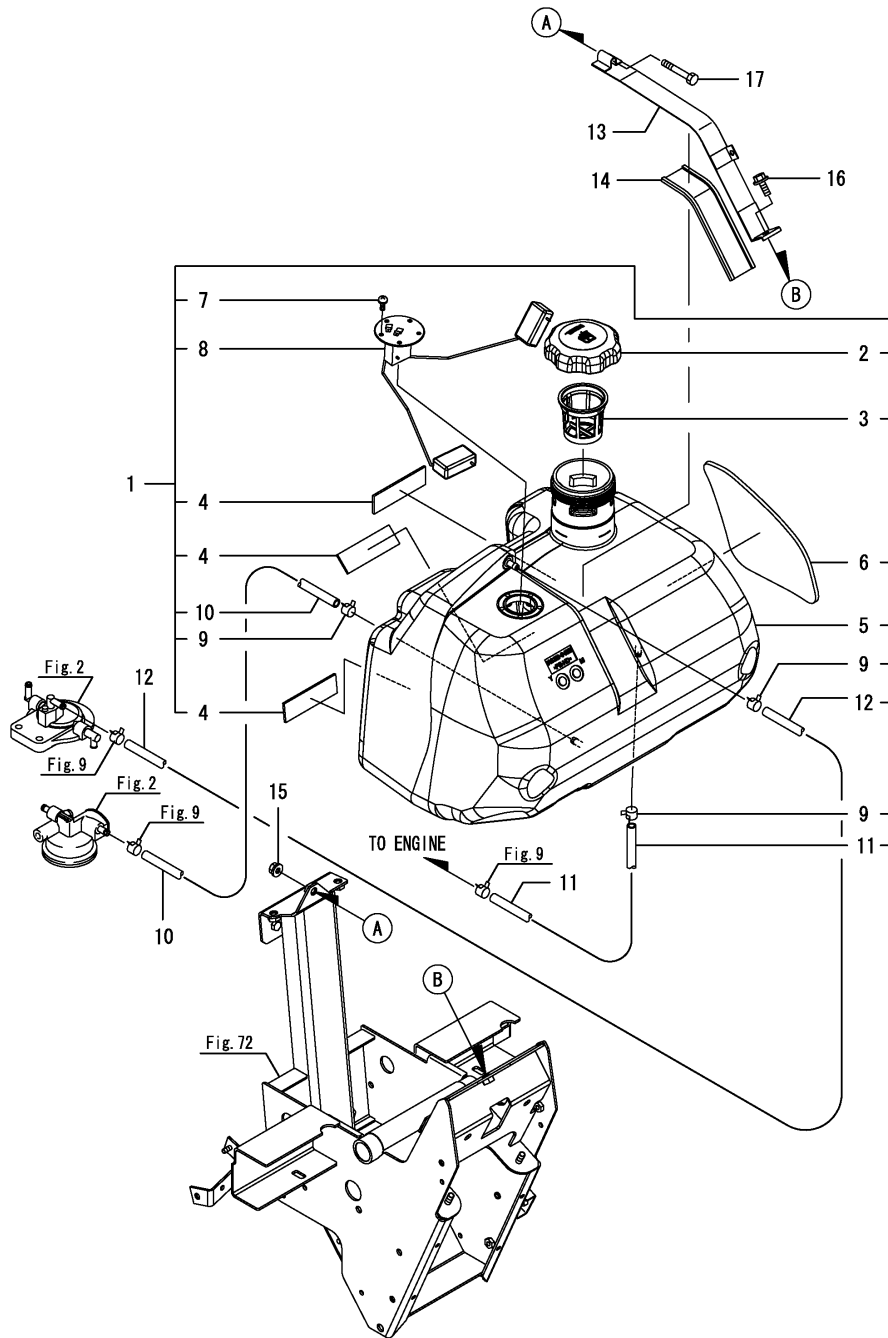


Fig.8. FUEL TANK



(A)=EF393T  
(B)=  
(C)=

(D)=  
(E)=  
(F)=

No.	Lev.	Parts No.	Description	Q'ty						I	R
				(A)	(B)	(C)	(D)	(E)	(F)		
1	1	1A8310-04100	TANK ASSY, FUEL	1							
2	2	1A7870-04030	CAP ASSY, FILLER	1							
3	2	198200-04061	STRAINER, FUEL	1							
4	2	198200-04090	CUSHION, TANK F	3							
5	2	1A8310-04110	TANK ASSY, FUEL	1							
6	2	198200-04120	CUSHION, TANK L	1							
7	2	1A7180-04180	SCREW, M5X14	5							
8	2	1A7500-56610	GAUGE, FUEL	1							
9	2	114270-59010	CLIP, HOSE 12	3							
10	2	23980-730500	HOSE, 7.3X 500	1							
11	2	23980-730850	HOSE, 7.3X 850	1							
12	2	23980-731500	HOSE, 7.3X1500	1							
13	1	1A8310-04310	BAND ASSY, FUEL TANK	1							
14	1	198153-04670	RETAINER, BAND	1							
15	1	194990-22140	NUT, M8	1							
16	1	26106-080162	BOLT, M8X 16 PLATED	1							
17	1	26116-080654	BOLT, M8X 65 PLATED	1							

Fig.9. FUEL PIPE

(A)=EF393T  
(B)=  
(C)=

(D)=  
(E)=  
(F)=

No.	Lev.	Parts No.	Description	Q'ty						I	R
				(A)	(B)	(C)	(D)	(E)	(F)		
1	1	194440-51620	CLAMP	1							
2	1	1A8275-51670	CLIP, M8 HOLE	2							
3	1	1A8275-51670	CLIP, M8 HOLE	3							
4	1	1A8275-51670	CLIP, M8 HOLE	1							
5	1	1A8275-51670	CLIP, M8 HOLE	1							
6	1	114270-59010	CLIP, HOSE 12	7							
7	1	23980-730300	HOSE, 7.3X 300	1							
8	1	1A8310-04130	HOSE, FUEL	1							
9	1	26106-080122	BOLT, M8X 12 PLATED	1							

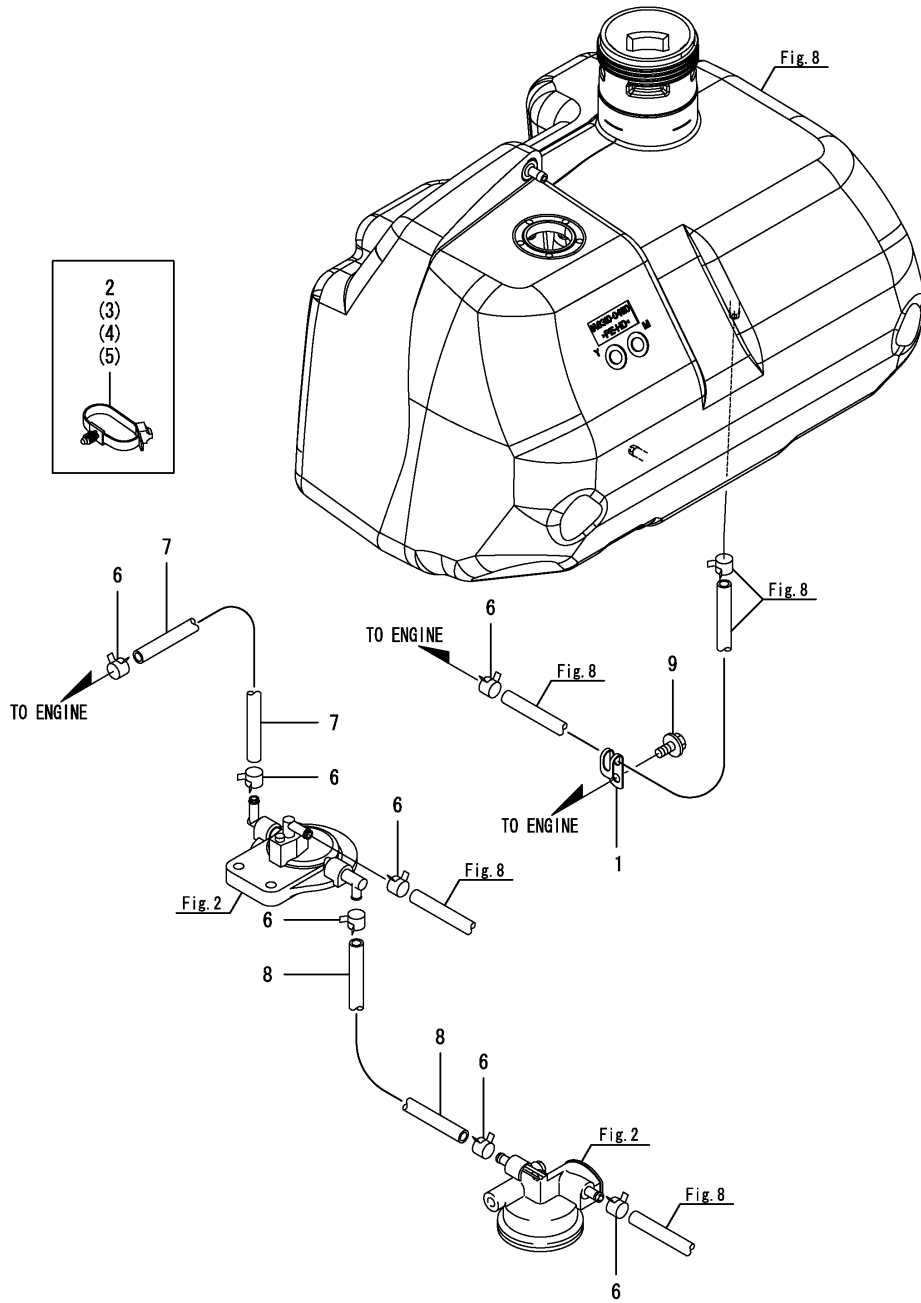
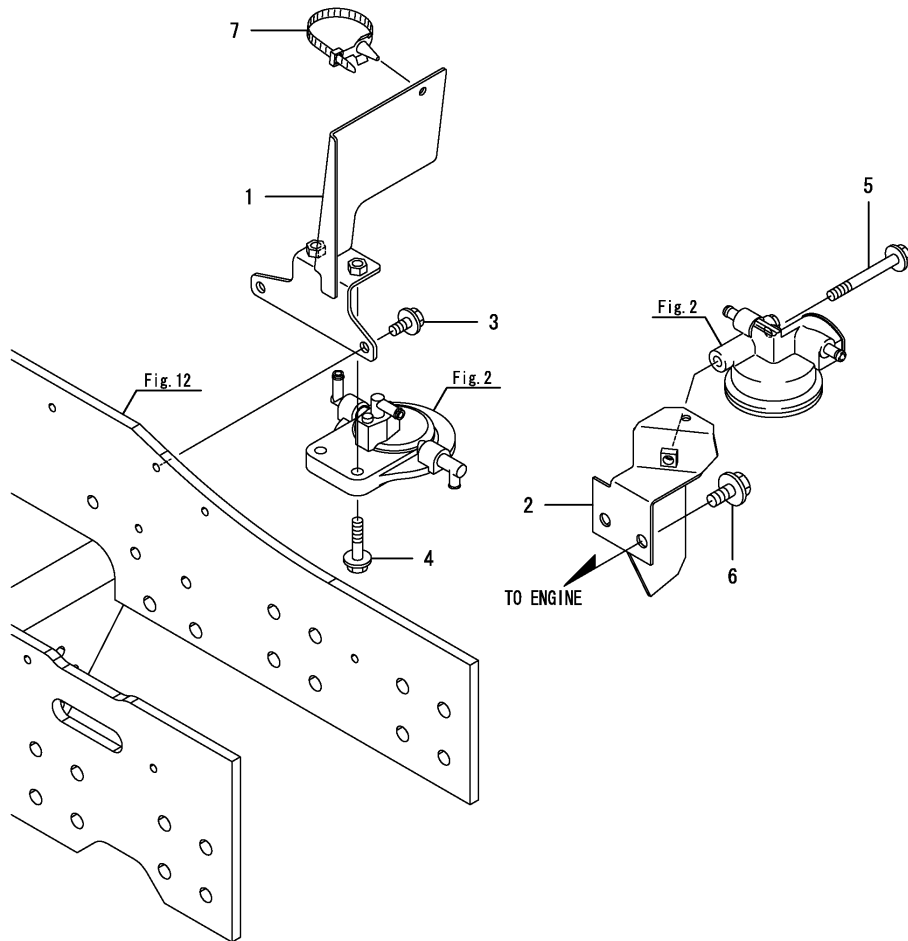


Fig.10. FUEL FILTER

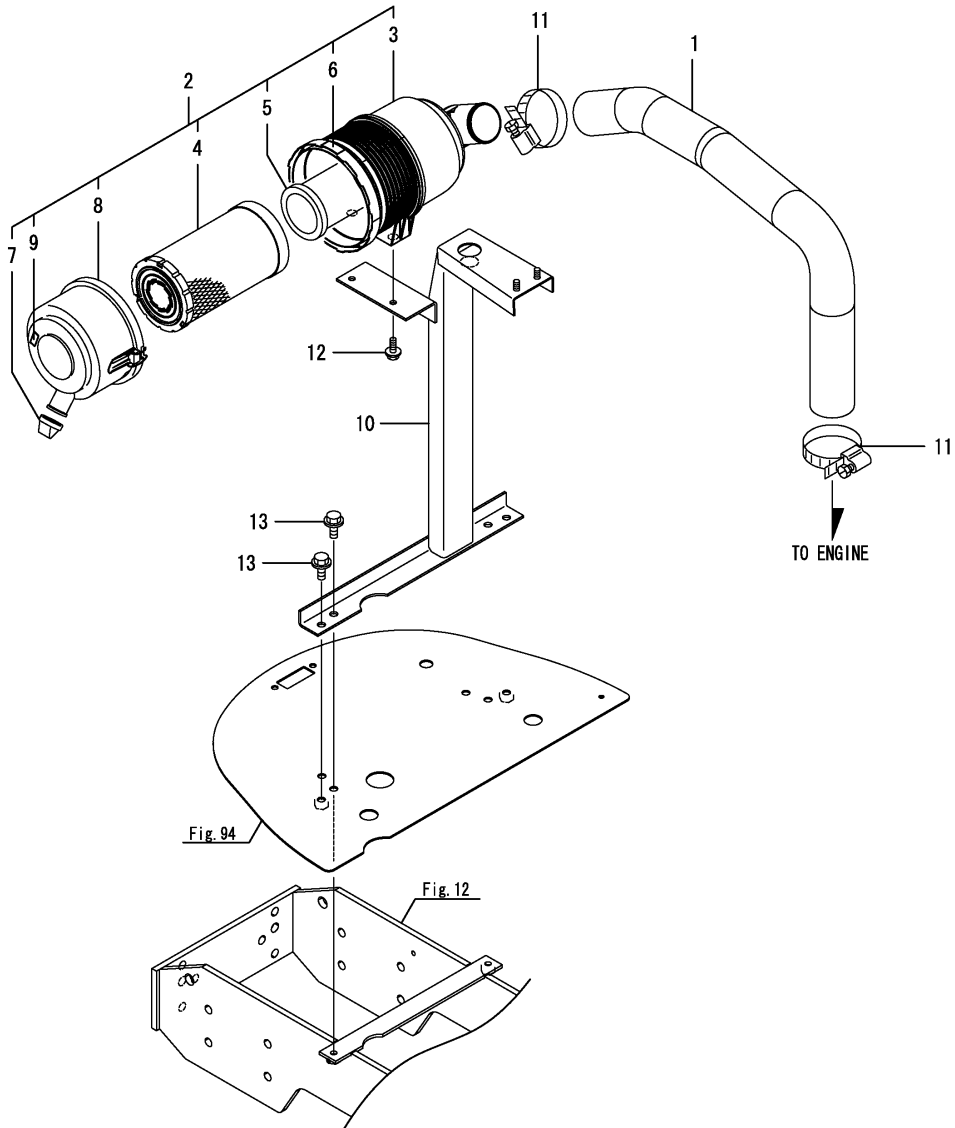
(A)=EF393T  
(B)=  
(C)=

(D)=  
(E)=  
(F)=



No.	Lev.	Parts No.	Description	Qty						I	R
				(A)	(B)	(C)	(D)	(E)	(F)		
1	1	1A8310-11250	STAY ASSY, FILTER	1							
2	1	1A8310-11310	STAY,WATER SEPARATOR	1							
3	1	26106-080162	BOLT, M8X 16 PLATED	2							
4	1	26106-080352	BOLT, M8X 35 PLATED	2							
5	1	26106-080702	BOLT, M8X 70 PLATED	1							
6	1	26106-100162	BOLT, M10X 16 PLATED	2							
7	1	198448-51910 (A=F100111)	CLIP, BAND	1							W

Fig.11. AIR CLEANER



(A)=EF393T  
(B)=  
(C)=

(D)=  
(E)=  
(F)=

No.	Lev.	Parts No.	Description	Q'ty						I	R
				(A)	(B)	(C)	(D)	(E)	(F)		
1	1	1A8310-06010	PIPE, INTAKE	1							
2	1	1A8310-06100	CLEANER ASSY,AIR 500	1							
3	2	1A8310-06110	BODY ASSY	1							
4	2	119808-12520	ELEMENT	1							
5	2	129051-12530	ELEMENT	1							
6	2	129418-12530	LABEL, MARK	1							
7	2	119808-12540	VALVE, UNLOADER	1							
8	2	119866-12541	COVER ASSY	1							
9	2	129612-12650	LABEL, MARKING	1							
10	1	1A8310-06210	BRACKET ASSY,CLANER	1							
11	1	23000-080000	CLAMP, 80	2							
12	1	26106-080162	BOLT, M8X 16 PLATED	2							
13	1	26106-100202	BOLT, M10X 20 PLATED	4							

Fig.12. FRONT BRACKET

(A)=EF393T  
(B)=  
(C)=

(D)=  
(E)=  
(F)=

No.	Lev.	Parts No.	Description	Q'ty						I	R
				(A)	(B)	(C)	(D)	(E)	(F)		
1	1	1A8310-11100	MASSY, BRACKET AXLE	1							
2	1	26106-120252	BOLT, M12X 25 PLATED	16							
2-1	1	198220-11510	BOLT, M12X27	16							S

(A=F102522)

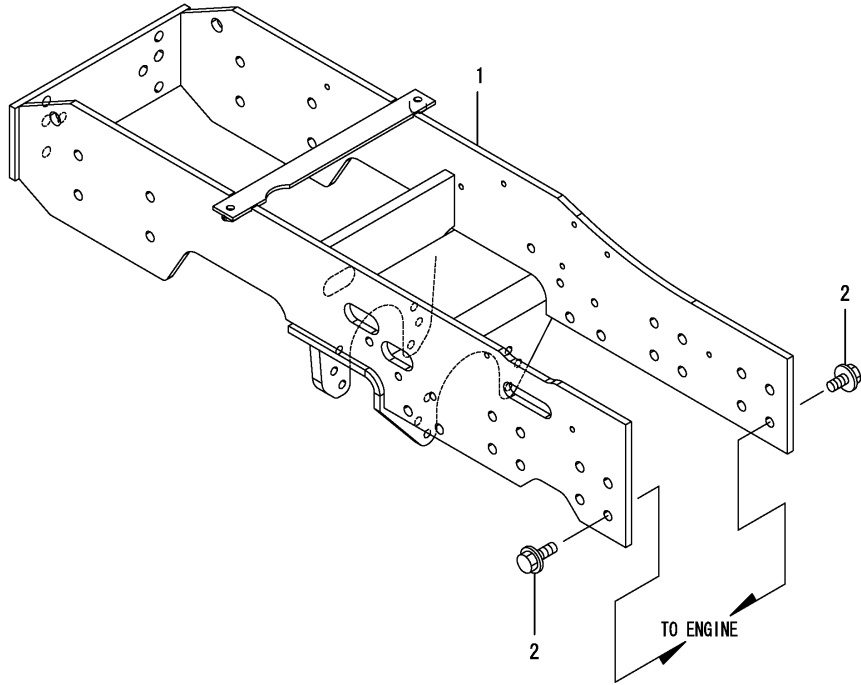




Fig.13. FRONT SUPPORT(1)

(A)=EF393T  
(B)=  
(C)=

(D)=  
(E)=  
(F)=

No.	Lev.	Parts No.	Description	Q'ty						I	R
				(A)	(B)	(C)	(D)	(E)	(F)		
1	1	26106-120252	BOLT, M12X 25 PLATED	12							

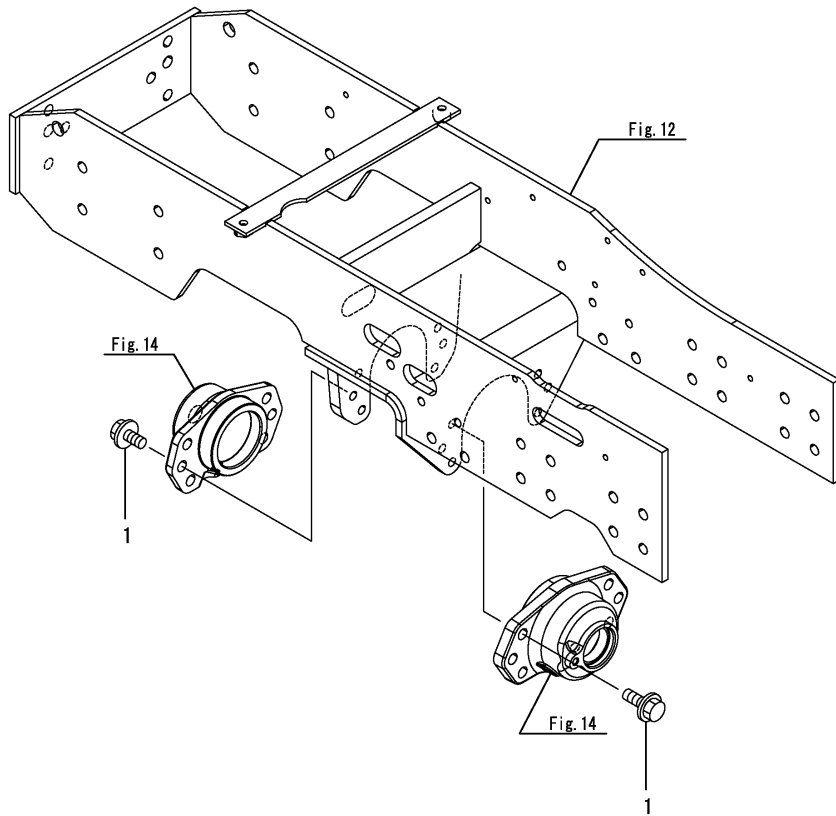
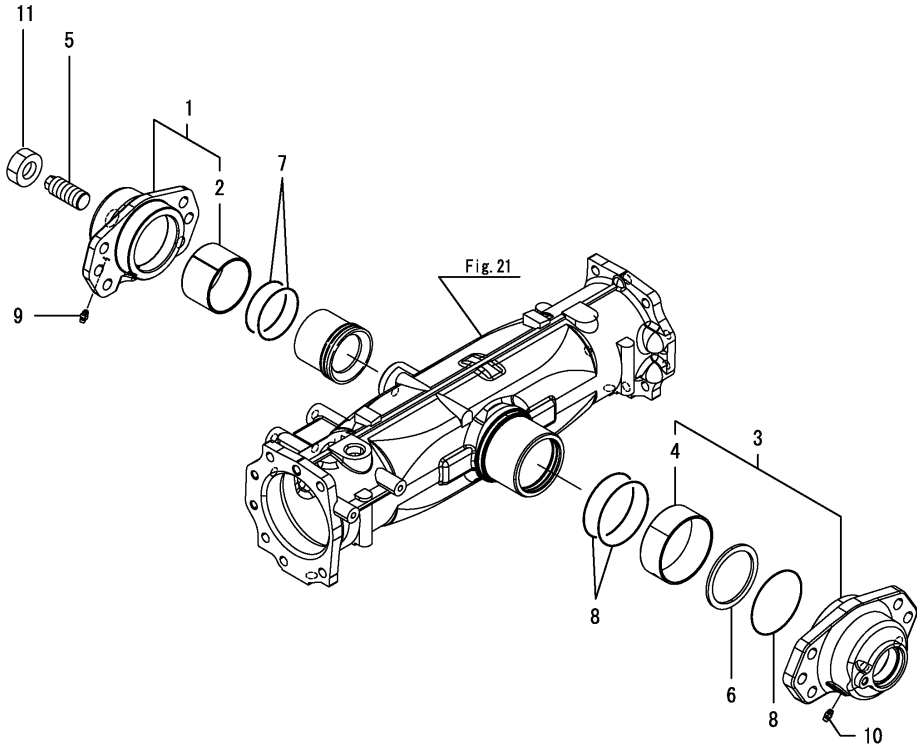


Fig.14. FRONT SUPPORT(2)



(A)=EF393T  
(B)=  
(C)=

(D)=  
(E)=  
(F)=

No.	Lev.	Parts No.	Description	Q'ty						I	R
				(A)	(B)	(C)	(D)	(E)	(F)		
1	1	1A8310-13150	SUPPORT ASSY, F	1							
1-1	1	1A8310-13151	SUPPORT ASSY, F	1							N
(A=*2013.06)											
2	2	1A7180-11620	BUSH, 60X65X40	1							
3	1	1A8310-13160	SUPPORT ASSY, R	1							
3-1	1	1A8310-13161	SUPPORT ASSY, R	1							N
(A=*2013.06)											
4	2	1A8310-11630	BUSH, 75X80X30	1							
5	1	1A8310-13450	BOLT, M20	1							
6	1	198283-13480	WASHER, 62X75X3	1							
7	1	24321-000600	O-RING, 1AG60.0	2							
8	1	24321-000750	O-RING, 1AG75.0	3							
9	1	24761-010000	NIPPLE, GREASE M6F	1							
10	1	24761-010000	NIPPLE, GREASE M6F	1							
11	1	26776-200002	NUT, LOCK M20	1							

Fig.15. BREATHER

(A)=EF393T  
(B)=  
(C)=

(D)=  
(E)=  
(F)=

No.	Lev.	Parts No.	Description	Qty						I	R
				(A)	(B)	(C)	(D)	(E)	(F)		
1	1	1A7815-32810	BREATHER, GREASE	2							

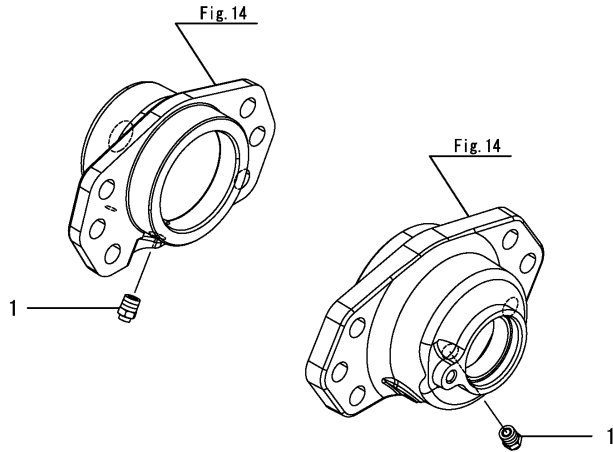
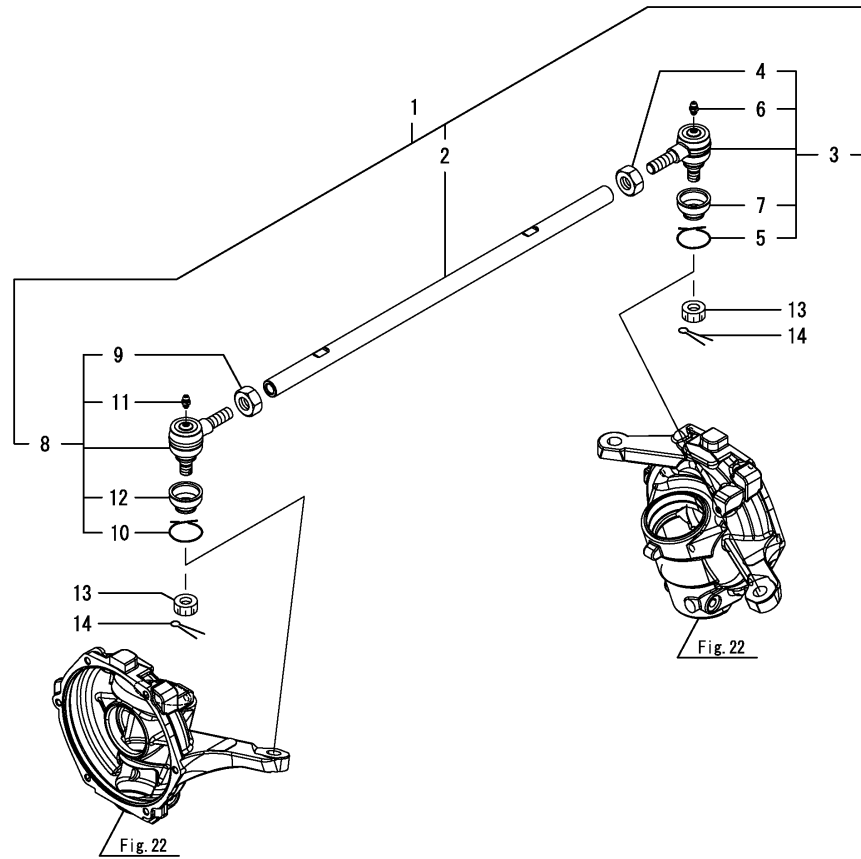


Fig.16. TIE ROD

(A)=EF393T  
(B)=  
(C)=

(D)=  
(E)=  
(F)=



No.	Lev.	Parts No.	Description	Q'ty						I	R
				(A)	(B)	(C)	(D)	(E)	(F)		
1	1	1A8310-12330	TIE-ROD ASSY	1							
2	2	1A8310-12310	TIE ROD	1							
3	2	1A8310-12510	END ASSY, RH-A	1							
4	3	1A8310-12540	NUT, 16 R	1							
5	3	1A8310-12610	BAND, BOOTS	1							
6	3	1A8310-12620	NIPPLE, GREASE	1							
7	3	1A8310-12630	COVER, DUST	1							
8	2	1A8310-12550	END ASSY, LH	1							
9	3	1A8310-12580	NUT, 16 L	1							
10	3	1A8310-12610	BAND, BOOTS	1							
11	3	1A8310-12620	NIPPLE, GREASE	1							
12	3	1A8310-12630	COVER, DUST	1							
13	1	194180-12471	NUT, CASTLE M16	2							
14	1	22417-400400	PIN, COTTER 4.0X40	2							

Fig.17. RING GEAR

(A)=EF393T  
(B)=  
(C)=

(D)=  
(E)=  
(F)=

No.	Lev.	Parts No.	Description	Qty						I	R
				(A)	(B)	(C)	(D)	(E)	(F)		
1	1	1A8310-13110	PINION, DRIVE	1							
2	1	1A8310-13120	GEAR, RING 25	1							
3	1	194555-25870	BEARING, TMB206CC3	1							
4	1	1E6190-54080	SLEEVE SI25X30X13	1							
5	1	22242-000300	RING, 30	1							
6	1	24101-063054	BEARING, BALL 6305	1							

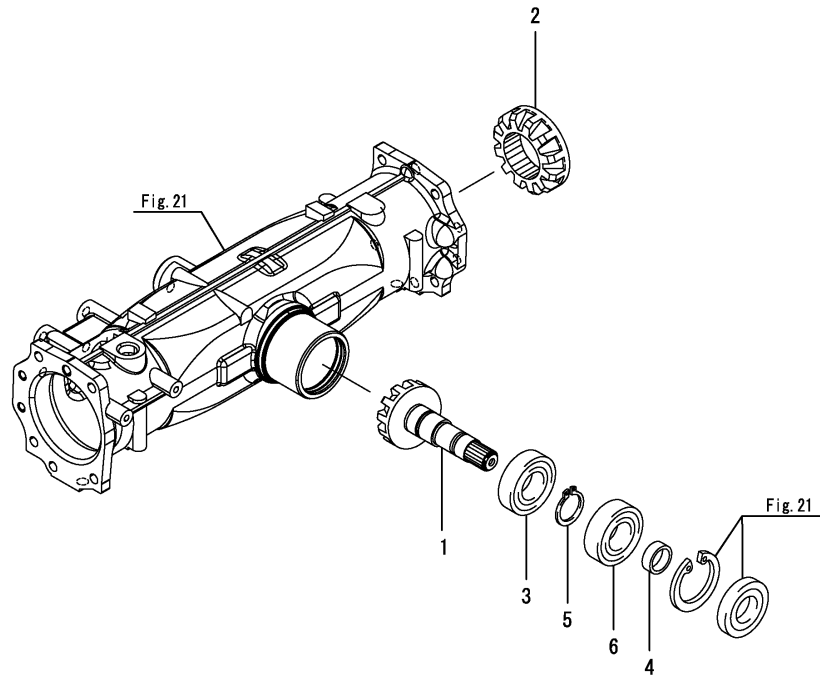


Fig.18. DIFFERENTIAL GEAR

(A)=EF393T  
(B)=  
(C)=

(D)=  
(E)=  
(F)=

No.	Lev.	Parts No.	Description	Q'ty						I	R
				(A)	(B)	(C)	(D)	(E)	(F)		
1	1	1A8310-13200	DIFF.UNIT ,FRONT	1							
2	2	1A8310-13210	HOUSING, DIFF.	1							
3	2	198200-13220	SHAFT, DIFFERENTIAL	1							
4	2	1A8310-13230	GEAR, DIFF. SIDE	2							
5	2	1A8310-13240	GEAR, DIFF. PINION	2							
6	2	1A8310-13260	LINER, DIFF. GEAR	2							
7	2	1A8310-13270	LINER, DIFF. PINION	2							
8	2	22351-040040	PIN, SPRING 4.0X40	1							
9	1	1A8310-13250	COLLER, DIFFERENTIAL	1							
10	1	24101-060114	BEARING, BALL 6011	2							

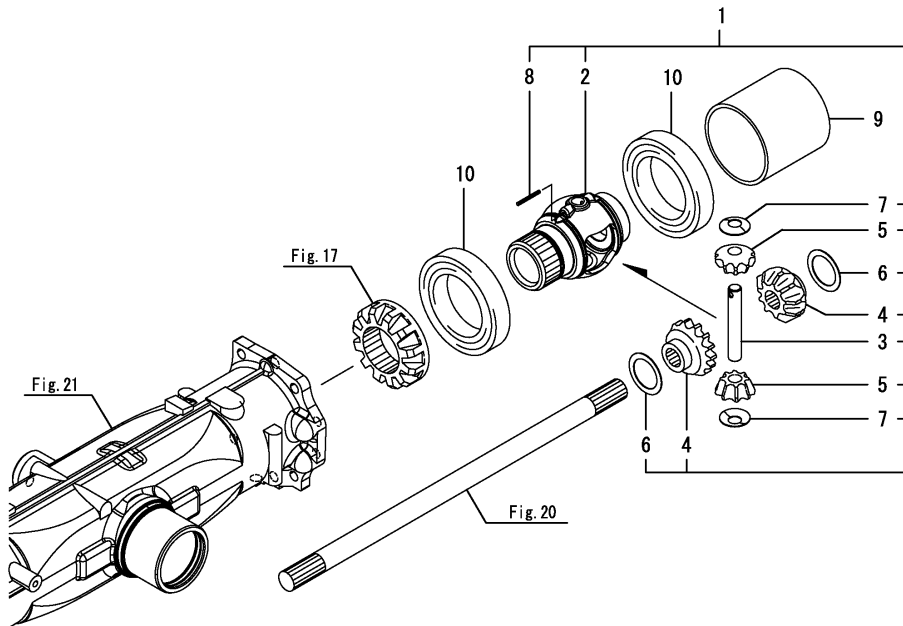




Fig.20. FRONT SHAFT(1)

(A)=EF393T  
(B)=  
(C)=

(D)=  
(E)=  
(F)=

No.	Lev.	Parts No.	Description	Q'ty						I	R	
				(A)	(B)	(C)	(D)	(E)	(F)			
1	1	1A8310-13510	SHAFT, FRONT 1ST R	1								
2	1	1A8310-13520	PINION, 1ST SHAFT 14	2								
3	1	1A8310-13530	SHAFT, FRONT 1ST L	1								
4	1	24101-062074	BEARING, BALL 6207	2								

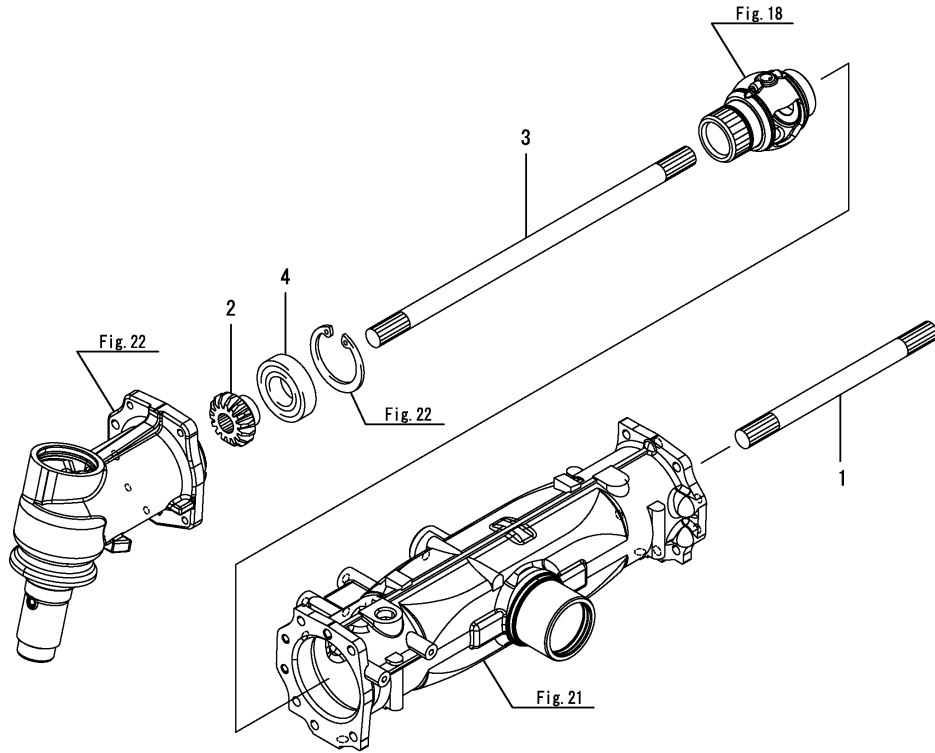


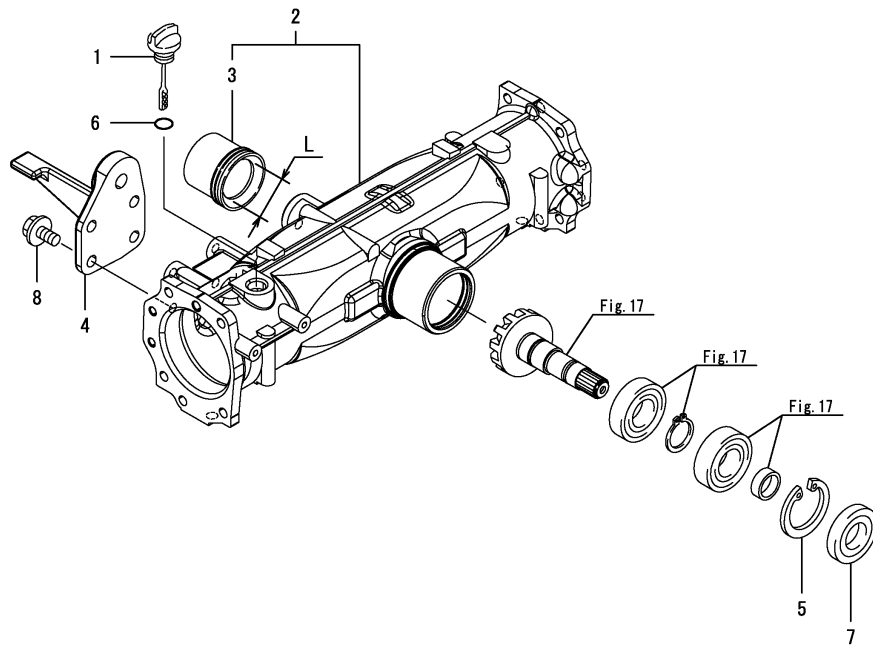


Fig.21. FRONT AXLE CASE

(A)=EF393T  
(B)=  
(C)=

(D)=  
(E)=  
(F)=

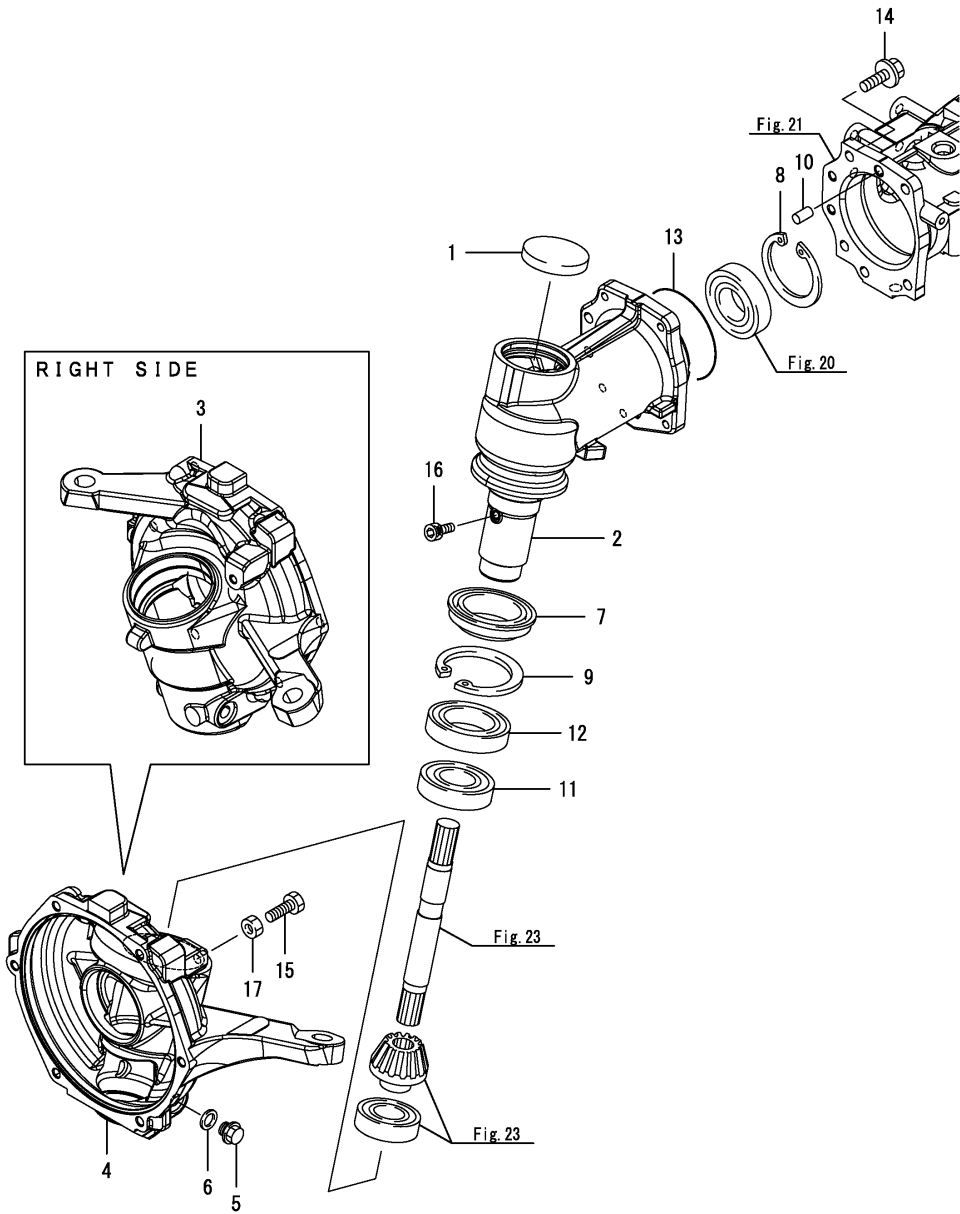
No.	Lev.	Parts No.	Description	Q'ty						I	R
				(A)	(B)	(C)	(D)	(E)	(F)		
1	1	194447-13490	GAUGE, OIL LEVEL	1							
2	1	1A8310-13600	HOUSING UNIT	1							
2-1	1	1A8310-13601	HOUSING UNIT	1							N
(A=*2013.12)											
3	2	1A8310-13390	BUSH, 45X60X56	1							
3-1	2	1A8310-13391	INNER RACE, 52X60X55	1							S 1
(A=*2013.12)											
4	1	1A8310-17210	BRACKET, CYLINDER	1							
5	1	22252-000620	RING, 62	1							
6	1	24311-000180	O-RING, 1AP18.0	1							
7	1	24421-306210	SEAL, OIL TC306210	1							
8	1	26106-120302	BOLT, M12X 30 PLATED	4							



Remarks

(1)L=No.3 : 45mm, No.3-1 : 52mm.

Fig.22. FRONT GEAR CASE



(A)=EF393T  
(B)=  
(C)=

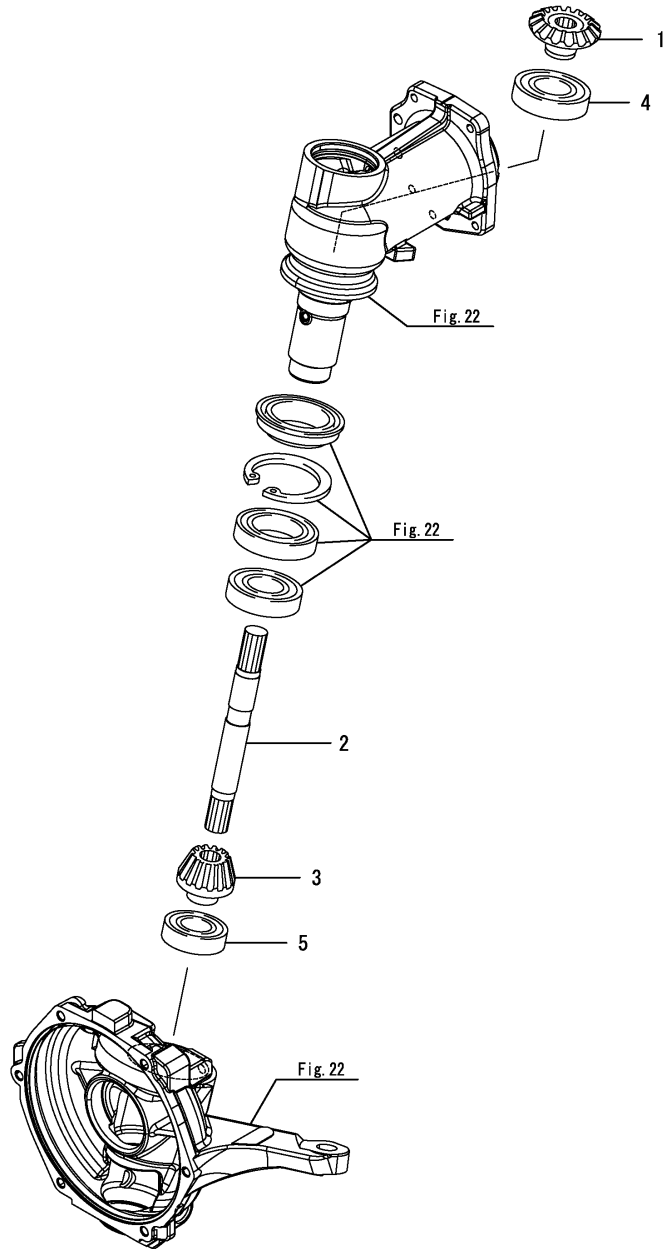
(D)=  
(E)=  
(F)=

No.	Lev.	Parts No.	Description	Q'ty						I	R
				(A)	(B)	(C)	(D)	(E)	(F)		
1	1	177432-03450	PLUG	2							
2	1	1A8310-13720	HOUSING, FRONT GEAR	2							
3	1	1A8310-14240	GEARBOX, FRONT R	1							
4	1	1A8310-14250	GEARBOX, FRONT L	1							
5	1	1C6900-23120	BOLT, DRAIN M14X10	2							
6	1	1C6900-23150	WASHER, PLUG	2							
7	1	198483-32660	SEAL, QLN578015	2							
8	1	22252-000720	RING, 72	2							
9	1	22252-000800	RING, 80	2							
10	1	22312-100180	PIN, PARALLEL M10X18	2							
11	1	24101-060084	BEARING, BALL 6008	2							
12	1	24101-060104	BEARING, BALL 6010	2							
13	1	24321-000950	O-RING, 1AG95.0	2							
14	1	26106-100302	BOLT, M10X 30 PLATED	14							
14-1	1	1A8310-13910	BOLT, TENSION 10X30	14							N
(A=*2012.05)											
15	1	26116-100302	BOLT, M10X 30 PLATED	2							
16	1	26450-080122	BOLT, M8X 12	2							
17	1	26716-100002	NUT, M10	2							

Fig.23. FRONT SHAFT(2)

(A)=EF393T  
(B)=  
(C)=

(D)=  
(E)=  
(F)=



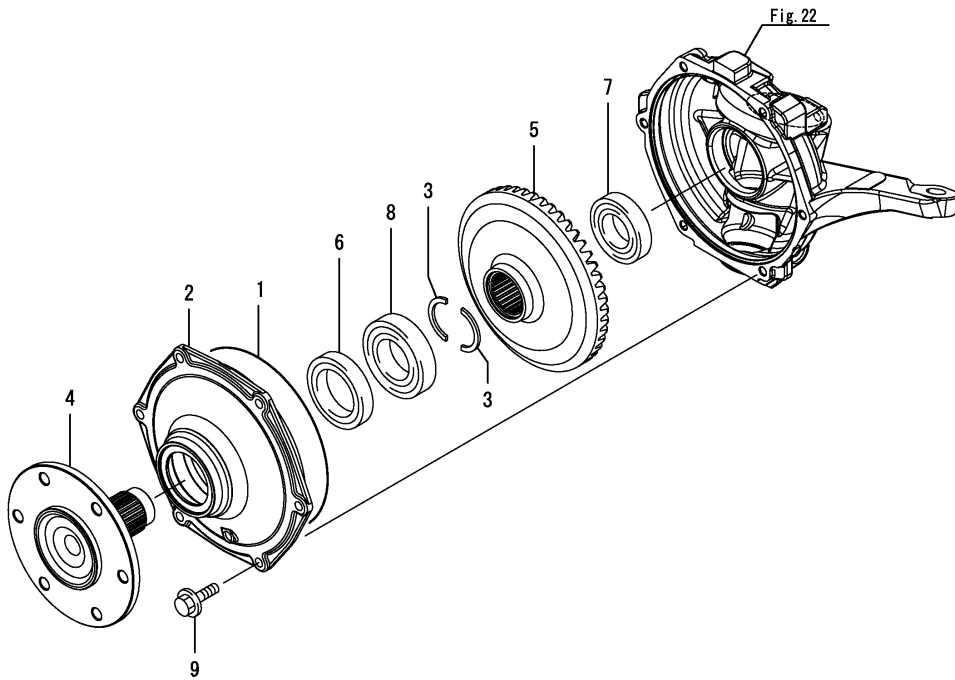
No.	Lev.	Parts No.	Description	Q'ty						I	R
				(A)	(B)	(C)	(D)	(E)	(F)		
1	1	1A8310-13820	GEAR, 2ND SHAFT 20	2							
2	1	1A8310-14270	SHAFT, FRONT 2ND	2							
3	1	1A8310-14320	PINION, FRONT FINAL	2							
4	1	24101-062064	BEARING, BALL 6206	2							
5	1	24104-062064	BEARING, BALL 6206UU	2							

Fig.24. FRONT SPINDLE

(A)=EF393T  
(B)=  
(C)=

(D)=  
(E)=  
(F)=

No.	Lev.	Parts No.	Description	Q'ty						I	R
				(A)	(B)	(C)	(D)	(E)	(F)		
1	1	194556-13790	O-RING, 190X2.7	2							
2	1	198200-14130-1	COVER, GEAR BOX	2							
3	1	198200-14210	RING, HALF	4							
4	1	198283-14310	SPINDLE, FRONT	2							
5	1	1A8310-14330	GEAR, FRONT FINAL 51	2							
6	1	198475-32660	SEAL, QLNY527514.5	2							
7	1	24101-062074	BEARING, BALL 6207	2							
8	1	24101-062094	BEARING, BALL 6209	2							
9	1	26106-100252	BOLT, M10X 25 PLATED	12							



0CNP5-M50301 FRONT AXLE  
**Fig.25. SHAFT COVER**

(A)=EF393T  
 (B)=  
 (C)=

(D)=  
 (E)=  
 (F)=

No.	Lev.	Parts No.	Description	Q'ty						I	R
				(A)	(B)	(C)	(D)	(E)	(F)		
1	1	1A8310-14630	COVER ASSY, SHAFT	1							
2	1	1A8310-14650	COLLAR	1							
3	1	1A8310-14660	PLATE	1							
4	1	24311-000400	O-RING, 1AP40.0	3							
5	1	26106-080162	BOLT, M8X 16 PLATED	1							
6	1	26106-080162	BOLT, M8X 16 PLATED	2							

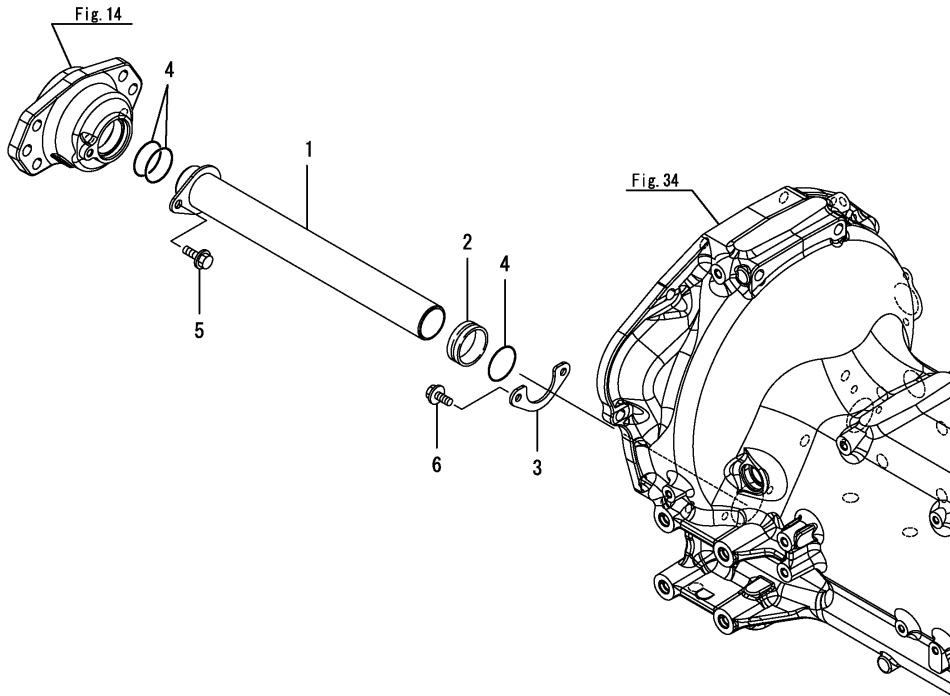


Fig.26. FRONT WHEEL TIRE

(A)=EF393T  
(B)=  
(C)=

(D)=  
(E)=  
(F)=

No.	Lev.	Parts No.	Description	Q'ty						I	R
				(A)	(B)	(C)	(D)	(E)	(F)		
1	1	1A8310-14700	TIRE KIT,8-16 L	1							
2	2	1A8310-14710	TIRE ASSY,8-16	1							
3	3	1A8310-14730	TIRE,8-16	1							
4	3	1A8310-14740	TUBE,8-16	1							
5	2	1A8310-14720	WHEEL ASSY,5JA X 16	1							
6	1	1A8310-14800	TIRE KIT,8-16 R	1							
7	2	1A8310-14710	TIRE ASSY,8-16	1							
8	3	1A8310-14730	TIRE,8-16	1							
9	3	1A8310-14740	TUBE,8-16	1							
10	2	1A8310-14720	WHEEL ASSY,5JA X 16	1							

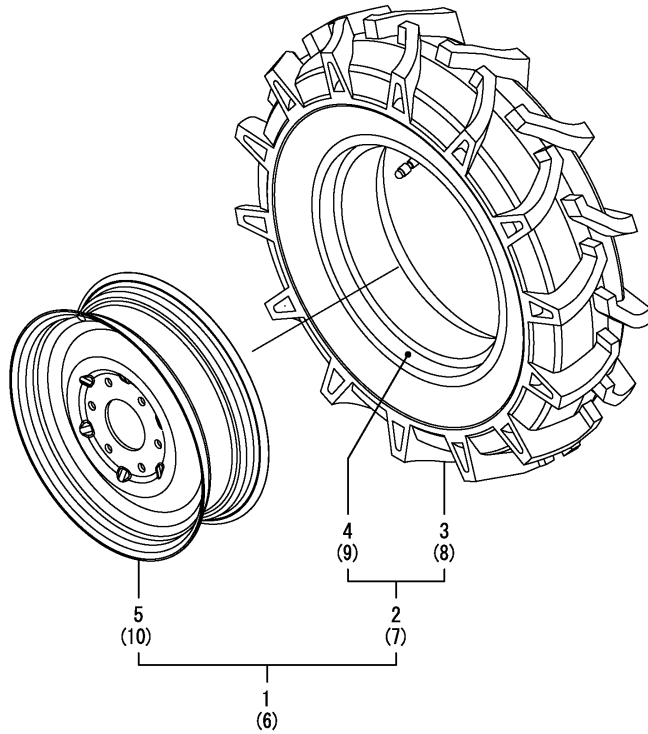


Fig.27. HUB BOLT

(A)=EF393T  
(B)=  
(C)=

(D)=  
(E)=  
(F)=

No.	Lev.	Parts No.	Description	Q'ty						I	R
				(A)	(B)	(C)	(D)	(E)	(F)		
1	1	194881-12650	BOLT, M14X24	12							

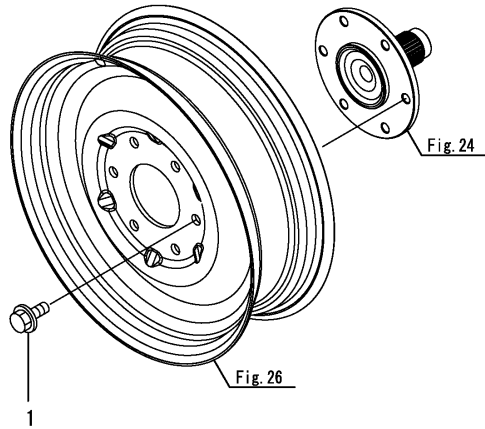
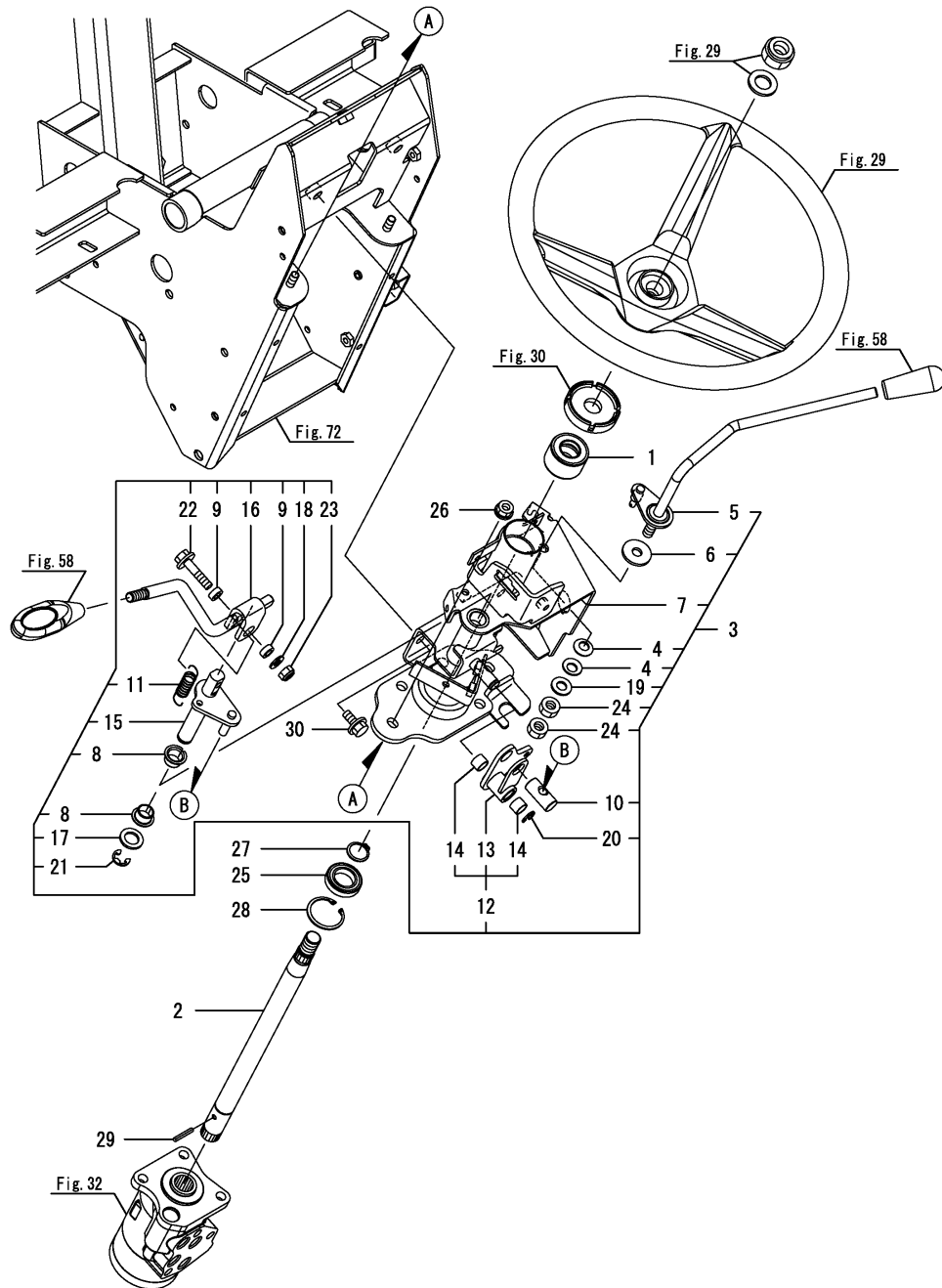


Fig.28. STEERING COLUMN



(A)=EF393T  
(B)=  
(C)=

(D)=  
(E)=  
(F)=

No.	Lev.	Parts No.	Description	Q'ty						I	R
				(A)	(B)	(C)	(D)	(E)	(F)		
1	1	1A8310-15060	BUSH, COLUMN	1							
2	1	1A8310-15070	SHAFT, STEERING	1							
3	1	1A8310-15090	COLUMN UNIT,STEERING	1							
4	2	194740-00160	SPRING, 10	2							
5	2	1A8115-01110	LEVER ASSY	1							
6	2	198200-01260	PLATE, FRICTION	1							
7	2	1A8310-15120	COLUMN, STEERING	1							
8	2	1A8115-27000	BUSH, 15X17X10	2							
9	2	1A8115-27030	COLLAR, 8X14X5.3	2							
10	2	1A8310-27090	PIN, CONNECTING	1							
11	2	1A8115-27240	SPRING, RETURN	1							
12	2	1A8310-27250	ARM ASSY, RESERVOIR	1							
13	3	1A8310-27260	ARM, REVERSER	1							
14	3	24550-012100	BUSH 12X10	2							
15	2	1A8115-27400	SHAFT, REVERSER	1							
16	2	1A8115-27460	LEVER, REVERSER	1							
17	2	22117-140000	WASHER, 14	1							
18	2	22137-080000	WASHER, 8	1							
19	2	22137-100000	WASHER, 10	1							
20	2	22272-000090	RING, E- 9	1							
21	2	22272-000120	RING, E-12	1							
22	2	26106-080352	BOLT, M8X 35 PLATED	1							
23	2	26346-080002	NUT, M8	1							
24	2	26716-100002	NUT, M10	2							
25	1	198146-15240	BEARING, 6904LLU	1							
26	1	194990-22140	NUT, M8	2							
27	1	22242-000200	RING, 20	1							
28	1	22252-000370	RING, 37	1							
29	1	22351-040025	PIN, SPRING 4.0X25	1							
30	1	26106-080162	BOLT, M8X 16 PLATED	2							



Fig.29. STEERING WHEEL

(A)=EF393T  
(B)=  
(C)=

(D)=  
(E)=  
(F)=

No.	Lev.	Parts No.	Description	Q'ty						I	R
				(A)	(B)	(C)	(D)	(E)	(F)		
1	1	198133-15700	WHEEL ASSY, STEERING	1							
2	2	198133-15740	CAP ASSY, STEERING	1							
3	3	198133-15780	NAMEPLATE, HANDLE	1							
4	1	22137-160000	WASHER, 16	1							
5	1	26356-160002	NUT, M16	1							

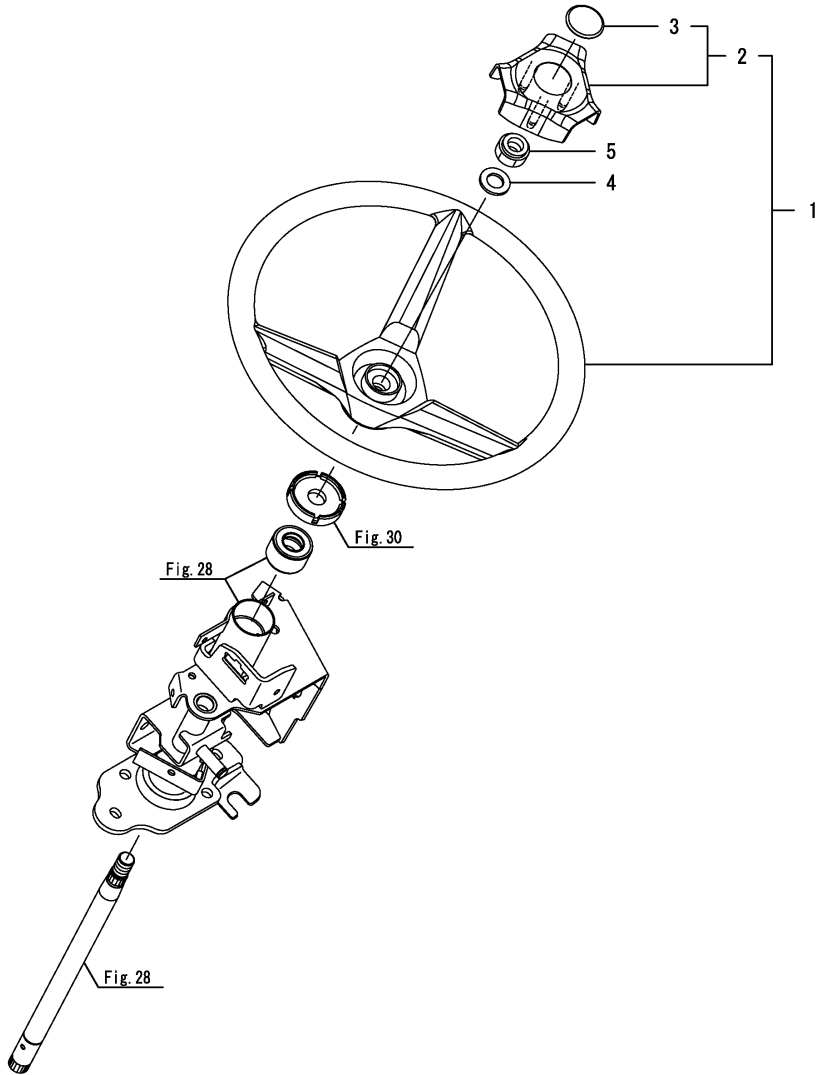
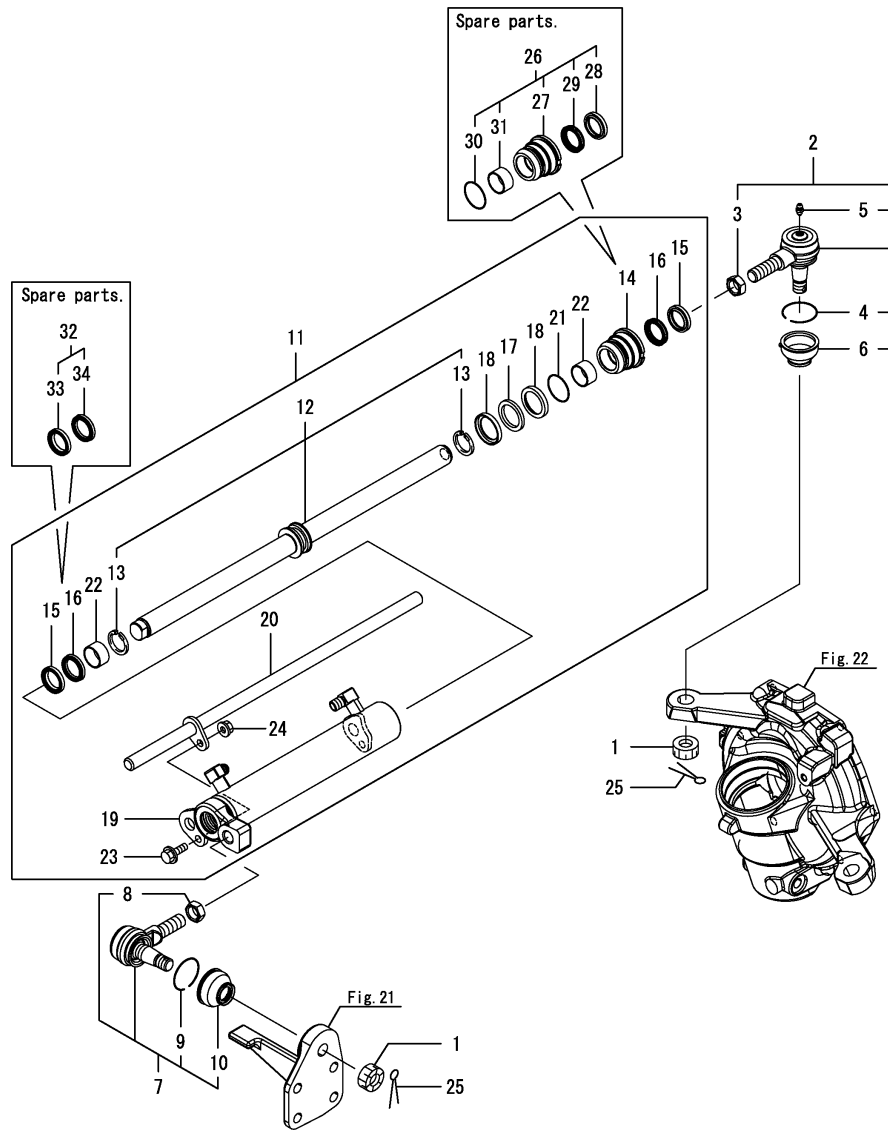




Fig.31. P.S.T. CYLINDER



(A)=EF393T  
(B)=  
(C)=

(D)=  
(E)=  
(F)=

No.	Lev.	Parts No.	Description	Q'ty						I	R
				(A)	(B)	(C)	(D)	(E)	(F)		
1	1	194180-12471	NUT, CASTLE M16	2							
2	1	1A8310-12510	END ASSY, RH-A	1							
3	2	1A8310-12540	NUT, 16 R	1							
4	2	1A8310-12610	BAND, BOOTS	1							
5	2	1A8310-12620	NIPPLE, GREASE	1							
6	2	1A8310-12630	COVER, DUST	1							
7	1	1A8310-12650	END ASSY, RH-B	1							
7-1	1	1A8310-12651	END ASSY, RH-B	1							R
(A=F101815)											
8	2	1A8310-12540	NUT, 16 R	1							
9	2	1A8310-12610	BAND, BOOTS	1							
10	2	1A8310-12640	COVER, DUST	1							
11	1	1A8310-17300	CYLINDER ASSY, ST.	1							
12	2	198200-17050	ROD ASSY, STEERING	1							
13	3	22292-000250	RING, S-25	2							
14	2	198200-17120	CAP, CYLINDER	1							
15	2	198200-17140	SEAL, DUST 25	2							
16	2	198200-17150	PACKING, 25	2							
17	2	198200-17160	PACKING, PISTON	1							
18	2	198200-17170	BEARING, PWL40	2							
19	2	1A8310-17360	TUBE ASSY, CYLINDER	1							
20	2	1A8310-17640	BAR, GURD	1							
21	2	24315-000350	O-RING, 1BP35.0	1							
22	2	24550-025150	BUSH, 25X15	2							
23	2	26106-080202	BOLT, M8X 20 PLATED	1							
24	2	26366-080002	NUT, M8	1							
25	1	22417-400400	PIN, COTTER 4.0X40	2							
26	1	1A8310-17600	CAP KIT, CYLINDER	1							1
27	2	198200-17120	CAP, CYLINDER	1							1
28	2	198200-17140	SEAL, DUST 25	1							1
29	2	198200-17150	PACKING, 25	1							1
30	2	24315-000350	O-RING, 1BP35.0	1							1
31	2	24550-025150	BUSH, 25X15	1							1
32	1	1A8310-17610	SEAL KIT, CYLINDER	1							1
33	2	198200-17140	SEAL, DUST 25	1							1
34	2	198200-17150	PACKING, 25	1							1

Remarks

(1)Spare parts.

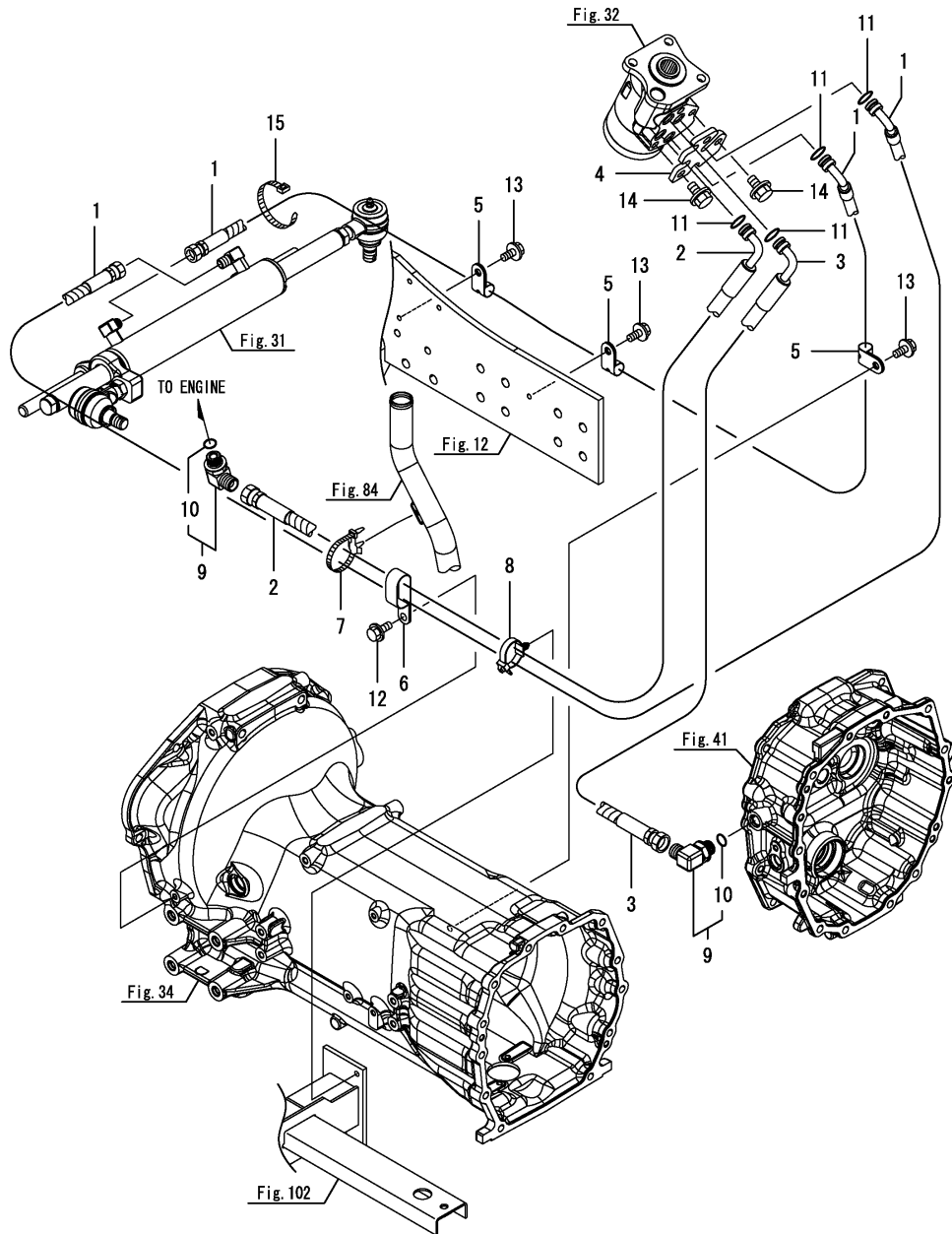
N:Old  $\xrightarrow{\text{Yes}}$  New, Q:Old  $\xrightarrow{\text{No}}$  New, R:Old  $\xrightarrow{\text{Yes}}$  New, S:Old  $\xrightarrow{\text{No}}$  New, W:Add, Z:Discontinued, F:Interchangeable by set, K:Q'ty Change



Fig.33. P.S.T. HOSE

(A)=EF393T  
(B)=  
(C)=

(D)=  
(E)=  
(F)=



No.	Lev.	Parts No.	Description	Q'ty						I	R
				(A)	(B)	(C)	(D)	(E)	(F)		
1	1	1A8310-17810	HOSE, CYLINDER	2							
2	1	1A8310-17830	HOSE, PUMP	1							
3	1	1A8310-17840	HOSE, TANK	1							
4	1	1A8115-17910	PLATE, RETAINER	1							
5	1	1A8310-17910	CLAMP, RUBBER	3							
6	1	1A8310-17960	CLAMP	1							
7	1	194680-51670	BAND, CLIP	1							
8	1	1A8275-51670	CLIP, M8 HOLE	1							
9	1	172142-76181	JOINT ASSY	2							
10	2	24315-000140	O-RING, 1BP14.0	2							
11	1	24315-000120	O-RING, 1BP12.0	4							
12	1	26106-080162	BOLT, M8X 16 PLATED	1							
13	1	26106-080162	BOLT, M8X 16 PLATED	3							
14	1	26136-100162	BOLT, M10X 16 PLATED	3							
15	1	29622-250001	BAND, RF250	1							

Fig.34. CLUTCH HOUSING

(A)=EF393T  
(B)=  
(C)=

(D)=  
(E)=  
(F)=

No.	Lev.	Parts No.	Description	Q'ty						I	R
				(A)	(B)	(C)	(D)	(E)	(F)		
1	1	194201-11230	CAP. SCREW 12.0	12							
2	1	1A8310-21100	HOUSING ASSY, CLUTCH	1							
3	2	24421-203007	SEAL, OIL TC203007	2							
4	2	24550-020200	BUSH, 20X20	2							
5	1	198200-21140	BOLT, M10X135	6							
6	1	26106-080162	BOLT, M8X 16 PLATED	2							
7	1	26106-100402	BOLT, M10X 40 PLATED	6							
8	1	27260-350000	PLUG, 35	1							
9	1	27260-470002	PLUG, 47	1							

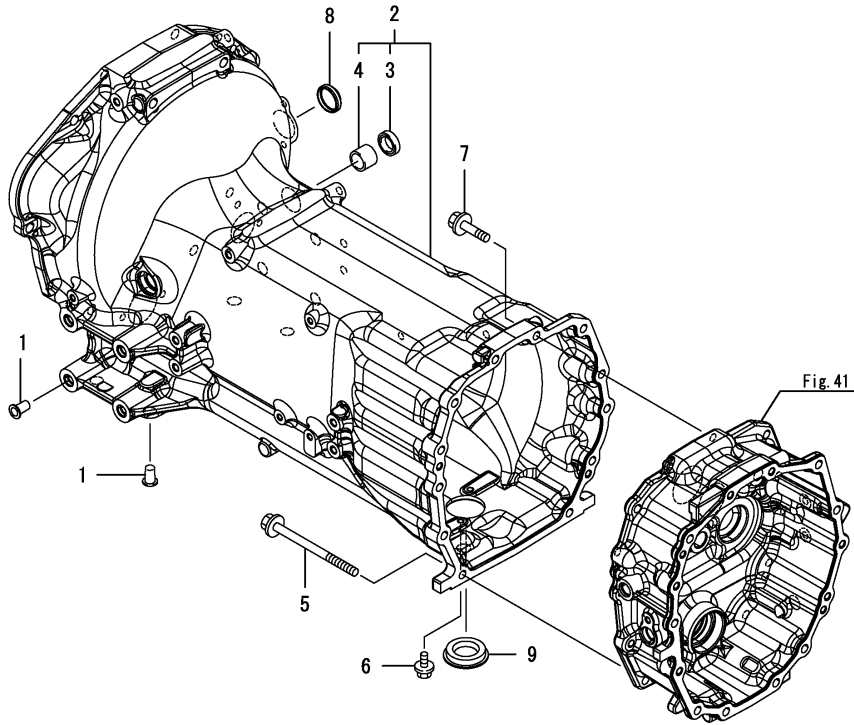


Fig.35. DOCKING BOLT

(A)=EF393T  
(B)=  
(C)=

(D)=  
(E)=  
(F)=

No.	Lev.	Parts No.	Description	Q'ty						I	R
				(A)	(B)	(C)	(D)	(E)	(F)		
1	1	22217-120000	WASHER, SPRING 12	1							
2	1	22351-080018	PIN, SPRING 8.0X18	2							
3	1	26013-121102	BOLT, M12X110	4							
4	1	26106-120252	BOLT, M12X 25 PLATED	1							
5	1	26106-120252	BOLT, M12X 25 PLATED	3							
5-1	1	198240-21270	BOLT, M12X30	3							N
(A=F102603)											
6	1	26716-120002	NUT, M12	1							

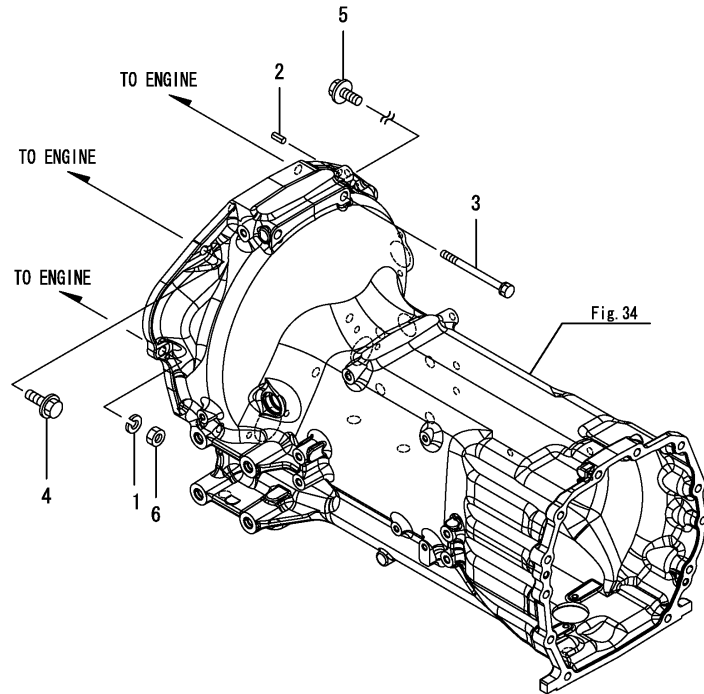
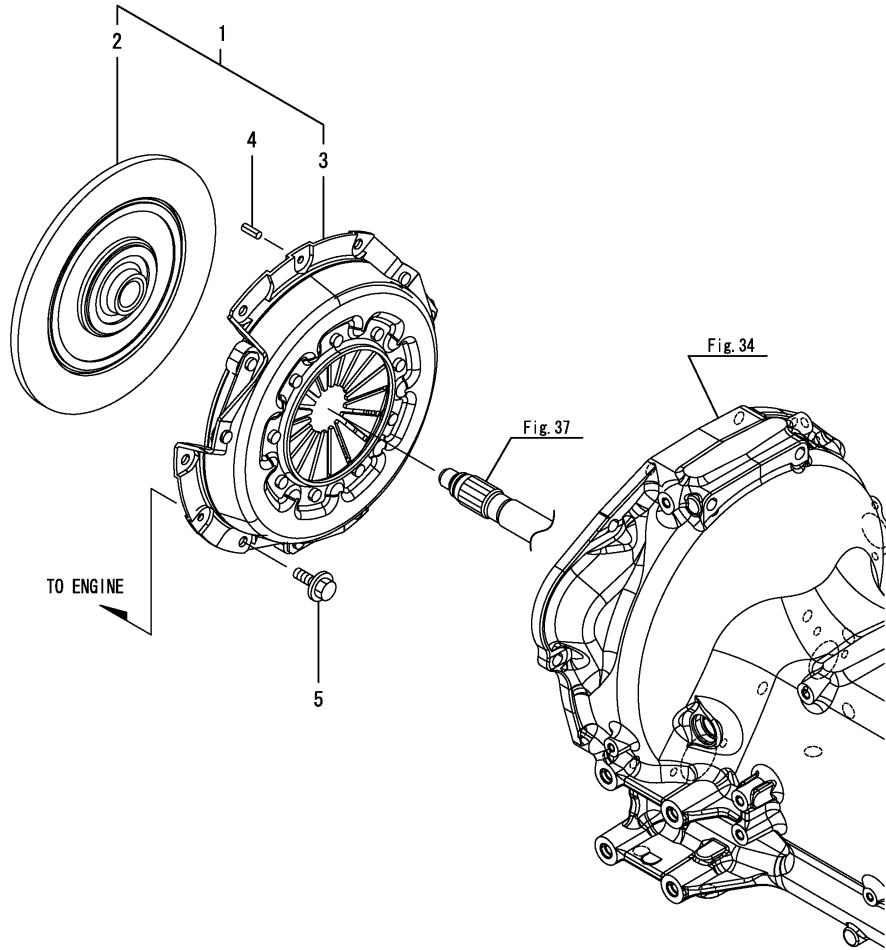


Fig.36. SINGLE CLUTCH

(A)=EF393T  
(B)=  
(C)=

(D)=  
(E)=  
(F)=

No.	Lev.	Parts No.	Description	Q'ty						I	R
				(A)	(B)	(C)	(D)	(E)	(F)		
1	1	1A8310-21500	CLUTCH ASSY, SINGLE	1							
2	2	1A8310-21510	DISK, CLUTCH	1							
3	2	1A8310-21700	COVER, CLUTCH	1							
4	1	22351-080018	PIN, SPRING 8.0X18	3							
5	1	26106-080162	BOLT, M8X 16 PLATED	6							





OCNP5-M50301 TRANSMISSION  
**Fig.37. CLUTCH SHAFT**

OCNP5-M50301 Fig.37

(A)=EF393T  
 (B)=  
 (C)=

(D)=  
 (E)=  
 (F)=

No.	Lev.	Parts No.	Description	Q'ty						I	R
				(A)	(B)	(C)	(D)	(E)	(F)		
1	1	1A8310-22110	SHAFT, MAIN DRIVE	1							
2	1	198200-22531	SLEEVE, BEARING	1							
3	1	194555-26520	COUPLING, PTO	1							
4	1	22252-000220	RING, 22	1							
5	1	26106-080202	BOLT, M8X 20 PLATED	3							

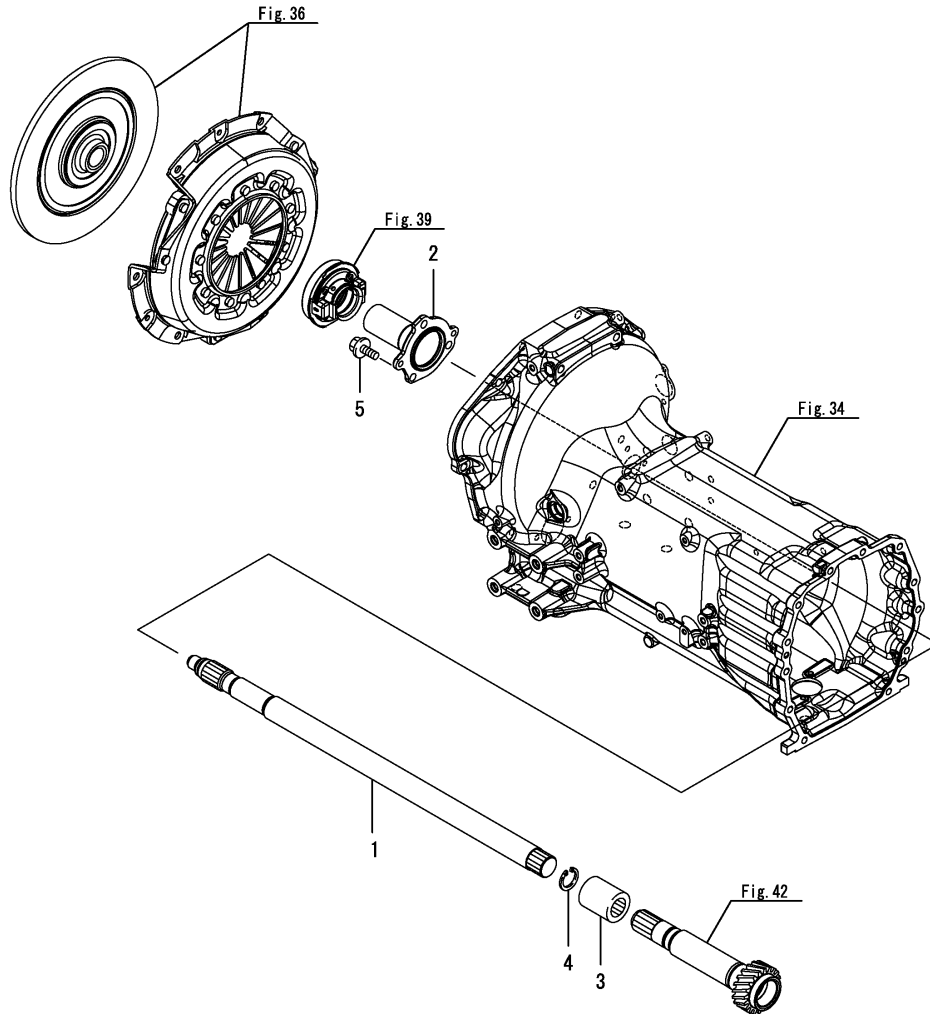


Fig.38. CLUTCH RELEASE(1)

(A)=EF393T  
(B)=  
(C)=

(D)=  
(E)=  
(F)=

No.	Lev.	Parts No.	Description	Q'ty						I	R
				(A)	(B)	(C)	(D)	(E)	(F)		
1	1	198071-22311	YOKE, CLUTCH SHIFT	1							
2	1	198200-22330-1	SHAFT,CLUTCH RELEASE	1							
3	1	26450-080402	BOLT, M8X 40	2							

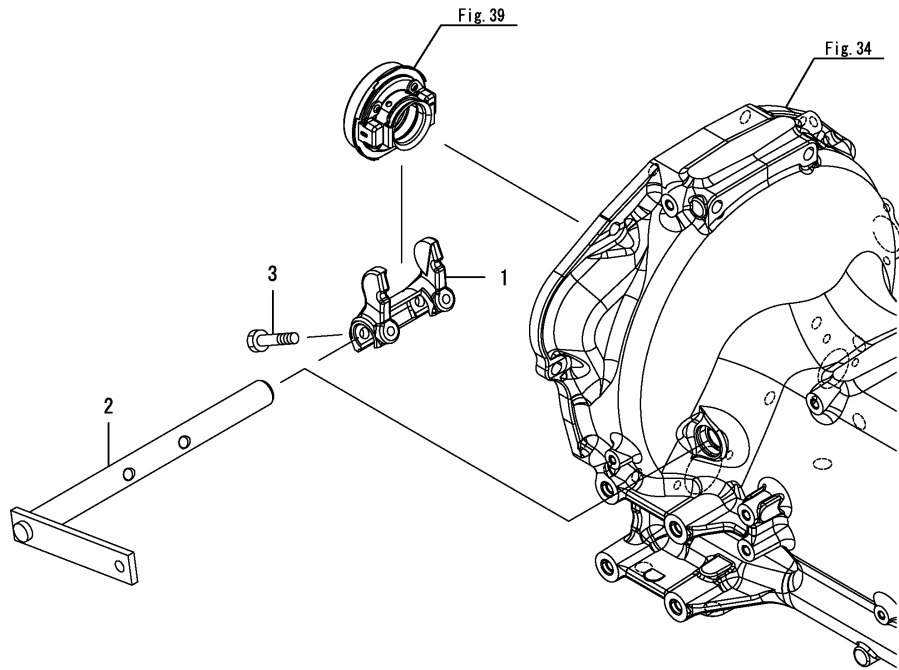


Fig.39. CLUTCH RELEASE(2)

(A)=EF393T  
(B)=  
(C)=

(D)=  
(E)=  
(F)=

No.	Lev.	Parts No.	Description	Q'ty						I	R
				(A)	(B)	(C)	(D)	(E)	(F)		
1	1	198360-22210	BEARING, RELEASE	1							
2	1	1A8310-22480	SPRING, RETURN	1							

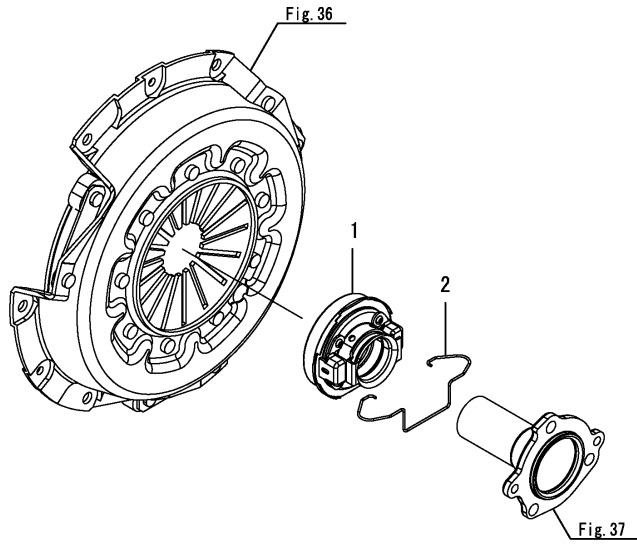
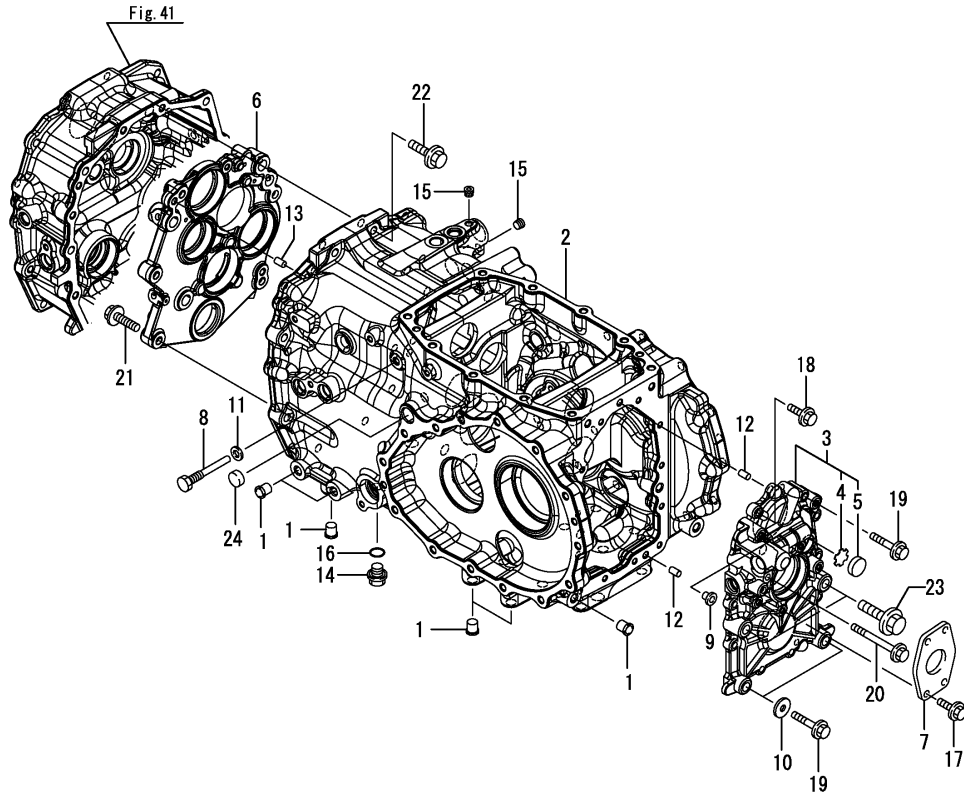


Fig.40. TRANSMISSION CASE

(A)=EF393T  
(B)=  
(C)=

(D)=  
(E)=  
(F)=



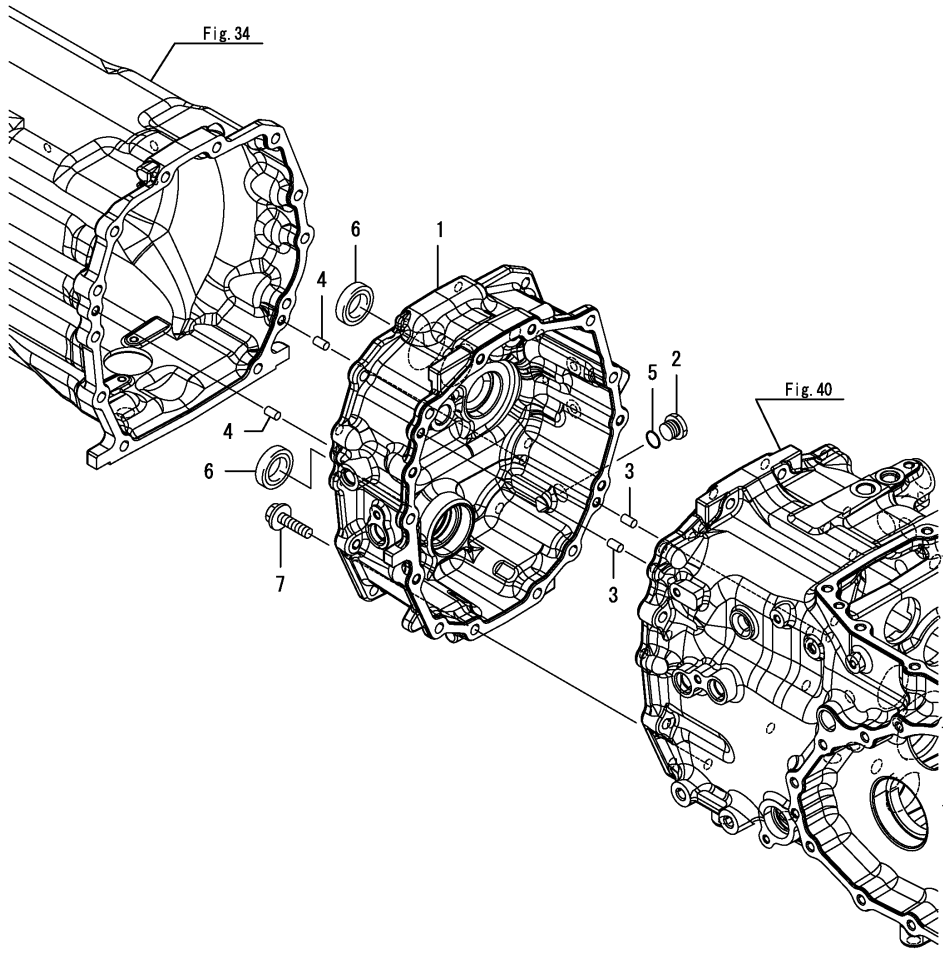
No.	Lev.	Parts No.	Description	Q'ty						I	R
				(A)	(B)	(C)	(D)	(E)	(F)		
1	1	194150-21910	PLUG, 11.2	12							
1-1	1	194201-11230	CAP. SCREW 12.0	12							N
(A=F100103)											
2	1	1A8310-24110	HOUSING,TRANSMISSION	1							
3	1	198200-24151-1	COVER ASSY, XMSN.	1							
4	2	198071-24350	PLATE, WINDOW	1							
5	2	1A1040-28470	WINDOW, OIL CHECK 25	1							
6	1	1A8310-24330	RETAINER,BEARING	1							
7	1	198255-24460	PLATE, OIL SEAL	1							
8	1	198200-26190	BOLT, STOPPER	1							
9	1	194275-27750	PLUG, 7.8	4							
10	1	22157-080000	WASHER, 8	2							
11	1	22190-100000	WASHER, SEAL 10	1							
12	1	22312-080140	PIN, PARALLEL M8X14	2							
13	1	22312-080140	PIN, PARALLEL M8X14	2							
14	1	23491-140002	PLUG, 14	1							
15	1	23871-010000	PLUG, R01	2							
16	1	24311-000160	O-RING, 1AP16.0	1							
17	1	26106-080162	BOLT, M8X 16 PLATED	2							
18	1	26106-080252	BOLT, M8X 25 PLATED	8							
19	1	26106-080452	BOLT, M8X 45 PLATED	3							
20	1	26106-080802	BOLT, M8X 80 PLATED	1							
21	1	26106-100402	BOLT, M10X 40 PLATED	5							
22	1	26106-100402	BOLT, M10X 40 PLATED	6							
23	1	26106-120502	BOLT, M12X 50 PLATED	2							
24	1	27260-200000	PLUG, 20	1							

Fig.41. CENTER PLATE

(A)=EF393T  
(B)=  
(C)=

(D)=  
(E)=  
(F)=

No.	Lev.	Parts No.	Description	Q'ty						I	R
				(A)	(B)	(C)	(D)	(E)	(F)		
1	1	1A8310-24310	PLATE, CENTER	1							
2	1	192167-24600	PLUG	1							
3	1	22312-080140	PIN, PARALLEL M8X14	2							
4	1	22312-080140	PIN, PARALLEL M8X14	2							
5	1	24311-000140	O-RING, 1AP14.0	1							
6	1	24423-254208	SEAL, OIL TC254208	2							
7	1	26106-100402	BOLT, M10X 40 PLATED	2							



# Fig.42. MAIN DRIVE SHAFT

(A)=EF393T  
(B)=  
(C)=

(D)=  
(E)=  
(F)=

No.	Lev.	Parts No.	Description	Q'ty						I	R
				(A)	(B)	(C)	(D)	(E)	(F)		
1	1	1A8310-25110	GEAR, MAIN	1							
2	1	198200-25130	WASHER, 8	1							
3	1	194555-25870	BEARING, TMB206CC3	1							
4	1	22242-000300	RING, 30	1							
5	1	24101-060054	BEARING, BALL 6005	1							
6	1	26106-080202	BOLT, M8X 20 PLATED	1							

---

---

---

---

---

---

---

---

---

---

---

---

---

---

---

---

---

---

---

---

---

---

---

---

---

---

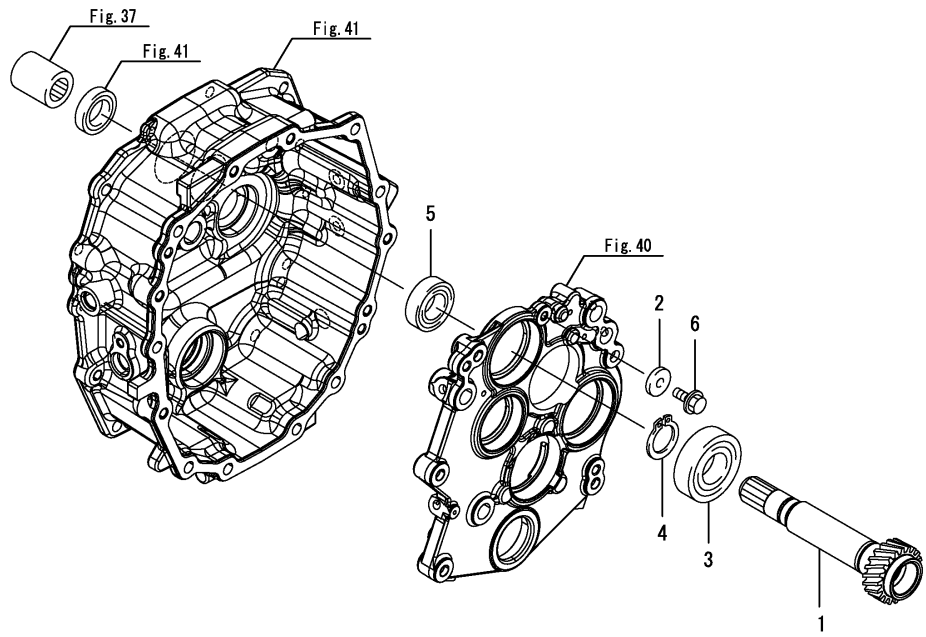


Fig.43. MAIN SHAFT

(A)=EF393T  
(B)=  
(C)=

(D)=  
(E)=  
(F)=

No.	Lev.	Parts No.	Description	Q'ty						I	R
				(A)	(B)	(C)	(D)	(E)	(F)		
1	1	198200-25120	GEAR, MAIN 40	1							
2	1	198200-25210	SHAFT, MAIN	1							
3	1	24101-063044	BEARING, BALL 6304	2							

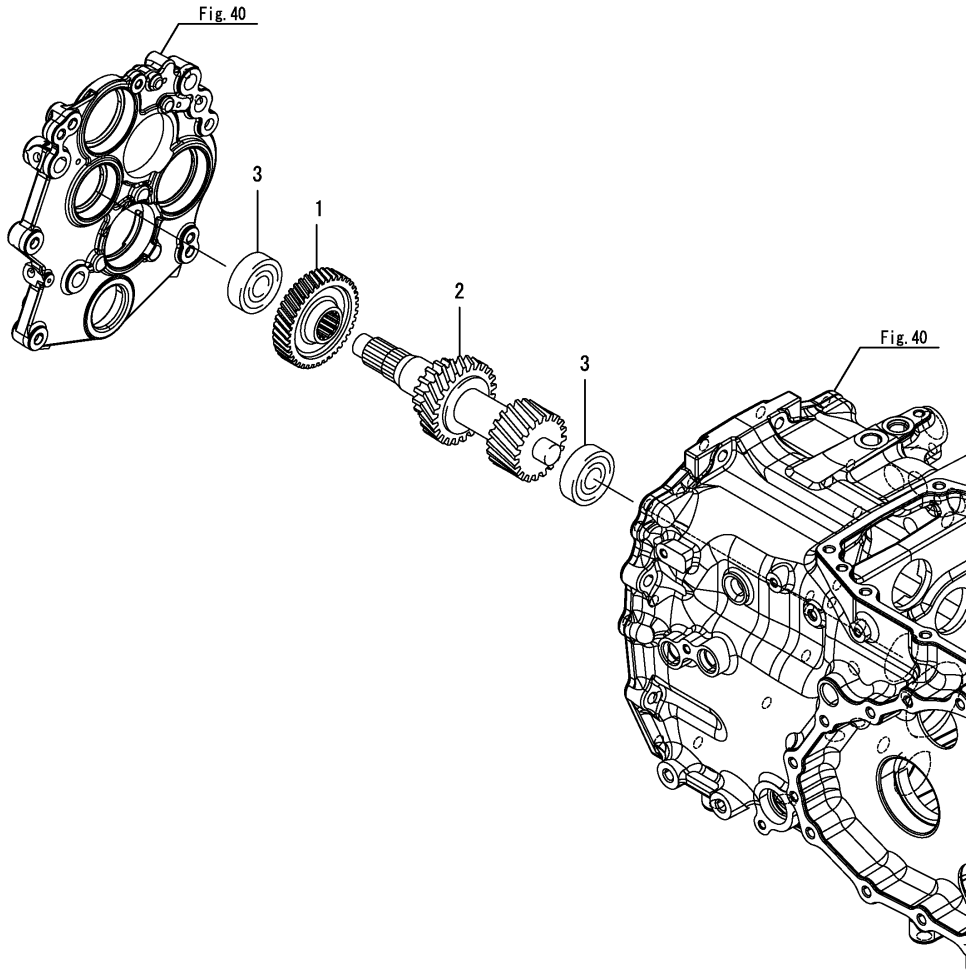
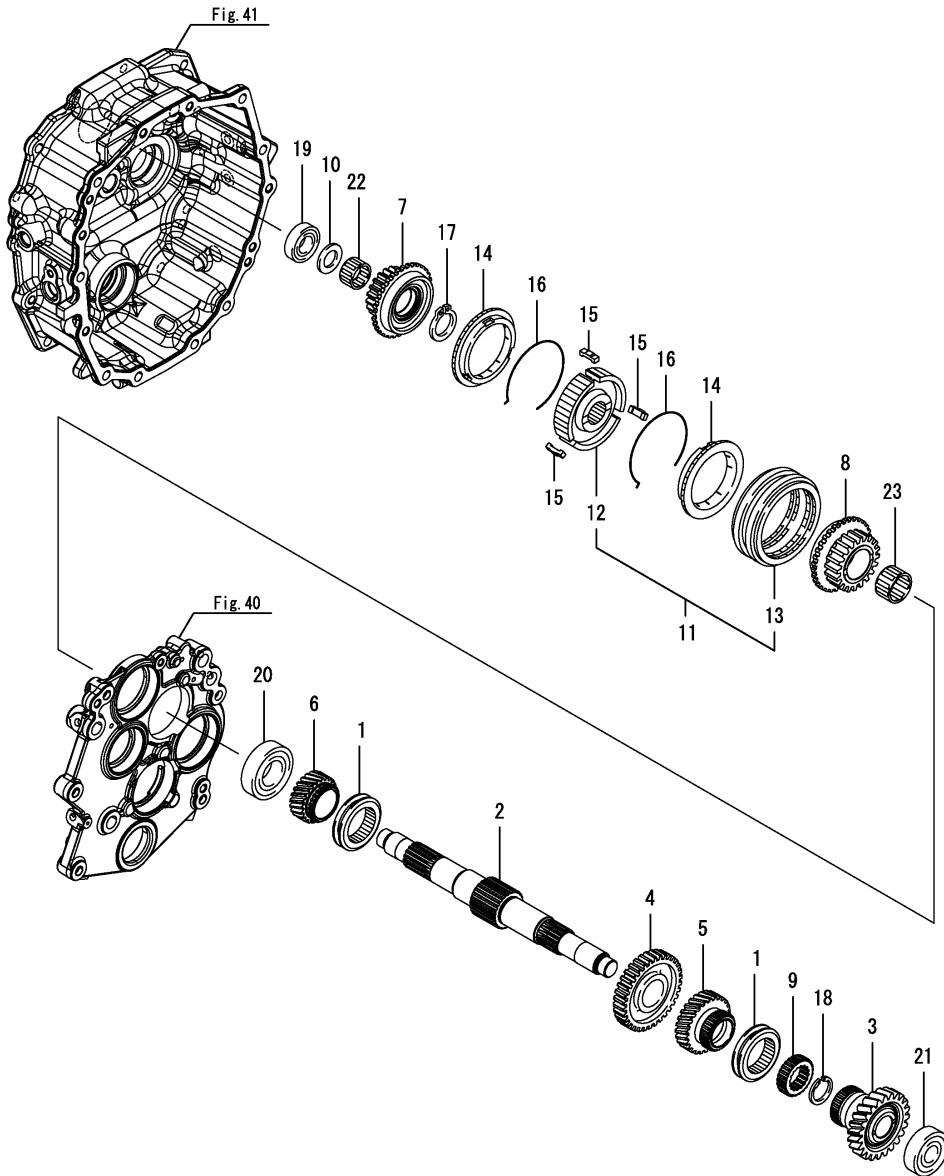


Fig.44. REVERSER SHAFT

(A)=EF393T  
(B)=  
(C)=

(D)=  
(E)=  
(F)=



No.	Lev.	Parts No.	Description	Q'ty						I	R
				(A)	(B)	(C)	(D)	(E)	(F)		
1	1	198200-25150	SHIFTER, MAIN SHIFT	2							
2	1	1A8310-25410	SHAFT, REVERSER	1							
3	1	1A8310-25420	GEAR, MAIN SHIFT 31	1							
4	1	1A8310-25430	GEAR, MAIN SHIFT 34	1							
5	1	1A8310-25440	GEAR, MAIN SHIFT 26	1							
6	1	198200-25450	GEAR, SHIFT 23	1							
7	1	1A8310-25460	GEAR, DRIVE 16	1							
8	1	1A8310-25470	GEAR, DRIVE 19	1							
9	1	1A8310-25480	COLLAR, SPLINE 25	1							
10	1	1A8310-25490	WASHER, 20	1							
11	1	198121-25800	HUB ASSY, SYNCHRO	1							
12	2	198121-25820	HUB, SYNCHRO	1							
13	2	198121-25830	SLIDER	1							
14	1	198121-25840	RING, SYNCHRONIZER	2							
15	1	198121-25850	KEY, SYNCHRONIZER	3							
16	1	198121-25870	SPRING, SYNCHRO	2							
17	1	22242-000290	RING, 29	1							
18	1	22292-000280	RING, S-28	1							
19	1	24101-060044	BEARING, BALL 6004	1							
20	1	24101-062064	BEARING, BALL 6206	1							
21	1	24101-063044	BEARING, BALL 6304	1							
22	1	24161-253017	BEARING, 253017	1							
23	1	24161-303520	BEARING, 303520	1							



Fig.45. REDUCTION SHAFT

(A)=EF393T  
(B)=  
(C)=

(D)=  
(E)=  
(F)=

No.	Lev.	Parts No.	Description	Q'ty						I	R
				(A)	(B)	(C)	(D)	(E)	(F)		
1	1	1A8310-25510	SHAFT, REDUCTION	1							
2	1	1A8310-25650	GEAR, DRIVE 33	1							
3	1	1A8310-25660	GEAR, DRIVEN 20	1							
4	1	1A8310-25670	GEAR, DRIVEN	1							
5	1	194555-25870	BEARING, TMB206CC3	1							
6	1	22242-000290	RING, 29	2							
7	1	24101-062044	BEARING, BALL 6204	1							
8	1	24101-063044	BEARING, BALL 6304	1							

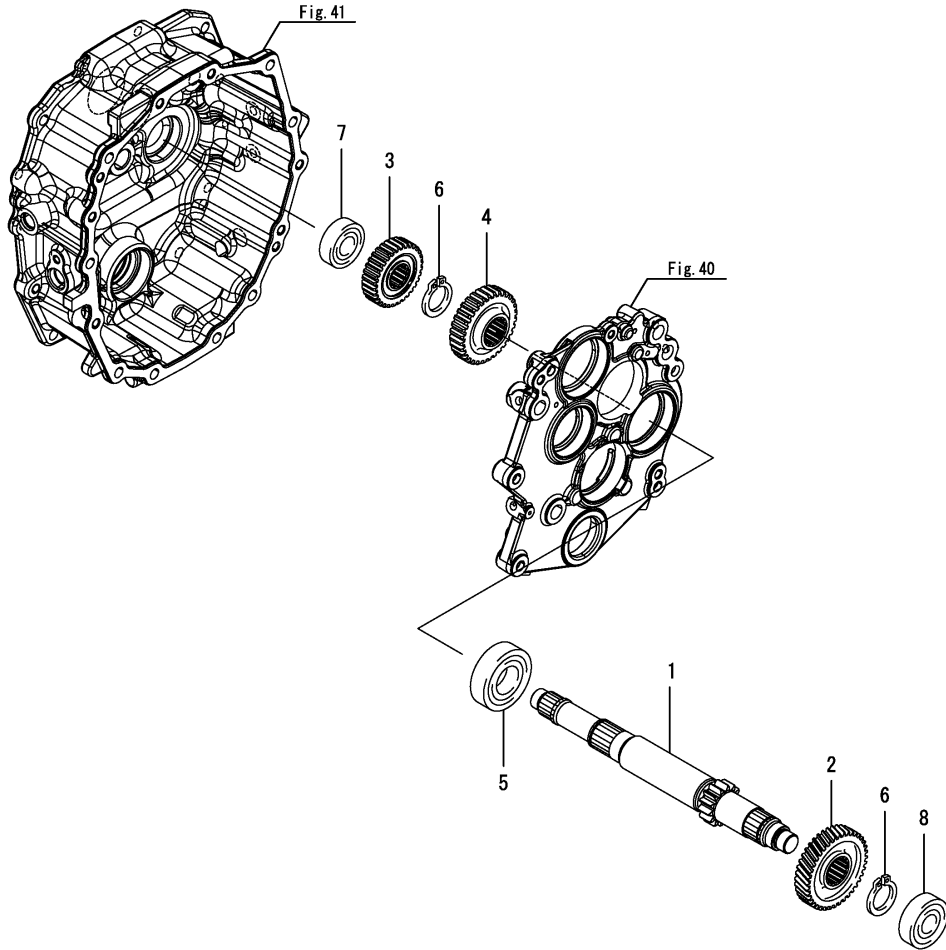


Fig.46. COUNTER SHAFT

(A)=EF393T  
(B)=  
(C)=

(D)=  
(E)=  
(F)=

No.	Lev.	Parts No.	Description	Q'ty						I	R
				(A)	(B)	(C)	(D)	(E)	(F)		
1	1	198200-25150	SHIFTER, MAIN SHIFT	1							
2	1	1A8310-25520	GEAR, RANGE	1							
3	1	1A8310-25530	GEAR, RANGE 39	1							
4	1	1A8310-25560	COLLAR, SPLINE	1							
5	1	1A8310-25610	WASHER, 30	1							
6	1	1A8310-25620	WASHER, 35	1							
7	1	1A8310-25810	RING, 35X2	2							
8	1	1A8310-28220	GEAR, FRONT DRIVE	1							
9	1	22242-000240	RING, 24	1							
10	1	22242-000300	RING, 30	1							
11	1	24101-063054	BEARING, BALL 6305	1							
12	1	24101-063074	BEARING, BALL 6307	1							

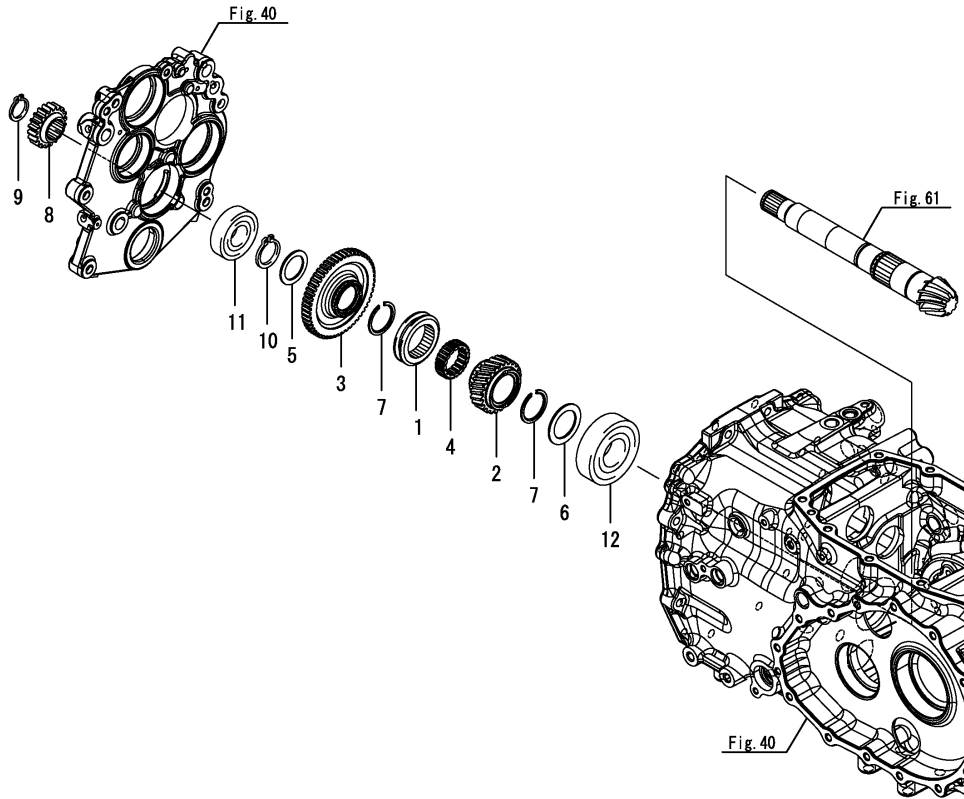


Fig.47. REVERSER IDLE SHAFT

(A)=EF393T  
(B)=  
(C)=

(D)=  
(E)=  
(F)=

No.	Lev.	Parts No.	Description	Q'ty						I	R
				(A)	(B)	(C)	(D)	(E)	(F)		
1	1	1A8310-25490	WASHER, 20	1							
2	1	1A8310-25910	SHAFT, REVERSE IDLE	1							
3	1	1A8310-25930	GEAR, REVERSE IDLE	1							
4	1	24161-253017	BEARING, 253017	1							
5	1	24311-000160	O-RING, 1AP16.0	1							
6	1	26716-120002	NUT, M12	2							

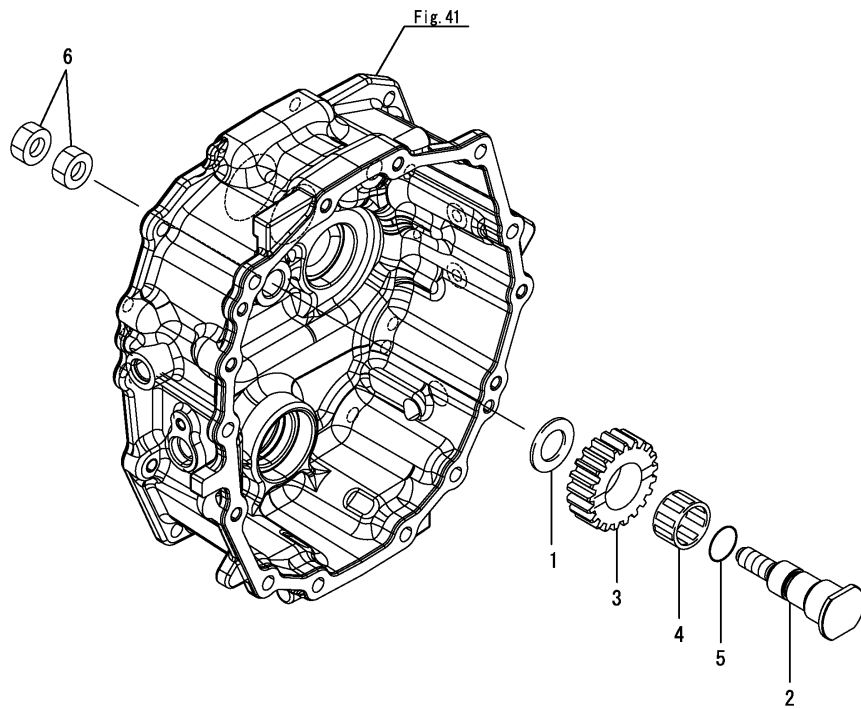
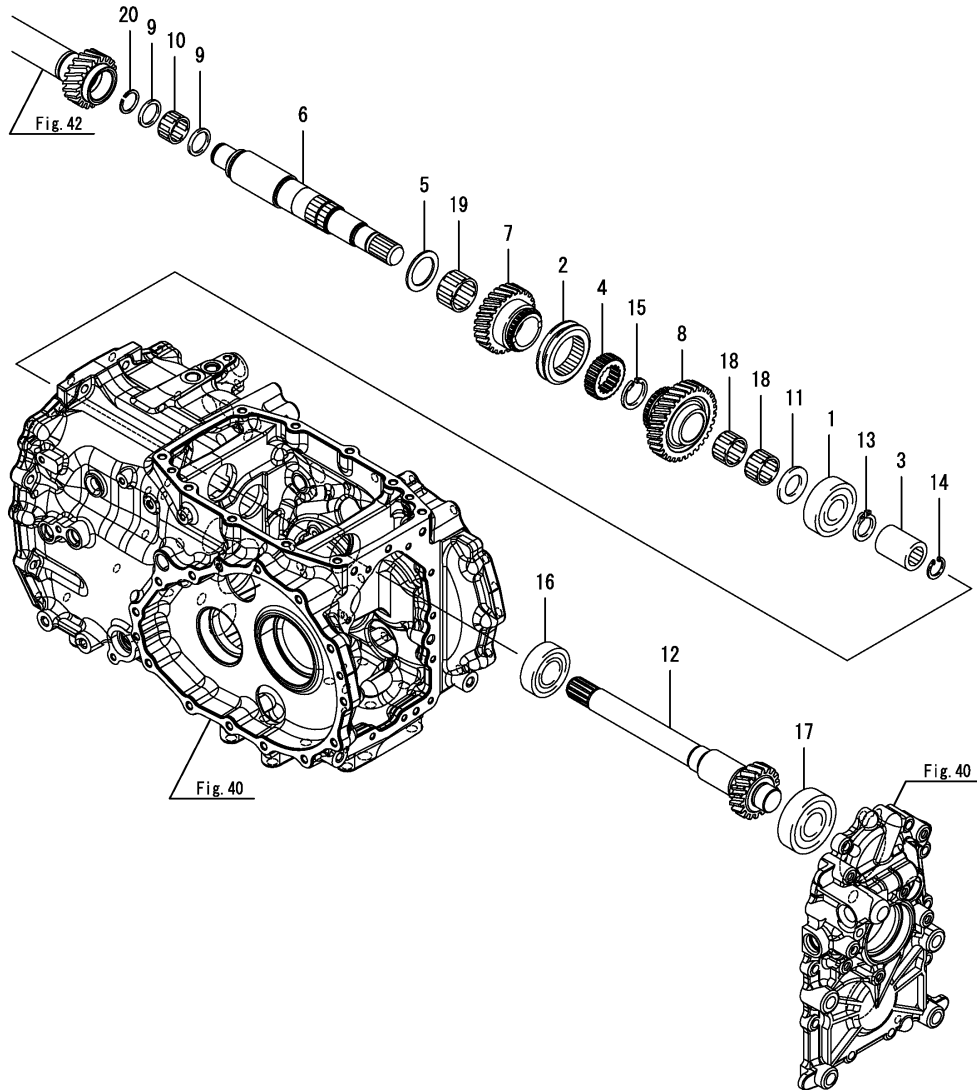


Fig.48. P.T.O. DRIVE SHAFT

(A)=EF393T  
(B)=  
(C)=

(D)=  
(E)=  
(F)=



No.	Lev.	Parts No.	Description	Q'ty						I	R
				(A)	(B)	(C)	(D)	(E)	(F)		
1	1	1D2180-22130	BEARING, BALL 63/22	1							
2	1	198200-25150	SHIFTER, MAIN SHIFT	1							
3	1	198212-25150	COUPLING, 13X16/32	1							
4	1	1A8310-25480	COLLAR, SPLINE 25	1							
5	1	1A8310-25610	WASHER, 30	1							
6	1	1A8310-26110	SHAFT, PTO DRIVE	1							
7	1	1A8310-26130	GEAR, PTO 26	1							
8	1	1A8310-26140	GEAR, PTO 31	1							
9	1	198200-26150	COLLAR, 22X28X2.5	2							
10	1	198200-26160	NEEDLE, 223015	1							
11	1	1A8310-26170	WASHER, 22	1							
12	1	198200-26240	SHAFT, PTO PINION	1							
13	1	22242-000220	RING, 22	1							
14	1	22252-000190	RING, 19	1							
15	1	22292-000280	RING, S-28	1							
16	1	24101-062054	BEARING, BALL 6205	1							
17	1	24101-063054	BEARING, BALL 6305	1							
18	1	24161-253017	BEARING, 253017	2							
19	1	24161-303520	BEARING, 303520	1							
20	1	24164-000222	CIRCLIP, 22	1							

Fig.49. P.T.O. SHAFT

(A)=EF393T  
(B)=  
(C)=

(D)=  
(E)=  
(F)=

No.	Lev.	Parts No.	Description	Q'ty						I	R
				(A)	(B)	(C)	(D)	(E)	(F)		
1	1	194680-25940	BEARING	1							
2	1	1A8310-26310	SHAFT, PTO	1							
3	1	1A8310-26320	GEAR, PTO DRIVEN 40	1							
4	1	194370-26350	SEAL, OIL QLF356019	1							
5	1	24101-063044	BEARING, BALL 6304	1							

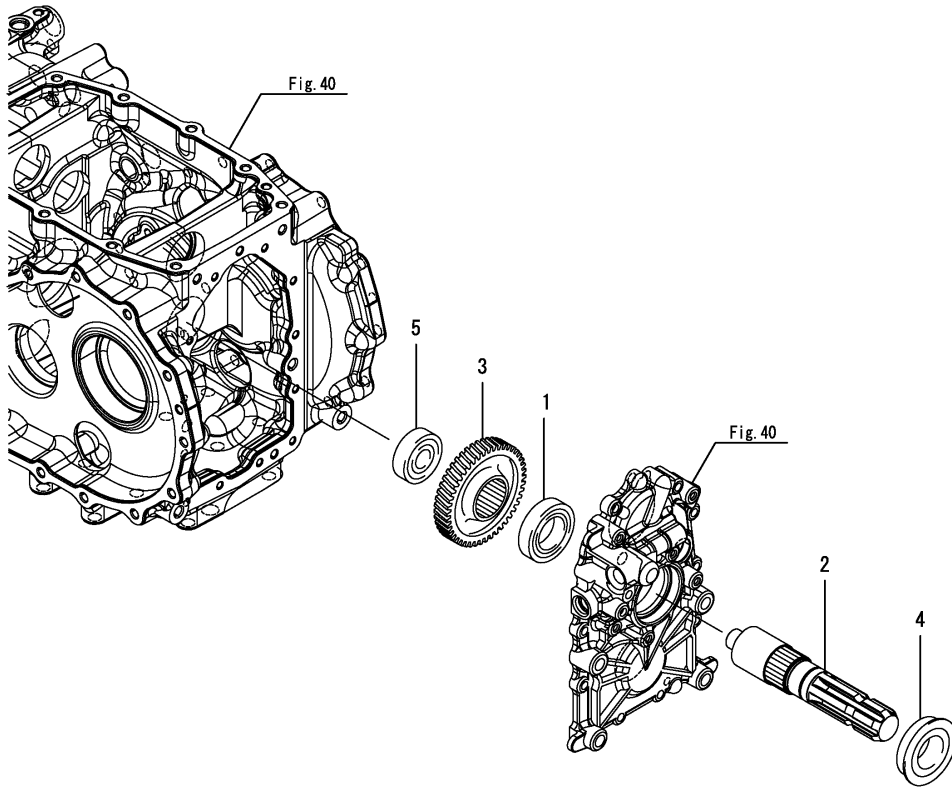


Fig.50. P.T.O. SHAFT COVER

(A)=EF393T  
(B)=  
(C)=

(D)=  
(E)=  
(F)=

No.	Lev.	Parts No.	Description	Q'ty						I	R
				(A)	(B)	(C)	(D)	(E)	(F)		
1	1	1A7100-26850	COVER ASSY, SHAFT M	1							
2	1	26106-080122	BOLT, M8X 12 PLATED	2							

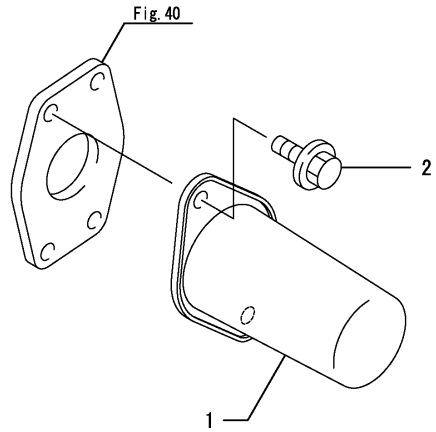
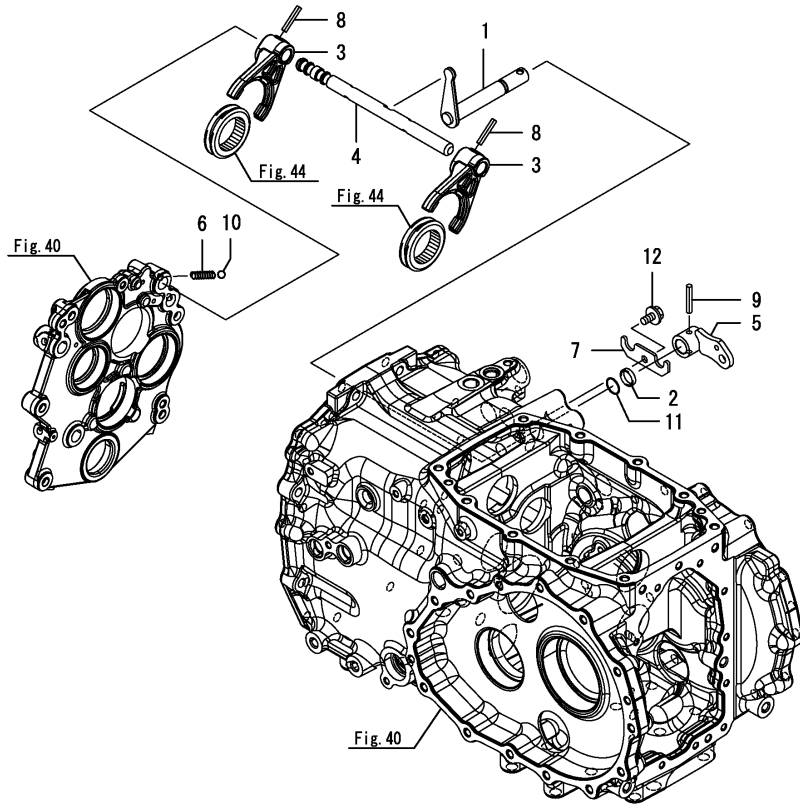


Fig.51. MAIN SHIFT

(A)=EF393T  
(B)=  
(C)=

(D)=  
(E)=  
(F)=



No.	Lev.	Parts No.	Description	Q'ty						I	R
				(A)	(B)	(C)	(D)	(E)	(F)		
1	1	1A8310-27110	ARM, MAIN SHIFT	1							
2	1	198119-27150	COLLAR, ARM	1							
3	1	198200-27170	FORK, SHIFT	2							
4	1	198200-27180	SHAFT, MAIN FORK	1							
5	1	1A8310-27410	ARM, SHIFT	1							
6	1	194145-27450	SPRING	1							
7	1	1A8310-27740	PLATE, B	1							
8	1	22351-060036	PIN, SPRING 6.0X36	2							
9	1	22351-060036	PIN, SPRING 6.0X36	1							
10	1	24190-100001	BALL, STEEL 5/16	1							
11	1	24311-000160	O-RING, 1AP16.0	1							
12	1	26106-080162	BOLT, M8X 16 PLATED	1							

Fig.52. SHIFT LEVER

(A)=EF393T  
(B)=  
(C)=

(D)=  
(E)=  
(F)=

No.	Lev.	Parts No.	Description	Q'ty						I	R
				(A)	(B)	(C)	(D)	(E)	(F)		
1	1	1A8310-27600	LEVER ASSY, MAIN	1							
2	2	1A8310-27610	LEVER, MAIN	1							
3	2	24550-016100	BUSH, 16X10	2							
4	2	24761-010000	NIPPLE, GREASE M6F	1							
5	1	1A8310-27800	LEVER ASSY, RANGE	1							
6	2	1A8310-27810	LEVER, RANGE SHIFT	1							
7	2	24550-016100	BUSH, 16X10	2							
8	2	24761-010000	NIPPLE, GREASE M6F	1							
9	1	1A8310-27900	LEVER ASSY, PTO	1							
10	2	1A8310-27910	LEVER, PTO	1							
11	2	24550-016100	BUSH, 16X10	2							
12	2	24761-010000	NIPPLE, GREASE M6F	1							
13	1	1A8310-28400	LEVER ASSY, 4WD	1							
14	2	1A8310-28410	LEVER, 4WD	1							
15	2	24550-016100	BUSH, 16X10	2							
16	2	24761-010000	NIPPLE, GREASE M6F	1							
17	1	22272-000150	RING, E-15	3							

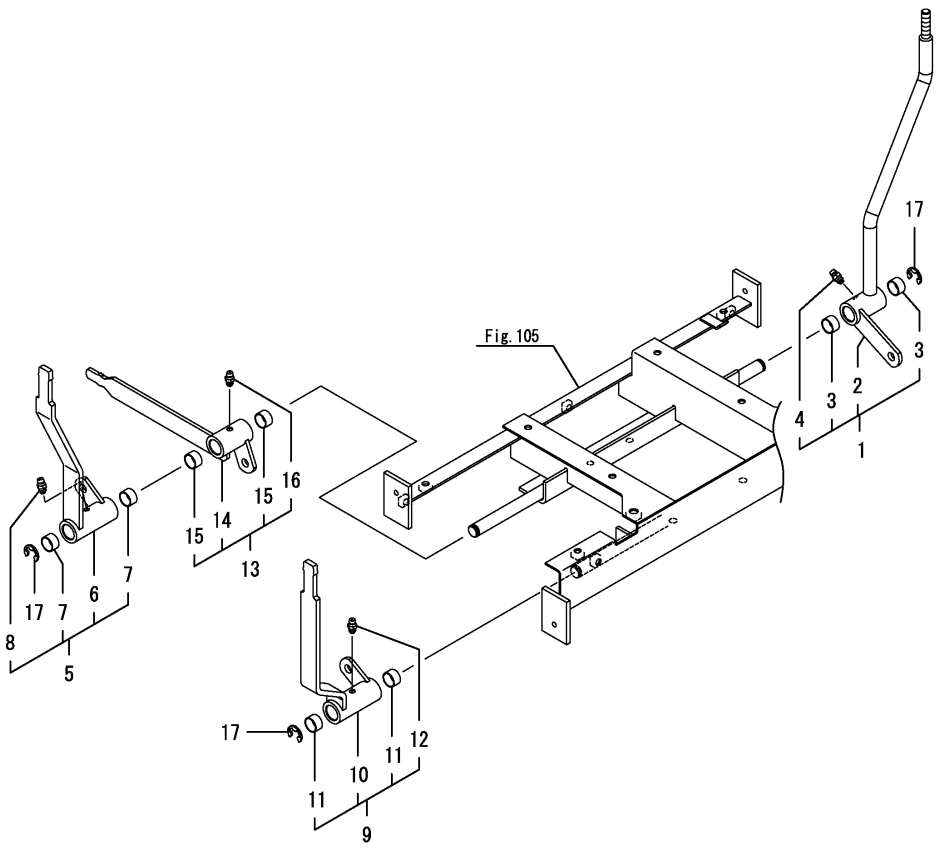




Fig.53. REVERSER SHIFT

(A)=EF393T  
(B)=  
(C)=

(D)=  
(E)=  
(F)=

No.	Lev.	Parts No.	Description	Q'ty						I	R
				(A)	(B)	(C)	(D)	(E)	(F)		
1	1	198119-27150	COLLAR, ARM	1							
2	1	1A8310-27310	ARM, SHIFT REVERSER	1							
3	1	198200-27370	FORK, REVERSER SHIFT	1							
4	1	1A8310-27380	SHAFT, FORK REVERSER	1							
5	1	1A8310-27410	ARM, SHIFT	1							
6	1	194145-27450	SPRING	1							
7	1	22351-060036	PIN, SPRING 6.0X36	1							
8	1	22351-060036	PIN, SPRING 6.0X36	1							
9	1	24190-100001	BALL, STEEL 5/16	1							
10	1	24311-000160	O-RING, 1AP16.0	1							

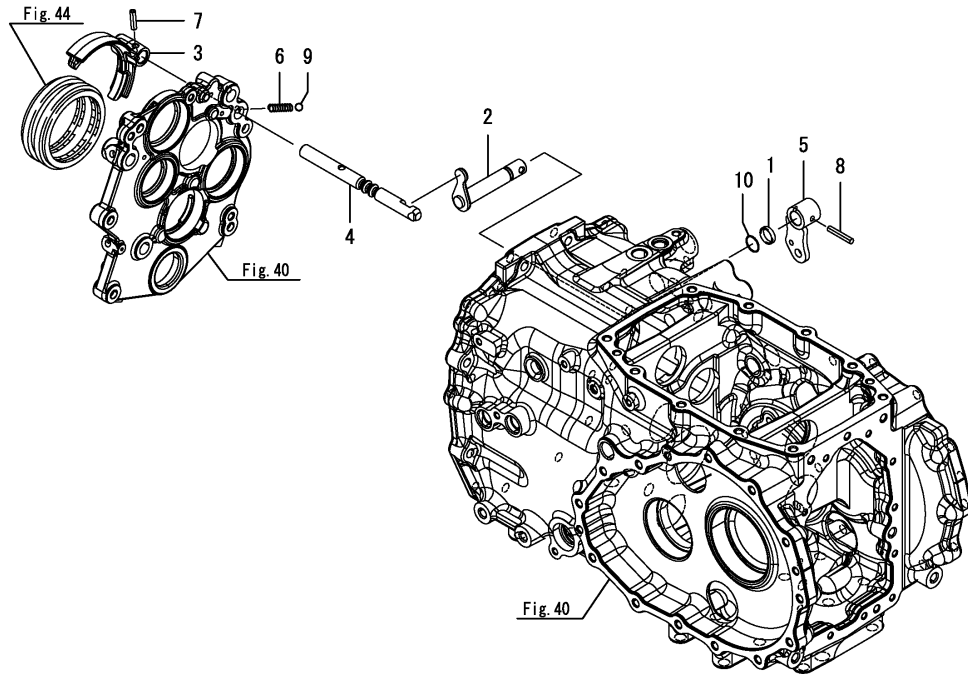


Fig.54. REVERSER LEVER

(A)=EF393T  
(B)=  
(C)=

(D)=  
(E)=  
(F)=

No.	Lev.	Parts No.	Description	Q'ty						I	R
				(A)	(B)	(C)	(D)	(E)	(F)		
1	1	1A8310-27490	PLATE, REVERSER WIRE	1							
2	1	198200-27530	WIRE ASSY, REVERSER	1							
3	1	194680-51670	BAND, CLIP	1							
4	1	22137-060000	WASHER, 6	2							
5	1	22417-160180	PIN, COTTER 1.6X18	2							
6	1	22487-060160	PIN, H 6X 16	2							
7	1	26106-080162	BOLT, M8X 16 PLATED	2							

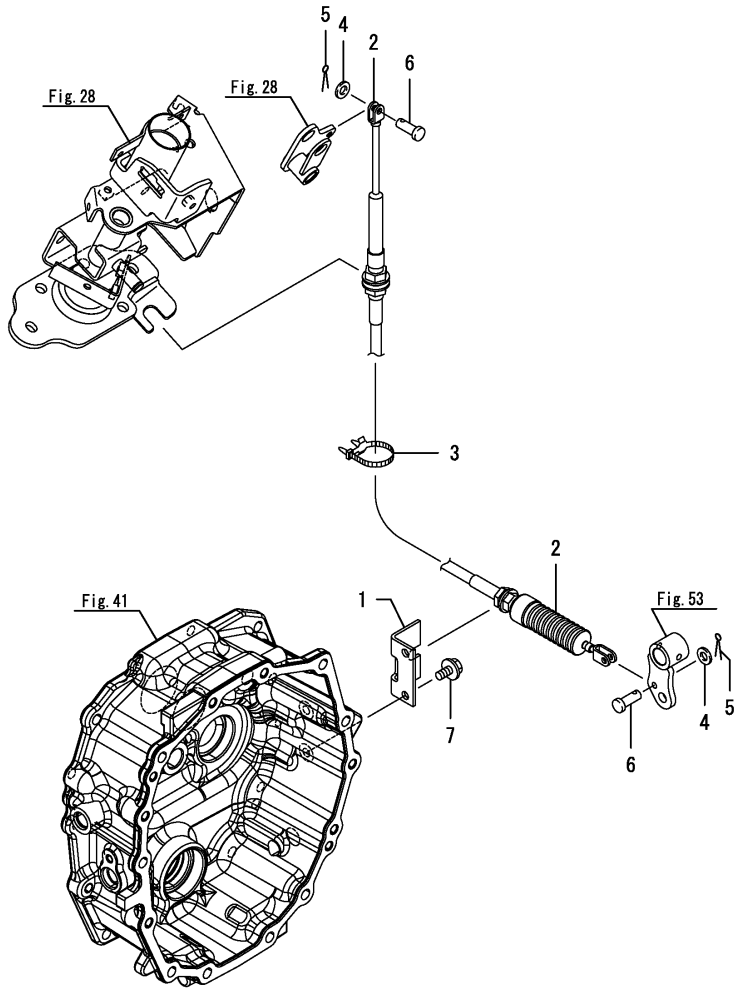


Fig.55. SUB SHIFT

(A)=EF393T  
(B)=  
(C)=

(D)=  
(E)=  
(F)=

No.	Lev.	Parts No.	Description	Q'ty						I	R
				(A)	(B)	(C)	(D)	(E)	(F)		
1	1	198119-27150	COLLAR, ARM	1							
2	1	198200-27170	FORK, SHIFT	1							
3	1	1A8310-27410	ARM, SHIFT	1							
4	1	194145-27450	SPRING	1							
5	1	1A8310-27520	ARM, RANGE SHIFT	1							
6	1	1A8310-27570	SHAFT, FORK RANGE	1							
7	1	1A8310-27740	PLATE, B	1							
8	1	22351-060036	PIN, SPRING 6.0X36	1							
9	1	22351-060036	PIN, SPRING 6.0X36	1							
10	1	22417-320400	PIN, COTTER 3.2X40	1							
11	1	24190-100001	BALL, STEEL 5/16	1							
12	1	24311-000160	O-RING, 1AP16.0	1							
13	1	26106-080162	BOLT, M8X 16 PLATED	1							

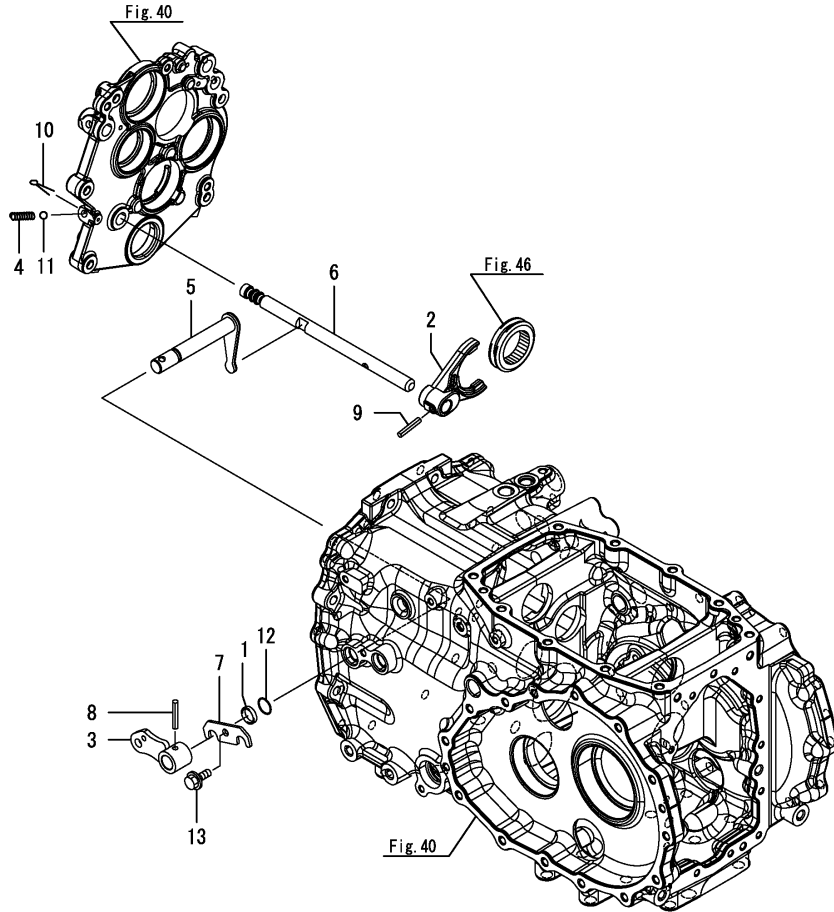
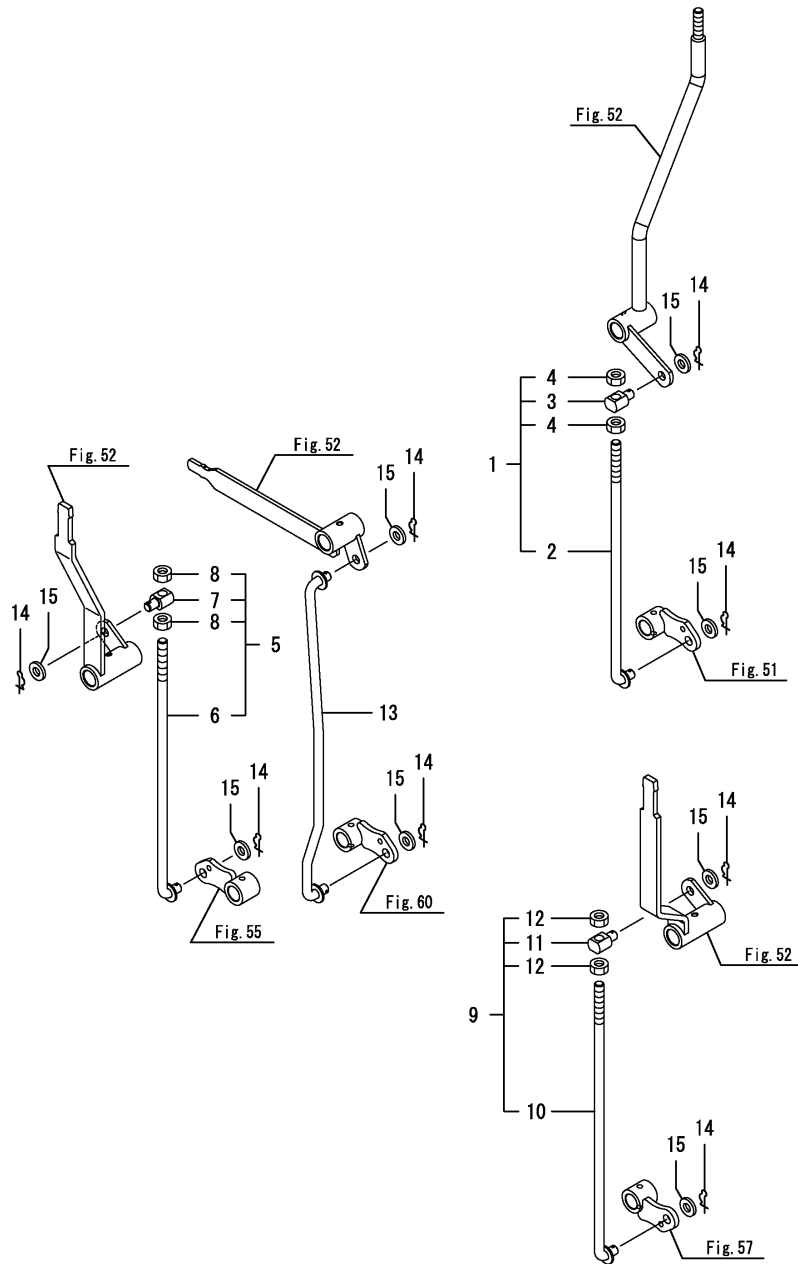


Fig.56. SHIFT LINK

(A)=EF393T  
(B)=  
(C)=

(D)=  
(E)=  
(F)=



No.	Lev.	Parts No.	Description	Q'ty						I	R
				(A)	(B)	(C)	(D)	(E)	(F)		
1	1	1A8310-28000	ROD KIT, MAIN SHIFT	1							
2	2	1A8310-28010	ROD ASSY, LINK 315	1							
3	2	1A8310-28110	JOINT	1							
4	2	26716-100002	NUT, M10	2							
5	1	1A8310-28030	ROD KIT, RANGE SHIFT	1							
6	2	1A8310-28040	ROD ASSY, LINK 335	1							
7	2	1A8310-28110	JOINT	1							
8	2	26716-100002	NUT, M10	2							
9	1	1A8310-28060	ROD KIT, PTO	1							
10	2	1A8310-28070	ROD ASSY, LINK 360	1							
11	2	1A8310-28110	JOINT	1							
12	2	26716-100002	NUT, M10	2							
13	1	1A8310-28090	ROD ASSY, 4WD	1							
14	1	1C6360-65700	PIN, SNAP 10	8							
15	1	22137-100000	WASHER, 10	8							

Fig.57. P.T.O. SHIFT

(A)=EF393T  
(B)=  
(C)=

(D)=  
(E)=  
(F)=

No.	Lev.	Parts No.	Description	Q'ty						I	R
				(A)	(B)	(C)	(D)	(E)	(F)		
1	1	198119-27150	COLLAR, ARM	1							
2	1	198200-27170	FORK, SHIFT	1							
3	1	1A8310-27410	ARM, SHIFT	1							
4	1	194145-27450	SPRING	1							
5	1	1A8310-27710	ARM, PTO SHIFT	1							
6	1	1A8310-27780	SHAFT, FORK PTO	1							
7	1	22351-060036	PIN, SPRING 6.0X36	1							
8	1	22351-060036	PIN, SPRING 6.0X36	1							
9	1	24190-100001	BALL, STEEL 5/16	1							
10	1	24311-000160	O-RING, 1AP16.0	1							

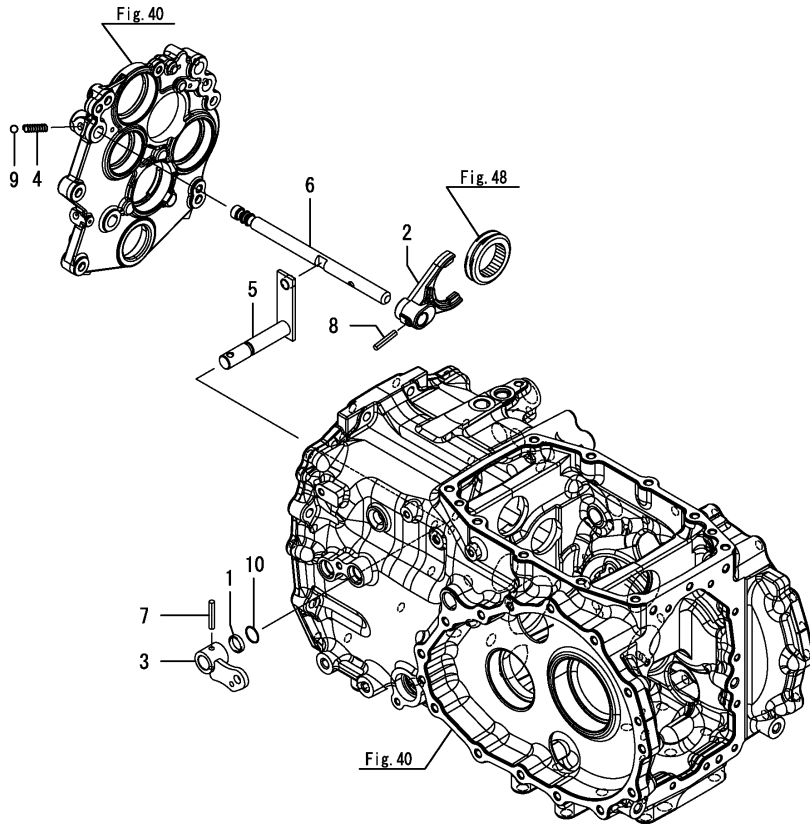
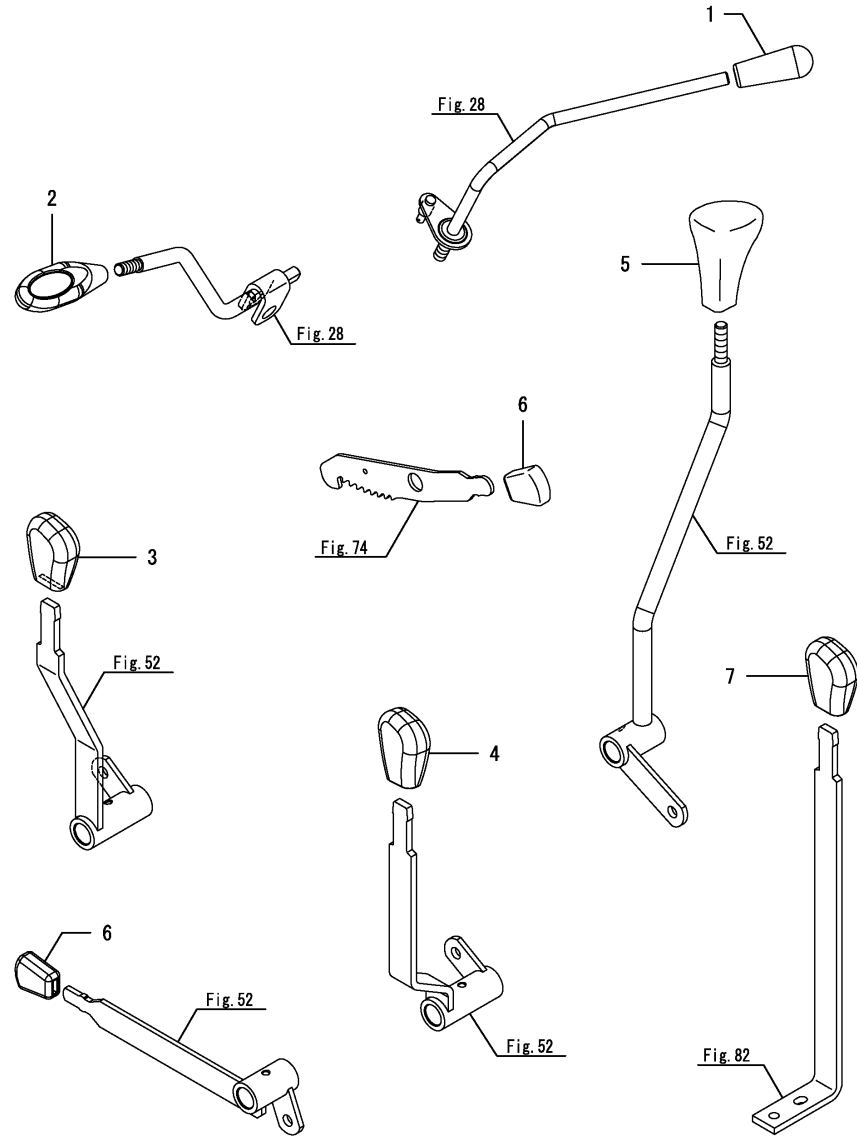


Fig.58. SHIFT KNOB

(A)=EF393T  
(B)=  
(C)=

(D)=  
(E)=  
(F)=



No.	Lev.	Parts No.	Description	Q'ty						I	R
				(A)	(B)	(C)	(D)	(E)	(F)		
1	1	1A8115-01190	KNOB, LEVER	1							
2	1	1A8115-18350	KNOB, LEVER	1							
3	1	1A8115-27810	KNOB, ORANGE	1							
4	1	1A8115-27910	KNOB, YELLOW	1							
5	1	1A8115-28010	KNOB, MAIN SHIFT	1							
6	1	1A8115-37580	KNOB, PARKING BRAKE	2							
7	1	1A8115-47810	KNOB, BLACK	1							

Fig.59. FRONT DRIVE

(A)=EF393T  
(B)=  
(C)=

(D)=  
(E)=  
(F)=

No.	Lev.	Parts No.	Description	Q'ty						I	R
				(A)	(B)	(C)	(D)	(E)	(F)		
1	1	1A8310-28180	SHAFT, FRONT DRIVE	1							
2	1	1A8160-28230	SHIFTER, FRONT	1							
3	1	1A8310-28230	GEAR, FRONT DRIVE	1							
4	1	1A8310-28280	SPRING, 29	1							
5	1	24101-062054	BEARING, BALL 6205	1							
6	1	24101-063034	BEARING, BALL 6303	1							
7	1	24190-080001	BALL, STEEL 1/4	2							

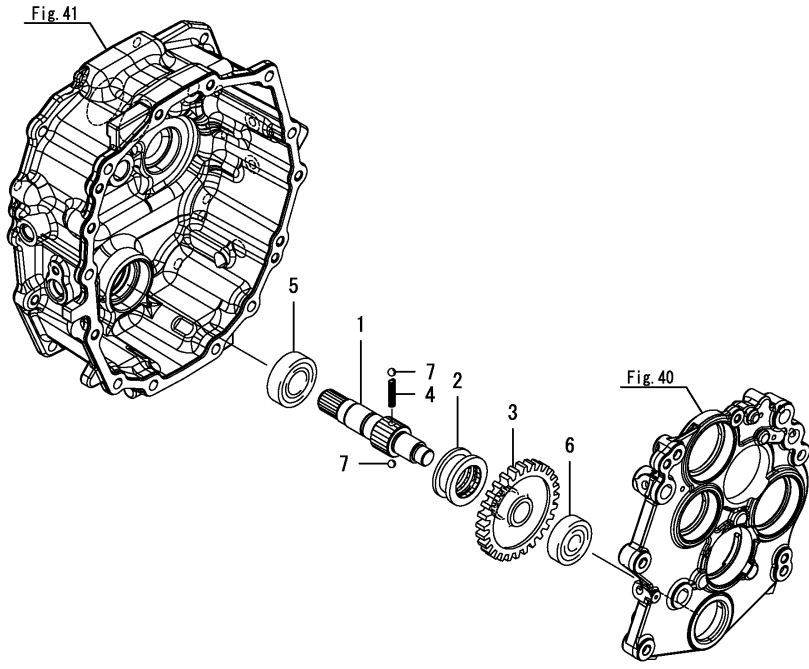


Fig.60. FRONT SHIFT

(A)=EF393T  
(B)=  
(C)=

(D)=  
(E)=  
(F)=

No.	Lev.	Parts No.	Description	Q'ty						I	R
				(A)	(B)	(C)	(D)	(E)	(F)		
1	1	198119-27150	COLLAR, ARM	1							
2	1	1A8310-27410	ARM, SHIFT	1							
3	1	1A8310-28510	ARM, 4WD SHIFT	1							
4	1	1A8310-28560	PLATE, KEEP	1							
5	1	22351-060036	PIN, SPRING 6.0X36	1							
6	1	24311-000160	O-RING, 1AP16.0	1							
7	1	26106-080162	BOLT, M8X 16 PLATED	1							

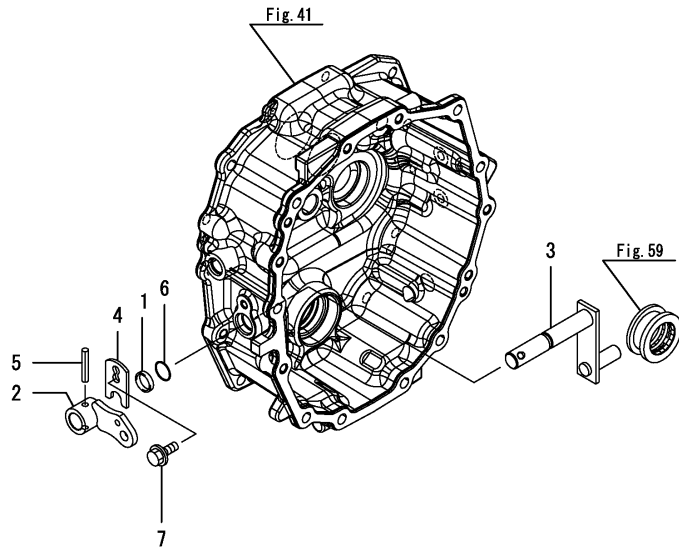
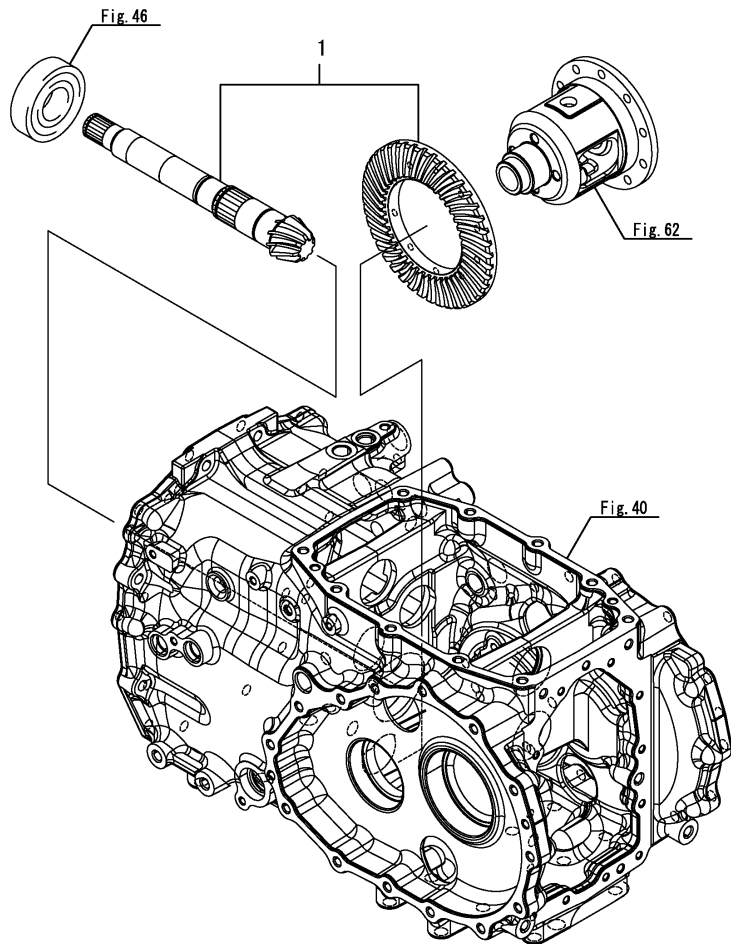




Fig.61. RING GEAR

(A)=EF393T  
 (B)=  
 (C)=

(D)=  
 (E)=  
 (F)=



No.	Lev.	Parts No.	Description	Qty						I	R
				(A)	(B)	(C)	(D)	(E)	(F)		
1	1	1A8310-31400	GEAR ASSY, RING	1							

---



---



---



---



---



---



---



---



---



---



---



---



---



---

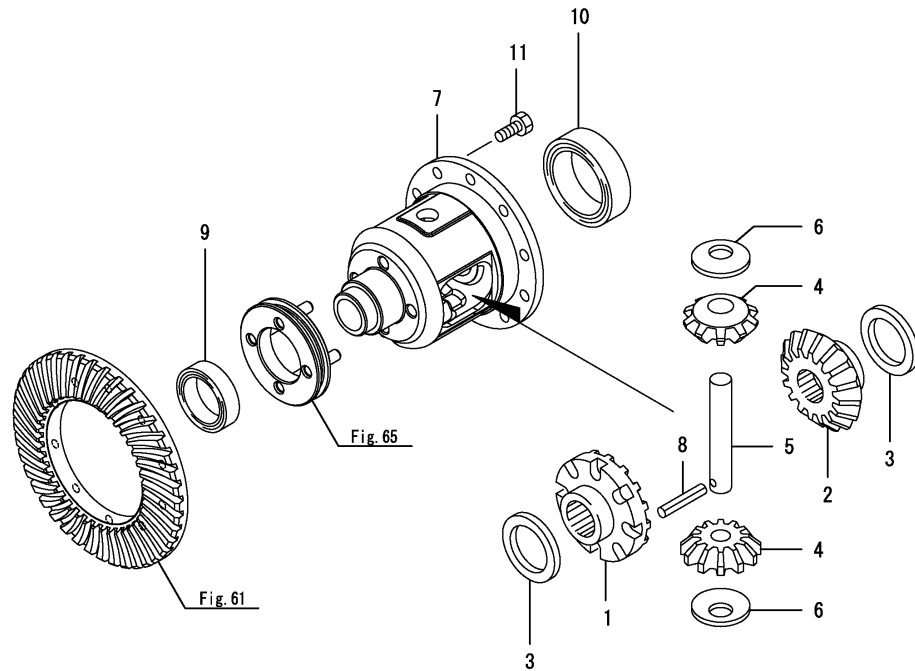


---

Fig.62. DIFFERENTIAL GEAR

(A)=EF393T  
(B)=  
(C)=

(D)=  
(E)=  
(F)=



No.	Lev.	Parts No.	Description	Q'ty						I	R
				(A)	(B)	(C)	(D)	(E)	(F)		
1	1	198200-31510	GEAR, DIFFERENTIAL L	1							
2	1	194525-31520	GEAR, DIFFERENTIAL R	1							
3	1	194515-31610	WASHER, DIFFERENTIAL	2							
4	1	198200-31810	PINION, DIFFERENTIAL	2							
5	1	1A8310-31820	SHAFT, DIFF. PINION	1							
6	1	194515-31850	WASHER, DIFFERENTIAL	2							
7	1	198200-32110	CASE, DIFFERENTIAL	1							
8	1	22351-040040	PIN, SPRING 4.0X40	1							
9	1	24101-060074	BEARING, BALL 6007	1							
10	1	24101-062074	BEARING, BALL 6207	1							
11	1	26106-080162	BOLT, M8X 16 PLATED	10							

Fig.63. DIFFERENTIAL CARRIER

(A)=EF393T  
(B)=  
(C)=

(D)=  
(E)=  
(F)=

No.	Lev.	Parts No.	Description	Qty						I	R	
				(A)	(B)	(C)	(D)	(E)	(F)			
1	1	198200-32320	CARRIER	1								
2	1	194850-32340	SHIM SET	1								
3	1	26106-100252	BOLT, M10X 25 PLATED	4								

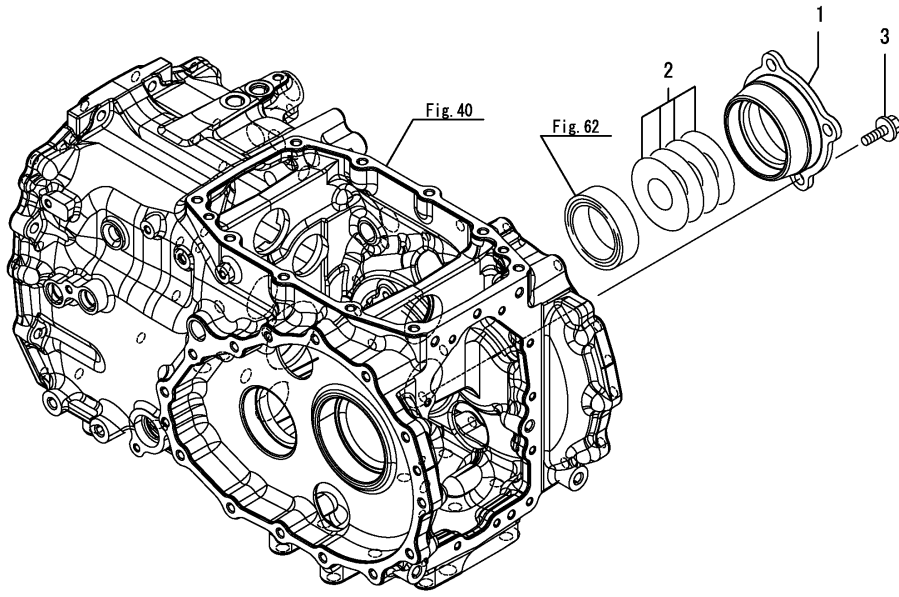


Fig.64. REAR HOUSING

(A)=EF393T  
(B)=  
(C)=

(D)=  
(E)=  
(F)=

No.	Lev.	Parts No.	Description	Q'ty						I	R
				(A)	(B)	(C)	(D)	(E)	(F)		
1	1	1A8310-32600	HOUSING ASSY, AXLE	2							
2	2	24421-253506	SEAL, OIL TC253506	2							
3	1	198475-32660	SEAL, QLNY527514.5	2							
4	1	198200-32731-1	CASE, OIL SEAL	2							
5	1	22312-080140	PIN, PARALLEL M8X14	4							
6	1	26106-080352	BOLT, M8X 35 PLATED	8							
7	1	26106-100402	BOLT, M10X 40 PLATED	28							

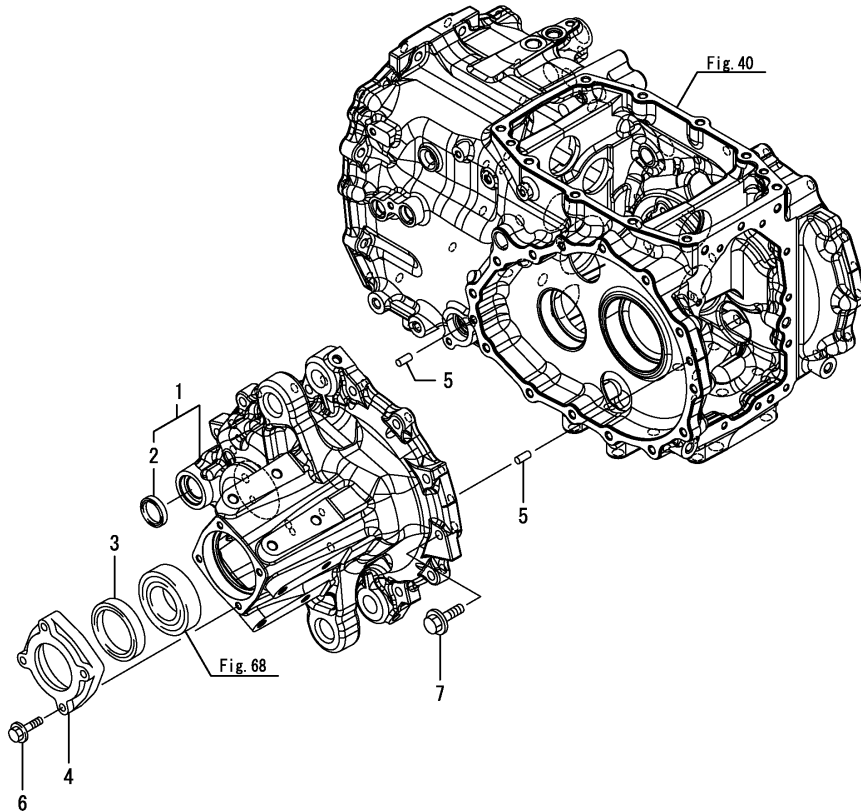
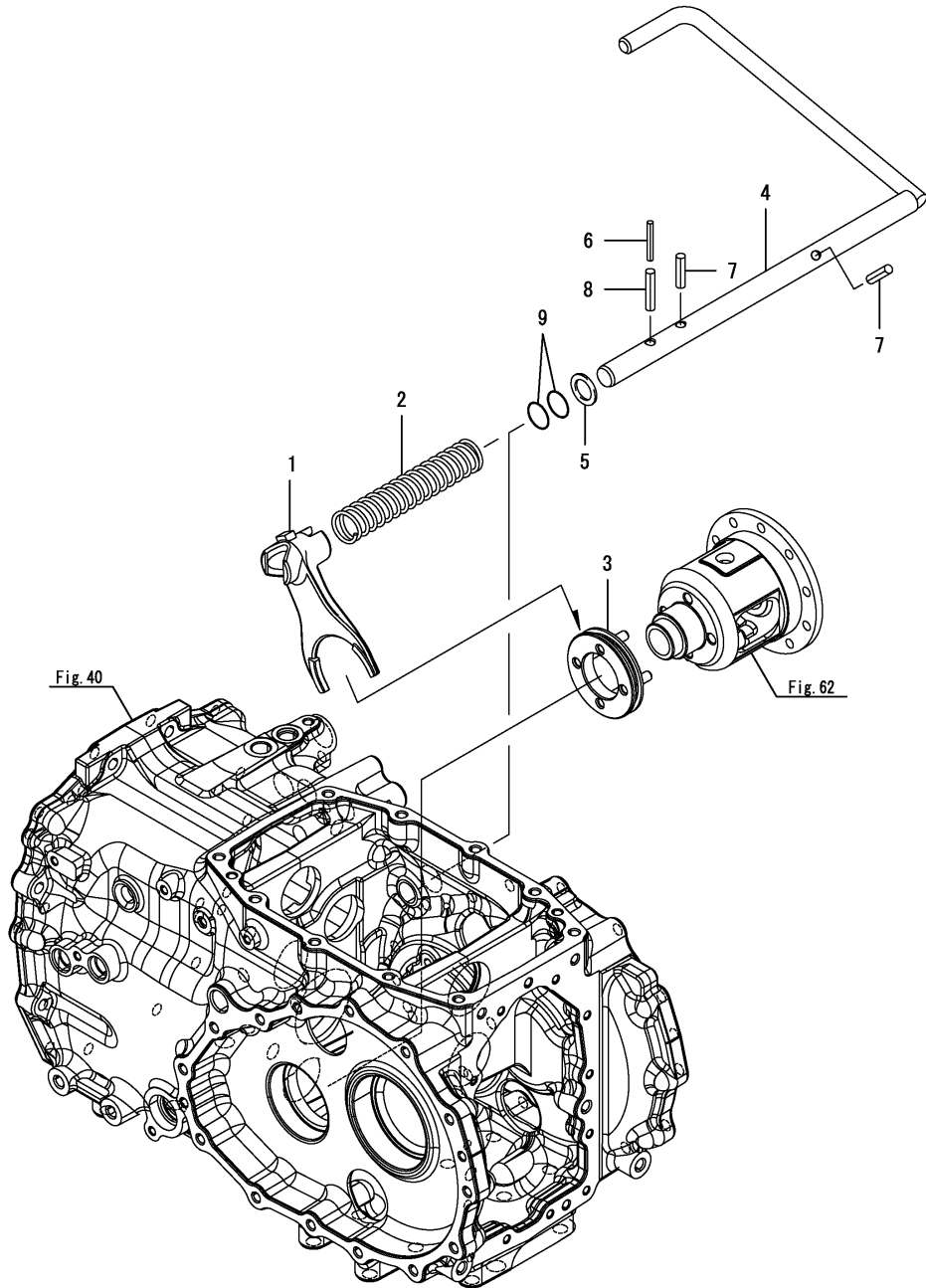


Fig.65. DIFFERENTIAL LOCK

(A)=EF393T  
(B)=  
(C)=

(D)=  
(E)=  
(F)=



No.	Lev.	Parts No.	Description	Q'ty						I	R
				(A)	(B)	(C)	(D)	(E)	(F)		
1	1	198200-33111	FORK, LOCK	1							
2	1	1A8310-33140	SPRING	1							
3	1	198200-33150	SLIDER, LOCK	1							
4	1	1A8310-33210	SHAFT ASSY, LOCK	1							
5	1	1A7510-36490	WASHER, 20X30X2	1							
6	1	22351-050040	PIN, SPRING 5.0X40	1							
7	1	22351-080032	PIN, SPRING 8.0X32	2							
8	1	22351-080040	PIN, SPRING 8.0X40	1							
9	1	24311-000200	O-RING, 1AP20.0	2							

Fig.66. FINAL PINION

(A)=EF393T  
(B)=  
(C)=

(D)=  
(E)=  
(F)=

No.	Lev.	Parts No.	Description	Q'ty						I	R
				(A)	(B)	(C)	(D)	(E)	(F)		
1	1	1A8310-33410	PINION, FINAL L.H.	1							
2	1	1A8310-33420	PINION, FINAL R.H.	1							
3	1	24101-063064	BEARING, BALL 6306	4							

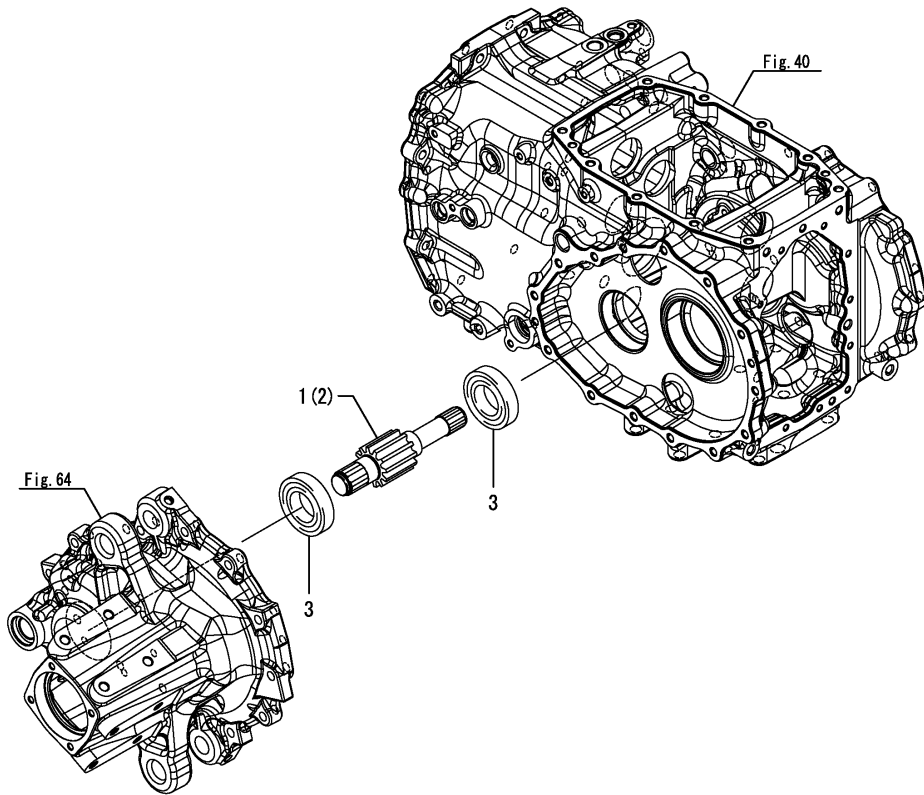


Fig.67. FINAL GEAR

(A)=EF393T  
(B)=  
(C)=

(D)=  
(E)=  
(F)=

No.	Lev.	Parts No.	Description	Q'ty						I	R
				(A)	(B)	(C)	(D)	(E)	(F)		
1	1	1A8310-33500	GEAR, FINAL	2							

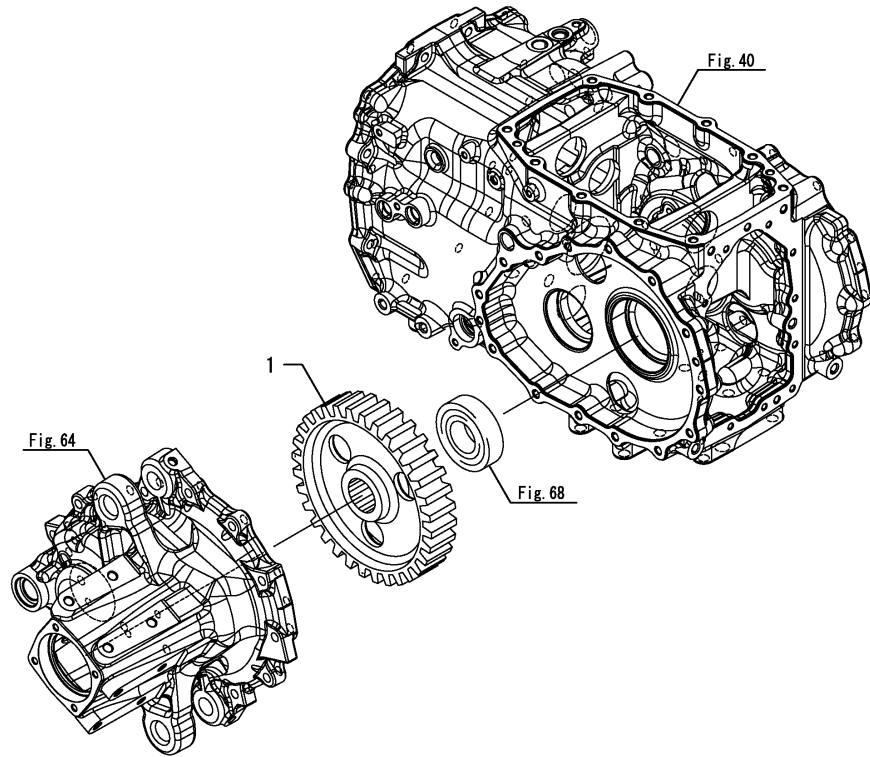


Fig.68. REAR AXLE SHAFT

(A)=EF393T  
(B)=  
(C)=

(D)=  
(E)=  
(F)=

No.	Lev.	Parts No.	Description	Q'ty						I	R
				(A)	(B)	(C)	(D)	(E)	(F)		
1	1	194440-32580	COLLAR, 45X55X20	4							
2	1	1A8310-34110	SHAFT, REAR AXLE	2							
3	1	198196-34140	RING, 45	4							
4	1	24101-062094	BEARING, BALL 6209	2							
5	1	24101-063084	BEARING, BALL 6308	2							

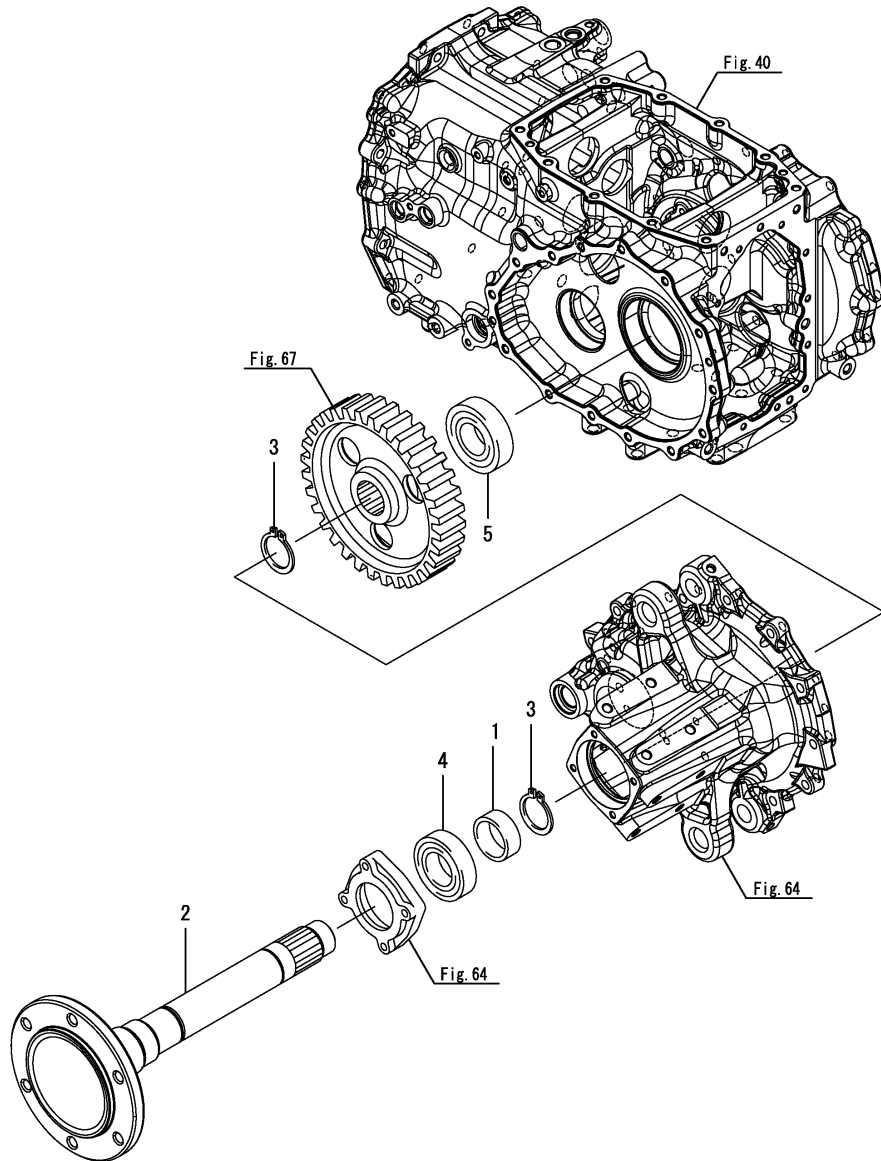
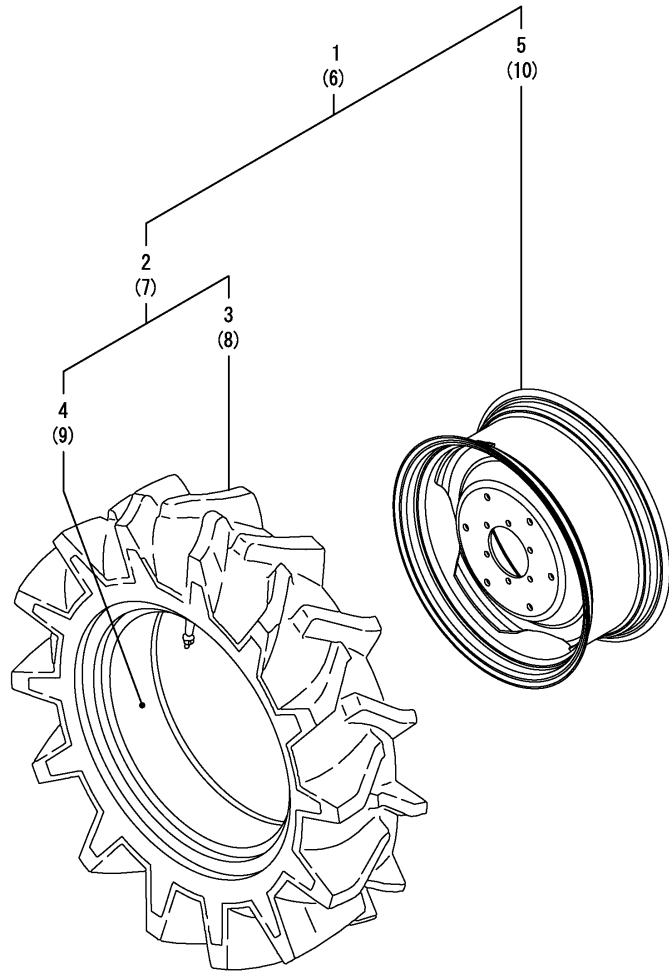




Fig.69. REAR WHEEL TIRE



(A)=EF393T  
(B)=  
(C)=

(D)=  
(E)=  
(F)=

No.	Lev.	Parts No.	Description	Q'ty						I	R
				(A)	(B)	(C)	(D)	(E)	(F)		
1	1	1A8310-34700	TIRE KIT,12.4-24 L	1							
2	2	1A8310-34710	TIRE ASSY,12.4-24	1							
3	3	1A8310-34730	TIRE,12.4-24	1							
4	3	1A8310-34740	TUBE,12.4-24	1							
5	2	1A8310-34720	WHEEL ASSY,W10 X 24	1							
6	1	1A8310-34800	TIRE KIT,12.4-24 R	1							
7	2	1A8310-34710	TIRE ASSY,12.4-24	1							
8	3	1A8310-34730	TIRE,12.4-24	1							
9	3	1A8310-34740	TUBE,12.4-24	1							
10	2	1A8310-34720	WHEEL ASSY,W10 X 24	1							

Fig.70. HUB BOLT

(A)=EF393T  
(B)=  
(C)=

(D)=  
(E)=  
(F)=

No.	Lev.	Parts No.	Description	Q'ty						I	R
				(A)	(B)	(C)	(D)	(E)	(F)		
1	1	194881-12650	BOLT, M14X24	8							
2	1	194279-14220	WASHER, 14	4							
3	1	198200-34130	STUD, M14X31	4							
4	1	198200-34190	NUT, M14	4							

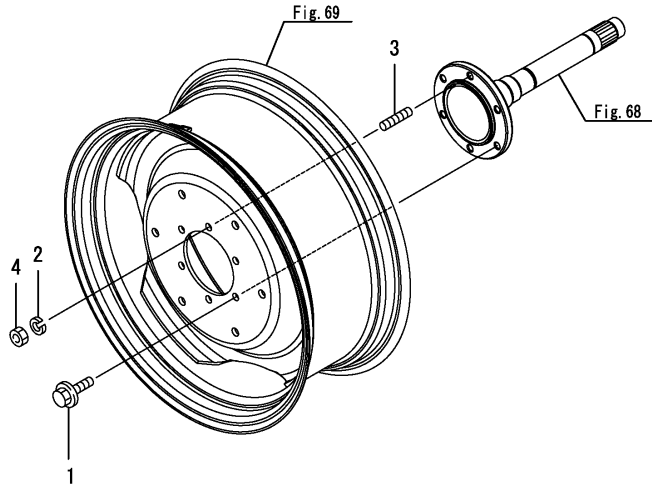
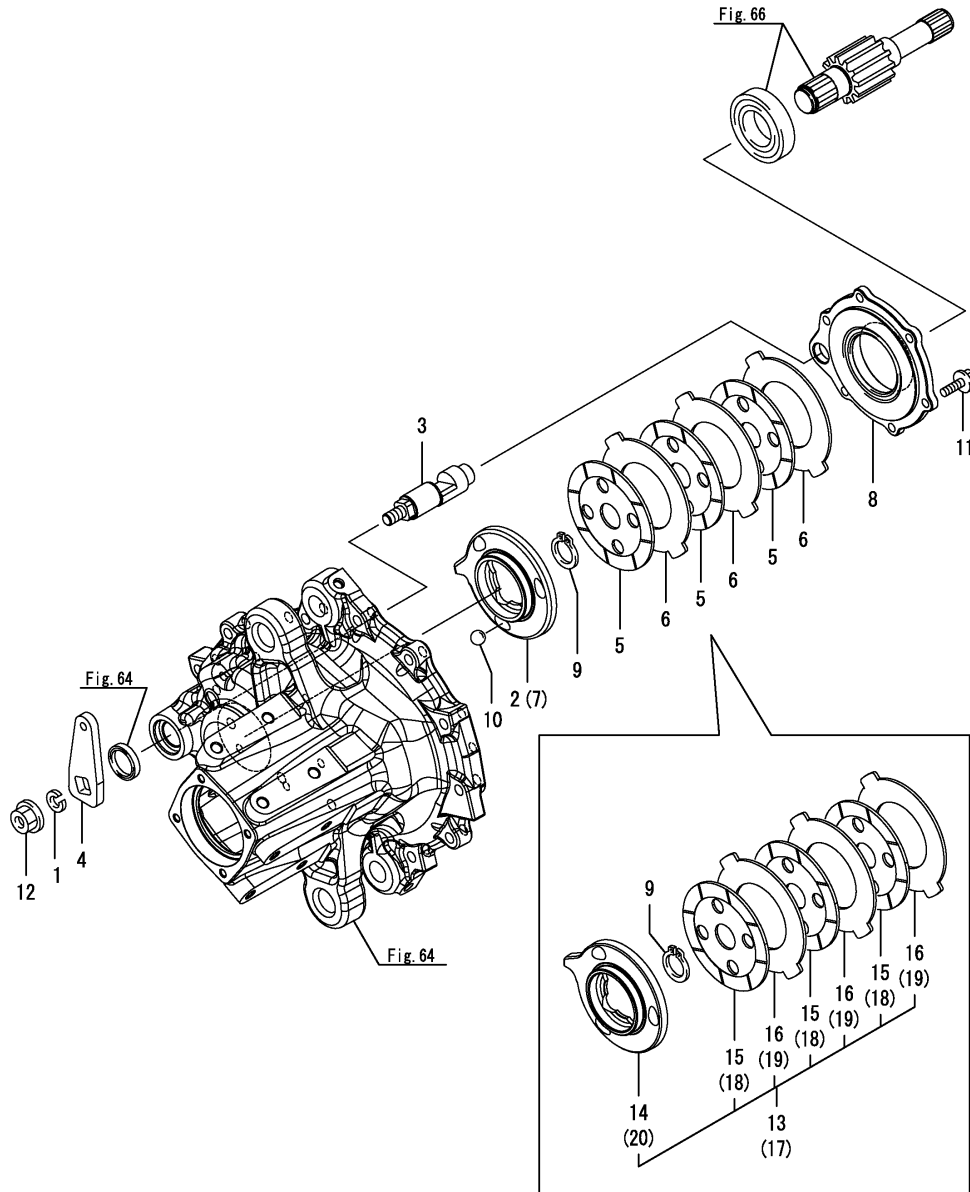


Fig.71. BRAKE

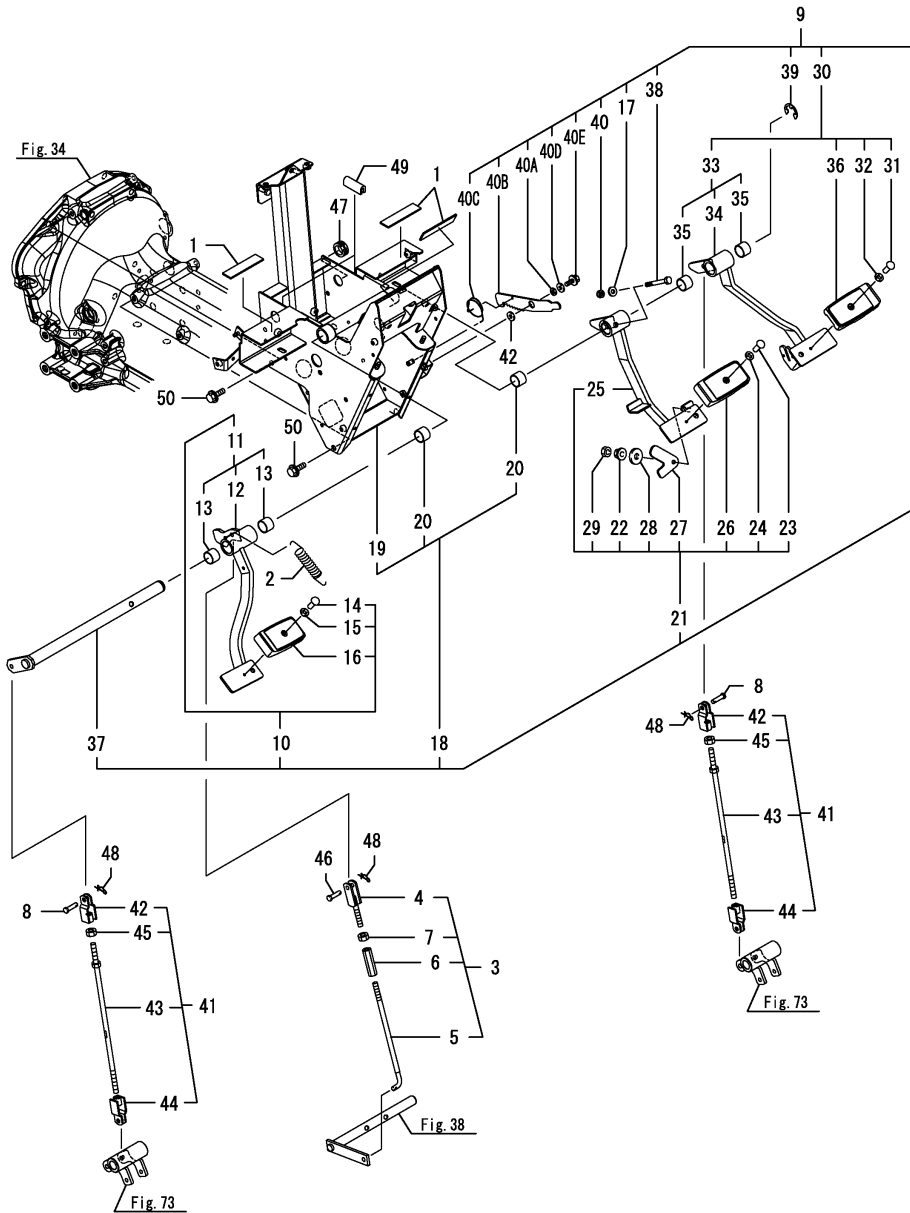
(A)=EF393T  
(B)=  
(C)=

(D)=  
(E)=  
(F)=



No.	Lev.	Parts No.	Description	Q'ty						I	R
				(A)	(B)	(C)	(D)	(E)	(F)		
1	1	194274-13580	WASHER, SPRING 12	2							
2	1	198200-36310	ACTUATOR	1							Z
(A=F100103)											
3	1	198200-36341	CAMSHAFT	2							
4	1	198200-36350-2	ARM, BRAKE	2							
5	1	198200-36380	PLATE, FRICTION 114	6							Z
(A=F100103)											
6	1	198200-36390	PLATE, STEEL	6							Z
(A=F100103)											
7	1	198200-36410	ACTUATOR	1							Z
(A=F100103)											
8	1	198200-36422	HOLDER, BEARING	2							
9	1	22242-000260	RING, 26	2							
10	1	24190-170001	BALL, STEEL 17/32	6							
11	1	26106-080202	BOLT, M8X 20 PLATED	12							
12	1	26376-120002	NUT, M12	2							
13	1	1A8310-36300	BRAKE KIT,L	1							W
(A=F100103)											
14	2	1A8310-36310	ACTUATOR, L	1							W
(A=F100103)											
15	2	1A8310-36380	DISK, FRICTION 114	3							W
(A=F100103)											
16	2	198200-36390	PLATE, STEEL	3							W
(A=F100103)											
17	1	1A8310-36400	BRAKE KIT,R	1							W
(A=F100103)											
18	2	1A8310-36380	DISK, FRICTION 114	3							W
(A=F100103)											
19	2	198200-36390	PLATE, STEEL	3							W
(A=F100103)											
20	2	1A8310-36410	ACTUATOR, R	1							W
(A=F100103)											

Fig.72. PEDAL



(A)=EF393T  
(B)=  
(C)=

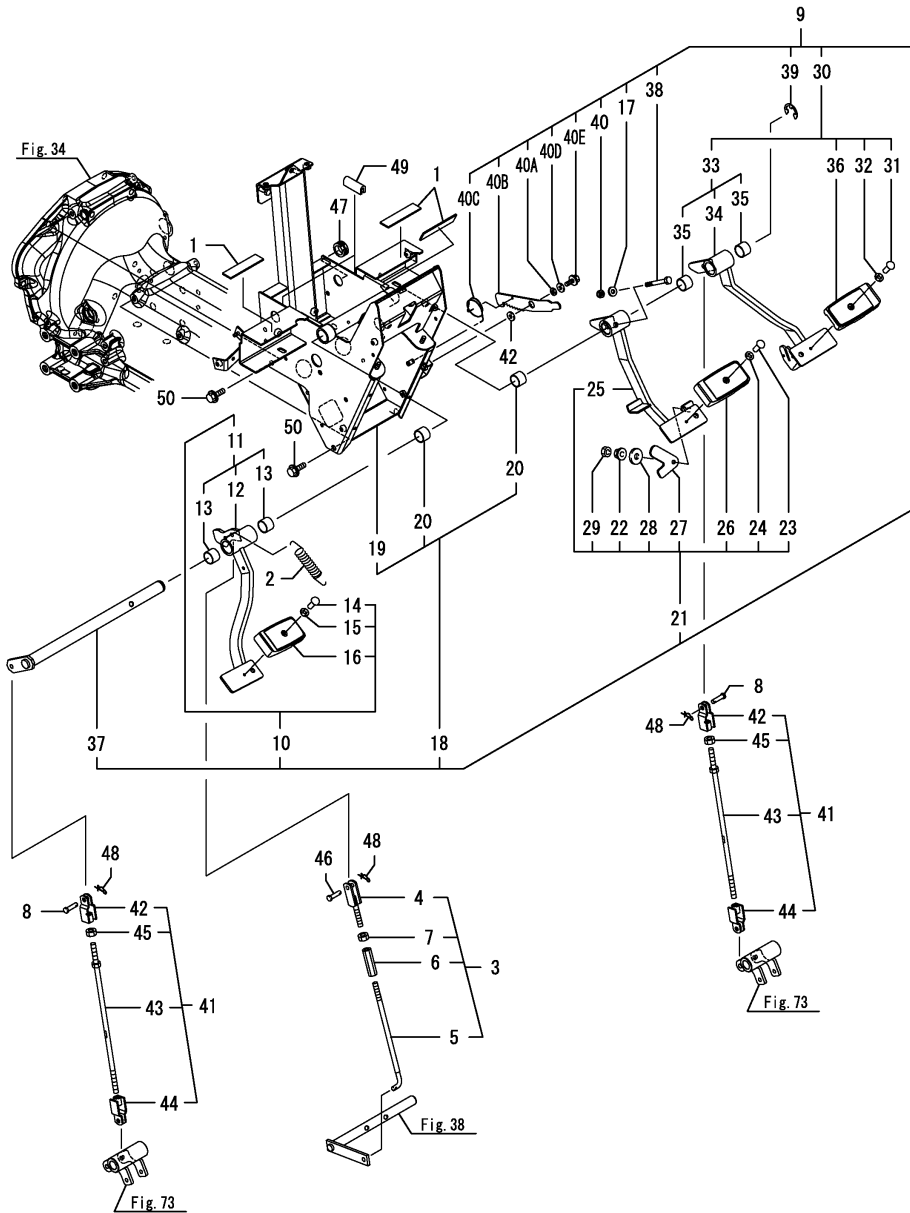
(D)=  
(E)=  
(F)=

No.	Lev.	Parts No.	Description	Q'ty						I	R
				(A)	(B)	(C)	(D)	(E)	(F)		
1	1	198165-04380	RUBBER, 100X25X3	3							
2	1	1A8115-22510	SPRING, RETURN	1							
3	1	1A8115-22650	ROD ASSY, CLUTCH	1							
4	2	1A8115-22660	JOINT, 2-WAY	1							
5	2	1A8115-22690	ROD, CLUTCH	1							
6	2	1A8115-22700	TURNBUCKLE, M10	1							
7	2	26707-100002	NUT, M10	1							
8	1	194312-27780	PIN, 8.9	2							
9	1	1A8310-37100	PEDAL UNIT	1							
10	2	1A8310-22390	PEDAL UNIT, CLUTCH	1							
11	3	1A8310-22400	PEDAL ASSY, CLUTCH	1							
12	4	1A8310-22410	PEDAL, CLUTCH	1							
13	4	24550-025200	BUSH, 25X20	2							
14	3	198133-22510	RIVET, PEDAL HEAD	1							
15	3	198133-22530	WASHER, RIVET	1							
16	3	198071-37510	COVER, HEAD	1							
17	2	1C6053-32020	WASHER, 8.5X20X3.2	1							
18	2	1A8310-37110	BRACKET UNIT, PEDAL	1							
19	3	1A8310-37120	BRACKET ASSY, PEDAL	1							
20	3	24550-025200	BUSH, 25X20	2							
21	2	1A8310-37290	PEDAL UNIT, BRAKE L	1							
22	3	194990-22140	NUT, M8	1							
23	3	198133-22510	RIVET, PEDAL HEAD	1							
24	3	198133-22530	WASHER, RIVET	1							
25	3	1A8310-37300	PEDAL ASSY, BRAKE L	1							
26	3	198071-37510	COVER, HEAD	1							
27	3	1A8260-37520	CONNECTOR,	1							
28	3	22157-080000	WASHER, 8	1							
29	3	26716-080002	NUT, M8	1							
30	2	1A8310-37390	PEDAL UNIT, BRAKE R	1							
31	3	198133-22510	RIVET, PEDAL HEAD	1							
32	3	198133-22530	WASHER, RIVET	1							
33	3	1A8310-37400	PEDAL ASSY, BRAKE R	1							
34	4	1A8310-37410	PEDAL, BRAKE R.H.	1							
35	4	24550-025200	BUSH, 25X20	2							
36	3	198071-37510	COVER, HEAD	1							
37	2	1A8310-37550	SHAFT ASSY, BRAKE	1							
38	2	1A7130-37990	BOLT, REAMER M8X55	1							
39	2	22272-000190	RING, E-19	1							
40	2	26346-080002	NUT, M8	1							
40A	2	198200-37640	COLLAR	1							W 1
(A=F100111)											
40B	2	198200-37650	LEVER, BRAKE LOCK	1							W 1
(A=F100111)											
40C	2	198475-37690	SPRING, LOCK	1							W 1
(A=F100111)											
40D	2	22157-080000	WASHER, 8	2							W 1
(A=F100111)											
40E	2	26106-080202	BOLT, M8X 20 PLATED	1							W 1
(A=F100111)											
41	1	1A8115-37610	ROD ASSY, BRAKE F	2							

Remarks

(1)Old parts, refer to Fig.74

Fig.72. PEDAL



(A)=EF393T  
(B)=  
(C)=

(D)=  
(E)=  
(F)=

No.	Lev.	Parts No.	Description	Q'ty						I	R
				(A)	(B)	(C)	(D)	(E)	(F)		
42	2	1A8115-37620	JOINT, 2-WAY	2							
43	2	1A8115-37660	ROD ASSY, BRAKE	2							
44	2	1A8115-37680	JOINT, 2-WAY	2							
45	2	26707-100002	NUT, M10	2							
46	1	198220-37900	PIN, 8X24	1							
47	1	198245-51210	GROMMET, 25/18	1							
48	1	1C6281-52320	PIN, SNAP 8	3							
49	1	1A6750-61830	RUBBER, EDGE	2							
50	1	26106-100202	BOLT, M10X 20 PLATED	4							

Remarks

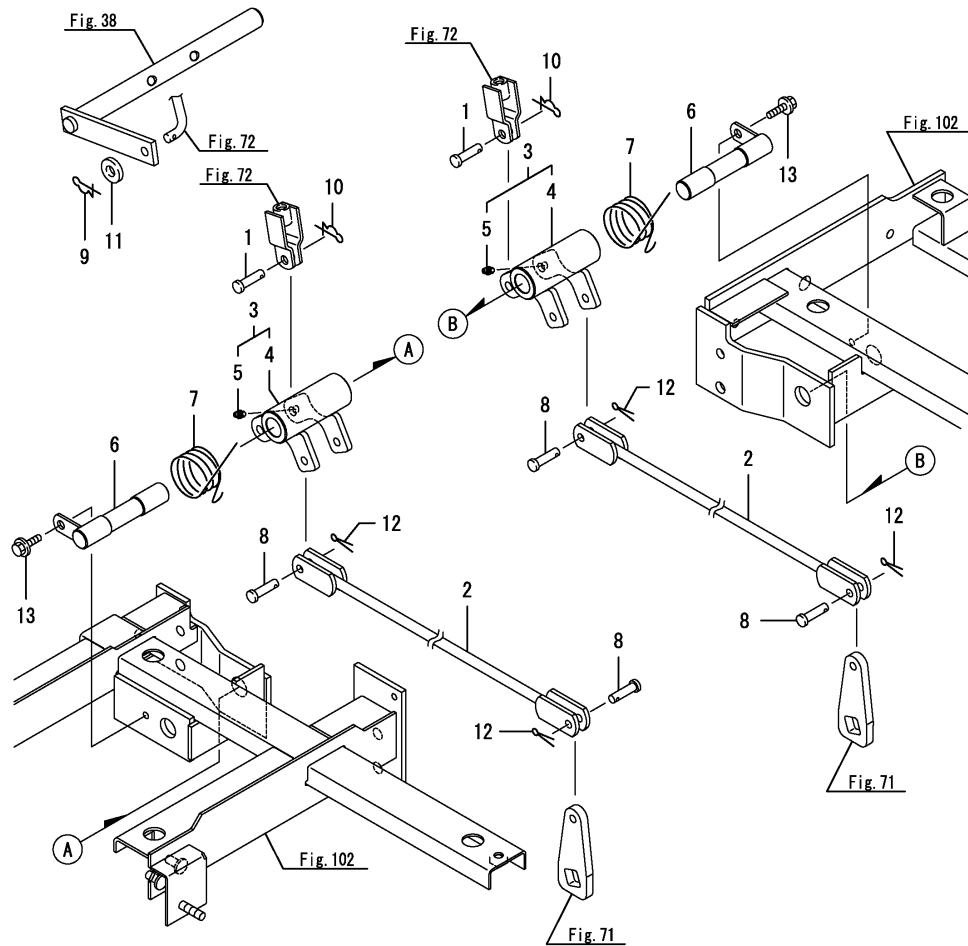
(1)Old parts, refer to Fig.74

N:Old  $\xrightarrow{\text{Yes}}$  New, Q:Old  $\xrightarrow{\text{No}}$  New, R:Old  $\xrightarrow{\text{Yes}}$  New, S:Old  $\xrightarrow{\text{No}}$  New, W:Add, Z:Discontinued, F:Interchangeable by set, K:Q'ty Change

Fig.73. BRAKE LINK

(A)=EF393T  
(B)=  
(C)=

(D)=  
(E)=  
(F)=



No.	Lev.	Parts No.	Description	Q'ty						I	R
				(A)	(B)	(C)	(D)	(E)	(F)		
1	1	194312-27780	PIN, 8.9	2							
2	1	1A8115-37370	ROD ASSY, BRAKE	2							
3	1	1A8310-37700	ARM UNIT, BRAKE	2							
4	2	1A8310-37710	ARM ASSY, BRAKE	2							
5	2	24761-010000	NIPPLE, GREASE M6F	2							
6	1	1A8310-37770	SHAFT ASSY, BRAKE	2							
7	1	1A8310-37800	SPRING, RETRN BRAKE	2							
8	1	198220-37900	PIN, 8X24	4							
9	1	1C6281-52320	PIN, SNAP 8	1							
10	1	1C6281-52320	PIN, SNAP 8	2							
11	1	22137-100000	WASHER, 10	1							
12	1	22417-250300	PIN, COTTER 2.5X30	4							
13	1	26106-080162	BOLT, M8X 16 PLATED	2							

Fig.74. PARKING

(A)=EF393T  
(B)=  
(C)=

(D)=  
(E)=  
(F)=

No.	Lev.	Parts No.	Description	Q'ty						I	R
				(A)	(B)	(C)	(D)	(E)	(F)		
1	1	1A8115-37590	SPRING, LOCK	1						Z	1
		(A=F100111)									
2	1	1A8115-37640	COLLAR	1						Z	1
		(A=F100111)									
3	1	1A8115-37650	LEVER, BRAKE LOCK	1						Z	1
		(A=F100111)									
4	1	22157-080000	WASHER, 8	2						Z	1
		(A=F100111)									
5	1	26106-080202	BOLT, M8X 20 PLATED	1						Z	1
		(A=F100111)									

---

---

---

---

---

---

---

---

---

---

---

---

---

---

---

---

---

---

---

---

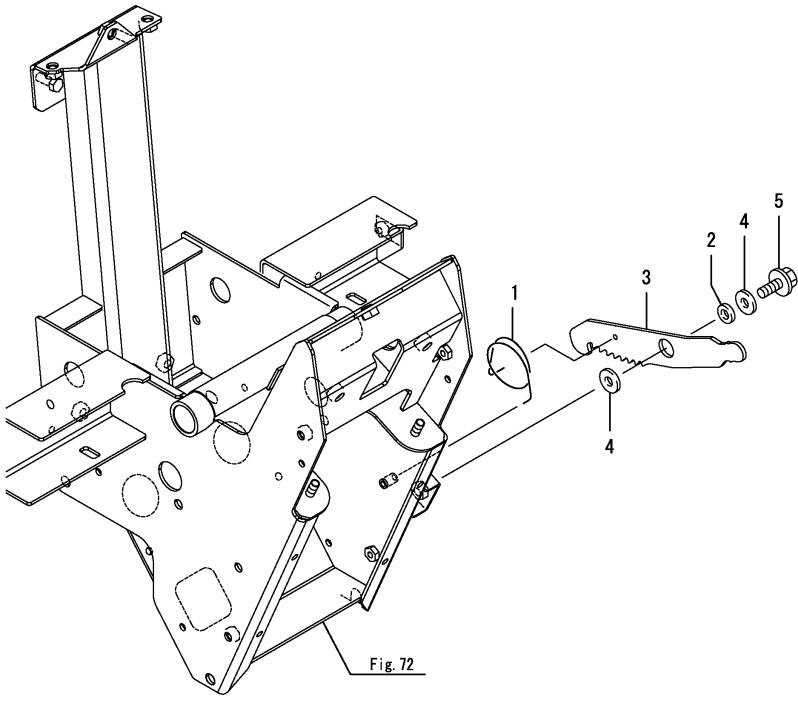
---

---

---

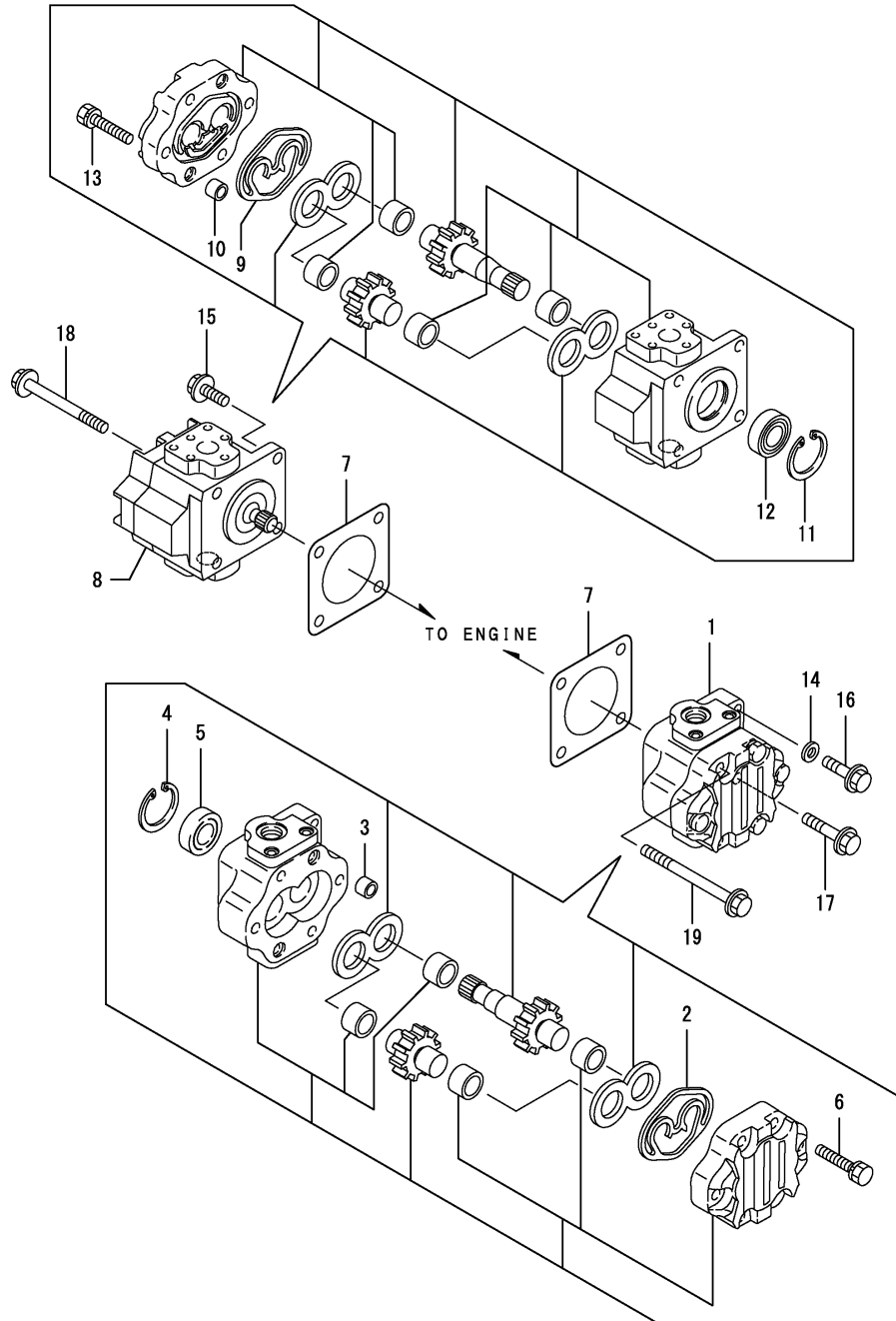
---

---



Remarks  
(1)New parts, refer to Fig.72

Fig.75. HYDRAULIC PUMP



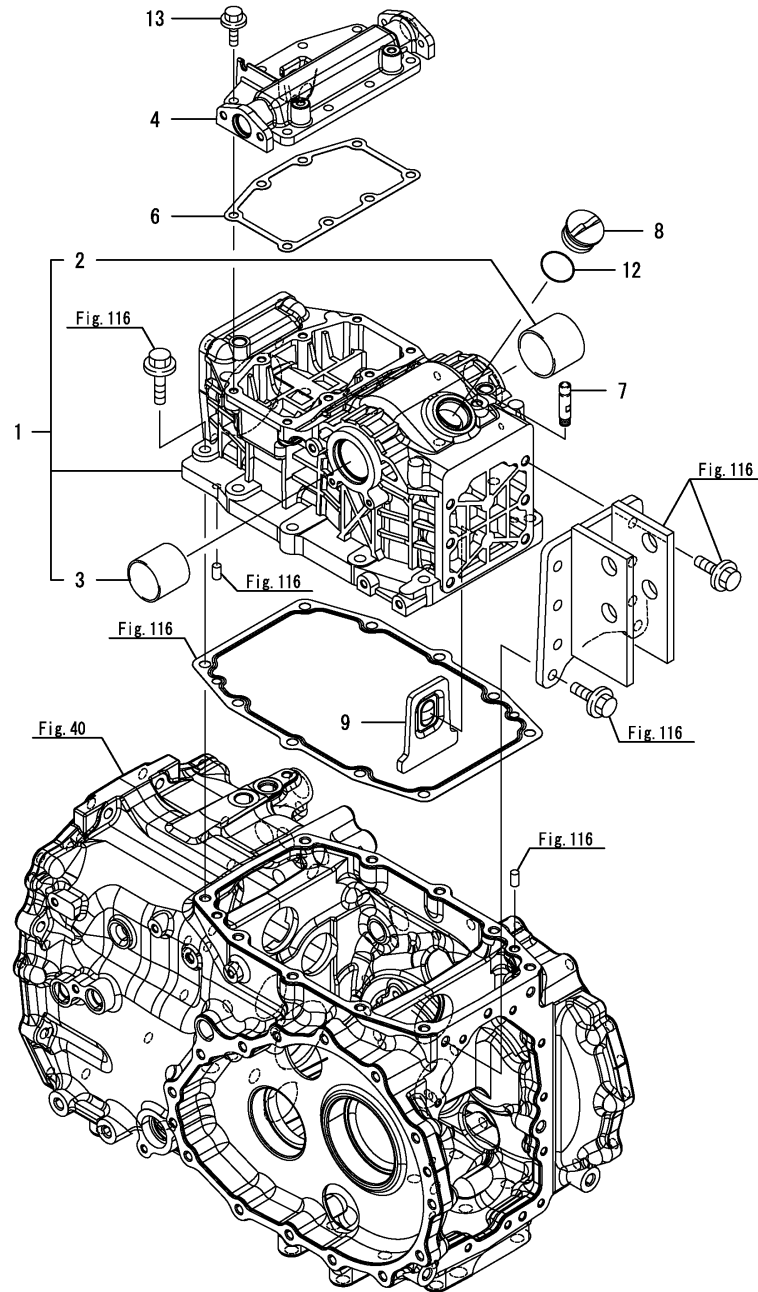
(A)=EF393T  
(B)=  
(C)=

(D)=  
(E)=  
(F)=

No.	Lev.	Parts No.	Description	Q'ty						I	R
				(A)	(B)	(C)	(D)	(E)	(F)		
1	1	168028-00010	HO-P(PW1-C-8AK	1							
2	2	178070-10401	RING	1							
3	2	194521-41570	PIN, 11X7	2							
4	2	22252-000320	RING, 32	1							
5	2	24421-153207	SEAL, OIL TC153207	1							
6	2	26016-080352	BOLT, M8X 35	4							
7	1	124240-01883	GASKET	2							
8	1	198200-41110	PUMP ASSY, HYDRAULIC	1							
9	2	178070-10401	RING	1							
10	2	194521-41570	PIN, 11X7	2							
11	2	22252-000320	RING, 32	1							
12	2	24421-153207	SEAL, OIL TC153207	1							
13	2	26016-080352	BOLT, M8X 35	4							
14	1	22190-080002	WASHER, SEAL 8	1							
15	1	26106-080252	BOLT, M8X 25 PLATED	2							
16	1	26106-080302	BOLT, M8X 30 PLATED	1							
17	1	26106-080402	BOLT, M8X 40 PLATED	1							
18	1	26106-080802	BOLT, M8X 80 PLATED	2							
19	1	26106-080952	BOLT, M8X 95 PLATED	2							



Fig.76. HYDRAULIC CYLINDER CASE(1)



(A)=EF393T  
(B)=  
(C)=

(D)=  
(E)=  
(F)=

No.	Lev.	Parts No.	Description	Q'ty						I	R
				(A)	(B)	(C)	(D)	(E)	(F)		
1	1	198200-42103-1	HOUSING ASSY,	1							
1-1	1	1A8071-42100	CASE ASSY, CYLINDER	1							R
(A=*2012.02)											
2	2	198200-42130	BUSH, 45X40	1							
3	2	198200-42140	BUSH, 40X40	1							
4	1	198200-42150-1	CASE, LINK	1							
6	1	198200-42191	GASKET, LINK CASE	1							
7	1	194555-42280	BREATHER, AIR	1							
8	1	194850-42500	CAP, OIL M33	1							
8-1	1	1A7870-24910	CAP, OIL	1							R
(A=*2013.03)											
9	1	198200-42710	PLATE, STOPPER	1							Z
(A=*2012.02)											
12	1	24351-020300	O-RING 1A 2030	1							
12-1	1	24351-240300	O-RING, 1A24030	1							R
(A=*2013.03)											
13	1	26106-080252	BOLT, M8X 25 PLATED	8							

Fig.116. HYDRAULIC CYLINDER CASE(2)

(A)=EF393T  
(B)=  
(C)=

(D)=  
(E)=  
(F)=

No.	Lev.	Parts No.	Description	Q'ty						I	R
				(A)	(B)	(C)	(D)	(E)	(F)		
1	1	198200-42180	GASKET, HOUSING	1							
1-1	1	1A8310-42180	GASKET,CYLINDER CASE	1							N
(A=*2012.05)											
2	1	198280-42810	HINGE ASSY, TOP LINK	1							
3	1	22312-080140	PIN, PARALLEL M8X14	2							
4	1	26106-100252	BOLT, M10X 25 PLATED	8							
5	1	26106-100402	BOLT, M10X 40 PLATED	10							

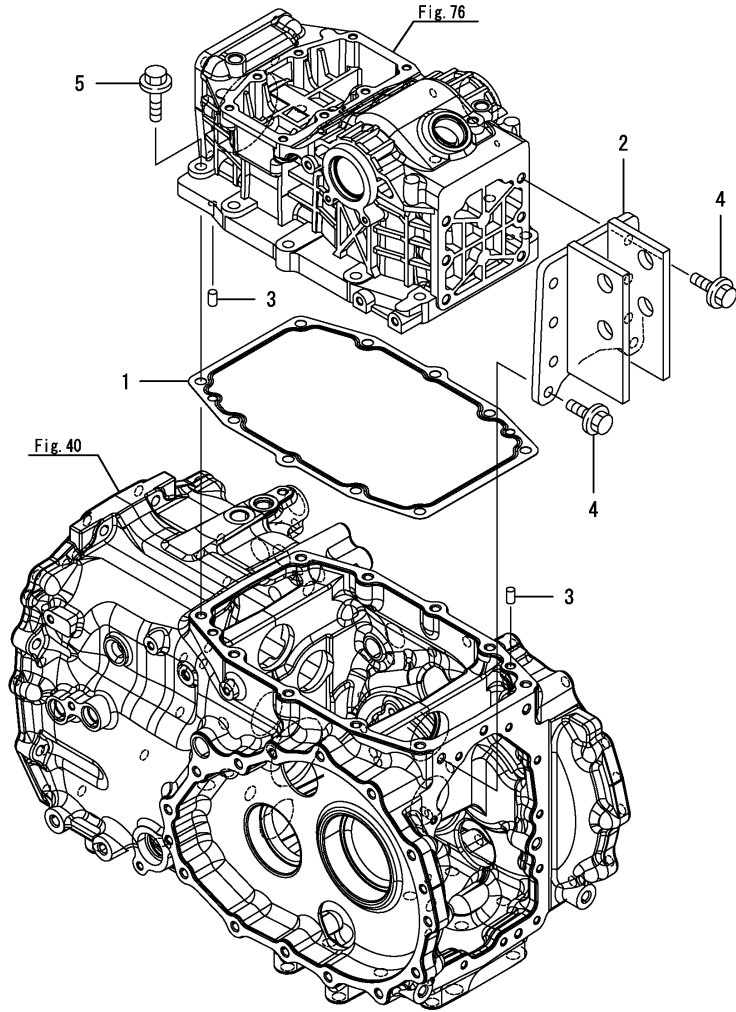


Fig.77. PISTON

(A)=EF393T  
(B)=  
(C)=

(D)=  
(E)=  
(F)=

No.	Lev.	Parts No.	Description	Qty						I	R
				(A)	(B)	(C)	(D)	(E)	(F)		
1	1	198200-43310	PISTON, HYDRAULIC 75	1							
2	1	198071-43320	PACKING, 75	1							
3	1	198071-43330	WEARING	1							

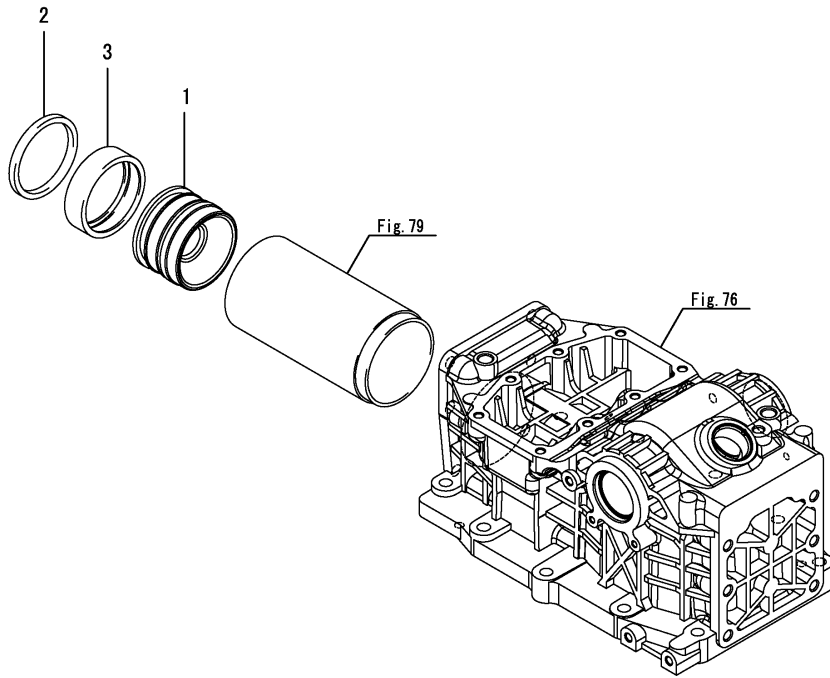
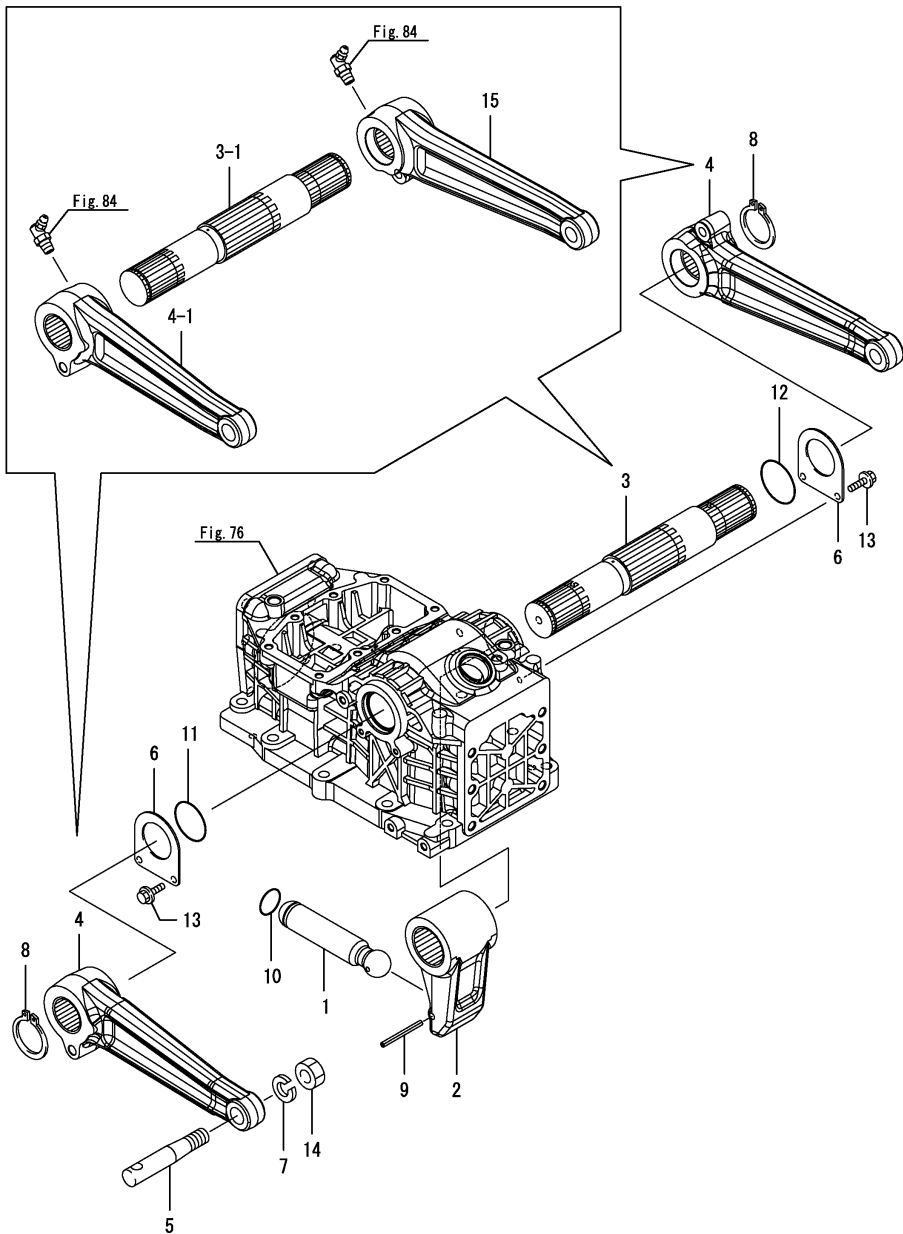


Fig.78. LIFT CRANK



(A)=EF393T  
(B)=  
(C)=

(D)=  
(E)=  
(F)=

No.	Lev.	Parts No.	Description	Q'ty						I	R
				(A)	(B)	(C)	(D)	(E)	(F)		
1	1	198200-43410	ROD, PISTON	1							
2	1	198200-44110	CRANK, LIFT	1							
3	1	198283-44210	SHAFT, LIFTING	1							
3-1	1	198283-44211	SHAFT, LIFT	1							N
		(A=*2012.05)									
4	1	198283-44420-1	ARM, LIFT	2							
4-1	1	1A8310-44410	ARM, LIFT L	1							F 1
		(A=*2012.05)									
4-2	1	1A8310-44411	ARM, LIFT L	1							N
		(A=*2013.12)									
5	1	194130-44480-1	PIN, LIFT ARM	2							
6	1	198283-44510-1	WASHER, THRUST	2							
7	1	22217-160000	WASHER, SPRING 16	2							
8	1	22242-000400	RING, 40	2							
9	1	22351-050056	PIN, SPRING 5.0X56	1							
10	1	24311-000260	O-RING, 1AP26.0	1							
11	1	24311-000400	O-RING, 1AP40.0	1							
12	1	24311-000440	O-RING, 1AP44.0	1							
13	1	26106-060122	BOLT, M6X 12 PLATED	4							
14	1	26736-160002	NUT, M16	2							
15	1	1A8310-44420	ARM, LIFT R	1							W 1
		(A=*2012.05)									
15-1	1	1A8310-44421	ARM, LIFT R	1							N
		(A=*2013.12)									

Remarks

(1)No.4 is interchangeable with a set of No.3-1, 4-1 & 15

N:Old  $\begin{matrix} \leftarrow \text{Yes} \\ \text{No} \end{matrix}$  New, Q:Old  $\begin{matrix} \leftarrow \text{No} \\ \text{Yes} \end{matrix}$  New, R:Old  $\begin{matrix} \leftarrow \text{Yes} \\ \text{No} \end{matrix}$  New, S:Old  $\begin{matrix} \leftarrow \text{No} \\ \text{Yes} \end{matrix}$  New, W:Add, Z:Discontinued, F:Interchangeable by set, K:Q'ty Change

Fig.79. CONTROL VALVE

(A)=EF393T  
(B)=  
(C)=

(D)=  
(E)=  
(F)=

No.	Lev.	Parts No.	Description	Q'ty						I	R
				(A)	(B)	(C)	(D)	(E)	(F)		
1	1	194850-42180	STRAINER	1							
2	1	194850-42190	SPACER	1							
3	1	198200-43110	LINER, CYLINDER	1							
4	1	198200-43211	HEAD, CYLINDER	1							
5	1	194630-43230	PACKING	1							
6	1	198200-43250	RING, BACK UP G70	1							
7	1	1A8070-45100	VALVE ASSY, LIFT	1							
7-1	1	1A8070-45101	VALVE ASSY, LIFT	1							N
(A=*2013.11)											
8	1	198200-45150	GASKET, LIFT VALVE	1							
9	1	24325-000250	O-RING, 1BG25.0	1							
10	1	24325-000700	O-RING, 1BG70.0	1							
11	1	26106-100902	BOLT, M10X 90 PLATED	6							

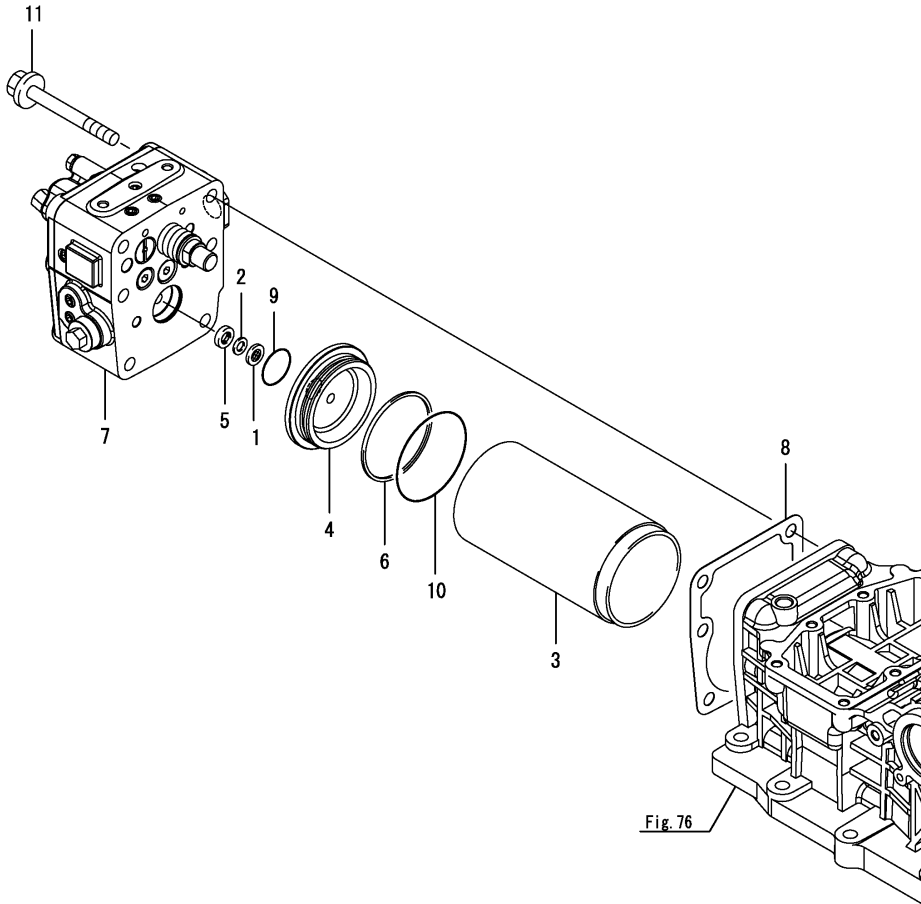
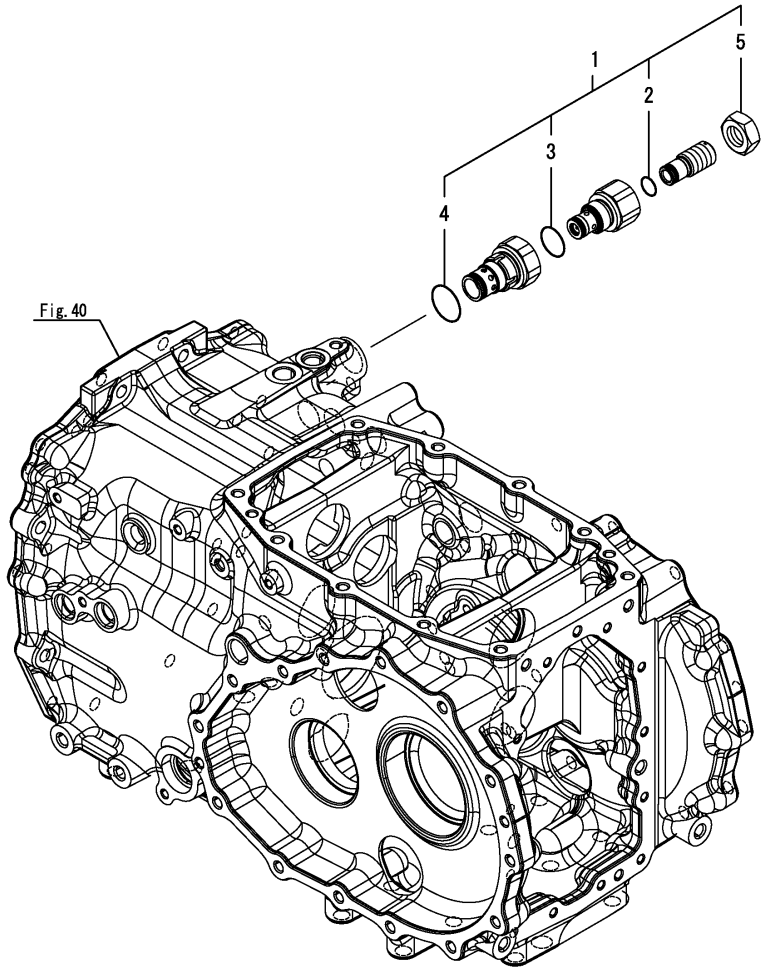


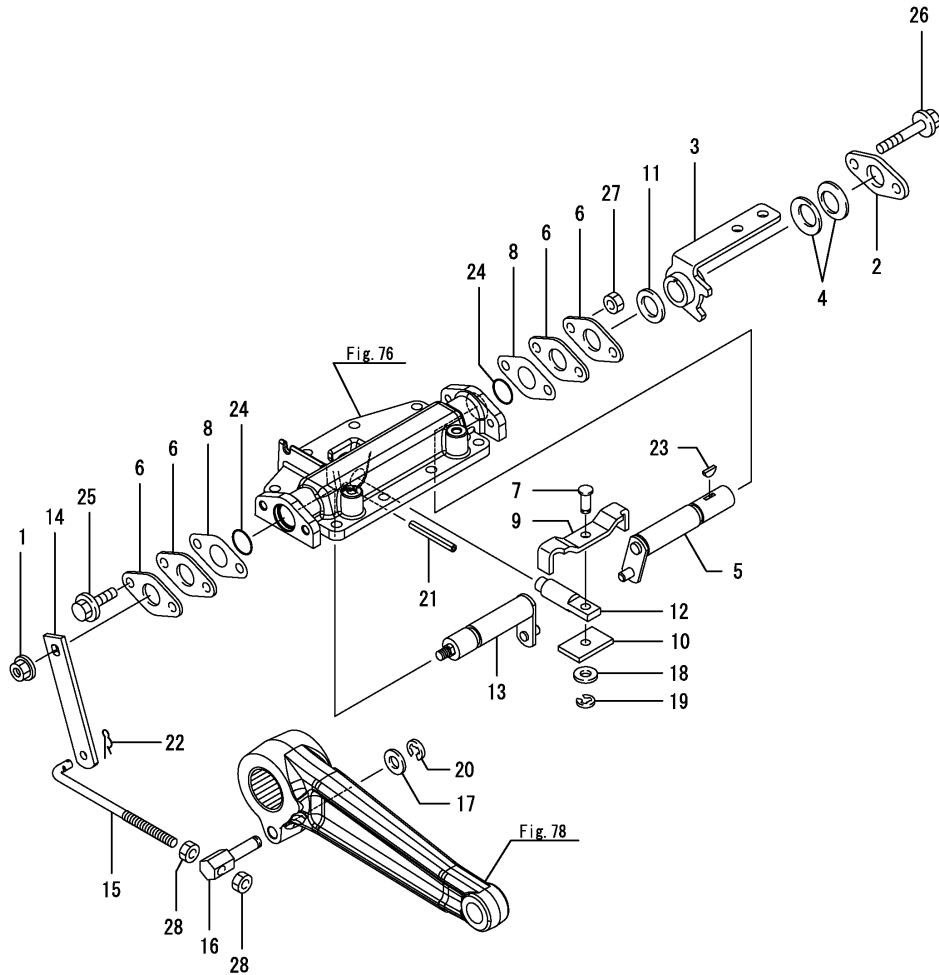
Fig.80. RELIEF VALVE

(A)=EF393T  
(B)=  
(C)=

(D)=  
(E)=  
(F)=

No.	Lev.	Parts No.	Description	Q'ty						I	R
				(A)	(B)	(C)	(D)	(E)	(F)		
1	1	198200-45510-1	VALVE ASSY, RELIEF	1							
2	2	24315-000100	O-RING, 1BP10.0	1							
3	2	24315-000180	O-RING, 1BP18.0	1							
4	2	24315-000220	O-RING, 1BP22.0	1							
5	2	26776-160002	NUT, LOCK M16	1							





(A)=EF393T  
 (B)=  
 (C)=

(D)=  
 (E)=  
 (F)=

No.	Lev.	Parts No.	Description	Q'ty						I	R
				(A)	(B)	(C)	(D)	(E)	(F)		
1	1	194990-22050	NUT, M8	1							
2	1	194940-47210-1	PLATE	1							
3	1	198280-47210-1	ARM, LEVER	1							
4	1	194940-47220	WASHER, 20	2							
5	1	198280-47310	SHAFT, P LEVER	1							
6	1	194555-47340-1	PLATE, A	4							
7	1	198431-47340	PIN, CONTROL	1							
8	1	194555-47350-1	PLATE, B	2							
9	1	198200-47411	LINK, CONTROL	1							
10	1	198280-47430	PLATE	1							
11	1	194170-47440	PLATE, FRICTION	1							
12	1	198200-47460	ROD, CONTROL	1							
13	1	198280-47500	SHAFT, FEEDBACK	1							
14	1	198200-47510-1	ARM, FEEDBACK	1							
15	1	198200-47540-1	ROD, P FEEDBACK	1							
16	1	198283-47650-1	PIN, ADJUSTMENT	1							
17	1	22117-100000	WASHER, 10	1							
18	1	22137-080000	WASHER, 8	1							
19	1	22272-000060	RING, E- 6	1							
20	1	22272-000080	RING, E- 8	1							
21	1	22351-060050	PIN, SPRING 6.0X50	1							
22	1	22372-080000	PIN, SNAP 8	1							
23	1	22522-030130	KEY, WOODRUFF 3X13	1							
24	1	24311-000200	O-RING, 1AP20.0	2							
25	1	26106-080162	BOLT, M8X 16 PLATED	2							
26	1	26106-080502	BOLT, M8X 50 PLATED	2							
27	1	26716-080002	NUT, M8	2							
28	1	26716-080002	NUT, M8	2							

Fig.82. HYDRAULIC LEVER

(A)=EF393T  
(B)=  
(C)=

(D)=  
(E)=  
(F)=

No.	Lev.	Parts No.	Description	Q'ty						I	R
				(A)	(B)	(C)	(D)	(E)	(F)		
1	1	1A8310-47110	LEVER, POSITION	1							
2	1	26106-080162	BOLT, M8X 16 PLATED	2							

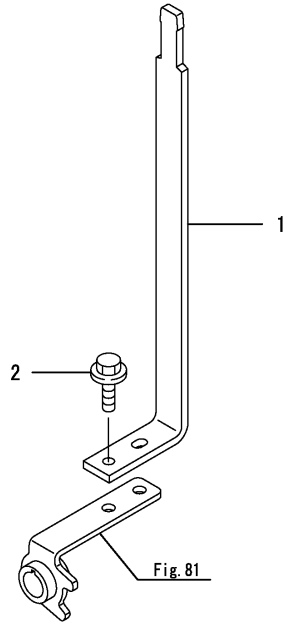




Fig.83. STOP VALVE KNOB

(A)=EF393T  
(B)=  
(C)=

(D)=  
(E)=  
(F)=

No.	Lev.	Parts No.	Description	Q'ty						I	R
				(A)	(B)	(C)	(D)	(E)	(F)		
1	1	1A7260-46640	KNOB, VALVE	1							
2	1	1A7260-46650	BOLT, M6X40	1							

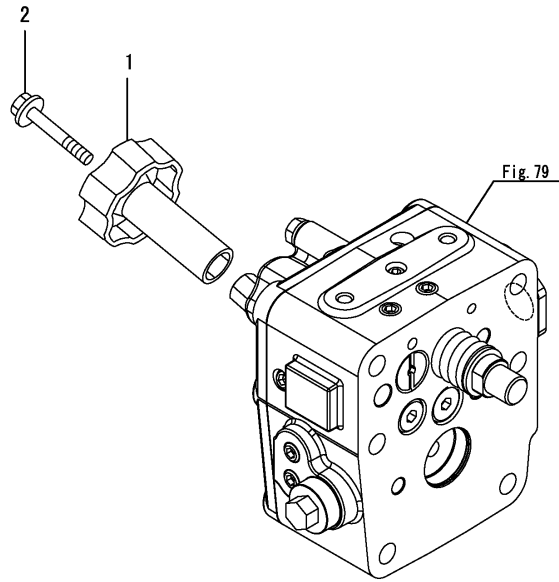
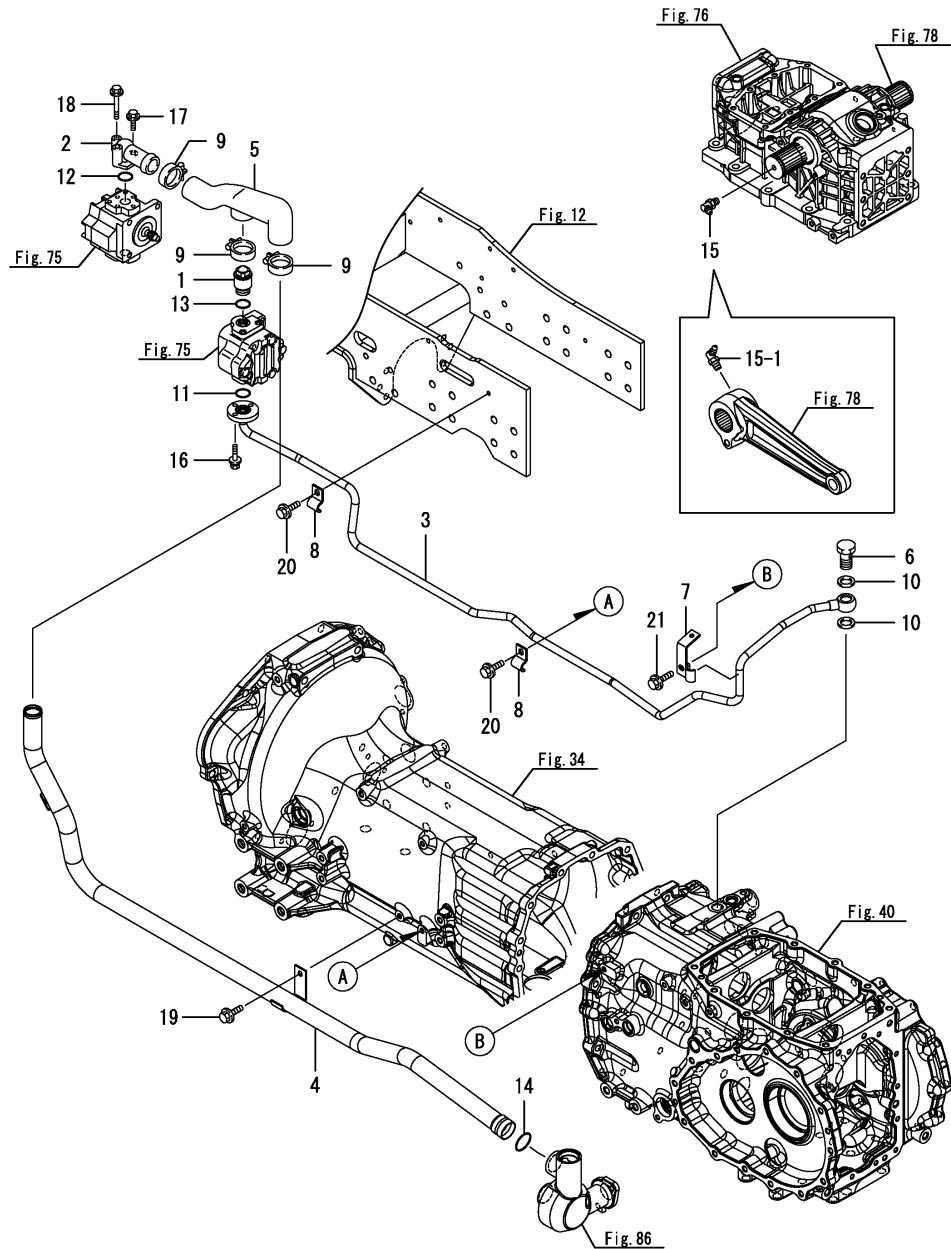


Fig.84. PIPE(HYDRAULIC)



(A)=EF393T

(B)=

(C)=

(D)=

(E)=

(F)=

No.	Lev.	Parts No.	Description	Q'ty						I	R
				(A)	(B)	(C)	(D)	(E)	(F)		
1	1	198010-41211	JOINT, M22	1							
2	1	198220-48140	FLANGE, PIPE P	1							
3	1	1A8310-48210	PIPE ASSY, PUMP	1							
4	1	1A8310-48300	PIPE ASSY, LOW-P	1							
5	1	198072-48340	TUBE, PRESSURE	1							
6	1	198220-48750	BOLT ASSY, JOINT	1							
7	1	1A8310-48800	CLAMP ASSY, PIPE	1							
8	1	1A8310-48810	CLAMP, PIPE	2							
9	1	175022-49730	CRIP 31, HOSE	3							
10	1	23414-180023	GASKET, 18X1.0	2							
11	1	24311-000200	O-RING, 1AP20.0	1							
12	1	24311-000200	O-RING, 1AP20.0	1							
13	1	24311-000200	O-RING, 1AP20.0	1							
14	1	24311-000260	O-RING, 1AP26.0	1							
15	1	24761-040000	NIPPLE, GREASE B	2							
15-1	1	24761-050000	NIPPLE, GREASE C	2							N
(A=*2012.05)											
16	1	26106-060202	BOLT, M6X 20 PLATED	3							
17	1	26106-060202	BOLT, M6X 20 PLATED	1							
18	1	26106-060402	BOLT, M6X 40 PLATED	2							
19	1	26106-080162	BOLT, M8X 16 PLATED	1							
20	1	26106-080162	BOLT, M8X 16 PLATED	2							
21	1	26106-080202	BOLT, M8X 20 PLATED	1							

Fig.85. PIPE(TRANSMISSION)

(A)=EF393T  
(B)=  
(C)=

(D)=  
(E)=  
(F)=

No.	Lev.	Parts No.	Description	Q'ty						I	R
				(A)	(B)	(C)	(D)	(E)	(F)		
1	1	1A8310-48140	PIPE ASSY, VALVE	1							
2	1	172730-75141	ADAPTER	1							
3	1	172142-76181	JOINT ASSY	1							
4	2	24315-000140	O-RING, 1BP14.0	1							
5	1	24311-000140	O-RING, 1AP14.0	1							

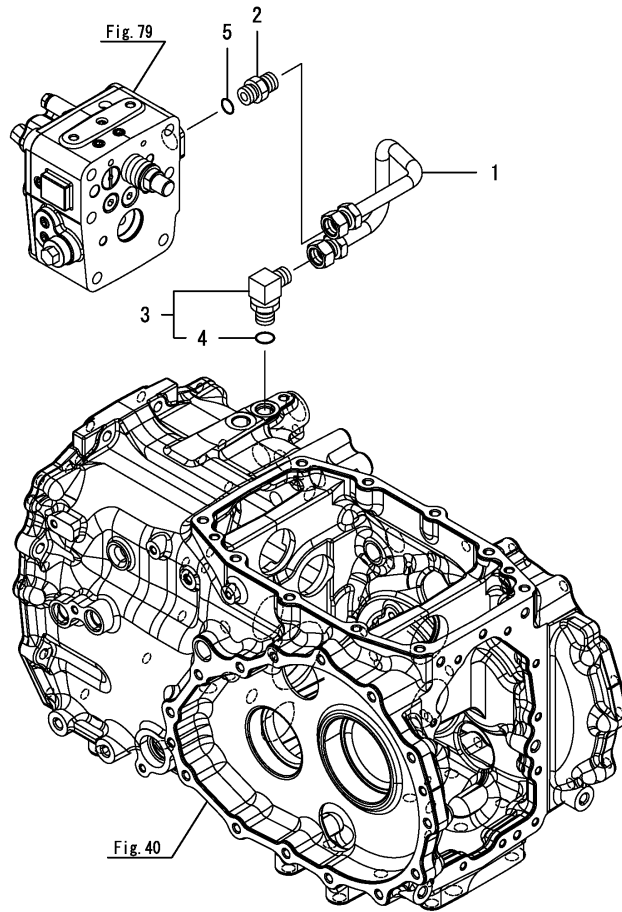


Fig.86. HYDRAULIC FILTER

(A)=EF393T  
(B)=  
(C)=

(D)=  
(E)=  
(F)=

No.	Lev.	Parts No.	Description	Q'ty						I	R
				(A)	(B)	(C)	(D)	(E)	(F)		
1	1	1A8115-48310	FILTER, HYDRAULIC	1							
2	1	198200-48350	COVER, FILTER	1							
3	1	24311-000340	O-RING, 1AP34.0	1							
4	1	26106-080202	BOLT, M8X 20 PLATED	2							
5	1	27260-320000	PLUG, 32	1							

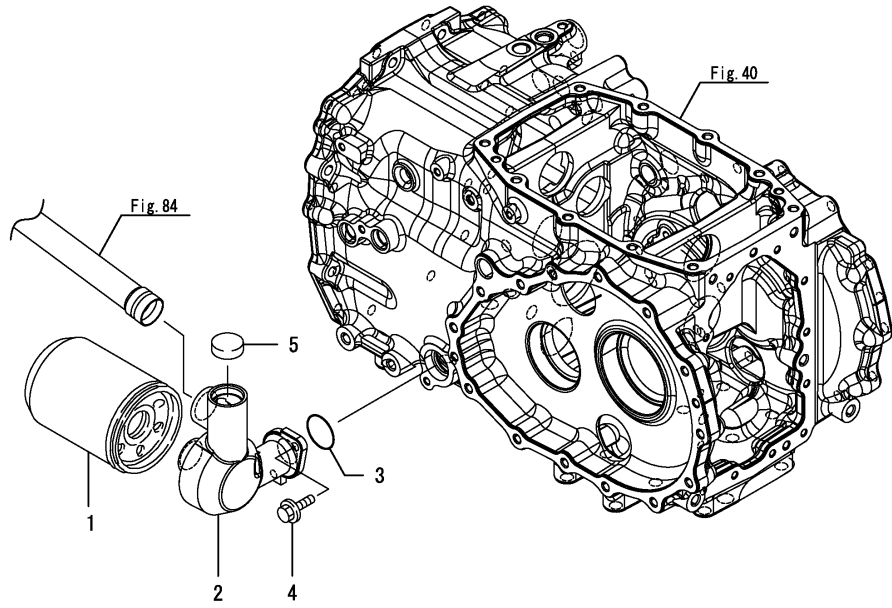
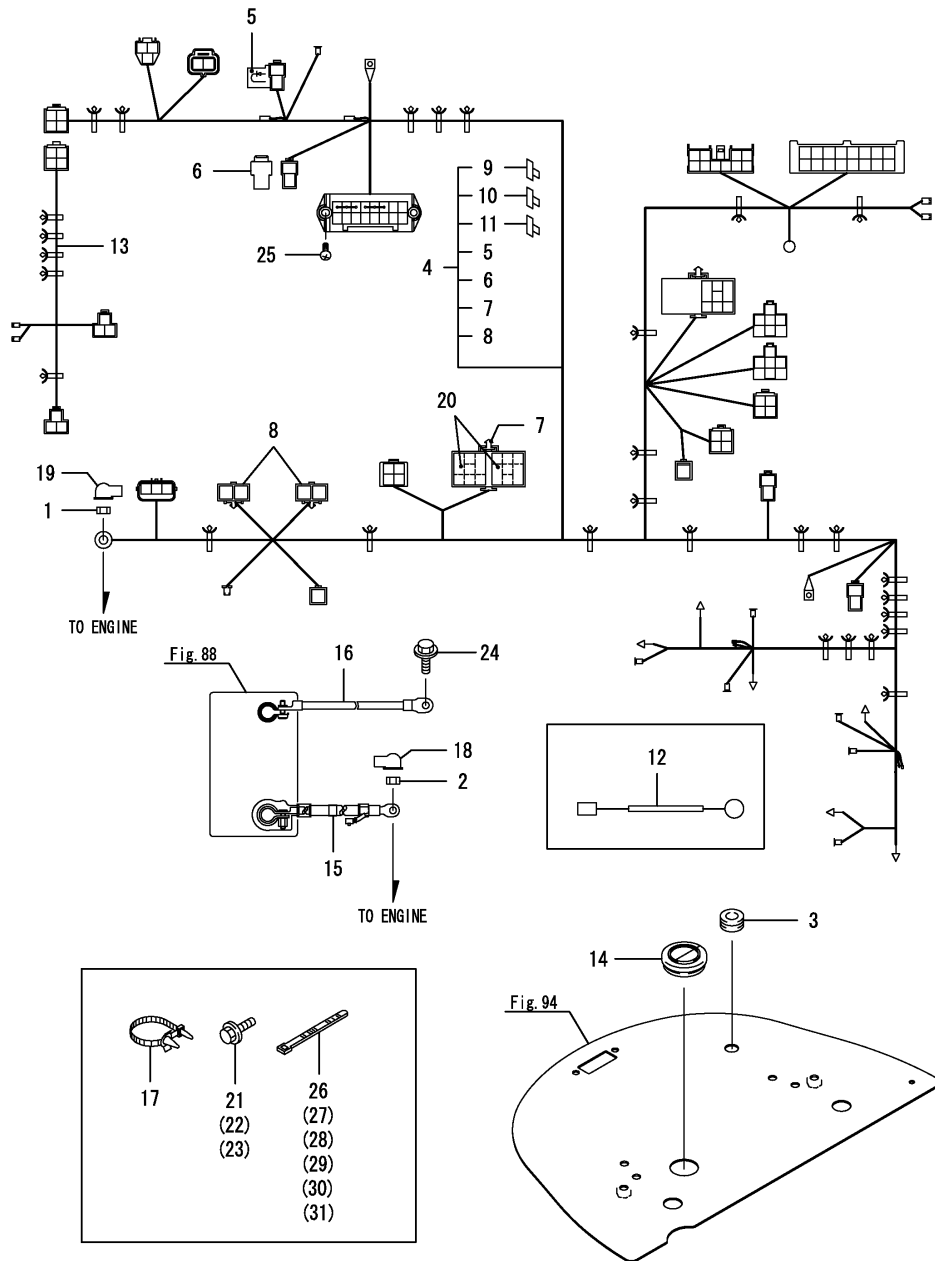


Fig.87. WIRE HARNESS



(A)=EF393T

(B)=

(C)=

(D)=

(E)=

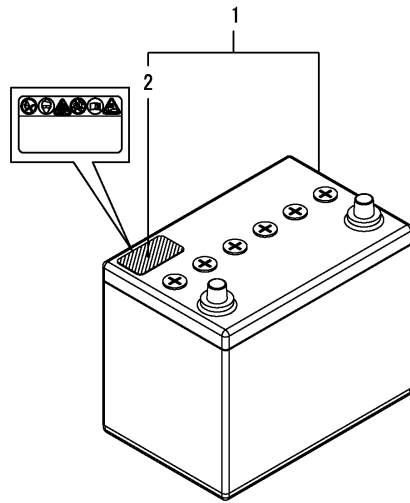
(F)=

No.	Lev.	Parts No.	Description	Q'ty						I	R
				(A)	(B)	(C)	(D)	(E)	(F)		
1	1	194990-22130	NUT, M6	1							
2	1	194990-22140	NUT, M8	1							
3	1	198448-22520	GROMMET, CABLE	1							
4	1	1A8310-51110	HARNESS ASSY, MAINE	1							
5	2	1A7130-51130	DIODE, 1.5A	1							
6	2	1A8300-51230	COUPLER, PROTECT	1							Z
(A=F100111)											
7	2	1A7651-51850	CLIP, HW7-2-4	1							
7-1	2	1A7651-51850	CLIP, HW7-2-4	2							K
(A=F100111)											
8	2	1A6380-52700	FUSE, SLOW BLOW 60A	2							
8-1	2	1A8310-52700	FUSE, 65A	2							N
(A=F100111)											
9	2	29420-050000	FUSE, B 5A	6							
10	2	29420-100000	FUSE, B 10A	1							
11	2	29420-150000	FUSE, B 15A	1							
12	1	198121-51190	HARNESS, WIRE	4							
13	1	1A8310-51310	HARNESS, HEAD LAMP	1							
14	1	198133-51350	GROMMET, 38A	1							
15	1	1A8310-51410	CABLE, + BATTERY	1							
16	1	1A8310-51420	CABLE, - BATTERY	1							
17	1	1A8275-51670	CLIP, M8 HOLE	1							
18	1	124550-77030	COVER, TERMINAL	1							
19	1	124756-77040	COVER, TERMINAL	1							
20	1	1K1140-82500	RELAY(ACM13211M01	2							
21	1	26106-060162	BOLT, M6X 16 PLATED	1							
22	1	26106-080162	BOLT, M8X 16 PLATED	1							
23	1	26106-080162	BOLT, M8X 16 PLATED	1							
24	1	26106-080162	BOLT, M8X 16 PLATED	1							
25	1	26557-060202	SCREW, M6X20	2							
26	1	29622-140001	BAND, RF140	1							
27	1	29622-140001	BAND, RF140	2							
28	1	29622-140001	BAND, RF140	1							
29	1	29622-250001	BAND, RF250	1							
30	1	29622-250001	BAND, RF250	1							
31	1	29622-250001	BAND, RF250	1							

Fig.88. BATTERY

(A)=EF393T  
(B)=  
(C)=

(D)=  
(E)=  
(F)=

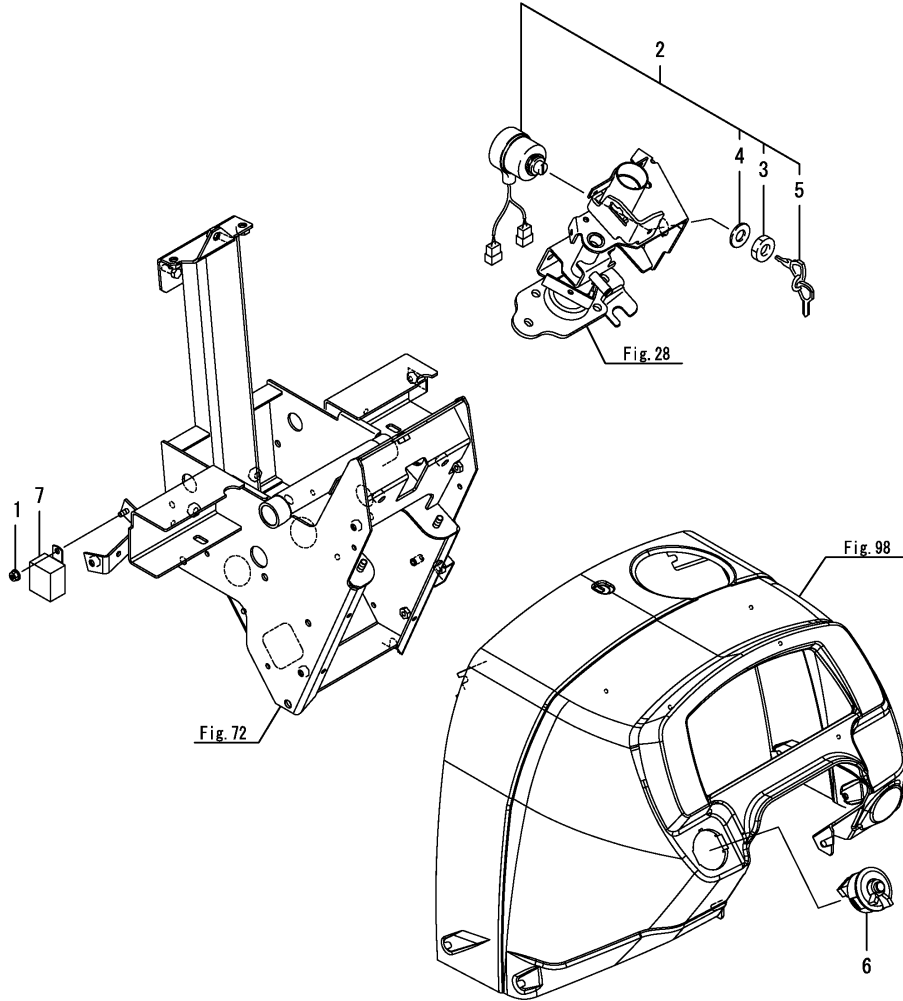


No.	Lev.	Parts No.	Description	Q'ty						I	R
				(A)	(B)	(C)	(D)	(E)	(F)		
1	1	1A7781-51500	BATTERY ASSY, 75D26R	1							
2	2	1A7781-51520	LABEL, BATTERY THAI	1							

Fig.89. SWITCH(FLOOR)

(A)=EF393T  
(B)=  
(C)=

(D)=  
(E)=  
(F)=



No.	Lev.	Parts No.	Description	Q'ty						I	R
				(A)	(B)	(C)	(D)	(E)	(F)		
1	1	194990-22130	NUT, M6	1							
2	1	198162-52110	SWITCH, STARTING	1							
3	2	198360-52320	NUT, RING	1							
4	2	198360-52330	WASHER	1							
5	2	198162-52150	KEY ASSY	1							
6	1	198200-52140	SWITCH, COMBINATION	1							
7	1	1E6650-82400	RELAY	1							

Fig.90. LAMP

(A)=EF393T  
(B)=  
(C)=

(D)=  
(E)=  
(F)=

No.	Lev.	Parts No.	Description	Q'ty						I	R
				(A)	(B)	(C)	(D)	(E)	(F)		
1	1	198010-53420	LAMP, FLASHER	2							
2	2	194200-53400	BULB, 12V-20W	2							
3	2	198010-53410	BODY ASSY	2							
4	2	198511-53430	LENS	4							
5	2	198511-53450	GASKET	2							
6	1	198283-53810	LAMP, POSITION	2							
7	2	1A7450-53820	BULB, 12V/10W	2							
8	1	22217-100000	WASHER, SPRING 10	2							
9	1	22217-100000	WASHER, SPRING 10	2							
10	1	26776-100002	NUT, LOCK M10	2							
11	1	26776-100002	NUT, LOCK M10	2							

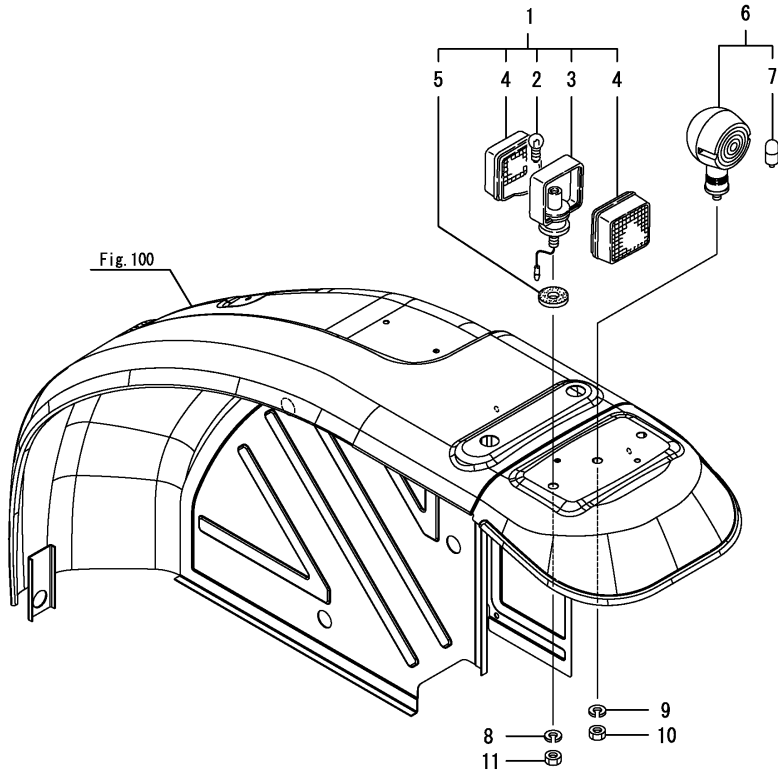




Fig.91. METER

(A)=EF393T  
(B)=  
(C)=

(D)=  
(E)=  
(F)=

No.	Lev.	Parts No.	Description	Q'ty						I	R
				(A)	(B)	(C)	(D)	(E)	(F)		
1	1	1A8310-56010	METER ASSY	1							
2	2	1A8310-56020	GLASS	1							
3	1	22857-600160	SCREW, 6X16	4							

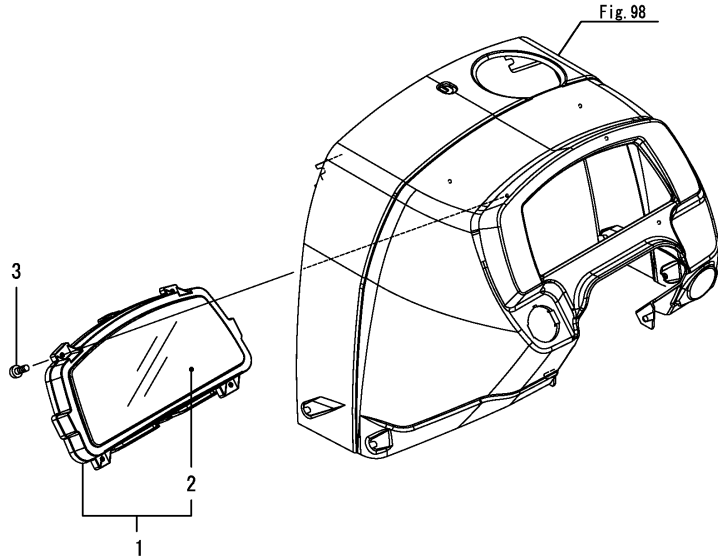


Fig.92. HORN

(A)=EF393T  
(B)=  
(C)=

(D)=  
(E)=  
(F)=

No.	Lev.	Parts No.	Description	Q'ty						I	R
				(A)	(B)	(C)	(D)	(E)	(F)		
1	1	1A8115-57150	HOON	1							
2	1	26106-060162	BOLT, M6X 16 PLATED	1							

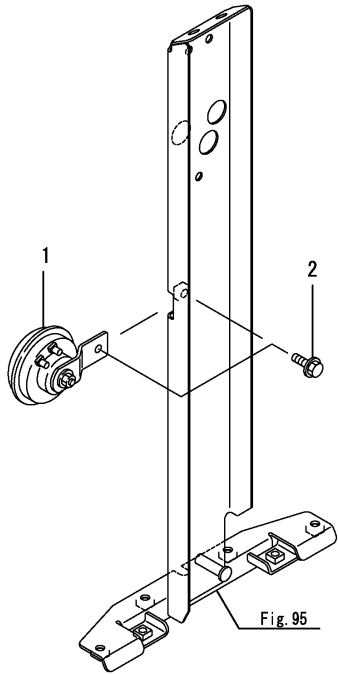
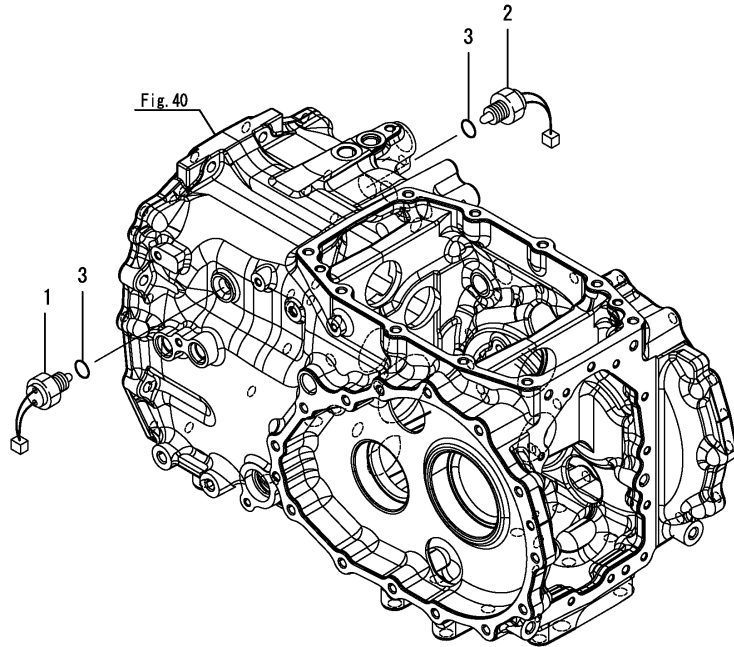


Fig.93. SWITCH

(A)=EF393T  
(B)=  
(C)=

(D)=  
(E)=  
(F)=

No.	Lev.	Parts No.	Description	Q'ty						I	R
				(A)	(B)	(C)	(D)	(E)	(F)		
1	1	194464-52190	SWITCH, SAFETY START	1							
2	1	194464-52190	SWITCH, SAFETY START	1							
3	1	24311-000180	O-RING, 1AP18.0	2							



# Fig.94. BATTERY SUPPORT

(A)=EF393T  
(B)=  
(C)=

(D)=  
(E)=  
(F)=

No.	Lev.	Parts No.	Description	Q'ty						I	R
				(A)	(B)	(C)	(D)	(E)	(F)		
1	1	194990-22140	NUT, M8	2							
2	1	1A8310-60110	SUPPORT ASSY,BATTERY	1							
3	1	1A8115-61530	ROD, BATTERY CLAMP	2							
4	1	1A8115-61580	CLAMP, BATTERY	1							
5	1	26716-080002	NUT, M8	2							

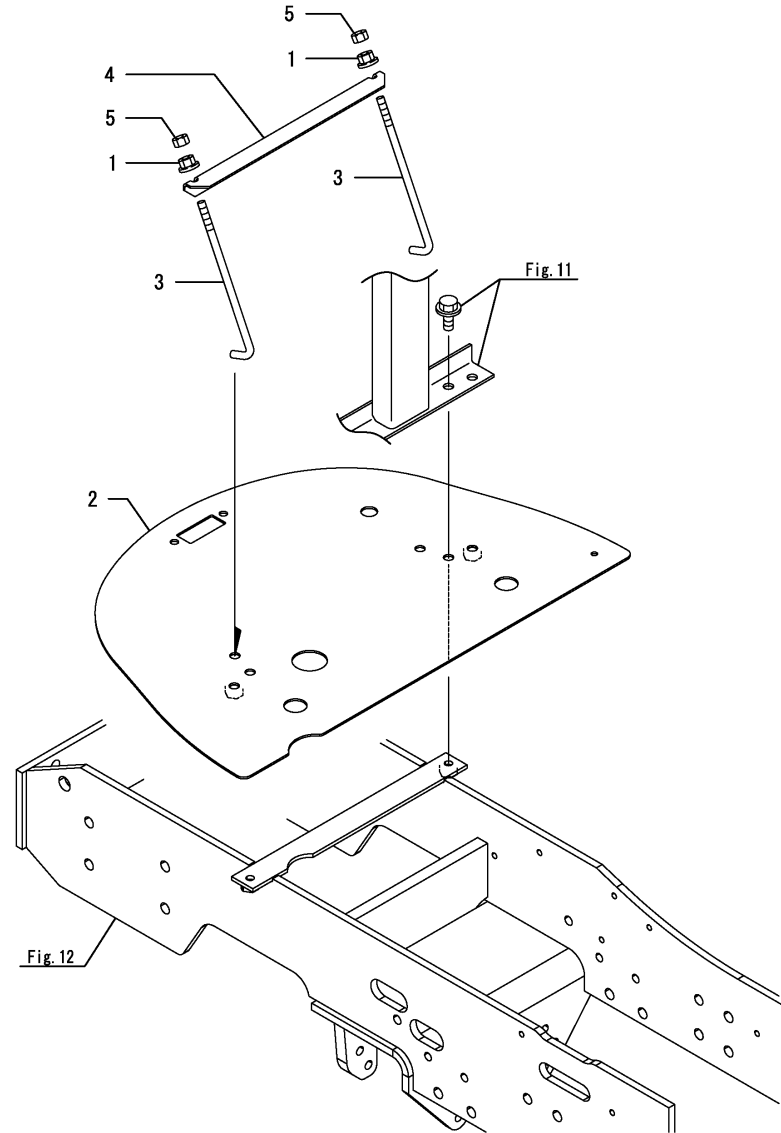
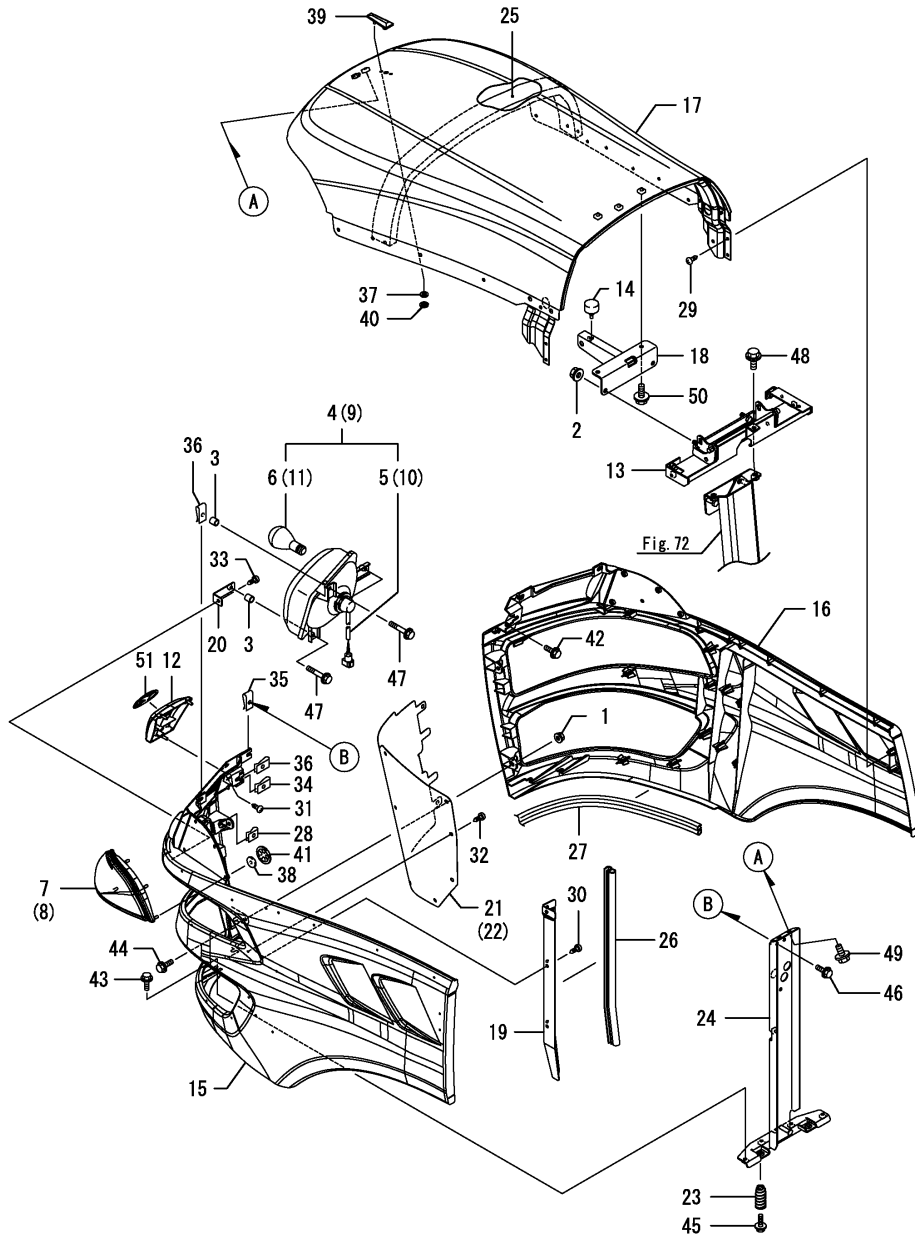


Fig.95. HOOD



(A)=EF393T

(B)=

(C)=

(D)=

(E)=

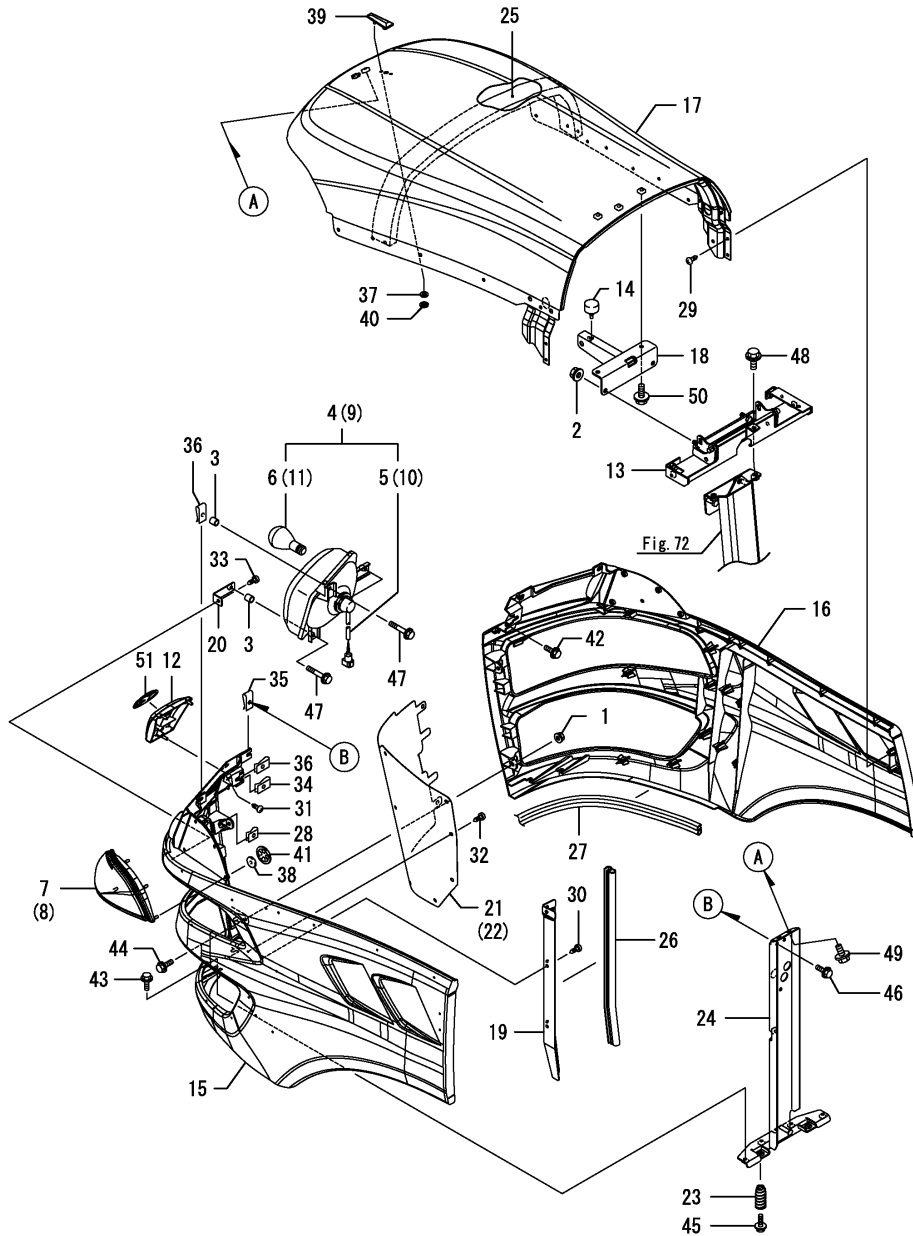
(F)=

No.	Lev.	Parts No.	Description	Q'ty						I	R
				(A)	(B)	(C)	(D)	(E)	(F)		
1	1	194990-22130	NUT, M6	2							
2	1	194990-22140	NUT, M8	2							
3	1	1A6380-48690	PIPE, 11X14X14	6							
3-1	1	1A8310-61220	COLLAR, 11X14X11	6							N
		(A=F100111)									
4	1	1A7780-53200	LAMP ASSY, HEAD L	1							
5	2	1A7000-53230	WIRE ASSY, LEAD	1							
6	2	198448-53320	BULB, 12V45/45W	1							
7	1	1A8310-53250	LENS, SIDE L.H.	1							
8	1	1A8310-53260	LENS, SIDE R.H.	1							
9	1	1A7780-53300	LAMP ASSY, HEAD R	1							
10	2	1A7000-53230	WIRE ASSY, LEAD	1							
11	2	198448-53320	BULB, 12V45/45W	1							
12	1	1A8310-53370	LENS, CENTER	1							
13	1	1A8310-60900	HINGE ASSY, HOOD	1							
14	1	1A7890-60980	RUBBER, CUSHION	1							
15	1	1A8310-61010	HOOD, LOWER LH	1							
16	1	1A8310-61060	HOOD, LOWER RH	1							
17	1	1A8310-61110	HOOD ASSY, UPPER	1							
18	1	1A8310-61170	STAY ASSY,HOOD HINGE	1							
19	1	1A8310-61210	STAY, HOOD SIDE	2							
20	1	1A8310-61230	STAY ASSY,LAMP LOWR	2							
21	1	1A8310-61320	SCREEN, GURILE LH	1							
22	1	1A8310-61330	SCREEN, GURILE RH	1							
23	1	198220-61340	SPRING	2							
23-1	1	1A7781-61340	SPRING, HOOD LOCK	2							R
		(A=F100111)									
24	1	1A8310-61410	STAY ASSY,HOOD LOCK	1							
25	1	1A8310-61470	SEAL, HOOD UPPER	1							
26	1	1A8310-61570	WEATHER-STRIP ASSY	2							
27	1	1A8310-61580	WEATHER-STRIP ASSY	1							
28	1	194167-61650	NUT, SPEED	4							
29	1	1A7180-61780	SCREW, TAPPING M5X14	12							
30	1	1A7180-61780	SCREW, TAPPING M5X14	6							
31	1	1A7180-61780	SCREW, TAPPING M5X14	1							
32	1	1A7180-61780	SCREW, TAPPING M5X14	18							
33	1	1A7180-61780	SCREW, TAPPING M5X14	2							
34	1	198071-61890	NUT, SPEED M6	1							
35	1	198071-61890	NUT, SPEED M6	2							
36	1	198071-61890	NUT, SPEED M6	4							
37	1	198475-65030	CUSHION	2							
38	1	198475-65030	CUSHION	8							
39	1	194940-65590	MARK, TOP	1							
40	1	198071-65610	NUT, SPEED M5	2							
41	1	198071-65610	NUT, SPEED M5	8							
42	1	26106-060202	BOLT, M6X 20 PLATED	1							
43	1	26106-060202	BOLT, M6X 20 PLATED	4							
44	1	26106-060202	BOLT, M6X 20 PLATED	2							
45	1	26106-060202	BOLT, M6X 20 PLATED	2							
46	1	26106-060202	BOLT, M6X 20 PLATED	2							
47	1	26106-060352	BOLT, M6X 35 PLATED	6							

Fig.95. HOOD

(A)=EF393T  
(B)=  
(C)=

(D)=  
(E)=  
(F)=



No.	Lev.	Parts No.	Description	Q'ty						I	R
				(A)	(B)	(C)	(D)	(E)	(F)		
48	1	26106-080162	BOLT, M8X 16 PLATED	2							
49	1	26106-080162	BOLT, M8X 16 PLATED	2							
50	1	26106-080162	BOLT, M8X 16 PLATED	2							
50-1	1	26106-080122 (A=*2013.08)	BOLT, M8X 12 PLATED	2							N
51	1	41800-110040	EMBLEM, S 04	1							

# Fig.96. HOOD STAND

(A)=EF393T  
(B)=  
(C)=

(D)=  
(E)=  
(F)=

No.	Lev.	Parts No.	Description	Q'ty						I	R
				(A)	(B)	(C)	(D)	(E)	(F)		
1	1	194990-22140	NUT, M8	2							
2	1	194990-22140	NUT, M8	2							
3	1	1A8310-60800	FRAME ASSY, CONNECT	1							
4	1	1A8310-61370	SPRING, GAS 600	1							
5	1	22372-100000	PIN, SNAP 10	2							
6	1	22487-100350	PIN 10X 35	2							

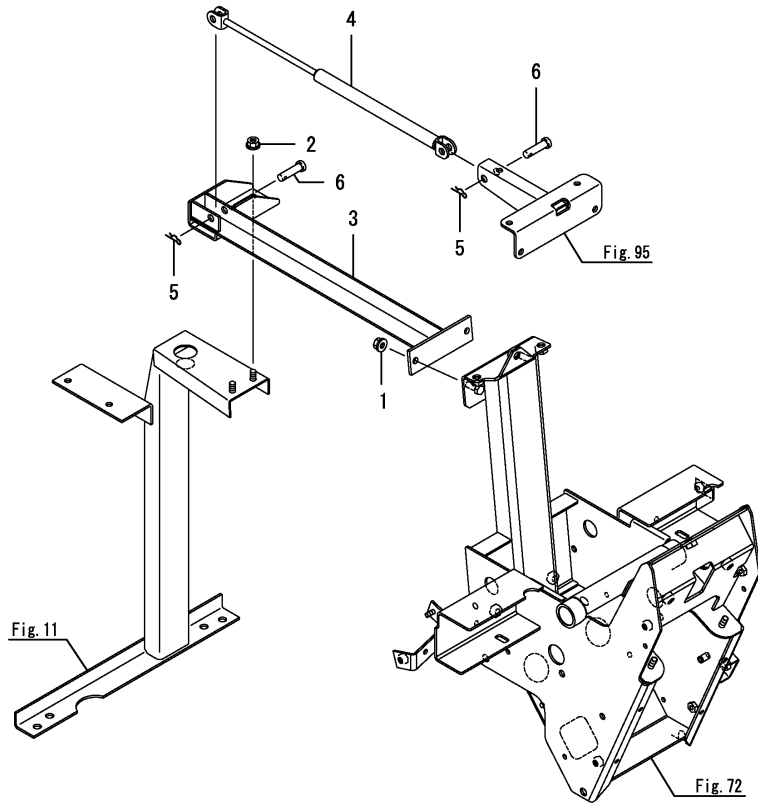


Fig.97. HOOD LOCK

(A)=EF393T  
(B)=  
(C)=

(D)=  
(E)=  
(F)=

No.	Lev.	Parts No.	Description	Q'ty						I	R
				(A)	(B)	(C)	(D)	(E)	(F)		
1	1	194990-22140	NUT, M8	2							
2	1	1A8310-61250	LOCK ASSY, HOOD	1							
3	1	1A8115-61300	SPRING, LOCK	1							

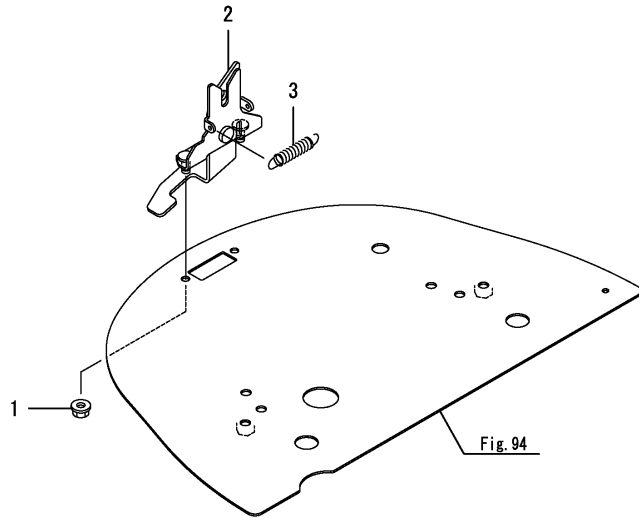


Fig. 94



Fig.98. DASHBOARD

(A)=EF393T  
(B)=  
(C)=

(D)=  
(E)=  
(F)=

No.	Lev.	Parts No.	Description	Q'ty						I	R
				(A)	(B)	(C)	(D)	(E)	(F)		
1	1	1C6053-26020	CAP, RUBBER 8X3	2							
2	1	198072-60590	BOLT, M6X20	7							
3	1	1A8310-61490	MASSY,COVER DASH	1							
4	1	1A8310-61530	SEAL,DASHBOARD	1							
5	1	1A8310-61590	WEATHER-STRIP ASSY	1							
6	1	1A8310-61800	MASSY,PLATE AIR CUT	1							
7	1	198200-63620	CAP, BOLT 6	1							
8	1	26106-080162	BOLT, M8X 16 PLATED	4							

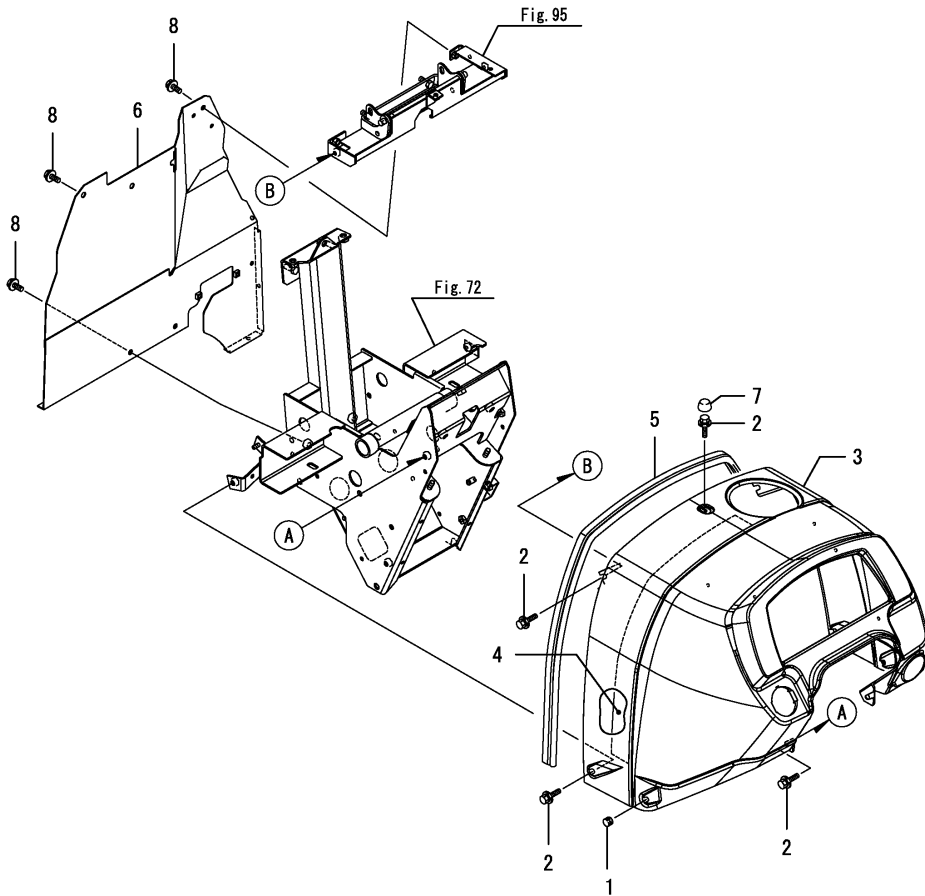


Fig.99. COLUMN COVER

(A)=EF393T  
(B)=  
(C)=

(D)=  
(E)=  
(F)=

No.	Lev.	Parts No.	Description	Q'ty						I	R
				(A)	(B)	(C)	(D)	(E)	(F)		
1	1	198072-60590	BOLT, M6X20	3							
2	1	1A8310-61670	COVER, COLUMN R	1							
3	1	1A8310-61690	COVER, COLUMN F	1							
4	1	22857-600160	SCREW, 6X16	1							

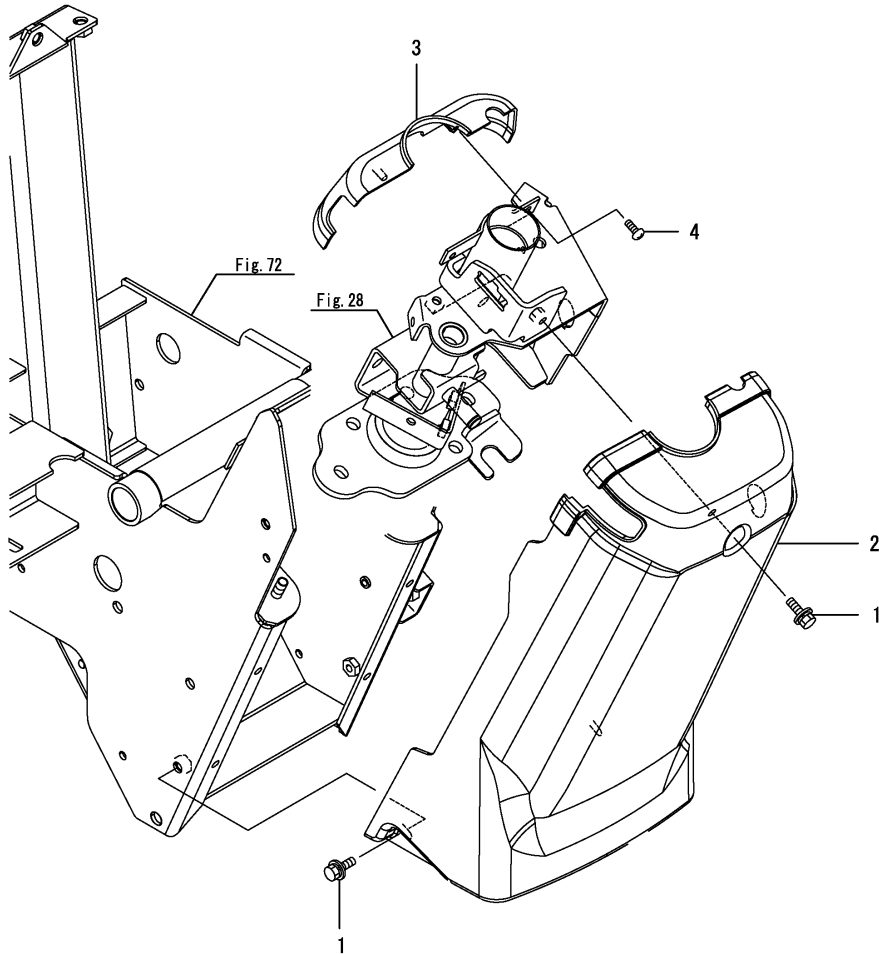


Fig.100. FENDER

(A)=EF393T

(B)=

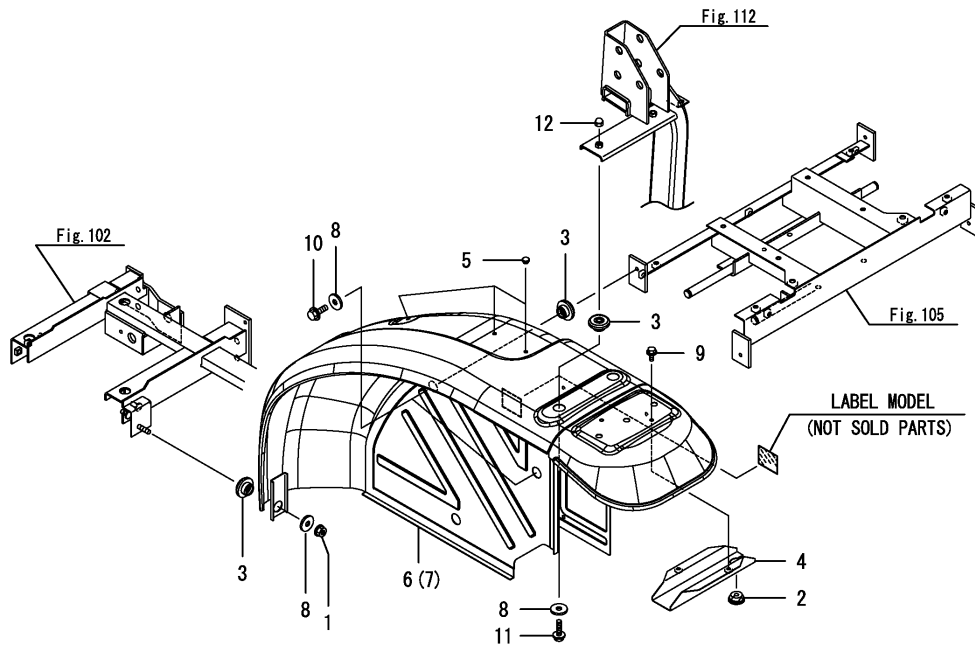
(C)=

(D)=

(E)=

(F)=

No.	Lev.	Parts No.	Description	Q'ty						I	R
				(A)	(B)	(C)	(D)	(E)	(F)		
1	1	194990-22140	NUT, M8	2							
2	1	198245-51210	GROMMET, 25/18	2							
3	1	1A8310-62160	MOUNT ASSY, FENDAR	10							
4	1	1A8310-62200	COVER, FENDER HARNESS	2							
5	1	194446-62310	CAP, RUBBER 8	6							
6	1	1A8310-64090	MASSY, FENDER L	1							
6-1	1	1A8310-64100	FENDER ASSY,L	1							S
(A=*2013.02)											
7	1	1A8310-64110	FENDER ASSY,R	1							
8	1	1C6140-47210	WASHER, 9X32X3.2	10							
9	1	26106-060122	BOLT, M6X 12 PLATED	4							
10	1	26106-080252	BOLT, M8X 25 PLATED	4							
11	1	26106-080302	BOLT, M8X 30 PLATED	4							
12	1	26657-080002	NUT, CAP M8	2							W
(A=*2011.11)											



# Fig.101. BREATHER

(A)=EF393T  
(B)=  
(C)=

(D)=  
(E)=  
(F)=

No.	Lev.	Parts No.	Description	Q'ty						I	R
				(A)	(B)	(C)	(D)	(E)	(F)		
1	1	1A8115-48250	PIPE, BREATHER 250	1							
2	1	194205-63550	BREATHER, AIR	1							
3	1	26106-080122	BOLT, M8X 12 PLATED	1							

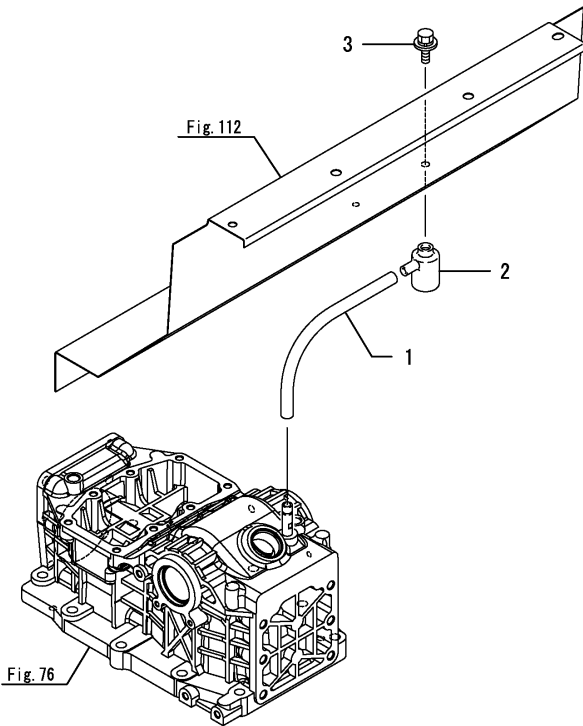
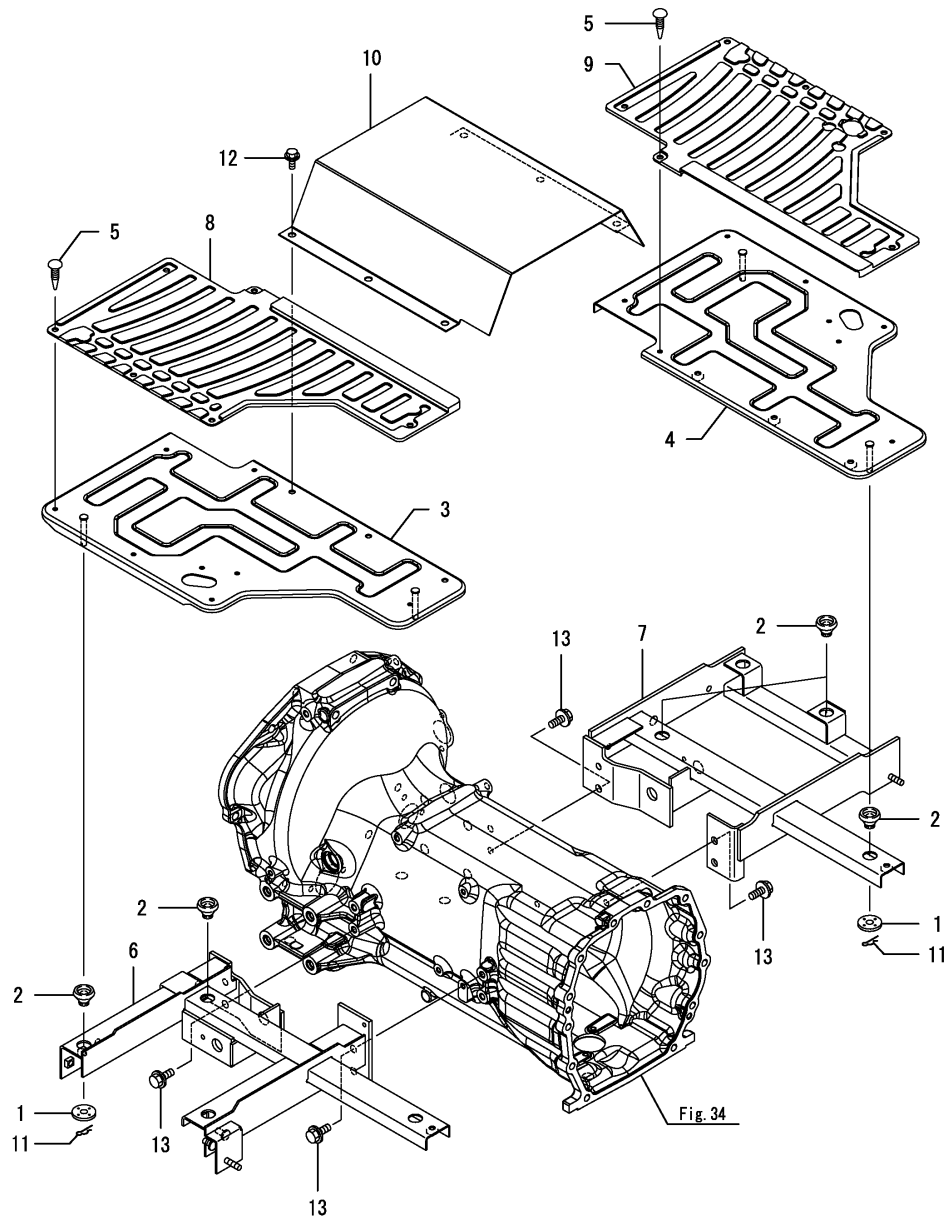


Fig.102. FLOOR



(A)=EF393T  
(B)=  
(C)=

(D)=  
(E)=  
(F)=

No.	Lev.	Parts No.	Description	Q'ty						I	R
				(A)	(B)	(C)	(D)	(E)	(F)		
1	1	198220-62150	WASHER	4							
2	1	198240-62451	ABSORBER, STEP	8							
3	1	1A8310-62500	STEP ASSY,L	1							
4	1	1A8310-62550	STEP ASSY,R	1							
5	1	194697-62560	CAP, HOLE	12							
6	1	1A8310-62610	SUPPORT ASSY,STEP L	1							
7	1	1A8310-62710	SUPPORT ASSY,STEP R	1							
8	1	1A8310-62800	MAT, FLOOR L	1							
9	1	1A8310-62810	MAT, FLOOR R	1							
10	1	1A8310-62910	M ASSY,FLOOR CENTER	1							
11	1	22372-080000	PIN, SNAP 8	4							
12	1	26106-080162	BOLT, M8X 16 PLATED	6							
13	1	26106-100202	BOLT, M10X 20 PLATED	8							

Fig.103. SUB STEP

(A)=EF393T  
(B)=  
(C)=

(D)=  
(E)=  
(F)=

No.	Lev.	Parts No.	Description	Q'ty						I	R
				(A)	(B)	(C)	(D)	(E)	(F)		
1	1	194990-22140	NUT, M8	2							
2	1	1A8115-62560-1	SUB-STEP,	1							
3	1	26106-080162	BOLT, M8X 16 PLATED	2							

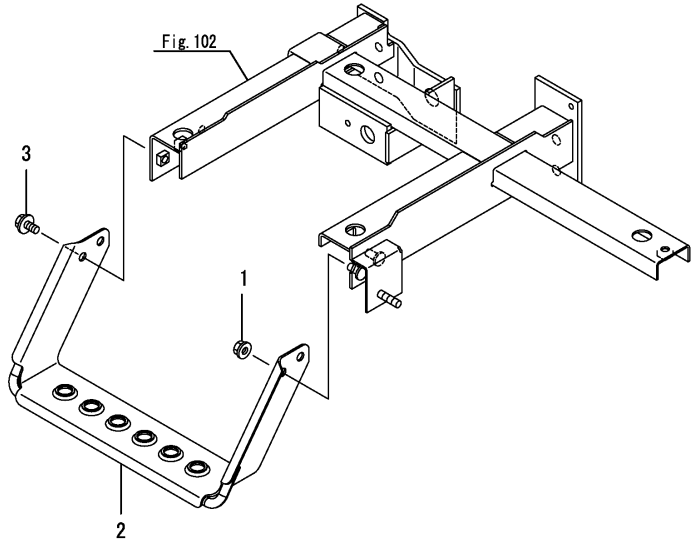
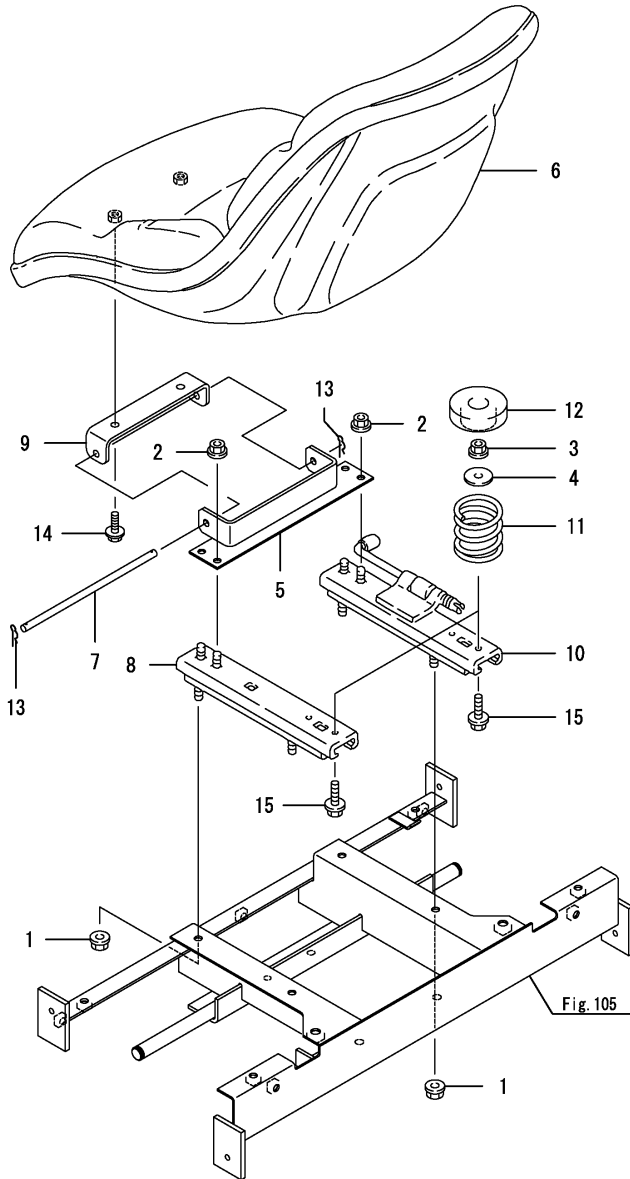


Fig.104. SEAT

(A)=EF393T  
(B)=  
(C)=

(D)=  
(E)=  
(F)=

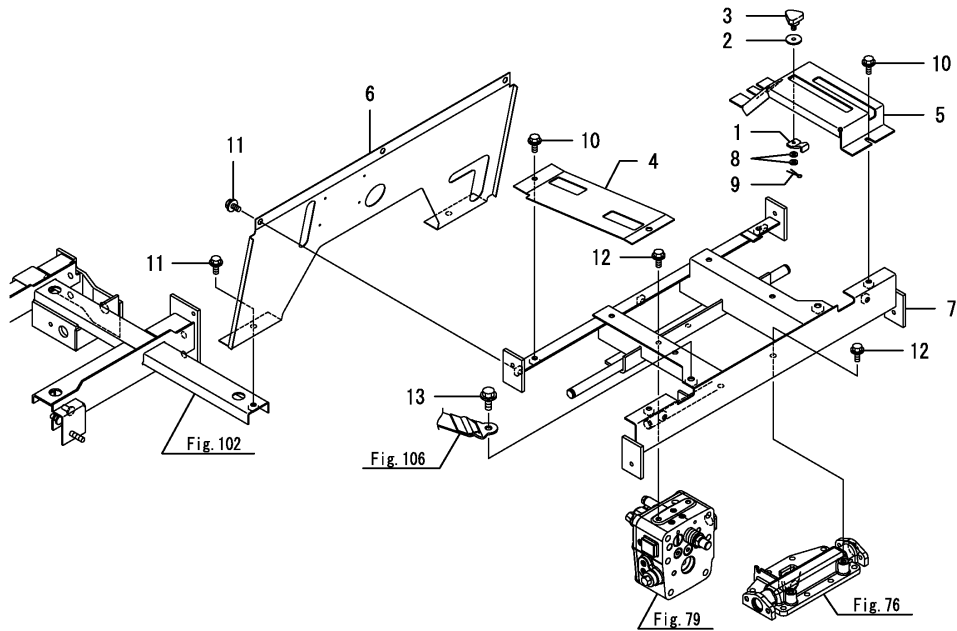


No.	Lev.	Parts No.	Description	Q'ty						I	R
				(A)	(B)	(C)	(D)	(E)	(F)		
1	1	194990-22140	NUT, M8	4							
2	1	194990-22140	NUT, M8	4							
3	1	194990-22140	NUT, M8	2							
4	1	1C6140-47210	WASHER, 9X32X3.2	2							
5	1	1A8310-63100	HINGE ASSY, SEAT	1							
6	1	1A7781-63120	SEAT ASSY,	1							
7	1	1A7781-63140	PIN, HINGE	1							
8	1	198360-63150	RAIL, L	1							
9	1	1A7781-63150	STAY, SEAT	1							
10	1	198360-63160	RAIL, R	1							
11	1	1A8115-63260	SPRING	2							
12	1	1A8115-63270	STOPPER, SEAT	2							
13	1	22372-080000	PIN, SNAP 8	2							
14	1	26106-080162	BOLT, M8X 16 PLATED	2							
15	1	26106-080202	BOLT, M8X 20 PLATED	2							

# Fig.105. SEAT BRACKET

(A)=EF393T  
(B)=  
(C)=

(D)=  
(E)=  
(F)=



No.	Lev.	Parts No.	Description	Qty						I	R
				(A)	(B)	(C)	(D)	(E)	(F)		
1	1	1A8115-47121	STOPPER, LEVER	1							
2	1	1A8310-47130	WASHER, 6X26X2.3	1							
3	1	194130-47851	BOLT, M6X15	1							
4	1	1A8310-62400	GUIDE, LEVER L	1							
5	1	1A8310-62410	GUIDE, LEVER R	1							
6	1	1A8310-62440	M ASSY, SEAT COVER	1							
7	1	1A8310-63210	BRACKET ASSY, SEAT	1							
8	1	22137-060000	WASHER, 6	2							
9	1	22417-200200	PIN, COTTER 2.0X20	1							
10	1	26106-080162	BOLT, M8X 16 PLATED	4							
11	1	26106-080162	BOLT, M8X 16 PLATED	5							
12	1	26106-080162	BOLT, M8X 16 PLATED	4							
13	1	26106-100202	BOLT, M10X 20 PLATED	2							



Fig.106. SEAT BELT

(A)=EF393T  
(B)=  
(C)=

(D)=  
(E)=  
(F)=

No.	Lev.	Parts No.	Description	Q'ty						I	R
				(A)	(B)	(C)	(D)	(E)	(F)		
1	1	194180-63150	BELT ASSY, SEAT	1							

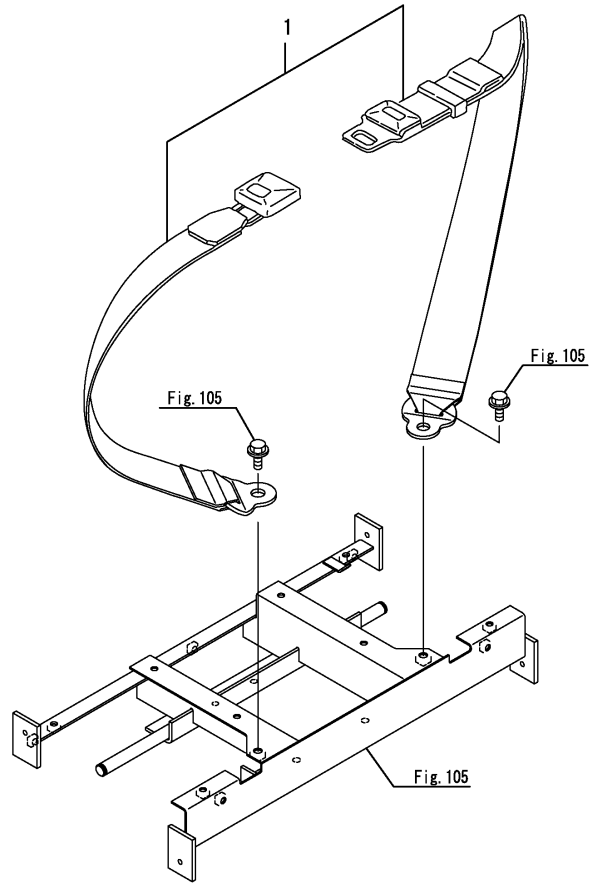


Fig.107. LABEL

(A)=EF393T  
(B)=  
(C)=

(D)=  
(E)=  
(F)=

No.	Lev.	Parts No.	Description	Q'ty						I	R
				(A)	(B)	(C)	(D)	(E)	(F)		
1	1	194240-65441	LABEL, DIFF. LOCK	1							
2	1	198036-65470	LABEL, BRAKE LOCK	1							
3	1	198283-65510	LABEL,KEY SWITCH	1							
3-1	1	1A8310-65330 (A=*2013.02)	LABEL,SWITCH KEY	1							N
4	1	1A8115-65511	LABEL, POSITION	1							
5	1	1A6640-65530	LABEL,THROTTLE	1							
7	1	1A8310-65650	LABEL, MAIN SHIFT	1							
8	1	1A8310-65660	LABEL, RANGE SHIFT	1							
9	1	1A8115-65670	LABEL, PTO	1							
10	1	198221-65740	LABEL, MFWD	1							
11	1	1A8310-65780	LABEL, FUSE	1							

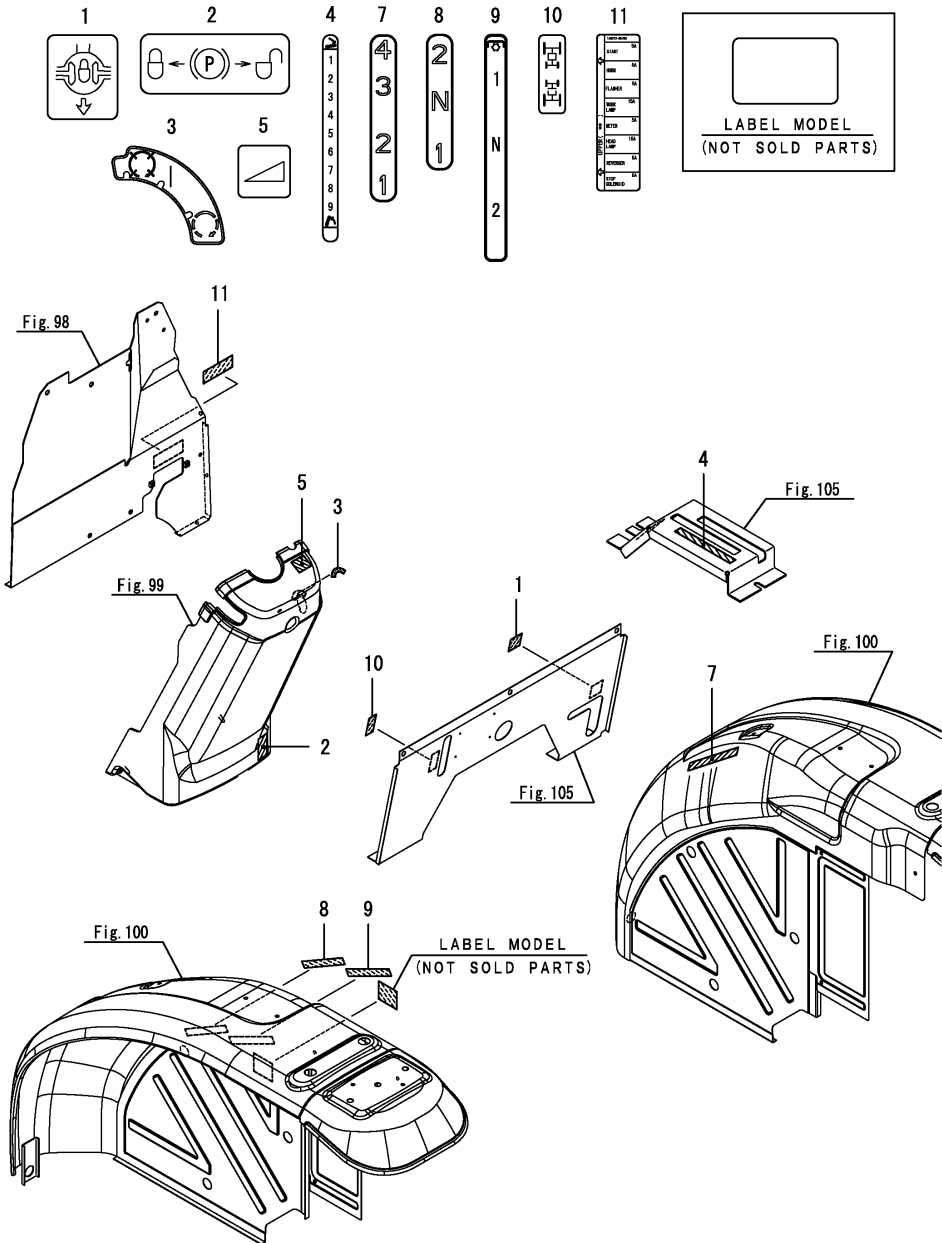


Fig.108. LABEL

(A)=EF393T  
(B)=  
(C)=

(D)=  
(E)=  
(F)=

No.	Lev.	Parts No.	Description	Q'ty						I	R
				(A)	(B)	(C)	(D)	(E)	(F)		
1	1	1A8310-65110	LABEL, MODEL LH	1							
2	1	1A8310-65120	LABEL, MODEL RH	1							

1  
(2)

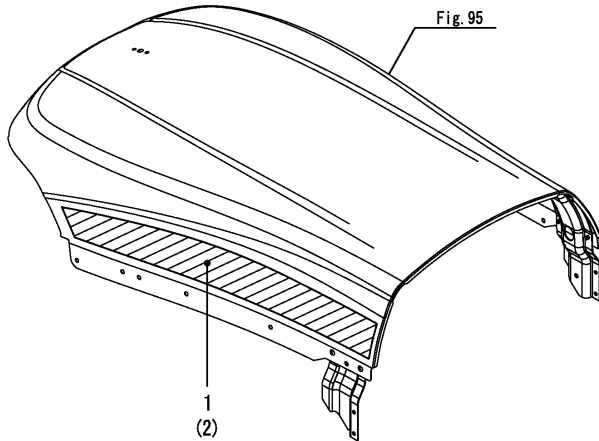


Fig.109. LABEL(SAFETY)

(A)=EF393T

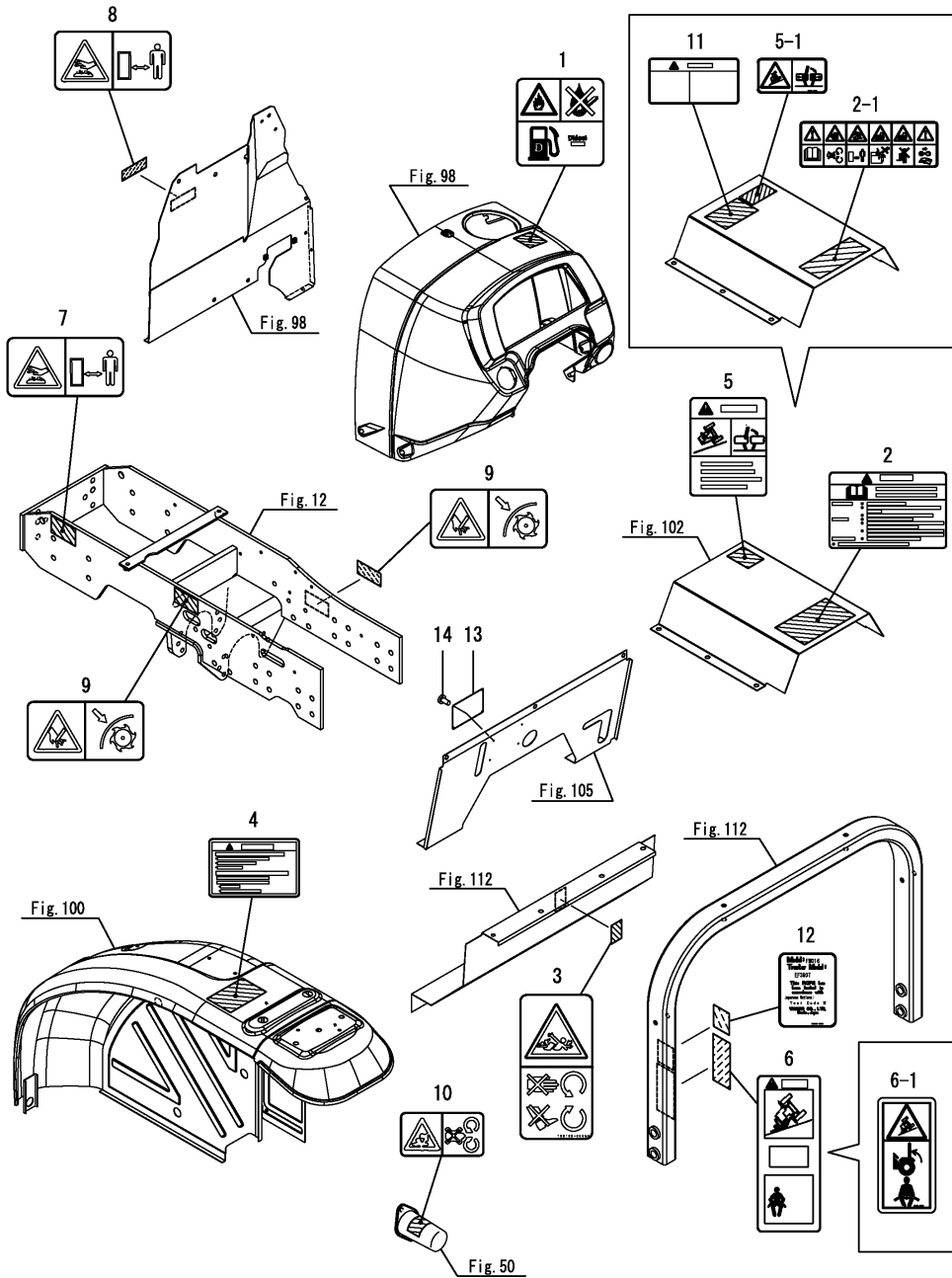
(B)=

(C)=

(D)=

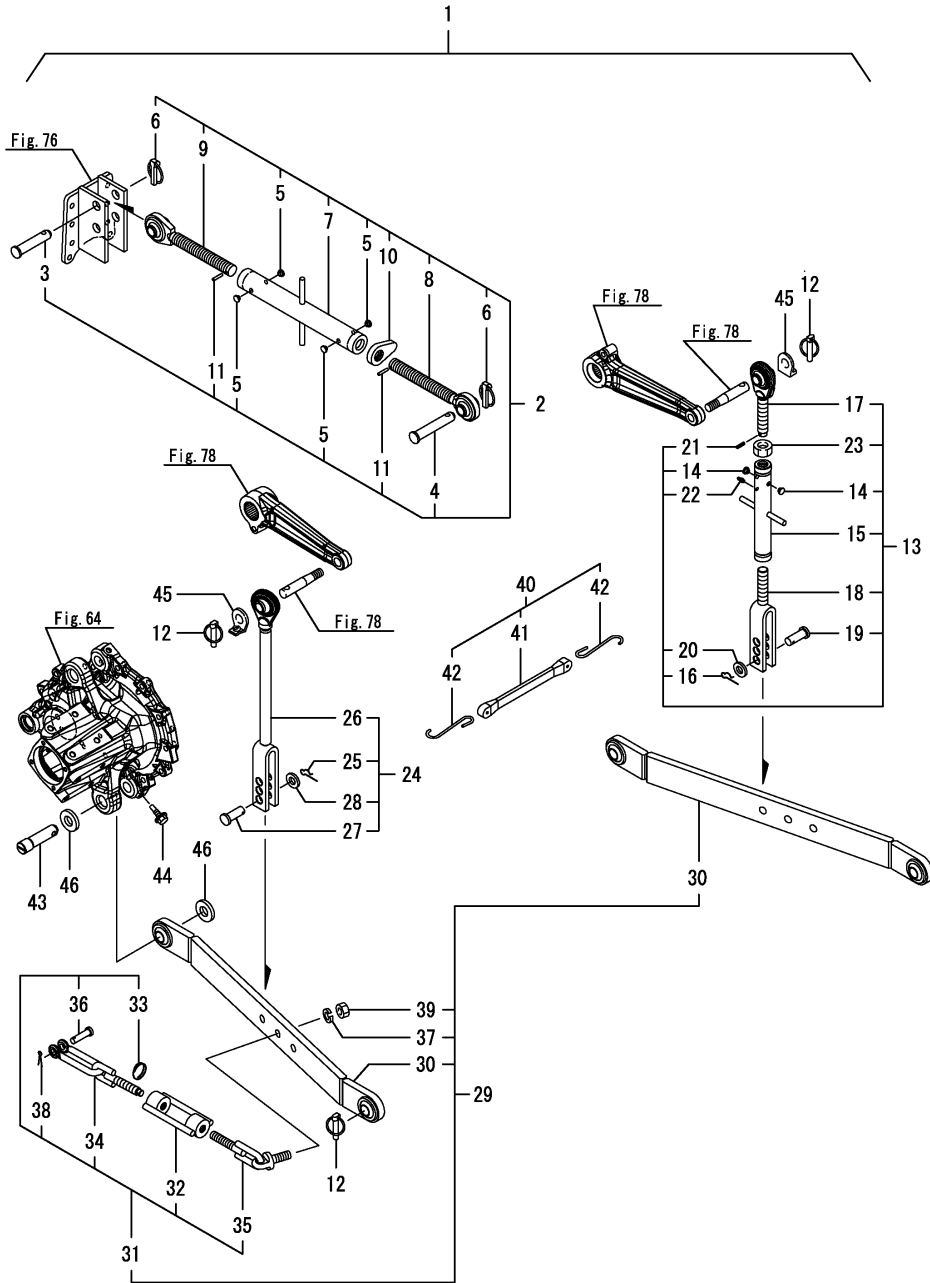
(E)=

(F)=



No.	Lev.	Parts No.	Description	Q'ty						I	R
				(A)	(B)	(C)	(D)	(E)	(F)		
1	1	198283-65250	LABEL,RAKE CAUTION	1							
1-1	1	1A8310-65340	LABEL, FIRE CAUTION	1							N
		(A=*2013.02)									
2	1	198283-65310	LABEL, CAUTION	1							
2-1	1	1A8310-65310	LABEL,SAFETY OPRATIO	1							S
		(A=*2013.02)									
3	1	198163-65350	DANGER,ROTAT.SHAFT	1							
4	1	1A7680-65350	LABEL,WARNING,ROPS	1							Z
		(A=*2013.02)									
5	1	198283-65360	LABEL,BREAKE PEDAL	1							
5-1	1	1A7874-65360	LABEL, BRAKE COUPLIN	1							S
		(A=*2013.02)									
5-2	1	1A8310-65360	LABEL, BRAKE COUPLIN	1							N
		(A=*2013.07)									
6	1	1A7680-65910	LABEL,ROPS WARNING	1							
6-1	1	198163-65950	LABEL, SEATBELT	1							S
		(A=*2013.02)									
6-2	1	1A8310-65950	LABEL, SEAT BELT	1							N
		(A=*2013.07)									
7	1	198163-65930	CAUTION,MUFFLER	1							
8	1	198163-65930	CAUTION,MUFFLER	1							
9	1	198163-65940	CAUTION,SAFETY COVER	2							
10	1	1A6150-93151	LABEL,COVER	1							
11	1	1A8310-65300	LABEL,WARNING ESCAPE	1							W
		(A=*2013.02)									
12	1	1A8310-65900	LABEL, MODEL ROPS	1							
13	1	198283-65651	LABEL,TAI ONLY	1							
14	1	22695-320321	RIVET, 3.2X 3.2	4							

Fig.110. THREE POINT HITCH



(A)=EF393T  
(B)=  
(C)=

(D)=  
(E)=  
(F)=

No.	Lev.	Parts No.	Description	Qty						I	R
				(A)	(B)	(C)	(D)	(E)	(F)		
1	1	1A8310-71000	HITCH KIT, 3 POINT	1							
2	2	198254-71100	LINK KIT, TOP	1							
3	3	1A7335-71230	PIN, LINK	1							
4	3	1A7335-71240	PIN, HITCH	1							
5	3	1A7335-71250	CAP	4							
6	3	1A7335-71410	PIN ASSY, BALL	2							
7	3	198254-71500	TURNBUCKLE ASSY	1							
8	3	198254-71600	LINK ASSY, TOP R	1							
9	3	198254-71700	LINK ASSY, TOP L	1							
10	3	1A7335-71750	NUT, LOCK M24	1							
11	3	1A7335-71760	PIN, SPRING 5.0X25	2							
12	2	1A7335-71410	PIN ASSY, BALL	4							
13	2	198283-72101	LINK KIT, LIFT R	1							
14	3	1A7335-71250	CAP	2							
15	3	198283-72151	ADJ,TUBE ASSY	1							
16	3	1A8275-72180	SNAP PIN 13-19	1							
17	3	198283-72201	EYEBOLT ASSY,	1							
18	3	198283-72251	YORK ASSY, LIFT LINK	1							
19	3	198234-72550	PIN, 16X44	1							
20	3	1A7500-72160	WASHER, 16	1							
21	3	1A7335-72360	PIN, SPRING 5.0X22	1							
22	3	1A7450-43680	NIPPLE, GRESAE M6	1							
23	3	26757-200002	NUT, LOCK M20	1							
24	2	198283-72301	LINK KIT,LIFT L.H.	1							
25	3	1A8275-72180	SNAP PIN 13-19	1							
26	3	198283-72311	LINK ASSY,LIFT L.H.	1							
27	3	198234-72550	PIN, 16X44	1							
28	3	1A7500-72160	WASHER, 16	1							
29	2	1A8310-73040	LINK&CHAIN KIT	2							
30	3	198283-73500	LINK ASSY, LOWER	2							
31	3	1A8310-74400	CHAIN KIT	2							
32	4	1A8310-74150	TURNBUCKLE ASSY	2							
33	4	1A7500-74661	RING, 32	2							
34	4	1A8310-74450	CHAIN ASSY, FRONT	2							
35	4	1A8310-74500	CHAIN ASSY, REAR	2							
36	4	1A7335-74620	PIN, SHACKLE	2							
37	4	1A7500-74680	WASHER, SPRING 16	2							
38	4	1A7335-74630	PIN, 4.0X25	2							
39	4	1A7500-74670	NUT, M16	2							
40	2	198283-73310	STRAP, LINK	1							
41	3	1A7500-73320	STRAP	1							
42	3	198283-73330	HOOK, S	2							
43	2	1A8310-73150	PIN, LOWER LINK	2							
44	1	1A8310-73160	BOLT, M10X30	2							
45	1	198071-74970	COLLAR, BALL SOCKET	2							
46	1	22137-220000	WASHER, 22	4							

Fig.111. DRAWBAR HITCH

(A)=EF393T  
(B)=  
(C)=

(D)=  
(E)=  
(F)=

No.	Lev.	Parts No.	Description	Q'ty						I	R
				(A)	(B)	(C)	(D)	(E)	(F)		
1	1	194145-75240	PIN, HITCH 22	1							
2	1	194145-75250	RING, STOPPER	1							
3	1	1A8310-75700	BRACKET ASSY,DRAWBER	1							
4	1	194150-75740	PIN, HITCH 16	1							
5	1	198283-75860-1	HITCH ASSY, DRAWBAR	1							
6	1	22360-200000	PIN, SNAP 20	1							
7	1	26106-120252	BOLT, M12X 25 PLATED	6							

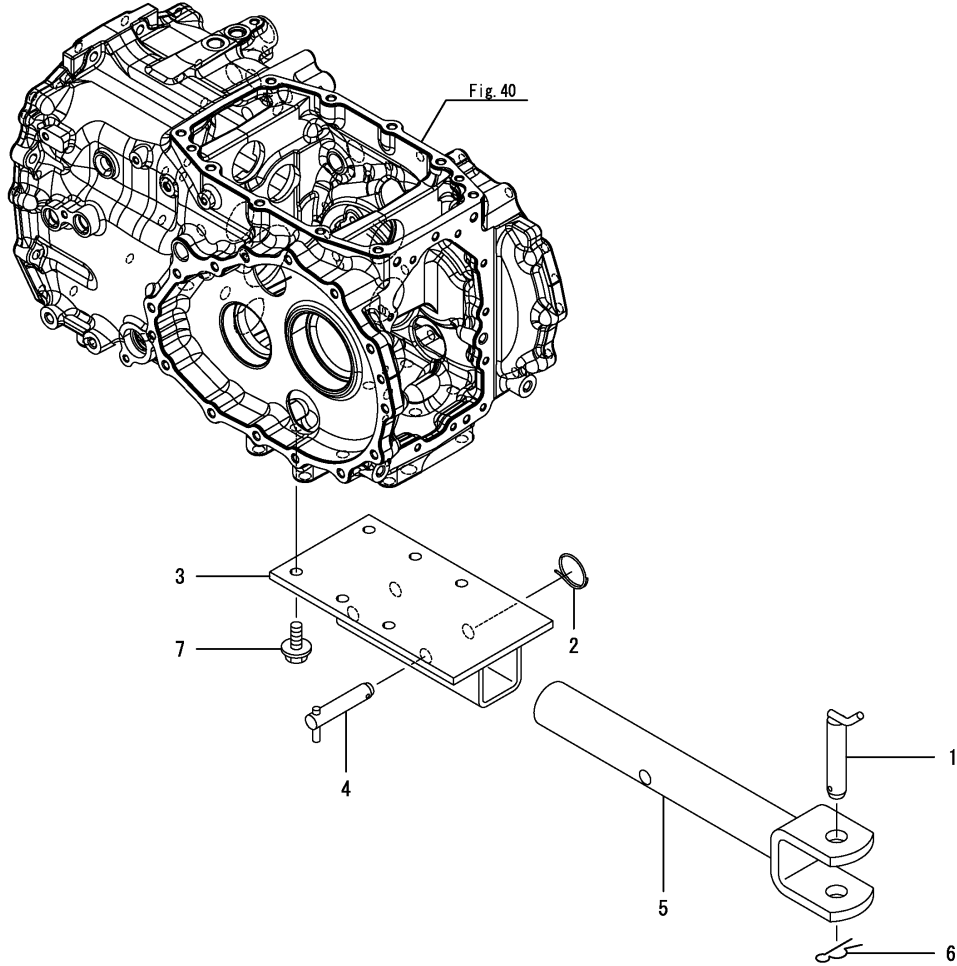
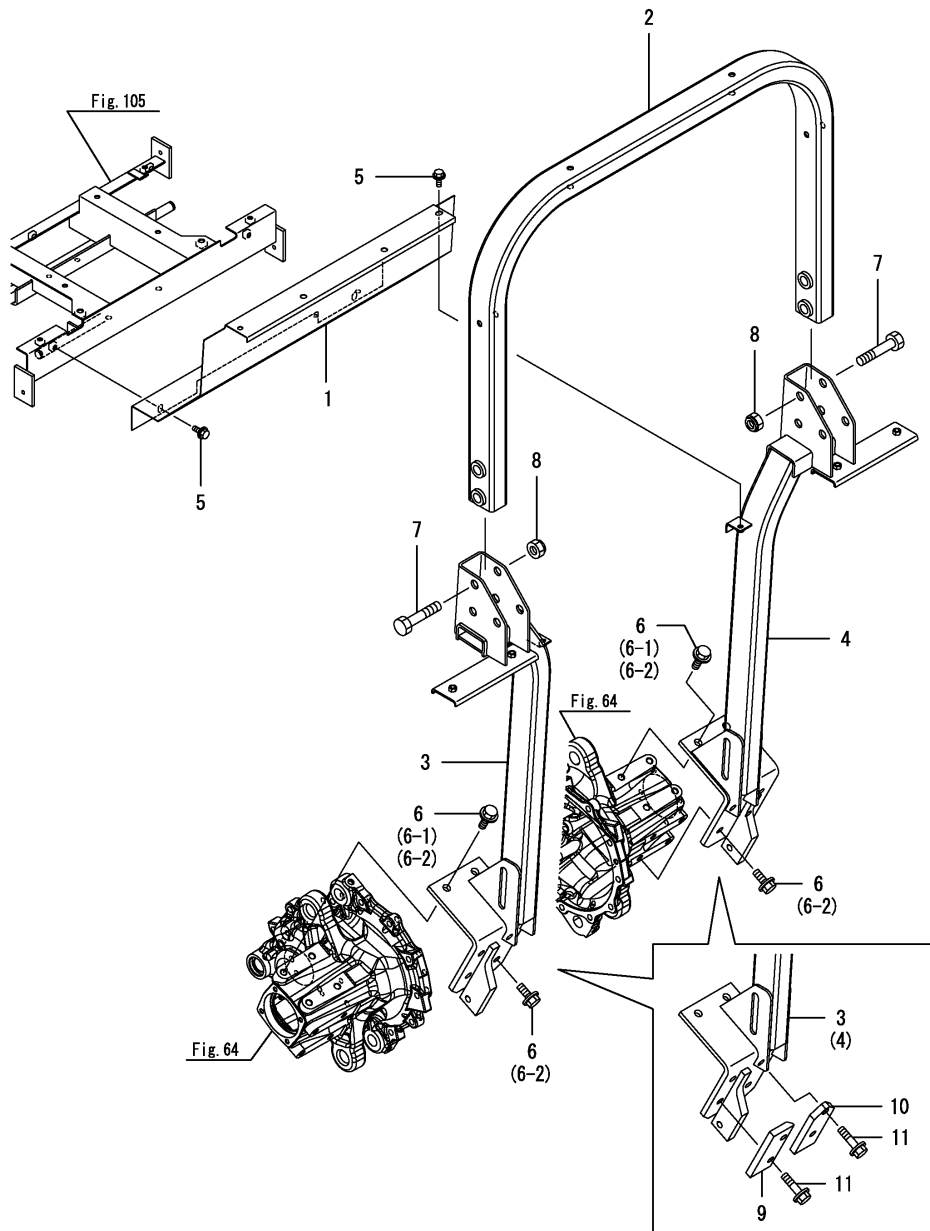


Fig.112. ROPS



(A)=EF393T  
(B)=  
(C)=

(D)=  
(E)=  
(F)=

No.	Lev.	Parts No.	Description	Qty						I	R
				(A)	(B)	(C)	(D)	(E)	(F)		
1	1	1A8310-62940	MASSY, S-BACK COVER	1							
2	1	1A8310-85090	FRAME MASSY, UPPER	1							
3	1	1A8310-85200	FRAM ASSY, REAR ROPS	1							
3-1	1	1A8310-85201 (A=F102569)	FRAM ASSY, REAR ROPS	1							N
4	1	1A8310-85210	FRAM ASSY, REAR ROPS	1							
4-1	1	1A8310-85211 (A=F102569)	FRAM ASSY, REAR ROPS	1							N
5	1	26106-080162	BOLT, M8X 16 PLATED	4							
6	1	26106-120252	BOLT, M12X 25 PLATED	12							
6-1	1	26106-120252 (A=F102104)	BOLT, M12X 25 PLATED	4							K
6-2	1	26106-120252 (A=F102569)	BOLT, M12X 25 PLATED	14							K
7	1	26156-160802	BOLT, M16X 80 PLATED	4							
8	1	26356-160002	NUT, M16	4							
9	1	1A8310-85400 (A=F102104)	PLATE, SUPPORT OUT	2							W
9-1	1	1A8310-85400 (A=F102569)	PLATE, SUPPORT OUT	2							Z
10	1	1A8310-85410 (A=F102104)	PLATE, SUPPORT IN	2							W
10-1	1	1A8310-85410 (A=F102569)	PLATE, SUPPORT IN	2							Z
11	1	26106-120402 (A=F102104)	BOLT, M12X 40 PLATED	8							W
11-1	1	26106-120402 (A=F102569)	BOLT, M12X 40 PLATED	8							Z

Fig.113. ACCESSORY

(A)=EF393T  
(B)=  
(C)=

(D)=  
(E)=  
(F)=

No.	Lev.	Parts No.	Description	Q'ty						I	R
				(A)	(B)	(C)	(D)	(E)	(F)		
1	1	0A041-B00200	OPERATION MANUAL	1							
1-1	1	0A041-B00201 (A=*2012.12)	OPERATION MANUAL	1							N
1-2	1	0A041-B00202 (A=*2013.02)	OPERATION MANUAL	1							S
1-3	1	0A041-B00203 (A=*2013.09)	OPERATION MANUAL	1							N

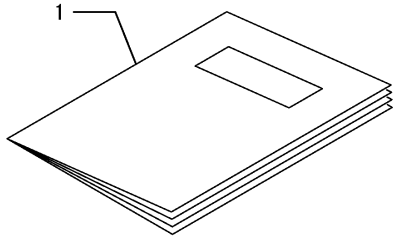


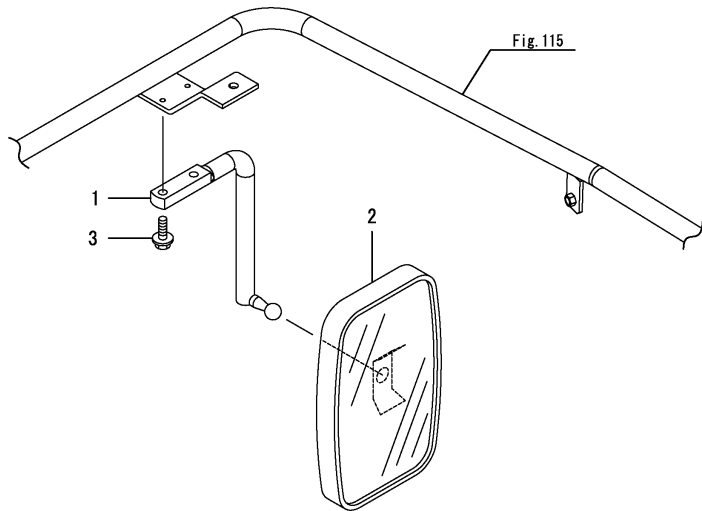


Fig.114. REARVIEW MIRROR

(A)=EF393T  
(B)=  
(C)=

(D)=  
(E)=  
(F)=

No.	Lev.	Parts No.	Description	Q'ty						I	R
				(A)	(B)	(C)	(D)	(E)	(F)		
1	1	1A8310-64010	STAY ASSY, MIRROR RH	1							
2	1	198440-64100	HEAD, MIRROR	1							
3	1	26106-080202	BOLT, M8X 20 PLATED	2							

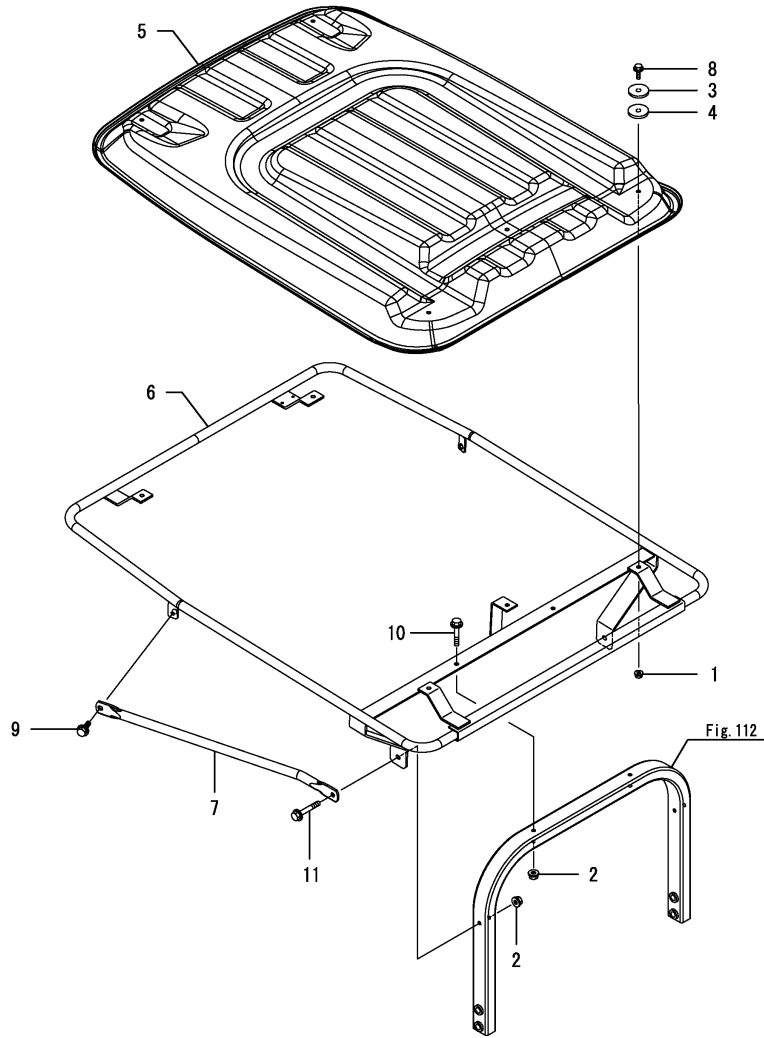


Remarks  
\* Optional parts.

Fig.115. ROOF

(A)=EF393T  
(B)=  
(C)=

(D)=  
(E)=  
(F)=



No.	Lev.	Parts No.	Description	Q'ty						I	R
				(A)	(B)	(C)	(D)	(E)	(F)		
1	1	194990-22140	NUT, M8	5							
2	1	194990-22150	NUT, M10	4							
3	1	198255-82640	STAY, PLATE	5							
4	1	198255-82660	RUBBER, CUSHION B	5							
5	1	1A8310-85500	ROOF	1							
6	1	1A8310-85600	FRAME ASSY,ROOF	1							
7	1	1A8310-85700	PIPE,ROOF	2							
8	1	26106-080252	BOLT, M8X 25 PLATED	5							
9	1	26106-100202	BOLT, M10X 20 PLATED	2							
10	1	26106-100552	BOLT, M10X 55 PLATED	2							
11	1	26106-100652	BOLT, M10X 65 PLATED	2							

Remarks  
\* Optional parts.

## Parts No. Index

Parts No.	Fig. No.	Ref. No.
0A041-B00200	113	1
0A041-B00201	113	1 -1
0A041-B00202	113	1 -2
0A041-B00203	113	1 -3
114270-59010	3	15
	8	9
	9	6
119131-18320	2	6
119802-55700	2	8
119802-55710	2	10
119802-55730	2	11
119808-12520	11	4
119808-12540	11	7
119852-55612	2	7
119866-12541	11	8
123900-13630	2	5
124240-01883	75	7
124550-77030	87	18
124756-77040	87	19
129004-13200	2	3
129004-55810	2	14
129051-12530	11	5
129052-13550	2	4
129100-55690	2	9
129107-44590	3	2
129150-13110	2	2
129211-77920	2	15
129418-12530	11	6
129612-12650	11	9
168028-00010	75	1
171350-13100	2	1
172142-76181	33	9
	85	3
172730-75141	85	2
175022-49730	84	9
175022-49750	3	13
177432-03450	22	1
178070-10401	75	2
		9
192167-24600	41	2
194130-44480-1	78	5
194130-47851	105	3
194145-27450	51	6
	53	6
	55	4
	57	4
194145-75240	111	1
194145-75250	111	2
194150-21910	40	1
194150-75740	111	4

Parts No.	Fig. No.	Ref. No.
194167-61650	95	28
194170-47440	81	11
194180-12471	16	13
	31	1
194180-63150	106	1
194200-53400	90	2
194201-11230	34	1
	40	1 -1
194205-63550	101	2
194240-65441	107	1
194274-13580	71	1
194275-27750	40	9
194279-14220	70	2
194312-27780	72	8
	73	1
194370-26350	49	4
194440-32580	68	1
194440-51620	9	1
194446-62310	100	5
194447-13490	21	1
194464-52190	93	1
		2
194515-31610	62	3
194515-31850	62	6
194521-41570	75	3
		10
194525-31520	62	2
194555-25870	17	3
	42	3
	45	5
194555-26520	37	3
194555-42280	76	7
194555-47340-1	81	6
194555-47350-1	81	8
194556-13790	24	1
194630-43230	79	5
194680-25940	49	1
194680-51670	33	7
	54	3
194697-62560	3	17
	102	5
194740-00160	28	4
194850-32340	63	2
194850-42180	79	1
194850-42190	79	2
194850-42500	76	8
194881-12650	27	1
	70	1
194940-47210-1	81	2
194940-47220	81	4

Parts No.	Fig. No.	Ref. No.
194940-65590	95	39
194990-22050	81	1
194990-22130	5	6
	87	1
	89	1
	95	1
194990-22140	6	3
		4
	7	3
	8	15
	28	26
	72	22
	87	2
	94	1
	95	2
	96	1
		2
	97	1
	100	1
	103	1
	104	1
		2
		3
	115	1
194990-22150	115	2
197830-85490	5	8
198010-41211	84	1
198010-53410	90	3
198010-53420	90	1
198036-65470	107	2
198071-22311	38	1
198071-24350	40	4
198071-37510	72	16
		26
		36
198071-43320	77	2
198071-43330	77	3
198071-61890	95	34
		35
		36
198071-65610	95	40
		41
198071-74970	110	45
198072-17550	32	2
198072-48340	84	5
198072-60590	98	2
	99	1
198119-27150	51	2
	53	1
	55	1

Parts No.	Fig. No.	Ref. No.
198119-27150	57	1
	60	1
198121-25800	44	11
198121-25820	44	12
198121-25830	44	13
198121-25840	44	14
198121-25850	44	15
198121-25870	44	16
198121-51190	87	12
198133-15700	29	1
198133-15740	29	2
198133-15780	29	3
198133-22510	72	14
		23
		31
198133-22530	72	15
		24
		32
198133-51350	87	14
198146-15240	28	25
198153-04670	8	14
198162-52110	89	2
198162-52150	89	5
198163-65350	109	3
198163-65930	109	7
		8
198163-65940	109	9
198163-65950	109	6 -1
198165-04380	72	1
198196-34140	68	3
198200-01260	28	6
198200-04061	8	3
198200-04090	8	4
198200-04120	8	6
198200-13220	18	3
198200-14130-1	24	2
198200-14210	24	3
198200-17050	31	12
198200-17120	31	14
		27
198200-17140	31	15
		28
		33
198200-17150	31	16
		29
		34
198200-17160	31	17
198200-17170	31	18
198200-17500	32	1
198200-21140	34	5

## Parts No. Index

Parts No.	Fig. No.	Ref. No.
198200-22330-1	38	2
198200-22531	37	2
198200-24151-1	40	3
198200-25120	43	1
198200-25130	42	2
198200-25150	44	1
	46	1
	48	2
198200-25210	43	2
198200-25450	44	6
198200-26150	48	9
198200-26160	48	10
198200-26190	40	8
198200-26240	48	12
198200-27170	51	3
	55	2
	57	2
198200-27180	51	4
198200-27370	53	3
198200-27530	54	2
198200-31510	62	1
198200-31810	62	4
198200-32110	62	7
198200-32320	63	1
198200-32731-1	64	4
198200-33111	65	1
198200-33150	65	3
198200-34130	70	3
198200-34190	70	4
198200-36310	71	2
198200-36341	71	3
198200-36350-2	71	4
198200-36380	71	5
198200-36390	71	6
		16
		19
198200-36410	71	7
198200-36422	71	8
198200-37640	72	40 A
198200-37650	72	40 B
198200-41110	75	8
198200-42103-1	76	1
198200-42130	76	2
198200-42140	76	3
198200-42150-1	76	4
198200-42180	116	1
198200-42191	76	6
198200-42710	76	9
198200-43110	79	3
198200-43211	79	4

Parts No.	Fig. No.	Ref. No.
198200-43250	79	6
198200-43310	77	1
198200-43410	78	1
198200-44110	78	2
198200-45150	79	8
198200-45510-1	80	1
198200-47411	81	9
198200-47460	81	12
198200-47510-1	81	14
198200-47540-1	81	15
198200-48350	86	2
198200-52140	89	6
198200-63620	98	7
198212-25150	48	3
198220-11510	12	2 -1
198220-37900	3	12
	72	46
	73	8
198220-48140	84	2
198220-48750	84	6
198220-61340	95	23
198220-62150	102	1
198221-65740	107	10
198234-72550	110	19
		27
198240-21270	35	5 -1
198240-62451	102	2
198245-51210	72	47
	100	2
198254-71100	110	2
198254-71500	110	7
198254-71600	110	8
198254-71700	110	9
198255-24460	40	7
198255-82640	115	3
198255-82660	115	4
198280-42810	116	2
198280-47210-1	81	3
198280-47310	81	5
198280-47430	81	10
198280-47500	81	13
198283-13480	14	6
198283-14310	24	4
198283-44210	78	3
198283-44211	78	3 -1
198283-44420-1	78	4
198283-44510-1	78	6
198283-47650-1	81	16
198283-53810	90	6
198283-65250	109	1

Parts No.	Fig. No.	Ref. No.
198283-65310	109	2
198283-65360	109	5
198283-65510	107	3
198283-65651	109	13
198283-72101	110	13
198283-72151	110	15
198283-72201	110	17
198283-72251	110	18
198283-72301	110	24
198283-72311	110	26
198283-73310	110	40
198283-73330	110	42
198283-73500	110	30
198283-75860-1	111	5
198360-22210	39	1
198360-52320	89	3
198360-52330	89	4
198360-63150	104	8
198360-63160	104	10
198431-47340	81	7
198440-64100	114	2
198448-22520	87	3
198448-51910	10	7
198448-53320	95	6
		11
198475-32660	24	6
	64	3
198475-37690	72	40 C
198475-65030	95	37
		38
198483-32660	22	7
198511-53430	90	4
198511-53450	90	5
1A1040-28470	40	5
1A6150-93151	109	10
1A6380-48690	95	3
1A6380-52700	87	8
1A6640-65530	107	5
1A6750-61830	72	49
1A7000-53230	95	5
		10
1A7100-26850	50	1
1A7130-37990	72	38
1A7130-51130	87	5
1A7180-04180	8	7
1A7180-11620	14	2
1A7180-61780	95	29
		30
		31
		32

Parts No.	Fig. No.	Ref. No.
1A7180-61780	95	33
1A7260-46640	83	1
1A7260-46650	83	2
1A7320-87110	3	23
1A7335-71230	110	3
1A7335-71240	110	4
1A7335-71250	110	5
		14
1A7335-71410	110	6
		12
1A7335-71750	110	10
1A7335-71760	110	11
1A7335-72360	110	21
1A7335-74620	110	36
1A7335-74630	110	38
1A7450-43680	110	22
1A7450-53820	90	7
1A7500-56610	8	8
1A7500-72160	110	20
		28
1A7500-73320	110	41
1A7500-74661	110	33
1A7500-74670	110	39
1A7500-74680	110	37
1A7510-36490	65	5
1A7651-51850	87	7
		7 -1
1A7680-65350	109	4
1A7680-65910	109	6
1A7780-53200	95	4
1A7780-53300	95	9
1A7781-51500	88	1
1A7781-51520	88	2
1A7781-61340	95	23 -1
1A7781-63120	104	6
1A7781-63140	104	7
1A7781-63150	104	9
1A7815-32810	15	1
1A7870-04030	8	2
1A7870-24910	76	8 -1
1A7870-52950	1	1
1A7874-65360	109	5 -1
1A7890-60980	95	14
1A8070-45100	79	7
1A8070-45101	79	7 -1
1A8071-42100	76	1 -1
1A8115-00610	3	3
1A8115-00650	3	4
1A8115-01110	28	5
1A8115-01160	5	1

## Parts No. Index

Parts No.	Fig. No.	Ref. No.
1A8115-01190	58	1
1A8115-01280	5	2
1A8115-15720	30	1
1A8115-17910	33	4
1A8115-18350	58	2
1A8115-22510	72	2
1A8115-22650	72	3
1A8115-22660	72	4
1A8115-22690	72	5
1A8115-22700	72	6
1A8115-27000	28	8
1A8115-27030	28	9
1A8115-27240	28	11
1A8115-27400	28	15
1A8115-27460	28	16
1A8115-27810	58	3
1A8115-27910	58	4
1A8115-28010	58	5
1A8115-37370	73	2
1A8115-37580	58	6
1A8115-37590	74	1
1A8115-37610	72	41
1A8115-37620	72	42
1A8115-37640	74	2
1A8115-37650	74	3
1A8115-37660	72	43
1A8115-37680	72	44
1A8115-47121	105	1
1A8115-47810	58	7
1A8115-48250	101	1
1A8115-48310	86	1
1A8115-57150	92	1
1A8115-61300	97	3
1A8115-61530	94	3
1A8115-61580	94	4
1A8115-62560-1	103	2
1A8115-63260	104	11
1A8115-63270	104	12
1A8115-65511	107	4
1A8115-65670	107	9
1A8160-28230	59	2
1A8260-37520	72	27
1A8275-51670	3	14
	4	2
	9	2
		3
		4
		5
	33	8
	87	17

Parts No.	Fig. No.	Ref. No.
1A8275-72180	110	16
		25
1A8300-51230	87	6
1A8310-00600	3	1
1A8310-00660	3	5
1A8310-00670	3	6
1A8310-00680	3	7
1A8310-01150	4	1
1A8310-01210	3	8
1A8310-01300	5	3
1A8310-01350	5	4
1A8310-01400	5	5
1A8310-01410	3	9
1A8310-01450	3	10
1A8310-01510	3	11
1A8310-01590	3	22
1A8310-03200	6	1
1A8310-03280	6	2
1A8310-03510	7	1
1A8310-04100	8	1
1A8310-04110	8	5
1A8310-04130	9	8
1A8310-04310	8	13
1A8310-05510	7	2
1A8310-06010	11	1
1A8310-06100	11	2
1A8310-06110	11	3
1A8310-06210	11	10
1A8310-11100	12	1
1A8310-11250	10	1
1A8310-11310	10	2
1A8310-11630	14	4
1A8310-12310	16	2
1A8310-12330	16	1
1A8310-12510	16	3
	31	2
1A8310-12540	16	4
	31	3
		8
1A8310-12550	16	8
1A8310-12580	16	9
1A8310-12610	16	5
		10
	31	4
		9
1A8310-12620	16	6
		11
	31	5
1A8310-12630	16	7
		12

Parts No.	Fig. No.	Ref. No.
1A8310-12630	31	6
1A8310-12640	31	10
1A8310-12650	31	7
1A8310-12651	31	7 -1
1A8310-13110	17	1
1A8310-13120	17	2
1A8310-13150	14	1
1A8310-13151	14	1 -1
1A8310-13160	14	3
1A8310-13161	14	3 -1
1A8310-13200	18	1
1A8310-13210	18	2
1A8310-13230	18	4
1A8310-13240	18	5
1A8310-13250	18	9
1A8310-13260	18	6
1A8310-13270	18	7
1A8310-13280	19	1
1A8310-13310	19	2
1A8310-13390	21	3
1A8310-13391	21	3 -1
1A8310-13450	14	5
1A8310-13510	20	1
1A8310-13520	20	2
1A8310-13530	20	3
1A8310-13600	21	2
1A8310-13601	21	2 -1
1A8310-13720	22	2
1A8310-13820	23	1
1A8310-13910	22	14 -1
1A8310-14240	22	3
1A8310-14250	22	4
1A8310-14270	23	2
1A8310-14320	23	3
1A8310-14330	24	5
1A8310-14630	25	1
1A8310-14650	25	2
1A8310-14660	25	3
1A8310-14700	26	1
1A8310-14710	26	2
		7
1A8310-14720	26	5
		10
1A8310-14730	26	3
		8
1A8310-14740	26	4
		9
1A8310-14800	26	6
1A8310-15060	28	1
1A8310-15070	28	2

Parts No.	Fig. No.	Ref. No.
1A8310-15090	28	3
1A8310-15120	28	7
1A8310-17210	21	4
1A8310-17300	31	11
1A8310-17360	31	19
1A8310-17600	31	26
1A8310-17610	31	32
1A8310-17640	31	20
1A8310-17810	33	1
1A8310-17830	33	2
1A8310-17840	33	3
1A8310-17910	33	5
1A8310-17960	33	6
1A8310-21100	34	2
1A8310-21500	36	1
1A8310-21510	36	2
1A8310-21700	36	3
1A8310-22110	37	1
1A8310-22390	72	10
1A8310-22400	72	11
1A8310-22410	72	12
1A8310-22480	39	2
1A8310-24110	40	2
1A8310-24310	41	1
1A8310-24330	40	6
1A8310-25110	42	1
1A8310-25410	44	2
1A8310-25420	44	3
1A8310-25430	44	4
1A8310-25440	44	5
1A8310-25460	44	7
1A8310-25470	44	8
1A8310-25480	44	9
	48	4
1A8310-25490	44	10
	47	1
1A8310-25510	45	1
1A8310-25520	46	2
1A8310-25530	46	3
1A8310-25560	46	4
1A8310-25610	46	5
	48	5
1A8310-25620	46	6
1A8310-25650	45	2
1A8310-25660	45	3
1A8310-25670	45	4
1A8310-25810	46	7
1A8310-25910	47	2
1A8310-25930	47	3
1A8310-26110	48	6

## Parts No. Index

Parts No.	Fig. No.	Ref. No.
1A8310-26130	48	7
1A8310-26140	48	8
1A8310-26170	48	11
1A8310-26310	49	2
1A8310-26320	49	3
1A8310-27090	28	10
1A8310-27110	51	1
1A8310-27250	28	12
1A8310-27260	28	13
1A8310-27310	53	2
1A8310-27380	53	4
1A8310-27410	51	5
	53	5
	55	3
	57	3
	60	2
1A8310-27490	54	1
1A8310-27520	55	5
1A8310-27570	55	6
1A8310-27600	52	1
1A8310-27610	52	2
1A8310-27710	57	5
1A8310-27740	51	7
	55	7
1A8310-27780	57	6
1A8310-27800	52	5
1A8310-27810	52	6
1A8310-27900	52	9
1A8310-27910	52	10
1A8310-28000	56	1
1A8310-28010	56	2
1A8310-28030	56	5
1A8310-28040	56	6
1A8310-28060	56	9
1A8310-28070	56	10
1A8310-28090	56	13
1A8310-28110	56	3
		7
		11
1A8310-28180	59	1
1A8310-28220	46	8
1A8310-28230	59	3
1A8310-28280	59	4
1A8310-28400	52	13
1A8310-28410	52	14
1A8310-28510	60	3
1A8310-28560	60	4
1A8310-31400	61	1
1A8310-31820	62	5
1A8310-32600	64	1

Parts No.	Fig. No.	Ref. No.
1A8310-33140	65	2
1A8310-33210	65	4
1A8310-33410	66	1
1A8310-33420	66	2
1A8310-33500	67	1
1A8310-34110	68	2
1A8310-34700	69	1
1A8310-34710	69	2
		7
1A8310-34720	69	5
		10
1A8310-34730	69	3
		8
1A8310-34740	69	4
		9
1A8310-34800	69	6
1A8310-36300	71	13
1A8310-36310	71	14
1A8310-36380	71	15
		18
1A8310-36400	71	17
1A8310-36410	71	20
1A8310-37100	72	9
1A8310-37110	72	18
1A8310-37120	72	19
1A8310-37290	72	21
1A8310-37300	72	25
1A8310-37390	72	30
1A8310-37400	72	33
1A8310-37410	72	34
1A8310-37550	72	37
1A8310-37700	73	3
1A8310-37710	73	4
1A8310-37770	73	6
1A8310-37800	73	7
1A8310-42180	116	1 -1
1A8310-44410	78	4 -1
1A8310-44411	78	4 -2
1A8310-44420	78	15
1A8310-44421	78	15 -1
1A8310-47110	82	1
1A8310-47130	105	2
1A8310-48140	85	1
1A8310-48210	84	3
1A8310-48300	84	4
1A8310-48800	84	7
1A8310-48810	84	8
1A8310-51110	87	4
1A8310-51310	87	13
1A8310-51410	87	15

Parts No.	Fig. No.	Ref. No.
1A8310-51420	87	16
1A8310-52700	87	8 -1
1A8310-53250	95	7
1A8310-53260	95	8
1A8310-53370	95	12
1A8310-56010	91	1
1A8310-56020	91	2
1A8310-60110	94	2
1A8310-60710	3	16
1A8310-60800	96	3
1A8310-60900	95	13
1A8310-61010	95	15
1A8310-61060	95	16
1A8310-61110	95	17
1A8310-61170	95	18
1A8310-61210	95	19
1A8310-61220	95	3 -1
1A8310-61230	95	20
1A8310-61250	97	2
1A8310-61320	95	21
1A8310-61330	95	22
1A8310-61370	96	4
1A8310-61410	95	24
1A8310-61470	95	25
1A8310-61490	98	3
1A8310-61530	98	4
1A8310-61570	95	26
1A8310-61580	95	27
1A8310-61590	98	5
1A8310-61670	99	2
1A8310-61690	99	3
1A8310-61800	98	6
1A8310-62160	100	3
1A8310-62200	100	4
1A8310-62400	105	4
1A8310-62410	105	5
1A8310-62440	105	6
1A8310-62500	102	3
1A8310-62550	102	4
1A8310-62610	102	6
1A8310-62710	102	7
1A8310-62800	102	8
1A8310-62810	102	9
1A8310-62910	102	10
1A8310-62940	112	1
1A8310-63100	104	5
1A8310-63210	105	7
1A8310-64010	114	1
1A8310-64090	100	6
1A8310-64100	100	6 -1

Parts No.	Fig. No.	Ref. No.
1A8310-64110	100	7
1A8310-65110	108	1
1A8310-65120	108	2
1A8310-65300	109	11
1A8310-65310	109	2 -1
1A8310-65330	107	3 -1
1A8310-65340	109	1 -1
1A8310-65360	109	5 -2
1A8310-65650	107	7
1A8310-65660	107	8
1A8310-65780	107	11
1A8310-65900	109	12
1A8310-65950	109	6 -2
1A8310-71000	110	1
1A8310-73040	110	29
1A8310-73150	110	43
1A8310-73160	110	44
1A8310-74150	110	32
1A8310-74400	110	31
1A8310-74450	110	34
1A8310-74500	110	35
1A8310-75700	111	3
1A8310-85090	112	2
1A8310-85200	112	3
1A8310-85201	112	3 -1
1A8310-85210	112	4
1A8310-85211	112	4 -1
1A8310-85400	112	9
		9 -1
1A8310-85410	112	10
		10 -1
1A8310-85500	115	5
1A8310-85600	115	6
1A8310-85700	115	7
1C6053-26020	98	1
1C6053-32020	72	17
1C6140-47210	100	8
	104	4
1C6281-52320	72	48
	73	9
		10
1C6360-65700	56	14
1C6900-23120	22	5
1C6900-23150	22	6
1D2180-22130	48	1
1E6190-54080	17	4
1E6213-83410	5	7
1E6650-82400	89	7
1K1140-82500	1	2
	87	20

## Parts No. Index

Parts No.	Fig. No.	Ref. No.
22117-100000	81	17
22117-140000	28	17
22137-060000	4	3
	54	4
	105	8
22137-080000	28	18
	81	18
22137-100000	28	19
	56	15
	73	11
22137-160000	29	4
22137-220000	110	46
22157-080000	7	4
	40	10
	72	28
		40 D
	74	4
22190-080002	75	14
22190-100000	40	11
22217-100000	90	8
		9
22217-120000	35	1
22217-160000	78	7
22242-000200	28	27
22242-000220	19	3
	48	13
22242-000240	46	9
22242-000260	71	9
22242-000290	44	17
	45	6
22242-000300	17	5
	42	4
	46	10
22242-000400	78	8
22252-000190	48	14
22252-000220	37	4
22252-000320	75	4
		11
22252-000370	28	28
22252-000620	21	5
22252-000720	22	8
22252-000800	22	9
22272-000060	81	19
22272-000080	81	20
22272-000090	28	20
22272-000120	28	21
22272-000150	52	17
22272-000190	72	39
22292-000250	31	13
22292-000280	44	18

Parts No.	Fig. No.	Ref. No.
22292-000280	48	15
22312-080140	40	12
		13
	41	3
		4
	64	5
	116	3
22312-100180	22	10
22351-040025	28	29
22351-040040	18	8
	62	8
22351-050040	65	6
22351-050056	78	9
22351-060036	51	8
		9
	53	7
		8
	55	8
		9
	57	7
		8
	60	5
22351-060050	81	21
22351-080018	35	2
	36	4
22351-080032	65	7
22351-080040	65	8
22360-200000	111	6
22372-080000	81	22
	102	11
	104	13
22372-100000	96	5
22417-160180	4	4
	54	5
22417-200200	105	9
22417-250300	73	12
22417-320400	55	10
22417-400400	16	14
	31	25
22487-060160	54	6
22487-100350	96	6
22522-030130	81	23
22695-320321	109	14
22857-600160	91	3
	99	4
23000-035000	3	18
23000-080000	11	11
23414-180023	84	10
23491-140002	40	14
23871-010000	40	15

Parts No.	Fig. No.	Ref. No.
23980-730300	3	19
	9	7
23980-730500	8	10
23980-730850	8	11
23980-731500	8	12
24101-060044	44	19
24101-060054	42	5
24101-060074	62	9
24101-060084	22	11
24101-060104	22	12
24101-060114	18	10
24101-062044	45	7
24101-062054	48	16
	59	5
24101-062064	23	4
	44	20
24101-062074	20	4
	24	7
	62	10
24101-062094	24	8
	68	4
24101-063034	59	6
24101-063044	43	3
	44	21
	45	8
	49	5
24101-063054	17	6
	46	11
	48	17
24101-063064	66	3
24101-063074	46	12
24101-063084	68	5
24104-062064	23	5
24161-253017	44	22
	47	4
	48	18
24161-303520	44	23
	48	19
24164-000222	48	20
24190-080001	59	7
24190-100001	51	10
	53	9
	55	11
	57	9
24190-170001	71	10
24311-000140	41	5
	85	5
24311-000160	2	12
	40	16
	47	5

Parts No.	Fig. No.	Ref. No.
24311-000160	51	11
	53	10
	55	12
	57	10
	60	6
24311-000180	21	6
	93	3
24311-000200	65	9
	81	24
	84	11
		12
		13
24311-000260	78	10
	84	14
24311-000340	86	3
24311-000400	25	4
	78	11
24311-000440	78	12
24315-000100	80	2
24315-000120	33	11
24315-000140	33	10
	85	4
24315-000180	80	3
24315-000220	80	4
24315-000350	31	21
		30
24321-000600	14	7
24321-000650	2	13
24321-000750	14	8
24321-000950	22	13
24325-000250	79	9
24325-000700	79	10
24351-020300	76	12
24351-240300	76	12 -1
24421-153207	75	5
		12
24421-203007	34	3
24421-253506	64	2
24421-306210	21	7
24423-254208	41	6
24550-012100	28	14
24550-016100	52	3
		7
		11
		15
24550-020200	34	4
24550-025150	31	22
		31
24550-025200	72	13
		20

## Parts No. Index

Parts No.	Fig. No.	Ref. No.
24550-025200	72	35
24761-010000	14	9
		10
	52	4
		8
		12
		16
	73	5
24761-040000	84	15
24761-050000	84	15 -1
26013-121102	35	3
26016-080352	75	6
		13
26106-060122	3	20
	5	9
	78	13
	100	9
26106-060162	1	3
		4
	87	21
	92	2
26106-060202	3	21
	84	16
		17
	95	42
		43
		44
		45
		46
26106-060352	95	47
26106-060402	84	18
26106-080122	9	9
	50	2
	95	50 -1
	101	3
26106-080162	5	10
	6	5
	8	16
	10	3
	11	12
	25	5
		6
	28	30
	33	12
		13
	34	6
	36	5
	40	17
	51	12
	54	7

Parts No.	Fig. No.	Ref. No.
26106-080162	55	13
	60	7
	62	11
	73	13
	81	25
	82	2
	84	19
		20
	87	22
		23
		24
	95	48
		49
		50
	98	8
	102	12
	103	3
	104	14
	105	10
		11
		12
	112	5
26106-080202	7	5
		6
	31	23
	37	5
	42	6
	71	11
	72	40 E
	74	5
	84	21
	86	4
	104	15
	114	3
26106-080252	40	18
	75	15
	76	13
	100	10
	115	8
26106-080302	75	16
	100	11
26106-080352	10	4
	28	22
	64	6
26106-080402	75	17
26106-080452	40	19
26106-080502	81	26
26106-080702	10	5
26106-080802	40	20
	75	18

Parts No.	Fig. No.	Ref. No.
26106-080952	75	19
26106-100162	10	6
26106-100202	11	13
	72	50
	102	13
	105	13
	115	9
26106-100252	24	9
	63	3
	116	4
26106-100302	22	14
26106-100402	34	7
	40	21
		22
	41	7
	64	7
	116	5
26106-100552	115	10
26106-100652	115	11
26106-100902	79	11
26106-120252	12	2
	13	1
	35	4
		5
	111	7
	112	6
		6 -1
		6 -2
26106-120302	21	8
26106-120402	112	11
		11 -1
26106-120502	40	23
26116-060404	5	11
26116-080654	8	17
26116-100302	22	15
26136-100162	32	3
	33	14
26156-160802	112	7
26346-080002	28	23
	72	40
26356-160002	29	5
	112	8
26366-080002	31	24
26376-120002	71	12
26450-080122	22	16
26450-080402	38	3
26557-060202	87	25
26657-080002	100	12
26707-100002	72	7
		45

Parts No.	Fig. No.	Ref. No.
26716-080002	72	29
	81	27
		28
	94	5
26716-100002	22	17
	28	24
	56	4
		8
		12
26716-120002	35	6
	47	6
26736-160002	78	14
26757-200002	110	23
26776-100002	90	10
		11
26776-160002	80	5
26776-200002	14	11
27260-200000	40	24
27260-320000	86	5
27260-350000	34	8
27260-470002	34	9
29420-050000	87	9
29420-100000	87	10
29420-150000	87	11
29622-140001	3	24
	87	26
		27
		28
29622-250001	3	22 -1
	33	15
	87	29
		30
		31
41800-110040	95	51