

0CNP5-M47500EN

Contents

OCNP5-M47500

Fig. No. Fig. Name

Fig. No. Fig. Name

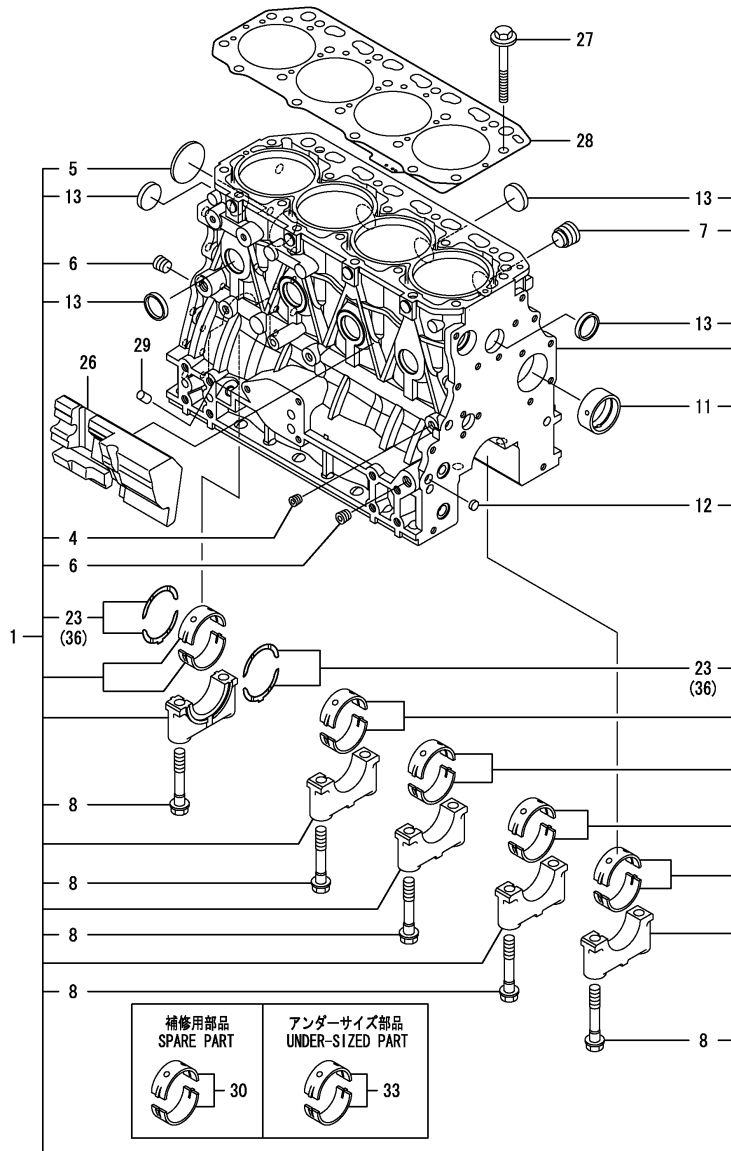
ENGINE

1. CYLINDER BLOCK
2. GEAR HOUSING
3. MOUNTING FLANGE & OIL SUMP
4. CYLINDER HEAD & BONNET
5. SUCTION MANIFOLD
6. EXHAUST MANIFOLD & SILENCER
7. CAMSHAFT & DRIVING GEAR
8. CRANKSHAFT & PISTON
9. BALANCER
10. LUB. OIL SYSTEM
11. COOLING WATER SYSTEM
12. FUEL INJECTION PUMP
13. GOVERNOR
14. FUEL INJECTION VALVE
15. STARTER MOTOR
16. GENERATOR

Fig.1. CYLINDER BLOCK

(A)=4TNV88-XKRY2
(B)=
(C)=

(D)=
(E)=
(F)=



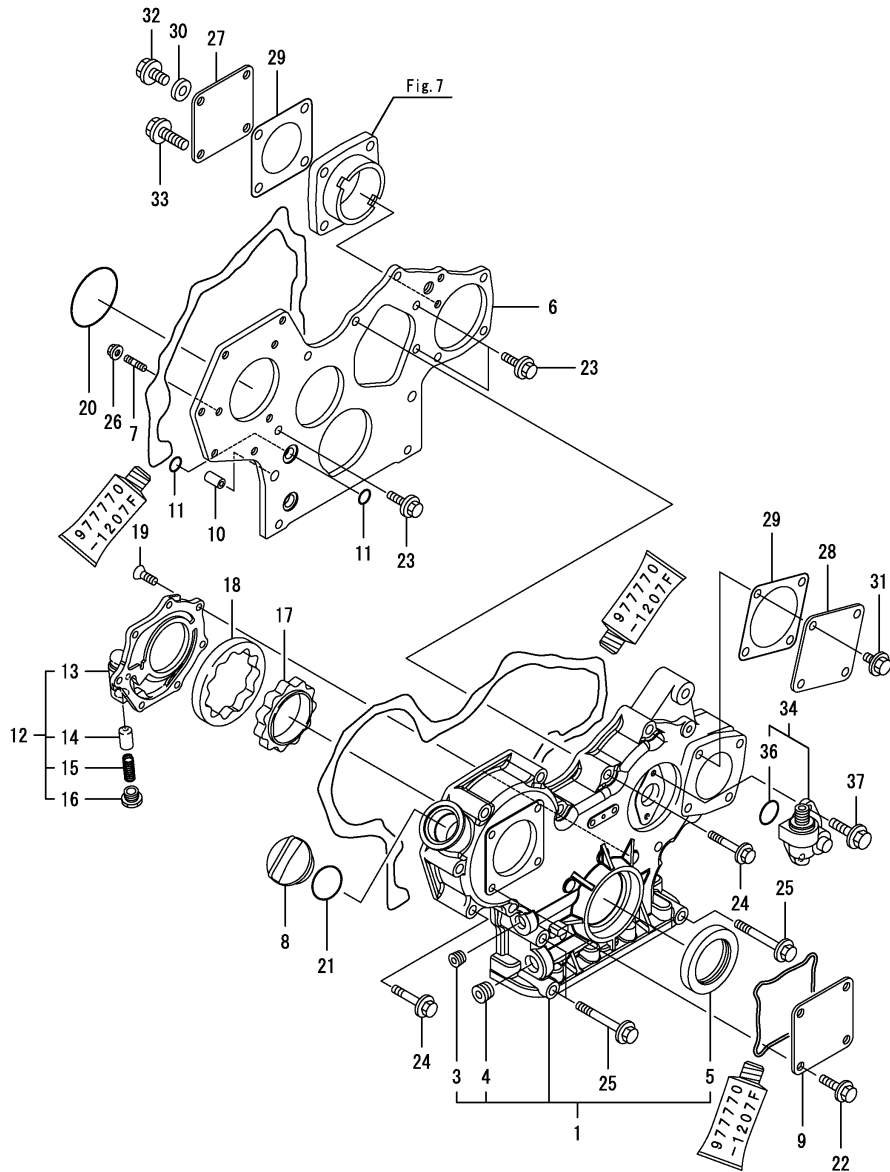
No.	Lev.	Parts No.	Description	Q'ty						I	R
				(A)	(B)	(C)	(D)	(E)	(F)		
1	1	729659-01570	BLOCK ASSY, CYLINDER	1							
4	2	124060-01050	PLUG, PT1/8	1							
5	2	129001-01250	PLUG, 50	1							
6	2	124160-01910	PLUG, PT1/4	2							
7	2	171051-01921	PLUG, NPTF1	1							
8	2	129150-02020	BOLT, METAL CAP	10							
11	2	129795-02412	BUSH, CAMSHAFT	1							
12	2	27241-120000	PLUG, 12	2							
13	2	27241-300000	PLUG 30	8							
23	2	129150-02931	BEARING, THRUST	2							
26	1	129004-01190	SPACER	1							
27	1	129150-01200	BOLT, HEAD	18							
28	1	129407-01340	GASKET, HEAD	1							
29	1	119309-01810	PLUG	1							
30	1	129001-02931	BEARING, MAIN	5							1
33	1	129150-02871	BEARING, 0.25 US	5							2
36	1	129150-02941	BEARING, THRUST 0.25	1							3

Remarks

Note : "Effective Machine No." of the Engine Section is indicated on the Model Label which is shown in Fig.4.

- (1) Spare parts.
- (2) Under-sized(U.S.=0.25) parts.
- (3) Over-sized(O.S.=0.25) parts.

Fig.2. GEAR HOUSING



(A)=4TNV88-XKRY2

(B)=

(C)=

(D)=

(E)=

(F)=

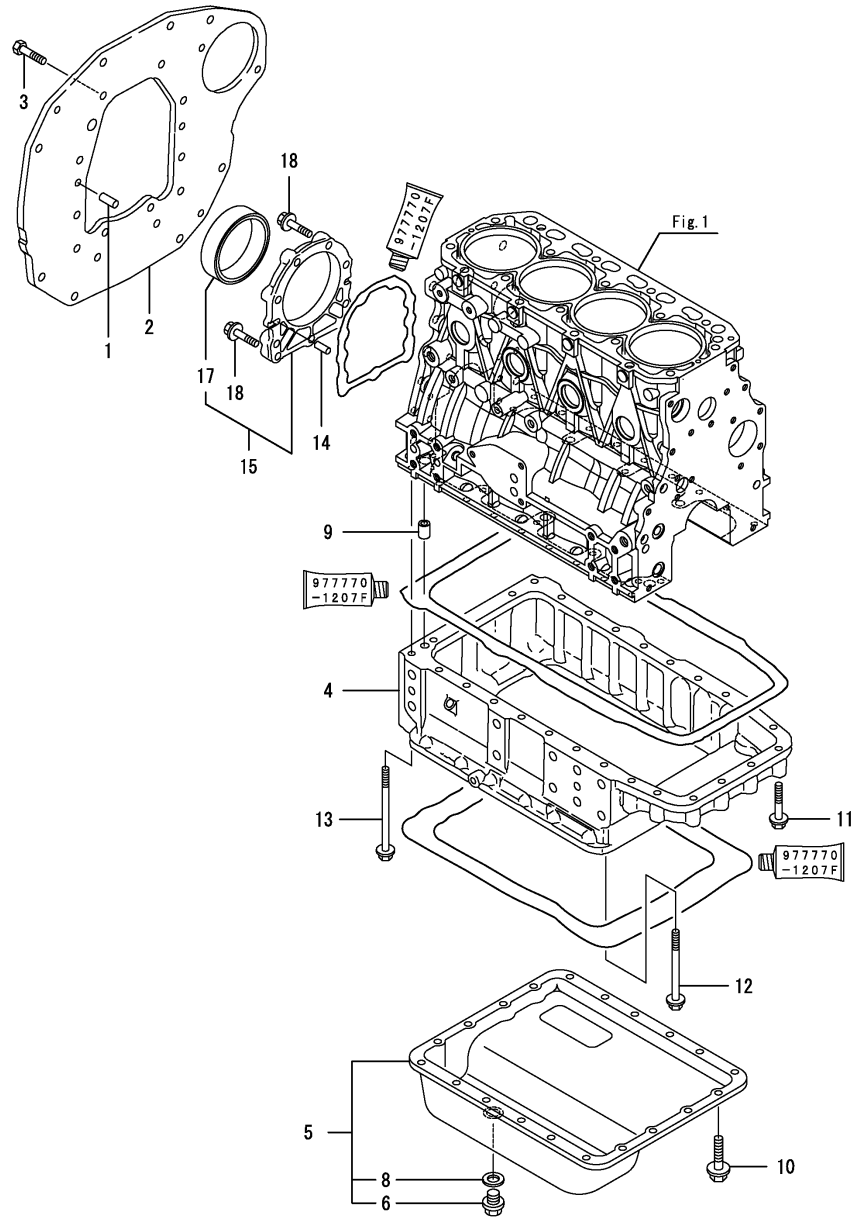
No.	Lev.	Parts No.	Description	Qty						I	R
				(A)	(B)	(C)	(D)	(E)	(F)		
1	1	729235-01500	CASE ASSY, GEAR	1							
3	2	23876-030000	PLUG, R03	1							
4	2	23876-040000	PLUG, R04	1							
5	2	119934-01800	SEAL, OIL	1							
6	1	129004-01520	FLANGE, GEAR CASE	1							
7	1	119802-01561	STUD, M8X25	3							
8	1	124160-01751	COVER, FILLER	1							
9	1	124240-01871	COVER	1							
10	1	129795-01950	PIPE, KNOCK L=18	2							
11	1	119609-32040	O-RING, P16	4							
12	1	119802-32100	COVER ASSY	1							
13	2	119802-32070	COVER	1							
14	2	129900-32130	VALVE, RELIEF	1							
15	2	129418-32320	SPRING	1							
16	2	129001-32330	PLUG	1							
17	1	119802-32111	ROTOR, INNER	1							
18	1	119802-32120	ROTOR, OUTER	1							
19	1	119802-32130	SCREW, M6X16	7							
20	1	121850-51960	O-RING	1							
21	1	24311-000320	O-RING, 1AP32.0	1							
22	1	26106-080162	BOLT, M8X 16 PLATED	4							
23	1	26106-080162	BOLT, M8X 16 PLATED	3							
24	1	26106-080552	BOLT, M8X 55 PLATED	11							
25	1	26106-080852	BOLT, M8X 85 PLATED	3							
26	1	26306-080002	NUT, M8	3							
27	1	124240-01871	COVER	1							
28	1	124240-01871	COVER	1							
29	1	124240-01883	GASKET	2							
30	1	22190-080002	WASHER, SEAL 8	1							
31	1	26106-080162	BOLT, M8X 16 PLATED	4							
32	1	26106-080202	BOLT, M8X 20 PLATED	1							
33	1	26106-080302	BOLT, M8X 30 PLATED	3							
34	1	129150-91400	GEAR	1							
36	2	24341-000240	O-RING, 1AS24.0	1							
37	1	26106-060162	BOLT, M6X 16 PLATED	2							

Remarks

Note : "Effective Machine No." of the Engine Section is indicated on the Model Label which is shown in Fig.4.

N:Old $\xrightarrow{\text{Yes}}$ New, Q:Old $\xrightarrow{\text{No}}$ New, R:Old $\xrightarrow{\text{Yes}}$ New, S:Old $\xrightarrow{\text{No}}$ New, W:Add, Z:Discontinued, F:Interchangeable by set, K:Qty Change

Fig.3. MOUNTING FLANGE & OIL SUMP



(A)=4TNV88-XKRY2

(B)=

(C)=

(D)=

(E)=

(F)=

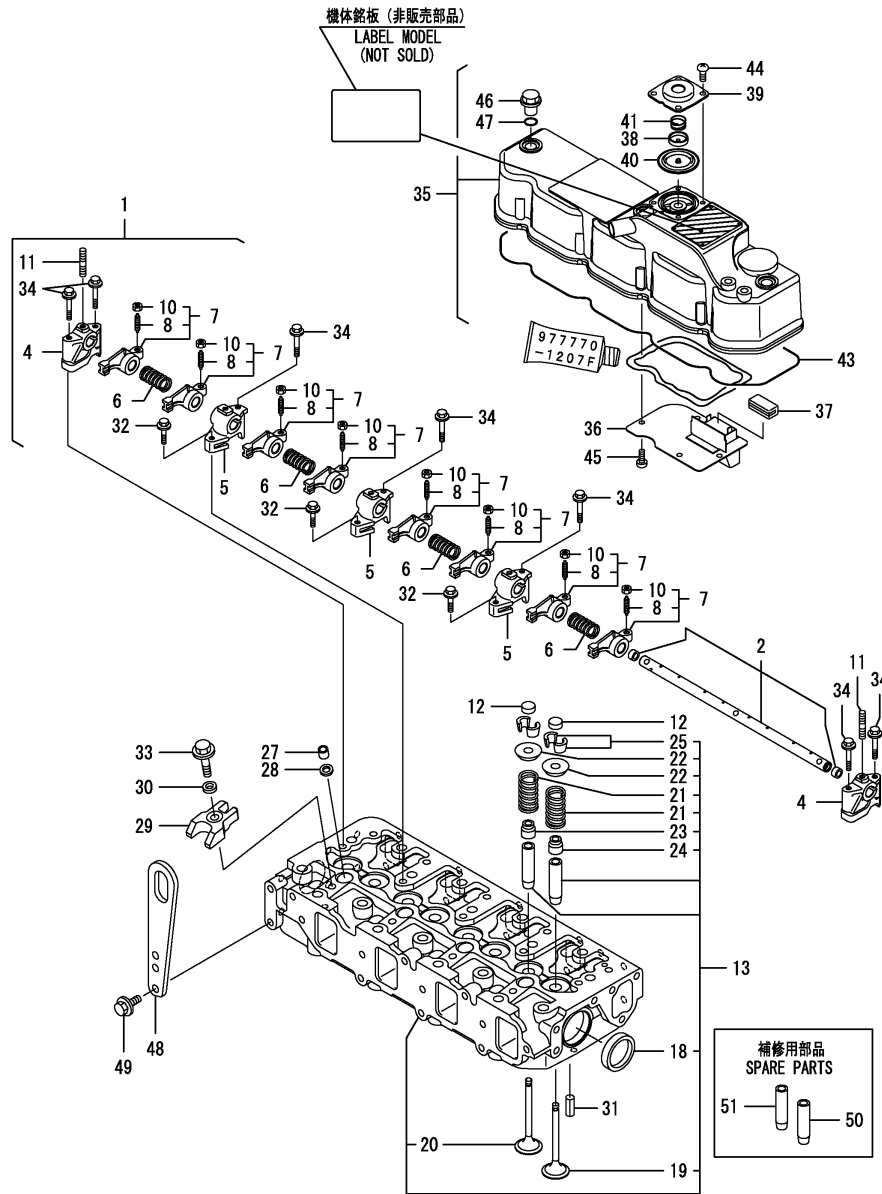
No.	Lev.	Parts No.	Description	Q'ty						I	R
				(A)	(B)	(C)	(D)	(E)	(F)		
1	1	129100-01580	PIN, 8X16	2							
2	1	129126-01600	FLANGE, MOUNTING	1							
3	1	26206-100202	BOLT, M10X 20 PLATED	8							
4	1	129550-01702	SUMP, OIL	1							
5	1	129659-01740	SUMP ASSY, OIL	1							
6	2	105425-01690	PLUG, 16	1							
8	2	22190-160002	WASHER, SEAL 16	1							
9	1	129555-01750	PIPE, KNOCK 14X18	1							
10	1	26106-080252	BOLT, M8X 25 PLATED	20							
11	1	26106-080502	BOLT, M8X 50 PLATED	8							
12	1	26106-081002	BOLT, M8X100 PLATED	14							
13	1	26106-081202	BOLT, M8X120 PLATED	4							
14	1	129100-01580	PIN, 8X16	2							
15	1	129648-01600	CASE ASSY, OIL SEAL	1							
17	2	129648-01780	SEAL, OIL	1							
18	1	129486-01670	BOLT, M8X30	9							

Remarks

Note : "Effective Machine No." of the Engine Section is indicated on the Model Label which is shown in Fig.4.

N:Old $\xrightarrow{\text{Yes}}$ New, Q:Old $\xrightarrow{\text{No}}$ New, R:Old $\xrightarrow{\text{Yes}}$ New, S:Old $\xrightarrow{\text{No}}$ New, W:Add, Z:Discontinued, F:Interchangeable by set, K:Q'ty Change

Fig.4. CYLINDER HEAD & BONNET



(A)=4TNV88-XKRY2

(B)=

(C)=

(D)=

(E)=

(F)=

No.	Lev.	Parts No.	Description	Q'ty						I	R
				(A)	(B)	(C)	(D)	(E)	(F)		
1	1	129601-11241	SHAFT ASSY, ROCKER	1							
2	2	129601-11251	SHAFT, ROCKER ARM	1							
4	2	119802-11260	SUPPORT, ROCKER ARM	2							
5	2	119802-11270	SUPPORT, ROCKER ARM	3							
6	2	129150-11280	SPRING	4							
7	2	129004-11650	ARM, ROCKER	8							
8	3	129150-11230	SCREW, VALVE ADJUST	8							
10	3	129150-11750	NUT, M8	8							
11	2	26226-080182	STUD, M8X 18	3							
12	1	129150-11370	CAP, VALVE	8							
13	1	129602-11700	HEAD ASSY, CYLINDER	1							
18	2	27241-400000	PLUG, 40	2							
19	2	129005-11100	VALVE, INTAKE	4							
20	2	129100-11112	VALVE, EXHAUST	4							
21	2	129795-11120	SPRING, VALVE	8							
22	2	129795-11180	RETAINER, SPRING	8							
23	2	121400-11340	SEAL, VALVE STEM	4							
24	2	124460-11340	SEAL, VALVE STEM	4							
25	2	27310-080001	COTTER, 8	8							
27	1	119802-11870	PROTECTOR, NOZZLE	4							
28	1	119625-11880	SEAT, NOZZLE	4							
29	1	129004-11900	RETAINER, NOZZLE	4							
30	1	120270-54410	WASHER, INJECTOR	4							
31	1	22351-060012	PIN, SPRING 6.0X12	2							
32	1	26106-080252	BOLT, M8X 25 PLATED	3							
33	1	26106-080352	BOLT, M8X 35 PLATED	4							
34	1	26106-080502	BOLT, M8X 50 PLATED	7							
35	1	129652-11350	BONNET ASSY, HEAD	1							
36	2	129004-03010	PLATE	1							
37	2	129150-03070	BAFFLE, BREATHER	1							
38	2	119802-03110	PLATE	1							
39	2	119802-03121	COVER, DIAPHRAGM	1							
40	2	119802-03130	DIAPHRAGM	1							
41	2	119802-03141	SPRING, DIAPHRAGM	1							
43	2	129601-11310	GASKET, BONNET	1							
44	2	22857-500100	SCREW, 5X10	4							
45	2	22857-500100	SCREW, 5X10	4							
46	1	124160-11360	KNOB	3							
47	1	24311-000120	O-RING, 1AP12.0	3							
48	1	129900-07900	LIFTER	1							
49	1	26106-080142	BOLT, M8X 14 PLATED	2							
50	1	120130-11860	GUIDE, VALVE	4							1
51	1	129150-11810	GUIDE, VALVE	4							1

Remarks

Note : "Effective Machine No." of the Engine Section is indicated on the Model Label which is shown in Fig.4.

(1)Spare parts.

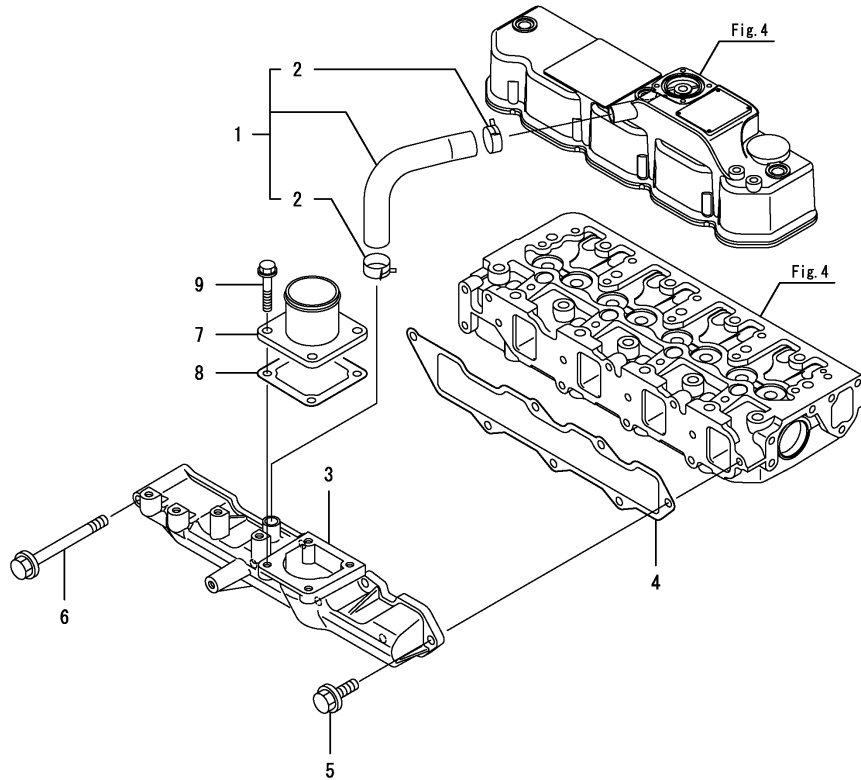
N:Old $\xrightarrow{\text{Yes}}$ New, Q:Old $\xrightarrow{\text{No}}$ New, R:Old $\xrightarrow{\text{Yes}}$ New, S:Old $\xrightarrow{\text{No}}$ New, W:Add, Z:Discontinued, F:Interchangeable by set, K:Q'ty Change

Fig.5. SUCTION MANIFOLD

(A)=4TNV88-XKRY2
(B)=
(C)=

(D)=
(E)=
(F)=

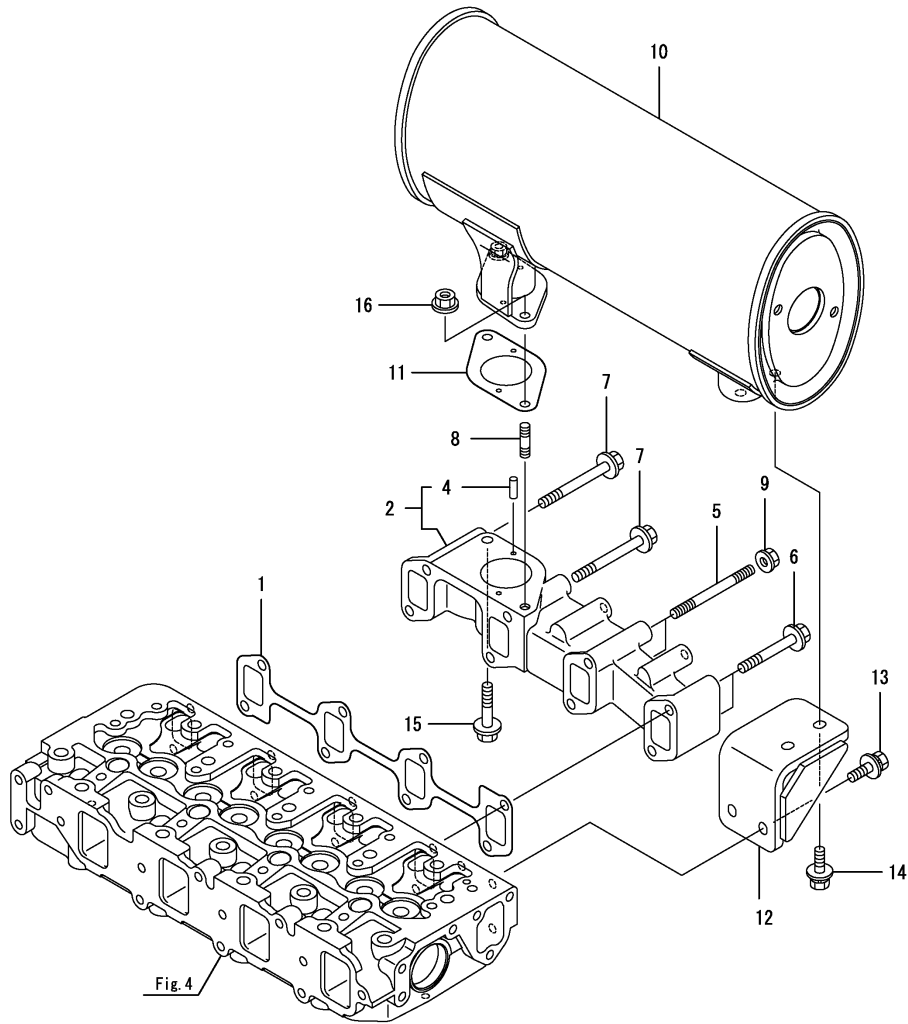
No.	Lev.	Parts No.	Description	Q'ty						I	R
				(A)	(B)	(C)	(D)	(E)	(F)		
1	1	129005-03080	PIPE , BREATHER	1							
2	2	129410-03990	CLIP,HOSE 21.5	2							
3	1	129602-12101	MANIFOLD, AIR INTAKE	1							
4	1	129407-12110	GASKET, MANIFOLD	1							
5	1	26106-080202	BOLT, M8X 20 PLATED	6							
6	1	26106-080802	BOLT, M8X 80 PLATED	1							
7	1	129486-12581	JOINT, MANIFOLD	1							
8	1	129150-77511	GASKET	1							
9	1	26106-080202	BOLT, M8X 20 PLATED	4							



Remarks

Note : "Effective Machine No." of the Engine Section is indicated on the Model Label which is shown in Fig.4.

Fig.6. EXHAUST MANIFOLD & SILENCER



(A)=4TNV88-XKRY2
(B)=
(C)=

(D)=
(E)=
(F)=

No.	Lev.	Parts No.	Description	Q'ty						I	R
				(A)	(B)	(C)	(D)	(E)	(F)		
1	1	129550-13110	GASKET	1							
2	1	129659-13130	MANIFOLD ASSY	1							
4	2	22351-040012	PIN, SPRING 4.0X12				2				
5	1	129263-13210	STUD, M8X90				2				
6	1	119802-13640	BOLT, M8X60 10.9T				2				
7	1	119802-13660	BOLT, M8X75 10.9T				4				
8	1	119131-18320	STUD, M8X22				1				
9	1	26306-080002	NUT, M8				2				
10	1	129659-13531	SILENCER				1				
11	1	129107-13540	GASKET, SILENCER				1				
12	1	129659-13680	STAY, SILENCER				1				
13	1	26014-080222	BOLT, M8X 22				2				
14	1	26014-080252	BOLT, M8X 25				2				
15	1	26106-080402	BOLT, M8X 40 PLATED				1				
16	1	26306-080002	NUT, M8				1				

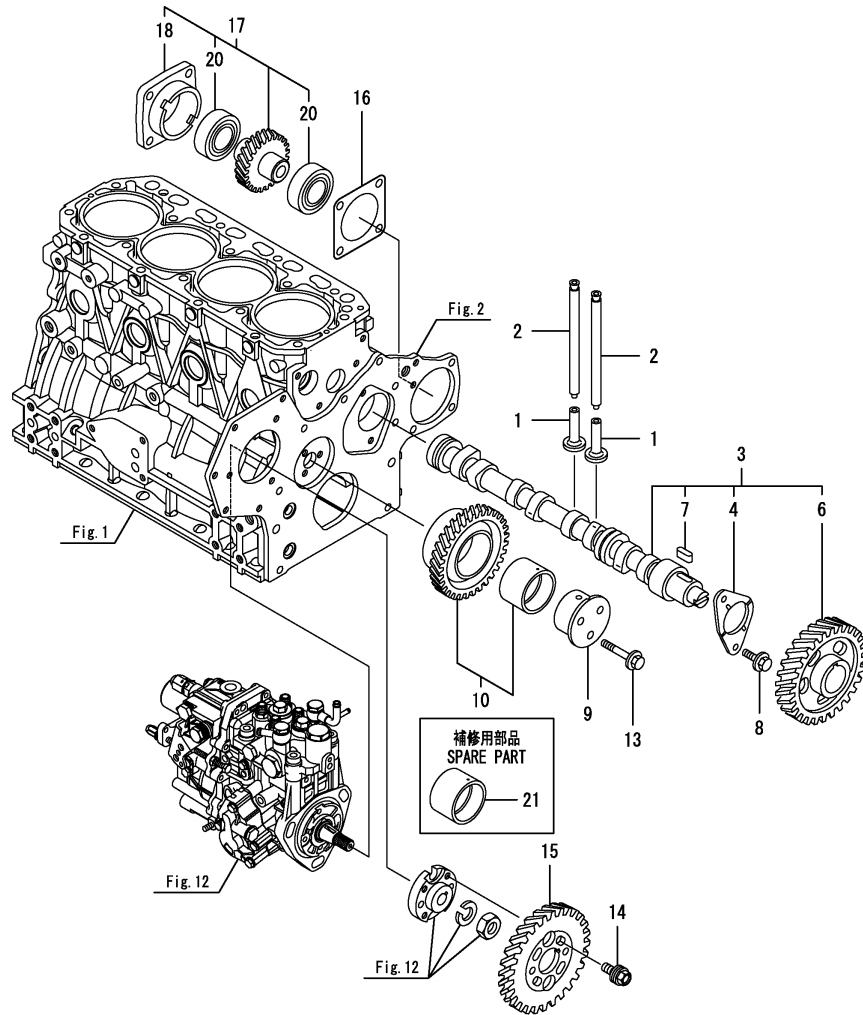
Remarks

Note : "Effective Machine No." of the Engine Section is indicated on the Model Label which is shown in Fig.4.

Fig.7. CAMSHAFT & DRIVING GEAR

(A)=4TNV88-XKRY2
(B)=
(C)=

(D)=
(E)=
(F)=



No.	Lev.	Parts No.	Description	Q'ty						I	R
				(A)	(B)	(C)	(D)	(E)	(F)		
1	1	129150-14200	TAPPET	8							
2	1	129150-14400	ROD, PUSH L=178	8							
3	1	729402-14580	CAMSHAFT ASSY	1							
4	2	129150-02450	BEARING, THRUST	1							
6	2	129150-14101	GEAR, CAMSHAFT	1							
7	2	22512-070140	KEY, 7X 14	1							
8	1	26106-080142	BOLT, M8X 14 PLATED	2							
9	1	119802-25051	SHAFT, IDLE	1							
10	1	119802-25101	GEAR ASSY, IDLE	1							
13	1	26106-080402	BOLT, M8X 40 PLATED	3							
14	1	129150-25301	BOLT	4							
15	1	119802-25901	GEAR, PUMP	1							
16	1	129150-01881	GASKET	1							
17	1	129150-26000	DRIVE ASSY, PUMP	1							
18	2	129150-26050	BRACKET, PUMP	1							
20	2	24105-060064	BEARING, BALL 6006Z	2							
21	1	119802-25071	BUSH, IDLE GEAR	1							1

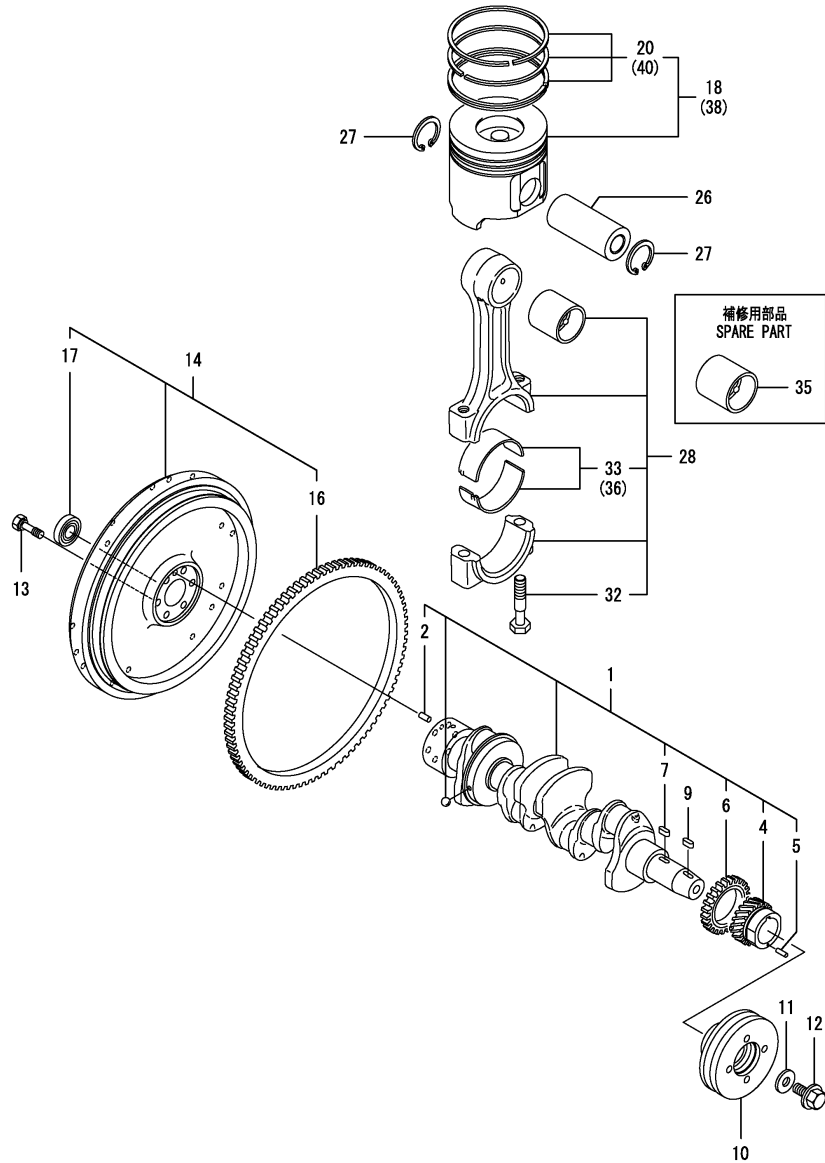
Remarks

Note : "Effective Machine No." of the Engine Section is indicated on the Model Label which is shown in Fig.4.

(1) Spare parts.

N:Old $\xrightarrow{\text{Yes}}$ New, Q:Old $\xrightarrow{\text{No}}$ New, R:Old $\xrightarrow{\text{Yes}}$ New, S:Old $\xrightarrow{\text{No}}$ New, W:Add, Z:Discontinued, F:Interchangeable by set, K:Q'ty Change

Fig.8. CRANKSHAFT & PISTON



(A)=4TNV88-XKRY2
(B)=
(C)=

(D)=
(E)=
(F)=

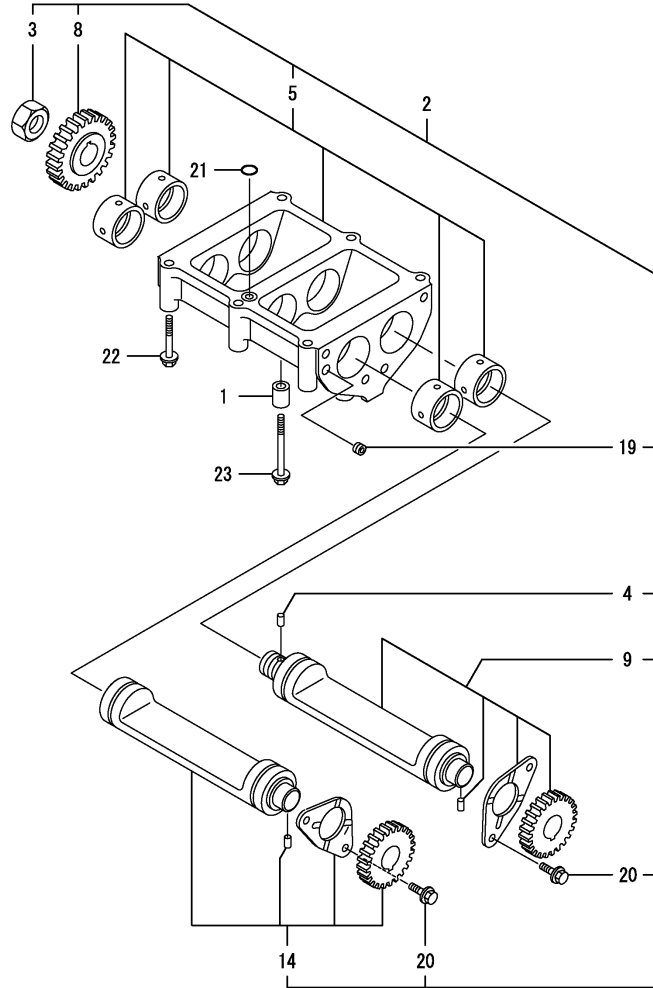
No.	Lev.	Parts No.	Description	Q'ty						I	R
				(A)	(B)	(C)	(D)	(E)	(F)		
1	1	129657-21002	CRANKSHAFT ASSY	1							
2	2	129100-01580	PIN, 8X16	1							
4	2	119802-21202	GEAR, CRANKSHAFT	1							
5	2	121850-21290	PIN	1							
6	2	129400-28121	GEAR, BALANCER	1							
7	2	22512-070140	KEY, 7X 14	1							
9	1	22512-070140	KEY, 7X 14	1							
10	1	119852-21650	V-PULLEY, 120	1							
11	1	129795-21661	WASHER	1							
12	1	121850-21680	BOLT	1							
13	1	124160-21501	BOLT, FLYWHEEL	6							
14	1	129659-21581	FLYWHEEL ASSY	1							
16	2	124550-21600	GEAR, RING	1							
17	2	24104-063020	BEARING, 6302UUC3	1							
18	1	129005-22080	PISTON ASSY	4							
20	2	129005-22500	RING SET, PISTON	4							
26	1	129202-22300	PIN, PISTON D26 L70	4							
27	1	22252-000260	RING, 26	8							
28	1	729402-23100	ROD ASSY, CONNECTING	4							
32	2	121550-23200	BOLT, CONNECTING ROD	8							
33	2	129150-23601	BEARING, CRANK PIN	4							
35	1	129100-23910	BEARING, PISTON PIN	4							1
36	1	129150-23611	BEARING, 0.25 US	4							2
38	1	129005-22900	PISTON ASSY, 0.25 OS	4							3
40	2	129005-22950	RING SET, 0.25 OS	4							3

Remarks

Note : "Effective Machine No." of the Engine Section is indicated on the Model Label which is shown in Fig.4.

- (1) Spare parts.
- (2) Under-sized (U.S.=0.25) parts.
- (3) Over-sized (O.S.=0.25) parts.

Fig.9. BALANCER



(A)=4TNV88-XKRY2
(B)=
(C)=

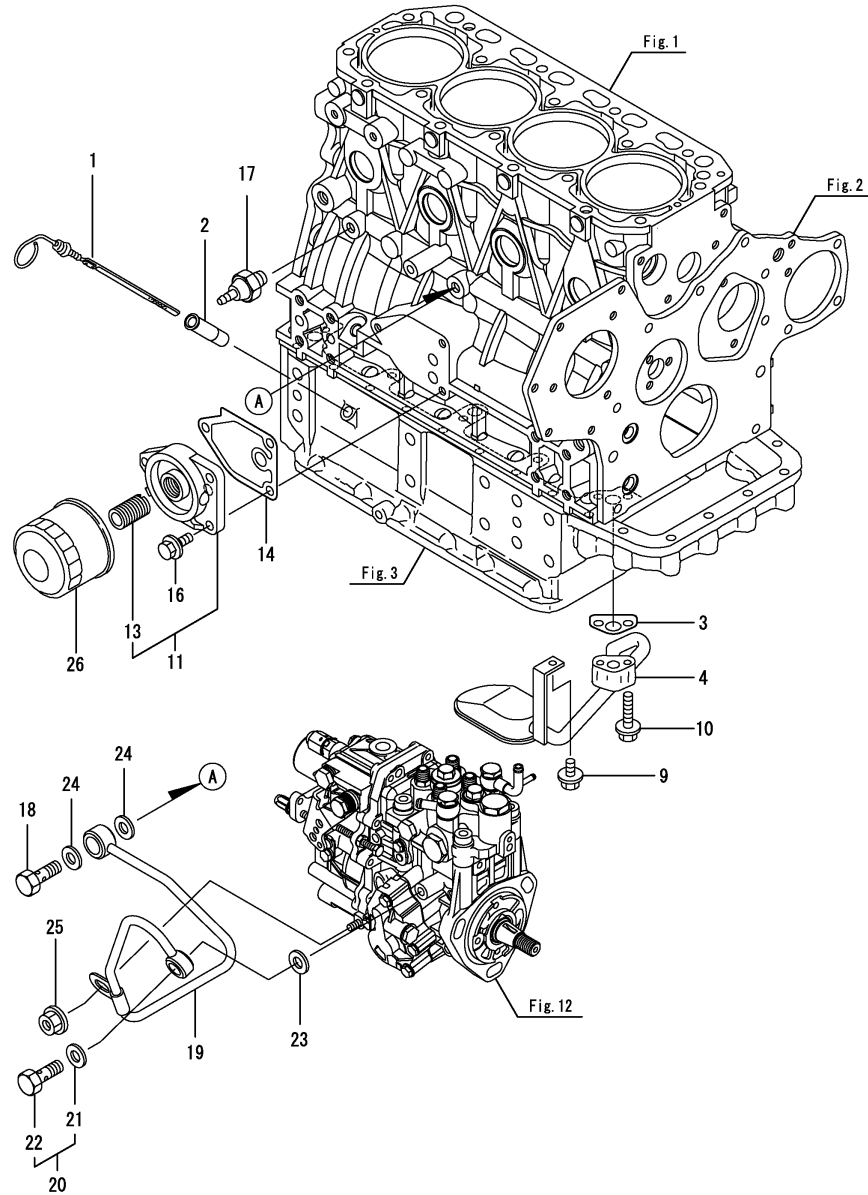
(D)=
(E)=
(F)=

No.	Lev.	Parts No.	Description	Q'ty						I	R
				(A)	(B)	(C)	(D)	(E)	(F)		
1	1	129795-01960	PIPE, KNOCK	2							
2	1	129457-28000	BALANCER ASSY	1							
3	2	128170-14150	NUT	1							
4	2	121850-21290	PIN	1							
5	2	129457-28011	CASE ASSY, BALANCER	1							
8	2	129400-28150	GEAR, BALANCER	1							
9	2	729490-28510	SHAFT ASSY, BALANCER	1							
14	2	729490-28520	SHAFT ASSY, BALANCER	1							
19	2	23876-005000	PLUG, R005	1							
20	2	26106-080142	BOLT, M8X 14 PLATED	4							
21	1	24311-000140	O-RING, 1AP14.0	1							
22	1	26106-080602	BOLT, M8X 60 PLATED	4							
23	1	26106-080802	BOLT, M8X 80 PLATED	2							

Remarks

Note : "Effective Machine No." of the Engine Section is indicated on the Model Label which is shown in Fig.4.

Fig.10. LUB. OIL SYSTEM



(A)=4TNV88-XKRY2

(B)=

(C)=

(D)=

(E)=

(F)=

No.	Lev.	Parts No.	Description	Q'ty						I	R
				(A)	(B)	(C)	(D)	(E)	(F)		
1	1	129457-34800	DIPSTICK, OIL	1							
2	1	121520-34810	GUIDE, DIPSTICK	1							
3	1	129150-35042	GASKET	1							
4	1	129550-35090	PIPE ASSY, OIL INLET	1							
9	1	26106-080122	BOLT, M8X 12 PLATED	1							
10	1	26106-080352	BOLT, M8X 35 PLATED	2							
11	1	119802-35100	BRACKET ASSY, FILTER	1							
13	2	129100-35140	STUD	1							
14	1	129150-35111	GASKET	1							
16	1	26106-080202	BOLT, M8X 20 PLATED	3							
17	1	114250-39450	SWITCH, 0.5KG	1							
18	1	124160-39140	BOLT, PIPE JOINT M10	1							
19	1	119802-39450	PIPE ASSY, OIL	1							
20	1	129005-59830	BOLT ASSY, JOINT M8	1							
21	2	22190-080002	WASHER, SEAL 8	1							
22	2	23857-030000	BOLT, JOINT 3	1							
23	1	22190-080002	WASHER, SEAL 8	1							
24	1	22190-100002	WASHER, SEAL 10	2							
25	1	26366-060002	NUT, M6	1							
26	1	129150-35170	FILTER, LO	1							1

Remarks

Note : "Effective Machine No." of the Engine Section is indicated on the Model Label which is shown in Fig.4.

(1) Spare parts.

N:Old $\xrightarrow{\text{Yes}}$ New, Q:Old $\xrightarrow{\text{No}}$ New, R:Old $\xrightarrow{\text{Yes}}$ New, S:Old $\xrightarrow{\text{No}}$ New, W:Add, Z:Discontinued, F:Interchangeable by set, K:Q'ty Change

Fig.11. COOLING WATER SYSTEM

(A)=4TNV88-XKRY2

(B)=

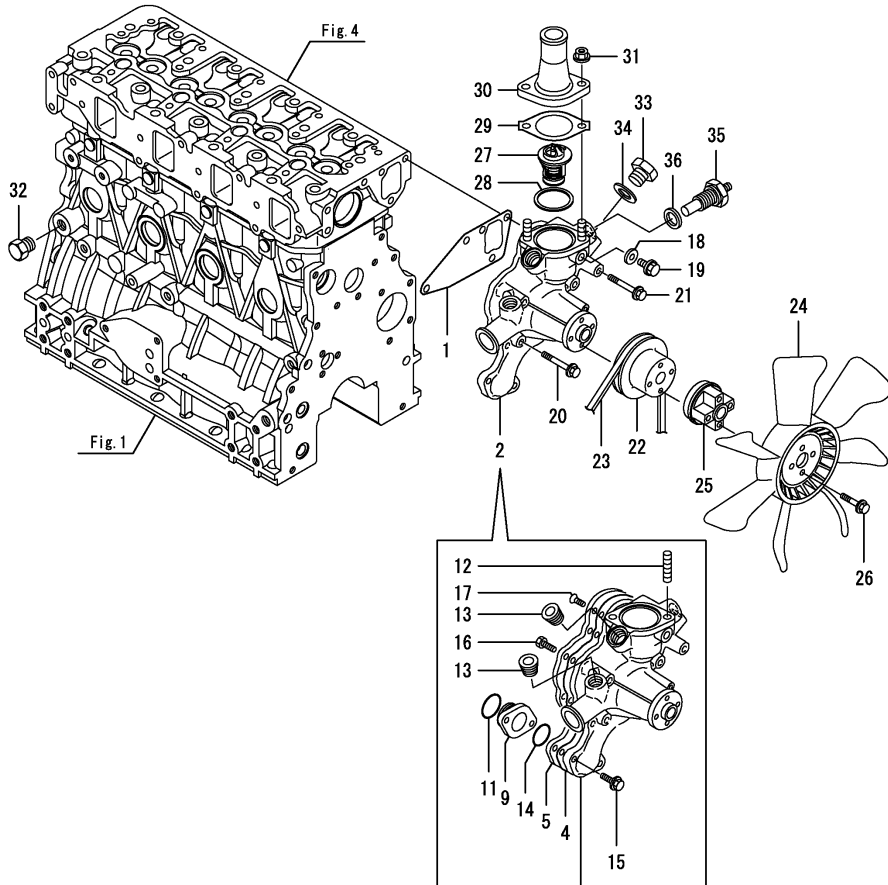
(C)=

(D)=

(E)=

(F)=

No.	Lev.	Parts No.	Description	Q'ty						I	R
				(A)	(B)	(C)	(D)	(E)	(F)		
1	1	129486-42050	GASKET, WATER PUMP	1							
2	1	129659-42050	PUMP ASSY, WATER	1							
4	2	129150-42059	GASKET	1							
5	2	129263-42120	PLATE	1							
9	2	129150-42301	FLANGE	1							
11	2	129054-42320	O-RING	1							
12	2	129555-44750	STUD, M8X30	2							
13	2	129916-49740	PLUG, R03	2							
14	2	24358-240310	O-RING, 524031	1							
15	2	26106-060202	BOLT, M6X 20 PLATED	2							
16	2	26116-060162	BOLT, M6X 16 PLATED	3							
17	2	26577-060152	SCREW, M6X15	3							
18	1	23414-080000	GASKET, 8X1.0	1							
19	1	26106-080122	BOLT, M8X 12 PLATED	1							
20	1	26106-080552	BOLT, M8X 55 PLATED	3							
21	1	26106-080602	BOLT, M8X 60 PLATED	1							
22	1	129403-42380	V-PULLEY, D=110	1							
23	1	25132-004000	V-BELT, A40	1							
24	1	129655-44740	FAN, COOLING D380	1							
25	1	129030-44760	SPACER, FAN L38.5	1							
26	1	26106-060502	BOLT, M6X 50 PLATED	4							
27	1	129155-49801	THERMOSTAT, 71	1							
28	1	129150-49811	GASKET, THERMOSTAT	1							
29	1	129795-49551	GASKET	1							
30	1	129350-49560	COVER, THERMOSTAT	1							
31	1	26306-080002	NUT, M8	2							
32	1	171056-49120	PLUG, DRAIN	1							
33	1	121450-42450	PLUG, M16	1							
34	1	124465-44950	GASKET, 16	1							
35	1	124250-49351	SENSOR	1							
36	1	129150-49360	GASKET	1							



Remarks

Note : "Effective Machine No." of the Engine Section is indicated on the Model Label which is shown in Fig.4.

N:Old $\xrightarrow{\text{Yes}}$ New, Q:Old $\xrightarrow{\text{No}}$ New, R:Old $\xrightarrow{\text{Yes}}$ New, S:Old $\xrightarrow{\text{No}}$ New, W:Add, Z:Discontinued, F:Interchangeable by set, K:Q'ty Change

Fig.12. FUEL INJECTION PUMP

(A)=4TNV88-XKRY2

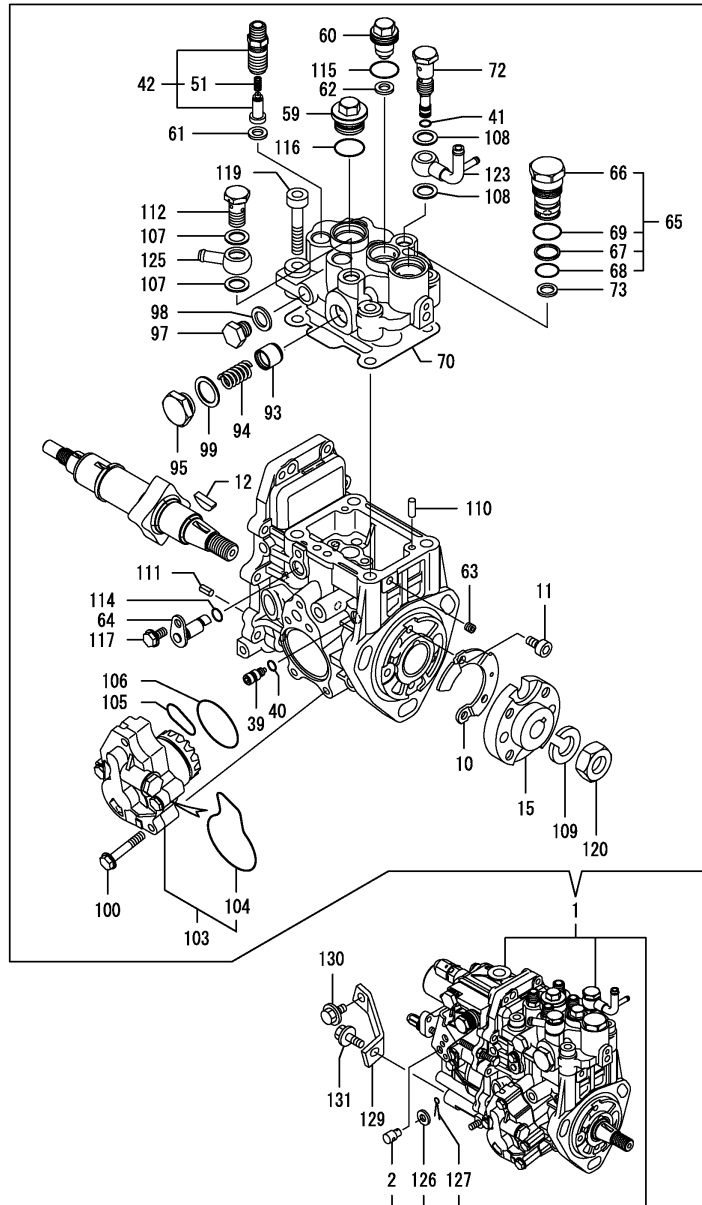
(B)=

(C)=

(D)=

(E)=

(F)=



No.	Lev.	Parts No.	Description	Q'ty						I	R
				(A)	(B)	(C)	(D)	(E)	(F)		
1	1	729659-51360	INJECTION PUMP ASSY	1							1
2	2	194150-01370	ADJUSTER	1							
10	2	129008-51900	COVER, GEAR CASE	1							
11	2	129008-51920	BOLT, M6X10	2							
12	2	119802-51090	KEY, 4X16	1							
15	2	158552-51151	FLANGE	1							
39	2	158600-51270	STOPPER, TAPPET	1							
40	2	158563-51281	O-RING, 4D S6	1							
41	2	158563-51281	O-RING, 4D S6	1							
42	2	129509-51390	VALVE ASSY, DELIVERY	4							
51	3	158563-51330	SPRING, DELIVERY	4							
59	2	158601-51550	PLUG	1							
60	2	119802-51560	PLUG, BARREL	1							
61	2	158552-51571	GASKET	4							
62	2	158552-51571	GASKET	1							
63	2	158557-51570	PLUG	1							
64	2	158552-51580	LIFTER	1							
65	2	129271-51590	PLUG SET, TIMER	1							
66	3	129271-51600	PLUG, TIMER	1							
67	3	119802-51680	RING, BACK UP	1							
68	3	119802-51690	O-RING	1							
69	3	24356-190200	O-RING, 4D19020	1							
70	2	158552-51600	GASKET	1							
72	2	158601-51650	JOINT, OVER FLOW	1							
73	2	158553-51680	GASKET	1							
93	2	158601-51770	PISTON	1							
94	2	158552-51781	SPRING	1							
95	2	158601-51790	PLUG	1							
97	2	158553-51930	PLUG, M12	1							
98	2	22190-120002	WASHER, SEAL 12	1							
99	2	22190-180002	WASHER, SEAL 18	1							
100	2	158553-51770	BOLT	4							
103	2	158552-52100	PUMP ASSY, FUEL FEED	1							
104	3	158552-52500	O-RING	1							
105	2	158552-52311	O-RING	1							
106	2	158552-52400	O-RING, 4E S42	1							
107	2	22190-120002	WASHER, SEAL 12	2							
108	2	22190-120002	WASHER, SEAL 12	2							
109	2	22217-140000	WASHER, SPRING 14	1							
110	2	22312-050140	PIN, PARALLEL 5X14	2							
111	2	22351-050010	PIN, SPRING 5.0X10	2							
112	2	23857-060000	BOLT, JOINT 6	1							
114	2	24311-000070	O-RING, 1AP7.0	1							
115	2	24356-190180	O-RING, 4D19018	1							
116	2	24356-190200	O-RING, 4D19020	1							
117	2	26106-060102	BOLT, M6X 10 PLATED	1							
119	2	26450-080452	BOLT, M8X 45	4							
120	2	26776-140002	NUT, LOCK M14	1							
123	2	158552-51670	JOINT, OVER FLOW	1							
125	2	129916-59020	JOINT, PIPE 12	1							
126	2	22137-080000	WASHER, 8	1							

Remarks

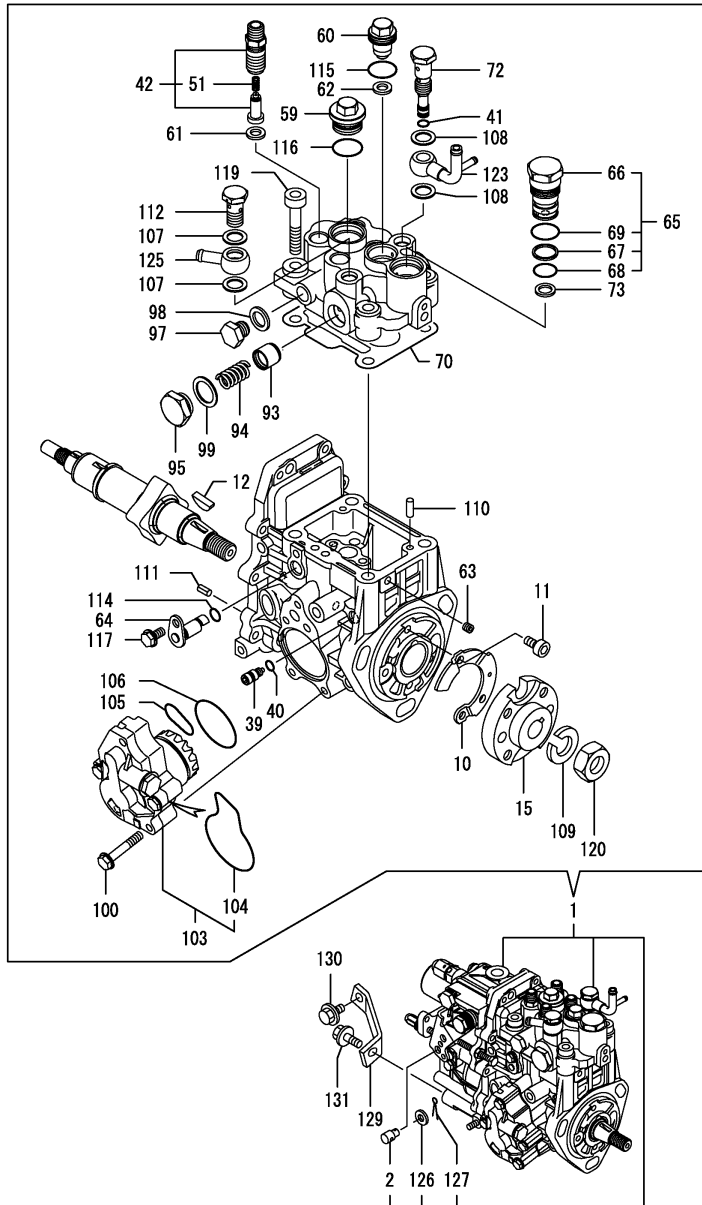
Note : "Effective Machine No." of the Engine Section is indicated on the Model Label which is shown in Fig.4.

(1)Governor(Fig.13) is incorporated in this Fuel Injection Pump(No.1).

Fig.12. FUEL INJECTION PUMP

(A)=4TNV88-XKRY2
(B)=
(C)=

(D)=
(E)=
(F)=



No.	Lev.	Parts No.	Description	Q'ty						I	R
				(A)	(B)	(C)	(D)	(E)	(F)		
127	2	22417-160180	PIN, COTTER 1.6X18	1							
129	1	129601-51250	RETAINER, PUMP	1							
130	1	26106-080162	BOLT, M8X 16 PLATED	1							
131	1	26106-080202	BOLT, M8X 20 PLATED	1							

Remarks

Note : "Effective Machine No." of the Engine Section is indicated on the Model Label which is shown in Fig.4.

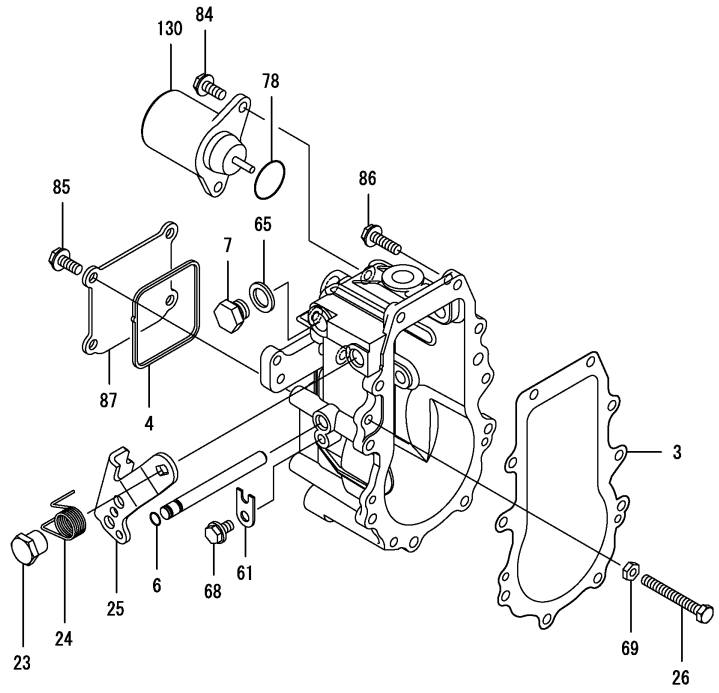
(1)Governor(Fig.13) is incorporated in this Fuel Injection Pump(No.1).

N:Old $\xrightarrow{\text{Yes}}$ New, Q:Old $\xrightarrow{\text{No}}$ New, R:Old $\xrightarrow{\text{Yes}}$ New, S:Old $\xrightarrow{\text{No}}$ New, W:Add, Z:Discontinued, F:Interchangeable by set, K:Q'ty Change

Fig.13. GOVERNOR

(A)=4TNV88-XKRY2
(B)=
(C)=

(D)=
(E)=
(F)=



No.	Lev.	Parts No.	Description	Q'ty						I	R
				(A)	(B)	(C)	(D)	(E)	(F)		
3	2	158553-61050	GASKET	1							
4	2	158553-61070	GASKET	1							
6	2	129155-51280	O-RING, S6	1							
7	2	158553-51930	PLUG, M12	1							
23	2	129255-61410	NUT, LOCK	1							
24	2	119807-61420	SPRING, RETURN	1							
25	2	158552-61441	LEVER, REGULATOR	1							
26	2	129155-61460	BOLT, IDLE	1							
61	2	119660-61901	RETAINER, SHAFT	1							
65	2	22190-120002	WASHER, SEAL 12	1							
68	2	26106-060102	BOLT, M6X 10 PLATED	1							
69	2	26756-060002	NUT, LOCK M6	1							
78	2	158552-61900	O-RING	1							
84	2	26106-060142	BOLT, M6X 14 PLATED	2							
85	2	26106-060142	BOLT, M6X 14 PLATED	4							
86	2	26106-060202	BOLT, M6X 20 PLATED	10							
87	2	129642-61060	COVER, GOVERNOR CASE	1							
130	2	119653-77950	SOLENOID, STOP	1							

Remarks

Note : "Effective Machine No." of the Engine Section is indicated on the Model Label which is shown in Fig.4.

* This figure(Governor) is incorporated in the Fuel Injection Pump(Fig.12).

N:Old $\xrightarrow{\text{Yes}}$ New, Q:Old $\xrightarrow{\text{No}}$ New, R:Old $\xrightarrow{\text{Yes}}$ New, S:Old $\xrightarrow{\text{No}}$ New, W:Add, Z:Discontinued, F:Interchangeable by set, K:Q'ty Change

Fig.14. FUEL INJECTION VALVE

(A)=4TNV88-XKRY2

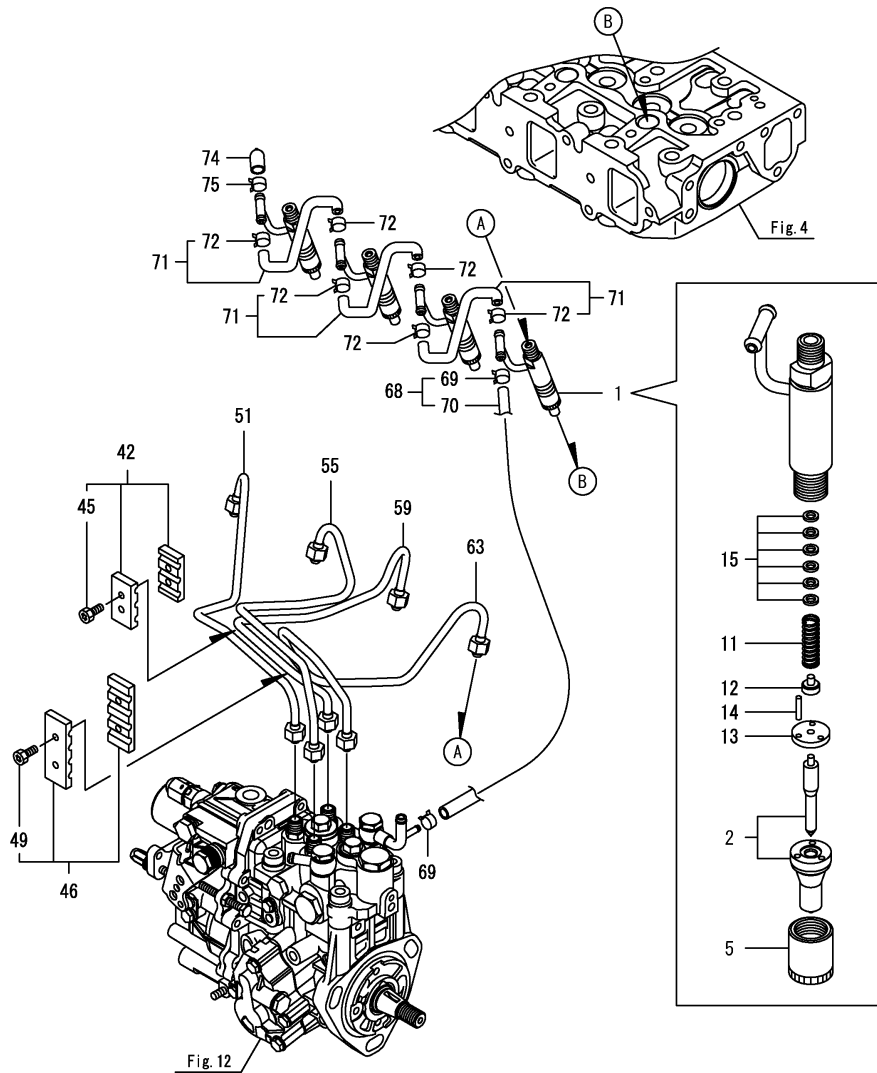
(B)=

(C)=

(D)=

(E)=

(F)=



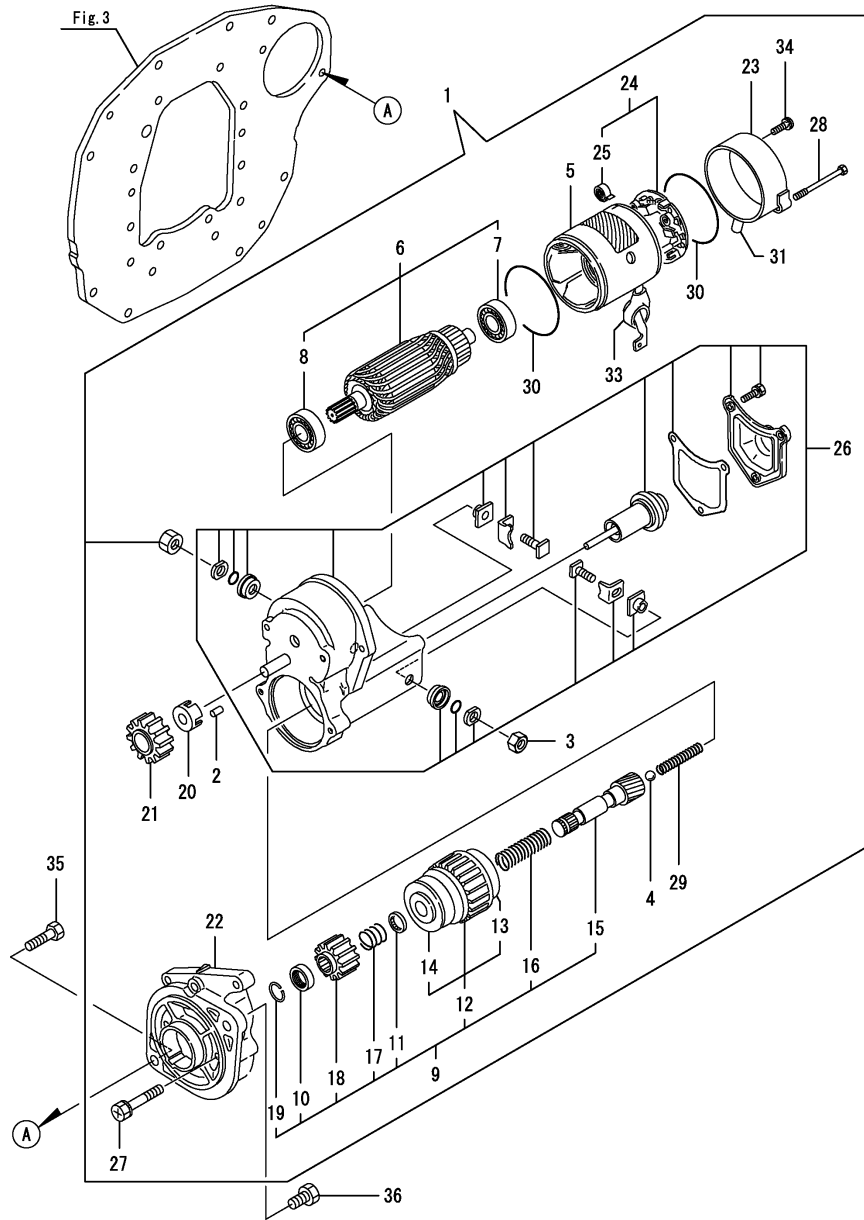
No.	Lev.	Parts No.	Description	Q'ty						I	R
				(A)	(B)	(C)	(D)	(E)	(F)		
1	1	729004-53101	VALVE ASSY,INJECTION	4							
2	2	129004-53001	VALVE ASSY,INJECTION	4							
5	2	114250-53080	NUT, NOZZLE D16.95	4							
11	2	114250-53120	SPRING, NOZZLE	4							
12	2	114250-53130	SEAT, SPRING	4							
13	2	114250-53140	PLATE	4							
14	2	114250-53210	PIN	8							
15	2	119803-53400	SHIM SET	4							
42	1	129150-59120	RETAINER, PIPE	1							
45	2	129150-59131	BOLT, M4X14	2							
46	1	129550-59120	RETAINER, PIPE	1							
49	2	129150-59131	BOLT, M4X14	2							
51	1	129601-59810	PIPE ASSY, INJECTION	1							
55	1	129601-59820	PIPE ASSY, INJECTION	1							
59	1	129601-59830	PIPE ASSY, INJECTION	1							
63	1	129601-59840	PIPE ASSY, INJECTION	1							
68	1	119802-59550	PIPE ASSY, RETURN	1							
69	2	124722-59050	CLIP, HOSE 9	2							
70	2	119802-59560	PIPE, FUEL RETURN	1							
71	1	129486-59551	PIPE ASSY, RETURN	3							
72	2	124722-59050	CLIP, HOSE 9	6							
74	1	119593-59581	CAP	1							
75	1	124060-77680	CLIP, HOSE 10	1							

Remarks

Note : "Effective Machine No." of the Engine Section is indicated on the Model Label which is shown in Fig.4.

N:Old $\xrightarrow{\text{Yes}}$ New, Q:Old $\xrightarrow{\text{No}}$ New, R:Old $\xrightarrow{\text{Yes}}$ New, S:Old $\xrightarrow{\text{No}}$ New, W:Add, Z:Discontinued, F:Interchangeable by set, K:Q'ty Change

Fig.15. STARTER MOTOR



(A)=4TNV88-XKRY2

(B)=

(C)=

(D)=

(E)=

(F)=

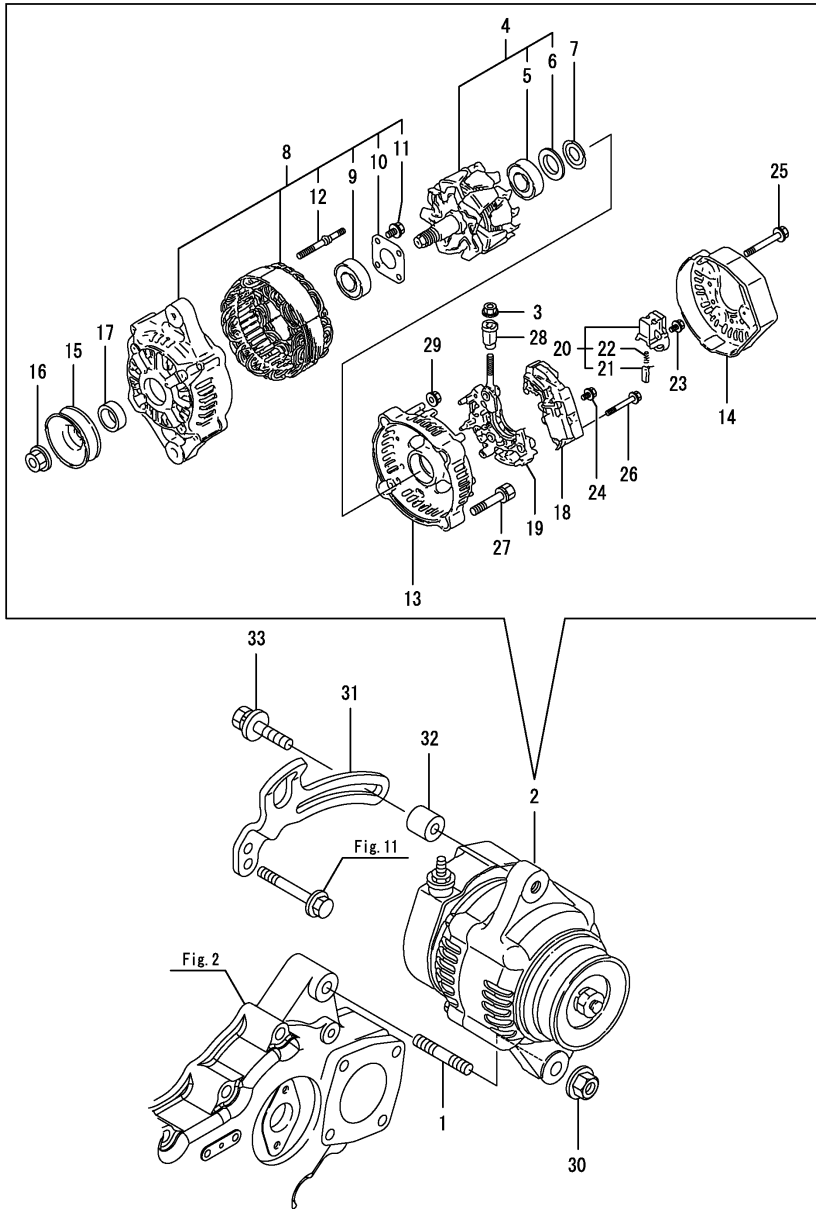
No.	Lev.	Parts No.	Description	Q'ty						I	R
				(A)	(B)	(C)	(D)	(E)	(F)		
1	1	129407-77010	STARTER, RA1.4	1							
2	2	X0283060061	ROLLER	5							
3	2	X9490561370	NUT	1							
4	2	X9491200240	BALL	1							
5	2	129407-77210	YOKE ASSY	1							
6	2	129407-77220	ARMATURE ASSY	1							
7	3	129129-77230	BEARING, BALL	1							
8	3	129129-77240	BEARING, BALL	1							
9	2	129407-77250	STARTER	1							
10	3	X0280210230	NUT	1							
11	3	X0283270140	RETAINER	1							
12	3	129407-77390	CLUTCH ASSY	1							
13	4	129129-77440	BEARING, BALL	1							
14	4	129129-77450	BEARING, BALL	1							
15	3	129129-77400	SHAFT	1							
16	3	129129-77410	SPRING, COIL	1							
17	3	X9491703371	SPRING, COIL	1							
18	3	129129-77420	PINION, STARTER	1							
19	3	129129-77430	RING	1							
20	2	129129-77260	RETAINER	1							
21	2	129129-77270	PINION	1							
22	2	129407-77280	HOUSING	1							
23	2	129407-77290	FRAME	1							
24	2	129407-77300	HOLDER ASSY	1							
25	3	X9491730461	SPRING	4							
26	2	129407-77310	SWITCH ASSY	1							
27	2	129129-77320	BOLT	2							
28	2	129407-77330	BOLT	2							
29	2	129129-77340	SPRING	1							
30	2	129129-77350	O-RING	2							
31	2	129129-77362	COVER	1							
33	2	129129-77380	CAP	1							
34	2	129129-77460	SCREW	2							
35	1	129155-77060	BOLT	1							
36	1	26116-120202	BOLT, M12X 20 PLATED	1							

Remarks

Note : "Effective Machine No." of the Engine Section is indicated on the Model Label which is shown in Fig.4.

N:Old $\xrightarrow{\text{Yes}}$ New, Q:Old $\xrightarrow{\text{No}}$ New, R:Old $\xrightarrow{\text{Yes}}$ New, S:Old $\xrightarrow{\text{No}}$ New, W:Add, Z:Discontinued, F:Interchangeable by set, K:Q'ty Change

Fig.16. GENERATOR



(A)=4TNV88-XKRY2

(B)=

(C)=

(D)=

(E)=

(F)=

No.	Lev.	Parts No.	Description	Q'ty						I	R
				(A)	(B)	(C)	(D)	(E)	(F)		
1	1	129795-01900	STUD	1							
2	1	119620-77201	GENERATOR, 40A	1							
3	2	X9490561001	NUT	1							
4	2	119620-77380	ROTOR ASSY	1							
5	3	123501-79240	BEARING, BALL	1							
6	3	119620-79250	COVER	1							
7	2	119620-79360	WASHER, THRUST	1							
8	2	119620-77421	FRAME ASSY, DRIVE	1							
9	3	119620-79200	BEARING, BALL	1							
10	3	119620-79210	PLATE, RETAINER	1							
11	3	119620-79220	SCREW	4							
12	3	119620-79230	STUD	2							
13	2	119620-77440	FRAME ASSY	1							
14	2	119620-77450	COVER	1							
15	2	119620-77461	PULLEY	1							
16	2	119620-77471	NUT	1							
17	2	119620-77490	COLLAR	1							
18	2	119620-77710	REGULATOR ASSY	1							
19	2	119620-79260	HOLDER	1							
20	2	119620-79270	HOLDER, BRUSH	1							
21	3	119620-77480	BRUSH ASSY	2							
22	3	119620-79280	SPRING	2							
23	2	119620-79290	SCREW	6							
24	2	119620-79300	SCREW	1							
25	2	119620-79310	BOLT	3							
26	2	119620-79320	SCREW	2							
27	2	119620-79330	BOLT	2							
28	2	119620-79340	BUSH, INSULATION	1							
29	2	119620-79350	NUT	2							
30	1	26306-100002	NUT, M10	1							
31	1	129107-77330	ADJUSTER	1							
32	1	124732-77340	SPACER	1							
33	1	129972-77341	BOLT, ADJUSTER L=50	1							

Remarks

Note : "Effective Machine No." of the Engine Section is indicated on the Model Label which is shown in Fig.4.

N:Old $\xrightarrow{\text{Yes}}$ New, Q:Old $\xrightarrow{\text{No}}$ New, R:Old $\xrightarrow{\text{Yes}}$ New, S:Old $\xrightarrow{\text{No}}$ New, W:Add, Z:Discontinued, F:Interchangeable by set, K:Q'ty Change

Parts No. Index

Parts No.	Fig. No.	Ref. No.
105425-01690	3	6
114250-39450	10	17
114250-53080	14	5
114250-53120	14	11
114250-53130	14	12
114250-53140	14	13
114250-53210	14	14
119131-18320	6	8
119309-01810	1	29
119593-59581	14	74
119609-32040	2	11
119620-77201	16	2
119620-77380	16	4
119620-77421	16	8
119620-77440	16	13
119620-77450	16	14
119620-77461	16	15
119620-77471	16	16
119620-77480	16	21
119620-77490	16	17
119620-77710	16	18
119620-79200	16	9
119620-79210	16	10
119620-79220	16	11
119620-79230	16	12
119620-79250	16	6
119620-79260	16	19
119620-79270	16	20
119620-79280	16	22
119620-79290	16	23
119620-79300	16	24
119620-79310	16	25
119620-79320	16	26
119620-79330	16	27
119620-79340	16	28
119620-79350	16	29
119620-79360	16	7
119625-11880	4	28
119653-77950	13	130
119660-61901	13	61
119802-01561	2	7
119802-03110	4	38
119802-03121	4	39
119802-03130	4	40
119802-03141	4	41
119802-11260	4	4
119802-11270	4	5
119802-11870	4	27
119802-13640	6	6
119802-13660	6	7

Parts No.	Fig. No.	Ref. No.
119802-21202	8	4
119802-25051	7	9
119802-25071	7	21
119802-25101	7	10
119802-25901	7	15
119802-32070	2	13
119802-32100	2	12
119802-32111	2	17
119802-32120	2	18
119802-32130	2	19
119802-35100	10	11
119802-39450	10	19
119802-51090	12	12
119802-51560	12	60
119802-51680	12	67
119802-51690	12	68
119802-59550	14	68
119802-59560	14	70
119803-53400	14	15
119807-61420	13	24
119852-21650	8	10
119934-01800	2	5
120130-11860	4	50
120270-54410	4	30
121400-11340	4	23
121450-42450	11	33
121520-34810	10	2
121550-23200	8	32
121850-21290	8	5
	9	4
121850-21680	8	12
121850-51960	2	20
123501-79240	16	5
124060-01050	1	4
124060-77680	14	75
124160-01751	2	8
124160-01910	1	6
124160-11360	4	46
124160-21501	8	13
124160-39140	10	18
124240-01871	2	9
		27
		28
124240-01883	2	29
124250-49351	11	35
124460-11340	4	24
124465-44950	11	34
124550-21600	8	16
124722-59050	14	69
		72

Parts No.	Fig. No.	Ref. No.
124732-77340	16	32
128170-14150	9	3
129001-01250	1	5
129001-02931	1	30
129001-32330	2	16
129004-01190	1	26
129004-01520	2	6
129004-03010	4	36
129004-11650	4	7
129004-11900	4	29
129004-53001	14	2
129005-03080	5	1
129005-11100	4	19
129005-22080	8	18
129005-22500	8	20
129005-22900	8	38
129005-22950	8	40
129005-59830	10	20
129008-51900	12	10
129008-51920	12	11
129030-44760	11	25
129054-42320	11	11
129100-01580	3	1
		14
	8	2
129100-11112	4	20
129100-23910	8	35
129100-35140	10	13
129107-13540	6	11
129107-77330	16	31
129126-01600	3	2
129129-77230	15	7
129129-77240	15	8
129129-77260	15	20
129129-77270	15	21
129129-77320	15	27
129129-77340	15	29
129129-77350	15	30
129129-77362	15	31
129129-77380	15	33
129129-77400	15	15
129129-77410	15	16
129129-77420	15	18
129129-77430	15	19
129129-77440	15	13
129129-77450	15	14
129129-77460	15	34
129150-01200	1	27
129150-01881	7	16
129150-02020	1	8

Parts No.	Fig. No.	Ref. No.
129150-02450	7	4
129150-02871	1	33
129150-02931	1	23
129150-02941	1	36
129150-03070	4	37
129150-11230	4	8
129150-11280	4	6
129150-11370	4	12
129150-11750	4	10
129150-11810	4	51
129150-14101	7	6
129150-14200	7	1
129150-14400	7	2
129150-23601	8	33
129150-23611	8	36
129150-25301	7	14
129150-26000	7	17
129150-26050	7	18
129150-35042	10	3
129150-35111	10	14
129150-35170	10	26
129150-42059	11	4
129150-42301	11	9
129150-49360	11	36
129150-49811	11	28
129150-59120	14	42
129150-59131	14	45
		49
129150-77511	5	8
129150-91400	2	34
129155-49801	11	27
129155-51280	13	6
129155-61460	13	26
129155-77060	15	35
129202-22300	8	26
129255-61410	13	23
129263-13210	6	5
129263-42120	11	5
129271-51590	12	65
129271-51600	12	66
129350-49560	11	30
129400-28121	8	6
129400-28150	9	8
129403-42380	11	22
129407-01340	1	28
129407-12110	5	4
129407-77010	15	1
129407-77210	15	5
129407-77220	15	6
129407-77250	15	9

Parts No. Index

Parts No.	Fig. No.	Ref. No.
129407-77280	15	22
129407-77290	15	23
129407-77300	15	24
129407-77310	15	26
129407-77330	15	28
129407-77390	15	12
129410-03990	5	2
129418-32320	2	15
129457-28000	9	2
129457-28011	9	5
129457-34800	10	1
129486-01670	3	18
129486-12581	5	7
129486-42050	11	1
129486-59551	14	71
129509-51390	12	42
129550-01702	3	4
129550-13110	6	1
129550-35090	10	4
129550-59120	14	46
129555-01750	3	9
129555-44750	11	12
129601-11241	4	1
129601-11251	4	2
129601-11310	4	43
129601-51250	12	129
129601-59810	14	51
129601-59820	14	55
129601-59830	14	59
129601-59840	14	63
129602-11700	4	13
129602-12101	5	3
129642-61060	13	87
129648-01600	3	15
129648-01780	3	17
129652-11350	4	35
129655-44740	11	24
129657-21002	8	1
129659-01740	3	5
129659-13130	6	2
129659-13531	6	10
129659-13680	6	12
129659-21581	8	14
129659-42050	11	2
129795-01900	16	1
129795-01950	2	10
129795-01960	9	1
129795-02412	1	11
129795-11120	4	21
129795-11180	4	22

Parts No.	Fig. No.	Ref. No.
129795-21661	8	11
129795-49551	11	29
129900-07900	4	48
129900-32130	2	14
129916-49740	11	13
129916-59020	12	125
129972-77341	16	33
158552-51151	12	15
158552-51571	12	61
		62
158552-51580	12	64
158552-51600	12	70
158552-51670	12	123
158552-51781	12	94
158552-52100	12	103
158552-52311	12	105
158552-52400	12	106
158552-52500	12	104
158552-61441	13	25
158552-61900	13	78
158553-51680	12	73
158553-51770	12	100
158553-51930	12	97
	13	7
158553-61050	13	3
158553-61070	13	4
158557-51570	12	63
158563-51281	12	40
		41
158563-51330	12	51
158600-51270	12	39
158601-51550	12	59
158601-51650	12	72
158601-51770	12	93
158601-51790	12	95
171051-01921	1	7
171056-49120	11	32
194150-01370	12	2
22137-080000	12	126
22190-080002	2	30
	10	21
		23
22190-100002	10	24
22190-120002	12	98
		107
		108
	13	65
22190-160002	3	8
22190-180002	12	99
22217-140000	12	109

Parts No.	Fig. No.	Ref. No.
22252-000260	8	27
22312-050140	12	110
22351-040012	6	4
22351-050010	12	111
22351-060012	4	31
22417-160180	12	127
22512-070140	7	7
	8	7
		9
22857-500100	4	44
		45
23414-080000	11	18
23857-030000	10	22
23857-060000	12	112
23876-005000	9	19
23876-030000	2	3
23876-040000	2	4
24104-063020	8	17
24105-060064	7	20
24311-000070	12	114
24311-000120	4	47
24311-000140	9	21
24311-000320	2	21
24341-000240	2	36
24356-190180	12	115
24356-190200	12	69
		116
24358-240310	11	14
25132-004000	11	23
26014-080222	6	13
26014-080252	6	14
26106-060102	12	117
	13	68
26106-060142	13	84
		85
26106-060162	2	37
26106-060202	11	15
	13	86
26106-060502	11	26
26106-080122	10	9
	11	19
26106-080142	4	49
	7	8
	9	20
26106-080162	2	22
		23
		31
	12	130
26106-080202	2	32
	5	5

Parts No.	Fig. No.	Ref. No.
26106-080202	5	9
	10	16
	12	131
26106-080252	3	10
	4	32
26106-080302	2	33
26106-080352	4	33
	10	10
26106-080402	6	15
	7	13
26106-080502	3	11
	4	34
26106-080552	2	24
	11	20
26106-080602	9	22
	11	21
26106-080802	5	6
	9	23
26106-080852	2	25
26106-081002	3	12
26106-081202	3	13
26116-060162	11	16
26116-120202	15	36
26206-100202	3	3
26226-080182	4	11
26306-080002	2	26
	6	9
		16
	11	31
26306-100002	16	30
26366-060002	10	25
26450-080452	12	119
26577-060152	11	17
26756-060002	13	69
26776-140002	12	120
27241-120000	1	12
27241-300000	1	13
27241-400000	4	18
27310-080001	4	25
729004-53101	14	1
729235-01500	2	1
729402-14580	7	3
729402-23100	8	28
729490-28510	9	9
729490-28520	9	14
729659-01570	1	1
729659-51360	12	1
X0280210230	15	10
X0283060061	15	2
X0283270140	15	11

Parts No. Index

Parts No.	Fig. No.	Ref. No.
X9490561001	16	3
X9490561370	15	3
X9491200240	15	4
X9491703371	15	17
X9491730461	15	25

Parts No.	Fig. No.	Ref. No.
-----------	----------	----------

Parts No.	Fig. No.	Ref. No.
-----------	----------	----------

Parts No.	Fig. No.	Ref. No.
-----------	----------	----------