

0CNP5-M44300EN

Directions for the Parts Catalog.

1. The parts stipulated in this Parts Catalog are not necessarily standard equipped parts.
2. Parts may change without prior notice.
3. The following is an example of the Parts Catalog format.

REF.	LEV.	PARTS NO.	DESCRIPTION	Q'TY						I	R
				(A)	(B)	(C)	(D)	(E)	(F)		
1	1	729595-51390	FUEL INJECTION PUMP	1	1	1	1	1			1
1-1	1	729595-51391	FUEL INJECTION PUMP	1	1	1	1	1		N	1
		(A=E00185) (B=E00200)									
3	2	26022-060162	SCREW M 6X 16	9	9	9	9	9			
3-1	2	26022-060162	SCREW M 6X 16	4	4	4	4	4		K	
		(A=E00156) (B=E00156) (C=E00156) (D=E00156) (E=E00156)									
4	2	129470-51040	CAMSHAFT	1	1	1	1	1			
5	2	122710-51050	BEARING, ROLLER	2	2	2	2	2			
6	2	129470-51060	RETAINER	1	1	1	1	1			

Remarks
(1) BOOST COMPEMSATOR TYPE. OPTIONAL PART, TO E00155,(4JH-DT, 4JH-DTZ

① Ref. No.

The Ref. No. listed may not be in accordance with the illustration Ref. No.

(Ex.) Illustration No.

List Ref No.

1

1

(Before change)

1-1

(After change)

For interchangeable symbols N, R and K, illustrations for new parts may be abbreviated.

② Lev. (Level)

Level indication

The numbers below indicate the level of relativity towards the main part.

1 ----- Main parts (Assembly parts)

2 ----- Sub component included in " 1 ".

3 ----- Sub component included in " 2 ".

Note) Parts that are not for sale are partially illustrated but not listed.

③ Interchangeability Mark

When a part change takes place, one of the following interchangeability symbols is indicated beside the part.

Symbol	Interchangeability	Contents note
N	Old $\begin{matrix} \leftarrow \text{Yes} \\ \text{No} \rightarrow \end{matrix}$ New	New Part is interchangeable for Old Part but Old Part is not interchangeable for New Part.
Q	Old $\begin{matrix} \leftarrow \text{No} \\ \text{Yes} \rightarrow \end{matrix}$ New	New Part is not interchangeable for Old Part but Old Part is interchangeable for New Part.
R	Old $\begin{matrix} \leftarrow \text{Yes} \\ \text{Yes} \rightarrow \end{matrix}$ New	New/ Old Parts are both interchangeable.
S	Old $\begin{matrix} \leftarrow \text{No} \\ \text{No} \rightarrow \end{matrix}$ New	New/ Old Parts are both not interchangeable.
W		Part newly added.
Z		Part discontinued.
F		Not interchangeable by a single part but interchangeable together with related parts.
K		Changes only for used parts quantities.

④ Effective Machine No.

When a part changes, the effective Machine No. will be indicated in the (A)-(F) column.

Product Symbol	Product No.	Product Symbol	Product No.
C	Clutch No. Compressor No.	F	Machine No. (Agricultural Equip.)
D	Drive No.	M	Machine No.
E	Engine No.		

Note 1) A date may follow the symbol. (Ex.) 1996.01

Note 2) "XXXXX" and "ZZZZZ" are for parts that could not be predicted or for engine models that could not be identified.

Note 3) (A=E00185) is the E (Engine Serial Number) for the column (A) model (in this case 4JH-DT) after the parts design change.

⑤ Remarks Mark

Figures or alphabets (symbols) are entered in the remarks column.

The comments (remarks) on parts that are indicated at the bottom of the illustration are the same symbols as those stated above.

Contents

OCNP5-M44300

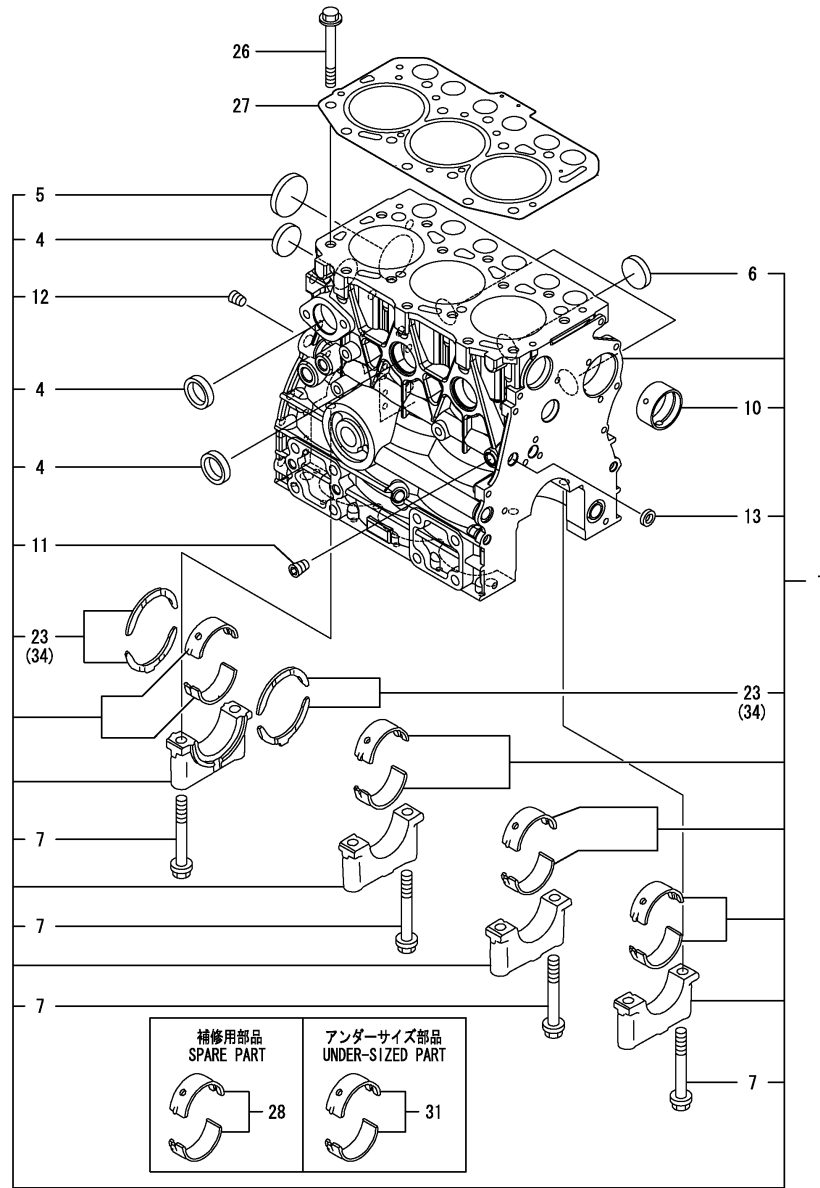
Fig. No. Fig. Name

Fig. No. Fig. Name

ENGINE

1. CYLINDER BLOCK
2. GEAR HOUSING
3. MOUNTING FLANGE & OIL SUMP
4. CYLINDER HEAD & BONNET
5. EXHAUST MANIFOLD & SILENCER
6. CAMSHAFT & DRIVING GEAR
7. CRANKSHAFT & PISTON
8. HYDRAULIC PUMP
9. LUB. OIL SYSTEM
10. COOLING WATER SYSTEM
11. FUEL INJECTION PUMP
12. GOVERNOR
13. FUEL INJECTION VALVE
14. STARTER MOTOR
15. GENERATOR

Fig.1. CYLINDER BLOCK



(A)=3TNV70-PUKNE
(B)=
(C)=

(D)=
(E)=
(F)=

No.	Lev.	Parts No.	Description	Q'ty						I	R
				(A)	(B)	(C)	(D)	(E)	(F)		
1	1	719515-01560	BLOCK ASSY, CYLINDER	1							
4	2	105311-01090	PLUG, 30	4							
5	2	119623-01250	PLUG, 45	1							
6	2	119285-01990	PLUG, 25	3							
7	2	119620-02020	BOLT, METAL CAP	8							
10	2	119717-02411	BUSH, CAMSHAFT	1							
11	2	124060-01050	PLUG, PT1/8	1							
12	2	124160-01910	PLUG, PT1/4	1							
13	2	27241-120000	PLUG, 12	1							
23	2	119717-02930	BEARING, THRUST	2							
26	1	119515-01200	BOLT, HEAD	14							
27	1	119515-01330	GASKET, HEAD	1							
28	1	719717-02901	BEARING, MAIN	4							1
31	1	719717-02911	BEARING, 0.25 US	4							2
34	1	119810-02941	BEARING, THRUST 0.25	2							3

Remarks

- (1) Spare parts.
- (2) Under-sized (U.S.=0.25) parts.
- (3) Over-sized (O.S.=0.25) parts.

Fig.2. GEAR HOUSING

(A)=3TNV70-PUKNE

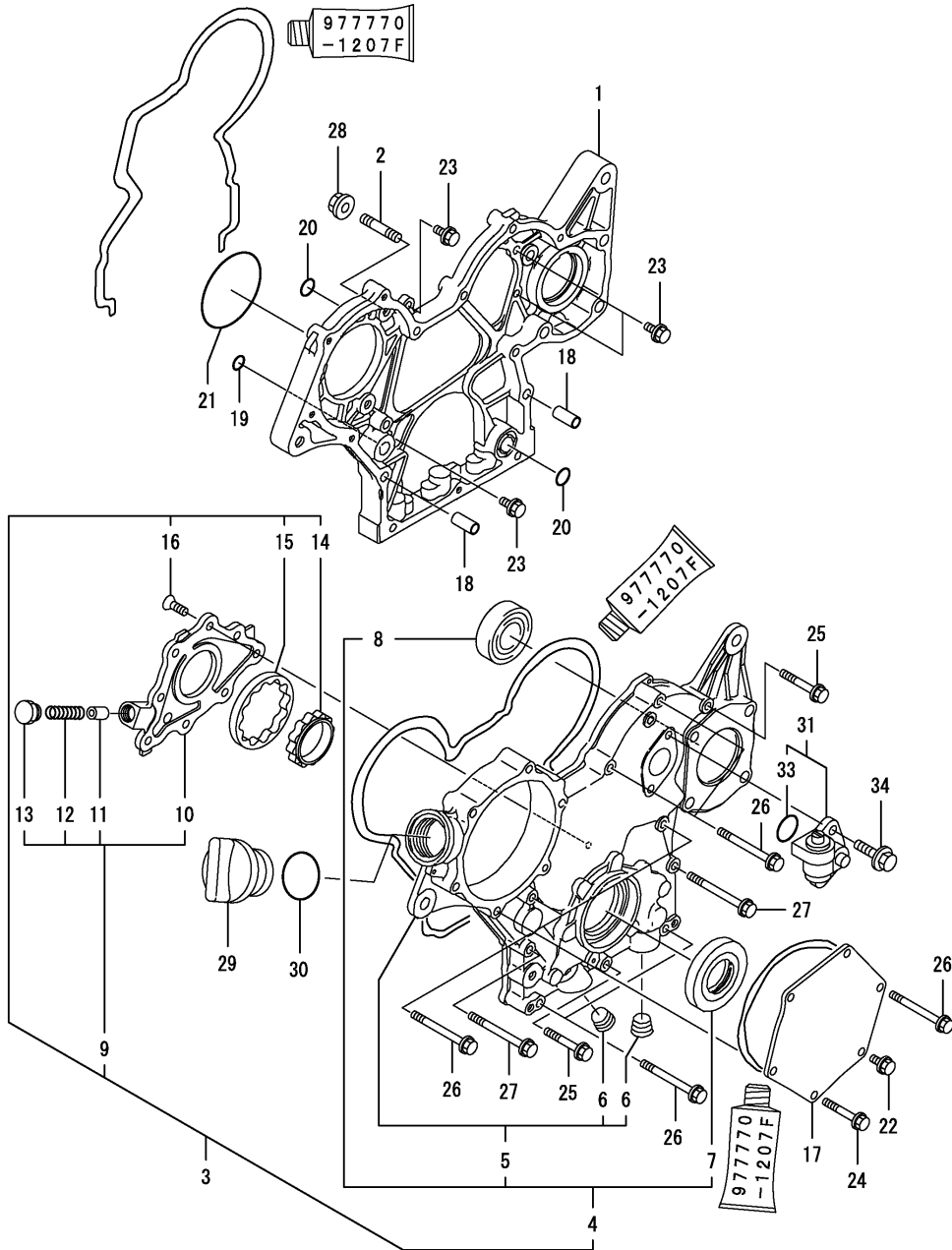
(B)=

(C)=

(D)=

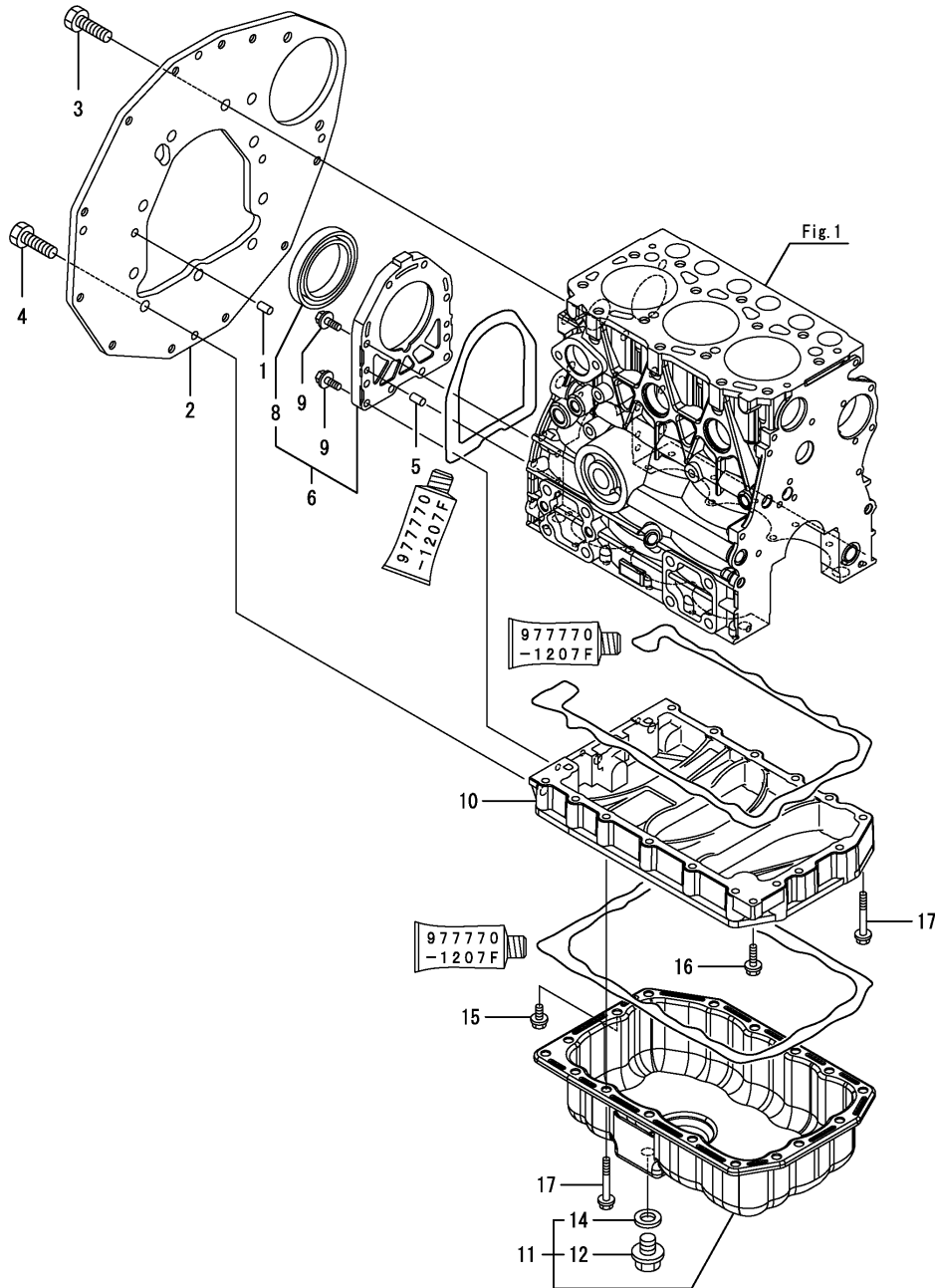
(E)=

(F)=



No.	Lev.	Parts No.	Description	Q'ty						I	R
				(A)	(B)	(C)	(D)	(E)	(F)		
1	1	119740-01501	CASE, GEAR	1							
2	1	119717-01570	STUD	3							
3	1	119751-01590	COVER ASSY,GEAR CASE	1							
4	2	719751-01500	COVER ASSY,GEAR CASE	1							
5	3	119751-01521	COVER, GEAR CASE	1							
6	4	23876-030000	PLUG, R03	2							
7	3	119717-01800	SEAL, OIL	1							
8	3	24101-062024	BEARING, BALL 6202	1							
9	2	119717-32100	COVER ASSY	1							
10	3	119717-32080	COVER	1							
11	3	129900-32130	VALVE, RELIEF	1							
12	3	129001-32320	SPRING	1							
13	3	129001-32330	PLUG	1							
14	2	119717-32110	ROTOR, INNER	1							
15	2	119717-32120	ROTOR, OUTER	1							
16	2	119802-32130	SCREW, M6X16	8							
17	1	119717-01750	COVER	1							
18	1	119660-01911	PIPE, KNOCK	4							
19	1	119624-32040	O-RING, P12.0	1							
20	1	119717-32050	O-RING, P17.0	3							
21	1	121850-51960	O-RING	1							
22	1	26106-060122	BOLT, M6X 12 PLATED	1							
23	1	26106-060162	BOLT, M6X 16 PLATED	4							
24	1	26106-060402	BOLT, M6X 40 PLATED	4							
25	1	26106-060402	BOLT, M6X 40 PLATED	2							
26	1	26106-060602	BOLT, M6X 60 PLATED	7							
27	1	26106-060652	BOLT, M6X 65 PLATED	2							
28	1	26306-080002	NUT, M8	3							
29	1	124160-01751	COVER, FILLER	1							
30	1	24311-000320	O-RING, 1AP32.0	1							
31	1	129150-91400	GEAR	1							
33	2	24341-000240	O-RING, 1AS24.0	1							
34	1	26106-060162	BOLT, M6X 16 PLATED	2							

Fig.3. MOUNTING FLANGE & OIL SUMP

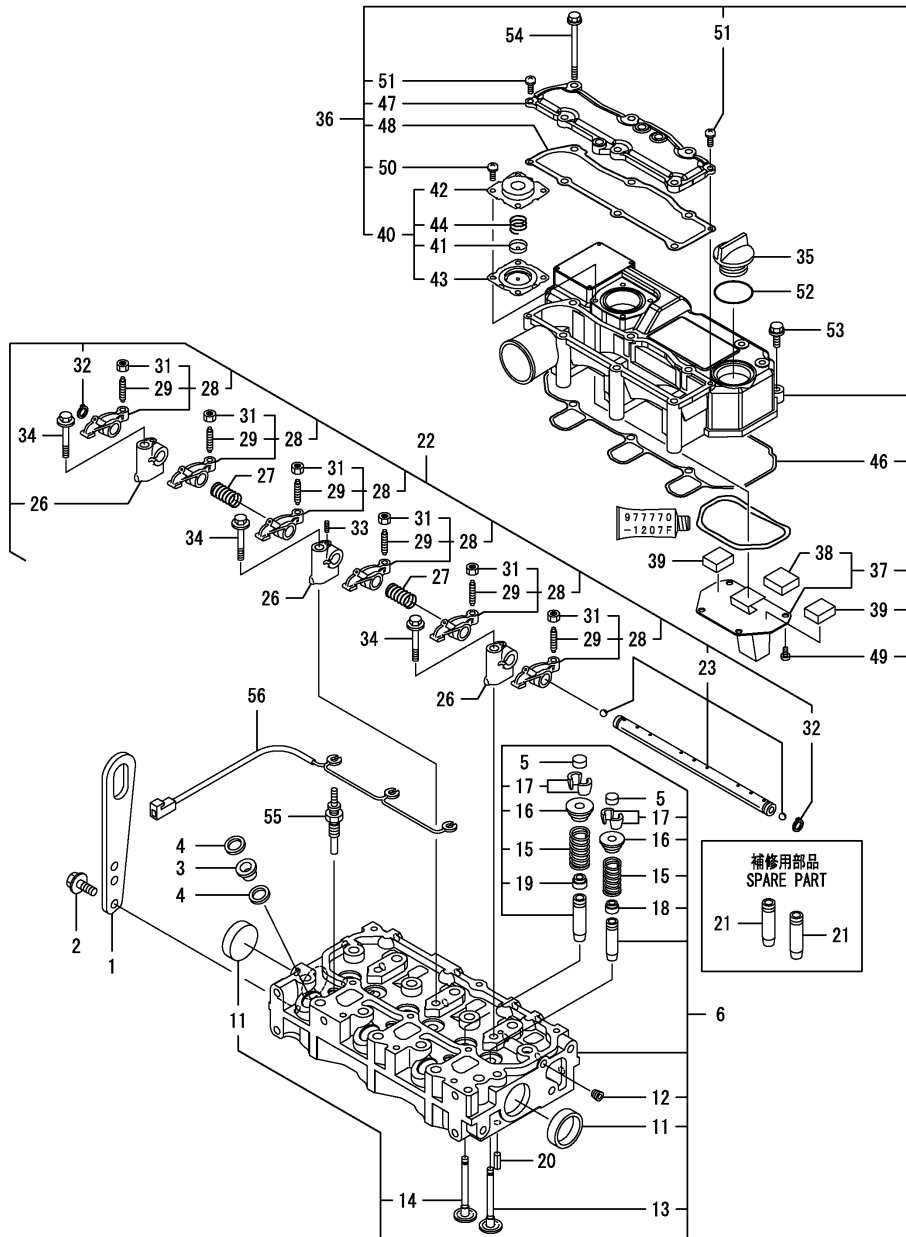


(A)=3TNV70-PUKNE
(B)=
(C)=

(D)=
(E)=
(F)=

No.	Lev.	Parts No.	Description	Qty						I	R
				(A)	(B)	(C)	(D)	(E)	(F)		
1	1	129100-01580	PIN, M8X16	2							
2	1	119523-01610	FLANGE, MOUNTING	1							
3	1	26206-100202	BOLT, M10X 20 PLATED	7							
4	1	26206-100252	BOLT, M10X 25 PLATED	3							
5	1	119620-01620	PIN, M6X10	2							
6	1	119527-01640	CASE ASSY, OIL SEAL	1							
8	2	124085-02220	SEAL, OIL	1							
9	1	26106-060222	BOLT, M6X 22 PLATED	10							
10	1	119515-01720	SPACER, OIL SUMP	1							
11	1	119523-01850	SUMP ASSY, OIL	1							
12	2	129054-01640	PLUG, DRAIN 12	1							
14	2	22190-120002	WASHER, SEAL 12	1							
15	1	26106-060122	BOLT, M6X 12 PLATED	1							
16	1	26106-060252	BOLT, M6X 25 PLATED	1							
17	1	26106-060452	BOLT, M6X 45 PLATED	17							

Fig.4. CYLINDER HEAD & BONNET



(A)=3TNV70-PUKNE

(B)=

(C)=

(D)=

(E)=

(F)=

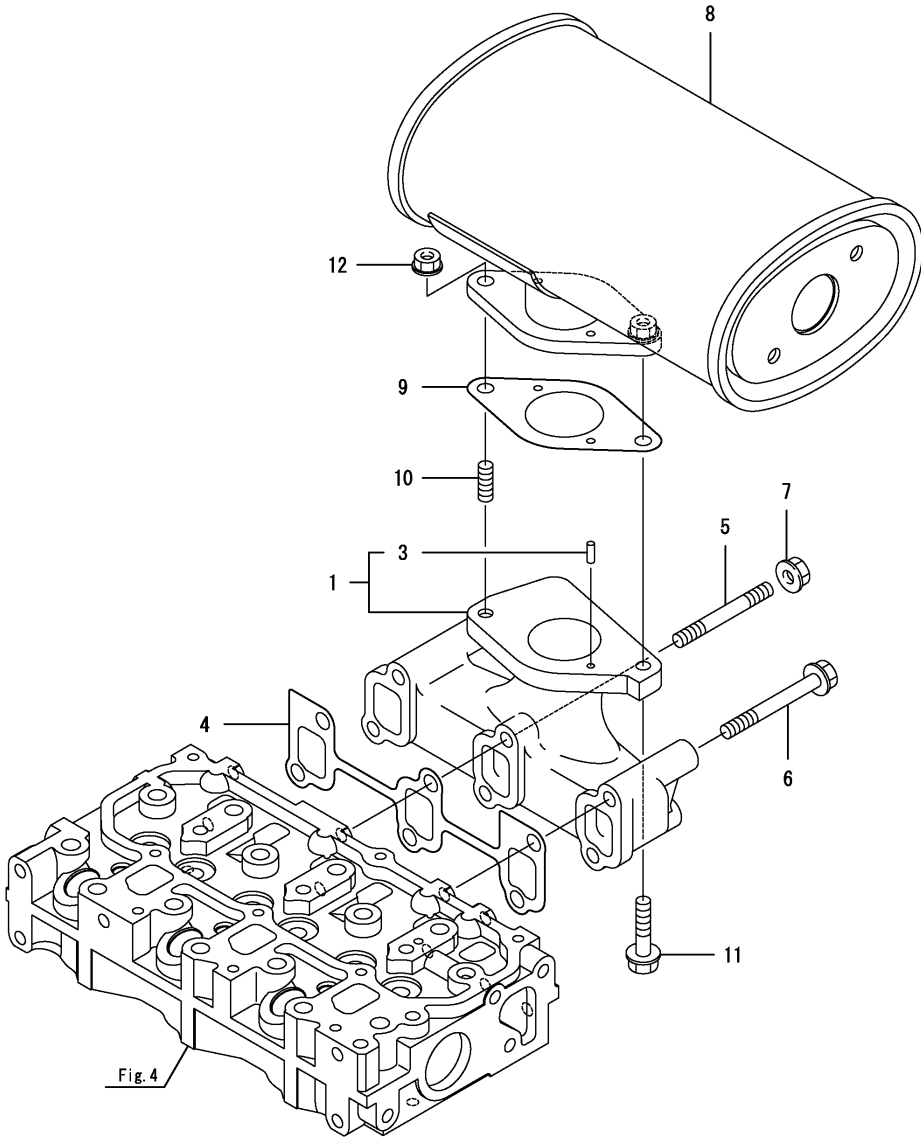
No.	Lev.	Parts No.	Description	Q'ty						I	R
				(A)	(B)	(C)	(D)	(E)	(F)		
1	1	129900-07900	LIFTER	1							
2	1	26106-080162	BOLT, M8X 16 PLATED	2							
3	1	129901-11450	PROTECTOR, NOZZLE	3							
4	1	119600-11460	GASKET, NOZZLE	6							
5	1	105010-11490	CAP, VALVE	6							
6	1	119515-11740	HEAD ASSY, CYLINDER	1							
11	2	119285-11990	PLUG, 35	2							
12	2	23876-005000	PLUG, R005	1							
13	2	119515-11101	VALVE, INTAKE	3							
14	2	119515-11110	VALVE, EXHAUST	3							
15	2	119717-11131	SPRING, VALVE	6							
16	2	129508-11180	RETAINER, SPRING	6							
17	2	119717-11190	COTTER	12							
18	2	119717-11340	SEAL, VALVE STEM	3							
19	2	119717-11350	SEAL, VALVE STEM	3							
20	1	22351-060012	PIN, SPRING 6.0X12	2							
21	1	119515-11800	GUIDE, VALVE	6							1
22	1	119515-11200	SUPPORT ASSY, ARM	1							
23	2	119515-11240	SHAFT ASSY, ROCKER	1							
26	2	119717-11260	SUPPORT, ROCKER ARM	3							
27	2	119515-11280	SPRING	2							
28	2	119717-11650	ARM, ROCKER	6							
29	3	129150-11230	SCREW, VALVE ADJUST	6							
31	3	129150-11750	NUT, M8	6							
32	2	22242-000120	RING, 12	2							
33	2	26979-050162	SCREW, M5X16	1							
34	1	26106-080402	BOLT, M8X 40 PLATED	3							
35	1	124160-01751	COVER, FILLER	1							
36	1	119515-11380	BONNET ASSY, HEAD	1							
37	2	119717-03031	PLATE	1							
38	3	119717-03070	BAFFLE, BREATHER	1							
39	2	119717-03070	BAFFLE, BREATHER	2							
40	2	119802-03100	DIAPHRAGM ASSY	1							
41	3	119802-03110	PLATE	1							
42	3	119802-03121	COVER, DIAPHRAGM	1							
43	3	119802-03131	DIAPHRAGM	1							
44	3	119802-03141	SPRING, DIAPHRAGM	1							
46	2	119515-11310	GASKET, BONNET	1							
47	2	119515-11320	COVER, BONNET	1							
48	2	119515-11330	GASKET	1							
49	2	22857-500100	SCREW, 5X10	4							
50	2	22857-500100	SCREW, 5X10	4							
51	2	22857-500160	SCREW, 5X16	2							
52	1	24311-000320	O-RING, 1AP32.0	1							
53	1	26106-060202	BOLT, M6X 20 PLATED	3							
54	1	26106-060752	BOLT, M6X 75 PLATED	6							
55	1	119717-77800	PLUG, GLOW	3							
56	1	119717-77820	CONNECTOR, GLOW PLUG	1							

Remarks

(1) Spare parts.

N:Old $\begin{matrix} \leftarrow \text{Yes} \\ \text{No} \end{matrix}$ New, Q:Old $\begin{matrix} \leftarrow \text{No} \\ \text{Yes} \end{matrix}$ New, R:Old $\begin{matrix} \leftarrow \text{Yes} \\ \text{Yes} \end{matrix}$ New, S:Old $\begin{matrix} \leftarrow \text{No} \\ \text{No} \end{matrix}$ New, W:Add, Z:Discontinued, F:Interchangeable by set, K:Q'ty Change

Fig.5. EXHAUST MANIFOLD & SILENCER

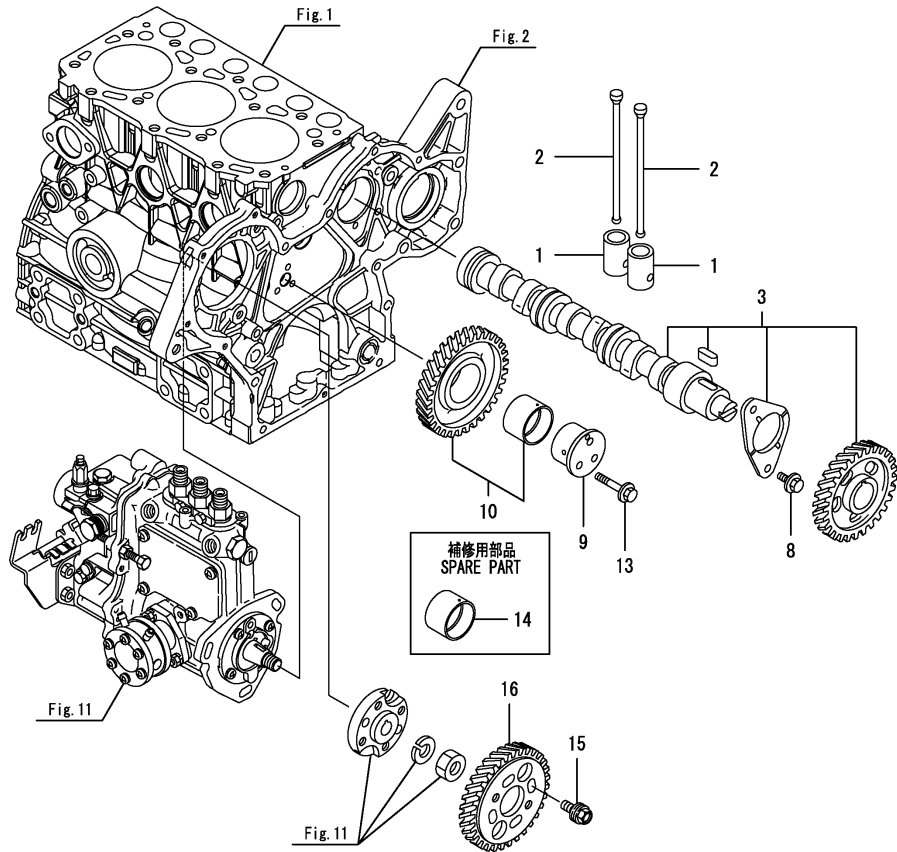


(A)=3TNV70-PUKNE
(B)=
(C)=

(D)=
(E)=
(F)=

No.	Lev.	Parts No.	Description	Q'ty						I	R
				(A)	(B)	(C)	(D)	(E)	(F)		
1	1	119751-13100	MANIFOLD ASSY	1							
3	2	22351-040012	PIN, SPRING 4.0X12	1							
4	1	119717-13110	GASKET	1							
5	1	123900-13610	STUD, M8X80	2							
6	1	123900-13620	BOLT, M8X70	4							
7	1	26306-080002	NUT, M8	2							
8	1	119523-13510	SILENCER	1							
9	1	129107-13540	GASKET, SILENCER	1							
10	1	119131-18320	STUD, M8X22	1							
11	1	26106-080352	BOLT, M8X 35 PLATED	1							
12	1	26306-080002	NUT, M8	1							

Fig.6. CAMSHAFT & DRIVING GEAR



(A)=3TNV70-PUKNE
(B)=
(C)=

(D)=
(E)=
(F)=

No.	Lev.	Parts No.	Description	Q'ty						I	R
				(A)	(B)	(C)	(D)	(E)	(F)		
1	1	119620-14200	TAPPET	6							
2	1	119515-14400	ROD, PUSH	6							
3	1	119515-14581	CAMSHAFT ASSY	1							
8	1	26106-060122	BOLT, M6X 12 PLATED	2							
9	1	119717-25050	SHAFT, IDLE	1							
10	1	119717-25101	GEAR ASSY, IDLE	1							
13	1	26106-060352	BOLT, M6X 35 PLATED	3							
14	1	119717-25911	BUSH, IDLE GEAR	1							1
15	1	129150-25301	BOLT	4							
16	1	119717-25930	GEAR, PUMP	1							

Remarks

(1) Spare parts.

Fig.7. CRANKSHAFT & PISTON

(A)=3TNV70-PUKNE

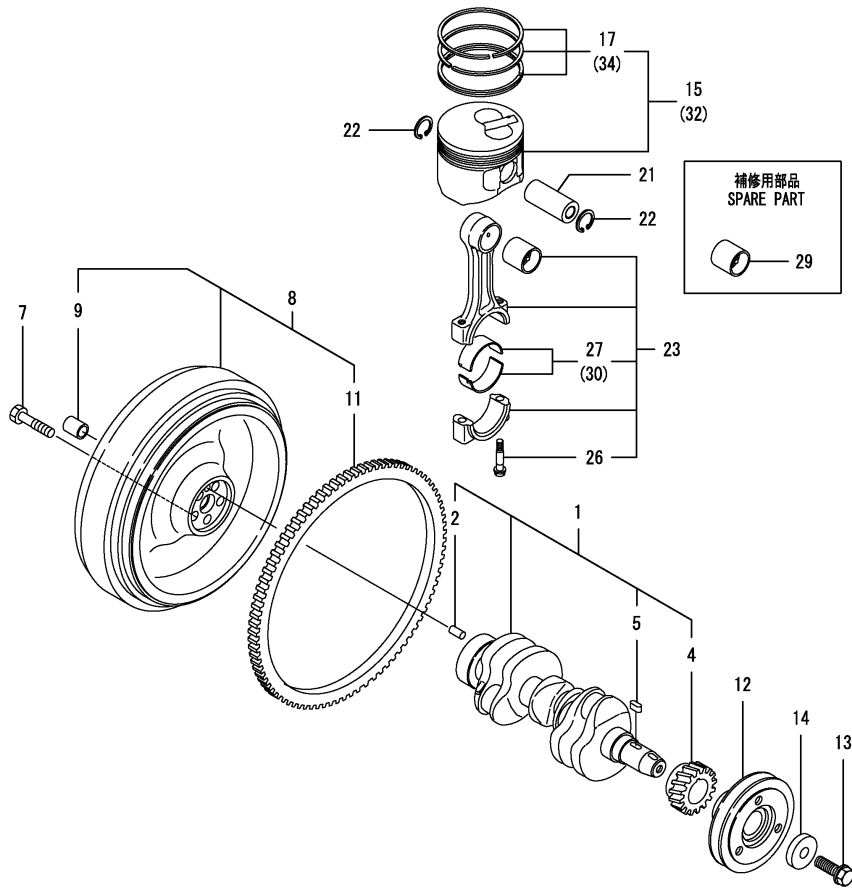
(B)=

(C)=

(D)=

(E)=

(F)=

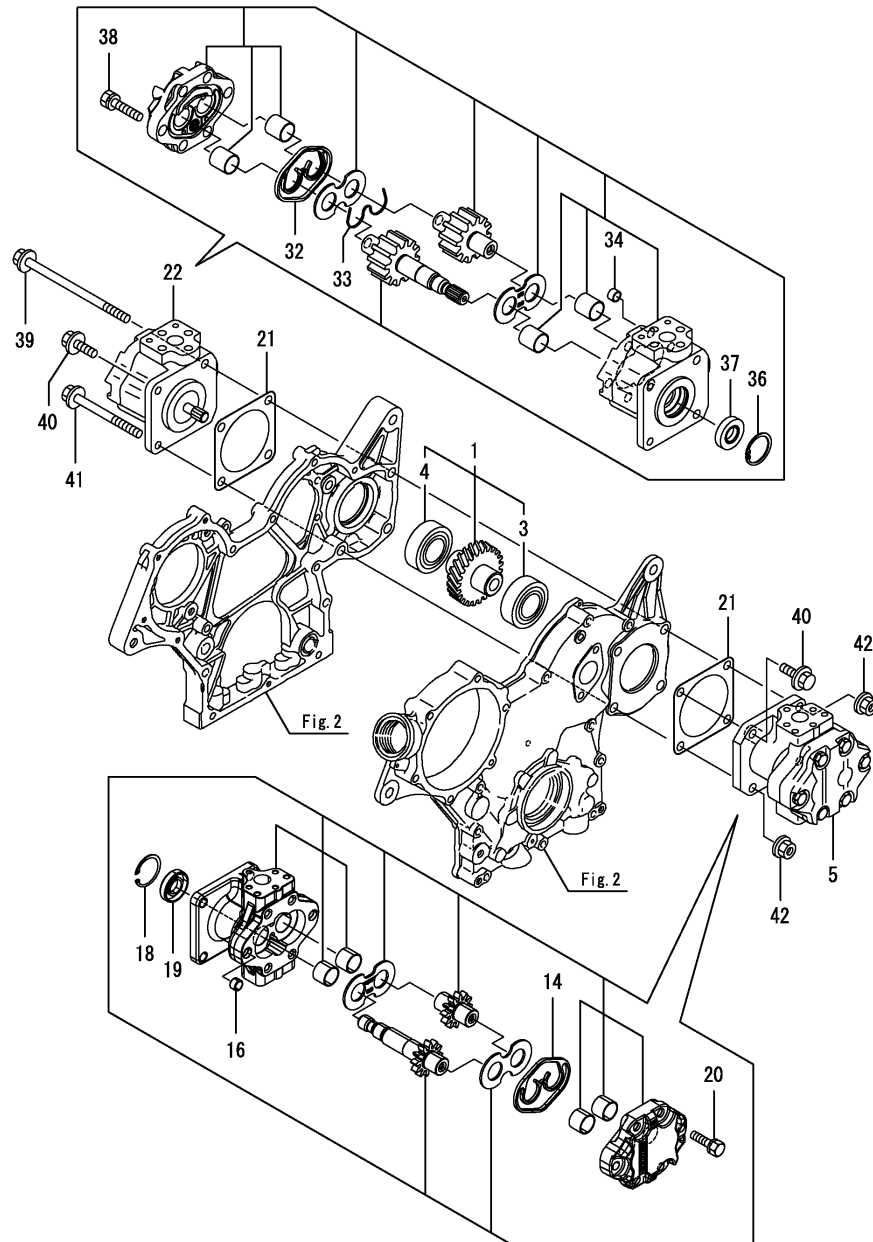


No.	Lev.	Parts No.	Description	Q'ty						I	R
				(A)	(B)	(C)	(D)	(E)	(F)		
1	1	119515-21700	CRANKSHAFT ASSY	1							
2	2	129100-01580	PIN, M8X16	1							
4	2	119717-21200	GEAR, CRANKSHAFT	1							
5	2	22512-040120	KEY, 4X 12	1							
7	1	105225-21501	BOLT, FLYWHEEL	5							
8	1	119462-21591	FLYWHEEL ASSY	1							
9	2	124950-21230	BUSH	1							
11	2	124060-21600	GEAR, RING	1							
12	1	119717-21650	V-PULLEY	1							
12-1	1	119515-21650	V-PULLEY	1							N
(A=E66157)											
13	1	119621-21681	BOLT, FLANGE 12X1.25	1							
14	1	119620-21941	WASHER	1							
15	1	119515-22080	PISTON ASSY	3							
17	2	119515-22500	RING SET, PISTON	3							
21	1	119515-22300	PIN, PISTON	3							
22	1	22252-000220	RING, 22	6							
23	1	119515-23000	ROD ASSY, CONNECTING	3							
26	2	119717-23200	BOLT, CONNECTING ROD	6							
27	2	119515-23601	BEARING, CRANK PIN	3							
29	1	119717-23910	BEARING, PISTON PIN	3							1
30	1	119515-23611	METAL ASSY, 0.25	3							2
32	1	119515-22900	PISTON ASSY, 0.25 OS	3							3
34	2	119515-22550	RING SET, 0.25 OS	3							3

Remarks

- (1) Spare parts.
- (2) Under-sized (U.S.=0.25) parts.
- (3) Over-sized (O.S.=0.25) parts.

Fig.8. HYDRAULIC PUMP



(A)=3TNV70-PUKNE
(B)=
(C)=

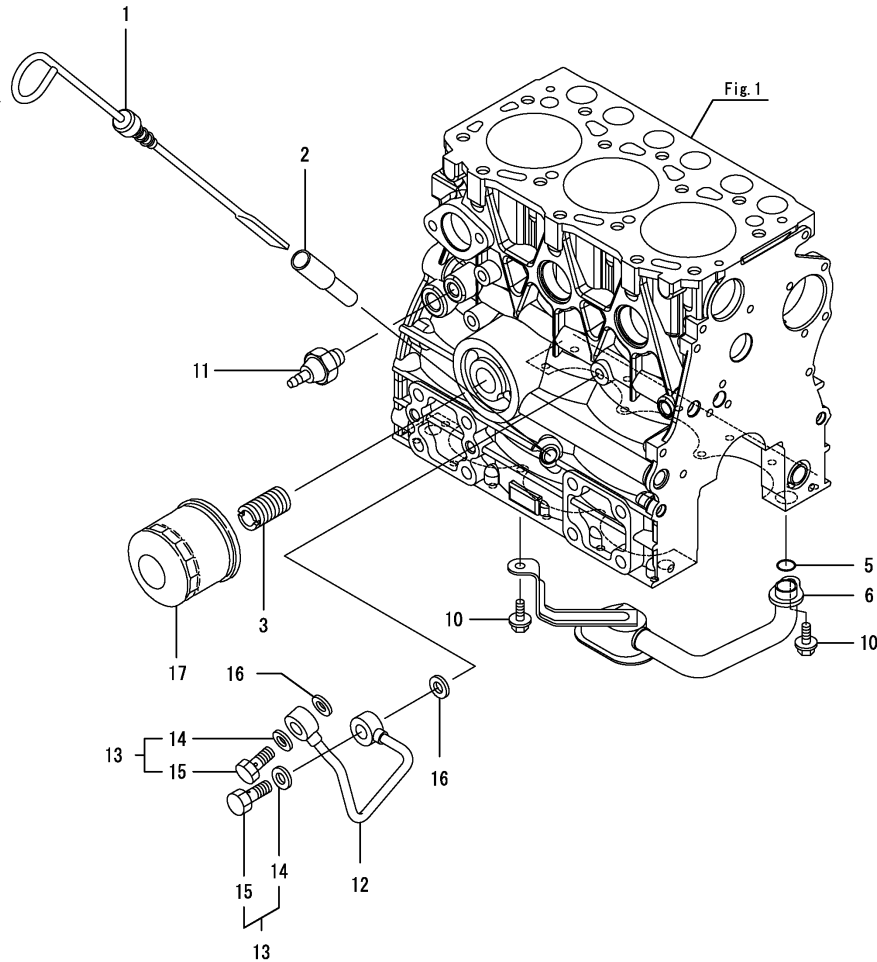
(D)=
(E)=
(F)=

No.	Lev.	Parts No.	Description	Q'ty						I	R
				(A)	(B)	(C)	(D)	(E)	(F)		
1	1	119717-26000	GEAR ASSY, PUMP	1							
3	2	129350-26490	BEARING, BALL 16005	1							
4	2	24104-060054	BEARING, BALL 6005UU	1							
5	1	16807R-00020	HO-P(GPW1-C-4CV	1							
14	2	178070-10401	RING	1							
16	2	194521-41570	PIN, 11X7	2							
18	2	22252-000320	RING, 32	1							
19	2	24421-153207	SEAL, OIL TC153207	1							
20	2	26016-080352	BOLT, M8X 35	6							
21	1	124240-01883	GASKET	2							
22	1	119668-26000	PUMP ASSY,LUB.OIL	1							
32	2	178077-15400	SEAL RING	1							
33	2	178077-15410	BACKUP RING	1							
34	2	194521-41570	PIN, 11X7	2							
36	2	22252-000320	RING, 32	1							
37	2	24421-153207	SEAL, OIL TC153207	1							
38	2	26016-080352	BOLT, M8X 35	4							
39	1	129052-26060	BOLT, M8X138	2							
40	1	26106-080202	BOLT, M8X 20 PLATED	2							
41	1	26106-080852	BOLT, M8X 85 PLATED	1							
42	1	26306-080002	NUT, M8	3							

Fig.9. LUB. OIL SYSTEM

(A)=3TNV70-PUKNE
(B)=
(C)=

(D)=
(E)=
(F)=



No.	Lev.	Parts No.	Description	Q'ty						I	R
				(A)	(B)	(C)	(D)	(E)	(F)		
1	1	119517-34800	DIPSTICK, OIL	1							
2	1	121520-34810	GUIDE, DIPSTICK	1							
3	1	119717-35140	BOLT	1							
5	1	119717-32060	O-RING, P15.0	1							
6	1	119534-35090	PIPE ASSY, OIL INLET	1							
10	1	26106-060102	BOLT, M6X 10 PLATED	2							
11	1	114250-39450	SWITCH, 0.5KG	1							
12	1	119717-39210	PIPE, OIL	1							
13	1	129005-59830	BOLT ASSY, JOINT M8	2							
14	2	22190-080002	WASHER, SEAL 6	2							
15	2	23857-030000	BOLT, JOINT 3	2							
16	1	22190-080002	WASHER, SEAL 6	2							
17	1	119305-35151	FILTER ASSY, D68XL65	1							1

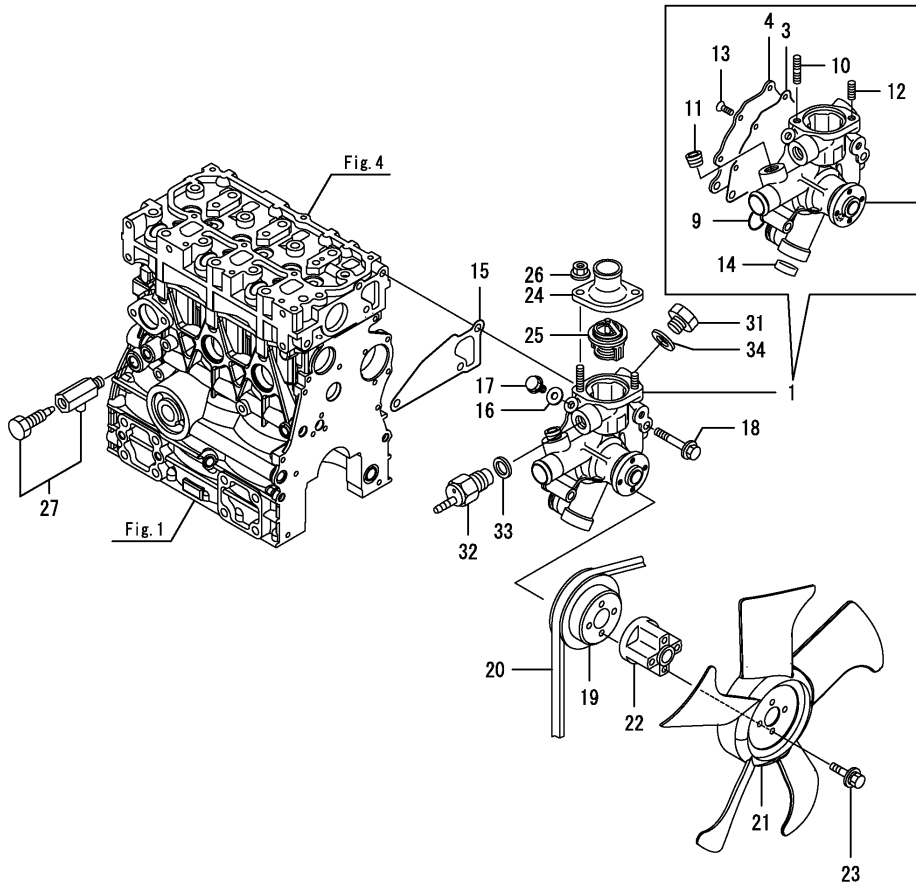
Remarks

(1) Spare parts.

Fig.10. COOLING WATER SYSTEM

(A)=3TNV70-PUKNE
(B)=
(C)=

(D)=
(E)=
(F)=



No.	Lev.	Parts No.	Description	Q'ty						I	R
				(A)	(B)	(C)	(D)	(E)	(F)		
1	1	119517-42000	PUMP ASSY, WATER	1							
3	2	119751-42030	GASKET	1							
4	2	119533-42040	COVER	1							
9	2	119717-42320	O-RING, P26	1							
10	2	129555-44750	STUD, M8X30	1							
11	2	129916-49740	PLUG, R03	1							
12	2	26216-080202	STUD, M8X 20	1							
13	2	26577-060122	SCREW, M6X12	5							
14	2	27241-250000	PLUG, 25	1							
15	1	119515-42020	GASKET, WATER PUMP	1							
16	1	23414-080000	GASKET, 8X1.0	1							
17	1	26106-080122	BOLT, M8X 12 PLATED	1							
18	1	26106-080502	BOLT, M8X 50 PLATED	3							
19	1	119740-42350	V-PULLEY, D=90	1							
20	1	119865-42290	V-BELT, A36.5	1							
21	1	119258-44740	FAN, COOLING D300	1							
22	1	119256-44760	SPACER, FAN	1							
23	1	26106-060552	BOLT, M6X 55 PLATED	4							
24	1	129350-49530	COVER, THERMOSTAT	1							
25	1	119717-49800	THERMOSTAT, 71	1							
26	1	26306-080002	NUT, M8	2							
27	1	119620-49290	COCK ASSY, 1/4	1							
31	1	121450-42450	PLUG, M16	1							
32	1	121250-44901	SWITCH, 110	1							
33	1	124465-44950	GASKET, 16	1							
34	1	124465-44950	GASKET, 16	1							

Fig.11. FUEL INJECTION PUMP

(A)=3TNV70-PUKNE

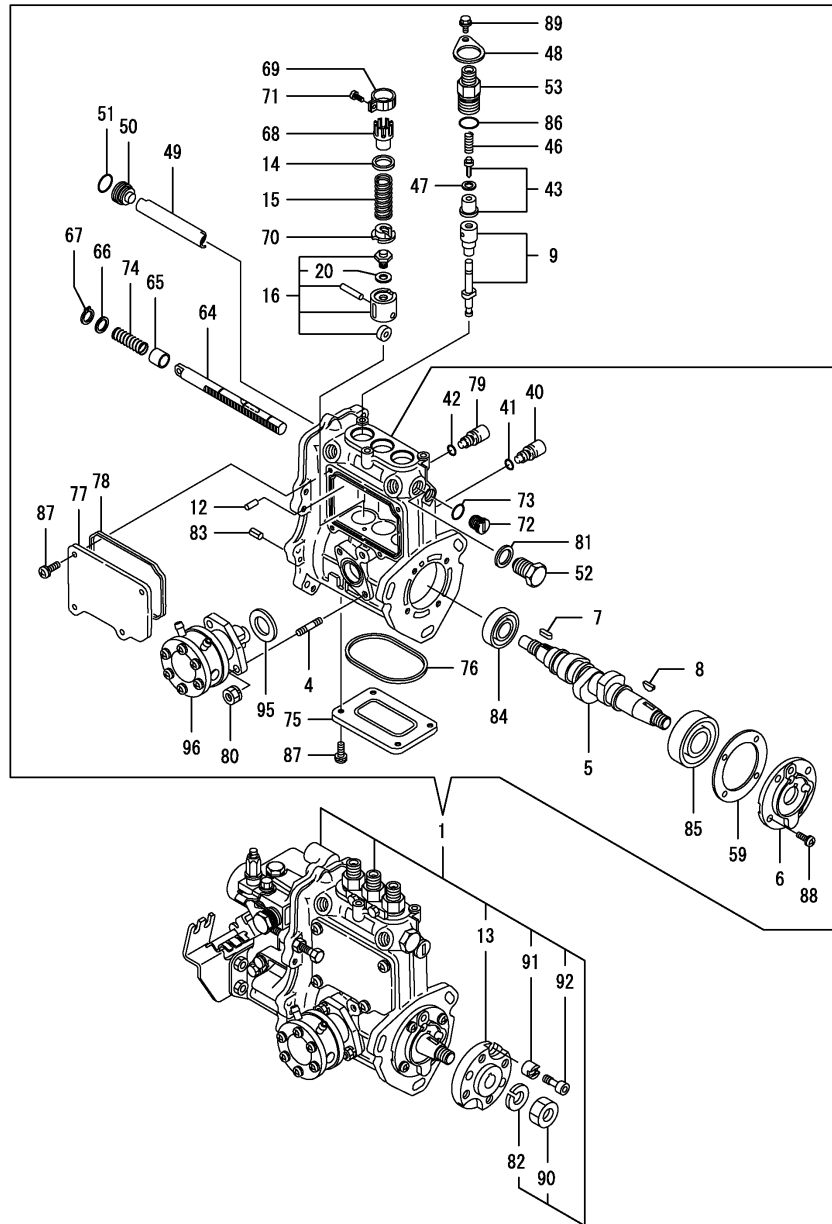
(B)=

(C)=

(D)=

(E)=

(F)=



No.	Lev.	Parts No.	Description	Q'ty						I	R
				(A)	(B)	(C)	(D)	(E)	(F)		
1	1	719523-51380	PUMP ASSY, INJECTION	1							1
4	2	129155-51020	STUD	2							
5	2	119717-51030	CAMSHAFT	1							
6	2	119717-51060	SUPPORT, CAMSHAFT	1							
7	2	119717-51070	KEY	1							
8	2	122710-51090	KEY	1							
9	2	119515-51100	PLUNGER ASSY	3							
12	2	129155-51140	PIN	3							
13	2	119717-51150	FLANGE	1							
14	2	158600-51170	RETAINER, SPRING	3							
15	2	119717-51190	SPRING, PLUNGER	3							
16	2	119717-51200	TAPPET ASSY	3							
20	3	129155-51600	SHIM SET, ADJUSTING	3							
40	2	158600-51270	STOPPER, TAPPET	3							
41	2	129155-51280	O-RING, S6	3							
42	2	129155-51280	O-RING, S6	1							
43	2	119717-51300	VALVE ASSY, DELIVERY	3							
46	2	119717-51330	SPRING, DELIVERY	3							
47	2	124550-51350	GASKET, DELIVERY	3							
48	2	119125-51370	HOLDER	3							
49	2	129155-51400	DEFLECTOR	1							
50	2	158600-51410	PLUG, DEFLECTOR	1							
51	2	119717-51420	O-RING	1							
52	2	158600-51420	PLUG, DEFLECTOR	1							
53	2	158600-51442	VALVE ASSY, DELIVERY	3							
59	2	129155-51450	SHIM SET, ADJUSTING	1							
64	2	119717-51500	RACK, CONTROL	1							
65	2	129155-51521	BUSH, RACK	1							
66	2	129155-51530	SPACER	1							
67	2	129155-51540	CIRCLIP	1							
68	2	129155-51550	PINION, CONTROL	3							
69	2	129100-51560	PINION	3							
70	2	119717-51570	RETAINER, SPRING	3							
71	2	129100-51570	SCREW	3							
72	2	158600-51570	PLUG	1							
73	2	129155-51580	O-RING	1							
74	2	129155-51591	SPRING, RACK	1							
75	2	129155-51701	COVER	1							
76	2	119717-51711	GASKET	1							
77	2	119717-51750	COVER	1							
78	2	119717-51761	GASKET	1							
79	2	158600-51790	STOOPER, RACK	1							
80	2	119717-51860	NUT, M6	2							
81	2	22190-160002	WASHER, SEAL 16	1							
82	2	22217-120000	WASHER, SPRING 12	1							
83	2	22351-050010	PIN, SPRING 5.0X10	2							
84	2	24101-060034	BEARING, BALL 6003	1							
85	2	24101-063034	BEARING, BALL 6303	1							
86	2	24316-000150	O-RING, 4DP15.0	3							
87	2	26022-050122	SCREW, M5X12	8							
88	2	26022-060162	SCREW, M6X16	4							

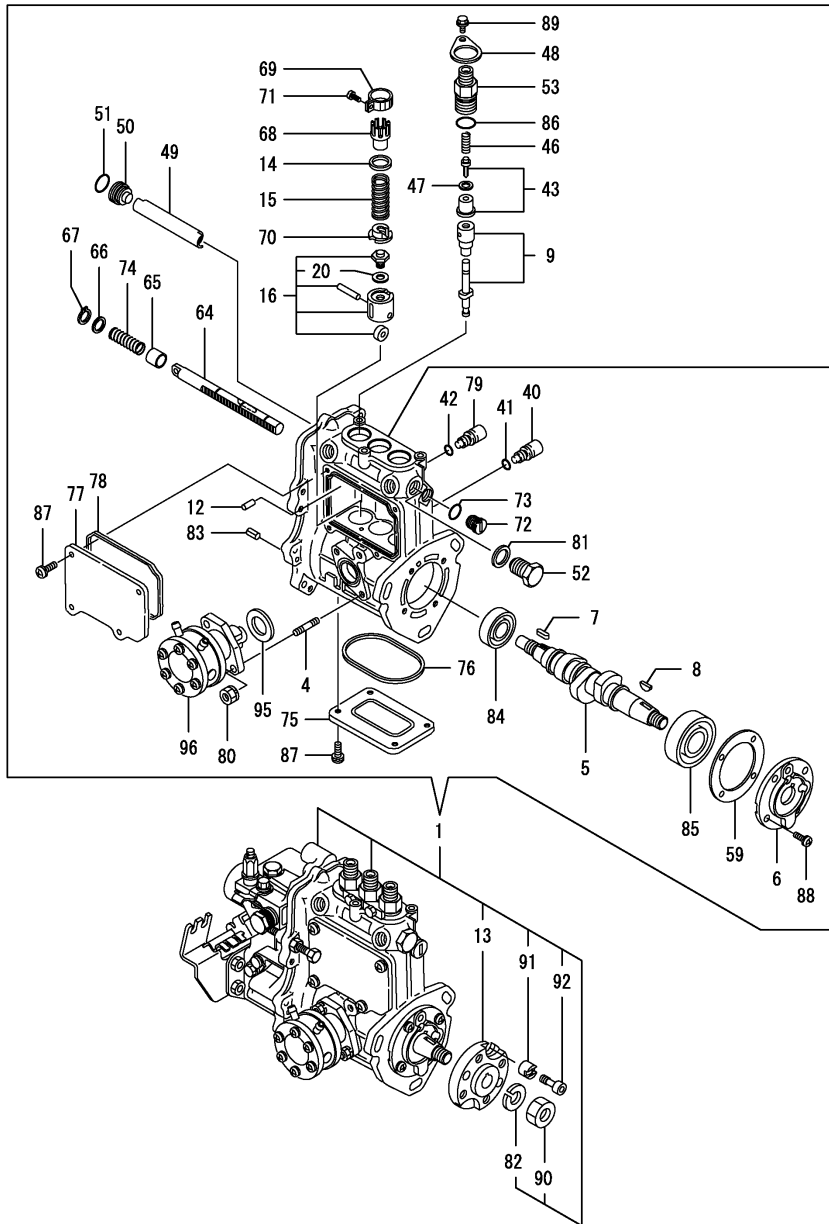
Remarks

(1)Governor(Fig.12) is incorporated in this Fuel Injection Pump(No.1).

Fig.11. FUEL INJECTION PUMP

(A)=3TNV70-PUKNE
(B)=
(C)=

(D)=
(E)=
(F)=

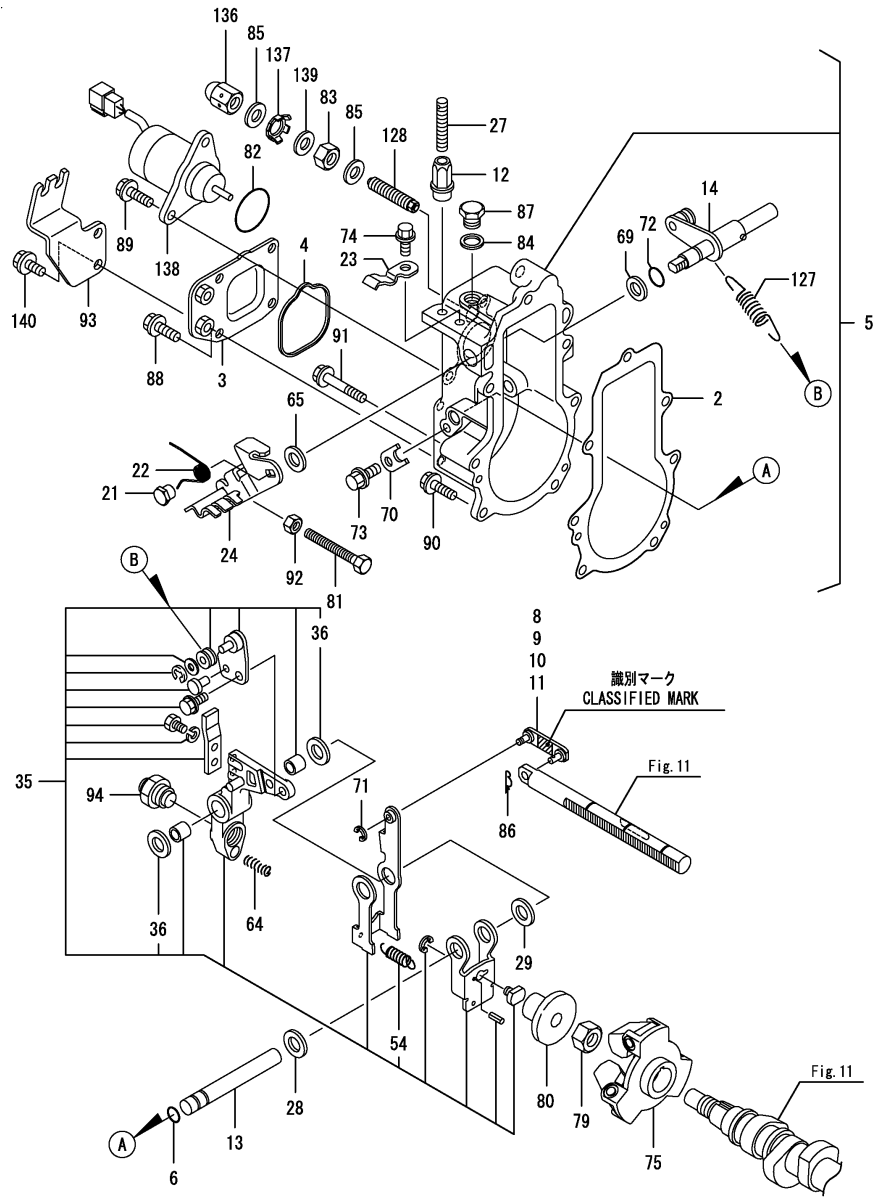


No.	Lev.	Parts No.	Description	Q'ty						I	R
				(A)	(B)	(C)	(D)	(E)	(F)		
89	2	26106-050102	BOLT, M5X 10 PLATED	3							
90	2	26716-120002	NUT, M12	1							
91	2	119717-51480	COLLAR	1							
92	2	119717-51490	BOLT	1							
95	2	129155-52051	GASKET	1							
96	2	129158-52101	PUMP ASSY, FUEL FEED	1							

Remarks

(1)Governor(Fig.12) is incorporated in this Fuel Injection Pump(No.1).

Fig.12. GOVERNOR



(A)=3TNV70-PUKNE
(B)=
(C)=

(D)=
(E)=
(F)=

No.	Lev.	Parts No.	Description	Q'ty						I	R
				(A)	(B)	(C)	(D)	(E)	(F)		
2	2	119717-61050	GASKET	1							
3	2	119761-61060	COVER, GOVERNOR CASE	1							
4	2	119717-61070	GASKET	1							
5	2	119523-61200	CASE ASSY, GOVERNOR	1							
6	3	129155-51280	O-RING, S6	1							
8	3	119717-61120	LINK, MARK :3	1							1
9	3	119717-61130	LINK, MARK 98	1							1
10	3	119717-61140	LINK, MARK 88	1							1
11	3	119717-61150	LINK, MARK 03	1							1
12	3	129209-61370	NUT, M6	1							
13	3	129052-61390	SHAFT	1							
14	3	119717-61400	SHAFT ASSY	1							
21	3	129255-61410	NUT, LOCK	1							
22	3	119534-61420	SPRING	1							
23	3	119534-61430	RETAINER	1							
24	3	119527-61440	LEVER ASSY,REGULATOR	1							
27	3	129155-61450	BOLT, LIMITER	1							
28	3	129156-61460	SHIM, T=0.6	1							
29	3	129155-61480	SPACER ASSY	1							
35	3	119761-61500	LEVER ASSY, GOVERNOR	1							
36	4	174307-51700	SHIM SET	2							
54	4	129486-61540	SPRING, SET	1							
64	4	129486-61650	SPRING, STARTING	1							
65	3	158552-61700	SHIM SET	1							
69	3	158552-61710	SHIM, T=1.0	1							
70	3	119660-61901	RETAINER, SHAFT	1							
71	3	22272-000030	RING, E-3	1							
72	3	24341-000070	O-RING, 1AS7.0	1							
73	3	26106-060102	BOLT, M6X 10 PLATED	1							
74	3	26106-060102	BOLT, M6X 10 PLATED	1							
75	2	119717-61201	WEIGHT ASSY,GOVERNOR	1							
79	2	129008-61301	NUT	1							
80	2	129155-61341	SLEEVE	1							
81	2	129155-61460	BOLT, IDLE	1							
82	2	158552-61900	O-RING	1							
83	2	129209-61920	NUT, ARB	1							
84	2	22190-100002	WASHER, SEAL 10	1							
85	2	22190-120002	WASHER, SEAL 12	2							
86	2	22372-040000	PIN, SNAP 4	1							
87	2	23887-100002	PLUG, 10	1							
88	2	26106-060102	BOLT, M6X 10 PLATED	4							
89	2	26106-060142	BOLT, M6X 14 PLATED	2							
90	2	26106-060202	BOLT, M6X 20 PLATED	4							
91	2	26106-060452	BOLT, M6X 45 PLATED	3							
92	2	26756-060002	NUT, LOCK M6	1							
93	2	119527-61080	SUPPORT, WIRE	1							
94	2	119717-61550	ANGLEICH ASSY	1							
127	2	119544-61700	SPRING, GOVERNOR	1							
128	2	158601-61710	LIMITER ASSY, FUEL	1							
136	2	129209-61930	NUT, CAP	1							
137	2	129209-61970	PLATE	1							

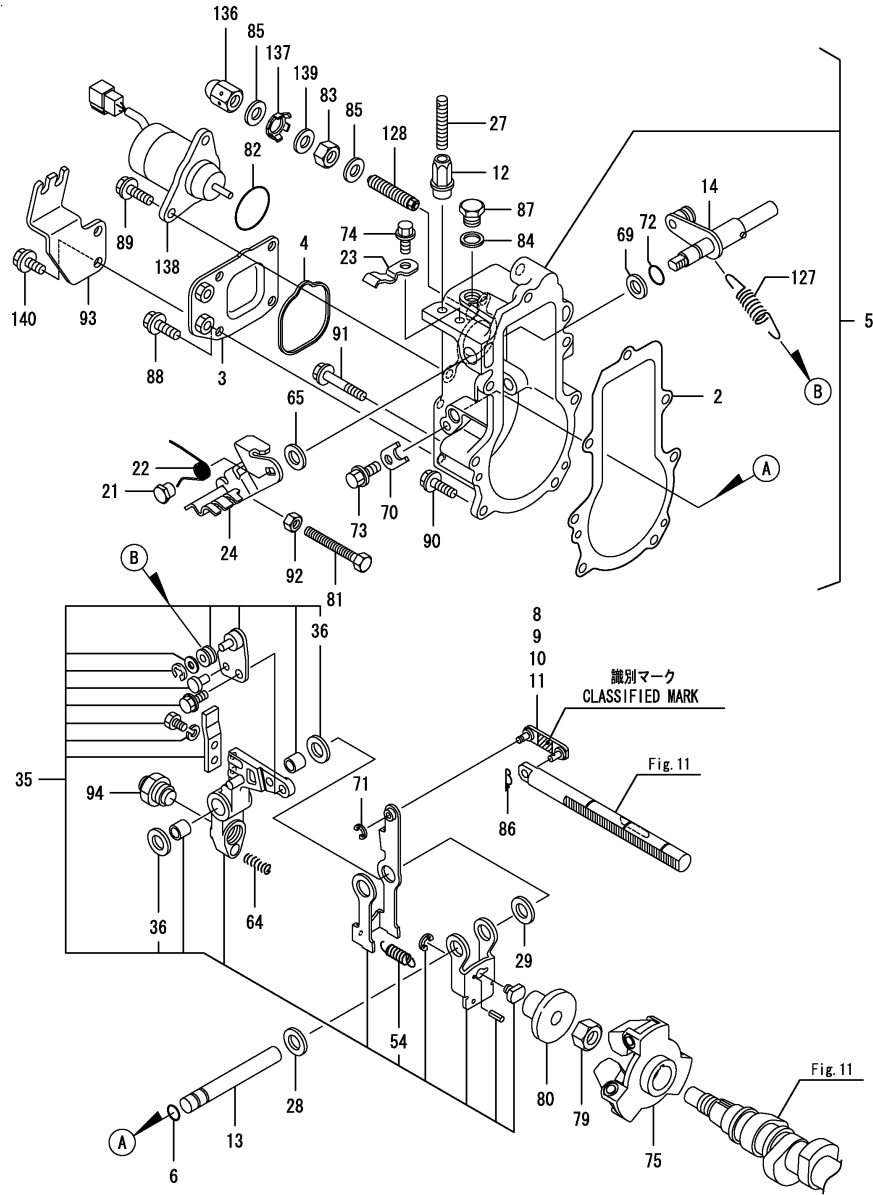
Remarks

* This figure(Governor) is incorporated in the Fuel Injection Pump(Fig.11).

(1) Selective parts.

Certain the classification mark, then place your order(Refer to illustration).

Fig.12. GOVERNOR



(A)=3TNV70-PUKNE
(B)=
(C)=

(D)=
(E)=
(F)=

No.	Lev.	Parts No.	Description	Qty						I	R
				(A)	(B)	(C)	(D)	(E)	(F)		
138	2	119653-77950	SOLENOID, STOP	1							
139	2	23414-120016	GASKET, 12X1.0	1							
140	2	26106-060102	BOLT, M6X 10 PLATED	2							

Remarks

* This figure(Governor) is incorporated in the Fuel Injection Pump(Fig.11).

(1) Selective parts.

Certain the classification mark, then place your order(Refer to illustration).

N:Old $\xrightarrow{\text{Yes}}$ New, Q:Old $\xrightarrow{\text{No}}$ New, R:Old $\xrightarrow{\text{Yes}}$ New, S:Old $\xrightarrow{\text{No}}$ New, W:Add, Z:Discontinued, F:Interchangeable by set, K:Qty Change

Fig.13. FUEL INJECTION VALVE

(A)=3TNV70-PUKNE

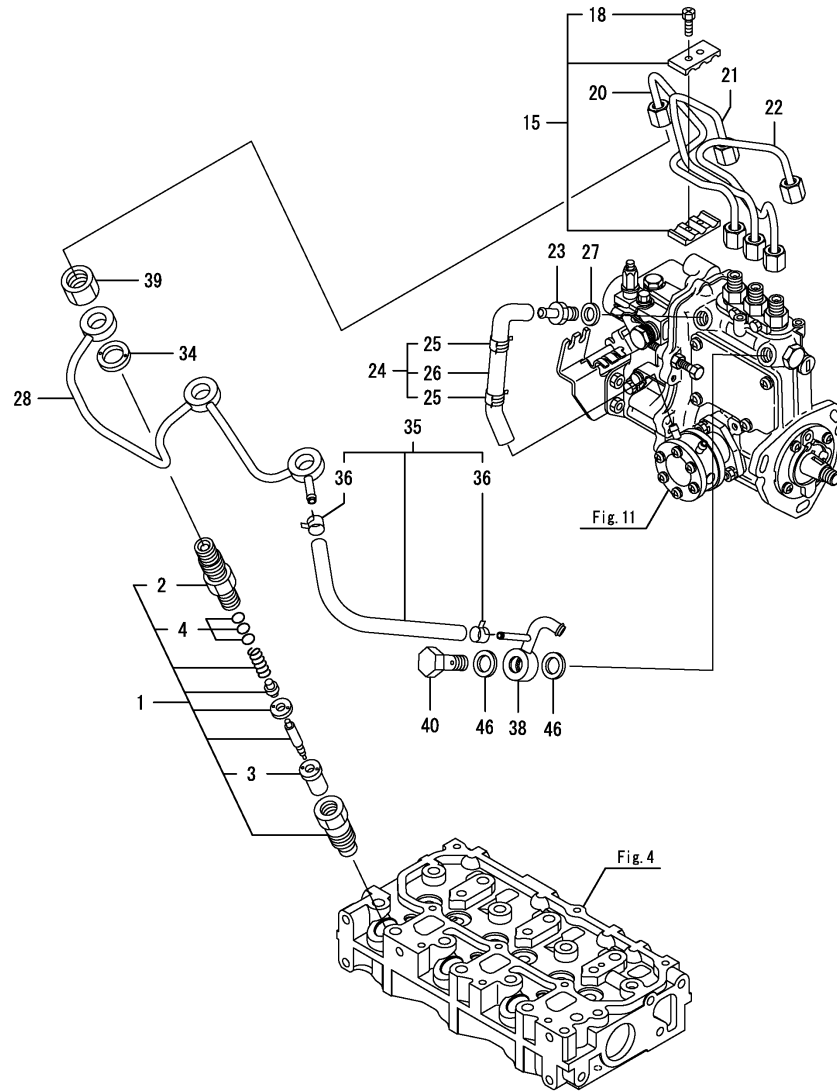
(B)=

(C)=

(D)=

(E)=

(F)=



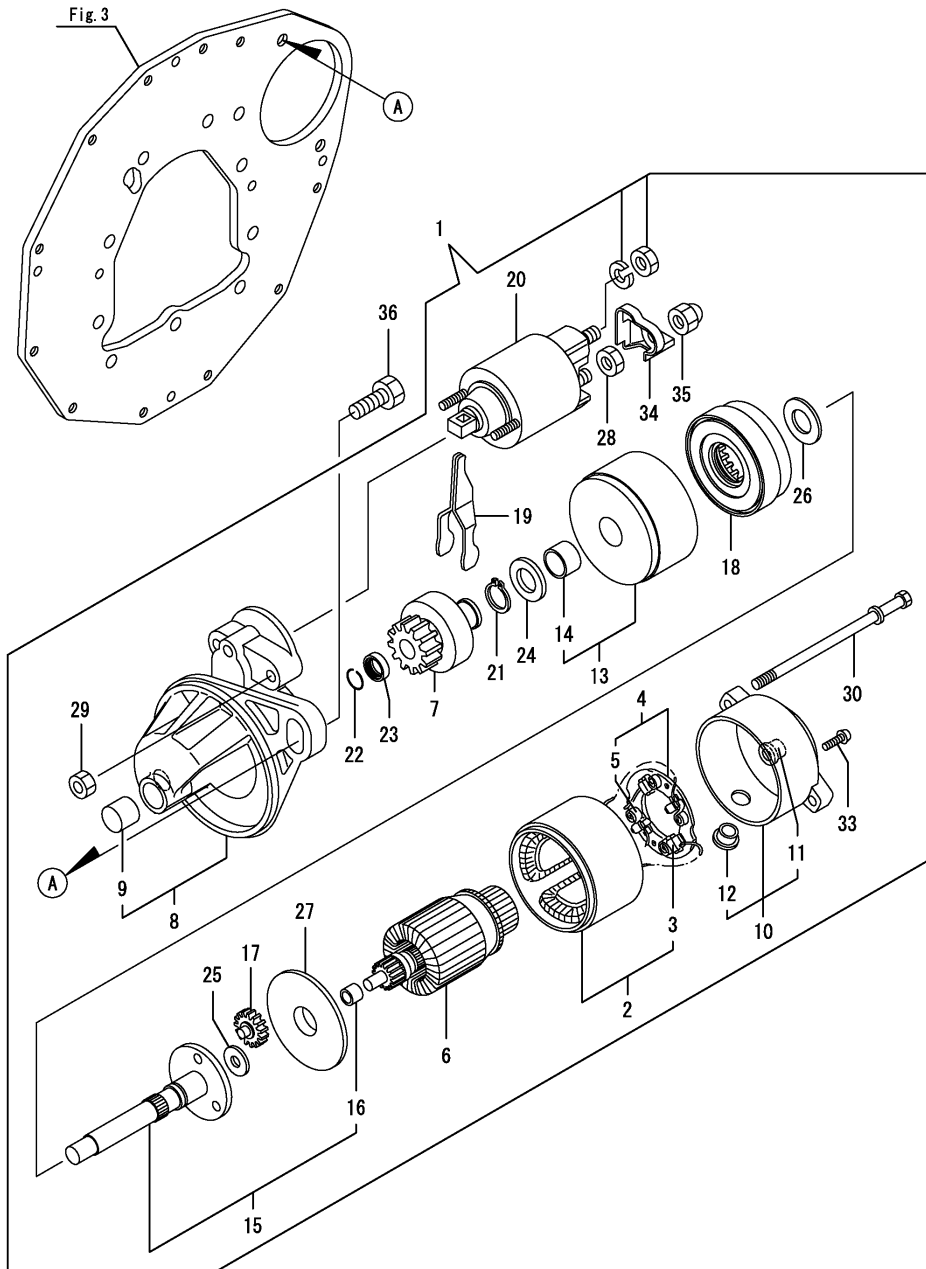
No.	Lev.	Parts No.	Description	Q'ty						I	R
				(A)	(B)	(C)	(D)	(E)	(F)		
1	1	119515-53001	VALVE ASSY,INJECTION	3							
2	2	118200-53010	HOLDER, NOZZLE	3							
3	2	119515-53010	VALVE ASSY,INJECTION	3							
4	2	129901-53800	SHIM SET, ADJUSTING	3							1
15	1	129150-59120	RETAINER, PIPE	1							
18	2	129150-59131	BOLT, M4X14	2							
20	1	119546-59810	PIPE ASSY, INJECTION	1							
21	1	119546-59820	PIPE ASSY, INJECTION	1							
22	1	119546-59830	PIPE ASSY, INJECTION	1							
23	1	119462-59151	JOINT ASSY	1							
24	1	119751-59510	PIPE ASSY, FUEL	1							
25	2	124766-59050	CLIP, HOSE 12	2							
26	2	119751-59520	PIPE, FUEL	1							
27	1	22190-120002	WASHER, SEAL 12	1							
28	1	119515-59540	PIPE ASSY, RETURN	1							
34	1	129901-59560	GASKET	3							
35	1	119540-59570	PIPE ASSY, RETURN	1							
36	2	124066-59100	CLIP, HOSE 8	2							
38	1	119515-59581	JOINT, OVER FLOW	1							
39	1	119620-59700	NUT, NOZZLE	3							
40	1	119813-59950	VALVE ASSY, CHECK	1							
46	1	22190-120002	WASHER, SEAL 12	2							

Remarks

(1) Spare parts.

N:Old $\xrightarrow{\text{Yes}}$ New, Q:Old $\xrightarrow{\text{No}}$ New, R:Old $\xrightarrow{\text{Yes}}$ New, S:Old $\xrightarrow{\text{No}}$ New, W:Add, Z:Discontinued, F:Interchangeable by set, K:Q'ty Change

Fig.14. STARTER MOTOR



(A)=3TNV70-PUKNE
(B)=
(C)=

(D)=
(E)=
(F)=

No.	Lev.	Parts No.	Description	Q'ty						I	R
				(A)	(B)	(C)	(D)	(E)	(F)		
1	1	119853-77010	STARTER, P1.1	1							
2	2	X0281007750	YOKE ASSY	1							
3	3	X0280996180	STARTER KIT	2							
4	2	X0285105190	HOLDER ASSY	1							
5	3	X0285205030	SPRING	4							
6	2	X0282005991	ARMATURE ASSY	1							
7	2	X0283006960	CLUTCH ASSY	1							
8	2	X2284006080	HOUSING ASSY	1							
9	3	X9491050100	BEARING, NEEDLE	1							
10	2	X0285005750	FRAME ASSY	1							
11	3	X9491040990	BEARING	1							
12	3	X0280626010	COVER	1							
13	2	X0284105040	BEARING ASSY	1							
14	3	X9491034330	BEARING	1							
15	2	X0286105010	SHAFT ASSY	1							
16	3	X9491034320	BEARING	1							
17	2	X0286305010	GEAR	3							
18	2	X0286355010	GEAR	1							
19	2	X0287405140	LEVER	1							
20	2	X0534007800	SWITCH ASSY	1							
21	2	X9055715000	RING	1							
22	2	X9490721360	RING	1							
23	2	X0280210331	NUT	1							
24	2	X9490138110	WASHER	1							
25	2	X9490138090	WASHER	1							
26	2	X9490138100	WASHER	1							
27	2	X0284525010	PLATE	1							
28	2	X9490562360	NUT	1							
29	2	X9490560750	NUT	2							
30	2	X9490423420	BOLT, THROUGH	2							
33	2	X9490065670	SCREW, M4X6	2							
34	2	X0280335350	COVER, TERMINAL	1							
35	2	X1289510130	NUT	1							
36	1	26106-100402	BOLT, M10X 40 PLATED	2							

Fig.15. GENERATOR

(A)=3TNV70-PUKNE

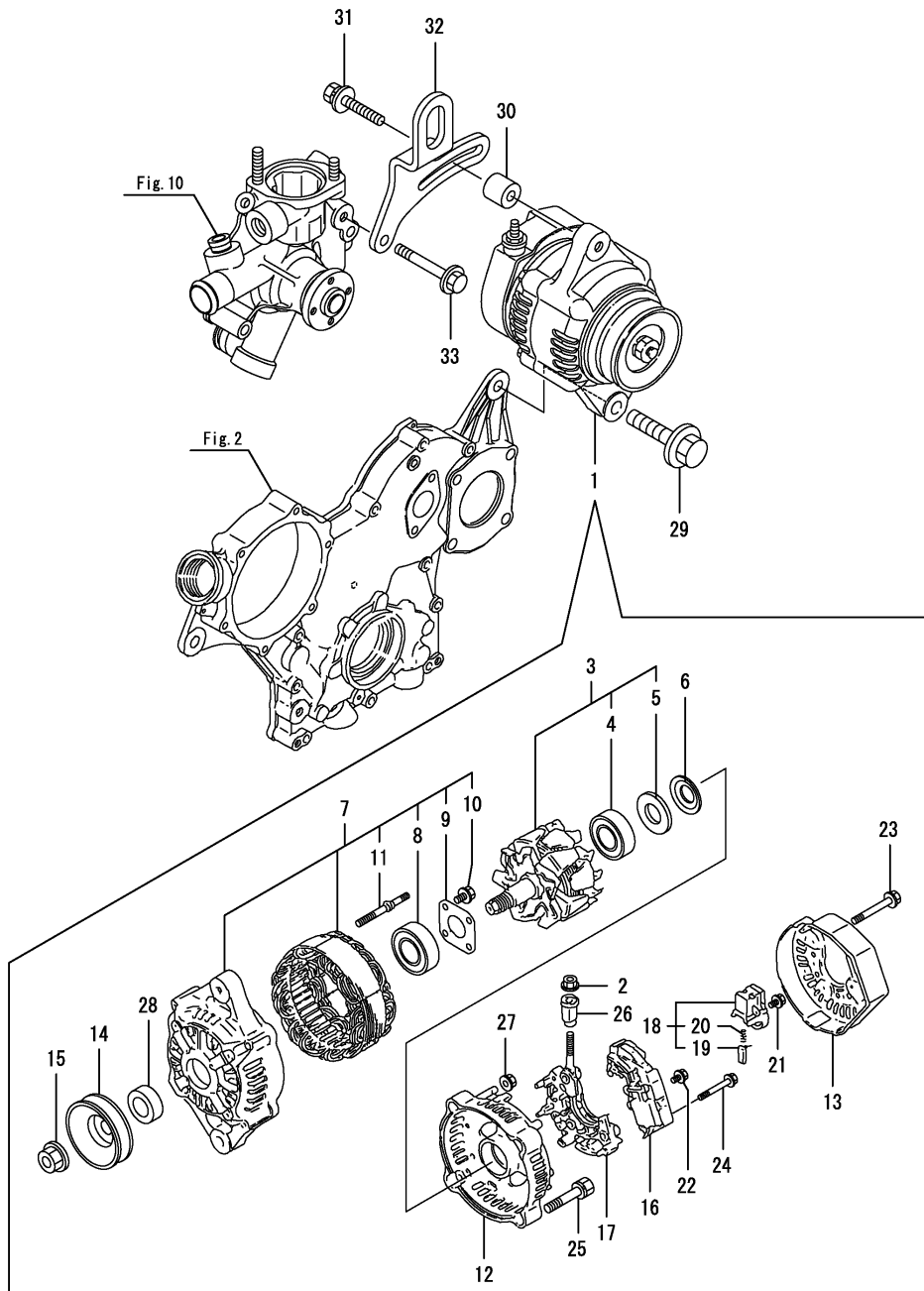
(B)=

(C)=

(D)=

(E)=

(F)=



No.	Lev.	Parts No.	Description	Q'ty						I	R
				(A)	(B)	(C)	(D)	(E)	(F)		
1	1	119620-77201	GENERATOR, 40A	1							
2	2	X9490561001	NUT	1							
3	2	119620-77380	ROTOR ASSY	1							
4	3	123501-79240	BEARING, BALL	1							
5	3	119620-79250	COVER	1							
6	2	119620-79360	WASHER, THRUST	1							
7	2	119620-77421	FRAME ASSY, DRIVE	1							
8	3	119620-79200	BEARING, BALL	1							
9	3	119620-79210	PLATE, RETAINER	1							
10	3	119620-79220	SCREW	4							
11	3	119620-79230	STUD	2							
12	2	119620-77440	FRAME ASSY	1							
13	2	119620-77450	COVER	1							
14	2	119620-77461	PULLEY	1							
15	2	119620-77471	NUT	1							
16	2	119620-77710	REGULATOR ASSY	1							
17	2	119620-79260	HOLDER	1							
18	2	119620-79270	HOLDER, BRUSH	1							
19	3	119620-77480	BRUSH ASSY	2							
20	3	119620-79280	SPRING	2							
21	2	119620-79290	SCREW	6							
22	2	119620-79300	SCREW	1							
23	2	119620-79310	BOLT	3							
24	2	119620-79320	SCREW	2							
25	2	119620-79330	BOLT	2							
26	2	119620-79340	BUSH, INSULATION	1							
27	2	119620-79350	NUT	2							
28	2	119620-77490	COLLAR	1							
29	1	26106-100452	BOLT, M10X 45 PLATED	1							
30	1	124732-77340	SPACER	1							
31	1	129972-77341	BOLT, ADJUSTER L=50	1							
32	1	119523-77370	ADJUSTER	1							
33	1	26106-080202	BOLT, M8X 20 PLATED	1							

Parts No. Index

Parts No.	Fig. No.	Ref. No.
105010-11490	4	5
105225-21501	7	7
105311-01090	1	4
114250-39450	9	11
118200-53010	13	2
119125-51370	11	48
119131-18320	5	10
119256-44760	10	22
119258-44740	10	21
119285-01990	1	6
119285-11990	4	11
119305-35151	9	17
119462-21591	7	8
119462-59151	13	23
119515-01200	1	26
119515-01330	1	27
119515-01720	3	10
119515-11101	4	13
119515-11110	4	14
119515-11200	4	22
119515-11240	4	23
119515-11280	4	27
119515-11310	4	46
119515-11320	4	47
119515-11330	4	48
119515-11380	4	36
119515-11740	4	6
119515-11800	4	21
119515-14400	6	2
119515-14581	6	3
119515-21650	7	12 -1
119515-21700	7	1
119515-22080	7	15
119515-22300	7	21
119515-22500	7	17
119515-22550	7	34
119515-22900	7	32
119515-23000	7	23
119515-23601	7	27
119515-23611	7	30
119515-42020	10	15
119515-51100	11	9
119515-53001	13	1
119515-53010	13	3
119515-59540	13	28
119515-59581	13	38
119517-34800	9	1
119517-42000	10	1
119523-01610	3	2
119523-01850	3	11

Parts No.	Fig. No.	Ref. No.
119523-13510	5	8
119523-61200	12	5
119523-77370	15	32
119527-01640	3	6
119527-61080	12	93
119527-61440	12	24
119533-42040	10	4
119534-35090	9	6
119534-61420	12	22
119534-61430	12	23
119540-59570	13	35
119544-61700	12	127
119546-59810	13	20
119546-59820	13	21
119546-59830	13	22
119600-11460	4	4
119620-01620	3	5
119620-02020	1	7
119620-14200	6	1
119620-21941	7	14
119620-49290	10	27
119620-59700	13	39
119620-77201	15	1
119620-77380	15	3
119620-77421	15	7
119620-77440	15	12
119620-77450	15	13
119620-77461	15	14
119620-77471	15	15
119620-77480	15	19
119620-77490	15	28
119620-77710	15	16
119620-79200	15	8
119620-79210	15	9
119620-79220	15	10
119620-79230	15	11
119620-79250	15	5
119620-79260	15	17
119620-79270	15	18
119620-79280	15	20
119620-79290	15	21
119620-79300	15	22
119620-79310	15	23
119620-79320	15	24
119620-79330	15	25
119620-79340	15	26
119620-79350	15	27
119620-79360	15	6
119621-21681	7	13
119623-01250	1	5

Parts No.	Fig. No.	Ref. No.
119624-32040	2	19
119653-77950	12	138
119660-01911	2	18
119660-61901	12	70
119668-26000	8	22
119717-01570	2	2
119717-01750	2	17
119717-01800	2	7
119717-02411	1	10
119717-02930	1	23
119717-03031	4	37
119717-03070	4	38
		39
119717-11131	4	15
119717-11190	4	17
119717-11260	4	26
119717-11340	4	18
119717-11350	4	19
119717-11650	4	28
119717-13110	5	4
119717-21200	7	4
119717-21650	7	12
119717-23200	7	26
119717-23910	7	29
119717-25050	6	9
119717-25101	6	10
119717-25911	6	14
119717-25930	6	16
119717-26000	8	1
119717-32050	2	20
119717-32060	9	5
119717-32080	2	10
119717-32100	2	9
119717-32110	2	14
119717-32120	2	15
119717-35140	9	3
119717-39210	9	12
119717-42320	10	9
119717-49800	10	25
119717-51030	11	5
119717-51060	11	6
119717-51070	11	7
119717-51150	11	13
119717-51190	11	15
119717-51200	11	16
119717-51300	11	43
119717-51330	11	46
119717-51420	11	51
119717-51480	11	91
119717-51490	11	92

Parts No.	Fig. No.	Ref. No.
119717-51500	11	64
119717-51570	11	70
119717-51711	11	76
119717-51750	11	77
119717-51761	11	78
119717-51860	11	80
119717-61050	12	2
119717-61070	12	4
119717-61120	12	8
119717-61130	12	9
119717-61140	12	10
119717-61150	12	11
119717-61201	12	75
119717-61400	12	14
119717-61550	12	94
119717-77800	4	55
119717-77820	4	56
119740-01501	2	1
119740-42350	10	19
119751-01521	2	5
119751-01590	2	3
119751-13100	5	1
119751-42030	10	3
119751-59510	13	24
119751-59520	13	26
119761-61060	12	3
119761-61500	12	35
119802-03100	4	40
119802-03110	4	41
119802-03121	4	42
119802-03131	4	43
119802-03141	4	44
119802-32130	2	16
119810-02941	1	34
119813-59950	13	40
119853-77010	14	1
119865-42290	10	20
121250-44901	10	32
121450-42450	10	31
121520-34810	9	2
121850-51960	2	21
122710-51090	11	8
123501-79240	15	4
123900-13610	5	5
123900-13620	5	6
124060-01050	1	11
124060-21600	7	11
124066-59100	13	36
124085-02220	3	8
124160-01751	2	29

Parts No. Index

Parts No.	Fig. No.	Ref. No.
124160-01751	4	35
124160-01910	1	12
124240-01883	8	21
124465-44950	10	33
		34
124550-51350	11	47
124732-77340	15	30
124766-59050	13	25
124950-21230	7	9
129001-32320	2	12
129001-32330	2	13
129005-59830	9	13
129008-61301	12	79
129052-26060	8	39
129052-61390	12	13
129054-01640	3	12
129100-01580	3	1
	7	2
129100-51560	11	69
129100-51570	11	71
129107-13540	5	9
129150-11230	4	29
129150-11750	4	31
129150-25301	6	15
129150-59120	13	15
129150-59131	13	18
129150-91400	2	31
129155-51020	11	4
129155-51140	11	12
129155-51280	11	41
		42
	12	6
129155-51400	11	49
129155-51450	11	59
129155-51521	11	65
129155-51530	11	66
129155-51540	11	67
129155-51550	11	68
129155-51580	11	73
129155-51591	11	74
129155-51600	11	20
129155-51701	11	75
129155-52051	11	95
129155-61341	12	80
129155-61450	12	27
129155-61460	12	81
129155-61480	12	29
129156-61460	12	28
129158-52101	11	96
129209-61370	12	12

Parts No.	Fig. No.	Ref. No.
129209-61920	12	83
129209-61930	12	136
129209-61970	12	137
129255-61410	12	21
129350-26490	8	3
129350-49530	10	24
129486-61540	12	54
129486-61650	12	64
129508-11180	4	16
129555-44750	10	10
129900-07900	4	1
129900-32130	2	11
129901-11450	4	3
129901-53800	13	4
129901-59560	13	34
129916-49740	10	11
129972-77341	15	31
158552-61700	12	65
158552-61710	12	69
158552-61900	12	82
158600-51170	11	14
158600-51270	11	40
158600-51410	11	50
158600-51420	11	52
158600-51442	11	53
158600-51570	11	72
158600-51790	11	79
158601-61710	12	128
16807R-00020	8	5
174307-51700	12	36
178070-10401	8	14
178077-15400	8	32
178077-15410	8	33
194521-41570	8	16
		34
22190-080002	9	14
		16
22190-100002	12	84
22190-120002	3	14
	12	85
	13	27
		46
22190-160002	11	81
22217-120000	11	82
22242-000120	4	32
22252-000220	7	22
22252-000320	8	18
		36
22272-000030	12	71
22351-040012	5	3

Parts No.	Fig. No.	Ref. No.
22351-050010	11	83
22351-060012	4	20
22372-040000	12	86
22512-040120	7	5
22857-500100	4	49
		50
22857-500160	4	51
23414-080000	10	16
23414-120016	12	139
23857-030000	9	15
23876-005000	4	12
23876-030000	2	6
23887-100002	12	87
24101-060034	11	84
24101-062024	2	8
24101-063034	11	85
24104-060054	8	4
24311-000320	2	30
	4	52
24316-000150	11	86
24341-000070	12	72
24341-000240	2	33
24421-153207	8	19
		37
26016-080352	8	20
		38
26022-050122	11	87
26022-060162	11	88
26106-050102	11	89
26106-060102	9	10
	12	73
		74
		88
		140
26106-060122	2	22
	3	15
	6	8
26106-060142	12	89
26106-060162	2	23
		34
26106-060202	4	53
	12	90
26106-060222	3	9
26106-060252	3	16
26106-060352	6	13
26106-060402	2	24
		25
26106-060452	3	17
	12	91
26106-060552	10	23

Parts No.	Fig. No.	Ref. No.
26106-060602	2	26
26106-060652	2	27
26106-060752	4	54
26106-080122	10	17
26106-080162	4	2
26106-080202	8	40
	15	33
26106-080352	5	11
26106-080402	4	34
26106-080502	10	18
26106-080852	8	41
26106-100402	14	36
26106-100452	15	29
26206-100202	3	3
26206-100252	3	4
26216-080202	10	12
26306-080002	2	28
	5	7
		12
	8	42
	10	26
26577-060122	10	13
26716-120002	11	90
26756-060002	12	92
26979-050162	4	33
27241-120000	1	13
27241-250000	10	14
719515-01560	1	1
719523-51380	11	1
719717-02901	1	28
719717-02911	1	31
719751-01500	2	4
X0280210331	14	23
X0280335350	14	34
X0280626010	14	12
X0280996180	14	3
X0281007750	14	2
X0282005991	14	6
X0283006960	14	7
X0284105040	14	13
X0284525010	14	27
X0285005750	14	10
X0285105190	14	4
X0285205030	14	5
X0286105010	14	15
X0286305010	14	17
X0286355010	14	18
X0287405140	14	19
X0534007800	14	20
X1289510130	14	35

Parts No. Index

Parts No.	Fig. No.	Ref. No.
X2284006080	14	8
X9055715000	14	21
X9490065670	14	33
X9490138090	14	25
X9490138100	14	26
X9490138110	14	24
X9490423420	14	30
X9490560750	14	29
X9490561001	15	2
X9490562360	14	28
X9490721360	14	22
X9491034320	14	16
X9491034330	14	14
X9491040990	14	11
X9491050100	14	9

Parts No.	Fig. No.	Ref. No.
-----------	----------	----------

Parts No.	Fig. No.	Ref. No.
-----------	----------	----------

Parts No.	Fig. No.	Ref. No.
-----------	----------	----------