

0CNP5-M44201EN

Corresponding table of the machine and engine

Machine	Engine
Model	Model
GK160	3TNV70-PUKNE
GK200	3TNV76-PUKNE
GK200R	3TNV76-PUKNE

Contents

OCNP5-M44201

Fig. No.	Fig. Name	Fig. No.	Fig. Name
ENGINE RELATED		134.	PROPELLER SHAFT
1.	AIR CLEANER	18.	FRONT SHAFT(1)
2.	ENGINE ACCESSORIES	135.	FRONT SHAFT(1)
3.	ENGINE ACCESSORIES	19.	FRONT AXLE CASE
4.	ACCEL LEVER	136.	FRONT AXLE CASE
5.	FOOT ACCEL	20.	FRONT GEAR CASE
6.	FUEL TANK	137.	FRONT GEAR CASE
7.	FUEL PIPE(1)	21.	FRONT SHAFT(2)
8.	FUEL PIPE(2)	138.	FRONT SHAFT(2)
FRONT AXLE		22.	INPUT SHAFT
9.	FRONT BRACKET	139.	INPUT SHAFT
10.	FRONT BRACKET	23.	FRONT SPINDLE
129.	FRONT BRACKET	140.	FRONT SPINDLE
11.	CENTER PIN	24.	SHAFT COVER
130.	CENTER PIN	25.	SHAFT COVER
12.	FRONT HITCH	142.	SHAFT COVER
13.	TIE ROD	26.	FRONT WHEEL TIRE
131.	TIE ROD	27.	FRONT WHEEL TIRE
14.	DRIVE PINION	28.	FRONT WHEEL TIRE
132.	DRIVE PINION	29.	FRONT WHEEL TIRE
15.	DIFFERENTIAL GEAR	141.	FRONT WHEEL TIRE
133.	DIFFERENTIAL GEAR	30.	HUB BOLT
16.	PROPELLER SHAFT	143.	HUB BOLT
17.	PROPELLER SHAFT	31.	STEERING WHEEL
		32.	P.S.T. VALVE

Contents

OCNP5-M44201

Fig. No. Fig. Name

33. P.S.T. CYLINDER

34. P.S.T. PIPING(1)

35. P.S.T. PIPING(2)

TRANSMISSION

36. CLUTCH HOUSING

37. DOCKING BOLT

38. CLUTCH DISC

39. PRESSURE PLATE

40. CLUTCH SHAFT

41. CLUTCH RELEASE

42. CLUTCH PEDAL

43. TRANSMISSION CASE

44. CENTER PLATE

45. OIL GAUGE

46. OIL STRAINER

47. INPUT SHAFT

48. MAIN SHAFT

49. COUNTER SHAFT

50. P.T.O. DRIVE SHAFT

51. P.T.O. SHAFT

52. P.T.O. SHAFT COVER

53. MAIN SHIFT

54. MAIN SHIFT LEVER(1)

55. MAIN SHIFT LEVER(2)

Fig. No. Fig. Name

56. SUB SHIFT

57. SUB SHIFT LEVER

58. P.T.O. SHIFT

59. P.T.O. LEVER

60. FRONT DRIVE CASE

61. FRONT DRIVE

62. FRONT SIFT

63. FRONT SIFT LEVER

REAR AXLE

64. RING GEAR

65. DIFFERENTIAL GEAR

66. DIFFERENTIAL CARRIER

67. REAR HOUSING

68. DIFFERENTIAL LOCK

69. DIFFERENTIAL LOCK ACCESSORIES

70. FINAL PINION

71. FINAL GEAR

72. REAR AXLE SHAFT

73. REAR WHEEL TIRE

74. REAR WHEEL TIRE

75. REAR WHEEL TIRE

76. REAR WHEEL TIRE

144. REAR WHEEL TIRE

77. HUB BOLT(REAR)

Contents

OCNP5-M44201

Fig. No. Fig. Name

78. DISC BRAKE

79. BRAKE PEDAL

80. PARKING BRAKE(1)

81. PARKING BRAKE(2)

82. PARKING BRAKE(3)

HYDRAULIC CONTROL

83. HYDRAULIC CYLINDER CASE

84. SIDE COVER(HYDRAULIC)

85. PISTON

86. LIFT CRANK

87. CONTROL VALVE

88. RELIEF VALVE

89. STOP VALVE

90. SAFETY VALVE

91. HYDRAULIC CONTROL(1)

92. HYDRAULIC CONTROL(2)

93. HYDRAULIC PIPING

94. HYDRAULIC PIPING

145. HYDRAULIC PIPING

ELECTRICAL PARTS

95. WIRE HARNESS(1)

96. WIRE HARNESS(2)

97. BATTERY

Fig. No. Fig. Name

98. SWITCH(1)

99. SWITCH(2)

100. SIDE LAMP

101. REFLECTOR

102. LICENCE

103. METER

104. HORN

FITTINGS

105. BONNET

106. DASH BOARD(1)

107. DASH BOARD(2)

108. FENDER

109. STEP

110. FLOOR FRAME(1)

111. FLOOR FRAME(2)

112. SEAT

113. SEAT STAY

114. REARVIEW MIRROR

LABEL

115. LABEL(1)

116. LABEL(2)

117. LABEL(MODEL)

118. LABEL(MODEL)

Contents

0CNP5-M44201

Fig. No. Fig. Name

119. LABEL(SAFETY)(1)

120. LABEL(SAFETY)(2)

HITCH

121. P.T.O. GUARD

122. THREE POINT HITCH

146. LIFT LINK

123. REAR HITCH

124. DRAWBAR HITCH

SAFETY FRAME

125. ROPS

126. FLOOR MOUNT

ACCESSORIES

127. MANUAL

OPTIONAL

128. OPTION(WEIGHT)

147. AIR CLEANER

148. FILTER

149. REMODEL

Fig. No. Fig. Name

Fig.1. AIR CLEANER

(A)=GK160
(B)=GK200
(C)=GK200R

(D)=
(E)=
(F)=

No.	Lev.	Parts No.	Description	Qty						I	R
				(A)	(B)	(C)	(D)	(E)	(F)		
1	1	119523-12520	CLEANER ASSY, AIR	1	1	1					
2	2	129418-12530	LABEL, MARK	2	2	2					
3	2	119808-12540	VALVE, UNLOADER	1	1	1					
4	2	119655-12560	ELEMENT	1	1	1					
5	2	105027-12570	COVER, AIR CREAMER	1	1	1					
6	2	105027-12580	RING	1	1	1					

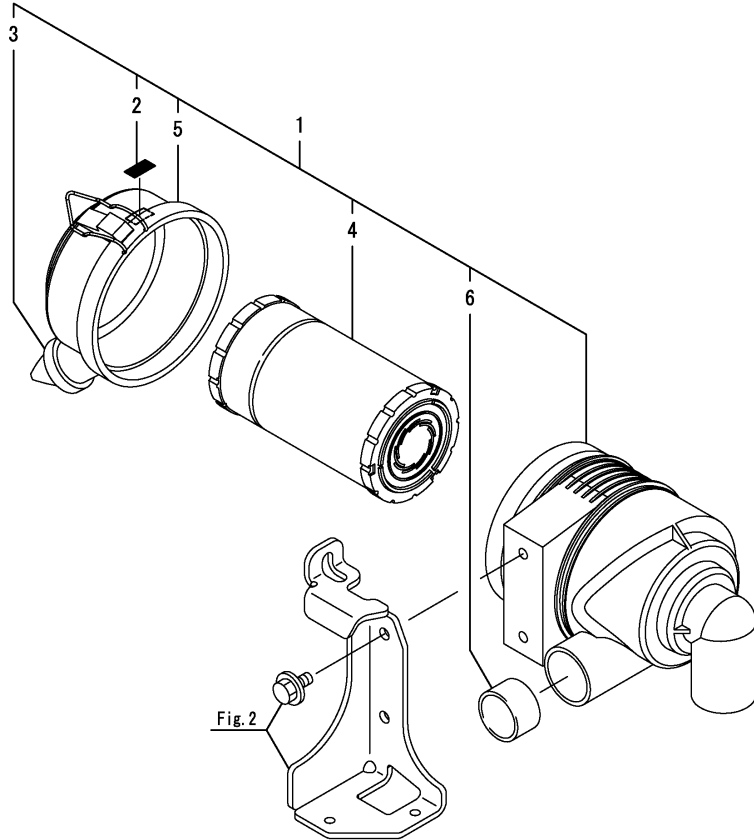
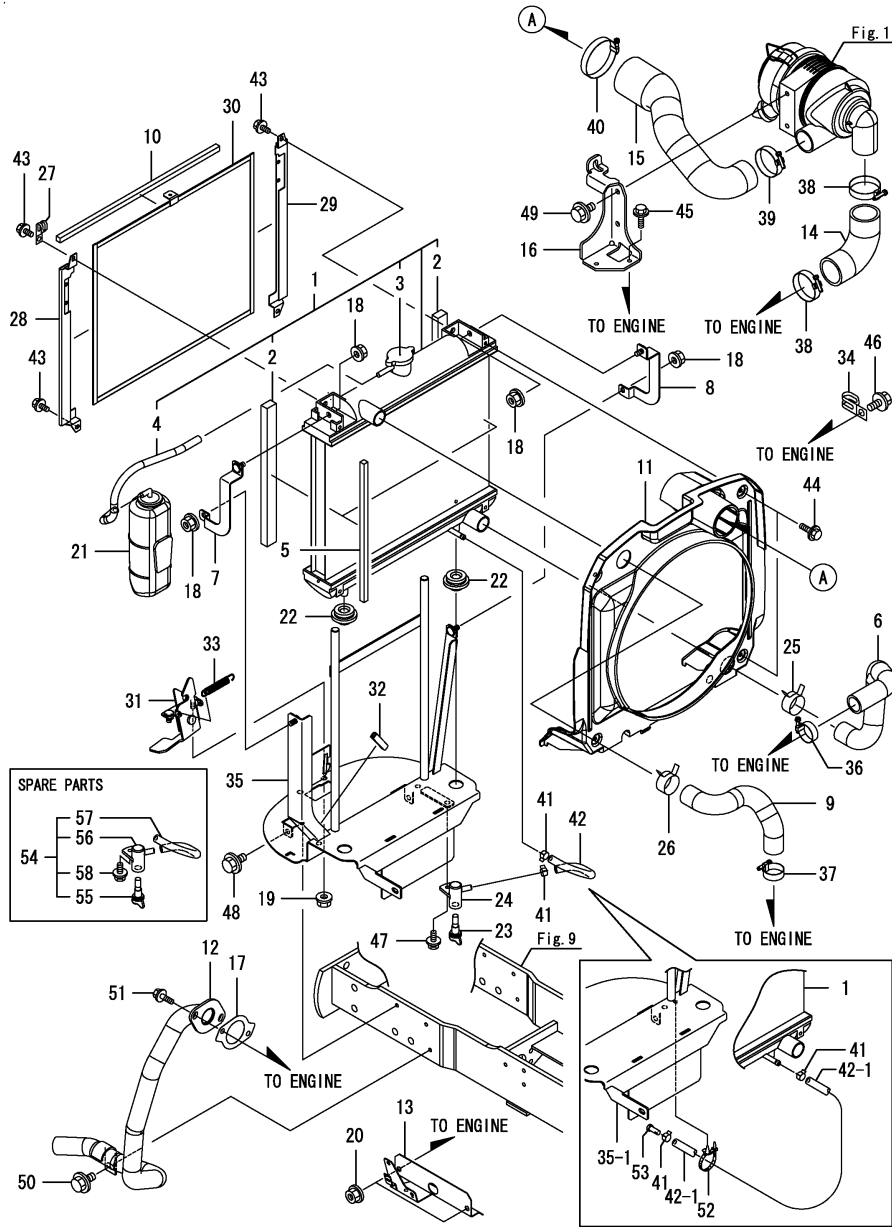


Fig.2. ENGINE ACCESSORIES



(A)=GK160
(B)=GK200
(C)=GK200R

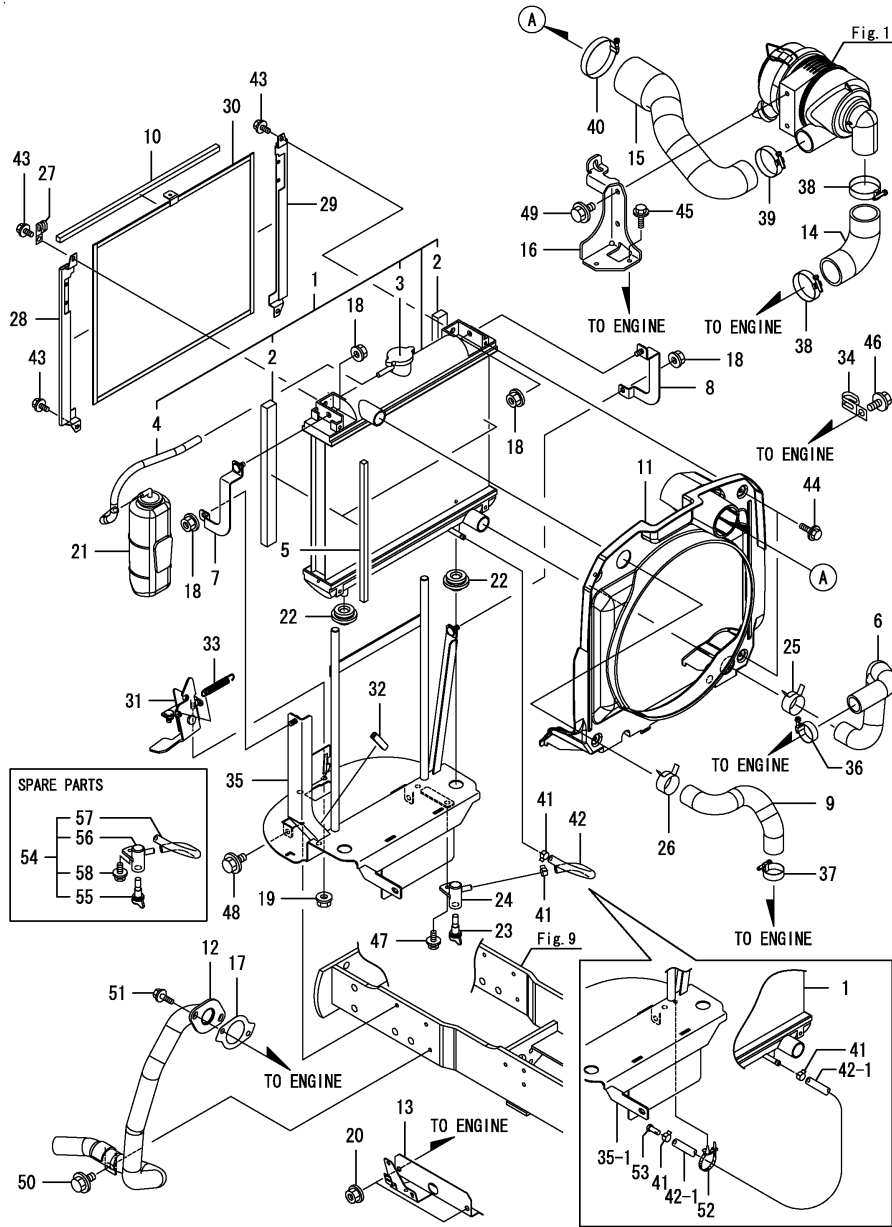
(D)=
(E)=
(F)=

No.	Lev.	Parts No.	Description	Q'ty						I	R
				(A)	(B)	(C)	(D)	(E)	(F)		
1	1	1A7870-00600	RADIATOR ASSY	1							
2	2	119853-44570	PACKING	2							
3	2	129107-44590	CAP, RADIATOR	1							
4	2	121250-49160	PIPE, WATER DRAIN	1							
5	1	1A7870-00620	GASKET, RADIATOR	2							
6	1	198162-00720	PIPE, WATER L 66	1							
7	1	1A7500-00811	SUPPORT ASSY, L	1							
8	1	1A7500-00821	SUPPORT ASSY, R	1							
9	1	1A7870-01410	HOSE, WATER A	1							
10	1	198200-01440	SEAL, RADIATOR	2							
11	1	1A7870-01511	SHROUD, FAN	1							
12	1	1A7870-03111	PIPE ASSY, EXHAUST	1							
13	1	1A7874-05500	PLATE ASSY, SHUTTER	1							
14	1	1A7870-06010	HOSE, AIR INTAKE	1							
15	1	1A7870-06160	PIPE, AIR INTAKE	1							
16	1	1A7870-06200	BRACKET ASSY	1							
17	1	129052-13550	GASKET	1							
18	1	194990-22140	NUT, M8	4							
19	1	194990-22140	NUT, M8	2							
20	1	194990-22140	NUT, M8	2							
21	1	129263-44510	TANK ASSY, SUB	1							
22	1	119255-44660	ABSORBER	2							
23	1	129150-49081	COCK, DRAIN	1							Z
(A=F100610)											
24	1	129550-49090	BODY, 2-WAY COCK	1							Z
(A=F100610)											
25	1	175022-49730	CRIP 31, HOSE	1							
26	1	175022-49730	CRIP 31, HOSE	1							
27	1	194440-51630	CLAMP, HARNESS	1							
28	1	198200-60720	GUIDE, L	1							
29	1	198200-60760	GUIDE, SCREEN R	1							
30	1	198200-60950	SCREEN, RADIATOR	1							
31	1	1A7180-61250	LOCK ASSY, BONNET	1							
32	1	1A6750-61830	RUBBER, EDGE	1							
33	1	198230-61960	SPRING	1							
34	1	1E6102-83230	CLAMP, CABLE	1							
35	1	1A7874-85700	FRAME ASSY, FRONT	1							
35-1	1	1A7874-85690	MASSY, FRONT FRAME	1							F 2
(A=F100610)											
36	1	23000-035000	CLAMP, 35	1							
37	1	23000-035000	CLAMP, 35	1							
38	1	23000-054000	CLAMP, 54	2							
39	1	23000-054000	CLAMP, 54	1							
40	1	23000-090000	CLAMP, 90	1							
41	1	23080-012000	CLAMP, 12	2							
42	1	23980-730200	HOSE, 7.3X 200	1							
42-1	1	23980-730300	HOSE, 7.3X 300	1							S 2
(A=F100610)											
43	1	26106-060122	BOLT, M6X 12 PLATED	4							
44	1	26106-060122	BOLT, M6X 12 PLATED	4							
45	1	26106-060162	BOLT, M6X 16 PLATED	2							

Remarks

- (1) Spare parts.
- (2) Interchangeable by simultaneous replacement with No.35-1, 42-1, 52 & 53.

Fig.2. ENGINE ACCESSORIES



(A)=GK160
(B)=GK200
(C)=GK200R

(D)=
(E)=
(F)=

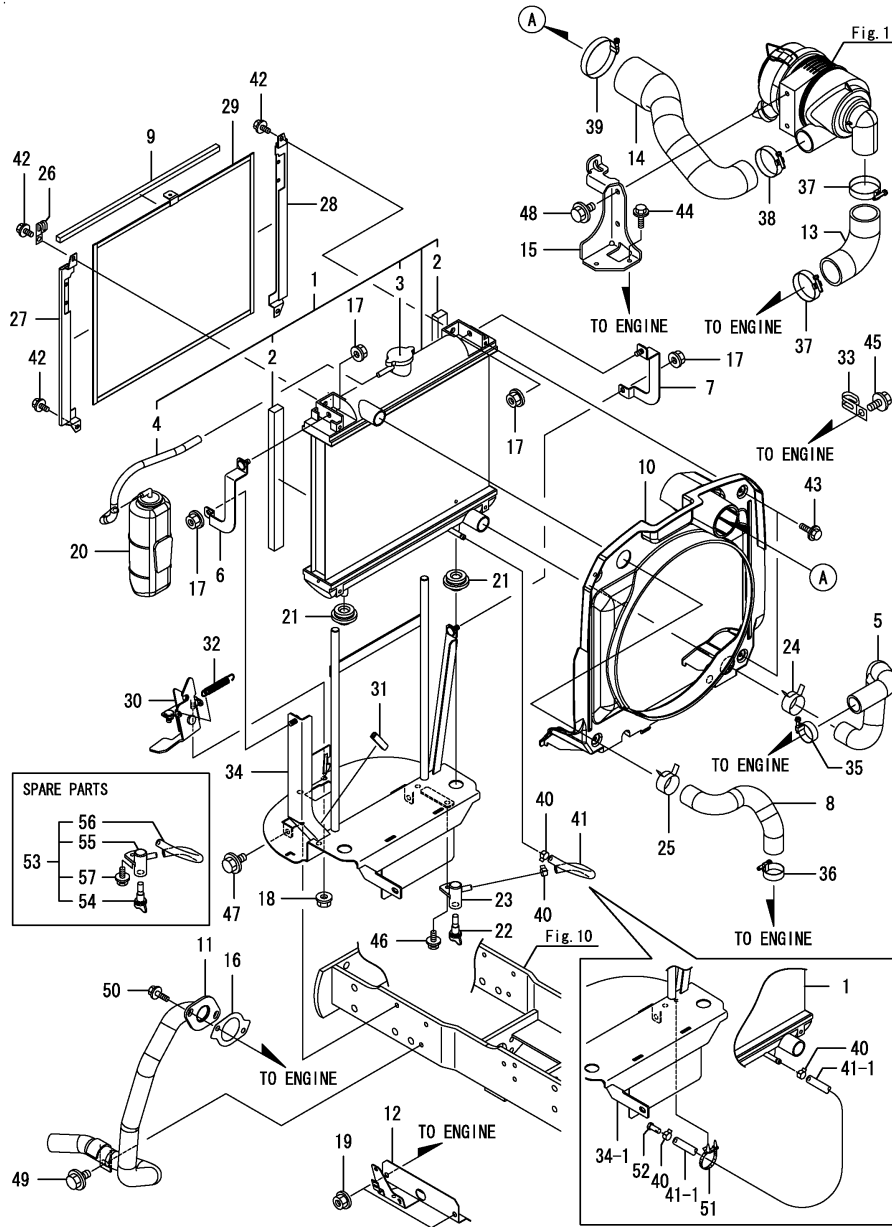
No.	Lev.	Parts No.	Description	Q'ty						I	R
				(A)	(B)	(C)	(D)	(E)	(F)		
46	1	26106-080122	BOLT, M8X 12 PLATED	1							
47	1	26106-080162	BOLT, M8X 16 PLATED	1							Z
(A=F100610)											
48	1	26106-080162	BOLT, M8X 16 PLATED	2							
49	1	26106-080162	BOLT, M8X 16 PLATED	2							
50	1	26106-080162	BOLT, M8X 16 PLATED	1							
51	1	26106-080252	BOLT, M8X 25 PLATED	2							
52	1	194680-51670	BAND, CLIP	1							W 2
(A=F100610)											
53	1	22487-080200	PIN, H 8X 20	1							W 2
(A=F100610)											
54	1	1A7870-00630	HOSE KIT, FO SPARE	1							W 1
(A=F100610)											
55	2	129150-49081	COCK, DRAIN	1							W 1
(A=F100610)											
56	2	129550-49090	BODY, 2-WAY COCK	1							W 1
(A=F100610)											
57	2	23980-730200	HOSE, 7.3X 200	1							W 1
(A=F100610)											
58	2	26106-080162	BOLT, M8X 16 PLATED	1							W 1
(A=F100610)											

Remarks

- (1) Spare parts.
- (2) Interchangeable by simultaneous replacement with No.35-1, 42-1, 52 & 53.

N:Old $\xrightarrow{\text{Yes}}$ New, Q:Old $\xrightarrow{\text{No}}$ New, R:Old $\xrightarrow{\text{Yes}}$ New, S:Old $\xrightarrow{\text{No}}$ New, W:Add, Z:Discontinued, F:Interchangeable by set, K:Q'ty Change

Fig.3. ENGINE ACCESSORIES



(A)=GK160
(B)=GK200
(C)=GK200R

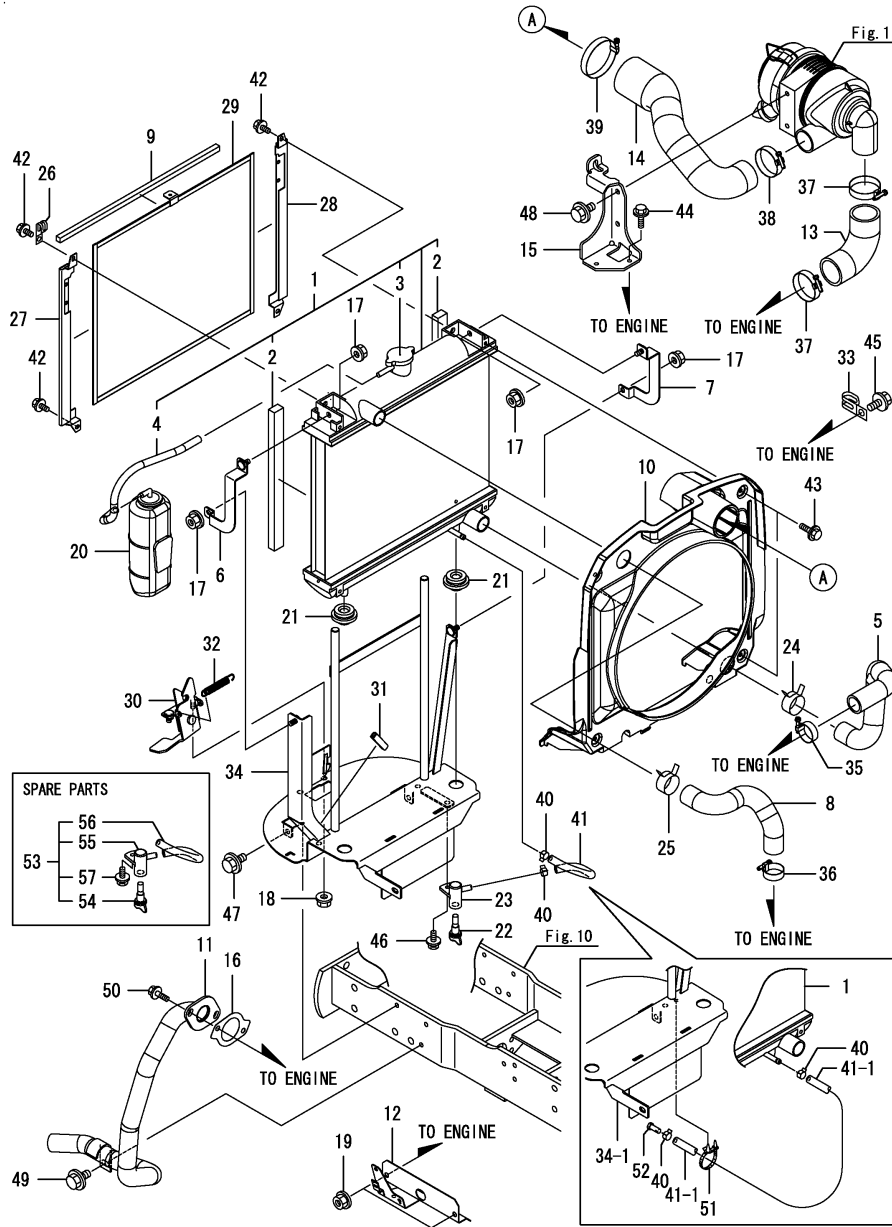
(D)=
(E)=
(F)=

No.	Lev.	Parts No.	Description	Q'ty						I	R
				(A)	(B)	(C)	(D)	(E)	(F)		
1	1	1A7874-00600	RADIATOR ASSY		1	1					
2	2	119853-44570	PACKING		2	2					
3	2	129107-44590	CAP, RADIATOR		1	1					
4	2	121250-49160	PIPE, WATER DRAIN		1	1					
5	1	198162-00720	PIPE, WATER L 66		1	1					
6	1	1A7500-00811	SUPPORT ASSY, L		1	1					
7	1	1A7500-00821	SUPPORT ASSY, R		1	1					
8	1	1A7870-01410	HOSE, WATER A		1	1					
9	1	198200-01440	SEAL, RADIATOR		2	2					
10	1	1A7870-01511	SHROUD, FAN		1	1					
11	1	1A7870-03111	PIPE ASSY, EXHAUST		1	1					
12	1	1A7874-05500	PLATE ASSY, SHUTTER		1	1					
13	1	1A7870-06010	HOSE, AIR INTAKE		1	1					
14	1	1A7870-06160	PIPE, AIR INTAKE		1	1					
15	1	1A7870-06200	BRACKET ASSY		1	1					
16	1	129052-13550	GASKET		1	1					
17	1	194990-22140	NUT, M8		4	4					
18	1	194990-22140	NUT, M8		2	2					
19	1	194990-22140	NUT, M8		2	2					
20	1	129263-44510	TANK ASSY, SUB		1	1					
21	1	119255-44660	ABSORBER		2	2					
22	1	129150-49081	COCK, DRAIN		1						Z
		(B=F200337)									
23	1	129550-49090	BODY, 2-WAY COCK		1						Z
		(B=F200337)									
24	1	175022-49730	CRIP 31, HOSE		1	1					
25	1	175022-49730	CRIP 31, HOSE		1	1					
26	1	194440-51630	CLAMP, HARNESS		1	1					
27	1	198200-60720	GUIDE, L		1	1					
28	1	198200-60760	GUIDE, SCREEN R		1	1					
29	1	198200-60950	SCREEN, RADIATOR		1	1					
30	1	1A7180-61250	LOCK ASSY, BONNET		1	1					
31	1	1A6750-61830	RUBBER, EDGE		1	1					
32	1	198230-61960	SPRING		1	1					
33	1	1E6102-83230	CLAMP, CABLE		1	1					
34	1	1A7874-85700	FRAME ASSY, FRONT		1						
34-1	1	1A7874-85690	M ASSY, FRONT FRAME		1	1					F 2
		(B=F200337)									
35	1	23000-035000	CLAMP, 35		1	1					
36	1	23000-035000	CLAMP, 35		1	1					
37	1	23000-054000	CLAMP, 54		2	2					
38	1	23000-054000	CLAMP, 54		1	1					
39	1	23000-090000	CLAMP, 90		1	1					
40	1	23080-012000	CLAMP, 12		2	2					
41	1	23980-730200	HOSE, 7.3X 200		1						
41-1	1	23980-730300	HOSE, 7.3X 300		1	1					S 2
		(B=F200337)									
42	1	26106-060122	BOLT, M6X 12 PLATED		4	4					
43	1	26106-060122	BOLT, M6X 12 PLATED		4	4					
44	1	26106-060162	BOLT, M6X 16 PLATED		2	2					
45	1	26106-080122	BOLT, M8X 12 PLATED		1	1					

Remarks

- (1) Spare parts.
- (2) Interchangeable by simultaneous replacement with No.34-1, 41-1, 51 & 52.

Fig.3. ENGINE ACCESSORIES



(A)=GK160
(B)=GK200
(C)=GK200R

(D)=
(E)=
(F)=

No.	Lev.	Parts No.	Description	Q'ty						I	R
				(A)	(B)	(C)	(D)	(E)	(F)		
46	1	26106-080162	BOLT, M8X 16 PLATED (B=F200337)		1						Z
47	1	26106-080162	BOLT, M8X 16 PLATED		2	2					
48	1	26106-080162	BOLT, M8X 16 PLATED		2	2					
49	1	26106-080162	BOLT, M8X 16 PLATED		1	1					
50	1	26106-080252	BOLT, M8X 25 PLATED		2	2					
51	1	194680-51670	BAND, CLIP (B=F200337)		1	1					W 2
52	1	22487-080200	PIN, H 8X 20 (B=F200337)		1	1					W 2
53	1	1A7870-00630	HOSE KIT, FO SPARE (B=F200337)		1						W 1
54	2	129150-49081	COCK, DRAIN (B=F200337)		1						W 1
55	2	129550-49090	BODY, 2-WAY COCK (B=F200337)		1						W 1
56	2	23980-730200	HOSE, 7.3X 200 (B=F200337)		1						W 1
57	2	26106-080162	BOLT, M8X 16 PLATED (B=F200337)		1						W 1

Remarks

- (1) Spare parts.
- (2) Interchangeable by simultaneous replacement with No.34-1, 41-1, 51 & 52.

Fig.4. ACCEL LEVER

(A)=GK160
(B)=GK200
(C)=GK200R

(D)=
(E)=
(F)=

No.	Lev.	Parts No.	Description	Q'ty						I	R
				(A)	(B)	(C)	(D)	(E)	(F)		
1	1	194740-00160	SPRING, 10	3	3	3					
2	1	1A7870-01111	LEVER ASSY, CONTROL	1	1	1					
3	1	1A7870-01150	WIRE ASSY, CONTROL	1	1	1					
4	1	198253-01190	KNOB, LEVER	1	1	1					
5	1	198200-01260	PLATE, FRICTION	1	1	1					
6	1	22137-100000	WASHER, 10	1	1	1					
7	1	22157-100000	WASHER, 10	1	1	1					
8	1	26716-100002	NUT, M10	2	2	2					

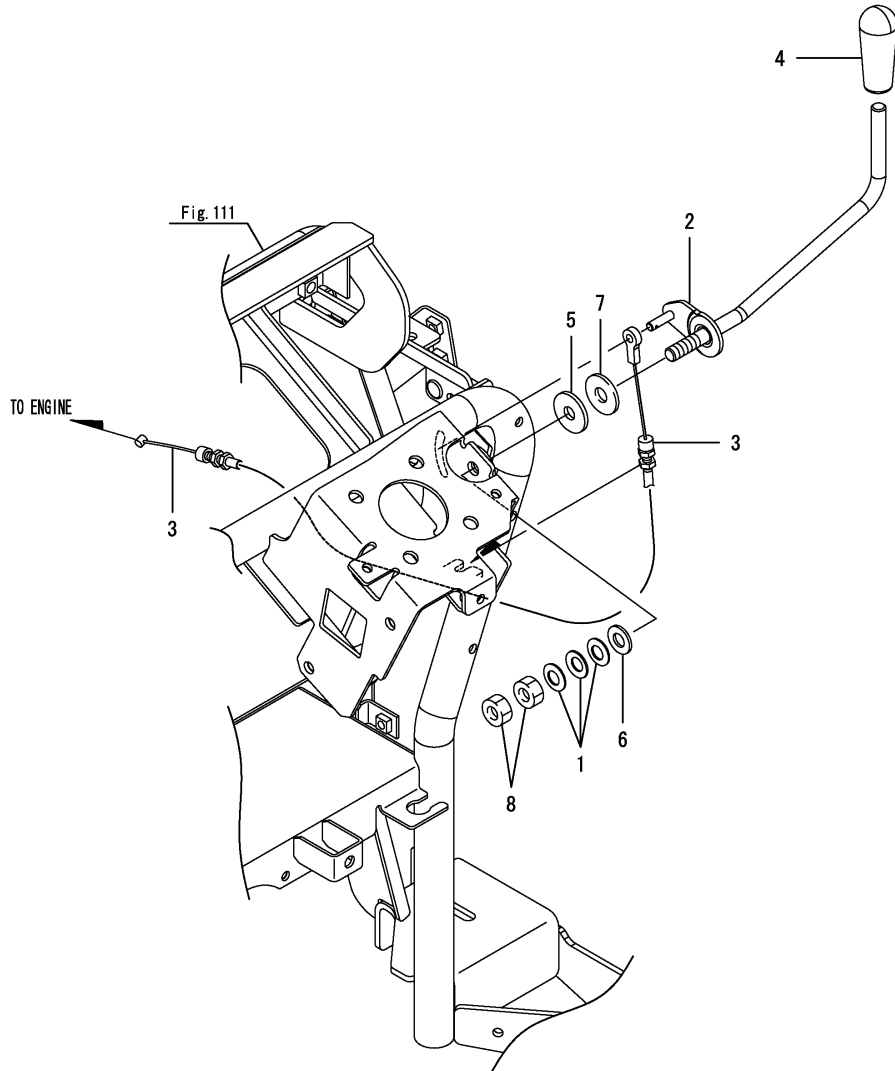
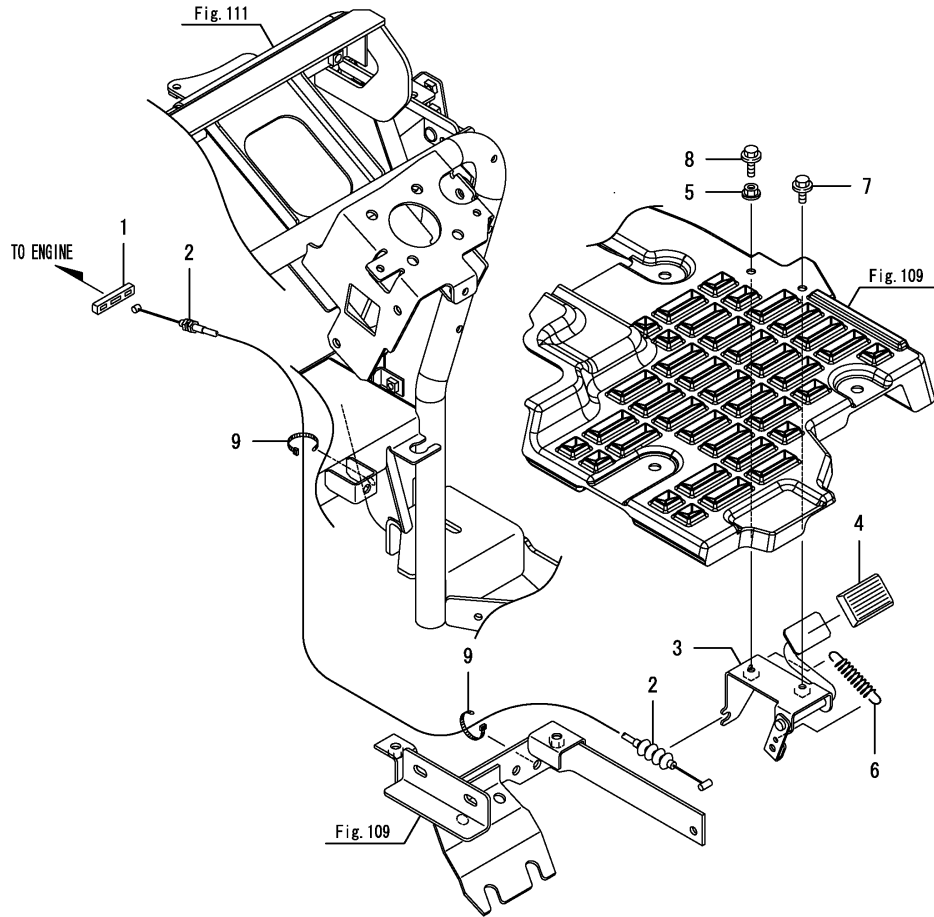


Fig.5. FOOT ACCEL

(A)=GK160
(B)=GK200
(C)=GK200R

(D)=
(E)=
(F)=

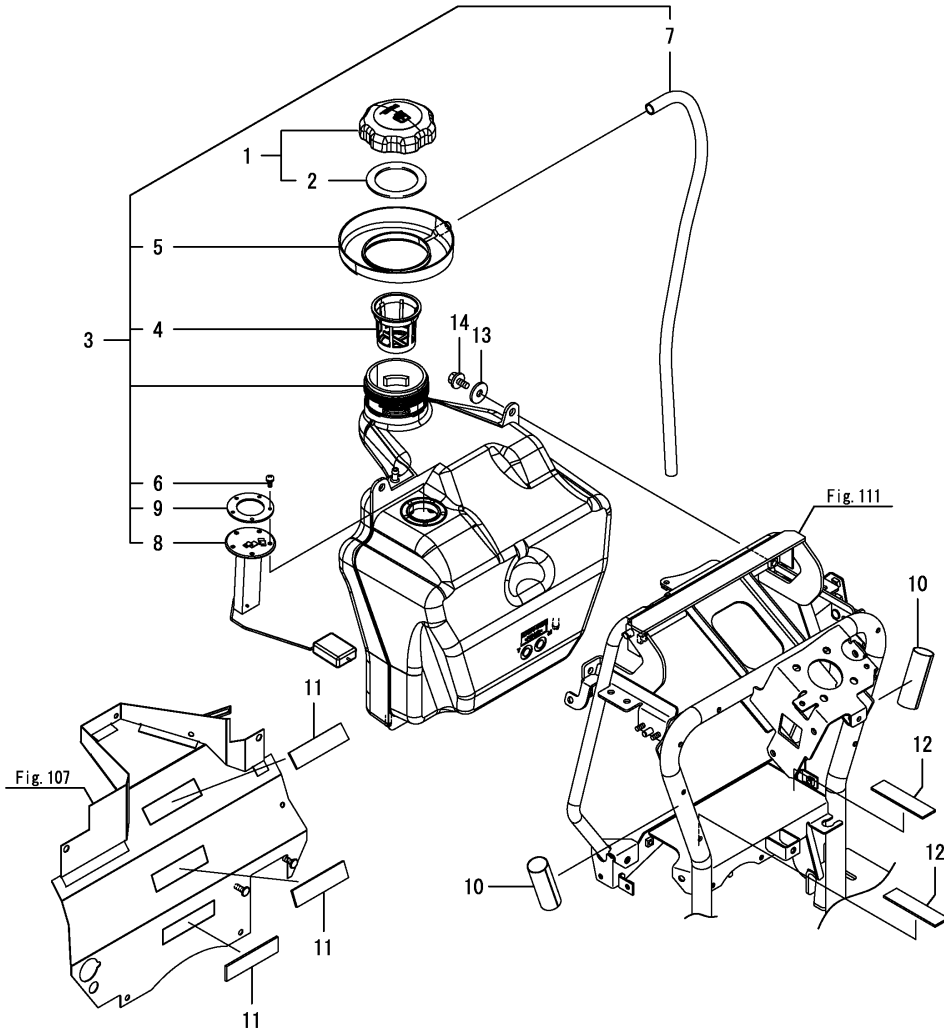


No.	Lev.	Parts No.	Description	Q'ty						I	R
				(A)	(B)	(C)	(D)	(E)	(F)		
1	1	198071-01160	RUBBER	1	1	1					
2	1	198200-01210	WIRE ASSY	1	1	1					
3	1	198200-01300	ACCELERATOR, FOOT	1	1	1					
4	1	1W3981-14050	RUBBER	1	1	1					
5	1	194990-22130	NUT, M6	1	1	1					
6	1	198360-55630	SPRING, RETURN	1	1	1					
7	1	26106-060162	BOLT, M6X 16 PLATED	1	1	1					
8	1	26106-060202	BOLT, M6X 20 PLATED	1	1	1					
9	1	29622-140001	BAND, RF140	2	2	2					

Fig.6. FUEL TANK

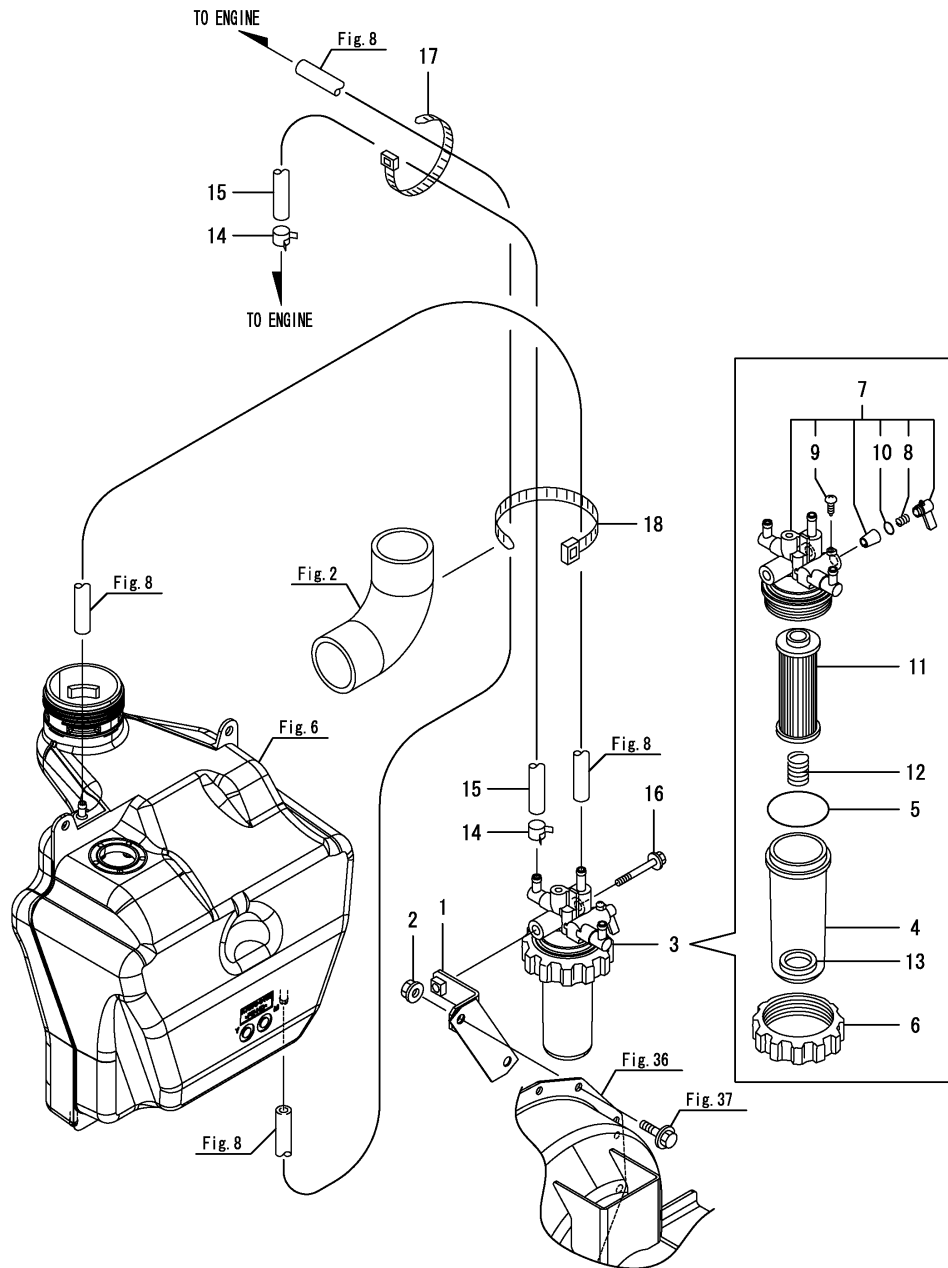
(A)=GK160
(B)=GK200
(C)=GK200R

(D)=
(E)=
(F)=



No.	Lev.	Parts No.	Description	Qty						I	R
				(A)	(B)	(C)	(D)	(E)	(F)		
1	1	198200-04031	CAP ASSY, FILLER	1	1	1					
2	2	198200-04040	GASKET, FUEL CAP	1	1	1					
3	1	1A7870-04101	TANK ASSY, FUEL	1	1	1					
4	2	198200-04061	STRAINER, FUEL	1	1	1					
5	2	198165-04140	PAN, FUEL TANK	1	1	1					
6	2	1A7180-04180	SCREW, M5X14	5	5	5					
7	2	198421-04430	PIPE, FUEL SUMP	1	1	1					
8	2	1A7870-56600	GAUGE ASSY, FUEL	1	1	1					
9	2	198200-56630	GASKET, GAUGE	1	1	1					
10	1	1A7870-04270	TUBE, PROTECT	2	2	2					
11	1	198165-04380	RUBBER, 100X25X3	3	3	3					
12	1	198165-04380	RUBBER, 100X25X3	2	2	2					
13	1	22157-080000	WASHER, 8	2	2	2					
14	1	26106-080162	BOLT, M8X 16 PLATED	2	2	2					

Fig.7. FUEL PIPE(1)



(A)=GK160
(B)=GK200
(C)=GK200R

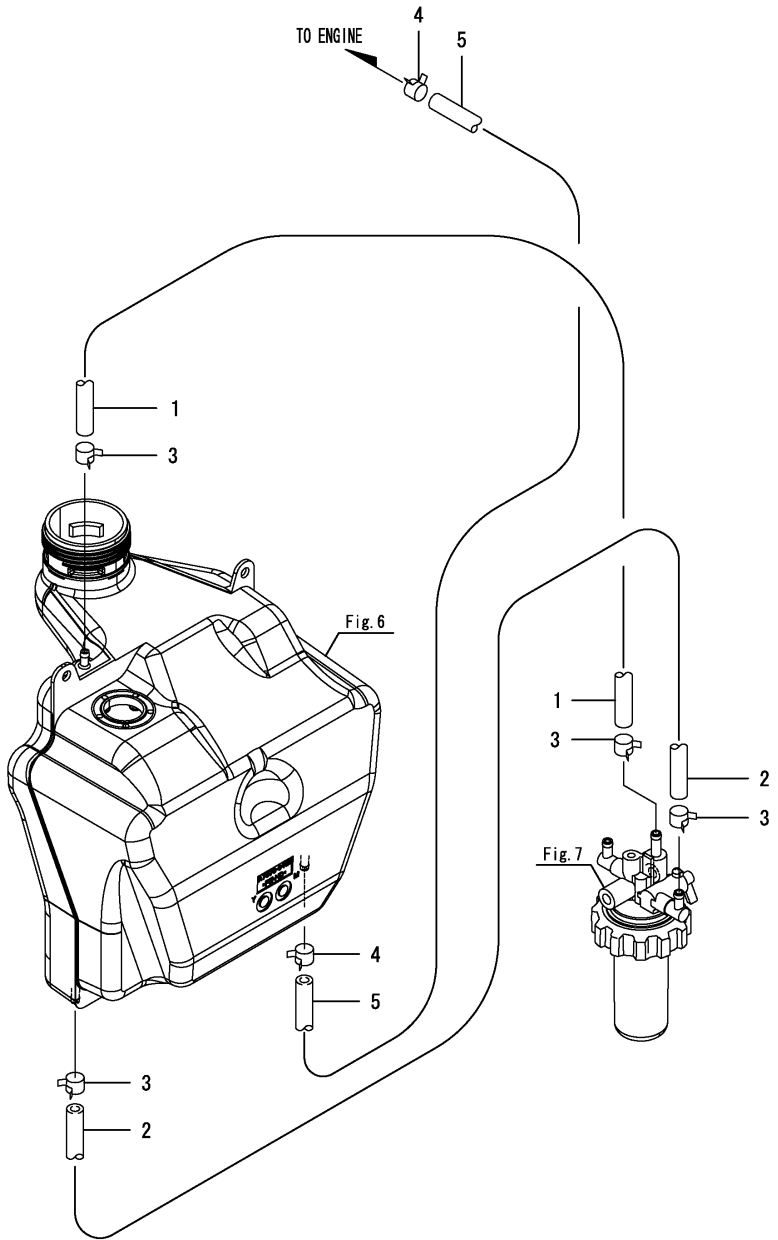
(D)=
(E)=
(F)=

No.	Lev.	Parts No.	Description	Qty						I	R
				(A)	(B)	(C)	(D)	(E)	(F)		
1	1	1A7870-04410	STAY ASSY, FILTER	1	1	1					
2	1	194990-22140	NUT, M8	1	1	1					
3	1	119923-55600	FILTER ASSY, FUEL	1	1	1					
4	2	129107-55510	CUP, STRAINER	1	1	1					
5	2	102103-55520	O-RING	1	1	1					
6	2	110250-55610	RING, RETAINING	1	1	1					
7	2	119923-55610	BODY ASSY	1	1	1					
8	3	104200-55330	SPRING, VALVE	1	1	1					
9	3	104200-55750	SCREW, M4	1	1	1					
10	3	24311-240100	O-RING, 1AP10A	1	1	1					
11	2	119810-55650	ELEMENT	1	1	1					
12	2	121257-55720	SPRING	1	1	1					
13	2	121257-55731	FLOAT	1	1	1					
14	1	23080-012000	CLAMP, 12	2	2	2					
15	1	23980-730400	HOSE, 7.3X 400	1	1	1					
16	1	26106-080652	BOLT, M8X 65 PLATED	1	1	1					
17	1	29622-140001	BAND, RF140	1	1	1					
18	1	29622-250001	BAND, RF250	1	1	1					

Fig.8. FUEL PIPE(2)

(A)=GK160
(B)=GK200
(C)=GK200R

(D)=
(E)=
(F)=



No.	Lev.	Parts No.	Description	Q'ty						I	R
				(A)	(B)	(C)	(D)	(E)	(F)		
1	1	1A7870-04450	HOSE, FUEL	1	1	1					
2	1	1A7870-04460	HOSE, FUEL	1	1	1					
3	1	114270-59010	CLIP, HOSE 12	4	4	4					
4	1	23080-012000	CLAMP, 12	2	2	2					
5	1	23980-730600	HOSE, 7.3X 600	1	1	1					

Fig.9. FRONT BRACKET

(A)=GK160
(B)=GK200
(C)=GK200R

(D)=
(E)=
(F)=

No.	Lev.	Parts No.	Description	Qty						I	R
				(A)	(B)	(C)	(D)	(E)	(F)		
1	1	1A7874-11100	BRACKET MASSY, AXLE	1							
2	1	1A7870-11200-1	COVER, BELT L	1							
3	1	26106-080162	BOLT, M8X 16 PLATED	2							
4	1	26106-100252	BOLT, M10X 25 PLATED	14							

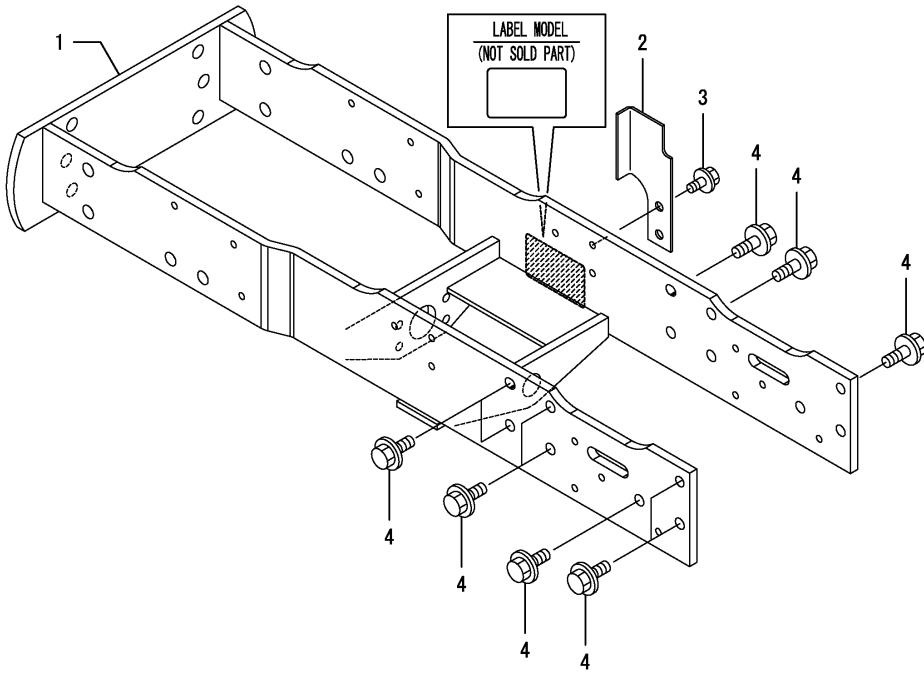
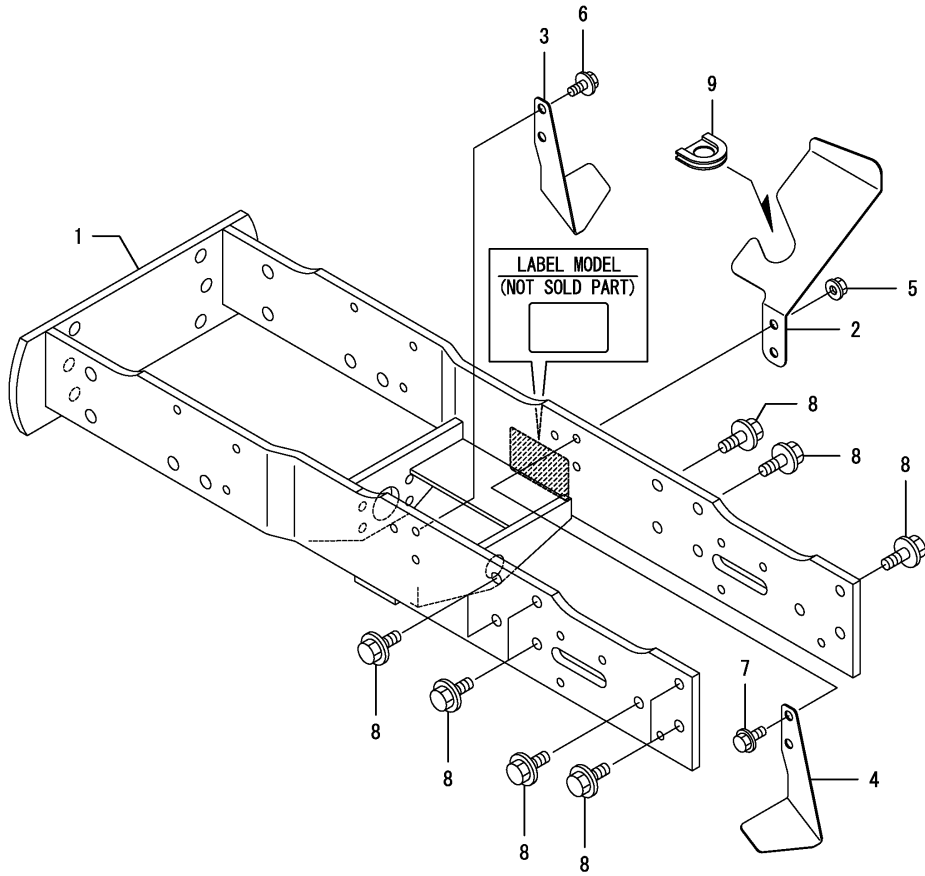


Fig.10. FRONT BRACKET

(A)=GK160
(B)=GK200
(C)=GK200R

(D)=
(E)=
(F)=



No.	Lev.	Parts No.	Description	Q'ty						I	R	
				(A)	(B)	(C)	(D)	(E)	(F)			
1	1	1A7874-11120	BRACKET MASSY, AXLE		1							
2	1	1A7874-11200	COVER R, FAN BELT		1							
3	1	1A7874-11300	PLATE, AIR FROW L		1							
4	1	1A7874-11350	PLATE, AIR FROW R		1							
5	1	194990-22140	NUT, M8		2							
6	1	26106-080122	BOLT, M8X 12 PLATED		2							
7	1	26106-080202	BOLT, M8X 20 PLATED		2							
8	1	26106-100252	BOLT, M10X 25 PLATED		14							
9	1	198220-51340	GROMMET, 30		1							

Fig.11. CENTER PIN

(A)=GK160
(B)=GK200
(C)=GK200R

(D)=
(E)=
(F)=

No.	Lev.	Parts No.	Description	Q'ty						I	R
				(A)	(B)	(C)	(D)	(E)	(F)		
1	1	194301-11340	SHIM, T=0.2	4	4						
2	1	194301-11350	SHIM, T=0.5	2	2						
3	1	198162-11510-1	PIN, CENTER	1	1						
4	1	194215-11540	BUSH, PIN	1	1						
5	1	198435-16230	NIPPLE, GRESAE 6	1	1						
6	1	26106-080202	BOLT, M8X 20 PLATED	4	4						

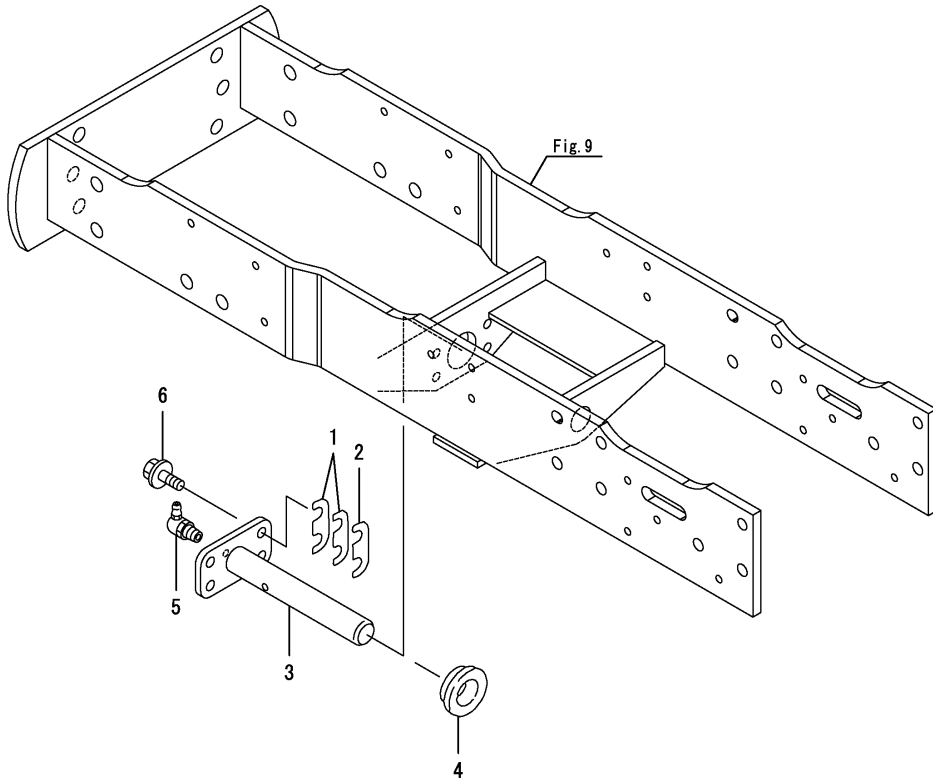
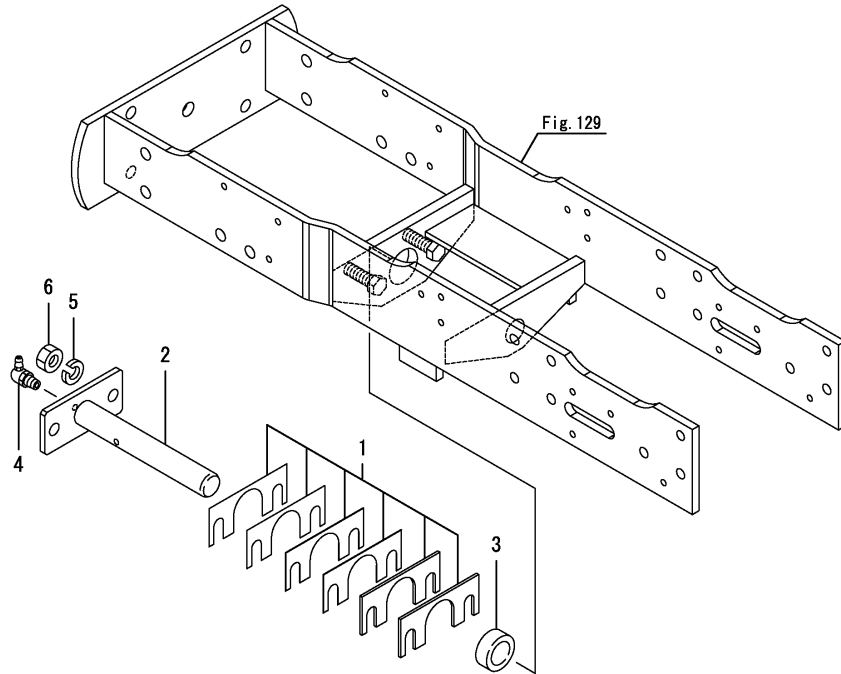


Fig.130. CENTER PIN

(A)=GK160
(B)=GK200
(C)=GK200R

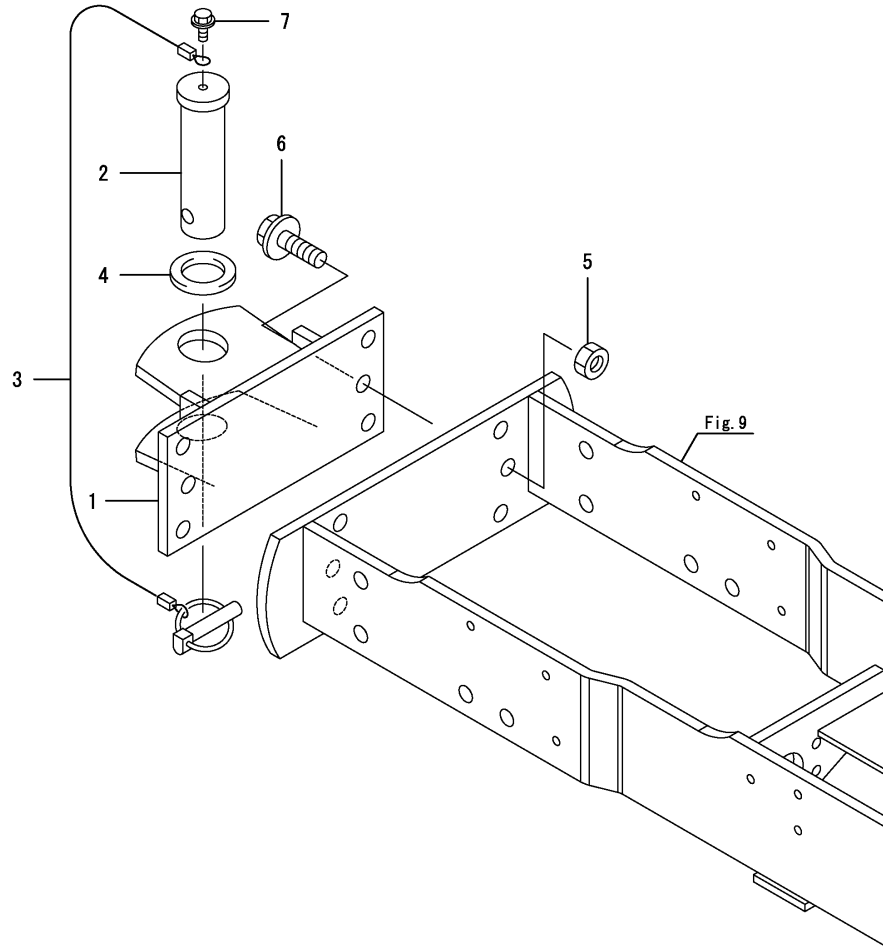
(D)=
(E)=
(F)=

No.	Lev.	Parts No.	Description	Q'ty						I	R
				(A)	(B)	(C)	(D)	(E)	(F)		
1	1	198165-11500	SHIM SET, CENTER PIN			1					
2	1	198165-11510	PIN, CENTER			1					
3	1	198165-11540	BUSH, PIN			1					
4	1	198435-16230	NIPPLE, GRESAE 6			1					
5	1	22217-120000	WASHER, SPRING 12			2					
6	1	26716-120002	NUT, M12			2					



(A)=GK160
 (B)=GK200
 (C)=GK200R

(D)=
 (E)=
 (F)=



No.	Lev.	Parts No.	Description	Q'ty						I	R
				(A)	(B)	(C)	(D)	(E)	(F)		
1	1	198280-11812	HITCH, FRONT	1	1	1					
2	1	198280-11831	PIN, HITCH	1	1	1					
3	1	198280-11840	PIN ASSY, LOCK	1	1	1					
4	1	198535-62780	SPACER	1	1	1					
5	1	198172-85440	NUT, M12	2	2	2					
6	1	198165-85970	BOLT, M12X35	2	2	2					
7	1	26106-060102	BOLT, M6X 10 PLATED	1	1	1					

0CNP5-M44201 FRONT AXLE
Fig.14. DRIVE PINION

0CNP5-M44201 Fig.14

(A)=GK160
 (B)=GK200
 (C)=GK200R

(D)=
 (E)=
 (F)=

No.	Lev.	Parts No.	Description	Q'ty						I	R
				(A)	(B)	(C)	(D)	(E)	(F)		
1	1	198165-13101	PINION KIT, DRIVE	1	1						
2	1	198421-13120	GEAR, FRONT 25T	1	1						
3	1	194447-13860	BEARING, TMB304CX1	1	1						
4	1	22242-000200	RING, 20	1	1						
5	1	24101-062024	BEARING, BALL 6202	1	1						

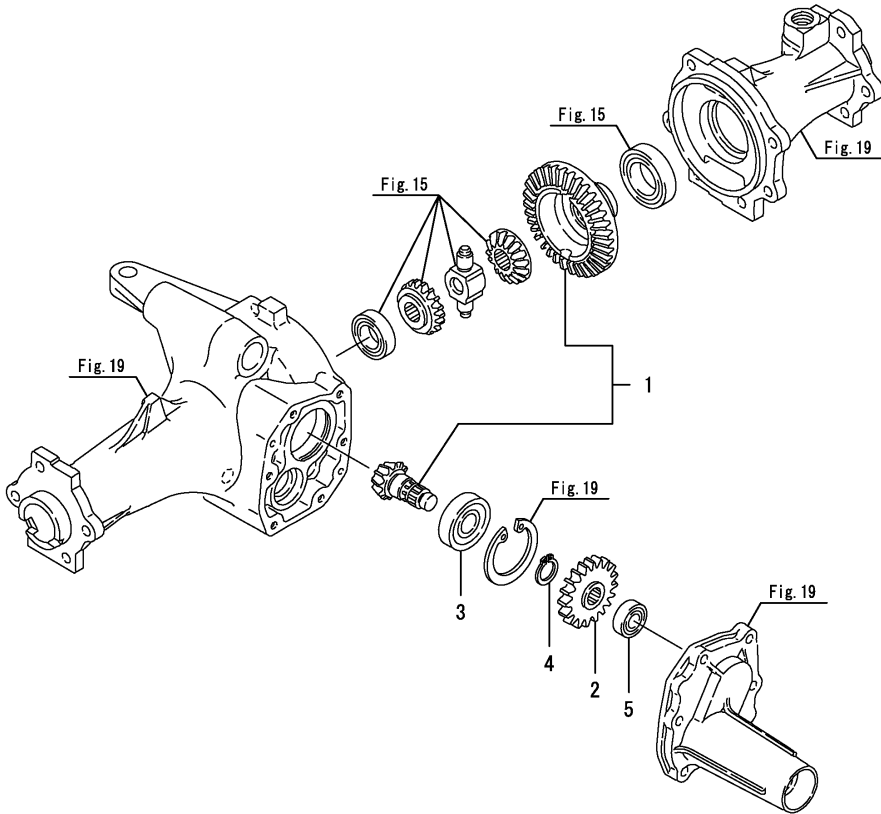


Fig.15. DIFFERENTIAL GEAR

(A)=GK160
(B)=GK200
(C)=GK200R

(D)=
(E)=
(F)=

No.	Lev.	Parts No.	Description	Q'ty						I	R
				(A)	(B)	(C)	(D)	(E)	(F)		
1	1	198421-13221	GEAR, DIFFERENTIAL	2	2						
2	1	1A7050-13230	PINION, DIFFERENTIAL	2	2						
3	1	198421-13240	SHAFT, DIFFERENTIAL	1	1						
4	1	24101-060054	BEARING, BALL 6005	1	1						
5	1	24101-060074	BEARING, BALL 6007	1	1						

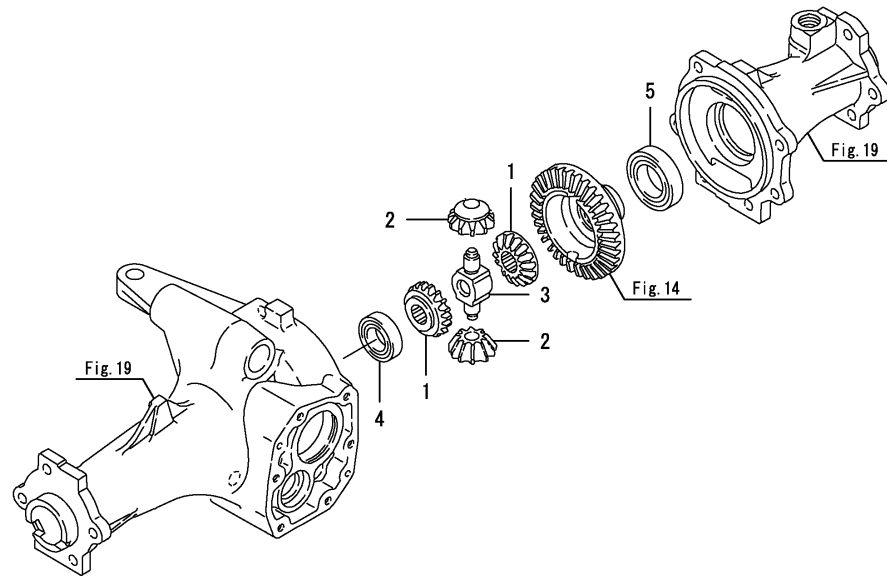


Fig.133. DIFFERENTIAL GEAR

(A)=GK160
(B)=GK200
(C)=GK200R

(D)=
(E)=
(F)=

No.	Lev.	Parts No.	Description	Qty						I	R
				(A)	(B)	(C)	(D)	(E)	(F)		
1	1	198165-13101	PINION KIT, DRIVE			1					
2	1	198421-13221	GEAR, DIFFERENTIAL			2					
3	1	1A7050-13230	PINION, DIFFERENTIAL			2					
4	1	198421-13240	SHAFT, DIFFERENTIAL			1					
5	1	24101-060054	BEARING, BALL 6005			1					
6	1	24101-060074	BEARING, BALL 6007			1					

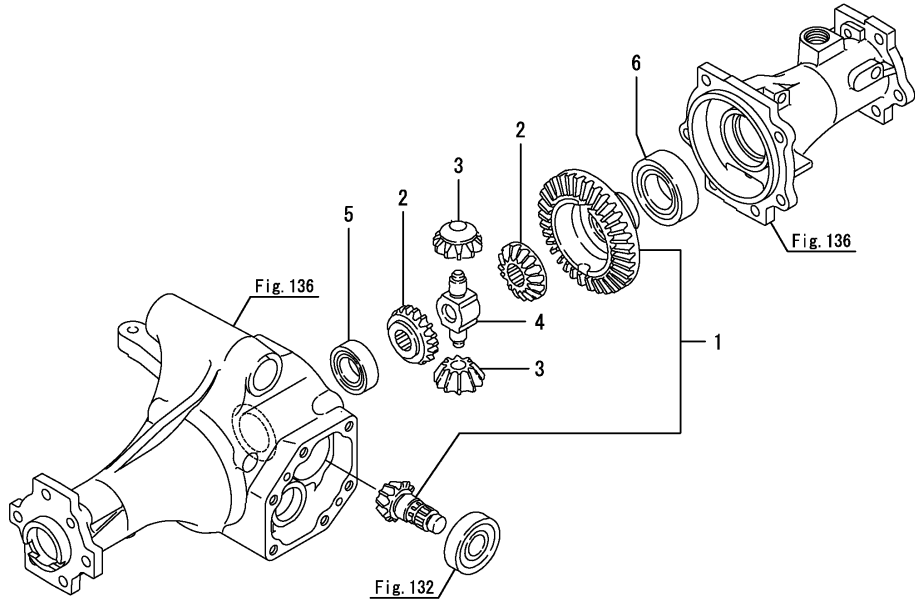


Fig.16. PROPELLER SHAFT

(A)=GK160
(B)=GK200
(C)=GK200R

(D)=
(E)=
(F)=

No.	Lev.	Parts No.	Description	Q'ty						I	R
				(A)	(B)	(C)	(D)	(E)	(F)		
1	1	198164-13350	SHAFT ASSY,PROPELLER	1							
2	1	22242-000260	RING, 26	2							
3	1	22351-035025	PIN, SPRING 3.5X25	2							
4	1	22351-060025	PIN, SPRING 6.0X25	2							

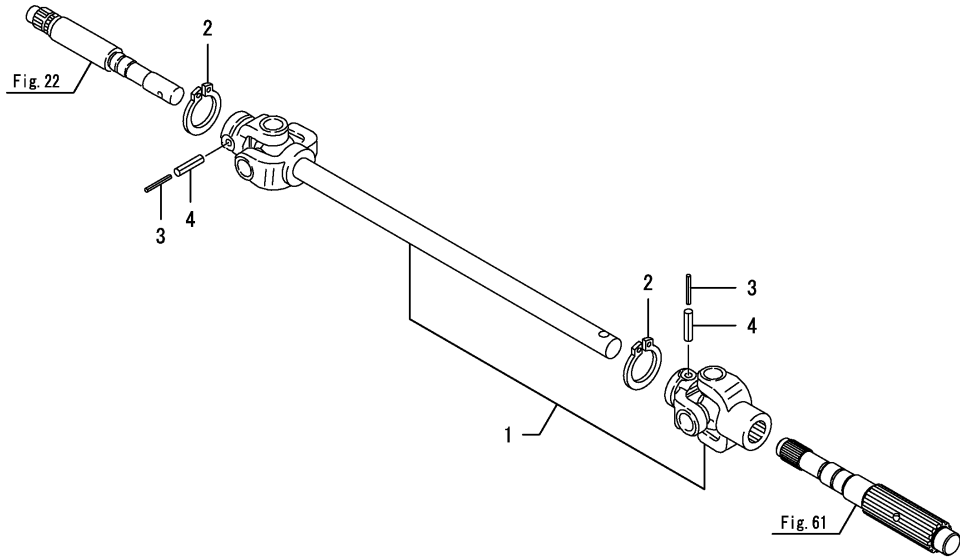


Fig.17. PROPELLER SHAFT

(A)=GK160
(B)=GK200
(C)=GK200R

(D)=
(E)=
(F)=

No.	Lev.	Parts No.	Description	Q'ty						I	R
				(A)	(B)	(C)	(D)	(E)	(F)		
1	1	1A7876-13310	SHAFT ASSY,PROPELLER		1						
2	1	22242-000260	RING, 26		2						
3	1	22351-035025	PIN, SPRING 3.5X25		2						
4	1	22351-060025	PIN, SPRING 6.0X25		2						

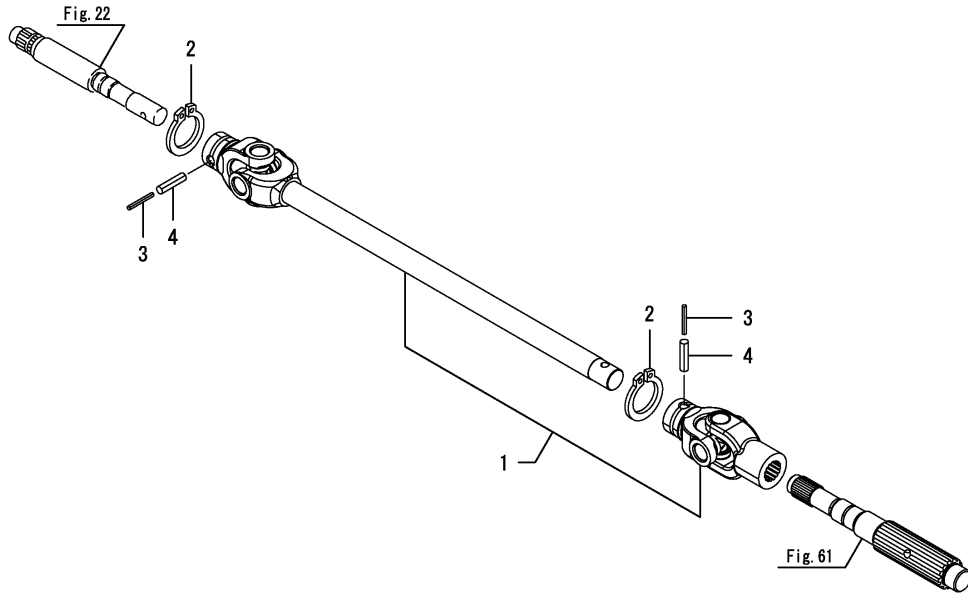
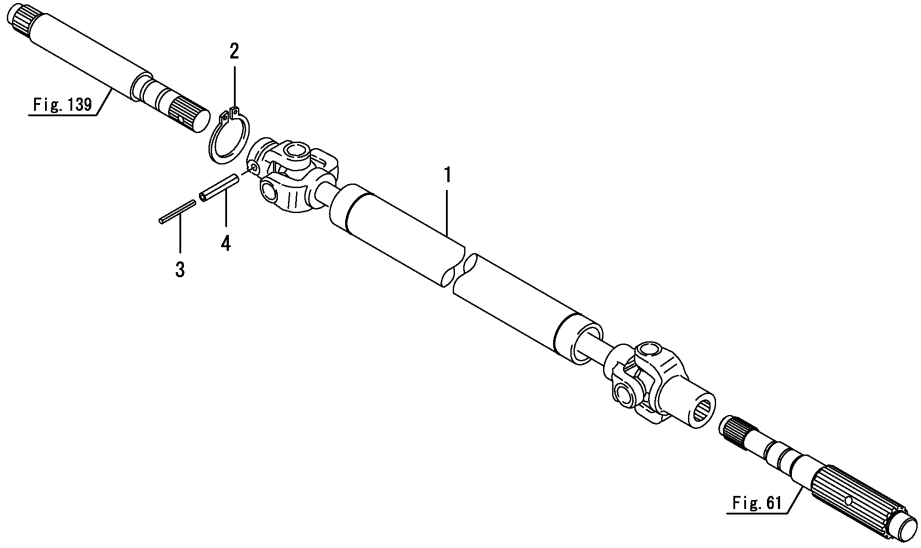


Fig.134. PROPELLER SHAFT

(A)=GK160
 (B)=GK200
 (C)=GK200R

(D)=
 (E)=
 (F)=



No.	Lev.	Parts No.	Description	Q'ty						I	R	
				(A)	(B)	(C)	(D)	(E)	(F)			
1	1	1A7876-13500	SHAFT ASSY,PROPELLER			1						
2	1	22242-000360	RING, 36			1						
3	1	22351-035032	PIN, SPRING 3.5X32			1						
4	1	22351-060032	PIN, SPRING 6.0X32			1						

Fig.18. FRONT SHAFT(1)

(A)=GK160
(B)=GK200
(C)=GK200R

(D)=
(E)=
(F)=

No.	Lev.	Parts No.	Description	Q'ty						I	R
				(A)	(B)	(C)	(D)	(E)	(F)		
1	1	198421-13510	SHAFT, FRONT 1ST L	1	1						
2	1	198421-13520	SHAFT, FRONT 1ST R	1	1						
3	1	198421-13530	GEAR, FRONT SHAFT	2	2						
4	1	24101-063044	BEARING, BALL 6304	2	2						

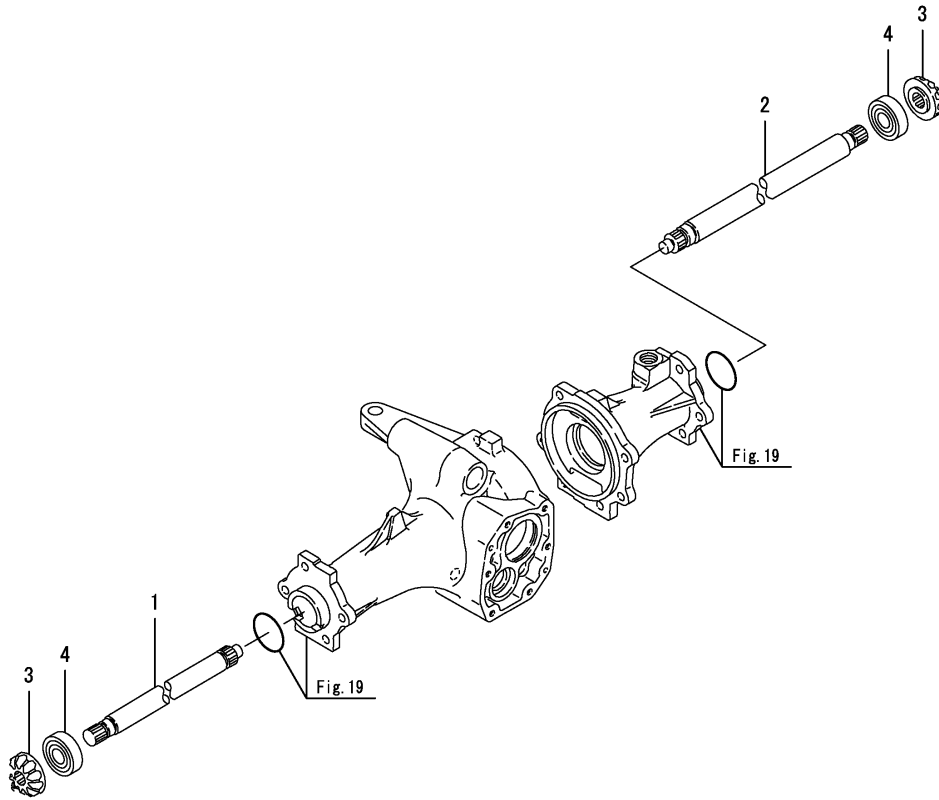
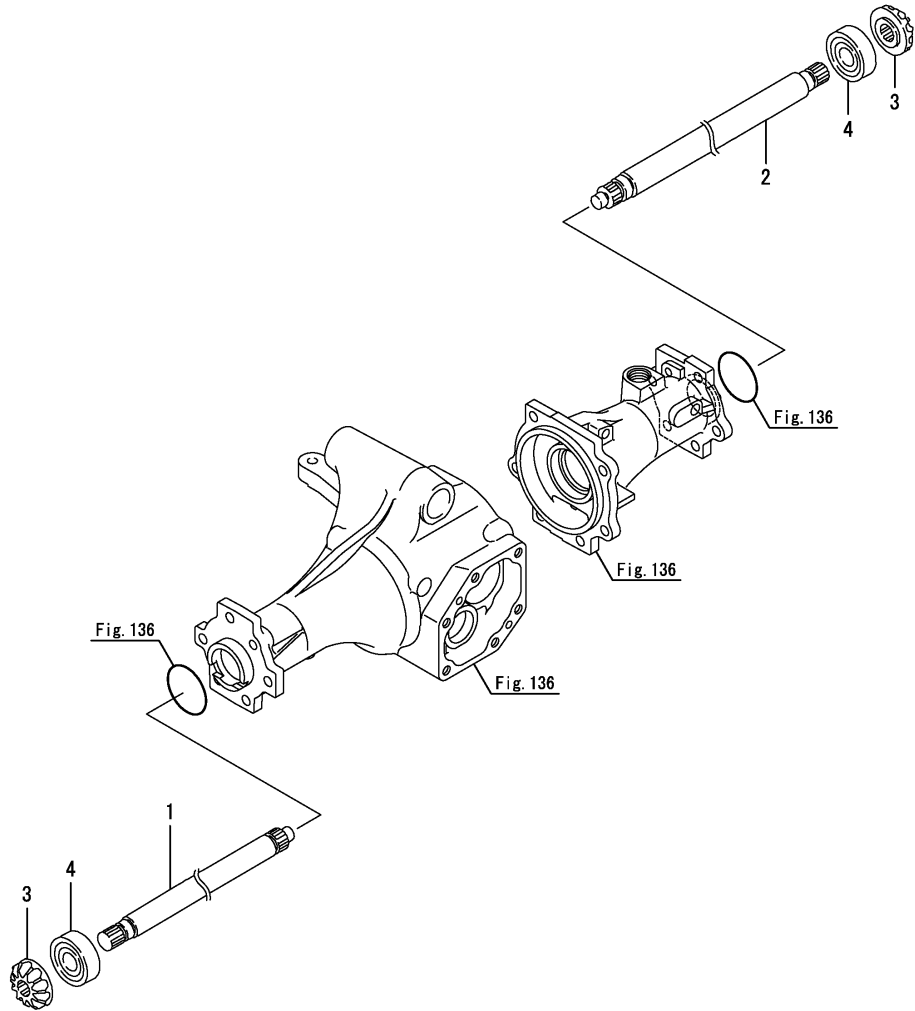


Fig.135. FRONT SHAFT(1)



(A)=GK160
(B)=GK200
(C)=GK200R

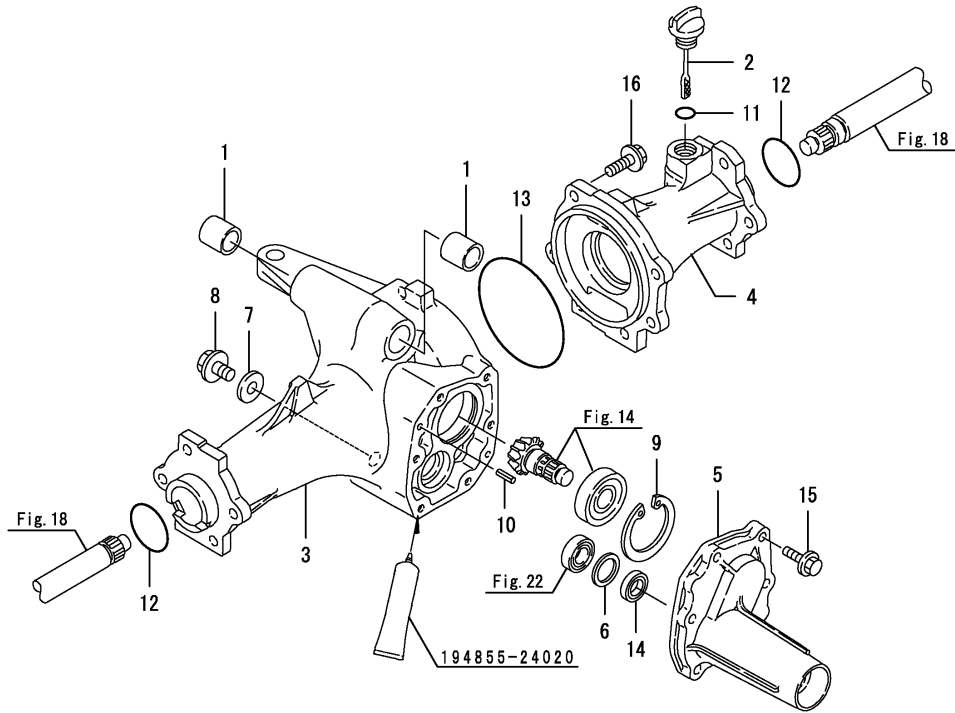
(D)=
(E)=
(F)=

No.	Lev.	Parts No.	Description	Qty						I	R
				(A)	(B)	(C)	(D)	(E)	(F)		
1	1	198165-13511	SHAFT, FRONT 1ST L			1					
2	1	198165-13521	SHAFT, FRONT 1ST R			1					
3	1	198165-13532	GEAR, FRONT SHAFT			2					
4	1	24101-062054	BEARING, BALL 6205			2					

Fig.19. FRONT AXLE CASE

(A)=GK160
(B)=GK200
(C)=GK200R

(D)=
(E)=
(F)=

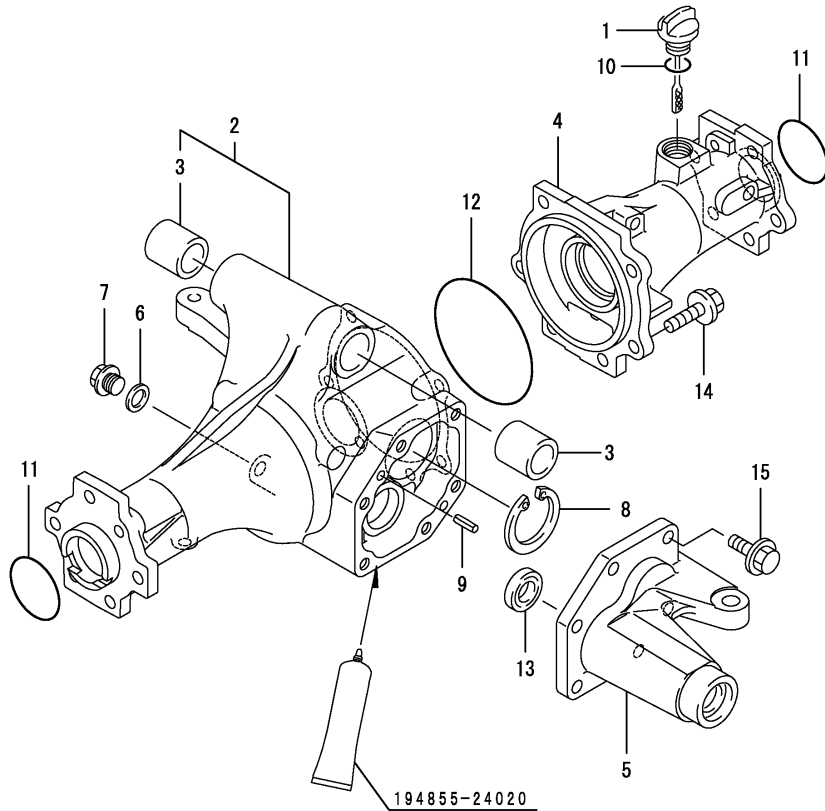


No.	Lev.	Parts No.	Description	Q'ty						I	R
				(A)	(B)	(C)	(D)	(E)	(F)		
1	1	194200-11570	BUSH	2	2						
2	1	194447-13490	GAUGE, OIL LEVEL	1	1						
3	1	198164-13610	CASE, FRONT AXLE L	1	1						
4	1	198425-13620	HOUSING, AXLE R	1	1						
5	1	198421-13630	COVER, AXLE CASE	1	1						
6	1	198421-13650	WASHER, 25X34X1.2	1	1						
7	1	198165-24440	GASKET, 20X12X2	1	1						
8	1	198165-24490	BOLT, M12X12	1	1						
9	1	22252-000520	RING, 52	1	1						
10	1	22351-060020	PIN, SPRING 6.0X20	2	2						
11	1	24311-000180	O-RING, 1AP18.0	1	1						
12	1	24321-000500	O-RING, 1AG50.0	2	2						
13	1	24321-001150	O-RING, 1AG115.0	1	1						
14	1	24421-173007	SEAL, OIL TC173007	1	1						
15	1	26106-080252	BOLT, M8X 25 PLATED	6	6						
16	1	26106-100252	BOLT, M10X 25 PLATED	6	6						

Fig.136. FRONT AXLE CASE

(A)=GK160
(B)=GK200
(C)=GK200R

(D)=
(E)=
(F)=

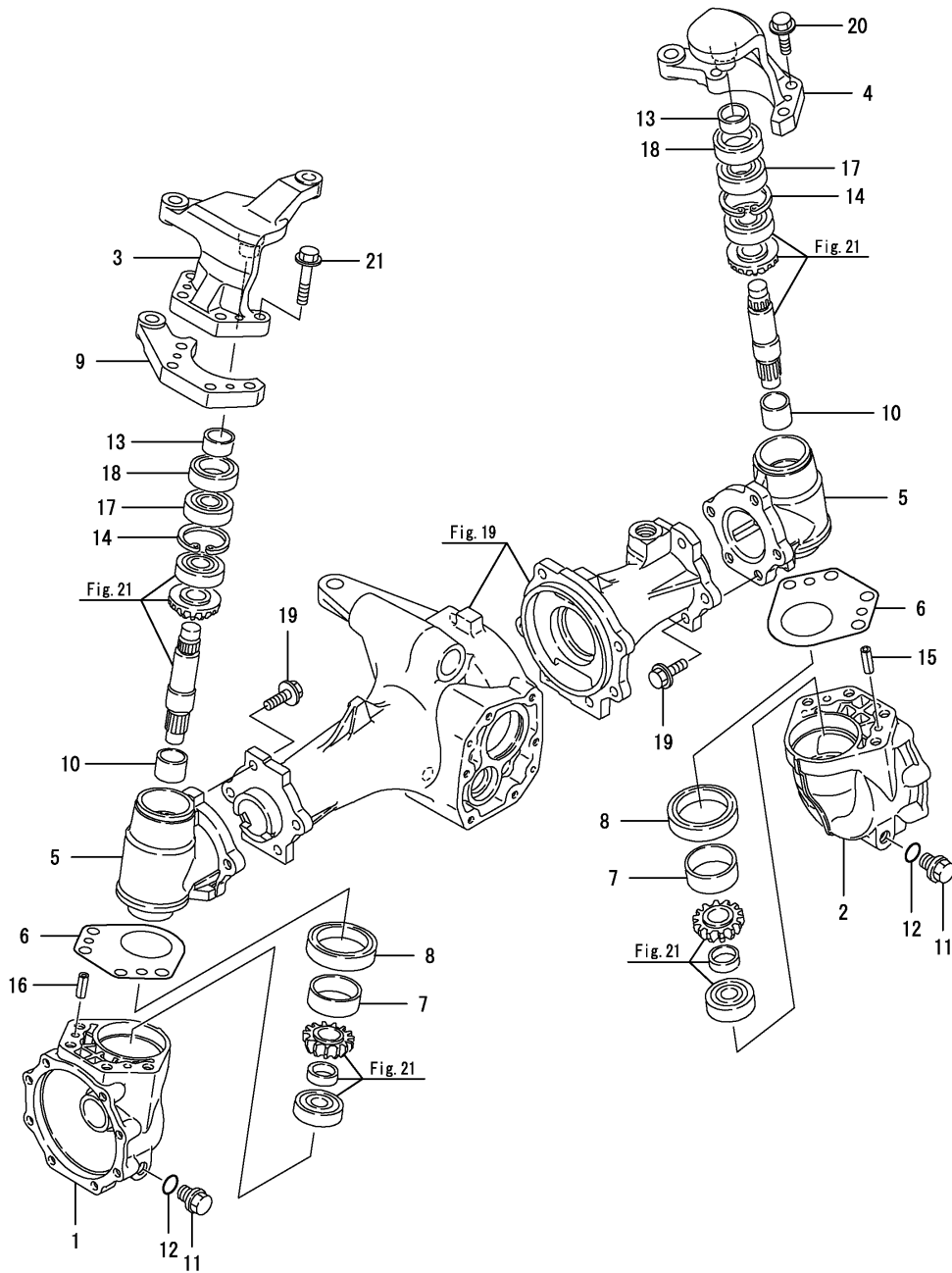


No.	Lev.	Parts No.	Description	Q'ty						I	R
				(A)	(B)	(C)	(D)	(E)	(F)		
1	1	194447-13490	GAUGE, OIL LEVEL			1					
2	1	1A6641-13600-1	HOUSING ASSY, AXLE L			1					
3	2	194850-13660	BUSH, 25X32X35			2					
4	1	198165-13620-2	HOUSING, AXLE R			1					
5	1	198165-13631-1	COVER, AXLE CASE			1					
6	1	198165-24440	GASKET, 20X12X2			1					
7	1	198165-24490	BOLT, M12X12			1					
8	1	22252-000520	RING, 52			1					
9	1	22351-080020	PIN, SPRING 8.0X20			2					
10	1	24311-000180	O-RING, 1AP18.0			1					
11	1	24321-000500	O-RING, 1AG50.0			2					
12	1	24321-001150	O-RING, 1AG115.0			1					
13	1	24421-173007	SEAL, OIL TC173007			1					
14	1	26106-100252	BOLT, M10X 25 PLATED			6					
15	1	26106-100252	BOLT, M10X 25 PLATED			6					

Fig.20. FRONT GEAR CASE

(A)=GK160
(B)=GK200
(C)=GK200R

(D)=
(E)=
(F)=

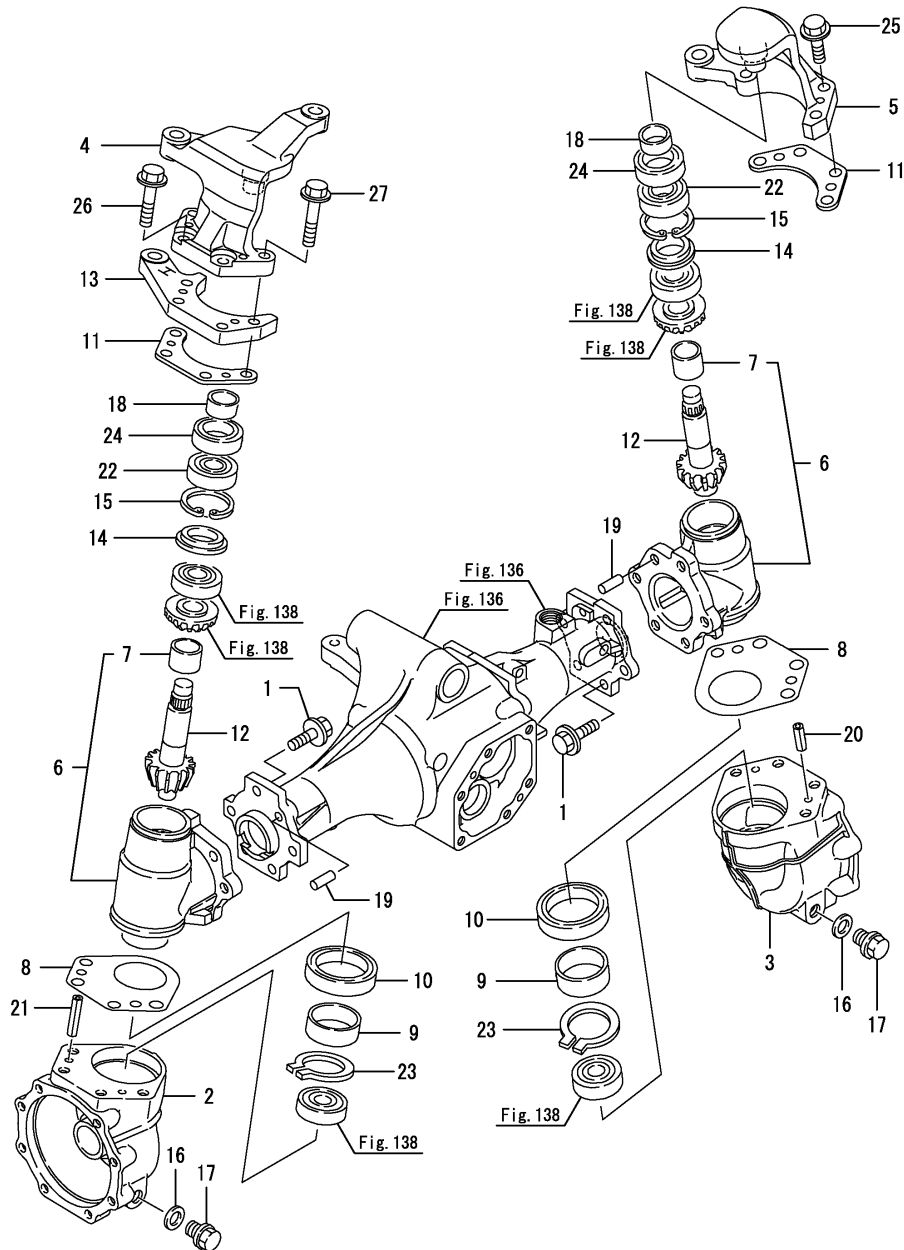


No.	Lev.	Parts No.	Description	Q'ty						I	R
				(A)	(B)	(C)	(D)	(E)	(F)		
1	1	198421-13730	BOX, GEAR L	1	1						
2	1	198421-13740	BOX, GEAR R	1	1						
3	1	1A7720-13740	SUPPORT, KING PIN L	1	1						
4	1	198164-13770	SUPPORT, KING PIN R	1	1						
5	1	198421-13710	CASE, FRONT GEAR	2	2						
6	1	198421-13750	SHIM, T=0.1	2	2						
7	1	194516-13770	SLEEVE, SI 45X50X16	2	2						
8	1	194516-13780	SEAL, OIL	2	2						
9	1	198164-13780	ARM, TIE-ROD	1	1						
10	1	198165-13830	BUSH, 25X1.5	2	2						
11	1	1C6900-23120	BOLT, DRAIN M14X10	2	2						
12	1	1C6900-23150	WASHER, PLUG	2	2						
13	1	1E6190-54080	SLEEVE SI25X30X13	2	2						
14	1	22252-000470	RING, 47	2	2						
15	1	22351-080020	PIN, SPRING 8.0X20	2	2						
16	1	22351-080040	PIN, SPRING 8.0X40	2	2						
17	1	24104-062044	BEARING, BALL 6204UU	2	2						
18	1	24421-304708	SEAL, OIL TC304708	2	2						
19	1	26106-100252	BOLT, M10X 25 PLATED	10	10						
20	1	26106-100352	BOLT, M10X 35 PLATED	4	4						
21	1	26106-100502	BOLT, M10X 50 PLATED	4	4						

Fig.137. FRONT GEAR CASE

(A)=GK160
(B)=GK200
(C)=GK200R

(D)=
(E)=
(F)=



No.	Lev.	Parts No.	Description	Qty						I	R
				(A)	(B)	(C)	(D)	(E)	(F)		
1	1	1A7531-11350	BOLT, M10X25			10					
2	1	198165-13730-2	BOX, GEAR L			1					
3	1	198165-13740-2	BOX, GEAR R			1					
4	1	1A7720-13760	SUPPORT, KING PIN L			1					
5	1	198164-13770	SUPPORT, KING PIN R			1					
6	1	1A6780-13700-1	CASE ASSY, GEAR			2					
7	2	198165-13841	BUSH, 27X1.5			2					
8	1	198165-13750	SHIM, T=0.1			2					
9	1	194516-13770	SLEEVE, SI 45X50X16			2					
10	1	194516-13780	SEAL, OIL			2					
11	1	1A6641-13780-1	SPACER, 4.5			2					
12	1	198165-13815	PINION, FRONT FINAL			2					
13	1	1A6641-13830-1	ARM, TIE-ROD			1					
14	1	1D4110-13870	WASHER			2					
15	1	1A6780-13890	RING, 47H			2					
16	1	198165-24440	GASKET, 20X12X2			2					
17	1	198165-24490	BOLT, M12X12			2					
18	1	1E6190-54080	SLEEVE SI25X30X13			2					
19	1	22312-100180	PIN, PARALLEL M10X18			2					
20	1	22351-080020	PIN, SPRING 8.0X20			2					
21	1	22351-080045	PIN, SPRING 8.0X45			2					
22	1	24104-062044	BEARING, BALL 6204UU			2					
23	1	24164-000452	CIRCLIP, 45			2					
24	1	24421-304708	SEAL, OIL TC304708			2					
25	1	26106-100352	BOLT, M10X 35 PLATED			4					
26	1	26106-100452	BOLT, M10X 45 PLATED			2					
27	1	26106-100502	BOLT, M10X 50 PLATED			2					

Fig.21. FRONT SHAFT(2)

(A)=GK160
(B)=GK200
(C)=GK200R

(D)=
(E)=
(F)=

No.	Lev.	Parts No.	Description	Q'ty						I	R
				(A)	(B)	(C)	(D)	(E)	(F)		
1	1	198421-13530	GEAR, FRONT SHAFT	2	2						
2	1	198421-13810	SHAFT, FRONT 2ND	2	2						
3	1	198421-13820	PINION, FRONT FINAL	2	2						
4	1	198421-13830	COLLAR	2	2						
5	1	194670-25370	BEARING, BALL TMB303	2	2						
6	1	24104-063034	BEARING, BALL 6303UU	2	2						

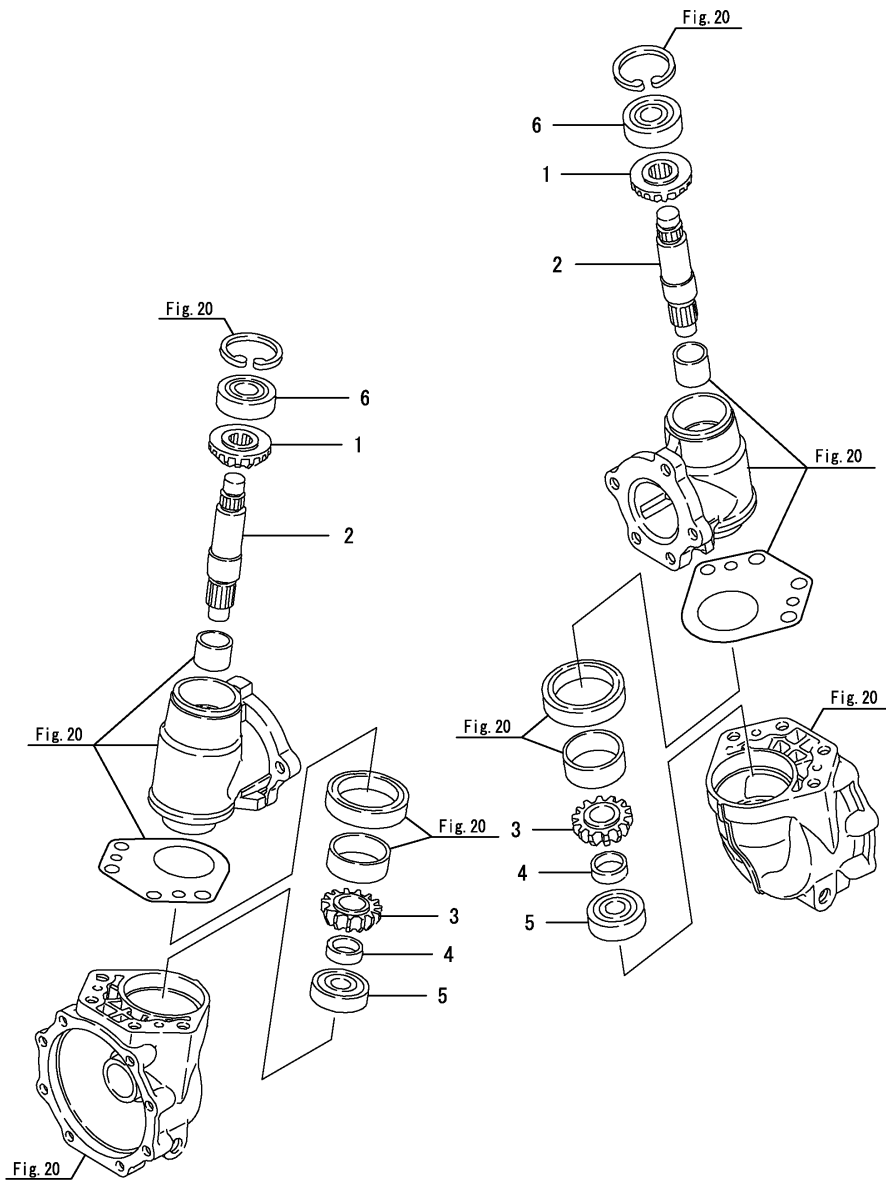
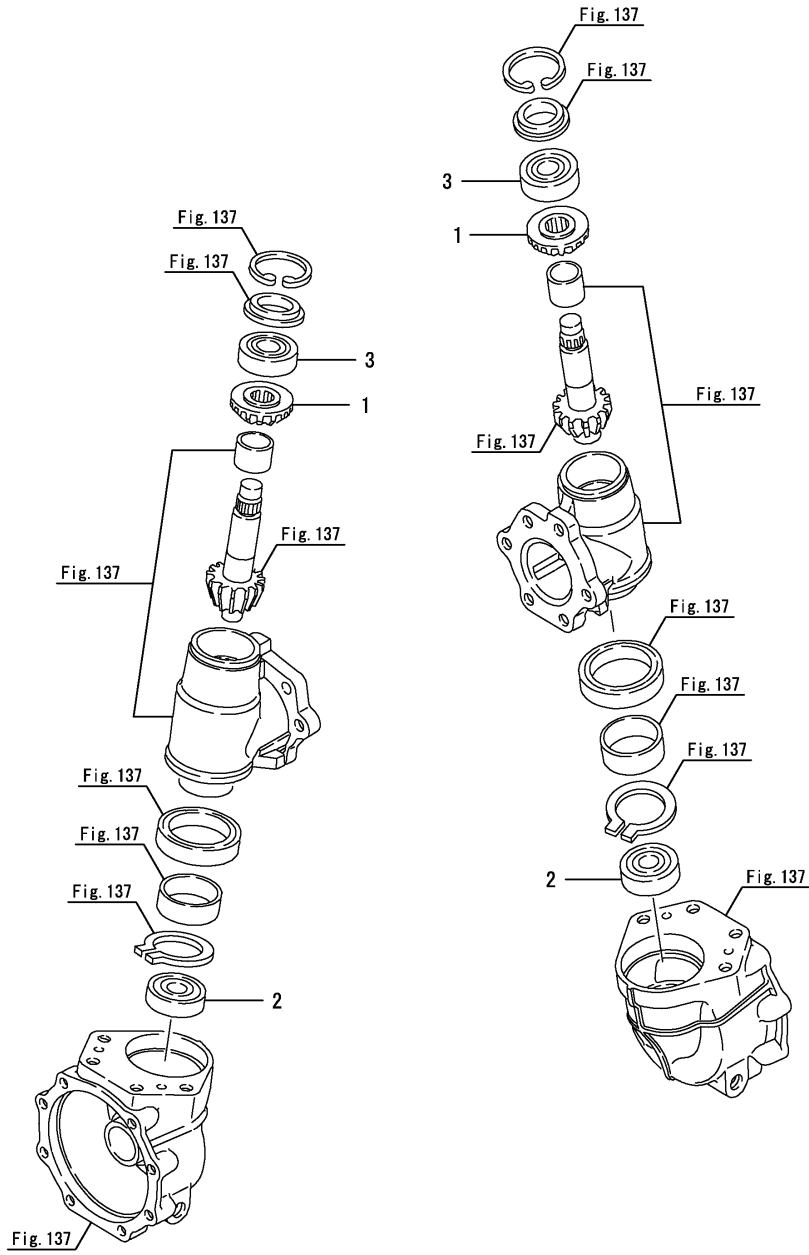


Fig.138. FRONT SHAFT(2)

(A)=GK160
(B)=GK200
(C)=GK200R

(D)=
(E)=
(F)=



No.	Lev.	Parts No.	Description	Q'ty						I	R
				(A)	(B)	(C)	(D)	(E)	(F)		
1	1	198165-13532	GEAR, FRONT SHAFT			2					
2	1	194670-25370	BEARING, BALL TMB303			2					
3	1	24104-063034	BEARING, BALL 6303UU			2					

Fig.22. INPUT SHAFT

(A)=GK160
(B)=GK200
(C)=GK200R

(D)=
(E)=
(F)=

No.	Lev.	Parts No.	Description	Q'ty						I	R
				(A)	(B)	(C)	(D)	(E)	(F)		
1	1	198421-13910	SHAFT, INPUT F	1	1						
2	1	198421-13920	GEAR, FRONT 15T	1	1						
3	1	22242-000200	RING, 20	1	1						
4	1	24101-060034	BEARING, BALL 6003	1	1						
5	1	24101-062024	BEARING, BALL 6202	1	1						

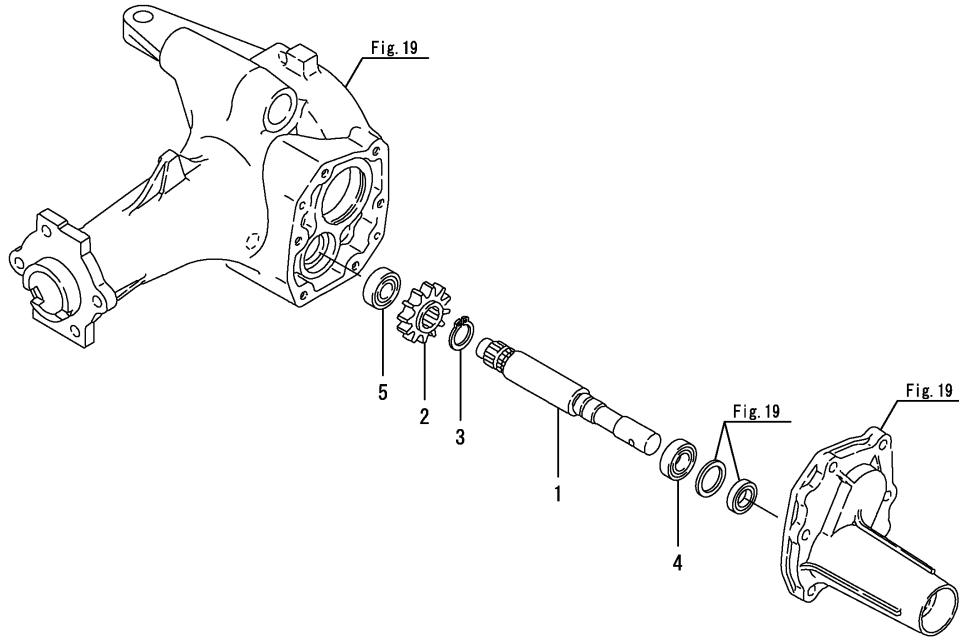
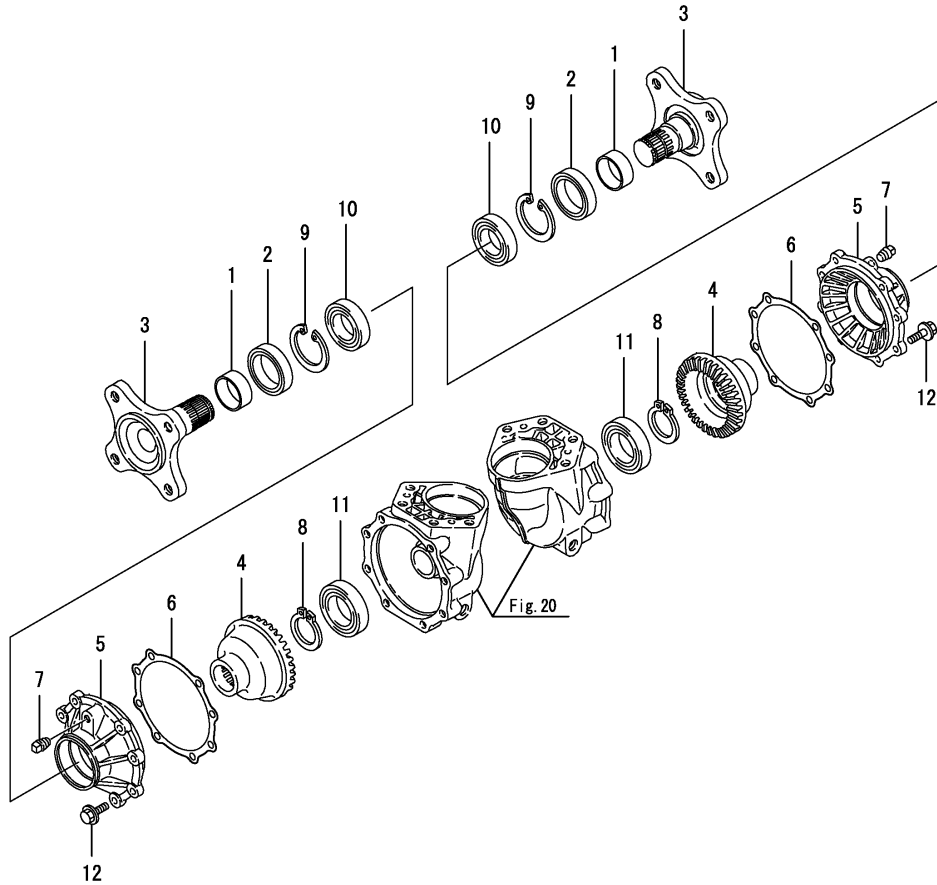


Fig.23. FRONT SPINDLE

(A)=GK160
(B)=GK200
(C)=GK200R

(D)=
(E)=
(F)=

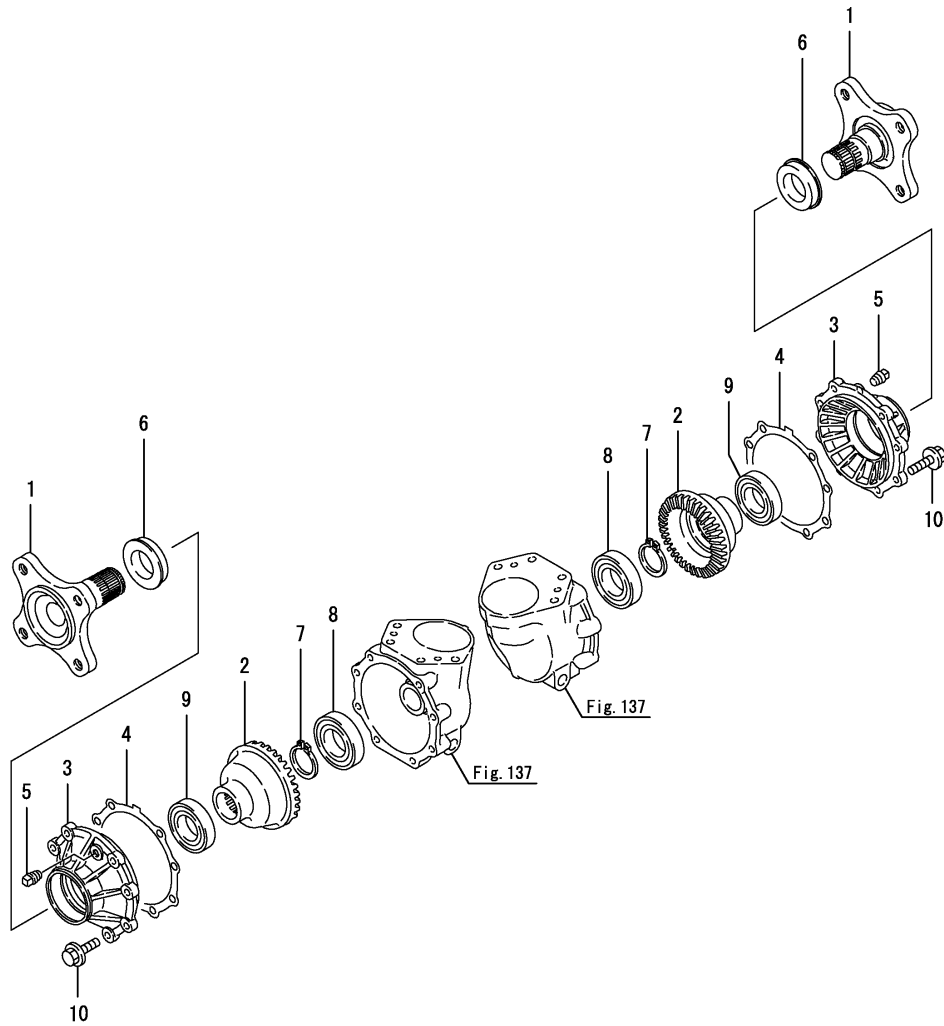


No.	Lev.	Parts No.	Description	Q'ty						I	R
				(A)	(B)	(C)	(D)	(E)	(F)		
1	1	194314-11880	SLEEVE, SI 40X45X18	2	2						
2	1	194314-12720	SEAL, OIL TC6Y456214	2	2						
3	1	198421-14110	SPINDLE, FRONT	2	2						
4	1	198421-14120	GEAR, FRONT SHAFT	2	2						
5	1	198421-14130	CASE, FRONT BEARING	2	2						
6	1	198421-14142	GASKET, BEARING CASE	2	2						
7	1	194151-36670	PLUG, PF02	2	2						
8	1	22242-000350	RING, 35	2	2						
9	1	22252-000620	RING, 62	2	2						
10	1	24101-060074	BEARING, BALL 6007	2	2						
11	1	24101-060084	BEARING, BALL 6008	2	2						
12	1	26106-080252	BOLT, M8X 25 PLATED	16	16						

Fig.140. FRONT SPINDLE

(A)=GK160
(B)=GK200
(C)=GK200R

(D)=
(E)=
(F)=



No.	Lev.	Parts No.	Description	Q'ty						I	R
				(A)	(B)	(C)	(D)	(E)	(F)		
1	1	1A6780-14110	SPINDLE, FRONT			2					
2	1	198165-14120	GEAR, FRONT SHAFT			2					
3	1	1A6780-14131	CASE, FRONT BEARING			2					
4	1	198165-14140	GASKET, BEARING CASE			2					
5	1	194151-36670	PLUG, PF02			2					
6	1	1E8420-55430	SEAL, QLFY40X62X14			2					
7	1	22242-000350	RING, 35			2					
8	1	24101-060084	BEARING, BALL 6008			2					
9	1	24101-062074	BEARING, BALL 6207			2					
10	1	26106-080252	BOLT, M8X 25 PLATED			16					

(A)=GK160
 (B)=GK200
 (C)=GK200R

(D)=
 (E)=
 (F)=

No.	Lev.	Parts No.	Description	Q'ty						I	R
				(A)	(B)	(C)	(D)	(E)	(F)		
1	1	198164-14611-1	COVER, SHAFT	1							
2	1	198421-14620	BOOT, RUBBER	2							
3	1	198421-14630	COLLAR, BOOT	1							
4	1	23000-048000	CLAMP, 48	2							
5	1	23000-070000	CLAMP, 70	2							

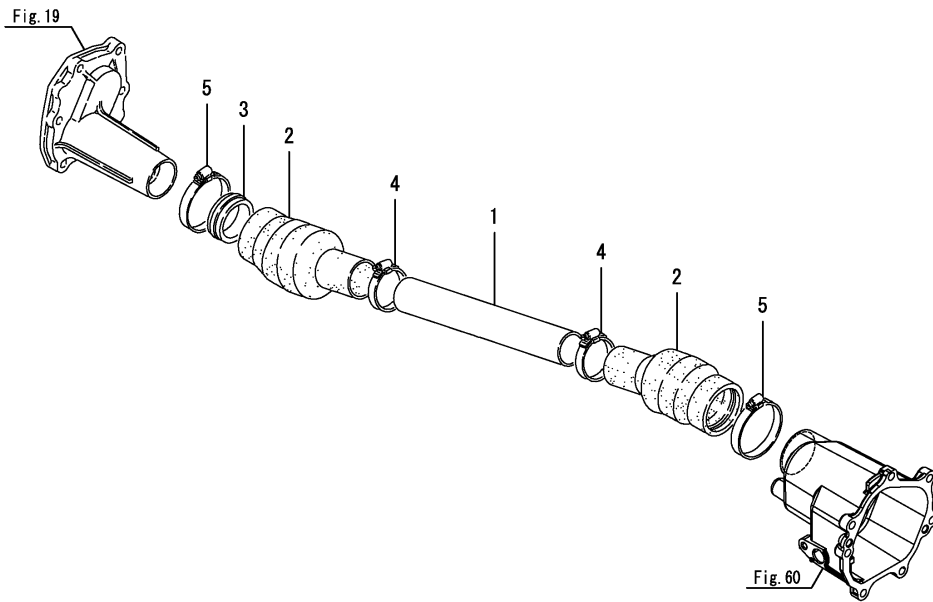


Fig.25. SHAFT COVER

(A)=GK160
(B)=GK200
(C)=GK200R

(D)=
(E)=
(F)=

No.	Lev.	Parts No.	Description	Q'ty						I	R
				(A)	(B)	(C)	(D)	(E)	(F)		
1	1	198164-14611-1	COVER, SHAFT		1						
2	1	198421-14620	BOOT, RUBBER		2						
3	1	198421-14630	COLLAR, BOOT		1						
4	1	23000-048000	CLAMP, 48		2						
5	1	23000-070000	CLAMP, 70		2						

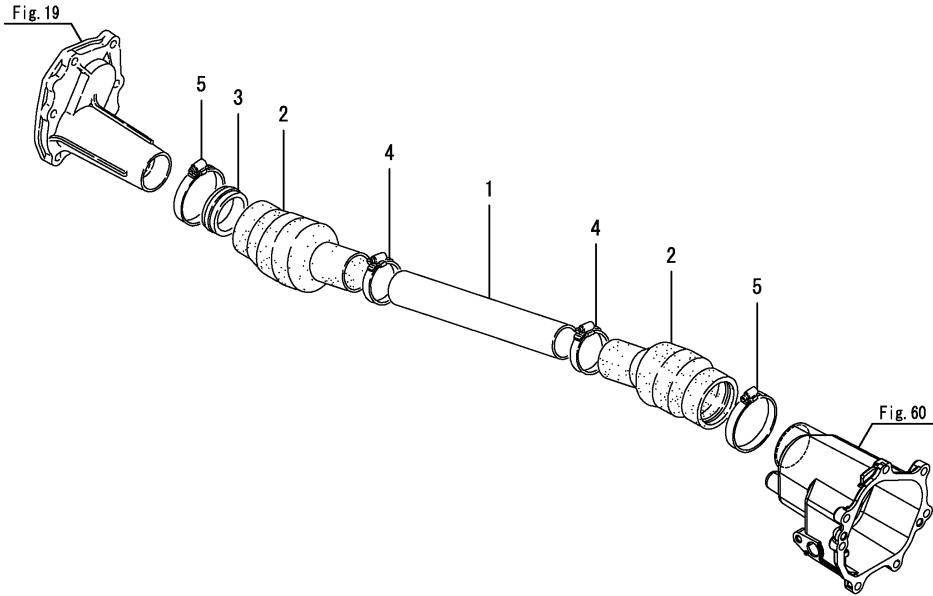
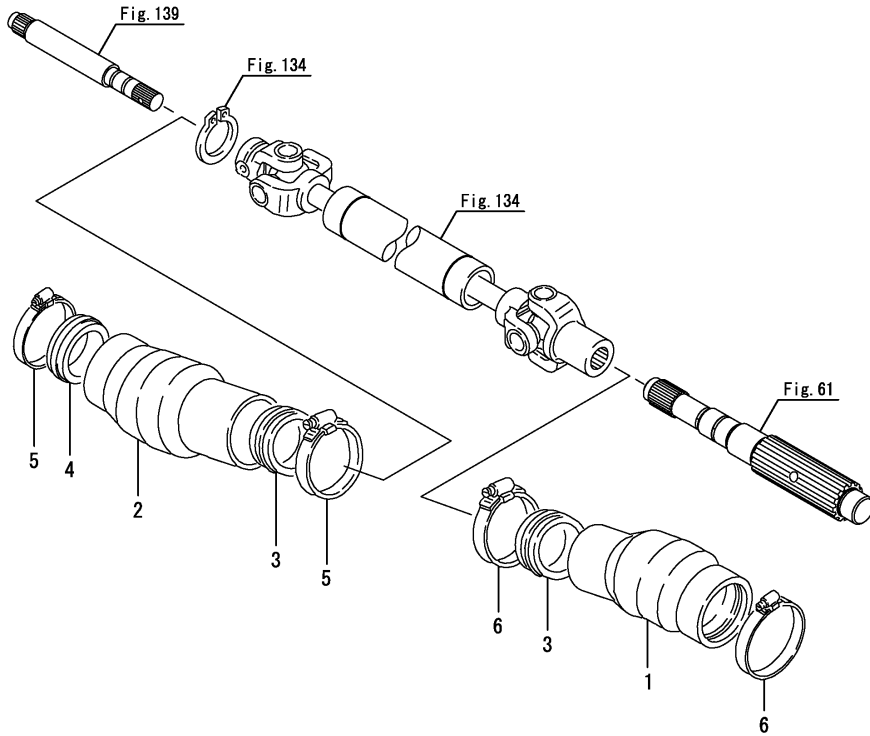


Fig.142. SHAFT COVER

(A)=GK160
(B)=GK200
(C)=GK200R

(D)=
(E)=
(F)=

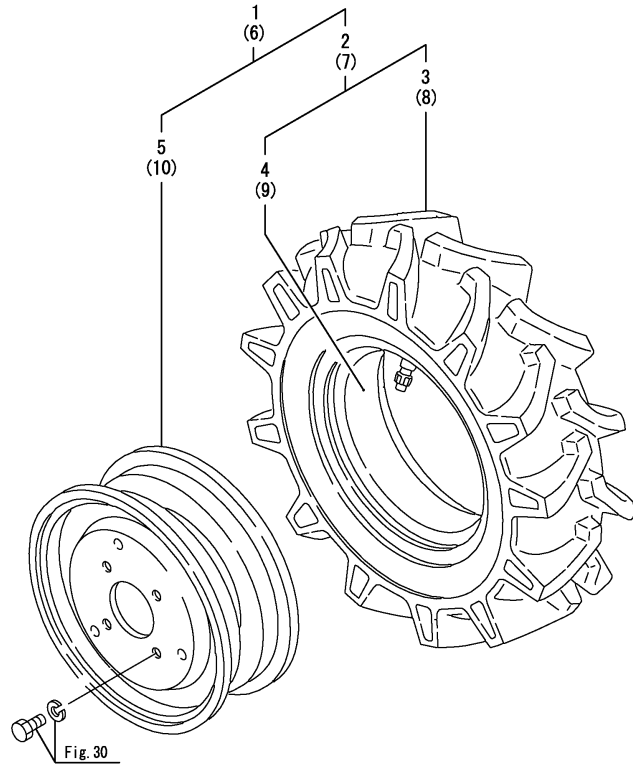


No.	Lev.	Parts No.	Description	Qty						I	R
				(A)	(B)	(C)	(D)	(E)	(F)		
1	1	198164-14620	BOOT, RUBBER			1					
2	1	198165-14620	BOOT, RUBBER			1					
3	1	198165-14630	COLLAR, BOOT			2					
4	1	198421-14630	COLLAR, BOOT			1					
5	1	23000-070000	CLAMP, 70			2					
6	1	23000-070000	CLAMP, 70			2					

Fig.26. FRONT WHEEL TIRE

(A)=GK160
(B)=GK200
(C)=GK200R

(D)=
(E)=
(F)=



No.	Lev.	Parts No.	Description	Q'ty						I	R
				(A)	(B)	(C)	(D)	(E)	(F)		
1	1	798435-12800	TIRE KIT, FRONT L	1	1						
2	2	194216-12820	TIRE ASSY, FRONT	1	1						
3	3	194216-12830	TIRE, 5-12 2 FSLM	1	1						
4	3	194216-12840	TUBE	1	1						
5	2	198435-14700	WHEEL, DC4JAX12W	1	1						
6	1	798435-12900	TIRE KIT, FRONT R	1	1						
7	2	194216-12820	TIRE ASSY, FRONT	1	1						
8	3	194216-12830	TIRE, 5-12 2 FSLM	1	1						
9	3	194216-12840	TUBE	1	1						
10	2	198435-14700	WHEEL, DC4JAX12W	1	1						

Remarks

* Model : GK160 AG-PQ

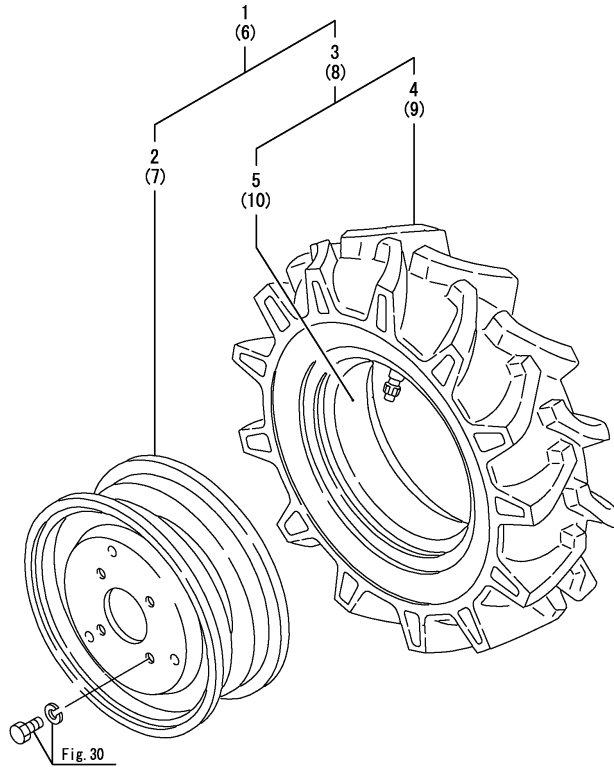
* Model : GK200 AG-PQ

N:Old $\xrightarrow{\text{Yes}}$ New, Q:Old $\xrightarrow{\text{No}}$ New, R:Old $\xrightarrow{\text{Yes}}$ New, S:Old $\xrightarrow{\text{No}}$ New, W:Add, Z:Discontinued, F:Interchangeable by set, K:Q'ty Change

Fig.27. FRONT WHEEL TIRE

(A)=GK160
(B)=GK200
(C)=GK200R

(D)=
(E)=
(F)=



No.	Lev.	Parts No.	Description	Q'ty						I	R
				(A)	(B)	(C)	(D)	(E)	(F)		
1	1	798531-14710	TIRE KIT, FRONT L	1	1						
1-1	1	1A7874-14700	TIRE KIT, FRONT L	1	1	1					R
		(A=F100267) (B=F200222)									
2	2	198531-14720	WHEEL, DC3.00DX12	1	1						
2-1	2	1A7870-14730	WHEEL, 3.00DX12	1	1	1					R
		(A=F100267) (B=F200222)									
3	2	198531-14730	TIRE ASSY, 5.00-12	1	1						
3-1	2	1A7874-14720	TIRE ASSY, FRONT	1	1	1					R
		(A=F100267) (B=F200222)									
4	3	198531-14740	TIRE, FRONT 5.00-12	1	1						Z
		(A=F100267) (B=F200222)									
5	3	198531-14750	TUBE	1	1						Z
		(A=F100267) (B=F200222)									
6	1	798531-14810	TIRE KIT, FRONT R	1	1						
6-1	1	1A7874-14800	TIRE KIT, FRONT R	1	1	1					R
		(A=F100267) (B=F200222)									
7	2	198531-14720	WHEEL, DC3.00DX12	1	1						
7-1	2	1A7870-14730	WHEEL, 3.00DX12	1	1	1					R
		(A=F100267) (B=F200222)									
8	2	198531-14730	TIRE ASSY, 5.00-12	1	1						
8-1	2	1A7874-14720	TIRE ASSY, FRONT	1	1	1					R
		(A=F100267) (B=F200222)									
9	3	198531-14740	TIRE, FRONT 5.00-12	1	1						Z
		(A=F100267) (B=F200222)									
10	3	198531-14750	TUBE	1	1						Z
		(A=F100267) (B=F200222)									

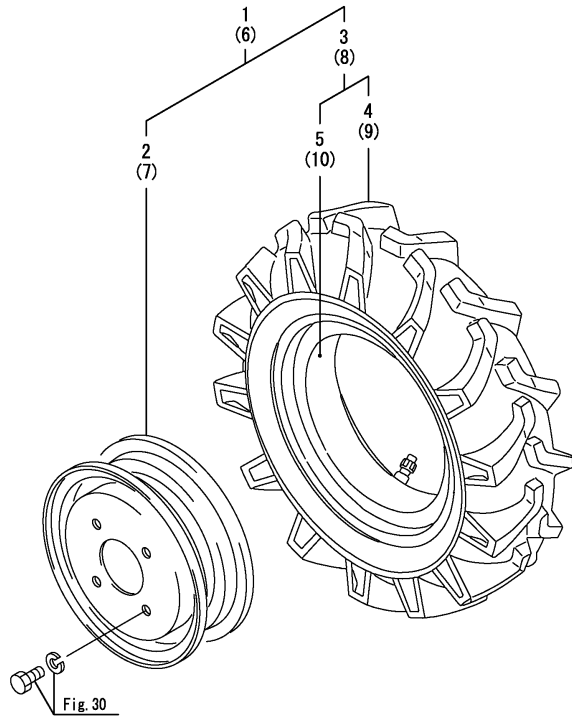
Remarks

- * Model : GK160 LAG-PQ
- * Model : GK200 LAG-PQ
- * Model : GK200R LAG-PQ

Fig.28. FRONT WHEEL TIRE

(A)=GK160
(B)=GK200
(C)=GK200R

(D)=
(E)=
(F)=



No.	Lev.	Parts No.	Description	Q'ty						I	R
				(A)	(B)	(C)	(D)	(E)	(F)		
1	1	1A6750-14700	TIRE KIT, FRONT L	1	1						
2	2	1A6750-14720	WHEEL, 3.00DX10	1	1						
3	2	194306-14800	TIRE, FRONT	1	1						
4	3	194306-14810	TIRE, 4.50-10 4 FSLM	1	1						
5	3	194306-14820	TUBE, 4.50-10	1	1						
6	1	1A6750-14800	TIRE KIT, FRONT R	1	1						
7	2	1A6750-14720	WHEEL, 3.00DX10	1	1						
8	2	194306-14800	TIRE, FRONT	1	1						
9	3	194306-14810	TIRE, 4.50-10 4 FSLM	1	1						
10	3	194306-14820	TUBE, 4.50-10	1	1						

Remarks

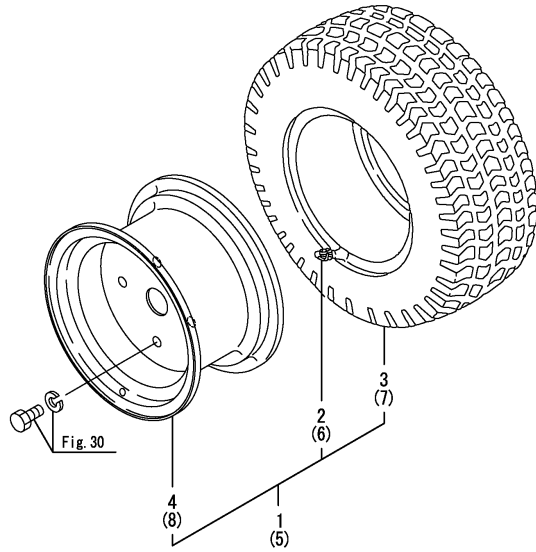
- * Model : GK160 SAG-PQ
- * Model : GK200 SAG-PQ

Fig.29. FRONT WHEEL TIRE

(A)=GK160
(B)=GK200
(C)=GK200R

(D)=
(E)=
(F)=

No.	Lev.	Parts No.	Description	Q'ty						I	R
				(A)	(B)	(C)	(D)	(E)	(F)		
1	1	198163-14730	TIRE KIT, FRONT L	1	1	1					
2	2	194136-12880	VALVE, TR413	1	1	1					
3	2	198163-14740	TIRE, TURF 20X8.00	1	1	1					
4	2	198163-14750	DISK, 6.00I-10	1	1	1					
5	1	198163-14830	TIRE KIT,F.WHEEL R	1	1	1					
6	2	194136-12880	VALVE, TR413	1	1	1					
7	2	198163-14740	TIRE, TURF 20X8.00	1	1	1					
8	2	198163-14750	DISK, 6.00I-10	1	1	1					



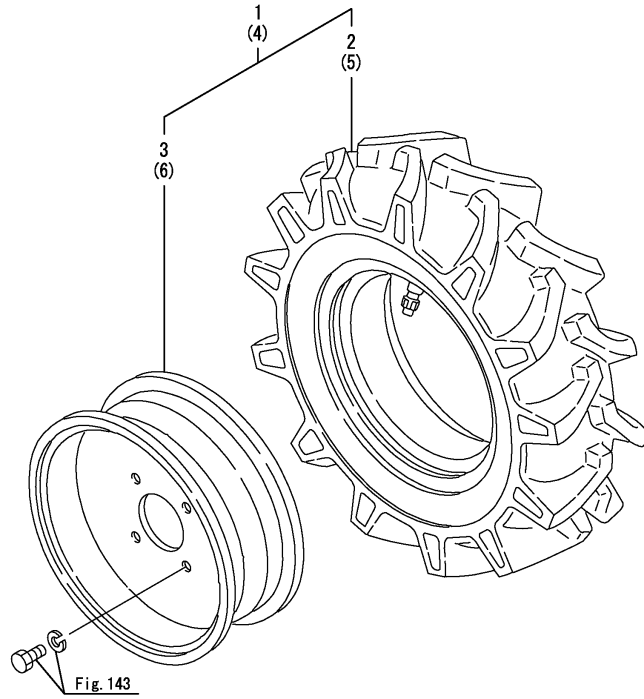
Remarks

- * Model : GK160 AT-PQ
- * Model : GK200 AT-PQ
- * Model : GK200R AT-PQ

Fig.141. FRONT WHEEL TIRE

(A)=GK160
(B)=GK200
(C)=GK200R

(D)=
(E)=
(F)=



No.	Lev.	Parts No.	Description	Q'ty						I	R	
				(A)	(B)	(C)	(D)	(E)	(F)			
1	1	1A7874-14500	TIRE ASSY, 23X8.50L			1						
2	2	1A7874-14510	TIRE, 23X8.50			1						
3	2	1A7874-14520	WHEEL ASSY, 7X12			1						
4	1	1A7874-14600	TIRE ASSY, 23X8.50R			1						
5	2	1A7874-14510	TIRE, 23X8.50			1						
6	2	1A7874-14520	WHEEL ASSY, 7X12			1						

Remarks

* Model : GK200R N-PQ

N:Old $\xrightarrow{\text{Yes}}$ New, Q:Old $\xrightarrow{\text{No}}$ New, R:Old $\xrightarrow{\text{Yes}}$ New, S:Old $\xrightarrow{\text{No}}$ New, W:Add, Z:Discontinued, F:Interchangeable by set, K:Q'ty Change

Fig.30. HUB BOLT

(A)=GK160
(B)=GK200
(C)=GK200R

(D)=
(E)=
(F)=

No.	Lev.	Parts No.	Description	Q'ty						I	R
				(A)	(B)	(C)	(D)	(E)	(F)		
1	1	22217-140000	WASHER, SPRING 14	8	8						
2	1	26156-140252	BOLT, M14X 25 PLATED	8	8						

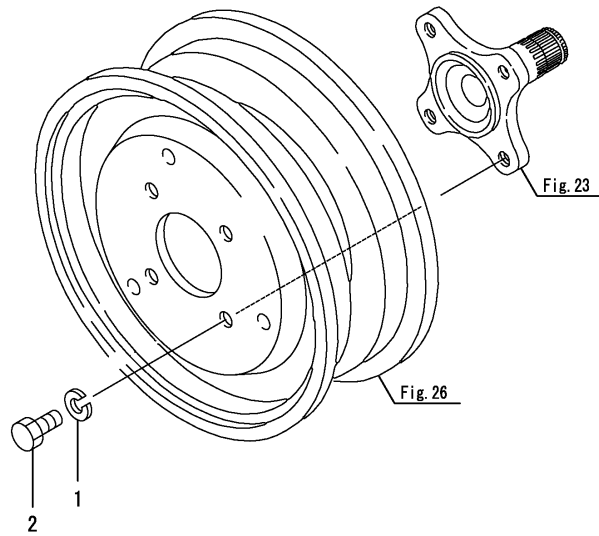
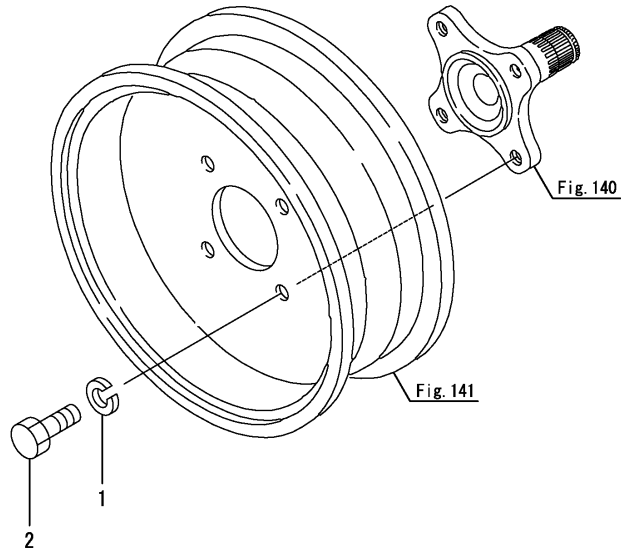


Fig.143. HUB BOLT

(A)=GK160
(B)=GK200
(C)=GK200R

(D)=
(E)=
(F)=



No.	Lev.	Parts No.	Description	Q'ty						I	R
				(A)	(B)	(C)	(D)	(E)	(F)		
1	1	22217-140000	WASHER, SPRING 14			8					
2	1	26086-140252	BOLT, 10.914X 25			8					

Fig.31. STEERING WHEEL

(A)=GK160
(B)=GK200
(C)=GK200R

(D)=
(E)=
(F)=

No.	Lev.	Parts No.	Description	Q'ty						I	R
				(A)	(B)	(C)	(D)	(E)	(F)		
1	1	1C7121-42000	WHEEL, STEERING	1	1	1					
2	1	1C7121-42050	CAP, STEERING WHEEL	1	1	1					
3	2	198220-15770	CAP, WHEEL	1	1	1					
4	2	198164-15780	MARK, STEERING	1	1	1					
5	1	22217-160000	WASHER, SPRING 16	1	1	1					
6	1	26776-160002	NUT, LOCK M16	1	1	1					

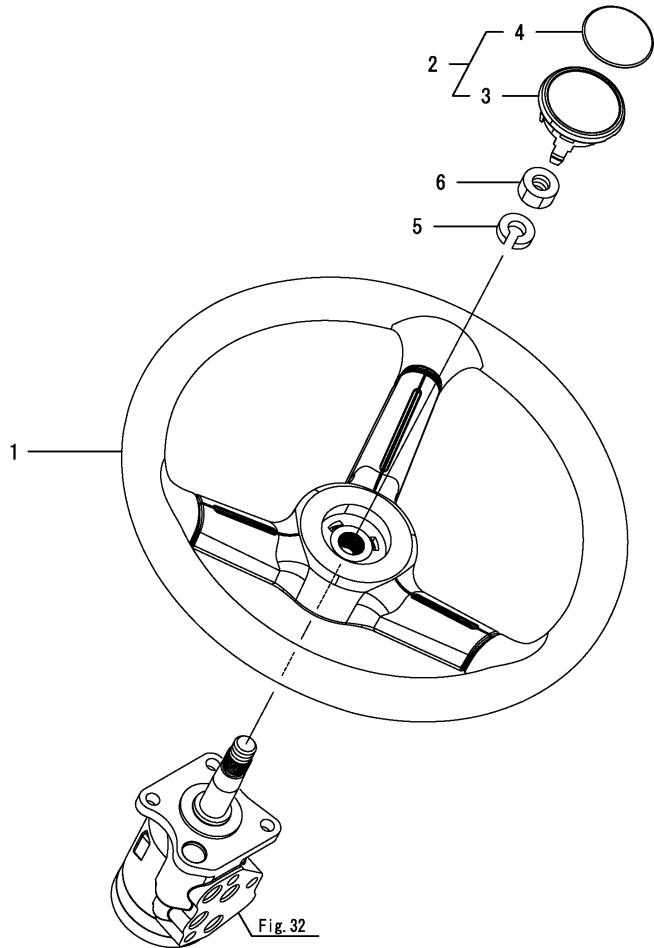


Fig. 32

Fig.32. P.S.T. VALVE

(A)=GK160
(B)=GK200
(C)=GK200R

(D)=
(E)=
(F)=

No.	Lev.	Parts No.	Description	Qty						I	R
				(A)	(B)	(C)	(D)	(E)	(F)		
1	1	1A7870-17302	VALVE ASSY, STEERING	1	1	1					
2	1	26136-100162	BOLT, M10X 16 PLATED	3	3	3					

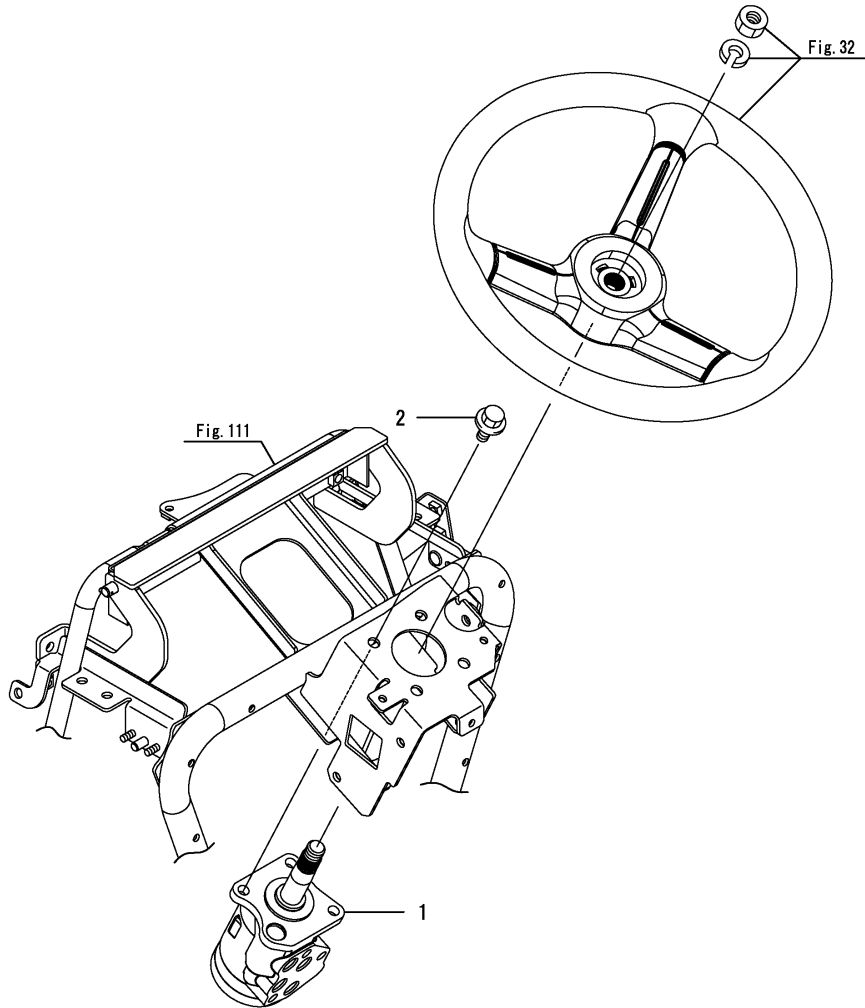
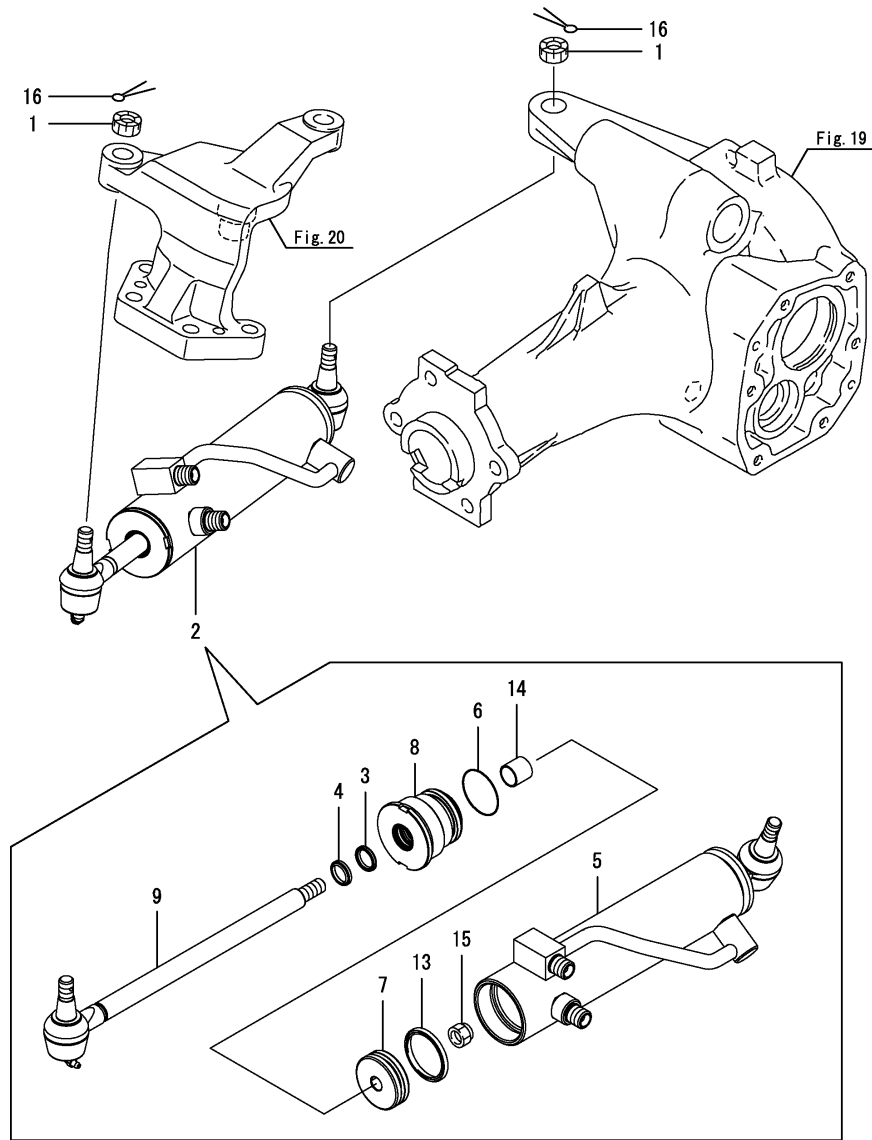


Fig.33. P.S.T. CYLINDER

(A)=GK160
(B)=GK200
(C)=GK200R

(D)=
(E)=
(F)=



No.	Lev.	Parts No.	Description	Q'ty						I	R
				(A)	(B)	(C)	(D)	(E)	(F)		
1	1	194215-12341	NUT, CASTLE M10	2	2	2					
2	1	1A7870-17541	CYLINDER ASSY, STEER	1	1	1					
3	2	1C6980-04360	SEAL, PENTA 14	1	1	1					
4	2	1C6980-04370	SCRAPER, SER 14	1	1	1					
5	2	1A7870-17550	TUBE ASSY, CYLINDER	1	1	1					
6	2	1A7780-17570	PACKING, 34	1	1	1					
7	2	1A7870-17620	PISTON	1	1	1					
8	2	1A7870-17631	COVER, ROD	1	1	1					
9	2	1A7870-17641	ROD ASSY, CYLINDER	1	1	1					
13	2	198421-72620	PACKING, PISTON	1	1	1					
14	2	24550-014150	BUSH, 14X15	1	1	1					
15	2	26356-100002	NUT, M10	1	1	1					
16	1	22417-250250	PIN, COTTER 2.5X25	2	2	2					

Fig.34. P.S.T. PIPING(1)

(A)=GK160
(B)=GK200
(C)=GK200R

(D)=
(E)=
(F)=

No.	Lev.	Parts No.	Description	Q'ty						I	R
				(A)	(B)	(C)	(D)	(E)	(F)		
1	1	1A7870-17820	ADAPTER, 1/4X3/8	1	1	1					
2	2	24315-000140	O-RING, 1BP14.0	1	1	1					
3	1	172141-76920	CONNECTOR ASSY	1	1	1					
4	2	24315-000140	O-RING, 1BP14.0	1	1	1					

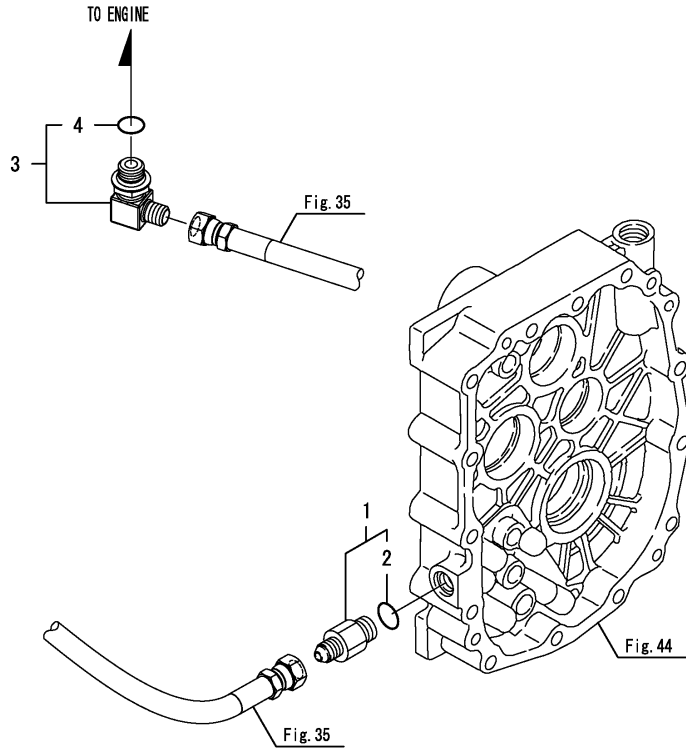
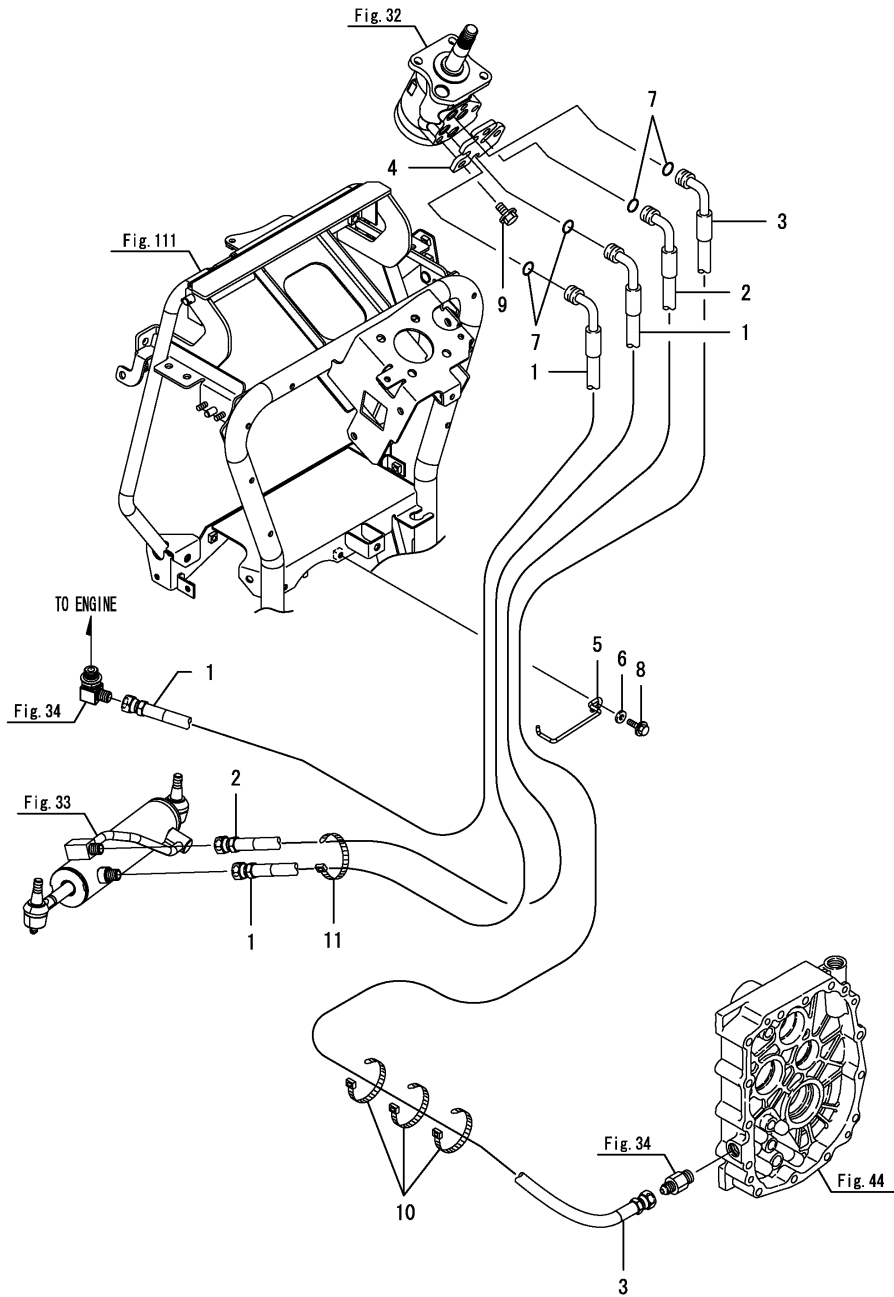


Fig.35. P.S.T. PIPING(2)



(A)=GK160
(B)=GK200
(C)=GK200R

(D)=
(E)=
(F)=

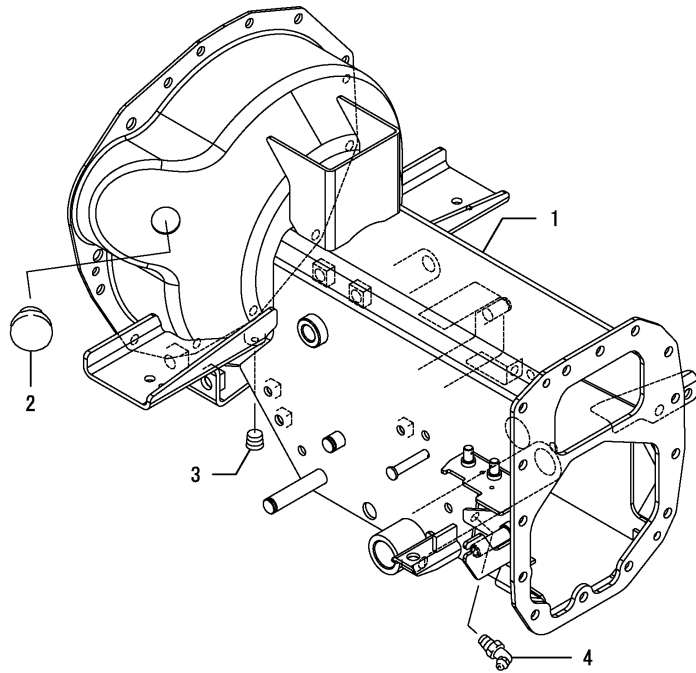
No.	Lev.	Parts No.	Description	Qty						I	R
				(A)	(B)	(C)	(D)	(E)	(F)		
1	1	1A7720-17811	HOSE, PRESSURE L	2	2	2					
2	1	1A7870-17810	HOSE, PRESSURE L	1	1	1					
3	1	198200-17820	HOSE, PRESSURE R	1	1	1					
4	1	198200-17910	PLATE, RETAINER	1	1	1					
5	1	1A7870-17950	CLAMP, HOSE	1	1	1					
6	1	22157-060000	WASHER, 6	1	1	1					
7	1	24315-000120	O-RING, 1BP12.0	4	4	4					
8	1	26106-060202	BOLT, M6X 20 PLATED	1	1	1					
9	1	26136-100162	BOLT, M10X 16 PLATED	3	3	3					
10	1	29622-250001	BAND, RF250	3	3	3					
11	1	29622-250001	BAND, RF250	1	1	1					

Fig.36. CLUTCH HOUSING

(A)=GK160
(B)=GK200
(C)=GK200R

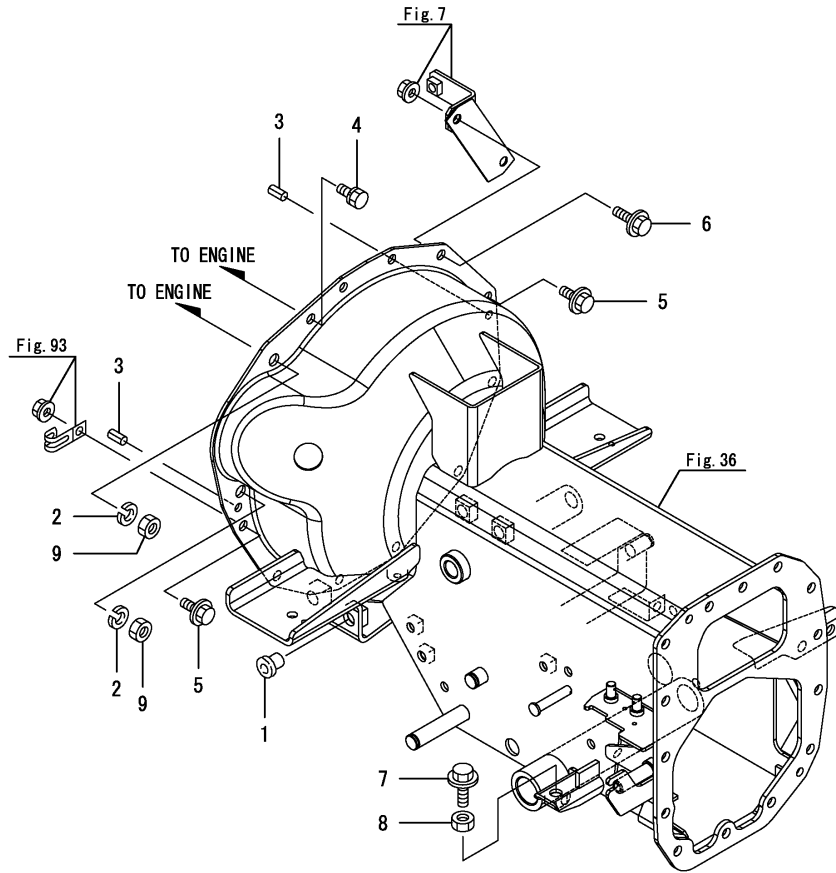
(D)=
(E)=
(F)=

No.	Lev.	Parts No.	Description	Q'ty						I	R
				(A)	(B)	(C)	(D)	(E)	(F)		
1	1	1A7870-21411	HOUSING ASSY, CLUTCH	1	1	1					
2	1	194300-21460	CAP, RUBBER 25	1	1	1					
3	1	23876-010000	PLUG, R01	1	1	1					
4	1	24761-040000	NIPPLE, GREASE B	1	1	1					



(A)=GK160
 (B)=GK200
 (C)=GK200R

(D)=
 (E)=
 (F)=



No.	Lev.	Parts No.	Description	Q'ty						I	R
				(A)	(B)	(C)	(D)	(E)	(F)		
1	1	194201-11230	CAP. SCREW 12.0	4	4	4					
2	1	22217-100000	WASHER, SPRING 10	2	2	2					
3	1	22351-080016	PIN, SPRING 8.0X16	2	2	2					
4	1	26013-080122	BOLT, M8X 12	3	3	3					
5	1	26106-080202	BOLT, M8X 20 PLATED	7	7	7					
6	1	26106-080252	BOLT, M8X 25 PLATED	1	1	1					
7	1	26106-100302	BOLT, M10X 30 PLATED	1	1	1					
8	1	26716-100002	NUT, M10	1	1	1					
9	1	26716-100002	NUT, M10	2	2	2					

Fig.38. CLUTCH DISC

(A)=GK160
(B)=GK200
(C)=GK200R

(D)=
(E)=
(F)=

No.	Lev.	Parts No.	Description	Qty						I	R
				(A)	(B)	(C)	(D)	(E)	(F)		
1	1	198165-21450	DISK, CLUTCH EX-1A	1	1	1					

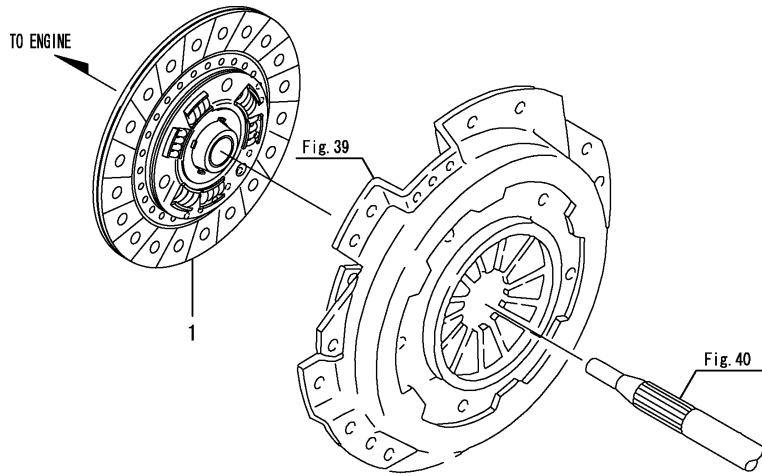


Fig.39. PRESSURE PLATE

(A)=GK160
(B)=GK200
(C)=GK200R

(D)=
(E)=
(F)=

No.	Lev.	Parts No.	Description	Qty						I	R
				(A)	(B)	(C)	(D)	(E)	(F)		
1	1	194215-21701	PLATE, PRESSURE	1	1	1					
2	1	22351-080016	PIN, SPRING 8.0X16	3	3	3					
3	1	26106-080162	BOLT, M8X 16 PLATED	6	6	6					

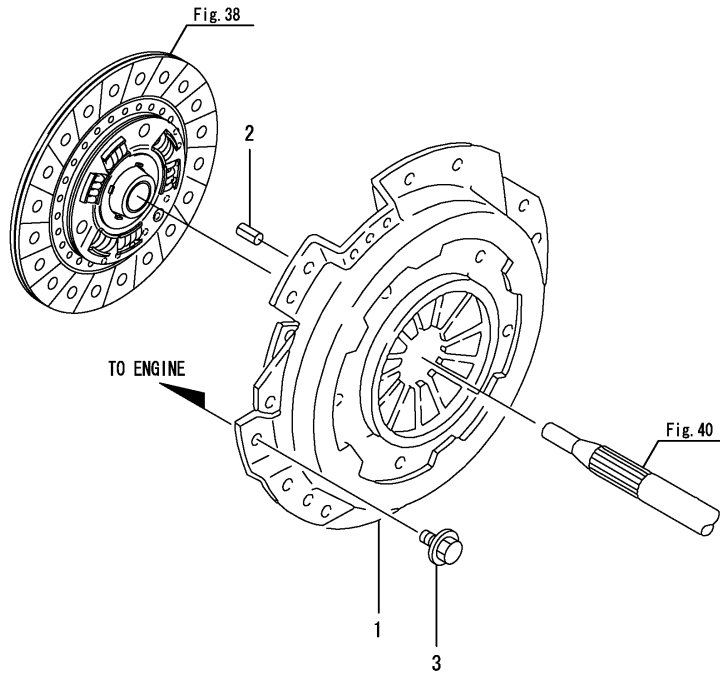
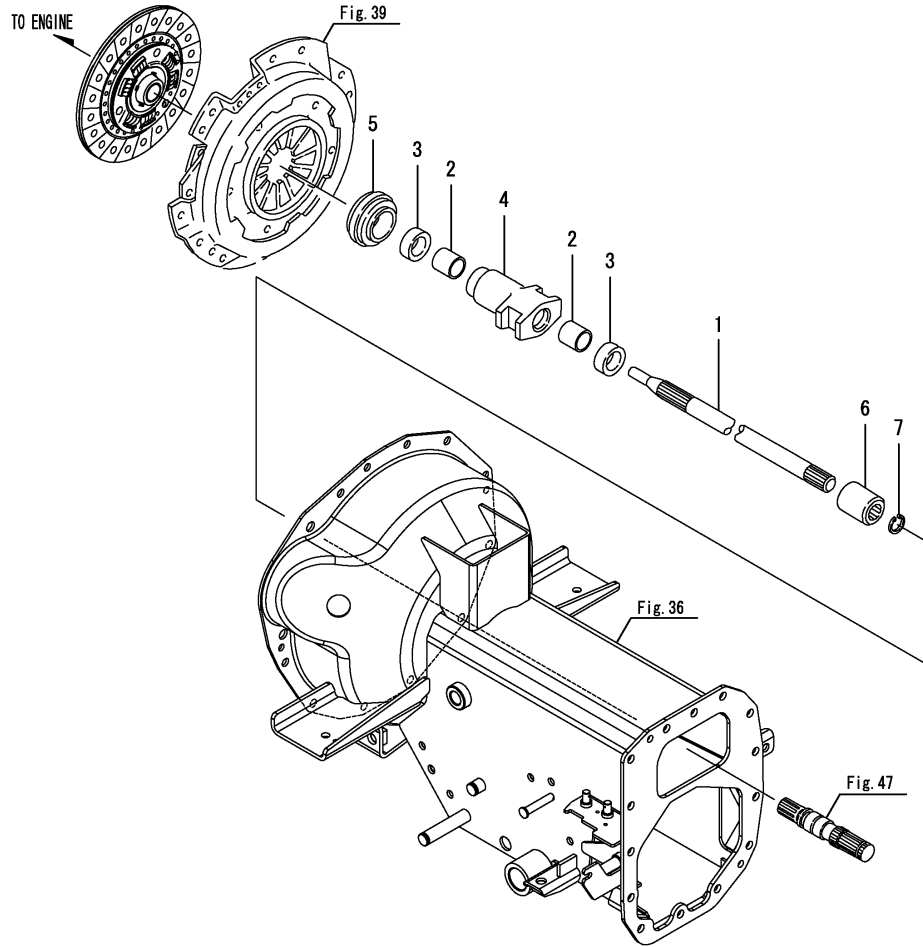


Fig.40. CLUTCH SHAFT

(A)=GK160
(B)=GK200
(C)=GK200R

(D)=
(E)=
(F)=



No.	Lev.	Parts No.	Description	Qty						I	R
				(A)	(B)	(C)	(D)	(E)	(F)		
1	1	198421-22110	SHAFT, MAIN DRIVE	1	1	1					
2	1	194215-22210	BUSH, 20.4X25X20	2	2	2					
3	1	194215-22220	FELT, 9X3.5X90	2	2	2					
4	1	194215-22230	SLEEVE, BEARING	1	1	1					
5	1	194300-22240	BEARING, RCT3558ARUS	1	1	1					
6	1	194310-25100	JOINT	1	1	1					
7	1	22252-000170	RING, 17	1	1	1					

Fig.41. CLUTCH RELEASE

(A)=GK160
(B)=GK200
(C)=GK200R

(D)=
(E)=
(F)=

No.	Lev.	Parts No.	Description	Qty						I	R
				(A)	(B)	(C)	(D)	(E)	(F)		
1	1	1C6560-13470	COLLAR, 17X26X9	1	1	1					
2	1	198421-22152	SHAFT, RELEASE	1	1	1					
3	1	194300-22160	YOKE, CLUTCH SHIFT	1	1	1					
4	1	194300-22910	SPRING	1	1	1					
5	1	22351-035040	PIN, SPRING 3.5X40	1	1	1					
6	1	22351-060040	PIN, SPRING 6.0X40	1	1	1					

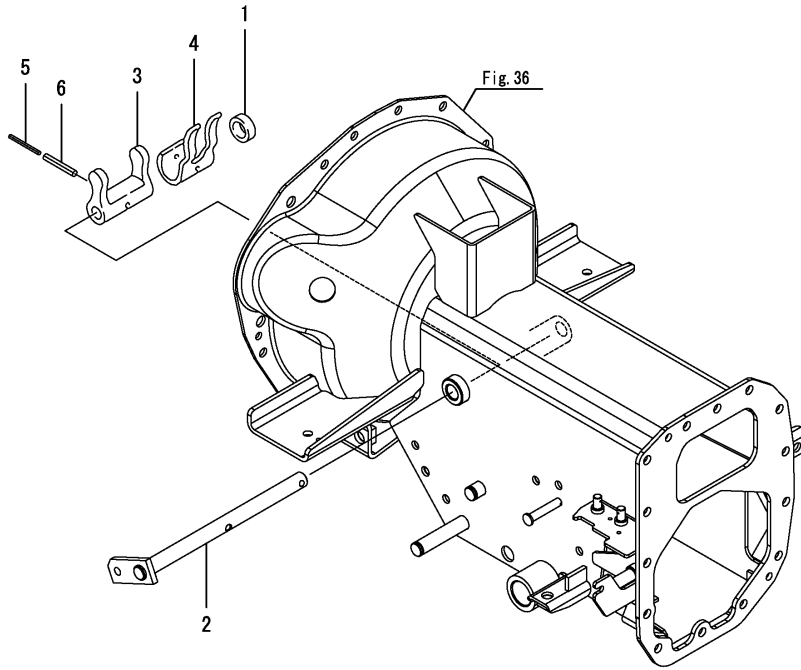
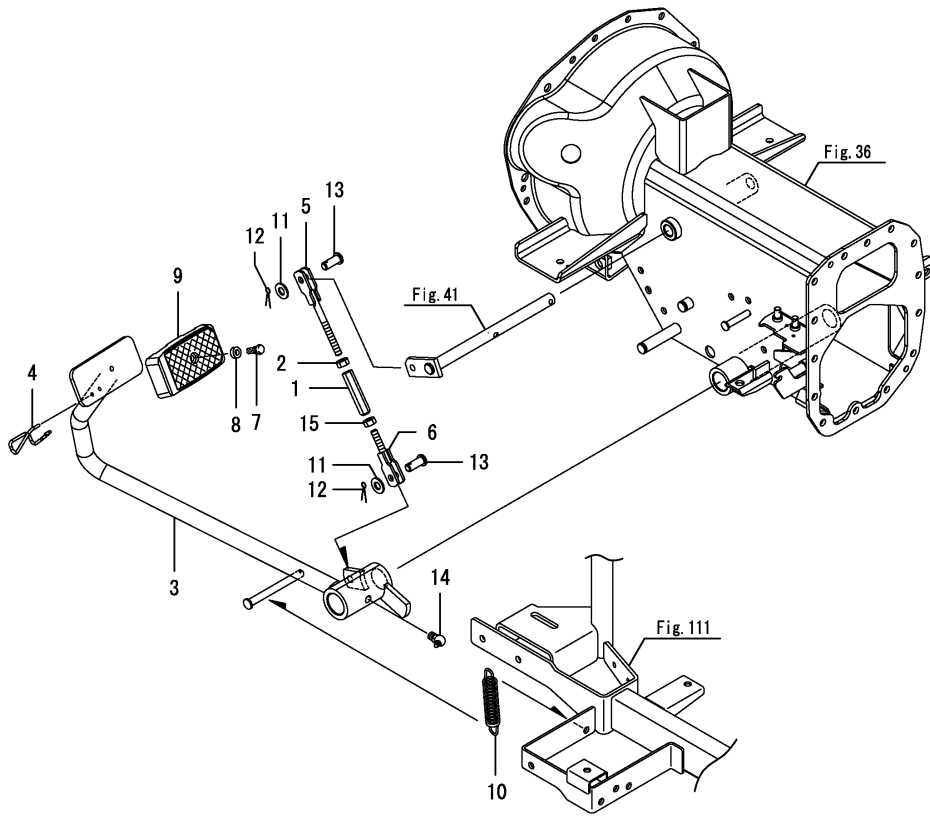


Fig.42. CLUTCH PEDAL

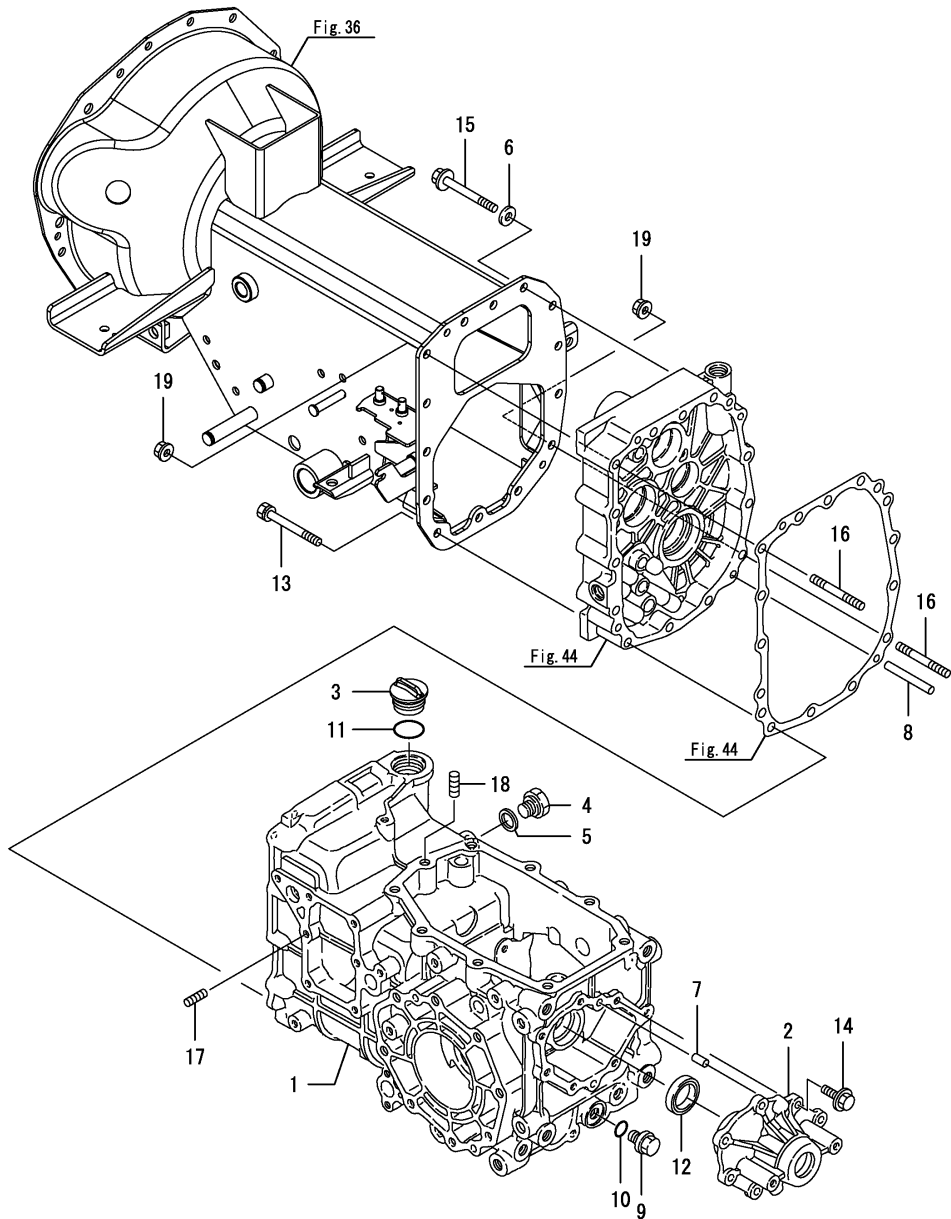
(A)=GK160
(B)=GK200
(C)=GK200R

(D)=
(E)=
(F)=



No.	Lev.	Parts No.	Description	Qty						I	R
				(A)	(B)	(C)	(D)	(E)	(F)		
1	1	194740-00322	ADJUSTER	1	1	1					
2	1	194990-20170	NUT, M8	1	1	1					
3	1	1A7870-22410	PEDAL ASSY, CLUTCH	1	1	1					
4	1	198421-22440	LEVER, CLUTCH LOCK	1	1	1					
5	1	198425-22450	ROD ASSY, CLUTCH L	1	1	1					
6	1	198425-22480	ROD ASSY, CLUTCH R	1	1	1					
7	1	198133-22510	RIVET, PEDAL HEAD	1	1	1					
8	1	198133-22530	WASHER, RIVET	1	1	1					
9	1	198071-37510	COVER, HEAD	1	1	1					
10	1	194215-47840	SPRING, RETURN	1	1	1					
11	1	22137-080000	WASHER, 8	2	2	2					
12	1	22417-200200	PIN, COTTER 2.0X20	2	2	2					
13	1	22487-080160	PIN, H 8X 16	2	2	2					
14	1	24761-040000	NIPPLE, GREASE B	1	1	1					
15	1	26716-080002	NUT, M8	1	1	1					

Fig.43. TRANSMISSION CASE



(A)=GK160
(B)=GK200
(C)=GK200R

(D)=
(E)=
(F)=

No.	Lev.	Parts No.	Description	Qty						I	R
				(A)	(B)	(C)	(D)	(E)	(F)		
1	1	198425-24110	HOUSING, MISSION	1	1	1					
2	1	198163-24141	COVER, MISSION CASE	1	1	1					
3	1	198435-24280	PLUG, OIL 33	1	1						
3-1	1	1A7870-24910 (A=F100654) (B=F200337)	CAP, OIL	1	1	1					R
4	1	194312-46750	PLUG, PF3/8	1	1	1					
5	1	194555-77910	GASKET, 17	1	1	1					
6	1	22137-080000	WASHER, 8	3	3	3					
7	1	22312-080160	PIN, PARALLEL M8X16	2	2	2					
8	1	22312-080630	PIN, PARALLEL M8X63	2	2	2					
9	1	23491-140002	PLUG, 14	1	1	1					
10	1	24311-000160	O-RING, 1AP16.0	1	1	1					
11	1	24351-020300	O-RING 1A 2030	1	1						
11-1	1	24351-240300 (A=F100654) (B=F200337)	O-RING, 1A24030	1	1	1					R
12	1	24421-284008	SEAL, OIL TC284008	1	1	1					
13	1	26013-080702	BOLT, M8X 70	9	9	9					
14	1	26106-080252	BOLT, M8X 25 PLATED	7	7	7					
15	1	26106-080702	BOLT, M8X 70 PLATED	3	3	3					
16	1	26226-080652	STUD, M8X 65	2	2	2					
17	1	26228-080252	STUD, M8X 25	1	1	1					
18	1	26228-100252	STUD, M10X 25	1	1	1					
19	1	26366-080002	NUT, M8	2	2	2					

Fig.44. CENTER PLATE

(A)=GK160
(B)=GK200
(C)=GK200R

(D)=
(E)=
(F)=

No.	Lev.	Parts No.	Description	Q'ty						I	R
				(A)	(B)	(C)	(D)	(E)	(F)		
1	1	1A7720-24320	PLATE, CENTER	1	1	1					
2	1	198165-24330	SEAL, OIL TC254208	1	1	1					
3	1	198164-24510	PACKING, MISSION	1	1	1					
4	1	22252-000420	RING, 42	1	1	1					

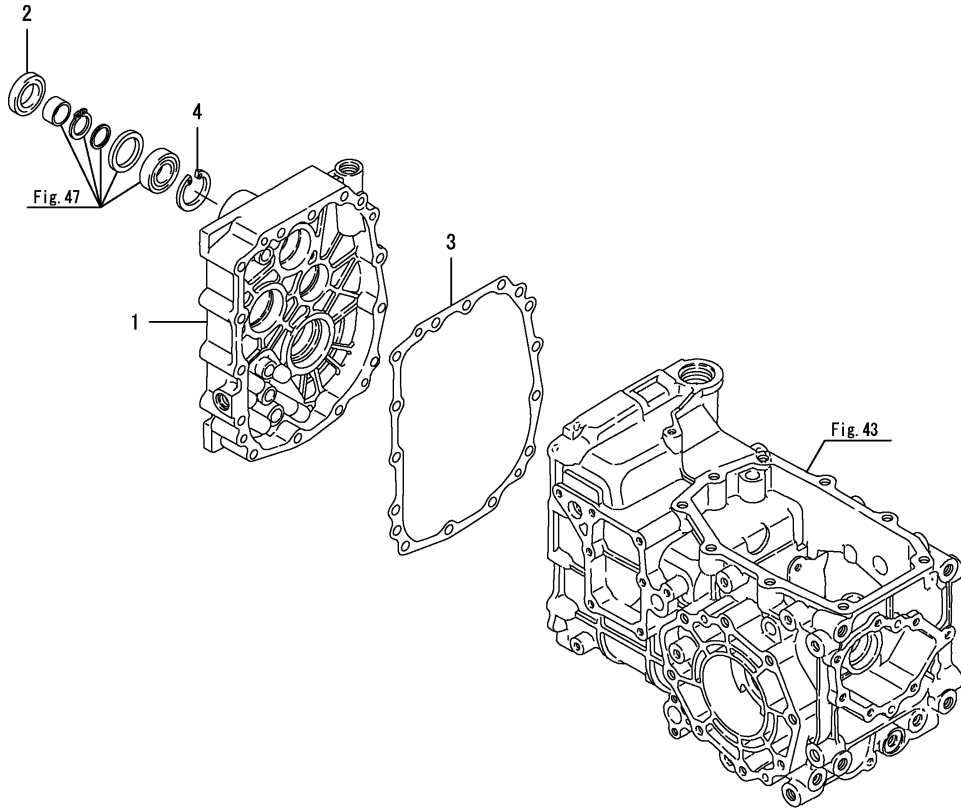


Fig.45. OIL GAUGE

(A)=GK160
 (B)=GK200
 (C)=GK200R

(D)=
 (E)=
 (F)=

No.	Lev.	Parts No.	Description	Q'ty						I	R
				(A)	(B)	(C)	(D)	(E)	(F)		
1	1	198435-24290	GAUGE, OIL LEVEL	1	1	1					
2	1	24311-000180	O-RING, 1AP18.0	1	1	1					

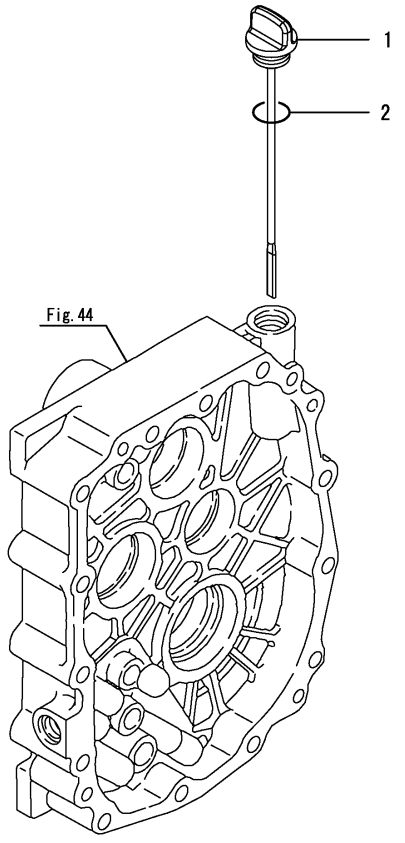


Fig.46. OIL STRAINER

(A)=GK160
(B)=GK200
(C)=GK200R

(D)=
(E)=
(F)=

No.	Lev.	Parts No.	Description	Q'ty						I	R
				(A)	(B)	(C)	(D)	(E)	(F)		
1	1	198421-24910	STRAINER, OIL	1	1	1					
2	1	194215-24970	COVER, STRAINER	1	1	1					
3	1	1A7870-24980	RING	1	1						
3-1	1	1A7542-24980 (A=F100544) (B=F200337)	O-RING,SACTION	1	1	1					N
4	1	26013-080252	BOLT, M8X 25	2	2	2					

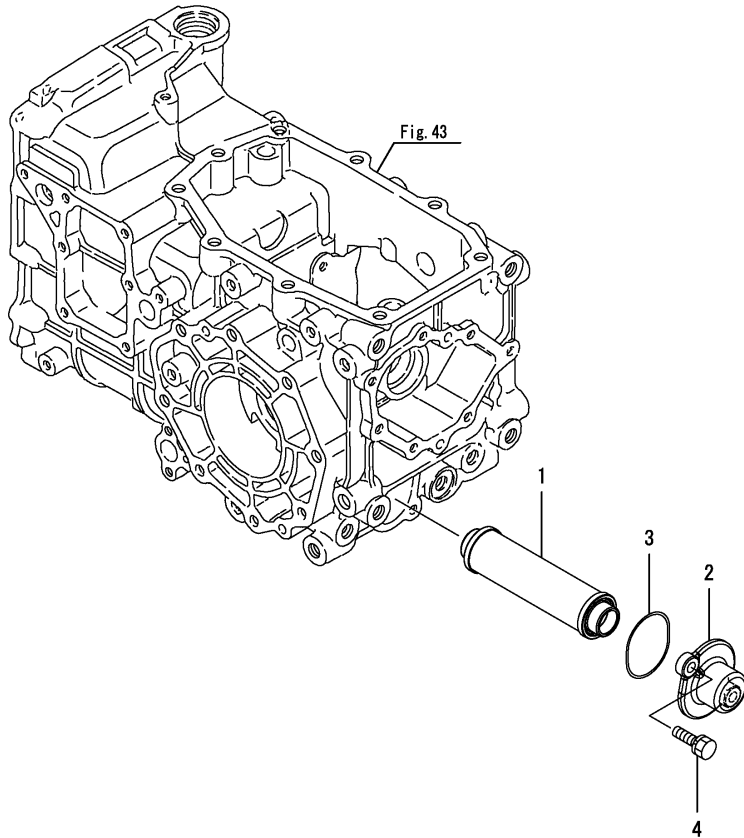
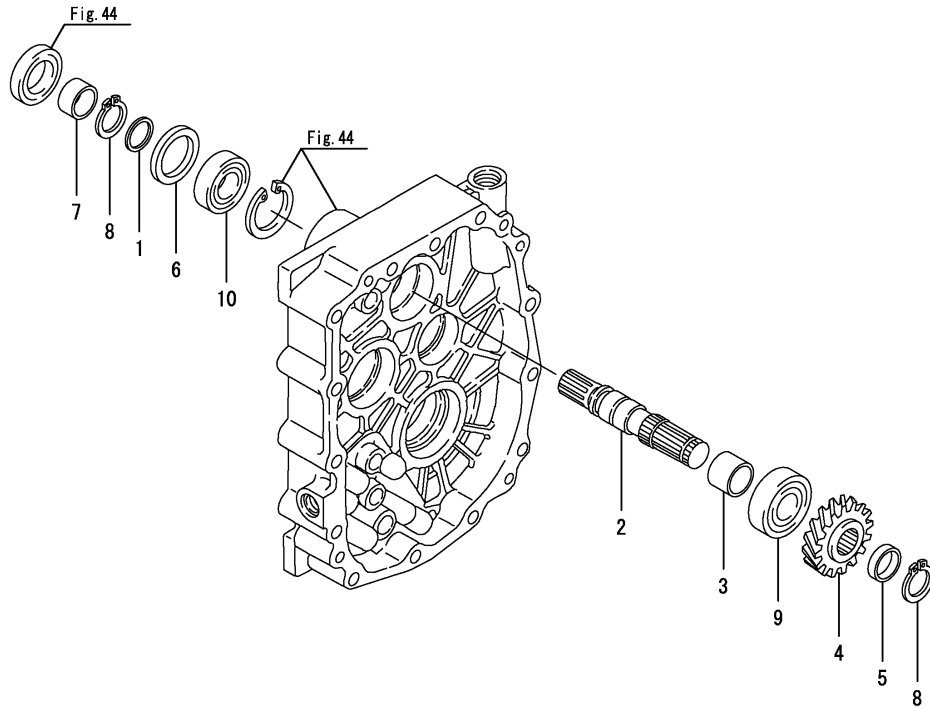


Fig.47. INPUT SHAFT

(A)=GK160
(B)=GK200
(C)=GK200R

(D)=
(E)=
(F)=



No.	Lev.	Parts No.	Description	Q'ty						I	R
				(A)	(B)	(C)	(D)	(E)	(F)		
1	1	194305-24310	COLLAR, 20X25X2	1	1	1					
2	1	198163-25111	SHAFT, INPUT	1	1	1					
3	1	198435-25130	COLLAR, 20.8X25.4X19	1	1	1					
4	1	198164-25150	GEAR, MAIN DRIVE 17	1	1	1					
5	1	1A7874-25200	COLLAR,20.8X25.4X6.5	1	1	1					
6	1	198163-25280	COLLAR, 31X42X5	1	1	1					
7	1	194855-25290	SLEEVE, SI 202513	1	1	1					
8	1	194859-34150	RING, C20	2	2	2					
9	1	24101-062044	BEARING, BALL 6204	1	1	1					
10	1	24104-060044	BEARING, BALL 6004UU	1	1	1					

Fig.48. MAIN SHAFT

(A)=GK160
(B)=GK200
(C)=GK200R

(D)=
(E)=
(F)=

No.	Lev.	Parts No.	Description	Q'ty						I	R
				(A)	(B)	(C)	(D)	(E)	(F)		
1	1	194306-13140	CIRCLIP, C24-S	1	1	1					
2	1	1E4070-14040	LINER, 17.1X25X1	1	1	1					
3	1	194305-25160	BEARING, BALL TMB203	1	1	1					
4	1	198164-25210	SHAFT, MAIN	1	1	1					
5	1	198163-25221	GEAR, MAIN 25-19-18	1	1	1					
6	1	198164-25230	GEAR, MAIN 44	1	1	1					
7	1	198435-25240	GEAR, MAIN 31	1	1	1					
8	1	198163-25250	BEARING ASSY, THRUST	1	1	1					
9	1	198421-25250	GEAR, MAIN 16	1	1	1					
10	1	198435-25280	SPACER, 30X20.2	1	1	1					
11	1	198435-25310	SPACER, 30X7.75	1	1	1					
12	1	194856-25330	WASHER, 22X32X2.5	1	1	1					
13	1	194856-25340	BEARING, 222817	2	2	2					
14	1	24101-062034	BEARING, BALL 6203	1	1	1					

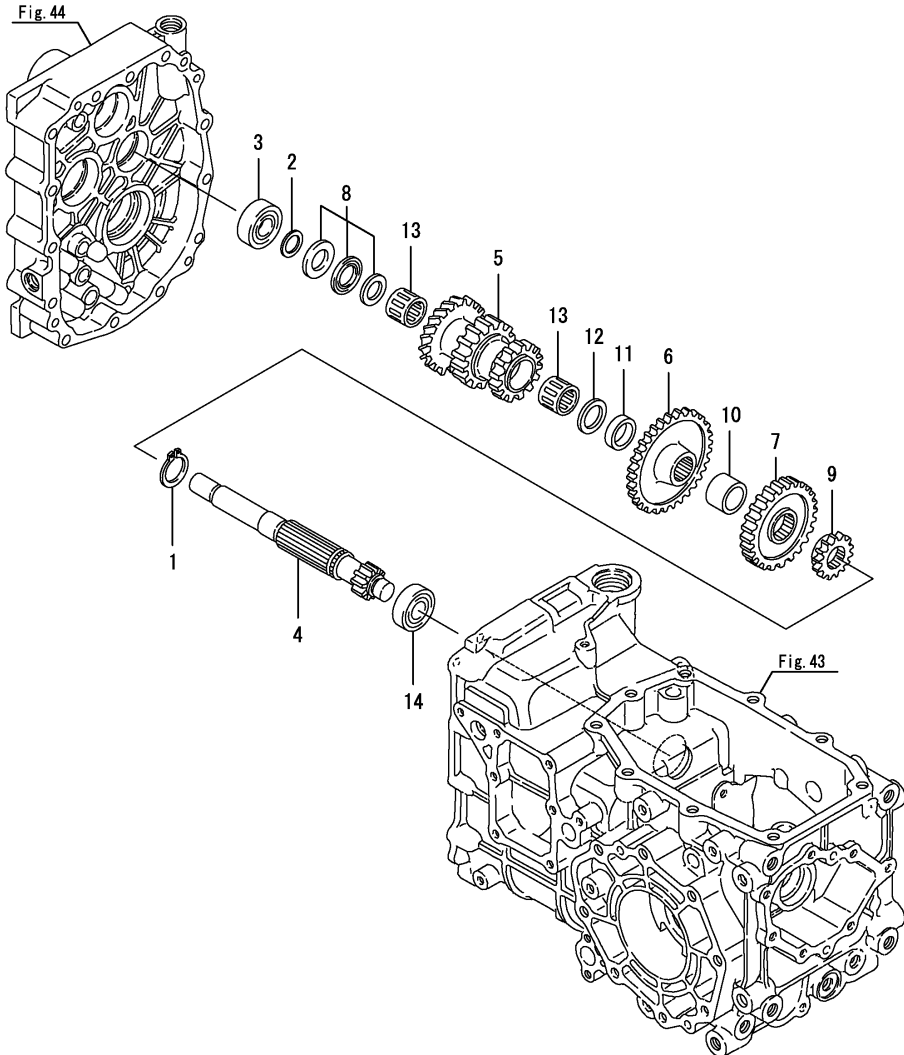
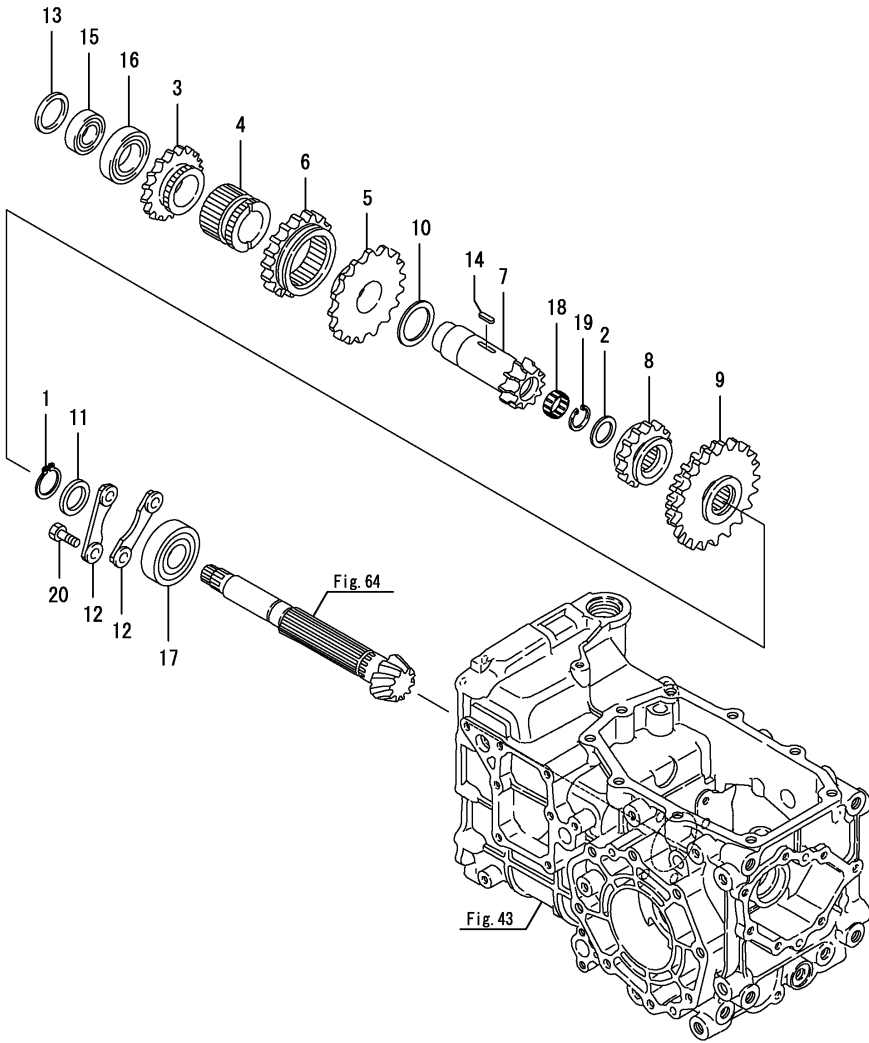


Fig.49. COUNTER SHAFT

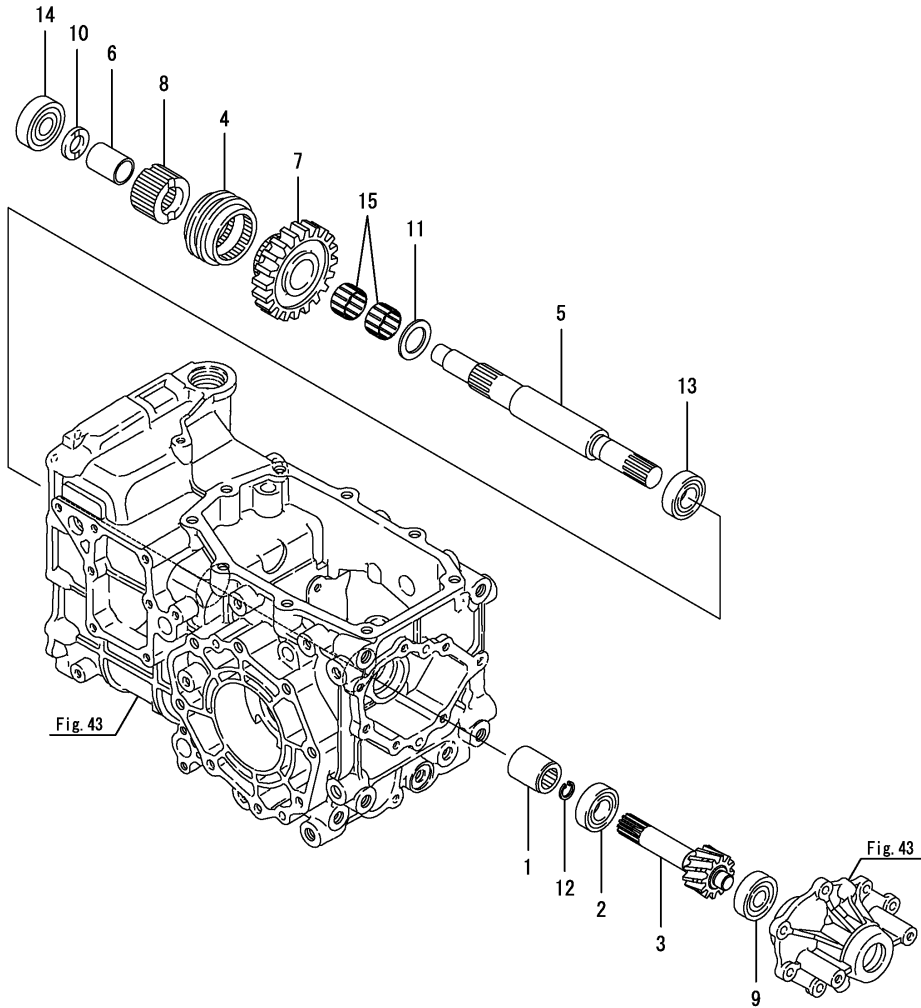


(A)=GK160
(B)=GK200
(C)=GK200R

(D)=
(E)=
(F)=

No.	Lev.	Parts No.	Description	Qty						I	R
				(A)	(B)	(C)	(D)	(E)	(F)		
1	1	194306-13140	CIRCLIP, C24-S	1	1	1					
2	1	194856-25330	WASHER, 22X32X2.5	1	1	1					
3	1	198435-25720	GEAR, COUNTER 26	1	1	1					
4	1	198435-25730	COLLAR, SPLINE	1	1	1					
5	1	198163-25740	GEAR, COUNTER 36	1	1	1					
6	1	198163-25750	GEAR, COUNTER 30	1	1	1					
7	1	198164-25770	GEAR, COUNTER 16	1	1	1					
8	1	198164-25790	GEAR, SLIDE 24	1	1	1					
9	1	198164-25800	GEAR, SLIDE 38-58	1	1	1					
10	1	198421-25800	WASHER, 35X47X2.5	1	1	1					
11	1	198421-25810	COLLAR, 25X36X4.5	1	1	1					
12	1	198435-25810	HOLDER, BEARING	2	2	2					
13	1	198421-25820	COLLAR, 32X41.5X1	1	1	1					
14	1	22551-050180	KEY, 5X 18	1	1	1					
15	1	24101-060044	BEARING, BALL 6004	1	1	1					
16	1	24101-060064	BEARING, BALL 6006	1	1	1					
17	1	24101-063054	BEARING, BALL 6305	1	1	1					
18	1	24161-222610	BEARING, 222610	1	1	1					
19	1	24165-000262	CIRCLIP 26	1	1	1					
20	1	26116-080202	BOLT, M8X 20 PLATED	4	4	4					

Fig.50. P.T.O. DRIVE SHAFT



(A)=GK160
(B)=GK200
(C)=GK200R

(D)=
(E)=
(F)=

No.	Lev.	Parts No.	Description	Qty						I	R
				(A)	(B)	(C)	(D)	(E)	(F)		
1	1	194310-25100	JOINT	1	1	1					
2	1	194515-25180	BEARING, BALL TMB004	1	1	1					
3	1	1A7870-26060	GEAR, PTO 12	1	1	1					
4	1	198163-26121	GEAR, PTO SLIDE	1	1	1					
5	1	198164-26140	SHAFT, PTO DRIVE	1	1	1					
6	1	1A7874-26170	COLLAR,20.8X25.4X34.	1	1	1					
7	1	1A7720-26180	GEAR, PTO DRIVE 29	1	1	1					
8	1	198163-26190	COLLAR, PTO SPLINE	1	1	1					
9	1	198165-26270	BEARING, TMB302	1	1	1					
10	1	198163-26410	WASHER, THRUST	1	1	1					
11	1	194191-28540	WASHER, 25X38X2.5	1	1	1					
12	1	22252-000170	RING, 17	1	1	1					
13	1	24104-060044	BEARING, BALL 6004UU	1	1	1					
14	1	24104-063034	BEARING, BALL 6303UU	1	1	1					
15	1	24161-252910	BEARING, 252910	2	2	2					

Fig.51. P.T.O. SHAFT

(A)=GK160
(B)=GK200
(C)=GK200R

(D)=
(E)=
(F)=

No.	Lev.	Parts No.	Description	Q'ty						I	R
				(A)	(B)	(C)	(D)	(E)	(F)		
1	1	194306-13140	CIRCLIP, C24-S	1	1	1					
2	1	194855-24150	WASHER, 36X45.5X1.2	1	1	1					
3	1	194850-25760	BEARING, BALL 6203	1	1	1					
4	1	1A7870-26080	GEAR, PTO 21	1	1	1					
5	1	198164-26370	SHAFT, UFO PTO	1	1	1					
6	1	198421-26380	COLLAR, 25.4X31.8X35	1	1	1					
7	1	1E6190-54160	WASHER 17.2X30X1.5	1	1	1					
8	1	24101-060054	BEARING, BALL 6005	1	1	1					

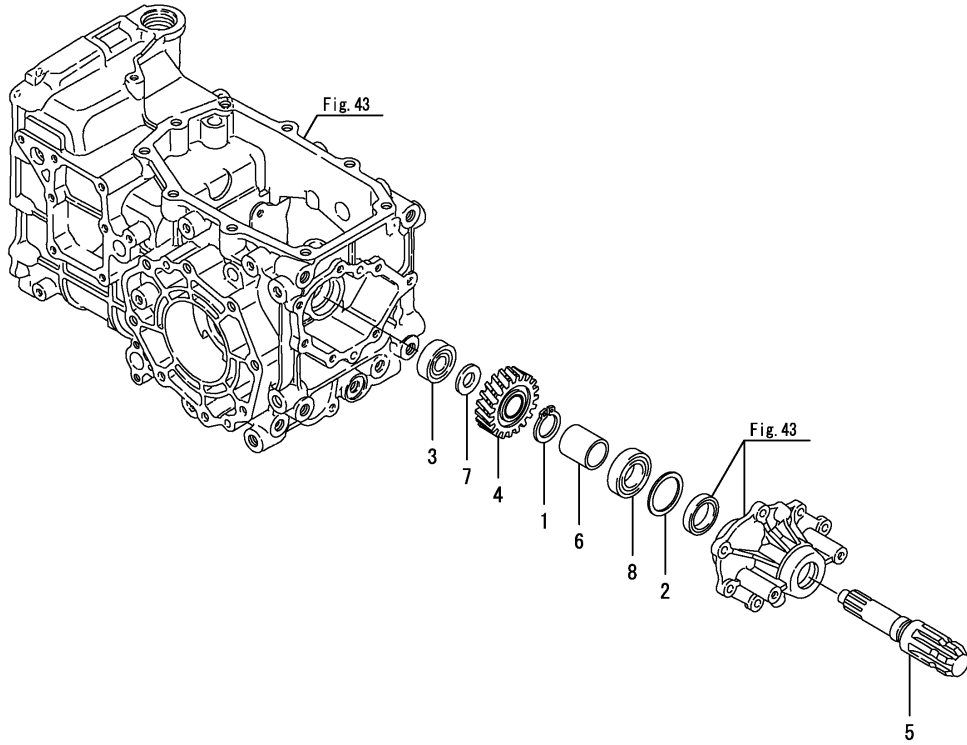


Fig.52. P.T.O. SHAFT COVER

(A)=GK160
(B)=GK200
(C)=GK200R

(D)=
(E)=
(F)=

No.	Lev.	Parts No.	Description	Qty						I	R
				(A)	(B)	(C)	(D)	(E)	(F)		
1	1	198290-26860	COVER, SHAFT	1	1	1					
2	1	26106-080122	BOLT, M8X 12 PLATED	2	2	2					

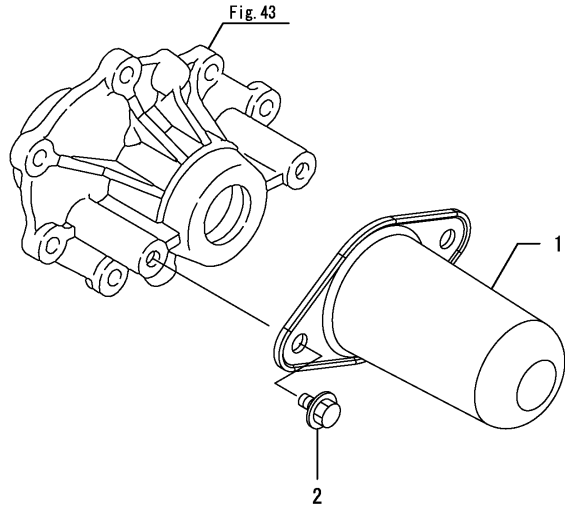
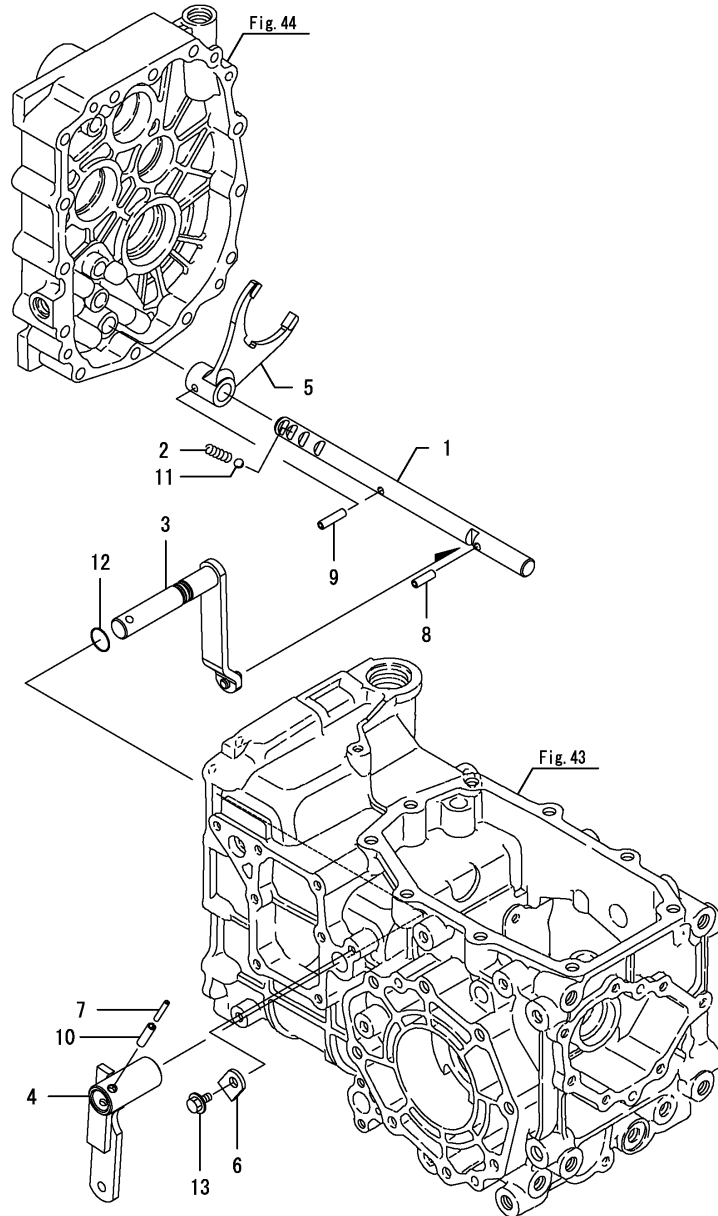


Fig.53. MAIN SHIFT

(A)=GK160
(B)=GK200
(C)=GK200R

(D)=
(E)=
(F)=



No.	Lev.	Parts No.	Description	Qty						I	R
				(A)	(B)	(C)	(D)	(E)	(F)		
1	1	1A7870-27090	SHAFT, CHANGE FORK	1	1						
1-1	1	1A7870-27091	SHAFT,M.CHANGE FORK	1	1	1					N
				(A=F100373)		(B=F200304)					
2	1	198421-27110	SPRING, 38.4	1	1	1					
3	1	198421-27521-1	ARM, SHIFT	1	1	1					
4	1	1A7870-27530	ARM, MAIN SHIFT	1	1	1					
5	1	198435-27551	FORK, SHIFT	1	1	1					
6	1	194197-27681	PLATE, KEEP	1	1	1					
7	1	22351-035025	PIN, SPRING 3.5X25	1	1	1					
8	1	22351-060020	PIN, SPRING 6.0X20	1	1	1					
9	1	22351-060025	PIN, SPRING 6.0X25	1	1	1					
10	1	22351-060025	PIN, SPRING 6.0X25	1	1	1					
11	1	24190-100001	BALL, STEEL 5/16	1	1	1					
12	1	24311-000125	O-RING, 1AP12.5	1	1	1					
13	1	26106-080162	BOLT, M8X 16 PLATED	1	1	1					

Fig.54. MAIN SHIFT LEVER(1)

(A)=GK160
(B)=GK200
(C)=GK200R

(D)=
(E)=
(F)=

No.	Lev.	Parts No.	Description	Q'ty						I	R
				(A)	(B)	(C)	(D)	(E)	(F)		
1	1	194990-22130	NUT, M6	1	1	1					
2	1	1A7870-27200	ROD ASSY, SHIFT	1	1	1					
3	2	1A8130-16950	BALL, LINK SQ8RS	1	1	1					
4	2	194990-20170	NUT, M8	1	1	1					
5	2	1A7870-27210	ROD, SHIFT	1	1	1					
6	2	194820-27370	END, ROD L	1	1	1					
7	2	26716-080002	NUT, M8	1	1	1					
8	1	1A7870-27220	SHAFT ASSY	1	1	1					
9	1	1A7870-27930	HOLDER ASSY	1	1	1					
10	1	22137-060000	WASHER, 6	1	1	1					
11	1	22217-060000	WASHER, SPRING 6	1	1	1					
12	1	26106-080162	BOLT, M8X 16 PLATED	2	2	2					
13	1	26116-060354	BOLT, M6X 35 PLATED	1	1	1					
14	1	26346-080002	NUT, M8	2	2	2					

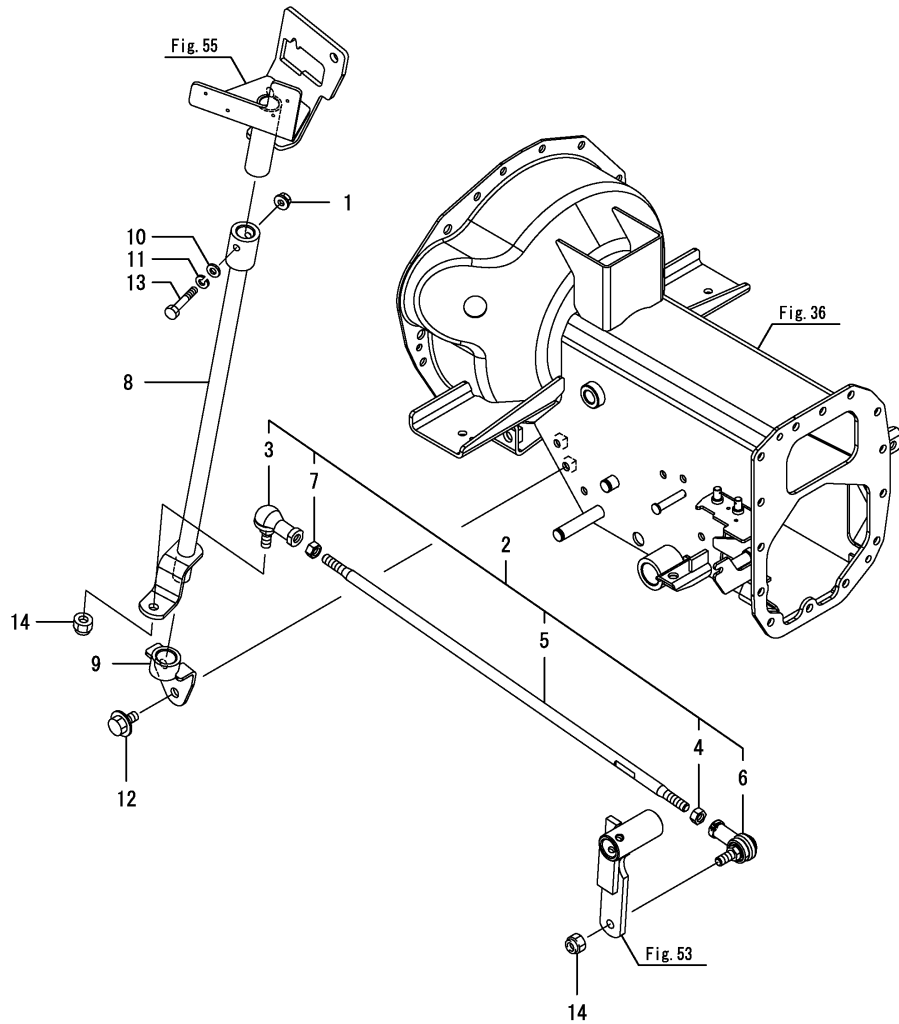
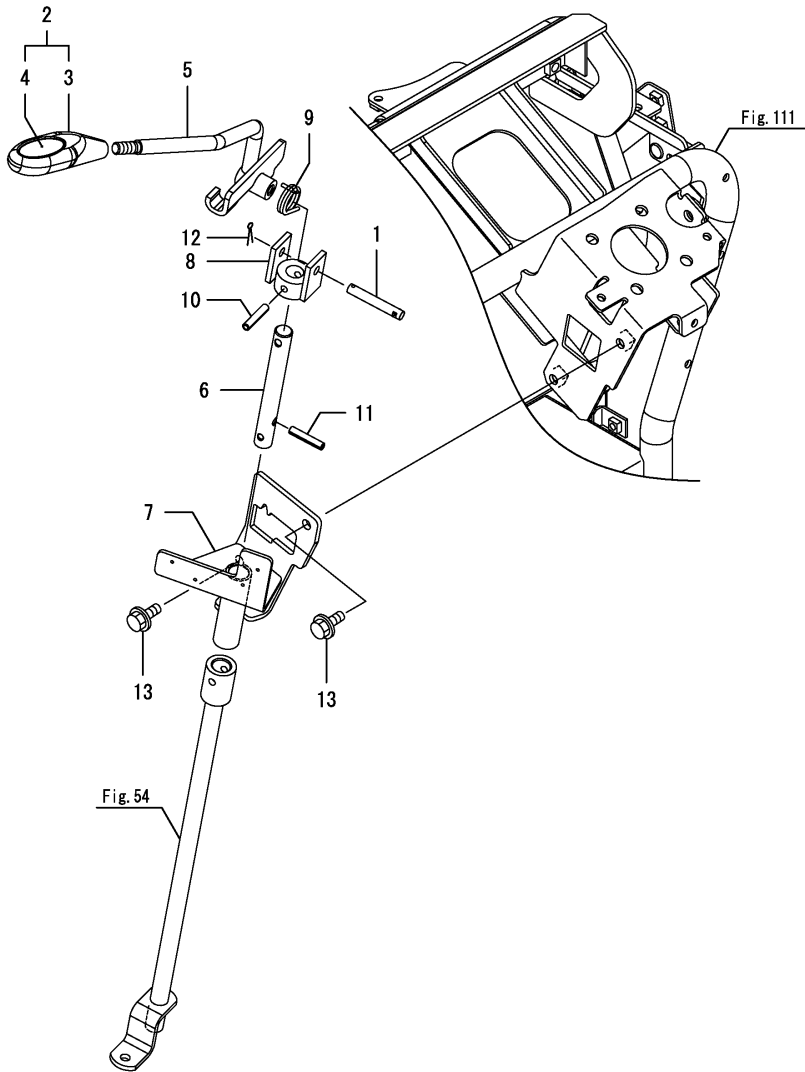


Fig.55. MAIN SHIFT LEVER(2)

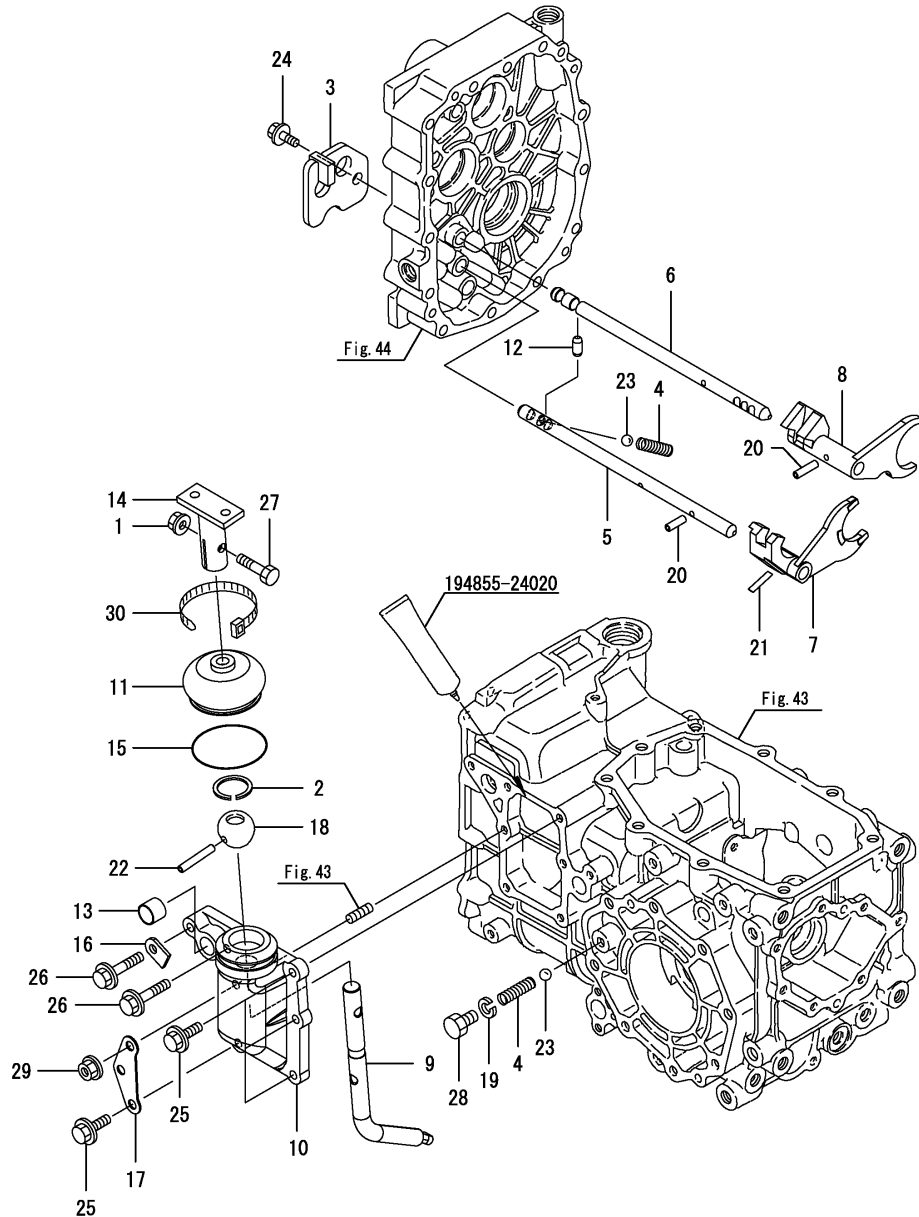
(A)=GK160
(B)=GK200
(C)=GK200R

(D)=
(E)=
(F)=



No.	Lev.	Parts No.	Description	Q'ty						I	R
				(A)	(B)	(C)	(D)	(E)	(F)		
1	1	198075-18311	PIN, 8X52	1	1	1					
2	1	198200-18350	KNOB, LEVER	1	1	1					
3	2	198273-18360	KNOB, ORANGE	1	1	1					
4	2	198200-18370	LABEL,	1	1	1					
5	1	1A7870-27050	LEVER ASSY, CHANGE	1	1	1					
6	1	1A7870-27260	SHAFT, MAIN SHIFT	1	1	1					
7	1	1A7870-27601	BRACKET ASSY, LEVER	1	1	1					
8	1	1A7260-27680	HOLDER, REVERSER	1	1	1					
9	1	198133-27820	SPRING, RETURN	1	1	1					
10	1	22351-060032	PIN, SPRING 6.0X32	1	1	1					
11	1	22351-060032	PIN, SPRING 6.0X32	1	1	1					
12	1	22417-250200	PIN, COTTER 2.5X20	1	1	1					
13	1	26106-080162	BOLT, M8X 16 PLATED	2	2	2					

Fig.56. SUB SHIFT



(A)=GK160
(B)=GK200
(C)=GK200R

(D)=
(E)=
(F)=

No.	Lev.	Parts No.	Description	Qty						I	R
				(A)	(B)	(C)	(D)	(E)	(F)		
1	1	194990-22140	NUT, M8	1	1	1					
2	1	1A1040-26320	CIRCLIP, 30-H	1	1	1					
3	1	1A7870-27100	PLATE ASSY, SHIFTER	1	1	1					
4	1	198421-27110	SPRING, 38.4	2	2	2					
5	1	1A7720-27120	SHAFT, FORK H	1	1	1					
6	1	1A7720-27130	SHAFT, FORK L	1	1	1					
7	1	198435-27142	FORK, SHIFT H	1	1	1					
8	1	198164-27150	FORK, SHIFT L	1	1	1					
9	1	198421-27160	ARM, MAIN SHIFT	1	1	1					
10	1	198421-27171	CASE, MAIN CHANGE	1	1	1					
11	1	198421-27180	BOOT, RUBBER	1	1	1					
12	1	1A7720-27190	SPINDLE, S 8X19	1	1	1					
13	1	198421-27200	BUSH, 17X19X15	1	1	1					
14	1	198435-27260	LEVER, CHANGE LOWER	1	1	1					
15	1	198425-27290	O-RING, 35	1	1	1					
16	1	194197-27681	PLATE, KEEP	1	1	1					
17	1	1A7870-27990	PLATE, SPRING HOOK	1	1	1					
18	1	1E6140-56230	BALL, SHIFTER	1	1	1					
19	1	22217-100000	WASHER, SPRING 10	1	1	1					
20	1	22351-050020	PIN, SPRING 5.0X20	2	2	2					
21	1	22351-050025	PIN, SPRING 5.0X25	1	1	1					
22	1	22351-060040	PIN, SPRING 6.0X40	1	1	1					
23	1	24190-100001	BALL, STEEL 5/16	2	2	2					
24	1	26106-080162	BOLT, M8X 16 PLATED	1	1	1					
25	1	26106-080252	BOLT, M8X 25 PLATED	4	4	4					
26	1	26106-080402	BOLT, M8X 40 PLATED	2	2	2					
27	1	26116-080304	BOLT, M8X 30 PLATED	1	1	1					
28	1	26116-100122	BOLT, M10X 12 PLATED	1	1	1					
29	1	26366-080002	NUT, M8	1	1	1					
30	1	29622-250001	BAND, RF250	1	1	1					

Fig.57. SUB SHIFT LEVER

(A)=GK160
(B)=GK200
(C)=GK200R

(D)=
(E)=
(F)=

No.	Lev.	Parts No.	Description	Q'ty						I	R
				(A)	(B)	(C)	(D)	(E)	(F)		
1	1	1A7720-27240	KNOB	1	1	1					
2	1	1A7870-27270	LEVER, RANGE UPPER	1	1	1					
3	1	198165-27360	TUBE, LEVER 17X130	1	1						
3-1	1	1A7870-27360 (A=F100102) (B=F200102)	TUBE, LEVER 17X110	1	1	1					N
4	1	198421-62410	SPRING, 14X81.4	1	1	1					
5	1	24311-000110	O-RING, 1AP11.0	1	1	1					
6	1	26106-080162	BOLT, M8X 16 PLATED	2	2	2					

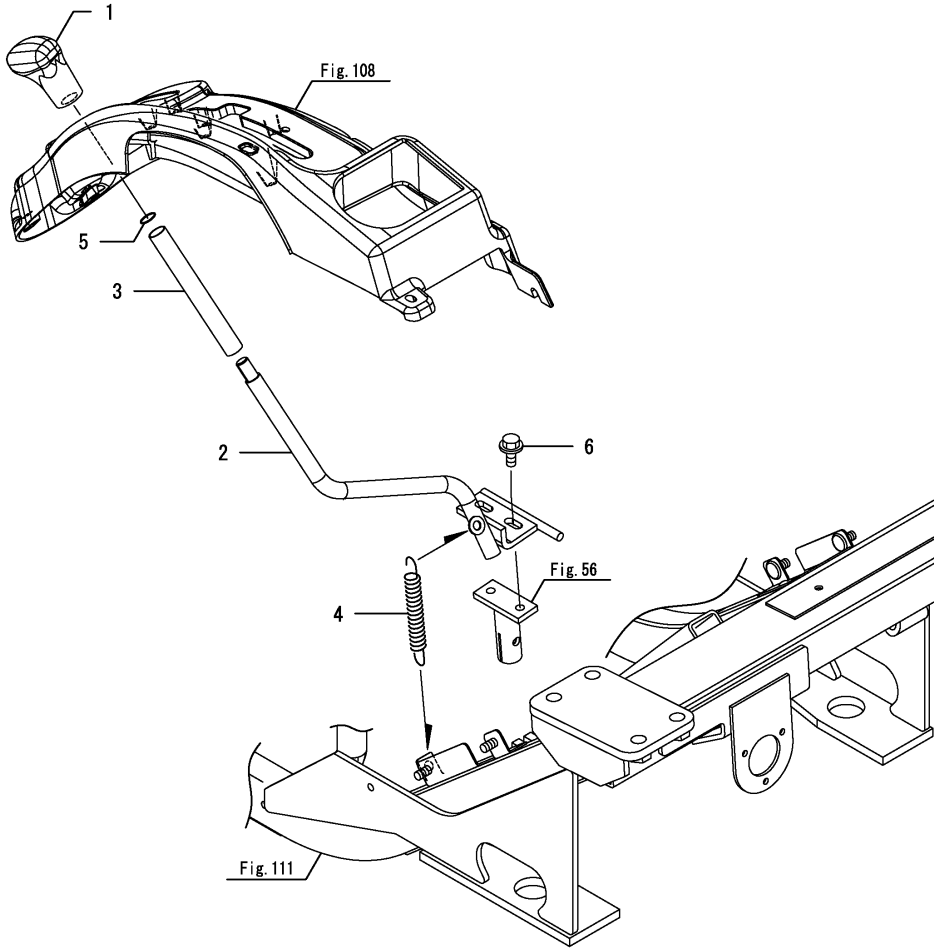


Fig.58. P.T.O. SHIFT

(A)=GK160
(B)=GK200
(C)=GK200R

(D)=
(E)=
(F)=

No.	Lev.	Parts No.	Description	Qty						I	R
				(A)	(B)	(C)	(D)	(E)	(F)		
1	1	198421-27110	SPRING, 38.4	1	1	1					
2	1	1A7870-27500	BRACKET ASSY, LEVER	1	1	1					
3	1	198435-27700	COLLAR, SHAFT	1	1	1					
4	1	198163-27711	SHAFT, FORK	1	1	1					
5	1	1A7870-27710	ARM, SHIFT	1	1	1					
6	1	198163-27720	FORK, PTO SHIFT	1	1	1					
7	1	198435-27740	ARM, PTO	1	1	1					
8	1	1A7870-27760	LINK, PTO SHIFT	1	1	1					
9	1	198163-27781	LEVER, PTO LOWER	1	1	1					
10	1	1C6281-52320	PIN, SNAP 8	2	2	2					
11	1	22137-080000	WASHER, 8	1	1	1					
12	1	22137-180000	WASHER, 18	1	1	1					
13	1	22272-000150	RING, E-15	1	1	1					
14	1	22351-035025	PIN, SPRING 3.5X25	1	1	1					
15	1	22351-050020	PIN, SPRING 5.0X20	1	1	1					
16	1	22351-060025	PIN, SPRING 6.0X25	1	1	1					
17	1	24190-100001	BALL, STEEL 5/16	1	1	1					
18	1	24311-000125	O-RING, 1AP12.5	1	1	1					
19	1	26106-100252	BOLT, M10X 25 PLATED	2	2	2					

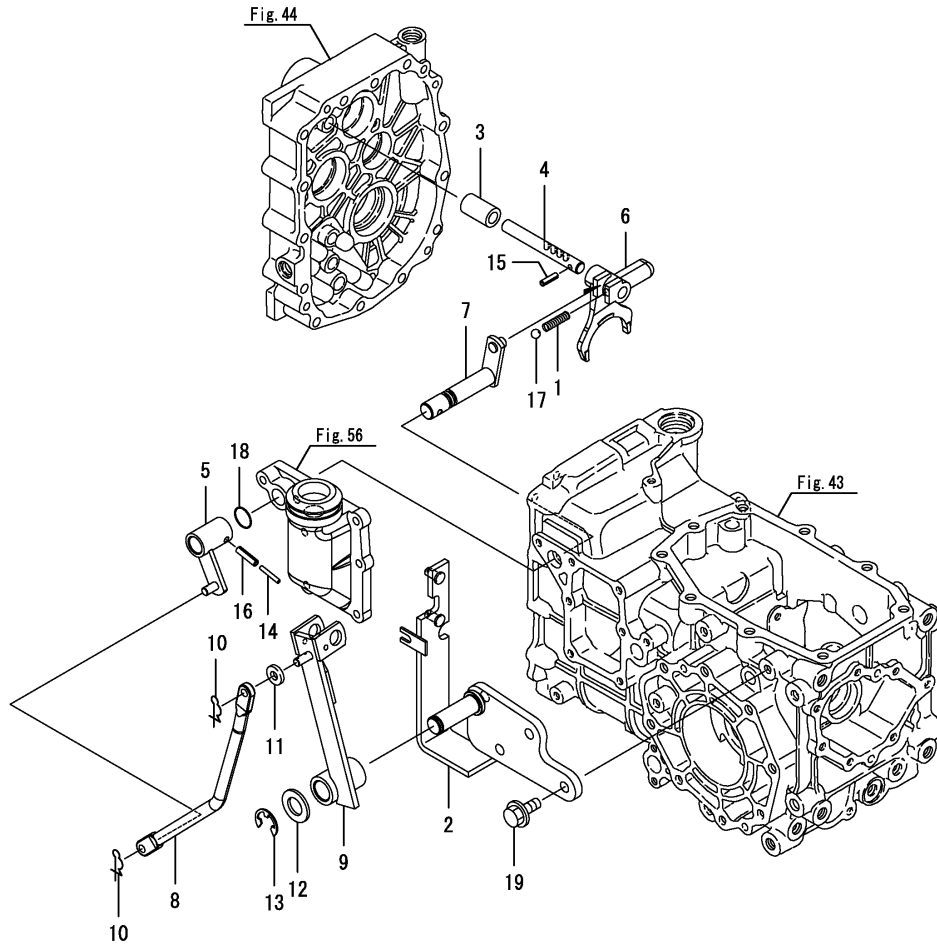


Fig.59. P.T.O. LEVER

(A)=GK160
(B)=GK200
(C)=GK200R

(D)=
(E)=
(F)=

No.	Lev.	Parts No.	Description	Qty						I	R
				(A)	(B)	(C)	(D)	(E)	(F)		
1	1	194990-22140	NUT, M8	1	1	1					
2	1	198163-27540	COLLAR, 9.2X13.8X12	1	1	1					
3	1	198163-27560	SPRING, LEVER	1	1	1					
4	1	174845-27700	BOOT, SHAFT	1	1	1					
5	1	1A7870-27750	LEVER, PTO UPPER	1	1	1					
6	1	198163-27840	LEVER, PTO INNER	1	1	1					
7	1	198163-27910	PIN, SHIFT	1	1	1					
8	1	198200-27911	KNOB, YELLOW	1	1	1					
9	1	22157-080000	WASHER, 8	2	2	2					
10	1	26106-080162	BOLT, M8X 16 PLATED	2	2	2					

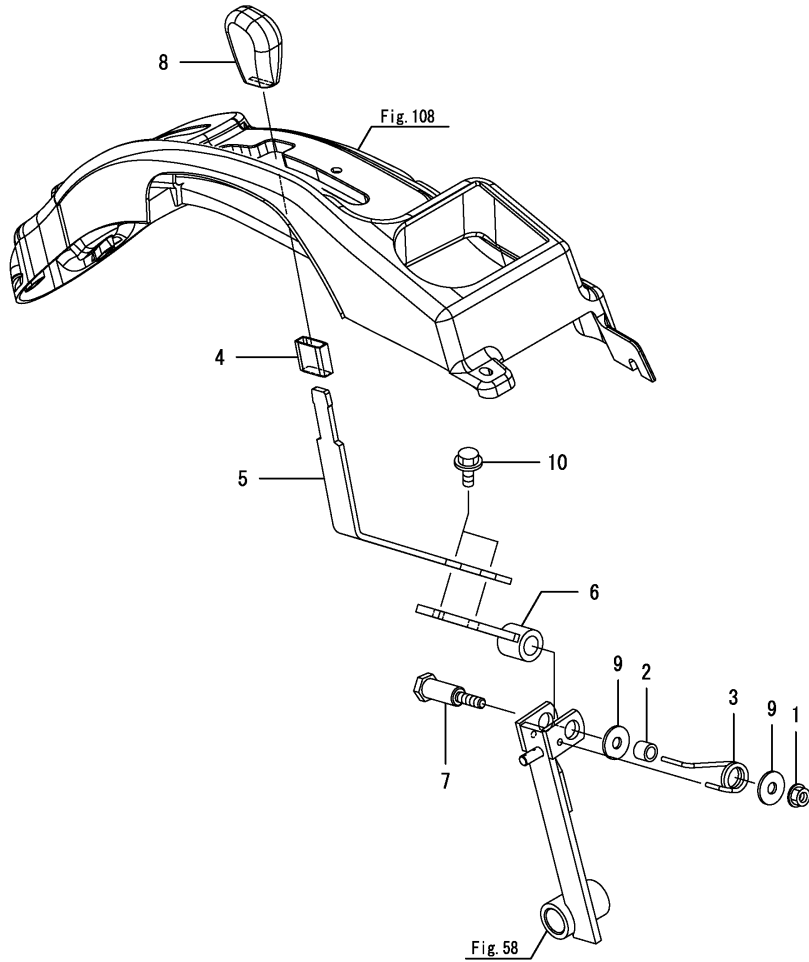


Fig.60. FRONT DRIVE CASE

(A)=GK160
(B)=GK200
(C)=GK200R

(D)=
(E)=
(F)=

No.	Lev.	Parts No.	Description	Qty						I	R
				(A)	(B)	(C)	(D)	(E)	(F)		
1	1	1A7870-28110	CASE, GEAR	1	1	1					
2	1	1A7720-28141	GASKET, GEAR CASE	1	1	1					
3	1	22312-080160	PIN, PARALLEL M8X16	2	2	2					
4	1	26106-080302	BOLT, M8X 30 PLATED	7	7	7					

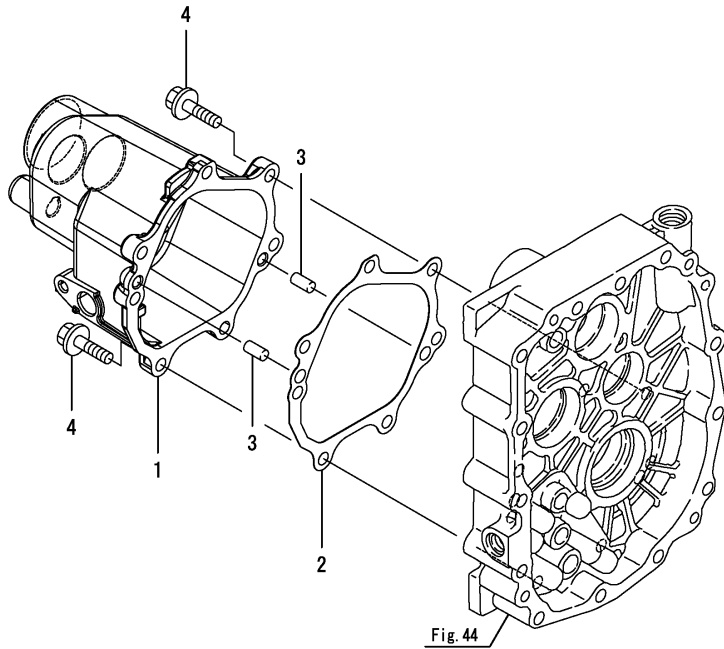


Fig.61. FRONT DRIVE

(A)=GK160
(B)=GK200
(C)=GK200R

(D)=
(E)=
(F)=

No.	Lev.	Parts No.	Description	Qty						I	R
				(A)	(B)	(C)	(D)	(E)	(F)		
1	1	198163-26410	WASHER, THRUST	1	1	1					
2	1	1A7870-28210	SHAFT, OUTPUT	1	1	1					
3	1	1A7720-28261	GEAR ASSY, HIGH GRIP	1	1	1					
4	2	24550-018120	BUSH, 18X12	1	1	1					
5	1	1A7870-28340	SLIDER, HIGH GRIP	1	1	1					
6	1	24101-062034	BEARING, BALL 6203	1	1	1					
7	1	24421-173508	SEAL, OIL TC173508	1	1	1					

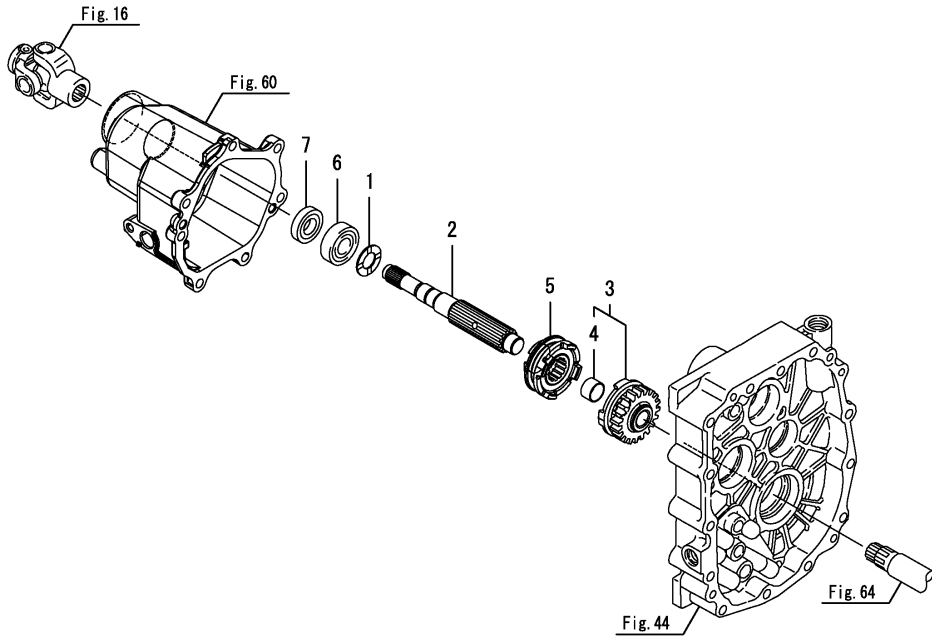


Fig.62. FRONT SIFT

(A)=GK160
 (B)=GK200
 (C)=GK200R

(D)=
 (E)=
 (F)=

No.	Lev.	Parts No.	Description	Q'ty						I	R
				(A)	(B)	(C)	(D)	(E)	(F)		
1	1	194197-27681	PLATE, KEEP	1	1	1					
2	1	1A7720-28310	FORK, SLIDER	1	1	1					
3	1	1A7870-28320	SHAFT, FORK	1	1	1					
4	1	1A7720-28350	LEVER ASSY, SHIFT B	1	1	1					
5	1	22351-050020	PIN, SPRING 5.0X20	1	1	1					
6	1	24311-000125	O-RING, 1AP12.5	1	1	1					
7	1	26106-080162	BOLT, M8X 16 PLATED	1	1	1					

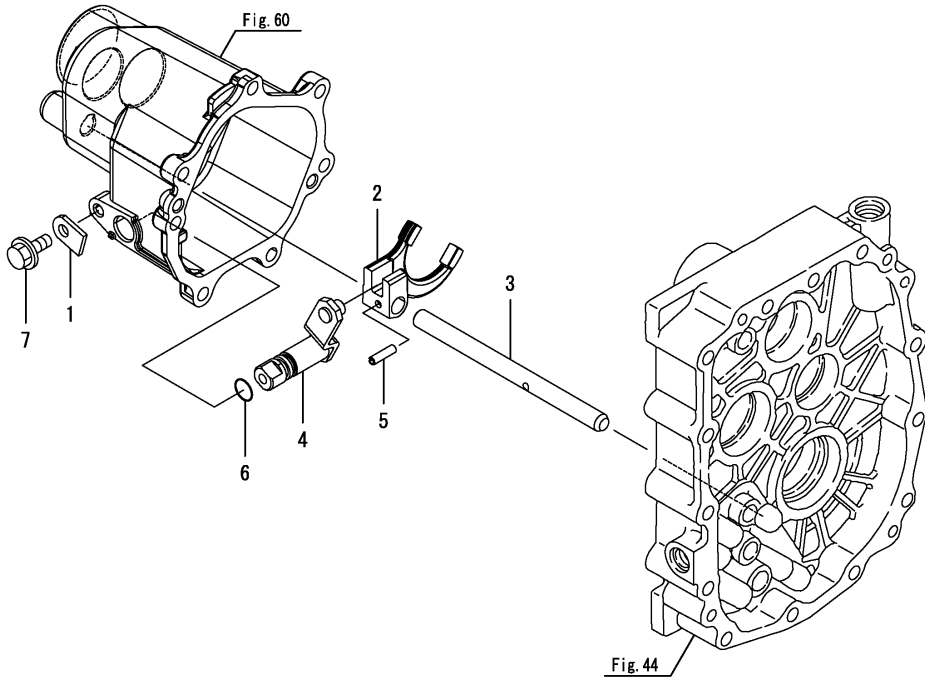
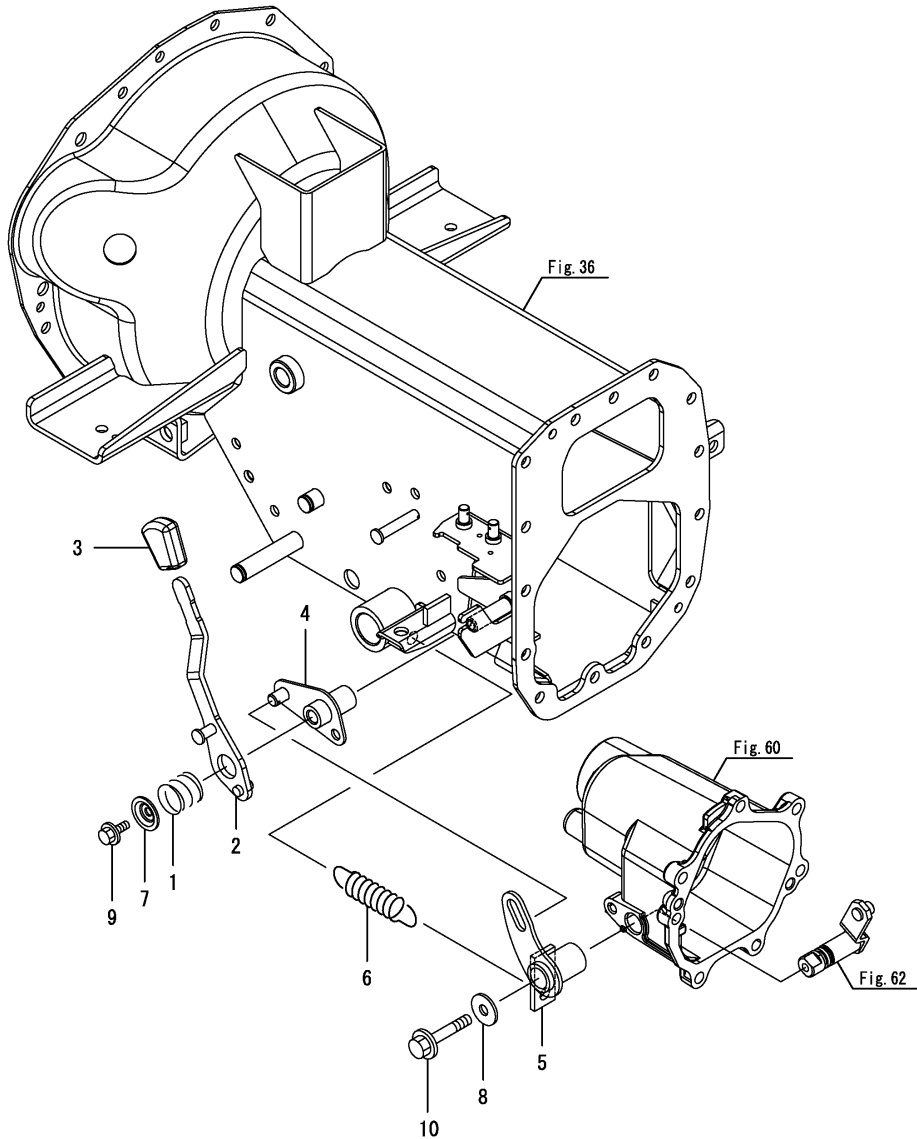


Fig.63. FRONT SIFT LEVER



(A)=GK160
(B)=GK200
(C)=GK200R

(D)=
(E)=
(F)=

No.	Lev.	Parts No.	Description	Q'ty						I	R
				(A)	(B)	(C)	(D)	(E)	(F)		
1	1	195734-22830	SPRING, STOPPER	1	1	1					
2	1	1A7870-28500	LEVER ASSY	1	1	1					
3	1	198273-28521	KNOB, PARKING BRAKE	1	1	1					
4	1	1A7740-28540	ARM ASSY, LEVER	1	1	1					
5	1	1A7876-28580	ARM ASSY	1	1	1					
6	1	1A7720-28650	SPRING, RETURN	1	1	1					
7	1	1A7720-28960	STOPPER, SPRING	1	1	1					
8	1	22157-080000	WASHER, 8	1	1	1					
9	1	26013-060162	BOLT, M6X 16	1	1	1					
10	1	26013-080452	BOLT, M8X 45	1	1	1					

Fig.64. RING GEAR

(A)=GK160
(B)=GK200
(C)=GK200R

(D)=
(E)=
(F)=

No.	Lev.	Parts No.	Description	Q'ty						I	R
				(A)	(B)	(C)	(D)	(E)	(F)		
1	1	1A7720-31300	GEAR ASSY, RING	1	1	1					

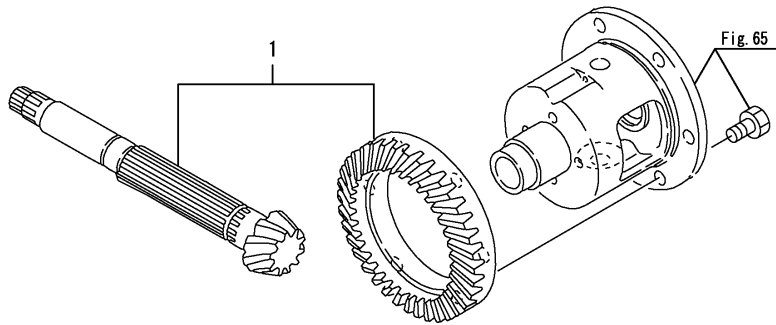


Fig.65. DIFFERENTIAL GEAR

(A)=GK160
(B)=GK200
(C)=GK200R

(D)=
(E)=
(F)=

No.	Lev.	Parts No.	Description	Q'ty						I	R
				(A)	(B)	(C)	(D)	(E)	(F)		
1	1	1A6780-31500	HOUSING ASSY, B	1	1	1					
2	2	198421-31510	GEAR, DIFFERENTIAL	1	1	1					
3	2	1A6780-31520	GEAR, DIFFERENTIAL	1	1	1					
4	2	198421-31530	CASE, DIFFERENTIAL	1	1	1					
5	2	198421-31550	WASHER, DIFFERENTIAL	2	2	2					
6	2	194300-31560	GEAR, PINION	2	2	2					
7	2	194300-31570	SHAFT, DIFFERENTIAL	1	1	1					
8	2	194300-31620	WASHER, DIFFERENTIAL	2	2	2					
9	2	22351-040040	PIN, SPRING 4.0X40	1	1	1					
10	1	24101-060064	BEARING, BALL 6006	1	1	1					
11	1	24101-060074	BEARING, BALL 6007	1	1	1					
12	1	26156-100162	BOLT, M10X 16 PLATED	6	6	6					

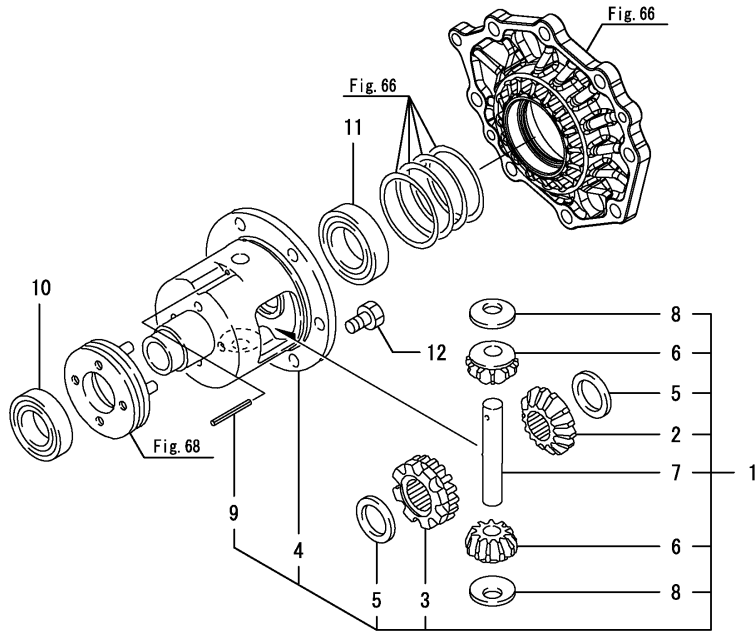


Fig.66. DIFFERENTIAL CARRIER

(A)=GK160
(B)=GK200
(C)=GK200R

(D)=
(E)=
(F)=

No.	Lev.	Parts No.	Description	Qty						I	R
				(A)	(B)	(C)	(D)	(E)	(F)		
1	1	198165-32311	CARRIER	1	1	1					
2	1	198421-32320	SHIM, T=0.1	2	2	2					
3	1	198421-32330	SHIM, T=0.3	1	1	1					
4	1	198421-32340	SHIM, T=0.5	1	1	1					

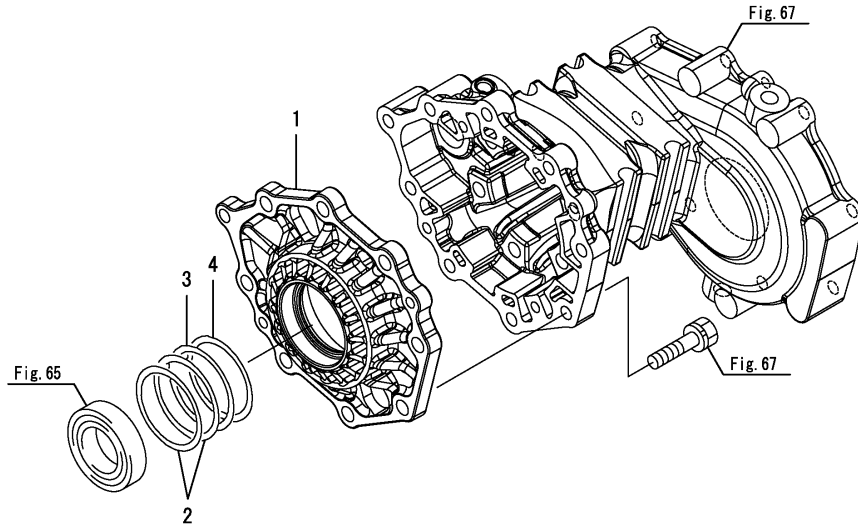
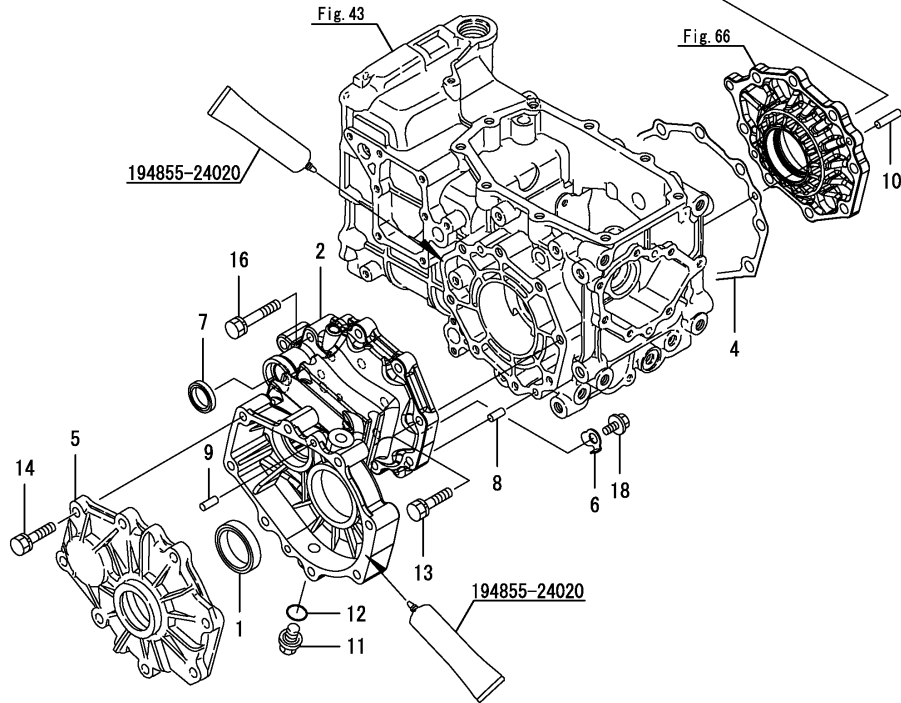
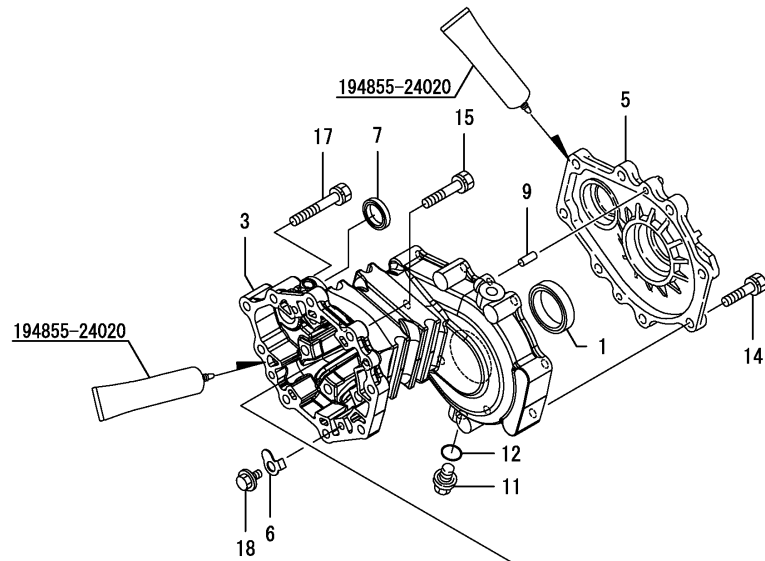


Fig.67. REAR HOUSING

(A)=GK160
(B)=GK200
(C)=GK200R

(D)=
(E)=
(F)=



No.	Lev.	Parts No.	Description	Qty						I	R
				(A)	(B)	(C)	(D)	(E)	(F)		
1	1	194447-13650	SEAL, TC6Y445711.5	2	2	2					
2	1	198165-32610-1	HOUSING, REAR AXLE L	1	1	1					
3	1	198165-32620-1	HOUSING, REAR AXLE R	1	1	1					
4	1	198421-32630	GASKET, HOUSING	1	1	1					
5	1	198425-32640-1	COVER, REAR AXLE	2	2	2					
6	1	198421-32660	STOPPER, PLATE	4	4	4					
7	1	198290-32750	SEAL, OIL TC253506	2	2	2					
8	1	22312-080180	PIN, PARALLEL M8X18	2	2	2					
9	1	22312-080200	PIN, PARALLEL M8X20	4	4	4					
10	1	22312-080320	PIN, PARALLEL M8X32	2	2	2					
11	1	23491-140002	PLUG, 14	2	2	2					
12	1	24311-000160	O-RING, 1AP16.0	2	2	2					
13	1	26013-100402	BOLT, M10X 40	6	6	6					
14	1	26013-100402	BOLT, M10X 40	16	16	16					
15	1	26013-100502	BOLT, M10X 50	6	6	6					
16	1	26013-100552	BOLT, M10X 55	2	2	2					
17	1	26013-100652	BOLT, M10X 65	2	2	2					
18	1	26106-080162	BOLT, M8X 16 PLATED	4	4	4					

Fig.68. DIFFERENTIAL LOCK

(A)=GK160
(B)=GK200
(C)=GK200R

(D)=
(E)=
(F)=

No.	Lev.	Parts No.	Description	Qty						I	R
				(A)	(B)	(C)	(D)	(E)	(F)		
1	1	198421-33110	SLIDER, LOCK	1	1	1					
2	1	198421-33120	FORK, SHIFT	1	1	1					
3	1	1A7870-33130	PEDAL ASSY, LOCK	1	1	1					
4	1	198421-33140	SPRING	1	1	1					
5	1	198421-33170	SPACER, 20X25X3.2	1	1	1					
6	1	22351-050040	PIN, SPRING 5.0X40	1	1	1					
7	1	22351-080032	PIN, SPRING 8.0X32	1	1	1					
8	1	22351-080040	PIN, SPRING 8.0X40	1	1	1					
9	1	24311-000110	O-RING, 1AP11.0	1	1	1					
10	1	24311-000160	O-RING, 1AP16.0	1	1	1					

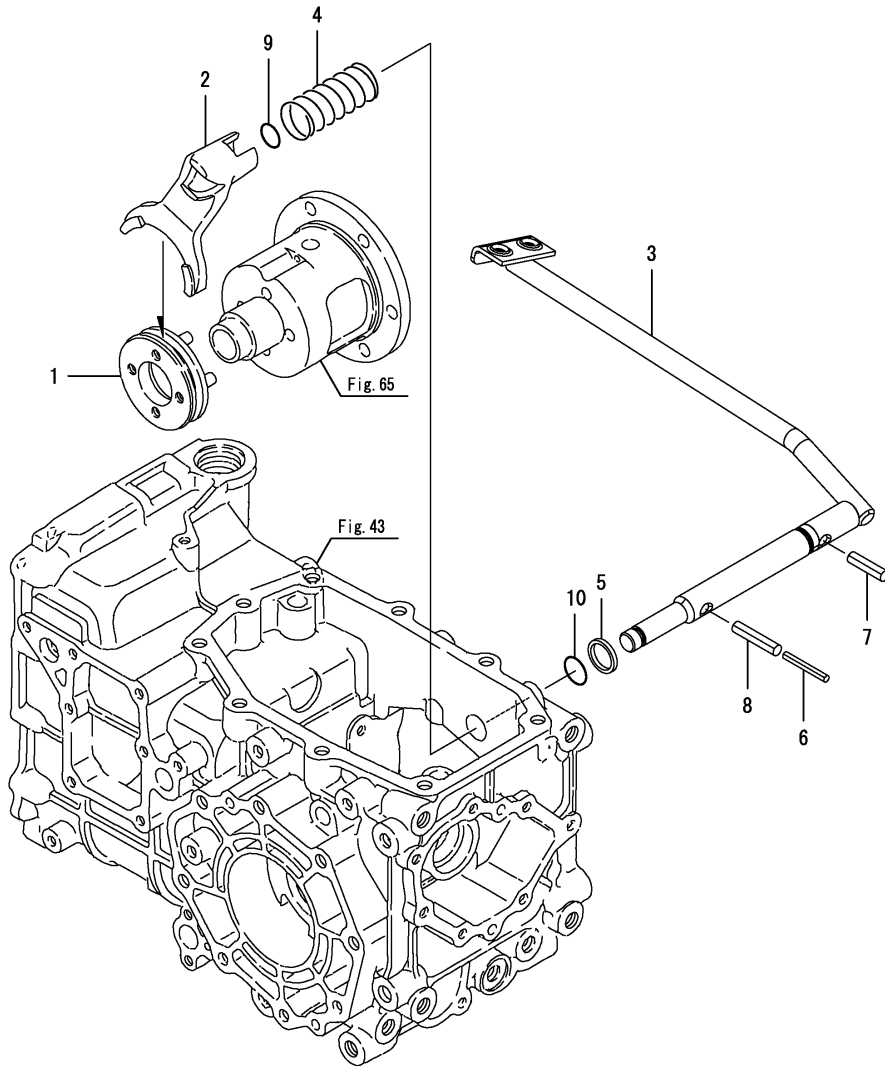


Fig.69. DIFFERENTIAL LOCK ACCESSORIES

(A)=GK160
(B)=GK200
(C)=GK200R

(D)=
(E)=
(F)=

No.	Lev.	Parts No.	Description	Q'ty						I	R
				(A)	(B)	(C)	(D)	(E)	(F)		
1	1	198421-33150	HOSE, VINYL 15X35	1	1	1					

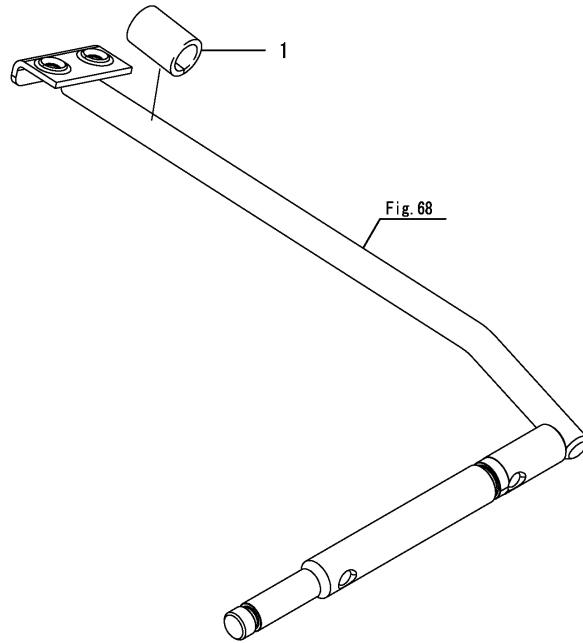


Fig.70. FINAL PINION

(A)=GK160
(B)=GK200
(C)=GK200R

(D)=
(E)=
(F)=

No.	Lev.	Parts No.	Description	Qty						I	R
				(A)	(B)	(C)	(D)	(E)	(F)		
1	1	198164-33410	PINION, FINAL L S	1	1	1					
2	1	198164-33420	PINION, FINAL R S	1	1	1					
3	1	24101-060060	BEARING, BALL 6006C3	2	2	2					
4	1	24101-062040	BEARING, BALL 6204C3	2	2	2					

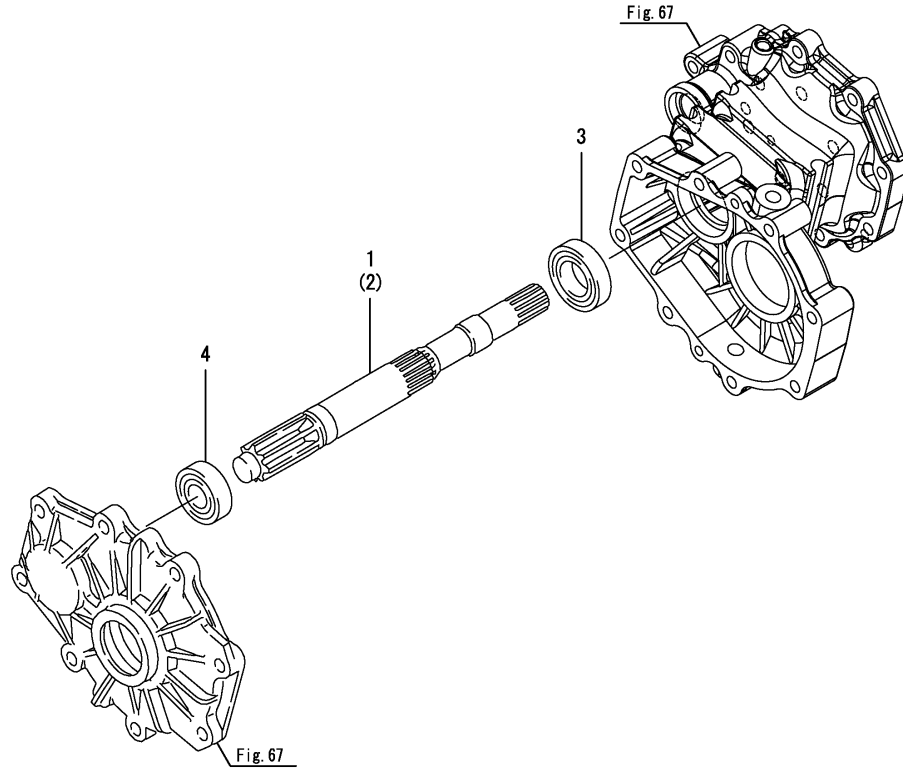


Fig.71. FINAL GEAR

(A)=GK160
(B)=GK200
(C)=GK200R

(D)=
(E)=
(F)=

No.	Lev.	Parts No.	Description	Qty						I	R
				(A)	(B)	(C)	(D)	(E)	(F)		
1	1	198164-33510	GEAR, FINAL 46S	2	2	2					

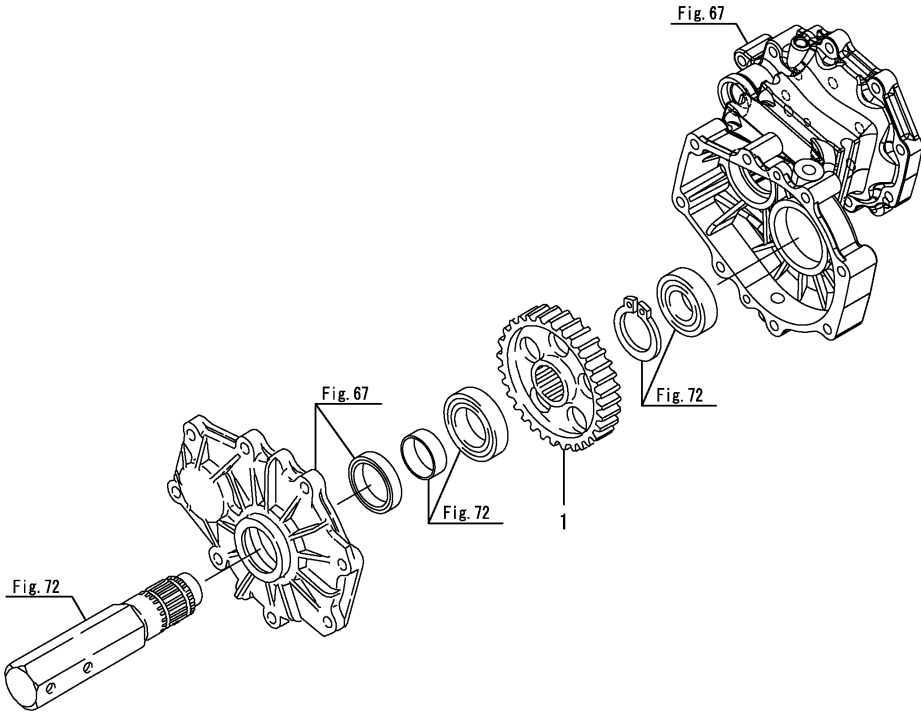


Fig.72. REAR AXLE SHAFT

(A)=GK160
(B)=GK200
(C)=GK200R

(D)=
(E)=
(F)=

No.	Lev.	Parts No.	Description	Qty						I	R
				(A)	(B)	(C)	(D)	(E)	(F)		
1	1	194447-13640	SLEEVE, SI 40X44X15	2	2	2					
2	1	198421-34110	SHAFT, REAR AXLE	2	2	2					
3	1	22242-000400	RING, 40	2	2	2					
4	1	24101-060080	BEARING, BALL 6008C3	2	2	2					
5	1	24101-062060	BEARING, BALL 6206C3	2	2	2					

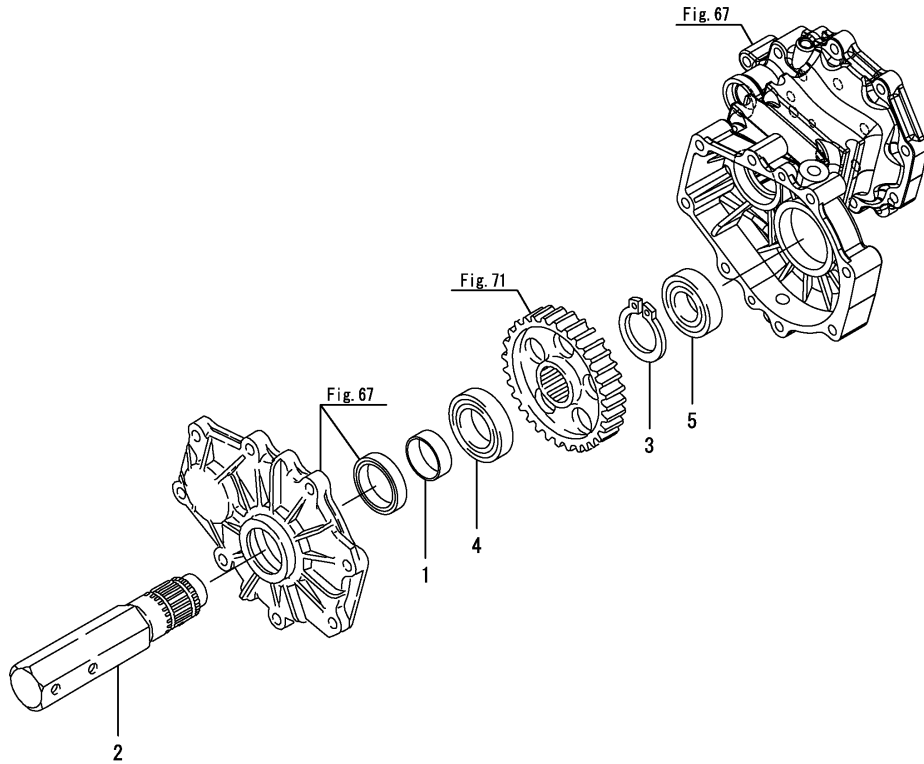
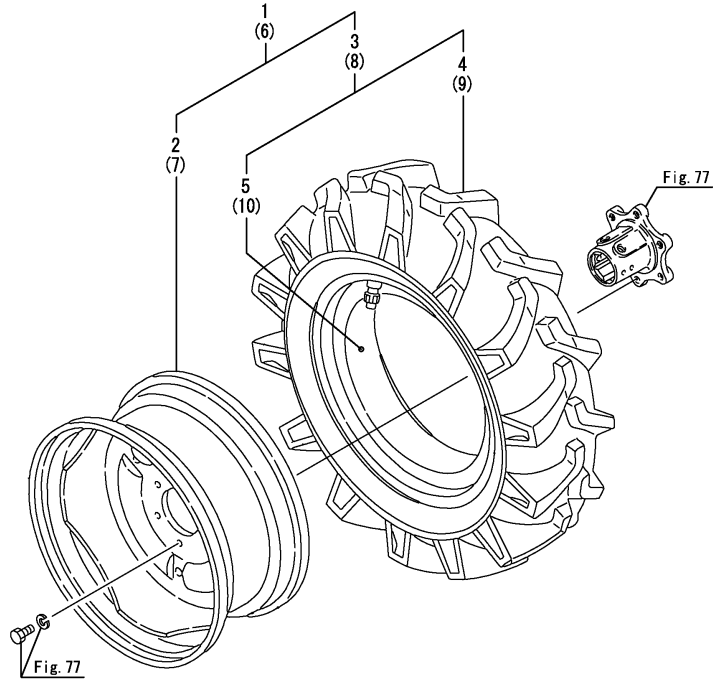


Fig.73. REAR WHEEL TIRE

(A)=GK160
(B)=GK200
(C)=GK200R

(D)=
(E)=
(F)=



No.	Lev.	Parts No.	Description	Q'ty						I	R
				(A)	(B)	(C)	(D)	(E)	(F)		
1	1	198435-34730	TIRE ASSY, REAR L	1	1						
2	2	198435-34720	WHEEL, 5JAX16WDC	1	1						
3	2	198435-34740	TIRE ASSY, 8-16	1	1						
4	3	198435-34750	TIRE, REAR 8-16 FL15	1	1						
5	3	198431-34830	TUBE	1	1						
6	1	198435-34830	TIRE ASSY, REAR R	1	1						
7	2	198435-34720	WHEEL, 5JAX16WDC	1	1						
8	2	198435-34740	TIRE ASSY, 8-16	1	1						
9	3	198435-34750	TIRE, REAR 8-16 FL15	1	1						
10	3	198431-34830	TUBE	1	1						

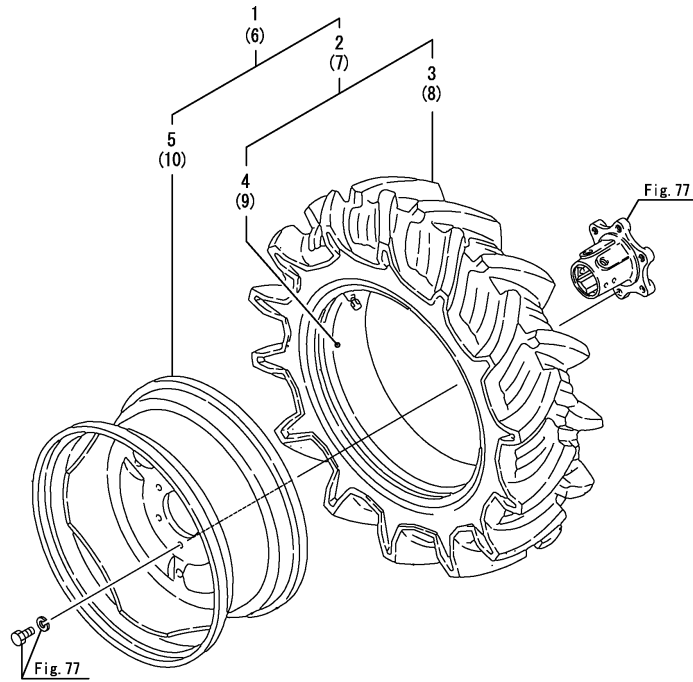
Remarks

- * Model : GK160 AG-PQ
- * Model : GK200 AG-PQ

Fig.74. REAR WHEEL TIRE

(A)=GK160
(B)=GK200
(C)=GK200R

(D)=
(E)=
(F)=



No.	Lev.	Parts No.	Description	Q'ty						I	R
				(A)	(B)	(C)	(D)	(E)	(F)		
1	1	198164-34300	TIRE KIT, REAR 8-18L	1	1						
1-1	1	1A7874-34800	TIRE KIT, REAR L	1	1	1					R
		(A=F100267) (B=F200222)									
2	2	198164-34310	TIRE ASSY, 8-18	1	1						
2-1	2	1A7780-14310	TIRE ASSY, 8-18-6	1	1	1					R
		(A=F100267) (B=F200222)									
3	3	198164-34320	TIRE, REAR 8-18	1	1						Z
		(A=F100267) (B=F200222)									
4	3	198164-34330	TUBE	1	1						Z
		(A=F100267) (B=F200222)									
5	2	198531-34730	WHEEL, W6X18	1	1						
5-1	2	1A7870-34730	WHEEL, W6X18	1	1	1					R
		(A=F100267) (B=F200222)									
6	1	198164-34350	TIRE KIT, REAR 8-18R	1	1						
6-1	1	1A7874-34850	TIRE KIT, REAR R	1	1	1					R
		(A=F100267) (B=F200222)									
7	2	198164-34310	TIRE ASSY, 8-18	1	1						
7-1	2	1A7780-14310	TIRE ASSY, 8-18-6	1	1	1					R
		(A=F100267) (B=F200222)									
8	3	198164-34320	TIRE, REAR 8-18	1	1						Z
		(A=F100267) (B=F200222)									
9	3	198164-34330	TUBE	1	1						Z
		(A=F100267) (B=F200222)									
10	2	198531-34730	WHEEL, W6X18	1	1						
10-1	2	1A7870-34730	WHEEL, W6X18	1	1	1					R
		(A=F100267) (B=F200222)									

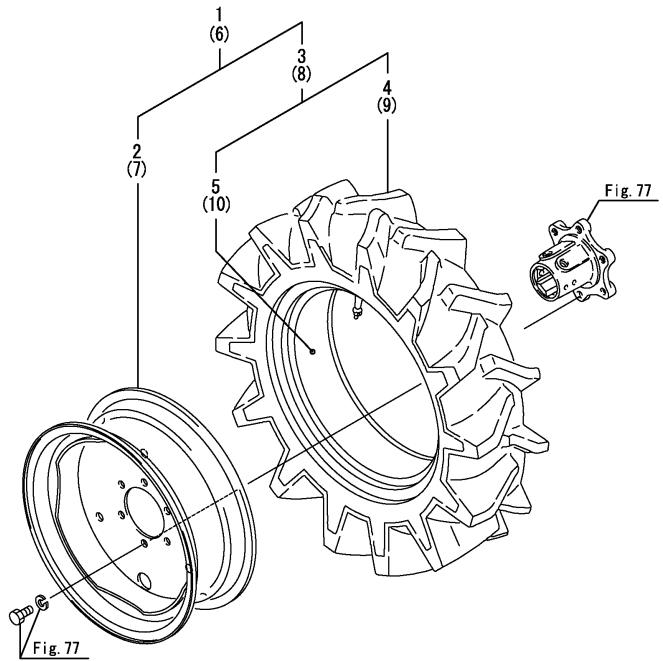
Remarks

- * Model : GK160 LAG-PQ
- * Model : GK200 LAG-PQ
- * Model : GK200R LAG-PQ

Fig.75. REAR WHEEL TIRE

(A)=GK160
(B)=GK200
(C)=GK200R

(D)=
(E)=
(F)=



No.	Lev.	Parts No.	Description	Q'ty						I	R
				(A)	(B)	(C)	(D)	(E)	(F)		
1	1	1A7874-34700	TIRE ASSY,REAR 7-16L	1	1						
2	2	1A6760-34720	WHEEL, 5JAX16	1	1						
3	2	198421-34940	TIRE ASSY, 7-16	1	1						
4	3	198421-34950	TIRE, REAR 7-16	1	1						
5	3	198421-34960	TUBE	1	1						
6	1	1A7874-34750	TIRE ASSY,REAR 7-16R	1	1						
7	2	1A6760-34720	WHEEL, 5JAX16	1	1						
8	2	198421-34940	TIRE ASSY, 7-16	1	1						
9	3	198421-34950	TIRE, REAR 7-16	1	1						
10	3	198421-34960	TUBE	1	1						

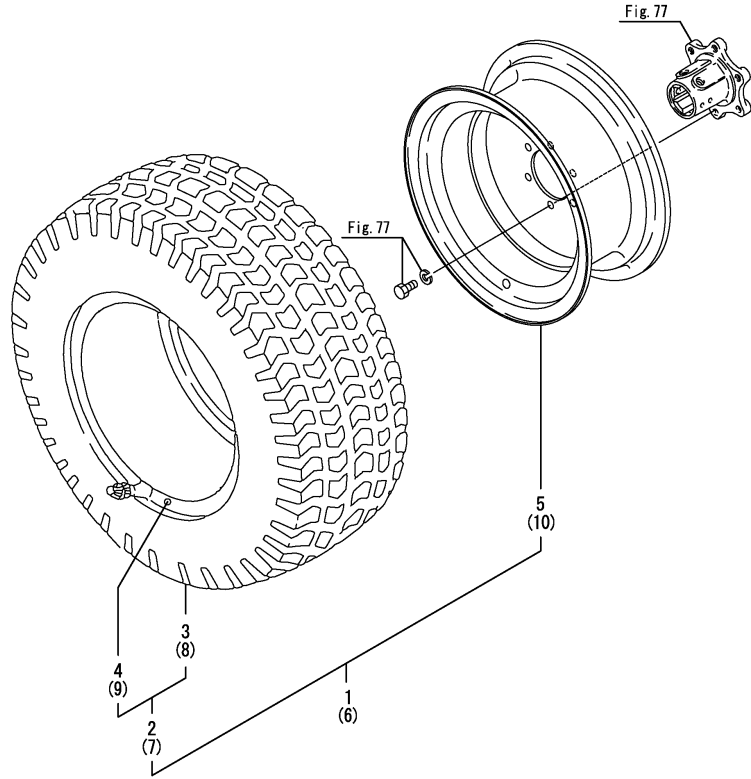
Remarks
* Model : GK160 SAG-PQ
* Model : GK200 SAG-PQ

Fig.76. REAR WHEEL TIRE

(A)=GK160
(B)=GK200
(C)=GK200R

(D)=
(E)=
(F)=

No.	Lev.	Parts No.	Description	Q'ty						I	R
				(A)	(B)	(C)	(D)	(E)	(F)		
1	1	198163-34300	TIRE KIT, REAR L	1	1	1					
2	2	194376-14710	TIRE ASSY, 212/80D15	1	1	1					
3	3	194376-14720	TIRE, 212/80 D15 4PD	1	1	1					
4	3	194376-14730	TUBE, 212/80 D15	1	1	1					
5	2	1A7870-34320	WHEEL,7JAX15	1	1	1					
6	1	198163-34400	TIRE&WHEEL KIT,R	1	1	1					
7	2	194376-14710	TIRE ASSY, 212/80D15	1	1	1					
8	3	194376-14720	TIRE, 212/80 D15 4PD	1	1	1					
9	3	194376-14730	TUBE, 212/80 D15	1	1	1					
10	2	1A7870-34320	WHEEL,7JAX15	1	1	1					



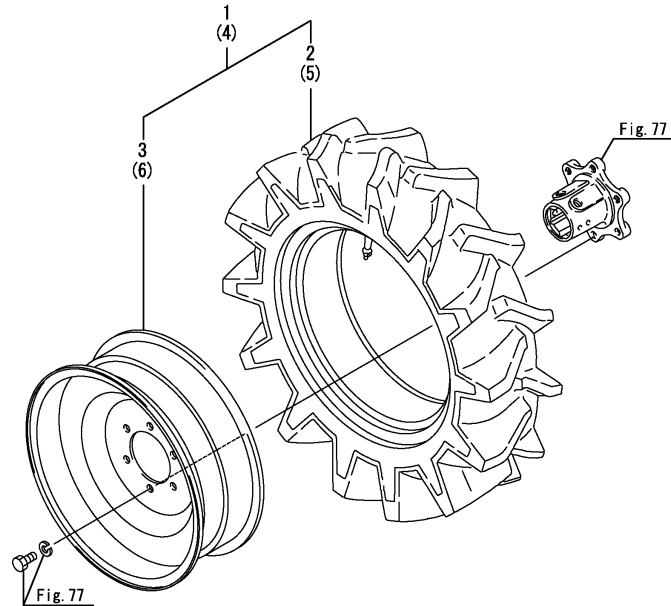
Remarks

- * Model : GK160 AT-PQ
- * Model : GK200 AT-PQ
- * Model : GK200R AT-PQ

Fig.144. REAR WHEEL TIRE

(A)=GK160
(B)=GK200
(C)=GK200R

(D)=
(E)=
(F)=



No.	Lev.	Parts No.	Description	Qty						I	R
				(A)	(B)	(C)	(D)	(E)	(F)		
1	1	1A7874-34500	TIRE ASSY, 9.5-16L			1					
2	2	1A7874-34510	TIRE, 9.5-16			1					
3	2	1A7874-34520	WHEEL ASSY, W8X16			1					
4	1	1A7874-34600	TIRE ASSY, 9.5-16R			1					
5	2	1A7874-34510	TIRE, 9.5-16			1					
6	2	1A7874-34520	WHEEL ASSY, W8X16			1					

Remarks

* Model : GK200R N-PQ

N:Old $\xrightarrow{\text{Yes}}$ New, Q:Old $\xrightarrow{\text{No}}$ New, R:Old $\xrightarrow{\text{Yes}}$ New, S:Old $\xrightarrow{\text{No}}$ New, W:Add, Z:Discontinued, F:Interchangeable by set, K:Qty Change

Fig.77. HUB BOLT(REAR)

(A)=GK160
(B)=GK200
(C)=GK200R

(D)=
(E)=
(F)=

No.	Lev.	Parts No.	Description	Q'ty						I	R
				(A)	(B)	(C)	(D)	(E)	(F)		
1	1	198425-34730	HUB, REAR WHEEL	2	2	2					
2	1	194200-34750	PIN, 10X78	2	2	2					
3	1	1A1040-36010	BOLT, FLANGE	4	4	4					
4	1	1A1040-36040	SPRING, FLANGE BOLT	4	4	4					
5	1	22137-160000	WASHER, 16	4	4	4					
6	1	22217-120000	WASHER, SPRING 12	12	12	12					
7	1	22372-100000	PIN, SNAP 10	2	2	2					
8	1	26156-120252	BOLT, M12X 25 PLATED	12	12	12					

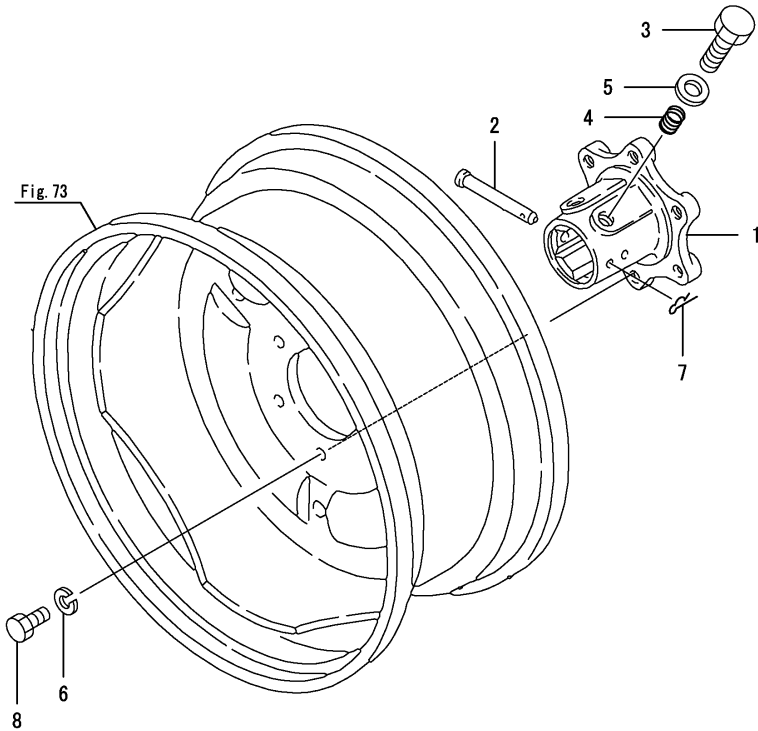


Fig.78. DISC BRAKE

(A)=GK160
 (B)=GK200
 (C)=GK200R

(D)=
 (E)=
 (F)=

No.	Lev.	Parts No.	Description	Qty						I	R
				(A)	(B)	(C)	(D)	(E)	(F)		
1	1	1A7874-36050	DISK BRAKE KIT	1	1	1					
2	2	1A7531-36310	ACTUATOR	1	1	1					
3	2	1A7531-36320	PLATE, STEEL	4	4	4					
4	2	1A7874-36330	SHAFT, CAM LEVER L	1	1	1					
5	2	1A7531-36380	PLATE, FRICTION 114	4	4	4					
6	2	1A7531-36410	ACTUATOR	1	1	1					
7	2	1A7874-36430	SHAFT, CAM LEVER R	1	1	1					
8	1	22242-000250	RING, 25	2	2	2					
9	1	24190-160001	BALL, STEEL 1/2	6	6	6					

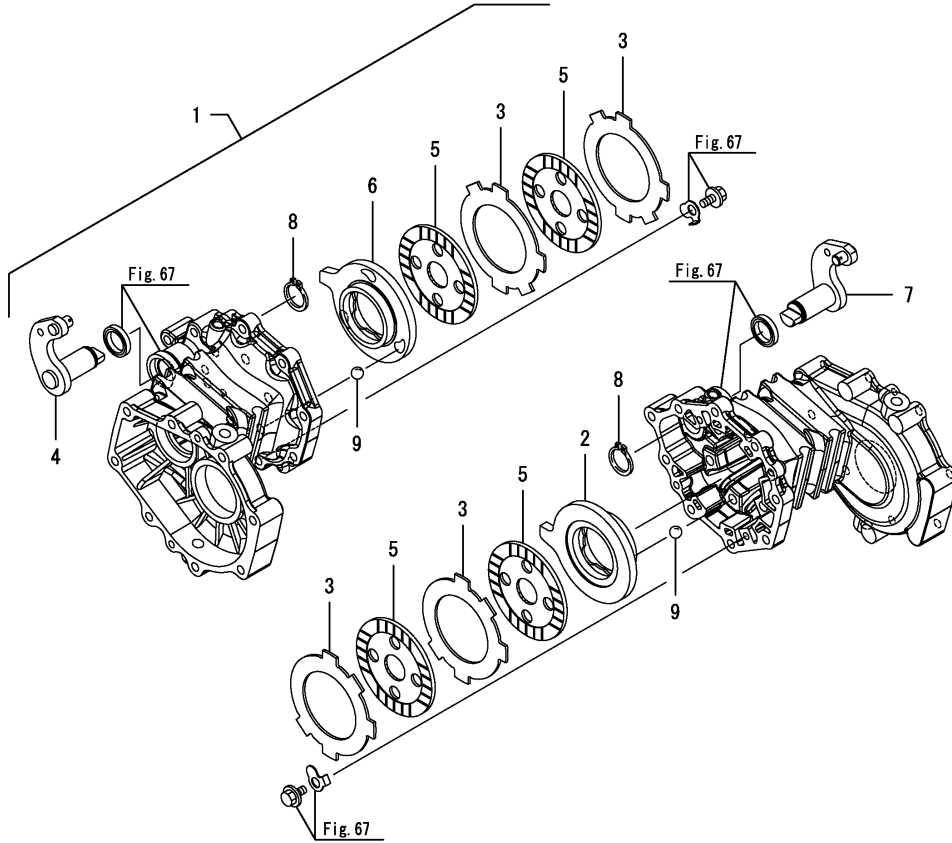
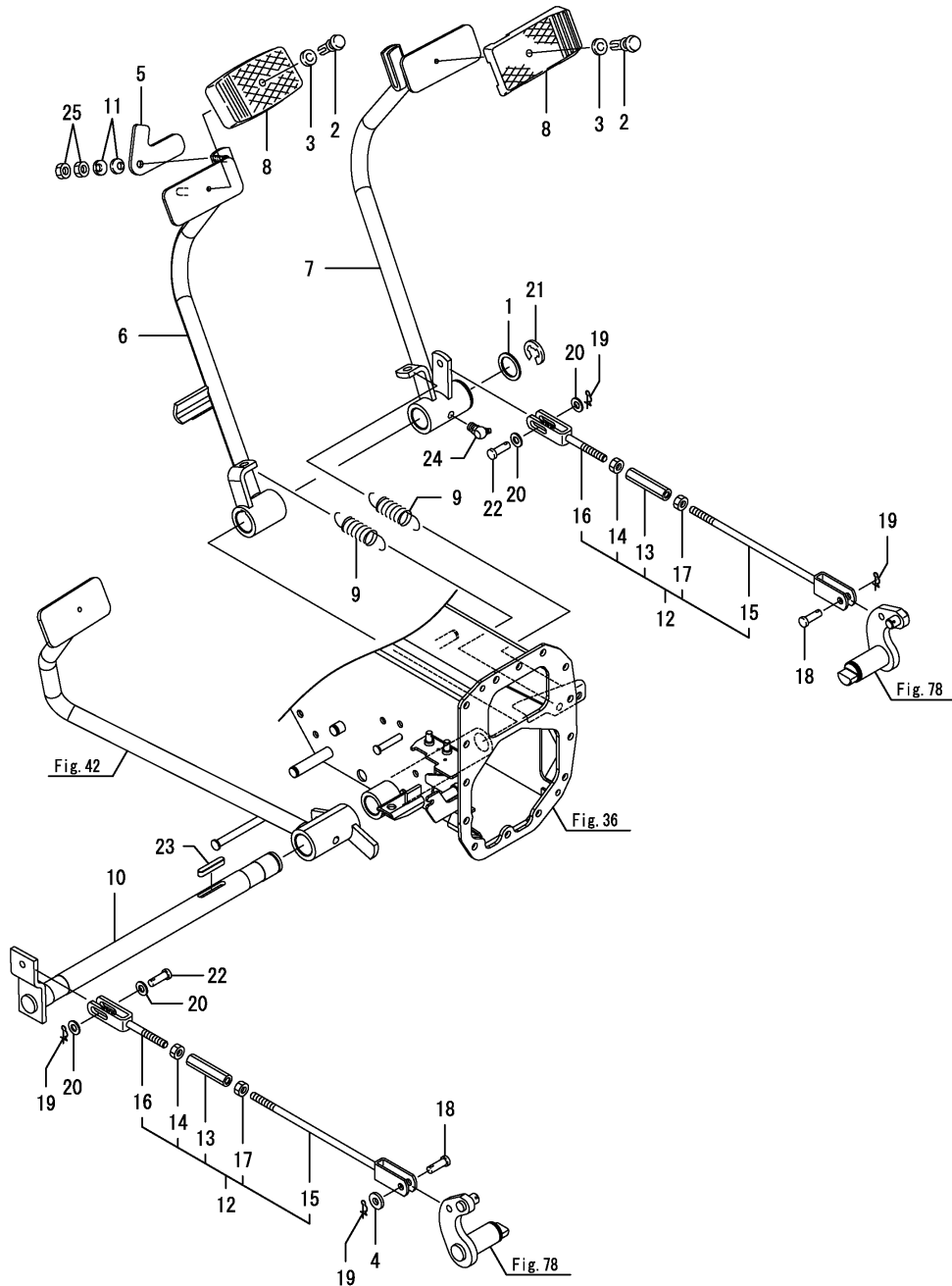


Fig.79. BRAKE PEDAL



(A)=GK160
(B)=GK200
(C)=GK200R

(D)=
(E)=
(F)=

No.	Lev.	Parts No.	Description	Qty						I	R
				(A)	(B)	(C)	(D)	(E)	(F)		
1	1	1C6140-14050	SPACER, 25.2X34X2	1	1	1					
2	1	198133-22510	RIVET, PEDAL HEAD	2	2	2					
3	1	198133-22530	WASHER, RIVET	2	2	2					
4	1	1C6053-32020	WASHER, 8.5X20X3.2	1	1	1					
5	1	198200-37240	CONNECTOR	1	1	1					
6	1	1A7870-37300	PEDAL ASSY, BRAKE L	1	1	1					
7	1	1A7874-37400	PEDAL ASSY, BRAKE R	1	1	1					
8	1	198071-37510	COVER, HEAD	2	2	2					
9	1	198421-37511	SPRING, RETURN	2	2	2					
10	1	198421-37550	SHAFT, BRAKE PEDAL	1	1	1					
11	1	194300-37570	SPRING	2	2	2					
12	1	1A7874-37770	ROD, BRAKE ASSY	2	2	2					
13	2	194740-00322	ADJUSTER	2	2	2					
14	2	194990-20170	NUT, M8	2	2	2					
15	2	1A7874-37780	SCREW, R BRAKE ROD	2	2	2					
16	2	1A7874-37800	SCREW, L BRAKE ROD	2	2	2					
17	2	26716-080002	NUT, M8	2	2	2					
18	1	194080-37781	PIN, 8X25	2	2	2					
19	1	1C6281-52320	PIN, SNAP 8	4	4	4					
20	1	22137-080000	WASHER, 8	4	4	4					
21	1	22272-000190	RING, E-19	1	1	1					
22	1	22487-080240	PIN, H 8X 24	2	2	2					
23	1	22512-070400	KEY, 7X 40	1	1	1					
24	1	24761-040000	NIPPLE, GREASE B	1	1	1					
25	1	26716-080002	NUT, M8	2	2	2					

Fig.80. PARKING BRAKE(1)

(A)=GK160
(B)=GK200
(C)=GK200R

(D)=
(E)=
(F)=

No.	Lev.	Parts No.	Description	Q'ty						I	R
				(A)	(B)	(C)	(D)	(E)	(F)		
1	1	26106-080162	BOLT, M8X 16 PLATED	2	2	2					
2	1	26106-080162	BOLT, M8X 16 PLATED	2	2	2					

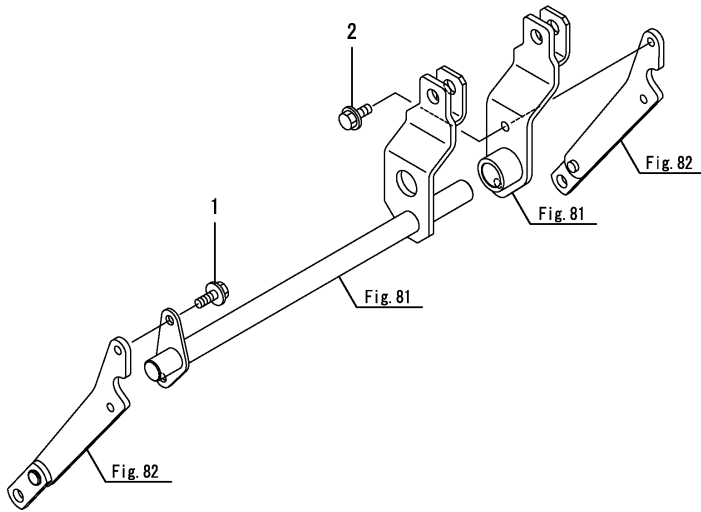
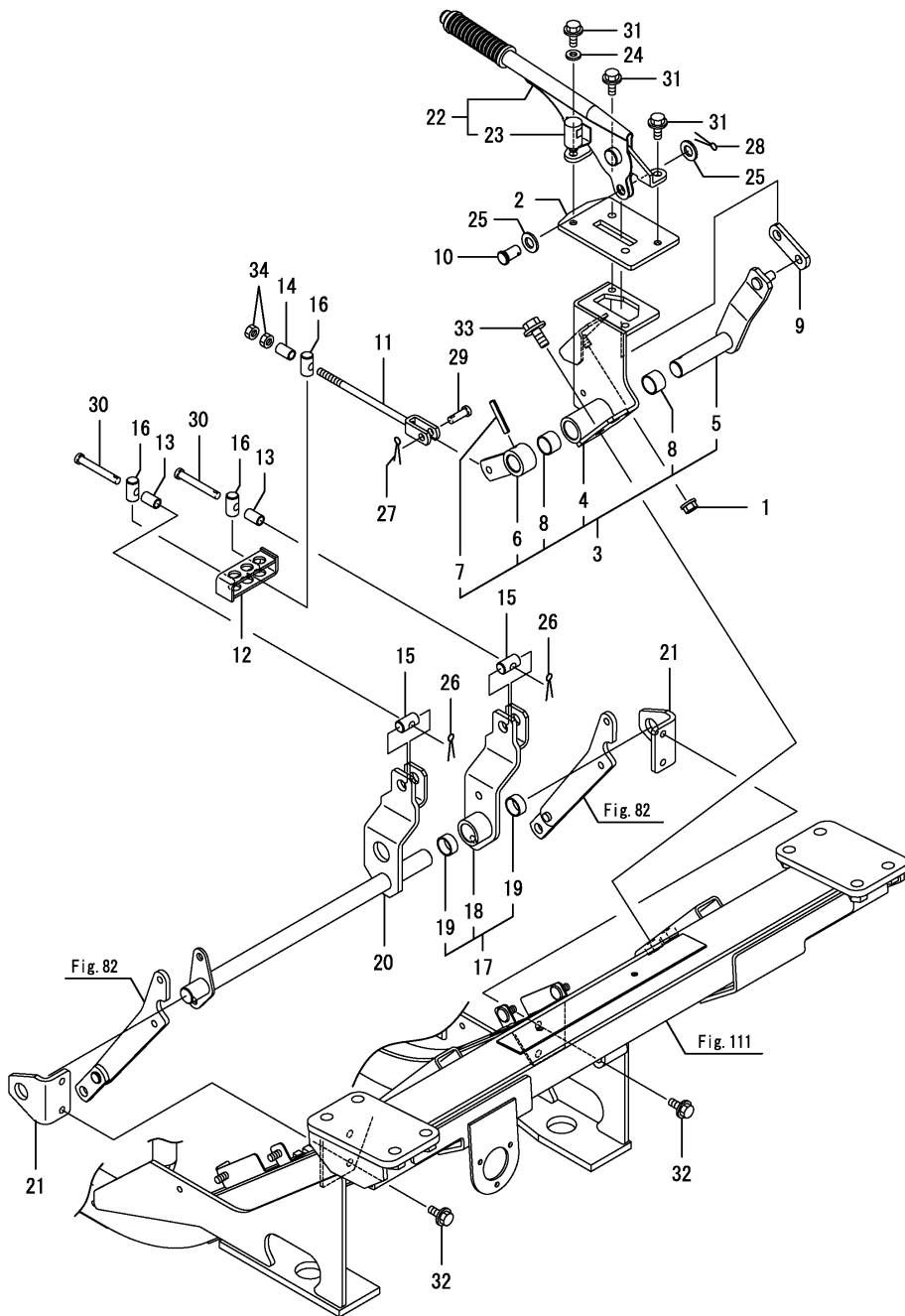


Fig.81. PARKING BRAKE(2)



(A)=GK160
(B)=GK200
(C)=GK200R

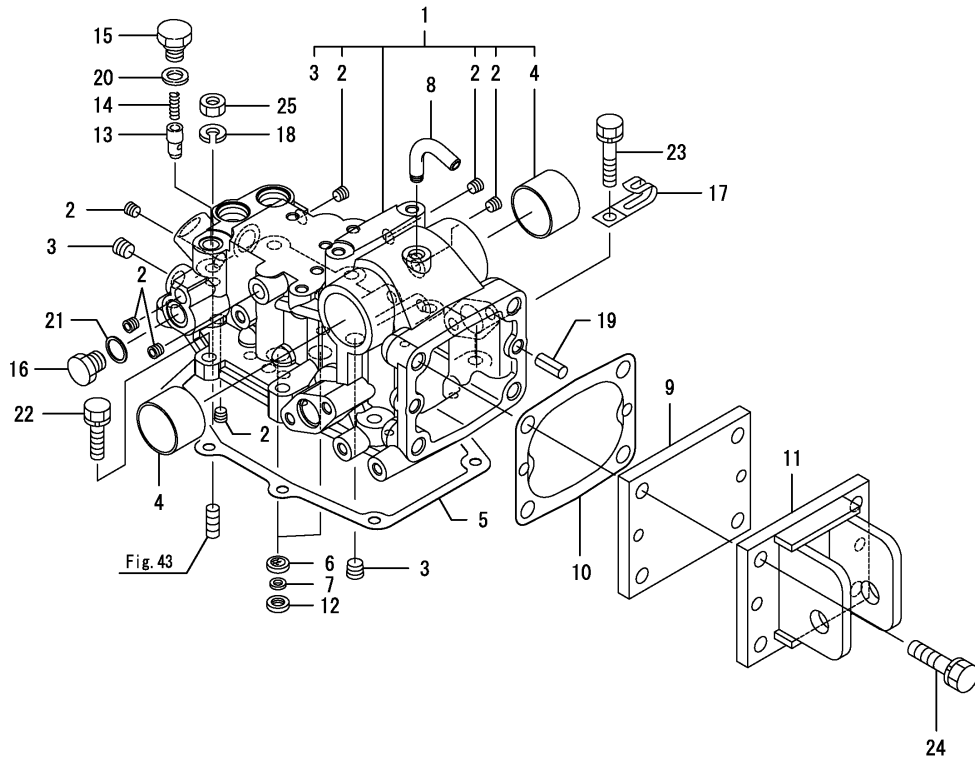
(D)=
(E)=
(F)=

No.	Lev.	Parts No.	Description	Qty						I	R
				(A)	(B)	(C)	(D)	(E)	(F)		
1	1	194990-22140	NUT, M8	1	1	1					
2	1	1A7874-36090	PLATE, LEVER	1	1	1					
3	1	1A7874-36100	HOLDER, BRAKE ASSY	1	1	1					
4	2	1A7874-36110	HOLDER, BRAKE LEVER	1	1	1					
5	2	1A7874-36210	LEVER, P ASSY	1	1	1					
6	2	1A7874-36250	ARM, P ASSY	1	1	1					
7	2	22351-060040	PIN, SPRING 6.0X40	1	1	1					
8	2	24550-020150	BUSH, 20X15	2	2	2					
9	1	198165-36180	PLATE, LINK	1	1	1					
10	1	198165-36190	PIN, 12X16	1	1	1					
11	1	1A7874-36510	ROD, CONNECT	1	1	1					
12	1	1A7874-36550	EQUALIZER,	1	1	1					
13	1	1A7874-36580	COLLAR, 9X12X20	2	2	2					
14	1	1A7874-36580	COLLAR, 9X12X20	1	1	1					
15	1	1A7874-36590	PIN,	2	2	2					
16	1	1A7874-36590	PIN,	3	3	3					
17	1	1A7874-36610	ARM ASSY, LINK	1	1	1					
18	2	1A7874-36620	ARM, LINK	1	1	1					
19	2	24550-020100	BUSH, 20X10	2	2	2					
20	1	1A7874-36710	SHAFT ASSY, LINK	1	1	1					
21	1	1A7874-36770	BRACKET, SHAFT	2	2	2					
22	1	172512-42500	LEVER, PARKING	1	1	1					
23	2	172512-42650	SWITCH SET	1	1	1					
24	1	22137-080000	WASHER, 8	1	1	1					
25	1	22137-120000	WASHER, 12	2	2	2					
26	1	22417-200200	PIN, COTTER 2.0X20	2	2	2					
27	1	22417-200200	PIN, COTTER 2.0X20	1	1	1					
28	1	22417-250250	PIN, COTTER 2.5X25	1	1	1					
29	1	22487-080240	PIN, H 8X 24	1	1	1					
30	1	22487-080600	PIN 8X 60	1	1	1					
31	1	26106-080122	BOLT, M8X 12 PLATED	4	4	4					
32	1	26106-080162	BOLT, M8X 16 PLATED	4	4	4					
33	1	26106-100202	BOLT, M10X 20 PLATED	2	2	2					
34	1	26716-080002	NUT, M8	2	2	2					

Fig.83. HYDRAULIC CYLINDER CASE

(A)=GK160
(B)=GK200
(C)=GK200R

(D)=
(E)=
(F)=



No.	Lev.	Parts No.	Description	Qty						I	R
				(A)	(B)	(C)	(D)	(E)	(F)		
1	1	198421-42102	HOUSING ASSY	1	1	1					
2	2	23871-010000	PLUG, R01	7	7	7					
3	2	23871-020000	PLUG, R02	2	2	2					
4	2	24550-040300	BUSH, 40X30	2	2	2					
5	1	198165-42120	GASKET, HOUSING	1	1	1					
6	1	194850-42180	STRAINER	2	2	2					
7	1	194850-42190	SPACER	2	2	2					
8	1	194205-42280	PIPE, AIR BREATHER	1	1	1					
9	1	198163-42810	PLATE ASSY, KEEP	1	1	1					
10	1	194151-42832	GASKET, HINGE	1	1	1					
11	1	1A7874-42850	HINGE ASSY, TOP LINK	1	1	1					
12	1	194630-43230	PACKING	2	2	2					
13	1	194310-46350	POPPET, CHECK	1	1	1					
14	1	194310-46380	SPRING	1	1	1					
15	1	194310-46730	PLUG, 14	1	1	1					
16	1	194312-46750	PLUG, PF3/8	1	1	1					
17	1	194180-51640	CLAMP, HARNESS	1	1	1					
18	1	22217-100000	WASHER, SPRING 10	1	1	1					
19	1	22351-100025	PIN, SPRING 10.0X25	2	2	2					
20	1	23414-140018	GASKET, 14X1.0	1	1	1					
21	1	23414-170022	GASKET, 17X1.0	1	1	1					
22	1	26016-100352	BOLT, M10X 35	4	4	4					
23	1	26016-100452	BOLT, M10X 45	4	4	4					
24	1	26106-120452	BOLT, M12X 45 PLATED	4	4	4					
25	1	26716-100002	NUT, M10	1	1	1					

Fig.84. SIDE COVER(HYDRAULIC)

(A)=GK160
(B)=GK200
(C)=GK200R

(D)=
(E)=
(F)=

No.	Lev.	Parts No.	Description	Q'ty						I	R
				(A)	(B)	(C)	(D)	(E)	(F)		
1	1	198425-42220	COVER, CASE	1	1	1					
2	1	23871-010000	PLUG, R01	1	1	1					
3	1	24315-000110	O-RING, 1BP11.0	3	3	3					
4	1	26106-080202	BOLT, M8X 20 PLATED	3	3	3					

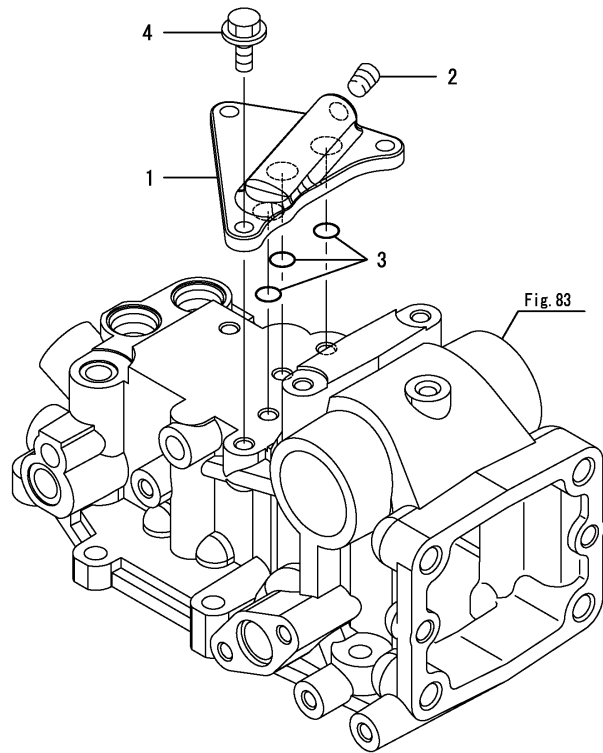


Fig.85. PISTON

(A)=GK160
(B)=GK200
(C)=GK200R

(D)=
(E)=
(F)=

No.	Lev.	Parts No.	Description	Qty						I	R
				(A)	(B)	(C)	(D)	(E)	(F)		
1	1	198163-43310	PISTON, HYDRAULIC	1	1	1					
2	1	24315-000460	O-RING, 1BP46.0	1	1	1					
3	1	24372-000460	RING, BACK UP T2P46	1	1	1					

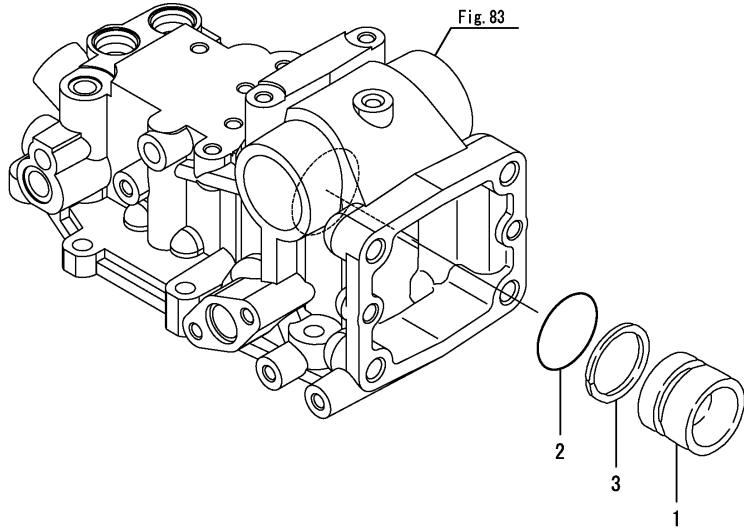
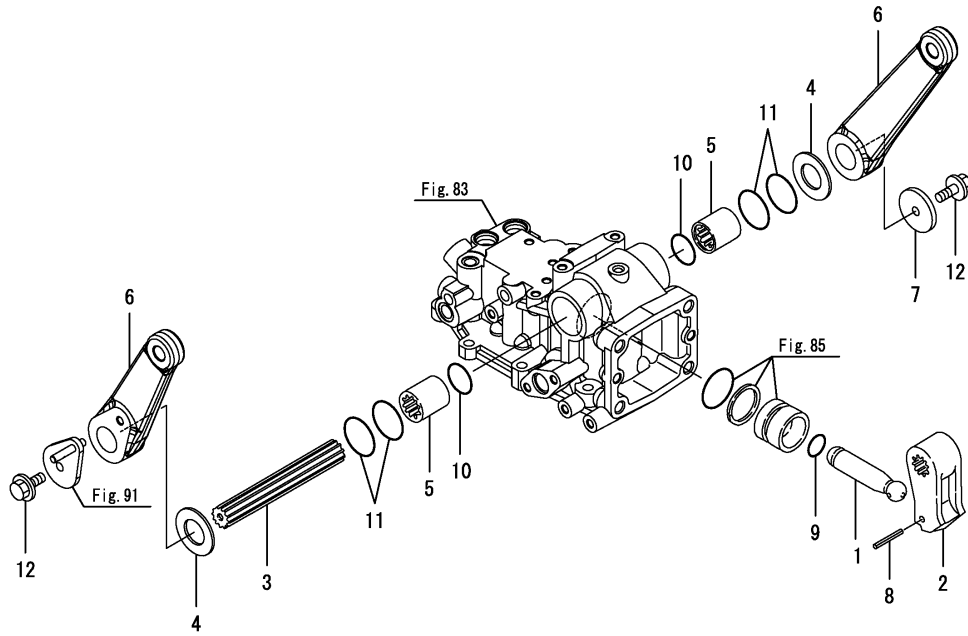


Fig.86. LIFT CRANK

(A)=GK160
(B)=GK200
(C)=GK200R

(D)=
(E)=
(F)=

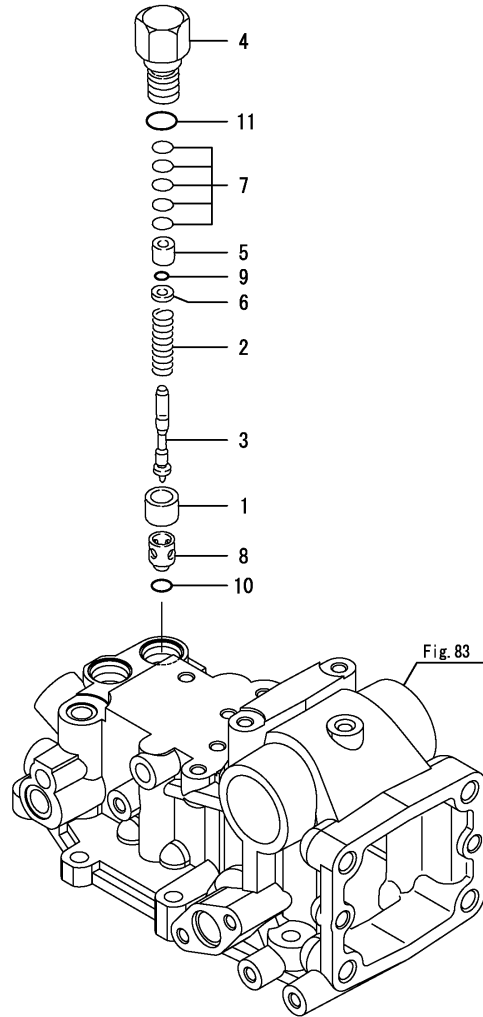


No.	Lev.	Parts No.	Description	Q'ty						I	R
				(A)	(B)	(C)	(D)	(E)	(F)		
1	1	198421-43410	ROD, PISTON	1	1	1					
2	1	198421-44110	CRANK, LIFT	1	1	1					
3	1	198421-44211	SHAFT, LIFT	1	1	1					
4	1	198421-44230	LINER, 30X55X3	2	2	2					
5	1	198421-44250	SLEEVE, LIFT SHAFT	2	2	2					
6	1	198421-44410	ARM, LIFT	2	2	2					
7	1	194197-44610-1	WASHER, 10X50X6	1	1	1					
8	1	22351-050040	PIN, SPRING 5.0X40	1	1	1					
9	1	24311-000224	O-RING, 1AP22.4	1	1	1					
10	1	24341-000315	O-RING, 1AS31.5	2	2	2					
11	1	24351-240400	O-RING, 1A24040	4	4	4					
12	1	26106-100252	BOLT, M10X 25 PLATED	2	2	2					

Fig.88. RELIEF VALVE

(A)=GK160
(B)=GK200
(C)=GK200R

(D)=
(E)=
(F)=

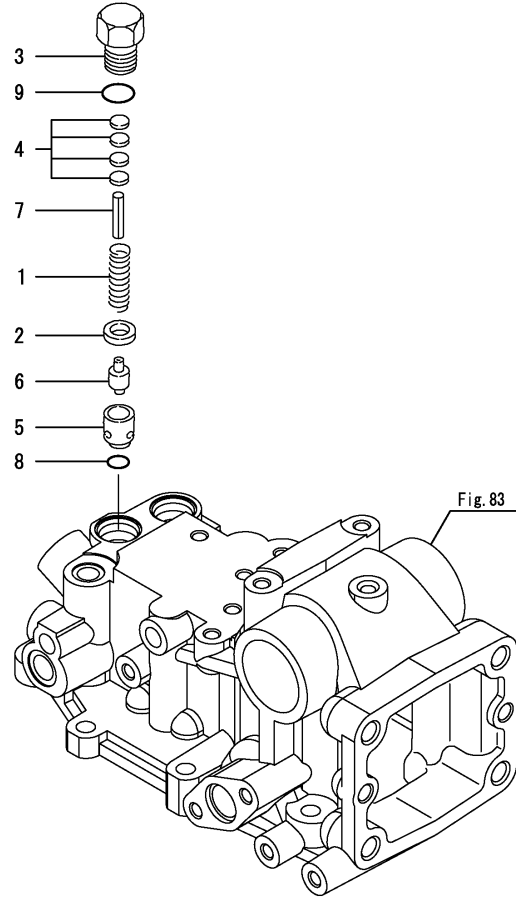


No.	Lev.	Parts No.	Description	Q'ty						I	R
				(A)	(B)	(C)	(D)	(E)	(F)		
1	1	198220-45340	COLLAR, VALVE	1	1	1					
2	1	198163-45610	SPRING, RELIEF VALVE	1	1	1					
3	1	194195-45620	POPPET	1	1	1					
4	1	198220-45630	PLUG, RELIEF VALVE	1	1	1					
5	1	194195-45640	SEAT, 6.6X13X12.5	1	1	1					
6	1	194195-45650	WASHER, 6.6X13X3,2	1	1	1					
7	1	194850-45700	SHIM SET	1	1	1					
8	1	194195-46260	SEAT, RELIEF VALVE	1	1	1					
9	1	194850-49230	O-RING, 6X1.8 70	1	1	1					
10	1	24311-000120	O-RING, 1AP12.0	1	1	1					
11	1	24311-000180	O-RING, 1AP18.0	1	1	1					

Fig.90. SAFETY VALVE

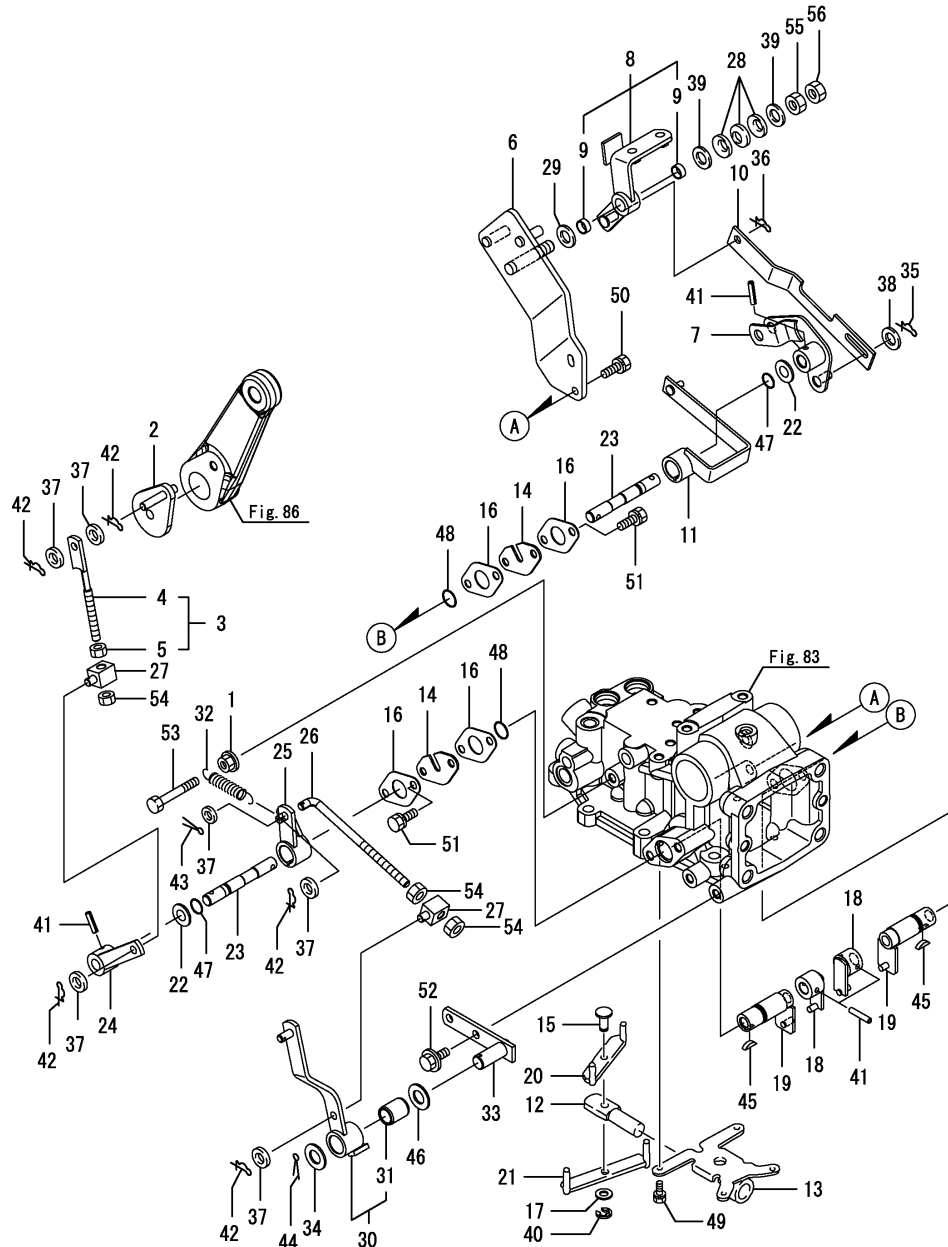
(A)=GK160
(B)=GK200
(C)=GK200R

(D)=
(E)=
(F)=



No.	Lev.	Parts No.	Description	Q'ty						I	R
				(A)	(B)	(C)	(D)	(E)	(F)		
1	1	194150-45320	SPRING, RELIEF VALVE	1	1	1					
2	1	198220-45350	COLLAR, VALVE	1	1	1					
3	1	198220-45370	PLUG, SAFETY VALVE	1	1	1					
4	1	198220-46400	SHIM SET	1	1	1					
5	1	194640-46410	SEAT, SAFETY VALVE	1	1	1					
6	1	194640-46420	POPPET	1	1	1					
7	1	22351-060028	PIN, SPRING 6.0X28	1	1	1					
8	1	24311-000120	O-RING, 1AP12.0	1	1	1					
9	1	24311-000180	O-RING, 1AP18.0	1	1	1					

Fig.91. HYDRAULIC CONTROL(1)

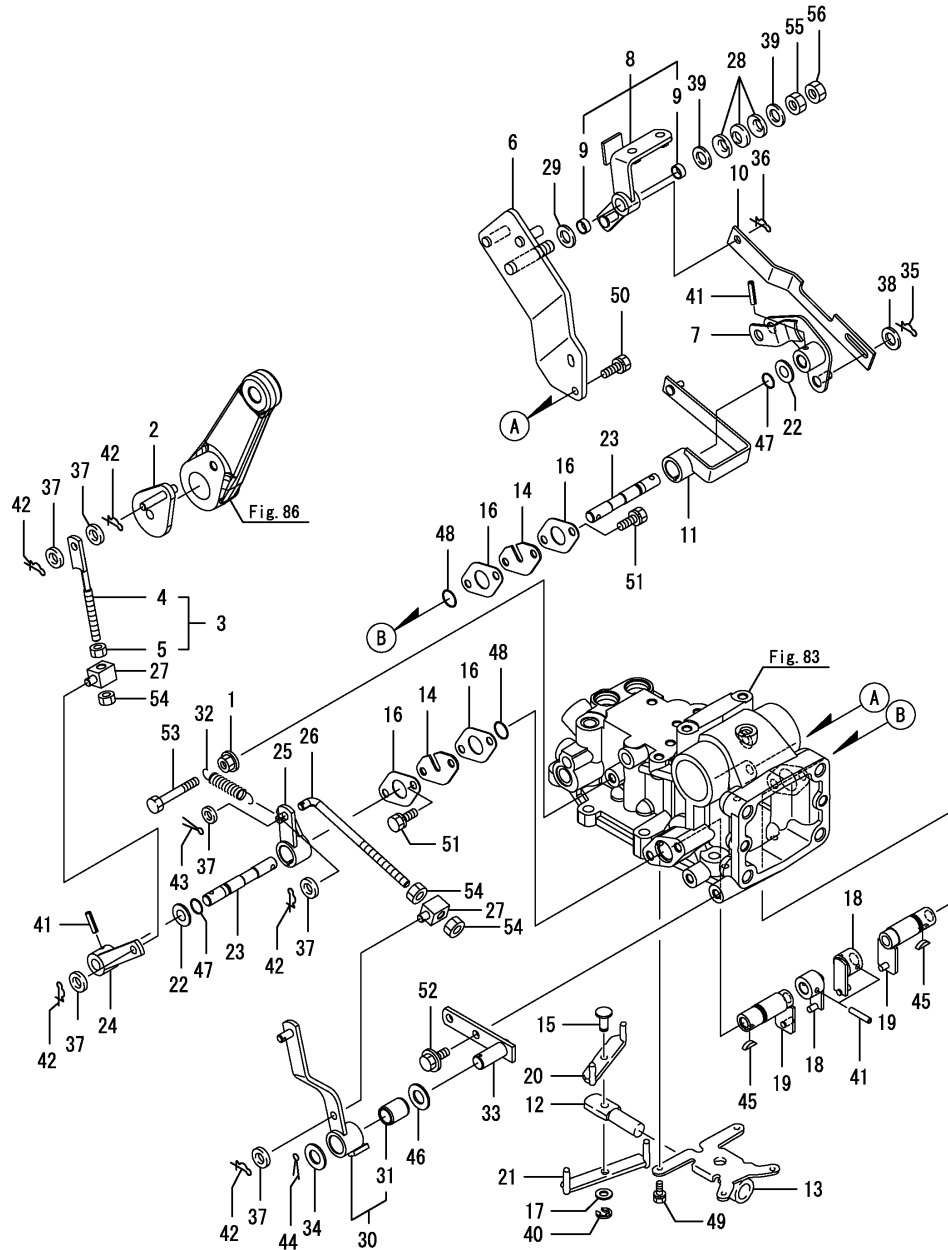


(A)=GK160
(B)=GK200
(C)=GK200R

(D)=
(E)=
(F)=

No.	Lev.	Parts No.	Description	Qty						I	R
				(A)	(B)	(C)	(D)	(E)	(F)		
1	1	194990-22050	NUT, M8	1	1	1					
2	1	198431-44510	ARM, FEEDBACK	1	1	1					
3	1	198163-47080	ROD, FEEDBACK	1	1	1					
4	2	194208-47510	ROD, FEEDBACK	1	1	1					
5	2	26716-080002	NUT, M8	1	1	1					
6	1	1A7874-47130	PLATE, BASE ASSY	1	1	1					
7	1	1A7870-47170	ARM ASSY, CONTROL	1	1	1					
8	1	1A7870-47221	LEVER ASSY, CONTROL	1	1	1					
9	2	24550-012060	BUSH, 12X 6	2	2	2					
10	1	1A7870-47280	LINK, CONTROL	1	1	1					
11	1	1A7870-47290	ARM ASSY, CONTROL	1	1	1					
12	1	198431-47320	ROD, CONTROL	1	1	1					
13	1	198431-47330	PLATE, CONTROL	1	1	1					
14	1	194555-47340	PLATE, A	2	2	2					
15	1	198431-47340	PIN, CONTROL	1	1	1					
16	1	194555-47350	PLATE, B	4	4	4					
17	1	198431-47350	WASHER, 8.4X17X1.6	1	1	1					
18	1	198431-47390	ARM SET, POSITION	2	2	2					
19	1	198431-47401	ARM, DRAFT SET	2	2	2					
20	1	198431-47420	BAR, CONTROL	1	1	1					
21	1	198431-47430	BAR, CONTROL	1	1	1					
22	1	194180-47440	GASKET, 12	2	2	2					
23	1	194208-47450	SHAFT, FEEDBACK	2	2	2					
24	1	198431-47470	ARM, FEEDBACK	1	1	1					
25	1	198431-47480	ARM, FEEDBACK	1	1	1					
26	1	198431-47520	ROD, FEEDBACK	1	1	1					
27	1	194208-47530	ADJUSTER	2	2	2					
28	1	194151-47760	WASHER, 12	3	3	3					
29	1	194310-47790	PLATE, FRICTION	1	1	1					
30	1	198163-47800	ARM ASSY, FEEDBACK	1	1	1					
31	2	194310-21210	BUSH, 15X20X25	1	1	1					
32	1	194215-47840	SPRING, RETURN	1	1	1					
33	1	198431-47870	PLATE, FEEDBACK	1	1	1					
34	1	194550-47910	SPACER, 15X28X2	1	1	1					
35	1	1C6281-52320	PIN, SNAP 8	1	1	1					
36	1	1C6281-52320	PIN, SNAP 8	1	1	1					
37	1	22137-080000	WASHER, 8	6	6	6					
38	1	22137-080000	WASHER, 8	1	1	1					
39	1	22137-120000	WASHER, 12	2	2	2					
40	1	22272-000060	RING, E- 6	1	1	1					
41	1	22351-050025	PIN, SPRING 5.0X25	4	4	4					
42	1	22372-080000	PIN, SNAP 8	5	5	5					
43	1	22417-200160	PIN, COTTER 2.0X16	1	1	1					
44	1	22417-250320	PIN, COTTER 2.5X32	1	1	1					
45	1	22522-030130	KEY, WOODRUFF 3X13	2	2	2					
46	1	23414-150000	GASKET, 15X1.0	1	1	1					
47	1	24311-000090	O-RING, 1AP9.0	2	2	2					
48	1	24311-000200	O-RING, 1AP20.0	2	2	2					
49	1	26016-060162	BOLT, M6X 16	4	4	4					
50	1	26016-080202	BOLT, M8X 20	2	2	2					
51	1	26016-080202	BOLT, M8X 20	4	4	4					

Fig.91. HYDRAULIC CONTROL(1)



(A)=GK160
(B)=GK200
(C)=GK200R

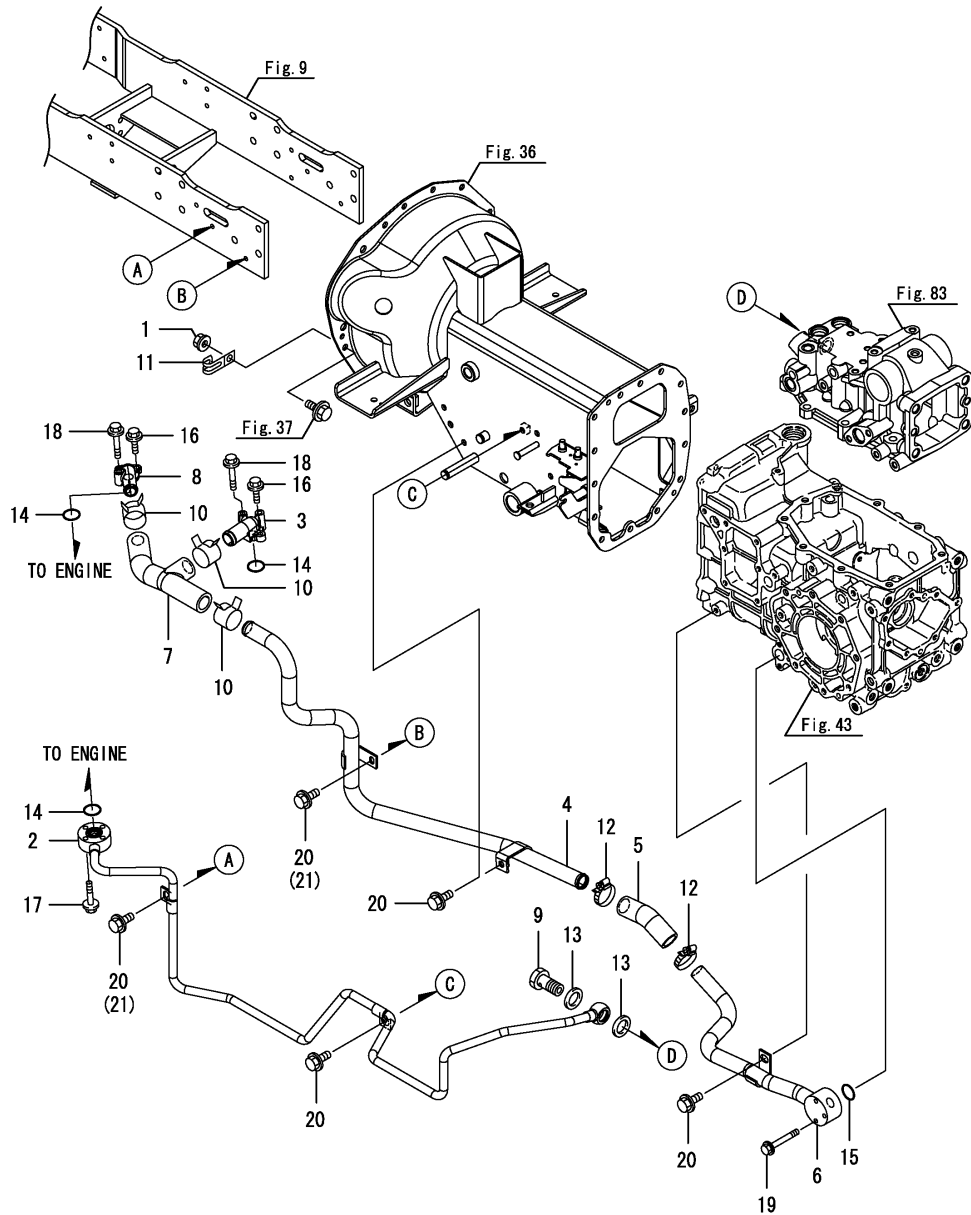
(D)=
(E)=
(F)=

No.	Lev.	Parts No.	Description	Q'ty						I	R
				(A)	(B)	(C)	(D)	(E)	(F)		
52	1	26106-080202	BOLT, M8X 20 PLATED	2	2	2					
53	1	26116-080552	BOLT, M8X 55 PLATED	1	1	1					
54	1	26716-080002	NUT, M8	3	3	3					
55	1	26736-120002	NUT, M12	1	1	1					
56	1	26776-120002	NUT, LOCK M12	1	1	1					

Fig.93. HYDRAULIC PIPING

(A)=GK160
(B)=GK200
(C)=GK200R

(D)=
(E)=
(F)=

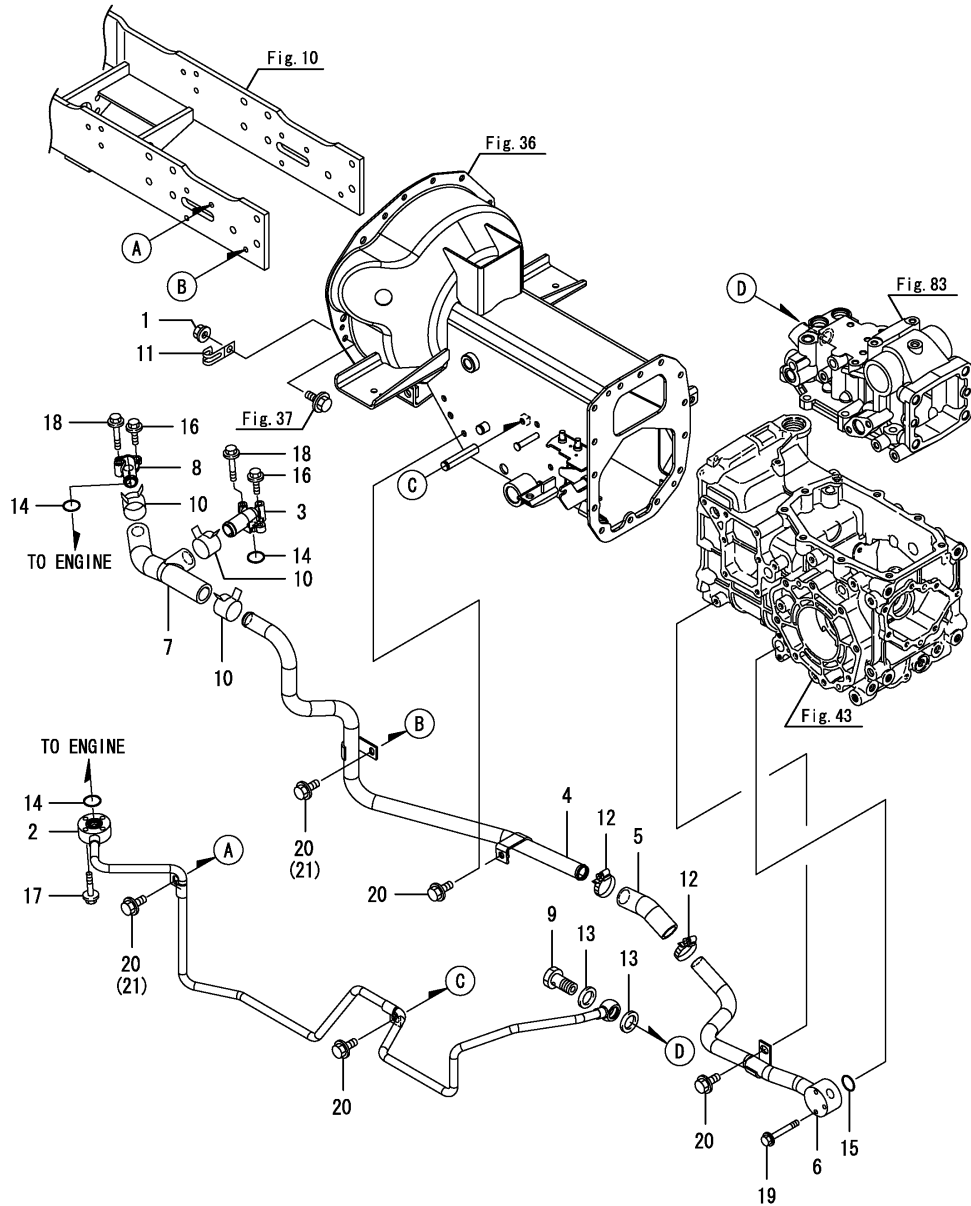


No.	Lev.	Parts No.	Description	Q'ty						I	R
				(A)	(B)	(C)	(D)	(E)	(F)		
1	1	194990-22140	NUT, M8	2							
2	1	1A7870-48110	PIPE ASSY, PRESSURE	1							
3	1	198220-48140	FLANGE, PIPE P	1							
4	1	1A7870-48220	PIPE, PRESSURE F	1							
5	1	198421-48240	HOSE, PRESSURE	1							
6	1	198163-48280	PIPE ASSY, PRESSURE	1							
7	1	1A7870-48340	TUBE, PRESSURE	1							
8	1	1A7870-48500	FLANGE	1							
9	1	198220-48750	BOLT ASSY, JOINT	1							
10	1	124295-49700	CLIP, HOSE 28.0	3							
11	1	198448-51460	CLAMP, HARNESS	2							
12	1	23000-035000	CLAMP, 35	2							
13	1	23414-180023	GASKET, 18X1.0	2							
14	1	24311-000200	O-RING, 1AP20.0	3							
15	1	24311-000220	O-RING, 1AP22.0	1							
16	1	26106-060162	BOLT, M6X 16 PLATED	3							
17	1	26106-060302	BOLT, M6X 30 PLATED	4							
18	1	26106-060352	BOLT, M6X 35 PLATED	3							
19	1	26106-060452	BOLT, M6X 45 PLATED	3							
20	1	26106-080162	BOLT, M8X 16 PLATED	5							
20-1	1	26106-080162	BOLT, M8X 16 PLATED	3							K
		(A=F100358)									
21	1	26106-080122	BOLT, M8X 12 PLATED	2							W
		(A=F100358)									

Fig.94. HYDRAULIC PIPING

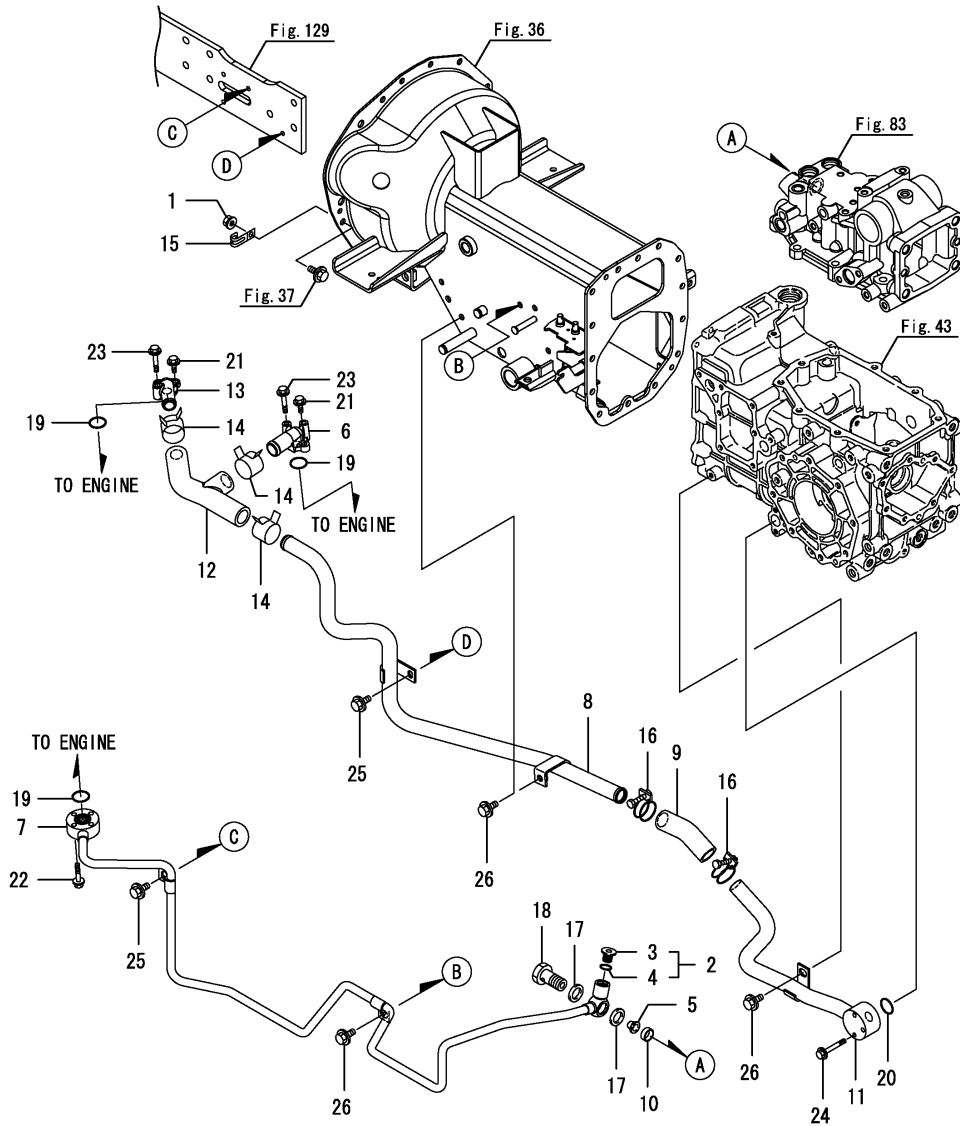
(A)=GK160
(B)=GK200
(C)=GK200R

(D)=
(E)=
(F)=



No.	Lev.	Parts No.	Description	Q'ty						I	R
				(A)	(B)	(C)	(D)	(E)	(F)		
1	1	194990-22140	NUT, M8		2						
2	1	1A7876-48110	PIPE ASSY, PRESSURE		1						
3	1	198220-48140	FLANGE, PIPE P		1						
4	1	1A7870-48220	PIPE, PRESSURE F		1						
5	1	198421-48240	HOSE, PRESSURE		1						
6	1	198163-48280	PIPE ASSY, PRESSURE		1						
7	1	1A7870-48340	TUBE, PRESSURE		1						
8	1	1A7870-48500	FLANGE		1						
9	1	198220-48750	BOLT ASSY, JOINT		1						
10	1	124295-49700	CLIP, HOSE 28.0		3						
11	1	198448-51460	CLAMP, HARNESS		2						
12	1	23000-035000	CLAMP, 35		2						
13	1	23414-180023	GASKET, 18X1.0		2						
14	1	24311-000200	O-RING, 1AP20.0		3						
15	1	24311-000220	O-RING, 1AP22.0		1						
16	1	26106-060162	BOLT, M6X 16 PLATED		3						
17	1	26106-060302	BOLT, M6X 30 PLATED		4						
18	1	26106-060352	BOLT, M6X 35 PLATED		3						
19	1	26106-060452	BOLT, M6X 45 PLATED		3						
20	1	26106-080162	BOLT, M8X 16 PLATED		5						
20-1	1	26106-080162	BOLT, M8X 16 PLATED		3						K
		(B=F200242)									
21	1	26106-080122	BOLT, M8X 12 PLATED		2						W
		(B=F200242)									

Fig.145. HYDRAULIC PIPING

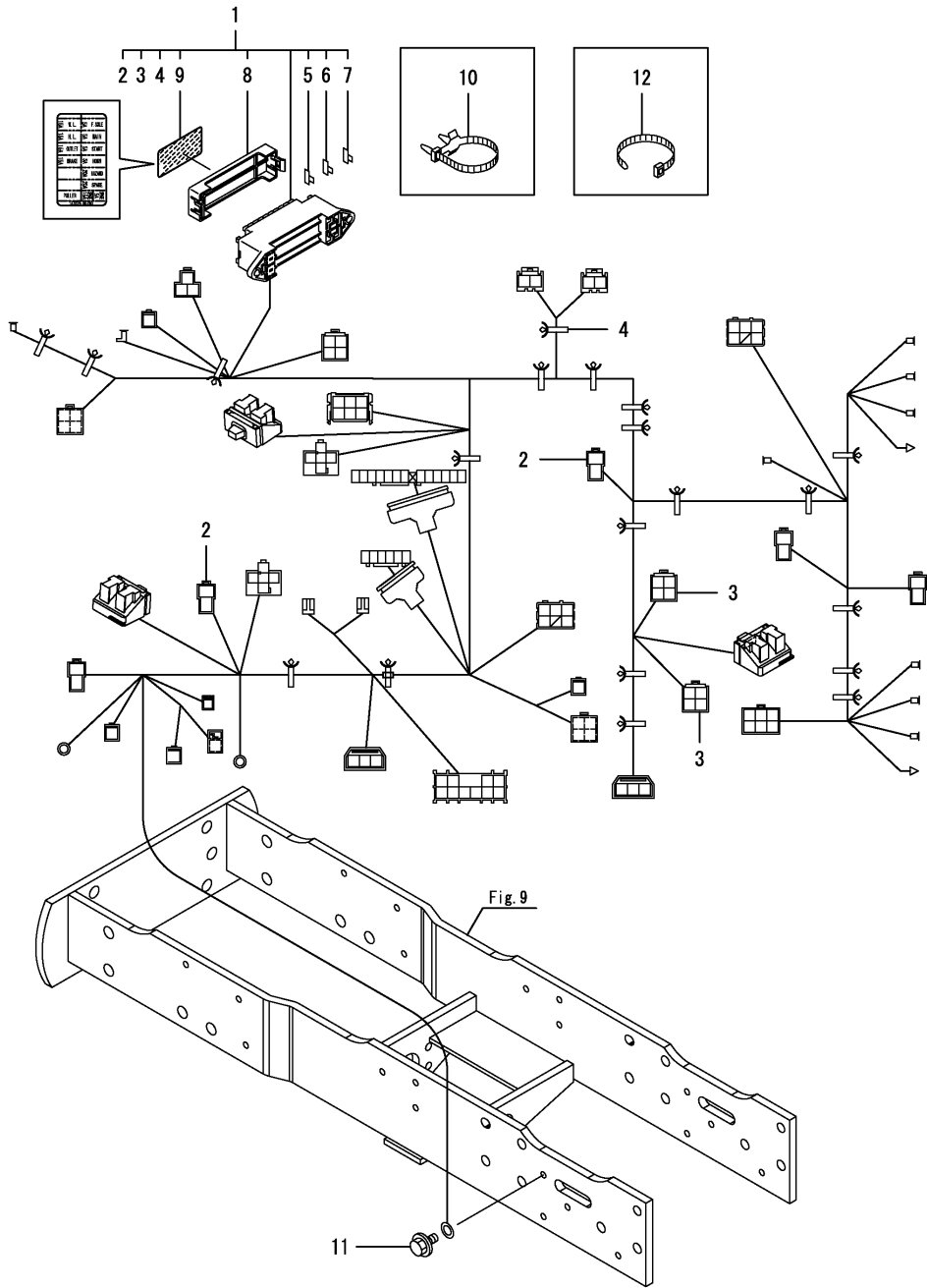


(A)=GK160
(B)=GK200
(C)=GK200R

(D)=
(E)=
(F)=

No.	Lev.	Parts No.	Description	Qty						I	R
				(A)	(B)	(C)	(D)	(E)	(F)		
1	1	194990-22140	NUT, M8			2					
2	1	1A6401-29150	PLUG, G 1/4			1					
3	2	158805-85900	PLUG, G1/4			1					
4	2	24315-000110	O-RING, 1BP11.0			1					
5	1	198165-48122	FILTER			1					
6	1	198220-48140	FLANGE, PIPE P			1					
7	1	1A7876-48150	PIPE ASSY, PRESSURE			1					
8	1	1A7870-48220	PIPE, PRESSURE F			1					
9	1	198421-48240	HOSE, PRESSURE			1					
10	1	1A7876-48250	COLLAR, 16X6.5			1					
11	1	198163-48280	PIPE ASSY, PRESSURE			1					
12	1	1A7870-48340	TUBE, PRESSURE			1					
13	1	1A7870-48500	FLANGE			1					
14	1	124295-49700	CLIP, HOSE 28.0			3					
15	1	198448-51460	CLAMP, HARNESS			2					
16	1	23010-030000	CLAMP, 30			2					
17	1	23414-180023	GASKET, 18X1.0			2					
18	1	23857-120000	BOLT, JOINT 12			1					
19	1	24311-000200	O-RING, 1AP20.0			3					
20	1	24311-000220	O-RING, 1AP22.0			1					
21	1	26106-060162	BOLT, M6X 16 PLATED			3					
22	1	26106-060302	BOLT, M6X 30 PLATED			4					
23	1	26106-060352	BOLT, M6X 35 PLATED			3					
24	1	26106-060452	BOLT, M6X 45 PLATED			3					
25	1	26106-080122	BOLT, M8X 12 PLATED			2					
26	1	26106-080162	BOLT, M8X 16 PLATED			3					

Fig.95. WIRE HARNESS(1)



(A)=GK160
(B)=GK200
(C)=GK200R

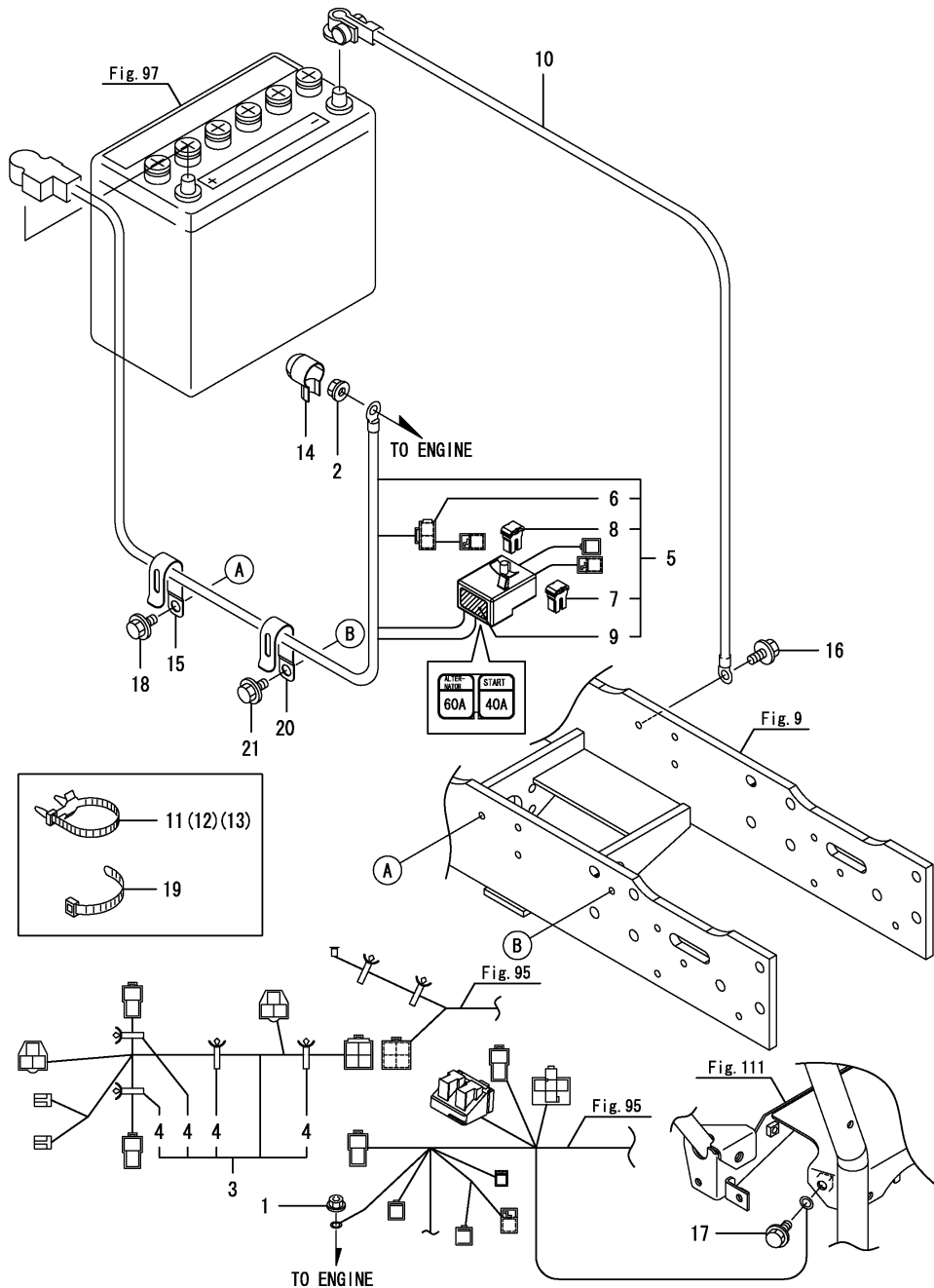
(D)=
(E)=
(F)=

No.	Lev.	Parts No.	Description	Qty						I	R
				(A)	(B)	(C)	(D)	(E)	(F)		
1	1	1A7874-51110	HARNES.WIRE F(E ASY	1	1	1					
2	2	1A7500-51130	DIODE, 3.0A	2	2	2					
3	2	1A8160-51130	DIODE, 3.0AX2	2	2	2					
4	2	1A7500-51160	CLIP, HARNES	21	21	21					
5	2	198535-52110	FUSE, 5A	5	5	5					
6	2	198535-52130	FUSE, 15A	5	5	5					
7	2	198535-52140	FUSE, 20A	2	2	2					
8	2	1A7531-52420	COVER, FUSE BOX	1	1	1					
9	2	1A7874-65780	LABEL, FUSE	1	1	1					
10	1	194680-51670	BAND, CLIP	1	1	1					
11	1	26106-080122	BOLT, M8X 12 PLATED	1	1	1					
12	1	29622-250001	BAND, RF250	1	1	1					

Fig.96. WIRE HARNESS(2)

(A)=GK160
(B)=GK200
(C)=GK200R

(D)=
(E)=
(F)=

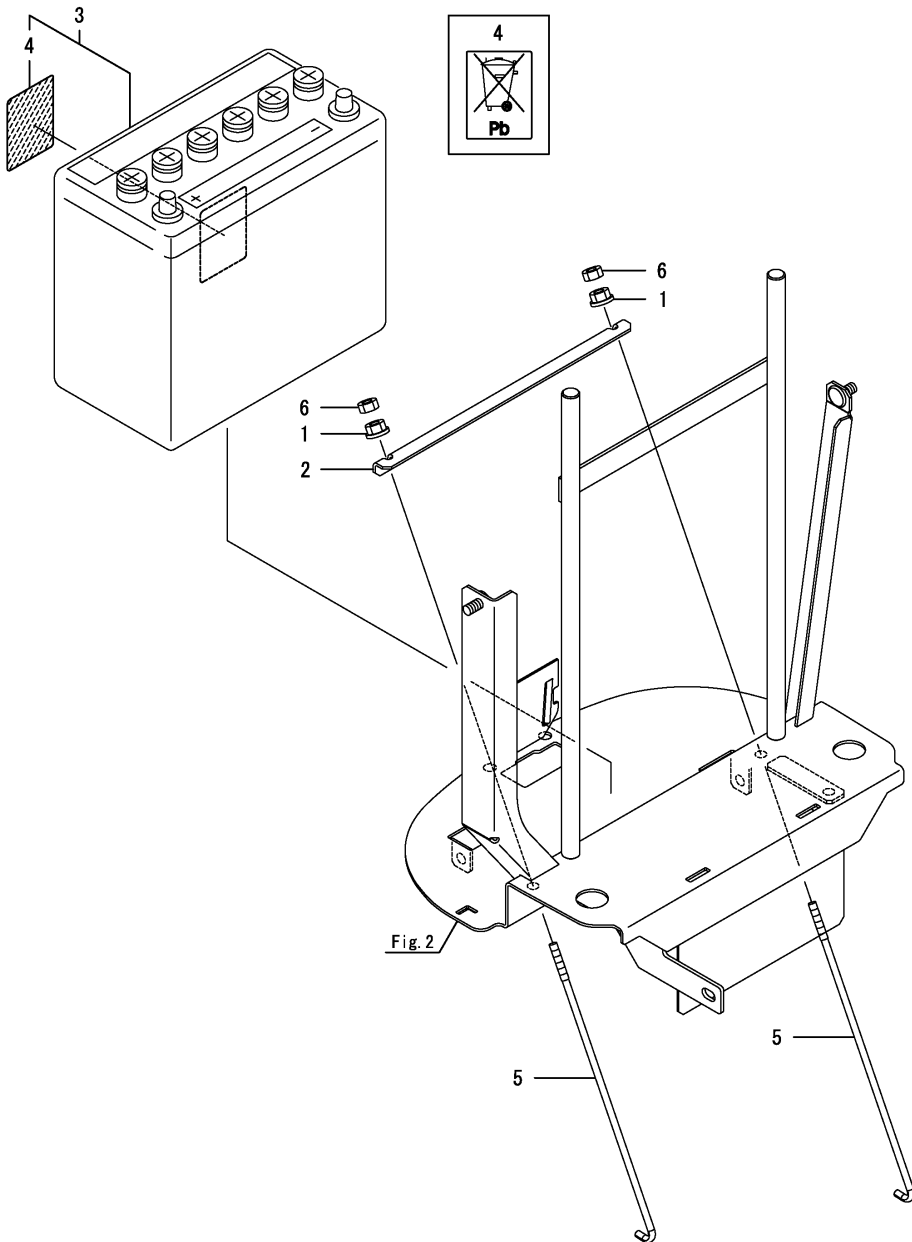


No.	Lev.	Parts No.	Description	Qty						I	R
				(A)	(B)	(C)	(D)	(E)	(F)		
1	1	194990-22130	NUT, M6	1	1	1					
2	1	194990-22140	NUT, M8	1	1	1					
3	1	1A7874-51170	HARNESS, WIRE E(E ASY)	1	1	1					
4	2	1A7500-51160	CLIP, HARNESS	4	4	4					
5	1	1A7874-51410	CABLE, BATTERY + E	1	1	1					
6	2	198153-51700	FUSE, SLOW BLOW 80A	1	1	1					
7	2	1A7030-52810	FUSE, SLOW BLOW 40A	1	1	1					
8	2	1A7000-52820	FUSE, SLOW BLOW 60A	1	1	1					
9	2	1A7874-65770	LABEL, SLOW BLOW	1	1	1					
10	1	198165-51421	CABLE, BATTERY EARTH	1	1	1					
11	1	194680-51670	BAND, CLIP	1	1	1					
12	1	194680-51670	BAND, CLIP	1	1	1					
13	1	194680-51670	BAND, CLIP	1	1	1					
14	1	124550-77030	COVER, TERMINAL	1	1	1					
15	1	1E6102-83230	CLAMP, CABLE	1	1	1					
16	1	26106-080122	BOLT, M8X 12 PLATED	1	1	1					
17	1	26106-080122	BOLT, M8X 12 PLATED	1	1	1					
18	1	26106-080162	BOLT, M8X 16 PLATED	1	1	1					
19	1	29622-140001	BAND, RF140	1	1	1					
20	1	1E6102-83230	CLAMP, CABLE	1	1	1					
21	1	26106-080162	BOLT, M8X 16 PLATED	1	1	1					

Fig.97. BATTERY

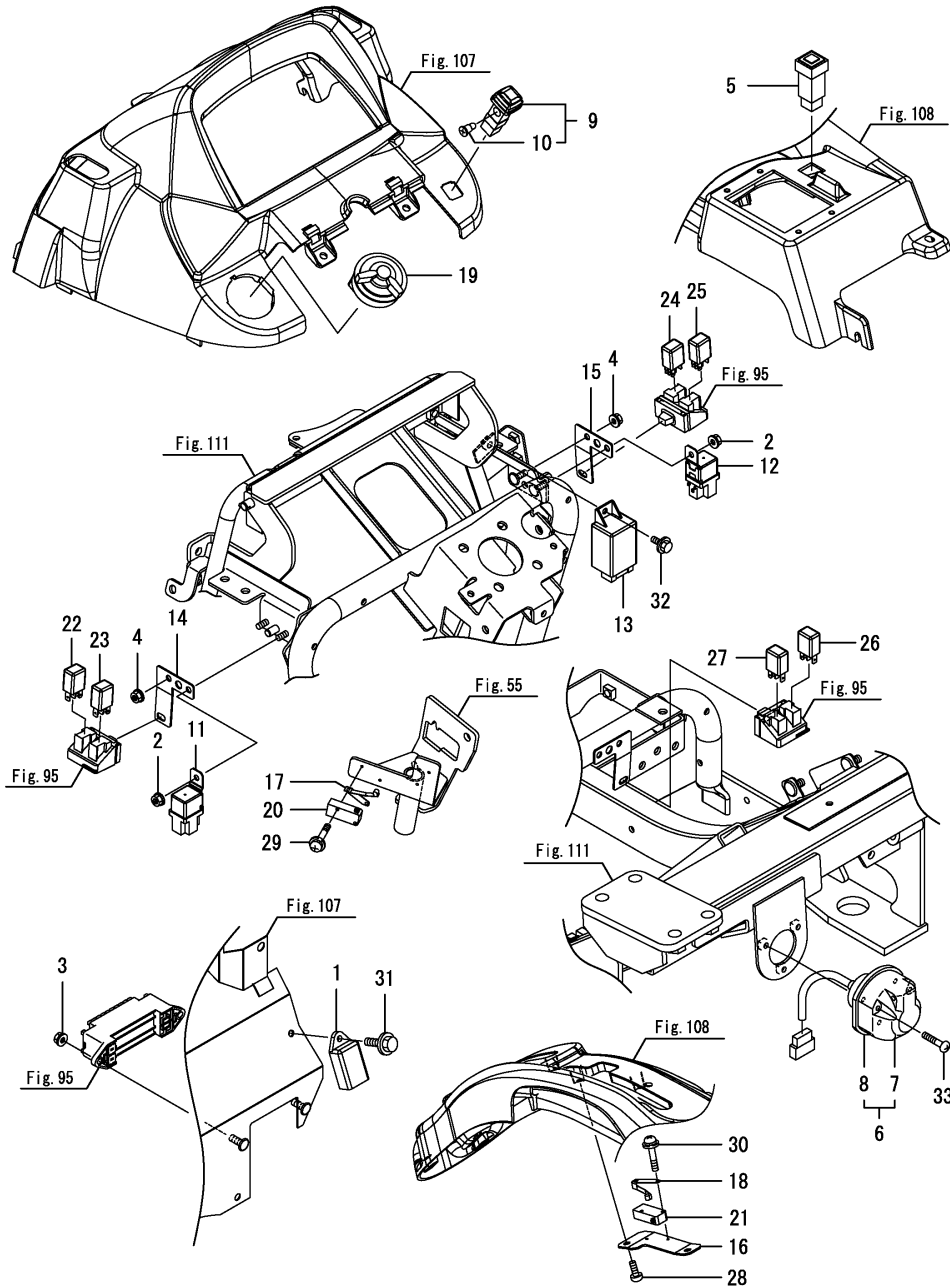
(A)=GK160
(B)=GK200
(C)=GK200R

(D)=
(E)=
(F)=



No.	Lev.	Parts No.	Description	Q'ty						I	R
				(A)	(B)	(C)	(D)	(E)	(F)		
1	1	194990-22130	NUT, M6	2	2	2					
2	1	1A7870-51600	CLAMP, BATTERY 6-245	1	1	1					
3	1	198167-51900	BATTERY KIT, 55B24R	1	1	1					
4	2	1A7550-91900	LABEL,CROSSED OUT PB	1	1	1					
5	1	194215-58120	ROD, BATTERY A	2	2	2					
6	1	26716-060002	NUT, M6	2	2	2					

Fig.98. SWITCH(1)



(A)=GK160
(B)=GK200
(C)=GK200R

(D)=
(E)=
(F)=

No.	Lev.	Parts No.	Description	Qty						I	R
				(A)	(B)	(C)	(D)	(E)	(F)		
1	1	1E8665-05100	TIMER, GLOW 3SEC	1	1	1					
2	1	194990-22130	NUT, M6	2	2	2					
3	1	194990-22130	NUT, M6	2	2	2					
4	1	194990-22130	NUT, M6	2	2	2					
5	1	1A7335-52120	SWITCH, HAZARD	1	1	1					
6	1	198163-52150	COUPLER SET, TRAILER	1	1	1					
7	2	198163-52110	COUPLER ASSY	1	1	1					
8	2	198163-52120	BOOT, COUPLER	1	1	1					
9	1	1A7450-52210	SWITCH ASSY	1	1	1					
10	2	1A7450-52230	BULB, WITH SOCKET	1	1	1					
11	1	1A7870-52950	RELAY, CB	1	1	1					
12	1	1A7870-52950	RELAY, CB	1	1	1					
13	1	1A7510-57200	RELAY, FLASHER	1	1	1					
14	1	1A7874-58110	BRACKET, RELAY L	1	1	1					
15	1	1A7874-58120	BRACKET, RELAY R	1	1	1					
16	1	1A7870-62270	STAY, SWITCH	1	1	1					
17	1	1E8255-81180	LEVER, ROLLER	1	1	1					
18	1	1E8255-81180	LEVER, ROLLER	1	1	1					
19	1	1E8940-81300	SWITCH, COMBINATION	1	1	1					
20	1	1E8915-81450	SWITCH, MICRO	1	1	1					
21	1	1E8915-81450	SWITCH, MICRO	1	1	1					
22	1	1K1140-82500	RELAY(ACM13211M01	1	1	1					
23	1	1K1140-82500	RELAY(ACM13211M01	1	1	1					
24	1	1K1140-82500	RELAY(ACM13211M01	1	1	1					
25	1	1K1140-82500	RELAY(ACM13211M01	1	1	1					
26	1	1K1140-82500	RELAY(ACM13211M01	1	1	1					
27	1	1K1140-82500	RELAY(ACM13211M01	1	1	1					
28	1	22857-600160	SCREW, 6X16	2	2	2					
29	1	26023-030162	SCREW, M3X16	2	2	2					
30	1	26023-030162	SCREW, M3X16	2	2	2					
31	1	26106-060122	BOLT, M6X 12 PLATED	1	1	1					
32	1	26106-060122	BOLT, M6X 12 PLATED	1	1	1					
33	1	26557-050352	SCREW, M5X35	3	3	3					

Fig.99. SWITCH(2)

(A)=GK160
(B)=GK200
(C)=GK200R

(D)=
(E)=
(F)=

No.	Lev.	Parts No.	Description	Qty						I	R
				(A)	(B)	(C)	(D)	(E)	(F)		
1	1	198162-52110	SWITCH, STARTING	1	1	1					
2	2	198360-52320	NUT, RING	1	1	1					
3	2	198360-52330	WASHER	1	1	1					
4	2	198162-52150	KEY ASSY	1	1	1					
5	1	198223-52150	SWITCH, STOP LAMP	2	2	2					
6	2	26776-120002	NUT, LOCK M12	2	2	2					
7	1	197810-83220	GROMMET, 18	1	1	1					

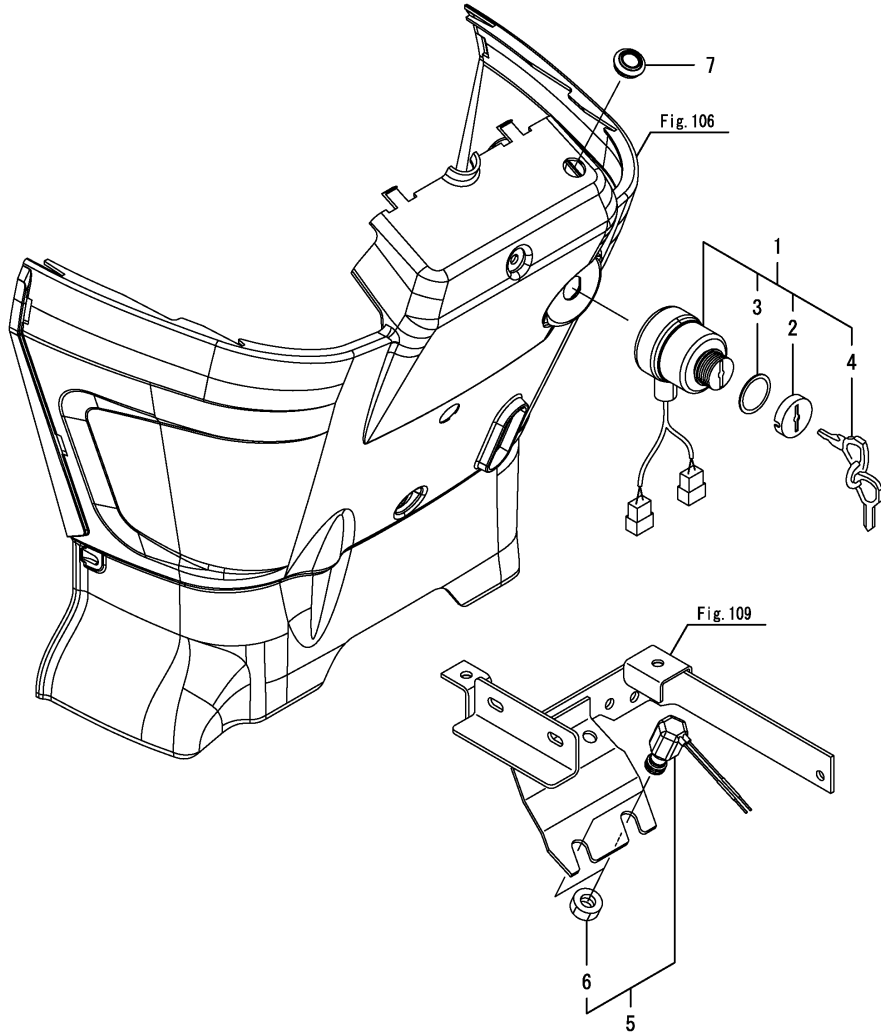


Fig.100. SIDE LAMP

(A)=GK160
(B)=GK200
(C)=GK200R

(D)=
(E)=
(F)=

No.	Lev.	Parts No.	Description	Q'ty						I	R
				(A)	(B)	(C)	(D)	(E)	(F)		
1	1	1A7870-53300	LAMP ASSY, SIDE	2	2	2					
2	2	1A7880-53320	BULB, 12V/15W	2	2	2					
3	1	1A1380-55310	CLAMP, WIRE	2	2	2					
4	1	1A7870-61060	STAY, LAMP	2	2	2					
5	1	1A7880-61070	RUBBER, LAMP	2	2	2					
6	1	194420-61640	SCREW, TAPPING M5X16	4	4	4					

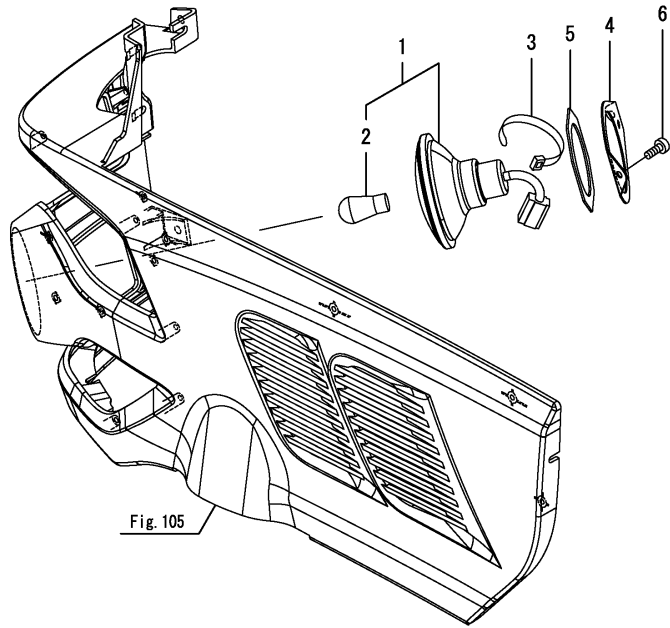


Fig. 105

Fig.101. REFLECTOR

(A)=GK160
(B)=GK200
(C)=GK200R

(D)=
(E)=
(F)=

No.	Lev.	Parts No.	Description	Qty						I	R
				(A)	(B)	(C)	(D)	(E)	(F)		
1	1	198280-62260	REFLECTOR ASSY	2	2	2					
2	2	198280-62270	REFLECTOR	2	2	2					
3	2	22217-060000	WASHER, SPRING 6	2	2	2					
4	2	26716-060002	NUT, M6	2	2	2					

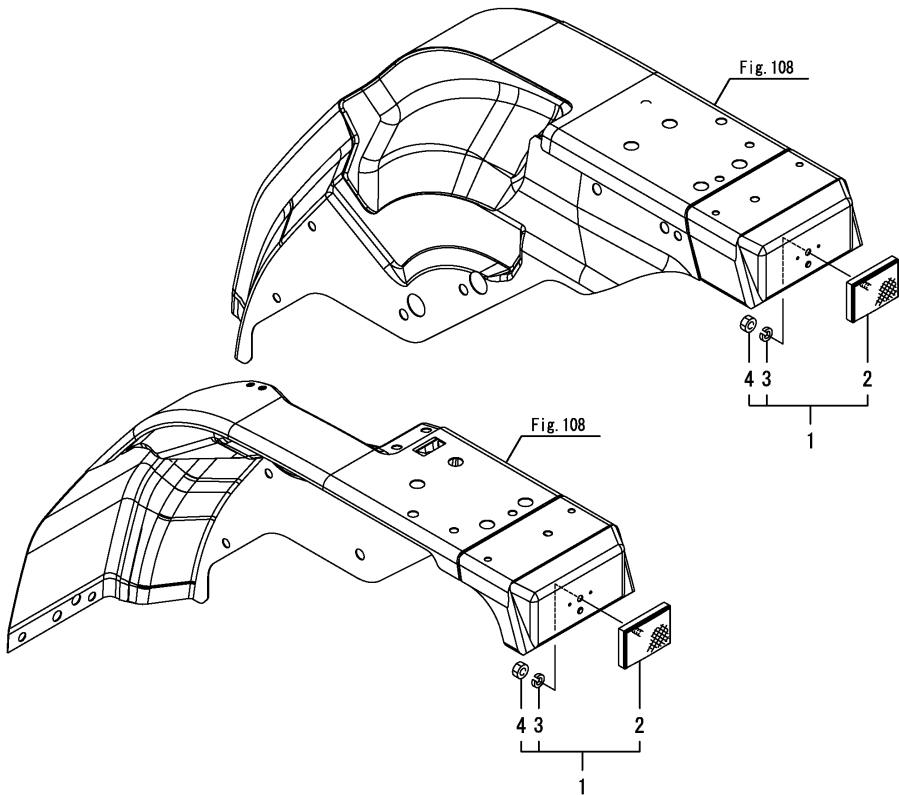


Fig.102. LICENCE

(A)=GK160
(B)=GK200
(C)=GK200R

(D)=
(E)=
(F)=

No.	Lev.	Parts No.	Description	Q'ty						I	R
				(A)	(B)	(C)	(D)	(E)	(F)		
1	1	1C6650-37480	SCREW, TAPPING M6X16	2	2	2					
2	1	1A7100-53400	LAMP ASSY, LICENSE	1	1	1					
3	2	1A7100-53420	BULB, 12VC5W	1	1	1					
4	1	198280-53750	SEAL, LICENCE LAMP	1	1	1					

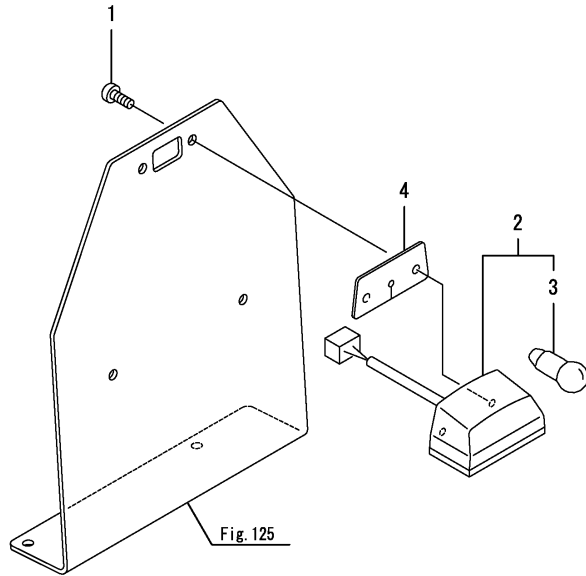
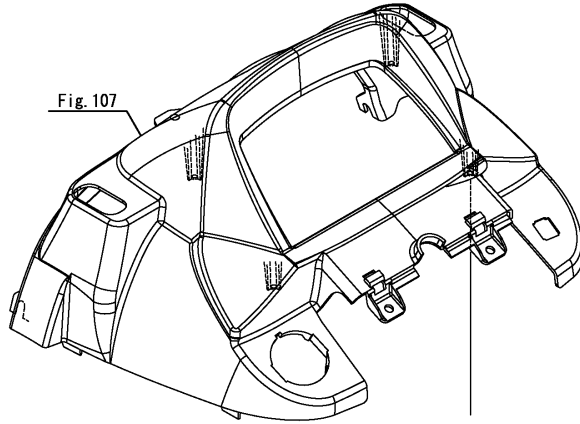


Fig.103. METER

(A)=GK160
(B)=GK200
(C)=GK200R

(D)=
(E)=
(F)=



No.	Lev.	Parts No.	Description	Q'ty						I	R
				(A)	(B)	(C)	(D)	(E)	(F)		
1	1	1A7870-01170	CORRUGATE TUBE 10	1	1	1					
2	1	1A7874-56010	METER ASSY	1	1	1					
3	2	1A7510-56110	BULB, 12V2.0W	9	9	9					
4	2	198448-56150	BULB, 14V-1.4W	2	2	2					
5	1	198093-84810	SEAL, FENDER	2	2	2					
6	1	124701-91140	CABLE, L=985	1	1	1					
7	1	22857-600160	SCREW, 6X16	4	4	4					

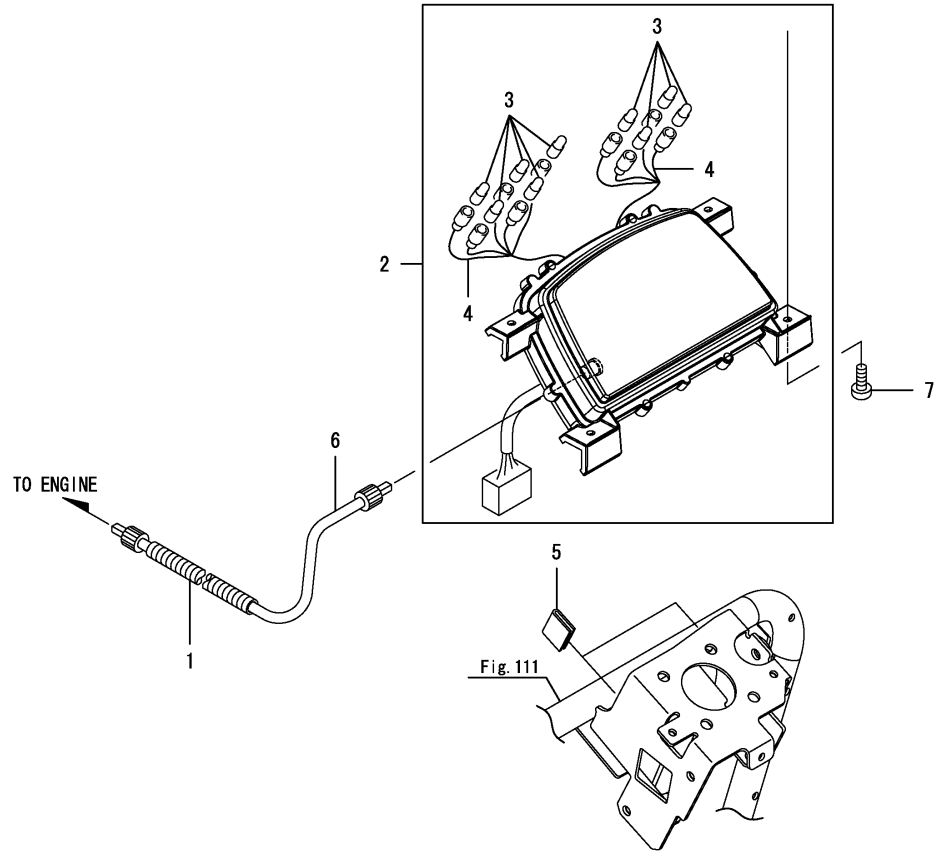


Fig.104. HORN

(A)=GK160
(B)=GK200
(C)=GK200R

(D)=
(E)=
(F)=

No.	Lev.	Parts No.	Description	Q'ty						I	R
				(A)	(B)	(C)	(D)	(E)	(F)		
1	1	1C7100-08150	HORN ASSY	1	1						
1-1	1	1C7100-08151 (A=F100158) (B=F200136)	HORN ASSY	1	1	1					N
2	1	26106-060122	BOLT, M6X 12 PLATED	2	2	2					

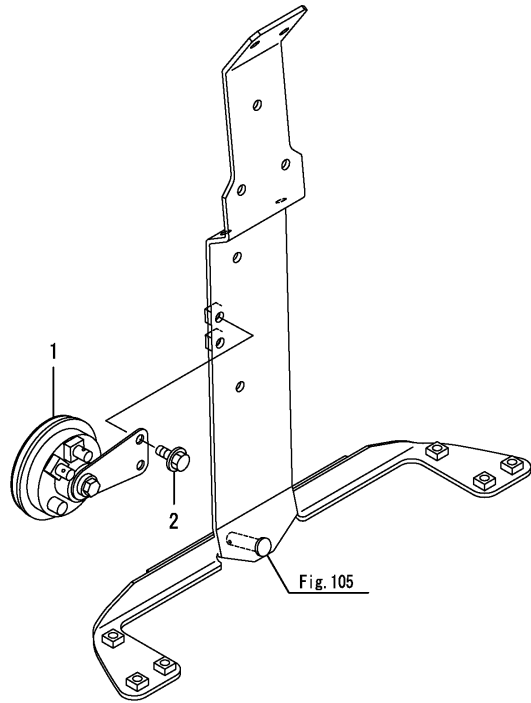
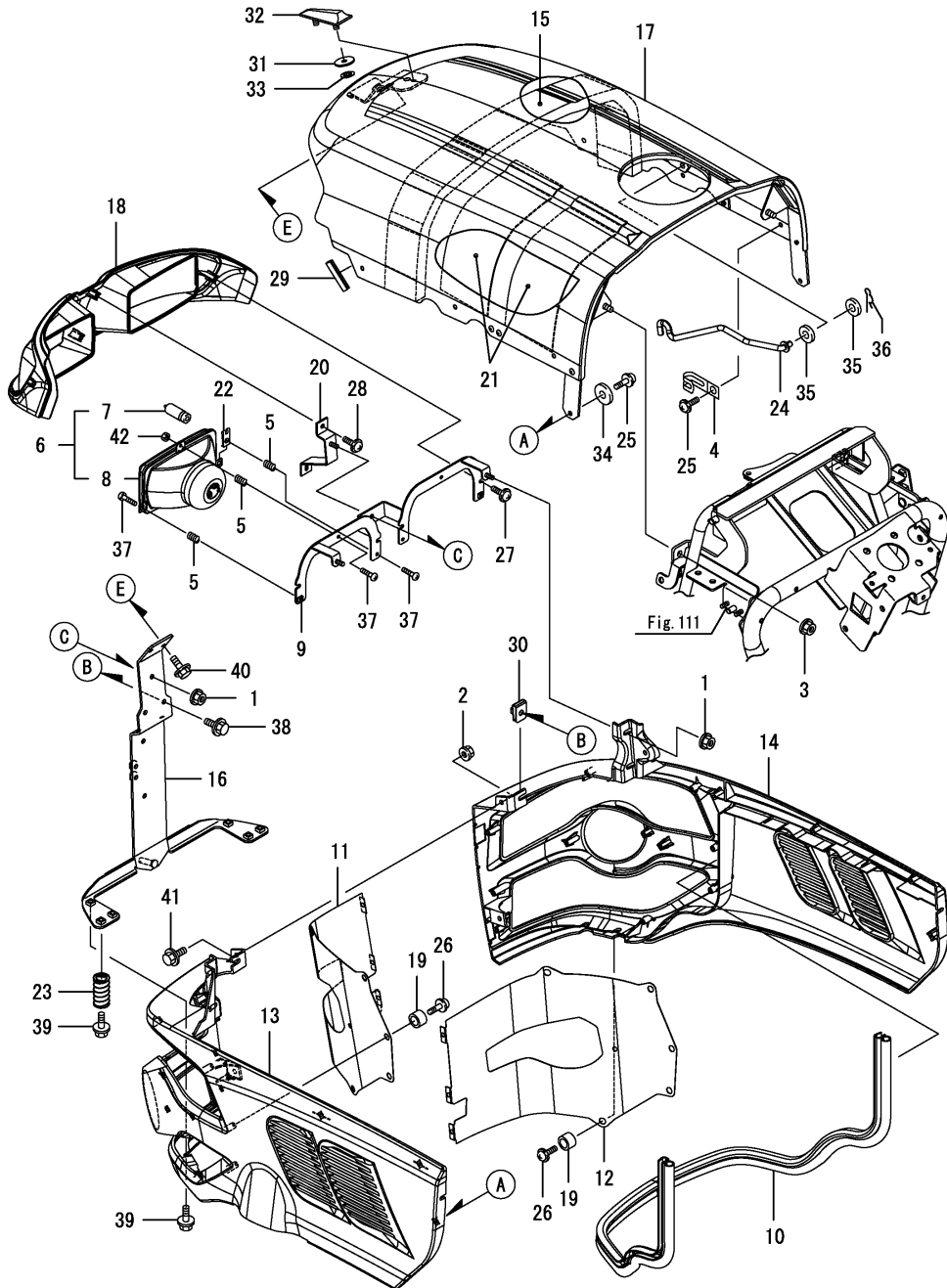


Fig.105. BONNET

(A)=GK160
(B)=GK200
(C)=GK200R

(D)=
(E)=
(F)=



No.	Lev.	Parts No.	Description	Qty						I	R
				(A)	(B)	(C)	(D)	(E)	(F)		
1	1	194990-22130	NUT, M6	3	3	3					
2	1	194990-22130	NUT, M6	2	2	2					
3	1	194990-22140	NUT, M8	2	2	2					
4	1	194440-51630	CLAMP, HARNESS	1	1	1					
5	1	198163-53070	SPRING, LIGHT	6	6	6					
6	1	1A7100-53100	LAMP ASSY, HEAD	2	2	2					
7	2	1A7100-53130	BULB, H4-12V60/55W	2	2	2					
8	2	1A7100-53140	COVER	2	2	2					
9	1	1A7874-53200	BRACKET, HEAD LAMP	1	1	1					
10	1	1A7870-60750	WEATHER-STRIP, 1200	1	1	1					
11	1	1A7870-60960	SCREEN, GRILLE L	1	1	1					
12	1	1A7870-60970	SCREEN, GRILLE R	1	1	1					
13	1	1A7874-61020	HOOD, LOWER LH EU	1	1	1					
14	1	1A7874-61030	HOOD, LOWER RH EU	1	1	1					
15	1	1A7870-61090	URETHANE, BONNET U	1	1	1					
16	1	1A7870-61201	STAY ASSY, FRONT	1	1	1					
17	1	1A7874-61250	HOOD M ASSY EU	1	1	1					
18	1	1A7874-61300	COVER, HEAD LAMP	1	1	1					
19	1	1A8070-61330	COLLAR, 10X15X10	10	10	10					
20	1	1A7874-61350	STAY ASSY, COVER	1	1	1					
21	1	1A7874-61410	INSULATOR,	2	2	2					
22	1	1A7874-61450	NUT, M4	2	2	2					
23	1	1A7500-61480	SPRING, BONNET	2	2	2					
24	1	1A7870-61480	ROD, STAND	1	1	1					
25	1	194420-61640	SCREW, TAPPING M5X16	8	8	8					
26	1	194420-61640	SCREW, TAPPING M5X16	18	18	18					
27	1	194420-61640	SCREW, TAPPING M5X16	2	2	2					
28	1	194420-61640	SCREW, TAPPING M5X16	2	2	2					
29	1	1A6750-61830	RUBBER, EDGE	1	1	1					
30	1	198071-61890	NUT, SPEED M6	2	2	2					
31	1	194555-65130	CUSHION	2	2	2					
32	1	194940-65590	MARK, TOP	1	1	1					
33	1	198071-65610	NUT, SPEED M5	2	2	2					
34	1	22157-060000	WASHER, 6	7	7	7					
35	1	22190-080002	WASHER, SEAL 8	2	2	2					
36	1	22372-080000	PIN, SNAP 8	1	1	1					
37	1	26023-040202	SCREW, M4X20	6	6	6					
38	1	26106-060162	BOLT, M6X 16 PLATED	2	2	2					
39	1	26106-060162	BOLT, M6X 16 PLATED	6	6	6					
40	1	26106-060162	BOLT, M6X 16 PLATED	2	2	2					
41	1	26106-060162	BOLT, M6X 16 PLATED	2	2	2					
42	1	26716-040002	NUT, M4	2	2	2					

Fig.106. DASH BOARD(1)

(A)=GK160
(B)=GK200
(C)=GK200R

(D)=
(E)=
(F)=

No.	Lev.	Parts No.	Description	Q'ty						I	R
				(A)	(B)	(C)	(D)	(E)	(F)		
1	1	198461-60590	BOLT, M6X20	4	4						
1-1	1	198072-60590	BOLT, M6X20	4	4	4					R
		(A=F100528) (B=F200331)									
2	1	198461-60590	BOLT, M6X20	1	1						
2-1	1	198072-60590	BOLT, M6X20	1	1	1					R
		(A=F100528) (B=F200331)									
3	1	198461-60590	BOLT, M6X20	3	3						
3-1	1	198072-60590	BOLT, M6X20	3	3	3					R
		(A=F100528) (B=F200331)									
4	1	1A7874-61640	COVER M ASSY, DB LWR	1	1	1					
5	1	1A7870-61710	COVER, DASHBOARD L	1	1	1					
6	1	1A7870-61750	COVER, DASHBOARD R	1	1	1					
7	1	198071-61890	NUT, SPEED M6	1	1	1					

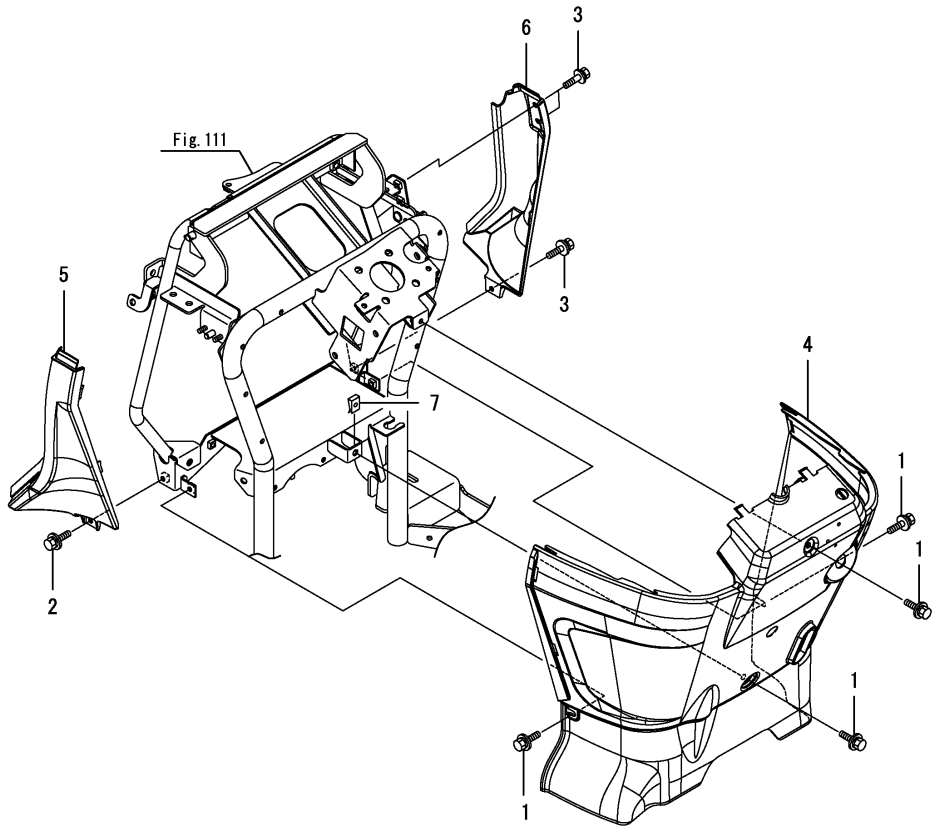
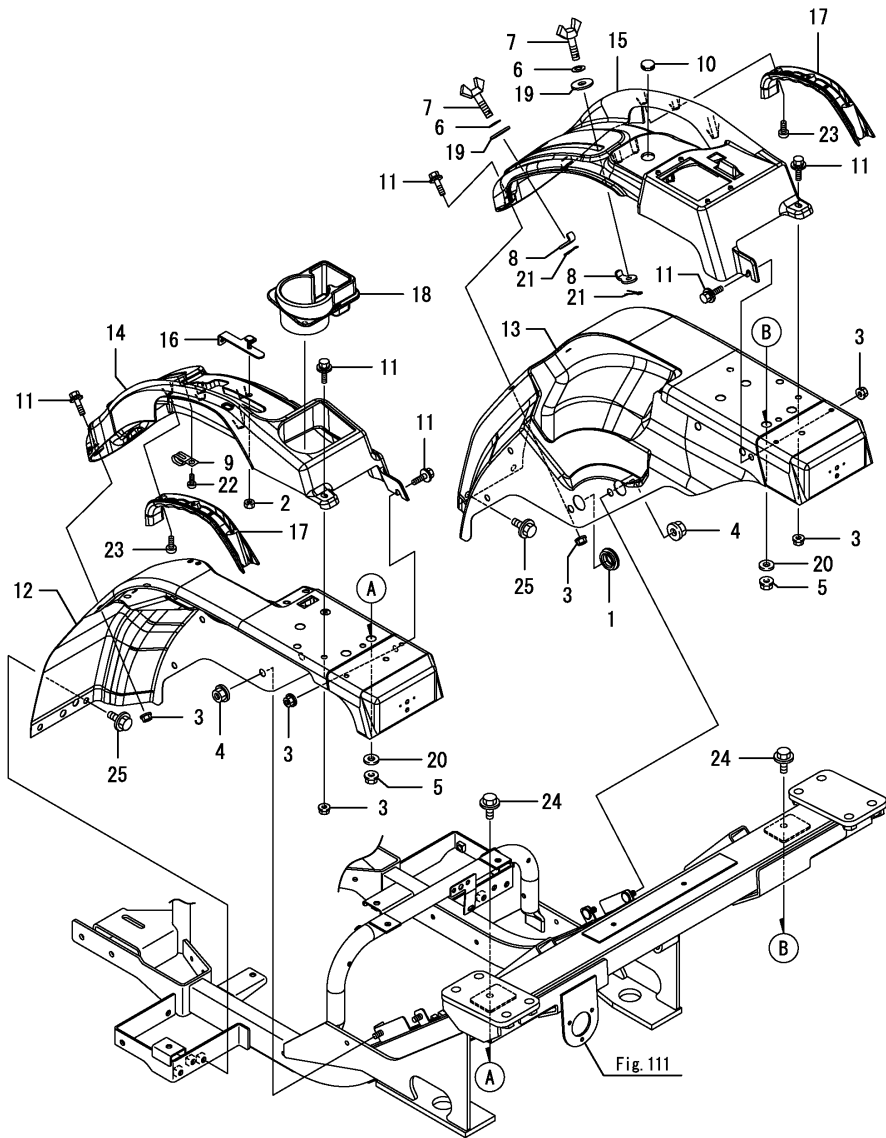


Fig.108. FENDER

(A)=GK160
(B)=GK200
(C)=GK200R

(D)=
(E)=
(F)=

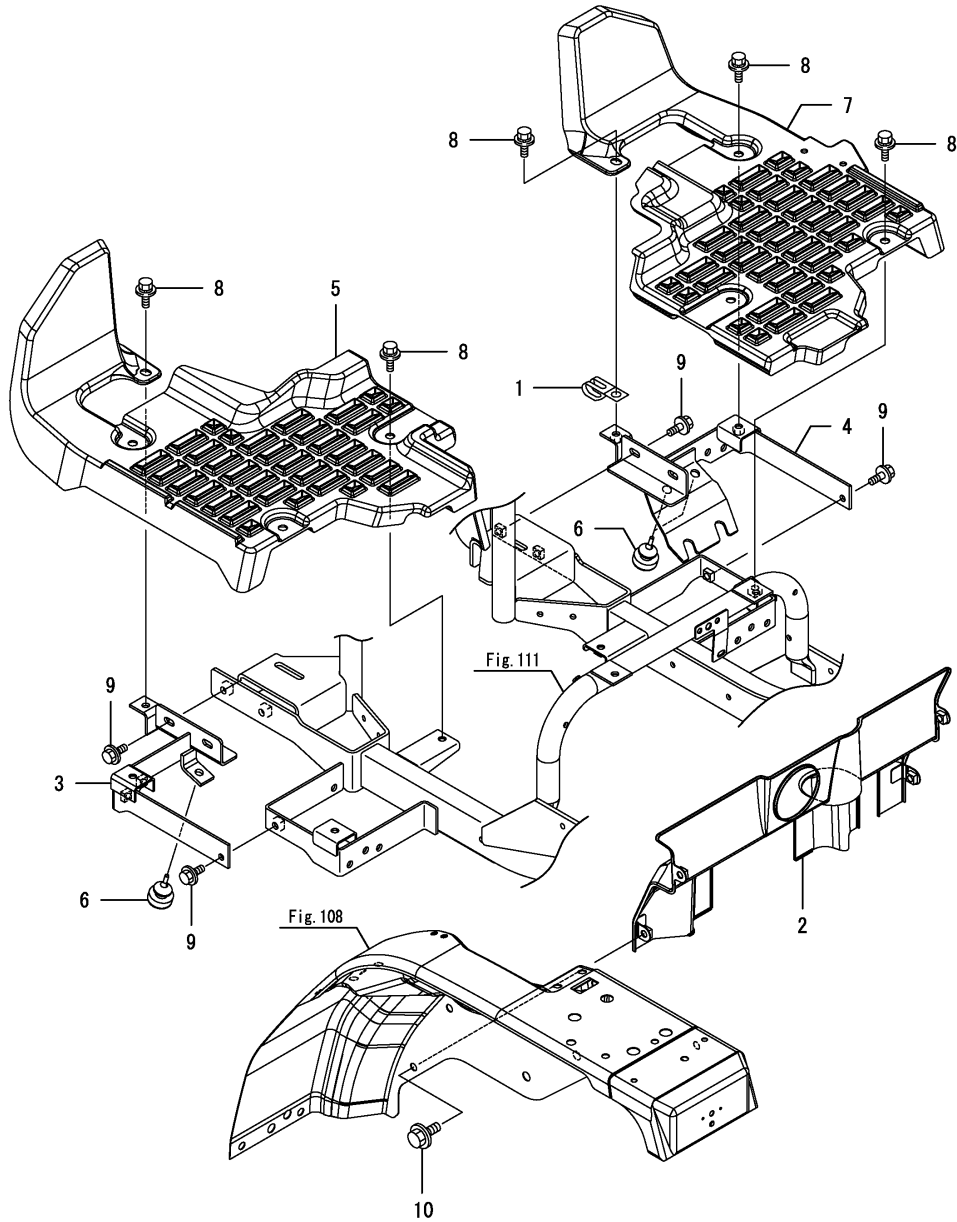


No.	Lev.	Parts No.	Description	Qty						I	R
				(A)	(B)	(C)	(D)	(E)	(F)		
1	1	1A7400-02950	GROMMET, 25	2	2	2					
2	1	1A7550-08811	NUT, M6X15	1	1	1					
3	1	194990-22130	NUT, M6	8	8	8					
4	1	194990-22140	NUT, M8	4	4	4					
5	1	194990-22140	NUT, M8	2	2	2					
6	1	194300-37570	SPRING	2	2	2					
7	1	198431-47750	BOLT, WING	2	2	2					
8	1	198431-47760	STOPPER, LEVER	2	2	2					
9	1	194440-51630	CLAMP, HARNESS	1	1	1					
10	1	194448-61620	GROMMET, 20.5	1	1	1					
11	1	198421-61620	BOLT, M6X20	8	8	8					
12	1	1A7876-62111	FENDER ASSY, L	1	1	1					
13	1	1A7876-62161	FENDER ASSY, R	1	1	1					
14	1	1A7870-62250	GUIDE, LEVER L	1	1	1					
15	1	1A7870-62300	GUIDE, LEVER R	1	1	1					
16	1	1A7874-62330	STOPPER, PTO ASSY	1	1	1					
17	1	1A8070-63640	COVER, GRIP	2	2	2					
18	1	1A8070-63660	HOLDER, CUP	1	1	1					
19	1	22157-080000	WASHER, 8	2	2	2					
20	1	22157-080000	WASHER, 8	2	2	2					
21	1	22417-200160	PIN, COTTER 2.0X16	2	2	2					
22	1	22857-600160	SCREW, 6X16	1	1	1					
23	1	22857-600160	SCREW, 6X16	6	6	6					
24	1	26106-080162	BOLT, M8X 16 PLATED	2	2	2					
25	1	26106-080162	BOLT, M8X 16 PLATED	2	2	2					

Fig.109. STEP

(A)=GK160
(B)=GK200
(C)=GK200R

(D)=
(E)=
(F)=

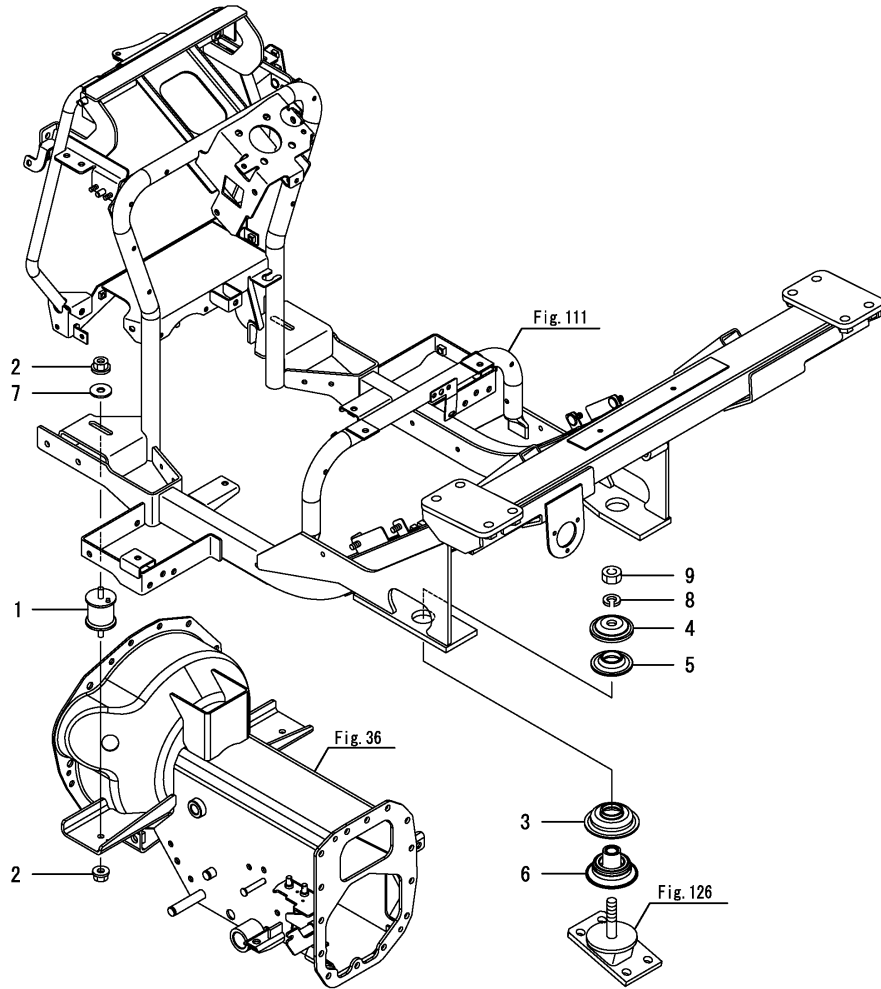


No.	Lev.	Parts No.	Description	Qty						I	R
				(A)	(B)	(C)	(D)	(E)	(F)		
1	1	194440-51620	CLAMP	1	1	1					
2	1	1A7870-62050	COVER ASSY, MISSION	1	1	1					
3	1	1A7870-62400	STAY ASSY, STEP L	1	1	1					
4	1	1A7874-62410	STAY ASSY, STEP R	1	1	1					
5	1	1A7870-62510	STEP, L	1	1	1					
6	1	194330-62530	STOPPER, PEDAL	3	3	3					
7	1	1A7874-62530	STEP M ASSY, R	1	1	1					
8	1	1A6750-62610	BOLT, M8X20	8	8	8					
9	1	26106-080162	BOLT, M8X 16 PLATED	6	6	6					
10	1	26106-080162	BOLT, M8X 16 PLATED	4	4	4					

Fig.110. FLOOR FRAME(1)

(A)=GK160
(B)=GK200
(C)=GK200R

(D)=
(E)=
(F)=



No.	Lev.	Parts No.	Description	Qty						I	R
				(A)	(B)	(C)	(D)	(E)	(F)		
1	1	194427-11270	RUBBER, MOUNT	2	2	2					
2	1	194990-22140	NUT, M8	4	4	4					
3	1	198071-62900	STOPPER, MOUNT	2	2	2					
4	1	198200-62910	STOPPER, U	2	2	2					
5	1	198200-62970	MOUNT, UPPER	2	2	2					
6	1	198200-62990	MOUNT, LOWER	2	2	2					
7	1	22157-080000	WASHER, 8	2	2	2					
8	1	22217-140000	WASHER, SPRING 14	2	2	2					
9	1	26716-140002	NUT, M14	2	2	2					

Fig.111. FLOOR FRAME(2)

(A)=GK160
(B)=GK200
(C)=GK200R

(D)=
(E)=
(F)=

No.	Lev.	Parts No.	Description	Qty						I	R
				(A)	(B)	(C)	(D)	(E)	(F)		
1	1	1A7874-62590	FRAME MASSY, FLOOR	1	1	1					
2	1	1A7874-71500	SPRING, HOOK	1	1	1					
3	1	1A7880-71550	SPRING	1	1	1					
4	1	22137-080000	WASHER, 8	1	1	1					
5	1	22417-250250	PIN, COTTER 2.5X25	1	1	1					

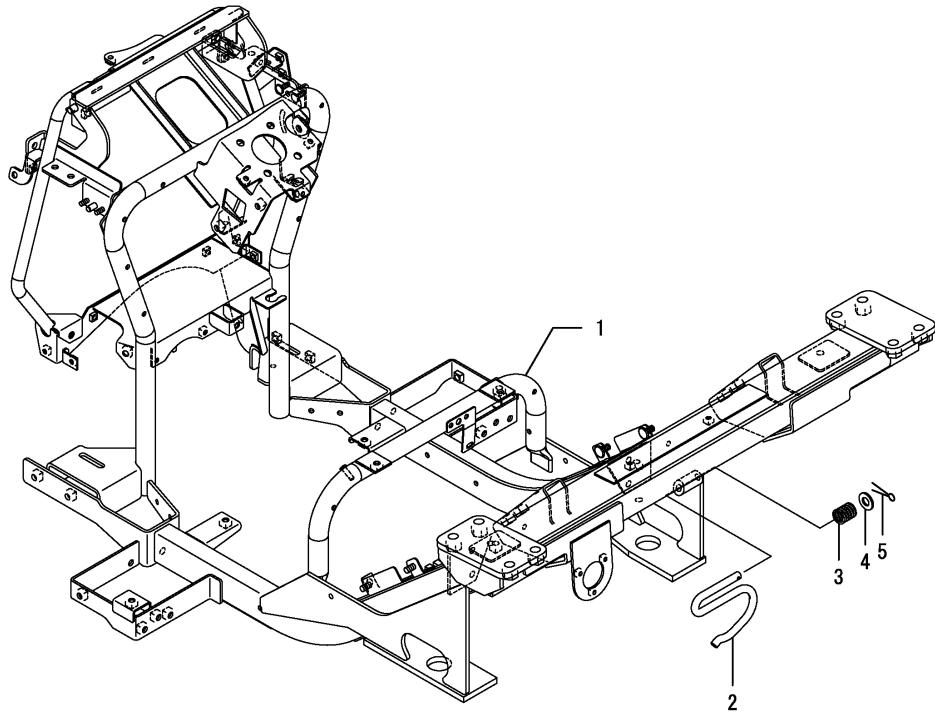
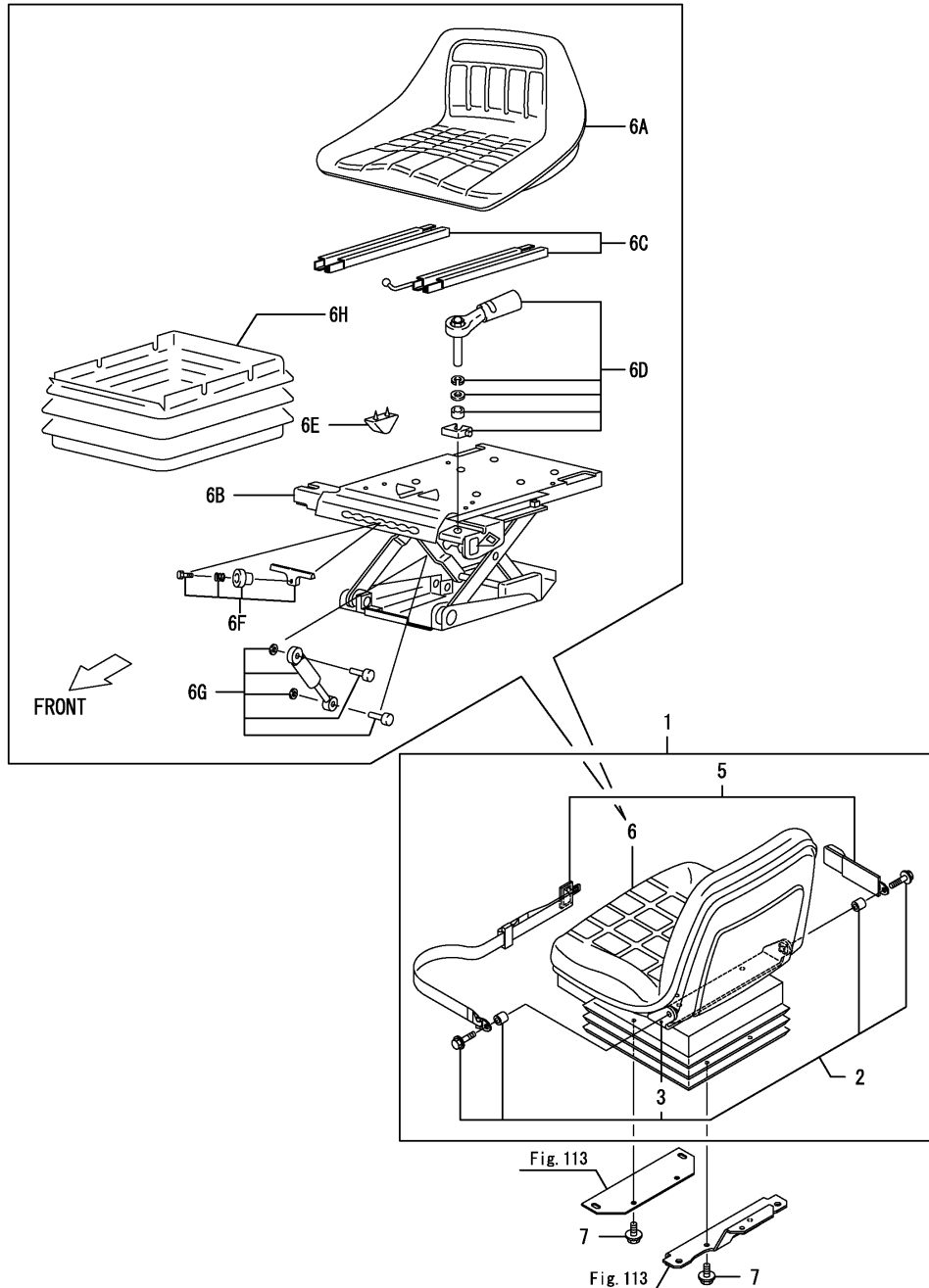


Fig.112. SEAT

(A)=GK160
(B)=GK200
(C)=GK200R

(D)=
(E)=
(F)=



No.	Lev.	Parts No.	Description	Qty						I	R
				(A)	(B)	(C)	(D)	(E)	(F)		
1	1	1A7874-63000	SEAT KIT,	1	1	1					
2	2	1A7874-63010	BRACKET KIT, SEAT	1	1	1					
3	3	1A7874-63020	BRACKET ASSY, SEAT	1	1	1					
5	2	198163-63060	SEATBELT,	1	1	1					
6	2	198163-63100	SEAT ASSY, OPERATOR	1	1	1					
6A	3	198280-63120	SEAT,	1	1	1					
6B	3	198174-63200	SUSPENSION ASSY,SEAT	1	1	1					
6C	3	198174-63210	ADJUSTER	1	1	1					
6D	3	198174-63220	ADJUSTER	1	1	1					
6E	3	198174-63230	STOPPER	1	1	1					
6F	3	198174-63240	ADJUSTER	1	1	1					
6G	3	198174-63250	DAMPER	1	1	1					
6H	3	198174-63260	COVER, SUSPENSION	1	1	1					
7	1	26106-080162	BOLT, M8X 16 PLATED	4	4	4					

Fig.113. SEAT STAY

(A)=GK160
(B)=GK200
(C)=GK200R

(D)=
(E)=
(F)=

No.	Lev.	Parts No.	Description	Q'ty						I	R
				(A)	(B)	(C)	(D)	(E)	(F)		
1	1	1A7874-63100	STAY, SEAT F	1	1	1					
2	1	1A7874-63110	STAY, SEAT R	1	1	1					
3	1	194205-63550	BREATHER, AIR	1	1	1					
4	1	1A7874-63560	PIPE, AIR BREATHER	1	1	1					
5	1	26106-080122	BOLT, M8X 12 PLATED	1	1	1					
6	1	26106-080162	BOLT, M8X 16 PLATED	2	2	2					
7	1	26106-080162	BOLT, M8X 16 PLATED	2	2	2					

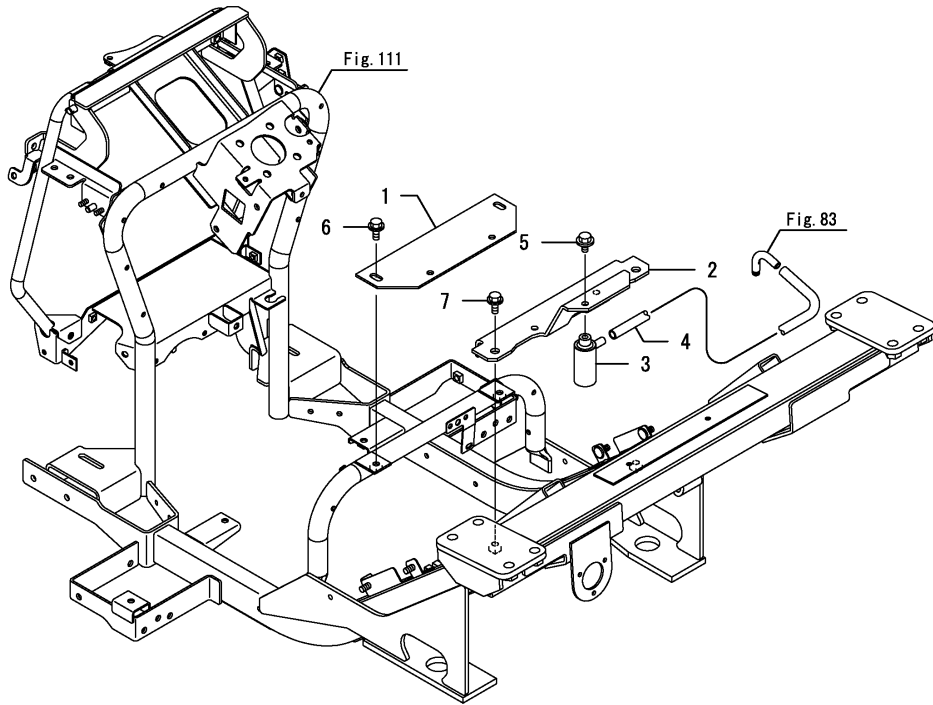


Fig.114. REARVIEW MIRROR

(A)=GK160
(B)=GK200
(C)=GK200R

(D)=
(E)=
(F)=

No.	Lev.	Parts No.	Description	Qty						I	R
				(A)	(B)	(C)	(D)	(E)	(F)		
1	1	194990-22140	NUT, M8	1	1	1					
2	1	1A7100-64110	MIRROR ASSY, BACK	1	1	1					
3	1	1A7874-64120	STAY ASY,BACK MIRROR	1	1	1					

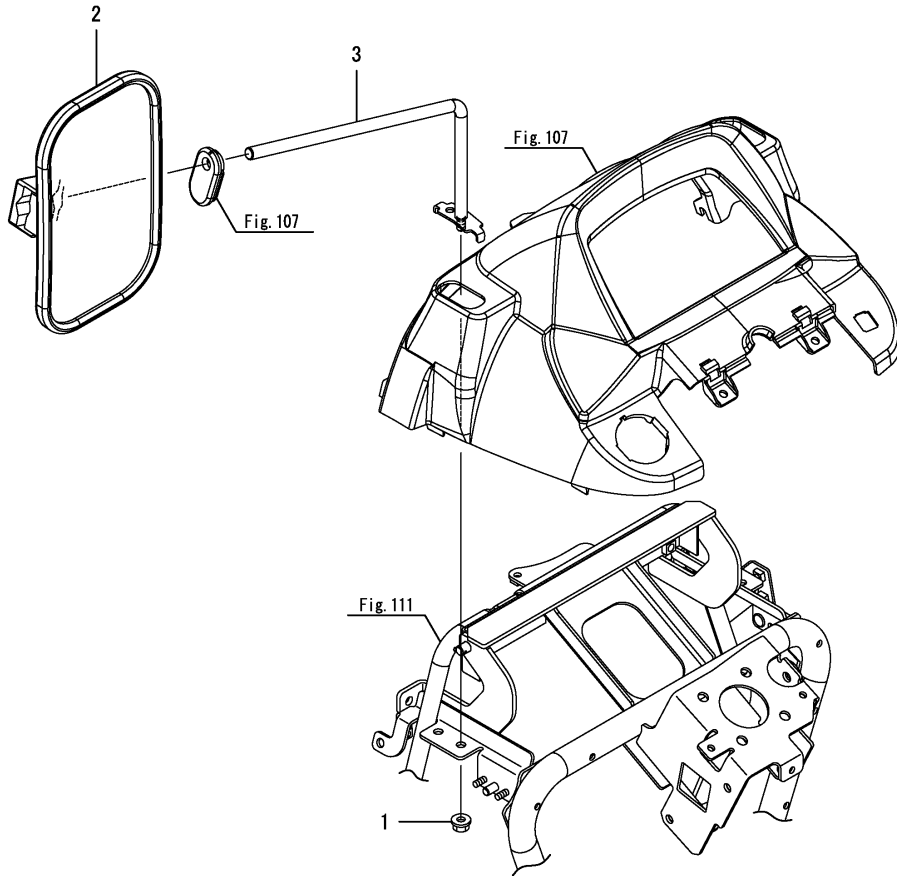


Fig.115. LABEL(1)

(A)=GK160
(B)=GK200
(C)=GK200R

(D)=
(E)=
(F)=

No.	Lev.	Parts No.	Description	Qty						I	R
				(A)	(B)	(C)	(D)	(E)	(F)		
1	1	1A7874-65000	MARK, BRAND	1	1						
1-1	1	1A7874-65010	EMBLEM ASSY, FRONT S	1	1	1					N
		(A=F100358) (B=F200242)									
2	1	194240-65441	LABEL, DIFF. LOCK	1	1	1					
3	1	1A6640-65511	LABEL, KEY SWITCH	1	1	1					
4	1	198165-65590	DECAL,CE	1	1	1					
5	1	1A7874-65650	LABEL, MAIN SHIFT E	1	1	1					
6	1	1A7740-65720	LABEL,MFWD	1	1	1					

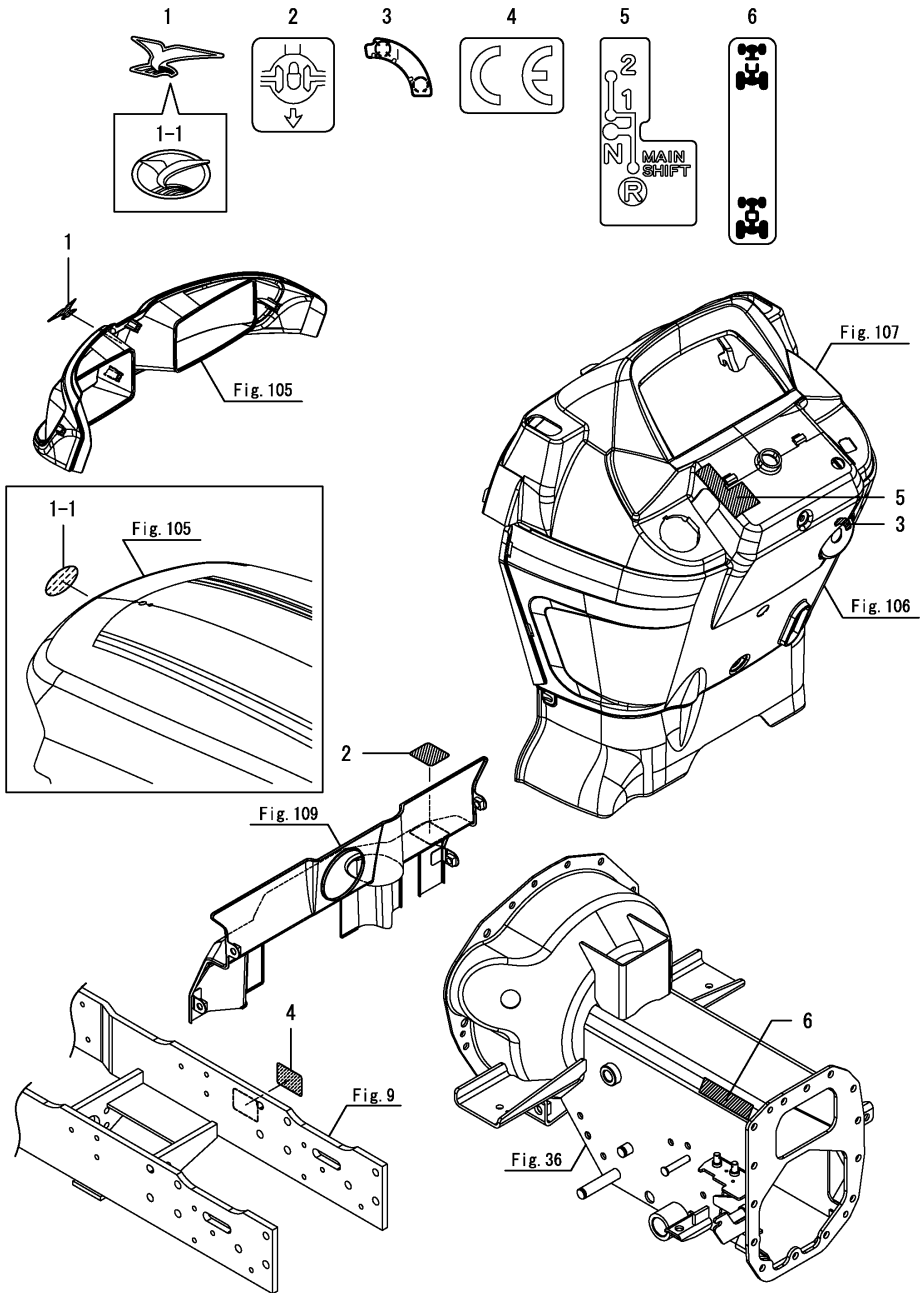


Fig.116. LABEL(2)

(A)=GK160
(B)=GK200
(C)=GK200R

(D)=
(E)=
(F)=

No.	Lev.	Parts No.	Description	Qty						I	R
				(A)	(B)	(C)	(D)	(E)	(F)		
1	1	1A7874-65470	LABEL, P BRAKE	1	1	1					
2	1	1A6640-65530	LABEL, THROTTLE	1	1	1					
3	1	1A7874-65660	LABEL, RANGE E	1	1	1					
4	1	1A7874-65670	LABEL, PTO E	1	1	1					
5	1	1A7874-65680	LABEL, LIFT E	1	1	1					
6	1	1A7874-65860	LABEL, WORK LAMP E	1	1	1					

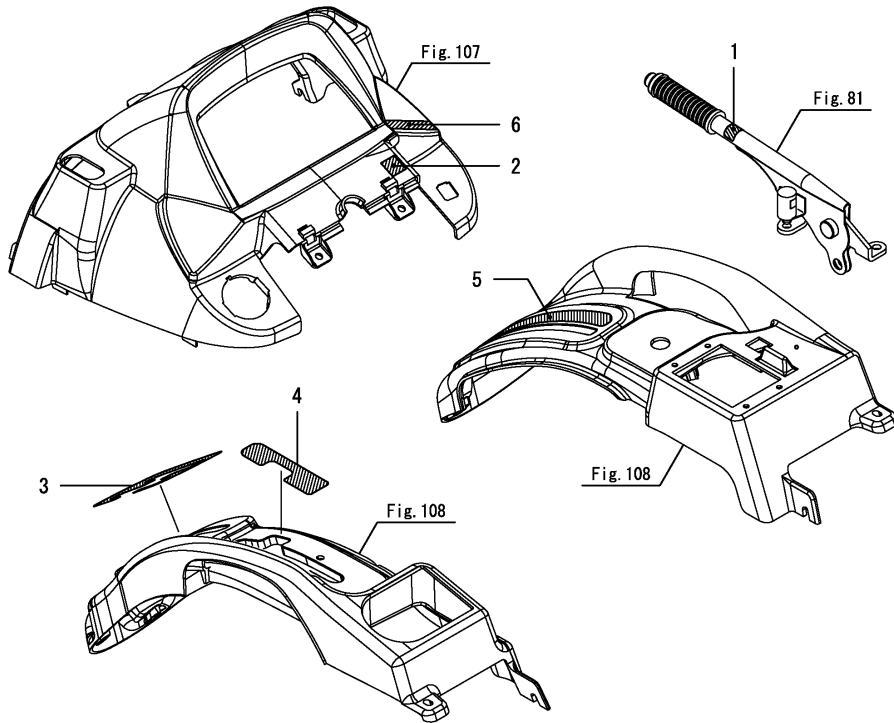
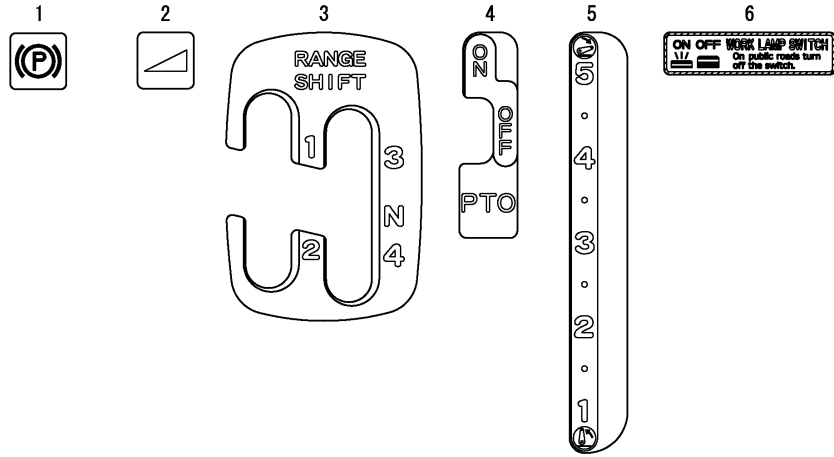


Fig.117. LABEL(MODEL)

(A)=GK160
(B)=GK200
(C)=GK200R

(D)=
(E)=
(F)=

No.	Lev.	Parts No.	Description	Q'ty						I	R
				(A)	(B)	(C)	(D)	(E)	(F)		
1	1	1A7874-65210	LABEL, MODEL NAME L	1							
2	1	1A7874-65220	LABEL, MODEL NAME R	1							

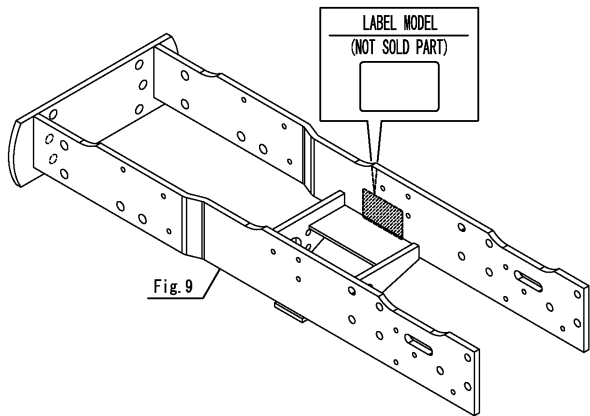
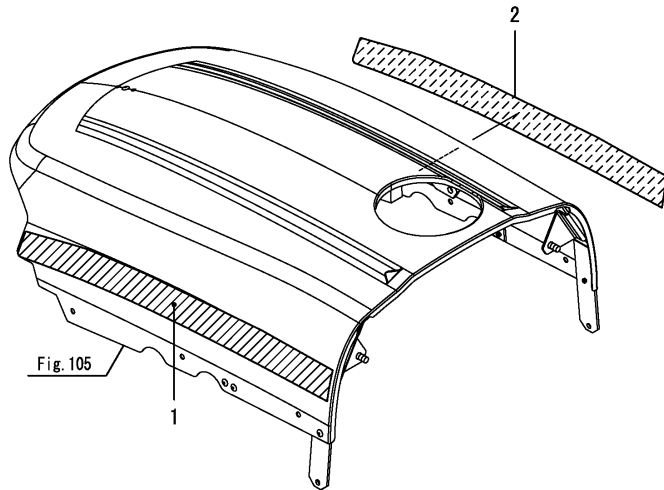
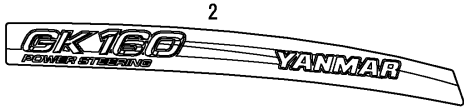
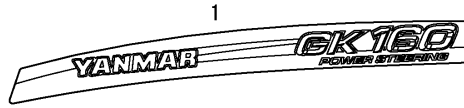


Fig.118. LABEL(MODEL)

(A)=GK160
(B)=GK200
(C)=GK200R

(D)=
(E)=
(F)=

No.	Lev.	Parts No.	Description	Q'ty						I	R
				(A)	(B)	(C)	(D)	(E)	(F)		
1	1	1A7874-65310	LABEL, MODEL NAME L		1	1					
2	1	1A7874-65320	LABEL, MODEL NAME R		1	1					

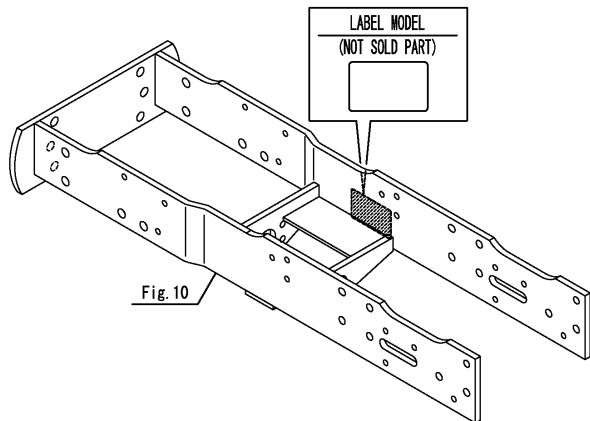
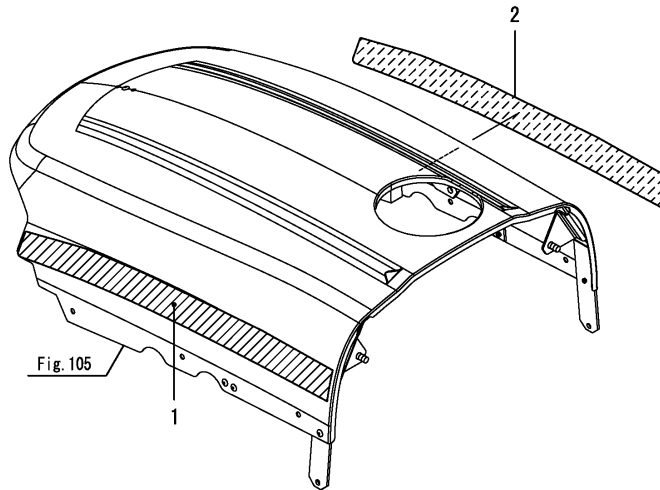
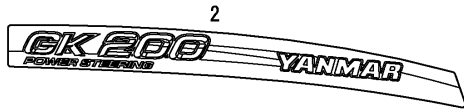
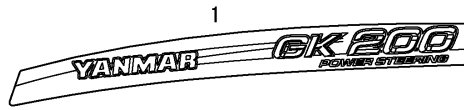
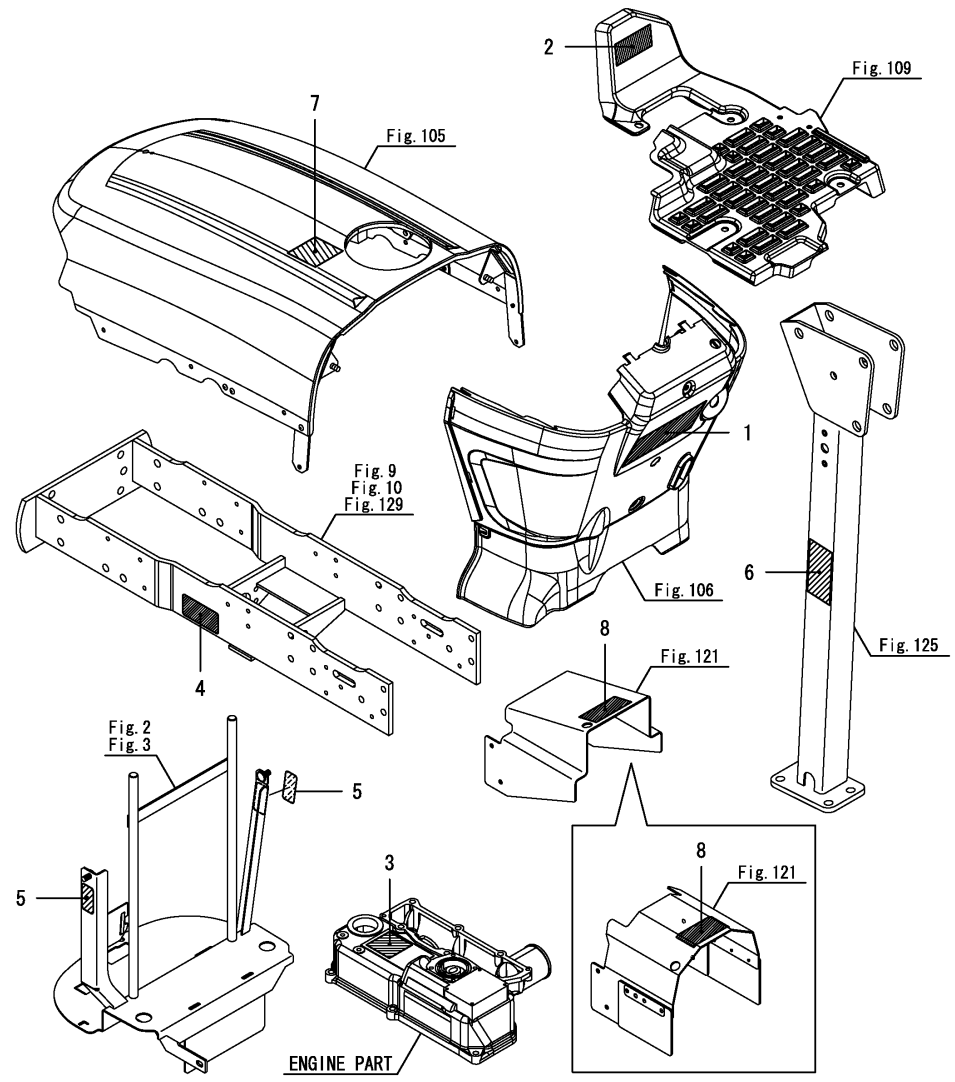
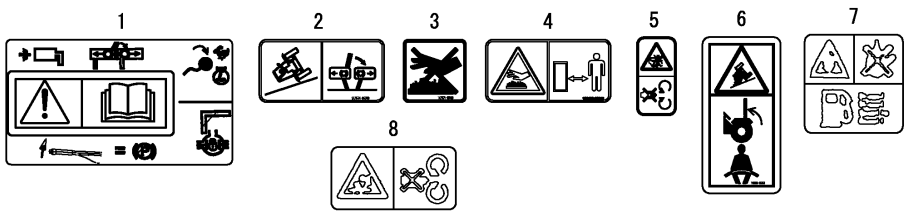


Fig.119. LABEL(SAFETY)(1)



(A)=GK160
(B)=GK200
(C)=GK200R

(D)=
(E)=
(F)=

No.	Lev.	Parts No.	Description	Q'ty						I	R
				(A)	(B)	(C)	(D)	(E)	(F)		
1	1	198163-65301	LABEL,OPERATION	1	1	1					
2	1	1A7874-65360	LABEL, BRAKE COUPLIN	1	1	1					
3	1	1A7874-65920	DECAL,CAUTION HOT	1	1	1					
4	1	198163-65930	CAUTION,MUFFLER	1	1	1					
5	1	1A7874-65400	LABEL,WARNING	2	2	2					
6	1	198163-65950	LABEL, SEATBELT	1	1	1					
7	1	1A6150-91251	LABEL,RAKE CAUTION	1	1	1					
8	1	1A6150-93151	LABEL,COVER	1	1	1					

Fig.120. LABEL(SAFETY)(2)

(A)=GK160
 (B)=GK200
 (C)=GK200R

(D)=
 (E)=
 (F)=

No.	Lev.	Parts No.	Description	Qty						I	R	
				(A)	(B)	(C)	(D)	(E)	(F)			
1	1	198280-65610	LABEL,3P	1	1	1						

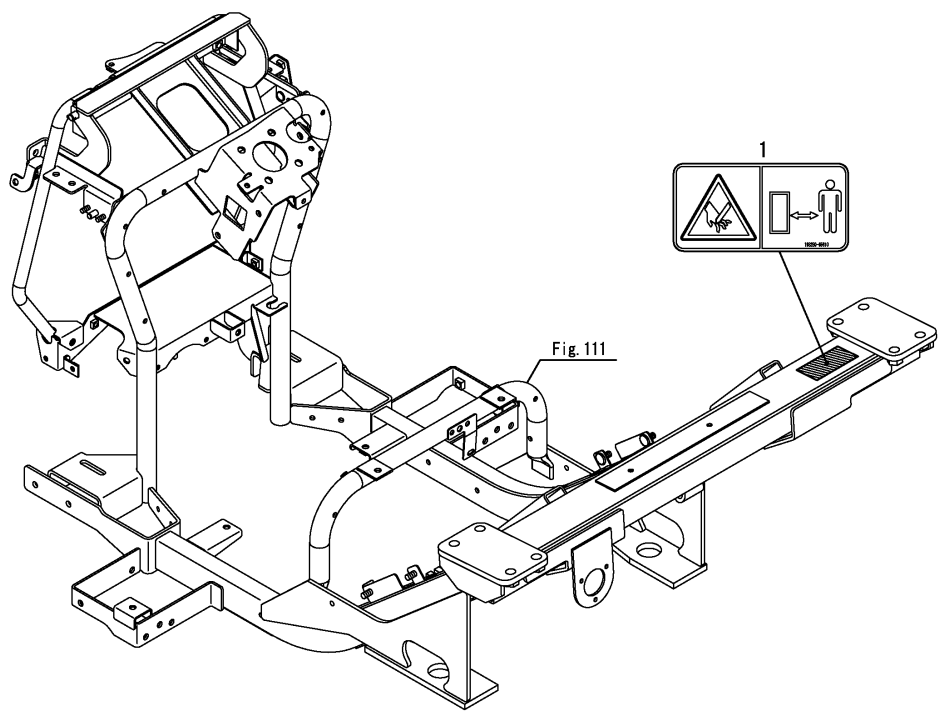


Fig.121. P.T.O. GUARD

(A)=GK160
(B)=GK200
(C)=GK200R

(D)=
(E)=
(F)=

No.	Lev.	Parts No.	Description	Q'ty						I	R
				(A)	(B)	(C)	(D)	(E)	(F)		
1	1	1A7874-75500	COVER M ASSY, PTO GU	1	1						
1-1	1	1A7874-75440 (A=F100544) (B=F200337)	M ASSY, PTO GUARD	1	1	1					N
2	1	26106-060162	BOLT, M6X 16 PLATED	4	4	4					

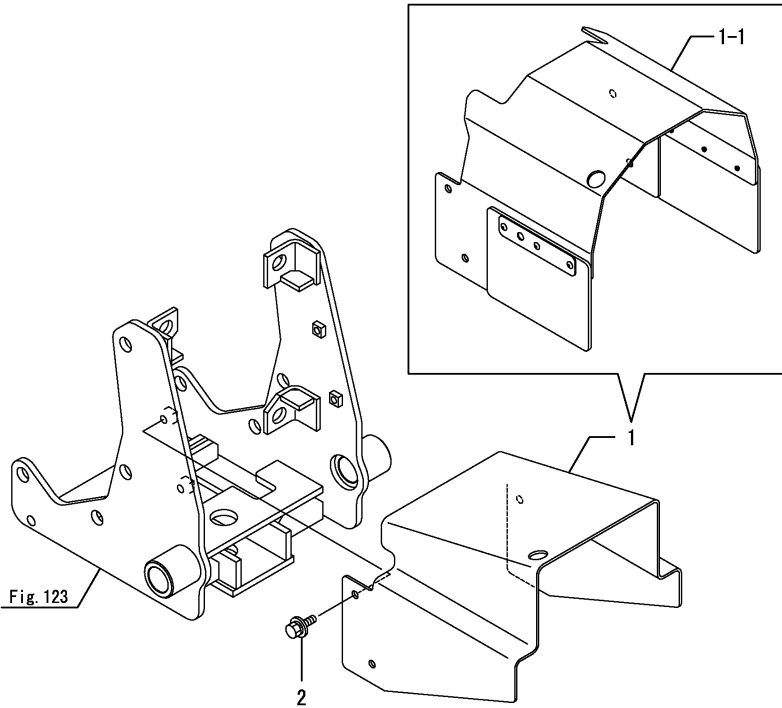
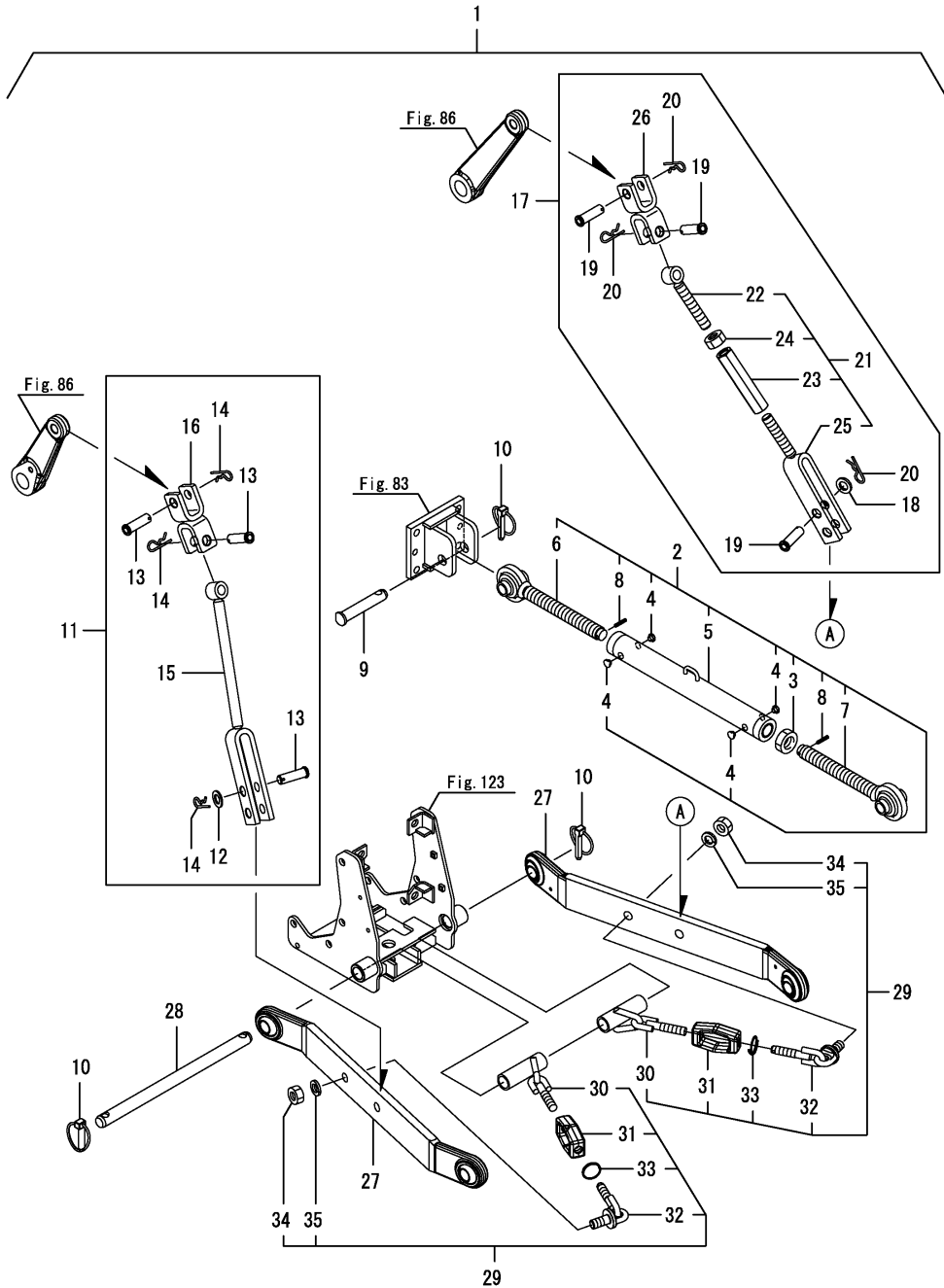


Fig. 123

Fig.122. THREE POINT HITCH



(A)=GK160
(B)=GK200
(C)=GK200R

(D)=
(E)=
(F)=

No.	Lev.	Parts No.	Description	Qty						I	R
				(A)	(B)	(C)	(D)	(E)	(F)		
1	1	1A7874-71100	HITCH KIT, 3-POINT	1	1	1					
2	2	1A7500-71112	LINK ASSY, UPPER	1	1	1					
3	3	1A7500-71200	NUT, LOCK M24	1	1	1					
4	3	1A7335-71250	CAP	4	4	4					
5	3	1A7500-71251	TUBE ASSY	1	1	1					
6	3	1A7500-71271	BOLT, EYE	1	1	1					
7	3	1A7500-71291	BOLT ASSY, EYE	1	1	1					
8	3	22351-050025	PIN, SPRING 5.0X25	2	2	2					
9	2	1A7500-71120	PIN, LINK	1	1	1					
10	2	1A7500-71130	PIN ASSY, LINTCH	3	3	3					
11	2	1A7874-72150	LINK KIT, LIFT LH	1	1	1					
12	3	1A7500-72160	WASHER, 16	1	1	1					
13	3	1A7874-72170	PIN	3	3	3					
14	3	1A8275-72180	SNAP PIN 13-19	3	3	3					
15	3	1A7874-72200	LINK ASSY, LIFT LH	1	1	1					
16	3	1A7874-72410	LINK JOINT,LIFT	1	1	1					
17	2	1A7874-72250	LINK KIT, LIFT RH	1	1	1					
18	3	1A7500-72160	WASHER, 16	1	1	1					
19	3	1A7874-72170	PIN	3	3	3					
20	3	1A8275-72180	SNAP PIN 13-19	3	3	3					
21	3	1A7874-72300	LINK ASSY, LIFT RH	1	1	1					
22	4	1A7874-72310	LINK ASSY,LIFT UPPER	1	1	1					
23	4	1A7880-72320	TURNBUCKLE	1	1	1					
24	4	1A7880-72330	NUT, M18	1	1	1					
25	4	1A7874-72340	END ASSY, LOWER	1	1	1					
26	3	1A7874-72410	LINK JOINT,LIFT	1	1	1					
27	2	1A7500-73110	LINK, LOWER	2	2	2					
28	2	1A7874-73120	PIN, LOWER LINK HING	1	1	1					
29	2	1A7874-74600	CHAIN ASSY, CHECK	2	2	2					
30	3	1A7874-74630	CHAIN ASSY	2	2	2					
31	3	1A7500-74640	TURNBUCKLE	2	2	2					
32	3	1A7874-74650	CHAIN ASSY	2	2	2					
33	3	1A7500-74661	RING, 32	2	2	2					
34	3	1A7500-74670	NUT, M16	2	2	2					
35	3	1A7500-74680	WASHER, SPRING 16	2	2	2					

Fig.146. LIFT LINK

(A)=GK160
(B)=GK200
(C)=GK200R

(D)=
(E)=
(F)=

No.	Lev.	Parts No.	Description	Q'ty						I	R
				(A)	(B)	(C)	(D)	(E)	(F)		
1	1	1A7874-72520	PIN, LIFT ARM	2	2	2					
2	1	1A7874-72600	LINK ASSY, LIFT	2	2	2					
3	1	22157-080000	WASHER, 8	2	2	2					
4	1	22217-160000	WASHER, SPRING 16	2	2	2					
5	1	26106-080162	BOLT, M8X 16 PLATED	2	2	2					
6	1	26736-160002	NUT, M16	2	2	2					

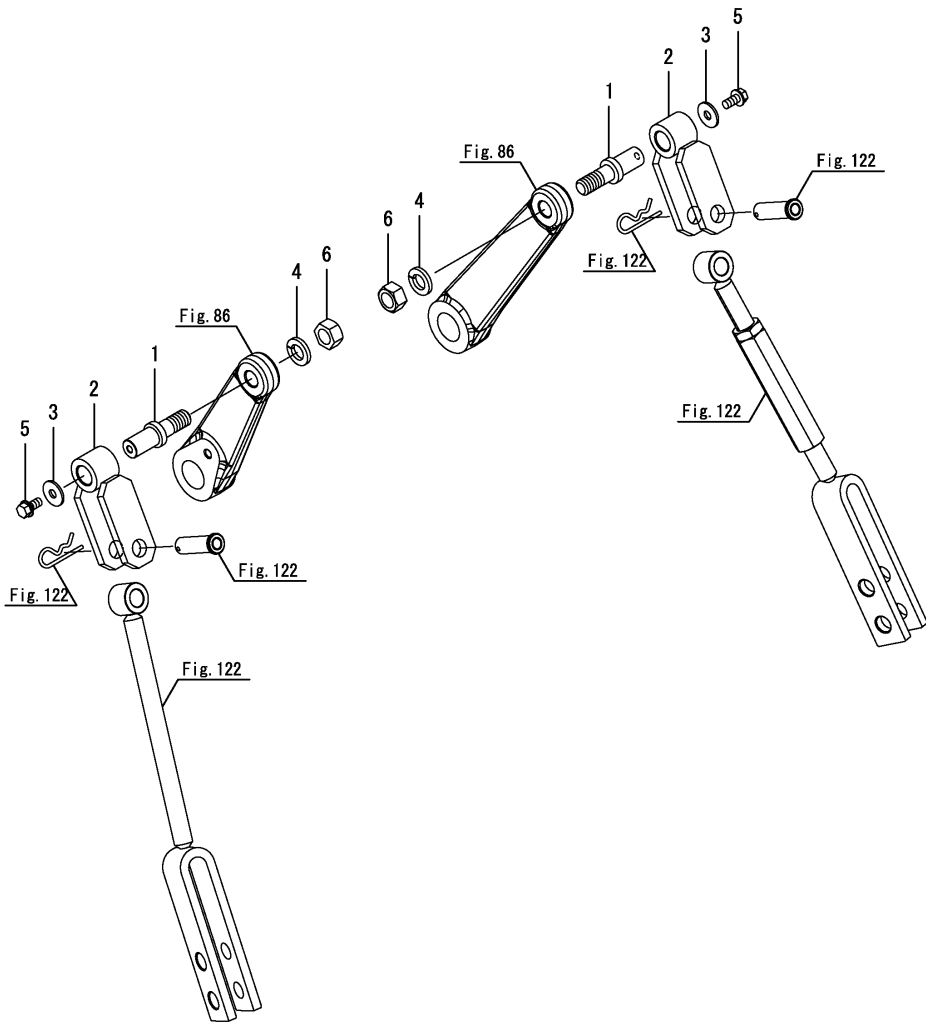
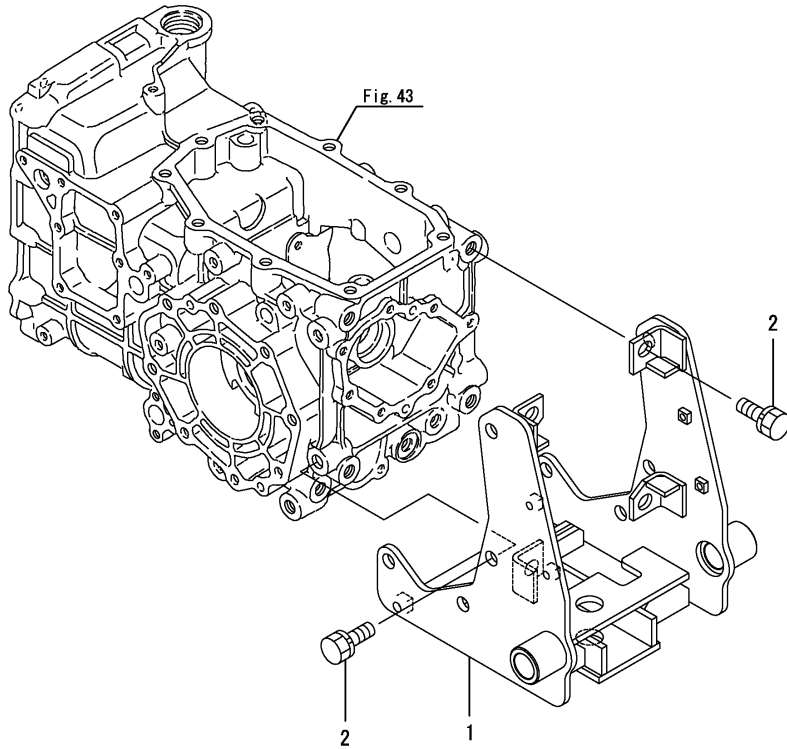


Fig.123. REAR HITCH

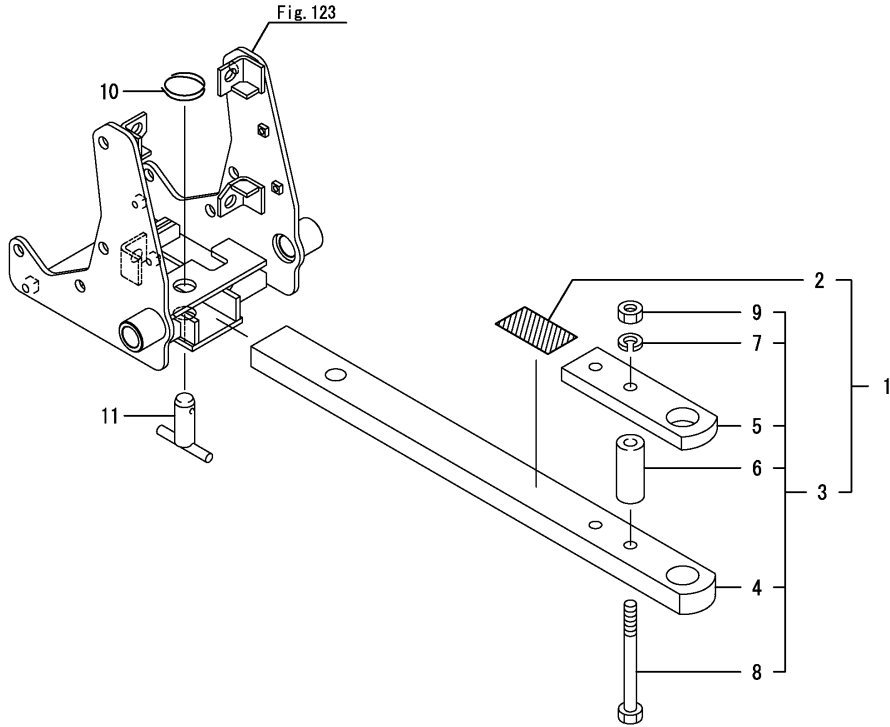
(A)=GK160
(B)=GK200
(C)=GK200R

(D)=
(E)=
(F)=



No.	Lev.	Parts No.	Description	Q'ty						I	R
				(A)	(B)	(C)	(D)	(E)	(F)		
1	1	198163-75013	HITCH ASSY, REAR	1	1	1					
2	1	26013-120302	BOLT, M12X 30	12	12	12					

Fig.124. DRAWBAR HITCH

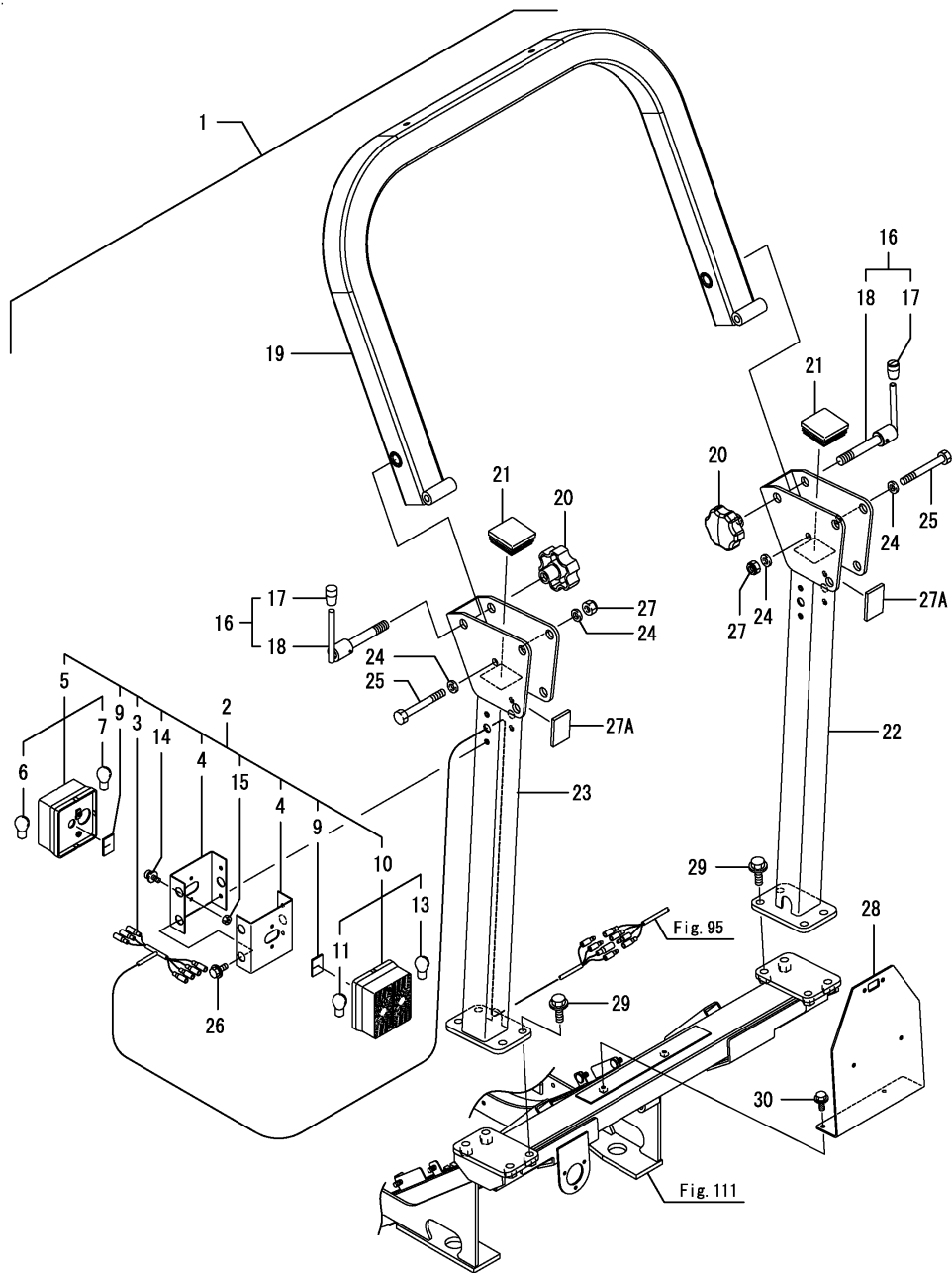


(A)=GK160
(B)=GK200
(C)=GK200R

(D)=
(E)=
(F)=

No.	Lev.	Parts No.	Description	Q'ty						I	R
				(A)	(B)	(C)	(D)	(E)	(F)		
1	1	198173-75100-2	HITCH KIT, DRAWBAR	1	1	1					
2	2	198173-65210	LABEL; DRAWBAR	1	1	1					
3	2	198165-75200-2	DRAWBAR ASSY	1	1	1					
4	3	198165-75210	DRAWBAR	1	1	1					
5	3	198165-75250-1	PLATE, CLEVIS	1	1	1					
6	3	198165-75260-1	SPACER, CLEVIS	2	2	2					
7	3	22217-120000	WASHER, SPRING 12	2	2	2					
8	3	26116-121302	BOLT, M12X130 PLATED	2	2	2					
9	3	26716-120002	NUT, M12	2	2	2					
10	1	194145-75250	RING, STOPPER	1	1	1					
11	1	198165-75720	PIN, DRAWBAR	1	1	1					

Fig.125. ROPS



(A)=GK160
(B)=GK200
(C)=GK200R

(D)=
(E)=
(F)=

No.	Lev.	Parts No.	Description	Qty						I	R
				(A)	(B)	(C)	(D)	(E)	(F)		
1	1	1A7874-85050	ROPS, KIT	1	1	1					
2	2	1A7874-53300	LAMP, COMBINATION	2	2	2					
3	3	198163-51520	HARNES, WIRE	2	2	2					
4	3	198163-53230	BRACKET, LAMP	4	4	4					
5	3	198163-53310	LAMP, COMBINATION F	2	2	2					
6	4	1A7100-53220	BULB, 12VP21W	2	2	2					
7	4	1A7100-53230	BULB, 12VR5W	2	2	2					
9	3	1A7874-53310	SEAL, 30X25X2	4	4	4					
10	3	198163-53330	LAMP ASSY, R	2	2	2					
11	4	1A7100-53220	BULB, 12VP21W	2	2	2					
13	4	198163-53350	BULB, 12V5W21W	2	2	2					
14	3	26023-050122	SCREW, M5X12	8	8	8					
15	3	26716-050002	NUT, M5	8	8	8					
16	2	198163-85410	HANDLE SET, ROPS	2	2	2					
17	3	194150-01190	KNOB, LEVER	2	2	2					
18	3	198163-85620	HANDLE ASSY, ROPS	2	2	2					
19	2	1A7874-85560	UPPERFRAME ASY, U	1	1	1					
20	2	198163-85630	KNOB, M16	2	2	2					
21	2	198163-85640	CAP, ROPS	2	2	2					
22	2	1A7874-85810	FRAME M ASSY,UPPER R	1	1	1					
23	2	1A7874-85850	FRAME ASSY, UPPER L	1	1	1					
24	2	22137-120000	WASHER, 12	4	4	4					
25	2	26076-121002	BOLT, 10.912X100	2	2	2					
26	2	26106-060162	BOLT, M6X 16 PLATED	4	4	4					
27	2	26346-120002	NUT, M12	2	2	2					
27A	2	194190-61761	RUBBER, CUSHION	2	2	2					
28	1	1A7874-85680	PLATE, NUMBER PLATE	1	1	1					
29	1	198165-85970	BOLT, M12X35	8	8	8					
30	1	26106-060162	BOLT, M6X 16 PLATED	2	2	2					

Fig.126. FLOOR MOUNT

(A)=GK160
(B)=GK200
(C)=GK200R

(D)=
(E)=
(F)=

No.	Lev.	Parts No.	Description	Q'ty						I	R
				(A)	(B)	(C)	(D)	(E)	(F)		
1	1	1A7874-85210	STAY ASSY, MOUNT L	1	1	1					
2	1	1A7874-85220	STAY ASSY, MOUNT R	1	1	1					
3	1	1A7870-85271	PLATE ASSY	2	2	2					
4	1	198165-85950	BOLT, M12X130	8	8	8					

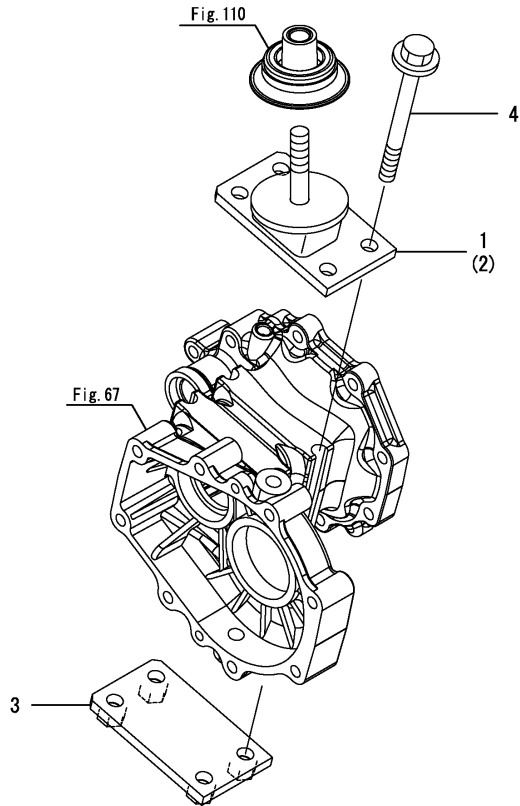
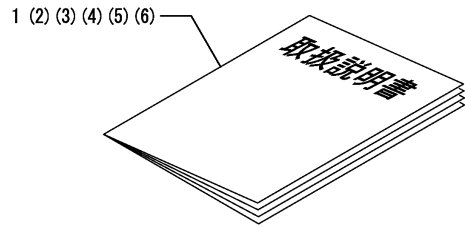


Fig.127. MANUAL

(A)=GK160
(B)=GK200
(C)=GK200R

(D)=
(E)=
(F)=



No.	Lev.	Parts No.	Description	Q'ty						I	R
				(A)	(B)	(C)	(D)	(E)	(F)		
1	1	0A041-G00600	OPERATION MANUAL	1	1						
1-1	1	0A041-G00601	OPERATION MANUAL	1	1						S
		(A=F100544) (B=F200337)									
1-2	1	0A041-EN0110	OPERATION MANUAL	1	1						N
		(A=F100670) (B=F200337)									
1-3	1	0A041-EN0111	OPERATION MANUAL	1	1	1					N
		(A=F100757) (B=F200338)									
2	1	0A041-D00600	OPERATION MANUAL	1	1						1
2-1	1	0A041-D00601	OPERATION MANUAL	1	1						S 1
		(A=F100544) (B=F200337)									
2-2	1	0A041-DE0110	OPERATION MANUAL	1	1						N 1
		(A=F100670) (B=F200337)									
2-3	1	0A041-DE0111	OPERATION MANUAL	1	1	1					N 1
		(A=F100757) (B=F200338)									
3	1	0A041-F00600	OPERATION MANUAL	1	1						1
3-1	1	0A041-F00601	OPERATION MANUAL	1	1						S 1
		(A=F100544) (B=F200337)									
3-2	1	0A041-FR0110	OPERATION MANUAL	1	1						N 1
		(A=F100670) (B=F200337)									
3-3	1	0A041-FR0111	OPERATION MANUAL	1	1	1					N 1
		(A=F100757) (B=F200338)									
4	1	0A041-I00600	OPERATION MANUAL	1	1						1
4-1	1	0A041-I00601	OPERATION MANUAL	1	1						S 1
		(A=F100544) (B=F200337)									
4-2	1	0A041-IT0110	OPERATION MANUAL	1	1						N 1
		(A=F100670) (B=F200337)									
4-3	1	0A041-IT0111	OPERATION MANUAL	1	1	1					N 1
		(A=F100757) (B=F200338)									
5	1	0A041-P00600	OPERATION MANUAL	1	1						1
5-1	1	0A041-P00601	OPERATION MANUAL	1	1						S 1
		(A=F100544) (B=F200337)									
5-2	1	0A041-PT0110	OPERATION MANUAL	1	1						N 1
		(A=F100670) (B=F200337)									
5-3	1	0A041-PT0111	OPERATION MANUAL	1	1	1					N 1
		(A=F100757) (B=F200338)									
6	1	0A041-S00600	OPERATION MANUAL	1	1						1
6-1	1	0A041-S00601	OPERATION MANUAL	1	1						S 1
		(A=F100544) (B=F200337)									
6-2	1	0A041-ES0110	OPERATION MANUAL	1	1						N 1
		(A=F100670) (B=F200337)									
6-3	1	0A041-ES0111	OPERATION MANUAL	1	1	1					N 1
		(A=F100757) (B=F200338)									

Remarks

(1)Optional parts.

N:Old $\begin{matrix} \leftarrow \text{Yes} \\ \text{No} \rightarrow \end{matrix}$ New, Q:Old $\begin{matrix} \leftarrow \text{No} \\ \text{Yes} \rightarrow \end{matrix}$ New, R:Old $\begin{matrix} \leftarrow \text{Yes} \\ \text{No} \rightarrow \end{matrix}$ New, S:Old $\begin{matrix} \leftarrow \text{No} \\ \text{Yes} \rightarrow \end{matrix}$ New, W:Add, Z:Discontinued, F:Interchangeable by set, K:Q'ty Change

Fig.128. OPTION(WEIGHT)

(A)=GK160
(B)=GK200
(C)=GK200R

(D)=
(E)=
(F)=

No.	Lev.	Parts No.	Description	Q'ty						I	R
				(A)	(B)	(C)	(D)	(E)	(F)		
1	1	198163-81150	WEIGHT KIT, FRONT	1	1	1					
2	2	1TS100-01000-1	FRONT WEIGHT 20	1	1	1					
3	2	198163-81160	STOPPER ASSY, WEIGHT	1	1	1					
4	2	22137-120000	WASHER, 12	4	4	4					
5	2	26013-120302	BOLT, M12X 30	4	4	4					
6	2	26716-120002	NUT, M12	4	4	4					

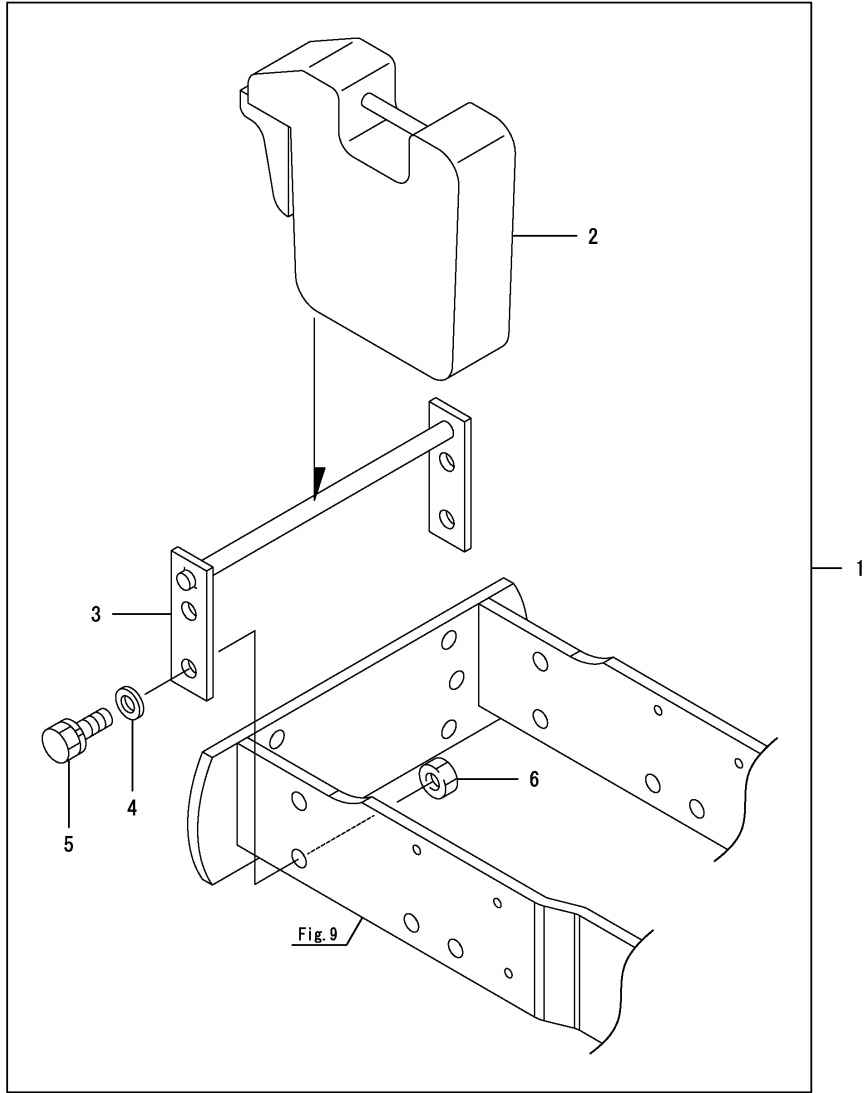
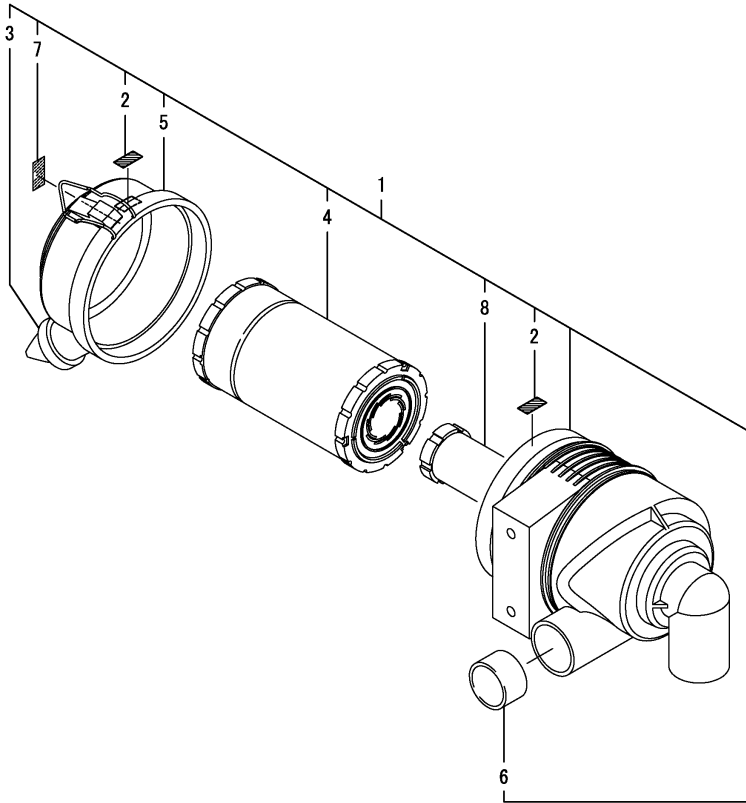


Fig.147. AIR CLEANER

(A)=GK160
(B)=GK200
(C)=GK200R

(D)=
(E)=
(F)=



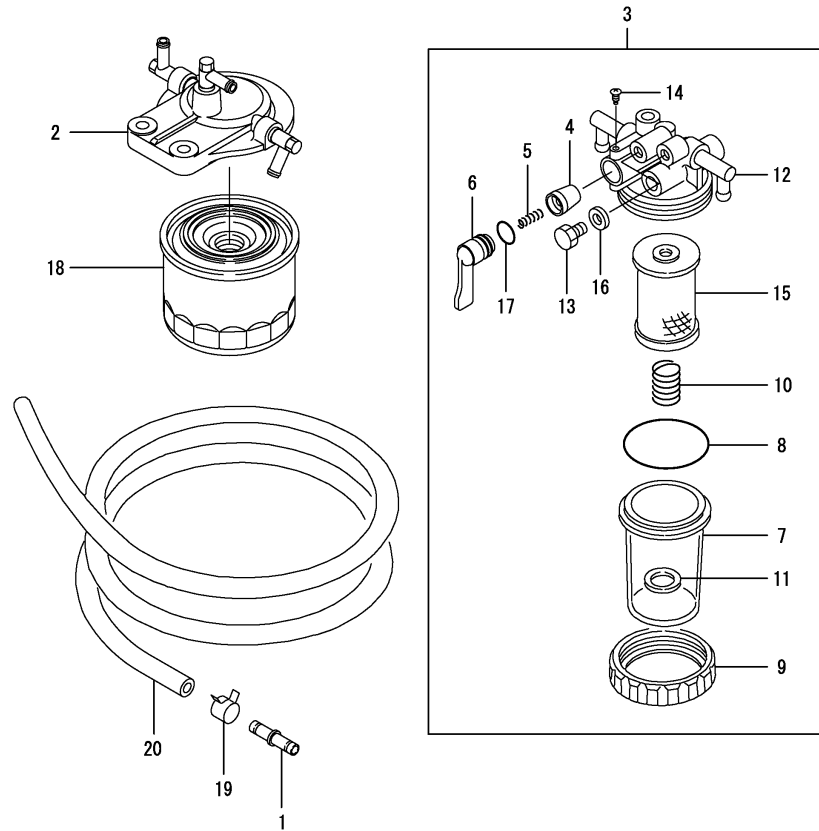
No.	Lev.	Parts No.	Description	Q'ty						I	R
				(A)	(B)	(C)	(D)	(E)	(F)		
1	1	1A7874-06100	AIR CLEANER ASSY	1	1	1					
2	2	129418-12530	LABEL, MARK	2	2	2					
3	2	119808-12540	VALVE, UNLOAD	1	1	1					
4	2	119655-12560	ELEMENT	1	1	1					
5	2	119686-12570	COVER ASSY	1	1	1					
6	2	105027-12580	RING, VALVE	1	1	1					
7	2	129612-12650	LABEL, MARKING	1	1	1					
8	2	119233-12700	ELEMENT, INNER	1	1	1					

Remarks
* For Brazil.

Fig.148. FILTER

(A)=GK160
(B)=GK200
(C)=GK200R

(D)=
(E)=
(F)=

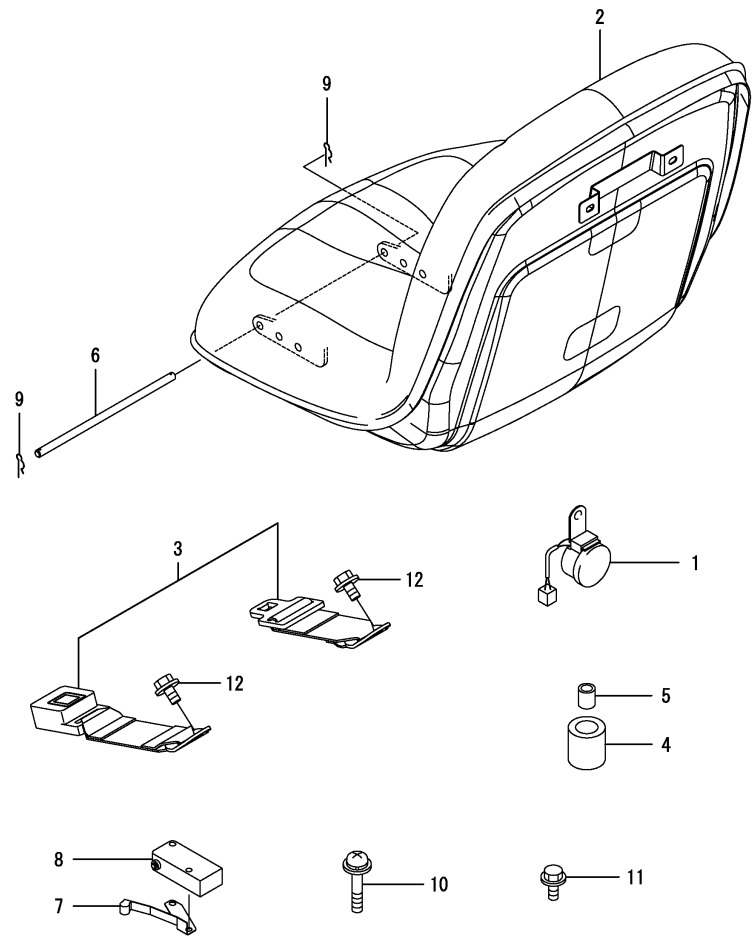


No.	Lev.	Parts No.	Description	Q'ty						I	R
				(A)	(B)	(C)	(D)	(E)	(F)		
1	1	1A7180-04850	JOINT, FO HOSE	1	1	1					
2	1	119953-55600	BRACKET, FILTER	1	1	1					
3	1	129335-55701	SEPARATOR ASSY,WATER	1	1	1					
4	2	104200-55321	VALVE, TAPER	1	1	1					
5	2	104200-55330	SPRING, FUEL VALVE	1	1	1					
6	2	104200-55341	HANDLE, COCK	1	1	1					
7	2	124064-55510	CUP, FUEL STARINER	1	1	1					
8	2	102103-55520	O-RING	1	1	1					
9	2	110250-55610	RING, CUP RETAINING	1	1	1					
10	2	121257-55720	SPRING, FILTER	1	1	1					
11	2	121257-55731	FLOAT	1	1	1					
12	2	129335-55730	BODY, STRAINER	1	1	1					
13	2	101720-55750	PLUG, HEXAGON M6	2	2	2					
14	2	104200-55750	SCREW, PAN M4	1	1	1					
15	2	171081-55910	FILTER, FUEL	1	1	1					
16	2	23418-060000	GASKET, 6X1.0	2	2	2					
17	2	24311-240100	O-RING, 1AP10A	1	1	1					
18	1	119802-55810	FILTER,FO	1	1	1					
19	1	114270-59010	CLAMP, HOSE 12	5	5	5					
20	1	23980-730900	HOSE, 7.3X 900	1	1	1					

Remarks
* For Brazil.

(A)=GK160
 (B)=GK200
 (C)=GK200R

(D)=
 (E)=
 (F)=



No.	Lev.	Parts No.	Description	Q'ty						I	R
				(A)	(B)	(C)	(D)	(E)	(F)		
1	1	198071-57110	BUZZER, BACK	1	1	1					
2	1	1A7870-63010	SEAT ASSY, OPERATOR	1	1	1					
3	1	1A6750-63050	BELT, SEAT	1	1	1					
4	1	194151-63240	RUBBER, CUSHION	2	2	2					
5	1	194151-63250	COLLAR, CUSHION	2	2	2					
6	1	198425-63270	PIN, 8X190	1	1	1					
7	1	1E8255-81180	LEVER, ROLLER NV	1	1	1					
8	1	1E8915-81450	SWITCH, MICRO	1	1	1					
9	1	22372-080000	PIN, SNAP 8	2	2	2					
10	1	26023-030162	SCREW, M3X16	2	2	2					
11	1	26106-080162	BOLT, M8X 16 PLATED	4	4	4					
12	1	26106-100202	BOLT, M10X 20 PLATED	2	2	2					

Remarks
 * For Brazil.

Parts No. Index

Parts No.	Fig. No.	Ref. No.
0A041-D00600	127	2
0A041-D00601	127	2 -1
0A041-DE0110	127	2 -2
0A041-DE0111	127	2 -3
0A041-EN0110	127	1 -2
0A041-EN0111	127	1 -3
0A041-ES0110	127	6 -2
0A041-ES0111	127	6 -3
0A041-F00600	127	3
0A041-F00601	127	3 -1
0A041-FR0110	127	3 -2
0A041-FR0111	127	3 -3
0A041-G00600	127	1
0A041-G00601	127	1 -1
0A041-I00600	127	4
0A041-I00601	127	4 -1
0A041-IT0110	127	4 -2
0A041-IT0111	127	4 -3
0A041-P00600	127	5
0A041-P00601	127	5 -1
0A041-PT0110	127	5 -2
0A041-PT0111	127	5 -3
0A041-S00600	127	6
0A041-S00601	127	6 -1
101720-55750	148	13
102103-55520	7	5
	148	8
104200-55321	148	4
104200-55330	7	8
	148	5
104200-55341	148	6
104200-55750	7	9
	148	14
105027-12570	1	5
105027-12580	1	6
	147	6
110250-55610	7	6
	148	9
114270-59010	8	3
	148	19
119233-12700	147	8
119255-44660	2	22
	3	21
119523-12520	1	1
119655-12560	1	4
	147	4
119686-12570	147	5
119802-55810	148	18
119808-12540	1	3
	147	3

Parts No.	Fig. No.	Ref. No.
119810-55650	7	11
119853-44570	2	2
	3	2
119923-55600	7	3
119923-55610	7	7
119953-55600	148	2
121250-49160	2	4
	3	4
121257-55720	7	12
	148	10
121257-55731	7	13
	148	11
124064-55510	148	7
124295-49700	93	10
	94	10
	145	14
124550-77030	96	14
124701-91140	103	6
129052-13550	2	17
	3	16
129107-44590	2	3
	3	3
129107-55510	7	4
129150-49081	2	23
		55
	3	22
		54
129263-44510	2	21
	3	20
129335-55701	148	3
129335-55730	148	12
129418-12530	1	2
	147	2
129550-49090	2	24
		56
	3	23
		55
129612-12650	147	7
158805-85900	145	3
171081-55910	148	15
172141-76920	34	3
172512-42500	81	22
172512-42650	81	23
174845-27700	59	4
	92	1
175022-49730	2	25
		26
	3	24
		25
192180-26481	82	1

Parts No.	Fig. No.	Ref. No.
194080-37781	79	18
194136-12880	29	2
		6
194145-75250	124	10
194150-01190	125	17
194150-45320	90	1
194151-36670	23	7
	140	5
194151-42832	83	10
194151-47760	91	28
194151-63240	149	4
194151-63250	149	5
194180-46320	89	2
194180-47440	91	22
194180-51640	83	17
194190-61761	125	27 A
194191-28540	50	11
194195-45620	88	3
194195-45640	88	5
194195-45650	88	6
194195-46260	88	8
194197-27681	53	6
	56	16
	62	1
194197-44610-1	86	7
194200-11570	19	1
194200-34750	77	2
194201-11230	37	1
194205-42280	83	8
194205-63550	113	3
194208-47450	91	23
194208-47510	91	4
194208-47530	91	27
194215-11540	11	4
194215-12340	131	3
194215-12341	13	2
		6
	33	1
194215-21701	39	1
194215-22210	40	2
194215-22220	40	3
194215-22230	40	4
194215-24970	46	2
194215-47840	42	10
	91	32
194215-58120	97	5
194216-12820	26	2
		7
194216-12830	26	3
		8

Parts No.	Fig. No.	Ref. No.
194216-12840	26	4
		9
194240-65441	115	2
194300-13340	13	3
		7
194300-21460	36	2
194300-22160	41	3
194300-22240	40	5
194300-22910	41	4
194300-31560	65	6
194300-31570	65	7
194300-31620	65	8
194300-37570	79	11
	108	6
194301-11340	11	1
194301-11350	11	2
194305-24310	47	1
194305-25160	48	3
194306-13140	48	1
	49	1
	51	1
194306-14800	28	3
		8
194306-14810	28	4
		9
194306-14820	28	5
		10
194310-21210	91	31
194310-25100	40	6
	50	1
194310-46350	83	13
194310-46380	83	14
194310-46730	83	15
194310-47790	91	29
194312-46630	89	4
194312-46750	43	4
	83	16
194314-11880	23	1
194314-12720	23	2
194330-62530	109	6
194376-14710	76	2
		7
194376-14720	76	3
		8
194376-14730	76	4
		9
194420-61640	100	6
	105	25
		26
		27

Parts No. Index

Parts No.	Fig. No.	Ref. No.
194420-61640	105	28
194427-11270	110	1
194440-51620	109	1
194440-51630	2	27
	3	26
	105	4
	108	9
194447-13490	19	2
	136	1
194447-13640	72	1
194447-13650	67	1
194447-13860	14	3
	132	2
194448-61620	108	10
194515-25180	50	2
194516-13770	20	7
	137	9
194516-13780	20	8
	137	10
194550-47910	91	34
194555-47340	91	14
194555-47350	91	16
194555-65130	105	31
194555-77910	43	5
194630-43230	83	12
194640-46410	90	5
194640-46420	90	6
194640-46620	89	3
194670-25370	21	5
	138	2
194680-51670	2	52
	3	51
	95	10
	96	11
		12
		13
194740-00160	4	1
194740-00322	42	1
	79	13
194820-27370	54	6
194850-13660	136	3
194850-25760	51	3
194850-42180	83	6
194850-42190	83	7
194850-45700	88	7
194850-49230	88	9
194855-24150	51	2
194855-25290	47	7
194856-25330	48	12
	49	2

Parts No.	Fig. No.	Ref. No.
194856-25340	48	13
194859-34150	47	8
194940-65590	105	32
194990-20170	42	2
	54	4
	79	14
194990-22050	91	1
194990-22130	5	5
	54	1
	96	1
	97	1
	98	2
		3
		4
	105	1
		2
	108	3
194990-22140	2	18
		19
		20
	3	17
		18
		19
	7	2
	10	5
	56	1
	59	1
	81	1
	93	1
	94	1
	96	2
	105	3
	108	4
		5
	110	2
	114	1
	129	5
	145	1
195734-22830	63	1
197810-83220	99	7
198071-01160	5	1
198071-37510	42	9
	79	8
198071-57110	149	1
198071-61890	105	30
	106	7
	107	7
198071-62900	110	3
198071-65610	105	33
198072-60590	106	1 -1

Parts No.	Fig. No.	Ref. No.
198072-60590	106	2 -1
		3 -1
198075-18311	55	1
198093-84810	103	5
198133-22510	42	7
	79	2
198133-22530	42	8
	79	3
198133-27820	55	9
198153-51700	96	6
198162-00720	2	6
	3	5
198162-11510-1	11	3
198162-52110	99	1
198162-52150	99	4
198163-14730	29	1
198163-14740	29	3
		7
198163-14750	29	4
		8
198163-14830	29	5
198163-24141	43	2
198163-25111	47	2
198163-25221	48	5
198163-25250	48	8
198163-25280	47	6
198163-25740	49	5
198163-25750	49	6
198163-26121	50	4
198163-26190	50	8
198163-26410	50	10
	61	1
198163-27540	59	2
198163-27560	59	3
198163-27711	58	4
198163-27720	58	6
198163-27781	58	9
198163-27840	59	6
198163-27910	59	7
198163-34300	76	1
198163-34400	76	6
198163-42810	83	9
198163-43310	85	1
198163-45610	88	2
198163-47080	91	3
198163-47800	91	30
198163-48280	93	6
	94	6
	145	11
198163-51520	125	3

Parts No.	Fig. No.	Ref. No.
198163-52110	98	7
198163-52120	98	8
198163-52150	98	6
198163-53070	105	5
198163-53230	125	4
198163-53310	125	5
198163-53330	125	10
198163-53350	125	13
198163-63060	112	5
198163-63100	112	6
198163-65301	119	1
198163-65930	119	4
198163-65950	119	6
198163-75013	123	1
198163-81150	128	1
198163-81160	128	3
198163-85410	125	16
198163-85620	125	18
198163-85630	125	20
198163-85640	125	21
198164-12310	13	1
198164-13350	16	1
198164-13610	19	3
198164-13770	20	4
	137	5
198164-13780	20	9
198164-14611-1	24	1
	25	1
198164-14620	142	1
198164-15780	31	4
198164-24510	44	3
198164-25150	47	4
198164-25210	48	4
198164-25230	48	6
198164-25770	49	7
198164-25790	49	8
198164-25800	49	9
198164-26140	50	5
198164-26370	51	5
198164-27150	56	8
198164-33410	70	1
198164-33420	70	2
198164-33510	71	1
198164-34300	74	1
198164-34310	74	2
		7
198164-34320	74	3
		8
198164-34330	74	4
		9

Parts No. Index

Parts No.	Fig. No.	Ref. No.
198164-34350	74	6
198165-04140	6	5
198165-04380	6	11
		12
198165-11500	130	1
198165-11510	130	2
198165-11540	130	3
198165-13101	14	1
	133	1
198165-13120	132	1
198165-13511	135	1
198165-13521	135	2
198165-13532	135	3
	138	1
198165-13620-2	136	4
198165-13631-1	136	5
198165-13730-2	137	2
198165-13740-2	137	3
198165-13750	137	8
198165-13815	137	12
198165-13830	20	10
198165-13841	137	7
198165-13910	139	1
198165-13920	139	2
198165-14120	140	2
198165-14140	140	4
198165-14620	142	2
198165-14630	142	3
198165-21450	38	1
198165-24330	44	2
198165-24440	19	7
	136	6
	137	16
198165-24490	19	8
	136	7
	137	17
198165-26270	50	9
198165-27360	57	3
198165-32311	66	1
198165-32610-1	67	2
198165-32620-1	67	3
198165-36180	81	9
198165-36190	81	10
198165-42120	83	5
198165-48122	145	5
198165-51421	96	10
198165-65590	115	4
198165-75200-2	124	3
198165-75210	124	4
198165-75250-1	124	5

Parts No.	Fig. No.	Ref. No.
198165-75260-1	124	6
198165-75720	124	11
198165-85950	126	4
198165-85970	12	6
	125	29
198167-51900	97	3
198172-85440	12	5
198173-65210	124	2
198173-75100-2	124	1
198174-63200	112	6 B
198174-63210	112	6 C
198174-63220	112	6 D
198174-63230	112	6 E
198174-63240	112	6 F
198174-63250	112	6 G
198174-63260	112	6 H
198200-01210	5	2
198200-01260	4	5
198200-01300	5	3
198200-01440	2	10
	3	9
198200-04031	6	1
198200-04040	6	2
198200-04061	6	4
198200-17820	35	3
198200-17910	35	4
198200-18350	55	2
198200-18370	55	4
198200-27911	59	8
198200-37240	79	5
198200-47810	92	4
198200-56630	6	9
198200-60720	2	28
	3	27
198200-60760	2	29
	3	28
198200-60950	2	30
	3	29
198200-62910	110	4
198200-62970	110	5
198200-62990	110	6
198220-15770	31	3
198220-45340	88	1
198220-45350	90	2
198220-45370	90	3
198220-45630	88	4
198220-46400	90	4
198220-48140	93	3
	94	3
	145	6

Parts No.	Fig. No.	Ref. No.
198220-48750	93	9
	94	9
198220-51340	10	9
	129	6
198223-52150	99	5
198230-61960	2	33
	3	32
198253-01190	4	4
198273-18360	55	3
198273-28521	63	3
198280-11812	12	1
198280-11831	12	2
198280-11840	12	3
198280-53750	102	4
198280-62260	101	1
198280-62270	101	2
198280-63120	112	6 A
198280-65610	120	1
198290-26860	52	1
198290-32750	67	7
198360-52320	99	2
198360-52330	99	3
198360-55630	5	6
198421-04430	6	7
198421-13120	14	2
198421-13221	15	1
	133	2
198421-13240	15	3
	133	4
198421-13510	18	1
198421-13520	18	2
198421-13530	18	3
	21	1
198421-13630	19	5
198421-13650	19	6
198421-13710	20	5
198421-13730	20	1
198421-13740	20	2
198421-13750	20	6
198421-13810	21	2
198421-13820	21	3
198421-13830	21	4
198421-13910	22	1
198421-13920	22	2
198421-14110	23	3
198421-14120	23	4
198421-14130	23	5
198421-14142	23	6
198421-14620	24	2
	25	2

Parts No.	Fig. No.	Ref. No.
198421-14630	24	3
	25	3
	142	4
198421-22110	40	1
198421-22152	41	2
198421-22440	42	4
198421-24910	46	1
198421-25250	48	9
198421-25800	49	10
198421-25810	49	11
198421-25820	49	13
198421-26380	51	6
198421-27110	53	2
	56	4
	58	1
198421-27160	56	9
198421-27171	56	10
198421-27180	56	11
198421-27200	56	13
198421-27521-1	53	3
198421-31510	65	2
198421-31530	65	4
198421-31550	65	5
198421-32320	66	2
198421-32330	66	3
198421-32340	66	4
198421-32630	67	4
198421-32660	67	6
198421-33110	68	1
198421-33120	68	2
198421-33140	68	4
198421-33150	69	1
198421-33170	68	5
198421-34110	72	2
198421-34940	75	3
		8
198421-34950	75	4
		9
198421-34960	75	5
		10
198421-37511	79	9
198421-37550	79	10
198421-42102	83	1
198421-43410	86	1
198421-44110	86	2
198421-44211	86	3
198421-44230	86	4
198421-44250	86	5
198421-44410	86	6
198421-46302	89	1

Parts No. Index

Parts No.	Fig. No.	Ref. No.
198421-48240	93	5
	94	5
	145	9
198421-61620	108	11
198421-62410	57	4
198421-72620	33	13
198425-13620	19	4
198425-22450	42	5
198425-22480	42	6
198425-24110	43	1
198425-27290	56	15
198425-32640-1	67	5
198425-34730	77	1
198425-42220	84	1
198425-63270	149	6
198431-34830	73	5
		10
198431-44510	91	2
198431-47320	91	12
198431-47330	91	13
198431-47340	91	15
198431-47350	91	17
198431-47390	91	18
198431-47401	91	19
198431-47420	91	20
198431-47430	91	21
198431-47470	91	24
198431-47480	91	25
198431-47520	91	26
198431-47750	108	7
198431-47760	108	8
198431-47870	91	33
198435-14700	26	5
		10
198435-16230	11	5
	130	4
198435-24280	43	3
198435-24290	45	1
198435-25130	47	3
198435-25240	48	7
198435-25280	48	10
198435-25310	48	11
198435-25720	49	3
198435-25730	49	4
198435-25810	49	12
198435-27142	56	7
198435-27260	56	14
198435-27551	53	5
198435-27700	58	3
198435-27740	58	7

Parts No.	Fig. No.	Ref. No.
198435-34720	73	2
		7
198435-34730	73	1
198435-34740	73	3
		8
198435-34750	73	4
		9
198435-34830	73	6
198435-45101	87	1
198448-51460	93	11
	94	11
	145	15
198448-56150	103	4
198461-60590	106	1
		2
		3
198531-14720	27	2
		7
198531-14730	27	3
		8
198531-14740	27	4
		9
198531-14750	27	5
		10
198531-34730	74	5
		10
198535-52110	95	5
198535-52130	95	6
198535-52140	95	7
198535-62780	12	4
1A1040-26320	56	2
1A1040-36010	77	3
1A1040-36040	77	4
1A1380-55310	100	3
1A6150-91251	119	7
1A6150-93151	119	8
1A6401-29150	145	2
1A6640-65511	115	3
1A6640-65530	116	2
1A6641-12311	131	1
1A6641-13600-1	136	2
1A6641-13780-1	137	11
1A6641-13830-1	137	13
1A6750-14700	28	1
1A6750-14720	28	2
		7
1A6750-14800	28	6
1A6750-61830	2	32
	3	31
	105	29

Parts No.	Fig. No.	Ref. No.
1A6750-62610	109	8
1A6750-63050	149	3
1A6760-34720	75	2
		7
1A6780-13700-1	137	6
1A6780-13890	137	15
1A6780-14110	140	1
1A6780-14131	140	3
1A6780-31500	65	1
1A6780-31520	65	3
1A7000-52820	96	8
1A7030-52810	96	7
1A7050-13230	15	2
	133	3
1A7100-53100	105	6
1A7100-53130	105	7
1A7100-53140	105	8
1A7100-53220	125	6
		11
1A7100-53230	125	7
1A7100-53400	102	2
1A7100-53420	102	3
1A7100-64110	114	2
1A7180-04180	6	6
1A7180-04850	148	1
1A7180-61250	2	31
	3	30
1A7260-27680	55	8
1A7335-52120	98	5
1A7335-71250	122	4
1A7400-02950	108	1
1A7450-52210	98	9
1A7450-52230	98	10
1A7500-00811	2	7
	3	6
1A7500-00821	2	8
	3	7
1A7500-51130	95	2
1A7500-51160	95	4
	96	4
1A7500-61480	105	23
1A7500-71112	122	2
1A7500-71120	122	9
1A7500-71130	122	10
1A7500-71200	122	3
1A7500-71251	122	5
1A7500-71271	122	6
1A7500-71291	122	7
1A7500-72160	122	12
		18

Parts No.	Fig. No.	Ref. No.
1A7500-73110	122	27
1A7500-74640	122	31
1A7500-74661	122	33
1A7500-74670	122	34
1A7500-74680	122	35
1A7510-56110	103	3
1A7510-57200	98	13
1A7531-11350	137	1
1A7531-36310	78	2
1A7531-36320	78	3
1A7531-36380	78	5
1A7531-36410	78	6
1A7531-52420	95	8
1A7542-24980	46	3 -1
1A7550-08811	108	2
1A7550-91900	97	4
1A7720-13740	20	3
1A7720-13760	137	4
1A7720-17811	35	1
1A7720-24320	44	1
1A7720-26180	50	7
1A7720-27120	56	5
1A7720-27130	56	6
1A7720-27190	56	12
1A7720-27240	57	1
1A7720-28141	60	2
1A7720-28261	61	3
1A7720-28310	62	2
1A7720-28350	62	4
1A7720-28650	63	6
1A7720-28960	63	7
1A7720-31300	64	1
1A7740-28540	63	4
1A7740-65720	115	6
1A7780-14310	74	2 -1
		7 -1
1A7780-17570	33	6
1A7870-00600	2	1
1A7870-00620	2	5
1A7870-00630	2	54
	3	53
1A7870-01111	4	2
1A7870-01150	4	3
1A7870-01170	103	1
1A7870-01410	2	9
	3	8
1A7870-01511	2	11
	3	10
1A7870-03111	2	12
	3	11

Parts No. Index

Parts No.	Fig. No.	Ref. No.
1A7870-04101	6	3
1A7870-04270	6	10
1A7870-04410	7	1
1A7870-04450	8	1
1A7870-04460	8	2
1A7870-06010	2	14
	3	13
1A7870-06160	2	15
	3	14
1A7870-06200	2	16
	3	15
1A7870-11200-1	9	2
1A7870-14730	27	2 -1
		7 -1
1A7870-17302	32	1
1A7870-17541	33	2
1A7870-17550	33	5
1A7870-17620	33	7
1A7870-17631	33	8
1A7870-17641	33	9
1A7870-17810	35	2
1A7870-17820	34	1
1A7870-17950	35	5
1A7870-21411	36	1
1A7870-22410	42	3
1A7870-24910	43	3 -1
1A7870-24980	46	3
1A7870-26060	50	3
1A7870-26080	51	4
1A7870-27050	55	5
1A7870-27090	53	1
1A7870-27091	53	1 -1
1A7870-27100	56	3
1A7870-27200	54	2
1A7870-27210	54	5
1A7870-27220	54	8
1A7870-27260	55	6
1A7870-27270	57	2
1A7870-27360	57	3 -1
1A7870-27500	58	2
1A7870-27530	53	4
1A7870-27601	55	7
1A7870-27710	58	5
1A7870-27750	59	5
1A7870-27760	58	8
1A7870-27930	54	9
1A7870-27990	56	17
1A7870-28110	60	1
1A7870-28210	61	2
1A7870-28320	62	3

Parts No.	Fig. No.	Ref. No.
1A7870-28340	61	5
1A7870-28500	63	2
1A7870-33130	68	3
1A7870-34320	76	5
		10
1A7870-34730	74	5 -1
		10 -1
1A7870-37300	79	6
1A7870-47170	91	7
1A7870-47221	91	8
1A7870-47280	91	10
1A7870-47290	91	11
1A7870-47550	92	3
1A7870-48110	93	2
1A7870-48220	93	4
	94	4
	145	8
1A7870-48340	93	7
	94	7
	145	12
1A7870-48500	93	8
	94	8
	145	13
1A7870-51600	97	2
1A7870-52950	98	11
		12
1A7870-53300	100	1
1A7870-56600	6	8
1A7870-60750	105	10
1A7870-60960	105	11
1A7870-60970	105	12
1A7870-61060	100	4
1A7870-61090	105	15
1A7870-61201	105	16
1A7870-61480	105	24
1A7870-61600	107	5
1A7870-61710	106	5
1A7870-61750	106	6
1A7870-61810	107	6
1A7870-62050	109	2
1A7870-62250	108	14
1A7870-62270	98	16
1A7870-62300	108	15
1A7870-62400	109	3
1A7870-62510	109	5
1A7870-63010	149	2
1A7870-85271	126	3
1A7874-00600	3	1
1A7874-05500	2	13
	3	12

Parts No.	Fig. No.	Ref. No.
1A7874-06100	147	1
1A7874-11100	9	1
1A7874-11120	10	1
1A7874-11130	129	1
1A7874-11200	10	2
	129	2
1A7874-11300	10	3
	129	3
1A7874-11350	10	4
	129	4
1A7874-14500	141	1
1A7874-14510	141	2
		5
1A7874-14520	141	3
		6
1A7874-14600	141	4
1A7874-14700	27	1 -1
1A7874-14720	27	3 -1
		8 -1
1A7874-14800	27	6 -1
1A7874-25200	47	5
1A7874-26170	50	6
1A7874-34500	144	1
1A7874-34510	144	2
		5
1A7874-34520	144	3
		6
1A7874-34600	144	4
1A7874-34700	75	1
1A7874-34750	75	6
1A7874-34800	74	1 -1
1A7874-34850	74	6 -1
1A7874-36050	78	1
1A7874-36090	81	2
1A7874-36100	81	3
1A7874-36110	81	4
1A7874-36210	81	5
1A7874-36250	81	6
1A7874-36330	78	4
1A7874-36430	78	7
1A7874-36510	81	11
1A7874-36550	81	12
1A7874-36580	81	13
		14
1A7874-36590	81	15
		16
1A7874-36610	81	17
1A7874-36620	81	18
1A7874-36710	81	20
1A7874-36770	81	21

Parts No.	Fig. No.	Ref. No.
1A7874-36780	82	2
1A7874-36790	82	3
1A7874-37400	79	7
1A7874-37770	79	12
1A7874-37780	79	15
1A7874-37800	79	16
1A7874-42850	83	11
1A7874-47130	91	6
1A7874-51110	95	1
1A7874-51170	96	3
1A7874-51410	96	5
1A7874-53200	105	9
1A7874-53300	125	2
1A7874-53310	125	9
1A7874-56010	103	2
1A7874-58110	98	14
1A7874-58120	98	15
1A7874-61020	105	13
1A7874-61030	105	14
1A7874-61250	105	17
1A7874-61300	105	18
1A7874-61350	105	20
1A7874-61410	105	21
	107	2
1A7874-61450	105	22
1A7874-61520	107	3
1A7874-61530	107	4
1A7874-61640	106	4
1A7874-62330	108	16
1A7874-62410	109	4
1A7874-62530	109	7
1A7874-62590	111	1
1A7874-63000	112	1
1A7874-63010	112	2
1A7874-63020	112	3
1A7874-63100	113	1
1A7874-63110	113	2
1A7874-63560	113	4
1A7874-64120	114	3
1A7874-65000	115	1
1A7874-65010	115	1 -1
1A7874-65210	117	1
1A7874-65220	117	2
1A7874-65310	118	1
1A7874-65320	118	2
1A7874-65360	119	2
1A7874-65400	119	5
1A7874-65470	116	1
1A7874-65650	115	5
1A7874-65660	116	3

Parts No. Index

Parts No.	Fig. No.	Ref. No.
1A7874-65670	116	4
1A7874-65680	116	5
1A7874-65770	96	9
1A7874-65780	95	9
1A7874-65860	116	6
1A7874-65920	119	3
1A7874-71100	122	1
1A7874-71500	111	2
1A7874-72150	122	11
1A7874-72170	122	13
		19
1A7874-72200	122	15
1A7874-72250	122	17
1A7874-72300	122	21
1A7874-72310	122	22
1A7874-72340	122	25
1A7874-72410	122	16
		26
1A7874-72520	146	1
1A7874-72600	146	2
1A7874-73120	122	28
1A7874-74600	122	29
1A7874-74630	122	30
1A7874-74650	122	32
1A7874-75440	121	1 -1
1A7874-75500	121	1
1A7874-85050	125	1
1A7874-85210	126	1
1A7874-85220	126	2
1A7874-85560	125	19
1A7874-85680	125	28
1A7874-85690	2	35 -1
	3	34 -1
1A7874-85700	2	35
	3	34
1A7874-85810	125	22
1A7874-85850	125	23
1A7876-13310	17	1
1A7876-13500	134	1
1A7876-28580	63	5
1A7876-48110	94	2
1A7876-48150	145	7
1A7876-48250	145	10
1A7876-62111	108	12
1A7876-62161	108	13
1A7880-53320	100	2
1A7880-61070	100	5
1A7880-71550	111	3
1A7880-72320	122	23
1A7880-72330	122	24

Parts No.	Fig. No.	Ref. No.
1A8070-61330	105	19
1A8070-63640	108	17
1A8070-63660	108	18
1A8130-16950	54	3
1A8160-46670	92	2
1A8160-51130	95	3
1A8275-72180	122	14
		20
1C6053-32020	79	4
1C6140-14050	79	1
1C6281-52320	58	10
	79	19
	91	35
		36
1C6560-13470	41	1
1C6650-37480	102	1
1C6900-23120	20	11
1C6900-23150	20	12
1C6980-04360	33	3
1C6980-04370	33	4
1C7100-08150	104	1
1C7100-08151	104	1 -1
1C7121-42000	31	1
1C7121-42050	31	2
1D4110-13870	137	14
1E4070-14040	48	2
1E6102-83230	2	34
		3
		33
		15
		20
1E6140-56230	56	18
1E6190-54080	20	13
	137	18
1E6190-54160	51	7
1E6684-79830	107	8
1E8050-05510	107	1
1E8255-81180	98	17
		18
		149
		7
1E8420-55430	140	6
1E8665-05100	98	1
1E8915-81450	98	20
		21
		8
		149
		8
1E8940-81300	98	19
1K1140-82500	98	22
		23
		24
		25
		26

Parts No.	Fig. No.	Ref. No.
1K1140-82500	98	27
1TS100-01000-1	128	2
1W3981-14050	5	4
22117-080000	89	5
22137-060000	54	10
22137-080000	42	11
	43	6
	58	11
	79	20
	81	24
	91	37
		38
	111	4
22137-100000	4	6
22137-120000	81	25
	91	39
	125	24
	128	4
22137-160000	77	5
22137-180000	58	12
22157-060000	35	6
	105	34
22157-080000	6	13
	59	9
	63	8
	108	19
		20
		7
	146	3
22157-100000	4	7
22190-080002	105	35
22217-060000	54	11
	101	3
22217-100000	37	2
	56	19
	83	18
22217-120000	77	6
	124	7
	130	5
22217-140000	30	1
	110	8
	143	1
22217-160000	31	5
	146	4
22242-000200	14	4
	22	3
	132	3
22242-000250	78	8
22242-000260	16	2
		2

Parts No.	Fig. No.	Ref. No.
22242-000350	23	8
	140	7
22242-000360	134	2
22242-000400	72	3
22252-000170	40	7
	50	12
22252-000420	44	4
22252-000470	20	14
22252-000520	19	9
	136	8
22252-000620	23	9
22272-000060	91	40
22272-000150	58	13
22272-000190	79	21
22312-080160	43	7
	60	3
22312-080180	67	8
22312-080200	67	9
22312-080320	67	10
22312-080630	43	8
22312-100180	137	19
22351-035025	16	3
	17	3
	53	7
	58	14
22351-035032	134	3
22351-035040	41	5
22351-040012	89	6
22351-040040	65	9
22351-050020	56	20
	58	15
	62	5
22351-050025	56	21
	91	41
	122	8
22351-050040	68	6
	86	8
22351-060020	19	10
	53	8
22351-060025	16	4
	17	4
	53	9
		10
	58	16
22351-060028	90	7
22351-060032	55	10
		11
	134	4
22351-060040	41	6
	56	22

Parts No. Index

Parts No.	Fig. No.	Ref. No.
22351-060040	81	7
22351-080016	37	3
	39	2
22351-080020	20	15
	136	9
	137	20
22351-080032	68	7
22351-080040	20	16
	68	8
22351-080045	137	21
22351-100025	83	19
22372-080000	91	42
	105	36
	149	9
22372-100000	77	7
22417-200160	91	43
	108	21
22417-200200	42	12
	81	26
		27
22417-250200	55	12
22417-250250	13	4
		8
	33	16
	81	28
	111	5
	131	4
22417-250320	91	44
22487-080160	42	13
22487-080200	2	53
	3	52
22487-080240	79	22
	81	29
22487-080600	81	30
22512-070400	79	23
22522-030130	91	45
22551-050180	49	14
22857-600160	98	28
	103	7
	108	22
		23
23000-035000	2	36
		37
	3	35
		36
	93	12
	94	12
23000-048000	24	4
	25	4
23000-054000	2	38

Parts No.	Fig. No.	Ref. No.
23000-054000	2	39
	3	37
		38
23000-070000	24	5
	25	5
	142	5
		6
23000-090000	2	40
	3	39
23010-030000	145	16
23080-012000	2	41
	3	40
	7	14
	8	4
23414-140018	83	20
23414-150000	91	46
23414-170022	83	21
23414-180023	93	13
	94	13
	145	17
23418-060000	148	16
23491-140002	43	9
	67	11
23857-120000	145	18
23871-010000	83	2
	84	2
23871-020000	83	3
23876-010000	36	3
23980-730200	2	42
		57
	3	41
		56
23980-730300	2	42 -1
	3	41 -1
23980-730400	7	15
23980-730600	8	5
23980-730900	148	20
24101-060034	22	4
	139	3
24101-060044	49	15
24101-060054	15	4
	51	8
	133	5
24101-060060	70	3
24101-060064	49	16
	65	10
24101-060074	15	5
	23	10
	65	11
	133	6

Parts No.	Fig. No.	Ref. No.
24101-060080	72	4
24101-060084	23	11
	140	8
24101-062024	14	5
	22	5
	132	4
	139	4
24101-062034	48	14
	61	6
24101-062040	70	4
24101-062044	47	9
24101-062054	135	4
24101-062060	72	5
24101-062074	140	9
24101-063044	18	4
24101-063054	49	17
24104-060044	47	10
	50	13
24104-062044	20	17
	137	22
24104-063034	21	6
	50	14
	138	3
24161-222610	49	18
24161-252910	50	15
24164-000452	137	23
24165-000262	49	19
24190-100001	53	11
	56	23
	58	17
24190-160001	78	9
24311-000090	91	47
24311-000110	57	5
	68	9
24311-000120	88	10
	89	7
	90	8
24311-000125	53	12
	58	18
	62	6
24311-000160	43	10
	67	12
	68	10
24311-000180	19	11
	45	2
	88	11
	90	9
	136	10
24311-000200	91	48
	93	14

Parts No.	Fig. No.	Ref. No.
24311-000200	94	14
	145	19
24311-000220	93	15
	94	15
	145	20
24311-000224	86	9
24311-240100	7	10
	148	17
24315-000100	89	8
24315-000110	84	3
	87	2
	145	4
24315-000120	35	7
24315-000140	34	2
		4
24315-000460	85	2
24321-000500	19	12
	136	11
24321-001150	19	13
	136	12
24341-000315	86	10
24351-020300	43	11
24351-240300	43	11 -1
24351-240400	86	11
24372-000460	85	3
24421-173007	19	14
	136	13
24421-173508	61	7
24421-284008	43	12
24421-304708	20	18
	137	24
24550-012060	91	9
24550-014150	33	14
24550-018120	61	4
24550-020100	81	19
24550-020150	81	8
24550-040300	83	4
24761-040000	36	4
	42	14
	79	24
24761-060000	13	5
		9
	131	2
26013-060162	63	9
26013-080122	37	4
26013-080252	46	4
26013-080452	63	10
26013-080702	43	13
26013-100402	67	13
		14

Parts No. Index

Parts No.	Fig. No.	Ref. No.
26013-100502	67	15
26013-100552	67	16
26013-100652	67	17
26013-120302	123	2
	128	5
26016-060162	91	49
26016-080202	91	50
		51
26016-100352	83	22
26016-100452	83	23
26023-030162	98	29
		30
	149	10
26023-040202	105	37
26023-050122	125	14
26076-121002	125	25
26086-140252	143	2
26106-060102	12	7
26106-060122	2	43
		44
	3	42
		43
	98	31
		32
	104	2
	107	9
		10
26106-060162	2	45
	3	44
	5	7
	93	16
	94	16
	105	38
		39
		40
		41
	121	2
	125	26
		30
	145	21
26106-060202	5	8
	35	8
26106-060302	93	17
	94	17
	145	22
26106-060352	93	18
	94	18
	145	23
26106-060452	93	19
	94	19

Parts No.	Fig. No.	Ref. No.
26106-060452	145	24
26106-080122	2	46
	3	45
	10	6
	52	2
	81	31
	93	21
	94	21
	95	11
	96	16
		17
	113	5
	129	7
	145	25
26106-080162	2	47
		48
		49
		50
		58
	3	46
		47
		48
		49
		57
	6	14
	9	3
	39	3
	53	13
	54	12
	55	13
	56	24
	57	6
	59	10
	62	7
	67	18
	80	1
		2
	81	32
	92	5
	93	20
		20 -1
	94	20
		20 -1
	96	18
		21
	108	24
		25
	109	9
		10
	112	7

Parts No.	Fig. No.	Ref. No.
26106-080162	113	6
		7
	145	26
	146	5
	149	11
26106-080202	10	7
	11	6
	37	5
	84	4
	91	52
	129	8
26106-080252	2	51
	3	50
	19	15
	23	12
	37	6
	43	14
	56	25
	140	10
26106-080302	60	4
26106-080402	56	26
26106-080652	7	16
26106-080702	43	15
26106-100202	81	33
	149	12
26106-100252	9	4
	10	8
	19	16
	20	19
	58	19
	86	12
	129	9
	136	14
		15
26106-100302	37	7
26106-100352	20	20
	137	25
26106-100452	137	26
26106-100502	20	21
	137	27
26106-120452	83	24
26116-060354	54	13
26116-080202	49	20
26116-080304	56	27
26116-080552	91	53
26116-100122	56	28
26116-121302	124	8
26136-100162	32	2
	35	9
26156-100162	65	12

Parts No.	Fig. No.	Ref. No.
26156-120252	77	8
26156-140252	30	2
26226-080652	43	16
26228-080252	43	17
26228-100252	43	18
26346-080002	54	14
26346-120002	125	27
26356-100002	33	15
26366-080002	43	19
	56	29
26450-080252	87	3
26557-050352	98	33
26716-040002	105	42
26716-050002	125	15
26716-060002	97	6
	101	4
26716-080002	42	15
	54	7
	79	17
		25
	81	34
	91	5
		54
26716-100002	4	8
	37	8
		9
	83	25
	89	9
26716-120002	124	9
	128	6
	130	6
26716-140002	110	9
26736-120002	91	55
26736-160002	146	6
26776-120002	91	56
	99	6
26776-160002	31	6
29622-140001	5	9
	7	17
	96	19
29622-250001	7	18
	35	10
		11
	56	30
	95	12
798435-12800	26	1
798435-12900	26	6
798531-14710	27	1
798531-14810	27	6