

0CNP5-M38300EN

Directions for the Parts Catalog.

1. This Parts Catalog shows both standard and optional parts.
2. Parts may change without prior notice.
3. The following is an example of the Parts Catalog format.

REF.	LEV.	PARTS NO.	DESCRIPTION	Q'TY						I	R
				(A)	(B)	(C)	(D)	(E)	(F)		
1	1	729595-51390	FUEL INJECTION PUMP	1	1	1	1	1			1
1-1	1	729595-51391	FUEL INJECTION PUMP	1	1	1	1	1		N	1
		(A=E00185) (B=E00200)									
3	2	26022-060162	SCREW M 6X 16	9	9	9	9	9			
3-1	2	26022-060162	SCREW M 6X 16	4	4	4	4	4		K	
		(A=E00156) (B=E00156) (C=E00156) (D=E00156) (E=E00156)									
4	2	129470-51040	CAMSHAFT	1	1	1	1	1			
5	2	122710-51050	BEARING, ROLLER	2	2	2	2	2			
6	2	129470-51060	RETAINER	1	1	1	1	1			

Remarks
(1) BOOST COMPEMSATOR TYPE. OPTIONAL PART, TO E00155,(4JH-DT, 4JH-DTZ

① Ref. No.

The Ref. No. listed may not be in accordance with the illustration Ref. No.

(Ex.) Illustration No.

List Ref No.

1

1

(Before change)

1-1

(After change)

For interchangeable symbols N, R and K, illustrations for new parts may be abbreviated.

② Lev. (Level)

Level indication

The numbers below indicate the level of relativity towards the main part.

1 ----- Main parts (Assembly parts)

2 ----- Sub component included in " 1 ".

3 ----- Sub component included in " 2 ".

Note) Parts that are not for sale are partially illustrated but not listed.

③ Interchangeability Symbol

When a part change takes place, one of the following interchangeability symbols is indicated beside the part.

Symbol	Interchangeability	Contents note
N	Old $\begin{matrix} \leftarrow \text{Yes} \\ \text{No} \rightarrow \end{matrix}$ New	New Part is interchangeable for Old Part but Old Part is not interchangeable for New Part.
Q	Old $\begin{matrix} \leftarrow \text{No} \\ \text{Yes} \rightarrow \end{matrix}$ New	New Part is not interchangeable for Old Part but Old Part is interchangeable for New Part.
R	Old $\begin{matrix} \leftarrow \text{Yes} \\ \text{Yes} \rightarrow \end{matrix}$ New	New/ Old Parts are both interchangeable.
S	Old $\begin{matrix} \leftarrow \text{No} \\ \text{No} \rightarrow \end{matrix}$ New	New/ Old Parts are both not interchangeable.
W		Part newly added.
Z		Part discontinued.
F		Not interchangeable by a single part but interchangeable together with related parts.
K		Changes only for used parts quantities.

④ Effective Machine No.

When a part changes, the effective Machine No. will be indicated in the (A)-(F) column.

Product Symbol	Product No.	Product Symbol	Product No.
C	Clutch No. Compressor No.	F	Machine No. (Agricultural Equip.)
D	Drive No.	M	Machine No.
E	Engine No.		

Note 1) A date may follow the symbol. (Ex.) 1996.01

Note 2) "XXXXX" and "ZZZZZ" are for parts that could not be predicted or for engine models that could not be identified.

Note 3) (A=E00185) is the E (Engine Serial Number) for the column (A) model (in this case 4JH-DT) after the parts design change.

⑤ Remarks

Figures or alphabets (symbols) are entered in the remarks column.

The comments (remarks) on parts that are indicated at the bottom of the illustration are the same symbols as those stated above.

Instructions pour le catalogue de pièces.

1. Le catalogue contient des pièces standards et optionnelles.

2. Les pièces peuvent changer sans préavis.

3. Voici un exemple de format du catalogue de pièces.

REF.	LEV.	PARTS NO.	DESCRIPTION	Q'TY						I	R
				(A)	(B)	(C)	(D)	(E)	(F)		
1	1	729595-51390	FUEL INJECTION PUMP	1	1	1	1	1			1
1-1	1	729595-51391	FUEL INJECTION PUMP	1	1	1	1	1		N	1
		(A=E00185) (B=E00200)									
3	2	26022-060162	SCREW M 6X 16	9	9	9	9	9			
3-1	2	26022-060162	SCREW M 6X 16	4	4	4	4	4		K	
		(A=E00156) (B=E00156) (C=E00156) (D=E00156) (E=E00156)									
4	2	129470-51040	CAMSHAFT	1	1	1	1	1			
5	2	122710-51050	BEARING, ROLLER	2	2	2	2	2			
6	2	129470-51060	RETAINER	1	1	1	1	1			

Remarks
(1) BOOST COMPEMSATOR TYPE. OPTIONAL PART, TO E00155,(4JH-DT, 4JH-DTZ

① Réf.

Il se peut que la référence de la liste ne concorde pas avec la référence de l'illustration.

(Ex.) Réf. de l'illustration Réf. de la liste
1 1 (Avant le changement) → 1-1 (Après le changement)

Pour les symboles d'interchangeabilité N, R et K, les illustrations pour les nouvelles pièces peuvent être abrégées.

② Niv. (Niveau)

Indication du niveau

Les numéros ci-dessous indiquent le niveau par rapport à la pièce principale.

1 ----- Pièces principales (pièces d'assemblage)

2 ----- Sous-élément inclus dans « 1 ».

3 ----- Sous-élément inclus dans « 2 ».

Remarque : les pièces qui ne sont pas en vente sont partiellement illustrées, mais ne figurent pas dans la liste.

③ Symbole d'interchangeabilité

En cas de changement de pièce, l'un des symboles d'interchangeabilité suivants est indiqué à côté de la pièce.

Symbole	Interchangeabilité	Remarque sur le contenu
N	Ancienne $\xleftarrow{\text{Oui}} \text{Nouvelle}$ Non $\xrightarrow{\text{Non}}$	La nouvelle pièce peut être substituée à l'ancienne, mais l'ancienne pièce ne peut pas être substituée à la nouvelle.
Q	Ancienne $\xleftarrow{\text{Non}} \text{Nouvelle}$ Oui $\xrightarrow{\text{Oui}}$	La nouvelle pièce ne peut pas être substituée à l'ancienne, mais l'ancienne pièce peut être substituée à la nouvelle.
R	Ancienne $\xleftarrow{\text{Oui}} \text{Nouvelle}$ Oui $\xrightarrow{\text{Oui}}$	La nouvelle pièce et l'ancienne sont interchangeables.
S	Ancienne $\xleftarrow{\text{Non}} \text{Nouvelle}$ Non $\xrightarrow{\text{Non}}$	La nouvelle pièce et l'ancienne ne sont pas interchangeables.
W		Pièce nouvellement ajoutée.
Z		Pièce supprimée.
F		Non interchangeable avec une pièce unique, mais interchangeable avec des pièces connexes.
K		Changements uniquement aux quantités de pièces usagées.

④ N° de machine applicable

En cas de changement de pièce, le n° de machine applicable est indiqué dans la colonne (A)-(F).

Symbole de produit	N° de produit	Symbole de produit	N° de produit
C	N° d'embrayage, n° de compresseur	F	N° de machine (agroéquipement)
D	N° d'entraînement	M	N° de machine
E	N° de moteur		

Remarque 1 : une date peut suivre le symbole. (Ex.) 1996.01

Remarque 2 : « XXXXX » et « ZZZZZ » désignent des pièces impossibles à prédire ou des modèles de moteur non identifiables.

Remarque 3 : (A=E00185) est le E (numéro de série du moteur) pour le modèle de la colonne (A) (ici : 4JH-DT) après le changement à la conception des pièces.

⑤ Identification des remarques

Des chiffres ou des lettres (symboles) sont entrés dans la colonne des remarques.

Les commentaires (remarques) sur les pièces dans le bas de l'illustration sont les mêmes symboles que ceux mentionnés ci-dessus.

Contents

OCNP5-M38300

Fig. No. Fig. Name

4TNV84T-BMRG1

1. CYLINDER BLOCK
2. GEAR HOUSING
3. FLYWHEEL HOUSING & OIL SUMP
4. CYLINDER HEAD & BONNET
5. SUCTION MANIFOLD
6. EXHAUST MANIFOLD & SILENCER
7. CAMSHAFT & DRIVING GEAR
8. TURBINE
9. CRANKSHAFT & PISTON
10. BALANCER
11. LUB. OIL SYSTEM
12. LUB. OIL LINE
13. COOLING WATER SYSTEM
14. FUEL INJECTION PUMP
15. GOVERNOR
16. FUEL INJECTION VALVE
17. STARTING MOTOR
18. GENERATOR

Fig. No. Fig. Name

Fig.1. CYLINDER BLOCK

(A)=4TNV84T-BMRG1

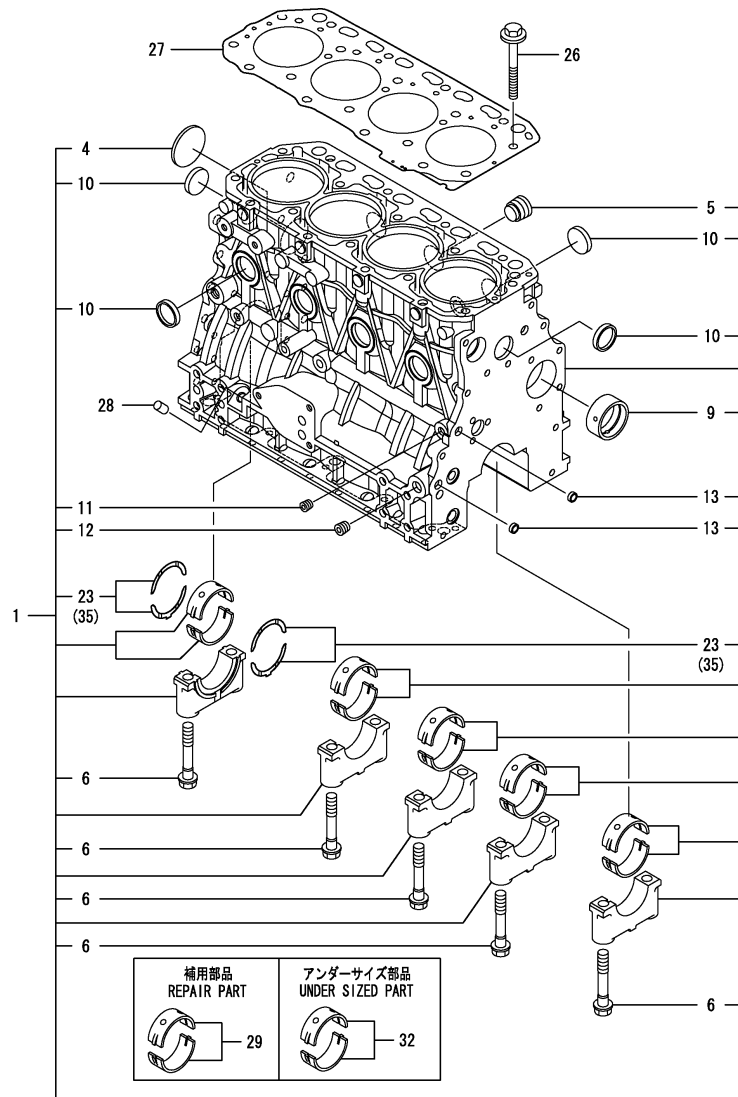
(B)=

(C)=

(D)=

(E)=

(F)=



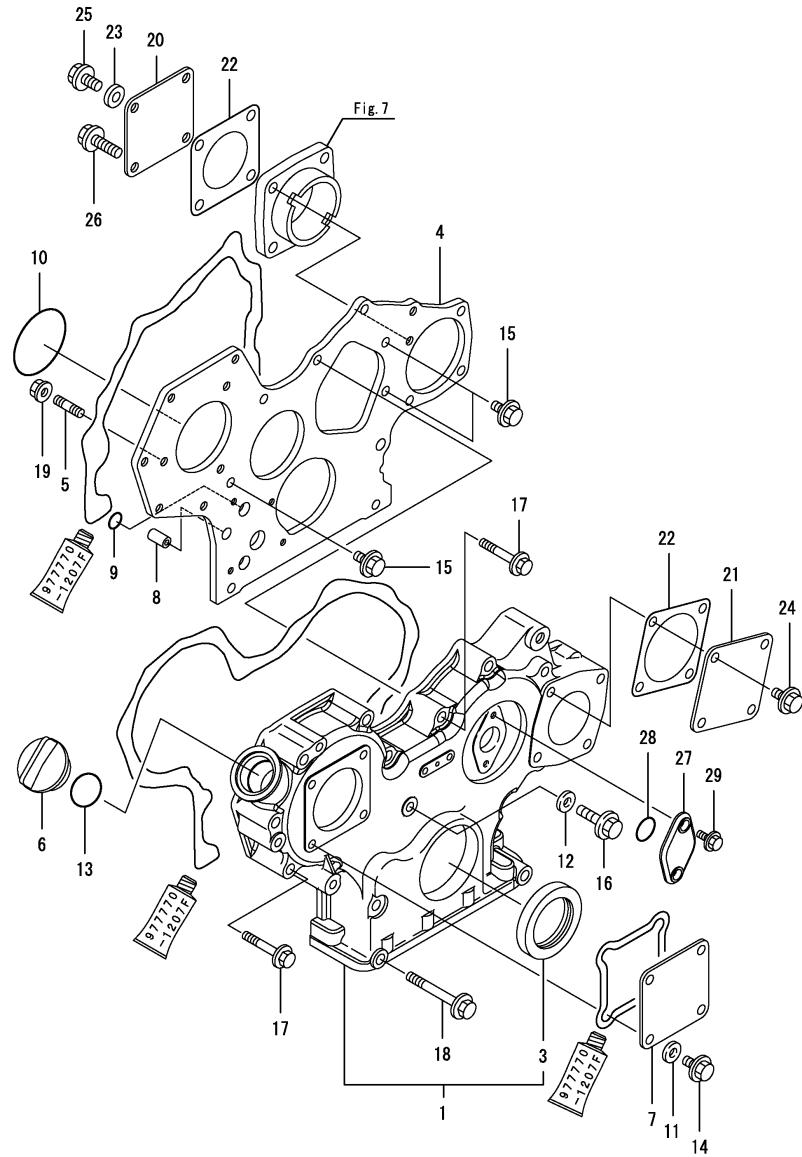
No.	Lev.	Parts No.	Description	Q'ty						I	R
				(A)	(B)	(C)	(D)	(E)	(F)		
1	1	729508-01570	BLOCK ASSY, CYLINDER	1							
4	2	129001-01250	PLUG, 50	1							
5	2	171051-01921	PLUG, NPTF1	1							
6	2	129150-02020	BOLT, METAL CAP	10							
9	2	129795-02412	BUSH, CAMSHAFT	1							
10	2	27241-300000	PLUG 30	8							
11	2	124060-01050	PLUG, PT1/8	1							
12	2	124160-01910	PLUG, PT1/4	2							
13	2	27241-120000	PLUG, 12	2							
23	2	129150-02931	BEARING, THRUST	2							
26	1	129150-01200	BOLT, HEAD	18							
27	1	129508-01330	GASKET, HEAD	1							
28	1	119309-01810	PLUG	1							
29	1	129001-02931	BEARING, MAIN	5							1
32	1	129150-02871	BEARING, 0.25 US	5							2
35	1	129150-02941	BEARING, THRUST 0.25	1							3

Remarks

Note: "Effective Machine No." of the Engine Section is indicated on the Model Label which is shown in Fig.4.

- (1) Repair part.
- (2) Under-sized (U.S.=0.25) part.
- (3) Over-sized (O.S.=0.25) part.

Fig.2. GEAR HOUSING



(A)=4TNV84T-BMRG1
(B)=
(C)=

(D)=
(E)=
(F)=

No.	Lev.	Parts No.	Description	Q'ty						I	R
				(A)	(B)	(C)	(D)	(E)	(F)		
1	1	729008-01500	CASE ASSY, GEAR	1							
3	2	119934-01800	SEAL, OIL	1							
4	1	129008-01520	FLANGE, GEAR CASE	1							
5	1	119802-01561	STUD, M8X25	3							
6	1	124160-01751	COVER, FILLER	1							
7	1	124240-01871	COVER	1							
8	1	129795-01950	PIPE, KNOCK L=18	2							
9	1	119609-32040	O-RING, P16	2							
10	1	121850-51960	O-RING	1							
11	1	22190-080002	WASHER, SEAL 6	4							
12	1	22190-080002	WASHER, SEAL 6	1							
13	1	24311-000320	O-RING, 1AP32.0	1							
14	1	26106-080162	BOLT, M8X 16 PLATED	4							
15	1	26106-080162	BOLT, M8X 16 PLATED	3							
16	1	26106-080302	BOLT, M8X 30 PLATED	1							
17	1	26106-080552	BOLT, M8X 55 PLATED	10							
18	1	26106-080852	BOLT, M8X 85 PLATED	3							
19	1	26306-080002	NUT, M8	3							
20	1	124240-01871	COVER	1							
21	1	124240-01871	COVER	1							
22	1	124240-01883	GASKET	2							
23	1	22190-080002	WASHER, SEAL 6	1							
24	1	26106-080162	BOLT, M8X 16 PLATED	4							
25	1	26106-080202	BOLT, M8X 20 PLATED	1							
26	1	26106-080302	BOLT, M8X 30 PLATED	3							
27	1	121023-01551	COVER	1							
28	1	24341-000240	O-RING, 1AS24.0	1							
29	1	26106-060162	BOLT, M6X 16 PLATED	2							

Remarks

Note: "Effective Machine No." of the Engine Section is indicated on the Model Label which is shown in Fig.4.

Fig.3. FLYWHEEL HOUSING & OIL SUMP

(A)=4TNV84T-BMRG1

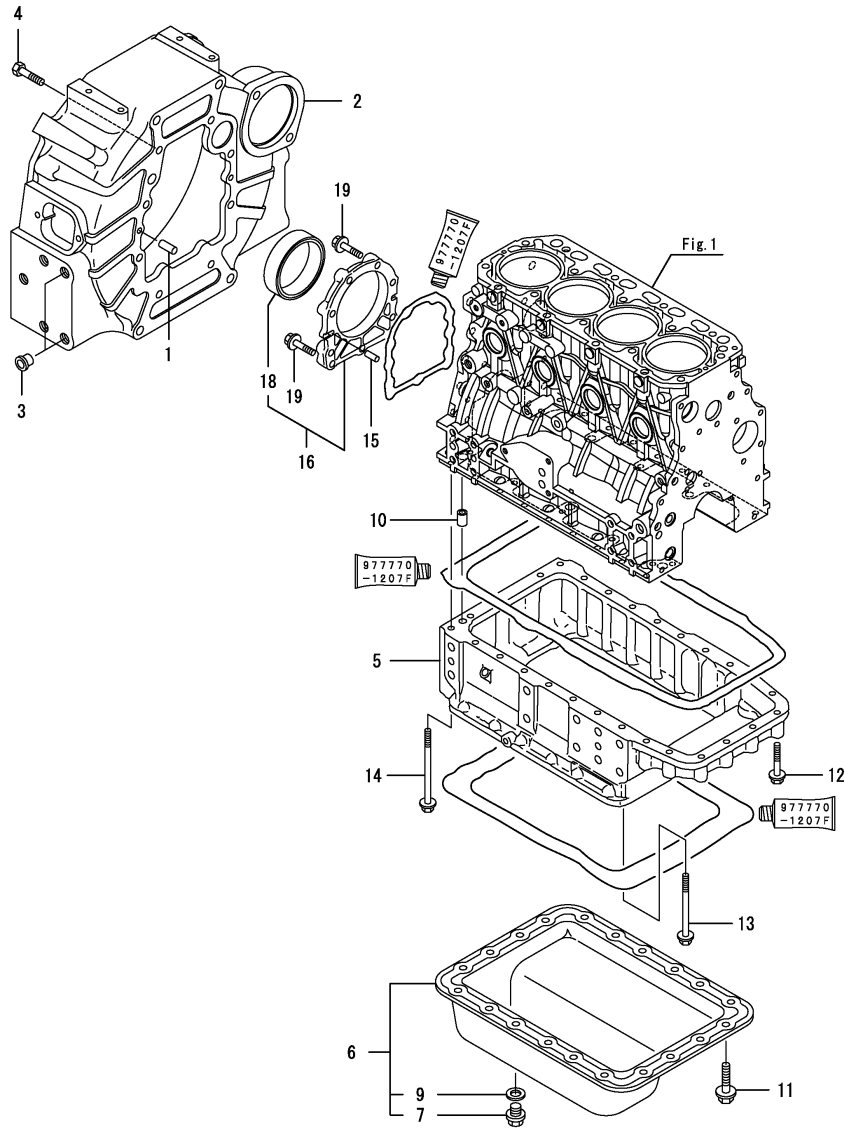
(B)=

(C)=

(D)=

(E)=

(F)=



No.	Lev.	Parts No.	Description	Q'ty						I	R
				(A)	(B)	(C)	(D)	(E)	(F)		
1	1	129100-01580	PIN, M8X16	2							
2	1	129558-01620	HOUSING, FLYWHEEL	1							
3	1	194450-11190	PLUG, 15.0	6							
4	1	26206-100252	BOLT, M10X 25 PLATED	8							
5	1	129550-01702	SUMP, OIL	1							
6	1	729429-01721	SUMP ASSY, OIL	1							
7	2	105425-01690	PLUG, 16	1							
9	2	22190-160002	WASHER, SEAL 16	1							
10	1	129555-01750	PIPE, KNOCK 14X18	1							
11	1	26106-080122	BOLT, M8X 12 PLATED	20							
12	1	26106-080502	BOLT, M8X 50 PLATED	8							
13	1	26106-081002	BOLT, M8X100 PLATED	14							
14	1	26106-081202	BOLT, M8X120 PLATED	4							
15	1	129100-01580	PIN, M8X16	2							
16	1	729402-01650	CASE ASSY, OIL SEAL	1							
18	2	129120-01780	SEAL, OIL	1							
19	1	129486-01670	BOLT, M8X30	9							

Remarks

Note: "Effective Machine No." of the Engine Section is indicated on the Model Label which is shown in Fig.4.

Fig.4. CYLINDER HEAD & BONNET

(A)=4TNV84T-BMRG1

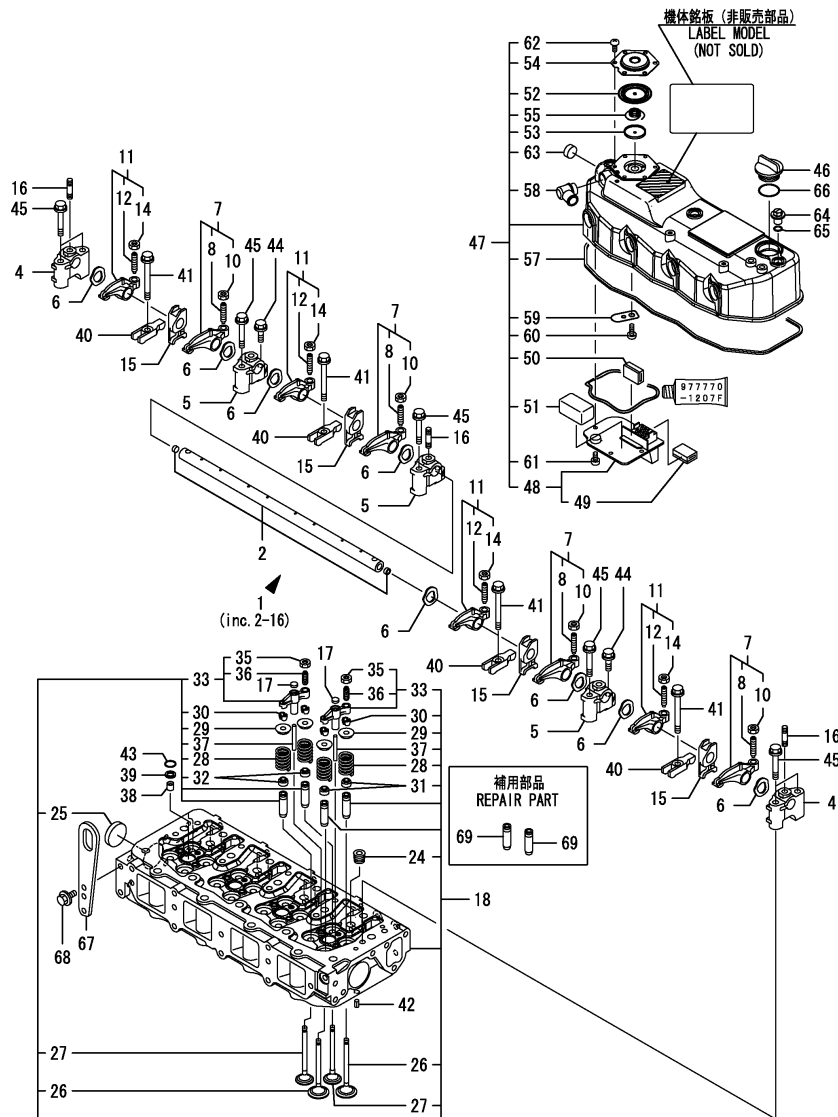
(B)=

(C)=

(D)=

(E)=

(F)=



No.	Lev.	Parts No.	Description	Q'ty						I	R
				(A)	(B)	(C)	(D)	(E)	(F)		
1	1	129508-11241	SHAFT ASSY, ROCKER	1							
2	2	129508-11250	SHAFT, ROCKER ARM	1							
4	2	129508-11260	SUPPORT, ROCKER ARM	2							
5	2	129508-11270	SUPPORT, ROCKER ARM	3							
6	2	129508-11280	WASHER	8							
7	2	129508-11650	ARM, ROCKER	4							
8	3	129150-11230	SCREW, VALVE ADJUST	4							
10	3	129150-11750	NUT, M8	4							
11	2	129508-11660	ARM, ROCKER	4							
12	3	129150-11230	SCREW, VALVE ADJUST	4							
14	3	129150-11750	NUT, M8	4							
15	2	129508-11920	RETAINER	4							
16	2	26226-080352	STUD, M8X 35	3							
17	1	123907-11550	SEAT, VALVE BRIDGE	8							
18	1	129509-11700	HEAD ASSY, CYLINDER	1							
24	2	23876-020000	PLUG, R02	4							
25	2	27241-400000	PLUG, 40	2							
26	2	129508-11100	VALVE, INTAKE	8							
27	2	129508-11110	VALVE, EXHAUST	8							
28	2	129508-11130	SPRING, VALVE	16							
29	2	129508-11180	RETAINER, SPRING	16							
30	2	119717-11190	COTTER	32							
31	2	119717-11340	SEAL, VALVE STEM	8							
32	2	119717-11350	SEAL, VALVE STEM	8							
33	2	129672-11510	BRIDGE ASSY, VALVE	8							
35	3	129150-11750	NUT, M8	8							
36	3	123907-11830	ADJUSTER	8							
37	2	129508-11820	GUIDE	8							
38	1	119802-11870	PROTECTOR, NOZZLE	4							
39	1	119625-11880	SEAT, NOZZLE	4							
40	1	129508-11900	RETAINER, NOZZLE	4							
41	1	129907-11950	BOLT, M8X75	4							
42	1	22351-060012	PIN, SPRING 6.0X12	2							
43	1	24311-000120	O-RING, 1AP12.0	4							
44	1	26106-080252	BOLT, M8X 25 PLATED	3							
45	1	26106-080502	BOLT, M8X 50 PLATED	7							
46	1	124160-01751	COVER, FILLER	1							
47	1	129558-11350	BONNET ASSY, HEAD	1							
48	2	129508-03010	PLATE	1							
49	3	119802-03070	BAFFLE, BREATHER	1							
50	2	129150-03070	BAFFLE, BREATHER	1							
51	2	129907-03070	BAFFLE, BREATHER	1							
52	2	123907-03100	DIAPHRAGM	1							
53	2	123907-03110	PLATE	1							
54	2	123907-03120	PLATE, BREATHER	1							
55	2	123907-03140	SPRING, DIAPHRAGM	1							
57	2	129508-11310	GASKET, BONNET	1							
58	2	119100-11330	ELBOW	1							
59	2	129009-11340	SPRING	1							
60	2	22857-500100	SCREW, 5X10	1							
61	2	22857-500100	SCREW, 5X10	4							

Remarks

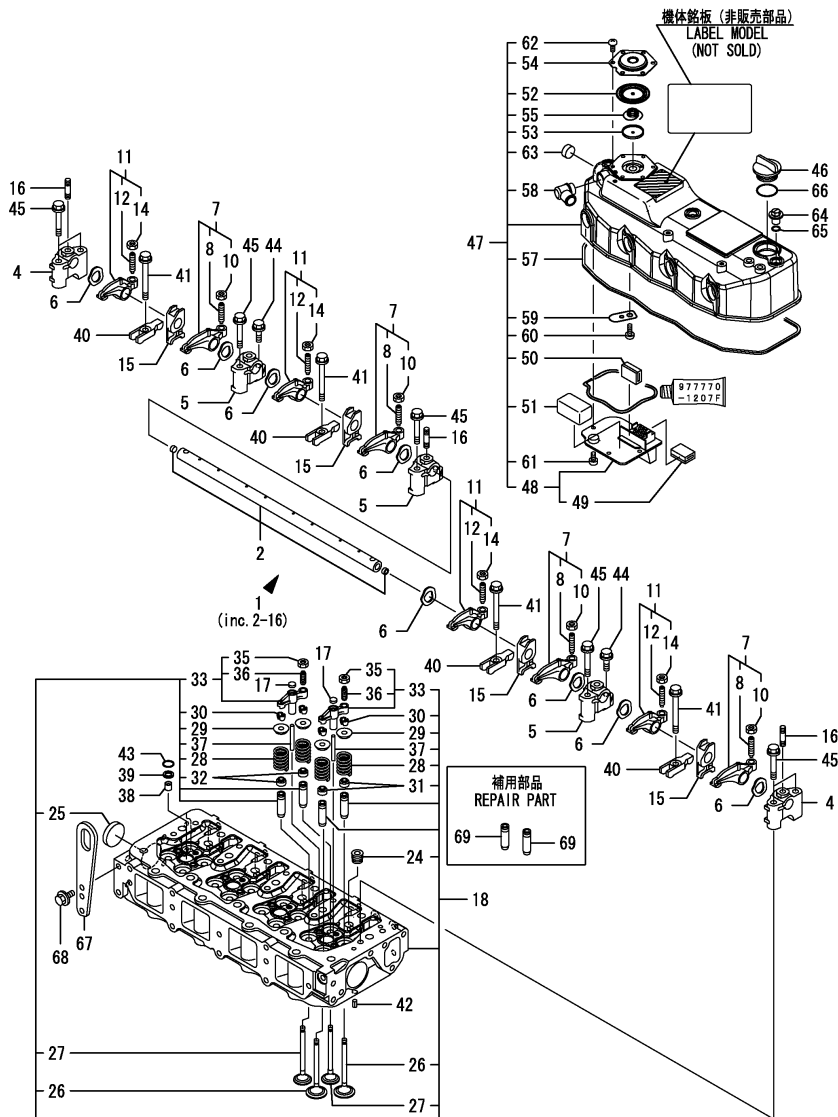
Note: "Effective Machine No." of the Engine Section is indicated on the Model Label which is shown in Fig.4.

(1)Repair part.

Fig.4. CYLINDER HEAD & BONNET

(A)=4TNV84T-BMRG1
(B)=
(C)=

(D)=
(E)=
(F)=



No.	Lev.	Parts No.	Description	Q'ty						I	R
				(A)	(B)	(C)	(D)	(E)	(F)		
62	2	22857-500100	SCREW, 5X10	6							
63	2	27241-180000	PLUG, 18	1							
64	1	124160-11360	KNOB	3							
65	1	24311-000120	O-RING, 1AP12.0	3							
66	1	24311-000320	O-RING, 1AP32.0	1							
67	1	129900-07900	LIFTER	1							
68	1	26106-080162	BOLT, M8X 16 PLATED	2							
69	1	119717-11800	GUIDE, VALVE	16							1

Remarks

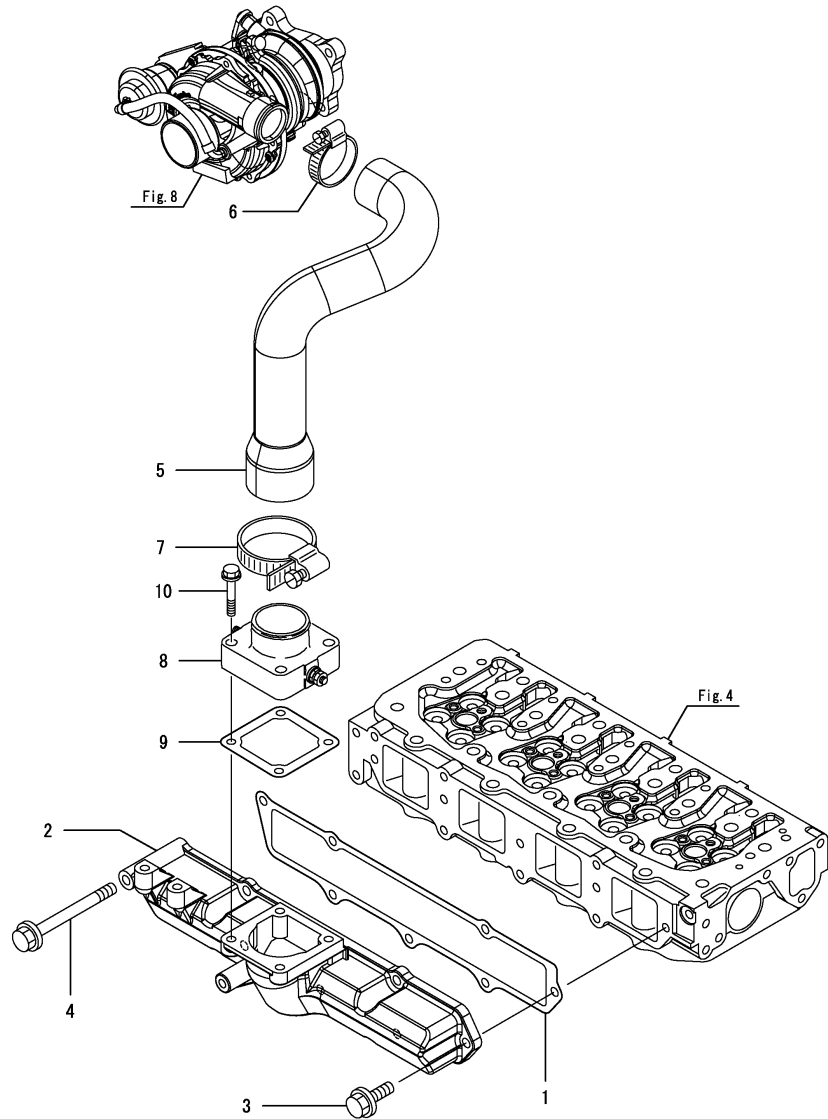
Note: "Effective Machine No." of the Engine Section is indicated on the Model Label which is shown in Fig.4.

(1)Repair part.

Fig.5. SUCTION MANIFOLD

(A)=4TNV84T-BMRG1
(B)=
(C)=

(D)=
(E)=
(F)=



No.	Lev.	Parts No.	Description	Q'ty						I	R
				(A)	(B)	(C)	(D)	(E)	(F)		
1	1	129508-12110	GASKET, MANIFOLD	1							
2	1	129508-12120	MANIFOLD, AIR INTAKE	1							
2-1	1	129508-12121	MANIFOLD,INTAKE	1							R
(A=EZZZZZ)											
3	1	26106-080202	BOLT, M8X 20 PLATED	6							
4	1	26106-080802	BOLT, M8X 80 PLATED	1							
5	1	129558-12090	HOSE,INTAKE	1							
6	1	23000-048000	CLAMP, 48	1							
7	1	23000-060000	CLAMP, 60	1							
8	1	129120-77502	HEATER	1							
9	1	129150-77511	GASKET	1							
10	1	26106-080352	BOLT, M8X 35 PLATED	4							

Remarks
Note: "Effective Machine No." of the Engine Section is indicated on the Model Label which is shown in Fig.4.

Fig.6. EXHAUST MANIFOLD & SILENCER

(A)=4TNV84T-BMRG1

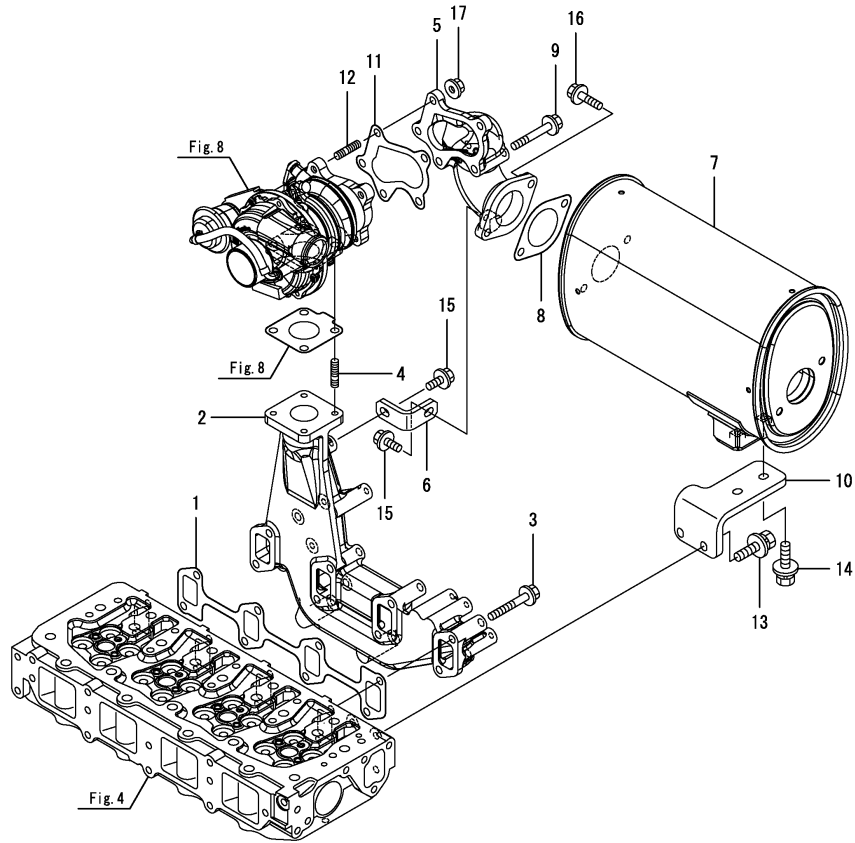
(B)=

(C)=

(D)=

(E)=

(F)=



No.	Lev.	Parts No.	Description	Q'ty						I	R
				(A)	(B)	(C)	(D)	(E)	(F)		
1	1	129550-13110	GASKET	1							
2	1	129558-13120	MANIFOLD, EXHAUST	1							
3	1	119802-13630	BOLT, M8X55	8							
4	1	129418-18320	STUD, M8X20	4							
5	1	129558-13300	BEND, EXHAUST	1							
6	1	129558-13310	STIFFENER, EXH. BEND	1							
7	1	129558-13530	SILENCER	1							
8	1	129107-13550	GASKET	1							
9	1	119802-13630	BOLT, M8X55	2							
10	1	129659-13660	STAY, SILENCER	1							
11	1	129508-18090	GASKET	1							
12	1	119131-18320	STUD, M8X22	3							
13	1	26014-080222	BOLT, M8X 22	2							
14	1	26014-080252	BOLT, M8X 25	2							
15	1	26106-080162	BOLT, M8X 16 PLATED	2							
16	1	26106-080302	BOLT, M8X 30 PLATED	2							
17	1	26306-080002	NUT, M8	3							

Remarks

Note: "Effective Machine No." of the Engine Section is indicated on the Model Label which is shown in Fig.4.

Fig.7. CAMSHAFT & DRIVING GEAR

(A)=4TNV84T-BMRG1

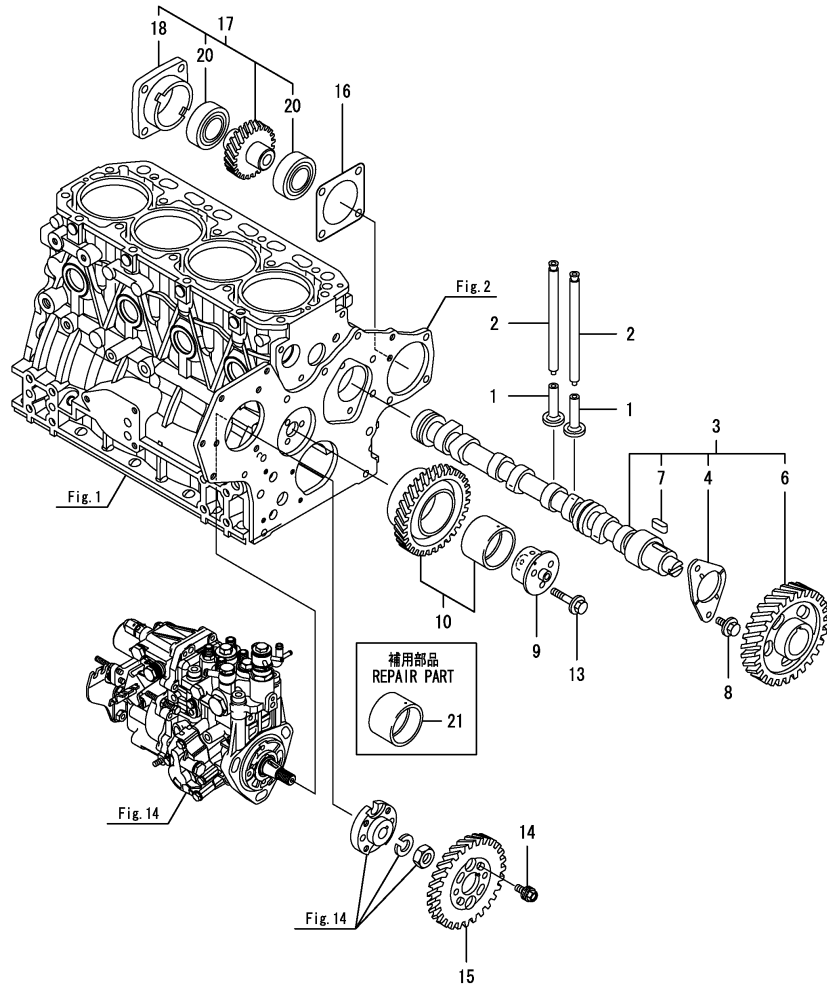
(B)=

(C)=

(D)=

(E)=

(F)=



No.	Lev.	Parts No.	Description	Q'ty						I	R
				(A)	(B)	(C)	(D)	(E)	(F)		
1	1	129150-14200	TAPPET	8							
2	1	129150-14400	ROD, PUSH L=178	8							
3	1	129508-14580	CAMSHAFT ASSY	1							
4	2	129150-02450	BEARING, THRUST	1							
6	2	129150-14101	GEAR, CAMSHAFT	1							
7	2	22512-070140	KEY, 7X 14	1							
8	1	26106-080142	BOLT, M8X 14 PLATED	2							
9	1	119803-25050	SHAFT, IDLE	1							
10	1	119802-25101	GEAR ASSY, IDLE	1							
13	1	26106-080402	BOLT, M8X 40 PLATED	3							
14	1	129150-25301	BOLT	4							
15	1	119802-25901	GEAR, PUMP	1							
16	1	129150-01881	GASKET	1							
17	1	129150-26000	DRIVE ASSY, PUMP	1							
18	2	129150-26050	BRACKET, PUMP	1							
20	2	24105-060064	BEARING, BALL 6006Z	2							
21	1	119802-25071	BUSH, IDLE GEAR	1							1

Remarks

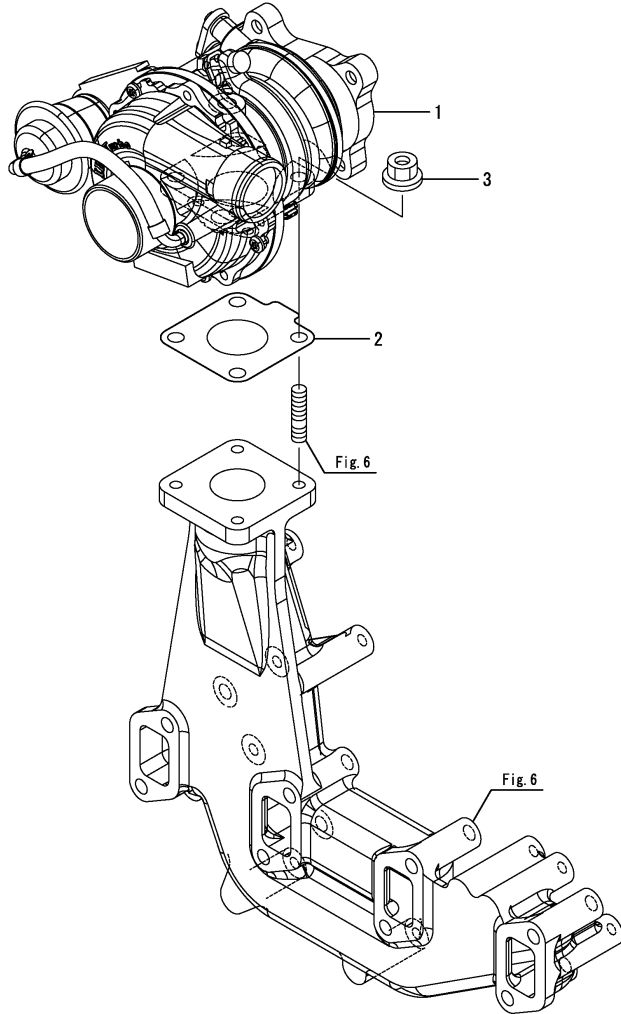
Note: "Effective Machine No." of the Engine Section is indicated on the Model Label which is shown in Fig.4.

(1)Repair part.

Fig.8. TURBINE

(A)=4TNV84T-BMRG1
(B)=
(C)=

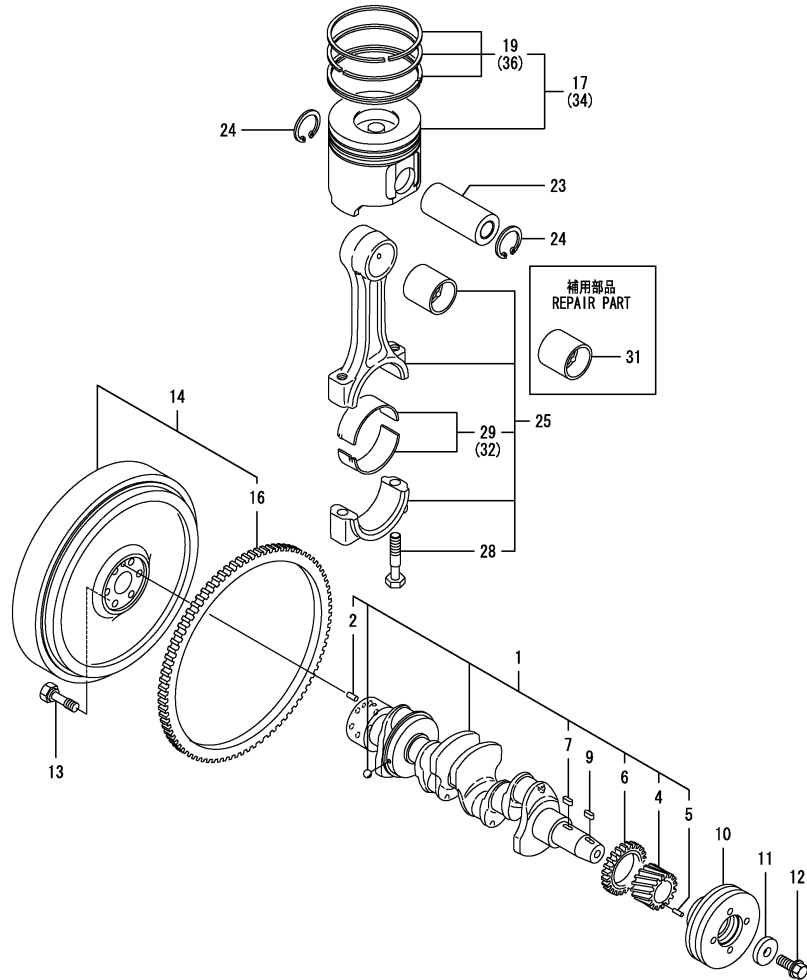
(D)=
(E)=
(F)=



No.	Lev.	Parts No.	Description	Q'ty						I	R
				(A)	(B)	(C)	(D)	(E)	(F)		
1	1	129558-18010	TURBINE, RHF4	1							
2	1	129508-18080	GASKET	1							
3	1	26306-080002	NUT, M8	4							

Remarks
Note: "Effective Machine No." of the Engine Section is indicated on the Model Label which is shown in Fig.4.

Fig.9. CRANKSHAFT & PISTON



(A)=4TNV84T-BMRG1
(B)=
(C)=

(D)=
(E)=
(F)=

No.	Lev.	Parts No.	Description	Q'ty						I	R
				(A)	(B)	(C)	(D)	(E)	(F)		
1	1	129652-21010	CRANKSHAFT ASSY	1							
2	2	129100-01580	PIN, M8X16	1							
4	2	119803-21200	GEAR, CRANKSHAFT	1							
5	2	121850-21290	PIN	1							
6	2	129400-28121	GEAR, BALANCER	1							
7	2	22512-070140	KEY, 7X 14	1							
9	1	22512-070140	KEY, 7X 14	1							
10	1	119852-21650	V-PULLEY, 120	1							
11	1	129795-21661	WASHER	1							
12	1	121850-21680	BOLT	1							
13	1	121111-21501	BOLT, FLYWHEEL	6							
14	1	129635-21590	FLYWHEEL ASSY	1							
16	2	124550-21600	GEAR, RING	1							
17	1	129508-22080	PISTON ASSY	4							
19	2	129004-22500	RING SET, PISTON	4							
23	1	129202-22300	PIN, PISTON D26 L70	4							
24	1	22252-000260	RING, 26	8							
25	1	729402-23100	ROD ASSY, CONNECTING	4							
28	2	121550-23200	BOLT, CONNECTING ROD	8							
29	2	129150-23601	BEARING, CRANK PIN	4							
31	1	129100-23910	BEARING, PISTON PIN	4							1
32	1	129150-23611	BEARING, 0.25 US	4							2
34	1	129508-22900	PISTON ASSY, 0.25 OS	4							3
36	2	129004-22950	RING SET, 0.25 OS	4							3

Remarks

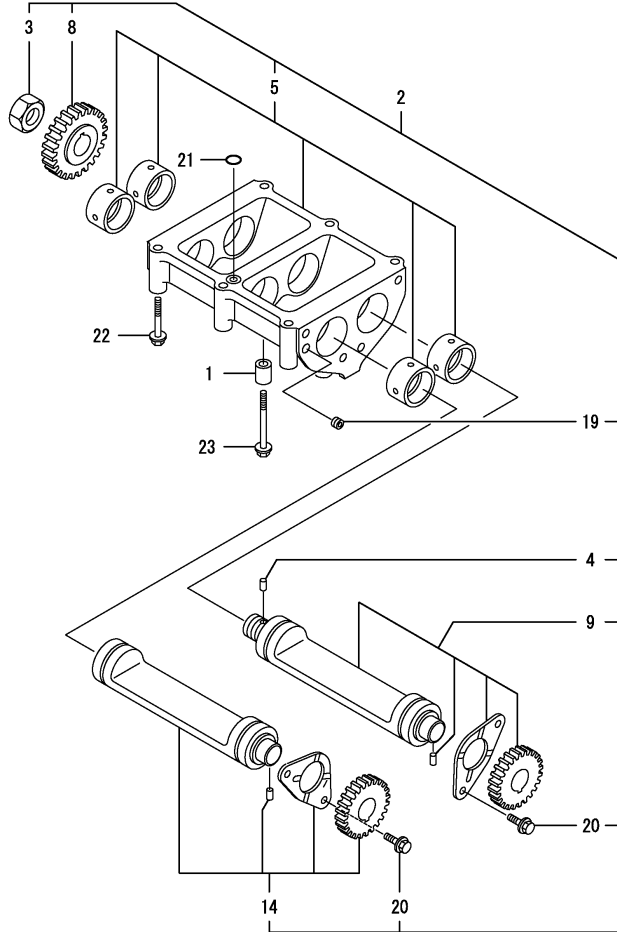
Note: "Effective Machine No." of the Engine Section is indicated on the Model Label which is shown in Fig.4.

- (1) Repair part.
- (2) Under-sized (U.S.=0.25) part.
- (3) Over-sized (O.S.=0.25) part.

Fig.10. BALANCER

(A)=4TNV84T-BMRG1
(B)=
(C)=

(D)=
(E)=
(F)=



No.	Lev.	Parts No.	Description	Q'ty						I	R
				(A)	(B)	(C)	(D)	(E)	(F)		
1	1	129795-01960	PIPE, KNOCK	2							
2	1	129457-28000	BALANCER ASSY	1							
3	2	128170-14150	NUT	1							
4	2	121850-21290	PIN	1							
5	2	129457-28011	CASE ASSY, BALANCER	1							
8	2	129400-28150	GEAR, BALANCER	1							
9	2	729490-28510	SHAFT ASSY, BALANCER	1							
14	2	729490-28520	SHAFT ASSY, BALANCER	1							
19	2	23876-005000	PLUG, R005	1							
20	2	26106-080142	BOLT, M8X 14 PLATED	4							
21	1	24311-000140	O-RING, 1AP14.0	1							
22	1	26106-080602	BOLT, M8X 60 PLATED	4							
23	1	26106-080802	BOLT, M8X 80 PLATED	2							

Remarks
Note: "Effective Machine No." of the Engine Section is indicated on the Model Label which is shown in Fig.4.

Fig.11. LUB. OIL SYSTEM

(A)=4TNV84T-BMRG1

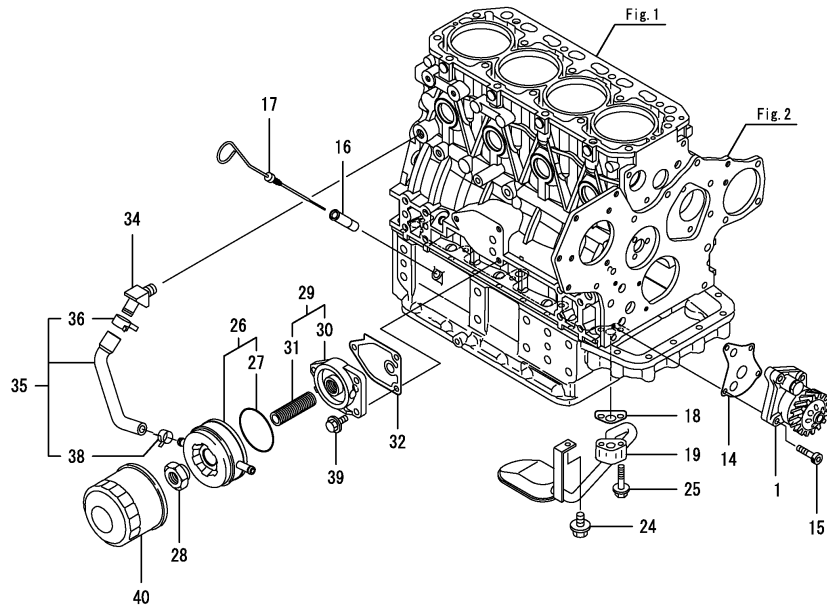
(B)=

(C)=

(D)=

(E)=

(F)=



No.	Lev.	Parts No.	Description	Q'ty						I	R
				(A)	(B)	(C)	(D)	(E)	(F)		
1	1	129418-32000	PUMP ASSY, OIL	1							
14	1	129150-32020	GASKET, PUMP	1							
15	1	26450-060252	BOLT, M6X 25	4							
16	1	121520-34810	GUIDE, DIPSTICK	1							
17	1	129558-34820	DIPSTICK, LUB.OIL	1							
18	1	129150-35042	GASKET	1							
19	1	129550-35090	PIPE ASSY, OIL INLET	1							
24	1	26106-080122	BOLT, M8X 12 PLATED	1							
25	1	26106-080352	BOLT, M8X 35 PLATED	2							
26	1	129508-33010	COOLER ASSY, OIL	1							
27	2	129508-33050	O-RING	1							
28	1	129417-33110	NUT	1							
29	1	129006-35100	BRACKET ASSY, FILTER	1							
30	2	119802-35110	BRACKET, FILTER	1							
31	2	129417-35150	STUD, L=67	1							
32	1	129150-35111	GASKET	1							
34	1	129648-44400	JOINT, PT1/4	1							
35	1	129645-49030	PIPE ASSY, WATER	1							
36	2	171008-03990	CLIP, HOSE 18.5	1							
38	2	23080-015000	CLAMP, 15	1							
39	1	26106-080202	BOLT, M8X 20 PLATED	3							
40	1	129150-35170	FILTER,LO	1							1

Remarks

Note: "Effective Machine No." of the Engine Section is indicated on the Model Label which is shown in Fig.4.

(1)Repair part.

Fig.12. LUB. OIL LINE

(A)=4TNV84T-BMRG1

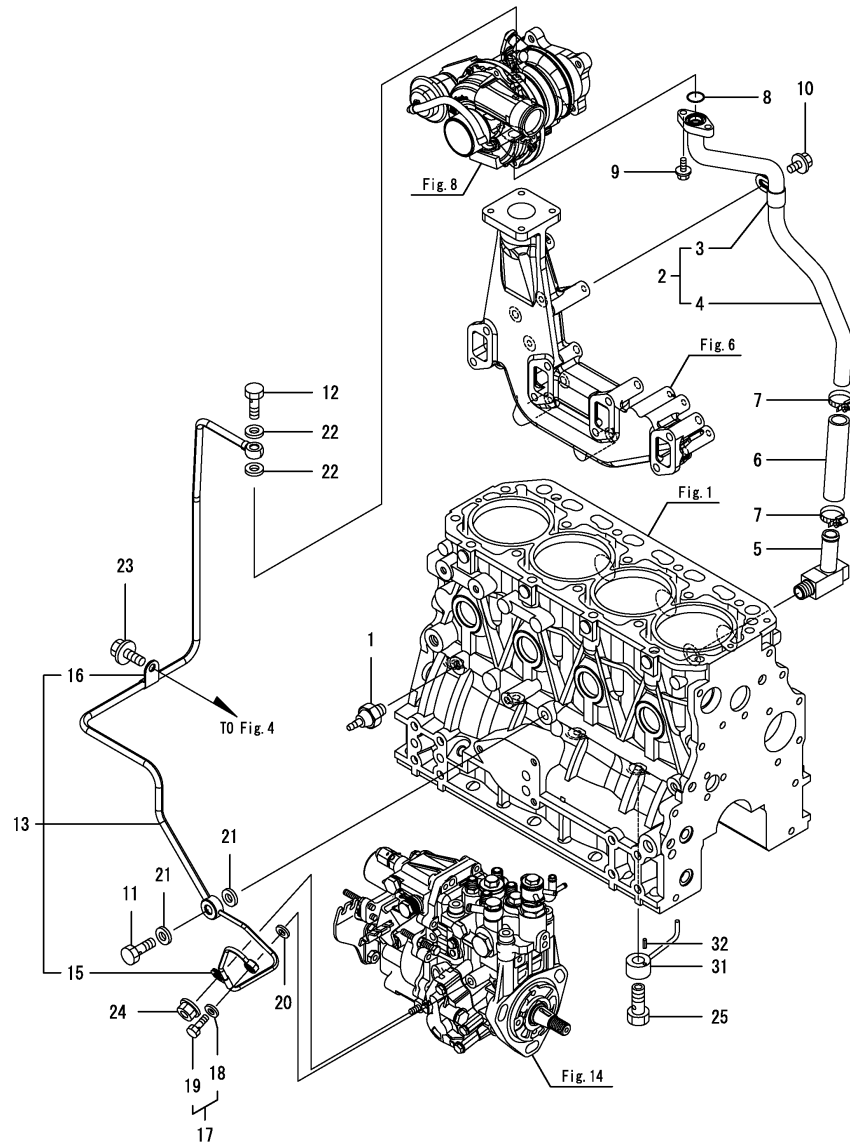
(B)=

(C)=

(D)=

(E)=

(F)=

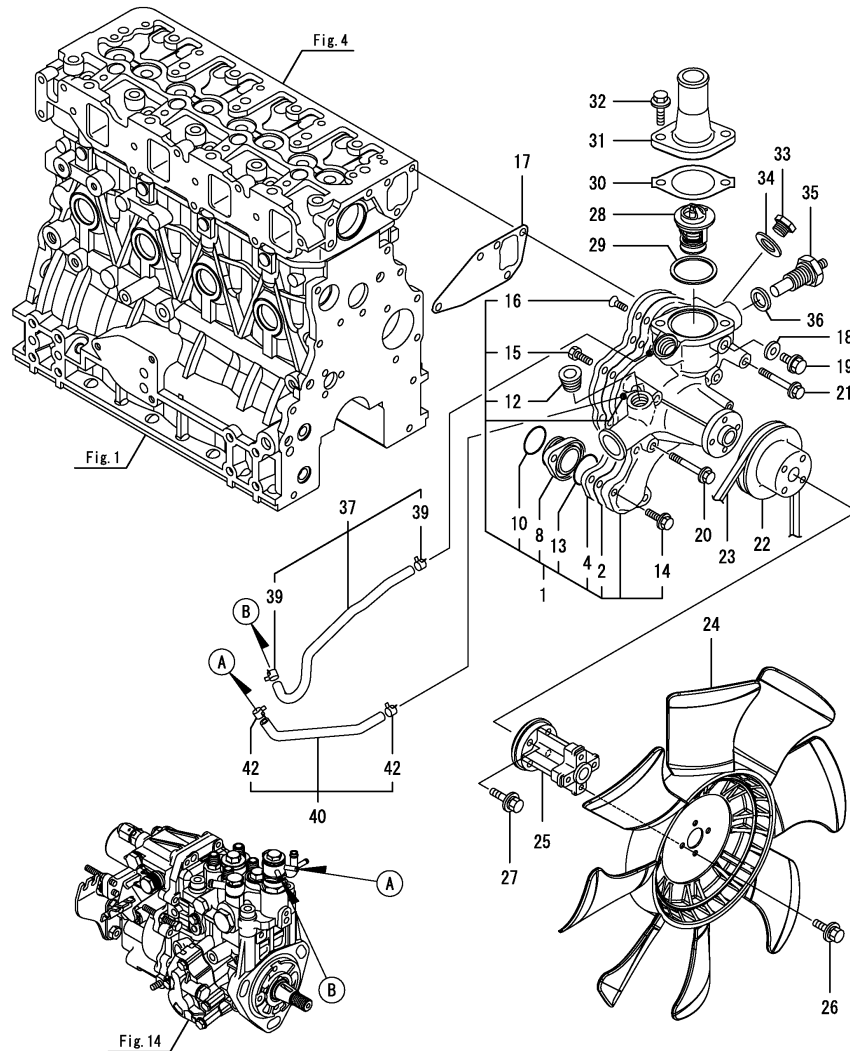


No.	Lev.	Parts No.	Description	Q'ty						I	R
				(A)	(B)	(C)	(D)	(E)	(F)		
1	1	114250-39450	SWITCH, 0.5KG	1							
2	1	129558-39610	PIPE ASSY, LO RETURN	1							
3	2	129558-39640	LO-T,T/C RETURN	1							
4	2	123910-39850	RETAINER	1							
5	1	129558-39651	ELBOW,3/8 LO RETURN	1							
6	1	123957-39671	JOINT, PIPE	1							
7	1	23000-025000	CLAMP, 25	2							
8	1	24316-000160	O-RING, 4DP16.0	1							
9	1	26106-060122	BOLT, M6X 12 PLATED	2							
10	1	26106-080122	BOLT, M8X 12 PLATED	1							
11	1	124160-39140	BOLT, PIPE JOINT M10	1							
12	1	121252-39150	BOLT, JOINT M10X1.5	1							
13	1	129558-39480	PIPE ASSY, LUB. OIL	1							
15	2	119802-39500	RETAINER, PIPE	1							
16	2	124223-39900	RETAINER	1							
17	1	129005-59830	BOLT ASSY, JOINT M8	1							
18	2	22190-080002	WASHER, SEAL 6	1							
19	2	23857-030000	BOLT, JOINT 3	1							
20	1	22190-080002	WASHER, SEAL 6	1							
21	1	22190-100002	WASHER, SEAL 10	2							
22	1	23414-100000	GASKET, 10X1.0	2							
23	1	26106-080122	BOLT, M8X 12 PLATED	1							
24	1	26366-060002	NUT, M6	1							
25	1	129792-39410	VALVE ASSY, CHECK	4							
31	1	129553-39650	NOZZLE	4							
32	1	22351-030010	PIN, SPRING 3.0X10	4							

Remarks

Note: "Effective Machine No." of the Engine Section is indicated on the Model Label which is shown in Fig.4.

Fig.13. COOLING WATER SYSTEM



(A)=4TNV84T-BMRG1

(B)=

(C)=

(D)=

(E)=

(F)=

No.	Lev.	Parts No.	Description	Q'ty						I	R
				(A)	(B)	(C)	(D)	(E)	(F)		
1	1	129263-42000	PUMP ASSY, WATER	1							
2	2	129150-42059	GASKET	1							
4	2	129263-42120	PLATE	1							
8	2	129150-42301	FLANGE	1							
10	2	129054-42320	O-RING	1							
12	2	129916-49740	PLUG, R03	2							
13	2	24358-240310	O-RING, 524031	1							
14	2	26106-060202	BOLT, M6X 20 PLATED	2							
15	2	26116-060162	BOLT, M6X 16 PLATED	3							
16	2	26577-060152	SCREW, M6X15	3							
17	1	129486-42050	GASKET, WATER PUMP	1							
18	1	23414-080000	GASKET, 8X1.0	1							
19	1	26106-080122	BOLT, M8X 12 PLATED	1							
20	1	26106-080552	BOLT, M8X 55 PLATED	3							
21	1	26106-080602	BOLT, M8X 60 PLATED	1							
22	1	129403-42380	V-PULLEY, D=110	1							
23	1	25132-004000	V-BELT, A40	1							
24	1	129436-44740	FAN, COOLING D410	1							
25	1	129266-44760	SPACER, FAN	1							
26	1	26014-060162	BOLT, M6X 16	4							
27	1	26014-060302	BOLT, M6X 30	4							
28	1	129155-49801	THERMOSTAT, 71	1							
29	1	129150-49811	GASKET, THERMOSTAT	1							
30	1	129795-49551	GASKET	1							
31	1	129350-49560	COVER, THERMOSTAT	1							
32	1	26106-080202	BOLT, M8X 20 PLATED	2							
33	1	121450-42450	PLUG, M16	1							
34	1	124465-44950	GASKET, 16	1							
35	1	124250-49351	SENSOR	1							
36	1	129150-49360	GASKET	1							
37	1	129263-49610	PIPE, WATER	1							
39	2	124722-59050	CLIP, HOSE 9	2							
40	1	129263-49620	PIPE, WATER	1							
42	2	124722-59050	CLIP, HOSE 9	2							

Remarks

Note: "Effective Machine No." of the Engine Section is indicated on the Model Label which is shown in Fig.4.

Fig.14. FUEL INJECTION PUMP

(A)=4TNV84T-BMRG1

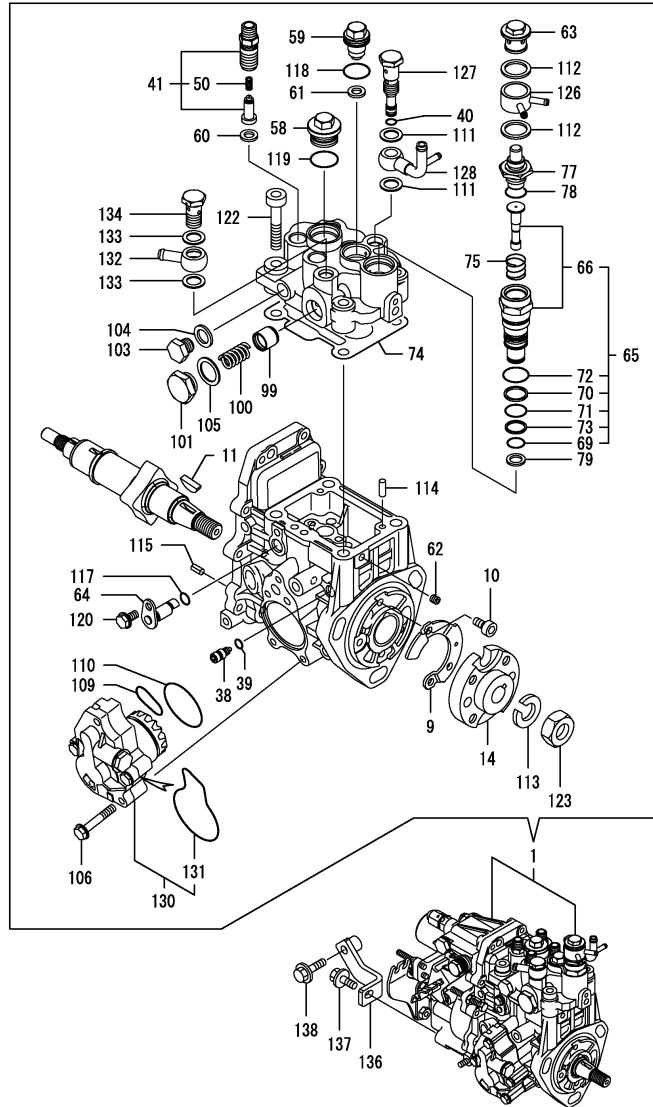
(B)=

(C)=

(D)=

(E)=

(F)=



No.	Lev.	Parts No.	Description	Q'ty						I	R
				(A)	(B)	(C)	(D)	(E)	(F)		
1	1	729558-51310	INJECTION PUMP ASSY	1							1
9	2	129008-51900	COVER, GEAR CASE	1							
10	2	129008-51920	BOLT, M6X10	2							
11	2	119802-51090	KEY, 4X16	1							
14	2	158552-51151	FLANGE	1							
38	2	158600-51270	STOPPER, TAPPET	1							
39	2	158563-51281	O-RING, 4D S6	1							
40	2	158563-51281	O-RING, 4D S6	1							
41	2	129509-51390	VALVE ASSY, DELIVERY	4							
50	3	158563-51330	SPRING, DELIVERY	4							
58	2	158601-51550	PLUG	1							
59	2	119802-51560	PLUG, BARREL	1							
60	2	158552-51571	GASKET	3							
61	2	158552-51571	GASKET	1							
62	2	158557-51570	PLUG	1							
63	2	158601-51570	PLUG	1							
64	2	158552-51580	LIFTER	1							
65	2	119802-51590	TIMER SET	1							
66	3	119802-51600	TIMER ASSY	1							
69	3	158553-51670	O-RING, 1011	1							
70	3	119802-51680	RING, BACK UP	1							
71	3	119802-51690	O-RING	1							
72	3	24356-190200	O-RING, 4D19020	1							
73	3	24372-000150	RING, BACK UP T2P15	1							
74	2	158552-51600	GASKET	1							
75	2	158553-51630	SPRING, TIMER	1							
77	2	158553-51640	ELEMENT	1							
78	2	158553-51660	O-RING, P14	1							
79	2	158553-51680	GASKET	1							
99	2	158601-51770	PISTON	1							
100	2	158552-51781	SPRING	1							
101	2	158601-51790	PLUG	1							
103	2	158553-51930	PLUG, M12	1							
104	2	22190-120002	WASHER, SEAL 12	1							
105	2	22190-180002	WASHER, SEAL 18	1							
106	2	158553-51770	BOLT	4							
109	2	158552-52311	O-RING	1							
110	2	158552-52400	O-RING, 4E S42	1							
111	2	22190-120002	WASHER, SEAL 12	2							
112	2	22190-180002	WASHER, SEAL 18	2							
113	2	22217-140000	WASHER, SPRING 14	1							
114	2	22312-050140	PIN, PARALLEL M5X14	2							
115	2	22351-050010	PIN, SPRING 5.0X10	2							
117	2	24311-000070	O-RING, 1AP7.0	1							
118	2	24356-190180	O-RING, 4D19018	1							
119	2	24356-190200	O-RING, 4D19020	1							
120	2	26106-060102	BOLT, M6X 10 PLATED	1							
122	2	26450-080452	BOLT, M8X 45	4							
123	2	26776-140002	NUT, LOCK M14	1							
126	2	158553-51551	JOINT	1							
127	2	158601-51650	JOINT, OVER FLOW	1							

Remarks

Note: "Effective Machine No." of the Engine Section is indicated on the Model Label which is shown in Fig.4.

(1)Governor(Fig.15)is incorporated in this Fuel Injection Pump (Ref.1).

Fig.14. FUEL INJECTION PUMP

(A)=4TNV84T-BMRG1

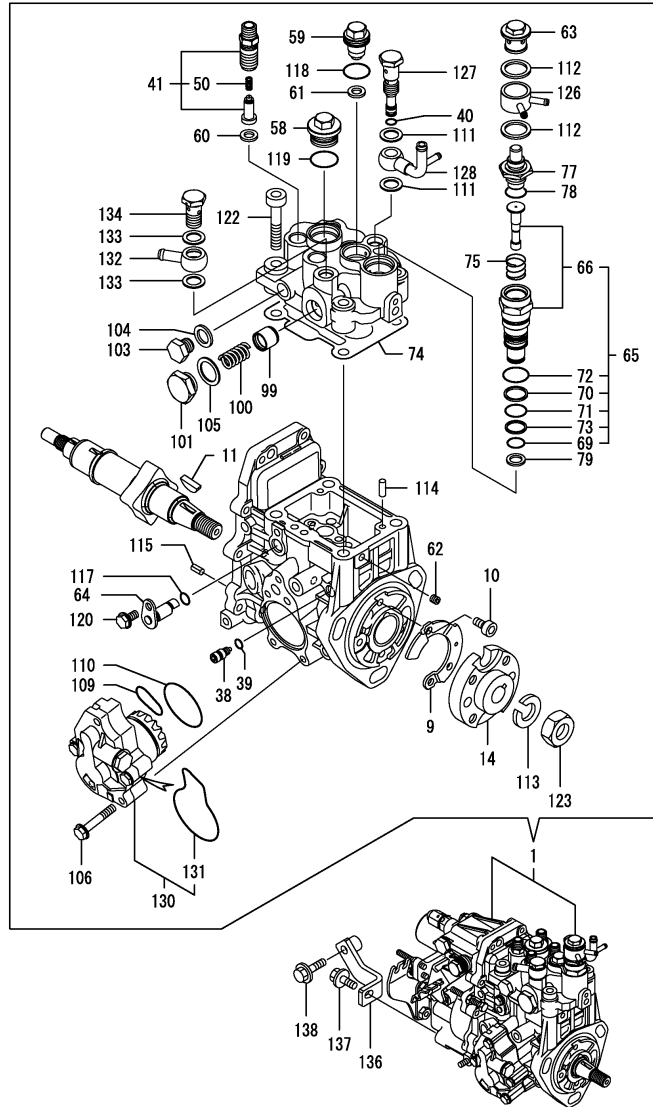
(B)=

(C)=

(D)=

(E)=

(F)=



No.	Lev.	Parts No.	Description	Q'ty						I	R
				(A)	(B)	(C)	(D)	(E)	(F)		
128	2	158552-51670	JOINT, OVER FLOW	1							
130	2	158552-52100	PUMP ASSY, FUEL FEED	1							
131	3	158552-52500	O-RING	1							
132	2	129916-59020	JOINT, PIPE 12	1							
133	2	22190-120002	WASHER, SEAL 12	2							
134	2	23857-060000	BOLT, JOINT 6	1							
136	1	129508-51250	RETAINER, PUMP	1							
137	1	26106-080202	BOLT, M8X 20 PLATED	1							
138	1	26106-080302	BOLT, M8X 30 PLATED	1							

Remarks

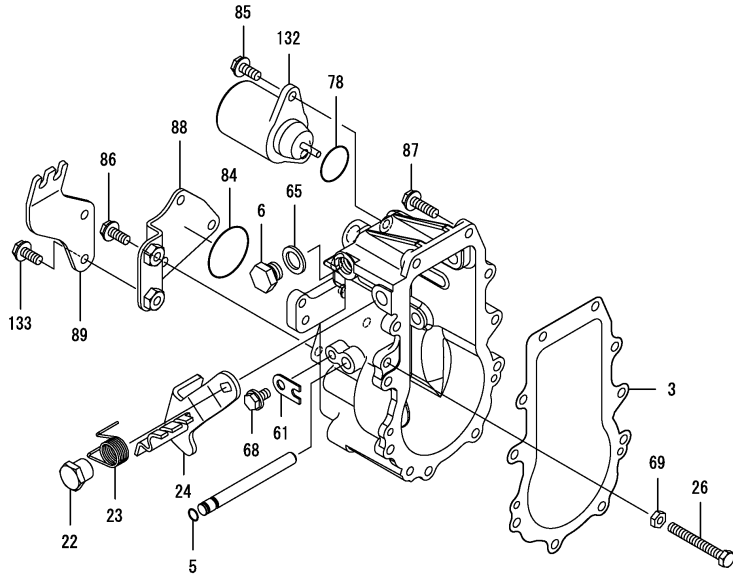
Note: "Effective Machine No." of the Engine Section is indicated on the Model Label which is shown in Fig.4.

(1) Governor(Fig.15)is incorporated in this Fuel Injection Pump (Ref.1).

Fig.15. GOVERNOR

(A)=4TNV84T-BMRG1
(B)=
(C)=

(D)=
(E)=
(F)=



No.	Lev.	Parts No.	Description	Q'ty						I	R
				(A)	(B)	(C)	(D)	(E)	(F)		
3	2	158553-61050	GASKET	1							
5	2	129155-51280	O-RING, S6	1							
6	2	158553-51930	PLUG, M12	1							
22	2	129255-61410	NUT, LOCK	1							
23	2	119807-61420	SPRING, RETURN	1							
24	2	119852-61440	LEVER ASSY,REGULATOR	1							
26	2	129155-61460	BOLT, IDLE	1							
61	2	119660-61901	RETAINER, SHAFT	1							
65	2	22190-120002	WASHER, SEAL 12	1							
68	2	26106-060102	BOLT, M6X 10 PLATED	1							
69	2	26756-060002	NUT, LOCK M6	1							
78	2	158552-61900	O-RING	1							
84	2	24341-000360	O-RING, 1AS36.0	1							
85	2	26106-060142	BOLT, M6X 14 PLATED	2							
86	2	26106-060142	BOLT, M6X 14 PLATED	3							
87	2	26106-060202	BOLT, M6X 20 PLATED	10							
88	2	129044-61060	COVER, GOVERNOR CASE	1							
89	2	119852-61080	SUPPORT, WIRE	1							
132	2	119653-77950	SOLENOID, STOP	1							
133	2	26106-060142	BOLT, M6X 14 PLATED	2							

Remarks

Note: "Effective Machine No." of the Engine Section is indicated on the Model Label which is shown in Fig.4.

*This figure(Governor)is incorporated in the Fuel Injection Pump (Fig.14).

Fig.16. FUEL INJECTION VALVE

(A)=4TNV84T-BMRG1

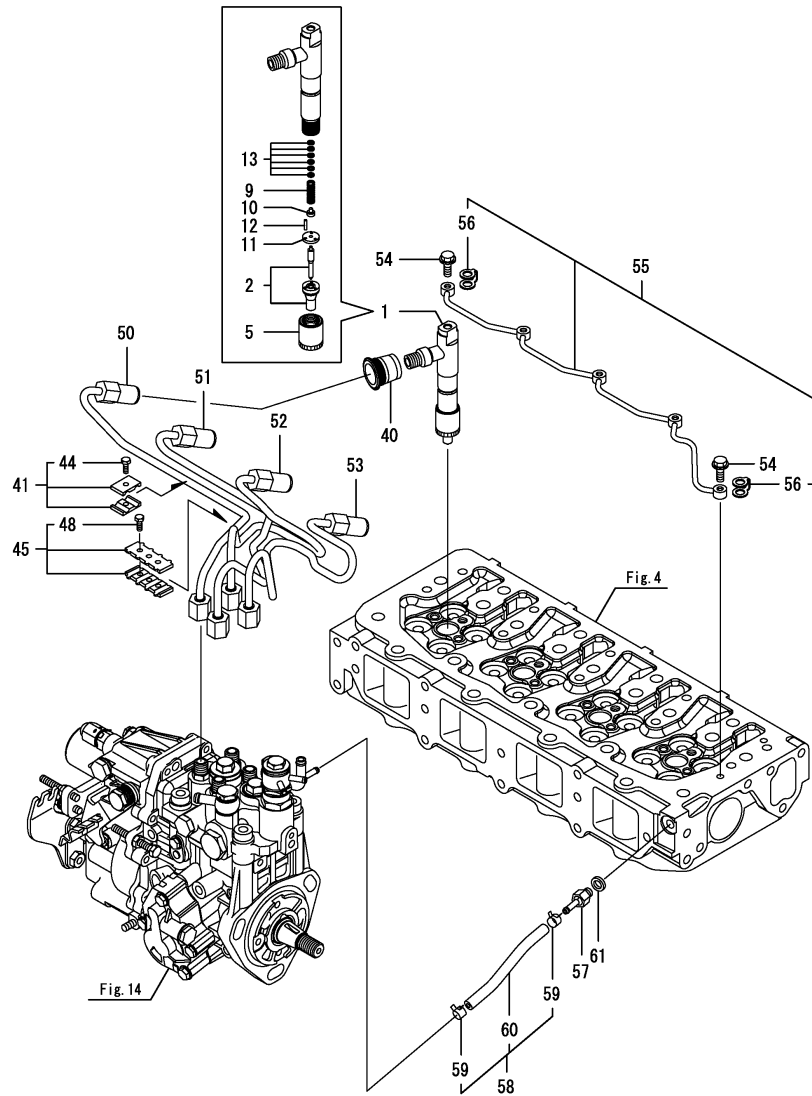
(B)=

(C)=

(D)=

(E)=

(F)=

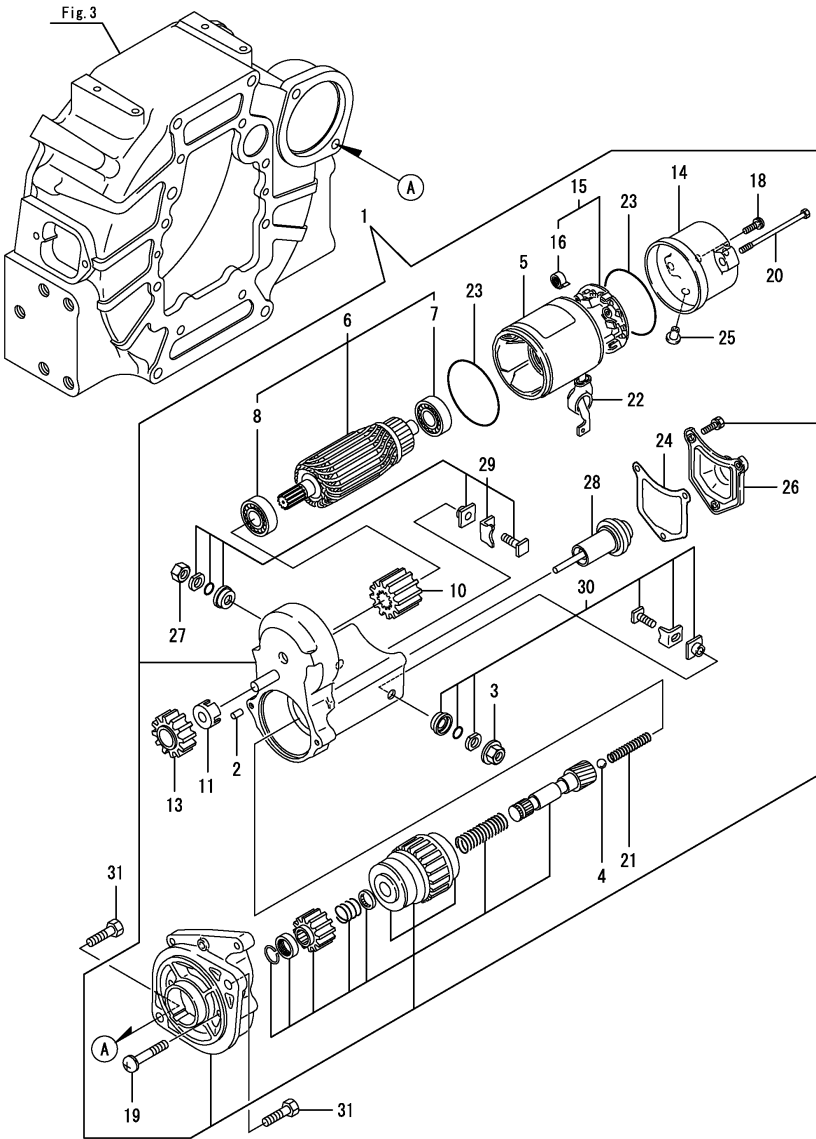


No.	Lev.	Parts No.	Description	Q'ty						I	R
				(A)	(B)	(C)	(D)	(E)	(F)		
1	1	729530-53100	VALVE ASSY,INJECTION	4							
2	2	129937-53000	VALVE ASSY,INJECTION	4							
5	2	114250-53080	NUT, NOZZLE D16.95	4							
9	2	114250-53120	SPRING, NOZZLE	4							
10	2	114250-53130	SEAT, SPRING	4							
11	2	114250-53140	PLATE	4							
12	2	114250-53210	PIN	8							
13	2	119803-53400	SHIM SET	4							
40	1	123907-11601	SEAL	4							
41	1	119305-59120	RETAINER, PIPE	2							
44	2	129150-59131	BOLT, M4X14	2							
45	1	129550-59120	RETAINER, PIPE	1							
48	2	129150-59131	BOLT, M4X14	2							
50	1	129508-59910	PIPE ASSY, INJECTION	1							
51	1	129508-59920	PIPE ASSY, INJECTION	1							
52	1	129508-59930	PIPE ASSY, INJECTION	1							
53	1	129508-59940	PIPE ASSY, INJECTION	1							
54	1	123907-59540	BOLT, PIPE JOINT M6	5							
55	1	129508-59550	PIPE ASSY, RETURN	1							
56	2	123907-59550	GASKET	5							
57	1	123907-59560	JOINT	1							
58	1	129508-59570	PIPE ASSY, RETURN	1							
59	2	124722-59050	CLIP, HOSE 9	2							
60	2	129508-59510	PIPE, FUEL RETURN	1							
61	1	22190-080002	WASHER, SEAL 6	1							

Remarks

Note: "Effective Machine No." of the Engine Section is indicated on the Model Label which is shown in Fig.4.

Fig.17. STARTING MOTOR



(A)=4TNV84T-BMRG1
(B)=
(C)=

(D)=
(E)=
(F)=

No.	Lev.	Parts No.	Description	Q'ty						I	R
				(A)	(B)	(C)	(D)	(E)	(F)		
1	1	129429-77011	STARTER ASSY	1							
2	2	X0283060061	ROLLER	5							
3	2	X9490561370	NUT	1							
4	2	X9491200240	BALL	1							
5	2	129429-77210	YOKE ASSY	1							
6	2	129429-77220	ARMATURE ASSY	1							
7	3	129429-77230	BEARING	1							
8	3	129129-77240	BEARING	1							
10	2	129429-77250	PINION ASSY	1							
11	2	129129-77260	RETAINER	1							
13	2	129129-77270	PINION	1							
14	2	129429-77270	FRAME	1							
15	2	129429-77280	HOLDER ASSY	1							
16	3	129429-77290	SPRING	4							
18	2	129429-77310	SCREW	2							
19	2	129429-77320	SCREW	2							
20	2	129429-77330	BOLT	2							
21	2	129129-77340	SPRING	1							
22	2	129429-77340	CAP	1							
23	2	129129-77350	O-RING	2							
24	2	129429-77350	GASKET	1							
25	2	129129-77362	COVER	1							
26	2	129429-77360	COVER	1							
27	2	129129-77370	NUT	1							
28	2	129429-77370	PLUNGER	1							
29	2	129429-77380	STARTER KIT	1							
30	2	129429-77390	STARTER KIT	1							
31	1	26116-120252	BOLT, M12X 25 PLATED	2							

Remarks
Note: "Effective Machine No." of the Engine Section is indicated on the Model Label which is shown in Fig.4.

Fig.18. GENERATOR

(A)=4TNV84T-BMRG1

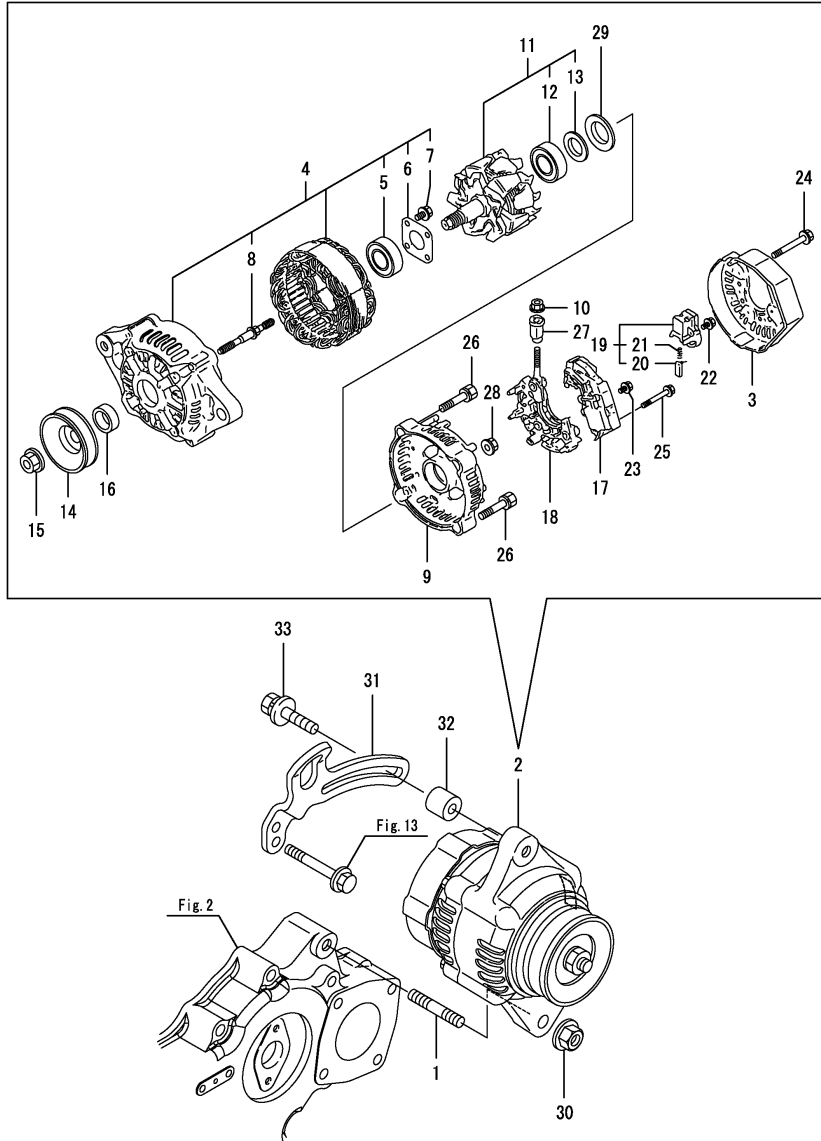
(B)=

(C)=

(D)=

(E)=

(F)=



No.	Lev.	Parts No.	Description	Q'ty						I	R
				(A)	(B)	(C)	(D)	(E)	(F)		
1	1	129795-01900	STUD	1							
2	1	119751-77200	GENERATOR, 12V-40AP	1							
3	2	X0215512440	COVER	1							
4	2	X1214001430	FRAME ASSY, DRIVE	1							
5	3	119620-79200	BALL BEARING	1							
6	3	119620-79210	PLATE, RETAINER	1							
7	3	119620-79220	SCREW	4							
8	3	119620-79230	STUD	2							
9	2	X1215011050	FRAME ASSY	1							
10	2	X9490561001	NUT	1							
11	2	119620-77380	ROTOR ASSY	1							
12	3	119620-79240	BALL BEARING	1							
13	3	119620-79250	COVER, BEARING	1							
14	2	119620-77461	PULLEY	1							
15	2	119620-77471	NUT	1							
16	2	119620-77490	COLLAR	1							
17	2	129423-77710	REGULATOR ASSY	1							
18	2	119620-79260	HOLDER	1							
19	2	129052-79270	HOLDER, BRUSH	1							
20	3	119620-77480	BRUSH ASSY	2							
21	3	119620-79280	SPRING	2							
22	2	119620-79290	SCREW	6							
23	2	119620-79300	SCREW	1							
24	2	119620-79310	BOLT	3							
25	2	119620-79320	SCREW	2							
26	2	119620-79330	BOLT	2							
27	2	119620-79340	BUSH, INSULATION	1							
28	2	119620-79350	NUT	2							
29	2	119620-79360	WASHER, THRUST	1							
30	1	26306-100002	NUT, M10	1							
31	1	129107-77330	ADJUSTER	1							
32	1	124732-77340	SPACER	1							
33	1	129972-77341	BOLT, ADJUSTER L=50	1							

Remarks

Note: "Effective Machine No." of the Engine Section is indicated on the Model Label which is shown in Fig.4.

Parts No. Index

Parts No.	Fig. No.	Ref. No.
105425-01690	3	7
114250-39450	12	1
114250-53080	16	5
114250-53120	16	9
114250-53130	16	10
114250-53140	16	11
114250-53210	16	12
119100-11330	4	58
119131-18320	6	12
119305-59120	16	41
119309-01810	1	28
119609-32040	2	9
119620-77380	18	11
119620-77461	18	14
119620-77471	18	15
119620-77480	18	20
119620-77490	18	16
119620-79200	18	5
119620-79210	18	6
119620-79220	18	7
119620-79230	18	8
119620-79240	18	12
119620-79250	18	13
119620-79260	18	18
119620-79280	18	21
119620-79290	18	22
119620-79300	18	23
119620-79310	18	24
119620-79320	18	25
119620-79330	18	26
119620-79340	18	27
119620-79350	18	28
119620-79360	18	29
119625-11880	4	39
119653-77950	15	132
119660-61901	15	61
119717-11190	4	30
119717-11340	4	31
119717-11350	4	32
119717-11800	4	69
119751-77200	18	2
119802-01561	2	5
119802-03070	4	49
119802-11870	4	38
119802-13630	6	3
		9
119802-25071	7	21
119802-25101	7	10
119802-25901	7	15
119802-35110	11	30

Parts No.	Fig. No.	Ref. No.
119802-39500	12	15
119802-51090	14	11
119802-51560	14	59
119802-51590	14	65
119802-51600	14	66
119802-51680	14	70
119802-51690	14	71
119803-21200	9	4
119803-25050	7	9
119803-53400	16	13
119807-61420	15	23
119852-21650	9	10
119852-61080	15	89
119852-61440	15	24
119934-01800	2	3
121023-01551	2	27
121111-21501	9	13
121252-39150	12	12
121450-42450	13	33
121520-34810	11	16
121550-23200	9	28
121850-21290	9	5
	10	4
121850-21680	9	12
121850-51960	2	10
123907-03100	4	52
123907-03110	4	53
123907-03120	4	54
123907-03140	4	55
123907-11550	4	17
123907-11601	16	40
123907-11830	4	36
123907-59540	16	54
123907-59550	16	56
123907-59560	16	57
123910-39850	12	4
123957-39671	12	6
124060-01050	1	11
124160-01751	2	6
	4	46
124160-01910	1	12
124160-11360	4	64
124160-39140	12	11
124223-39900	12	16
124240-01871	2	7
		20
		21
124240-01883	2	22
124250-49351	13	35
124465-44950	13	34

Parts No.	Fig. No.	Ref. No.
124550-21600	9	16
124722-59050	13	39
		42
	16	59
124732-77340	18	32
128170-14150	10	3
129001-01250	1	4
129001-02931	1	29
129004-22500	9	19
129004-22950	9	36
129005-59830	12	17
129006-35100	11	29
129008-01520	2	4
129008-51900	14	9
129008-51920	14	10
129009-11340	4	59
129044-61060	15	88
129052-79270	18	19
129054-42320	13	10
129100-01580	3	1
		15
	9	2
129100-23910	9	31
129107-13550	6	8
129107-77330	18	31
129120-01780	3	18
129120-77502	5	8
129129-77240	17	8
129129-77260	17	11
129129-77270	17	13
129129-77340	17	21
129129-77350	17	23
129129-77362	17	25
129129-77370	17	27
129150-01200	1	26
129150-01881	7	16
129150-02020	1	6
129150-02450	7	4
129150-02871	1	32
129150-02931	1	23
129150-02941	1	35
129150-03070	4	50
129150-11230	4	8
		12
129150-11750	4	10
		14
		35
129150-14101	7	6
129150-14200	7	1
129150-14400	7	2

Parts No.	Fig. No.	Ref. No.
129150-23601	9	29
129150-23611	9	32
129150-25301	7	14
129150-26000	7	17
129150-26050	7	18
129150-32020	11	14
129150-35042	11	18
129150-35111	11	32
129150-35170	11	40
129150-42059	13	2
129150-42301	13	8
129150-49360	13	36
129150-49811	13	29
129150-59131	16	44
		48
129150-77511	5	9
129155-49801	13	28
129155-51280	15	5
129155-61460	15	26
129202-22300	9	23
129255-61410	15	22
129263-42000	13	1
129263-42120	13	4
129263-49610	13	37
129263-49620	13	40
129266-44760	13	25
129350-49560	13	31
129400-28121	9	6
129400-28150	10	8
129403-42380	13	22
129417-33110	11	28
129417-35150	11	31
129418-18320	6	4
129418-32000	11	1
129423-77710	18	17
129429-77011	17	1
129429-77210	17	5
129429-77220	17	6
129429-77230	17	7
129429-77250	17	10
129429-77270	17	14
129429-77280	17	15
129429-77290	17	16
129429-77310	17	18
129429-77320	17	19
129429-77330	17	20
129429-77340	17	22
129429-77350	17	24
129429-77360	17	26
129429-77370	17	28

Parts No. Index

Parts No.	Fig. No.	Ref. No.
129429-77380	17	29
129429-77390	17	30
129436-44740	13	24
129457-28000	10	2
129457-28011	10	5
129486-01670	3	19
129486-42050	13	17
129508-01330	1	27
129508-03010	4	48
129508-11100	4	26
129508-11110	4	27
129508-11130	4	28
129508-11180	4	29
129508-11241	4	1
129508-11250	4	2
129508-11260	4	4
129508-11270	4	5
129508-11280	4	6
129508-11310	4	57
129508-11650	4	7
129508-11660	4	11
129508-11820	4	37
129508-11900	4	40
129508-11920	4	15
129508-12110	5	1
129508-12120	5	2
129508-12121	5	2 -1
129508-14580	7	3
129508-18080	8	2
129508-18090	6	11
129508-22080	9	17
129508-22900	9	34
129508-33010	11	26
129508-33050	11	27
129508-51250	14	136
129508-59510	16	60
129508-59550	16	55
129508-59570	16	58
129508-59910	16	50
129508-59920	16	51
129508-59930	16	52
129508-59940	16	53
129509-11700	4	18
129509-51390	14	41
129550-01702	3	5
129550-13110	6	1
129550-35090	11	19
129550-59120	16	45
129553-39650	12	31
129555-01750	3	10

Parts No.	Fig. No.	Ref. No.
129558-01620	3	2
129558-11350	4	47
129558-12090	5	5
129558-13120	6	2
129558-13300	6	5
129558-13310	6	6
129558-13530	6	7
129558-18010	8	1
129558-34820	11	17
129558-39480	12	13
129558-39610	12	2
129558-39640	12	3
129558-39651	12	5
129635-21590	9	14
129645-49030	11	35
129648-44400	11	34
129652-21010	9	1
129659-13660	6	10
129672-11510	4	33
129792-39410	12	25
129795-01900	18	1
129795-01950	2	8
129795-01960	10	1
129795-02412	1	9
129795-21661	9	11
129795-49551	13	30
129900-07900	4	67
129907-03070	4	51
129907-11950	4	41
129916-49740	13	12
129916-59020	14	132
129937-53000	16	2
129972-77341	18	33
158552-51151	14	14
158552-51571	14	60
		61
158552-51580	14	64
158552-51600	14	74
158552-51670	14	128
158552-51781	14	100
158552-52100	14	130
158552-52311	14	109
158552-52400	14	110
158552-52500	14	131
158552-61900	15	78
158553-51551	14	126
158553-51630	14	75
158553-51640	14	77
158553-51660	14	78
158553-51670	14	69

Parts No.	Fig. No.	Ref. No.
158553-51680	14	79
158553-51770	14	106
158553-51930	14	103
	15	6
158553-61050	15	3
158557-51570	14	62
158563-51281	14	39
		40
158563-51330	14	50
158600-51270	14	38
158601-51550	14	58
158601-51570	14	63
158601-51650	14	127
158601-51770	14	99
158601-51790	14	101
171008-03990	11	36
171051-01921	1	5
194450-11190	3	3
22190-080002	2	11
		12
		23
	12	18
		20
	16	61
22190-100002	12	21
22190-120002	14	104
		111
		133
	15	65
22190-160002	3	9
22190-180002	14	105
		112
22217-140000	14	113
22252-000260	9	24
22312-050140	14	114
22351-030010	12	32
22351-050010	14	115
22351-060012	4	42
22512-070140	7	7
	9	7
		9
22857-500100	4	60
		61
		62
23000-025000	12	7
23000-048000	5	6
23000-060000	5	7
23080-015000	11	38
23414-080000	13	18
23414-100000	12	22

Parts No.	Fig. No.	Ref. No.
23857-030000	12	19
23857-060000	14	134
23876-005000	10	19
23876-020000	4	24
24105-060064	7	20
24311-000070	14	117
24311-000120	4	43
		65
24311-000140	10	21
24311-000320	2	13
	4	66
24316-000160	12	8
24341-000240	2	28
24341-000360	15	84
24356-190180	14	118
24356-190200	14	72
		119
24358-240310	13	13
24372-000150	14	73
25132-004000	13	23
26014-060162	13	26
26014-060302	13	27
26014-080222	6	13
26014-080252	6	14
26106-060102	14	120
	15	68
26106-060122	12	9
26106-060142	15	85
		86
		133
26106-060162	2	29
26106-060202	13	14
	15	87
26106-080122	3	11
	11	24
	12	10
		23
	13	19
26106-080142	7	8
	10	20
26106-080162	2	14
		15
		24
	4	68
	6	15
26106-080202	2	25
	5	3
	11	39
	13	32
	14	137

Parts No. Index

Parts No.	Fig. No.	Ref. No.
26106-080252	4	44
26106-080302	2	16
		26
	6	16
	14	138
26106-080352	5	10
	11	25
26106-080402	7	13
26106-080502	3	12
	4	45
26106-080552	2	17
	13	20
26106-080602	10	22
	13	21
26106-080802	5	4
	10	23
26106-080852	2	18
26106-081002	3	13
26106-081202	3	14
26116-060162	13	15
26116-120252	17	31
26206-100252	3	4
26226-080352	4	16
26306-080002	2	19
	6	17
	8	3
26306-100002	18	30
26366-060002	12	24
26450-060252	11	15
26450-080452	14	122
26577-060152	13	16
26756-060002	15	69
26776-140002	14	123
27241-120000	1	13
27241-180000	4	63
27241-300000	1	10
27241-400000	4	25
729008-01500	2	1
729402-01650	3	16
729402-23100	9	25
729429-01721	3	6
729490-28510	10	9
729490-28520	10	14
729508-01570	1	1
729530-53100	16	1
729558-51310	14	1
X0215512440	18	3
X0283060061	17	2
X1214001430	18	4
X1215011050	18	9

Parts No.	Fig. No.	Ref. No.
X9490561001	18	10
X9490561370	17	3
X9491200240	17	4

Parts No.	Fig. No.	Ref. No.
-----------	----------	----------

Parts No.	Fig. No.	Ref. No.
-----------	----------	----------