

0CNP5-M35600EN

# Contents

OCNP5-M35600

Fig. No. Fig. Name

Fig. No. Fig. Name

## ENGINE

1. CYLINDER BLOCK
2. GEAR HOUSING
3. MOUNTING FLANGE & OIL SUMP
4. CYLINDER HEAD & BONNET
5. SUCTION MANIFOLD
6. CAMSHAFT & DRIVING GEAR
7. CRANKSHAFT & PISTON
8. HYDRAULIC PUMP
9. LUB. OIL SYSTEM
10. COOLING WATER SYSTEM
11. FUEL INJECTION PUMP
12. GOVERNOR
13. FUEL INJECTION VALVE
14. STARTING MOTOR
15. GENERATOR

Fig.1. CYLINDER BLOCK

(A)=3TNV88-XRY1

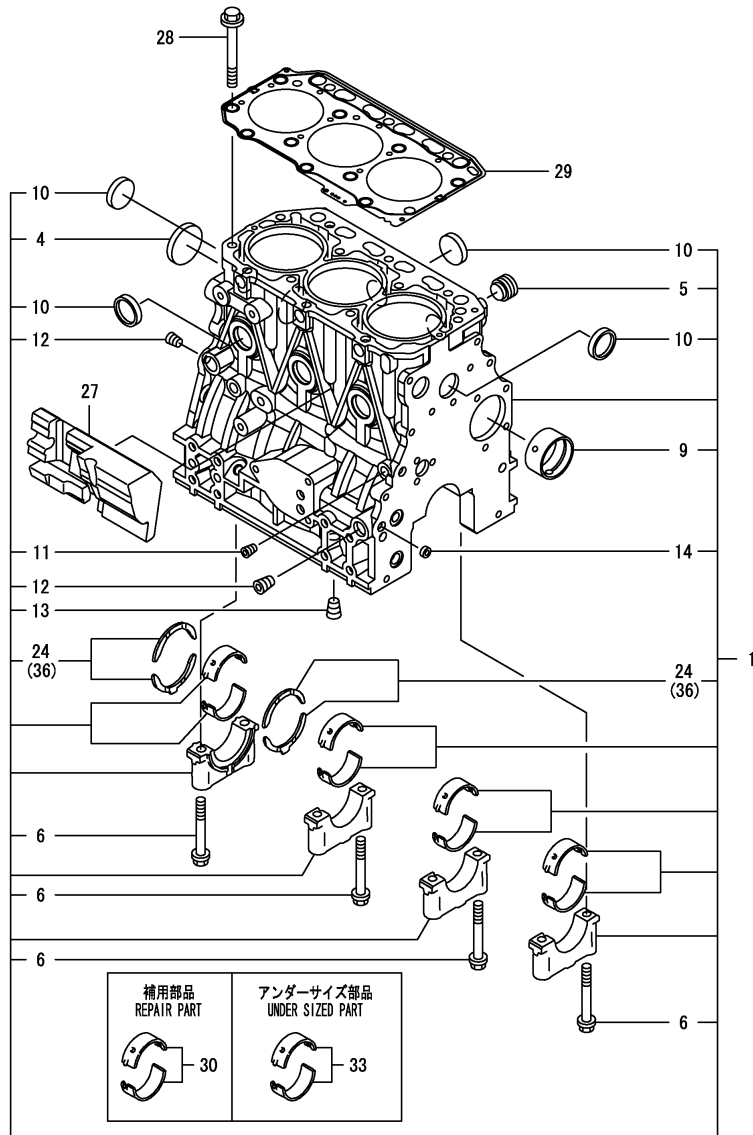
(B)=

(C)=

(D)=

(E)=

(F)=



No.	Lev.	Parts No.	Description	Q'ty						I	R
				(A)	(B)	(C)	(D)	(E)	(F)		
1	1	729005-01560	BLOCK ASSY, CYLINDER	1							
4	2	129001-01250	PLUG, 50	1							
5	2	171051-01921	PLUG, NPTF1	1							
6	2	129150-02020	BOLT, METAL CAP	8							
9	2	129795-02412	BUSH, CAMSHAFT	1							
10	2	27241-300000	PLUG 30	6							
11	2	124060-01050	PLUG, PT1/8	1							
12	2	124160-01910	PLUG, PT1/4	2							
13	2	124160-01910	PLUG, PT1/4	1							
14	2	27241-120000	PLUG, 12	2							
24	2	129150-02931	BEARING, THRUST	2							
27	1	129004-01190	SPACER	1							
28	1	129150-01200	BOLT, HEAD	14							
29	1	129001-01340	GASKET, HEAD	1							
30	1	129001-02931	BEARING, MAIN	4							3
33	1	129150-02871	BEARING, 0.25 US	4							1
36	1	129150-02941	BEARING, THRUST 0.25	1							2

Remarks

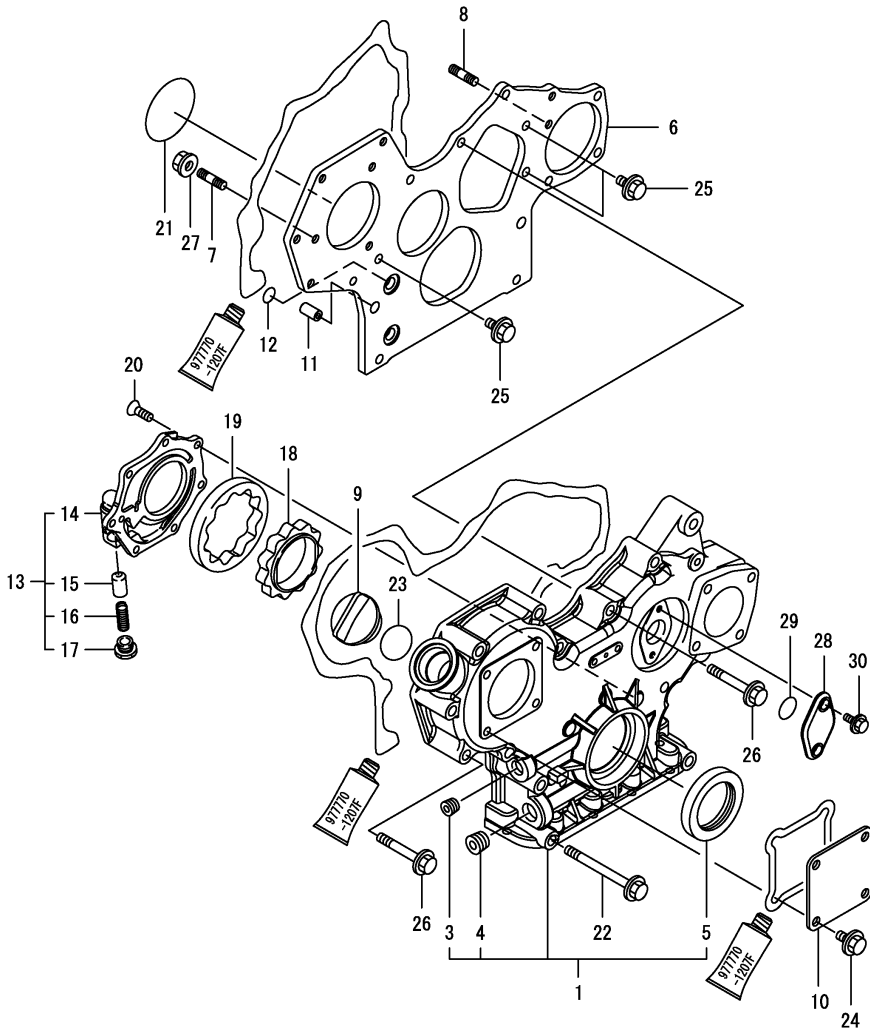
(1) Under-sized (U.S.=0.25) parts.

(2) Over-sized (O.S.=0.25) parts.

(3) Repair parts.

Note: "Effective Machine No." of the Engine Section is indicated on the Model Label which is shown in Fig.4.

Fig.2. GEAR HOUSING



(A)=3TNV88-XRY1  
(B)=  
(C)=

(D)=  
(E)=  
(F)=

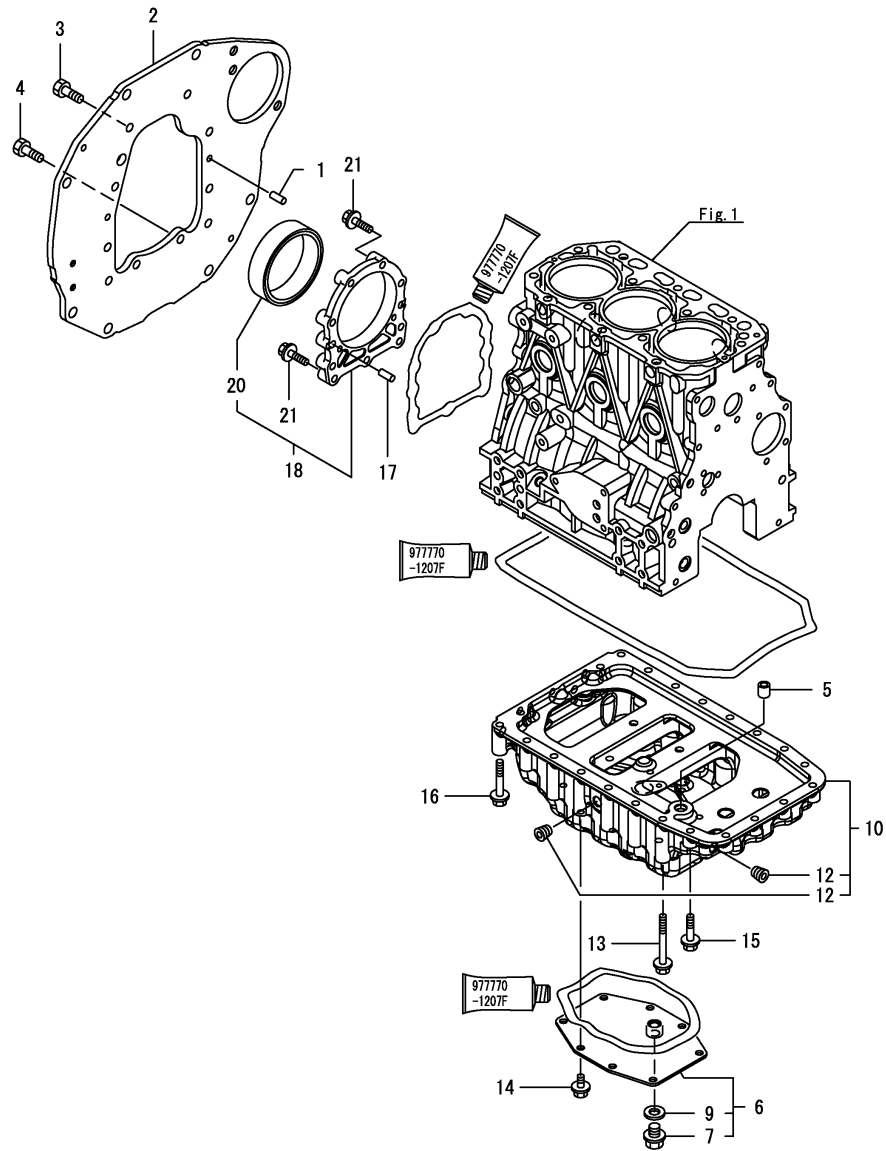
No.	Lev.	Parts No.	Description	Q'ty						I	R
				(A)	(B)	(C)	(D)	(E)	(F)		
1	1	729235-01500	CASE ASSY, GEAR	1							
3	2	23876-030000	PLUG, R03	1							
4	2	23876-040000	PLUG, R04	1							
5	2	119934-01800	SEAL, OIL	1							
6	1	129004-01520	FLANGE, GEAR CASE	1							
7	1	119802-01561	STUD, M8X25	3							
8	1	129150-01580	STUD, M8X30	1							
9	1	124160-01751	COVER, FILLER	1							
10	1	124240-01871	COVER	1							
11	1	129795-01950	PIPE, KNOCK L=18	2							
12	1	119609-32040	O-RING, P16	4							
13	1	119802-32100	COVER ASSY	1							
14	2	119802-32070	COVER	1							
15	2	129900-32130	VALVE, RELIEF	1							
16	2	129418-32320	SPRING	1							
17	2	129001-32330	PLUG	1							
18	1	119802-32111	ROTOR, INNER	1							
19	1	119802-32120	ROTOR, OUTER	1							
20	1	119802-32130	SCREW, M6X16	7							
21	1	121850-51960	O-RING	1							
22	1	129001-91841	BOLT, M8X85	3							
22-1	1	26106-080852	BOLT, M8X 85 PLATED	3							R
(A=*2008.12)											
23	1	24311-000320	O-RING, 1AP32.0	1							
24	1	26106-080162	BOLT, M8X 16 PLATED	4							
25	1	26106-080162	BOLT, M8X 16 PLATED	3							
26	1	26106-080552	BOLT, M8X 55 PLATED	11							
27	1	26306-080002	NUT, M8	3							
28	1	121023-01551	COVER	1							
29	1	24341-000240	O-RING, 1AS24.0	1							
30	1	26106-060162	BOLT, M6X 16 PLATED	2							

Remarks

Note : "Effective Machine No." of the Engine Section is indicated on the Model Label which is shown in Fig.4.

N:Old  $\xrightarrow{\text{Yes}}$  New, Q:Old  $\xrightarrow{\text{No}}$  New, R:Old  $\xrightarrow{\text{Yes}}$  New, S:Old  $\xrightarrow{\text{No}}$  New, W:Add, Z:Discontinued, F:Interchangeable by set, K:Q'ty Change

Fig.3. MOUNTING FLANGE & OIL SUMP



(A)=3TNV88-XRY1  
(B)=  
(C)=

(D)=  
(E)=  
(F)=

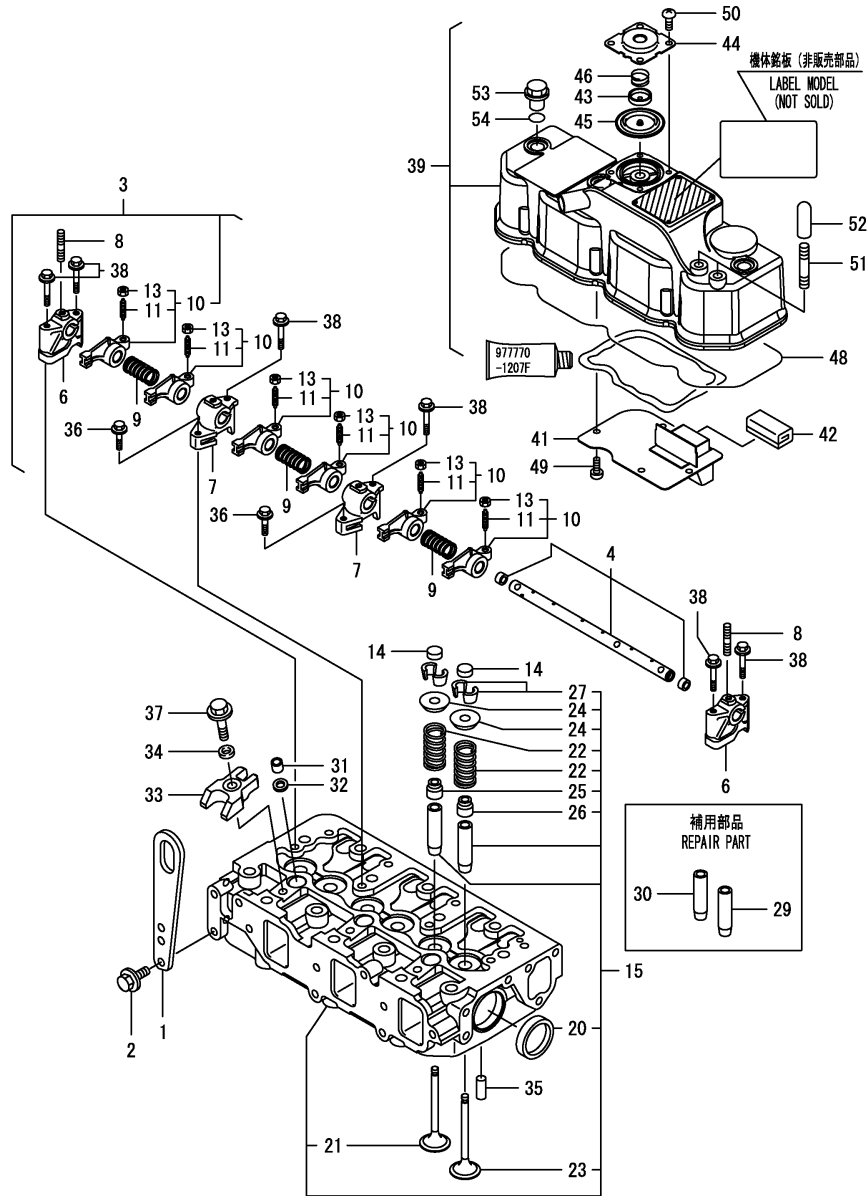
No.	Lev.	Parts No.	Description	Q'ty						I	R
				(A)	(B)	(C)	(D)	(E)	(F)		
1	1	129100-01580	PIN, M8X16	2							
2	1	119852-01601	FLANGE, MOUNTING	1							
3	1	26206-100202	BOLT, M10X 20 PLATED	6							
4	1	26206-100202	BOLT, M10X 20 PLATED	4							
5	1	129555-01750	PIPE, KNOCK 14X18	1							
6	1	129055-01780	COVER ASSY, OIL SUMP	1							
7	2	129054-01640	PLUG, DRAIN 12	1							
9	2	22190-120002	WASHER, SEAL 12	1							
10	1	129055-01791	SUMP ASSY, OIL	1							
12	2	124160-01910	PLUG, PT1/4	2							
13	1	129001-91810	BOLT, M8X70	10							
13-1	1	26106-080702	BOLT, M8X 70 PLATED	10							
(A=*2008.12)											
14	1	26106-080122	BOLT, M8X 12 PLATED	8							
15	1	26106-080352	BOLT, M8X 35 PLATED	6							
16	1	26106-080502	BOLT, M8X 50 PLATED	6							
17	1	129100-01580	PIN, M8X16	2							
18	1	129100-01640	CASE ASSY, OIL SEAL	1							
20	2	129795-01780	SEAL, OIL	1							
21	1	129486-01670	BOLT, M8X30	9							

Remarks

Note : "Effective Machine No." of the Engine Section is indicated on the Model Label which is shown in Fig.4.

N:Old  $\xrightarrow{\text{Yes}}$  New, Q:Old  $\xrightarrow{\text{No}}$  New, R:Old  $\xrightarrow{\text{Yes}}$  New, S:Old  $\xrightarrow{\text{No}}$  New, W:Add, Z:Discontinued, F:Interchangeable by set, K:Q'ty Change

Fig.4. CYLINDER HEAD & BONNET



(A)=3TNV88-XRY1

(B)=

(C)=

(D)=

(E)=

(F)=

No.	Lev.	Parts No.	Description	Qty						I	R
				(A)	(B)	(C)	(D)	(E)	(F)		
1	1	129900-07900	LIFTER	1							
2	1	26106-080162	BOLT, M8X 16 PLATED	2							
3	1	129004-11241	SHAFT ASSY, ROCKER	1							
4	2	129004-11251	SHAFT, ROCKER ARM	1							
6	2	119802-11260	SUPPORT, ROCKER ARM	2							
7	2	119802-11270	SUPPORT, ROCKER ARM	2							
8	2	119802-11280	STUD	3							
9	2	129150-11280	SPRING	3							
10	2	129004-11650	ARM, ROCKER	6							
11	3	129150-11230	SCREW, VALVE ADJUST	6							
13	3	129150-11750	NUT, M8	6							
14	1	129150-11370	CAP, VALVE	6							
15	1	129004-11700	HEAD ASSY, CYLINDER	1							
20	2	27241-400000	PLUG, 40	2							
21	2	129100-11112	VALVE, EXHAUST	3							
22	2	129795-11120	SPRING, VALVE	6							
23	2	129004-11130	VALVE, INTAKE	3							
24	2	129795-11180	RETAINER, SPRING	6							
25	2	121400-11340	SEAL, VALVE STEM	3							
26	2	124460-11340	SEAL, VALVE STEM	3							
27	2	27310-080001	COTTER, 8	6							
29	1	120130-11860	GUIDE, VALVE	3							1
30	1	129150-11810	GUIDE, VALVE	3							1
31	1	119802-11870	PROTECTOR, NOZZLE	3							
32	1	119625-11880	SEAT, NOZZLE	3							
33	1	129004-11900	RETAINER, NOZZLE	3							
34	1	120270-54410	WASHER, INJECTOR	3							
35	1	22351-060012	PIN, SPRING 6.0X12	2							
36	1	26106-080252	BOLT, M8X 25 PLATED	2							
37	1	26106-080352	BOLT, M8X 35 PLATED	3							
38	1	26106-080502	BOLT, M8X 50 PLATED	6							
39	1	129268-11350	BONNET ASSY, HEAD	1							
41	2	129004-03010	PLATE	1							
42	2	129150-03070	BAFFLE, BREATHER	1							
43	2	119802-03110	PLATE	1							
44	2	119802-03121	COVER, DIAPHRAGM	1							
45	2	119802-03130	DIAPHRAGM	1							
46	2	119802-03141	SPRING, DIAPHRAGM	1							
48	2	129004-11310	GASKET, BONNET	1							
49	2	22857-500100	SCREW, 5X10	4							
50	2	22857-500100	SCREW, 5X10	4							
51	2	129555-44750	STUD, M8X30	2							
52	2	49933-000138	CAP	2							
53	1	124160-11360	KNOB	3							
54	1	24311-000120	O-RING, 1AP12.0	3							

Remarks

(1)Repair parts.

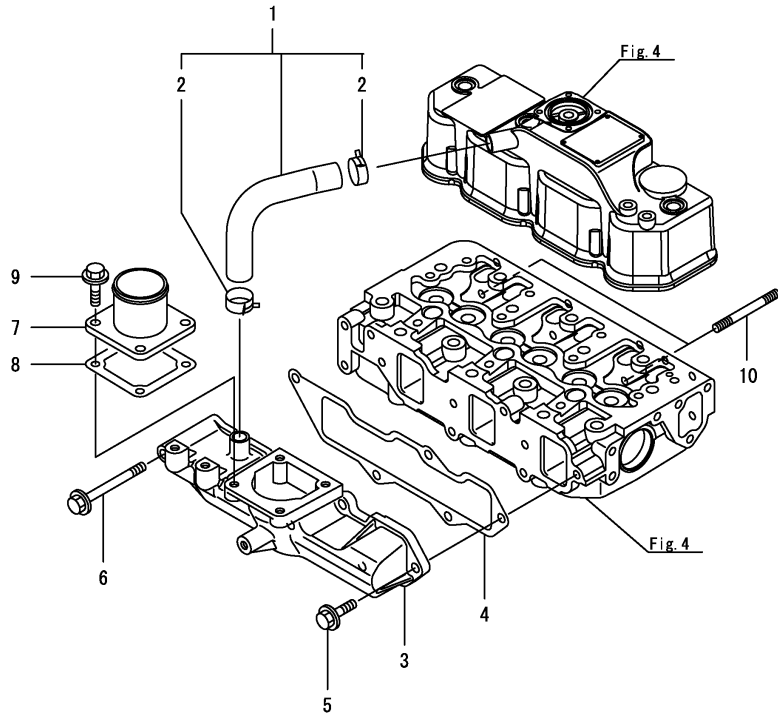
Note : "Effective Machine No." of the Engine Section is indicated on the Model Label which is shown in Fig.4.

N:Old  $\xrightarrow{\text{Yes}}$  New, Q:Old  $\xrightarrow{\text{No}}$  New, R:Old  $\xrightarrow{\text{Yes}}$  New, S:Old  $\xrightarrow{\text{No}}$  New, W:Add, Z:Discontinued, F:Interchangeable by set, K:Q'ty Change

# Fig.5. SUCTION MANIFOLD

(A)=3TNV88-XRY1  
(B)=  
(C)=

(D)=  
(E)=  
(F)=



No.	Lev.	Parts No.	Description	Q'ty						I	R
				(A)	(B)	(C)	(D)	(E)	(F)		
1	1	129005-03080	PIPE , BREATHER	1							
2	2	129410-03990	CLIP	2							
3	1	129005-12101	MANIFOLD, AIR INTAKE	1							
4	1	129001-12110	GASKET, MANIFOLD	1							
5	1	26106-080202	BOLT, M8X 20 PLATED	4							
6	1	26106-080802	BOLT, M8X 80 PLATED	1							
7	1	129486-12581	JOINT, MANIFOLD	1							
8	1	129150-77511	GASKET	1							
9	1	26106-080202	BOLT, M8X 20 PLATED	4							
10	1	129263-13220	STUD, M8X95	2							

Remarks

Note : "Effective Machine No." of the Engine Section is indicated on the Model Label which is shown in Fig.4.

Fig.6. CAMSHAFT & DRIVING GEAR

(A)=3TNV88-XRY1

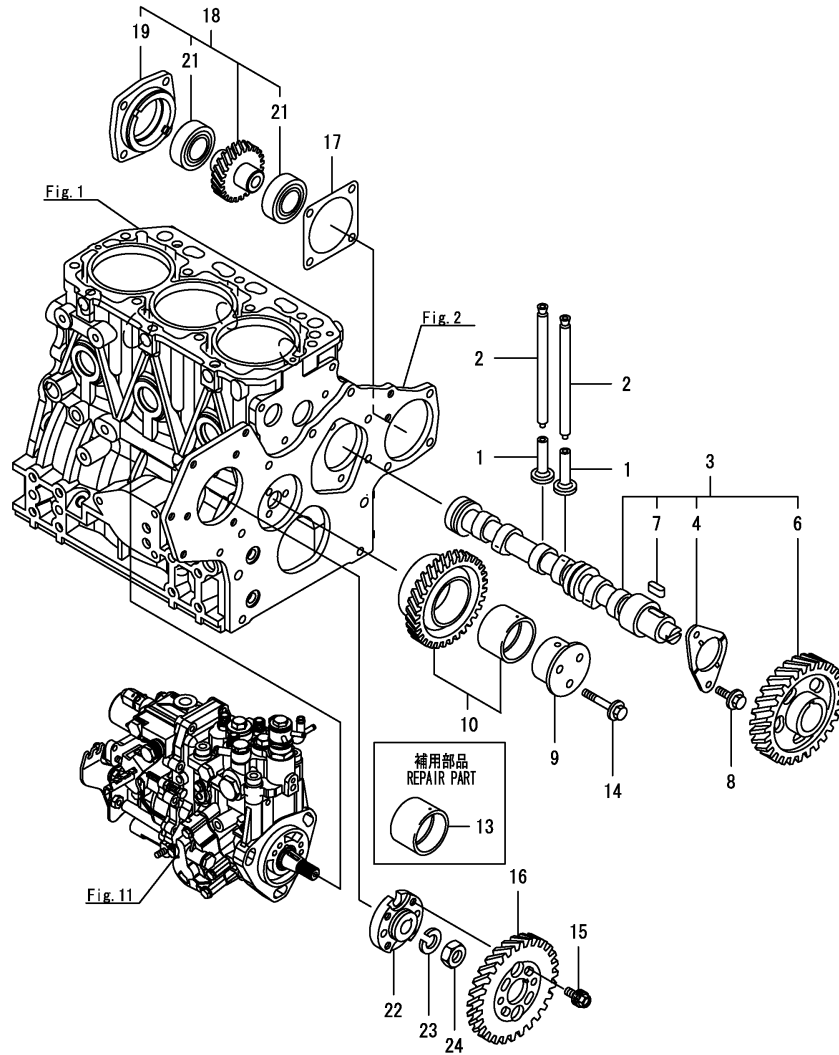
(B)=

(C)=

(D)=

(E)=

(F)=



No.	Lev.	Parts No.	Description	Q'ty						I	R
				(A)	(B)	(C)	(D)	(E)	(F)		
1	1	129150-14200	TAPPET	6							
2	1	129150-14400	ROD, PUSH L=178	6							
3	1	129129-14580	CAMSHAFT ASSY	1							
4	2	129150-02450	BEARING, THRUST	1							
6	2	129150-14101	GEAR, CAMSHAFT	1							
7	2	22512-070140	KEY, 7X 14	1							
8	1	26106-080142	BOLT, M8X 14 PLATED	2							
9	1	119802-25051	SHAFT, IDLE	1							
10	1	119802-25101	GEAR ASSY, IDLE	1							
13	1	119802-25071	BUSH, IDLE GEAR	1							1
14	1	26106-080402	BOLT, M8X 40 PLATED	3							
15	1	129150-25301	BOLT	4							
16	1	119802-25901	GEAR, PUMP	1							
17	1	129150-01881	GASKET	1							
18	1	129150-26000	DRIVE ASSY, PUMP	1							
19	2	129150-26050	BRACKET, PUMP	1							
21	2	24105-060064	BEARING, BALL 6006Z	2							
22	1	158552-51151	FLANGE	1							
23	1	22217-140000	WASHER, SPRING 14	1							
24	1	26776-140002	NUT, LOCK M14	1							

Remarks

(1)Repair parts.

Note : "Effective Machine No." of the Engine Section is indicated on the Model Label which is shown in Fig.4.

N:Old  $\xrightarrow{\text{Yes}}$  New, Q:Old  $\xrightarrow{\text{No}}$  New, R:Old  $\xrightarrow{\text{Yes}}$  New, S:Old  $\xrightarrow{\text{No}}$  New, W:Add, Z:Discontinued, F:Interchangeable by set, K:Q'ty Change



Fig.7. CRANKSHAFT & PISTON

(A)=3TNV88-XRY1

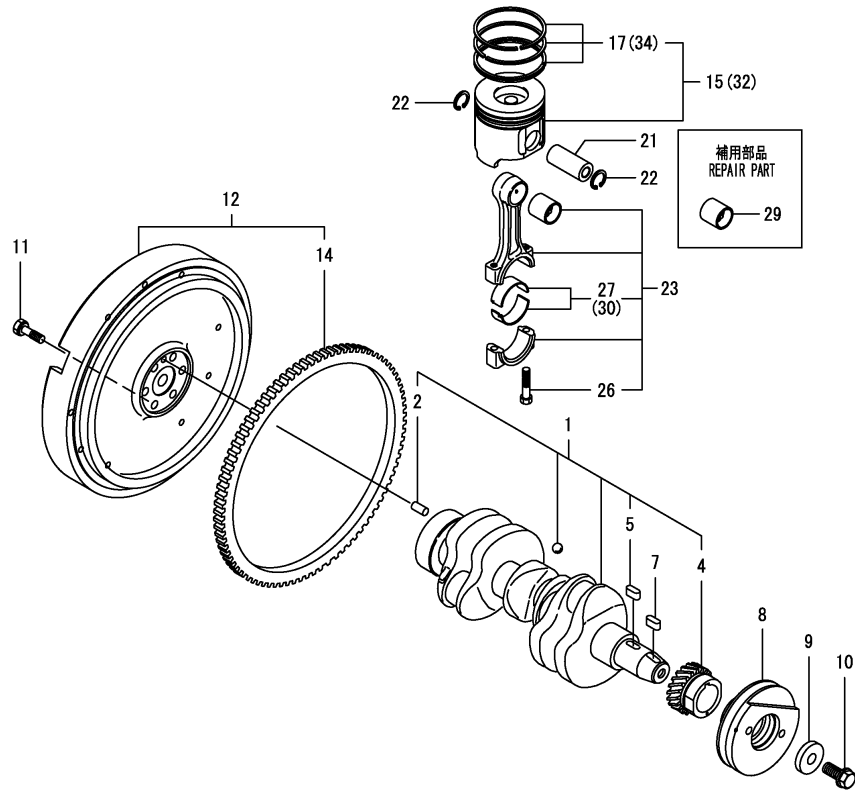
(B)=

(C)=

(D)=

(E)=

(F)=



No.	Lev.	Parts No.	Description	Q'ty						I	R
				(A)	(B)	(C)	(D)	(E)	(F)		
1	1	129004-21002	CRANKSHAFT ASSY	1							
2	2	129100-01580	PIN, M8X16	1							
4	2	119802-21202	GEAR, CRANKSHAFT	1							
5	2	22512-070140	KEY, 7X 14	1							
7	1	22512-070140	KEY, 7X 14	1							
8	1	129055-21650	V-PULLEY, 120	1							
9	1	129795-21661	WASHER	1							
10	1	121850-21680	BOLT	1							
11	1	121111-21501	BOLT, FLYWHEEL	6							
12	1	129055-21592	FLYWHEEL ASSY	1							
14	2	124550-21600	GEAR, RING	1							
15	1	129005-22080	PISTON ASSY	3							
17	2	129005-22500	RING SET, PISTON	3							
21	1	129202-22300	PIN, PISTON D26 L70	3							
22	1	22252-000260	RING, 26	6							
23	1	729402-23100	ROD ASSY, CONNECTING	3							
26	2	121550-23200	BOLT, CONNECTING ROD	6							
27	2	129150-23601	BEARING, CRANK PIN	3							
29	1	129100-23910	BEARING, PISTON PIN	3							1
30	1	129150-23611	BEARING, 0.25 US	3							2
32	1	129005-22900	PISTON ASSY, 0.25 OS	3							3
34	2	129005-22950	RING SET, 0.25 OS	3							3

Remarks

- (1) Repair parts.
- (2) Under-sized (U.S.=0.25) parts.
- (3) Over-sized (O.S.=0.25) parts.

Note : "Effective Machine No." of the Engine Section is indicated on the Model Label which is shown in Fig.4.

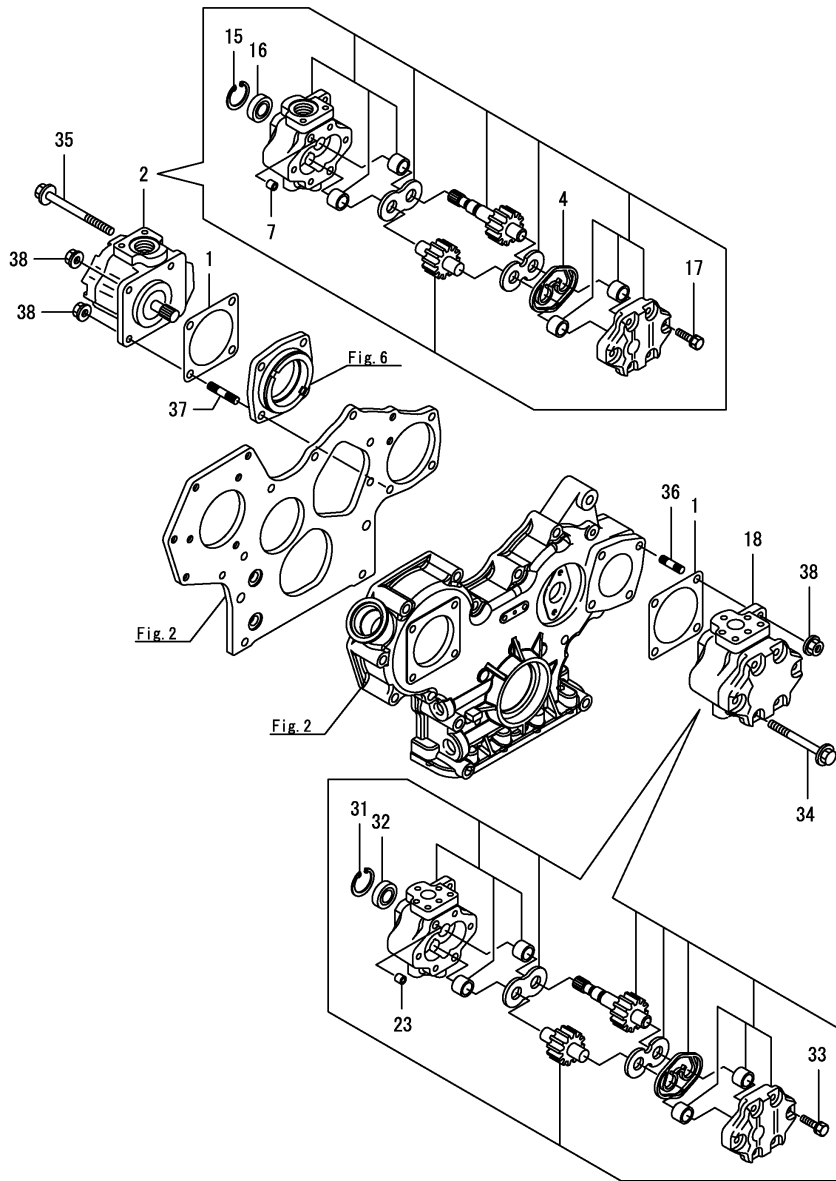
N:Old  $\xrightarrow{\text{Yes}}$  New, Q:Old  $\xrightarrow{\text{No}}$  New, R:Old  $\xrightarrow{\text{Yes}}$  New, S:Old  $\xrightarrow{\text{No}}$  New, W:Add, Z:Discontinued, F:Interchangeable by set, K:Q'ty Change

Fig.8. HYDRAULIC PUMP

(A)=3TNV88-XRY1  
(B)=  
(C)=

(D)=  
(E)=  
(F)=

No.	Lev.	Parts No.	Description	Q'ty						I	R
				(A)	(B)	(C)	(D)	(E)	(F)		
1	1	124240-01883	GASKET	2							
2	1	198172-41110	PUMP, HYDRAULIC	1							
4	2	178070-10401	RING	1							
7	2	194521-41570	PIN, 11X7	2							
15	2	22252-000320	RING, 32	1							
16	2	24421-153207	SEAL, OIL TC153207	1							
17	2	26016-080352	BOLT, M8X 35	4							
18	1	198200-41110	PUMP ASSY, HYDRAULIC	1							
23	2	194521-41570	PIN, 11X7	2							
31	2	22252-000320	RING, 32	1							
32	2	24421-153207	SEAL, OIL TC153207	1							
33	2	26016-080352	BOLT, M8X 35	4							
34	1	26106-080802	BOLT, M8X 80 PLATED	2							
35	1	26106-080952	BOLT, M8X 95 PLATED	2							
36	1	26216-080222	STUD, M8X 22	2							
37	1	26216-080402	STUD, M8X 40	1							
38	1	26306-080002	NUT, M8	4							



Remarks

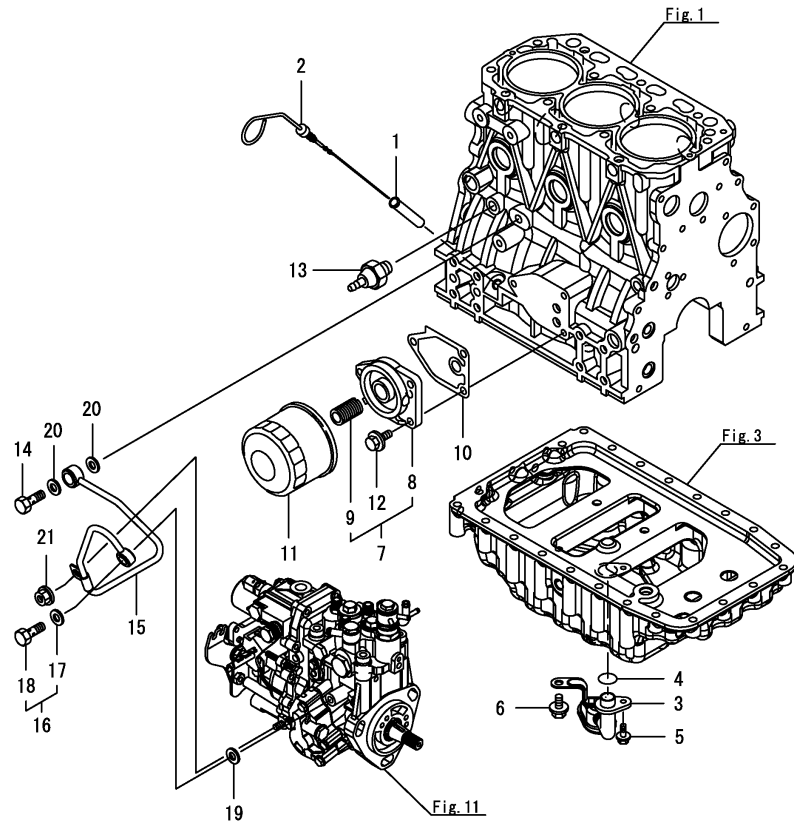
Note : "Effective Machine No." of the Engine Section is indicated on the Model Label which is shown in Fig.4.

Fig.9. LUB. OIL SYSTEM

(A)=3TNV88-XRY1  
(B)=  
(C)=

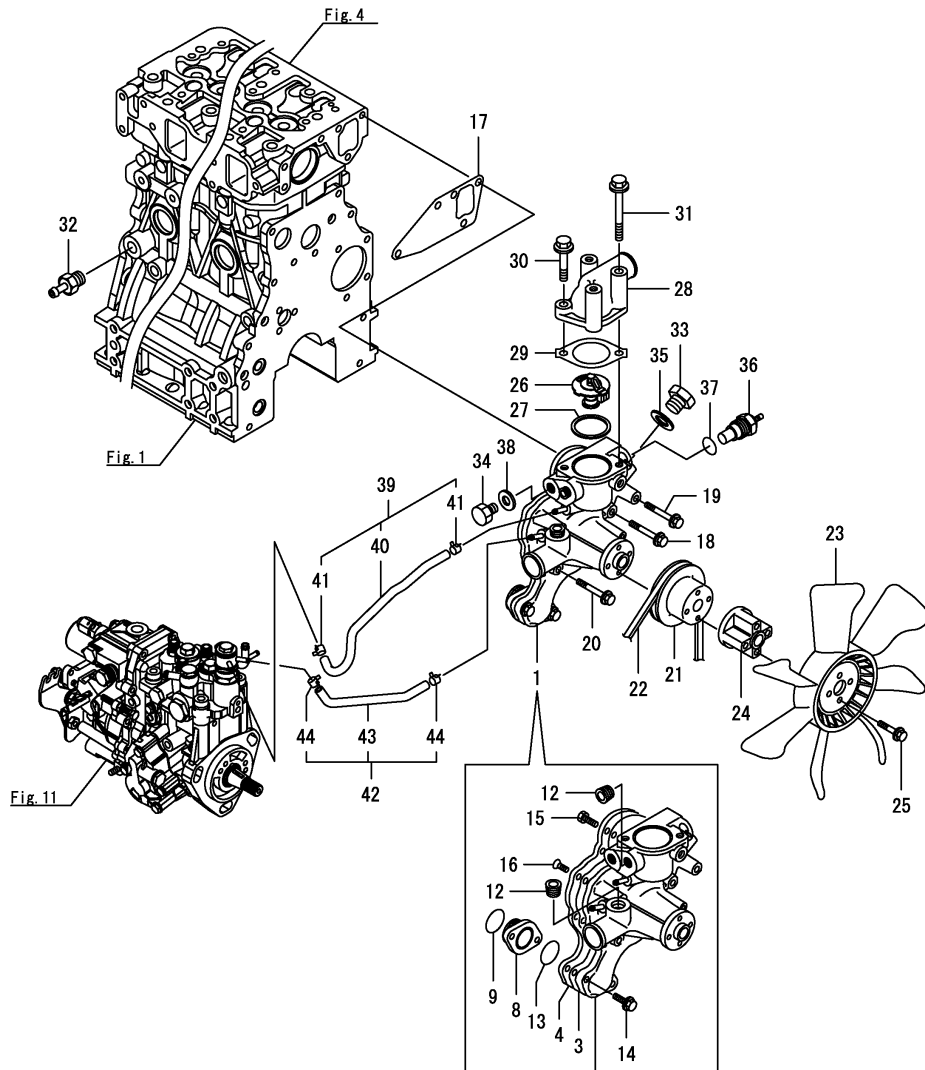
(D)=  
(E)=  
(F)=

No.	Lev.	Parts No.	Description	Q'ty						I	R
				(A)	(B)	(C)	(D)	(E)	(F)		
1	1	121520-34810	GUIDE, DIPSTICK	1							
2	1	129055-34820	DIPSTICK, OIL	1							
3	1	129055-35090	PIPE ASSY, OIL INLET	1							
4	1	24311-000160	O-RING, 1AP16.0	1							
5	1	26106-060122	BOLT, M6X 12 PLATED	1							
6	1	26106-080122	BOLT, M8X 12 PLATED	1							
7	1	119802-35100	BRACKET ASSY, FILTER	1							
8	2	119802-35110	BRACKET, FILTER	1							
9	2	129100-35140	STUD	1							
10	1	129150-35111	GASKET	1							
11	1	129150-35170	FILTER, LO	1							1
12	1	26106-080202	BOLT, M8X 20 PLATED	3							
13	1	114250-39450	SWITCH, 0.5KG	1							
14	1	124160-39140	BOLT, PIPE JOINT M10	1							
15	1	119802-39450	PIPE ASSY, OIL	1							
16	1	129005-59830	BOLT ASSY, JOINT M8	1							
17	2	22190-080002	WASHER, SEAL 6	1							
18	2	23857-030000	BOLT, JOINT 3	1							
19	1	22190-080002	WASHER, SEAL 6	1							
20	1	22190-100002	WASHER, SEAL 10	2							
21	1	26366-060002	NUT, M6	1							



Remarks  
(1)Repair parts.

Fig.10. COOLING WATER SYSTEM



(A)=3TNV88-XRY1

(B)=

(C)=

(D)=

(E)=

(F)=

No.	Lev.	Parts No.	Description	Q'ty						I	R
				(A)	(B)	(C)	(D)	(E)	(F)		
1	1	129055-42001	PUMP ASSY, WATER	1							
3	2	129457-42050	GASKET	1							
4	2	129457-42121	PLATE	1							
8	2	129150-42301	FLANGE	1							
9	2	129054-42320	O-RING	1							
12	2	23875-030000	PLUG, R03	1							
13	2	24358-240310	O-RING, 524031	1							
14	2	26106-060202	BOLT, M6X 20 PLATED	2							
15	2	26116-060162	BOLT, M6X 16 PLATED	5							
16	2	26577-060162	SCREW, M6X16	1							
17	1	129486-42050	GASKET, WATER PUMP	1							
18	1	26106-080552	BOLT, M8X 55 PLATED	2							
19	1	26106-080602	BOLT, M8X 60 PLATED	1							
20	1	26106-080702	BOLT, M8X 70 PLATED	1							
21	1	129550-42350	V-PULLEY, D=120	1							
22	1	25132-003900	V-BELT, A39	1							
22-1	1	129044-42290	V-BELT, A38.5	1							S
(A=EXXXXX)											
23	1	129556-44740	FAN, COOLING	1							
24	1	171353-44760	SPACER, FAN	1							
25	1	26106-060402	BOLT, M6X 40 PLATED	4							
26	1	129155-49801	THERMOSTAT, 71	1							
27	1	129150-49811	GASKET, THERMOSTAT	1							
28	1	119852-49530	COVER, THERMOSTAT	1							
29	1	129795-49551	GASKET	1							
30	1	26106-080282	BOLT, M8X 28 PLATED	1							
31	1	26106-080652	BOLT, M8X 65 PLATED	1							
32	1	121550-49111	JOINT, PT1/4	1							
33	1	121450-42450	PLUG, M16	1							
34	1	129054-42450	PLUG, M12X1.5	1							
35	1	124465-44950	GASKET, 16	1							
36	1	124250-49351	SENSOR	1							
37	1	129150-49360	GASKET	1							
38	1	22190-120002	WASHER, SEAL 12	1							
39	1	129263-49610	PIPE, WATER	1							
40	2	129263-49710	PIPE, WATER	1							
41	2	124722-59050	CLIP, HOSE 9	2							
42	1	129263-49620	PIPE, WATER	1							
43	2	129263-49720	PIPE, WATER	1							
44	2	124722-59050	CLIP, HOSE 9	4							

Remarks

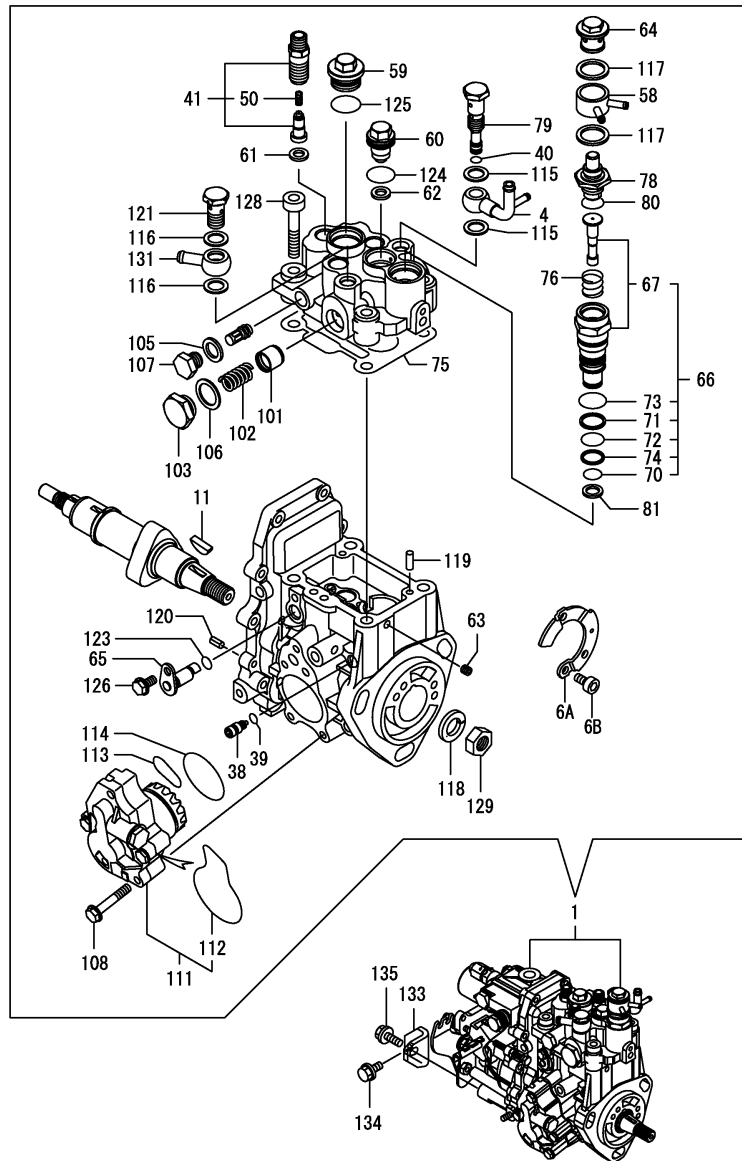
Note : "Effective Machine No." of the Engine Section is indicated on the Model Label which is shown in Fig.4.

N:Old  $\xrightarrow{\text{Yes}}$  New, Q:Old  $\xrightarrow{\text{No}}$  New, R:Old  $\xrightarrow{\text{Yes}}$  New, S:Old  $\xrightarrow{\text{No}}$  New, W:Add, Z:Discontinued, F:Interchangeable by set, K:Q'ty Change

Fig.11. FUEL INJECTION PUMP

(A)=3TNV88-XRY1  
(B)=  
(C)=

(D)=  
(E)=  
(F)=



No.	Lev.	Parts No.	Description	Q'ty						I	R
				(A)	(B)	(C)	(D)	(E)	(F)		
1	1	729066-51380	PUMP ASSY, INJECTION	1							1
4	2	158552-51670	JOINT, OVER FLOW	1							
11	2	119802-51090	KEY, 4X16	1							
38	2	158600-51270	STOPPER, TAPPET	1							
39	2	158563-51281	O-RING, 4D S6	1							
40	2	158563-51281	O-RING, 4D S6	1							
41	2	129509-51390	VALVE ASSY, DELIVERY	3							
50	3	158563-51330	SPRING, DELIVERY	3							
58	2	158553-51551	JOINT	1							
59	2	158601-51550	PLUG	1							
60	2	119802-51560	PLUG, BARREL	1							
61	2	158552-51571	GASKET	3							
62	2	158552-51571	GASKET	1							
63	2	158557-51570	PLUG	1							
64	2	158601-51570	PLUG	1							
65	2	158552-51580	LIFTER	1							
66	2	119802-51590	TIMER SET	1							
67	3	119802-51600	TIMER ASSY	1							
70	3	158553-51670	O-RING, 1011	1							
71	3	119802-51680	RING, BACK UP	1							
72	3	119802-51690	O-RING	1							
73	3	24356-010200	O-RING, 4D1020	1							
73-1	3	24356-190200	O-RING, 4D19020	1							R
(A=*2009.09)											
74	3	24372-000150	RING, BACK UP T2P15	1							
75	2	158552-51600	GASKET	1							
76	2	158553-51630	SPRING, TIMER	1							
78	2	158553-51640	ELEMENT	1							
79	2	158601-51650	JOINT, OVER FLOW	1							
80	2	158553-51660	O-RING, P14	1							
81	2	158553-51680	GASKET	1							
101	3	158601-51770	PISTON	1							
102	3	158552-51781	SPRING	1							
103	3	158601-51790	PLUG	1							
105	3	22190-120002	WASHER, SEAL 12	1							
106	3	22190-180002	WASHER, SEAL 18	1							
107	3	23887-120002	PLUG, 12	1							
107-1	3	158553-51930	PLUG, M12	1							R
(A=*2009.02)											
108	2	158553-51770	BOLT	4							
111	2	158552-52100	PUMP ASSY, FUEL FEED	1							
112	3	158552-52500	O-RING	1							
113	2	158552-52310	O-RING	1							
113-1	2	158552-52311	O-RING	1							R
(A=*2009.09)											
114	2	158552-52400	O-RING, 4E S42	1							
115	2	22190-120002	WASHER, SEAL 12	2							
116	2	22190-120002	WASHER, SEAL 12	2							
117	2	22190-180002	WASHER, SEAL 18	2							
118	2	22217-140000	WASHER, SPRING 14	1							
119	2	22312-050140	PIN, PARALLEL M5X14	2							

Remarks

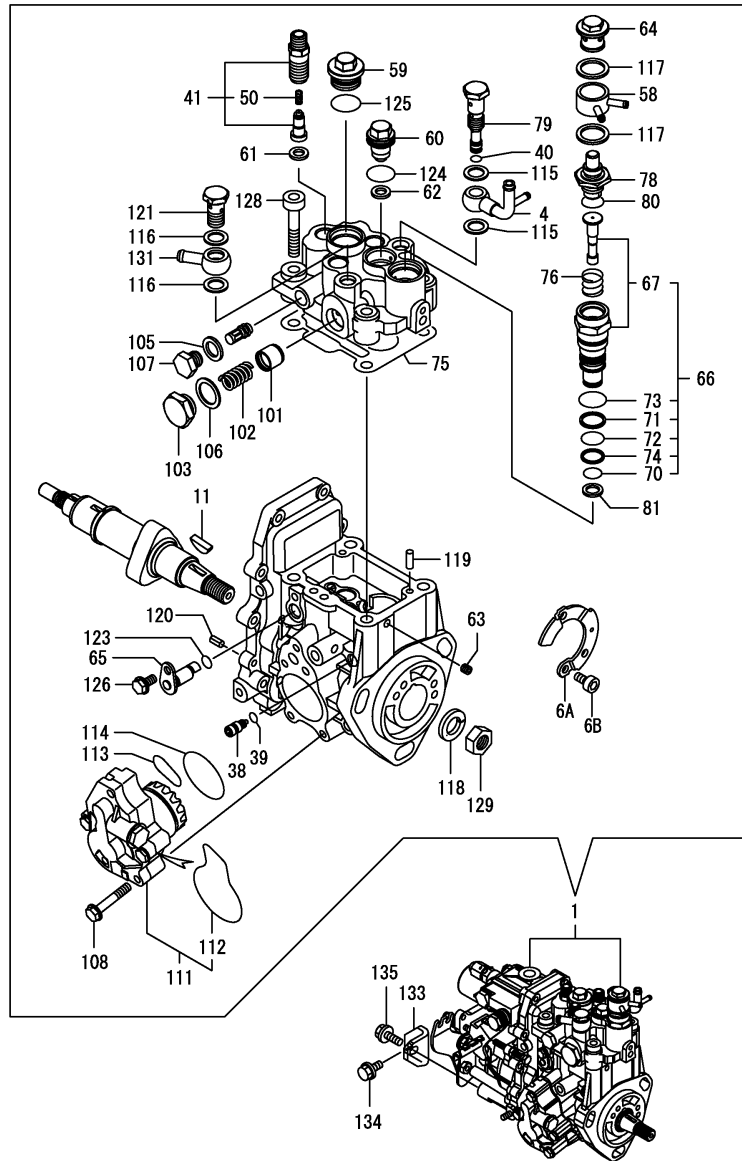
(1)Governor(Fig.12) is incorporated in this Fuel Injection Pump(No.1).

Note : "Effective Machine No." of the Engine Section is indicated on the Model Label which is shown in Fig.4.

Fig.11. FUEL INJECTION PUMP

(A)=3TNV88-XRY1  
(B)=  
(C)=

(D)=  
(E)=  
(F)=



No.	Lev.	Parts No.	Description	Q'ty						I	R
				(A)	(B)	(C)	(D)	(E)	(F)		
120	2	22351-050010	PIN, SPRING 5.0X10	2							
121	2	23857-060000	BOLT, JOINT 6	1							
123	2	24311-000070	O-RING, 1AP7.0	1							
124	2	24356-010180	O-RING, 4D1018	1							
124-1	2	24356-190180	O-RING, 4D19018	1							R
(A=*2009.09)											
125	2	24356-010200	O-RING, 4D1020	1							
125-1	2	24356-190200	O-RING, 4D19020	1							R
(A=*2009.09)											
126	2	26106-060102	BOLT, M6X 10 PLATED	1							
128	2	26450-080452	BOLT, M8X 45	4							
129	2	26776-140002	NUT, LOCK M14	1							
131	2	129916-59020	JOINT, PIPE 12	1							
133	1	119802-51250	RETAINER, PUMP	1							
134	1	26106-080162	BOLT, M8X 16 PLATED	1							
135	1	26106-080202	BOLT, M8X 20 PLATED	1							

Remarks

(1)Governor(Fig.12) is incorporated in this Fuel Injection Pump(No.1).

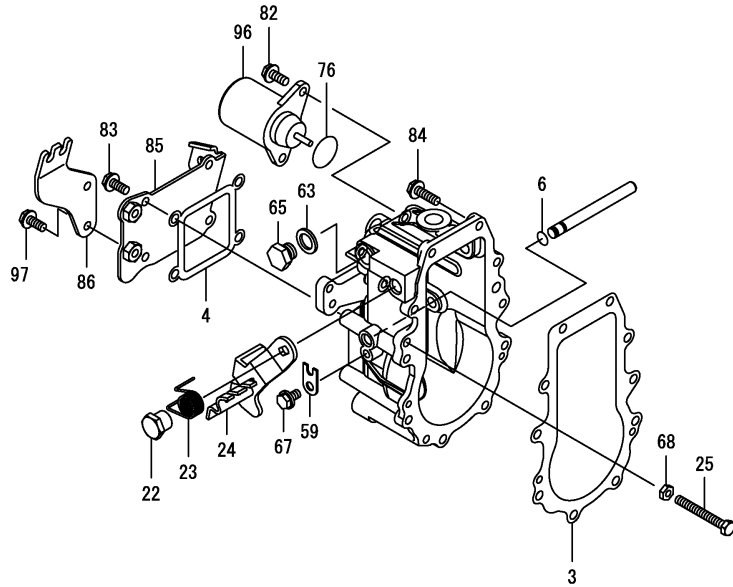
Note : "Effective Machine No." of the Engine Section is indicated on the Model Label which is shown in Fig.4.

N:Old  $\xrightarrow{\text{Yes}}$  New, Q:Old  $\xrightarrow{\text{No}}$  New, R:Old  $\xrightarrow{\text{Yes}}$  New, S:Old  $\xrightarrow{\text{No}}$  New, W:Add, Z:Discontinued, F:Interchangeable by set, K:Q'ty Change

Fig.12. GOVERNOR

(A)=3TNV88-XRY1  
(B)=  
(C)=

(D)=  
(E)=  
(F)=



No.	Lev.	Parts No.	Description	Q'ty						I	R
				(A)	(B)	(C)	(D)	(E)	(F)		
3	2	158553-61050	GASKET	1							
4	2	158553-61070	GASKET	1							
6	2	129155-51280	O-RING, S6	1							
22	2	129255-61410	NUT, LOCK	1							
23	2	119807-61420	SPRING, RETURN	1							
24	2	119852-61440	LEVER ASSY,REGULATOR	1							
25	2	129155-61460	BOLT, IDLE	1							
59	2	119660-61901	RETAINER, SHAFT	1							
63	2	22190-120000	WASHER, SEAL 12	1							
63-1	2	22190-120002	WASHER, SEAL 12	1							S
		(A=*2008.12)									
65	2	23887-120002	PLUG, 12	1							
65-1	2	158553-51930	PLUG, M12	1							R
		(A=*2009.02)									
67	2	26106-060102	BOLT, M6X 10 PLATED	1							
68	2	26756-060002	NUT, LOCK M6	1							
76	2	158552-61900	O-RING	1							
82	2	26106-060142	BOLT, M6X 14 PLATED	2							
83	2	26106-060142	BOLT, M6X 14 PLATED	4							
84	2	26106-060202	BOLT, M6X 20 PLATED	10							
85	2	158552-61061	COVER, GOVERNOR CASE	1							
86	2	119852-61080	SUPPORT, WIRE	1							
96	2	119653-77950	SOLENOID, STOP	1							
130	2	26106-060142	BOLT, M6X 14 PLATED	2							

Remarks

\* This figure(Governor) is incorporated in the Fuel Injection Pump(Fig.11).

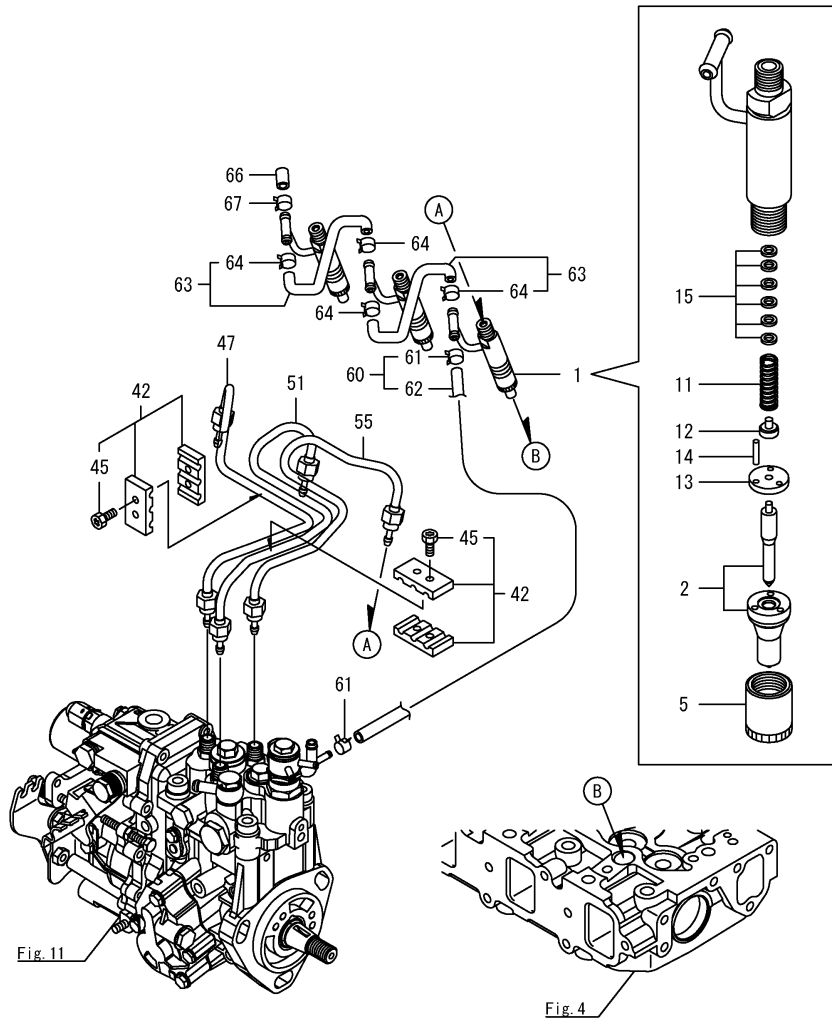
Note : "Effective Machine No." of the Engine Section is indicated on the Model Label which is shown in Fig.4.

N:Old  $\xrightarrow{\text{Yes}}$  New, Q:Old  $\xrightarrow{\text{No}}$  New, R:Old  $\xrightarrow{\text{Yes}}$  New, S:Old  $\xrightarrow{\text{No}}$  New, W:Add, Z:Discontinued, F:Interchangeable by set, K:Q'ty Change

Fig.13. FUEL INJECTION VALVE

(A)=3TNV88-XRY1  
(B)=  
(C)=

(D)=  
(E)=  
(F)=



No.	Lev.	Parts No.	Description	Q'ty						I	R
				(A)	(B)	(C)	(D)	(E)	(F)		
1	1	729004-53101	VALVE ASSY,INJECTION	3							
2	2	129004-53001	VALVE ASSY,INJECTION	3							
5	2	114250-53080	NUT, NOZZLE D16.95	3							
11	2	114250-53120	SPRING, NOZZLE	3							
12	2	114250-53130	SEAT, SPRING	3							
13	2	114250-53140	PLATE	3							
14	2	114250-53210	PIN	6							
15	2	119803-53400	SHIM SET	3							
42	1	129150-59120	RETAINER, PIPE	2							
45	2	129150-59131	BOLT, M4X14	4							
47	1	129004-59811	PIPE ASSY, INJECTION	1							
51	1	129004-59821	PIPE ASSY, INJECTION	1							
55	1	129004-59831	PIPE ASSY, INJECTION	1							
60	1	119802-59550	PIPE ASSY, RETURN	1							
61	2	124722-59050	CLIP, HOSE 9	2							
62	2	119802-59560	PIPE, FUEL RETURN	1							
63	1	129486-59551	PIPE ASSY, RETURN	2							
64	2	124722-59050	CLIP, HOSE 9	4							
66	1	119593-59581	CAP	1							
67	1	124060-77680	CLIP, HOSE 10	1							

Remarks

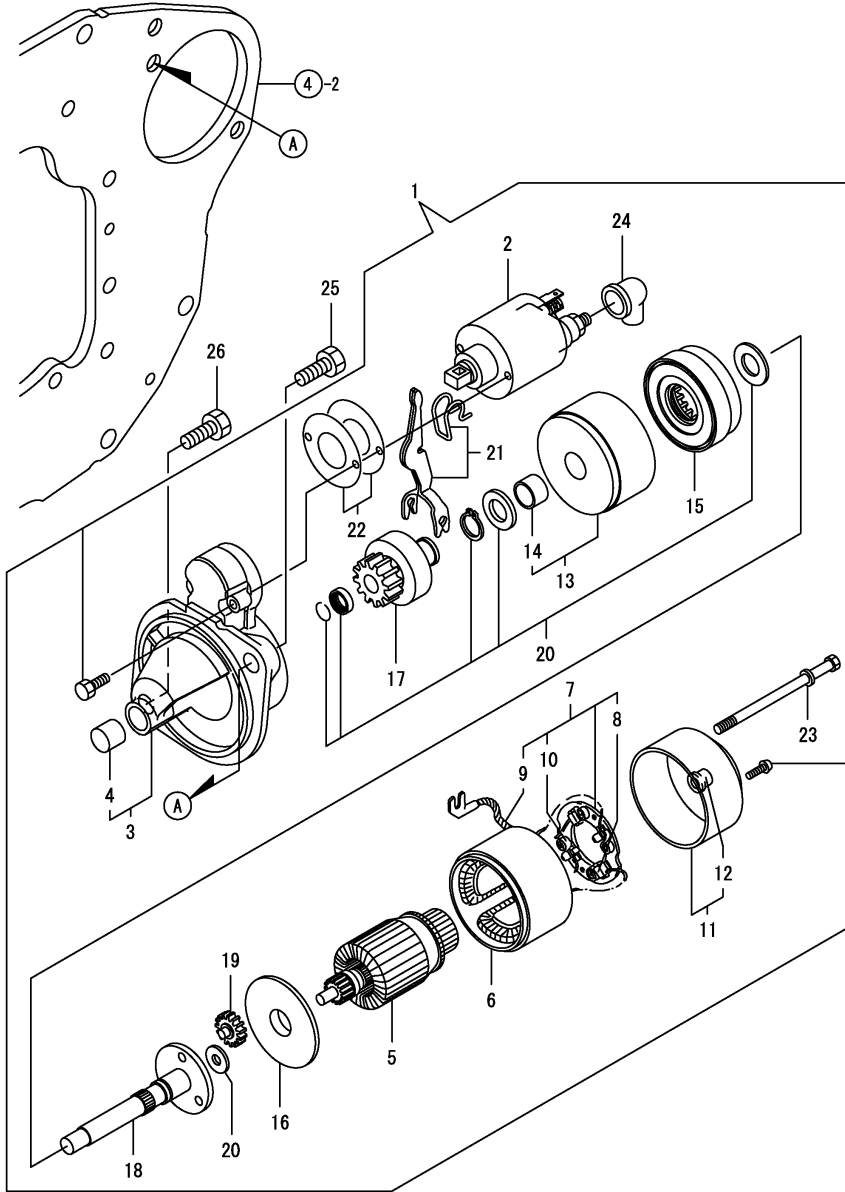
Note : "Effective Machine No." of the Engine Section is indicated on the Model Label which is shown in Fig.4.



Fig.14. STARTING MOTOR

(A)=3TNV88-XRY1  
(B)=  
(C)=

(D)=  
(E)=  
(F)=



No.	Lev.	Parts No.	Description	Q'ty						I	R
				(A)	(B)	(C)	(D)	(E)	(F)		
1	1	129052-77010	STARTER, CR1.2	1							
2	2	129698-77020	SWITCH ASSY	1							
3	2	129052-77030	HOUSING ASSY, GEARS	1							
4	3	X2114535200	METAL, STARTER	1							
5	2	129698-77101	ARMATURE ASSY	1							
6	2	129698-77110	YOKE ASSY	1							
7	2	129698-77120	HOLDER ASSY, BRUSH	1							
8	3	129698-77130	BRUSH	2							
9	3	129698-77140	BRUSH SET	1							
10	3	129698-77150	SPRING, BRUSH	4							
11	2	129698-77161	COVER ASSY	1							
12	3	129698-77170	BEARING	1							
13	2	129698-77180	BRACKET	1							
14	3	129698-77190	BRACKET	1							
15	2	129698-77200	GEAR, INTERNAL	1							
16	2	129698-77210	BRACKET	1							
17	2	129698-77220	PINION ASSY	1							
18	2	129698-77230	SHAFT	1							
19	2	129698-77240	GEAR	3							
20	2	129698-77250	WASHER SET	1							
21	2	129698-77270	LEVER SET, SHIFT	1							
22	2	129698-77280	COVER KIT	1							
23	2	124195-77770	BOLT, THROUGH	2							
24	2	X2114274200	COVER	1							
25	1	129155-77060	BOLT	1							
26	1	26116-120202	BOLT, M12X 20 PLATED	1							

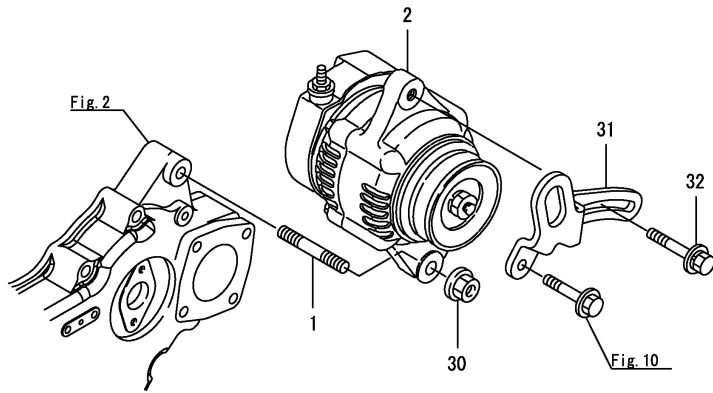
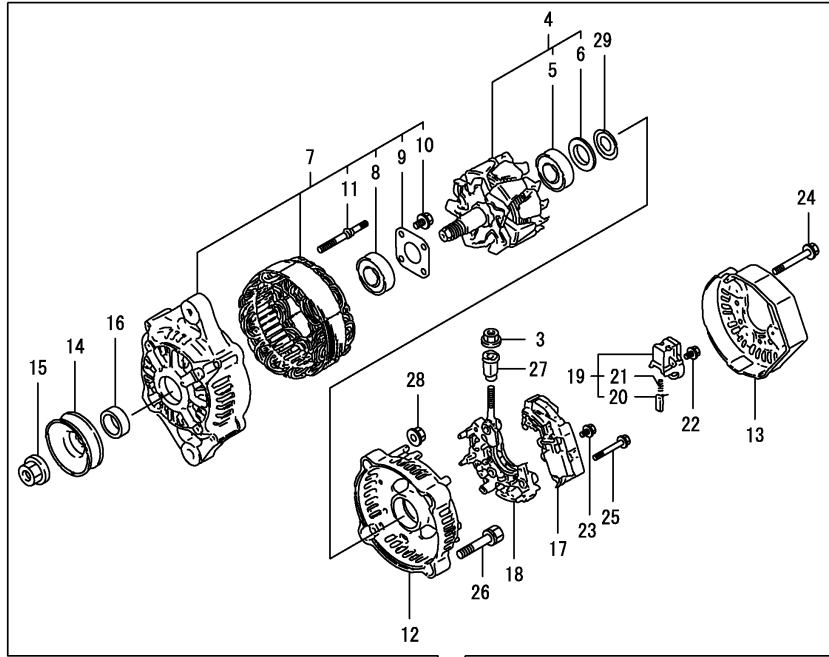
Remarks

Note : "Effective Machine No." of the Engine Section is indicated on the Model Label which is shown in Fig.4.

Fig.15. GENERATOR

(A)=3TNV88-XRY1  
(B)=  
(C)=

(D)=  
(E)=  
(F)=



No.	Lev.	Parts No.	Description	Q'ty						I	R
				(A)	(B)	(C)	(D)	(E)	(F)		
1	1	129795-01900	STUD	1							
2	1	129423-77200	GENERATOR, 12V-40A	1							
3	2	X9490561001	NUT	1							
4	2	119620-77380	ROTOR ASSY	1							
5	3	123501-79240	BEARING, BALL	1							
6	3	119620-79250	COVER	1							
7	2	119620-77421	FRAME ASSY, DRIVE	1							
8	3	119620-79200	BEARING, BALL	1							
9	3	119620-79210	PLATE, RETAINER	1							
10	3	119620-79220	SCREW	4							
11	3	119620-79230	STUD	2							
12	2	119620-77440	FRAME ASSY	1							
13	2	129240-79300	COVER	1							
14	2	119620-77461	PULLEY	1							
15	2	119620-77471	NUT	1							
16	2	119620-77490	COLLAR	1							
17	2	129423-77710	REGULATOR ASSY	1							
18	2	119620-79260	HOLDER	1							
19	2	129052-79270	HOLDER, BRUSH	1							
20	3	119620-77480	BRUSH ASSY	2							
21	3	119620-79280	SPRING	2							
22	2	119620-79290	SCREW	6							
23	2	119620-79300	SCREW	1							
24	2	119620-79310	BOLT	3							
25	2	119620-79320	SCREW	2							
26	2	119620-79330	BOLT	2							
27	2	119620-79340	BUSH, INSULATION	1							
28	2	119620-79350	NUT	2							
29	2	119620-79360	WASHER, THRUST	1							
30	1	26306-100002	NUT, M10	1							
31	1	129263-77330	ADJUSTER	1							
32	1	119810-77340	BOLT, ADJUSTER	1							

Remarks

Note : "Effective Machine No." of the Engine Section is indicated on the Model Label which is shown in Fig.4.

N:Old  $\xrightarrow{\text{Yes}}$  New, Q:Old  $\xrightarrow{\text{No}}$  New, R:Old  $\xrightarrow{\text{Yes}}$  New, S:Old  $\xrightarrow{\text{No}}$  New, W:Add, Z:Discontinued, F:Interchangeable by set, K:Q'ty Change

## Parts No. Index

Parts No.	Fig. No.	Ref. No.
114250-39450	9	13
114250-53080	13	5
114250-53120	13	11
114250-53130	13	12
114250-53140	13	13
114250-53210	13	14
119593-59581	13	66
119609-32040	2	12
119620-77380	15	4
119620-77421	15	7
119620-77440	15	12
119620-77461	15	14
119620-77471	15	15
119620-77480	15	20
119620-77490	15	16
119620-79200	15	8
119620-79210	15	9
119620-79220	15	10
119620-79230	15	11
119620-79250	15	6
119620-79260	15	18
119620-79280	15	21
119620-79290	15	22
119620-79300	15	23
119620-79310	15	24
119620-79320	15	25
119620-79330	15	26
119620-79340	15	27
119620-79350	15	28
119620-79360	15	29
119625-11880	4	32
119653-77950	12	96
119660-61901	12	59
119802-01561	2	7
119802-03110	4	43
119802-03121	4	44
119802-03130	4	45
119802-03141	4	46
119802-11260	4	6
119802-11270	4	7
119802-11280	4	8
119802-11870	4	31
119802-21202	7	4
119802-25051	6	9
119802-25071	6	13
119802-25101	6	10
119802-25901	6	16
119802-32070	2	14
119802-32100	2	13
119802-32111	2	18

Parts No.	Fig. No.	Ref. No.
119802-32120	2	19
119802-32130	2	20
119802-35100	9	7
119802-35110	9	8
119802-39450	9	15
119802-51090	11	11
119802-51250	11	133
119802-51560	11	60
119802-51590	11	66
119802-51600	11	67
119802-51680	11	71
119802-51690	11	72
119802-59550	13	60
119802-59560	13	62
119803-53400	13	15
119807-61420	12	23
119810-77340	15	32
119852-01601	3	2
119852-49530	10	28
119852-61080	12	86
119852-61440	12	24
119934-01800	2	5
120130-11860	4	29
120270-54410	4	34
121023-01551	2	28
121111-21501	7	11
121400-11340	4	25
121450-42450	10	33
121520-34810	9	1
121550-23200	7	26
121550-49111	10	32
121850-21680	7	10
121850-51960	2	21
123501-79240	15	5
124060-01050	1	11
124060-77680	13	67
124160-01751	2	9
124160-01910	1	12
		13
	3	12
124160-11360	4	53
124160-39140	9	14
124195-77770	14	23
124240-01871	2	10
124240-01883	8	1
124250-49351	10	36
124460-11340	4	26
124465-44950	10	35
124550-21600	7	14
124722-59050	10	41

Parts No.	Fig. No.	Ref. No.
124722-59050	10	44
	13	61
		64
129001-01250	1	4
129001-01340	1	29
129001-02931	1	30
129001-12110	5	4
129001-32330	2	17
129001-91810	3	13
129001-91841	2	22
129004-01190	1	27
129004-01520	2	6
129004-03010	4	41
129004-11130	4	23
129004-11241	4	3
129004-11251	4	4
129004-11310	4	48
129004-11650	4	10
129004-11700	4	15
129004-11900	4	33
129004-21002	7	1
129004-53001	13	2
129004-59811	13	47
129004-59821	13	51
129004-59831	13	55
129005-03080	5	1
129005-12101	5	3
129005-22080	7	15
129005-22500	7	17
129005-22900	7	32
129005-22950	7	34
129005-59830	9	16
129044-42290	10	22 -1
129052-77010	14	1
129052-77030	14	3
129052-79270	15	19
129054-01640	3	7
129054-42320	10	9
129054-42450	10	34
129055-01780	3	6
129055-01791	3	10
129055-21592	7	12
129055-21650	7	8
129055-34820	9	2
129055-35090	9	3
129055-42001	10	1
129100-01580	3	1
		17
	7	2
129100-01640	3	18

Parts No.	Fig. No.	Ref. No.
129100-11112	4	21
129100-23910	7	29
129100-35140	9	9
129129-14580	6	3
129150-01200	1	28
129150-01580	2	8
129150-01881	6	17
129150-02020	1	6
129150-02450	6	4
129150-02871	1	33
129150-02931	1	24
129150-02941	1	36
129150-03070	4	42
129150-11230	4	11
129150-11280	4	9
129150-11370	4	14
129150-11750	4	13
129150-11810	4	30
129150-14101	6	6
129150-14200	6	1
129150-14400	6	2
129150-23601	7	27
129150-23611	7	30
129150-25301	6	15
129150-26000	6	18
129150-26050	6	19
129150-35111	9	10
129150-35170	9	11
129150-42301	10	8
129150-49360	10	37
129150-49811	10	27
129150-59120	13	42
129150-59131	13	45
129150-77511	5	8
129155-49801	10	26
129155-51280	12	6
129155-61460	12	25
129155-77060	14	25
129202-22300	7	21
129240-79300	15	13
129255-61410	12	22
129263-13220	5	10
129263-49610	10	39
129263-49620	10	42
129263-49710	10	40
129263-49720	10	43
129263-77330	15	31
129268-11350	4	39
129410-03990	5	2
129418-32320	2	16

## Parts No. Index

Parts No.	Fig. No.	Ref. No.
129423-77200	15	2
129423-77710	15	17
129457-42050	10	3
129457-42121	10	4
129486-01670	3	21
129486-12581	5	7
129486-42050	10	17
129486-59551	13	63
129509-51390	11	41
129550-42350	10	21
129555-01750	3	5
129555-44750	4	51
129556-44740	10	23
129698-77020	14	2
129698-77101	14	5
129698-77110	14	6
129698-77120	14	7
129698-77130	14	8
129698-77140	14	9
129698-77150	14	10
129698-77161	14	11
129698-77170	14	12
129698-77180	14	13
129698-77190	14	14
129698-77200	14	15
129698-77210	14	16
129698-77220	14	17
129698-77230	14	18
129698-77240	14	19
129698-77250	14	20
129698-77270	14	21
129698-77280	14	22
129795-01780	3	20
129795-01900	15	1
129795-01950	2	11
129795-02412	1	9
129795-11120	4	22
129795-11180	4	24
129795-21661	7	9
129795-49551	10	29
129900-07900	4	1
129900-32130	2	15
129916-59020	11	131
158552-51151	6	22
158552-51571	11	61
		62
158552-51580	11	65
158552-51600	11	75
158552-51670	11	4
158552-51781	11	102

Parts No.	Fig. No.	Ref. No.
158552-52100	11	111
158552-52310	11	113
158552-52311	11	113 -1
158552-52400	11	114
158552-52500	11	112
158552-61061	12	85
158552-61900	12	76
158553-51551	11	58
158553-51630	11	76
158553-51640	11	78
158553-51660	11	80
158553-51670	11	70
158553-51680	11	81
158553-51770	11	108
158553-51930	11	107 -1
	12	65 -1
158553-61050	12	3
158553-61070	12	4
158557-51570	11	63
158563-51281	11	39
		40
158563-51330	11	50
158600-51270	11	38
158601-51550	11	59
158601-51570	11	64
158601-51650	11	79
158601-51770	11	101
158601-51790	11	103
171051-01921	1	5
171353-44760	10	24
178070-10401	8	4
194521-41570	8	7
		23
198172-41110	8	2
198200-41110	8	18
22190-080002	9	17
		19
22190-100002	9	20
22190-120000	12	63
22190-120002	3	9
	10	38
	11	105
		115
		116
	12	63 -1
22190-180002	11	106
		117
22217-140000	6	23
	11	118
22252-000260	7	22

Parts No.	Fig. No.	Ref. No.
22252-000320	8	15
		31
22312-050140	11	119
22351-050010	11	120
22351-060012	4	35
22512-070140	6	7
	7	5
		7
22857-500100	4	49
		50
23857-030000	9	18
23857-060000	11	121
23875-030000	10	12
23876-030000	2	3
23876-040000	2	4
23887-120002	11	107
	12	65
24105-060064	6	21
24311-000070	11	123
24311-000120	4	54
24311-000160	9	4
24311-000320	2	23
24341-000240	2	29
24356-010180	11	124
24356-010200	11	73
		125
24356-190180	11	124 -1
24356-190200	11	73 -1
		125 -1
24358-240310	10	13
24372-000150	11	74
24421-153207	8	16
		32
25132-003900	10	22
26016-080352	8	17
		33
26106-060102	11	126
	12	67
26106-060122	9	5
26106-060142	12	82
		83
		130
26106-060162	2	30
26106-060202	10	14
	12	84
26106-060402	10	25
26106-080122	3	14
	9	6
26106-080142	6	8
26106-080162	2	24

Parts No.	Fig. No.	Ref. No.
26106-080162	2	25
	4	2
	11	134
26106-080202	5	5
		9
	9	12
	11	135
26106-080252	4	36
26106-080282	10	30
26106-080352	3	15
	4	37
26106-080402	6	14
26106-080502	3	16
	4	38
26106-080552	2	26
	10	18
26106-080602	10	19
26106-080652	10	31
26106-080702	3	13 -1
	10	20
26106-080802	5	6
	8	34
26106-080852	2	22 -1
26106-080952	8	35
26116-060162	10	15
26116-120202	14	26
26206-100202	3	3
		4
26216-080222	8	36
26216-080402	8	37
26306-080002	2	27
	8	38
26306-100002	15	30
26366-060002	9	21
26450-080452	11	128
26577-060162	10	16
26756-060002	12	68
26776-140002	6	24
	11	129
27241-120000	1	14
27241-300000	1	10
27241-400000	4	20
27310-080001	4	27
49933-000138	4	52
729004-53101	13	1
729005-01560	1	1
729066-51380	11	1
729235-01500	2	1
729402-23100	7	23
X2114274200	14	24

# Parts No. Index

Parts No.	Fig. No.	Ref. No.
X2114535200	14	4
X9490561001	15	3

Parts No.	Fig. No.	Ref. No.
-----------	----------	----------

Parts No.	Fig. No.	Ref. No.
-----------	----------	----------

Parts No.	Fig. No.	Ref. No.
-----------	----------	----------