

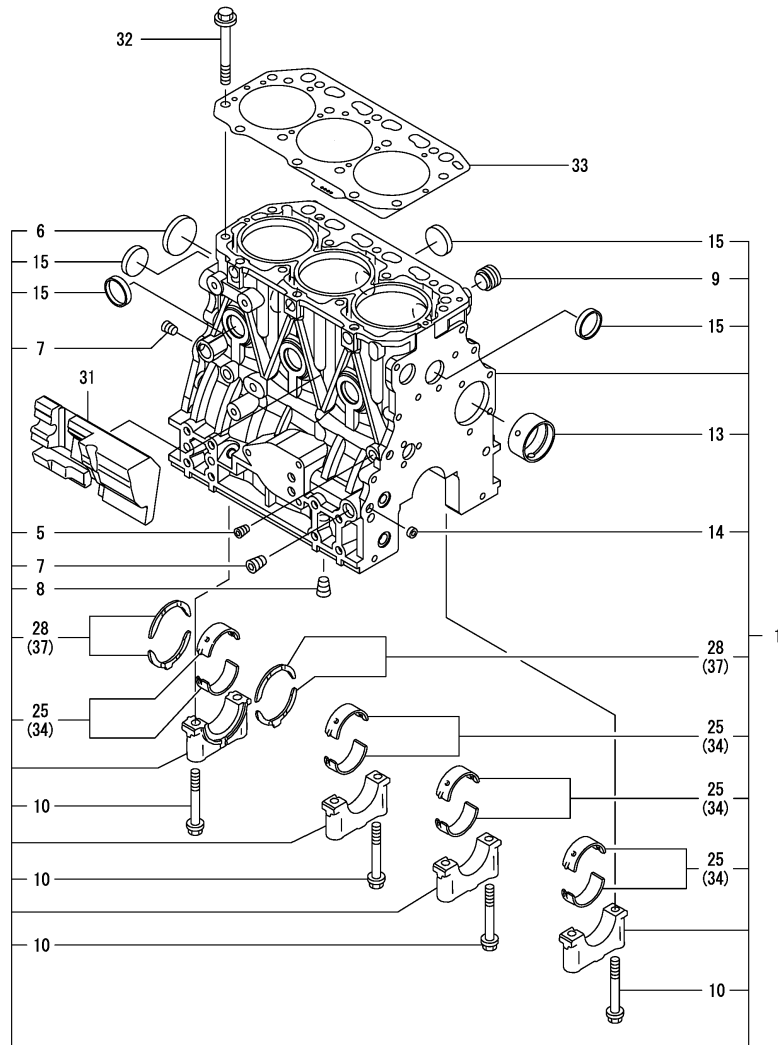
0CNP5-M35500EN

# Contents

OCNP5-M35500

Fig. No.	Fig. Name	Fig. No.	Fig. Name
<b>ENGINE</b>			
1.	CYLINDER BLOCK		
2.	GEAR HOUSING		
3.	MOUNTING FLANGE & OIL SUMP		
4.	CYLINDER HEAD & BONNET		
5.	SUCTION MANIFOLD		
6.	EXHAUST MANIFOLD & SILENCER		
7.	CAMSHAFT & DRIVING GEAR		
8.	CRANKSHAFT & PISTON		
9.	HYDRAULIC PUMP		
10.	LUB. OIL SYSTEM		
11.	COOLING WATER SYSTEM		
12.	FUEL INJECTION PUMP		
16.	(12A)FUEL INJECTION PUMP(INNER PARTS)		
17.	(12B)GOVERNOR(INNER PARTS)(ADD.ITEM)		
13.	FUEL INJECTION VALVE		
14.	STARTING MOTOR		
15.	GENERATOR		

Fig.1. CYLINDER BLOCK



(A)=3TNV84-XRY  
(B)=  
(C)=

(D)=  
(E)=  
(F)=

No.	Lev.	Parts No.	Description	Q'ty						I	R
				(A)	(B)	(C)	(D)	(E)	(F)		
1	1	729004-01560	BLOCK ASSY, CYLINDER	1							
5	2	124060-01050	PLUG, PT1/8	1							
6	2	129001-01250	PLUG, 50	1							
7	2	124160-01910	PLUG, PT1/4	2							
8	2	124160-01910	PLUG, PT1/4	1							
9	2	171051-01921	PLUG, NPTF1	1							
10	2	129150-02020	BOLT, METAL CAP	8							
13	2	129795-02411	BUSH, CAMSHAFT	1							
13-1	2	129795-02412	BUSH, CAMSHAFT	1							N
(A=*2006.05)											
14	2	27241-120000	PLUG, 12	2							
15	2	27241-300000	PLUG 30	6							
25	2	129001-02930	BEARING, MAIN	4							3
25-1	2	129001-02931	BEARING, MAIN	4							N 3
(A=*2006.05)											
28	2	129150-02930	BEARING, THRUST	2							
28-1	2	129150-02931	BEARING, THRUST	2							N
(A=*2006.05)											
31	1	129004-01190	SPACER	1							
32	1	129150-01200	BOLT, HEAD	14							
33	1	129002-01331	GASKET, HEAD	1							
34	1	129150-02870	BEARING, 0.25 US	4							1
34-1	1	129150-02871	BEARING, 0.25 US	4							N 1
(A=*2006.05)											
37	1	129150-02940	BEARING, THRUST 0.25	1							2
37-1	1	129150-02941	BEARING, THRUST 0.25	1							N 2
(A=*2006.05)											

Remarks

(1)Under-sized(U.S.=0.25) parts.

(2)Over-sized(O.S.=0.25) parts.

(3)Repair parts.

Note : "Effective Machine No." of the Engine Section is indicated on the Model Label which is shown in Fig.4.

N:Old  $\xrightarrow{\text{Yes}}$  New, Q:Old  $\xrightarrow{\text{No}}$  New, R:Old  $\xrightarrow{\text{Yes}}$  New, S:Old  $\xrightarrow{\text{No}}$  New, W:Add, Z:Discontinued, F:Interchangeable by set, K:Q'ty Change

Fig.2. GEAR HOUSING

(A)=3TNV84-XRY

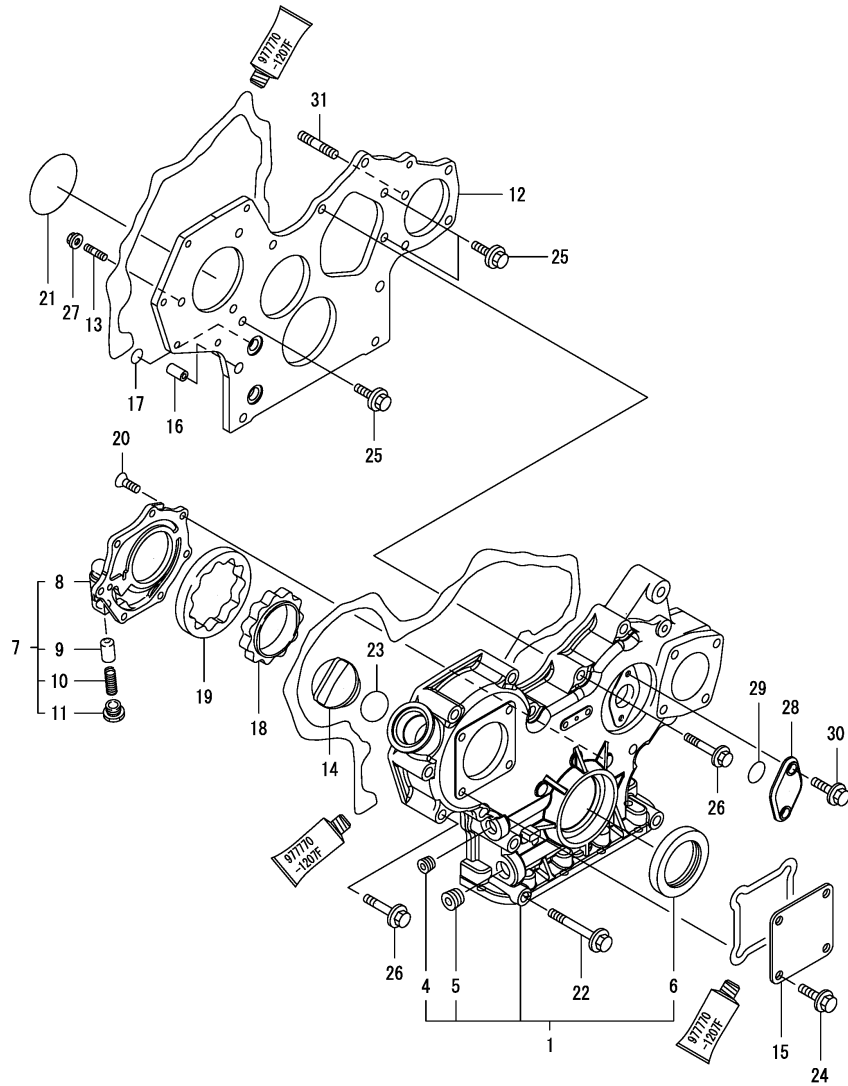
(B)=

(C)=

(D)=

(E)=

(F)=



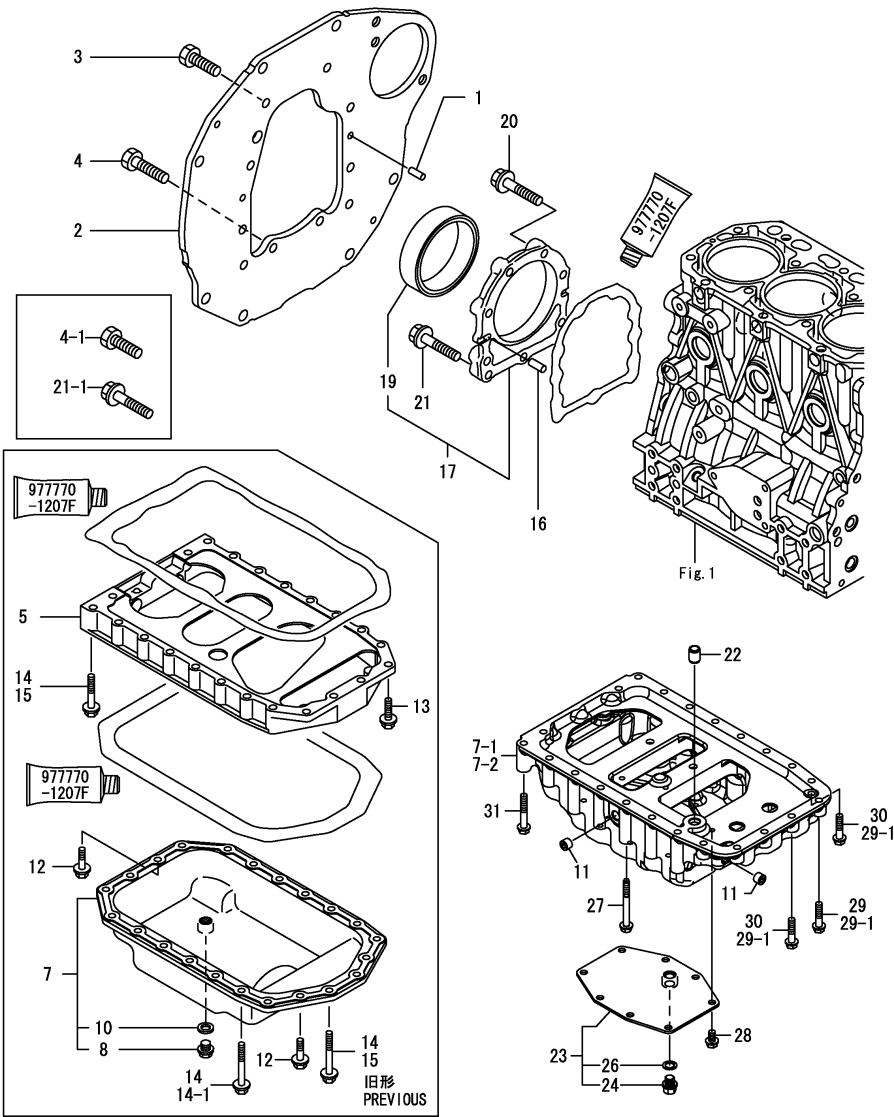
No.	Lev.	Parts No.	Description	Q'ty						I	R
				(A)	(B)	(C)	(D)	(E)	(F)		
1	1	729004-01500	CASE ASSY, GEAR	1							
1-1	1	729235-01500	CASE ASSY, GEAR	1							N
(A=E29476)											
4	2	23876-030000	PLUG, R03	1							
5	2	23876-040000	PLUG, R04	1							
6	2	129795-01800	SEAL, OIL	1							
6-1	2	119934-01800	SEAL, OIL	1							N
(A=E29476)											
7	1	119802-32100	COVER ASSY	1							
8	2	119802-32070	COVER	1							
9	2	129900-32130	VALVE, RELIEF	1							
10	2	129418-32320	SPRING	1							
11	2	129001-32330	PLUG	1							
12	1	129004-01520	FLANGE, GEAR CASE	1							
13	1	119802-01560	STUD, M8X25	3							
13-1	1	119802-01561	STUD, M8X25	3							R
(A=E20313)											
14	1	124160-01751	COVER, FILLER	1							
15	1	124240-01871	COVER	1							
16	1	129795-01950	PIPE, KNOCK L=18	2							
17	1	119609-32040	O-RING, P16	4							
18	1	119802-32111	ROTOR, INNER	1							
19	1	119802-32120	ROTOR, OUTER	1							
20	1	119802-32130	SCREW, M6X16	7							
21	1	121850-51960	O-RING	1							
22	1	129001-91841	BOLT, M8X85	3							
23	1	24311-000320	O-RING, 1AP32.0	1							
24	1	26106-080162	BOLT, M8X 16 PLATED	4							
25	1	26106-080162	BOLT, M8X 16 PLATED	3							
26	1	26106-080552	BOLT, M8X 55 PLATED	11							
27	1	26306-080002	NUT, M8	3							
28	1	121023-01550	COVER	1							
28-1	1	121023-01551	COVER	1							R
(A=E22203)											
29	1	24341-000240	O-RING, 1AS24.0	1							
30	1	26106-060162	BOLT, M6X 16 PLATED	2							
31	1	129150-01580	STUD, M8X30	1							

Remarks

Note : "Effective Machine No." of the Engine Section is indicated on the Model Label which is shown in Fig.4.

N:Old  $\xrightarrow{\text{Yes}}$  New, Q:Old  $\xrightarrow{\text{No}}$  New, R:Old  $\xrightarrow{\text{Yes}}$  New, S:Old  $\xrightarrow{\text{No}}$  New, W:Add, Z:Discontinued, F:Interchangeable by set, K:Q'ty Change

Fig.3. MOUNTING FLANGE & OIL SUMP



(A)=3TNV84-XRY  
(B)=  
(C)=

(D)=  
(E)=  
(F)=

No.	Lev.	Parts No.	Description	Qty						I	R
				(A)	(B)	(C)	(D)	(E)	(F)		
1	1	129100-01580	PIN, M8X16	2							
2	1	119852-01600	FLANGE, MOUNTING	1							
2-1	1	119852-01601	FLANGE, MOUNTING	1							N
(A=E35521)											
3	1	26206-100202	BOLT, M10X 20 PLATED	6							
4	1	26206-100252	BOLT, M10X 25 PLATED	4							
4-1	1	26206-100202	BOLT, M10X 20 PLATED	4							N
(A=EZZZZZ)											
5	1	129100-01730	SPACER, OIL SUMP	1							Z
(A=E38198)											
7	1	129055-01770	SUMP ASSY, OIL	1							
7-1	1	129055-01790	SUMP ASSY, OIL	1							S 1
(A=E38198)											
7-2	1	129055-01791	SUMP ASSY, OIL	1							S 2
(A=E39756)											
8	2	129054-01640	PLUG, DRAIN 12	1							Z
(A=E38198)											
10	2	22190-120002	WASHER, SEAL 12	1							Z
(A=E38198)											
11	2	124160-01910	PLUG, PT1/4	2							W
(A=E38198)											
12	1	26106-080162	BOLT, M8X 16 PLATED	4							Z
(A=E38198)											
13	1	26106-080252	BOLT, M8X 25 PLATED	2							Z
(A=E38198)											
14	1	26106-080452	BOLT, M8X 45 PLATED	20							
14-1	1	26106-080452	BOLT, M8X 45 PLATED	16							K
(A=FROM1ST)											
14-2	1	26106-080452	BOLT, M8X 45 PLATED	16							Z
(A=E38198)											
15	1	26106-080502	BOLT, M8X 50 PLATED	4							W
(A=FROM1ST)											
15-1	1	26106-080502	BOLT, M8X 50 PLATED	4							Z
(A=E38198)											
16	1	129100-01580	PIN, M8X16	2							
17	1	129100-01640	CASE ASSY, OIL SEAL	1							
19	2	129795-01780	SEAL, OIL	1							
20	1	129486-01670	BOLT, M8X30	6							
21	1	26106-080352	BOLT, M8X 35 PLATED	3							
(A=EZZZZZ)											
21-1	1	129486-01670	BOLT, M8X30	3							N
(A=EZZZZZ)											
22	1	129555-01750	PIPE, KNOCK 14X18	1							W
(A=E38198)											
23	1	129055-01780	COVER ASSY, OIL SUMP	1							W
(A=E38198)											
24	2	129054-01640	PLUG, DRAIN 12	1							W
(A=E38198)											
26	2	22190-120002	WASHER, SEAL 12	1							W
(A=E38198)											
27	1	129001-91810	BOLT, M8X70	10							W

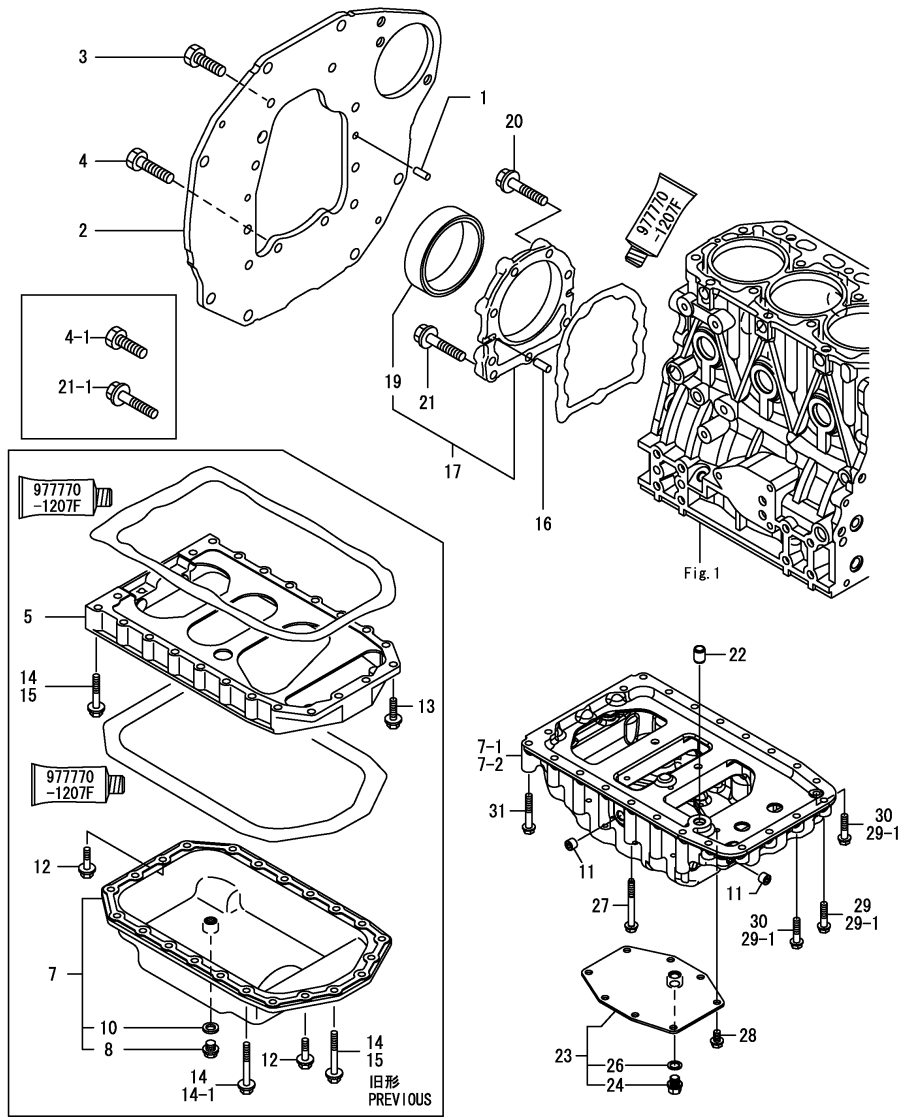
Remarks

(1) Interchangeable by simultaneous replacement with No.22,23,27,28,29,30 Fig.10 No.2-1,3-1,4-1,8-1,24.

(2) Interchangeable by simultaneous replacement with No.27-1.

Note : "Effective Machine No." of the Engine Section is indicated on the Model Label which is shown in Fig.4.

Fig.3. MOUNTING FLANGE & OIL SUMP



(A)=3TNV84-XRY  
(B)=  
(C)=

(D)=  
(E)=  
(F)=

No.	Lev.	Parts No.	Description	Q'ty						I	R
				(A)	(B)	(C)	(D)	(E)	(F)		
27-1	1	26106-080702	BOLT, M8X 70 PLATED	10							N
28	1	26106-080142	BOLT, M8X 14 PLATED	8							W
28-1	1	26106-080122	BOLT, M8X 12 PLATED	8							S
29	1	26106-080352	BOLT, M8X 35 PLATED	1							
29-1	1	26106-080352	BOLT, M8X 35 PLATED	6							K
30	1	26106-080452	BOLT, M8X 45 PLATED	5							Z
31	1	26106-080502	BOLT, M8X 50 PLATED	6							W

Remarks

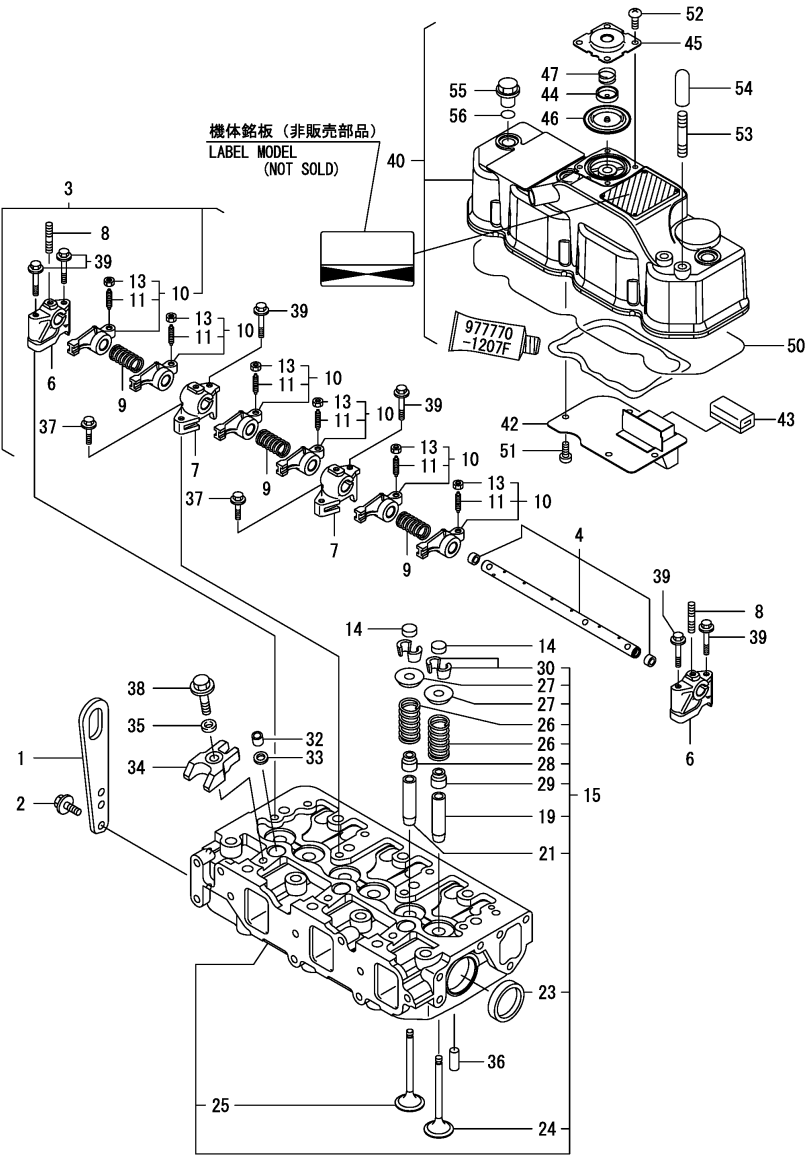
(1) Interchangeable by simultaneous replacement with No.22,23,27,28,29,30 Fig.10 No.2-1,3-1,4-1,8-1,24.

(2) Interchangeable by simultaneous replacement with No.27-1.

Note : "Effective Machine No." of the Engine Section is indicated on the Model Label which is shown in Fig.4.

N:Old  $\xrightarrow{\text{Yes}}$  New, Q:Old  $\xrightarrow{\text{No}}$  New, R:Old  $\xrightarrow{\text{Yes}}$  New, S:Old  $\xrightarrow{\text{No}}$  New, W:Add, Z:Discontinued, F:Interchangeable by set, K:Q'ty Change

Fig.4. CYLINDER HEAD & BONNET



(A)=3TNV84-XRY  
(B)=  
(C)=

(D)=  
(E)=  
(F)=

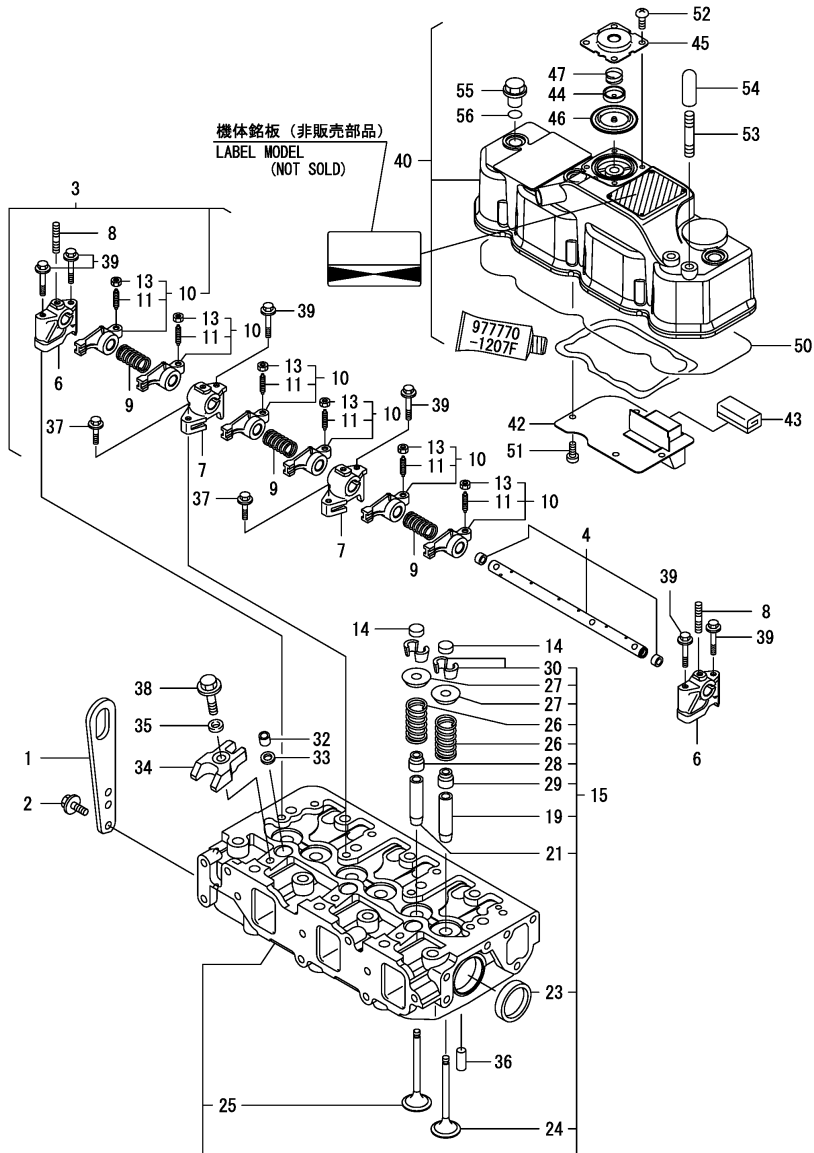
No.	Lev.	Parts No.	Description	Q'ty						I	R
				(A)	(B)	(C)	(D)	(E)	(F)		
1	1	129900-07900	LIFTER	1							
2	1	26106-080162	BOLT, M8X 16 PLATED	2							
3	1	129004-11241	SHAFT ASSY, ROCKER	1							
4	2	129004-11251	SHAFT, ROCKER ARM	1							
6	2	119802-11260	SUPPORT, ROCKER ARM	2							
7	2	119802-11270	SUPPORT, ROCKER ARM	2							
8	2	119802-11280	STUD	3							
9	2	129150-11280	SPRING	3							
10	2	129004-11650	ARM, ROCKER	6							
11	3	129150-11230	SCREW, VALVE ADJUST	6							
13	3	129150-11750	NUT, M8	6							
14	1	129150-11370	CAP, VALVE	6							
15	1	129004-11700	HEAD ASSY, CYLINDER	1							
19	2	120130-11860	GUIDE, VALVE	3							1
21	2	129150-11810	GUIDE, VALVE	3							1
23	2	27241-400000	PLUG, 40	2							
24	2	129004-11101	VALVE, INTAKE	3							
24-1	2	129004-11130	VALVE, INTAKE	3							R
(A=E22203)											
25	2	129100-11111	VALVE, EXHAUST	3							
25-1	2	129100-11112	VALVE, EXHAUST	3							R
(A=E22203)											
26	2	129795-11120	SPRING, VALVE	6							
27	2	129795-11180	RETAINER, SPRING	6							
28	2	121400-11340	SEAL, VALVE STEM	3							
29	2	124460-11340	SEAL, VALVE STEM	3							
30	2	27310-080001	COTTER, 8	6							
32	1	119802-11870	PROTECTOR, NOZZLE	3							
33	1	119625-11880	SEAT, NOZZLE	3							
34	1	129004-11900	RETAINER, NOZZLE	3							
35	1	120270-54410	WASHER, INJECTOR	3							
36	1	22351-060012	PIN, SPRING 6.0X12	2							
37	1	26106-080252	BOLT, M8X 25 PLATED	2							
38	1	26106-080352	BOLT, M8X 35 PLATED	3							
39	1	26106-080502	BOLT, M8X 50 PLATED	6							
40	1	129268-11350	BONNET ASSY, HEAD	1							W
(A=E38198)											
42	3	129004-03010	PLATE	1							
43	3	129150-03070	BAFFLE, BREATHER	1							
44	3	119802-03110	PLATE	1							
45	3	119802-03121	COVER, DIAPHRAGM	1							
46	3	119802-03130	DIAPHRAGM	1							
47	3	119802-03141	SPRING, DIAPHRAGM	1							
50	3	129004-11310	GASKET, BONNET	1							
51	3	22857-500100	SCREW, 5X10	4							
52	3	22857-500100	SCREW, 5X10	4							
53	2	129555-44750	STUD, M8X30	2							W
(A=E35521)											
54	2	49933-000138	CAP	2							W
(A=E35521)											
55	1	124160-11360	KNOB	3							

Remarks  
(1)Repair parts.  
Note : "Effective Machine No." of the Engine Section is indicated on the Model Label which is shown in Fig.4.

Fig.4. CYLINDER HEAD & BONNET

(A)=3TNV84-XRY  
(B)=  
(C)=

(D)=  
(E)=  
(F)=



No.	Lev.	Parts No.	Description	Q'ty						I	R
				(A)	(B)	(C)	(D)	(E)	(F)		
56	1	24311-000120	O-RING, 1AP12.0	3							

Remarks

(1)Repair parts.

Note : "Effective Machine No." of the Engine Section is indicated on the Model Label which is shown in Fig.4.

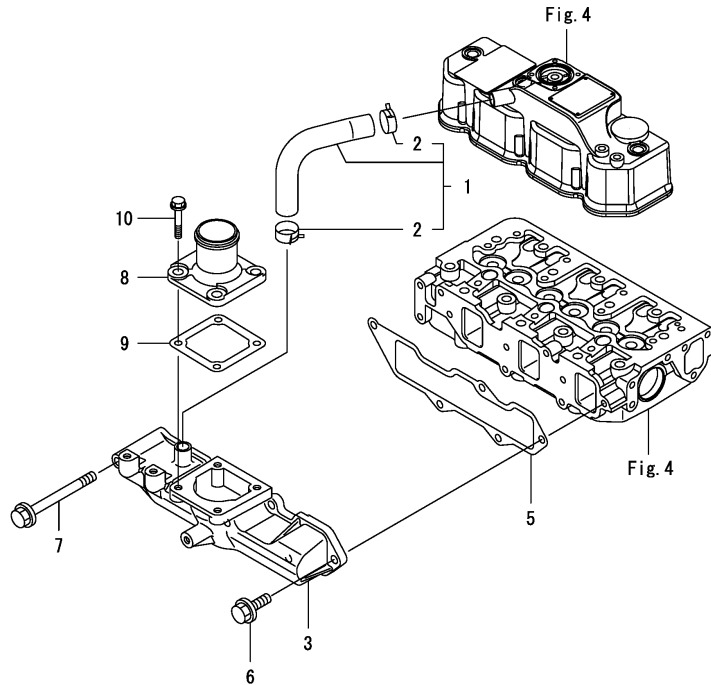
N:Old  $\xrightarrow{\text{Yes}}$  New, Q:Old  $\xrightarrow{\text{No}}$  New, R:Old  $\xrightarrow{\text{Yes}}$  New, S:Old  $\xrightarrow{\text{No}}$  New, W:Add, Z:Discontinued, F:Interchangeable by set, K:Q'ty Change



# Fig.5. SUCTION MANIFOLD

(A)=3TNV84-XRY  
(B)=  
(C)=

(D)=  
(E)=  
(F)=



No.	Lev.	Parts No.	Description	Q'ty						I	R
				(A)	(B)	(C)	(D)	(E)	(F)		
1	1	129005-03080	PIPE , BREATHER	1							
2	2	129410-03990	CLIP	2							
3	1	129005-12100	MANIFOLD, AIR INTAKE	1							
5	1	129001-12110	GASKET, MANIFOLD	1							
6	1	26106-080202	BOLT, M8X 20 PLATED	4							
7	1	26106-080802	BOLT, M8X 80 PLATED	1							
8	1	171463-12581	JOINT, MANIFOLD	1							
8-1	1	129486-12581	JOINT, MANIFOLD	1							N
(A=E22203)											
9	1	129150-77511	GASKET	1							
10	1	26106-080352	BOLT, M8X 35 PLATED	4							
10-1	1	26106-080202	BOLT, M8X 20 PLATED	4							S
(A=E22203)											

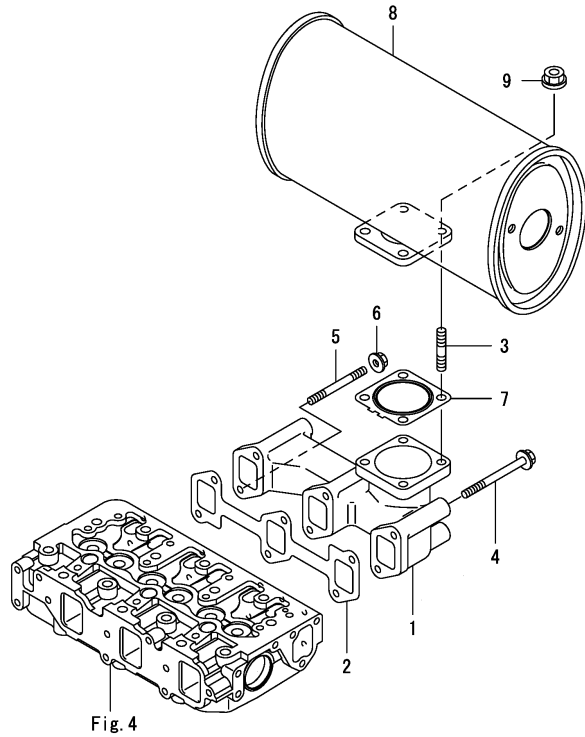
Remarks

Note : "Effective Machine No." of the Engine Section is indicated on the Model Label which is shown in Fig.4.

Fig.6. EXHAUST MANIFOLD & SILENCER

(A)=3TNV84-XRY  
(B)=  
(C)=

(D)=  
(E)=  
(F)=



No.	Lev.	Parts No.	Description	Q'ty						I	R
				(A)	(B)	(C)	(D)	(E)	(F)		
1	1	171350-13100	MANIFOLD, EXHAUST	1							
2	1	129150-13110	GASKET	1							
3	1	119131-18320	STUD, M8X22	4							
4	1	123900-13630	BOLT, M8X80	4							
5	1	129263-13220	STUD, M8X95	2							
6	1	26306-080002	NUT, M8	2							
7	1	129004-13200	GASKET, SILENCER	1							
8	1	129055-13521	SILENCER	1							
9	1	26306-080002	NUT, M8	4							

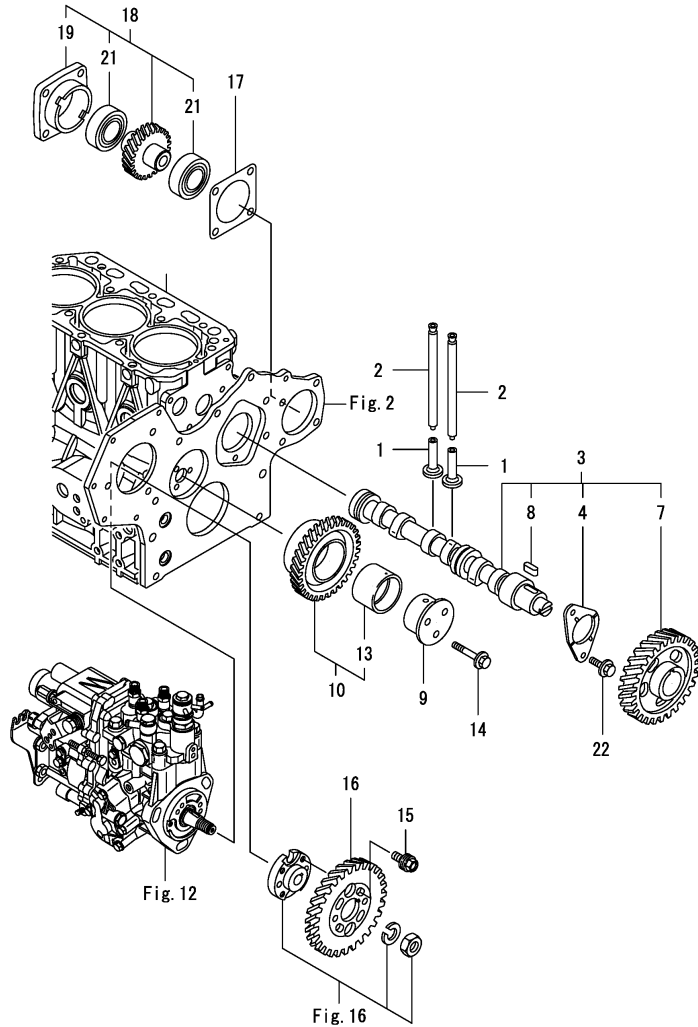
Remarks

Note : "Effective Machine No." of the Engine Section is indicated on the Model Label which is shown in Fig.4.

Fig.7. CAMSHAFT & DRIVING GEAR

(A)=3TNV84-XRY  
(B)=  
(C)=

(D)=  
(E)=  
(F)=



No.	Lev.	Parts No.	Description	Q'ty						I	R
				(A)	(B)	(C)	(D)	(E)	(F)		
1	1	129150-14200	TAPPET	6							
2	1	129150-14400	ROD, PUSH L=178	6							
3	1	129129-14580	CAMSHAFT ASSY	1							
4	2	129150-02450	BEARING, THRUST	1							
7	2	129150-14101	GEAR, CAMSHAFT	1							
8	2	22512-070140	KEY, 7X 14	1							
9	1	119802-25051	SHAFT, IDLE	1							
10	1	119802-25100	GEAR ASSY, IDLE	1							
10-1	1	119802-25101	GEAR ASSY, IDLE	1							N
(A=E31222)											
13	2	119802-25070	BUSH, IDLE GEAR	1							1
13-1	2	119802-25071	BUSH, IDLE GEAR	1							N 1
(A=E31222)											
14	1	26106-080402	BOLT, M8X 40 PLATED	3							
15	1	129150-25301	BOLT	4							
16	1	119802-25901	GEAR, PUMP	1							
17	1	129150-01881	GASKET	1							
18	1	129150-26000	DRIVE ASSY, PUMP	1							
19	2	129150-26050	BRACKET, PUMP	1							
21	2	24105-060064	BEARING, BALL 6006Z	2							
22	1	26106-080142	BOLT, M8X 14 PLATED	2							

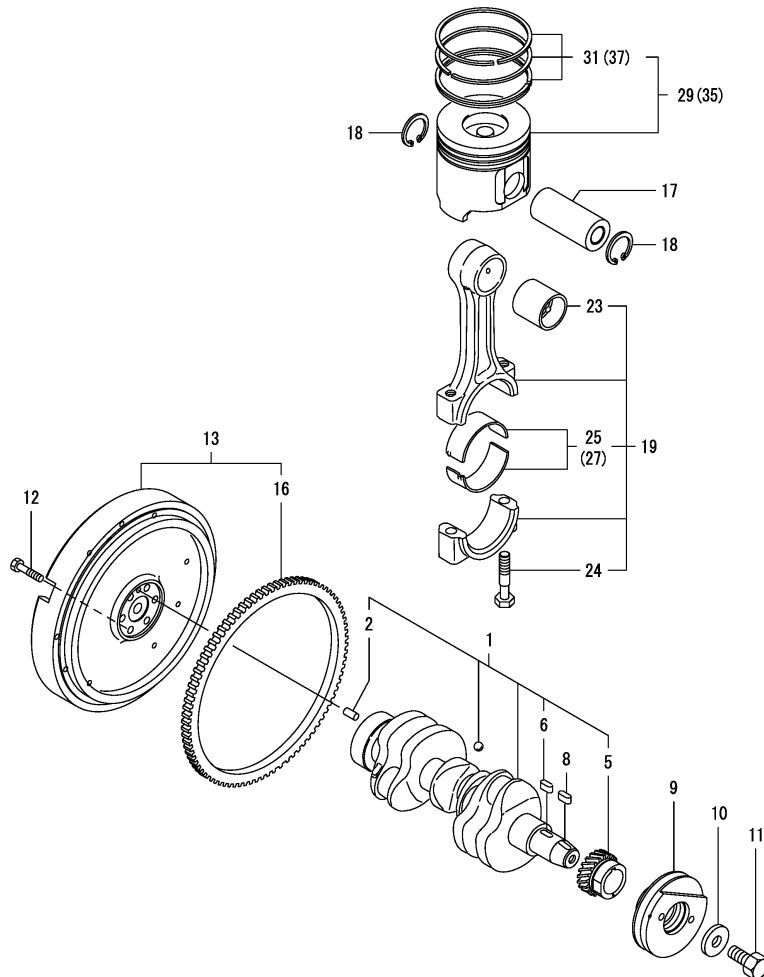
Remarks

(1)Repair parts.

Note : "Effective Machine No." of the Engine Section is indicated on the Model Label which is shown in Fig.4.

N:Old  $\xrightarrow{\text{Yes}}$  New, Q:Old  $\xrightarrow{\text{No}}$  New, R:Old  $\xrightarrow{\text{Yes}}$  New, S:Old  $\xrightarrow{\text{No}}$  New, W:Add, Z:Discontinued, F:Interchangeable by set, K:Q'ty Change

Fig.8. CRANKSHAFT & PISTON



(A)=3TNV84-XRY  
(B)=  
(C)=

(D)=  
(E)=  
(F)=

No.	Lev.	Parts No.	Description	Q'ty						I	R
				(A)	(B)	(C)	(D)	(E)	(F)		
1	1	129004-21002	CRANKSHAFT ASSY	1							
2	2	129100-01580	PIN, M8X16	1							
5	2	119802-21202	GEAR, CRANKSHAFT	1							
6	2	22512-070140	KEY, 7X 14	1							
8	1	22512-070140	KEY, 7X 14	1							
9	1	129055-21650	V-PULLEY, 120	1							
10	1	129795-21661	WASHER	1							
11	1	121850-21680	BOLT	1							
12	1	121111-21501	BOLT, FLYWHEEL	6							
13	1	129055-21592	FLYWHEEL ASSY	1							
16	2	124550-21600	GEAR, RING	1							
17	1	129202-22300	PIN, PISTON D26 L70	3							
18	1	22252-000260	RING, 26	6							
19	1	729402-23100	ROD ASSY, CONNECTING	3							
23	2	129100-23910	BEARING, PISTON PIN	3							1
24	2	121550-23200	BOLT, CONNECTING ROD	6							
25	2	129150-23600	BEARING, CRANK PIN	3							
25-1	2	129150-23601	BEARING, CRANK PIN	3							N
(A=E31002)											
27	1	129150-23610	BEARING, 0.25 US	3							2
29	1	129004-22080	PISTON ASSY	3							
31	2	129004-22500	RING SET, PISTON	3							
35	1	129004-22900	PISTON ASSY, 0.25 OS	3							3
37	2	129004-22950	RING SET, 0.25 OS	3							3

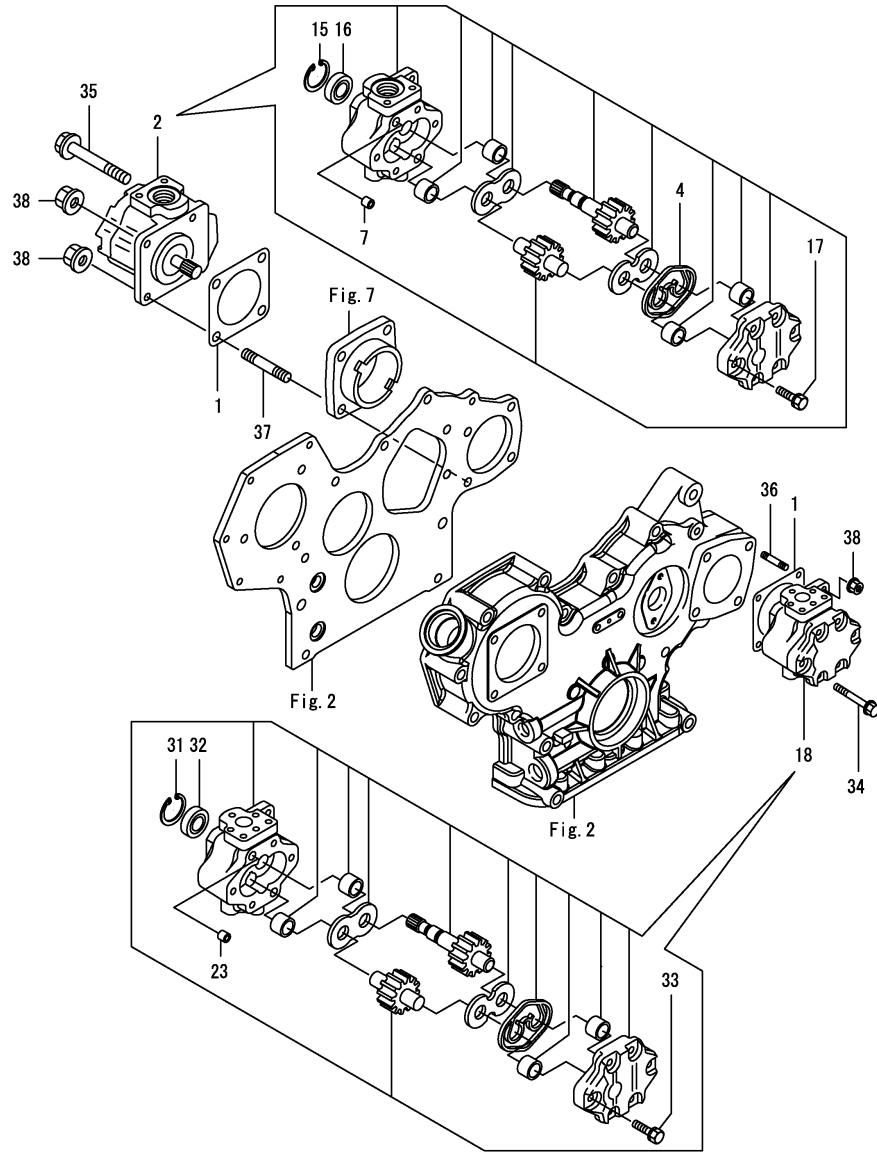
Remarks  
 (1)Repair parts.  
 (2)Under-sized(U.S.=0.25) parts.  
 (3)Over-sized(O.S.=0.25) parts.

Note : "Effective Machine No." of the Engine Section is indicated on the Model Label which is shown in Fig.4.

Fig.9. HYDRAULIC PUMP

(A)=3TNV84-XRY  
(B)=  
(C)=

(D)=  
(E)=  
(F)=



No.	Lev.	Parts No.	Description	Q'ty						I	R
				(A)	(B)	(C)	(D)	(E)	(F)		
1	1	124240-01883	GASKET	2							
2	1	198172-41110	PUMP, HYDRAULIC	1							
4	2	178070-10401	RING	1							
7	2	194521-41570	PIN, 11X7	2							
15	2	22252-000320	RING, 32	1							
16	2	24421-153207	SEAL, OIL TC153207	1							
17	2	26016-080352	BOLT, M8X 35	4							
18	1	198200-41110	PUMP ASSY, HYDRAULIC	1							
23	2	194521-41570	PIN, 11X7	2							
31	2	22252-000320	RING, 32	1							
32	2	24421-153207	SEAL, OIL TC153207	1							
33	2	26016-080352	BOLT, M8X 35	4							
34	1	26106-080802	BOLT, M8X 80 PLATED	2							
35	1	26106-080952	BOLT, M8X 95 PLATED	2							
36	1	26216-080222	STUD, M8X 22	2							
37	1	26216-080402	STUD, M8X 40	1							
38	1	26306-080002	NUT, M8	4							

Remarks

Note : "Effective Machine No." of the Engine Section is indicated on the Model Label which is shown in Fig.4.

Fig.10. LUB. OIL SYSTEM

(A)=3TNV84-XRY

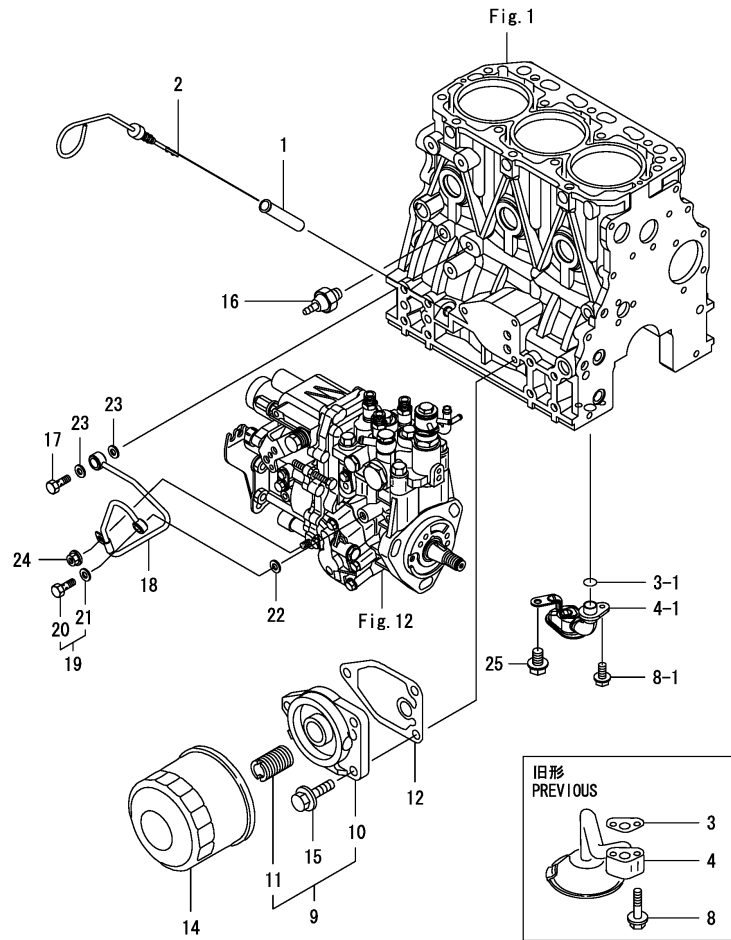
(B)=

(C)=

(D)=

(E)=

(F)=



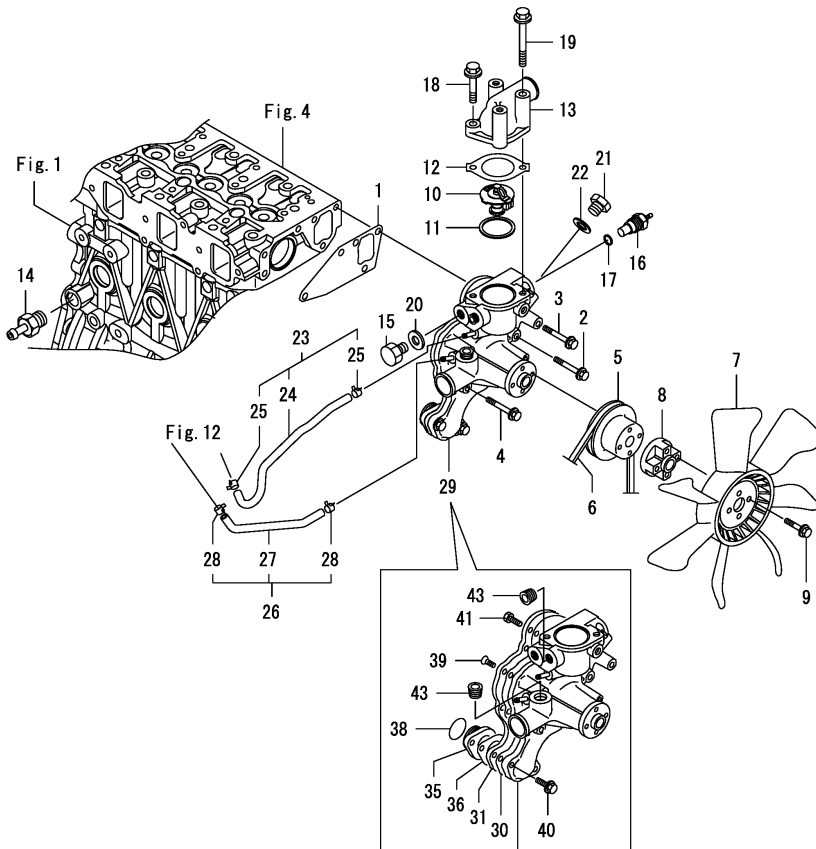
No.	Lev.	Parts No.	Description	Q'ty						I	R
				(A)	(B)	(C)	(D)	(E)	(F)		
1	1	121520-34810	GUIDE, DIPSTICK	1							
2	1	129055-34811	DIPSTICK, OIL	1							
2-1	1	129055-34820	DIPSTICK, OIL	1							S
(A=E38198)											
3	1	129150-35042	GASKET	1							
3-1	1	24311-000160	O-RING, 1AP16.0	1							S
(A=E38198)											
4	1	129150-35091	PIPE ASSY, OIL INLET	1							
4-1	1	129055-35090	PIPE ASSY, OIL INLET	1							S
(A=E38198)											
8	1	26106-080352	BOLT, M8X 35 PLATED	2							
8-1	1	26106-080122	BOLT, M8X 12 PLATED	1							S
(A=E38198)											
9	1	119802-35100	BRACKET ASSY, FILTER	1							
10	2	119802-35110	BRACKET, FILTER	1							
11	2	129100-35140	BOLT, STUD	1							
12	1	129150-35111	GASKET	1							
14	1	129150-35170	FILTER, LO	1							1
15	1	26106-080202	BOLT, M8X 20 PLATED	3							
16	1	114250-39450	SWITCH, HYDRAULIC	1							
17	1	124160-39140	BOLT, PIPE JOINT M10	1							
18	1	119802-39450	PIPE ASSY, OIL	1							
19	1	129005-59830	BOLT ASSY, JOINT M8	1							
20	2	23857-030000	BOLT, JOINT 3	1							
21	2	22190-080002	WASHER, SEAL 6	1							
22	1	22190-080002	WASHER, SEAL 6	1							
23	1	22190-100002	WASHER, SEAL 10	2							
24	1	26366-060002	NUT, M6	1							
25	1	26106-060122	BOLT, M6X 12 PLATED	1							W
(A=E38198)											

Remarks

(1) Spare parts.

N:Old  $\begin{matrix} \leftarrow \text{Yes} \\ \text{No} \end{matrix}$  New, Q:Old  $\begin{matrix} \leftarrow \text{No} \\ \text{Yes} \end{matrix}$  New, R:Old  $\begin{matrix} \leftarrow \text{Yes} \\ \text{Yes} \end{matrix}$  New, S:Old  $\begin{matrix} \leftarrow \text{No} \\ \text{No} \end{matrix}$  New, W:Add, Z:Discontinued, F:Interchangeable by set, K:Q'ty Change

Fig.11. COOLING WATER SYSTEM



(A)=3TNV84-XRY  
(B)=  
(C)=

(D)=  
(E)=  
(F)=

No.	Lev.	Parts No.	Description	Q'ty						I	R
				(A)	(B)	(C)	(D)	(E)	(F)		
1	1	129486-42050	GASKET, WATER PUMP	1							
2	1	26106-080552	BOLT, M8X 55 PLATED	2							
3	1	26106-080602	BOLT, M8X 60 PLATED	1							
4	1	26106-080702	BOLT, M8X 70 PLATED	1							
5	1	129550-42350	V-PULLEY, D=120	1							
6	1	25132-003900	V-BELT, A39	1							
6-1	1	129044-42290	V-BELT, A38.5	1							S
(A=EXXXXX)											
7	1	129556-44740	FAN, COOLING	1							
8	1	171353-44760	SPACER, FAN	1							
9	1	26106-060402	BOLT, M6X 40 PLATED	4							
10	1	129155-49801	THERMOSTAT, 71	1							
11	1	129150-49811	GASKET, THERMOSTAT	1							
12	1	129795-49551	GASKET	1							
13	1	119852-49530	COVER, THERMOSTAT	1							
14	1	121550-49111	JOINT, PT1/4	1							
15	1	129054-42450	PLUG, M12X1.5	1							
16	1	124250-49351	SENSOR	1							
17	1	129150-49360	GASKET	1							
18	1	26106-080282	BOLT, M8X 28 PLATED	1							
19	1	26106-080652	BOLT, M8X 65 PLATED	1							
20	1	22190-120002	WASHER, SEAL 12	1							
21	1	121450-42450	PLUG, M16	1							
22	1	124465-44950	GASKET, 16	1							
23	1	129263-49610	PIPE, WATER	1							
24	2	129263-49710	PIPE, WATER	1							
25	2	124722-59050	CLIP, HOSE 9	2							
26	1	129263-49620	PIPE, WATER	1							
27	2	129263-49720	PIPE, WATER	1							
28	2	124722-59050	CLIP, HOSE 9	2							
29	1	129055-42000	PUMP ASSY, WATER	1							
29-1	1	129055-42001	PUMP ASSY, WATER	1							N
(A=E21501)											
30	2	129457-42050	GASKET	1							
31	2	129457-42121	PLATE	1							
35	2	129150-42300	FLANGE	1							
35-1	2	129150-42301	FLANGE	1							S
(A=E29635)											
36	2	129150-42311	GASKET	1							
36-1	2	24358-240310	O-RING, 524031	1							N
(A=E29635)											
38	2	129054-42320	O-RING	1							
39	2	26577-060152	SCREW, M6X15	1							
39-1	2	26577-060162	SCREW, M6X16	1							N
(A=E21501)											
40	2	26106-060202	BOLT, M6X 20 PLATED	2							
41	2	26116-060162	BOLT, M6X 16 PLATED	5							
43	2	23875-030000	PLUG, R03	2							
43-1	2	23875-030000	PLUG, R03	1							K
(A=E21501)											

Remarks

Note : "Effective Machine No." of the Engine Section is indicated on the Model Label which is shown in Fig.4.

N:Old  $\xrightarrow{\text{Yes}}$  New, Q:Old  $\xrightarrow{\text{No}}$  New, R:Old  $\xrightarrow{\text{Yes}}$  New, S:Old  $\xrightarrow{\text{No}}$  New, W:Add, Z:Discontinued, F:Interchangeable by set, K:Q'ty Change

Fig.12. FUEL INJECTION PUMP

(A)=3TNV84-XRY  
(B)=  
(C)=

(D)=  
(E)=  
(F)=

No.	Lev.	Parts No.	Description	Q'ty						I	R
				(A)	(B)	(C)	(D)	(E)	(F)		
1	1	119802-51250	RETAINER, PUMP	1							
2	1	26106-080162	BOLT, M8X 16 PLATED	1							
3	1	26106-080202	BOLT, M8X 20 PLATED	1							
10	1	729055-51370	PUMP ASSY, INJECTION	1							1

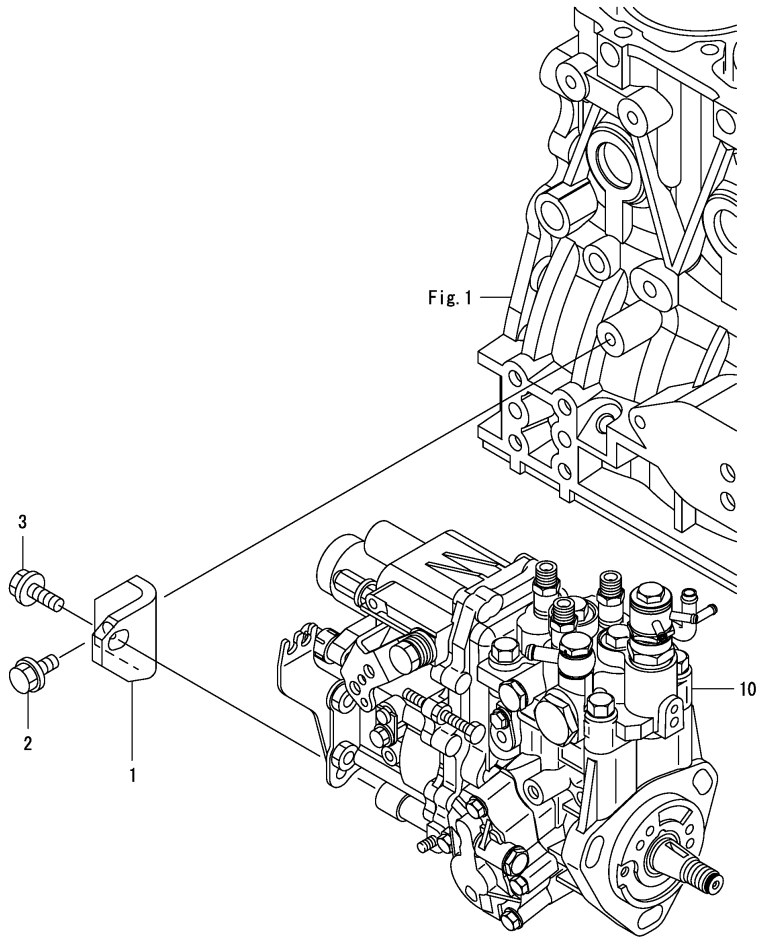


Fig.1

Remarks

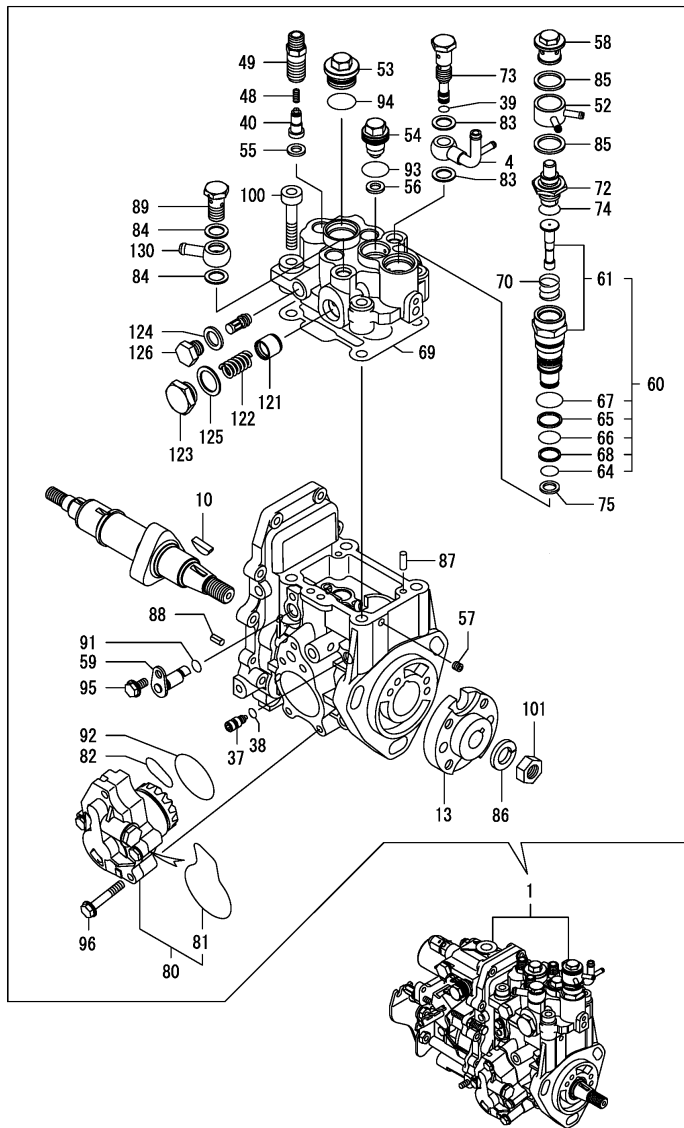
(1) Inner parts are shown in Fig.16 & 17.

Note : "Effective Machine No." of the Engine Section is indicated on the Model Label which is shown in Fig.4.

N:Old  $\xrightarrow{\text{Yes}}$  New, Q:Old  $\xrightarrow{\text{No}}$  New, R:Old  $\xrightarrow{\text{Yes}}$  New, S:Old  $\xrightarrow{\text{No}}$  New, W:Add, Z:Discontinued, F:Interchangeable by set, K:Q'ty Change



Fig.16. (12A)FUEL INJECTION PUMP(INNER PARTS)



(A)=3TNV84-XRY  
(B)=  
(C)=

(D)=  
(E)=  
(F)=

No.	Lev.	Parts No.	Description	Qty						I	R	
				(A)	(B)	(C)	(D)	(E)	(F)			
1	1	729055-51370	PUMP ASSY, INJECTION	1							1	
4	2	158552-51670	JOINT, OVER FLOW	1								
10	2	119802-51090	KEY, 4X16	1								
13	2	158552-51151	FLANGE	1								
37	2	158600-51270	STOPPER, TAPPET	1								
38	2	158563-51281	O-RING, 4D S6	1								
39	2	158563-51281	O-RING, 4D S6	1								
40	2	158560-51300	VALVE ASSY, DELIVERY	3								
40-1	2	129509-51300	HOLDER ASSY,DELIVERY	3								S
(A=E38198)												
48	2	158563-51330	SPRING, DELIVERY	3								
49	2	158601-51340	HOLDER, DELIVERY	3								
49-1	2	129928-51340	HOLDER, DELIVERY	3								S
(A=E38198)												
52	2	158553-51551	JOINT	1								
53	2	158601-51550	PLUG	1								
54	2	119802-51560	PLUG, BARREL	1								
55	2	158552-51570	GASKET	3								
56	2	158552-51570	GASKET	1								
57	2	158557-51570	PLUG	1								
58	2	158601-51570	PLUG	1								
59	2	158552-51580	LIFTER	1								
60	2	119802-51590	TIMER SET	1								
61	3	119802-51600	TIMER ASSY	1								
64	3	158553-51670	O-RING, 1011	1								
65	3	119802-51680	RING, BACK UP	1								
66	3	119802-51690	O-RING	1								
67	3	24356-010200	O-RING, 4D1020	1								
67-1	3	24356-190200	O-RING, 4D19020	1								R
(A=*2009.12)												
68	3	24372-000150	RING, BACK UP T2P15	1								
69	2	158552-51600	GASKET	1								
70	2	158553-51630	SPRING, TIMER	1								
72	2	158553-51640	ELEMENT	1								
73	2	158601-51650	JOINT, OVER FLOW	1								
74	2	158553-51660	O-RING, P14	1								
75	2	158553-51680	GASKET	1								
80	2	158552-52100	PUMP ASSY, FUEL FEED	1								
81	3	158552-52500	O-RING	1								
82	2	158552-52310	O-RING	1								
83	2	22190-120002	WASHER, SEAL 12	2								
84	2	22190-120002	WASHER, SEAL 12	2								
85	2	22190-180002	WASHER, SEAL 18	2								
86	2	22217-140000	WASHER, SPRING 14	1								
87	2	22312-050140	PIN, PARALLEL M5X14	2								
88	2	22351-050010	PIN, SPRING 5.0X10	2								
89	2	23857-060000	BOLT, JOINT 6	1								
91	2	24311-000070	O-RING, 1AP7.0	1								
92	2	158552-52400	O-RING, 4E S42	1								
93	2	24356-010180	O-RING, 4D1018	1								
93-1	2	24356-190180	O-RING, 4D19018	1								R

Remarks

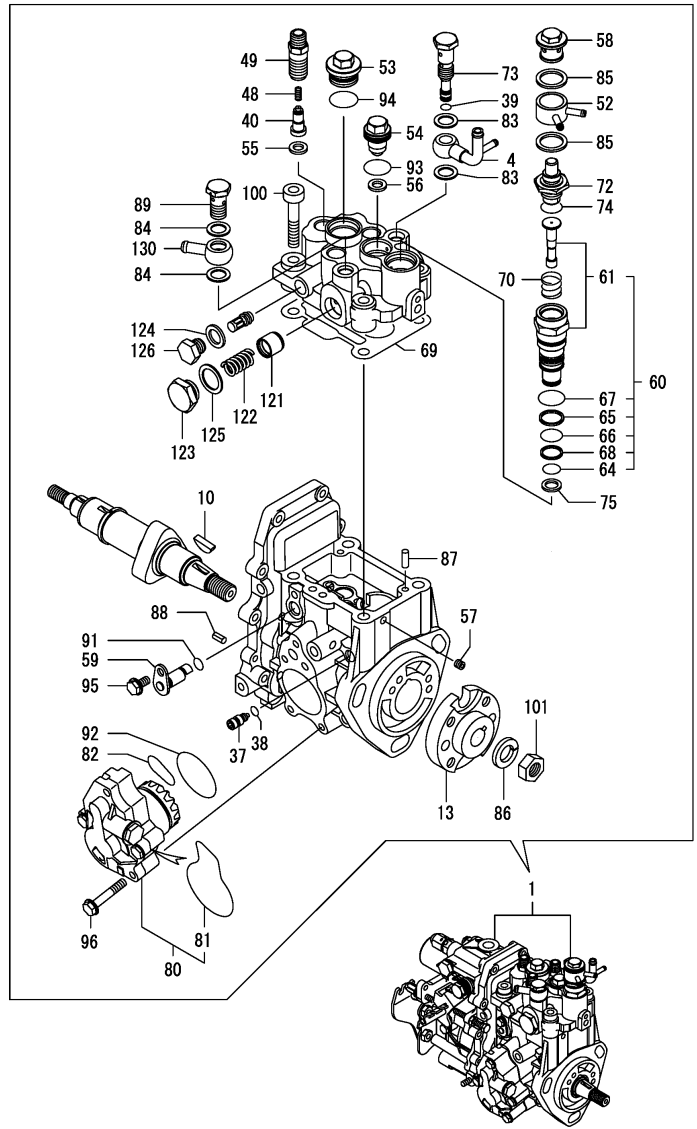
(1)Governor(Fig.17) is incorporated in this Fuel Injection Pump(No.1).

Note : "Effective Machine No." of the Engine Section is indicated on the Model Label which is shown in Fig.4.

Fig.16. (12A)FUEL INJECTION PUMP(INNER PARTS)

(A)=3TNV84-XRY  
(B)=  
(C)=

(D)=  
(E)=  
(F)=



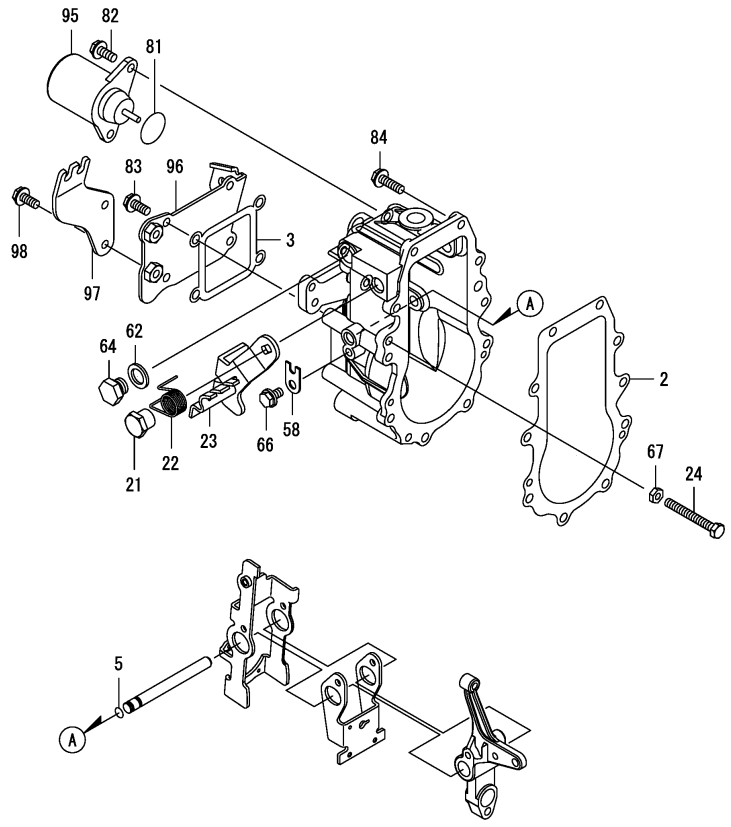
No.	Lev.	Parts No.	Description	Q'ty						I	R
				(A)	(B)	(C)	(D)	(E)	(F)		
(A=*2009.12)											
94	2	24356-010200	O-RING, 4D1020	1							
94-1	2	24356-190200	O-RING, 4D19020	1							R
(A=*2009.12)											
95	2	26106-060102	BOLT, M6X 10 PLATED	1							
96	2	158553-51770	BOLT	4							
100	2	26450-080452	BOLT, M8X 45	4							
101	2	26776-140002	NUT, LOCK M14	1							
121	3	158601-51770	PISTON	1							
122	3	158552-51781	SPRING	1							
123	3	158601-51790	PLUG	1							
124	3	22190-120002	WASHER, SEAL 12	1							
125	3	22190-180002	WASHER, SEAL 18	1							
126	3	23887-120002	PLUG, 12	1							
126-1	3	158553-51930	PLUG, M12	1							R
(A=*2009.02)											
127-1	3	158560-51910	BOLT, M4X5 10.9T	4							N
(A=E39801)											
130	2	129916-59020	JOINT, PIPE 12	1							

Remarks  
 (1)Governor(Fig.17) is incorporated in this Fuel Injection Pump(No.1).  
 Note : "Effective Machine No." of the Engine Section is indicated on the Model Label which is shown in Fig.4.

Fig.17. (12B)GOVERNOR(INNER PARTS)(ADD.ITEM)

(A)=3TNV84-XRY  
(B)=  
(C)=

(D)=  
(E)=  
(F)=



No.	Lev.	Parts No.	Description	Q'ty						I	R
				(A)	(B)	(C)	(D)	(E)	(F)		
2	2	158553-61050	GASKET	1							
3	2	158553-61070	GASKET	1							
5	2	129155-51280	O-RING, S6	1							
21	2	129255-61410	NUT, LOCK	1							
22	2	119807-61420	SPRING, RETURN	1							
23	2	119852-61440	LEVER ASSY,REGULATOR	1							
24	2	129155-61460	BOLT, IDLE	1							
58	2	119660-61901	RETAINER, SHAFT	1							
62	2	22190-120000	WASHER, SEAL 12	1							
62-1	2	22190-120002	WASHER, SEAL 12	1							S
		(A=E40591)									
64	2	23887-120002	PLUG, 12	1							
66	2	26106-060102	BOLT, M6X 10 PLATED	1							
67	2	26756-060002	NUT, LOCK M6	1							
81	2	158552-61900	O-RING	1							
82	2	26106-060142	BOLT, M6X 14 PLATED	2							
83	2	26106-060142	BOLT, M6X 14 PLATED	4							
84	2	26106-060202	BOLT, M6X 20 PLATED	10							
95	2	119653-77950	SOLENOID, STOP	1							
96	2	158552-61061	COVER, GOVERNOR CASE	1							
97	2	119852-61080	SUPPORT, WIRE	1							
98	2	26106-060142	BOLT, M6X 14 PLATED	2							

Remarks

\* This figure(Governor) is incorporated in the Fuel Injection Pump(Fig.11).

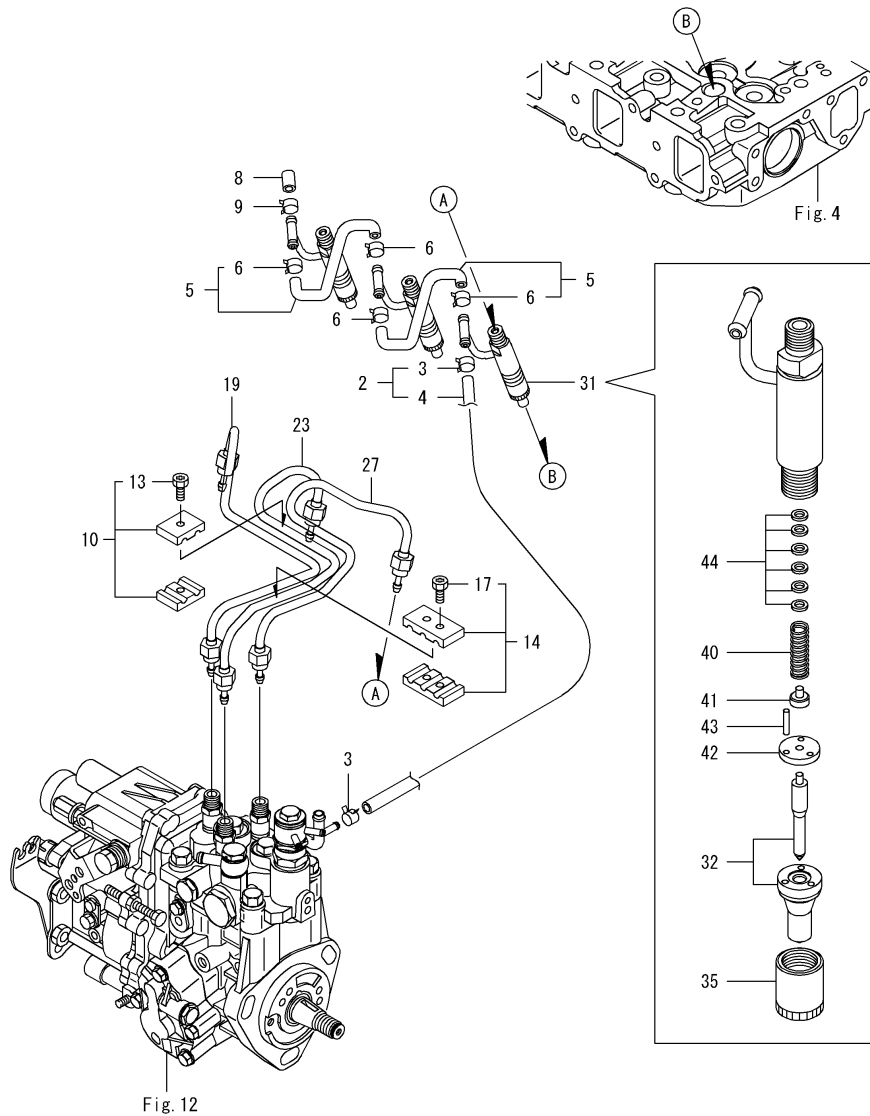
Note : "Effective Machine No." of the Engine Section is indicated on the Model Label which is shown in Fig.4.

N:Old  $\xrightarrow{\text{Yes}}$  New, Q:Old  $\xrightarrow{\text{No}}$  New, R:Old  $\xrightarrow{\text{Yes}}$  New, S:Old  $\xrightarrow{\text{No}}$  New, W:Add, Z:Discontinued, F:Interchangeable by set, K:Q'ty Change

Fig.13. FUEL INJECTION VALVE

(A)=3TNV84-XRY  
(B)=  
(C)=

(D)=  
(E)=  
(F)=

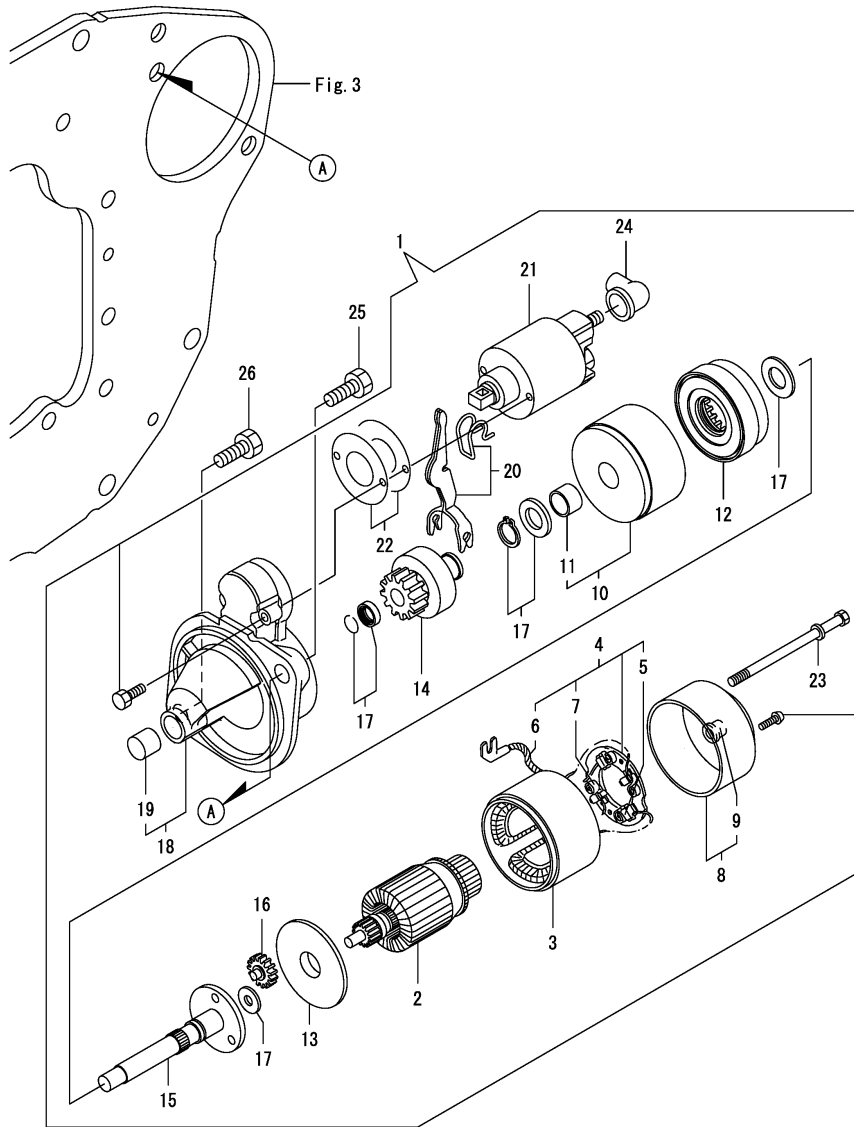


No.	Lev.	Parts No.	Description	Q'ty						I	R
				(A)	(B)	(C)	(D)	(E)	(F)		
2	1	119802-59550	PIPE ASSY, RETURN	1							
3	2	124722-59050	CLIP, HOSE 9	2							
4	2	119802-59560	PIPE, FUEL RETURN	1							
5	1	129486-59551	PIPE ASSY, RETURN	2							
6	2	124722-59050	CLIP, HOSE 9	4							
8	1	119593-59580	CAP	1							
8-1	1	119593-59581	CAP	1							R
		(A=E26026)									
9	1	124060-77680	CLIP, HOSE 10	1							
10	1	119305-59120	RETAINER, PIPE	1							Z
		(A=E21501)									
13	2	129150-59131	BOLT, M4X14	1							Z
		(A=E21501)									
14	1	129150-59120	RETAINER, PIPE	1							
14-1	1	129150-59120	RETAINER, PIPE	2							K
		(A=E21501)									
17	2	129150-59131	BOLT, M4X14	2							
17-1	2	129150-59131	BOLT, M4X14	4							K
		(A=E21501)									
19	1	129004-59810	PIPE ASSY, INJECTION	1							
19-1	1	129004-59811	PIPE ASSY, INJECTION	1							S
		(A=E21501)									
23	1	129004-59820	PIPE ASSY, INJECTION	1							
23-1	1	129004-59821	PIPE ASSY, INJECTION	1							S
		(A=E21501)									
27	1	129004-59830	PIPE ASSY, INJECTION	1							
27-1	1	129004-59831	PIPE ASSY, INJECTION	1							S
		(A=E21501)									
31	1	729234-53101	VALVE ASSY,INJECTION	3							
32	2	129234-53001	VALVE ASSY,INJECTION	3							
35	2	114250-53080	NUT, NOZZLE D16.95	3							
40	2	114250-53120	SPRING, NOZZLE	3							
41	2	114250-53130	SEAT, SPRING	3							
42	2	114250-53140	PLATE	3							
43	2	114250-53210	PIN	6							
44	2	114250-53400	SHIM SET	3							
44-1	2	119803-53400	SHIM SET	3							R
		(A=E37019)									

Remarks

Note : "Effective Machine No." of the Engine Section is indicated on the Model Label which is shown in Fig.4.

Fig.14. STARTING MOTOR



(A)=3TNV84-XRY  
(B)=  
(C)=

(D)=  
(E)=  
(F)=

No.	Lev.	Parts No.	Description	Qty						I	R
				(A)	(B)	(C)	(D)	(E)	(F)		
1	1	129052-77010	STARTER, CR1.2	1							
2	2	129698-77101	ARMATURE ASSY	1							
3	2	129698-77110	YOKE ASSY	1							
4	2	129698-77120	HOLDER ASSY, BRUSH	1							
5	3	129698-77130	BRUSH	2							
6	3	129698-77140	BRUSH SET	1							
7	3	129698-77150	SPRING, BRUSH	4							
8	2	129698-77161	COVER ASSY	1							
9	3	129698-77170	BEARING	1							
10	2	129698-77180	BRACKET	1							
11	3	129698-77190	BRACKET	1							
12	2	129698-77200	GEAR, INTERNAL	1							
13	2	129698-77210	BRACKET	1							
14	2	129698-77220	PINION ASSY	1							
15	2	129698-77230	SHAFT	1							
16	2	129698-77240	GEAR	3							
17	2	129698-77250	WASHER SET	1							
18	2	129052-77030	HOUSING ASSY, GEARS	1							
19	3	X2114535200	METAL, STARTER	1							
20	2	129698-77270	LEVER SET, SHIFT	1							
21	2	129698-77020	SWITCH ASSY	1							
22	2	129698-77280	COVER KIT	1							
23	2	124195-77770	BOLT, THROUGH	2							
24	2	X2114274200	COVER	1							
25	1	129155-77060	BOLT	1							
26	1	26116-120202	BOLT, M12X 20 PLATED	1							

Remarks

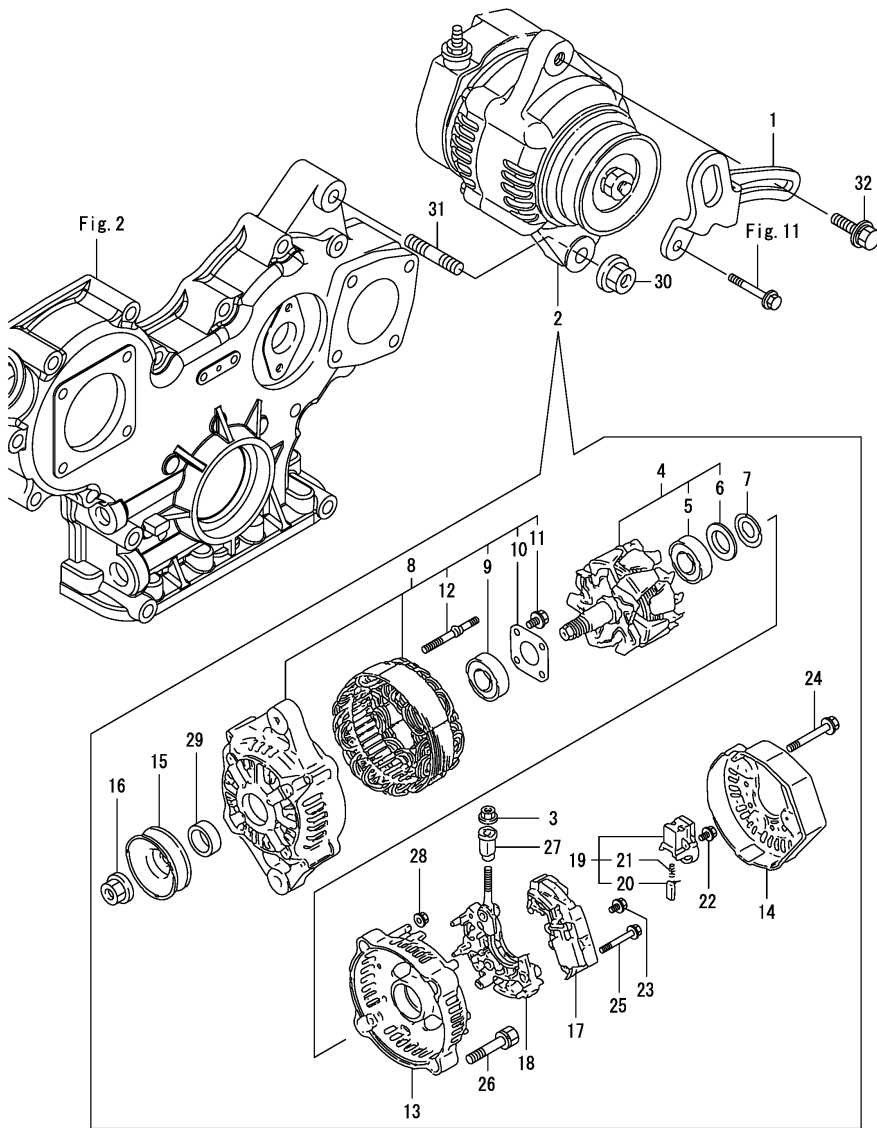
Note : "Effective Machine No." of the Engine Section is indicated on the Model Label which is shown in Fig.4.

N:Old  $\xrightarrow{\text{Yes}}$  New, Q:Old  $\xrightarrow{\text{No}}$  New, R:Old  $\xrightarrow{\text{Yes}}$  New, S:Old  $\xrightarrow{\text{No}}$  New, W:Add, Z:Discontinued, F:Interchangeable by set, K:Qty Change

Fig.15. GENERATOR

(A)=3TNV84-XRY  
(B)=  
(C)=

(D)=  
(E)=  
(F)=



No.	Lev.	Parts No.	Description	Qty						I	R
				(A)	(B)	(C)	(D)	(E)	(F)		
1	1	129263-77330	ADJUSTER	1							
2	1	129423-77200	GENERATOR, 12V-40A	1							
3	2	X9490561001	NUT	1							
4	2	119620-77380	ROTOR ASSY	1							
5	3	123501-79240	BEARING, BALL	1							
6	3	119620-79250	COVER	1							
7	2	119620-79360	WASHER, THRUST	1							
8	2	119620-77421	FRAME ASSY, DRIVE	1							
9	3	119620-79200	BEARING, BALL	1							
10	3	119620-79210	PLATE, RETAINER	1							
11	3	119620-79220	SCREW	4							
12	3	119620-79230	STUD	2							
13	2	119620-77440	FRAME ASSY	1							
14	2	129240-79300	COVER	1							
15	2	119620-77461	PULLEY	1							
16	2	119620-77471	NUT	1							
17	2	129423-77710	REGULATOR ASSY	1							
18	2	119620-79260	HOLDER	1							
19	2	129052-79270	HOLDER, BRUSH	1							
20	3	119620-77480	BRUSH ASSY	2							
21	3	119620-79280	SPRING	2							
22	2	119620-79290	SCREW	6							
23	2	119620-79300	SCREW	1							
24	2	119620-79310	BOLT	3							
25	2	119620-79320	SCREW	2							
26	2	119620-79330	BOLT	2							
27	2	119620-79340	BUSH, INSULATION	1							
28	2	119620-79350	NUT	2							
29	2	119620-77490	COLLAR	1							
30	1	26306-100002	NUT, M10	1							
31	1	129795-01900	STUD	1							
32	1	119810-77340	BOLT, ADJUSTER	1							

Remarks

Note : "Effective Machine No." of the Engine Section is indicated on the Model Label which is shown in Fig.4.

N:Old  $\xrightarrow{\text{Yes}}$  New, Q:Old  $\xrightarrow{\text{No}}$  New, R:Old  $\xrightarrow{\text{Yes}}$  New, S:Old  $\xrightarrow{\text{No}}$  New, W:Add, Z:Discontinued, F:Interchangeable by set, K:Qty Change

## Parts No. Index

Parts No.	Fig. No.	Ref. No.
114250-39450	10	16
114250-53080	13	35
114250-53120	13	40
114250-53130	13	41
114250-53140	13	42
114250-53210	13	43
114250-53400	13	44
119131-18320	6	3
119305-59120	13	10
119593-59580	13	8
119593-59581	13	8 -1
119609-32040	2	17
119620-77380	15	4
119620-77421	15	8
119620-77440	15	13
119620-77461	15	15
119620-77471	15	16
119620-77480	15	20
119620-77490	15	29
119620-79200	15	9
119620-79210	15	10
119620-79220	15	11
119620-79230	15	12
119620-79250	15	6
119620-79260	15	18
119620-79280	15	21
119620-79290	15	22
119620-79300	15	23
119620-79310	15	24
119620-79320	15	25
119620-79330	15	26
119620-79340	15	27
119620-79350	15	28
119620-79360	15	7
119625-11880	4	33
119653-77950	17	95
119660-61901	17	58
119802-01560	2	13
119802-01561	2	13 -1
119802-03110	4	44
119802-03121	4	45
119802-03130	4	46
119802-03141	4	47
119802-11260	4	6
119802-11270	4	7
119802-11280	4	8
119802-11870	4	32
119802-21202	8	5
119802-25051	7	9
119802-25070	7	13

Parts No.	Fig. No.	Ref. No.
119802-25071	7	13 -1
119802-25100	7	10
119802-25101	7	10 -1
119802-25901	7	16
119802-32070	2	8
119802-32100	2	7
119802-32111	2	18
119802-32120	2	19
119802-32130	2	20
119802-35100	10	9
119802-35110	10	10
119802-39450	10	18
119802-51090	16	10
119802-51250	12	1
119802-51560	16	54
119802-51590	16	60
119802-51600	16	61
119802-51680	16	65
119802-51690	16	66
119802-59550	13	2
119802-59560	13	4
119803-53400	13	44 -1
119807-61420	17	22
119810-77340	15	32
119852-01600	3	2
119852-01601	3	2 -1
119852-49530	11	13
119852-61080	17	97
119852-61440	17	23
119934-01800	2	6 -1
120130-11860	4	19
120270-54410	4	35
121023-01550	2	28
121023-01551	2	28 -1
121111-21501	8	12
121400-11340	4	28
121450-42450	11	21
121520-34810	10	1
121550-23200	8	24
121550-49111	11	14
121850-21680	8	11
121850-51960	2	21
123501-79240	15	5
123900-13630	6	4
124060-01050	1	5
124060-77680	13	9
124160-01751	2	14
124160-01910	1	7
		8
		11
		3

Parts No.	Fig. No.	Ref. No.
124160-11360	4	55
124160-39140	10	17
124195-77770	14	23
124240-01871	2	15
124240-01883	9	1
124250-49351	11	16
124460-11340	4	29
124465-44950	11	22
124550-21600	8	16
124722-59050	11	25
		28
	13	3
		6
129001-01250	1	6
129001-02930	1	25
129001-02931	1	25 -1
129001-12110	5	5
129001-32330	2	11
129001-91810	3	27
129001-91841	2	22
129002-01331	1	33
129004-01190	1	31
129004-01520	2	12
129004-03010	4	42
129004-11101	4	24
129004-11130	4	24 -1
129004-11241	4	3
129004-11251	4	4
129004-11310	4	50
129004-11650	4	10
129004-11700	4	15
129004-11900	4	34
129004-13200	6	7
129004-21002	8	1
129004-22080	8	29
129004-22500	8	31
129004-22900	8	35
129004-22950	8	37
129004-59810	13	19
129004-59811	13	19 -1
129004-59820	13	23
129004-59821	13	23 -1
129004-59830	13	27
129004-59831	13	27 -1
129005-03080	5	1
129005-12100	5	3
129005-59830	10	19
129044-42290	11	6 -1
129052-77010	14	1
129052-77030	14	18

Parts No.	Fig. No.	Ref. No.
129052-79270	15	19
129054-01640	3	8
		24
129054-42320	11	38
129054-42450	11	15
129055-01770	3	7
129055-01780	3	23
129055-01790	3	7 -1
129055-01791	3	7 -2
129055-13521	6	8
129055-21592	8	13
129055-21650	8	9
129055-34811	10	2
129055-34820	10	2 -1
129055-35090	10	4 -1
129055-42000	11	29
129055-42001	11	29 -1
129100-01580	3	1
		16
		8
		2
129100-01640	3	17
129100-01730	3	5
129100-11111	4	25
129100-11112	4	25 -1
129100-23910	8	23
129100-35140	10	11
129129-14580	7	3
129150-01200	1	32
129150-01580	2	31
129150-01881	7	17
129150-02020	1	10
129150-02450	7	4
129150-02870	1	34
129150-02871	1	34 -1
129150-02930	1	28
129150-02931	1	28 -1
129150-02940	1	37
129150-02941	1	37 -1
129150-03070	4	43
129150-11230	4	11
129150-11280	4	9
129150-11370	4	14
129150-11750	4	13
129150-11810	4	21
129150-13110	6	2
129150-14101	7	7
129150-14200	7	1
129150-14400	7	2
129150-23600	8	25
129150-23601	8	25 -1

## Parts No. Index

Parts No.	Fig. No.	Ref. No.
129150-23610	8	27
129150-25301	7	15
129150-26000	7	18
129150-26050	7	19
129150-35042	10	3
129150-35091	10	4
129150-35111	10	12
129150-35170	10	14
129150-42300	11	35
129150-42301	11	35 -1
129150-42311	11	36
129150-49360	11	17
129150-49811	11	11
129150-59120	13	14
		14 -1
129150-59131	13	13
		17
		17 -1
129150-77511	5	9
129155-49801	11	10
129155-51280	17	5
129155-61460	17	24
129155-77060	14	25
129202-22300	8	17
129234-53001	13	32
129240-79300	15	14
129255-61410	17	21
129263-13220	6	5
129263-49610	11	23
129263-49620	11	26
129263-49710	11	24
129263-49720	11	27
129263-77330	15	1
129268-11350	4	40
129410-03990	5	2
129418-32320	2	10
129423-77200	15	2
129423-77710	15	17
129457-42050	11	30
129457-42121	11	31
129486-01670	3	20
		21 -1
129486-12581	5	8 -1
129486-42050	11	1
129486-59551	13	5
129509-51300	16	40 -1
129550-42350	11	5
129555-01750	3	22
129555-44750	4	53
129556-44740	11	7

Parts No.	Fig. No.	Ref. No.
129698-77020	14	21
129698-77101	14	2
129698-77110	14	3
129698-77120	14	4
129698-77130	14	5
129698-77140	14	6
129698-77150	14	7
129698-77161	14	8
129698-77170	14	9
129698-77180	14	10
129698-77190	14	11
129698-77200	14	12
129698-77210	14	13
129698-77220	14	14
129698-77230	14	15
129698-77240	14	16
129698-77250	14	17
129698-77270	14	20
129698-77280	14	22
129795-01780	3	19
129795-01800	2	6
129795-01900	15	31
129795-01950	2	16
129795-02411	1	13
129795-02412	1	13 -1
129795-11120	4	26
129795-11180	4	27
129795-21661	8	10
129795-49551	11	12
129900-07900	4	1
129900-32130	2	9
129916-59020	16	130
129928-51340	16	49 -1
158552-51151	16	13
158552-51570	16	55
		56
158552-51580	16	59
158552-51600	16	69
158552-51670	16	4
158552-51781	16	122
158552-52100	16	80
158552-52310	16	82
158552-52400	16	92
158552-52500	16	81
158552-61061	17	96
158552-61900	17	81
158553-51551	16	52
158553-51630	16	70
158553-51640	16	72
158553-51660	16	74

Parts No.	Fig. No.	Ref. No.
158553-51670	16	64
158553-51680	16	75
158553-51770	16	96
158553-51930	16	126 -1
158553-61050	17	2
158553-61070	17	3
158557-51570	16	57
158560-51300	16	40
158560-51910	16	127 -1
158563-51281	16	38
		39
158563-51330	16	48
158600-51270	16	37
158601-51340	16	49
158601-51550	16	53
158601-51570	16	58
158601-51650	16	73
158601-51770	16	121
158601-51790	16	123
171051-01921	1	9
171350-13100	6	1
171353-44760	11	8
171463-12581	5	8
178070-10401	9	4
194521-41570	9	7
		23
198172-41110	9	2
198200-41110	9	18
22190-080002	10	21
		22
22190-100002	10	23
22190-120000	17	62
22190-120002	3	10
		26
	11	20
	16	83
		84
		124
	17	62 -1
22190-180002	16	85
		125
22217-140000	16	86
22252-000260	8	18
22252-000320	9	15
		31
22312-050140	16	87
22351-050010	16	88
22351-060012	4	36
22512-070140	7	8
	8	6

Parts No.	Fig. No.	Ref. No.
22512-070140	8	8
22857-500100	4	51
		52
23857-030000	10	20
23857-060000	16	89
23875-030000	11	43
		43 -1
23876-030000	2	4
23876-040000	2	5
23887-120002	16	126
	17	64
24105-060064	7	21
24311-000070	16	91
24311-000120	4	56
24311-000160	10	3 -1
24311-000320	2	23
24341-000240	2	29
24356-010180	16	93
24356-010200	16	67
		94
24356-190180	16	93 -1
24356-190200	16	67 -1
		94 -1
24358-240310	11	36 -1
24372-000150	16	68
24421-153207	9	16
		32
25132-003900	11	6
26016-080352	9	17
		33
26106-060102	16	95
	17	66
26106-060122	10	25
26106-060142	17	82
		83
		98
26106-060162	2	30
26106-060202	11	40
	17	84
26106-060402	11	9
26106-080122	3	28 -1
	10	8 -1
26106-080142	3	28
	7	22
26106-080162	2	24
		25
	3	12
	4	2
	12	2
26106-080202	5	6



## Parts No. Index

Parts No.	Fig. No.	Ref. No.	
26106-080202	5	10 -1	
	10	15	
	12	3	
26106-080252	3	13	
	4	37	
26106-080282	11	18	
26106-080352	3	21	
		29	
		29 -1	
	4	38	
	5	10	
	10	8	
	26106-080402	7	14
	26106-080452	3	14
			14 -1
		14 -2	
	30		
26106-080502	3	15	
		15 -1	
		31	
	4	39	
26106-080552	2	26	
	11	2	
26106-080602	11	3	
26106-080652	11	19	
26106-080702	3	27 -1	
	11	4	
26106-080802	5	7	
	9	34	
	9	35	
26106-080952	9	35	
26116-060162	11	41	
26116-120202	14	26	
26206-100202	3	3	
		4 -1	
26206-100252	3	4	
26216-080222	9	36	
26216-080402	9	37	
26306-080002	2	27	
	6	6	
		9	
	9	38	
26306-100002	15	30	
26366-060002	10	24	
26450-080452	16	100	
26577-060152	11	39	
26577-060162	11	39 -1	
26756-060002	17	67	
26776-140002	16	101	
27241-120000	1	14	
27241-300000	1	15	

Parts No.	Fig. No.	Ref. No.
27241-400000	4	23
27310-080001	4	30
49933-000138	4	54
729004-01500	2	1
729004-01560	1	1
729055-51370	12	10
	16	1
729234-53101	13	31
729235-01500	2	1 -1
729402-23100	8	19
X2114274200	14	24
X2114535200	14	19
X9490561001	15	3

Parts No.	Fig. No.	Ref. No.
-----------	----------	----------

Parts No.	Fig. No.	Ref. No.
-----------	----------	----------