

0CNP5-M35101EN

Contents

OCNP5-M35101

Fig. No. Fig. Name

ENGINE CONTROL

1. ENGINE RELATED
2. ENGINE RELAY
3. RADIATOR
4. ACCEL LEVER
5. FOOT ACCEL
6. MUFFLER
7. EXHAUST PORT
8. FUEL TANK
9. FUEL PIPE(1)
10. FUEL PIPE(2)
11. FUEL FILTER
12. AIR CLEANER
137. EXTEND EXHAUST

FRONT AXLE

13. FRONT BRACKET
14. FRONT SUPPORT(1)
15. FRONT SUPPORT(2)
16. TIE ROD
17. RING GEAR
18. DIFFERENTIAL GEAR
19. PROPELLER SHAFT
20. FRONT SHAFT(1)
21. FRONT AXLE CASE

Fig. No. Fig. Name

22. BREATHER
23. FRONT GEAR CASE
24. FRONT SHAFT(2)
25. FRONT SPINDLE
26. SHAFT COVER
27. FRONT WHEEL TIRE
28. HUB BOLT
29. STEERING COLUMN
30. STEERING WHEEL
31. STEERING COVER
32. P.S.T. CYLINDER
33. P.S.T. VALVE
34. P.S.T. HOSE(1)
35. P.S.T. HOSE(2)

TRANSMISSION

36. CLUTCH HOUSING
37. DOCKING BOLT
38. SINGLE CLUTCH
39. CLUTCH SHAFT
40. CLUTCH RELEASE(1)
41. CLUTCH RELEASE(2)
42. TRANSMISSION CASE
43. CENTER PLATE(1)
44. CENTER PLATE(2)

Contents

0CNP5-M35101

Fig. No. Fig. Name

- 45. REVERSER HOUSING
- 46. MAIN DRIVE SHAFT
- 47. MAIN SHAFT
- 48. REVERSER SHAFT
- 49. REDUCTION SHAFT
- 50. COUNTER SHAFT
- 51. REVERSER IDLE SHAFT
- 52. P.T.O. DRIVE SHAFT
- 53. P.T.O. SHAFT
- 54. P.T.O. SHAFT COVER
- 55. MAIN SHIFT
- 56. MAIN SHIFT LEVER
- 57. REVERSER SHIFT
- 58. REVERSER LEVER
- 59. SUB SHIFT
- 60. SHIFT LINK
- 61. P.T.O. SHIFT
- 62. SUB SHIFT & P.T.O. LEVER(1)
- 63. SUB SHIFT & P.T.O. LEVER(2)
- 64. SHIFT KNOB(1)
- 65. SHIFT KNOB(2)
- 66. FRONT DRIVE
- 67. FRONT SHIFT
- 68. 4WD LEVER

Fig. No. Fig. Name

REAR AXLE

- 69. RING GEAR
- 70. DIFFERENTIAL GEAR
- 71. DIFFERENTIAL CARRIER
- 72. REAR HOUSING
- 73. DIFFERENTIAL LOCK
- 74. DIFFERENTIAL LOCK PEDAL
- 75. FINAL PINION
- 76. FINAL GEAR
- 77. REAR AXLE SHAFT
- 78. REAR WHEEL TIRE
- 79. HUB BOLT
- 80. BRAKE
- 81. PEDAL
- 82. BRAKE LINK
- 83. PARKING

HYDRAULIC CONTROL

- 84. HYDRAULIC CYLINDER CASE
- 85. PISTON
- 86. LIFT CRANK
- 87. CONTROL VALVE
- 88. RELIEF VALVE(1)
- 89. RELIEF VALVE(2)
- 90. HYDRAULIC CONTROL

Contents

OCNP5-M35101

Fig. No. Fig. Name

- 91. HYDRAULIC LEVER
- 92. STOP VALVE KNOB
- 93. HYDRAULIC PIPING
- 94. HYDRAULIC FILTER

ELECTRICAL PARTS

- 95. WIRE HARNESS(HEAD LAMP)
- 96. WIRE HARNESS(FLOOR)
- 97. WIRE HARNESS(ENGINE)
- 98. WIRE HARNESS(TRANSMISSION)
- 99. HARNESS CLAMP
- 100. BATTERY
- 101. WIRE HARNESS(FLASHER)
- 102. SWITCH(FLOOR)
- 103. SWITCH(COLUMN COVER)
- 104. LAMP
- 105. REFLECTOR
- 106. METER
- 107. HORN
- 108. SWITCH(TRANSMISSION)

FITTINGS

- 109. HOOD
- 110. BATTERY SUPPORT
- 111. HOOD STAND

Fig. No. Fig. Name

- 112. SIDE COVER
- 113. DASHBOARD
- 114. COLUMN COVER
- 115. CURRENT PLATE
- 116. FENDER
- 117. LEVER GUIDE
- 118. FLOOR COVER
- 119. FLOOR(1)
- 120. FLOOR(2)
- 121. SUB STEP
- 122. FENDER LOWER COVER
- 123. FLOOR MOUNT
- 124. MOUNT BRACKET
- 125. SEAT
- 126. SEAT BELT
- 127. LABEL(1)
- 128. LABEL(2)
- 129. LABEL(NAME)
- 130. LABEL(FUSE)
- 131. LABEL(SAFETY)

HITCH

- 132. THREE POINT LINK
- 133. DRAWBAR HITCH
- 134. COVER(LEVER GUIDE)

Contents

0CNP5-M35101

Fig. No. Fig. Name

Fig. No. Fig. Name

SAFETY FRAME

135. REAR ROPS

ACCESSORIES

136. DOCUMENT

OPTIONAL

138. GEAR KIT(DRIVEN 20)

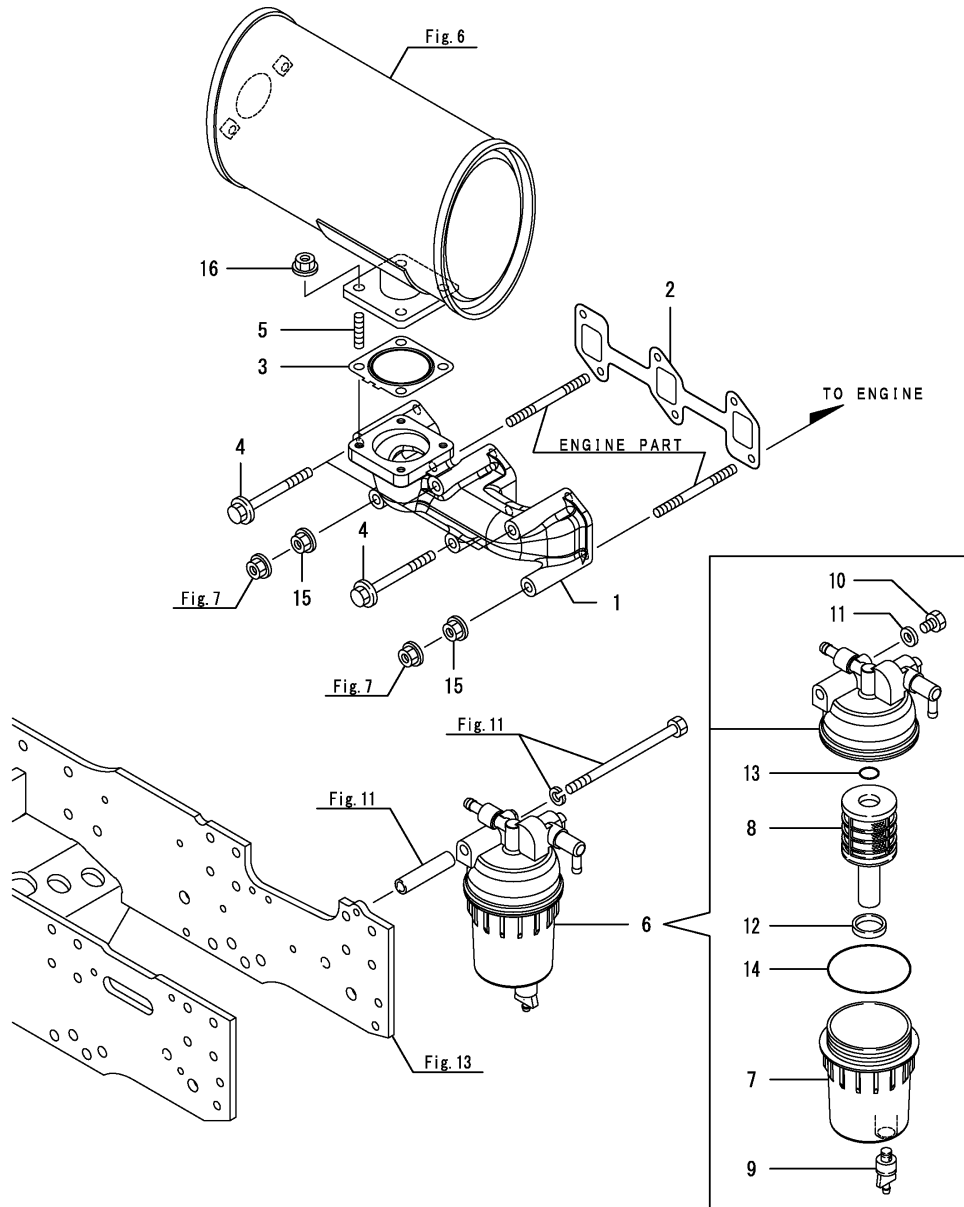
139. GEAR KIT(DRIVEN 21)

140. GEAR KIT(REVERSER)

Fig.1. ENGINE RELATED

(A)=EF352T LX
(B)=
(C)=

(D)=
(E)=
(F)=



No.	Lev.	Parts No.	Description	Q'ty						I	R
				(A)	(B)	(C)	(D)	(E)	(F)		
1	1	171350-13100	MANIFOLD, EXHAUST	1							
2	1	129150-13110	GASKET	1							
3	1	129004-13200	GASKET, SILENCER	1							
4	1	123900-13630	BOLT, M8X80	4							
5	1	119131-18320	STUD, M8X22	4							
6	1	129055-55700	SEPARATOR ASSY	1							
7	2	129938-55720	CUP	1							
8	2	129242-55730	ELEMENT	1							
9	2	129242-55740	PLUG, DRAIN	1							
10	2	129242-55750	VALVE, AIR VENT	1							
11	2	129242-55760	GASKET	1							
12	2	129242-55770	FLOAT	1							
13	2	24311-000160	O-RING, 1AP16.0	1							
14	2	24321-000750	O-RING, 1AG75.0	1							
15	1	26306-080002	NUT, M8	2							
16	1	26306-080002	NUT, M8	4							

Fig.2. ENGINE RELAY

(A)=EF352T LX
(B)=
(C)=

(D)=
(E)=
(F)=

No.	Lev.	Parts No.	Description	Q'ty						I	R
				(A)	(B)	(C)	(D)	(E)	(F)		
1	1	198220-52180	RELAY, STARTER	1							
2	1	198461-52950	RELAY, CA TYPE C	1							
3	1	119650-77910	RELAY ASSY, GLOW	1							
4	1	26106-060162	BOLT, M6X 16 PLATED	2							

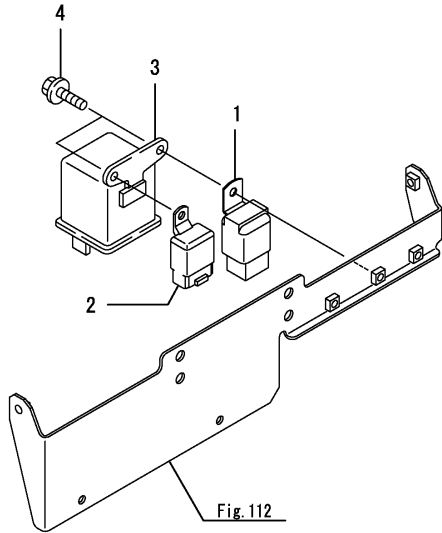
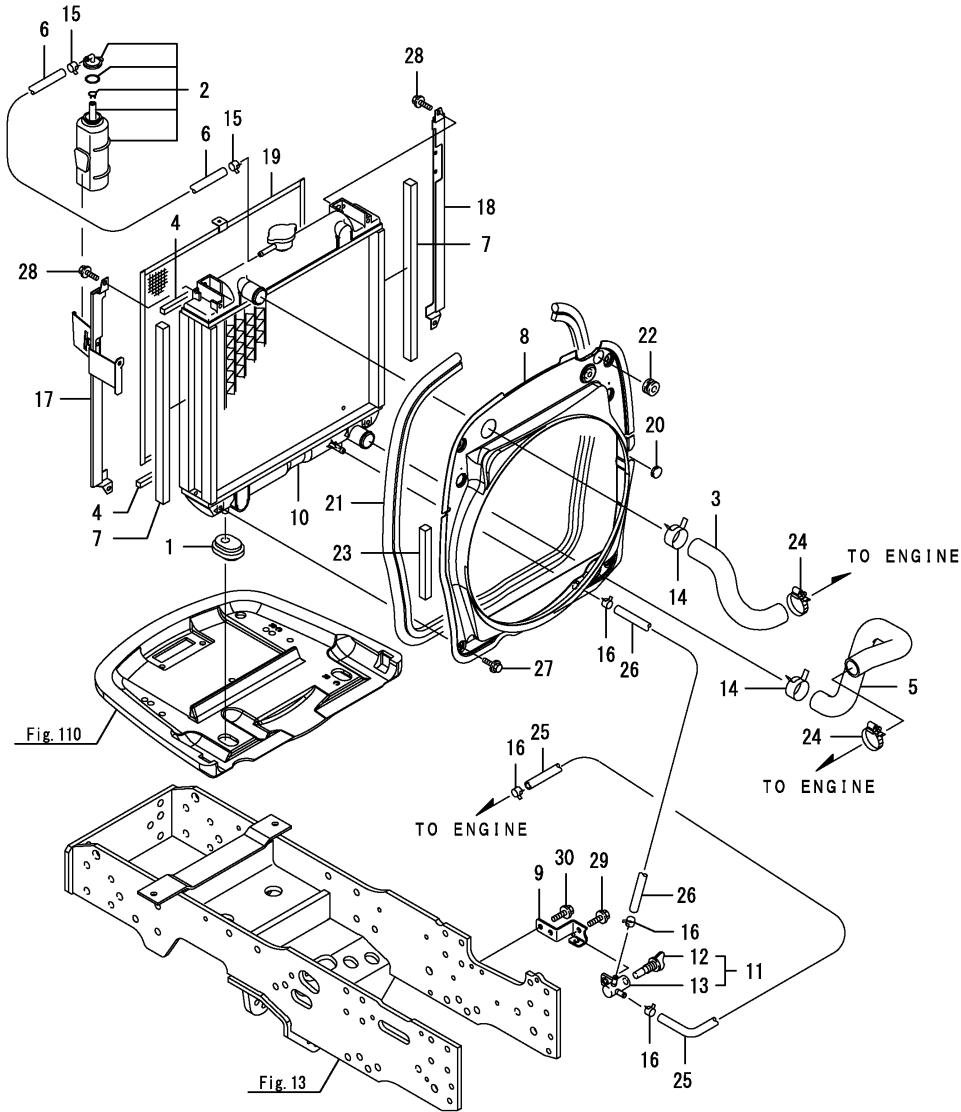


Fig.3. RADIATOR



(A)=EF352T LX
(B)=
(C)=

(D)=
(E)=
(F)=

No.	Lev.	Parts No.	Description	Q'ty						I	R
				(A)	(B)	(C)	(D)	(E)	(F)		
1	1	198200-00610	RUBBER, ABSORBER	2							
2	1	1A8115-00650	TANK ASSY, SUB	1							
3	1	198208-01410	HOSE, WATER A	1							
4	1	198200-01440	SEAL, RADIATOR	2							
5	1	198208-01451	HOSE, WATER B	1							
6	1	198280-01470	PIPE, WATER DRAIN	1							
7	1	198208-01480	URETHANE, RADIATOR	2							
8	1	198208-01510	SHROUD ASSY, FAN	1							
9	1	198200-11351	STAY ASSY, COCK	1							
10	1	129055-44501	RADIATOR ASSY	1							
11	1	129150-49101	COCK ASSY, 3-WAY	1							
12	2	129150-49081	COCK, DRAIN	1							
13	2	129150-49090	BODY, 3-WAY COCK	1							
14	1	175022-49730	CRIP 31, HOSE	2							
15	1	124766-59050	CLIP, HOSE 12	2							
16	1	124766-59050	CLIP, HOSE 12	4							
17	1	198206-60710	GUIDE ASSY, SCREEN L	1							
18	1	198206-60760	GUIDE, SCREEN R	1							
19	1	198206-60950	SCREEN, RADIATOR	1							
20	1	194448-61620	GROMMET, 20.5	1							
21	1	198200-61950	WEATHER-STRIP, 1740	1							
22	1	194180-61980	GROMMET, 24	1							
23	1	198200-61980	SEAL, RADIATOR L	1							
24	1	23000-035000	CLAMP, 35	2							
25	1	23980-730250	HOSE, 7.3X 250	1							
26	1	23980-730510	HOSE, 7.3X 510	1							
27	1	26106-060122	BOLT, M6X 12 PLATED	4							
28	1	26106-060122	BOLT, M6X 12 PLATED	4							
29	1	26106-080162	BOLT, M8X 16 PLATED	1							
30	1	26106-080162	BOLT, M8X 16 PLATED	2							

Fig.4. ACCEL LEVER

(A)=EF352T LX
(B)=
(C)=

(D)=
(E)=
(F)=

No.	Lev.	Parts No.	Description	Q'ty						I	R
				(A)	(B)	(C)	(D)	(E)	(F)		
1	1	198200-01150	WIRE ASSY, THROTTLE	1							
2	1	194440-51630	CLAMP, HARNESS	1							
3	1	198071-58810	GROMMET, 8	1							
4	1	22137-060000	WASHER, 6	1							
5	1	22417-160180	PIN, COTTER 1.6X18	1							
6	1	26106-060122	BOLT, M6X 12 PLATED	1							

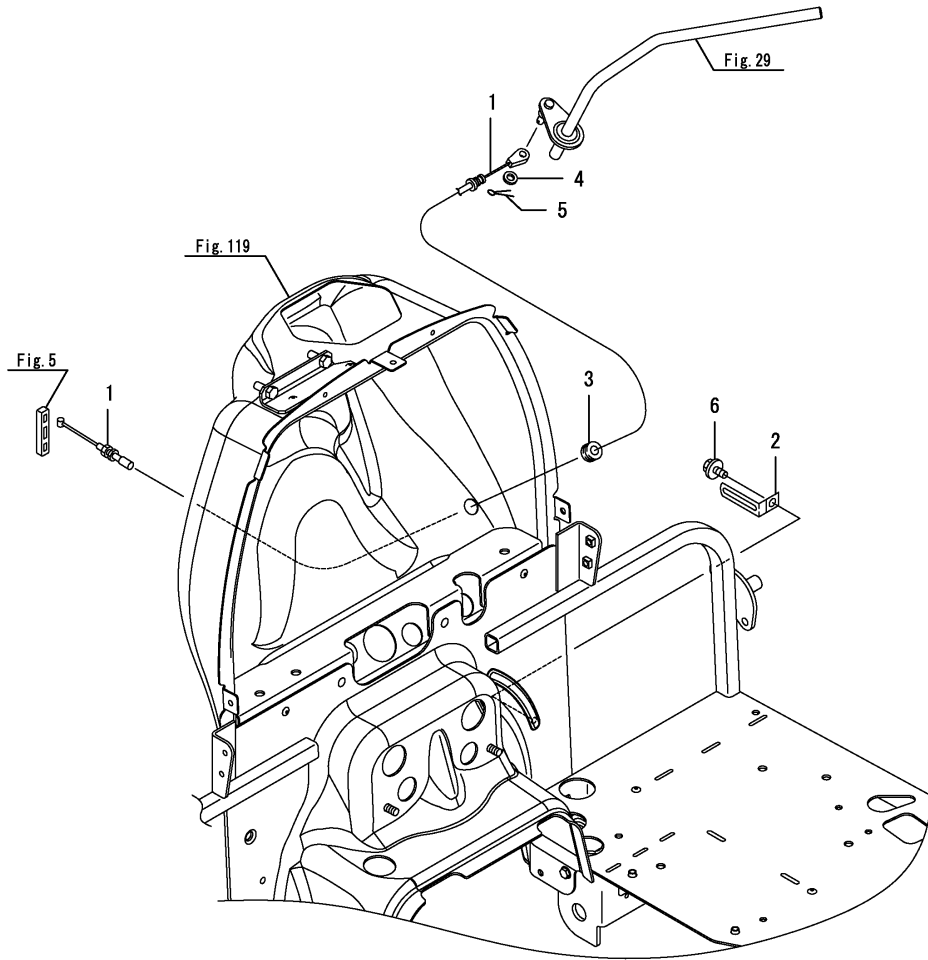
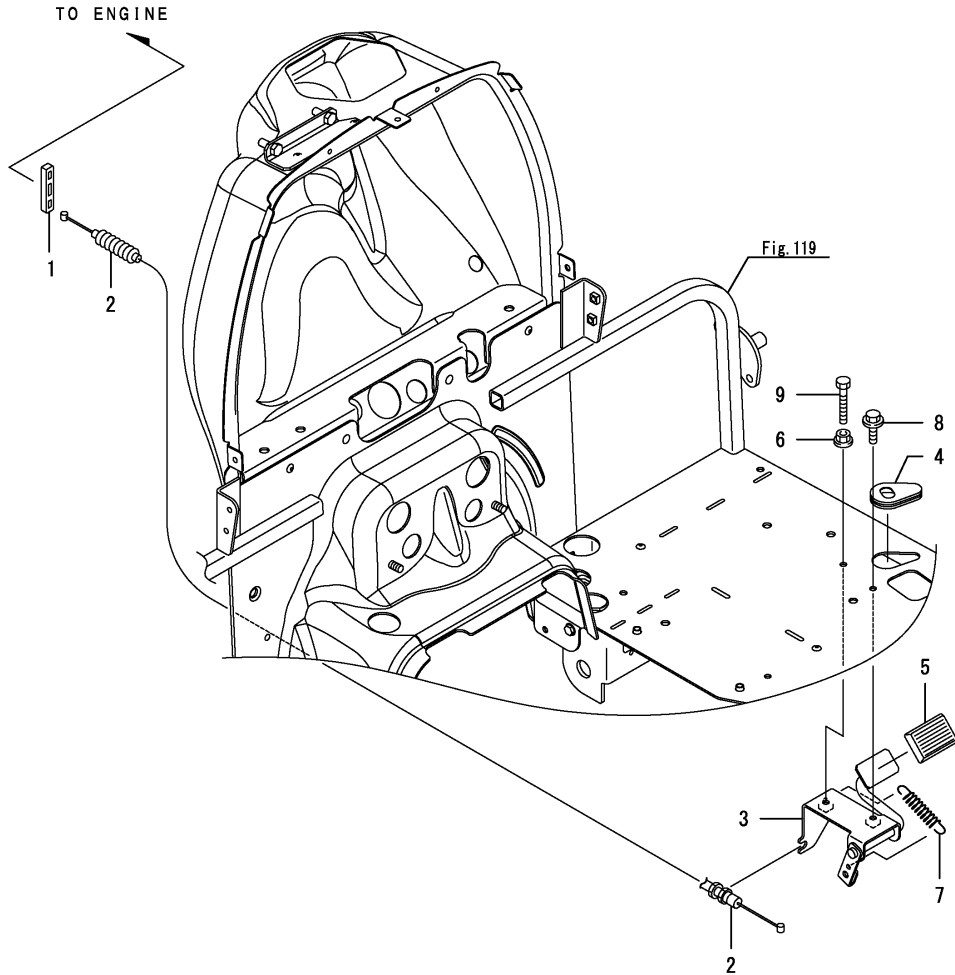


Fig.5. FOOT ACCEL

(A)=EF352T LX
 (B)=
 (C)=

(D)=
 (E)=
 (F)=



No.	Lev.	Parts No.	Description	Q'ty						I	R
				(A)	(B)	(C)	(D)	(E)	(F)		
1	1	198071-01160	RUBBER	1							
2	1	198200-01210	WIRE ASSY	1							
3	1	198200-01300	ACCELERATOR, FOOT	1							
4	1	198071-01390	GROMMET	1							
5	1	1W3981-14050	RUBBER	1							
6	1	194990-22130	NUT, M6	1							
7	1	198360-55630	SPRING, RETURN	1							
8	1	26106-060122	BOLT, M6X 12 PLATED	1							
9	1	26116-060404	BOLT, M6X 40 PLATED	1							

Fig.6. MUFFLER

(A)=EF352T LX
(B)=
(C)=

(D)=
(E)=
(F)=

No.	Lev.	Parts No.	Description	Q'ty						I	R
				(A)	(B)	(C)	(D)	(E)	(F)		
1	1	1A8115-03200	SILENCER ASSY	1							

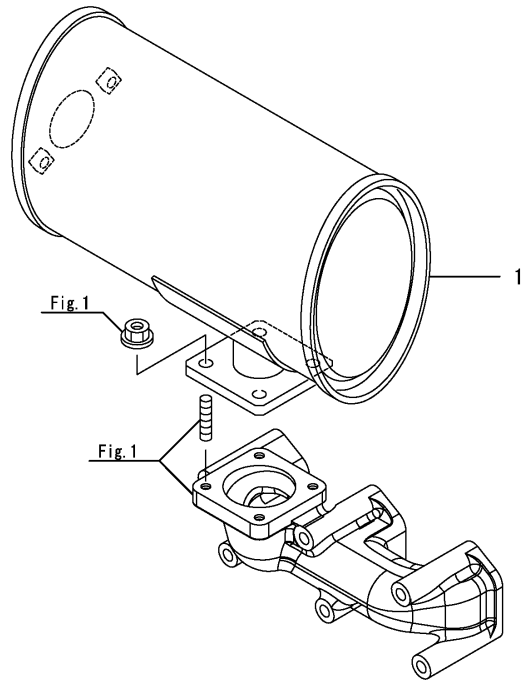
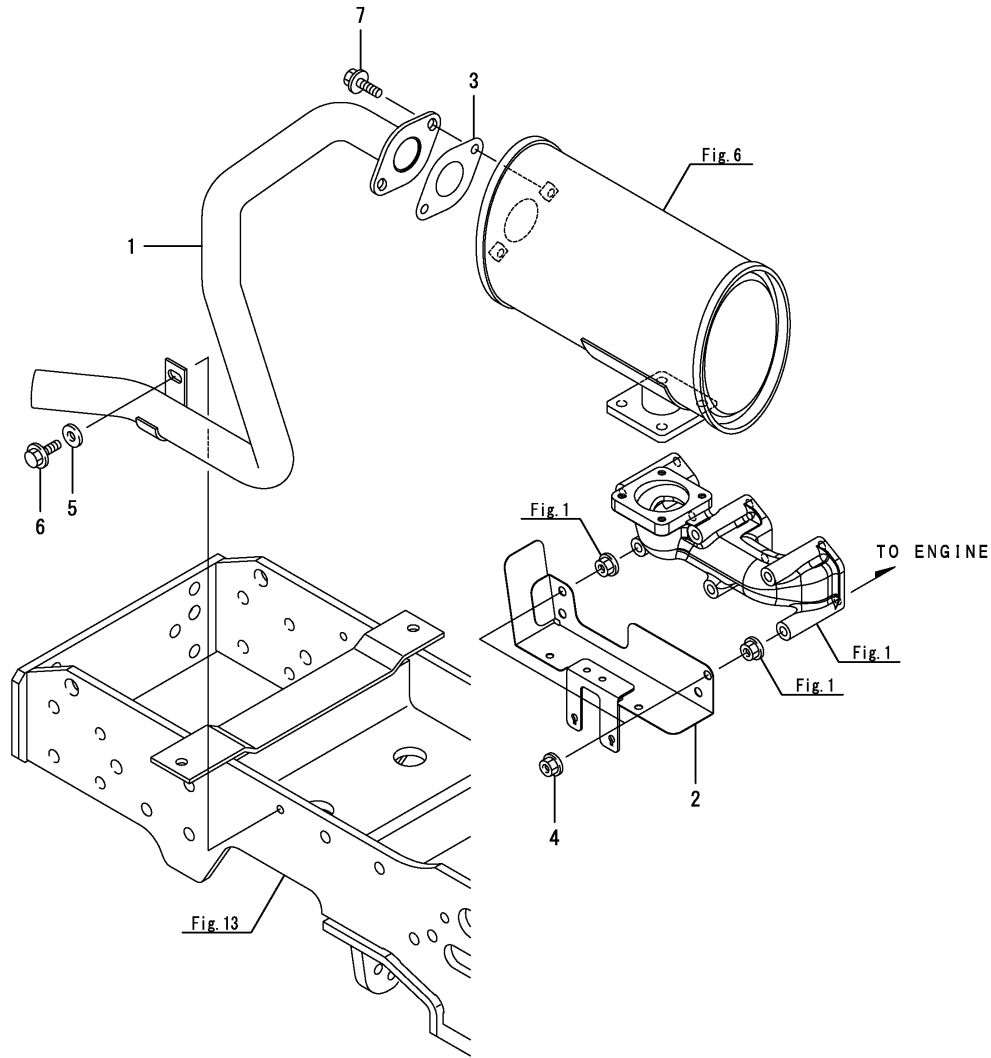


Fig.7. EXHAUST PORT

(A)=EF352T LX
 (B)=
 (C)=

(D)=
 (E)=
 (F)=



No.	Lev.	Parts No.	Description	Q'ty						I	R
				(A)	(B)	(C)	(D)	(E)	(F)		
1	1	198208-03112	PIPE, EXHAUST	1							
2	1	198280-05510	PLATE, SHUTTER	1							
3	1	129052-13550	GASKET	1							
4	1	194990-22140	NUT, M8	2							
5	1	22157-080000	WASHER, 8	1							
6	1	26106-080162	BOLT, M8X 16 PLATED	1							
7	1	26106-080252	BOLT, M8X 25 PLATED	2							

Fig.8. FUEL TANK

(A)=EF352T LX

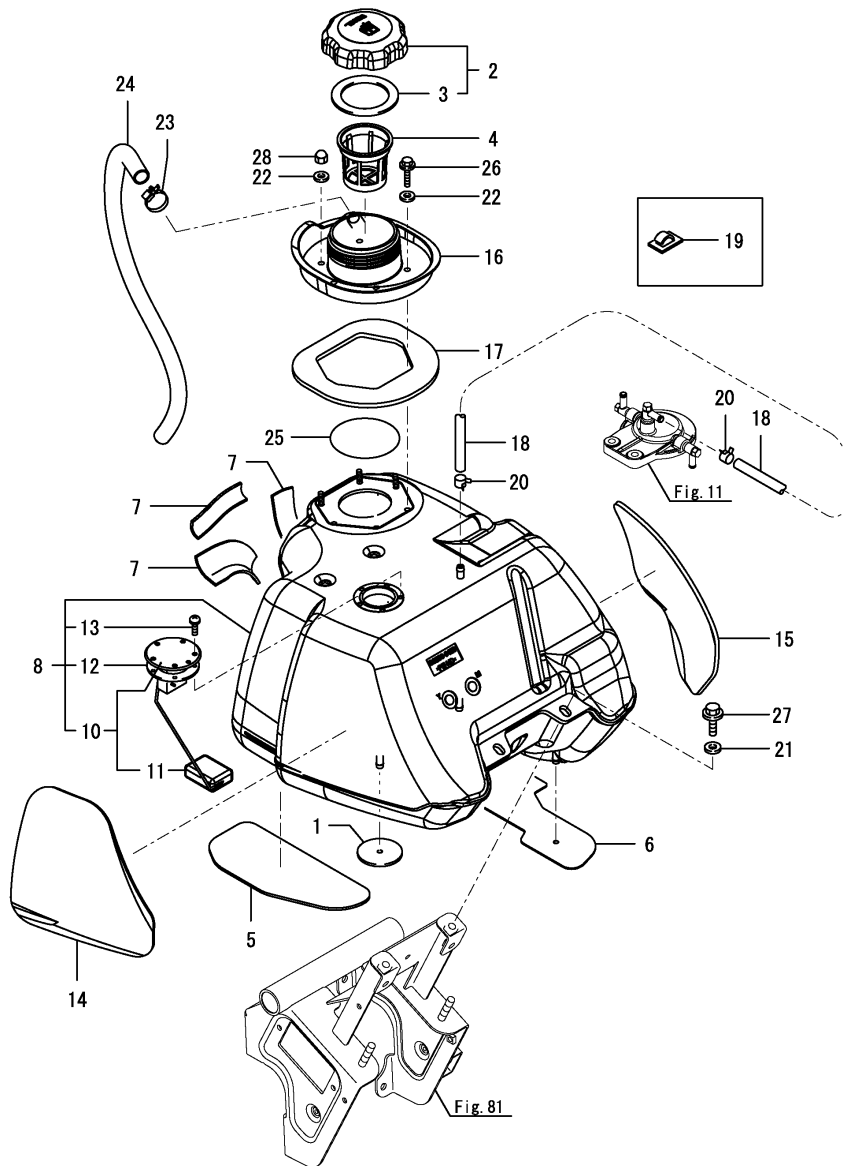
(B)=

(C)=

(D)=

(E)=

(F)=

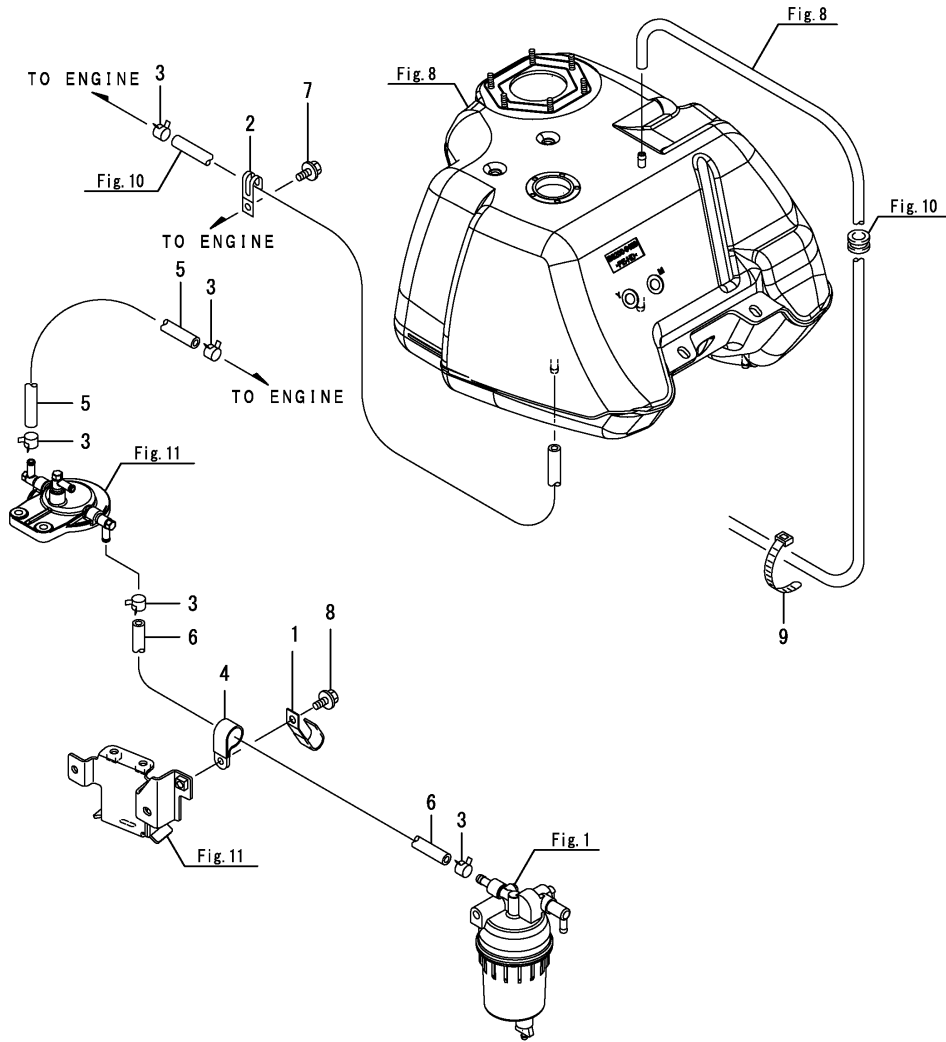


No.	Lev.	Parts No.	Description	Q'ty						I	R
				(A)	(B)	(C)	(D)	(E)	(F)		
1	1	198200-04020	INSULATOR, TANK R	1							
2	1	198200-04030	CAP ASSY, FILLER	1							
3	2	198200-04040	GASKET, FUEL CAP	1							
4	1	198200-04061	STRAINER, FUEL	1							
5	1	198200-04070	INSULATOR, TANK	1							
6	1	198200-04080	INSULATOR, TANK L	1							
7	1	198200-04090	CUSHION, TANK F	3							
8	1	198200-04101	TANK ASSY, FUEL	1							
8-1	1	1A8071-04100	TANK ASSY, FUEL	1							N
(A=*2012.04)											
10	2	198200-56600	GAUGE ASSY, FUEL	1							
11	3	198200-56620	FLOAT	1							
12	2	198200-56630	GASKET, GAUGE	1							
13	2	26022-050102	SCREW, M5X10	5							
14	1	198200-04120	CUSHION, TANK L	1							
15	1	198200-04130	CUSHION, TANK R	1							
16	1	198200-04210	PAN, DRIP	1							
17	1	198200-04260	GASKET, SUMP	1							
18	1	198200-04270	HOSE, AIR VENT	1							
19	1	172010-07810	STICKER, WIRE	1							
20	1	114270-59010	CLIP, HOSE 12	2							
20-1	1	114270-59010	CLIP, HOSE 12	2							R
(A=FXXXXX)											
21	1	22157-080000	WASHER, 8	2							
22	1	22190-060000	WASHER, SEAL 6	6							
23	1	23000-019000	CLAMP, 19	1							
24	1	23065-160650	PIPE, 16X 650	1							
25	1	24311-000850	O-RING, 1AP85.0	1							
26	1	26106-060252	BOLT, M6X 25 PLATED	3							
27	1	26106-080162	BOLT, M8X 16 PLATED	2							
28	1	26657-060002	NUT, CAP M6	3							

Fig.9. FUEL PIPE(1)

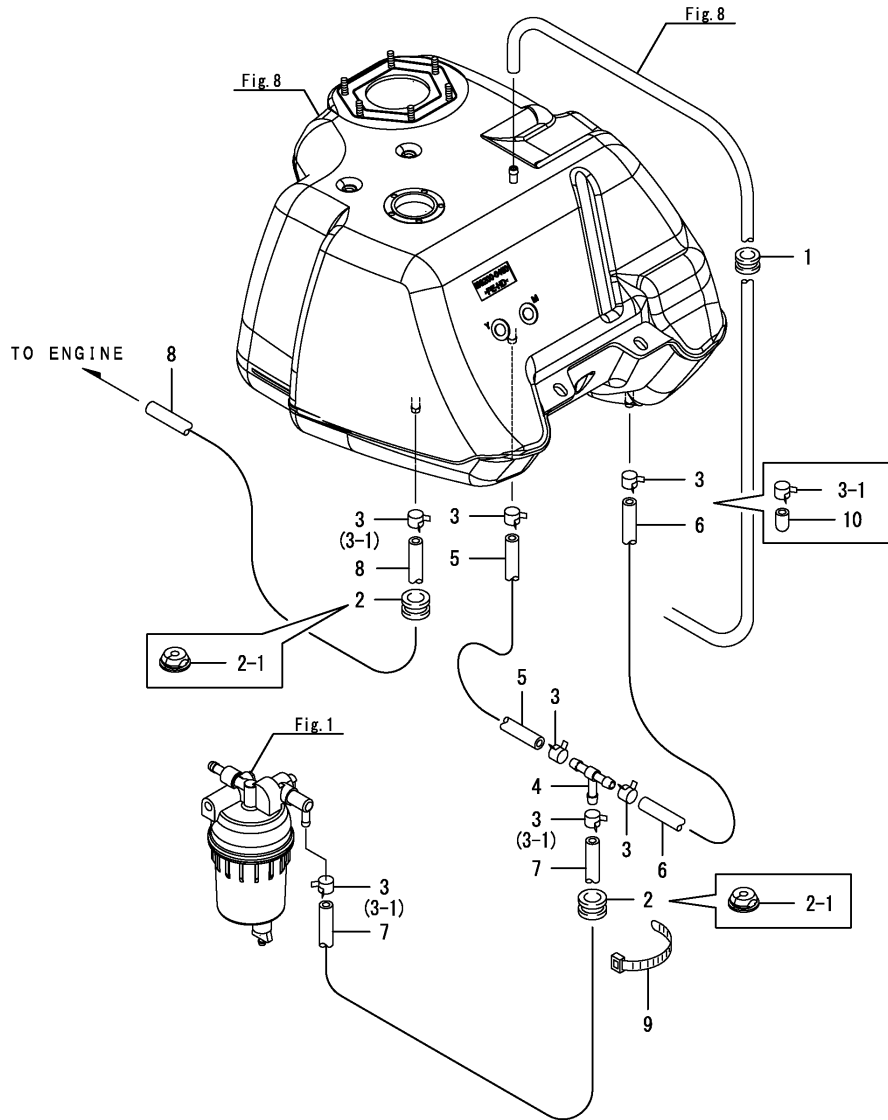
(A)=EF352T LX
(B)=
(C)=

(D)=
(E)=
(F)=



No.	Lev.	Parts No.	Description	Q'ty						I	R
				(A)	(B)	(C)	(D)	(E)	(F)		
1	1	198082-17880	CLAMP, HOSE	1							
2	1	194440-51620	CLAMP	1							
3	1	114270-59010	CLIP, HOSE 12	5							
4	1	1E6213-83410	CLIP, HARNESS 18	1							
5	1	23980-730310	HOSE, 7.3X 310	1							
6	1	23980-730510	HOSE, 7.3X 510	1							
7	1	26106-080122	BOLT, M8X 12 PLATED	1							
8	1	26106-080122	BOLT, M8X 12 PLATED	1							
9	1	29622-140001	BAND, RF140	1							

Fig.10. FUEL PIPE(2)



(A)=EF352T LX
(B)=
(C)=

(D)=
(E)=
(F)=

No.	Lev.	Parts No.	Description	Q'ty						I	R
				(A)	(B)	(C)	(D)	(E)	(F)		
1	1	1E8050-05510	GROMMET, SLIT 16X3	1							
2	1	194170-51210	GROMMET	2							
2-1	1	198245-51210	GROMMET, 25/18	2							S
(A=FZZZZZ)											
3	1	124766-59050	CLIP, HOSE 12	7							
3-1	1	124766-59050	CLIP, HOSE 12	4							K
(A=FZZZZZ)											
4	1	119629-59910	JOINT, 3-WAY	1							Z
(A=FZZZZZ)											
5	1	23980-730060	HOSE, 7.3X 60	1							Z
(A=FZZZZZ)											
6	1	23980-730180	HOSE, 7.3X 180	1							Z
(A=FZZZZZ)											
7	1	23980-730450	HOSE, 7.3X 450	1							
7-1	1	23980-730510	HOSE, 7.3X 510	1							S
(A=FZZZZZ)											
8	1	23980-730730	HOSE, 7.3X 730	1							
9	1	29622-250001	BAND, RF250	1							
10	1	129461-59580	CAP, FUEL OIL	1							W
(A=FZZZZZ)											

Fig.11. FUEL FILTER

(A)=EF352T LX
(B)=
(C)=

(D)=
(E)=
(F)=

No.	Lev.	Parts No.	Description	Q'ty						I	R
				(A)	(B)	(C)	(D)	(E)	(F)		
1	1	198200-11250	STAY ASSY, FILTER	1							
2	1	198280-11370	COLLAR, 9.2X13.8X60	1							
3	1	119852-55612	BRACKET, FILTER	1							
4	1	129004-55810	FILTER, FUEL	1							
5	1	22217-080000	WASHER, SPRING 8	1							
6	1	26106-080162	BOLT, M8X 16 PLATED	2							
7	1	26106-080252	BOLT, M8X 25 PLATED	2							
8	1	26116-081302	BOLT, M8X130 PLATED	1							

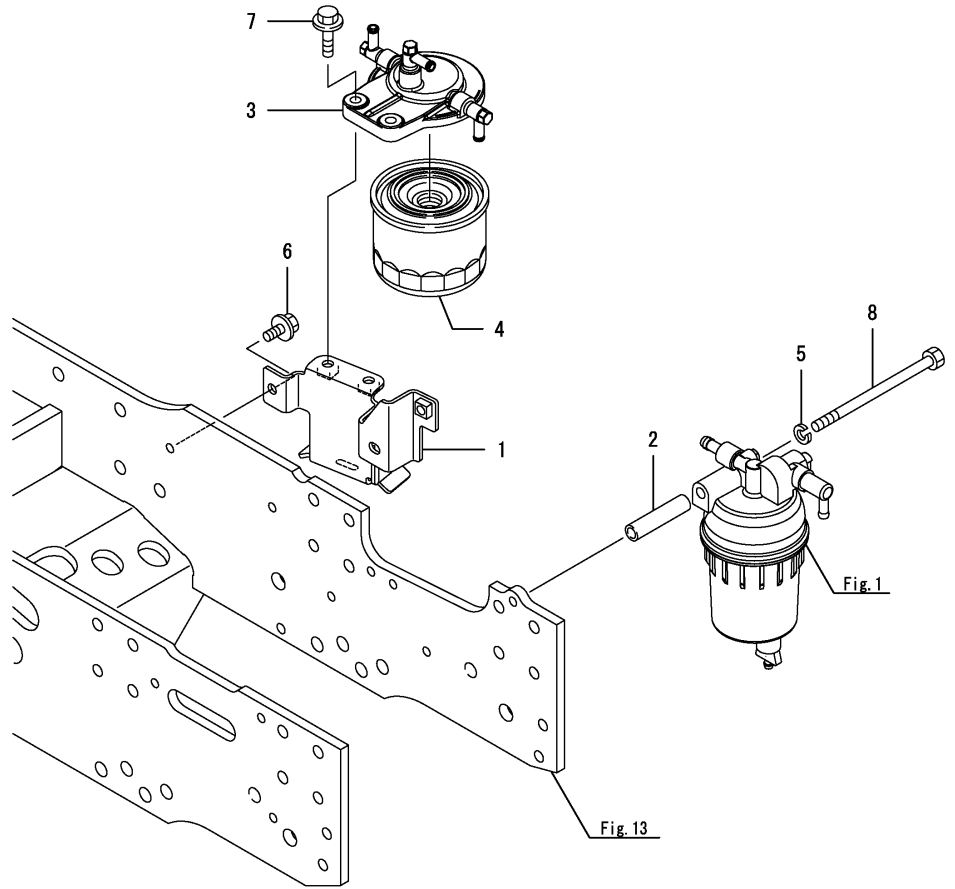
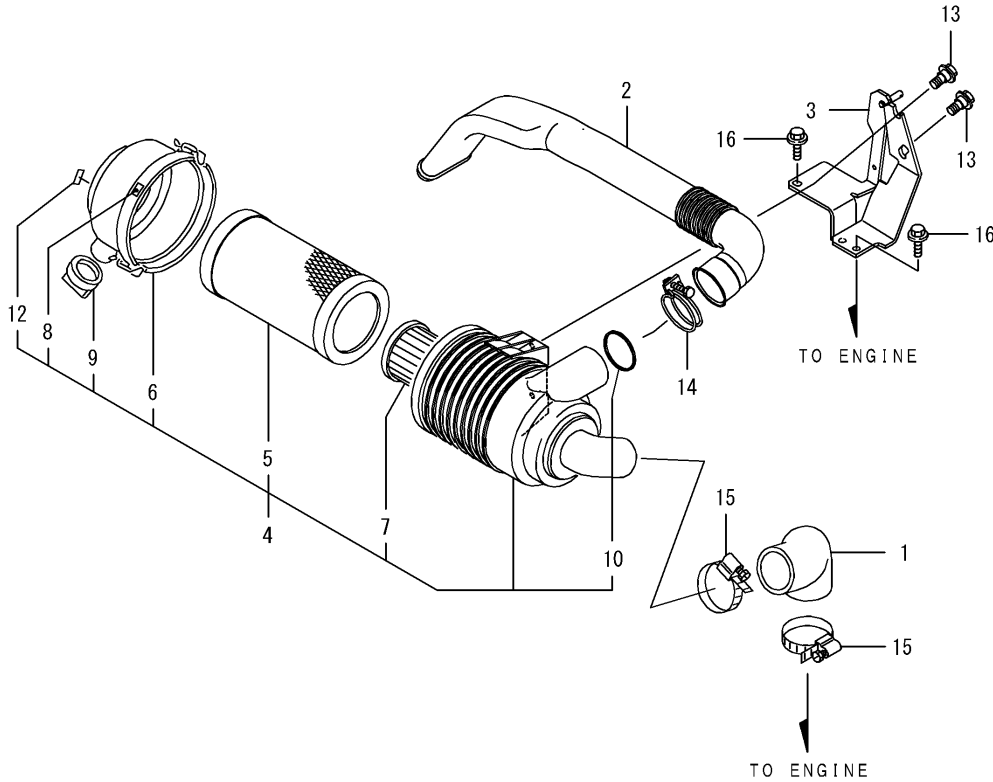


Fig.12. AIR CLEANER

(A)=EF352T LX
(B)=
(C)=

(D)=
(E)=
(F)=

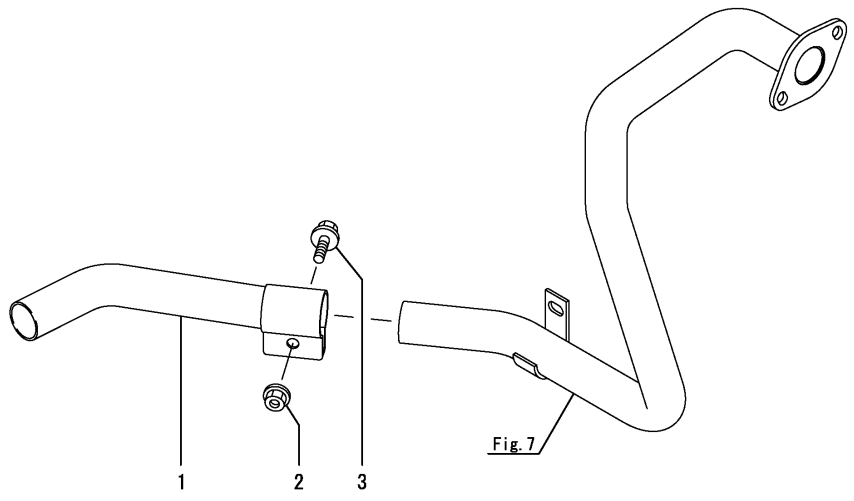


No.	Lev.	Parts No.	Description	Qty						I	R
				(A)	(B)	(C)	(D)	(E)	(F)		
1	1	1A8115-06010	HOSE, AIR INTAKE	1							
2	1	198200-06150	PIPE, AIR INTAKE	1							
3	1	198287-06200	BRACKET, AIR CLEANER	1							
4	1	198287-06300	CLEANER ASSY, AIR	1							
5	2	119808-12520	ELEMENT	1							
6	2	119866-12530	COVER ASSY	1							
7	2	129051-12530	ELEMENT	1							
8	2	129418-12530	LABEL, MARK	1							
9	2	119808-12540	VALVE, UNLOADER	1							
10	2	129259-12570	RING	1							
12	2	129612-12650	LABEL, MARKING	1							
13	1	198280-06450	BOLT, M8X16	2							
14	1	23000-060000	CLAMP, 60	1							
15	1	23000-070000	CLAMP, 70	2							
16	1	26106-080162	BOLT, M8X 16 PLATED	3							

Fig.137. EXTEND EXHAUST

(A)=EF352T LX
(B)=
(C)=

(D)=
(E)=
(F)=



No.	Lev.	Parts No.	Description	Q'ty						I	R
				(A)	(B)	(C)	(D)	(E)	(F)		
1	1	198283-03350	PIPE, EXTENSION	1							
2	1	194990-22140	NUT, M8	1							
3	1	26106-080202	BOLT, M8X 20 PLATED	1							

Fig.13. FRONT BRACKET

(A)=EF352T LX
(B)=
(C)=

(D)=
(E)=
(F)=

No.	Lev.	Parts No.	Description	Q'ty						I	R
				(A)	(B)	(C)	(D)	(E)	(F)		
1	1	198283-11100-1	BRACKET, AXLE M	1							
2	1	198287-11210	PLATE, OIL SUMP L	1							
3	1	1A8115-11210	STAY, L	1							
4	1	1A8115-11220	STAY, R	1							
5	1	198287-11230	PLATE, OIL SUMP R	1							
6	1	198208-11310	BOLT, M10X 25	16							
7	1	1A8115-17950	CLAMP, HOSE	1							
8	1	198093-84810	SEAL, FENDER	1							
9	1	26013-120252	BOLT, M12X 25	4							
10	1	26106-100452	BOLT, M10X 45 PLATED	2							
11	1	26106-100552	BOLT, M10X 55 PLATED	2							

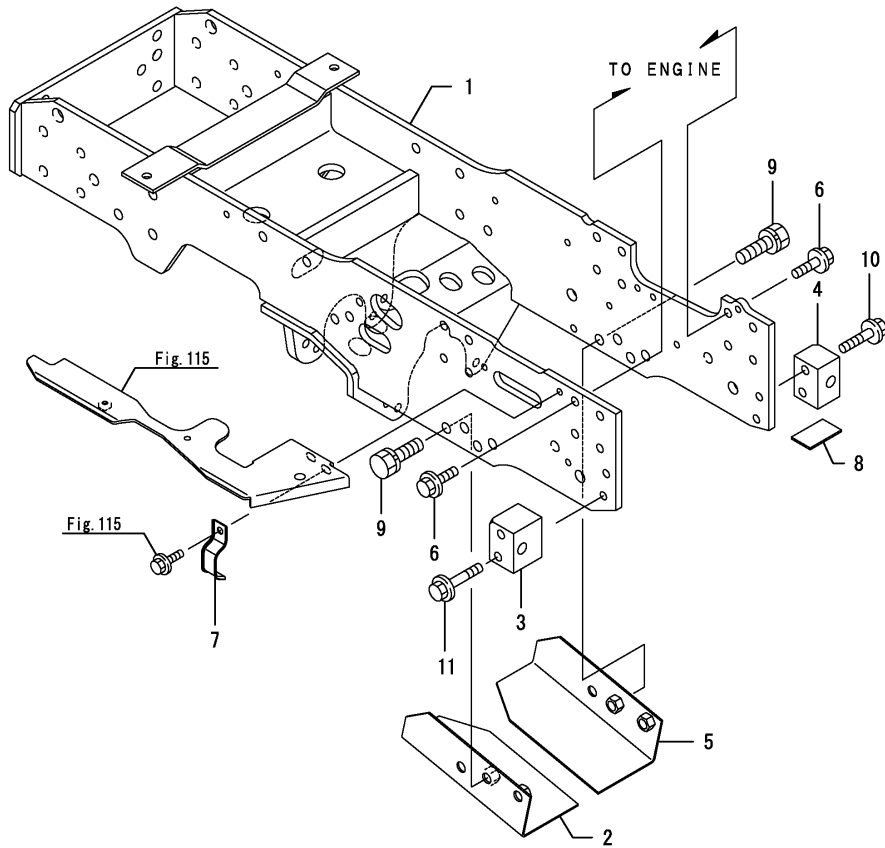
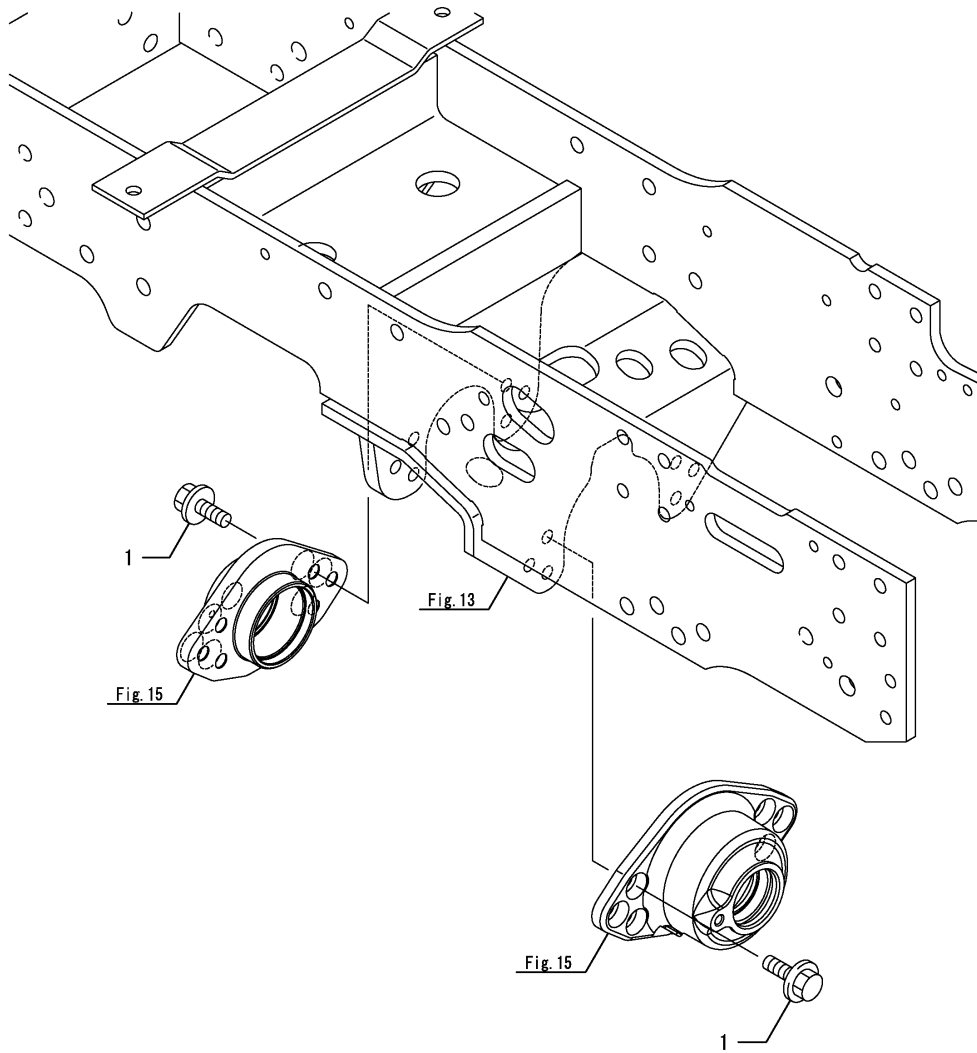


Fig.14. FRONT SUPPORT(1)



(A)=EF352T LX
(B)=
(C)=

(D)=
(E)=
(F)=

No.	Lev.	Parts No.	Description	Q'ty						I	R
				(A)	(B)	(C)	(D)	(E)	(F)		
1	1	198208-11310	BOLT, M10X 25	12							

Fig.15. FRONT SUPPORT(2)

(A)=EF352T LX
(B)=
(C)=

(D)=
(E)=
(F)=

No.	Lev.	Parts No.	Description	Q'ty						I	R
				(A)	(B)	(C)	(D)	(E)	(F)		
1	1	198283-13220	SUPPORT ASSY, F	1							
2	2	198172-11640	SEAL, OIL G50X58X4	2							
3	2	198283-13380	BUSH, 50X55X25	1							
4	1	198283-13450	BOLT, M20	1							
5	1	198283-13460	NUT, LOCK	1							
6	1	24761-010000	NIPPLE, GREASE M6F	1							
7	1	198283-13230	SUPPORT ASSY, R	1							
8	2	194181-11560	SEAL, OIL VB75856.5	1							
9	2	194641-11630	BUSH, 75X80X25	1							
10	1	198283-13480	WASHER, 62X75X3	1							
11	1	24321-000750	O-RING, 1AG75.0	1							
12	1	24761-010000	NIPPLE, GREASE M6F	1							

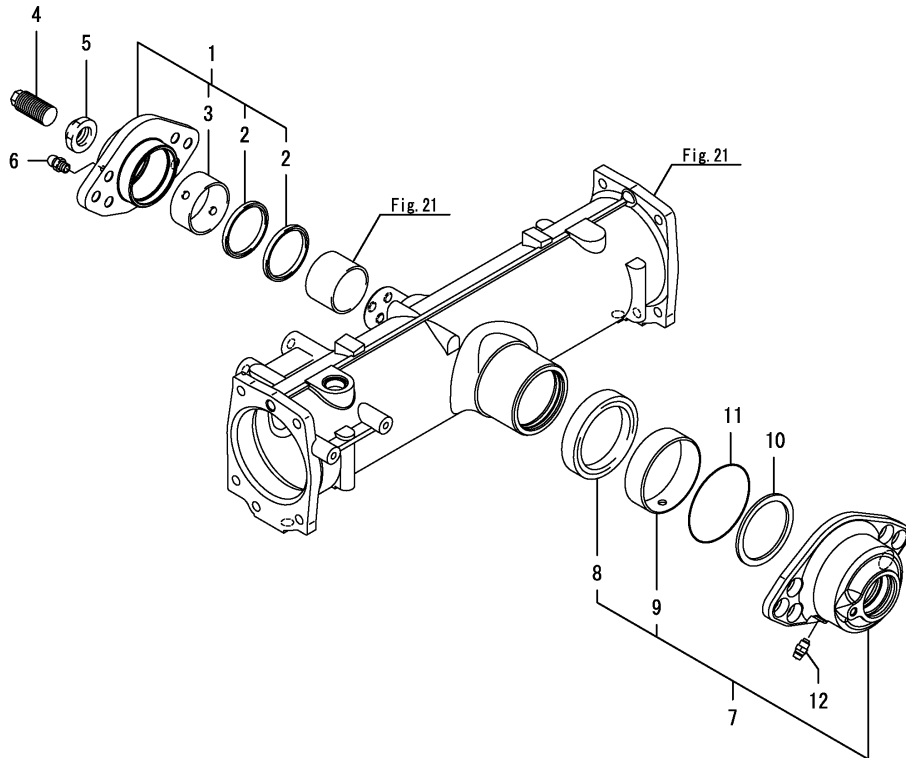
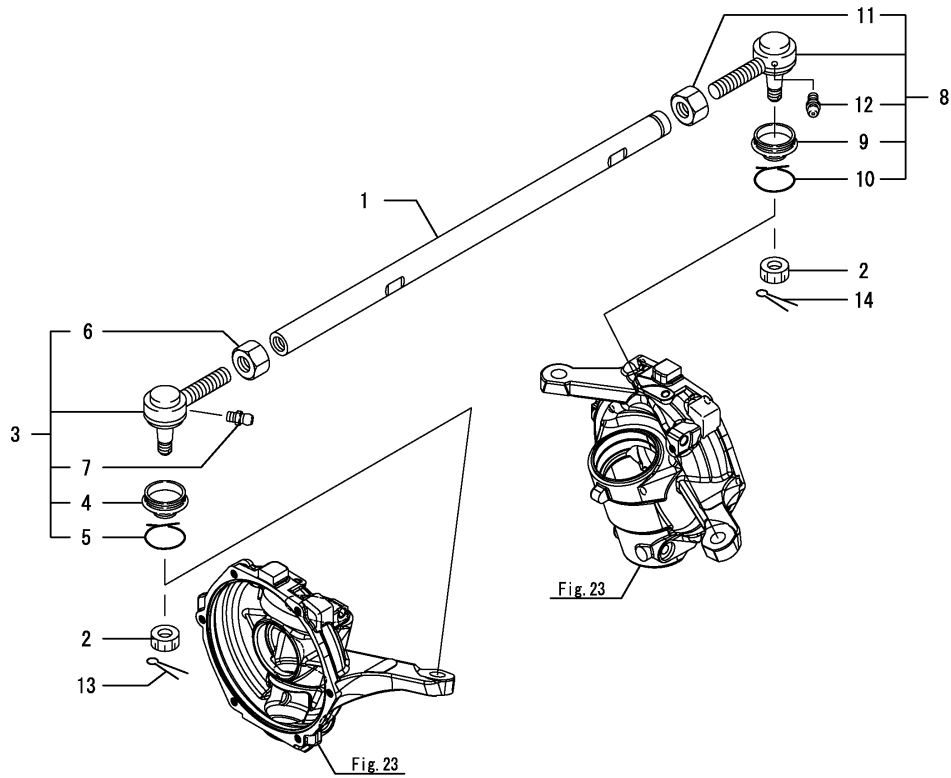


Fig.16. TIE ROD

(A)=EF352T LX
(B)=
(C)=

(D)=
(E)=
(F)=



No.	Lev.	Parts No.	Description	Q'ty						I	R
				(A)	(B)	(C)	(D)	(E)	(F)		
1	1	198220-12310-1	TIE-ROD	1							
2	1	194180-12471	NUT, CASTLE M16	2							
3	1	198283-12510-1	END ASSY, TIE-ROD RH	1							
4	2	194450-12552	COVER, DUCT	1							
5	2	194450-12562	RING, SETTING	1							
6	2	194990-22841	NUT, M17	1							
7	2	24761-060000	NIPPLE, GREASE MT6X1	1							
8	1	198283-12550-1	END ASSY, TIE-ROD LH	1							
9	2	194450-12552	COVER, DUCT	1							
10	2	194450-12562	RING, SETTING	1							
11	2	194990-22831	NUT, LOCK M17 L	1							
12	2	24761-060000	NIPPLE, GREASE MT6X1	1							
13	1	22417-400400	PIN, COTTER 4.0X40	1							
14	1	22417-400400	PIN, COTTER 4.0X40	1							

Fig.17. RING GEAR

(A)=EF352T LX
(B)=
(C)=

(D)=
(E)=
(F)=

No.	Lev.	Parts No.	Description	Q'ty						I	R
				(A)	(B)	(C)	(D)	(E)	(F)		
1	1	198200-13100	GEAR ASSY, RING	1							
4	1	194640-26440	BEARING, BALL TMB206	1							
5	1	1E6190-54080	SLEEVE SI25X30X13	1							
6	1	22242-000300	RING, 30	1							
7	1	24101-063054	BEARING, BALL 6305	1							

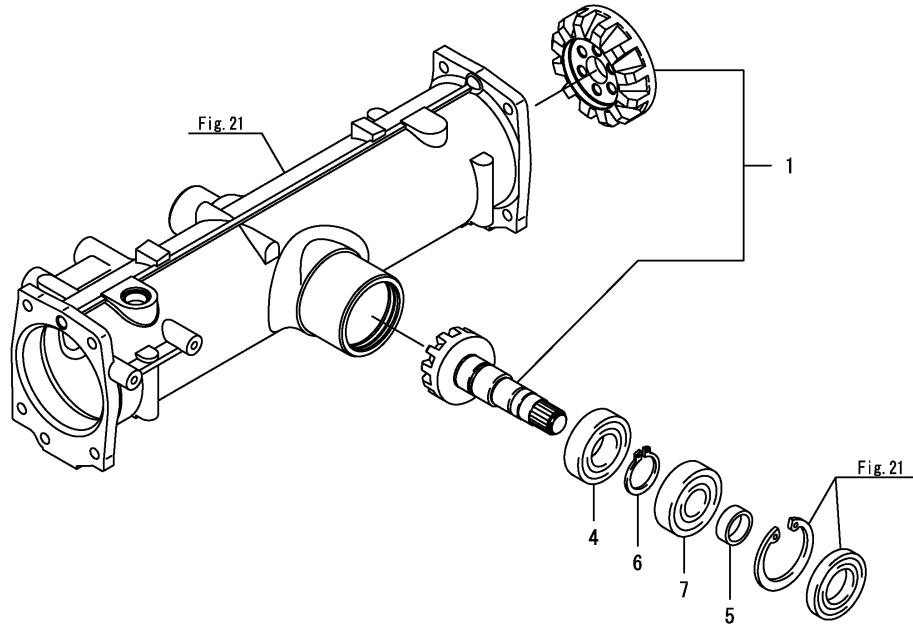


Fig.18. DIFFERENTIAL GEAR

(A)=EF352T LX
(B)=
(C)=

(D)=
(E)=
(F)=

No.	Lev.	Parts No.	Description	Q'ty						I	R
				(A)	(B)	(C)	(D)	(E)	(F)		
1	1	198200-13200	HOUSING ASSY	1							
2	2	198200-13210	CASE, DIFFERENTIAL	1							
3	2	198200-13220	SHAFT, DIFFERENTIAL	1							
4	2	194300-31550	GEAR, DIFFERENTIAL	2							
5	2	194300-31560	GEAR, PINION	2							
6	2	194300-31610	WASHER, DIFFERENTIAL	2							
7	2	194300-31620	WASHER, DIFFERENTIAL	2							
8	2	22351-040040	PIN, SPRING 4.0X40	1							
9	1	198200-13250	COLLAR	1							
10	1	194421-13640	BOLT, M8X22	6							
11	1	24101-060114	BEARING, BALL 6011	2							

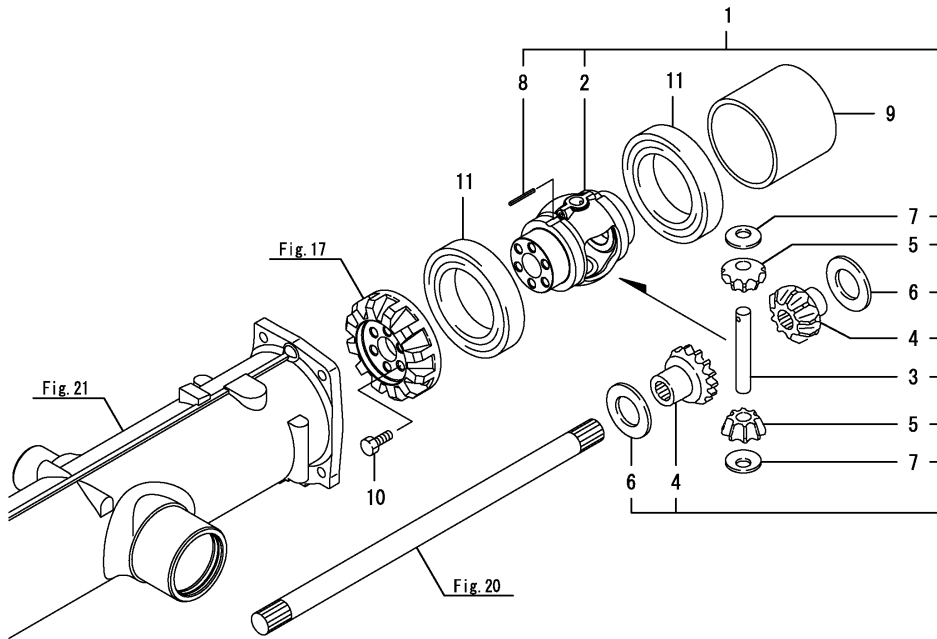


Fig.19. PROPELLER SHAFT

(A)=EF352T LX
 (B)=
 (C)=

(D)=
 (E)=
 (F)=

No.	Lev.	Parts No.	Description	Q'ty						I	R
				(A)	(B)	(C)	(D)	(E)	(F)		
1	1	1A8115-13280	COUPLING, FRONT	2							
2	1	1A8115-13310	SHAFT, PROPELLER	1							
3	1	22242-000220	RING, 22	2							

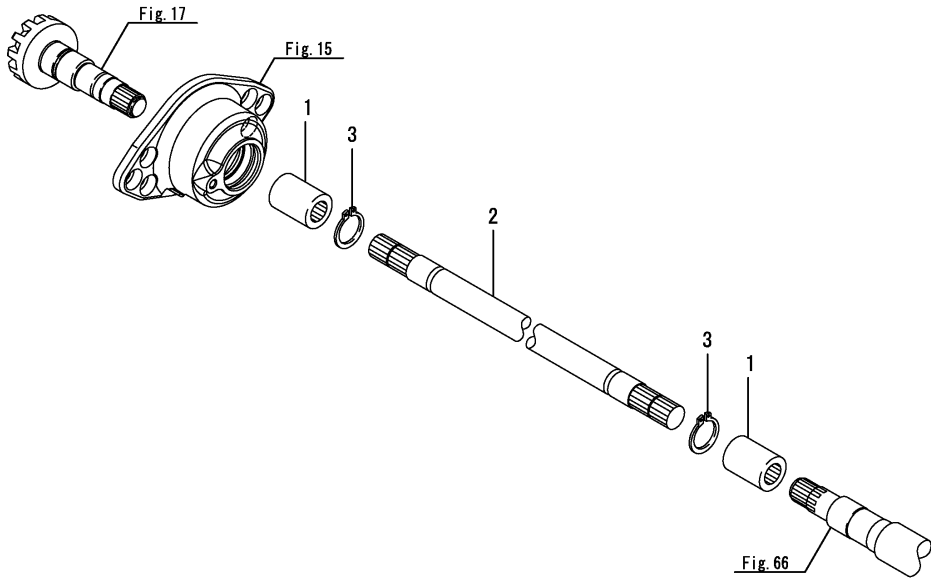


Fig.20. FRONT SHAFT(1)

(A)=EF352T LX
(B)=
(C)=

(D)=
(E)=
(F)=

No.	Lev.	Parts No.	Description	Q'ty						I	R
				(A)	(B)	(C)	(D)	(E)	(F)		
1	1	198208-13510	SHAFT, 1ST FRONT 242	1							
2	1	198200-13520	PINION, SHAFT	2							
3	1	198208-13530	SHAFT, 1ST FRONT 435	1							
4	1	24101-062074	BEARING, BALL 6207	2							

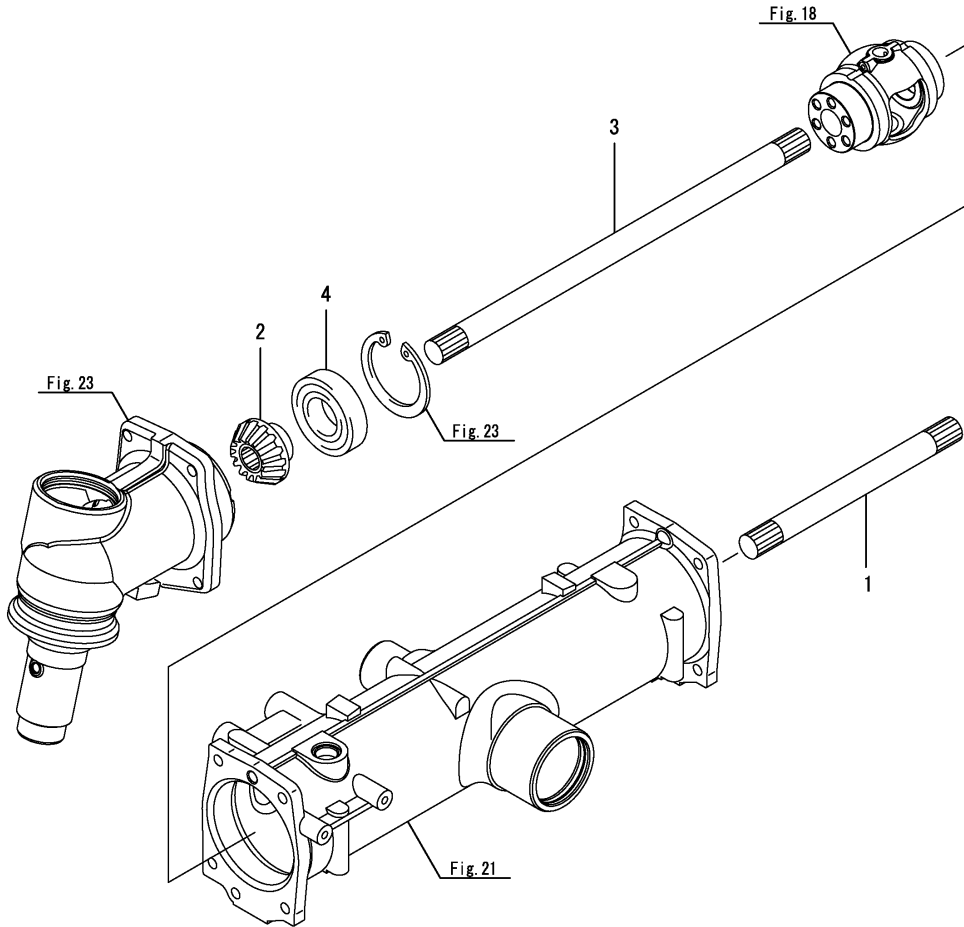


Fig.21. FRONT AXLE CASE

(A)=EF352T LX
(B)=
(C)=

(D)=
(E)=
(F)=

No.	Lev.	Parts No.	Description	Q'ty						I	R
				(A)	(B)	(C)	(D)	(E)	(F)		
1	1	198200-13611-1	HOUSING, FRONT AXLE	1							
2	1	198208-17210-1	BRACKET, CYLINDER	1							
3	1	198283-17220	STAY, GUARD	1							
4	1	192180-26380	BUSHING 45X50X35	1							
5	1	22252-000620	RING, 62	1							
6	1	24421-306210	SEAL, OIL TC306210	1							
7	1	26013-120302	BOLT, M12X 30	2							
8	1	26013-120402	BOLT, M12X 40	2							

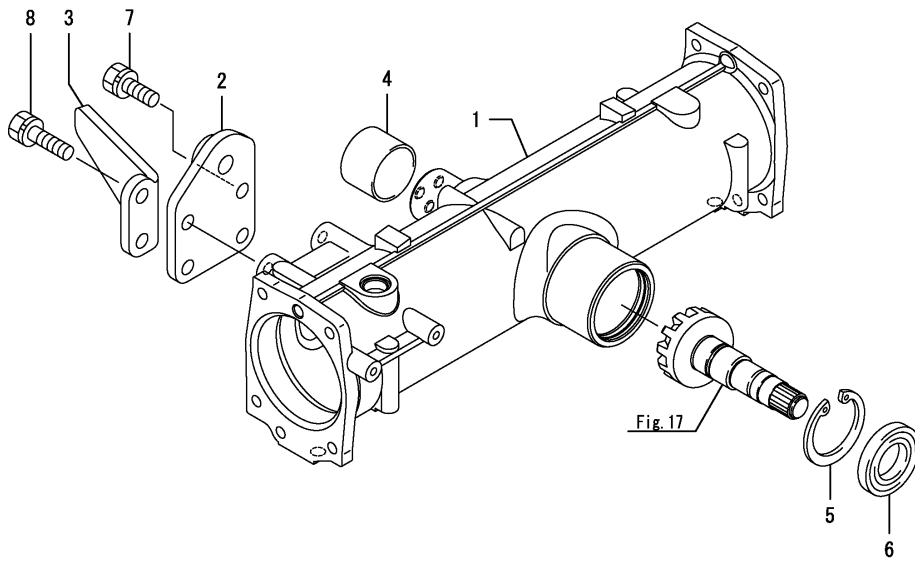


Fig.22. BREATHER

(A)=EF352T LX
(B)=
(C)=

(D)=
(E)=
(F)=

No.	Lev.	Parts No.	Description	Q'ty						I	R
				(A)	(B)	(C)	(D)	(E)	(F)		
1	1	198283-13850	HOLDER, BREATHER	1							
2	1	1C6900-23020	BREATHER	1							
3	2	1E8660-53100	BREATHER	1							
4	1	24311-000180	O-RING, 1AP18.0	1							

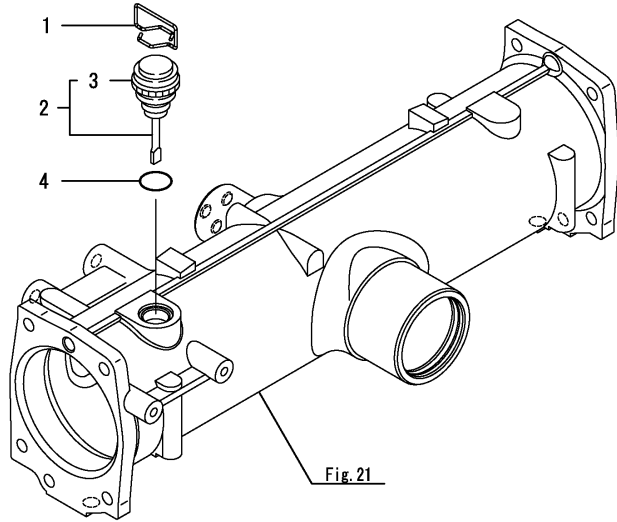
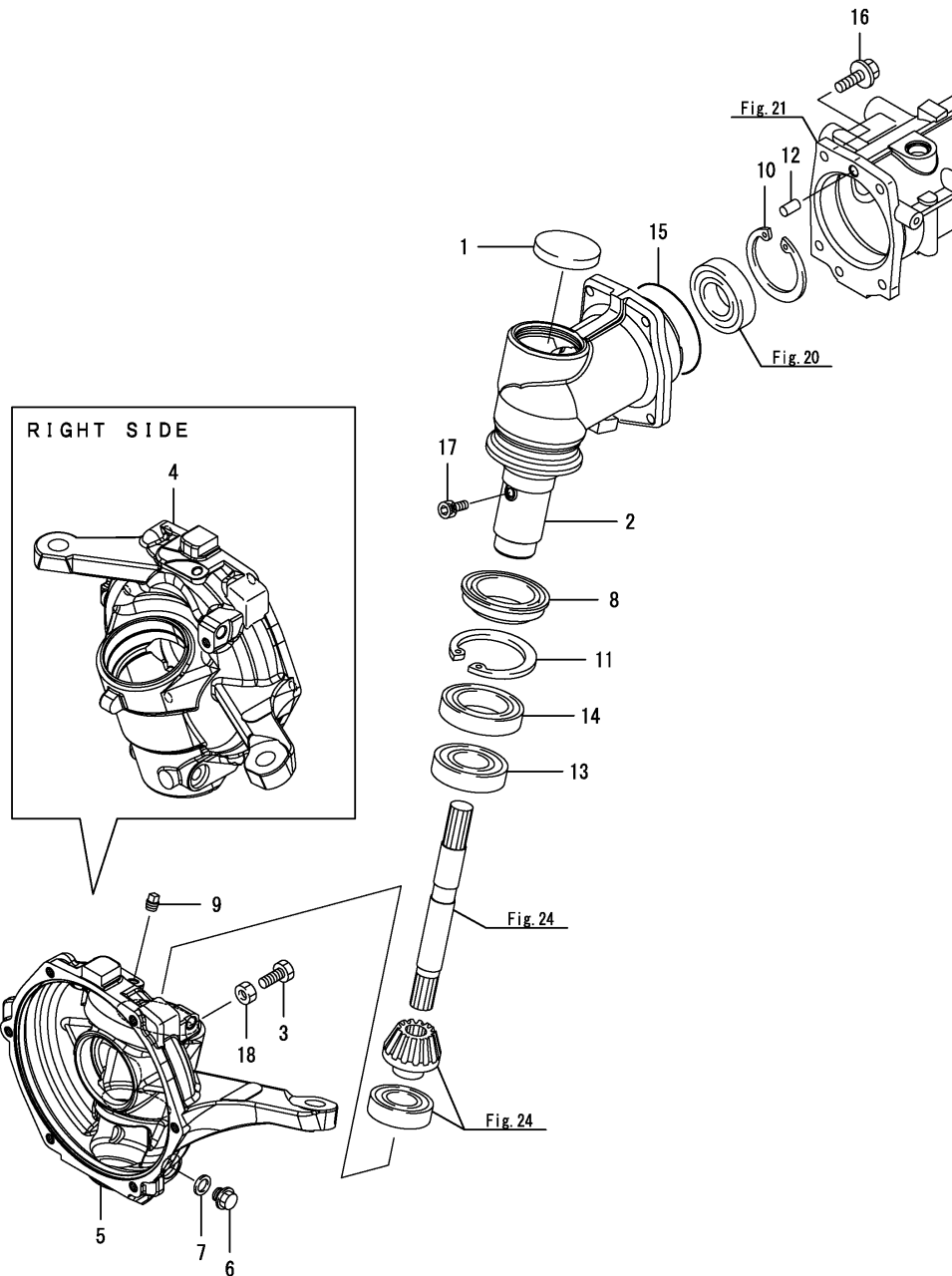


Fig.23. FRONT GEAR CASE

(A)=EF352T LX
(B)=
(C)=

(D)=
(E)=
(F)=

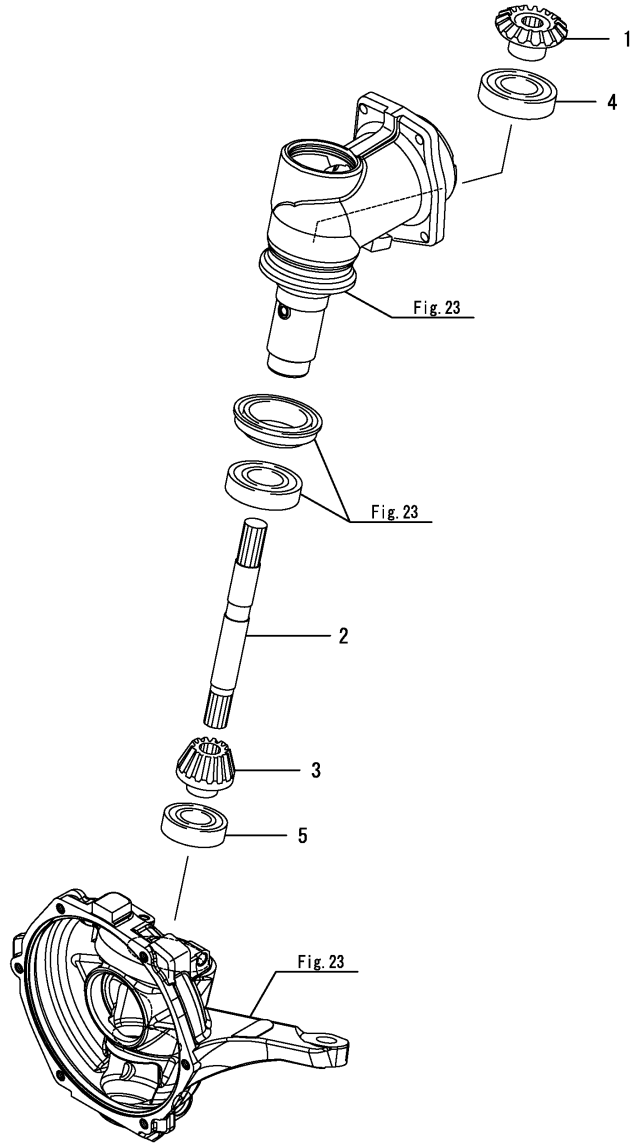


No.	Lev.	Parts No.	Description	Q'ty						I	R
				(A)	(B)	(C)	(D)	(E)	(F)		
1	1	177432-03450	PLUG	2							
2	1	198208-13721-1	HOUSING, FRONT GEAR	2							
3	1	198283-13970	BOLT, M10X40	2							
4	1	198283-14241	BOX, GEAR R	1							
5	1	198283-14251	BOX, GEAR L	1							
6	1	1C6900-23120	BOLT, DRAIN M14X10	2							
7	1	1C6900-23150	WASHER, PLUG	2							
8	1	198483-32660	SEAL, QLNYS78015	2							
9	1	194151-36670	PLUG, PF02	2							
10	1	22252-000720	RING, 72	2							
11	1	22252-000800	RING, 80	2							
12	1	22312-100180	PIN, PARALLEL M10X18	2							
13	1	24101-060084	BEARING, BALL 6008	2							
14	1	24101-060104	BEARING, BALL 6010	2							
15	1	24321-000950	O-RING, 1AG95.0	2							
16	1	26106-100302	BOLT, M10X 30 PLATED	10							
17	1	26450-080122	BOLT, M8X 12	2							
18	1	26716-100002	NUT, M10	2							

Fig.24. FRONT SHAFT(2)

(A)=EF352T LX
(B)=
(C)=

(D)=
(E)=
(F)=



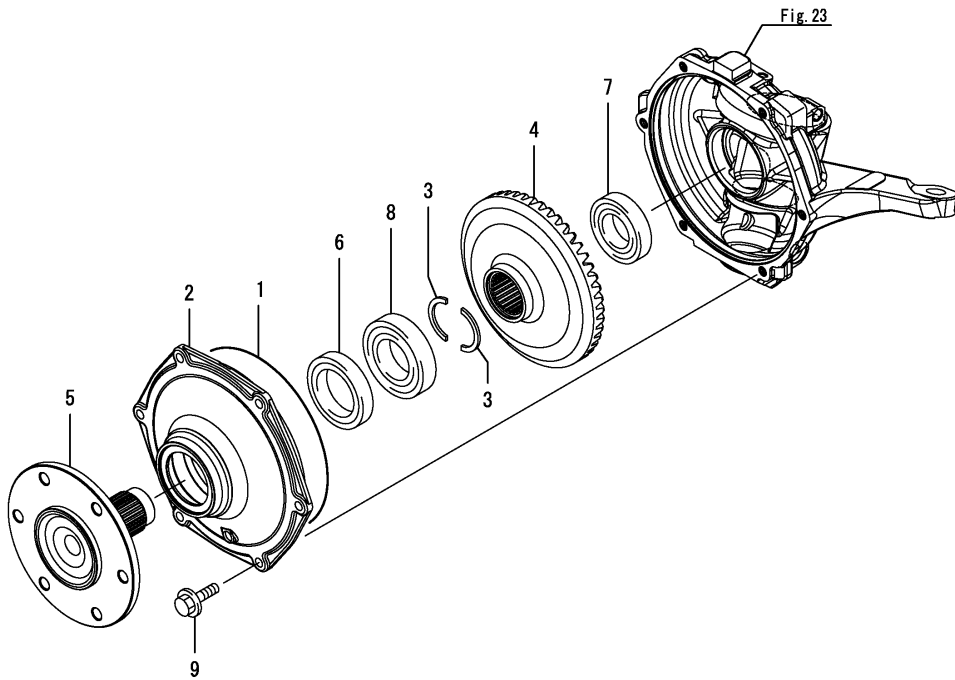
No.	Lev.	Parts No.	Description	Q'ty						I	R
				(A)	(B)	(C)	(D)	(E)	(F)		
1	1	198200-13821	GEAR, FRONT SHAFT	2							
2	1	198283-14270	SHAFT, FRONT 2ND	2							
3	1	198283-14280	PINION, FINAL Z=11	2							
4	1	24101-062064	BEARING, BALL 6206	2							
5	1	24104-062064	BEARING, BALL 6206UU	2							

Fig.25. FRONT SPINDLE

(A)=EF352T LX
(B)=
(C)=

(D)=
(E)=
(F)=

No.	Lev.	Parts No.	Description	Q'ty						I	R
				(A)	(B)	(C)	(D)	(E)	(F)		
1	1	194556-13790	O-RING, 190X2.7	2							
2	1	198200-14130-1	COVER, GEAR BOX	2							
3	1	198200-14210	RING, HALF	4							
4	1	198283-14290	GEAR, FINAL 51	2							
5	1	198283-14310	SPINDLE, FRONT	2							
6	1	198475-32660	SEAL, QLNY527514.5	2							
7	1	24101-062074	BEARING, BALL 6207	2							
8	1	24101-062094	BEARING, BALL 6209	2							
9	1	26106-100252	BOLT, M10X 25 PLATED	12							



(A)=EF352T LX
 (B)=
 (C)=

(D)=
 (E)=
 (F)=

No.	Lev.	Parts No.	Description	Q'ty						I	R
				(A)	(B)	(C)	(D)	(E)	(F)		
1	1	1A8115-14630	COVER ASSY, SHAFT	1							
2	1	1A8115-14650	BOOT, SHAFT COVER	1							
3	1	1A8115-14671	COVER, SHAFT REAR	1							
4	1	23000-054000	CLAMP, 54	2							
5	1	24311-000420	O-RING, 1AP42.0	1							
6	1	24321-000450	O-RING, 1AG45.0	1							
7	1	26106-080162	BOLT, M8X 16 PLATED	1							
8	1	26106-080162	BOLT, M8X 16 PLATED	1							

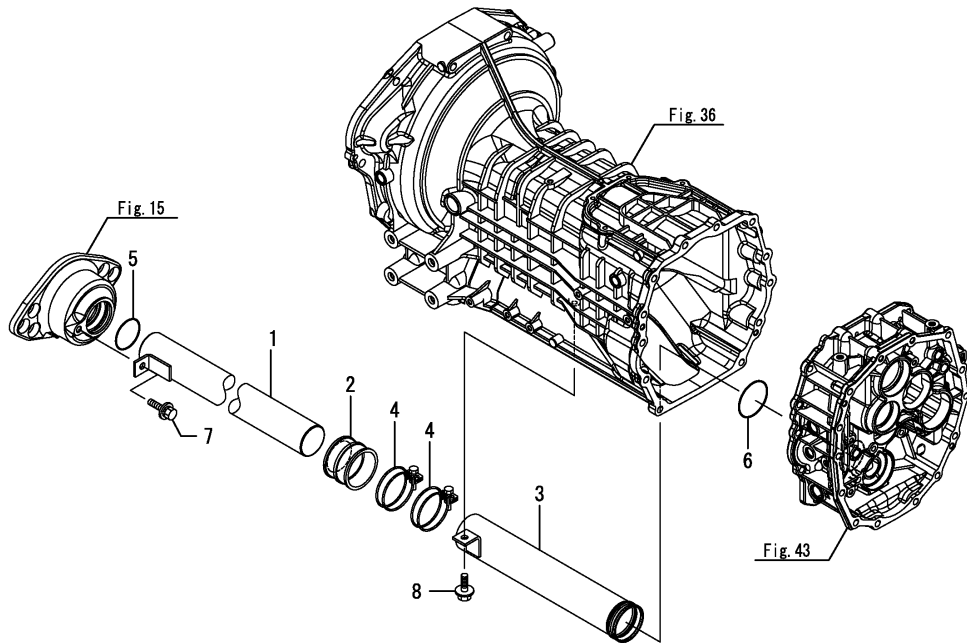


Fig.27. FRONT WHEEL TIRE

(A)=EF352T LX
(B)=
(C)=

(D)=
(E)=
(F)=

No.	Lev.	Parts No.	Description	Q'ty						I	R
				(A)	(B)	(C)	(D)	(E)	(F)		
1	1	1A7300-14850	TIRE KIT, FRONT L BS	1							
2	2	1A7300-14720	WHEEL, 5JAX16	1							
3	2	194321-14850	TIRE ASSY, FRONT	1							
4	3	194321-14820	TUBE	1							
5	3	194321-14860	TIRE, 7-16 4 FSLM	1							
6	1	1A7300-14860	TIRE KIT, FRONT R	1							
7	2	1A7300-14720	WHEEL, 5JAX16	1							
8	2	194321-14850	TIRE ASSY, FRONT	1							
9	3	194321-14820	TUBE	1							
10	3	194321-14860	TIRE, 7-16 4 FSLM	1							

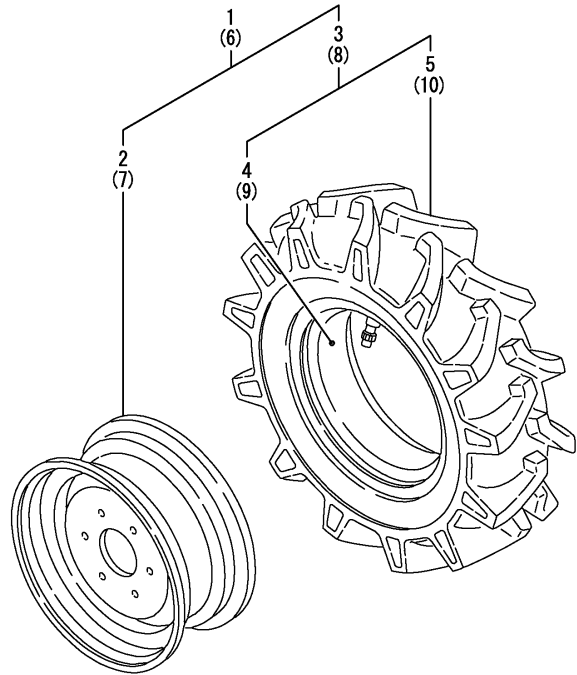


Fig.28. HUB BOLT

(A)=EF352T LX
 (B)=
 (C)=

(D)=
 (E)=
 (F)=

No.	Lev.	Parts No.	Description	Q'ty						I	R
				(A)	(B)	(C)	(D)	(E)	(F)		
1	1	194881-12650	BOLT, M14X24	12							

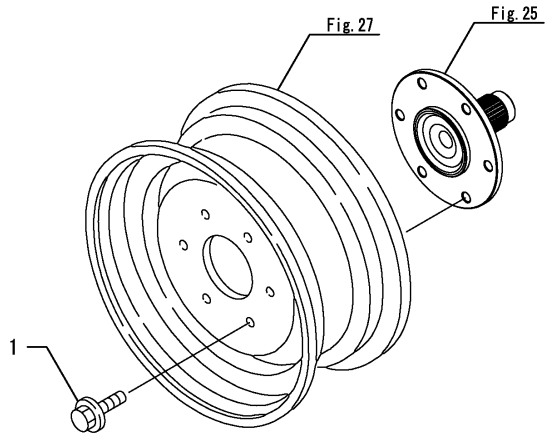
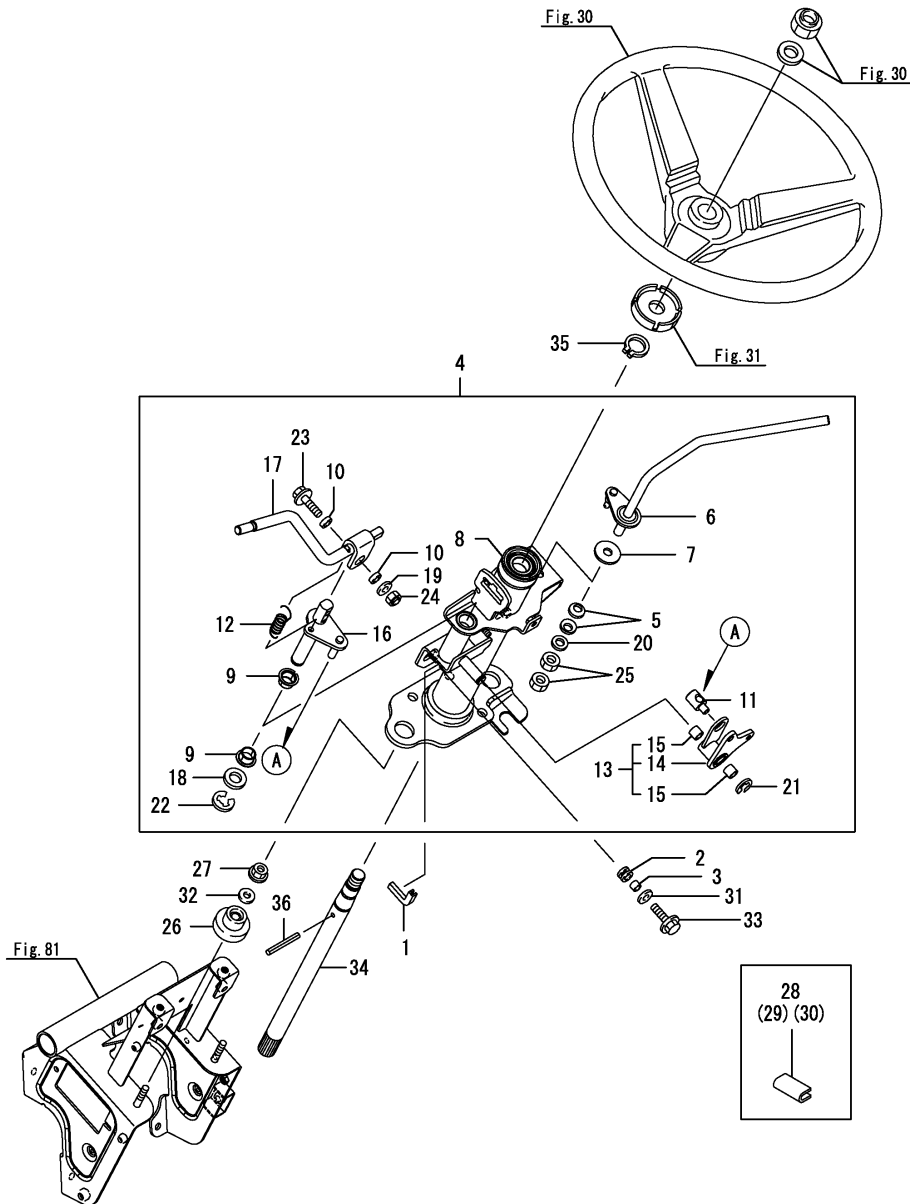


Fig.29. STEERING COLUMN

(A)=EF352T LX
(B)=
(C)=

(D)=
(E)=
(F)=



No.	Lev.	Parts No.	Description	Qty						I	R
				(A)	(B)	(C)	(D)	(E)	(F)		
1	1	198200-01170	SEAL, WIRE	1							
2	1	198360-03260	GROMMET, 12	2							
3	1	198360-03270	SPACER	2							
4	1	1A8115-15090	COLUMN, STEERING	1							
5	2	194740-00160	SPRING, 10	2							
6	2	1A8115-01110	LEVER ASSY	1							
7	2	198200-01260	PLATE, FRICTION	1							
8	2	1A8115-15100	COLUMN ASSY,STEERING	1							
9	2	1A8115-27000	BUSH, 15X17X10	2							
10	2	1A8115-27030	COLLAR, 8X14X5.3	2							
11	2	1A8115-27090	PIN, CONNECTING	1							
12	2	1A8115-27240	SPRING, RETURN	1							
13	2	1A8115-27250	PLATE ASSY, ARM	1							
14	3	1A8115-27260	PLATE, ARM	1							
15	3	24550-012100	BUSH 12X10	2							
16	2	1A8115-27400	SHAFT, REVERSER	1							
17	2	1A8115-27460	LEVER, REVERSER	1							
18	2	22117-140000	WASHER, 14	1							
19	2	22137-080000	WASHER, 8	1							
20	2	22137-100000	WASHER, 10	1							
21	2	22272-000090	RING, E- 9	1							
22	2	22272-000120	RING, E-12	1							
23	2	26106-080352	BOLT, M8X 35 PLATED	1							
24	2	26346-080002	NUT, M8	1							
25	2	26716-100002	NUT, M10	2							
26	1	1A8115-15250	MOUNT, STEERING	2							
27	1	194990-22140	NUT, M8	2							
28	1	198093-84810	SEAL, FENDER	1							
29	1	198093-84810	SEAL, FENDER	1							
30	1	198093-84810	SEAL, FENDER	1							
31	1	22157-080000	WASHER, 8	2							
32	1	22157-080000	WASHER, 8	2							
33	1	26106-080252	BOLT, M8X 25 PLATED	2							
34	1	198200-15180	SHAFT, STEERING	1							
35	1	22242-000200	RING, 20	1							
36	1	22351-040032	PIN, SPRING 4.0X32	1							

Fig.30. STEERING WHEEL

(A)=EF352T LX
(B)=
(C)=

(D)=
(E)=
(F)=

No.	Lev.	Parts No.	Description	Q'ty						I	R
				(A)	(B)	(C)	(D)	(E)	(F)		
1	1	198133-15700	WHEEL ASSY, STEERING	1							
2	2	198133-15740	CAP ASSY, STEERING	1							
3	3	198133-15780	NAMEPLATE, HANDLE	1							
4	1	22137-160000	WASHER, 16	1							
5	1	26356-160002	NUT, M16	1							

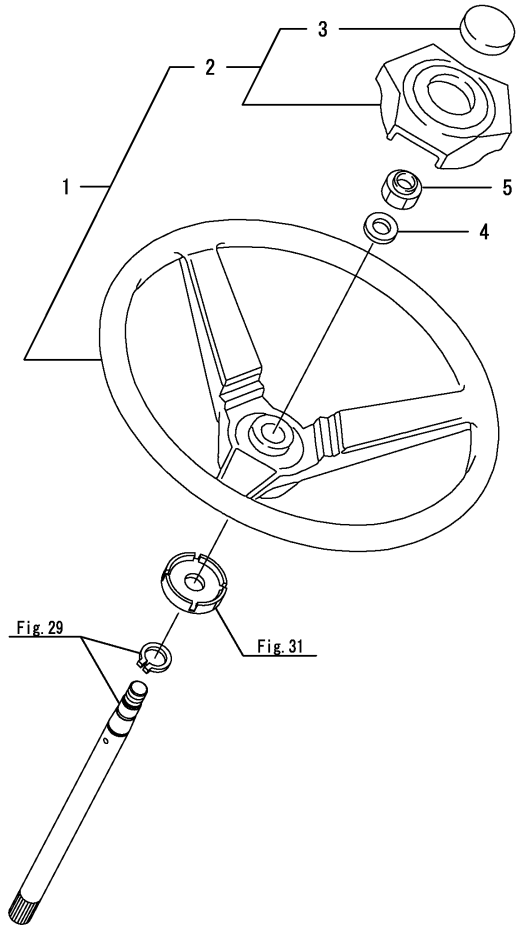


Fig.31. STEERING COVER

(A)=EF352T LX
(B)=
(C)=

(D)=
(E)=
(F)=

No.	Lev.	Parts No.	Description	Q'ty						I	R
				(A)	(B)	(C)	(D)	(E)	(F)		
1	1	1A8115-15720	COVER, STEERING	1							

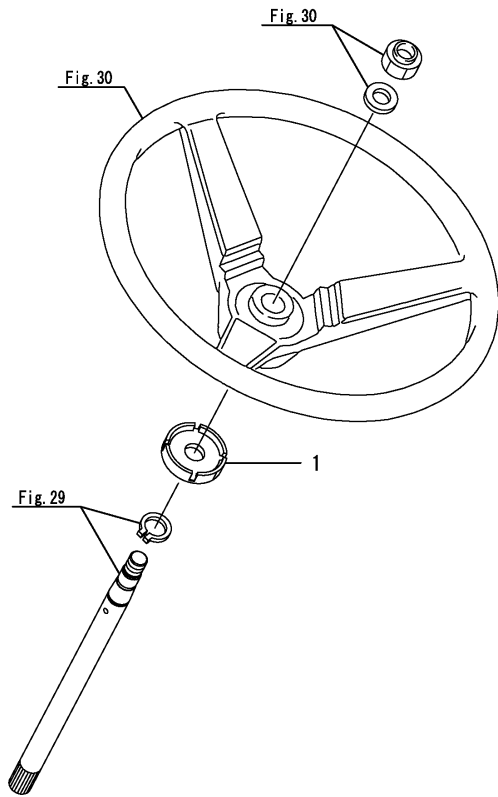
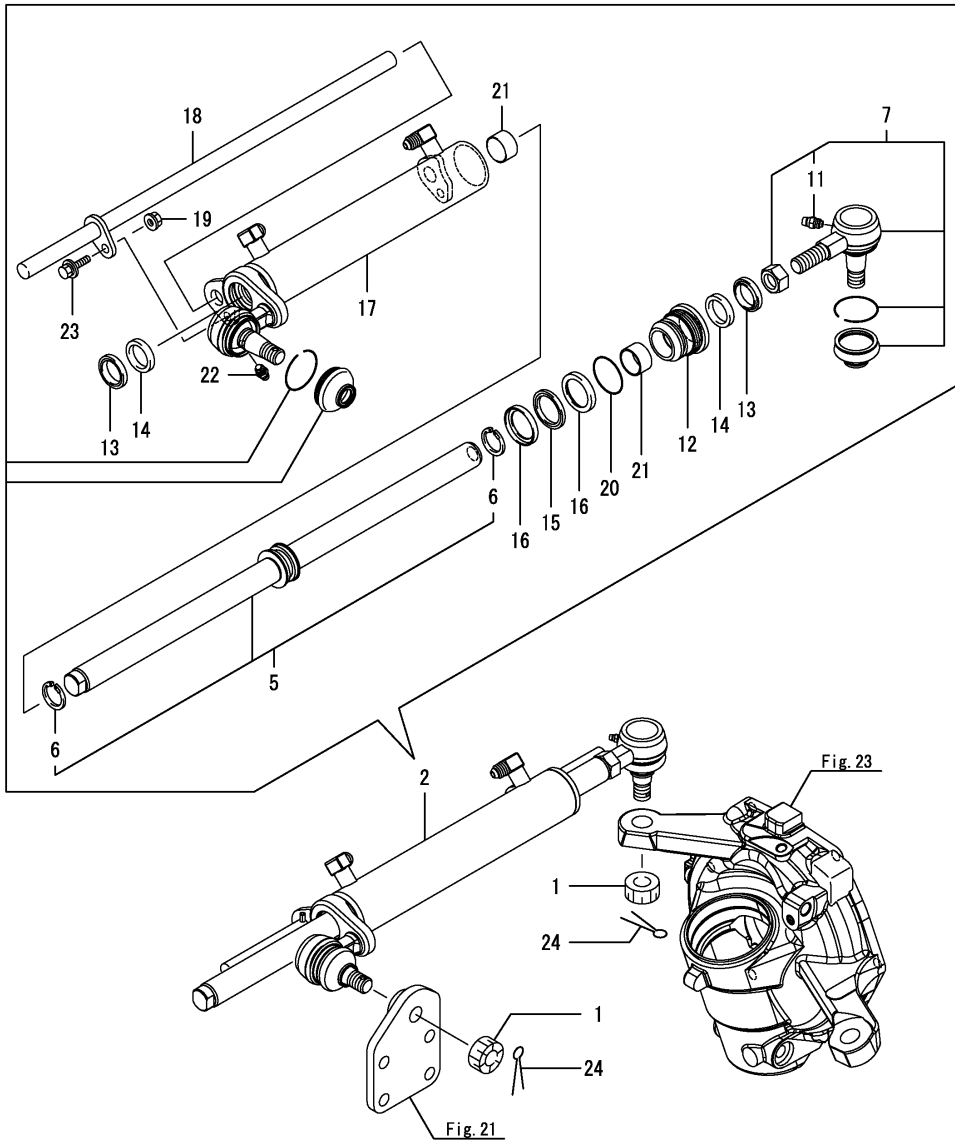


Fig.32. P.S.T. CYLINDER

(A)=EF352T LX
(B)=
(C)=

(D)=
(E)=
(F)=

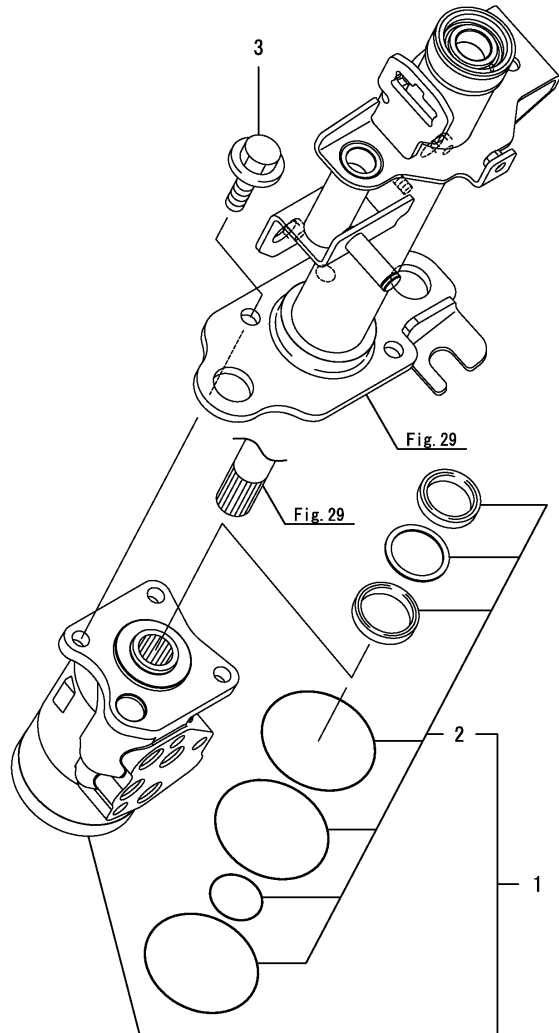


No.	Lev.	Parts No.	Description	Q'ty						I	R
				(A)	(B)	(C)	(D)	(E)	(F)		
1	1	194180-12471	NUT, CASTLE M16	2							
2	1	198283-17300-1	CYLINDER KIT	1							
5	2	198200-17050	ROD ASSY, STEERING	1							
6	3	22292-000250	RING, S-25	2							
7	2	198200-17070	END ASSY, ROD R	1							
11	3	24761-060000	NIPPLE, GREASE MT6X1	1							
12	2	198200-17120	CAP, CYLINDER	1							
13	2	198200-17140	SEAL, DUST 25	2							
14	2	198200-17150	PACKING, 25	2							
15	2	198200-17160	PACKING, PISTON	1							
16	2	198200-17170	BEARING, PWL40	2							
17	2	198283-17350	TUBE ASSY, CYLINDER	1							
18	2	198283-17640	BAR, GUARD	1							
19	2	194990-22140	NUT, M8	1							
20	2	24315-000350	O-RING, 1BP35.0	1							
21	2	24550-025150	BUSH, 25X15	2							
22	2	24761-060000	NIPPLE, GREASE MT6X1	1							
23	2	26106-080202	BOLT, M8X 20 PLATED	1							
24	1	22417-400250	PIN, COTTER 4.0X25	2							

Fig.33. P.S.T. VALVE

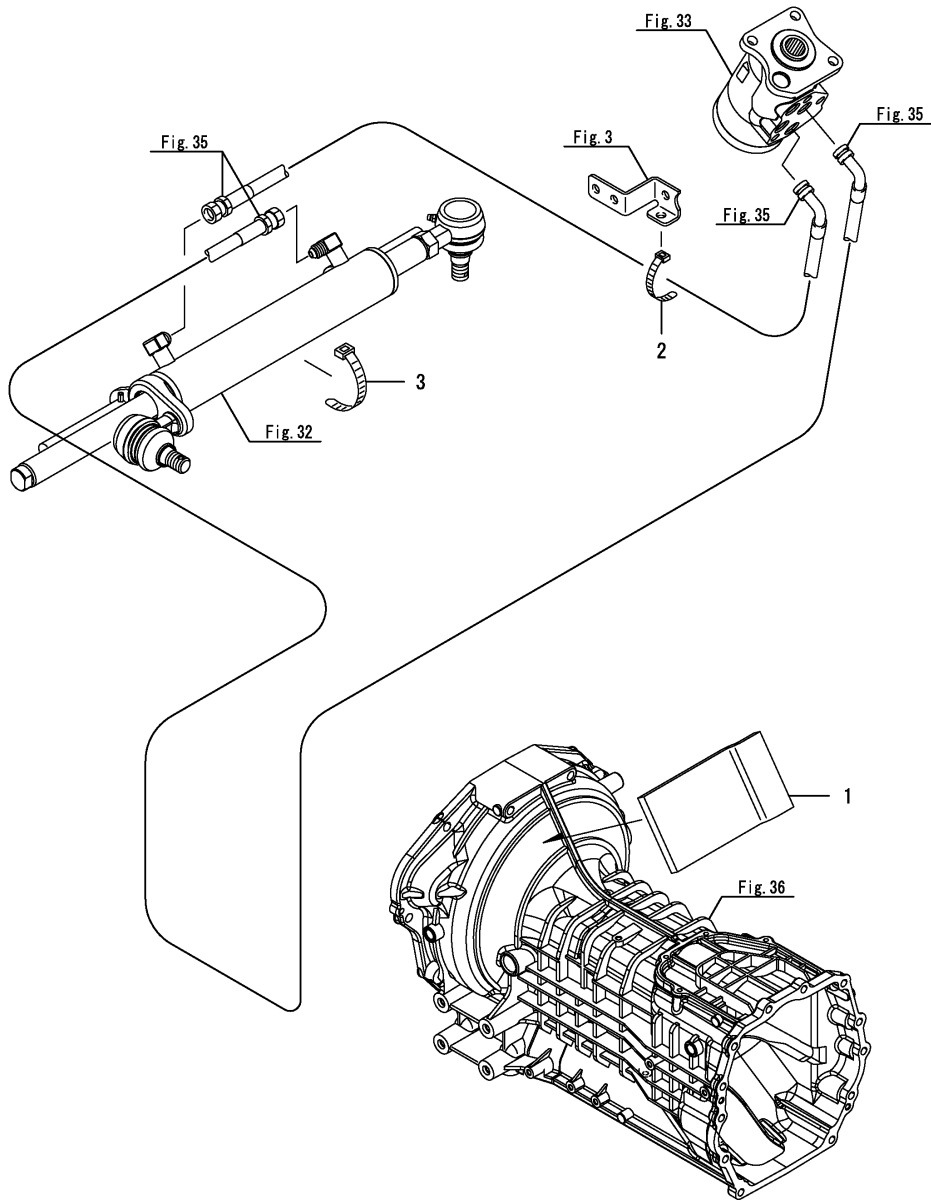
(A)=EF352T LX
 (B)=
 (C)=

(D)=
 (E)=
 (F)=



No.	Lev.	Parts No.	Description	Q'ty						I	R
				(A)	(B)	(C)	(D)	(E)	(F)		
1	1	198200-17500	VALVE ASSY, STEERING	1							
2	2	198072-17550	SEAL KIT	1							
3	1	26136-100162	BOLT, M10X 16 PLATED	3							

Fig.34. P.S.T. HOSE(1)



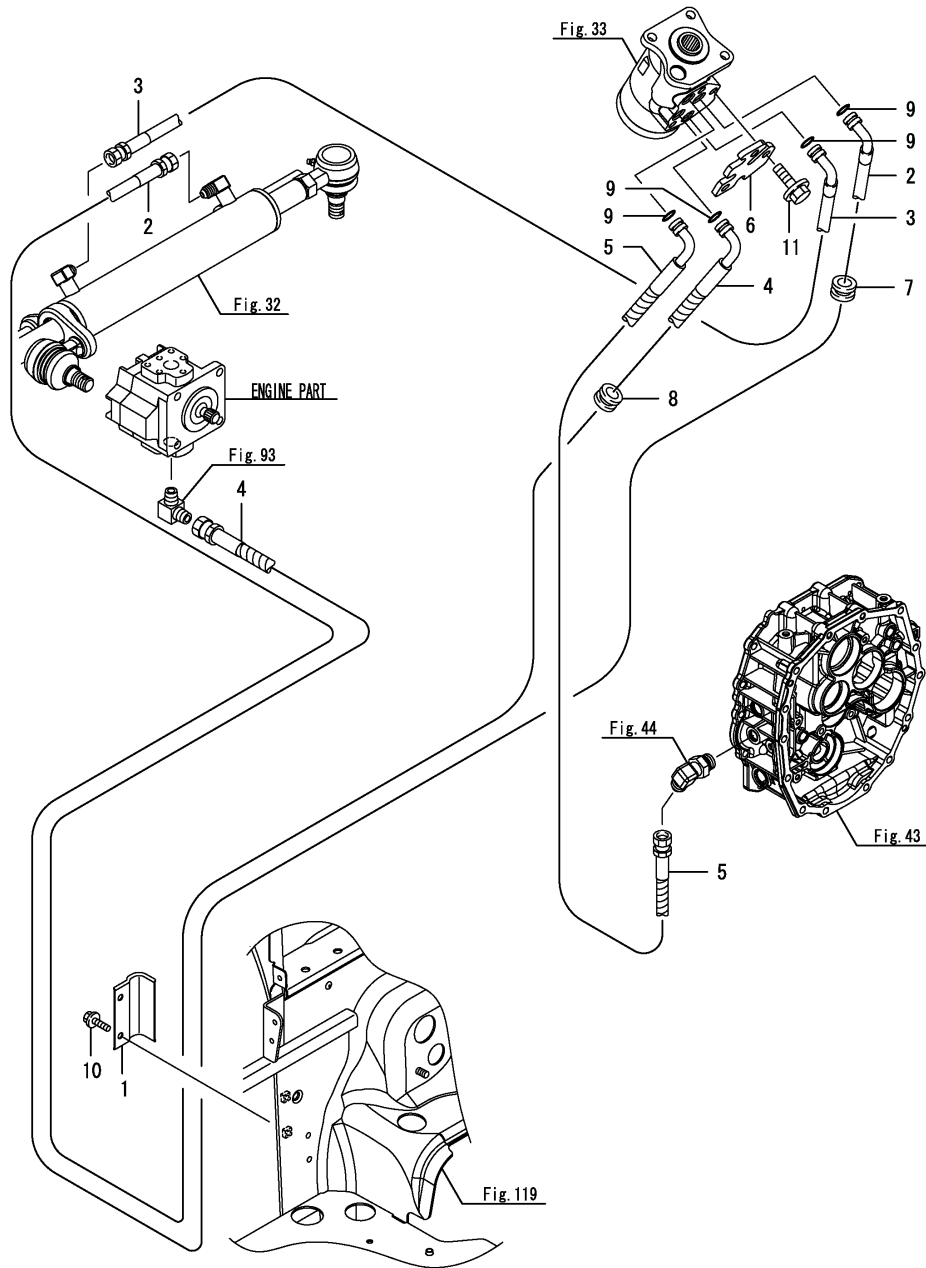
(A)=EF352T LX
(B)=
(C)=

(D)=
(E)=
(F)=

No.	Lev.	Parts No.	Description	Q'ty						I	R
				(A)	(B)	(C)	(D)	(E)	(F)		
1	1	198280-04450	SEAL, FUEL HOSE	1							
2	1	29622-140001	BAND, RF140	1							
3	1	29622-250001	BAND, RF250	1							

(A)=EF352T LX
 (B)=
 (C)=

(D)=
 (E)=
 (F)=



No.	Lev.	Parts No.	Description	Qty						I	R
				(A)	(B)	(C)	(D)	(E)	(F)		
1	1	198200-17750	CLAMP	1							
2	1	198280-17810	HOSE, PRESSURE L	1							
3	1	198280-17820	HOSE, PRESSURE R	1							
4	1	198200-17830	HOSE, PRESSURE	1							
5	1	198200-17840	HOSE, PRESSURE	1							
6	1	198200-17910	PLATE, RETAINER	1							
7	1	194170-51210	GROMMET	1							
8	1	198245-51210	GROMMET, 25/18	1							
9	1	24315-000120	O-RING, 1BP12.0	4							
10	1	26106-060122	BOLT, M6X 12 PLATED	2							
11	1	26136-100162	BOLT, M10X 16 PLATED	3							

Fig.36. CLUTCH HOUSING

(A)=EF352T LX
(B)=
(C)=

(D)=
(E)=
(F)=

No.	Lev.	Parts No.	Description	Q'ty						I	R
				(A)	(B)	(C)	(D)	(E)	(F)		
1	1	194201-11230	CAP. SCREW 12.0	4							
2	1	198200-21100-1	HOUSING ASSY, CLUTCH	1							
3	2	194680-22280	BUSH, 20X26X22	2							
3-1	2	24550-020200 (A=FXXXXX)	BUSH, 20X20	2							S
4	2	194680-22290	SEAL, OIL G202604	2							
4-1	2	24421-203007 (A=FXXXXX)	SEAL, OIL TC203007	2							S
5	1	198200-21120	PLUG, BORE 35	1							
5-1	1	27260-350000 (A=FXXXXX)	PLUG, 35	1							S
6	1	198200-21140	BOLT, M10X135	10							
7	1	26106-080162	BOLT, M8X 16 PLATED	1							
8	1	26106-100352	BOLT, M10X 35 PLATED	2							

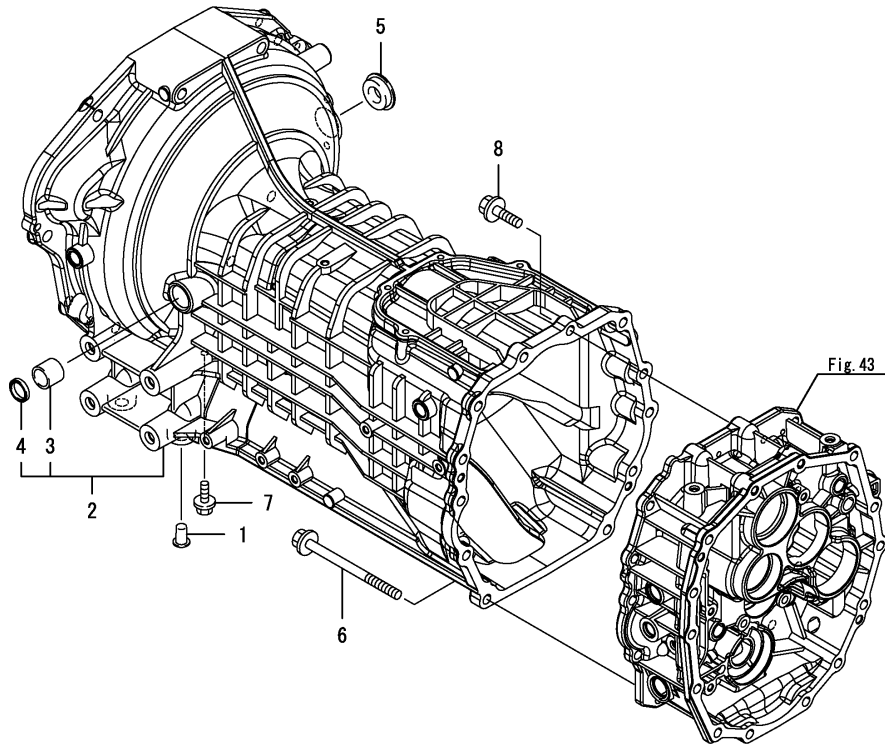


Fig.37. DOCKING BOLT

(A)=EF352T LX
(B)=
(C)=

(D)=
(E)=
(F)=

No.	Lev.	Parts No.	Description	Q'ty						I	R
				(A)	(B)	(C)	(D)	(E)	(F)		
1	1	198206-21220	BOLT, M12X110	2							
2	1	198206-21230	COLLAR	2							
3	1	192180-32231	BOLT 12X70	2							
4	1	22217-120000	WASHER, SPRING 12	1							
5	1	22351-080018	PIN, SPRING 8.0X18	2							
6	1	26013-120352	BOLT, M12X 35	4							
7	1	26106-080122	BOLT, M8X 12 PLATED	2							
8	1	26716-120002	NUT, M12	1							

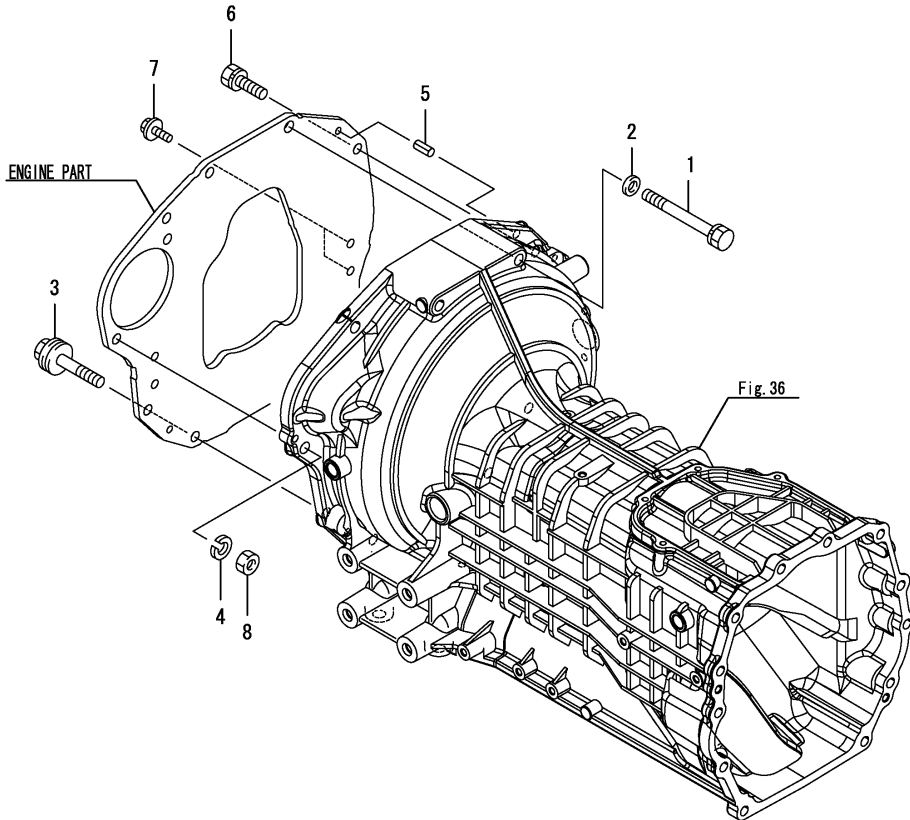


Fig.38. SINGLE CLUTCH

(A)=EF352T LX
(B)=
(C)=

(D)=
(E)=
(F)=

No.	Lev.	Parts No.	Description	Q'ty						I	R
				(A)	(B)	(C)	(D)	(E)	(F)		
1	1	198287-21500	CLUTCH ASSY, SINGLE	1							
2	2	198287-21510	DISK, CLUTCH 225	1							
3	2	198287-21700	PLATE, PRESSURE	1							
4	1	22351-080018	PIN, SPRING 8.0X18	3							
5	1	26106-080162	BOLT, M8X 16 PLATED	6							

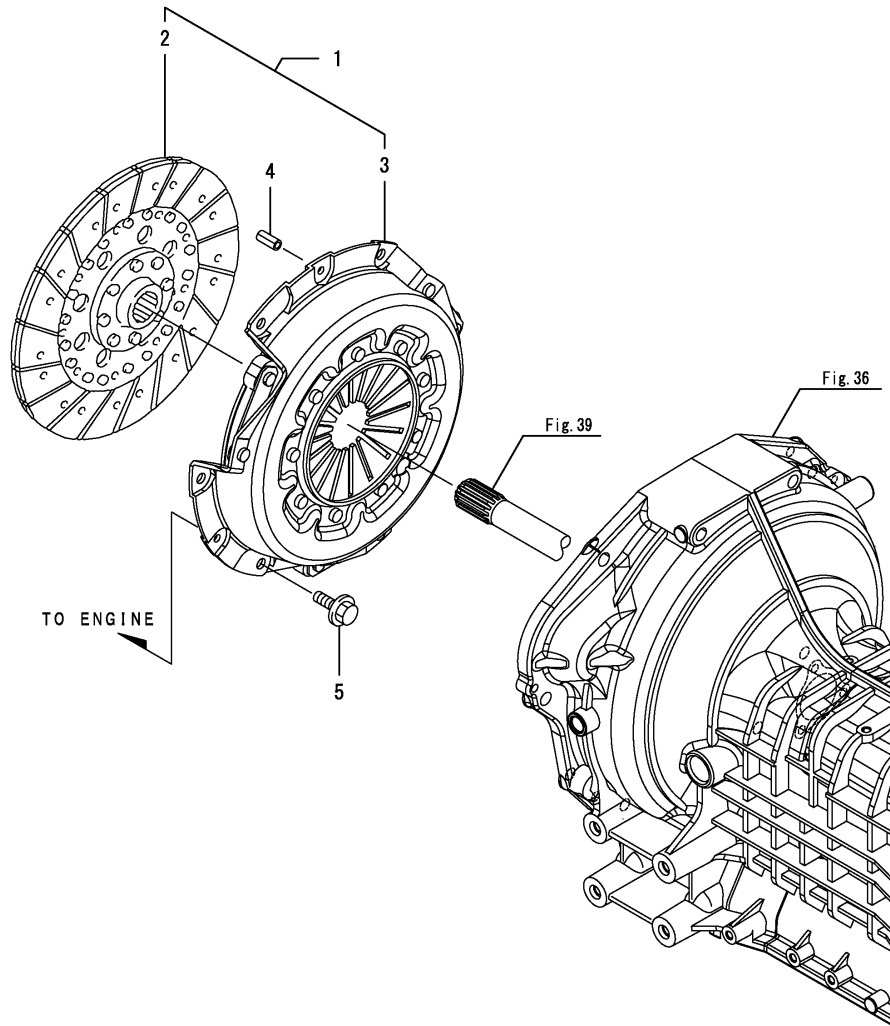


Fig.39. CLUTCH SHAFT

(A)=EF352T LX
(B)=
(C)=

(D)=
(E)=
(F)=

No.	Lev.	Parts No.	Description	Q'ty						I	R
				(A)	(B)	(C)	(D)	(E)	(F)		
1	1	198200-22111	SHAFT, MAIN DRIVE	1							
2	1	198200-22531	SLEEVE, BEARING	1							
3	1	194555-26520	COUPLING, PTO	1							
4	1	22252-000220	RING, 22	1							
5	1	24104-060054	BEARING, BALL 6005UU	1							
6	1	26106-080202	BOLT, M8X 20 PLATED	3							

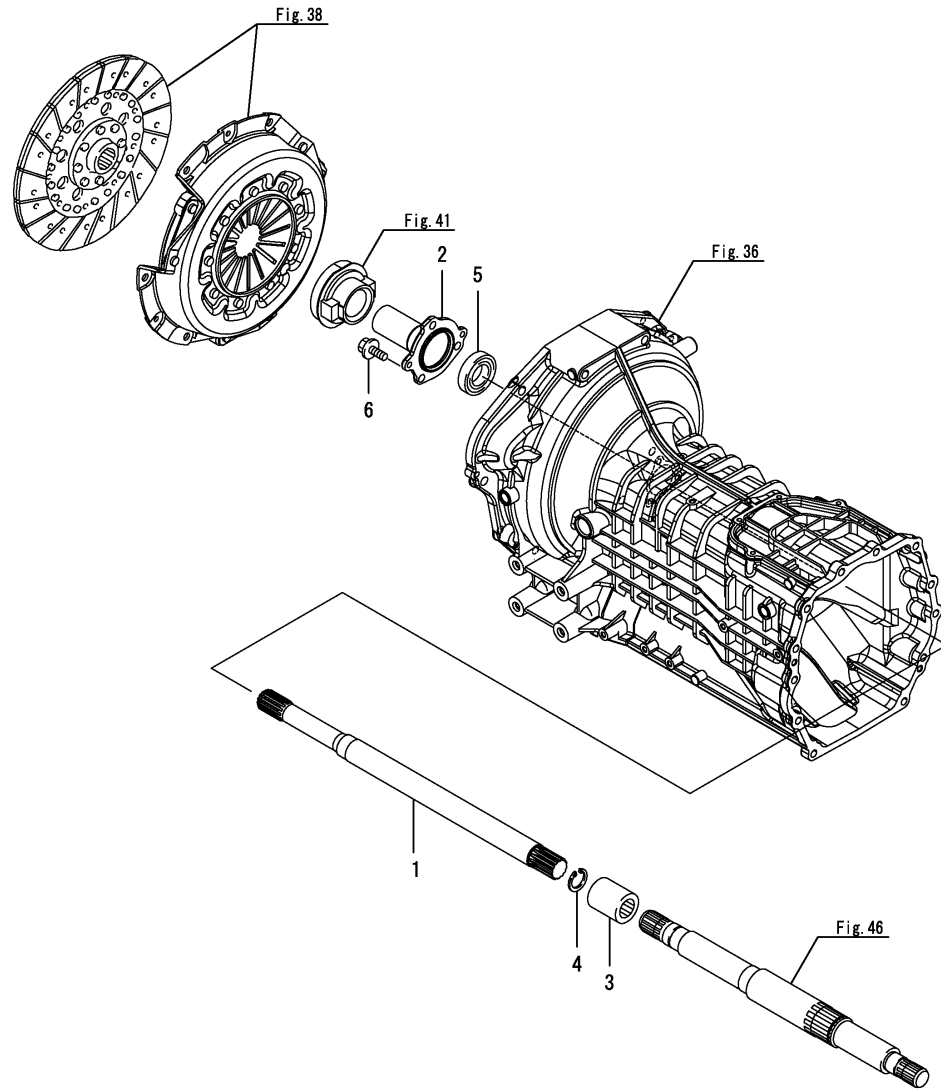


Fig.40. CLUTCH RELEASE(1)

(A)=EF352T LX
(B)=
(C)=

(D)=
(E)=
(F)=

No.	Lev.	Parts No.	Description	Q'ty						I	R
				(A)	(B)	(C)	(D)	(E)	(F)		
1	1	198071-22310	YOKE, CLUTCH SHIFT	1							
1-1	1	198071-22311	YOKE, CLUTCH SHIFT	1							N
			(A=FXXXXX)								
2	1	198071-22320	BOLT, M8X40	2							
2-1	1	26450-080402	BOLT, M8X 40	2							R
			(A=FXXXXX)								
3	1	198200-22330-1	SHAFT,CLUTCH RELEASE	1							

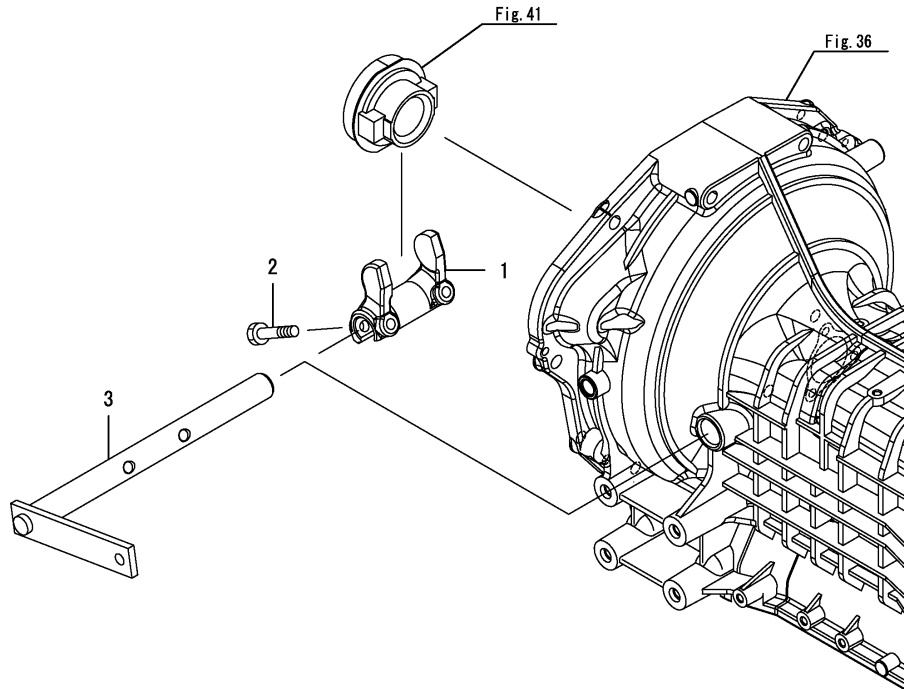


Fig.41. CLUTCH RELEASE(2)

(A)=EF352T LX
(B)=
(C)=

(D)=
(E)=
(F)=

No.	Lev.	Parts No.	Description	Q'ty						I	R
				(A)	(B)	(C)	(D)	(E)	(F)		
1	1	198360-22210	BEARING, RELEASE	1							
2	1	198360-22250	HOOK, SPRING	1							Z
(A=FXXXXX)											
3	1	194800-22480	SPRING, 58	2							
3-1	1	1A8310-22480	SPRING, RETURN	1							S
(A=FXXXXX)											

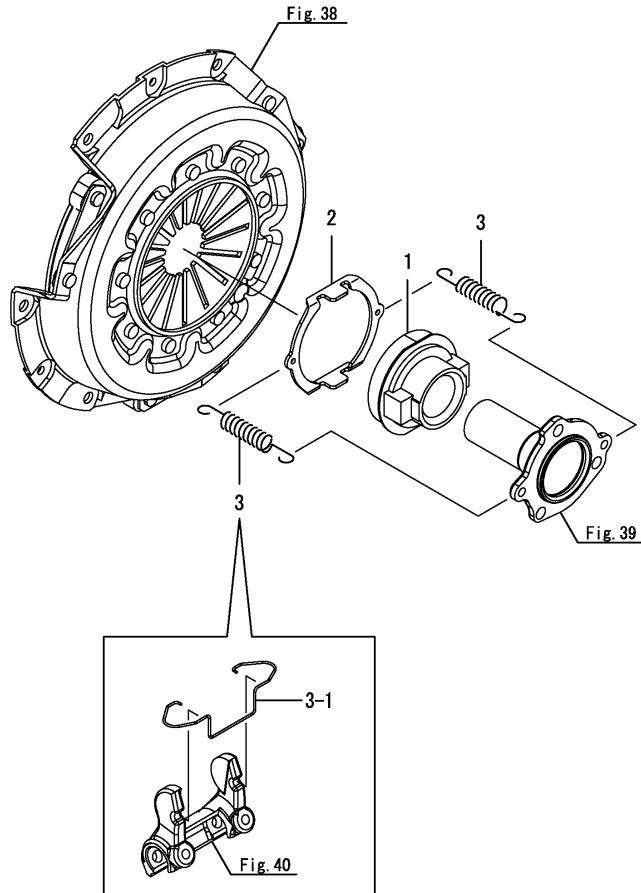
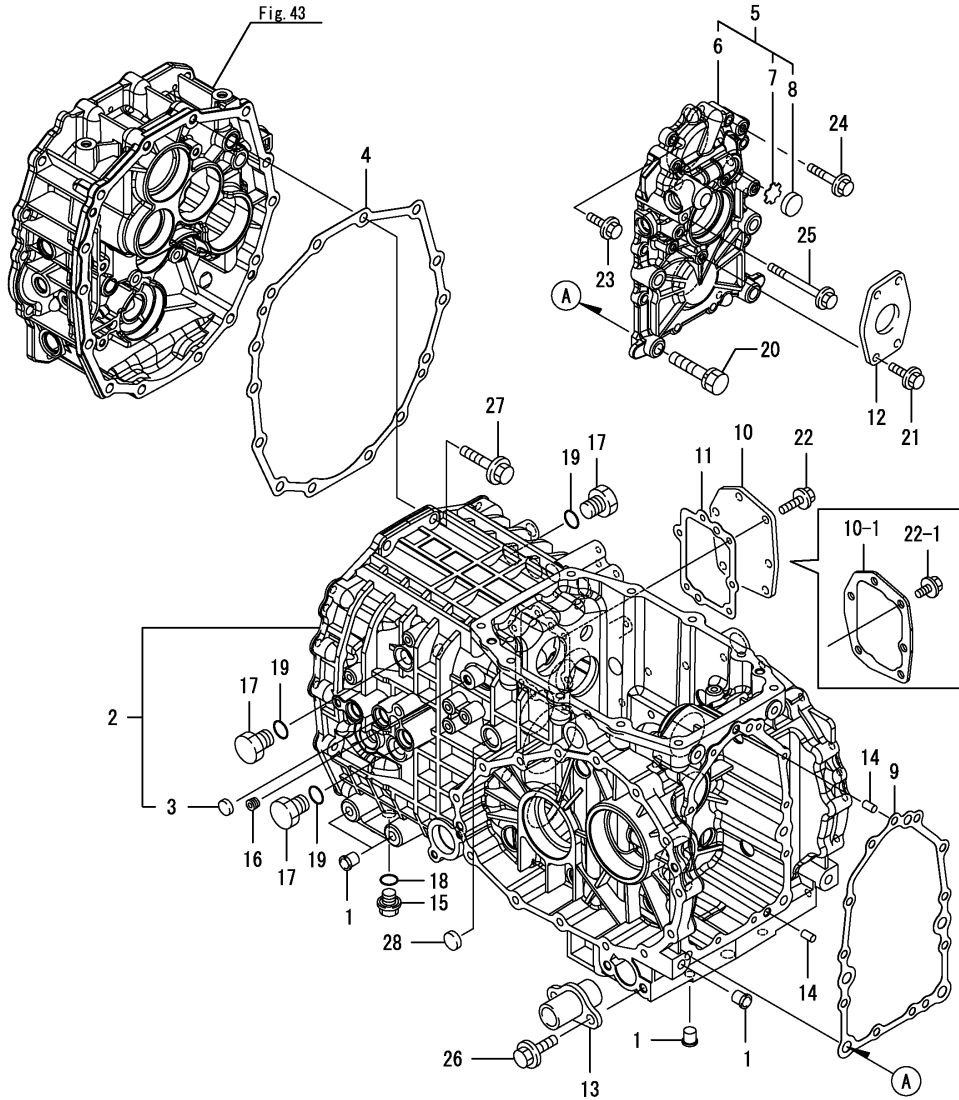


Fig.42. TRANSMISSION CASE



(A)=EF352T LX
(B)=
(C)=

(D)=
(E)=
(F)=

No.	Lev.	Parts No.	Description	Q'ty						I	R
				(A)	(B)	(C)	(D)	(E)	(F)		
1	1	194150-21910	PLUG, 11.2	10							
2	1	198282-24010-1	HOUSING ASSY	1							
3	2	27260-220000	PLUG, 22	1							
4	1	198200-24120	GASKET, MISSION CASE	1							
5	1	198280-24152-1	COVER ASSY, MISSION	1							
6	2	198280-24162	COVER, MISSION	1							
7	2	198071-24350	PLATE, WINDOW	1							
8	2	1A1040-28470	WINDOW, OIL CHECK 25	1							
9	1	198200-24170	GASKET, MISSION	1							
10	1	198280-24180-1	COVER, MISSION	1							
10-1	1	1A8100-24180	COVER, XMSN. SIDE	1							S
(A=FXXXXX)											
11	1	198200-24190	GASKET, HOUSING	1							Z
(A=FXXXXX)											
12	1	198255-24460	PLATE, OIL SEAL	1							
13	1	198200-73170-1	SUPPORT, LOWER LINK	2							
14	1	22312-080140	PIN, PARALLEL M8X14	2							
15	1	23491-140002	PLUG, 14	1							
16	1	23871-010000	PLUG, R01	1							
17	1	23887-180002	PLUG, 18	3							
18	1	24311-000160	O-RING, 1AP16.0	1							
19	1	24311-000180	O-RING, 1AP18.0	3							
20	1	26013-120552	BOLT, M12X 55	2							
21	1	26106-080162	BOLT, M8X 16 PLATED	2							
22	1	26106-080202	BOLT, M8X 20 PLATED	6							
22-1	1	26106-080162	BOLT, M8X 16 PLATED	6							S
(A=FXXXXX)											
23	1	26106-080252	BOLT, M8X 25 PLATED	8							
24	1	26106-080452	BOLT, M8X 45 PLATED	1							
25	1	26106-080802	BOLT, M8X 80 PLATED	1							
26	1	26106-100252	BOLT, M10X 25 PLATED	4							
27	1	26106-100502	BOLT, M10X 50 PLATED	2							
28	1	27260-200000	PLUG, 20	1							

Fig.43. CENTER PLATE(1)

(A)=EF352T LX
(B)=
(C)=

(D)=
(E)=
(F)=

No.	Lev.	Parts No.	Description	Q'ty						I	R
				(A)	(B)	(C)	(D)	(E)	(F)		
1	1	198282-24301	PLATE ASSY, CENTER	1							
2	2	198200-24311	PLATE, CENTER	1							
3	2	198282-24330	PLUG, BORE 19	1							
4	1	192167-24600	PLUG	1							
5	1	22190-100000	WASHER, SEAL 10	1							
6	1	22312-080140	PIN, PARALLEL M8X14	2							
7	1	22312-080140	PIN, PARALLEL M8X14	2							
8	1	23414-220000	GASKET, 22X1.0	1							
9	1	23887-220002	PLUG M22,HEX.	1							
10	1	24311-000140	O-RING, 1AP14.0	1							
11	1	24421-305011	SEAL, OIL TC305011	1							
12	1	26106-100162	BOLT, M10X 16 PLATED	1							
13	1	26106-100302	BOLT, M10X 30 PLATED	2							

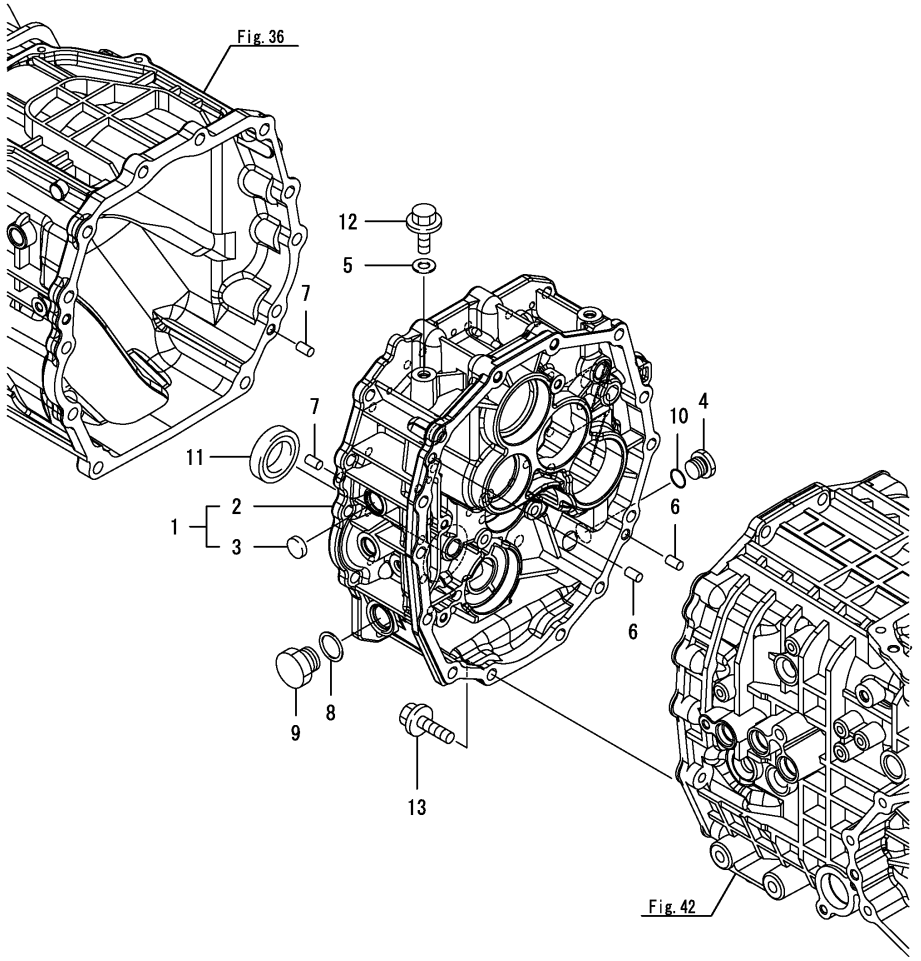


Fig.44. CENTER PLATE(2)

(A)=EF352T LX
(B)=
(C)=

(D)=
(E)=
(F)=

No.	Lev.	Parts No.	Description	Q'ty						I	R
				(A)	(B)	(C)	(D)	(E)	(F)		
1	1	1E6680-66470	ELBOW, 3/8	1							
2	1	24311-000140	O-RING, 1AP14.0	1							

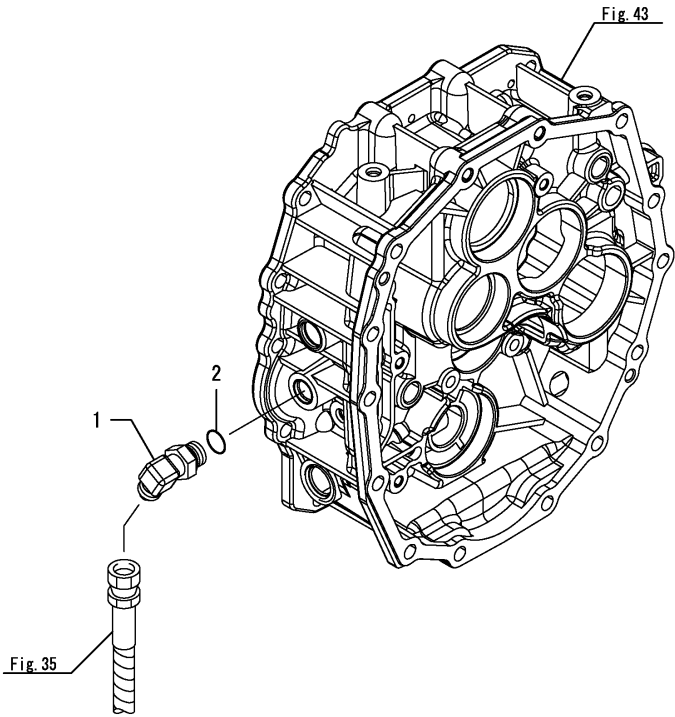


Fig.45. REVERSER HOUSING

(A)=EF352T LX
(B)=
(C)=

(D)=
(E)=
(F)=

No.	Lev.	Parts No.	Description	Q'ty						I	R
				(A)	(B)	(C)	(D)	(E)	(F)		
1	1	198200-24320	SEAL, OIL TC304508	1							
2	1	198200-24410-1	CASE, REVERSER	1							
3	1	198200-24420	GASKET, HOUSING	1							
4	1	22312-080140	PIN, PARALLEL M8X14	2							
5	1	26106-080252	BOLT, M8X 25 PLATED	13							

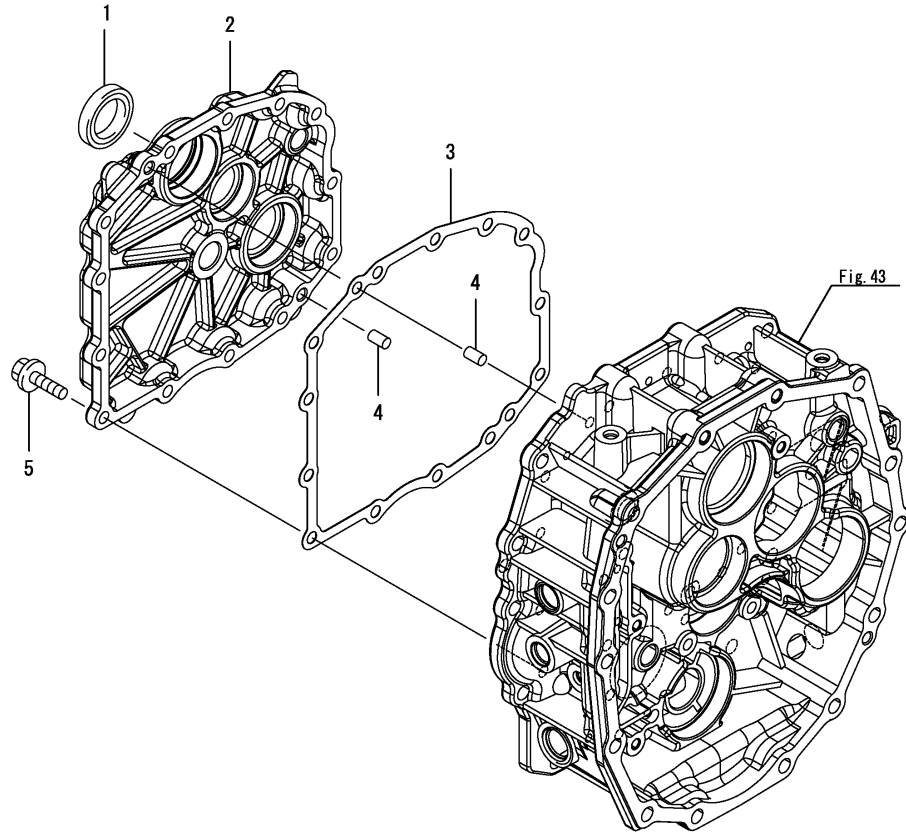


Fig.46. MAIN DRIVE SHAFT

(A)=EF352T LX
(B)=
(C)=

(D)=
(E)=
(F)=

No.	Lev.	Parts No.	Description	Q'ty						I	R
				(A)	(B)	(C)	(D)	(E)	(F)		
1	1	1D2180-22130	BEARING, BALL 63/22	1							
2	1	198282-25110	SHAFT, DRIVE	1							
3	1	198282-25130	GEAR, MAIN DRIVE 26	1							
4	1	1E6190-54080	SLEEVE SI25X30X13	1							
5	1	22242-000340	RING, 34	1							
6	1	24101-060054	BEARING, BALL 6005	1							
7	1	24101-062064	BEARING, BALL 6206	1							

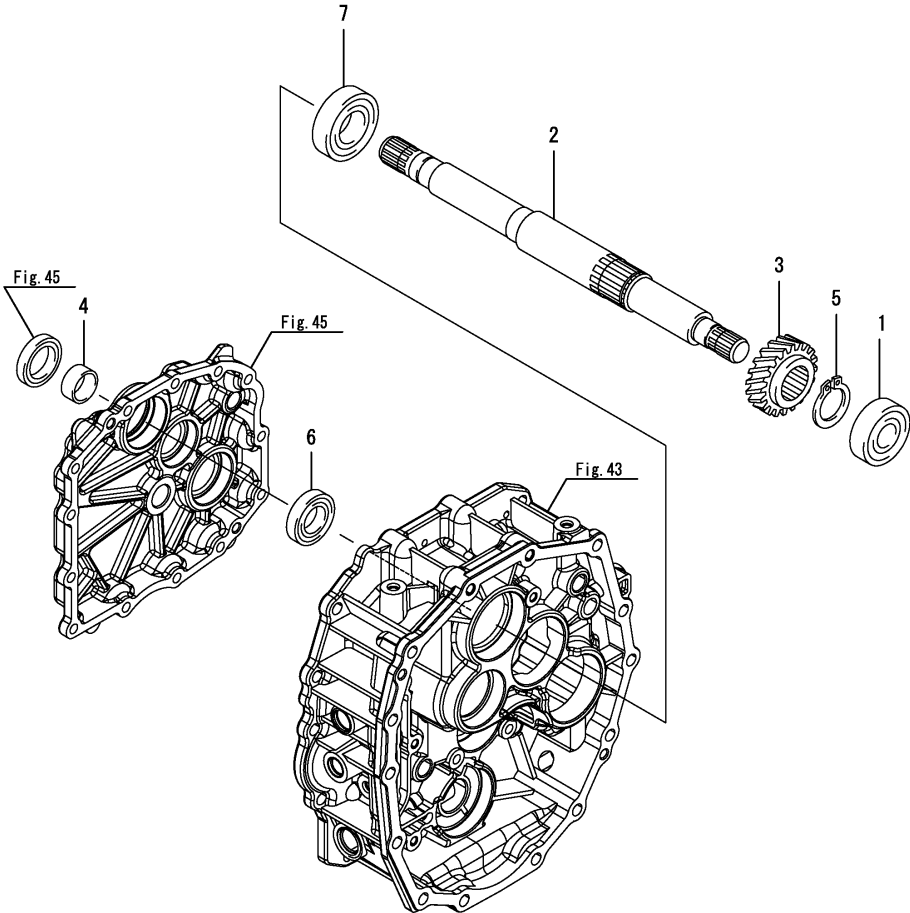


Fig.47. MAIN SHAFT

(A)=EF352T LX
(B)=
(C)=

(D)=
(E)=
(F)=

No.	Lev.	Parts No.	Description	Q'ty						I	R
				(A)	(B)	(C)	(D)	(E)	(F)		
1	1	198200-25120	GEAR, MAIN 40	1							
2	1	198200-25210	SHAFT, MAIN	1							
3	1	24101-063044	BEARING, BALL 6304	2							

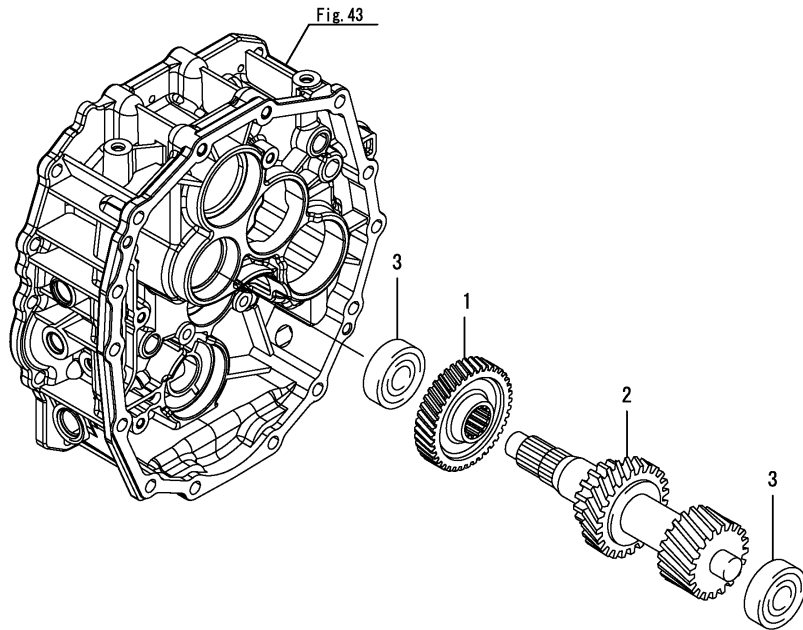
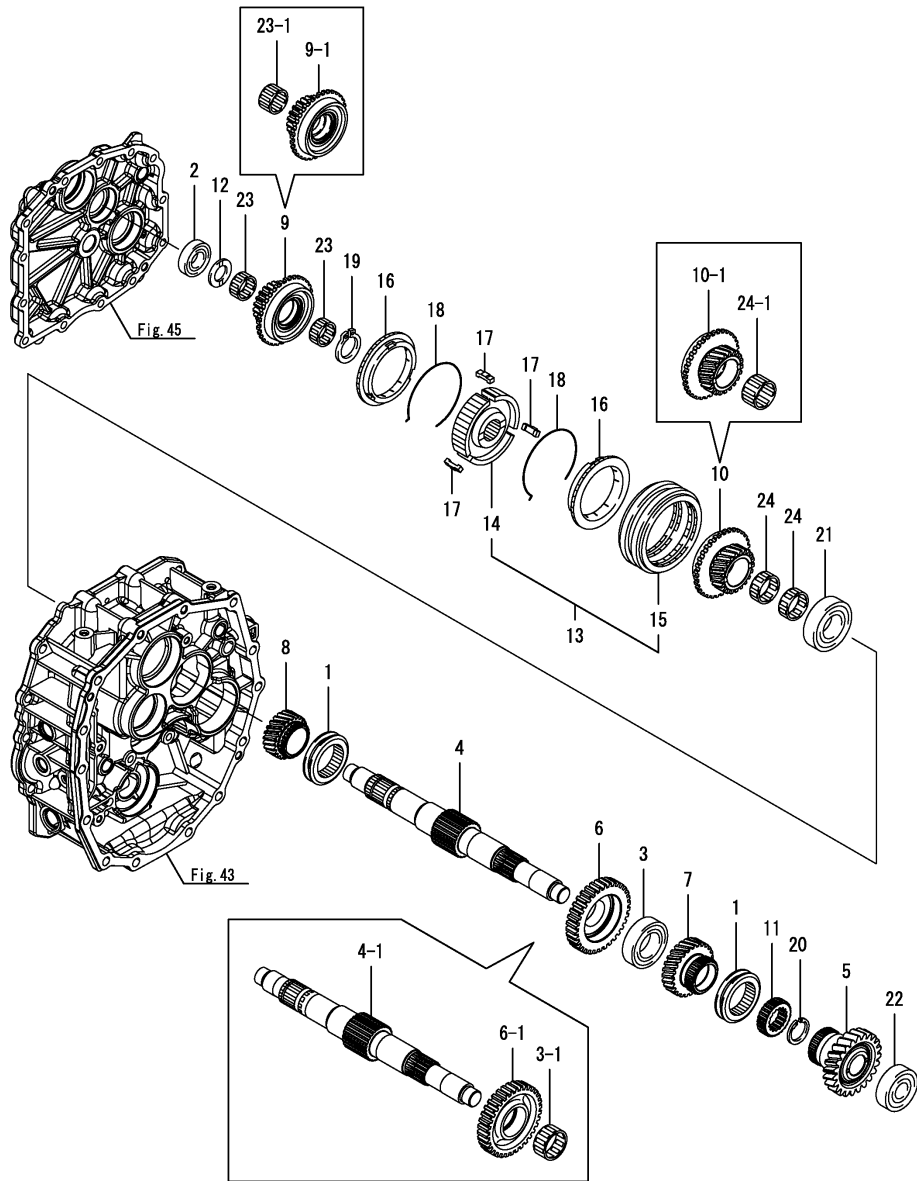


Fig.48. REVERSER SHAFT



(A)=EF352T LX
(B)=
(C)=

(D)=
(E)=
(F)=

No.	Lev.	Parts No.	Description	Qty						I	R
				(A)	(B)	(C)	(D)	(E)	(F)		
1	1	198200-25150	SHIFTER, MAIN SHIFT	2							
2	1	194515-25180	BEARING, BALL TMB004	1							
2-1	1	24101-060044	BEARING, BALL 6004	1							R
(A=FZZZZZ)											
3	1	194800-25250	BEARING, BALL 60/32	1							1
3-1	1	24161-323717	BEARING, 323717	1							S
(A=FXXXXX)											
4	1	198200-25410	SHAFT, REVERSER	1							1
4-1	1	198200-25411	SHAFT, REVERSER	1							S
(A=FXXXXX)											
5	1	198200-25420	GEAR, SHIFT 31	1							
6	1	198200-25430	GEAR, SHIFT 34	1							1
6-1	1	198200-25431	GEAR, MAIN SHIFT	1							S
(A=FXXXXX)											
7	1	198200-25440	GEAR, SHIFT 26	1							
8	1	198200-25450	GEAR, SHIFT 23	1							
9	1	198200-25460	GEAR, DRIVEN 20	1							1
9-1	1	198200-25461	GEAR, DRIVEN	1							S
(A=FZZZZZ)											
10	1	198200-25470	GEAR, DRIVEN 21	1							1
10-1	1	198200-25471	GEAR, DRIVEN21	1							S
(A=FZZZZZ)											
11	1	198200-25480	COLLAR, SPLINE 25	1							
12	1	198200-25490	WASHER, 20	1							
13	1	198121-25800	HUB ASSY, SYNCHRO	1							
14	2	198121-25820	HUB, SYNCHRO	1							
15	2	198121-25830	SLIDER	1							
16	1	198121-25840	RING, SYNCHRONIZER	2							
17	1	198121-25850	KEY, SYNCHRONIZER	3							
18	1	198121-25870	SPRING, SYNCHRO	2							
19	1	22242-000290	RING, 29	1							
20	1	22292-000280	RING, S-28	1							
21	1	24101-062064	BEARING, BALL 6206	1							
22	1	24101-063044	BEARING, BALL 6304	1							
23	1	24161-253013	BEARING, 253013	2							1
23-1	1	24161-253017	BEARING, 253017	1							S
(A=FZZZZZ)											
24	1	24161-303513	BEARING, 303513	2							1
24-1	1	24161-303520	BEARING, 303520	1							S
(A=FZZZZZ)											

Remarks

(1) Spare parts is shown in Fig.140.

N:Old $\xrightarrow{\text{Yes}}$ New, Q:Old $\xrightarrow{\text{No}}$ New, R:Old $\xrightarrow{\text{Yes}}$ New, S:Old $\xrightarrow{\text{No}}$ New, W:Add, Z:Discontinued, F:Interchangeable by set, K:Qty Change

Fig.49. REDUCTION SHAFT

(A)=EF352T LX
(B)=
(C)=

(D)=
(E)=
(F)=

No.	Lev.	Parts No.	Description	Q'ty						I	R
				(A)	(B)	(C)	(D)	(E)	(F)		
1	1	1A8115-25510	SHAFT, REDUCTION	1							
2	1	198200-25650	GEAR, DRIVE 33	1							
3	1	198200-25660	GEAR, REVERSE R 32	1							
4	1	194640-26440	BEARING, BALL TMB206	1							
5	1	22242-000290	RING, 29	1							
6	1	24101-062034	BEARING, BALL 6203	1							
7	1	24101-062044	BEARING, BALL 6204	1							

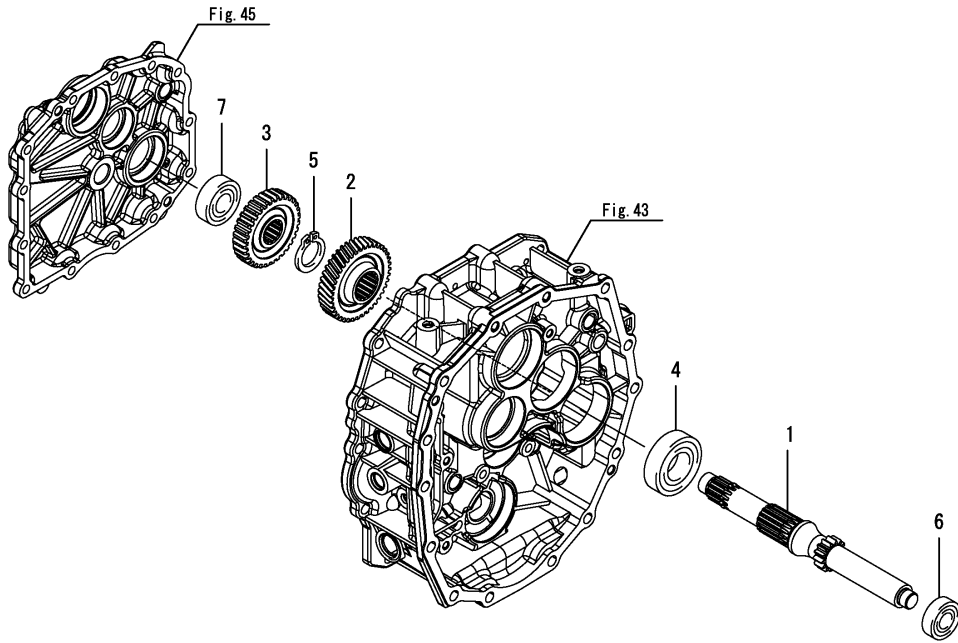
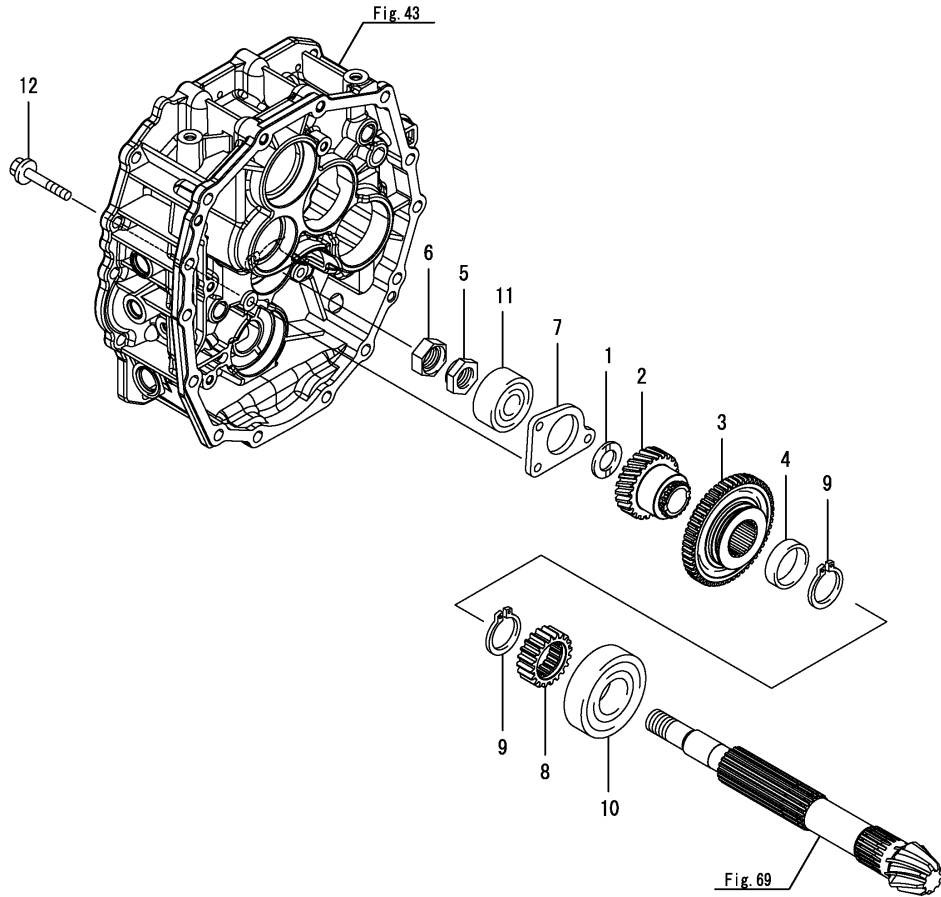


Fig.50. COUNTER SHAFT

(A)=EF352T LX
(B)=
(C)=

(D)=
(E)=
(F)=



No.	Lev.	Parts No.	Description	Q'ty						I	R
				(A)	(B)	(C)	(D)	(E)	(F)		
1	1	198200-25490	WASHER, 20	1							
2	1	198200-25520	GEAR, COUNTER 24	1							
3	1	1A8115-25530	GEAR, SLIDE 49	1							
4	1	198282-25540	COLLAR, 36X43X11	1							
5	1	198200-25550	NUT, LOCK M20	1							Z
(A=FZZZZZ)											
6	1	198200-25560	NUT, LOCK M20	1							Z
(A=FZZZZZ)											
7	1	198200-25590	PLATE, KEEP	1							Z
(A=FZZZZZ)											
8	1	198200-28250	GEAR, DRIVE 20	1							
8-1	1	198200-28251	GEAR, FRONT DRIVE	1							N
(A=FZZZZZ)											
9	1	22242-000340	RING, 34		2						
10	1	24101-063074	BEARING, BALL 6307		1						
11	1	24512-053044	BEARING, BALL 5304		1						
12	1	26106-080502	BOLT, M8X 50 PLATED		3						Z
(A=FZZZZZ)											

Fig.51. REVERSER IDLE SHAFT

(A)=EF352T LX
(B)=
(C)=

(D)=
(E)=
(F)=

No.	Lev.	Parts No.	Description	Q'ty						I	R
				(A)	(B)	(C)	(D)	(E)	(F)		
1	1	198200-25490	WASHER, 20	1							
2	1	198172-25630	NUT, LOCK M12	1							
3	1	198172-25640	NUT, LOCK M12	1							
4	1	198200-25910	SHAFT, REVERSE IDLE	1							
5	1	198200-25930	GEAR, IDLE 21	1							
6	1	22137-120000	WASHER, 12	1							
7	1	24161-253017	BEARING, 253017	1							
8	1	24311-000160	O-RING, 1AP16.0	1							

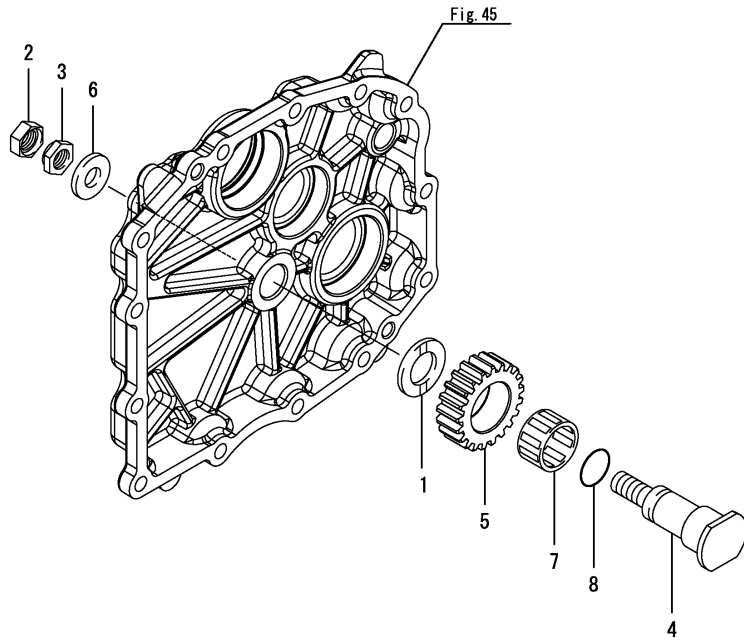


Fig.52. P.T.O. DRIVE SHAFT

(A)=EF352T LX
(B)=
(C)=

(D)=
(E)=
(F)=

No.	Lev.	Parts No.	Description	Q'ty						I	R
				(A)	(B)	(C)	(D)	(E)	(F)		
1	1	198212-25150	COUPLING, 13X16/32	1							
2	1	194640-25390	BEARING, BALL TMB205	1							
3	1	198282-26250	SHAFT, PTO PINION	1							
4	1	22252-000190	RING, 19	1							
5	1	24101-063054	BEARING, BALL 6305	1							

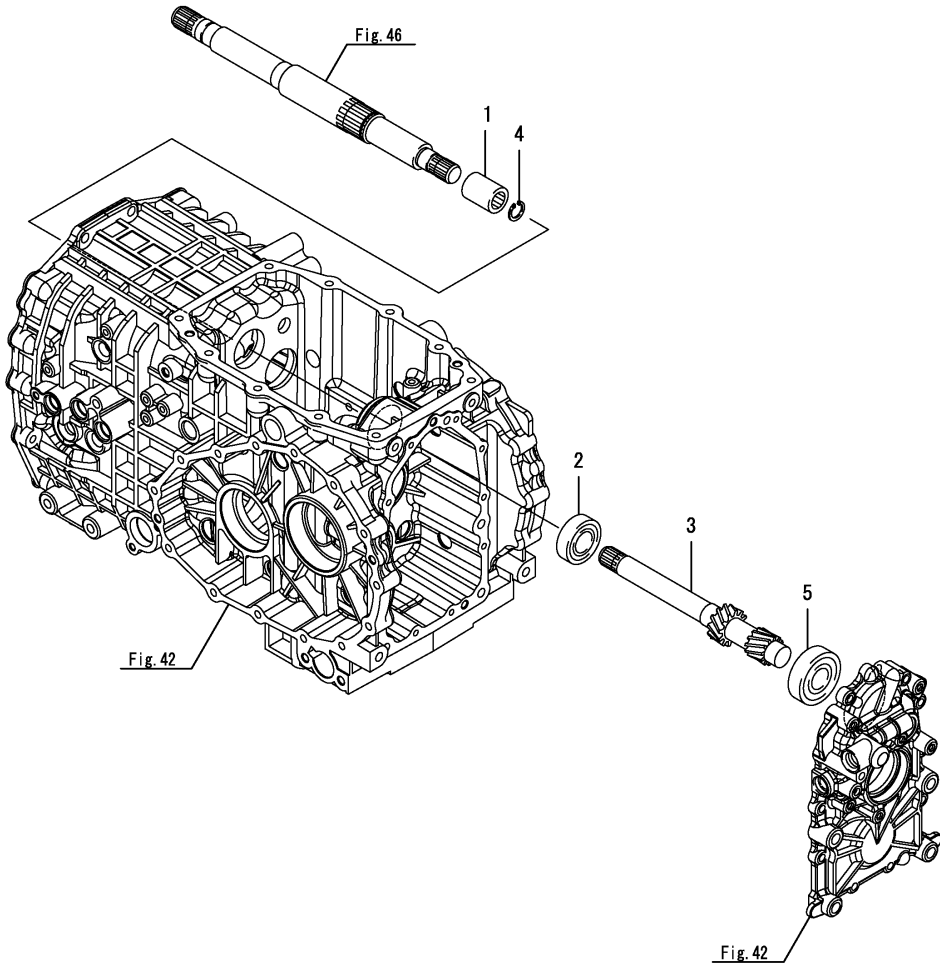
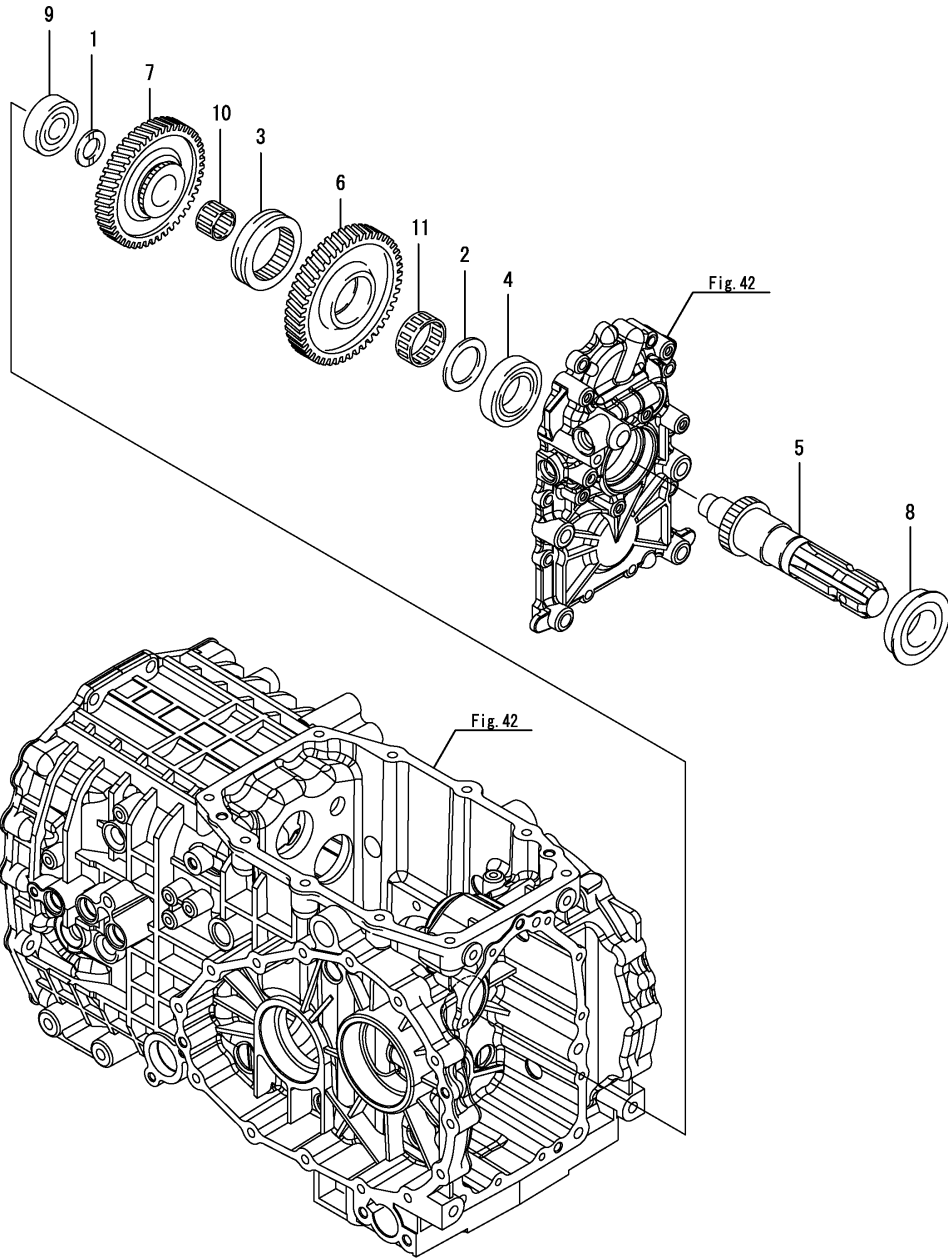


Fig.53. P.T.O. SHAFT

(A)=EF352T LX
(B)=
(C)=

(D)=
(E)=
(F)=



No.	Lev.	Parts No.	Description	Q'ty						I	R
				(A)	(B)	(C)	(D)	(E)	(F)		
1	1	198200-25490	WASHER, 20	1							
2	1	194180-25550	WASHER, 35X50X3	1							
3	1	198149-25890	SHIFTER	1							
4	1	194680-25940	BEARING	1							
5	1	198282-26310	SHAFT, PTO	1							
6	1	198282-26320	GEAR, PTO DRIVEN 50	1							
7	1	198282-26330	GEAR, PTO DRIVEN 47	1							
8	1	194370-26350	SEAL, OIL QLF356019	1							
9	1	24101-063044	BEARING, BALL 6304	1							
10	1	24161-253020	BEARING, 253020	1							
11	1	24161-404517	BEARING, 404517	1							

Fig.54. P.T.O. SHAFT COVER

(A)=EF352T LX
(B)=
(C)=

(D)=
(E)=
(F)=

No.	Lev.	Parts No.	Description	Q'ty						I	R
				(A)	(B)	(C)	(D)	(E)	(F)		
1	1	1A7100-26850	COVER ASSY, SHAFT M	1							
2	1	26106-080122	BOLT, M8X 12 PLATED	2							

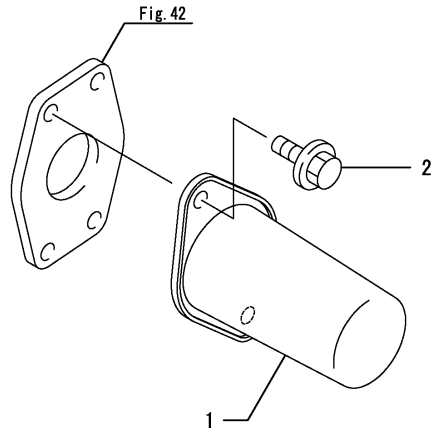
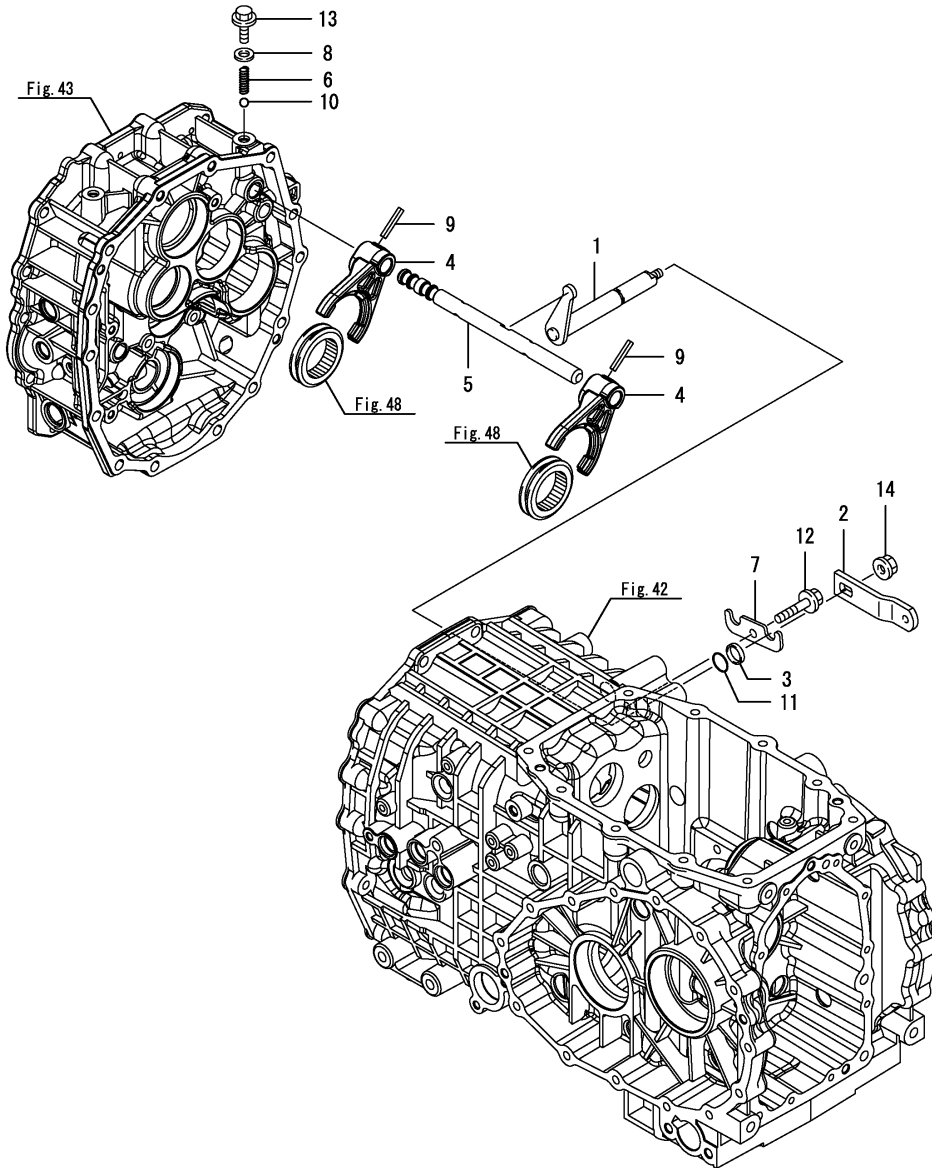


Fig.55. MAIN SHIFT

(A)=EF352T LX
(B)=
(C)=

(D)=
(E)=
(F)=

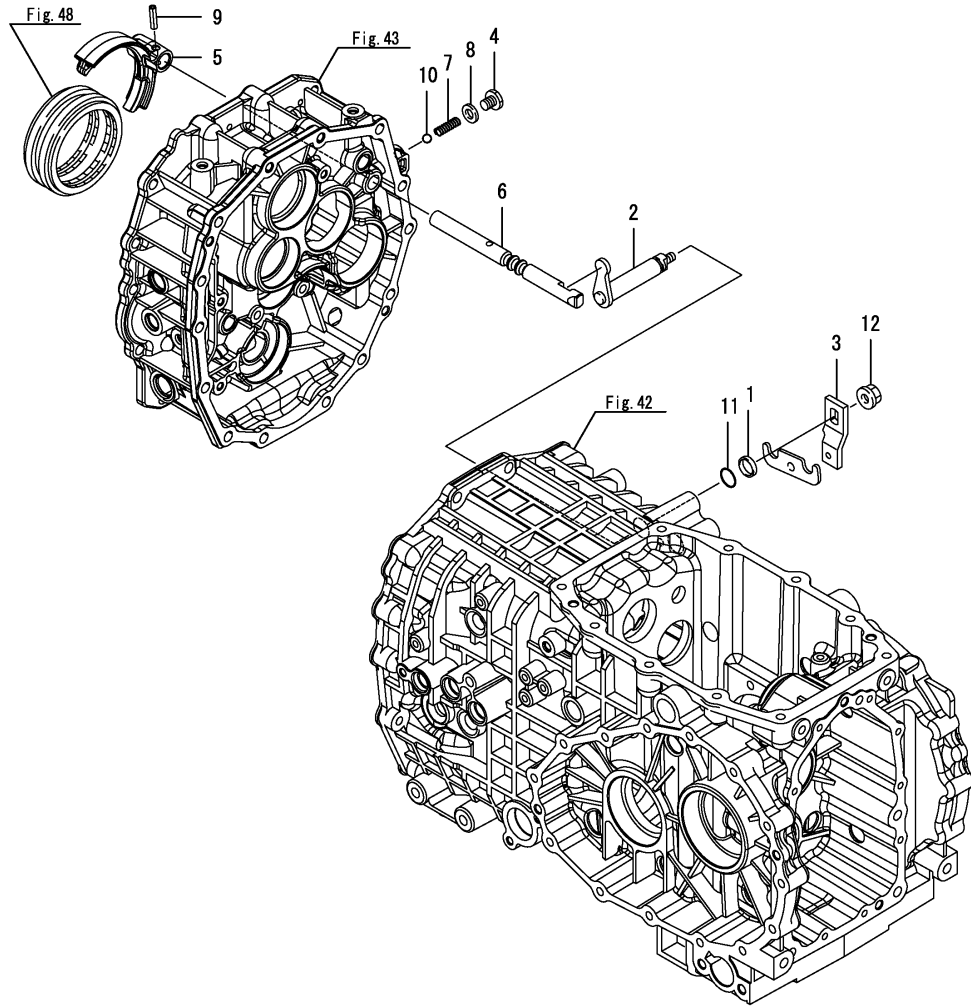


No.	Lev.	Parts No.	Description	Q'ty						I	R
				(A)	(B)	(C)	(D)	(E)	(F)		
1	1	198200-27110	ARM, SHIFT	1							
2	1	198200-27141-1	ARM, CHANGE	1							
3	1	198119-27150	COLLAR, ARM	1							
4	1	198200-27170	FORK, SHIFT	2							
5	1	198200-27180	SHAFT, MAIN FORK	1							
6	1	194145-27450	SPRING	1							
7	1	198200-27740-1	PLATE, KEEP B	1							
8	1	22190-100000	WASHER, SEAL 10	1							
9	1	22351-060032	PIN, SPRING 6.0X32	2							
10	1	24190-100001	BALL, STEEL 5/16	1							
11	1	24311-000160	O-RING, 1AP16.0	1							
12	1	26106-080402	BOLT, M8X 40 PLATED	1							
13	1	26106-100162	BOLT, M10X 16 PLATED	1							
14	1	26366-080002	NUT, M8	1							

Fig.57. REVERSER SHIFT

(A)=EF352T LX
(B)=
(C)=

(D)=
(E)=
(F)=



No.	Lev.	Parts No.	Description	Q'ty						I	R
				(A)	(B)	(C)	(D)	(E)	(F)		
1	1	198119-27150	COLLAR, ARM	1							
2	1	198200-27310	ARM, SHIFT	1							
3	1	198200-27340-1	ARM, CHANGE	1							
4	1	198200-27360	PLUG, 10	1							
5	1	198200-27370	FORK, REVERSER SHIFT	1							
6	1	198200-27380	SHAFT, REVERSER FORK	1							
7	1	194145-27450	SPRING	1							
8	1	22190-100000	WASHER, SEAL 10	1							
9	1	22351-060025	PIN, SPRING 6.0X25	1							
10	1	24190-100001	BALL, STEEL 5/16	1							
11	1	24311-000160	O-RING, 1AP16.0	1							
12	1	26366-080002	NUT, M8	1							

Fig.58. REVERSER LEVER

(A)=EF352T LX
(B)=
(C)=

(D)=
(E)=
(F)=

No.	Lev.	Parts No.	Description	Q'ty						I	R
				(A)	(B)	(C)	(D)	(E)	(F)		
1	1	198200-27530	WIRE ASSY, REVERSER	1							
2	1	1C6281-52310	PIN, SNAP 6	2							
3	1	22137-060000	WASHER, 6	2							
4	1	22487-060160	PIN, H 6X 16	2							

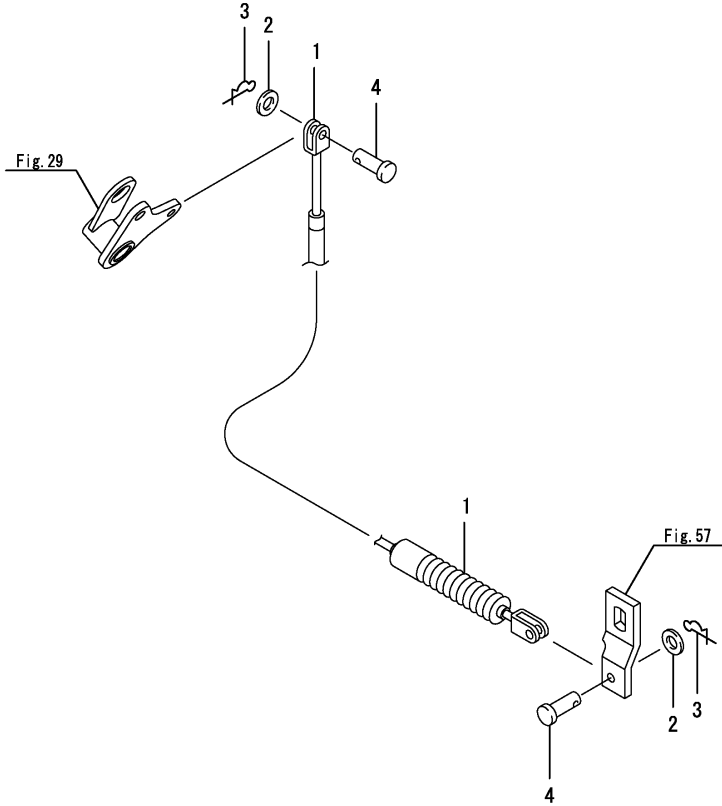


Fig.59. SUB SHIFT

(A)=EF352T LX
(B)=
(C)=

(D)=
(E)=
(F)=

No.	Lev.	Parts No.	Description	Q'ty						I	R
				(A)	(B)	(C)	(D)	(E)	(F)		
1	1	198119-27150	COLLAR, ARM	1							
2	1	194145-27450	SPRING	1							
3	1	198282-27520	ARM, SHIFT	1							
4	1	198119-27570-1	PLATE, KEEP	1							
5	1	198282-27570	SHAFT, FORK	1							
6	1	198282-27580	FORK, SHIFT	1							
7	1	198282-27590	BOLT, SET M10	1							
8	1	198072-27650	ARM, CHANGE	1							
9	1	22190-100000	WASHER, SEAL 10	1							
10	1	22351-060032	PIN, SPRING 6.0X32	1							
11	1	24190-100001	BALL, STEEL 5/16	1							
12	1	24311-000160	O-RING, 1AP16.0	1							
13	1	26106-080162	BOLT, M8X 16 PLATED	1							

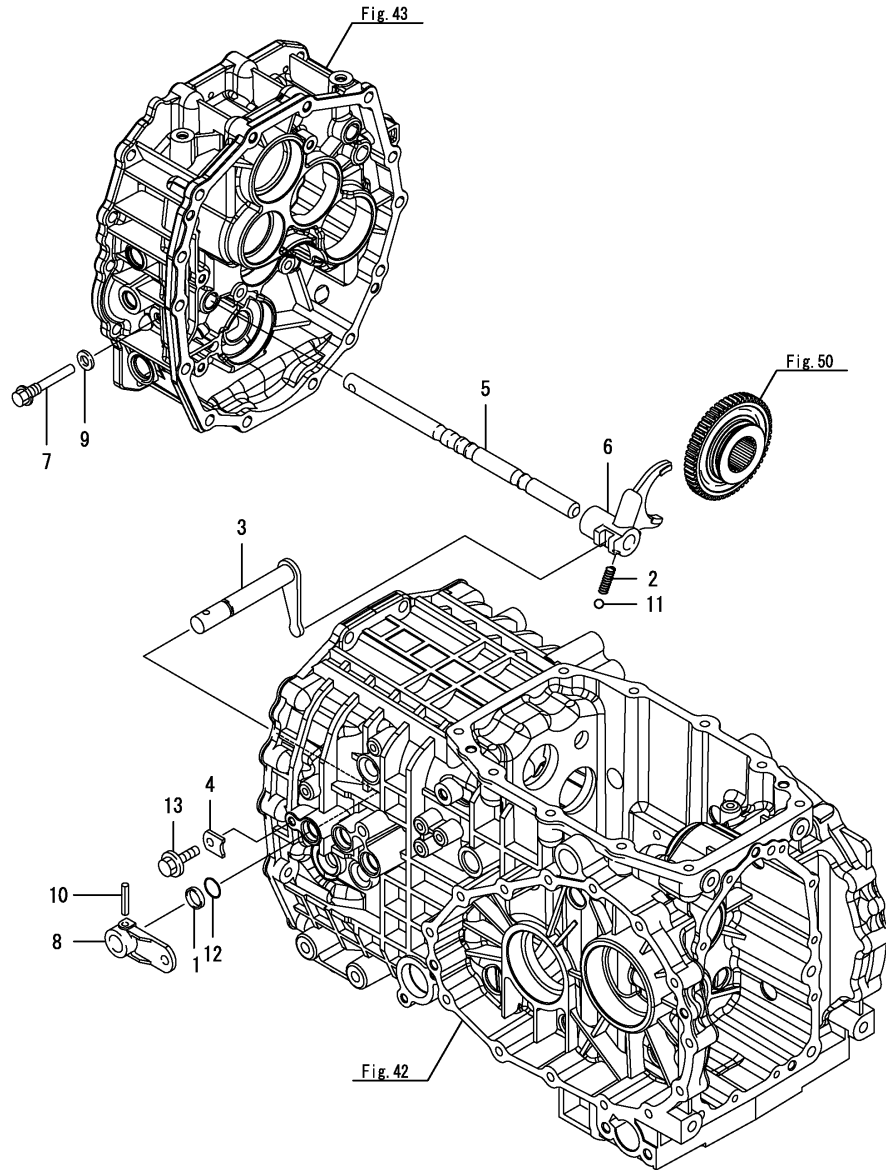
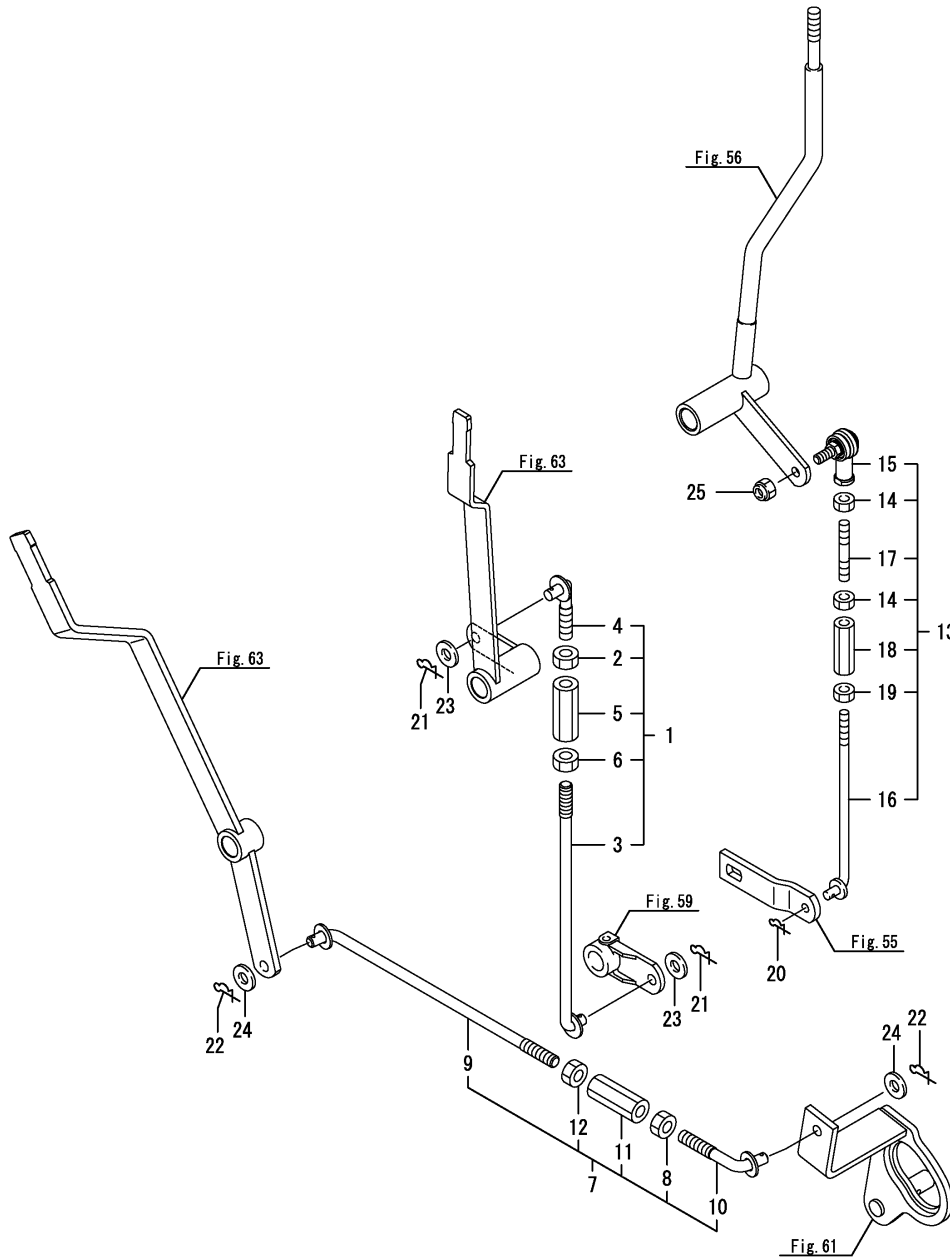


Fig.60. SHIFT LINK

(A)=EF352T LX
(B)=
(C)=

(D)=
(E)=
(F)=

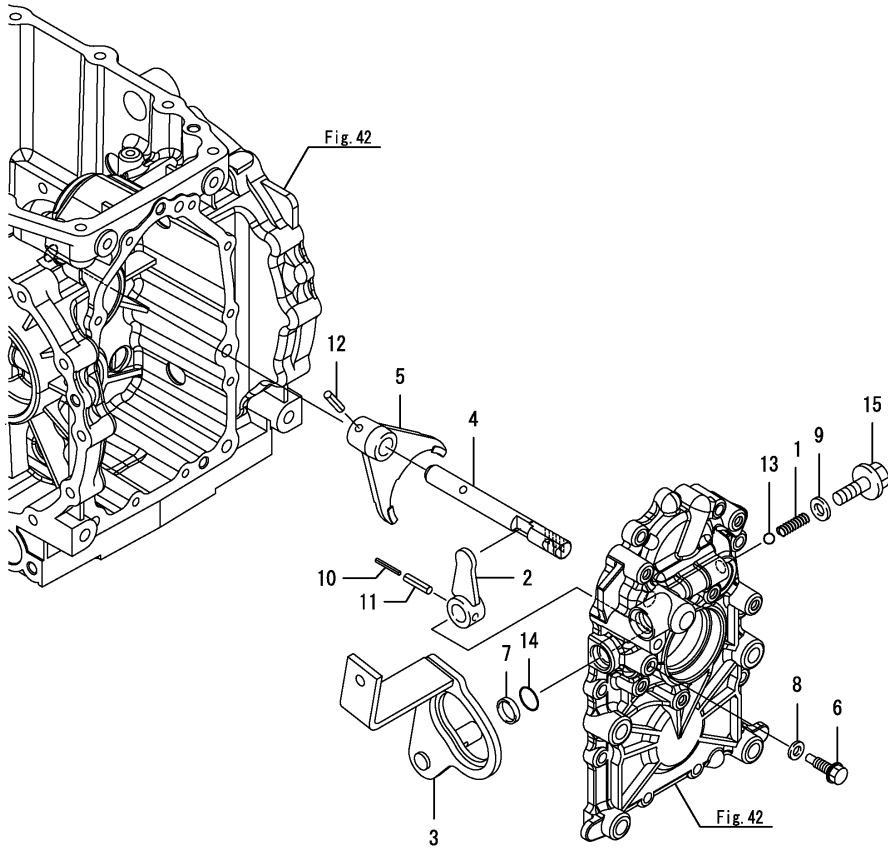


No.	Lev.	Parts No.	Description	Q'ty						I	R
				(A)	(B)	(C)	(D)	(E)	(F)		
1	1	198280-27650	ROD ASSY	1							
2	2	194150-22480	NUT, M10 L	1							
3	2	198280-27660	ROD ASSY, M10	1							
4	2	198121-28160	ROD, M10	1							
5	2	194250-47490	TURNBUCKLE	1							
6	2	26716-100002	NUT, M10	1							
7	1	198282-27960	ROD, PTO	1							
8	2	194150-22480	NUT, M10 L	1							
9	2	198282-27970	ROD ASSY, PTO A	1							
10	2	198280-28000	BOLT, M10L	1							
11	2	194250-47490	TURNBUCKLE	1							
12	2	26716-100002	NUT, M10	1							
13	1	198200-28051	END ASSY, ROD	1							
14	2	194990-20170	NUT, M8	2							
15	2	194820-27370	END, ROD L	1							
16	2	198200-28061	ROD, SHIFT	1							
17	2	198200-28080	ROD	1							
18	2	1C6140-43442	TURNBUCKLE, 8X46	1							
19	2	26716-080002	NUT, M8	1							
20	1	1C6281-52320	PIN, SNAP 8	1							
21	1	1C6360-65700	PIN, SNAP 10	2							
22	1	1C6360-65700	PIN, SNAP 10	2							
23	1	22137-100000	WASHER, 10	2							
24	1	22137-100000	WASHER, 10	2							
25	1	26346-080002	NUT, M8	1							

Fig.61. P.T.O. SHIFT

(A)=EF352T LX
(B)=
(C)=

(D)=
(E)=
(F)=



No.	Lev.	Parts No.	Description	Q'ty						I	R
				(A)	(B)	(C)	(D)	(E)	(F)		
1	1	194680-27540	SPRING, FORK LOCK	1							
2	1	198280-27711	ARM, SHIFT	1							
3	1	198282-27742-1	ARM, CHANGE	1							
4	1	198280-27771	SHAFT, PTO FORK	1							
5	1	198282-27780	FORK, PTO SHIFT	1							
6	1	198280-27790	BOLT, SET M8	1							
7	1	198121-28380	COLLAR, ARM	1							
8	1	22190-080000	WASHER, SEAL 8	1							
9	1	22190-100000	WASHER, SEAL 10	1							
10	1	22351-035025	PIN, SPRING 3.5X25	1							
11	1	22351-060025	PIN, SPRING 6.0X25	1							
12	1	22351-060025	PIN, SPRING 6.0X25	1							
13	1	24190-080001	BALL, STEEL 1/4	1							
14	1	24311-000150	O-RING, 1AP15.0	1							
15	1	26106-100302	BOLT, M10X 30 PLATED	1							

Fig.62. SUB SHIFT & P.T.O. LEVER(1)

(A)=EF352T LX
(B)=
(C)=

(D)=
(E)=
(F)=

No.	Lev.	Parts No.	Description	Q'ty						I	R
				(A)	(B)	(C)	(D)	(E)	(F)		
1	1	1A7550-35570	COLLAR, 25X17X2	1							
2	1	22157-080000	WASHER, 8	1							
3	1	22217-160000	WASHER, SPRING 16	1							
4	1	26106-080162	BOLT, M8X 16 PLATED	1							

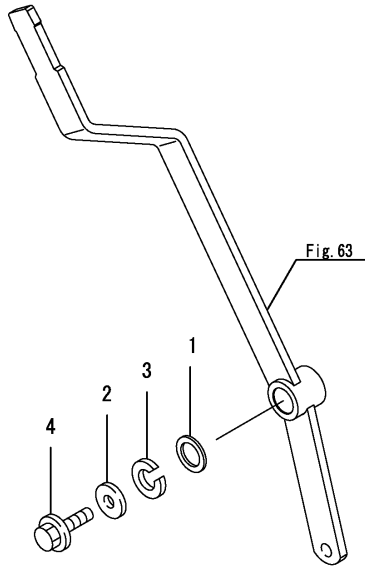


Fig.63. SUB SHIFT & P.T.O. LEVER(2)

(A)=EF352T LX
(B)=
(C)=

(D)=
(E)=
(F)=

No.	Lev.	Parts No.	Description	Q'ty						I	R
				(A)	(B)	(C)	(D)	(E)	(F)		
1	1	198282-27802	LEVER, PTO	1							
2	2	198200-27641	BRACKET, LEVER L	1							
3	2	198282-27820	LEVER ASSY, SHIFT	1							
4	3	198282-27830	LEVER, RANGE SHIFT	1							
5	3	1S6489-63330	BUSH, LFF1610	2							
6	2	198282-27881	LEVER ASSY, PTO	1							
7	3	1S6489-63330	BUSH, LFF1610	2							
8	2	198200-28660	SHAFT, LEVER	1							
9	2	26116-060122	BOLT, M6X 12 PLATED	1							
10	1	26106-080162	BOLT, M8X 16 PLATED	4							

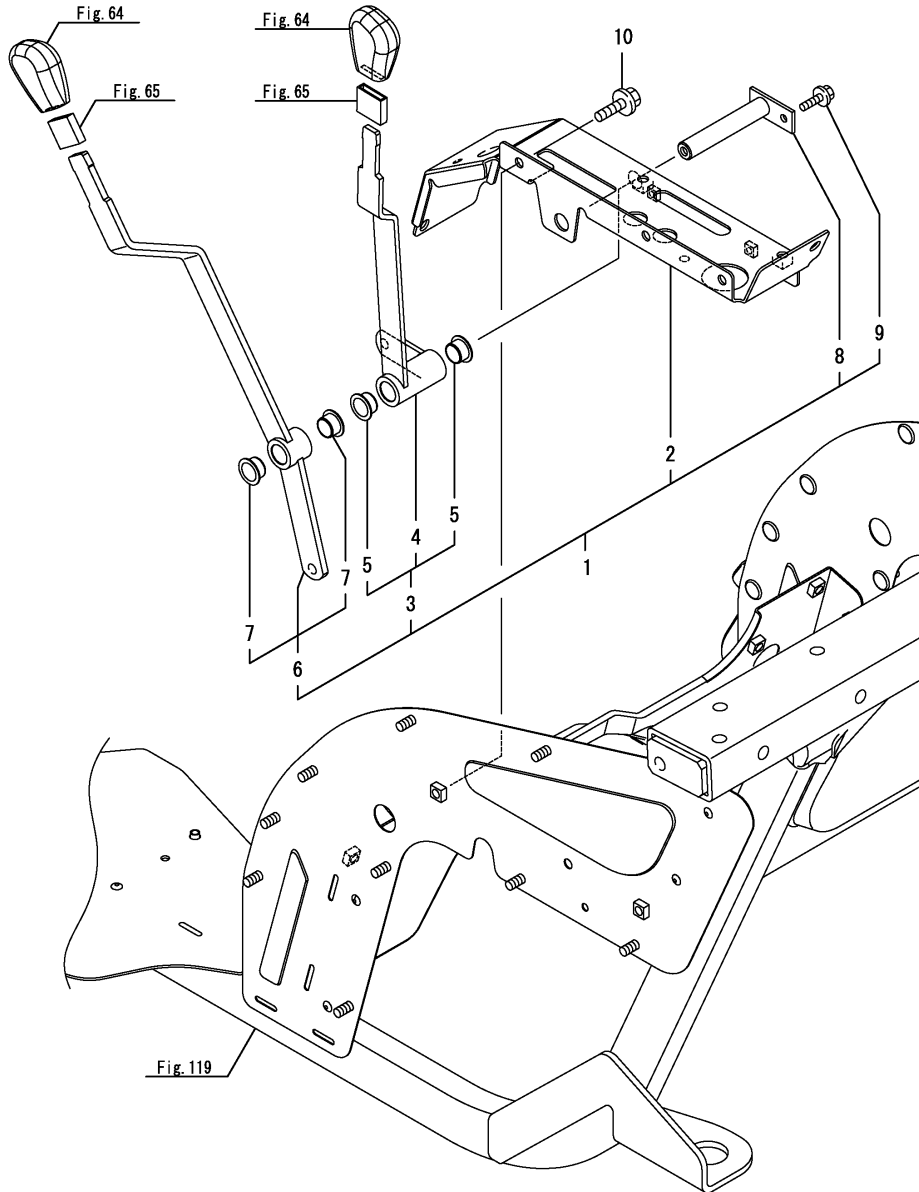
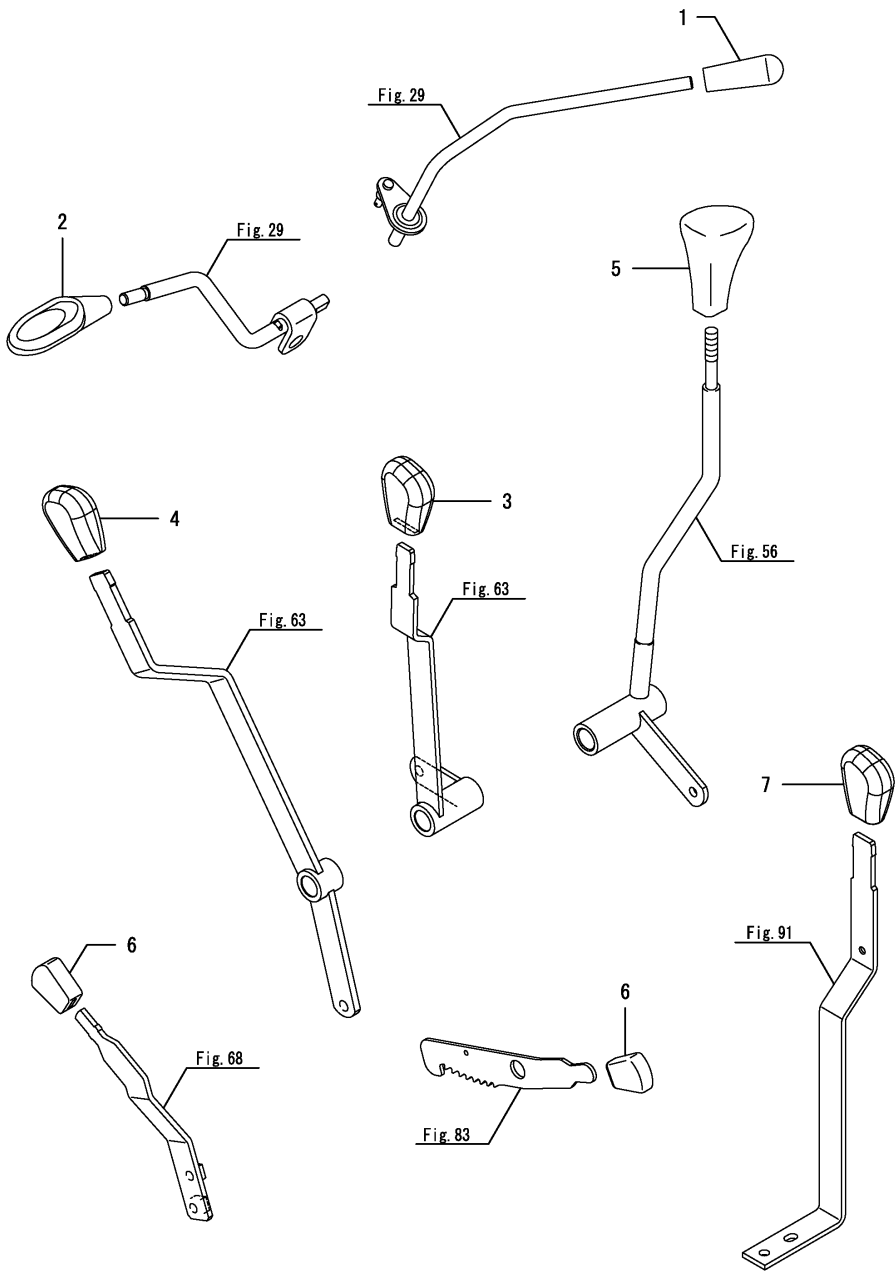


Fig.64. SHIFT KNOB(1)

(A)=EF352T LX
(B)=
(C)=

(D)=
(E)=
(F)=



No.	Lev.	Parts No.	Description	Q'ty						I	R
				(A)	(B)	(C)	(D)	(E)	(F)		
1	1	1A8115-01190	KNOB, LEVER	1							
2	1	1A8115-18350	KNOB, LEVER	1							
3	1	1A8115-27810	KNOB, ORANGE	1							
4	1	1A8115-27910	KNOB, YELLOW	1							
5	1	1A8115-28010	KNOB, MAIN SHIFT	1							
6	1	1A8115-37580	KNOB, PARKING BRAKE	2							
7	1	1A8115-47810	KNOB, BLACK	1							

Fig.65. SHIFT KNOB(2)

(A)=EF352T LX
 (B)=
 (C)=

(D)=
 (E)=
 (F)=

No.	Lev.	Parts No.	Description	Q'ty						I	R
				(A)	(B)	(C)	(D)	(E)	(F)		
1	1	174845-27700	BOOT, SHAFT	2							

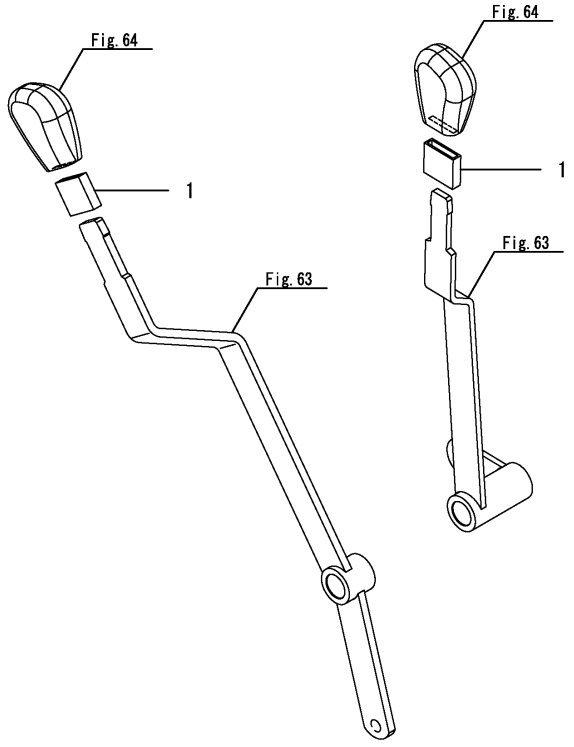
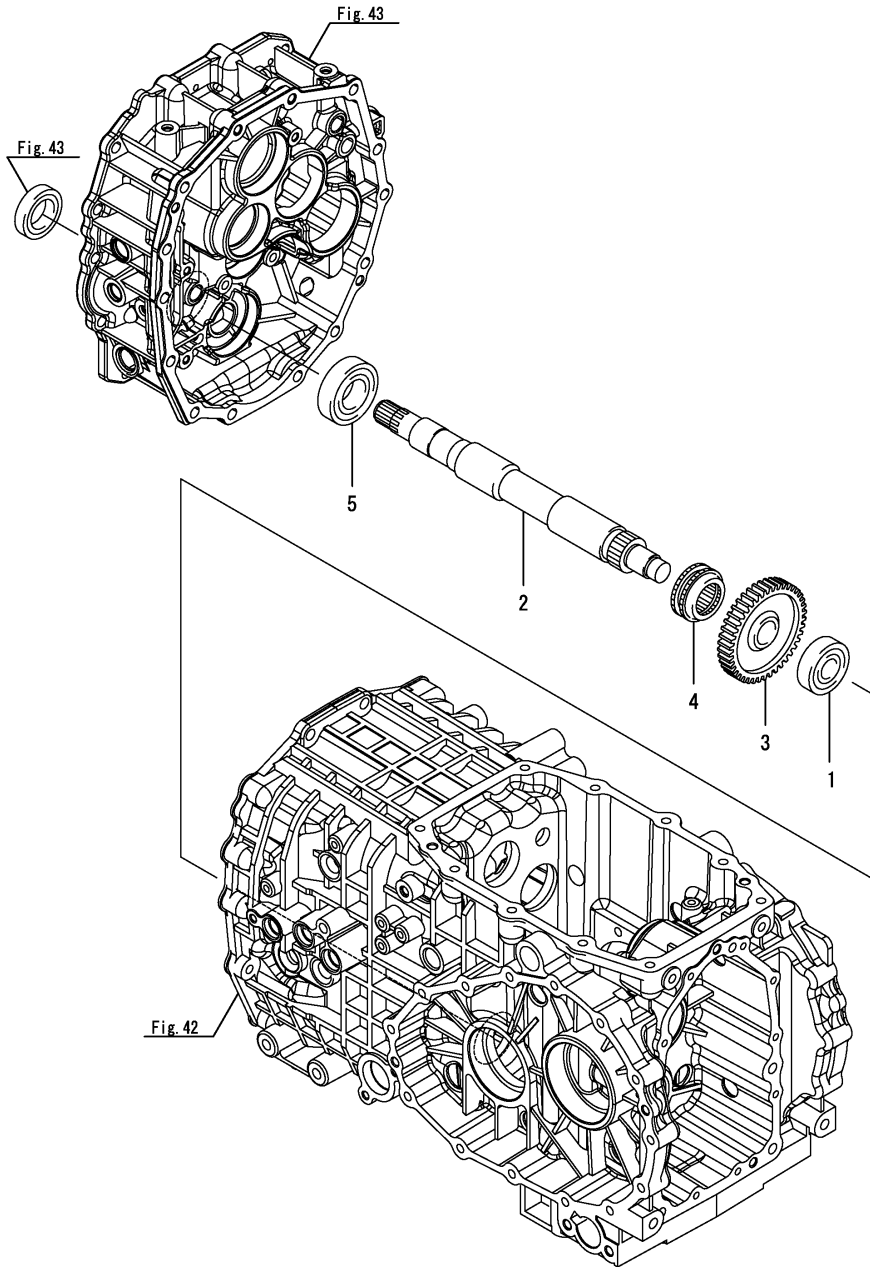


Fig.66. FRONT DRIVE

(A)=EF352T LX
(B)=
(C)=

(D)=
(E)=
(F)=

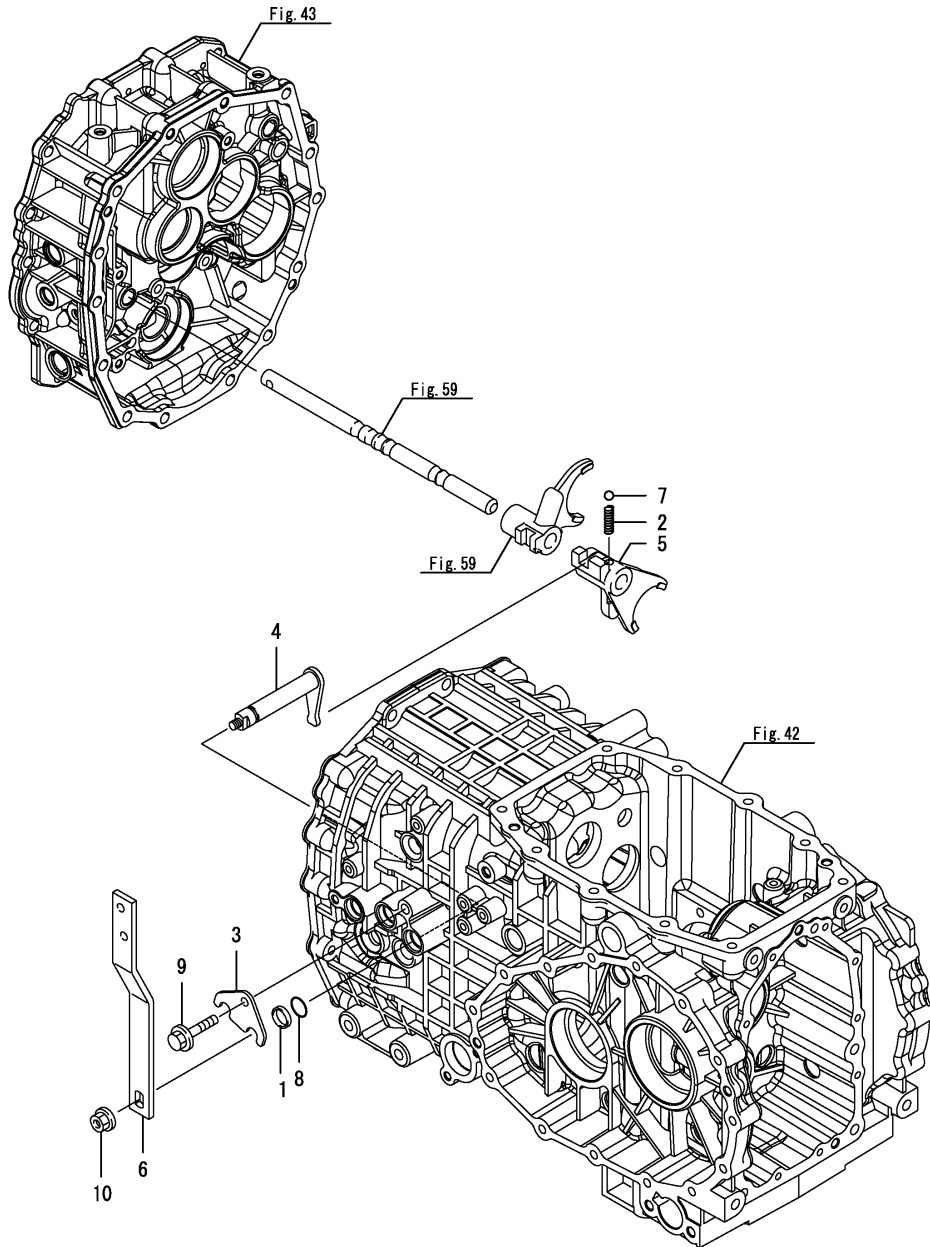


No.	Lev.	Parts No.	Description	Qty						I	R
				(A)	(B)	(C)	(D)	(E)	(F)		
1	1	194447-13860	BEARING, TMB304CX1	1							
2	1	198282-28180	SHAFT, FRONT DRIVE	1							
3	1	198282-28340	GEAR, DRIVE 43	1							
4	1	198282-28360	SHIFTER	1							
5	1	24101-062064	BEARING, BALL 6206	1							

Fig.67. FRONT SHIFT

(A)=EF352T LX
(B)=
(C)=

(D)=
(E)=
(F)=



No.	Lev.	Parts No.	Description	Q'ty						I	R
				(A)	(B)	(C)	(D)	(E)	(F)		
1	1	198119-27150	COLLAR, ARM	1							
2	1	194145-27450	SPRING	1							
3	1	198200-27730-1	PLATE, KEEP A	1							
4	1	198282-28410	ARM, SHIFT	1							
5	1	198282-28430	FORK, 4WD SHIFT	1							
6	1	198282-28440-1	ARM, CHANGE	1							
7	1	24190-100001	BALL, STEEL 5/16	1							
8	1	24311-000160	O-RING, 1AP16.0	1							
9	1	26106-080402	BOLT, M8X 40 PLATED	1							
10	1	26366-080002	NUT, M8	1							

Fig.68. 4WD LEVER

(A)=EF352T LX
(B)=
(C)=

(D)=
(E)=
(F)=

No.	Lev.	Parts No.	Description	Qty						I	R	
				(A)	(B)	(C)	(D)	(E)	(F)			
1	1	198282-28460	LEVER, 4WD	1								
2	1	26106-080202	BOLT, M8X 20 PLATED	2								

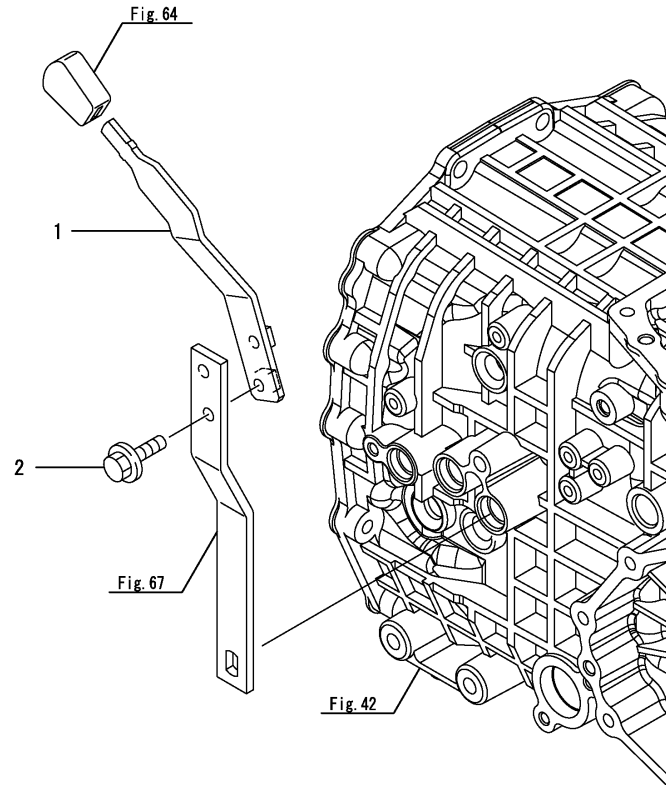
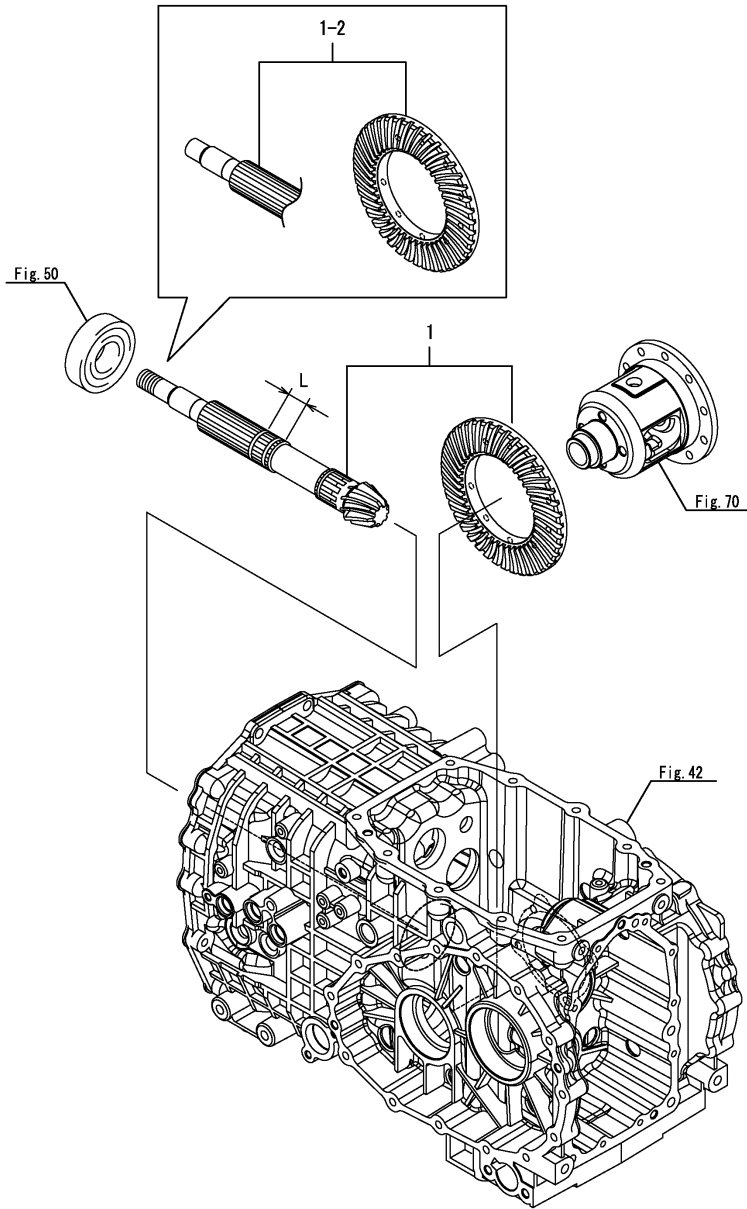


Fig.69. RING GEAR

(A)=EF352T LX
(B)=
(C)=

(D)=
(E)=
(F)=



No.	Lev.	Parts No.	Description	Q'ty						I	R
				(A)	(B)	(C)	(D)	(E)	(F)		
1	1	198200-31400	GEAR ASSY, RING	1							
1-1	1	198200-31401	GEAR ASSY, RING	1						S	1
(A=FZZZZZ)											
1-2	1	198200-31402	GEAR ASSY, RING	1							S
(A=FZZZZZ)											

Remarks

(1)L=No.1 : 20.8mm, No.1-1 : 14.6mm.

Fig.70. DIFFERENTIAL GEAR

(A)=EF352T LX
(B)=
(C)=

(D)=
(E)=
(F)=

No.	Lev.	Parts No.	Description	Q'ty						I	R
				(A)	(B)	(C)	(D)	(E)	(F)		
1	1	198200-31510	GEAR, DIFFERENTIAL L	1							
2	1	194525-31520	GEAR, DIFFERENTIAL R	1							
3	1	194515-31610	WASHER, DIFFERENTIAL	2							
4	1	198200-31810	PINION, DIFFERENTIAL	2							
5	1	198200-31820	SHAFT, DIFFERENTIAL	1							
6	1	194515-31850	WASHER, DIFFERENTIAL	2							
7	1	198200-32110	CASE, DIFFERENTIAL	1							
8	1	22351-040040	PIN, SPRING 4.0X40	1							
9	1	24101-060074	BEARING, BALL 6007	1							
10	1	24101-062074	BEARING, BALL 6207	1							
11	1	26116-080162	BOLT, M8X 16 PLATED	10							

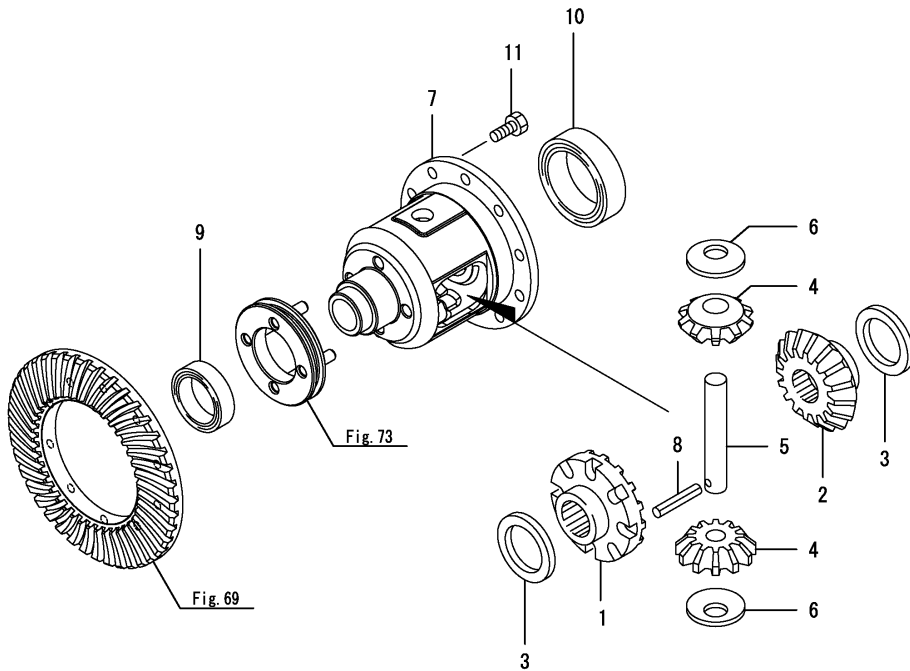


Fig.71. DIFFERENTIAL CARRIER

(A)=EF352T LX
(B)=
(C)=

(D)=
(E)=
(F)=

No.	Lev.	Parts No.	Description	Q'ty						I	R
				(A)	(B)	(C)	(D)	(E)	(F)		
1	1	198200-32320	CARRIER	1							
2	1	194850-32340	SHIM SET	1							
3	1	26106-100252	BOLT, M10X 25 PLATED	4							

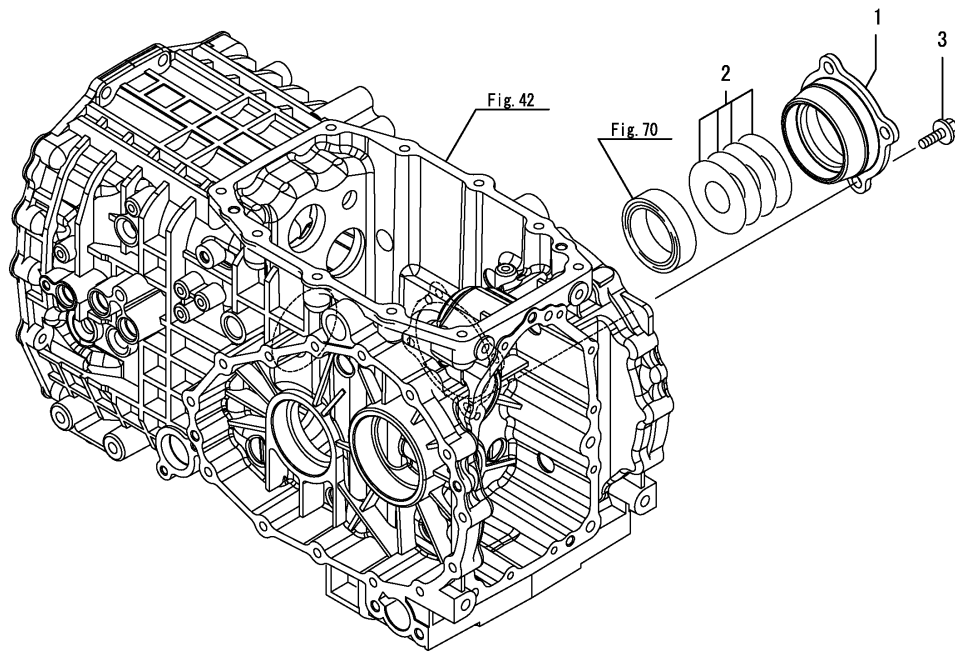


Fig.72. REAR HOUSING

(A)=EF352T LX
(B)=
(C)=

(D)=
(E)=
(F)=

No.	Lev.	Parts No.	Description	Q'ty						I	R
				(A)	(B)	(C)	(D)	(E)	(F)		
1	1	1A8115-31100	STAY ASSY, REAR AXLE	2							
2	1	198200-32601	HOUSING ASSY, AXLE	2							
3	2	198290-32750	SEAL, OIL TC253506	2							
4	1	198200-32630	GASKET, REAR AXLE	2							
5	1	198200-32660	GASKET, SEAL CASE	2							
6	1	198475-32660	SEAL, QLNY527514.5	2							
7	1	198200-32731-1	CASE, OIL SEAL	2							
8	1	22312-080140	PIN, PARALLEL M8X14	4							
9	1	26106-080402	BOLT, M8X 40 PLATED	8							
10	1	26106-100502	BOLT, M10X 50 PLATED	20							
11	1	26106-101102	BOLT, M10X110 PLATED	8							

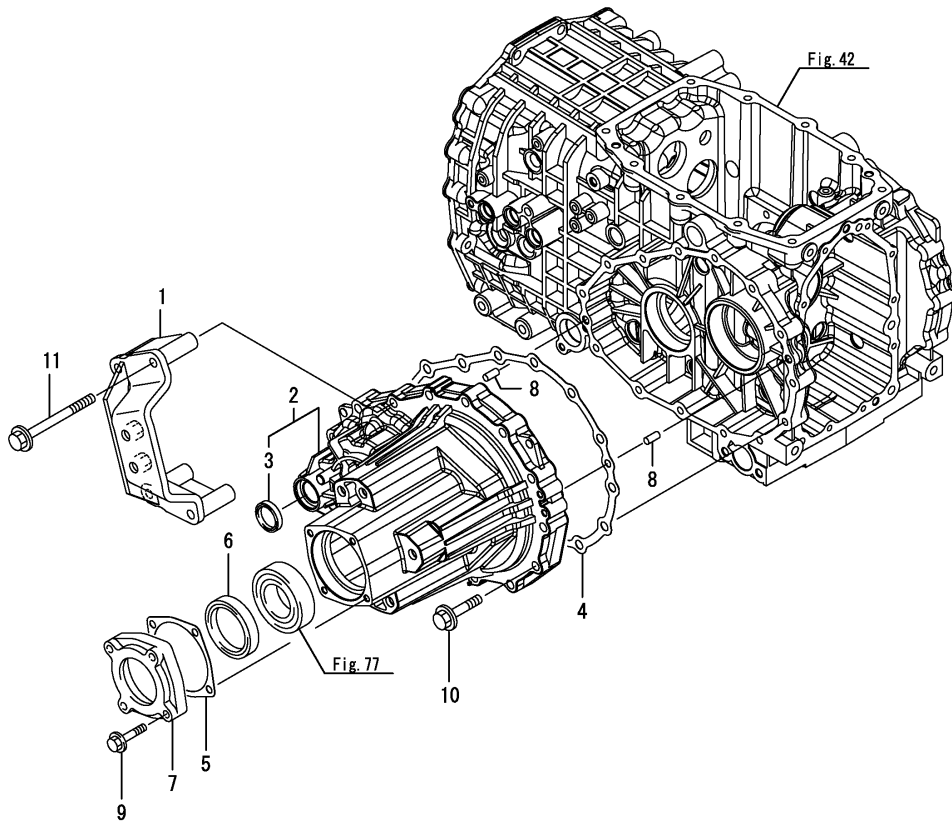
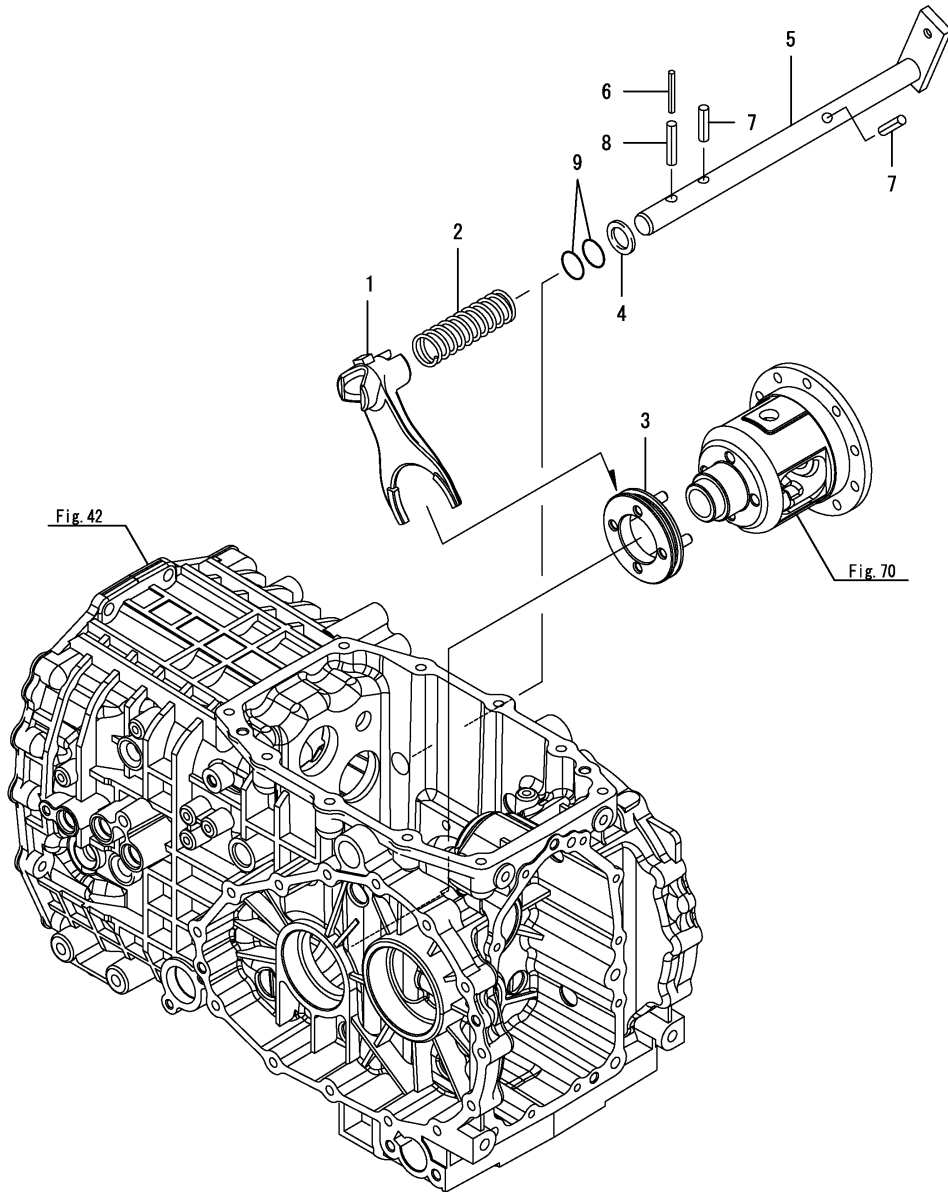


Fig.73. DIFFERENTIAL LOCK

(A)=EF352T LX
(B)=
(C)=

(D)=
(E)=
(F)=



No.	Lev.	Parts No.	Description	Q'ty						I	R
				(A)	(B)	(C)	(D)	(E)	(F)		
1	1	198200-33111	FORK, LOCK	1							
2	1	194420-33150	SPRING, RETURN	1							
3	1	198200-33150	SLIDER, LOCK	1							
4	1	194300-33200	SPACER, 20X32X3.2	1							
5	1	198200-33211-1	SHAFT ASSY, LOCK	1							
6	1	22351-050040	PIN, SPRING 5.0X40	1							
7	1	22351-080032	PIN, SPRING 8.0X32	2							
8	1	22351-080040	PIN, SPRING 8.0X40	1							
9	1	24311-000200	O-RING, 1AP20.0	2							

Fig.74. DIFFERENTIAL LOCK PEDAL

(A)=EF352T LX
(B)=
(C)=

(D)=
(E)=
(F)=

No.	Lev.	Parts No.	Description	Q'ty						I	R
				(A)	(B)	(C)	(D)	(E)	(F)		
1	1	198200-33250-1	PEDAL, LOCK	1							
2	1	26106-100202	BOLT, M10X 20 PLATED	1							

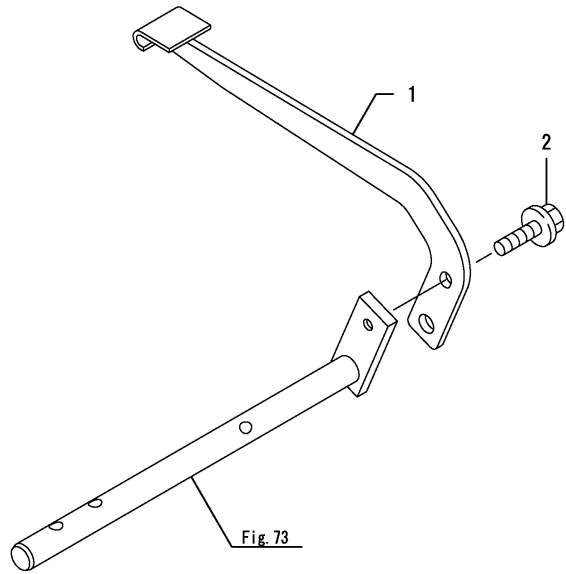


Fig.77. REAR AXLE SHAFT

(A)=EF352T LX
(B)=
(C)=

(D)=
(E)=
(F)=

No.	Lev.	Parts No.	Description	Q'ty						I	R
				(A)	(B)	(C)	(D)	(E)	(F)		
1	1	194440-32580	COLLAR, 45X55X20	2							
2	1	198283-34110-1	SHAFT, REAR AXLE	2							
3	1	198196-34140	RING, 45	4							
4	1	24101-062094	BEARING, BALL 6209	2							
5	1	24101-063074	BEARING, BALL 6307	2							

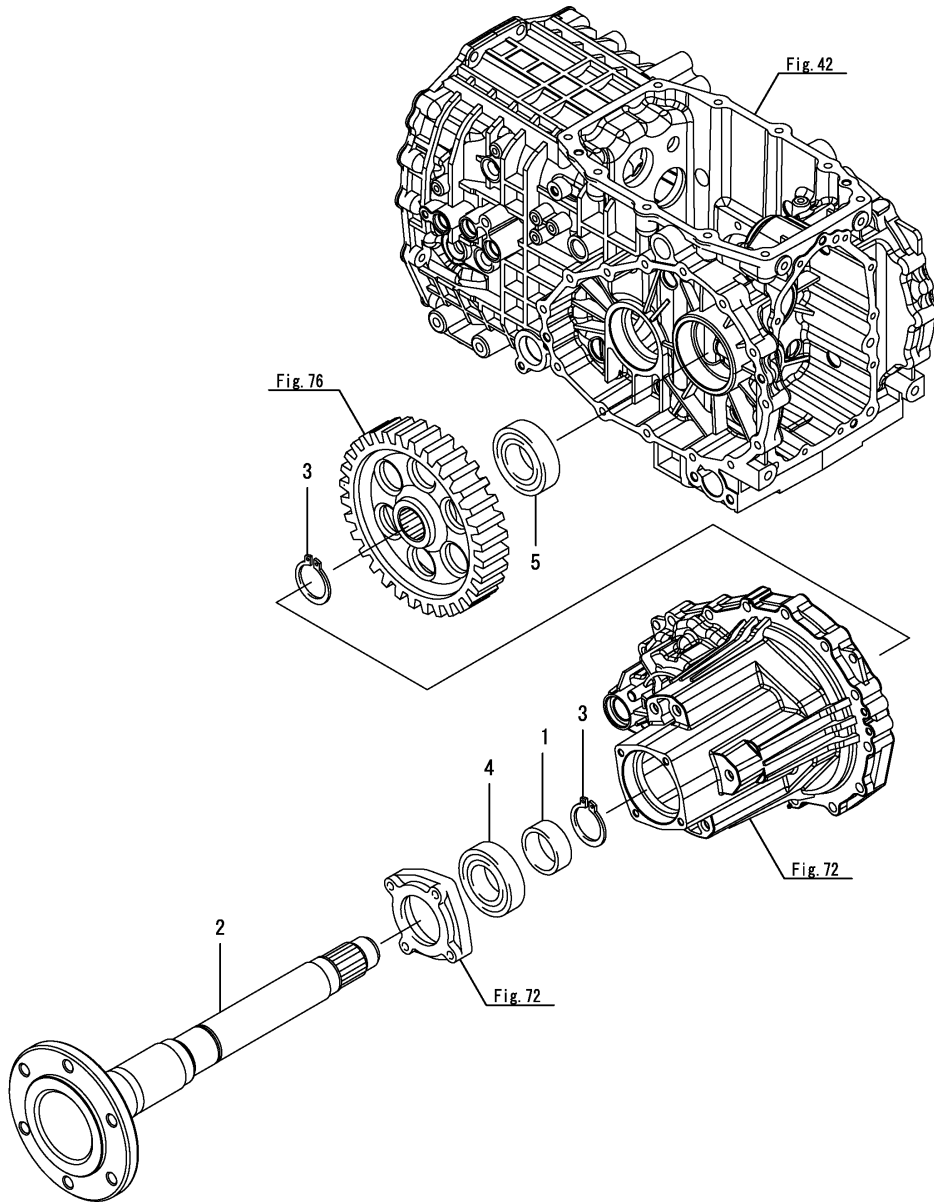
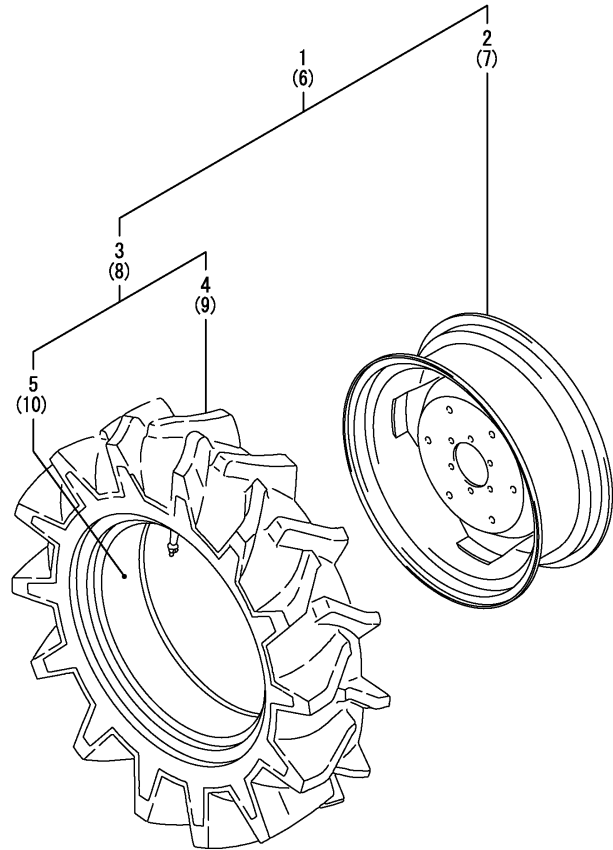


Fig.78. REAR WHEEL TIRE

(A)=EF352T LX
(B)=
(C)=

(D)=
(E)=
(F)=



No.	Lev.	Parts No.	Description	Q'ty						I	R
				(A)	(B)	(C)	(D)	(E)	(F)		
1	1	198283-34700	TIRE KIT, 11.2-24L	1							
2	2	198282-34650	WHEEL, W9X24	1							
3	2	198128-34900	TIRE ASSY, 11.2-24	1							
4	3	198128-34910	TIRE, REAR	1							
5	3	198128-34920	TUBE, 11.2-24	1							
6	1	198283-34800	TIRE KIT, 11.2-24 R	1							
7	2	198282-34650	WHEEL, W9X24	1							
8	2	198128-34900	TIRE ASSY, 11.2-24	1							
9	3	198128-34910	TIRE, REAR	1							
10	3	198128-34920	TUBE, 11.2-24	1							

Fig.79. HUB BOLT

(A)=EF352T LX
(B)=
(C)=

(D)=
(E)=
(F)=

No.	Lev.	Parts No.	Description	Q'ty						I	R
				(A)	(B)	(C)	(D)	(E)	(F)		
1	1	194881-12650	BOLT, M14X24	8							
2	1	194279-14220	WASHER, 14	4							
3	1	198200-34130	STUD, M14X31	4							
4	1	198200-34190	NUT, M14	4							

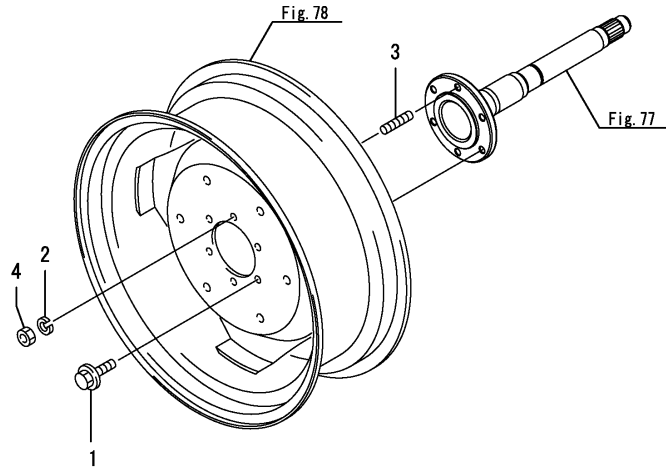
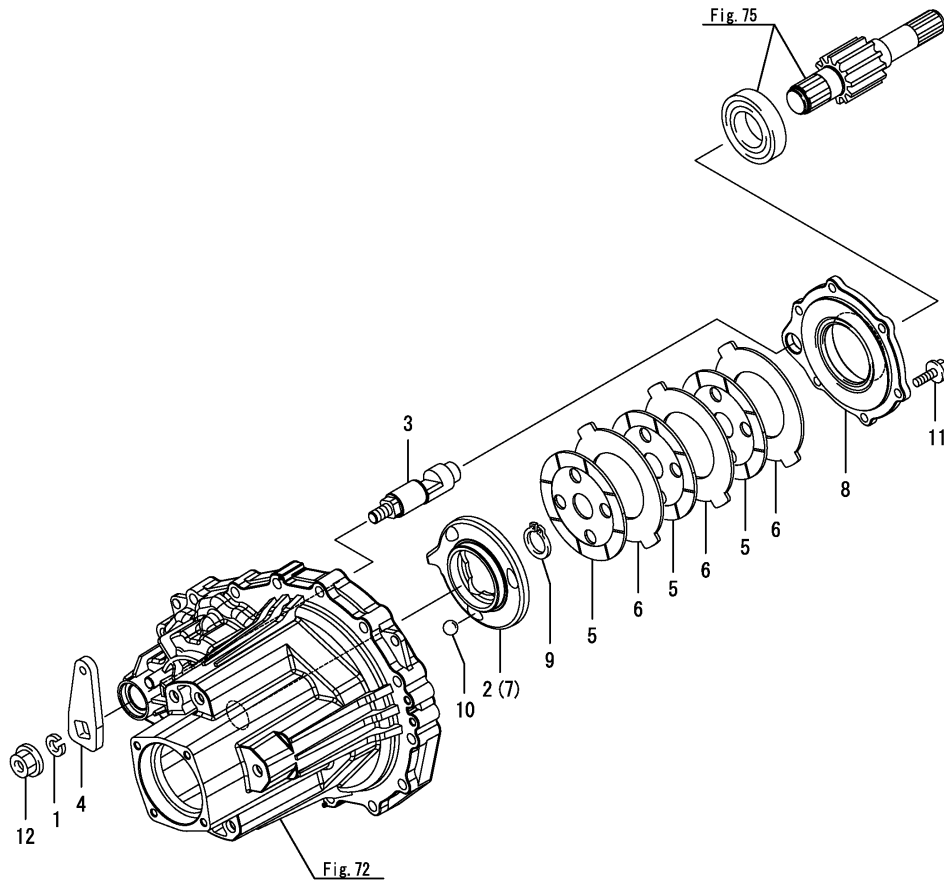


Fig.80. BRAKE

(A)=EF352T LX
(B)=
(C)=

(D)=
(E)=
(F)=



No.	Lev.	Parts No.	Description	Q'ty						I	R
				(A)	(B)	(C)	(D)	(E)	(F)		
1	1	194274-13580	WASHER, SPRING 12	2							
2	1	198200-36310	ACTUATOR	1							
3	1	198200-36341	CAMSHAFT	2							
4	1	198200-36350-2	ARM, BRAKE	2							
5	1	198200-36380	PLATE, FRICTION 114	6							
6	1	198200-36390	PLATE, STEEL	6							
7	1	198200-36410	ACTUATOR	1							
8	1	198200-36422	HOLDER, BEARING	2							
9	1	22242-000260	RING, 26	2							
10	1	24190-170001	BALL, STEEL 17/32	6							
11	1	26106-080252	BOLT, M8X 25 PLATED	12							
12	1	26376-120002	NUT, M12	2							

Fig.81. PEDAL

(A)=EF352T LX

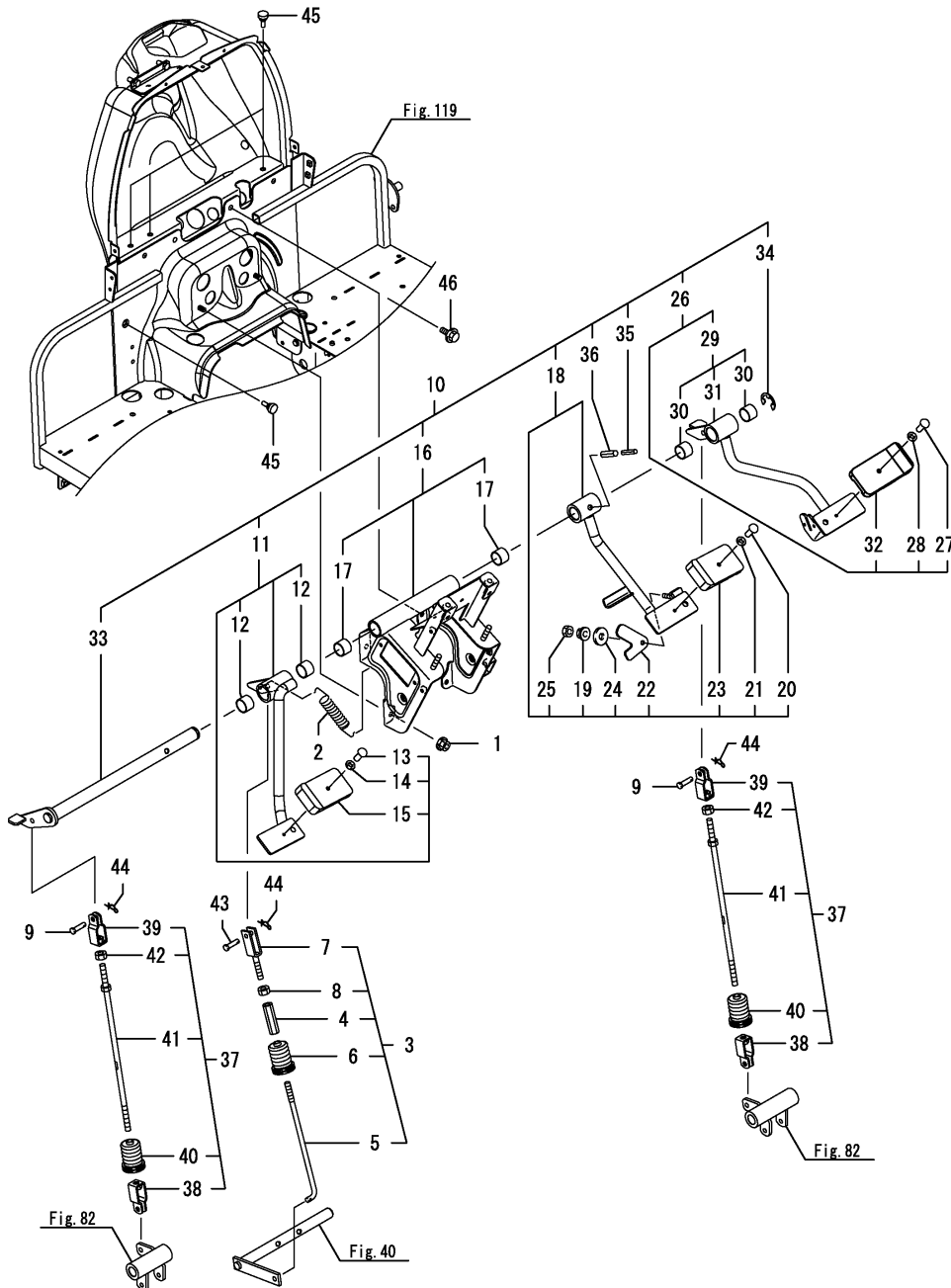
(B)=

(C)=

(D)=

(E)=

(F)=

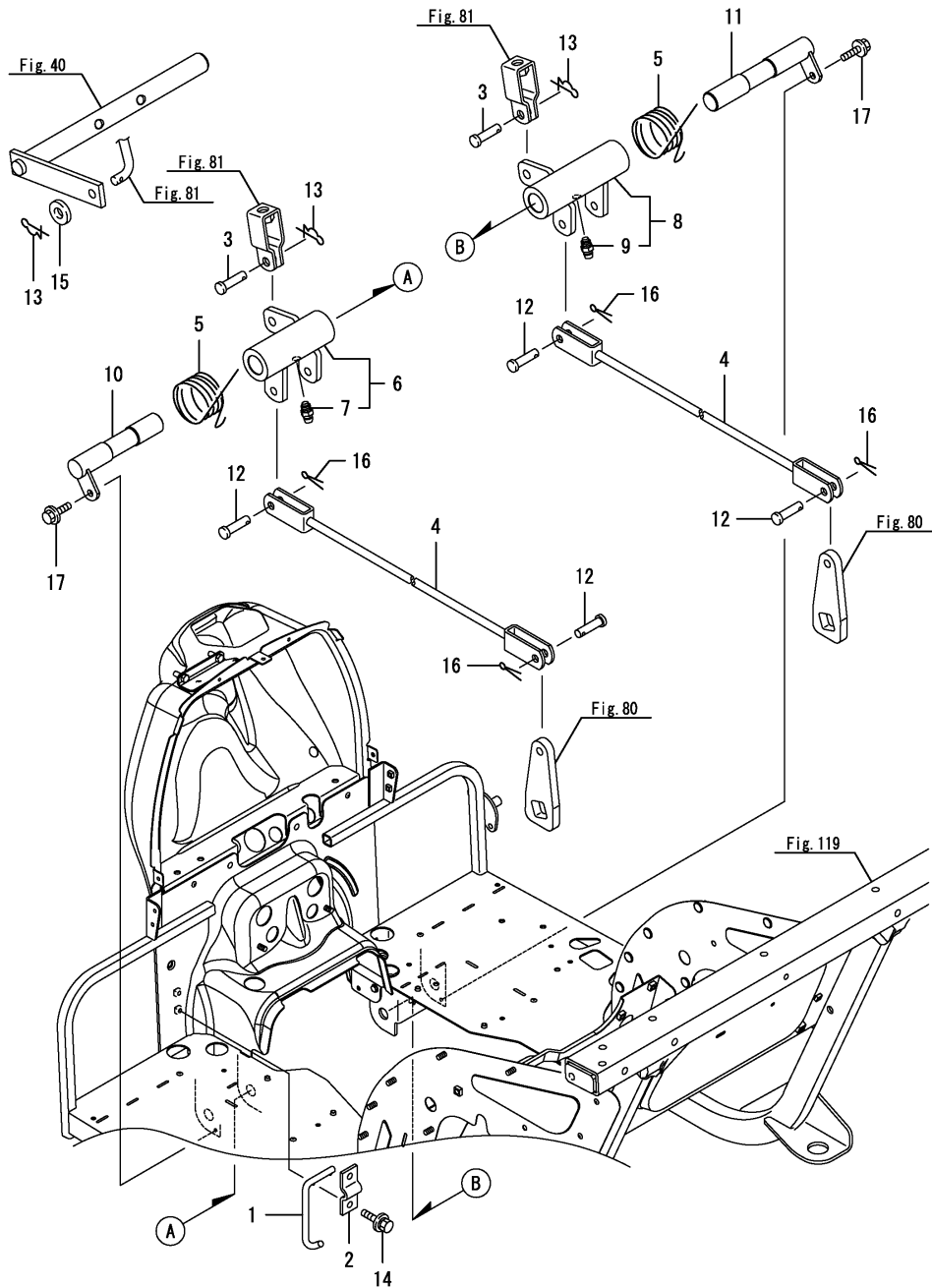


No.	Lev.	Parts No.	Description	Q'ty						I	R
				(A)	(B)	(C)	(D)	(E)	(F)		
1	1	194990-22140	NUT, M8	2							
2	1	1A8115-22510	SPRING, RETURN	1							
3	1	198200-22650	ROD ASSY, CLUTCH	1							
4	2	194300-22260	TURNBUCKLE, M10	1							
5	2	198200-22690	ROD, CLUTCH	1							
6	2	198448-37450	BOOT, ROD	1							
7	2	194130-37750	JOINT, 2-WAY	1							
8	2	26716-100002	NUT, M10	1							
9	1	194312-27780	PIN, 8.9	2							
10	1	198282-37200	PEDAL	1							
11	2	198200-22380	PEDAL, CLUTCH	1							
12	3	198448-37360	BUSH, 25X28X20	2							
13	3	198133-22510	RIVET, PEDAL HEAD	1							
14	3	198133-22530	WASHER, RIVET	1							
15	3	198071-37510	COVER, HEAD	1							
16	2	198200-37270	BRACKET, PEDAL	1							
17	3	198448-37360	BUSH, 25X28X20	2							
18	2	198200-37290	PEDAL, BRAKE L	1							
19	3	194990-22140	NUT, M8	1							
20	3	198133-22510	RIVET, PEDAL HEAD	1							
21	3	198133-22530	WASHER, RIVET	1							
22	3	198200-37240	CONNECTOR	1							
23	3	198071-37510	COVER, HEAD	1							
24	3	22157-080000	WASHER, 8	1							
25	3	26716-080002	NUT, M8	1							
26	2	198282-37490	PEDAL, BRAKE R	1							
27	3	198133-22510	RIVET, PEDAL HEAD	1							
28	3	198133-22530	WASHER, RIVET	1							
29	3	198282-37400	PEDAL ASSY, BRAKE R	1							
30	4	198448-37360	BUSH, 25X28X20	2							
30-1	4	24550-025200	BUSH, 25X20	2							R
		(A=FZZZZZ)									
31	4	198282-37450	PEDAL, BRAKE R	1							
32	3	198071-37510	COVER, HEAD	1							
33	2	198282-37550	SHAFT ASSY, BRAKE	1							
34	2	22272-000190	RING, E-19	1							
35	2	22351-050045	PIN, SPRING 5.0X45	1							
36	2	22351-080045	PIN, SPRING 8.0X45	1							
37	1	198200-37610	ROD ASSY, BRAKE F	1							
38	2	198310-27370	JOINT, 2-WAY	2							
39	2	194312-27770	JOINT, 2-WAY	2							
40	2	198448-37450	BOOT, ROD	2							
41	2	198200-37660	ROD ASSY, BRAKE	2							
42	2	26716-100002	NUT, M10	2							
43	1	198220-37900	PIN, 8X24	1							
44	1	1C6281-52320	PIN, SNAP 8	3							
45	1	194330-62530	STOPPER, PEDAL	4							
46	1	26106-080162	BOLT, M8X 16 PLATED	2							

Fig.82. BRAKE LINK

(A)=EF352T LX
(B)=
(C)=

(D)=
(E)=
(F)=



No.	Lev.	Parts No.	Description	Q'ty						I	R
				(A)	(B)	(C)	(D)	(E)	(F)		
1	1	198200-22460	LEVER, PEDAL LOCK	1							
2	1	198200-22470	HINGE, LEVER	1							
3	1	194312-27780	PIN, 8.9	2							
4	1	198200-37370	ROD ASSY, BRAKE	2							
5	1	1A8115-37460	SPRING, BRAKE PEDAL	2							
6	1	198200-37700	ARM ASSY, BRAKE L	1							
7	2	24761-010000	NIPPLE, GREASE M6F	1							
8	1	198200-37710	ARM ASSY, BRAKE R	1							
9	2	24761-010000	NIPPLE, GREASE M6F	1							
10	1	198200-37740	SHAFT ASSY, L	1							
11	1	198200-37840	SHAFT ASSY	1							
12	1	198220-37900	PIN, 8X24	4							
13	1	1C6281-52320	PIN, SNAP 8	3							
14	1	198093-85650	BOLT, M6X16	2							
15	1	22137-100000	WASHER, 10	1							
16	1	22417-250300	PIN, COTTER 2.5X30	4							
17	1	26106-060122	BOLT, M6X 12 PLATED	2							

Fig.83. PARKING

(A)=EF352T LX
(B)=
(C)=

(D)=
(E)=
(F)=

No.	Lev.	Parts No.	Description	Q'ty						I	R
				(A)	(B)	(C)	(D)	(E)	(F)		
1	1	1A8115-37590	SPRING, LOCK	1							
2	1	198200-37640	COLLAR	1							
3	1	198200-37650	LEVER, BRAKE LOCK	1							
4	1	22157-080000	WASHER, 8	2							
5	1	26106-080202	BOLT, M8X 20 PLATED	1							

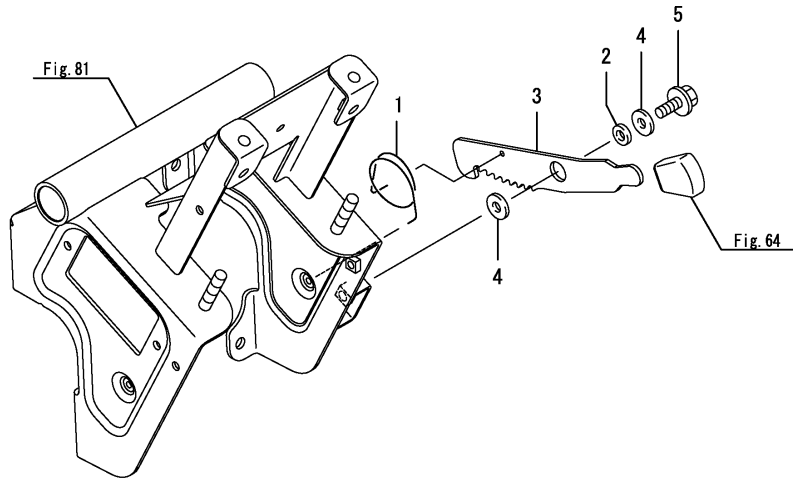
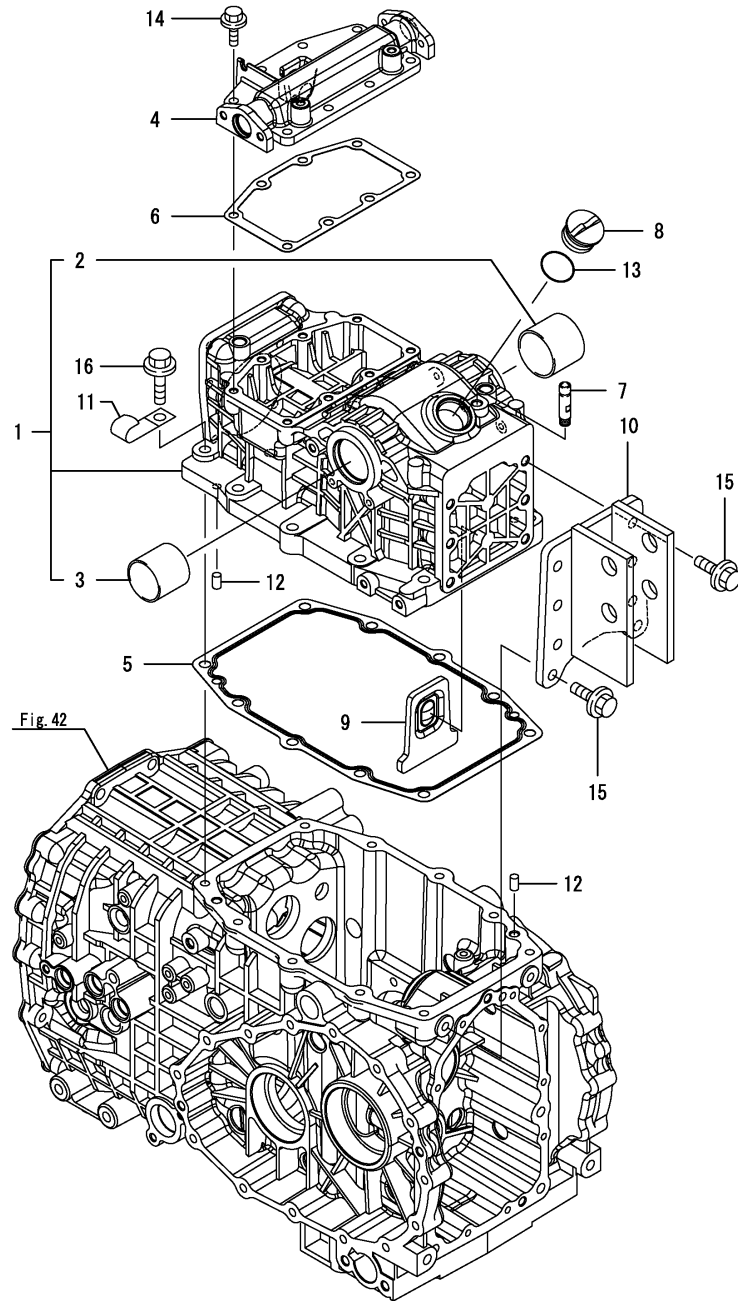


Fig.84. HYDRAULIC CYLINDER CASE



(A)=EF352T LX
(B)=
(C)=

(D)=
(E)=
(F)=

No.	Lev.	Parts No.	Description	Q'ty						I	R
				(A)	(B)	(C)	(D)	(E)	(F)		
1	1	198200-42101-1	HOUSING ASSY, LIFT	1							
2	2	198200-42130	BUSH, 45X40	1							
3	2	198200-42140	BUSH, 40X40	1							
4	1	198200-42150-1	CASE, LINK	1							
5	1	198200-42180	GASKET, HOUSING	1							
6	1	198200-42190	GASKET, HOUSING	1							
7	1	194555-42280	BREATHER, AIR	1							
8	1	194850-42500	CAP, OIL M33	1							
9	1	198200-42710	PLATE, STOPPER	1							
10	1	198280-42810-1	HINGE ASSY, TOP LINK	1							
11	1	194180-51640	CLAMP, HARNESS	1							
12	1	22312-080140	PIN, PARALLEL M8X14	2							
13	1	24351-020300	O-RING 1A 2030	1							
14	1	26106-080252	BOLT, M8X 25 PLATED	8							
15	1	26106-100252	BOLT, M10X 25 PLATED	8							
16	1	26106-100402	BOLT, M10X 40 PLATED	10							

Fig.85. PISTON

(A)=EF352T LX
(B)=
(C)=

(D)=
(E)=
(F)=

No.	Lev.	Parts No.	Description	Qty						I	R
				(A)	(B)	(C)	(D)	(E)	(F)		
1	1	198200-43310	PISTON, HYDRAULIC 75	1							
2	1	198071-43320	PACKING, 75	1							
3	1	198071-43330	WEARING	1							

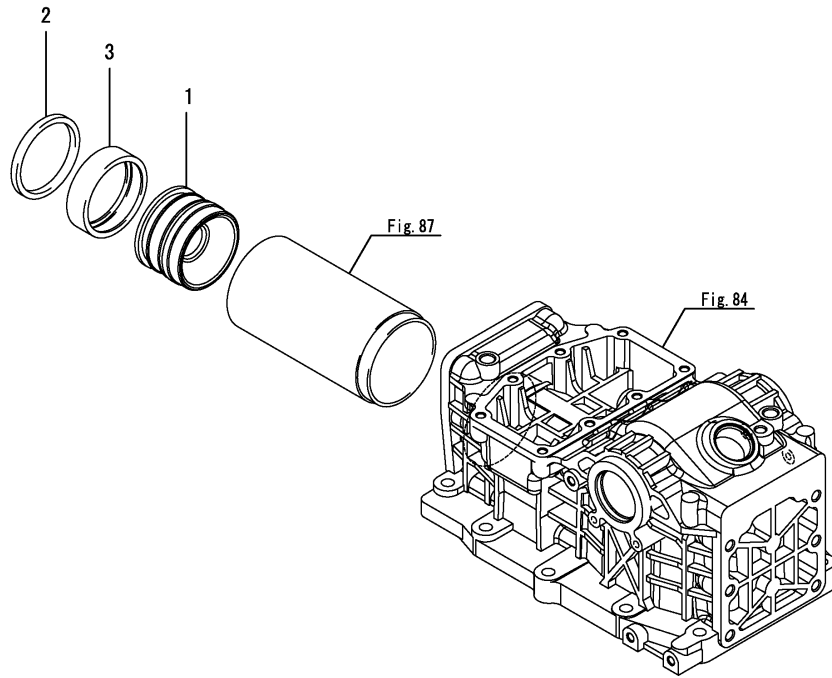
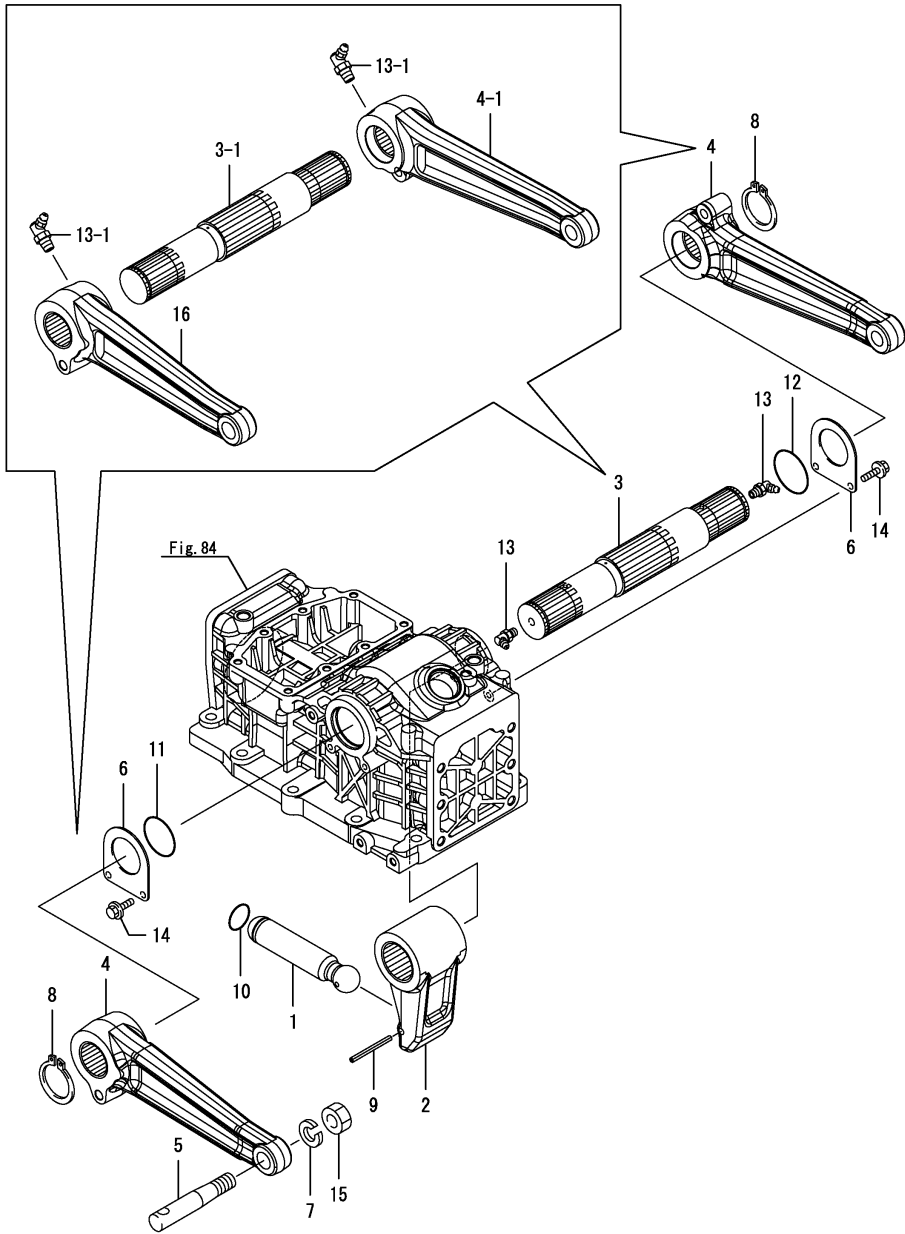


Fig.86. LIFT CRANK



(A)=EF352T LX
(B)=
(C)=

(D)=
(E)=
(F)=

No.	Lev.	Parts No.	Description	Qty						I	R
				(A)	(B)	(C)	(D)	(E)	(F)		
1	1	198200-43410	ROD, PISTON	1							
2	1	198200-44110	CRANK, LIFT	1							
3	1	198283-44210	SHAFT, LIFTING	1							
3-1	1	198283-44211	SHAFT, LIFT	1						F	1
(A=*2012.05)											
4	1	198283-44420-1	ARM, LIFT R	2							
4-1	1	1A8310-44420	ARM, LIFT R	1							S
(A=*2012.05)											
5	1	194130-44480-1	PIN, LIFT ARM	2							
6	1	198283-44510-1	WASHER, THRUST	2							
7	1	22217-160000	WASHER, SPRING 16	2							
8	1	22242-000400	RING, 40	2							
9	1	22351-050056	PIN, SPRING 5.0X56	1							
10	1	24311-000260	O-RING, 1AP26.0	1							
11	1	24311-000400	O-RING, 1AP40.0	1							
12	1	24311-000440	O-RING, 1AP44.0	1							
13	1	24761-040000	NIPPLE, GREASE B	2							
13-1	1	24761-050000	NIPPLE, GREASE C	2							N
(A=*2012.05)											
14	1	26106-060122	BOLT, M6X 12 PLATED	4							
15	1	26736-160002	NUT, M16	2							
16	1	1A8310-44410	ARM, LIFT L	1							W
(A=*2012.05)											

Remarks

(1)No.3, 4, 13 is interchangeable with a set of No.3-1, 4-1, 13-1 & 16.

N:Old $\xrightarrow{\text{Yes}}$ New, Q:Old $\xrightarrow{\text{No}}$ New, R:Old $\xrightarrow{\text{Yes}}$ New, S:Old $\xrightarrow{\text{No}}$ New, W:Add, Z:Discontinued, F:Interchangeable by set, K:Qty Change

Fig.87. CONTROL VALVE

(A)=EF352T LX
(B)=
(C)=

(D)=
(E)=
(F)=

No.	Lev.	Parts No.	Description	Q'ty						I	R
				(A)	(B)	(C)	(D)	(E)	(F)		
1	1	194850-42180	STRAINER	1							
2	1	194850-42190	SPACER	1							
3	1	198200-43110	LINER, CYLINDER	1							
4	1	198200-43211	HEAD, CYLINDER	1							
5	1	194630-43230	PACKING	1							
6	1	198200-43250	RING, BACK UP G70	1							
7	1	1A8070-45100	VALVE ASSY, LIFT	1							
8	1	198200-45150	GASKET, LIFT VALVE	1							
9	1	1A8070-48140	PIPE, PRESSURE	1							
10	1	1A7550-77900	ELBOW, 3/8	1							
11	2	24315-000140	O-RING, 1BP14.0	1							
12	1	24325-000250	O-RING, 1BG25.0	1							
13	1	24325-000700	O-RING, 1BG70.0	1							
14	1	26106-100902	BOLT, M10X 90 PLATED	6							

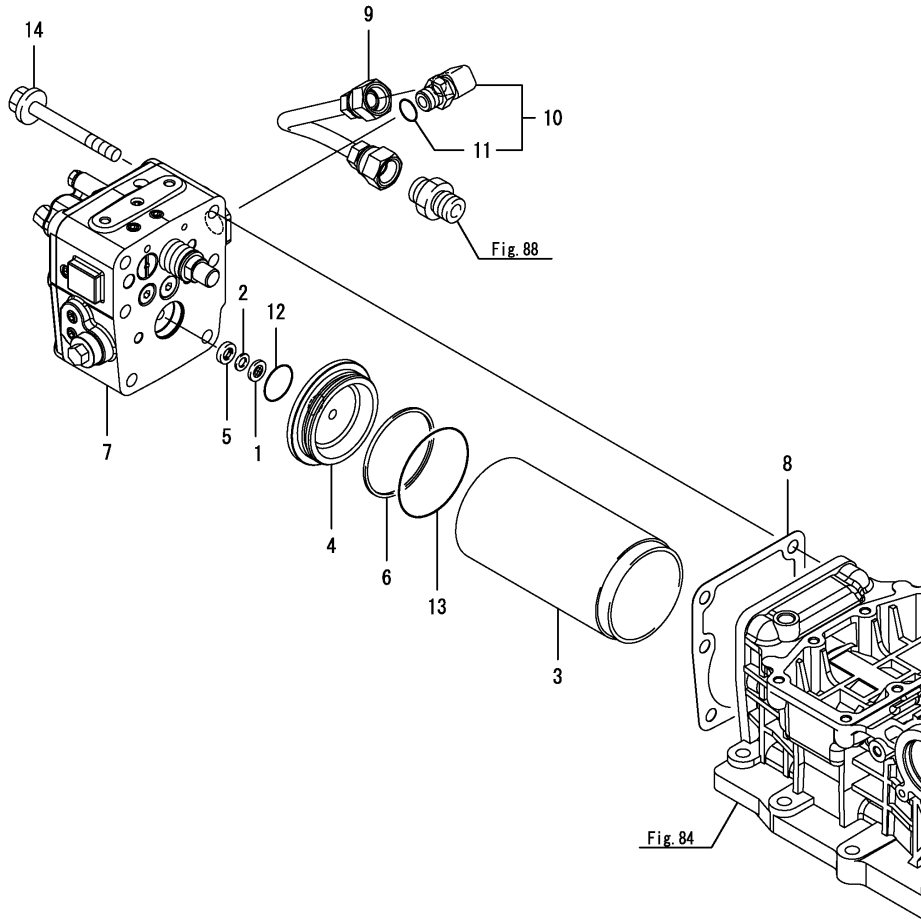
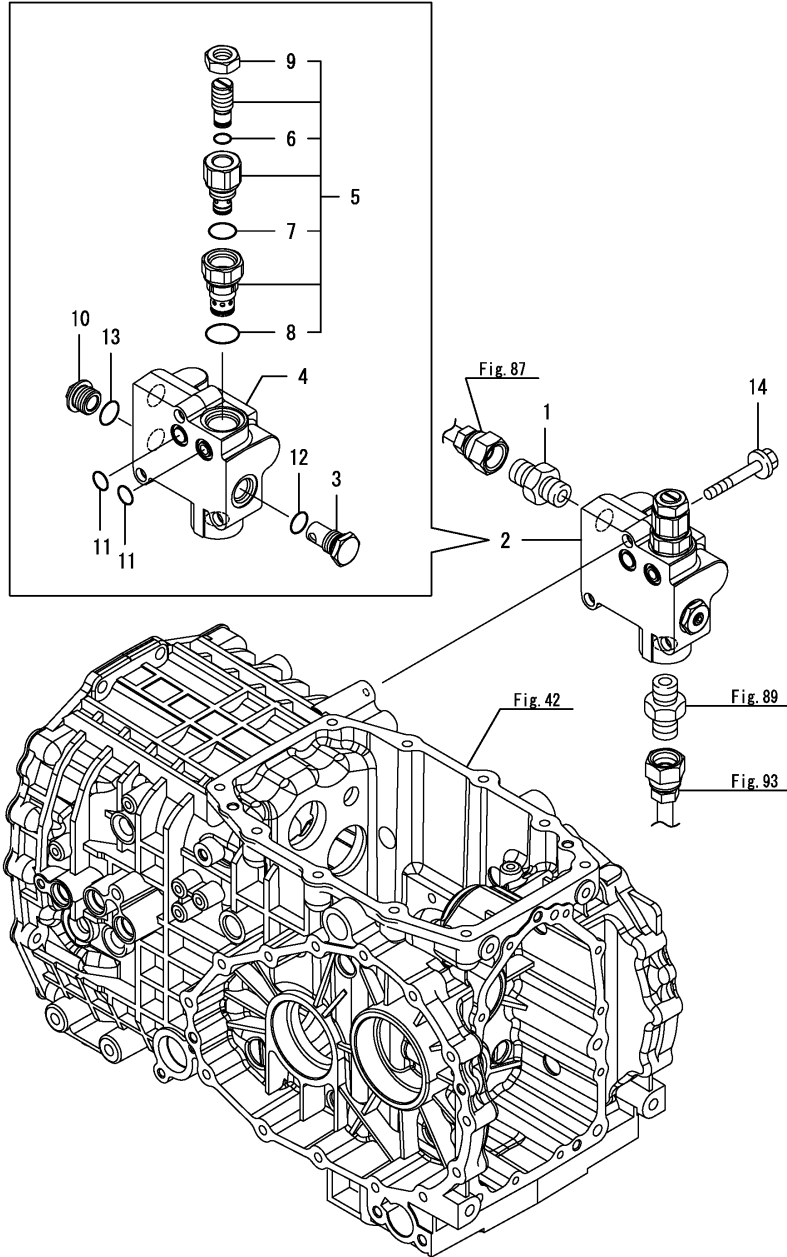


Fig.88. RELIEF VALVE(1)

(A)=EF352T LX
(B)=
(C)=

(D)=
(E)=
(F)=



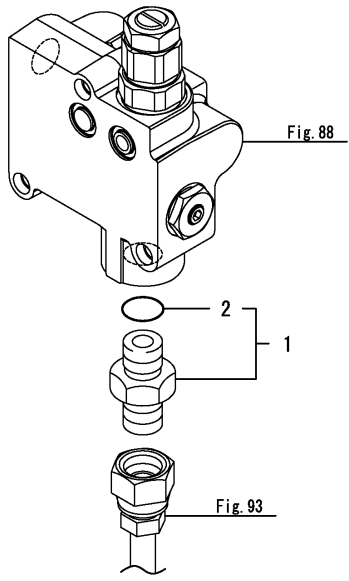
No.	Lev.	Parts No.	Description	Qty						I	R
				(A)	(B)	(C)	(D)	(E)	(F)		
1	1	198266-24980	FITTING, 3/8	1							
2	1	1A8070-48500	HOUSING ASSY, VALVE	1							
3	2	168371-01100	PLUG(M18)	1							
4	2	16826B-01500	VALVEBODY(11C1	1							
5	2	198200-45510-1	VALVE ASSY, RELIEF	1							
6	3	24315-000100	O-RING, 1BP10.0	1							
7	3	24315-000180	O-RING, 1BP18.0	1							
8	3	24315-000220	O-RING, 1BP22.0	1							
9	3	26776-160002	NUT, LOCK M16	1							
10	2	198121-77330	PLUG	1							
11	2	24311-000140	O-RING, 1AP14.0	2							
12	2	24315-000160	O-RING, 1BP16.0	1							
13	2	24315-000180	O-RING, 1BP18.0	1							
14	1	26106-080552	BOLT, M8X 55 PLATED	3							

Fig.89. RELIEF VALVE(2)

(A)=EF352T LX
(B)=
(C)=

(D)=
(E)=
(F)=

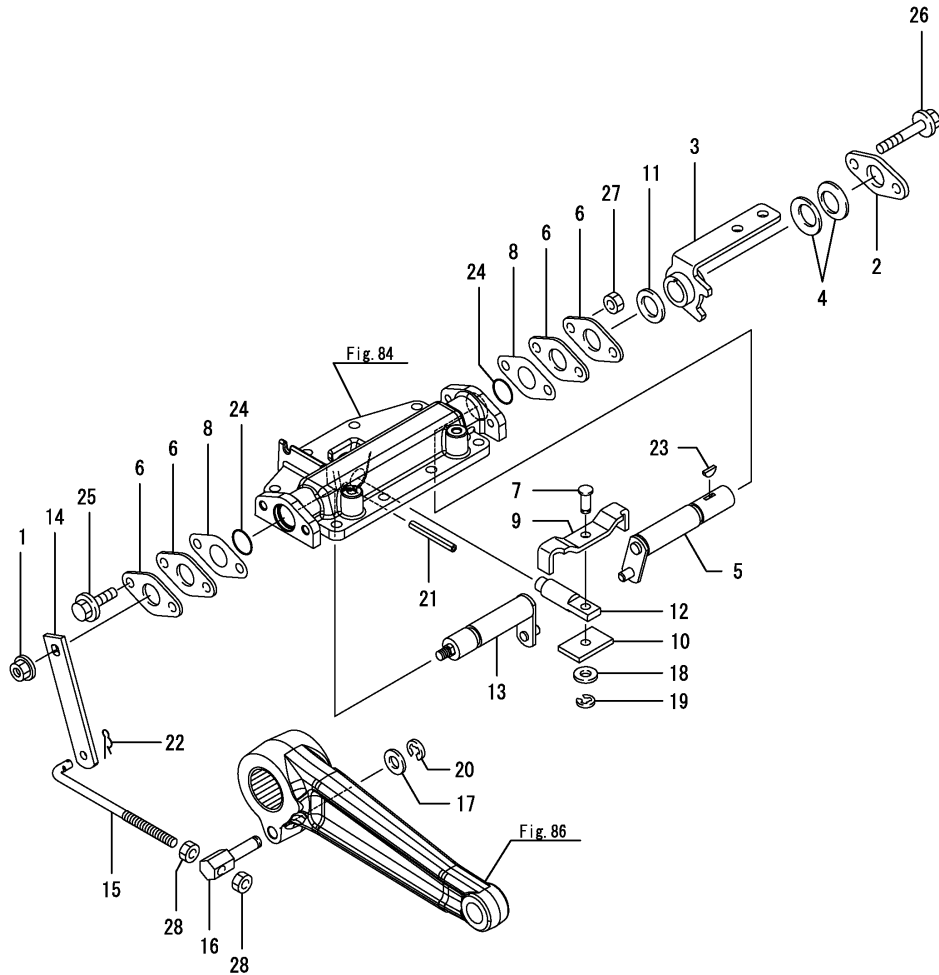
No.	Lev.	Parts No.	Description	Q'ty						I	R
				(A)	(B)	(C)	(D)	(E)	(F)		
1	1	198265-48200	ADAPTER ASSY	1							
2	2	24311-000180	O-RING, 1AP18.0	1							



OCNP5-M35101 HYDRAULIC CONTROL
Fig.90. HYDRAULIC CONTROL

(A)=EF352T LX
 (B)=
 (C)=

(D)=
 (E)=
 (F)=



No.	Lev.	Parts No.	Description	Q'ty						I	R
				(A)	(B)	(C)	(D)	(E)	(F)		
1	1	194990-22050	NUT, M8	1							
2	1	194940-47210-1	PLATE	1							
3	1	198280-47210-1	ARM, LEVER	1							
3-1	1	198280-47710-1 (A=F311468)	ARM, P LEVER	1							N
4	1	194940-47220	WASHER, 20	2							
5	1	198280-47310	SHAFT, P LEVER	1							
6	1	194555-47340-1	PLATE, A	4							
7	1	198431-47340	PIN, CONTROL	1							
8	1	194555-47350-1	PLATE, B	2							
9	1	198200-47411	LINK, CONTROL	1							
10	1	198280-47430	PLATE	1							
11	1	194170-47440	PLATE, FRICTION	1							
12	1	198200-47460	ROD, CONTROL	1							
13	1	198280-47500	SHAFT, FEEDBACK	1							
14	1	198200-47510-1	ARM, FEEDBACK	1							
15	1	198200-47540	ROD, FEEDBACK	1							
16	1	198283-47650	PIN, ADJUST	1							
17	1	22117-100000	WASHER, 10	1							
18	1	22137-080000	WASHER, 8	1							
19	1	22272-000060	RING, E- 6	1							
20	1	22272-000080	RING, E- 8	1							
21	1	22351-060050	PIN, SPRING 6.0X50	1							
22	1	22372-080000	PIN, SNAP 8	1							
23	1	22522-030130	KEY, WOODRUFF 3X13	1							
24	1	24311-000200	O-RING, 1AP20.0	2							
25	1	26106-080162	BOLT, M8X 16 PLATED	2							
26	1	26106-080502	BOLT, M8X 50 PLATED	2							
27	1	26716-080002	NUT, M8	2							
28	1	26716-080002	NUT, M8	2							

Fig.91. HYDRAULIC LEVER

(A)=EF352T LX
(B)=
(C)=

(D)=
(E)=
(F)=

No.	Lev.	Parts No.	Description	Q'ty						I	R
				(A)	(B)	(C)	(D)	(E)	(F)		
1	1	198072-27880	BOOT, SHAFT	1							
2	1	198200-47110	LEVER, POSITION	1							
3	1	26106-080162	BOLT, M8X 16 PLATED	2							

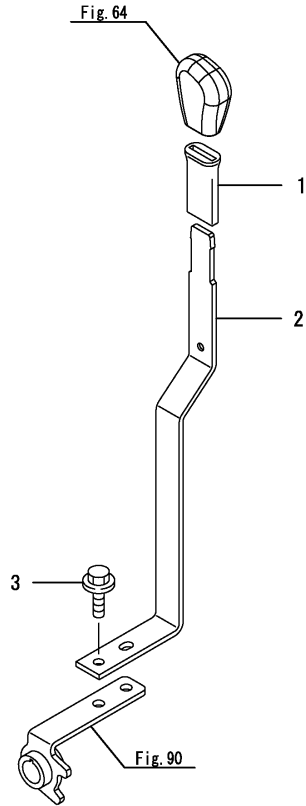


Fig.92. STOP VALVE KNOB

(A)=EF352T LX
(B)=
(C)=

(D)=
(E)=
(F)=

No.	Lev.	Parts No.	Description	Q'ty						I	R
				(A)	(B)	(C)	(D)	(E)	(F)		
1	1	1A7260-46640	KNOB, VALVE	1							
2	1	1A7260-46650	BOLT, M6X40	1							

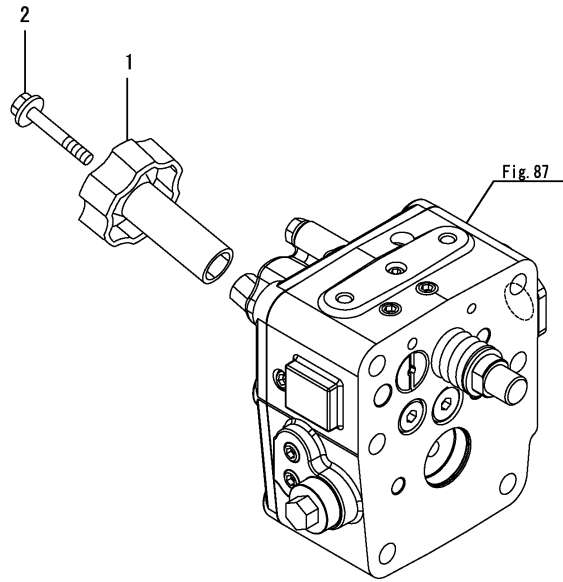
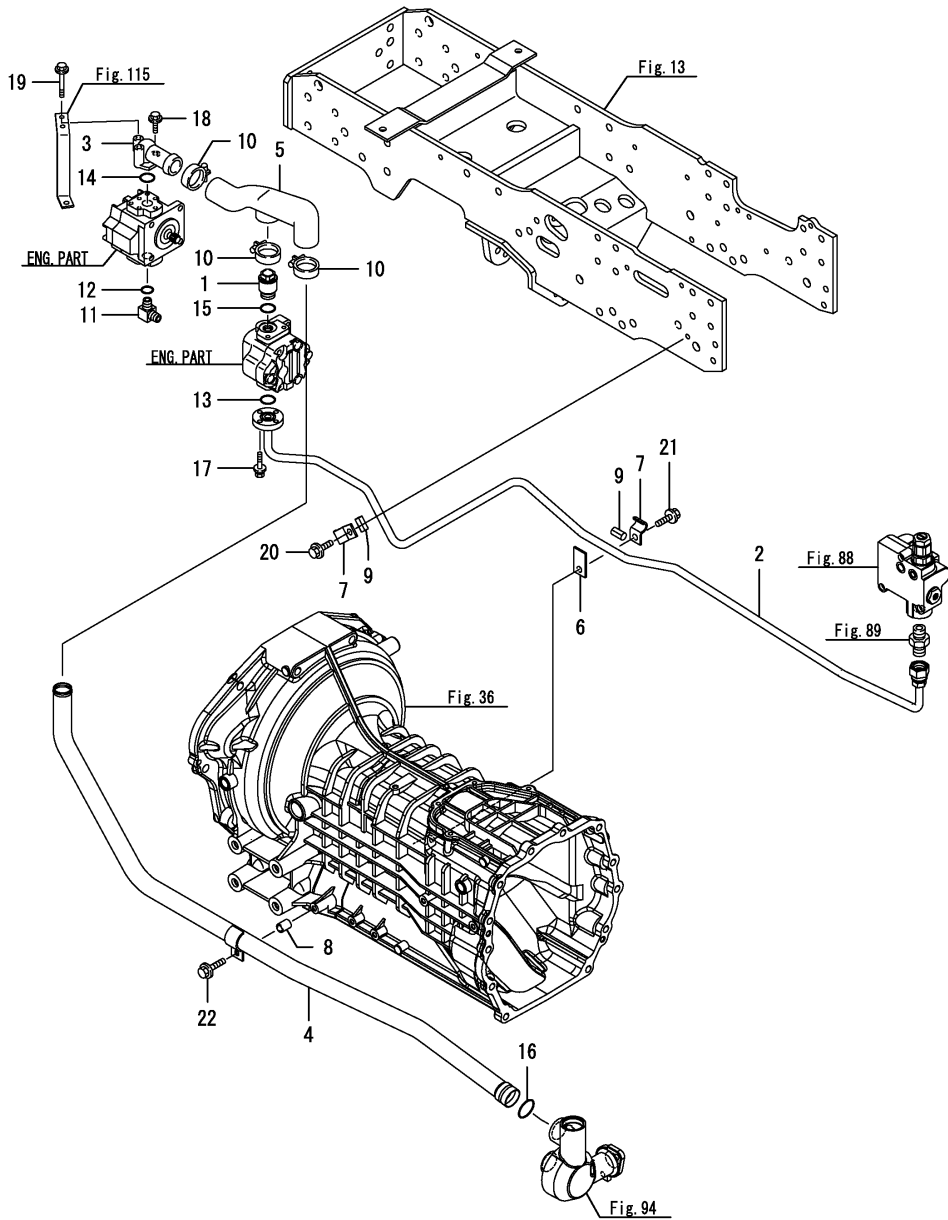


Fig.93. HYDRAULIC PIPING



(A)=EF352T LX
(B)=
(C)=

(D)=
(E)=
(F)=

No.	Lev.	Parts No.	Description	Q'ty						I	R
				(A)	(B)	(C)	(D)	(E)	(F)		
1	1	198010-41211	JOINT, M22	1							
2	1	198208-48110-1	PIPE, PRESSURE	1							
2-1	1	198208-48111-1	LINE ASSY,PRESSURE	1							N
(A=FZZZZZ)											
3	1	198220-48140	FLANGE, PIPE P	1							
4	1	198208-48160	PIPE, PRESSURE	1							
5	1	198072-48340	TUBE, PRESSURE	1							
6	1	198330-48410	CLAMP	1							
7	1	198200-48810	CLAMP, PIPE	2							
8	1	1A8115-48840	COLLAR, 8.4X12X15	1							
9	1	198240-48850	CLAMP, ABSORBER	2							
10	1	175022-49730	CRIP 31, HOSE	3							
11	1	1E6680-66470	ELBOW, 3/8	1							
12	1	24311-000140	O-RING, 1AP14.0	1							
13	1	24311-000200	O-RING, 1AP20.0	1							
14	1	24311-000200	O-RING, 1AP20.0	1							
15	1	24311-000200	O-RING, 1AP20.0	1							
16	1	24311-000260	O-RING, 1AP26.0	1							
17	1	26018-060252	BOLT, M6X 25	4							
18	1	26106-060202	BOLT, M6X 20 PLATED	1							
19	1	26106-060452	BOLT, M6X 45 PLATED	2							
20	1	26106-080162	BOLT, M8X 16 PLATED	1							
21	1	26106-080202	BOLT, M8X 20 PLATED	1							
22	1	26106-080302	BOLT, M8X 30 PLATED	1							

Fig.94. HYDRAULIC FILTER

(A)=EF352T LX
(B)=
(C)=

(D)=
(E)=
(F)=

No.	Lev.	Parts No.	Description	Q'ty						I	R
				(A)	(B)	(C)	(D)	(E)	(F)		
1	1	1A6660-24250	PLUG, BORE 32	1							
1-1	1	27260-320000	PLUG, 32	1							R
			(A=FXXXXX)								
2	1	1A8115-48310	FILTER, HYDRAULIC	1							
3	1	198200-48350	COVER, FILTER	1							
4	1	24311-000340	O-RING, 1AP34.0	1							
5	1	26106-080252	BOLT, M8X 25 PLATED	2							

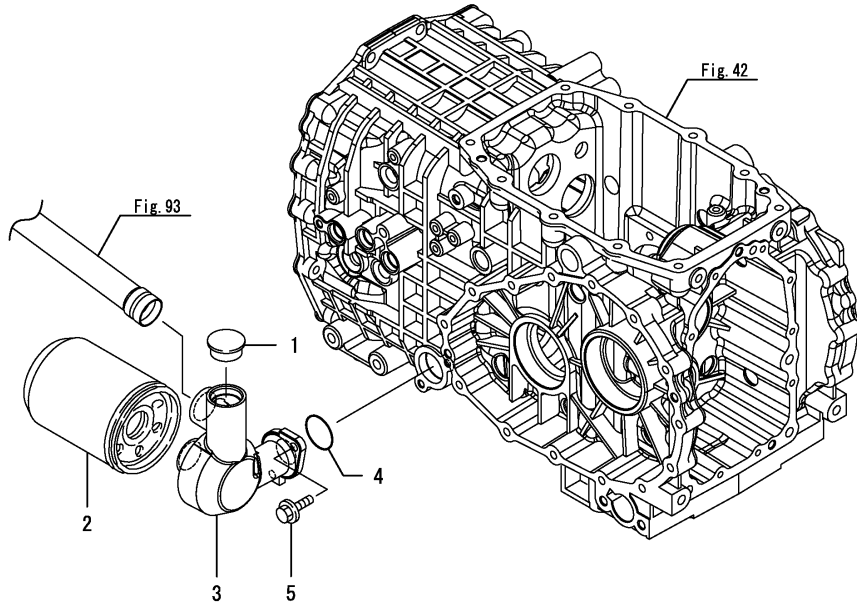


Fig.95. WIRE HARNESS(HEAD LAMP)

(A)=EF352T LX
(B)=
(C)=

(D)=
(E)=
(F)=

No.	Lev.	Parts No.	Description	Q'ty						I	R
				(A)	(B)	(C)	(D)	(E)	(F)		
1	1	198200-51170	HARNES, WIRE	1							
2	1	29622-250001	BAND, RF250	1							

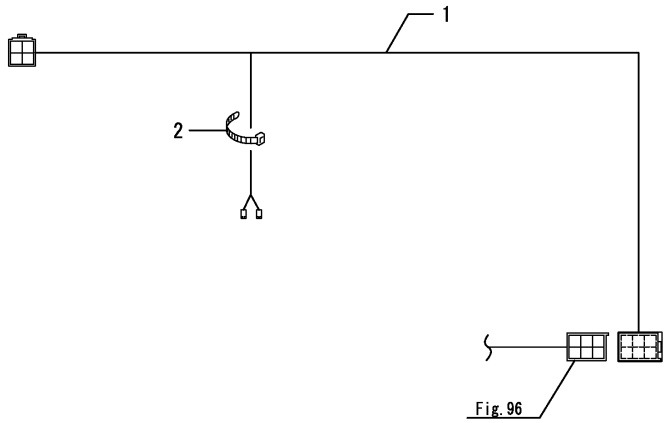
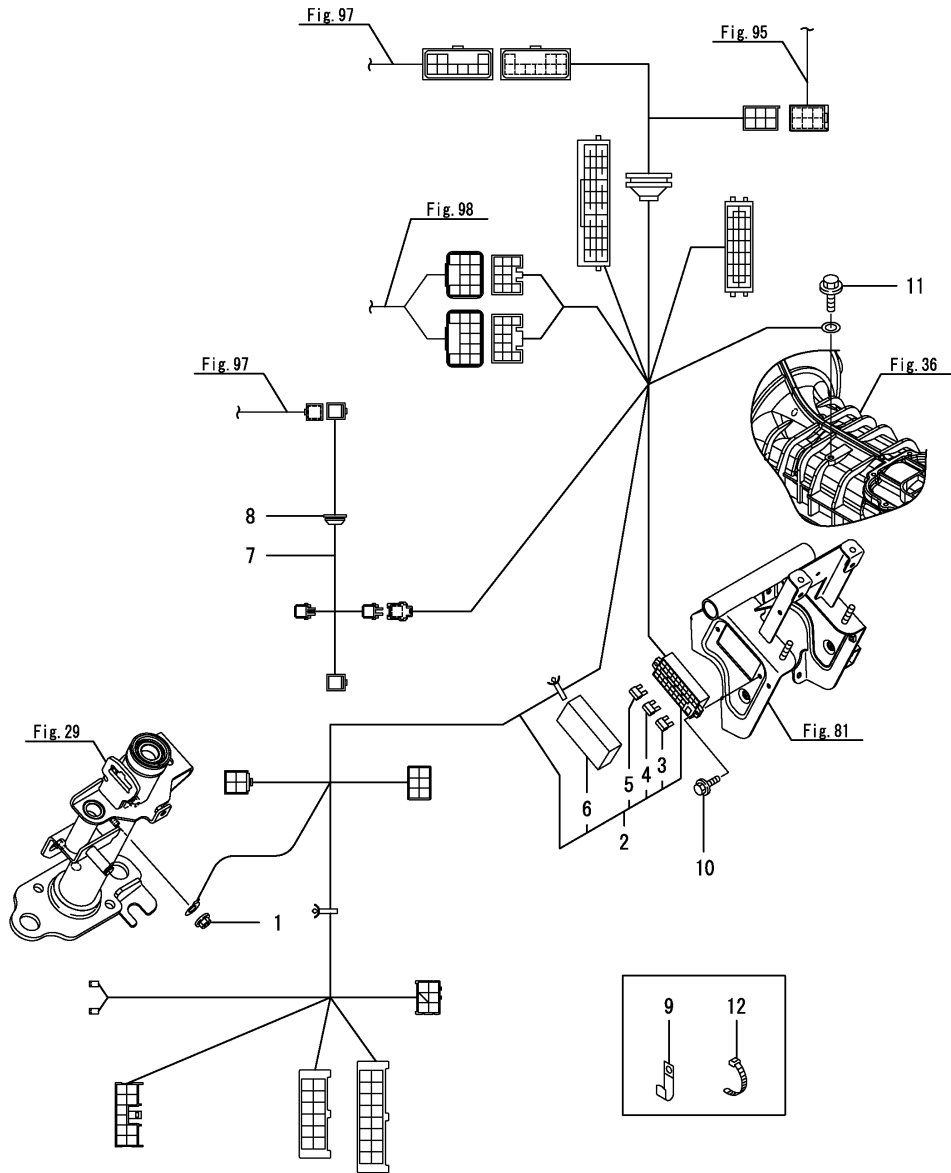


Fig.96. WIRE HARNESS(FLOOR)

(A)=EF352T LX
(B)=
(C)=

(D)=
(E)=
(F)=

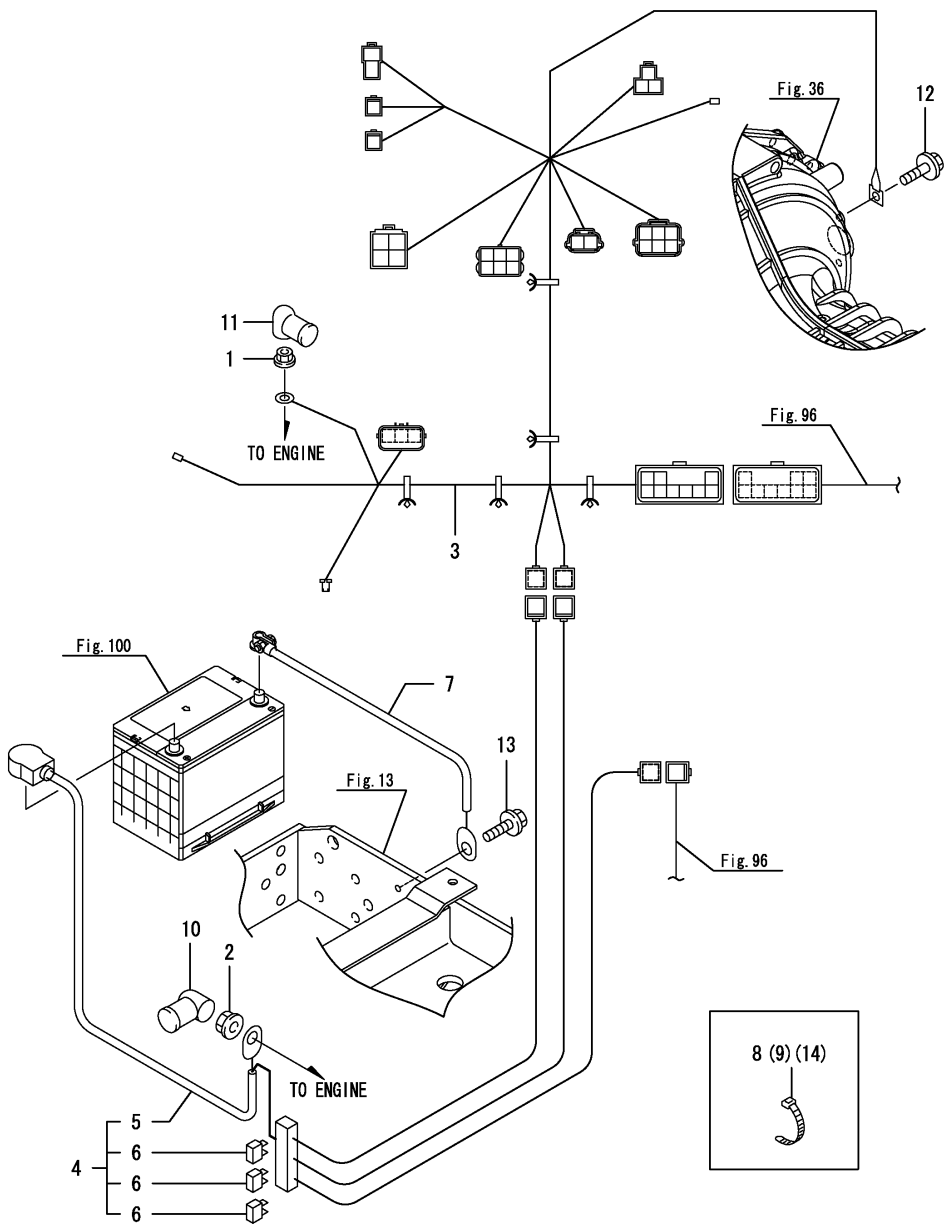


No.	Lev.	Parts No.	Description	Q'ty						I	R
				(A)	(B)	(C)	(D)	(E)	(F)		
1	1	194990-22130	NUT, M6	1							
2	1	198283-51151	HARNESS ASSY, WIRE F	1							
3	2	198535-52110	FUSE, 5A	4							
4	2	198535-52120	FUSE, 10A	4							
5	2	198535-52130	FUSE, 15A	2							
6	2	198200-52520	COVER, FUSE BOX	1							
7	1	198280-51200	CABLE, STARTER	1							
8	1	194170-51210	GROMMET	1							
9	1	194242-51660	CLAMP, HARNESS	1							
10	1	26106-060122	BOLT, M6X 12 PLATED	2							
11	1	26106-080122	BOLT, M8X 12 PLATED	1							
12	1	29622-250001	BAND, RF250	1							

Fig.97. WIRE HARNESS(ENGINE)

(A)=EF352T LX
(B)=
(C)=

(D)=
(E)=
(F)=

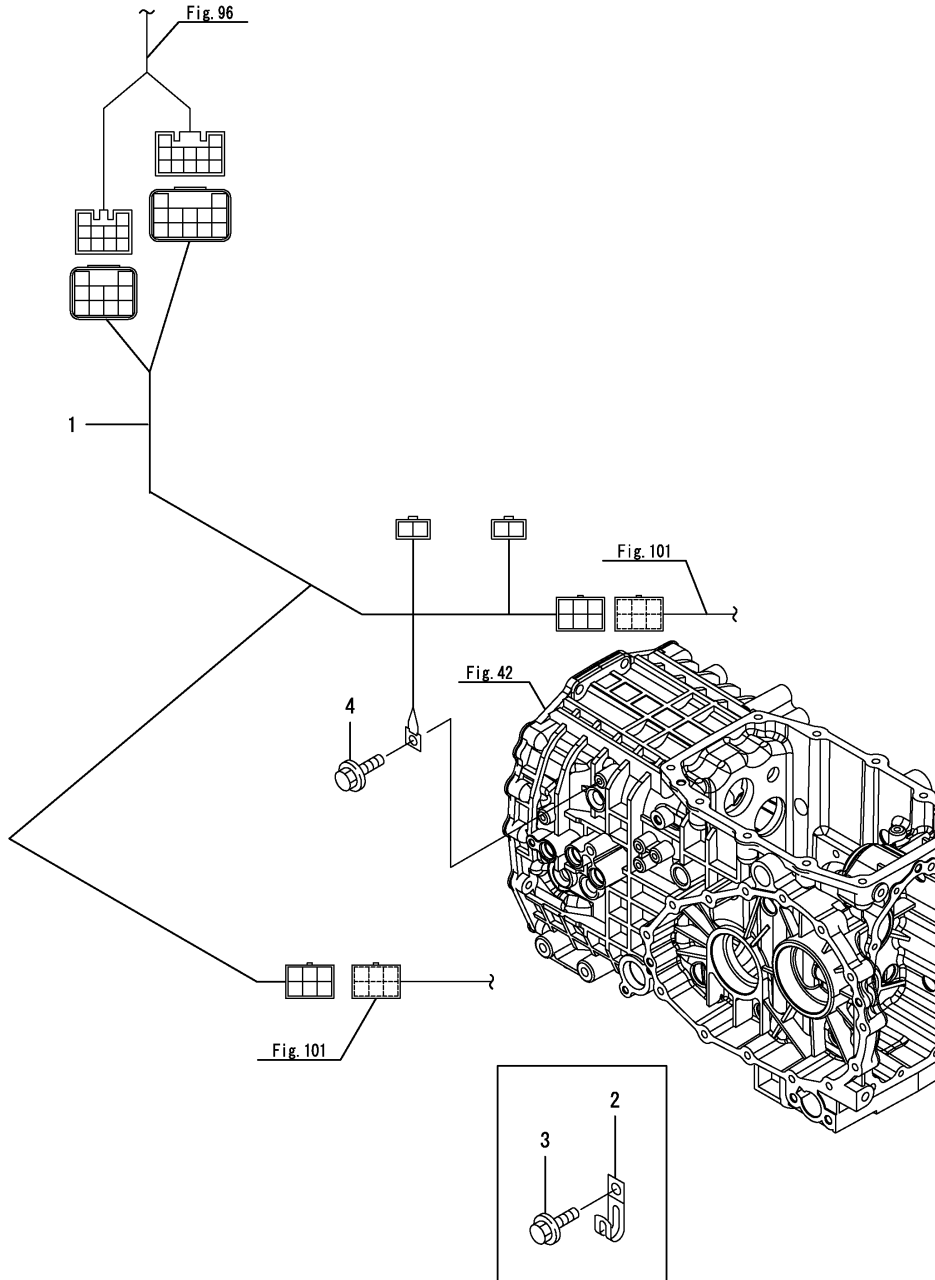


No.	Lev.	Parts No.	Description	Q'ty						I	R
				(A)	(B)	(C)	(D)	(E)	(F)		
1	1	194990-22130	NUT, M6	1							
2	1	194990-22140	NUT, M8	1							
3	1	198283-51110	HARNESS, WIRE	1							
4	1	198280-51410	CABLE, BATTERY	1							
5	2	198280-51420	CABLE	1							
6	2	1A7000-52820	FUSE, SLOW BLOW 60A	3							
7	1	194250-51420	CABLE, BATTERY EARTH	1							
8	1	198220-51870	BAND, NYLON 200	2							
9	1	198220-51870	BAND, NYLON 200	1							
10	1	124550-77030	COVER, TERMINAL	1							
11	1	124756-77040	COVER, TERMINAL	1							
12	1	26106-080122	BOLT, M8X 12 PLATED	1							
13	1	26106-080162	BOLT, M8X 16 PLATED	1							
14	1	29622-140001	BAND, RF140	1							

Fig.98. WIRE HARNESS(TRANSMISSION)

(A)=EF352T LX
(B)=
(C)=

(D)=
(E)=
(F)=



No.	Lev.	Parts No.	Description	Q'ty						I	R
				(A)	(B)	(C)	(D)	(E)	(F)		
1	1	198283-51130	HARNESS, WIRE	1							
2	1	194440-51620	CLAMP	1							
3	1	26106-080122	BOLT, M8X 12 PLATED	1							
4	1	26106-080122	BOLT, M8X 12 PLATED	1							

Fig.99. HARNESS CLAMP

(A)=EF352T LX
(B)=
(C)=

(D)=
(E)=
(F)=

No.	Lev.	Parts No.	Description	Q'ty						I	R
				(A)	(B)	(C)	(D)	(E)	(F)		
1	1	194180-51640	CLAMP, HARNESS	2							
2	1	1E6102-83230	CLAMP, CABLE	3							
3	1	26106-080122	BOLT, M8X 12 PLATED	3							

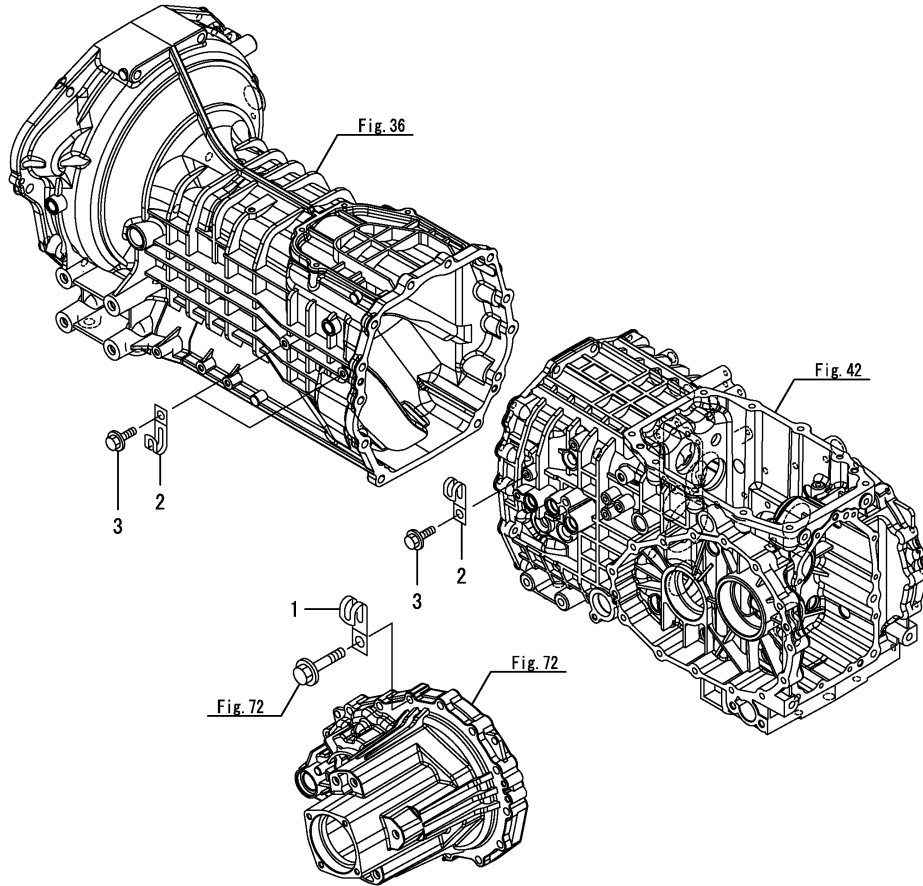


Fig.100. BATTERY

(A)=EF352T LX
(B)=
(C)=

(D)=
(E)=
(F)=

No.	Lev.	Parts No.	Description	Q'ty						I	R
				(A)	(B)	(C)	(D)	(E)	(F)		
1	1	198280-51900	BATTERY KIT, 80D26R	1							
2	2	1A7550-91900	LABEL,CROSSED OUT PB	1							

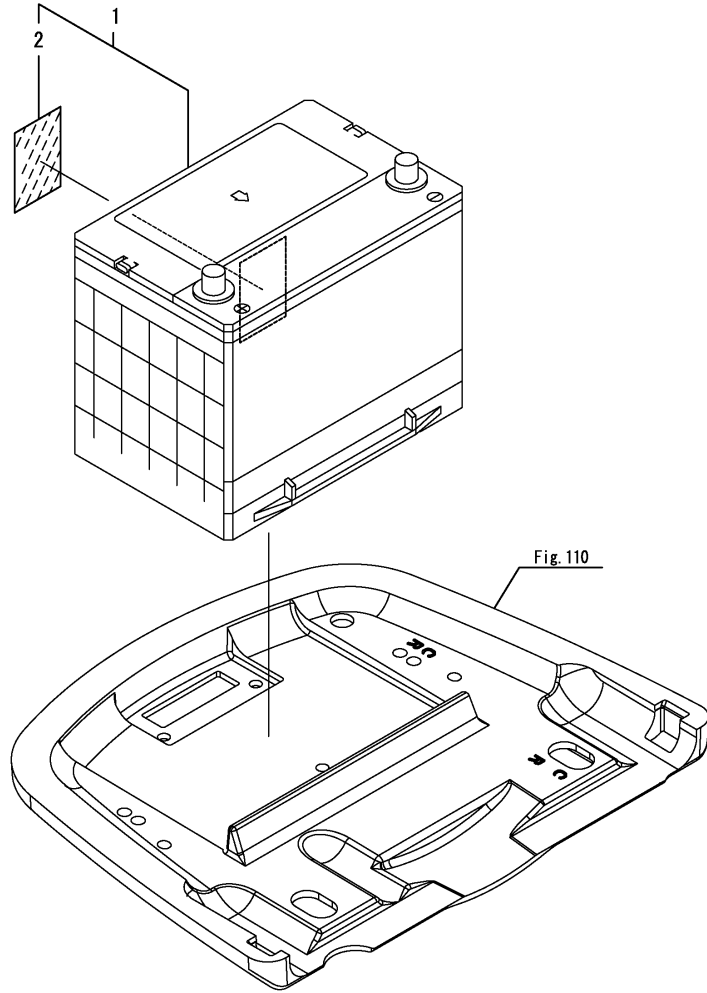
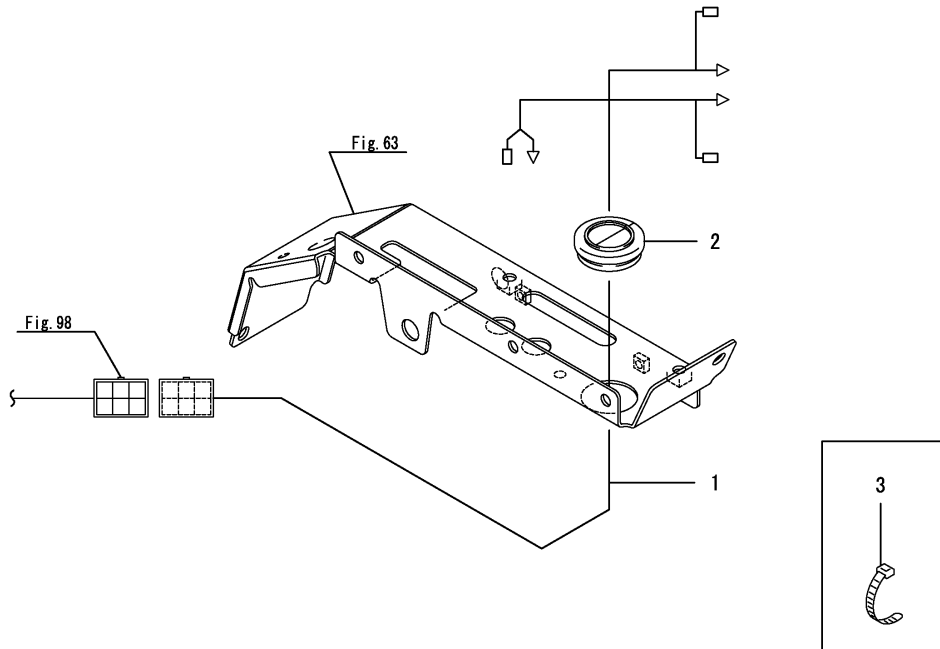
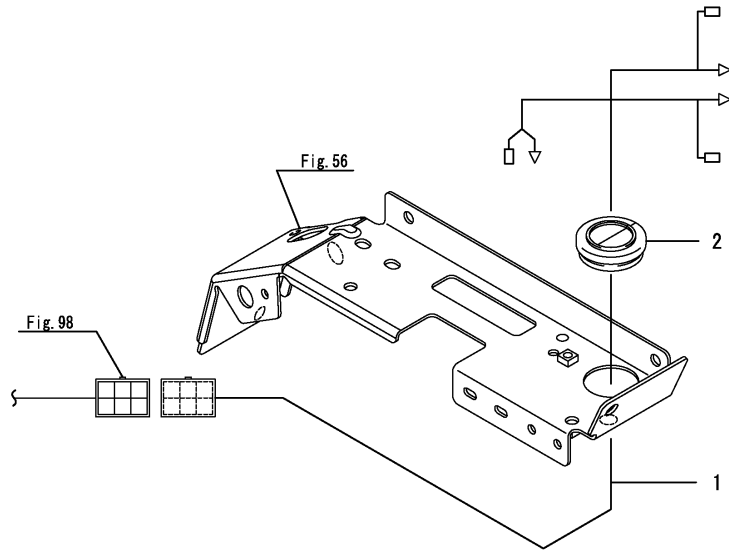


Fig.101. WIRE HARNESS(FLASHER)

(A)=EF352T LX
(B)=
(C)=

(D)=
(E)=
(F)=



No.	Lev.	Parts No.	Description	Q'ty						I	R
				(A)	(B)	(C)	(D)	(E)	(F)		
1	1	198283-51181	HARNES, WIRE	2							
2	1	198133-51350	GROMMET, 38A	2							
3	1	29622-250001	BAND, RF250	1							

Fig.102. SWITCH(FLOOR)

(A)=EF352T LX
(B)=
(C)=

(D)=
(E)=
(F)=

No.	Lev.	Parts No.	Description	Q'ty						I	R
				(A)	(B)	(C)	(D)	(E)	(F)		
1	1	198200-52140	SWITCH, COMBINATION	1							
2	1	198280-52450	COVER, BOX	1							
3	2	198280-52460	LABEL,	1							
4	1	1E6650-82400	RELAY	1							
5	1	26106-060122	BOLT, M6X 12 PLATED	1							

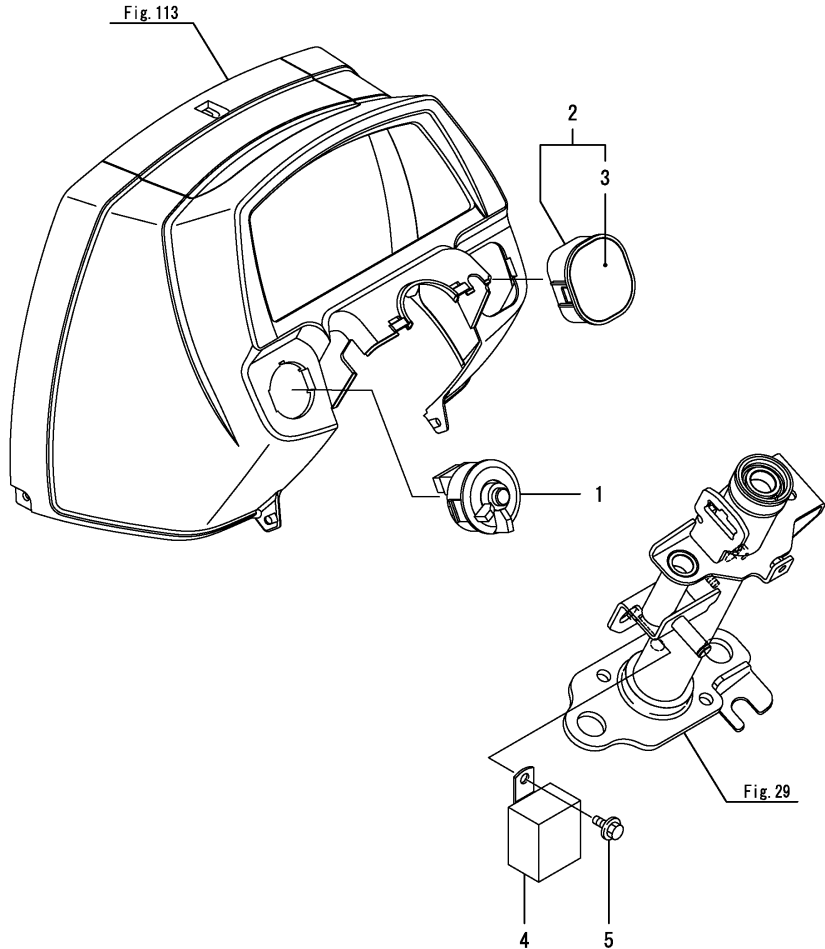


Fig.103. SWITCH(COLUMN COVER)

(A)=EF352T LX
(B)=
(C)=

(D)=
(E)=
(F)=

No.	Lev.	Parts No.	Description	Q'ty						I	R
				(A)	(B)	(C)	(D)	(E)	(F)		
1	1	194940-52110	SWITCH, STARTING	1							
2	2	198360-52320	NUT, RING	1							
3	2	198360-52330	WASHER	1							
4	2	198360-52160	KEY ASSY	1							
5	1	1A7335-52120	SWITCH, HAZARD	1							

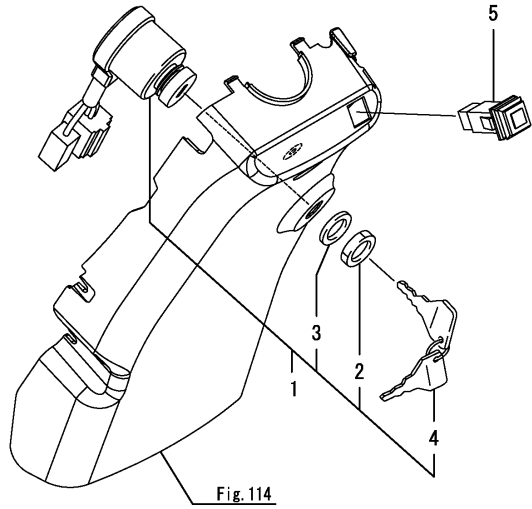


Fig.104. LAMP

(A)=EF352T LX
(B)=
(C)=

(D)=
(E)=
(F)=

No.	Lev.	Parts No.	Description	Q'ty						I	R
				(A)	(B)	(C)	(D)	(E)	(F)		
1	1	198121-51190	HARNES, WIRE	2							
2	1	198121-51190	HARNES, WIRE	2							
3	1	194180-51640	CLAMP, HARNES	2							
4	1	198010-53400	LAMP ASSY, FLASHER	2							
5	2	198010-53420	LAMP, FLASHER	2							
6	3	194200-53400	BULB, 12V-20W	2							
7	3	198010-53410	BODY ASSY	2							
8	3	198511-53430	LENS	4							
9	3	198511-53450	GASKET	2							
10	2	22217-100000	WASHER, SPRING 10	2							
11	2	26776-100002	NUT, LOCK M10	2							
12	1	198283-53501	STAY, TAIL LAMP	2							
13	1	198283-53810	LAMP, POSITION	2							
14	2	1A7450-53820	BULB, 12V/10W	2							
15	1	26013-120352	BOLT, M12X 35	2							
16	1	26776-100002	NUT, LOCK M10	2							

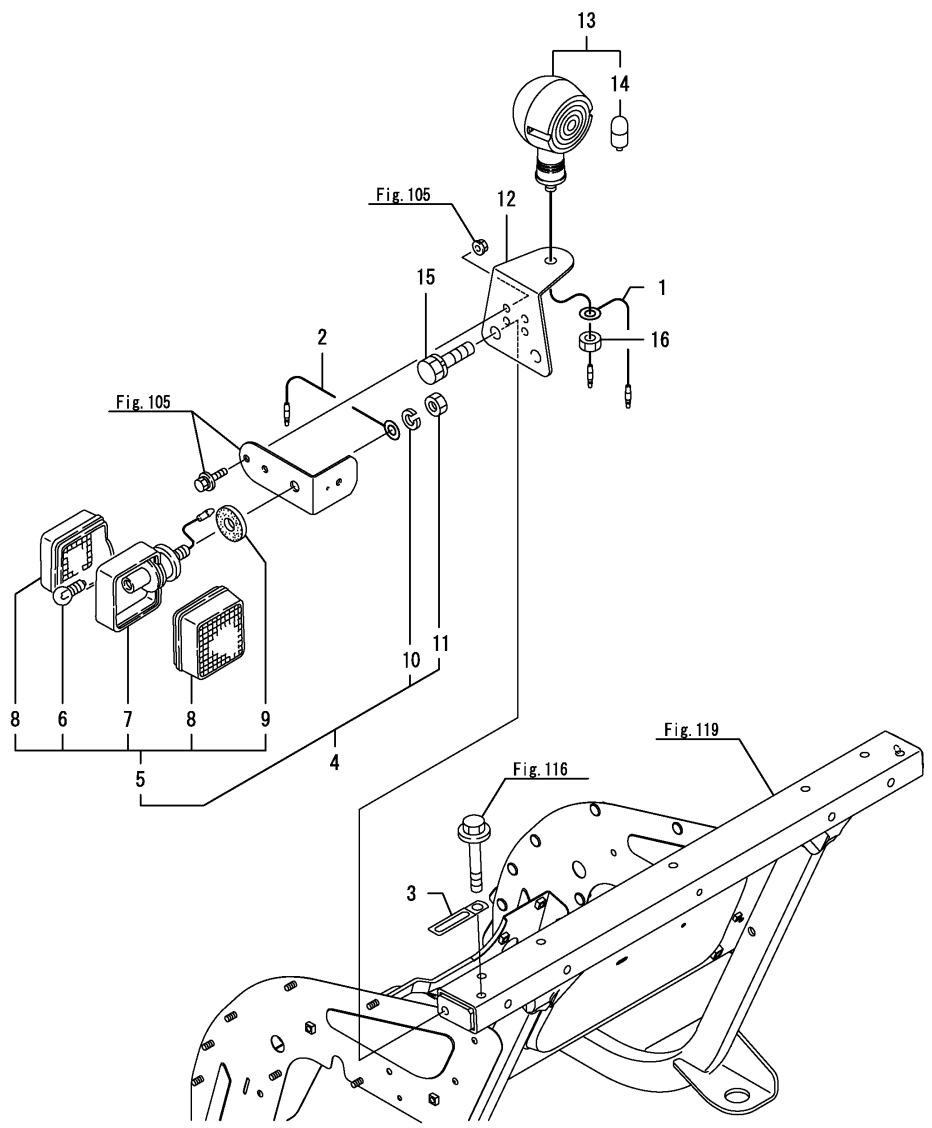


Fig.105. REFLECTOR

(A)=EF352T LX
(B)=
(C)=

(D)=
(E)=
(F)=

No.	Lev.	Parts No.	Description	Q'ty						I	R
				(A)	(B)	(C)	(D)	(E)	(F)		
1	1	194990-22120	NUT, M5	2							
2	1	194990-22130	NUT, M6	2							
3	1	198200-53401	STAY, REFLECTOR	2							
4	1	1A6481-62650	REFLECTOR	2							
5	1	198093-85650	BOLT, M6X16	4							

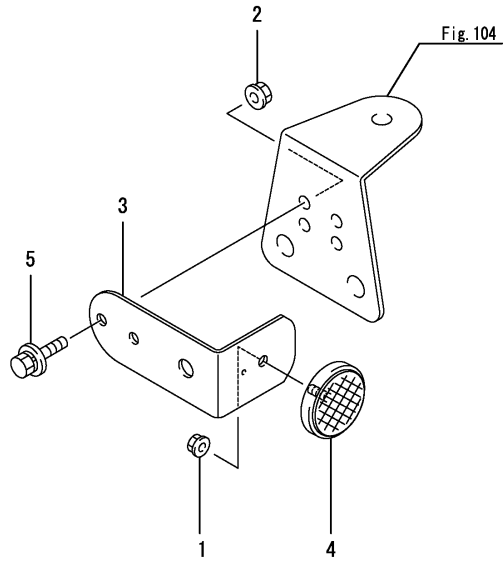


Fig.106. METER

(A)=EF352T LX
(B)=
(C)=

(D)=
(E)=
(F)=

No.	Lev.	Parts No.	Description	Q'ty						I	R
				(A)	(B)	(C)	(D)	(E)	(F)		
1	1	198280-56013	METER ASSY	1							
2	2	198280-56021	TACHOMETER ASSY	1							
3	2	198200-56030	CASE ASSY	1							
4	2	198280-56043	BOARD ASSY, CIRCUIT	1							
5	3	1C6920-36260	LAMP ASSY, SOCKET	1							
6	3	198200-56050	BULB, 14V-1.7W	10							
7	3	198448-56150	BULB, 14V-1.4W	5							
8	2	198200-56060	GLASS	1							
9	2	198200-56070	COVER	1							
10	2	198200-56080	SCREW, 3X16	6							
11	1	194940-61790	SCREW, TAPPING M5X16	4							

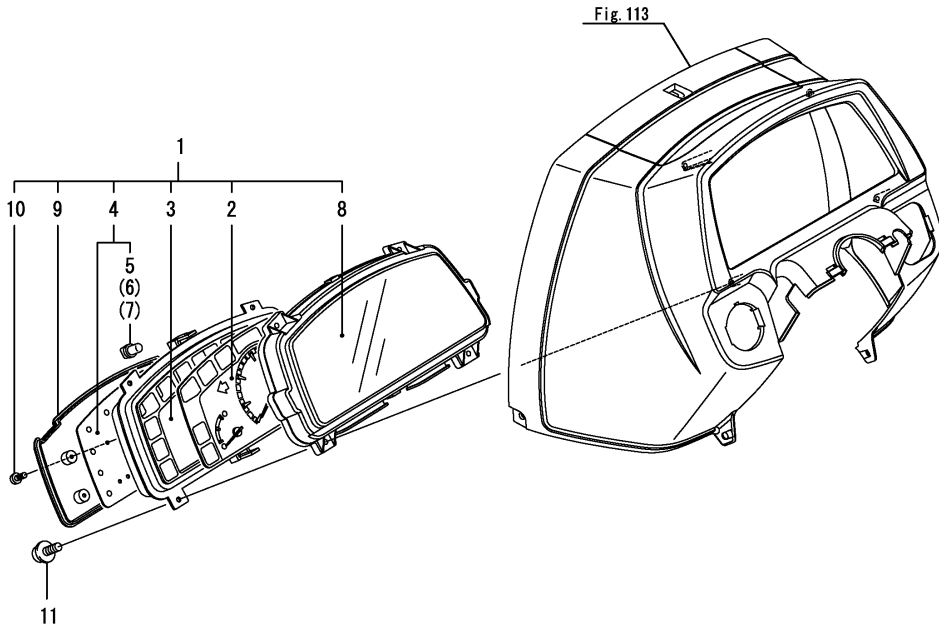


Fig.107. HORN

(A)=EF352T LX
(B)=
(C)=

(D)=
(E)=
(F)=

No.	Lev.	Parts No.	Description	Q'ty						I	R
				(A)	(B)	(C)	(D)	(E)	(F)		
1	1	1C7100-08150	HORN ASSY	1							
2	1	26106-060082	BOLT, M6X 8 PLATED	1							

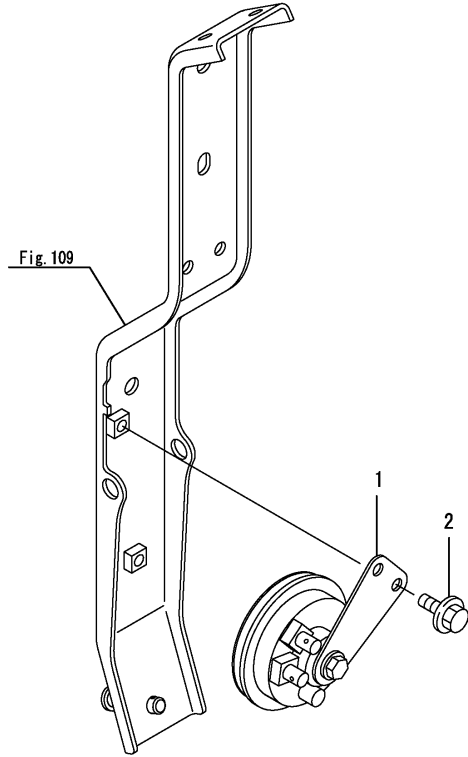


Fig.108. SWITCH(TRANSMISSION)

(A)=EF352T LX
(B)=
(C)=

(D)=
(E)=
(F)=

No.	Lev.	Parts No.	Description	Q'ty						I	R
				(A)	(B)	(C)	(D)	(E)	(F)		
1	1	198269-52190	SWITCH, SAFETY	1							
2	1	198269-52190	SWITCH, SAFETY	1							
3	1	24311-000180	O-RING, 1AP18.0	2							

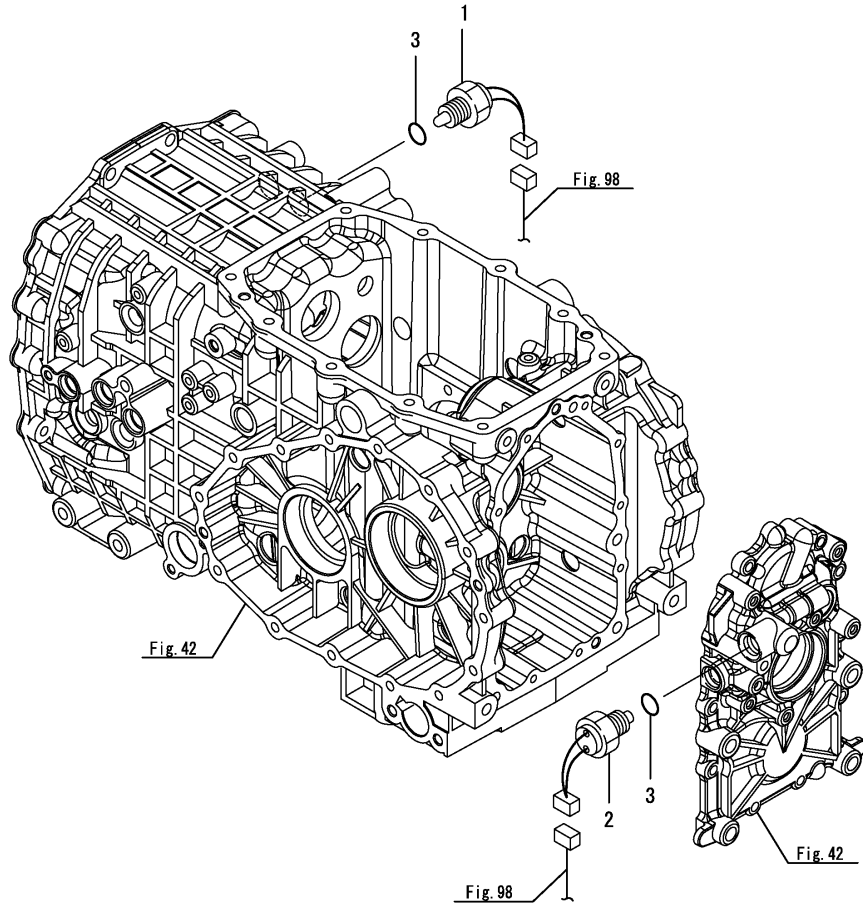


Fig.109. HOOD

(A)=EF352T LX

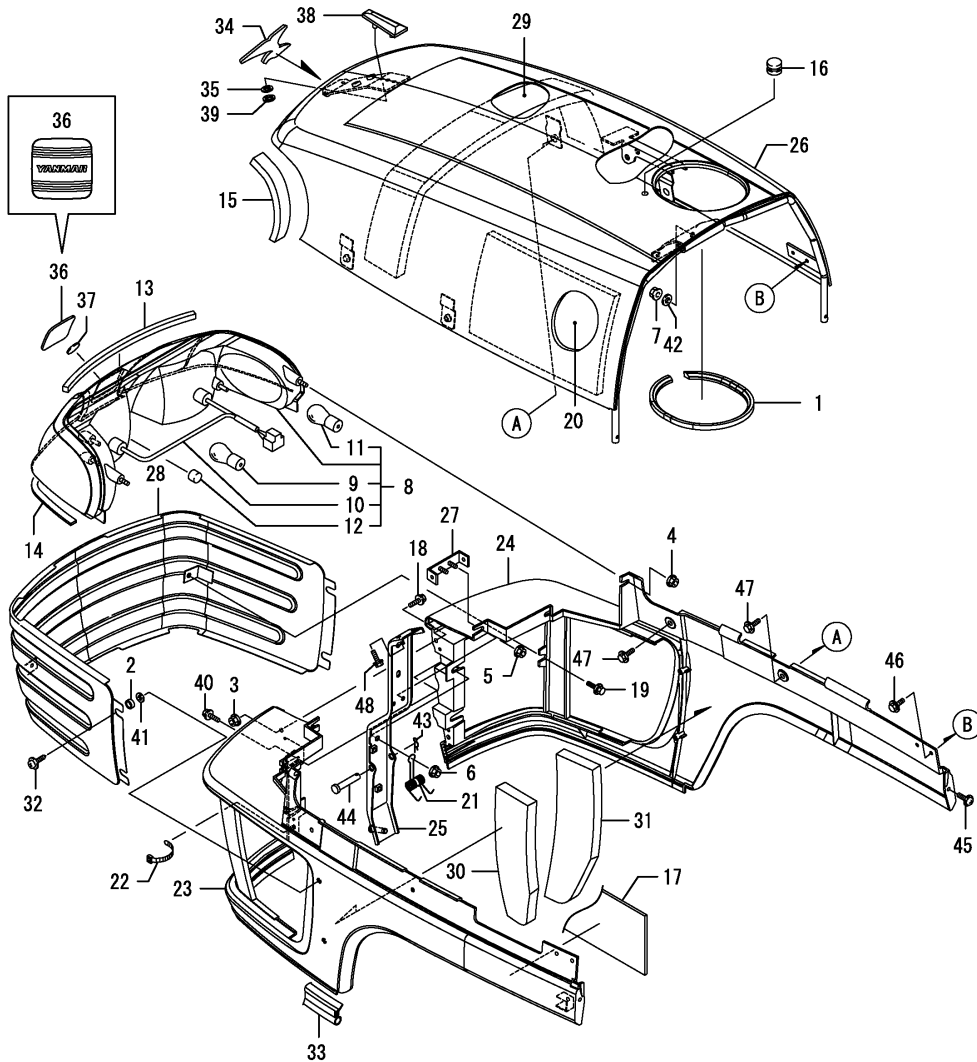
(B)=

(C)=

(D)=

(E)=

(F)=



No.	Lev.	Parts No.	Description	Q'ty						I	R
				(A)	(B)	(C)	(D)	(E)	(F)		
1	1	1A8070-04250	GASKET, SUMP UPPER	1							
2	1	174501-07060	COLLAR, 10X15X6	4							
3	1	194990-22130	NUT, M6	1							
4	1	194990-22130	NUT, M6	5							
5	1	194990-22130	NUT, M6	2							
6	1	194990-22140	NUT, M8	1							
7	1	194990-22140	NUT, M8	2							
8	1	198200-53100	LAMP ASSY, HEAD	1							
9	2	198425-53110	BULB, 12V25/25W	2							
10	2	198200-53120	WIRE, HEAD LAMP	1							
11	2	198200-53130	BULB	2							
12	2	1A7260-53220	CAP	1							
13	1	198200-53210	SEAL, HEAD LAMP	1							
14	1	198200-53220	SEAL, HEAD LAMP	1							
15	1	198200-53230	SEAL, HEAD LAMP	2							
16	1	194197-56350	GROMMET	1							
17	1	198283-60100	URETHANE, BONNET LL	1							
18	1	198461-60590	BOLT, M6X20	2							
19	1	198461-60590	BOLT, M6X20	2							
20	1	1A7260-60890	URETHANE, BONNET UL	1							
21	1	198200-60910	SPRING	1							
22	1	1C6280-61100	BAND 70	1							
23	1	198283-61151	BONNET, LOWER L	1							
24	1	198283-61161	BONNET, LOWER R	1							
25	1	198280-61210	STAY ASSY, BONNET	1							
26	1	198283-61260	BONNET ASSY, UPPER M	1							
27	1	198200-61300	GUIDE, BONNET	1							
28	1	198200-61340	NET ASSY, BONNET	1							
29	1	198200-61410	URETHANE, BONNET U	1							
30	1	198200-61420	URETHANE, BONNET LL	1							
31	1	198200-61430	URETHANE, BONNET LR	1							
32	1	194420-61640	SCREW, TAPPING M5X16	4							
33	1	198133-61950	WEATHER-STRIP, 950	1							
34	1	198200-65010	MARK, BRAN 63-R400	1							
35	1	194555-65130	CUSHION	2							
36	1	198208-65250	LABEL, YANMAR 50	1							
37	1	198208-65260	SEAT, PROTECTOR	1							
38	1	194940-65590	MARK, TOP	1							
39	1	198071-65610	NUT, SPEED M5	2							
40	1	198093-82510	BOLT, M8X25	1							
41	1	22137-060000	WASHER, 6	4							
42	1	22137-080000	WASHER, 8	2							
43	1	22372-100000	PIN, SNAP 10	1							
44	1	22487-100550	PIN 10X 55	1							
45	1	26021-050122	SCREW, M5X12	2							
46	1	26106-060082	BOLT, M6X 8 PLATED	2							
47	1	26106-060122	BOLT, M6X 12 PLATED	4							
48	1	26106-060122	BOLT, M6X 12 PLATED	2							

Fig.111. HOOD STAND

(A)=EF352T LX
(B)=
(C)=

(D)=
(E)=
(F)=

No.	Lev.	Parts No.	Description	Q'ty						I	R
				(A)	(B)	(C)	(D)	(E)	(F)		
1	1	198200-61400	STAND ASSY	1							
2	1	198200-61550	STOPPER, STAND	3							
3	1	22190-080000	WASHER, SEAL 8	2							
4	1	22190-080000	WASHER, SEAL 8	1							
5	1	22372-080000	PIN, SNAP 8	2							
6	1	22487-080300	PIN, H 8X 30	1							

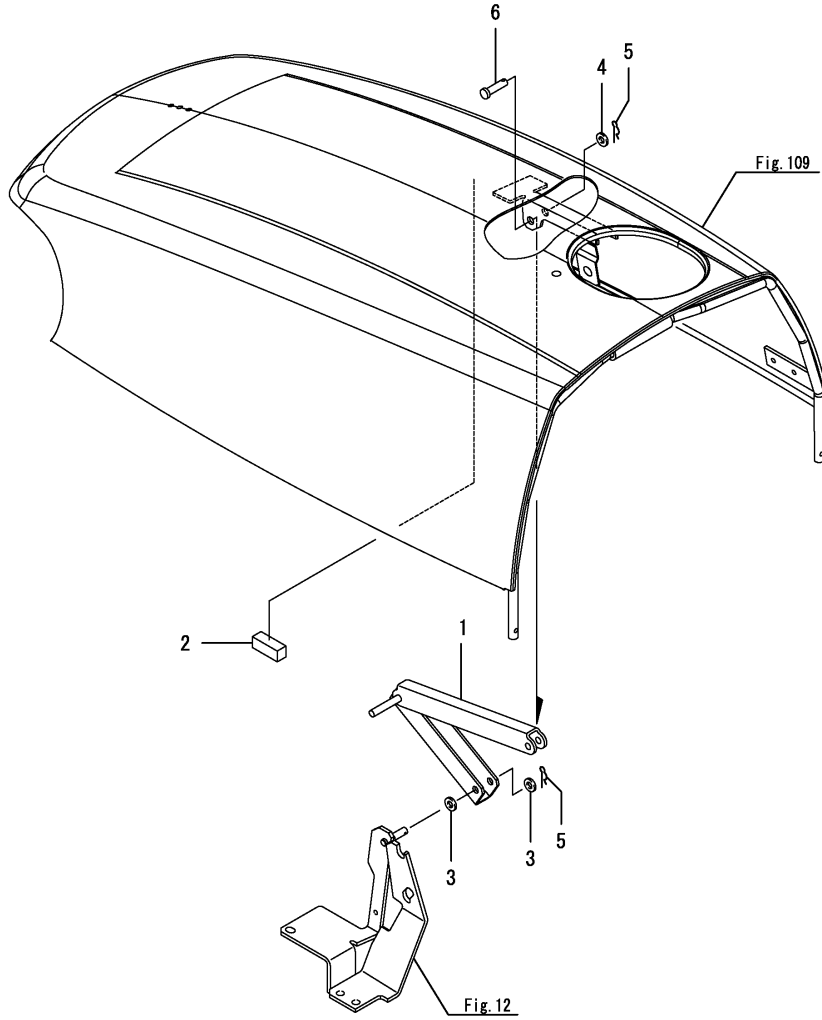


Fig.112. SIDE COVER

(A)=EF352T LX
(B)=
(C)=

(D)=
(E)=
(F)=

No.	Lev.	Parts No.	Description	Q'ty						I	R
				(A)	(B)	(C)	(D)	(E)	(F)		
1	1	198200-01570	STAY ASSY, COVER L	1							
2	1	198200-01580	STAY ASSY, COVER R	1							
3	1	198200-01600	STAY ASSY, REAR	1							
4	1	194990-22130	NUT, M6	2							
5	1	198200-60990	PIPE, GUARD	2							
6	1	198280-61000-1	COVER ASSY, SIDE L M	1							
7	1	198280-61010-1	COVER ASSY, SIDE R M	1							
8	1	22351-080050	PIN, SPRING 8.0X50	2							
9	1	26106-060162	BOLT, M6X 16 PLATED	2							
10	1	26106-080122	BOLT, M8X 12 PLATED	2							

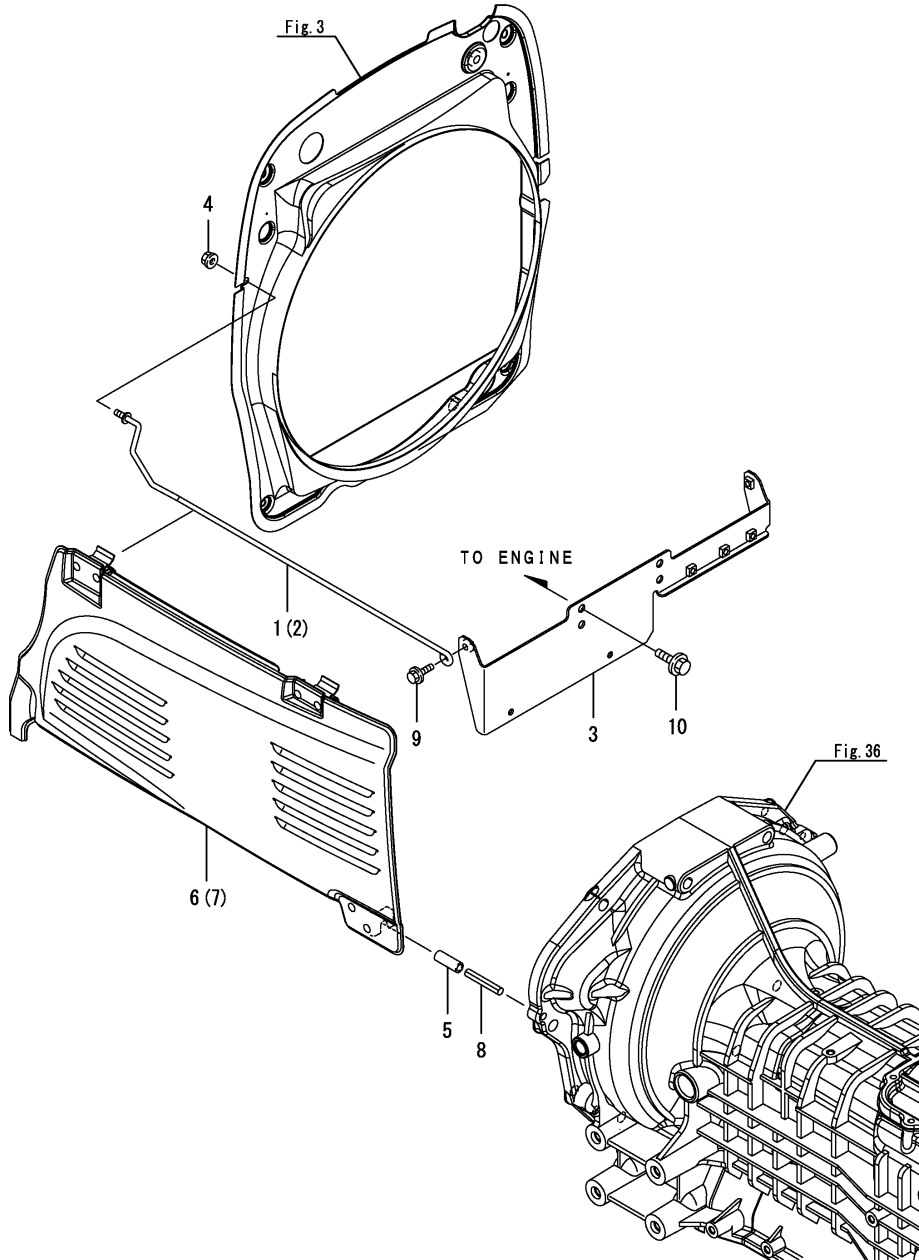


Fig.113. DASHBOARD

(A)=EF352T LX
(B)=
(C)=

(D)=
(E)=
(F)=

No.	Lev.	Parts No.	Description	Q'ty						I	R
				(A)	(B)	(C)	(D)	(E)	(F)		
1	1	198072-60590	BOLT, M6X20	3							
2	1	198200-61600	COVER, DASHBOARD	1							
3	1	1A8115-61620	WEATHER-STRIP, 920	1							
4	1	198071-61890	NUT, SPEED M6	2							
5	1	198200-63620	CAP, BOLT 6	1							

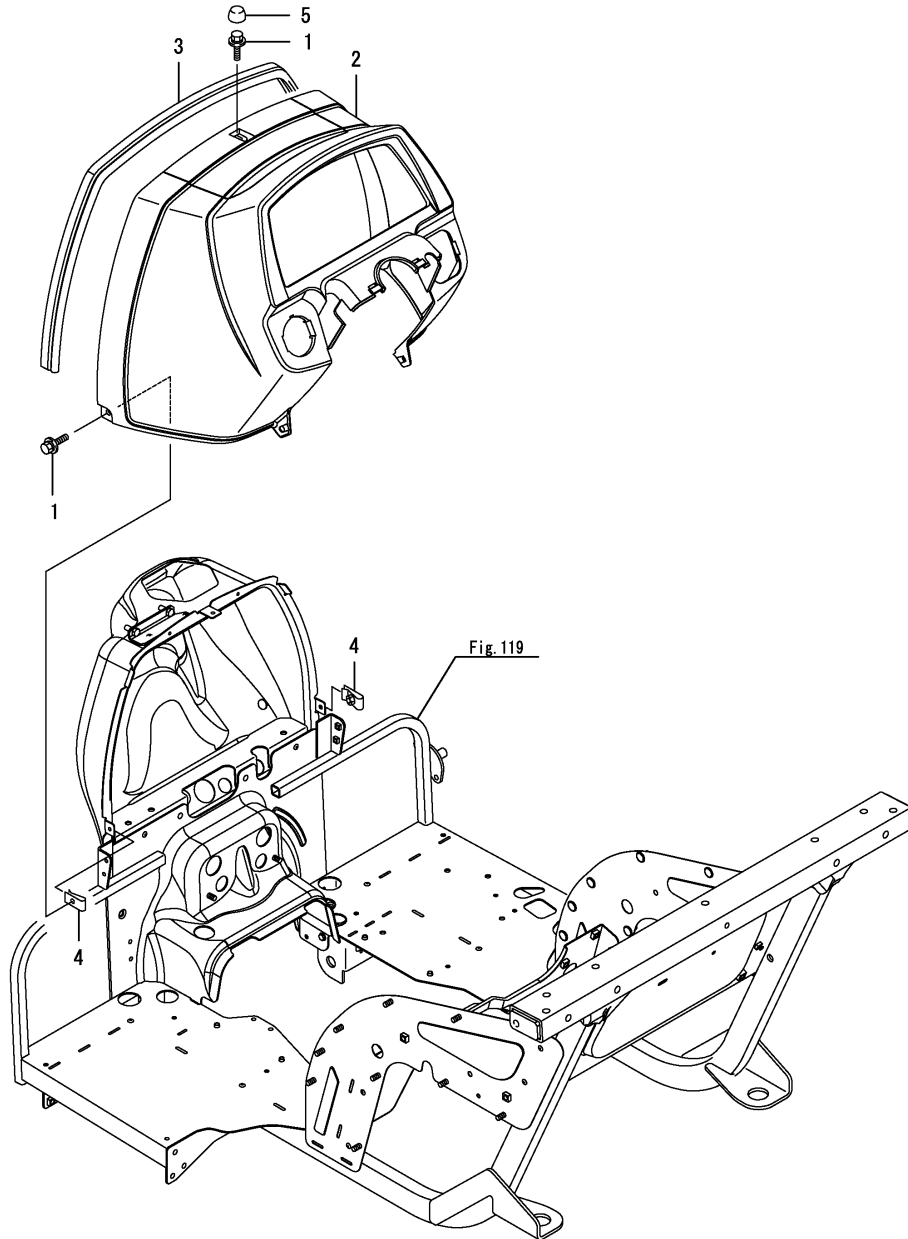


Fig.114. COLUMN COVER

(A)=EF352T LX
(B)=
(C)=

(D)=
(E)=
(F)=

No.	Lev.	Parts No.	Description	Qty						I	R
				(A)	(B)	(C)	(D)	(E)	(F)		
1	1	198461-60590	BOLT, M6X20	5							
2	1	198200-61670	COVER, COLUMN R	1							
3	1	198071-61890	NUT, SPEED M6	2							

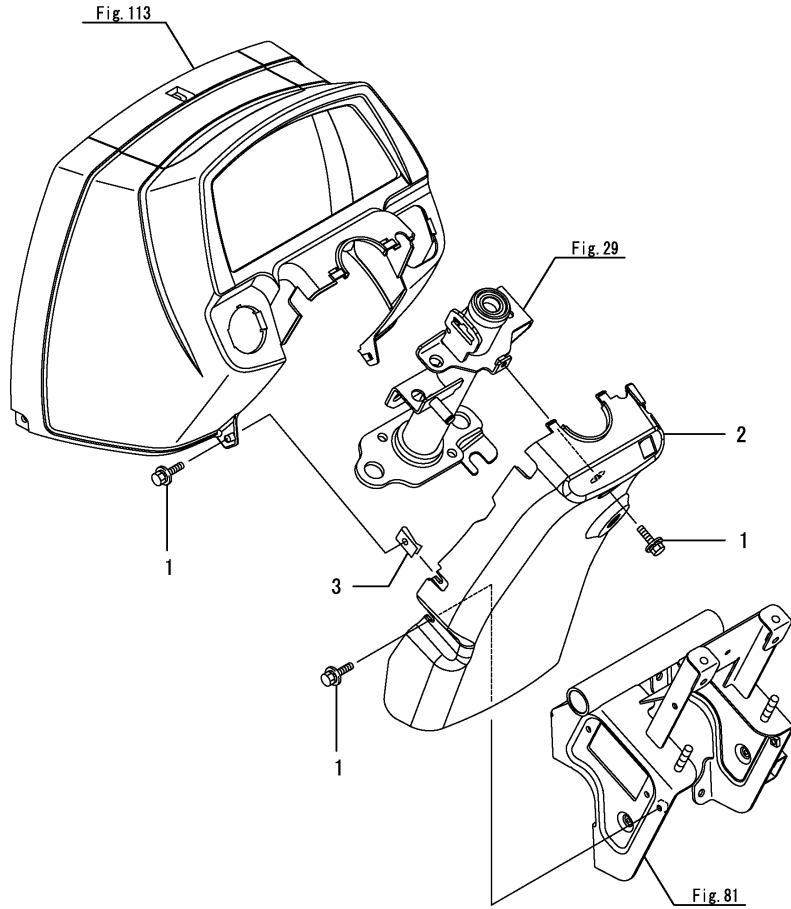
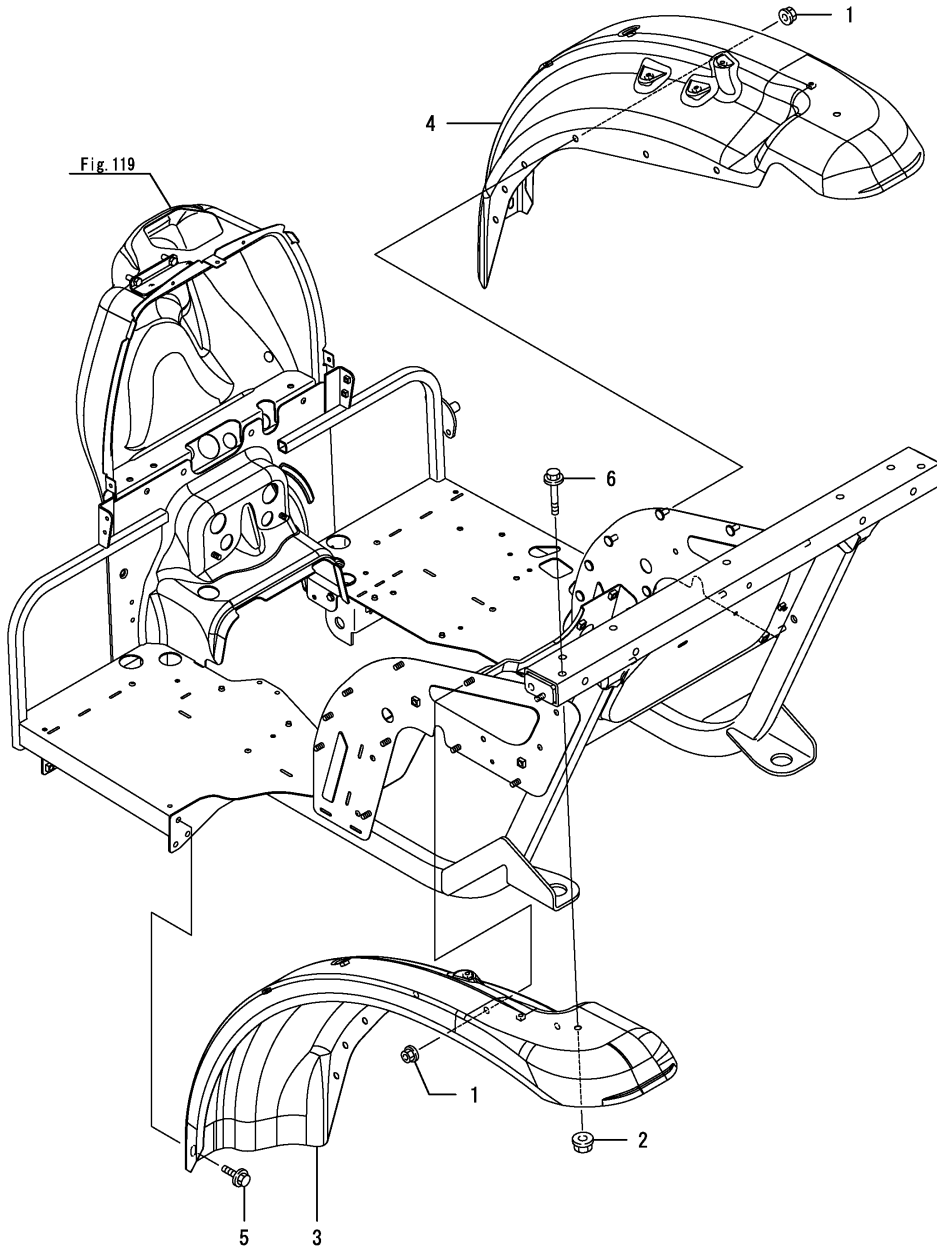


Fig.116. FENDER

(A)=EF352T LX
(B)=
(C)=

(D)=
(E)=
(F)=

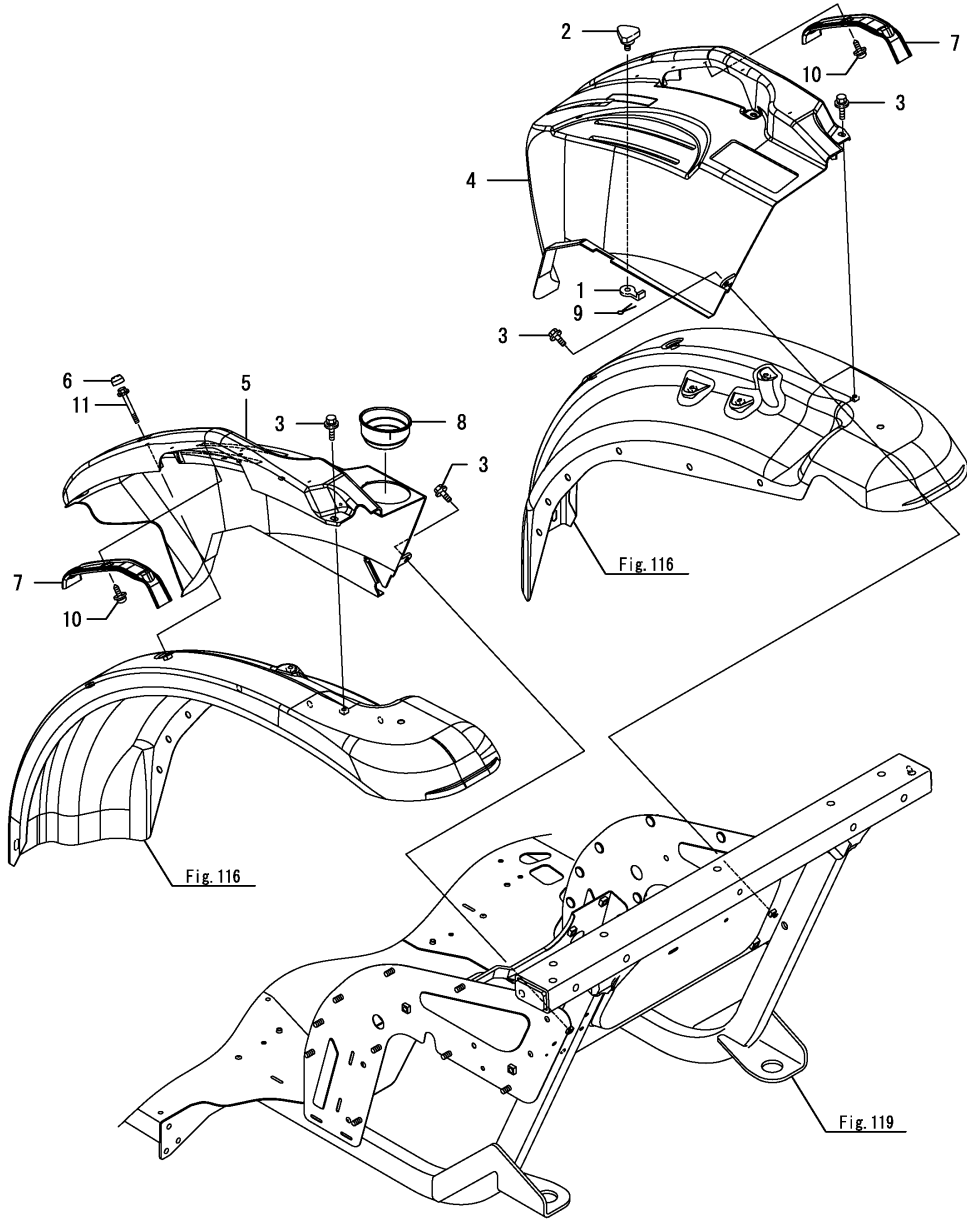


No.	Lev.	Parts No.	Description	Q'ty						I	R
				(A)	(B)	(C)	(D)	(E)	(F)		
1	1	194990-22140	NUT, M8	12							
2	1	194990-22150	NUT, M10	2							
3	1	198206-62101	FENDER ASSYL L	1							
4	1	1A8090-62110	FENDER ASSYL R	1							
5	1	26106-080162	BOLT, M8X 16 PLATED	2							
6	1	26106-100652	BOLT, M10X 65 PLATED	2							

Fig.117. LEVER GUIDE

(A)=EF352T LX
(B)=
(C)=

(D)=
(E)=
(F)=



No.	Lev.	Parts No.	Description	Q'ty						I	R
				(A)	(B)	(C)	(D)	(E)	(F)		
1	1	198121-47110	STOPPER, LEVER	1							
1-1	1	198121-47111	STOPPER, LEVER	1							N
(A=FZZZZZ)											
2	1	194130-47851	BOLT, M6X15	1							
3	1	198461-60590	BOLT, M6X20	8							
4	1	198283-62590	GUIDE ASSY, LEVER RM	1							
5	1	198200-63500	GUIDE, LEVER L	1							
6	1	198200-63620	CAP, BOLT 6	2							
7	1	198200-63640	COVER, GRIP	2							
8	1	198200-63660	HOLDER, CUP	1							
9	1	22417-200200	PIN, COTTER 2.0X20	1							
10	1	22857-600160	SCREW, 6X16	6							
11	1	26106-060552	BOLT, M6X 55 PLATED	2							

Fig.118. FLOOR COVER

(A)=EF352T LX
(B)=
(C)=

(D)=
(E)=
(F)=

No.	Lev.	Parts No.	Description	Q'ty						I	R
				(A)	(B)	(C)	(D)	(E)	(F)		
1	1	198200-62320	MAT, FLOOR L	1							
2	1	198200-62330	MAT, FLOOR R	1							
3	1	198200-62350	COVER, FLOOR	1							
4	1	194697-62560	CAP, HOLE	10							
5	1	26106-060122	BOLT, M6X 12 PLATED	6							

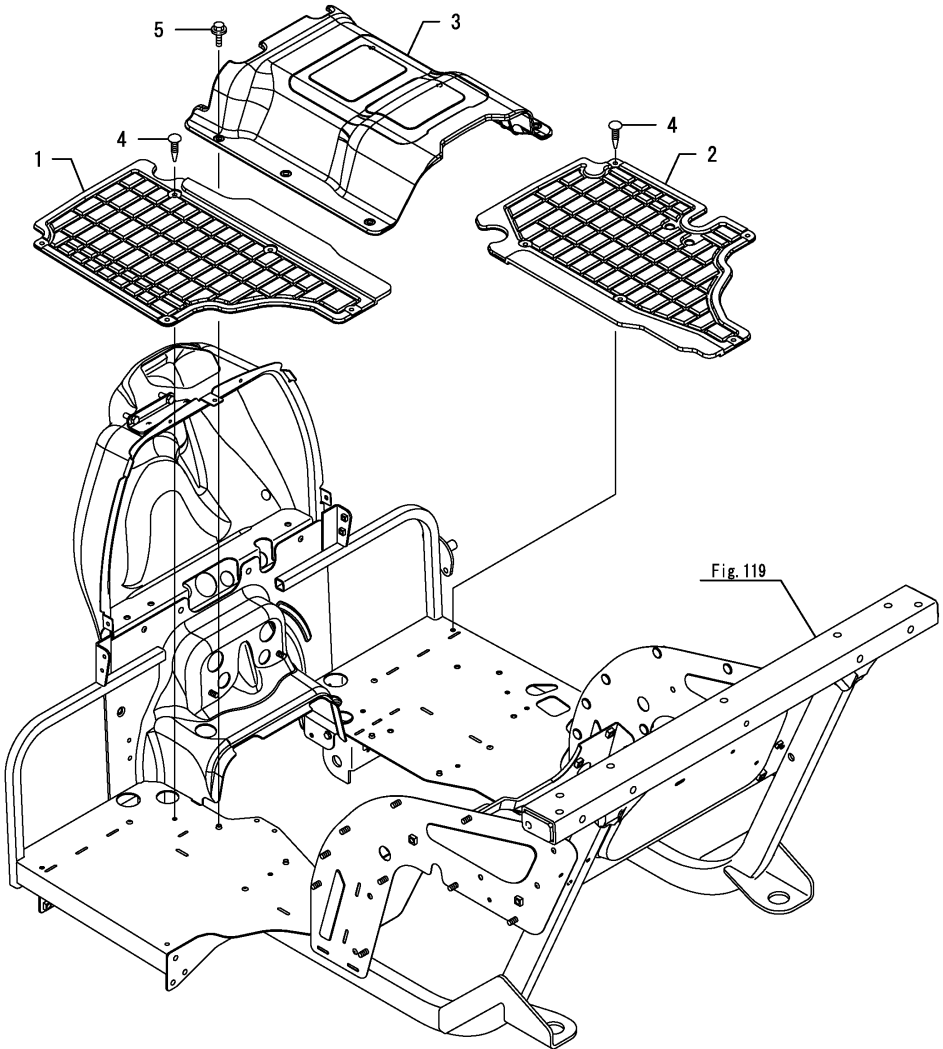


Fig.119. FLOOR(1)

(A)=EF352T LX
(B)=
(C)=

(D)=
(E)=
(F)=

No.	Lev.	Parts No.	Description	Q'ty						I	R
				(A)	(B)	(C)	(D)	(E)	(F)		
1	1	194990-22150	NUT, M10	1							
2	1	198283-62490	FLOOR ASSY, M	1							
3	1	198093-84810	SEAL, FENDER	3							

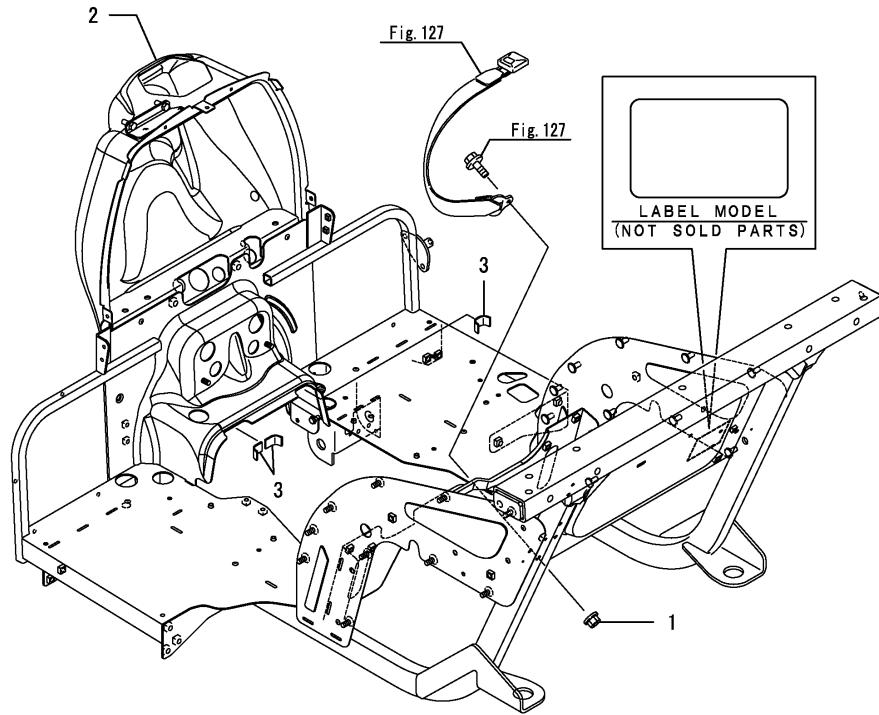


Fig.120. FLOOR(2)

(A)=EF352T LX
(B)=
(C)=

(D)=
(E)=
(F)=

No.	Lev.	Parts No.	Description	Qty						I	R
				(A)	(B)	(C)	(D)	(E)	(F)		
1	1	1C6053-26020	CAP, RUBBER 8X3	3							
2	1	1C6053-26020	CAP, RUBBER 8X3	2							
3	1	1E6760-74150	CAP, HOLE 8	2							

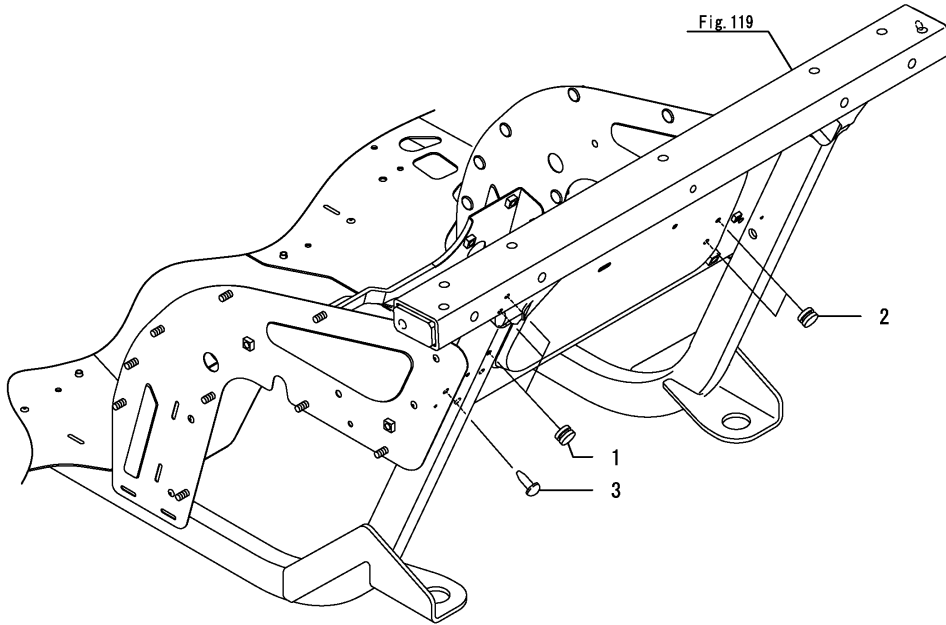
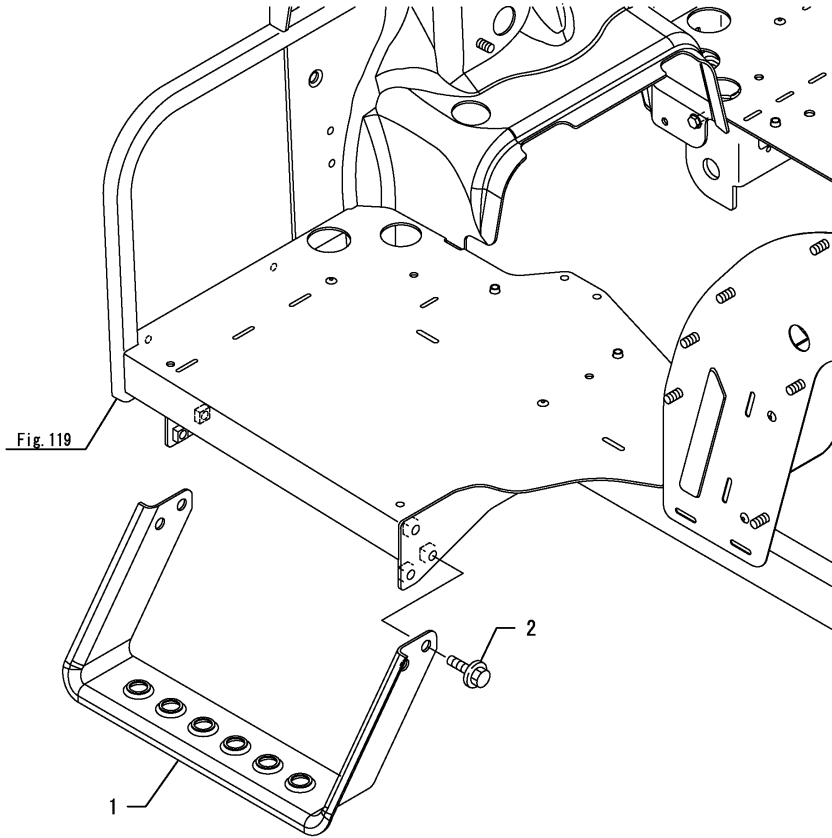


Fig.121. SUB STEP

(A)=EF352T LX
(B)=
(C)=

(D)=
(E)=
(F)=



No.	Lev.	Parts No.	Description	Q'ty						I	R
				(A)	(B)	(C)	(D)	(E)	(F)		
1	1	198200-62560	STEP, SUB	1							
2	1	26106-080162	BOLT, M8X 16 PLATED	4							

Fig.122. FENDER LOWER COVER

(A)=EF352T LX
(B)=
(C)=

(D)=
(E)=
(F)=

No.	Lev.	Parts No.	Description	Q'ty						I	R
				(A)	(B)	(C)	(D)	(E)	(F)		
1	1	194990-22140	NUT, M8	8							
2	1	198280-62181	COVER, FENDER LOWER	2							
3	1	198121-63560	PIPE, BREATHER 320	1							

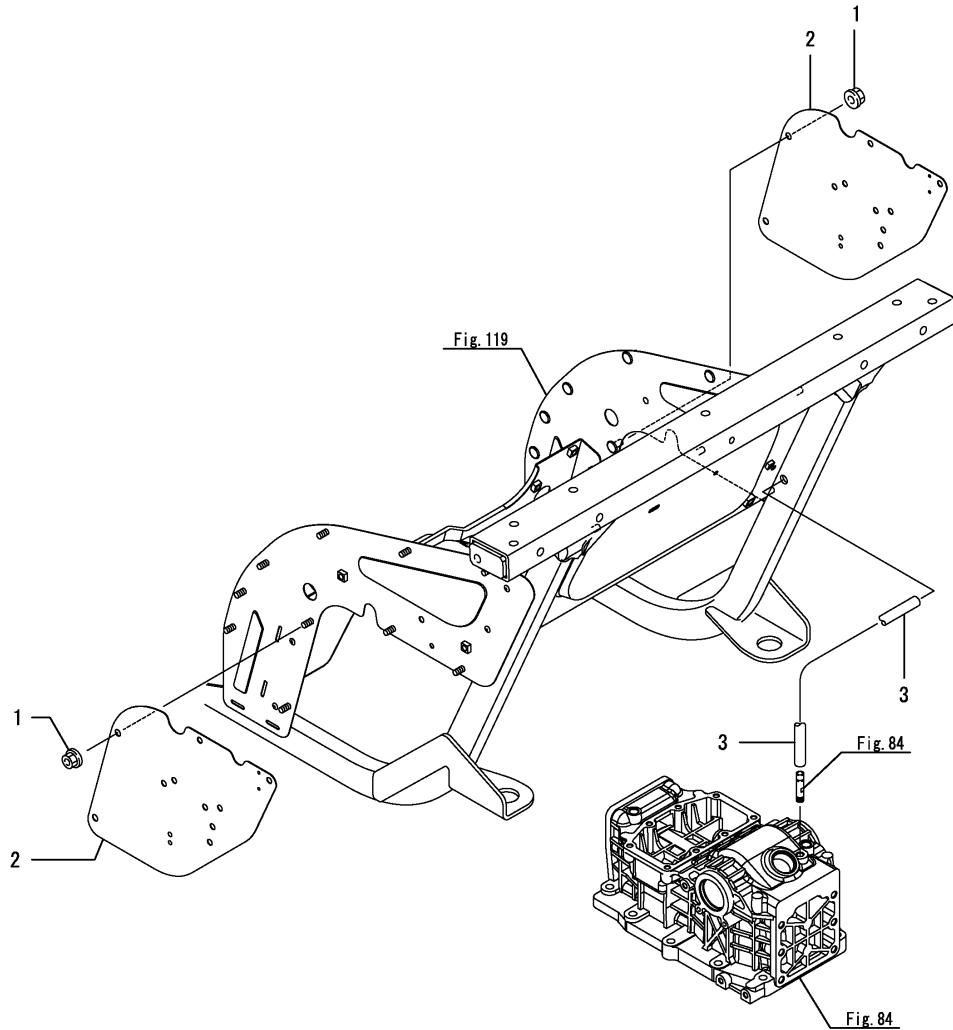


Fig.123. FLOOR MOUNT

(A)=EF352T LX
(B)=
(C)=

(D)=
(E)=
(F)=

No.	Lev.	Parts No.	Description	Q'ty						I	R
				(A)	(B)	(C)	(D)	(E)	(F)		
1	1	198071-62900	STOPPER, MOUNT	4							
2	1	198200-62910	STOPPER, U	4							
3	1	198200-62970	MOUNT, UPPER	4							
4	1	198200-62990	MOUNT, LOWER	4							
5	1	22217-140000	WASHER, SPRING 14	4							
6	1	26116-140752	BOLT, M14X 75 PLATED	2							
7	1	26716-140002	NUT, M14	4							

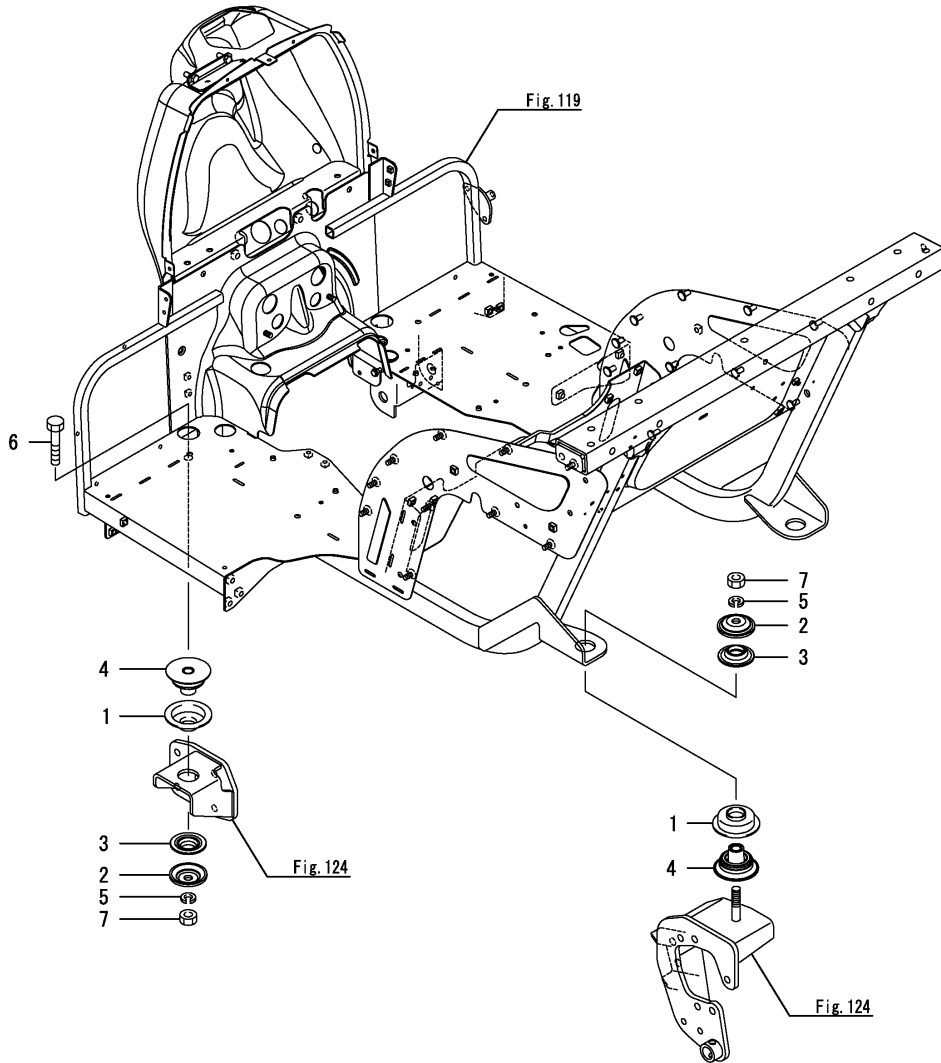
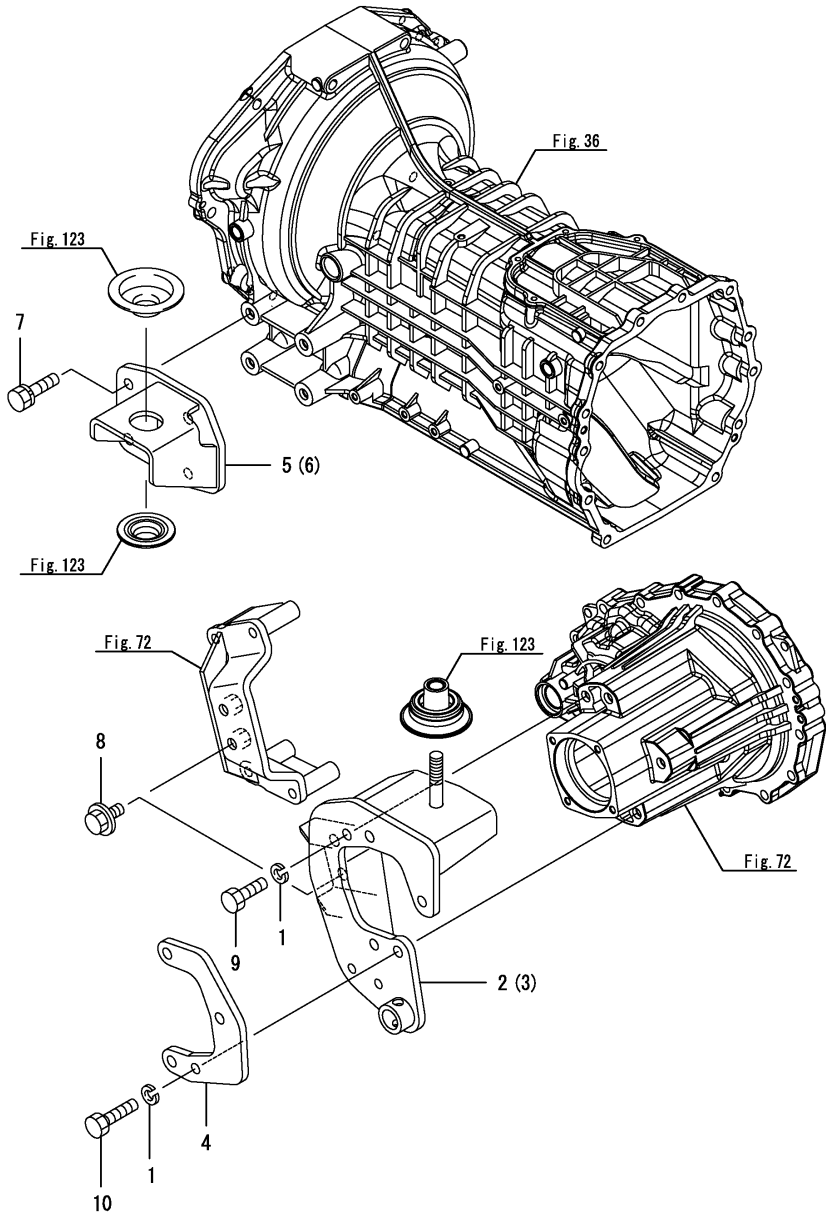


Fig.124. MOUNT BRACKET

(A)=EF352T LX
(B)=
(C)=

(D)=
(E)=
(F)=

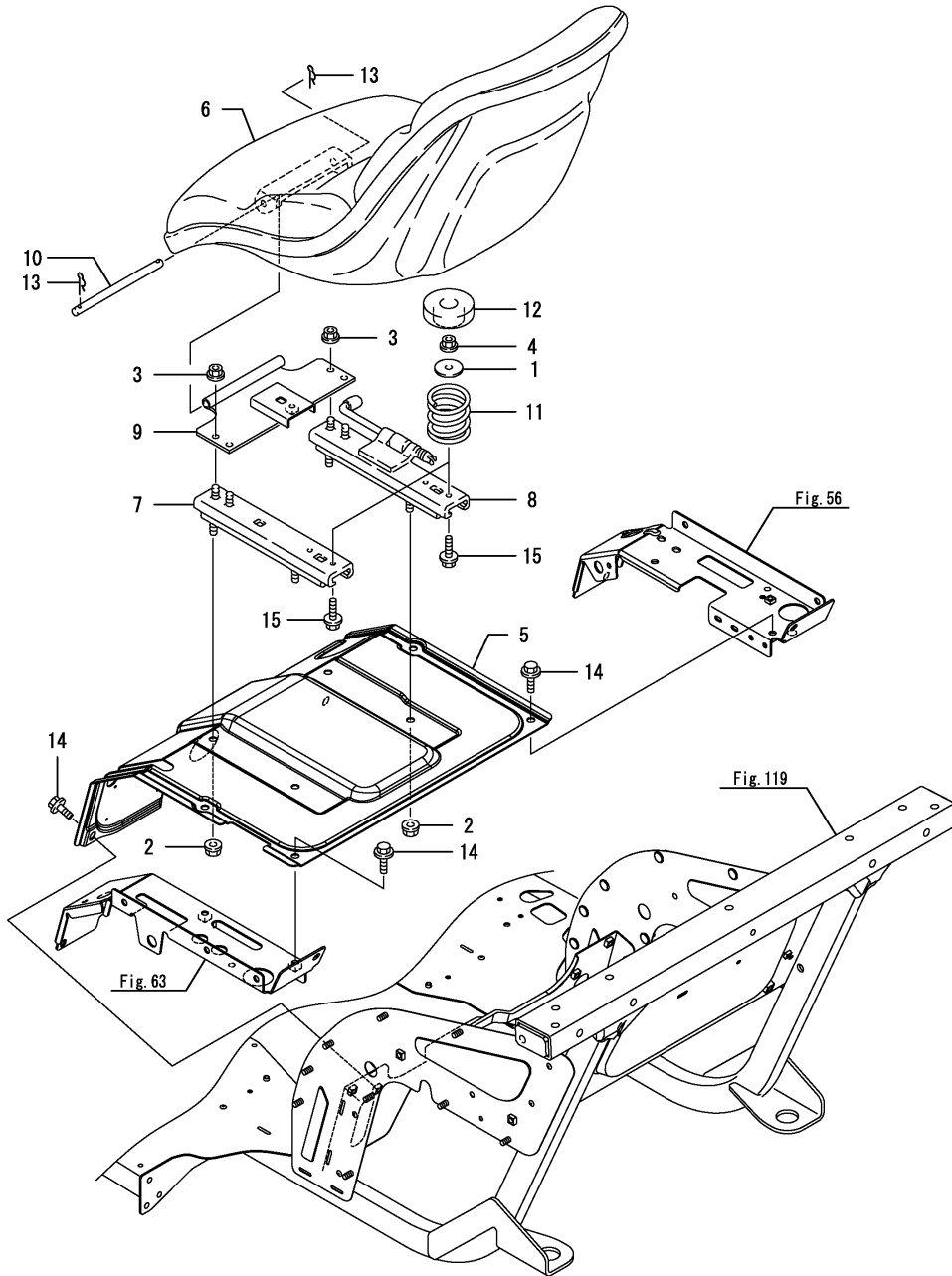


No.	Lev.	Parts No.	Description	Q'ty						I	R
				(A)	(B)	(C)	(D)	(E)	(F)		
1	1	194274-13580	WASHER, SPRING 12	10							
2	1	198283-62630-1	MOUNT ASSY, REAR L	1							
3	1	198283-62640-1	MOUNT ASSY, REAR R	1							
4	1	198283-62760-1	PLATE, MOUNT	2							
5	1	198200-62850-1	MOUNT ASSY, FRONT L	1							
6	1	198200-62860-1	MOUNT ASSY, FRONT R	1							
7	1	26013-120402	BOLT, M12X 40	8							
8	1	26106-120252	BOLT, M12X 25 PLATED	4							
9	1	26116-120402	BOLT, M12X 40 PLATED	2							
10	1	26116-120502	BOLT, M12X 50 PLATED	8							

Fig.125. SEAT

(A)=EF352T LX
(B)=
(C)=

(D)=
(E)=
(F)=



No.	Lev.	Parts No.	Description	Q'ty						I	R
				(A)	(B)	(C)	(D)	(E)	(F)		
1	1	1C6140-12060	SPACER, 9X36X3.2	2							
1-1	1	1C6140-47210-1	WASHER, 9X32X3.2	2							N
(A=FXXXXX)											
2	1	194990-22140	NUT, M8	4							
3	1	194990-22140	NUT, M8	4							
4	1	194990-22140	NUT, M8	2							
5	1	198284-62910	COVER ASSY, DUST B M	1							
6	1	198200-63110	SEAT ASSY	1							
7	1	198360-63150	RAIL, L	1							
8	1	198360-63160	RAIL, R	1							
9	1	1A7000-63210	BRACKET, SEAT	1							
10	1	194151-63222	PIN, HINGE	1							
11	1	1A8115-63260	SPRING	2							
12	1	198284-63270	STOPPER, SEAT	2							
13	1	22372-080000	PIN, SNAP 8	2							
14	1	26106-080122	BOLT, M8X 12 PLATED	6							
15	1	26106-080202	BOLT, M8X 20 PLATED	2							

Fig.126. SEAT BELT

(A)=EF352T LX
(B)=
(C)=

(D)=
(E)=
(F)=

No.	Lev.	Parts No.	Description	Q'ty						I	R
				(A)	(B)	(C)	(D)	(E)	(F)		
1	1	194180-63150	BELT ASSY, SEAT	1							
2	1	26106-100202	BOLT, M10X 20 PLATED	2							

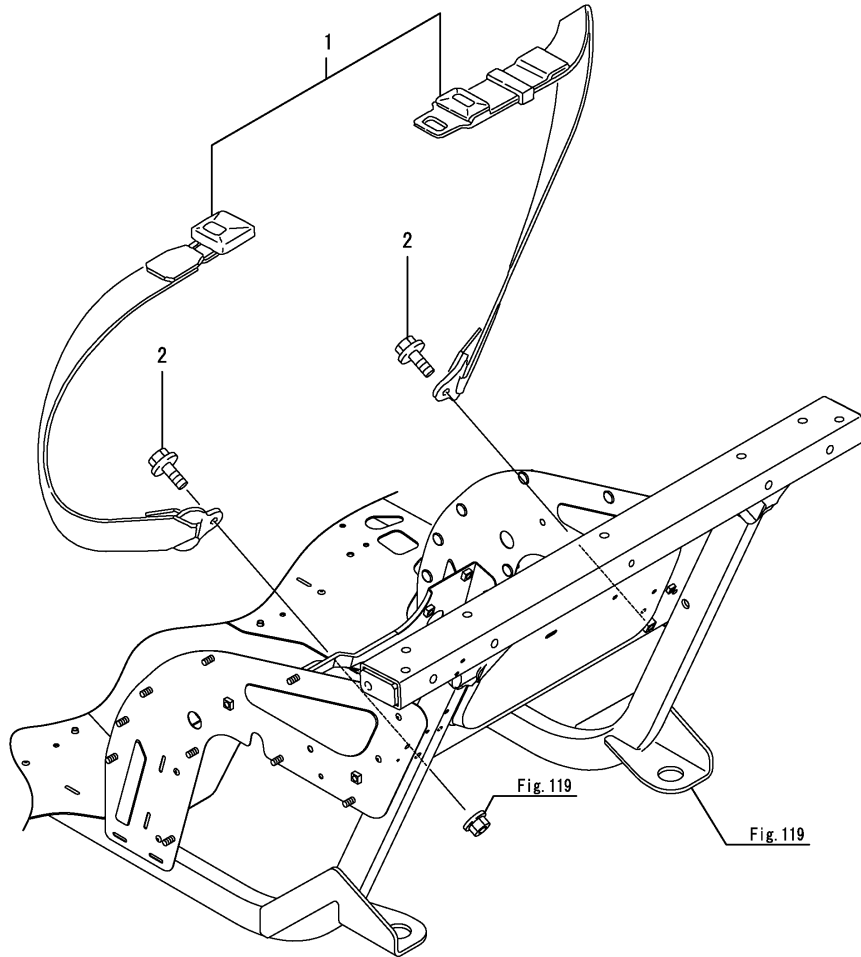
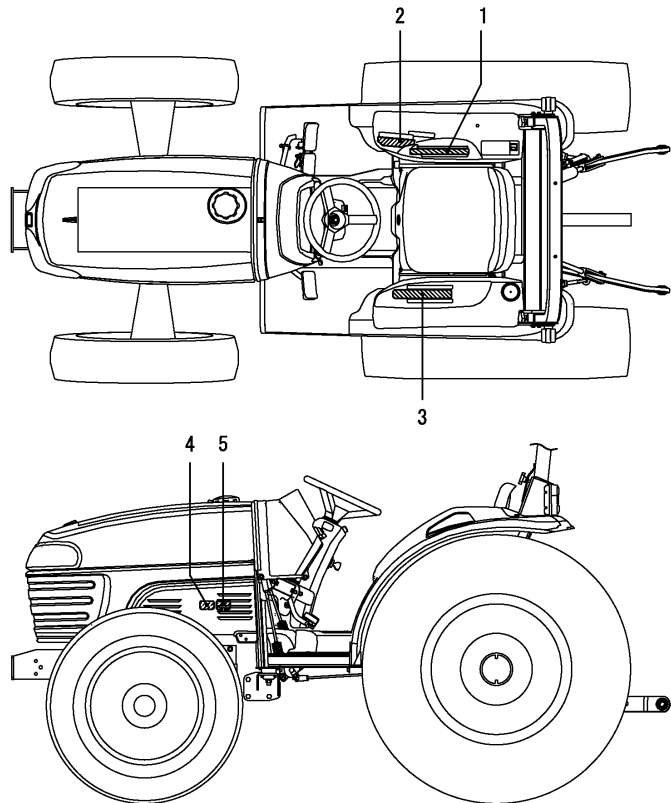
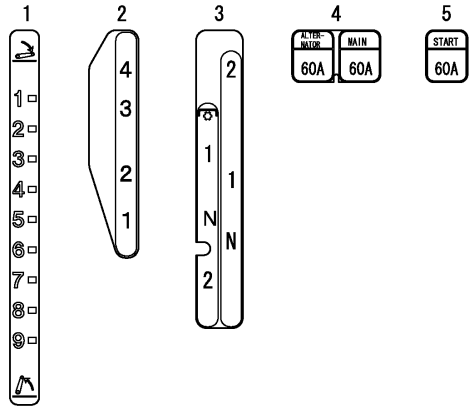


Fig.127. LABEL(1)

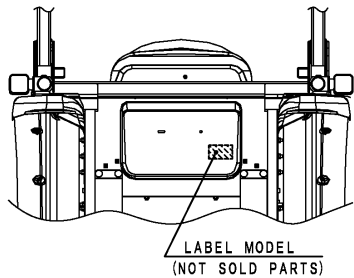
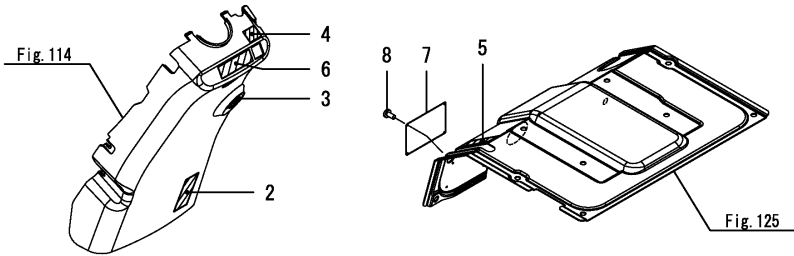
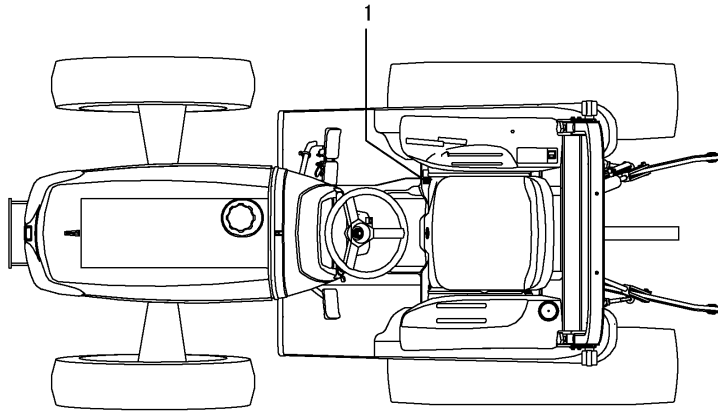
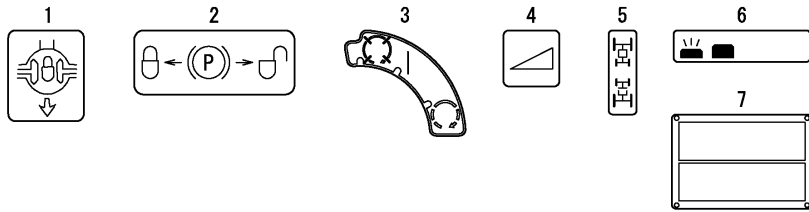
(A)=EF352T LX
(B)=
(C)=

(D)=
(E)=
(F)=



No.	Lev.	Parts No.	Description	Q'ty						I	R
				(A)	(B)	(C)	(D)	(E)	(F)		
1	1	198280-65510	LABEL, POSITION	1							
2	1	198282-65650	LABEL, MAIN SHIFT	1							
3	1	198282-65671	LABEL, RANGE-PTO	1							
4	1	198280-65770	LABEL,	1							
5	1	198280-65790	LABEL,	1							

Fig.128. LABEL(2)



(A)=EF352T LX
(B)=
(C)=

(D)=
(E)=
(F)=

No.	Lev.	Parts No.	Description	Q'ty						I	R
				(A)	(B)	(C)	(D)	(E)	(F)		
1	1	194240-65441	LABEL, DIFF. LOCK	1							
2	1	198036-65470	LABEL, BRAKE LOCK	1							
3	1	198283-65510	LABEL,KEY SWITCH	1							
4	1	1A6640-65530	LABEL,THROTTLE	1							
5	1	198221-65740	LABEL, MFWD	1							
6	1	198283-65850	LABEL,SIDE LAMP	1							
7	1	198283-65651	LABEL,TAI ONLY	1							W
		(A=FXXXXX)									
8	1	22695-320321	RIVET, 3.2X 3.2	4							W
		(A=FXXXXX)									

Fig.129. LABEL(NAME)

(A)=EF352T LX
(B)=
(C)=

(D)=
(E)=
(F)=

No.	Lev.	Parts No.	Description	Q'ty						I	R
				(A)	(B)	(C)	(D)	(E)	(F)		
1	1	198283-65140	LABEL, NAME	1							
2	1	198283-65150	LABEL, NAME	1							

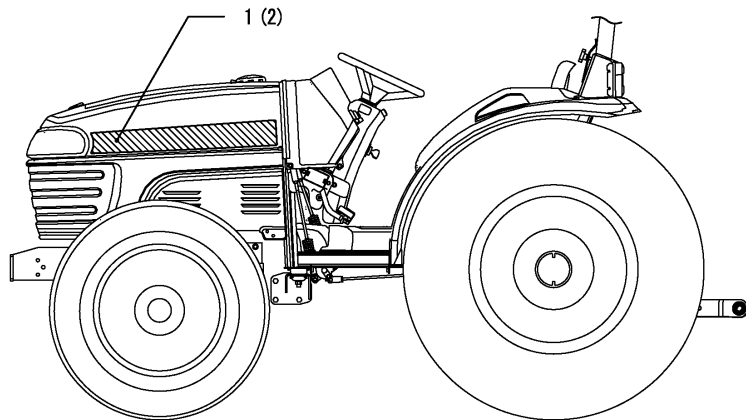


Fig.130. LABEL(FUSE)

(A)=EF352T LX
(B)=
(C)=

(D)=
(E)=
(F)=

No.	Lev.	Parts No.	Description	Q'ty						I	R
				(A)	(B)	(C)	(D)	(E)	(F)		
1	1	198283-65780	LABEL, FUSE	1							

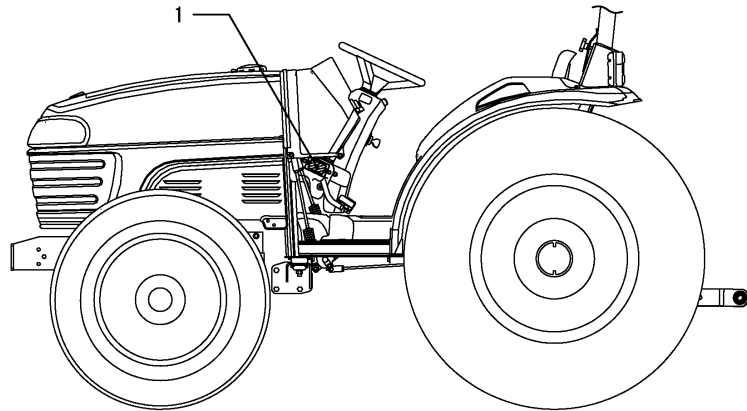
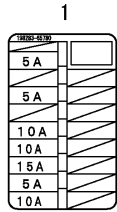
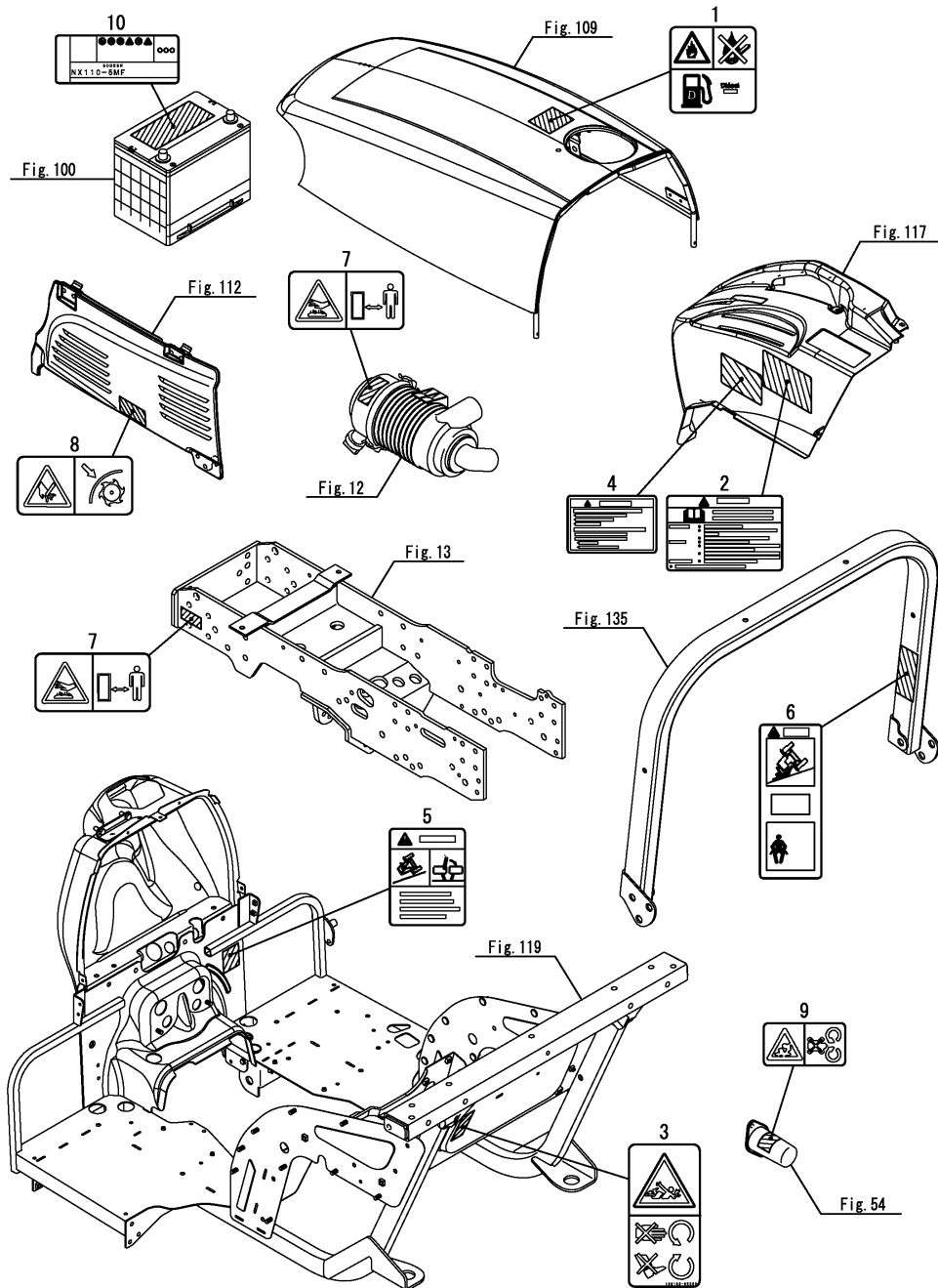


Fig.131. LABEL(SAFETY)

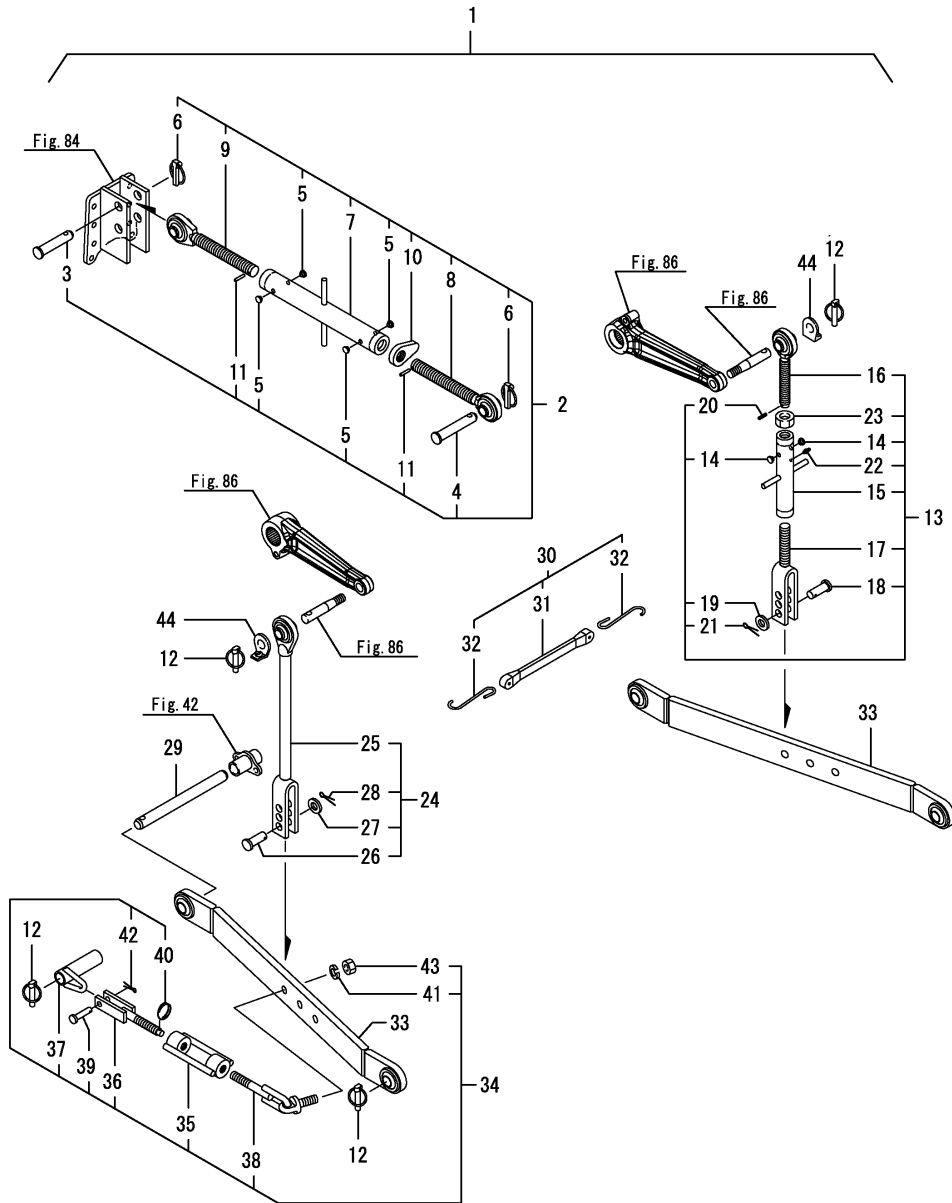


(A)=EF352T LX
(B)=
(C)=

(D)=
(E)=
(F)=

No.	Lev.	Parts No.	Description	Q'ty						I	R
				(A)	(B)	(C)	(D)	(E)	(F)		
1	1	198283-65250	LABEL,RAKE CAUTION	1							
2	1	198283-65310	LABEL, CAUTION	1							
3	1	198163-65350	DANGER,ROTAT.SHAFT	1							
4	1	1A7680-65350	LABEL,WARNING,ROPS	1							
5	1	198283-65360	LABEL,BREAKE PEDAL	1							
6	1	1A7680-65910	LABEL,ROPS WARNING	1							
7	1	198163-65930	CAUTION,MUFFLER	2							
8	1	198163-65940	CAUTION,SAFETY COVER	2							
9	1	1A6150-93151	LABEL,COVER	1							
10	1	198280-51560	LABEL,DANGER	1							

Fig.132. THREE POINT LINK

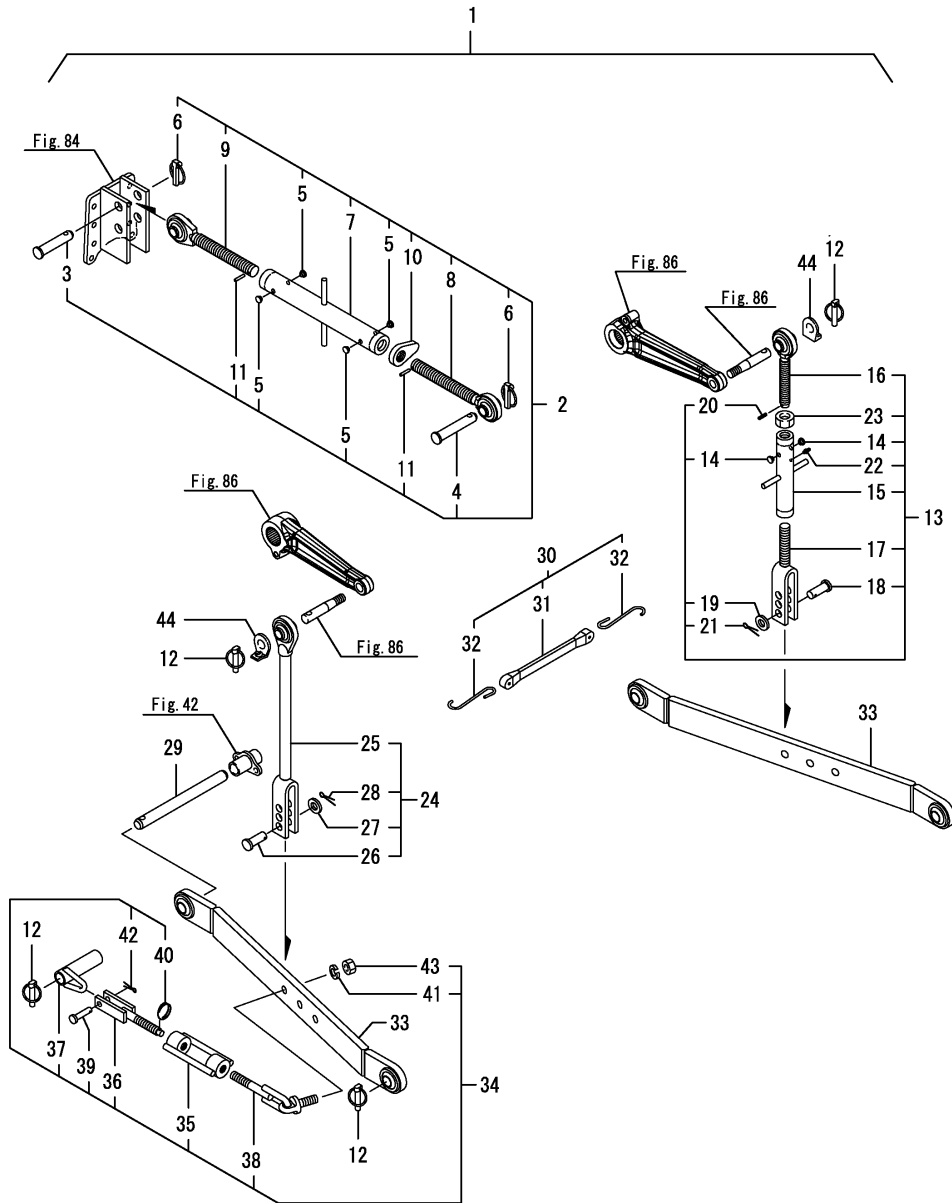


(A)=EF352T LX
(B)=
(C)=

(D)=
(E)=
(F)=

No.	Lev.	Parts No.	Description	Qty						I	R
				(A)	(B)	(C)	(D)	(E)	(F)		
1	1	198283-71002	HITCH KIT, 3 POINT	1							
1-1	1	198283-71003	HITCH KIT, 3 POINT	1							R
(A=FZZZZZ)											
2	2	198254-71100	LINK KIT, TOP	1							
3	3	1A7335-71230	PIN, LINK	1							
4	3	1A7335-71240	PIN, HITCH	1							
5	3	1A7335-71250	CAP	4							
6	3	1A7335-71410	PIN ASSY, BALL	2							
7	3	198254-71500	TURNBUCKLE ASSY	1							
8	3	198254-71600	LINK ASSY, TOP R	1							
9	3	198254-71700	LINK ASSY, TOP L	1							
10	3	1A7335-71750	NUT, LOCK M24	1							
11	3	1A7335-71760	PIN, SPRING 5.0X25	2							
12	2	1A7335-71410	PIN ASSY, BALL	6							
13	2	198283-72100	LINK KIT, LIFT R	1							
13-1	2	198283-72101	LINK KIT, LIFT R	1							R
(A=FZZZZZ)											
14	3	1A7335-71250	CAP	2							
15	3	198283-72150	TURNBUCKLE ASSY	1							
15-1	3	198283-72151	ADJ.TUBE ASSY	1							R
(A=FZZZZZ)											
16	3	198283-72200	BOLT, EYE	1							
16-1	3	198283-72201	EYEBOLT ASSY,	1							R
(A=FZZZZZ)											
17	3	198283-72250	YOKE ASSY, LINK R	1							
17-1	3	198283-72251	YORK ASSY, LIFT LINK	1							R
(A=FZZZZZ)											
18	3	198234-72550	PIN, 16X44	1							
19	3	22137-160000	WASHER, 16	1							
20	3	22351-050020	PIN, SPRING 5.0X20	1							
21	3	22417-320320	PIN, COTTER 3.2X32	1							
21-1	3	1A8275-72180	SNAP PIN 13-19	1							R
(A=FZZZZZ)											
22	3	24761-060000	NIPPLE, GREASE MT6X1	1							
23	3	26757-200002	NUT, LOCK M20	1							
24	2	198283-72300	LINK KIT, LIFT L	1							
24-1	2	198283-72301	LINK KIT,LIFT L.H.	1							R
(A=FZZZZZ)											
25	3	198283-72310	LINK ASSY, LIFT L	1							
25-1	3	198283-72311	LINK ASSY,LIFT L.H.	1							R
(A=FZZZZZ)											
26	3	198234-72550	PIN, 16X44	1							
27	3	22137-160000	WASHER, 16	1							
28	3	22417-320320	PIN, COTTER 3.2X32	1							
28-1	3	1A8275-72180	SNAP PIN 13-19	1							R
(A=FZZZZZ)											
29	2	1A7530-73120	PIN, HINGE	2							
30	2	198283-73310	STRAP, LINK	1							
31	3	1A7500-73320	STRAP	1							
32	3	198283-73330	HOOK, S	2							
33	2	198283-73500	LINK ASSY, LOWER	2							

Fig.132. THREE POINT LINK



(A)=EF352T LX
(B)=
(C)=

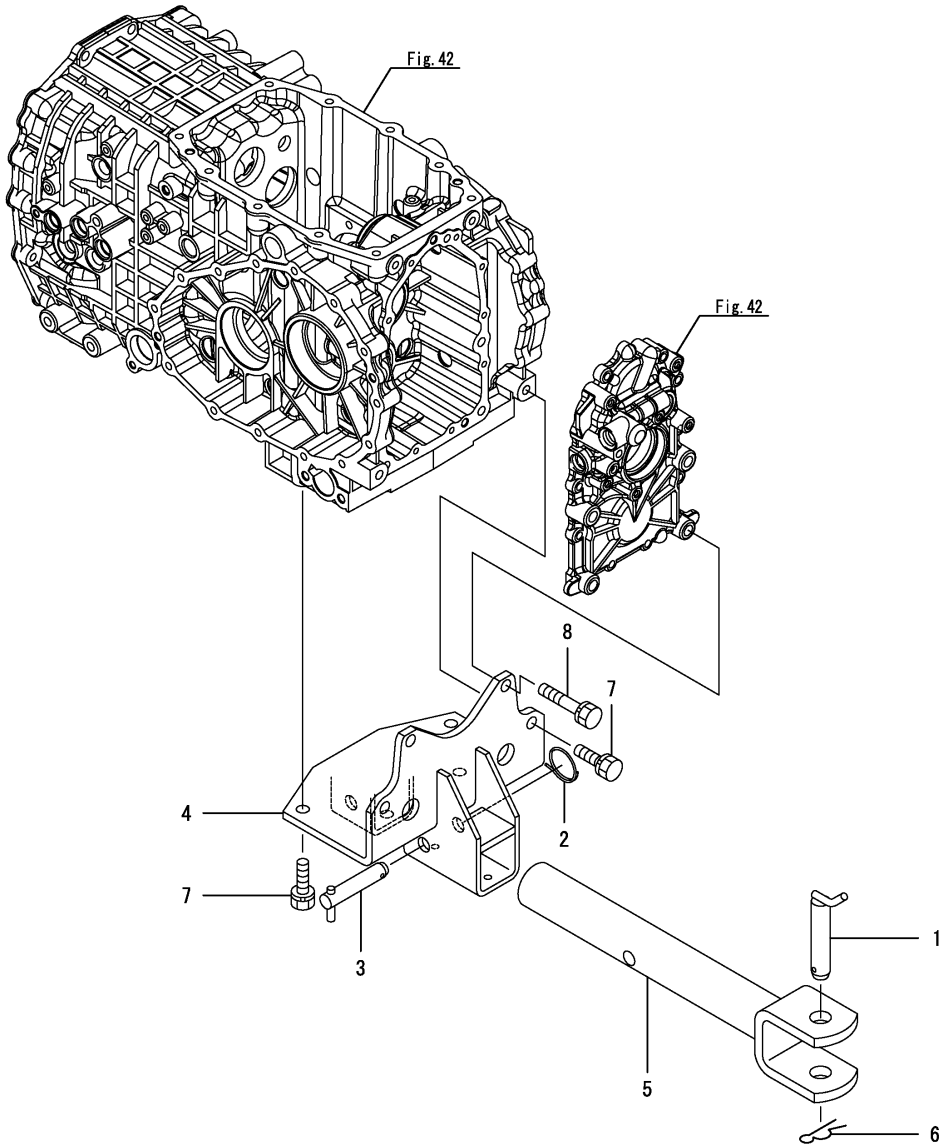
(D)=
(E)=
(F)=

No.	Lev.	Parts No.	Description	Qty						I	R
				(A)	(B)	(C)	(D)	(E)	(F)		
34	2	198283-74100	CHAIN KIT, CHECK	2							
35	3	198283-74150	TURNBUCKLE, M16	2							
36	3	198283-74200	CHAIN ASSY, CHECK F	2							
37	3	198283-74250	HOOK ASSY, V	2							
38	3	198283-74300	CHAIN ASSY, CHECK R	2							
39	3	198283-74350	PIN, 11	2							
40	3	198283-74370	RING	2							
41	3	22217-160000	WASHER, SPRING 16	2							
42	3	22417-400250	PIN, COTTER 4.0X25	2							
43	3	26736-160002	NUT, M16	2							
44	1	198071-74970	COLLAR, BALL SOCKET	2							

Fig.133. DRAWBAR HITCH

(A)=EF352T LX
(B)=
(C)=

(D)=
(E)=
(F)=

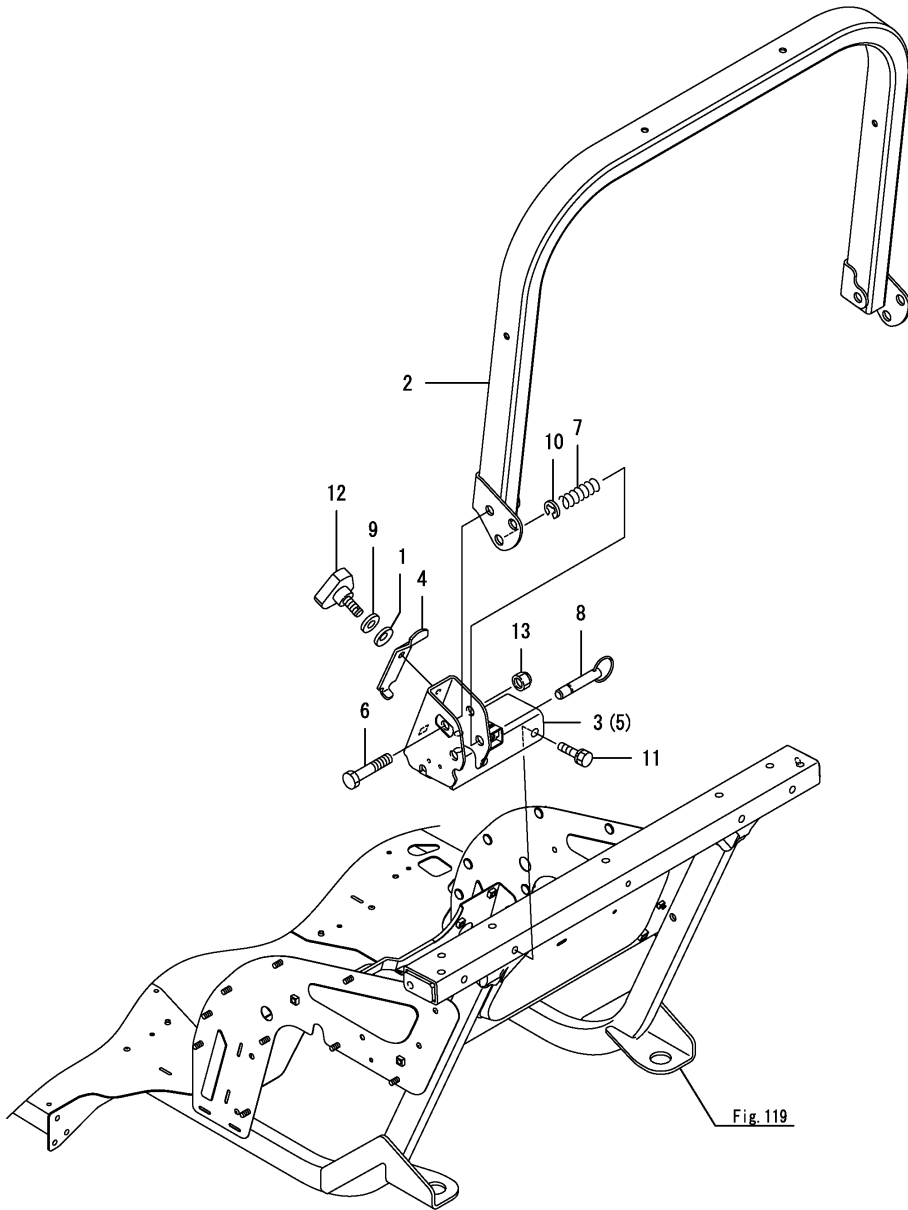


No.	Lev.	Parts No.	Description	Q'ty						I	R
				(A)	(B)	(C)	(D)	(E)	(F)		
1	1	194145-75240	PIN, HITCH 22	1							
2	1	194145-75250	RING, STOPPER	1							
3	1	194150-75740	PIN, HITCH 16	1							
4	1	198283-75750	BRACKET, HITCH	1							
5	1	198283-75860	HITCH ASSY, DRAWBAR	1							
6	1	22360-200000	PIN, SNAP 20	1							
7	1	26013-120352	BOLT, M12X 35	6							
8	1	26013-120652	BOLT, M12X 65	2							

Fig.135. REAR ROPS

(A)=EF352T LX
(B)=
(C)=

(D)=
(E)=
(F)=

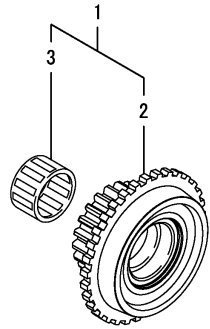


No.	Lev.	Parts No.	Description	Q'ty						I	R
				(A)	(B)	(C)	(D)	(E)	(F)		
1	1	194740-00160	SPRING, 10	2							
2	1	198283-85090	FRAME ASSY, UPPER M	1							
3	1	198202-85250	HOLDER, L	1							
4	1	198200-85320	PLATE, PRESSURE	2							
5	1	198202-85350	HOLDER, R	1							
6	1	198200-85400	BOLT, M16X80	2							
7	1	198101-85541	SPRING	2							
8	1	198200-85581	PIN, HOLD	2							
9	1	22137-100000	WASHER, 10	2							
10	1	22272-000120	RING, E-12	2							
11	1	26013-120352	BOLT, M12X 35	6							
12	1	26062-100251	BOLT, 10X 25	2							
13	1	26356-160002	NUT, M16	2							

Fig.138. GEAR KIT(DRIVEN 20)

(A)=EF352T LX
(B)=
(C)=

(D)=
(E)=
(F)=



No.	Lev.	Parts No.	Description	Q'ty						I	R
				(A)	(B)	(C)	(D)	(E)	(F)		
1	1	1A8070-25460	GEAR KIT, DRIVEN 20	1							
2	2	198200-25461	GEAR, DRIVEN	1							
3	2	24161-253017	BEARING, 253017	1							

Remarks

* Refer to Fig.140 for this item by change.

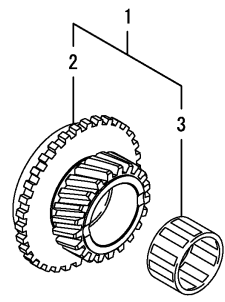
N:Old $\xrightarrow{\text{Yes}}$ New, Q:Old $\xrightarrow{\text{No}}$ New, R:Old $\xrightarrow{\text{Yes}}$ New, S:Old $\xrightarrow{\text{No}}$ New, W:Add, Z:Discontinued, F:Interchangeable by set, K:Q'ty Change

Fig.139. GEAR KIT(DRIVEN 21)

(A)=EF352T LX
(B)=
(C)=

(D)=
(E)=
(F)=

No.	Lev.	Parts No.	Description	Q'ty						I	R
				(A)	(B)	(C)	(D)	(E)	(F)		
1	1	1A8070-25470	GEAR KIT, DRIVEN 21	1							
2	2	198200-25471	GEAR, DRIVEN21	1							
3	2	24161-303520	BEARING, 303520	1							



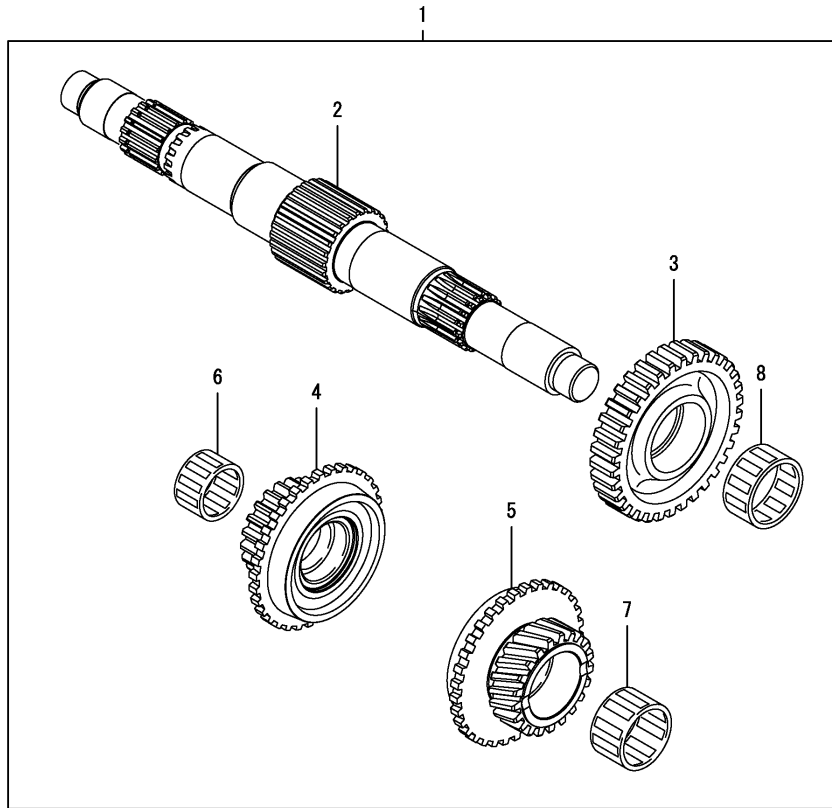
Remarks
* Refer to Fig.140 for this item by change.

Fig.140. GEAR KIT(REVERSER)

(A)=EF352T LX
(B)=
(C)=

(D)=
(E)=
(F)=

No.	Lev.	Parts No.	Description	Q'ty						I	R
				(A)	(B)	(C)	(D)	(E)	(F)		
1	1	1A8070-25410	GEAR KIT, REVERSER	1							
2	2	198200-25411	SHAFT, REVERSER	1							
3	2	198200-25431	GEAR, MAIN SHIFT	1							
4	2	198200-25461	GEAR, DRIVEN	1							
5	2	198200-25471	GEAR, DRIVEN21	1							
6	2	24161-253017	BEARING, 253017	1							
7	2	24161-303520	BEARING, 303520	1							
8	2	24161-323717	BEARING, 323717	1							



Parts No. Index

Parts No.	Fig. No.	Ref. No.
114270-59010	8	20
		20 -1
	9	3
119131-18320	1	5
119629-59910	10	4
119650-77910	2	3
119808-12520	12	5
119808-12540	12	9
119852-55612	11	3
119866-12530	12	6
123900-13630	1	4
124550-77030	97	10
124756-77040	97	11
124766-59050	3	15
		16
	10	3
		3 -1
129004-13200	1	3
129004-55810	11	4
129051-12530	12	7
129052-13550	7	3
129055-44501	3	10
129055-55700	1	6
129150-13110	1	2
129150-49081	3	12
129150-49090	3	13
129150-49101	3	11
129242-55730	1	8
129242-55740	1	9
129242-55750	1	10
129242-55760	1	11
129242-55770	1	12
129259-12570	12	10
129418-12530	12	8
129461-59580	10	10
129612-12650	12	12
129938-55720	1	7
16826B-01500	88	4
168371-01100	88	3
171350-13100	1	1
172010-07810	8	19
174501-07060	109	2
174845-27700	65	1
175022-49730	3	14
	93	10
177432-03450	23	1
192167-24600	43	4
192180-26380	21	4
192180-32231	37	3
194130-37750	81	7

Parts No.	Fig. No.	Ref. No.
194130-44480-1	86	5
194130-47851	117	2
194145-27450	55	6
	57	7
	59	2
	67	2
194145-75240	133	1
194145-75250	133	2
194150-21910	42	1
194150-22480	60	2
		8
194150-75740	133	3
194151-36670	23	9
194151-63222	125	10
194170-47440	90	11
194170-51210	10	2
	35	7
	96	8
194180-12471	16	2
	32	1
194180-25550	53	2
194180-51640	84	11
	99	1
	104	3
194180-61980	3	22
194180-63150	126	1
194181-11560	15	8
194197-56350	109	16
194200-53400	104	6
194201-11230	36	1
194240-65441	128	1
194242-51660	96	9
194250-47490	60	5
		11
194250-51420	97	7
194274-13580	80	1
	124	1
194279-14220	79	2
194300-22260	81	4
194300-31550	18	4
194300-31560	18	5
194300-31610	18	6
194300-31620	18	7
194300-33200	73	4
194312-27770	81	39
194312-27780	81	9
	82	3
194321-14820	27	4
		9
194321-14850	27	3

Parts No.	Fig. No.	Ref. No.
194321-14850	27	8
194321-14860	27	5
		10
194330-62530	81	45
194370-26350	53	8
194420-33150	73	2
194420-61640	109	32
194421-13640	18	10
194440-32580	77	1
194440-51620	9	2
	98	2
194440-51630	4	2
194447-13860	66	1
194448-61620	3	20
194450-12552	16	4
		9
194450-12562	16	5
		10
194515-25180	48	2
194515-31610	70	3
194515-31850	70	6
194525-31520	70	2
194555-26520	39	3
194555-42280	84	7
194555-47340-1	90	6
194555-47350-1	90	8
194555-65130	109	35
194556-13790	25	1
194630-43230	87	5
194640-25390	52	2
194640-26440	17	4
	49	4
194641-11630	15	9
194680-22280	36	3
194680-22290	36	4
194680-25940	53	4
194680-27540	61	1
194697-62560	118	4
194740-00160	29	5
	135	1
194800-22480	41	3
194800-25250	48	3
194820-27370	60	15
194850-32340	71	2
194850-42180	87	1
194850-42190	87	2
194850-42500	84	8
194881-12650	28	1
	79	1
194940-47210-1	90	2

Parts No.	Fig. No.	Ref. No.
194940-47220	90	4
194940-52110	103	1
194940-61790	106	11
194940-65590	109	38
194990-20170	60	14
194990-22050	90	1
194990-22120	105	1
194990-22130	5	6
	96	1
	97	1
	105	2
	109	3
		4
		5
	112	4
194990-22140	7	4
	29	27
	32	19
	81	1
		19
	97	2
	109	6
		7
	110	1
		2
	116	1
	122	1
	125	2
		3
		4
	137	2
194990-22150	116	2
	119	1
194990-22831	16	11
194990-22841	16	6
198010-41211	93	1
198010-53400	104	4
198010-53410	104	7
198010-53420	104	5
198036-65470	128	2
198071-01160	5	1
198071-01390	5	4
198071-22310	40	1
198071-22311	40	1 -1
198071-22320	40	2
198071-24350	42	7
198071-37510	81	15
		23
		32
198071-43320	85	2

Parts No. Index

Parts No.	Fig. No.	Ref. No.
198071-43330	85	3
198071-58810	4	3
198071-61890	113	4
	114	3
198071-62900	123	1
198071-65610	109	39
198071-74970	132	44
198072-17550	33	2
198072-27650	59	8
198072-27880	91	1
198072-48340	93	5
198072-60590	113	1
198082-17880	9	1
198093-82510	109	40
198093-84810	13	8
	29	28
		29
		30
	119	3
198093-85650	82	14
	105	5
	115	3
198101-85541	135	7
198119-27150	55	3
	57	1
	59	1
	67	1
198119-27570-1	59	4
198121-25800	48	13
198121-25820	48	14
198121-25830	48	15
198121-25840	48	16
198121-25850	48	17
198121-25870	48	18
198121-28160	60	4
198121-28380	61	7
198121-47110	117	1
198121-47111	117	1 -1
198121-51190	104	1
		2
198121-63560	122	3
198121-77330	88	10
198128-34900	78	3
		8
198128-34910	78	4
		9
198128-34920	78	5
		10
198133-15700	30	1
198133-15740	30	2

Parts No.	Fig. No.	Ref. No.
198133-15780	30	3
198133-22510	81	13
		20
		27
198133-22530	81	14
		21
		28
198133-51350	101	2
198133-61950	109	33
198149-25890	53	3
198163-65350	131	3
198163-65930	131	7
198163-65940	131	8
198172-11640	15	2
198172-25630	51	2
198172-25640	51	3
198196-34140	77	3
198200-00610	3	1
198200-01150	4	1
198200-01170	29	1
198200-01210	5	2
198200-01260	29	7
198200-01300	5	3
198200-01440	3	4
198200-01570	112	1
198200-01580	112	2
198200-01600	112	3
198200-04020	8	1
198200-04030	8	2
198200-04040	8	3
198200-04061	8	4
198200-04070	8	5
198200-04080	8	6
198200-04090	8	7
198200-04101	8	8
198200-04120	8	14
198200-04130	8	15
198200-04210	8	16
198200-04260	8	17
198200-04270	8	18
198200-06150	12	2
198200-11250	11	1
198200-11351	3	9
198200-13100	17	1
198200-13200	18	1
198200-13210	18	2
198200-13220	18	3
198200-13250	18	9
198200-13520	20	2
198200-13611-1	21	1

Parts No.	Fig. No.	Ref. No.
198200-13821	24	1
198200-14130-1	25	2
198200-14210	25	3
198200-15180	29	34
198200-17050	32	5
198200-17070	32	7
198200-17120	32	12
198200-17140	32	13
198200-17150	32	14
198200-17160	32	15
198200-17170	32	16
198200-17500	33	1
198200-17750	35	1
198200-17830	35	4
198200-17840	35	5
198200-17910	35	6
198200-21100-1	36	2
198200-21120	36	5
198200-21140	36	6
198200-22111	39	1
198200-22330-1	40	3
198200-22380	81	11
198200-22460	82	1
198200-22470	82	2
198200-22531	39	2
198200-22650	81	3
198200-22690	81	5
198200-24120	42	4
198200-24170	42	9
198200-24190	42	11
198200-24311	43	2
198200-24320	45	1
198200-24410-1	45	2
198200-24420	45	3
198200-25120	47	1
198200-25150	48	1
198200-25210	47	2
198200-25410	48	4
198200-25411	48	4 -1
	140	2
198200-25420	48	5
198200-25430	48	6
198200-25431	48	6 -1
	140	3
198200-25440	48	7
198200-25450	48	8
198200-25460	48	9
198200-25461	48	9 -1
	138	2
	140	4

Parts No.	Fig. No.	Ref. No.
198200-25470	48	10
198200-25471	48	10 -1
	139	2
	140	5
198200-25480	48	11
198200-25490	48	12
	50	1
	51	1
	53	1
198200-25520	50	2
198200-25550	50	5
198200-25560	50	6
198200-25590	50	7
198200-25650	49	2
198200-25660	49	3
198200-25910	51	4
198200-25930	51	5
198200-27110	55	1
198200-27141-1	55	2
198200-27170	55	4
198200-27180	55	5
198200-27310	57	2
198200-27340-1	57	3
198200-27360	57	4
198200-27370	57	5
198200-27380	57	6
198200-27530	58	1
198200-27641	63	2
198200-27730-1	67	3
198200-27740-1	55	7
198200-28051	60	13
198200-28061	60	16
198200-28080	60	17
198200-28101	56	1
198200-28250	50	8
198200-28251	50	8 -1
198200-28650	56	5
198200-28660	63	8
198200-31400	69	1
198200-31401	69	1 -1
198200-31402	69	1 -2
198200-31510	70	1
198200-31810	70	4
198200-31820	70	5
198200-32110	70	7
198200-32320	71	1
198200-32601	72	2
198200-32630	72	4
198200-32660	72	5
198200-32731-1	72	7

Parts No. Index

Parts No.	Fig. No.	Ref. No.
198200-33111	73	1
198200-33150	73	3
198200-33211-1	73	5
198200-33250-1	74	1
198200-33410	75	1
198200-33420	75	2
198200-33511	76	1
198200-34130	79	3
198200-34190	79	4
198200-36310	80	2
198200-36341	80	3
198200-36350-2	80	4
198200-36380	80	5
198200-36390	80	6
198200-36410	80	7
198200-36422	80	8
198200-37240	81	22
198200-37270	81	16
198200-37290	81	18
198200-37370	82	4
198200-37610	81	37
198200-37640	83	2
198200-37650	83	3
198200-37660	81	41
198200-37700	82	6
198200-37710	82	8
198200-37740	82	10
198200-37840	82	11
198200-42101-1	84	1
198200-42130	84	2
198200-42140	84	3
198200-42150-1	84	4
198200-42180	84	5
198200-42190	84	6
198200-42710	84	9
198200-43110	87	3
198200-43211	87	4
198200-43250	87	6
198200-43310	85	1
198200-43410	86	1
198200-44110	86	2
198200-45150	87	8
198200-45510-1	88	5
198200-47110	91	2
198200-47411	90	9
198200-47460	90	12
198200-47510-1	90	14
198200-47540	90	15
198200-48350	94	3
198200-48810	93	7

Parts No.	Fig. No.	Ref. No.
198200-51170	95	1
198200-52140	102	1
198200-52520	96	6
198200-53100	109	8
198200-53120	109	10
198200-53130	109	11
198200-53210	109	13
198200-53220	109	14
198200-53230	109	15
198200-53401	105	3
198200-56030	106	3
198200-56050	106	6
198200-56060	106	8
198200-56070	106	9
198200-56080	106	10
198200-56600	8	10
198200-56620	8	11
198200-56630	8	12
198200-60910	109	21
198200-60990	112	5
198200-61251	110	3
198200-61300	109	27
198200-61320	110	4
198200-61340	109	28
198200-61400	111	1
198200-61410	109	29
198200-61420	109	30
198200-61430	109	31
198200-61490	110	5
198200-61501	110	6
198200-61530	110	7
198200-61550	111	2
198200-61580	110	8
198200-61600	113	2
198200-61670	114	2
198200-61950	3	21
198200-61980	3	23
198200-62320	118	1
198200-62330	118	2
198200-62350	118	3
198200-62560	121	1
198200-62850-1	124	5
198200-62860-1	124	6
198200-62910	123	2
198200-62970	123	3
198200-62990	123	4
198200-63110	125	6
198200-63500	117	5
198200-63620	113	5
	117	6

Parts No.	Fig. No.	Ref. No.
198200-63640	117	7
198200-63660	117	8
198200-63671	134	1
198200-65010	109	34
198200-73170-1	42	13
198200-85320	135	4
198200-85400	135	6
198200-85581	135	8
198202-85250	135	3
198202-85350	135	5
198206-21220	37	1
198206-21230	37	2
198206-60710	3	17
198206-60760	3	18
198206-60950	3	19
198206-62101	116	3
198208-01410	3	3
198208-01451	3	5
198208-01480	3	7
198208-01510	3	8
198208-03112	7	1
198208-11310	13	6
	14	1
198208-13510	20	1
198208-13530	20	3
198208-13721-1	23	2
198208-17210-1	21	2
198208-48110-1	93	2
198208-48111-1	93	2 -1
198208-48160	93	4
198208-61930	115	2
198208-65250	109	36
198208-65260	109	37
198212-25150	52	1
198220-12310-1	16	1
198220-37900	81	43
	82	12
198220-48140	93	3
198220-51570	110	7 -1
198220-51870	97	8
	9	
198220-52180	2	1
198221-28450	56	4
198221-65740	128	5
198230-61960	110	9
198234-72550	132	18
		26
198240-48850	93	9
198245-51210	10	2 -1
	35	8

Parts No.	Fig. No.	Ref. No.
198254-71100	132	2
198254-71500	132	7
198254-71600	132	8
198254-71700	132	9
198255-24460	42	12
198265-48200	89	1
198266-24980	88	1
198269-52190	108	1
		2
198280-01470	3	6
198280-04450	34	1
198280-05510	7	2
198280-06450	12	13
198280-11370	11	2
198280-17810	35	2
198280-17820	35	3
198280-24152-1	42	5
198280-24162	42	6
198280-24180-1	42	10
198280-27650	60	1
198280-27660	60	3
198280-27711	61	2
198280-27771	61	4
198280-27790	61	6
198280-28000	60	10
198280-42810-1	84	10
198280-47210-1	90	3
198280-47310	90	5
198280-47430	90	10
198280-47500	90	13
198280-47710-1	90	3 -1
198280-51200	96	7
198280-51410	97	4
198280-51420	97	5
198280-51560	131	10
198280-51900	100	1
198280-52450	102	2
198280-52460	102	3
198280-56013	106	1
198280-56021	106	2
198280-56043	106	4
198280-61000-1	112	6
198280-61010-1	112	7
198280-61210	109	25
198280-62181	122	2
198280-65510	127	1
198280-65770	127	4
198280-65790	127	5
198282-24010-1	42	2
198282-24301	43	1

Parts No. Index

Parts No.	Fig. No.	Ref. No.
198282-24330	43	3
198282-25110	46	2
198282-25130	46	3
198282-25540	50	4
198282-26250	52	3
198282-26310	53	5
198282-26320	53	6
198282-26330	53	7
198282-27520	59	3
198282-27570	59	5
198282-27580	59	6
198282-27590	59	7
198282-27742-1	61	3
198282-27780	61	5
198282-27802	63	1
198282-27820	63	3
198282-27830	63	4
198282-27881	63	6
198282-27960	60	7
198282-27970	60	9
198282-28180	66	2
198282-28340	66	3
198282-28360	66	4
198282-28410	67	4
198282-28430	67	5
198282-28440-1	67	6
198282-28460	68	1
198282-34650	78	2
		7
198282-37200	81	10
198282-37400	81	29
198282-37450	81	31
198282-37490	81	26
198282-37550	81	33
198282-65650	127	2
198282-65671	127	3
198283-03350	137	1
198283-11100-1	13	1
198283-12510-1	16	3
198283-12550-1	16	8
198283-13220	15	1
198283-13230	15	7
198283-13380	15	3
198283-13450	15	4
198283-13460	15	5
198283-13480	15	10
198283-13850	22	1
198283-13970	23	3
198283-14241	23	4
198283-14251	23	5

Parts No.	Fig. No.	Ref. No.
198283-14270	24	2
198283-14280	24	3
198283-14290	25	4
198283-14310	25	5
198283-17220	21	3
198283-17300-1	32	2
198283-17350	32	17
198283-17640	32	18
198283-34110-1	77	2
198283-34700	78	1
198283-34800	78	6
198283-44210	86	3
198283-44211	86	3 -1
198283-44420-1	86	4
198283-44510-1	86	6
198283-47650	90	16
198283-51110	97	3
198283-51130	98	1
198283-51151	96	2
198283-51181	101	1
198283-53501	104	12
198283-53810	104	13
198283-60100	109	17
198283-61151	109	23
198283-61161	109	24
198283-61260	109	26
198283-61910	115	1
198283-62490	119	2
198283-62590	117	4
198283-62630-1	124	2
198283-62640-1	124	3
198283-62760-1	124	4
198283-65140	129	1
198283-65150	129	2
198283-65250	131	1
198283-65310	131	2
198283-65360	131	5
198283-65510	128	3
198283-65651	128	7
198283-65780	130	1
198283-65850	128	6
198283-71002	132	1
198283-71003	132	1 -1
198283-72100	132	13
198283-72101	132	13 -1
198283-72150	132	15
198283-72151	132	15 -1
198283-72200	132	16
198283-72201	132	16 -1
198283-72250	132	17

Parts No.	Fig. No.	Ref. No.
198283-72251	132	17 -1
198283-72300	132	24
198283-72301	132	24 -1
198283-72310	132	25
198283-72311	132	25 -1
198283-73310	132	30
198283-73330	132	32
198283-73500	132	33
198283-74100	132	34
198283-74150	132	35
198283-74200	132	36
198283-74250	132	37
198283-74300	132	38
198283-74350	132	39
198283-74370	132	40
198283-75750	133	4
198283-75860	133	5
198283-85090	135	2
198284-62910	125	5
198284-63270	125	12
198287-06200	12	3
198287-06300	12	4
198287-11210	13	2
198287-11230	13	5
198287-21500	38	1
198287-21510	38	2
198287-21700	38	3
198290-32750	72	3
198310-27370	81	38
198330-48410	93	6
198360-03260	29	2
198360-03270	29	3
198360-22210	41	1
198360-22250	41	2
198360-52160	103	4
198360-52320	103	2
198360-52330	103	3
198360-55630	5	7
198360-63150	125	7
198360-63160	125	8
198425-53110	109	9
198431-47340	90	7
198448-37360	81	12
		17
		30
198448-37450	81	6
		40
198448-56150	106	7
198461-52950	2	2
198461-60590	109	18

Parts No.	Fig. No.	Ref. No.
198461-60590	109	19
	114	1
	117	3
198475-32660	25	6
	72	6
198483-32660	23	8
198511-53430	104	8
198511-53450	104	9
198535-52110	96	3
198535-52120	96	4
198535-52130	96	5
1A1040-28470	42	8
1A6150-93151	131	9
1A6481-62650	105	4
1A6640-65530	128	4
1A6660-24250	94	1
1A7000-52820	97	6
1A7000-63210	125	9
1A7100-26850	54	1
1A7260-46640	92	1
1A7260-46650	92	2
1A7260-53220	109	12
1A7260-60890	109	20
1A7300-14720	27	2
		7
1A7300-14850	27	1
1A7300-14860	27	6
1A7335-52120	103	5
1A7335-71230	132	3
1A7335-71240	132	4
1A7335-71250	132	5
		14
1A7335-71410	132	6
		12
1A7335-71750	132	10
1A7335-71760	132	11
1A7450-53820	104	14
1A7500-73320	132	31
1A7530-73120	132	29
1A7550-35570	62	1
1A7550-77900	87	10
1A7550-91900	100	2
1A7680-65350	131	4
1A7680-65910	131	6
1A8070-04250	109	1
1A8070-25410	140	1
1A8070-25460	138	1
1A8070-25470	139	1
1A8070-28160	56	3
1A8070-45100	87	7

Parts No. Index

Parts No.	Fig. No.	Ref. No.
1A8070-48140	87	9
1A8070-48500	88	2
1A8071-04100	8	8 -1
1A8090-62110	116	4
1A8100-24180	42	10 -1
1A8115-00650	3	2
1A8115-01110	29	6
1A8115-01190	64	1
1A8115-03200	6	1
1A8115-06010	12	1
1A8115-11210	13	3
1A8115-11220	13	4
1A8115-13280	19	1
1A8115-13310	19	2
1A8115-14630	26	1
1A8115-14650	26	2
1A8115-14671	26	3
1A8115-15090	29	4
1A8115-15100	29	8
1A8115-15250	29	26
1A8115-15720	31	1
1A8115-17950	13	7
1A8115-18350	64	2
1A8115-22510	81	2
1A8115-25510	49	1
1A8115-25530	50	3
1A8115-27000	29	9
1A8115-27030	29	10
1A8115-27090	29	11
1A8115-27240	29	12
1A8115-27250	29	13
1A8115-27260	29	14
1A8115-27400	29	16
1A8115-27460	29	17
1A8115-27810	64	3
1A8115-27910	64	4
1A8115-28010	64	5
1A8115-31100	72	1
1A8115-37460	82	5
1A8115-37580	64	6
1A8115-37590	83	1
1A8115-47810	64	7
1A8115-48310	94	2
1A8115-48840	93	8
1A8115-61620	113	3
1A8115-63260	125	11
1A8275-72180	132	21 -1 28 -1
1A8310-22480	41	3 -1
1A8310-44410	86	16

Parts No.	Fig. No.	Ref. No.
1A8310-44420	86	4 -1
1C6053-26020	120	1 2
1C6140-12060	125	1
1C6140-43442	60	18
1C6140-47210-1	125	1 -1
1C6280-61100	109	22
1C6281-52310	58	2
1C6281-52320	60	20
	81	44
	82	13
1C6360-65700	60	21 22
1C6900-23020	22	2
1C6900-23120	23	6
1C6900-23150	23	7
1C6920-36260	106	5
1C7100-08150	107	1
1D2180-22130	46	1
1E6102-83230	99	2
1E6190-54080	17	5
	46	4
1E6213-83410	9	4
1E6650-82400	102	4
1E6680-66470	44	1
	93	11
1E6760-74150	120	3
1E8050-05510	10	1
1E8660-53100	22	3
1S6489-63330	63	5 7
1W3981-14050	5	5
22117-100000	90	17
22117-140000	29	18
22137-060000	4	4
	58	3
	109	41
22137-080000	29	19
	90	18
	109	42
22137-100000	29	20
	60	23
		24
	82	15
	135	9
22137-120000	51	6
22137-160000	30	4
	132	19
		27
22157-080000	7	5

Parts No.	Fig. No.	Ref. No.
22157-080000	8	21
	29	31
		32
	62	2
	81	24
	83	4
22190-060000	8	22
22190-080000	61	8
	111	3
		4
22190-100000	43	5
	55	8
	57	8
	59	9
	61	9
22217-080000	11	5
22217-100000	104	10
22217-120000	37	4
22217-140000	123	5
22217-160000	62	3
	86	7
	132	41
22242-000200	29	35
22242-000220	19	3
22242-000260	80	9
22242-000290	48	19
	49	5
22242-000300	17	6
22242-000340	46	5
	50	9
22242-000400	86	8
22252-000190	52	4
22252-000220	39	4
22252-000620	21	5
22252-000720	23	10
22252-000800	23	11
22272-000060	90	19
22272-000080	90	20
22272-000090	29	21
22272-000120	29	22
	135	10
22272-000190	81	34
22292-000250	32	6
22292-000280	48	20
22312-080140	42	14
	43	6
		7
	45	4
	72	8
	84	12

Parts No.	Fig. No.	Ref. No.
22312-100180	23	12
22351-035025	61	10
22351-040032	29	36
22351-040040	18	8
	70	8
22351-050020	132	20
22351-050040	73	6
22351-050045	81	35
22351-050056	86	9
22351-060025	57	9
	61	11
		12
22351-060032	55	9
	59	10
22351-060050	90	21
22351-080018	37	5
	38	4
22351-080032	73	7
22351-080040	73	8
22351-080045	81	36
22351-080050	112	8
22360-200000	133	6
22372-080000	90	22
	111	5
	125	13
22372-100000	109	43
22417-160180	4	5
22417-200200	117	9
22417-250300	82	16
22417-320320	132	21
		28
22417-400250	32	24
	132	42
22417-400400	16	13
		14
22487-060160	58	4
22487-080300	111	6
22487-100550	109	44
22522-030130	90	23
22695-320321	128	8
22857-600160	117	10
23000-019000	8	23
23000-035000	3	24
23000-054000	26	4
23000-060000	12	14
23000-070000	12	15
23065-160650	8	24
23414-220000	43	8
23491-140002	42	15
23871-010000	42	16

Parts No. Index

Parts No.	Fig. No.	Ref. No.
23887-180002	42	17
23887-220002	43	9
23980-730060	10	5
23980-730180	10	6
23980-730250	3	25
23980-730310	9	5
23980-730450	10	7
23980-730510	3	26
	9	6
	10	7 -1
23980-730730	10	8
24101-060044	48	2 -1
24101-060054	46	6
24101-060074	70	9
24101-060084	23	13
24101-060104	23	14
24101-060114	18	11
24101-062034	49	6
24101-062044	49	7
24101-062064	24	4
	46	7
	48	21
	66	5
24101-062074	20	4
	25	7
	70	10
24101-062094	25	8
	77	4
24101-063044	47	3
	48	22
	53	9
24101-063054	17	7
	52	5
24101-063064	75	3
24101-063074	50	10
	77	5
24104-060054	39	5
24104-062064	24	5
24161-253013	48	23
24161-253017	48	23 -1
	51	7
	138	3
	140	6
24161-253020	53	10
24161-303513	48	24
24161-303520	48	24 -1
	139	3
	140	7
24161-323717	48	3 -1
	140	8

Parts No.	Fig. No.	Ref. No.
24161-404517	53	11
24190-080001	61	13
24190-100001	55	10
	57	10
	59	11
	67	7
24190-170001	80	10
24311-000140	43	10
	44	2
	88	11
	93	12
24311-000150	61	14
24311-000160	1	13
	42	18
	51	8
	55	11
	57	11
	59	12
	67	8
24311-000180	22	4
	42	19
	89	2
	108	3
24311-000200	73	9
	90	24
	93	13
		14
		15
24311-000260	86	10
	93	16
24311-000340	94	4
24311-000400	86	11
24311-000420	26	5
24311-000440	86	12
24311-000850	8	25
24315-000100	88	6
24315-000120	35	9
24315-000140	87	11
24315-000160	88	12
24315-000180	88	7
		13
24315-000220	88	8
24315-000350	32	20
24321-000450	26	6
24321-000750	1	14
	15	11
24321-000950	23	15
24325-000250	87	12
24325-000700	87	13
24351-020300	84	13

Parts No.	Fig. No.	Ref. No.
24421-203007	36	4 -1
24421-305011	43	11
24421-306210	21	6
24512-053044	50	11
24550-012100	29	15
24550-016100	56	2
24550-020200	36	3 -1
24550-025150	32	21
24550-025200	81	30 -1
24761-010000	15	6
		12
	82	7
		9
24761-040000	86	13
24761-050000	86	13 -1
24761-060000	16	7
		12
	32	11
		22
	132	22
26013-120252	13	9
26013-120302	21	7
26013-120352	37	6
	104	15
	137	7
	135	11
26013-120402	21	8
	124	7
26013-120552	42	20
26013-120652	133	8
26018-060252	93	17
26021-050122	109	45
26022-050102	8	13
26062-100251	135	12
26106-060082	107	2
	109	46
26106-060122	3	27
		28
	4	6
	5	8
	35	10
	56	6
	82	17
	86	14
	96	10
	102	5
	109	47
		48
	118	5
26106-060162	2	4

Parts No.	Fig. No.	Ref. No.
26106-060162	112	9
26106-060202	93	18
26106-060252	8	26
26106-060452	93	19
26106-060552	117	11
26106-080102	115	4
26106-080122	9	7
		8
	37	7
	54	2
	96	11
	97	12
	98	3
		4
	99	3
	112	10
	125	14
26106-080162	3	29
		30
	7	6
	8	27
	11	6
	12	16
	26	7
		8
	36	7
	38	5
	42	21
		22 -1
	56	7
	59	13
	62	4
	63	10
	81	46
	90	25
	91	3
	93	20
	97	13
	116	5
	121	2
26106-080202	32	23
	39	6
	42	22
	68	2
	83	5
	93	21
	125	15
	137	3
26106-080252	7	7
	11	7

Parts No. Index

Parts No.	Fig. No.	Ref. No.
26106-080252	29	33
	42	23
	45	5
	80	11
	84	14
	94	5
26106-080302	93	22
26106-080352	29	23
26106-080402	55	12
	67	9
	72	9
26106-080452	42	24
26106-080502	50	12
	90	26
26106-080552	88	14
26106-080802	42	25
26106-100162	43	12
	55	13
26106-100202	74	2
	126	2
26106-100252	25	9
	42	26
	71	3
	84	15
26106-100302	23	16
	43	13
	61	15
	110	10
26106-100352	36	8
26106-100402	84	16
26106-100452	13	10
26106-100502	42	27
	72	10
26106-100552	13	11
26106-100652	116	6
26106-100902	87	14
26106-101102	72	11
26106-120252	124	8
26116-060122	63	9
26116-060404	5	9
26116-080162	70	11
26116-081302	11	8
26116-120402	124	9
26116-120502	124	10
26116-140752	123	6
26136-100162	33	3
	35	11
26306-080002	1	15
		16
26346-080002	29	24

Parts No.	Fig. No.	Ref. No.
26346-080002	60	25
26356-160002	30	5
	135	13
26366-080002	55	14
	57	12
	67	10
26376-120002	80	12
26450-080122	23	17
26450-080402	40	2 -1
26657-060002	8	28
26716-080002	60	19
	81	25
	90	27
		28
	110	11
26716-100002	23	18
	29	25
	60	6
		12
	81	8
		42
26716-120002	37	8
26716-140002	123	7
26736-160002	86	15
	132	43
26757-200002	132	23
26776-100002	104	11
		16
26776-160002	88	9
27260-200000	42	28
27260-220000	42	3
27260-320000	94	1 -1
27260-350000	36	5 -1
29622-140001	9	9
	34	2
	97	14
29622-250001	10	9
	34	3
	95	2
	96	12
	101	3
41812-012123	136	1

Parts No.	Fig. No.	Ref. No.
-----------	----------	----------

Parts No.	Fig. No.	Ref. No.
-----------	----------	----------