

0CNP5-M35000EN

Contents

0CNP5-M35000

Fig. No.	Fig. Name
ENGINE CONTROL	
1.	ENGINE RELATED
2.	ENGINE ACCESSORIES
3.	ACCEL LEVER
4.	EXHAUST PORT
5.	EXTEND EXHAUST
6.	EXTEND EXHAUST ATTACHMENT
7.	FUEL TANK
8.	TANK BRACKET
9.	FUEL PIPE
10.	SHUTTER PLATE

FRONT AXLE	
11.	FRONT BRACKET
12.	CENTER PIN
13.	ARM
14.	TIE ROD
15.	RING GEAR
16.	DIFFERENTIAL GEAR
17.	PROPELLER SHAFT
18.	FRONT SHAFT
19.	FRONT AXLE CASE
20.	FRONT GEAR CASE
21.	FRONT SHAFT
22.	FRONT SPINDLE

Fig. No.	Fig. Name
23.	SHAFT COVER
24.	FRONT WHEEL TIRE
25.	HUB BOLT
26.	STEERING WHEEL
27.	P.S.T. CYLINDER
28.	P.S.T. VALVE
29.	P.S.T. PIPING

TRANSMISSION	
30.	CLUTCH HOUSING
31.	DOCKING BOLT
32.	SINGLE CLUTCH
33.	CLUTCH RELEASE(1)
34.	CLUTCH RELEASE(2)
35.	CLUTCH PEDAL
36.	TRANSMISSION CASE
37.	CENTER PLATE
38.	OIL STRAINER
39.	MAIN SHAFT
40.	DRIVEN SHAFT
41.	COUNTER SHAFT
42.	REDUCTION SHAFT
43.	REVERSE GEAR
44.	CONNECTING SHAFT
45.	P.T.O. DRIVE SHAFT

Contents

0CNP5-M35000

Fig. No. Fig. Name

- 46. P.T.O. SHAFT
- 47. P.T.O. SHAFT COVER
- 48. P.T.O. SHAFT COVER ATTACHMENT
- 49. MAIN SHIFT(1)
- 50. MAIN SHIFT(2)
- 51. REVERSER SHIFT(1)
- 52. REVERSER SHIFT(2)
- 53. REVERSER LINK
- 54. SUB SHIFT LEVER KNOB
- 55. SUB SHIFT
- 56. P.T.O. SHIFT
- 57. P.T.O. SHIFT KNOB
- 58. FRONT DRIVE
- 59. FRONT SHIFT KNOB
- 60. FRONT SHIFT

REAR AXLE

- 61. RING GEAR
- 62. DIFFERENTIAL GEAR
- 63. DIFFERENTIAL CARRIER
- 64. REAR HOUSING
- 65. DIFFERENTIAL LOCK
- 66. DIFFERENTIAL LOCK(Accessories)
- 67. FINAL PINION
- 68. FINAL GEAR

Fig. No. Fig. Name

- 69. REAR AXLE SHAFT
- 70. FLANGE
- 71. FLANGE ATTACHMENT
- 72. REAR WHEEL TIRE
- 73. HUB BOLT
- 74. BRAKE
- 75. BRAKE PEDAL

HYDRAULIC CONTROL

- 76. HYDRAULIC PUMP(1)
- 77. HYDRAULIC PUMP(2)
- 78. HYDRAULIC CYLINDER CASE
- 79. PISTON
- 80. LIFT CRANK
- 81. CONTROL VALVE
- 82. RELIEF VALVE
- 83. STOP VALVE
- 84. STOP VALVE CONTROL
- 85. SAFETY VALVE
- 86. HYDRAULIC CONTROL
- 87. HYDRAULIC CONTROL LEVER KNOB
- 88. HYDRAULIC PIPING
- 89. HYDRAULIC FILTER
- 90. SEAL
- 127. PLUG

Contents

OCNP5-M35000

Fig. No. Fig. Name

ELECTRICAL PARTS

- 91. WIRE HARNESS
- 92. WIRE HARNESS CLAMP
- 93. BATTERY
- 94. BATTERY CLAMP
- 95. SWITCH
- 96. LAMP
- 97. FRONT LAMP
- 98. METER
- 99. HORN
- 100. HORN ATTACHMENT
- 101. RELAY

FITTINGS

- 102. FRONT FRAME
- 103. HOOD FRAME
- 104. HOOD
- 105. FRONT GRILLE
- 106. SIDE COVER
- 107. HOOD GROMMET
- 108. DASHBOARD
- 109. FENDER
- 110. FOOTREST
- 111. FOOTREST STAY(1)

Fig. No. Fig. Name

- 112. FOOTREST STAY(2)
- 113. SEAT
- 114. SEAT BELT
- 115. LABEL(1)
- 116. LABEL(2)
- 117. LABEL(SAFETY)

HITCH

- 118. 3P LINK KIT
- 119. TOP LINK
- 120. LIFT LINK(RIGHT)
- 121. LIFT LINK(LEFT)
- 122. LOWER LINK & CHECK CHAIN
- 123. DRAWBAR HITCH

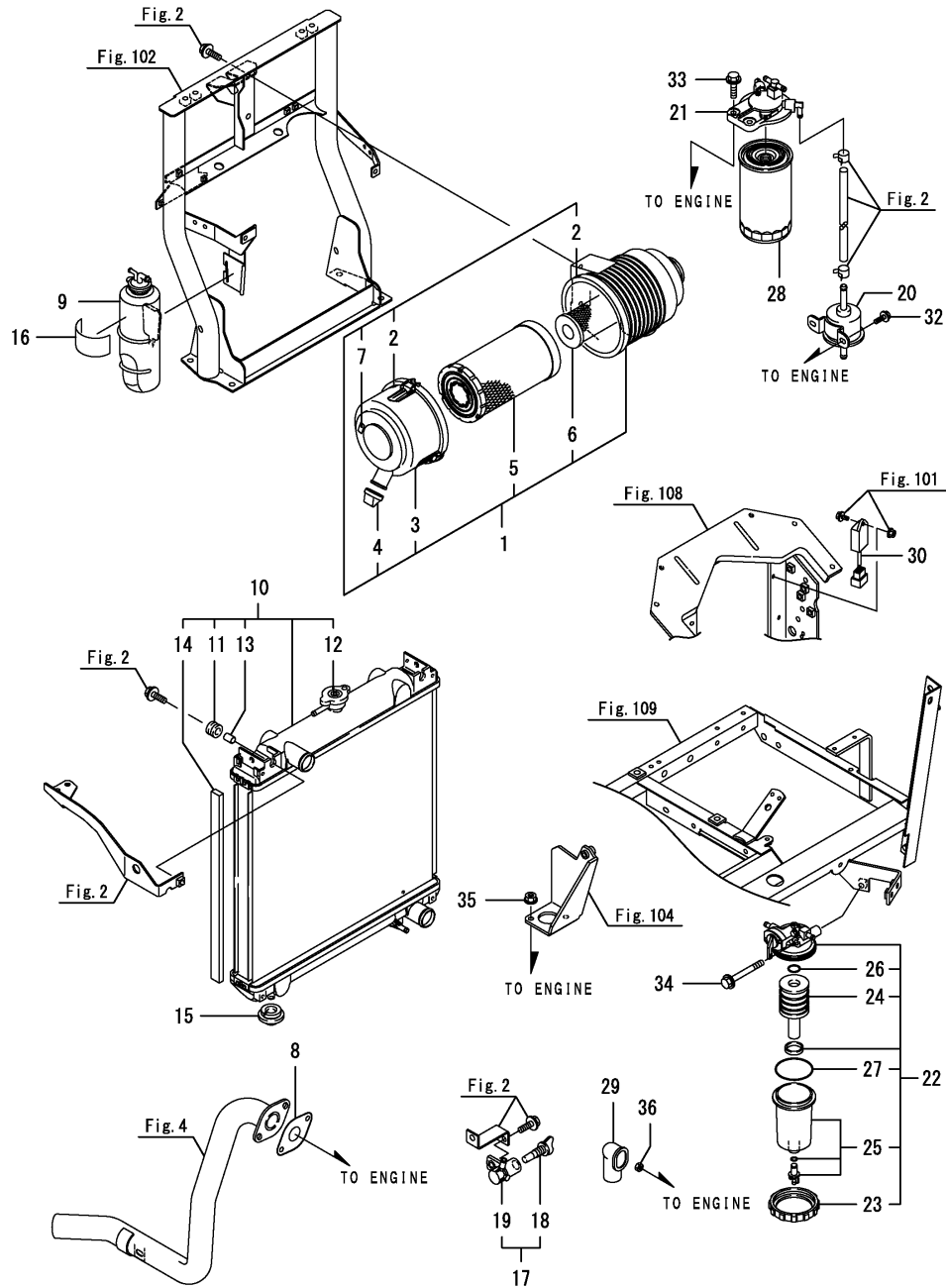
SAFETY FRAME

- 124. SAFETY FRAME ATTACHMENT
- 125. SAFETY FRAME

ACCESSORIES

- 126. MANUAL

Fig.1. ENGINE RELATED



(A)=EF453T LX
(B)=
(C)=

(D)=
(E)=
(F)=

No.	Lev.	Parts No.	Description	Q'ty						I	R
				(A)	(B)	(C)	(D)	(E)	(F)		
1	1	129659-12520	CLEANER ASSY, AIR	1							
2	2	129418-12530	LABEL, MARK	2							
3	2	129900-12530	COVER ASSY	1							
4	2	119808-12540	VALVE, UNLOADER	1							
5	2	129062-12560	ELEMENT	1							
6	2	119005-12571	ELEMENT	1							
7	2	129612-12650	LABEL, MARKING	1							
8	1	129052-13550	GASKET	1							
9	1	129263-44510	TANK ASSY, SUB	1							
10	1	129659-44510	RADIATOR ASSY	1							
11	2	129467-44580	MOUNT, RUBBER	2							
12	2	129107-44590	CAP, RADIATOR	1							
13	2	129467-44590	COLLAR	2							
14	2	129956-44730	SEAL, RADIATOR	4							
15	1	119255-44660	ABSORBER	2							
16	1	124764-44810	LABEL, SUB TANK	1							
17	1	129550-49101	COCK ASSY, 2-WAY	1							
18	2	129150-49081	COCK, DRAIN	1							
19	2	129550-49090	BODY, 2-WAY COCK	1							
20	1	119225-52102	PUMP ASSY, FUEL FEED	1							
21	1	119934-55611	BRACKET, FILTER	1							
22	1	119802-55700	SEPARATOR ASSY	1							
23	2	129100-55690	RING, RETAINING	1							
24	2	119802-55710	ELEMENT	1							
25	2	119802-55730	CUP ASSY	1							
26	2	24311-000160	O-RING, 1AP16.0	1							
27	2	24321-000650	O-RING, 1AG65.0	1							
28	1	129907-55810	FILTER, FUEL	1							
29	1	124550-77030	COVER, TERMINAL	1							
30	1	129211-77920	TIMER	1							
32	1	26106-060122	BOLT, M6X 12 PLATED	2							
33	1	26106-080302	BOLT, M8X 30 PLATED	2							
34	1	26106-080702	BOLT, M8X 70 PLATED	1							
35	1	26306-080002	NUT, M8	2							
36	1	26756-060002	NUT, LOCK M6	1							

Fig.2. ENGINE ACCESSORIES

(A)=EF453T LX

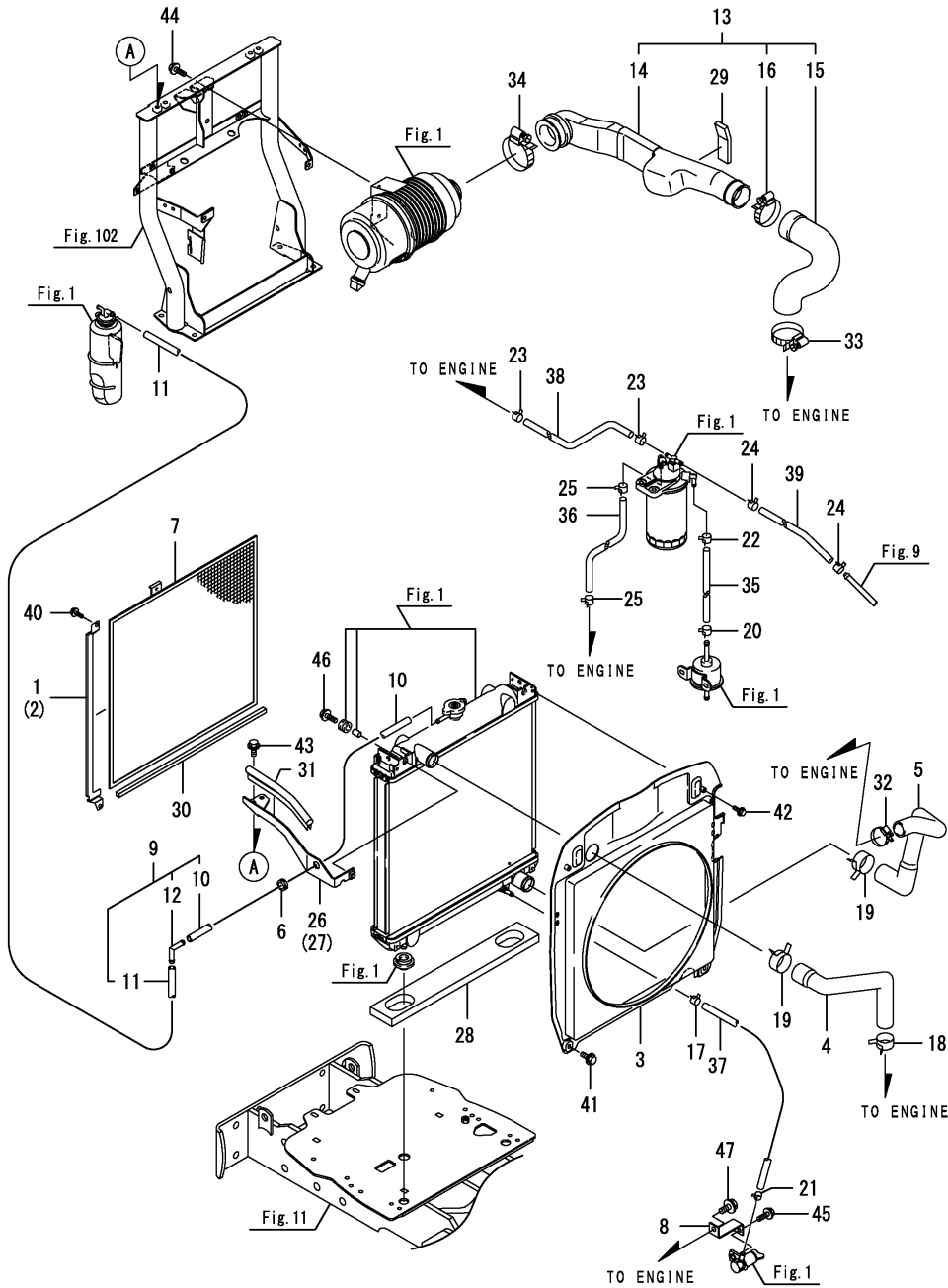
(B)=

(C)=

(D)=

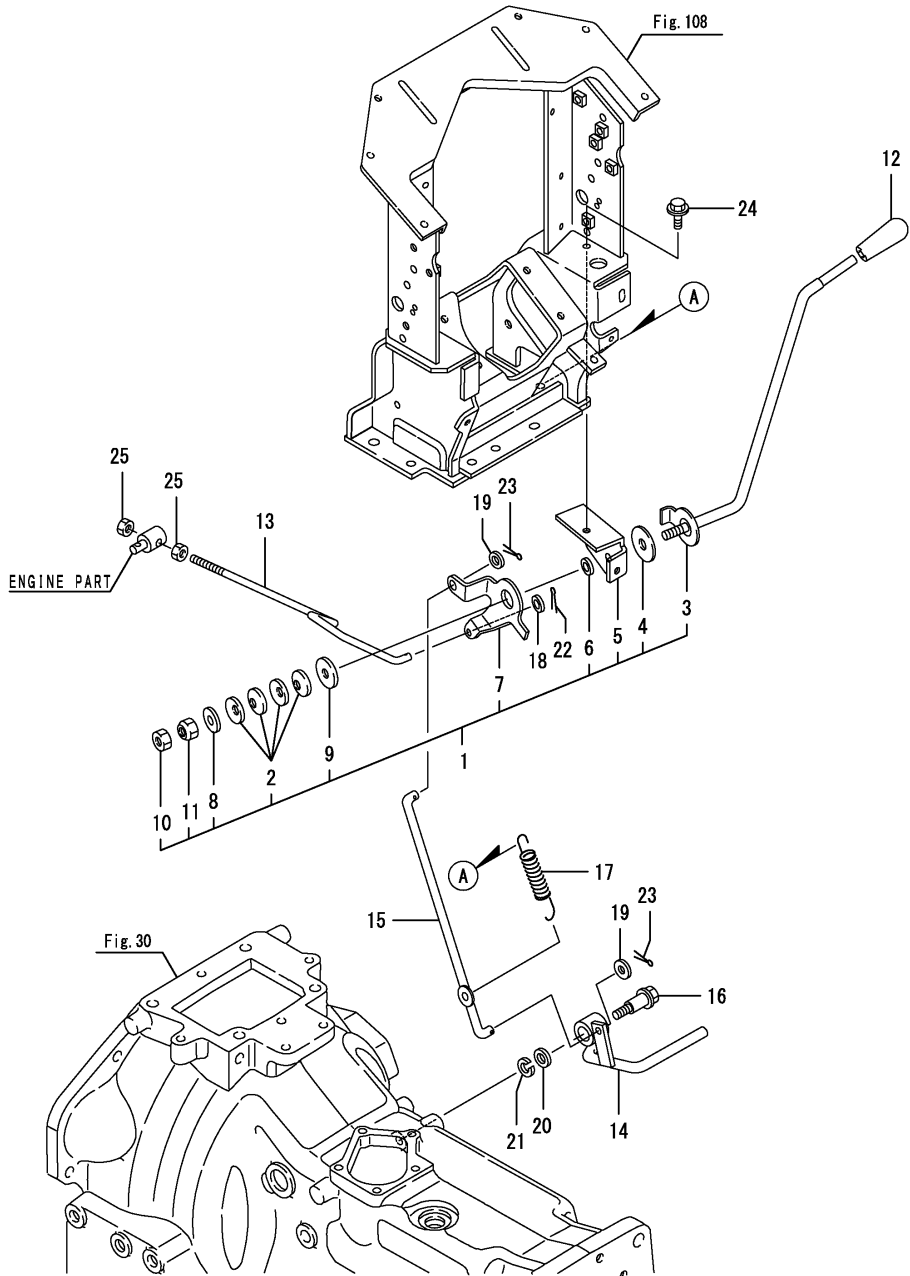
(E)=

(F)=



No.	Lev.	Parts No.	Description	Q'ty						I	R
				(A)	(B)	(C)	(D)	(E)	(F)		
1	1	1A7260-01030	RAIL, RADIATOR L	1							
2	1	1A7260-01040	RAIL, RADIATOR R	1							
3	1	1A7260-01200	SHROUD, FAN	1							
4	1	1A7260-01210	PIPE, WATER A	1							
5	1	1A7260-01220	PIPE, WATER B	1							
6	1	194180-01240	GROMMET, 13	1							
7	1	1A7780-01250	SCREEN, RADIATOR	1							
8	1	198242-02310	STAY, DRAIN	1							
9	1	1A7780-03150	HOSE ASSY, OVERFLOW	1							
10	2	1A7260-03160	PIPE, OVERFLOW A	1							
11	2	1A7335-03160	HOSE, OVERFLOW	1							
12	2	1A7260-03180	ELBOW	1							
13	1	1A7310-06200	PIPE ASSY, INTAKE	1							
14	2	1A7300-06210	PIPE, AIR INTAKE A	1							
15	2	1A7270-06220	PIPE, AIR INTAKE B	1							
16	2	129956-12160	CLAMP, HOSE	1							
17	1	106990-44660	CLIP, HOSE 12.5	1							
18	1	175022-49730	CRIP 31, HOSE	1							
19	1	175022-49750	CLIP 37, HOSE	2							
20	1	114270-59010	CLIP, HOSE 12	1							
21	1	124766-59050	CLIP, HOSE 12	1							
22	1	124766-59050	CLIP, HOSE 12	1							
23	1	124766-59050	CLIP, HOSE 12	2							
24	1	124766-59050	CLIP, HOSE 12	2							
25	1	124766-59050	CLIP, HOSE 12	2							
26	1	1A7270-60211	STAY ASSY, RADIATOR	1							
27	1	1A7270-60221	STAY ASSY, RADIATOR	1							
28	1	1A7780-60860	URETHANE, RADIATOR	1							
29	1	1A7260-60880	URETHANE, HOSE	1							
30	1	198071-61990	URETHANE, RADIATOR	2							
31	1	198146-63660	WEATHER-STRIP, 250	2							
32	1	23000-035000	CLAMP, 35	1							
33	1	23000-070000	CLAMP, 70	1							
34	1	23000-080000	CLAMP, 80	1							
35	1	23980-730250	HOSE, 7.3X 250	1							
36	1	23980-730400	HOSE, 7.3X 400	1							
37	1	23980-730400	HOSE, 7.3X 400	1							
38	1	23980-730420	HOSE, 7.3X 420	1							
39	1	23980-730760	HOSE, 7.3X 760	1							
40	1	26106-060122	BOLT, M6X 12 PLATED	4							
41	1	26106-060122	BOLT, M6X 12 PLATED	2							
42	1	26106-060252	BOLT, M6X 25 PLATED	2							
43	1	26106-080162	BOLT, M8X 16 PLATED	4							
44	1	26106-080162	BOLT, M8X 16 PLATED	2							
45	1	26106-080252	BOLT, M8X 25 PLATED	1							
46	1	26106-080252	BOLT, M8X 25 PLATED	2							
47	1	26106-100162	BOLT, M10X 16 PLATED	1							

Fig.3. ACCEL LEVER



(A)=EF453T LX
(B)=
(C)=

(D)=
(E)=
(F)=

No.	Lev.	Parts No.	Description	Q'ty						I	R
				(A)	(B)	(C)	(D)	(E)	(F)		
1	1	7A7780-01110	LEVER KIT	1							
2	2	194740-00160	SPRING, 10	4							
3	2	1A7780-01110	LEVER ASSY	1							
4	2	198165-01130	PLATE, FRICTION	1							
5	2	198220-01140	BRACKET, LEVER	1							
6	2	194150-01270	SPACER, 20	1							
7	2	198242-01350	LEVER, LINK	1							
8	2	194145-61570	WASHER, 10	1							
9	2	22157-100000	WASHER, 10	1							
10	2	26756-100002	NUT, LOCK M10	1							
11	2	26986-100002	NUT, LOCK M10	1							
11-1	2	26716-100002	NUT, M10	1							R
(A=FZZZZZ)											
12	1	198253-01190	KNOB, LEVER	1							
13	1	1A7780-01320	ROD, LINK	1							
14	1	1A7780-01400	PEDAL ASSY, THROTTLE	1							
15	1	198240-01450	ROD, ACCELERATOR	1							
16	1	198240-01470	BOLT, M10	1							
17	1	194750-04400	SPRING, RETURN	1							
18	1	22137-080000	WASHER, 8	1							
19	1	22137-080000	WASHER, 8	2							
20	1	22137-100000	WASHER, 10	1							
21	1	22217-100000	WASHER, SPRING 10	1							
22	1	22417-250300	PIN, COTTER 2.5X30	1							
23	1	22417-250300	PIN, COTTER 2.5X30	2							
24	1	26106-080162	BOLT, M8X 16 PLATED	2							
25	1	26716-080002	NUT, M8	2							

Fig.4. EXHAUST PORT

(A)=EF453T LX
(B)=
(C)=

(D)=
(E)=
(F)=

No.	Lev.	Parts No.	Description	Q'ty						I	R
				(A)	(B)	(C)	(D)	(E)	(F)		
1	1	1A7780-03110	PIPE, EXHAUST	1							
2	1	26106-080202	BOLT, M8X 20 PLATED	1							
3	1	26106-080202	BOLT, M8X 20 PLATED	2							

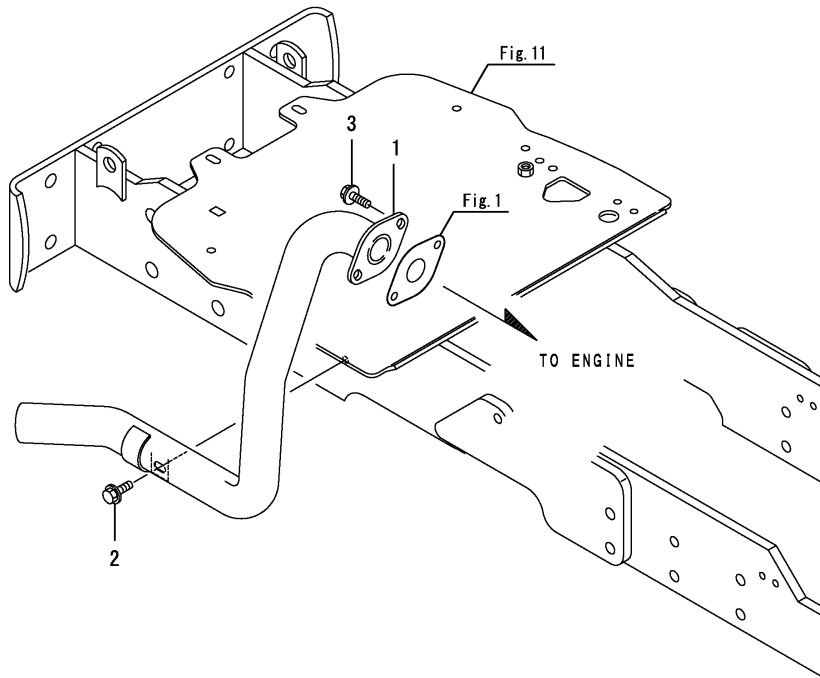


Fig.5. EXTEND EXHAUST

(A)=EF453T LX
 (B)=
 (C)=

(D)=
 (E)=
 (F)=

No.	Lev.	Parts No.	Description	Qty						I	R	
				(A)	(B)	(C)	(D)	(E)	(F)			
1	1	1A7780-03350	PIPE, EXTENSION 453T	1								

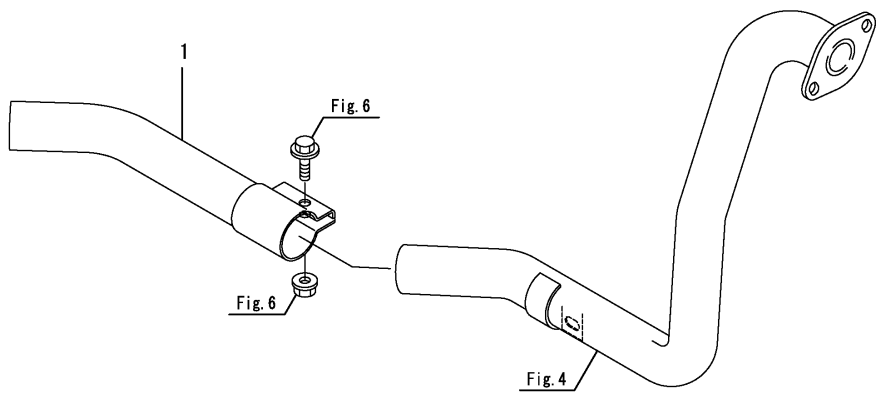


Fig.6. EXTEND EXHAUST ATTACHMENT

(A)=EF453T LX
(B)=
(C)=

(D)=
(E)=
(F)=

No.	Lev.	Parts No.	Description	Q'ty						I	R
				(A)	(B)	(C)	(D)	(E)	(F)		
1	1	194990-22140	NUT, M8	1							
2	1	26106-080202	BOLT, M8X 20 PLATED	1							

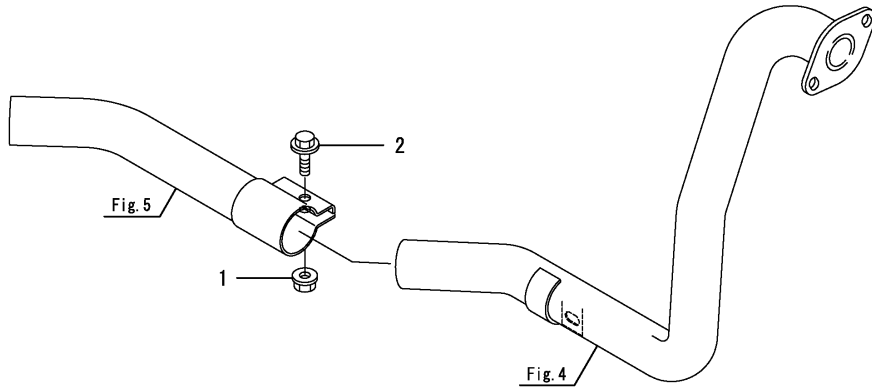


Fig.7. FUEL TANK

(A)=EF453T LX
 (B)=
 (C)=

(D)=
 (E)=
 (F)=

No.	Lev.	Parts No.	Description	Q'ty						I	R
				(A)	(B)	(C)	(D)	(E)	(F)		
1	1	1A7780-04111-1	TANK ASSY, FUEL	1							
2	1	198071-04500	CAP ASSY, FILLER	1							
3	2	1A1120-61541	SEAL, RUBBER	1							
4	1	198072-04510	FILTER	1							
5	1	198230-04750	JOINT, PIPE	1							
6	1	194170-51210	GROMMET	1							
7	1	24311-000150	O-RING, 1AP15.0	1							

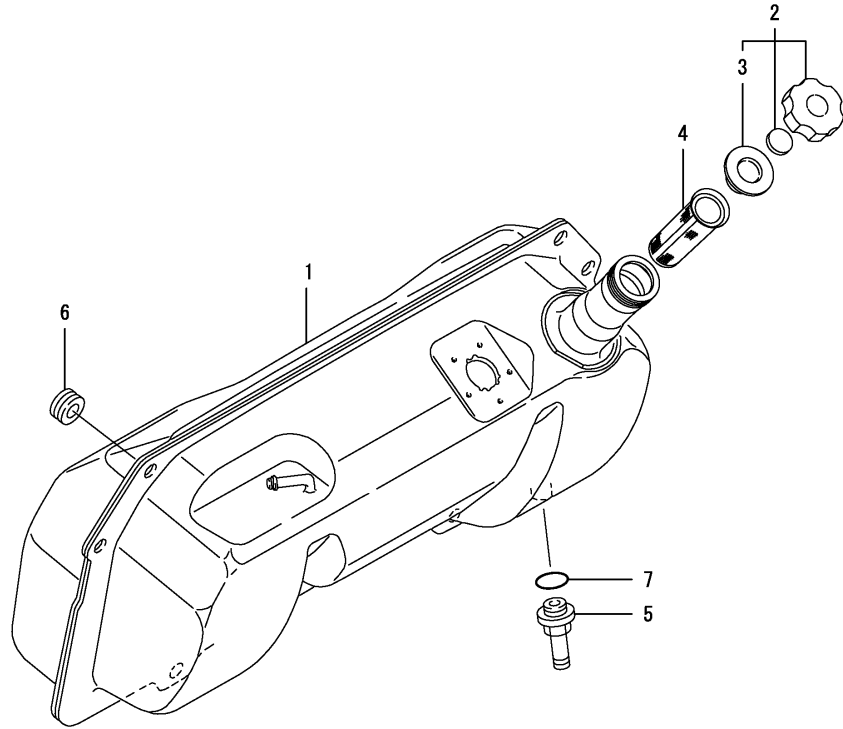
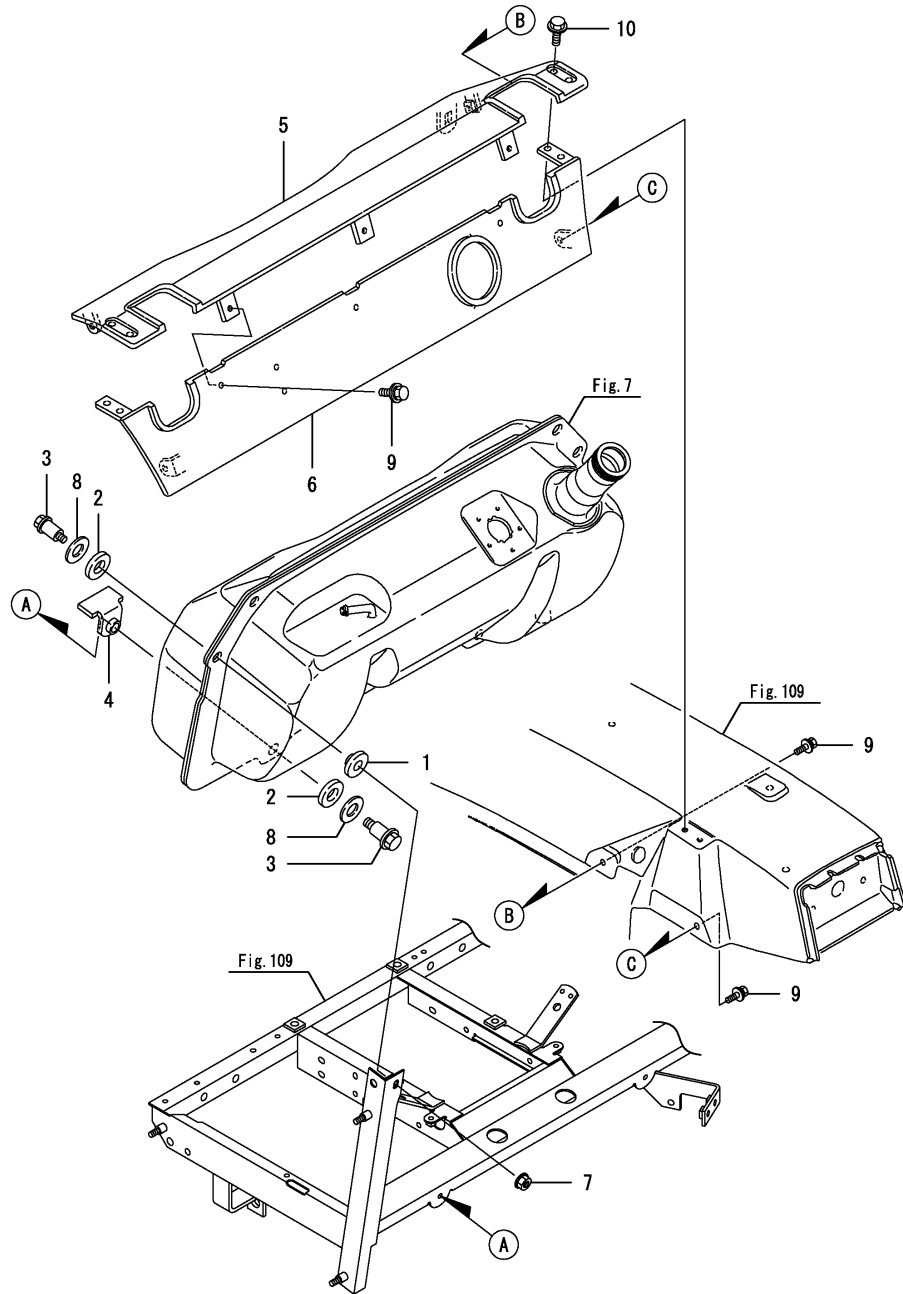


Fig.8. TANK BRACKET



(A)=EF453T LX
(B)=
(C)=

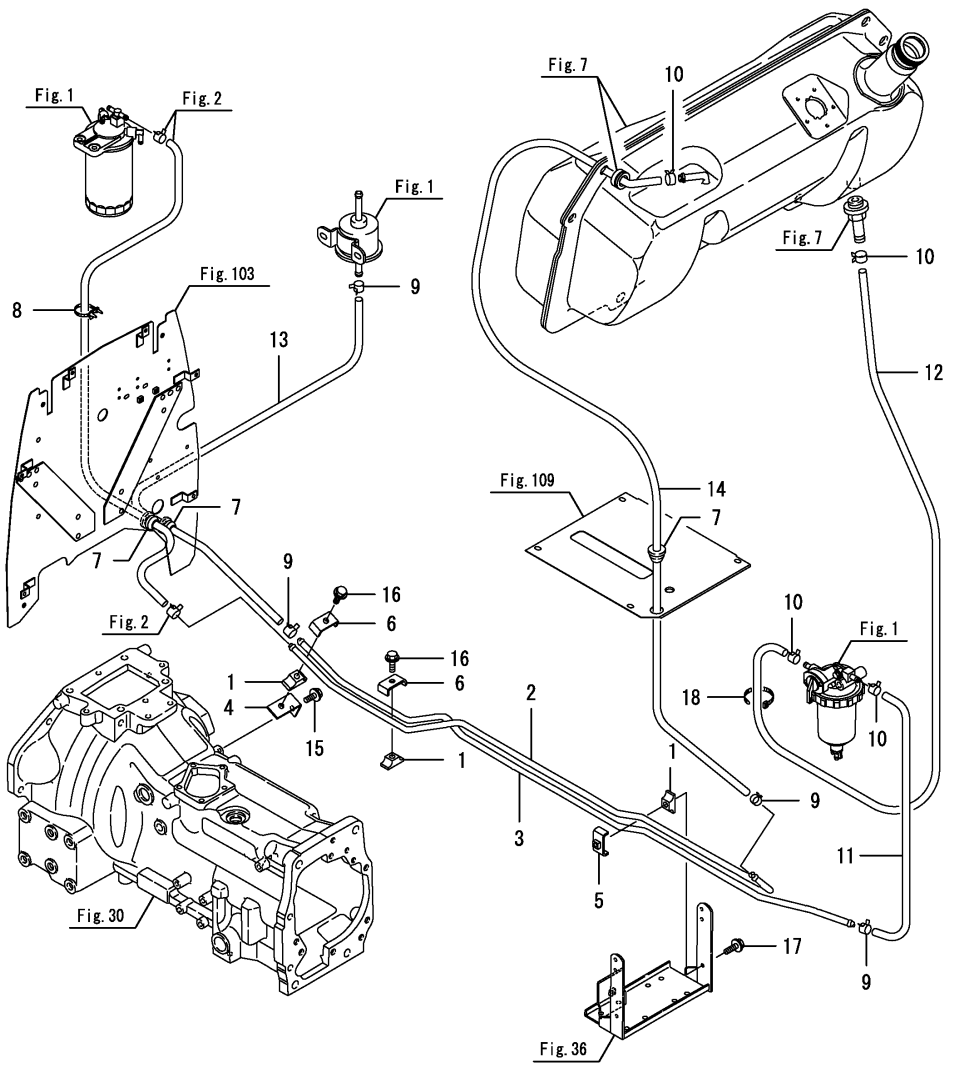
(D)=
(E)=
(F)=

No.	Lev.	Parts No.	Description	Q'ty						I	R
				(A)	(B)	(C)	(D)	(E)	(F)		
1	1	194555-04260	PACKING, TANK A	2							
2	1	194555-04270	PACKING, TANK B	4							
3	1	194555-04280	BOLT, M8X26	4							
4	1	198220-04290	GASKET, TANK	2							
5	1	198320-04300	COVER, TANK FRONT	1							
6	1	1A7780-04350-2	COVER, TANK REAR M	1							
7	1	194990-22140	NUT, M8	2							
8	1	22157-120000	WASHER, 12	4							
9	1	26018-060162	BOLT, M6X 16	7							
10	1	26106-080162	BOLT, M8X 16 PLATED	4							

Fig.9. FUEL PIPE

(A)=EF453T LX
(B)=
(C)=

(D)=
(E)=
(F)=



No.	Lev.	Parts No.	Description	Qty						I	R
				(A)	(B)	(C)	(D)	(E)	(F)		
1	1	198240-04710	BASE, CLAMP	3							
2	1	198240-04750	PIPE, FUEL	1							
3	1	198240-04760	PIPE, FUEL	1							
4	1	198240-04770	BRACKET, PIPE	1							
5	1	198327-04840	CLAMP	1							
6	1	194180-17770	CLAMP, PIPE	2							
7	1	194170-51210	GROMMET	3							
8	1	198448-51910	CLIP, BAND	1							
9	1	114270-59010	CLIP, HOSE 12	4							
10	1	124766-59050	CLIP, HOSE 12	4							
11	1	23980-730300	HOSE, 7.3X 300	1							
12	1	23980-730300	HOSE, 7.3X 300	1							
13	1	23980-730450	HOSE, 7.3X 450	1							
14	1	23980-731120	HOSE, 7.3X1120	1							
15	1	26106-080162	BOLT, M8X 16 PLATED	1							
16	1	26106-080252	BOLT, M8X 25 PLATED	2							
17	1	26106-080302	BOLT, M8X 30 PLATED	1							
18	1	29622-140001	BAND, RF140	1							

Fig.10. SHUTTER PLATE

(A)=EF453T LX
(B)=
(C)=

(D)=
(E)=
(F)=

No.	Lev.	Parts No.	Description	Q'ty						I	R
				(A)	(B)	(C)	(D)	(E)	(F)		
1	1	1A7940-05510	PLATE, SHUTTER	1							
1-1	1	1A8205-05510 (A=FZZZZZ)	PLATE, SHUTTER	1							S
2	1	194990-22140	NUT, M8	2							

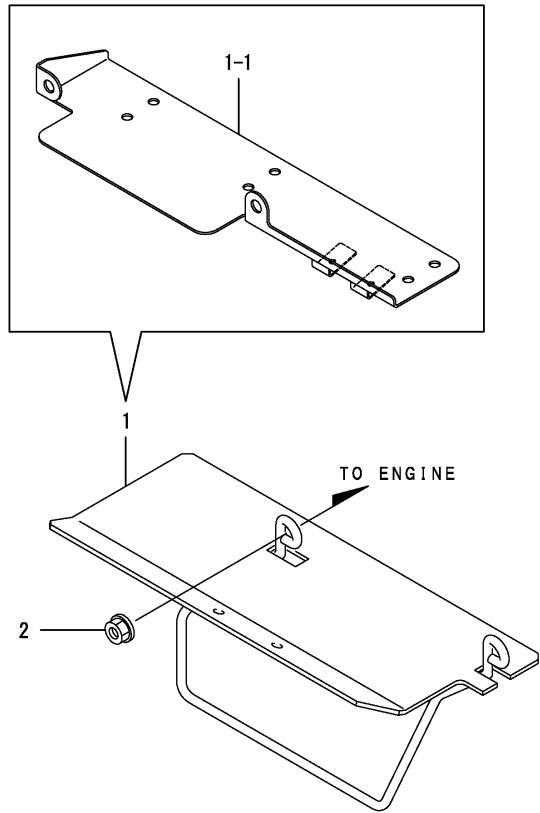


Fig.11. FRONT BRACKET

(A)=EF453T LX
(B)=
(C)=

(D)=
(E)=
(F)=

No.	Lev.	Parts No.	Description	Q'ty						I	R
				(A)	(B)	(C)	(D)	(E)	(F)		
1	1	1A7780-11090-1	BRACKET, FRONT AXLE	1							
2	1	1A7780-11510	BOLT, M12X30	10							
3	1	198240-11620	BOLT, M12X34	1							
4	1	198240-11640	BOLT, M12X46	1							
5	1	198240-11650	BOLT, M12X45	3							
6	1	194180-61980	GROMMET, 24	1							

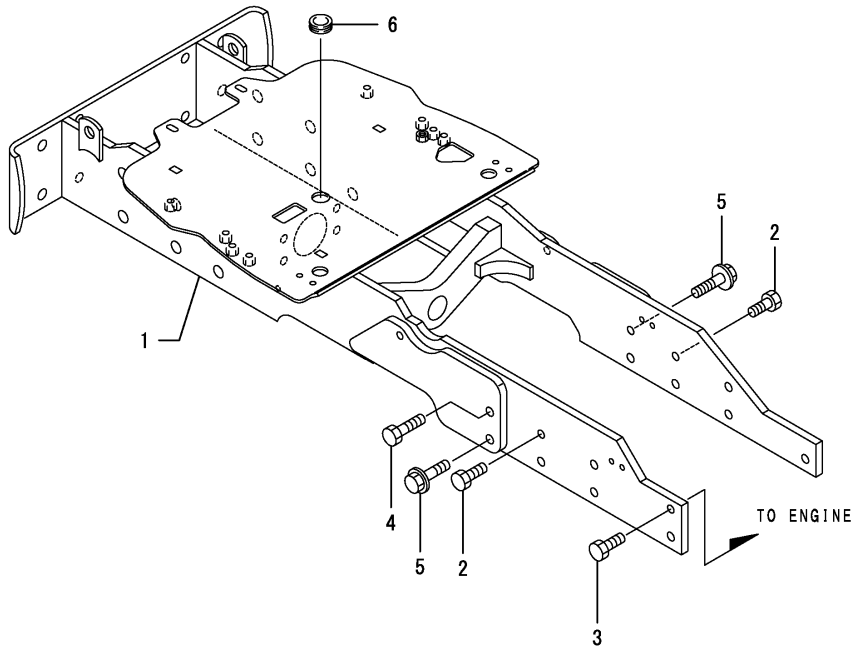


Fig.12. CENTER PIN

(A)=EF453T LX
(B)=
(C)=

(D)=
(E)=
(F)=

No.	Lev.	Parts No.	Description	Q'ty						I	R
				(A)	(B)	(C)	(D)	(E)	(F)		
1	1	198240-11500	PIN ASSY, CENTER	1							
2	2	24761-040000	NIPPLE, GREASE B	1							
3	1	198240-11540	SHIM SET	1							
4	1	198240-11550	SPACER, 36X62X27	1							
5	1	26106-120352	BOLT, M12X 35 PLATED	4							
5-1	1	1A6770-85920	BOLT, M12X30	4							N

(A=FXXXXX)

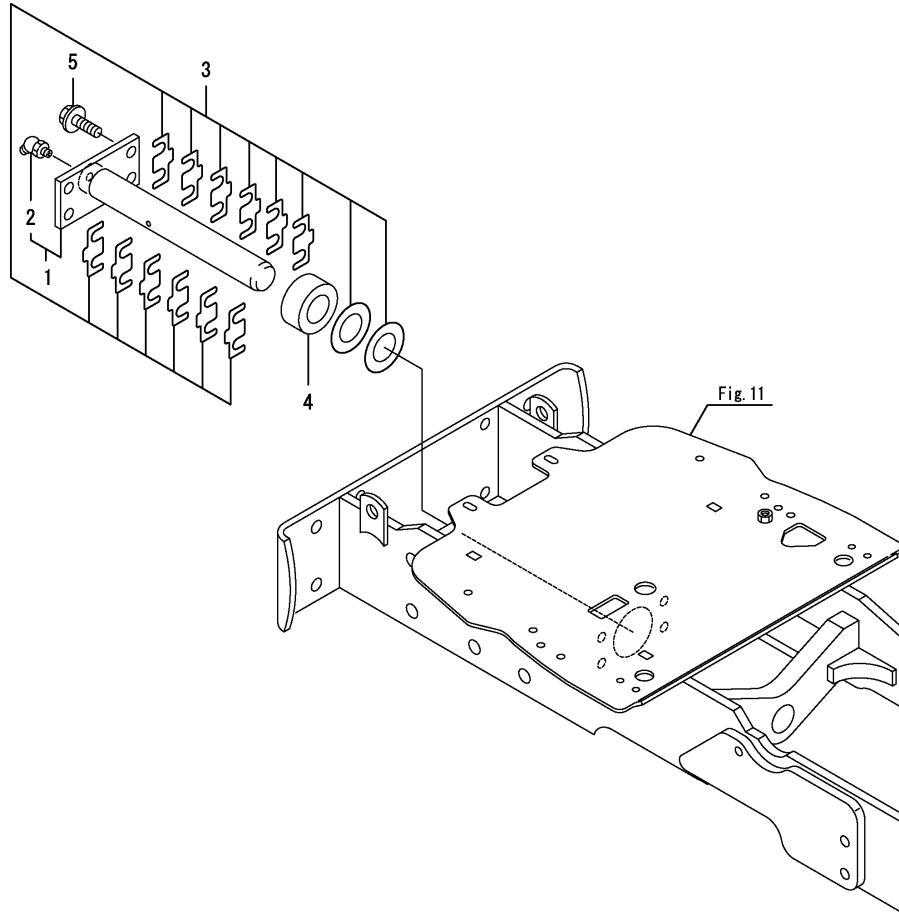


Fig.13. ARM

(A)=EF453T LX
(B)=
(C)=

(D)=
(E)=
(F)=

No.	Lev.	Parts No.	Description	Q'ty						I	R
				(A)	(B)	(C)	(D)	(E)	(F)		
1	1	198251-11800-2	ARM ASSY, KNUCKLE L	1							
2	2	23876-040000	PLUG, R04	1							
3	1	198251-11820-2	ARM ASSY, KNUCKLE R	1							
4	2	198251-13630	GAUGE, OIL LEVEL	1							
5	2	24311-000180	O-RING, 1AP18.0	1							
6	1	22217-120000	WASHER, SPRING 12	4							
7	1	22312-100180	PIN, PARALLEL M10X18	4							
8	1	26013-120802	BOLT, M12X 80	4							
9	1	26216-120352	STUD, M12X 35	4							
10	1	26716-120002	NUT, M12	4							

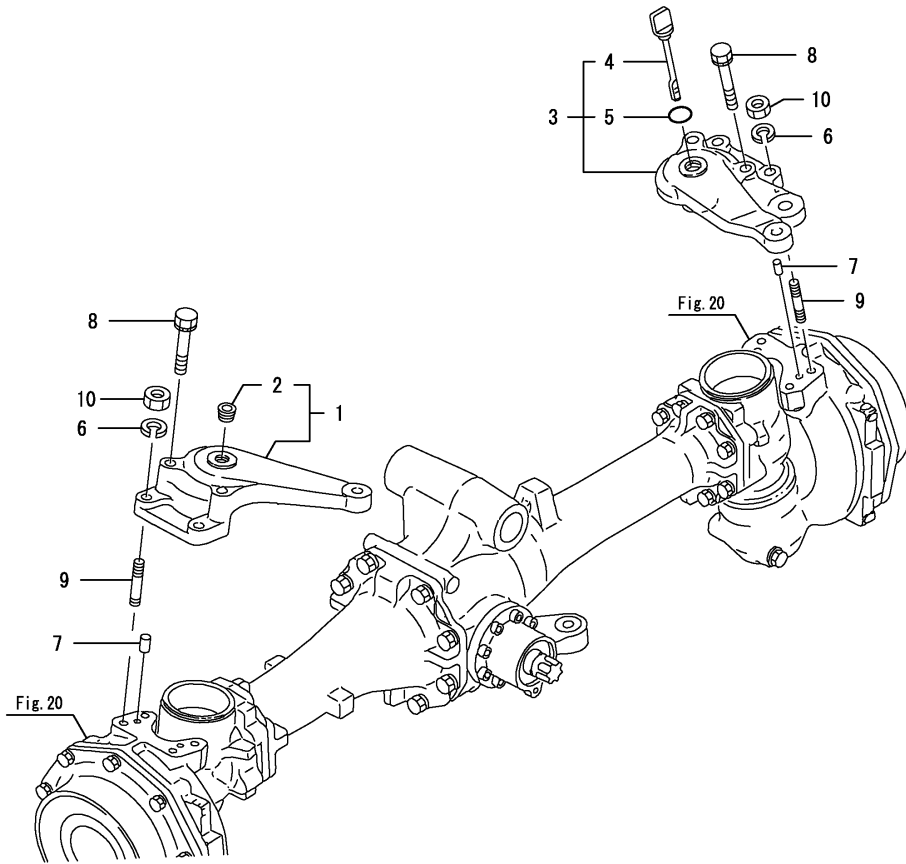
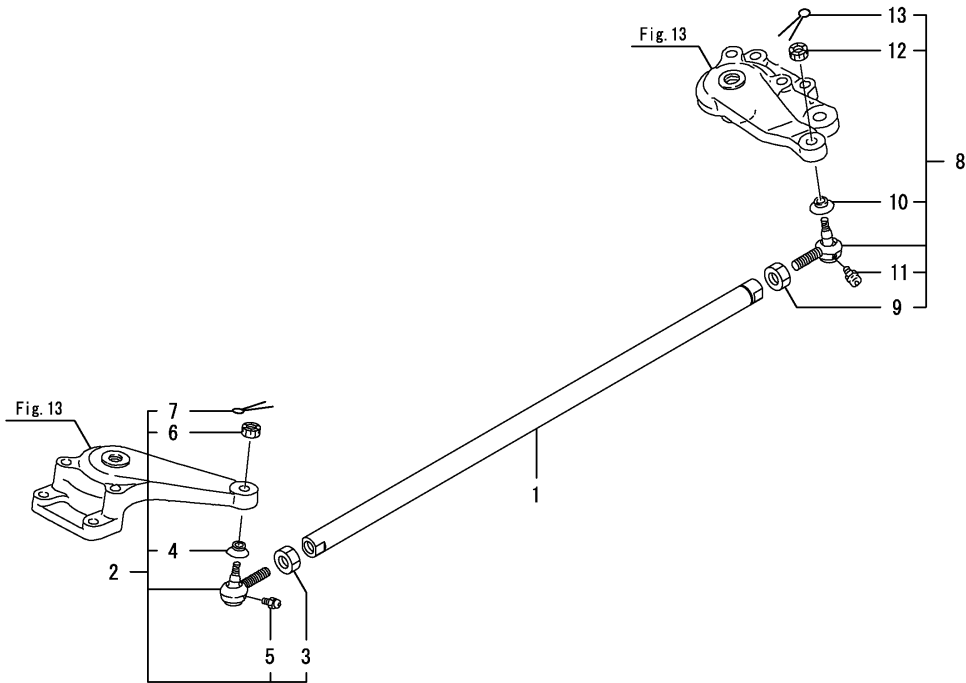


Fig.14. TIE ROD

(A)=EF453T LX
(B)=
(C)=

(D)=
(E)=
(F)=



No.	Lev.	Parts No.	Description	Q'ty						I	R
				(A)	(B)	(C)	(D)	(E)	(F)		
1	1	198251-12310-2	TIE-ROD	1							
2	1	198240-18120-1	END KIT, TIE-ROD LR	1							
3	2	194990-22831	NUT, LOCK M17 L	1							
4	2	194730-57220	COVER, DUCT	1							
5	2	24761-060000	NIPPLE, GREASE MT6X1	1							
6	2	198240-12590	NUT, M12	1							
7	2	22417-300250	PIN, COTTER 3.0X25	1							
8	1	198240-18130-1	END KIT, TIE-ROD RL	1							
9	2	194990-22841	NUT, M17	1							
10	2	194730-57220	COVER, DUCT	1							
11	2	24761-060000	NIPPLE, GREASE MT6X1	1							
12	2	198240-12590	NUT, M12	1							
13	2	22417-300250	PIN, COTTER 3.0X25	1							

Fig.15. RING GEAR

(A)=EF453T LX
(B)=
(C)=

(D)=
(E)=
(F)=

No.	Lev.	Parts No.	Description	Q'ty						I	R
				(A)	(B)	(C)	(D)	(E)	(F)		
1	1	198251-13100	GEAR ASSY, RING	1							
2	1	1A7780-13670	COLLAR, SEAL	1							
3	1	24101-060124	BEARING, BALL 6012	1							
4	1	24141-320070	BEARING, 32007	2							
5	1	24341-000315	O-RING, 1AS31.5	1							

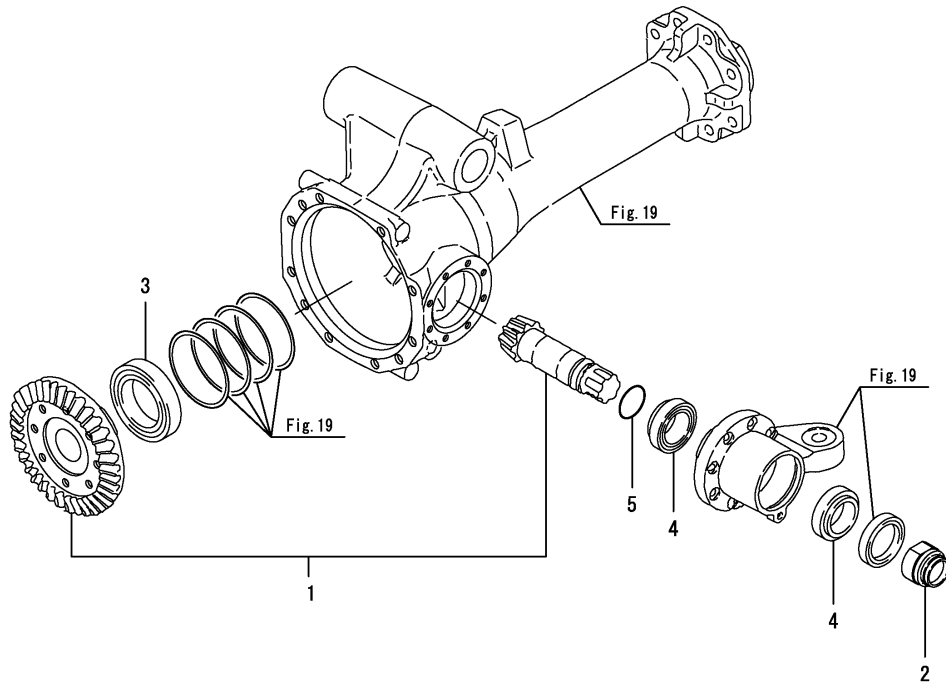


Fig.16. DIFFERENTIAL GEAR

(A)=EF453T LX
(B)=
(C)=

(D)=
(E)=
(F)=

No.	Lev.	Parts No.	Description	Q'ty						I	R
				(A)	(B)	(C)	(D)	(E)	(F)		
1	1	194641-13210	CASE, DIFFERENTIAL	1							
2	1	194321-13230	PINION, DIFFERENTIAL	2							
3	1	194465-13240	LINER, DIFFERENTIAL	2							
4	1	194321-13250	GEAR, DIFFERENTIAL	2							
5	1	194465-13260	WASHER, DIFFERENTIAL	2							
6	1	194321-13270	SHAFT, DIFFERENTIAL	1							
7	1	194323-13290	BOLT, M10X70	6							
8	1	22312-100180	PIN, PARALLEL M10X18	2							
9	1	22351-035032	PIN, SPRING 3.5X32	1							
10	1	22351-060032	PIN, SPRING 6.0X32	1							
11	1	24101-060104	BEARING, BALL 6010	1							

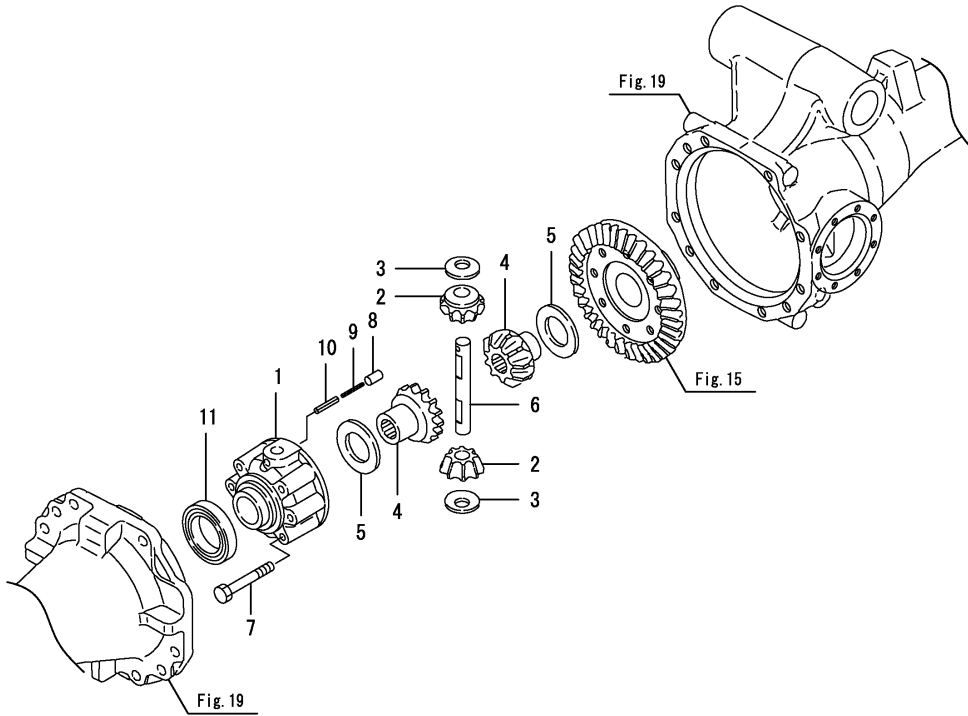
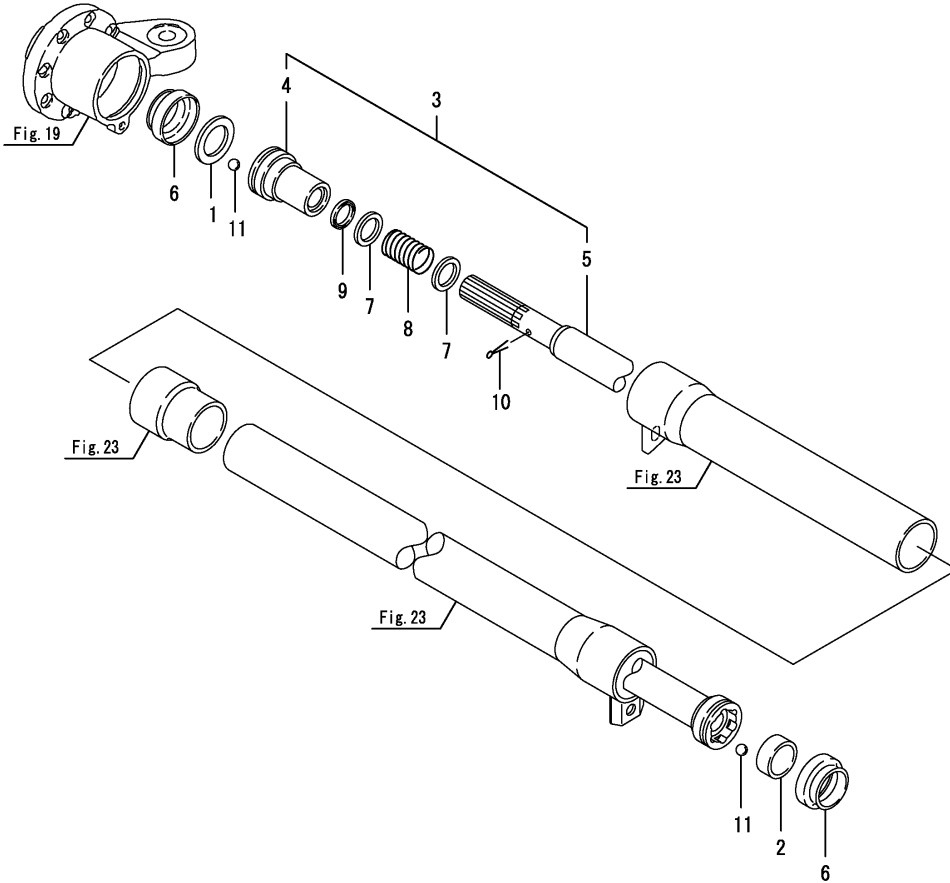


Fig.17. PROPELLER SHAFT

(A)=EF453T LX
(B)=
(C)=

(D)=
(E)=
(F)=



No.	Lev.	Parts No.	Description	Q'ty						I	R
				(A)	(B)	(C)	(D)	(E)	(F)		
1	1	198251-13270	SPACER, 33X48X 2	1							
2	1	198241-13280	SPACER, 33X40X15.5	1							
3	1	198137-13300	SHAFT ASSY,PROPELLER	1							
4	2	198133-13340	COUPLING, B	1							
5	2	198137-13350	SHAFT, PROPELLER	1							
6	1	194274-13350	BOOT, RUBBER	2							
7	1	194321-13360	WASHER, 25	2							
7-1	1	1A7260-43650	SPACER	2							R
(A=FZZZZZ)											
8	1	198441-13370	SPRING, RETAINER	1							
9	1	194321-13380	SEAL, SPLINE SHAFT	1							
10	1	22417-400500	PIN, COTTER 4.0X50	1							
11	1	24190-110001	BALL, STEEL 11/32	12							

Fig.18. FRONT SHAFT

(A)=EF453T LX
(B)=
(C)=

(D)=
(E)=
(F)=

No.	Lev.	Parts No.	Description	Q'ty						I	R
				(A)	(B)	(C)	(D)	(E)	(F)		
1	1	198251-13510	SHAFT, FRONT 1ST L	1							
2	1	198251-13520	SHAFT, FRONT 1ST R	1							
3	1	1A7780-13520	PINION, SHAFT	2							
4	1	24101-062084	BEARING, BALL 6208	2							
4-1	1	194641-13840	BEARING, BALL TMB208	2							R

(A=FXXXXX)

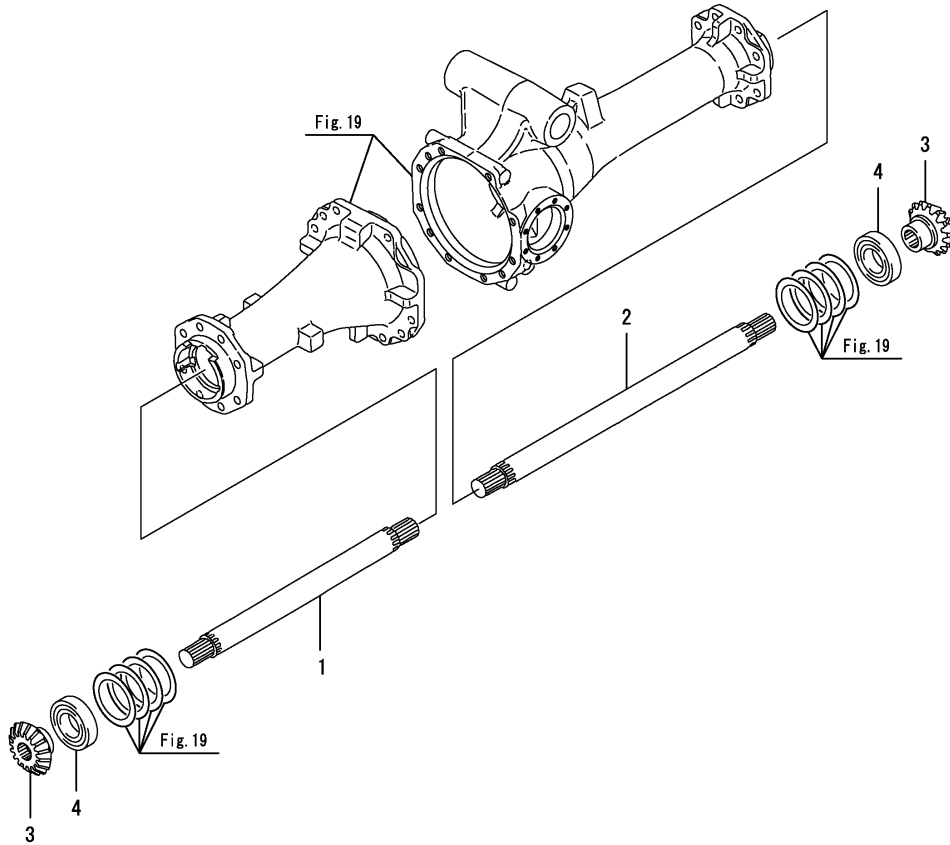
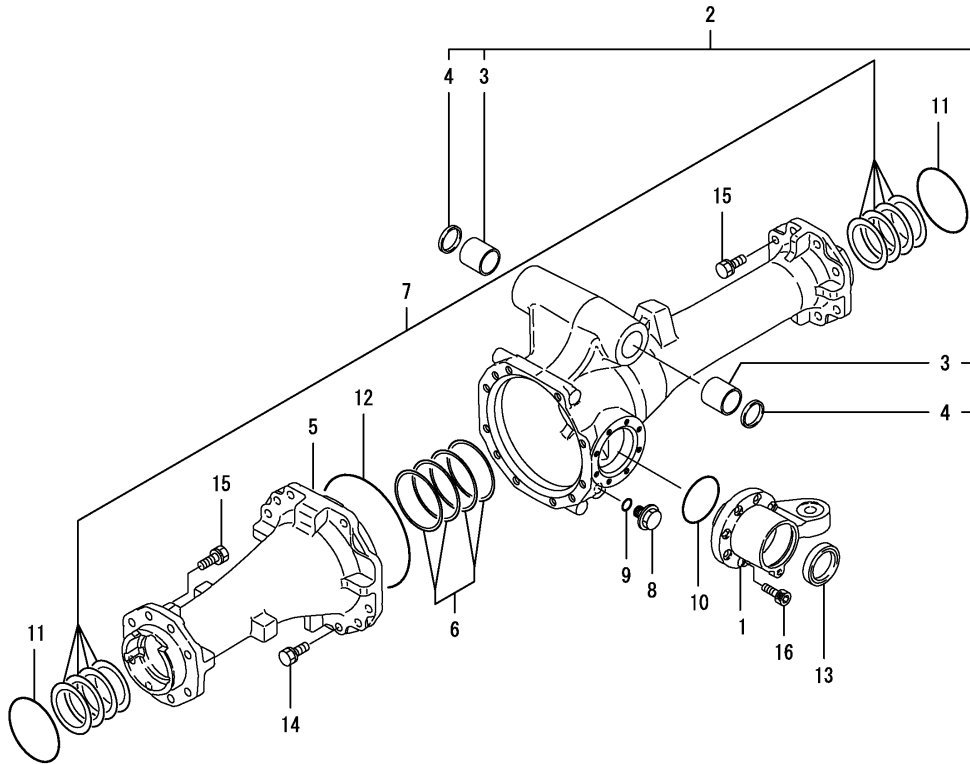


Fig.19. FRONT AXLE CASE

(A)=EF453T LX
(B)=
(C)=

(D)=
(E)=
(F)=

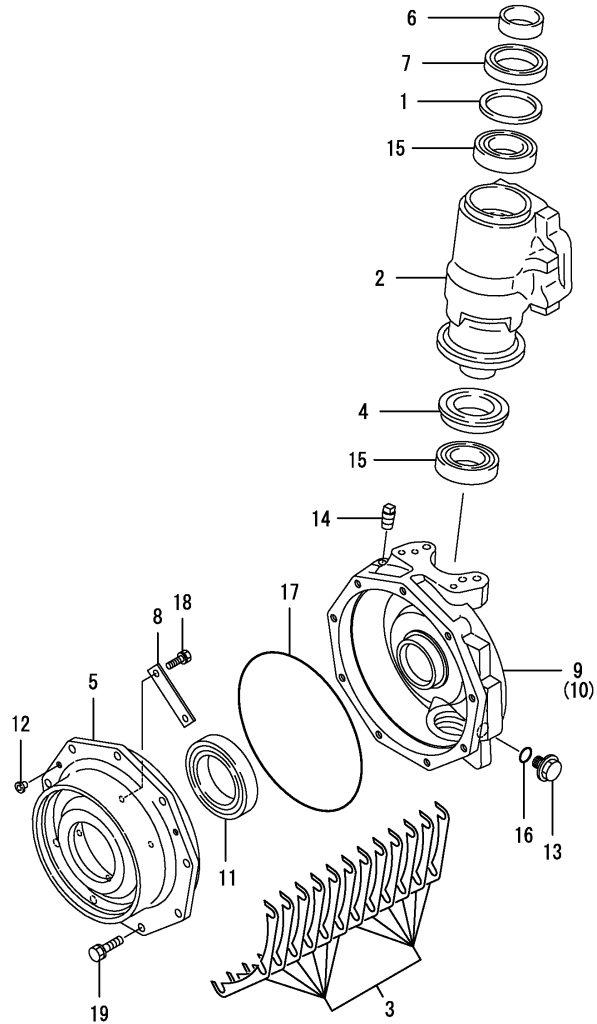


No.	Lev.	Parts No.	Description	Q'ty						I	R
				(A)	(B)	(C)	(D)	(E)	(F)		
1	1	198251-13450-2	RETAINER, BEARING	1							
2	1	198251-13600-2	HOUSING ASSY, AXLE R	1							
3	2	198251-11220	BUSH, 35X41X40	2							
4	2	194321-11940	SEAL, OIL VB354105	2							
5	1	198251-13610-2	HOUSING, FRONT AXLE	1							
6	1	794321-13660	SHIM SET	1							
7	1	194641-13670	SHIM SET, PINION	1							
8	1	23491-140002	PLUG, 14	1							
9	1	24311-000160	O-RING, 1AP16.0	1							
10	1	24321-000700	O-RING, 1AG70.0	1							
11	1	24321-001000	O-RING, 1AG100.0	2							
12	1	24321-001700	O-RING, 1AG170.0	1							
13	1	24421-456209	SEAL, OIL TC456209	1							
14	1	26013-120302	BOLT, M12X 30	11							
15	1	26013-120302	BOLT, M12X 30	16							
16	1	26450-080252	BOLT, M8X 25	8							

Fig.20. FRONT GEAR CASE

(A)=EF453T LX
(B)=
(C)=

(D)=
(E)=
(F)=

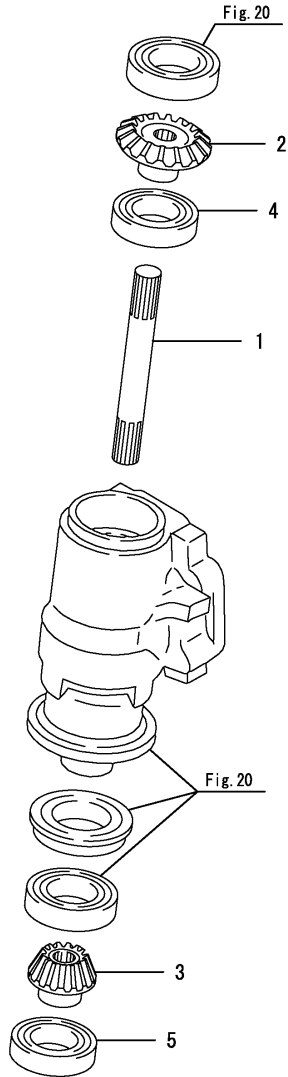


No.	Lev.	Parts No.	Description	Q'ty						I	R
				(A)	(B)	(C)	(D)	(E)	(F)		
1	1	194321-13680	SPACER, 85X1	2							
2	1	198251-13710-2	CASE, FRONT GEAR	2							
3	1	198401-13720	SHIM SET	1							
4	1	194641-13760	SEAL, OIL 55X85	2							
5	1	198401-13770-3	CASE, FRONT BEARING	2							
6	1	194641-13780	SLEEVE, SI 50X55X18	2							
7	1	194641-13790	SEAL, OIL TC6Y558514	2							
8	1	198401-13790	RETAINER, BEARING	4							
9	1	198401-13750-3	BOX, GEAR L	1							
10	1	198401-13850-3	BOX, GEAR R	1							
11	1	194180-32670	SEAL, TC6Y8010515	2							
12	1	1A1120-68070	CAP, SCREW 6.8	6							
13	1	23491-140002	PLUG, 14	2							
14	1	23876-010000	PLUG, R01	2							
15	1	24101-062094	BEARING, BALL 6209	4							
16	1	24311-000160	O-RING, 1AP16.0	2							
17	1	24321-002200	O-RING, 1AG220.0	2							
18	1	26013-080252	BOLT, M8X 25	8							
19	1	26013-100252	BOLT, M10X 25	18							

Fig.21. FRONT SHAFT

(A)=EF453T LX
(B)=
(C)=

(D)=
(E)=
(F)=



No.	Lev.	Parts No.	Description	Q'ty						I	R
				(A)	(B)	(C)	(D)	(E)	(F)		
1	1	198251-13810	SHAFT, FRONT 2ND	2							
2	1	1A7780-13820	GEAR, FRONT SHAFT	2							
3	1	1A7780-13830	PINION, FRONT FINAL	2							
4	1	194641-13840	BEARING, BALL TMB208	2							
5	1	192160-34150	BALL BEARING	2							

Fig.22. FRONT SPINDLE

(A)=EF453T LX
(B)=
(C)=

(D)=
(E)=
(F)=

No.	Lev.	Parts No.	Description	Q'ty						I	R
				(A)	(B)	(C)	(D)	(E)	(F)		
1	1	198401-14110-3	SPINDLE, FRONT	2							
2	1	198401-14120	GEAR, FRONT SHAFT	2							
3	1	198401-14130	COLLAR, SEAL	2							
4	1	198401-14160	WASHER	2							
5	1	1A7780-14180	WASHER	2							
6	1	24101-060144	BEARING, BALL 6014	2							
7	1	24101-062134	BEARING, BALL 6213	2							
8	1	24325-000650	O-RING, 1BG65.0	2							
9	1	26116-100252	BOLT, M10X 25 PLATED	6							

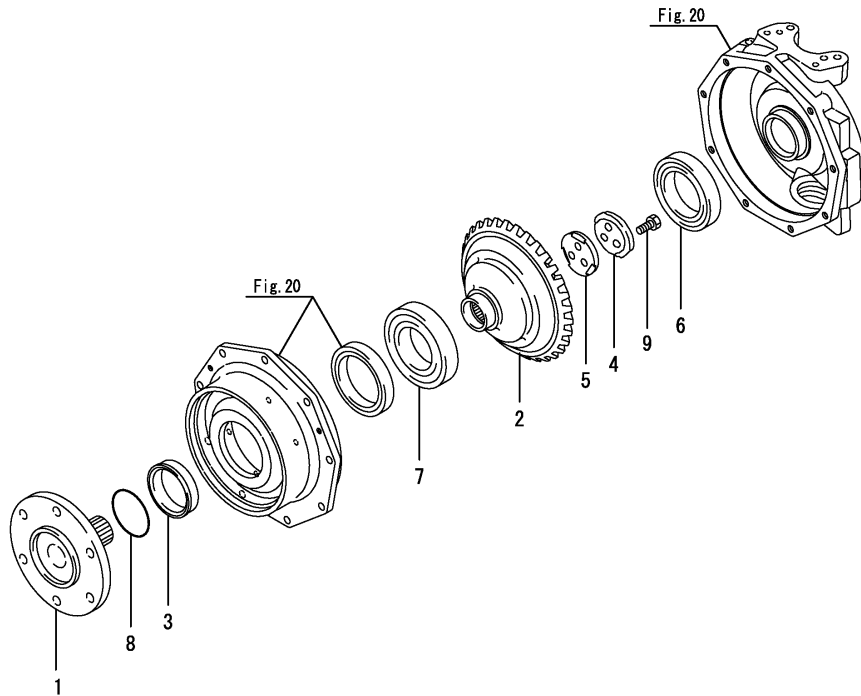
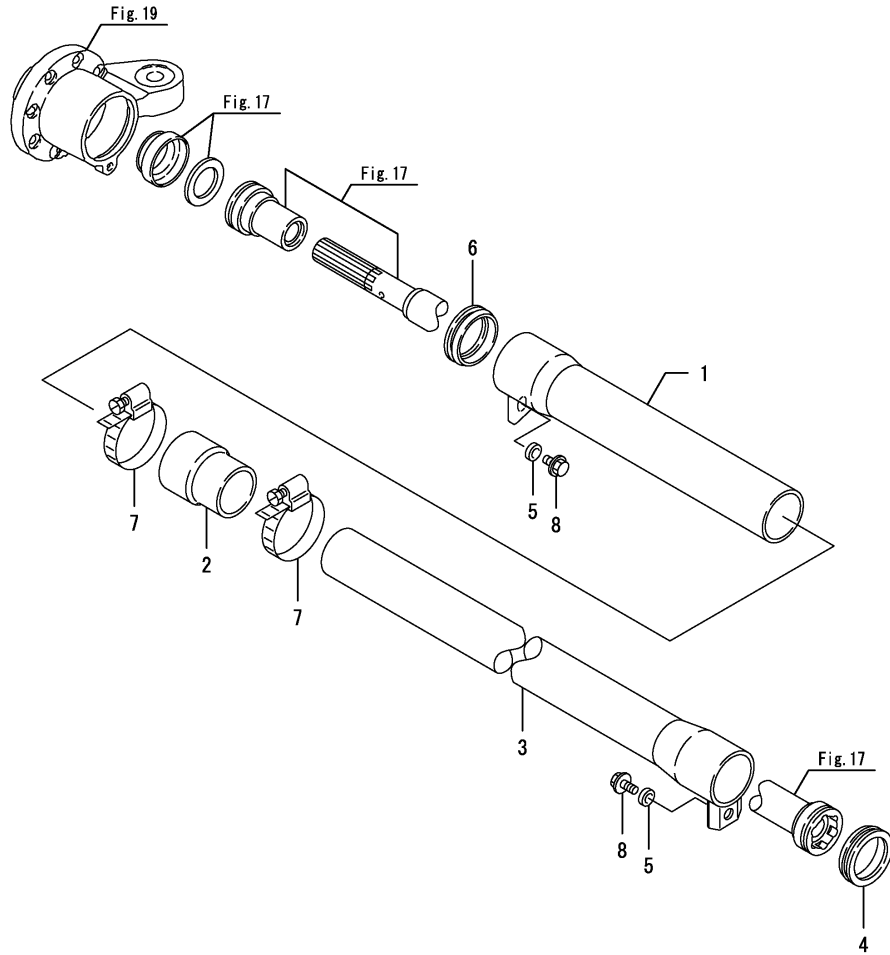


Fig.23. SHAFT COVER

(A)=EF453T LX
(B)=
(C)=

(D)=
(E)=
(F)=

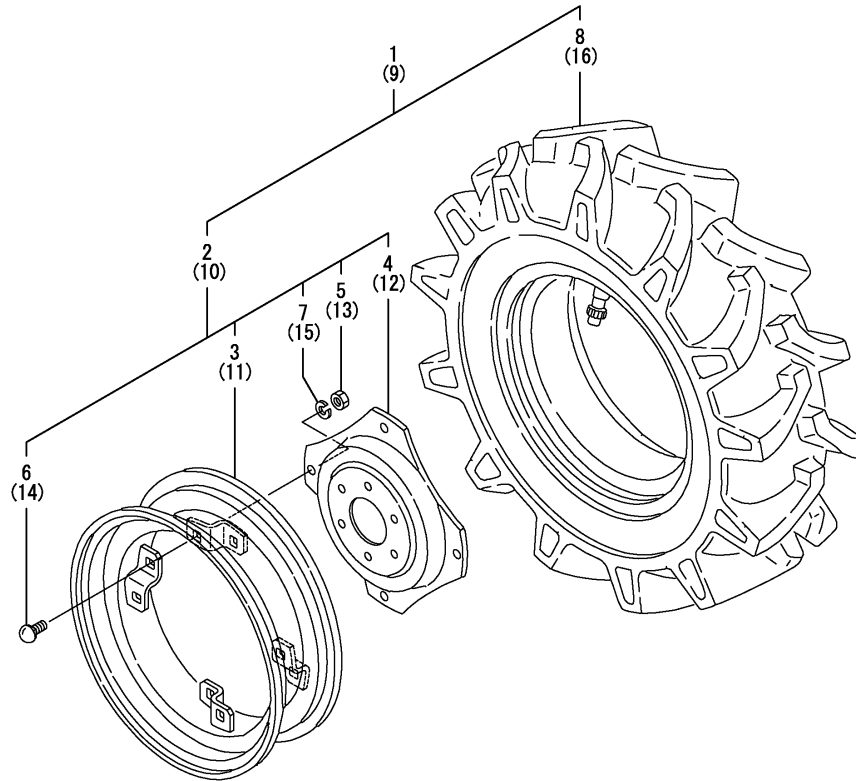


No.	Lev.	Parts No.	Description	Q'ty						I	R
				(A)	(B)	(C)	(D)	(E)	(F)		
1	1	1A7780-14600-1	COVER, SHAFT FRONT	1							
2	1	198241-14650	BOOT, SHAFT COVER	1							
3	1	1A7780-14700-1	COVER, SHAFT	1							
4	1	198255-14740	SEAL, COVER 62	1							
5	1	1A7780-14740	COLLAR, 8.1X10.5X4	2							
6	1	198255-14760	SEAL, COVER 65	1							
7	1	23000-070000	CLAMP, 70	2							
8	1	26106-080122	BOLT, M8X 12 PLATED	2							

Fig.24. FRONT WHEEL TIRE

(A)=EF453T LX
(B)=
(C)=

(D)=
(E)=
(F)=



No.	Lev.	Parts No.	Description	Q'ty						I	R
				(A)	(B)	(C)	(D)	(E)	(F)		
1	1	1A7780-14301	TIRE KIT, 8-18-6 LH	1							
2	2	1A7780-14140	WHEEL ASSY, W6X18	1							
3	3	1A7780-14110	RIM, W6X18	1							
4	3	1A7780-14120	DISK	1							
5	3	1A7780-14770	NUT, M16	4							
6	3	1A7780-14790	BOLT, M16X37	4							
7	3	194065-34170	WASHER, 16	4							
8	2	1A7780-14310	TIRE ASSY, 8-18-6	1							
9	1	1A7780-14351	TIRE KIT, 8-18-6 LR	1							
10	2	1A7780-14140	WHEEL ASSY, W6X18	1							
11	3	1A7780-14110	RIM, W6X18	1							
12	3	1A7780-14120	DISK	1							
13	3	1A7780-14770	NUT, M16	4							
14	3	1A7780-14790	BOLT, M16X37	4							
15	3	194065-34170	WASHER, 16	4							
16	2	1A7780-14310	TIRE ASSY, 8-18-6	1							

Fig.25. HUB BOLT

(A)=EF453T LX
(B)=
(C)=

(D)=
(E)=
(F)=

No.	Lev.	Parts No.	Description	Q'ty						I	R
				(A)	(B)	(C)	(D)	(E)	(F)		
1	1	194881-12650	BOLT, M14X24	8							
2	1	194279-14220	WASHER, 14	4							
3	1	198200-34130	STUD, M14X31	4							
4	1	198200-34190	NUT, M14	4							

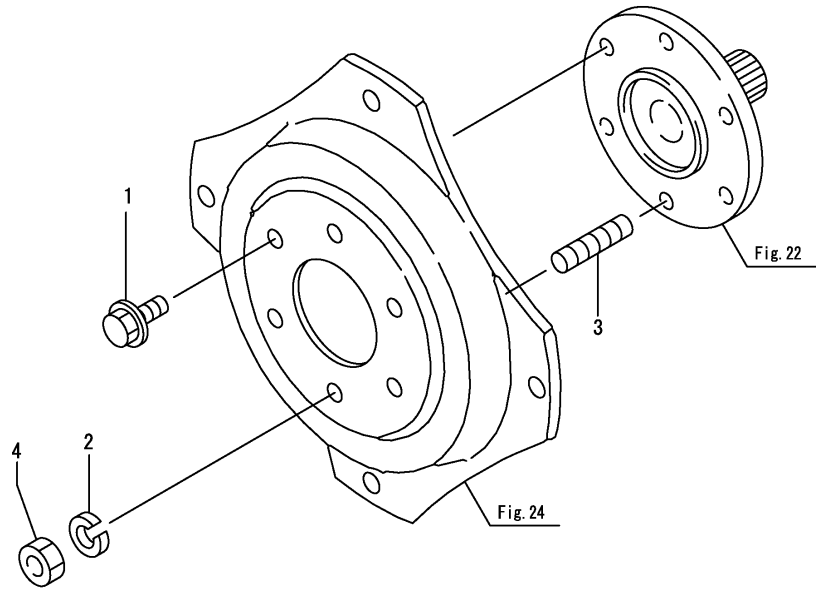
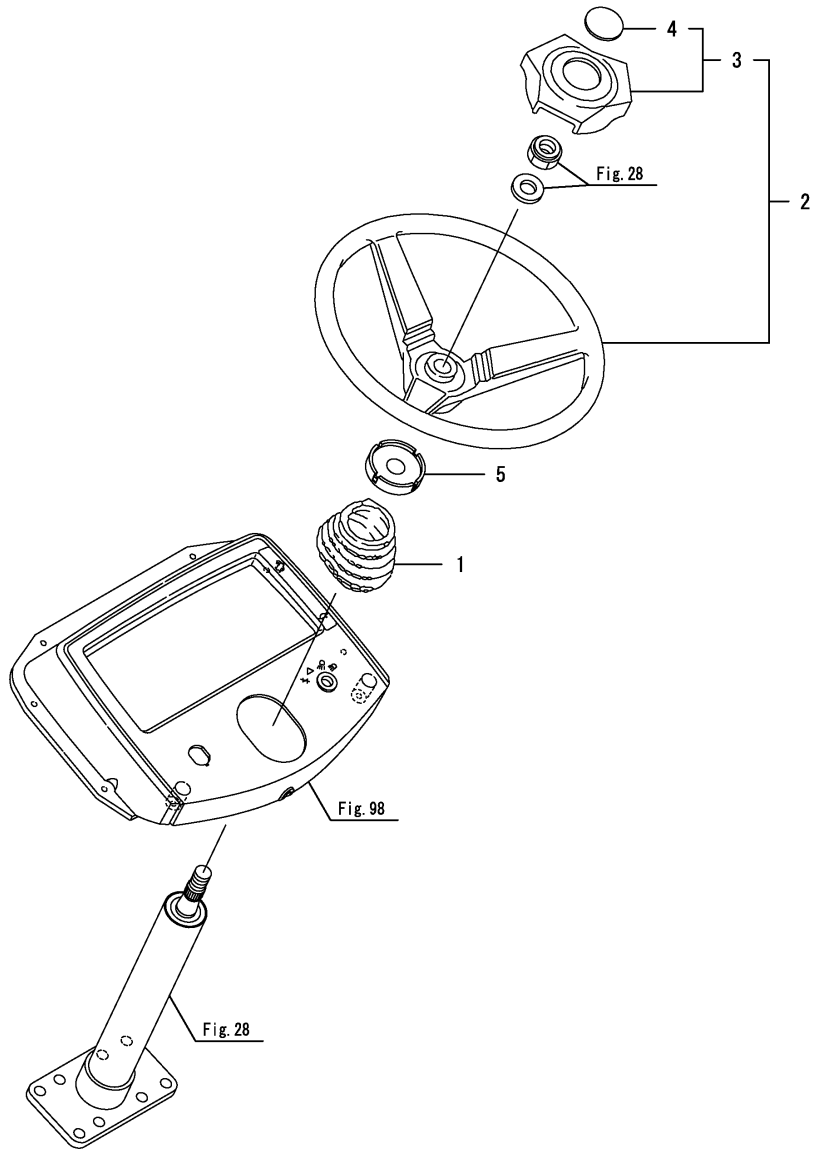


Fig.26. STEERING WHEEL



(A)=EF453T LX
(B)=
(C)=

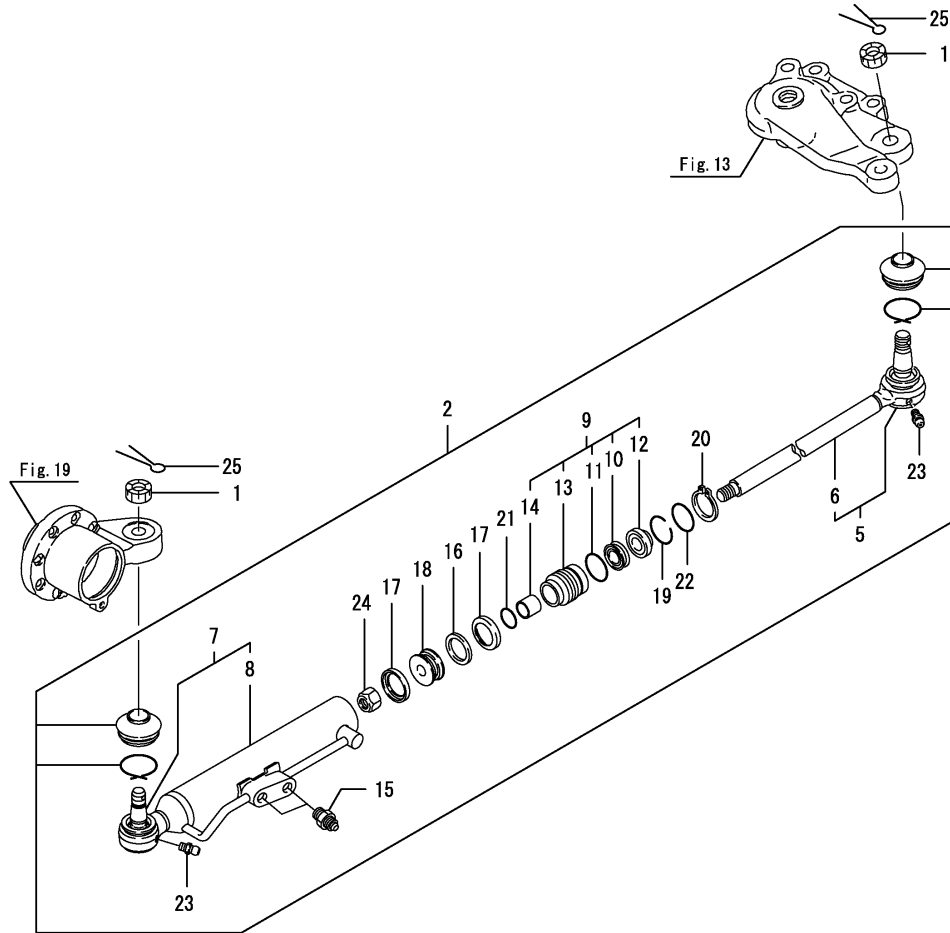
(D)=
(E)=
(F)=

No.	Lev.	Parts No.	Description	Q'ty						I	R
				(A)	(B)	(C)	(D)	(E)	(F)		
1	1	198220-15650	COVER, COLUMN	1							
2	1	198133-15700	WHEEL ASSY, STEERING	1							
3	2	198133-15740	CAP ASSY, STEERING	1							
4	3	198133-15780	NAMEPLATE, HANDLE	1							
5	1	1A7000-15720	COVER, STEERING	1							

Fig.27. P.S.T. CYLINDER

(A)=EF453T LX
(B)=
(C)=

(D)=
(E)=
(F)=

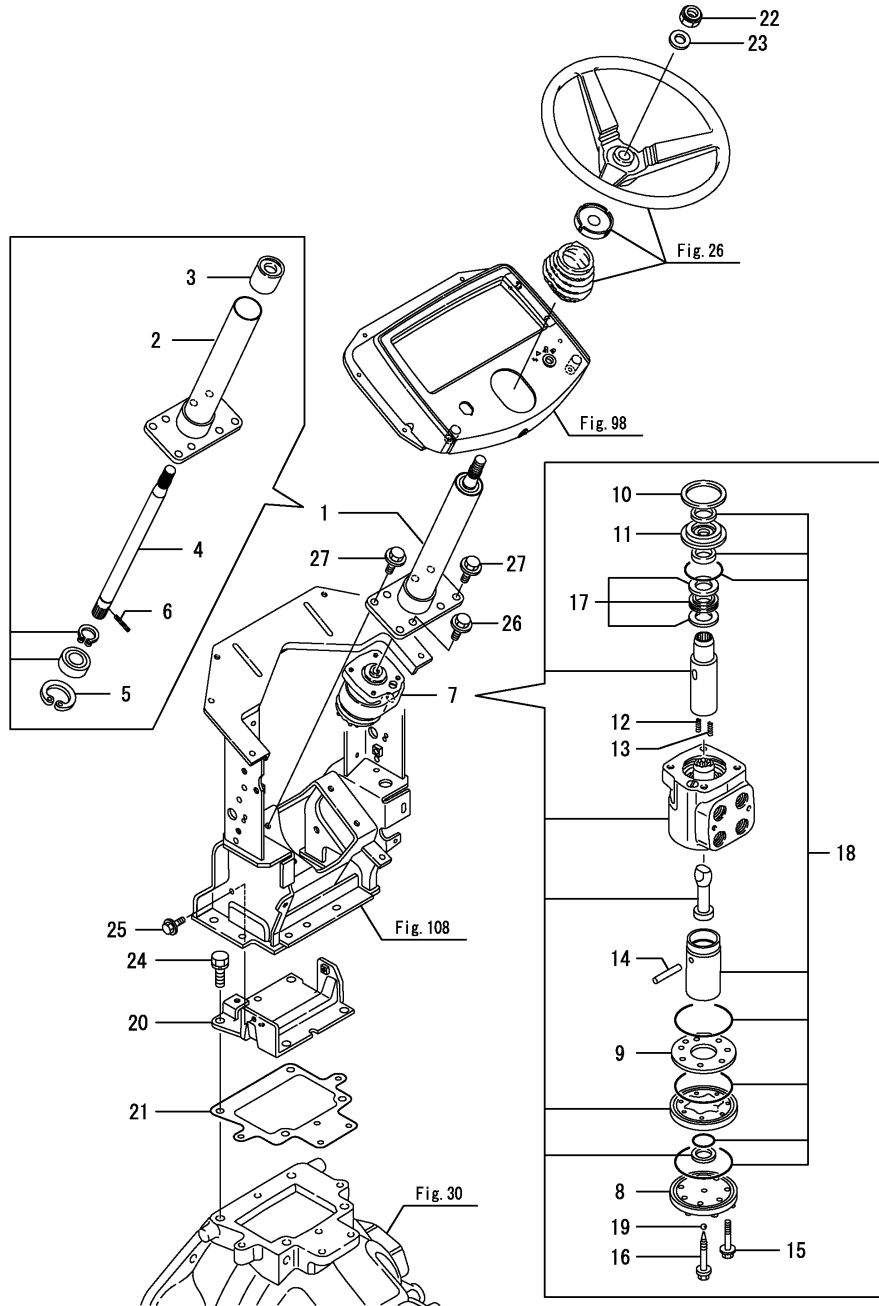


No.	Lev.	Parts No.	Description	Q'ty						I	R
				(A)	(B)	(C)	(D)	(E)	(F)		
1	1	194180-12471	NUT, CASTLE M16	2							
2	1	7A7780-17501	CYLINDER ASSY	1							
5	2	1A7780-17510	ROD ASSY, STEERING	1							
7	2	1A7780-17530	TUBE ASSY, CYLINDER	1							
8	3	1A7780-17540	TUBE, CYLINDER	1							
9	2	1A7780-17551	CAP ASSY, CYLINDER	1							
10	3	1A7780-17560	PACKING, 22	1							
11	3	1A7780-17570	PACKING, 34	1							
12	3	1A7780-17581	SCRAPER, 22	1							
13	3	1A7780-17591	CAP, CYLINDER	1							
14	3	24550-022200	BUSH, 22X20	1							
15	2	194065-38380	ADAPTER, 1/4	2							
16	2	172156-72330	PACKING	1							
17	2	172156-72340	BEARING	2							
18	2	198071-72750	PISTON, CYLINDER	1							
19	2	22207-040320	RING, 40X3.2	1							
20	2	22242-000360	RING, 36	1							
21	2	24315-000180	O-RING, 1BP18.0	1							
22	2	24351-240350	O-RING, 1A24035	1							
23	2	24761-060000	NIPPLE, GREASE MT6X1	2							
24	2	26996-140002	NUT, LOCK M14	1							
25	1	22417-400250	PIN, COTTER 4.0X25	2							

Fig.28. P.S.T. VALVE

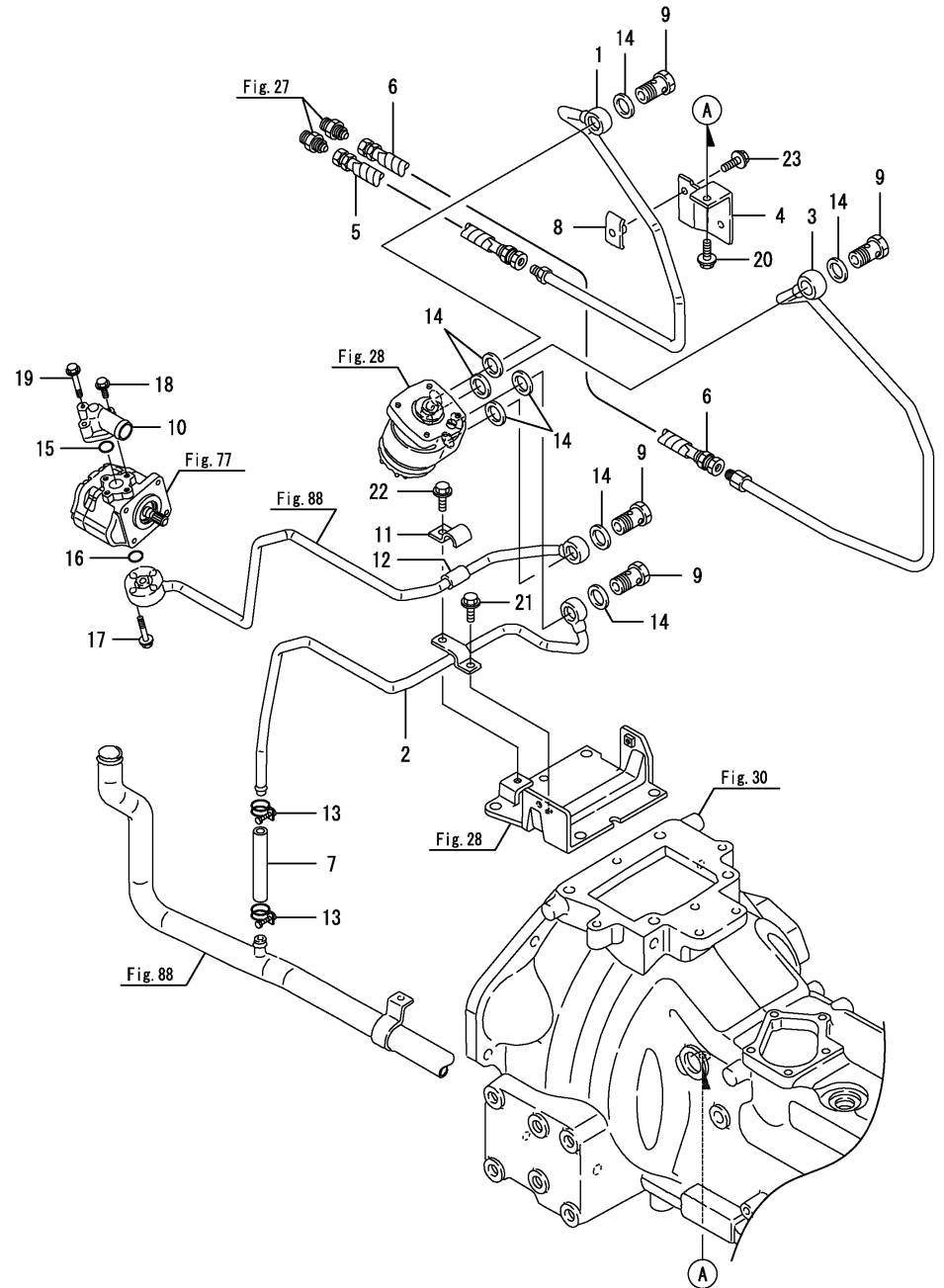
(A)=EF453T LX
(B)=
(C)=

(D)=
(E)=
(F)=



No.	Lev.	Parts No.	Description	Q'ty						I	R
				(A)	(B)	(C)	(D)	(E)	(F)		
1	1	1A7780-17300	COLUMN ASSY,STEERING	1							
2	2	198230-17311	COLUMN ASSY,STEERING	1							
3	2	194640-17340	BUSH, COLUMN	1							
4	2	1A7780-17370	SHAFT, STEERING 1	1							
5	2	22252-000420	RING, 42	1							
6	2	22351-040025	PIN, SPRING 4.0X25	1							
7	1	198251-17500	VALVE ASSY, STEERING	1							
8	2	194337-17220	CAP, END	1							
9	2	194337-17251	PLATE, SPACER	1							
10	2	194337-17390	RING, RETAINING	1							
11	2	194337-17400	BUSH, SEAL GRAND	1							
12	2	194337-17520	SPRING	4							
13	2	194337-17530	SPRING	2							
14	2	194337-17540	PIN	1							
15	2	198220-17610	SCREW	6							
16	2	198220-17620	SCREW ASSY, RETAINER	1							
17	2	198153-17630	BEARING ASSY, NEEDLE	1							
18	2	198220-17642	SEAL KIT	1							
19	2	24190-070001	BALL, STEEL 7/32	1							
20	1	198240-17870	COVER, HOUSING	1							
21	1	198327-21150	PACKING, CLUTCH	1							
22	1	1A7260-85510	NUT, M16	1							
23	1	22137-160000	WASHER, 16	1							
24	1	26013-120202	BOLT, M12X 20	4							
25	1	26106-080162	BOLT, M8X 16 PLATED	2							
26	1	26106-100202	BOLT, M10X 20 PLATED	4							
27	1	26106-100202	BOLT, M10X 20 PLATED	4							

Fig.29. P.S.T. PIPING



(A)=EF453T LX
(B)=
(C)=

(D)=
(E)=
(F)=

No.	Lev.	Parts No.	Description	Q'ty						I	R
				(A)	(B)	(C)	(D)	(E)	(F)		
1	1	198253-17700-1	PIPE, PRESSURE L	1							
2	1	198253-17750-1	PIPE, PRESSURE T	1							
3	1	1A7780-17780-1	PIPE, PRESSURE R	1							
4	1	198240-17840	BRACKET	1							
5	1	198250-17850	HOSE, 450	1							
6	1	198251-17850	HOSE, 350	1							
7	1	194556-17870	HOSE, RETURN RUBBER	1							
8	1	198220-46560	CLAMP, PIPE 12	1							
9	1	198245-46680	BOLT, M3/4-16	4							
10	1	198220-48140	FLANGE, PIPE P	1							
11	1	194450-48830	CLAMP	1							
12	1	194464-48850	RUBBER, ABSORBER	1							
13	1	23010-018000	CLAMP, 18	2							
14	1	23414-190000	GASKET, 19X1.0	8							
15	1	24311-000200	O-RING, 1AP20.0	1							
16	1	24311-000200	O-RING, 1AP20.0	1							
17	1	26018-060352	BOLT, M6X 35	4							
18	1	26106-060202	BOLT, M6X 20 PLATED	1							
19	1	26106-060402	BOLT, M6X 40 PLATED	2							
20	1	26106-080162	BOLT, M8X 16 PLATED	1							
21	1	26106-080162	BOLT, M8X 16 PLATED	1							
22	1	26106-080202	BOLT, M8X 20 PLATED	1							
23	1	26106-080202	BOLT, M8X 20 PLATED	1							

Fig.30. CLUTCH HOUSING

(A)=EF453T LX
(B)=
(C)=

(D)=
(E)=
(F)=

No.	Lev.	Parts No.	Description	Q'ty						I	R
				(A)	(B)	(C)	(D)	(E)	(F)		
1	1	1A7780-21100-1	HOUSING ASSY, CLUTCH	1							
2	2	194740-06080	BUSH, 25X30X18	4							
3	2	194450-11190	PLUG, 15.0	11							
4	2	194150-21910	PLUG, 11.2	4							
5	2	194150-22250	PIN, HOOK	2							
6	2	194680-22280	BUSH, 20X26X22	2							
7	2	194680-22290	SEAL, OIL G202604	2							
8	1	198240-25180	SEAL, OIL TC4 05812	1							
9	1	22252-000620	RING, 62	1							
10	1	26013-120402	BOLT, M12X 40	2							

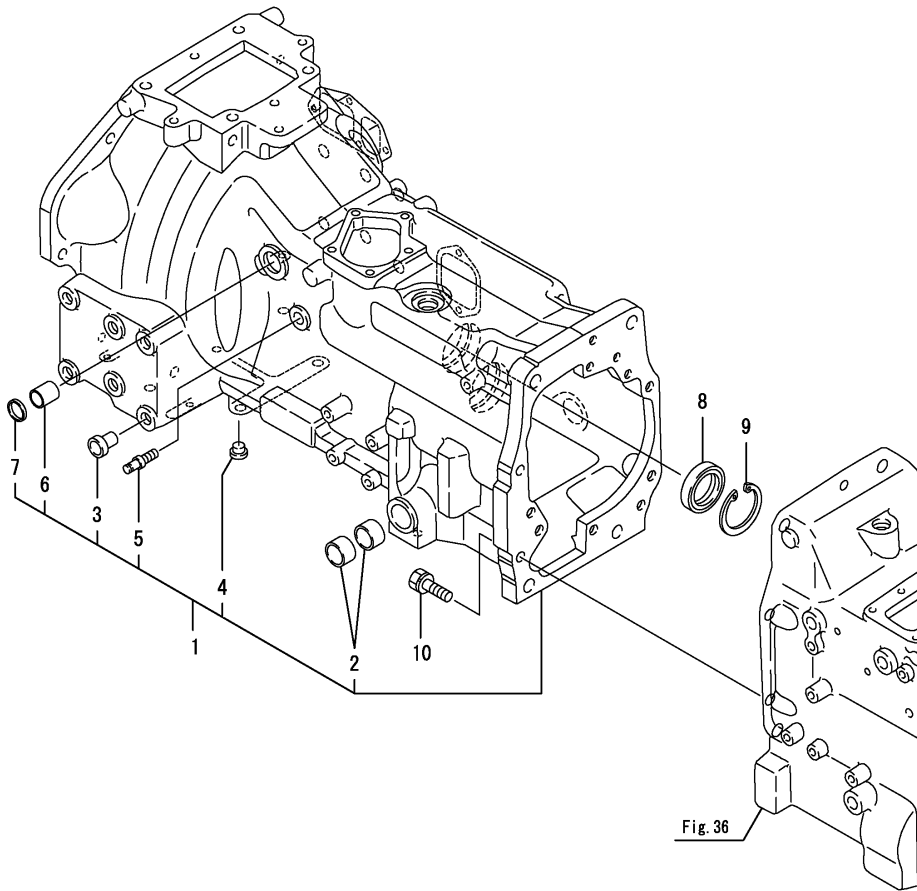


Fig.31. DOCKING BOLT

(A)=EF453T LX
(B)=
(C)=

(D)=
(E)=
(F)=

No.	Lev.	Parts No.	Description	Q'ty						I	R
				(A)	(B)	(C)	(D)	(E)	(F)		
1	1	198327-21130	COVER, HOUSING A	1							
2	1	198327-21140	PACKING, COVER A	1							
3	1	198327-21180	COVER, HOUSING B	1							
4	1	198327-21190	PACKING, COVER B	1							
5	1	198240-21220	BOLT, M12X40	1							
6	1	198240-21250	BOLT, M12X170	2							
7	1	198240-21260	BOLT, M12X100	2							
8	1	198240-21270	BOLT, M12X30	3							
9	1	22217-120000	WASHER, SPRING 12	2							
10	1	22351-080018	PIN, SPRING 8.0X18	2							
11	1	23414-100000	GASKET, 10X1.0	1							
12	1	23887-100002	PLUG, 10	1							
13	1	24761-020000	NIPPLE, GREASE PT1/8	2							
14	1	26106-080162	BOLT, M8X 16 PLATED	3							
15	1	26106-080162	BOLT, M8X 16 PLATED	2							
16	1	26116-160302	BOLT, M16X 30 PLATED	2							
17	1	26716-120002	NUT, M12	2							

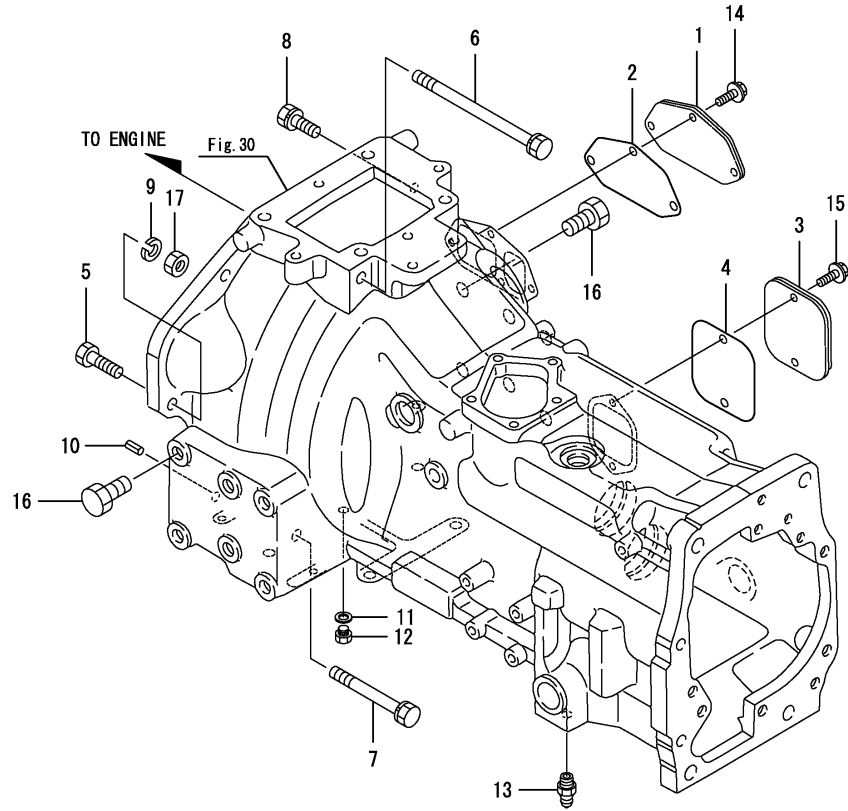


Fig.32. SINGLE CLUTCH

(A)=EF453T LX
(B)=
(C)=

(D)=
(E)=
(F)=

No.	Lev.	Parts No.	Description	Qty						I	R
				(A)	(B)	(C)	(D)	(E)	(F)		
1	1	198440-21610	CLUTCH KIT, SINGLE	1							
2	2	198440-21401	DISK, CLUTCH	1							
3	2	198440-21700	PLATE, PRESSURE	1							
4	1	22351-080018	PIN, SPRING 8.0X18	3							
5	1	26106-080162	BOLT, M8X 16 PLATED	9							

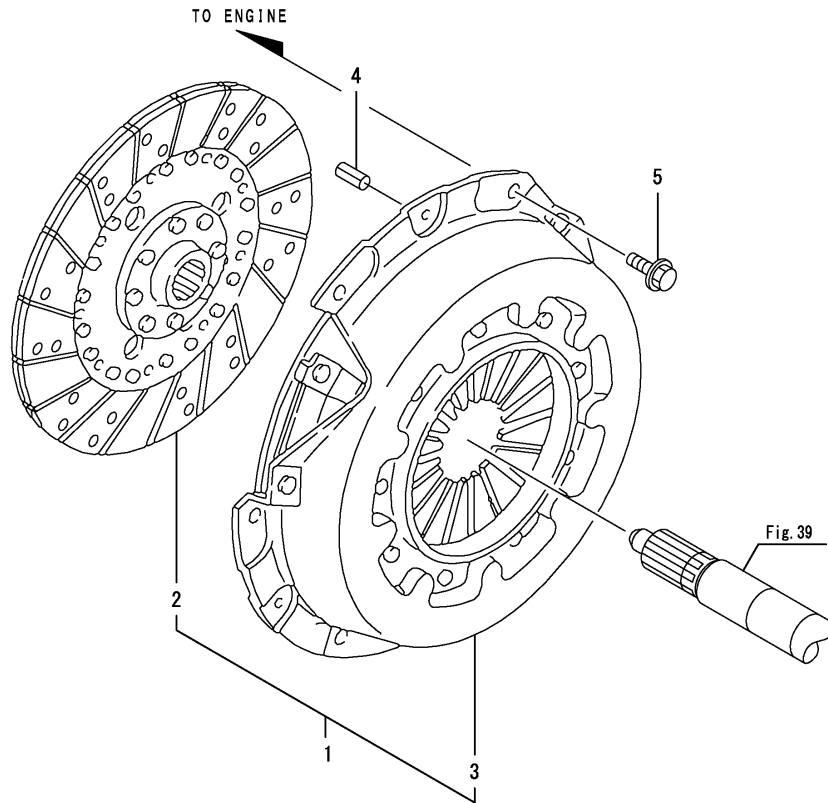


Fig.33. CLUTCH RELEASE(1)

(A)=EF453T LX
(B)=
(C)=

(D)=
(E)=
(F)=

No.	Lev.	Parts No.	Description	Q'ty						I	R
				(A)	(B)	(C)	(D)	(E)	(F)		
1	1	1A7780-22251-2	SHAFT,CLUTCH RELEASE	1							
2	1	198149-22280	YOKE, CLUTCH SHIFT	1							
3	1	198071-22320	BOLT, M8X40	2							

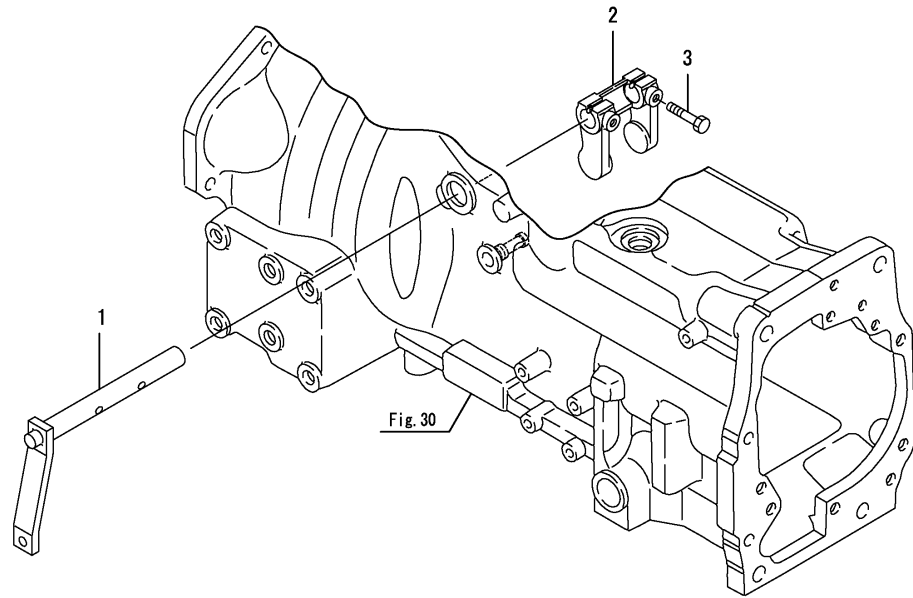


Fig.34. CLUTCH RELEASE(2)

(A)=EF453T LX
(B)=
(C)=

(D)=
(E)=
(F)=

No.	Lev.	Parts No.	Description	Q'ty						I	R
				(A)	(B)	(C)	(D)	(E)	(F)		
1	1	1A7780-22210	SLEEVE ASSY, BEARING	1							
2	2	194145-21121	BUSH, 32X38X30	2							
3	2	1A7780-22170	FELT, 10X132	2							
4	2	1A7780-22220	SLEEVE, BEARING	1							
5	1	194680-22230	BEARING, TK45-4BU3	1							
6	1	198327-22230	SPRING, RETURN	2							

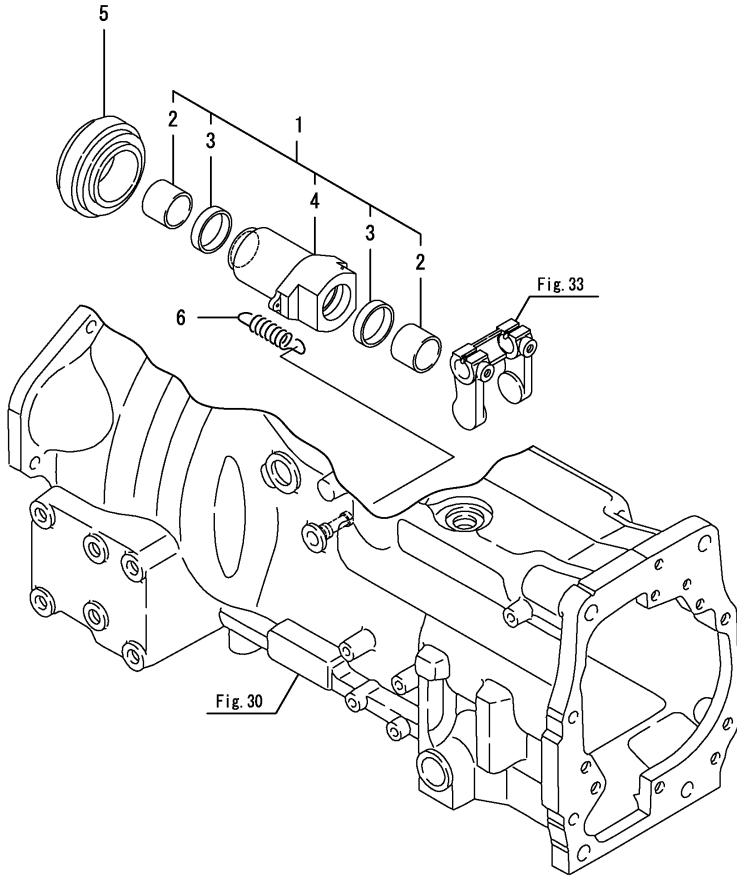
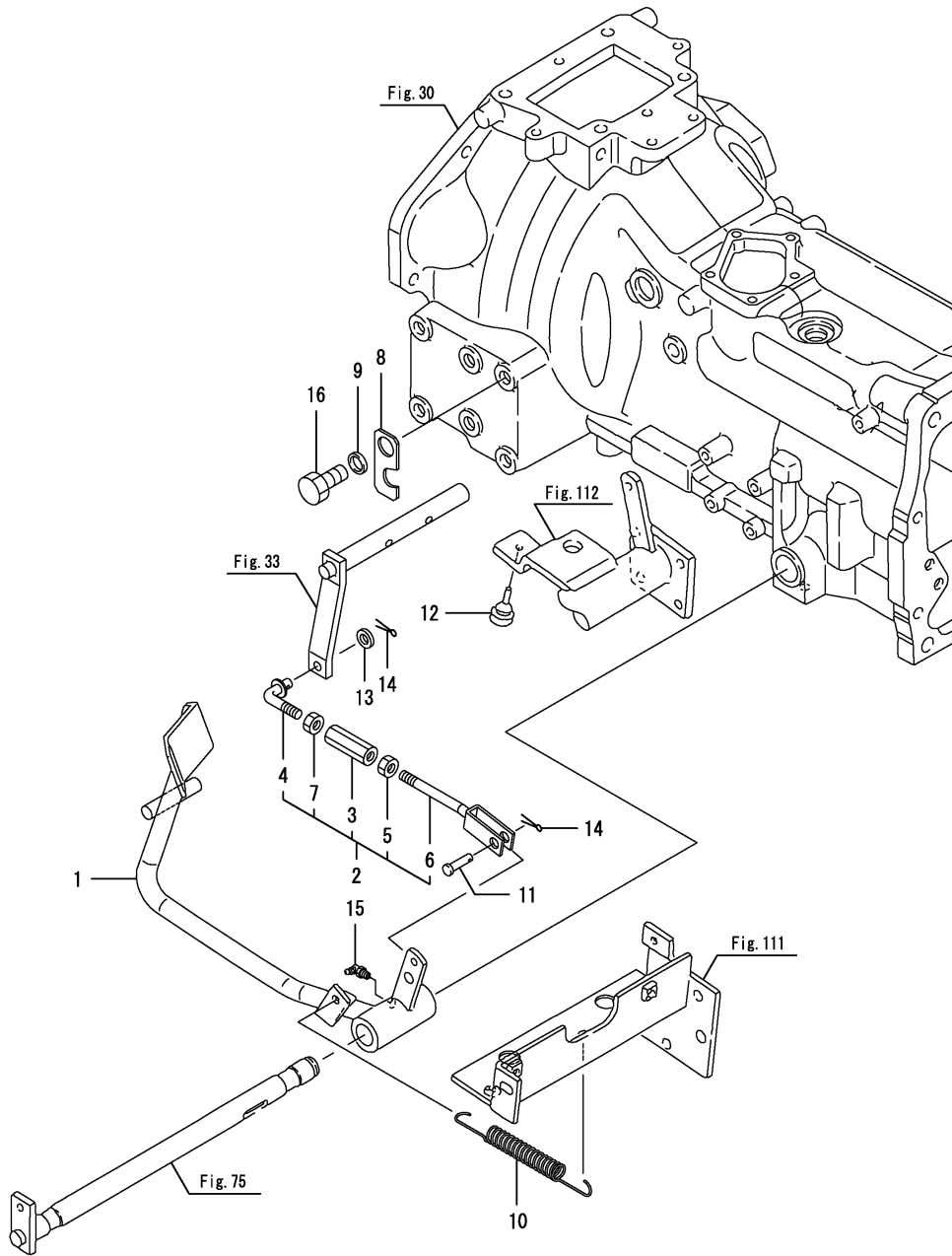


Fig.35. CLUTCH PEDAL

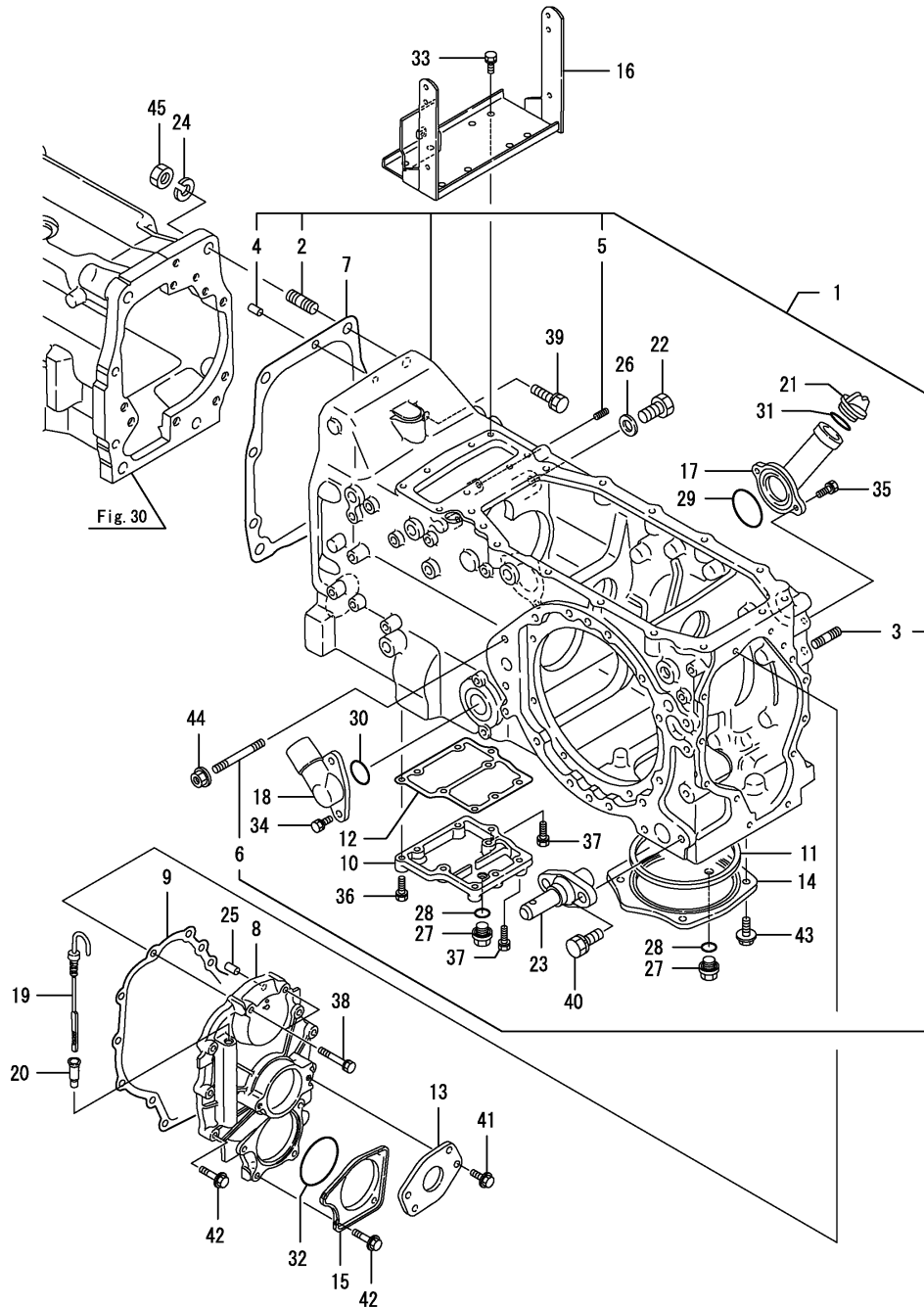
(A)=EF453T LX
(B)=
(C)=

(D)=
(E)=
(F)=



No.	Lev.	Parts No.	Description	Qty						I	R
				(A)	(B)	(C)	(D)	(E)	(F)		
1	1	1A7780-22410-1	PEDAL, CLUTCH	1							
2	1	798240-22470	ROD KIT, CLUTCH	1							
3	2	194300-22260	TURNBUCKLE, M10	1							
4	2	198240-22470	ROD, CLUTCH	1							
5	2	194150-22480	NUT, M10 L	1							
6	2	198240-22550	ROD, CLUTCH	1							
7	2	26716-100002	NUT, M10	1							
8	1	1A7100-22920	LOCK, CLUTCH PEDAL	1							
9	1	198327-22930	COLLAR, 16.1X21.7X4	1							
10	1	198240-37510	SPRING, RETURN	1							
11	1	198220-37900	PIN, 8X24	1							
12	1	194330-62530	STOPPER, PEDAL	1							
13	1	22137-100000	WASHER, 10	1							
14	1	22417-250300	PIN, COTTER 2.5X30	2							
15	1	24761-040000	NIPPLE, GREASE B	1							
16	1	26116-160302	BOLT, M16X 30 PLATED	1							

Fig.36. TRANSMISSION CASE

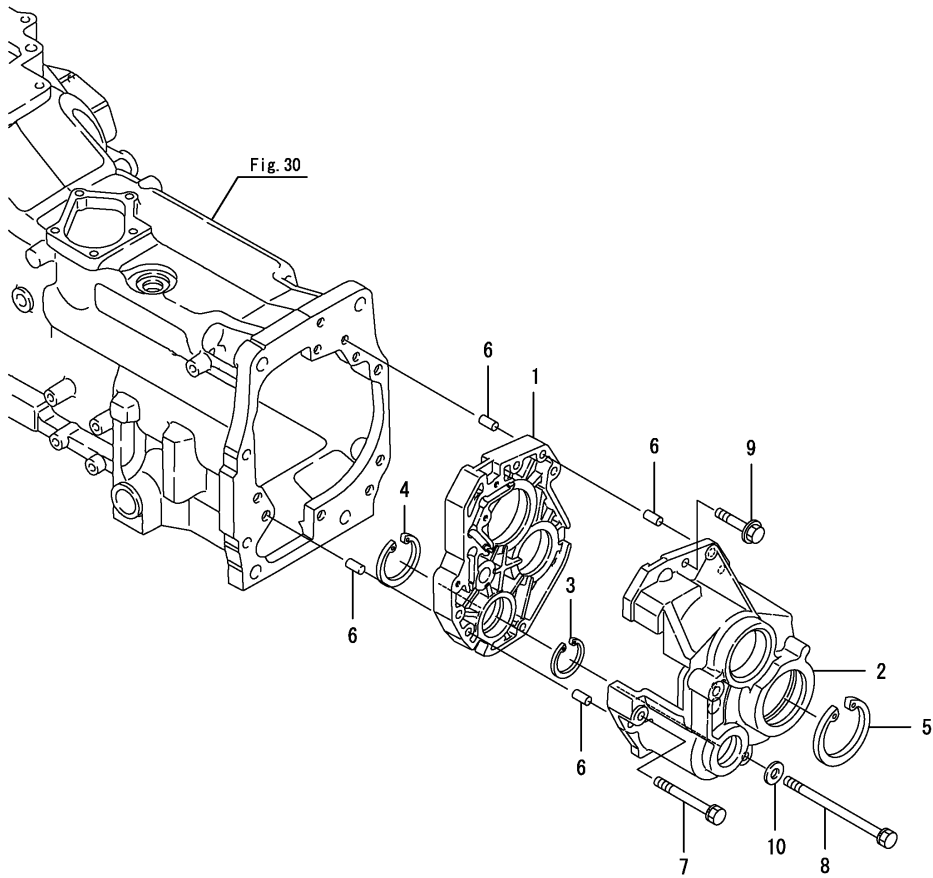


(A)=EF453T LX
(B)=
(C)=

(D)=
(E)=
(F)=

No.	Lev.	Parts No.	Description	(A)	(B)	(C)	(D)	(E)	(F)	Q'ty	I	R
1	1	198149-24102-2	HOUSING ASSY	1								
1-1	1	1A7780-24100-1	HOUSING ASSY, XMSN.	1								N
(A=FZZZZZ)												
2	2	198240-24120	STUD, M16X45	4								
3	2	198240-24530	STUD, M12X45	2								
4	2	22312-100180	PIN, PARALLEL M10X18	2								
5	2	26218-080202	STUD, M8X 20	2								
6	2	26218-100902	STUD, M10X 90	2								
7	1	198240-24140	PACKING, MISSION	1								
8	1	198327-24240-2	COVER, REAR	1								
9	1	198240-24320	PACKING	1								
10	1	198133-24370-2	COVER, FRONT DRIVE	1								
11	1	198133-24380	PACKING, 140X3	1								
12	1	198138-24390	PACKING	1								
13	1	198255-24460-4	PLATE, OIL SEAL	1								
14	1	198240-24480-2	COVER, PTO	1								
15	1	198240-24510-2	COVER, REAR COVER	1								
16	1	198240-24682-2	COVER, MISSION CASE	1								
16-1	1	1A7781-24680	COVER, MISSION CASE	1								R
(A=FXXXXX)												
17	1	198240-24690-1	NECK, FILLER	1								
18	1	198240-24920-2	FLANGE, PIPE S	1								
19	1	194850-24960	GAUGE ASSY, LEVEL	1								
20	1	119860-34810	GUIDE, DIPSTICK	1								
21	1	194850-42500	CAP, OIL M33	1								
22	1	198220-45920	PLUG, 3/4-16UNF	1								
23	1	194640-73180-1	PIN, LOWER LINK	2								
24	1	22217-160000	WASHER, SPRING 16	4								
25	1	22312-100180	PIN, PARALLEL M10X18	2								
26	1	23414-190000	GASKET, 19X1.0	1								
27	1	23491-140002	PLUG, 14	2								
28	1	24311-000160	O-RING, 1AP16.0	2								
29	1	24311-000500	O-RING, 1AP50.0	1								
30	1	24321-000300	O-RING, 1AG30.0	1								
31	1	24321-000300	O-RING, 1AG30.0	1								
32	1	24321-000750	O-RING, 1AG75.0	1								
33	1	26013-080162	BOLT, M8X 16	8								
34	1	26013-080202	BOLT, M8X 20	2								
35	1	26013-080202	BOLT, M8X 20	2								
36	1	26013-080252	BOLT, M8X 25	5								
37	1	26013-080302	BOLT, M8X 30	4								
38	1	26013-080502	BOLT, M8X 50	2								
39	1	26013-120402	BOLT, M12X 40	2								
40	1	26013-140352	BOLT, M14X 35	4								
41	1	26106-080162	BOLT, M8X 16 PLATED	2								
42	1	26106-080352	BOLT, M8X 35 PLATED	10								
43	1	26106-100252	BOLT, M10X 25 PLATED	4								
44	1	26366-100002	NUT, M10	2								
45	1	26716-160002	NUT, M16	4								

Fig.37. CENTER PLATE



(A)=EF453T LX
(B)=
(C)=

(D)=
(E)=
(F)=

No.	Lev.	Parts No.	Description	Q'ty						I	R
				(A)	(B)	(C)	(D)	(E)	(F)		
1	1	198133-24361	PLATE, CENTER	1							
2	1	198133-25311	RETAINER, BEARING	1							
3	1	22252-000470	RING, 47	1							
4	1	22252-000620	RING, 62	1							
5	1	22252-000800	RING, 80	1							
6	1	22312-100200	PIN, PARALLEL M10X20	4							
7	1	26013-100852	BOLT, M10X 85	1							
7-1	1	26106-100802	BOLT, M10X 80 PLATED	1							R
			(A=FXXXXX)								
8	1	26013-101502	BOLT, M10X150	1							
9	1	26106-100502	BOLT, M10X 50 PLATED	2							
10	1	22117-100000	WASHER, 10	1							W
			(A=FXXXXX)								

Fig.38. OIL STRAINER

(A)=EF453T LX
(B)=
(C)=

(D)=
(E)=
(F)=

No.	Lev.	Parts No.	Description	Q'ty						I	R
				(A)	(B)	(C)	(D)	(E)	(F)		
1	1	198240-24900-2	COVER, STRAINER	1							
2	1	194322-24980	PLUG, 1-2NPT	1							
3	1	194275-48400	STRAINER, OIL	1							
4	1	24321-000650	O-RING, 1AG65.0	1							
5	1	26013-080202	BOLT, M8X 20	2							

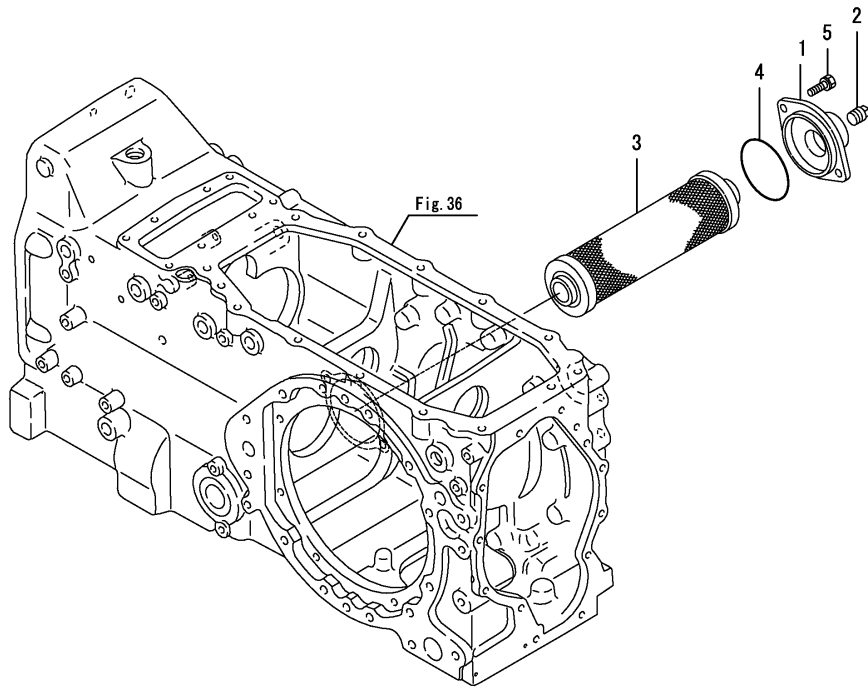
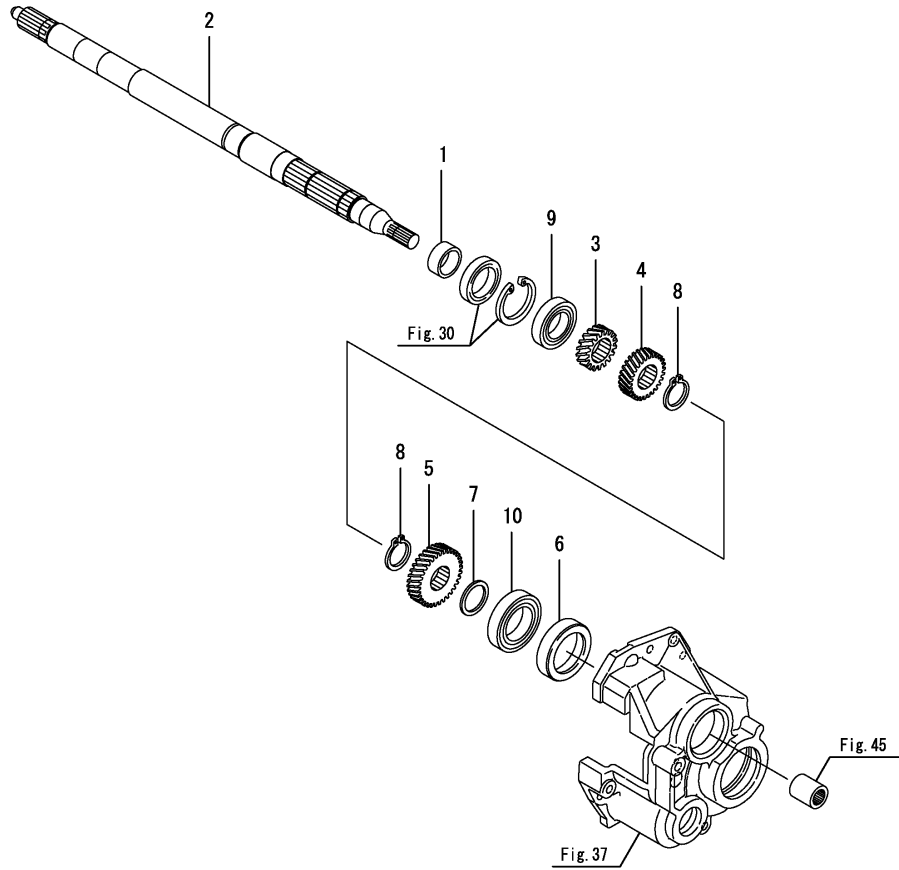


Fig.39. MAIN SHAFT

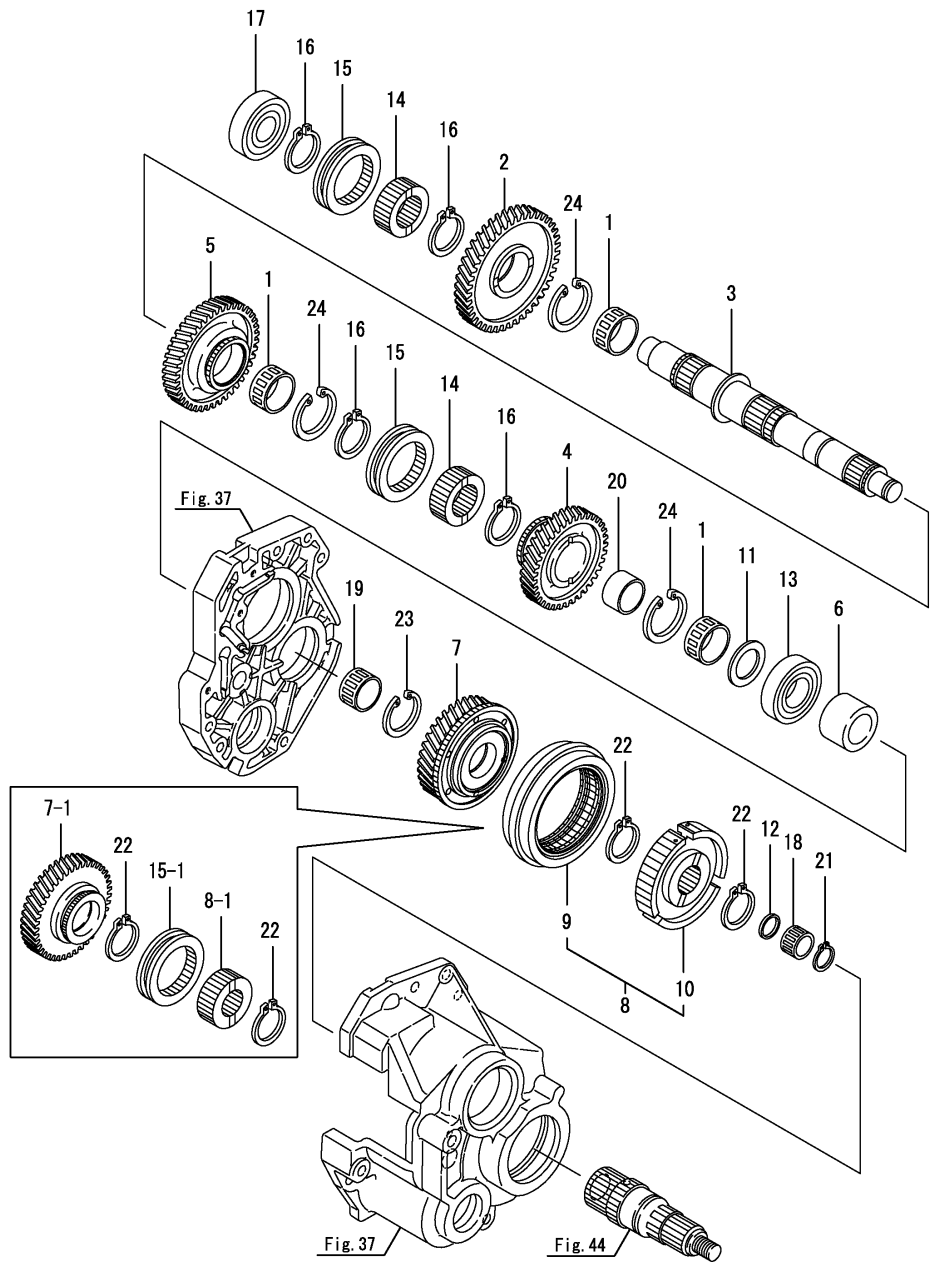


(A)=EF453T LX
(B)=
(C)=

(D)=
(E)=
(F)=

No.	Lev.	Parts No.	Description	Q'ty						I	R
				(A)	(B)	(C)	(D)	(E)	(F)		
1	1	194274-22090	SLEEVE, SI 35X40X17	1							
2	1	1A7780-22121	SHAFT, MAIN DRIVE	1							
3	1	198240-25220	GEAR, MAIN 21	1							
4	1	198133-25230	GEAR, MAIN 27	1							
5	1	198133-25240	GEAR, MAIN 33	1							
6	1	1A7780-25270	HOLDER, BEARING	1							
7	1	194312-25470	SPACER, 30X40X2	1							
8	1	22242-000340	RING, 34	2							
9	1	24101-060074	BEARING, BALL 6007	1							
10	1	24101-062064	BEARING, BALL 6206	1							

Fig.40. DRIVEN SHAFT



(A)=EF453T LX
(B)=
(C)=

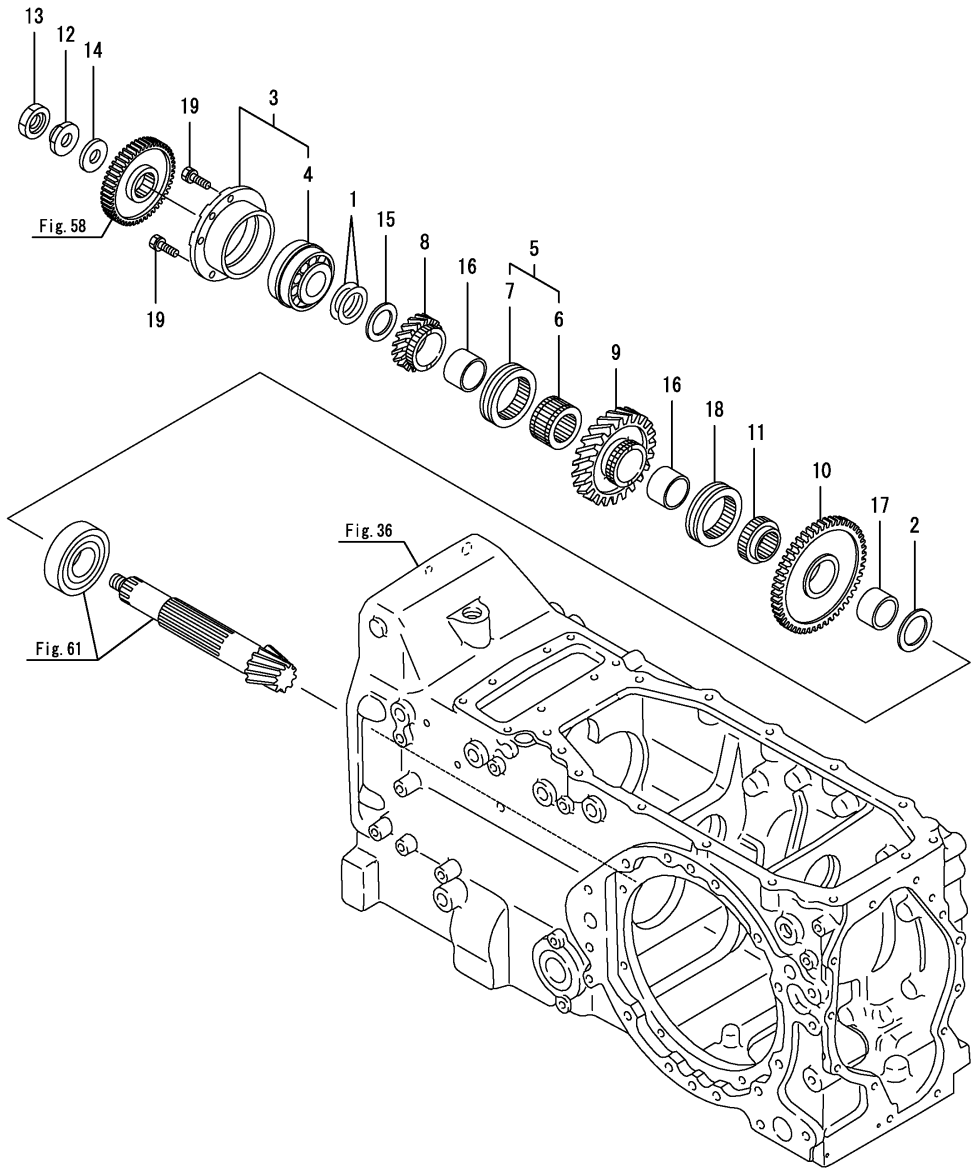
(D)=
(E)=
(F)=

No.	Lev.	Parts No.	Description	Q'ty						I	R
				(A)	(B)	(C)	(D)	(E)	(F)		
1	1	194250-25240	BEARING, 354019	3							
2	1	198240-25440	GEAR, DRIVEN 53	1							
3	1	198133-25451	SHAFT, DRIVEN	1							
4	1	1A7780-25460	GEAR, DRIVEN 41	1							
5	1	1A7780-25480	GEAR, DRIVE 49	1							
6	1	198133-25761	COLLAR, 30X45X20	1							
7	1	198133-25822	GEAR ASSY, 44T	1							
7-1	1	1A7780-25820	GEAR, DRIVE 44	1							S
(A=FZZZZZ)											
8	1	198242-25830	SLIDER ASSY, SYNCHRO	1							
8-1	1	1A7780-26610	COLLAR, SPLINE	1							S
(A=FZZZZZ)											
9	2	198133-25841	SLIDER, SYNCHRO	1							Z
(A=FZZZZZ)											
10	2	198242-25950	HUB, SYNCHRO	1							Z
(A=FZZZZZ)											
11	1	194640-25860	WASHER, 30X45X3	1							
12	1	198133-25870	COLLAR, 20X24X3.5	1							
13	1	194640-26440	BEARING, BALL TMB206	1							
14	1	198360-26610	COLLAR, SPLINE	2							
15	1	194555-26620	SHIFTER	2							
15-1	1	194555-26620	SHIFTER	3							K
(A=FZZZZZ)											
16	1	22292-000340	RING, S-34	4							
17	1	24107-063054	BEARING, BALL 6305ZZ	1							
18	1	24161-202617	BEARING, 202617	1							
19	1	24161-303520	BEARING, 303520	1							
20	1	24163-305200	RING, INNER 303520	1							
21	1	24164-000202	CIRCLIP, 20	1							
22	1	24164-000302	CIRCLIP, 30	2							
23	1	24165-000352	C-CIRCLIP 35H	1							
24	1	24165-000402	CIRCLIP, 40	3							

Fig.41. COUNTER SHAFT

(A)=EF453T LX
(B)=
(C)=

(D)=
(E)=
(F)=



No.	Lev.	Parts No.	Description	Q'ty						I	R
				(A)	(B)	(C)	(D)	(E)	(F)		
1	1	194301-12730	SHIM, 30X45X0.1	2							
2	1	194180-25550	WASHER, 35X50X3	1							
3	1	198149-25600	BEARING ASSY	1							
4	2	194464-25600	BEARING, 4T-30306DDB	1							
5	1	198149-25700	COLLAR ASSY, SPLINE	1							
6	2	198149-25780	COLLAR, SPLINE A	1							
7	2	198149-25890	SHIFTER	1							
8	1	198149-25740	GEAR, COUNTER 21	1							
9	1	198149-25750	GEAR, COUNTER 45	1							
10	1	198149-25760	GEAR, COUNTER 53	1							
11	1	198149-25790	COLLAR, SPLINE B	1							
12	1	198220-25830	NUT, LOCK M16	1							
13	1	198220-25840	NUT, LOCK M16	1							
14	1	198415-25840	SPACER, 16X38X4.5	1							
15	1	194640-25860	WASHER, 30X45X3	1							
16	1	198133-25860	BUSH, 34X40X26	2							
17	1	198149-25880	BUSH, 35X40X19	1							
18	1	198149-25890	SHIFTER	1							
19	1	26013-080252	BOLT, M8X 25	4							

Fig.42. REDUCTION SHAFT

(A)=EF453T LX
(B)=
(C)=

(D)=
(E)=
(F)=

No.	Lev.	Parts No.	Description	Q'ty						I	R
				(A)	(B)	(C)	(D)	(E)	(F)		
1	1	198149-25690	GEAR ASSY, REDUCTION	1							
2	2	24550-016150	BUSH, 16X15	1							
3	1	198133-25701	COLLAR, BEARING	1							
4	1	22242-000290	RING, 29	1							
5	1	24101-063044	BEARING, BALL 6304	1							
6	1	24101-063064	BEARING, BALL 6306	1							

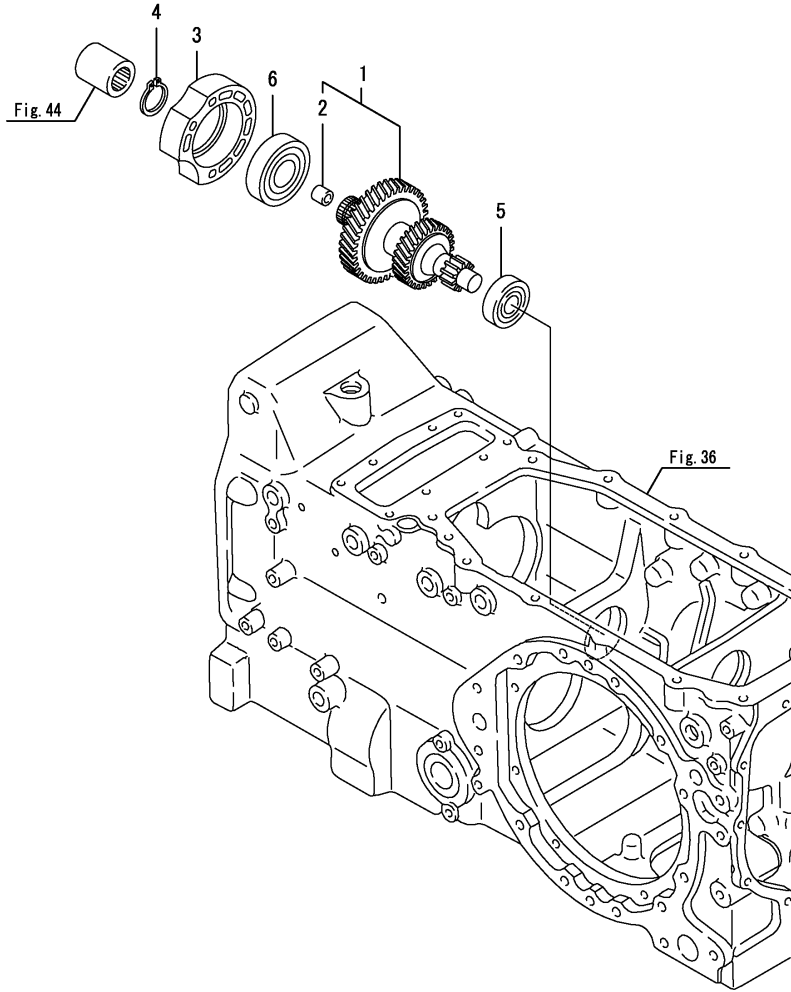


Fig.43. REVERSE GEAR

(A)=EF453T LX
(B)=
(C)=

(D)=
(E)=
(F)=

No.	Lev.	Parts No.	Description	Q'ty						I	R
				(A)	(B)	(C)	(D)	(E)	(F)		
1	1	198133-25832	GEAR ASSY, 48L	1							
1-1	1	1A7780-25830	GEAR, DRIVEN	1							S
(A=FZZZZZ)											
2	1	198133-25850	NEEDLE, 202615	2							
3	1	198133-25890	WASHER, 20X32X2	1							
4	1	198133-25911	GEAR, REVERSE IDLE	1							
5	1	198240-25930	WASHER, 17X32	1							
6	1	198133-25941	GEAR, REVERSE IDLE	1							
7	1	198133-25960	SHAFT, REVERSE IDLE	1							
8	1	198133-25970	PLATE, KEEP	1							
9	1	24101-062044	BEARING, BALL 6204	2							
10	1	26106-080162	BOLT, M8X 16 PLATED	1							

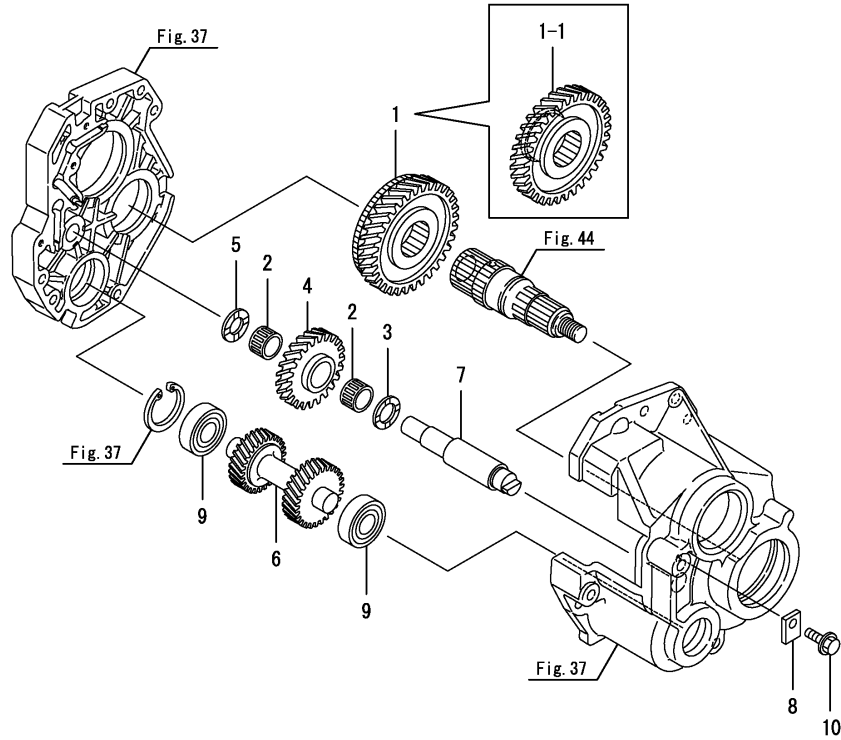


Fig.44. CONNECTING SHAFT

(A)=EF453T LX
(B)=
(C)=

(D)=
(E)=
(F)=

No.	Lev.	Parts No.	Description	Q'ty						I	R
				(A)	(B)	(C)	(D)	(E)	(F)		
1	1	198242-25350	SHAFT, CONNECTING	1							
2	1	194640-26130	COUPLING, PTO	1							
3	1	22242-000400	RING, 40	1							
4	1	24101-062084	BEARING, BALL 6208	1							

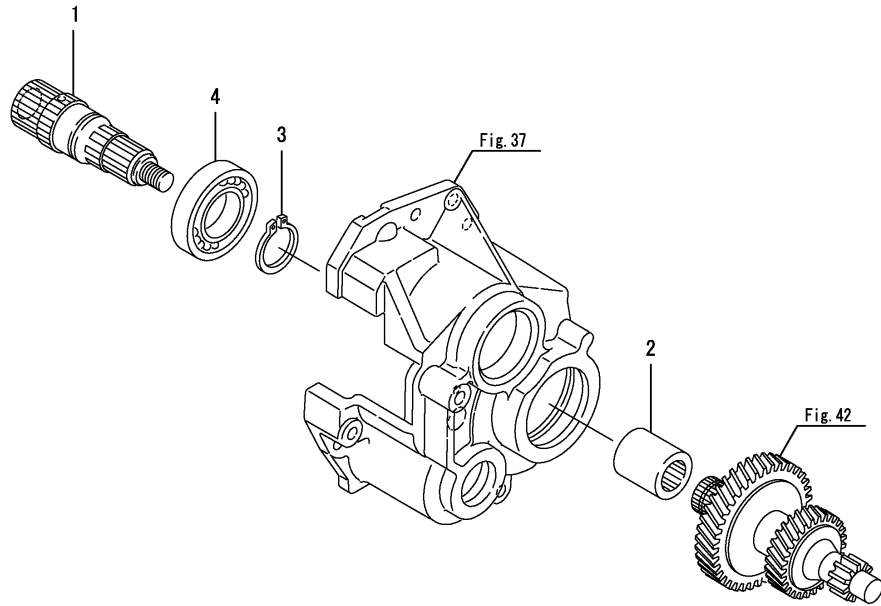


Fig.45. P.T.O. DRIVE SHAFT

(A)=EF453T LX
(B)=
(C)=

(D)=
(E)=
(F)=

No.	Lev.	Parts No.	Description	Q'ty						I	R
				(A)	(B)	(C)	(D)	(E)	(F)		
1	1	194447-13860	BEARING, TMB304CX1	1							
2	1	194310-25100	JOINT	2							
3	1	198240-25292	SHAFT, CONNECTING	1							
4	1	194197-25810	BEARING, BALL TMB306	1							
5	1	1A7780-26110	SHAFT, PTO PINION	1							
6	1	22252-000170	RING, 17	2							

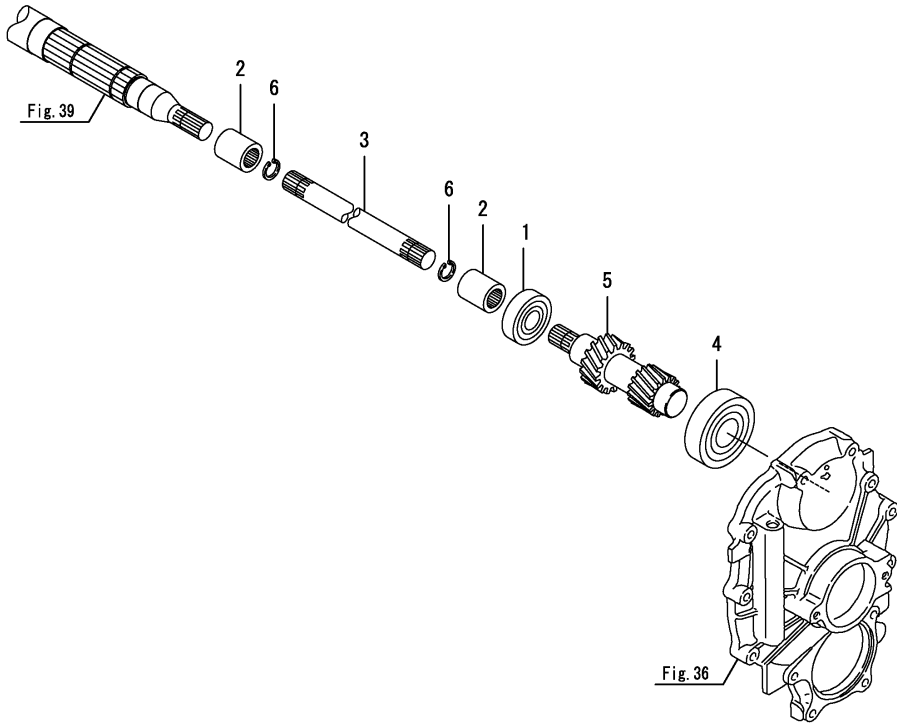
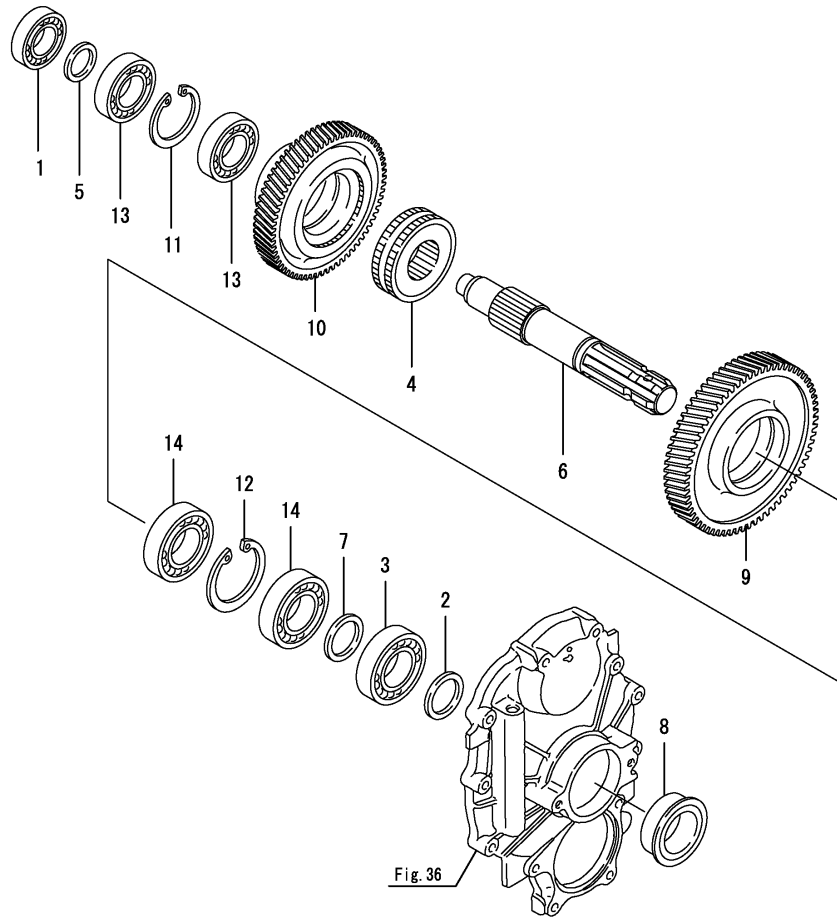


Fig.46. P.T.O. SHAFT

(A)=EF453T LX
(B)=
(C)=

(D)=
(E)=
(F)=



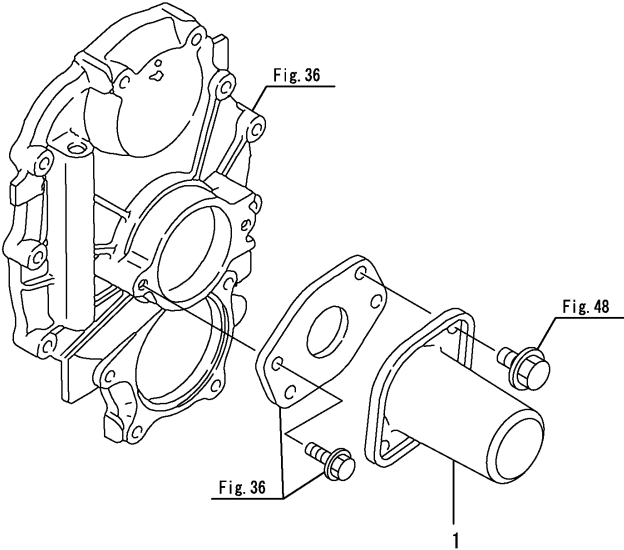
No.	Lev.	Parts No.	Description	Q'ty						I	R
				(A)	(B)	(C)	(D)	(E)	(F)		
1	1	194447-13860	BEARING, TMB304CX1	1							
2	1	194310-25660	COLLAR, 35X45X5	1							
3	1	194430-25810	BEARING, BALL TMB207	1							
4	1	1A7780-26121	SLIDER, PTO	1							
5	1	1A7780-26160	COLLAR	1							
6	1	1A7780-26310	SHAFT, PTO	1							
7	1	194640-26330	WASHER, 35X46X32	1							
8	1	194370-26350	SEAL, OIL QLF356019	1							
9	1	198240-26520	GEAR, PTO	1							
10	1	1A7780-26530	GEAR, PTO 51	1							
11	1	22252-000620	RING, 62	1							
12	1	22252-000720	RING, 72	1							
13	1	24101-062064	BEARING, BALL 6206	2							
14	1	24101-062074	BEARING, BALL 6207	2							

Fig.47. P.T.O. SHAFT COVER

(A)=EF453T LX
(B)=
(C)=

(D)=
(E)=
(F)=

No.	Lev.	Parts No.	Description	Qty						I	R
				(A)	(B)	(C)	(D)	(E)	(F)		
1	1	1A7100-26850	COVER ASSY, SHAFT M	1							



N:Old $\begin{matrix} \leftarrow \text{Yes} \\ \text{No} \end{matrix} \rightarrow$ New, Q:Old $\begin{matrix} \leftarrow \text{No} \\ \text{Yes} \end{matrix} \rightarrow$ New, R:Old $\begin{matrix} \leftarrow \text{Yes} \\ \text{Yes} \end{matrix} \rightarrow$ New, S:Old $\begin{matrix} \leftarrow \text{No} \\ \text{No} \end{matrix} \rightarrow$ New, W:Add, Z:Discontinued, F:Interchangeable by set, K:Q'ty Change
 Copyright (C) YANMAR CO., LTD. All RightsReserved.

Fig.48. P.T.O. SHAFT COVER ATTACHMENT

(A)=EF453T LX
(B)=
(C)=

(D)=
(E)=
(F)=

No.	Lev.	Parts No.	Description	Q'ty						I	R
				(A)	(B)	(C)	(D)	(E)	(F)		
1	1	26106-080122	BOLT, M8X 12 PLATED	2							

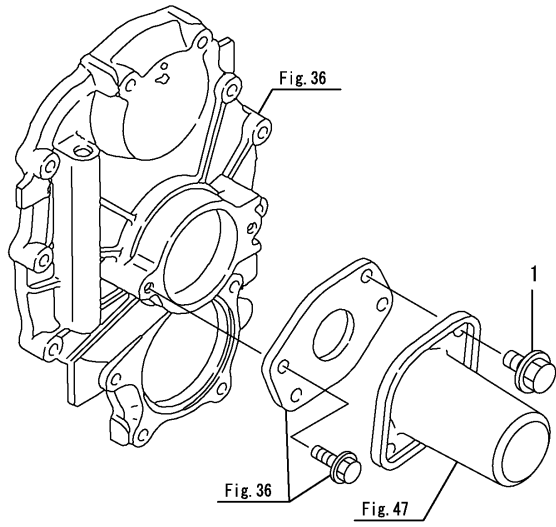


Fig.49. MAIN SHIFT(1)

(A)=EF453T LX

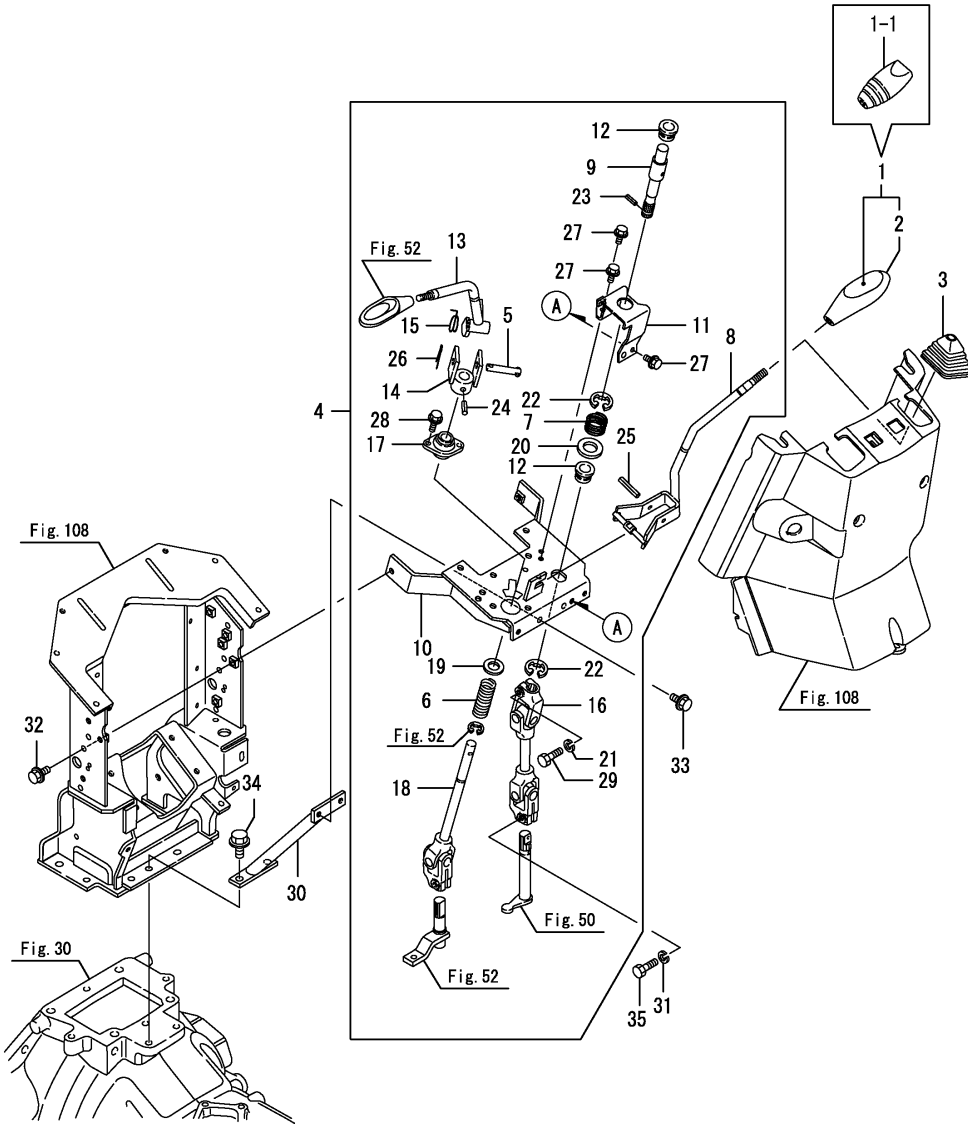
(B)=

(C)=

(D)=

(E)=

(F)=

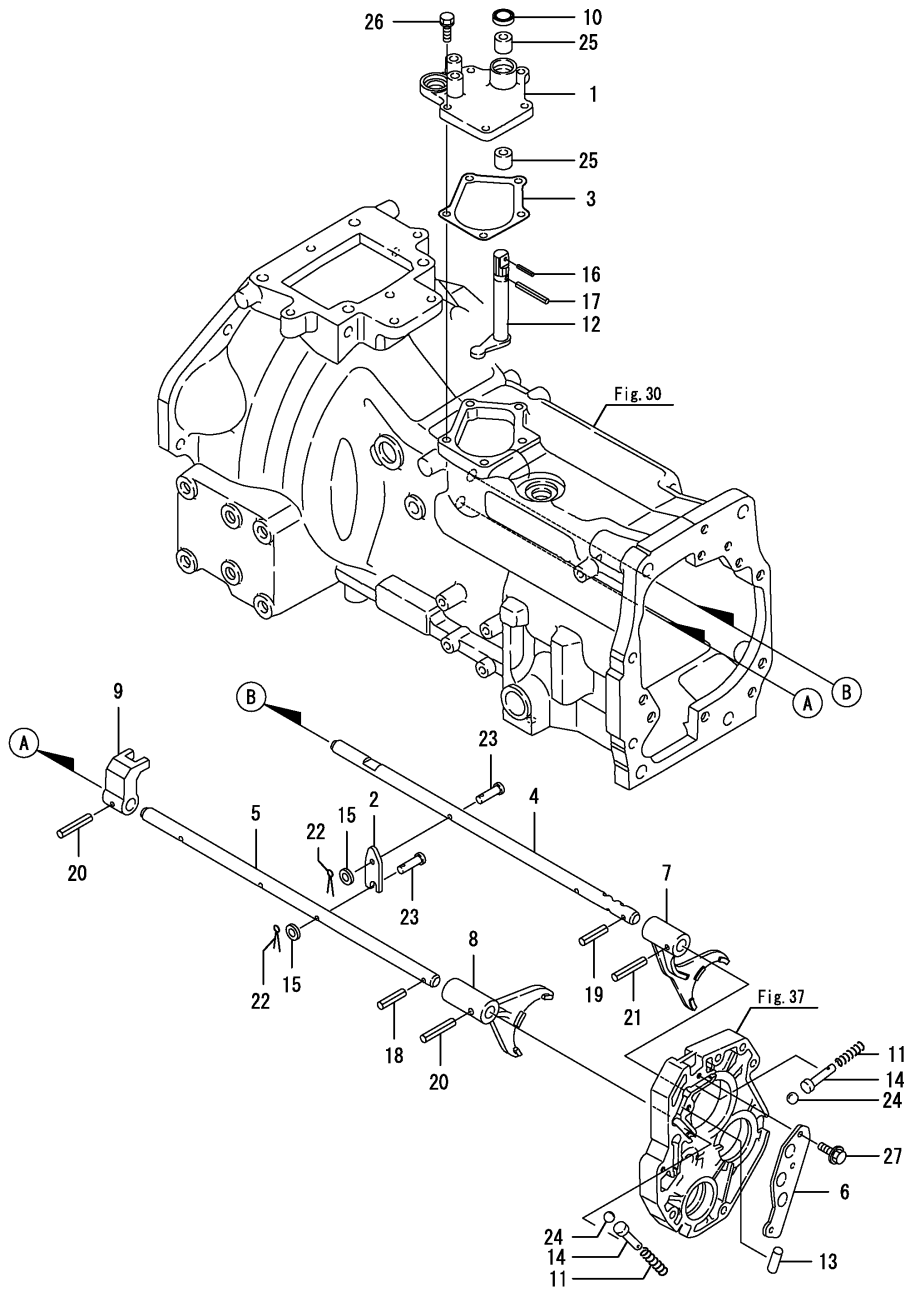


No.	Lev.	Parts No.	Description	Qty						I	R
				(A)	(B)	(C)	(D)	(E)	(F)		
1	1	1A8170-27100	KNOB, MAIN SHIFT	1							
1-1	1	198133-27100	KNOB, MAIN SHIFT	1							S
(A=FZZZZZ)											
1-2	1	1A8170-27100	KNOB, MAIN SHIFT	1							R
(A=FXXXXX)											
2	2	198273-18360	KNOB, ORANGE	1							Z
(A=FZZZZZ)											
3	1	198133-27350	BOOT	1							
4	1	1A7780-27801	SHIFT ASSY, COLUMN	1							
5	2	198075-18311	PIN, 8X52	1							
6	2	198133-27060	SPRING, REVERSER	1							
7	2	198133-27070	SPRING	1							
8	2	1A7780-27360	LEVER, MAIN SHIFT	1							
9	2	198133-27401	SHAFT ASSY	1							
10	2	198133-27652	BRACKET, SHIFT	1							
11	2	198133-27711	STAY, MAIN SHIFT	1							
12	2	198133-27720	BUSH, MAIN SHIFT	2							
13	2	1A7780-27751	LEVER, REVERSER	1							
14	2	198133-27781	HOLDER, REVERSER	1							
15	2	198133-27820	SPRING, RETURN	1							
16	2	198133-27850	JOINT ASSY, SHIFT	1							
17	2	198133-27881	FLANGE, REVERSER	1							
18	2	198133-27940	SHAFT ASSY, REVERSER	1							
19	2	22137-140000	WASHER, 14	1							
20	2	22137-220000	WASHER, 22	1							
21	2	22217-080000	WASHER, SPRING 8	1							
22	2	22272-000190	RING, E-19	2							
23	2	22351-020012	PIN, SPRING 2.0X12	1							
24	2	22351-060032	PIN, SPRING 6.0X32	1							
25	2	22351-080040	PIN, SPRING 8.0X40	1							
26	2	22417-200300	PIN, COTTER 2.0X30	1							
27	2	26106-060162	BOLT, M6X 16 PLATED	3							
28	2	26106-060162	BOLT, M6X 16 PLATED	2							
29	2	26116-080252	BOLT, M8X 25 PLATED	1							
30	1	198133-27950	STAY ASSY, SHIFT	1							
31	1	22217-080000	WASHER, SPRING 8	1							
32	1	26106-080162	BOLT, M8X 16 PLATED	2							
33	1	26106-080162	BOLT, M8X 16 PLATED	2							
34	1	26106-100202	BOLT, M10X 20 PLATED	2							
35	1	26116-080252	BOLT, M8X 25 PLATED	1							

Fig.50. MAIN SHIFT(2)

(A)=EF453T LX
(B)=
(C)=

(D)=
(E)=
(F)=

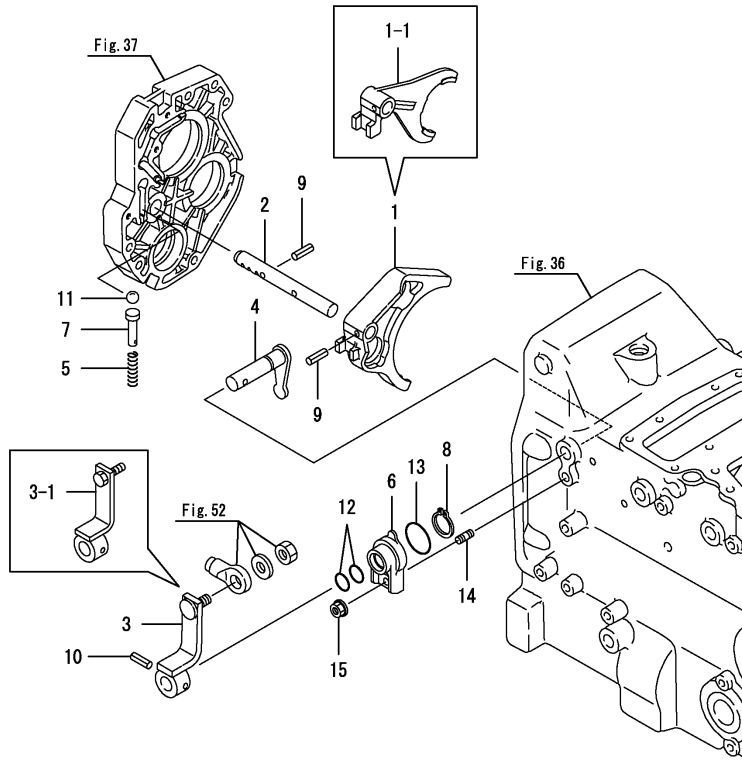


No.	Lev.	Parts No.	Description	Q'ty						I	R
				(A)	(B)	(C)	(D)	(E)	(F)		
1	1	1A7780-27150-2	RETAINER, LEVER	1							
2	1	194250-27160	ARM, SWITCH	1							
3	1	198133-27170	GASKET, RETAINER	1							
4	1	198137-27180	SHAFT, FORK 2-3	1							
5	1	198137-27190	SHAFT, FORK 1	1							
6	1	198133-27280	HOLDER, INTERLOCK	1							
7	1	1A7780-27310	FORK, SHIFT 2-3	1							
8	1	198240-27320	FORK, SHIFT 2-3	1							
9	1	198133-27330	SHIFTER	1							
10	1	198133-27340	SEAL, OIL KBY172406	1							
11	1	194145-27450	SPRING	2							
12	1	198133-27450	ARM, SHIFT	1							
13	1	194130-27490	SPINDLE	1							
14	1	198071-27860	PIN, 4X35	2							
15	1	1C6460-84420	SPACER, 6.4X12.5X1	2							
16	1	22351-020012	PIN, SPRING 2.0X12	1							
17	1	22351-040032	PIN, SPRING 4.0X32	1							
18	1	22351-060025	PIN, SPRING 6.0X25	1							
19	1	22351-060025	PIN, SPRING 6.0X25	1							
20	1	22351-060032	PIN, SPRING 6.0X32	2							
21	1	22351-060032	PIN, SPRING 6.0X32	1							
22	1	22417-160180	PIN, COTTER 1.6X18	2							
23	1	22487-060200	PIN, H 6X 20	2							
24	1	24190-100001	BALL, STEEL 5/16	2							
25	1	24550-017150	BUSH, 17X15	2							
26	1	26013-080252	BOLT, M8X 25	5							
27	1	26106-080162	BOLT, M8X 16 PLATED	3							

Fig.51. REVERSER SHIFT(1)

(A)=EF453T LX
(B)=
(C)=

(D)=
(E)=
(F)=

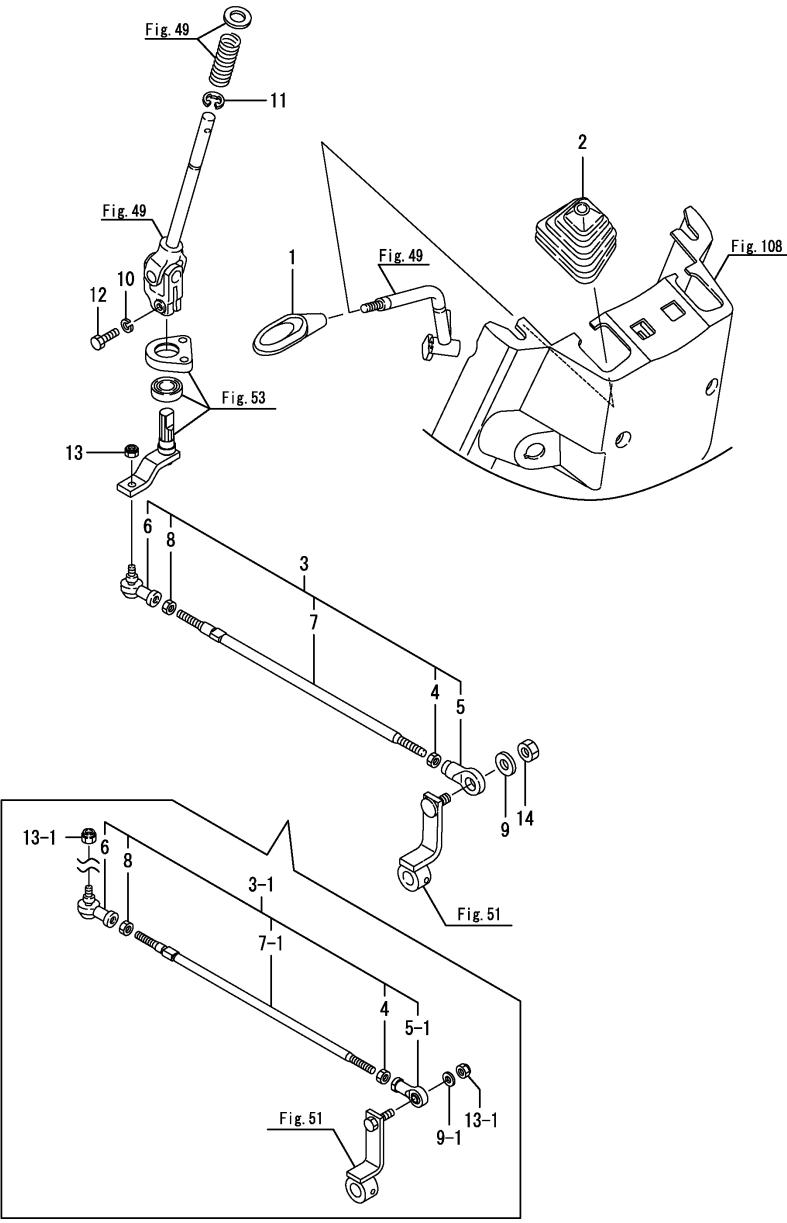


No.	Lev.	Parts No.	Description	Q'ty						I	R
				(A)	(B)	(C)	(D)	(E)	(F)		
1	1	198133-27110	FORK, REVERSER SHIFT	1							
1-1	1	1A7780-27110	FORK, SHIFT REVERSER	1							S
(A=FZZZZZ)											
2	1	198133-27120	SHAFT, REVERSER FORK	1							
3	1	198133-27180-2	ARM, CHANGE	1							
3-1	1	1A7780-27180	ARM, SHIFT	1							F 1
(A=FXXXXX)											
4	1	198133-27300	ARM, SHIFT	1							
5	1	194145-27450	SPRING	1							
6	1	198071-27470-3	HOLDER, SHIFT ARM	1							
7	1	198071-27860	PIN, 4X35	1							
8	1	22242-000170	RING, 17	1							
9	1	22351-060025	PIN, SPRING 6.0X25	2							
10	1	22351-060032	PIN, SPRING 6.0X32	1							
11	1	24190-100001	BALL, STEEL 5/16	1							
12	1	24311-000160	O-RING, 1AP16.0	2							
13	1	24321-000250	O-RING, 1AG25.0	1							
14	1	26218-080202	STUD, M8X 20	1							
15	1	26366-080002	NUT, M8	1							

Remarks

(1)Fig.52 No.3-1, 9-1 & 13-1 interchangeable by set.

Fig.52. REVERSER SHIFT(2)



(A)=EF453T LX
(B)=
(C)=

(D)=
(E)=
(F)=

No.	Lev.	Parts No.	Description	Q'ty						I	R
				(A)	(B)	(C)	(D)	(E)	(F)		
1	1	198200-18350	KNOB, LEVER	1							
1-1	1	1A8115-18350	KNOB, LEVER	1							R
(A=FXXXXX)											
2	1	198133-27350	BOOT	1							
3	1	198133-27900-1	ROD ASSY, REVERSER	1							
3-1	1	1A7780-27900	ROD ASSY, REVERSER	1							F 1
(A=FXXXXX)											
4	2	194990-20170	NUT, M8	1							
5	2	194170-27180-X	END, ROD	1							
5-1	2	172122-46571	END, ROD	1							S
(A=FXXXXX)											
6	2	194820-27370-T	END, ROD	1							
7	2	198133-27910-1	ROD, SHIFT	1							
7-1	2	1A7780-27910	ROD, SHIFT	1							S
(A=FXXXXX)											
8	2	26716-080002	NUT, M8	1							
9	1	22137-100000	WASHER, 10	1							
9-1	1	22137-080000	WASHER, 8	1							F 1
(A=FXXXXX)											
10	1	22217-080000	WASHER, SPRING 8	1							
11	1	22272-000120	RING, E-12	1							
12	1	26116-080252	BOLT, M8X 25 PLATED	1							
13	1	26346-080002	NUT, M8	1							
13-1	1	26346-080002	NUT, M8	2							K 1
(A=FXXXXX)											
14	1	26756-100002	NUT, LOCK M10	1							Z
(A=FXXXXX)											

Remarks
(1)No.3-1, 9-1, 13-1 & Fig.51 No.3-1 interchangeable by set.

Fig.53. REVERSER LINK

(A)=EF453T LX
(B)=
(C)=

(D)=
(E)=
(F)=

No.	Lev.	Parts No.	Description	Q'ty						I	R
				(A)	(B)	(C)	(D)	(E)	(F)		
1	1	1A7780-27160-2	HOLDER, REVERSER ARM	1							
2	1	1A7780-27210-2	ARM, LINK	1							
3	1	24104-060014	BEARING, BALL 6001UU	1							
4	1	24104-060034	BEARING, BALL 6003UU	1							
5	1	26013-080252	BOLT, M8X 25	2							

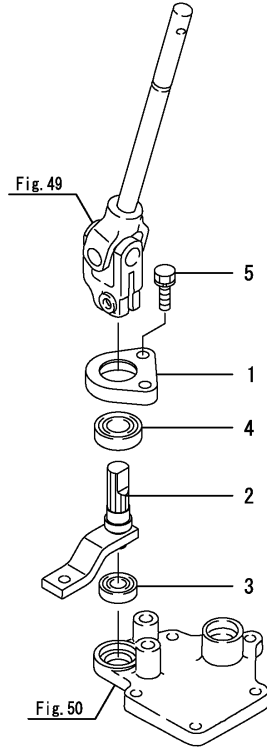


Fig.54. SUB SHIFT LEVER KNOB

(A)=EF453T LX
(B)=
(C)=

(D)=
(E)=
(F)=

No.	Lev.	Parts No.	Description	Q'ty						I	R
				(A)	(B)	(C)	(D)	(E)	(F)		
1	1	194990-22150	NUT, M10	1							
2	1	198253-27510	KNOB, LEVER	1							

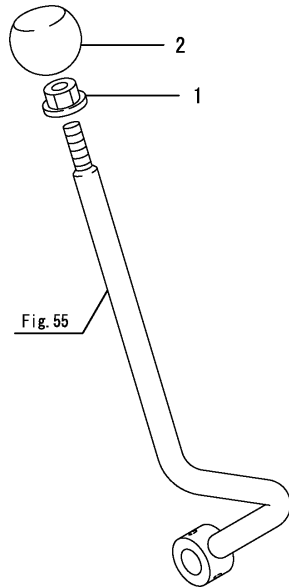
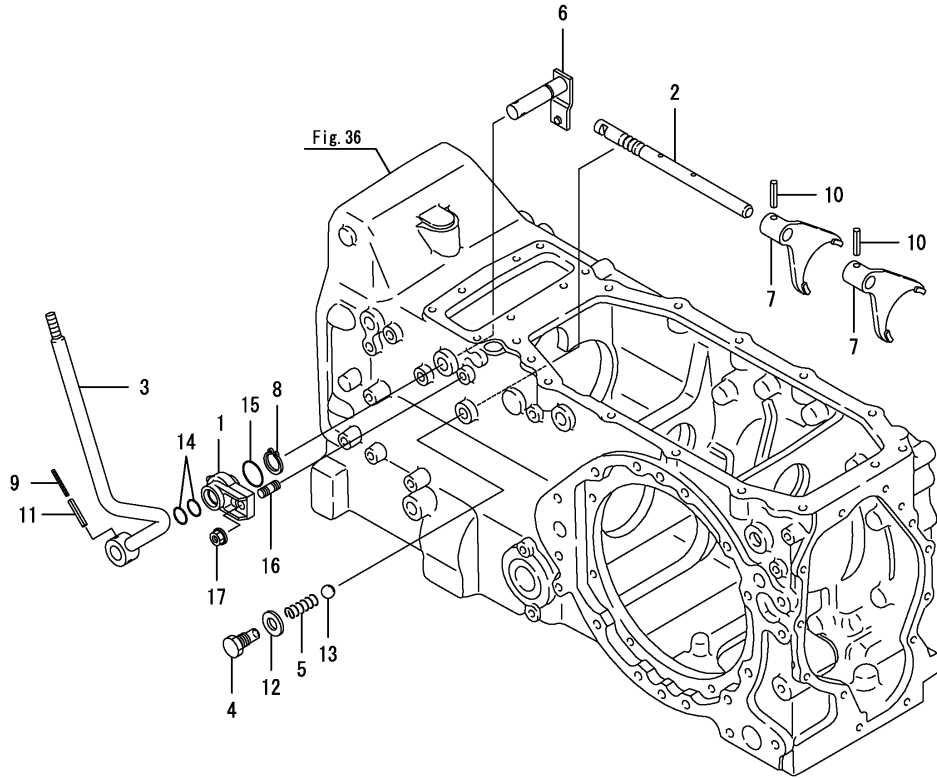


Fig.55. SUB SHIFT

(A)=EF453T LX
(B)=
(C)=

(D)=
(E)=
(F)=

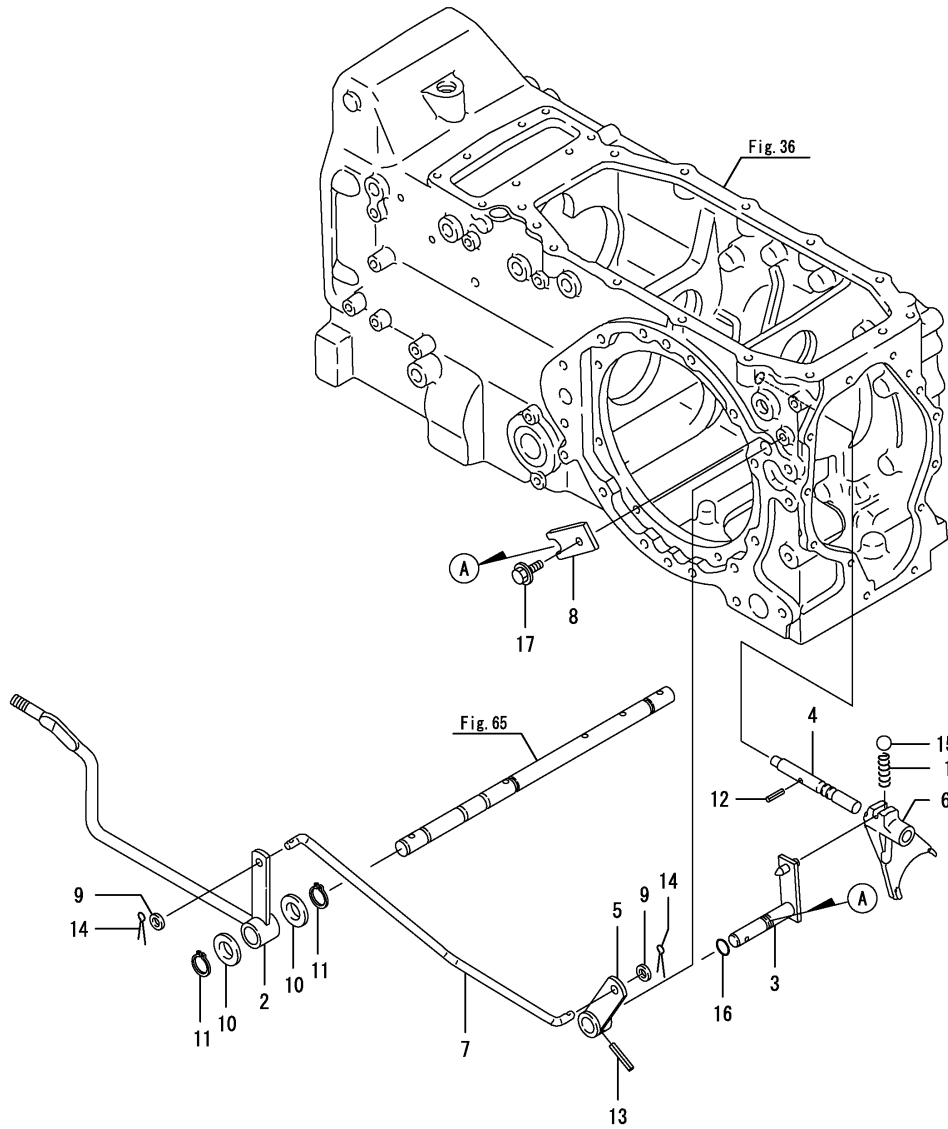


No.	Lev.	Parts No.	Description	Q'ty						I	R
				(A)	(B)	(C)	(D)	(E)	(F)		
1	1	198071-27470-3	HOLDER, SHIFT ARM	1							
2	1	198149-27490	SHAFT, FORK	1							
3	1	198253-27520-2	LEVER, RANGE SHIFT	1							
4	1	198149-27531	PLUG, M12	1							
5	1	194680-27540	SPRING, FORK LOCK	1							
6	1	198149-27560	ARM, SHIFT	1							
7	1	198149-27570	FORK, SHIFT	2							
8	1	22242-000170	RING, 17	1							
9	1	22351-035032	PIN, SPRING 3.5X32	1							
10	1	22351-060032	PIN, SPRING 6.0X32	2							
11	1	22351-060032	PIN, SPRING 6.0X32	1							
12	1	23414-120016	GASKET, 12X1.0	1							
13	1	24190-080001	BALL, STEEL 1/4	1							
14	1	24311-000160	O-RING, 1AP16.0	2							
15	1	24321-000250	O-RING, 1AG25.0	1							
16	1	26218-080202	STUD, M8X 20	1							
17	1	26366-080002	NUT, M8	1							

Fig.56. P.T.O. SHIFT

(A)=EF453T LX
(B)=
(C)=

(D)=
(E)=
(F)=



No.	Lev.	Parts No.	Description	Q'ty						I	R
				(A)	(B)	(C)	(D)	(E)	(F)		
1	1	194680-27540	SPRING, FORK LOCK	1							
2	1	1A7780-27820-1	LEVER ASSY, PTO	1							
3	1	198240-27841	ARM, SHIFT	1							
4	1	1A7780-27881	SHAFT, PTO FORK	1							
5	1	198240-27890-1	ARM, CHANGE	1							
6	1	198325-27951	FORK, PTO SHIFT	1							
7	1	198240-27961-2	ROD, PTO	1							
8	1	198220-27990-1	PLATE, KEEP	1							
9	1	22137-100000	WASHER, 10	2							
10	1	22137-200000	WASHER, 20	2							
11	1	22242-000200	RING, 20	2							
12	1	22351-060025	PIN, SPRING 6.0X25	1							
13	1	22351-060032	PIN, SPRING 6.0X32	1							
14	1	22417-250200	PIN, COTTER 2.5X20	2							
15	1	24190-080001	BALL, STEEL 1/4	1							
16	1	24311-000125	O-RING, 1AP12.5	1							
17	1	26106-080162	BOLT, M8X 16 PLATED	1							

Fig.57. P.T.O. SHIFT KNOB

(A)=EF453T LX
(B)=
(C)=

(D)=
(E)=
(F)=

No.	Lev.	Parts No.	Description	Q'ty						I	R
				(A)	(B)	(C)	(D)	(E)	(F)		
1	1	194990-22150	NUT, M10	1							
2	1	198220-27290	KNOB, LEVER	1							
3	1	23065-160080	PIPE, 16X 80	1							

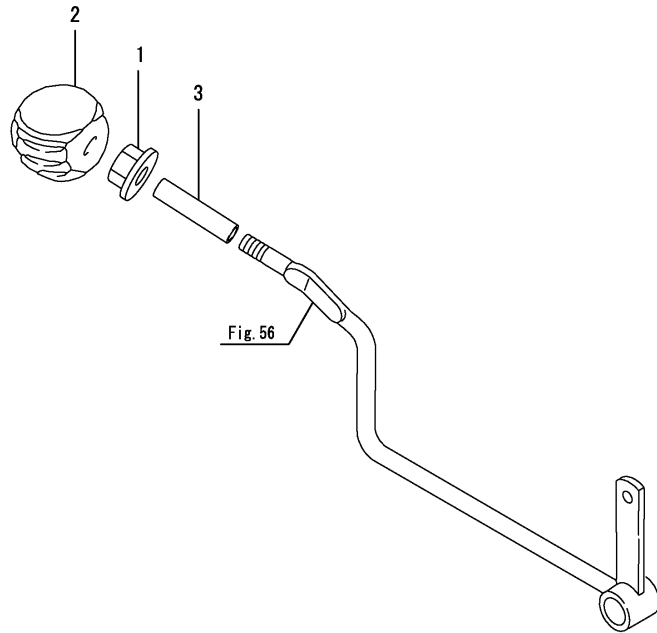
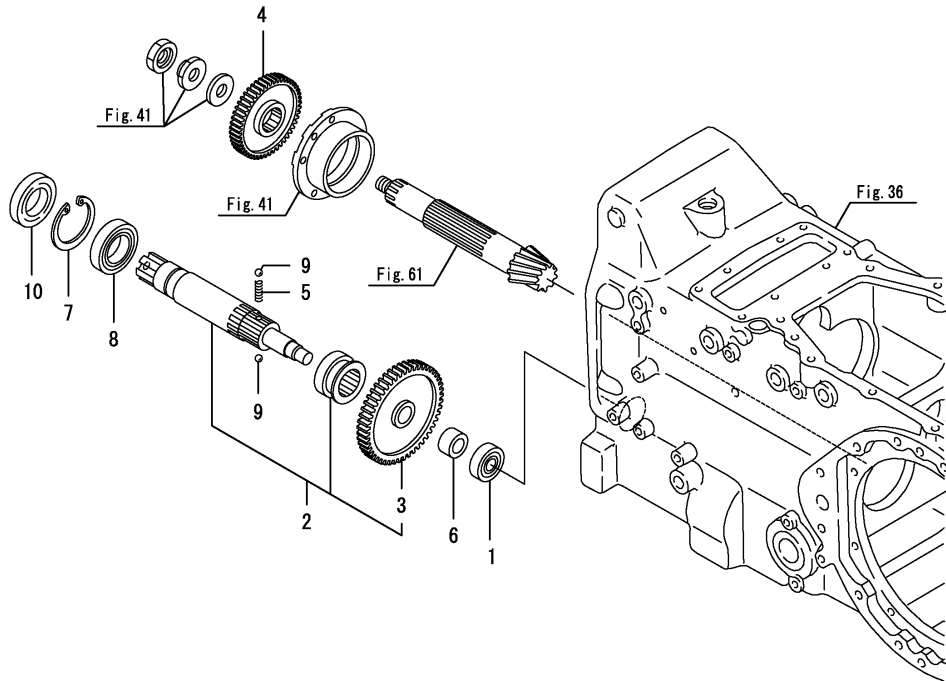


Fig.58. FRONT DRIVE

(A)=EF453T LX
(B)=
(C)=

(D)=
(E)=
(F)=



No.	Lev.	Parts No.	Description	Q'ty						I	R
				(A)	(B)	(C)	(D)	(E)	(F)		
1	1	194446-25450	BEARING, BALL TM302	1							
2	1	1A7780-28100	GEAR ASSY, DRIVE	1							
3	2	1A7780-28230	GEAR, DRIVE 54	1							
4	1	1A7780-28220	PINION, DRIVE Z=43	1							
5	1	194321-28230	SPRING, 26.2	1							
6	1	198241-28240	COLLAR, 18X30X15	1							
7	1	22252-000620	RING, 62	1							
8	1	24101-060074	BEARING, BALL 6007	1							
9	1	24190-080001	BALL, STEEL 1/4	2							
10	1	24421-356212	SEAL, OIL TC356212	1							

Fig.59. FRONT SHIFT KNOB

(A)=EF453T LX
(B)=
(C)=

(D)=
(E)=
(F)=

No.	Lev.	Parts No.	Description	Q'ty						I	R
				(A)	(B)	(C)	(D)	(E)	(F)		
1	1	194990-22150	NUT, M10	1							
2	1	198253-27510	KNOB, LEVER	1							

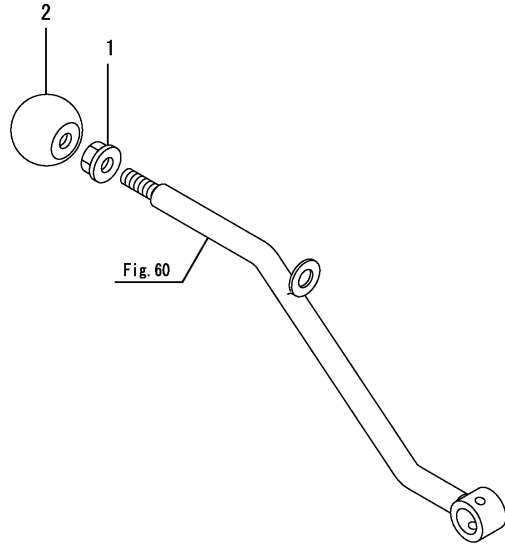


Fig.60. FRONT SHIFT

(A)=EF453T LX
(B)=
(C)=

(D)=
(E)=
(F)=

No.	Lev.	Parts No.	Description	Q'ty						I	R
				(A)	(B)	(C)	(D)	(E)	(F)		
1	1	198220-26790	BLOCK, SHIFT	1							
2	1	198220-27990-1	PLATE, KEEP	1							
3	1	198254-28270-2	ARM, CHANGE	1							
4	1	198241-28310	ARM, SHIFT	1							
5	1	22351-060032	PIN, SPRING 6.0X32	1							
6	1	24311-000125	O-RING, 1AP12.5	1							
7	1	26106-080162	BOLT, M8X 16 PLATED	1							

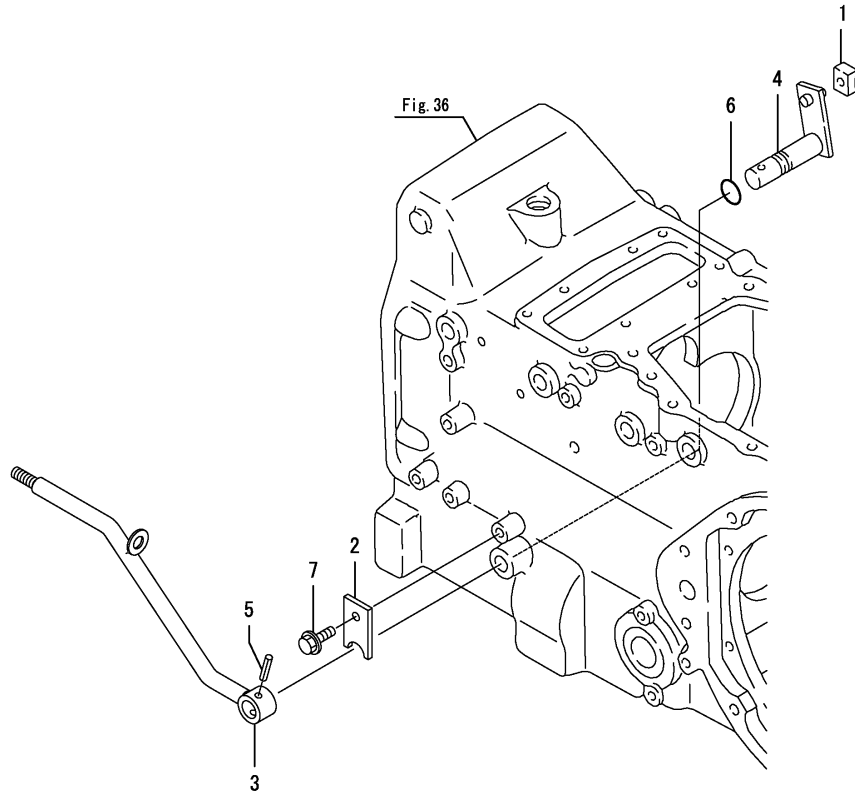


Fig.61. RING GEAR

(A)=EF453T LX
(B)=
(C)=

(D)=
(E)=
(F)=

No.	Lev.	Parts No.	Description	Q'ty						I	R
				(A)	(B)	(C)	(D)	(E)	(F)		
1	1	198390-25790	BEARING, 6307R SH2	1							
2	1	198149-31400	GEAR ASSY, RING	1							

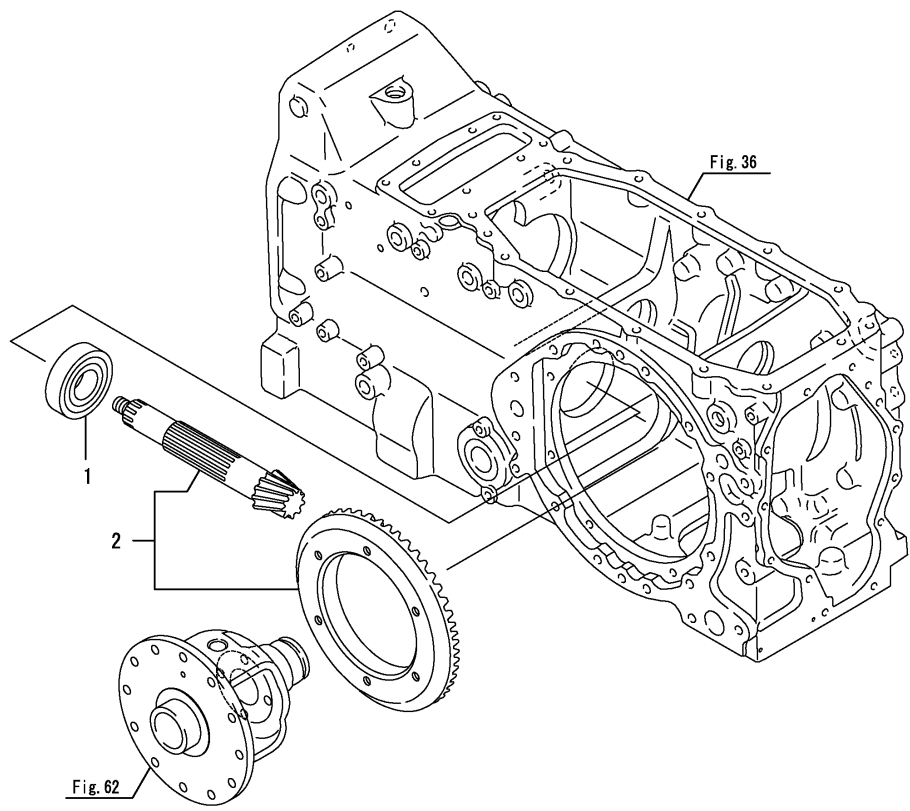


Fig.62. DIFFERENTIAL GEAR

(A)=EF453T LX
(B)=
(C)=

(D)=
(E)=
(F)=

No.	Lev.	Parts No.	Description	Qty						I	R
				(A)	(B)	(C)	(D)	(E)	(F)		
1	1	194066-13130	BOLT, M10X25	6							
2	1	198320-31530	WASHER, DIFFERENTIAL	2							
3	1	198320-31550	GEAR, DIFFERENTIAL	1							
4	1	194320-31560	GEAR, DIFFERENTIAL	1							
5	1	198320-31570	PINION, DIFFERENTIAL	2							
6	1	198320-31630	WASHER, DIFFERENTIAL	2							
7	1	198320-31820	SHAFT, DIFFERENTIAL	1							
8	1	198320-32111	CASE, DIFFERENTIAL	1							
9	1	22217-100000	WASHER, SPRING 10	6							
10	1	22242-000500	RING, 50	1							
11	1	22351-060050	PIN, SPRING 6.0X50	1							
12	1	24101-060104	BEARING, BALL 6010	1							
13	1	24101-062114	BEARING, BALL 6211	1							

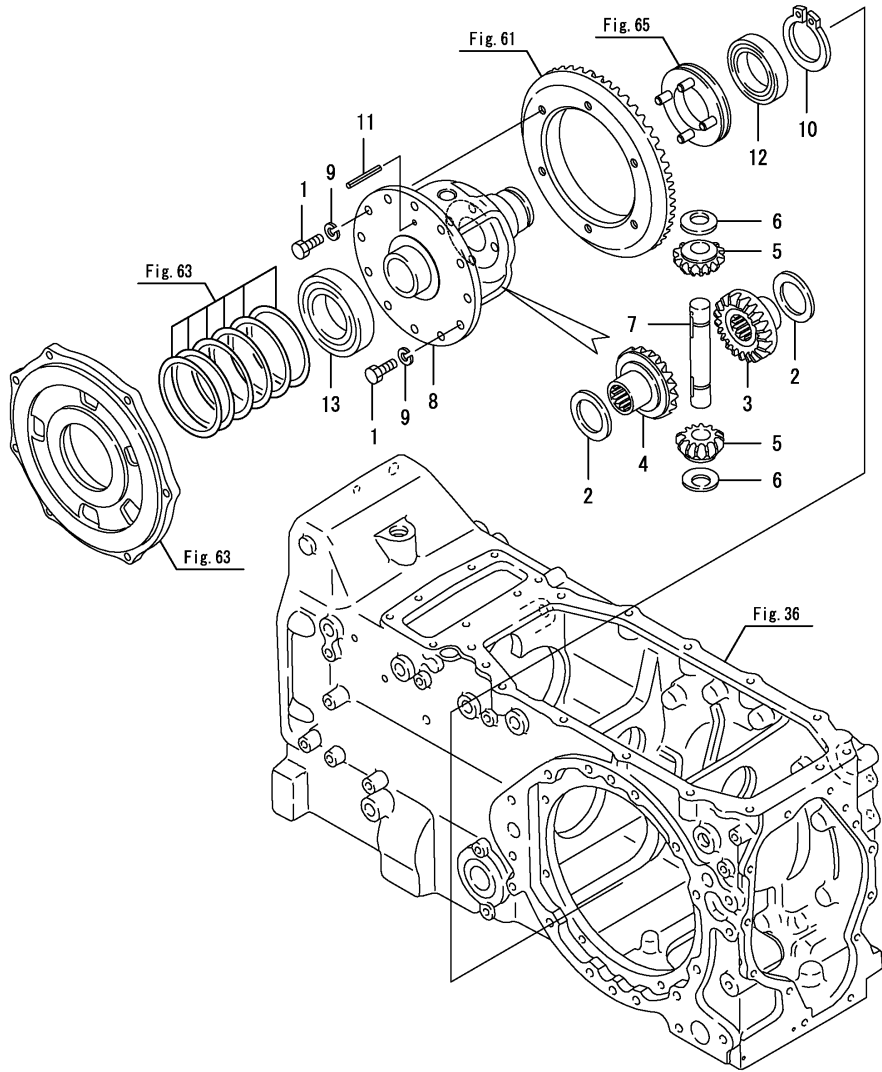


Fig.63. DIFFERENTIAL CARRIER

(A)=EF453T LX
(B)=
(C)=

(D)=
(E)=
(F)=

No.	Lev.	Parts No.	Description	Q'ty						I	R
				(A)	(B)	(C)	(D)	(E)	(F)		
1	1	794251-13910	SHIM SET	1							
2	1	198250-32310	CARRIER	1							
2-1	1	1A7601-32310	CARRIER, DIFF.	1							R
(A=FZZZZZ)											
3	1	26106-080252	BOLT, M8X 25 PLATED	7							

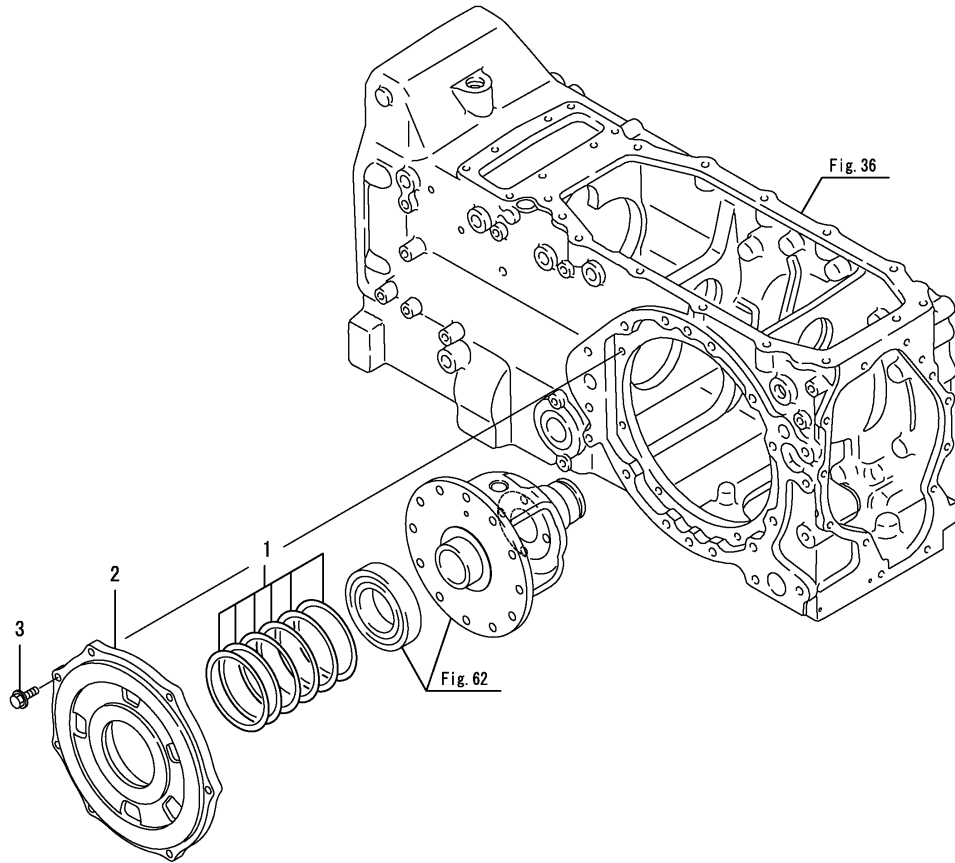
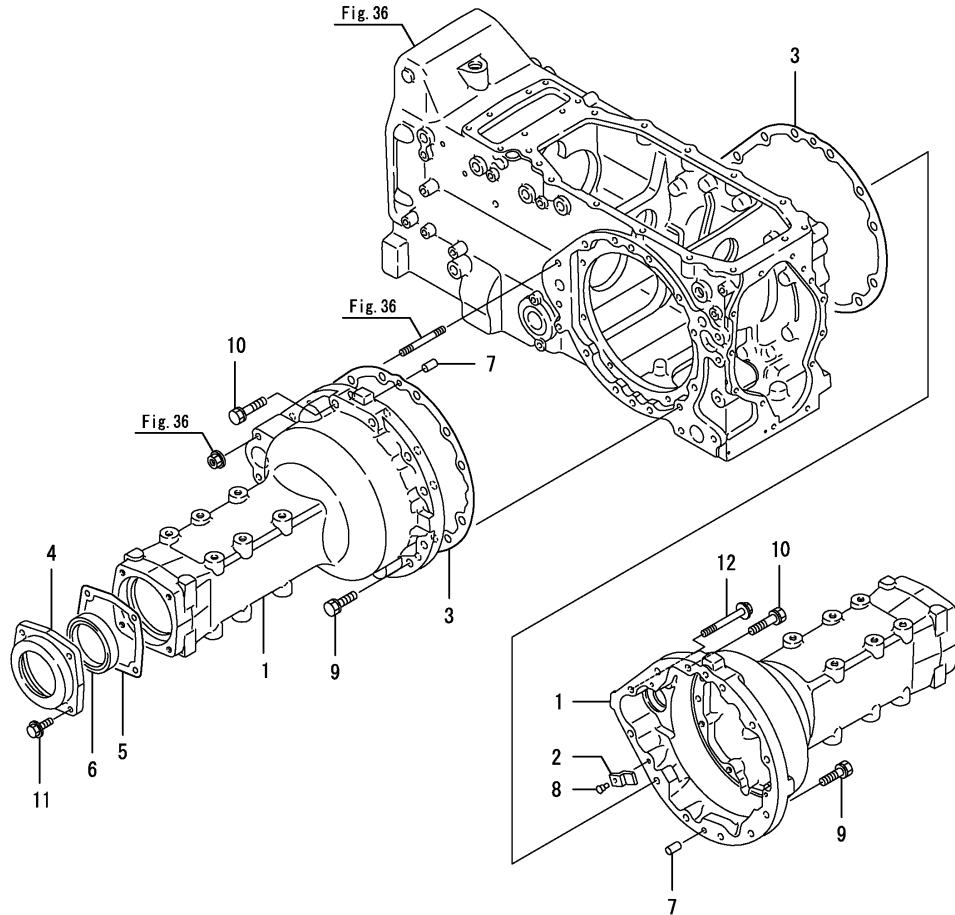


Fig.64. REAR HOUSING

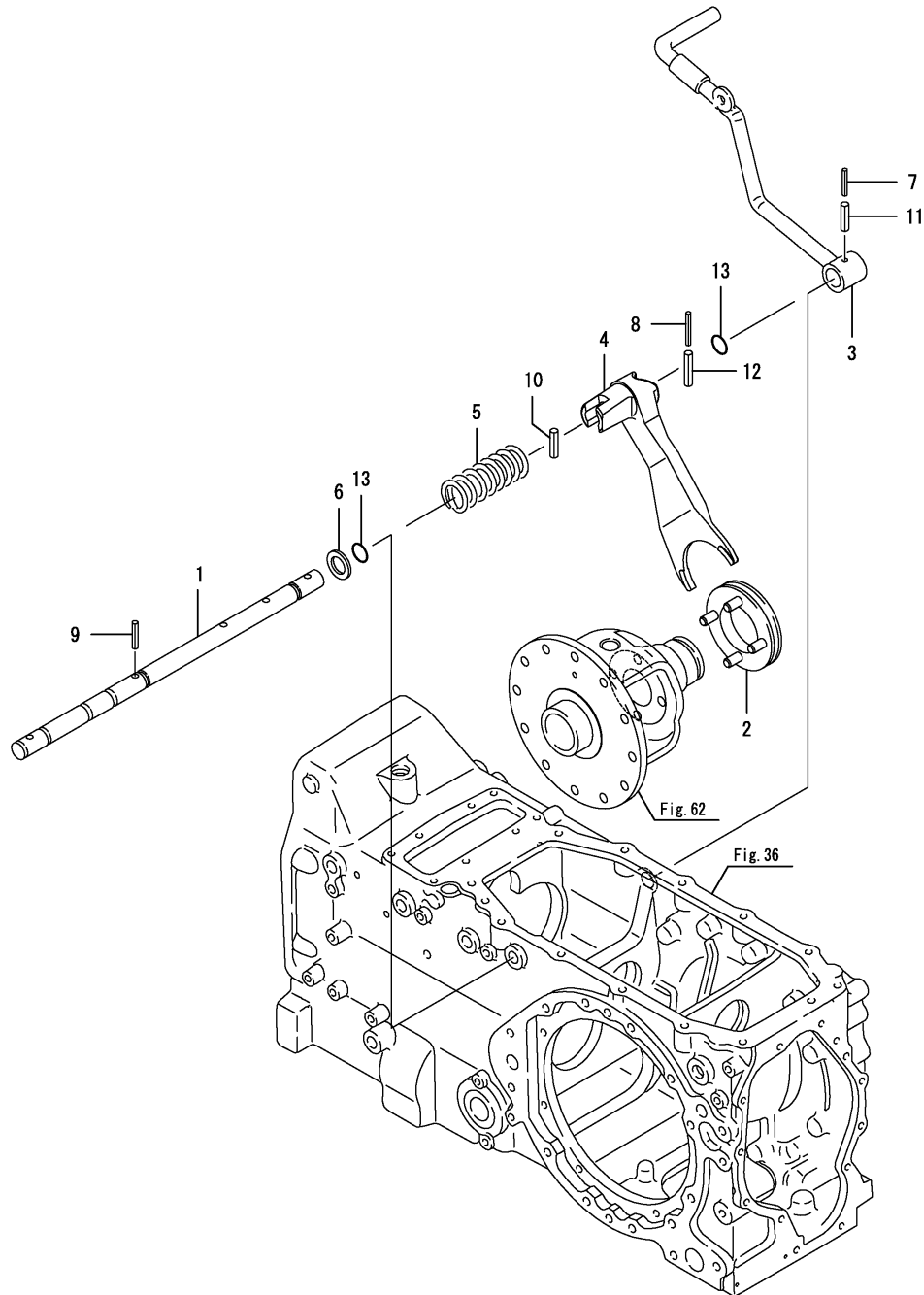
(A)=EF453T LX
(B)=
(C)=

(D)=
(E)=
(F)=



No.	Lev.	Parts No.	Description	Q'ty						I	R
				(A)	(B)	(C)	(D)	(E)	(F)		
1	1	198212-32611-X	HOUSING, REAR AXLE	2							
2	1	194180-32640	PLATE, PUSH	3							
3	1	198240-32640	PACKING, AXLE	2							
4	1	194640-32650-3	CASE, OIL SEAL	2							
5	1	198320-32660	GASKET, SEAL CASE	2							
6	1	198535-32660	SEAL, QLNY7210016	2							
7	1	22312-100180	PIN, PARALLEL M10X18	4							
8	1	22635-600120	RIVET, 6.0X12	3							
9	1	26013-120402	BOLT, M12X 40	16							
10	1	26013-120502	BOLT, M12X 50	4							
11	1	26106-100302	BOLT, M10X 30 PLATED	8							
12	1	26106-100852	BOLT, M10X 85 PLATED	2							

Fig.65. DIFFERENTIAL LOCK



(A)=EF453T LX
(B)=
(C)=

(D)=
(E)=
(F)=

No.	Lev.	Parts No.	Description	Q'ty						I	R
				(A)	(B)	(C)	(D)	(E)	(F)		
1	1	198254-33110-1	SHAFT, LOCK	1							
2	1	194464-33130	SLIDER, DIFFERENTIAL	1							
3	1	198240-33130-2	PEDAL ASSY, LOCK	1							
4	1	1A7350-33140	FORK, SHIFT	1							
5	1	194150-33150	SPRING, RETURN	1							
6	1	194300-33200	SPACER, 20X32X3.2	1							
7	1	22351-050032	PIN, SPRING 5.0X32	1							
8	1	22351-050040	PIN, SPRING 5.0X40	1							
9	1	22351-060032	PIN, SPRING 6.0X32	1							
10	1	22351-080032	PIN, SPRING 8.0X32	1							
11	1	22351-080032	PIN, SPRING 8.0X32	1							
12	1	22351-080040	PIN, SPRING 8.0X40	1							
13	1	24311-000150	O-RING, 1AP15.0	2							

Fig.66. DIFFERENTIAL LOCK(ACCESSORIES)

(A)=EF453T LX
(B)=
(C)=

(D)=
(E)=
(F)=

No.	Lev.	Parts No.	Description	Q'ty						I	R
				(A)	(B)	(C)	(D)	(E)	(F)		
1	1	198240-33170	SPRING	1							

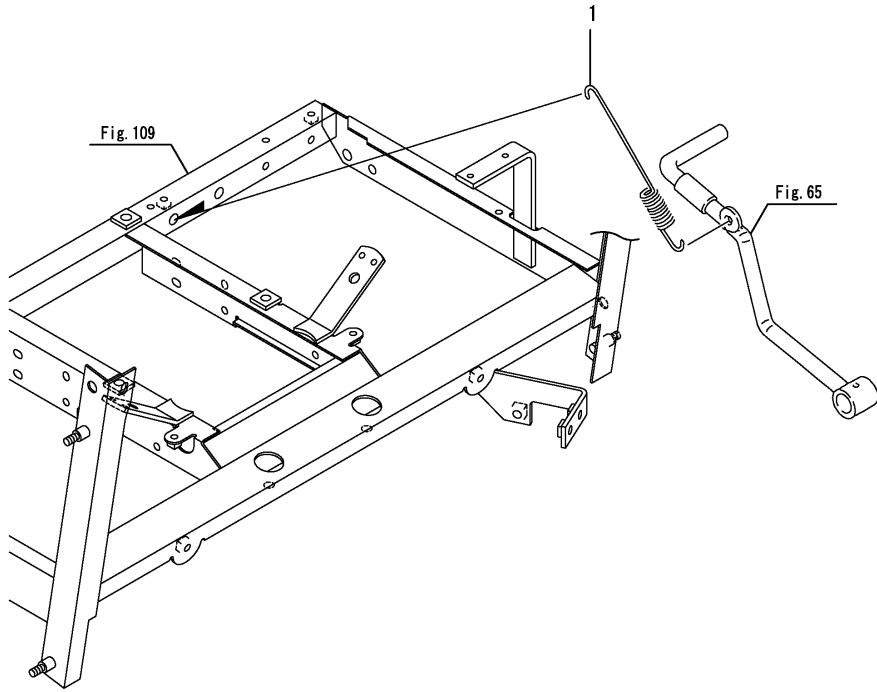


Fig.67. FINAL PINION

(A)=EF453T LX
(B)=
(C)=

(D)=
(E)=
(F)=

No.	Lev.	Parts No.	Description	Q'ty						I	R
				(A)	(B)	(C)	(D)	(E)	(F)		
1	1	198320-33412	PINION, FINAL L	1							
2	1	198320-33422	PINION, FINAL R	1							

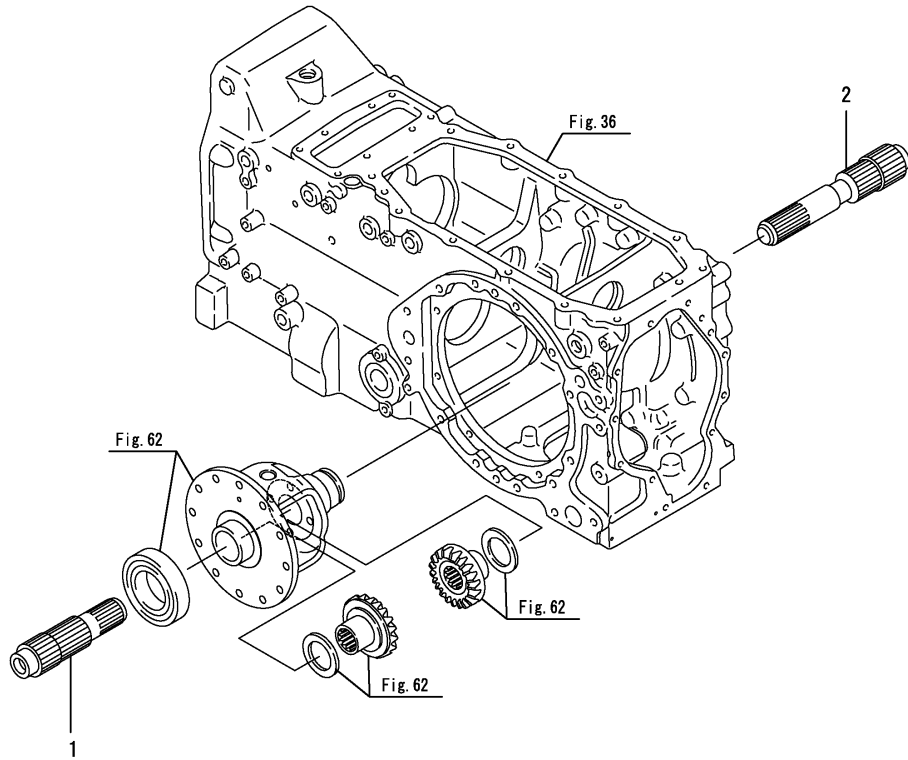


Fig.68. FINAL GEAR

(A)=EF453T LX
(B)=
(C)=

(D)=
(E)=
(F)=

No.	Lev.	Parts No.	Description	Q'ty						I	R
				(A)	(B)	(C)	(D)	(E)	(F)		
1	1	198320-33540	PINION, PLANETARY	6							
2	1	198320-33550	SHAFT, PLANETARY	6							
3	1	198320-33560	NEEDLE, 4.5X31.8	63							
4	1	198320-33560	NEEDLE, 4.5X31.8	63							
5	1	198320-33570	CARRIER, PLANETARY	2							
6	1	198320-33610	GEAR, INTERNAL	2							
7	1	198320-33620	WASHER, 26X42X1	12							
8	1	198217-33650	BOLT, M10X55	16							
9	1	22312-100180	PIN, PARALLEL M10X18	4							
10	1	22351-080040	PIN, SPRING 8.0X40	6							

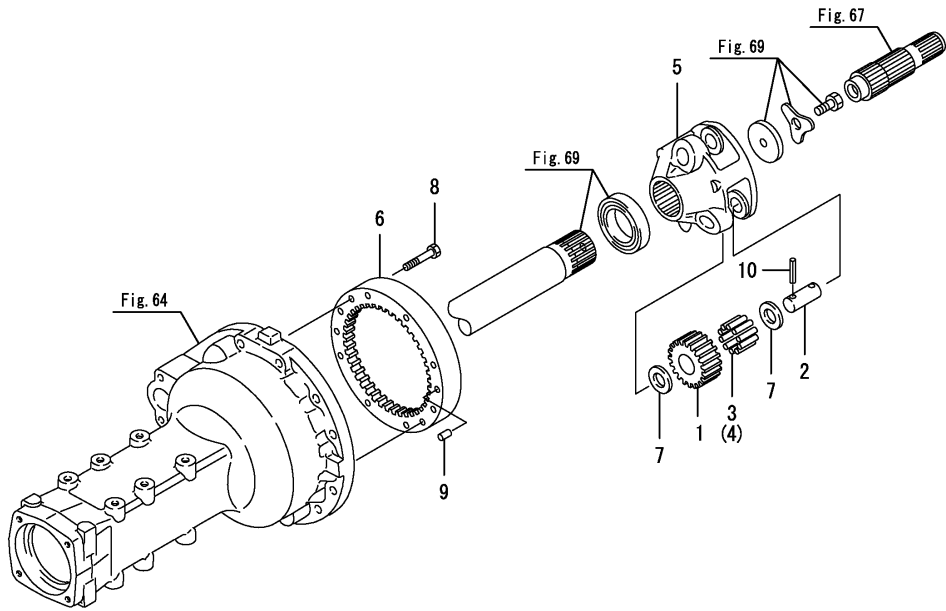


Fig.69. REAR AXLE SHAFT

(A)=EF453T LX
(B)=
(C)=

(D)=
(E)=
(F)=

No.	Lev.	Parts No.	Description	Q'ty						I	R
				(A)	(B)	(C)	(D)	(E)	(F)		
1	1	1A7780-34110-1	SHAFT, REAR AXLE	2							
2	1	194640-34130	WASHER, 13X64X9	2							
3	1	194640-34140	BOLT, M12X30	2							
4	1	194640-34150	WASHER, THRUST	2							
5	1	198535-34360	COLLAR, 60X72X26	2							
6	1	194145-34390	SPACER, O-RING	2							
7	1	24101-060114	BEARING, BALL 6011	2							
8	1	24101-062124	BEARING, BALL 6212	2							
9	1	24321-000600	O-RING, 1AG60.0	2							

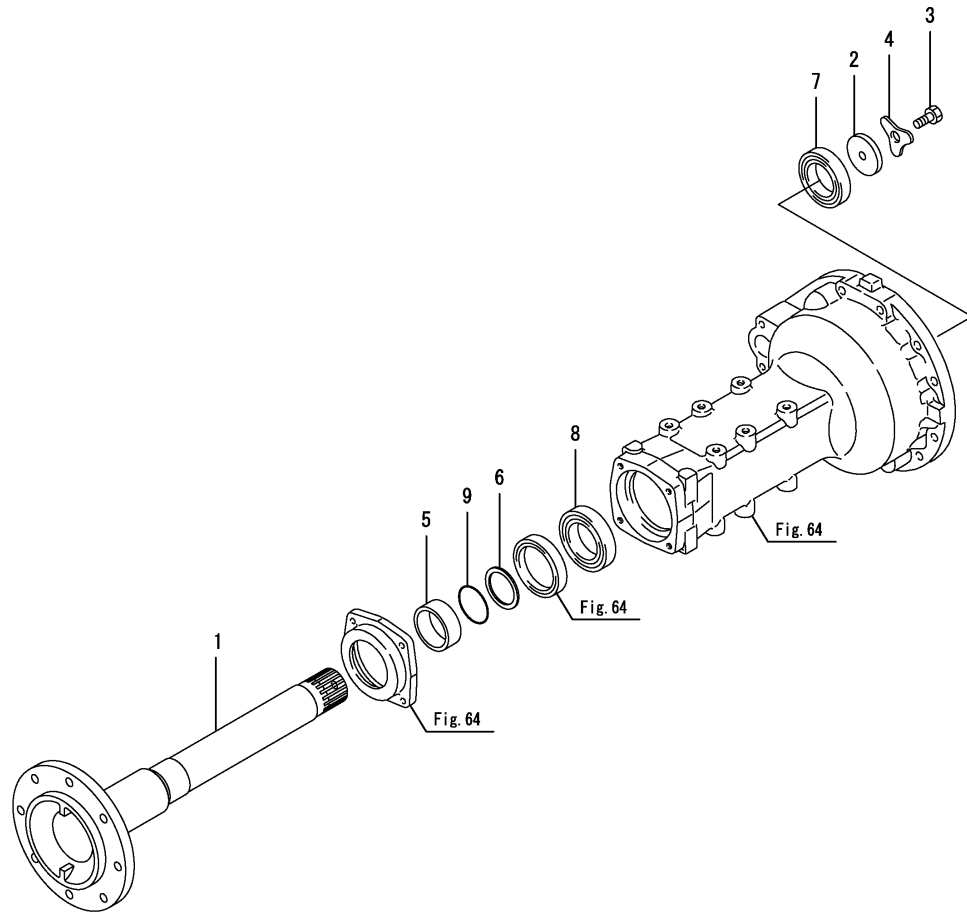
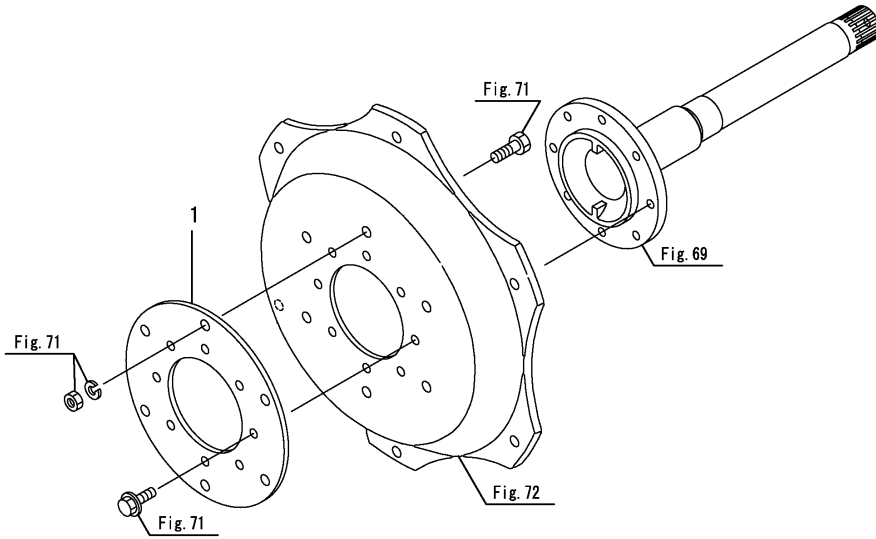


Fig.70. FLANGE

(A)=EF453T LX
(B)=
(C)=

(D)=
(E)=
(F)=



No.	Lev.	Parts No.	Description	Q'ty						I	R
				(A)	(B)	(C)	(D)	(E)	(F)		
1	1	198146-34110	FLANGE	2							

Fig.71. FLANGE ATTACHMENT

(A)=EF453T LX
(B)=
(C)=

(D)=
(E)=
(F)=

No.	Lev.	Parts No.	Description	Qty						I	R
				(A)	(B)	(C)	(D)	(E)	(F)		
1	1	198146-34120	BOLT, M14X45	12							
2	1	22217-160000	WASHER, SPRING 16	12							
3	1	26116-160452	BOLT, M16X 45 PLATED	12							
4	1	26716-160002	NUT, M16	12							

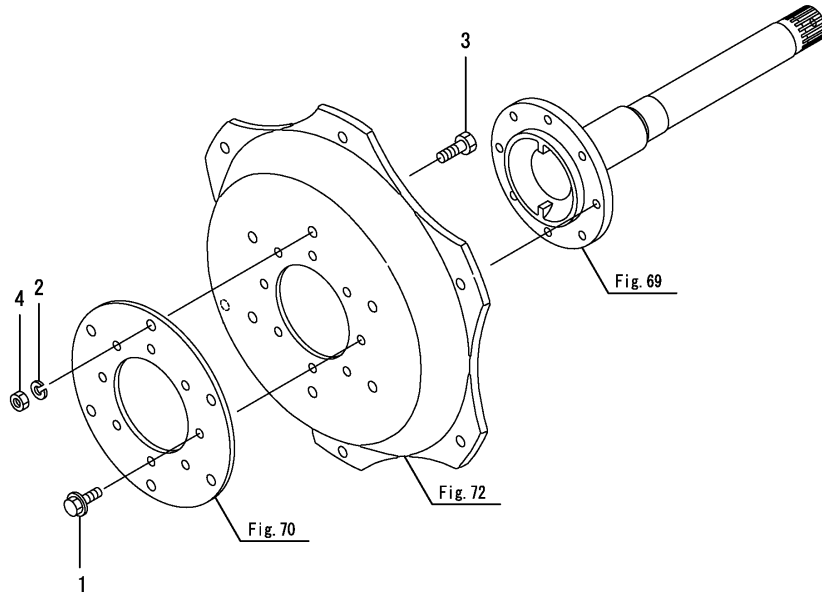
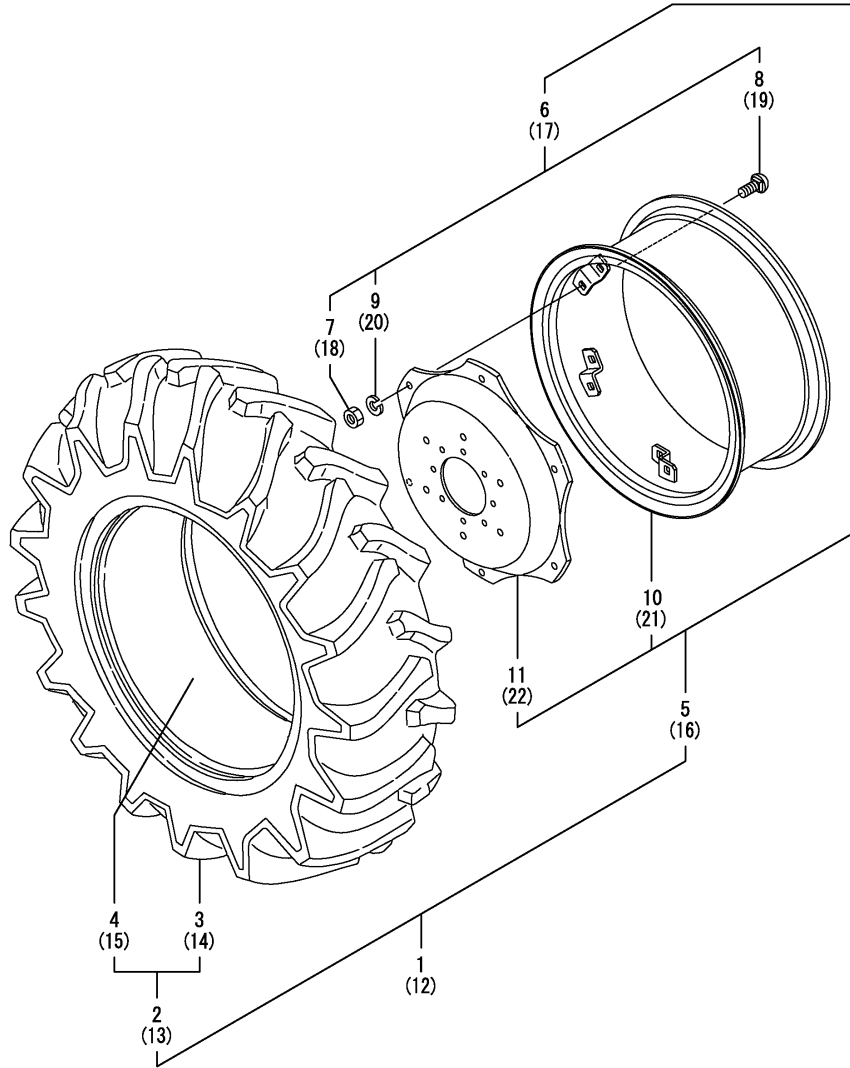


Fig.72. REAR WHEEL TIRE



(A)=EF453T LX
(B)=
(C)=

(D)=
(E)=
(F)=

No.	Lev.	Parts No.	Description	Q'ty						I	R
				(A)	(B)	(C)	(D)	(E)	(F)		
1	1	1A7780-34550	TIRE KIT, 13.6-26 L	1							
2	2	194335-34720	TIRE ASSY, 13.6-26	1							
3	3	194335-34730	TIRE, 13.6-26 4	1							
4	3	198093-34940	TUBE	1							
5	2	1A7780-34750-1	WHEEL ASSY, W11X26W	1							
6	3	1A7780-34100	BOLT KIT	1							
7	4	1A7780-14770	NUT, M16	6							
8	4	1A7780-14790	BOLT, M16X37	6							
9	4	194065-34170	WASHER, 16	6							
10	3	1A7780-34760	RIM, W11X26R	1							
11	3	1A7780-34770	DISK	1							
12	1	1A7780-34560	TIRE KIT, 13.6-26 R	1							
13	2	194335-34720	TIRE ASSY, 13.6-26	1							
14	3	194335-34730	TIRE, 13.6-26 4	1							
15	3	198093-34940	TUBE	1							
16	2	1A7780-34750-1	WHEEL ASSY, W11X26W	1							
17	3	1A7780-34100	BOLT KIT	1							
18	4	1A7780-14770	NUT, M16	6							
19	4	1A7780-14790	BOLT, M16X37	6							
20	4	194065-34170	WASHER, 16	6							
21	3	1A7780-34760	RIM, W11X26R	1							
22	3	1A7780-34770	DISK	1							

Fig.73. HUB BOLT

(A)=EF453T LX
(B)=
(C)=

(D)=
(E)=
(F)=

No.	Lev.	Parts No.	Description	Q'ty						I	R
				(A)	(B)	(C)	(D)	(E)	(F)		
1	1	194279-14220	WASHER, 14	4							
2	1	198282-34160	STUD, M14X40	4							
3	1	198200-34190	NUT, M14	4							

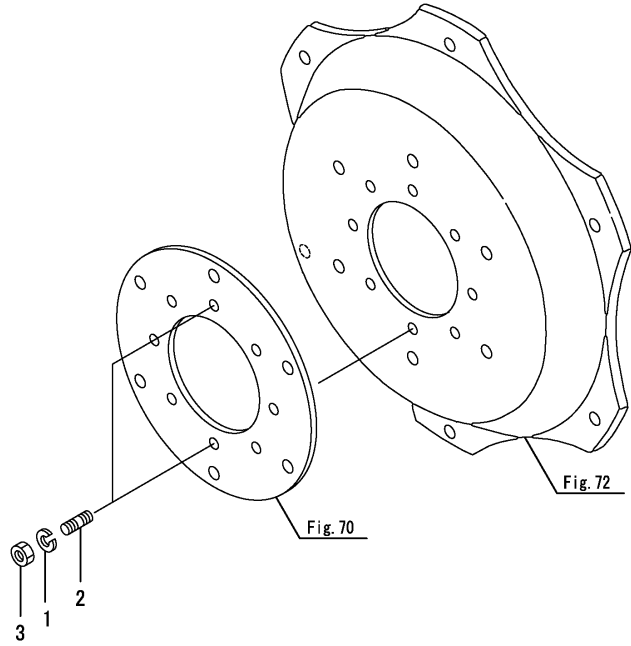
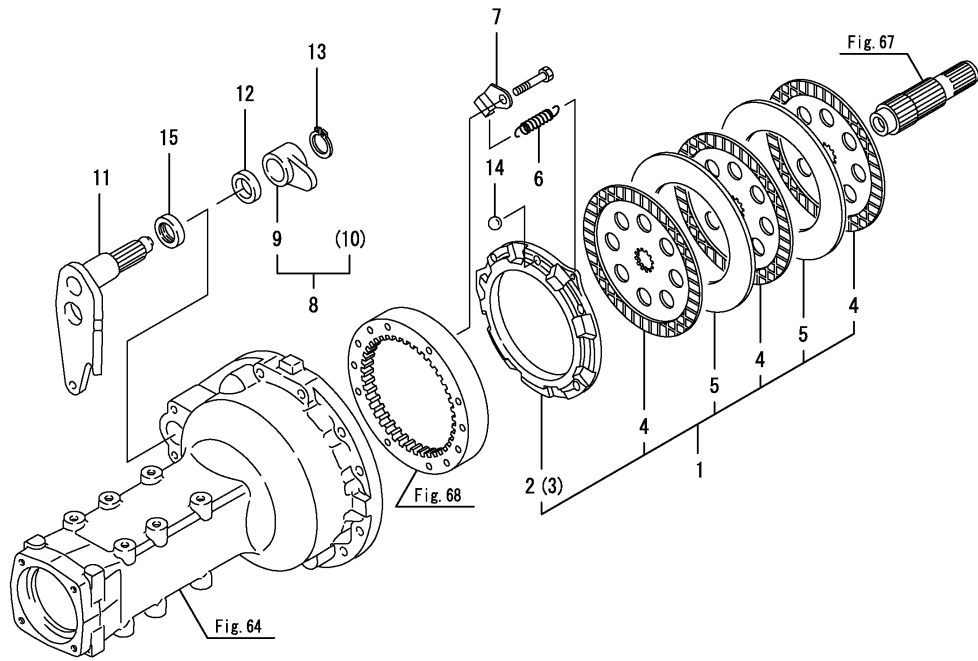


Fig.74. BRAKE

(A)=EF453T LX
(B)=
(C)=

(D)=
(E)=
(F)=

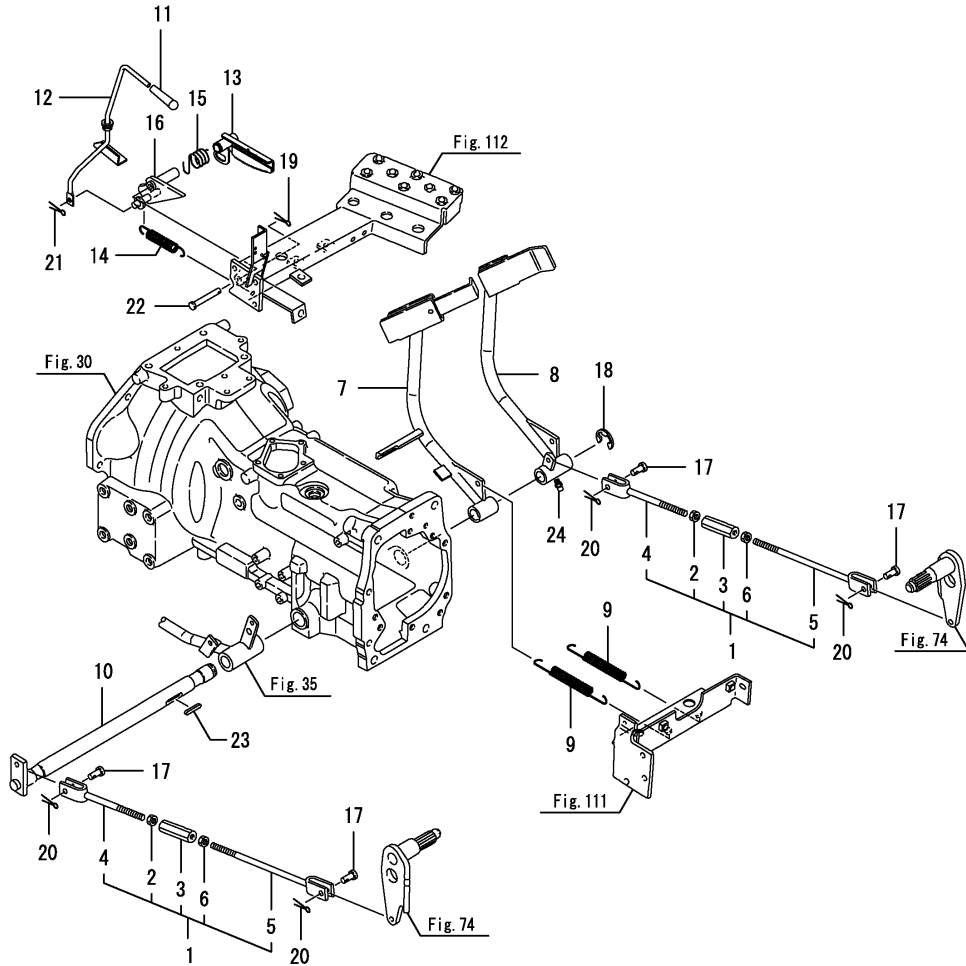


No.	Lev.	Parts No.	Description	Q'ty						I	R
				(A)	(B)	(C)	(D)	(E)	(F)		
1	1	198320-36200	BRAKE ASSY	1							
1-1	1	1A7601-36200	BRAKE ASSY	1							R
(A=FZZZZZ)											
2	2	198240-36310	ACTUATOR	1							
2-1	2	1A7601-36310	ACTUATOR, L	1							R
(A=FZZZZZ)											
3	2	198240-36320	ACTUATOR	1							
3-1	2	1A7601-36320	ACTUATOR, R	1							R
(A=FZZZZZ)											
4	2	198240-36351	PLATE, FRICTION 226	6							
4-1	2	1A7601-36350	PLATE, FRICTION 226	6							R
(A=FZZZZZ)											
5	2	198240-36520	PLATE, STEEL 3.2	5							
5-1	2	1A8275-36520	PLATE, STEEL 3.2	5							R
(A=FZZZZZ)											
6	1	194205-36320	SPRING, ACTUATOR	4							
7	1	198240-36380	HOOK, RETURN SPRING	4							
8	1	198240-36700	LEVER ASSY, CAM	1							
9	2	198240-36710	CAMSHAFT, BRAKE L	1							
10	2	198240-36720	CAMSHAFT, BRAKE R	1							
11	1	198240-36730-2	SHAFT, CAM LEVER	2							
12	1	198320-36790	SLEEVE, CAM LEVER	2							
13	1	22242-000290	RING, 29	2							
14	1	24190-180001	BALL, STEEL 9/16	12							
15	1	24421-304208	SEAL, OIL TC304208	2							

Fig.75. BRAKE PEDAL

(A)=EF453T LX
(B)=
(C)=

(D)=
(E)=
(F)=



No.	Lev.	Parts No.	Description	Q'ty						I	R
				(A)	(B)	(C)	(D)	(E)	(F)		
1	1	794525-37000	ROD ASSY, BRAKE	2							
2	2	194150-22480	NUT, M10 L	2							
3	2	194130-37730	TURNBUCKLE	2							
4	2	194310-37741	ROD, BRAKE L	2							
5	2	194134-37771	ROD, BRAKE R	2							
6	2	26716-100002	NUT, M10	2							
7	1	198175-37421-1	PEDAL ASSY, BRAKE L	1							
8	1	198240-37470-2	PEDAL, BRAKE R	1							
9	1	198240-37510	SPRING, RETURN	2							
10	1	198240-37550-1	SHAFT, BRAKE PEDAL	1							
11	1	198253-37610	KNOB, PARKING BRAKE	1							
12	1	1A7780-37620	ROD ASSY, PARKING	1							
13	1	198254-37660	LEVER, BRAKE LOCK	1							
14	1	198220-37700	SPRING, RETURN	1							
15	1	198220-37720	SPRING	1							
16	1	198240-37850	LEVER, PARKING B	1							
17	1	198220-37900	PIN, 8X24	4							
18	1	22272-000190	RING, E-19	1							
19	1	22417-200300	PIN, COTTER 2.0X30	1							
20	1	22417-250300	PIN, COTTER 2.5X30	4							
21	1	22417-250300	PIN, COTTER 2.5X30	1							
22	1	22487-100700	PIN, H10X 70	1							
23	1	22512-070400	KEY, 7X 40	1							
24	1	24761-010000	NIPPLE, GREASE M6F	1							

Fig.76. HYDRAULIC PUMP(1)

(A)=EF453T LX
(B)=
(C)=

(D)=
(E)=
(F)=

No.	Lev.	Parts No.	Description	Q'ty						I	R
				(A)	(B)	(C)	(D)	(E)	(F)		
1	1	198240-41110	PUMP, HY/ZFD100/13L	1							
2	2	194278-41151	FLANGE	1							
3	2	198240-41150	BOLT, M8X83.5	4							
4	2	194278-41160	SEAL, OIL TC173008	1							
5	2	194278-41190	COVER	1							
6	2	794275-41200	SEAL KIT	1							
7	2	194065-41210	PIN, PARALLEL 6X12	2							
8	2	194278-41210	KEY	2							
9	2	22252-000300	RING, 30	1							

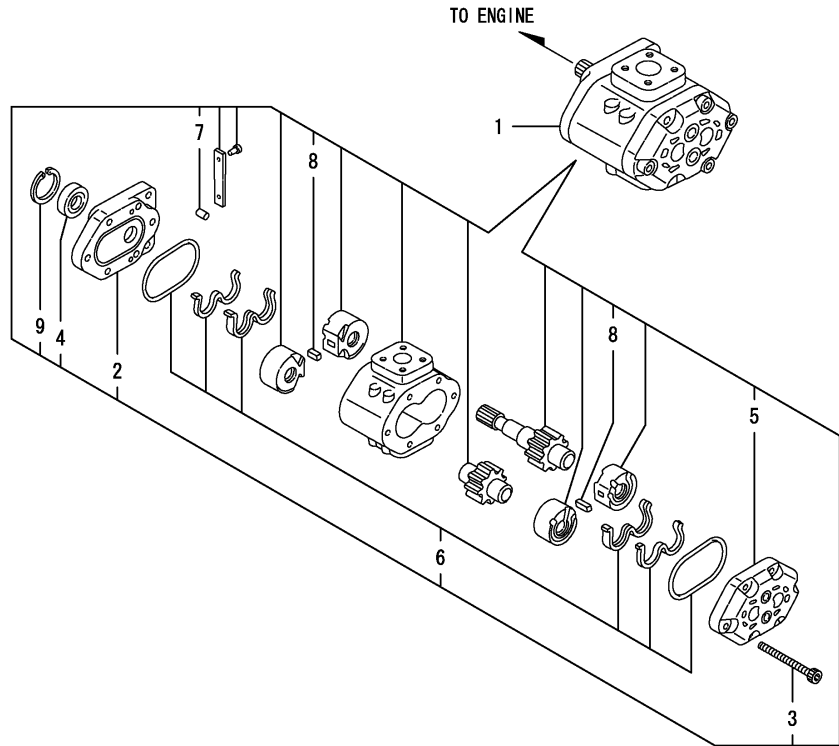


Fig.77. HYDRAULIC PUMP(2)

(A)=EF453T LX
(B)=
(C)=

(D)=
(E)=
(F)=

No.	Lev.	Parts No.	Description	Q'ty						I	R
				(A)	(B)	(C)	(D)	(E)	(F)		
1	1	178070-44000	PUMP ASSY, HYDRAULIC	1							
2	2	178070-10401	RING	1							
3	2	194521-41570	PIN, 11X7	2							
4	2	22252-000320	RING, 32	1							
5	2	24421-153207	SEAL, OIL TC153207	1							
6	2	26016-080352	BOLT, M8X 35	4							

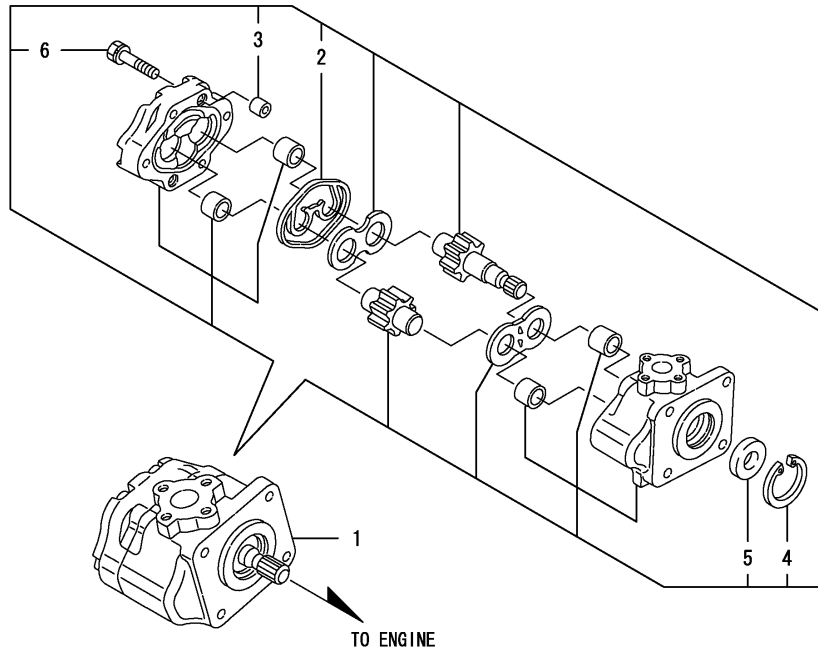
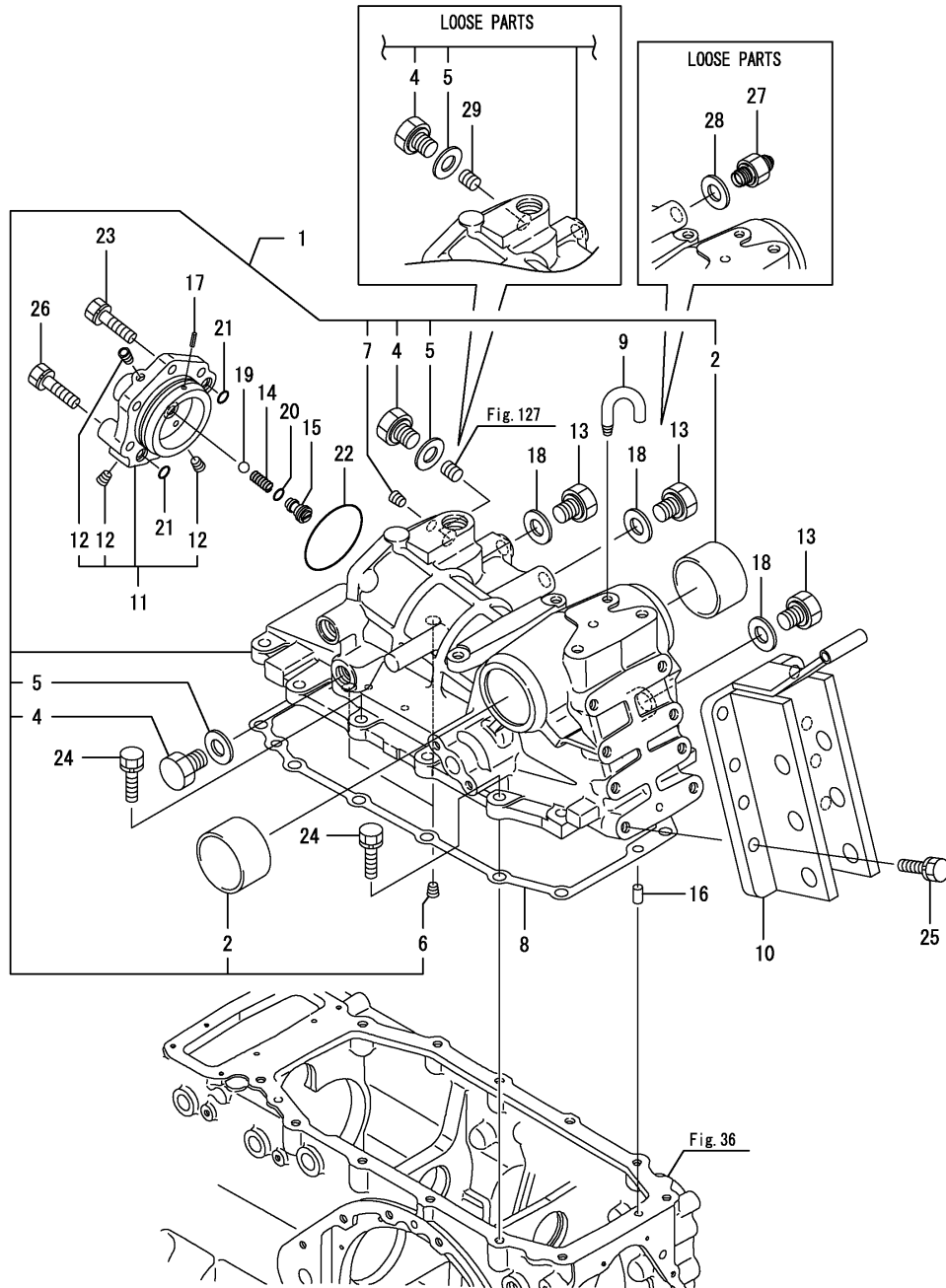


Fig.78. HYDRAULIC CYLINDER CASE



(A)=EF453T LX
(B)=
(C)=

(D)=
(E)=
(F)=

No.	Lev.	Parts No.	Description	Q'ty						I	R
				(A)	(B)	(C)	(D)	(E)	(F)		
1	1	198133-42102-1	HOUSING ASSY	1							
2	2	198133-42130	BUSH, 65X70X40	2							
4	2	198220-45920	PLUG, 3/4-16UNF	2							
5	2	23414-190000	GASKET, 19X1.0	2							
6	2	23876-010000	PLUG, R01	2							
7	2	23876-020000	PLUG, R02	1							
8	1	198240-42130	PACKING, HOUSING	1							
9	1	194150-42280-X	BREATHER, AIR	1							
10	1	1A7780-42810-1	HINGE, TOP LINK	1							
11	1	194640-43201-2	HEAD ASSY, CYLINDER	1							
12	2	23876-010000	PLUG, R01	3							
13	1	198220-45920	PLUG, 3/4-16UNF	3							
14	1	194555-46380	SPRING	1							
15	1	194555-46730	PLUG, CHECK VALVE	1							
16	1	22312-100180	PIN, PARALLEL M10X18	2							
17	1	22351-040016	PIN, SPRING 4.0X16	1							
18	1	23414-190000	GASKET, 19X1.0	3							
19	1	24190-130003	BALL, STEEL 13/32	1							
20	1	24315-000120	O-RING, 1BP12.0	1							
21	1	24315-000140	O-RING, 1BP14.0	2							
22	1	24325-000800	O-RING, 1BG80.0	1							
23	1	26013-120352	BOLT, M12X 35	5							
24	1	26013-120352	BOLT, M12X 35	12							
25	1	26013-120352	BOLT, M12X 35	8							
26	1	26013-120552	BOLT, M12X 55	1							
27	1	1A7780-45950	ADAPTER ASSY, FILTER	1							W
		(A=FZZZZZ)									
28	1	23414-190000	GASKET, 19X1.0	1							W
		(A=FZZZZZ)									
29	1	198245-42160	PLUG, 1/4	1							W
		(A=FXXXXX)									

Fig.79. PISTON

(A)=EF453T LX
(B)=
(C)=

(D)=
(E)=
(F)=

No.	Lev.	Parts No.	Description	Q'ty						I	R
				(A)	(B)	(C)	(D)	(E)	(F)		
1	1	198133-43310	PISTON, HYDRAULIC	1							
2	1	198133-43330	PACKING	1							
3	1	198133-43360	SLEEVE	1							

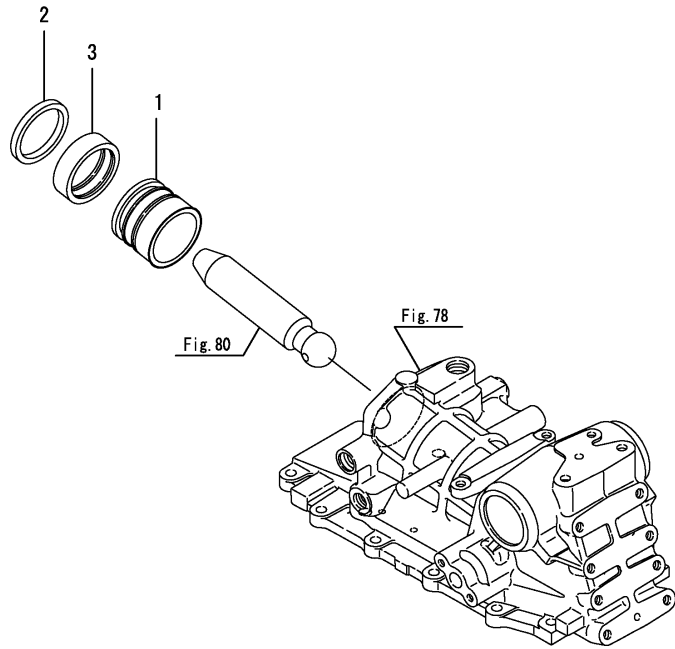
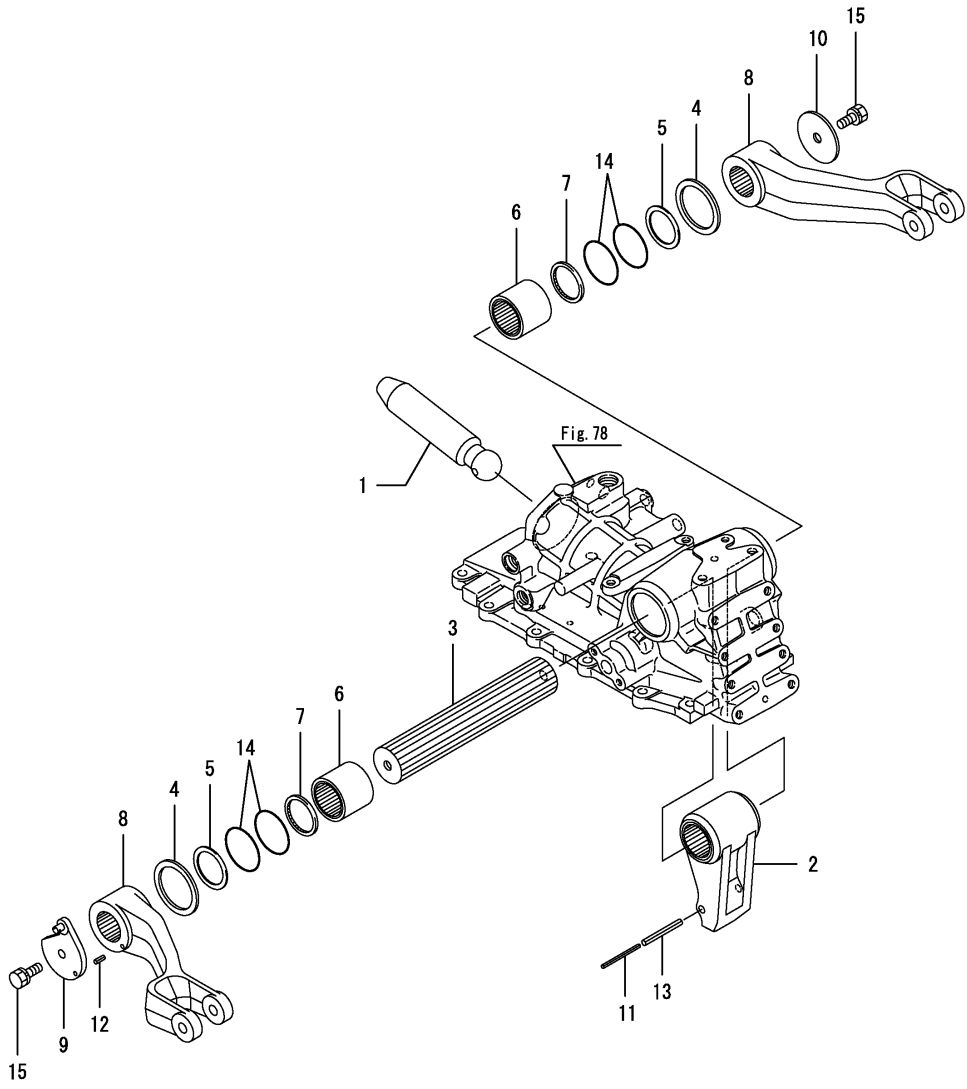


Fig.80. LIFT CRANK

(A)=EF453T LX
(B)=
(C)=

(D)=
(E)=
(F)=



No.	Lev.	Parts No.	Description	Q'ty						I	R
				(A)	(B)	(C)	(D)	(E)	(F)		
1	1	194180-43410	ROD, PISTON	1							
2	1	198215-44110	CRANK, LIFT	1							
3	1	198133-44210	SHAFT, LIFTING	1							
4	1	1A7640-44230	WASHER, 65X82X2	2							
5	1	1A7640-44240	PLATE, 50X64X2	2							
6	1	1A7780-44250	SLEEVE, LIFT SHAFT	2							
7	1	194640-44261	SEAL, SPLINE	2							
8	1	198133-44410-2	ARM, LIFT	2							
8-1	1	198133-44411-2	ARM, LIFT	2							N
(A=FZZZZZ)											
9	1	1A7780-44510-2	PLATE, FEEDBACK	1							
10	1	194640-44540-3	RETAINER, SHAFT	1							
11	1	22351-050070	PIN, SPRING 5.0X70	1							
12	1	22351-060016	PIN, SPRING 6.0X16	1							
13	1	22351-080070	PIN, SPRING 8.0X70	1							
14	1	24321-000650	O-RING, 1AG65.0	4							
15	1	26013-120352	BOLT, M12X 35	2							

Fig.81. CONTROL VALVE

(A)=EF453T LX
(B)=
(C)=

(D)=
(E)=
(F)=

No.	Lev.	Parts No.	Description	Q'ty						I	R
				(A)	(B)	(C)	(D)	(E)	(F)		
1	1	178071-03010	VALVE ASSY,ROCKSHAFT	1							
1-1	1	168246-00110	CONTROL VALVE(6F-11	1							N
(A=FZZZZZ)											
2	2	194327-45120	O-RING, 1BP14.0	2							
3	2	194327-45130	O-RING, 1BP7.0	1							
4	2	26450-080142	BOLT, M8X 14	3							
5	1	26450-080202	BOLT, M8X 20	3							

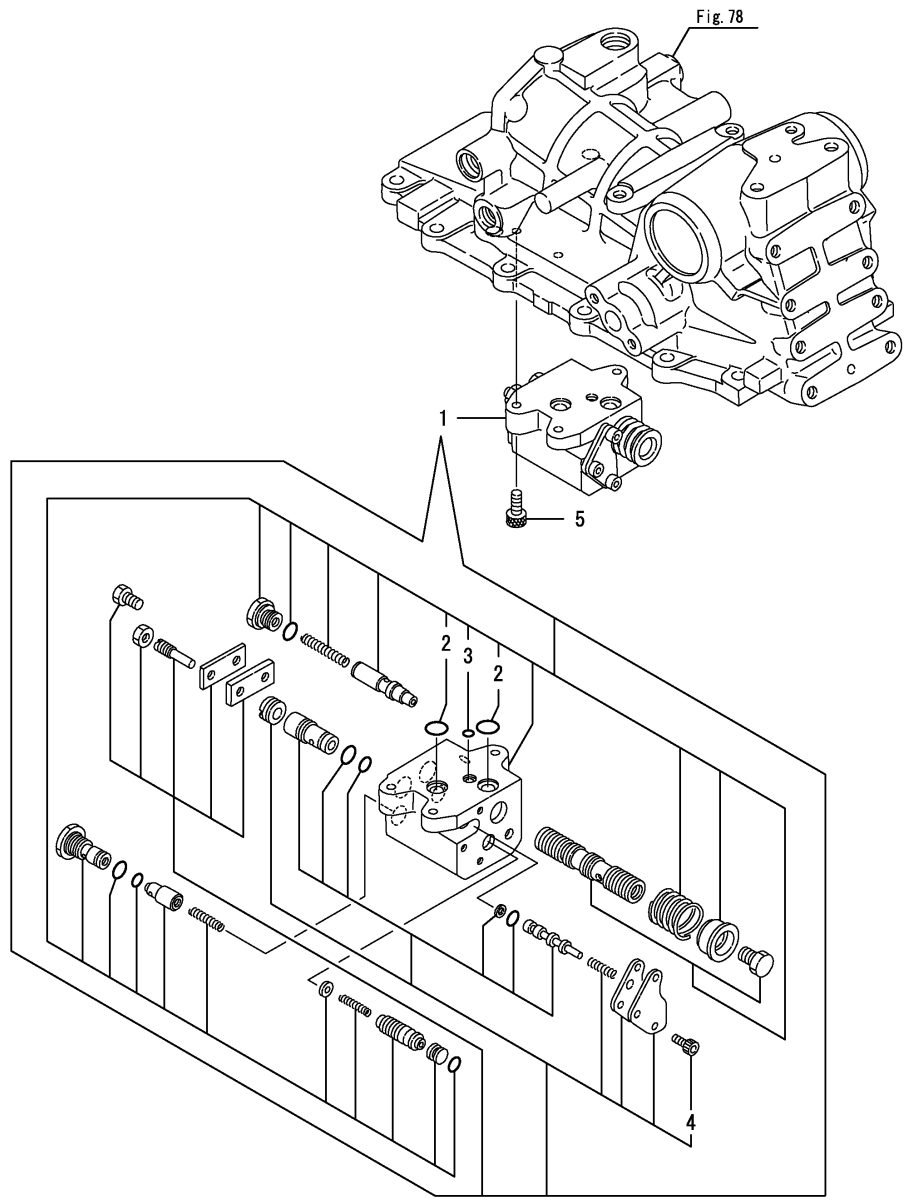


Fig.82. RELIEF VALVE

(A)=EF453T LX
(B)=
(C)=

(D)=
(E)=
(F)=

No.	Lev.	Parts No.	Description	Q'ty						I	R
				(A)	(B)	(C)	(D)	(E)	(F)		
1	1	198133-45600	VALVE ASSY, RELIEF	1							
2	2	194180-45620	SPRING	1							
3	2	194450-45630	O-RING, 2.5X23	1							
4	2	194450-45640-X	PLUG, VALVE	1							
5	2	194450-45650	GASKET, 20X27.8X2	1							
6	2	794464-45660	SHIM SET	1							

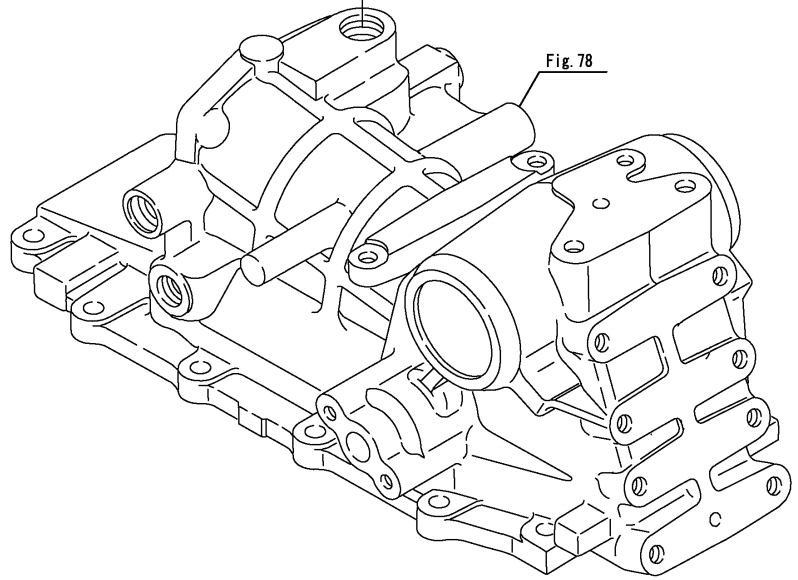
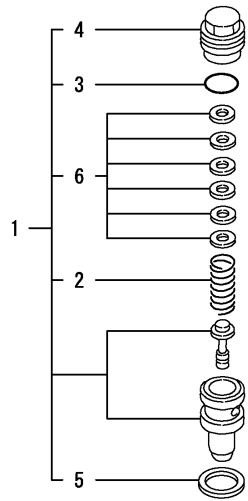


Fig.83. STOP VALVE

(A)=EF453T LX
(B)=
(C)=

(D)=
(E)=
(F)=

No.	Lev.	Parts No.	Description	Q'ty						I	R
				(A)	(B)	(C)	(D)	(E)	(F)		
1	1	194555-46300	VALVE, STOP	1							
2	1	198240-46620-1	BOLT, STOP	1							
3	1	194312-46630-X	HOLDER, VALVE	1							
4	1	22117-080000	WASHER, 8	1							
5	1	22351-040012	PIN, SPRING 4.0X12	1							
6	1	24311-000110	O-RING, 1AP11.0	2							
7	1	24311-000120	O-RING, 1AP12.0	1							

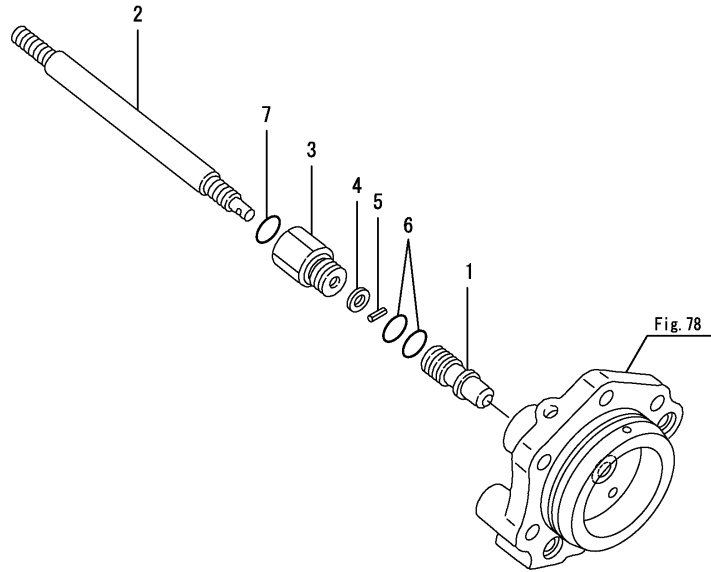


Fig.84. STOP VALVE CONTROL

(A)=EF453T LX
(B)=
(C)=

(D)=
(E)=
(F)=

No.	Lev.	Parts No.	Description	Q'ty						I	R
				(A)	(B)	(C)	(D)	(E)	(F)		
1	1	1A8160-46670	KNOB, VALVE	1							
2	1	26716-100002	NUT, M10	1							

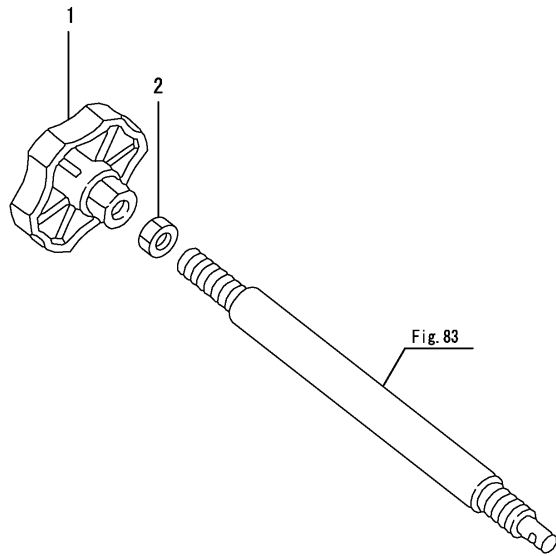
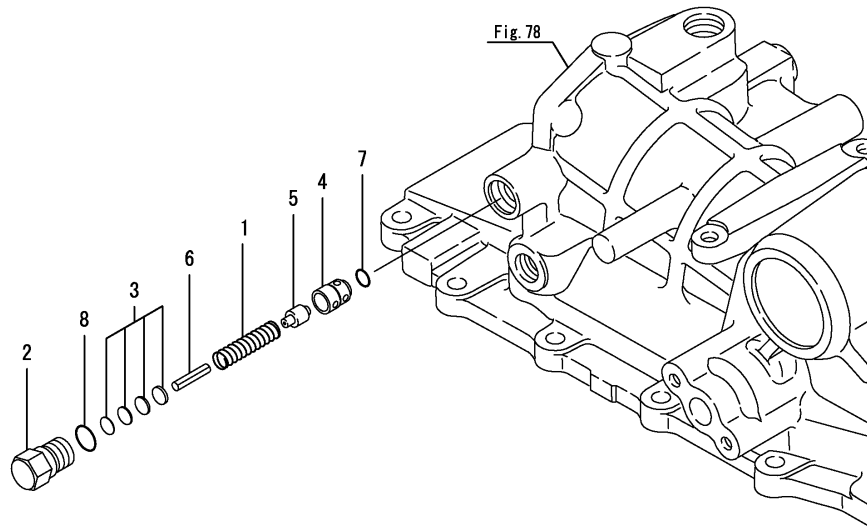


Fig.85. SAFETY VALVE

(A)=EF453T LX
(B)=
(C)=

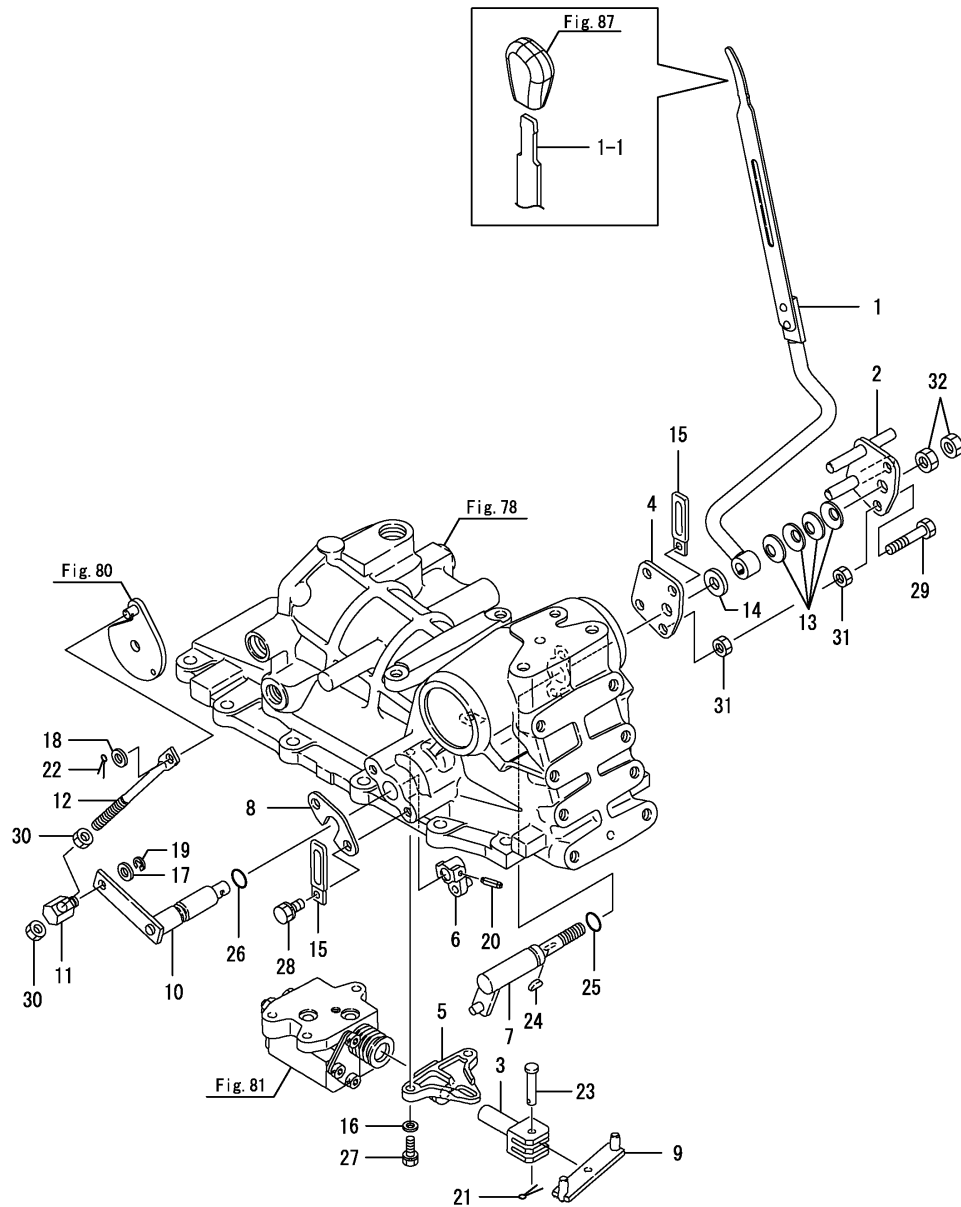
(D)=
(E)=
(F)=

No.	Lev.	Parts No.	Description	Q'ty						I	R
				(A)	(B)	(C)	(D)	(E)	(F)		
1	1	1A7680-45320	SPRING	1							
2	1	1A7680-45370-1	PLUG, SAFETY VALVE	1							
3	1	198220-46400	SHIM SET	1							
4	1	1A7680-46410	SEAT, SAFETY VALVE	1							
5	1	194640-46420	POPPET	1							
6	1	22351-060030	PIN, SPRING 6.0X30	1							
7	1	24315-000120	O-RING, 1BP12.0	1							
8	1	24315-000180	O-RING, 1BP18.0	1							



(A)=EF453T LX
 (B)=
 (C)=

(D)=
 (E)=
 (F)=



No.	Lev.	Parts No.	Description	Q'ty						I	R
				(A)	(B)	(C)	(D)	(E)	(F)		
1	1	198178-47300-2	LEVER, CONTROL	1							
1-1	1	1A7780-47300-1	LEVER, P CONTROL	1							S
(A=FZZZZZ)											
2	1	198320-47321-2	PLATE, FRICTION	1							
3	1	198360-47320	ROD, CONTROL	1							
4	1	198320-47330-2	PLATE	1							
5	1	198360-47330	PLATE, CONTROL	1							
6	1	198254-47370	ARM, CONTROL	1							
7	1	198240-47380	SHAFT, CONTROL	1							
8	1	198320-47410-2	PLATE, A	1							
9	1	194555-47420	BAR, CONTROL	1							
9-1	1	1A7780-47420	ROD, CONTROL	1							R
(A=FXXXXX)											
10	1	198240-47430-3	ARM	1							
11	1	194550-47530	ADJUSTER	1							
12	1	194640-47560	ROD, FEEDBACK	1							
13	1	194151-47760	WASHER, 12	4							
14	1	194310-47790	PLATE, FRICTION	1							
15	1	194180-51640	CLAMP, HARNESS	2							
16	1	22137-080000	WASHER, 8	2							
17	1	22137-100000	WASHER, 10	1							
18	1	22137-100000	WASHER, 10	1							
19	1	22272-000070	RING, E- 7	1							
20	1	22351-050025	PIN, SPRING 5.0X25	1							
21	1	22417-200160	PIN, COTTER 2.0X16	1							
22	1	22417-300200	PIN, COTTER 3.0X20	1							
23	1	22487-080350	PIN, H 8X 35	1							
24	1	22522-030130	KEY, WOODRUFF 3X13	1							
25	1	24311-000150	O-RING, 1AP15.0	1							
26	1	24311-000150	O-RING, 1AP15.0	1							
27	1	26013-080202	BOLT, M8X 20	2							
28	1	26013-100162	BOLT, M10X 16	2							
29	1	26116-100504	BOLT, M10X 50 PLATED	2							
30	1	26716-100002	NUT, M10	2							
31	1	26716-100002	NUT, M10	4							
32	1	26716-120002	NUT, M12	2							

Fig.87. HYDRAULIC CONTROL LEVER KNOB

(A)=EF453T LX
(B)=
(C)=

(D)=
(E)=
(F)=

No.	Lev.	Parts No.	Description	Q'ty						I	R
				(A)	(B)	(C)	(D)	(E)	(F)		
1	1	198220-47370	KNOB, LEVER	1							
1-1	1	198200-47810	KNOB, BLACK	1							S
(A=FZZZZZ)											

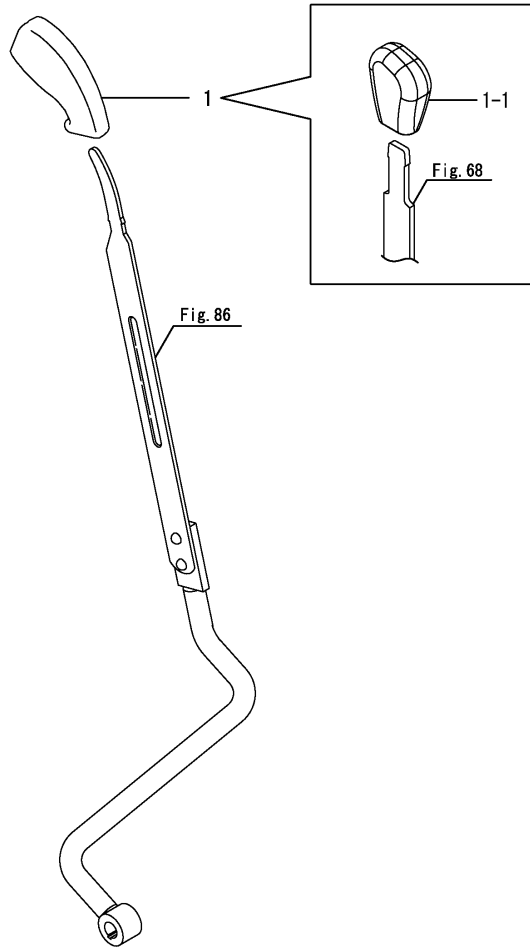
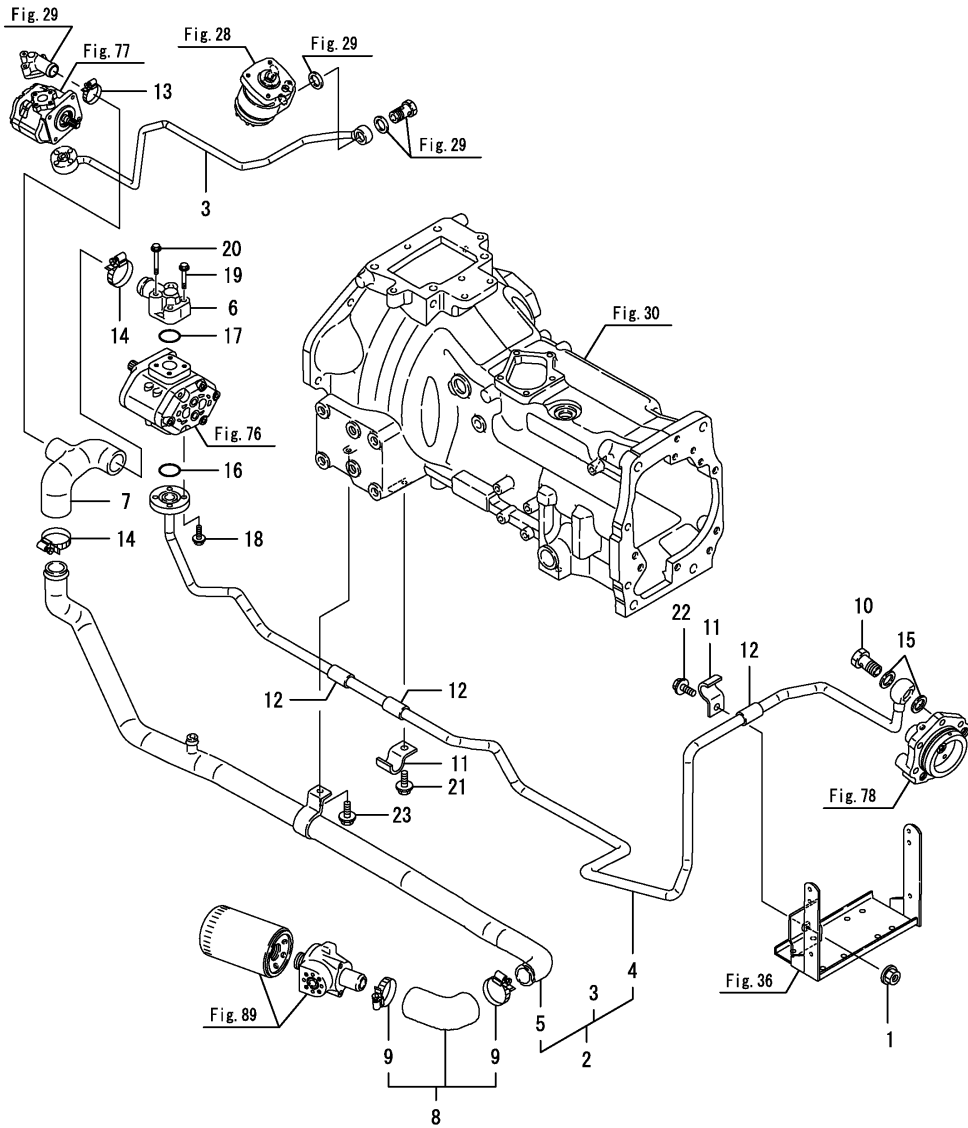


Fig.88. HYDRAULIC PIPING



(A)=EF453T LX
(B)=
(C)=

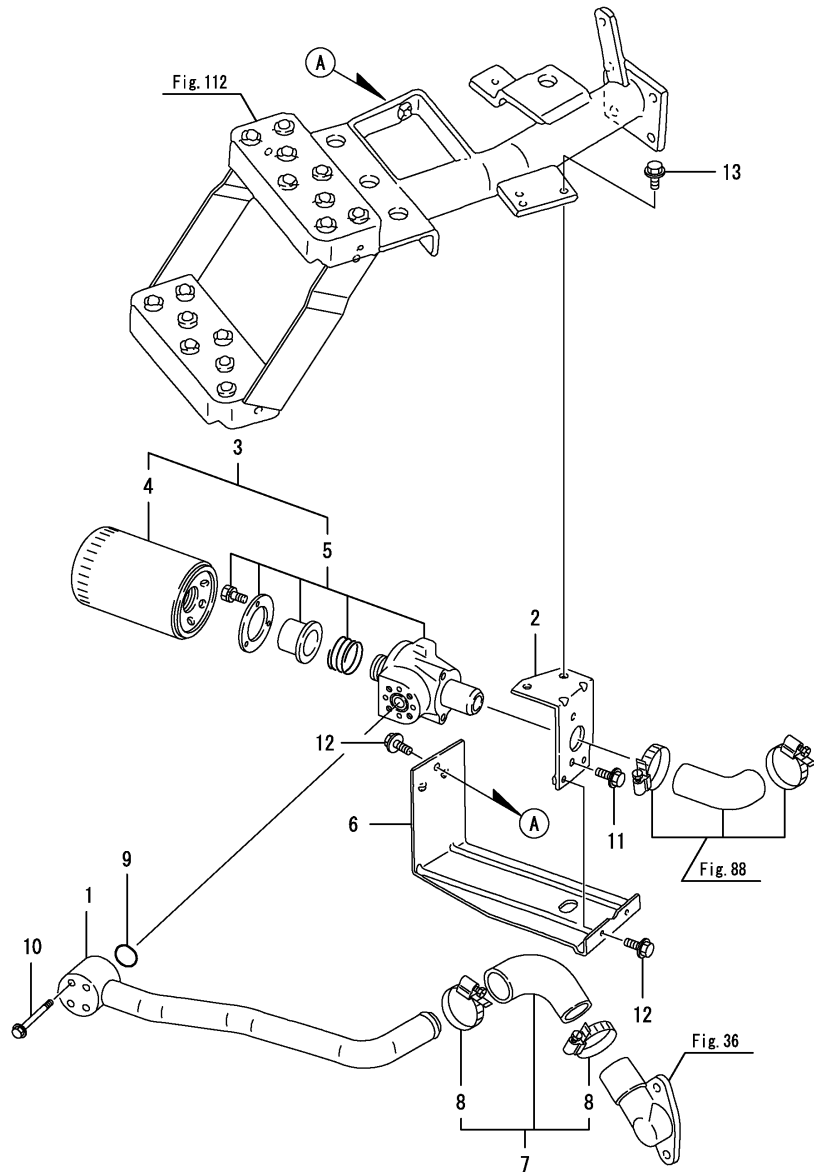
(D)=
(E)=
(F)=

No.	Lev.	Parts No.	Description	Q'ty						I	R
				(A)	(B)	(C)	(D)	(E)	(F)		
1	1	194990-22140	NUT, M8	1							
2	1	798253-48080-1	PIPE KIT	1							
3	2	198320-17720-1	PIPE, PRESSURE P	1							
4	2	198250-48100-1	PIPE, PRESSURE	1							
5	2	198320-48150-1	PIPE, PRESSURE	1							
6	1	198240-48140	FLANGE, PIPE P	1							
7	1	198320-48220	HOSE, PRESSURE	1							
8	1	198240-48500	HOSE, PRESSURE S	1							
9	2	23000-048000	CLAMP, 48	2							
10	1	198361-48750	BOLT ASSY, JOINT	1							
11	1	198240-48830	CLAMP	2							
12	1	198240-48850	CLAMP, ABSORBER	3							
13	1	23000-035000	CLAMP, 35	1							
14	1	23000-048000	CLAMP, 48	2							
15	1	23414-200026	GASKET, 20X1.0	2							
16	1	24321-000250	O-RING, 1AG25.0	1							
17	1	24341-000250	O-RING, 1AS25.0	1							
18	1	26018-060252	BOLT, M6X 25	4							
19	1	26106-060402	BOLT, M6X 40 PLATED	2							
20	1	26106-060502	BOLT, M6X 50 PLATED	2							
21	1	26106-080162	BOLT, M8X 16 PLATED	1							
22	1	26106-080162	BOLT, M8X 16 PLATED	1							
23	1	26106-080162	BOLT, M8X 16 PLATED	1							

Fig.89. HYDRAULIC FILTER

(A)=EF453T LX
(B)=
(C)=

(D)=
(E)=
(F)=



No.	Lev.	Parts No.	Description	Q'ty						I	R
				(A)	(B)	(C)	(D)	(E)	(F)		
1	1	198240-48300-1	PIPE, PRESSURE	1							
2	1	198240-48380	BRACKET, FILTER	1							
3	1	1A8160-48400	FILTER KIT	1							
4	2	198119-48310	FILTER	1							
5	2	194555-48350	COVER ASSY, FILTER	1							
6	1	198240-48410-2	PROTECTOR, FILTER	1							
7	1	198240-48500	HOSE, PRESSURE S	1							
8	2	23000-048000	CLAMP, 48	2							
9	1	24321-000250	O-RING, 1AG25.0	1							
10	1	26106-060602	BOLT, M6X 60 PLATED	4							
11	1	26106-080162	BOLT, M8X 16 PLATED	2							
12	1	26106-080162	BOLT, M8X 16 PLATED	3							
13	1	26106-080202	BOLT, M8X 20 PLATED	2							

Fig.90. SEAL

(A)=EF453T LX
(B)=
(C)=

(D)=
(E)=
(F)=

No.	Lev.	Parts No.	Description	Q'ty						I	R
				(A)	(B)	(C)	(D)	(E)	(F)		
1	1	1A7270-49221	SEAL, COOLER	1							
2	1	194697-62560	CAP, HOLE	4							

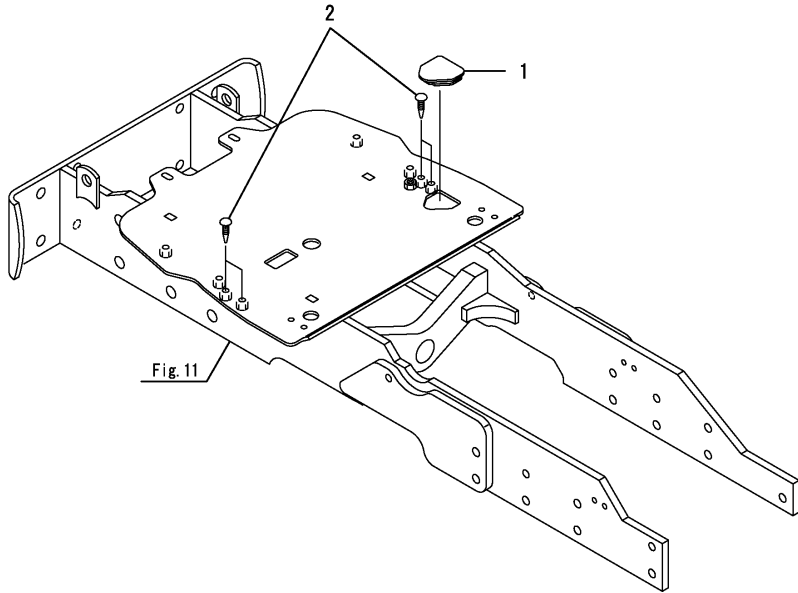


Fig.127. PLUG

(A)=EF453T LX
(B)=
(C)=

(D)=
(E)=
(F)=

No.	Lev.	Parts No.	Description	Q'ty						I	R
				(A)	(B)	(C)	(D)	(E)	(F)		
1	1	198245-42160	PLUG, 1/4	1							

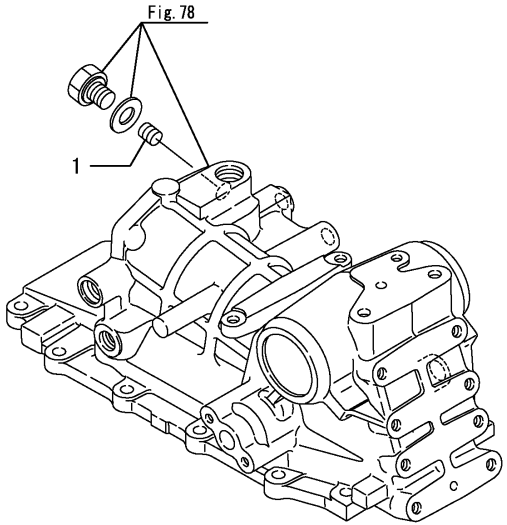


Fig.91. WIRE HARNESS

(A)=EF453T LX

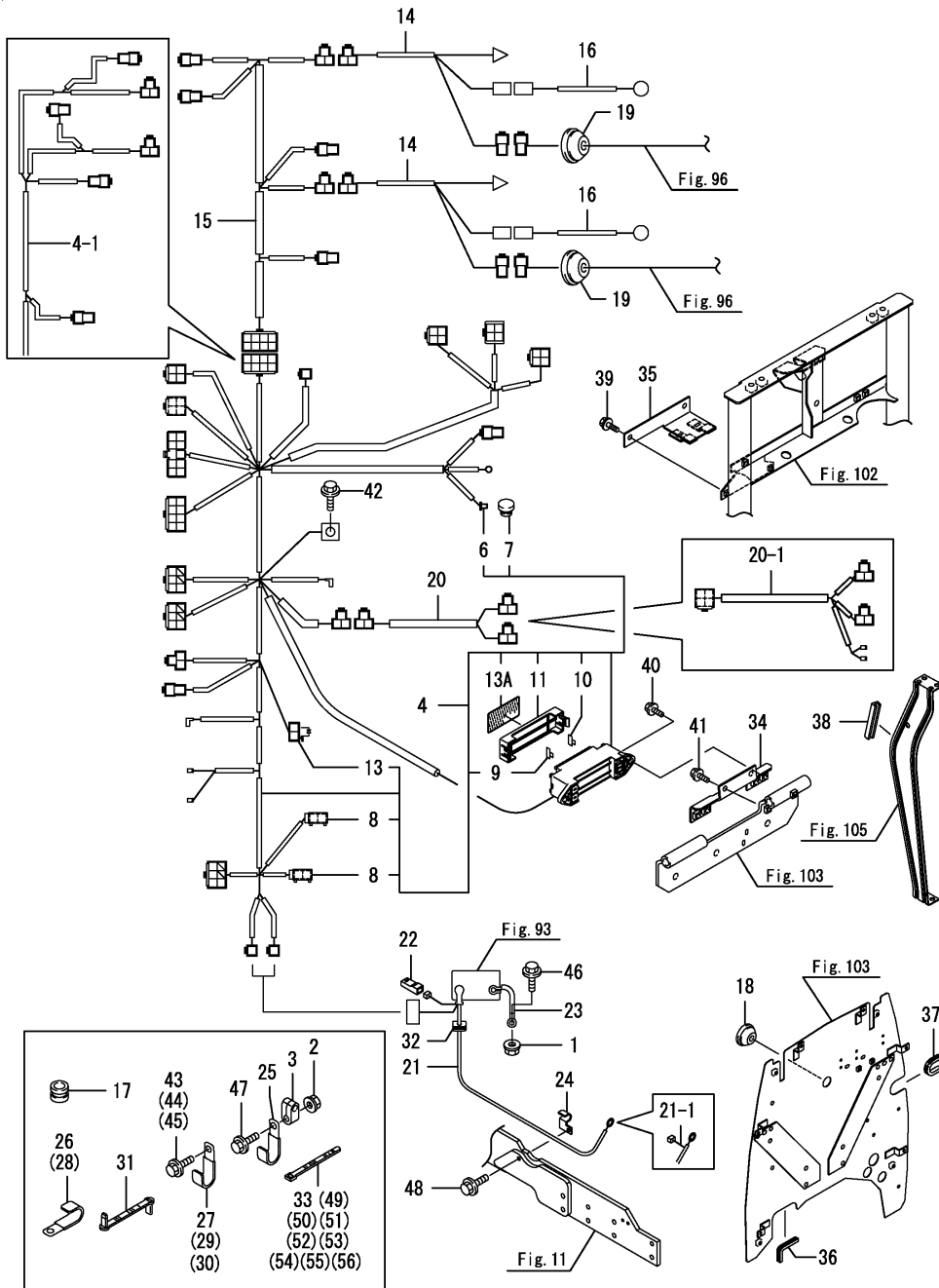
(B)=

(C)=

(D)=

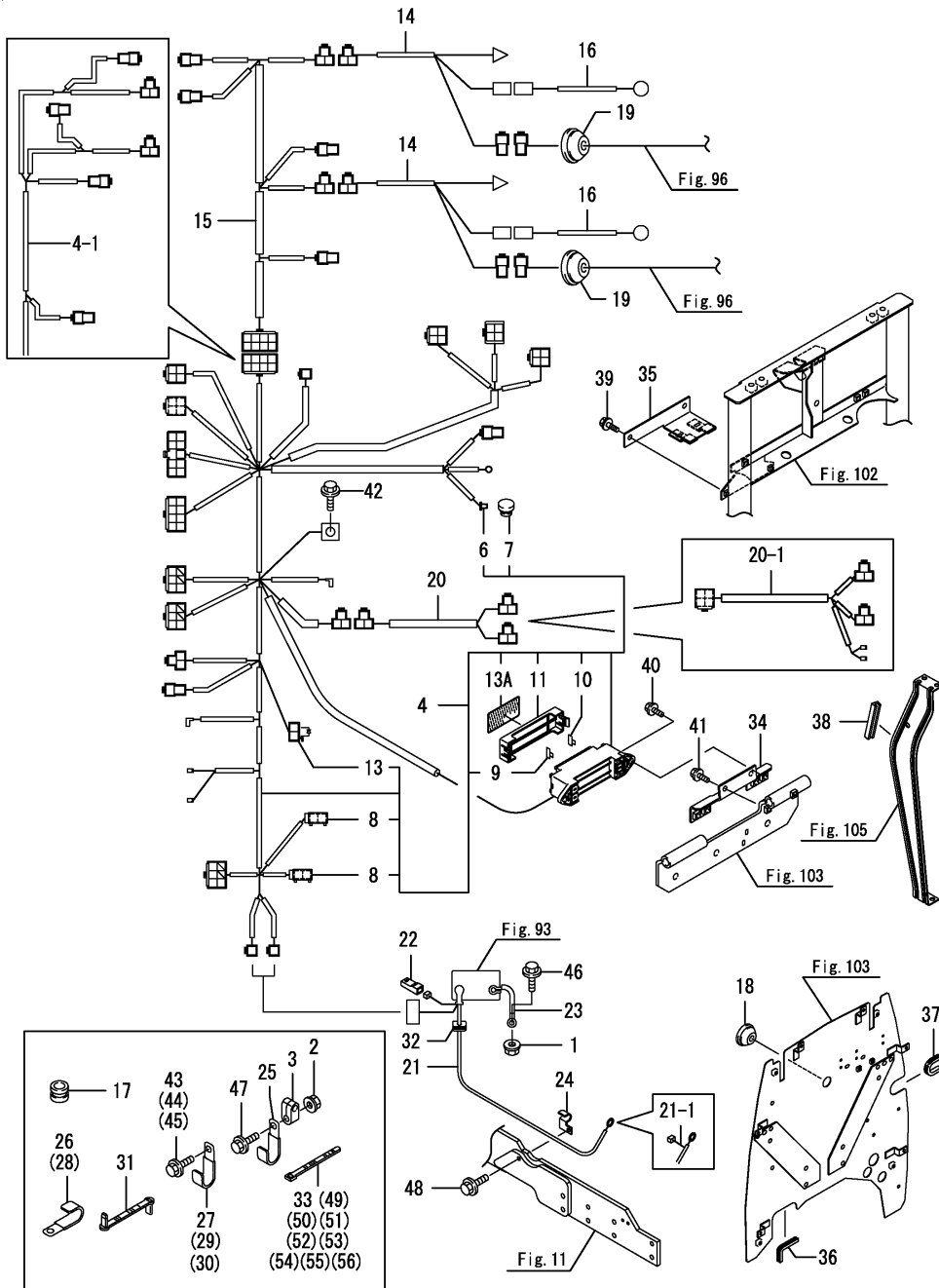
(E)=

(F)=



No.	Lev.	Parts No.	Description	(A)	(B)	(C)	(D)	(E)	(F)	Q'ty	I	R
1	1	194990-22140	NUT, M8	1								
2	1	194990-22140	NUT, M8	2								
3	1	1E8080-43850	CLAMP, WIRE	2								
4	1	1A7780-51110	HARNESS ASSY, WIRE A	1								
4-1	1	1A7780-51200	WIRING HARNESS, A	1								S
(A=F102020)												
4-2	1	1A7780-51201	WIRING HARNESS, A	1								N
(A=F102656)												
6	2	194275-51160	COUPLER	1								
7	2	194275-51170	PLUG	1								
8	2	198153-51700	FUSE, SLOW BLOW 80A	2								
8-1	2	1A6380-52700	FUSE, SLOW BLOW 60A	2								N
(A=F102656)												
9	2	198535-52110	FUSE, 5A	8								
10	2	198535-52130	FUSE, 15A	2								
11	2	1A7260-52410	COVER, FUSE BOX	1								
13	2	1E8235-84910	DIODE, 090 3A	1								
13A	2	1A7780-65470	LABEL, FUSE	1								W
(A=F102020)												
14	1	198242-51130	HARNESS, WIRE	2								
15	1	1A7780-51130	HARNESS, WIRE	1								Z
(A=F102020)												
16	1	198121-51190	HARNESS, WIRE	2								
17	1	194170-51210	GROMMET	2								
18	1	194275-51210	GROMMET	1								
19	1	194275-51210	GROMMET	2								
20	1	1A7780-51310	HARNESS, WIRE	1								
20-1	1	1A7780-51320	WIRING HARNESS,	1								S
(A=F102020)												
21	1	1A7890-51350	CABLE ASSY, BATTERY	1								
21-1	1	198071-51411	CABLE, BATTERY 1150	1								S
(A=F102020)												
22	1	1A7000-51370	CONNECTOR, 1F	1								Z
(A=F102020)												
23	1	198153-51420	CABLE, BATTERY EARTH	1								
24	1	198121-51430	CLAMP, CABLE B	1								
25	1	194440-51620	CLAMP	2								
26	1	194440-51620	CLAMP	1								
27	1	194440-51620	CLAMP	2								
27-1	1	1E6102-83230	CLAMP, CABLE	2								N
(A=F103486)												
28	1	194440-51620	CLAMP	2								
29	1	194440-51620	CLAMP	1								
30	1	194440-51620	CLAMP	1								
31	1	194250-51650	CLAMP, SPEED 63	4								
32	1	1A7260-51710	GROMMET, CABLE	1								
33	1	198153-51810	BAND, NYLON 150	1								
34	1	1A7260-52510	STAY, FUSE BOX	1								
34-1	1	1A7780-52510	STAY, FUSE BOX	1								N
(A=F102020)												
35	1	1A7780-58100-1	STAY, SLOW BROW	1								Z

Fig.91. WIRE HARNESS



(A)=EF453T LX
(B)=
(C)=

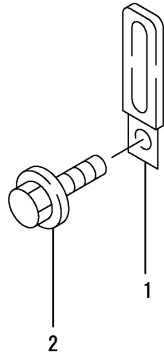
(D)=
(E)=
(F)=

No.	Lev.	Parts No.	Description	Qty						I	R
				(A)	(B)	(C)	(D)	(E)	(F)		
(A=F102020)											
36	1	1A7000-61490	TRIM, 120	1							
37	1	1A7000-61490	TRIM, 120	1							
38	1	198291-77870	COVER, GUARD	1							
39	1	26106-060122	BOLT, M6X 12 PLATED	2							Z
(A=F102020)											
40	1	26106-060122	BOLT, M6X 12 PLATED	2							
41	1	26106-060162	BOLT, M6X 16 PLATED	2							
42	1	26106-080122	BOLT, M8X 12 PLATED	1							
43	1	26106-080122	BOLT, M8X 12 PLATED	1							
44	1	26106-080122	BOLT, M8X 12 PLATED	1							
45	1	26106-080162	BOLT, M8X 16 PLATED	2							
46	1	26106-080162	BOLT, M8X 16 PLATED	1							
47	1	26106-080252	BOLT, M8X 25 PLATED	2							
48	1	26106-080352	BOLT, M8X 35 PLATED	1							
49	1	29622-140001	BAND, RF140	4							
50	1	29622-140001	BAND, RF140	2							
50-1	1	29622-140001	BAND, RF140	1							K
(A=F102020)											
51	1	29622-140001	BAND, RF140	1							
51-1	1	29622-140001	BAND, RF140	2							K
(A=F102020)											
52	1	29622-140001	BAND, RF140	2							
53	1	29622-140001	BAND, RF140	3							
54	1	29622-140001	BAND, RF140	1							
55	1	29622-250001	BAND, RF250	1							
56	1	29622-250001	BAND, RF250	2							

Fig.92. WIRE HARNESS CLAMP

(A)=EF453T LX
(B)=
(C)=

(D)=
(E)=
(F)=



No.	Lev.	Parts No.	Description	Q'ty						I	R
				(A)	(B)	(C)	(D)	(E)	(F)		
1	1	194180-51640	CLAMP, HARNESS	1							
2	1	26013-100162	BOLT, M10X 16	1							

Fig.93. BATTERY

(A)=EF453T LX
(B)=
(C)=

(D)=
(E)=
(F)=

No.	Lev.	Parts No.	Description	Qty						I	R
				(A)	(B)	(C)	(D)	(E)	(F)		
1	1	198280-51540	BATTERY	1							

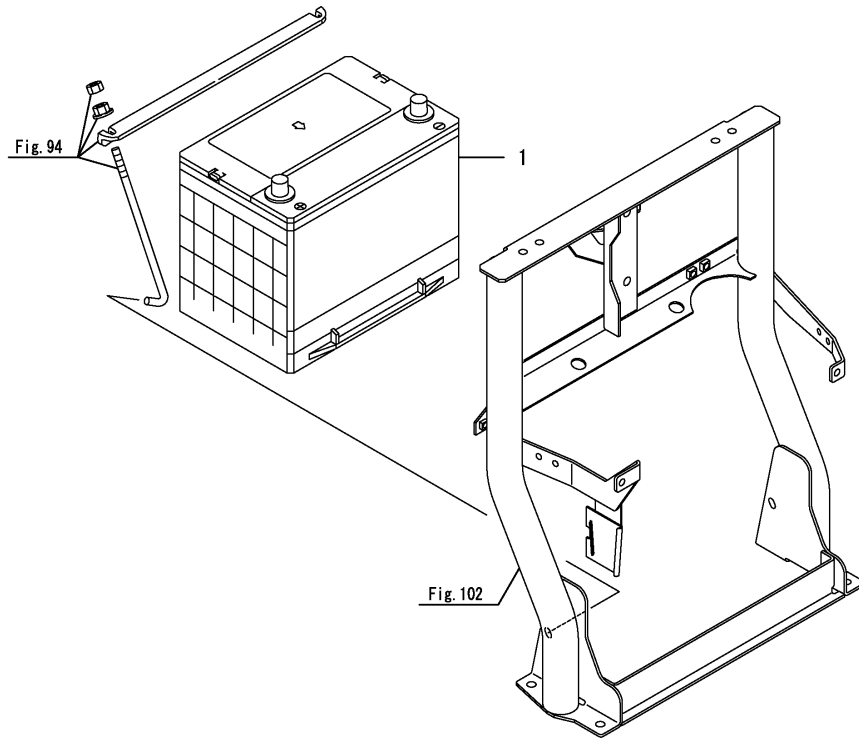
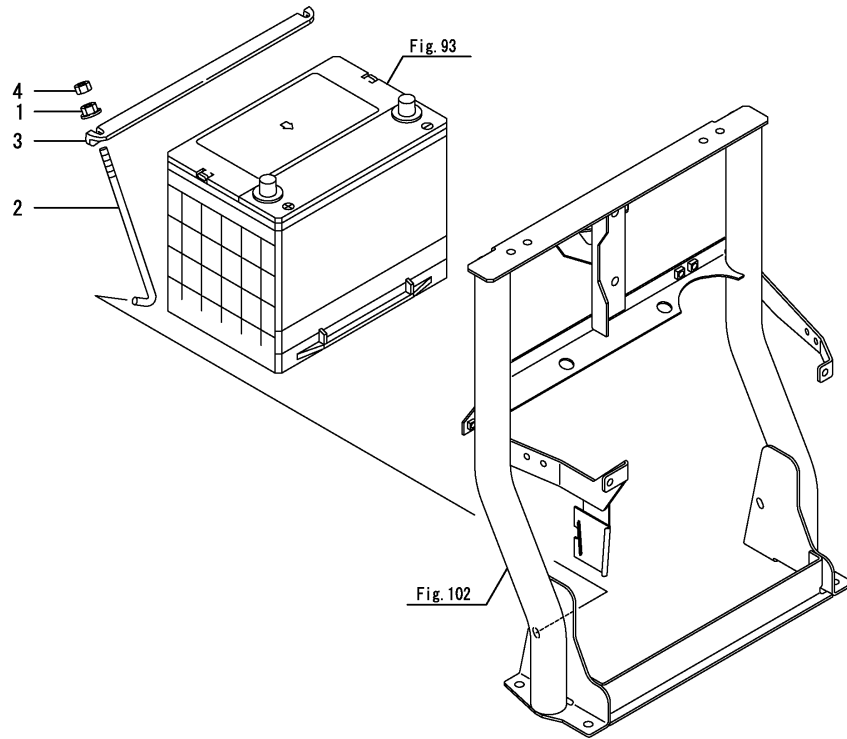


Fig.94. BATTERY CLAMP

(A)=EF453T LX
(B)=
(C)=

(D)=
(E)=
(F)=



No.	Lev.	Parts No.	Description	Q'ty						I	R
				(A)	(B)	(C)	(D)	(E)	(F)		
1	1	194990-22140	NUT, M8	2							
2	1	1A7260-51540	ROD, BATTERY CLAMP	2							
3	1	198240-51561	CLAMP, BATTERY	1							
4	1	26716-080002	NUT, M8	2							

Fig.95. SWITCH

(A)=EF453T LX
(B)=
(C)=

(D)=
(E)=
(F)=

No.	Lev.	Parts No.	Description	Q'ty						I	R
				(A)	(B)	(C)	(D)	(E)	(F)		
1	1	194940-52110	SWITCH, STARTING	1							
2	2	198360-52320	NUT, RING	1							
3	2	198360-52330	WASHER	1							
4	2	198360-52160	KEY ASSY	1							
5	1	194555-52140	SWITCH, COMBINATION	1							
5-1	1	198200-52140	SWITCH, COMBINATION	1							S
(A=FZZZZZ)											
6	1	194464-52190	SWITCH, SAFETY START	2							
7	1	24311-000180	O-RING, 1AP18.0	2							
8	1	1E8560-61290	CAP, 20X20	1							W
(A=FZZZZZ)											

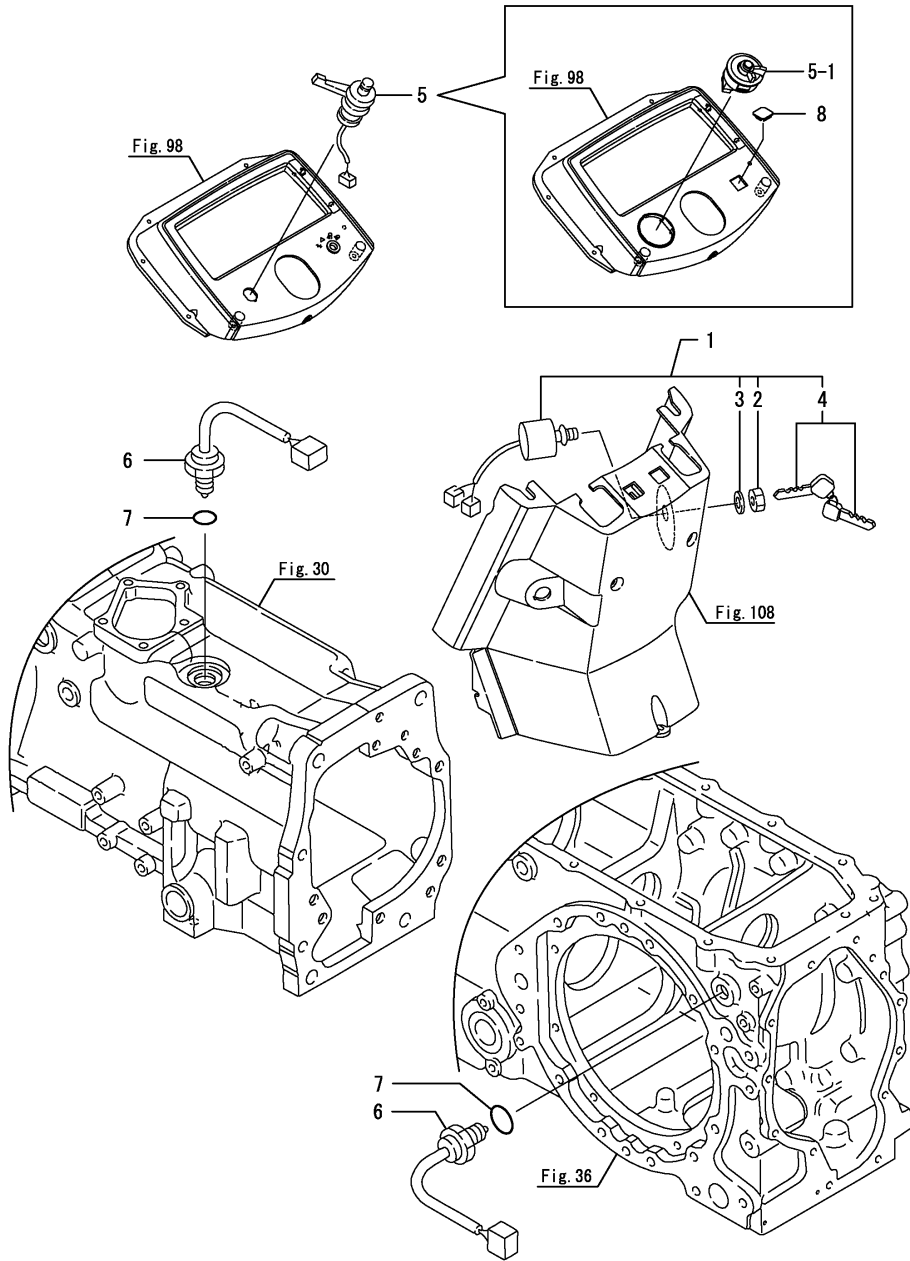
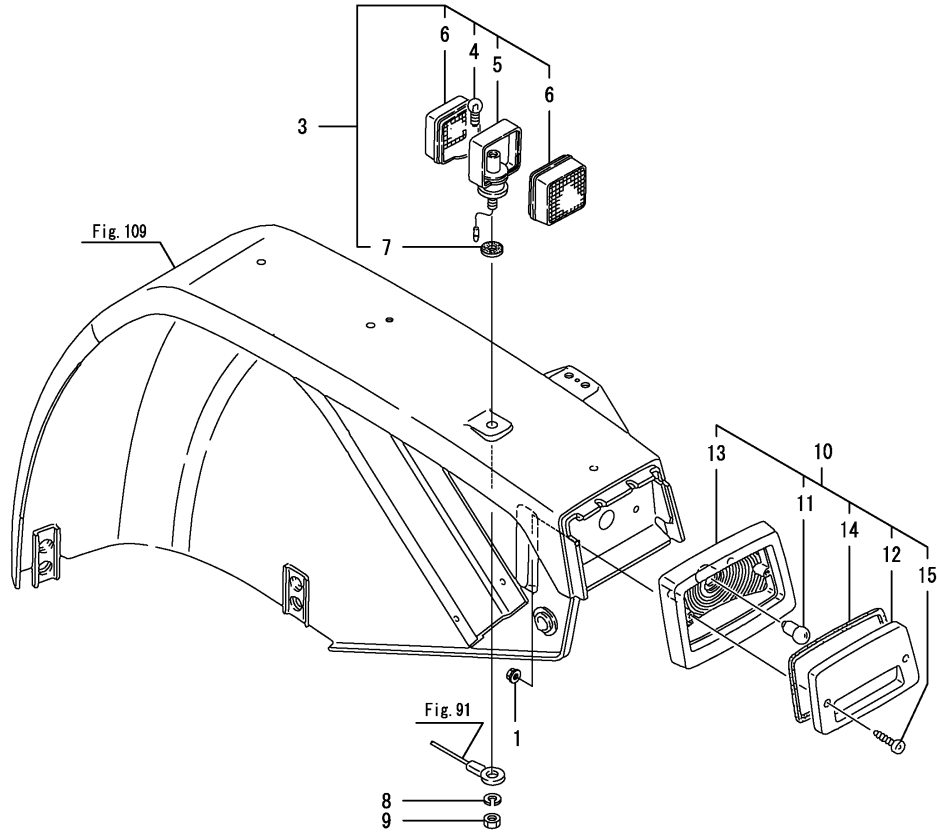


Fig.96. LAMP

(A)=EF453T LX
(B)=
(C)=

(D)=
(E)=
(F)=

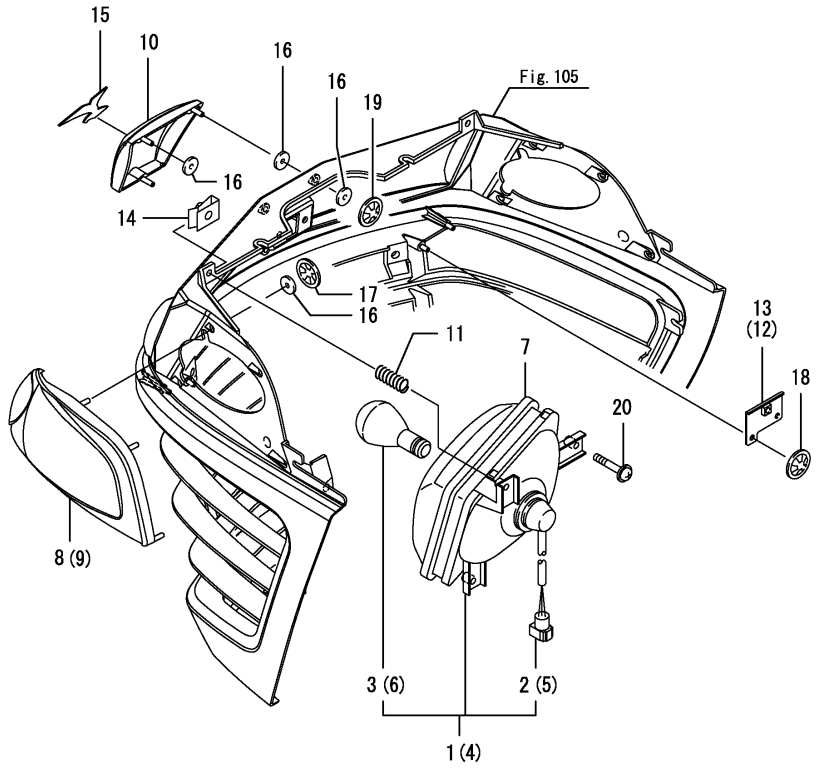


No.	Lev.	Parts No.	Description	Q'ty						I	R
				(A)	(B)	(C)	(D)	(E)	(F)		
1	1	194990-22130	NUT, M6	4							
3	1	198010-53420	LAMP, FLASHER	2							
4	2	194200-53400	BULB, 12V-20W	2							
5	2	198010-53410	BODY ASSY	2							
6	2	198511-53430	LENS	4							
7	2	198511-53450	GASKET	2							
8	1	22217-100000	WASHER, SPRING 10	2							
9	1	26776-100002	NUT, LOCK M10	2							
10	1	198254-53600	LAMP, TAIL	2							
11	2	198254-53610	BULB, 12V-8W	2							
12	2	198254-53620	LENS ASSY	2							
13	2	198254-53630	HOUSING ASSY, SEMI	2							
14	2	1A7335-53640	GASKET	2							
15	2	198254-53650	SCREW, TAPPING M6X16	4							

Fig.97. FRONT LAMP

(A)=EF453T LX
(B)=
(C)=

(D)=
(E)=
(F)=



No.	Lev.	Parts No.	Description	Q'ty						I	R
				(A)	(B)	(C)	(D)	(E)	(F)		
1	1	1A7780-53200	LAMP ASSY, HEAD L	1							
2	2	1A7000-53230	WIRE ASSY, LEAD	1							
3	2	198448-53320	BULB, 12V45/45W	1							
4	1	1A7780-53300	LAMP ASSY, HEAD R	1							
5	2	1A7000-53230	WIRE ASSY, LEAD	1							
6	2	198448-53320	BULB, 12V45/45W	1							
7	1	1A7260-53350	SEAL, HEAD LAMP	2							
8	1	1A7780-53350	LENS, SIDE L	1							
9	1	1A7780-53360	LENS, SIDE R	1							
10	1	1A7780-53370	LENS, CENTER	1							
11	1	198153-53410	SPRING, ADJUST	6							
12	1	1A7260-61250	BRACKET ASSY, GRILLE	1							
13	1	1A7260-61260	BRACKET ASSY, GRILLE	1							
14	1	198071-61890	NUT, SPEED M6	4							
15	1	1A7890-65010	MARK, BRAN 63-R600	1							
16	1	198475-65030	CUSHION	13							
17	1	198071-65610	NUT, SPEED M5	8							
18	1	198071-65610	NUT, SPEED M5	4							
19	1	198071-65610	NUT, SPEED M5	3							
20	1	26557-060352	SCREW, M6X35	6							

Fig.98. METER

(A)=EF453T LX

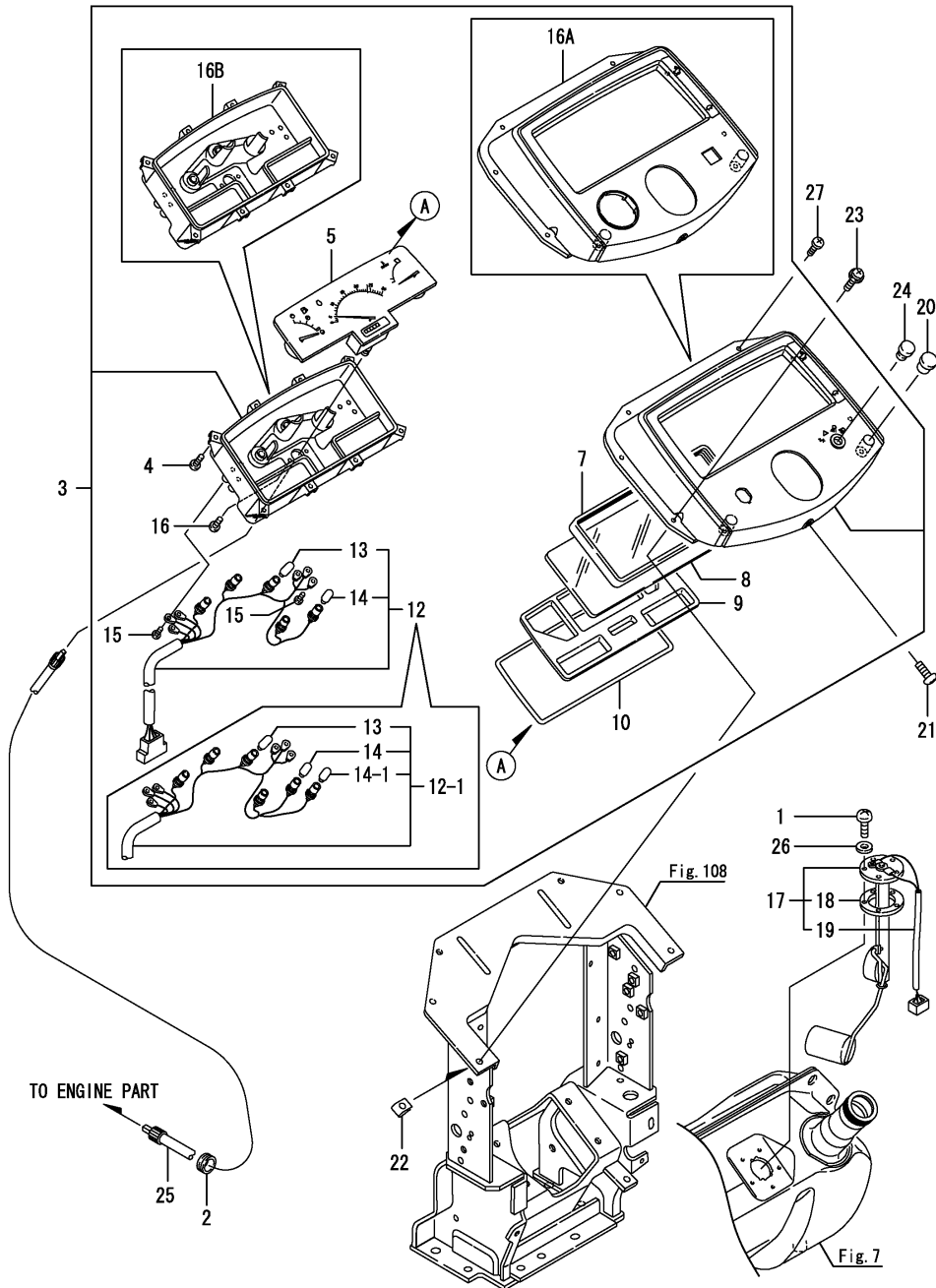
(B)=

(C)=

(D)=

(E)=

(F)=



No.	Lev.	Parts No.	Description	Q'ty						I	R
				(A)	(B)	(C)	(D)	(E)	(F)		
1	1	198240-04550	SCREW, M5X12	5							
2	1	194275-51210	GROMMET	1							
3	1	1A7780-56101	PANEL ASSY	1							
3-1	1	1A7780-56501	PANEL, INSTRUMENT	1							S
(A=FZZZZZ)											
3-2	1	1A7780-56502	PANEL, INSTRUMENT	1							N
(A=FZZZZZ)											
4	2	198220-53170	SCREW	8							
5	2	198220-56111	METER ASSY	1							
7	2	198220-56130	PACKING	1							
8	2	198220-56140	GLASS	1							
9	2	198220-56150	REFLECTOR	1							
10	2	198220-56160	PACKING	1							
12	2	1A7780-56210	HARNESS, WIRE	1							
12-1	2	1A8160-56211	HARNESS, WIRE	1							S
(A=FZZZZZ)											
13	3	198220-56220	BULB, 12V-3.4W	3							
14	3	124617-91920	BULB, 12V-3W	2							
14-1	3	124617-91920	BULB, 12V-3W	3							K
(A=FZZZZZ)											
15	2	198220-56230	SCREW, M3X22	6							
16	2	26022-030062	SCREW, M3X 6	2							
16A	2	1A7335-56120	VISOR	1							W
(A=FZZZZZ)											
16B	2	1A7780-56300	CASE ASSY	1							W
(A=FZZZZZ)											
17	1	198240-56600	GAUGE ASSY, FUEL	1							
18	2	194420-56620	GASKET	1							
19	2	198240-56630	WIRE, LEAD	1							
20	1	194555-56890	GROMMET, 15	2							
21	1	194065-60580	SCREW, M6X25	1							
22	1	194145-61651	NUT, SPEED M5	4							
23	1	194940-61790	SCREW, TAPPING M5X16	4							
24	1	194275-62310	CAP, RUBBER 10	1							Z
(A=FZZZZZ)											
25	1	124701-91140	CABLE, L=985	1							
26	1	22190-050000	WASHER, SEAL 5	5							
27	1	26589-060162	SCREW, M6	2							

Fig.99. HORN

(A)=EF453T LX
(B)=
(C)=

(D)=
(E)=
(F)=

No.	Lev.	Parts No.	Description	Q'ty						I	R
				(A)	(B)	(C)	(D)	(E)	(F)		
1	1	1A8115-57150	HOON	1							

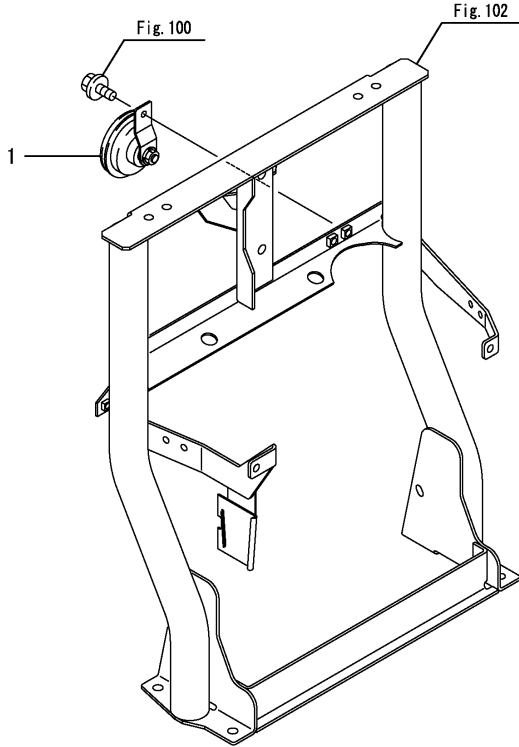
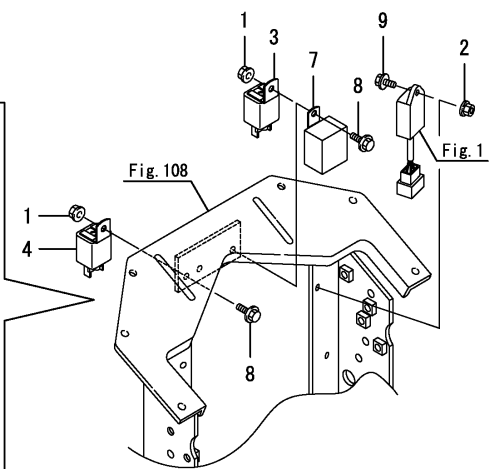
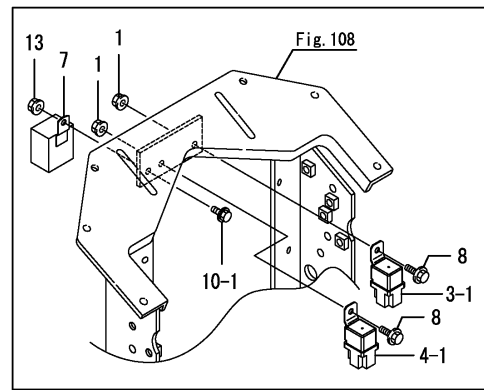
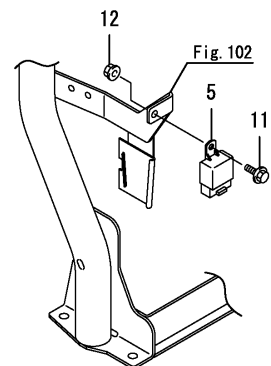
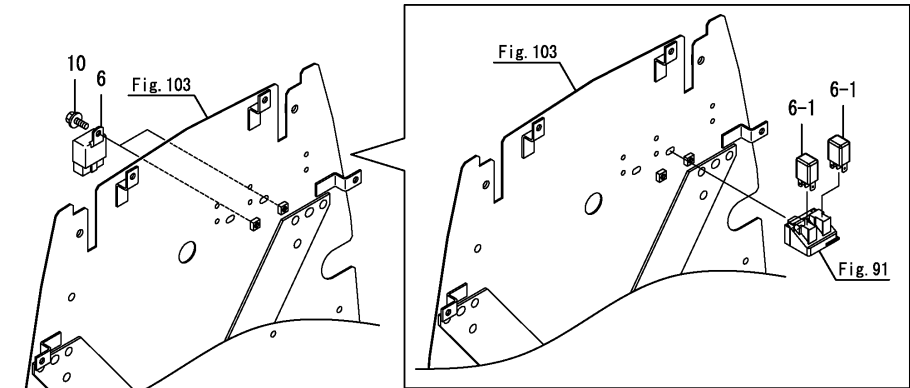


Fig.101. RELAY

(A)=EF453T LX
(B)=
(C)=

(D)=
(E)=
(F)=

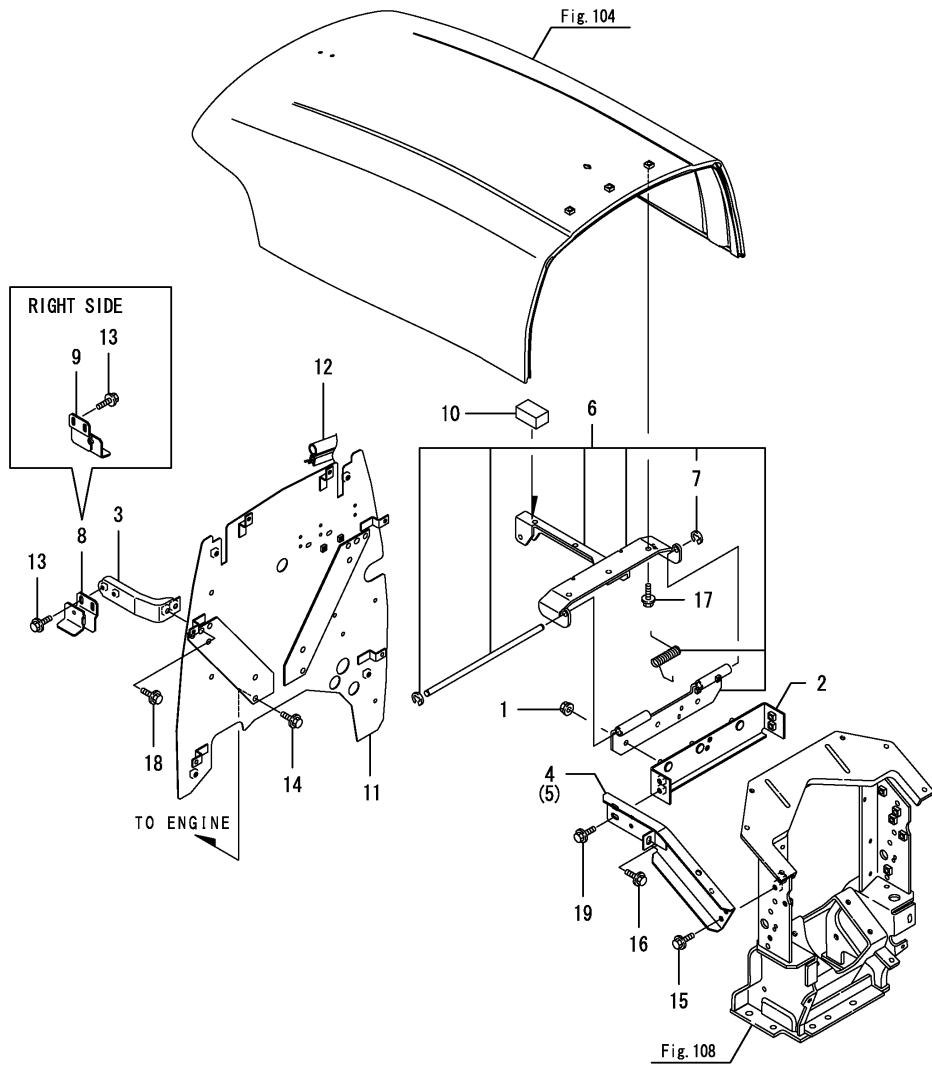


No.	Lev.	Parts No.	Description	Q'ty						I	R
				(A)	(B)	(C)	(D)	(E)	(F)		
1	1	194990-22130	NUT, M6	2							
2	1	194990-22130	NUT, M6	1							
3	1	198220-52180	RELAY, STARTER	1							
3-1	1	1A7870-52950 (A=FZZZZZ)	RELAY, CB	1							S
4	1	198220-52180	RELAY, STARTER	1							
4-1	1	1A7870-52950 (A=FZZZZZ)	RELAY, CB	1							S
5	1	198461-52950	RELAY, CA TYPE C	1							Z
6	1	198461-52950	RELAY, CA TYPE C	2							
6-1	1	1K1140-82500 (A=FZZZZZ)	RELAY(ACM13211M01	2							S
7	1	1E6650-82400	RELAY	1							
8	1	26106-060122	BOLT, M6X 12 PLATED	2							
9	1	26106-060122	BOLT, M6X 12 PLATED	1							
10	1	26106-060122	BOLT, M6X 12 PLATED	2							
10-1	1	26106-060122 (A=FZZZZZ)	BOLT, M6X 12 PLATED	1							K
11	1	26106-060162	BOLT, M6X 16 PLATED	1							Z
12	1	26367-060002	NUT, M6	1							Z
13	1	194990-22130 (A=FZZZZZ)	NUT, M6	1							W

Fig.103. HOOD FRAME

(A)=EF453T LX
(B)=
(C)=

(D)=
(E)=
(F)=

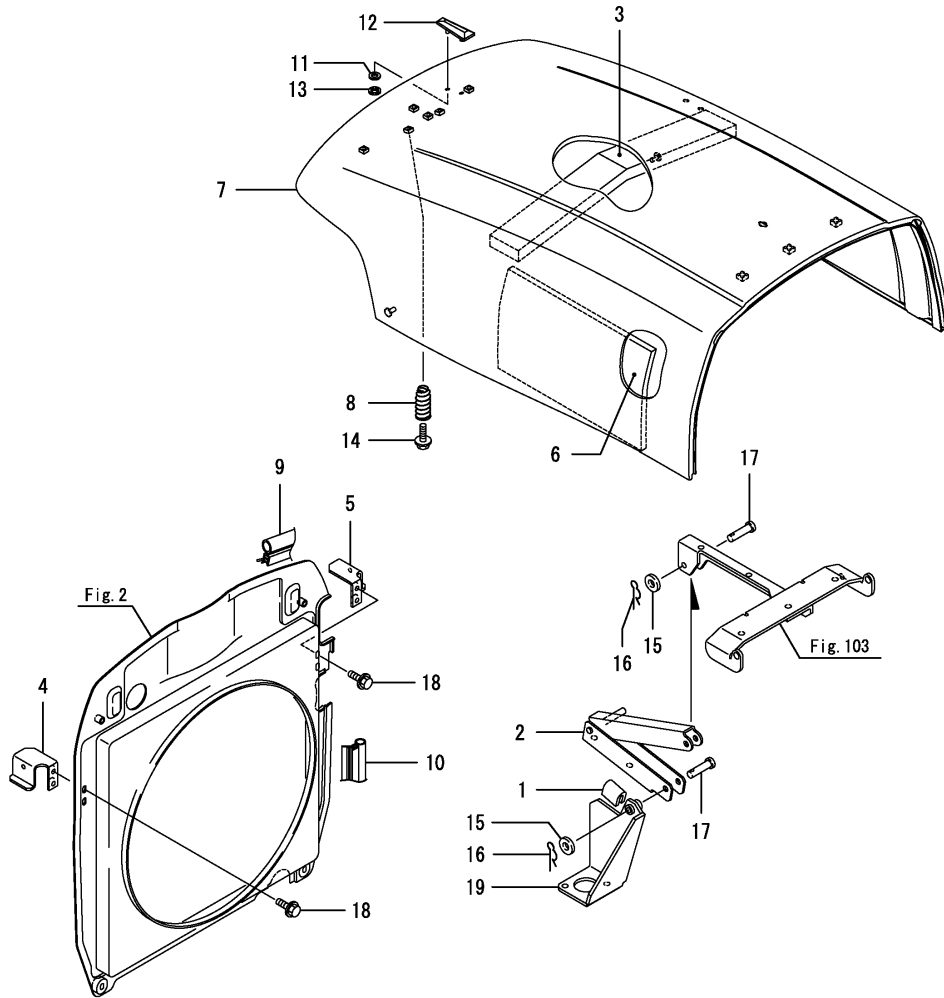


No.	Lev.	Parts No.	Description	Q'ty						I	R
				(A)	(B)	(C)	(D)	(E)	(F)		
1	1	194990-22140	NUT, M8	3							
2	1	1A7780-60370	PLATE ASSY, UPPER	1							
3	1	1A7780-60450	SUPPORT, SIDE COVER	2							
4	1	1A7780-60600	FRAME ASSY, SIDE L	1							
5	1	1A7780-60610	FRAME ASSY, SIDE R	1							
6	1	1A7891-60910	HINGE ASSY, BONNET	1							
7	2	22272-000080	RING, E- 8	2							
8	1	1A7260-60920	BRACKET, COVER	1							
9	1	1A7260-60930	BRACKET, COVER	1							
10	1	1A7890-60980	RUBBER, CUSHION	1							
11	1	1A7780-61673-1	PLATE ASSY, AIR CUT	1							
12	1	198153-89730	WEATHER-STRIP, 1520	1							
13	1	26106-060122	BOLT, M6X 12 PLATED	4							
14	1	26106-080122	BOLT, M8X 12 PLATED	4							
15	1	26106-080162	BOLT, M8X 16 PLATED	6							
16	1	26106-080162	BOLT, M8X 16 PLATED	2							
17	1	26106-080162	BOLT, M8X 16 PLATED	3							
18	1	26106-080162	BOLT, M8X 16 PLATED	4							
19	1	26106-080162	BOLT, M8X 16 PLATED	4							

Fig.104. HOOD

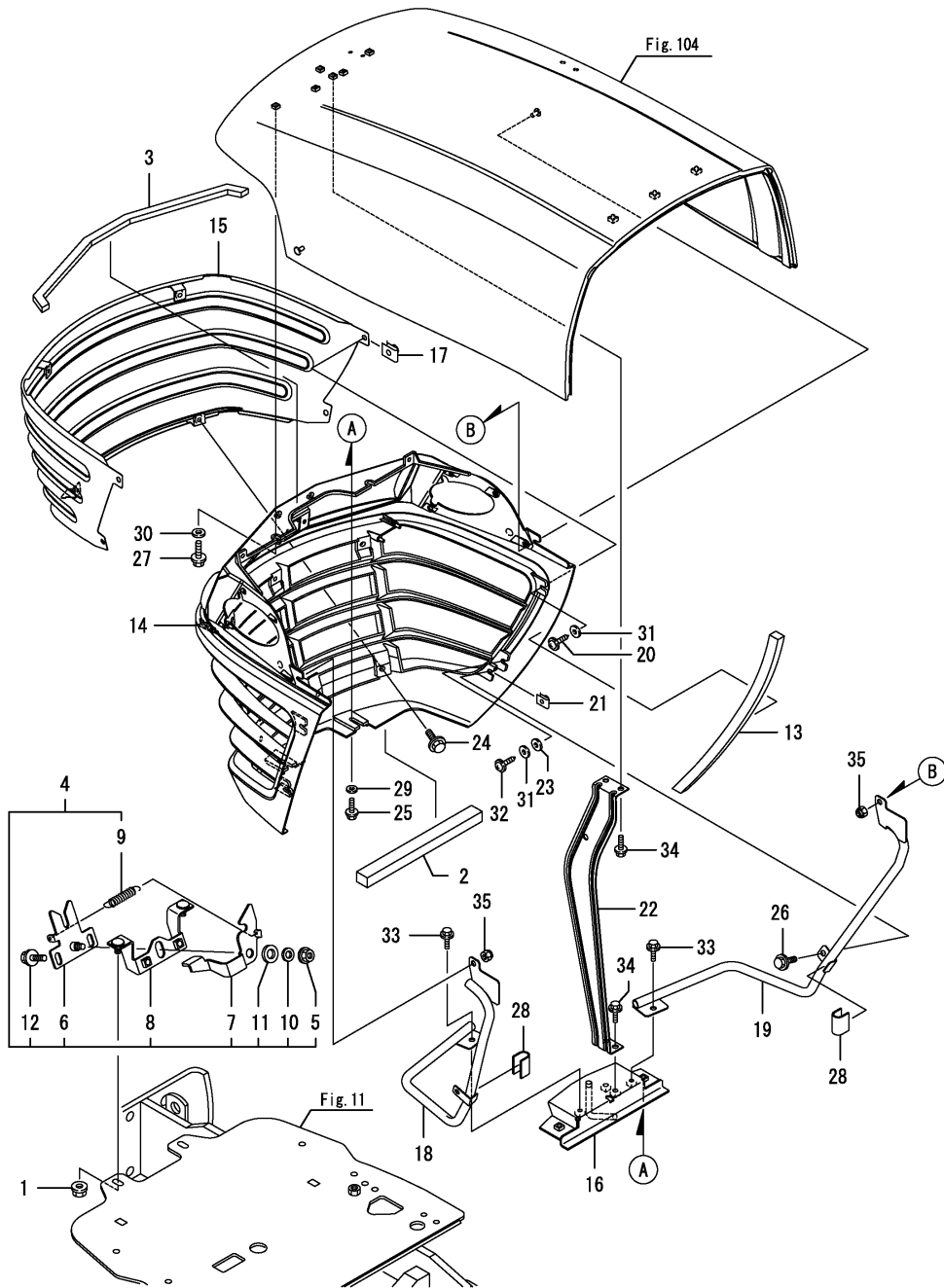
(A)=EF453T LX
(B)=
(C)=

(D)=
(E)=
(F)=



No.	Lev.	Parts No.	Description	Q'ty						I	R
				(A)	(B)	(C)	(D)	(E)	(F)		
1	1	198448-60080	TRIM, 40	1							
2	1	1A7780-60250	STAND ASSY, BONNET	1							
3	1	1A7270-60610	URETHANE, BONNET U	1							
4	1	1A7260-60780	BRACKET, GUIDE	1							
5	1	1A7260-60790	BRACKET, GUIDE	1							
6	1	1A7260-60890	URETHANE, BONNET UL	1							
7	1	1A7270-61100	BONNET ASSY, UPPER	1							
7-1	1	1A7780-61100	HOOD ASSY,	1							N
(A=FZZZZZ)											
8	1	198220-61340	SPRING	2							
9	1	1A7260-61860	WEATHER-STRIP, 1130	1							
10	1	1A7260-61970	WEATHER-STRIP, 390	1							
11	1	198475-65030	CUSHION	2							
12	1	194940-65590	MARK, TOP	1							
13	1	198071-65610	NUT, SPEED M5	2							
14	1	198196-83170	BOLT, M6X16	2							
15	1	22137-080000	WASHER, 8	2							
16	1	22372-080000	PIN, SNAP 8	2							
17	1	22487-080300	PIN, H 8X 30	2							
18	1	26106-060122	BOLT, M6X 12 PLATED	4							
19	1	1A7780-61650	STAY ASSY,HOOD STAND	1							

Fig.105. FRONT GRILLE



(A)=EF453T LX

(B)=

(C)=

(D)=

(E)=

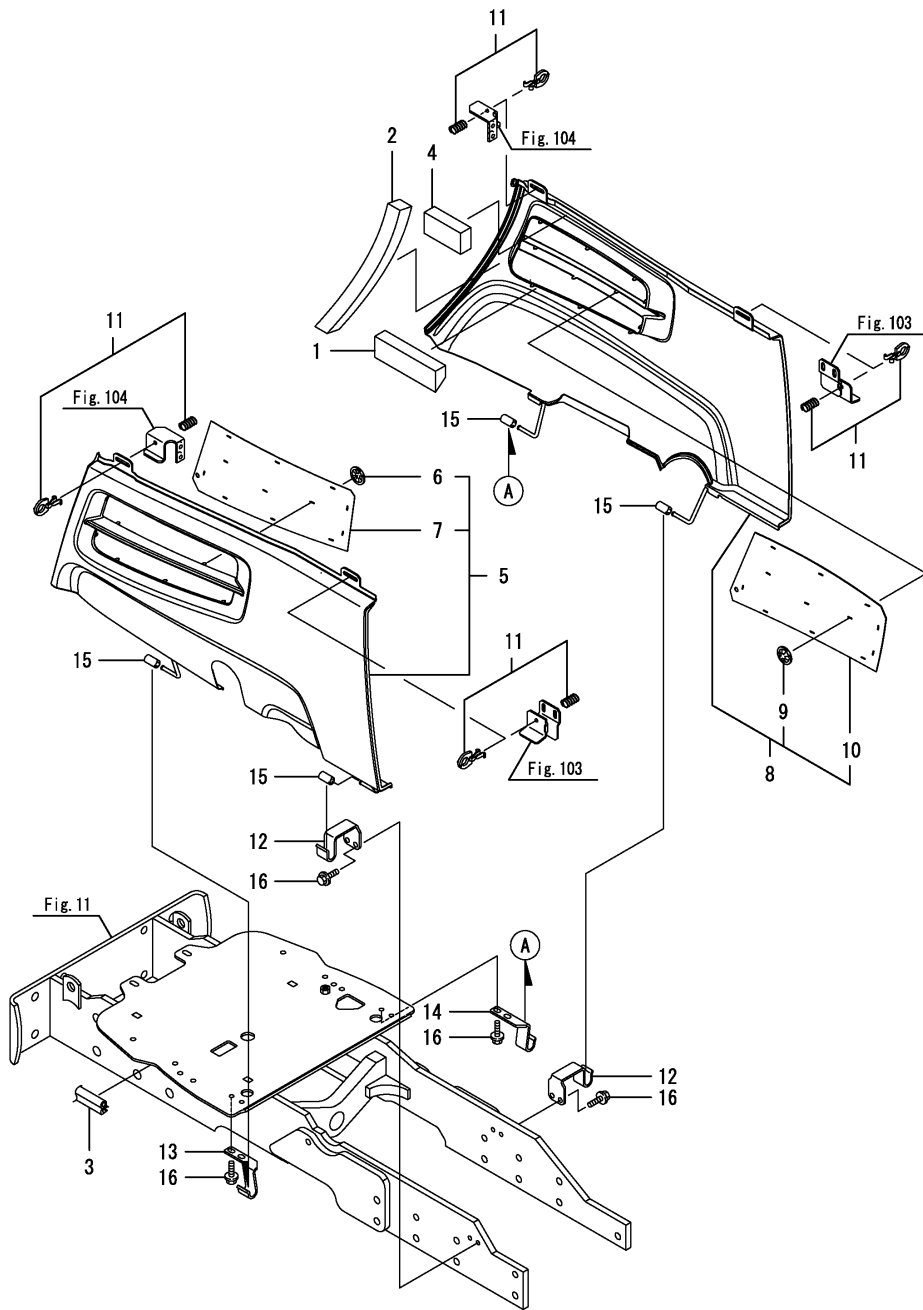
(F)=

No.	Lev.	Parts No.	Description	Q'ty						I	R
				(A)	(B)	(C)	(D)	(E)	(F)		
1	1	194990-22140	NUT, M8	2							
2	1	1A7260-60661	GASKET	1							
3	1	1A7260-60680	URETHANE, GRILLE	1							
4	1	1A7780-60800	CATCH ASSY, LOCK	1							
5	2	194990-22140	NUT, M8	1							
6	2	1A7260-60800	CATCH, LOCK	1							
7	2	1A7260-60810	LEVER, LOCK	1							
8	2	1A7260-60820	PLATE, BASE	1							
9	2	198230-61960	SPRING	1							
10	2	22137-080000	WASHER, 8	1							
11	2	22137-120000	WASHER, 12	1							
12	2	26106-080122	BOLT, M8X 12 PLATED	2							
13	1	1A7260-60870	SEAL, GRILLE SIDE	2							
14	1	1A7890-61300-2	GRILLE, FRONT	1							
14-1	1	1A7890-61301-2	GRILLE, FRONT	1							N
(A=FZZZZZ)											
15	1	1A7260-61310-1	NET ASSY, GRILLE	1							
16	1	1A7260-61550	STAY ASSY, LOCK	1							
17	1	194145-61651	NUT, SPEED M5	4							
18	1	1A7260-61650	FRAME ASSY, GRILLE L	1							
19	1	1A7260-61660	FRAME ASSY, GRILLE R	1							
20	1	194940-61790	SCREW, TAPPING M5X16	2							
21	1	198071-61890	NUT, SPEED M6	2							
22	1	1A7260-61920	STAY, FRONT GRILLE	1							
22-1	1	1A7780-61750	STAY ASSY, GRILL	1							N
(A=FZZZZZ)											
23	1	198220-62150	WASHER	2							
24	1	198196-83170	BOLT, M6X16	4							
25	1	198196-83170	BOLT, M6X16	2							
26	1	198196-83170	BOLT, M6X16	2							
27	1	198196-83170	BOLT, M6X16	2							
28	1	198093-84810	SEAL, FENDER	2							
29	1	22157-060000	WASHER, 6	2							
30	1	22157-060000	WASHER, 6	2							
31	1	22157-060000	WASHER, 6	4							
32	1	22859-500202	SCREW, 5X20	2							
33	1	26106-060122	BOLT, M6X 12 PLATED	2							
34	1	26106-060122	BOLT, M6X 12 PLATED	4							
35	1	26346-060002	NUT, M6	2							

Fig.106. SIDE COVER

(A)=EF453T LX
(B)=
(C)=

(D)=
(E)=
(F)=

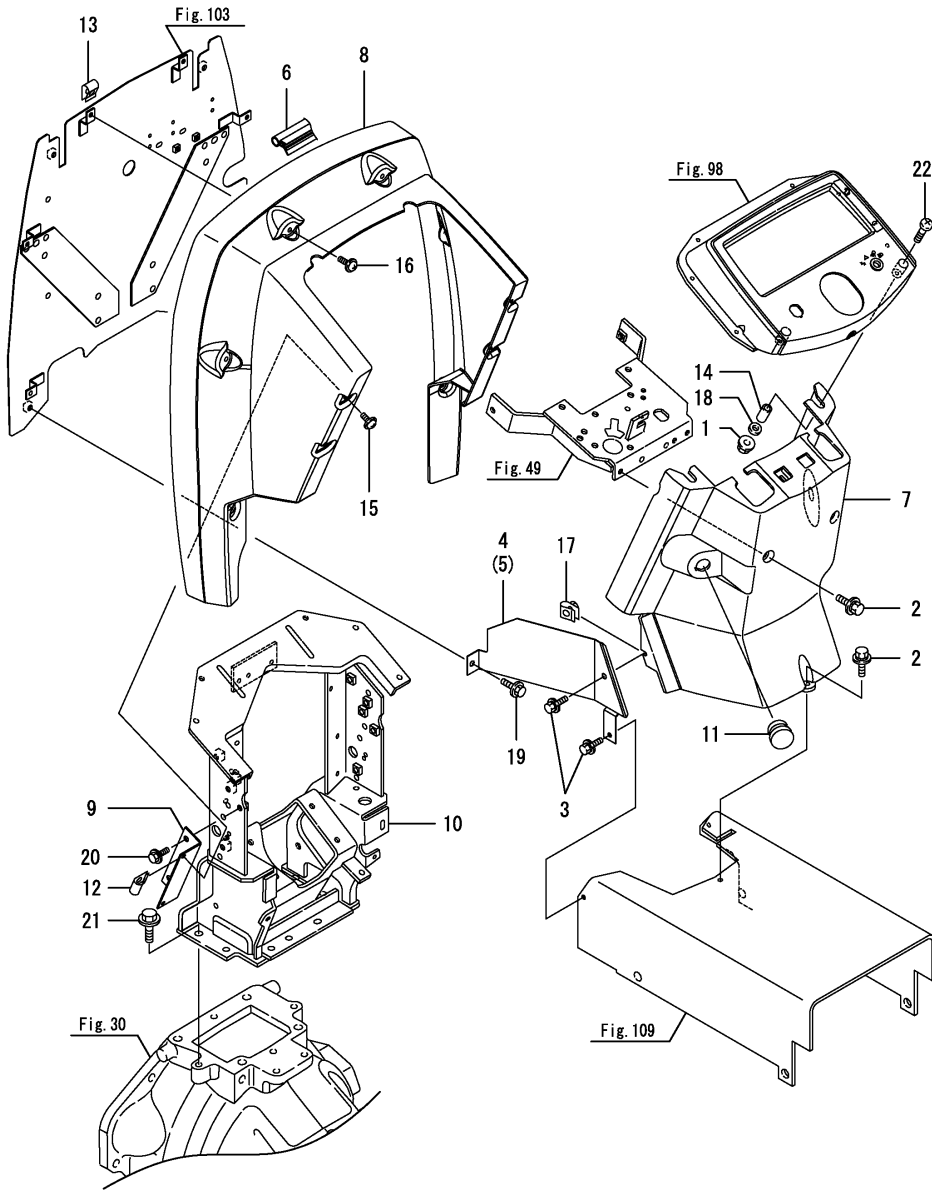


No.	Lev.	Parts No.	Description	Q'ty						I	R
				(A)	(B)	(C)	(D)	(E)	(F)		
1	1	1A7260-60640	URETHANE, COVER A	2							
2	1	1A7260-60670	URETHANE, COVER B	2							
3	1	1A7270-60750	WEATHER-STRIP, 440	2							
4	1	1A7260-60900	URETHANE, COVER C	2							
5	1	1A7780-61000	COVER ASSY, SIDE L M	1							
6	2	198129-05190	NUT, PUSH M6	12							
7	2	1A7260-61150-1	NET, SIDE COVER	1							
8	1	1A7780-61010	COVER ASSY, SIDE R M	1							
9	2	198129-05190	NUT, PUSH M6	12							
10	2	1A7260-61150-1	NET, SIDE COVER	1							
11	1	198220-61351	LOCK ASSY, CAM	4							
12	1	1A7260-61400	STAY, SIDE COVER R	2							
13	1	1A7260-61450	STAY, SIDE COVER FL	1							
14	1	1A7260-61460	STAY, SIDE COVER FR	1							
15	1	198220-61800	RUBBER, CUSHION	4							
16	1	26106-080102	BOLT, M8X 10 PLATED	8							

Fig.108. DASHBOARD

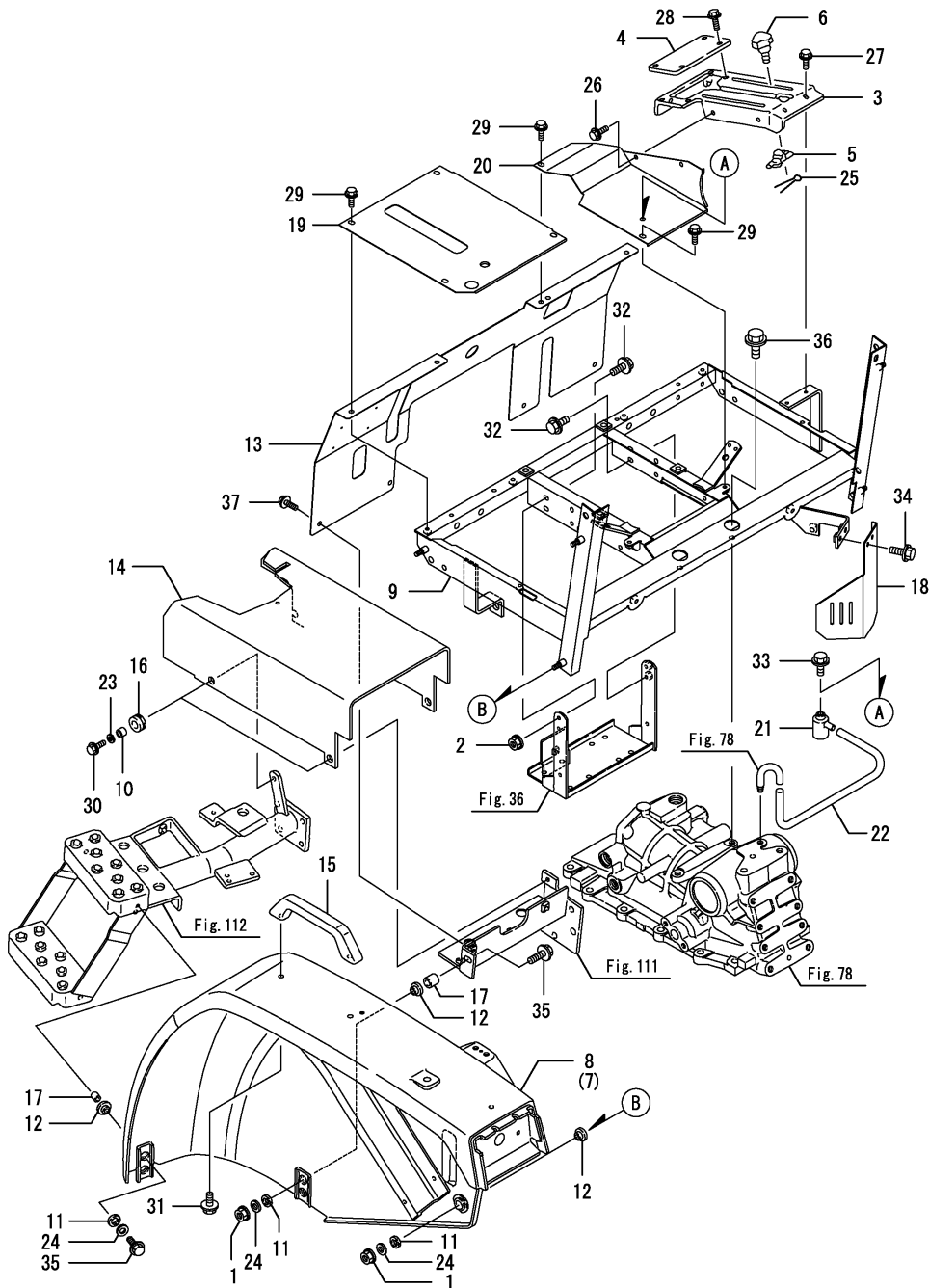
(A)=EF453T LX
(B)=
(C)=

(D)=
(E)=
(F)=



No.	Lev.	Parts No.	Description	Q'ty						I	R
				(A)	(B)	(C)	(D)	(E)	(F)		
1	1	194990-22130	NUT, M6	2							
2	1	198461-60590	BOLT, M6X20	3							
3	1	198461-60590	BOLT, M6X20	4							
4	1	1A7780-61410-1	COVER ASSY, LOWER L	1							
5	1	1A7780-61420-1	COVER ASSY, LOWER R	1							
6	1	1A7780-61510	STRIP, WEATHER	1							
6-1	1	1A7780-61511	WEATHER-STRIP, 1670	1							N
		(A=*2010.05.)									
7	1	198138-61531	COVER, DASHBOARD	1							
8	1	1A7780-61540	COVER, DASHBOARD	1							
9	1	1A7780-61550	STAY, DASHBOARD	2							
10	1	1A7780-61600	STAY ASSY, DASHBOARD	1							
11	1	194448-61620	GROMMET, 20.5	1							
12	1	194167-61650	NUT, SPEED	4							
13	1	194167-61650	NUT, SPEED	6							
14	1	198133-61690	COLLAR, 10.5X17	2							
15	1	194940-61790	SCREW, TAPPING M5X16	4							
16	1	194940-61790	SCREW, TAPPING M5X16	6							
17	1	198071-61890	NUT, SPEED M6	2							
18	1	22117-060000	WASHER, 6	2							
19	1	26106-080122	BOLT, M8X 12 PLATED	2							
20	1	26106-080162	BOLT, M8X 16 PLATED	4							
21	1	26106-100202	BOLT, M10X 20 PLATED	4							
22	1	26587-060352	SCREW, M6X35	2							

Fig.109. FENDER



(A)=EF453T LX

(B)=

(C)=

(D)=

(E)=

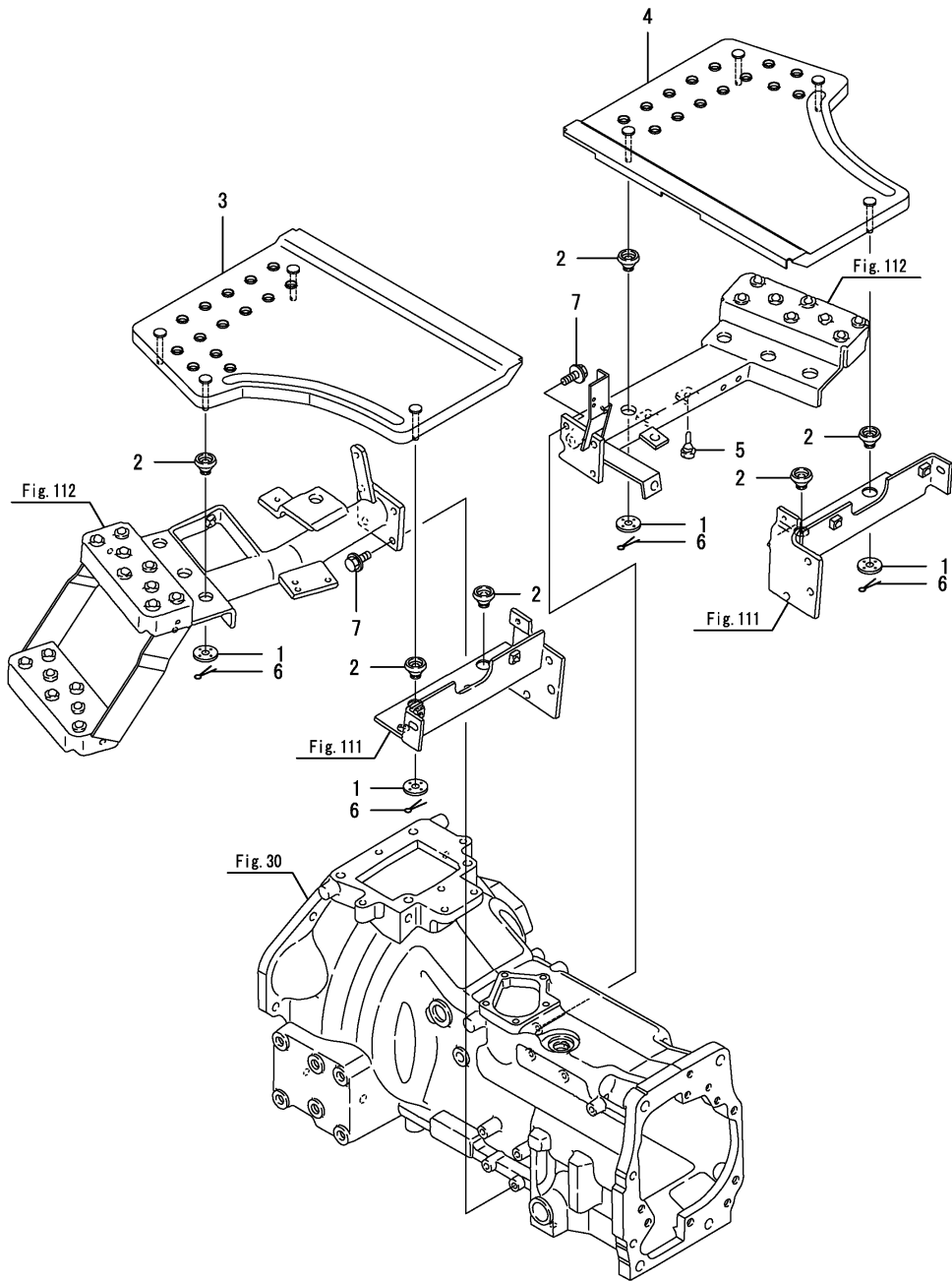
(F)=

No.	Lev.	Parts No.	Description	(A)	(B)	(C)	(D)	(E)	(F)	Qty	I	R
1	1	194990-22140	NUT, M8							8		
2	1	194990-22140	NUT, M8							2		
3	1	198240-47710-2	GUIDE, LEVER							1		
4	1	198240-47730-2	COVER, LEVER GUIDE							1		
5	1	198220-47750	STOPPER, LEVER							1		
6	1	194130-47851	BOLT, M6X15							1		
7	1	1A7780-62100	FENDER ASSY, R M							1		
8	1	198240-62110	FENDER							1		
9	1	1A7780-62150-1	BRACKET, FENDER							1		
10	1	198220-62220	COLLAR							4		
11	1	198220-62260	CUSHION, RUBBER							10		
12	1	198220-62270	CUSHION, RUBBER							10		
13	1	1A7780-62270-1	COVER, CASE M							1		
14	1	1A7780-62310-1	COVER ASSY, CLUTCH M							1		
14A	2	198175-62311-1	COVER, HOUSING							1		
14B	2	198283-65310	LABEL, CAUTION							1		
14C	2	198283-65360	LABEL, BRAKE PEDAL							1		
15	1	198220-62410	BAR, ASSIST							2		
16	1	198220-62440	GROMMET							4		
17	1	198220-62920	COLLAR, ABSORBER							4		
18	1	1A7780-63060	COVER, SEPARATOR							1		
19	1	1A7780-63090-1	COVER, DUST L							1		
20	1	1A7780-63100-1	COVER, DUST R							1		
21	1	194205-63550	BREATHER, AIR							1		
22	1	194640-63560	PIPE, AIR BREATHER							1		
23	1	22157-060000	WASHER, 6							4		
24	1	22157-080000	WASHER, 8							10		
25	1	22417-200160	PIN, COTTER 2.0X16							1		
26	1	26106-060122	BOLT, M6X 12 PLATED							2		
27	1	26106-060122	BOLT, M6X 12 PLATED							4		
28	1	26106-060122	BOLT, M6X 12 PLATED							4		
29	1	26106-060122	BOLT, M6X 12 PLATED							6		
30	1	26106-060202	BOLT, M6X 20 PLATED							4		
31	1	26106-080122	BOLT, M8X 12 PLATED							4		
32	1	26106-080162	BOLT, M8X 16 PLATED							4		
33	1	26106-080162	BOLT, M8X 16 PLATED							1		
34	1	26106-080162	BOLT, M8X 16 PLATED							2		
35	1	26106-080302	BOLT, M8X 30 PLATED							4		
36	1	26106-100252	BOLT, M10X 25 PLATED							2		
37	1	26106-060162	BOLT, M6X 16 PLATED							4		

Fig.110. FOOTREST

(A)=EF453T LX
(B)=
(C)=

(D)=
(E)=
(F)=



No.	Lev.	Parts No.	Description	Q'ty						I	R
				(A)	(B)	(C)	(D)	(E)	(F)		
1	1	198220-62150	WASHER	8							
2	1	198240-62451	ABSORBER, STEP	10							
3	1	198320-62510	STEP ASSY, L	1							
4	1	198320-62520	STEP ASSY, R	1							
5	1	194330-62530	STOPPER, PEDAL	2							
6	1	22417-250300	PIN, COTTER 2.5X30	8							
7	1	26106-080202	BOLT, M8X 20 PLATED	7							

Fig.111. FOOTREST STAY(1)

(A)=EF453T LX
(B)=
(C)=

(D)=
(E)=
(F)=

No.	Lev.	Parts No.	Description	Q'ty						I	R
				(A)	(B)	(C)	(D)	(E)	(F)		
1	1	194990-22140	NUT, M8	1							
2	1	198320-62580	STAY, ABSORBER R	1							
3	1	198320-62610	STAY, ABSORBER L	1							
4	1	26106-080162	BOLT, M8X 16 PLATED	3							

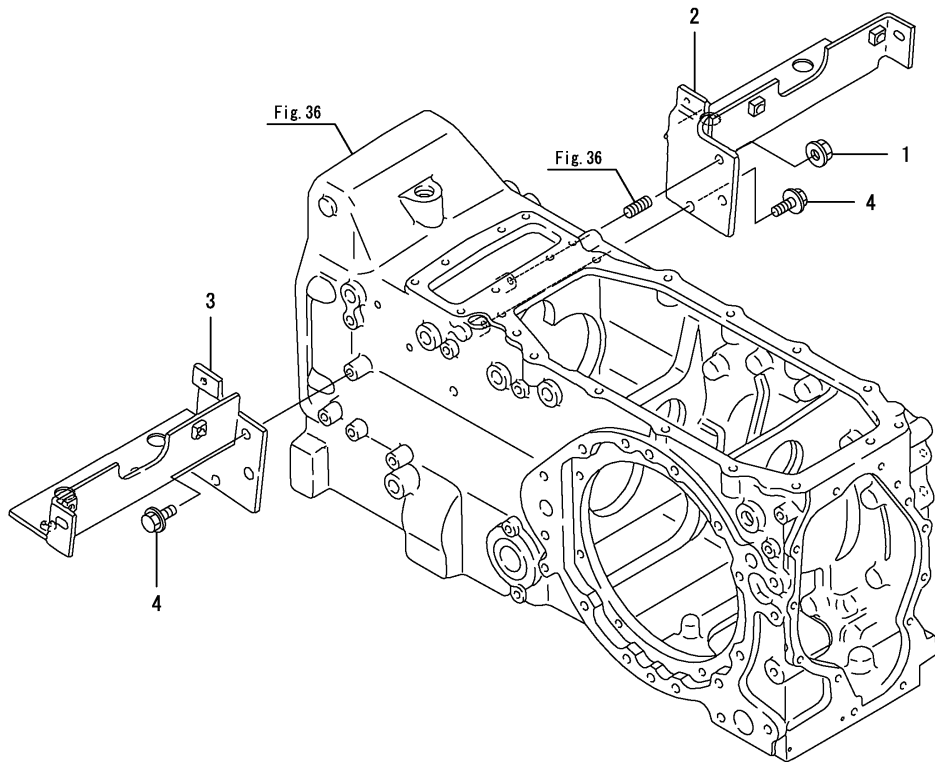
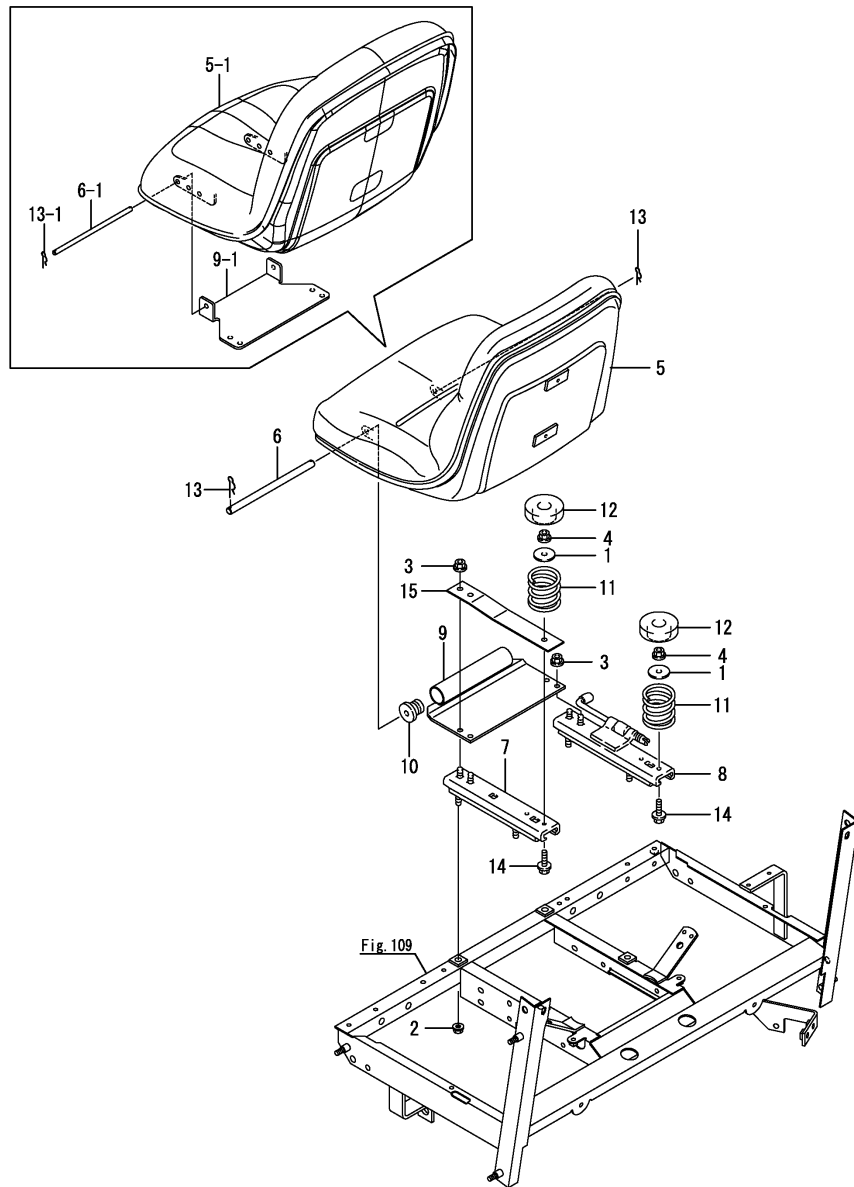


Fig.113. SEAT



(A)=EF453T LX
(B)=
(C)=

(D)=
(E)=
(F)=

No.	Lev.	Parts No.	Description	Q'ty						I	R
				(A)	(B)	(C)	(D)	(E)	(F)		
1	1	1C6140-12060	SPACER, 9X36X3.2	2							
1-1	1	1C6140-47210-1	WASHER, 9X32X3.2	2							N
(A=FXXXXX)											
2	1	194990-22140	NUT, M8	4							
3	1	194990-22140	NUT, M8	4							
4	1	194990-22140	NUT, M8	2							
5	1	198240-63110	SEAT ASSY	1							
5-1	1	1A7780-63120	SEAT ASSY	1							F 1
(A=FZZZZZ)											
6	1	198220-63120	PIN, HINGE	1							
6-1	1	198425-63270	PIN, 8X190	1							F 1
(A=FZZZZZ)											
7	1	198071-63150	RAIL, L	1							
8	1	198071-63160	RAIL, R	1							
9	1	1A7780-63210	BRACKET, SEAT	1							
9-1	1	1A7780-63260	BRACKET, SEAT	1							F 1
(A=FZZZZZ)											
10	1	198220-63240	DAMPER	2							Z
(A=FZZZZZ)											
11	1	1A8115-63260	SPRING	2							
12	1	198284-63270	STOPPER, SEAT	2							
13	1	22372-120000	PIN, SNAP 12	2							
13-1	1	22372-080000	PIN, SNAP 8	2							F 1
(A=FZZZZZ)											
14	1	26106-080202	BOLT, M8X 20 PLATED	2							
14-1	1	26106-080252	BOLT, M8X 25 PLATED	2							N
(A=FXXXXX)											
15	1	1A7780-63270	STAY, SEAT RAIL	1							W
(A=FXXXXX)											

Remarks

(1)No.5, 6, 9, 10 & 13 is interchangeable with a set of No.5-1, 6-1, 9-1 & 13-1.

Fig.114. SEAT BELT

(A)=EF453T LX
(B)=
(C)=

(D)=
(E)=
(F)=

No.	Lev.	Parts No.	Description	Q'ty						I	R
				(A)	(B)	(C)	(D)	(E)	(F)		
1	1	194990-22150	NUT, M10	2							
2	1	194180-63150	BELT ASSY, SEAT	1							
3	1	26106-100252	BOLT, M10X 25 PLATED	2							

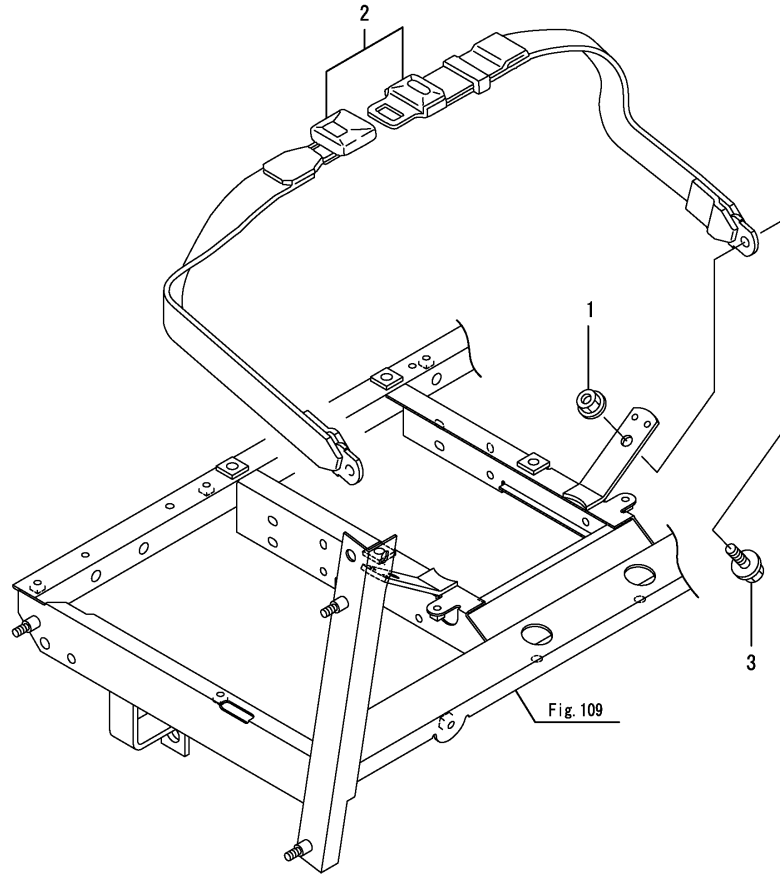
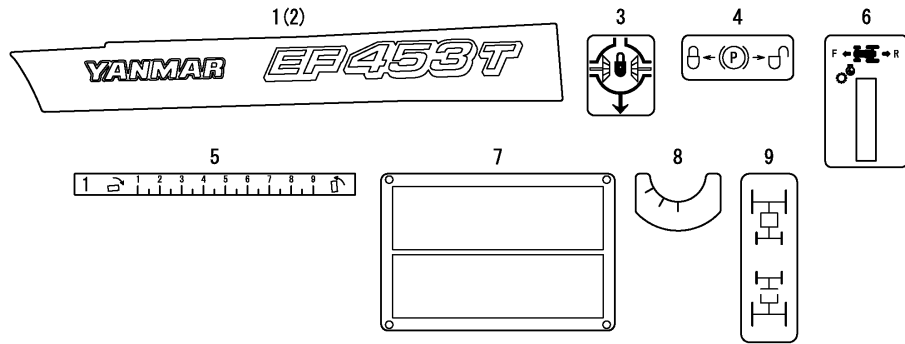


Fig.115. LABEL(1)

(A)=EF453T LX
(B)=
(C)=

(D)=
(E)=
(F)=



No.	Lev.	Parts No.	Description	Q'ty						I	R
				(A)	(B)	(C)	(D)	(E)	(F)		
1	1	1A7780-64830	LABEL L	1							
2	1	1A7780-64840	LABEL R	1							
3	1	194240-65441	LABEL, DIFF. LOCK	1							
4	1	198036-65470	LABEL, BRAKE LOCK	1							
5	1	198220-65470	LABEL, LEVER	1							
6	1	198178-65560	LABEL,SPEED	1							
7	1	198283-65651	LABEL,TAI ONLY	1							
8	1	198327-65720	LABEL, KEY SWITCH	1							
9	1	198221-65740	LABEL, MFWD	1							
10	1	22695-320321	RIVET, 3.2X 3.2	4							

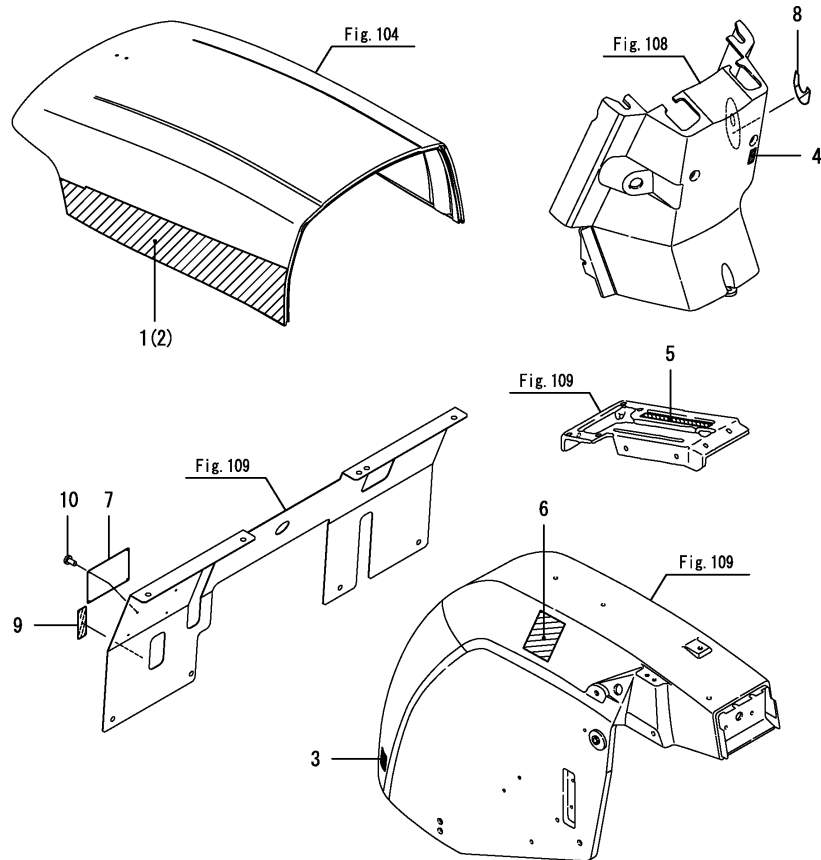
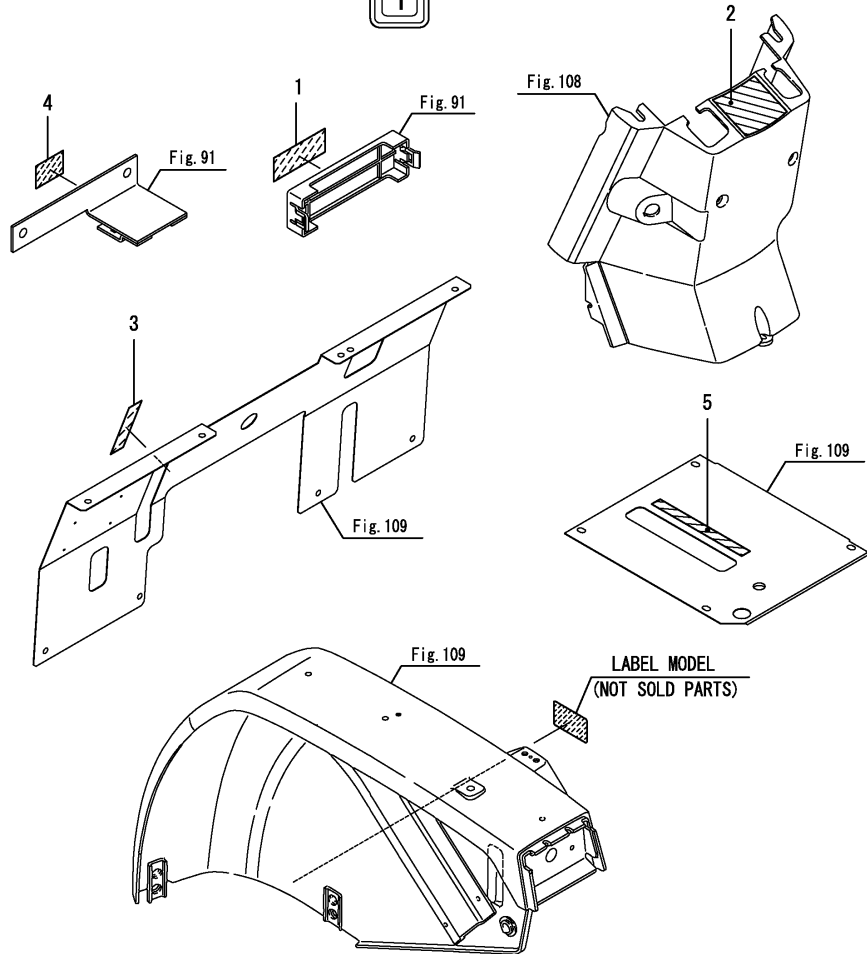
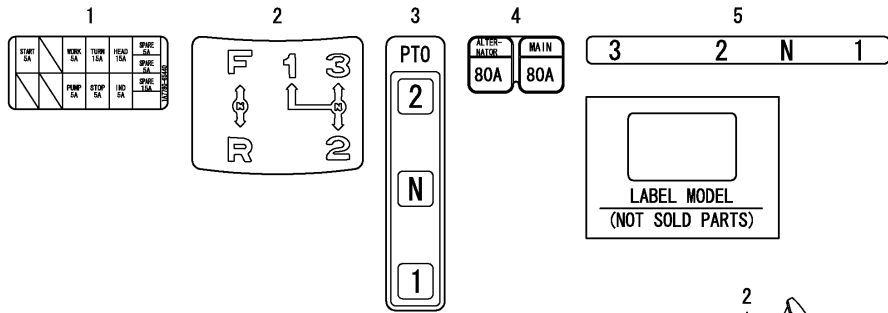


Fig.116. LABEL(2)



(A)=EF453T LX
(B)=
(C)=

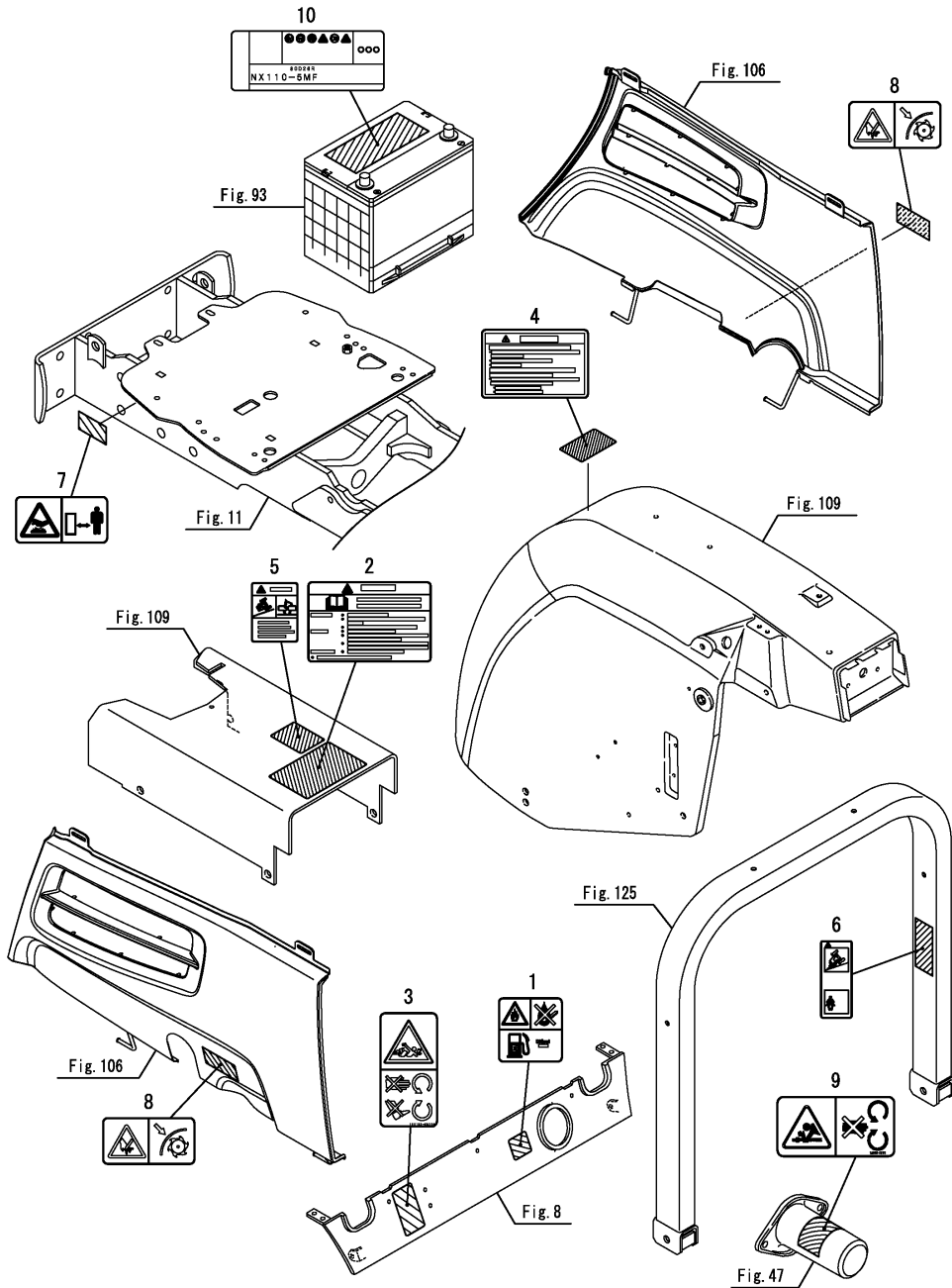
(D)=
(E)=
(F)=

No.	Lev.	Parts No.	Description	Q'ty						I	R
				(A)	(B)	(C)	(D)	(E)	(F)		
1	1	1A7780-65440 (A=FZZZZZ)	LABEL,FUSE	1							Z
2	1	198175-65500	LABEL,MAIN CHANGE	1							
3	1	198327-65620	LABEL, P.T.O	1							
4	1	1A7780-65770 (A=FZZZZZ)	LABEL,	1							Z
5	1	198242-65940	LABEL,SUB CHANGE	1							

Fig.117. LABEL(SAFETY)

(A)=EF453T LX
(B)=
(C)=

(D)=
(E)=
(F)=



No.	Lev.	Parts No.	Description	Qty						I	R
				(A)	(B)	(C)	(D)	(E)	(F)		
1	1	198283-65250	LABEL,RAKE CAUTION	1							
2	1	198283-65310	LABEL, CAUTION	1							
3	1	198163-65350	DANGER,ROTAT.SHAFT	1							
4	1	1A7680-65350	LABEL,WARNING,ROPS	1							
5	1	198283-65360	LABEL,BREAKE PEDAL	1							
6	1	1A7680-65910	LABEL,ROPS WARNING	1							
7	1	198163-65930	CAUTION,MUFFLER	1							
8	1	198163-65940	CAUTION,SAFETY COVER	2							
9	1	1A6150-93151	LABEL,COVER	1							
10	1	198280-51560	LABEL,DANGER	1							

Fig.118. 3P LINK KIT

(A)=EF453T LX

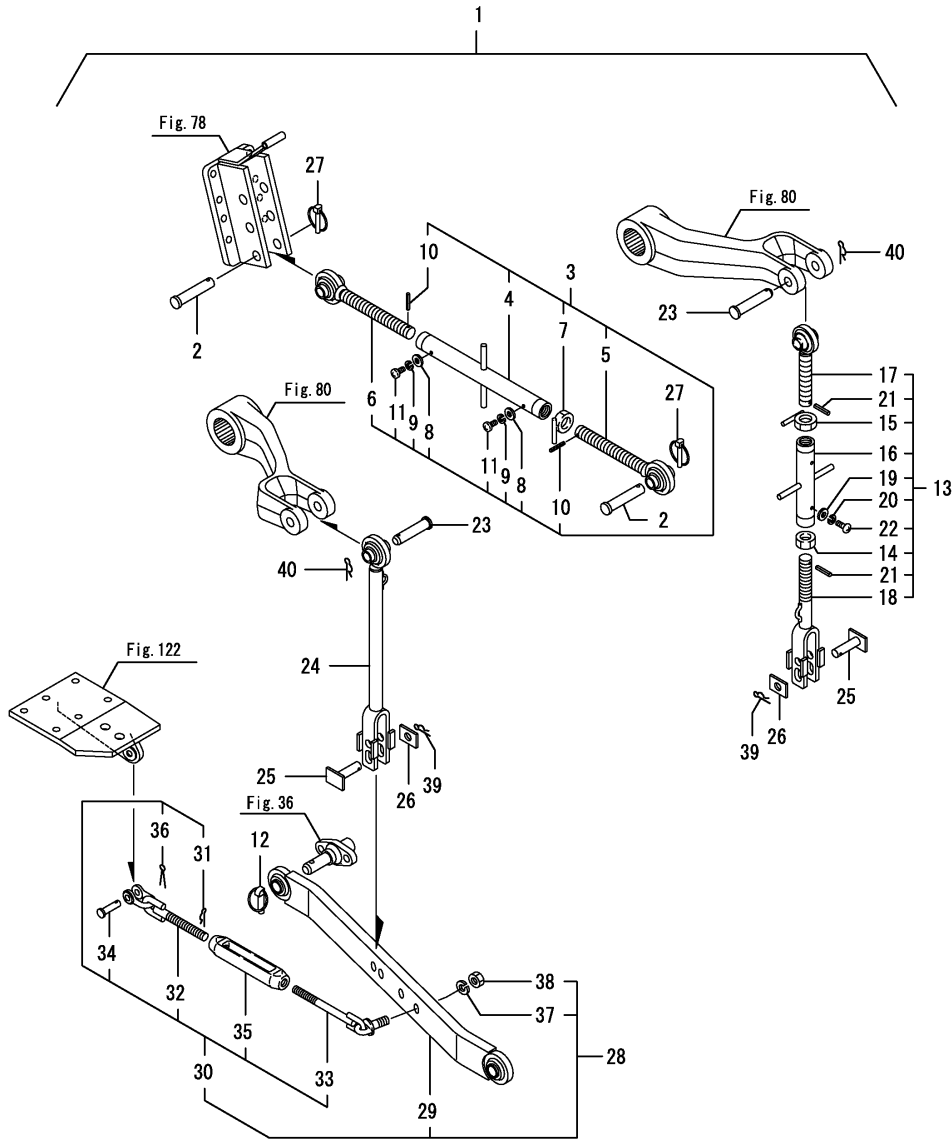
(B)=

(C)=

(D)=

(E)=

(F)=

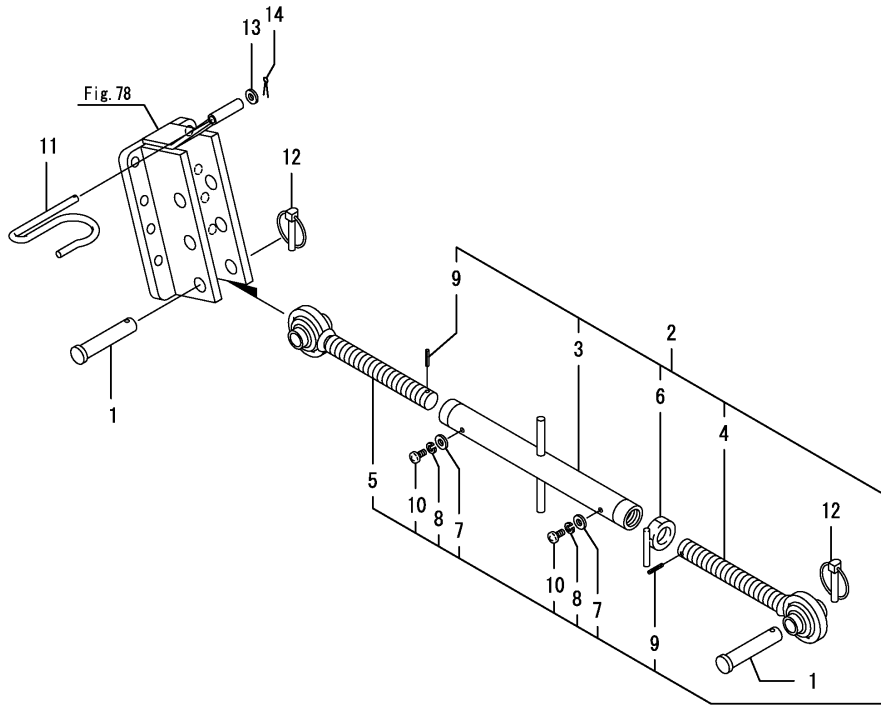


No.	Lev.	Parts No.	Description	Qty						I	R
				(A)	(B)	(C)	(D)	(E)	(F)		
1	1	7A7780-71010	HITCH KIT, 3 POINT	1							
2	2	195397-27810	PIN, 19X92	2							
3	2	1A7780-71100	LINK KIT, TOP	1							
4	3	1A7780-71500	TURNBUCKLE ASSY	1							
5	3	198133-71600	LINK ASSY, TOP R	1							
6	3	198133-71700	LINK ASSY, TOP L	1							
7	3	198092-71750	NUT ASSY, M24	1							
8	3	22137-060000	WASHER, 6	2							
9	3	22217-060000	WASHER, SPRING 6	2							
10	3	22351-040024	PIN, SPRING 4.0X24	2							
11	3	26557-060062	SCREW, M6X 6	2							
12	2	794130-71410	PIN ASSY, BALL	2							
13	2	1A7780-72100	LINK KIT, LIFT R	1							
14	3	194700-71410	NUT, LOCK	1							
15	3	198092-71750	NUT ASSY, M24	1							
16	3	1A7780-72150	TURNBUCKLE ASSY	1							
17	3	198242-72200	BOLT, EYE	1							
18	3	198175-72250	YOKE ASSY, LINK R	1							
19	3	22137-060000	WASHER, 6	2							
20	3	22217-060000	WASHER, SPRING 6	2							
21	3	22351-040024	PIN, SPRING 4.0X24	2							
22	3	26557-060062	SCREW, M6X 6	2							
23	2	194640-72410	PIN, LIFT ARM	2							
24	2	198133-72530	LINK ASSY, LIFT L	1							
25	2	194640-72550	PIN, LIFT YOKE	2							
26	2	194330-72560	STOPPER	2							
27	2	194180-72950	PIN ASSY, LOCK	2							
28	2	1A7780-73410	LINK KIT, LOWER	2							
29	3	198133-73100	LINK ASSY, LOWER	2							
30	3	1A7780-74200	CHAIN ASSY, CHECK	2							
31	4	1A6150-73700	PIN, SNAP 16	2							
32	4	1A7780-74210	CHAIN ASSY, CHECK F	2							
33	4	1A7270-74250	CHAIN ASSY, CHECK R	2							
34	4	198181-74630	PIN, CHAIN	2							
35	4	198475-74700	TURNBUCKLE, M16	2							
36	4	22417-400320	PIN, COTTER 4.0X32	2							
37	3	22217-160000	WASHER, SPRING 16	2							
38	3	26736-160002	NUT, M16	2							
39	2	22372-160000	PIN, SNAP 16	2							
40	2	195184-15360	PIN, SNAP 19	2							

Fig.119. TOP LINK

(A)=EF453T LX
(B)=
(C)=

(D)=
(E)=
(F)=

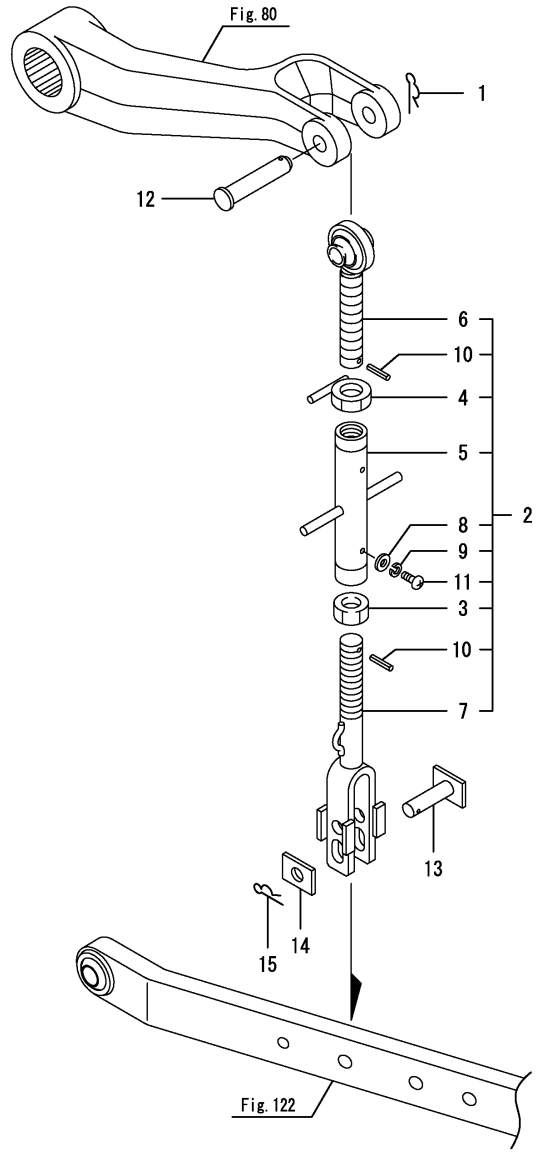


No.	Lev.	Parts No.	Description	Q'ty						I	R
				(A)	(B)	(C)	(D)	(E)	(F)		
1	1	195397-27810	PIN, 19X92	2							
2	1	1A7780-71100	LINK KIT, TOP	1							
3	2	1A7780-71500	TURNBUCKLE ASSY	1							
4	2	198133-71600	LINK ASSY, TOP R	1							
5	2	198133-71700	LINK ASSY, TOP L	1							
6	2	198092-71750	NUT ASSY, M24	1							
7	2	22137-060000	WASHER, 6	2							
8	2	22217-060000	WASHER, SPRING 6	2							
9	2	22351-040024	PIN, SPRING 4.0X24	2							
10	2	26557-060062	SCREW, M6X 6	2							
11	1	194275-71550	SPRING, RETAINER	1							
11-1	1	1A7780-71600	SPRING	1							R
(A=FZZZZZ)											
12	1	194180-72950	PIN ASSY, LOCK	2							
13	1	22137-080000	WASHER, 8	1							
14	1	22417-300250	PIN, COTTER 3.0X25	1							

Fig.120. LIFT LINK(RIGHT)

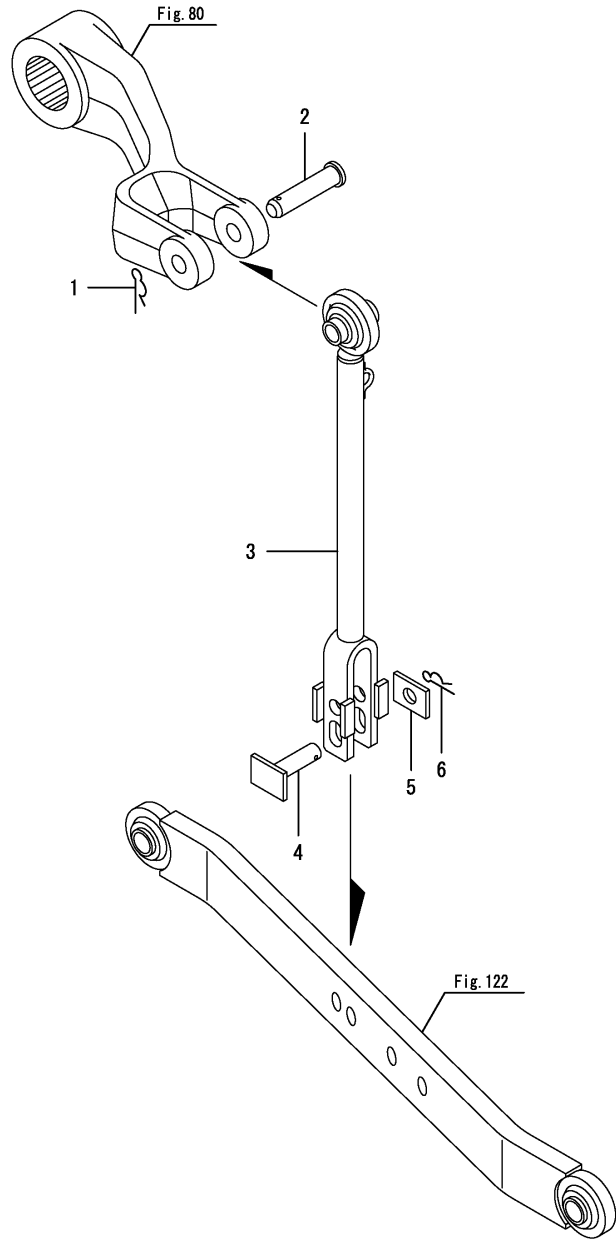
(A)=EF453T LX
(B)=
(C)=

(D)=
(E)=
(F)=



No.	Lev.	Parts No.	Description	Q'ty						I	R
				(A)	(B)	(C)	(D)	(E)	(F)		
1	1	195184-15360	PIN, SNAP 19	1							
2	1	1A7780-72100	LINK KIT, LIFT R	1							
3	2	194700-71410	NUT, LOCK	1							
4	2	198092-71750	NUT ASSY, M24	1							
5	2	1A7780-72150	TURNBUCKLE ASSY	1							
6	2	198242-72200	BOLT, EYE	1							
7	2	198175-72250	YOKE ASSY, LINK R	1							
8	2	22137-060000	WASHER, 6	2							
9	2	22217-060000	WASHER, SPRING 6	2							
10	2	22351-040024	PIN, SPRING 4.0X24	2							
11	2	26557-060062	SCREW, M6X 6	2							
12	1	194640-72410	PIN, LIFT ARM	1							
13	1	194640-72550	PIN, LIFT YOKE	1							
14	1	194330-72560	STOPPER	1							
15	1	22372-160000	PIN, SNAP 16	1							

Fig.121. LIFT LINK(LEFT)

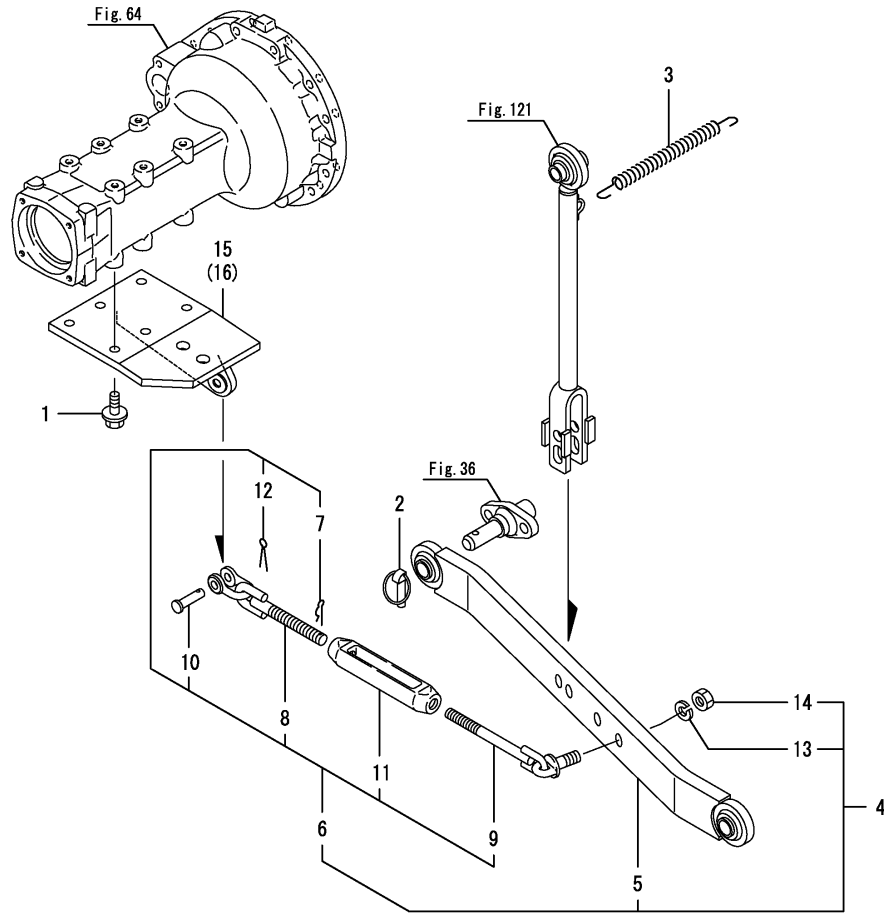


(A)=EF453T LX
(B)=
(C)=

(D)=
(E)=
(F)=

No.	Lev.	Parts No.	Description	Q'ty						I	R
				(A)	(B)	(C)	(D)	(E)	(F)		
1	1	195184-15360	PIN, SNAP 19	1							
2	1	194640-72410	PIN, LIFT ARM	1							
3	1	198133-72530	LINK ASSY, LIFT L	1							
4	1	194640-72550	PIN, LIFT YOKE	1							
5	1	194330-72560	STOPPER	1							
6	1	22372-160000	PIN, SNAP 16	1							

Fig.122. LOWER LINK & CHECK CHAIN



(A)=EF453T LX
(B)=
(C)=

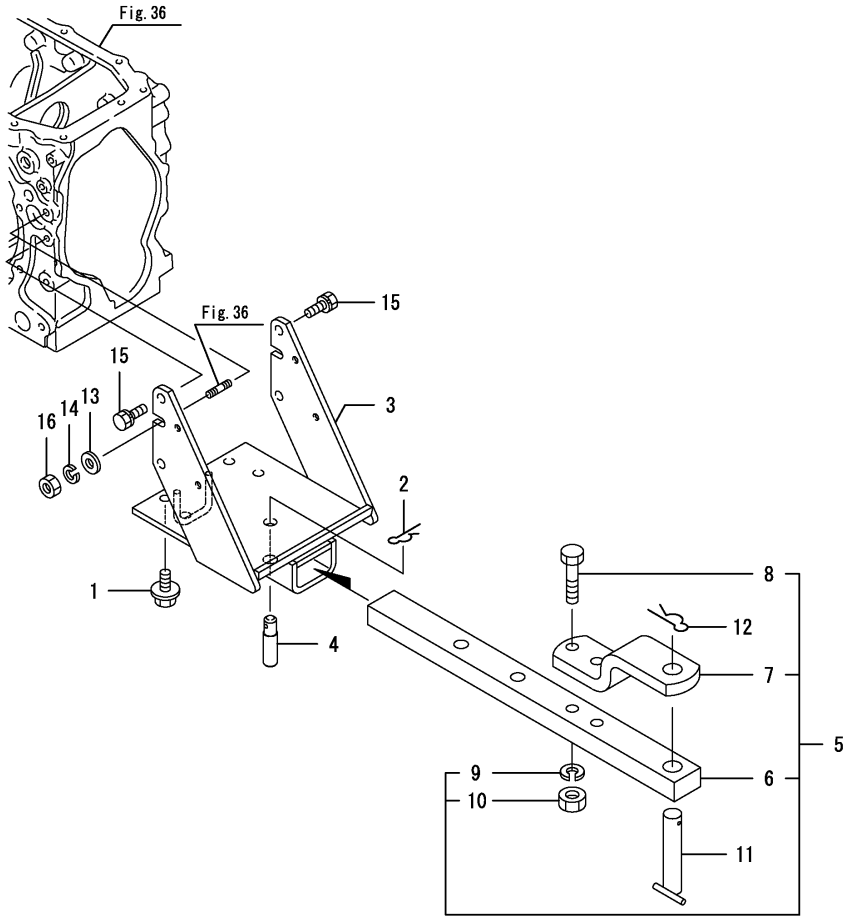
(D)=
(E)=
(F)=

No.	Lev.	Parts No.	Description	Q'ty						I	R
				(A)	(B)	(C)	(D)	(E)	(F)		
1	1	198220-11510	BOLT, M12X27	12							
2	1	794130-71410	PIN ASSY, BALL	4							
3	1	194145-73150	SPRING, LOCK	1							
4	1	1A7780-73410	LINK KIT, LOWER	2							
5	2	198133-73100	LINK ASSY, LOWER	2							
6	2	1A7780-74200	CHAIN ASSY, CHECK	2							
7	3	1A6150-73700	PIN, SNAP 16	2							
8	3	1A7780-74210	CHAIN ASSY, CHECK F	2							
9	3	1A7270-74250	CHAIN ASSY, CHECK R	2							
10	3	198181-74630	PIN, CHAIN	2							
11	3	198475-74700	TURNBUCKLE, M16	2							
12	3	22417-400320	PIN, COTTER 4.0X32	2							
13	2	22217-160000	WASHER, SPRING 16	2							
14	2	26736-160002	NUT, M16	2							
15	1	1A7780-85300-1	PLATE ASSY, BASE L	1							
16	1	1A7780-85350-1	PLATE ASSY, BASE R	1							

Fig.123. DRAWBAR HITCH

(A)=EF453T LX
(B)=
(C)=

(D)=
(E)=
(F)=

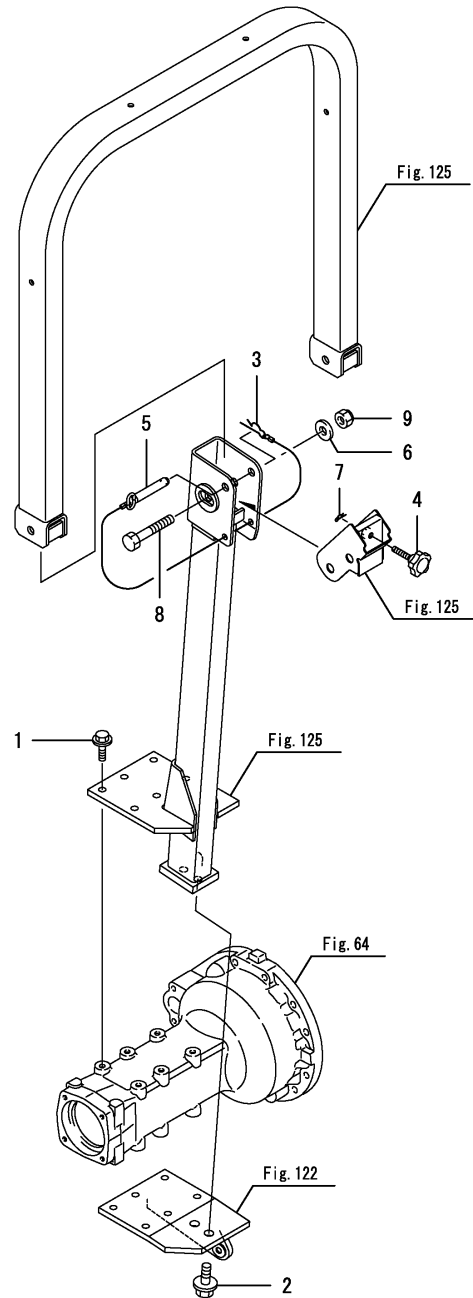


No.	Lev.	Parts No.	Description	Q'ty						I	R
				(A)	(B)	(C)	(D)	(E)	(F)		
1	1	198240-12650	BOLT, M14X28	4							
2	1	195230-17260	PIN, SNAP 22S	1							
3	1	198253-75131-1	BRACKET, DRAWBAR	1							
3-1	1	1A7780-75130 (A=FZZZZZ)	BRACKET, DRAWBAR	1							N
4	1	198253-75430	PIN, HITCH	1							
5	1	1A7780-75711-2	HITCH KIT, DRAWBAR	1							
6	2	1A7780-75111	HITCH, DRAWBAR	1							
7	2	194180-75810	BRACKET, CLEVIS	1							
8	2	22217-160000	WASHER, SPRING 16	2							
9	2	26116-160702	BOLT M16X 70 PLATED	2							
10	2	26716-160002	NUT, M16	2							
11	1	1A7780-75750	PIN ASSY, HITCH 25	1							
12	1	194080-75790	PIN, SNAP 28	1							
13	1	22137-120000	WASHER, 12	2							
14	1	22217-120000	WASHER, SPRING 12	2							
15	1	26013-120302	BOLT, M12X 30	4							
16	1	26716-120002	NUT, M12	2							

Fig.124. SAFETY FRAME ATTACHMENT

(A)=EF453T LX
(B)=
(C)=

(D)=
(E)=
(F)=



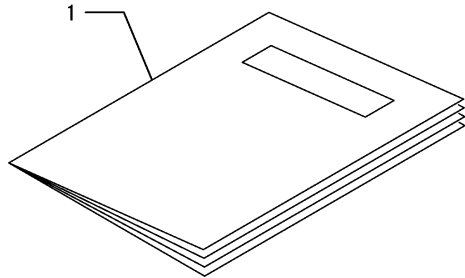
No.	Lev.	Parts No.	Description	Q'ty						I	R
				(A)	(B)	(C)	(D)	(E)	(F)		
1	1	198220-11510	BOLT, M12X27	12							
2	1	198220-85290	BOLT, M16X40	4							
3	1	198133-85850	PIN, SNAP 16	2							
4	1	198133-85920	BOLT, M10X50	2							
5	1	198133-85980	PIN ASSY, STOPPER	2							
6	1	22157-160000	WASHER, 16	2							
7	1	22372-080000	PIN, SNAP 8	2							
8	1	26156-161002	BOLT, M16X100 PLATED	2							
9	1	26356-160002	NUT, M16	2							

Fig.126. MANUAL

(A)=EF453T LX
(B)=
(C)=

(D)=
(E)=
(F)=

No.	Lev.	Parts No.	Description	Q'ty						I	R
				(A)	(B)	(C)	(D)	(E)	(F)		
1	1	0A042-B00100	OPERATION MANUAL	1							
1-1	1	0A042-B00101	OPERATION MANUAL	1							S
(A=FXXXXX)											



Parts No. Index

Parts No.	Fig. No.	Ref. No.
0A042-B00100	126	1
0A042-B00101	126	1 -1
106990-44660	2	17
114270-59010	2	20
	9	9
119005-12571	1	6
119225-52102	1	20
119255-44660	1	15
119802-55700	1	22
119802-55710	1	24
119802-55730	1	25
119808-12540	1	4
119860-34810	36	20
119934-55611	1	21
124550-77030	1	29
124617-91920	98	14
		14 -1
124701-91140	98	25
124764-44810	1	16
124766-59050	2	21
		22
		23
		24
		25
	9	10
129052-13550	1	8
129062-12560	1	5
129100-55690	1	23
129107-44590	1	12
129150-49081	1	18
129211-77920	1	30
129263-44510	1	9
129418-12530	1	2
129467-44580	1	11
129467-44590	1	13
129550-49090	1	19
129550-49101	1	17
129612-12650	1	7
129659-12520	1	1
129659-44510	1	10
129900-12530	1	3
129907-55810	1	28
129956-12160	2	16
129956-44730	1	14
168246-00110	81	1 -1
172122-46571	52	5 -1
172156-72330	27	16
172156-72340	27	17
175022-49730	2	18
175022-49750	2	19

Parts No.	Fig. No.	Ref. No.
178070-10401	77	2
178070-44000	77	1
178071-03010	81	1
192160-34150	21	5
194065-34170	24	7
		15
	72	9
		20
194065-38380	27	15
194065-41210	76	7
194065-60580	98	21
194066-13130	62	1
194080-75790	123	12
194130-27490	50	13
194130-37730	75	3
194130-47851	109	6
194134-37771	75	5
194145-21121	34	2
194145-27450	50	11
	51	5
194145-34390	69	6
194145-61570	3	8
194145-61651	98	22
	105	17
194145-73150	122	3
194150-01270	3	6
194150-21910	30	4
194150-22250	30	5
194150-22480	35	5
	75	2
194150-33150	65	5
194150-42280-X	78	9
194151-47760	86	13
194167-61650	108	12
		13
194170-27180-X	52	5
194170-51210	7	6
	9	7
	91	17
194180-01240	2	6
194180-12471	27	1
194180-17770	9	6
194180-25550	41	2
194180-32640	64	2
194180-32670	20	11
194180-43410	80	1
194180-45620	82	2
194180-51640	86	15
	92	1
194180-61980	11	6

Parts No.	Fig. No.	Ref. No.
194180-63150	114	2
194180-72950	118	27
	119	12
194180-75810	123	7
194197-25810	45	4
194197-56350	107	1
194200-53400	96	4
194205-36320	74	6
194205-63550	109	21
194240-65441	115	3
194250-25240	40	1
194250-27160	50	2
194250-51650	91	31
194274-13350	17	6
194274-22090	39	1
194275-48400	38	3
194275-51160	91	6
194275-51170	91	7
194275-51210	91	18
		19
	98	2
194275-62310	98	24
194275-71550	119	11
194278-41151	76	2
194278-41160	76	4
194278-41190	76	5
194278-41210	76	8
194279-14220	25	2
	73	1
194300-22260	35	3
194300-33200	65	6
194301-12730	41	1
194310-25100	45	2
194310-25660	46	2
194310-37741	75	4
194310-47790	86	14
194312-25470	39	7
194312-46630-X	83	3
194320-31560	62	4
194321-11940	19	4
194321-13230	16	2
194321-13250	16	4
194321-13270	16	6
194321-13360	17	7
194321-13380	17	9
194321-13680	20	1
194321-28230	58	5
194322-24980	38	2
194323-13290	16	7
194327-45120	81	2

Parts No.	Fig. No.	Ref. No.
194327-45130	81	3
194330-62530	35	12
	110	5
194330-72560	118	26
	120	14
	121	5
194335-34720	72	2
		13
194335-34730	72	3
		14
194337-17220	28	8
194337-17251	28	9
194337-17390	28	10
194337-17400	28	11
194337-17520	28	12
194337-17530	28	13
194337-17540	28	14
194370-26350	46	8
194420-56620	98	18
194430-25810	46	3
194440-51620	91	25
		26
		27
		28
		29
		30
194446-25450	58	1
194447-13860	45	1
	46	1
194448-61620	108	11
194450-11190	30	3
194450-45630	82	3
194450-45640-X	82	4
194450-45650	82	5
194450-48830	29	11
194464-25600	41	4
194464-33130	65	2
194464-48850	29	12
194464-52190	95	6
194465-13240	16	3
194465-13260	16	5
194521-41570	77	3
194550-47530	86	11
194555-04260	8	1
194555-04270	8	2
194555-04280	8	3
194555-26620	40	15
		15 -1
194555-46300	83	1
194555-46380	78	14

Parts No. Index

Parts No.	Fig. No.	Ref. No.
194555-46730	78	15
194555-47420	86	9
194555-48350	89	5
194555-52140	95	5
194555-56890	98	20
194556-17870	29	7
194640-17340	28	3
194640-25860	40	11
	41	15
194640-26130	44	2
194640-26330	46	7
194640-26440	40	13
194640-32650-3	64	4
194640-34130	69	2
194640-34140	69	3
194640-34150	69	4
194640-43201-2	78	11
194640-44261	80	7
194640-44540-3	80	10
194640-46420	85	5
194640-47560	86	12
194640-63560	109	22
194640-72410	118	23
	120	12
	121	2
194640-72550	118	25
	120	13
	121	4
194640-73180-1	36	23
194641-13210	16	1
194641-13670	19	7
194641-13760	20	4
194641-13780	20	6
194641-13790	20	7
194641-13840	18	4 -1
	21	4
194680-22230	34	5
194680-22280	30	6
194680-22290	30	7
194680-27540	55	5
	56	1
194697-62560	90	2
194700-71410	118	14
	120	3
194730-57220	14	4
		10
194740-00160	3	2
194740-06080	30	2
194750-04400	3	17
194820-27370-T	52	6

Parts No.	Fig. No.	Ref. No.
194850-24960	36	19
194850-42500	36	21
194881-12650	25	1
194940-52110	95	1
194940-61790	98	23
	105	20
	108	15
		16
194940-65590	104	12
194990-20170	52	4
194990-22130	96	1
	101	1
		2
		13
	108	1
194990-22140	6	1
	8	7
	10	2
	88	1
	91	1
		2
	94	1
	103	1
	105	1
		5
	109	1
		2
	111	1
	113	2
		3
		4
194990-22150	54	1
	57	1
	59	1
	114	1
194990-22831	14	3
194990-22841	14	9
195184-15360	118	40
	120	1
	121	1
195230-17260	123	2
195397-27810	118	2
	119	1
198010-53410	96	5
198010-53420	96	3
198036-65470	115	4
198071-04500	7	2
198071-22320	33	3
198071-27470-3	51	6
	55	1

Parts No.	Fig. No.	Ref. No.
198071-27860	50	14
	51	7
198071-51411	91	21 -1
198071-61890	97	14
	105	21
	108	17
198071-61990	2	30
198071-63150	113	7
198071-63160	113	8
198071-65610	97	17
		18
		19
	104	13
198071-72750	27	18
198072-04510	7	4
198075-18311	49	5
198092-71750	118	7
		15
	119	6
	120	4
198093-34940	72	4
		15
198093-84810	105	28
198119-48310	89	4
198121-51190	91	16
198121-51430	91	24
198129-05190	106	6
		9
198133-13340	17	4
198133-15700	26	2
198133-15740	26	3
198133-15780	26	4
198133-24361	37	1
198133-24370-2	36	10
198133-24380	36	11
198133-25230	39	4
198133-25240	39	5
198133-25311	37	2
198133-25451	40	3
198133-25701	42	3
198133-25761	40	6
198133-25822	40	7
198133-25832	43	1
198133-25841	40	9
198133-25850	43	2
198036-65470	41	16
198133-25870	40	12
198133-25890	43	3
198133-25911	43	4
198133-25941	43	6

Parts No.	Fig. No.	Ref. No.
198133-25960	43	7
198133-25970	43	8
198133-27060	49	6
198133-27070	49	7
198133-27100	49	1 -1
198133-27110	51	1
198133-27120	51	2
198133-27170	50	3
198133-27180-2	51	3
198133-27280	50	6
198133-27300	51	4
198133-27330	50	9
198133-27340	50	10
198133-27350	49	3
	52	2
198133-27401	49	9
198133-27450	50	12
198133-27652	49	10
198133-27711	49	11
198133-27720	49	12
198133-27781	49	14
198133-27820	49	15
198133-27850	49	16
198133-27881	49	17
198133-27900-1	52	3
198133-27910-1	52	7
198133-27940	49	18
198133-27950	49	30
198133-42102-1	78	1
198133-42130	78	2
198133-43310	79	1
198133-43330	79	2
198133-43360	79	3
198133-44210	80	3
198133-44410-2	80	8
198133-44411-2	80	8 -1
198133-45600	82	1
198133-61690	108	14
198133-71600	118	5
	119	4
198133-71700	118	6
	119	5
198133-72530	118	24
	121	3
198133-73100	118	29
	122	5
198133-85850	124	3
198133-85920	124	4
198133-85980	124	5
198137-13300	17	3

Parts No. Index

Parts No.	Fig. No.	Ref. No.
198137-13350	17	5
198137-27180	50	4
198137-27190	50	5
198138-24390	36	12
198138-61531	108	7
198146-34110	70	1
198146-34120	71	1
198146-63660	2	31
198149-22280	33	2
198149-24102-2	36	1
198149-25600	41	3
198149-25690	42	1
198149-25700	41	5
198149-25740	41	8
198149-25750	41	9
198149-25760	41	10
198149-25780	41	6
198149-25790	41	11
198149-25880	41	17
198149-25890	41	7
		18
198149-27490	55	2
198149-27531	55	4
198149-27560	55	6
198149-27570	55	7
198149-31400	61	2
198153-17630	28	17
198153-51420	91	23
198153-51700	91	8
198153-51810	91	33
198153-53410	97	11
198153-89730	103	12
198163-65350	117	3
198163-65930	117	7
198163-65940	117	8
198165-01130	3	4
198175-37421-1	75	7
198175-62311-1	109	14 A
198175-65500	116	2
198175-72250	118	18
	120	7
198178-47300-2	86	1
198178-62541	112	2
198178-65560	115	6
198181-74630	118	34
	122	10
198196-83170	104	14
	105	24
		25
		26

Parts No.	Fig. No.	Ref. No.
198196-83170	105	27
198200-18350	52	1
198200-34130	25	3
198200-34190	25	4
	73	3
198200-47810	87	1 -1
198200-52140	95	5 -1
198212-32611-X	64	1
198215-44110	80	2
198217-33650	68	8
198220-01140	3	5
198220-04290	8	4
198220-11510	122	1
	124	1
198220-15650	26	1
198220-17610	28	15
198220-17620	28	16
198220-17642	28	18
198220-25830	41	12
198220-25840	41	13
198220-26790	60	1
198220-27290	57	2
198220-27990-1	56	8
	60	2
198220-37700	75	14
198220-37720	75	15
198220-37900	35	11
	75	17
198220-45920	36	22
	78	4
		13
198220-46400	85	3
198220-46560	29	8
198220-47370	87	1
198220-47750	109	5
198220-48140	29	10
198220-52180	101	3
		4
198220-53170	98	4
198220-56111	98	5
198220-56130	98	7
198220-56140	98	8
198220-56150	98	9
198220-56160	98	10
198220-56220	98	13
198220-56230	98	15
198220-61340	104	8
198220-61351	106	11
198220-61800	106	15
198220-62150	105	23

Parts No.	Fig. No.	Ref. No.
198220-62150	110	1
198220-62220	109	10
198220-62260	109	11
198220-62270	109	12
198220-62410	109	15
198220-62440	109	16
198220-62920	109	17
198220-63120	113	6
198220-63240	113	10
198220-65470	115	5
198220-85290	124	2
198221-65740	115	9
198230-04750	7	5
198230-17311	28	2
198230-61960	105	9
198240-01450	3	15
198240-01470	3	16
198240-04550	98	1
198240-04710	9	1
198240-04750	9	2
198240-04760	9	3
198240-04770	9	4
198240-11500	12	1
198240-11540	12	3
198240-11550	12	4
198240-11620	11	3
198240-11640	11	4
198240-11650	11	5
198240-12590	14	6
		12
198240-12650	123	1
198240-17840	29	4
198240-17870	28	20
198240-18120-1	14	2
198240-18130-1	14	8
198240-21220	31	5
198240-21250	31	6
198240-21260	31	7
198240-21270	31	8
198240-22470	35	4
198240-22550	35	6
198240-24120	36	2
198240-24140	36	7
198240-24320	36	9
198240-24480-2	36	14
198240-24510-2	36	15
198240-24530	36	3
198240-24682-2	36	16
198240-24690-1	36	17
198240-24900-2	38	1

Parts No.	Fig. No.	Ref. No.
198240-24920-2	36	18
198240-25180	30	8
198240-25220	39	3
198240-25292	45	3
198240-25440	40	2
198240-25930	43	5
198240-26520	46	9
198240-27320	50	8
198240-27841	56	3
198240-27890-1	56	5
198240-27961-2	56	7
198240-32640	64	3
198240-33130-2	65	3
198240-33170	66	1
198240-36310	74	2
198240-36320	74	3
198240-36351	74	4
198240-36380	74	7
198240-36520	74	5
198240-36700	74	8
198240-36710	74	9
198240-36720	74	10
198240-36730-2	74	11
198240-37470-2	75	8
198240-37510	35	10
	75	9
198240-37550-1	75	10
198240-37850	75	16
198240-41110	76	1
198240-41150	76	3
198240-42130	78	8
198240-46620-1	83	2
198240-47380	86	7
198240-47430-3	86	10
198240-47710-2	109	3
198240-47730-2	109	4
198240-48140	88	6
198240-48300-1	89	1
198240-48380	89	2
198240-48410-2	89	6
198240-48500	88	8
	89	7
198240-48830	88	11
198240-48850	88	12
198240-51561	94	3
198240-56600	98	17
198240-56630	98	19
198240-62110	109	8
198240-62451	110	2
198240-63110	113	5

Parts No. Index

Parts No.	Fig. No.	Ref. No.
198241-13280	17	2
198241-14650	23	2
198241-28240	58	6
198241-28310	60	4
198242-01350	3	7
198242-02310	2	8
198242-25350	44	1
198242-25830	40	8
198242-25950	40	10
198242-51130	91	14
198242-65940	116	5
198242-72200	118	17
	120	6
198245-42160	78	29
	127	1
198245-46680	29	9
198250-17850	29	5
198250-32310	63	2
198250-48100-1	88	4
198251-11220	19	3
198251-11800-2	13	1
198251-11820-2	13	3
198251-12310-2	14	1
198251-13100	15	1
198251-13270	17	1
198251-13450-2	19	1
198251-13510	18	1
198251-13520	18	2
198251-13600-2	19	2
198251-13610-2	19	5
198251-13630	13	4
198251-13710-2	20	2
198251-13810	21	1
198251-17500	28	7
198251-17850	29	6
198253-01190	3	12
198253-17700-1	29	1
198253-17750-1	29	2
198253-27510	54	2
	59	2
198253-27520-2	55	3
198253-37610	75	11
198253-75131-1	123	3
198253-75430	123	4
198254-28270-2	60	3
198254-33110-1	65	1
198254-37660	75	13
198254-47370	86	6
198254-53600	96	10
198254-53610	96	11

Parts No.	Fig. No.	Ref. No.
198254-53620	96	12
198254-53630	96	13
198254-53650	96	15
198255-14740	23	4
198255-14760	23	6
198255-24460-4	36	13
198273-18360	49	2
198280-51540	93	1
198280-51560	117	10
198282-34160	73	2
198283-65250	117	1
198283-65310	109	14 B
	117	2
198283-65360	109	14 C
	117	5
198283-65651	115	7
198284-63270	113	12
198291-77870	91	38
198320-04300	8	5
198320-17720-1	88	3
198320-31530	62	2
198320-31550	62	3
198320-31570	62	5
198320-31630	62	6
198320-31820	62	7
198320-32111	62	8
198320-32660	64	5
198320-33412	67	1
198320-33422	67	2
198320-33540	68	1
198320-33550	68	2
198320-33560	68	3
		4
198320-33570	68	5
198320-33610	68	6
198320-33620	68	7
198320-36200	74	1
198320-36790	74	12
198320-47321-2	86	2
198320-47330-2	86	4
198320-47410-2	86	8
198320-48150-1	88	5
198320-48220	88	7
198320-62510	110	3
198320-62520	110	4
198320-62531	112	1
198320-62580	111	2
198320-62610	111	3
198325-27951	56	6
198327-04840	9	5

Parts No.	Fig. No.	Ref. No.
198327-21130	31	1
198327-21140	31	2
198327-21150	28	21
198327-21180	31	3
198327-21190	31	4
198327-22230	34	6
198327-22930	35	9
198327-24240-2	36	8
198327-65620	116	3
198327-65720	115	8
198360-26610	40	14
198360-47320	86	3
198360-47330	86	5
198360-52160	95	4
198360-52320	95	2
198360-52330	95	3
198361-48750	88	10
198390-25790	61	1
198401-13720	20	3
198401-13750-3	20	9
198401-13770-3	20	5
198401-13790	20	8
198401-13850-3	20	10
198401-14110-3	22	1
198401-14120	22	2
198401-14130	22	3
198401-14160	22	4
198415-25840	41	14
198425-63270	113	6 -1
198440-21401	32	2
198440-21610	32	1
198440-21700	32	3
198441-13370	17	8
198448-51910	9	8
198448-53320	97	3
		6
198448-60080	104	1
198461-52950	101	5
		6
198461-60590	108	2
		3
198475-65030	97	16
	104	11
198475-74700	118	35
	122	11
198511-53430	96	6
198511-53450	96	7
198535-32660	64	6
198535-34360	69	5
198535-52110	91	9

Parts No.	Fig. No.	Ref. No.
198535-52130	91	10
1A1120-61541	7	3
1A1120-68070	20	12
1A6150-73700	118	31
	122	7
1A6150-93151	117	9
1A6380-52700	91	8 -1
1A6770-85920	12	5 -1
1A7000-15720	26	5
1A7000-51370	91	22
1A7000-53230	97	2
		5
1A7000-61490	91	36
		37
1A7100-22920	35	8
1A7100-26850	47	1
1A7260-01030	2	1
1A7260-01040	2	2
1A7260-01200	2	3
1A7260-01210	2	4
1A7260-01220	2	5
1A7260-03160	2	10
1A7260-03180	2	12
1A7260-43650	17	7 -1
1A7260-51540	94	2
1A7260-51710	91	32
1A7260-52410	91	11
1A7260-52510	91	34
1A7260-53350	97	7
1A7260-60640	106	1
1A7260-60661	105	2
1A7260-60670	106	2
1A7260-60680	105	3
1A7260-60720	107	2
1A7260-60780	104	4
1A7260-60790	104	5
1A7260-60800	105	6
1A7260-60810	105	7
1A7260-60820	105	8
1A7260-60870	105	13
1A7260-60880	2	29
1A7260-60890	104	6
1A7260-60900	106	4
1A7260-60920	103	8
1A7260-60930	103	9
1A7260-61150-1	106	7
		10
1A7260-61250	97	12
1A7260-61260	97	13
1A7260-61310-1	105	15

Parts No. Index

Parts No.	Fig. No.	Ref. No.
1A7260-61400	106	12
1A7260-61450	106	13
1A7260-61460	106	14
1A7260-61550	105	16
1A7260-61650	105	18
1A7260-61660	105	19
1A7260-61860	104	9
1A7260-61920	105	22
1A7260-61970	104	10
1A7260-85510	28	22
1A7270-06220	2	15
1A7270-49221	90	1
1A7270-60211	2	26
1A7270-60221	2	27
1A7270-60610	104	3
1A7270-60750	106	3
1A7270-61100	104	7
1A7270-74250	118	33
	122	9
1A7300-06210	2	14
1A7310-06200	2	13
1A7335-03160	2	11
1A7335-53640	96	14
1A7335-56120	98	16 A
1A7350-33140	65	4
1A7601-32310	63	2 -1
1A7601-36200	74	1 -1
1A7601-36310	74	2 -1
1A7601-36320	74	3 -1
1A7601-36350	74	4 -1
1A7640-44230	80	4
1A7640-44240	80	5
1A7680-45320	85	1
1A7680-45370-1	85	2
1A7680-46410	85	4
1A7680-65350	117	4
1A7680-65910	117	6
1A7780-01110	3	3
1A7780-01250	2	7
1A7780-01320	3	13
1A7780-01400	3	14
1A7780-03110	4	1
1A7780-03150	2	9
1A7780-03350	5	1
1A7780-04111-1	7	1
1A7780-04350-2	8	6
1A7780-11090-1	11	1
1A7780-11510	11	2
1A7780-13520	18	3
1A7780-13670	15	2

Parts No.	Fig. No.	Ref. No.
1A7780-13820	21	2
1A7780-13830	21	3
1A7780-14110	24	3
		11
1A7780-14120	24	4
		12
1A7780-14140	24	2
		10
1A7780-14180	22	5
1A7780-14301	24	1
1A7780-14310	24	8
		16
1A7780-14351	24	9
1A7780-14600-1	23	1
1A7780-14700-1	23	3
1A7780-14740	23	5
1A7780-14770	24	5
		13
	72	7
		18
1A7780-14790	24	6
		14
	72	8
		19
1A7780-17300	28	1
1A7780-17370	28	4
1A7780-17510	27	5
1A7780-17530	27	7
1A7780-17540	27	8
1A7780-17551	27	9
1A7780-17560	27	10
1A7780-17570	27	11
1A7780-17581	27	12
1A7780-17591	27	13
1A7780-17780-1	29	3
1A7780-21100-1	30	1
1A7780-22121	39	2
1A7780-22170	34	3
1A7780-22210	34	1
1A7780-22220	34	4
1A7780-22251-2	33	1
1A7780-22410-1	35	1
1A7780-24100-1	36	1 -1
1A7780-25270	39	6
1A7780-25460	40	4
1A7780-25480	40	5
1A7780-25820	40	7 -1
1A7780-25830	43	1 -1
1A7780-26110	45	5
1A7780-26121	46	4

Parts No.	Fig. No.	Ref. No.
1A7780-26160	46	5
1A7780-26310	46	6
1A7780-26530	46	10
1A7780-26610	40	8 -1
1A7780-27110	51	1 -1
1A7780-27150-2	50	1
1A7780-27160-2	53	1
1A7780-27180	51	3 -1
1A7780-27210-2	53	2
1A7780-27310	50	7
1A7780-27360	49	8
1A7780-27751	49	13
1A7780-27801	49	4
1A7780-27820-1	56	2
1A7780-27881	56	4
1A7780-27900	52	3 -1
1A7780-27910	52	7 -1
1A7780-28100	58	2
1A7780-28220	58	4
1A7780-28230	58	3
1A7780-34100	72	6
		17
1A7780-34110-1	69	1
1A7780-34550	72	1
1A7780-34560	72	12
1A7780-34750-1	72	5
		16
1A7780-34760	72	10
		21
1A7780-34770	72	11
		22
1A7780-37620	75	12
1A7780-42810-1	78	10
1A7780-44250	80	6
1A7780-44510-2	80	9
1A7780-45950	78	27
1A7780-47300-1	86	1 -1
1A7780-47420	86	9 -1
1A7780-51110	91	4
1A7780-51130	91	15
1A7780-51200	91	4 -1
1A7780-51201	91	4 -2
1A7780-51310	91	20
1A7780-51320	91	20 -1
1A7780-52510	91	34 -1
1A7780-53200	97	1
1A7780-53300	97	4
1A7780-53350	97	8
1A7780-53360	97	9
1A7780-53370	97	10

Parts No.	Fig. No.	Ref. No.
1A7780-56101	98	3
1A7780-56210	98	12
1A7780-56300	98	16 B
1A7780-56501	98	3 -1
1A7780-56502	98	3 -2
1A7780-58100-1	91	35
1A7780-60100	102	1
1A7780-60200	102	1 -1
1A7780-60250	104	2
1A7780-60370	103	2
1A7780-60450	103	3
1A7780-60600	103	4
1A7780-60610	103	5
1A7780-60800	105	4
1A7780-60860	2	28
1A7780-61000	106	5
1A7780-61010	106	8
1A7780-61100	104	7 -1
1A7780-61410-1	108	4
1A7780-61420-1	108	5
1A7780-61510	108	6
1A7780-61511	108	6 -1
1A7780-61540	108	8
1A7780-61550	108	9
1A7780-61600	108	10
1A7780-61650	104	19
1A7780-61673-1	103	11
1A7780-61750	105	22 -1
1A7780-62100	109	7
1A7780-62150-1	109	9
1A7780-62270-1	109	13
1A7780-62310-1	109	14
1A7780-63060	109	18
1A7780-63090-1	109	19
1A7780-63100-1	109	20
1A7780-63120	113	5 -1
1A7780-63210	113	9
1A7780-63260	113	9 -1
1A7780-63270	113	15
1A7780-64830	115	1
1A7780-64840	115	2
1A7780-65440	116	1
1A7780-65470	91	13 A
1A7780-65770	116	4
1A7780-71100	118	3
	119	2
1A7780-71500	118	4
	119	3
1A7780-71600	119	11 -1
1A7780-72100	118	13

Parts No. Index

Parts No.	Fig. No.	Ref. No.
1A7780-72100	120	2
1A7780-72150	118	16
	120	5
1A7780-73410	118	28
	122	4
1A7780-74200	118	30
	122	6
1A7780-74210	118	32
	122	8
1A7780-75111	123	6
1A7780-75130	123	3 -1
1A7780-75711-2	123	5
1A7780-75750	123	11
1A7780-85300-1	122	15
1A7780-85350-1	122	16
1A7780-85650	125	1
1A7780-85770	125	2
1A7780-85780	125	3
1A7780-85900-1	125	4
1A7781-24680	36	16 -1
1A7870-52950	101	3 -1
		4 -1
1A7890-51350	91	21
1A7890-60980	103	10
1A7890-61300-2	105	14
1A7890-61301-2	105	14 -1
1A7890-65010	97	15
1A7891-60910	103	6
1A7940-05510	10	1
1A8115-18350	52	1 -1
1A8115-57150	99	1
1A8115-63260	113	11
1A8160-46670	84	1
1A8160-48400	89	3
1A8160-56211	98	12 -1
1A8160-60720	107	2 -1
1A8170-27100	49	1
		1 -2
1A8205-05510	10	1 -1
1A8275-36520	74	5 -1
1C6140-12060	113	1
1C6140-47210-1	113	1 -1
1C6460-84420	50	15
1E6102-83230	91	27 -1
1E6650-82400	101	7
1E8080-43850	91	3
1E8235-84910	91	13
1E8560-61290	95	8
1K1140-82500	101	6 -1
22117-060000	108	18

Parts No.	Fig. No.	Ref. No.	
22117-080000	83	4	
22117-100000	37	10	
22137-060000	118	8	
		19	
		119	7
		120	8
22137-080000	3	18	
		19	
		52	9 -1
		86	16
		104	15
		105	10
		119	13
22137-100000	3	20	
		35	13
		52	9
		56	9
		86	17
			18
22137-120000	105	11	
		123	13
		49	19
22137-140000	28	23	
22137-160000	56	10	
22137-220000	49	20	
22157-060000	105	29	
		30	
		31	
		109	23
22157-080000	109	24	
22157-100000	3	9	
22157-120000	8	8	
22157-160000	124	6	
22190-050000	98	26	
22207-040320	27	19	
22217-060000	118	9	
		20	
		119	8
		120	9
22217-080000	49	21	
		31	
		52	10
22217-100000	3	21	
		62	9
		96	8
22217-120000	13	6	
		31	9
		123	14
22217-160000	36	24	
		71	2

Parts No.	Fig. No.	Ref. No.
22217-160000	118	37
	122	13
	123	8
22242-000170	51	8
	55	8
22242-000200	56	11
22242-000290	42	4
	74	13
22242-000340	39	8
22242-000360	27	20
22242-000400	44	3
22242-000500	62	10
22252-000170	45	6
22252-000300	76	9
22252-000320	77	4
22252-000420	28	5
22252-000470	37	3
22252-000620	30	9
	37	4
	46	11
	58	7
22252-000720	46	12
22252-000800	37	5
22272-000070	86	19
22272-000080	103	7
22272-000120	52	11
22272-000190	49	22
	75	18
22292-000340	40	16
22312-100180	13	7
	16	8
	36	4
		25
	64	7
	68	9
	78	16
22312-100200	37	6
22351-020012	49	23
	50	16
22351-035032	16	9
	55	9
22351-040012	83	5
22351-040016	78	17
22351-040024	118	10
		21
	119	9
	120	10
22351-040025	28	6
22351-040032	50	17
22351-050025	86	20

Parts No.	Fig. No.	Ref. No.
22351-050032	65	7
22351-050040	65	8
22351-050070	80	11
22351-060016	80	12
22351-060025	50	18
		19
	51	9
	56	12
22351-060030	85	6
22351-060032	16	10
	49	24
	50	20
		21
	51	10
	55	10
		11
	56	13
	60	5
	65	9
22351-060050	62	11
22351-080018	31	10
	32	4
22351-080032	65	10
		11
22351-080040	49	25
	65	12
	68	10
22351-080070	80	13
22372-080000	104	16
	113	13 -1
	124	7
22372-120000	113	13
22372-160000	118	39
	120	15
	121	6
22417-160180	50	22
22417-200160	86	21
	109	25
22417-200300	49	26
	75	19
22417-250200	56	14
22417-250300	3	22
		23
	35	14
	75	20
		21
	110	6
22417-300200	86	22
22417-300250	14	7
		13

Parts No. Index

Parts No.	Fig. No.	Ref. No.
22417-300250	119	14
22417-400250	27	25
22417-400320	118	36
	122	12
22417-400500	17	10
22487-060200	50	23
22487-080300	104	17
22487-080350	86	23
22487-100700	75	22
22512-070400	75	23
22522-030130	86	24
22635-600120	64	8
22695-320321	115	10
22859-500202	105	32
23000-035000	2	32
	88	13
23000-048000	88	9
		14
	89	8
23000-070000	2	33
	23	7
23000-080000	2	34
23010-018000	29	13
23065-160080	57	3
23414-100000	31	11
23414-120016	55	12
23414-190000	29	14
	36	26
	78	5
		18
		28
23414-200026	88	15
23491-140002	19	8
	20	13
	36	27
23876-010000	20	14
	78	6
		12
23876-020000	78	7
23876-040000	13	2
23887-100002	31	12
23980-730250	2	35
23980-730300	9	11
		12
23980-730400	2	36
		37
23980-730420	2	38
23980-730450	9	13
23980-730760	2	39
23980-731120	9	14

Parts No.	Fig. No.	Ref. No.
24101-060074	39	9
	58	8
24101-060104	16	11
	62	12
24101-060114	69	7
24101-060124	15	3
24101-060144	22	6
24101-062044	43	9
24101-062064	39	10
	46	13
24101-062074	46	14
24101-062084	18	4
	44	4
24101-062094	20	15
24101-062114	62	13
24101-062124	69	8
24101-062134	22	7
24101-063044	42	5
24101-063064	42	6
24104-060014	53	3
24104-060034	53	4
24107-063054	40	17
24141-320070	15	4
24161-202617	40	18
24161-303520	40	19
24163-305200	40	20
24164-000202	40	21
24164-000302	40	22
24165-000352	40	23
24165-000402	40	24
24190-070001	28	19
24190-080001	55	13
	56	15
	58	9
24190-100001	50	24
	51	11
24190-110001	17	11
24190-130003	78	19
24190-180001	74	14
24311-000110	83	6
24311-000120	83	7
24311-000125	56	16
	60	6
24311-000150	7	7
	65	13
	86	25
		26
24311-000160	1	26
	19	9
	20	16

Parts No.	Fig. No.	Ref. No.
24311-000160	36	28
	51	12
	55	14
24311-000180	13	5
	95	7
24311-000200	29	15
		16
24311-000500	36	29
24315-000120	78	20
	85	7
24315-000140	78	21
24315-000180	27	21
	85	8
24321-000250	51	13
	55	15
	88	16
	89	9
24321-000300	36	30
		31
24321-000600	69	9
24321-000650	1	27
	38	4
	80	14
24321-000700	19	10
24321-000750	36	32
24321-001000	19	11
24321-001700	19	12
24321-002200	20	17
24325-000650	22	8
24325-000800	78	22
24341-000250	88	17
24341-000315	15	5
24351-240350	27	22
24421-153207	77	5
24421-304208	74	15
24421-356212	58	10
24421-456209	19	13
24550-016150	42	2
24550-017150	50	25
24550-022200	27	14
24761-010000	75	24
24761-020000	31	13
24761-040000	12	2
	35	15
24761-060000	14	5
		11
	27	23
26013-080162	36	33
26013-080202	36	34
		35

Parts No.	Fig. No.	Ref. No.
26013-080202	38	5
	86	27
26013-080252	20	18
	36	36
	41	19
	50	26
	53	5
26013-080302	36	37
26013-080502	36	38
26013-100162	86	28
	92	2
26013-100252	20	19
26013-100852	37	7
26013-101502	37	8
26013-120202	28	24
26013-120302	19	14
		15
	123	15
26013-120352	78	23
		24
		25
	80	15
26013-120402	30	10
	36	39
	64	9
26013-120502	64	10
26013-120552	78	26
26013-120802	13	8
26013-140352	36	40
26016-080352	77	6
26018-060162	8	9
26018-060252	88	18
26018-060352	29	17
26022-030062	98	16
26106-060122	1	32
	2	40
		41
	91	39
		40
	100	1
	101	8
		9
		10
		10 -1
	103	13
	104	18
	105	33
		34
	109	26
		27

Parts No. Index

Parts No.	Fig. No.	Ref. No.
26106-060122	109	28
		29
26106-060162	49	27
		28
		41
		91
		101
		109
		37
		18
		29
		109
26106-060202	109	30
		30
26106-060252	2	42
26106-060402	29	19
		88
26106-060502	88	20
26106-060602	89	10
26106-080102	106	16
26106-080122	23	8
		48
		91
		42
		43
		44
		103
		105
		108
		109
26106-080162	2	43
		44
		3
		24
		8
		10
		9
		15
		28
		25
26106-080302	9	20
		21
		14
		15
		5
		32
		41
		10
		43
		49
26106-080352	36	32
		33
		27
		17
		7
		60
		88
		21
		22
		23
26106-080702	89	11
		12
		91
		45
		46
		102
		2

Parts No.	Fig. No.	Ref. No.		
26106-080162	103	15		
		16		
		17		
		18		
		19		
		20		
		32		
		33		
		34		
		4		
26106-080202	4	2		
		3		
		2		
		6		
		29		
		22		
		23		
		89		
		13		
		110		
26106-080252	2	7		
		113		
		14		
		45		
		46		
		9		
		16		
		63		
		3		
		91		
26106-080302	113	14		
		-1		
		1		
		33		
		9		
		17		
		109		
		35		
		36		
		42		
26106-080352	91	48		
		1		
		34		
		2		
		47		
		28		
		26		
		27		
		49		
		34		
26106-100252	108	21		
		36		
		43		
		109		
		36		
		114		
		3		
		64		
		11		
		37		
26106-100302	37	9		
		7		
		-1		
		64		
		12		
		26106-100802	37	7
		26106-100852	64	12
		26106-120352	12	5
		26116-080252	49	29
		26116-100252	52	29
35				
12				
22				
9				
26116-100504	86			29
26116-160302	31			16
35				
16				
16				

Parts No.	Fig. No.	Ref. No.		
26116-160452	71	3		
26116-160702	123	9		
26156-161002	124	8		
26216-120352	13	9		
26218-080202	36	5		
		51		
		14		
		55		
		16		
26218-100902	36	6		
26306-080002	1	35		
26346-060002	105	35		
26346-080002	52	13		
		13		
		-1		
26356-160002	124	9		
26366-080002	51	15		
26366-100002	55	17		
		36		
		44		
		26367-060002	101	12
		26367-060002	101	12
		26450-080142	81	4
		26450-080202	81	5
		26450-080252	19	16
		26557-060062	118	11
		26557-060352	97	22
119				
10				
120				
11				
20				
22				
27				
25				
8				
26587-060352	108	8		
		4		
		11		
		-1		
		7		
		6		
		2		
		30		
		31		
		10		
26589-060162	98	17		
		17		
		32		
		16		
		45		
		4		
		10		
		38		
		14		
		36		
26716-080002	3	8		
		52		
		8		
		94		
		4		
		11		
		-1		
		7		
		6		
		2		
26716-100002	86	30		
		31		
		17		
		86		
		32		
		123		
		16		
		36		
		45		
		4		
26716-120002	13	10		
		10		
		31		
		17		
		86		
		32		
		123		
		16		
		36		
		45		
26736-160002	118	38		
		14		
		122		
		14		
		1		
		36		
		3		
		10		
		52		
		14		
26756-060002	52	14		
		96		
		9		
		26776-100002	96	9
		26986-100002	3	11

Parts No.	Fig. No.	Ref. No.		
26996-140002	27	24		
29622-140001	91	18		
		49		
		50		
		50		
		-1		
29622-250001	91	51		
		51		
		-1		
		52		
		53		
		54		
		55		
		56		
		794130-71410	118	12
		794251-13910	63	1
2				
63				
1				
76				
6				
19				
6				
794321-13660	19			6
794464-45660	82			6
794525-37000	75	1		
798240-22470	35	2		
798253-48080-1	88	2		
7A7780-01110	3	1		
7A7780-17501	27	2		
7A7780-71010	118	1		