

0CNP5-M33800EN

Directions for the Parts Catalog.

1. This Parts Catalog shows both standard and optional parts.
2. Parts may change without prior notice.
3. The following is an example of the Parts Catalog format.

| REF. | LEV. | PARTS NO. | DESCRIPTION | Q'TY | | | | | | I | R |
|------|------|--|---------------------|------|-----|-----|-----|-----|-----|---|---|
| | | | | (A) | (B) | (C) | (D) | (E) | (F) | | |
| 1 | 1 | 729595-51390 | FUEL INJECTION PUMP | 1 | 1 | 1 | 1 | 1 | | | 1 |
| 1-1 | 1 | 729595-51391 | FUEL INJECTION PUMP | 1 | 1 | 1 | 1 | 1 | | N | 1 |
| | | (A=E00185) (B=E00200) | | | | | | | | | |
| 3 | 2 | 26022-060162 | SCREW M 6X 16 | 9 | 9 | 9 | 9 | 9 | | | |
| 3-1 | 2 | 26022-060162 | SCREW M 6X 16 | 4 | 4 | 4 | 4 | 4 | | K | |
| | | (A=E00156) (B=E00156) (C=E00156) (D=E00156) (E=E00156) | | | | | | | | | |
| 4 | 2 | 129470-51040 | CAMSHAFT | 1 | 1 | 1 | 1 | 1 | | | |
| 5 | 2 | 122710-51050 | BEARING, ROLLER | 2 | 2 | 2 | 2 | 2 | | | |
| 6 | 2 | 129470-51060 | RETAINER | 1 | 1 | 1 | 1 | 1 | | | |

| |
|---|
| Remarks |
| (1) BOOST COMPEMSATOR TYPE. OPTIONAL PART, TO E00155,(4JH-DT, 4JH-DTZ |

① Ref. No.

The Ref. No. listed may not be in accordance with the illustration Ref. No.

(Ex.) Illustration No.

List Ref No.

1

1

(Before change)

1-1

(After change)

For interchangeable symbols N, R and K, illustrations for new parts may be abbreviated.

② Lev. (Level)

Level indication

The numbers below indicate the level of relativity towards the main part.

1 ----- Main parts (Assembly parts)

2 ----- Sub component included in " 1 ".

3 ----- Sub component included in " 2 ".

Note) Parts that are not for sale are partially illustrated but not listed.

③ Interchangeability Symbol

When a part change takes place, one of the following interchangeability symbols is indicated beside the part.

| Symbol | Interchangeability | Contents note |
|--------|---|--|
| N | Old $\begin{matrix} \leftarrow \text{Yes} \\ \text{No} \rightarrow \end{matrix}$ New | New Part is interchangeable for Old Part but Old Part is not interchangeable for New Part. |
| Q | Old $\begin{matrix} \leftarrow \text{No} \\ \text{Yes} \rightarrow \end{matrix}$ New | New Part is not interchangeable for Old Part but Old Part is interchangeable for New Part. |
| R | Old $\begin{matrix} \leftarrow \text{Yes} \\ \text{Yes} \rightarrow \end{matrix}$ New | New/ Old Parts are both interchangeable. |
| S | Old $\begin{matrix} \leftarrow \text{No} \\ \text{No} \rightarrow \end{matrix}$ New | New/ Old Parts are both not interchangeable. |
| W | | Part newly added. |
| Z | | Part discontinued. |
| F | | Not interchangeable by a single part but interchangeable together with related parts. |
| K | | Changes only for used parts quantities. |

④ Effective Machine No.

When a part changes, the effective Machine No. will be indicated in the (A)-(F) column.

| Product Symbol | Product No. | Product Symbol | Product No. |
|----------------|---------------------------|----------------|-----------------------------------|
| C | Clutch No. Compressor No. | F | Machine No. (Agricultural Equip.) |
| D | Drive No. | M | Machine No. |
| E | Engine No. | | |

Note 1) A date may follow the symbol. (Ex.) 1996.01

Note 2) "XXXXX" and "ZZZZZ" are for parts that could not be predicted or for engine models that could not be identified.

Note 3) (A=E00185) is the E (Engine Serial Number) for the column (A) model (in this case 4JH-DT) after the parts design change.

⑤ Remarks

Figures or alphabets (symbols) are entered in the remarks column.

The comments (remarks) on parts that are indicated at the bottom of the illustration are the same symbols as those stated above.

Contents

OCNP5-M33800

Fig. No. Fig. Name

3TNV84-XRE

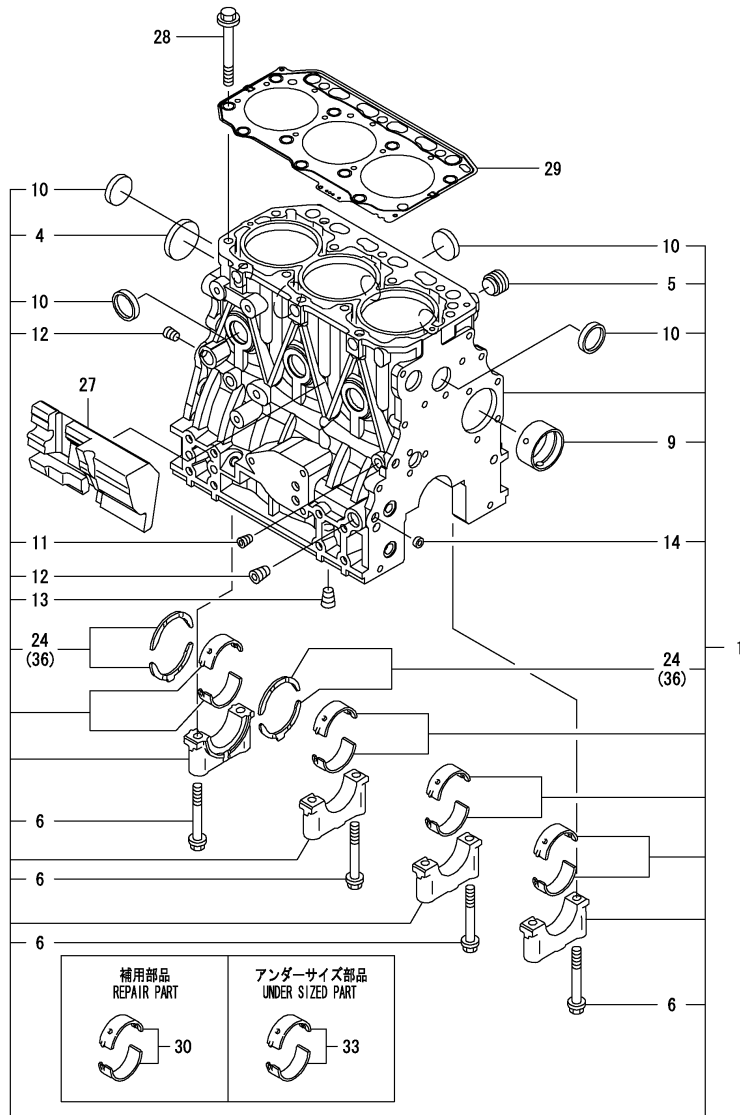
1. CYLINDER BLOCK
2. GEAR HOUSING
3. MOUNTING FLANGE & OIL SUMP
4. CYLINDER HEAD & BONNET
5. SUCTION MANIFOLD
6. EXHAUST MANIFOLD & SILENCER
7. CAMSHAFT & DRIVING GEAR
8. CRANKSHAFT & PISTON
9. HYDRAULIC PUMP
10. LUB.OIL SYSTEM
11. COOLING WATER SYSTEM
12. FUEL INJECTION PUMP
13. GOVERNOR
14. FUEL INJECTION VALVE
15. STARTING MOTOR
16. GENERATOR

Fig. No. Fig. Name

Fig.1. CYLINDER BLOCK

(A)=3TNV84-XRE
(B)=
(C)=

(D)=
(E)=
(F)=



| No. | Lev. | Parts No. | Description | Q'ty | | | | | | I | R |
|-----|------|--------------|----------------------|------|-----|-----|-----|-----|-----|---|---|
| | | | | (A) | (B) | (C) | (D) | (E) | (F) | | |
| 1 | 1 | 729004-01560 | BLOCK ASSY, CYLINDER | 1 | | | | | | | |
| 4 | 2 | 129001-01250 | PLUG, 50 | 1 | | | | | | | |
| 5 | 2 | 171051-01921 | PLUG, NPTF1 | 1 | | | | | | | |
| 6 | 2 | 129150-02020 | BOLT, METAL CAP | 8 | | | | | | | |
| 9 | 2 | 129795-02412 | BUSH, CAMSHAFT | 1 | | | | | | | |
| 10 | 2 | 27241-300000 | PLUG 30 | 6 | | | | | | | |
| 11 | 2 | 124060-01050 | PLUG, PT1/8 | 1 | | | | | | | |
| 12 | 2 | 124160-01910 | PLUG, PT1/4 | 2 | | | | | | | |
| 13 | 2 | 124160-01910 | PLUG, PT1/4 | 1 | | | | | | | |
| 14 | 2 | 27241-120000 | PLUG, 12 | 2 | | | | | | | |
| 24 | 2 | 129150-02931 | BEARING, THRUST | 2 | | | | | | | |
| 27 | 1 | 129004-01190 | SPACER | 1 | | | | | | | |
| 28 | 1 | 129150-01200 | BOLT, HEAD | 14 | | | | | | | |
| 29 | 1 | 129002-01331 | GASKET, HEAD | 1 | | | | | | | |
| 30 | 1 | 129001-02931 | BEARING, MAIN | 4 | | | | | | | 3 |
| 33 | 1 | 129150-02871 | BEARING, 0.25 US | 4 | | | | | | | 1 |
| 36 | 1 | 129150-02941 | BEARING, THRUST 0.25 | 1 | | | | | | | 2 |

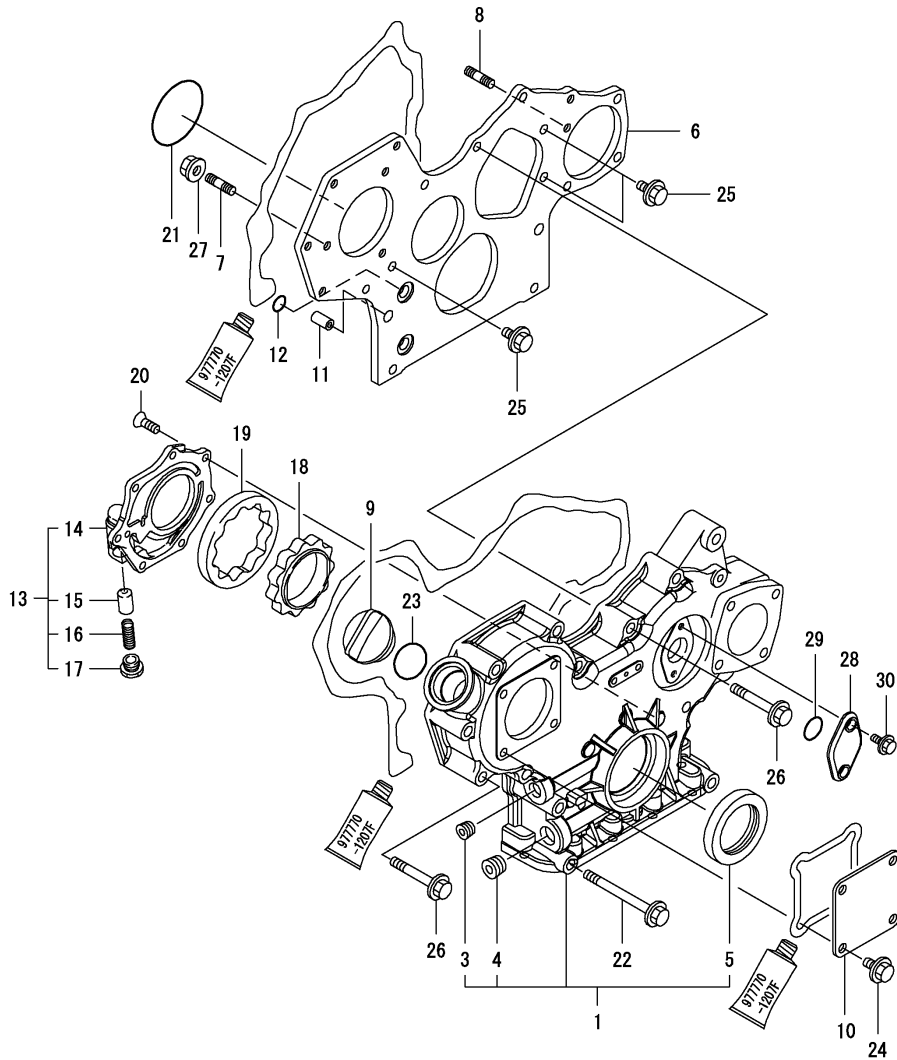
Remarks

- (1) UNDER SIZED (U.S.=0.25) PART.
- (2) OVER SIZED (O.S.=0.25) PART.
- (3) REPAIR PART.

Fig.2. GEAR HOUSING

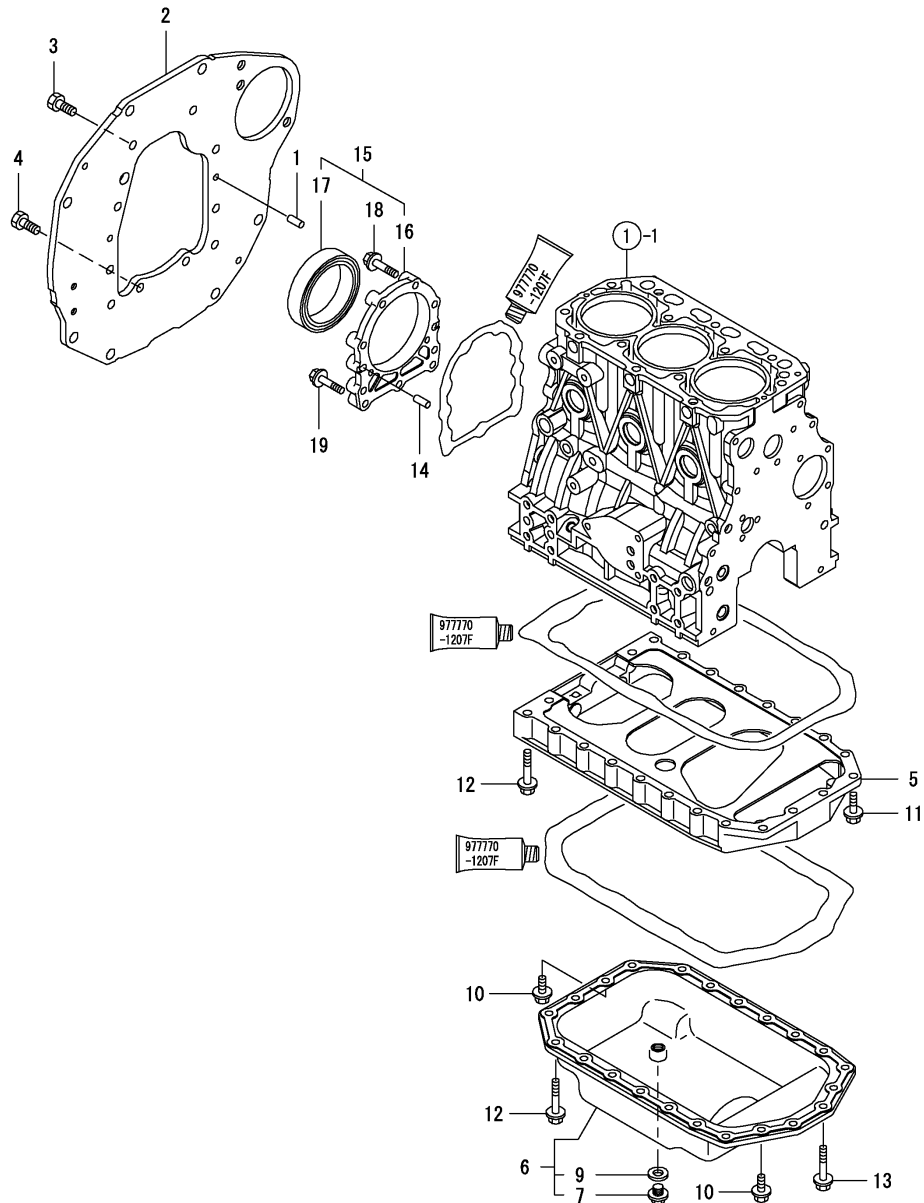
(A)=3TNV84-XRE
(B)=
(C)=

(D)=
(E)=
(F)=



| No. | Lev. | Parts No. | Description | Q'ty | | | | | | I | R |
|-----|------|--------------|---------------------|------|-----|-----|-----|-----|-----|---|---|
| | | | | (A) | (B) | (C) | (D) | (E) | (F) | | |
| 1 | 1 | 729235-01500 | CASE ASSY, GEAR | 1 | | | | | | | |
| 3 | 2 | 23876-030000 | PLUG, R03 | 1 | | | | | | | |
| 4 | 2 | 23876-040000 | PLUG, R04 | 1 | | | | | | | |
| 5 | 2 | 119934-01800 | SEAL, OIL | 1 | | | | | | | |
| 6 | 1 | 129004-01520 | FLANGE, GEAR CASE | 1 | | | | | | | |
| 7 | 1 | 119802-01561 | STUD, M8X25 | 3 | | | | | | | |
| 8 | 1 | 129150-01580 | STUD, M8X30 | 1 | | | | | | | |
| 9 | 1 | 124160-01751 | COVER, FILLER | 1 | | | | | | | |
| 10 | 1 | 124240-01871 | COVER | 1 | | | | | | | |
| 11 | 1 | 129795-01950 | PIPE, KNOCK L=18 | 2 | | | | | | | |
| 12 | 1 | 119609-32040 | O-RING, P16 | 4 | | | | | | | |
| 13 | 1 | 119802-32100 | COVER ASSY | 1 | | | | | | | |
| 14 | 2 | 119802-32070 | COVER | 1 | | | | | | | |
| 15 | 2 | 129900-32130 | VALVE, RELIEF | 1 | | | | | | | |
| 16 | 2 | 129418-32320 | SPRING | 1 | | | | | | | |
| 17 | 2 | 129001-32330 | PLUG | 1 | | | | | | | |
| 18 | 1 | 119802-32111 | ROTOR, INNER | 1 | | | | | | | |
| 19 | 1 | 119802-32120 | ROTOR, OUTER | 1 | | | | | | | |
| 20 | 1 | 119802-32130 | SCREW, M6X16 | 7 | | | | | | | |
| 21 | 1 | 121850-51960 | O-RING | 1 | | | | | | | |
| 22 | 1 | 26106-080852 | BOLT, M8X 85 PLATED | 3 | | | | | | | |
| 23 | 1 | 24311-000320 | O-RING, 1AP32.0 | 1 | | | | | | | |
| 24 | 1 | 26106-080162 | BOLT, M8X 16 PLATED | 4 | | | | | | | |
| 25 | 1 | 26106-080162 | BOLT, M8X 16 PLATED | 3 | | | | | | | |
| 26 | 1 | 26106-080552 | BOLT, M8X 55 PLATED | 11 | | | | | | | |
| 27 | 1 | 26306-080002 | NUT, M8 | 3 | | | | | | | |
| 28 | 1 | 121023-01551 | COVER | 1 | | | | | | | |
| 29 | 1 | 24341-000240 | O-RING, 1AS24.0 | 1 | | | | | | | |
| 30 | 1 | 26106-060162 | BOLT, M6X 16 PLATED | 2 | | | | | | | |

Fig.3. MOUNTING FLANGE & OIL SUMP



(A)=3TNV84-XRE
(B)=
(C)=

(D)=
(E)=
(F)=

| No. | Lev. | Parts No. | Description | Q'ty | | | | | | I | R |
|-----|------|--------------|----------------------|------|-----|-----|-----|-----|-----|---|---|
| | | | | (A) | (B) | (C) | (D) | (E) | (F) | | |
| 1 | 1 | 129100-01580 | PIN, M8X16 | 2 | | | | | | | |
| 2 | 1 | 119852-01601 | FLANGE, MOUNTING | 1 | | | | | | | |
| 3 | 1 | 26206-100202 | BOLT, M10X 20 PLATED | 6 | | | | | | | |
| 4 | 1 | 26206-100252 | BOLT, M10X 25 PLATED | 4 | | | | | | | |
| 5 | 1 | 129100-01730 | SPACER, OIL SUMP | 1 | | | | | | | |
| 6 | 1 | 129055-01770 | SUMP ASSY, OIL | 1 | | | | | | | |
| 7 | 2 | 129054-01640 | PLUG, DRAIN 12 | 1 | | | | | | | |
| 9 | 2 | 22190-120002 | WASHER, SEAL 12 | 1 | | | | | | | |
| 10 | 1 | 26106-080162 | BOLT, M8X 16 PLATED | 4 | | | | | | | |
| 11 | 1 | 26106-080252 | BOLT, M8X 25 PLATED | 2 | | | | | | | |
| 12 | 1 | 26106-080452 | BOLT, M8X 45 PLATED | 16 | | | | | | | |
| 13 | 1 | 26106-080502 | BOLT, M8X 50 PLATED | 4 | | | | | | | |
| 14 | 1 | 129100-01580 | PIN, M8X16 | 2 | | | | | | | |
| 15 | 1 | 129100-01640 | CASE ASSY, OIL SEAL | 1 | | | | | | | |
| 16 | 2 | 129150-01650 | CASE, OIL SEAL | 1 | | | | | | | |
| 17 | 2 | 129795-01780 | SEAL, OIL | 1 | | | | | | | |
| 18 | 1 | 129486-01670 | BOLT, M8X30 | 6 | | | | | | | |
| 19 | 1 | 26106-080352 | BOLT, M8X 35 PLATED | 3 | | | | | | | |

Fig.4. CYLINDER HEAD & BONNET

(A)=3TNV84-XRE

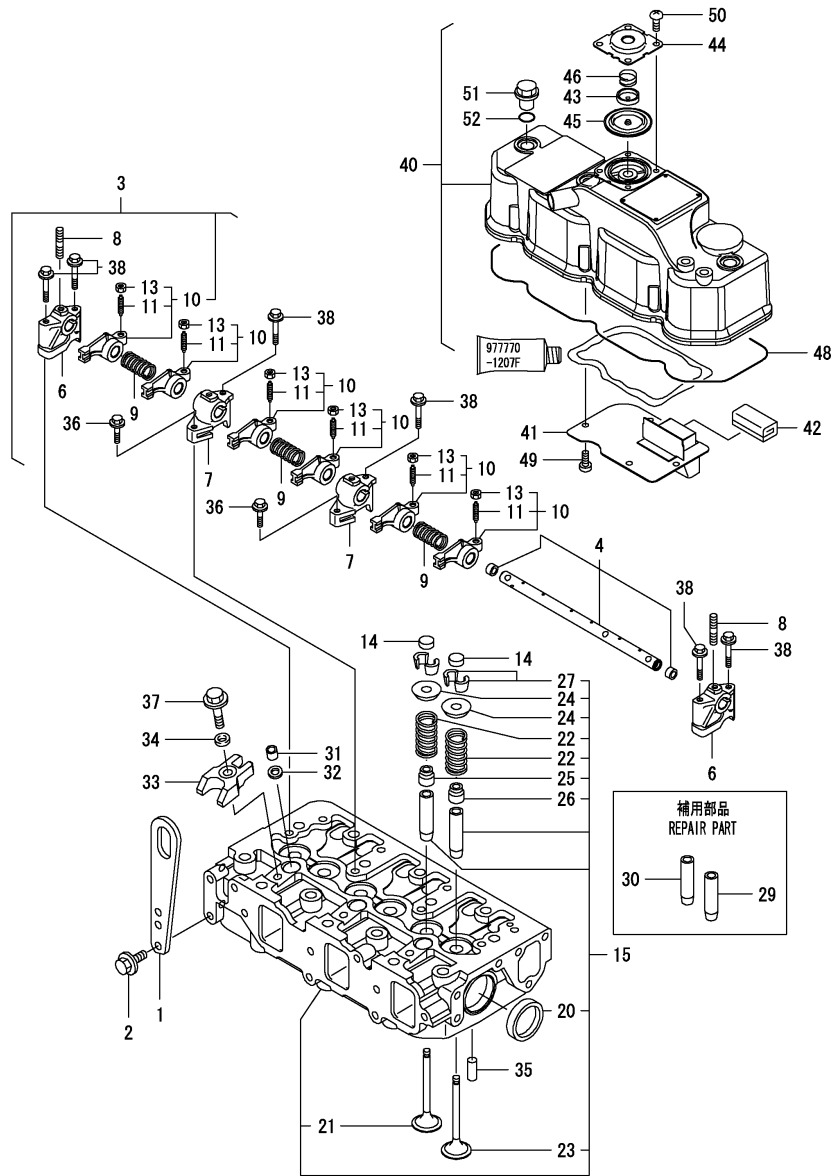
(B)=

(C)=

(D)=

(E)=

(F)=



| No. | Lev. | Parts No. | Description | Q'ty | | | | | | I | R |
|-----|------|--------------|---------------------|------|-----|-----|-----|-----|-----|---|---|
| | | | | (A) | (B) | (C) | (D) | (E) | (F) | | |
| 1 | 1 | 129900-07900 | LIFTER | 1 | | | | | | | |
| 2 | 1 | 26106-080162 | BOLT, M8X 16 PLATED | 2 | | | | | | | |
| 3 | 1 | 129004-11241 | SHAFT ASSY, ROCKER | 1 | | | | | | | |
| 4 | 2 | 129004-11251 | SHAFT, ROCKER ARM | 1 | | | | | | | |
| 6 | 2 | 119802-11260 | SUPPORT, ROCKER ARM | 2 | | | | | | | |
| 7 | 2 | 119802-11270 | SUPPORT, ROCKER ARM | 2 | | | | | | | |
| 8 | 2 | 119802-11280 | STUD | 3 | | | | | | | |
| 9 | 2 | 129150-11280 | SPRING | 3 | | | | | | | |
| 10 | 2 | 129004-11650 | ARM, ROCKER | 6 | | | | | | | |
| 11 | 3 | 129150-11230 | SCREW, VALVE ADJUST | 6 | | | | | | | |
| 13 | 3 | 129150-11750 | NUT, M8 | 6 | | | | | | | |
| 14 | 1 | 129150-11370 | CAP, VALVE | 6 | | | | | | | |
| 15 | 1 | 129004-11700 | HEAD ASSY, CYLINDER | 1 | | | | | | | |
| 20 | 2 | 27241-400000 | PLUG, 40 | 2 | | | | | | | |
| 21 | 2 | 129100-11112 | VALVE, EXHAUST | 3 | | | | | | | |
| 22 | 2 | 129795-11120 | SPRING, VALVE | 6 | | | | | | | |
| 23 | 2 | 129004-11130 | VALVE, INTAKE | 3 | | | | | | | |
| 24 | 2 | 129795-11180 | RETAINER, SPRING | 6 | | | | | | | |
| 25 | 2 | 121400-11340 | SEAL, VALVE STEM | 3 | | | | | | | |
| 26 | 2 | 124460-11340 | SEAL, VALVE STEM | 3 | | | | | | | |
| 27 | 2 | 27310-080001 | COTTER, 8 | 6 | | | | | | | |
| 29 | 1 | 120130-11860 | GUIDE, VALVE | 3 | | | | | | | 1 |
| 30 | 1 | 129150-11810 | GUIDE, VALVE | 3 | | | | | | | 1 |
| 31 | 1 | 119802-11870 | PROTECTOR, NOZZLE | 3 | | | | | | | |
| 32 | 1 | 119625-11880 | SEAT, NOZZLE | 3 | | | | | | | |
| 33 | 1 | 129004-11900 | RETAINER, NOZZLE | 3 | | | | | | | |
| 34 | 1 | 120270-54410 | WASHER, INJECTOR | 3 | | | | | | | |
| 35 | 1 | 22351-060012 | PIN, SPRING 6.0X12 | 2 | | | | | | | |
| 36 | 1 | 26106-080252 | BOLT, M8X 25 PLATED | 2 | | | | | | | |
| 37 | 1 | 26106-080352 | BOLT, M8X 35 PLATED | 3 | | | | | | | |
| 38 | 1 | 26106-080502 | BOLT, M8X 50 PLATED | 6 | | | | | | | |
| 40 | 1 | 129055-11350 | BONNET ASSY, HEAD | 1 | | | | | | | |
| 41 | 2 | 129004-03010 | PLATE | 1 | | | | | | | |
| 42 | 2 | 129150-03070 | BAFFLE, BREATHER | 1 | | | | | | | |
| 43 | 2 | 119802-03110 | PLATE | 1 | | | | | | | |
| 44 | 2 | 119802-03121 | COVER, DIAPHRAGM | 1 | | | | | | | |
| 45 | 2 | 119802-03130 | DIAPHRAGM | 1 | | | | | | | |
| 46 | 2 | 119802-03141 | SPRING, DIAPHRAGM | 1 | | | | | | | |
| 48 | 2 | 129004-11310 | GASKET, BONNET | 1 | | | | | | | |
| 49 | 2 | 22857-500100 | SCREW, 5X10 | 4 | | | | | | | |
| 50 | 2 | 22857-500100 | SCREW, 5X10 | 4 | | | | | | | |
| 51 | 1 | 124160-11360 | KNOB | 3 | | | | | | | |
| 52 | 1 | 24311-000120 | O-RING, 1AP12.0 | 3 | | | | | | | |

Remarks

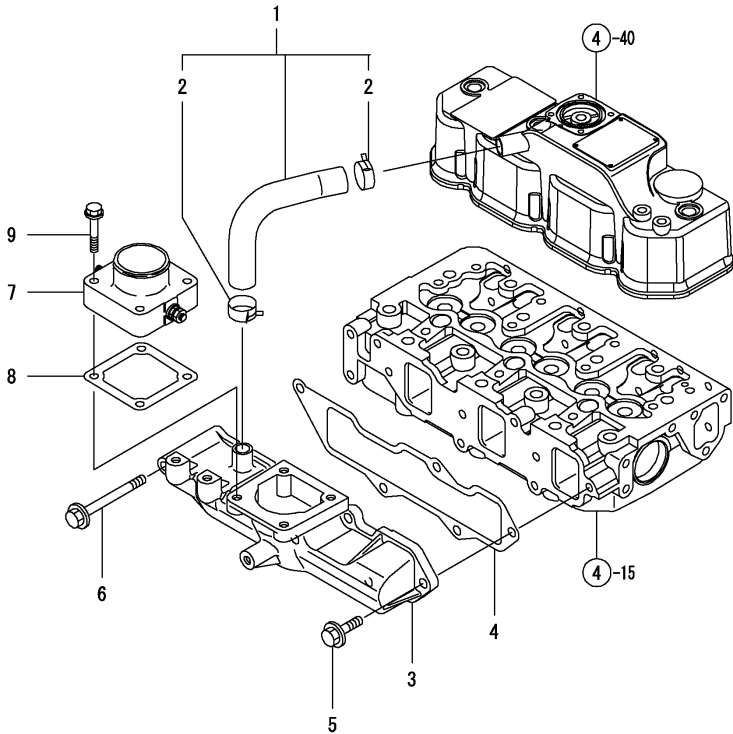
(1)REPAIR PART.

N:Old $\begin{matrix} \leftarrow \text{Yes} \\ \text{No} \end{matrix}$ New, Q:Old $\begin{matrix} \leftarrow \text{No} \\ \text{Yes} \end{matrix}$ New, R:Old $\begin{matrix} \leftarrow \text{Yes} \\ \text{Yes} \end{matrix}$ New, S:Old $\begin{matrix} \leftarrow \text{No} \\ \text{No} \end{matrix}$ New, W:Add, Z:Discontinued, F:Interchangeable by set, K:Q'ty Change

Fig.5. SUCTION MANIFOLD

(A)=3TNV84-XRE
 (B)=
 (C)=

(D)=
 (E)=
 (F)=



| No. | Lev. | Parts No. | Description | Q'ty | | | | | | I | R |
|-----|------|--------------|----------------------|------|-----|-----|-----|-----|-----|---|---|
| | | | | (A) | (B) | (C) | (D) | (E) | (F) | | |
| 1 | 1 | 129005-03080 | PIPE , BREATHER | 1 | | | | | | | |
| 2 | 2 | 129410-03990 | CLAMP 22 | 2 | | | | | | | |
| 3 | 1 | 129005-12101 | MANIFOLD, AIR INTAKE | 1 | | | | | | | |
| 4 | 1 | 129001-12110 | GASKET, MANIFOLD | 1 | | | | | | | |
| 5 | 1 | 26106-080202 | BOLT, M8X 20 PLATED | 4 | | | | | | | |
| 6 | 1 | 26106-080802 | BOLT, M8X 80 PLATED | 1 | | | | | | | |
| 7 | 1 | 129120-77502 | HEATER | 1 | | | | | | | |
| 8 | 1 | 129150-77511 | GASKET | 1 | | | | | | | |
| 9 | 1 | 26106-080352 | BOLT, M8X 35 PLATED | 4 | | | | | | | |

N:Old $\begin{smallmatrix} \leftarrow \text{Yes} \\ \text{No} \end{smallmatrix}$ New, Q:Old $\begin{smallmatrix} \text{No} \\ \leftarrow \text{Yes} \end{smallmatrix}$ New, R:Old $\begin{smallmatrix} \text{Yes} \\ \leftarrow \text{No} \end{smallmatrix}$ New, S:Old $\begin{smallmatrix} \text{No} \\ \leftarrow \text{Yes} \end{smallmatrix}$ New, W:Add, Z:Discontinued, F:Interchangeable by set, K:Q'ty Change
 Copyright (C) YANMAR CO., LTD. All RightsReserved.

Fig.6. EXHAUST MANIFOLD & SILENCER

(A)=3TNV84-XRE
(B)=
(C)=

(D)=
(E)=
(F)=

| No. | Lev. | Parts No. | Description | Q'ty | | | | | | I | R |
|-----|------|--------------|-------------------|------|-----|-----|-----|-----|-----|---|---|
| | | | | (A) | (B) | (C) | (D) | (E) | (F) | | |
| 1 | 1 | 171350-13100 | MANIFOLD, EXHAUST | 1 | | | | | | | |
| 2 | 1 | 129150-13110 | GASKET | 1 | | | | | | | |
| 3 | 1 | 129263-13220 | STUD, M8X95 | 2 | | | | | | | |
| 4 | 1 | 123900-13630 | BOLT, M8X80 | 4 | | | | | | | |
| 5 | 1 | 119131-18320 | STUD, M8X22 | 4 | | | | | | | |
| 6 | 1 | 26306-080002 | NUT, M8 | 2 | | | | | | | |
| 7 | 1 | 129004-13200 | GASKET, SILENCER | 1 | | | | | | | |
| 8 | 1 | 129055-13521 | SILENCER | 1 | | | | | | | |
| 9 | 1 | 26306-080002 | NUT, M8 | 4 | | | | | | | |

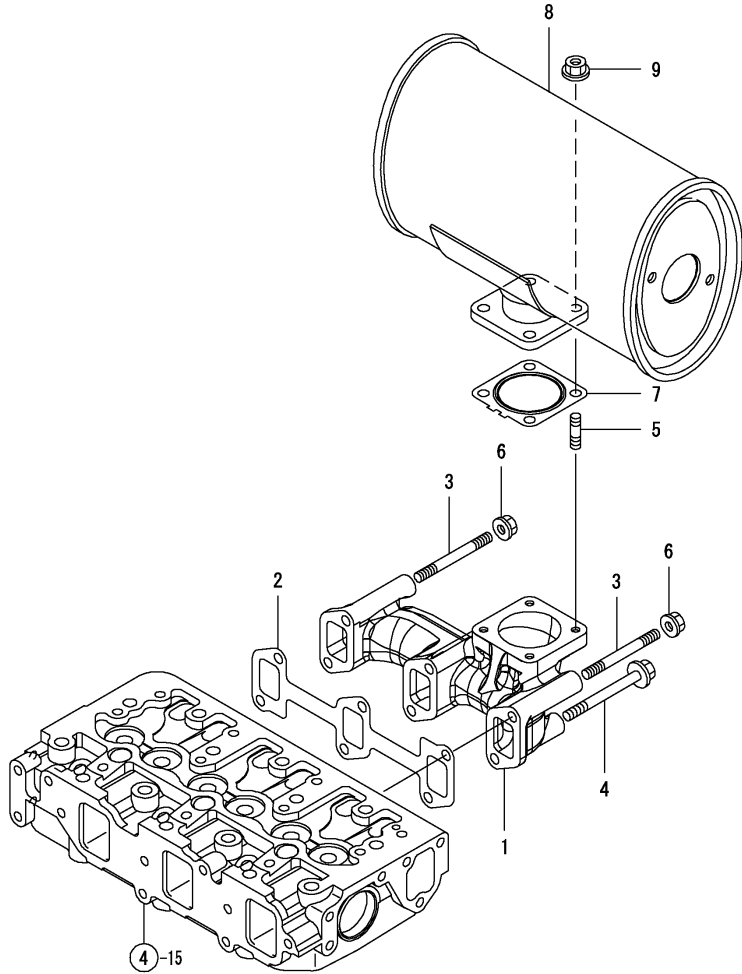
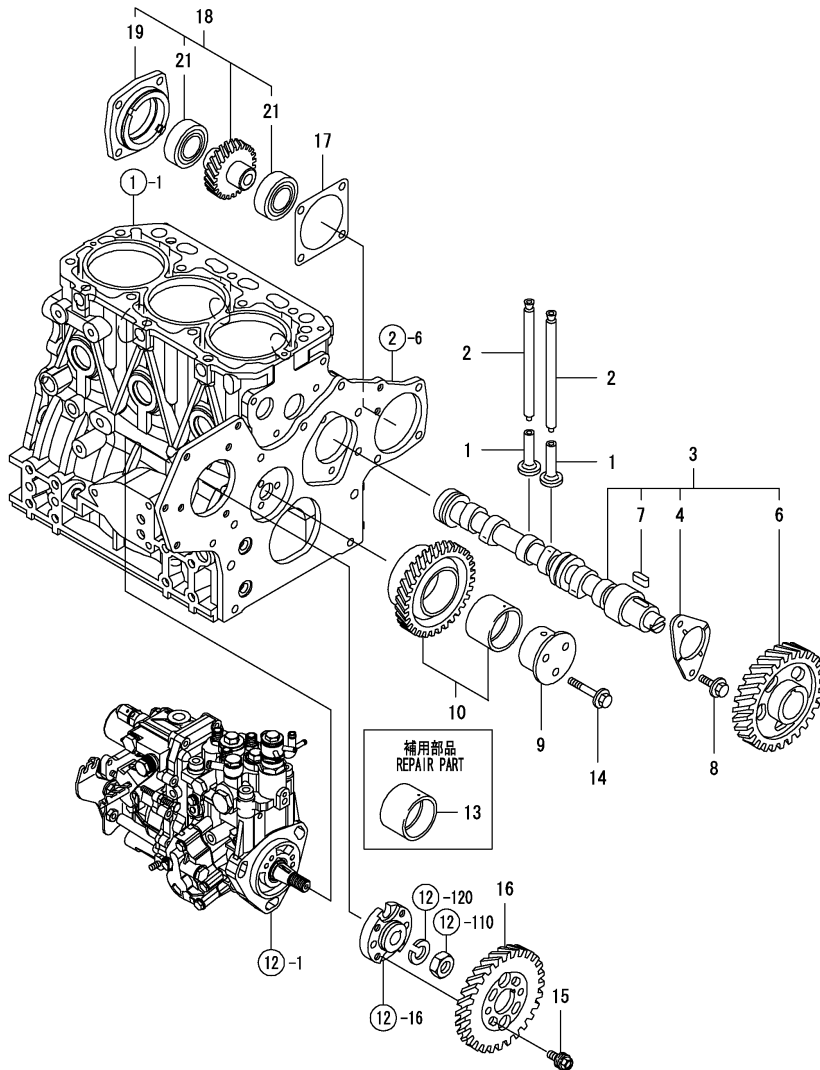


Fig.7. CAMSHAFT & DRIVING GEAR



(A)=3TNV84-XRE
(B)=
(C)=

(D)=
(E)=
(F)=

| No. | Lev. | Parts No. | Description | Q'ty | | | | | | I | R |
|-----|------|--------------|---------------------|------|-----|-----|-----|-----|-----|---|---|
| | | | | (A) | (B) | (C) | (D) | (E) | (F) | | |
| 1 | 1 | 129150-14200 | TAPPET | 6 | | | | | | | |
| 2 | 1 | 129150-14400 | ROD, PUSH L=178 | 6 | | | | | | | |
| 3 | 1 | 129129-14580 | CAMSHAFT ASSY | 1 | | | | | | | |
| 4 | 2 | 129150-02450 | BEARING, THRUST | 1 | | | | | | | |
| 6 | 2 | 129150-14101 | GEAR, CAMSHAFT | 1 | | | | | | | |
| 7 | 2 | 22512-070140 | KEY, 7X 14 | 1 | | | | | | | |
| 8 | 1 | 26106-080142 | BOLT, M8X 14 PLATED | 2 | | | | | | | |
| 9 | 1 | 119802-25051 | SHAFT, IDLE | 1 | | | | | | | |
| 10 | 1 | 119802-25101 | GEAR ASSY, IDLE | 1 | | | | | | | |
| 13 | 1 | 119802-25071 | BUSH, IDLE GEAR | 1 | | | | | | | 1 |
| 14 | 1 | 26106-080402 | BOLT, M8X 40 PLATED | 3 | | | | | | | |
| 15 | 1 | 129150-25301 | BOLT | 4 | | | | | | | |
| 16 | 1 | 119802-25901 | GEAR, PUMP | 1 | | | | | | | |
| 17 | 1 | 129150-01881 | GASKET | 1 | | | | | | | |
| 18 | 1 | 129150-26000 | DRIVE ASSY, PUMP | 1 | | | | | | | |
| 19 | 2 | 129150-26050 | BRACKET, PUMP | 1 | | | | | | | |
| 21 | 2 | 24105-060064 | BEARING, BALL 6006Z | 2 | | | | | | | |

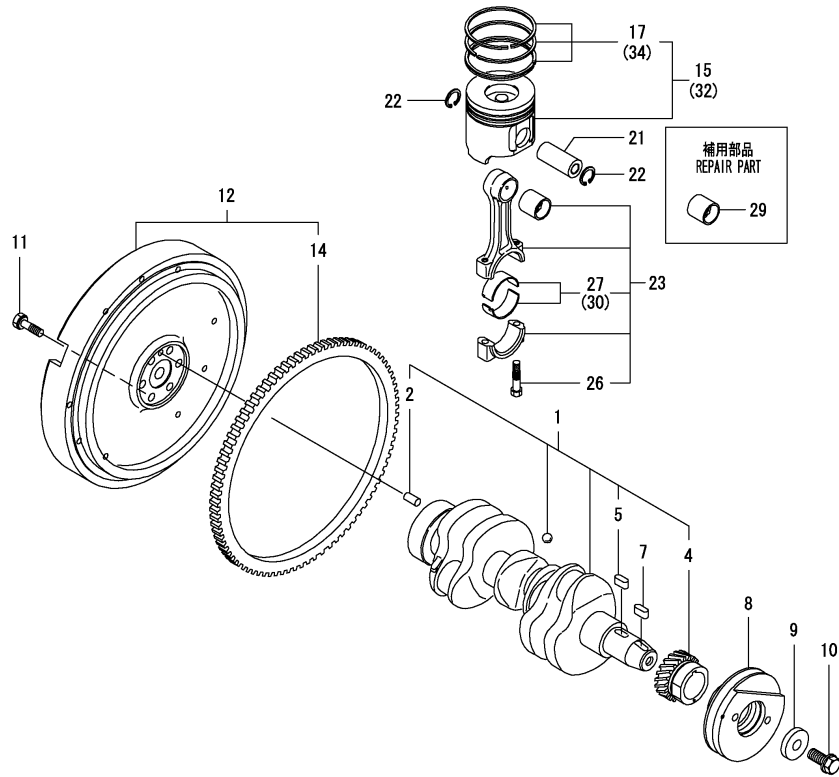
Remarks

(1)REPAIR PART.

Fig.8. CRANKSHAFT & PISTON

(A)=3TNV84-XRE
(B)=
(C)=

(D)=
(E)=
(F)=

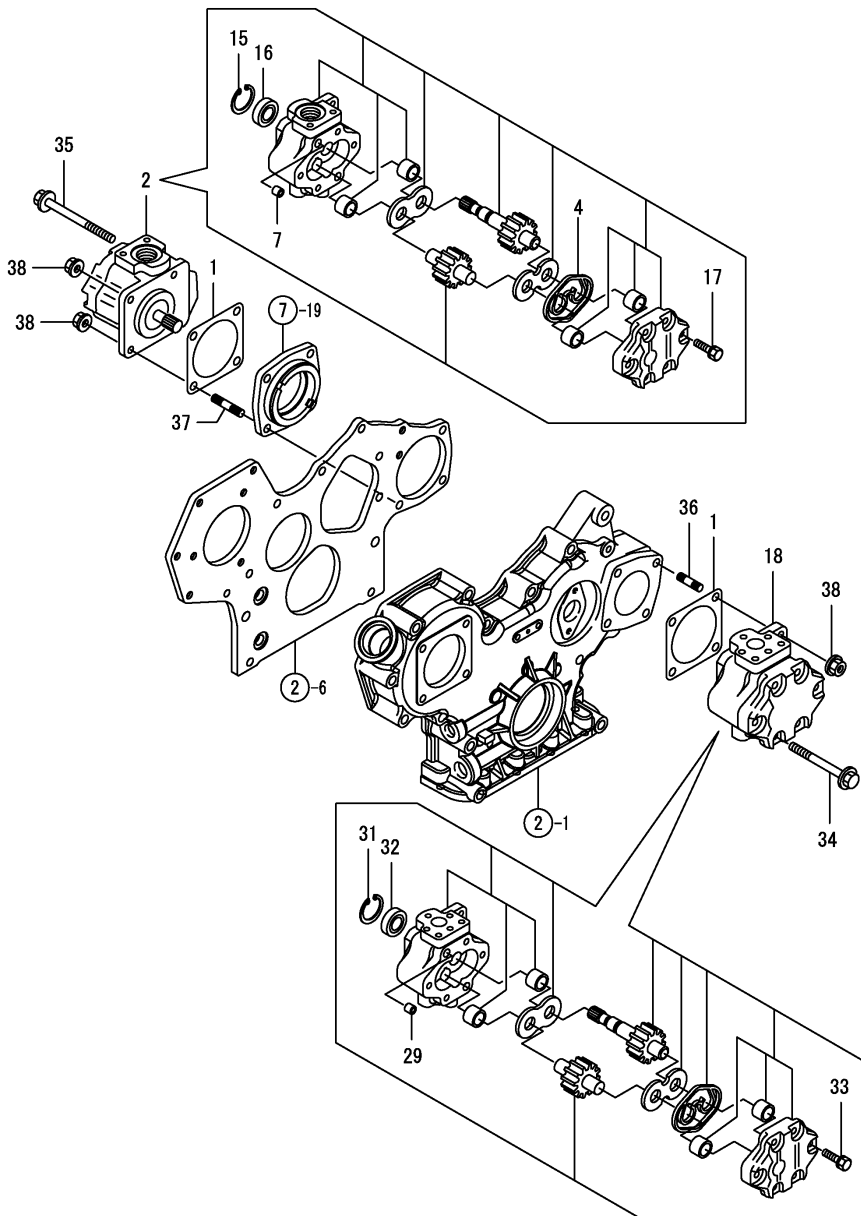


| No. | Lev. | Parts No. | Description | Q'ty | | | | | | I | R |
|-----|------|--------------|----------------------|------|-----|-----|-----|-----|-----|---|---|
| | | | | (A) | (B) | (C) | (D) | (E) | (F) | | |
| 1 | 1 | 129004-21002 | CRANKSHAFT ASSY | 1 | | | | | | | |
| 2 | 2 | 129100-01580 | PIN, M8X16 | 1 | | | | | | | |
| 4 | 2 | 119802-21202 | GEAR, CRANKSHAFT | 1 | | | | | | | |
| 5 | 2 | 22512-070140 | KEY, 7X 14 | 1 | | | | | | | |
| 7 | 1 | 22512-070140 | KEY, 7X 14 | 1 | | | | | | | |
| 8 | 1 | 129055-21650 | V-PULLEY, 120 | 1 | | | | | | | |
| 9 | 1 | 129795-21661 | WASHER | 1 | | | | | | | |
| 10 | 1 | 121850-21680 | BOLT | 1 | | | | | | | |
| 11 | 1 | 121111-21501 | BOLT, FLYWHEEL | 6 | | | | | | | |
| 12 | 1 | 129055-21592 | FLYWHEEL ASSY | 1 | | | | | | | |
| 14 | 2 | 124550-21600 | GEAR, RING | 1 | | | | | | | |
| 15 | 1 | 129004-22080 | PISTON ASSY | 3 | | | | | | | |
| 17 | 2 | 129004-22500 | RING SET, PISTON | 3 | | | | | | | |
| 21 | 1 | 129202-22300 | PIN, PISTON D26 L70 | 3 | | | | | | | |
| 22 | 1 | 22252-000260 | RING, 26 | 6 | | | | | | | |
| 23 | 1 | 729402-23100 | ROD ASSY, CONNECTING | 3 | | | | | | | |
| 26 | 2 | 121550-23200 | BOLT, CONNECTING ROD | 6 | | | | | | | |
| 27 | 2 | 129150-23601 | BEARING, CRANK PIN | 3 | | | | | | | |
| 29 | 1 | 129100-23910 | BEARING, PISTON PIN | 3 | | | | | | | 1 |
| 30 | 1 | 129150-23611 | BEARING, 0.25 US | 3 | | | | | | | 2 |
| 32 | 1 | 129004-22900 | PISTON ASSY, 0.25 OS | 3 | | | | | | | 3 |
| 34 | 2 | 129004-22950 | RING SET, 0.25 OS | 3 | | | | | | | 3 |

Remarks

- (1)REPAIR PART.
- (2)UNDER SIZED(U.S.=0.25)PART.
- (3)OVER SIZED(O.S.=0.25)PART.

Fig.9. HYDRAULIC PUMP



(A)=3TNV84-XRE
(B)=
(C)=

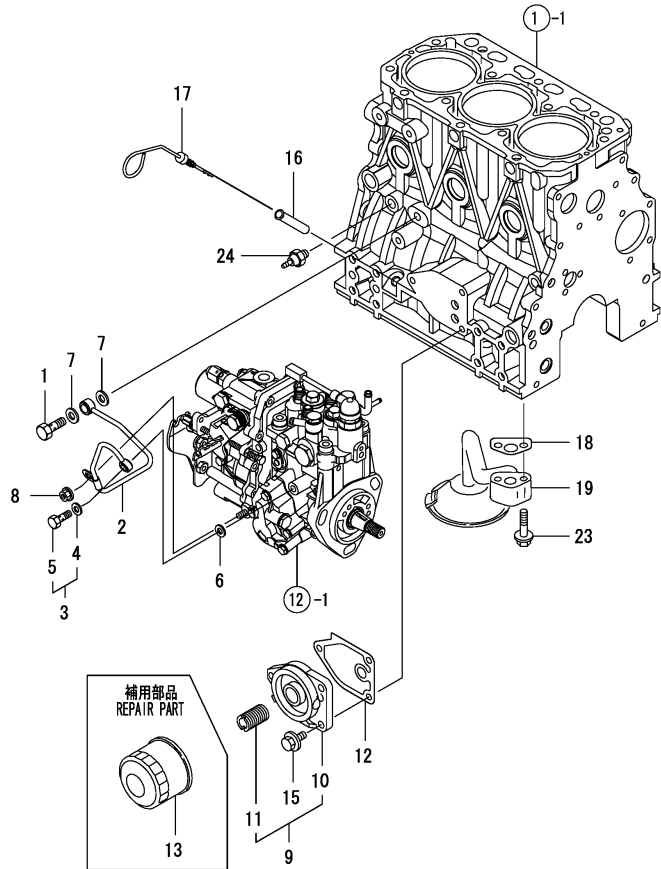
(D)=
(E)=
(F)=

| No. | Lev. | Parts No. | Description | Q'ty | | | | | | I | R |
|-----|------|--------------|----------------------|------|-----|-----|-----|-----|-----|---|---|
| | | | | (A) | (B) | (C) | (D) | (E) | (F) | | |
| 1 | 1 | 124240-01883 | GASKET | 2 | | | | | | | |
| 2 | 1 | 198172-41110 | PUMP, HYDRAULIC | 1 | | | | | | | |
| 4 | 2 | 178070-10401 | RING | 1 | | | | | | | |
| 7 | 2 | 194521-41570 | PIN, 11X7 | 2 | | | | | | | |
| 15 | 2 | 22252-000320 | RING, 32 | 1 | | | | | | | |
| 16 | 2 | 24421-153207 | SEAL, OIL TC153207 | 1 | | | | | | | |
| 17 | 2 | 26016-080352 | BOLT, M8X 35 | 4 | | | | | | | |
| 18 | 1 | 198280-41150 | PUMP ASSY, HYDRAULIC | 1 | | | | | | | |
| 29 | 2 | 194521-41570 | PIN, 11X7 | 2 | | | | | | | |
| 31 | 2 | 22252-000320 | RING, 32 | 1 | | | | | | | |
| 32 | 2 | 24421-153207 | SEAL, OIL TC153207 | 1 | | | | | | | |
| 33 | 2 | 26016-080352 | BOLT, M8X 35 | 4 | | | | | | | |
| 34 | 1 | 26106-080802 | BOLT, M8X 80 PLATED | 2 | | | | | | | |
| 35 | 1 | 26106-080952 | BOLT, M8X 95 PLATED | 2 | | | | | | | |
| 36 | 1 | 26216-080222 | STUD, M8X 22 | 2 | | | | | | | |
| 37 | 1 | 26216-080402 | STUD, M8X 40 | 1 | | | | | | | |
| 38 | 1 | 26306-080002 | NUT, M8 | 4 | | | | | | | |

Fig.10. LUB.OIL SYSTEM

(A)=3TNV84-XRE
(B)=
(C)=

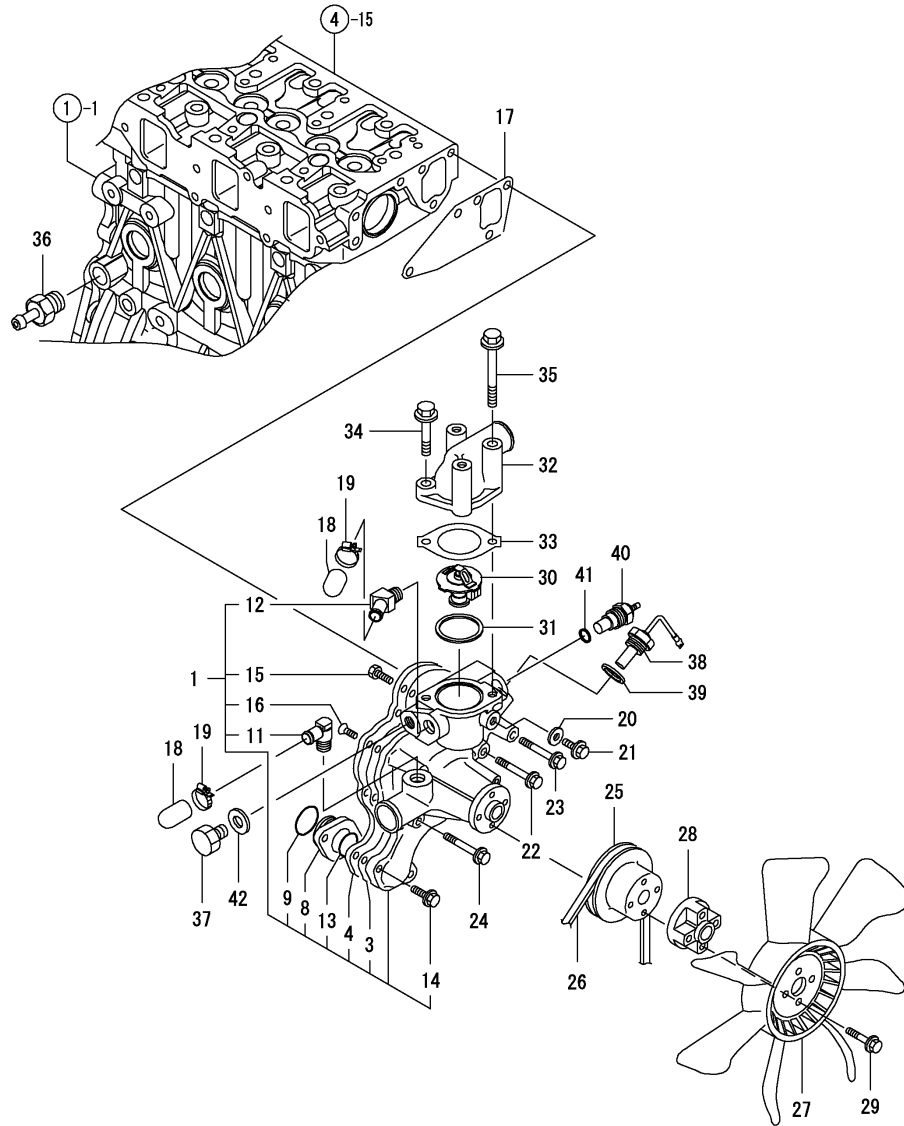
(D)=
(E)=
(F)=



| No. | Lev. | Parts No. | Description | Q'ty | | | | | | I | R |
|-----|------|--------------|----------------------|------|-----|-----|-----|-----|-----|---|---|
| | | | | (A) | (B) | (C) | (D) | (E) | (F) | | |
| 1 | 1 | 124160-39140 | BOLT, PIPE JOINT M10 | 1 | | | | | | | |
| 2 | 1 | 119802-39450 | PIPE ASSY, OIL | 1 | | | | | | | |
| 3 | 1 | 129005-59830 | BOLT ASSY, JOINT M8 | 1 | | | | | | | |
| 4 | 2 | 22190-080002 | WASHER, SEAL 6 | 1 | | | | | | | |
| 5 | 2 | 23857-030000 | BOLT, JOINT 3 | 1 | | | | | | | |
| 6 | 1 | 22190-080002 | WASHER, SEAL 6 | 1 | | | | | | | |
| 7 | 1 | 22190-100002 | WASHER, SEAL 10 | 2 | | | | | | | |
| 8 | 1 | 26366-060002 | NUT, M6 | 1 | | | | | | | |
| 9 | 1 | 119802-35100 | BRACKET ASSY, FILTER | 1 | | | | | | | |
| 10 | 2 | 119802-35110 | BRACKET, FILTER | 1 | | | | | | | |
| 11 | 2 | 129100-35140 | STUD | 1 | | | | | | | |
| 12 | 1 | 129150-35111 | GASKET | 1 | | | | | | | |
| 13 | 1 | 129150-35170 | FILTER,LO | 1 | | | | | | | 1 |
| 15 | 1 | 26106-080202 | BOLT, M8X 20 PLATED | 3 | | | | | | | |
| 16 | 1 | 121520-34810 | GUIDE, DIPSTICK | 1 | | | | | | | |
| 17 | 1 | 129055-34811 | DIPSTICK, OIL | 1 | | | | | | | |
| 18 | 1 | 129150-35042 | GASKET | 1 | | | | | | | |
| 19 | 1 | 129150-35091 | PIPE ASSY, OIL INLET | 1 | | | | | | | |
| 23 | 1 | 26106-080352 | BOLT, M8X 35 PLATED | 2 | | | | | | | |
| 24 | 1 | 114250-39450 | SWITCH, 0.5KG | 1 | | | | | | | |

Remarks
(1)REPAIR PART.

Fig.11. COOLING WATER SYSTEM

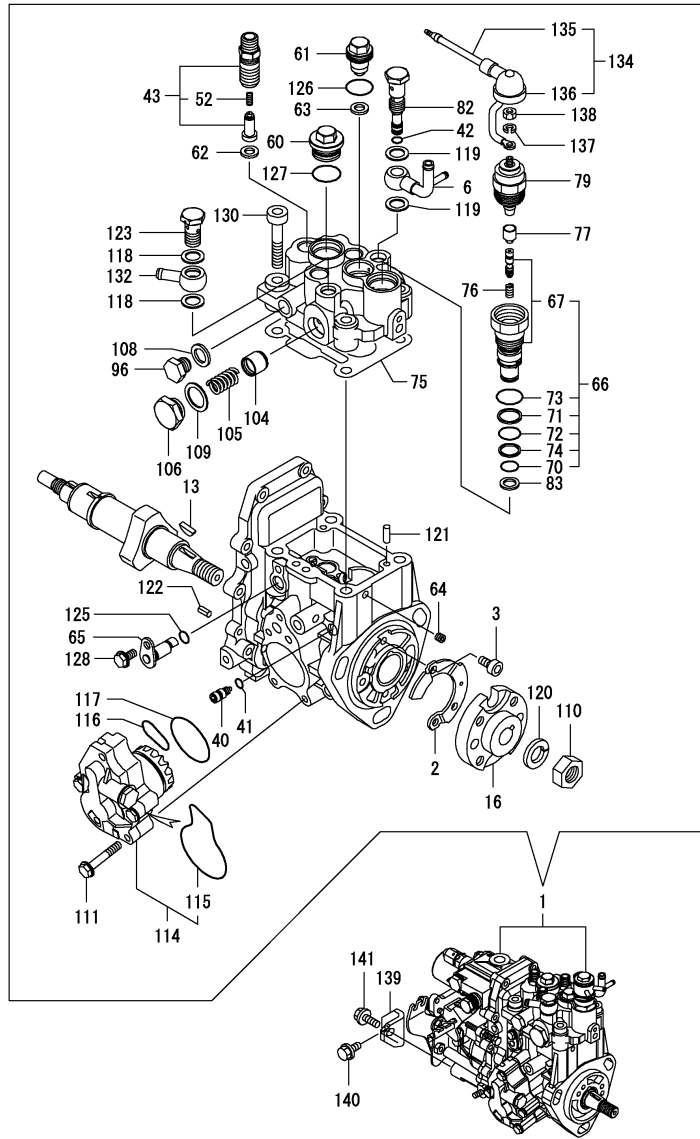


(A)=3TNV84-XRE
(B)=
(C)=

(D)=
(E)=
(F)=

| No. | Lev. | Parts No. | Description | Q'ty | | | | | | I | R |
|-----|------|--------------|---------------------|------|-----|-----|-----|-----|-----|---|---|
| | | | | (A) | (B) | (C) | (D) | (E) | (F) | | |
| 1 | 1 | 129055-42013 | PUMP ASSY, WATER | 1 | | | | | | | |
| 3 | 2 | 129457-42050 | GASKET | 1 | | | | | | | |
| 4 | 2 | 129457-42121 | PLATE | 1 | | | | | | | |
| 8 | 2 | 129150-42301 | FLANGE | 1 | | | | | | | |
| 9 | 2 | 129054-42320 | O-RING | 1 | | | | | | | |
| 11 | 2 | 119852-49300 | ELBOW, R3/8 | 1 | | | | | | | |
| 12 | 2 | 129055-49300 | ELBOW, R3/8 | 1 | | | | | | | |
| 13 | 2 | 24358-240310 | O-RING, 524031 | 1 | | | | | | | |
| 14 | 2 | 26106-060202 | BOLT, M6X 20 PLATED | 2 | | | | | | | |
| 15 | 2 | 26116-060162 | BOLT, M6X 16 PLATED | 5 | | | | | | | |
| 16 | 2 | 26577-060162 | SCREW, M6X16 | 1 | | | | | | | |
| 17 | 1 | 129486-42050 | GASKET, WATER PUMP | 1 | | | | | | | |
| 18 | 1 | 129055-49320 | CAP | 2 | | | | | | | |
| 19 | 1 | 23000-022000 | CLAMP, 22 | 2 | | | | | | | |
| 20 | 1 | 23414-080000 | GASKET, 8X1.0 | 1 | | | | | | | |
| 21 | 1 | 26106-080122 | BOLT, M8X 12 PLATED | 1 | | | | | | | |
| 22 | 1 | 26106-080552 | BOLT, M8X 55 PLATED | 2 | | | | | | | |
| 23 | 1 | 26106-080602 | BOLT, M8X 60 PLATED | 1 | | | | | | | |
| 24 | 1 | 26106-080702 | BOLT, M8X 70 PLATED | 1 | | | | | | | |
| 25 | 1 | 129120-42350 | V-PULLEY, 130 | 1 | | | | | | | |
| 26 | 1 | 129612-42370 | V-BELT, A39.5 | 1 | | | | | | | |
| 27 | 1 | 121267-44741 | FAN, COOLING D=360 | 1 | | | | | | | |
| 28 | 1 | 171353-44760 | SPACER, FAN | 1 | | | | | | | |
| 29 | 1 | 26106-060402 | BOLT, M6X 40 PLATED | 4 | | | | | | | |
| 30 | 1 | 129457-49801 | THERMOSTAT, 82 | 1 | | | | | | | |
| 31 | 1 | 129150-49811 | GASKET, THERMOSTAT | 1 | | | | | | | |
| 32 | 1 | 119852-49530 | COVER, THERMOSTAT | 1 | | | | | | | |
| 33 | 1 | 129795-49551 | GASKET | 1 | | | | | | | |
| 34 | 1 | 26106-080282 | BOLT, M8X 28 PLATED | 1 | | | | | | | |
| 35 | 1 | 26106-080652 | BOLT, M8X 65 PLATED | 1 | | | | | | | |
| 36 | 1 | 121550-49111 | JOINT, PT1/4 | 1 | | | | | | | |
| 37 | 1 | 129054-42450 | PLUG, M12X1.5 | 1 | | | | | | | |
| 38 | 1 | 129107-44901 | SENSOR | 1 | | | | | | | |
| 39 | 1 | 124465-44950 | GASKET, 16 | 1 | | | | | | | |
| 40 | 1 | 124250-49351 | SENSOR | 1 | | | | | | | |
| 41 | 1 | 129150-49360 | GASKET | 1 | | | | | | | |
| 42 | 1 | 22190-120002 | WASHER, SEAL 12 | 1 | | | | | | | |

Fig.12. FUEL INJECTION PUMP



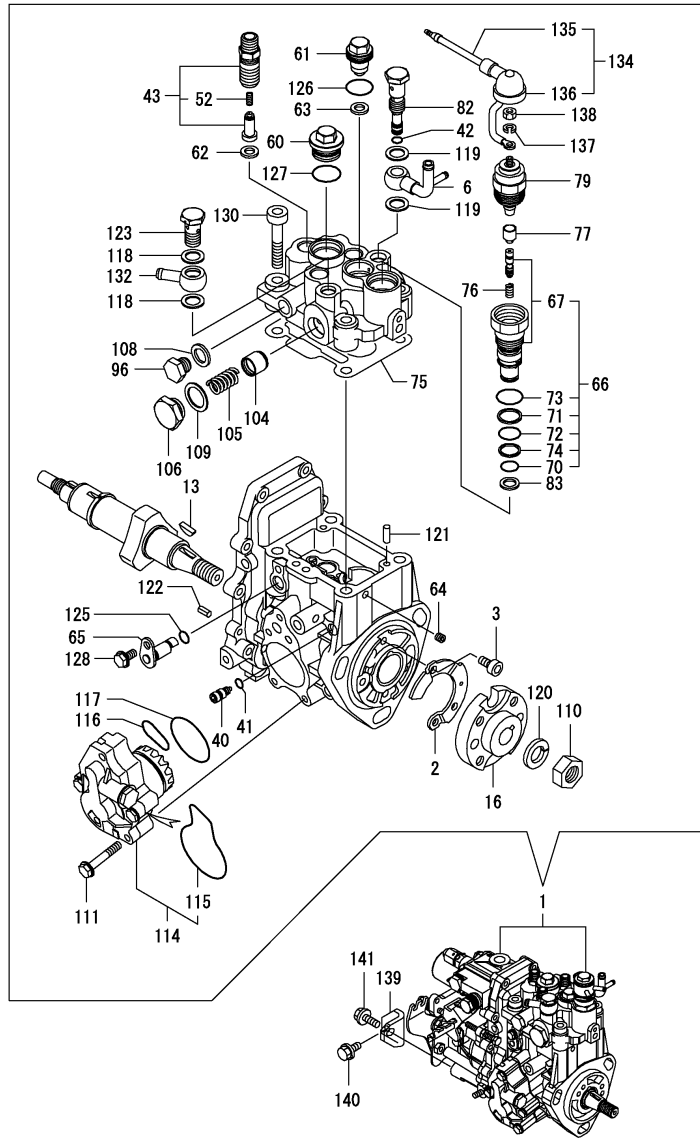
(A)=3TNV84-XRE
(B)=
(C)=

(D)=
(E)=
(F)=

| No. | Lev. | Parts No. | Description | Q'ty | | | | | | I | R |
|-----|------|--------------|----------------------|------|-----|-----|-----|-----|-----|---|---|
| | | | | (A) | (B) | (C) | (D) | (E) | (F) | | |
| 1 | 1 | 729055-51360 | PUMP ASSY, INJECTION | 1 | | | | | | | 1 |
| 2 | 2 | 129008-51900 | COVER, GEAR CASE | 1 | | | | | | | |
| 3 | 2 | 129008-51920 | BOLT, M6X10 | 2 | | | | | | | |
| 6 | 2 | 158552-51670 | JOINT, OVER FLOW | 1 | | | | | | | |
| 13 | 2 | 119802-51090 | KEY, 4X16 | 1 | | | | | | | |
| 16 | 2 | 158552-51151 | FLANGE | 1 | | | | | | | |
| 40 | 2 | 158600-51270 | STOPPER, TAPPET | 1 | | | | | | | |
| 41 | 2 | 158563-51281 | O-RING, 4D S6 | 1 | | | | | | | |
| 42 | 2 | 158563-51281 | O-RING, 4D S6 | 1 | | | | | | | |
| 43 | 2 | 129509-51390 | VALVE ASSY, DELIVERY | 3 | | | | | | | |
| 52 | 3 | 158563-51330 | SPRING, DELIVERY | 3 | | | | | | | |
| 60 | 2 | 158601-51550 | PLUG | 1 | | | | | | | |
| 61 | 2 | 119802-51560 | PLUG, BARREL | 1 | | | | | | | |
| 62 | 2 | 158552-51571 | GASKET | 3 | | | | | | | |
| 63 | 2 | 158552-51571 | GASKET | 1 | | | | | | | |
| 64 | 2 | 158557-51570 | PLUG | 1 | | | | | | | |
| 65 | 2 | 158552-51580 | LIFTER | 1 | | | | | | | |
| 66 | 2 | 129657-51590 | TIMER SET | 1 | | | | | | | |
| 67 | 3 | 129657-51600 | TIMER ASSY | 1 | | | | | | | |
| 70 | 3 | 158553-51670 | O-RING, 1011 | 1 | | | | | | | |
| 71 | 3 | 119802-51680 | RING, BACK UP | 1 | | | | | | | |
| 72 | 3 | 119802-51690 | O-RING | 1 | | | | | | | |
| 73 | 3 | 24356-190200 | O-RING, 4D19020 | 1 | | | | | | | |
| 74 | 3 | 24372-000150 | RING, BACK UP T2P15 | 1 | | | | | | | |
| 75 | 2 | 158552-51600 | GASKET | 1 | | | | | | | |
| 76 | 2 | 119852-51630 | SPRING, TIMER | 1 | | | | | | | |
| 77 | 2 | 119852-51640 | CAP | 1 | | | | | | | |
| 79 | 2 | 119852-51650 | VALVE ASSY | 1 | | | | | | | |
| 82 | 2 | 158601-51650 | JOINT, OVER FLOW | 1 | | | | | | | |
| 83 | 2 | 158553-51680 | GASKET | 1 | | | | | | | |
| 96 | 2 | 158553-51930 | PLUG, M12 | 1 | | | | | | | |
| 104 | 2 | 158601-51770 | PISTON | 1 | | | | | | | |
| 105 | 2 | 158552-51781 | SPRING | 1 | | | | | | | |
| 106 | 2 | 158601-51790 | PLUG | 1 | | | | | | | |
| 108 | 2 | 22190-120002 | WASHER, SEAL 12 | 1 | | | | | | | |
| 109 | 2 | 22190-180002 | WASHER, SEAL 18 | 1 | | | | | | | |
| 110 | 2 | 26776-140002 | NUT, LOCK M14 | 1 | | | | | | | |
| 111 | 2 | 158553-51770 | BOLT | 4 | | | | | | | |
| 114 | 2 | 158552-52100 | PUMP ASSY, FUEL FEED | 1 | | | | | | | |
| 115 | 3 | 158552-52500 | O-RING | 1 | | | | | | | |
| 116 | 2 | 158552-52310 | O-RING | 1 | | | | | | | |
| 116 | 2 | 158552-52311 | O-RING | 1 | | | | | | | |
| 117 | 2 | 158552-52400 | O-RING, 4E S42 | 1 | | | | | | | |
| 118 | 2 | 22190-120002 | WASHER, SEAL 12 | 2 | | | | | | | |
| 119 | 2 | 22190-120002 | WASHER, SEAL 12 | 2 | | | | | | | |
| 120 | 2 | 22217-140000 | WASHER, SPRING 14 | 1 | | | | | | | |
| 121 | 2 | 22312-050140 | PIN, PARALLEL M5X14 | 2 | | | | | | | |
| 122 | 2 | 22351-050010 | PIN, SPRING 5.0X10 | 2 | | | | | | | |
| 123 | 2 | 23857-060000 | BOLT, JOINT 6 | 1 | | | | | | | |
| 125 | 2 | 24311-000070 | O-RING, 1AP7.0 | 1 | | | | | | | |
| 126 | 2 | 24356-190180 | O-RING, 4D19018 | 1 | | | | | | | |

Remarks
(1)GOVERNOR ASSY(FIG.13) IS
INCORPORATED IN THIS FOP.CMP
(REF.NO.1).

Fig.12. FUEL INJECTION PUMP



(A)=3TNV84-XRE
(B)=
(C)=

(D)=
(E)=
(F)=

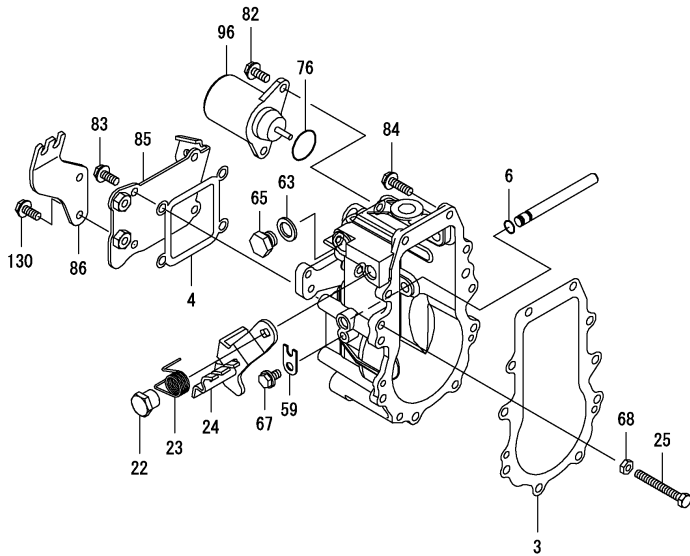
| No. | Lev. | Parts No. | Description | Q'ty | | | | | | I | R |
|-----|------|--------------|---------------------|------|-----|-----|-----|-----|-----|---|---|
| | | | | (A) | (B) | (C) | (D) | (E) | (F) | | |
| 127 | 2 | 24356-190200 | O-RING, 4D19020 | 1 | | | | | | | |
| 128 | 2 | 26106-060102 | BOLT, M6X 10 PLATED | 1 | | | | | | | |
| 130 | 2 | 26450-080452 | BOLT, M8X 45 | 4 | | | | | | | |
| 132 | 2 | 129916-59020 | JOINT, PIPE 12 | 1 | | | | | | | |
| 134 | 2 | 129263-77951 | HARNESS ASSY, WIRE | 1 | | | | | | | |
| 135 | 3 | 129263-77930 | HARNESS,(CSD | 1 | | | | | | | |
| 136 | 3 | 129263-77941 | CAP, RUBBER | 1 | | | | | | | |
| 137 | 2 | 22217-050000 | WASHER, SPRING 5 | 1 | | | | | | | |
| 138 | 2 | 26716-050002 | NUT, M5 | 1 | | | | | | | |
| 139 | 1 | 119802-51250 | RETAINER, PUMP | 1 | | | | | | | |
| 140 | 1 | 26106-080162 | BOLT, M8X 16 PLATED | 1 | | | | | | | |
| 141 | 1 | 26106-080202 | BOLT, M8X 20 PLATED | 4 | | | | | | | |

Remarks
(1)GOVERNOR ASSY(FIG.13) IS
INCORPORATED IN THIS FOP.CMP
(REF.NO.1).

Fig.13. GOVERNOR

(A)=3TNV84-XRE
(B)=
(C)=

(D)=
(E)=
(F)=



| No. | Lev. | Parts No. | Description | Q'ty | | | | | | I | R |
|-----|------|--------------|----------------------|------|-----|-----|-----|-----|-----|---|---|
| | | | | (A) | (B) | (C) | (D) | (E) | (F) | | |
| 3 | 2 | 158553-61050 | GASKET | 1 | | | | | | | |
| 4 | 2 | 158553-61070 | GASKET | 1 | | | | | | | |
| 6 | 2 | 129155-51280 | O-RING, S6 | 1 | | | | | | | |
| 22 | 2 | 129255-61410 | NUT, LOCK | 1 | | | | | | | |
| 23 | 2 | 119807-61420 | SPRING, RETURN | 1 | | | | | | | |
| 24 | 2 | 119852-61440 | LEVER ASSY,REGULATOR | 1 | | | | | | | |
| 25 | 2 | 129155-61460 | BOLT, IDLE | 1 | | | | | | | |
| 59 | 2 | 119660-61901 | RETAINER, SHAFT | 1 | | | | | | | |
| 63 | 2 | 22190-120002 | WASHER, SEAL 12 | 1 | | | | | | | |
| 65 | 2 | 158553-51930 | PLUG, M12 | 1 | | | | | | | |
| 67 | 2 | 26106-060102 | BOLT, M6X 10 PLATED | 1 | | | | | | | |
| 68 | 2 | 26756-060002 | NUT, LOCK M6 | 1 | | | | | | | |
| 76 | 2 | 158552-61900 | O-RING | 1 | | | | | | | |
| 82 | 2 | 26106-060142 | BOLT, M6X 14 PLATED | 2 | | | | | | | |
| 83 | 2 | 26106-060142 | BOLT, M6X 14 PLATED | 4 | | | | | | | |
| 84 | 2 | 26106-060202 | BOLT, M6X 20 PLATED | 10 | | | | | | | |
| 85 | 2 | 158552-61061 | COVER, GOVERNOR CASE | 1 | | | | | | | |
| 86 | 2 | 119852-61080 | SUPPORT, WIRE | 1 | | | | | | | |
| 96 | 2 | 119653-77950 | SOLENOID, STOP | 1 | | | | | | | |
| 130 | 2 | 26106-060142 | BOLT, M6X 14 PLATED | 2 | | | | | | | |

Remarks

* THIS FIGURE(GOVERNOR ASSY)IS INCORPORATED IN THE FUEL INJECTION PUMP ASSY(FIG.12).

Fig.14. FUEL INJECTION VALVE

(A)=3TNV84-XRE
(B)=
(C)=

(D)=
(E)=
(F)=

| No. | Lev. | Parts No. | Description | Q'ty | | | | | | I | R |
|-----|------|--------------|----------------------|------|-----|-----|-----|-----|-----|---|---|
| | | | | (A) | (B) | (C) | (D) | (E) | (F) | | |
| 1 | 1 | 729234-53101 | VALVE ASSY,INJECTION | 3 | | | | | | | |
| 2 | 2 | 129234-53001 | VALVE ASSY,INJECTION | 3 | | | | | | | |
| 5 | 2 | 114250-53080 | NUT, NOZZLE D16.95 | 3 | | | | | | | |
| 11 | 2 | 114250-53120 | SPRING, NOZZLE | 3 | | | | | | | |
| 12 | 2 | 114250-53130 | SEAT, SPRING | 3 | | | | | | | |
| 13 | 2 | 114250-53140 | PLATE | 3 | | | | | | | |
| 14 | 2 | 114250-53210 | PIN | 6 | | | | | | | |
| 15 | 2 | 119803-53400 | SHIM SET | 3 | | | | | | | |
| 42 | 1 | 129150-59120 | RETAINER, PIPE | 2 | | | | | | | |
| 45 | 2 | 129150-59131 | BOLT, M4X14 | 4 | | | | | | | |
| 47 | 1 | 129004-59811 | PIPE ASSY, INJECTION | 1 | | | | | | | |
| 51 | 1 | 129004-59821 | PIPE ASSY, INJECTION | 1 | | | | | | | |
| 55 | 1 | 129004-59831 | PIPE ASSY, INJECTION | 1 | | | | | | | |
| 60 | 1 | 119802-59550 | PIPE ASSY, RETURN | 1 | | | | | | | |
| 61 | 2 | 124722-59050 | CLIP, HOSE 9 | 2 | | | | | | | |
| 62 | 2 | 119802-59560 | PIPE, FUEL RETURN | 1 | | | | | | | |
| 63 | 1 | 129486-59551 | PIPE ASSY, RETURN | 2 | | | | | | | |
| 64 | 2 | 124722-59050 | CLIP, HOSE 9 | 4 | | | | | | | |
| 66 | 1 | 119593-59581 | CAP | 1 | | | | | | | |
| 67 | 1 | 124060-77680 | CLIP, HOSE 10 | 1 | | | | | | | |

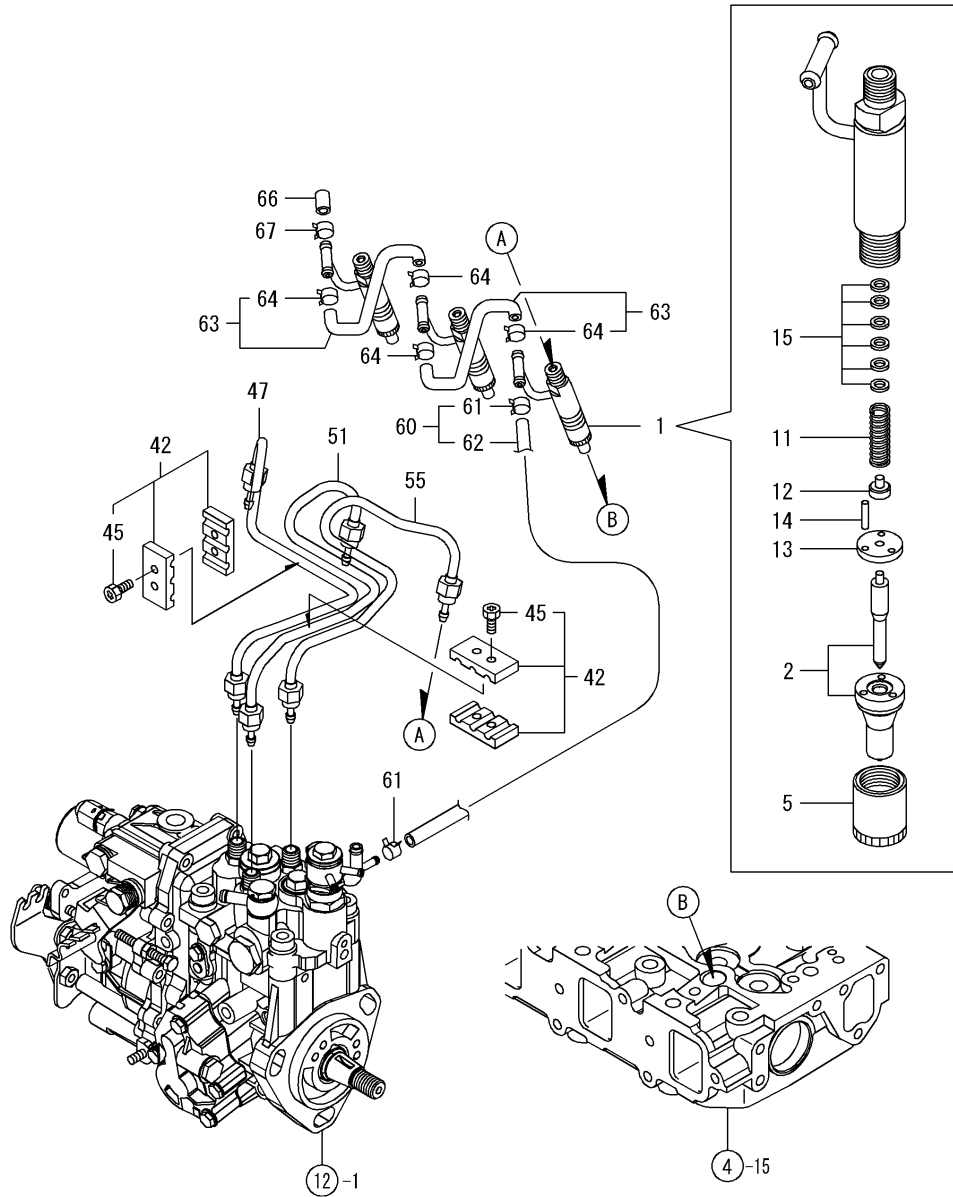
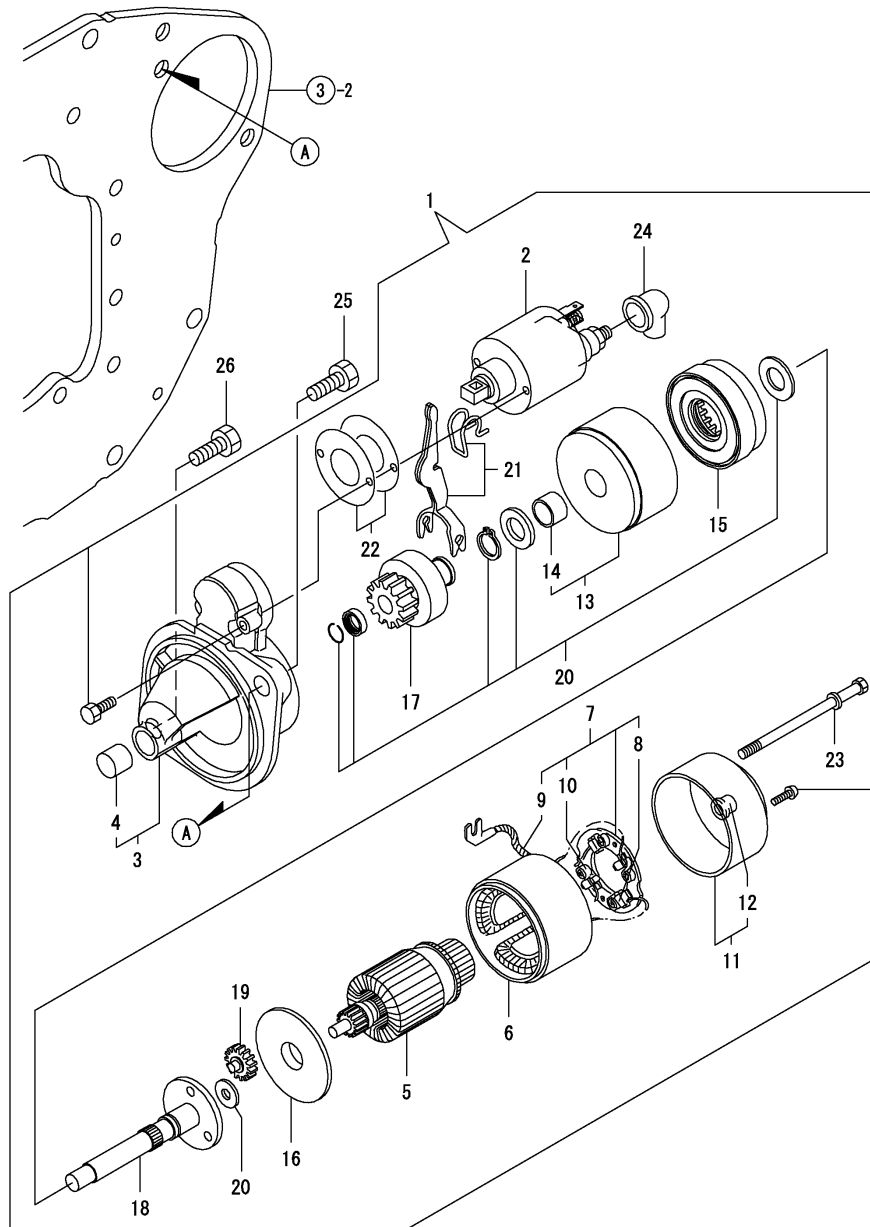


Fig.15. STARTING MOTOR



(A)=3TNV84-XRE
(B)=
(C)=

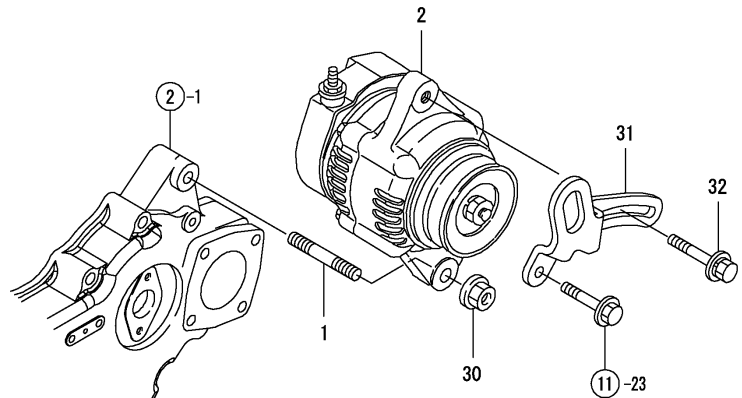
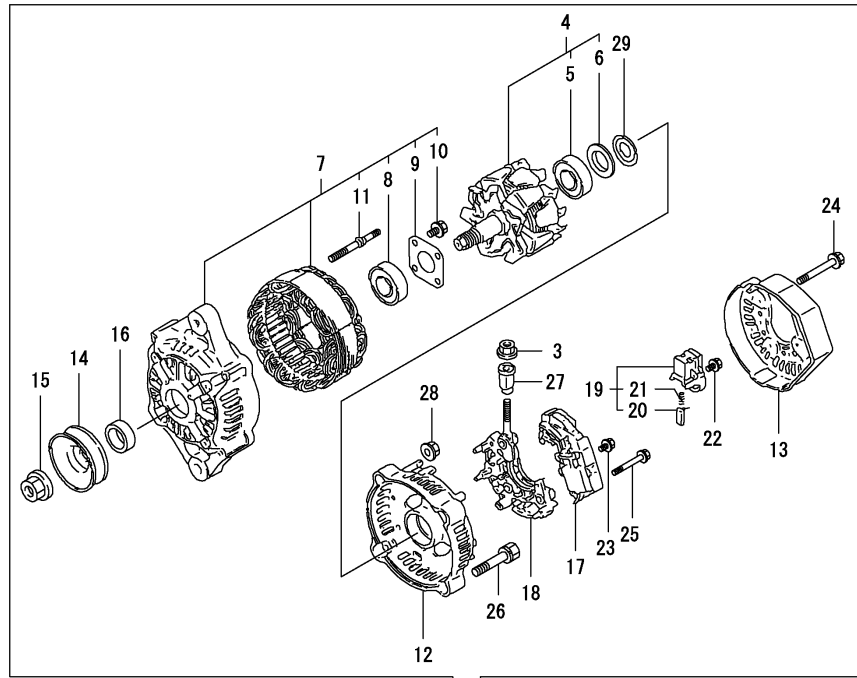
(D)=
(E)=
(F)=

| No. | Lev. | Parts No. | Description | Q'ty | | | | | | I | R |
|-----|------|--------------|----------------------|------|-----|-----|-----|-----|-----|---|---|
| | | | | (A) | (B) | (C) | (D) | (E) | (F) | | |
| 1 | 1 | 129052-77010 | STARTER, CR1.2 | 1 | | | | | | | |
| 2 | 2 | 129698-77020 | MAGNETIC SWITCH ASSY | 1 | | | | | | | |
| 3 | 2 | 129052-77030 | HOUSING ASSY, GEARS | 1 | | | | | | | |
| 4 | 3 | X2114535200 | METAL, STARTER | 1 | | | | | | | |
| 5 | 2 | 129698-77101 | ARMATURE ASSY | 1 | | | | | | | |
| 6 | 2 | 129698-77110 | COIL ASSY, FIELD | 1 | | | | | | | |
| 7 | 2 | 129698-77120 | HOLDER ASSY, BRUSH | 1 | | | | | | | |
| 8 | 3 | 129698-77130 | BRUSH (-) | 2 | | | | | | | |
| 9 | 3 | 129698-77140 | BRUSH(+) SET | 1 | | | | | | | |
| 10 | 3 | 129698-77150 | SPRING, BRUSH | 4 | | | | | | | |
| 11 | 2 | 129698-77161 | COVER ASSY | 1 | | | | | | | |
| 12 | 3 | 129698-77170 | BEARING | 1 | | | | | | | |
| 13 | 2 | 129698-77180 | BRACKET | 1 | | | | | | | |
| 14 | 3 | 129698-77190 | BRACKET | 1 | | | | | | | |
| 15 | 2 | 129698-77200 | GEAR, INTERNAL | 1 | | | | | | | |
| 16 | 2 | 129698-77210 | BRACKET | 1 | | | | | | | |
| 17 | 2 | 129698-77220 | PINION ASSY | 1 | | | | | | | |
| 18 | 2 | 129698-77230 | SHAFT(PINION) | 1 | | | | | | | |
| 19 | 2 | 129698-77240 | GEAR | 3 | | | | | | | |
| 20 | 2 | 129698-77250 | WASHER SET | 1 | | | | | | | |
| 21 | 2 | 129698-77270 | LEVER SET, SHIFT | 1 | | | | | | | |
| 22 | 2 | 129698-77280 | COVER KIT | 1 | | | | | | | |
| 23 | 2 | 124195-77770 | THROUGH BOLT | 2 | | | | | | | |
| 24 | 2 | X2114274200 | COVER, TERMINAL | 1 | | | | | | | |
| 25 | 1 | 129155-77060 | BOLT | 1 | | | | | | | |
| 26 | 1 | 26116-120202 | BOLT, M12X 20 PLATED | 1 | | | | | | | |

Fig.16. GENERATOR

(A)=3TNV84-XRE
(B)=
(C)=

(D)=
(E)=
(F)=



| No. | Lev. | Parts No. | Description | Q'ty | | | | | | I | R |
|-----|------|--------------|--------------------|------|-----|-----|-----|-----|-----|---|---|
| | | | | (A) | (B) | (C) | (D) | (E) | (F) | | |
| 1 | 1 | 129795-01900 | STUD | 1 | | | | | | | |
| 2 | 1 | 129423-77200 | GENERATOR, 12V-40A | 1 | | | | | | | |
| 3 | 2 | X9490561001 | NUT | 1 | | | | | | | |
| 4 | 2 | 119620-77380 | ROTOR ASSY | 1 | | | | | | | |
| 5 | 3 | 123501-79240 | BEARING, BALL | 1 | | | | | | | |
| 6 | 3 | 119620-79250 | COVER, BEARING | 1 | | | | | | | |
| 7 | 2 | 119620-77421 | FRAME ASSY, DRIVE | 1 | | | | | | | |
| 8 | 3 | 119620-79200 | BALL BEARING | 1 | | | | | | | |
| 9 | 3 | 119620-79210 | PLATE, RETAINER | 1 | | | | | | | |
| 10 | 3 | 119620-79220 | SCREW | 4 | | | | | | | |
| 11 | 3 | 119620-79230 | STUD | 2 | | | | | | | |
| 12 | 2 | 119620-77440 | FLAME ASSY, REAR | 1 | | | | | | | |
| 13 | 2 | 129240-79300 | COVER, REAR END | 1 | | | | | | | |
| 14 | 2 | 119620-77461 | PULLEY | 1 | | | | | | | |
| 15 | 2 | 119620-77471 | NUT | 1 | | | | | | | |
| 16 | 2 | 119620-77490 | COLLAR | 1 | | | | | | | |
| 17 | 2 | 129423-77710 | REGULATOR ASSY | 1 | | | | | | | |
| 18 | 2 | 119620-79260 | HOLDER | 1 | | | | | | | |
| 19 | 2 | 129052-79270 | HOLDER, BRUSH | 1 | | | | | | | |
| 20 | 3 | 119620-77480 | BRUSH ASSY | 2 | | | | | | | |
| 21 | 3 | 119620-79280 | SPRING | 2 | | | | | | | |
| 22 | 2 | 119620-79290 | SCREW | 6 | | | | | | | |
| 23 | 2 | 119620-79300 | SCREW | 1 | | | | | | | |
| 24 | 2 | 119620-79310 | BOLT | 3 | | | | | | | |
| 25 | 2 | 119620-79320 | SCREW | 2 | | | | | | | |
| 26 | 2 | 119620-79330 | BOLT | 2 | | | | | | | |
| 27 | 2 | 119620-79340 | BUSH, INSULATION | 1 | | | | | | | |
| 28 | 2 | 119620-79350 | NUT | 2 | | | | | | | |
| 29 | 2 | 119620-79360 | WASHER, THRUST | 1 | | | | | | | |
| 30 | 1 | 26306-100002 | NUT, M10 | 1 | | | | | | | |
| 31 | 1 | 129263-77330 | ADJUSTER | 1 | | | | | | | |
| 32 | 1 | 119810-77340 | BOLT, ADJUSTER | 1 | | | | | | | |

Parts No. Index

| Parts No. | Fig. No. | Ref. No. |
|--------------|----------|----------|
| 114250-39450 | 10 | 24 |
| 114250-53080 | 14 | 5 |
| 114250-53120 | 14 | 11 |
| 114250-53130 | 14 | 12 |
| 114250-53140 | 14 | 13 |
| 114250-53210 | 14 | 14 |
| 119131-18320 | 6 | 5 |
| 119593-59581 | 14 | 66 |
| 119609-32040 | 2 | 12 |
| 119620-77380 | 16 | 4 |
| 119620-77421 | 16 | 7 |
| 119620-77440 | 16 | 12 |
| 119620-77461 | 16 | 14 |
| 119620-77471 | 16 | 15 |
| 119620-77480 | 16 | 20 |
| 119620-77490 | 16 | 16 |
| 119620-79200 | 16 | 8 |
| 119620-79210 | 16 | 9 |
| 119620-79220 | 16 | 10 |
| 119620-79230 | 16 | 11 |
| 119620-79250 | 16 | 6 |
| 119620-79260 | 16 | 18 |
| 119620-79280 | 16 | 21 |
| 119620-79290 | 16 | 22 |
| 119620-79300 | 16 | 23 |
| 119620-79310 | 16 | 24 |
| 119620-79320 | 16 | 25 |
| 119620-79330 | 16 | 26 |
| 119620-79340 | 16 | 27 |
| 119620-79350 | 16 | 28 |
| 119620-79360 | 16 | 29 |
| 119625-11880 | 4 | 32 |
| 119653-77950 | 13 | 96 |
| 119660-61901 | 13 | 59 |
| 119802-01561 | 2 | 7 |
| 119802-03110 | 4 | 43 |
| 119802-03121 | 4 | 44 |
| 119802-03130 | 4 | 45 |
| 119802-03141 | 4 | 46 |
| 119802-11260 | 4 | 6 |
| 119802-11270 | 4 | 7 |
| 119802-11280 | 4 | 8 |
| 119802-11870 | 4 | 31 |
| 119802-21202 | 8 | 4 |
| 119802-25051 | 7 | 9 |
| 119802-25071 | 7 | 13 |
| 119802-25101 | 7 | 10 |
| 119802-25901 | 7 | 16 |
| 119802-32070 | 2 | 14 |
| 119802-32100 | 2 | 13 |

| Parts No. | Fig. No. | Ref. No. |
|--------------|----------|----------|
| 119802-32111 | 2 | 18 |
| 119802-32120 | 2 | 19 |
| 119802-32130 | 2 | 20 |
| 119802-35100 | 10 | 9 |
| 119802-35110 | 10 | 10 |
| 119802-39450 | 10 | 2 |
| 119802-51090 | 12 | 13 |
| 119802-51250 | 12 | 139 |
| 119802-51560 | 12 | 61 |
| 119802-51680 | 12 | 71 |
| 119802-51690 | 12 | 72 |
| 119802-59550 | 14 | 60 |
| 119802-59560 | 14 | 62 |
| 119803-53400 | 14 | 15 |
| 119807-61420 | 13 | 23 |
| 119810-77340 | 16 | 32 |
| 119852-01601 | 3 | 2 |
| 119852-49300 | 11 | 11 |
| 119852-49530 | 11 | 32 |
| 119852-51630 | 12 | 76 |
| 119852-51640 | 12 | 77 |
| 119852-51650 | 12 | 79 |
| 119852-61080 | 13 | 86 |
| 119852-61440 | 13 | 24 |
| 119934-01800 | 2 | 5 |
| 120130-11860 | 4 | 29 |
| 120270-54410 | 4 | 34 |
| 121023-01551 | 2 | 28 |
| 121111-21501 | 8 | 11 |
| 121267-44741 | 11 | 27 |
| 121400-11340 | 4 | 25 |
| 121520-34810 | 10 | 16 |
| 121550-23200 | 8 | 26 |
| 121550-49111 | 11 | 36 |
| 121850-21680 | 8 | 10 |
| 121850-51960 | 2 | 21 |
| 123501-79240 | 16 | 5 |
| 123900-13630 | 6 | 4 |
| 124060-01050 | 1 | 11 |
| 124060-77680 | 14 | 67 |
| 124160-01751 | 2 | 9 |
| 124160-01910 | 1 | 12 |
| | | 13 |
| 124160-11360 | 4 | 51 |
| 124160-39140 | 10 | 1 |
| 124195-77770 | 15 | 23 |
| 124240-01871 | 2 | 10 |
| 124240-01883 | 9 | 1 |
| 124250-49351 | 11 | 40 |
| 124460-11340 | 4 | 26 |

| Parts No. | Fig. No. | Ref. No. |
|--------------|----------|----------|
| 124465-44950 | 11 | 39 |
| 124550-21600 | 8 | 14 |
| 124722-59050 | 14 | 61 |
| | | 64 |
| 129001-01250 | 1 | 4 |
| 129001-02931 | 1 | 30 |
| 129001-12110 | 5 | 4 |
| 129001-32330 | 2 | 17 |
| 129002-01331 | 1 | 29 |
| 129004-01190 | 1 | 27 |
| 129004-01520 | 2 | 6 |
| 129004-03010 | 4 | 41 |
| 129004-11130 | 4 | 23 |
| 129004-11241 | 4 | 3 |
| 129004-11251 | 4 | 4 |
| 129004-11310 | 4 | 48 |
| 129004-11650 | 4 | 10 |
| 129004-11700 | 4 | 15 |
| 129004-11900 | 4 | 33 |
| 129004-13200 | 6 | 7 |
| 129004-21002 | 8 | 1 |
| 129004-22080 | 8 | 15 |
| 129004-22500 | 8 | 17 |
| 129004-22900 | 8 | 32 |
| 129004-22950 | 8 | 34 |
| 129004-59811 | 14 | 47 |
| 129004-59821 | 14 | 51 |
| 129004-59831 | 14 | 55 |
| 129005-03080 | 5 | 1 |
| 129005-12101 | 5 | 3 |
| 129005-59830 | 10 | 3 |
| 129008-51900 | 12 | 2 |
| 129008-51920 | 12 | 3 |
| 129052-77010 | 15 | 1 |
| 129052-77030 | 15 | 3 |
| 129052-79270 | 16 | 19 |
| 129054-01640 | 3 | 7 |
| 129054-42320 | 11 | 9 |
| 129054-42450 | 11 | 37 |
| 129055-01770 | 3 | 6 |
| 129055-11350 | 4 | 40 |
| 129055-13521 | 6 | 8 |
| 129055-21592 | 8 | 12 |
| 129055-21650 | 8 | 8 |
| 129055-34811 | 10 | 17 |
| 129055-42013 | 11 | 1 |
| 129055-49300 | 11 | 12 |
| 129055-49320 | 11 | 18 |
| 129100-01580 | 3 | 1 |
| | | 14 |

| Parts No. | Fig. No. | Ref. No. |
|--------------|----------|----------|
| 129100-01580 | 8 | 2 |
| 129100-01640 | 3 | 15 |
| 129100-01730 | 3 | 5 |
| 129100-11112 | 4 | 21 |
| 129100-23910 | 8 | 29 |
| 129100-35140 | 10 | 11 |
| 129107-44901 | 11 | 38 |
| 129120-42350 | 11 | 25 |
| 129120-77502 | 5 | 7 |
| 129129-14580 | 7 | 3 |
| 129150-01200 | 1 | 28 |
| 129150-01580 | 2 | 8 |
| 129150-01650 | 3 | 16 |
| 129150-01881 | 7 | 17 |
| 129150-02020 | 1 | 6 |
| 129150-02450 | 7 | 4 |
| 129150-02871 | 1 | 33 |
| 129150-02931 | 1 | 24 |
| 129150-02941 | 1 | 36 |
| 129150-03070 | 4 | 42 |
| 129150-11230 | 4 | 11 |
| 129150-11280 | 4 | 9 |
| 129150-11370 | 4 | 14 |
| 129150-11750 | 4 | 13 |
| 129150-11810 | 4 | 30 |
| 129150-13110 | 6 | 2 |
| 129150-14101 | 7 | 6 |
| 129150-14200 | 7 | 1 |
| 129150-14400 | 7 | 2 |
| 129150-23601 | 8 | 27 |
| 129150-23611 | 8 | 30 |
| 129150-25301 | 7 | 15 |
| 129150-26000 | 7 | 18 |
| 129150-26050 | 7 | 19 |
| 129150-35042 | 10 | 18 |
| 129150-35091 | 10 | 19 |
| 129150-35111 | 10 | 12 |
| 129150-35170 | 10 | 13 |
| 129150-42301 | 11 | 8 |
| 129150-49360 | 11 | 41 |
| 129150-49811 | 11 | 31 |
| 129150-59120 | 14 | 42 |
| 129150-59131 | 14 | 45 |
| 129150-77511 | 5 | 8 |
| 129155-51280 | 13 | 6 |
| 129155-61460 | 13 | 25 |
| 129155-77060 | 15 | 25 |
| 129202-22300 | 8 | 21 |
| 129234-53001 | 14 | 2 |
| 129240-79300 | 16 | 13 |

Parts No. Index

| Parts No. | Fig. No. | Ref. No. |
|--------------|----------|----------|
| 129255-61410 | 13 | 22 |
| 129263-13220 | 6 | 3 |
| 129263-77330 | 16 | 31 |
| 129263-77930 | 12 | 135 |
| 129263-77941 | 12 | 136 |
| 129263-77951 | 12 | 134 |
| 129410-03990 | 5 | 2 |
| 129418-32320 | 2 | 16 |
| 129423-77200 | 16 | 2 |
| 129423-77710 | 16 | 17 |
| 129457-42050 | 11 | 3 |
| 129457-42121 | 11 | 4 |
| 129457-49801 | 11 | 30 |
| 129486-01670 | 3 | 18 |
| 129486-42050 | 11 | 17 |
| 129486-59551 | 14 | 63 |
| 129509-51390 | 12 | 43 |
| 129612-42370 | 11 | 26 |
| 129657-51590 | 12 | 66 |
| 129657-51600 | 12 | 67 |
| 129698-77020 | 15 | 2 |
| 129698-77101 | 15 | 5 |
| 129698-77110 | 15 | 6 |
| 129698-77120 | 15 | 7 |
| 129698-77130 | 15 | 8 |
| 129698-77140 | 15 | 9 |
| 129698-77150 | 15 | 10 |
| 129698-77161 | 15 | 11 |
| 129698-77170 | 15 | 12 |
| 129698-77180 | 15 | 13 |
| 129698-77190 | 15 | 14 |
| 129698-77200 | 15 | 15 |
| 129698-77210 | 15 | 16 |
| 129698-77220 | 15 | 17 |
| 129698-77230 | 15 | 18 |
| 129698-77240 | 15 | 19 |
| 129698-77250 | 15 | 20 |
| 129698-77270 | 15 | 21 |
| 129698-77280 | 15 | 22 |
| 129795-01780 | 3 | 17 |
| 129795-01900 | 16 | 1 |
| 129795-01950 | 2 | 11 |
| 129795-02412 | 1 | 9 |
| 129795-11120 | 4 | 22 |
| 129795-11180 | 4 | 24 |
| 129795-21661 | 8 | 9 |
| 129795-49551 | 11 | 33 |
| 129900-07900 | 4 | 1 |
| 129900-32130 | 2 | 15 |
| 129916-59020 | 12 | 132 |

| Parts No. | Fig. No. | Ref. No. |
|--------------|----------|----------|
| 158552-51151 | 12 | 16 |
| 158552-51571 | 12 | 62 |
| | | 63 |
| 158552-51580 | 12 | 65 |
| 158552-51600 | 12 | 75 |
| 158552-51670 | 12 | 6 |
| 158552-51781 | 12 | 105 |
| 158552-52100 | 12 | 114 |
| 158552-52310 | 12 | 116 |
| 158552-52311 | 12 | 116 |
| 158552-52400 | 12 | 117 |
| 158552-52500 | 12 | 115 |
| 158552-61061 | 13 | 85 |
| 158552-61900 | 13 | 76 |
| 158553-51670 | 12 | 70 |
| 158553-51680 | 12 | 83 |
| 158553-51770 | 12 | 111 |
| 158553-51930 | 12 | 96 |
| | 13 | 65 |
| 158553-61050 | 13 | 3 |
| 158553-61070 | 13 | 4 |
| 158557-51570 | 12 | 64 |
| 158563-51281 | 12 | 41 |
| | | 42 |
| 158563-51330 | 12 | 52 |
| 158600-51270 | 12 | 40 |
| 158601-51550 | 12 | 60 |
| 158601-51650 | 12 | 82 |
| 158601-51770 | 12 | 104 |
| 158601-51790 | 12 | 106 |
| 171051-01921 | 1 | 5 |
| 171350-13100 | 6 | 1 |
| 171353-44760 | 11 | 28 |
| 178070-10401 | 9 | 4 |
| 194521-41570 | 9 | 7 |
| | | 29 |
| 198172-41110 | 9 | 2 |
| 198280-41150 | 9 | 18 |
| 22190-080002 | 10 | 4 |
| | | 6 |
| 22190-100002 | 10 | 7 |
| 22190-120002 | 3 | 9 |
| | 11 | 42 |
| | 12 | 108 |
| | | 118 |
| | | 119 |
| | 13 | 63 |
| 22190-180002 | 12 | 109 |
| 22217-050000 | 12 | 137 |
| 22217-140000 | 12 | 120 |

| Parts No. | Fig. No. | Ref. No. |
|--------------|----------|----------|
| 22252-000260 | 8 | 22 |
| 22252-000320 | 9 | 15 |
| | | 31 |
| 22312-050140 | 12 | 121 |
| 22351-050010 | 12 | 122 |
| 22351-060012 | 4 | 35 |
| 22512-070140 | 7 | 7 |
| | 8 | 5 |
| | | 7 |
| 22857-500100 | 4 | 49 |
| | | 50 |
| 23000-022000 | 11 | 19 |
| 23414-080000 | 11 | 20 |
| 23857-030000 | 10 | 5 |
| 23857-060000 | 12 | 123 |
| 23876-030000 | 2 | 3 |
| 23876-040000 | 2 | 4 |
| 24105-060064 | 7 | 21 |
| 24311-000070 | 12 | 125 |
| 24311-000120 | 4 | 52 |
| 24311-000320 | 2 | 23 |
| 24341-000240 | 2 | 29 |
| 24356-190180 | 12 | 126 |
| 24356-190200 | 12 | 73 |
| | | 127 |
| 24358-240310 | 11 | 13 |
| 24372-000150 | 12 | 74 |
| 24421-153207 | 9 | 16 |
| | | 32 |
| 26016-080352 | 9 | 17 |
| | | 33 |
| 26106-060102 | 12 | 128 |
| | 13 | 67 |
| 26106-060142 | 13 | 82 |
| | | 83 |
| | | 130 |
| 26106-060162 | 2 | 30 |
| 26106-060202 | 11 | 14 |
| | 13 | 84 |
| 26106-060402 | 11 | 29 |
| 26106-080122 | 11 | 21 |
| 26106-080142 | 7 | 8 |
| 26106-080162 | 2 | 24 |
| | | 25 |
| | 3 | 10 |
| | 4 | 2 |
| | 12 | 140 |
| 26106-080202 | 5 | 5 |
| | 10 | 15 |
| | 12 | 141 |

| Parts No. | Fig. No. | Ref. No. |
|--------------|----------|----------|
| 26106-080252 | 3 | 11 |
| | 4 | 36 |
| 26106-080282 | 11 | 34 |
| 26106-080352 | 3 | 19 |
| | 4 | 37 |
| | 5 | 9 |
| | 10 | 23 |
| 26106-080402 | 7 | 14 |
| 26106-080452 | 3 | 12 |
| 26106-080502 | 3 | 13 |
| | 4 | 38 |
| 26106-080552 | 2 | 26 |
| | 11 | 22 |
| 26106-080602 | 11 | 23 |
| 26106-080652 | 11 | 35 |
| 26106-080702 | 11 | 24 |
| 26106-080802 | 5 | 6 |
| | 9 | 34 |
| 26106-080852 | 2 | 22 |
| 26106-080952 | 9 | 35 |
| 26116-060162 | 11 | 15 |
| 26116-120202 | 15 | 26 |
| 26206-100202 | 3 | 3 |
| 26206-100252 | 3 | 4 |
| 26216-080222 | 9 | 36 |
| 26216-080402 | 9 | 37 |
| 26306-080002 | 2 | 27 |
| | 6 | 6 |
| | | 9 |
| | 9 | 38 |
| 26306-100002 | 16 | 30 |
| 26366-060002 | 10 | 8 |
| 26450-080452 | 12 | 130 |
| 26577-060162 | 11 | 16 |
| 26716-050002 | 12 | 138 |
| 26756-060002 | 13 | 68 |
| 26776-140002 | 12 | 110 |
| 27241-120000 | 1 | 14 |
| 27241-300000 | 1 | 10 |
| 27241-400000 | 4 | 20 |
| 27310-080001 | 4 | 27 |
| 729004-01560 | 1 | 1 |
| 729055-51360 | 12 | 1 |
| 729234-53101 | 14 | 1 |
| 729235-01500 | 2 | 1 |
| 729402-23100 | 8 | 23 |
| X2114274200 | 15 | 24 |
| X2114535200 | 15 | 4 |
| X9490561001 | 16 | 3 |