

0CNP5-M27300EN

Directions for the Parts Catalog.

1. This Parts Catalog shows both standard and optional parts.
2. Parts may change without prior notice.
3. The following is an example of the Parts Catalog format.

| REF. | LEV. | PARTS NO. | DESCRIPTION | Q'TY | | | | | | I | R |
|------|------|--|---------------------|------|-----|-----|-----|-----|-----|---|---|
| | | | | (A) | (B) | (C) | (D) | (E) | (F) | | |
| 1 | 1 | 729595-51390 | FUEL INJECTION PUMP | 1 | 1 | 1 | 1 | 1 | | | 1 |
| 1-1 | 1 | 729595-51391 | FUEL INJECTION PUMP | 1 | 1 | 1 | 1 | 1 | | N | 1 |
| | | (A=E00185) (B=E00200) | | | | | | | | | |
| 3 | 2 | 26022-060162 | SCREW M 6X 16 | 9 | 9 | 9 | 9 | 9 | | | |
| 3-1 | 2 | 26022-060162 | SCREW M 6X 16 | 4 | 4 | 4 | 4 | 4 | | K | |
| | | (A=E00156) (B=E00156) (C=E00156) (D=E00156) (E=E00156) | | | | | | | | | |
| 4 | 2 | 129470-51040 | CAMSHAFT | 1 | 1 | 1 | 1 | 1 | | | |
| 5 | 2 | 122710-51050 | BEARING, ROLLER | 2 | 2 | 2 | 2 | 2 | | | |
| 6 | 2 | 129470-51060 | RETAINER | 1 | 1 | 1 | 1 | 1 | | | |

| |
|---|
| Remarks |
| (1) BOOST COMPEMSATOR TYPE. OPTIONAL PART, TO E00155,(4JH-DT, 4JH-DTZ |

① Ref. No.

The Ref. No. listed may not be in accordance with the illustration Ref. No.

(Ex.) Illustration No.

List Ref No.

1

1

(Before change)

1-1

(After change)

For interchangeable symbols N, R and K, illustrations for new parts may be abbreviated.

② Lev. (Level)

Level indication

The numbers below indicate the level of relativity towards the main part.

1 ----- Main parts (Assembly parts)

2 ----- Sub component included in " 1 ".

3 ----- Sub component included in " 2 ".

Note) Parts that are not for sale are partially illustrated but not listed.

③ Interchangeability Symbol

When a part change takes place, one of the following interchangeability symbols is indicated beside the part.

| Symbol | Interchangeability | Contents note |
|--------|---|--|
| N | Old $\begin{matrix} \leftarrow \text{Yes} \\ \text{No} \rightarrow \end{matrix}$ New | New Part is interchangeable for Old Part but Old Part is not interchangeable for New Part. |
| Q | Old $\begin{matrix} \leftarrow \text{No} \\ \text{Yes} \rightarrow \end{matrix}$ New | New Part is not interchangeable for Old Part but Old Part is interchangeable for New Part. |
| R | Old $\begin{matrix} \leftarrow \text{Yes} \\ \text{Yes} \rightarrow \end{matrix}$ New | New/ Old Parts are both interchangeable. |
| S | Old $\begin{matrix} \leftarrow \text{No} \\ \text{No} \rightarrow \end{matrix}$ New | New/ Old Parts are both not interchangeable. |
| W | | Part newly added. |
| Z | | Part discontinued. |
| F | | Not interchangeable by a single part but interchangeable together with related parts. |
| K | | Changes only for used parts quantities. |

④ Effective Machine No.

When a part changes, the effective Machine No. will be indicated in the (A)-(F) column.

| Product Symbol | Product No. | Product Symbol | Product No. |
|----------------|---------------------------|----------------|-----------------------------------|
| C | Clutch No. Compressor No. | F | Machine No. (Agricultural Equip.) |
| D | Drive No. | M | Machine No. |
| E | Engine No. | | |

Note 1) A date may follow the symbol. (Ex.) 1996.01

Note 2) "XXXXX" and "ZZZZZ" are for parts that could not be predicted or for engine models that could not be identified.

Note 3) (A=E00185) is the E (Engine Serial Number) for the column (A) model (in this case 4JH-DT) after the parts design change.

⑤ Remarks

Figures or alphabets (symbols) are entered in the remarks column.

The comments (remarks) on parts that are indicated at the bottom of the illustration are the same symbols as those stated above.

Instructions pour le catalogue de pièces.

1. Le catalogue contient des pièces standards et optionnelles.

2. Les pièces peuvent changer sans préavis.

3. Voici un exemple de format du catalogue de pièces.

| REF. | LEV. | PARTS NO. | DESCRIPTION | Q'TY | | | | | | I | R |
|------|------|--|---------------------|------|-----|-----|-----|-----|-----|---|---|
| | | | | (A) | (B) | (C) | (D) | (E) | (F) | | |
| 1 | 1 | 729595-51390 | FUEL INJECTION PUMP | 1 | 1 | 1 | 1 | 1 | | | 1 |
| 1-1 | 1 | 729595-51391 | FUEL INJECTION PUMP | 1 | 1 | 1 | 1 | 1 | | N | 1 |
| | | (A=E00185) (B=E00200) | | | | | | | | | |
| 3 | 2 | 26022-060162 | SCREW M 6X 16 | 9 | 9 | 9 | 9 | 9 | | | |
| 3-1 | 2 | 26022-060162 | SCREW M 6X 16 | 4 | 4 | 4 | 4 | 4 | | K | |
| | | (A=E00156) (B=E00156) (C=E00156) (D=E00156) (E=E00156) | | | | | | | | | |
| 4 | 2 | 129470-51040 | CAMSHAFT | 1 | 1 | 1 | 1 | 1 | | | |
| 5 | 2 | 122710-51050 | BEARING, ROLLER | 2 | 2 | 2 | 2 | 2 | | | |
| 6 | 2 | 129470-51060 | RETAINER | 1 | 1 | 1 | 1 | 1 | | | |

| |
|---|
| Remarks |
| (1) BOOST COMPEMSATOR TYPE. OPTIONAL PART, TO E00155,(4JH-DT, 4JH-DTZ |

① Réf.

Il se peut que la référence de la liste ne concorde pas avec la référence de l'illustration.

(Ex.) Réf. de l'illustration Réf. de la liste
1 1 (Avant le changement) → **1-1** (Après le changement)

Pour les symboles d'interchangeabilité N, R et K, les illustrations pour les nouvelles pièces peuvent être abrégées.

② Niv. (Niveau)

Indication du niveau

Les numéros ci-dessous indiquent le niveau par rapport à la pièce principale.

1 ----- Pièces principales (pièces d'assemblage)

2 ----- Sous-élément inclus dans « 1 ».

3 ----- Sous-élément inclus dans « 2 ».

Remarque : les pièces qui ne sont pas en vente sont partiellement illustrées, mais ne figurent pas dans la liste.

③ Symbole d'interchangeabilité

En cas de changement de pièce, l'un des symboles d'interchangeabilité suivants est indiqué à côté de la pièce.

| Symbole | Interchangeabilité | Remarque sur le contenu |
|---------|---|---|
| N | Ancienne $\xleftarrow{\text{Oui}}$ Nouvelle $\xrightarrow{\text{Non}}$ | La nouvelle pièce peut être substituée à l'ancienne, mais l'ancienne pièce ne peut pas être substituée à la nouvelle. |
| Q | Ancienne $\xleftarrow{\text{Non}}$ Nouvelle $\xrightarrow{\text{Oui}}$ | La nouvelle pièce ne peut pas être substituée à l'ancienne, mais l'ancienne pièce peut être substituée à la nouvelle. |
| R | Ancienne $\xleftarrow{\text{Oui}}$ Nouvelle $\xrightarrow{\text{Oui}}$ | La nouvelle pièce et l'ancienne sont interchangeables. |
| S | Ancienne $\xleftarrow{\text{Non}}$ Nouvelle $\xrightarrow{\text{Non}}$ | La nouvelle pièce et l'ancienne ne sont pas interchangeables. |
| W | | Pièce nouvellement ajoutée. |
| Z | | Pièce supprimée. |
| F | | Non interchangeable avec une pièce unique, mais interchangeable avec des pièces connexes. |
| K | | Changements uniquement aux quantités de pièces usagées. |

④ N° de machine applicable

En cas de changement de pièce, le n° de machine applicable est indiqué dans la colonne (A)-(F).

| Symbole de produit | N° de produit | Symbole de produit | N° de produit |
|--------------------|-----------------------------------|--------------------|--------------------------------|
| C | N° d'embrayage, n° de compresseur | F | N° de machine (agroéquipement) |
| D | N° d'entraînement | M | N° de machine |
| E | N° de moteur | | |

Remarque 1 : une date peut suivre le symbole. (Ex.) 1996.01

Remarque 2 : « XXXXX » et « ZZZZZ » désignent des pièces impossibles à prédire ou des modèles de moteur non identifiables.

Remarque 3 : (A=E00185) est le E (numéro de série du moteur) pour le modèle de la colonne (A) (ici : 4JH-DT) après le changement à la conception des pièces.

⑤ Identification des remarques

Des chiffres ou des lettres (symboles) sont entrés dans la colonne des remarques.

Les commentaires (remarques) sur les pièces dans le bas de l'illustration sont les mêmes symboles que ceux mentionnés ci-dessus.

Contents

0CNP5-M27300

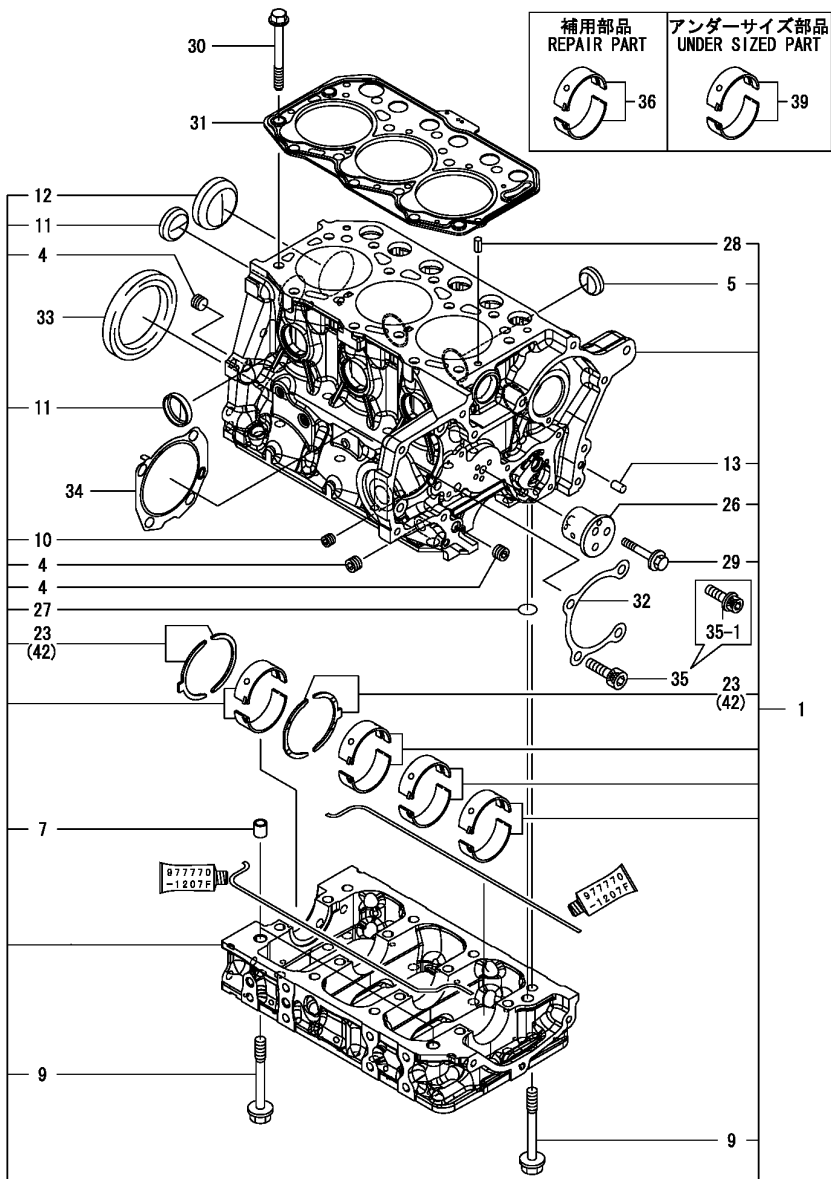
Fig. No. Fig. Name

Fig. No. Fig. Name

ENGINE SECTION

1. CYLINDER BLOCK
2. GEAR HOUSING
3. OIL SUMP
4. CYLINDER HEAD & BONNET
5. AIR CLEANER
6. EXHAUST MANIFOLD & SILENCER
7. CAMSHAFT & DRIVING GEAR
8. CRANKSHAFT & PISTON
9. LUB.OIL SYSTEM
10. COOLING WATER SYSTEM
11. FUEL INJECTION PUMP
12. GOVERNOR
13. FUEL INJECTION VALVE
14. STARTING MOTOR
15. GENERATOR

Fig.1. CYLINDER BLOCK



(A)=3TNM72-CUKS
(B)=
(C)=

(D)=
(E)=
(F)=

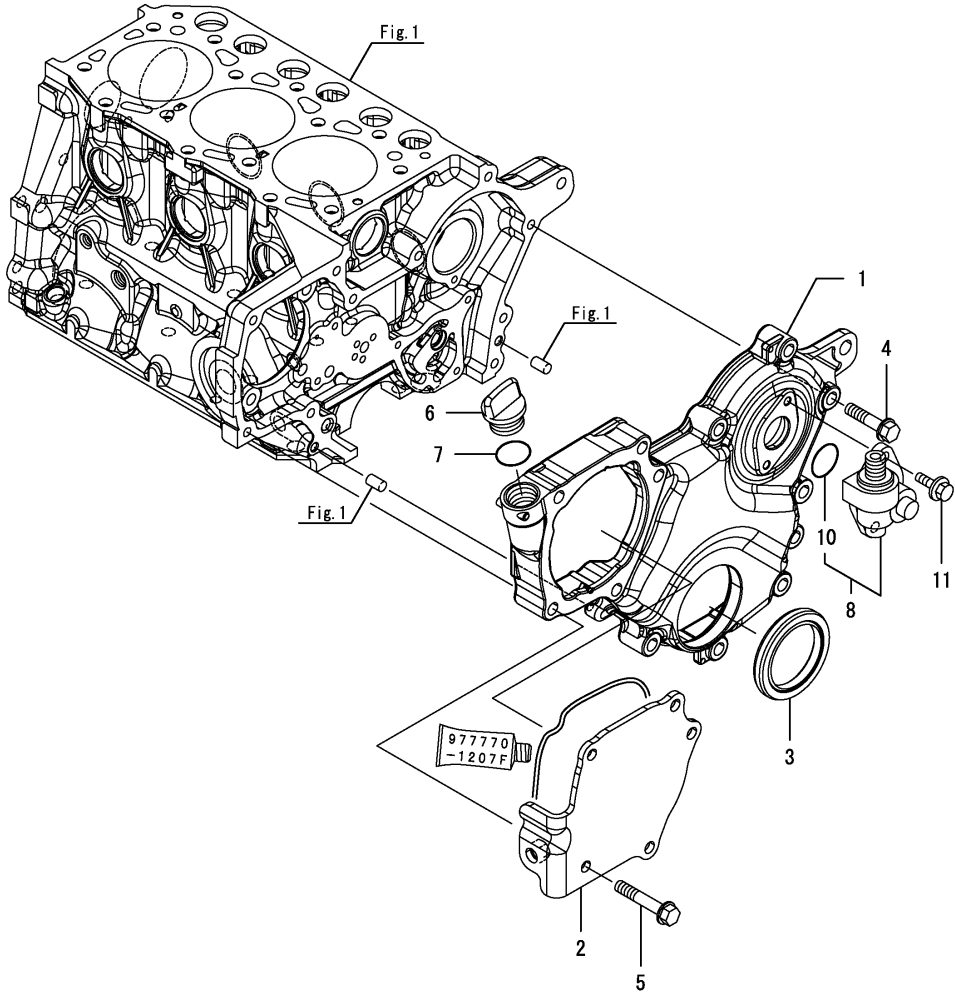
| No. | Lev. | Parts No. | Description | Q'ty | | | | | | I | R |
|------------|------|--------------|----------------------|------|-----|-----|-----|-----|-----|---|---|
| | | | | (A) | (B) | (C) | (D) | (E) | (F) | | |
| 1 | 1 | 119027-01560 | BLOCK ASSY, CYLINDER | 1 | | | | | | | |
| 4 | 2 | 124060-01050 | PLUG, PT1/8 | 3 | | | | | | | |
| 5 | 2 | 119125-01970 | PLUG, 25 | 3 | | | | | | | |
| 7 | 2 | 119125-01960 | PIPE, KNOCK | 2 | | | | | | | |
| 9 | 2 | 119125-02061 | BOLT, METAL CAP | 16 | | | | | | | |
| 10 | 2 | 23876-005000 | PLUG, R005 | 1 | | | | | | | |
| 11 | 2 | 27241-300000 | PLUG 30 | 4 | | | | | | | |
| 12 | 2 | 27241-450000 | PLUG, 45 | 1 | | | | | | | |
| 13 | 2 | 119620-01620 | PIN, M6X10 | 2 | | | | | | | |
| 23 | 2 | 119125-02930 | BEARING, THRUST | 2 | | | | | | | |
| 26 | 2 | 119125-25050 | SHAFT, IDLE GEAR | 1 | | | | | | | |
| 27 | 2 | 129900-32040 | O-RING, P14 | 1 | | | | | | | |
| 28 | 2 | 22351-060012 | PIN, SPRING 6.0X12 | 2 | | | | | | | |
| 29 | 2 | 26106-060402 | BOLT, M6X 40 PLATED | 3 | | | | | | | |
| 30 | 1 | 119515-01200 | BOLT, HEAD | 14 | | | | | | | |
| 31 | 1 | 119025-01331 | GASKET, HEAD | 1 | | | | | | | |
| 32 | 1 | 119125-01790 | GASKET | 1 | | | | | | | |
| 33 | 1 | 119734-02220 | SEAL, OIL | 1 | | | | | | | |
| 34 | 1 | 119125-51800 | GASKET | 1 | | | | | | | |
| 35 | 1 | 26450-080252 | BOLT, M8X 25 | 4 | | | | | | | |
| 35-1 | 1 | 119125-01800 | BOLT | 4 | | | | | | | N |
| (A=EZZZZZ) | | | | | | | | | | | |
| 36 | 1 | 119125-02900 | BEARING, MAIN | 4 | | | | | | | 1 |
| 39 | 1 | 119125-02910 | BEARING, 0.25 US | 4 | | | | | | | 2 |
| 42 | 1 | 119125-02940 | BEARING, THRUST 0.25 | 2 | | | | | | | 3 |

Remarks
 (1)Repair part.
 (2)Under-sized(U.S.=0.25)part.
 (3)Over-sized(O.S.=0.25)part.

Fig.2. GEAR HOUSING

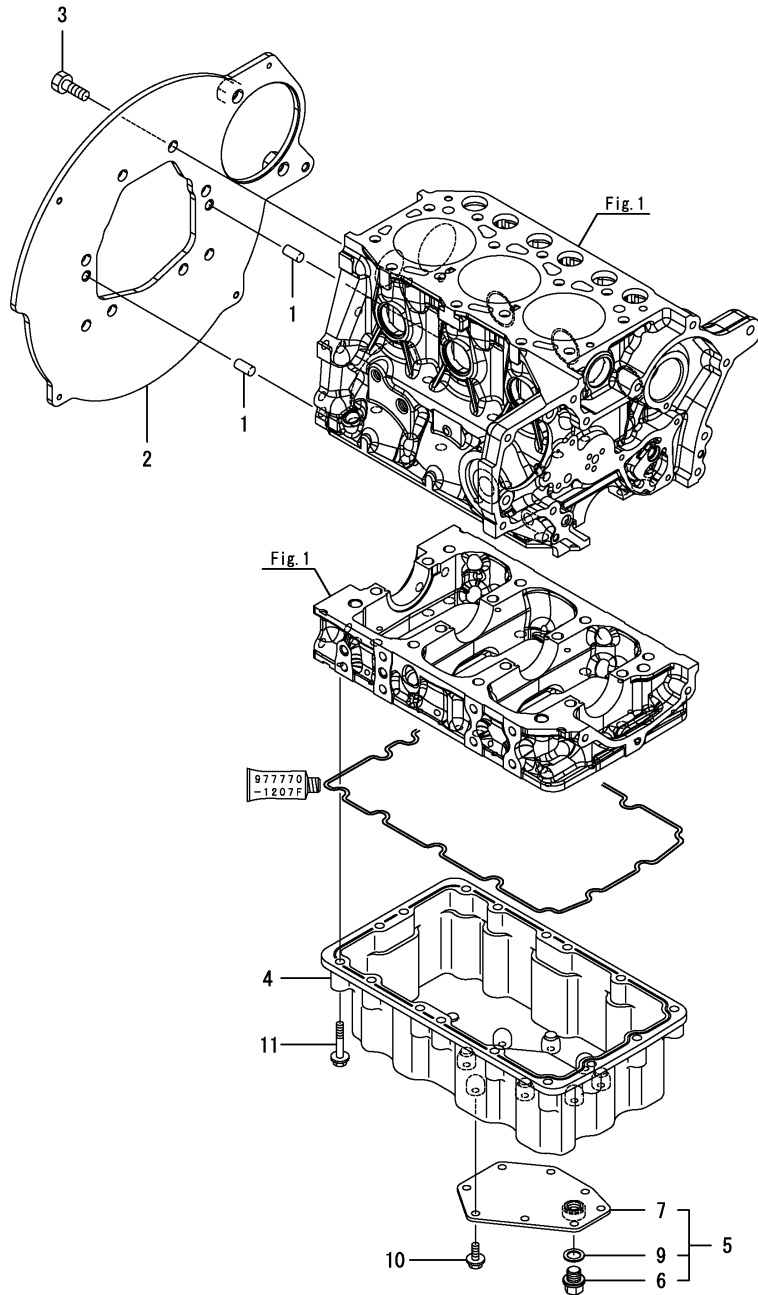
(A)=3TNM72-CUKS
(B)=
(C)=

(D)=
(E)=
(F)=



| No. | Lev. | Parts No. | Description | Qty | | | | | | I | R |
|-----|------|--------------|---------------------|-----|-----|-----|-----|-----|-----|---|---|
| | | | | (A) | (B) | (C) | (D) | (E) | (F) | | |
| 1 | 1 | 119025-01530 | CASE, GEAR | 1 | | | | | | | |
| 2 | 1 | 119025-01750 | COVER, PUMP TIMING | 1 | | | | | | | |
| 3 | 1 | 119717-01800 | SEAL, OIL | 1 | | | | | | | |
| 4 | 1 | 26106-080352 | BOLT, M8X 35 PLATED | 8 | | | | | | | |
| 5 | 1 | 26106-080452 | BOLT, M8X 45 PLATED | 5 | | | | | | | |
| 6 | 1 | 106760-01770 | CAP | 1 | | | | | | | |
| 7 | 1 | 24311-000180 | O-RING, 1AP18.0 | 1 | | | | | | | |
| 8 | 1 | 129150-91400 | GEAR | 1 | | | | | | | |
| 10 | 2 | 24341-000240 | O-RING, 1AS24.0 | 1 | | | | | | | |
| 11 | 1 | 26106-060162 | BOLT, M6X 16 PLATED | 2 | | | | | | | |

Fig.3. OIL SUMP

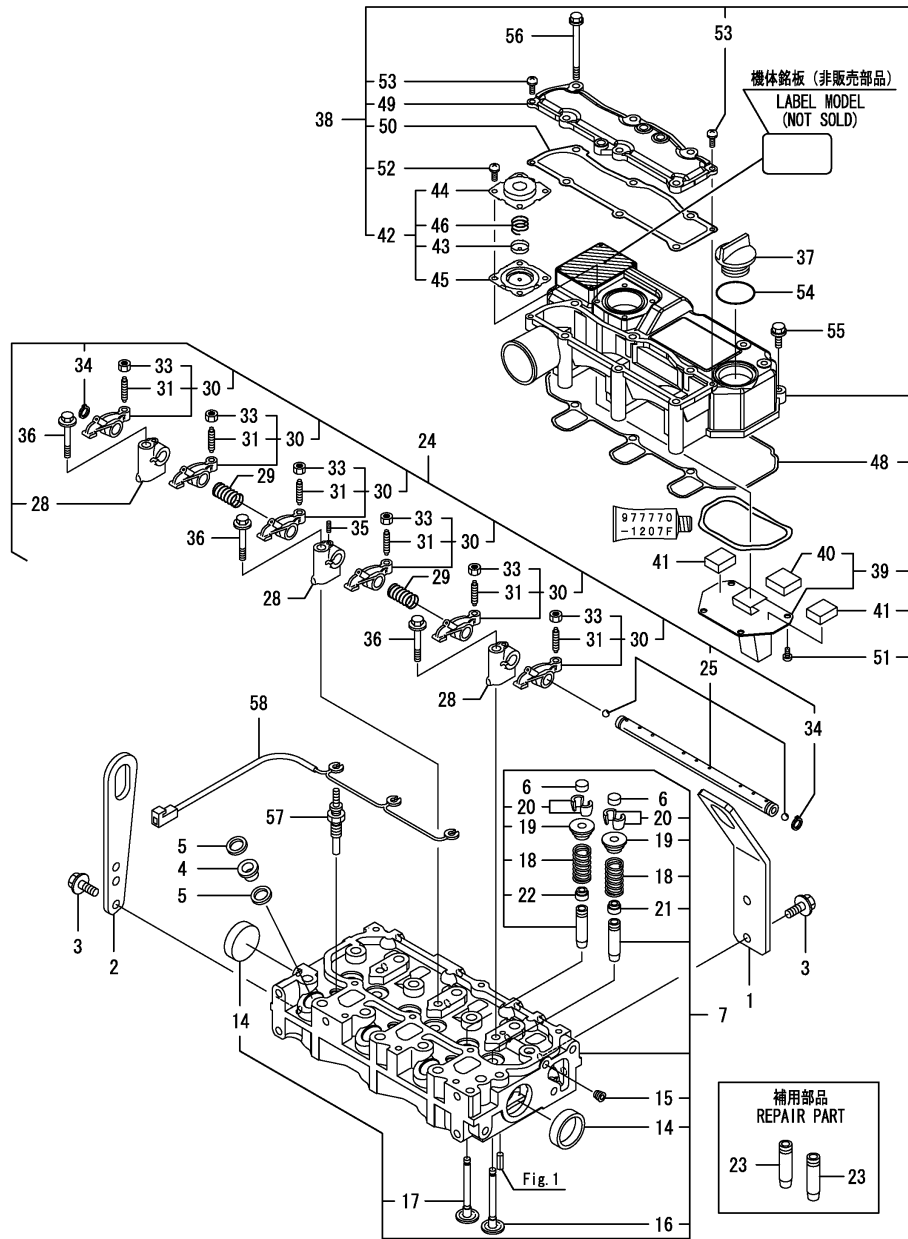


(A)=3TNM72-CUKS
(B)=
(C)=

(D)=
(E)=
(F)=

| No. | Lev. | Parts No. | Description | Q'ty | | | | | | I | R |
|-----|------|--------------|----------------------|------|-----|-----|-----|-----|-----|---|---|
| | | | | (A) | (B) | (C) | (D) | (E) | (F) | | |
| 1 | 1 | 129100-01580 | PIN, M8X16 | 2 | | | | | | | |
| 2 | 1 | 119025-01620 | PLATE, BACK | 1 | | | | | | | |
| 3 | 1 | 26206-100202 | BOLT, M10X 20 PLATED | 8 | | | | | | | |
| 4 | 1 | 119025-01810 | SUMP, LUB.OIL | 1 | | | | | | | |
| 5 | 1 | 119025-01820 | COVER CMP, OIL SUMP | 1 | | | | | | | |
| 6 | 2 | 129054-01640 | PLUG, DRAIN 12 | 1 | | | | | | | |
| 7 | 2 | 119025-01830 | COVER, OIL SUMP | 1 | | | | | | | |
| 9 | 2 | 22190-120002 | WASHER, SEAL 12 | 1 | | | | | | | |
| 10 | 1 | 26106-060142 | BOLT, M6X 14 PLATED | 8 | | | | | | | |
| 11 | 1 | 26106-060352 | BOLT, M6X 35 PLATED | 16 | | | | | | | |

Fig.4. CYLINDER HEAD & BONNET



(A)=3TNM72-CUKS

(B)=

(C)=

(D)=

(E)=

(F)=

| No. | Lev. | Parts No. | Description | Q'ty | | | | | | I | R |
|-----|------|--------------|----------------------|------|-----|-----|-----|-----|-----|---|---|
| | | | | (A) | (B) | (C) | (D) | (E) | (F) | | |
| 1 | 1 | 119517-07900 | LIFTER | 1 | | | | | | | |
| 2 | 1 | 129900-07900 | LIFTER | 1 | | | | | | | |
| 3 | 1 | 26106-080162 | BOLT, M8X 16 PLATED | 4 | | | | | | | |
| 4 | 1 | 129901-11450 | PROTECTOR, NOZZLE | 3 | | | | | | | |
| 5 | 1 | 119600-11460 | GASKET, NOZZLE | 6 | | | | | | | |
| 6 | 1 | 105010-11490 | CAP, VALVE | 6 | | | | | | | |
| 7 | 1 | 119517-11740 | HEAD ASSY, CYLINDER | 1 | | | | | | | |
| 14 | 2 | 119285-11990 | PLUG, 35 | 2 | | | | | | | |
| 15 | 2 | 23876-005000 | PLUG, R005 | 1 | | | | | | | |
| 16 | 2 | 119515-11101 | VALVE, INTAKE | 3 | | | | | | | |
| 17 | 2 | 119515-11110 | VALVE, EXHAUST | 3 | | | | | | | |
| 18 | 2 | 119717-11131 | SPRING, VALVE | 6 | | | | | | | |
| 19 | 2 | 129508-11180 | RETAINER, SPRING | 6 | | | | | | | |
| 20 | 2 | 119717-11190 | COTTER | 12 | | | | | | | |
| 21 | 2 | 119717-11340 | SEAL, VALVE STEM | 3 | | | | | | | |
| 22 | 2 | 119717-11350 | SEAL, VALVE STEM | 3 | | | | | | | |
| 23 | 1 | 119515-11800 | GUIDE, VALVE | 6 | | | | | | | 1 |
| 24 | 1 | 119515-11200 | SUPPORT ASSY, ARM | 1 | | | | | | | |
| 25 | 2 | 119515-11240 | SHAFT ASSY, ROCKER | 1 | | | | | | | |
| 28 | 2 | 119717-11260 | SUPPORT, ROCKER ARM | 3 | | | | | | | |
| 29 | 2 | 119515-11280 | SPRING | 2 | | | | | | | |
| 30 | 2 | 119717-11650 | ARM, ROCKER | 6 | | | | | | | |
| 31 | 3 | 129150-11230 | SCREW, VALVE ADJUST | 6 | | | | | | | |
| 33 | 3 | 129150-11750 | NUT, M8 | 6 | | | | | | | |
| 34 | 2 | 22242-000120 | RING, 12 | 2 | | | | | | | |
| 35 | 2 | 26979-050162 | SCREW, M5X16 | 1 | | | | | | | |
| 36 | 1 | 26106-080402 | BOLT, M8X 40 PLATED | 3 | | | | | | | |
| 37 | 1 | 124160-01751 | COVER, FILLER | 1 | | | | | | | |
| 38 | 1 | 119515-11380 | BONNET ASSY, HEAD | 1 | | | | | | | |
| 39 | 2 | 119717-03031 | PLATE | 1 | | | | | | | |
| 40 | 3 | 119717-03070 | BAFFLE, BREATHER | 1 | | | | | | | |
| 41 | 2 | 119717-03070 | BAFFLE, BREATHER | 2 | | | | | | | |
| 42 | 2 | 119802-03100 | DIAPHRAGM ASSY | 1 | | | | | | | |
| 43 | 3 | 119802-03110 | PLATE | 1 | | | | | | | |
| 44 | 3 | 119802-03121 | COVER, DIAPHRAGM | 1 | | | | | | | |
| 45 | 3 | 119802-03131 | DIAPHRAGM | 1 | | | | | | | |
| 46 | 3 | 119802-03141 | SPRING, DIAPHRAGM | 1 | | | | | | | |
| 48 | 2 | 119515-11310 | GASKET, BONNET | 1 | | | | | | | |
| 49 | 2 | 119515-11320 | COVER, BONNET | 1 | | | | | | | |
| 50 | 2 | 119515-11330 | GASKET | 1 | | | | | | | |
| 51 | 2 | 22857-500100 | SCREW, 5X10 | 4 | | | | | | | |
| 52 | 2 | 22857-500100 | SCREW, 5X10 | 4 | | | | | | | |
| 53 | 2 | 22857-500160 | SCREW, 5X16 | 2 | | | | | | | |
| 54 | 1 | 24311-000320 | O-RING, 1AP32.0 | 1 | | | | | | | |
| 55 | 1 | 26106-060202 | BOLT, M6X 20 PLATED | 3 | | | | | | | |
| 56 | 1 | 26106-060752 | BOLT, M6X 75 PLATED | 6 | | | | | | | |
| 57 | 1 | 119125-77800 | PLUG, GLOW | 3 | | | | | | | |
| 58 | 1 | 119125-77820 | CONNECTOR, GLOW PLUG | 1 | | | | | | | |

Remarks

(1)Repair part.

N:Old $\xrightarrow{\text{Yes}}$ New, Q:Old $\xrightarrow{\text{No}}$ New, R:Old $\xrightarrow{\text{Yes}}$ New, S:Old $\xrightarrow{\text{No}}$ New, W:Add, Z:Discontinued, F:Interchangeable by set, K:Q'ty Change

Fig.5. AIR CLEANER

(A)=3TNM72-CUKS
(B)=
(C)=

(D)=
(E)=
(F)=

| No. | Lev. | Parts No. | Description | Q'ty | | | | | | I | R |
|-----|------|--------------|-------------------|------|-----|-----|-----|-----|-----|---|---|
| | | | | (A) | (B) | (C) | (D) | (E) | (F) | | |
| 1 | 1 | 119517-12510 | CLEANER ASSY, AIR | 1 | | | | | | | |
| 2 | 2 | 129418-12530 | LABEL, MARK | 2 | | | | | | | |
| 3 | 2 | 119808-12540 | VALVE, UNLOADER | 1 | | | | | | | |
| 4 | 2 | 119655-12560 | ELEMENT | 1 | | | | | | | |
| 5 | 2 | 119686-12570 | COVER ASSY | 1 | | | | | | | |
| 6 | 2 | 105027-12580 | RING | 1 | | | | | | | |

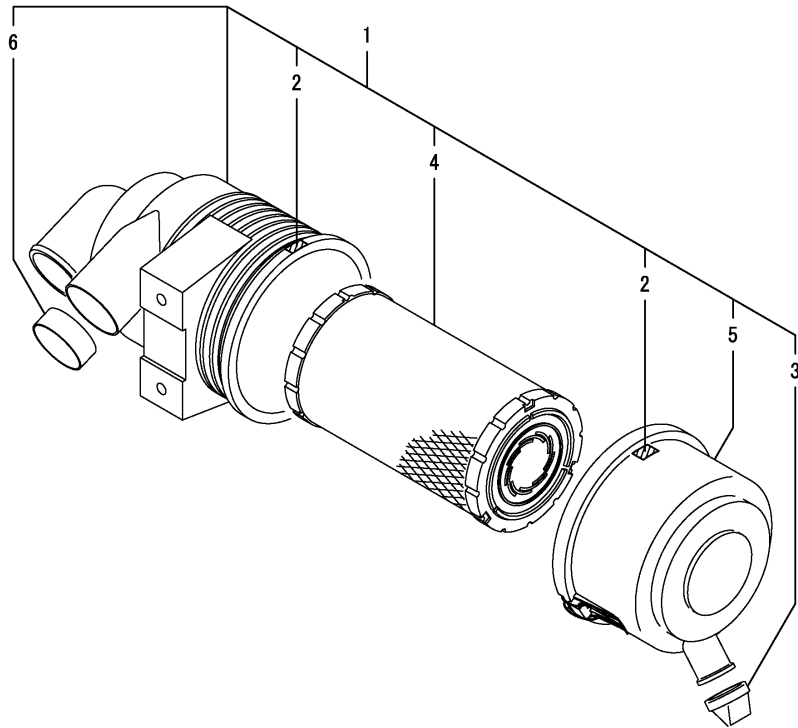
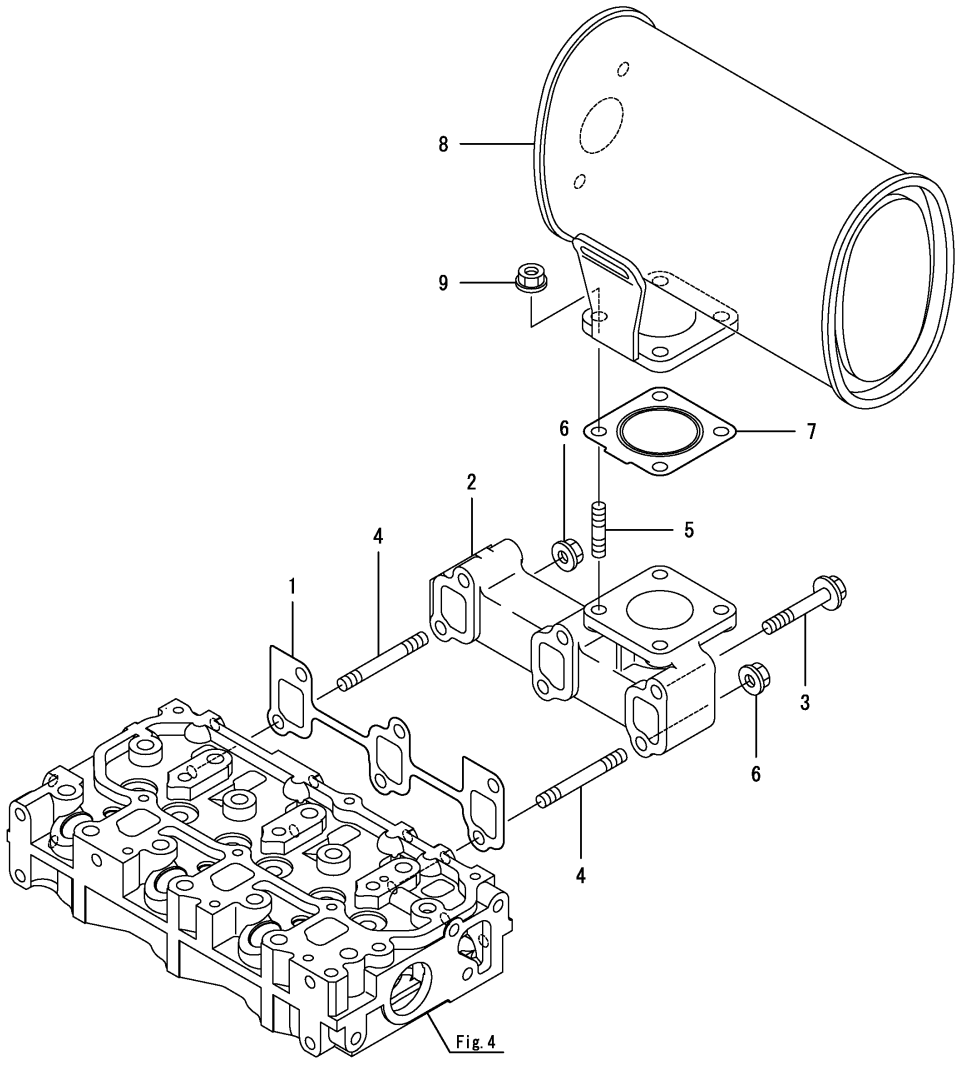


Fig.6. EXHAUST MANIFOLD & SILENCER

(A)=3TNM72-CUKS
(B)=
(C)=

(D)=
(E)=
(F)=



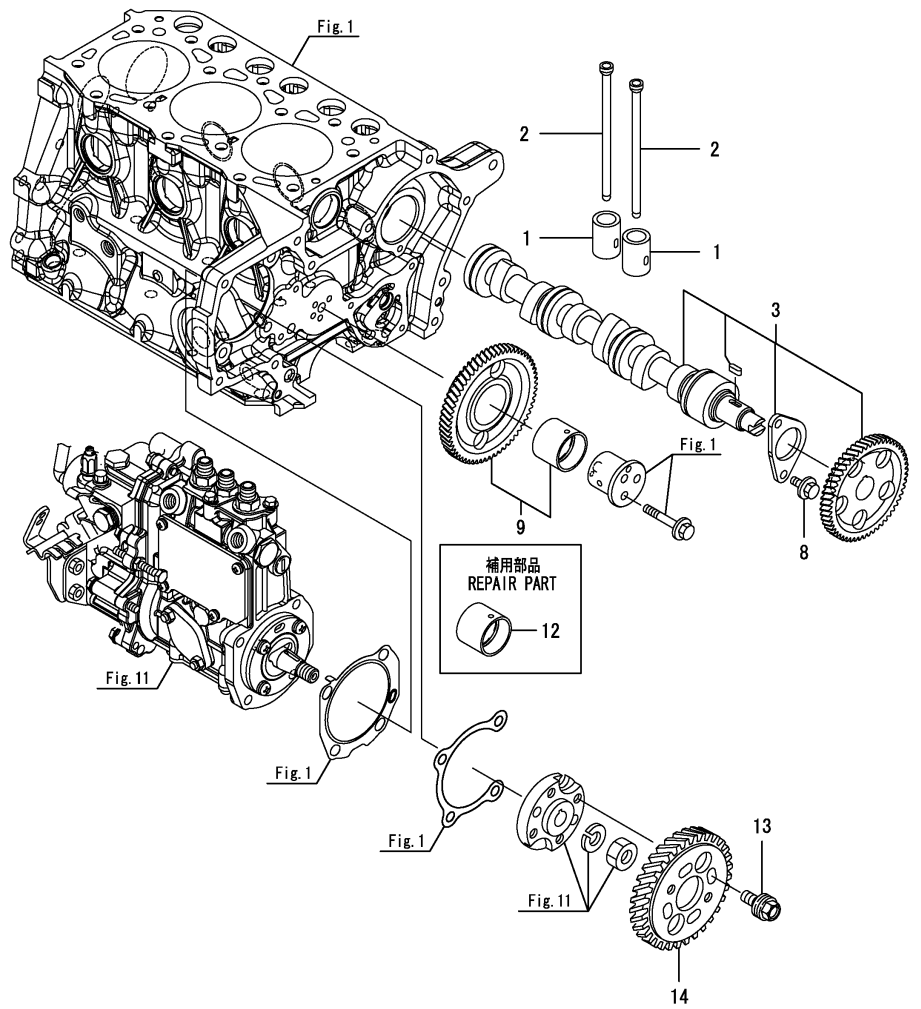
| No. | Lev. | Parts No. | Description | Q'ty | | | | | | I | R |
|-----|------|--------------|-------------------|------|-----|-----|-----|-----|-----|---|---|
| | | | | (A) | (B) | (C) | (D) | (E) | (F) | | |
| 1 | 1 | 119717-13110 | GASKET | 1 | | | | | | | |
| 2 | 1 | 119734-13110 | MANIFOLD, EXHAUST | 1 | | | | | | | |
| 3 | 1 | 119802-13620 | BOLT, M8X50 | 4 | | | | | | | |
| 4 | 1 | 119802-13750 | STUD, M8X65 | 2 | | | | | | | |
| 5 | 1 | 119131-18320 | STUD, M8X22 | 4 | | | | | | | |
| 6 | 1 | 26306-080002 | NUT, M8 | 2 | | | | | | | |
| 7 | 1 | 119515-13200 | GASKET, SILENCER | 1 | | | | | | | |
| 8 | 1 | 119517-13500 | SILENCER | 1 | | | | | | | |
| 9 | 1 | 26306-080002 | NUT, M8 | 4 | | | | | | | |

Fig.7. CAMSHAFT & DRIVING GEAR

(A)=3TNM72-CUKS
(B)=
(C)=

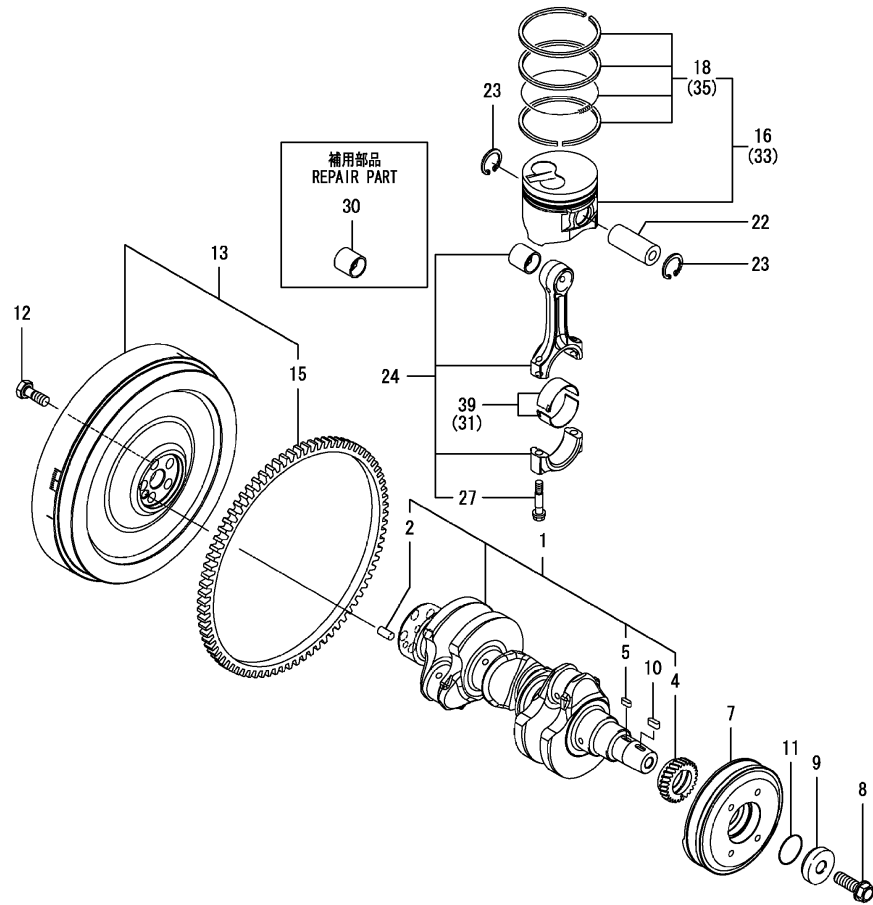
(D)=
(E)=
(F)=

| No. | Lev. | Parts No. | Description | Q'ty | | | | | | I | R |
|-----|------|--------------|---------------------|------|-----|-----|-----|-----|-----|---|---|
| | | | | (A) | (B) | (C) | (D) | (E) | (F) | | |
| 1 | 1 | 119620-14200 | TAPPET | 6 | | | | | | | |
| 2 | 1 | 119515-14400 | ROD, PUSH | 6 | | | | | | | |
| 3 | 1 | 119025-14580 | CAMSHAFT ASSY | 1 | | | | | | | |
| 8 | 1 | 26106-060122 | BOLT, M6X 12 PLATED | 2 | | | | | | | |
| 9 | 1 | 119025-25100 | GEAR ASSY, IDLE | 1 | | | | | | | |
| 12 | 1 | 119125-25910 | BUSH, IDLE GEAR | 1 | | | | | | | 1 |
| 13 | 1 | 129150-25301 | BOLT | 4 | | | | | | | |
| 14 | 1 | 119125-25930 | GEAR, PUMP | 1 | | | | | | | |



Remarks
(1)Repair part.

Fig.8. CRANKSHAFT & PISTON



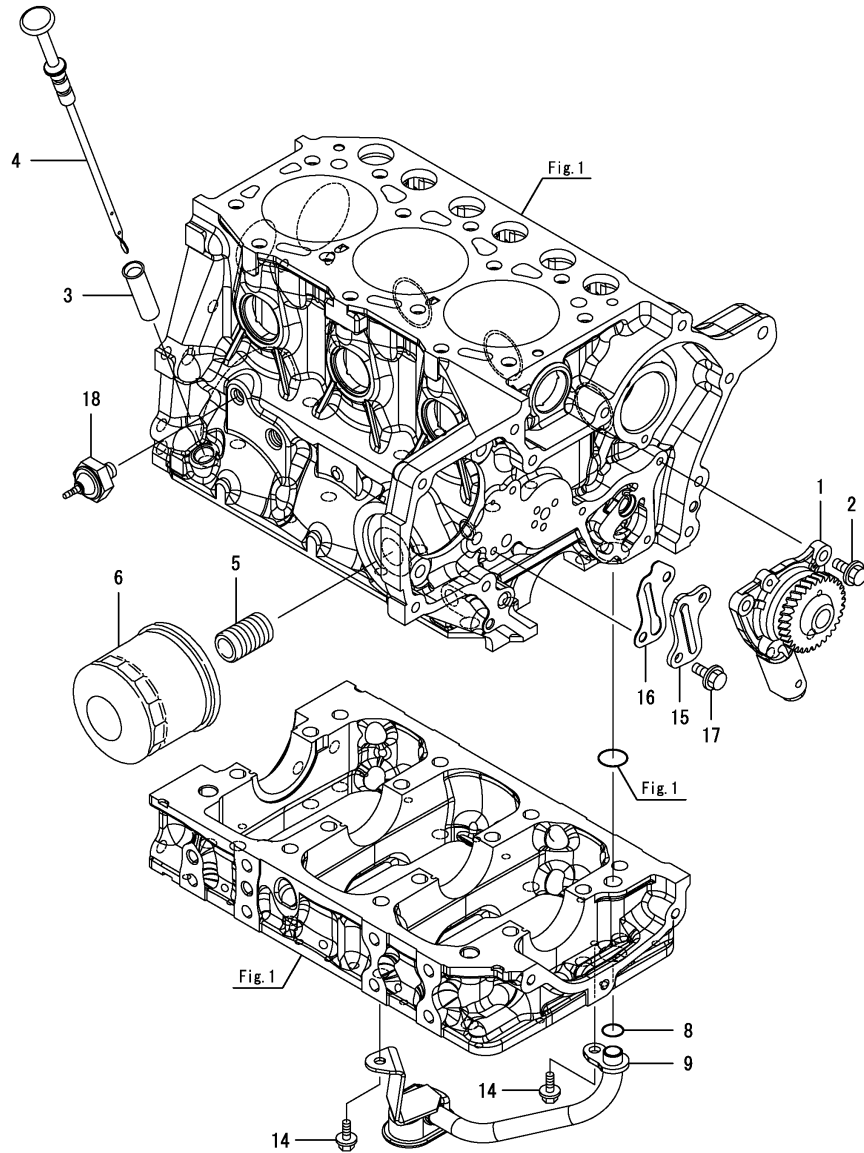
(A)=3TNM72-CUKS
(B)=
(C)=

(D)=
(E)=
(F)=

| No. | Lev. | Parts No. | Description | Q'ty | | | | | | I | R |
|------------|------|--------------|----------------------|------|-----|-----|-----|-----|-----|---|---|
| | | | | (A) | (B) | (C) | (D) | (E) | (F) | | |
| 1 | 1 | 119025-21700 | CRANKSHAFT ASSY | 1 | | | | | | | |
| 2 | 2 | 129100-01580 | PIN, M8X16 | 1 | | | | | | | |
| 4 | 2 | 119125-21200 | GEAR, CRANKSHAFT | 1 | | | | | | | |
| 5 | 2 | 22512-040120 | KEY, 4X 12 | 1 | | | | | | | |
| 7 | 1 | 119025-21650 | V-PULLEY, CRANKSHAFT | 1 | | | | | | | |
| 8 | 1 | 119621-21681 | BOLT, FLANGE 12X1.25 | 1 | | | | | | | |
| 9 | 1 | 119717-21940 | WASHER, 12 | 1 | | | | | | | |
| 10 | 1 | 22512-050120 | KEY, 5X 12 | 1 | | | | | | | |
| 11 | 1 | 24341-000340 | O-RING, 1AS34.0 | 1 | | | | | | | |
| 11-1 | 1 | 119C10-21930 | PACKING, WASHER | 1 | | | | | | | R |
| (A=EXXXXX) | | | | | | | | | | | |
| 12 | 1 | 119620-21500 | BOLT, FLYWHEEL | 5 | | | | | | | |
| 13 | 1 | 119025-21590 | FLYWHEEL ASSY | 1 | | | | | | | |
| 15 | 2 | 124060-21600 | GEAR, RING | 1 | | | | | | | |
| 16 | 1 | 119517-22090 | PISTON ASSY | 3 | | | | | | | |
| 18 | 2 | 119517-22500 | RING SET, PISTON | 3 | | | | | | | |
| 22 | 1 | 119515-22300 | PIN, PISTON | 3 | | | | | | | |
| 23 | 1 | 22252-000220 | RING, 22 | 6 | | | | | | | |
| 24 | 1 | 119515-23000 | ROD ASSY, CONNECTING | 3 | | | | | | | |
| 27 | 2 | 119717-23200 | BOLT, CONNECTING ROD | 6 | | | | | | | |
| 30 | 1 | 119717-23910 | BEARING, PISTON PIN | 3 | | | | | | | 1 |
| 31 | 1 | 119515-23611 | METAL ASSY, 0.25 | 3 | | | | | | | 2 |
| 33 | 1 | 119025-22900 | PISTON ASSY | 3 | | | | | | | 3 |
| 35 | 2 | 119609-22950 | RING SET, 0.25 OS | 3 | | | | | | | 3 |
| 39 | 1 | 119515-23601 | BEARING, CRANK PIN | 3 | | | | | | | 3 |

Remarks
 (1)Repair part.
 (2)Under-sized(U.S.=0.25)part.
 (3)Over-sized(O.S.=0.25)part.

Fig.9. LUB.OIL SYSTEM



(A)=3TNM72-CUKS
(B)=
(C)=

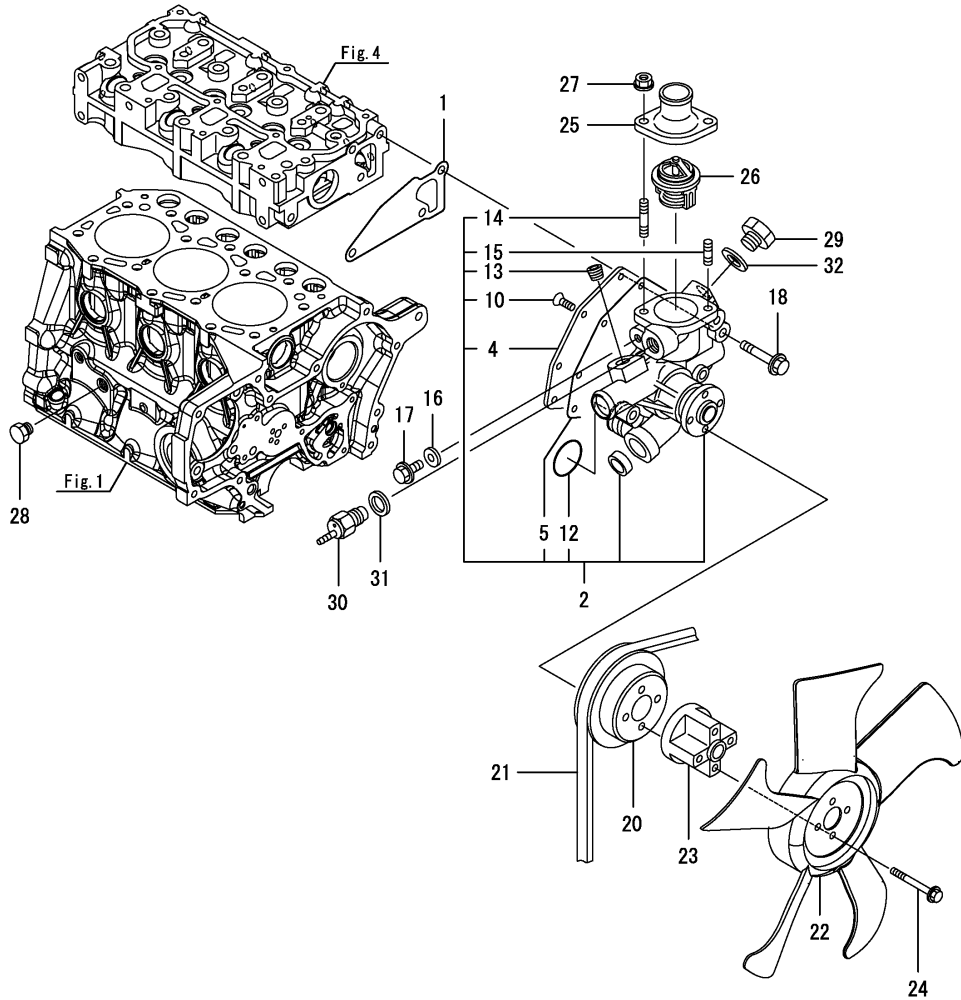
(D)=
(E)=
(F)=

| No. | Lev. | Parts No. | Description | Q'ty | | | | | | I | R |
|-----|------|--------------|----------------------|------|-----|-----|-----|-----|-----|---|---|
| | | | | (A) | (B) | (C) | (D) | (E) | (F) | | |
| 1 | 1 | 119125-32000 | PUMP ASSY, OIL | 1 | | | | | | | |
| 2 | 1 | 26106-060142 | BOLT, M6X 14 PLATED | 3 | | | | | | | |
| 3 | 1 | 119125-34810 | GUIDE, DIPSTICK | 1 | | | | | | | |
| 4 | 1 | 119025-34840 | DIPSTICK, ASSY | 1 | | | | | | | |
| 5 | 1 | 119717-35140 | BOLT | 1 | | | | | | | |
| 6 | 1 | 119305-35170 | FILTER ASSY, D68XL65 | 1 | | | | | | | 1 |
| 8 | 1 | 119209-35030 | O-RING, P11 | 1 | | | | | | | |
| 9 | 1 | 119025-35091 | PIPE ASSY, OIL INLET | 1 | | | | | | | |
| 14 | 1 | 26106-060102 | BOLT, M6X 10 PLATED | 2 | | | | | | | |
| 15 | 1 | 119125-39200 | COVER | 1 | | | | | | | |
| 16 | 1 | 119125-39220 | GASKET | 1 | | | | | | | |
| 17 | 1 | 26106-060102 | BOLT, M6X 10 PLATED | 2 | | | | | | | |
| 18 | 1 | 114250-39450 | SWITCH, 0.5KG | 1 | | | | | | | |

Remarks

(1)Repair part.

Fig.10. COOLING WATER SYSTEM



(A)=3TNM72-CUKS

(B)=

(C)=

(D)=

(E)=

(F)=

| No. | Lev. | Parts No. | Description | Q'ty | | | | | | I | R |
|-----|------|--------------|---------------------|------|-----|-----|-----|-----|-----|---|---|
| | | | | (A) | (B) | (C) | (D) | (E) | (F) | | |
| 1 | 1 | 119515-42020 | GASKET, WATER PUMP | 1 | | | | | | | |
| 2 | 1 | 119025-42040 | PUMP ASSY, WATER | 1 | | | | | | | |
| 4 | 2 | 119026-42020 | COVER | 1 | | | | | | | |
| 5 | 2 | 119026-42030 | GASKET, WATER PUMP | 1 | | | | | | | |
| 10 | 2 | 26577-060122 | SCREW, M6X12 | 7 | | | | | | | |
| 12 | 2 | 119685-42281 | O-RING | 1 | | | | | | | |
| 13 | 2 | 129916-49740 | PLUG, R03 | 1 | | | | | | | |
| 14 | 2 | 129555-44750 | STUD, M8X30 | 1 | | | | | | | |
| 15 | 2 | 26216-080202 | STUD, M8X 20 | 1 | | | | | | | |
| 16 | 1 | 23414-080000 | GASKET, 8X1.0 | 1 | | | | | | | |
| 17 | 1 | 26106-080122 | BOLT, M8X 12 PLATED | 1 | | | | | | | |
| 18 | 1 | 26106-080452 | BOLT, M8X 45 PLATED | 3 | | | | | | | |
| 20 | 1 | 119740-42350 | V-PULLEY, D=90 | 1 | | | | | | | |
| 21 | 1 | 25132-003600 | V-BELT, A36 | 1 | | | | | | | |
| 22 | 1 | 119258-44740 | FAN, COOLING D300 | 1 | | | | | | | |
| 23 | 1 | 119256-44760 | SPACER, FAN | 1 | | | | | | | |
| 24 | 1 | 26106-060552 | BOLT, M6X 55 PLATED | 4 | | | | | | | |
| 25 | 1 | 129350-49530 | COVER, THERMOSTAT | 1 | | | | | | | |
| 26 | 1 | 119717-49800 | THERMOSTAT, 71 | 1 | | | | | | | |
| 27 | 1 | 26306-080002 | NUT, M8 | 2 | | | | | | | |
| 28 | 1 | 171056-49120 | PLUG, DRAIN | 1 | | | | | | | |
| 29 | 1 | 121450-42450 | PLUG, M16 | 1 | | | | | | | |
| 30 | 1 | 121250-44901 | SWITCH, 110 | 1 | | | | | | | |
| 31 | 1 | 124465-44950 | GASKET, 16 | 1 | | | | | | | |
| 32 | 1 | 124465-44950 | GASKET, 16 | 1 | | | | | | | |

Fig.11. FUEL INJECTION PUMP

(A)=3TNM72-CUKS

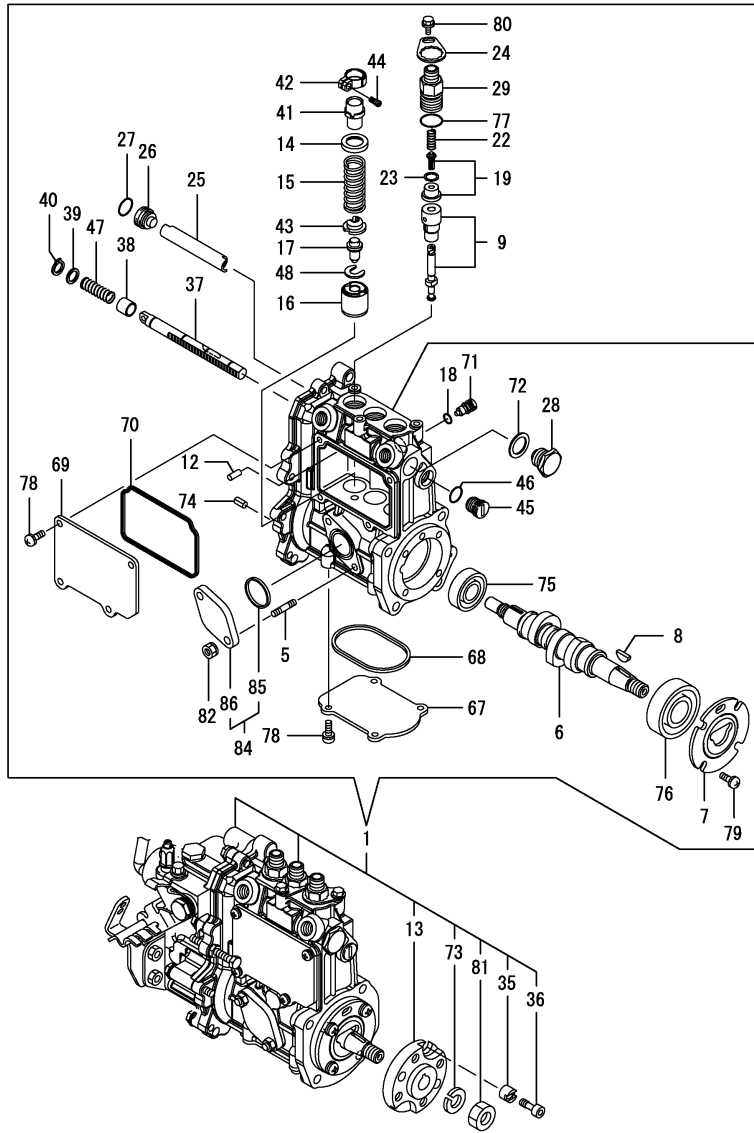
(B)=

(C)=

(D)=

(E)=

(F)=



| No. | Lev. | Parts No. | Description | Q'ty | | | | | | I | R |
|-----|------|--------------|----------------------|------|-----|-----|-----|-----|-----|---|---|
| | | | | (A) | (B) | (C) | (D) | (E) | (F) | | |
| 1 | 1 | 719025-51300 | PUMP ASSY, INJECTION | 1 | | | | | | | 1 |
| 5 | 2 | 129155-51020 | STUD | 2 | | | | | | | |
| 6 | 2 | 119125-51030 | CAMSHAFT | 1 | | | | | | | |
| 7 | 2 | 119125-51060 | RETAINER, BEARING | 1 | | | | | | | |
| 8 | 2 | 122710-51090 | KEY | 1 | | | | | | | |
| 9 | 2 | 119125-51100 | PLUNGER ASSY | 3 | | | | | | | |
| 12 | 2 | 129155-51140 | PIN | 3 | | | | | | | |
| 13 | 2 | 119717-51150 | FLANGE | 1 | | | | | | | |
| 14 | 2 | 158600-51170 | RETAINER, SPRING | 3 | | | | | | | |
| 15 | 2 | 119717-51190 | SPRING, PLUNGER | 3 | | | | | | | |
| 16 | 2 | 119125-51241 | TAPPET | 3 | | | | | | | |
| 17 | 2 | 119125-51250 | GUIDE, TAPPET | 3 | | | | | | | |
| 18 | 2 | 129155-51280 | O-RING, S6 | 1 | | | | | | | |
| 19 | 2 | 119125-51300 | VALVE ASSY, DELIVERY | 3 | | | | | | | |
| 22 | 2 | 128990-51330 | SPRING, DELIVERY | 3 | | | | | | | |
| 23 | 2 | 124550-51350 | GASKET, DELIVERY | 3 | | | | | | | |
| 24 | 2 | 118400-51370 | LOCKING | 3 | | | | | | | |
| 25 | 2 | 129155-51400 | DEFLECTOR | 1 | | | | | | | |
| 26 | 2 | 158600-51410 | PLUG, DEFLECTOR | 1 | | | | | | | |
| 27 | 2 | 119717-51420 | O-RING | 1 | | | | | | | |
| 28 | 2 | 158600-51420 | PLUG, DEFLECTOR | 1 | | | | | | | |
| 29 | 2 | 158600-51442 | VALVE ASSY, DELIVERY | 3 | | | | | | | |
| 35 | 2 | 119125-51480 | COLLAR | 1 | | | | | | | |
| 36 | 2 | 119125-51490 | BOLT | 1 | | | | | | | |
| 37 | 2 | 119717-51500 | RACK, CONTROL | 1 | | | | | | | |
| 38 | 2 | 129155-51521 | BUSH, RACK | 1 | | | | | | | |
| 39 | 2 | 129155-51530 | SPACER | 1 | | | | | | | |
| 40 | 2 | 129155-51540 | CIRCLIP | 1 | | | | | | | |
| 41 | 2 | 129155-51550 | PINION, CONTROL | 3 | | | | | | | |
| 42 | 2 | 129100-51560 | PINION | 3 | | | | | | | |
| 43 | 2 | 119717-51570 | RETAINER, SPRING | 3 | | | | | | | |
| 44 | 2 | 129100-51570 | SCREW | 3 | | | | | | | |
| 45 | 2 | 158600-51570 | PLUG | 1 | | | | | | | |
| 46 | 2 | 129155-51580 | O-RING | 1 | | | | | | | |
| 47 | 2 | 129155-51591 | SPRING, RACK | 1 | | | | | | | |
| 48 | 2 | 129155-51600 | SHIM SET, ADJUSTING | 3 | | | | | | | |
| 67 | 2 | 119125-51700 | COVER | 1 | | | | | | | |
| 68 | 2 | 119717-51711 | GASKET | 1 | | | | | | | |
| 69 | 2 | 119717-51750 | COVER | 1 | | | | | | | |
| 70 | 2 | 119717-51761 | GASKET | 1 | | | | | | | |
| 71 | 2 | 158600-51790 | STOOPER, RACK | 1 | | | | | | | |
| 72 | 2 | 22190-160002 | WASHER, SEAL 16 | 1 | | | | | | | |
| 73 | 2 | 22217-120000 | WASHER, SPRING 12 | 1 | | | | | | | |
| 74 | 2 | 22351-050010 | PIN, SPRING 5.0X10 | 2 | | | | | | | |
| 75 | 2 | 24101-060034 | BEARING, BALL 6003 | 1 | | | | | | | |
| 76 | 2 | 24101-063034 | BEARING, BALL 6303 | 1 | | | | | | | |
| 77 | 2 | 24316-000150 | O-RING, 4DP15.0 | 3 | | | | | | | |
| 78 | 2 | 26022-050122 | SCREW, M5X12 | 8 | | | | | | | |
| 79 | 2 | 26022-060162 | SCREW, M6X16 | 4 | | | | | | | |
| 80 | 2 | 26106-050102 | BOLT, M5X 10 PLATED | 3 | | | | | | | |
| 81 | 2 | 26716-120002 | NUT, M12 | 1 | | | | | | | |

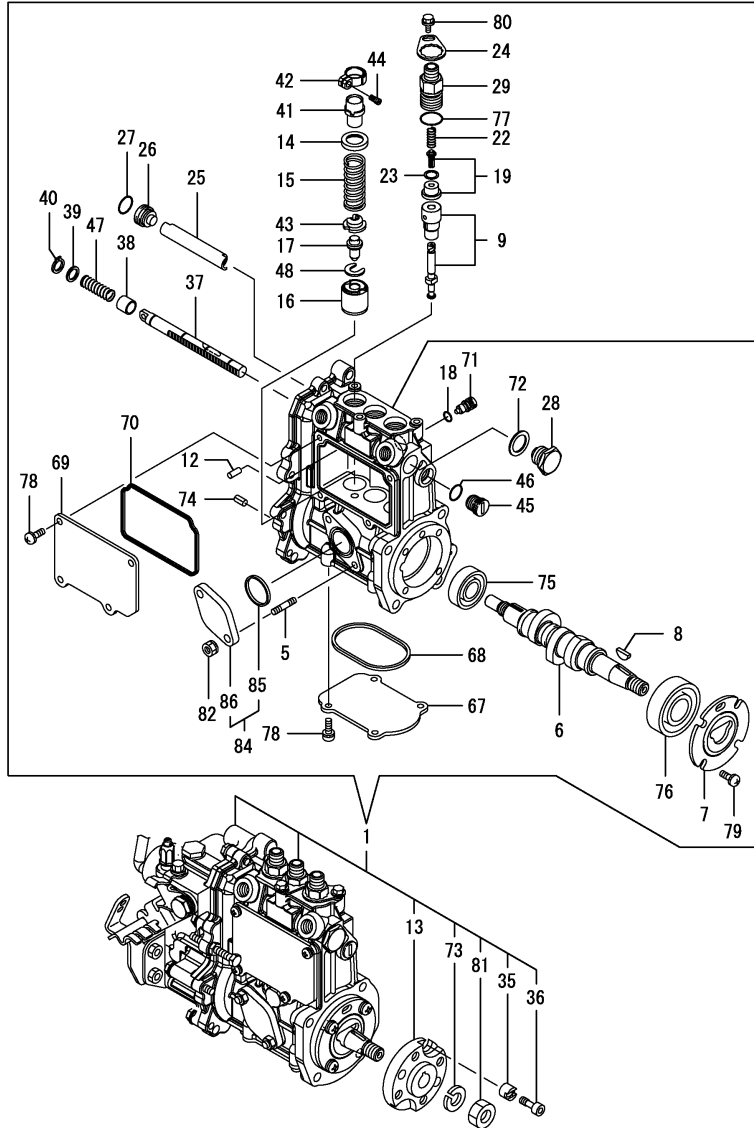
Remarks

(1)Governor(Fig.12)is incorporated in this Fuel Injection Pump (Ref.1).

Fig.11. FUEL INJECTION PUMP

(A)=3TNM72-CUKS
(B)=
(C)=

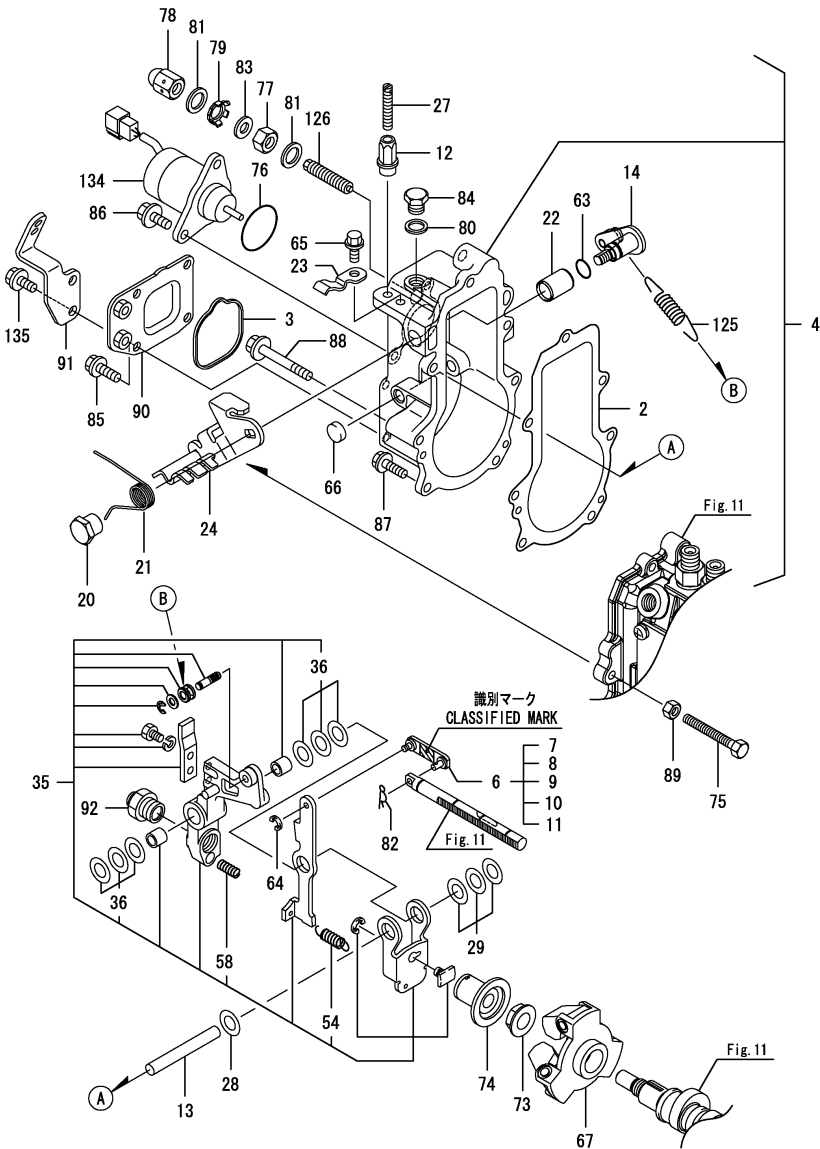
(D)=
(E)=
(F)=



| No. | Lev. | Parts No. | Description | Q'ty | | | | | | I | R |
|-----|------|--------------|-------------|------|-----|-----|-----|-----|-----|---|---|
| | | | | (A) | (B) | (C) | (D) | (E) | (F) | | |
| 82 | 2 | 119717-51860 | NUT, M6 | 2 | | | | | | | |
| 84 | 2 | 129255-52000 | COVER ASSY | 1 | | | | | | | |
| 85 | 3 | 129155-52051 | GASKET | 1 | | | | | | | |
| 86 | 3 | 129100-52200 | COVER | 1 | | | | | | | |

Remarks
(1)Governor(Fig.12)is incorporated in this Fuel Injection Pump (Ref.1).

Fig.12. GOVERNOR



(A)=3TNM72-CUKS

(B)=

(C)=

(D)=

(E)=

(F)=

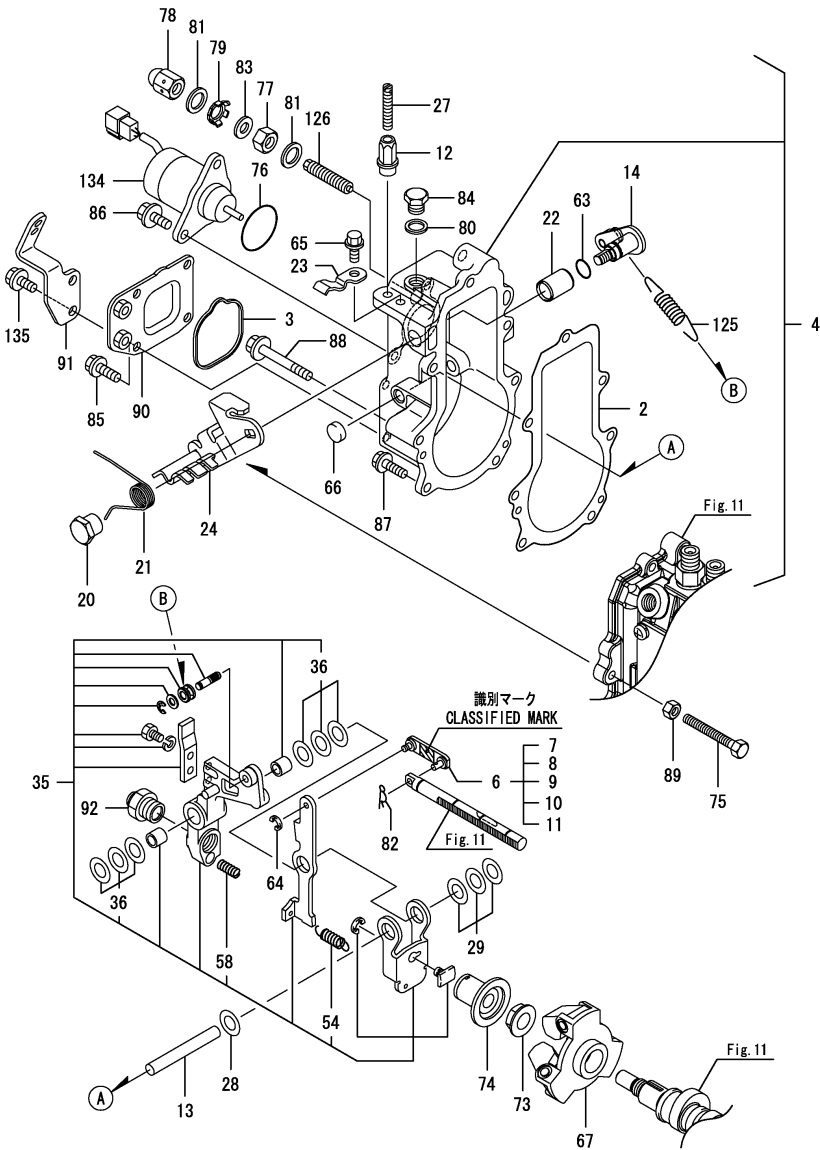
| No. | Lev. | Parts No. | Description | Q'ty | | | | | | I | R |
|-----|------|--------------|----------------------|------|-----|-----|-----|-----|-----|---|---|
| | | | | (A) | (B) | (C) | (D) | (E) | (F) | | |
| 2 | 2 | 119717-61050 | GASKET | 1 | | | | | | | |
| 3 | 2 | 119717-61070 | GASKET | 1 | | | | | | | |
| 4 | 2 | 119025-61100 | CASE ASSY, GOVERNOR | 1 | | | | | | | |
| 6 | 3 | 119125-61110 | LINK ASSY | 1 | | | | | | | |
| 7 | 4 | 119125-61120 | LINK, MARK 93 | 1 | | | | | | | 1 |
| 8 | 4 | 119125-61130 | LINK, MARK 98 | 1 | | | | | | | 1 |
| 9 | 4 | 119125-61140 | LINK, MARK 88 | 1 | | | | | | | 1 |
| 10 | 4 | 119125-61150 | LINK, MARK 00 | 1 | | | | | | | 1 |
| 11 | 4 | 119125-61160 | LINK, MARK 03 | 1 | | | | | | | 1 |
| 12 | 3 | 129209-61370 | NUT, M6 | 1 | | | | | | | |
| 13 | 3 | 119125-61390 | SHAFT | 1 | | | | | | | |
| 14 | 3 | 119125-61401 | SHAFT ASSY | 1 | | | | | | | |
| 20 | 3 | 129255-61410 | NUT, LOCK | 1 | | | | | | | |
| 21 | 3 | 119534-61420 | SPRING | 1 | | | | | | | |
| 22 | 3 | 119125-61430 | BUSH | 1 | | | | | | | |
| 23 | 3 | 119534-61430 | RETAINER | 1 | | | | | | | |
| 24 | 3 | 119527-61440 | LEVER ASSY,REGULATOR | 1 | | | | | | | |
| 27 | 3 | 129155-61450 | BOLT, LIMITER | 1 | | | | | | | |
| 28 | 3 | 129156-61460 | SHIM, T=0.6 | 1 | | | | | | | |
| 29 | 3 | 129155-61480 | SPACER ASSY | 1 | | | | | | | |
| 35 | 3 | 119125-61501 | LEVER ASSY, GOVERNOR | 1 | | | | | | | |
| 36 | 4 | 174307-51700 | SHIM SET | 2 | | | | | | | |
| 54 | 4 | 129486-61540 | SPRING, SET | 1 | | | | | | | |
| 58 | 4 | 129100-61650 | SPRING, CONTROLLER | 1 | | | | | | | |
| 63 | 3 | 129155-61830 | O-RING, S10 | 1 | | | | | | | |
| 64 | 3 | 22272-000030 | RING, E- 3 | 1 | | | | | | | |
| 65 | 3 | 26106-060102 | BOLT, M6X 10 PLATED | 1 | | | | | | | |
| 66 | 3 | 27260-120000 | PLUG, 12 | 1 | | | | | | | |
| 67 | 2 | 119125-61201 | WEIGHT ASSY,GOVERNOR | 1 | | | | | | | |
| 73 | 2 | 129008-61301 | NUT | 1 | | | | | | | |
| 74 | 2 | 129155-61341 | SLEEVE | 1 | | | | | | | |
| 75 | 2 | 129155-61460 | BOLT, IDLE | 1 | | | | | | | |
| 76 | 2 | 158552-61900 | O-RING | 1 | | | | | | | |
| 77 | 2 | 129209-61920 | NUT, ARB | 1 | | | | | | | |
| 78 | 2 | 129209-61930 | NUT, CAP | 1 | | | | | | | |
| 79 | 2 | 129209-61970 | PLATE | 1 | | | | | | | |
| 80 | 2 | 22190-100002 | WASHER, SEAL 10 | 1 | | | | | | | |
| 81 | 2 | 22190-120002 | WASHER, SEAL 12 | 2 | | | | | | | |
| 82 | 2 | 22372-040000 | PIN, SNAP 4 | 1 | | | | | | | |
| 83 | 2 | 23414-120016 | GASKET, 12X1.0 | 1 | | | | | | | |
| 84 | 2 | 23887-100002 | PLUG, 10 | 1 | | | | | | | |
| 85 | 2 | 26106-060102 | BOLT, M6X 10 PLATED | 4 | | | | | | | |
| 86 | 2 | 26106-060142 | BOLT, M6X 14 PLATED | 2 | | | | | | | |
| 87 | 2 | 26106-060202 | BOLT, M6X 20 PLATED | 4 | | | | | | | |
| 88 | 2 | 26106-060452 | BOLT, M6X 45 PLATED | 3 | | | | | | | |
| 89 | 2 | 26756-060002 | NUT, LOCK M6 | 1 | | | | | | | |
| 90 | 2 | 119761-61060 | COVER, GOVERNOR CASE | 1 | | | | | | | |
| 91 | 2 | 119734-61080 | SUPPORT, WIRE | 1 | | | | | | | |
| 92 | 2 | 119527-61550 | ANGLEICH ASSY | 1 | | | | | | | |
| 125 | 2 | 129573-61700 | SPRING, GOVERNOR | 1 | | | | | | | |
| 126 | 2 | 158601-61700 | LIMITER ASSY, FUEL | 1 | | | | | | | |

Remarks

*This figure(Governor)is incorporated in the Fuel Injection Pump (Fig.11).

(1)Selective parts; certain the classification mark, then place your order (ref. to illustration).

Fig.12. GOVERNOR



(A)=3TNM72-CUKS
(B)=
(C)=

(D)=
(E)=
(F)=

| No. | Lev. | Parts No. | Description | Q'ty | | | | | | I | R |
|-----|------|--------------|---------------------|------|-----|-----|-----|-----|-----|---|---|
| | | | | (A) | (B) | (C) | (D) | (E) | (F) | | |
| 134 | 2 | 119653-77950 | SOLENOID, STOP | 1 | | | | | | | |
| 135 | 2 | 26106-060102 | BOLT, M6X 10 PLATED | 2 | | | | | | | |

Remarks
 *This figure(Governor)is incorporated in the Fuel Injection Pump (Fig.11).
 (1)Selective parts; certain the classification mark, then place your order (ref. to illustration).

Fig.13. FUEL INJECTION VALVE

(A)=3TNM72-CUKS

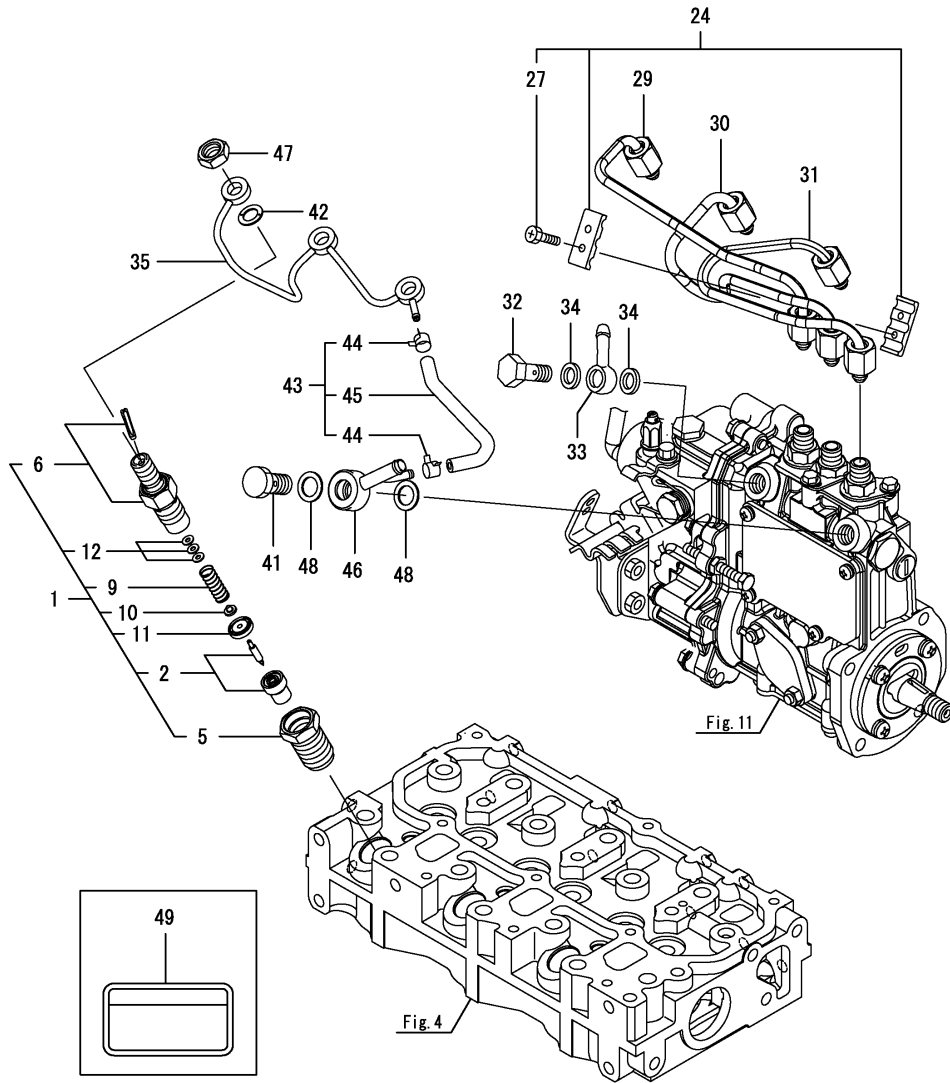
(B)=

(C)=

(D)=

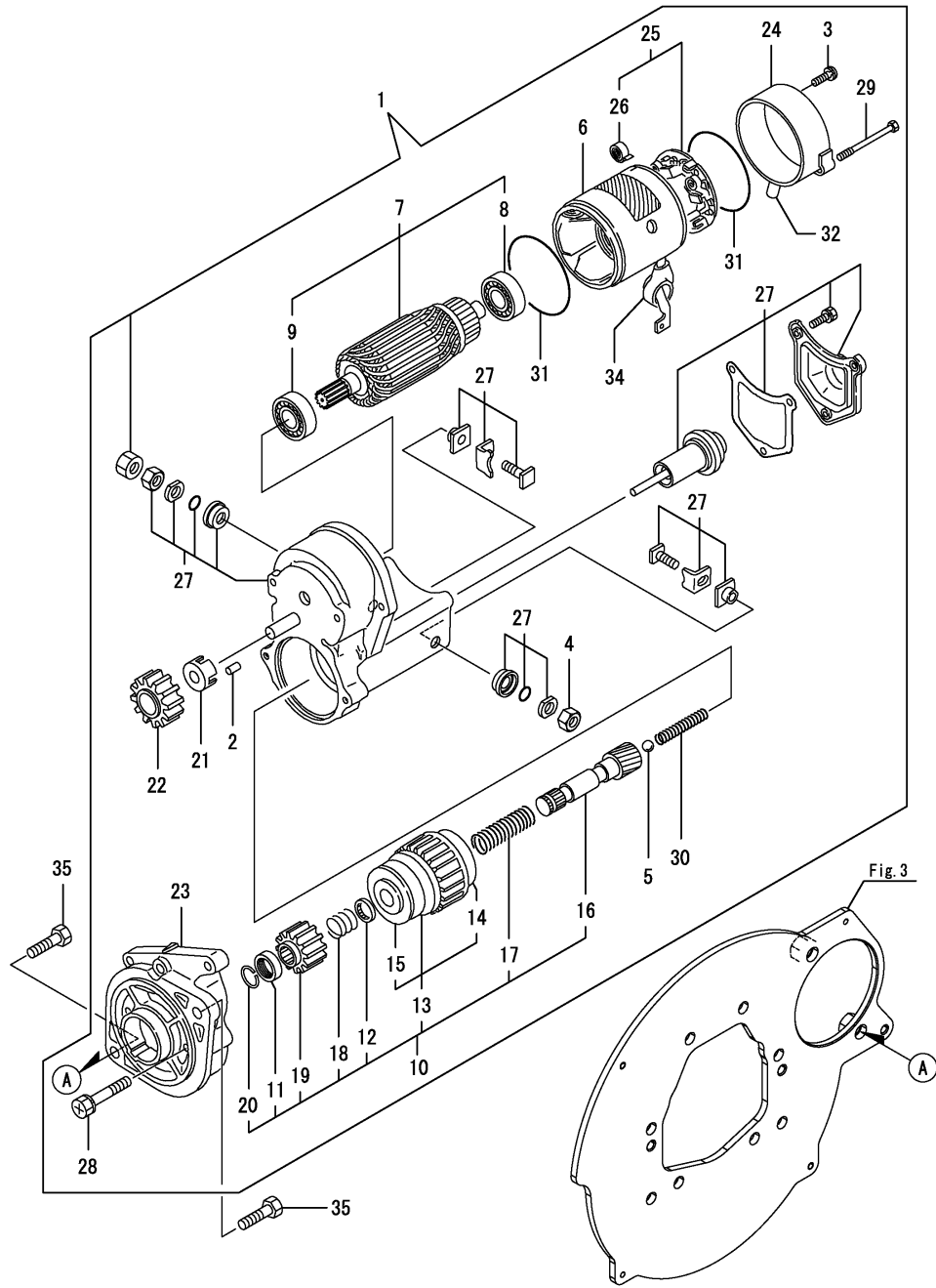
(E)=

(F)=



| No. | Lev. | Parts No. | Description | Q'ty | | | | | | I | R |
|-----|------|--------------|----------------------|------|-----|-----|-----|-----|-----|---|---|
| | | | | (A) | (B) | (C) | (D) | (E) | (F) | | |
| 1 | 1 | 719125-53100 | VALVE ASSY,INJECTION | 3 | | | | | | | |
| 2 | 2 | 119125-53001 | VALVE ASSY,INJECTION | 3 | | | | | | | |
| 5 | 2 | 119125-53080 | NUT, NOZZLE | 3 | | | | | | | |
| 6 | 2 | 119125-53100 | HOLDER ASSY, NOZZLE | 3 | | | | | | | |
| 9 | 2 | 119125-53120 | SPRING, NOZZLE | 3 | | | | | | | |
| 10 | 2 | 119125-53130 | SEAT, SPRING | 3 | | | | | | | |
| 11 | 2 | 119125-53140 | SPACER, VALVE STOP | 3 | | | | | | | |
| 12 | 2 | 114250-53400 | SHIM SET | 3 | | | | | | | |
| 24 | 1 | 129150-59120 | RETAINER, PIPE | 1 | | | | | | | |
| 27 | 2 | 129150-59131 | BOLT, M4X14 | 2 | | | | | | | |
| 29 | 1 | 119025-59810 | PIPE, FUEL INJECTION | 1 | | | | | | | |
| 30 | 1 | 119025-59820 | PIPE, FUEL INJECTION | 1 | | | | | | | |
| 31 | 1 | 119025-59830 | PIPE, FUEL INJECTION | 1 | | | | | | | |
| 32 | 1 | 103854-39140 | BOLT, PIPE JOINT | 1 | | | | | | | |
| 33 | 1 | 101304-59020 | JOINT, PIPE 12 | 1 | | | | | | | |
| 34 | 1 | 22190-120002 | WASHER, SEAL 12 | 2 | | | | | | | |
| 35 | 1 | 119515-59540 | PIPE ASSY, RETURN | 1 | | | | | | | |
| 41 | 1 | 119125-59560 | BOLT, PIPE JOINT | 1 | | | | | | | |
| 42 | 1 | 129901-59560 | GASKET | 3 | | | | | | | |
| 43 | 1 | 119125-59570 | PIPE ASSY, RETURN | 1 | | | | | | | |
| 44 | 2 | 124066-59100 | CLIP, HOSE 8 | 2 | | | | | | | |
| 45 | 2 | 119000-59550 | PIPE, FUEL RETURN | 1 | | | | | | | |
| 46 | 1 | 119840-59570 | JOINT | 1 | | | | | | | |
| 47 | 1 | 119620-59700 | NUT, NOZZLE | 3 | | | | | | | |
| 48 | 1 | 22190-120002 | WASHER, SEAL 12 | 3 | | | | | | | |
| 49 | 1 | 114110-07760 | LABEL, FUEL CAUTION | 1 | | | | | | | |

Fig.14. STARTING MOTOR



(A)=3TNM72-CUKS
(B)=
(C)=

(D)=
(E)=
(F)=

| No. | Lev. | Parts No. | Description | Qty | | | | | | I | R |
|-----|------|--------------|----------------------|-----|-----|-----|-----|-----|-----|---|---|
| | | | | (A) | (B) | (C) | (D) | (E) | (F) | | |
| 1 | 1 | 119626-77020 | STARTER, RA1.2 | 1 | | | | | | | |
| 2 | 2 | X0283060061 | ROLLER | 5 | | | | | | | |
| 3 | 2 | 129129-77460 | SCREW | 2 | | | | | | | |
| 4 | 2 | X9490561370 | NUT | 1 | | | | | | | |
| 5 | 2 | X9491200240 | BALL | 1 | | | | | | | |
| 6 | 2 | 129129-77210 | YOKE ASSY | 1 | | | | | | | |
| 7 | 2 | 129129-77220 | ARMATURE ASSY | 1 | | | | | | | |
| 8 | 3 | 129129-77230 | BEARING | 1 | | | | | | | |
| 9 | 3 | 129129-77240 | BEARING | 1 | | | | | | | |
| 10 | 2 | X0283006990 | CLUTCH SUB-ASSY | 1 | | | | | | | |
| 11 | 3 | X0280210230 | NUT | 1 | | | | | | | |
| 12 | 3 | X0283270140 | RETAINER | 1 | | | | | | | |
| 13 | 3 | 129129-77390 | CLUTCH ASSY | 1 | | | | | | | |
| 14 | 4 | 129129-77440 | BEARING, BALL | 1 | | | | | | | |
| 15 | 4 | 129129-77450 | BEARING, BALL | 1 | | | | | | | |
| 16 | 3 | 129129-77400 | SHAFT | 1 | | | | | | | |
| 17 | 3 | 129129-77410 | SPRING, COIL | 1 | | | | | | | |
| 18 | 3 | X9491703371 | SPRING, COIL | 1 | | | | | | | |
| 19 | 3 | X0283711660 | PINION | 1 | | | | | | | |
| 20 | 3 | 129129-77430 | RING | 1 | | | | | | | |
| 21 | 2 | 129129-77260 | RETAINER | 1 | | | | | | | |
| 22 | 2 | 129129-77270 | PINION | 1 | | | | | | | |
| 23 | 2 | X4284000870 | HOUSING | 1 | | | | | | | |
| 24 | 2 | 129129-77290 | FRAME | 1 | | | | | | | |
| 25 | 2 | 129129-77300 | HOLDER ASSY | 1 | | | | | | | |
| 26 | 3 | X9491730461 | SPRING | 4 | | | | | | | |
| 27 | 2 | 129407-77310 | SWITCH ASSY | 1 | | | | | | | |
| 28 | 2 | 129129-77320 | BOLT | 2 | | | | | | | |
| 29 | 2 | 129129-77330 | BOLT | 2 | | | | | | | |
| 30 | 2 | 129129-77340 | SPRING | 1 | | | | | | | |
| 31 | 2 | 129129-77350 | O-RING | 2 | | | | | | | |
| 32 | 2 | 129129-77362 | COVER | 1 | | | | | | | |
| 34 | 2 | 129129-77380 | CAP | 1 | | | | | | | |
| 35 | 1 | 26116-120302 | BOLT, M12X 30 PLATED | 2 | | | | | | | |

Fig.15. GENERATOR

(A)=3TNM72-CUKS

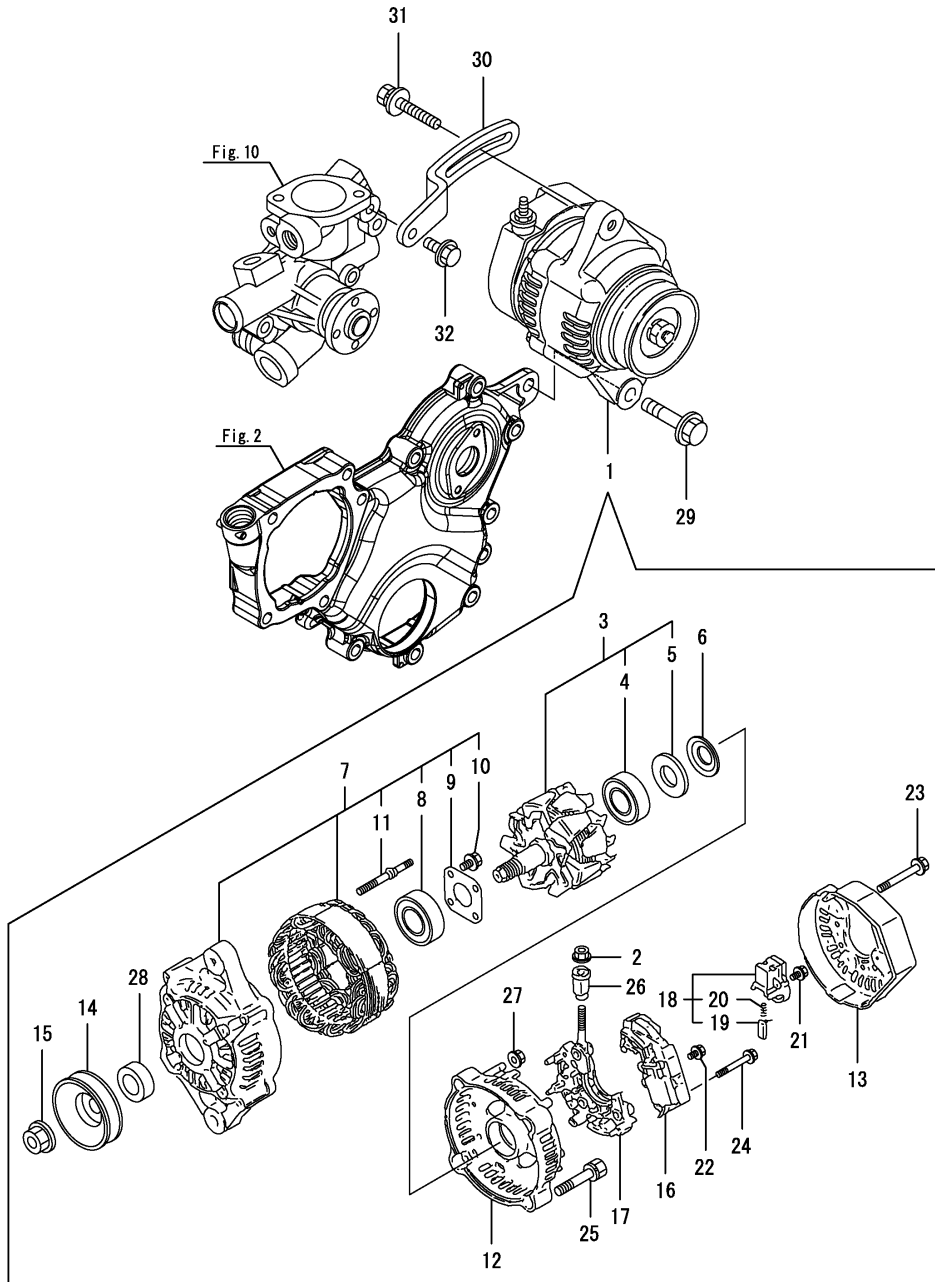
(B)=

(C)=

(D)=

(E)=

(F)=



| No. | Lev. | Parts No. | Description | Q'ty | | | | | | I | R |
|------------|------|--------------|----------------------|------|-----|-----|-----|-----|-----|---|---|
| | | | | (A) | (B) | (C) | (D) | (E) | (F) | | |
| 1 | 1 | 119620-77201 | GENERATOR, 40A | 1 | | | | | | | |
| 2 | 2 | X9490561001 | NUT | 1 | | | | | | | |
| 3 | 2 | 119620-77380 | ROTOR ASSY | 1 | | | | | | | |
| 4 | 3 | 123501-79240 | BEARING, BALL | 1 | | | | | | | |
| 5 | 3 | 119620-79250 | COVER | 1 | | | | | | | |
| 6 | 2 | 119620-79360 | WASHER, THRUST | 1 | | | | | | | |
| 7 | 2 | 119620-77421 | FRAME ASSY, DRIVE | 1 | | | | | | | |
| 8 | 3 | 119620-79200 | BEARING, BALL | 1 | | | | | | | |
| 9 | 3 | 119620-79210 | PLATE, RETAINER | 1 | | | | | | | |
| 10 | 3 | 119620-79220 | SCREW | 4 | | | | | | | |
| 11 | 3 | 119620-79230 | STUD | 2 | | | | | | | |
| 12 | 2 | 119620-77440 | FRAME ASSY | 1 | | | | | | | |
| 13 | 2 | 119620-77450 | COVER | 1 | | | | | | | |
| 14 | 2 | 119620-77461 | PULLEY | 1 | | | | | | | |
| 15 | 2 | 119620-77471 | NUT | 1 | | | | | | | |
| 16 | 2 | 119620-77710 | REGULATOR ASSY | 1 | | | | | | | |
| 17 | 2 | 119620-79260 | HOLDER | 1 | | | | | | | |
| 18 | 2 | 119620-79270 | HOLDER, BRUSH | 1 | | | | | | | |
| 19 | 3 | 119620-77480 | BRUSH ASSY | 2 | | | | | | | |
| 20 | 3 | 119620-79280 | SPRING | 2 | | | | | | | |
| 21 | 2 | 119620-79290 | SCREW | 6 | | | | | | | |
| 22 | 2 | 119620-79300 | SCREW | 1 | | | | | | | |
| 23 | 2 | 119620-79310 | BOLT | 3 | | | | | | | |
| 24 | 2 | 119620-79320 | SCREW | 2 | | | | | | | |
| 25 | 2 | 119620-79330 | BOLT | 2 | | | | | | | |
| 26 | 2 | 119620-79340 | BUSH, INSULATION | 1 | | | | | | | |
| 27 | 2 | 119620-79350 | NUT | 2 | | | | | | | |
| 28 | 2 | 119620-77490 | COLLAR | 1 | | | | | | | |
| 29 | 1 | 26106-100452 | BOLT, M10X 45 PLATED | 1 | | | | | | | |
| 29-1 | 1 | 26106-100402 | BOLT, M10X 40 PLATED | 1 | | | | | | | N |
| (A=EXXXXX) | | | | | | | | | | | |
| 30 | 1 | 119025-77330 | ADJUSTER | 1 | | | | | | | |
| 31 | 1 | 119810-77340 | BOLT, ADJUSTER | 1 | | | | | | | |
| 32 | 1 | 26106-080202 | BOLT, M8X 20 PLATED | 1 | | | | | | | |

Parts No. Index

| Parts No. | Fig. No. | Ref. No. |
|--------------|----------|----------|
| 101304-59020 | 13 | 33 |
| 103854-39140 | 13 | 32 |
| 105010-11490 | 4 | 6 |
| 105027-12580 | 5 | 6 |
| 106760-01770 | 2 | 6 |
| 114110-07760 | 13 | 49 |
| 114250-39450 | 9 | 18 |
| 114250-53400 | 13 | 12 |
| 118400-51370 | 11 | 24 |
| 119000-59550 | 13 | 45 |
| 119025-01331 | 1 | 31 |
| 119025-01530 | 2 | 1 |
| 119025-01620 | 3 | 2 |
| 119025-01750 | 2 | 2 |
| 119025-01810 | 3 | 4 |
| 119025-01820 | 3 | 5 |
| 119025-01830 | 3 | 7 |
| 119025-14580 | 7 | 3 |
| 119025-21590 | 8 | 13 |
| 119025-21650 | 8 | 7 |
| 119025-21700 | 8 | 1 |
| 119025-22900 | 8 | 33 |
| 119025-25100 | 7 | 9 |
| 119025-34840 | 9 | 4 |
| 119025-35091 | 9 | 9 |
| 119025-42040 | 10 | 2 |
| 119025-59810 | 13 | 29 |
| 119025-59820 | 13 | 30 |
| 119025-59830 | 13 | 31 |
| 119025-61100 | 12 | 4 |
| 119025-77330 | 15 | 30 |
| 119026-42020 | 10 | 4 |
| 119026-42030 | 10 | 5 |
| 119027-01560 | 1 | 1 |
| 119125-01790 | 1 | 32 |
| 119125-01800 | 1 | 35 -1 |
| 119125-01960 | 1 | 7 |
| 119125-01970 | 1 | 5 |
| 119125-02061 | 1 | 9 |
| 119125-02900 | 1 | 36 |
| 119125-02910 | 1 | 39 |
| 119125-02930 | 1 | 23 |
| 119125-02940 | 1 | 42 |
| 119125-21200 | 8 | 4 |
| 119125-25050 | 1 | 26 |
| 119125-25910 | 7 | 12 |
| 119125-25930 | 7 | 14 |
| 119125-32000 | 9 | 1 |
| 119125-34810 | 9 | 3 |
| 119125-39200 | 9 | 15 |

| Parts No. | Fig. No. | Ref. No. |
|--------------|----------|----------|
| 119125-39220 | 9 | 16 |
| 119125-51030 | 11 | 6 |
| 119125-51060 | 11 | 7 |
| 119125-51100 | 11 | 9 |
| 119125-51241 | 11 | 16 |
| 119125-51250 | 11 | 17 |
| 119125-51300 | 11 | 19 |
| 119125-51480 | 11 | 35 |
| 119125-51490 | 11 | 36 |
| 119125-51700 | 11 | 67 |
| 119125-51800 | 1 | 34 |
| 119125-53001 | 13 | 2 |
| 119125-53080 | 13 | 5 |
| 119125-53100 | 13 | 6 |
| 119125-53120 | 13 | 9 |
| 119125-53130 | 13 | 10 |
| 119125-53140 | 13 | 11 |
| 119125-59560 | 13 | 41 |
| 119125-59570 | 13 | 43 |
| 119125-61110 | 12 | 6 |
| 119125-61120 | 12 | 7 |
| 119125-61130 | 12 | 8 |
| 119125-61140 | 12 | 9 |
| 119125-61150 | 12 | 10 |
| 119125-61160 | 12 | 11 |
| 119125-61201 | 12 | 67 |
| 119125-61390 | 12 | 13 |
| 119125-61401 | 12 | 14 |
| 119125-61430 | 12 | 22 |
| 119125-61501 | 12 | 35 |
| 119125-77800 | 4 | 57 |
| 119125-77820 | 4 | 58 |
| 119131-18320 | 6 | 5 |
| 119209-35030 | 9 | 8 |
| 119256-44760 | 10 | 23 |
| 119258-44740 | 10 | 22 |
| 119285-11990 | 4 | 14 |
| 119305-35170 | 9 | 6 |
| 119515-01200 | 1 | 30 |
| 119515-11101 | 4 | 16 |
| 119515-11110 | 4 | 17 |
| 119515-11200 | 4 | 24 |
| 119515-11240 | 4 | 25 |
| 119515-11280 | 4 | 29 |
| 119515-11310 | 4 | 48 |
| 119515-11320 | 4 | 49 |
| 119515-11330 | 4 | 50 |
| 119515-11380 | 4 | 38 |
| 119515-11800 | 4 | 23 |
| 119515-13200 | 6 | 7 |

| Parts No. | Fig. No. | Ref. No. |
|--------------|----------|----------|
| 119515-14400 | 7 | 2 |
| 119515-22300 | 8 | 22 |
| 119515-23000 | 8 | 24 |
| 119515-23601 | 8 | 39 |
| 119515-23611 | 8 | 31 |
| 119515-42020 | 10 | 1 |
| 119515-59540 | 13 | 35 |
| 119517-07900 | 4 | 1 |
| 119517-11740 | 4 | 7 |
| 119517-12510 | 5 | 1 |
| 119517-13500 | 6 | 8 |
| 119517-22090 | 8 | 16 |
| 119517-22500 | 8 | 18 |
| 119527-61440 | 12 | 24 |
| 119527-61550 | 12 | 92 |
| 119534-61420 | 12 | 21 |
| 119534-61430 | 12 | 23 |
| 119600-11460 | 4 | 5 |
| 119609-22950 | 8 | 35 |
| 119620-01620 | 1 | 13 |
| 119620-14200 | 7 | 1 |
| 119620-21500 | 8 | 12 |
| 119620-59700 | 13 | 47 |
| 119620-77201 | 15 | 1 |
| 119620-77380 | 15 | 3 |
| 119620-77421 | 15 | 7 |
| 119620-77440 | 15 | 12 |
| 119620-77450 | 15 | 13 |
| 119620-77461 | 15 | 14 |
| 119620-77471 | 15 | 15 |
| 119620-77480 | 15 | 19 |
| 119620-77490 | 15 | 28 |
| 119620-77710 | 15 | 16 |
| 119620-79200 | 15 | 8 |
| 119620-79210 | 15 | 9 |
| 119620-79220 | 15 | 10 |
| 119620-79230 | 15 | 11 |
| 119620-79250 | 15 | 5 |
| 119620-79260 | 15 | 17 |
| 119620-79270 | 15 | 18 |
| 119620-79280 | 15 | 20 |
| 119620-79290 | 15 | 21 |
| 119620-79300 | 15 | 22 |
| 119620-79310 | 15 | 23 |
| 119620-79320 | 15 | 24 |
| 119620-79330 | 15 | 25 |
| 119620-79340 | 15 | 26 |
| 119620-79350 | 15 | 27 |
| 119620-79360 | 15 | 6 |
| 119621-21681 | 8 | 8 |

| Parts No. | Fig. No. | Ref. No. |
|--------------|----------|----------|
| 119626-77020 | 14 | 1 |
| 119653-77950 | 12 | 134 |
| 119655-12560 | 5 | 4 |
| 119685-42281 | 10 | 12 |
| 119686-12570 | 5 | 5 |
| 119717-01800 | 2 | 3 |
| 119717-03031 | 4 | 39 |
| 119717-03070 | 4 | 40 |
| | | 41 |
| 119717-11131 | 4 | 18 |
| 119717-11190 | 4 | 20 |
| 119717-11260 | 4 | 28 |
| 119717-11340 | 4 | 21 |
| 119717-11350 | 4 | 22 |
| 119717-11650 | 4 | 30 |
| 119717-13110 | 6 | 1 |
| 119717-21940 | 8 | 9 |
| 119717-23200 | 8 | 27 |
| 119717-23910 | 8 | 30 |
| 119717-35140 | 9 | 5 |
| 119717-49800 | 10 | 26 |
| 119717-51150 | 11 | 13 |
| 119717-51190 | 11 | 15 |
| 119717-51420 | 11 | 27 |
| 119717-51500 | 11 | 37 |
| 119717-51570 | 11 | 43 |
| 119717-51711 | 11 | 68 |
| 119717-51750 | 11 | 69 |
| 119717-51761 | 11 | 70 |
| 119717-51860 | 11 | 82 |
| 119717-61050 | 12 | 2 |
| 119717-61070 | 12 | 3 |
| 119734-02220 | 1 | 33 |
| 119734-13110 | 6 | 2 |
| 119734-61080 | 12 | 91 |
| 119740-42350 | 10 | 20 |
| 119761-61060 | 12 | 90 |
| 119802-03100 | 4 | 42 |
| 119802-03110 | 4 | 43 |
| 119802-03121 | 4 | 44 |
| 119802-03131 | 4 | 45 |
| 119802-03141 | 4 | 46 |
| 119802-13620 | 6 | 3 |
| 119802-13750 | 6 | 4 |
| 119808-12540 | 5 | 3 |
| 119810-77340 | 15 | 31 |
| 119840-59570 | 13 | 46 |
| 119C10-21930 | 8 | 11 -1 |
| 121250-44901 | 10 | 30 |
| 121450-42450 | 10 | 29 |

Parts No. Index

| Parts No. | Fig. No. | Ref. No. |
|--------------|----------|----------|
| 122710-51090 | 11 | 8 |
| 123501-79240 | 15 | 4 |
| 124060-01050 | 1 | 4 |
| 124060-21600 | 8 | 15 |
| 124066-59100 | 13 | 44 |
| 124160-01751 | 4 | 37 |
| 124465-44950 | 10 | 31 |
| | | 32 |
| 124550-51350 | 11 | 23 |
| 128990-51330 | 11 | 22 |
| 129008-61301 | 12 | 73 |
| 129054-01640 | 3 | 6 |
| 129100-01580 | 3 | 1 |
| | 8 | 2 |
| 129100-51560 | 11 | 42 |
| 129100-51570 | 11 | 44 |
| 129100-52200 | 11 | 86 |
| 129100-61650 | 12 | 58 |
| 129129-77210 | 14 | 6 |
| 129129-77220 | 14 | 7 |
| 129129-77230 | 14 | 8 |
| 129129-77240 | 14 | 9 |
| 129129-77260 | 14 | 21 |
| 129129-77270 | 14 | 22 |
| 129129-77290 | 14 | 24 |
| 129129-77300 | 14 | 25 |
| 129129-77320 | 14 | 28 |
| 129129-77330 | 14 | 29 |
| 129129-77340 | 14 | 30 |
| 129129-77350 | 14 | 31 |
| 129129-77362 | 14 | 32 |
| 129129-77380 | 14 | 34 |
| 129129-77390 | 14 | 13 |
| 129129-77400 | 14 | 16 |
| 129129-77410 | 14 | 17 |
| 129129-77430 | 14 | 20 |
| 129129-77440 | 14 | 14 |
| 129129-77450 | 14 | 15 |
| 129129-77460 | 14 | 3 |
| 129150-11230 | 4 | 31 |
| 129150-11750 | 4 | 33 |
| 129150-25301 | 7 | 13 |
| 129150-59120 | 13 | 24 |
| 129150-59131 | 13 | 27 |
| 129150-91400 | 2 | 8 |
| 129155-51020 | 11 | 5 |
| 129155-51140 | 11 | 12 |
| 129155-51280 | 11 | 18 |
| 129155-51400 | 11 | 25 |
| 129155-51521 | 11 | 38 |

| Parts No. | Fig. No. | Ref. No. |
|--------------|----------|----------|
| 129155-51530 | 11 | 39 |
| 129155-51540 | 11 | 40 |
| 129155-51550 | 11 | 41 |
| 129155-51580 | 11 | 46 |
| 129155-51591 | 11 | 47 |
| 129155-51600 | 11 | 48 |
| 129155-52051 | 11 | 85 |
| 129155-61341 | 12 | 74 |
| 129155-61450 | 12 | 27 |
| 129155-61460 | 12 | 75 |
| 129155-61480 | 12 | 29 |
| 129155-61830 | 12 | 63 |
| 129156-61460 | 12 | 28 |
| 129209-61370 | 12 | 12 |
| 129209-61920 | 12 | 77 |
| 129209-61930 | 12 | 78 |
| 129209-61970 | 12 | 79 |
| 129255-52000 | 11 | 84 |
| 129255-61410 | 12 | 20 |
| 129350-49530 | 10 | 25 |
| 129407-77310 | 14 | 27 |
| 129418-12530 | 5 | 2 |
| 129486-61540 | 12 | 54 |
| 129508-11180 | 4 | 19 |
| 129555-44750 | 10 | 14 |
| 129573-61700 | 12 | 125 |
| 129900-07900 | 4 | 2 |
| 129900-32040 | 1 | 27 |
| 129901-11450 | 4 | 4 |
| 129901-59560 | 13 | 42 |
| 129916-49740 | 10 | 13 |
| 158552-61900 | 12 | 76 |
| 158600-51170 | 11 | 14 |
| 158600-51410 | 11 | 26 |
| 158600-51420 | 11 | 28 |
| 158600-51442 | 11 | 29 |
| 158600-51570 | 11 | 45 |
| 158600-51790 | 11 | 71 |
| 158601-61700 | 12 | 126 |
| 171056-49120 | 10 | 28 |
| 174307-51700 | 12 | 36 |
| 22190-100002 | 12 | 80 |
| 22190-120002 | 3 | 9 |
| | 12 | 81 |
| | 13 | 34 |
| | | 48 |
| 22190-160002 | 11 | 72 |
| 22217-120000 | 11 | 73 |
| 22242-000120 | 4 | 34 |
| 22252-000220 | 8 | 23 |

| Parts No. | Fig. No. | Ref. No. |
|--------------|----------|----------|
| 22272-000030 | 12 | 64 |
| 22351-050010 | 11 | 74 |
| 22351-060012 | 1 | 28 |
| 22372-040000 | 12 | 82 |
| 22512-040120 | 8 | 5 |
| 22512-050120 | 8 | 10 |
| 22857-500100 | 4 | 51 |
| | | 52 |
| 22857-500160 | 4 | 53 |
| 23414-080000 | 10 | 16 |
| 23414-120016 | 12 | 83 |
| 23876-005000 | 1 | 10 |
| | 4 | 15 |
| 23887-100002 | 12 | 84 |
| 24101-060034 | 11 | 75 |
| 24101-063034 | 11 | 76 |
| 24311-000180 | 2 | 7 |
| 24311-000320 | 4 | 54 |
| 24316-000150 | 11 | 77 |
| 24341-000240 | 2 | 10 |
| 24341-000340 | 8 | 11 |
| 25132-003600 | 10 | 21 |
| 26022-050122 | 11 | 78 |
| 26022-060162 | 11 | 79 |
| 26106-050102 | 11 | 80 |
| 26106-060102 | 9 | 14 |
| | | 17 |
| | 12 | 65 |
| | | 85 |
| | | 135 |
| 26106-060122 | 7 | 8 |
| 26106-060142 | 3 | 10 |
| | 9 | 2 |
| | 12 | 86 |
| 26106-060162 | 2 | 11 |
| 26106-060202 | 4 | 55 |
| | 12 | 87 |
| 26106-060352 | 3 | 11 |
| 26106-060402 | 1 | 29 |
| 26106-060452 | 12 | 88 |
| 26106-060552 | 10 | 24 |
| 26106-060752 | 4 | 56 |
| 26106-080122 | 10 | 17 |
| 26106-080162 | 4 | 3 |
| 26106-080202 | 15 | 32 |
| 26106-080352 | 2 | 4 |
| 26106-080402 | 4 | 36 |
| 26106-080452 | 2 | 5 |
| | 10 | 18 |
| 26106-100402 | 15 | 29 -1 |

| Parts No. | Fig. No. | Ref. No. |
|--------------|----------|----------|
| 26106-100452 | 15 | 29 |
| 26116-120302 | 14 | 35 |
| 26206-100202 | 3 | 3 |
| 26216-080202 | 10 | 15 |
| 26306-080002 | 6 | 6 |
| | | 9 |
| | 10 | 27 |
| 26450-080252 | 1 | 35 |
| 26577-060122 | 10 | 10 |
| 26716-120002 | 11 | 81 |
| 26756-060002 | 12 | 89 |
| 26979-050162 | 4 | 35 |
| 27241-300000 | 1 | 11 |
| 27241-450000 | 1 | 12 |
| 27260-120000 | 12 | 66 |
| 719025-51300 | 11 | 1 |
| 719125-53100 | 13 | 1 |
| X0280210230 | 14 | 11 |
| X0283006990 | 14 | 10 |
| X0283060061 | 14 | 2 |
| X0283270140 | 14 | 12 |
| X0283711660 | 14 | 19 |
| X4284000870 | 14 | 23 |
| X9490561001 | 15 | 2 |
| X9490561370 | 14 | 4 |
| X9491200240 | 14 | 5 |
| X9491703371 | 14 | 18 |
| X9491730461 | 14 | 26 |