

0CNP5-M27100EN

## DEPLOYMENT ENGINE MODEL TABLE

TRACTOR			ENGINE	
MODEL	PC-No.	SERIAL No.	MODEL	PC-No.
EA2400	0CNP5-G27100	~F020278	3TNV72-YUKS	0CNP4-G95000
		F020279~	3TNM72-CUKS	0CNP5-G27300

# Contents

Fig. No. Fig. Name

## ENGINE CONTROL SECTION

- 1. ENGINE ACCESSORIES(1)
- 2. ENGINE ACCESSORIES(2)
- 3. ENGINE ACCESSORIES(3)
- 105. (3A)ENGINE ACCESSORIES(3)
- 4. ACCEL LEVER
- 106. (4A)ACCEL LEVER
- 5. TANK,FUEL OIL
- 6. COVER,FO TANK
- 7. FUEL PIPE
- 107. (7A)FUEL PIPE

## FRONT AXLE SECTION

- 8. FRAME
- 9. ENGINE MOUNT
- 108. (9A)ENGINE MOUNT
- 10. CENTER PIN
- 11. TIE-ROD
- 12. DRIVE PINION
- 13. DIFFERENTIAL GEAR
- 14. PROPELLER SHAFT
- 15. FRONT SHAFT 1
- 16. FRONT AXLE CASE
- 17. CASE,FRONT GEAR
- 18. FRONT SHAFT 2

Fig. No. Fig. Name

- 19. FRONT SPINDLE
- 20. SHAFT COVER
- 21. FRONT TIRE R3
- 22. FRONT TIRE R4
- 23. HUB BOLT
- 24. STEERING WHEEL
- 25. COLUMN BRACKET
- 109. (25A)COLUMN BRACKET
- 26. PST VALVE
- 27. PST CYLINDER
- 28. STEERING PIPE

## TRANSMISSION SECTION

- 29. DRIVE SHAFT
- 30. T/M ACCESSORIES
- 31. TRANSAXLE CASE
- 32. OIL GAUGE
- 33. CENTER CASE K93
- 34. MOTOR CASE
- 35. FILTER
- 36. PUMP
- 37. MOTOR
- 38. CLUTCH SHAFT
- 39. PTO BRAKE
- 40. P.T.O SHAFT

# Contents

Fig. No. Fig. Name

- 41. POWER PUMP
- 42. SOLENOID VALVE
- 43. R-PTO SHAFT
- 44. SHIFT
- 45. RANGE SHIFT LEVER
- 46. CONTROL
- 47. PTO LEVER
- 48. DRIVE SHAFT
- 49. 2-4WD LEVER A
- 50. MFWD SHIFT
- 51. HST PEDAL
- 52. HST CRUISE LINK
- 53. CRUISE LEVER
- 54. GEAR PUMP

## REAR AXLE SECTION

- 55. INPUT GEAR
- 56. DIFFERENTIAL GEAR
- 57. REAR HOUSING
- 58. DIFFERENTIAL LOCK
- 59. DIFF. LOCK PEDAL
- 60. REAR AXLE SHAFT
- 61. TIRE REAR R3
- 62. TIRE REAR R4
- 63. HUB BOLT

Fig. No. Fig. Name

- 64. DISC BRAKE
- 65. BRAKE PEDAL
- 66. PARKING BRAKE

## HYDRAULIC CONTROL SECTION

- 67. LIFT CYLINDER
- 68. LIFT ARM
- 69. CONTROL VALVE
- 70. STOP VALVE
- 71. VALVE,SCV
- 72. LEVER,SCV
- 73. HYDRAULIC CONTROL
- 74. HYDRAULIC LINE
- 75. OIL COOLER
- 76. PIPING

## ELECTRICAL PARTS SECTION

- 77. WIRE HARNESS
- 110. (77A)WIRE HARNESS
- 78. BATTERY
- 79. SWITCH A
- 111. (79A)SWITCH A
- 80. SWITCH B
- 81. LAMPS
- 82. SIDE LAMP

# Contents

Fig. No. Fig. Name

83. METER

## FITTINGS SECTION

84. HOOD

85. DASH BOARD ACCESSORIES

86. DASHBOARD

87. FENDER

88. LEVER GUIDE

89. FOOTREST STAY

90. STEP

91. DRIVER SEAT

92. SEAT STAY

93. LABEL

94. LABEL(NAME

95. LABEL(SCV

96. LABEL(SAFETY

## HITCH SECTION

97. 3P KIT

98. SAFETY COVER(PTO

## SAFETY FRAME SECTION

99. ROPS UPPER

100. LOWER FRAME

101. SMV

Fig. No. Fig. Name

## ACCESSORIES SECTION

102. DOCUMENT

## OPTIONAL SECTION

103. HEATER,RADIATOR HOSE

104. CABLE ASSY, BRAKE SW

112. SERVICE PARTS

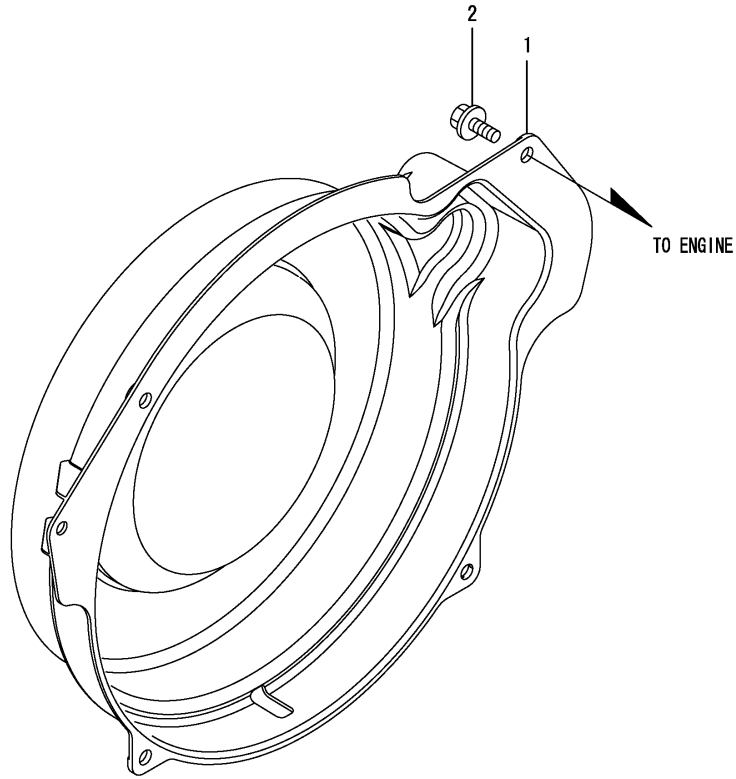
113. FUEL LINE(FAME

Fig.1. ENGINE ACCESSORIES(1)

(A)=EA2400  
(B)=  
(C)=

(D)=  
(E)=  
(F)=

No.	Lev.	Parts No.	Description	Q'ty						I	R
				(A)	(B)	(C)	(D)	(E)	(F)		
1	1	1A7880-05110	COVER, FLYWHEEL	1							
2	1	26106-060122	BOLT, M6X 12 PLATED	4							



## Fig.2. ENGINE ACCESSORIES(2)

(A)=EA2400  
(B)=  
(C)=

(D)=  
(E)=  
(F)=

No.	Lev.	Parts No.	Description	Q'ty						I	R
				(A)	(B)	(C)	(D)	(E)	(F)		
1	1	114110-07760	LABEL, FUEL OIL CAUT	1							
2	1	119517-12510	CLEANER ASSY, AIR	1							
3	2	119515-12520	ELEMENT								
4	2	129418-12530	LABEL, MARK	2							
5	2	119808-12540	VALVE, UNLOADER	1							
6	2	119686-12570	COVER ASSY	1							
7	2	105027-12580	RING	1							

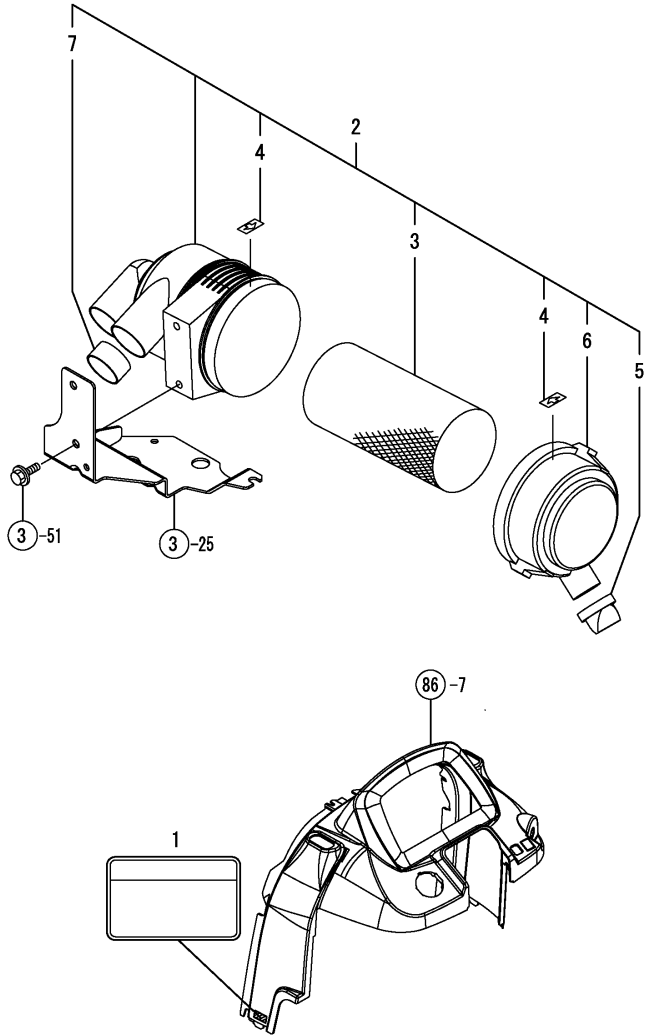


Fig.3. ENGINE ACCESSORIES(3)

(A)=EA2400

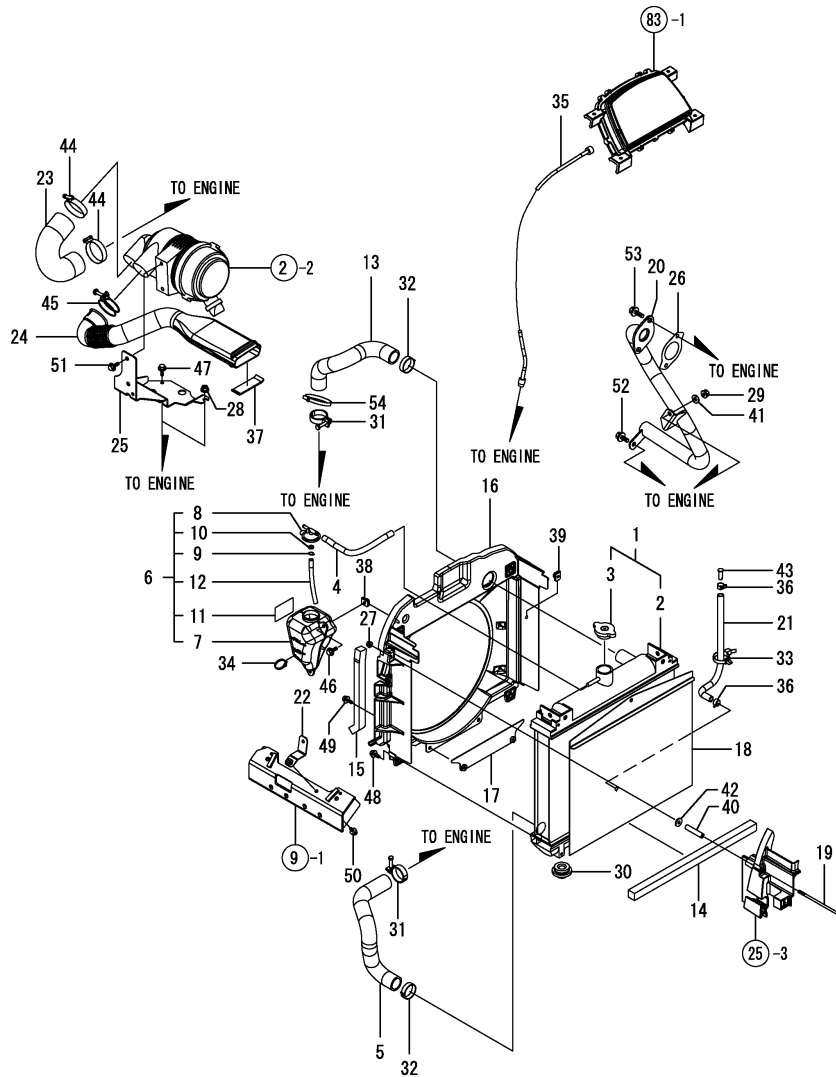
(B)=

(C)=

(D)=

(E)=

(F)=



No.	Lev.	Parts No.	Description	Q'ty						I	R
				(A)	(B)	(C)	(D)	(E)	(F)		
1	1	1A7880-00601	RADIATOR ASSY	1							
2	2	1A7880-00610	RADIATOR	1							
3	2	129107-44590	CAP, RADIATOR	1							
4	1	1A7880-00640	HOSE, SUB TANK	1							
5	1	198162-00720	PIPE, WATER L 66	1							
6	1	1A7880-01350	TANK ASSY, COOLANT	1							
7	2	1A7880-01360	TANK, COOLANT	1							
8	2	121450-44531	CAP	1							
9	2	124450-44560	RETAINER	1							
10	2	121470-44581	GASKET	1							
11	2	124764-44810	LABEL,SUB-TANK	1							Z
(A=FXXXXX)											
12	2	23065-070130	PIPE, 7X 130	1							
13	1	1A7880-01410	HOSE, WATER A	1							
14	1	1A7880-01440	SEAL, RADIATOR	1							
15	1	1A7880-01460	SEAL, SHROUD LOWER	2							
16	1	1A7880-01500	SHROUD ASSY, FAN M	1							
17	1	1A7880-01520	PLATE ASSY, SHROUD	1							
18	1	1A7880-01560	SCREEN, RADIATOR	1							
19	1	1A7880-01650	BOLT, M6X135	2							
20	1	1A7880-03111	PIPE, EXHAUST	1							
21	1	1A7510-04430	HOSE, FUEL F-P	1							
22	1	1A7880-05410	INSULATOR	1							
23	1	1A7880-06010	HOSE, AIR INTAKE	1							
24	1	1A7880-06150	PIPE, AIR INTAKE	1							
25	1	1A7880-06201	BRACKET ASSY	1							
26	1	129052-13550	GASKET	1							
27	1	194990-22130	NUT, M6	2							
28	1	194990-22140	NUT, M8	1							
29	1	194990-22140	NUT, M8	1							
30	1	119255-44660	ABSORBER	2							
31	1	121267-49500	BAND, 38	2							
32	1	175022-49730	CRIP 31, HOSE	2							
33	1	194680-51670	BAND, CLIP	2							
34	1	1A1380-55310	CLAMP, WIRE	1							
35	1	1A6680-56920	CABLE, HOUR METER	1							
36	1	114270-59010	CLIP, HOSE 12	2							
37	1	198162-61370	SEAL, RADIATOR E	1							
38	1	198071-61890	NUT, SPEED M6	2							
39	1	198071-61890	NUT, SPEED M6	1							
40	1	198461-87590	COLLAR, 6.5X10X52	2							
41	1	22137-080000	WASHER, 8	1							
42	1	22157-060000	WASHER, 6	2							
43	1	22487-080200	PIN, H 8X 20	1							
44	1	23000-054000	CLAMP, 54	2							
45	1	23010-050000	CLAMP, 50	1							
46	1	26106-060162	BOLT, M6X 16 PLATED	2							
47	1	26106-060162	BOLT, M6X 16 PLATED	2							
48	1	26106-060162	BOLT, M6X 16 PLATED	4							
49	1	26106-060162	BOLT, M6X 16 PLATED	2							
50	1	26106-060162	BOLT, M6X 16 PLATED	1							

Remarks

\*Serial No.

Up to F020100 refer to this item.

From F020101 refer to Fig.105.



Fig.3. ENGINE ACCESSORIES(3)

(A)=EA2400

(B)=

(C)=

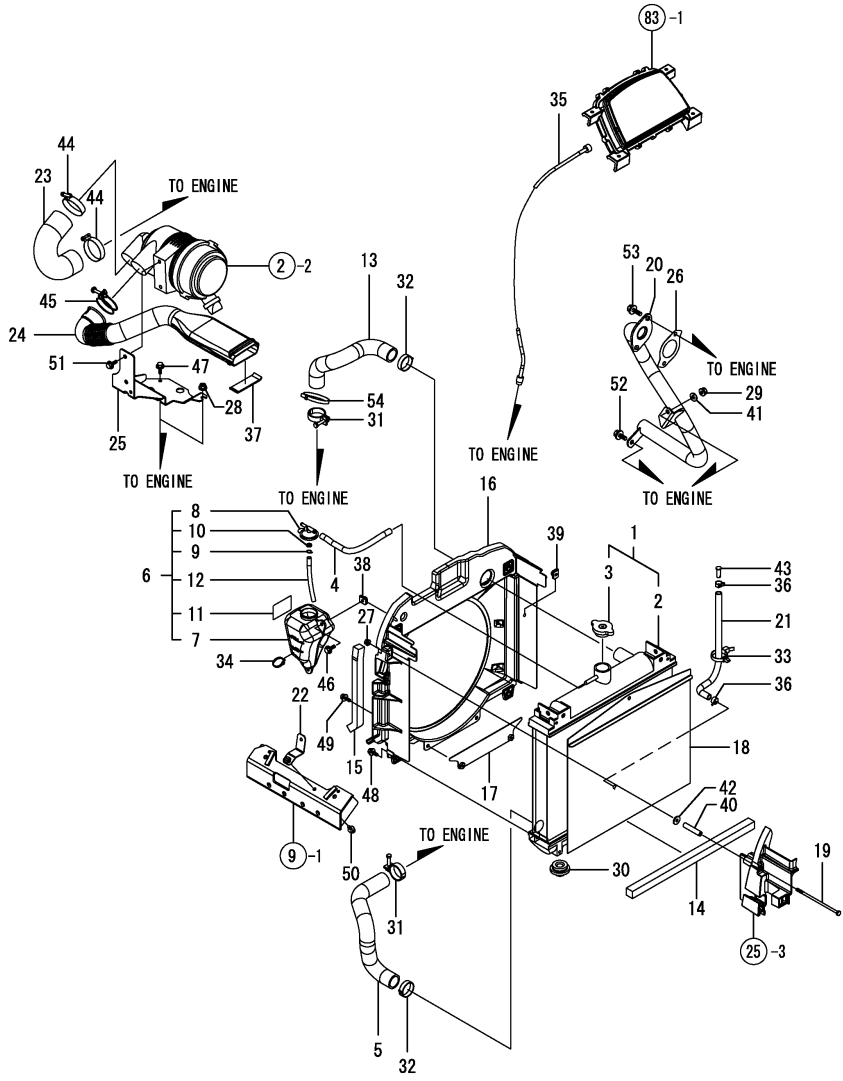
(D)=

(E)=

(F)=

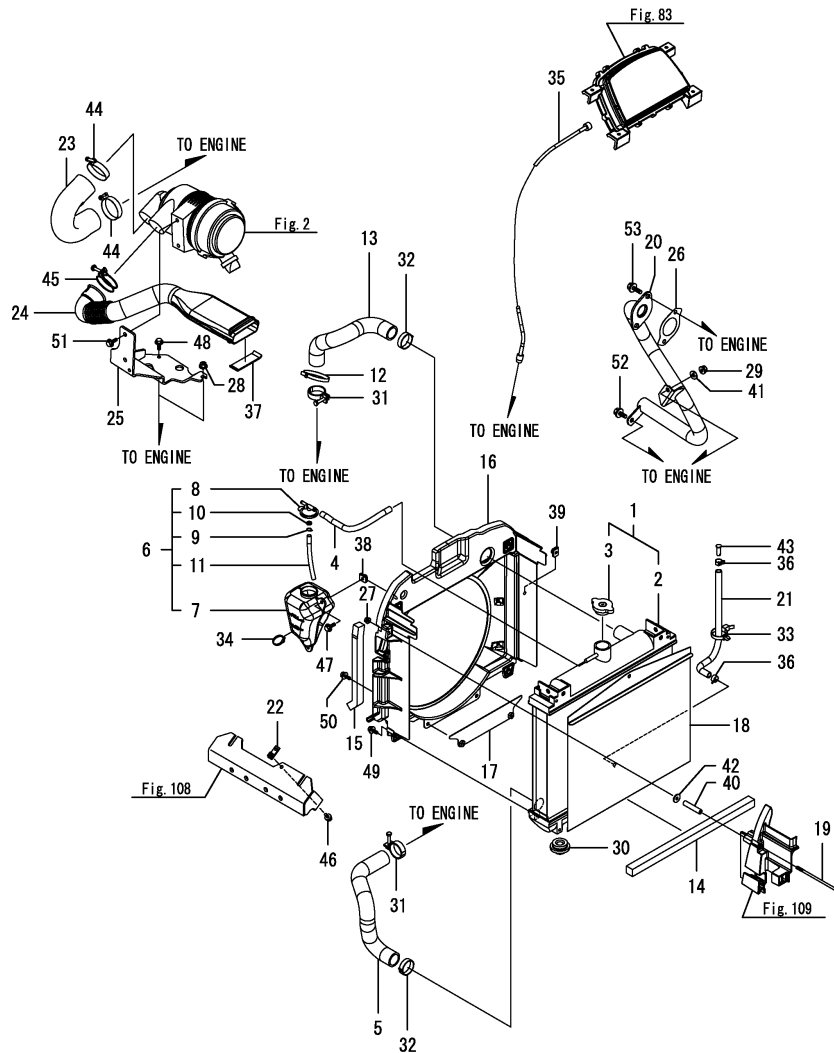
No.	Lev.	Parts No.	Description	Q'ty						I	R
				(A)	(B)	(C)	(D)	(E)	(F)		
51	1	26106-080162	BOLT, M8X 16 PLATED	2							
52	1	26106-080162	BOLT, M8X 16 PLATED	1							
53	1	26106-080252	BOLT, M8X 25 PLATED	2							
54	1	29622-250001	BAND, RF250	1							
54-1	1	1A8300-51210	BAND, REPEAT	1							R

(A=FXXXXX)



Remarks  
 \*Serial No.  
 Up to F020100 refer to this item.  
 From F020101 refer to Fig.105.

Fig.105. (3A)ENGINE ACCESSORIES(3)



(A)=EA2400  
(B)=  
(C)=

(D)=  
(E)=  
(F)=

No.	Lev.	Parts No.	Description	Q'ty						I	R
				(A)	(B)	(C)	(D)	(E)	(F)		
1	1	1A7880-00601	RADIATOR ASSY	1							
2	2	1A7880-00610	RADIATOR	1							
3	2	129107-44590	CAP, RADIATOR	1							
4	1	1A7880-00640	HOSE, SUB TANK	1							
5	1	198162-00720	PIPE, WATER L 66	1							
6	1	1A7880-01350	TANK ASSY, COOLANT	1							
7	2	1A7880-01360	TANK, COOLANT	1							
8	2	121450-44531	CAP	1							
9	2	124450-44560	RETAINER	1							
10	2	121470-44581	GASKET	1							
11	2	23065-070130	PIPE, 7X 130	1							
12	1	1A8300-51210	BAND, REPEAT	1							
13	1	1A7880-01410	HOSE, WATER A	1							
14	1	1A7880-01440	SEAL, RADIATOR	1							
15	1	1A7880-01460	SEAL, SHROUD LOWER	2							
16	1	1A7880-01500	SHROUD ASSY, FAN M	1							
17	1	1A7880-01520	PLATE ASSY, SHROUD	1							
18	1	1A7880-01560	SCREEN, RADIATOR	1							
19	1	1A7880-01650	BOLT, M6X135	2							
20	1	1A7880-03111	PIPE, EXHAUST	1							
21	1	1A7510-04430	HOSE, FUEL F-P	1							
22	1	1A7882-05410	PLATE ASSY, MOUNT	1							
23	1	1A7882-06010	HOSE, AIR INTAKE	1							
24	1	1A7880-06150	PIPE, AIR INTAKE	1							
25	1	1A7880-06201	BRACKET ASSY	1							
26	1	129052-13550	GASKET	1							
27	1	194990-22130	NUT, M6	2							
28	1	194990-22140	NUT, M8	1							
29	1	194990-22140	NUT, M8	1							
30	1	119255-44660	ABSORBER	2							
31	1	121267-49500	BAND, 38	2							
32	1	175022-49730	CRIP 31, HOSE	2							
33	1	194680-51670	BAND, CLIP	2							
34	1	1A1380-55310	CLAMP, WIRE	1							
35	1	1A6680-56920	CABLE, HOUR METER	1							
36	1	114270-59010	CLIP, HOSE 12	2							
37	1	198162-61370	SEAL, RADIATOR E	1							
38	1	198071-61890	NUT, SPEED M6	2							
39	1	198071-61890	NUT, SPEED M6	1							
40	1	198461-87590	COLLAR, 6.5X10X52	2							
41	1	22137-080000	WASHER, 8	1							
42	1	22157-060000	WASHER, 6	2							
43	1	22487-080200	PIN, H 8X 20	1							
44	1	23000-054000	CLAMP, 54	2							
45	1	23010-050000	CLAMP, 50	1							
46	1	26106-060122	BOLT, M6X 12 PLATED	1							
47	1	26106-060162	BOLT, M6X 16 PLATED	2							
48	1	26106-060162	BOLT, M6X 16 PLATED	2							
49	1	26106-060162	BOLT, M6X 16 PLATED	4							
50	1	26106-060162	BOLT, M6X 16 PLATED	2							
51	1	26106-080162	BOLT, M8X 16 PLATED	2							

Remarks  
\*Serial No.  
Up to F020100 refer to Fig.3.  
From F020101 refer to this item.

Fig.105. (3A)ENGINE ACCESSORIES(3)

(A)=EA2400

(B)=

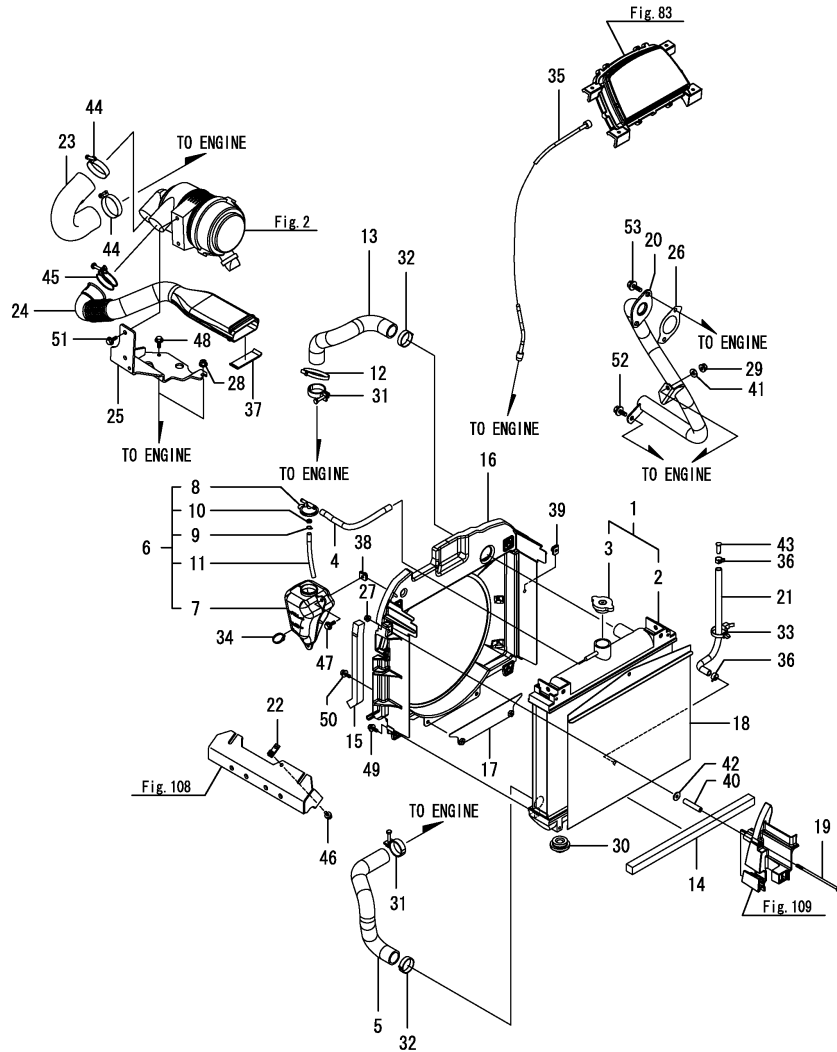
(C)=

(D)=

(E)=

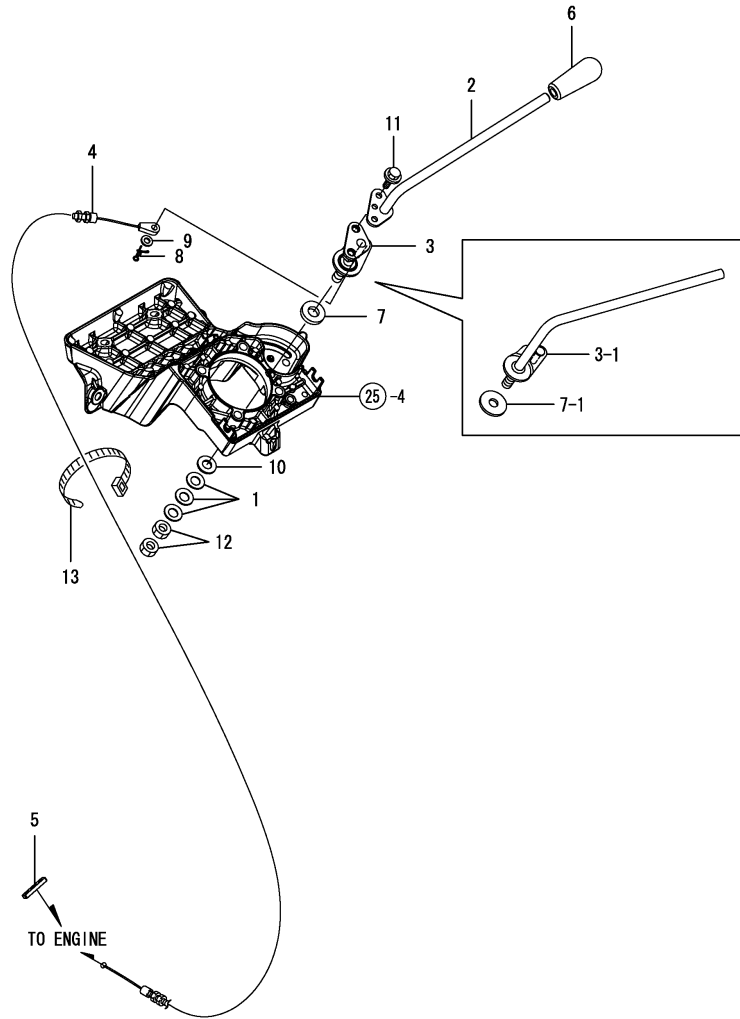
(F)=

No.	Lev.	Parts No.	Description	Q'ty						I	R
				(A)	(B)	(C)	(D)	(E)	(F)		
52	1	26106-080162	BOLT, M8X 16 PLATED	1							
53	1	26106-080252	BOLT, M8X 25 PLATED	2							



Remarks  
 \*Serial No.  
 Up to F020100 refer to Fig.3.  
 From F020101 refer to this item.

# Fig.4. ACCEL LEVER



(A)=EA2400

(B)=

(C)=

(D)=

(E)=

(F)=

No.	Lev.	Parts No.	Description	Q'ty						I	R
				(A)	(B)	(C)	(D)	(E)	(F)		
1	1	194740-00160	SPRING, 10	3							
2	1	1A7880-01060	LEVER, ACCELERATOR	1							Z
(A=FZZZZZ)											
3	1	1A7880-01110	LEVER, ACCELERATOR	1							
3-1	1	1A7880-01010	LEVER ASSY, CONTROL	1							S
(A=FZZZZZ)											
4	1	1A7880-01150	WIRE ASSY, CONTROL	1							
5	1	198071-01160	RUBBER	1							
6	1	198253-01190	KNOB, LEVER	1							
7	1	1C6900-48251	SPACER, 13X26X5	1							
7-1	1	198200-01260	PLATE, FRICTION	1							S
(A=FZZZZZ)											
8	1	1C6281-52310	PIN, SNAP 6	1							
9	1	22137-060000	WASHER, 6	1							
10	1	22137-100000	WASHER, 10	1							
11	1	26106-060122	BOLT, M6X 12 PLATED	2							Z
(A=FZZZZZ)											
12	1	26716-100002	NUT, M10	2							

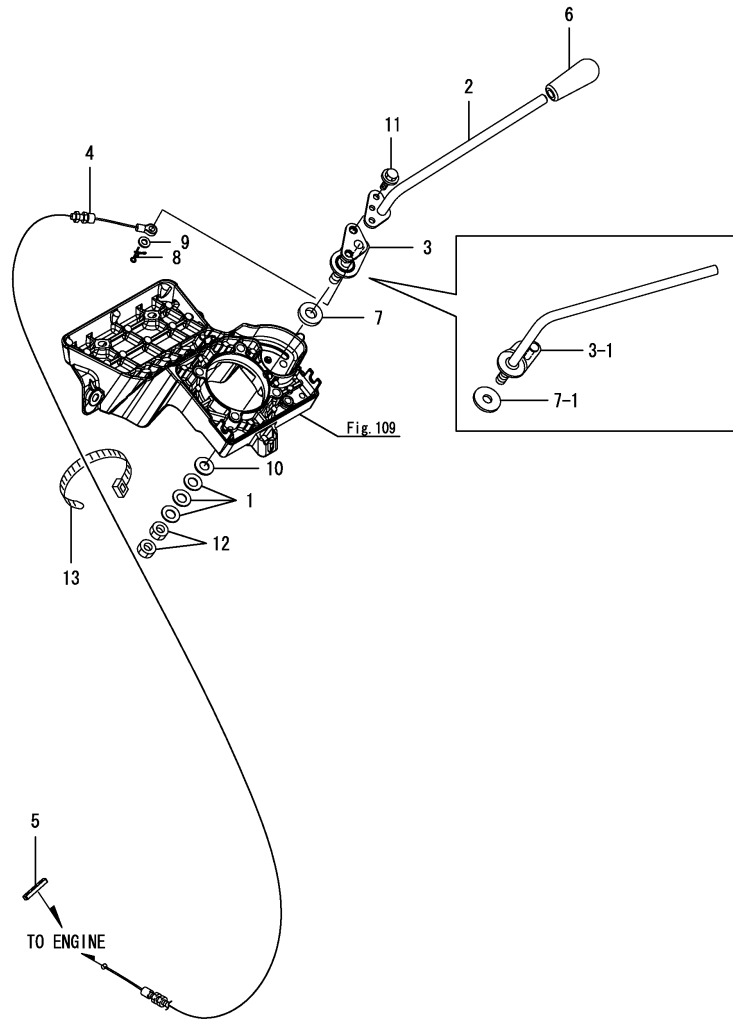
Remarks

\*Serial No.

Up to F020100 refer to this item.

From F020101 refer to Fig.106.

Fig.106. (4A)ACCEL LEVER



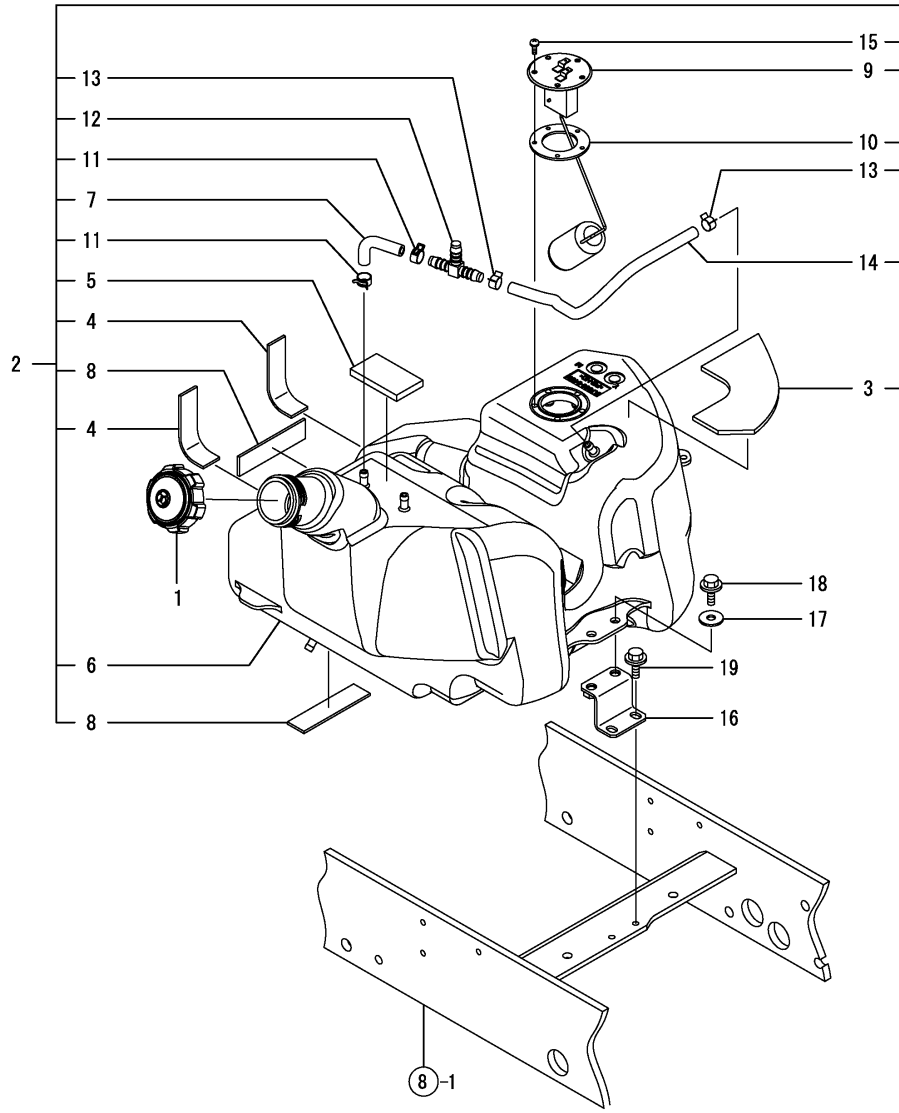
(A)=EA2400  
(B)=  
(C)=

(D)=  
(E)=  
(F)=

No.	Lev.	Parts No.	Description	Q'ty						I	R
				(A)	(B)	(C)	(D)	(E)	(F)		
1	1	194740-00160	SPRING, 10	3							
2	1	1A7880-01060	LEVER, ACCELERATOR	1							Z
(A=FZZZZZ)											
3	1	1A7880-01110	LEVER, ACCELERATOR	1							
3-1	1	1A7880-01010	LEVER ASSY, CONTROL	1							S
(A=FZZZZZ)											
4	1	1A7882-01150	WIRE ASSY, CONTROL	1							
5	1	198071-01160	RUBBER	1							
6	1	198253-01190	KNOB, LEVER	1							
7	1	1C6900-48251	SPACER, 13X26X5	1							
7-1	1	198200-01260	PLATE, FRICTION	1							S
(A=FZZZZZ)											
8	1	1C6281-52310	PIN, SNAP 6	1							
9	1	22137-060000	WASHER, 6	1							
10	1	22137-100000	WASHER, 10	1							
11	1	26106-060122	BOLT, M6X 12 PLATED	2							Z
(A=FZZZZZ)											
12	1	26716-100002	NUT, M10	2							
13	1	1A8300-51210	BAND, REPEAT	1							

Remarks  
\*Serial No.  
Up to F020100 refer to Fig.4.  
From F020101 refer to this item.

Fig.5. TANK,FUEL OIL

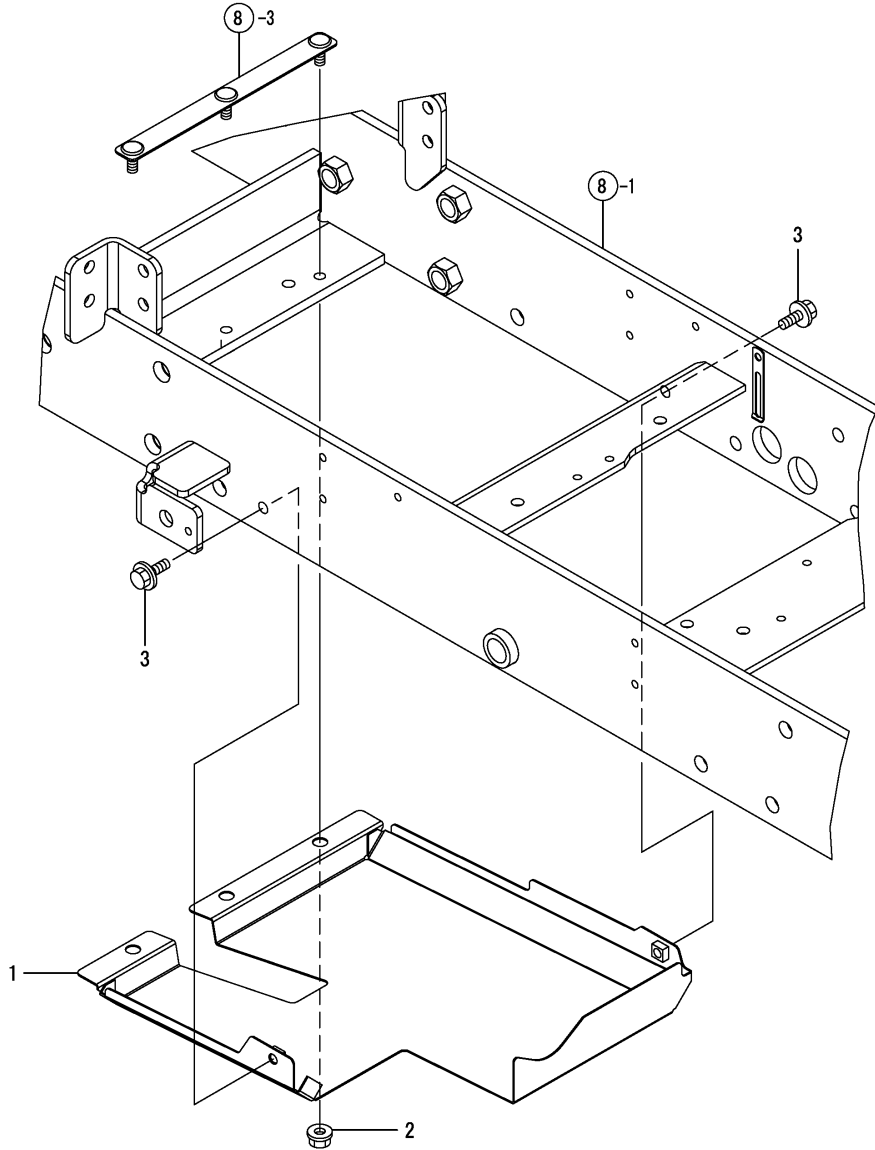


(A)=EA2400  
(B)=  
(C)=

(D)=  
(E)=  
(F)=

No.	Lev.	Parts No.	Description	Q'ty						I	R
				(A)	(B)	(C)	(D)	(E)	(F)		
1	1	1A7880-04091	CAP, FUEL TANK	1							
2	1	1A7880-04100	TANK ASSY, FUEL	1							
3	2	1A7880-04040	CUSHION, TANK R	1							
4	2	1A7880-04050	CUSHION, TANK SIDE	2							
5	2	1A7880-04080	CUSHION, TANK UPPER	1							
6	2	1A7880-04110	TANK, FUEL	1							
7	2	198448-04270	HOSE, RETURN	1							
8	2	198165-04380	RUBBER, 100X25X3	2							
9	2	1A7880-56601	GAUGE ASSY, FUEL	1							
10	2	198200-56630	GASKET, GAUGE	1							
11	2	114270-59010	CLIP, HOSE 12	2							
12	2	119629-59910	JOINT, 3-WAY	1							
13	2	23080-012000	CLAMP, 12	2							
14	2	23980-730260	HOSE, 7.3X 260	1							
15	2	1A7180-04180	SCREW, M5X14	5							
16	1	1A7880-04210	STAY, FUEL TANK	1							
17	1	22157-080000	WASHER, 8	2							
18	1	26106-080162	BOLT, M8X 16 PLATED	2							
19	1	26106-080162	BOLT, M8X 16 PLATED	2							

Fig.6. COVER,FO TANK



(A)=EA2400

(B)=

(C)=

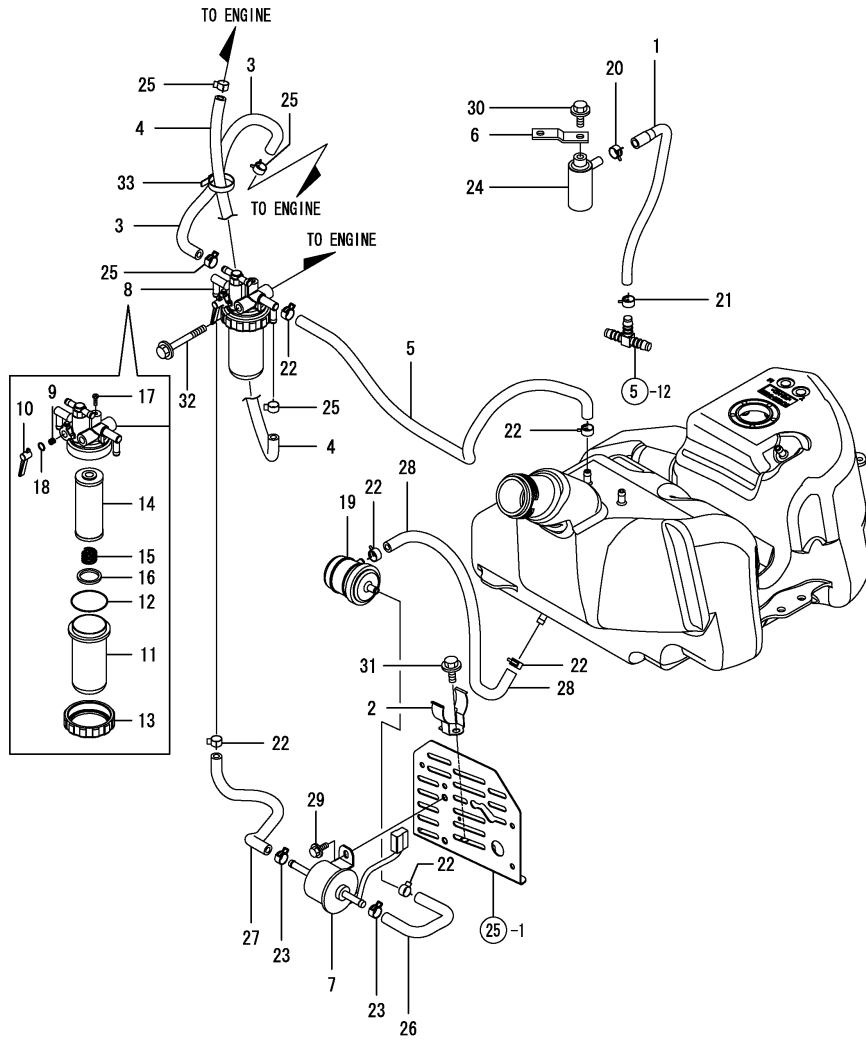
(D)=

(E)=

(F)=

No.	Lev.	Parts No.	Description	Q'ty						I	R	
				(A)	(B)	(C)	(D)	(E)	(F)			
1	1	1A7880-04300	COVER ASSY,LOWER	1								
1-1	1	1A7880-04301	COVER, FUEL TANK	1								R
(A=FXXXXX)												
2	1	194990-22140	NUT, M8	3								
3	1	26106-080202	BOLT, M8X 20 PLATED	2								

Fig.7. FUEL PIPE



(A)=EA2400

(B)=

(C)=

(D)=

(E)=

(F)=

No.	Lev.	Parts No.	Description	Qty						I	R
				(A)	(B)	(C)	(D)	(E)	(F)		
1	1	1A7880-04270	HOSE, AIR VENT	1							
2	1	198072-04320	CLAMP, FILTER	1							
3	1	1A7880-04410	HOSE, FUEL F-E	1							
4	1	1A7510-04430	HOSE, FUEL F-P	1							
5	1	1A7880-04430	HOSE, FUEL F-T	1							
6	1	194312-39480	SUPPORT, BREATHER	1							
7	1	119225-52102	PUMP ASSY, FUEL FEED	1							
8	1	129053-55620	FILTER ASSY, FUEL	1							
9	2	104200-55330	SPRING, VALVE	1							
10	2	119810-55340	LEVER	1							
11	2	129107-55510	CUP, STRAINER	1							
12	2	102103-55520	O-RING	1							
13	2	110250-55610	RING, RETAINING	1							
14	2	119810-55650	ELEMENT	1							
15	2	121257-55720	SPRING	1							
16	2	121257-55731	FLOAT	1							
17	2	104200-55750	SCREW, M4	1							
18	2	24311-240100	O-RING, 1AP10A	1							
19	1	129052-55630	FILTER, FUEL	1							
20	1	114270-59010	CLIP, HOSE 12	1							
21	1	114270-59010	CLIP, HOSE 12	1							
22	1	114270-59010	CLIP, HOSE 12	6							
23	1	114270-59010	CLIP, HOSE 12	2							
24	1	194205-63550	BREATHER, AIR	1							
25	1	23080-012000	CLAMP, 12	4							
25-1	1	114270-59010	CLIP, HOSE 12	4							R
(A=FXXXXX)											
26	1	23980-730150	HOSE, 7.3X 150	1							
27	1	23980-730260	HOSE, 7.3X 260	1							
28	1	23980-730330	HOSE, 7.3X 330	1							
29	1	26106-060162	BOLT, M6X 16 PLATED	2							
30	1	26106-080122	BOLT, M8X 12 PLATED	1							
31	1	26106-080122	BOLT, M8X 12 PLATED	1							
32	1	26106-080602	BOLT, M8X 60 PLATED	1							
33	1	29622-140001	BAND, RF140	2							
33-1	1	1A8300-51210	BAND, REPEAT	2							R
(A=FXXXXX)											

Remarks

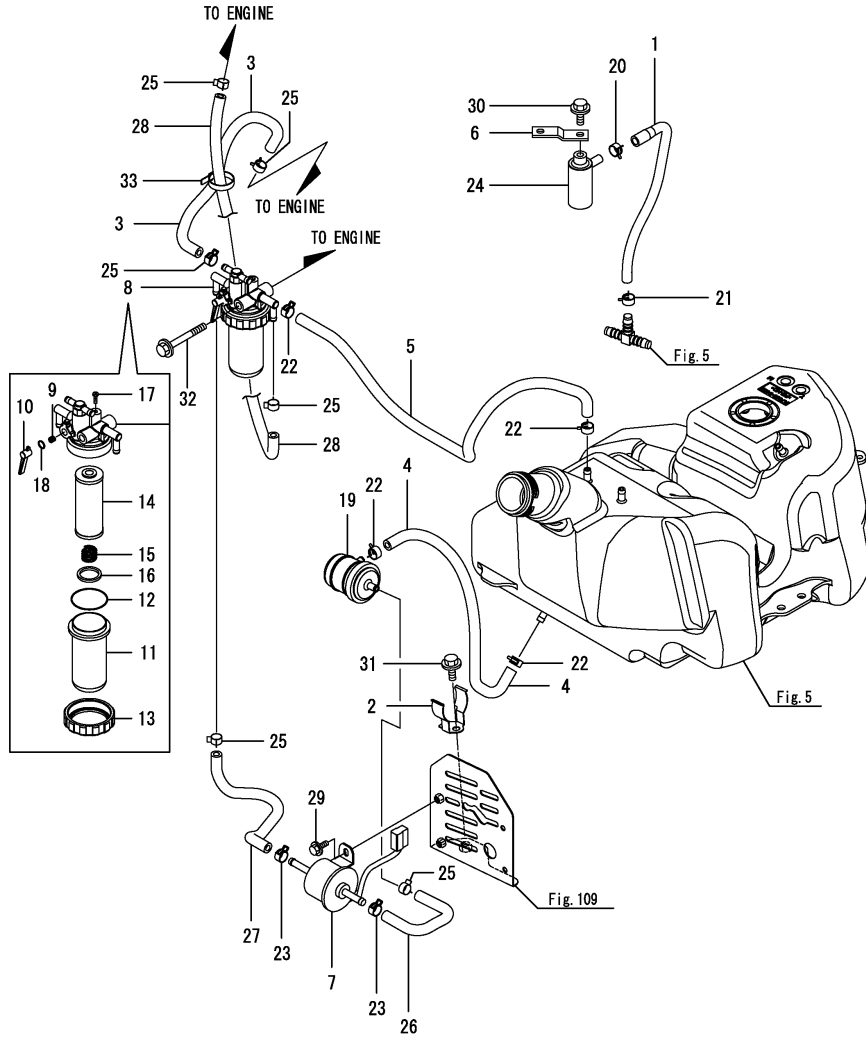
\*Serial No.

Up to F020100 refer to this item.

From F020101 refer to Fig.107.



Fig.107. (7A)FUEL PIPE



(A)=EA2400

(B)=

(C)=

(D)=

(E)=

(F)=

No.	Lev.	Parts No.	Description	Qty						I	R
				(A)	(B)	(C)	(D)	(E)	(F)		
1	1	1A7880-04270	HOSE, AIR VENT	1							
2	1	198072-04320	CLAMP, FILTER	1							
3	1	23980-730400	HOSE, 7.3X 400	1							
4	1	1A7510-04430	HOSE, FUEL F-P	1							
5	1	1A7880-04430	HOSE, FUEL F-T	1							
6	1	194312-39480	SUPPORT, BREATHER	1							
7	1	119225-52102	PUMP ASSY, FUEL FEED	1							
8	1	129053-55620	FILTER ASSY, FUEL	1							
9	2	104200-55330	SPRING, VALVE	1							
10	2	119810-55340	LEVER	1							
11	2	129107-55510	CUP, STRAINER	1							
12	2	102103-55520	O-RING	1							
13	2	110250-55610	RING, RETAINING	1							
14	2	119810-55650	ELEMENT	1							
15	2	121257-55720	SPRING	1							
16	2	121257-55731	FLOAT	1							
17	2	104200-55750	SCREW, M4	1							
18	2	24311-240100	O-RING, 1AP10A	1							
19	1	129052-55630	FILTER, FUEL	1							
20	1	114270-59010	CLIP, HOSE 12	1							
21	1	114270-59010	CLIP, HOSE 12	1							
22	1	114270-59010	CLIP, HOSE 12	4							
23	1	114270-59010	CLIP, HOSE 12	2							
24	1	194205-63550	BREATHER, AIR	1							
25	1	23080-012000	CLAMP, 12	6							
25-1	1	114270-59010	CLIP, HOSE 12	6							R
(A=FXXXXX)											
26	1	23980-730150	HOSE, 7.3X 150	1							
27	1	23980-730180	HOSE, 7.3X 180	1							
28	1	23980-730350	HOSE, 7.3X 350	1							
29	1	26106-060162	BOLT, M6X 16 PLATED	2							
30	1	26106-080122	BOLT, M8X 12 PLATED	1							
31	1	26106-080122	BOLT, M8X 12 PLATED	1							
32	1	26106-080652	BOLT, M8X 65 PLATED	1							
33	1	1A8300-51210	BAND, REPEAT	1							

Remarks

\*Serial No.

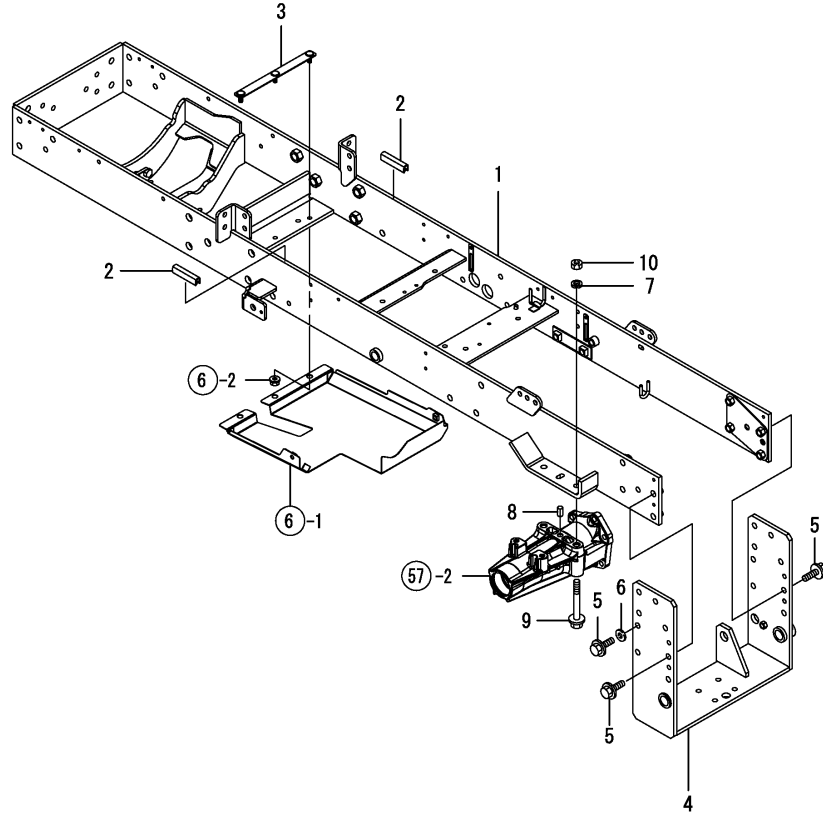
Up to F020100 refer to Fig.7.

From F020101 refer to this item.

Fig.8. FRAME

(A)=EA2400  
(B)=  
(C)=

(D)=  
(E)=  
(F)=



No.	Lev.	Parts No.	Description	Q'ty						I	R
				(A)	(B)	(C)	(D)	(E)	(F)		
1	1	1A7880-10090	FRAME ASSY, SCT M	1							
2	1	1A7880-10410	TRIM, 9.5tX70	2							
3	1	1A7880-10430	PLATE, BOLT	1							
4	1	1A7880-10500	FRAME ASSY, LINK	1							
5	1	1A6770-85920	BOLT, M12X30	8							
6	1	22137-120000	WASHER, 12	1							
7	1	22217-120000	WASHER, SPRING 12	4							
8	1	22351-100020	PIN, SPRING 10.0X20	2							
9	1	26106-121002	BOLT, 12 X 100	4							
10	1	26716-120002	NUT, M12	4							

# Fig.9. ENGINE MOUNT

(A)=EA2400

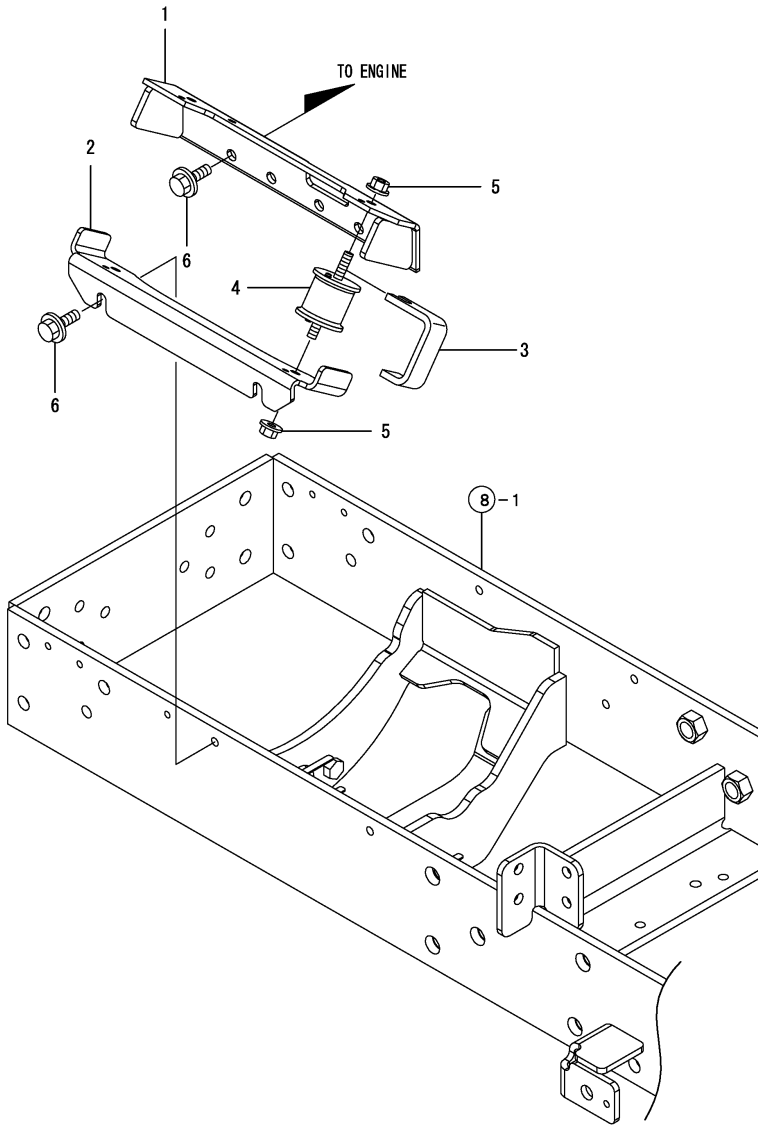
(B)=

(C)=

(D)=

(E)=

(F)=



No.	Lev.	Parts No.	Description	Q'ty						I	R
				(A)	(B)	(C)	(D)	(E)	(F)		
1	1	1A7880-10800	STAY ASSY, MOUNT E	2							
2	1	1A7880-10900	STAY, MOUNT FRAME	2							
3	1	1A7880-10950	STOPPER	2							
4	1	1A7130-11790	RUBBER, MOUNT	4							
5	1	194990-22140	NUT, M8	8							
6	1	26106-100202	BOLT, M10X 20 PLATED	10							

Remarks  
 \*Serial No.  
 Up to F020100 refer to this item.  
 From F020101 refer to Fig.108.

# Fig.108. (9A)ENGINE MOUNT

(A)=EA2400

(B)=

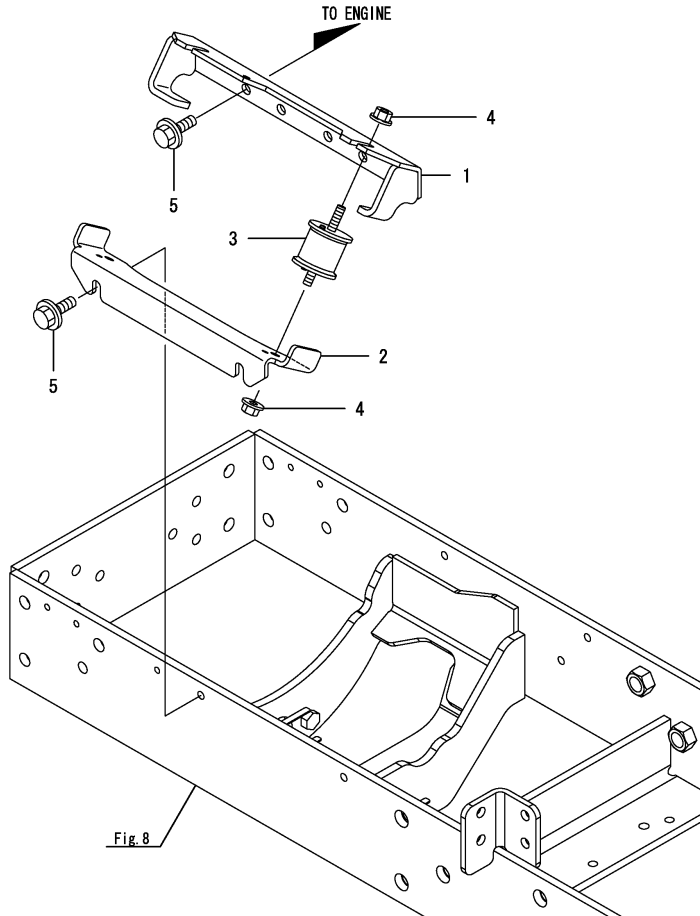
(C)=

(D)=

(E)=

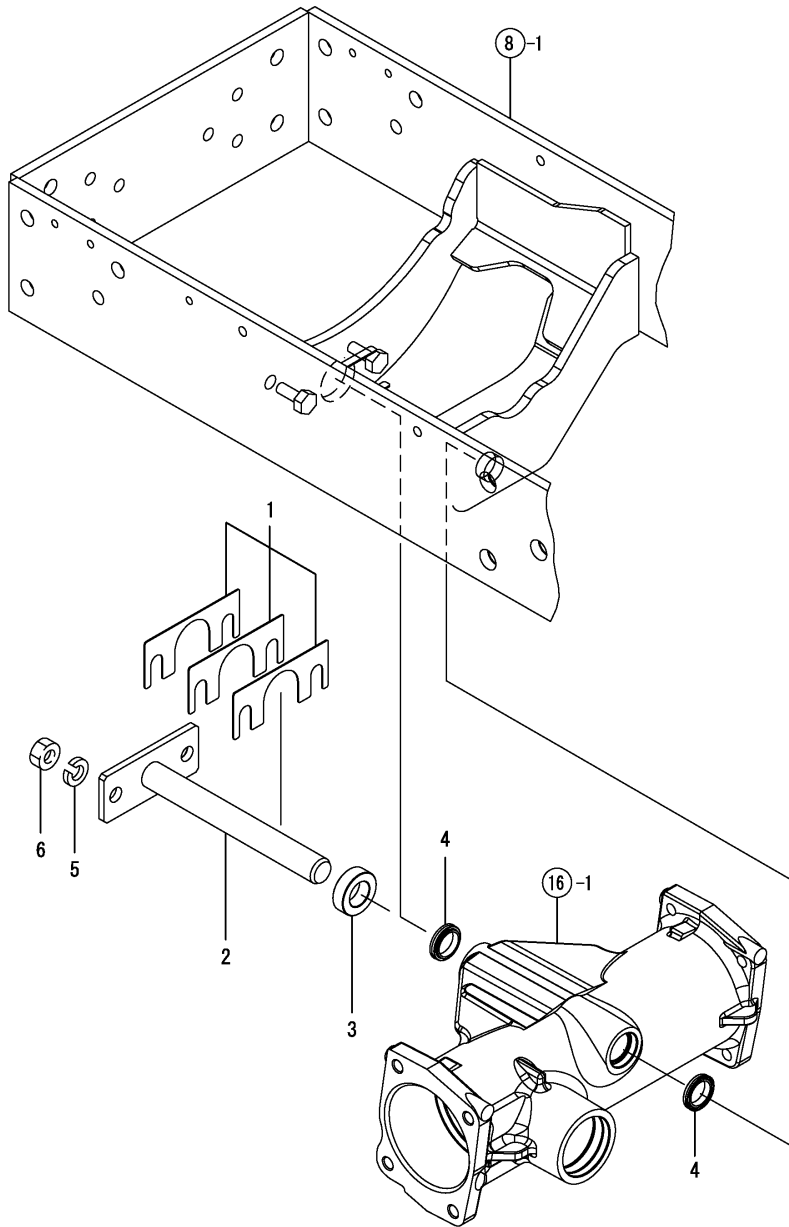
(F)=

No.	Lev.	Parts No.	Description	Q'ty						I	R
				(A)	(B)	(C)	(D)	(E)	(F)		
1	1	1A7882-10800	STAY ASSY, MOUNT E	2							
2	1	1A7882-10900	STAY, MOUNT FRAME	2							
3	1	1A7130-11790	RUBBER, MOUNT	4							
4	1	194990-22140	NUT, M8	8							
5	1	26106-100202	BOLT, M10X 20 PLATED	10							



Remarks  
 \*Serial No.  
 Up to F020100 refer to Fig.9.  
 From F020101 refer to this item.

Fig.10. CENTER PIN

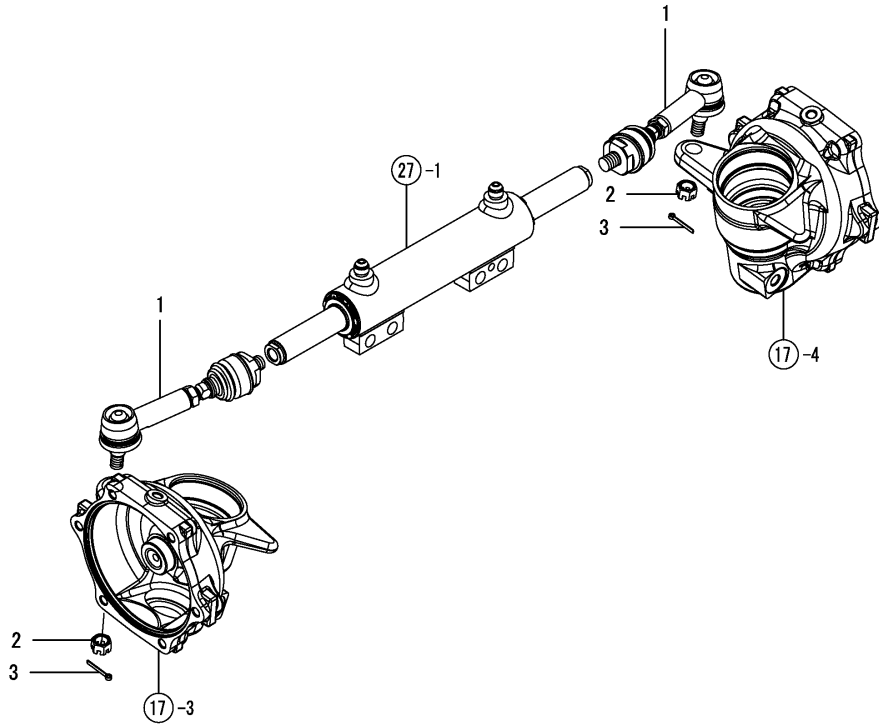


(A)=EA2400  
(B)=  
(C)=

(D)=  
(E)=  
(F)=

No.	Lev.	Parts No.	Description	Q'ty						I	R
				(A)	(B)	(C)	(D)	(E)	(F)		
1	1	198165-11500	SHIM SET, CENTER PIN	1							
2	1	1A7880-11510	PIN ASSY, CENTER	1							
3	1	1A7880-11551	COLLAR, 22X38X12.5	1							
4	1	1A7880-11560	SEAL, DUST 22X30X6	2							
5	1	22217-120000	WASHER, SPRING 12	2							
6	1	26716-120002	NUT, M12	2							

Fig.11. TIE-ROD



(A)=EA2400  
(B)=  
(C)=

(D)=  
(E)=  
(F)=

No.	Lev.	Parts No.	Description	Q'ty						I	R
				(A)	(B)	(C)	(D)	(E)	(F)		
1	1	1A7880-12302	TIE-ROD ASSY, 132	2							
2	1	194730-57242	NUT, CASTLE M12	2							
3	1	22417-320250	PIN, COTTER 3.2X25	2							

Fig.12. DRIVE PINION

(A)=EA2400

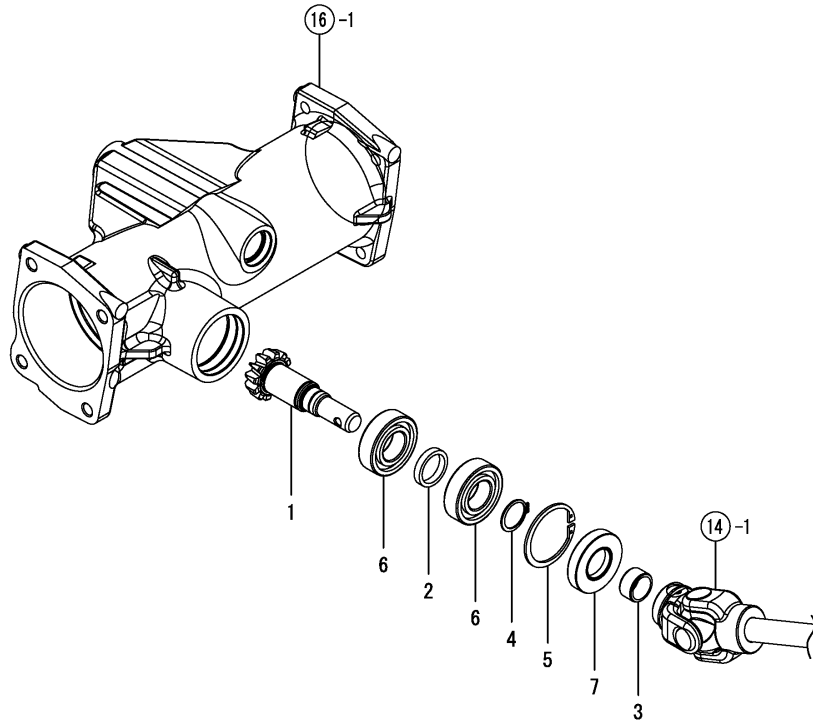
(B)=

(C)=

(D)=

(E)=

(F)=



No.	Lev.	Parts No.	Description	Q'ty						I	R
				(A)	(B)	(C)	(D)	(E)	(F)		
1	1	1A7130-13120	SHAFT, INPUT	1							
2	1	1A7130-13130	COLLAR, 30X25X5.7	1							
3	1	1E4760-73240	SLEEVE, 202513	1							
4	1	22242-000240	RING, 24	1							
5	1	22252-000520	RING, 52	1							
6	1	24101-062054	BEARING, BALL 6205	2							
7	1	24421-255210	SEAL, OIL TC255210	1							

Fig.13. DIFFERENTIAL GEAR

(A)=EA2400  
(B)=  
(C)=

(D)=  
(E)=  
(F)=

No.	Lev.	Parts No.	Description	Q'ty						I	R
				(A)	(B)	(C)	(D)	(E)	(F)		
1	1	1A7880-13150	GEAR ASSY	1							
2	1	22252-000550	RING, 55	1							
3	1	24101-060064	BEARING, BALL 6006	1							

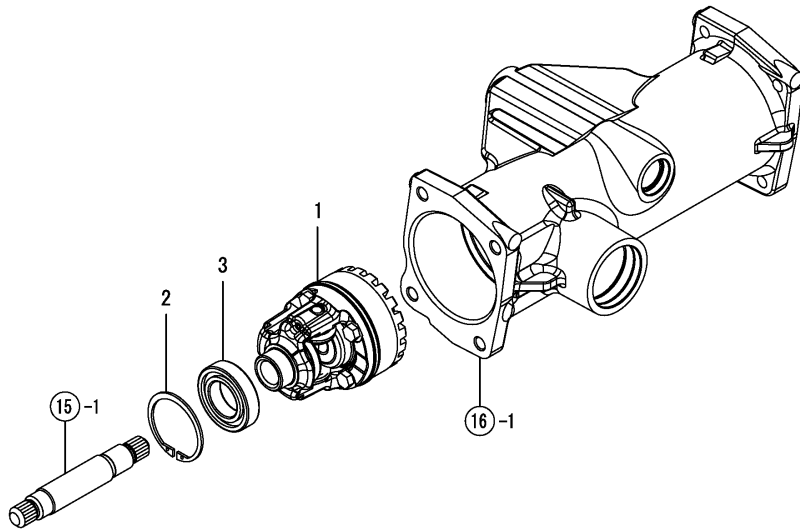
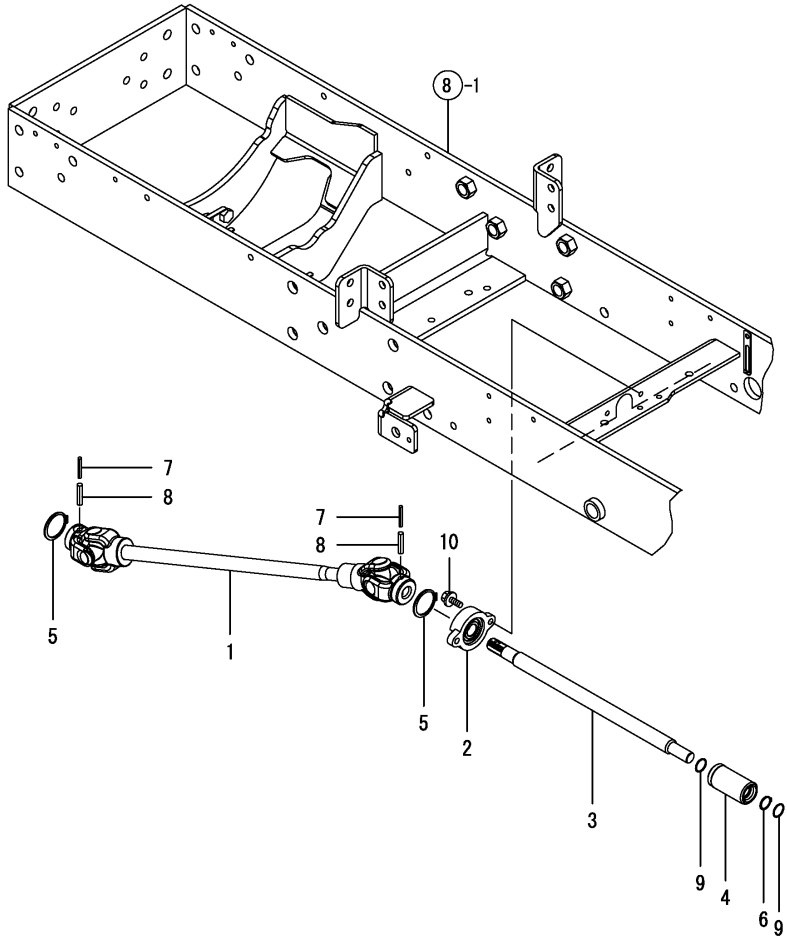




Fig.14. PROPELLER SHAFT

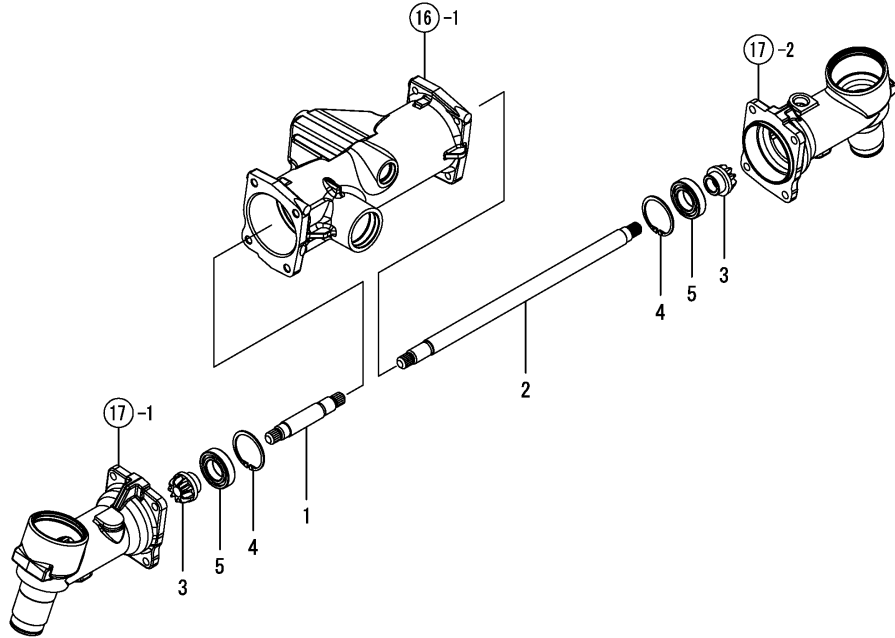


(A)=EA2400  
(B)=  
(C)=

(D)=  
(E)=  
(F)=

No.	Lev.	Parts No.	Description	Q'ty						I	R
				(A)	(B)	(C)	(D)	(E)	(F)		
1	1	1A7880-13310	SHAFT ASSY, F	1							
2	1	1A7500-13360	BEARING, MIDDLE	1							
3	1	1A7880-13470	SHAFT, PROPELLER R	1							
4	1	1A7880-13480	COLLAR, SPLINE	1							
5	1	22242-000360	RING, 36	2							
6	1	22252-000150	RING, 15	1							
7	1	22351-035032	PIN, SPRING 3.5X32	2							
8	1	22351-060032	PIN, SPRING 6.0X32	2							
9	1	24311-000160	O-RING, 1AP16.0	2							
10	1	26013-080202	BOLT, M8X 20	2							

Fig.15. FRONT SHAFT 1



(A)=EA2400  
(B)=  
(C)=

(D)=  
(E)=  
(F)=

No.	Lev.	Parts No.	Description	Q'ty						I	R
				(A)	(B)	(C)	(D)	(E)	(F)		
1	1	1A7880-13510	SHAFT, FRONT 1ST L	1							
2	1	1A7880-13520	SHAFT, FRONT 1ST R	1							
3	1	1A7880-13530	GEAR, BEVEL 9	2							
4	1	22252-000550	RING, 55	2							
5	1	24101-060064	BEARING, BALL 6006	2							

Fig.16. FRONT AXLE CASE

(A)=EA2400

(B)=

(C)=

(D)=

(E)=

(F)=

No.	Lev.	Parts No.	Description	Q'ty						I	R
				(A)	(B)	(C)	(D)	(E)	(F)		
1	1	1A7880-13600	HOUSING, FRONT AXLE	1							
2	2	1A7880-11540	BUSH, 22X25X30	2							
3	2	1A7130-13270	BUSH, 85X90X20	1							

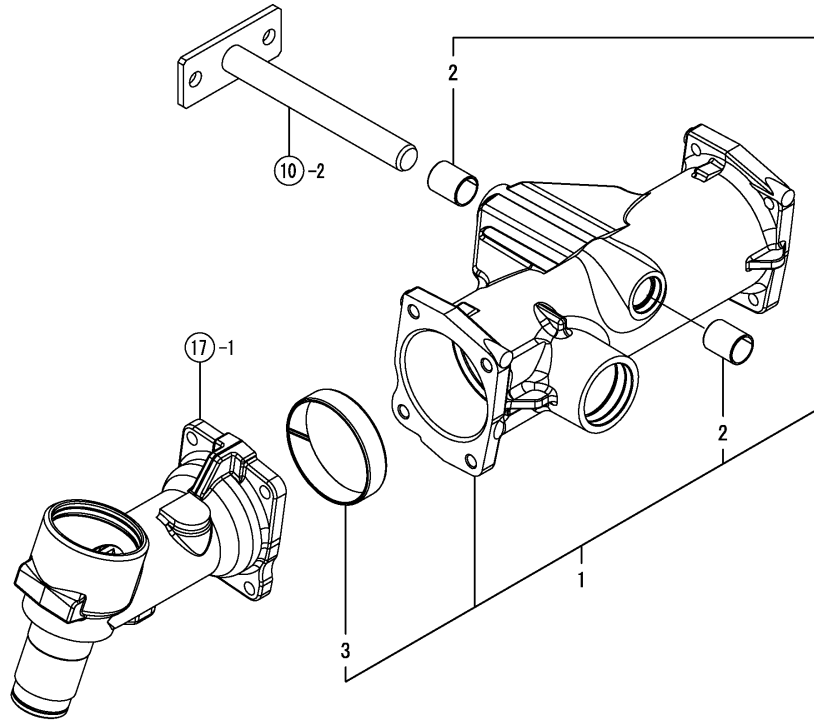
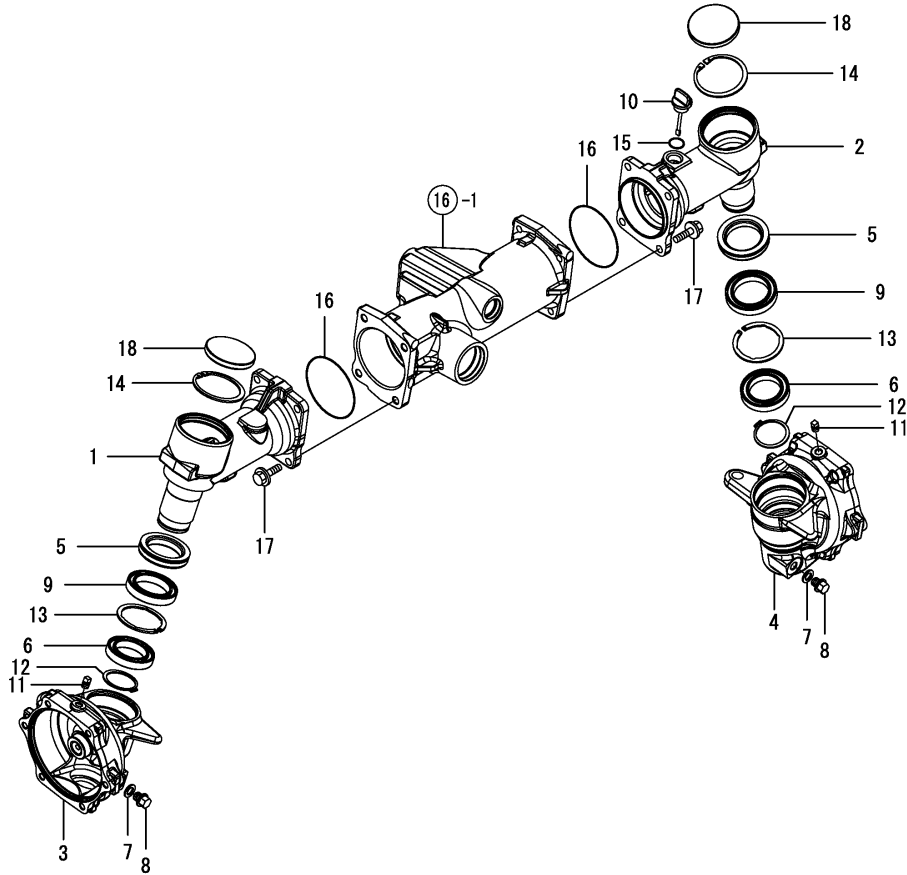


Fig.17. CASE,FRONT GEAR



(A)=EA2400

(B)=

(C)=

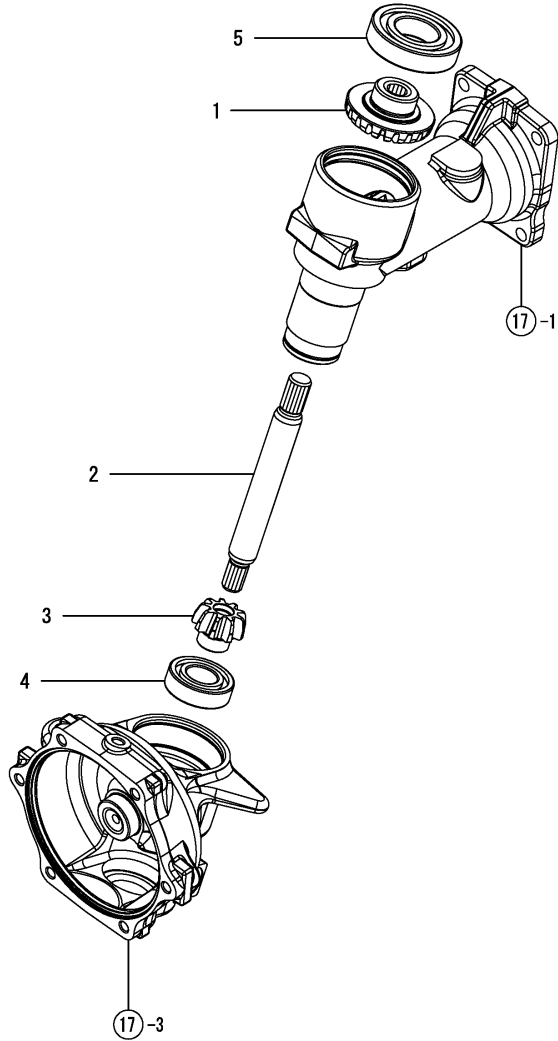
(D)=

(E)=

(F)=

No.	Lev.	Parts No.	Description	Q'ty						I	R
				(A)	(B)	(C)	(D)	(E)	(F)		
1	1	1A7880-13710	CASE, FRONT GEAR L	1							
2	1	1A7880-13721	CASE, FRONT GEAR R	1							
3	1	1A7880-13730	BOX, GEAR L	1							
4	1	1A7880-13740	BOX, GEAR R	1							
5	1	1A7880-13780	SEAL, QLN50721013	2							
6	1	194951-14440	BEARING, 6909	2							
7	1	198165-24440	GASKET, 20X12X2	2							
8	1	198165-24490	BOLT, M12X12	2							
9	1	194105-26430	BEARING, BALL 6910	2							
10	1	1C6050-31250	GAUGE, OIL LEVEL	1							
11	1	194151-36670	PLUG, PF02	2							
12	1	22242-000450	RING, 45	2							
13	1	22252-000681	RING, 68	2							
14	1	22252-000720	RING, 72	2							
15	1	24311-000180	O-RING, 1AP18.0	1							
16	1	24341-000850	O-RING, 1AS85.0	2							
17	1	26106-100302	BOLT, M10X 30 PLATED	8							
18	1	27260-720000	PLUG, 72	2							

Fig.18. FRONT SHAFT 2



(A)=EA2400  
(B)=  
(C)=

(D)=  
(E)=  
(F)=

No.	Lev.	Parts No.	Description	Q'ty						I	R
				(A)	(B)	(C)	(D)	(E)	(F)		
1	1	1A7880-13540	GEAR, BEVEL 20T	2							
2	1	1A7880-13810	SHAFT, FRONT 2ND	2							
3	1	1A7880-13820	PINION, FINAL	2							
4	1	24101-062054	BEARING, BALL 6205	2							
5	1	24101-062074	BEARING, BALL 6207	2							

Fig.19. FRONT SPINDLE

(A)=EA2400

(B)=

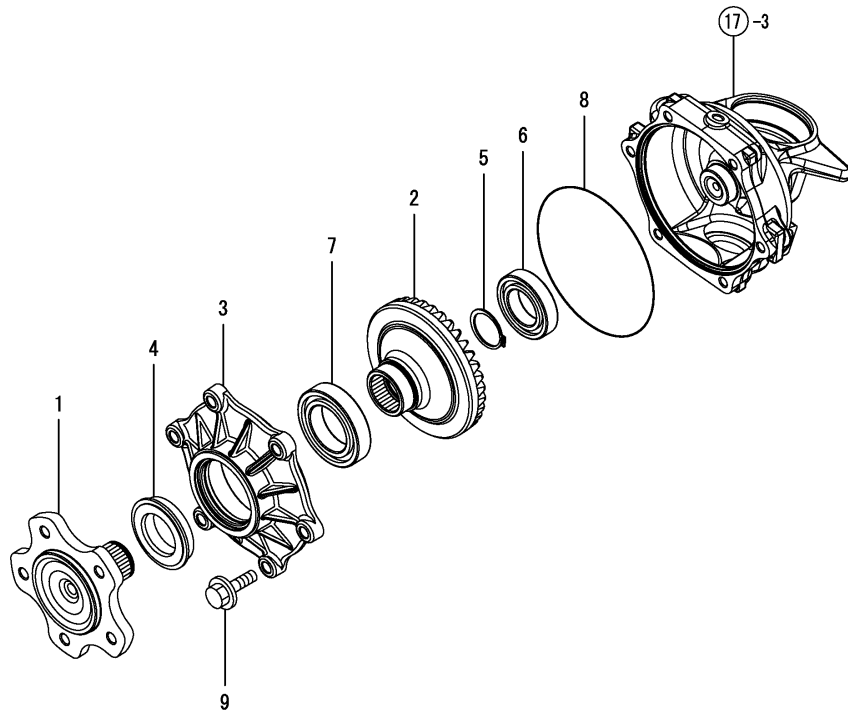
(C)=

(D)=

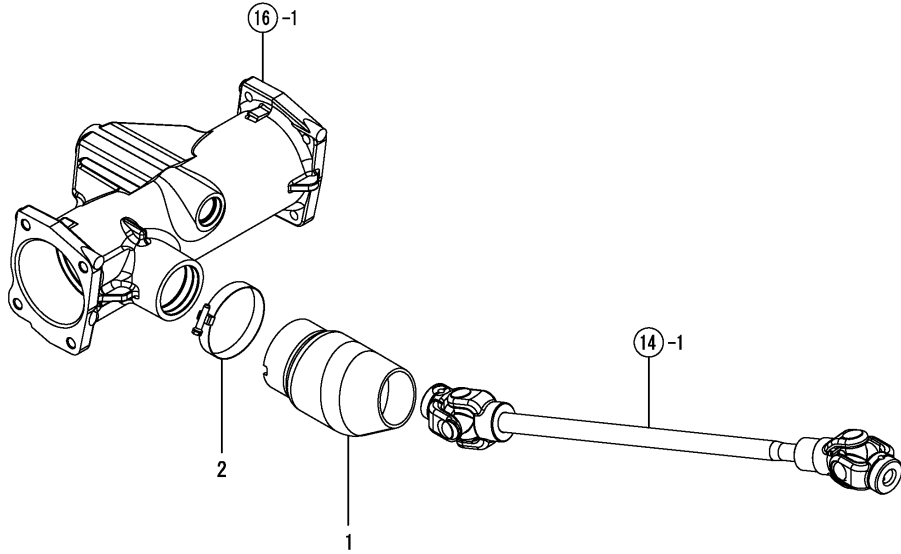
(E)=

(F)=

No.	Lev.	Parts No.	Description	Q'ty						I	R
				(A)	(B)	(C)	(D)	(E)	(F)		
1	1	1A7880-14110	SPINDLE, FRONT	2							
2	1	1A7880-14120	GEAR, FINAL F	2							
3	1	1A7880-14130	CASE, FRONT BEARING	2							
4	1	1E8420-55430	SEAL, QLFY40X62X14	2							
5	1	22242-000340	RING, 34	2							
6	1	24101-060074	BEARING, BALL 6007	2							
7	1	24101-060094	BEARING, BALL 6009	2							
8	1	24321-001300	O-RING, 1AG130.0	2							
9	1	26106-100302	BOLT, M10X 30 PLATED	12							



# Fig.20. SHAFT COVER



(A)=EA2400  
(B)=  
(C)=

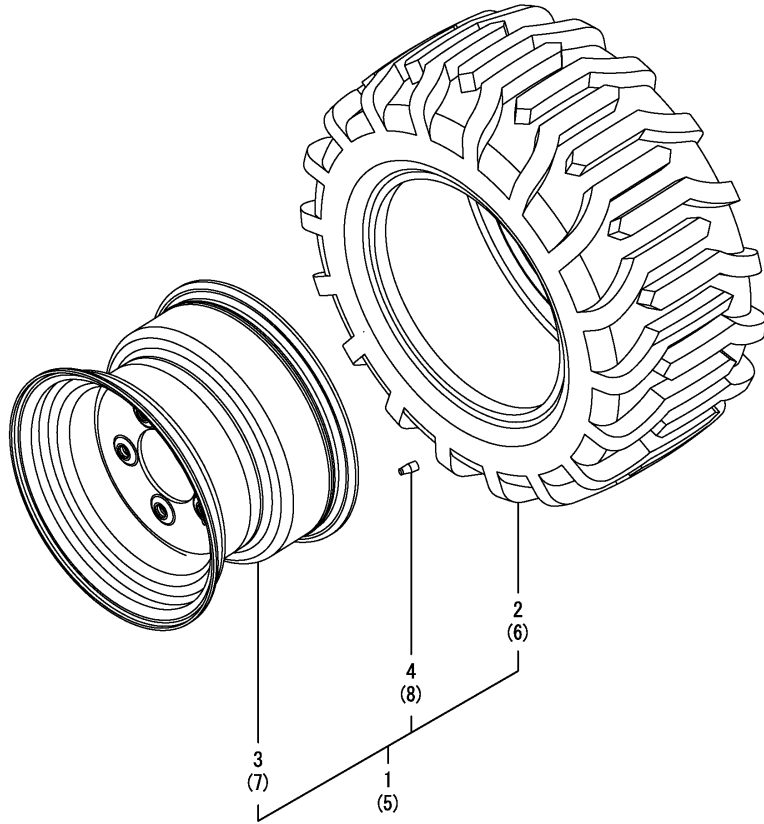
(D)=  
(E)=  
(F)=

No.	Lev.	Parts No.	Description	Q'ty						I	R
				(A)	(B)	(C)	(D)	(E)	(F)		
1	1	1A7880-14620	COVER, SHAFT	1							
2	1	23000-075000	CLAMP, 75	1							





Fig.22. FRONT TIRE R4



(A)=EA2400  
(B)=  
(C)=

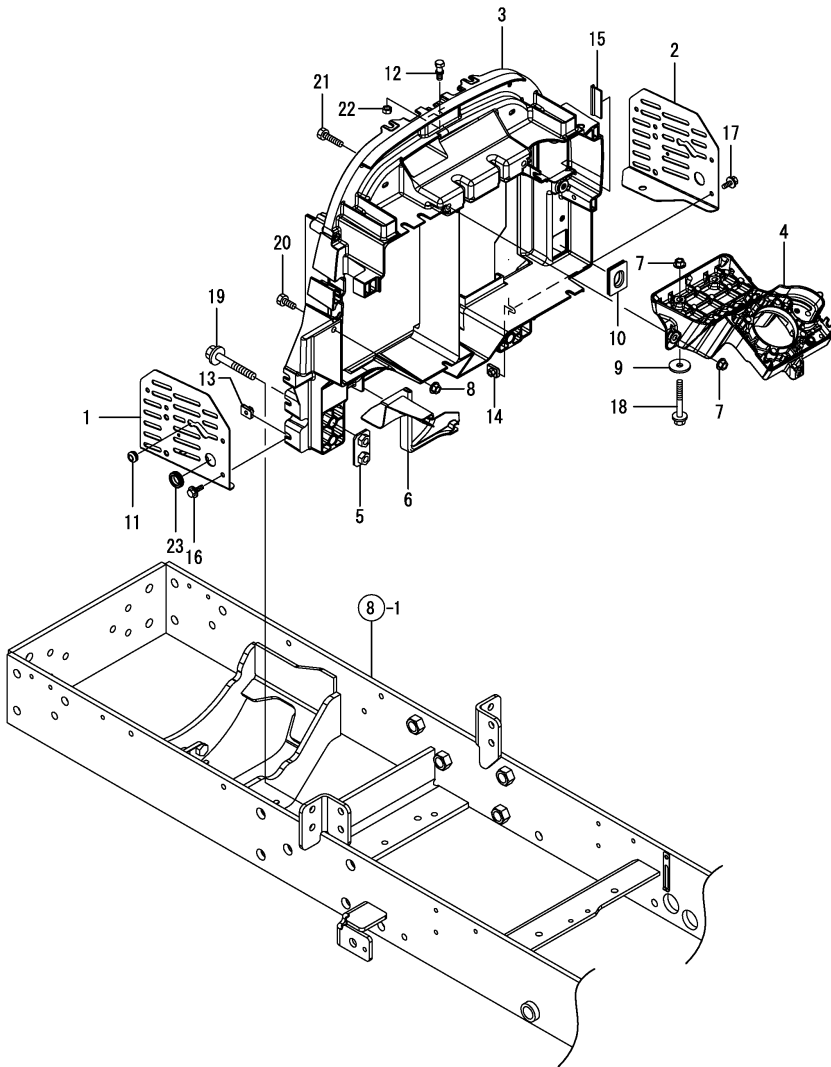
(D)=  
(E)=  
(F)=

No.	Lev.	Parts No.	Description	Q'ty						I	R
				(A)	(B)	(C)	(D)	(E)	(F)		
1	1	1A7880-14800-1	TIRE KIT, FRONT R4 L	1							
2	2	1A7880-14820	TIRE, 18X8.5-10 R4	1							
3	2	1A7880-14830-1	WHEEL, 10X7.0	1							
4	2	1A7880-14840	VALVE	1							
5	1	1A7880-14810-1	TIRE KIT, FRONT R4 R	1							
6	2	1A7880-14820	TIRE, 18X8.5-10 R4	1							
7	2	1A7880-14830-1	WHEEL, 10X7.0	1							
8	2	1A7880-14840	VALVE	1							





Fig.25. COLUMN BRACKET



(A)=EA2400

(B)=

(C)=

(D)=

(E)=

(F)=

No.	Lev.	Parts No.	Description	Q'ty						I	R
				(A)	(B)	(C)	(D)	(E)	(F)		
1	1	1A7880-05150	COVER ASSY, BELT L	1							
2	1	1A7880-05190	COVER, BELT R	1							
3	1	1A7880-15100	BRACKET, COLUMN	1							
4	1	1A7880-15120	BRACKET, STEERING	1							
5	1	1A7880-15130	STAY, COLUMN	2							
6	1	1A7880-15160	BOOT	1							
7	1	194990-22140	NUT, M8	4							
8	1	194990-22140	NUT, M8	2							
9	1	1C6140-47210	WASHER, 9X32X3.2	2							
10	1	1A7880-51710	GROMMET, HARNESS	1							
11	1	198071-58810	GROMMET, 8	1							
12	1	1A7880-61810	BOLT, STEPPED M8	1							
13	1	198071-61890	NUT, SPEED M6	2							
14	1	198071-61890	NUT, SPEED M6	2							
15	1	198093-84810	SEAL, FENDER	1							
16	1	26106-060162	BOLT, M6X 16 PLATED	2							
17	1	26106-060162	BOLT, M6X 16 PLATED	2							
18	1	26106-080652	BOLT, M8X 65 PLATED	2							
19	1	26106-100752	BOLT, M10X 75 PLATED	4							
20	1	26116-080202	BOLT, M8X 20 PLATED	2							
21	1	26116-080402	BOLT, M8X 40 PLATED	2							
22	1	26716-080002	NUT, M8	1							
23	1	29311-162000	GROMMET, 16.0X2	1							

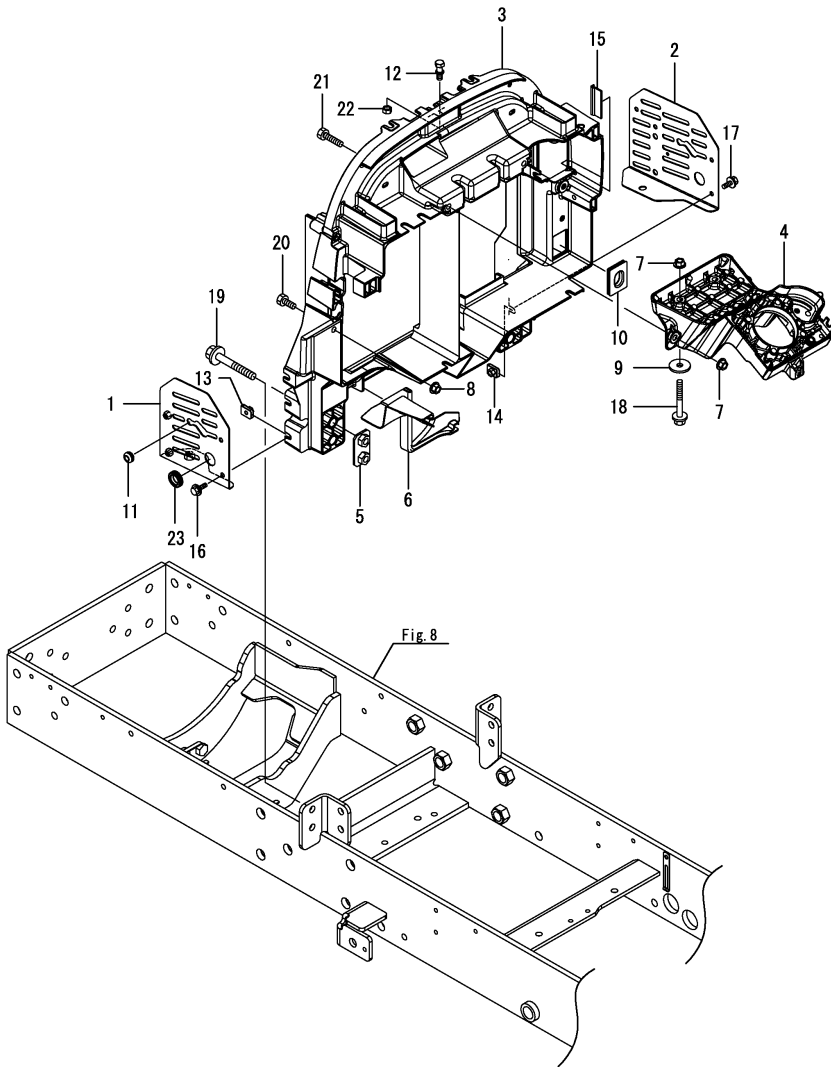
Remarks

\*Serial No.

Up to F020100 refer to this item.

From F020101 refer to Fig.109.

Fig.109. (25A)COLUMN BRACKET



(A)=EA2400

(B)=

(C)=

(D)=

(E)=

(F)=

No.	Lev.	Parts No.	Description	Qty						I	R
				(A)	(B)	(C)	(D)	(E)	(F)		
1	1	1A7882-05150	COVER ASSY, BELT L	1							
2	1	1A7880-05190	COVER, BELT R	1							
3	1	1A7880-15100	BRACKET, COLUMN	1							
4	1	1A7880-15120	BRACKET, STEERING	1							
5	1	1A7880-15130	STAY, COLUMN	2							
6	1	1A7880-15160	BOOT	1							
7	1	194990-22140	NUT, M8	4							
8	1	194990-22140	NUT, M8	2							
9	1	1C6140-47210	WASHER, 9X32X3.2	2							
10	1	1A7880-51710	GROMMET, HARNESS	1							
11	1	198071-58810	GROMMET, 8	1							
12	1	1A7880-61810	BOLT, STEPPED M8	1							
13	1	198071-61890	NUT, SPEED M6	2							
14	1	198071-61890	NUT, SPEED M6	2							
15	1	198093-84810	SEAL, FENDER	1							
16	1	26106-060162	BOLT, M6X 16 PLATED	2							
17	1	26106-060162	BOLT, M6X 16 PLATED	2							
18	1	26106-080652	BOLT, M8X 65 PLATED	2							
19	1	26106-100752	BOLT, M10X 75 PLATED	4							
20	1	26116-080202	BOLT, M8X 20 PLATED	2							
21	1	26116-080402	BOLT, M8X 40 PLATED	2							
22	1	26716-080002	NUT, M8	1							
23	1	29311-162000	GROMMET, 16.0X2	1							

Remarks

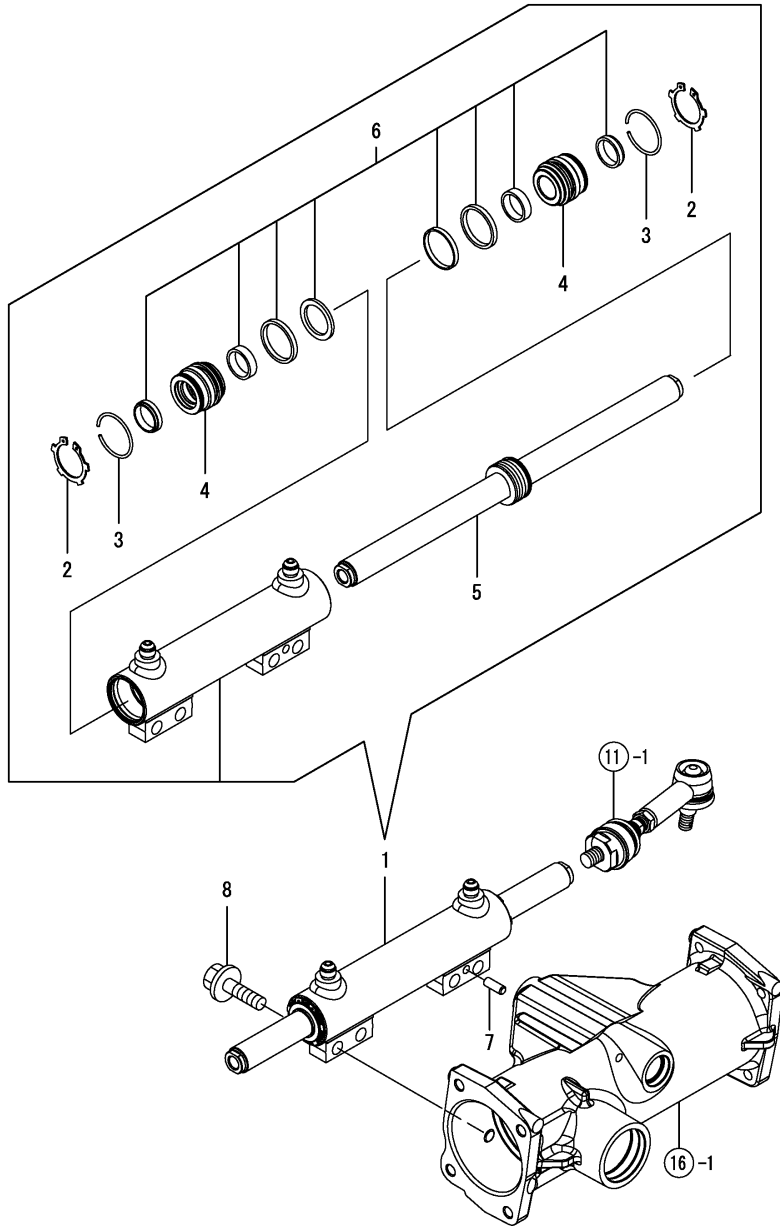
\*Serial No.

Up to F020100 refer to Fig.25.

From F020101 refer to this item.



Fig.27. PST CYLINDER

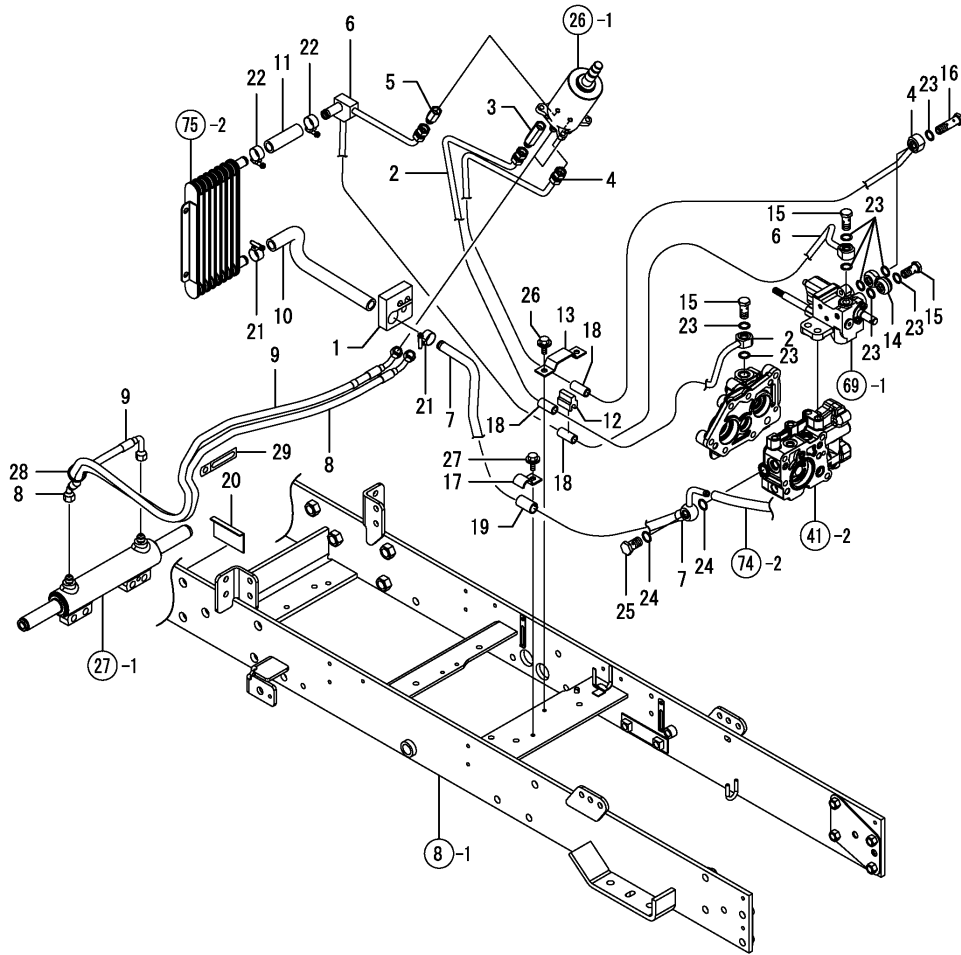


(A)=EA2400  
(B)=  
(C)=

(D)=  
(E)=  
(F)=

No.	Lev.	Parts No.	Description	Q'ty						I	R
				(A)	(B)	(C)	(D)	(E)	(F)		
1	1	1A7880-17010	CYLINDER ASSY, PST	1							
1-1	1	1A7880-17011	CYLINDER ASSY	1							N
(A=FZZZZZ)											
2	2	1A7880-17050	RING	2							
3	2	1A7880-17060	RETAINING RING	2							
4	2	1A7880-17070	HEAD	2							
5	2	1A7880-17080	ROD ASSY, PISTON	1							
6	2	1A7880-17100	SEAL KIT	1							
6-1	2	1A7880-17101	SEAL KIT	1							N
(A=FZZZZZ)											
7	1	22312-080200	PIN, PARALLEL M8X20	1							
8	1	26106-120452	BOLT, M12X 45 PLATED	4							

Fig.28. STEERING PIPE



(A)=EA2400

(B)=

(C)=

(D)=

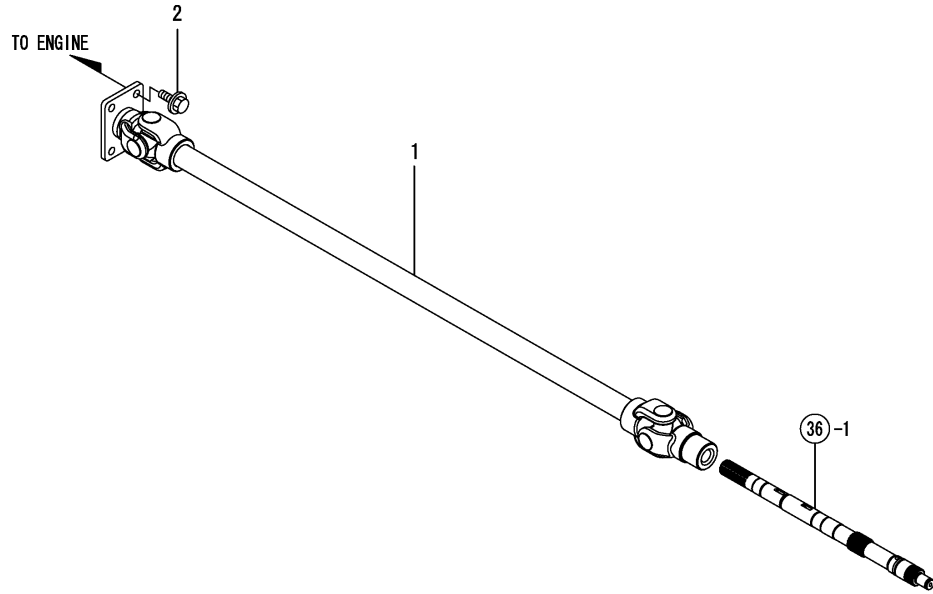
(E)=

(F)=

No.	Lev.	Parts No.	Description	Q'ty						I	R
				(A)	(B)	(C)	(D)	(E)	(F)		
1	1	1A7880-15060	SEAL, PIPE	1							
2	1	1A7880-17601	PIPE ASSY, PRESSURE	1							
3	1	1A7880-17630	JOINT, 9/16UNF-70	1							
4	1	1A7880-17651	PIPE ASSY, PRESSURE	1							
5	1	1A7880-17680	JOINT, 9/16UNF-40	1							
6	1	1A7880-17701	PIPE ASSY, PRESSURE	1							
7	1	1A7880-17751	PIPE ASSY, PRESSURE	1							
8	1	1A7880-17810	HOSE, PRESSURE L	1							
9	1	1A7880-17830	HOSE, PRESSURE R	1							
10	1	1A7880-17930	HOSE, PRESSURE A	1							
11	1	1A7880-17940	HOSE, PRESSURE B	1							
12	1	1A7880-17970	CLAMP, PIPE	2							
13	1	1A7880-17980	CLAMP, PIPE	1							
14	1	1A7880-45150	CONNECTOR, 9/16UNF	1							
15	1	1A7880-47510	BOLT, JOINT 9/16UNF	3							
16	1	1A7880-47530	BOLT, JOINT 9/16UNF	1							
17	1	198240-48830	CLAMP	1							
18	1	194464-48850	RUBBER, ABSORBER	3							
19	1	198240-48850	CLAMP, ABSORBER	1							
20	1	1A7500-51810	SEAL, HARNESS	1							
21	1	23000-022000	CLAMP, 22	2							
22	1	23000-022000	CLAMP, 22	2							
23	1	23414-140000	GASKET, 14X1.0	9							
24	1	23414-160021	GASKET, 16X1.0	2							
25	1	23857-100000	BOLT, JOINT 10	1							
26	1	26106-080162	BOLT, M8X 16 PLATED	1							
27	1	26106-080162	BOLT, M8X 16 PLATED	1							
28	1	29622-140001	BAND, RF140	1							
28-1	1	1A8300-51210	BAND, REPEAT	1							R
(A=FXXXXX)											
29	1	194440-51630	CLAMP, HARNESS	1							



# Fig.29. DRIVE SHAFT

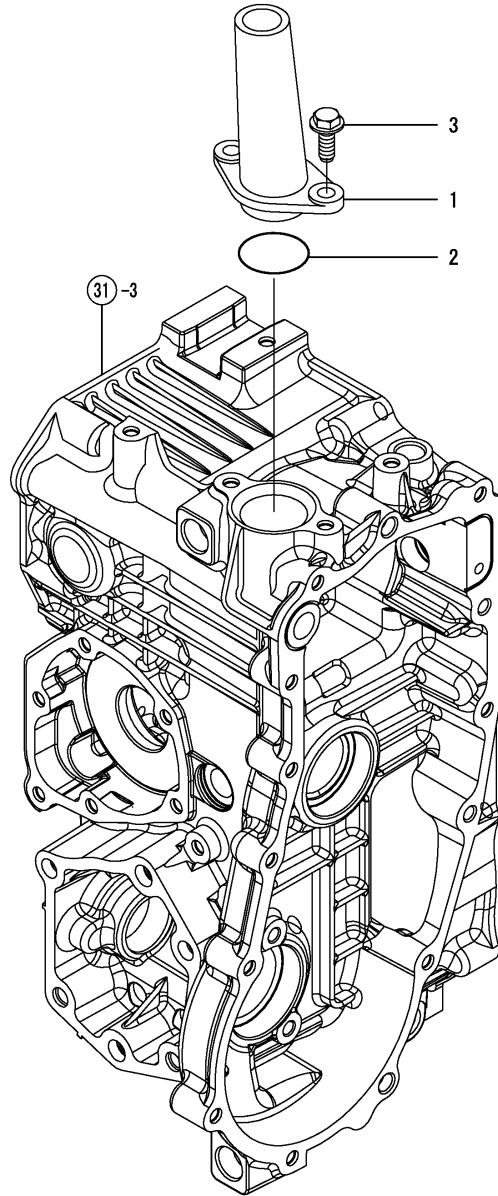


(A)=EA2400  
(B)=  
(C)=

(D)=  
(E)=  
(F)=

No.	Lev.	Parts No.	Description	Q'ty						I	R
				(A)	(B)	(C)	(D)	(E)	(F)		
1	1	1A7880-21100	SHAFT ASSY, DRIVE	1							
2	1	26106-080162	BOLT, M8X 16 PLATED	4							

Fig.30. T/M ACCESSORIES

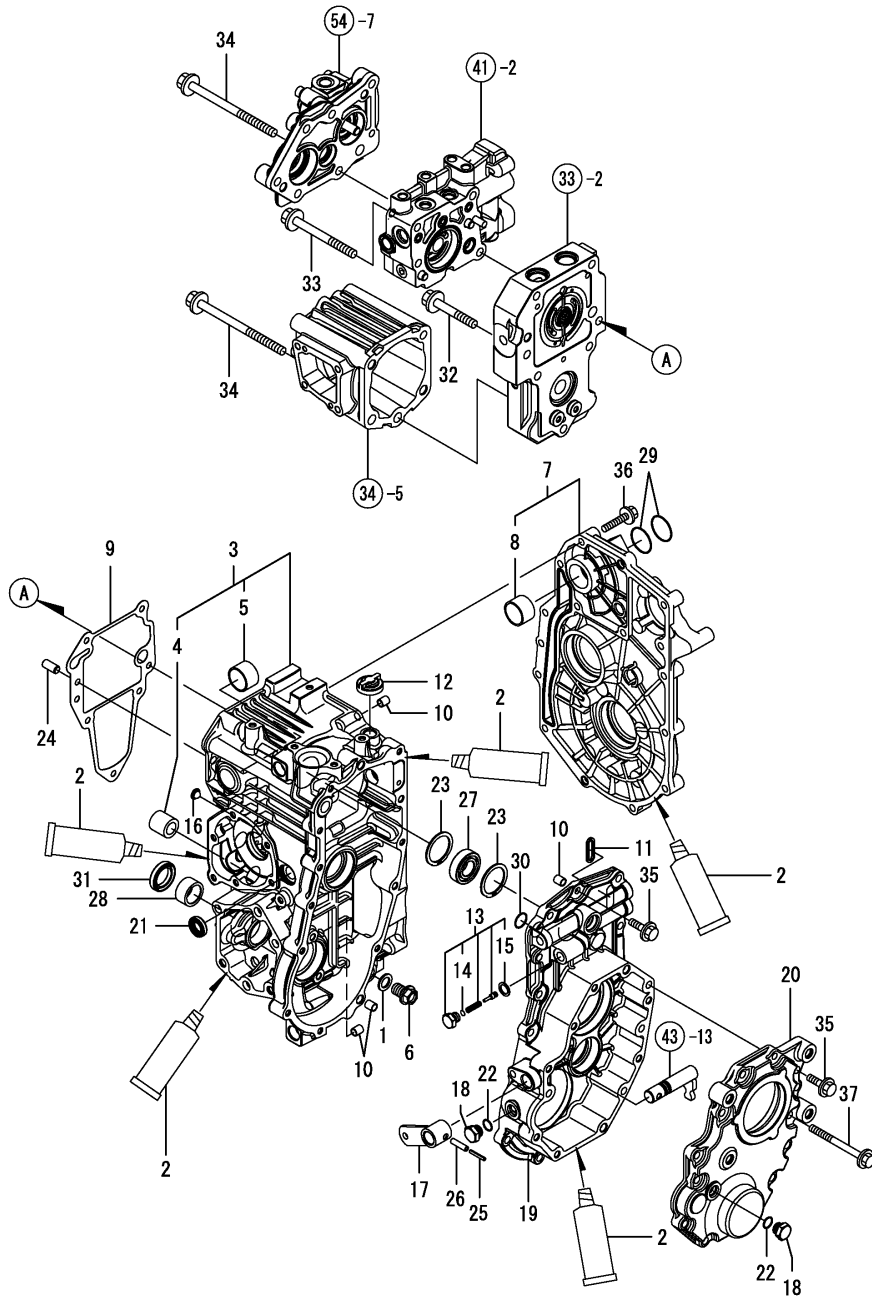


(A)=EA2400  
(B)=  
(C)=

(D)=  
(E)=  
(F)=

No.	Lev.	Parts No.	Description	Q'ty						I	R
				(A)	(B)	(C)	(D)	(E)	(F)		
1	1	192157-24170	FILLER	1							
2	1	24311-000320	O-RING, 1AP32.0	1							
3	1	26476-080202	SCREW, TAPPING M8X20	2							

Fig.31. TRANSAXLE CASE



(A)=EA2400

(B)=

(C)=

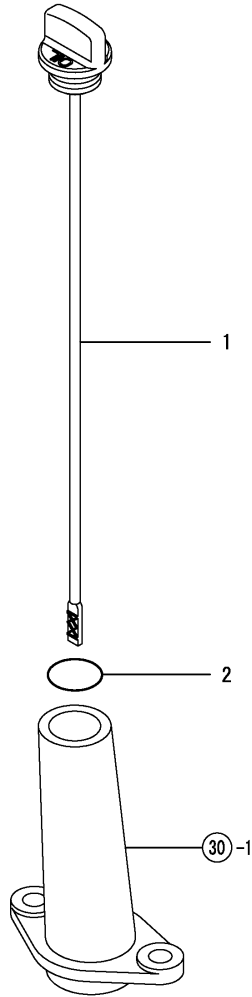
(D)=

(E)=

(F)=

No.	Lev.	Parts No.	Description	Qty						I	R
				(A)	(B)	(C)	(D)	(E)	(F)		
1	1	1C6900-23150	WASHER, PLUG	1							
2	1	194855-24020	SEALANT, TUBE	1							
3	1	1A7050-24101	HOUSING KIT, MISSION	1							
4	2	198167-24950	JOINT, STRAINER	1							
5	2	24550-028200	BUSH, 28X20	1							
6	1	1A7050-24130	BOLT, DRAIN M14X20	1							
7	1	1A7050-24150	COVER KIT, CASE	1							
8	2	24550-028200	BUSH, 28X20	1							
9	1	192157-24192	PACKING, CENTER CASE	1							
10	1	192157-24200	COLLAR, 8X10X11.5	4							
11	1	192157-24220	D-RING	1							
12	1	194859-24252	VALVE, VENT 15	1							
13	1	192157-24450	RELIEF KIT, PTO	1							
14	2	192157-27090	SHIM, 7X0.2	1							
15	2	23414-120000	GASKET, 12X1.0	1							
16	1	192157-24801	STRAINER	2							
17	1	187K06-26710	PTO ARM CMP	1							
18	1	187K06-26740	PLUG 9/16-18UNF	2							
19	1	192157-26810	CASE, REAR PTO	1							
20	1	192157-26821	COVER, REAR PTO CASE	1							
21	1	194065-27270	SEAL, OIL TC16266	1							
22	1	194850-49290	PACKING, 6-1	2							
23	1	22262-000420	RING, R-42	2							
24	1	22312-100200	PIN, PARALLEL M10X20	1							
25	1	22351-035025	PIN, SPRING 3.5X25	1							
26	1	22351-060025	PIN, SPRING 6.0X25	1							
27	1	24101-060044	BEARING, BALL 6004	1							
28	1	24162-253216	BEARING, 253216	1							
29	1	24311-000260	O-RING, 1AP26.0	2							
30	1	24351-190170	O-RING, 1A19017	1							
31	1	24421-253807	SEAL, OIL TC253807	1							
32	1	26016-100652	BOLT, M10X 65	1							
33	1	26016-101052	BOLT, M10X105	1							
34	1	26016-101452	BOLT, M10X145	3							
35	1	26106-080302	BOLT, M8X 30 PLATED	19							
36	1	26106-080402	BOLT, M8X 40 PLATED	16							
37	1	26106-080902	BOLT, M8X 90 PLATED	4							

Fig.32. OIL GAUGE



(A)=EA2400  
(B)=  
(C)=

(D)=  
(E)=  
(F)=

No.	Lev.	Parts No.	Description	Q'ty						I	R
				(A)	(B)	(C)	(D)	(E)	(F)		
1	1	1A7880-21500	PLUG, 20X271	1							
2	1	24311-000180	O-RING, 1AP18.0	1							

Fig.33. CENTER CASE K93

(A)=EA2400

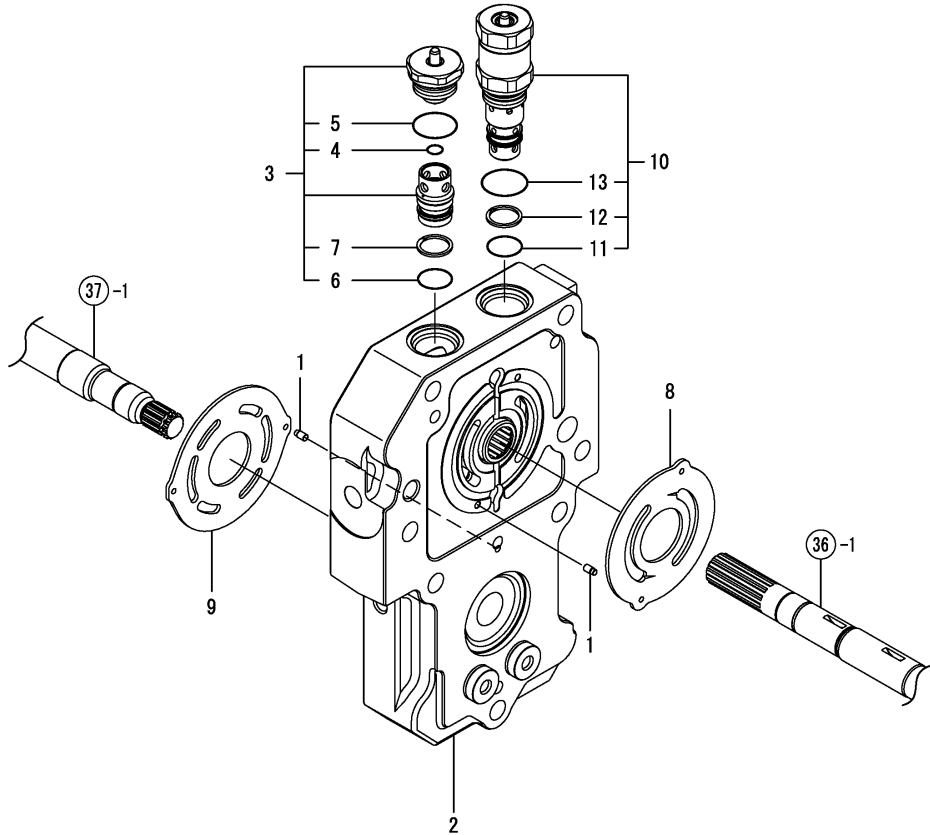
(B)=

(C)=

(D)=

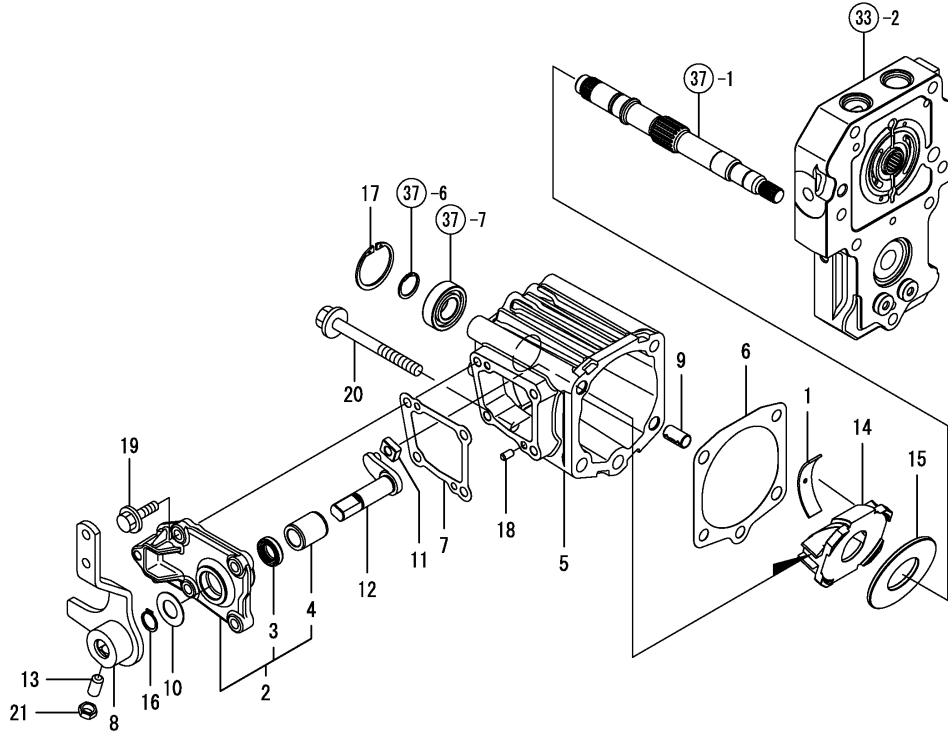
(E)=

(F)=



No.	Lev.	Parts No.	Description	Q'ty						I	R
				(A)	(B)	(C)	(D)	(E)	(F)		
1	1	192163-24420	PIN, KNOCK 3.5	4							
2	1	187K06-24500	CENTER CASE K93 CMP	1							
3	1	1A7050-24990	VALVE ASSY, CHECK R	1							
4	2	24311-000050	O-RING, 1AP5.0	1							
5	2	24311-000200	O-RING, 1AP20.0	1							
6	2	192154-24670	O-RING, 1015	1							
7	2	192157-40180	RING, BACK UP 18	1							
8	1	168H61-29260	VALVE PLATE(P)	1							
9	1	168HK0-29351	VALVE PLATE(M)	1							
10	1	187K06-40010	RELEAF ASSY,TOW 25	1							
11	2	192154-24670	O-RING, 1015	1							
12	2	192157-40180	RING, BACK UP 18	1							
13	2	24311-000200	O-RING, 1AP20.0	1							

Fig.34. MOTOR CASE



(A)=EA2400  
(B)=  
(C)=

(D)=  
(E)=  
(F)=

No.	Lev.	Parts No.	Description	Q'ty						I	R
				(A)	(B)	(C)	(D)	(E)	(F)		
1	1	178080-06200	THRUST METAL(DDR16	2							
2	1	187K06-24540	SIDE COVER CMP	1							
3	2	194065-27270	SEAL, OIL TC16266	1							
4	2	168H60-29840	BUSH 16X24X30	1							
5	1	187K06-24550	MOTOR CASE K93	1							
6	1	192157-24560	PACKING, MOTOR CASE	1							
7	1	187K06-24570	PAKING (SIDE COVER	1							
8	1	187K06-24600	SECOND LEVER CMP	1							
9	1	192157-24850	PIN, KNOCK 12X22	2							
10	1	168H60-29390	WASHER 17X32X1	1							
11	1	168H60-29400	SHIFT BLOCK	1							
12	1	168H60-29411	CONTROL ARM	1							
13	1	1A7130-29420	SCREW, M10X20	1							
14	1	187K06-29460	SWASH PLATE	1							
15	1	168HK0-29620	PLATE, THRUST	1							
16	1	22242-000160	RING, 16	1							
17	1	22252-000420	RING, 42	1							
18	1	22312-060100	PIN, PARALLEL M6X10	2							
19	1	26106-080302	BOLT, M8X 30 PLATED	4							
20	1	26106-101052	BOLT, M10X105 PLATED	1							
21	1	26776-100002	NUT, LOCK M10	1							



Fig.36. PUMP

(A)=EA2400

(B)=

(C)=

(D)=

(E)=

(F)=

No.	Lev.	Parts No.	Description	Q'ty						I	R
				(A)	(B)	(C)	(D)	(E)	(F)		
1	1	187K06-25170	PUMP SHAFT K93	1							
2	1	1A7050-25181	BLOCK ASSY, CYLINDER	1							
3	2	22262-000240	RING, R-24	1							
4	1	22242-000200	RING, 20	1							

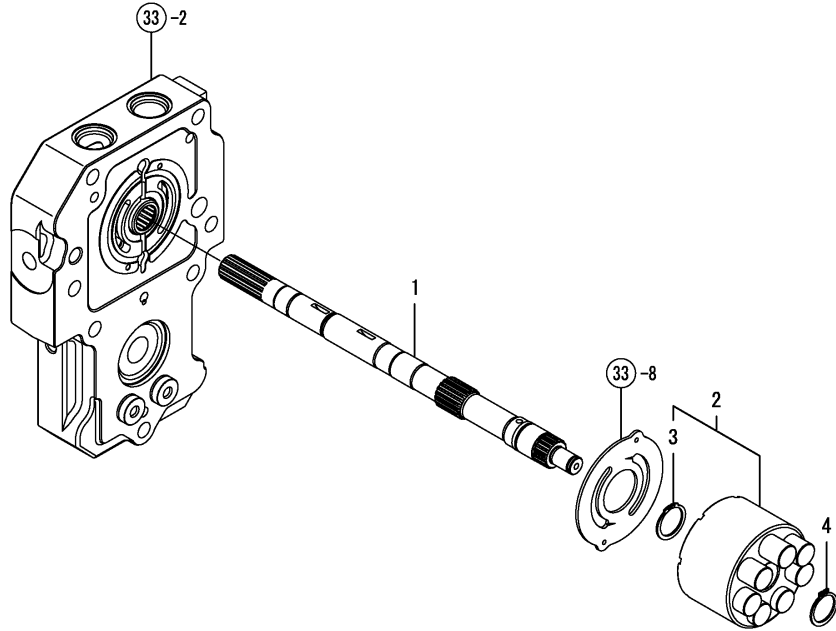
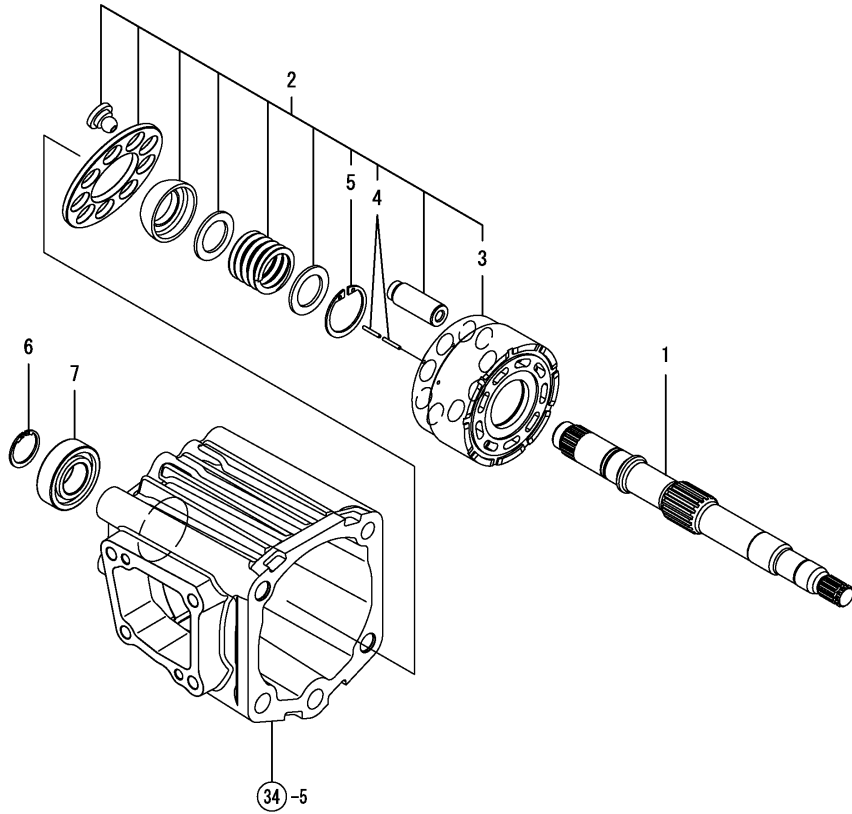




Fig.37. MOTOR

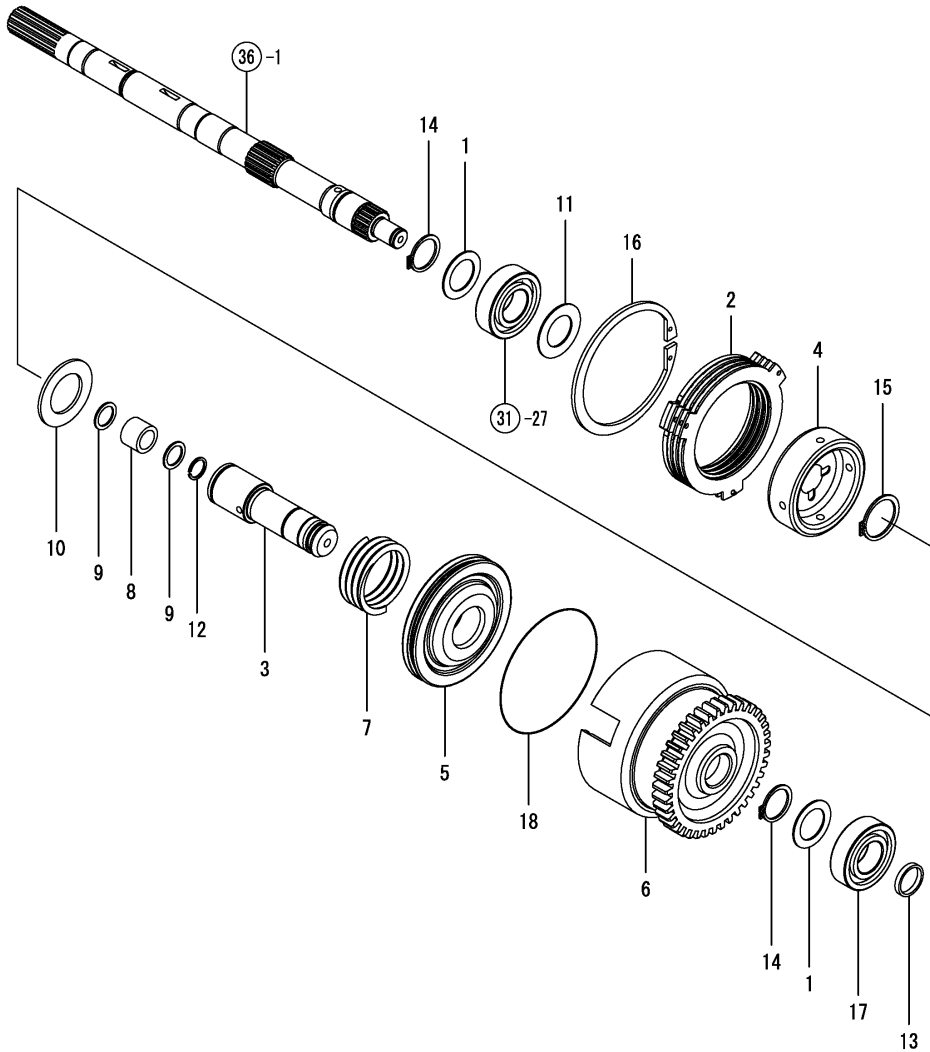


(A)=EA2400  
(B)=  
(C)=

(D)=  
(E)=  
(F)=

No.	Lev.	Parts No.	Description	Q'ty						I	R
				(A)	(B)	(C)	(D)	(E)	(F)		
1	1	187K06-25020	MOTOR SHAFT (K93	1							
2	1	168HK0-29600	BLOCK ASSY, CYL	1							
3	2	168HK0-29610	BLOCK, CYLINDER	1							
4	2	168HK0-29690	PIN, F2X13.8	6							
5	2	22252-000320	RING, 32	1							
6	1	22292-000200	RING, S-20	1							
7	1	24102-060044	BEARING, BALL 6004U	1							

Fig.38. CLUTCH SHAFT



(A)=EA2400

(B)=

(C)=

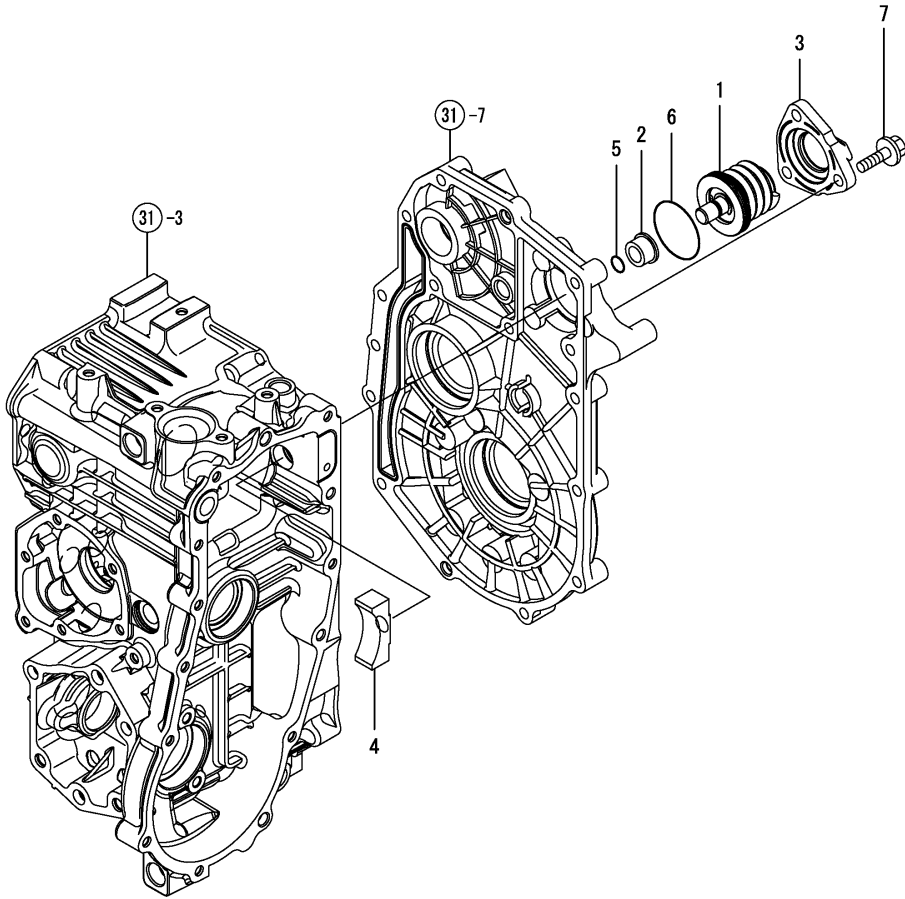
(D)=

(E)=

(F)=

No.	Lev.	Parts No.	Description	Q'ty						I	R
				(A)	(B)	(C)	(D)	(E)	(F)		
1	1	194200-25270	SPACER, SHAFT	2							
2	1	192157-26100	DISC KIT, FRICTION	1							
3	1	192157-26111	SHAFT, CLUTCH	1							
4	1	192157-26120	COLLAR, SPLINE	1							
5	1	192157-26130	PISTON	1							
6	1	192157-26140	GEAR, CLUTCH Z=39	1							
7	1	192157-26150	SPRING, PTO RETURN	1							
8	1	192157-26160	NEEDLE, 121718	1							
9	1	192157-26170	WASHER, 13X17X1	2							
10	1	192157-26270	WASHER, 25X42X2	1							
11	1	192157-26300	WASHER, 20X34X1	1							
12	1	192157-26330	RING 12	1							
13	1	192157-26350	RING, SEAL 17203	1							
14	1	22242-000200	RING, 20	2							
15	1	22242-000250	RING, 25	1							
16	1	22252-000800	RING, 80	1							
17	1	24101-060044	BEARING, BALL 6004	1							
18	1	24321-000750	O-RING, 1AG75.0	1							

Fig.39. PTO BRAKE



(A)=EA2400  
(B)=  
(C)=

(D)=  
(E)=  
(F)=

No.	Lev.	Parts No.	Description	Q'ty						I	R
				(A)	(B)	(C)	(D)	(E)	(F)		
1	1	1A7050-26080	BRAKE KIT, PTO	1							
2	1	192157-26180	COLLAR, BRAKE PIN	1							
3	1	1A7050-26210	COVER, PTO BRAKE	1							
4	1	192157-26220	SHOE, PTO BRAKE	1							
5	1	24311-000100	O-RING, 1AP10.0	1							
6	1	24351-020450	PACKING, 2045	1							
7	1	26106-080252	BOLT, M8X 25 PLATED	3							

Fig.40. P.T.O SHAFT

(A)=EA2400

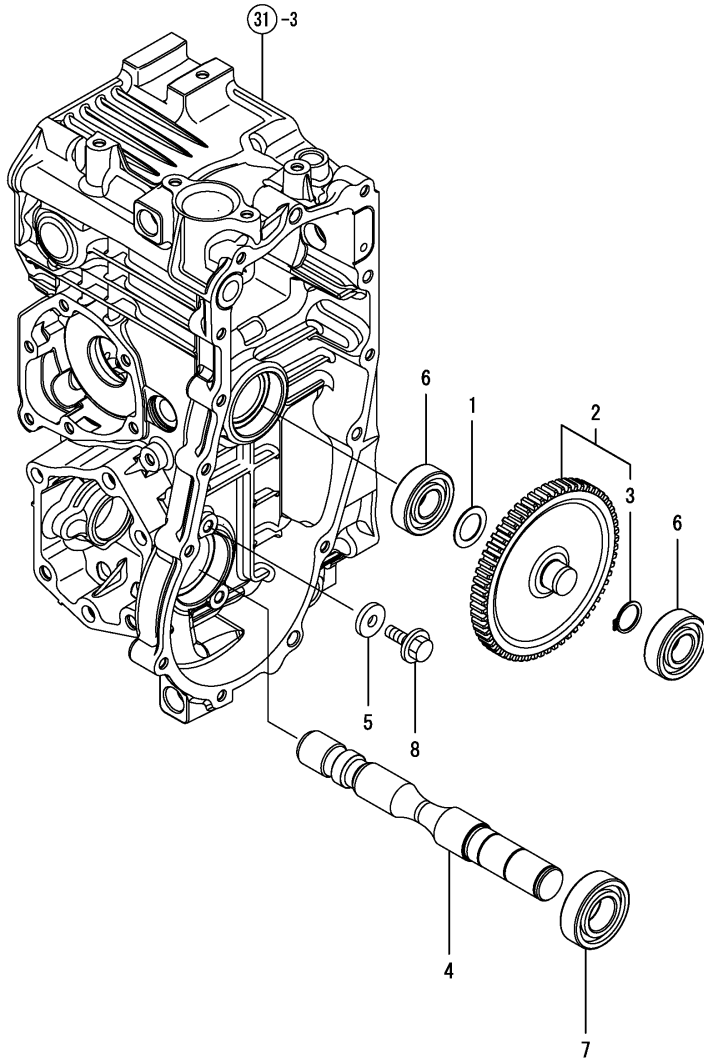
(B)=

(C)=

(D)=

(E)=

(F)=



No.	Lev.	Parts No.	Description	Q'ty						I	R
				(A)	(B)	(C)	(D)	(E)	(F)		
1	1	194200-25270	SPACER, SHAFT	1							
2	1	192157-26340	IDLE ASSY, PTO	1							
3	2	22242-000200	RING, 20	1							
4	1	1A7050-26360	SHAFT, MID PTO	1							
5	1	192157-26380	WASHER, 8.5X24X4	2							
6	1	24101-062044	BEARING, BALL 6204	2							
7	1	24101-062054	BEARING, BALL 6205	1							
8	1	26016-080202	BOLT, M8X 20	2							

Fig.41. POWER PUMP

(A)=EA2400

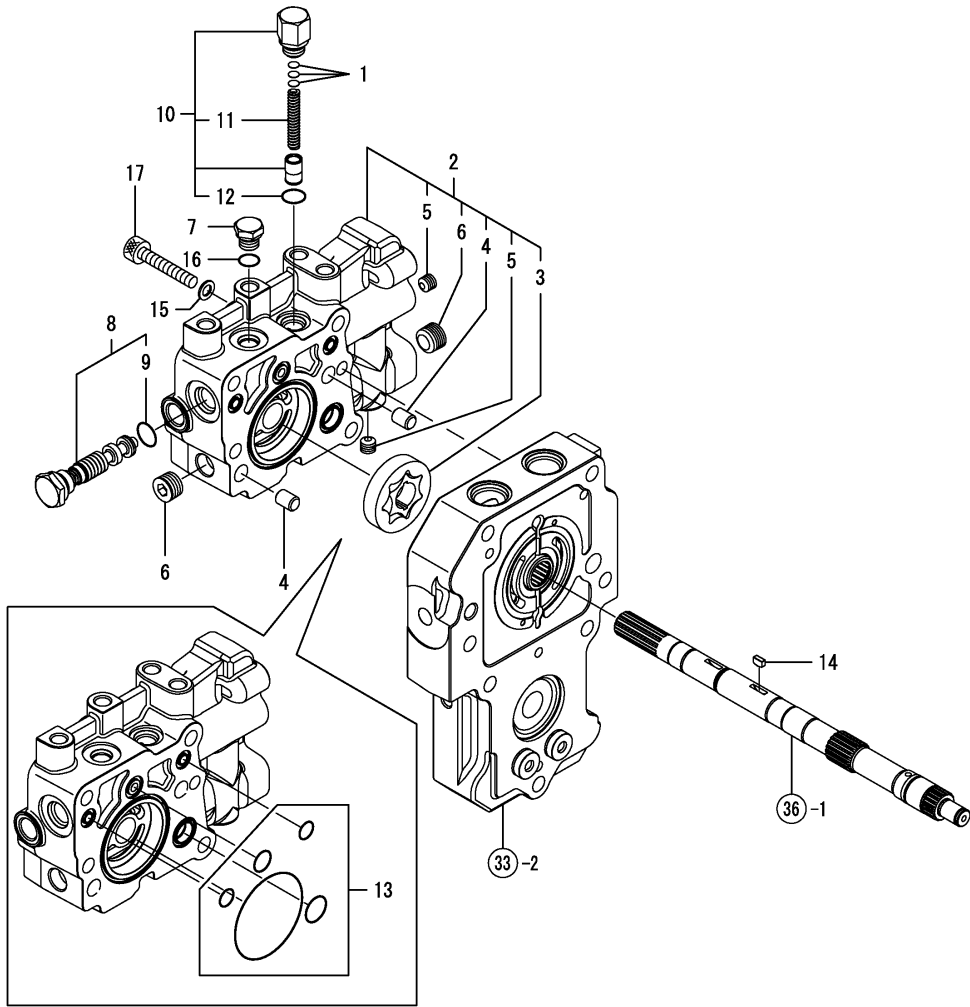
(B)=

(C)=

(D)=

(E)=

(F)=



No.	Lev.	Parts No.	Description	Q'ty						I	R
				(A)	(B)	(C)	(D)	(E)	(F)		
1	1	1684Q3-01430	SHIM 7X0.5	3							
2	1	187K06-26400	PUMP BODY K93 CMP	1							
3	2	1A6370-31000	ROTOR SET	1							
4	2	22312-100120	PIN, PARALLEL M10X12	2							
5	2	23871-010000	PLUG, R01	2							
6	2	23871-030000	PLUG, R03	2							
7	1	192157-26460	PLUG, 1/2-20UNF	1							
8	1	192157-26470	VALVE ASSY, REDUCING	1							
9	2	24311-000140	O-RING, 1AP14.0	1							
10	1	192157-26520	VALVE ASSY	1							
11	2	192157-26740	SPRING	1							
12	2	24311-000120	O-RING, 1AP12.0	1							
13	1	187K06-29390	GASKET SET	1							
14	1	187K06-29890	KEY, 8X3.2	1							
15	1	22190-080002	WASHER, SEAL 6	1							
16	1	24361-090500	O-RING, 1AAS905	1							
17	1	26450-080502	BOLT, M8X 50	1							

Fig.42. SOLENOID VALVE

(A)=EA2400  
(B)=  
(C)=

(D)=  
(E)=  
(F)=

No.	Lev.	Parts No.	Description	Q'ty						I	R
				(A)	(B)	(C)	(D)	(E)	(F)		
1	1	192157-26611	VALVE ASSY, SOLENOID	1							
2	2	192157-26600	SHIM, WASHER	1							
3	2	192157-26641	SPRING, SOLENOID	1							
4	1	192159-27700	SOLENOID ASSY	1							
5	2	192159-27790	NUT, PLASTIC	1							
6	2	24311-000180	O-RING, 1AP18.0	1							
7	2	192159-27780	GASKET, SOLENOID	1							
8	2	24341-000112	O-RING, 1AS11.2	1							

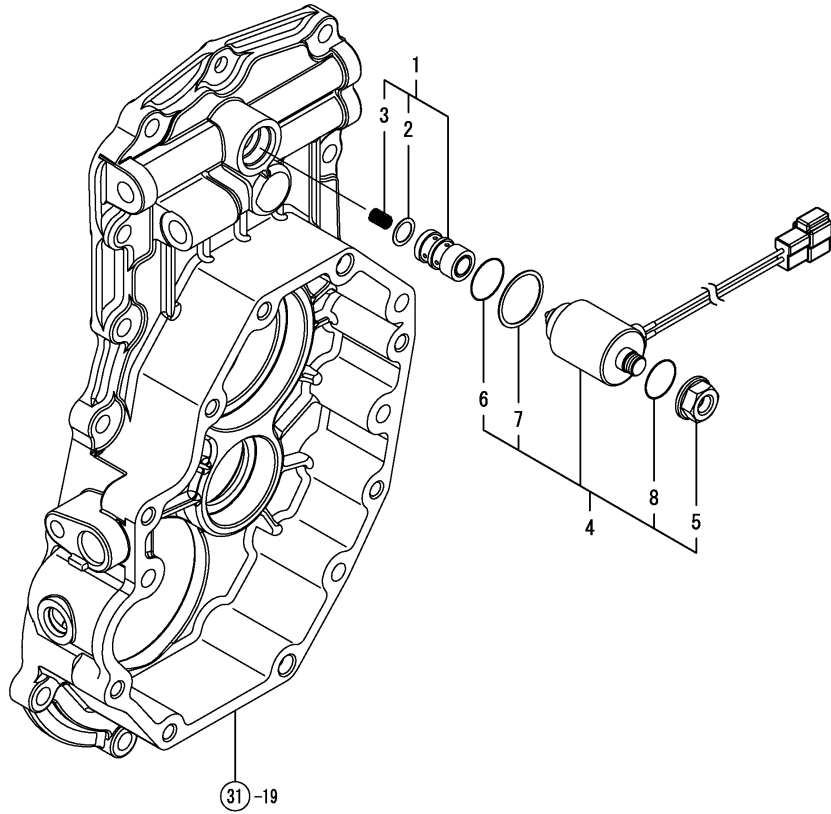
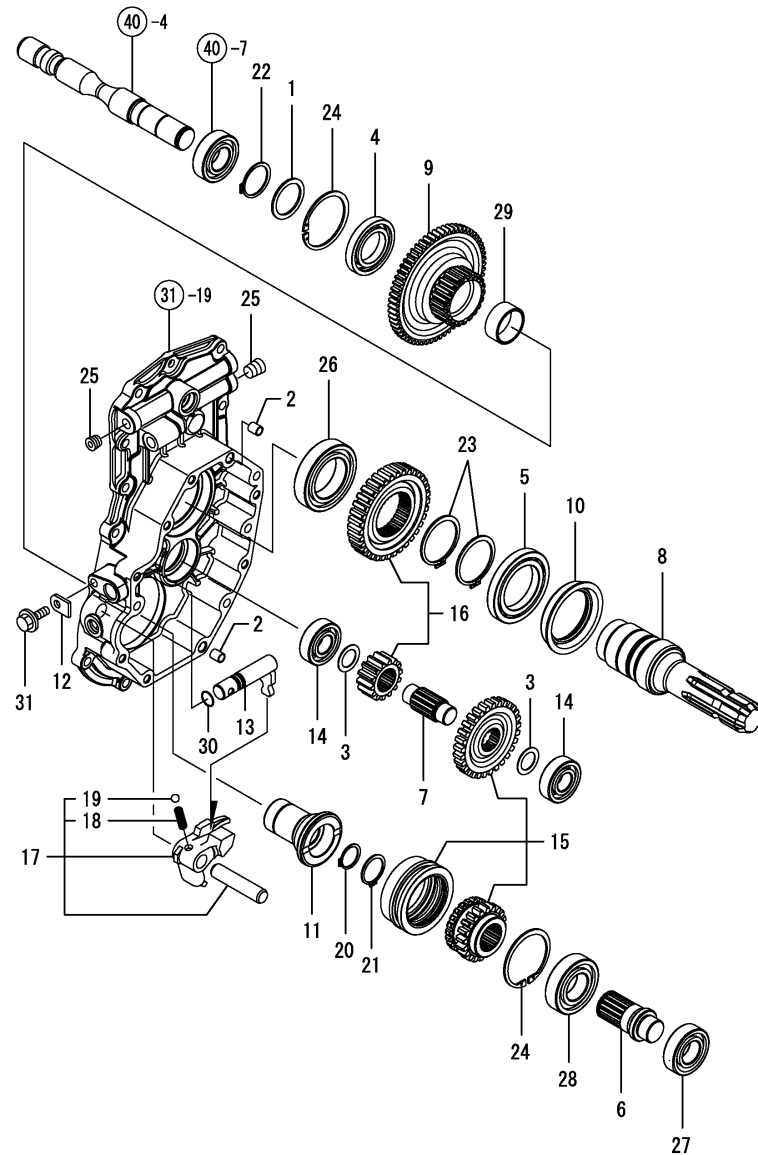


Fig.43. R-PTO SHAFT



(A)=EA2400

(B)=

(C)=

(D)=

(E)=

(F)=

No.	Lev.	Parts No.	Description	Q'ty						I	R
				(A)	(B)	(C)	(D)	(E)	(F)		
1	1	194464-22160	SPACER, 35.5X45X2	1							
2	1	192157-24200	COLLAR, 8X10X11.5	2							
3	1	194200-25270	SPACER, SHAFT	2							
4	1	194454-25770	BEARING, BALL 16007	1							
5	1	194454-25870	BEARING, BALL 16010	1							
6	1	192157-26840	SHAFT, REAR PTO	1							
7	1	192157-26860	SHAFT, REAR PTO IDLE	1							
8	1	1A7052-26890	SHAFT, REAR PTO	1							
9	1	192157-26960	GEAR, PTO Z=62 B	1							
10	1	192157-26980	SEAL, TCFY557214	1							
11	1	192157-26991	COLLAR, SPLINE	1							
12	1	194197-27681	PLATE, KEEP	1							
13	1	192157-27740	SHAFT, MBR CHANGE	1							
14	1	192159-31410	BEARING, 6204RSH2	2							
15	1	192157-99010	GEAR KIT, 20-29	1							
16	1	192157-99020	GEAR KIT, 14-35	1							
17	1	192157-99040	HORK KIT, MBR	1							
18	2	194145-27450	SPRING	1							
19	2	24190-100001	BALL, STEEL 5/16	1							
20	1	22242-000240	RING, 24	1							
21	1	22242-000290	RING, 29	1							
22	1	22242-000350	RING, 35	1							
23	1	22242-000500	RING, 50	2							
24	1	22252-000620	RING, 62	2							
25	1	23871-020000	PLUG, R02	3							
26	1	24101-060094	BEARING, BALL 6009	1							
27	1	24101-062054	BEARING, BALL 6205	1							
28	1	24101-062064	BEARING, BALL 6206	1							
29	1	24161-354017	BEARING, 354017	1							
30	1	24311-000125	O-RING, 1AP12.5	1							
31	1	26016-080202	BOLT, M8X 20	1							

Fig.44. SHIFT

(A)=EA2400  
(B)=  
(C)=

(D)=  
(E)=  
(F)=

No.	Lev.	Parts No.	Description	Q'ty						I	R
				(A)	(B)	(C)	(D)	(E)	(F)		
1	1	1A7050-24610	BEARING, THRUST	1							
2	1	192157-24620	PLATE, THRUST A	1							

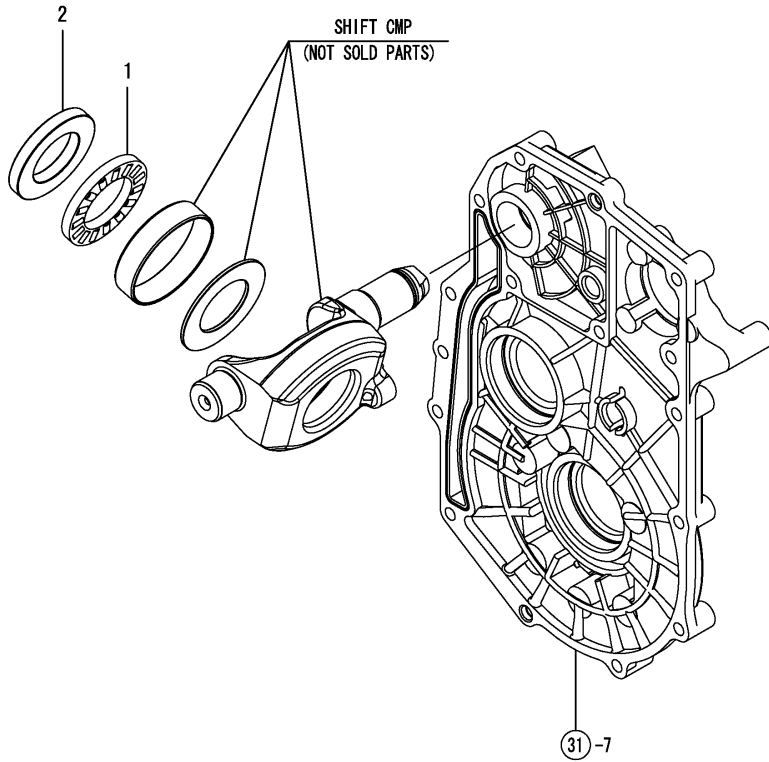
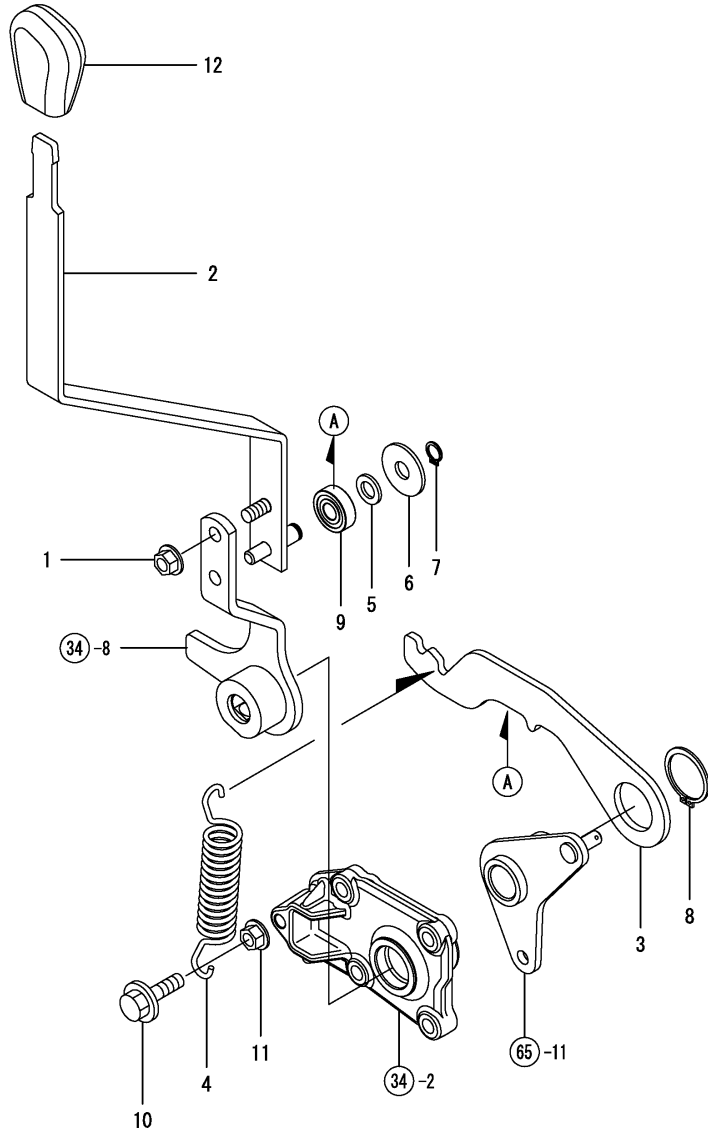




Fig.45. RANGE SHIFT LEVER



(A)=EA2400

(B)=

(C)=

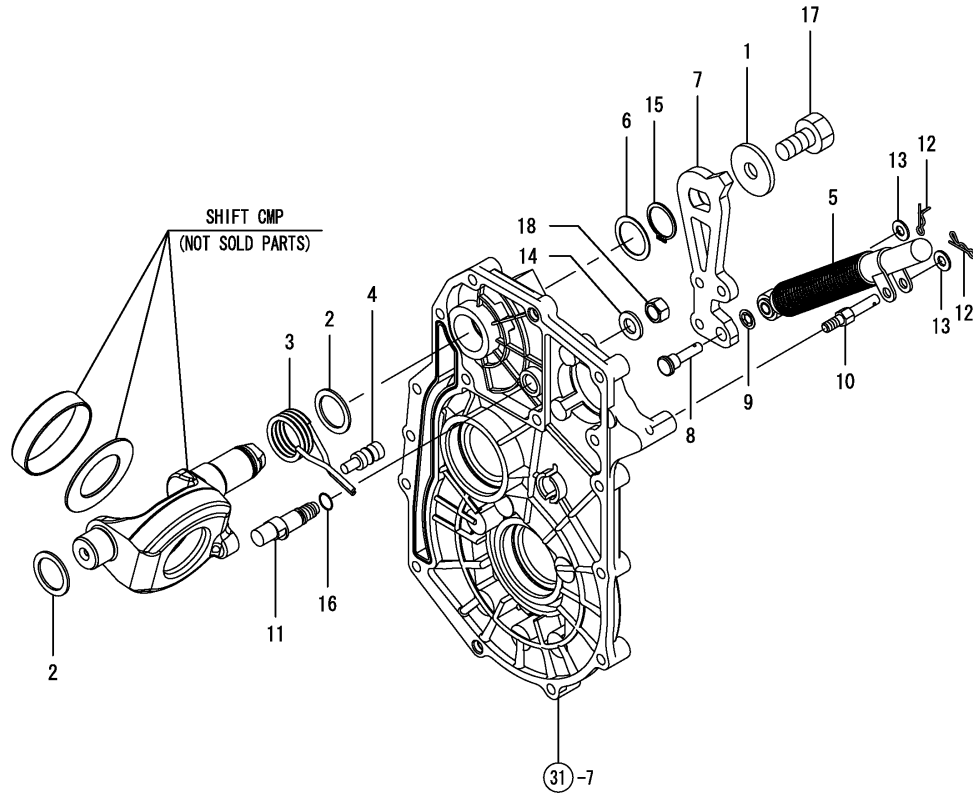
(D)=

(E)=

(F)=

No.	Lev.	Parts No.	Description	Q'ty						I	R
				(A)	(B)	(C)	(D)	(E)	(F)		
1	1	194990-22140	NUT, M8	2							
2	1	1A7880-27500	LEVER ASSY, RANGE	1							
3	1	1A7880-27560	ARM, RANGE	1							
3-1	1	1A7880-27561	ARM, RANGE	1							R
		(A=FXXXXX)									
4	1	1A7880-27580	SPRING	1							
5	1	22117-100000	WASHER, 10	1							
6	1	22157-100000	WASHER, 10	1							
7	1	22242-000100	RING, 10	1							
8	1	22242-000300	RING, 30	1							
9	1	24104-060004	BEARING, BALL 6000UU	1							
10	1	26106-080252	BOLT, M8X 25 PLATED	1							
11	1	26716-080002	NUT, M8	1							
12	1	198200-27810	KNOB, ORANGE	1							
12-1	1	198200-27811	KNOB, ORANGE	1							N
		(A=FZZZZZ)									

Fig.46. CONTROL



(A)=EA2400  
(B)=  
(C)=

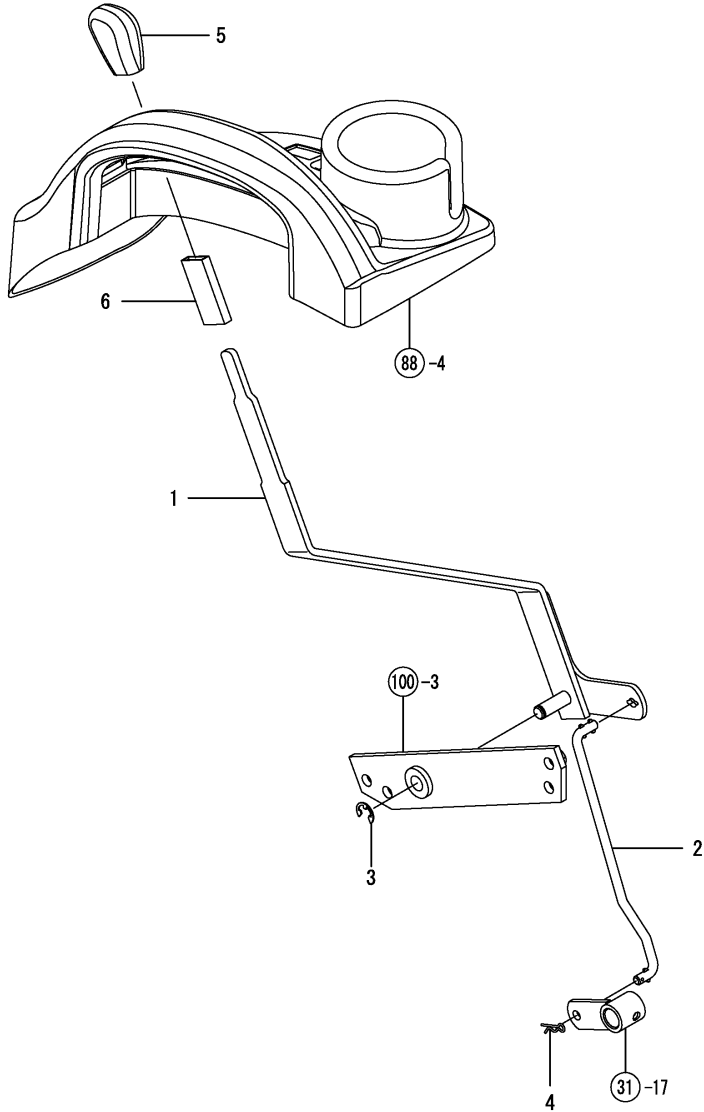
(D)=  
(E)=  
(F)=

No.	Lev.	Parts No.	Description	Q'ty						I	R
				(A)	(B)	(C)	(D)	(E)	(F)		
1	1	172524-06850	WASHER, 44X14X4.5	1							
2	1	198167-24530	WASHER, 28X38X2	2							
3	1	192157-27510	SPRING, CENTERING	1							
4	1	192157-27520	FULCRUM	1							
5	1	1A7050-27530	ABSORBER, SHOCK	1							
6	1	192157-27550	WASHER, 29X35X1	1							
7	1	1A7050-27600	ARM, CONTROL	1							
8	1	1A7050-27610	PIN, ARM	1							
9	1	1A7050-27620	NUT, PUSH 7.8	1							
10	1	192154-29640	STUD	1							
11	1	192154-29700	FULCRUM, 10	1							
12	1	1C6281-52320	PIN, SNAP 8	2							
13	1	22137-080000	WASHER, 8	2							
14	1	22137-120000	WASHER, 12	1							
15	1	22242-000280	RING, 28	1							
16	1	24311-240100	O-RING, 1AP10A	1							
17	1	26116-140302	BOLT, M14X 30 PLATED	1							
18	1	26776-120002	NUT, LOCK M12	1							

Fig.47. PTO LEVER

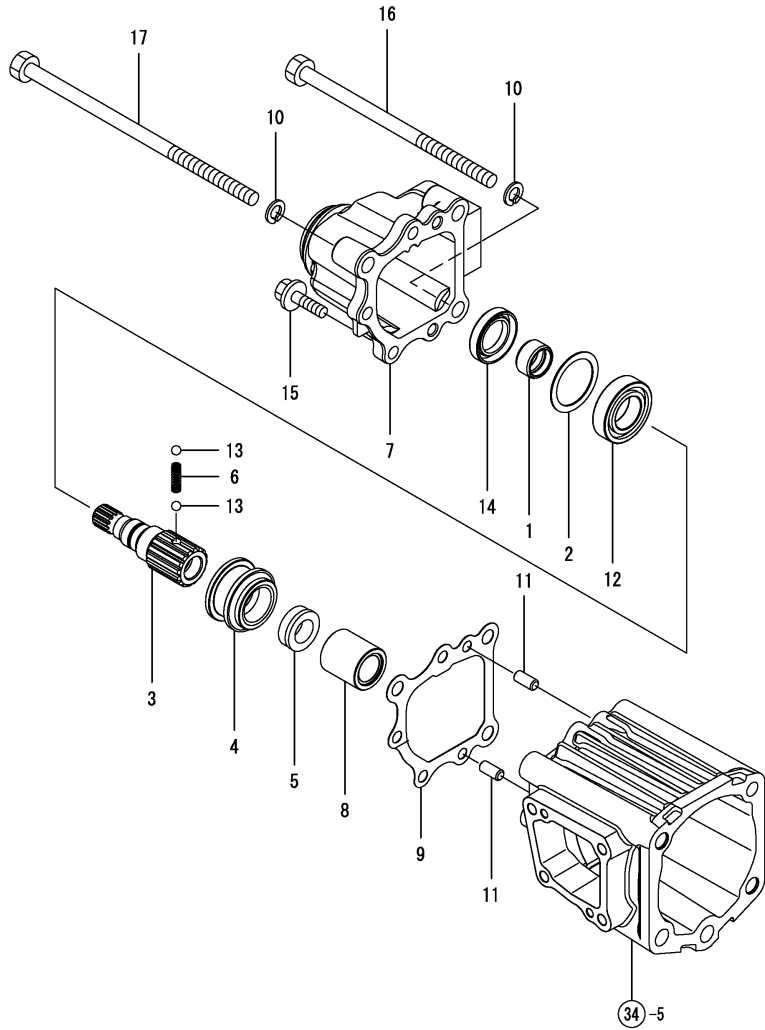
(A)=EA2400  
(B)=  
(C)=

(D)=  
(E)=  
(F)=



No.	Lev.	Parts No.	Description	Q'ty						I	R
				(A)	(B)	(C)	(D)	(E)	(F)		
1	1	1A7880-27800	LEVER ASSY, PTO	1							
2	1	1A7880-27850	ROD, PTO	1							
3	1	22272-000100	RING, E-10	1							
4	1	22372-080000	PIN, SNAP 8	1							
5	1	198200-27910	KNOB, YELLOW	1							
5-1	1	198200-27911	KNOB, YELLOW	1							N
(A=FZZZZZ)											
6	1	198162-47630	TUBE, PROTECT 60	1							

Fig.48. DRIVE SHAFT



(A)=EA2400

(B)=

(C)=

(D)=

(E)=

(F)=

No.	Lev.	Parts No.	Description	Q'ty						I	R
				(A)	(B)	(C)	(D)	(E)	(F)		
1	1	194855-25290	SLEEVE, SI 202513	1							1
2	1	1A7050-28110	WASHER, 36X46X1	1							1
3	1	1A7050-28211	SHAFT, FRONT DRIVE	1							1
4	1	198165-28240	COLLAR, SHIFT	1							1
5	1	198165-28220	COLLAR, SPLINE	1							1
6	1	194311-28230	SPRING, 21.2	1							1
7	1	1A7050-28250	COVER, FRONT	1							1
8	1	1A7050-28260	SPACER, 20X33X285	1							1
9	1	1A7050-28560	PACKING, FRONT COVER	1							1
10	1	22287-100000	WASHER, 10	3							
11	1	22312-080160	PIN, PARALLEL M8X16	2							
12	1	24101-060054	BEARING, BALL 6005	1							1
13	1	24190-080001	BALL, STEEL 1/4	2							1
14	1	24421-254008	SEAL, OIL TC254008	1							1
15	1	26106-080302	BOLT, M8X 30 PLATED	3							
16	1	26116-101802	BOLT, M10X180 PLATED	1							
17	1	26116-102202	BOLT, M10X220 PLATED	2							

Remarks  
 (1) Refer to Fig.112 for the service part.

Fig.49. 2-4WD LEVER A

(A)=EA2400

(B)=

(C)=

(D)=

(E)=

(F)=

No.	Lev.	Parts No.	Description	Q'ty						I	R
				(A)	(B)	(C)	(D)	(E)	(F)		
1	1	1A7880-28300	LEVER ASSY, 4WD	1							
2	1	22351-060032	PIN, SPRING 6.0X32	1							
3	1	198273-28520	KNOB, PARKING BRAKE	1							
3-1	1	198273-28521 (A=FZZZZZ)	KNOB, PARKING BRAKE	1							N

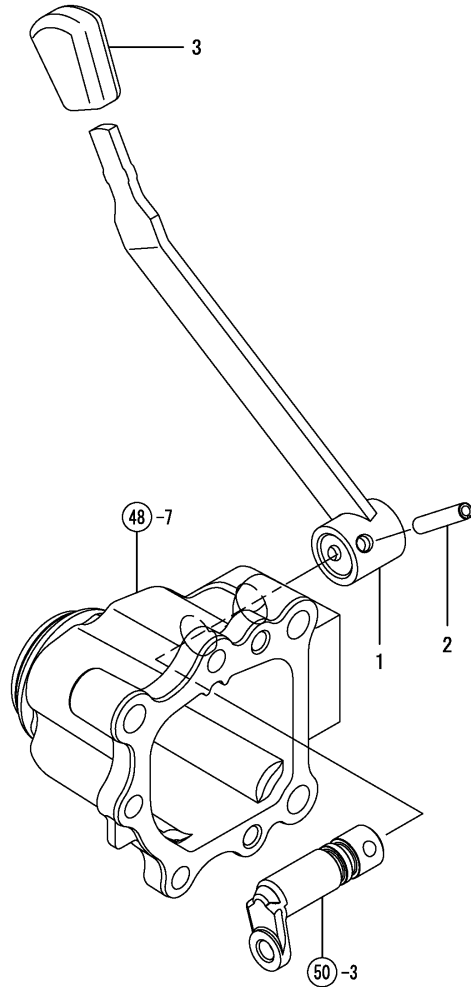
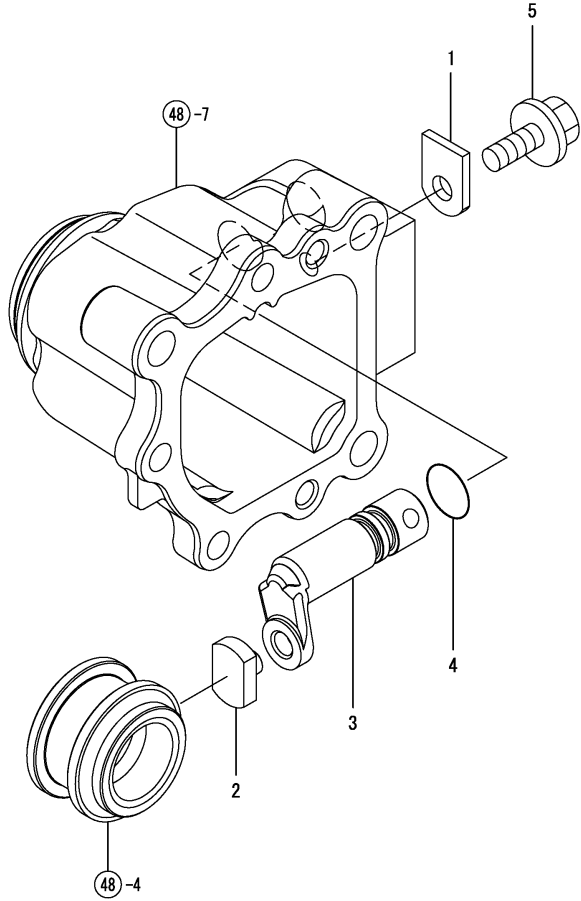


Fig.50. MFWD SHIFT



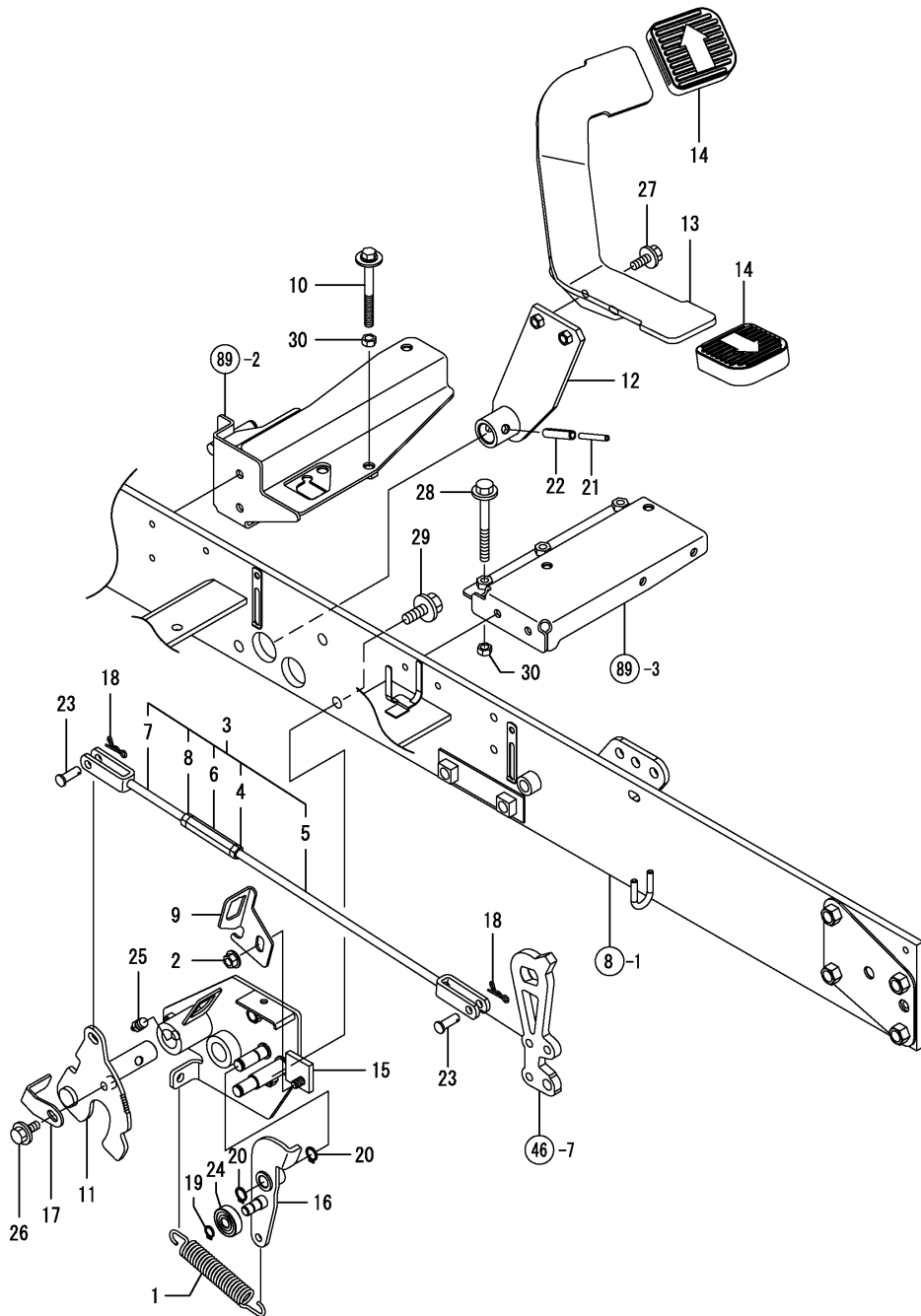
(A)=EA2400  
(B)=  
(C)=

(D)=  
(E)=  
(F)=

No.	Lev.	Parts No.	Description	Q'ty						I	R
				(A)	(B)	(C)	(D)	(E)	(F)		
1	1	194197-27681	PLATE, KEEP	1							1
2	1	1A7050-28331	BLOCK, SHIFT	1							1
3	1	1A7050-28351	SHAFT, SHIFT 4WD	1							1
4	1	24311-000125	O-RING, 1AP12.5	1							1
5	1	26106-080162	BOLT, M8X 16 PLATED	1							1

Remarks  
(1) Refer to Fig.112 for the service part.

Fig.51. HST PEDAL



(A)=EA2400

(B)=

(C)=

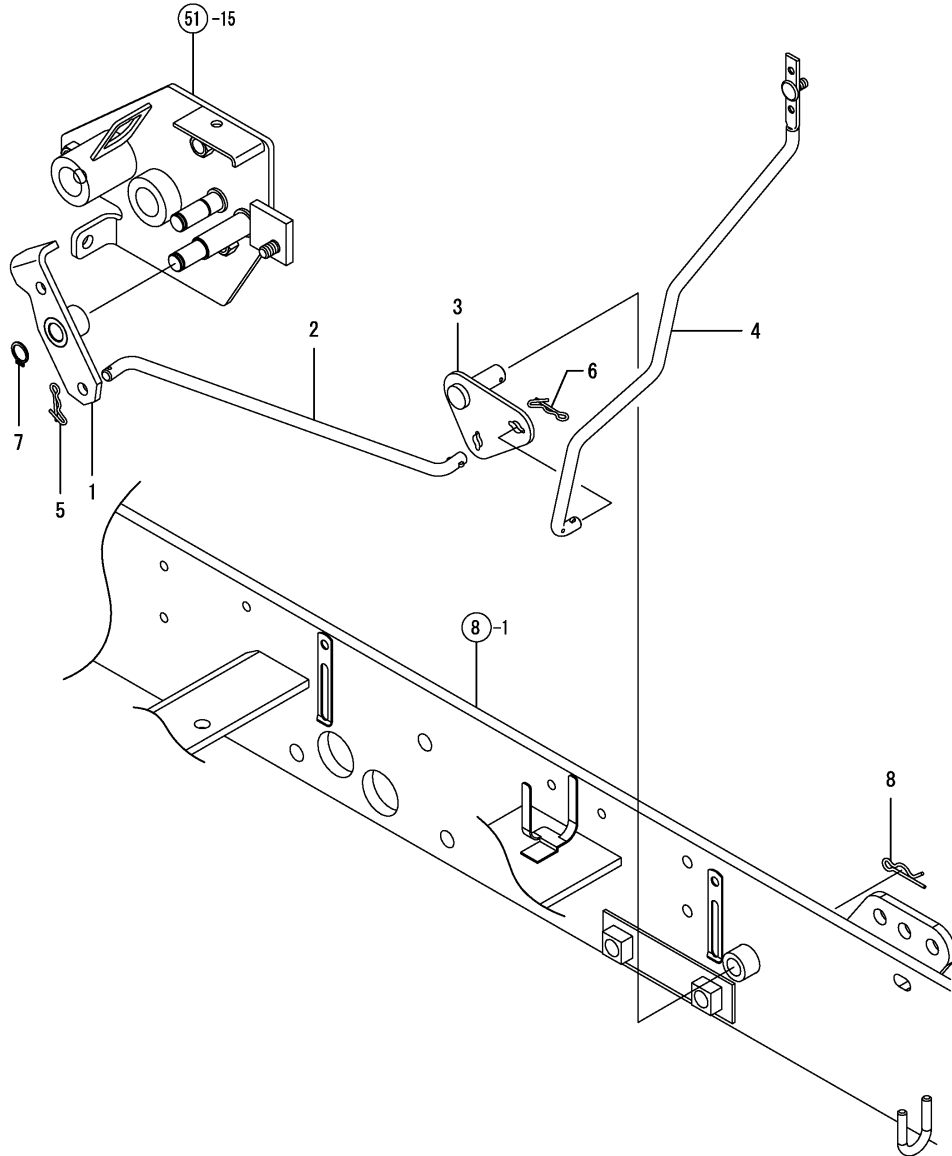
(D)=

(E)=

(F)=

No.	Lev.	Parts No.	Description	Q'ty						I	R
				(A)	(B)	(C)	(D)	(E)	(F)		
1	1	1A7790-01160	SPRING, RETURN	1							
2	1	194990-22140	NUT, M8	1							
3	1	1A7880-29400	ROD ASSY, HST	1							
4	2	194990-20170	NUT, M8	1							
5	2	1A7880-29410	ROD ASSY, HST B	1							
6	2	1A7880-29430	TURNBUCKLE, M8X60	1							
7	2	1A7880-29610	ROD ASSY, HST	1							
8	2	26716-080002	NUT, M8	1							
9	1	1A7880-29450	ARM, SWITCH	1							
9-1	1	1A7880-29451	ARM, SWITCH	1							R
		(A=FXXXXX)									
10	1	1A7880-29490	BOLT, PEDAL	1							
10-1	1	1A7880-29491	BOLT, PEDAL	1							N
		(A=*2009.10.)									
10-2	1	26106-080852	BOLT, M8X 85 PLATED	1							Q
		(A=*2009.10.)									
11	1	1A7880-29500	ARM ASSY, HST	1							
12	1	1A7880-29540	PEDAL,ARM CMP	1							
12-1	1	1A7880-29541	ARM ASSY, PEDAL	1							N
		(A=*2009.10.)									
13	1	1A7880-29570	PEDAL ASSY, HST	1							
14	1	1A7880-29600	HEAD, PEDAL	2							
15	1	1A7880-29640	FULCRUM ASSY, PEDAL	1							
16	1	1A7880-29720	ARM ASSY, SWITCH	1							
17	1	1A7880-29780	ARM, SWITCH	1							
18	1	1C6281-52320	PIN, SNAP 8	2							
19	1	22242-000100	RING, 10	1							
20	1	22242-000120	RING, 12	2							
21	1	22351-050040	PIN, SPRING 5.0X40	1							
22	1	22351-080040	PIN, SPRING 8.0X40	1							
23	1	22487-080200	PIN, H 8X 20	2							
24	1	24104-062004	BEARING, BALL 6200UU	1							
25	1	24761-020000	NIPPLE, GREASE PT1/8	1							
26	1	26106-080162	BOLT, M8X 16 PLATED	1							
27	1	26106-080202	BOLT, M8X 20 PLATED	2							
28	1	26106-080802	BOLT, M8X 80 PLATED	1							
29	1	26106-100252	BOLT, M10X 25 PLATED	3							
30	1	26716-080002	NUT, M8	2							

Fig.52. HST CRUISE LINK



(A)=EA2400

(B)=

(C)=

(D)=

(E)=

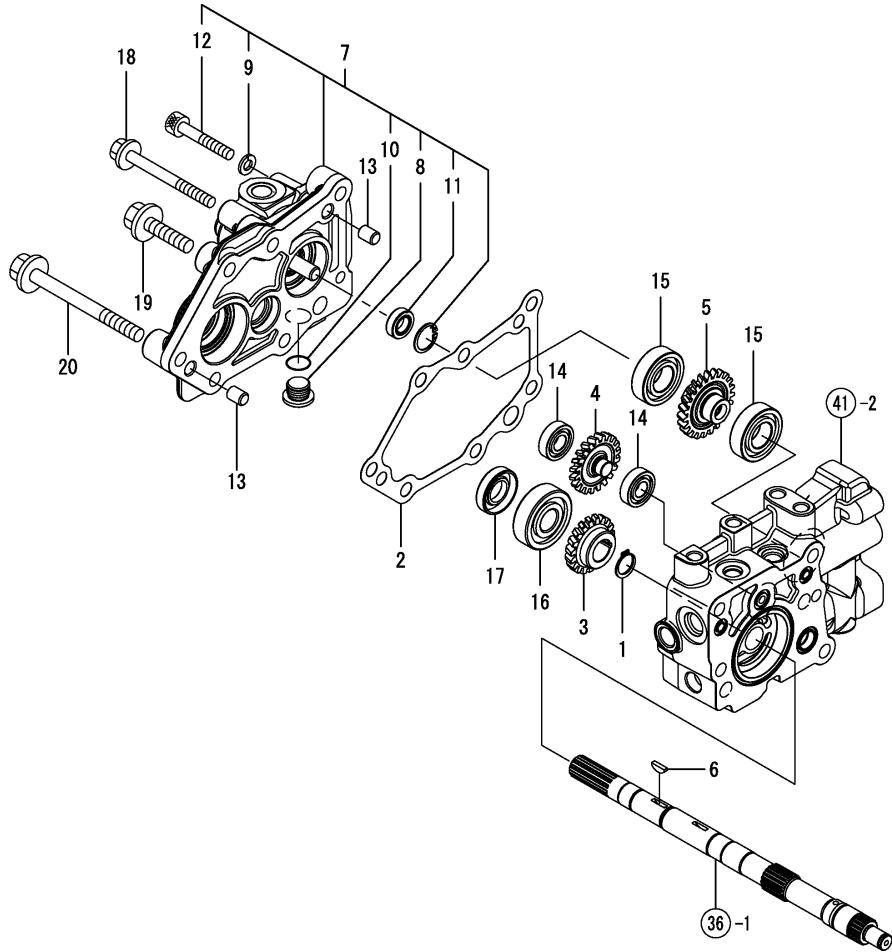
(F)=

No.	Lev.	Parts No.	Description	Q'ty						I	R	
				(A)	(B)	(C)	(D)	(E)	(F)			
1	1	1A7880-29800	ARM ASSY, CRUISE	1								
1-1	1	1A7880-29801	ARM ASSY, CRUISE	1								R
(A=FXXXXX)												
2	1	1A7880-29830	ROD, CRUISE A	1								
3	1	1A7880-29840	LINK, CRUISE	1								
4	1	1A7880-29871	ROD ASSY, CRUISE B	1								
4-1	1	1A7880-29872	ROD ASSY, CRUISE B	1								R
(A=FXXXXX)												
5	1	1C6281-52320	PIN, SNAP 8	1								
6	1	1C6281-52320	PIN, SNAP 8	1								
7	1	22242-000120	RING, 12	1								
8	1	22372-120000	PIN, SNAP 12	1								





Fig.54. GEAR PUMP



(A)=EA2400

(B)=

(C)=

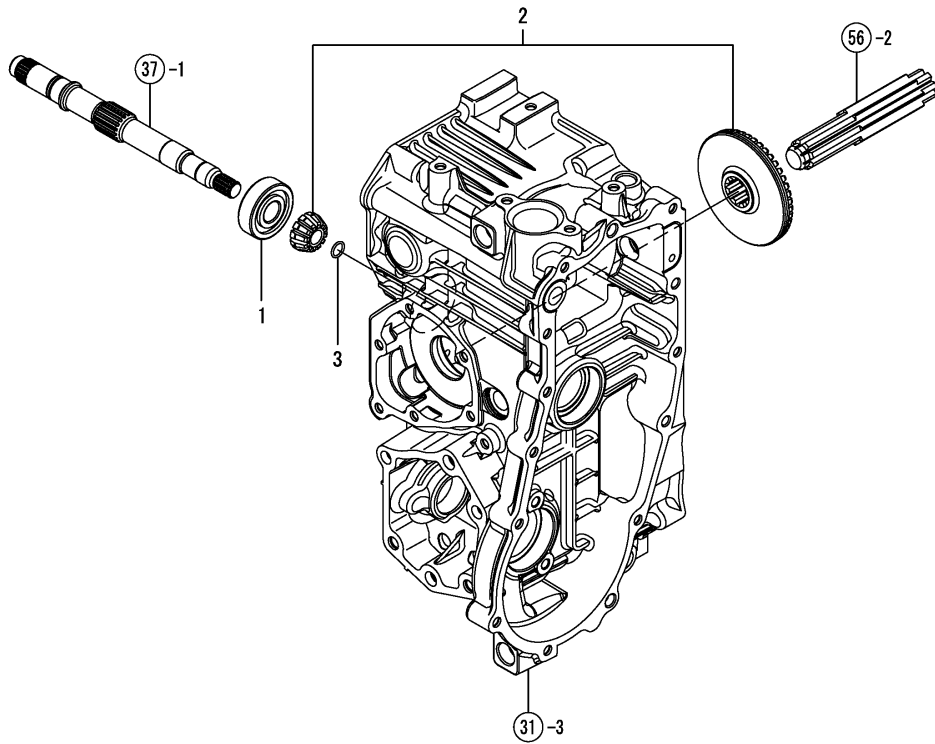
(D)=

(E)=

(F)=

No.	Lev.	Parts No.	Description	Q'ty						I	R
				(A)	(B)	(C)	(D)	(E)	(F)		
1	1	192167-25310	CIRCLIP, 17	1							
2	1	187K06-29620	PAKING (PUMP COVER)	1							
3	1	187K06-29860	GEAR 1 (PUMP)	1							
4	1	187K06-29870	GEAR 2 (PUMP)	1							
5	1	187K06-29880	GEAR 3 (PUMP)	1							
6	1	187K06-29890	KEY, 8X3.2	1							
7	1	187K06-29900	PWS-5CG SUB CMP	1							
8	2	1A6750-29850	PLUG, G3/8	1							
9	2	22217-080000	WASHER, SPRING 8	3							
10	2	24311-000140	O-RING, 1AP14.0	1							
11	2	24421-122207	SEAL, OIL TC122207	1							
12	2	26450-080502	BOLT, M8X 50	3							
13	1	22312-100120	PIN, PARALLEL M10X12	2							
14	1	24101-060014	BEARING, BALL 6001	2							
15	1	24101-060044	BEARING, BALL 6004	2							
16	1	24101-063034	BEARING, BALL 6303	1							
17	1	24421-173508	SEAL, OIL TC173508	1							
18	1	26016-080852	BOLT, M8X 85	1							
19	1	26016-100452	BOLT, M10X 45	3							
20	1	26016-101052	BOLT, M10X105	1							

Fig.55. INPUT GEAR



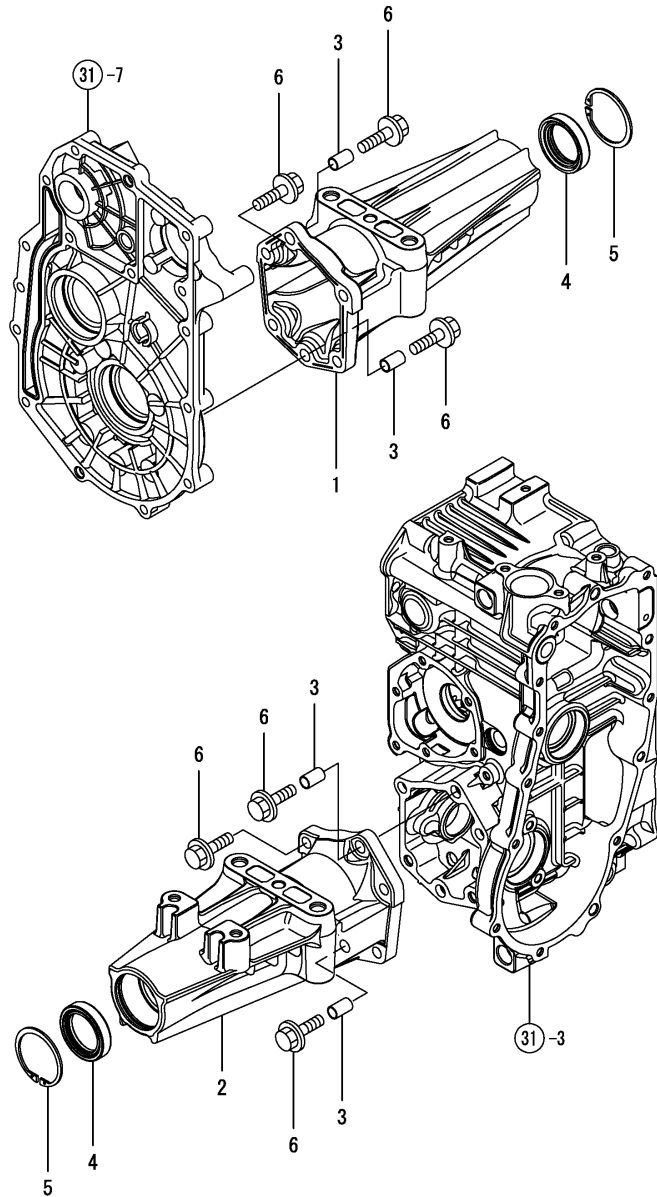
(A)=EA2400  
(B)=  
(C)=

(D)=  
(E)=  
(F)=

No.	Lev.	Parts No.	Description	Q'ty						I	R
				(A)	(B)	(C)	(D)	(E)	(F)		
1	1	1A6780-13910	BEARING, 6303RSH2	1							
2	1	1A7050-31100	GEAR KIT, INPUT	1							
3	1	22207-012160	RING, 12X1.6	1							



Fig.57. REAR HOUSING



(A)=EA2400

(B)=

(C)=

(D)=

(E)=

(F)=

No.	Lev.	Parts No.	Description	Q'ty						I	R
				(A)	(B)	(C)	(D)	(E)	(F)		
1	1	1A7050-32320	HOUSING, REAR AXLE R	1							
2	1	1A7051-32320	HOUSING, REAR AXLE	1							
3	1	192157-32360	COLLAR, 10X12X20	4							
4	1	192157-32370	SEAL, TC395511	2							
5	1	22252-000550	RING, 55	2							
6	1	26106-100352	BOLT, M10X 35 PLATED	12							

# Fig.58. DIFFERENTIAL LOCK

(A)=EA2400

(B)=

(C)=

(D)=

(E)=

(F)=

No.	Lev.	Parts No.	Description	Q'ty						I	R
				(A)	(B)	(C)	(D)	(E)	(F)		
1	1	192157-33101	FORK KIT, DIFF.LOCK	1							
2	2	1C6320-52210	SPACER, 16.5X24X1	1							
3	2	22242-000160	RING, 16	2							
4	2	22351-040025	PIN, SPRING 4.0X25	1							
5	1	192157-33110	FULCRUM KIT, DIFF.	1							
6	2	22137-100000	WASHER, 10	1							
7	2	22417-200200	PIN, COTTER 2.0X20	1							
8	1	194854-33110	SLIDER, LOCK	1							
9	1	26016-080202	BOLT, M8X 20	2							

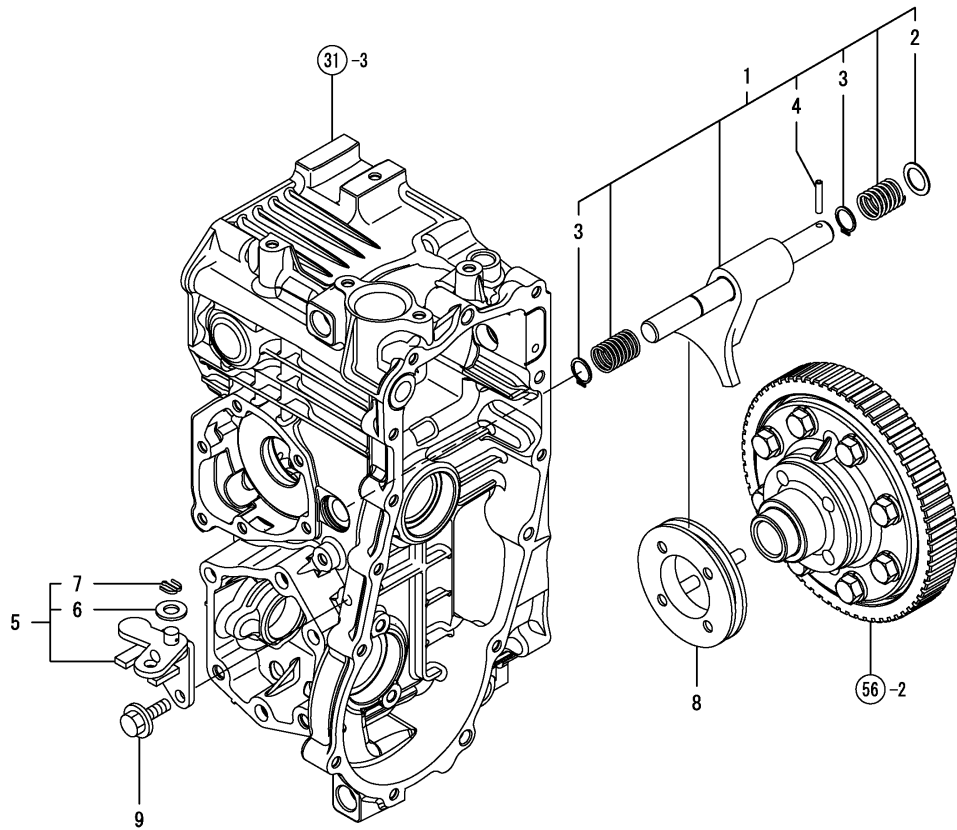


Fig.59. DIFF. LOCK PEDAL

(A)=EA2400  
(B)=  
(C)=

(D)=  
(E)=  
(F)=

No.	Lev.	Parts No.	Description	Q'ty						I	R
				(A)	(B)	(C)	(D)	(E)	(F)		
1	1	1A7790-01160	SPRING, RETURN	1							
2	1	1A7880-33200	PEDAL ASSY, LOCK	1							
3	1	1A7880-33250	ROD	1							
4	1	1C6281-52320	PIN, SNAP 8	1							
5	1	22137-140000	WASHER, 14	1							
6	1	22372-140000	PIN, SNAP 14	1							
7	1	22137-080000	WASHER, 8	1							

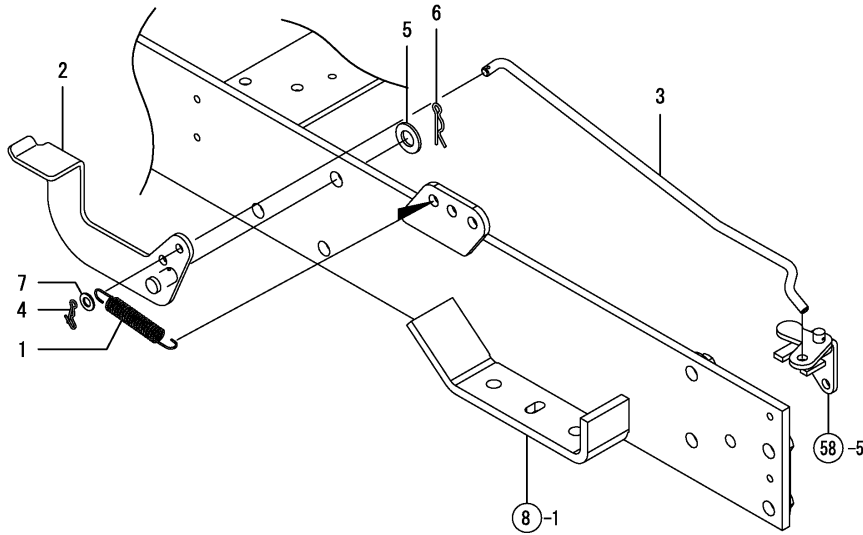
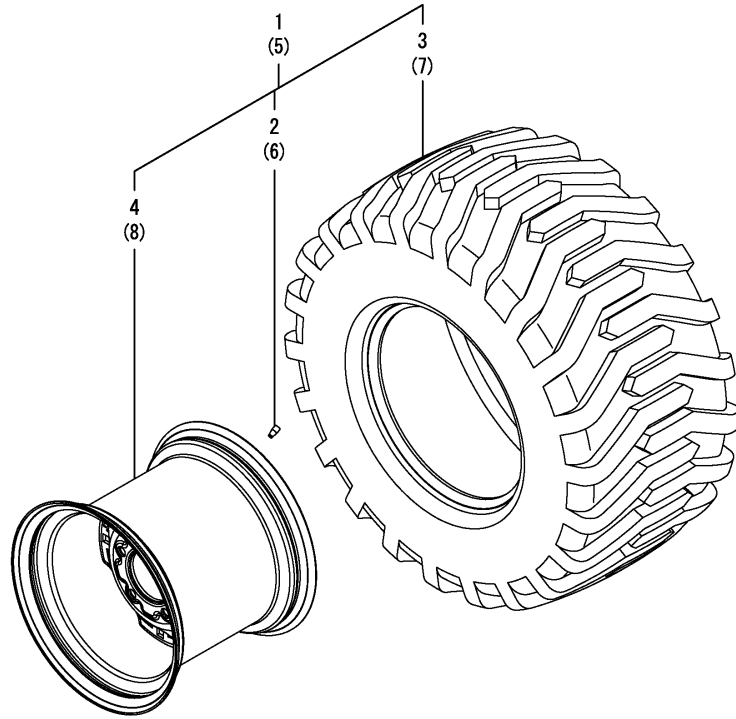








Fig.62. TIRE REAR R4



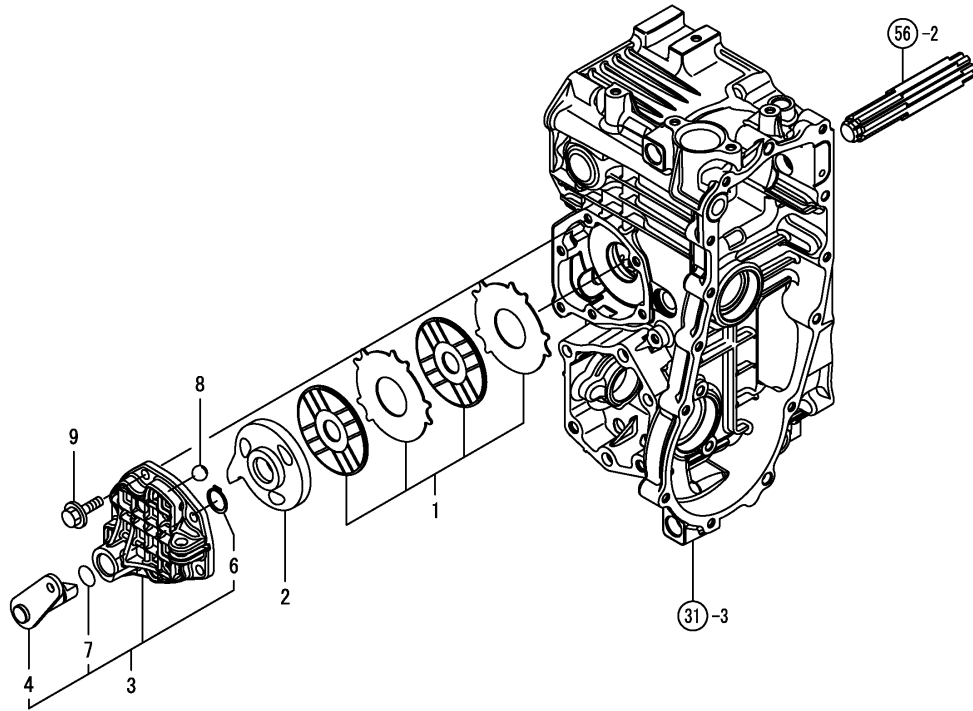
(A)=EA2400  
(B)=  
(C)=

(D)=  
(E)=  
(F)=

No.	Lev.	Parts No.	Description	Q'ty						I	R
				(A)	(B)	(C)	(D)	(E)	(F)		
1	1	1A7880-34800-1	TIRE KIT, REAR R4 L	1							
2	2	1A7880-14840	VALVE	1							
3	2	1A7880-34820	TIRE, 26X12-12 R4	1							
4	2	1A7880-34830-1	WHEEL, 12X10.5	1							
5	1	1A7880-34810-1	TIRE KIT, REAR R4 R	1							
6	2	1A7880-14840	VALVE	1							
7	2	1A7880-34820	TIRE, 26X12-12 R4	1							
8	2	1A7880-34830-1	WHEEL, 12X10.5	1							



Fig.64. DISC BRAKE

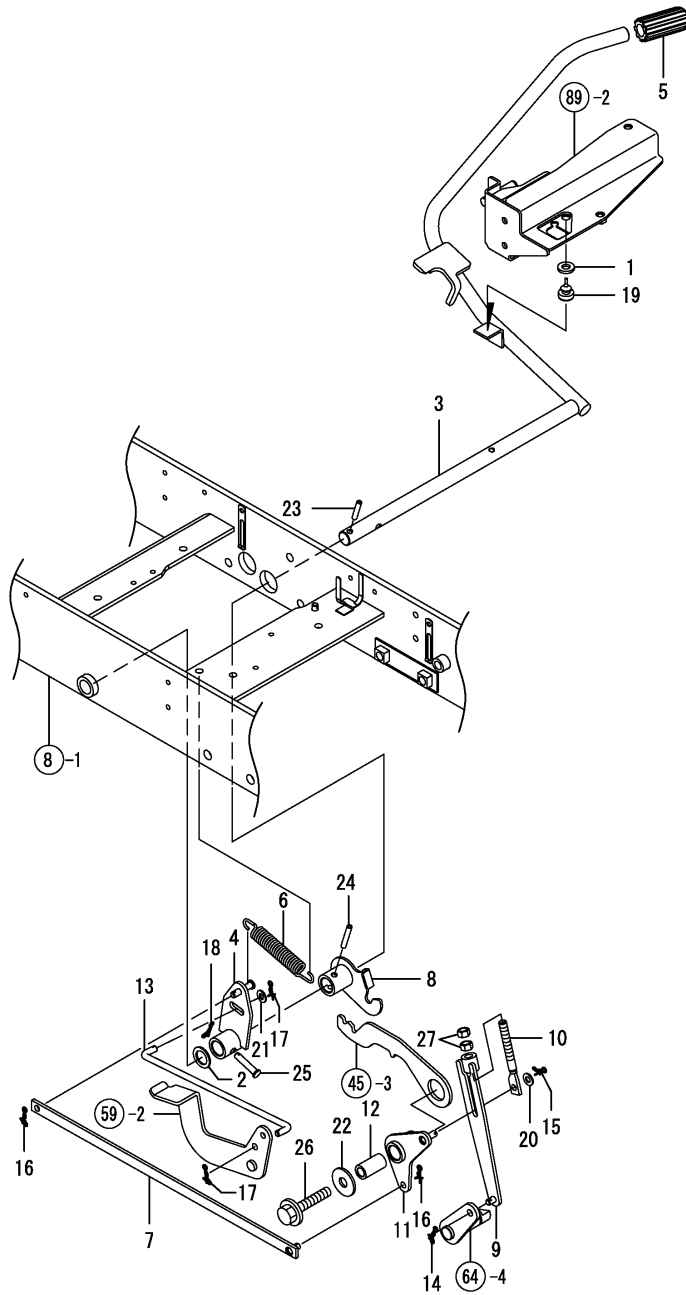


(A)=EA2400  
(B)=  
(C)=

(D)=  
(E)=  
(F)=

No.	Lev.	Parts No.	Description	Q'ty						I	R
				(A)	(B)	(C)	(D)	(E)	(F)		
1	1	192157-36300	PLATE KIT, BRAKE	1							
2	1	1A7130-36330	ACTUATOR	1							
3	1	187K06-36341	CAM KIT, BRAKE	1							
4	2	187K06-36350	SHAFT ASSY, LEVER	1							
6	2	22242-000200	RING, 20	1							
7	2	24311-000160	O-RING, 1AP16.0	1							
8	1	24190-160001	BALL, STEEL 1/2	3							
9	1	26106-080252	BOLT, M8X 25 PLATED	6							

Fig.65. BRAKE PEDAL



(A)=EA2400

(B)=

(C)=

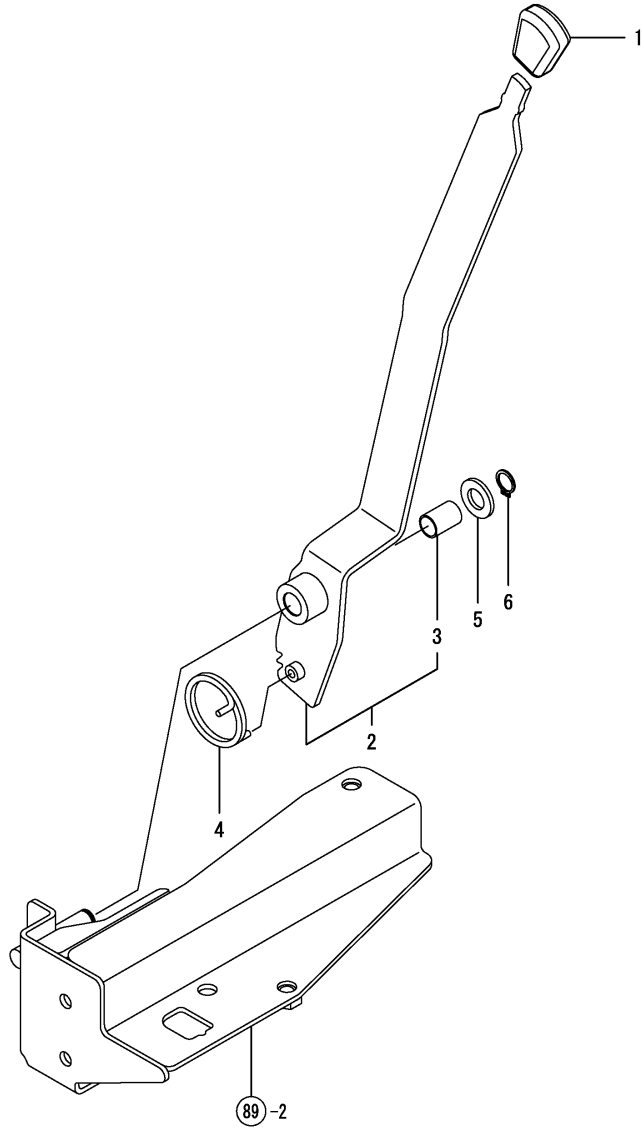
(D)=

(E)=

(F)=

No.	Lev.	Parts No.	Description	Q'ty						I	R
				(A)	(B)	(C)	(D)	(E)	(F)		
1	1	194145-04810	WASHER 10	1							Z
		(A=*2009.10.)									
2	1	1A7510-36490	WASHER, 20X30X2	1							
3	1	1A7880-37100	PEDAL ASSY, BRAKE	1							
4	1	1A7880-37150	ARM ASSY, BRAKE	1							
5	1	1A7880-37200	HEAD, PEDAL R	1							
6	1	1A7880-37220	SPRING, RETURN	1							
7	1	1A7880-37250	ROD ASSY, BRAKE	1							
8	1	1A7880-37310	ARM ASSY, RELEASE	1							
9	1	1A7880-37350	ROD ASSY, PUSH	1							
10	1	1A7880-37390	SCREW, ADJUST	1							
11	1	1A7880-37400	ARM ASSY, BRAKE	1							
12	1	1A7880-37440	COLLAR	1							
12-1	1	1A7880-37441	COLLAR	1							R
		(A=FXXXXX)									
13	1	1A7880-37450	ROD, LINK	1							
14	1	1C6281-52320	PIN, SNAP 8	1							
15	1	1C6281-52320	PIN, SNAP 8	1							
16	1	1C6281-52320	PIN, SNAP 8	2							
17	1	1C6281-52320	PIN, SNAP 8	2							
18	1	1C6281-52320	PIN, SNAP 8	1							
19	1	194330-62530	STOPPER, PEDAL	1							
20	1	22137-080000	WASHER, 8	1							
21	1	22137-080000	WASHER, 8	1							
22	1	22157-120000	WASHER, 12	1							
23	1	22351-060032	PIN, SPRING 6.0X32	1							
24	1	22351-060040	PIN, SPRING 6.0X40	1							
25	1	22487-080350	PIN, H 8X 35	1							
26	1	26106-120602	BOLT, M12X 60 PLATED	1							
27	1	26716-100002	NUT, M10	2							

Fig.66. PARKING BRAKE

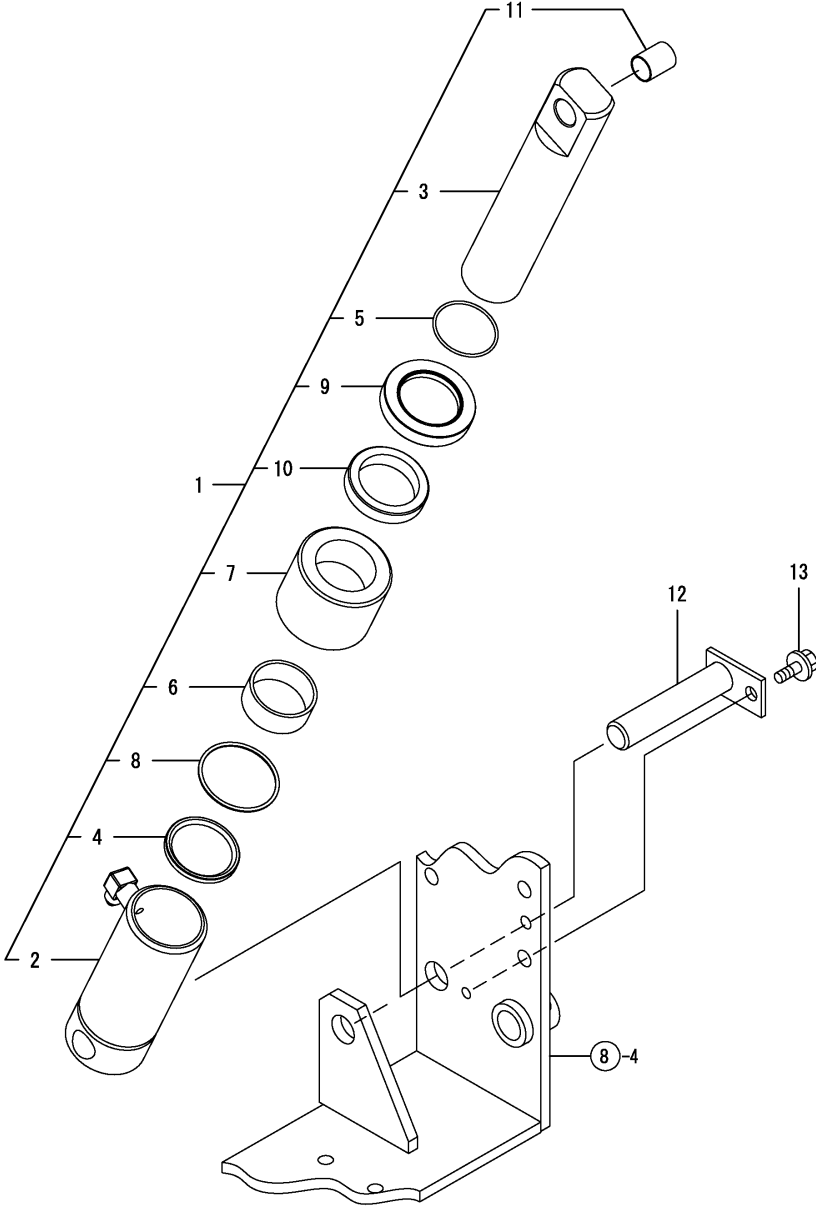


(A)=EA2400  
(B)=  
(C)=

(D)=  
(E)=  
(F)=

No.	Lev.	Parts No.	Description	Q'ty						I	R
				(A)	(B)	(C)	(D)	(E)	(F)		
1	1	198273-28520	KNOB, PARKING BRAKE	1							
1-1	1	198273-28521	KNOB, PARKING BRAKE	1							N
(A=FZZZZZ)											
2	1	1A7880-37490	LEVER ASSY, PARKING	1							
3	2	24550-012200	BUSH, 12X20	1							
4	1	198475-37690	SPRING, LOCK	1							
5	1	22137-120000	WASHER, 12	1							
6	1	22242-000120	RING, 12	1							

Fig.67. LIFT CYLINDER



(A)=EA2400  
(B)=  
(C)=

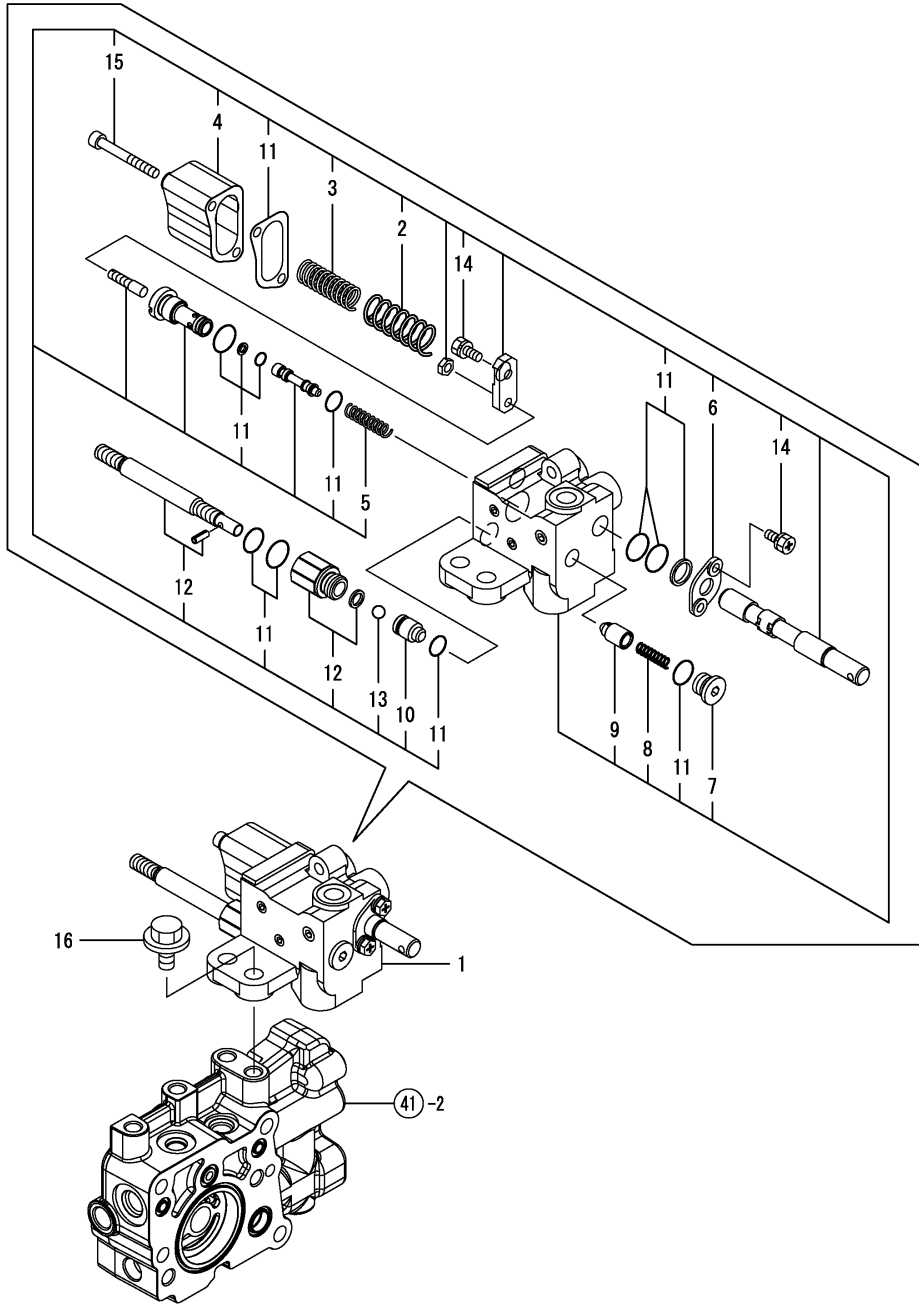
(D)=  
(E)=  
(F)=

No.	Lev.	Parts No.	Description	Q'ty						I	R
				(A)	(B)	(C)	(D)	(E)	(F)		
1	1	1A7880-43100	CYLINDER ASSY, LIFT	1							
2	2	1A7880-43200	TUBE ASSY	1							
3	2	1A7880-43300	ROD	1							
4	2	1A7880-43350	SPACER	1							
5	2	1A7880-43370	RING, STEEL	1							
6	2	1A7880-43390	BUSH, DU	1							
7	2	1A7880-43400	COVER, HEAD	1							
8	2	1A7880-43460	O-RING	1							
9	2	1A7880-43470	SEAL, DUST	1							
10	2	1A7880-43480	SEAL, ROD	1							
11	2	24550-018250	BUSH, 18X25	1							
12	1	1A7880-44740	PIN ASSY, CYLINDER	1							
13	1	26106-100252	BOLT, M10X 25 PLATED	1							





Fig.69. CONTROL VALVE



(A)=EA2400

(B)=

(C)=

(D)=

(E)=

(F)=

No.	Lev.	Parts No.	Description	Q'ty						I	R
				(A)	(B)	(C)	(D)	(E)	(F)		
1	1	1A7880-45100	VALVE ASSY, LIFT	1							
2	2	1A7880-45530	SPLING, LIFT VALVE	1							
3	2	1A7880-45540	SPLING, LIFT VALVE	1							
4	2	1A7880-45560	COVER, LIFT VALVE	1							
5	2	1A7880-45610	SPRING, MECHANICAL	1							
6	2	1A7880-45620	PLATE, VALVE	1							
7	2	1A7880-45640	PLUG, LIFT VALVE	1							
8	2	1A7880-45650	SPRING, LIFT VALVE	1							
9	2	1A7880-45660	POPPET, CHECK	1							
10	2	1A7880-45700	PLUNGER, LIFT VALVE	1							
11	2	1A7880-45800	SEAL KIT, LIFT VALVE	1							
12	2	1A7880-45830	BOLT, STOP	1							
13	2	24190-100001	BALL, STEEL 5/16	1							
14	2	26013-060129	BOLT, M6X 12	3							
15	2	26450-060502	BOLT, 6 X 50	2							
16	1	26106-100252	BOLT, M10X 25 PLATED	2							

Fig.70. STOP VALVE

(A)=EA2400  
(B)=  
(C)=

(D)=  
(E)=  
(F)=

No.	Lev.	Parts No.	Description	Q'ty						I	R
				(A)	(B)	(C)	(D)	(E)	(F)		
1	1	1A8160-46670	KNOB, VALVE	1							
2	1	26716-100002	NUT, M10	1							

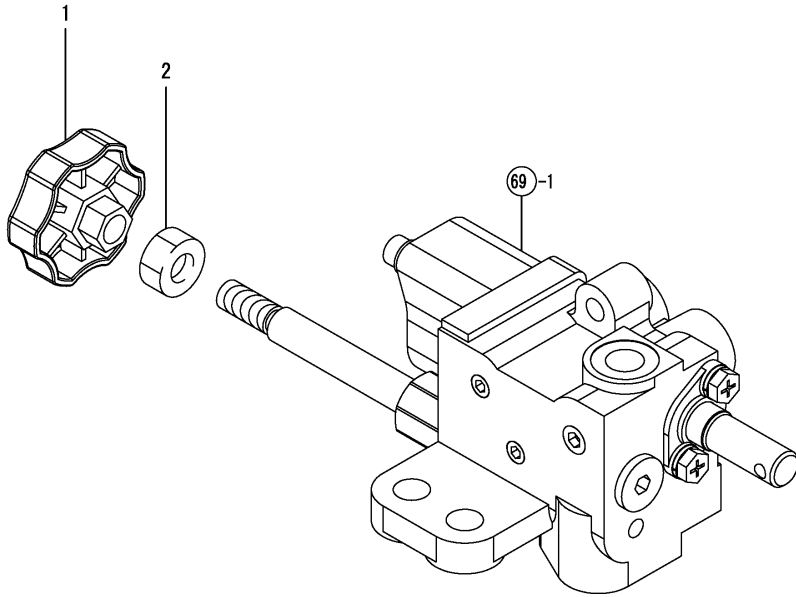
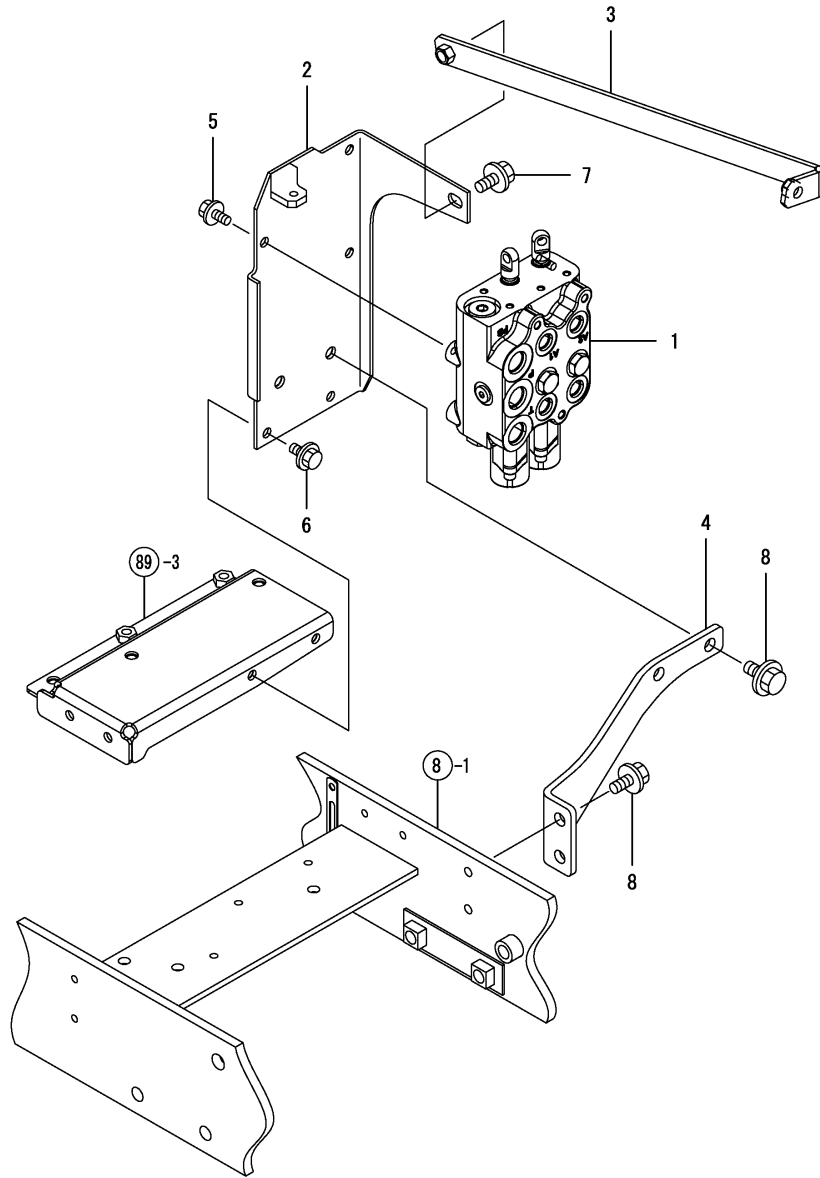


Fig.71. VALVE,SCV

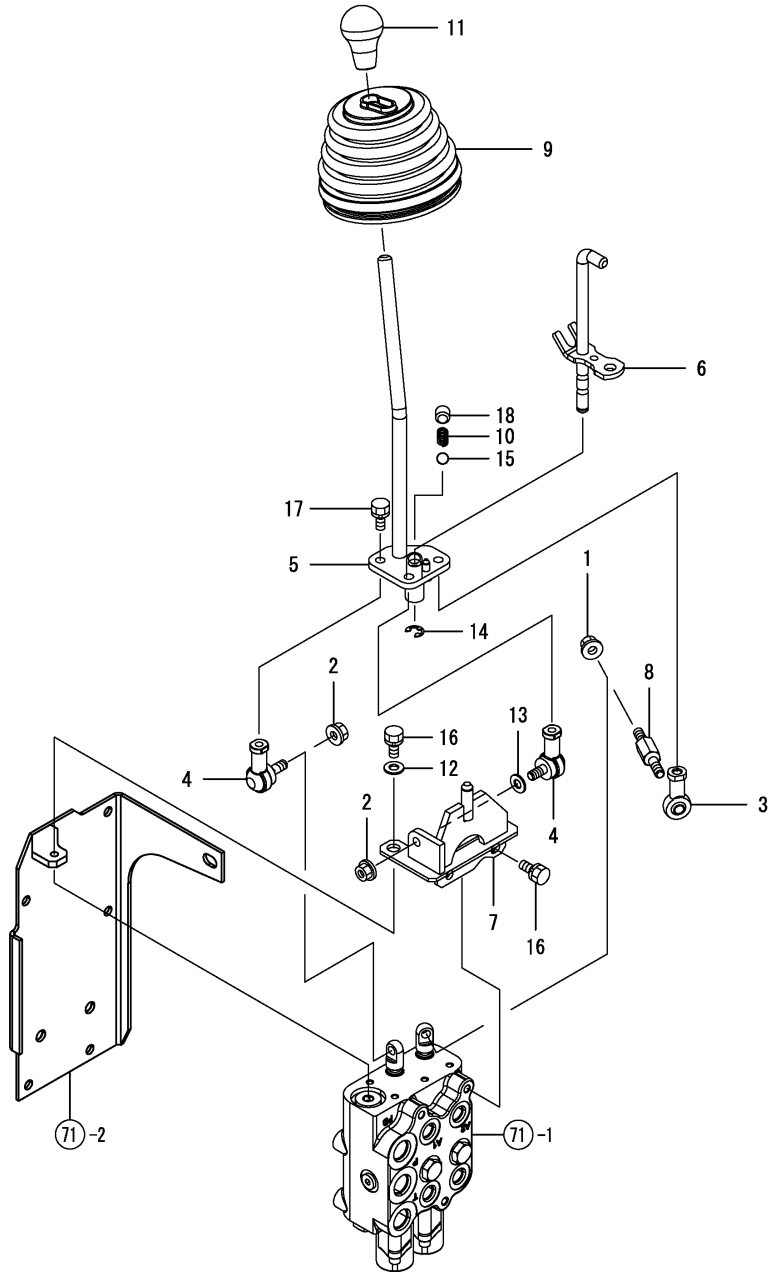
(A)=EA2400  
(B)=  
(C)=

(D)=  
(E)=  
(F)=



No.	Lev.	Parts No.	Description	Q'ty						I	R
				(A)	(B)	(C)	(D)	(E)	(F)		
1	1	1A7880-47100	VALVE ASSY, LORDER	1							
2	1	1A7880-47120	STAY CMP SCV VALVE	1							
2-1	1	1A7880-47121	STAY ASSY, SCV VALVE	1							R
(A=FXXXXX)											
3	1	1A7880-47770	PLATE ASSY, VALVE	1							
4	1	1A7880-47850	PLATE,SUPPORT SCV	1							
4-1	1	1A7880-47851	PLATE, REINFORCEMENT	1							R
(A=FXXXXX)											
5	1	26106-080122	BOLT, M8X 12 PLATED	3							
6	1	26106-080162	BOLT, M8X 16 PLATED	2							
7	1	26106-100202	BOLT, M10X 20 PLATED	2							
8	1	26106-100202	BOLT, M10X 20 PLATED	4							

Fig.72. LEVER,SCV



(A)=EA2400

(B)=

(C)=

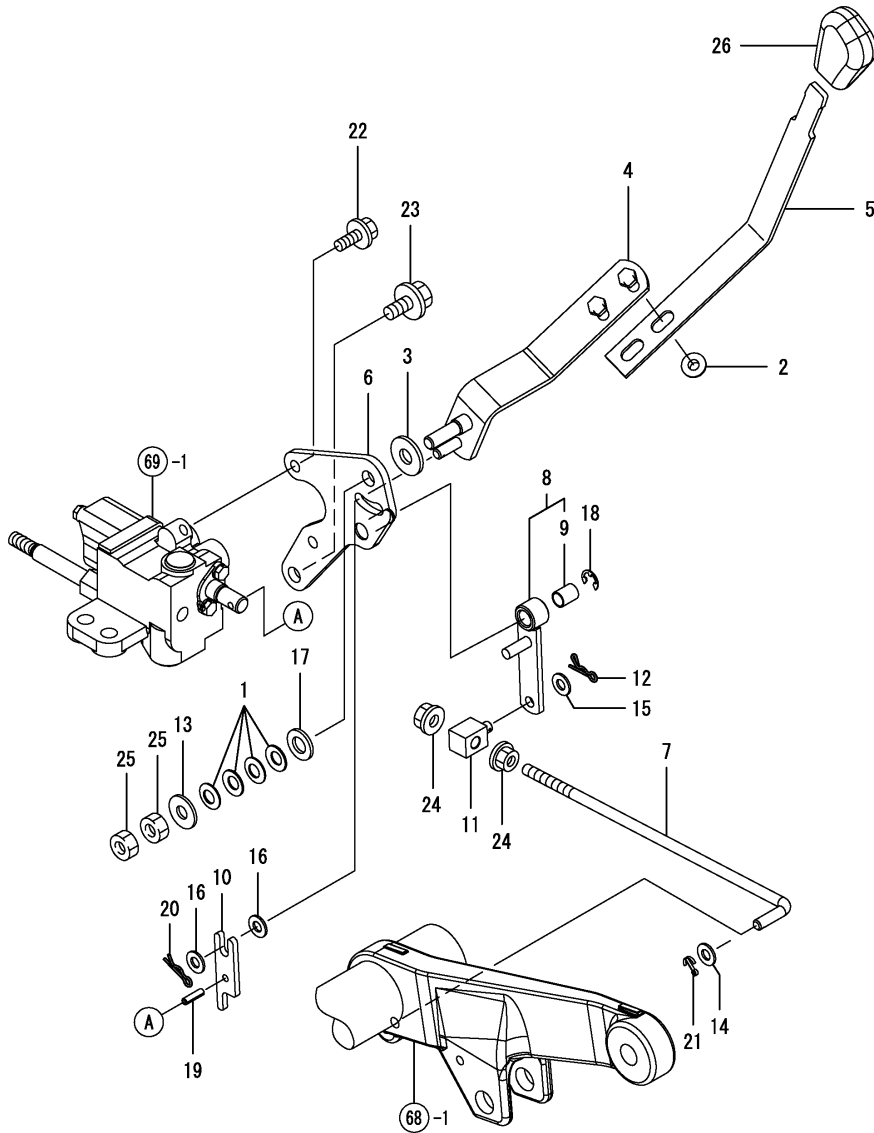
(D)=

(E)=

(F)=

No.	Lev.	Parts No.	Description	Q'ty						I	R
				(A)	(B)	(C)	(D)	(E)	(F)		
1	1	194990-22140	NUT, M8	1							
2	1	194990-22140	NUT, M8	2							
3	1	198164-27970	END, ROD 8R	1							
4	1	172122-46590	ELBOW	2							
5	1	1A7880-47600	LEVER ASSY, SCV	1							
6	1	1A7880-47650	PIN CMP, LOCK	1							
6-1	1	1A7880-47651	PIN ASSY, LOCK	1							R
(A=FXXXXX)											
7	1	1A7880-47701	BRACKET ASSY, LEVER	1							
8	1	1A7880-47750	BOLT, LEVER	1							
9	1	1A7880-47950	BOOT, LEVER	1							
10	1	1E6150-56040	SPRING, FORK	1							
11	1	194990-85561	KNOB, HIGH/LOW	1							
12	1	22137-080000	WASHER, 8	1							
13	1	22137-080000	WASHER, 8	1							
14	1	22272-000080	RING, E- 8	1							
15	1	24190-100003	BALL, STEEL 5/16	1							
16	1	26013-080162	BOLT, M8X 16	3							
17	1	26013-080162	BOLT, M8X 16	3							
18	1	26911-100102	SCREW, M10X10	1							

Fig.73. HYDRAULIC CONTROL



(A)=EA2400

(B)=

(C)=

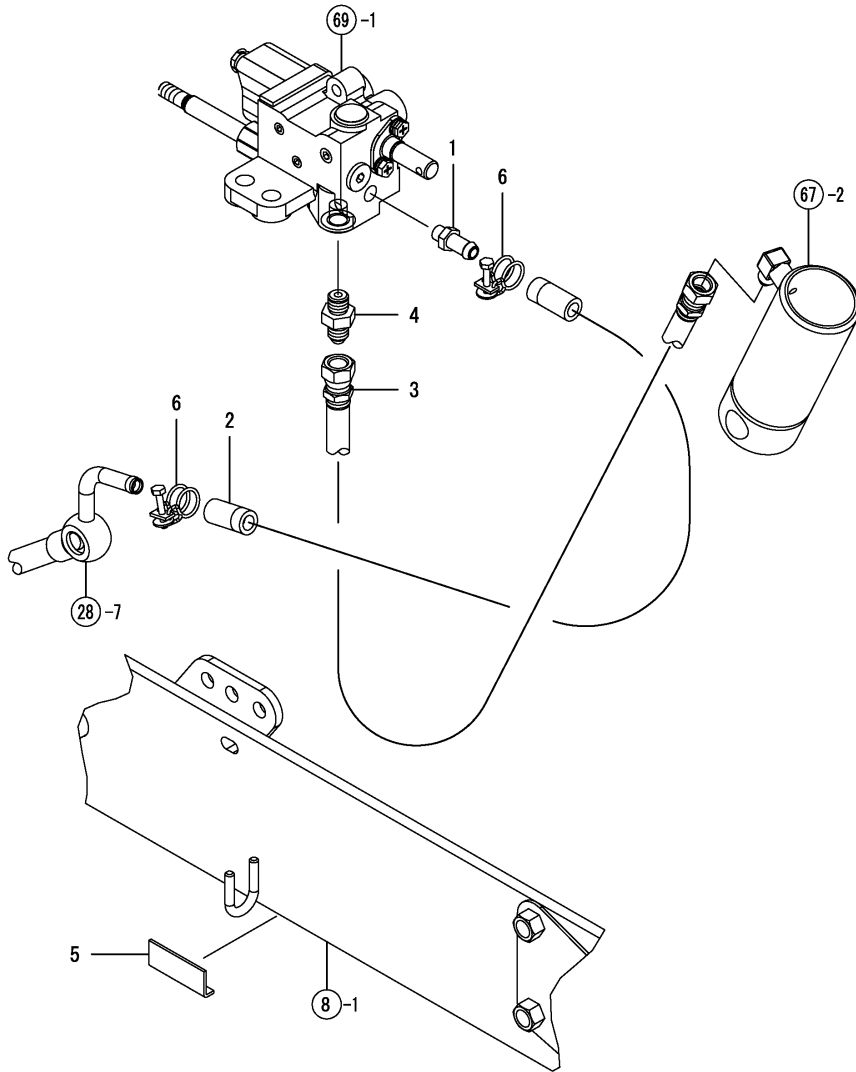
(D)=

(E)=

(F)=

No.	Lev.	Parts No.	Description	Q'ty						I	R
				(A)	(B)	(C)	(D)	(E)	(F)		
1	1	194740-00160	SPRING, 10	4							
2	1	194990-22140	NUT, M8	2							
3	1	1A6260-41250	PLATE, FRICTION	1							
4	1	1A7880-45000	LEVER ASSY, POSITION	1							
5	1	1A7880-45040	LEVER, POSITION	1							
6	1	1A7880-45210	STAY ASSY, LINK	1							
7	1	1A7880-45250	ROD, FEEDBACK	1							
8	1	1A7880-45330	LEVER ASSY, CONTROL	1							
8-1	1	1A7880-45331	LEVER ASSY, CONTROL	1							R
(A=FXXXXX)											
9	2	24550-010150	BUSH, 10X15	1							
10	1	1A7070-47400	LEVER, SPOOL	1							
11	1	194208-47530	ADJUSTER	1							
12	1	1C6281-52320	PIN, SNAP 8	1							
13	1	194145-61570	WASHER, 10	1							
14	1	22137-080000	WASHER, 8	1							
15	1	22137-080000	WASHER, 8	1							
16	1	22137-080000	WASHER, 8	2							
17	1	22137-120000	WASHER, 12	1							
18	1	22272-000080	RING, E- 8	1							
19	1	22351-050018	PIN, SPRING 5.0X18	1							
20	1	22372-080000	PIN, SNAP 8	1							
21	1	22417-200160	PIN, COTTER 2.0X16	1							
22	1	26106-080162	BOLT, M8X 16 PLATED	1							
23	1	26106-100202	BOLT, M10X 20 PLATED	1							
24	1	26366-080002	NUT, M8	2							
25	1	26716-100002	NUT, M10	2							
26	1	198200-47810	KNOB, BLACK	1							

Fig.74. HYDRAULIC LINE

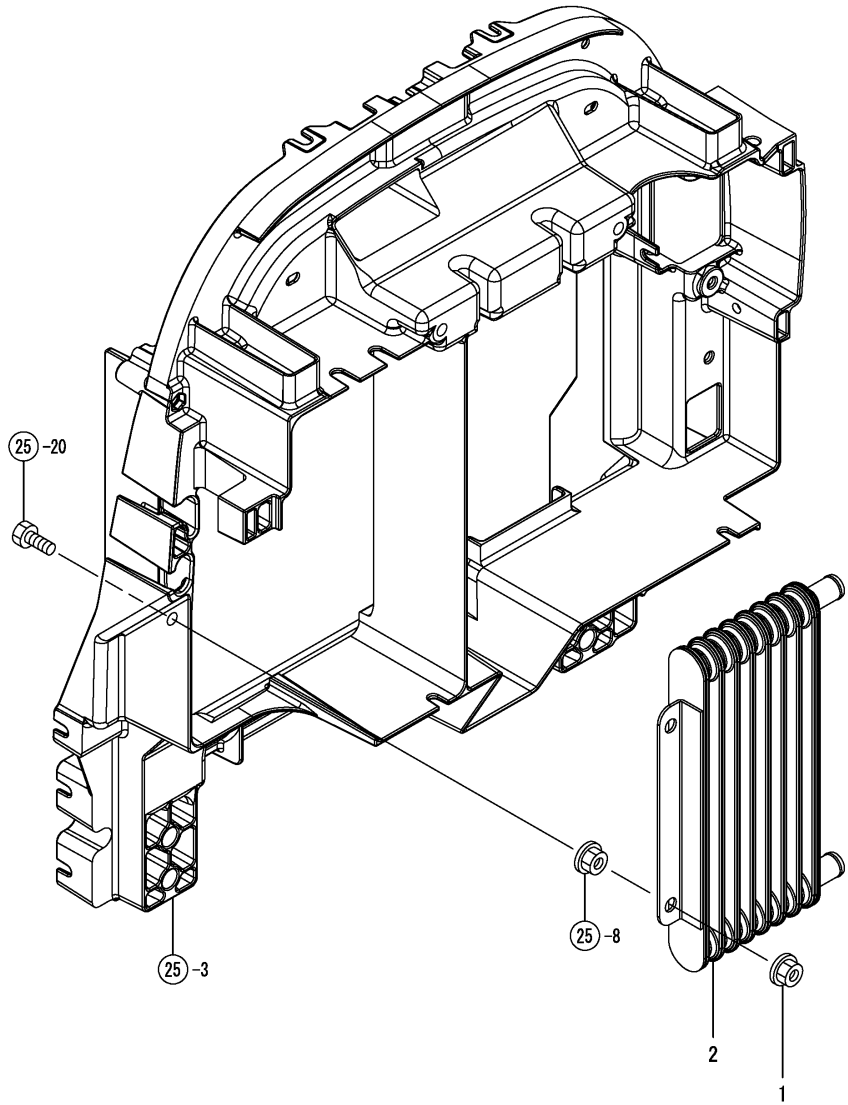


(A)=EA2400  
(B)=  
(C)=

(D)=  
(E)=  
(F)=

No.	Lev.	Parts No.	Description	Qty						I	R
				(A)	(B)	(C)	(D)	(E)	(F)		
1	1	1A6380-25370	JOINT, R1/8	1							
2	1	1A7880-48101	HOSE, DRAIN LP	1							
3	1	1A7880-48160	HOSE, PRESSURE	1							
4	1	1E8450-66390	CONNECTOR, PF1/4	1							
5	1	198093-84810	SEAL, FENDER	2							
6	1	23010-018000	CLAMP, 18	2							

Fig.75. OIL COOLER

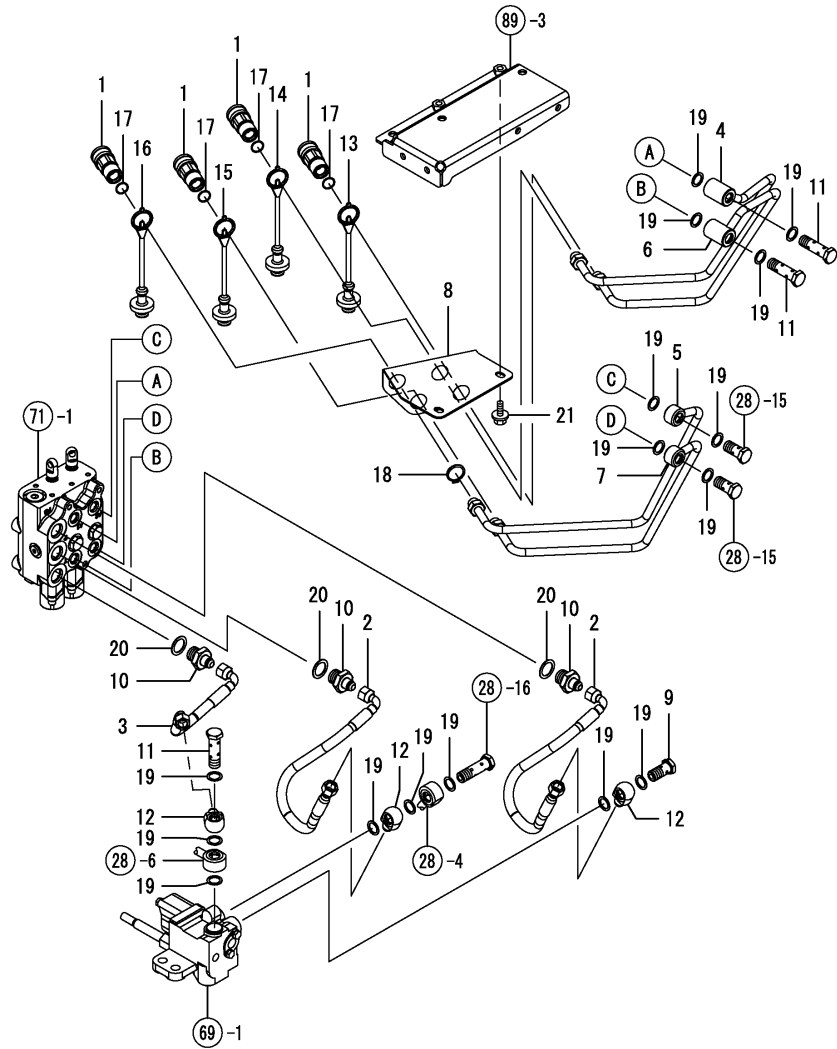


(A)=EA2400  
(B)=  
(C)=

(D)=  
(E)=  
(F)=

No.	Lev.	Parts No.	Description	Q'ty						I	R
				(A)	(B)	(C)	(D)	(E)	(F)		
1	1	194990-22140	NUT, M8	2							
2	1	1E8600-66700	COOLER, OIL	1							

Fig.76. PIPING



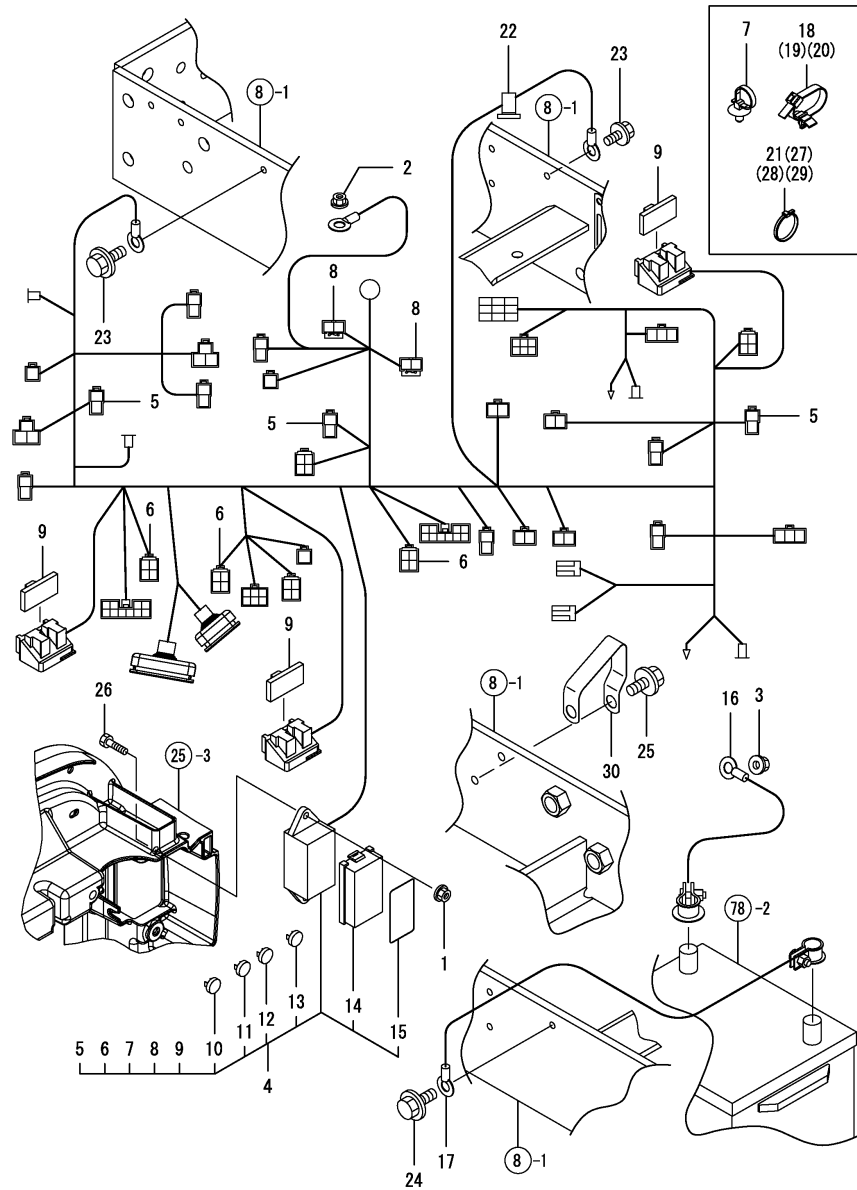
(A)=EA2400  
(B)=  
(C)=

(D)=  
(E)=  
(F)=

No.	Lev.	Parts No.	Description	Q'ty						I	R
				(A)	(B)	(C)	(D)	(E)	(F)		
1	1	198223-46250	COUPLER, QUICK	4							
2	1	1A7880-47150	HOSE, PRESSURE	2							
3	1	1A7880-47200	HOSE, PRESSURE	1							
4	1	1A7880-47301	PIPE ASSY, PRESSURE	1							
5	1	1A7880-47351	PIPE ASSY, PRESSURE	1							
6	1	1A7880-47401	PIPE ASSY, PRESSURE	1							
7	1	1A7880-47451	PIPE ASSY, PRESSURE	1							
8	1	1A7880-47500	STAY(SCV COUPLER	1							
8-1	1	1A7880-47501	STAY, SCV COUPLER	1							R
(A=FXXXXX)											
9	1	1A7880-47510	BOLT, JOINT 9/16UNF	1							
10	1	1A7880-47520	JOINT, 3/4UNF9/16UNF	3							
11	1	1A7880-47530	BOLT, JOINT 9/16UNF	3							
12	1	1A7880-47540	JOINT, 9/16UNF-14.5	3							
13	1	1A7880-47550	PLUG, DUST RED	1							
14	1	1A7880-47560	PLUG, DUST BLUE	1							
15	1	1A7880-47570	PLUG, DUST YELLOW	1							
16	1	1A7880-47580	PLUG, DUST GREEN	1							
17	1	194850-49290	PACKING, 6-1	4							
18	1	22242-000220	RING, 22	4							
19	1	23414-140000	GASKET, 14X1.0	16							
20	1	23414-190000	GASKET, 19X1.0	3							
21	1	26106-080162	BOLT, M8X 16 PLATED	2							



Fig.77. WIRE HARNESS



(A)=EA2400

(B)=

(C)=

(D)=

(E)=

(F)=

No.	Lev.	Parts No.	Description	Q'ty						I	R
				(A)	(B)	(C)	(D)	(E)	(F)		
1	1	194990-22130	NUT, M6	2							
2	1	194990-22130	NUT, M6	1							
3	1	194990-22140	NUT, M8	1							
4	1	1A7880-51102	HARNESS ASSY, WIRE	1							
4-1	1	1A7880-51103	HARNESS ASSY, WIRE	1							N
(A=*2009.10.)											
5	2	1A7500-51130	DIODE, 3.0A	3							
6	2	1A8160-51130	DIODE, 3.0AX2	3							
7	2	1A7500-51160	CLIP, HARNESS	23							
8	2	1A6240-51630	FUSE, SLOW BLOW 60A	2							
9	2	1A7880-51730	CLIP	3							
10	2	198535-52110	FUSE, 5A	4							
11	2	198535-52120	FUSE, 10A	3							
12	2	198535-52130	FUSE, 15A	3							
13	2	1A7450-52180	FUSE, 25A	2							
14	2	1A7531-52420	COVER, FUSE BOX	1							
15	2	1A7880-65780	LABEL,FUSE	1							
16	1	1A6780-51410	CABLE, BATTERY	1							
17	1	1A7880-51420	CABLE, BATTERY EARTH	1							
18	1	194680-51670	BAND, CLIP	1							
19	1	194680-51670	BAND, CLIP	1							
20	1	194680-51670	BAND, CLIP	1							
21	1	1A1380-55310	CLAMP, WIRE	1							
22	1	194680-78350	STICKER, WIRE 18	1							
23	1	26106-080162	BOLT, M8X 16 PLATED	2							
24	1	26106-080162	BOLT, M8X 16 PLATED	1							
25	1	26106-100202	BOLT, M10X 20 PLATED	1							
26	1	26116-060202	BOLT, M6X 20 PLATED	2							
27	1	29622-140001	BAND, RF140	1							
27-1	1	1A8300-51210	BAND, REPEAT	1							R
(A=FXXXXX)											
28	1	29622-250001	BAND, RF250	1							
28-1	1	1A8300-51210	BAND, REPEAT	1							R
(A=FXXXXX)											
29	1	29622-250001	BAND, RF250	1							
29-1	1	1A8300-51210	BAND, REPEAT	1							R
(A=FXXXXX)											
30	1	933171-15801	CORD, ENGINE EARTH	1							

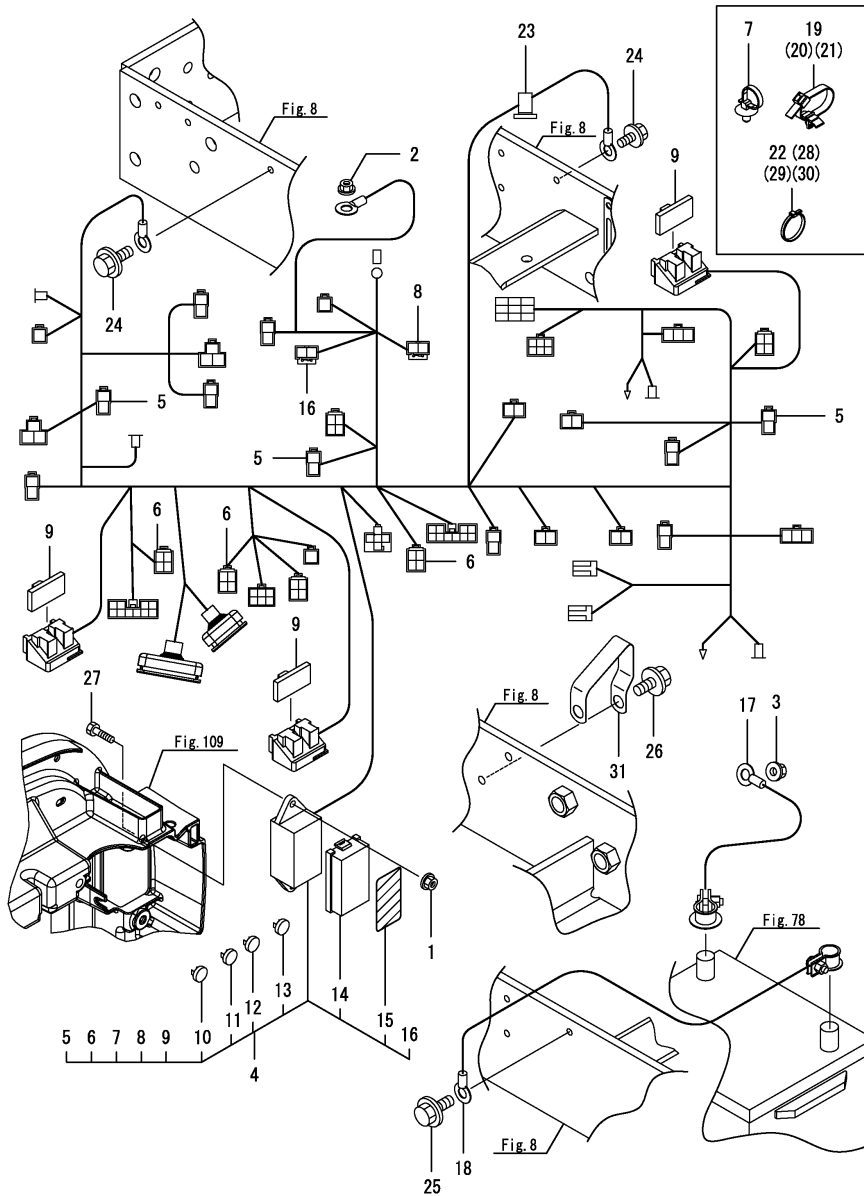
Remarks

\*Serial No.

Up to F020100 refer to this item.

From F020101 refer to Fig.110.

Fig.110. (77A)WIRE HARNESS



(A)=EA2400

(B)=

(C)=

(D)=

(E)=

(F)=

No.	Lev.	Parts No.	Description	Q'ty						I	R
				(A)	(B)	(C)	(D)	(E)	(F)		
1	1	194990-22130	NUT, M6	2							
2	1	194990-22130	NUT, M6	1							
3	1	194990-22140	NUT, M8	1							
4	1	1A7882-51101	HARNESS ASSY,WIRE	1							
5	2	1A7500-51130	DIODE, 3.0A	3							
6	2	1A8160-51130	DIODE, 3.0AX2	3							
7	2	1A7500-51160	CLIP, HARNESS	23							
8	2	1A6240-51630	FUSE, SLOW BLOW 60A	1							
9	2	1A7880-51730	CLIP	3							
10	2	198535-52110	FUSE, 5A	4							
11	2	198535-52120	FUSE, 10A	3							
12	2	198535-52130	FUSE, 15A	3							
13	2	1A7450-52180	FUSE, 25A	2							
14	2	1A7531-52420	COVER, FUSE BOX	1							
15	2	1A7880-65780	LABEL,FUSE	1							
16	2	198153-51700	FUSE, SLOW BLOW 80A	1							
17	1	1A6780-51410	CABLE, BATTERY	1							
18	1	1A7880-51420	CABLE, BATTERY EARTH	1							
19	1	194680-51670	BAND, CLIP	1							
20	1	194680-51670	BAND, CLIP	1							
21	1	194680-51670	BAND, CLIP	1							
22	1	1A1380-55310	CLAMP, WIRE	1							
23	1	194680-78350	STICKER, WIRE 18	1							
24	1	26106-080162	BOLT, M8X 16 PLATED	2							
25	1	26106-080162	BOLT, M8X 16 PLATED	1							
26	1	26106-100202	BOLT, M10X 20 PLATED	1							
27	1	26116-060202	BOLT, M6X 20 PLATED	2							
28	1	1A8300-51210	BAND, REPEAT	1							
29	1	1A8300-51210	BAND, REPEAT	1							
30	1	1A8300-51210	BAND, REPEAT	1							
31	1	933171-15801	CORD, ENGINE EARTH	1							

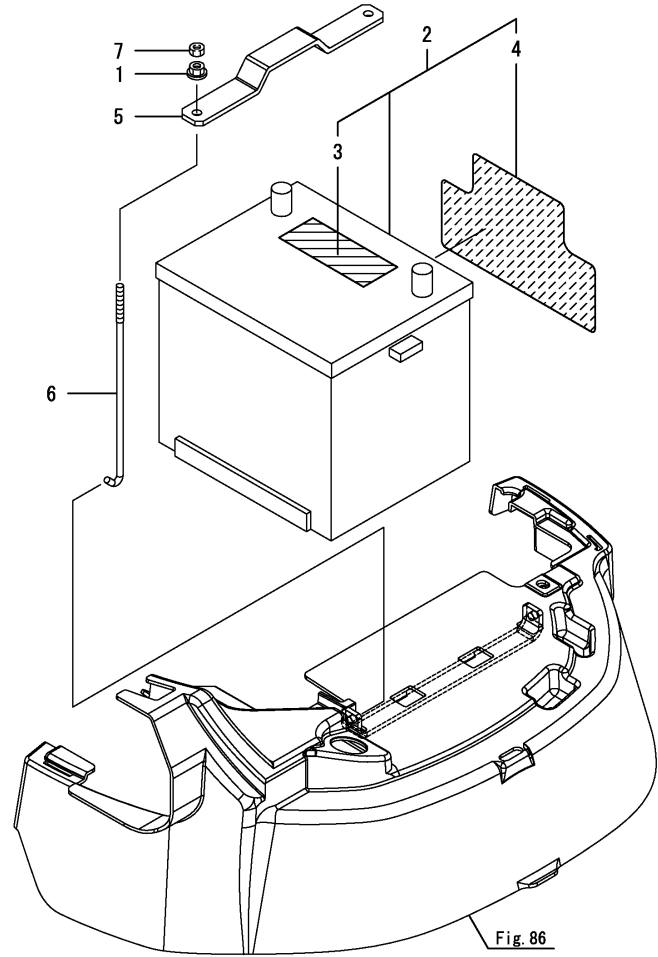
Remarks

\*Serial No.

Up to F020100 refer to Fig.77.

From F020101 refer to this item.

Fig.78. BATTERY



(A)=EA2400  
(B)=  
(C)=

(D)=  
(E)=  
(F)=

No.	Lev.	Parts No.	Description	Q'ty						I	R
				(A)	(B)	(C)	(D)	(E)	(F)		
1	1	194990-22130	NUT, M6	2							
2	1	1A8160-51550	BATTERY ASSY, DRY526R	1							
3	2	1A8160-51570	LABEL, BATTERY	1							
4	2	1A8160-51580	LABEL, BATTERY	1							
5	1	1A7880-58111	CLAMP, BATTERY	1							
6	1	1A7880-58120	ROD, CLAMP	2							
6-1	1	1A7880-58121	ROD, BATTERY CLAMP	2							R
		(A=FXXXXX)									
7	1	26716-060002	NUT, M6	2							

Fig.79. SWITCH A

(A)=EA2400

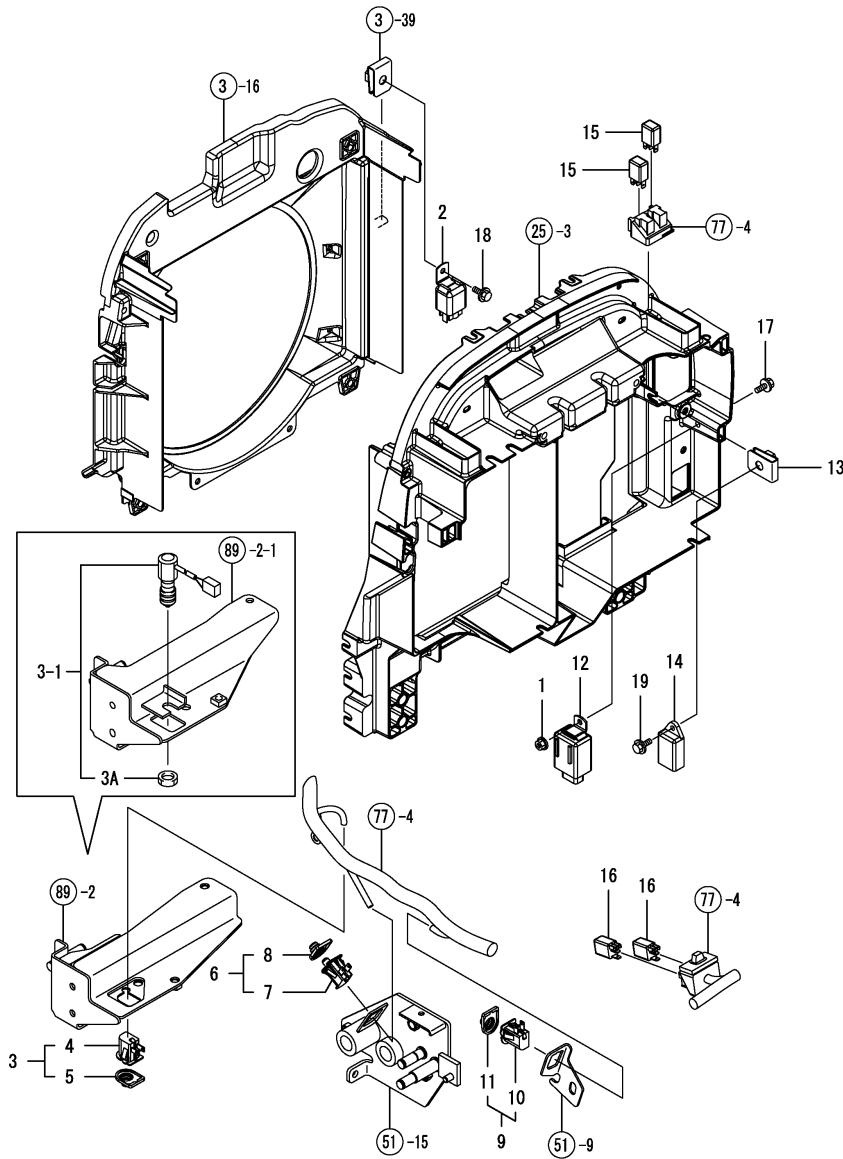
(B)=

(C)=

(D)=

(E)=

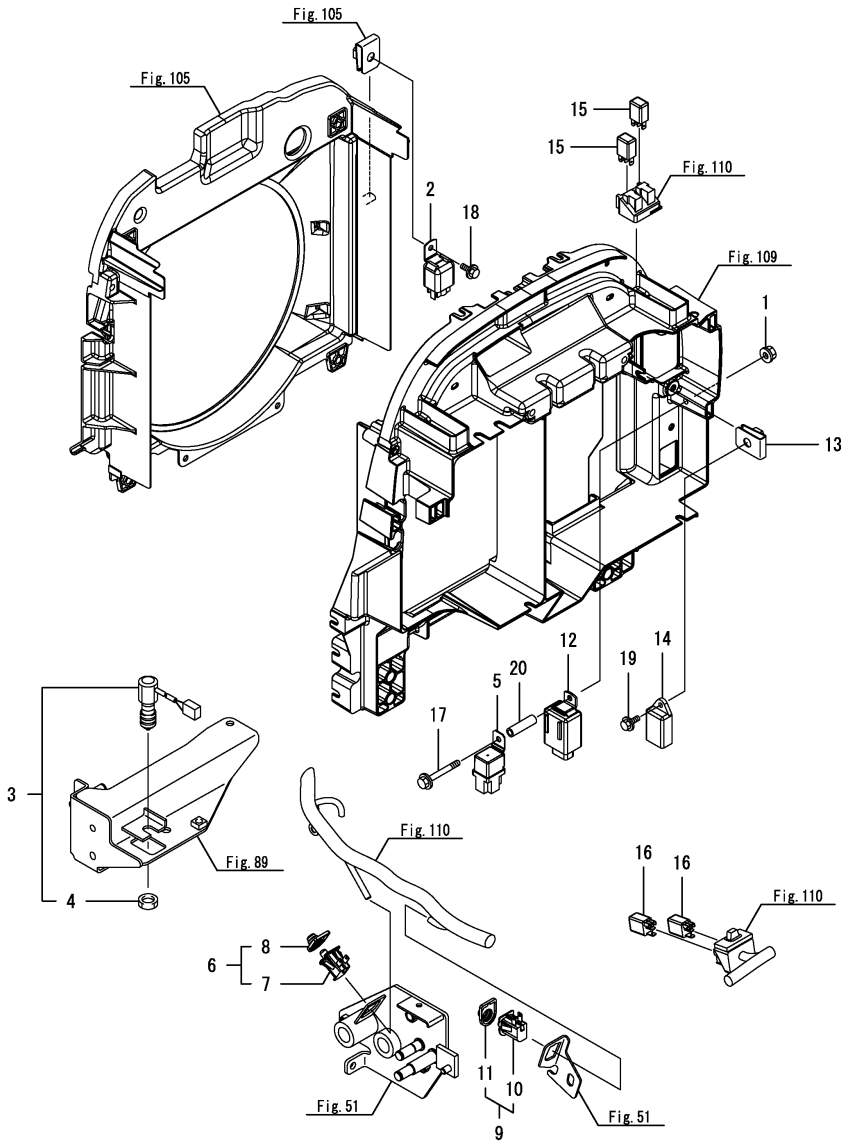
(F)=



No.	Lev.	Parts No.	Description	Q'ty						I	R
				(A)	(B)	(C)	(D)	(E)	(F)		
1	1	194990-22130	NUT, M6	1							
2	1	198220-52180	RELAY, STARTER	1							
3	1	1A7880-52200	SWITCH ASSY, PEDAL	1							
3-1	1	198223-52150 (A=*2009.10.)	SWITCH, STOP LAMP	1							N
3A	2	26776-120002 (A=*2009.10.)	NUT, LOCK M12	1							W
4	2	1A7880-52210 (A=*2009.10.)	SWITCH, PEDAL NC	1							Z
5	2	1A8160-52330 (A=*2009.10.)	COVER, GUARD	1							Z
6	1	1A7880-52200	SWITCH ASSY, PEDAL	1							
7	2	1A7880-52210	SWITCH, PEDAL NC	1							
8	2	1A8160-52330	COVER, GUARD	1							
9	1	1A8160-52300	SWITCH, SEAT DELTA	1							
10	2	1A8160-52310	SWITCH, SEAT DELTA	1							
11	2	1A8160-52330	COVER, GUARD	1							
12	1	1A6780-57200	FLASHER	1							
13	1	198071-61890	NUT, SPEED M6	1							
14	1	129211-77920	TIMER	1							
15	1	1K1140-82500	RELAY, ACM 13211M01	4							
16	1	1K1140-82500	RELAY, ACM 13211M01	2							
17	1	26106-060162	BOLT, M6X 16 PLATED	1							
18	1	26106-060162	BOLT, M6X 16 PLATED	1							
19	1	26106-060162	BOLT, M6X 16 PLATED	1							

Remarks  
 \*Serial No.  
 Up to F020100 refer to this item.  
 From F020101 refer to Fig.111.

Fig.111. (79A)SWITCH A



(A)=EA2400

(B)=

(C)=

(D)=

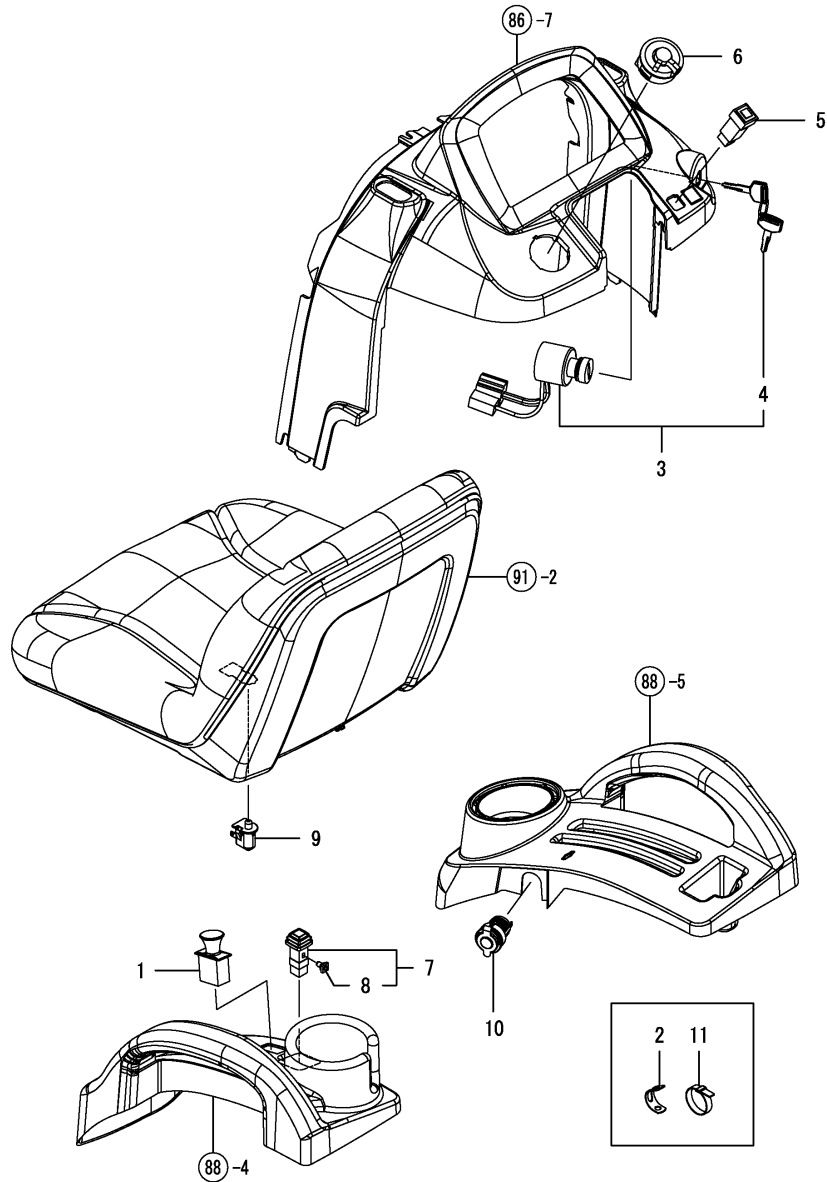
(E)=

(F)=

No.	Lev.	Parts No.	Description	Q'ty						I	R
				(A)	(B)	(C)	(D)	(E)	(F)		
1	1	194990-22130	NUT, M6	1							
2	1	198220-52180	RELAY, STARTER	1							
3	1	198223-52150	SWITCH, STOP LAMP	1							
4	2	26776-120002	NUT, LOCK M12	1							
5	1	1A7870-52950	RELAY, CB	1							
6	1	1A7880-52200	SWITCH ASSY, PEDAL	1							
7	2	1A7880-52210	SWITCH, PEDAL NC	1							
8	2	1A8160-52330	COVER, GUARD	1							
9	1	1A8160-52300	SWITCH, SEAT DELTA	1							
10	2	1A8160-52310	SWITCH, SEAT DELTA	1							
11	2	1A8160-52330	COVER, GUARD	1							
12	1	1A6780-57200	FLASHER	1							
13	1	198071-61890	NUT, SPEED M6	1							
14	1	129211-77920	TIMER	1							
15	1	1K1140-82500	RELAY(ACM13211M01	4							
16	1	1K1140-82500	RELAY(ACM13211M01	2							
17	1	26106-060502	BOLT, M6X 50 PLATED	1							
18	1	26106-060162	BOLT, M6X 16 PLATED	1							
19	1	26106-060162	BOLT, M6X 16 PLATED	1							
20	1	1A6382-96650	COLLAR	1							

Remarks  
 \*Serial No.  
 Up to F020100 refer to Fig.79.  
 From F020101 refer to this item.

Fig.80. SWITCH B



No.	Lev.	Parts No.	Description	Q'ty						I	R
				(A)	(B)	(C)	(D)	(E)	(F)		
1	1	172531-17300	SWITCH, PTO	1							
2	1	194440-51620	CLAMP	1							
3	1	198226-52100	SWITCH ASSY, STARTER	1							
4	2	194155-52160	KEY ASSY	1							
5	1	1A7335-52120	SWITCH, HAZARD	1							
6	1	1A7880-52140	SWITCH, COMBINATION	1							
7	1	1A7880-52250	SWITCH, NL Y	1							
8	2	198133-78840	LAMP ASSY	1							
9	1	1A8160-52310	SWITCH, SEAT DELTA	1							
10	1	1A7880-57100	SOCKET, POWER SOUCE	1							
11	1	29622-140001	BAND, RF140	2							
11-1	1	1A8300-51210	BAND, REPEAT	2							R

(A=FXXXXX)

Fig.81. LAMPS

(A)=EA2400

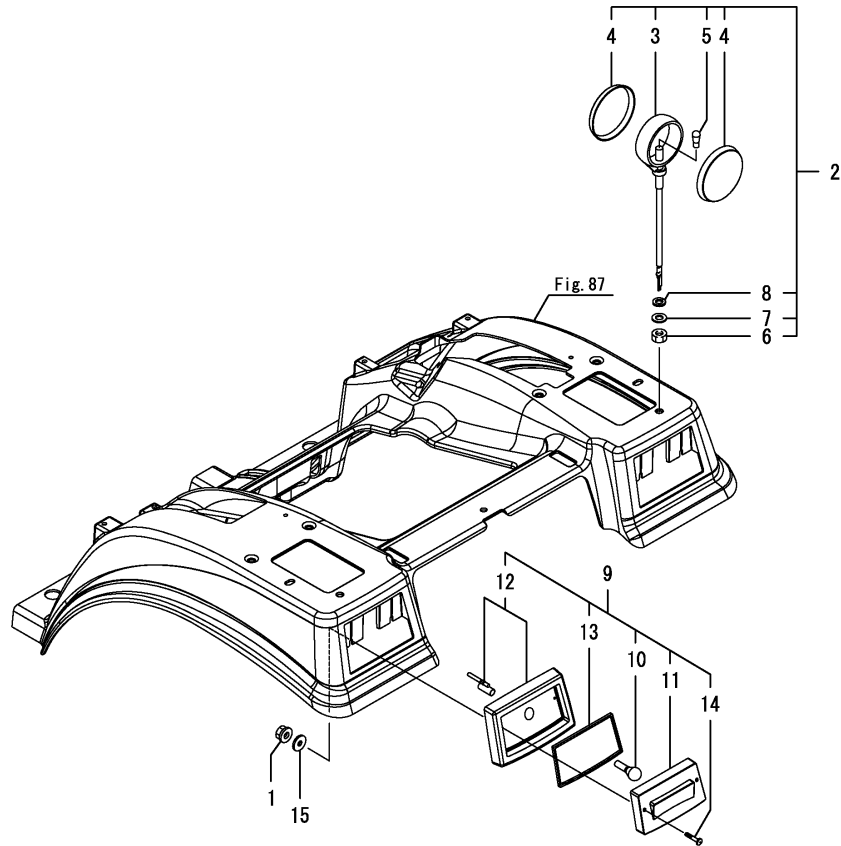
(B)=

(C)=

(D)=

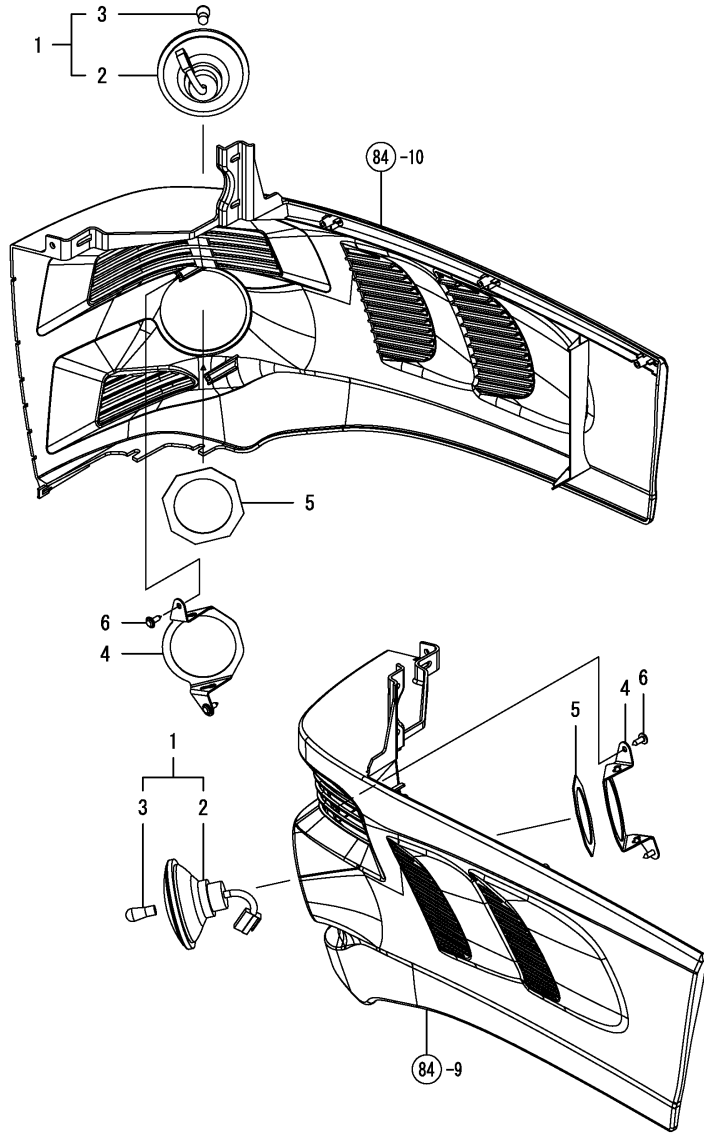
(E)=

(F)=



No.	Lev.	Parts No.	Description	Q'ty						I	R
				(A)	(B)	(C)	(D)	(E)	(F)		
1	1	194990-22130	NUT, M6	4							
2	1	1A7880-53400	LAMP ASSY, FLASHER	2							
3	2	1A7880-53410	HOUSING	2							
4	2	1A7880-53420	LENS	4							
5	2	1A7880-53430	BULB, 12.8V/27W	2							
6	2	21731-040002	NUT	2							
6-1	2	1A7880-53100	NUT	2							R
		(A=FXXXXX)									
7	2	22137-130000	WASHER, 13	2							
8	2	22217-130000	WASHER, SPRING 1/2	2							
9	1	1A7335-53600	LAMP, TAIL	2							
10	2	1A7335-53610	BULB, 12V-21/5W	2							
11	2	1A7335-53620	LENS ASSY	2							
12	2	1A7335-53630	HOUSING ASSY, SEMI	2							
13	2	1A7335-53640	GASKET	2							
14	2	1A7335-53650	SCREW, TAPPING M6X32	4							
15	1	22157-060000	WASHER, 6	4							

Fig.82. SIDE LAMP



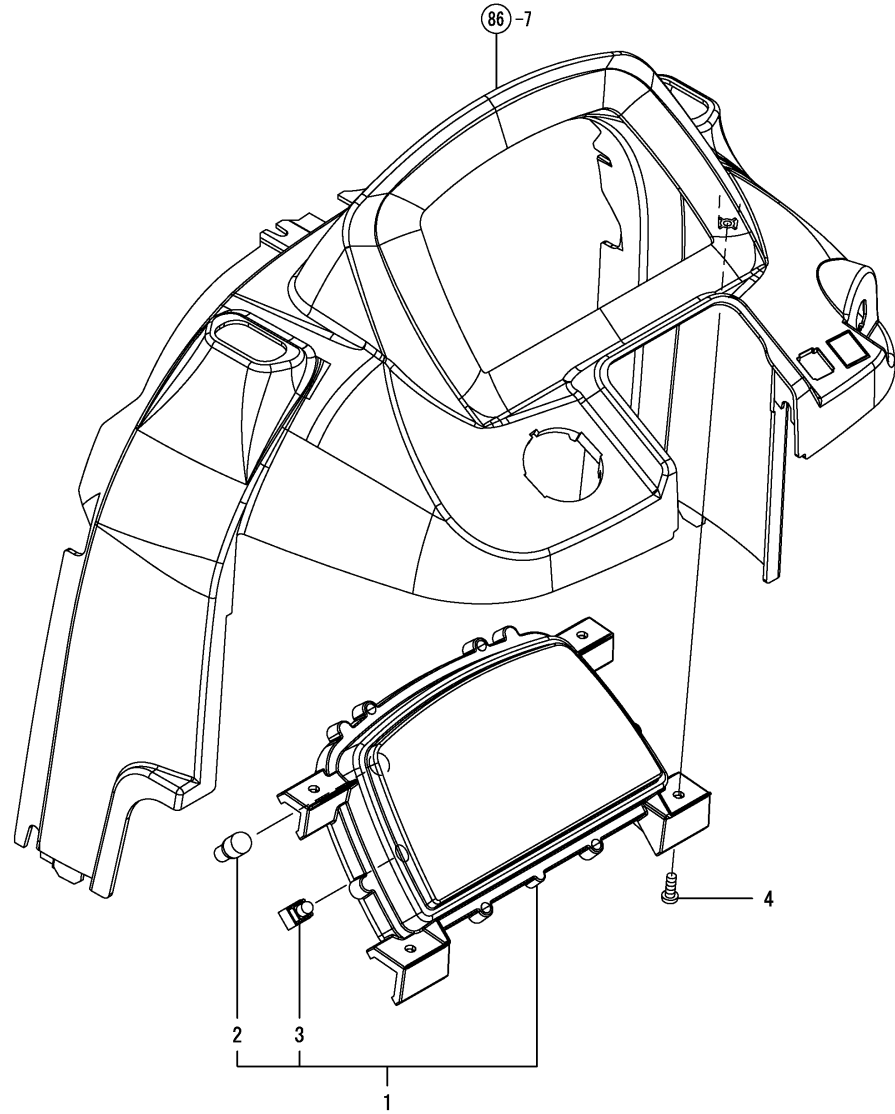
(A)=EA2400  
(B)=  
(C)=

(D)=  
(E)=  
(F)=

No.	Lev.	Parts No.	Description	Q'ty						I	R
				(A)	(B)	(C)	(D)	(E)	(F)		
1	1	1A7880-53300	LAMP ASSY, SIDE	2							
2	2	1A7880-53310	CASE ASSY, SIDE LAMP	2							
3	2	1A7880-53320	BULB, 12V/15W	2							
4	1	1A7880-61060	STAY,LAMP	2							
4-1	1	1A7880-61061	STAY, LAMP	2							R
(A=FXXXXXX)											
5	1	1A7880-61070	RUBBER, LAMP	2							
6	1	194420-61640	SCREW, TAPPING M5X16	4							



Fig.83. METER

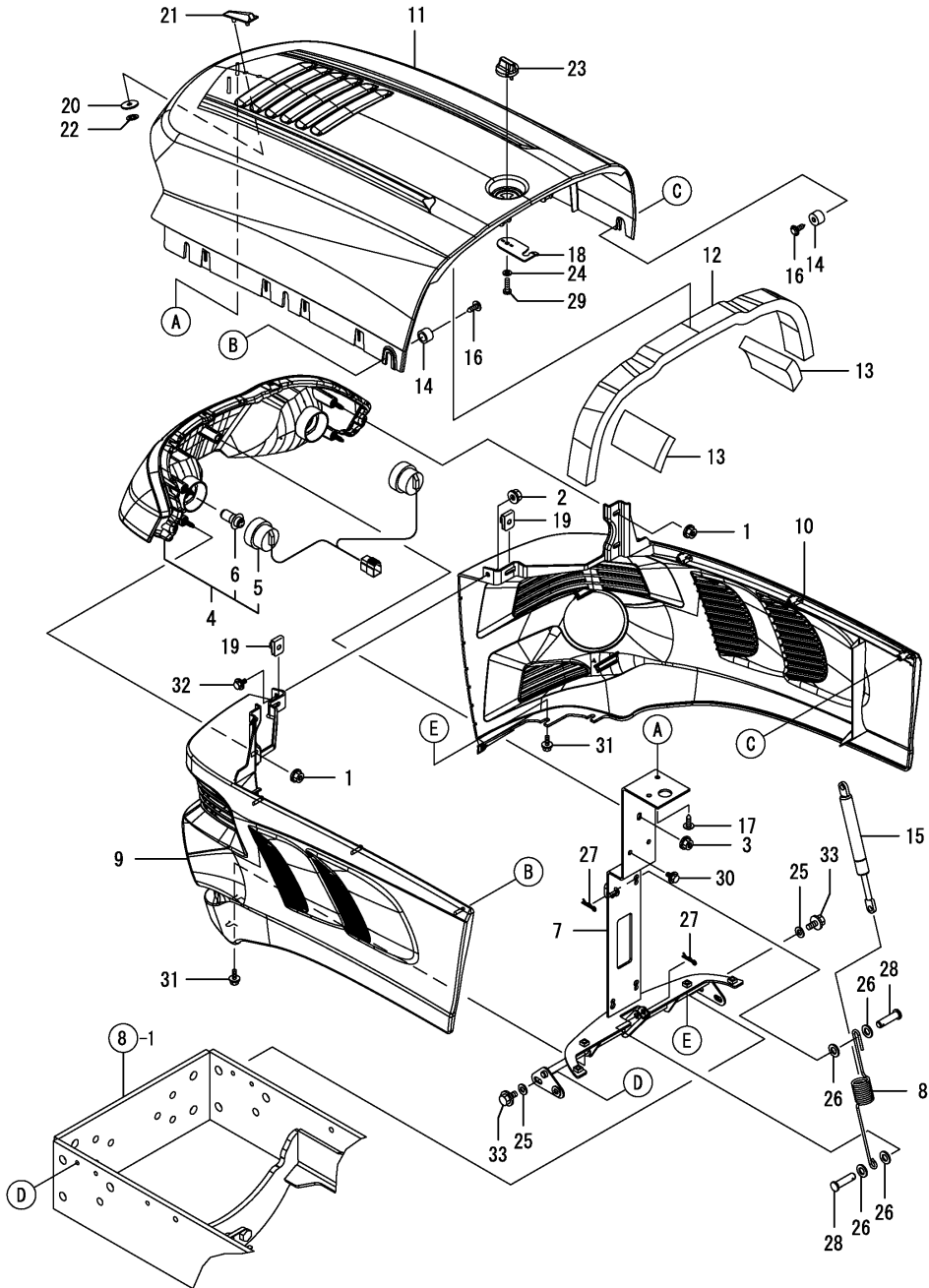


(A)=EA2400  
(B)=  
(C)=

(D)=  
(E)=  
(F)=

No.	Lev.	Parts No.	Description	Q'ty						I	R
				(A)	(B)	(C)	(D)	(E)	(F)		
1	1	1A7880-56010	METER ASSY	1							
2	2	1A7510-56110	BULB, 12V2.0W	12							
3	2	198448-56150	BULB, 14V-1.4W	2							
4	1	22857-600160	SCREW, 6X16	4							

Fig.84. HOOD



(A)=EA2400

(B)=

(C)=

(D)=

(E)=

(F)=

No.	Lev.	Parts No.	Description	Q'ty						I	R
				(A)	(B)	(C)	(D)	(E)	(F)		
1	1	194990-22130	NUT, M6	4							
2	1	194990-22130	NUT, M6	1							
3	1	194990-22130	NUT, M6	1							
4	1	1A7880-53050	LAMP ASSY, HEAD	1							
5	2	1A7880-53070	WIRE, HEAD LAMP	1							
6	2	1A7880-53080	BULB, 12V30/30W	2							
7	1	1A7880-60900	HINGE ASSY, BONNET	1							
7-1	1	1A7880-60901	HINGE ASSY, BONNET	1							R
(A=FXXXXX)											
8	1	1A7880-60990	SPRING, HINGE	1							
9	1	1A7880-61320	BONNET, LOWER L	1							
10	1	1A7880-61330	BONNET ASSY, LOWER R	1							
11	1	1A7880-61110	HOOD, UPPER	1							
12	1	1A7880-61170	SEAL, BONNET UPPER	1							
13	1	1A7880-61260	CUSHION, BONNET	2							
14	1	1A8070-61330	COLLAR, 10X15X10	6							
15	1	1A7880-61370	SPRING, GAS	1							
16	1	194420-61640	SCREW, TAPPING M5X16	6							
17	1	194420-61640	SCREW, TAPPING M5X16	2							
18	1	1A7880-61760	STOPPER(HOOD	1							
18-1	1	1A7880-61761	STOPPER, BONNET	1							R
(A=FXXXXX)											
19	1	198071-61890	NUT, SPEED M6	2							
20	1	194555-65130	CUSHION	2							
21	1	194940-65590	MARK, TOP	1							
22	1	198071-65610	NUT, SPEED M5	2							
23	1	1E6460-91573	KNOB, SACKER	1							
24	1	22137-050000	WASHER, 5	1							
25	1	22137-080000	WASHER, 8	4							
26	1	22137-080000	WASHER, 8	4							
27	1	22372-080000	PIN, SNAP 8	2							
28	1	22487-080260	PIN, H 8X 26	2							
29	1	22857-500161	SCREW, 5X16	1							
30	1	26106-060162	BOLT, M6X 16 PLATED	2							
31	1	26106-060162	BOLT, M6X 16 PLATED	4							
32	1	26106-060162	BOLT, M6X 16 PLATED	1							
33	1	26106-080162	BOLT, M8X 16 PLATED	4							

Fig.85. DASH BOARD ACCESSORIES

(A)=EA2400  
(B)=  
(C)=

(D)=  
(E)=  
(F)=

No.	Lev.	Parts No.	Description	Q'ty						I	R
				(A)	(B)	(C)	(D)	(E)	(F)		
1	1	1A7880-17350	BOOT	1							

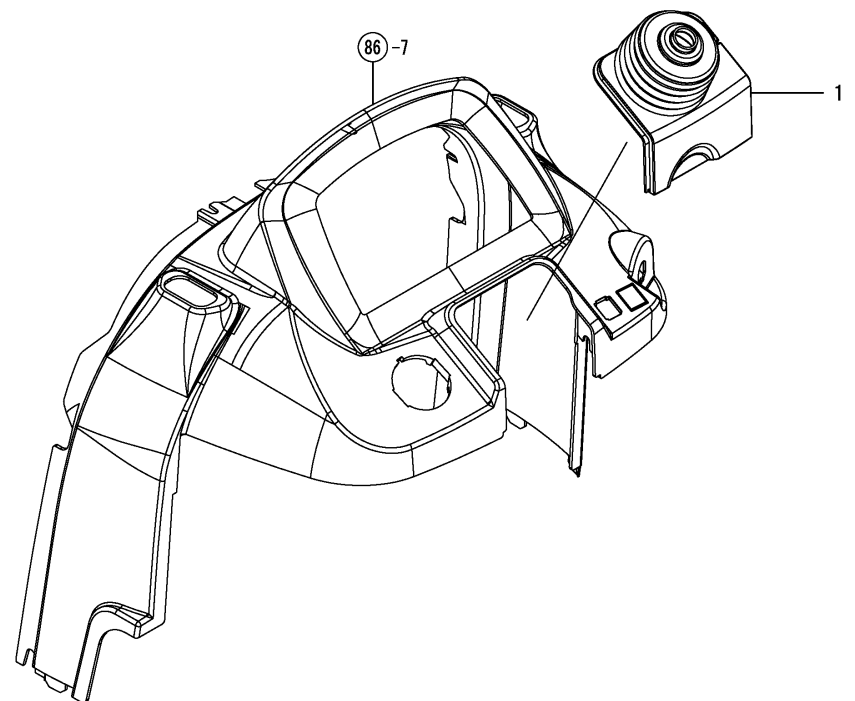
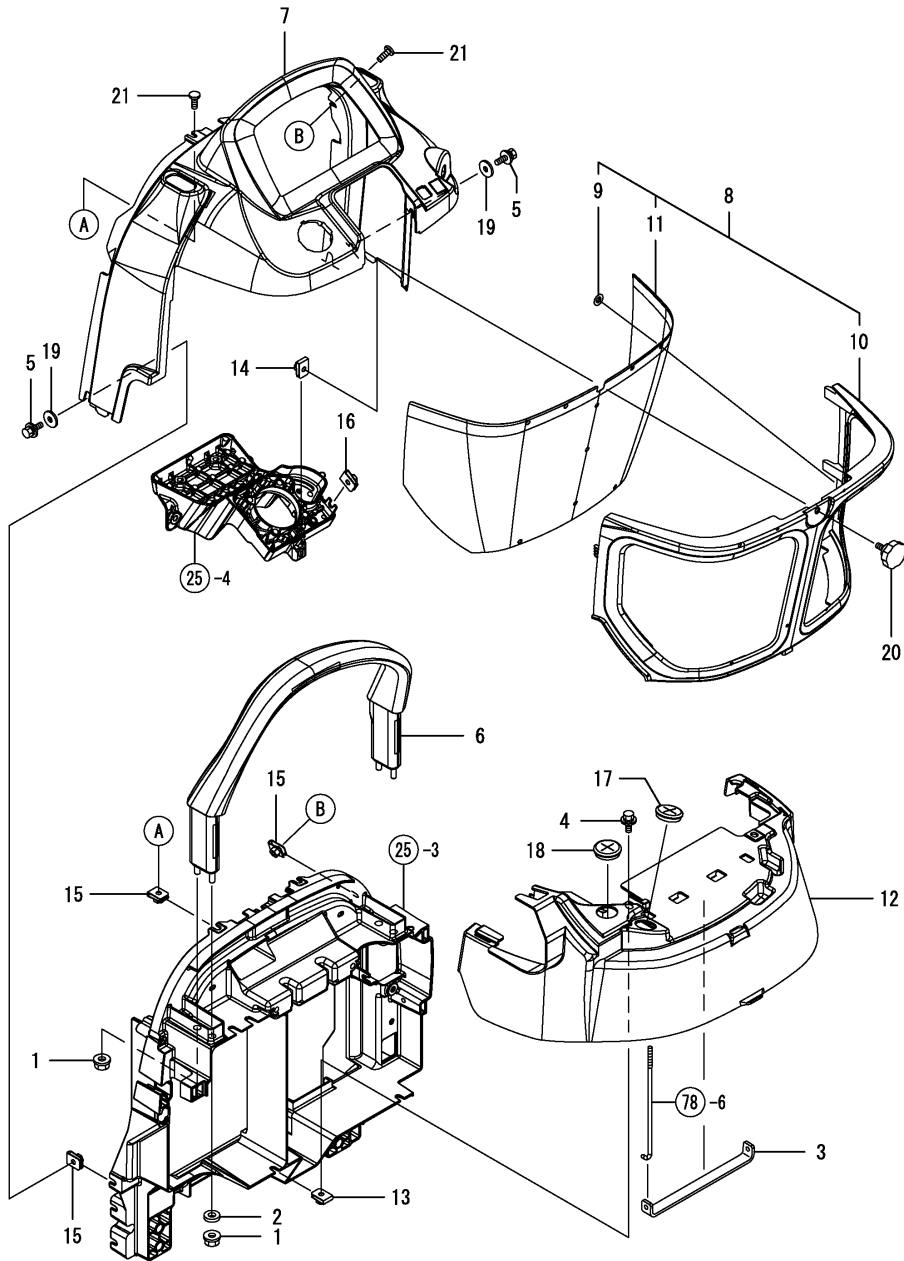


Fig.86. DASHBOARD



(A)=EA2400

(B)=

(C)=

(D)=

(E)=

(F)=

No.	Lev.	Parts No.	Description	Q'ty						I	R
				(A)	(B)	(C)	(D)	(E)	(F)		
1	1	194990-22140	NUT, M8	4							
2	1	194145-22430	SPACER, 18	1							
3	1	1A7880-58150	STAY,BATTERY	1							
3-1	1	1A7880-58151	STAY, BATTERY	1							R
		(A=FXXXXX)									
4	1	198461-60590	BOLT, M6X20	2							
5	1	198461-60590	BOLT, M6X20	2							
6	1	1A7880-61510	GRIP, ASSIST	1							
7	1	1A7880-61601	COVER, DASHBOARD	1							
8	1	1A7880-61640	COVER, DASHBOARD	1							
9	2	1C6460-38240	NUT 5,PUSH	6							
10	2	1A7880-61650	COVER, DASHBOARD	1							
11	2	1A7880-61670	NET, DASH COVER	1							
12	1	1A7880-61690	COVER, DASHBOARD	1							
13	1	198071-61890	NUT, SPEED M6	2							
14	1	198071-61890	NUT, SPEED M6	1							
15	1	198071-61890	NUT, SPEED M6	5							
16	1	198071-61890	NUT, SPEED M6	2							
17	1	1A6150-76740	GROMMET, 31	1							
18	1	1A6150-76740	GROMMET, 31	1							
19	1	22157-060000	WASHER, 6	3							
20	1	26064-060151	BOLT, 6X 15	1							
21	1	26589-060162	SCREW, M6	5							

# Fig.87. FENDER

(A)=EA2400

(B)=

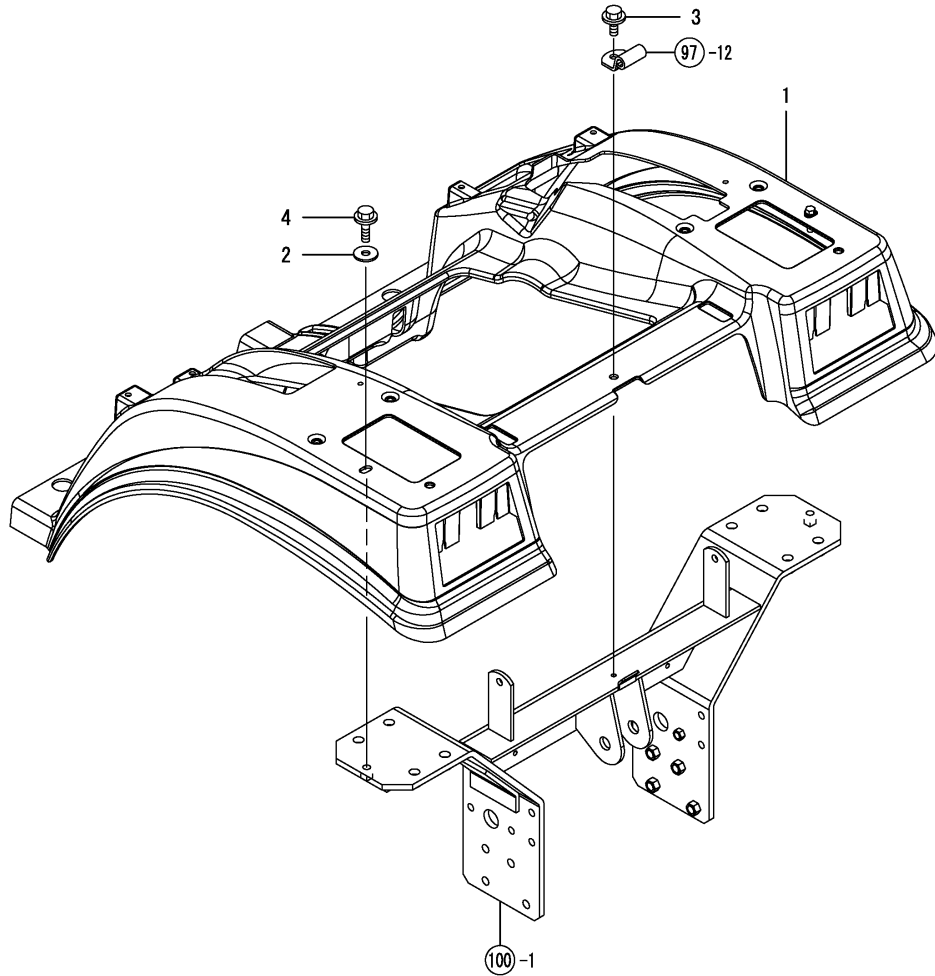
(C)=

(D)=

(E)=

(F)=

No.	Lev.	Parts No.	Description	Q'ty						I	R
				(A)	(B)	(C)	(D)	(E)	(F)		
1	1	1A7880-62200	FENDER, RED	1							
2	1	22157-080000	WASHER, 8	2							
3	1	26106-080202	BOLT, M8X 20 PLATED	1							
4	1	26106-080302	BOLT, M8X 30 PLATED	2							




---

---

---

---

---

---

---

---

---

---

---

---

---

---

---

---

---

---

---

---

---

---

---

---

---

---

Fig.88. LEVER GUIDE

(A)=EA2400

(B)=

(C)=

(D)=

(E)=

(F)=

No.	Lev.	Parts No.	Description	Q'ty						I	R
				(A)	(B)	(C)	(D)	(E)	(F)		
1	1	194300-37570	SPRING	1							
2	1	198165-47750	KNOB, CONTROL	1							
3	1	1A7510-47760	STOPPER, CONTROL	1							
4	1	1A7880-62240	GUIDE ASSY, LEVER LM	1							
5	1	1A7880-62300	GUIDE, LEVER R	1							
6	1	22157-080000	WASHER, 8	1							
7	1	22417-200160	PIN, COTTER 2.0X16	1							
8	1	22857-600160	SCREW, 6X16	4							
9	1	22857-600160	SCREW, 6X16	5							

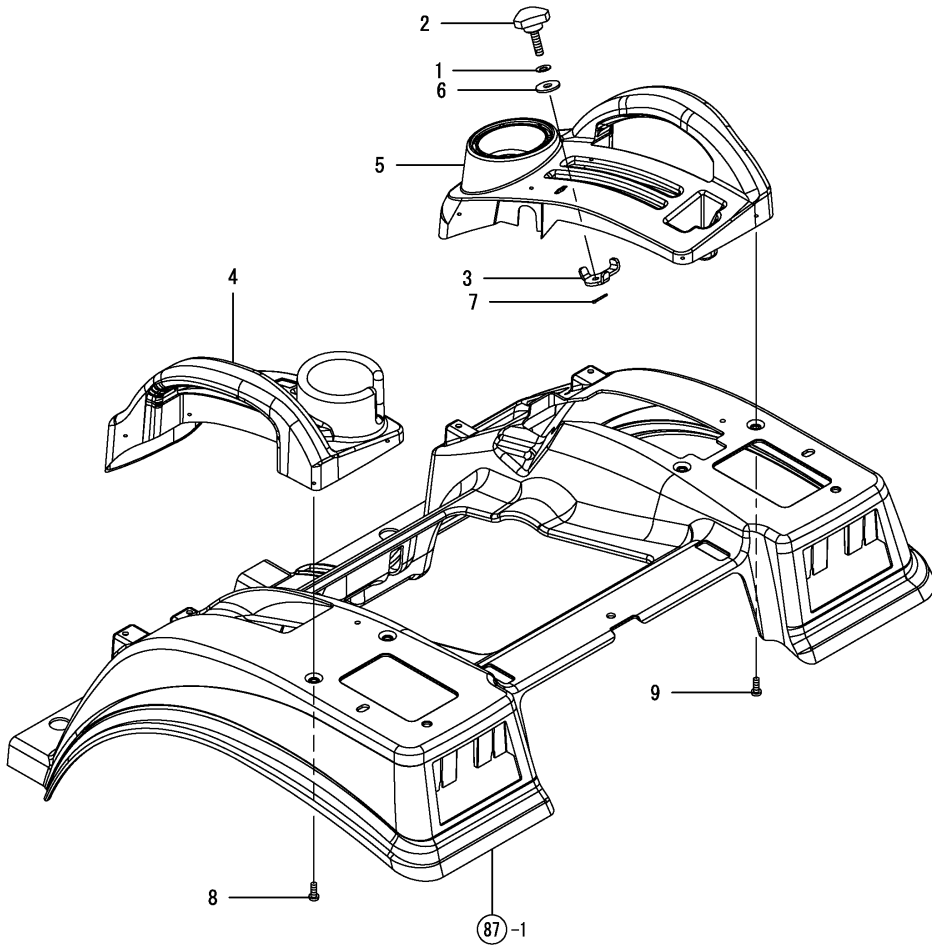
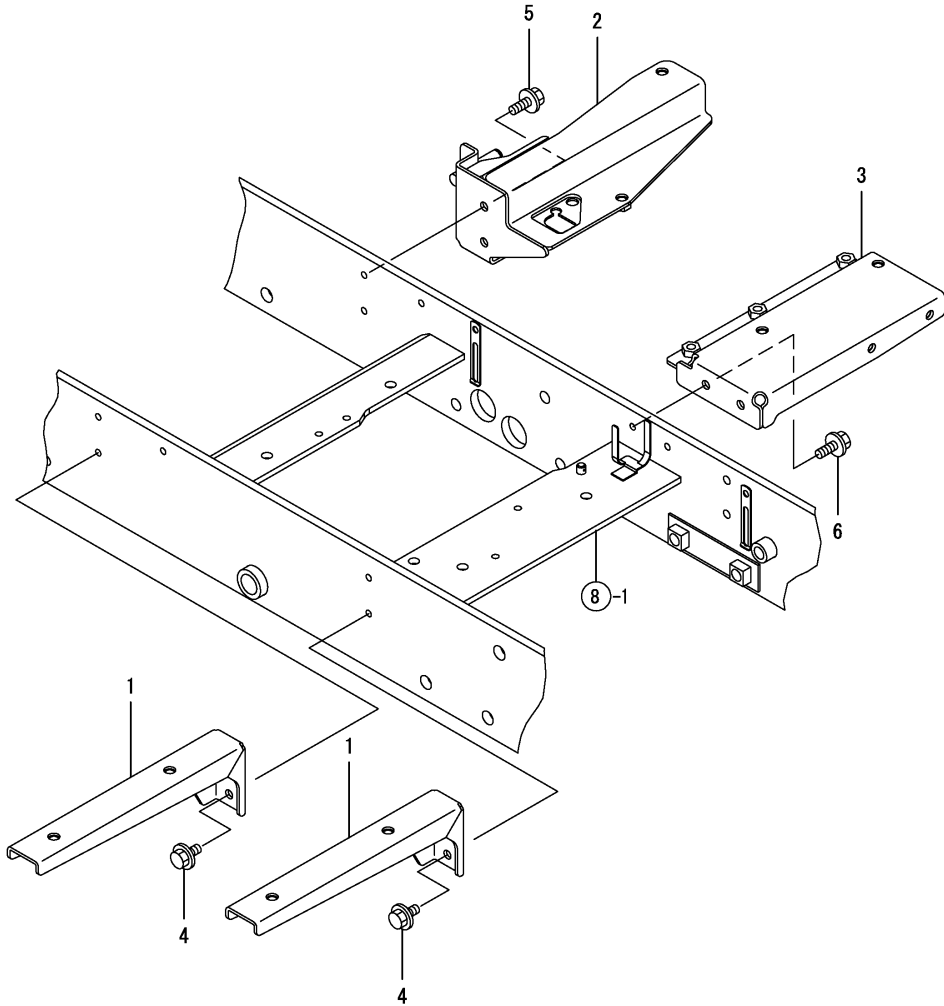


Fig.89. FOOTREST STAY



(A)=EA2400

(B)=

(C)=

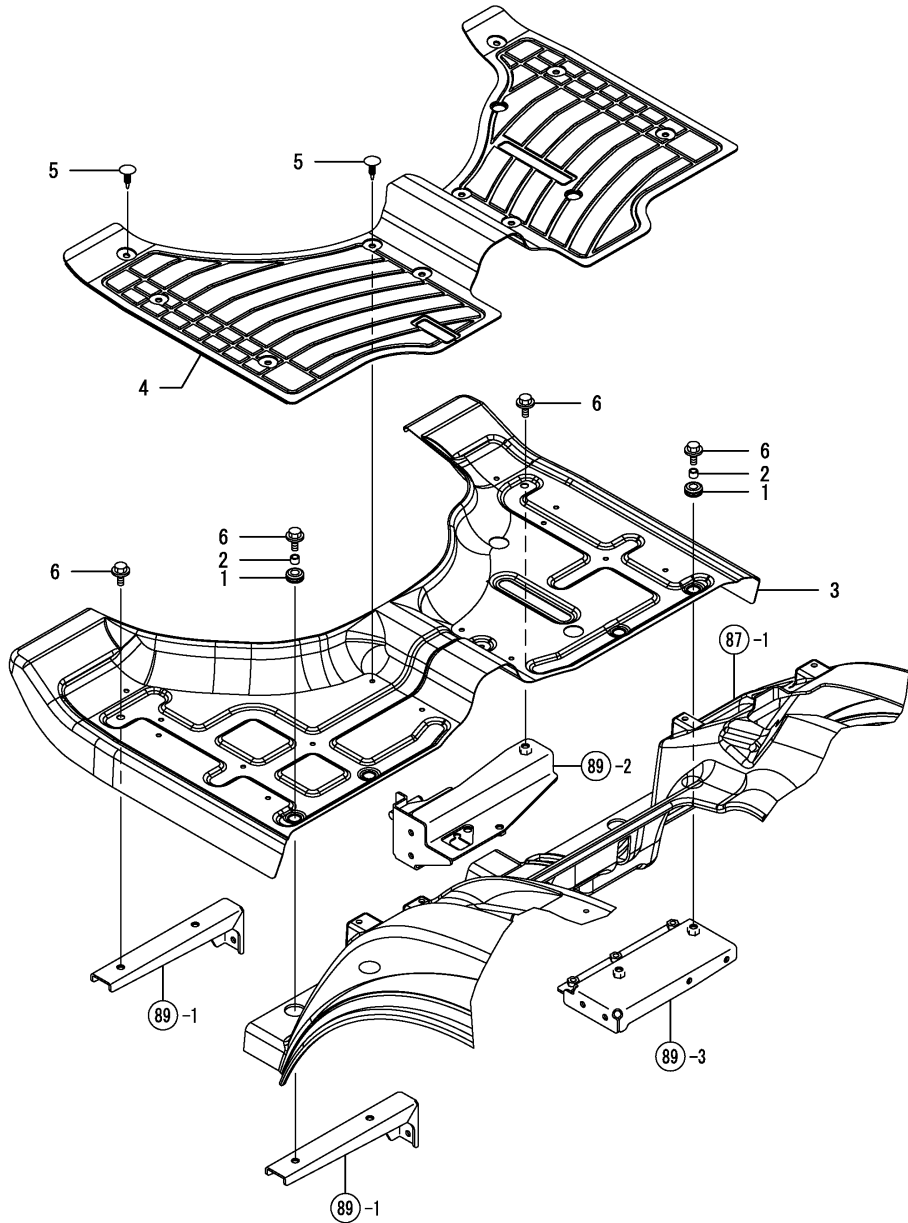
(D)=

(E)=

(F)=

No.	Lev.	Parts No.	Description	Q'ty						I	R
				(A)	(B)	(C)	(D)	(E)	(F)		
1	1	1A7880-62550	STAY ASSY, STEP L	2							
2	1	1A7880-62600	STAY ASSY, STEP RF	1							
2-1	1	1A7880-62601	STAY ASSY, STEP RF	1							N
			(A=*2009.10.)								
3	1	1A7880-62650	STAY ASSY, STEP RR	1							
4	1	26106-080162	BOLT, M8X 16 PLATED	4							
5	1	26106-080162	BOLT, M8X 16 PLATED	2							
6	1	26106-080162	BOLT, M8X 16 PLATED	2							

Fig.90. STEP



(A)=EA2400  
(B)=  
(C)=

(D)=  
(E)=  
(F)=

No.	Lev.	Parts No.	Description	Q'ty						I	R
				(A)	(B)	(C)	(D)	(E)	(F)		
1	1	198360-03260	GROMMET, 12	4							
2	1	198360-03270	SPACER	4							
3	1	1A7880-62500	STEP	1							
4	1	1A7880-62510	SHEET ,STEP	1							
5	1	198162-62630	FASNER	10							
6	1	26106-080202	BOLT, M8X 20 PLATED	6							



Fig.91. DRIVER SEAT

(A)=EA2400

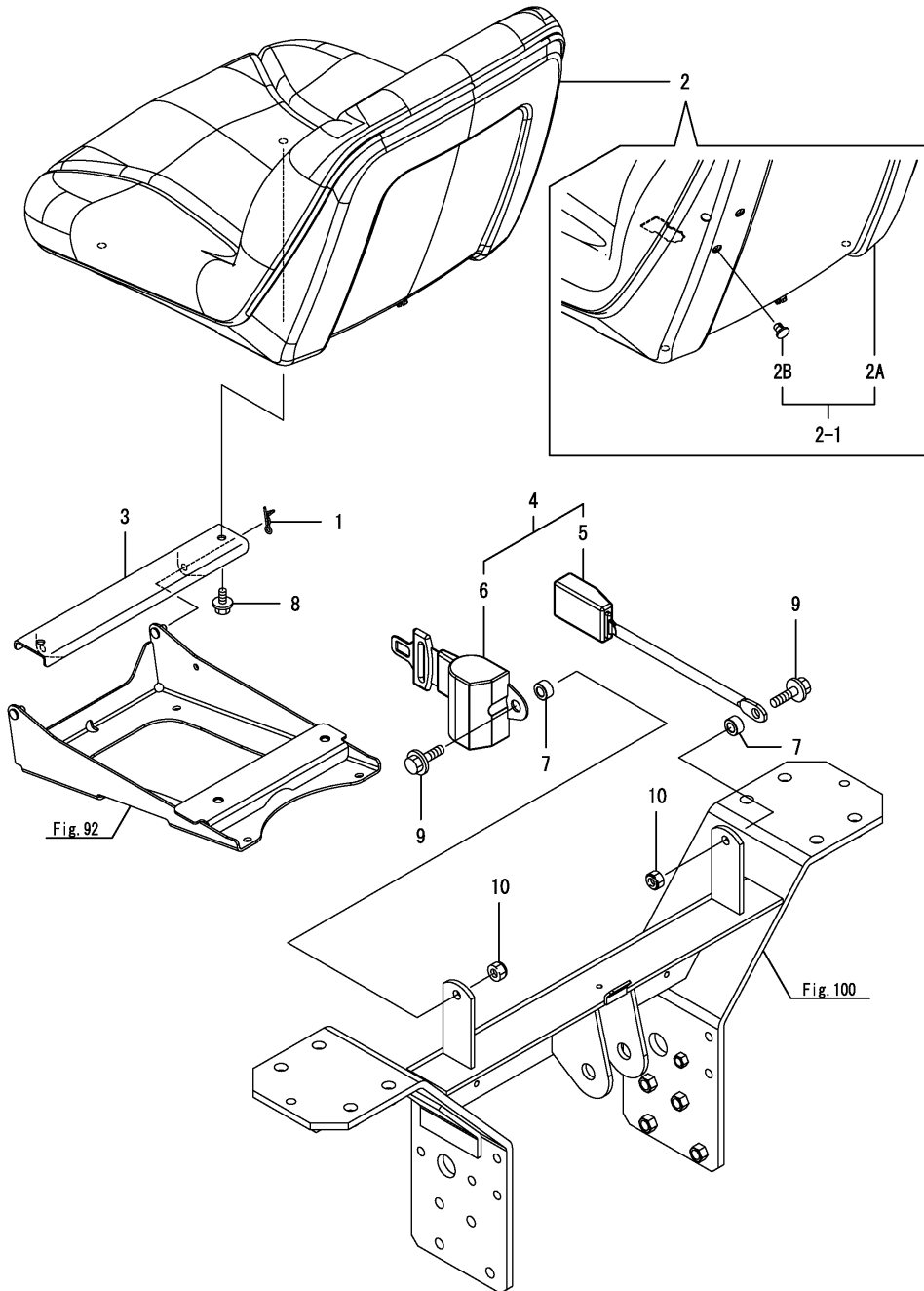
(B)=

(C)=

(D)=

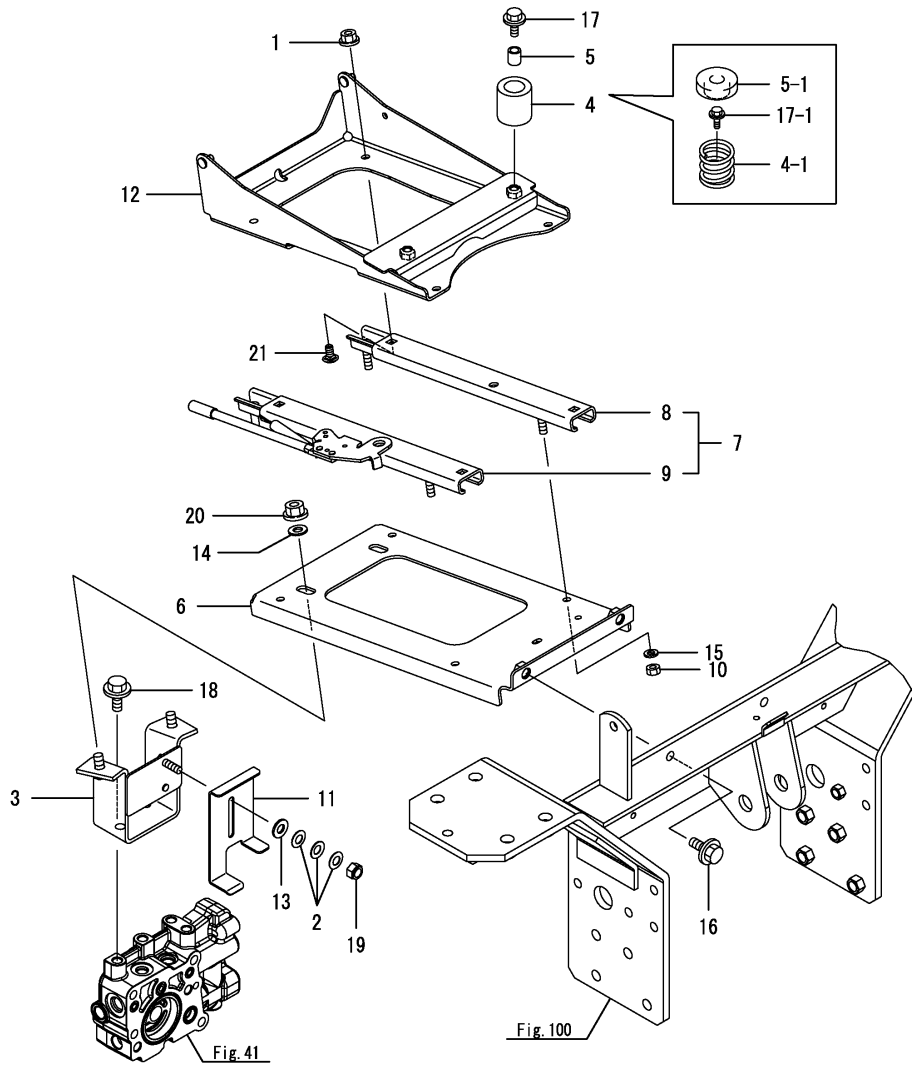
(E)=

(F)=



No.	Lev.	Parts No.	Description	Q'ty						I	R
				(A)	(B)	(C)	(D)	(E)	(F)		
1	1	1C6281-52320	PIN, SNAP 8	1							
2	1	1A7880-63010	SEAT ASSY, OPERATOR	1							
2-1	1	1A7880-63050	SEAT ASSY, OPERATOR	1							N
		(A=*2010.05)									
2-2	1	1A7880-63020	SEAT, OPERATOR	1							N
		(A=FXXXXX)									
2A	2	1A8300-63010	SEAT ASSY, OPERATOR	1							W
		(A=*2010.05)									
2A-1	2	1A8300-63010	SEAT ASSY, OPERATOR	1							Z
		(A=FXXXXX)									
2B	2	1A7880-63060	NUT PLUG	6							W
		(A=*2010.05)									
2B-1	2	1A7880-63060	NUT PLUG	6							Z
		(A=FXXXXX)									
3	1	1A7880-63100	HINGE ASSY, SEAT	1							
4	1	1A8160-63400	BELT ASSY, SEAT	1							
5	2	1A8160-63410	BELT ASSY, SEAT	1							
6	2	1A8160-63420	BELT ASSY, SEAT	1							
7	1	1A8160-63440	COLLAR, SEAT BELT	2							
8	1	26106-080162	BOLT, M8X 16 PLATED	2							
9	1	26106-100352	BOLT, M10X 35 PLATED	2							
10	1	26346-100002	NUT, M10	2							

Fig.92. SEAT STAY



(A)=EA2400

(B)=

(C)=

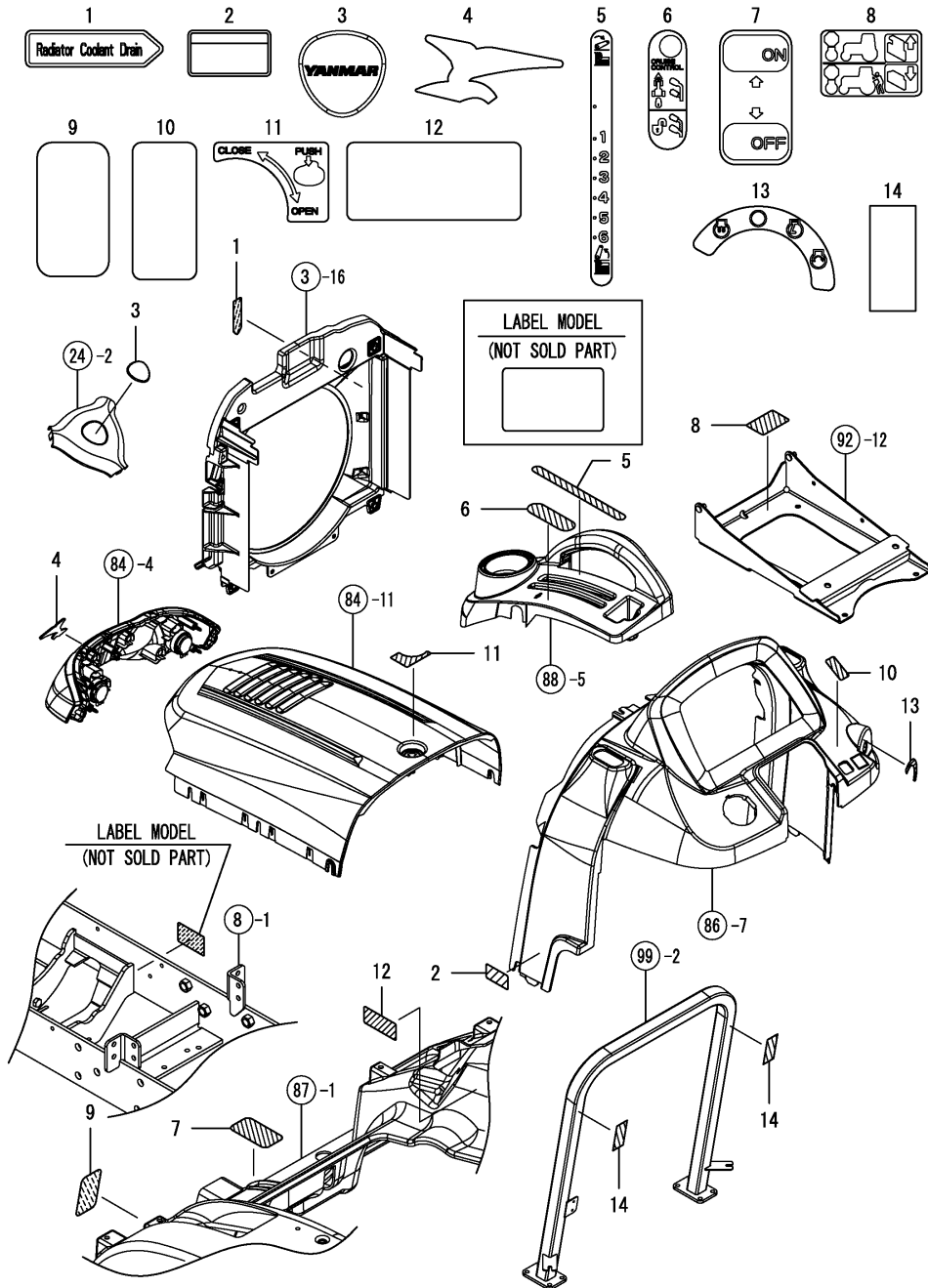
(D)=

(E)=

(F)=

No.	Lev.	Parts No.	Description	Q'ty						I	R
				(A)	(B)	(C)	(D)	(E)	(F)		
1	1	194990-22140	NUT, M8	4							
2	1	194300-37570	SPRING	3							
3	1	1A7880-63200	STAY ASSY, SEAT	1							
4	1	194151-63240	RUBBER, CUSHION	2							
4-1	1	1A8115-63260	SPRING	2							S
(A=*2010.05)											
5	1	194151-63250	COLLAR, CUSHION	2							
5-1	1	198284-63270	STOPPER, SEAT	2							S
(A=*2010.05)											
6	1	1A7880-63300	STAY ASSY, RAIL A	1							
7	1	1A7880-63390	RAIL KIT, SEAT	1							
8	2	1A7880-63400	RAIL ASSY, SEAT	1							
9	2	1A7880-63410	RAIL ASSY, SEAT	1							
10	1	1A7880-63420	NUT, 5/16-18UNC	4							
11	1	1A7880-63450	PLATE, SWITCH	1							
11-1	1	1A7880-63451	PLATE, SWITCH	1							R
(A=FXXXXX)											
12	1	1A7880-63500	STAY ASSY, RAIL B	1							
13	1	22137-080000	WASHER, 8	1							
14	1	22137-100000	WASHER, 10	2							
15	1	22217-080000	WASHER, SPRING 8	4							
16	1	26014-100252	BOLT, M10X 25	2							
17	1	26106-080252	BOLT, M8X 25 PLATED	2							
17-1	1	26106-080162	BOLT, M8X 16 PLATED	2							S
(A=*2010.05)											
18	1	26106-100162	BOLT, M10X 16 PLATED	2							
19	1	26347-080002	NUT, M8	1							
20	1	26366-100002	NUT, M10	2							
21	1	26487-080163	BOLT, M8X16	4							

Fig.93. LABEL



(A)=EA2400

(B)=

(C)=

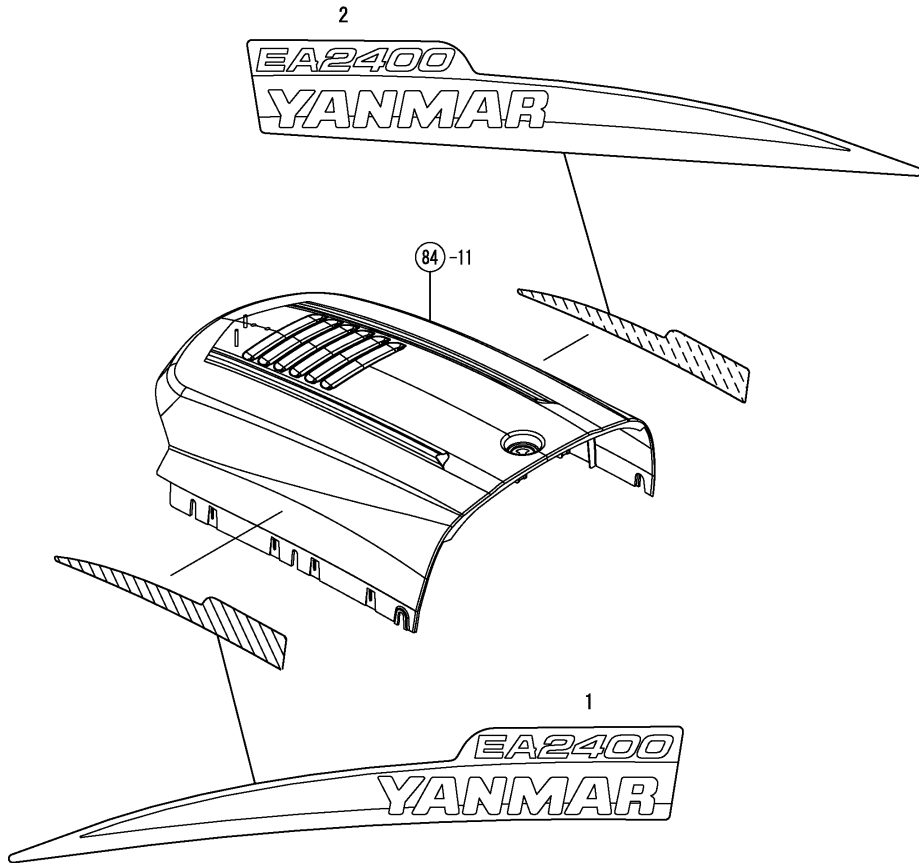
(D)=

(E)=

(F)=

No.	Lev.	Parts No.	Description	Q'ty						I	R
				(A)	(B)	(C)	(D)	(E)	(F)		
1	1	1A7340-65080	LABEL,DRAIN	1							
2	1	114110-07760	LABEL, FUEL OIL	1							Z
(A=FZZZZZ)											
3	1	1A7880-15880	PLATE	1							
4	1	198200-65010	MARK, BRAN 63-R400	1							
5	1	1A7880-65331	LABEL POSITION	1							
6	1	1A7880-65341	LABEL LEVER GUIDE L	1							
7	1	1A7880-65370	LABEL, LEVER 4WD	1							
8	1	1A7880-65380	LABEL, LEVER VALVE	1							
9	1	1A7880-65390	LABEL,DIFFLOCK	1							
10	1	1A7880-65511	LABEL,ACCELERAT.LVR.	1							
11	1	1A7880-65570	LABEL HOOD OPEN	1							
12	1	1A7880-65630	LABEL,SOCKET	1							
13	1	1A7880-65721	LABEL,START SWITCH	1							
14	1	1A8160-65860	TAPE, 50X115	2							

Fig.94. LABEL(NAME



(A)=EA2400  
(B)=  
(C)=

(D)=  
(E)=  
(F)=

No.	Lev.	Parts No.	Description	Q'ty						I	R
				(A)	(B)	(C)	(D)	(E)	(F)		
1	1	1A7880-65530	LABEL, LOGO L.H, EA	1							
2	1	1A7880-65540	LABEL, LOGO R.H, EA	1							

Fig.95. LABEL(SCV)

(A)=EA2400  
(B)=  
(C)=

(D)=  
(E)=  
(F)=

No.	Lev.	Parts No.	Description	Q'ty						I	R
				(A)	(B)	(C)	(D)	(E)	(F)		
1	1	1A7880-65411	LABEL,SCV LEVER	1							
2	1	1A8160-65430	LABEL,SCV COUPLER	1							

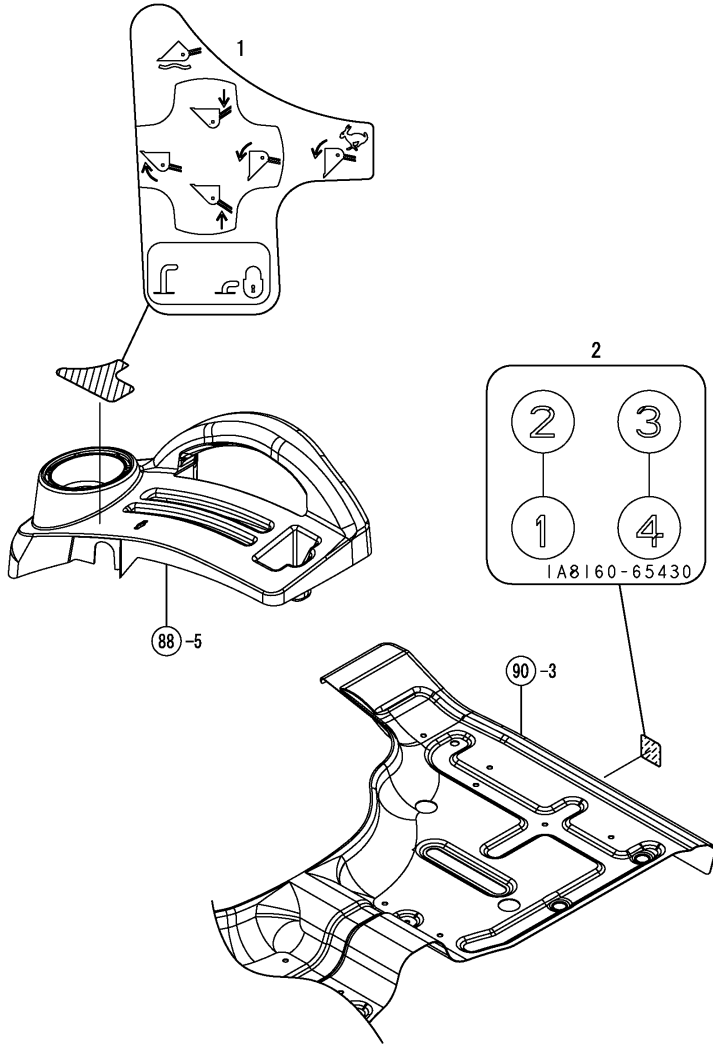
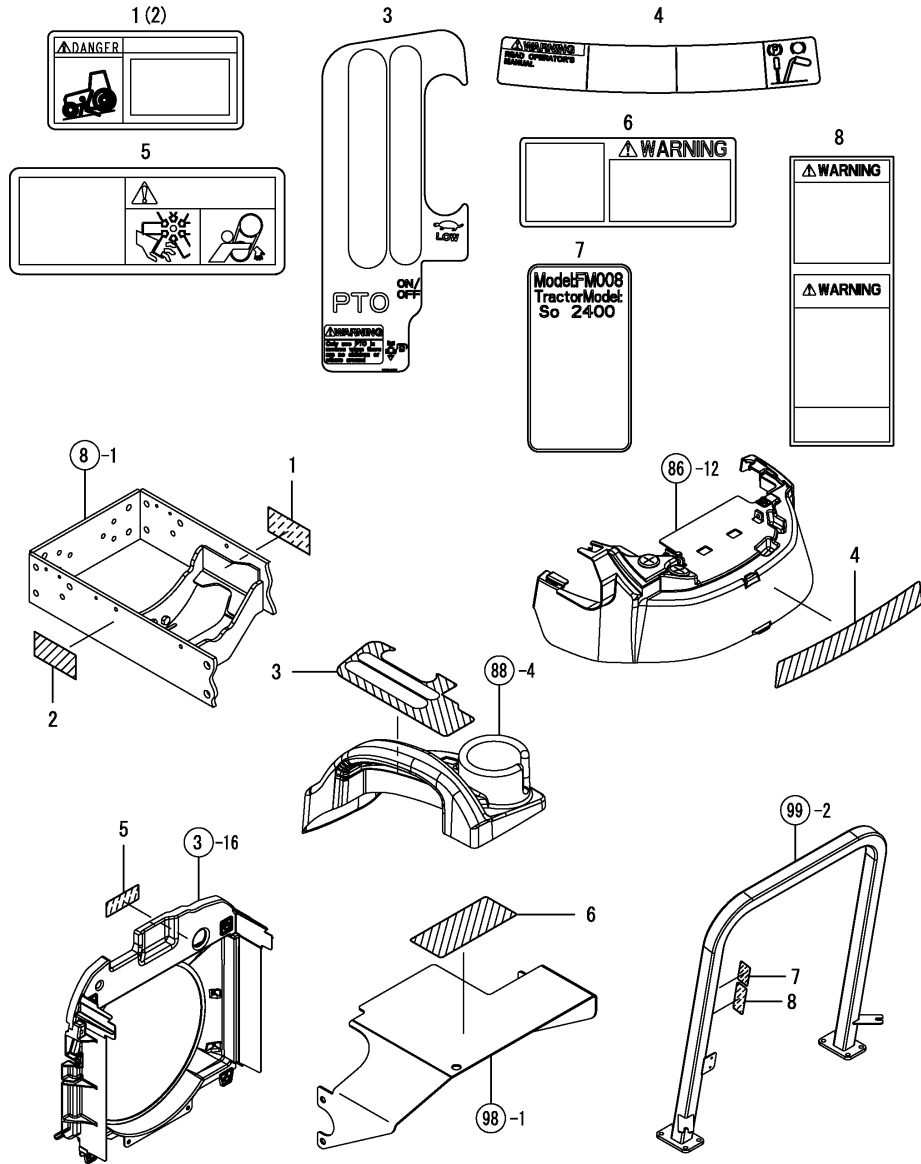


Fig.96. LABEL(SAFETY)



(A)=EA2400

(B)=

(C)=

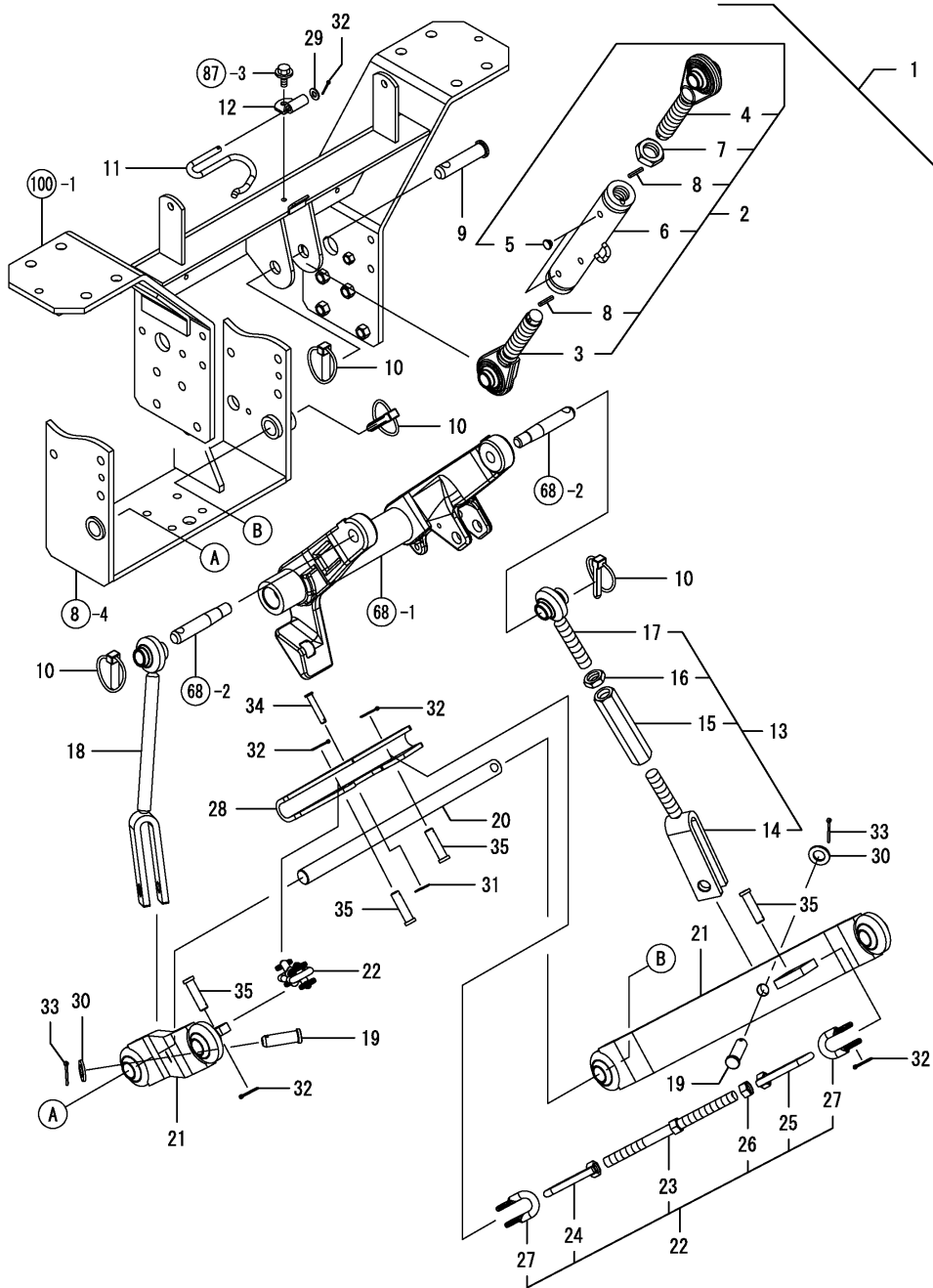
(D)=

(E)=

(F)=

No.	Lev.	Parts No.	Description	Q'ty						I	R
				(A)	(B)	(C)	(D)	(E)	(F)		
1	1	1A8160-65300	LABEL,DANGER,START	1							
2	1	1A8160-65310	LABEL,WARNIBG,STOP	1							
3	1	1A7880-65351	LABEL, LEVERGUIDE L	1							
4	1	1A7880-65601	LABEL,WARNING,GENERA	1							
5	1	1A7880-65610	LABEL,WARNING,FAN	1							
6	1	198220-65621	LABEL,PTO WARNING	1							
7	1	1A7880-65990	LABEL, ROPS, EA	1							
8	1	1A7880-85190	SAFETY DECAL, ROPS	1							

Fig.97. 3P KIT



(A)=EA2400

(B)=

(C)=

(D)=

(E)=

(F)=

No.	Lev.	Parts No.	Description	Qty						I	R
				(A)	(B)	(C)	(D)	(E)	(F)		
1	1	1A7880-71800	HITCH KIT, 3 POINT	1							
2	2	1A7880-71110	LINK ASSY, TOP	1							
3	3	1A7880-71210	BOLT, EYE	1							
4	3	1A7880-71220	BOLT, EYE	1							
5	3	1A7335-71250	CAP	4							
6	3	1A7880-71500	TURNBACKLE ASSY	1							
7	3	1A7880-71580	NUT, M24	1							
8	3	22351-050025	PIN, SPRING 5.0X25	2							
9	2	1A7500-71120	PIN, LINK	1							
10	2	1A7500-71130	PIN ASSY, LINTCH	4							
11	2	1A7880-71550	SPRING	1							
12	2	1A7880-71720	PLATE, TOP LINK	1							
13	2	1A7880-72100	ROD ASSY, LIFT R	1							
14	3	1A7880-72310	END ASSY, LOWER	1							
15	3	1A7880-72320	TURNBUCKLE	1							
16	3	1A7880-72330	NUT, M18	1							
17	3	1A7880-72340	END ASSY, UPPER	1							
18	2	1A7880-72300	ROD ASSY, LIFT L	1							
19	2	198234-72550	PIN, 16X44	2							
20	2	1A7880-73150	BAR, LOWER LINK	1							
21	2	1A7880-73500	LINK ASSY, LOWER	2							
22	2	1A7880-74100	CHAIN ASSY, CHECK	2							
23	3	1A7880-74110	TURNBACKLE ASSY	2							
24	3	1A7880-74120	NUT, EYE	2							
25	3	1A7880-74130	NUT, EYE	2							
26	3	1A7880-74140	NUT, M14	2							
27	3	1A7880-74150	SHACKLE	4							
28	2	1A7880-74550	HINGE, CHECK CHAIN	1							
29	1	22137-080000	WASHER, 8	1							
30	1	22137-160000	WASHER, 16	2							
31	1	22372-080000	PIN, SNAP 8	1							
32	1	22417-250250	PIN, COTTER 2.5X25	5							
33	1	22417-320320	PIN, COTTER 3.2X32	2							
34	1	22487-080400	PIN, H 8X 40	1							
35	1	22487-120400	PIN, 12 X 40	4							

Fig.98. SAFETY COVER(PTO)

(A)=EA2400

(B)=

(C)=

(D)=

(E)=

(F)=

No.	Lev.	Parts No.	Description	Q'ty						I	R
				(A)	(B)	(C)	(D)	(E)	(F)		
1	1	1A7880-71130	COVER ASSY, PTO M	1							
2	1	26106-080202	BOLT, M8X 20 PLATED	4							

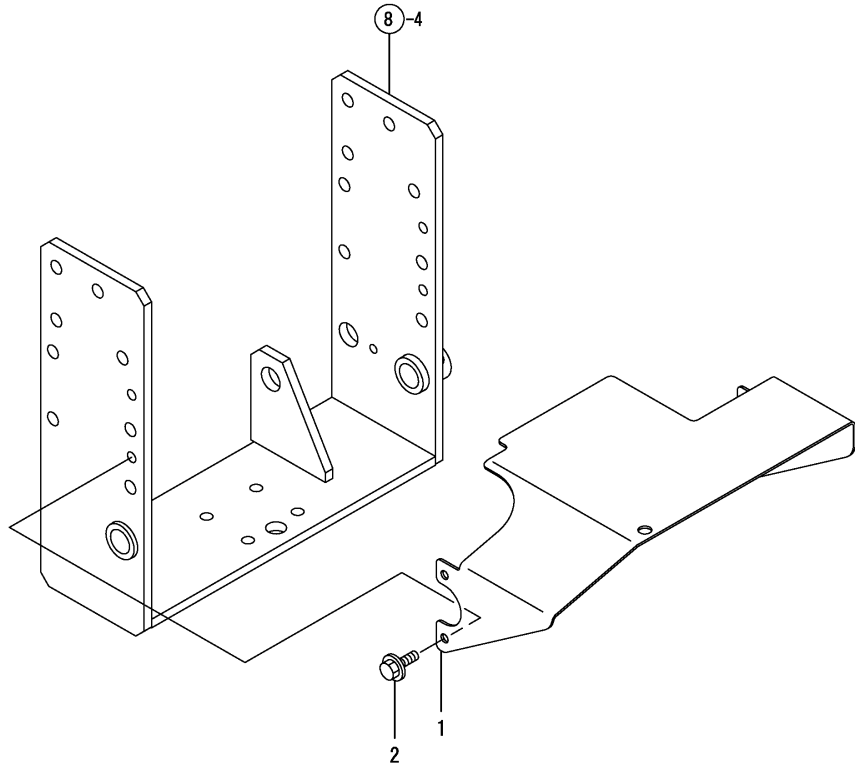
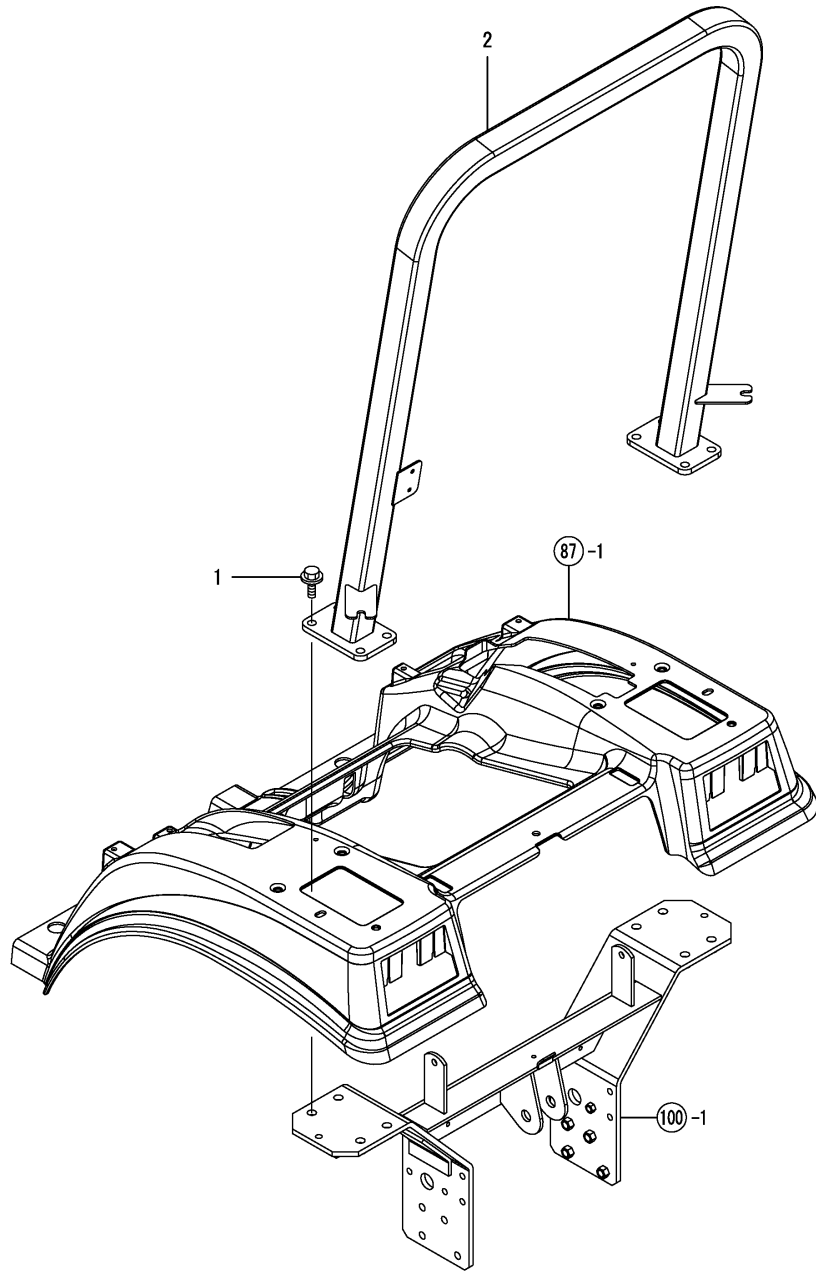




Fig.99. ROPS UPPER



(A)=EA2400

(B)=

(C)=

(D)=

(E)=

(F)=

No.	Lev.	Parts No.	Description	Q'ty						I	R
				(A)	(B)	(C)	(D)	(E)	(F)		
1	1	1A8160-11520	BOLT, M12X34	8							
2	1	1A7880-85030	FRAME ASSY, UPPER M	1							
2A	2	1A7880-85100	FRAME ASSY, UPPER	1							



Fig.101. SMV

(A)=EA2400

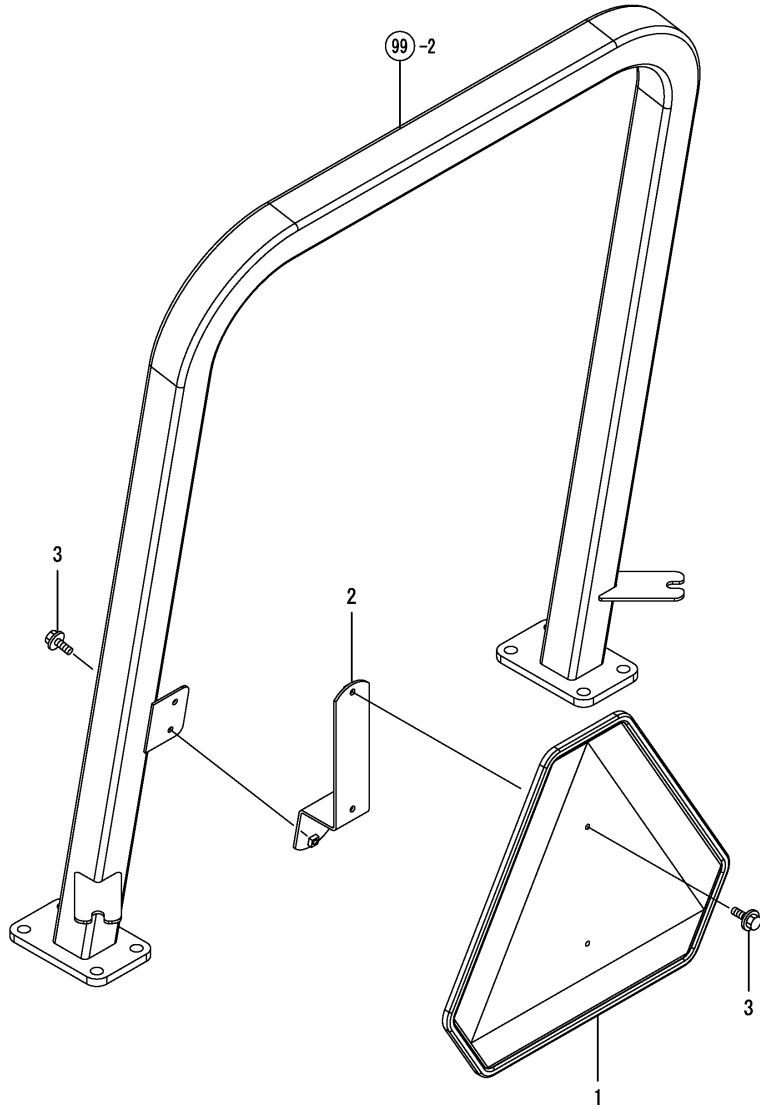
(B)=

(C)=

(D)=

(E)=

(F)=



No.	Lev.	Parts No.	Description	Q'ty						I	R
				(A)	(B)	(C)	(D)	(E)	(F)		
1	1	1A8160-65800	EMBLEM, SMV	1							
2	1	1A7880-85610	STAY,SMV CMP	1							
2-1	1	1A7880-85611	STAY ASSY, SMV	1							R
(A=FXXXXX)											
3	1	26106-060162	BOLT, M6X 16 PLATED	4							

Fig.102. DOCUMENT

(A)=EA2400  
(B)=  
(C)=

(D)=  
(E)=  
(F)=

No.	Lev.	Parts No.	Description	Q'ty						I	R
				(A)	(B)	(C)	(D)	(E)	(F)		
1	1	0A041-G00500	OPERATION MANUAL	1							
1-1	1	0A041-G00501 (A=*2010.05)	OPERATION MANUAL	1							S
1-2	1	0A041-G00502 (A=FZZZZZ)	OPERATION MANUAL	1							S

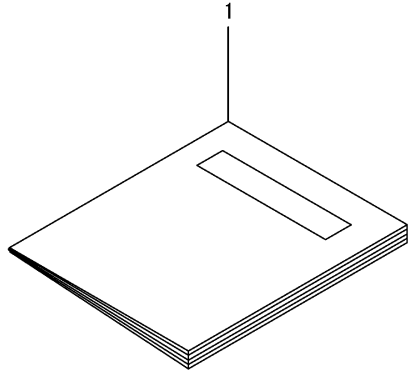
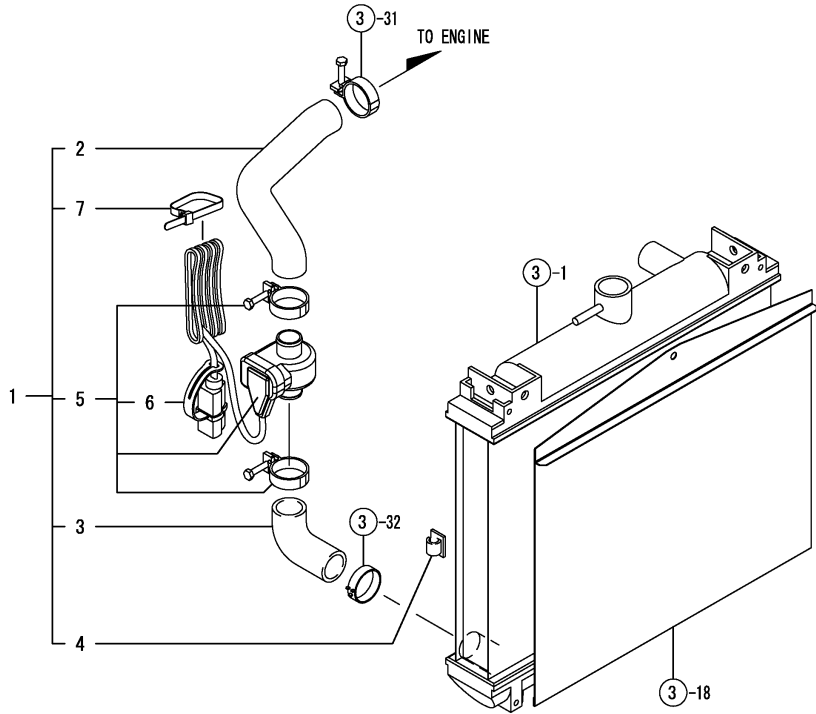


Fig.103. HEATER,RADIATOR HOSE



(A)=EA2400  
(B)=  
(C)=

(D)=  
(E)=  
(F)=

No.	Lev.	Parts No.	Description	Q'ty						I	R
				(A)	(B)	(C)	(D)	(E)	(F)		
1	1	1A7880-57200	HEATER KIT	1							
2	2	1A7880-01480	HOSE, WATER U	1							
3	2	1A7880-01490	HOSE, WATER L	1							
4	2	172010-07810	STICKER, WIRE	1							
5	2	1A7880-57250	HEATER	1							
6	3	1A7880-57260	PROTECTOR, PLUG	1							
7	2	29622-250001	BAND, RF250	1							
7-1	2	1A8300-51210	BAND, REPEAT	1							R
(A=FXXXXX)											

Remarks  
\* OPTION PARTS

Fig.104. CABLE ASSY, BRAKE SW

(A)=EA2400

(B)=

(C)=

(D)=

(E)=

(F)=

No.	Lev.	Parts No.	Description	Q'ty						I	R
				(A)	(B)	(C)	(D)	(E)	(F)		
1	1	1A7880-51250	SWITCH KIT, BRAKE	1							
2	2	1A7880-29491	BOLT, PEDAL	1							
3	2	1A7880-51260	CABLE, BRAKE SWITCH	1							
4	2	1A7880-51270	TERMINAL, BULLET	2							
5	2	198223-52150	SWITCH, STOP LAMP	1							
6	3	26776-120002	NUT, LOCK M12	1							
7	2	1A7880-62601	STAY ASSY, STEP RF	1							

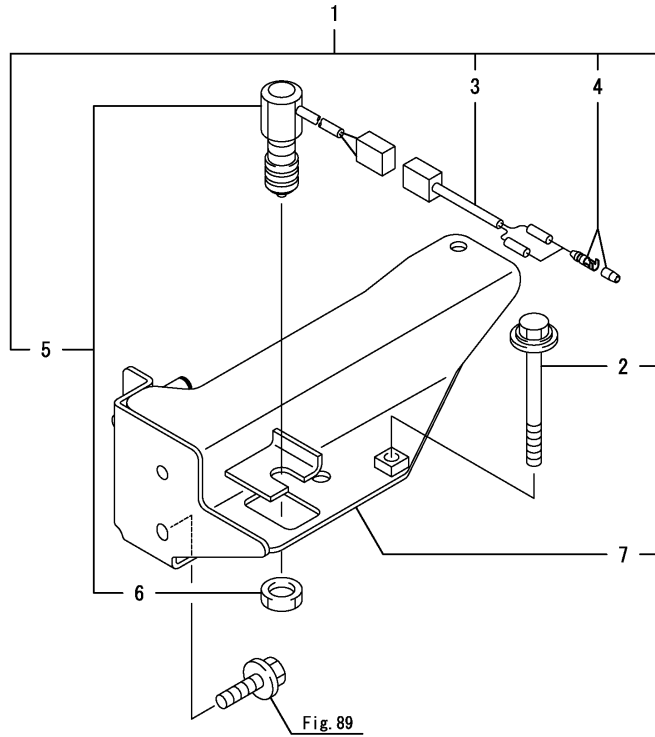
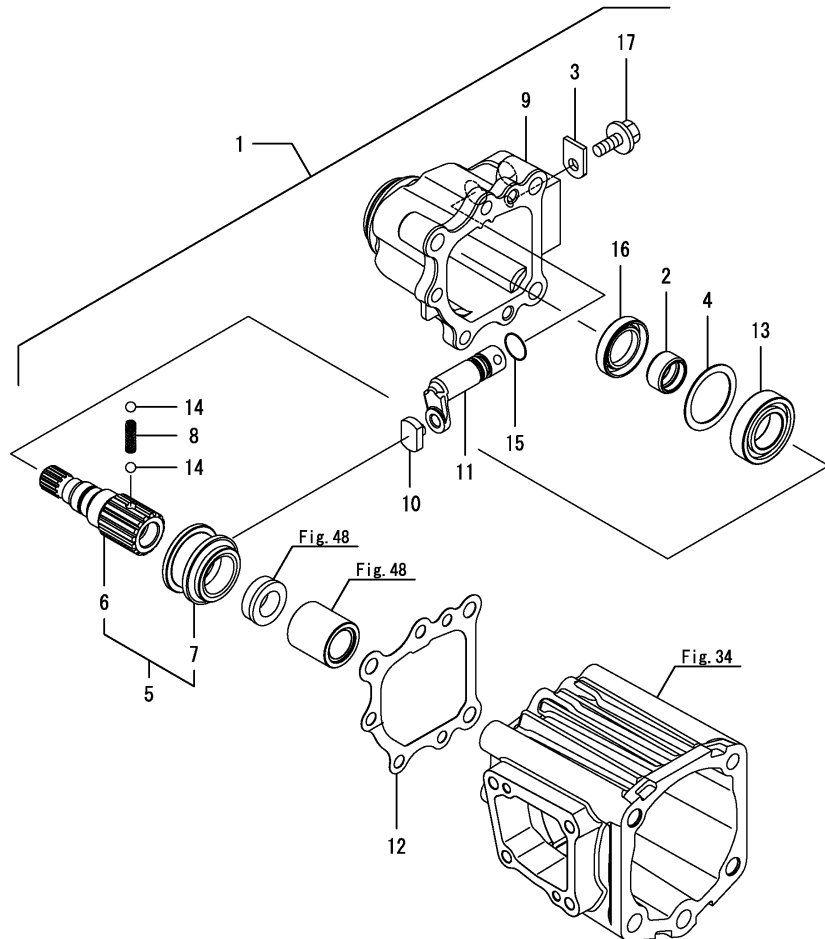


Fig.112. SERVICE PARTS



(A)=EA2400

(B)=

(C)=

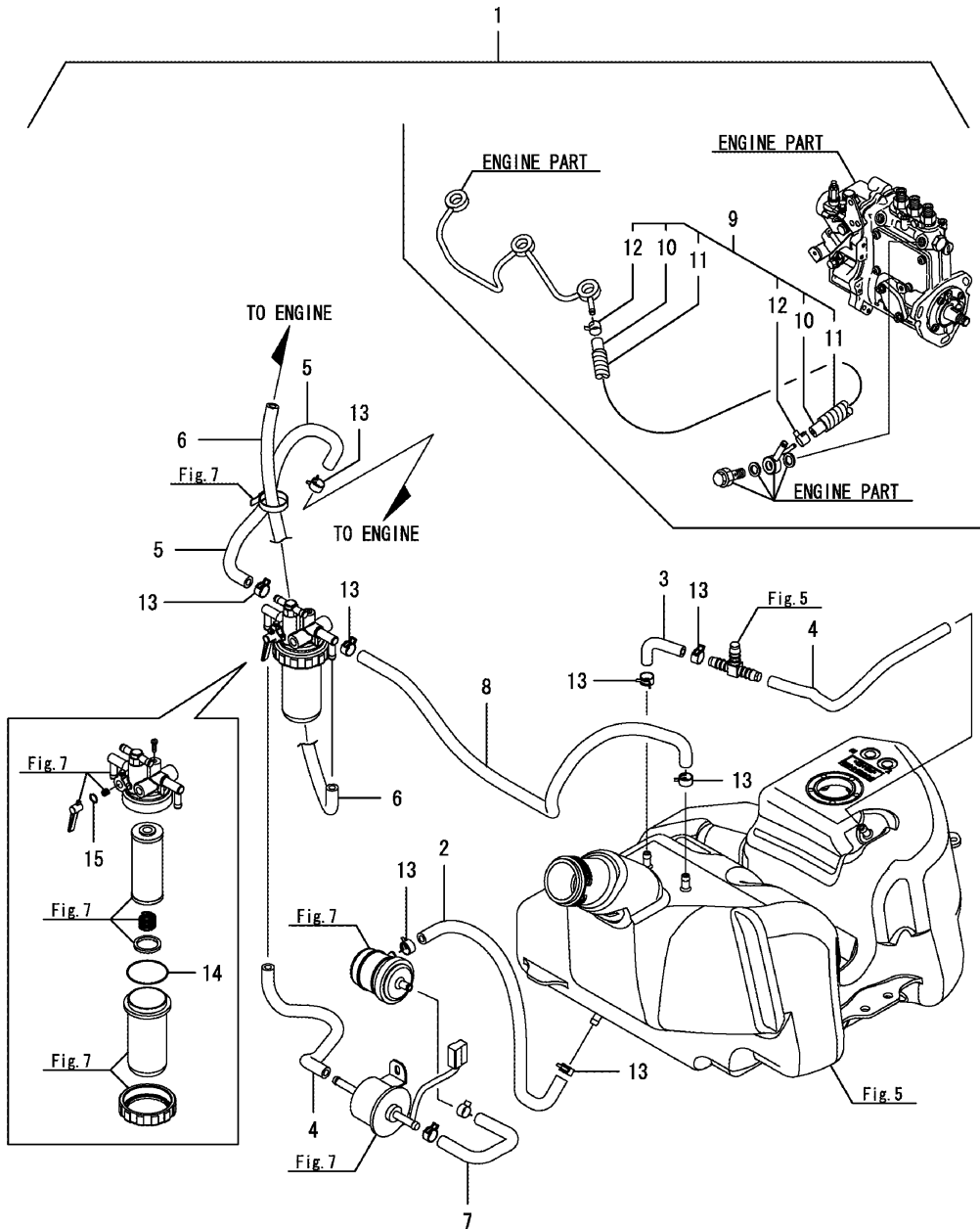
(D)=

(E)=

(F)=

No.	Lev.	Parts No.	Description	Q'ty						I	R
				(A)	(B)	(C)	(D)	(E)	(F)		
1	1	187K06-99100	FRONT DRIVE KIT	1							
2	2	194855-25290	SLEEVE, SI 202513	1							
3	2	194197-27681	PLATE, KEEP	1							
4	2	1A7050-28110	WASHER, 36X46X1	1							
5	2	1A7050-28200	F.DRIVE SHAFT SET	1							
6	3	1A7050-28211	SHAFT, FRONT DRIVE	1							
7	3	198165-28240	COLLAR, SHIFT	1							
8	2	194311-28230	SPRING, 21.2	1							
9	2	1A7050-28250	COVER, FRONT	1							
10	2	1A7050-28331	BLOCK, SHIFT	1							
11	2	1A7050-28351	SHAFT, SHIFT 4WD	1							
12	2	1A7050-28560	PACKING, FRONT COVER	1							
13	2	24101-060054	BEARING, BALL 6005	1							
14	2	24190-080001	BALL, STEEL 1/4	2							
15	2	24311-000125	O-RING, 1AP12.5	1							
16	2	24421-254008	SEAL, OIL TC254008	1							
17	2	26106-080162	BOLT, M8X 16 PLATED	1							

Fig.113. FUEL LINE(FAME)



No.	Lev.	Parts No.	Description	Qty						I	R
				(A)	(B)	(C)	(D)	(E)	(F)		
1	1	1A7880-04250	HOSE KIT , FUEL	1							
2	2	1A7510-04580	HOSE, FUEL 40X290	1							
3	2	1A8160-04270	HOSE, RETURN	1							
4	2	1A8160-04500	HOSE, FUEL 270	2							
5	2	1A7880-04510	HOSE, FUEL	1							
6	2	1A8160-04510	HOSE, FUEL 330	1							
7	2	1A7880-04520	HOSE, FUEL 150	1							
8	2	1A7880-04530	HOSE, FUEL	1							
9	2	119546-59300	PIPE ASSY, FUEL	1							
10	3	119416-59510	PIPE, FUEL RETURN	1							
11	3	119546-59700	PROTECTOR,PIPE 13.2	1							
12	3	124060-77680	CLIP, HOSE 10	2							
13	2	23080-012000	CLAMP, 12	8							
13-1	2	114270-59010	CLIP, HOSE 12	8							R
(A=FXXXXX)											
14	2	24316-000440	O-RING, 4DP44.0	1							
15	2	24316-240100	O-RING, 4DP10A	1							



## Parts No. Index

Parts No.	Fig. No.	Ref. No.
0A041-G00500	102	1
0A041-G00501	102	1 -1
0A041-G00502	102	1 -2
102103-55520	7	12
	107	12
104200-55330	7	9
	107	9
104200-55750	7	17
	107	17
105027-12580	2	7
110250-55610	7	13
	107	13
114110-07760	2	1
	93	2
114270-59010	3	36
	5	11
	7	20
		21
		22
		23
		25 -1
	105	36
	107	20
		21
		22
		23
		25 -1
	113	13 -1
119225-52102	7	7
	107	7
119255-44660	3	30
	105	30
119416-59510	113	10
119515-12520	2	3
119517-12510	2	2
119546-59300	113	9
119546-59700	113	11
119629-59910	5	12
119686-12570	2	6
119808-12540	2	5
119810-55340	7	10
	107	10
119810-55650	7	14
	107	14
121257-55720	7	15
	107	15
121257-55731	7	16
	107	16
121267-49500	3	31
	105	31

Parts No.	Fig. No.	Ref. No.
121450-44531	3	8
	105	8
121470-44581	3	10
	105	10
124060-77680	113	12
124450-44560	3	9
	105	9
124764-44810	3	11
129052-13550	3	26
	105	26
129052-55630	7	19
	107	19
129053-55620	7	8
	107	8
129107-44590	3	3
	105	3
129107-55510	7	11
	107	11
129211-77920	79	14
	111	14
129418-12530	2	4
1684Q3-01430	41	1
168H60-29390	34	10
168H60-29400	34	11
168H60-29411	34	12
168H60-29840	34	4
168H61-29260	33	8
168HK0-29351	33	9
168HK0-29600	37	2
168HK0-29610	37	3
168HK0-29620	34	15
168HK0-29690	37	4
172010-07810	103	4
172122-46590	72	4
172524-06850	46	1
172531-17300	80	1
175022-49730	3	32
	105	32
178080-06200	34	1
187K06-24500	33	2
187K06-24540	34	2
187K06-24550	34	5
187K06-24570	34	7
187K06-24600	34	8
187K06-25020	37	1
187K06-25170	36	1
187K06-26400	41	2
187K06-26710	31	17
187K06-26740	31	18
187K06-29390	41	13

Parts No.	Fig. No.	Ref. No.
187K06-29460	34	14
187K06-29620	54	2
187K06-29860	54	3
187K06-29870	54	4
187K06-29880	54	5
187K06-29890	41	14
	54	6
187K06-29900	54	7
187K06-36341	64	3
187K06-36350	64	4
187K06-40010	33	10
187K06-99100	112	1
192154-24670	33	6
		11
192154-29640	46	10
192154-29700	46	11
192157-24170	30	1
192157-24192	31	9
192157-24200	31	10
	43	2
192157-24220	31	11
192157-24450	31	13
192157-24560	34	6
192157-24620	44	2
192157-24801	31	16
192157-24850	34	9
192157-26100	38	2
192157-26111	38	3
192157-26120	38	4
192157-26130	38	5
192157-26140	38	6
192157-26150	38	7
192157-26160	38	8
192157-26170	38	9
192157-26180	39	2
192157-26220	39	4
192157-26270	38	10
192157-26300	38	11
192157-26330	38	12
192157-26340	40	2
192157-26350	38	13
192157-26380	40	5
192157-26460	41	7
192157-26470	41	8
192157-26520	41	10
192157-26600	42	2
192157-26611	42	1
192157-26641	42	3
192157-26740	41	11
192157-26810	31	19

Parts No.	Fig. No.	Ref. No.
192157-26821	31	20
192157-26840	43	6
192157-26860	43	7
192157-26960	43	9
192157-26980	43	10
192157-26991	43	11
192157-27090	31	14
192157-27510	46	3
192157-27520	46	4
192157-27550	46	6
192157-27740	43	13
192157-32360	57	3
192157-32370	57	4
192157-33101	58	1
192157-33110	58	5
192157-34130	60	5
192157-36300	64	1
192157-40180	33	7
		12
192157-99010	43	15
192157-99020	43	16
192157-99040	43	17
192159-27700	42	4
192159-27780	42	7
192159-27790	42	5
192159-31410	43	14
192163-24420	33	1
192167-25310	54	1
194065-27270	31	21
	34	3
194105-26430	17	9
194130-44480	68	2
194145-04810	65	1
194145-22430	86	2
194145-27450	43	18
194145-61570	73	13
194151-36670	17	11
194151-63240	92	4
194151-63250	92	5
194155-52160	80	4
194197-27681	43	12
	50	1
	112	3
194200-25270	38	1
	40	1
	43	3
194205-63550	7	24
	107	24
194208-47530	73	11
194300-37570	88	1

## Parts No. Index

Parts No.	Fig. No.	Ref. No.
194300-37570	92	2
194311-28230	48	6
	112	8
194312-39480	7	6
	107	6
194330-62530	65	19
194420-61640	82	6
	84	16
		17
194440-11880	60	1
194440-51620	80	2
194440-51630	28	29
194454-25770	43	4
194454-25870	43	5
194464-22160	43	1
194464-48850	28	18
194550-27030	53	2
194555-25880	56	1
194555-65130	84	20
194680-51670	3	33
	77	18
		19
		20
	105	33
	110	19
		20
		21
194680-78350	77	22
	110	23
194730-57242	11	2
194740-00160	4	1
	73	1
	106	1
194850-49290	31	22
	76	17
194854-33110	58	8
194855-24020	31	2
194855-25290	48	1
	112	2
194859-24252	31	12
194940-65590	84	21
194951-14440	17	6
194990-20170	51	4
194990-22130	3	27
	77	1
		2
	78	1
	79	1
	81	1
	84	1

Parts No.	Fig. No.	Ref. No.
194990-22130	84	2
		3
	105	27
	110	1
		2
	111	1
194990-22140	3	28
		29
	6	2
	9	5
	25	7
		8
	45	1
	51	2
	53	1
	72	1
		2
	73	2
	75	1
	77	3
	86	1
	92	1
	105	28
		29
	108	4
	109	7
		8
	110	3
194990-85561	72	11
198071-01160	4	5
	106	5
198071-58810	25	11
	109	11
198071-61890	3	38
		39
	25	13
		14
	79	13
	84	19
	86	13
		14
		15
		16
	105	38
		39
	109	13
		14
	111	13
198071-65610	84	22
198072-04320	7	2

Parts No.	Fig. No.	Ref. No.
198072-04320	107	2
198093-84810	25	15
	74	5
	109	15
198133-78840	80	8
198153-51700	110	16
198162-00720	3	5
	105	5
198162-47630	47	6
198162-61370	3	37
	105	37
198162-62630	90	5
198164-27970	72	3
198165-04380	5	8
198165-11500	10	1
198165-24440	17	7
198165-24490	17	8
198165-28220	48	5
198165-28240	48	4
	112	7
198165-47750	88	2
198167-24530	46	2
198167-24950	31	4
198200-01260	4	7 -1
	106	7 -1
198200-27810	45	12
198200-27811	45	12 -1
198200-27910	47	5
198200-27911	47	5 -1
198200-47810	73	26
198200-56630	5	10
198200-65010	93	4
198220-52180	79	2
	111	2
198220-65621	96	6
198223-46250	76	1
198223-52150	79	3 -1
	104	5
	111	3
198226-52100	80	3
198234-72550	97	19
198240-48830	28	17
198240-48850	28	19
198253-01190	4	6
	106	6
198273-28520	49	3
	66	1
198273-28521	49	3 -1
	66	1 -1
198284-63270	92	5 -1

Parts No.	Fig. No.	Ref. No.
198327-26560	60	2
198360-03260	90	1
198360-03270	90	2
198448-04270	5	7
198448-56150	83	3
198461-60590	86	4
		5
198461-87590	3	40
	105	40
198475-37690	66	4
198535-52110	77	10
	110	10
198535-52120	77	11
	110	11
198535-52130	77	12
	110	12
1A1380-55310	3	34
	77	21
	105	34
	110	22
1A6150-76740	86	17
		18
1A6240-51630	77	8
	110	8
1A6260-41250	73	3
1A6370-31000	41	3
1A6380-25370	74	1
1A6382-96650	111	20
1A6680-56920	3	35
	105	35
1A6750-29850	54	8
1A6770-85920	8	5
	100	6
1A6780-13910	55	1
1A6780-51410	77	16
	110	17
1A6780-57200	79	12
	111	12
1A7050-24101	31	3
1A7050-24130	31	6
1A7050-24150	31	7
1A7050-24610	44	1
1A7050-24950	35	1
1A7050-24990	33	3
1A7050-25181	36	2
1A7050-26080	39	1
1A7050-26210	39	3
1A7050-26360	40	4
1A7050-27530	46	5
1A7050-27600	46	7

## Parts No. Index

Parts No.	Fig. No.	Ref. No.
1A7050-27610	46	8
1A7050-27620	46	9
1A7050-28110	48	2
	112	4
1A7050-28200	112	5
1A7050-28211	48	3
	112	6
1A7050-28250	48	7
	112	9
1A7050-28260	48	8
1A7050-28331	50	2
	112	10
1A7050-28351	50	3
	112	11
1A7050-28560	48	9
	112	12
1A7050-31100	55	2
1A7050-32320	57	1
1A7050-33390	56	2
1A7050-33460	56	3
1A7050-34110	60	3
1A7050-34120	60	4
1A7051-32320	57	2
1A7052-26890	43	8
1A7070-47400	73	10
1A7130-11790	9	4
	108	3
1A7130-13120	12	1
1A7130-13130	12	2
1A7130-13270	16	3
1A7130-29420	34	13
1A7130-36330	64	2
1A7180-04180	5	15
1A7335-52120	80	5
1A7335-53600	81	9
1A7335-53610	81	10
1A7335-53620	81	11
1A7335-53630	81	12
1A7335-53640	81	13
1A7335-53650	81	14
1A7335-71250	97	5
1A7340-65080	93	1
1A7450-52180	77	13
	110	13
1A7500-13360	14	2
1A7500-51130	77	5
	110	5
1A7500-51160	77	7
	110	7
1A7500-51810	28	20

Parts No.	Fig. No.	Ref. No.
1A7500-71120	97	9
1A7500-71130	97	10
1A7510-04430	3	21
	7	4
	105	21
	107	4
1A7510-04580	113	2
1A7510-36490	65	2
1A7510-47760	88	3
1A7510-56110	83	2
1A7531-52420	77	14
	110	14
1A7790-01160	51	1
	59	1
1A7870-52950	111	5
1A7880-00601	3	1
	105	1
1A7880-00610	3	2
	105	2
1A7880-00640	3	4
	105	4
1A7880-01010	4	3 -1
	106	3 -1
1A7880-01060	4	2
	106	2
1A7880-01110	4	3
	106	3
1A7880-01150	4	4
1A7880-01350	3	6
	105	6
1A7880-01360	3	7
	105	7
1A7880-01410	3	13
	105	13
1A7880-01440	3	14
	105	14
1A7880-01460	3	15
	105	15
1A7880-01480	103	2
1A7880-01490	103	3
1A7880-01500	3	16
	105	16
1A7880-01520	3	17
	105	17
1A7880-01560	3	18
	105	18
1A7880-01650	3	19
	105	19
1A7880-03111	3	20
	105	20

Parts No.	Fig. No.	Ref. No.
1A7880-04040	5	3
1A7880-04050	5	4
1A7880-04080	5	5
1A7880-04091	5	1
1A7880-04100	5	2
1A7880-04110	5	6
1A7880-04210	5	16
1A7880-04250	113	1
1A7880-04270	7	1
	107	1
1A7880-04300	6	1
1A7880-04301	6	1 -1
1A7880-04410	7	3
1A7880-04430	7	5
	107	5
1A7880-04510	113	5
1A7880-04520	113	7
1A7880-04530	113	8
1A7880-05110	1	1
1A7880-05150	25	1
1A7880-05190	25	2
	109	2
1A7880-05410	3	22
1A7880-06010	3	23
1A7880-06150	3	24
	105	24
1A7880-06201	3	25
	105	25
1A7880-10090	8	1
1A7880-10410	8	2
1A7880-10430	8	3
1A7880-10500	8	4
1A7880-10800	9	1
1A7880-10900	9	2
1A7880-10950	9	3
1A7880-11510	10	2
1A7880-11540	16	2
1A7880-11551	10	3
1A7880-11560	10	4
1A7880-12302	11	1
1A7880-13150	13	1
1A7880-13310	14	1
1A7880-13470	14	3
1A7880-13480	14	4
1A7880-13510	15	1
1A7880-13520	15	2
1A7880-13530	15	3
1A7880-13540	18	1
1A7880-13600	16	1
1A7880-13710	17	1

Parts No.	Fig. No.	Ref. No.
1A7880-13721	17	2
1A7880-13730	17	3
1A7880-13740	17	4
1A7880-13780	17	5
1A7880-13810	18	2
1A7880-13820	18	3
1A7880-14110	19	1
1A7880-14120	19	2
1A7880-14130	19	3
1A7880-14620	20	1
1A7880-14700-1	21	1
1A7880-14710	21	2
1A7880-14800-1	22	1
1A7880-14810-1	22	5
1A7880-14820	22	2
		6
1A7880-14830-1	21	3
	22	3
		7
1A7880-14840	21	4
	22	4
		8
		2
	61	2
	62	2
		6
1A7880-15060	28	1
1A7880-15100	25	3
	109	3
1A7880-15120	25	4
	109	4
1A7880-15130	25	5
	109	5
1A7880-15160	25	6
	109	6
1A7880-15700	24	1
1A7880-15740	24	2
1A7880-15880	93	3
1A7880-17010	27	1
1A7880-17011	27	1 -1
1A7880-17050	27	2
1A7880-17060	27	3
1A7880-17070	27	4
1A7880-17080	27	5
1A7880-17100	27	6
1A7880-17101	27	6 -1
1A7880-17300	26	1
1A7880-17320	26	2
1A7880-17350	85	1
1A7880-17601	28	2
1A7880-17630	28	3

## Parts No. Index

Parts No.	Fig. No.	Ref. No.
1A7880-17651	28	4
1A7880-17680	28	5
1A7880-17701	28	6
1A7880-17751	28	7
1A7880-17810	28	8
1A7880-17830	28	9
1A7880-17930	28	10
1A7880-17940	28	11
1A7880-17970	28	12
1A7880-17980	28	13
1A7880-21100	29	1
1A7880-21500	32	1
1A7880-27500	45	2
1A7880-27560	45	3
1A7880-27561	45	3 -1
1A7880-27580	45	4
1A7880-27800	47	1
1A7880-27850	47	2
1A7880-28300	49	1
1A7880-29400	51	3
1A7880-29410	51	5
1A7880-29430	51	6
1A7880-29450	51	9
1A7880-29451	51	9 -1
1A7880-29490	51	10
1A7880-29491	51	10 -1
	104	2
1A7880-29500	51	11
1A7880-29540	51	12
1A7880-29541	51	12 -1
1A7880-29570	51	13
1A7880-29600	51	14
1A7880-29610	51	7
1A7880-29640	51	15
1A7880-29720	51	16
1A7880-29780	51	17
1A7880-29800	52	1
1A7880-29801	52	1 -1
1A7880-29830	52	2
1A7880-29840	52	3
1A7880-29871	52	4
1A7880-29872	52	4 -1
1A7880-29901	53	3
1A7880-33200	59	2
1A7880-33250	59	3
1A7880-34180	23	1
	63	1
1A7880-34700-1	61	1
1A7880-34710	61	3
1A7880-34800-1	62	1

Parts No.	Fig. No.	Ref. No.
1A7880-34810-1	62	5
1A7880-34820	62	3
		7
1A7880-34830-1	61	4
	62	4
		8
1A7880-37100	65	3
1A7880-37150	65	4
1A7880-37200	65	5
1A7880-37220	65	6
1A7880-37250	65	7
1A7880-37310	65	8
1A7880-37350	65	9
1A7880-37390	65	10
1A7880-37400	65	11
1A7880-37440	65	12
1A7880-37441	65	12 -1
1A7880-37450	65	13
1A7880-37490	66	2
1A7880-43100	67	1
1A7880-43200	67	2
1A7880-43300	67	3
1A7880-43350	67	4
1A7880-43370	67	5
1A7880-43390	67	6
1A7880-43400	67	7
1A7880-43460	67	8
1A7880-43470	67	9
1A7880-43480	67	10
1A7880-44400	68	1
1A7880-44700	68	3
1A7880-44740	67	12
1A7880-45000	73	4
1A7880-45040	73	5
1A7880-45100	69	1
1A7880-45150	28	14
1A7880-45210	73	6
1A7880-45250	73	7
1A7880-45330	73	8
1A7880-45331	73	8 -1
1A7880-45530	69	2
1A7880-45540	69	3
1A7880-45560	69	4
1A7880-45610	69	5
1A7880-45620	69	6
1A7880-45640	69	7
1A7880-45650	69	8
1A7880-45660	69	9
1A7880-45700	69	10
1A7880-45800	69	11

Parts No.	Fig. No.	Ref. No.
1A7880-45830	69	12
1A7880-47100	71	1
1A7880-47120	71	2
1A7880-47121	71	2 -1
1A7880-47150	76	2
1A7880-47200	76	3
1A7880-47301	76	4
1A7880-47351	76	5
1A7880-47401	76	6
1A7880-47451	76	7
1A7880-47500	76	8
1A7880-47501	76	8 -1
1A7880-47510	28	15
	76	9
1A7880-47520	76	10
1A7880-47530	28	16
	76	11
1A7880-47540	76	12
1A7880-47550	76	13
1A7880-47560	76	14
1A7880-47570	76	15
1A7880-47580	76	16
1A7880-47600	72	5
1A7880-47650	72	6
1A7880-47651	72	6 -1
1A7880-47701	72	7
1A7880-47750	72	8
1A7880-47770	71	3
1A7880-47850	71	4
1A7880-47851	71	4 -1
1A7880-47950	72	9
1A7880-48101	74	2
1A7880-48160	74	3
1A7880-51102	77	4
1A7880-51103	77	4 -1
1A7880-51250	104	1
1A7880-51260	104	3
1A7880-51270	104	4
1A7880-51420	77	17
	110	18
1A7880-51710	25	10
	109	10
1A7880-51730	77	9
	110	9
1A7880-52140	80	6
1A7880-52200	79	3
		6
		6
	111	6
1A7880-52210	79	4
		7

Parts No.	Fig. No.	Ref. No.
1A7880-52210	111	7
1A7880-52250	80	7
1A7880-53050	84	4
1A7880-53070	84	5
1A7880-53080	84	6
1A7880-53100	81	6 -1
1A7880-53300	82	1
1A7880-53310	82	2
1A7880-53320	82	3
1A7880-53400	81	2
1A7880-53410	81	3
1A7880-53420	81	4
1A7880-53430	81	5
1A7880-56010	83	1
1A7880-56601	5	9
1A7880-57100	80	10
1A7880-57200	103	1
1A7880-57250	103	5
1A7880-57260	103	6
1A7880-58111	78	5
1A7880-58120	78	6
1A7880-58121	78	6 -1
1A7880-58150	86	3
1A7880-58151	86	3 -1
1A7880-60900	84	7
1A7880-60901	84	7 -1
1A7880-60990	84	8
1A7880-61060	82	4
1A7880-61061	82	4 -1
1A7880-61070	82	5
1A7880-61110	84	11
1A7880-61170	84	12
1A7880-61260	84	13
1A7880-61320	84	9
1A7880-61330	84	10
1A7880-61370	84	15
1A7880-61510	86	6
1A7880-61601	86	7
1A7880-61640	86	8
1A7880-61650	86	10
1A7880-61670	86	11
1A7880-61690	86	12
1A7880-61760	84	18
1A7880-61761	84	18 -1
1A7880-61810	25	12
	109	12
1A7880-62200	87	1
1A7880-62240	88	4
1A7880-62300	88	5
1A7880-62500	90	3

## Parts No. Index

Parts No.	Fig. No.	Ref. No.
1A7880-62510	90	4
1A7880-62550	89	1
1A7880-62600	89	2
1A7880-62601	89	2 -1
	104	7
1A7880-62650	89	3
1A7880-63010	91	2
1A7880-63020	91	2 -2
1A7880-63050	91	2 -1
1A7880-63060	91	2 B
		2 B-1
1A7880-63100	91	3
1A7880-63200	92	3
1A7880-63300	92	6
1A7880-63390	92	7
1A7880-63400	92	8
1A7880-63410	92	9
1A7880-63420	92	10
1A7880-63450	92	11
1A7880-63451	92	11 -1
1A7880-63500	92	12
1A7880-65331	93	5
1A7880-65341	93	6
1A7880-65351	96	3
1A7880-65370	93	7
1A7880-65380	93	8
1A7880-65390	93	9
1A7880-65411	95	1
1A7880-65511	93	10
1A7880-65530	94	1
1A7880-65540	94	2
1A7880-65570	93	11
1A7880-65601	96	4
1A7880-65610	96	5
1A7880-65630	93	12
1A7880-65721	93	13
1A7880-65780	77	15
	110	15
1A7880-65990	96	7
1A7880-71110	97	2
1A7880-71130	98	1
1A7880-71210	97	3
1A7880-71220	97	4
1A7880-71500	97	6
1A7880-71550	97	11
1A7880-71580	97	7
1A7880-71720	97	12
1A7880-71800	97	1
1A7880-72100	97	13
1A7880-72300	97	18

Parts No.	Fig. No.	Ref. No.
1A7880-72310	97	14
1A7880-72320	97	15
1A7880-72330	97	16
1A7880-72340	97	17
1A7880-73150	97	20
1A7880-73500	97	21
1A7880-74100	97	22
1A7880-74110	97	23
1A7880-74120	97	24
1A7880-74130	97	25
1A7880-74140	97	26
1A7880-74150	97	27
1A7880-74550	97	28
1A7880-85030	99	2
1A7880-85100	99	2 A
1A7880-85190	96	8
1A7880-85300	100	1
1A7880-85430	100	2
1A7880-85490	100	3
1A7880-85550	100	5
1A7880-85610	101	2
1A7880-85611	101	2 -1
1A7882-01150	106	4
1A7882-05150	109	1
1A7882-05410	105	22
1A7882-06010	105	23
1A7882-10800	108	1
1A7882-10900	108	2
1A7882-51101	110	4
1A8070-61330	84	14
1A8115-63260	92	4 -1
1A8160-04270	113	3
1A8160-04500	113	4
1A8160-04510	113	6
1A8160-11520	99	1
1A8160-46670	70	1
1A8160-51130	77	6
	110	6
1A8160-51550	78	2
1A8160-51570	78	3
1A8160-51580	78	4
1A8160-52300	79	9
	111	9
1A8160-52310	79	10
	80	9
	111	10
1A8160-52330	79	5
		8
		11
	111	8

Parts No.	Fig. No.	Ref. No.
1A8160-52330	111	11
1A8160-63400	91	4
1A8160-63410	91	5
1A8160-63420	91	6
1A8160-63440	91	7
1A8160-65300	96	1
1A8160-65310	96	2
1A8160-65430	95	2
1A8160-65800	101	1
1A8160-65860	93	14
1A8300-51210	3	54 -1
	7	33 -1
	28	28 -1
	77	27 -1
		28 -1
		29 -1
	80	11 -1
	103	7 -1
	105	12
	106	13
	107	33
	110	28
		29
		30
1A8300-63010	91	2 A
		2 A-1
1C6050-31250	17	10
1C6140-47210	25	9
	109	9
1C6281-52310	4	8
	106	8
1C6281-52320	46	12
	51	18
	52	5
		6
	59	4
	65	14
		15
		16
		17
		18
	73	12
	91	1
1C6320-52210	58	2
1C6460-38240	86	9
1C6900-23150	31	1
1C6900-48251	4	7
	106	7
1E4760-73240	12	3
1E6150-56040	72	10

Parts No.	Fig. No.	Ref. No.	
1E6460-91573	84	23	
1E8420-55430	19	4	
1E8450-66390	74	4	
1E8600-66700	75	2	
1K1140-82500	79	15	
		16	
	111	15	
		16	
21731-040002	81	6	
22117-100000	45	5	
22137-050000	84	24	
22137-060000	4	9	
	106	9	
22137-080000	3	41	
	46	13	
	59	7	
	65	20	
		21	
	72	12	
		13	
	73	14	
		15	
		16	
	84	25	
		26	
		92	13
		97	29
	105	41	
22137-100000	4	10	
	58	6	
	92	14	
	106	10	
22137-120000	8	6	
	46	14	
	66	5	
	73	17	
22137-130000	81	7	
22137-140000	59	5	
22137-160000	24	3	
	97	30	
22157-060000	3	42	
	81	15	
	86	19	
	105	42	
22157-080000	5	17	
	87	2	
	88	6	
22157-100000	45	6	
22157-120000	65	22	
22190-080002	41	15	

## Parts No. Index

Parts No.	Fig. No.	Ref. No.
22207-012160	55	3
22217-080000	54	9
	92	15
22217-120000	8	7
	10	5
22217-130000	81	8
22217-160000	68	4
22242-000100	45	7
	51	19
22242-000120	51	20
	52	7
	66	6
22242-000160	34	16
	58	3
22242-000200	36	4
	38	14
	40	3
	64	6
22242-000220	76	18
22242-000240	12	4
	43	20
22242-000250	38	15
22242-000280	46	15
22242-000290	43	21
22242-000300	45	8
22242-000340	19	5
22242-000350	43	22
22242-000360	14	5
22242-000450	17	12
22242-000500	43	23
22252-000150	14	6
22252-000320	37	5
22252-000420	34	17
22252-000520	12	5
22252-000550	13	2
	15	4
	57	5
22252-000620	43	24
22252-000681	17	13
22252-000720	17	14
22252-000800	38	16
22262-000240	36	3
22262-000420	31	23
22272-000080	72	14
	73	18
22272-000100	47	3
22287-100000	48	10
22292-000200	37	6
22312-060100	34	18
22312-080160	48	11

Parts No.	Fig. No.	Ref. No.
22312-080200	27	7
22312-100120	41	4
	54	13
22312-100200	31	24
22351-035025	31	25
22351-035032	14	7
22351-040025	58	4
22351-050018	73	19
22351-050025	97	8
22351-050040	51	21
22351-060025	31	26
22351-060032	14	8
	49	2
	65	23
22351-060040	65	24
22351-080040	51	22
22351-100020	8	8
22372-080000	47	4
	73	20
	84	27
	97	31
22372-120000	52	8
22372-140000	59	6
22417-200160	73	21
	88	7
22417-200200	58	7
22417-250250	97	32
22417-320250	11	3
22417-320320	97	33
22487-080200	3	43
	51	23
	105	43
22487-080260	84	28
22487-080350	65	25
22487-080400	97	34
22487-120400	97	35
22857-500161	84	29
22857-600160	83	4
	88	8
		9
23000-022000	28	21
		22
23000-054000	3	44
	105	44
23000-075000	20	2
23010-018000	74	6
23010-050000	3	45
	105	45
23065-070130	3	12
	105	11

Parts No.	Fig. No.	Ref. No.
23080-012000	5	13
	7	25
	107	25
	113	13
23414-120000	31	15
23414-140000	28	23
	76	19
23414-160021	28	24
23414-190000	76	20
23857-100000	28	25
23871-010000	41	5
23871-020000	43	25
23871-030000	41	6
23980-730150	7	26
	107	26
23980-730180	107	27
23980-730260	5	14
	7	27
23980-730330	7	28
23980-730350	107	28
23980-730400	107	3
24101-060014	54	14
24101-060044	31	27
	38	17
	54	15
24101-060054	48	12
	112	13
24101-060064	13	3
	15	5
	60	6
24101-060074	19	6
	56	4
24101-060094	19	7
	43	26
24101-062044	40	6
24101-062054	12	6
	18	4
	40	7
	43	27
24101-062064	43	28
24101-062074	18	5
24101-063034	54	16
24102-060044	37	7
24104-060004	45	9
24104-062004	51	24
24161-354017	43	29
24162-253216	31	28
24190-080001	48	13
	112	14
24190-100001	43	19

Parts No.	Fig. No.	Ref. No.
24190-100001	69	13
24190-100003	72	15
24190-160001	64	8
24311-000050	33	4
24311-000100	39	5
24311-000120	41	12
24311-000125	43	30
	50	4
	112	15
24311-000140	41	9
	54	10
24311-000160	14	9
	64	7
24311-000180	17	15
	32	2
	42	6
24311-000200	33	5
		13
24311-000260	31	29
24311-000320	30	2
24311-240100	7	18
	46	16
	107	18
24316-000440	113	14
24316-240100	113	15
24321-000750	38	18
24321-001300	19	8
24341-000112	42	8
24341-000850	17	16
24351-020450	39	6
24351-190170	31	30
24361-090500	41	16
24421-122207	54	11
24421-173508	54	17
24421-253807	31	31
24421-254008	48	14
	112	16
24421-255210	12	7
24550-010150	73	9
24550-012200	66	3
	100	4
24550-018250	67	11
24550-028200	31	5
		8
24761-020000	51	25
26013-060129	69	14
26013-080162	72	16
		17
26013-080202	14	10
26014-100252	92	16

## Parts No. Index

Parts No.	Fig. No.	Ref. No.
26016-080202	40	8
	43	31
	58	9
26016-080852	54	18
26016-100452	54	19
26016-100652	31	32
26016-101052	31	33
	54	20
26016-101452	31	34
26064-060151	86	20
26106-060122	1	2
	4	11
	105	46
	106	11
26106-060162	3	46
		47
		48
		49
		50
	7	29
	25	16
		17
	79	17
		18
		19
	84	30
		31
		32
	101	3
	105	47
		48
		49
		50
	107	29
	109	16
		17
	111	18
		19
26106-060502	111	17
26106-080122	7	30
		31
	71	5
	107	30
		31
26106-080162	3	51
		52
	5	18
		19
	28	26
		27

Parts No.	Fig. No.	Ref. No.
26106-080162	29	2
	50	5
	51	26
	71	6
	73	22
	76	21
	77	23
		24
	84	33
	89	4
		5
		6
	91	8
	92	17 -1
	105	51
		52
	110	24
		25
	112	17
26106-080202	6	3
	51	27
	68	5
	87	3
	90	6
	98	2
26106-080252	3	53
	39	7
	45	10
	64	9
	92	17
	105	53
26106-080302	26	3
	31	35
	34	19
	48	15
	87	4
26106-080402	31	36
26106-080602	7	32
26106-080652	25	18
	107	32
	109	18
26106-080802	51	28
26106-080852	51	10 -2
26106-080902	31	37
26106-100162	92	18
26106-100202	9	6
	71	7
		8
		8
	73	23
	77	25

Parts No.	Fig. No.	Ref. No.
26106-100202	108	5
	110	26
26106-100252	51	29
	67	13
	69	16
	100	7
		8
		9
26106-100302	17	17
	19	9
26106-100352	57	6
	91	9
26106-100752	25	19
	109	19
26106-101052	34	20
26106-120452	27	8
26106-120602	65	26
26106-121002	8	9
26116-060202	77	26
	110	27
26116-080202	25	20
	109	20
26116-080402	25	21
	109	21
26116-101802	48	16
26116-102202	48	17
26116-140302	46	17
26346-100002	91	10
26347-080002	92	19
26366-080002	73	24
26366-100002	92	20
26450-060502	69	15
26450-080502	41	17
	54	12
26476-080202	30	3
26487-080163	92	21
26589-060162	86	21
26716-060002	78	7
26716-080002	25	22
	45	11
	51	8
		30
	109	22
26716-100002	4	12
	65	27
	70	2
	73	25
	106	12
26716-120002	8	10
	10	6

Parts No.	Fig. No.	Ref. No.
26736-160002	68	6
26776-100002	34	21
26776-120002	46	18
	79	3 A
	104	6
	111	4
26911-100102	72	18
27260-720000	17	18
29311-162000	25	23
	109	23
29622-140001	7	33
	28	28
	77	27
	80	11
29622-250001	3	54
	77	28
		29
	103	7
933171-15801	77	30
	110	31