

0CNP5-M20700EN

# Contents

0CNP5-M20700

Fig. No.	Fig. Name
ENGINE CONTROL SECTION	
1.	ENGINE RELATED
2.	ENG. ACCESSORIES
3.	ACCEL SENSOR
4.	FOOT ACCELERATOR
5.	FOOT ACCELERATOR
6.	EXHAUST
7.	FUEL TANK
8.	FUEL BREATHER
9.	TANK COVER

FRONT AXLE SECTION	
10.	FRONT BRACKET
11.	CENTER PIN
12.	KNUCKLE ARM
13.	TIE ROD
14.	RING GEAR
15.	DIFFERENTIAL GEAR
16.	PROPELLER SHAFT
17.	FRONT SHAFT(1
18.	FRONT AXLE CASE
19.	BREATHER(FRONT
20.	FRONT GEAR CASE
21.	FRONT SHAFT(2
22.	FRONT SPINDLE

Fig. No.	Fig. Name
23.	SHAFT COVER
24.	FRONT WHEEL TIRE
25.	HUB BOLT
26.	STEERING COLUMN
27.	STEERING SHAFT
28.	STEERING WHEEL
29.	PST CYLINDER
30.	PST VALVE
31.	PST PIPING
32.	PST HOSE

TRANSMISSION SECTION	
33.	CLUTCH HOUSING
34.	DOCKING BOLT
35.	DAMPER DISC
36.	CLUTCH LINK
37.	CLUTCH WIRE
38.	TRANSMISSION CASE
39.	CENTER PLATE
40.	REVERSER VALVE
41.	PTO VALVE
42.	FRONT COVER
43.	MAIN SHAFT
44.	DRIVEN SHAFT
45.	COUNTER SHAFT

# Contents

0CNP5-M20700

Fig. No. Fig. Name

- 46. REDUCTION SHAFT
- 47. POWER REVERSER
- 154. POWER REVERSE
- 48. CREEP GEAR
- 49. PTO CLUTCH
- 50. PTO DRIVE SHAFT
- 51. PTO DRIVEN SHAFT
- 52. PTO SHAFT
- 53. PTO IDLE GEAR
- 54. PTO SHAFT COVER
- 55. PTO SHAFT GUARD
- 56. MAIN CHANGE SHIFT
- 57. SHIFT LEVER
- 58. SHIFT LEVER LINK
- 59. REVERSER LEVER
- 60. REVERSER LEVER LINK
- 61. SUB CHANGE SHIFT
- 62. SUB LEVER
- 63. SUB LEVER LINK
- 64. PTO SHIFT
- 65. LEVER KNOB
- 66. CREEP SHIFT
- 67. FRONT DRIVE
- 68. FRONT SHIFT

Fig. No. Fig. Name

## REAR AXLE SECTION

- 69. RING GEAR
- 70. DIFFERENTIAL GEAR
- 71. DIFFERENTIAL CARRIER
- 72. REAR HOUSING
- 73. DIFFERENTIAL LOCK
- 74. DIFFERENTIAL LOCK PEDAL
- 75. DIFFERENTIAL LOCK LINK
- 76. FINAL PINION
- 77. FINAL GEAR
- 78. REAR AXLE SHAFT
- 79. REAR WHEEL TIRE
- 80. HUB BOLT
- 81. BRAKE
- 82. PEDAL
- 83. BRAKE LINK(1
- 84. BRAKE LINK(2

## HYDRAULIC CONTROL SECTION

- 85. HYDAULIC CYLINDER CASE
- 86. PISTON
- 87. LIFT CRANK
- 88. CONTROL
- 89. STOP VALVE CONTROL
- 90. STOP VALVE

# Contents

OCNP5-M20700

Fig. No.	Fig. Name
91.	SAFETY VALVE
92.	HYDRAULIC CONTROL
93.	HYDRAULIC CONTROL
94.	HYDRAULIC CONTROL LEVER
95.	HYDRAULIC PIPING
96.	HYDRAULIC PIPING
97.	HYDRAULIC PIPING
98.	HYDRAULIC FILTER
99.	OIL COOLER

## ELECTRICAL PARTS SECTION

100.	WIRE HARNESS
101.	WIRE HARNESS
102.	WIRE HARNESS
103.	WIRE HARNESS
104.	WIRE HARNESS
105.	BATTERY
106.	SWITCH
107.	SWITCH
108.	SWITCH
109.	SWITCH
110.	SWITCH
111.	LAMP
112.	FRONT LAMP
113.	METER

Fig. No.	Fig. Name
114.	HORN
115.	BACKBUZZER

## FITTINGS SECTION

116.	FRONT FRAME
117.	HOOD
118.	HOOD SEAL
119.	HOOD SEAL
120.	HOOD SEAL
121.	FRONT GRILLE
122.	DASHBOARD
123.	LEVER GUIDE
124.	INTERIOR
125.	INTERIOR
126.	FLOOR SEAL
127.	OVER FENDER
128.	FLOOR COVER
129.	FLOOR FRAME
130.	FLOOR SUPPORT
131.	DUST GUARD
132.	SEAT
133.	SEAT BELT
134.	BACK MIRROR
135.	BACK MIRROR BRACKET
136.	LABELS

# Contents

OCNP5-M20700

Fig. No. Fig. Name

137. LABELS

138. LABELS

139. LABELS(SAFETY)

140. LABELS(SAFETY)

141. LABELS(SAFETY)

## HITCH SECTION

142. TOP LINK

143. LIFT LINK(L

144. LIFT LINK(R

145. LOWER LINK

146. DRAWBAR PLATE

147. DRAWBAR HITCH

148. FLOW CONTROL VALVE

149. CONTROL BOX

150. CONTROLLER

151. SENSOR

## SAFETY FRAME SECTION

152. ROPS

## ACCESSORIES SECTION

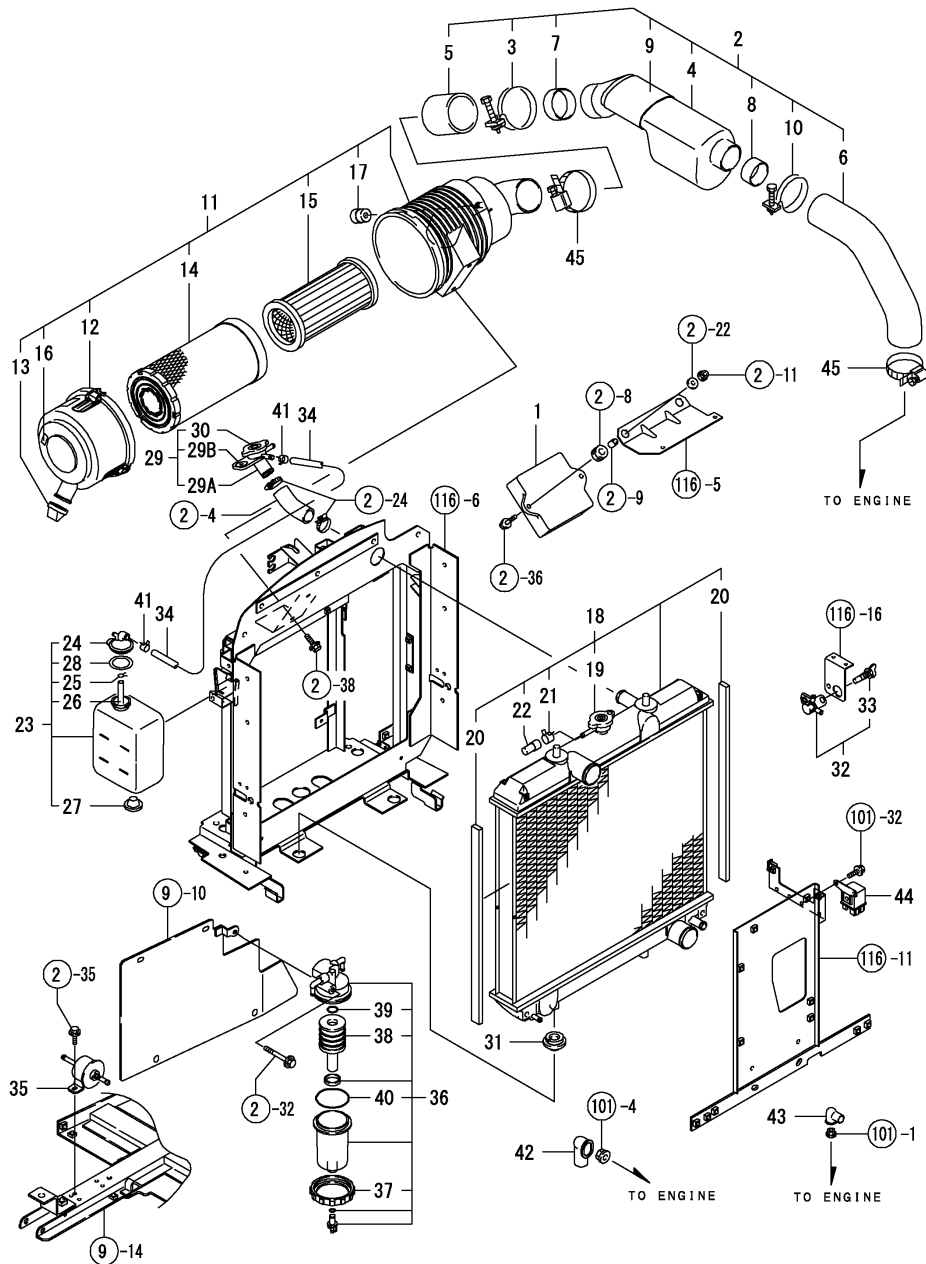
153. ACCESSORY

Fig. No. Fig. Name

## OPTIONAL SECTION

155. REPAIR PART(MISSION HOUSING

Fig.1. ENGINE RELATED



(A)=EF685T-PQ

(B)=

(C)=

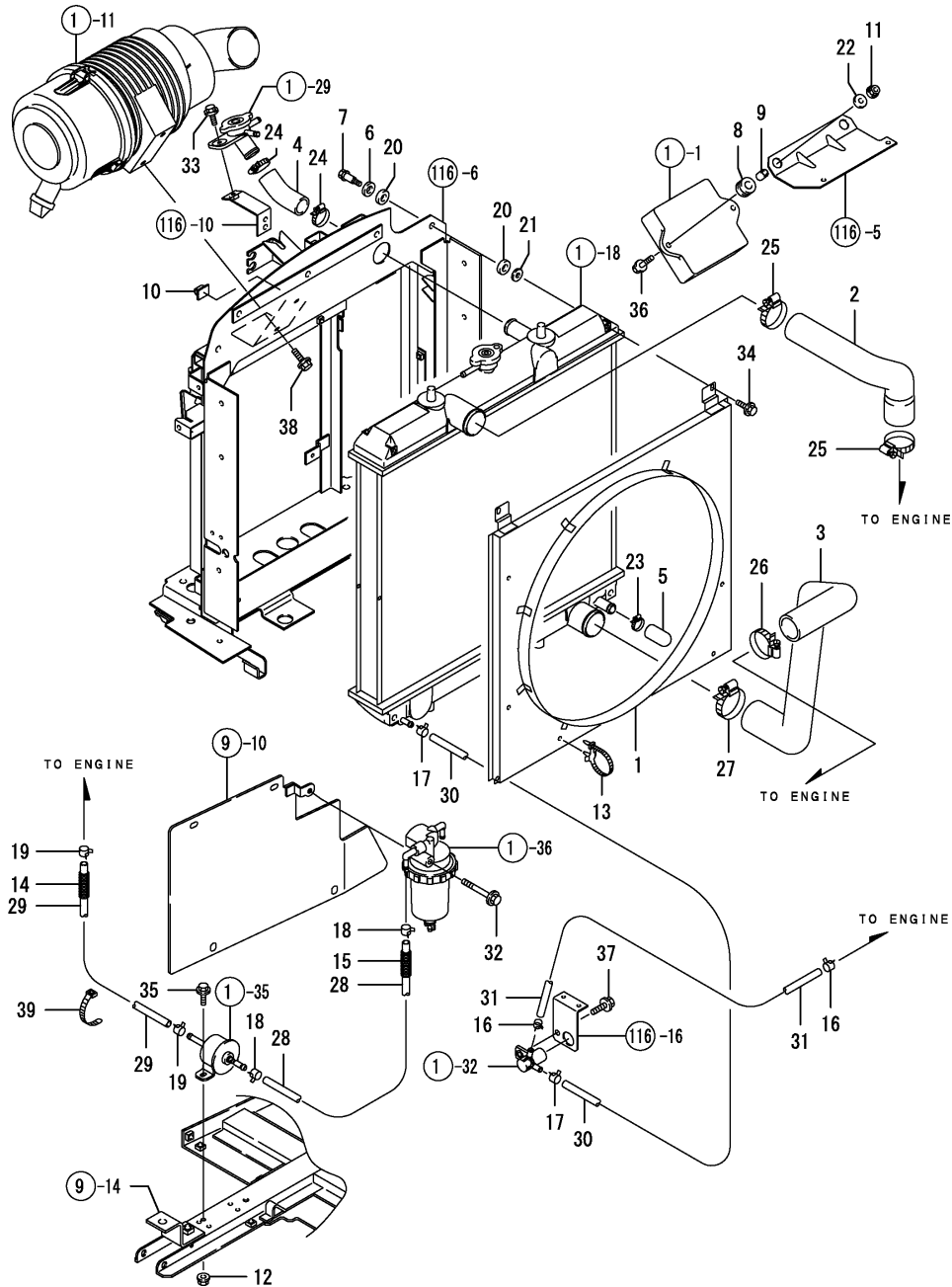
(D)=

(E)=

(F)=

No.	Lev.	Parts No.	Description	Qty						I	R
				(A)	(B)	(C)	(D)	(E)	(F)		
1	1	1R1012-00017	ECO-GOVER CAN ASSY	1							
2	1	129956-12040	PIPE, AIR INTAKE	1							
3	2	129005-12080	CLAMP, HOSE	1							
4	2	129956-12100	RESONATOR	1							
5	2	129956-12110	PIPE, AIR INTAKE	1							
6	2	129956-12120	PIPE, AIR INTAKE	1							
7	2	129956-12130	PIPE	1							
8	2	129956-12140	PIPE	1							
9	2	129956-12150	PROTECTOR	1							
10	2	129956-12160	CLAMP, HOSE	1							
11	1	129963-12512	CLEANER ASSY, AIR	1							
12	2	129457-12530	COVER	1							
13	2	119808-12540	VALVE, UNLOADER	1							
14	2	129062-12560	ELEMENT	1							
15	2	119005-12571	ELEMENT	1							
16	2	129612-12650	LABEL, MARKING	1							
17	2	126650-12680	INDICATOR	1							
18	1	129963-44500	RADIATOR ASSY	1							
19	2	129972-44600	CAP, RADIATOR	1							
20	2	129963-44550	GASKET	2							
21	2	129457-44530	CLAMP	1							
22	2	129457-44520	CAP	1							
23	1	129466-44510	TANK ASSY, SUB	1							
24	2	121450-44531	CAP	1							
25	2	124450-44560	RETAINER	1							
26	2	121267-44590	PIPE	1							
27	2	121468-44540	PLUG, SUB-TANK	1							
28	2	121470-44581	GASKET	1							
29	1	129963-44600	TUBE ASSY, FILLER	1							
29A	2	119527-44610	BODY	1							W
(A=*2009.08)											
29B	2	119527-44630	COLLAR	1							W
(A=*2009.08)											
30	2	129963-44640	CAP	1							
31	1	119255-44660	ABSORBER	2							
32	1	129150-49101	COCK ASSY, 3-WAY	1							
33	2	129150-49081	COCK, DRAIN	1							
34	1	129963-49150	PIPE, WATER DRAIN	1							
35	1	129612-52100	PUMP ASSY, FUEL FEED	1							
36	1	129906-55700	SEPARATOR ASSY	1							
37	2	129100-55690	RING, RETAINING	1							
38	2	119802-55710	ELEMENT	1							
39	2	24311-000160	O-RING, 1AP16.0	1							
40	2	24321-000650	O-RING, 1AG65.0	1							
41	1	124766-59050	CLIP, HOSE 12	2							
42	1	124550-77030	COVER, TERMINAL	1							
43	1	124756-77040	COVER, TERMINAL	1							
44	1	119650-77910	RELAY ASSY, GLOW	1							
45	1	23000-080000	CLAMP, 80	2							

Fig.2. ENG. ACCESSORIES



(A)=EF685T-PQ

(B)=

(C)=

(D)=

(E)=

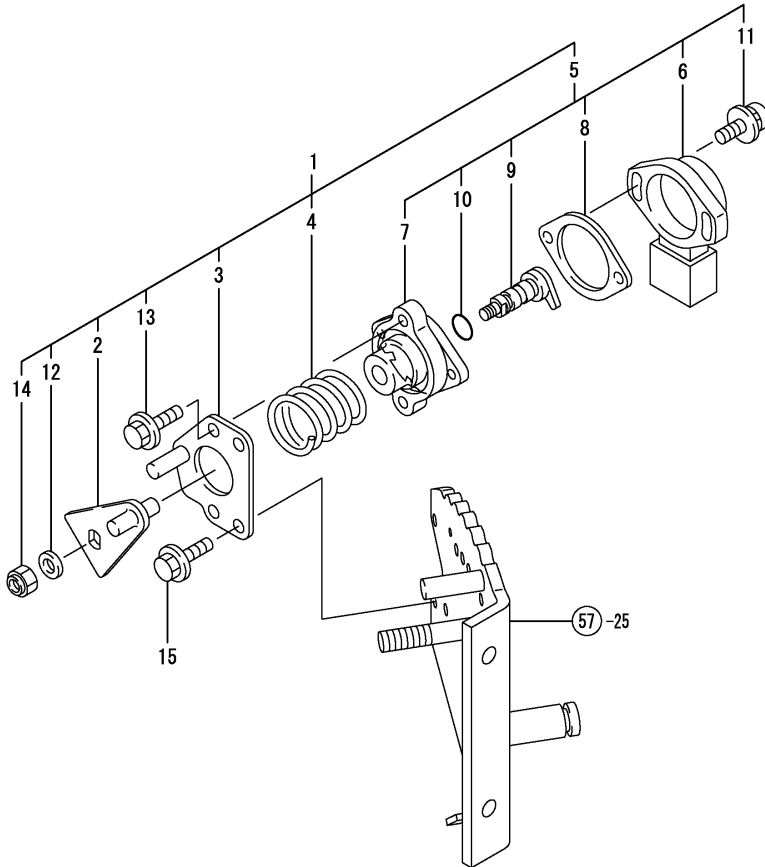
(F)=

No.	Lev.	Parts No.	Description	Q'ty						I	R
				(A)	(B)	(C)	(D)	(E)	(F)		
1	1	1A7660-01050-1	SHROUD ASSY, FAN M	1							
2	1	1A7650-01210	TUBE, WATER A	1							
3	1	1A7650-01220	TUBE, WATER B	1							
4	1	1A7650-01230	TUBE, WATER	1							
5	1	1A7650-01240	CAP, RADIATOR	1							
6	1	194150-01270	SPACER, 20	2							
7	1	198133-02120	BOLT, STEPPED M6	2							
8	1	198360-03260	GROMMET, 12	2							
9	1	198360-03270	SPACER	2							
10	1	172010-07810	STICKER, WIRE	1							
11	1	194990-22130	NUT, M6	2							
12	1	194990-22130	NUT, M6	2							
13	1	194680-51670	BAND, CLIP	1							
14	1	198133-52170	TUBE, CORRUGATED 13	1							
15	1	198133-52170	TUBE, CORRUGATED 13	1							
16	1	124766-59050	CLIP, HOSE 12	2							
17	1	124766-59050	CLIP, HOSE 12	2							
18	1	124766-59050	CLIP, HOSE 12	2							
19	1	124766-59050	CLIP, HOSE 12	2							
20	1	194420-62260	RUBBER, CUSHION	4							
21	1	22137-100000	WASHER, 10	2							
22	1	22157-060000	WASHER, 6	2							
23	1	23000-025000	CLAMP, 25	1							
24	1	23000-035000	CLAMP, 35	2							
25	1	23000-054000	CLAMP, 54	2							
26	1	23000-054000	CLAMP, 54	1							
27	1	23000-060000	CLAMP, 60	1							
28	1	23980-730850	HOSE, 7.3X 850	1							
29	1	23980-730850	HOSE, 7.3X 850	1							
30	1	23980-730850	HOSE, 7.3X 850	1							
31	1	23980-731100	HOSE, 7.3X1100	1							
32	1	26016-080652	BOLT, M8X 65	1							
33	1	26106-060122	BOLT, M6X 12 PLATED	1							
34	1	26106-060122	BOLT, M6X 12 PLATED	4							
35	1	26106-060162	BOLT, M6X 16 PLATED	2							
36	1	26106-060302	BOLT, M6X 30 PLATED	2							
37	1	26106-080162	BOLT, M8X 16 PLATED	1							
38	1	26106-080162	BOLT, M8X 16 PLATED	2							
39	1	29621-100000	BAND, TR100	1							

Fig.3. ACCEL SENSOR

(A)=EF685T-PQ  
(B)=  
(C)=

(D)=  
(E)=  
(F)=



No.	Lev.	Parts No.	Description	Q'ty						I	R
				(A)	(B)	(C)	(D)	(E)	(F)		
1	1	198448-01390	SENSOR ASSY	1							
2	2	198448-04810	ARM, SENSOR	1							
3	2	198448-04840	BRACKET, SENSOR	1							
4	2	119060-61990	SPRING, RETURN	1							
5	2	129054-77800	SENSOR ASSY	1							
6	3	185100-50070	BODY	1							
7	3	129054-77811	SUPPORT	1							
8	3	129054-77820	GASKET, SUPPORT	1							
9	3	129054-77830	SHAFT ASY	1							
10	3	24311-000070	O-RING, 1AP7.0	1							
11	3	26023-040202	SCREW, M4X20	2							
12	2	22137-060000	WASHER, 6	1							
13	2	26106-060122	BOLT, M6X 12 PLATED	2							
14	2	26347-060002	NUT, M6	1							
15	1	26106-060122	BOLT, M6X 12 PLATED	2							



Fig.4. FOOT ACCELERATOR

(A)=EF685T-PQ

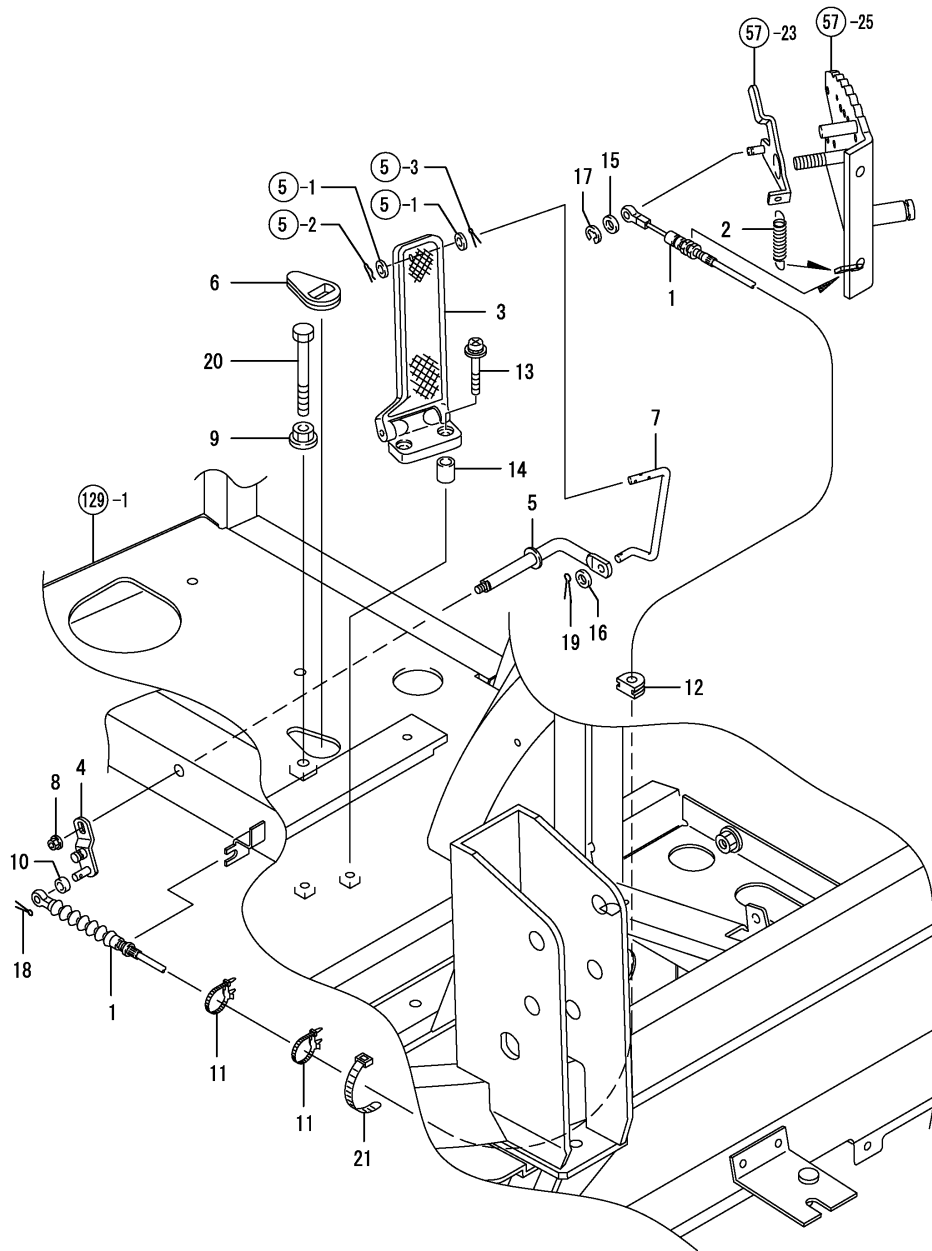
(B)=

(C)=

(D)=

(E)=

(F)=



No.	Lev.	Parts No.	Description	Q'ty						I	R
				(A)	(B)	(C)	(D)	(E)	(F)		
1	1	1A7640-01151	CABLE ASSY	1							
2	1	1A7790-01160	SPRING, RETURN	1							
3	1	1A7640-01200	PEDAL, FOOT THROTTLE	1							
4	1	198071-01340	ARM ASSY	1							
5	1	1A7450-01340	ROD, ACCELERATOR	1							
6	1	198071-01390	GROMMET	1							
7	1	1A7480-01410	ROD, ACCELERATOR	1							
8	1	194990-22130	NUT, M6	1							
9	1	194990-22140	NUT, M8	1							
10	1	1C6215-48870	COLLAR, 6.5X10.5X4.2	1							
11	1	194680-51670	BAND, CLIP	2							
12	1	198071-56290	GROMMET, A	1							
13	1	194065-60570	SCREW M 6X 40	2							
14	1	194151-63250	COLLAR, CUSHION	2							
15	1	22137-060000	WASHER, 6	1							
16	1	22137-060000	WASHER, 6	1							
17	1	22272-000040	RING, E- 4	1							
18	1	22417-160180	PIN, COTTER 1.6X18	1							
19	1	22417-160180	PIN, COTTER 1.6X18	1							
20	1	26116-080754	BOLT, M8X 75 PLATED	1							
21	1	29622-250001	BAND, RF250	1							

Fig.5. FOOT ACCELERATOR

(A)=EF685T-PQ  
(B)=  
(C)=

(D)=  
(E)=  
(F)=

No.	Lev.	Parts No.	Description	Q'ty						I	R
				(A)	(B)	(C)	(D)	(E)	(F)		
1	1	22137-060000	WASHER, 6	2							
2	1	22372-060000	PIN, SNAP 6	1							
3	1	22417-160180	PIN, COTTER 1.6X18	1							

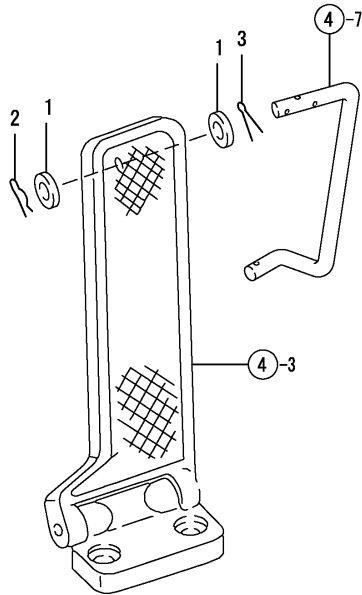
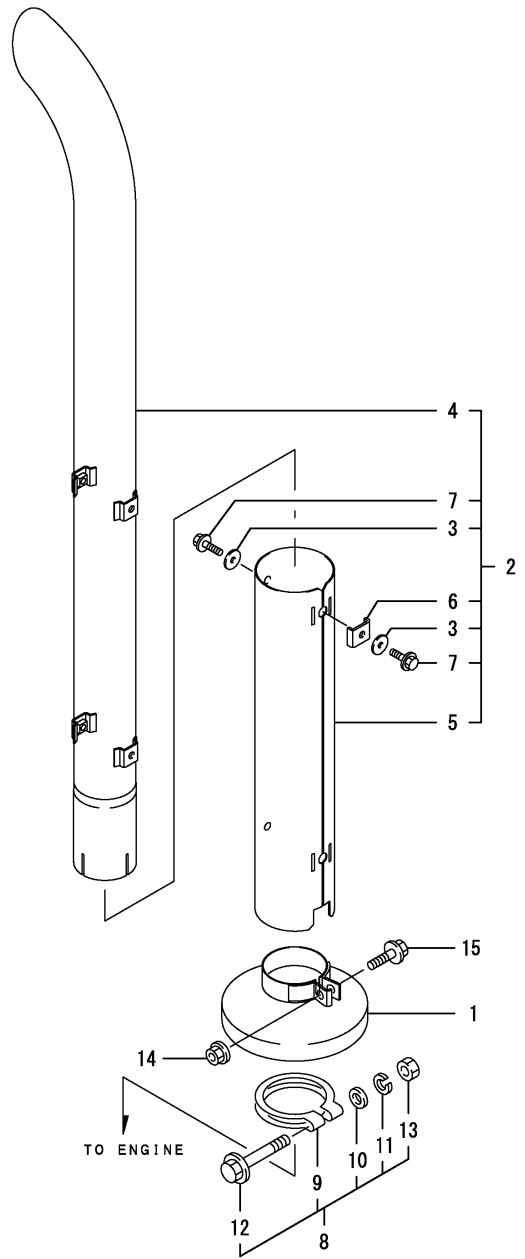


Fig.6. EXHAUST



(A)=EF685T-PQ  
(B)=  
(C)=

(D)=  
(E)=  
(F)=

No.	Lev.	Parts No.	Description	Q'ty						I	R
				(A)	(B)	(C)	(D)	(E)	(F)		
1	1	1A7450-03110	COVER, TAIL PIPE	1							
2	1	1A7640-03201	PIPE ASSY, TAIL	1							
3	2	194515-01190	WASHER, 6	4							
4	2	1A7640-03101	PIPE, TAIL	1							
5	2	1A7450-03131	COVER, MUFFLER PIPE	1							
6	2	198463-03140	STAY, COVER	2							
7	2	1A7450-03170	BOLT, M6X10	4							
8	1	129972-13590	CLAMP,PIPE,EXH	1							
9	2	129972-13580	CLAMP,PIPE,EXH	1							
10	2	22117-100000	WASHER, 10	1							
11	2	22217-100000	WASHER, SPRING 10	1							
12	2	26106-100652	BOLT, M10X 65 PLATED	1							
13	2	26711-100002	NUT, M10	1							
14	1	194990-22140	NUT, M8	1							
15	1	26106-080302	BOLT, M8X 30 PLATED	1							

Fig.7. FUEL TANK

(A)=EF685T-PQ

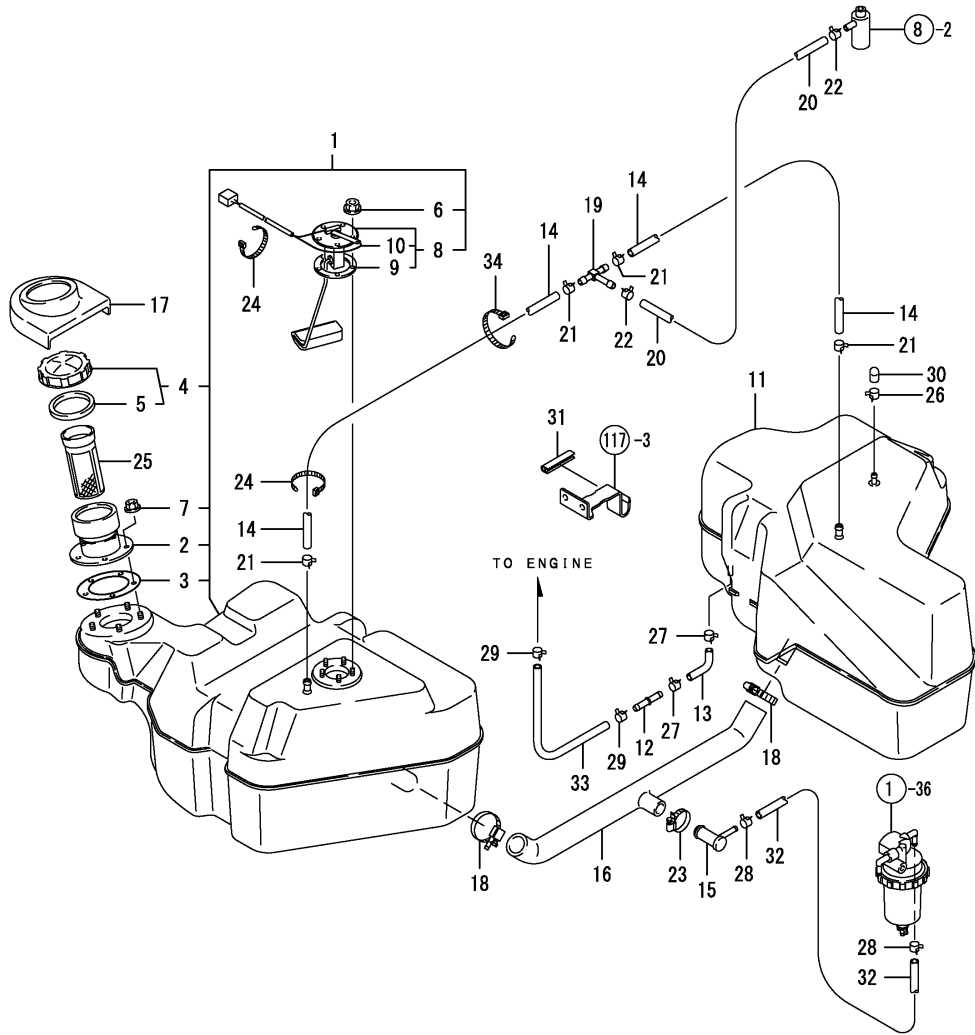
(B)=

(C)=

(D)=

(E)=

(F)=



No.	Lev.	Parts No.	Description	Qty						I	R
				(A)	(B)	(C)	(D)	(E)	(F)		
1	1	1A7640-04100	TANK ASSY, FUEL L	1							
2	2	1A7640-04300	NECK, FILLER	1							
3	2	198448-04340	GASKET, FILLER NECK	1							
4	2	1A7450-04400	CAP ASSY, TANK	1							
5	3	198153-04290	GASKET	1							
6	2	194990-22120	NUT, M5	5							
7	2	194990-22130	NUT, M6	5							
8	2	198448-56600	GAUGE ASSY, FUEL	1							
9	3	194420-56620	GASKET	1							
10	3	198240-56630	WIRE, LEAD	1							
11	1	198448-04211	TANK ASSY, FUEL R	1							
12	1	198448-04250	JOINT	1							
13	1	198448-04270	HOSE, RETURN	1							
14	1	198448-04280	PIPE, OVERFLOW	2							
15	1	198071-04331	PIPE ASSY, SUCTION	1							
16	1	198448-04490	HOSE, FUEL	1							
17	1	198448-04710	COVER, FILLER NECK	1							
18	1	1A7890-04740	CLIP, HOSE 34	2							
19	1	198448-04930	JOINT, HOSE	1							
20	1	1A7640-04940	HOSE, TANK	1							
21	1	106990-44660	CLIP, HOSE 12.5	4							
22	1	106990-44660	CLIP, HOSE 12.5	2							
23	1	175022-49700	CRIP 23, HOSE	1							
24	1	198220-51860	CLAMP 100	2							
25	1	101504-55101	STRAINER, FUEL	1							
26	1	124766-59050	CLIP, HOSE 12	1							
27	1	124766-59050	CLIP, HOSE 12	2							
28	1	124766-59050	CLIP, HOSE 12	2							
29	1	124766-59050	CLIP, HOSE 12	2							
30	1	129461-59580	CAP, FUEL OIL	1							
31	1	198291-77870	COVER, GUARD	1							
32	1	23980-730900	HOSE, 7.3X 900	1							
33	1	23980-731000	HOSE, 7.3X1000	1							
34	1	29622-250001	BAND, RF250	1							

Fig.8. FUEL BREATHER

(A)=EF685T-PQ  
(B)=  
(C)=

(D)=  
(E)=  
(F)=

No.	Lev.	Parts No.	Description	Qty						I	R
				(A)	(B)	(C)	(D)	(E)	(F)		
1	1	174841-42920	STAY, BREATHER	1							
2	1	194205-63550	BREATHER, AIR	1							
3	1	198010-85810	RIVET, NYLON	1							
4	1	26106-080162	BOLT, M8X 16 PLATED	1							

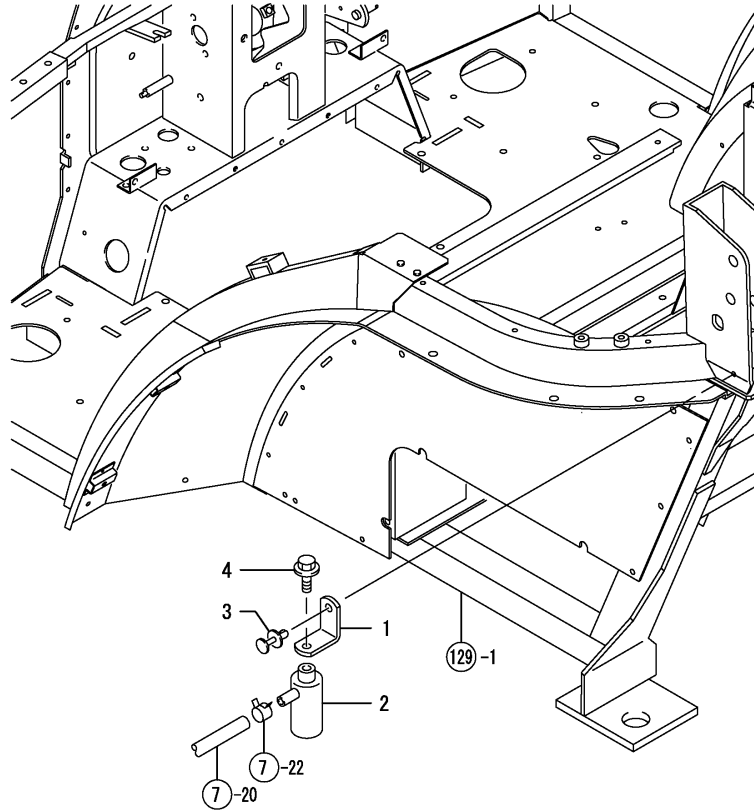
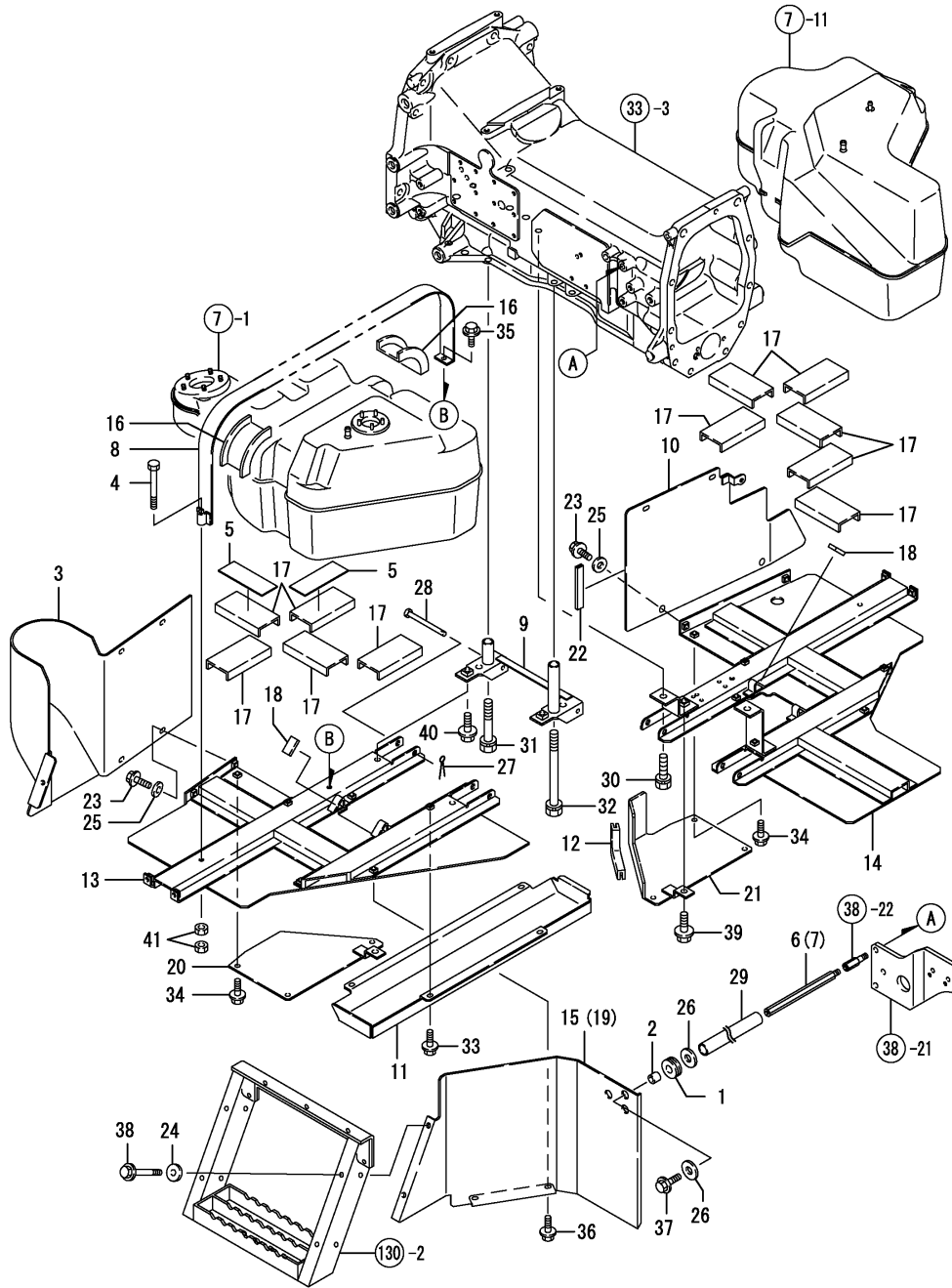


Fig.9. TANK COVER



(A)=EF685T-PQ

(B)=

(C)=

(D)=

(E)=

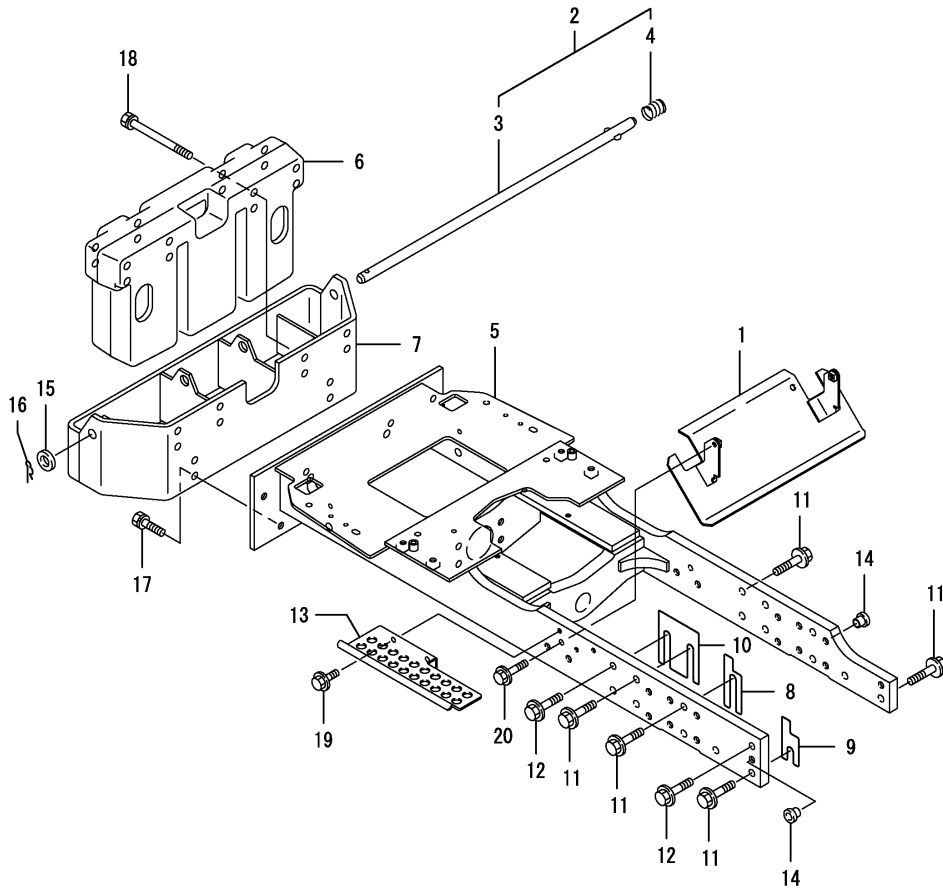
(F)=

No.	Lev.	Parts No.	Description	Q'ty						I	R
				(A)	(B)	(C)	(D)	(E)	(F)		
1	1	198360-03260	GROMMET, 12	2							
2	1	198360-03270	SPACER	2							
3	1	1A7680-04010	COVER ASSY, TANK LM	1							
4	1	198535-04050	BOLT, M8X115	2							
5	1	194151-04260	GASKET, FUEL TANK	2							
6	1	198448-04370	STAY, M10-M8	1							
7	1	1A7640-04370	STAY, M10-M8	1							
8	1	198448-04380	BAND ASSY	2							
9	1	1A7640-04400	STAY ASSY, TANK L	1							
10	1	1A7640-04450	COVER ASSY, TANK R	1							
11	1	198448-04480	COVER, UNDER	1							
12	1	198071-04490	TRIM, TANK 240	1							
13	1	198448-04503	COVER ASSY, TANK L	1							
14	1	1A7640-04600	COVER ASSY, TANK R	1							
15	1	198448-04651	COVER ASSY, TANK L	1							
16	1	198153-04670	RETAINER, BAND	4							
17	1	198448-04720	SEAT, TANK	11							
18	1	198448-04730	PAD	4							
19	1	198448-04750	COVER ASSY, TANK R	1							
20	1	1A7640-04770	COVER ASSY, TANK L	1							
21	1	1A7640-04780	COVER ASSY, TANK R	1							
22	1	198230-61560	GUIDE, HOSE	1							
23	1	198460-83350	BOLT, M8X16	8							
24	1	198255-83550	WASHER, 8	5							
25	1	198255-83550	WASHER, 8	8							
26	1	22157-080000	WASHER, 8	4							
27	1	22417-200300	PIN, COTTER 2.0X30	2							
28	1	22487-080550	PIN 8X 55	2							
29	1	23061-190210	PIPE, 19X 210	1							
30	1	26013-120252	BOLT, M12X 25	2							
31	1	26013-120702	BOLT, M12X 70	1							
32	1	26013-121302	BOLT, M12X130	1							
33	1	26106-080162	BOLT, M8X 16 PLATED	4							
34	1	26106-080162	BOLT, M8X 16 PLATED	4							
35	1	26106-080162	BOLT, M8X 16 PLATED	2							
36	1	26106-080162	BOLT, M8X 16 PLATED	4							
37	1	26106-080252	BOLT, M8X 25 PLATED	2							
38	1	26106-080752	BOLT, M8X 75 PLATED	5							
39	1	26106-100202	BOLT, M10X 20 PLATED	1							
40	1	26106-100202	BOLT, M10X 20 PLATED	2							
41	1	26716-080002	NUT, M8	4							

Fig.10. FRONT BRACKET

(A)=EF685T-PQ  
(B)=  
(C)=

(D)=  
(E)=  
(F)=



No.	Lev.	Parts No.	Description	Q'ty						I	R
				(A)	(B)	(C)	(D)	(E)	(F)		
1	1	198463-05551	PLATE ASSY, SHUTTER	1							
2	1	198440-11090	PIN ASSY, LOCK	1							
3	2	198440-11080	PIN	1							
4	2	194250-11140	SPRING	1							
5	1	1A7670-11100	BRACKET, FRONT AXLE	1							
6	1	198141-11111	WEIGHT, FRONT 50KG	1							
7	1	198133-11132	HITCH ASSY, FRONT	1							
8	1	1A7450-11330	SHIM, FAB 1MM A	1							
9	1	1A7450-11340	SHIM, FAB 1MM B	1							
10	1	1A7450-11350	SHIM, FAB 1MM C	1							
11	1	198220-11520	BOLT, M12X38	13							
12	1	198220-11530	BOLT, M12X38	2							
13	1	1A7650-11640	PLATE, SHUTTER L	1							
14	1	194150-21910	PLUG, 11.2	14							
15	1	22137-160000	WASHER, 16	1							
15-1	1	194197-25930	WASHER, 17X24X1.6	1							N
(A=FZZZZZ)											
16	1	22360-200000	PIN, SNAP 20	1							
17	1	26013-120302	BOLT, M12X 30	2							
18	1	26013-121052	BOLT, M12X105	4							
19	1	26106-080162	BOLT, M8X 16 PLATED	2							
20	1	26106-080302	BOLT, M8X 30 PLATED	2							

Fig.11. CENTER PIN

(A)=EF685T-PQ  
(B)=  
(C)=

(D)=  
(E)=  
(F)=

No.	Lev.	Parts No.	Description	Q'ty						I	R
				(A)	(B)	(C)	(D)	(E)	(F)		
1	1	1A7640-11500	PIN ASSY, CENTER	1							
2	2	1A7640-11510	PIN, CENTER	1							
3	2	24761-050000	NIPPLE, GREASE C	1							
4	1	1A7640-11540	SPACER, 33X41X2	1							
5	1	198240-11550	SPACER, 36X62X27	1							
6	1	1A7450-13220	SHIM SET, CENTER PIN	1							
7	1	22242-000320	RING, 32	1							
8	1	26013-120352	BOLT, M12X 35	4							

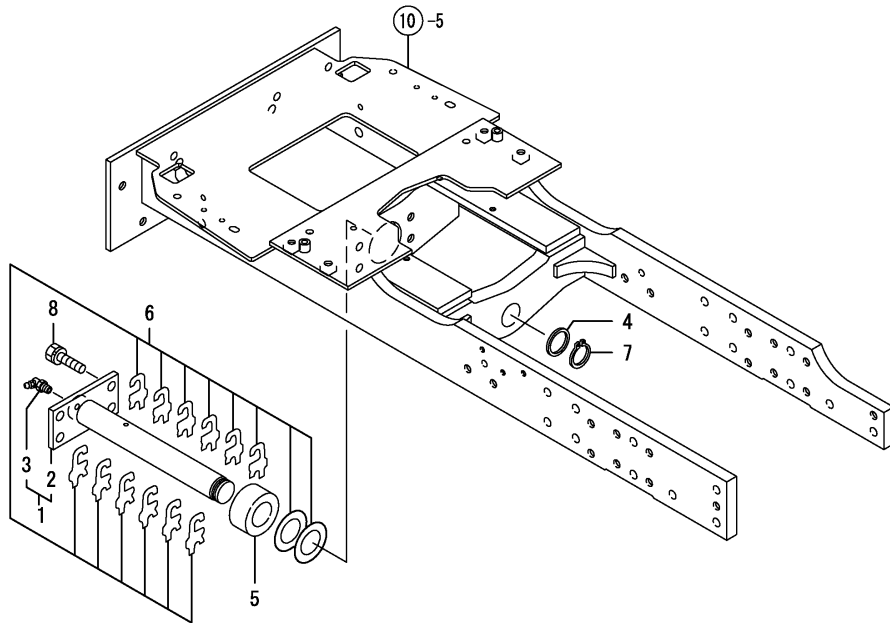




Fig.12. KNUCKLE ARM

(A)=EF685T-PQ  
(B)=  
(C)=

(D)=  
(E)=  
(F)=

No.	Lev.	Parts No.	Description	Q'ty						I	R
				(A)	(B)	(C)	(D)	(E)	(F)		
1	1	198535-11890	ARM ASSY, KNUCKLE	1							
2	2	198448-11900	ARM, KNUCKLE L	1							
3	2	198535-11920	ARM, KNUCKLE R	1							
4	1	194855-24290	CAP, OIL M20	1							
5	1	22217-120000	WASHER, SPRING 12	4							
6	1	22312-100180	PIN, PARALLEL M10X18	4							
7	1	23876-040000	PLUG, R04	1							
8	1	24311-000180	O-RING, 1AP18.0	1							
9	1	26013-120802	BOLT, M12X 80	2							
10	1	26013-121202	BOLT, M12X120	2							
11	1	26216-120502	STUD, M12X 50	4							
12	1	26716-120002	NUT, M12	4							

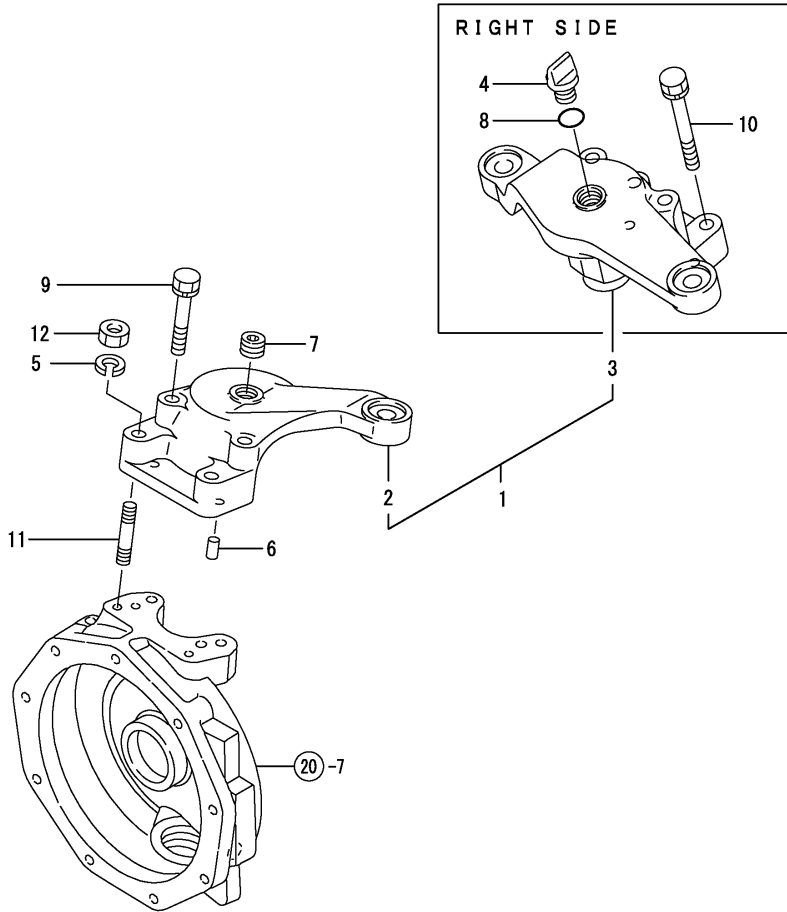




Fig.14. RING GEAR

(A)=EF685T-PQ  
(B)=  
(C)=

(D)=  
(E)=  
(F)=

No.	Lev.	Parts No.	Description	Q'ty						I	R
				(A)	(B)	(C)	(D)	(E)	(F)		
1	1	198463-13100	GEAR ASSY, RING	1							
2	1	198251-13670	COLLAR, SEAL	1							
3	1	198133-13810	BEARING, ET-32007XST	2							
4	1	24101-060124	BEARING, BALL 6012	1							
5	1	24341-000315	O-RING, 1AS31.5	1							

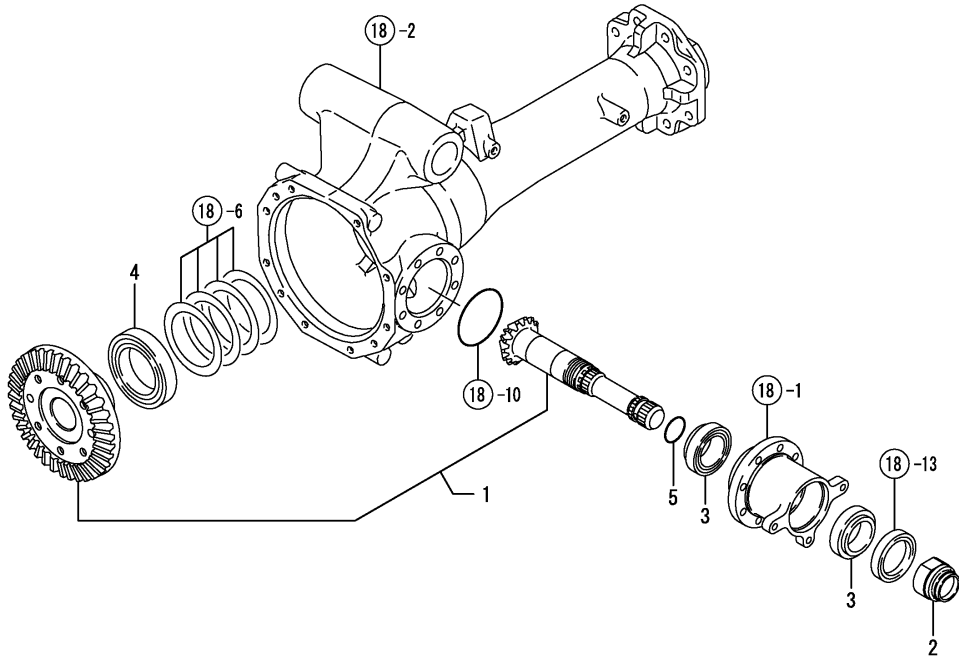


Fig.15. DIFFERENTIAL GEAR

(A)=EF685T-PQ  
(B)=  
(C)=

(D)=  
(E)=  
(F)=

No.	Lev.	Parts No.	Description	Q'ty						I	R
				(A)	(B)	(C)	(D)	(E)	(F)		
1	1	194641-13210	CASE, DIFFERENTIAL	1							
2	1	194321-13230	PINION, DIFFERENTIAL	2							
3	1	194465-13240	LINER, DIFFERENTIAL	2							
4	1	194321-13250	GEAR, DIFFERENTIAL	2							
5	1	194465-13260	WASHER, DIFFERENTIAL	2							
6	1	194321-13270	SHAFT, DIFFERENTIAL	1							
7	1	194323-13290	BOLT, M10X70	6							
8	1	22312-100180	PIN, PARALLEL M10X18	2							
9	1	22351-035032	PIN, SPRING 3.5X32	1							
10	1	22351-060032	PIN, SPRING 6.0X32	1							
11	1	24101-060104	BEARING, BALL 6010	1							

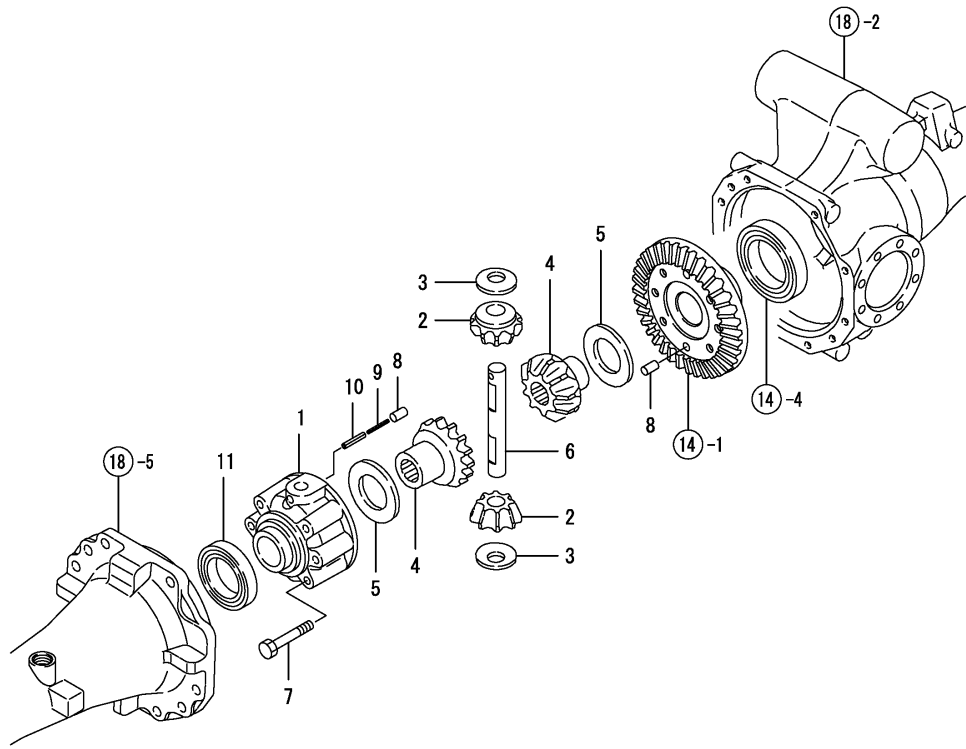
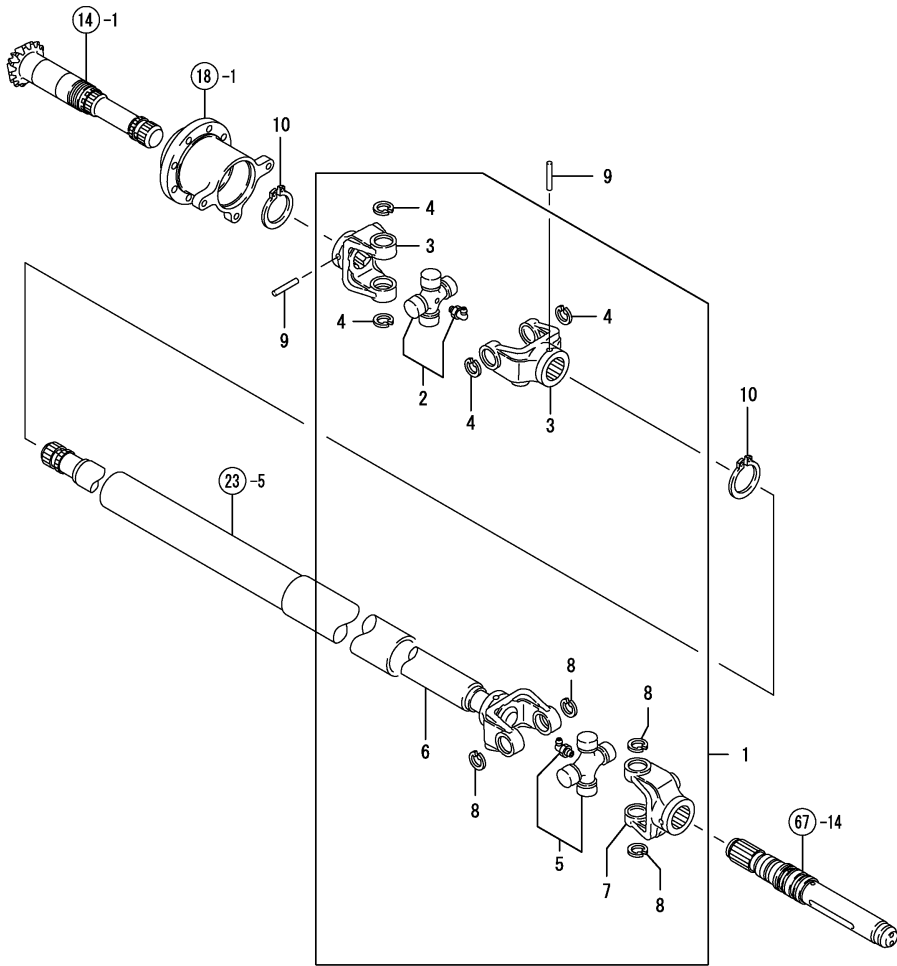


Fig.16. PROPELLER SHAFT



(A)=EF685T-PQ  
(B)=  
(C)=

(D)=  
(E)=  
(F)=

No.	Lev.	Parts No.	Description	Q'ty						I	R
				(A)	(B)	(C)	(D)	(E)	(F)		
1	1	198448-13301	SHAFT ASSY,PROPELLER	1							
1-1	1	1A7601-13300	SHAFT ASSY,PROPELLER	1							F 1
(A=FZZZZZ)											
2	2	195188-11210	SPIDER	1							
3	2	198448-13420	YOKE, SPLINE	2							
4	2	22252-000250	RING, 25	4							
5	2	195188-11210	SPIDER	1							
6	2	198448-13380	SHAFT R	1							
7	2	198448-13410	YOKE, SPLINE	1							
8	2	22252-000250	RING, 25	4							
9	1	174810-22130	NEEDLE, 6.35X4.45	2							
10	1	22242-000480	RING, 48	2							

Remarks  
(1)Fig.67 Ref.No.14-1 Interchangeable  
by set.

Fig.17. FRONT SHAFT(1)

(A)=EF685T-PQ  
(B)=  
(C)=

(D)=  
(E)=  
(F)=

No.	Lev.	Parts No.	Description	Q'ty						I	R
				(A)	(B)	(C)	(D)	(E)	(F)		
1	1	198251-13510	SHAFT, FRONT 1ST L	1							
2	1	198153-13521	PINION, SHAFT	2							
3	1	198251-13520	SHAFT, FRONT 1ST R	1							
4	1	194641-13840	BEARING, BALL TMB208	2							

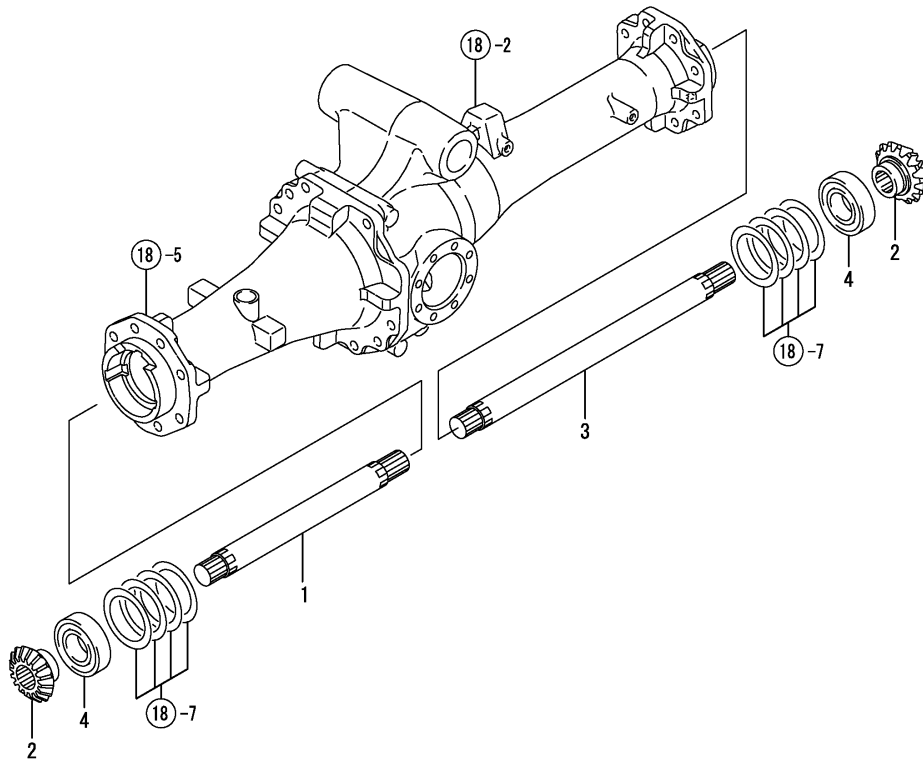
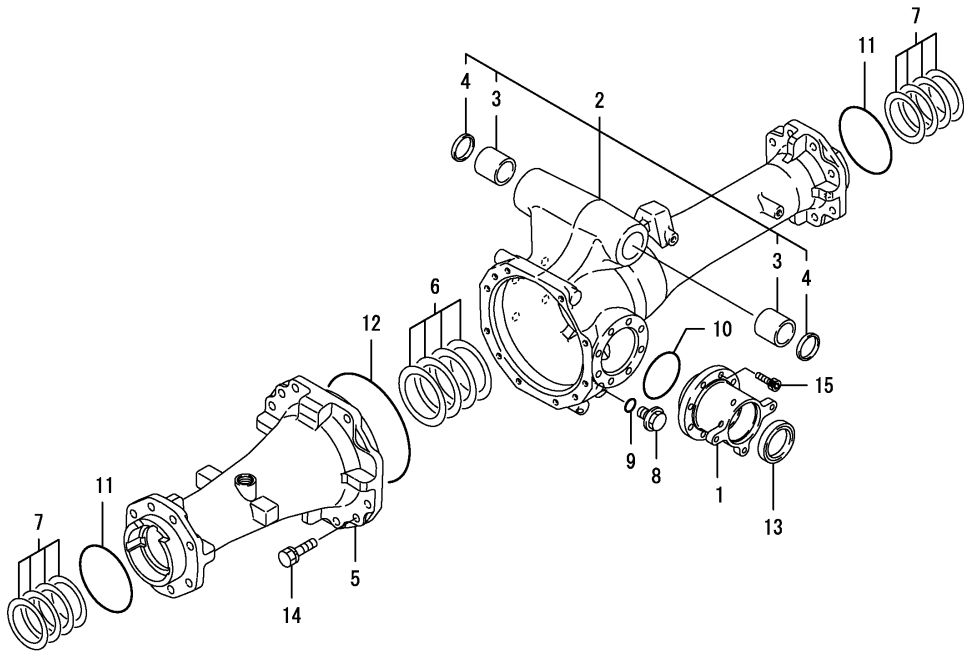


Fig.18. FRONT AXLE CASE

(A)=EF685T-PQ  
(B)=  
(C)=

(D)=  
(E)=  
(F)=



No.	Lev.	Parts No.	Description	Q'ty						I	R
				(A)	(B)	(C)	(D)	(E)	(F)		
1	1	198448-13450	RETAINER, BEARING	1							
2	1	198141-13600	HOUSING ASSY, AXLE R	1							
3	2	198251-11220	BUSH, 35X41X40	2							
4	2	194321-11940	SEAL, OIL VB354105	2							
5	1	1A7640-13610	HOUSING, FRONT AXLE	1							
6	1	794321-13660	SHIM SET	1							
7	1	194641-13670	SHIM SET, PINION	1							
8	1	23491-140002	PLUG, 14	1							
9	1	24311-000160	O-RING, 1AP16.0	1							
10	1	24321-000700	O-RING, 1AG70.0	1							
11	1	24321-001000	O-RING, 1AG100.0	2							
12	1	24321-001700	O-RING, 1AG170.0	1							
13	1	24421-456209	SEAL, OIL TC456209	1							
14	1	26013-120302	BOLT, M12X 30	11							
15	1	26450-080252	BOLT, M8X 25	8							

Fig.19. BREATHER(FRONT

(A)=EF685T-PQ  
(B)=  
(C)=

(D)=  
(E)=  
(F)=

No.	Lev.	Parts No.	Description	Q'ty						I	R
				(A)	(B)	(C)	(D)	(E)	(F)		
1	1	1C6900-23020	BREATHER	1							
2	1	24311-000180	O-RING, 1AP18.0	1							

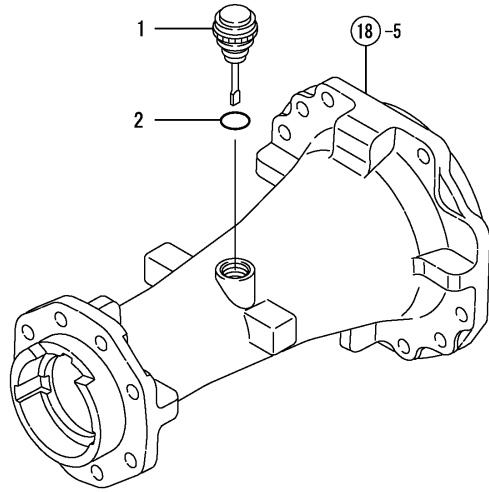




Fig.20. FRONT GEAR CASE

(A)=EF685T-PQ

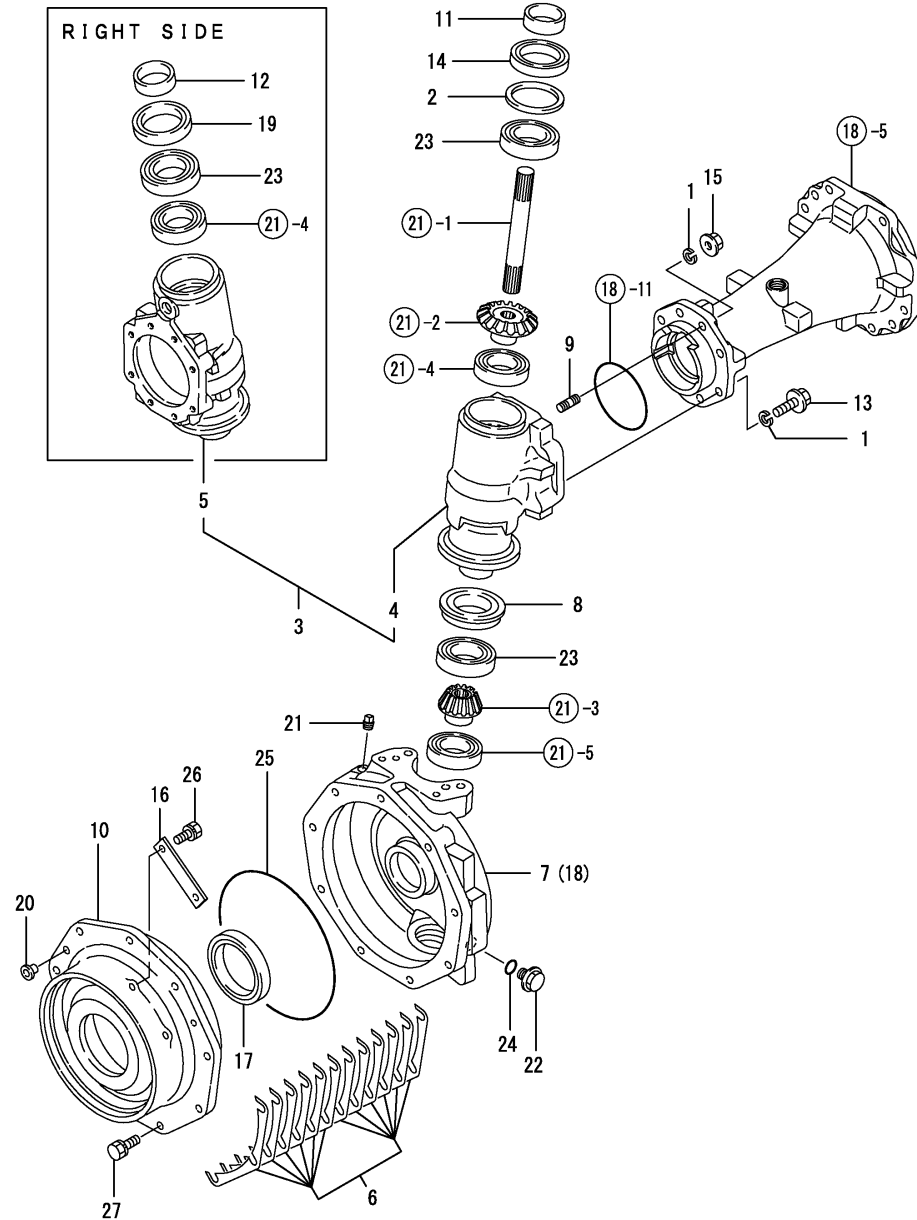
(B)=

(C)=

(D)=

(E)=

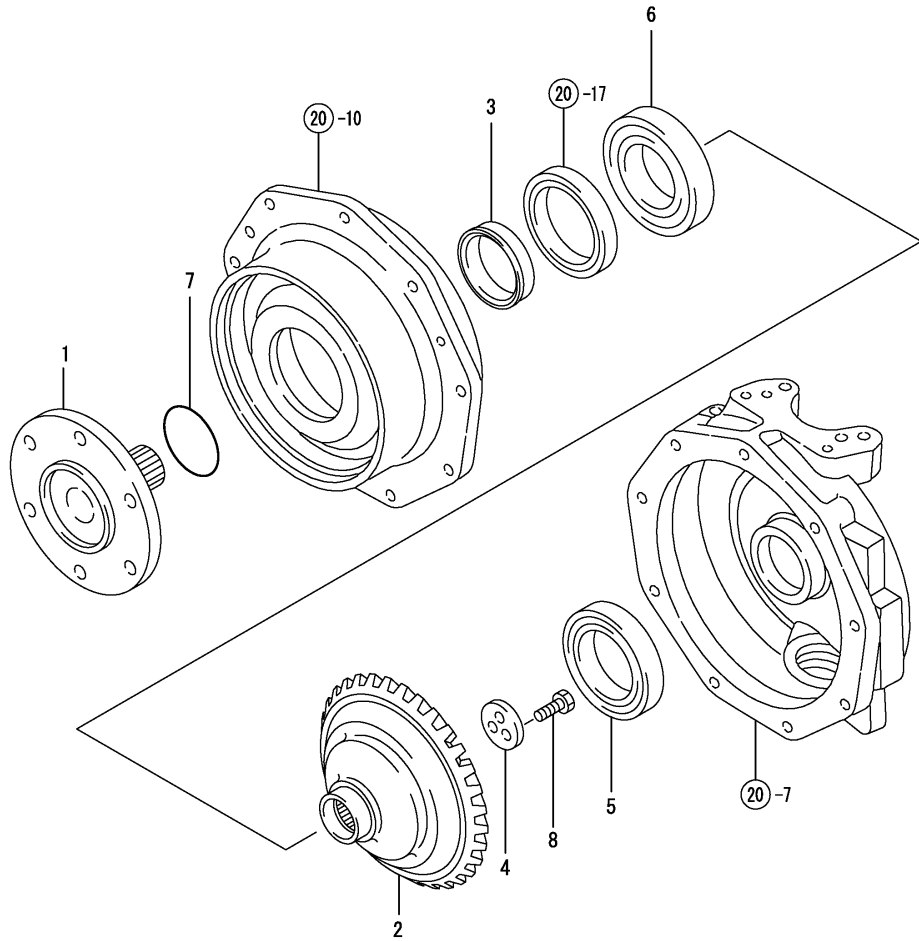
(F)=



No.	Lev.	Parts No.	Description	Q'ty						I	R
				(A)	(B)	(C)	(D)	(E)	(F)		
1	1	194274-13580	WASHER, SPRING 12	16							
2	1	194321-13680	SPACER, 85X1	1							
3	1	198448-13690	HOUSING ASSY, GEAR	1							
4	2	198448-13710	CASE, FRONT GEAR L	1							
5	2	198448-13720	CASE, FRONT GEAR R	1							
6	1	198401-13720	SHIM SET	1							
7	1	198401-13750	BOX, GEAR L	1							
8	1	194641-13760	SEAL, OIL 55X85	2							
9	1	198133-13760	STUD, M12X30	2							
10	1	198401-13770	CASE, FRONT BEARING	2							
11	1	194641-13780	SLEEVE, SI 50X55X18	1							
12	1	198071-13780	SLEEVE, SI 63X68X17	1							
13	1	198133-13780	BOLT, M12X30	14							
14	1	194641-13790	SEAL, OIL TC6Y558514	1							
15	1	198133-13790	NUT, M12	2							
16	1	198401-13790	RETAINER, BEARING	4							
17	1	198535-13790	SEAL, QLNY7810516	2							
18	1	198401-13850	BOX, GEAR R	1							
19	1	194171-13870	SEAL, OIL TC6Y689013	1							
20	1	194275-27750	PLUG, 7.8	6							
21	1	194151-36670	PLUG, PF02	2							
22	1	23491-140002	PLUG, 14	2							
23	1	24101-062094	BEARING, BALL 6209	4							
24	1	24311-000160	O-RING, 1AP16.0	2							
25	1	24321-002200	O-RING, 1AG220.0	2							
26	1	26013-080252	BOLT, M8X 25	8							
27	1	26013-100252	BOLT, M10X 25	18							



Fig.22. FRONT SPINDLE



(A)=EF685T-PQ  
(B)=  
(C)=

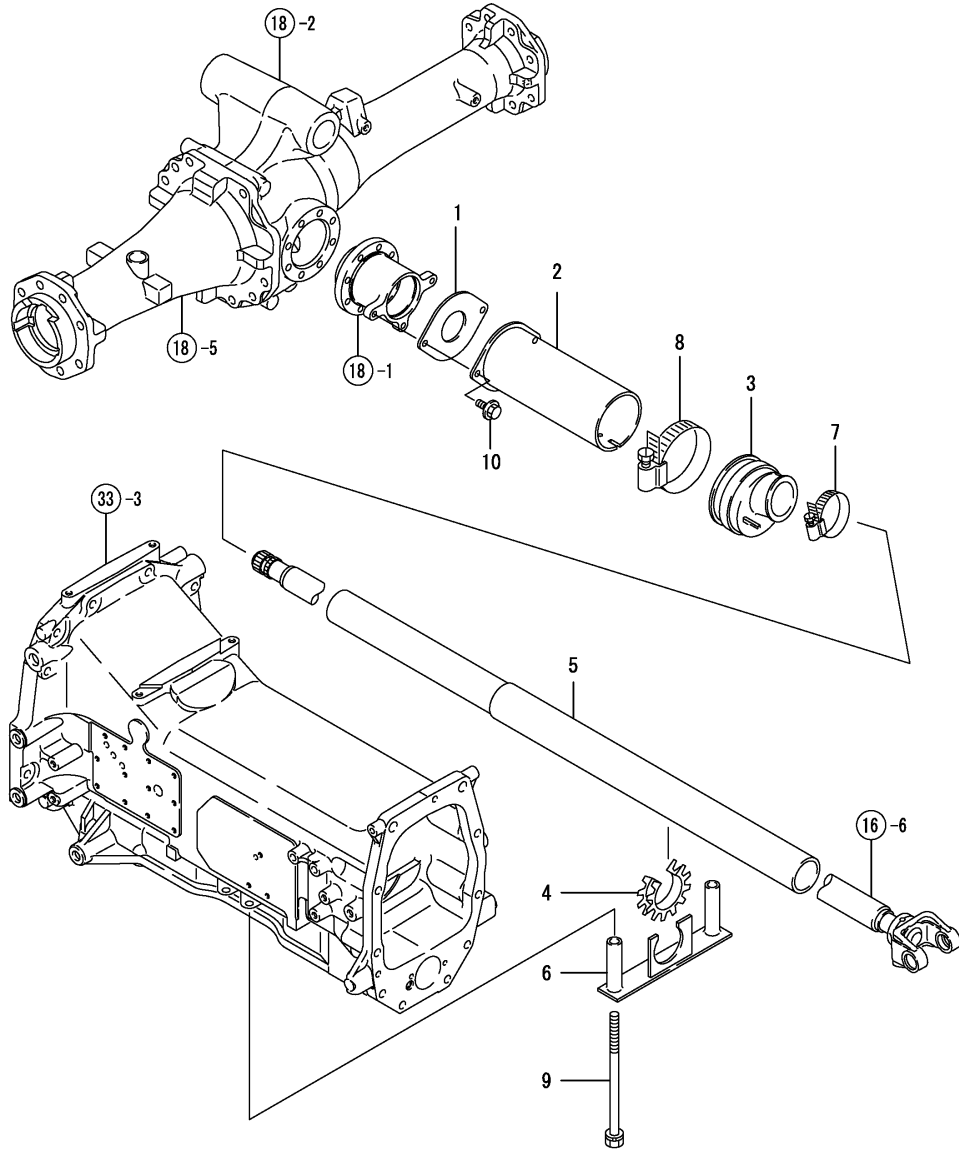
(D)=  
(E)=  
(F)=

No.	Lev.	Parts No.	Description	Q'ty						I	R
				(A)	(B)	(C)	(D)	(E)	(F)		
1	1	198401-14110	SPINDLE, FRONT	2							
2	1	198401-14120	GEAR, FRONT SHAFT	2							
3	1	198535-14130	COLLAR, 65X78X19.5	2							
4	1	198401-14150	WASHER	2							
5	1	24101-060144	BEARING, BALL 6014	2							
6	1	24101-062134	BEARING, BALL 6213	2							
7	1	24325-000650	O-RING, 1BG65.0	2							
8	1	26116-100252	BOLT, M10X 25 PLATED	6							
8-1	1	26106-100252	BOLT, M10X 25 PLATED	6							R
		(A=FZZZZZ)									
8-2	1	198208-11310	BOLT, M10X 25	6							N
		(A=FZZZZZ)									

Fig.23. SHAFT COVER

(A)=EF685T-PQ  
(B)=  
(C)=

(D)=  
(E)=  
(F)=

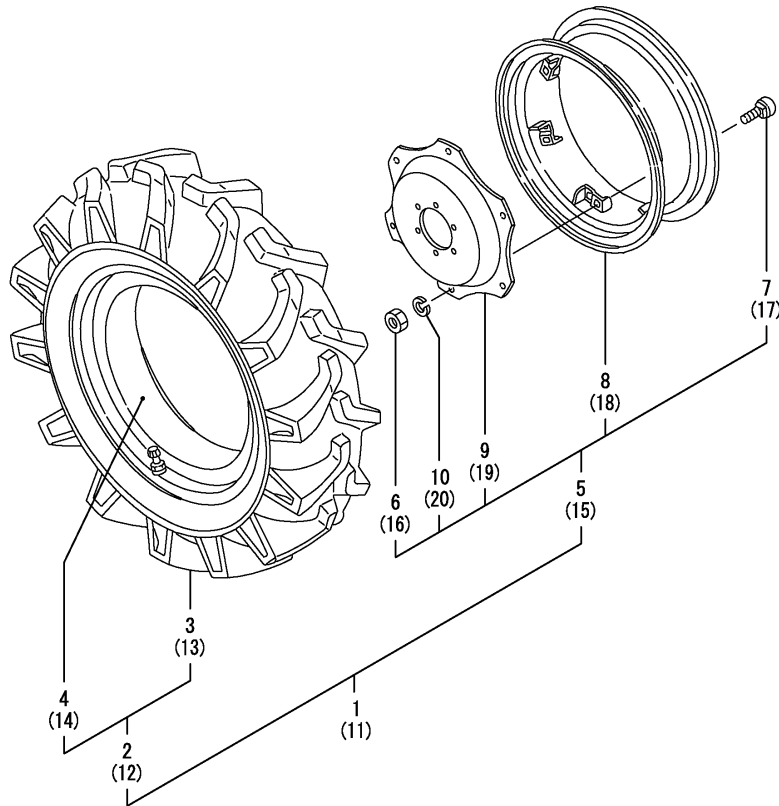


No.	Lev.	Parts No.	Description	Q'ty						I	R
				(A)	(B)	(C)	(D)	(E)	(F)		
1	1	198448-14590	COVER, FRONT SEAL	1							
2	1	198463-14610	COVER, SHAFT FRONT	1							
3	1	198448-14640	BOOT, SHAFT COVER	1							
4	1	198448-14670	BUSH, UNIVERSAL	1							
5	1	198448-14711	COVER ASSY, SHAFT	1							
6	1	198448-14750	BRACKET, COVER	1							
7	1	23000-060000	CLAMP, 60	1							
8	1	23000-102000	CLAMP, 102	1							
9	1	26013-121052	BOLT, M12X105	2							
10	1	26106-080162	BOLT, M8X 16 PLATED	2							

Fig.24. FRONT WHEEL TIRE

(A)=EF685T-PQ  
(B)=  
(C)=

(D)=  
(E)=  
(F)=



No.	Lev.	Parts No.	Description	(A)	(B)	Q'ty (C)	(D)	(E)	(F)	I	R
1	1	198463-14700	TIRE ASSY, 8.3-20-6L	1							
1-1	1	1A7670-14700	TIRE&WHEEL L.H. KIT	1							N
(A=FZZZZZ)											
2	2	194181-14800	TIRE ASSY, FRONT	1							
2-1	2	194765-14860	TIRE ASSY, 9.5-18-6	1							S
(A=FZZZZZ)											
3	3	194181-14810	TIRE, 8.3-20 6 FSLM	1							
3-1	3	194765-14870	TIRE, 9.5-18 6 FL-16	1							S
(A=FZZZZZ)											
4	3	194451-14820	TUBE, 8.3-20	1							
4-1	3	194765-14880	TUBE, 9.5-18	1							S
(A=FZZZZZ)											
5	2	194681-14890	WHEEL ASSY, W7X20W	1							
5-1	2	1A7670-14720	WHEEL ASSY, W8X18	1							S
(A=FZZZZZ)											
6	3	194181-14180	NUT, M16	6							
6-1	3	194181-14180	NUT, M16	5							K
(A=FZZZZZ)											
7	3	194681-14790	BOLT, M16X35	6							
7-1	3	198268-34850	BOLT, M16X70	5							S
(A=FZZZZZ)											
8	3	194681-14830-1	RIM, W7X20	1							
8-1	3	1A7670-14730	RIM, W8X18	1							S
(A=FZZZZZ)											
9	3	194681-14860	DISK, W7X20	1							
9-1	3	1A7670-14760	DISK, W8X18	1							S
(A=FZZZZZ)											
10	3	194065-34170	WASHER, 16	6							
10-1	3	194065-34170	WASHER, 16	5							K
(A=FZZZZZ)											
11	1	198463-14800	TIRE ASSY, 8.3-20-6R	1							
11-1	1	1A7670-14800	TIRE&WHEEL R.H. KIT	1							N
(A=FZZZZZ)											
12	2	194181-14800	TIRE ASSY, FRONT	1							
12-1	2	194765-14860	TIRE ASSY, 9.5-18-6	1							S
(A=FZZZZZ)											
13	3	194181-14810	TIRE, 8.3-20 6 FSLM	1							
13-1	3	194765-14870	TIRE, 9.5-18 6 FL-16	1							S
(A=FZZZZZ)											
14	3	194451-14820	TUBE, 8.3-20	1							
14-1	3	194765-14880	TUBE, 9.5-18	1							S
(A=FZZZZZ)											
15	2	194681-14890	WHEEL ASSY, W7X20W	1							
15-1	2	1A7670-14720	WHEEL ASSY, W8X18	1							S
(A=FZZZZZ)											
16	3	194181-14180	NUT, M16	6							
16-1	3	194181-14180	NUT, M16	5							K
(A=FZZZZZ)											
17	3	194681-14790	BOLT, M16X35	6							
17-1	3	198268-34850	BOLT, M16X70	5							S
(A=FZZZZZ)											

Fig.24. FRONT WHEEL TIRE

(A)=EF685T-PQ  
(B)=  
(C)=

(D)=  
(E)=  
(F)=

No.	Lev.	Parts No.	Description	Q'ty						I	R
				(A)	(B)	(C)	(D)	(E)	(F)		
18	3	194681-14830-1	RIM, W7X20	1							
18-1	3	1A7670-14730	RIM, W8X18	1							S
(A=FZZZZZ)											
19	3	194681-14860	DISK, W7X20	1							
19-1	3	1A7670-14760	DISK, W8X18	1							S
(A=FZZZZZ)											
20	3	194065-34170	WASHER, 16	6							
20-1	3	194065-34170	WASHER, 16	5							K
(A=FZZZZZ)											

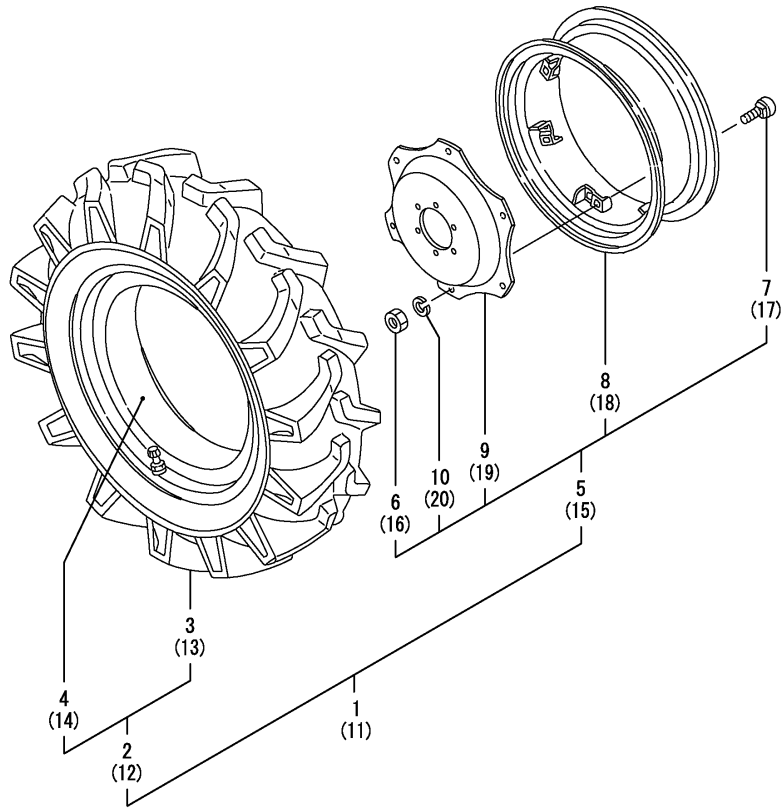


Fig.25. HUB BOLT

(A)=EF685T-PQ  
(B)=  
(C)=

(D)=  
(E)=  
(F)=

No.	Lev.	Parts No.	Description	Q'ty						I	R
				(A)	(B)	(C)	(D)	(E)	(F)		
1	1	194279-14220	WASHER, 14	12							
2	1	198200-34130	STUD, M14X31	12							
3	1	198200-34190	NUT, M14	12							

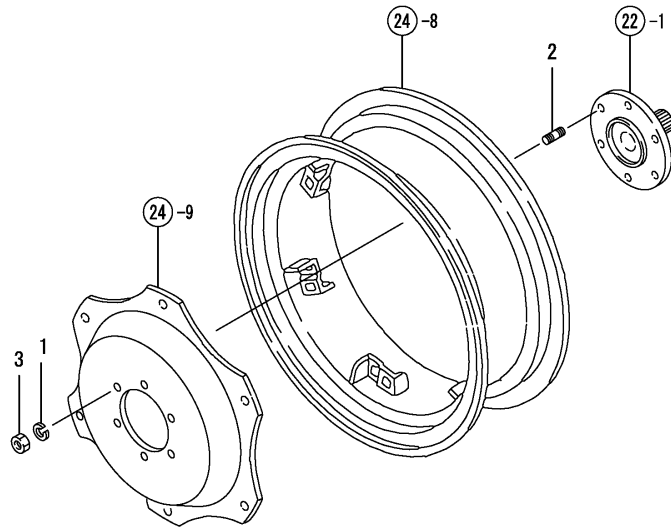
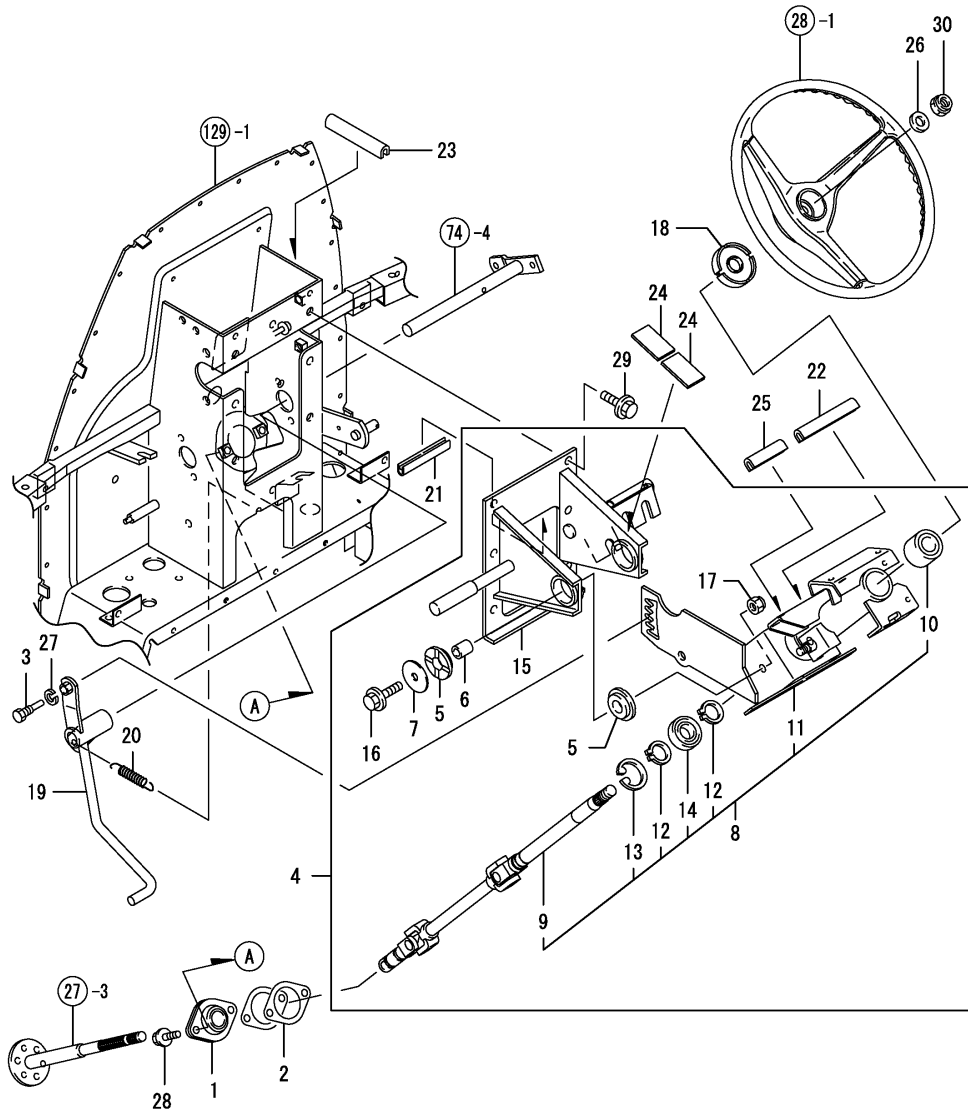


Fig.26. STEERING COLUMN



(A)=EF685T-PQ

(B)=

(C)=

(D)=

(E)=

(F)=

No.	Lev.	Parts No.	Description	Q'ty						I	R
				(A)	(B)	(C)	(D)	(E)	(F)		
1	1	198448-15370	PILLOW, 20	1							
2	1	198448-15380	SHIM, PILLOW UNIT	2							
3	1	198448-15650	PIN, TILT LOCK	1							
4	1	1A7640-15700	COLUMN, STEERING	1							
5	2	1A7640-15710	BUSH, STEERING	4							
6	2	1A7640-15720	COLLAR, 17.3X3.5	2							
7	2	1A7640-15730	WASHER, 10.5X44X2.3	2							
8	2	1A7640-15800	COLUMN ASSY, STEERING	1							
9	3	1A7640-15310	SHAFT ASSY, JOINT	1							
10	3	198071-15612	BUSH, COLUMN	1							
11	3	1A7640-15850	COLUMN, STEERING	1							
12	3	22242-000200	RING, 20	2							
13	3	22252-000420	RING, 42	1							
14	3	24105-060040	BEARING, 6004ZC3	1							
15	2	1A7640-15900	BRACKET, STEERING	1							
16	2	26106-100402	BOLT, M10X 40 PLATED	2							
17	2	26346-100002	NUT, M10	2							
18	1	198535-15720	COVER, COLUMN	1							
19	1	198448-15750	PEDAL, TILT	1							
20	1	198290-37510	SPRING, RETURN	1							
21	1	198230-61560	GUIDE, HOSE	1							
22	1	198230-61560	GUIDE, HOSE	1							
23	1	198230-61560	GUIDE, HOSE	1							
24	1	198093-84810	SEAL, FENDER	2							
25	1	198093-84810	SEAL, FENDER	1							
26	1	22137-160000	WASHER, 16	1							
27	1	22217-100000	WASHER, SPRING 10	1							
28	1	26106-080162	BOLT, M8X 16 PLATED	2							
29	1	26106-100202	BOLT, M10X 20 PLATED	4							
30	1	26356-160002	NUT, M16	1							

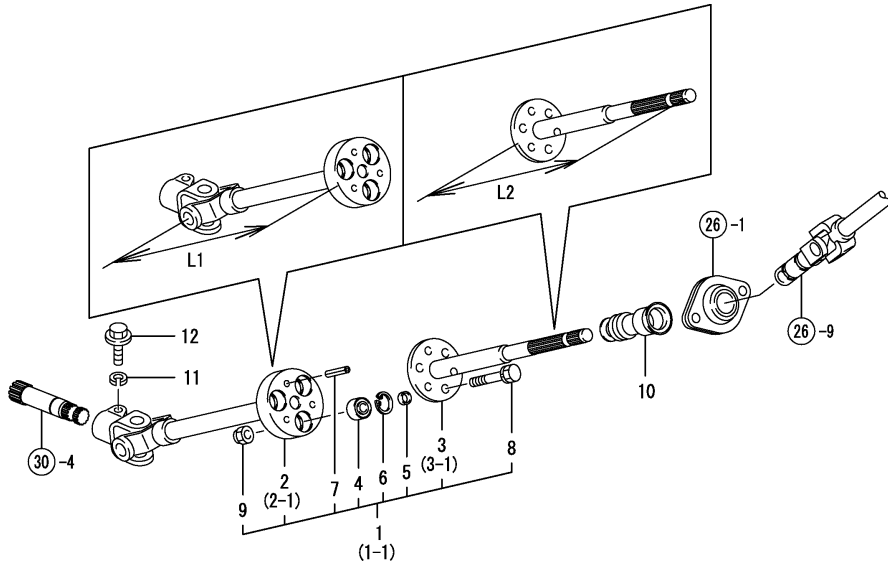


Fig.27. STEERING SHAFT

(A)=EF685T-PQ  
(B)=  
(C)=

(D)=  
(E)=  
(F)=

No.	Lev.	Parts No.	Description	Qty						I	R
				(A)	(B)	(C)	(D)	(E)	(F)		
1	1	1A7650-15510	SHAFT ASSY, JOINT	1							
1-1	1	1A7650-15511	SHAFT ASSY, JOINT	1							S
(A=*2009.06.)											
2	2	1A7640-15520	SHAFT ASSY, JOINT A	1							
2-1	2	1A7640-15521	SHAFT ASSY, JOINT A	1							S 1
(A=*2009.06.)											
3	2	1A7650-15560	SHAFT, JOINT B	1							
3-1	2	1A7650-15561	SHAFT, JOINT B	1							S 2
(A=*2009.06.)											
4	2	198448-15581	BUSH, 8X20X14	3							
5	2	198448-15590	COLLAR, D12XL5	3							
6	2	22252-000200	RING, 20	3							
7	2	22351-060032	PIN, SPRING 6.0X32	3							
8	2	26013-080352	BOLT, M8X 35	3							
9	2	26346-080002	NUT, M8	3							
10	1	198448-15690	BOOT, SHAFT	1							
11	1	22217-080000	WASHER, SPRING 8	1							
12	1	26106-080252	BOLT, M8X 25 PLATED	1							



Remarks

- (1) L1= REF.NO.2 253M/M, 2-1 303M/M
- (2) L2= REF.NO.3 242M/M, 3-1 193M/M

Fig.28. STEERING WHEEL

(A)=EF685T-PQ  
(B)=  
(C)=

(D)=  
(E)=  
(F)=

No.	Lev.	Parts No.	Description	Q'ty						I	R
				(A)	(B)	(C)	(D)	(E)	(F)		
1	1	198448-15700	WHEEL ASSY, STEERING	1							
2	2	198071-15720	CAP ASSY	1							
3	3	198071-15740	EMBLEM	1							

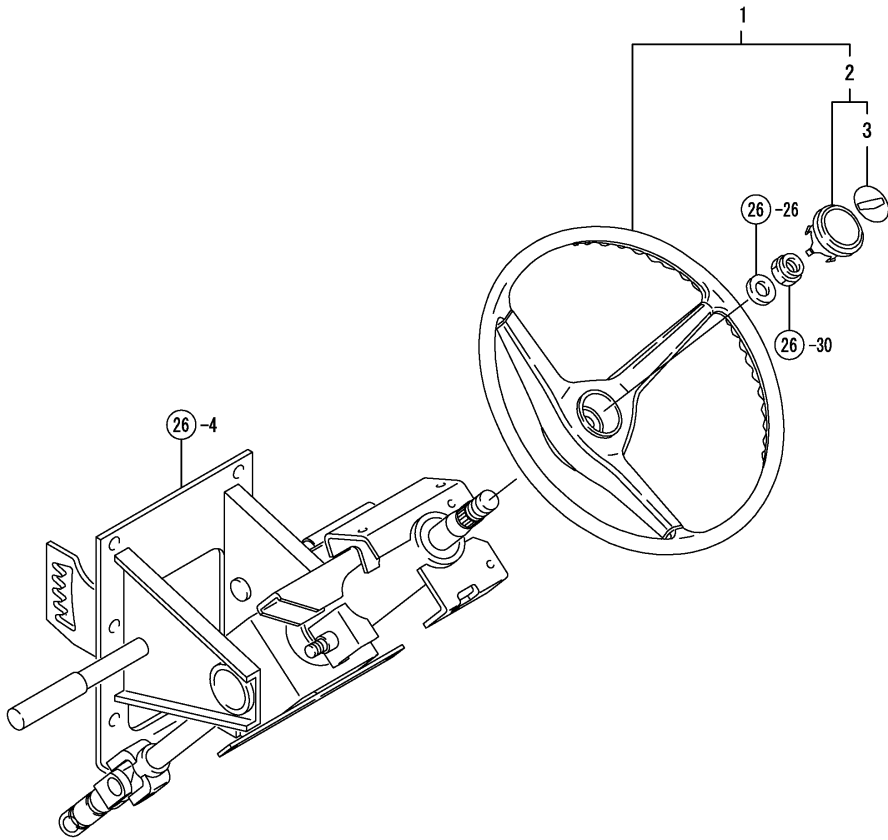
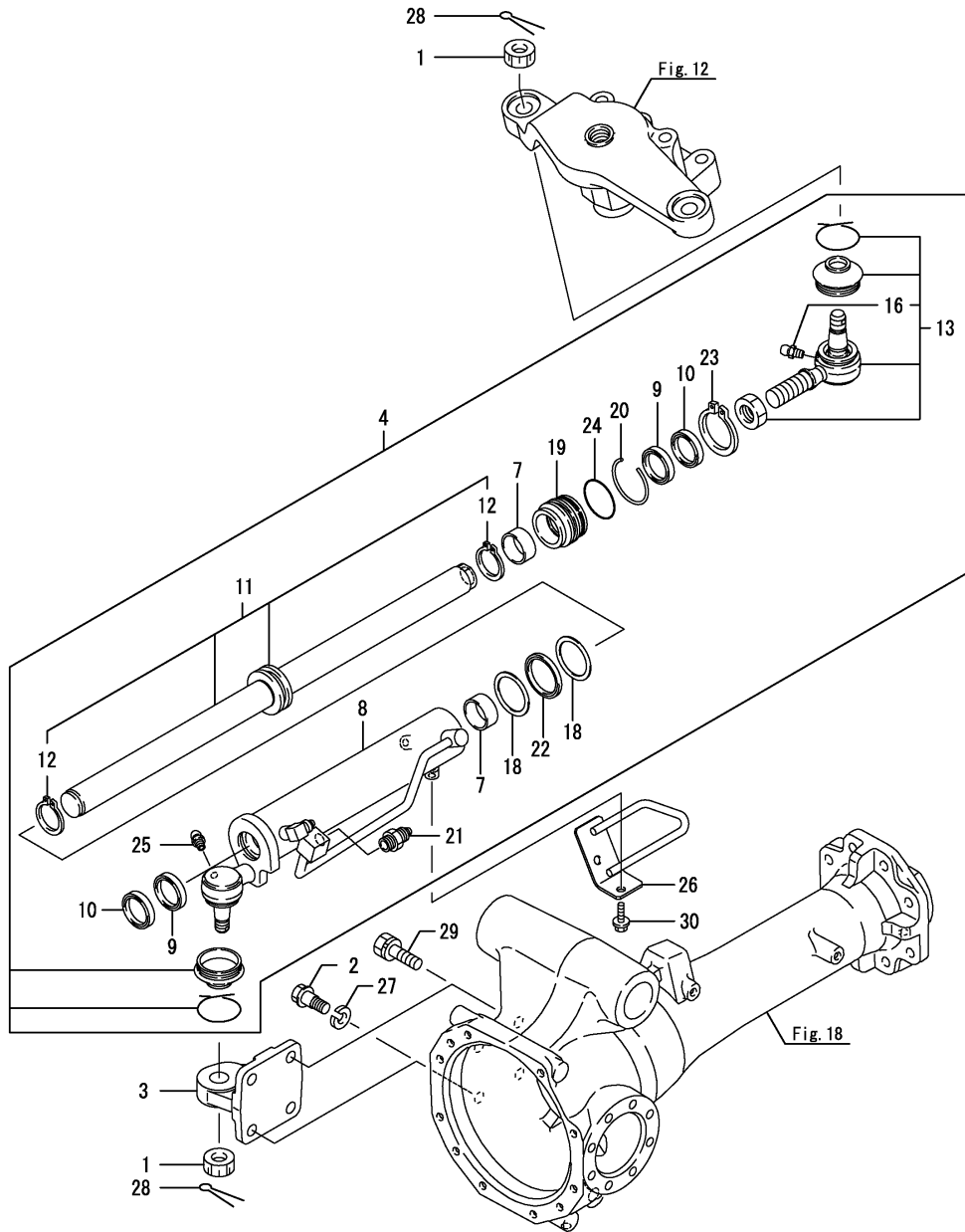


Fig.29. PST CYLINDER

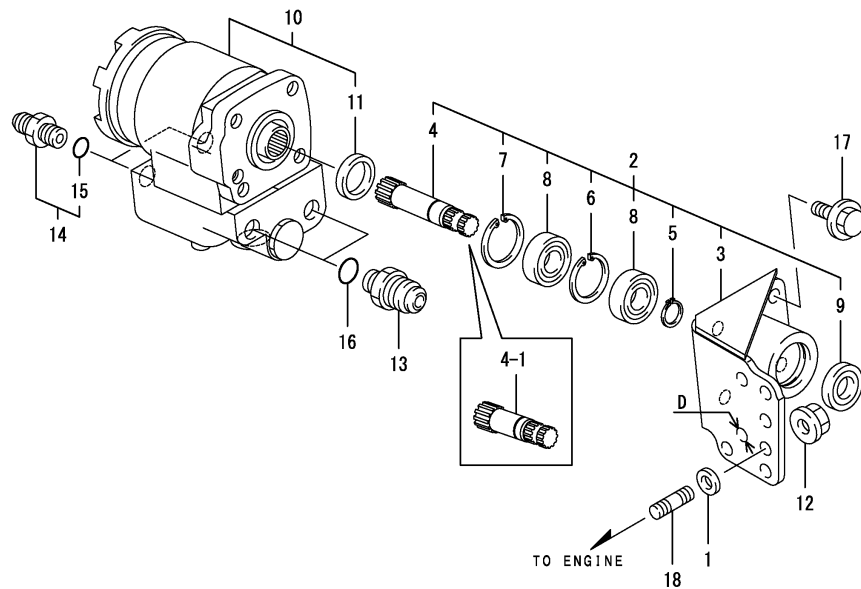
(A)=EF685T-PQ  
(B)=  
(C)=

(D)=  
(E)=  
(F)=



No.	Lev.	Parts No.	Description	Q'ty						I	R
				(A)	(B)	(C)	(D)	(E)	(F)		
1	1	194180-12471	NUT, CASTLE M16	2							
2	1	198071-17150	BOLT, REAMER M12X30	2							
3	1	198535-17270	BOSS, CYLINDER	1							
4	1	1A7650-17300	CYLINDER ASSY	1							
7	2	1A7900-17260	BUSH, 30X15	2							
8	2	1A7650-17310	TUBE ASSY, CYLINDER	1							
9	2	1A7900-17330	PACKING, 30	2							
10	2	1A7900-17360	SEAL, DUST	2							
11	2	1A7650-17400	ROD ASSY, CYLINDER	1							
12	3	22242-000300	RING, 30	2							
13	2	1A7650-17450	END ASSY, ROD RR	1							
16	3	24761-060000	NIPPLE, GREASE MT6X1	1							
18	2	198071-17481	RING, BACK UP 50	2							
19	2	1A7650-17520	CAP, CYLINDER	1							
20	2	1A7650-17530	RING, 50X3.2	1							
21	2	1A7650-17540	ADAPTOR	1							
22	2	172157-72710	PACKING 50,HSD	1							
23	2	22242-100480	RING, 48	1							
24	2	24315-000440	O-RING 1B P-44.0	1							
25	2	24761-060000	NIPPLE, GREASE MT6X1	1							
26	1	1A7640-17431	COVER, CYLINDER	1							
27	1	22217-140000	WASHER, SPRING 14	2							
28	1	22417-400400	PIN, COTTER 4.0X40	2							
29	1	26013-120302	BOLT, M12X 30	2							
30	1	26106-080122	BOLT, M8X 12 PLATED	2							

Fig.30. PST VALVE



(A)=EF685T-PQ  
(B)=  
(C)=

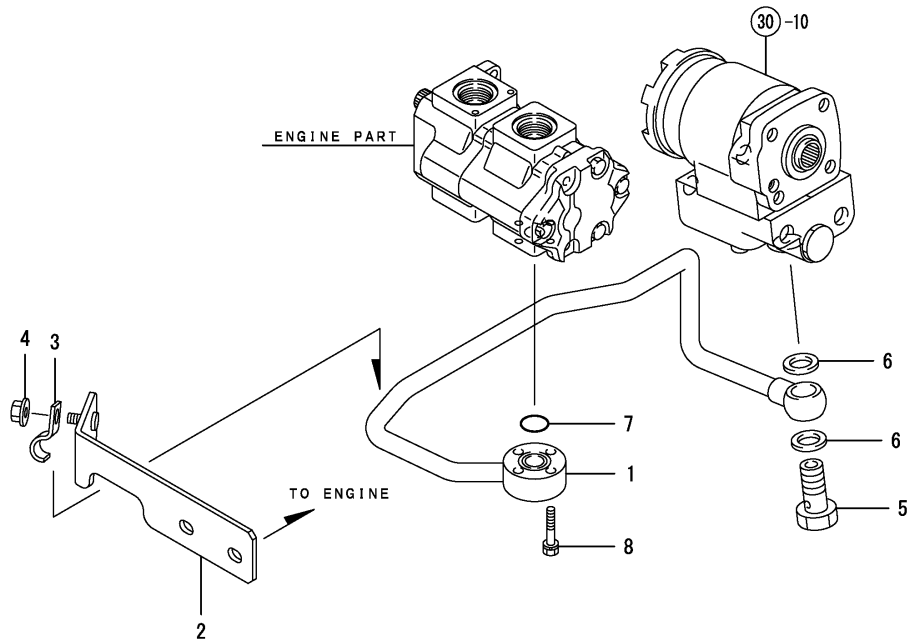
(D)=  
(E)=  
(F)=

No.	Lev.	Parts No.	Description	Qty						I	R
				(A)	(B)	(C)	(D)	(E)	(F)		
1	1	194150-01270	SPACER, 20	4							
2	1	198448-17102	SHAFT, STEERING	1							
2-1	1	198448-17103	SHAFT, STEERING	1							N
(A=FZZZZZ)											
3	2	198448-17113	BRACKET, VALVE	1							
3-1	2	198448-17114	BRACKET, VALVE	1							S 1
(A=FZZZZZ)											
4	2	198448-17190	SHAFT, STEERING	1							
4-1	2	1A7601-17190	SHAFT, STEERING	1							S
(A=FZZZZZ)											
5	2	22242-000170	RING, 17	1							
6	2	22252-000370	RING, 37	1							
7	2	22252-000400	RING, 40	1							
8	2	24104-062030	BEARING, 6203UUC3	2							
9	2	24421-173507	SEAL, OIL TC173507	1							
10	1	1A7670-17501	VALVE ASSY, STEERING	1							
11	2	198133-17550	SEAL KIT	1							
12	1	194990-22150	NUT, M10	4							
13	1	198448-48620	JOINT, 3/8-M24	2							
14	1	198448-48630	JOINT ASSY, 1/4	2							
15	2	24311-000110	O-RING, 1AP11.0	2							
16	1	24311-000140	O-RING, 1AP14.0	2							
17	1	26106-100202	BOLT, M10X 20 PLATED	4							
18	1	26216-100252	STUD, M10X 25	4							

Remarks

(1)D=Ref.No.3 11mm,3-1 10.5mm.

Fig.31. PST PIPING



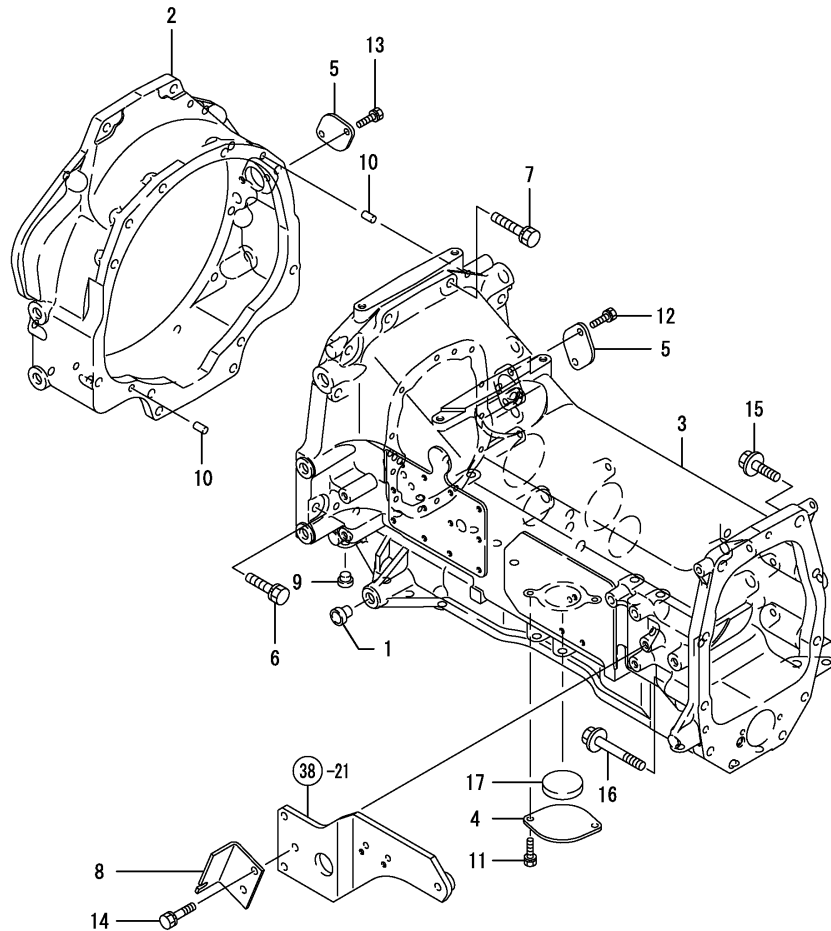
(A)=EF685T-PQ  
(B)=  
(C)=

(D)=  
(E)=  
(F)=

No.	Lev.	Parts No.	Description	Q'ty						I	R
				(A)	(B)	(C)	(D)	(E)	(F)		
1	1	1A7670-17711	PIPE, PRESSURE	1							
2	1	1A7640-17750	CLAMP ASSY, PIPE	1							
3	1	1A7640-17770	CLAMP	1							
4	1	194990-22140	NUT, M8	1							
5	1	198220-48750	BOLT ASSY, JOINT	1							
6	1	23414-180023	GASKET, 18X1.0	2							
7	1	24311-000220	O-RING, 1AP22.0	1							
8	1	26013-060352	BOLT, M6X 35	4							



Fig.33. CLUTCH HOUSING



(A)=EF685T-PQ  
(B)=  
(C)=

(D)=  
(E)=  
(F)=

No.	Lev.	Parts No.	Description	Q'ty						I	R
				(A)	(B)	(C)	(D)	(E)	(F)		
1	1	194450-11190	PLUG, 15.0	4							
2	1	198448-21062	HOUSING, FLYWHEEL	1							
3	1	1A7670-21110	HOUSING, CLUTCH	1							
4	1	198071-21140	COVER, HOUSING	1							
5	1	194146-21150	COVER, SIDE	2							
6	1	198448-21280	BOLT, M12X50	1							
7	1	198448-21320	BOLT, M12X60	8							
8	1	1A7670-22480	SUPPORT, CLUTCH CABLE	1							
9	1	194150-24270	CAP, SCREW 13.0	2							
10	1	22312-100180	PIN, PARALLEL M10X18	2							
11	1	26013-080122	BOLT, M8X 12	2							
11-1	1	26106-080162	BOLT, M8X 16 PLATED	2							N
(A=*2009.04.)											
12	1	26013-080122	BOLT, M8X 12	2							
12-1	1	26106-080162	BOLT, M8X 16 PLATED	2							N
(A=*2009.04.)											
13	1	26013-080162	BOLT, M8X 16	4							
14	1	26013-100302	BOLT, M10X 30	2							
15	1	26108-120402	BOLT, M12X 40 PLATED	5							
16	1	26108-120852	BOLT, M12X 85 PLATED	1							
17	1	27260-550000	PLUG, 55	1							

Fig.34. DOCKING BOLT

(A)=EF685T-PQ  
(B)=  
(C)=

(D)=  
(E)=  
(F)=

No.	Lev.	Parts No.	Description	Q'ty						I	R
				(A)	(B)	(C)	(D)	(E)	(F)		
1	1	198240-21270	BOLT, M12X30	7							
2	1	198448-21280	BOLT, M12X50	4							
3	1	22312-100180	PIN, PARALLEL M10X18	2							
4	1	26216-160452	STUD, M16X 45	2							
5	1	26216-160452	STUD, M16X 45	2							

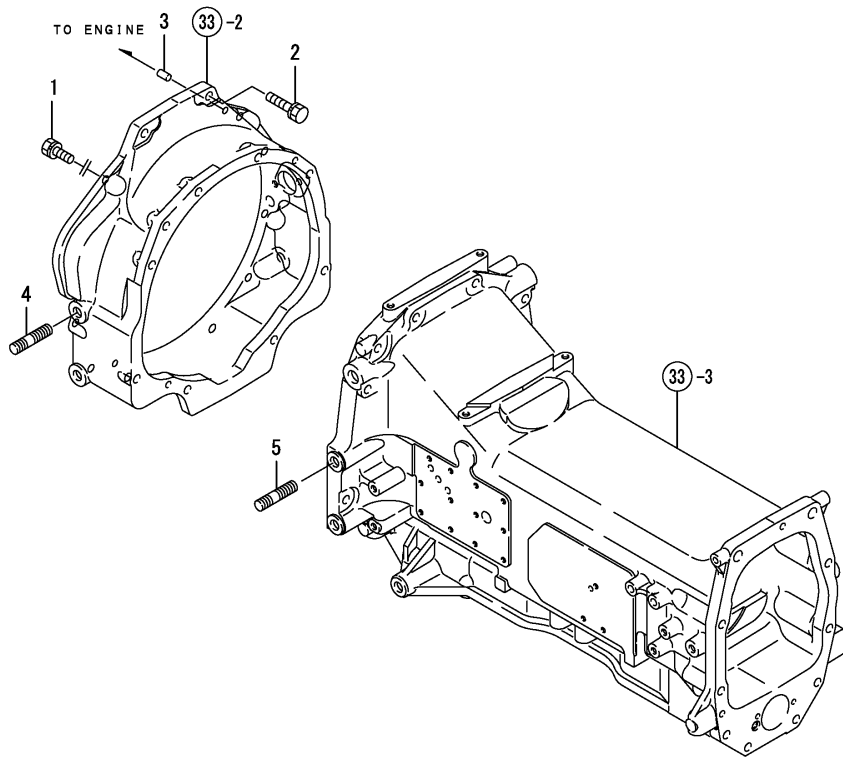






Fig.36. CLUTCH LINK

(A)=EF685T-PQ  
(B)=  
(C)=

(D)=  
(E)=  
(F)=

No.	Lev.	Parts No.	Description	Q'ty						I	R
				(A)	(B)	(C)	(D)	(E)	(F)		
1	1	198448-22301	ARM ASSY, CLUTCH	1							
2	2	24550-015150	BUSH, 15X15	2							
3	1	198448-22350	BOLT, STEPPED M12	1							
4	1	198448-22360	BOLT, M8X70	1							
5	1	198220-22520	SPRING, CLUTCH	1							
6	1	198448-22550	ROD, CLUTCH	1							
7	1	1C6281-52320	PIN, SNAP 8	1							
8	1	22137-080000	WASHER, 8	1							
9	1	22137-100000	WASHER, 10	2							
10	1	22417-200300	PIN, COTTER 2.0X30	2							
11	1	26716-080002	NUT, M8	1							

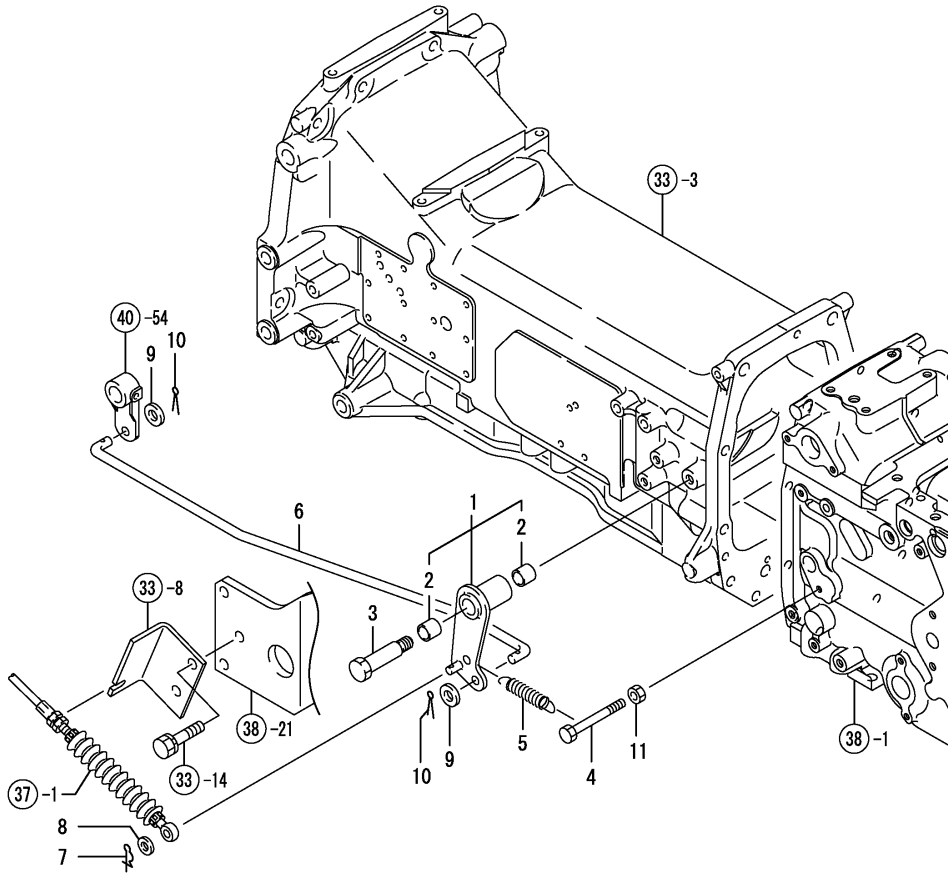
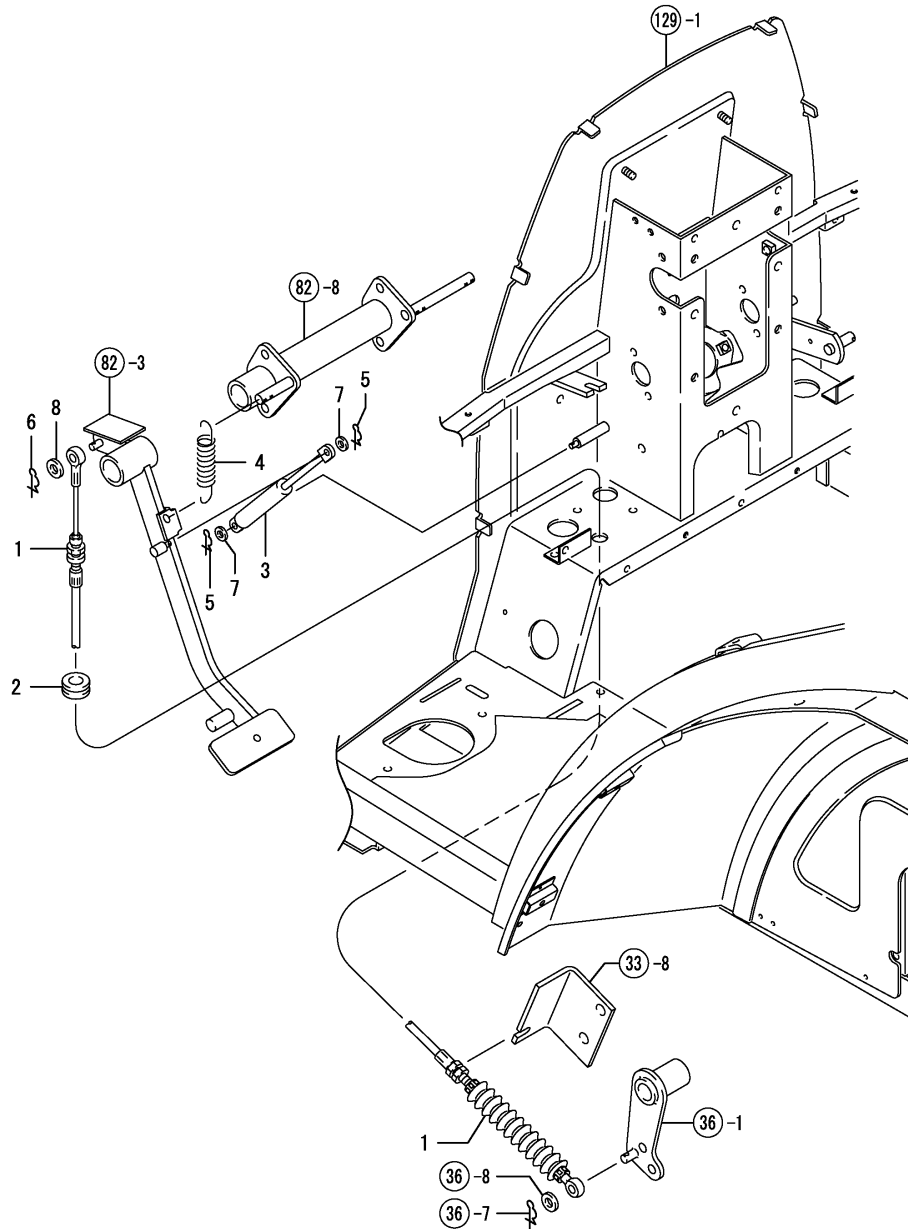


Fig.37. CLUTCH WIRE

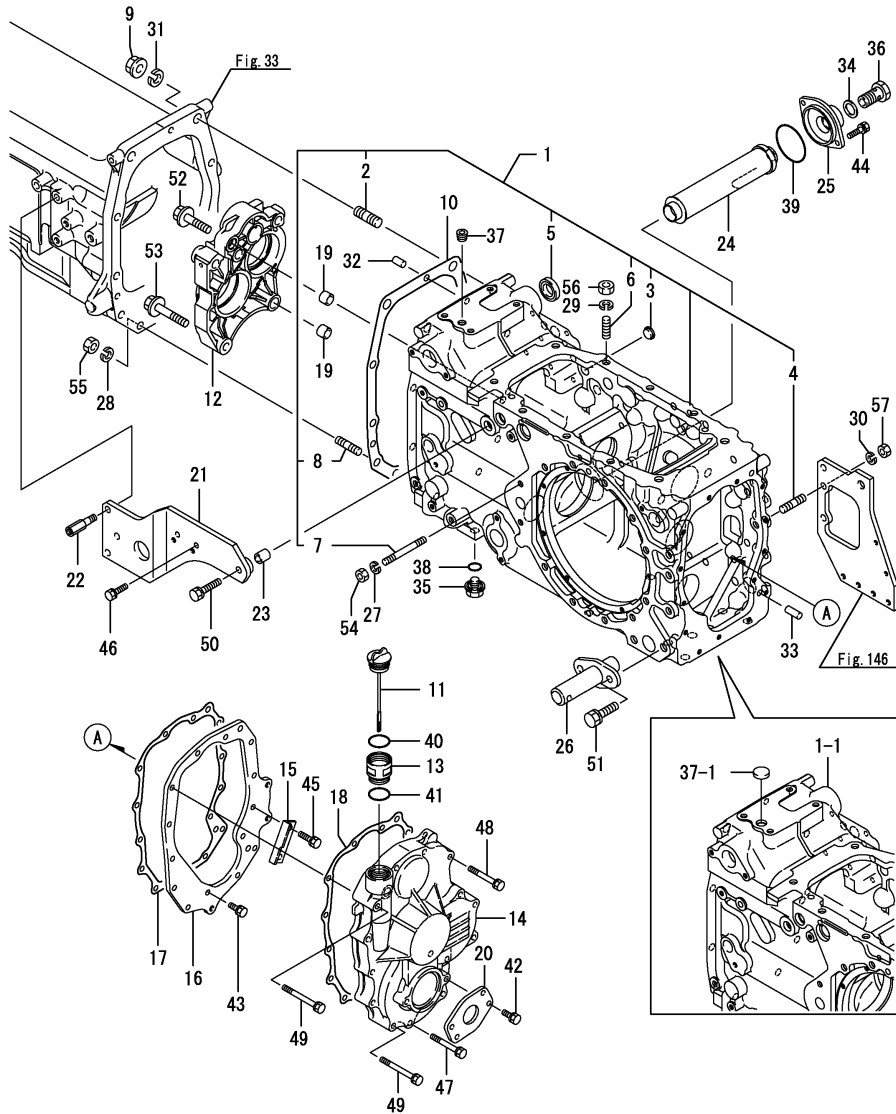
(A)=EF685T-PQ  
(B)=  
(C)=

(D)=  
(E)=  
(F)=



No.	Lev.	Parts No.	Description	Q'ty						I	R
				(A)	(B)	(C)	(D)	(E)	(F)		
1	1	198448-22510	CABLE ASSY, CLUTCH	1							
2	1	198448-22520	GROMMET, CABLE	1							
3	1	198448-22610	DAMPER, CLUTCH	1							
4	1	198290-37510	SPRING, RETURN	1							
5	1	1C6281-52310	PIN, SNAP 6	2							
6	1	1C6281-52320	PIN, SNAP 8	1							
7	1	22137-060000	WASHER, 6	2							
8	1	22137-080000	WASHER, 8	1							

Fig.38. TRANSMISSION CASE



(A)=EF685T-PQ

(B)=

(C)=

(D)=

(E)=

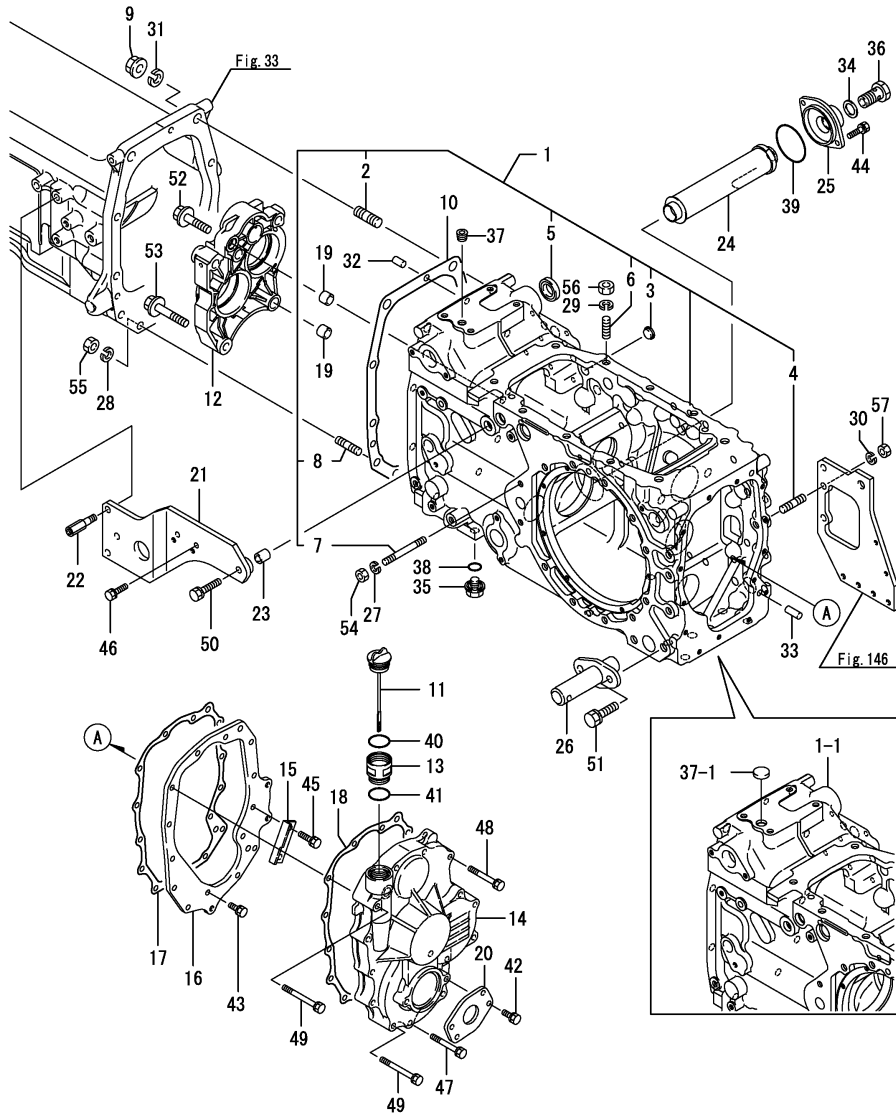
(F)=

No.	Lev.	Parts No.	Description	Qty						I	R
				(A)	(B)	(C)	(D)	(E)	(F)		
1	1	1A7640-24100	HOUSING ASSY	1							
1-1	1	1A7640-24101	HOUSING ASSY, XMSN.	1							S 1
(A=FZZZZZ)											
2	2	198240-24120	STUD, M16X45	2							
3	2	1A7450-24170	PLUG, BORE 17	1							
4	2	198240-24530	STUD, M12X45	2							
5	2	198212-27350	SEAL, OIL TC4 203507	1							
6	2	26216-120352	STUD, M12X 35	2							
7	2	26218-100902	STUD, M10X 90	2							
8	2	26218-120252	STUD, M12X 25	2							
9	1	198535-24120	NUT, M16	2							
10	1	198212-24140	GASKET, MISSION CASE	1							
11	1	1A7640-24150	PLUG, OIL M33X125	1							
12	1	1A7670-24160	RETAINER, BEARING	1							
13	1	1A7450-24190	PIPE, FILLER	1							
14	1	198448-24230	COVER, REAR	1							
15	1	198448-24290	STAY, IDLE GEAR	1							
16	1	198448-24310	SPACER, REAR COVER	1							
17	1	198448-24320	PACKING REAR COVER F	1							
18	1	198448-24330	PACKING REAR COVER R	1							
19	1	198071-24340	COLLAR, 13X17X14	2							
20	1	198255-24460	PLATE, OIL SEAL	1							
21	1	1A7640-24820	PLATE, SUPPORT L	1							
22	1	1A7640-24860	BOLT, REAMER M10X28	1							
23	1	1A7640-24870	PIN, 17X19	1							
24	1	1A7640-24950	PIPE, INNER	1							
25	1	1A7640-24980	COVER, STRAINER	1							
26	1	194640-73180	PIN, LOWER LINK	2							
27	1	22217-100000	WASHER, SPRING 10	2							Z
(A=FXXXXXX)											
28	1	22217-120000	WASHER, SPRING 12	2							
29	1	22217-120000	WASHER, SPRING 12	2							Z
(A=FXXXXXX)											
30	1	22217-120000	WASHER, SPRING 12	2							
31	1	22217-160000	WASHER, SPRING 16	2							
32	1	22312-100180	PIN, PARALLEL M10X18	2							
33	1	22312-100250	PIN, PARALLEL M10X25	2							
34	1	23414-200026	GASKET, 20X1.0	1							
35	1	23491-140002	PLUG, 14	1							
36	1	23857-150000	BOLT, JOINT 15	1							
37	1	23871-020000	PLUG, R02	1							
37-1	1	27260-170000	PLUG, 17	1							S
(A=FZZZZZ)											
38	1	24311-000160	O-RING, 1AP16.0	1							
39	1	24321-000650	O-RING, 1AG65.0	1							
40	1	24351-020300	O-RING 1A 2030	1							
41	1	24351-020300	O-RING 1A 2030	1							
42	1	26013-080122	BOLT, M8X 12	2							
43	1	26013-080202	BOLT, M8X 20	1							
43-1	1	26106-080202	BOLT, M8X 20 PLATED	1							N
(A=*2009.04.)											

Remarks

(1) Refer to Fig.155 for the repair part.

Fig.38. TRANSMISSION CASE



(A)=EF685T-PQ  
(B)=  
(C)=

(D)=  
(E)=  
(F)=

No.	Lev.	Parts No.	Description	Qty						I	R
				(A)	(B)	(C)	(D)	(E)	(F)		
44	1	26013-080202	BOLT, M8X 20	2							
44-1	1	26106-080202	BOLT, M8X 20 PLATED	2							R
(A=FXXXXXX)											
45	1	26013-080252	BOLT, M8X 25	2							
45-1	1	26106-080252	BOLT, M8X 25 PLATED	2							N
(A=*2009.04.)											
46	1	26013-080252	BOLT, M8X 25	2							
47	1	26013-080452	BOLT, M8X 45	3							
48	1	26013-080602	BOLT, M8X 60	6							
49	1	26013-080752	BOLT, M8X 75	5							
50	1	26013-100452	BOLT, M10X 45	1							
51	1	26013-140352	BOLT, M14X 35	4							
52	1	26108-120502	BOLT, M12X 50 PLATED	2							
53	1	26108-120652	BOLT, M12X 65 PLATED	2							
54	1	26716-100002	NUT, M10	2							
54-1	1	26366-100002	NUT, M10	2							S
(A=FXXXXXX)											
55	1	26716-120002	NUT, M12	2							
56	1	26716-120002	NUT, M12	2							
56-1	1	26366-120002	NUT, M12	2							S
(A=FXXXXXX)											
57	1	26716-120002	NUT, M12	2							

Remarks  
(1) Refer to Fig.155 for the repair part.

Fig.39. CENTER PLATE

(A)=EF685T-PQ  
(B)=  
(C)=

(D)=  
(E)=  
(F)=

No.	Lev.	Parts No.	Description	Q'ty						I	R
				(A)	(B)	(C)	(D)	(E)	(F)		
1	1	198071-24340	COLLAR, 13X17X14	2							
2	1	198535-24350	PLATE, CENTER	1							
3	1	198071-27890	SPRING	1							
4	1	22157-060000	WASHER, 6	1							
5	1	26106-080502	BOLT, M8X 50 PLATED	1							
6	1	26108-120502	BOLT, M12X 50 PLATED	3							
7	1	26116-060122	BOLT, M6X 12 PLATED	1							
8	1	26346-060002	NUT, M6	1							
9	1	26716-080002	NUT, M8	2							

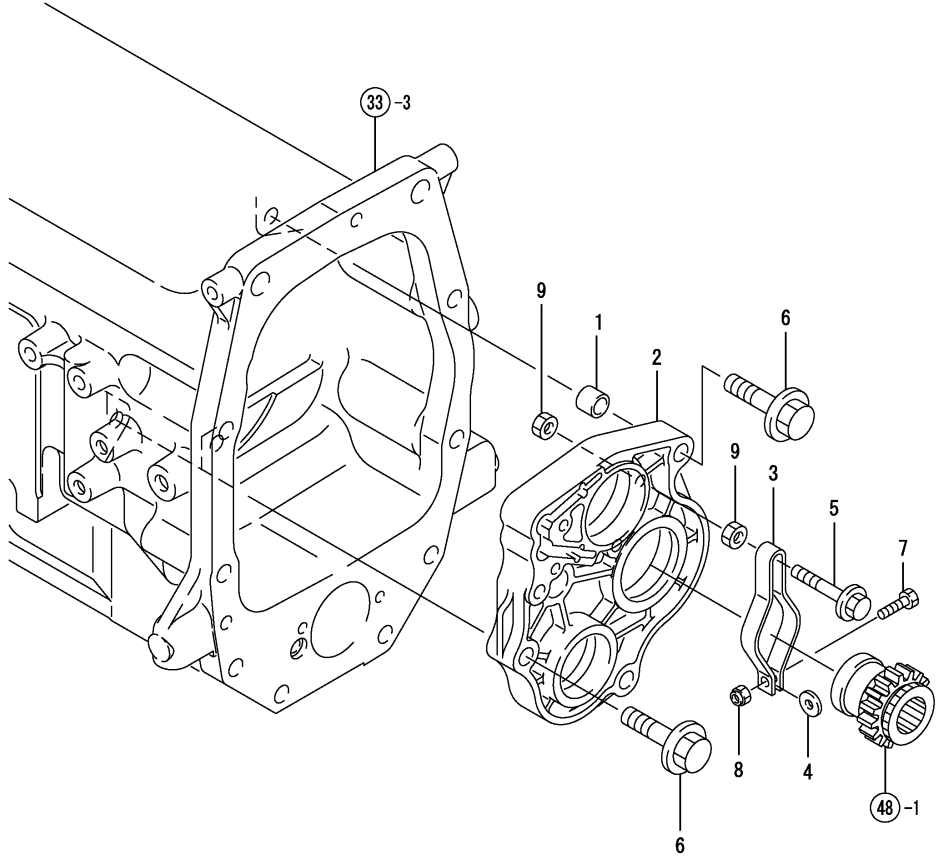
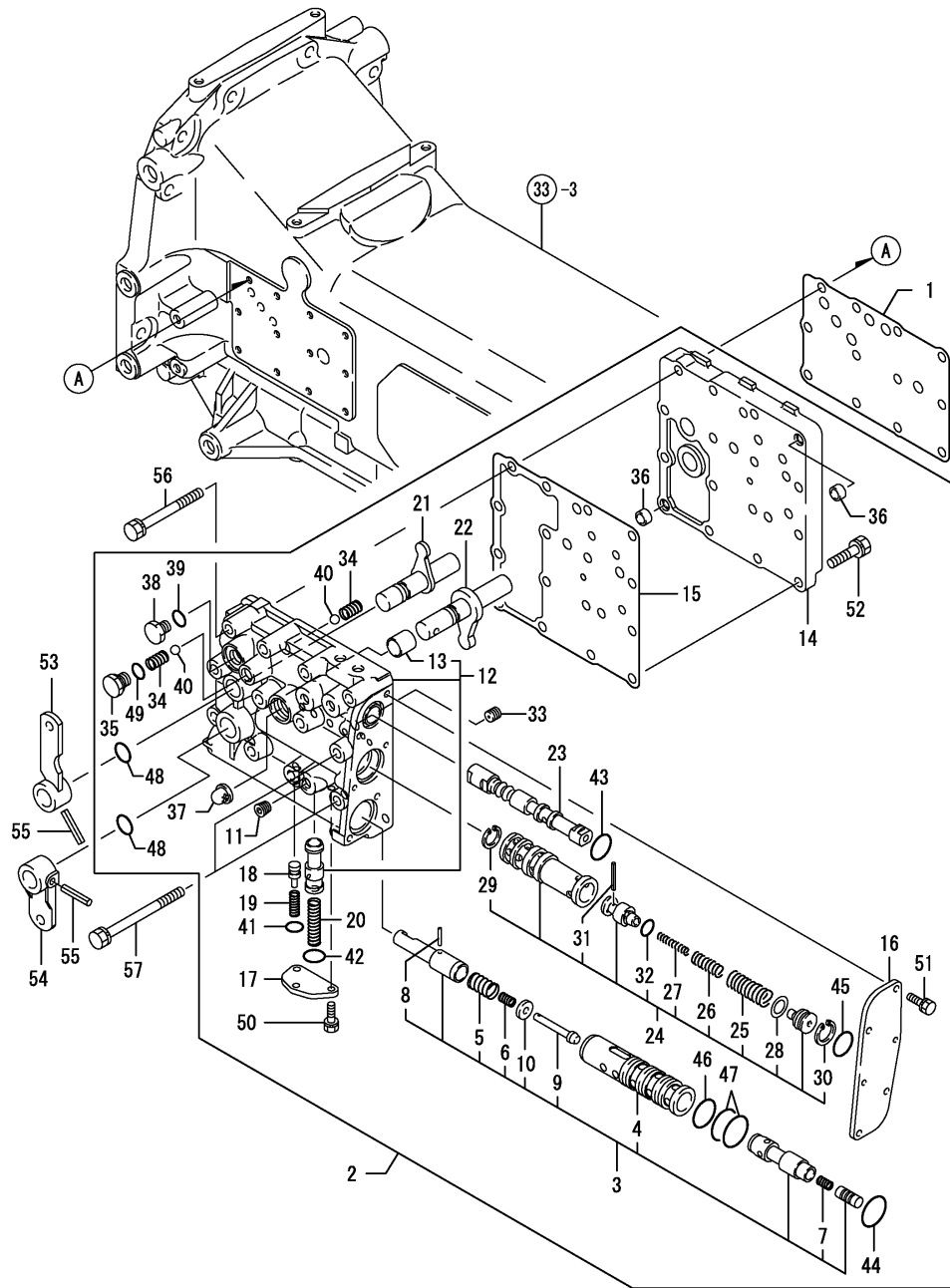


Fig.40. REVERSER VALVE



(A)=EF685T-PQ  
(B)=  
(C)=

(D)=  
(E)=  
(F)=

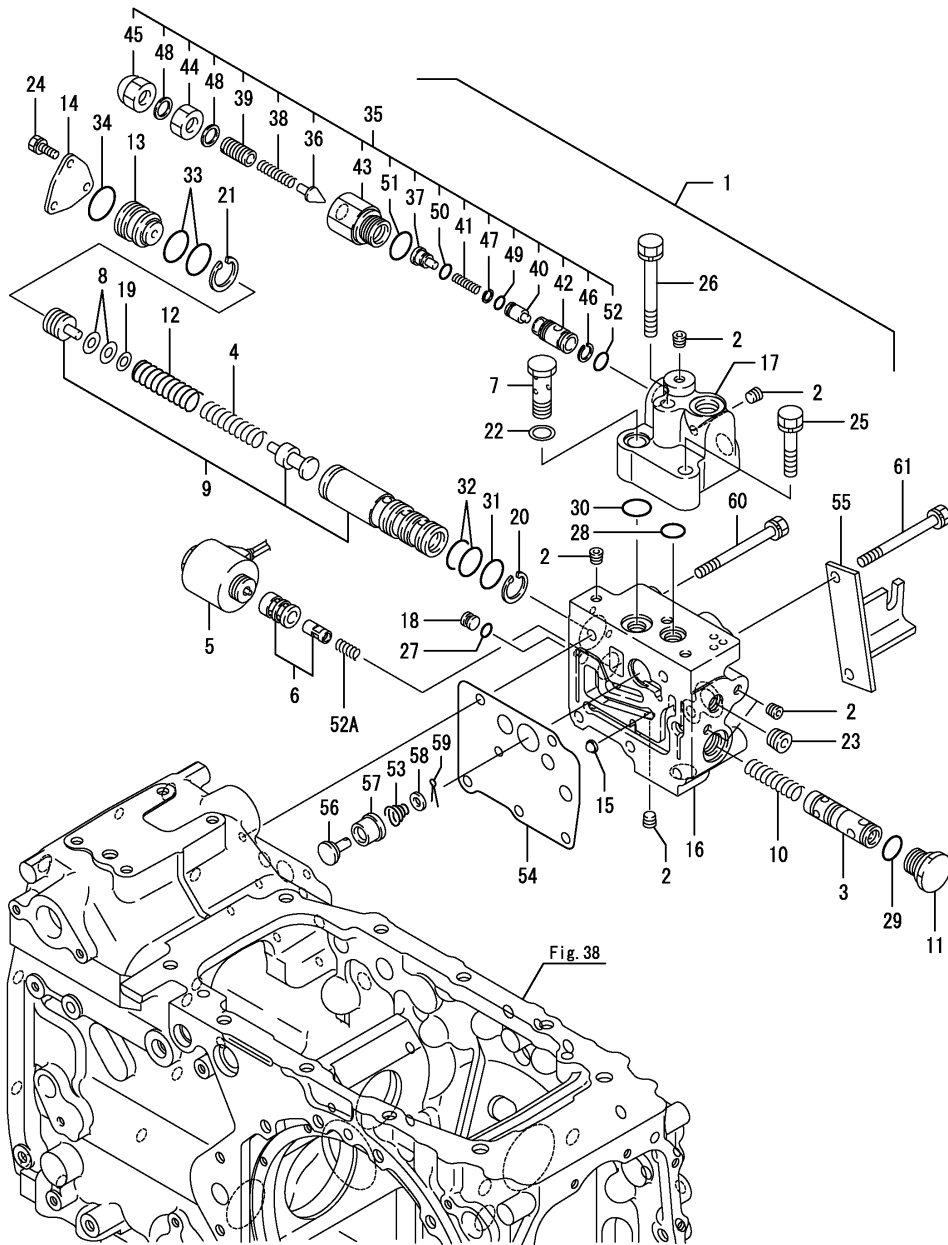
No.	Lev.	Parts No.	Description	Q'ty						I	R
				(A)	(B)	(C)	(D)	(E)	(F)		
1	1	198212-24281	GASKET, PR VALVE	1							
2	1	1A7450-24300	VALVE ASSY, REVERSE	1							
3	2	178076-00201	CLUTCH VALVE CMP	1							
4	3	198213-24380	SLEEVE, I/C	1							
5	3	192180-24770	SPRING,CV OUT	1							
6	3	192180-24780	SPRING,CV INN	1							
7	3	192180-24790	SPRING,CV RET	1							
8	3	192180-24800	PIN 2*18	1							
9	3	192180-24810	PIN,GUIDE	1							
10	3	192180-24850	WASHER 1.6	1							
11	2	178073-01200	PLUG PT 1/8	3							
12	2	198213-24322	CASE ASSY, VALVE	1							
13	3	24550-017150	BUSH, 17X15	1							
14	2	198213-24341	PLATE, VALVE	1							
15	2	198213-24350	GASKET, CASE	1							
16	2	198213-24360	COVER, SPOOL	1							
17	2	198213-24370	COVER, RELIEF	1							
18	2	198213-24390	VALVE, RELIEF	1							
19	2	198213-24400	SPRING, RELIEF	1							
20	2	198213-24420	SPRING, CUT-OFF	1							
21	2	198213-24441	ARM ASSY, SHIFT	1							
22	2	198213-24470	ARM ASSY, CLUTCH	1							
23	2	198213-24510	SPOOL, P/R	1							
24	2	192180-24641	DRV CMP	1							
25	3	192180-24680	SPRING (DRV OUT	1							
26	3	192180-24690	SPRING(DRV CEN	1							
27	3	192180-24700	SPRING(DRV INN	1							
28	3	192180-24910	SHIM	2							
29	3	22252-000200	RING, 20	1							
30	3	22252-000220	RING, 22	1							
31	3	22351-030028	PIN, SPRING 3.0X28	1							
32	3	24321-000250	O-RING, 1AG25.0	1							
33	2	192180-24730	ORIFICE	1							
34	2	192180-24740	SPRING	2							
35	2	192157-26460	PLUG 1/2-20 UNF	1							
36	2	194521-41570	PIN, 11X7	2							
37	2	194556-42220	STRAINER, A	1							
38	2	194850-49240	PLUG, 9/16-18	1							
39	2	194850-49290	PACKING, 6-1	1							
40	2	24190-100001	BALL, STEEL 5/16	2							
41	2	24311-000125	O-RING, 1AP12.5	1							
42	2	24311-000180	O-RING, 1AP18.0	1							
43	2	24311-000220	O-RING, 1AP22.0	1							
44	2	24311-000290	O-RING, 1AP29.0	1							
45	2	24311-000320	O-RING, 1AP32.0	1							
46	2	24341-000220	O-RING, 1AS22.0	1							
47	2	24341-000224	O-RING, 1AS22.4	2							
48	2	24351-010140	PACKING 1A 1014	2							
49	2	24361-090500	O-RING, 1AAS905	1							
50	2	26016-060162	BOLT, M6X 16	3							
51	2	26016-060162	BOLT, M6X 16	6							

N:Old  $\begin{matrix} \text{Yes} \\ \text{No} \end{matrix}$  New, Q:Old  $\begin{matrix} \text{No} \\ \text{Yes} \end{matrix}$  New, R:Old  $\begin{matrix} \text{Yes} \\ \text{No} \end{matrix}$  New, S:Old  $\begin{matrix} \text{No} \\ \text{Yes} \end{matrix}$  New, W:Add, Z:Discontinued, F:Interchangeable by set, K:Q'ty Change  
 ++ CONTINUE ++  
 Copyright (C) YANMAR CO., LTD. All Rights Reserved.





Fig.41. PTO VALVE

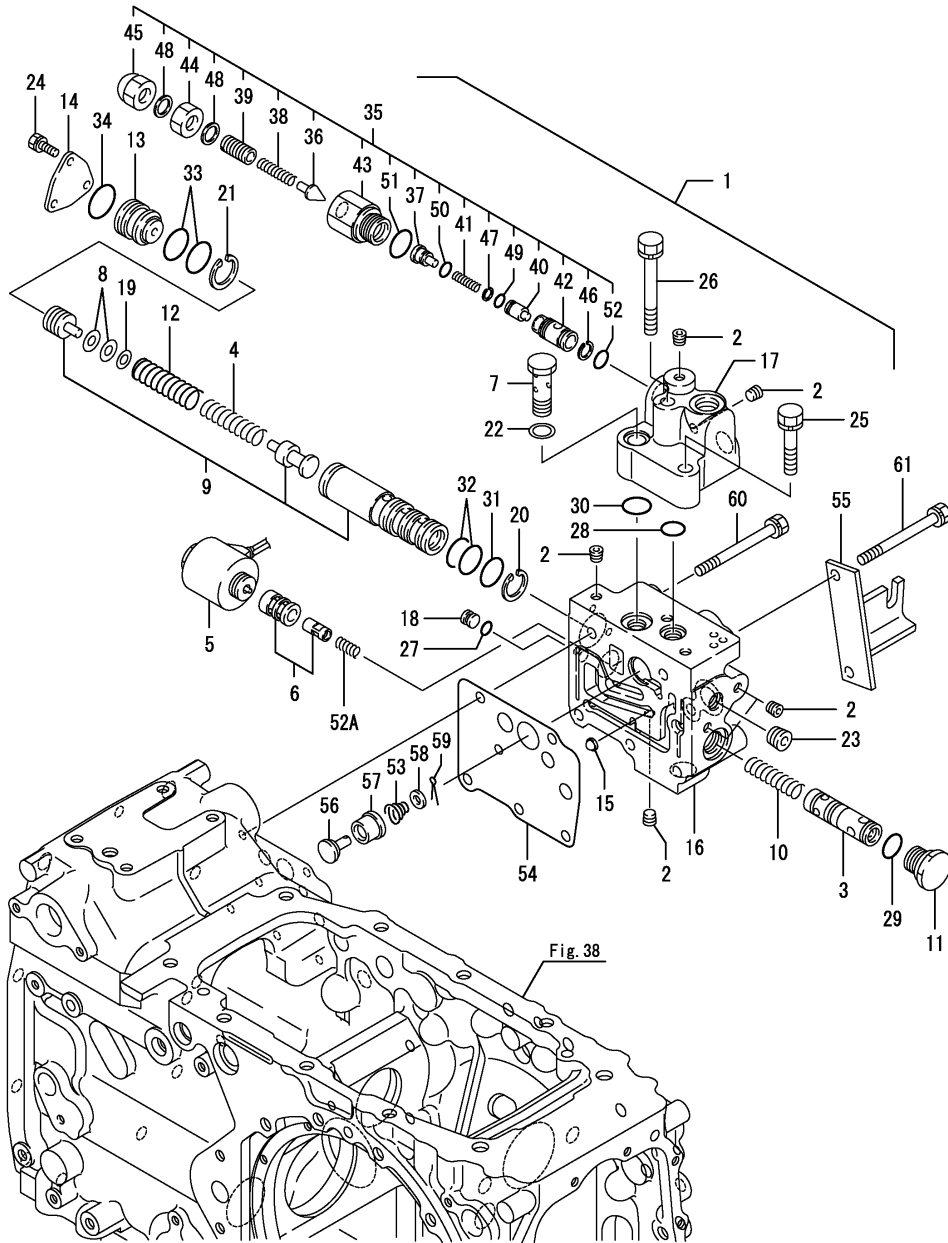


(A)=EF685T-PQ  
(B)=  
(C)=

(D)=  
(E)=  
(F)=

No.	Lev.	Parts No.	Description	Q'ty						I	R
				(A)	(B)	(C)	(D)	(E)	(F)		
1	1	1A7640-24600	VALVE ASSY, PTO	1							
2	2	178073-01200	PLUG PT 1/8	6							
3	2	168227-01050	SPOOL FLOW CONT. 7A	1							
4	2	178076-02300	SPRING, DRV INNER	1							
5	2	178076-02400	SOLENOID ASSY	1							
6	2	178076-02430	VALVE ASSY, SOLENOID	1							
7	2	198266-24330	BOLT, PIPE JOINT M14	1							
8	2	194800-24620	SHIM, T=0.5	2							
9	2	194850-24630	VALVE ASSY, DRV	1							
10	2	198213-24700	SPRING, FLOW CONTROL	1							
11	2	198213-24710	PLUG	1							
12	2	198213-24720	SPRING, DRV OUTER	1							
13	2	198213-24740	PLUG, DRV	1							
14	2	198213-24750	COVER, DRV	1							
15	2	192157-24801	STRAINER	1							
16	2	168227-01020	VALVEBODY	1							
17	2	168227-02120	RELIEF CASE	1							
18	2	194170-45370	PLUG, FLOW CONTROL	1							
19	2	119620-51350	GASKET, DELIVERY	2							
20	2	22252-000180	RING, 18	1							
21	2	22252-000200	RING, 20	1							
22	2	23414-140000	GASKET, 14X1.0	1							
23	2	23871-030000	PLUG, R03	1							
24	2	26016-060162	BOLT, M6X 16	3							
25	2	26016-100452	BOLT, M10X 45	1							
26	2	26016-100802	BOLT, M10X 80	1							
27	2	24311-000070	O-RING, 1AP7.0	1							
28	2	24315-000160	O-RING, 1BP16.0	1							
29	2	24315-000180	O-RING, 1BP18.0	1							
30	2	24311-000200	O-RING, 1AP20.0	1							
31	2	24341-000220	O-RING, 1AS22.0	1							
32	2	24341-000224	O-RING, 1AS22.4	2							
33	2	24341-000240	O-RING, 1AS24.0	2							
34	2	24341-000250	O-RING, 1AS25.0	1							
35	2	198535-45600	VALVE ASSY, RELIEF	1							
36	3	194065-45610	POPPET, PILOT	1							
37	3	194065-45620	SEAT, VALVE	1							
38	3	194065-45630	SPRING, PILOT	1							
39	3	194065-45640	SCREW	1							
40	3	194065-45650	PISTON	1							
41	3	194065-45660	SPRING, PISTON	1							
42	3	194065-45670	SLEEVE	1							
43	3	194065-45680	PLUG	1							
44	3	194065-45690	NUT	1							
45	3	194065-45710	NUT, CAP	1							
46	3	194065-45730	RING, BACK UP	1							
47	3	194065-45740	RING, BACK UP P9	1							
48	3	194065-45750	PACKING, 12X18X1.5	2							
49	3	41850-000080	RING	1							
50	3	41851-000090	RING	1							
51	3	41851-000220	RING	1							

Fig.41. PTO VALVE

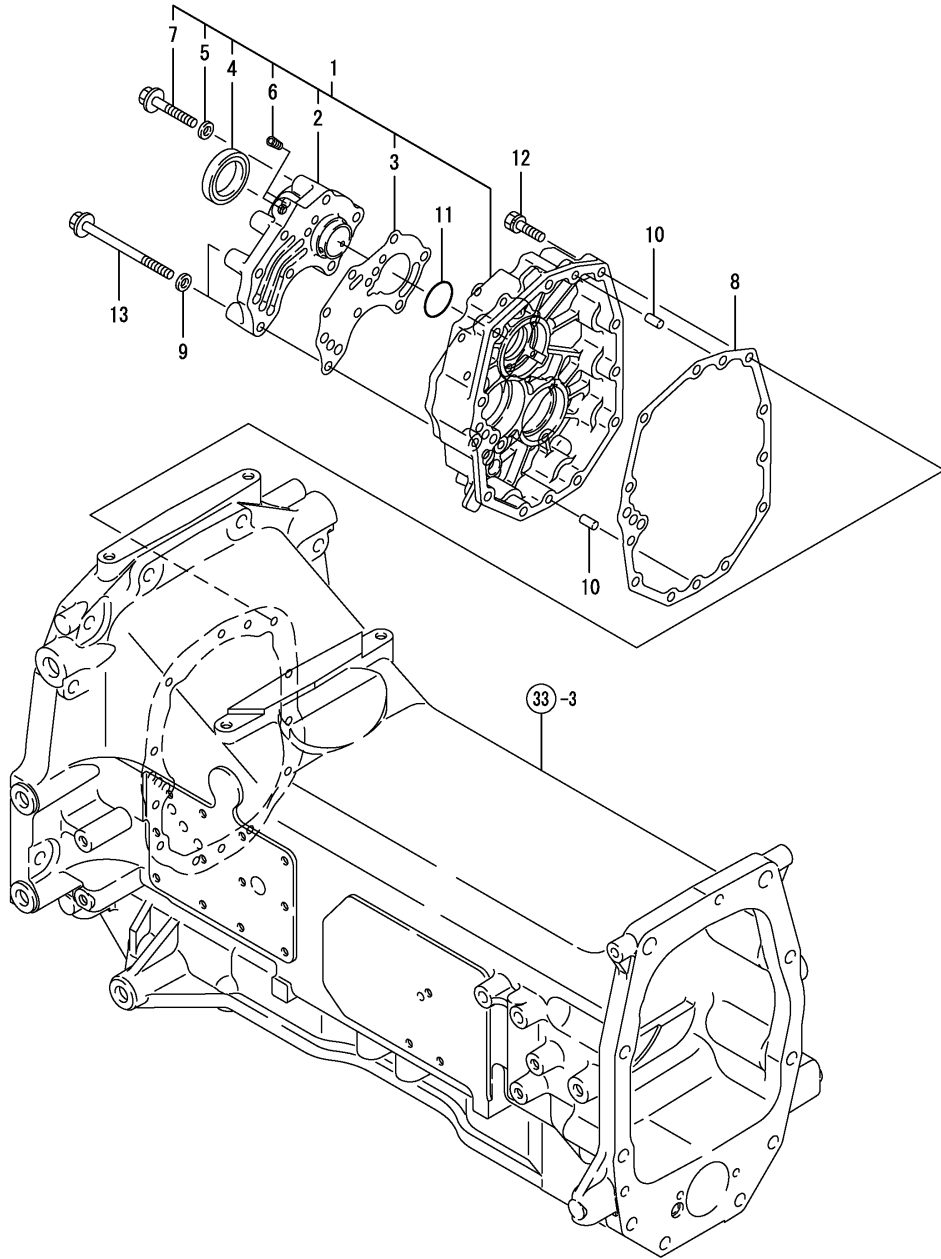


(A)=EF685T-PQ  
(B)=  
(C)=

(D)=  
(E)=  
(F)=

No.	Lev.	Parts No.	Description	Q'ty						I	R
				(A)	(B)	(C)	(D)	(E)	(F)		
52	3	41856-010150	PACKING 1015	1							
52A	2	178076-02460	SPRING, SPOOL	1							
53	1	194310-24770	SPRING, 2ND RELIEF A	1							
54	1	198212-24910	GASKET, PTO VALVE	1							
55	1	1A7640-33281	BRACKET, WIRE	1							
56	1	1E6190-55660	VALVE, 2ND RELIEF	1							
57	1	1E6190-55710	SEAT, 2ND RELIEF	1							
58	1	22117-060000	WASHER, 6	1							
59	1	22417-200100	COTTER PIN 2.0X10	1							
60	1	26013-080802	BOLT, M8X 80	3							
60-1	1	26106-080802	BOLT, M8X 80 PLATED	3							R
(A=FXXXXXX)											
61	1	26013-080852	BOLT, M8X 85	2							
61-1	1	26106-080852	BOLT, M8X 85 PLATED	2							R
(A=FXXXXXX)											

Fig.42. FRONT COVER

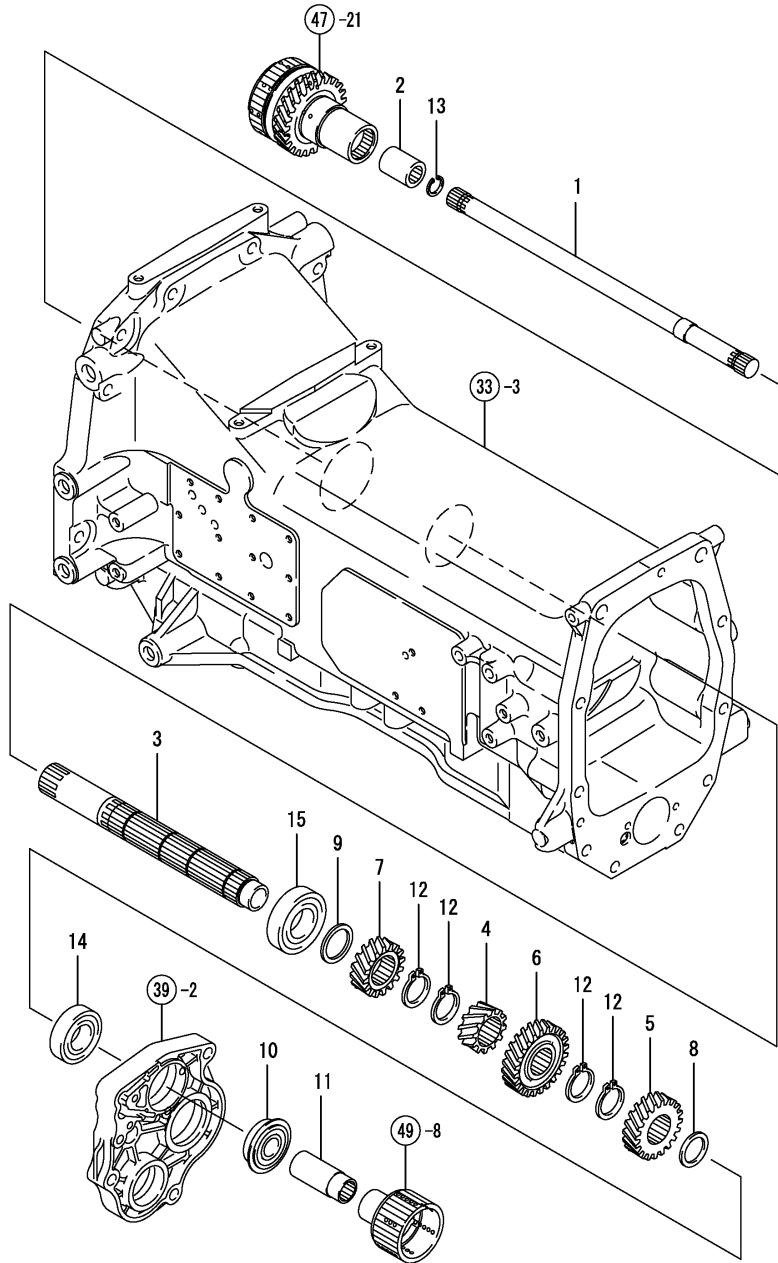


(A)=EF685T-PQ  
(B)=  
(C)=

(D)=  
(E)=  
(F)=

No.	Lev.	Parts No.	Description	Q'ty						I	R
				(A)	(B)	(C)	(D)	(E)	(F)		
1	1	198212-24700	COVER ASSY, FRONT	1							
2	2	198448-24740	CASE, REVERSE SEAL	1							
3	2	198212-24750	GASKET, SEAL CASE	1							
4	2	194305-32650	SEAL, OIL TC35529	1							
5	2	22190-080000	WASHER, SEAL 8	5							
6	2	23876-010000	PLUG, R01	2							
7	2	26106-080502	BOLT, M8X 50 PLATED	5							
8	1	198212-25720	GASKET, FRONT COVER	1							
9	1	22190-080000	WASHER, SEAL 8	2							
10	1	22312-080180	PIN, PARALLEL M8X18	2							
11	1	24341-000350	O-RING, 1AS35.0	1							
12	1	26013-080352	BOLT, M8X 35	9							
12-1	1	26106-080352	BOLT, M8X 35 PLATED	9							N
(A=*2009.04.)											
13	1	26106-081102	BOLT, M8X110 PLATED	2							

Fig.43. MAIN SHAFT

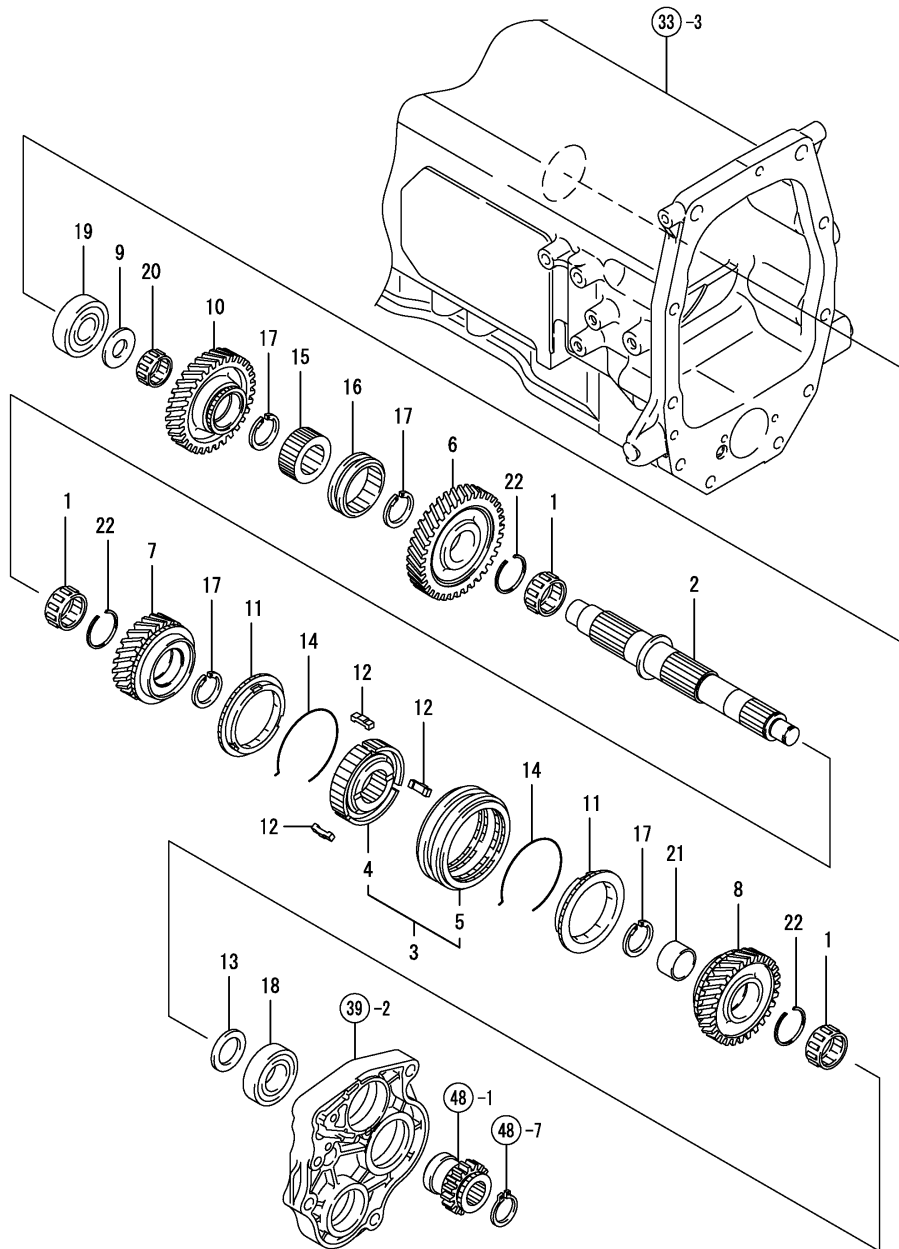


(A)=EF685T-PQ  
(B)=  
(C)=

(D)=  
(E)=  
(F)=

No.	Lev.	Parts No.	Description	Q'ty						I	R
				(A)	(B)	(C)	(D)	(E)	(F)		
1	1	198212-25130	SHAFT, PTO DRIVE	1							
2	1	198212-25150	COUPLING, 13X16/32	1							
3	1	198212-25210	SHAFT, MAIN	1							
4	1	198212-25220	GEAR, MAIN 21	1							
5	1	198212-25240	GEAR, MAIN 31R	1							
6	1	198535-25260	GEAR, MAIN 36	1							
7	1	1A7670-25290	GEAR, MAIN 27R	1							
8	1	194312-25470	SPACER, 30X40X2	1							
9	1	194250-25520	SPACER, 35X45X2	1							
10	1	198212-26090	BEARING, 63/22 NR	1							
11	1	198212-26190	SPACER, 23X30X72	1							
12	1	22242-000340	RING, 34	4							
13	1	22252-000190	RING, 19	1							
14	1	24101-062064	BEARING, BALL 6206	1							
15	1	24101-062074	BEARING, BALL 6207	1							

Fig.44. DRIVEN SHAFT

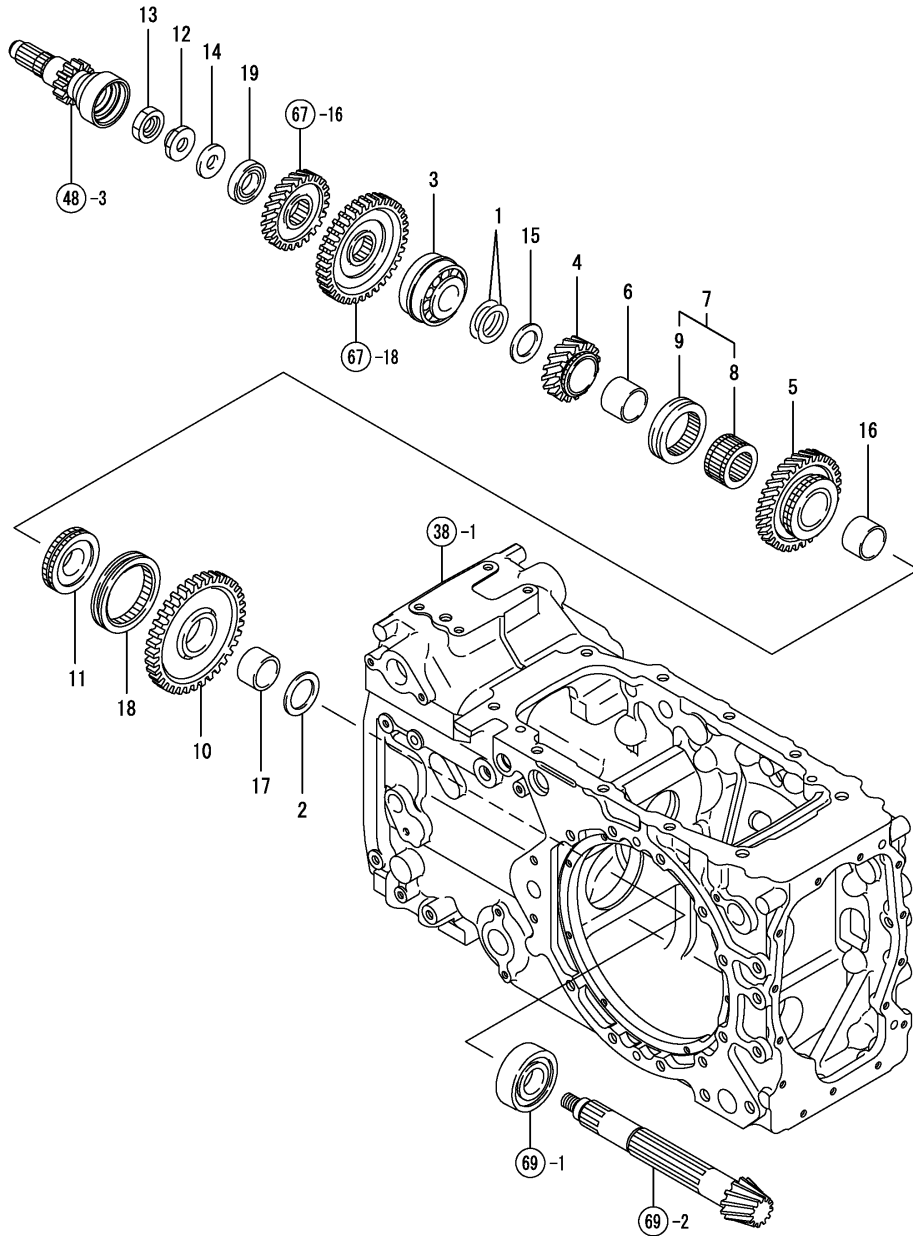


(A)=EF685T-PQ  
(B)=  
(C)=

(D)=  
(E)=  
(F)=

No.	Lev.	Parts No.	Description	Q'ty						I	R
				(A)	(B)	(C)	(D)	(E)	(F)		
1	1	194250-25240	BEARING, 354019	3							
2	1	198212-25320	SHAFT, DRIVEN	1							
3	1	198212-25400	HUB ASSY, SYNCHRO	1							
4	2	198212-25460	HUB, SYNCHRO	1							
5	2	198121-25830	SLIDER	1							
6	1	1A7670-25440	GEAR, DRIVEN 53R	1							
7	1	198535-25510	GEAR, DRIVEN 39	1							
8	1	198212-25520	GEAR, DRIVEN 44	1							
9	1	194150-25530	WASHER, 20X43X2.5	1							
10	1	1A7670-25530	GEAR, DRIVEN 49L	1							
11	1	198121-25840	RING, SYNCHRONIZER	2							
12	1	198121-25850	KEY, SYNCHRONIZER	3							
13	1	194640-25860	WASHER, 30X45X3	1							
14	1	198121-25870	SPRING, SYNCHRO	2							
15	1	198075-25940	COLLAR, SPLINE	1							
16	1	194555-26620	SHIFTER	1							
17	1	22292-000340	RING, S-34	4							
18	1	24101-062064	BEARING, BALL 6206	1							
19	1	24101-063054	BEARING, BALL 6305	1							
20	1	24161-303520	BEARING, 303520	1							
21	1	24163-305200	RING, INNER 303520	1							
22	1	24165-000402	CIRCLIP, 40	3							

Fig.45. COUNTER SHAFT



(A)=EF685T-PQ  
(B)=  
(C)=

(D)=  
(E)=  
(F)=

No.	Lev.	Parts No.	Description	Q'ty						I	R
				(A)	(B)	(C)	(D)	(E)	(F)		
1	1	194301-12730	SHIM, 30X45X0.1	2							
2	1	194180-25550	WASHER, 35X50X3	1							
3	1	1A7350-25600	BEARING ASSY,4T30306	1							
4	1	198535-25640	GEAR, COUNTER 21	1							
5	1	198535-25660	GEAR, COUNTER 39	1							
6	1	198212-25680	BUSH, 34X40X30	1							
7	1	198149-25700	COLLAR ASSY, SPLINE	1							
8	2	198149-25780	COLLAR, SPLINE A	1							
9	2	198149-25890	SHIFTER	1							
10	1	198535-25760	GEAR, COUNTER 53	1							
11	1	198448-25782	COLLAR, SPLINE B	1							
12	1	198220-25830	NUT, LOCK M16	1							
13	1	198220-25840	NUT, LOCK M16	1							
14	1	198415-25840	SPACER, 16X38X4.5	1							
15	1	194640-25860	WASHER, 30X45X3	1							
16	1	198133-25860	BUSH, 34X40X26	1							
17	1	198149-25880	BUSH, 35X40X19	1							
18	1	198448-25891	SHIFTER, 72	1							
19	1	24101-060054	BEARING, BALL 6005	1							

Fig.46. REDUCTION SHAFT

(A)=EF685T-PQ  
(B)=  
(C)=

(D)=  
(E)=  
(F)=

No.	Lev.	Parts No.	Description	Q'ty						I	R
				(A)	(B)	(C)	(D)	(E)	(F)		
1	1	1A7640-25610	GEAR, REDUCTION	1							
2	1	194640-26130	COUPLING, PTO	1							
3	1	22242-000300	RING, 30	2							
4	1	24101-063054	BEARING, BALL 6305	1							
5	1	24101-063064	BEARING, BALL 6306	1							

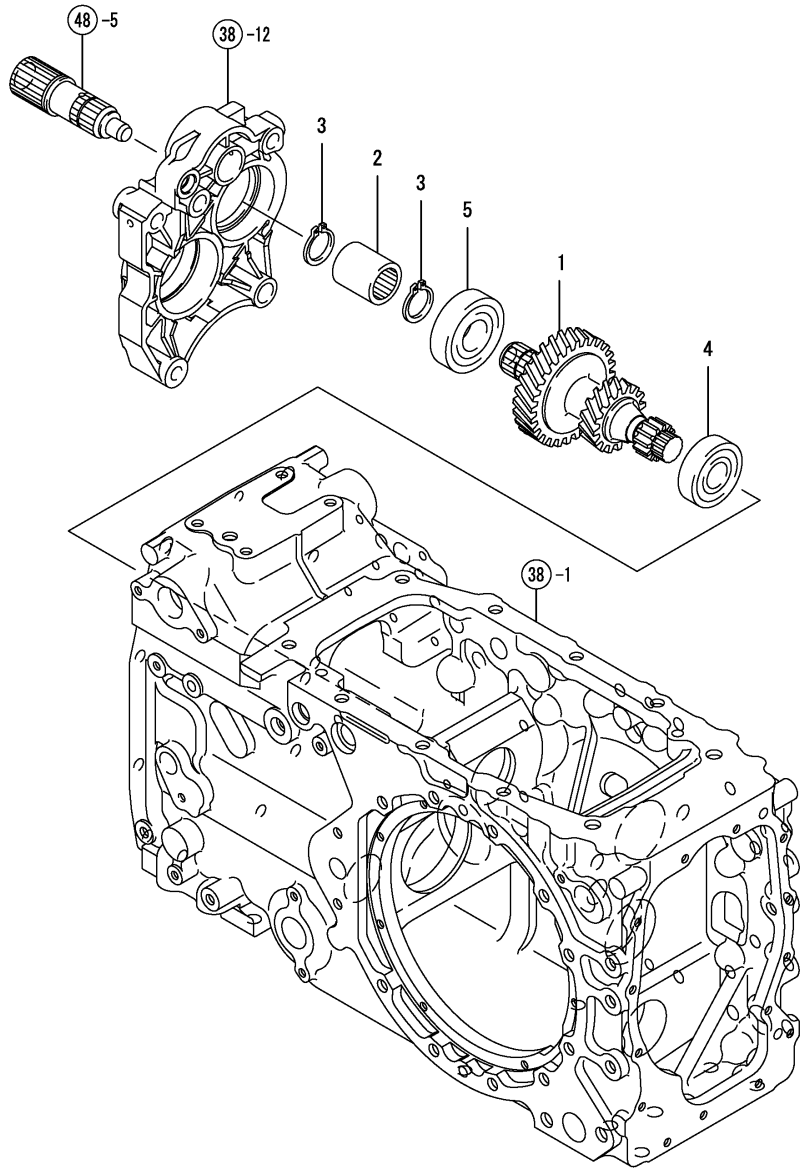
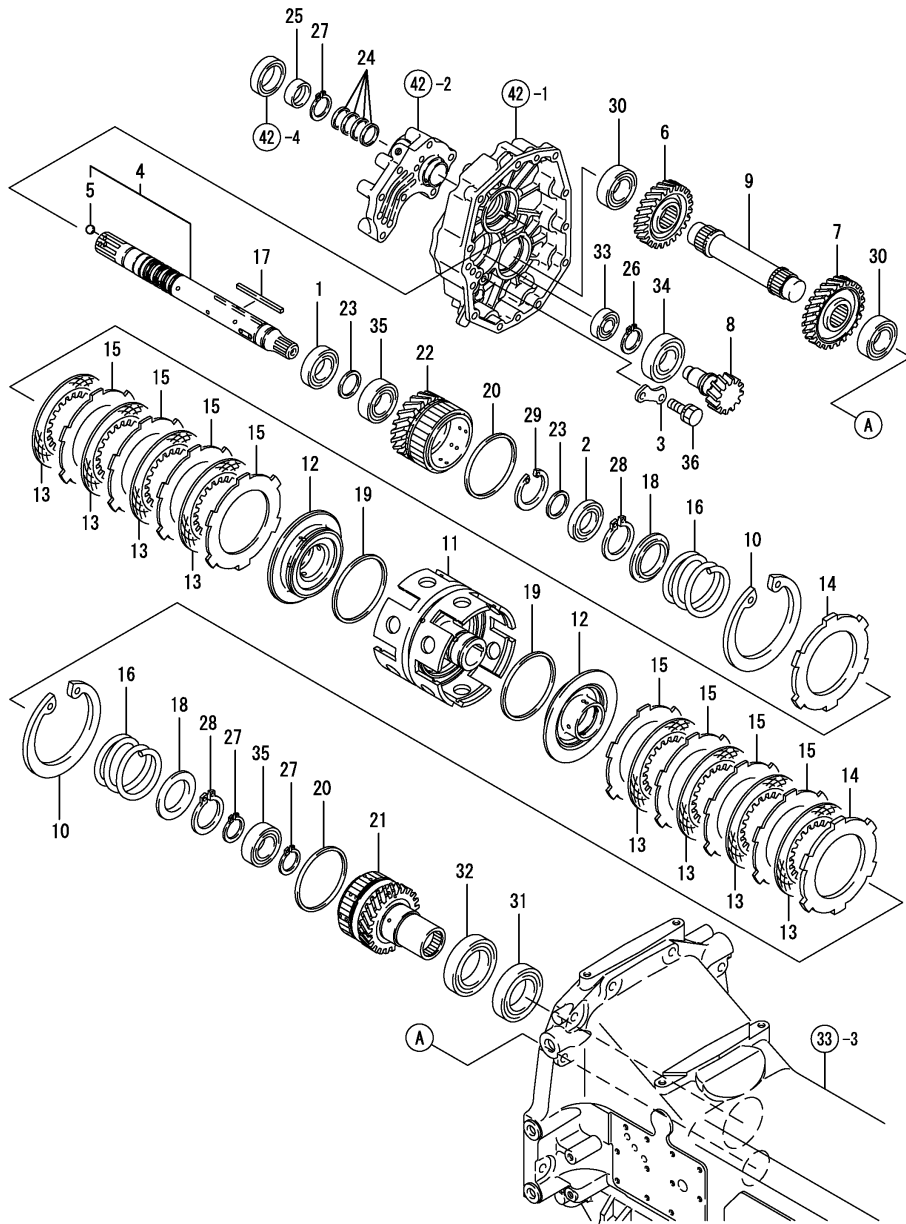


Fig.47. POWER REVERSER



(A)=EF685T-PQ  
(B)=  
(C)=

(D)=  
(E)=  
(F)=

No.	Lev.	Parts No.	Description	Q'ty						I	R
				(A)	(B)	(C)	(D)	(E)	(F)		
1	1	198360-22550	BEARING, TMB006	1							
2	1	194430-25460	BEARING, BALL 16006	1							
3	1	198212-25690	PLATE, KEEP	1							
4	1	1A7670-25731	SHAFT ASSY, INPUT	1							
5	2	24190-080001	BALL, STEEL 1/4	3							
6	1	198212-25750	GEAR, DRIVEN 34	1							
7	1	1A7670-25760	GEAR, DRIVEN 37F	1							
8	1	198212-25770	GEAR, IDLE 17	1							
9	1	1A7670-25780	SHAFT, DRIVEN P/R	1							
10	1	198212-25790	RING, C130	2							
11	1	198448-25801	CYLINDER, CLUTCH	1							
12	1	198212-25810	PISTON, CLUTCH	2							
13	1	198212-25820	PLATE, FRICTION 130	8							
14	1	198212-25830	PLATE, STEEL 5.0	2							
15	1	198212-25840	PLATE, STEEL 0.3	8							
16	1	198212-25850	SPRING, RETURN	2							
17	1	198212-25860	KEY, 5X5X80	1							
18	1	198212-25870	HOOK, SPRING	2							
19	1	198212-25880	RING, 95	2							
20	1	198212-25890	RING 90	2							
21	1	1A7670-25900	GEAR, CLUTCH 36 P/R	1							
22	1	198448-25910	GEAR, CLUTCH 33	1							
23	1	198212-25930	WASHER, 30X36X2	2							
24	1	198451-28750	RING, 26.27X30.07X3	4							
25	1	194420-39370	SLEEVE, SI 30X35X13A	1							
26	1	22242-000300	RING, 30	1							
27	1	22242-000300	RING, 30	3							
28	1	22242-000450	RING, 45	2							
29	1	22252-000550	RING, 55	1							
30	1	24101-060064	BEARING, BALL 6006	2							
31	1	24101-060094	BEARING, BALL 6009	1							
32	1	24101-060104	BEARING, BALL 6010	1							
33	1	24101-062034	BEARING, BALL 6203	1							
34	1	24101-062064	BEARING, BALL 6206	1							
35	1	24107-060064	BEARING, BALL 6006ZZ	2							
36	1	26013-080202	BOLT, M8X 20	2							

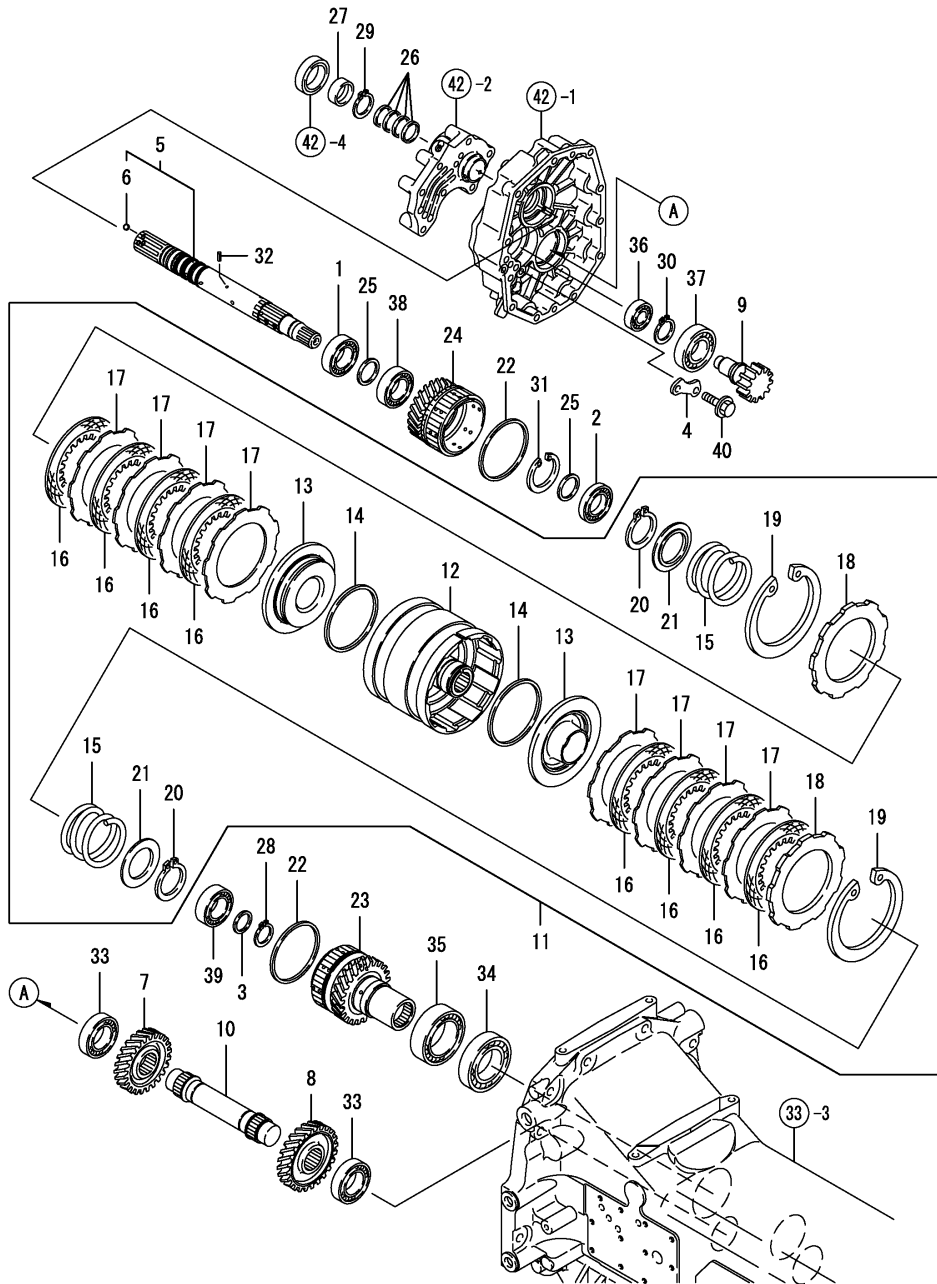
Remarks

\*Please refer to FIG.154 for new type

N:Old  $\xrightarrow{\text{Yes}}$  New, Q:Old  $\xrightarrow{\text{No}}$  New, R:Old  $\xrightarrow{\text{Yes}}$  New, S:Old  $\xrightarrow{\text{No}}$  New, W:Add, Z:Discontinued, F:Interchangeable by set, K:Q'ty Change



Fig.154. POWER REVERSE



(A)=EF685T-PQ

(B)=

(C)=

(D)=

(E)=

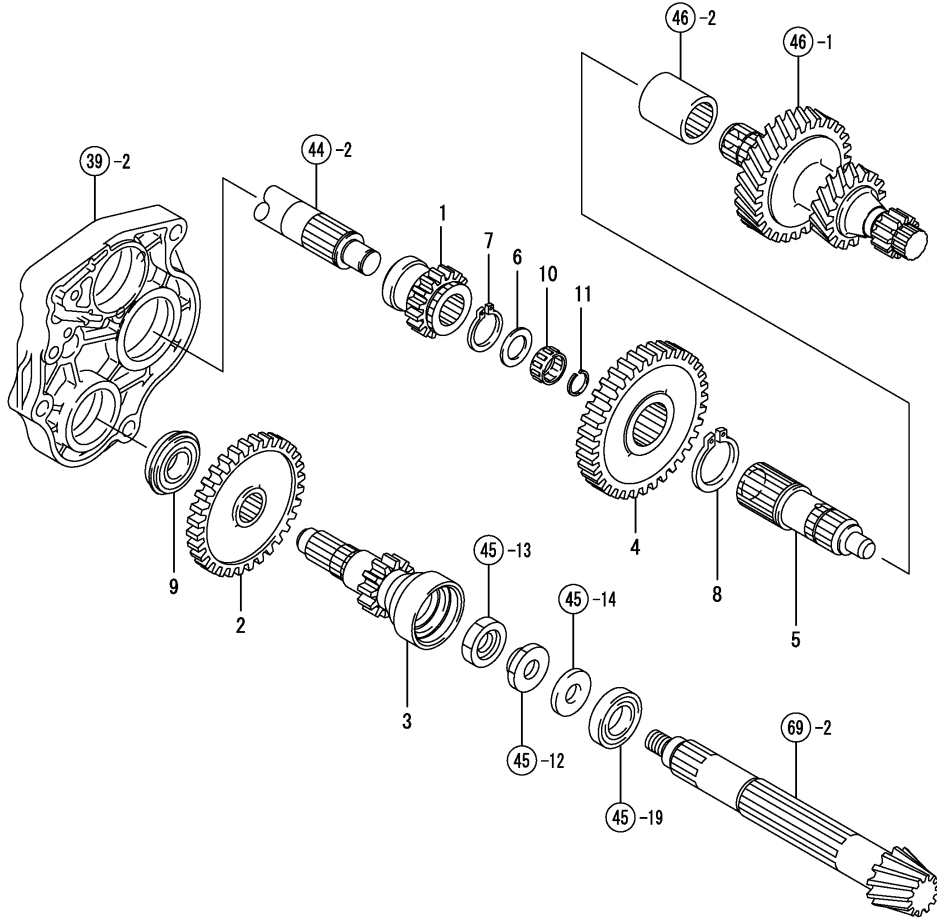
(F)=

No.	Lev.	Parts No.	Description	Q'ty						I	R
				(A)	(B)	(C)	(D)	(E)	(F)		
1	1	198360-22550	BEARING, TMB006	1							
2	1	194430-25460	BEARING, BALL 16006	1							
3	1	194361-25681	SPACER	1							
4	1	198212-25690	PLATE, KEEP	1							
5	1	1A7651-25730	SHAFT ASSY, INPUT	1							
6	2	24190-080001	BALL, STEEL 1/4	3							
7	1	198212-25750	GEAR, DRIVEN 34	1							
8	1	1A7351-25760	GEAR, DRIVEN 37F	1							
9	1	1A7351-25770	GEAR, IDLE 17	1							
10	1	1A7351-25780	SHAFT, DRIVEN P/R	1							
11	1	1A7352-25800	CLUTCH ASSY, P/R-4	1							
12	2	1A7352-25810	CLUTCH, CASE 4X4	1							
13	2	1A7351-25820	PISTON, HYDRAULIC	2							
14	2	1A7351-25830	RING, 96	2							
15	2	1A7351-25840	SPRING	2							
16	2	1A7351-25850	PLATE, DISK 2.0	8							
17	2	1A7351-25860	PLATE, STEEL 3.0	8							
18	2	1A7351-25870	PLATE, STEEL 5.0	2							
19	2	1A7351-25880	RING, C130	2							
20	2	1A7351-25890	CIRCLIP, C45 SHAFT	2							
21	2	1A7351-25930	WASHER	2							
22	1	198212-25890	RING 90	2							
23	1	1A7352-25900	GEAR, CLUTCH 36 P/R	1							
24	1	1A7352-25910	GEAR, CLUTCH 33	1							
25	1	198212-25930	WASHER, 30X36X2	2							
26	1	198451-28750	RING, 26.27X30.07X3	4							
27	1	194420-39370	SLEEVE, SI 30X35X13A	1							
28	1	22242-000250	RING, 25	1							
29	1	22242-000300	RING, 30	1							
30	1	22242-000300	RING, 30	1							
31	1	22252-000550	RING, 55	1							
32	1	22351-030008	PIN, SPRING 3.0X 8	1							
33	1	24101-060064	BEARING, BALL 6006	2							
34	1	24101-060094	BEARING, BALL 6009	1							
35	1	24101-060104	BEARING, BALL 6010	1							
36	1	24101-062034	BEARING, BALL 6203	1							
37	1	24101-062064	BEARING, BALL 6206	1							
38	1	24107-060064	BEARING, BALL 6006ZZ	1							
39	1	24107-062054	BEARING, BALL 6205ZZ	1							
40	1	26106-080162	BOLT, M8X 16 PLATED	2							

Fig.48. CREEP GEAR

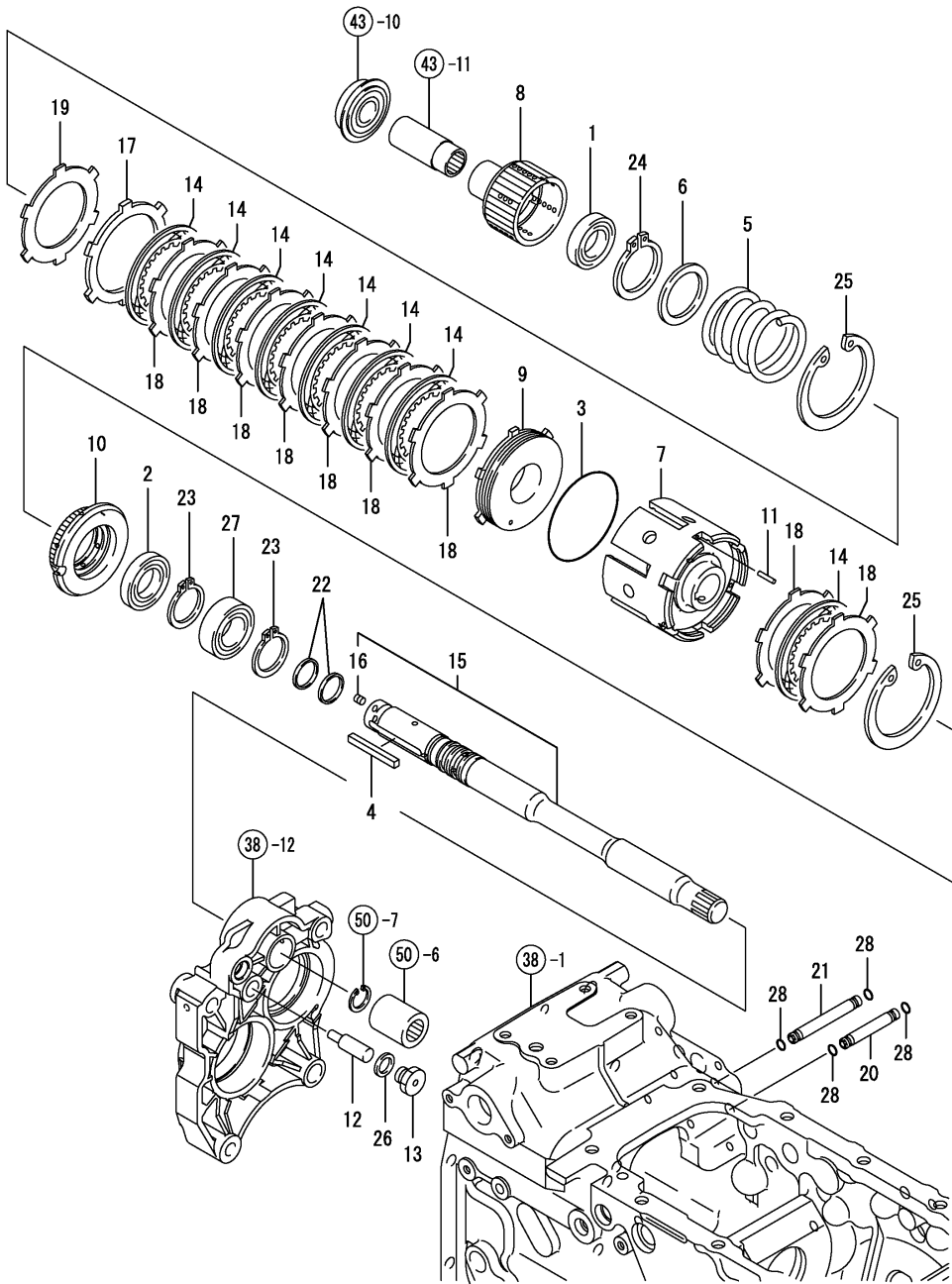
(A)=EF685T-PQ  
(B)=  
(C)=

(D)=  
(E)=  
(F)=



No.	Lev.	Parts No.	Description	Qty						I	R
				(A)	(B)	(C)	(D)	(E)	(F)		
1	1	198535-25330	PINION, CREEP	1							
2	1	198212-25340	GEAR, CREEP 42	1							
3	1	198535-25350	SHAFT, CREEP	1							
4	1	198212-25550	GEAR, SLIDING 41	1							
5	1	198212-25560	SHAFT, CONNECTING	1							
6	1	198133-25890	WASHER, 20X32X2	1							
7	1	22242-000300	RING, 30	1							
8	1	22242-000400	RING, 40	1							
9	1	24121-062044	BEARING, BALL 6204NR	1							
10	1	24161-202617	BEARING, 202617	1							
11	1	24164-000202	CIRCLIP, 20	1							

Fig.49. PTO CLUTCH



(A)=EF685T-PQ  
(B)=  
(C)=

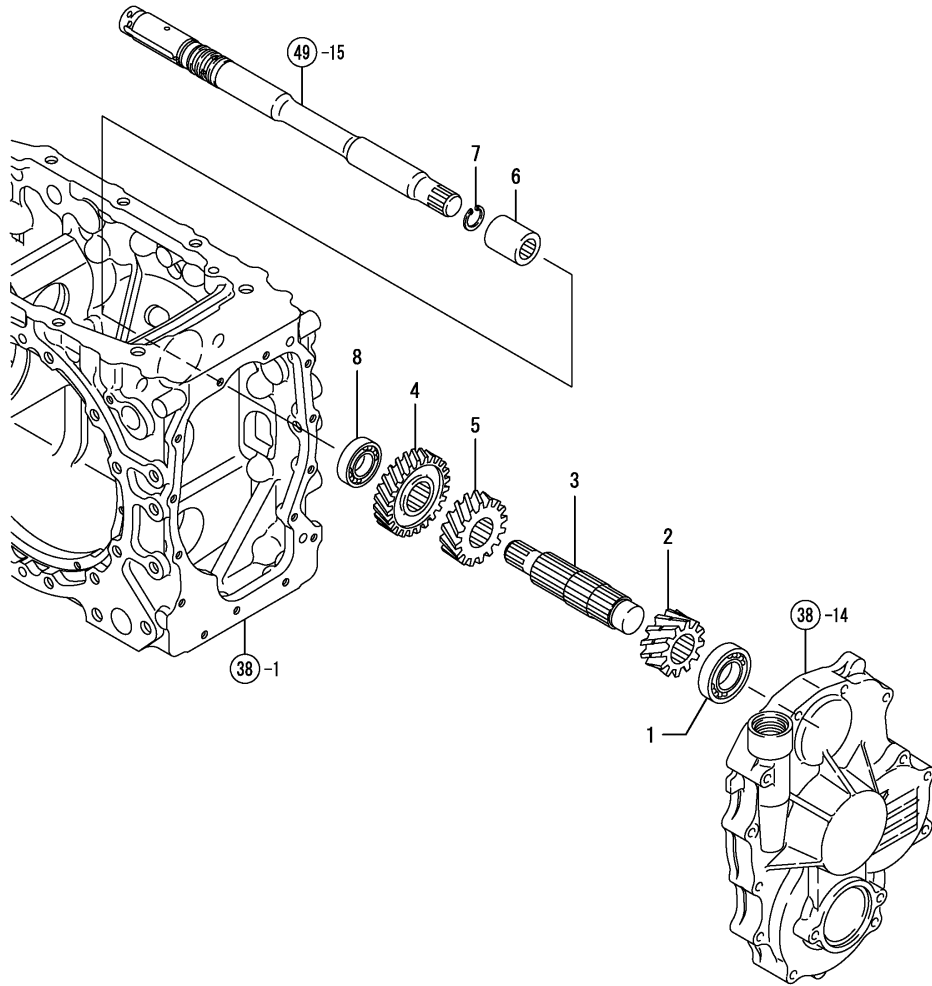
(D)=  
(E)=  
(F)=

No.	Lev.	Parts No.	Description	Qty						I	R
				(A)	(B)	(C)	(D)	(E)	(F)		
1	1	1C6460-14340	BEARING, BALL 60/28	1							
2	1	194430-25460	BEARING, BALL 16006	1							
3	1	194515-25530	RING, 95	1							
4	1	194515-25690	KEY, 7X5.8X60	1							
5	1	194300-25790	SPRING	1							
6	1	194440-25810	RETAINER, 40X54X2.3	1							
7	1	1A7450-26190	CYLINDER, CLUTCH	1							
8	1	198448-26220	HUB, SPLINE	1							
9	1	198212-26240	PISTON, PTO CLUTCH	1							
10	1	1A7640-26250	SPLINE, BRAKE	1							
11	1	198212-26260	PIN, 2.6X19.5	3							
12	1	1A7640-26270	PIN, ANCHOR	1							
13	1	198212-26290	PLUG, ANCHOR PIN	1							
14	1	194850-26340	PLATE, FRICTION 95P	8							
15	1	1A7350-26360	SHAFT ASSY, CLUTCH	1							
16	2	1E6191-54330	SCREW 7X8	2							Z
		(A=FXXXXX)									
17	1	194850-26370	PLATE, STEEL 3.2P	1							
18	1	198212-26380	PLATE, STEEL 2.3	9							
19	1	198212-26440	PLATE, STOPPER	1							
20	1	198212-26580	PIPE, OIL	1							
21	1	198212-26590	PIPE, OIL	1							
22	1	198451-28750	RING, 26.27X30.07X3	2							
23	1	22242-000300	RING, 30	2							
24	1	22242-000400	RING, 40	1							
25	1	22252-000950	RING, 95	2							
26	1	23414-160000	GASKET, 16X1.0	1							
27	1	24107-060064	BEARING, BALL 6006ZZ	1							
28	1	24341-000080	O-RING, 1AS8.0	4							

Fig.50. PTO DRIVE SHAFT

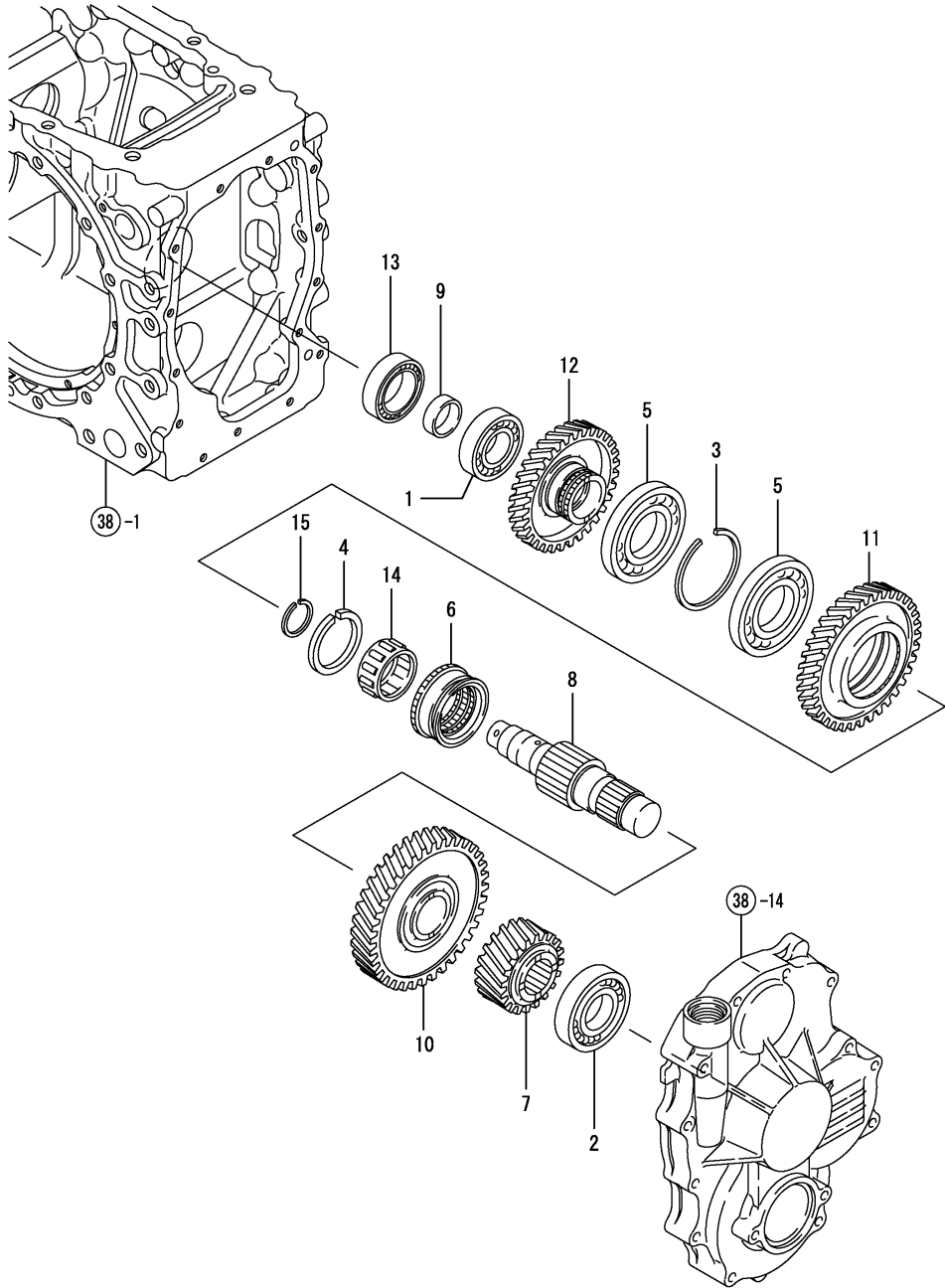
(A)=EF685T-PQ  
(B)=  
(C)=

(D)=  
(E)=  
(F)=



No.	Lev.	Parts No.	Description	Q'ty						I	R
				(A)	(B)	(C)	(D)	(E)	(F)		
1	1	198220-25810	BEARING, TMB306CC3	1							
2	1	198535-26090	PINION, PTO Z=18	1							
3	1	198448-26110	SHAFT, PTO PINION	1							
4	1	198448-26120	PINION, PTO Z=35	1							
5	1	198448-26130	PINION, PTO Z=28	1							
6	1	194555-26520	COUPLING, PTO	1							
7	1	22252-000220	RING, 22	1							
8	1	24101-063054	BEARING, BALL 6305	1							

Fig.51. PTO DRIVEN SHAFT



(A)=EF685T-PQ  
(B)=  
(C)=

(D)=  
(E)=  
(F)=

No.	Lev.	Parts No.	Description	Qty						I	R
				(A)	(B)	(C)	(D)	(E)	(F)		
1	1	194800-25250	BEARING, BALL 60/32	1							
2	1	198390-25790	BEARING, 6307R SH2	1							
3	1	194680-25820	CIRCLIP, NEEDLE 81	1							
4	1	194680-25840	CIRCLIP, NEEDLE 50	1							
5	1	194454-25870	BEARING, BALL 16010	2							
6	1	198448-26140	SHIFTER, PTO	1							
7	1	198448-26150	GEAR, DRIVE 20	1							
8	1	198448-26320	SHAFT, PTO DRIVEN	1							
9	1	198448-26340	SPACER, 32X38X12	1							
10	1	198448-26510	GEAR, PTO 48	1							
11	1	198448-26520	GEAR, PTO 59	1							
12	1	198448-26530	GEAR, PTO 52	1							
13	1	24101-063054	BEARING, BALL 6305	1							
14	1	24161-323717	BEARING, 323717	1							
15	1	24165-000372	CIRCLIP, 37	1							

Fig.52. PTO SHAFT

(A)=EF685T-PQ  
(B)=  
(C)=

(D)=  
(E)=  
(F)=

No.	Lev.	Parts No.	Description	Q'ty						I	R
				(A)	(B)	(C)	(D)	(E)	(F)		
1	1	198390-25790	BEARING, 6307R SH2	1							
2	1	198448-26170	GEAR, PTO DRIVEN 32	1							
3	1	198448-26310	SHAFT, PTO	1							
4	1	194370-26350	SEAL, OIL QLF356019	1							
5	1	24101-063054	BEARING, BALL 6305	1							

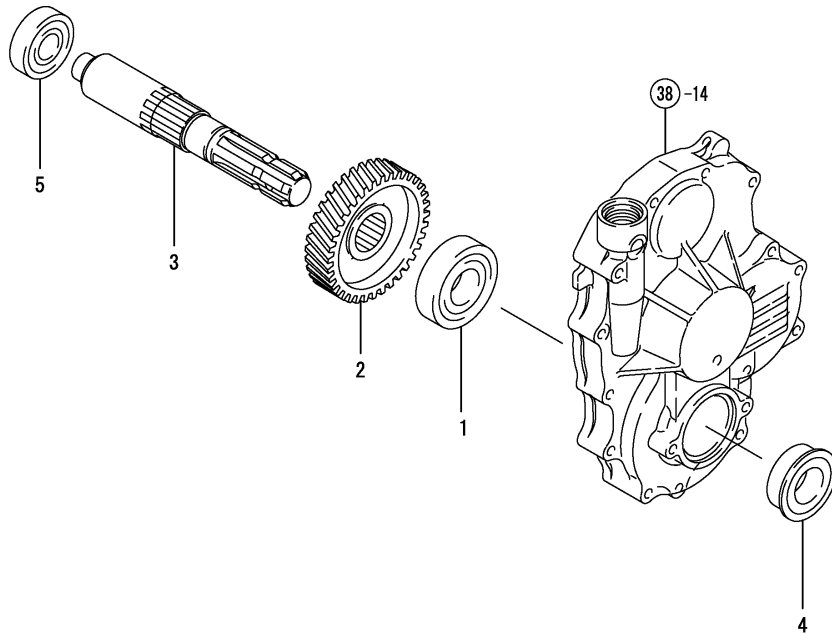


Fig.53. PTO IDLE GEAR

(A)=EF685T-PQ  
(B)=  
(C)=

(D)=  
(E)=  
(F)=

No.	Lev.	Parts No.	Description	Q'ty						I	R
				(A)	(B)	(C)	(D)	(E)	(F)		
1	1	198448-26160	GEAR, IDLE 23	1							
2	1	22252-000620	RING, 62	1							
3	1	24101-062064	BEARING, BALL 6206	2							

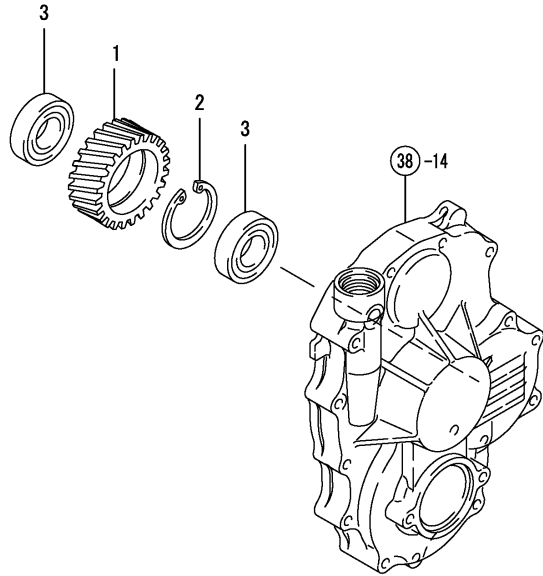


Fig.54. PTO SHAFT COVER

(A)=EF685T-PQ  
(B)=  
(C)=

(D)=  
(E)=  
(F)=

No.	Lev.	Parts No.	Description	Q'ty						I	R
				(A)	(B)	(C)	(D)	(E)	(F)		
1	1	1A7100-26850	COVER ASSY, SHAFT M	1							
2	1	26106-080122	BOLT, M8X 12 PLATED	2							

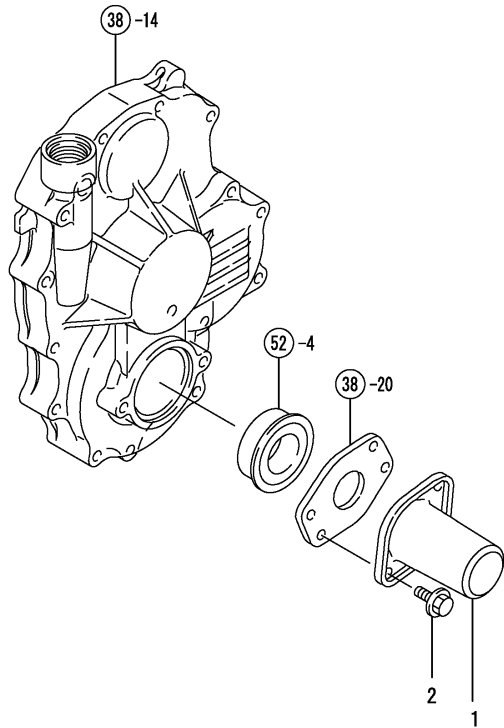




Fig.55. PTO SHAFT GUARD

(A)=EF685T-PQ  
(B)=  
(C)=

(D)=  
(E)=  
(F)=

No.	Lev.	Parts No.	Description	Q'ty						I	R
				(A)	(B)	(C)	(D)	(E)	(F)		
1	1	198448-26910	COVER, SHAFT	1							
2	1	26106-080352	BOLT, M8X 35 PLATED	4							

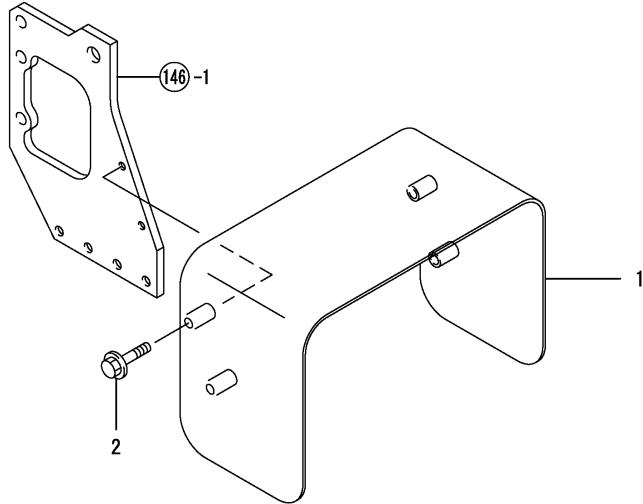
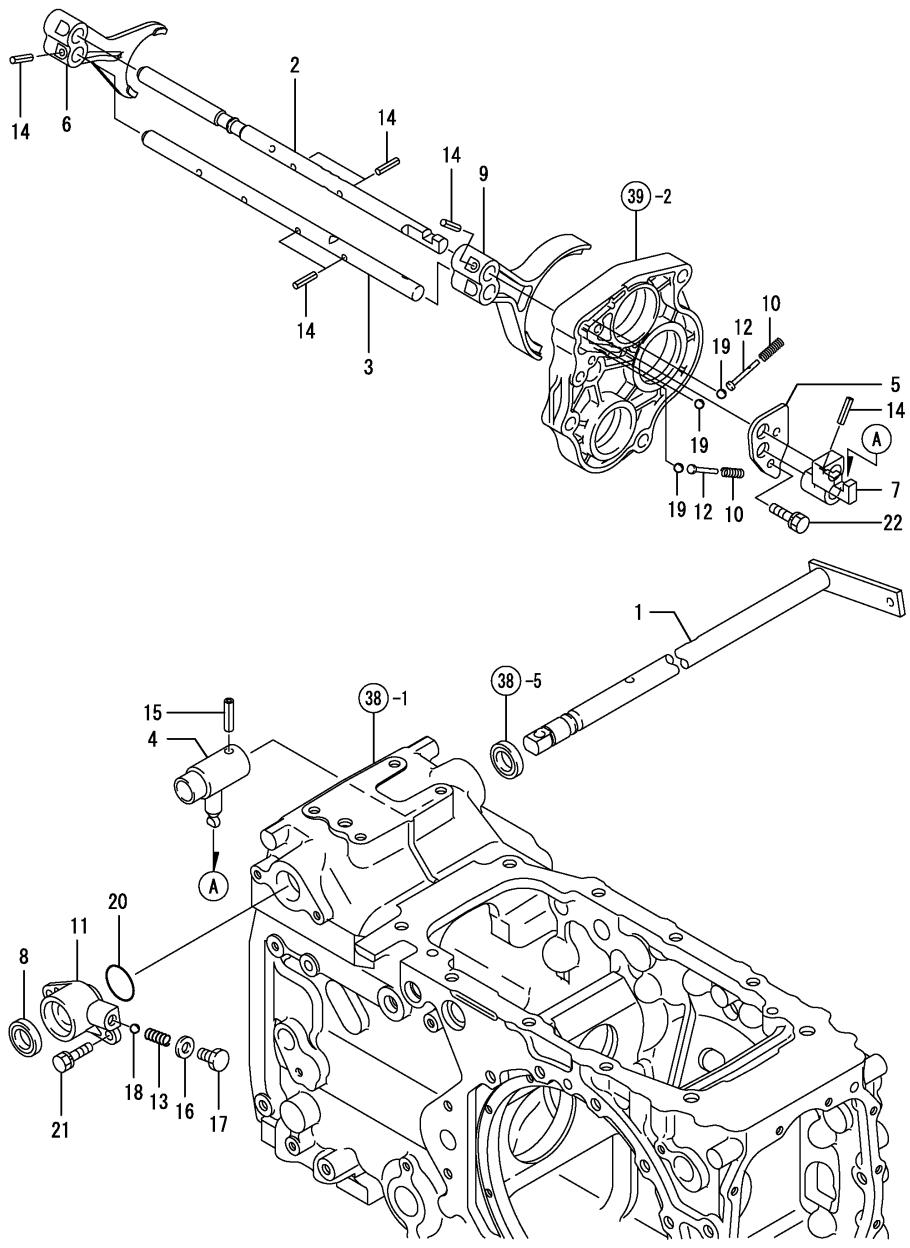


Fig.56. MAIN CHANGE SHIFT

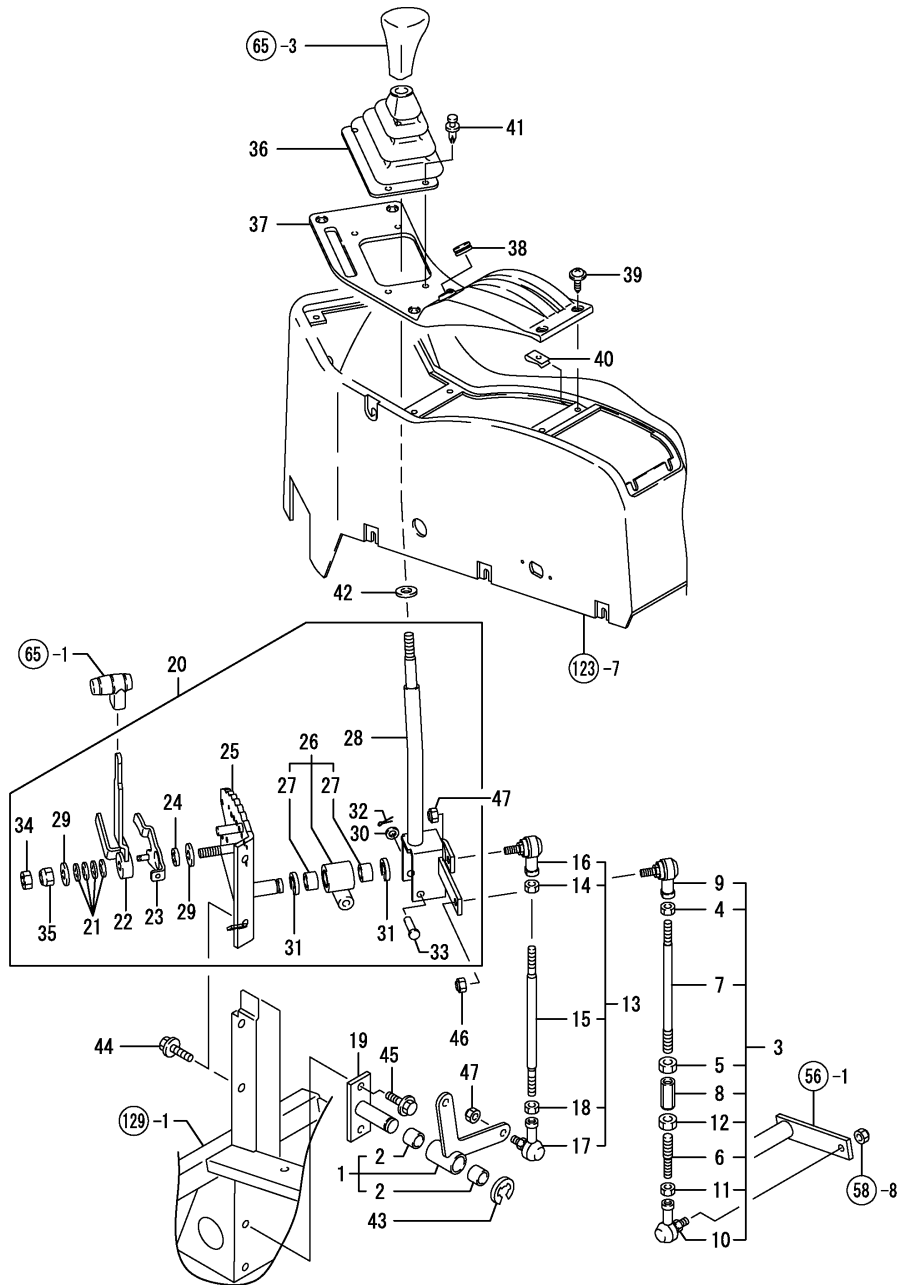


(A)=EF685T-PQ  
(B)=  
(C)=

(D)=  
(E)=  
(F)=

No.	Lev.	Parts No.	Description	Q'ty						I	R
				(A)	(B)	(C)	(D)	(E)	(F)		
1	1	198535-27050	ARM, CHANGE	1							
2	1	198212-27250	SHAFT, FORK 3-4/2-3	1							
3	1	198212-27261	SHAFT, FORK 1-2/1-R	1							
4	1	198535-27260	ARM, SHIFT	1							
5	1	198212-27280	PLATE, FORK LOCK	1							
6	1	198212-27321	FORK, SHIFT	1							
7	1	198212-27330	SHIFTER, MAIN SHIFT	1							
8	1	198212-27350	SEAL, OIL TC4 203507	1							
9	1	198212-27371	FORK, SHIFT	1							
10	1	194145-27450	SPRING	2							
11	1	198212-27470	HOLDER, SHIFT ARM	1							
12	1	198071-27860	PIN, 4X35	2							
13	1	1E6210-54920	SPRING 23	1							
14	1	22351-060025	PIN, SPRING 6.0X25	7							
15	1	22351-080032	PIN, SPRING 8.0X32	1							
16	1	23414-100000	GASKET, 10X1.0	1							
17	1	23887-100002	PLUG, 10	1							
18	1	24190-100001	BALL, STEEL 5/16	1							
19	1	24190-100001	BALL, STEEL 5/16	3							
20	1	24321-000300	O-RING, 1AG30.0	1							
21	1	26013-080202	BOLT, M8X 20	2							
21-1	1	26106-080202	BOLT, M8X 20 PLATED	2							R
(A=FXXXXXX)											
22	1	26013-080202	BOLT, M8X 20	2							
22-1	1	26106-080162	BOLT, M8X 16 PLATED	2							R
(A=FXXXXXX)											

Fig.57. SHIFT LEVER



(A)=EF685T-PQ

(B)=

(C)=

(D)=

(E)=

(F)=

No.	Lev.	Parts No.	Description	Q'ty						I	R
				(A)	(B)	(C)	(D)	(E)	(F)		
1	1	198535-27120	CRANK ASSY, BELL B	1							
2	2	194630-24230	BUSH, 17X19X15	2							
3	1	198535-27130	ROD, SHIFT A	1							
4	2	194990-20170	NUT, M8	1							
5	2	194150-22480	NUT, M10 L	1							
6	2	198535-26140	ROD, D	1							
7	2	198535-27140	ROD, A	1							
8	2	194215-27260	TURNBUCKLE, M10X31	1							
9	2	194820-27370	END, ROD L	1							
10	2	172112-41980	BEARING, ROD-END	1							
11	2	26716-080002	NUT, M8	1							
12	2	26716-100002	NUT, M10	1							
13	1	198535-27150	ROD, SHIFT B	1							
14	2	194990-20170	NUT, M8	1							
15	2	198535-27160	ROD, B	1							
16	2	194820-27370	END, ROD L	1							
17	2	172112-41980	BEARING, ROD-END	1							
18	2	26716-080002	NUT, M8	1							
19	1	198535-27230	BRACKET, BELL CRANK	1							
20	1	1A7640-27300	LEVER, SHIFT	1							
21	2	194740-00160	SPRING, 10	4							
22	2	198448-01110	LEVER, ACCELERATOR	1							
23	2	198448-01172	LEVER, LINK	1							
24	2	194150-01270	SPACER, 20	1							
25	2	198535-27310	PLATE ASSY, SHIFT	1							
26	2	198535-27390	BOSS ASSY, LEVER	1							
27	3	24550-018120	BUSH, 18X12	2							
28	2	1A7640-27430	LEVER, MAIN SHIFT	1							
29	2	194145-61570	WASHER, 10	2							
30	2	22137-080000	WASHER, 8	1							
31	2	22272-000150	RING, E-15	2							
32	2	22417-200200	PIN, COTTER 2.0X20	1							
33	2	22487-080500	PIN, H 8X 50	1							
34	2	26756-100002	NUT, LOCK M10	1							
35	2	26986-100002	NUT, LOCK M10	1							
35-1	2	26716-100002	NUT, M10	1							R
(A=FZZZZZ)											
36	1	198535-27350	BOOT, MAIN SHIFT	1							
37	1	198535-27470	COVER, MAIN SHIFT	1							
38	1	194197-56350	GROMMET	1							
39	1	194940-61790	SCREW, TAPPING M5X16	6							
40	1	198220-63850	NUT, M5	6							
41	1	197810-84840	RIVET, NYLON	4							
42	1	22137-120000	WASHER, 12	1							
43	1	22272-000150	RING, E-15	1							
44	1	26106-080162	BOLT, M8X 16 PLATED	2							
45	1	26106-080162	BOLT, M8X 16 PLATED	2							
46	1	26346-080002	NUT, M8	1							
47	1	26346-080002	NUT, M8	2							

Fig.58. SHIFT LEVER LINK

(A)=EF685T-PQ  
(B)=  
(C)=

(D)=  
(E)=  
(F)=

No.	Lev.	Parts No.	Description	Q'ty						I	R
				(A)	(B)	(C)	(D)	(E)	(F)		
1	1	1A7640-27340	ROD, SHIFT	1							
2	2	1A7640-27370	ROD	1							
3	2	194235-29440	BALL, PILLOW 10	1							
4	2	26716-100002	NUT, M10	2							
5	1	1C6281-52320	PIN, SNAP 8	1							
6	1	22137-100000	WASHER, 10	1							
7	1	26013-100352	BOLT, M10X 35	1							
8	1	26346-080002	NUT, M8	1							

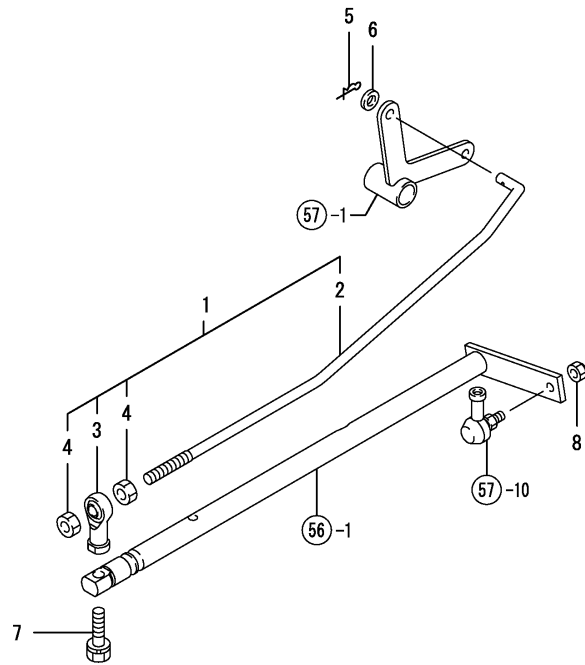
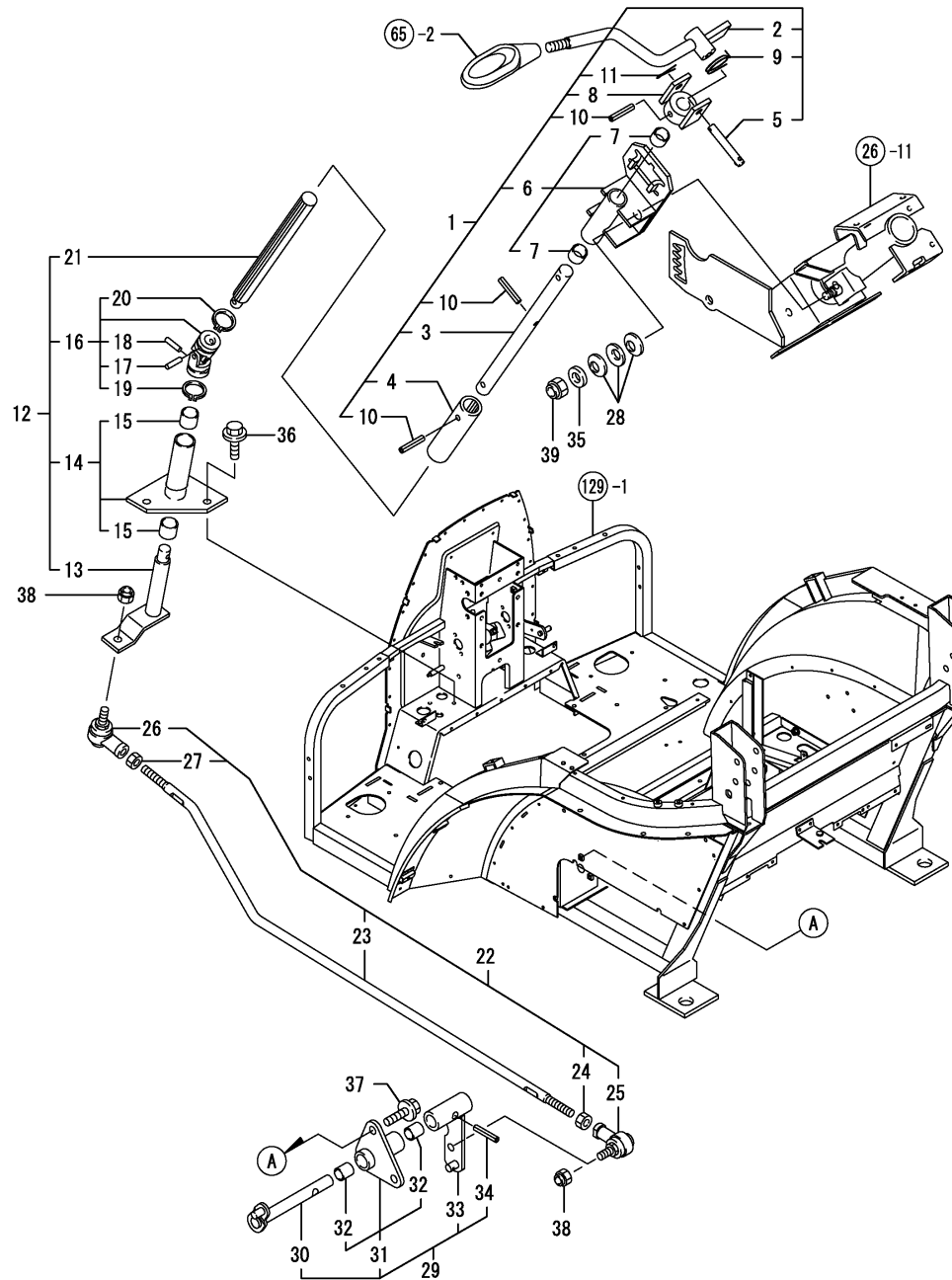


Fig.59. REVERSER LEVER



(A)=EF685T-PQ

(B)=

(C)=

(D)=

(E)=

(F)=

No.	Lev.	Parts No.	Description	Q'ty						I	R
				(A)	(B)	(C)	(D)	(E)	(F)		
1	1	198448-18100	LEVER ASSY, REVERSER	1							
2	2	198448-18110	LEVER, REVERSER	1							
3	2	198448-18200	SHAFT, COUPLING	1							
4	2	198448-18220	COUPLING	1							
5	2	198075-18311	PIN, 8X52	1							
6	2	198448-18540	BRACKET ASSY	1							
7	3	24550-015120	BUSH, 15X12	2							
8	2	198133-27781	HOLDER, REVERSER	1							
9	2	198133-27820	SPRING, RETURN	1							
10	2	22351-060032	PIN, SPRING 6.0X32	3							
11	2	22417-200300	PIN, COTTER 2.0X30	1							
12	1	198448-18150	SHAFT ASSY, REVERSER	1							
13	2	198448-18170	SHAFT, REVERSER	1							
14	2	198448-18250	BRACKET ASSY, SHAFT	1							
15	3	24550-016150	BUSH, 16X15	2							
16	2	198071-18401	JOINT ASSY	1							
17	3	198071-18520	PIN	1							
18	3	198071-18520	PIN	1							
19	3	198071-18530	CIRCLIP, 23	1							
20	3	198071-18530	CIRCLIP, 23	1							
21	2	198448-18460	SHAFT, INNER	1							
22	1	198448-18310	ROD ASSY, REVERSER	1							
23	2	198448-18320	ROD, REVERSER	1							
24	2	194990-20170	NUT, M8	1							
25	2	194820-27370	END, ROD L	1							
26	2	172112-41980	BEARING, ROD-END	1							
27	2	26716-080002	NUT, M8	1							
28	1	198072-18320	SPRING, 12	3							
29	1	198448-18350	ARM ASSY, REVERSER	1							
30	2	198448-18360	ARM, REVERSER	1							
31	2	198448-18400	BRACKET ASSY, ARM	1							
32	3	24550-012150	BUSH, 12X15	2							
33	2	198448-18440	ARM, REVERSER	1							
34	2	22351-060032	PIN, SPRING 6.0X32	1							
35	1	22137-100000	WASHER, 10	1							
36	1	26106-080122	BOLT, M8X 12 PLATED	2							
37	1	26106-080162	BOLT, M8X 16 PLATED	2							
38	1	26346-080002	NUT, M8	2							
39	1	26346-100002	NUT, M10	1							

Fig.60. REVERSER LEVER LINK

(A)=EF685T-PQ  
(B)=  
(C)=

(D)=  
(E)=  
(F)=

No.	Lev.	Parts No.	Description	Q'ty						I	R
				(A)	(B)	(C)	(D)	(E)	(F)		
1	1	198448-18500	ROD ASSY, REVERSER	1							
2	2	198448-18490	ROD, REVERSER B	1							
3	2	198448-18580	ROD, REVERSER A	1							
4	2	194990-22140	NUT, M8	2							
5	1	22137-080000	WASHER, 8	2							
6	1	22417-200300	PIN, COTTER 2.0X30	2							

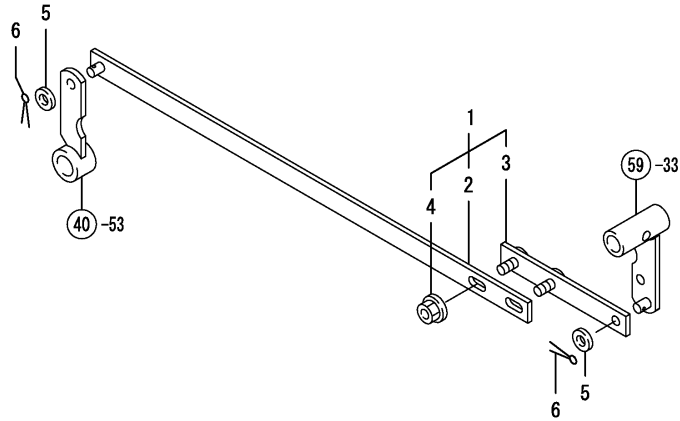
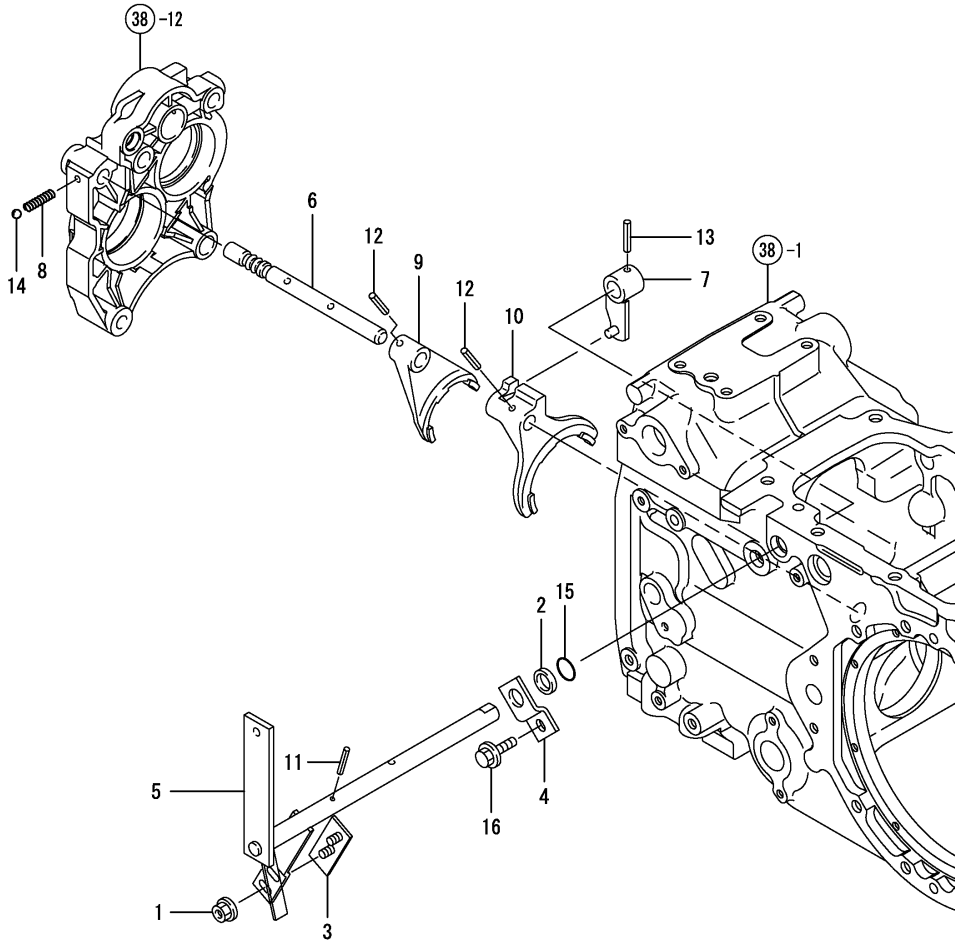


Fig.61. SUB CHANGE SHIFT

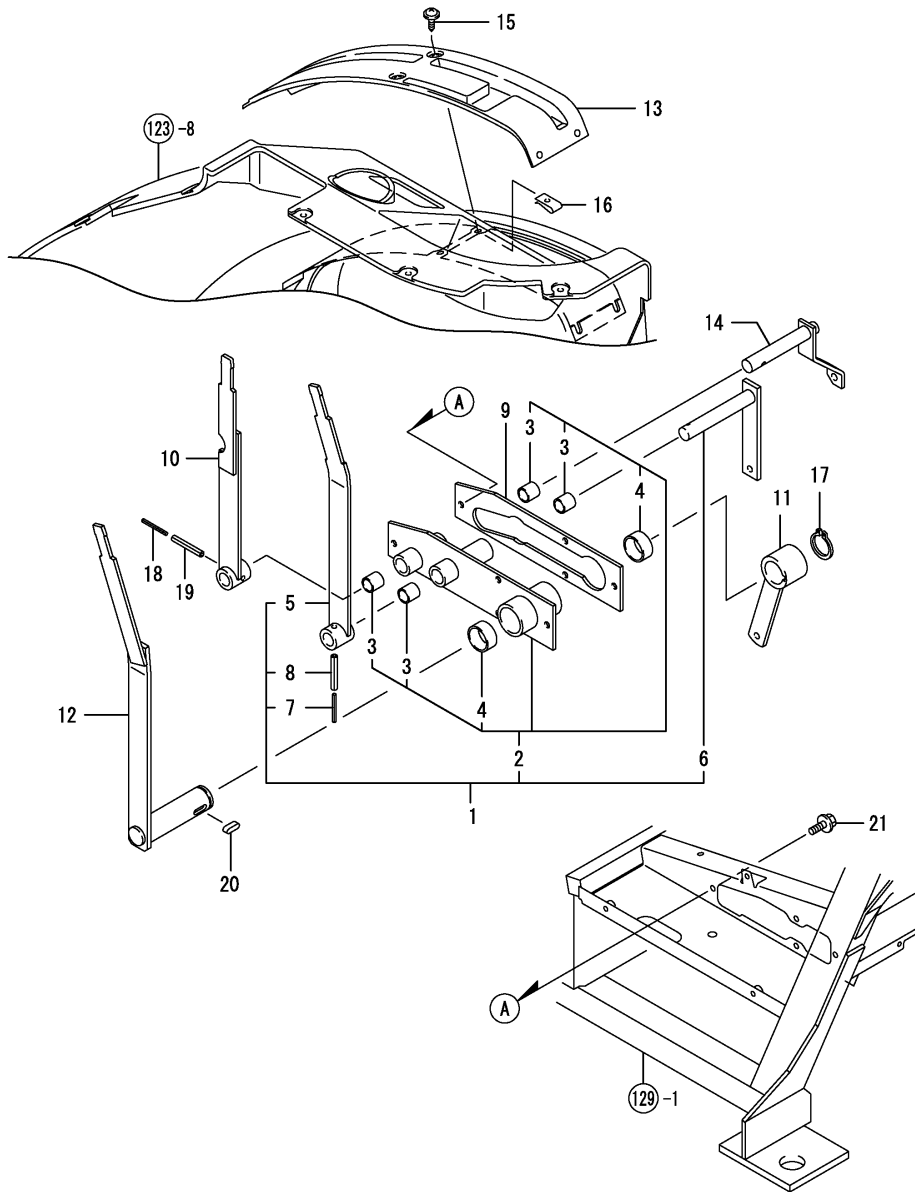


(A)=EF685T-PQ  
(B)=  
(C)=

(D)=  
(E)=  
(F)=

No.	Lev.	Parts No.	Description	Q'ty						I	R
				(A)	(B)	(C)	(D)	(E)	(F)		
1	1	194990-22140	NUT, M8	2							
1-1	1	26366-080002	NUT, M8	2							R
(A=FZZZZZ)											
2	1	198119-27150	COLLAR, ARM	1							
3	1	1A7640-27420	PLATE, INTERLOCK	1							
4	1	198448-27470	PLATE, KEEP	1							
5	1	1A7640-27481	SHAFT, RANGE SHIFT	1							
6	1	198535-27490	SHAFT, FORK	1							
7	1	198212-27521	ARM, SHIFT	1							
8	1	194680-27540	SPRING, FORK LOCK	1							
9	1	198217-27570	FORK, SHIFT A	1							
10	1	198448-27590	FORK, SHIFT B	1							
11	1	22351-040032	PIN, SPRING 4.0X32	1							
12	1	22351-060032	PIN, SPRING 6.0X32	2							
13	1	22351-060032	PIN, SPRING 6.0X32	1							
14	1	24190-080001	BALL, STEEL 1/4	1							
15	1	24311-000160	O-RING, 1AP16.0	1							
16	1	26106-080162	BOLT, M8X 16 PLATED	1							

Fig.62. SUB LEVER



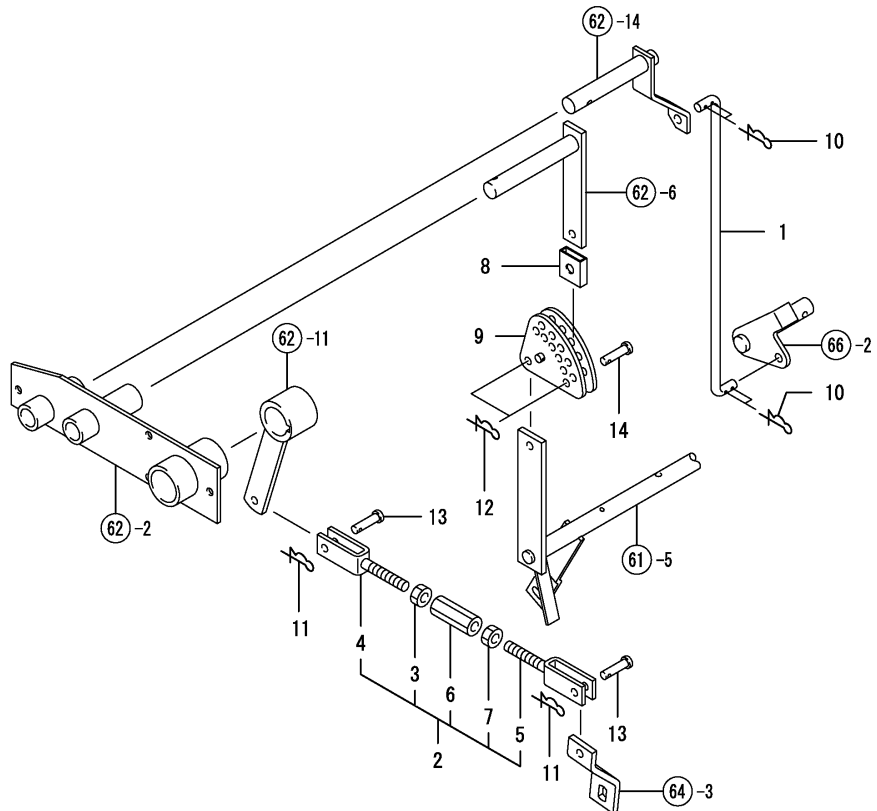
No.	Lev.	Parts No.	Description	Qty						I	R
				(A)	(B)	(C)	(D)	(E)	(F)		
1	1	1A7640-26010	LEVER, SUB	1							
2	2	1A7640-27400	BRACKET ASSY	1							
3	3	24550-017150	BUSH, 17X15	4							
4	3	24550-030150	BUSH, 30X15	2							
5	2	1A7640-27510	LEVER, RANGE SHIFT	1							
6	2	1A7640-27550	ARM, SHIFT	1							
7	2	22351-035040	PIN, SPRING 3.5X40	1							
8	2	22351-060040	PIN, SPRING 6.0X40	1							
9	1	198535-27570	SEAL, LEVER	1							Z
(A=FZZZZZ)											
10	1	1A7640-27580	LEVER, CREEP	1							
11	1	198535-27590	ARM, SHIFT	1							
12	1	1A7660-27610	LEVER, PTO SHIFT	1							
13	1	1A7640-27800	COVER, SUB-LEVER	1							
14	1	198535-27810	ARM, SHIFT	1							
15	1	194940-61790	SCREW, TAPPING M5X16	6							
16	1	198220-63850	NUT, M5	6							
17	1	22242-000300	RING, 30	1							
18	1	22351-035040	PIN, SPRING 3.5X40	1							
19	1	22351-060040	PIN, SPRING 6.0X40	1							
20	1	22512-070200	KEY, 7X 20	1							
21	1	26106-080162	BOLT, M8X 16 PLATED	4							



Fig.63. SUB LEVER LINK

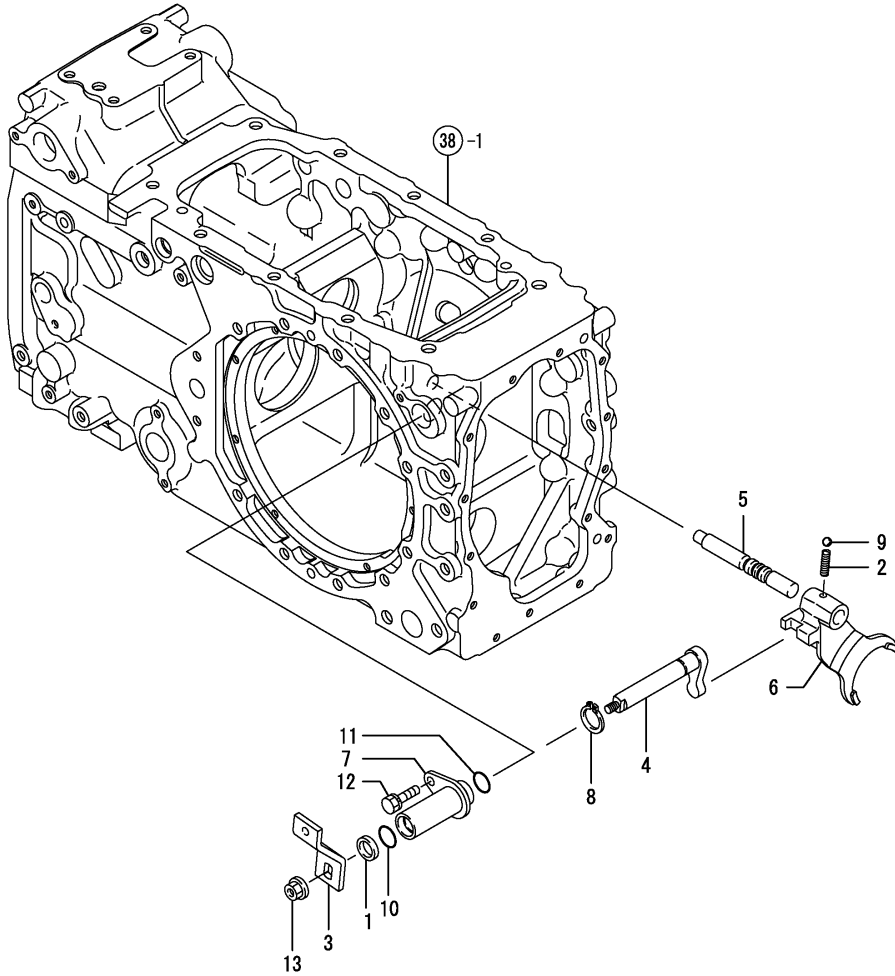
(A)=EF685T-PQ  
(B)=  
(C)=

(D)=  
(E)=  
(F)=



No.	Lev.	Parts No.	Description	Q'ty						I	R
				(A)	(B)	(C)	(D)	(E)	(F)		
1	1	198535-27170	ROD, CREEP	1							
1-1	1	198535-27171	ROD, CREEP	1							N
(A=*2009.04.)											
2	1	198535-27740	ROD ASSY, PTO	1							
3	2	194150-22480	NUT, M10 L	1							
4	2	194130-37740	ROD, BRAKE L	1							
5	2	194130-37750	JOINT, 2-WAY	1							
6	2	194250-47490	TURNBUCKLE 10X50	1							
7	2	26716-100002	NUT, M10	1							
8	1	1A7640-27910	PIPE, GUARD	1							
9	1	198535-28760	PLATE ASSY, LINK	1							
10	1	1C6281-52320	PIN, SNAP 8	4							
11	1	1C6281-52320	PIN, SNAP 8	2							
12	1	1C6281-52320	PIN, SNAP 8	2							
13	1	22487-080200	PIN, H 8X 20	2							
14	1	22487-080200	PIN, H 8X 20	2							

Fig.64. PTO SHIFT



(A)=EF685T-PQ  
(B)=  
(C)=

(D)=  
(E)=  
(F)=

No.	Lev.	Parts No.	Description	Q'ty						I	R
				(A)	(B)	(C)	(D)	(E)	(F)		
1	1	198119-27150	COLLAR, ARM	1							
2	1	194680-27540	SPRING, FORK LOCK	1							
3	1	1A7600-27791	ARM, CHANGE	1							
4	1	1A7600-27850	ARM, SHIFT	1							
5	1	198448-27880	SHAFT, PTO FORK	1							
6	1	198448-27950	FORK, PTO SHIFT	1							
7	1	1A7640-27950	HOLDER, SHIFT ARM	1							
8	1	22242-000170	RING, 17	1							
9	1	24190-080001	BALL, STEEL 1/4	1							
10	1	24311-000160	O-RING, 1AP16.0	1							
11	1	24311-000210	O-RING, 1AP21.0	1							
12	1	26013-080162	BOLT, M8X 16	1							
12-1	1	26106-080162	BOLT, M8X 16 PLATED	1							R
(A=FXXXXXX)											
13	1	26366-080002	NUT, M8	1							

Fig.65. LEVER KNOB

(A)=EF685T-PQ  
(B)=  
(C)=

(D)=  
(E)=  
(F)=

No.	Lev.	Parts No.	Description	Q'ty						I	R
				(A)	(B)	(C)	(D)	(E)	(F)		
1	1	198273-01230	KNOB, LEVER	1							
2	1	198200-18350	KNOB, LEVER	1							
3	1	198273-27290	KNOB, MAIN SHIFT	1							
4	1	1A7450-27850	KNOB, PTO	1							
5	2	1A7450-27910	LABEL,	1							
6	1	198273-27860	BOOT, SHAFT	2							
7	1	1A7640-27870	BOOT, SHAFT	1							
8	1	198273-27890	BOOT, SHAFT	1							
9	1	1A7680-27920	KNOB, LOW SPEED	1							
10	2	1A7680-27930	LABEL,	1							
11	1	1A7680-27920	KNOB, LOW SPEED	1							
12	2	1A7680-27930	LABEL,	1							
13	1	198273-28520	KNOB, PARKING BRAKE	1							
13-1	1	198273-28521	KNOB, PARKING BRAKE	1							N
(A=FZZZZZ)											
14	1	1A7480-47450	KNOB, CONTROL	1							
15	2	1A7480-47470	LABEL,	1							
16	1	22137-120000	WASHER, 12	1							

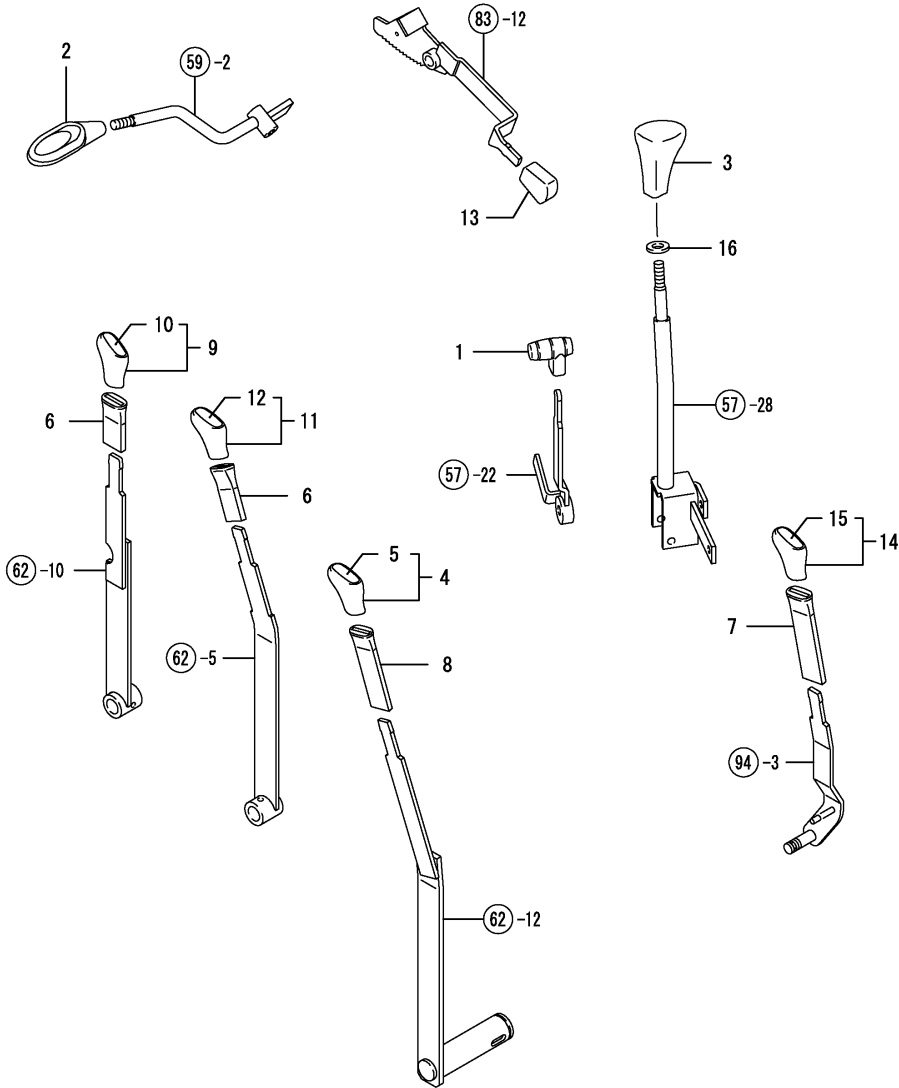
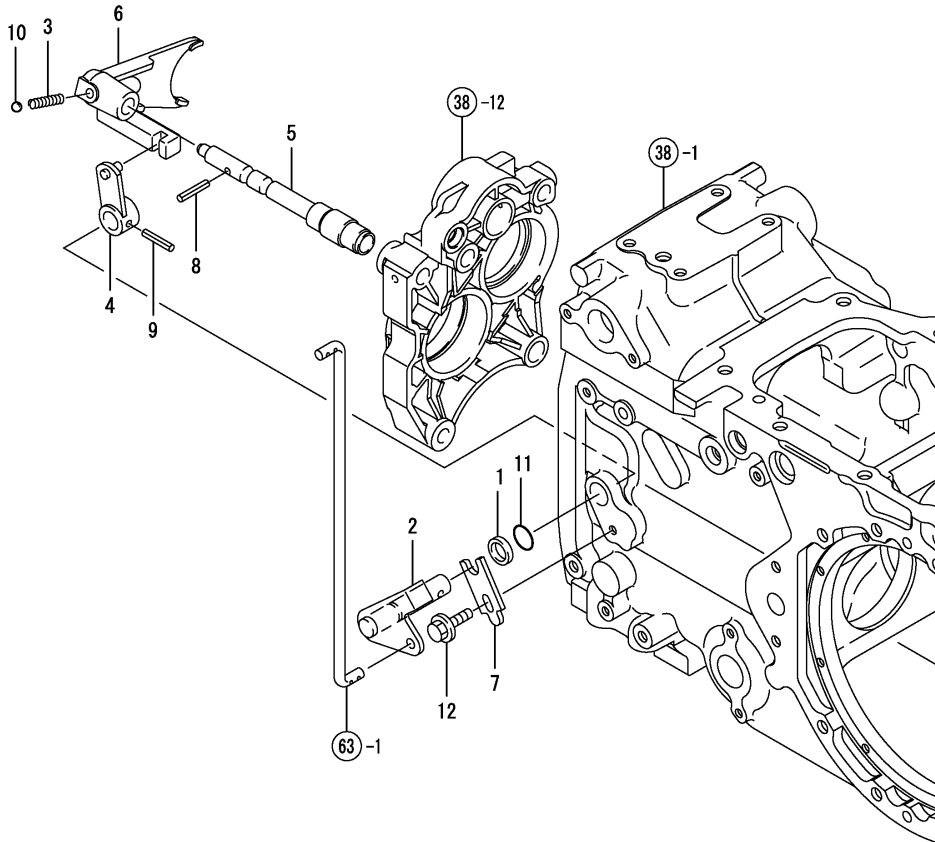


Fig.66. CREEP SHIFT

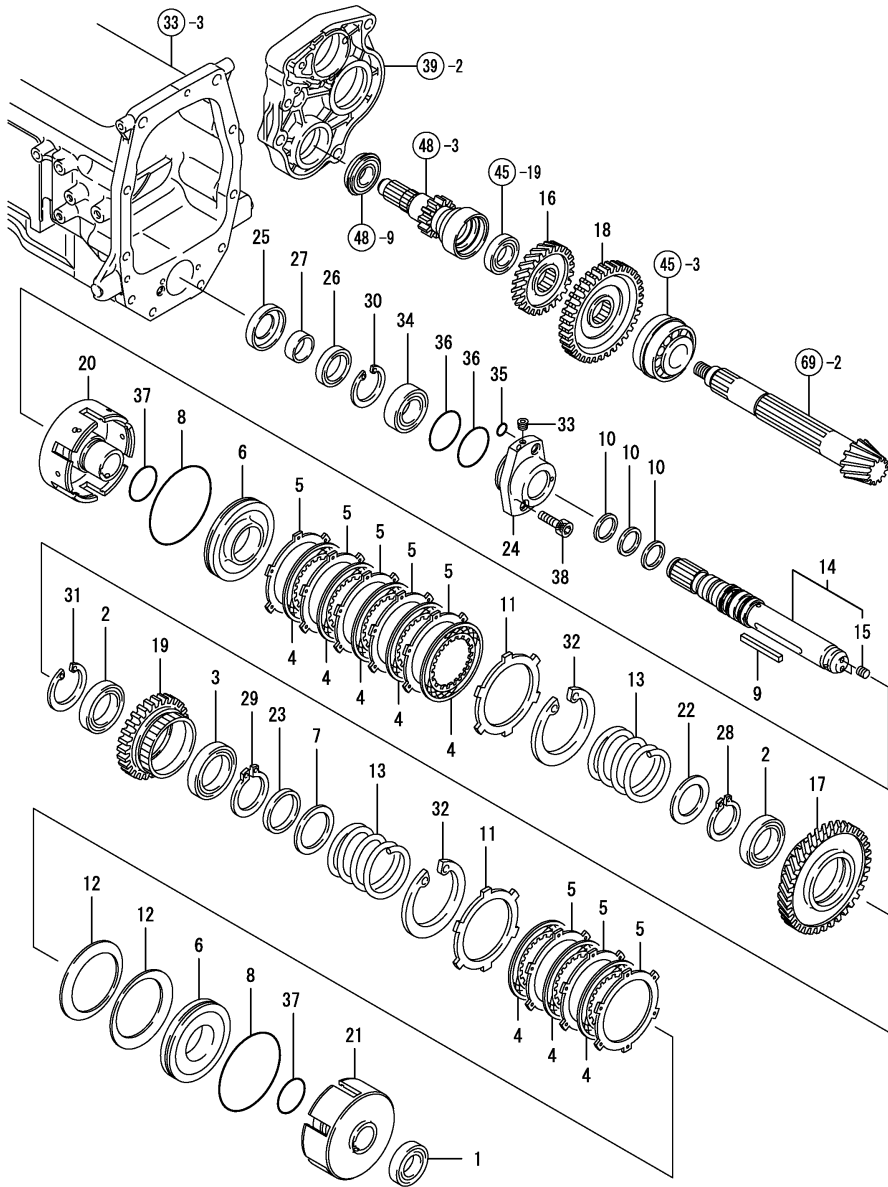
(A)=EF685T-PQ  
(B)=  
(C)=

(D)=  
(E)=  
(F)=



No.	Lev.	Parts No.	Description	Q'ty						I	R
				(A)	(B)	(C)	(D)	(E)	(F)		
1	1	198119-27150	COLLAR, ARM	1							
2	1	198535-27410	ARM, CHANGE	1							
3	1	194145-27450	SPRING	1							
4	1	198535-27620	ARM, SHIFT	1							
5	1	198212-27651	SHAFT, CREEP FORK	1							
6	1	198212-27710	FORK, SHIFT	1							
7	1	198212-27990	PLATE, KEEP	1							
8	1	22351-060032	PIN, SPRING 6.0X32	1							
9	1	22351-060032	PIN, SPRING 6.0X32	1							
10	1	24190-100001	BALL, STEEL 5/16	1							
11	1	24311-000160	O-RING, 1AP16.0	1							
12	1	26106-080162	BOLT, M8X 16 PLATED	1							

Fig.67. FRONT DRIVE



(A)=EF685T-PQ  
(B)=  
(C)=

(D)=  
(E)=  
(F)=

No.	Lev.	Parts No.	Description	Qty						I	R
				(A)	(B)	(C)	(D)	(E)	(F)		
1	1	1C6460-14340	BEARING, BALL 60/28	1							
2	1	194951-14430	BEARING, 6908	2							
3	1	194951-14440	BEARING, 6909	1							
4	1	194555-25510	PLATE, 100X2.0	8							
5	1	194555-25520	PLATE, STEEL 100X1.2	8							
5-1	1	198072-25520	PLATE, STEEL 100X1.2	8							N
(A=FXXXXX)											
6	1	194555-25550	PISTON, CLUTCH	2							
7	1	194555-25560	SPACER, 46X61X2	1							
8	1	194555-25570	RING, 100	2							
9	1	198071-25590	KEY, 7X5.8X68	1							
10	1	198071-25610	RING, SEAL 35	3							
11	1	194555-25620	PLATE, STEEL 100X3.5	2							
12	1	194555-25760	SPRING	2							
13	1	194555-25790	SPRING, RETURN	2							
14	1	198448-28100	SHAFT ASSY, DRIVE	1							
14-1	1	1A7450-28100	SHAFT ASSY, DRIVE	1							F 1
(A=FZZZZZ)											
15	2	1E6191-54330	SCREW 7X8	2							
16	1	198448-28220	PINION, DRIVE Z=33	1							
17	1	198448-28230	GEAR, CLUTCH 54	1							
18	1	198535-28241	PINION, DRIVE Z=39	1							
19	1	198448-28250	GEAR, CLUTCH 33 HG	1							
20	1	198448-28310	CYLINDER, CLUTCH	1							
21	1	198448-28320	CYLINDER, CLUTCH	1							
22	1	198448-28330	WASHER, 40X60X2	1							
23	1	198448-28340	COLLAR, 45X55X5	1							
24	1	198448-28361	HOUSING, SEAL FRONT	1							
25	1	198448-28370	COVER, OIL SEAL	1							
26	1	194420-39360	SEAL, OIL TC355508	1							
27	1	194420-39370	SLEEVE, SI 30X35X13A	1							
28	1	22242-000400	RING, 40	1							
29	1	22242-000450	RING, 45	1							
30	1	22252-000550	RING, 55	1							
31	1	22252-000620	RING, 62	1							
32	1	22252-001000	RING, 100	2							
33	1	23871-005000	PLUG, R005	1							
34	1	24101-060064	BEARING, BALL 6006	1							
35	1	24311-000110	O-RING, 1AP11.0	1							
36	1	24341-000500	O-RING, 1AS50.0	2							
37	1	24351-020400	O-RING 1A 2040	2							
38	1	26450-080252	BOLT, M8X 25	2							

Remarks  
(1)Fig.16 Ref.No.1-1 Interchangeable by set.

Fig.68. FRONT SHIFT

(A)=EF685T-PQ

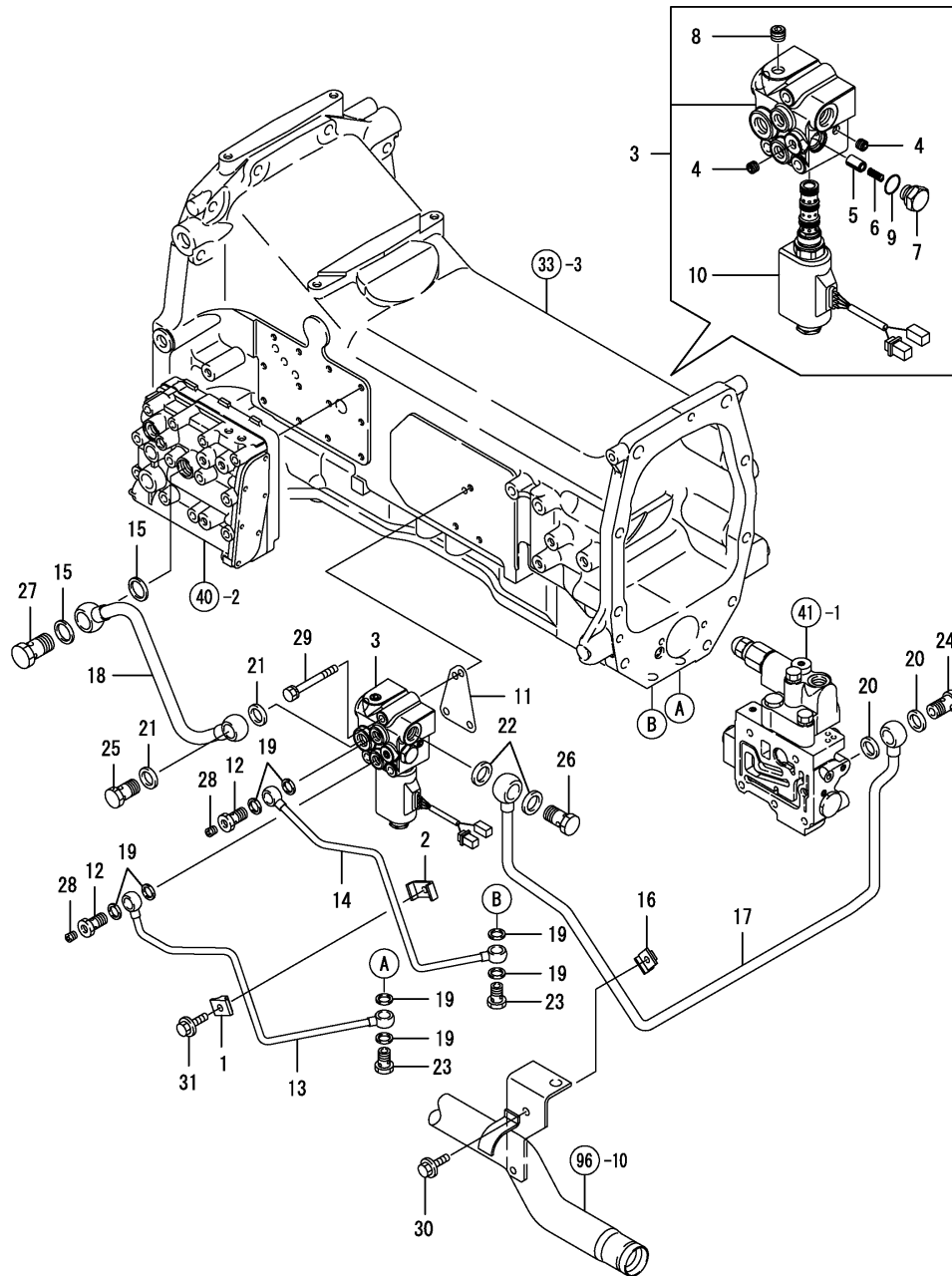
(B)=

(C)=

(D)=

(E)=

(F)=



No.	Lev.	Parts No.	Description	Q'ty						I	R
				(A)	(B)	(C)	(D)	(E)	(F)		
1	1	198240-04710	BASE, CLAMP	1							
2	1	198327-04840	CLAMP	1							
3	1	1A7670-24700	VALVE ASSY, 4WD	1							
4	2	178073-01200	PLUG PT 1/8	2							
5	2	198165-46130	VALVE, CHECK	1							
6	2	198165-46140	SPRING	1							
7	2	198165-46150	PLUG, CHECK	1							
8	2	23871-020000	PLUG, R02	1							
9	2	24311-000140	O-RING, 1AP14.0	1							
10	2	178076-07200	SOLENOID	1							
11	1	1A7670-24910	PACKING, VALVE	1							
12	1	198448-28430	BOLT, JOINT M14	2							
13	1	1A7670-28450	PIPE, PRESSURE	1							
14	1	1A7670-28470	PIPE, PRESSURE HG	1							
15	1	198448-48250	GASKET, 22	2							
16	1	1A7640-48410	CLAMP, 12M	1							
17	1	1A7670-48610	PIPE ASSY, PRESSURE	1							
18	1	1A7670-48650	PIPE	1							
19	1	23414-140000	GASKET, 14X1.0	8							
20	1	23414-180023	GASKET, 18X1.0	2							
21	1	23414-180023	GASKET, 18X1.0	2							
22	1	23414-200026	GASKET, 20X1.0	2							
23	1	23857-080000	BOLT, JOINT 8	2							
24	1	23857-120000	BOLT, JOINT 12	1							
25	1	23857-120000	BOLT, JOINT 12	1							
26	1	23857-150000	BOLT, JOINT 15	1							
27	1	23857-180000	BOLT, JOINT 18	1							
28	1	23871-010000	PLUG, R01	2							
29	1	26013-080702	BOLT, M8X 70	3							
30	1	26106-080162	BOLT, M8X 16 PLATED	1							
31	1	26106-080252	BOLT, M8X 25 PLATED	1							

Fig.69. RING GEAR

(A)=EF685T-PQ  
(B)=  
(C)=

(D)=  
(E)=  
(F)=

No.	Lev.	Parts No.	Description	Q'ty						I	R
				(A)	(B)	(C)	(D)	(E)	(F)		
1	1	198390-25790	BEARING, 6307R SH2	1							
2	1	198448-31401	GEAR ASSY, RING	1							

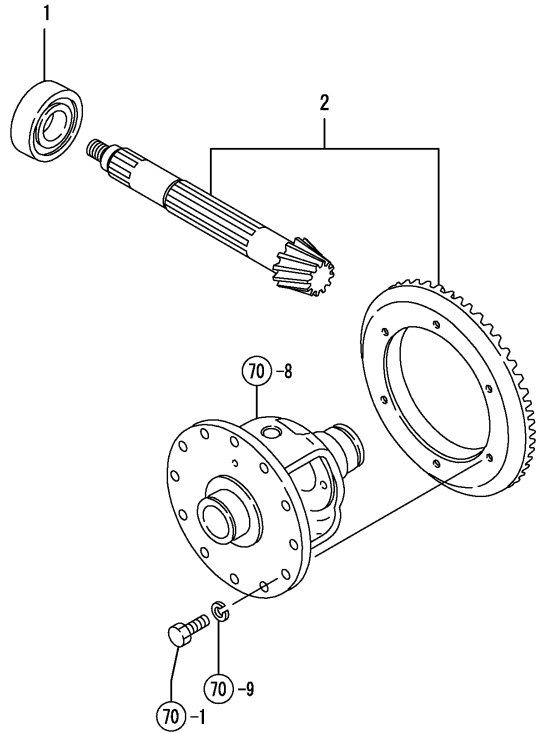
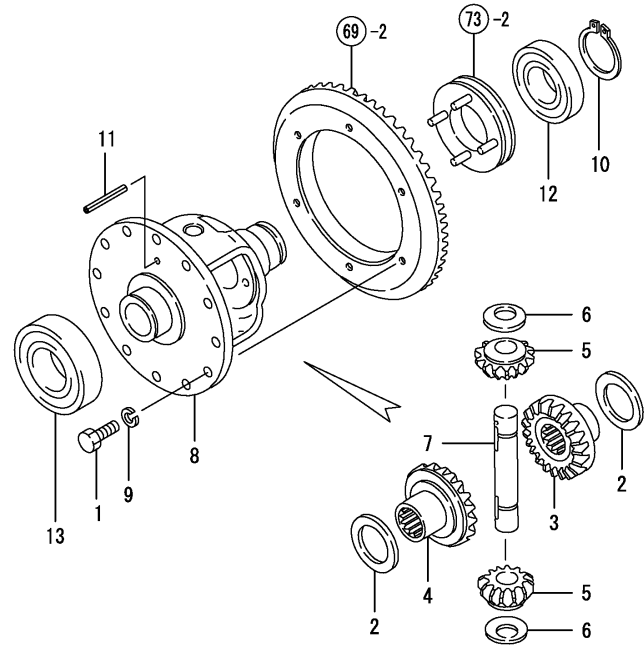


Fig.70. DIFFERENTIAL GEAR

(A)=EF685T-PQ  
(B)=  
(C)=

(D)=  
(E)=  
(F)=



No.	Lev.	Parts No.	Description	Q'ty						I	R
				(A)	(B)	(C)	(D)	(E)	(F)		
1	1	194066-13130	BOLT, M10X25	6							
2	1	198320-31530	WASHER, DIFFERENTIAL	2							
3	1	198320-31550	GEAR, DIFFERENTIAL	1							
4	1	194320-31560	GEAR, DIFFERENTIAL	1							
5	1	198320-31570	PINION, DIFFERENTIAL	2							
6	1	198320-31630	WASHER, DIFFERENTIAL	2							
7	1	198320-31820	SHAFT, DIFFERENTIAL	1							
8	1	198320-32111	CASE, DIFFERENTIAL	1							
9	1	22217-100000	WASHER, SPRING 10	6							
10	1	22242-000500	RING, 50	1							
11	1	22351-060050	PIN, SPRING 6.0X50	1							
12	1	24101-060104	BEARING, BALL 6010	1							
13	1	24101-062114	BEARING, BALL 6211	1							



Fig.71. DIFFERENTIAL CARRIER

(A)=EF685T-PQ  
(B)=  
(C)=

(D)=  
(E)=  
(F)=

No.	Lev.	Parts No.	Description	Q'ty						I	R
				(A)	(B)	(C)	(D)	(E)	(F)		
1	1	794251-13910	SHIM SET	1							
2	1	198250-32310	CARRIER	1							
2-1	1	1A7601-32310	CARRIER, DIFF.	1							R
(A=FZZZZZ)											
3	1	26013-080252	BOLT, M8X 25	7							
3-1	1	26106-080252	BOLT, M8X 25 PLATED	7							R
(A=*2009.05.)											

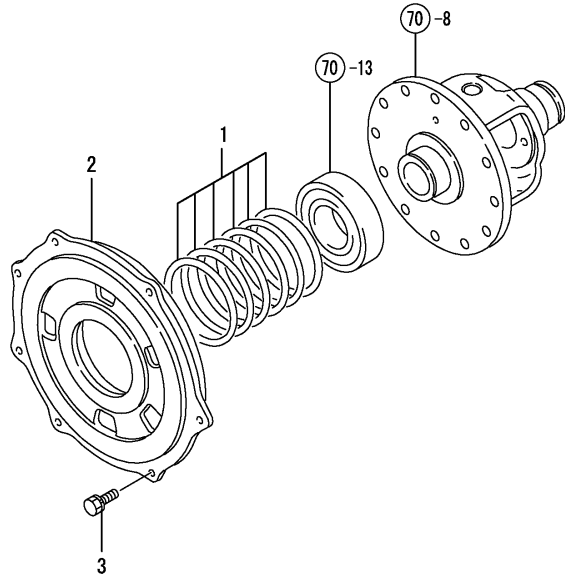
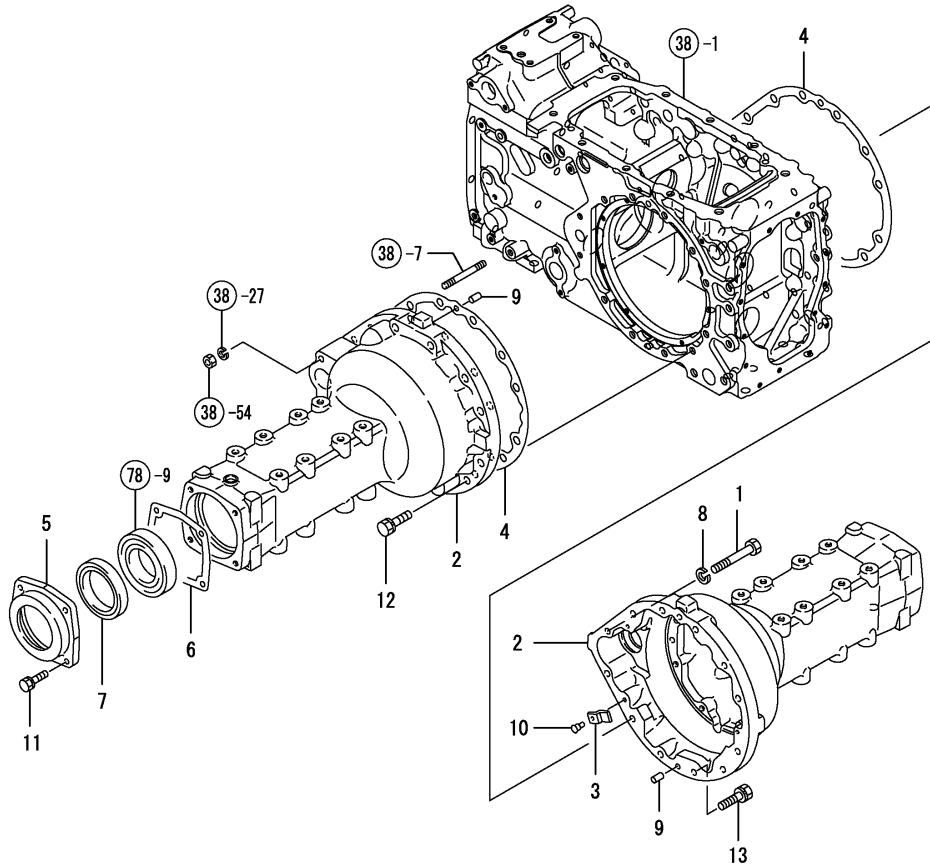


Fig.72. REAR HOUSING

(A)=EF685T-PQ  
(B)=  
(C)=

(D)=  
(E)=  
(F)=

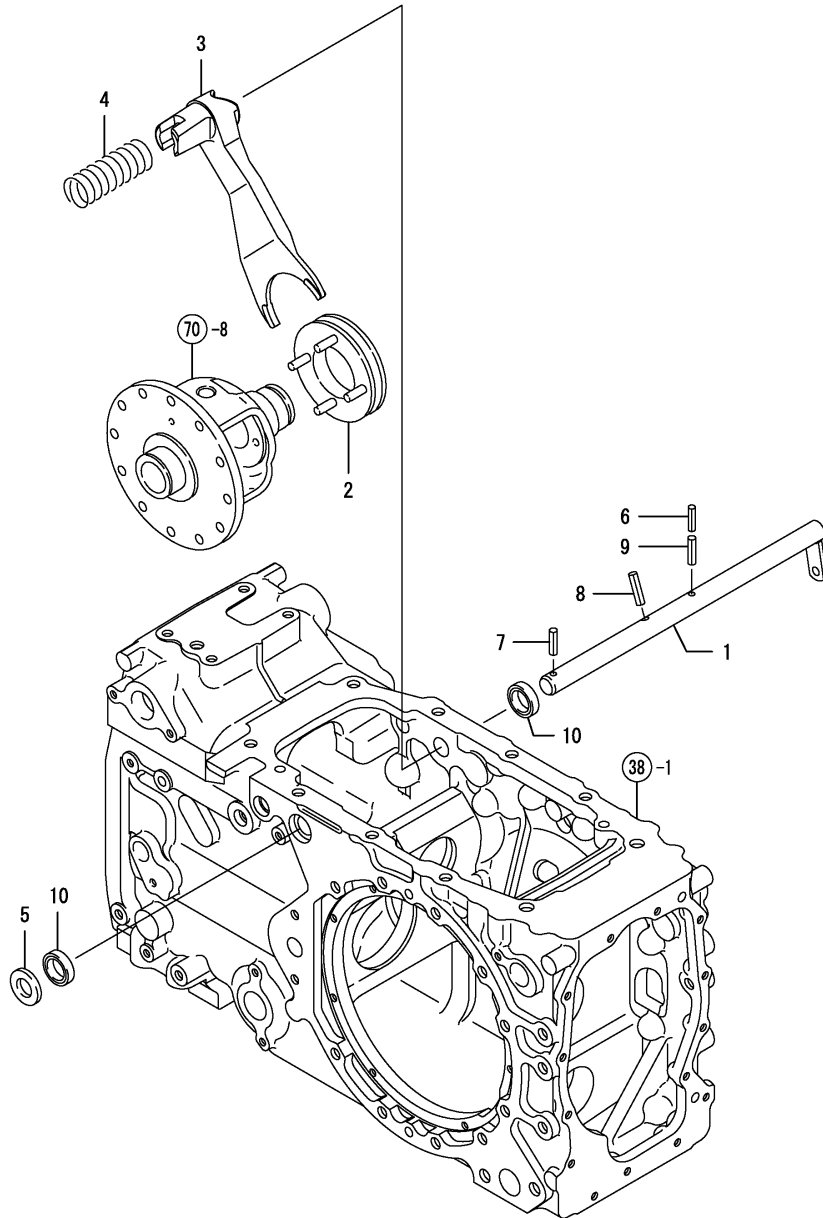


No.	Lev.	Parts No.	Description	Q'ty						I	R
				(A)	(B)	(C)	(D)	(E)	(F)		
1	1	26116-100852	BOLT, M10X 85 PLATED	2							
1-1	1	26108-100852	BOLT, M10X 85 PLATED	2							R
(A=FXXXXXX)											
2	1	198321-32612	HOUSING, REAR AXLE	2							
3	1	194180-32640	PLATE, PUSH	3							
4	1	198240-32640	PACKING, AXLE	2							
5	1	194640-32650	CASE, OIL SEAL	2							
6	1	198320-32660	GASKET, SEAL CASE	2							
7	1	198535-32660	SEAL, QLNY7210016	2							
8	1	22217-100000	WASHER, SPRING 10	2							Z
(A=FXXXXXX)											
9	1	22312-100180	PIN, PARALLEL M10X18	4							
10	1	22635-600120	RIVET, 6.0X12	3							
11	1	26013-100302	BOLT, M10X 30	8							
11-1	1	26106-100302	BOLT, M10X 30 PLATED	8							R
(A=FXXXXXX)											
12	1	26013-120402	BOLT, M12X 40	16							
12-1	1	26108-120402	BOLT, M12X 40 PLATED	16							R
(A=FXXXXXX)											
13	1	26013-120502	BOLT, M12X 50	4							
13-1	1	26108-120502	BOLT, M12X 50 PLATED	4							R
(A=FXXXXXX)											

Fig.73. DIFFERENTIAL LOCK

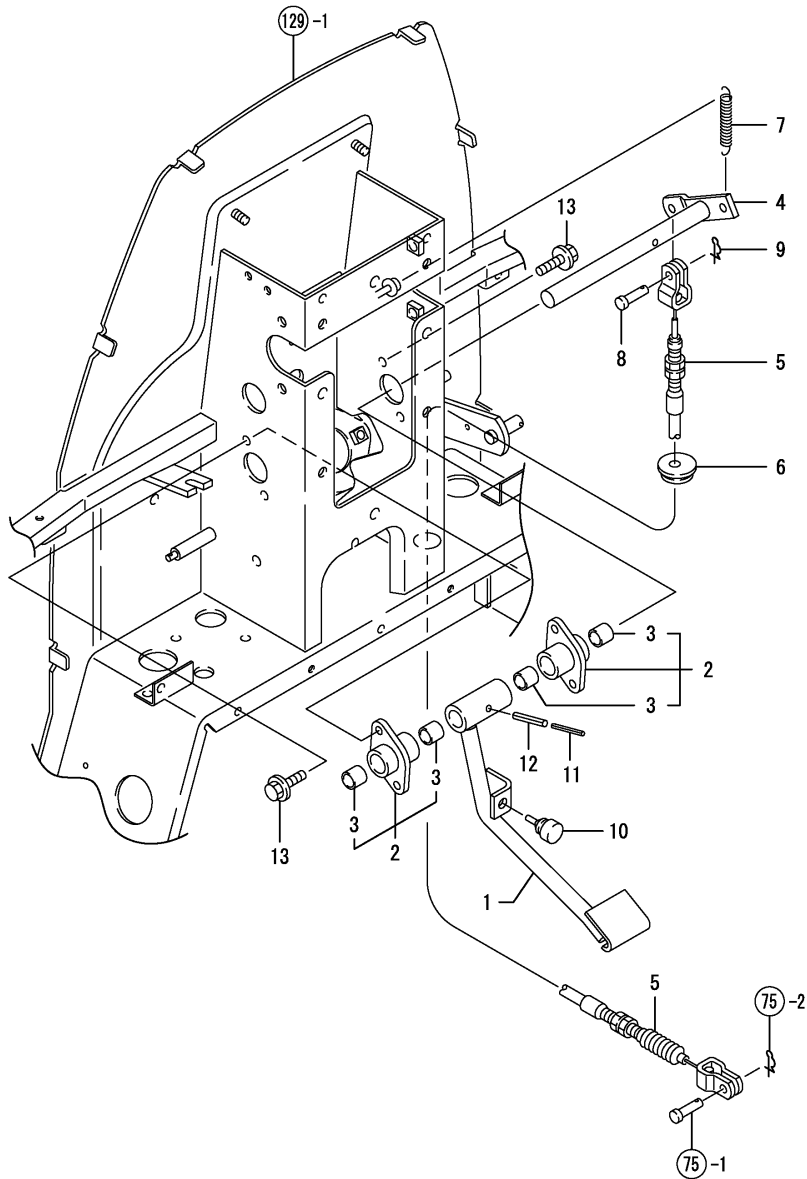
(A)=EF685T-PQ  
(B)=  
(C)=

(D)=  
(E)=  
(F)=



No.	Lev.	Parts No.	Description	Q'ty						I	R
				(A)	(B)	(C)	(D)	(E)	(F)		
1	1	198448-33120	SHAFT, LOCK	1							
2	1	194464-33130	SLIDER, DIFFERENTIAL	1							
3	1	1A7350-33140	FORK, SHIFT	1							
4	1	198212-33150	SPRING, RETURN	1							
5	1	22137-200000	WASHER, 20	1							
6	1	22351-050040	PIN, SPRING 5.0X40	1							
7	1	22351-060032	PIN, SPRING 6.0X32	1							
8	1	22351-080032	PIN, SPRING 8.0X32	1							
9	1	22351-080040	PIN, SPRING 8.0X40	1							
10	1	24421-203007	SEAL, OIL TC203007	2							

Fig.74. DIFFERENTIAL LOCK PEDAL



(A)=EF685T-PQ  
(B)=  
(C)=

(D)=  
(E)=  
(F)=

No.	Lev.	Parts No.	Description	Qty						I	R
				(A)	(B)	(C)	(D)	(E)	(F)		
1	1	198448-33220	PEDAL ASSY, LOCK	1							
2	1	198448-33310	RETAINER, PEDAL	2							
3	2	24550-017150	BUSH, 17X15	4							
4	1	198448-33340	SHAFT, PEDAL	1							
5	1	198448-33380	WIRE ASSY	1							
6	1	198448-33390	GROMMET, CABLE	1							
7	1	198290-37510	SPRING, RETURN	1							
8	1	198220-37900	PIN, 8X24	1							
9	1	1C6281-52320	PIN, SNAP 8	1							
10	1	194330-62530	STOPPER, PEDAL	1							
11	1	22351-035040	PIN, SPRING 3.5X40	1							
12	1	22351-060040	PIN, SPRING 6.0X40	1							
13	1	26106-080162	BOLT, M8X 16 PLATED	4							

Fig.75. DIFFERENTIAL LOCK LINK

(A)=EF685T-PQ  
(B)=  
(C)=

(D)=  
(E)=  
(F)=

No.	Lev.	Parts No.	Description	Q'ty						I	R
				(A)	(B)	(C)	(D)	(E)	(F)		
1	1	198220-37900	PIN, 8X24	1							
2	1	1C6281-52320	PIN, SNAP 8	1							

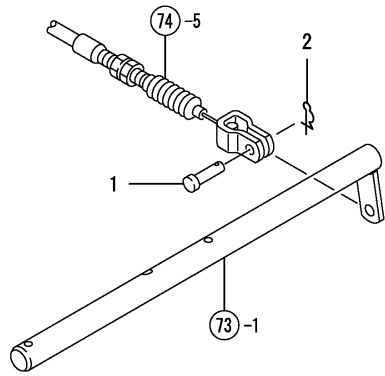


Fig.76. FINAL PINION

(A)=EF685T-PQ  
(B)=  
(C)=

(D)=  
(E)=  
(F)=

No.	Lev.	Parts No.	Description	Q'ty						I	R
				(A)	(B)	(C)	(D)	(E)	(F)		
1	1	198149-33410	PINION, FINAL L	1							
2	1	198149-33420	PINION, FINAL R	1							

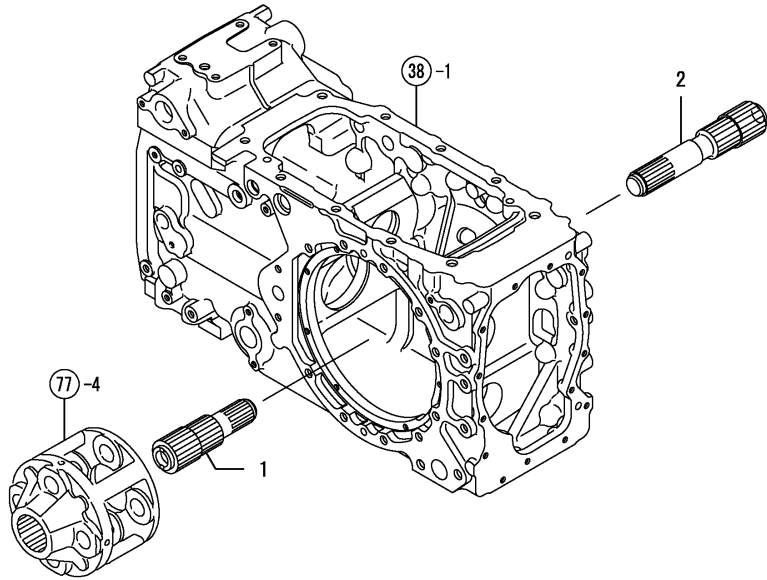


Fig.77. FINAL GEAR

(A)=EF685T-PQ  
(B)=  
(C)=

(D)=  
(E)=  
(F)=

No.	Lev.	Parts No.	Description	Q'ty						I	R
				(A)	(B)	(C)	(D)	(E)	(F)		
1	1	198450-33540	PINION, PLANETARY	8							
2	1	198320-33550	SHAFT, PLANETARY	8							
3	1	198320-33560	NEEDLE, 4.5X31.8	168							
4	1	198450-33570	CARRIER, PLANETARY	2							
5	1	198450-33590	WASHER, 26X50X1	16							
6	1	198320-33610	GEAR, INTERNAL	2							
7	1	198450-33610	BUSH, 354232	8							
8	1	22312-100180	PIN, PARALLEL M10X18	8							
9	1	22351-080040	PIN, SPRING 8.0X40	8							
10	1	26116-100552	BOLT, M10X 55 PLATED	16							
10-1	1	198217-33650	BOLT, M10X55	16							N

(A)=FXXXXXX

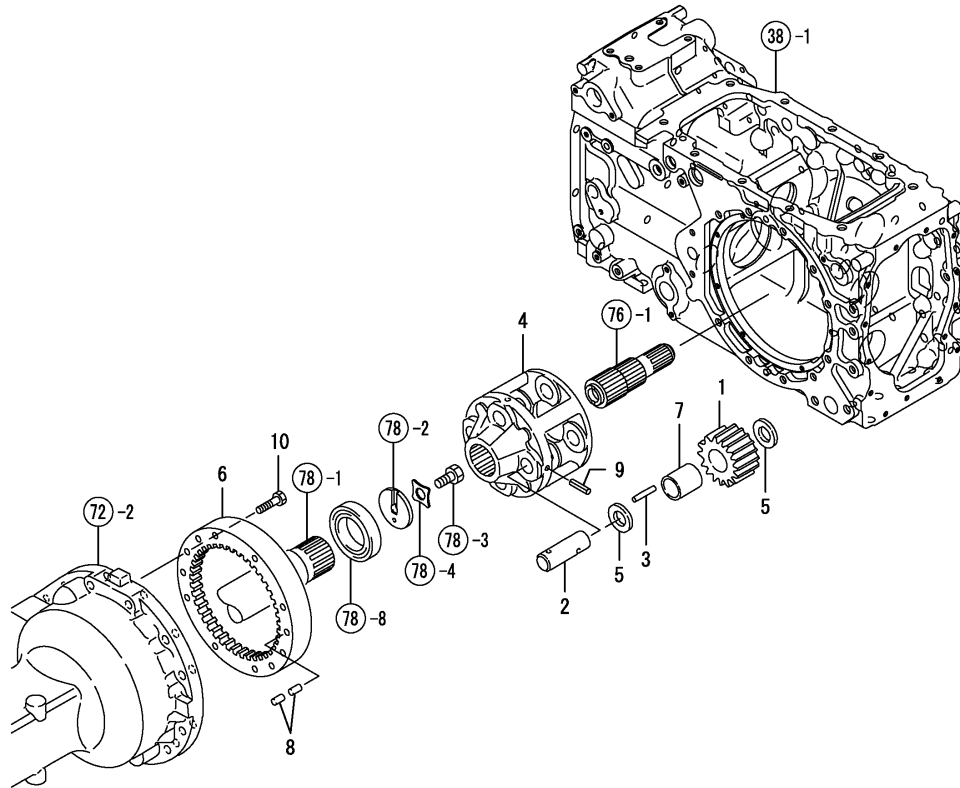


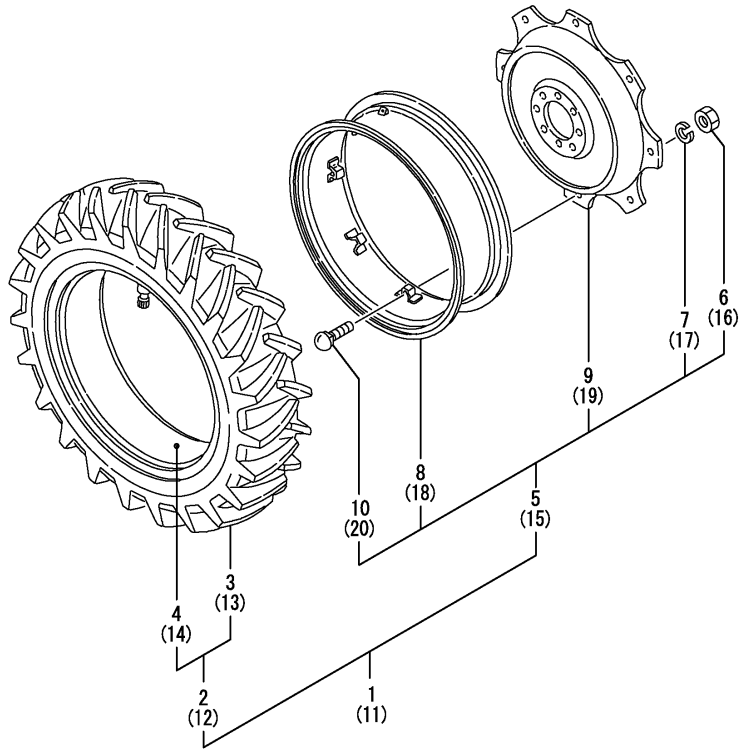




Fig.79. REAR WHEEL TIRE

(A)=EF685T-PQ  
(B)=  
(C)=

(D)=  
(E)=  
(F)=



No.	Lev.	Parts No.	Description	Q'ty						I	R
				(A)	(B)	(C)	(D)	(E)	(F)		
1	1	198450-34730	TIRE KIT, 14.9-28 L	1							
2	2	194450-34600	TIRE W/TUBE 14.9-28	1							
3	3	194450-34610	TIRE, 14.9-28 6 FSL	1							
4	3	194450-34620	TUBE, 14.9-28	1							
5	2	198450-34751	WHEEL ASSY, W12X28W	1							
6	3	194181-14180	NUT, M16	8							
7	3	194065-34170	WASHER, 16	8							
8	3	194450-34511	RIM, W12X28W	1							
9	3	194278-34820	DISK, W11X28W	1							
10	3	198268-34850	BOLT, M16X70	8							
11	1	198450-34830	TIRE KIT, 14.9-28 R	1							
12	2	194450-34600	TIRE W/TUBE 14.9-28	1							
13	3	194450-34610	TIRE, 14.9-28 6 FSL	1							
14	3	194450-34620	TUBE, 14.9-28	1							
15	2	198450-34751	WHEEL ASSY, W12X28W	1							
16	3	194181-14180	NUT, M16	8							
17	3	194065-34170	WASHER, 16	8							
18	3	194450-34511	RIM, W12X28W	1							
19	3	194278-34820	DISK, W11X28W	1							
20	3	198268-34850	BOLT, M16X70	8							

Fig.80. HUB BOLT

(A)=EF685T-PQ  
(B)=  
(C)=

(D)=  
(E)=  
(F)=

No.	Lev.	Parts No.	Description	Q'ty						I	R
				(A)	(B)	(C)	(D)	(E)	(F)		
1	1	194279-14220	WASHER, 14	16							
2	1	198200-34130	STUD, M14X31	16							
3	1	198200-34190	NUT, M14	16							

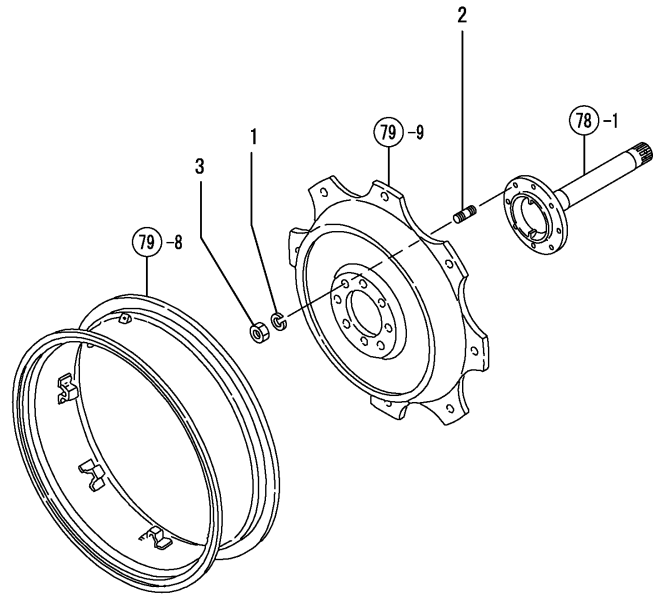
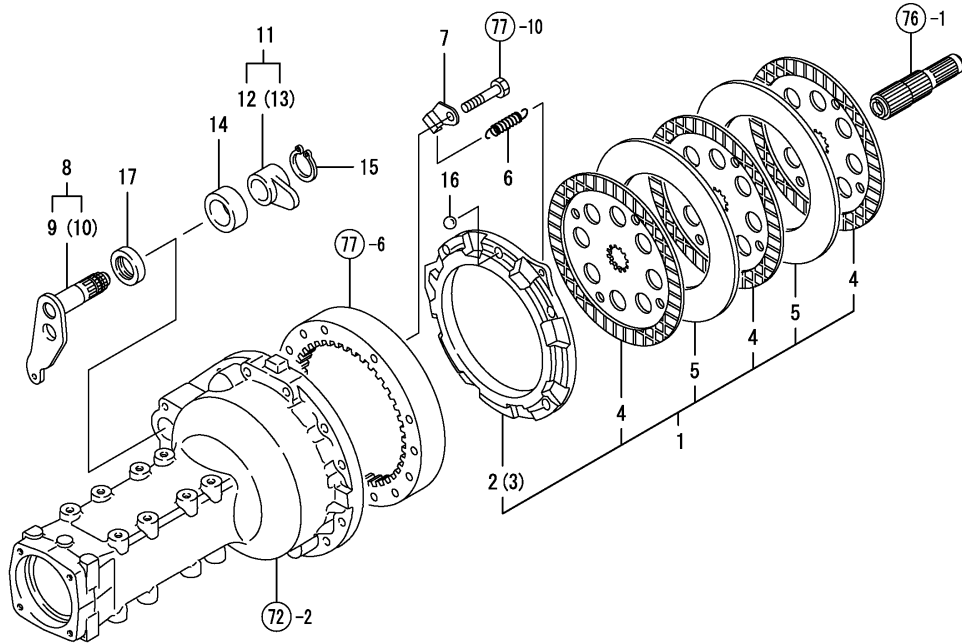


Fig.81. BRAKE

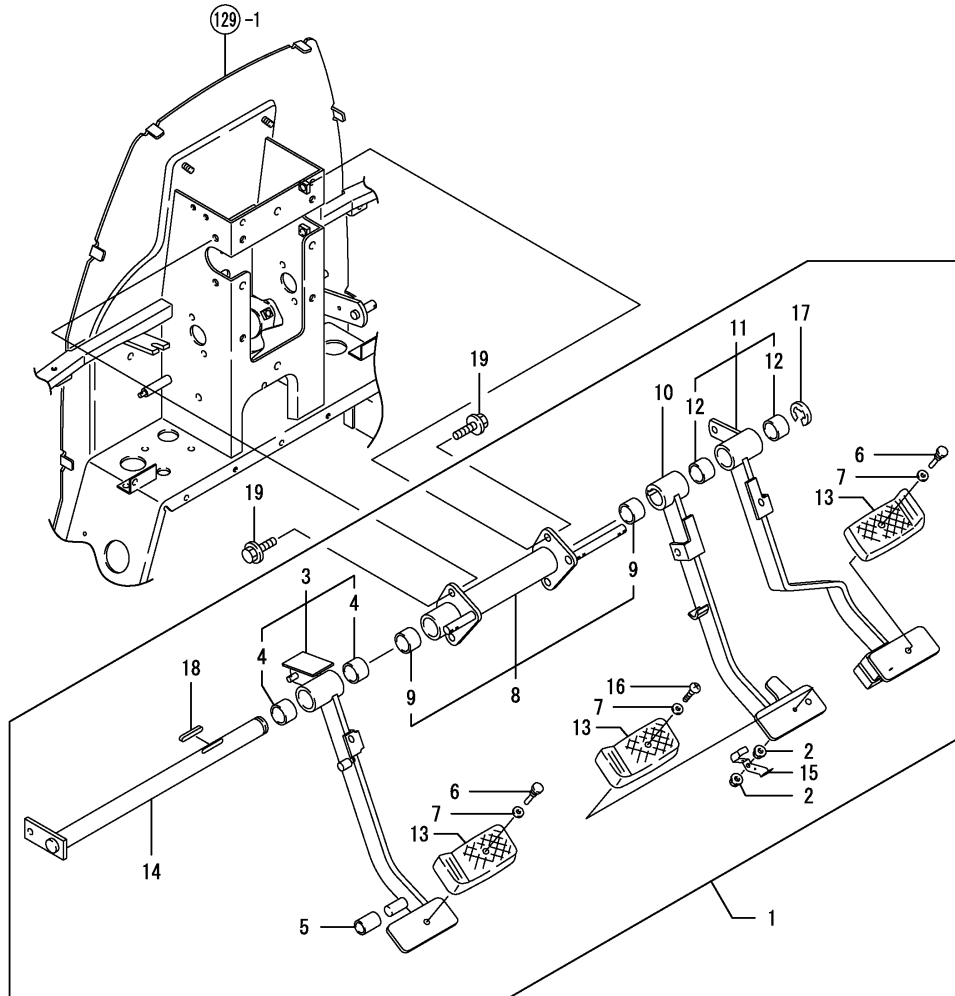
(A)=EF685T-PQ  
(B)=  
(C)=

(D)=  
(E)=  
(F)=



No.	Lev.	Parts No.	Description	Q'ty						I	R
				(A)	(B)	(C)	(D)	(E)	(F)		
1	1	198320-36200	BRAKE ASSY	1							
2	2	198240-36310	ACTUATOR	1							
3	2	198240-36320	ACTUATOR	1							
4	2	198240-36351	PLATE, FRICTION 226	6							
5	2	198240-36520	PLATE, STEEL 3.2	5							
6	1	194205-36320	SPRING, ACTUATOR	4							
7	1	198240-36380	HOOK, RETURN SPRING	4							
8	1	198535-36690	SHAFT ASSY, LEVER	1							
9	2	198535-36730	SHAFT, CAM LEVER L	1							
10	2	198535-36740	SHAFT, CAM LEVER R	1							
11	1	198240-36700	LEVER ASSY, CAM	1							
12	2	198240-36710	CAMSHAFT, BRAKE L	1							
13	2	198240-36720	CAMSHAFT, BRAKE R	1							
14	1	198320-36790	SLEEVE, CAM LEVER	2							
15	1	22242-000290	RING, 29	2							
16	1	24190-180001	BALL, STEEL 9/16	12							
17	1	24421-304208	SEAL, OIL TC304208	2							

Fig.82. PEDAL



(A)=EF685T-PQ  
(B)=  
(C)=

(D)=  
(E)=  
(F)=

No.	Lev.	Parts No.	Description	Q'ty						I	R
				(A)	(B)	(C)	(D)	(E)	(F)		
1	1	198448-37202	PEDAL ASSY	1							
2	2	194990-22120	NUT, M5	2							
3	2	198448-22401	PEDAL ASSY, CLUTCH	1							
4	3	198448-37360	BUSH, 25X28X20	2							
4-1	3	24550-025200	BUSH, 25X20	2							R
(A=FZZZZZ)											
5	2	198448-22470	PIPE, CLUTCH STOPPER	1							
6	2	198133-22510	RIVET, PEDAL HEAD	2							
7	2	198133-22530	WASHER, RIVET	3							
8	2	198448-37250	RETAINER ASSY, SHAFT	1							
9	3	198448-37360	BUSH, 25X28X20	2							
9-1	3	24550-025200	BUSH, 25X20	2							R
(A=FZZZZZ)											
10	2	198535-37301	PEDAL ASSY, BRAKE L	1							
11	2	198448-37401	PEDAL ASSY, BRAKE R	1							
12	3	198448-37360	BUSH, 25X28X20	2							
12-1	3	24550-025200	BUSH, 25X20	2							R
(A=FZZZZZ)											
13	2	198071-37510	COVER, HEAD	3							
14	2	198448-37551	SHAFT, BRAKE	1							
15	2	198475-37770	SPRING, LOCK	1							
16	2	198475-37780	SCREW, M5X25	1							
17	2	22272-000190	RING, E-19	1							
18	2	22512-070400	KEY, 7X 40	1							
19	1	26106-100202	BOLT, M10X 20 PLATED	4							



Fig.84. BRAKE LINK(2)

(A)=EF685T-PQ  
(B)=  
(C)=

(D)=  
(E)=  
(F)=

No.	Lev.	Parts No.	Description	Q'ty						I	R
				(A)	(B)	(C)	(D)	(E)	(F)		
1	1	198448-37370	ROD, BRAKE	2							
2	1	1A7600-37460	ARM ASSY, BRAKE L	1							
3	2	24761-010000	NIPPLE, GREASE M6F	1							
4	1	1A7600-37470	ARM ASSY, BRAKE R	1							
5	2	24761-010000	NIPPLE, GREASE M6F	1							
6	1	198071-37781	BOLT, M20	1							
7	1	198071-37791	BOLT, M20	1							
8	1	198071-37820	SPACER, 20/29	2							
9	1	198220-37900	PIN, 8X24	2							
10	1	198220-37900	PIN, 8X24	4							
11	1	1C6281-52320	PIN, SNAP 8	2							
12	1	22137-080000	WASHER, 8	4							
13	1	22417-250300	PIN, COTTER 2.5X30	4							

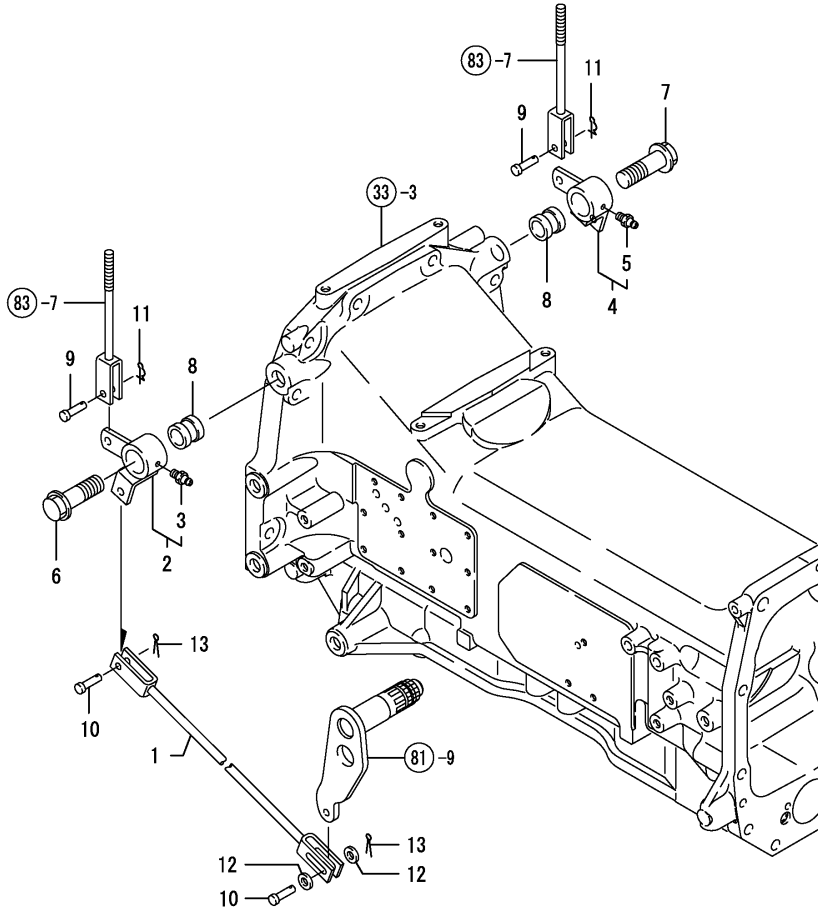
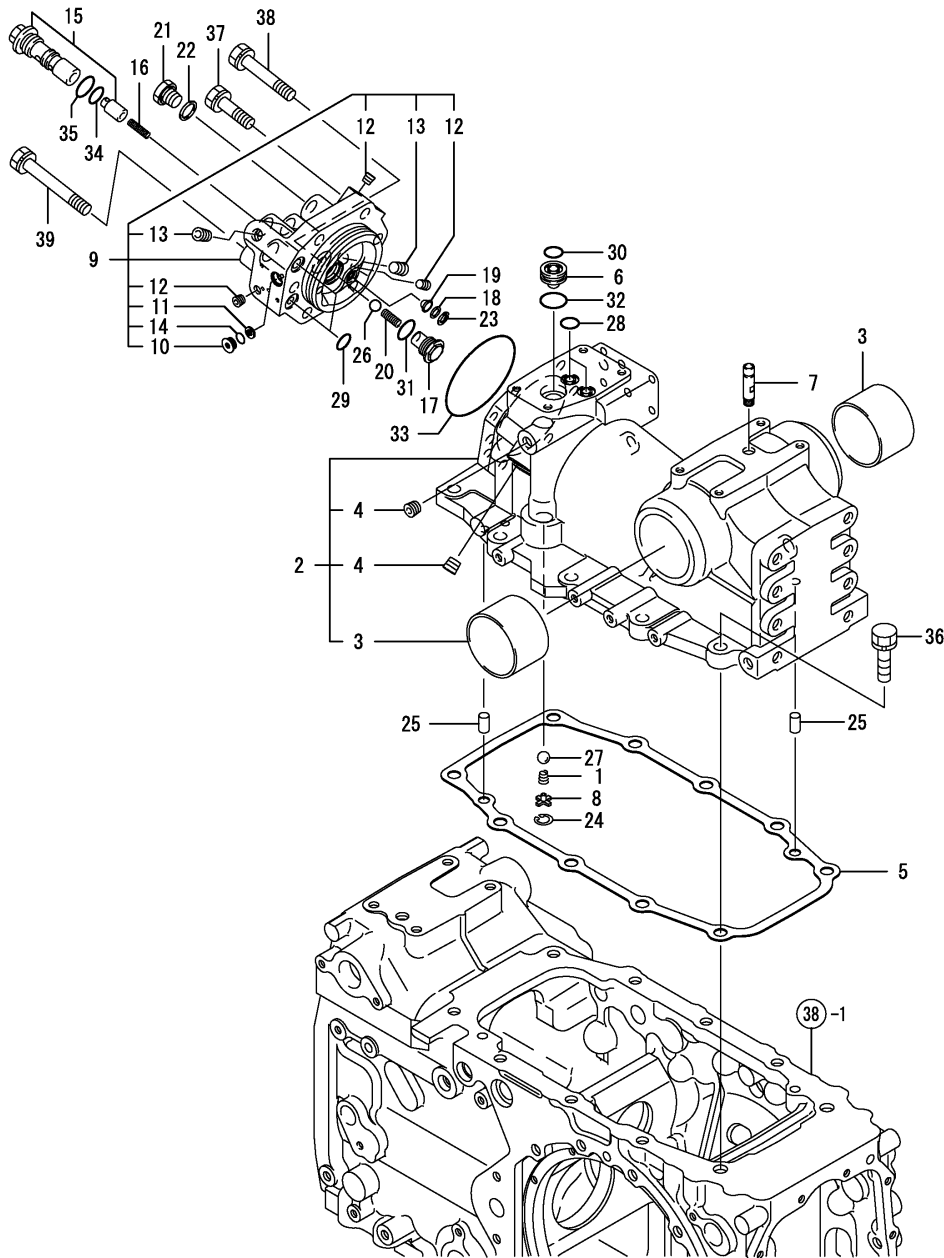


Fig.85. HYDAULIC CYLINDER CASE



(A)=EF685T-PQ

(B)=

(C)=

(D)=

(E)=

(F)=

No.	Lev.	Parts No.	Description	Qty						I	R
				(A)	(B)	(C)	(D)	(E)	(F)		
1	1	194310-24770	SPRING	1							
2	1	1A7670-42101	HOUSING ASSY	1							
3	2	194640-42140	BUSH, 65X70X45		2						
4	2	23876-020000	PLUG, R02		2						
5	1	1A7640-42150	PACKING, HOUSING	1							
6	1	198475-42250	STRAINER ASSY	1							
7	1	194555-42280	BREATHER, AIR	1							
8	1	1A7260-42310	SUPPORT, SPRING	1							
9	1	1A7640-43201	HEAD ASSY, CYLINDER	1							
10	2	1A7891-43450	ORIFICE		1						
11	2	1A7891-43480	STRAINER		1						
12	2	23876-010000	PLUG, R01		3						
13	2	23876-020000	PLUG, R02		2						
14	2	24311-000090	O-RING, 1AP9.0		1						
15	1	198448-43300	SEAT ASSY, VALVE	1							
16	1	198448-43340	SPRING, CHECK VALVE	1							
17	1	1A7640-43450	PLUG, CHECK VALVE	1							
18	1	1A7640-43810	SPACER, 9X13X1	1							
19	1	1A7640-43850	STRAINER	1							
20	1	194555-46380	SPRING	1							
21	1	194312-46750	PLUG, PF3/8	1							
22	1	194555-77910	GASKET, 17	1							
23	1	22252-000140	RING, 14	1							
24	1	22252-000180	RING, 18	1							
25	1	22312-100180	PIN, PARALLEL M10X18		2						
26	1	24190-130003	BALL, STEEL 13/32		1						
27	1	24190-160001	BALL, STEEL 1/2		1						
28	1	24315-000140	O-RING, 1BP14.0		2						
29	1	24315-000140	O-RING, 1BP14.0		2						
30	1	24315-000140	O-RING, 1BP14.0		1						
31	1	24315-000180	O-RING, 1BP18.0		1						
32	1	24315-000220	O-RING, 1BP22.0		1						
33	1	24325-000900	O-RING, 1BG90.0		1						
34	1	24351-010160	O-RING 1A 1016		1						
35	1	24365-091000	O-RING, 1BAS910		1						
36	1	26013-120352	BOLT, M12X 35		8						
36-1	1	26106-120352	BOLT, M12X 35 PLATED		8						R
(A=FXXXXXX)											
37	1	26013-120402	BOLT, M12X 40		4						
38	1	26013-120652	BOLT, M12X 65		1						
39	1	26013-120852	BOLT, M12X 85		1						

Fig.86. PISTON

(A)=EF685T-PQ  
(B)=  
(C)=

(D)=  
(E)=  
(F)=

No.	Lev.	Parts No.	Description	Qty						I	R
				(A)	(B)	(C)	(D)	(E)	(F)		
1	1	1A7640-43250	PISTON ASSY	1							
2	2	1A7640-43260	PACKING, 95	1							
3	2	1A7640-43270	RING, BACK UP 95	1							
4	2	1A7640-43280	WEARING, 95	2							
5	2	1A7640-43290	PISTON, HYDRAULIC	1							

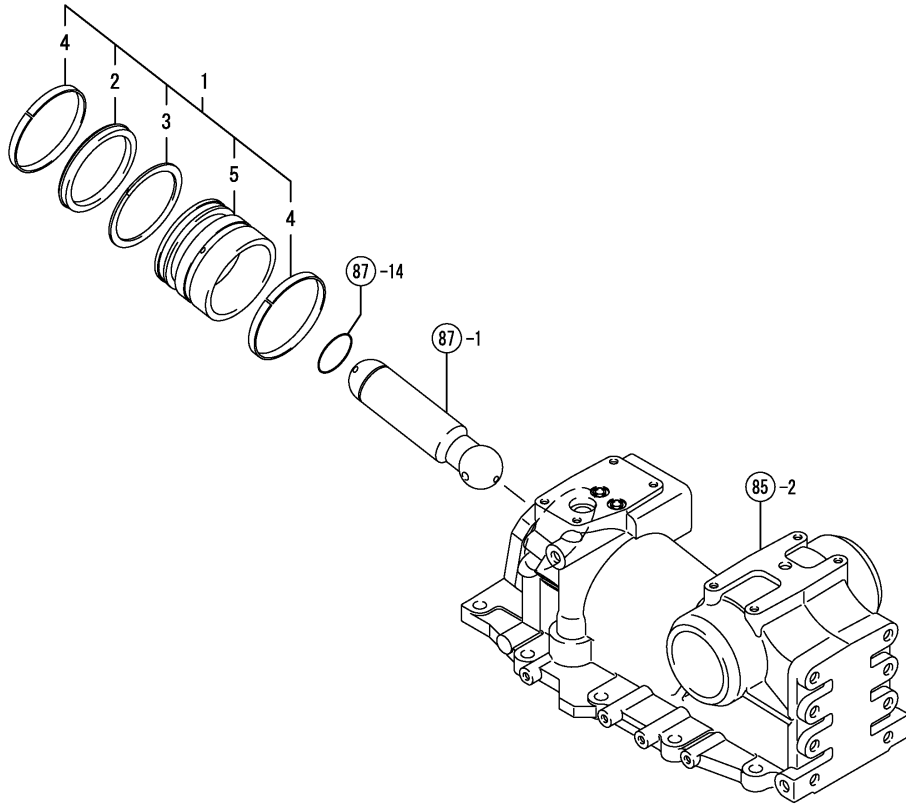
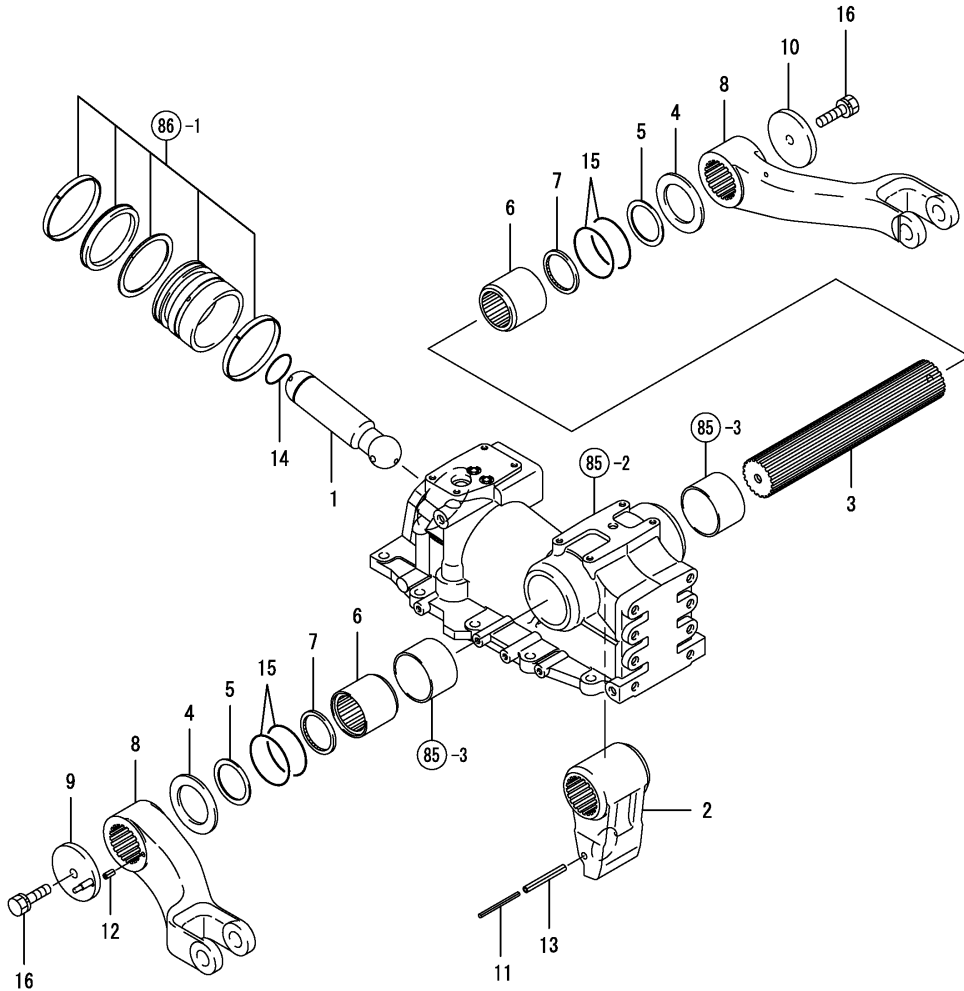




Fig.87. LIFT CRANK

(A)=EF685T-PQ  
(B)=  
(C)=

(D)=  
(E)=  
(F)=



No.	Lev.	Parts No.	Description	Q'ty						I	R
				(A)	(B)	(C)	(D)	(E)	(F)		
1	1	1A7640-43410	ROD, PISTON	1							
2	1	1A7640-44110	CRANK, LIFT	1							
3	1	1A7640-44210	SHAFT, LIFTING	1							
4	1	1A7640-44230	WASHER, 65X82X2	2							
5	1	1A7640-44240	PLATE, 50X64X2	2							
6	1	194640-44250	SLEEVE, LIFT SHAFT	2							
7	1	194640-44260	SEAL, SPLINE	2							
8	1	1A7640-44410	ARM, LIFT	2							
9	1	198448-44510	ARM, FEEDBACK	1							
10	1	194640-44540	RETAINER, SHAFT	1							
11	1	22351-050070	PIN, SPRING 5.0X70	1							
12	1	22351-060012	PIN, SPRING 6.0X12	1							
13	1	22351-080070	PIN, SPRING 8.0X70	1							
14	1	24311-000400	O-RING, 1AP40.0	1							
15	1	24321-000650	O-RING, 1AG65.0	4							
16	1	26013-120352	BOLT, M12X 35	2							
16-1	1	26106-120302	BOLT, M12X 30 PLATED	2							R

(A)=FXXXXXX

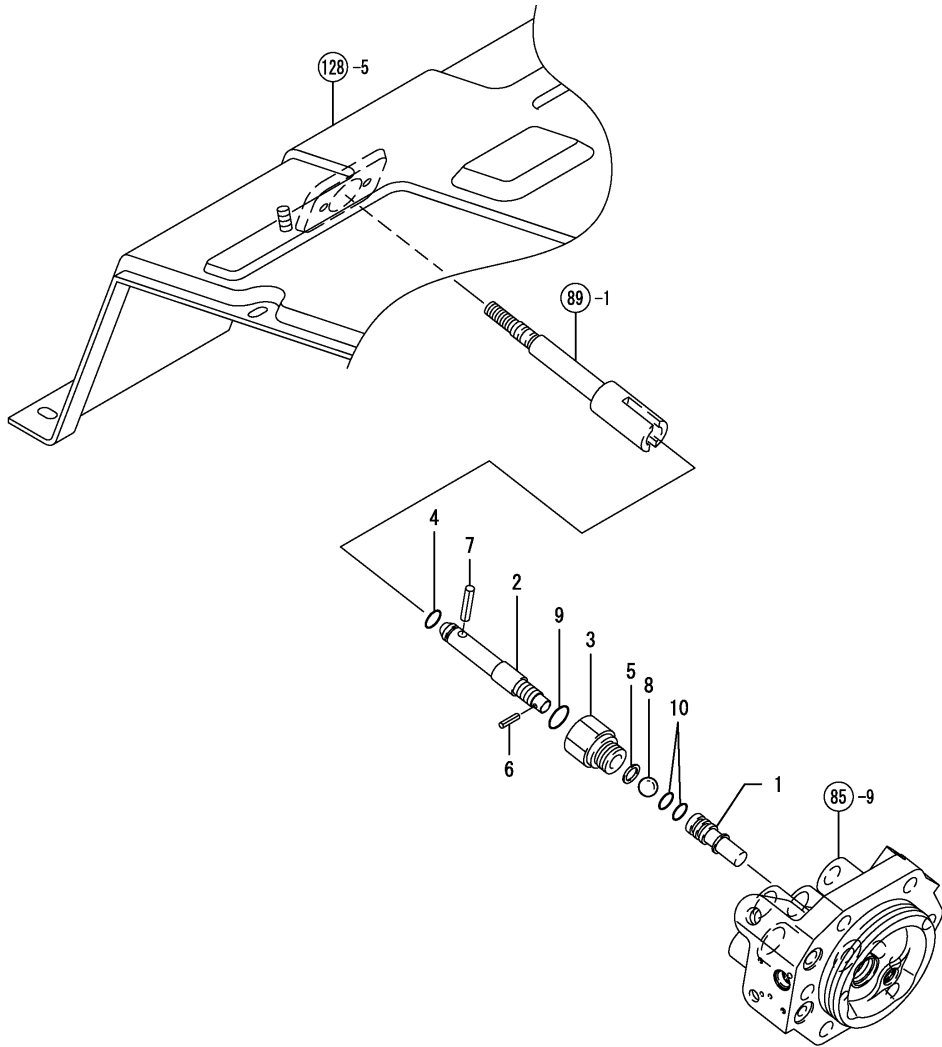




Fig.90. STOP VALVE

(A)=EF685T-PQ  
(B)=  
(C)=

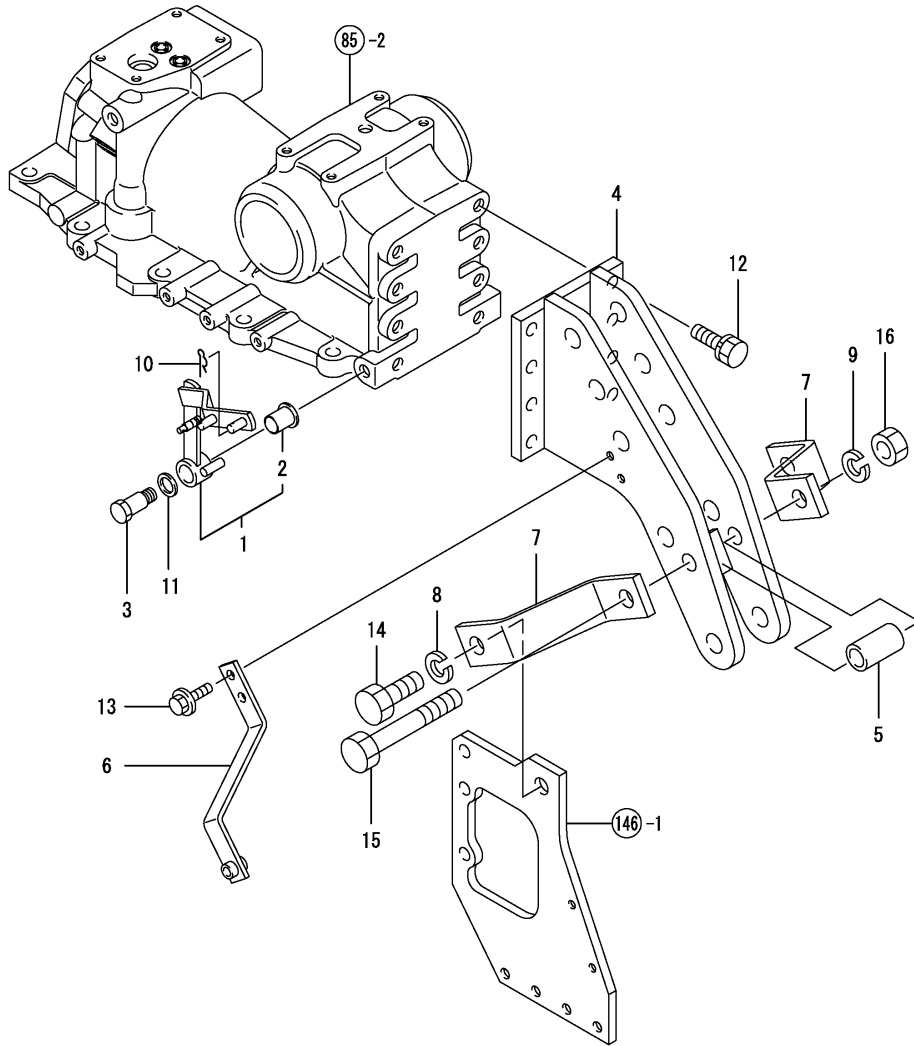
(D)=  
(E)=  
(F)=



No.	Lev.	Parts No.	Description	Q'ty						I	R
				(A)	(B)	(C)	(D)	(E)	(F)		
1	1	1A7640-46300	VALVE, STOP	1							
2	1	1A7640-46620	BOLT, STOP	1							
3	1	198448-46630	HOLDER, VALVE	1							
4	1	198448-46660	PACKING, 10	1							
5	1	1A7640-46670	WASHER, 10.5X15X1	1							
6	1	22351-030016	PIN, SPRING 3.0X16	1							
7	1	22351-060028	PIN, SPRING 6.0X28	1							
8	1	24190-160001	BALL, STEEL 1/2	1							
9	1	24311-000150	O-RING, 1AP15.0	1							
10	1	24315-000110	O-RING, 1BP11.0	2							



Fig.92. HYDRAULIC CONTROL



(A)=EF685T-PQ  
(B)=  
(C)=

(D)=  
(E)=  
(F)=

No.	Lev.	Parts No.	Description	Q'ty						I	R
				(A)	(B)	(C)	(D)	(E)	(F)		
1	1	1A7640-47100	LINK ASSY, FEEDBACK	1							
2	2	1A7450-47970	BUSH, DRY 17X15X21	1							
3	1	1A7640-47170	BOLT, STEPPED M12	1							
4	1	1A7640-47610	HINGE, TOP LINK	1							
5	1	1A7640-47660	SPACER, 17X25X45	1							
6	1	1A7640-47910	BRACKET ASSY, WIRE	1							
6-1	1	1A7680-47910	BRACKET ASSY, WIRE	1							R
(A=FZZZZZ)											
7	1	1A7640-47980	SUPPORT, HINGE	2							
8	1	22217-160000	WASHER, SPRING 16	2							
9	1	22217-160000	WASHER, SPRING 16	1							
10	1	22372-080000	PIN, SNAP 8	1							
11	1	23414-150019	GASKET, 15X1.0	1							
12	1	26013-120302	BOLT, M12X 30	8							
13	1	26106-080162	BOLT, M8X 16 PLATED	2							
14	1	26116-160252	BOLT, M16X 25 PLATED	2							
15	1	26116-161102	BOLT, M16X110 PLATED	1							
16	1	26716-160002	NUT, M16	1							

Fig.93. HYDRAULIC CONTROL

(A)=EF685T-PQ  
(B)=  
(C)=

(D)=  
(E)=  
(F)=

No.	Lev.	Parts No.	Description	Q'ty						I	R
				(A)	(B)	(C)	(D)	(E)	(F)		
1	1	1A7640-47440	SPRING, RETURN	1							
2	1	198448-47510	ROD, FEEDBACK	1							
3	1	22137-050000	WASHER, 5	2							
4	1	22417-160180	PIN, COTTER 1.6X18	2							

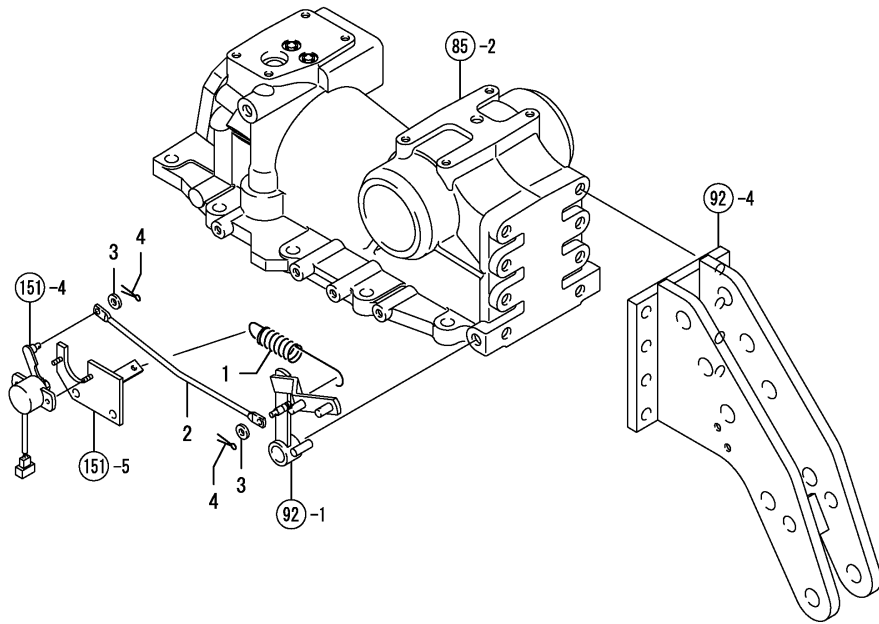


Fig.94. HYDRAULIC CONTROL LEVER

(A)=EF685T-PQ  
(B)=  
(C)=

(D)=  
(E)=  
(F)=

No.	Lev.	Parts No.	Description	Q'ty						I	R
				(A)	(B)	(C)	(D)	(E)	(F)		
1	1	194550-47110	STOPPER	1							
2	1	1A7640-47300	LEVER ASSY, POSITION	1							
3	2	1A7640-47310	LEVER, POSITION	1							
4	2	1A7640-47340	SUPPORT, LEVER	1							
5	2	194151-47760	WASHER, 12	3							
6	2	194310-47790	PLATE, FRICTION	1							
7	2	22417-250250	PIN, COTTER 2.5X25	1							
8	2	24550-012150	BUSH, 12X15	1							
9	2	26877-120002	NUT, CASTLE M12	1							
10	1	198071-47840	BOLT, WING M8X30	1							
11	1	194740-55430	WASHER, 8	1							
12	1	198290-78550	SENSOR, POSITION	1							
13	1	22417-200200	PIN, COTTER 2.0X20	1							
14	1	26023-040162	SCREW, M4X16	2							
15	1	26106-080162	BOLT, M8X 16 PLATED	2							

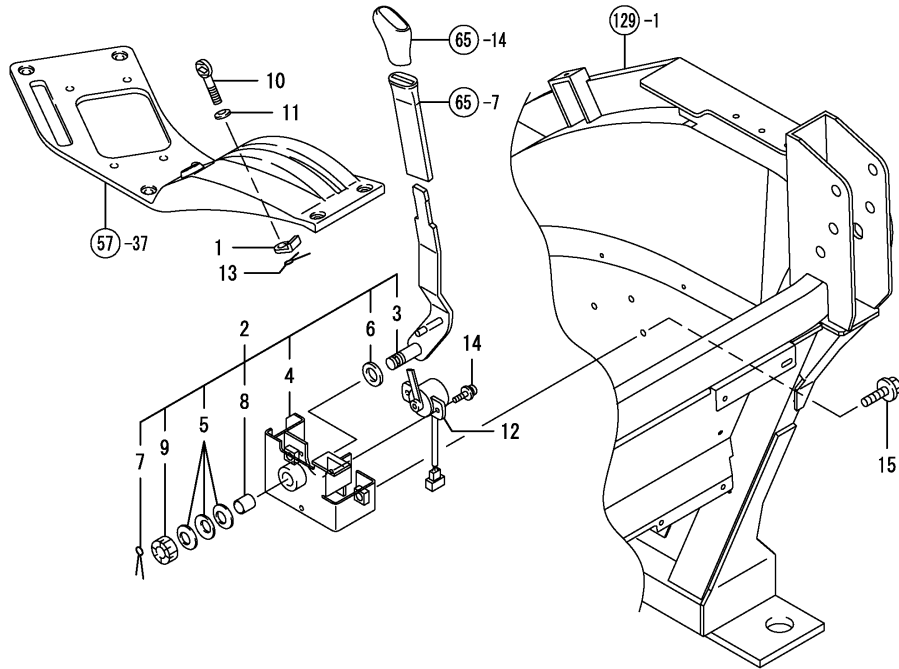
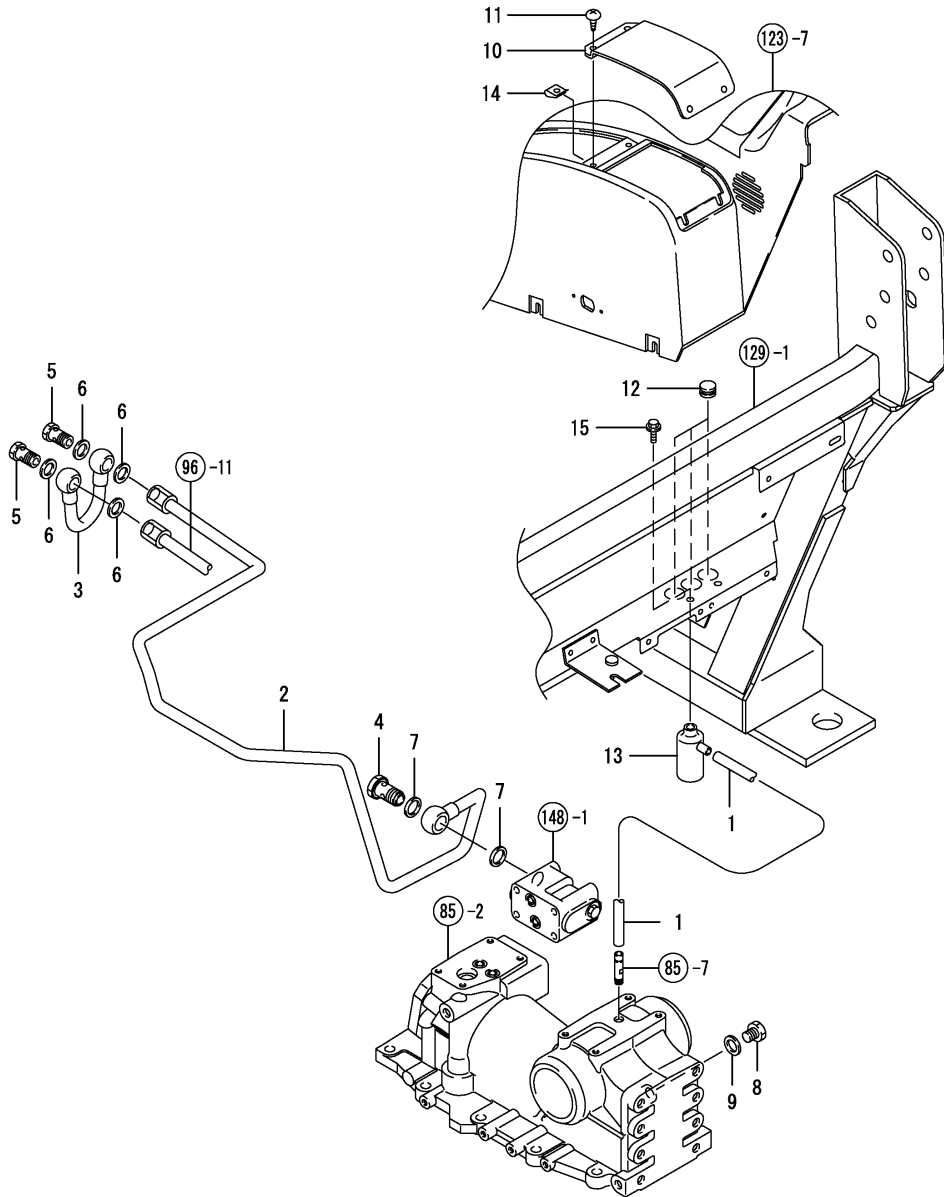




Fig.95. HYDRAULIC PIPING

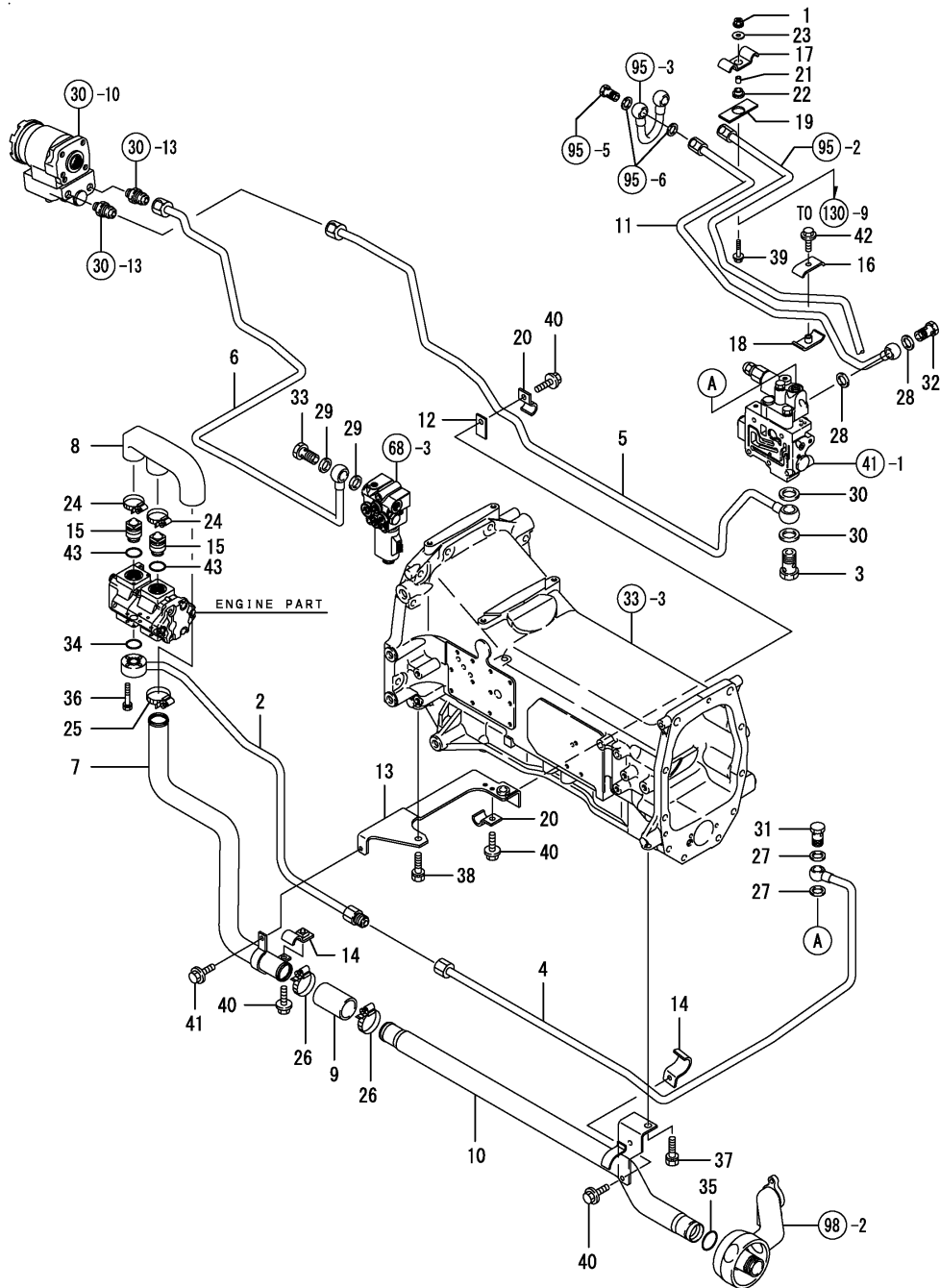
(A)=EF685T-PQ  
(B)=  
(C)=

(D)=  
(E)=  
(F)=



No.	Lev.	Parts No.	Description	Q'ty						I	R
				(A)	(B)	(C)	(D)	(E)	(F)		
1	1	198448-04280	PIPE, OVERFLOW	1							
2	1	1A7640-48450	PIPE, PRESSURE	1							
3	1	1A7640-48640	JOINT, PIPE	1							
4	1	198361-48750	BOLT ASSY, JOINT	1							
5	1	198121-48870	JOINT, PF3/8	2							
6	1	194555-77910	GASKET, 17	4							
7	1	23414-200026	GASKET, 20X1.0	2							
8	1	194312-46750	PLUG, PF3/8	1							
9	1	194555-77910	GASKET, 17	1							
10	1	198448-46370	COVER, LEVER	1							
11	1	194940-61790	SCREW, TAPPING M5X16	4							
12	1	194180-61980	GROMMET, 24	3							
13	1	194205-63550	BREATHER, AIR	1							
14	1	198220-63850	NUT, M5	4							
15	1	26106-080162	BOLT, M8X 16 PLATED	1							

Fig.96. HYDRAULIC PIPING



(A)=EF685T-PQ

(B)=

(C)=

(D)=

(E)=

(F)=

No.	Lev.	Parts No.	Description	Q'ty						I	R
				(A)	(B)	(C)	(D)	(E)	(F)		
1	1	194990-22130	NUT, M6	1							
2	1	198448-48111	PIPE, PRESSURE F	1							
3	1	198448-48140	BOLT ASSY, JOINT	1							
4	1	1A7640-48170	PIPE, PRESSURE R	1							
4-1	1	1A7640-48171-1	LINE ASSY,PRESSURE	1							N
(A=FXXXXX)											
5	1	1A7670-48260	PIPE ASSY, PRESSURE	1							
6	1	1A7670-48280	PIPE, OIL	1							
7	1	1A7650-48300	PIPE, PRESSURE F	1							
8	1	198448-48340	HOSE, PRESSURE	1							
9	1	1A7640-48340	HOSE, PRESSURE	1							
10	1	1A7640-48350	PIPE, PRESSURE R-L	1							
10-1	1	1A7640-48351	LINE ASSY,LOW PRESS.	1							N
(A=FXXXXX)											
11	1	198535-48410	PIPE, PRESSURE	1							
12	1	1A7650-48420	STAY, CLAMP	1							
13	1	198448-48522	STAY ASSY, PIPE	1							
14	1	198448-48530	CLAMP, PIPE	2							
15	1	198448-48570	JOINT,LOW-PRESS.PIPE	2							
16	1	194470-48630	CLAMP	1							
17	1	1A7610-48630	CLAMP, PIPE	1							
18	1	194470-48640	CLAMP, PIPE	1							
19	1	1A7610-48650	RUBBER, CUSHION	1							
20	1	194450-48830	CLAMP	2							
21	1	198129-78710	SPACER, 6-10	1							
22	1	198129-78720	GROMMET, 10-16	1							
23	1	22157-060000	WASHER, 6	1							
24	1	23000-041000	CLAMP, 41	2							
25	1	23000-048000	CLAMP, 48	1							
26	1	23000-060000	CLAMP, 60	2							
27	1	23414-180023	GASKET, 18X1.0	2							
28	1	23414-180023	GASKET, 18X1.0	2							
29	1	23414-200026	GASKET, 20X1.0	2							
30	1	23414-220029	GASKET, 22X1.0	2							
31	1	23857-120000	BOLT, JOINT 12	1							
32	1	23857-120000	BOLT, JOINT 12	1							
33	1	23857-150000	BOLT, JOINT 15	1							
34	1	24311-000220	O-RING, 1AP22.0	1							
35	1	24311-000340	O-RING, 1AP34.0	1							
36	1	26013-060352	BOLT, M6X 35	4							
37	1	26013-120202	BOLT, M12X 20	1							
38	1	26013-120252	BOLT, M12X 25	2							
39	1	26106-060302	BOLT, M6X 30 PLATED	1							
40	1	26106-080162	BOLT, M8X 16 PLATED	4							
41	1	26106-080162	BOLT, M8X 16 PLATED	1							
42	1	26106-080202	BOLT, M8X 20 PLATED	1							
43	1	41856-020230	PACKING, 2023	2							

N:Old  $\begin{matrix} \leftarrow \text{Yes} \\ \text{No} \end{matrix}$  New, Q:Old  $\begin{matrix} \leftarrow \text{No} \\ \text{Yes} \end{matrix}$  New, R:Old  $\begin{matrix} \leftarrow \text{Yes} \\ \text{Yes} \end{matrix}$  New, S:Old  $\begin{matrix} \leftarrow \text{No} \\ \text{No} \end{matrix}$  New, W:Add, Z:Discontinued, F:Interchangeable by set, K:Q'ty Change

Fig.97. HYDRAULIC PIPING

(A)=EF685T-PQ  
(B)=  
(C)=

(D)=  
(E)=  
(F)=

No.	Lev.	Parts No.	Description	Q'ty						I	R
				(A)	(B)	(C)	(D)	(E)	(F)		
1	1	1A7640-34220	PIPE, PRESSURE R	1							
2	1	194130-48650	BOLT, JOINT M12	1							
3	1	198448-49110	BOLT ASSY, JOINT	1							
4	1	23414-180023	GASKET, 18X1.0	2							
5	1	23414-200026	GASKET, 20X1.0	2							

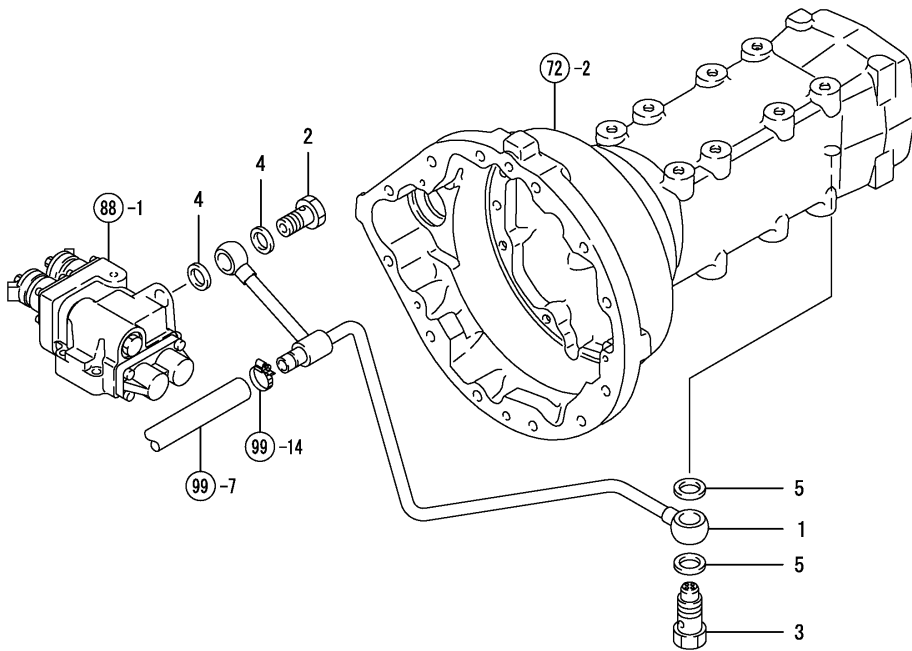


Fig.98. HYDRAULIC FILTER

(A)=EF685T-PQ  
(B)=  
(C)=

(D)=  
(E)=  
(F)=

No.	Lev.	Parts No.	Description	Q'ty						I	R
				(A)	(B)	(C)	(D)	(E)	(F)		
1	1	1A7640-48310	FILTER, HYDRAULIC	1							
2	1	1A7640-48330	COVER, FILTER	1							
3	1	198448-48980	COVER, FILTER	1							
4	1	24321-000350	O-RING, 1AG35.0	1							
5	1	26106-080122	BOLT, M8X 12 PLATED	2							
6	1	26106-080202	BOLT, M8X 20 PLATED	1							
7	1	26106-080602	BOLT, M8X 60 PLATED	1							

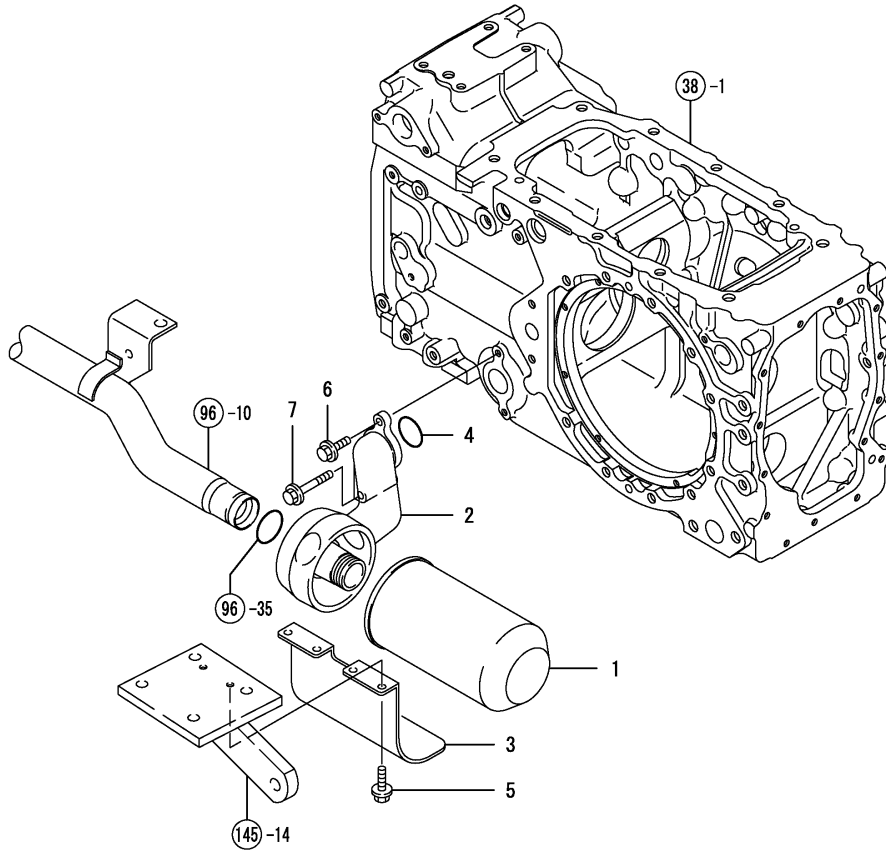
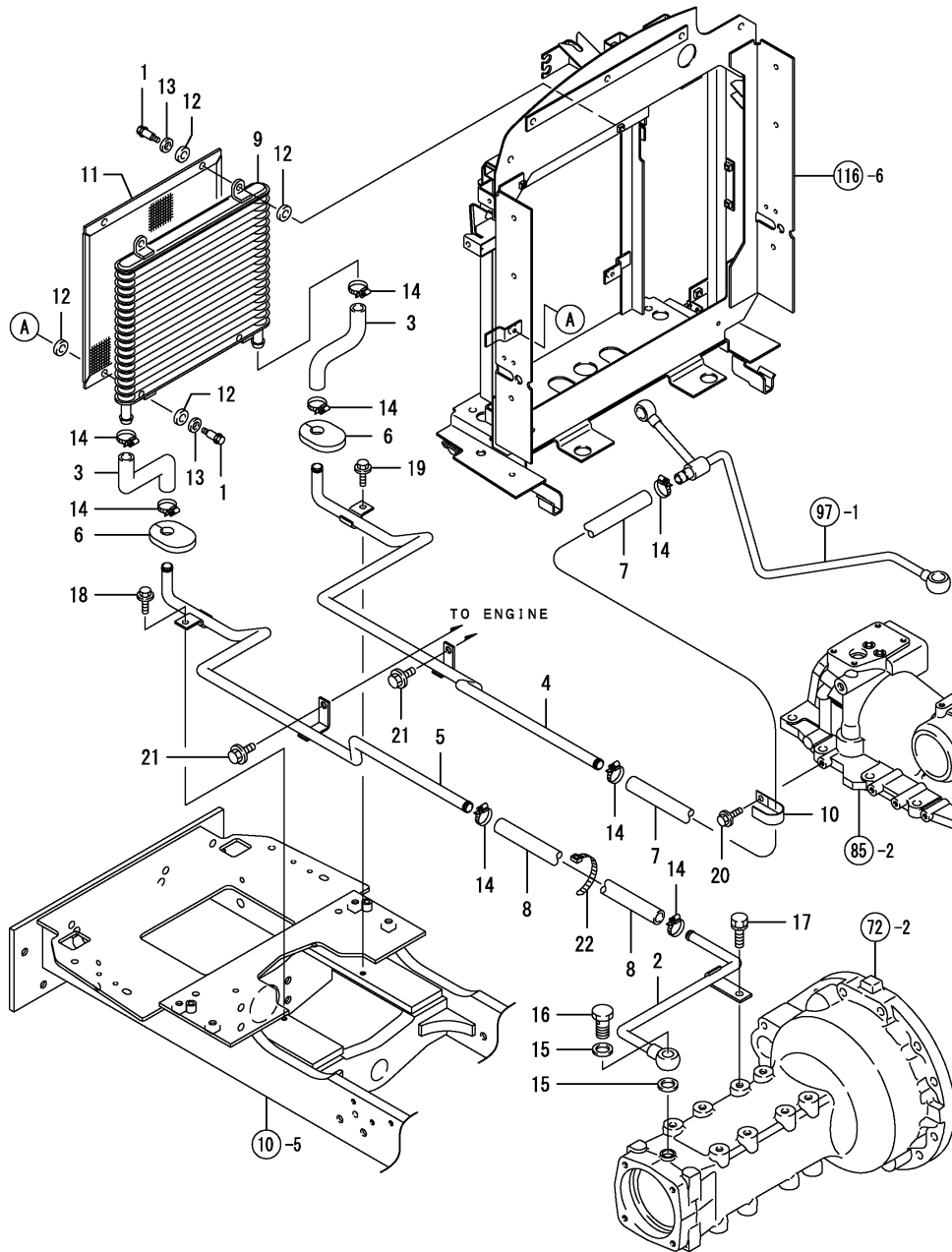


Fig.99. OIL COOLER

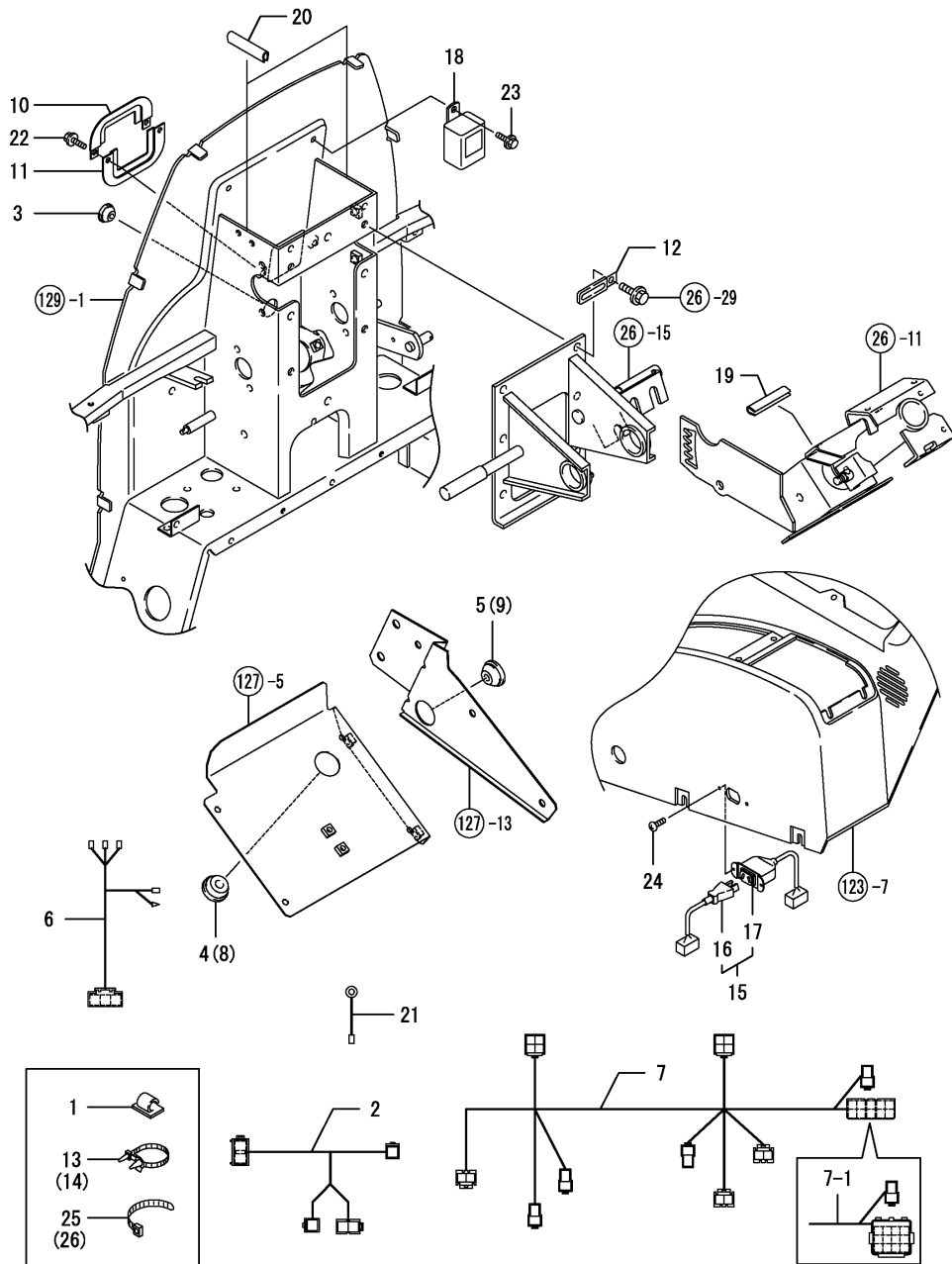
(A)=EF685T-PQ  
(B)=  
(C)=

(D)=  
(E)=  
(F)=



No.	Lev.	Parts No.	Description	Qty						I	R
				(A)	(B)	(C)	(D)	(E)	(F)		
1	1	198133-02120	BOLT, STEPPED M6	4							
2	1	198448-34211	PIPE ASSY, PRESSURE	1							
3	1	198448-48820	BOSS, COOLER	2							
4	1	1A7610-48830	PIPE, COOLER IN-F	1							
5	1	1A7610-48870	PIPE, COOLER OUT F	1							
6	1	198448-48941	SEAL, COOLER PIPE	2							
7	1	1A7640-48950	HOSE, RUBBER 1500	1							
8	1	1A7640-48960	HOSE, RUBBER 1160	1							
9	1	198138-49100	COOLER ASSY, OIL	1							
10	1	198448-51460	CLAMP, HARNESS	1							
11	1	198454-60830	SCREEN, OIL COOLER	1							
12	1	194420-62260	RUBBER, CUSHION	8							
13	1	22137-100000	WASHER, 10	4							
14	1	23000-022000	CLAMP, 22	8							
15	1	23414-200026	GASKET, 20X1.0	2							
16	1	23857-150000	BOLT, JOINT 15	1							
17	1	26013-120202	BOLT, M12X 20	1							
18	1	26106-080162	BOLT, M8X 16 PLATED	1							
19	1	26106-080162	BOLT, M8X 16 PLATED	1							
20	1	26106-080162	BOLT, M8X 16 PLATED	1							
21	1	26106-100202	BOLT, M10X 20 PLATED	2							
22	1	29622-140001	BAND, RF140	1							

Fig.100. WIRE HARNESS



(A)=EF685T-PQ  
(B)=  
(C)=

(D)=  
(E)=  
(F)=

No.	Lev.	Parts No.	Description	Q'ty						I	R
				(A)	(B)	(C)	(D)	(E)	(F)		
1	1	172010-07810	STICKER, WIRE	2							
2	1	1A7450-51200	HARNESS, WIRE	1							
3	1	194275-51210	GROMMET 25	1							
4	1	194555-51210	GROMMET, 35	1							
5	1	194555-51210	GROMMET, 35	1							
6	1	1A7470-51222	CABLE, FLASHER	2							
7	1	1A7640-51240	HARNESS, WIRE	1							
7-1	1	1A7640-51230	HARNESS, WIRE	1							S
(A=FZZZZZ)											
8	1	1A7641-51410	GROMMET, 35	1							
9	1	1A7641-51410	GROMMET, 35	1							
10	1	1A7000-51430	RETAINER, GROMMET FA	1							
11	1	1A7000-51440	RETAINER, GROMMET FB	1							
12	1	194180-51640	CLAMP, HARNESS	2							
13	1	194680-51670	BAND, CLIP	5							
14	1	194680-51670	BAND, CLIP	2							
15	1	198153-52150	CONSENT ASSY	1							
16	2	198153-51020	PLUG ASSY	1							
17	2	198153-51040	CONSENT ASSY	1							
18	1	1A7890-57200	LAMP ASSY, FLASHER	1							
19	1	198291-77870	COVER, GUARD	1							
20	1	198291-77870	COVER, GUARD	2							
21	1	198093-86180	WIRE, WASHER LEAD	1							
22	1	26106-060122	BOLT, M6X 12 PLATED	2							
23	1	26106-060162	BOLT, M6X 16 PLATED	1							
24	1	26557-030162	SCREW, M3X16	2							
25	1	29622-140001	BAND, RF140	1							
26	1	29622-250001	BAND, RF250	2							

Fig.101. WIRE HARNESS

(A)=EF685T-PQ

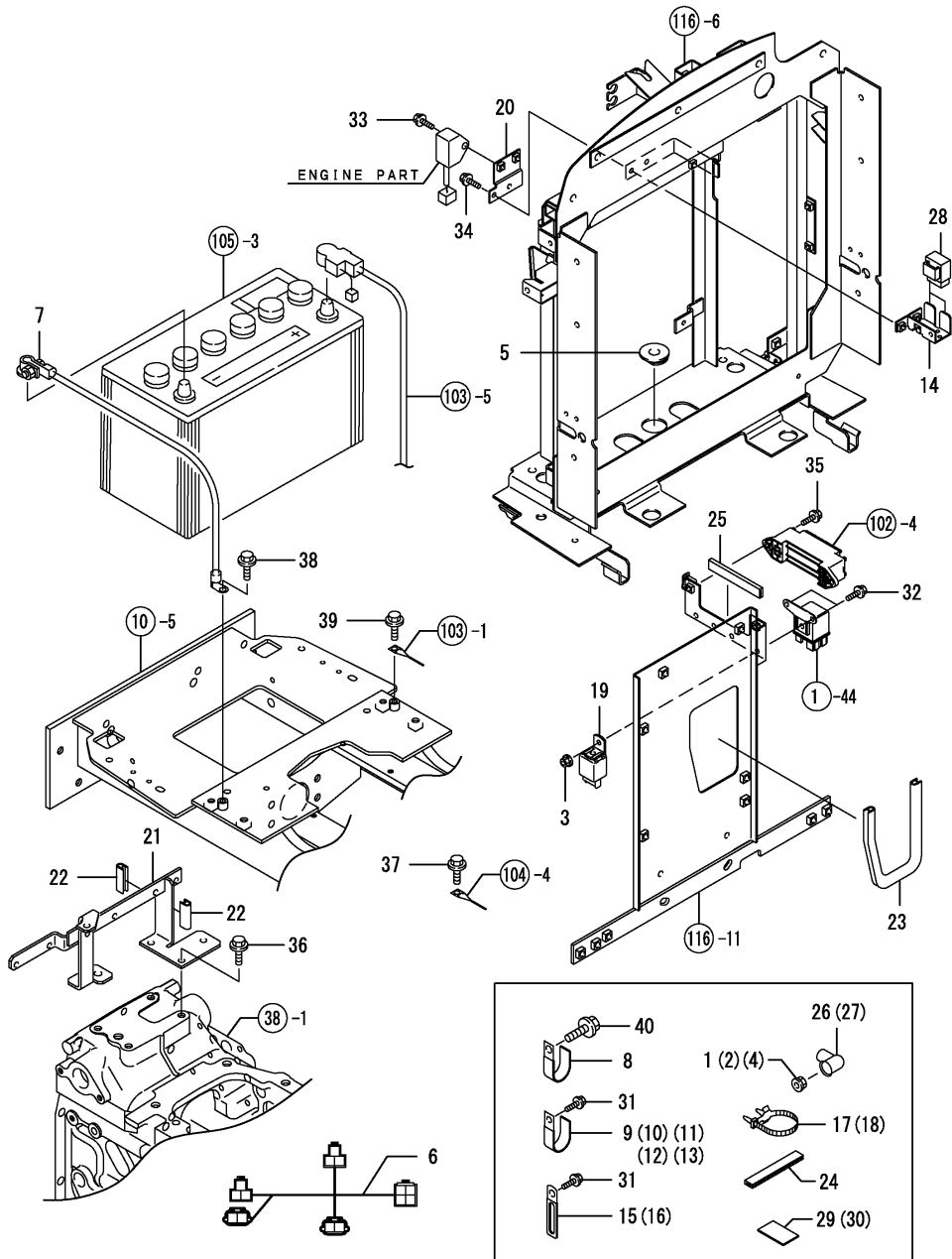
(B)=

(C)=

(D)=

(E)=

(F)=

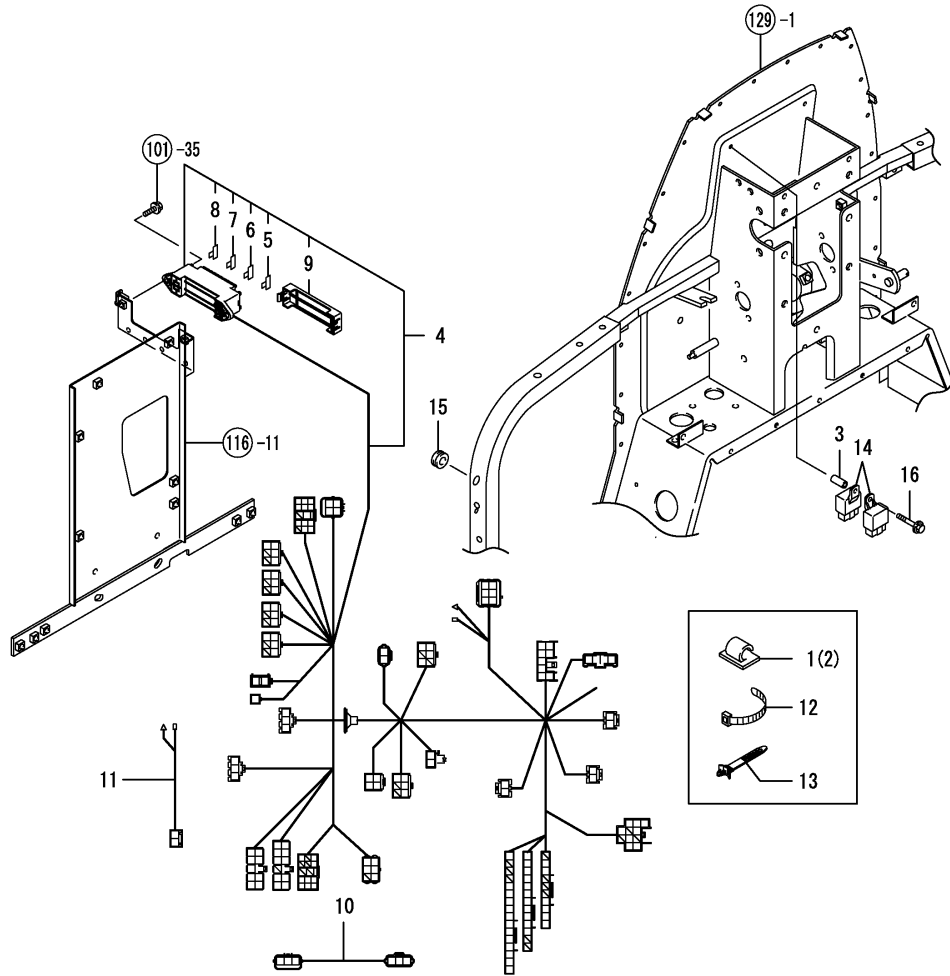


No.	Lev.	Parts No.	Description	Qty						I	R
				(A)	(B)	(C)	(D)	(E)	(F)		
1	1	194990-22130	NUT, M6	1							
2	1	194990-22130	NUT, M6	1							
3	1	194990-22130	NUT, M6	2							
4	1	194990-22140	NUT, M8	1							
5	1	198448-48990	GROMMET, HOSE	1							
6	1	1A7640-51270	HARNESS, WIRE	1							
7	1	1A7640-51420	CABLE, BATTERY EARTH	1							
8	1	198448-51450	CLAMP, HARNESS	1							
9	1	198448-51460	CLAMP, HARNESS	1							
10	1	198448-51460	CLAMP, HARNESS	1							
11	1	198448-51460	CLAMP, HARNESS	2							
12	1	198448-51460	CLAMP, HARNESS	1							
13	1	198448-51460	CLAMP, HARNESS	1							
14	1	1A7690-51550	STAY ASSY, RELAY	1							
15	1	194440-51620	CLAMP	1							
16	1	194440-51630	CLAMP, HARNESS	1							
17	1	194680-51670	BAND, CLIP	2							
18	1	194680-51670	BAND, CLIP	3							
19	1	198220-52180	RELAY, STARTER	1							
20	1	198448-52310	BRACKET, RELAY	1							
21	1	198535-57110	BRACKET, RELAY	1							
22	1	198448-60080	TRIM, 40	2							
23	1	1A7000-61480	TRIM, 360	1							
24	1	198230-61560	GUIDE, HOSE	2							
25	1	198230-61560	GUIDE, HOSE	1							
26	1	124756-77040	COVER, TERMINAL	1							
27	1	124756-77040	COVER, TERMINAL	1							
28	1	1E6910-82500	RELAY, CA-1A	2							
29	1	198093-84810	SEAL, FENDER	1							
30	1	198093-84810	SEAL, FENDER	1							
31	1	26106-060122	BOLT, M6X 12 PLATED	2							
32	1	26106-060162	BOLT, M6X 16 PLATED	2							
33	1	26106-060162	BOLT, M6X 16 PLATED	1							
34	1	26106-060162	BOLT, M6X 16 PLATED	2							
35	1	26106-060162	BOLT, M6X 16 PLATED	2							
36	1	26106-080162	BOLT, M8X 16 PLATED	3							
37	1	26106-080122	BOLT, M8X 12 PLATED	1							
38	1	26106-080162	BOLT, M8X 16 PLATED	1							
39	1	26106-080162	BOLT, M8X 16 PLATED	1							
40	1	26106-100162	BOLT, M10X 16 PLATED	1							

Fig.102. WIRE HARNESS

(A)=EF685T-PQ  
(B)=  
(C)=

(D)=  
(E)=  
(F)=



No.	Lev.	Parts No.	Description	Q'ty						I	R
				(A)	(B)	(C)	(D)	(E)	(F)		
1	1	172010-07810	STICKER, WIRE	1							
2	1	172010-07810	STICKER, WIRE	4							
3	1	1E3080-46590	COLLAR, 6.510.524	1							
4	1	1A7640-51166	HARNESS ASSY, WIRE F	1							
5	2	198535-52110	FUSE, 5A	6							
6	2	198535-52120	FUSE, 10A	5							
7	2	198535-52130	FUSE, 15A	4							
8	2	198535-52140	FUSE, 20A	3							
9	2	198535-52410	COVER, FUSE BOX	1							
10	1	1A7641-51300	HARNESS, SWITCH	1							
11	1	1A7450-51310	CABLE, TURN SIGNAL	2							
12	1	198220-51870	BAND, NYLON 200	1							
13	1	198448-51910	CLIP, BAND	4							
14	1	198461-52950	RELAY, CA TYPE C	2							
15	1	197830-85490	GROMMET	4							
16	1	26106-060402	BOLT, M6X 40 PLATED	1							



Fig.103. WIRE HARNESS

(A)=EF685T-PQ  
(B)=  
(C)=

(D)=  
(E)=  
(F)=

No.	Lev.	Parts No.	Description	Q'ty						I	R
				(A)	(B)	(C)	(D)	(E)	(F)		
1	1	1A7640-51114	HARNESS ASSY, WIRE A	1							
2	2	198153-51700	FUSE, SLOW BLOW 80A	3							
3	2	1A7000-52820	FUSE, SLOW BLOW 60A	1							
4	2	29420-150000	FUSE, B 15A	1							
5	1	1A7650-51350	CABLE ASSY, BATTERY	1							
6	1	198461-52950	RELAY, CA TYPE C	1							
7	1	26106-060162	BOLT, M6X 16 PLATED	1							
8	1	29622-140001	BAND, RF140	1							

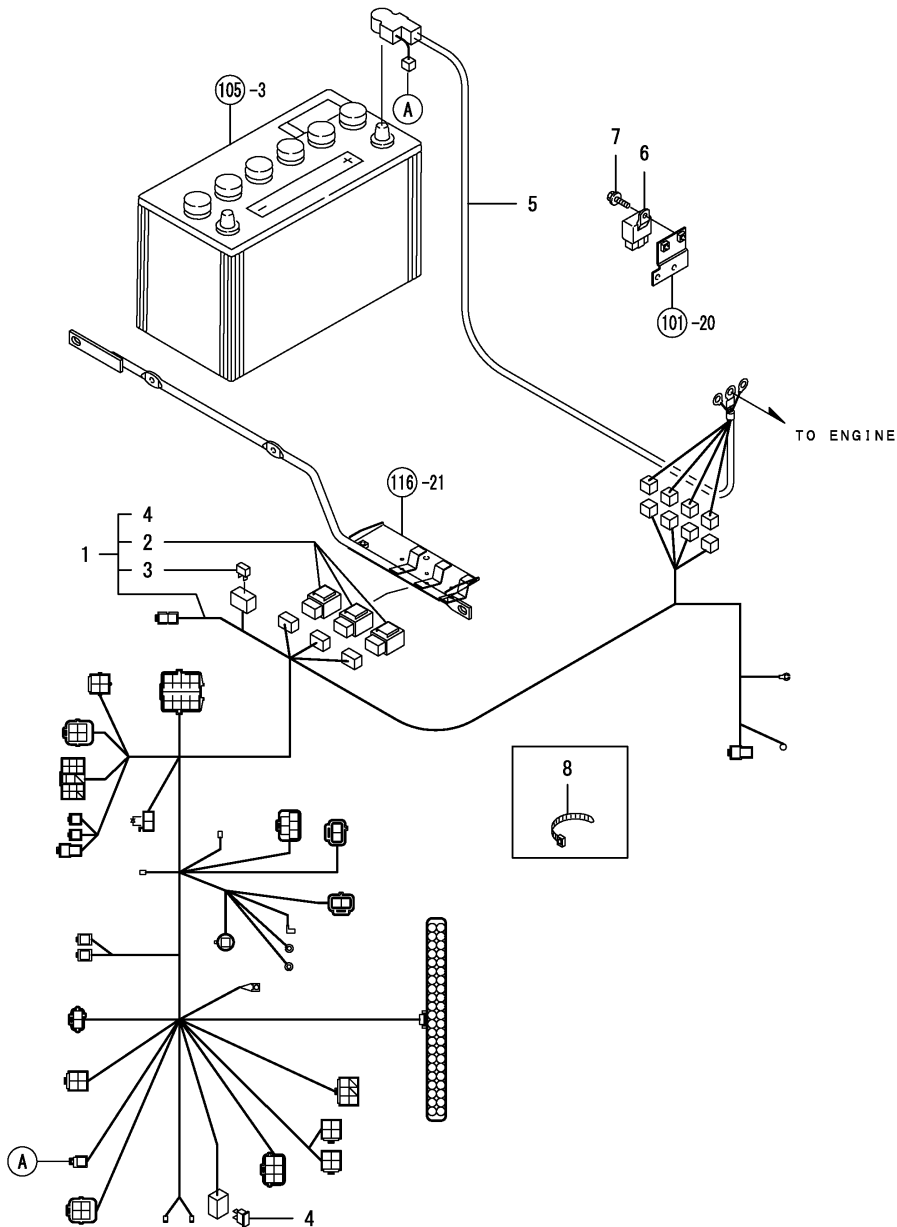
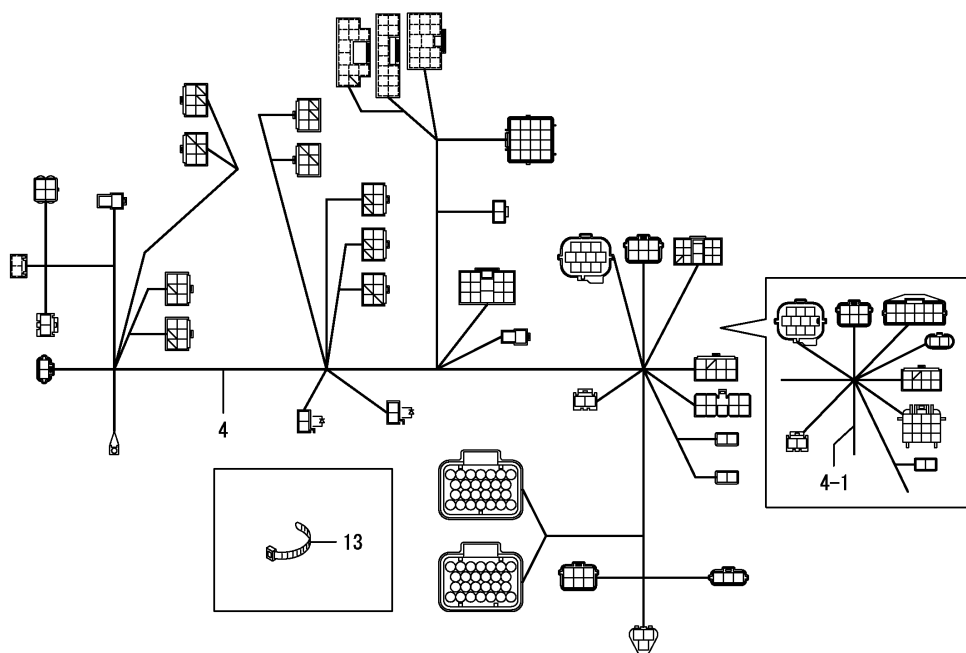
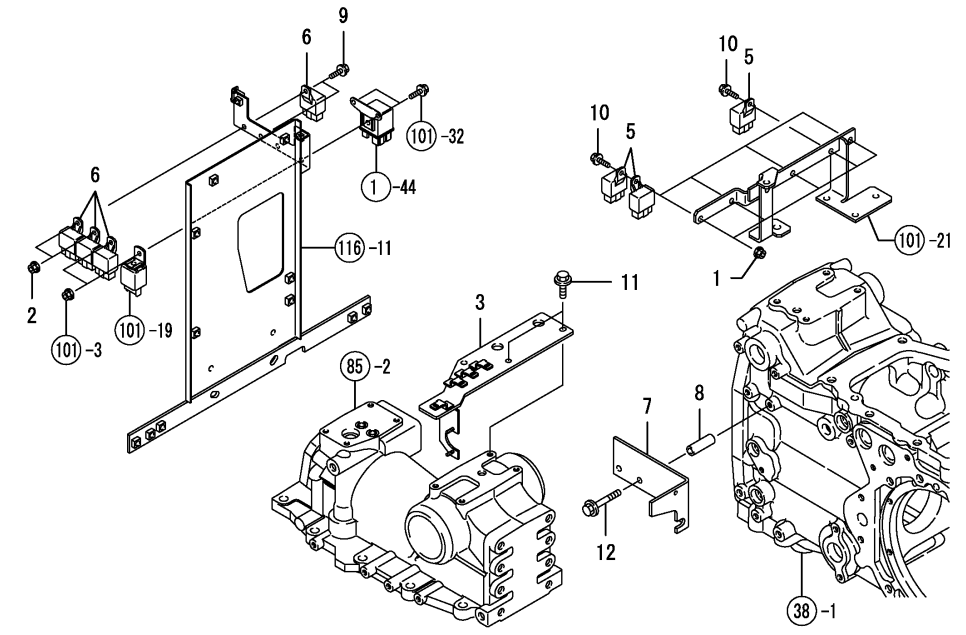


Fig.104. WIRE HARNESS

(A)=EF685T-PQ  
(B)=  
(C)=

(D)=  
(E)=  
(F)=



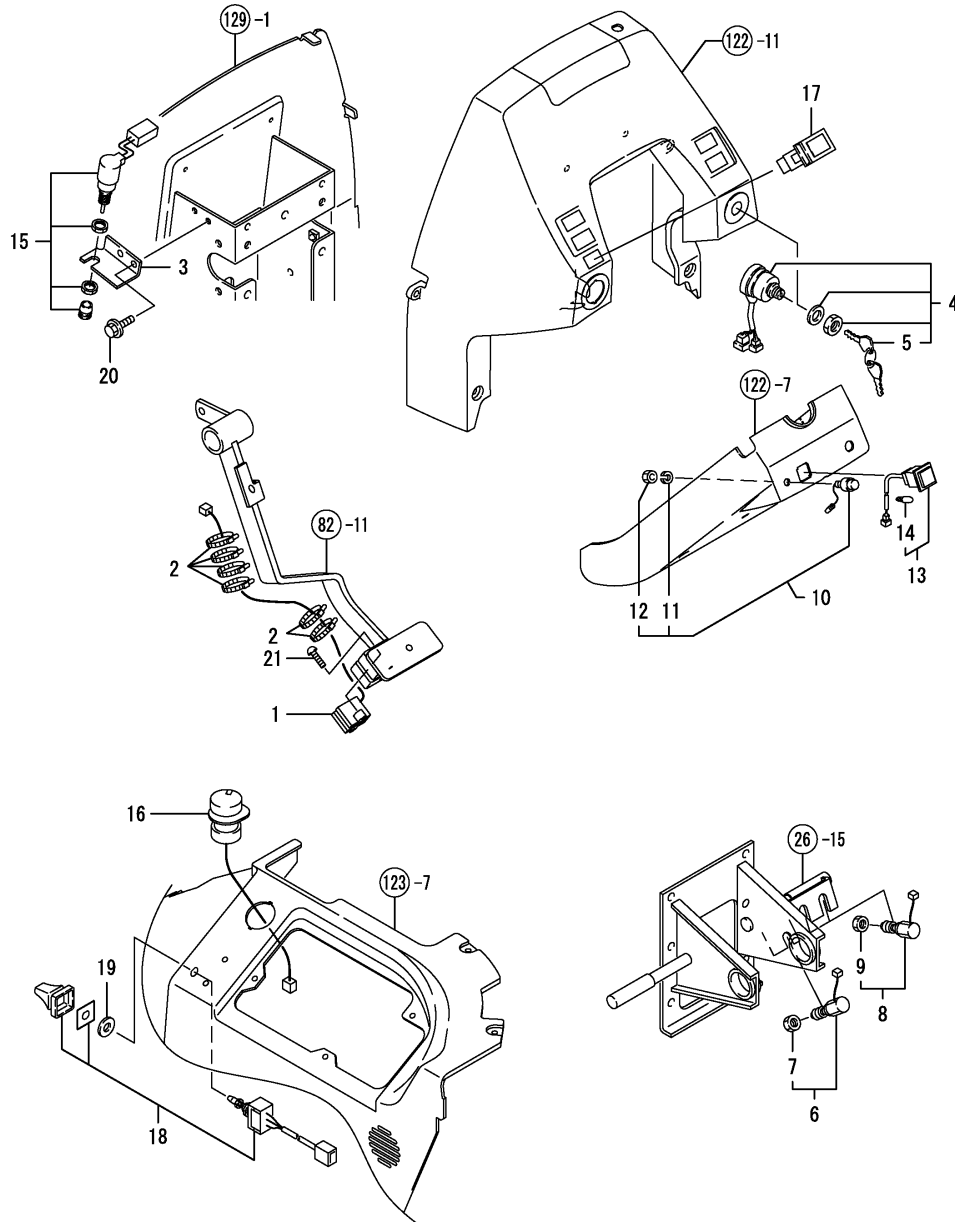
No.	Lev.	Parts No.	Description	Q'ty						I	R
				(A)	(B)	(C)	(D)	(E)	(F)		
1	1	194990-22130	NUT, M6	5							
2	1	194990-22130	NUT, M6	2							
3	1	1A7640-47950	BRACKET, SENSOR	1							
4	1	1A7640-51134	HARNESS ASSY, WIRE B	1							
4-1	1	1A7640-51135	HARNESS ASSY, WIRE B (A=FZZZZZ)	1							S
5	1	198461-52950	RELAY, CA TYPE C	9							
6	1	198461-52950	RELAY, CA TYPE C	4							
7	1	1A7640-58150	BRACKET, SWITCH	1							
8	1	1A7640-78880	SPACER, 8.4X15X44	2							
9	1	26106-060162	BOLT, M6X 16 PLATED	2							
10	1	26106-060162	BOLT, M6X 16 PLATED	5							
11	1	26106-080162	BOLT, M8X 16 PLATED	2							
12	1	26106-080552	BOLT, M8X 55 PLATED	2							
13	1	29622-250001	BAND, RF250	1							



Fig.106. SWITCH

(A)=EF685T-PQ  
(B)=  
(C)=

(D)=  
(E)=  
(F)=



No.	Lev.	Parts No.	Description	Q'ty						I	R
				(A)	(B)	(C)	(D)	(E)	(F)		
1	1	1C6900-07200	SWITCH, COUPLING	1							
2	1	198153-51810	BAND, NYLON 150	6							
3	1	198448-52111	STAY, SWITCH	1							
4	1	1A7450-52110	SWITCH ASSY, STARTER	1							
5	2	1A7450-52130	KEY ASSY	1							
6	1	198223-52150	SWITCH, STOP LAMP	1							
7	2	26776-120002	NUT, LOCK M12	1							
8	1	198223-52150	SWITCH, STOP LAMP	2							
9	2	26776-120002	NUT, LOCK M12	2							
10	1	194150-52160	SWITCH, HORN	1							
11	2	22217-080000	WASHER, SPRING 8	1							
12	2	26736-080002	NUT, M8	1							
13	1	1A7450-52210	SWITCH ASSY	1							
14	2	1A7450-52230	BULB, WITH SOCKET	1							
15	1	1A7480-52250	SWITCH, CLUTCH	1							
16	1	1A7340-52290	SWITCH, PTO ON-OFF	1							
17	1	1A7450-52450	SWITCH, HAZARD	1							
18	1	198121-55510	SWITCH ASSY	1							
19	1	22117-120000	WASHER, 12	1							
20	1	26106-080162	BOLT, M8X 16 PLATED	2							
21	1	26557-050162	SCREW, M5X16	2							

Fig.107. SWITCH

(A)=EF685T-PQ  
(B)=  
(C)=

(D)=  
(E)=  
(F)=

No.	Lev.	Parts No.	Description	Q'ty						I	R
				(A)	(B)	(C)	(D)	(E)	(F)		
1	1	198141-19100	COVER, SWITCH	1							
2	1	198133-52170	TUBE, CORRUGATED 13	1							
3	1	1A7260-52190	SWITCH, HIGH GRIP	1							
4	1	24311-000180	O-RING, 1AP18.0	1							
5	1	26106-080162	BOLT, M8X 16 PLATED	2							

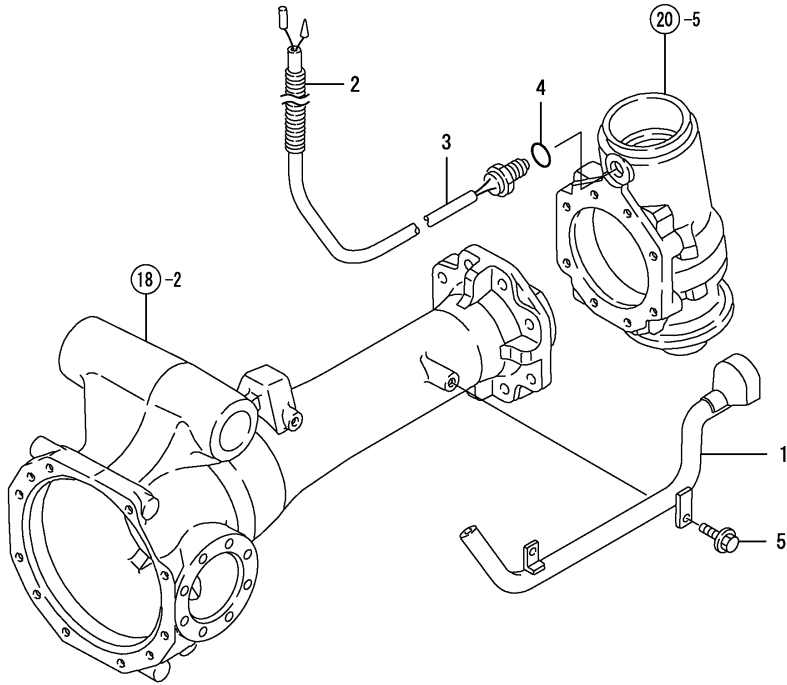




Fig.109. SWITCH

(A)=EF685T-PQ  
(B)=  
(C)=

(D)=  
(E)=  
(F)=

No.	Lev.	Parts No.	Description	Q'ty						I	R
				(A)	(B)	(C)	(D)	(E)	(F)		
1	1	1A7600-52222	SWITCH, RANGE SHIFT	1							
1-1	1	1A7600-52223	SWITCH, RANGE SHIFT	1							N
(A=*2009.01.)											

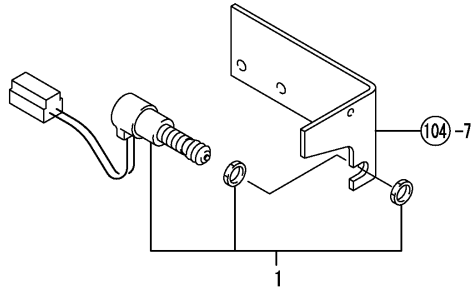


Fig.110. SWITCH

(A)=EF685T-PQ  
(B)=  
(C)=

(D)=  
(E)=  
(F)=

No.	Lev.	Parts No.	Description	Q'ty						I	R
				(A)	(B)	(C)	(D)	(E)	(F)		
1	1	198072-52180	SWITCH, NR	1							
2	1	26106-060162	BOLT, M6X 16 PLATED	2							

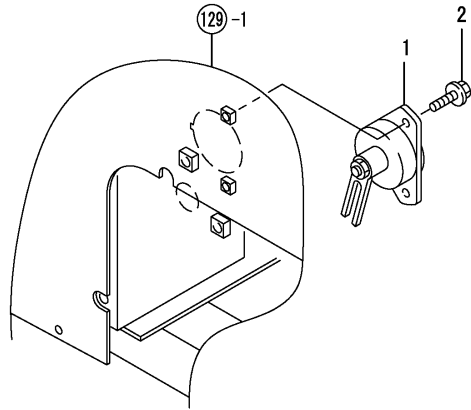
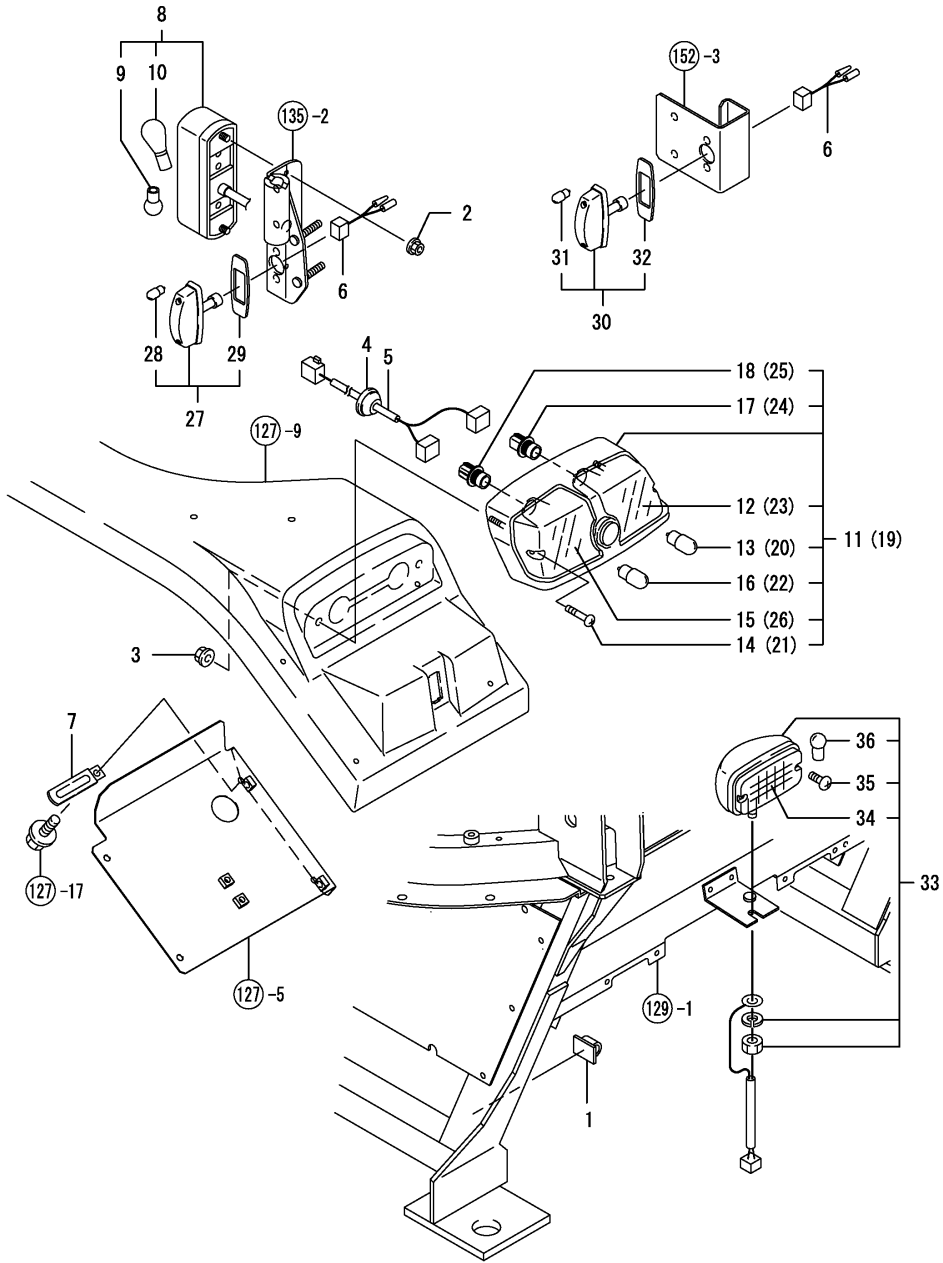




Fig.111. LAMP



(A)=EF685T-PQ  
(B)=  
(C)=

(D)=  
(E)=  
(F)=

No.	Lev.	Parts No.	Description	Qty						I	R
				(A)	(B)	(C)	(D)	(E)	(F)		
1	1	172010-07810	STICKER, WIRE	2							
2	1	194990-22120	NUT, M5	4							
3	1	194990-22130	NUT, M6	4							
4	1	198245-51210	GROMMET, 25/18	2							
5	1	1A7950-51220	CABLE, FLASHER	2							
6	1	1A7890-51230	CABLE, SIDE FLASHER	4							
7	1	194440-51630	CLAMP, HARNESS	2							
8	1	1A7890-53400	LAMP ASSY	2							
9	2	198360-53630	BULB 12V-10W	2							
10	2	1E9170-81270	VALVE, 12V 21W	2							
11	1	1A7890-53600	LAMP ASSY, L	1							
12	2	198071-53610	LENS, L	1							
13	2	1A7890-53630	BULB, 12V21W	1							
14	2	198071-53660	SCREW, TAPPING M5X25	2							
15	2	198071-53670	LENS, RED L	1							
16	2	1A7890-53680	BULB, 12V21/5W	1							
17	2	1A7890-53710	SOCKET	1							
18	2	1A7890-53720	SOCKET	1							
19	1	1A7890-53700	LAMP ASSY, R	1							
20	2	1A7890-53630	BULB, 12V21W	1							
21	2	198071-53660	SCREW, TAPPING M5X25	2							
22	2	1A7890-53680	BULB, 12V21/5W	1							
23	2	198071-53710	LENS, R	1							
24	2	1A7890-53710	SOCKET	1							
25	2	1A7890-53720	SOCKET	1							
26	2	198071-53770	LENS, RED R	1							
27	1	1A7890-53810	LAMP, TURN SIGNAL	2							
28	2	1A7890-53820	BULB, 12V/3W	2							
29	2	1A7890-53840	PACKING	2							
30	1	1A7890-53810	LAMP, TURN SIGNAL	2							
31	2	1A7890-53820	BULB, 12V/3W	2							
32	2	1A7890-53840	PACKING	2							
33	1	198535-54500	LAMP ASSY, BACK	1							
34	2	1A7020-54510	LENS	1							
35	2	1A7020-54540	SCREW	2							
36	2	1A7020-54560	BULB, 12V15W	1							

Fig.112. FRONT LAMP

(A)=EF685T-PQ

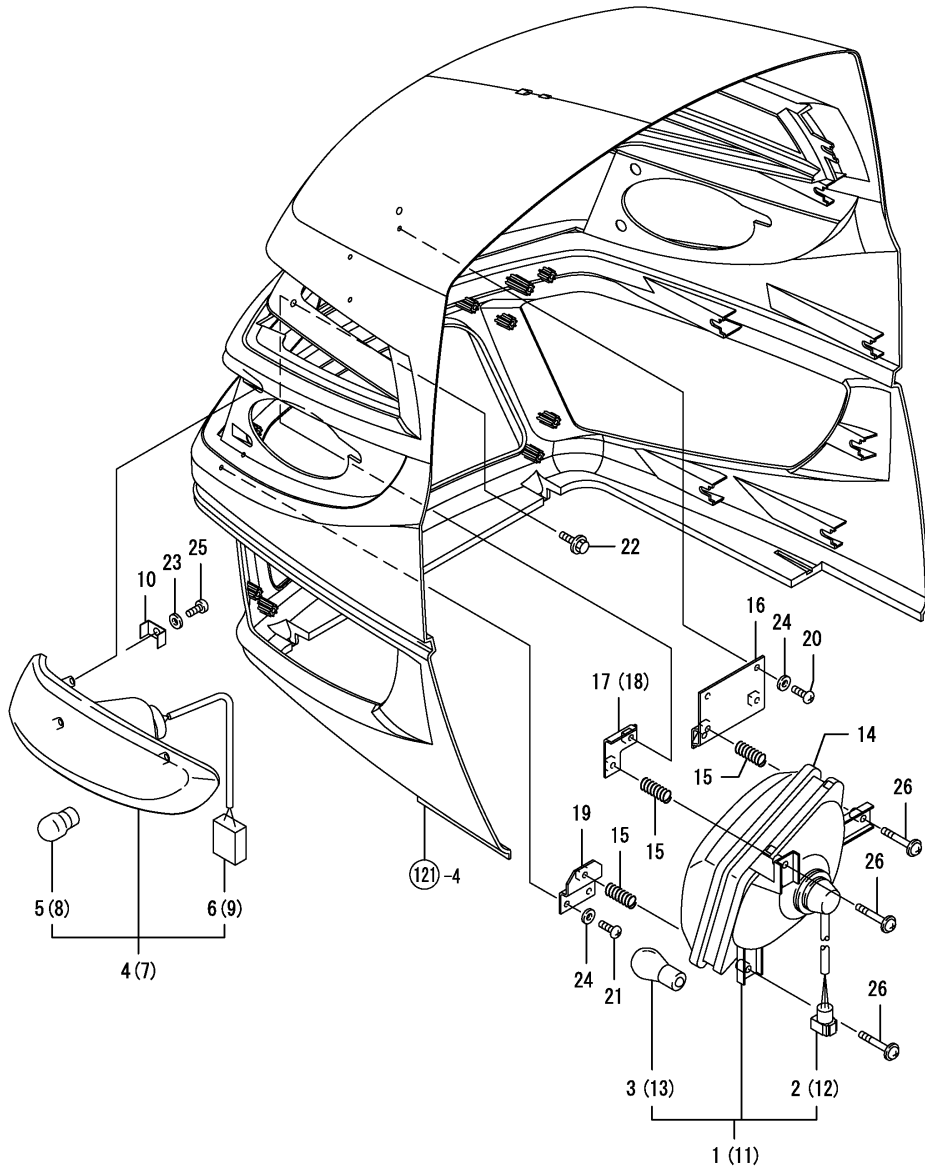
(B)=

(C)=

(D)=

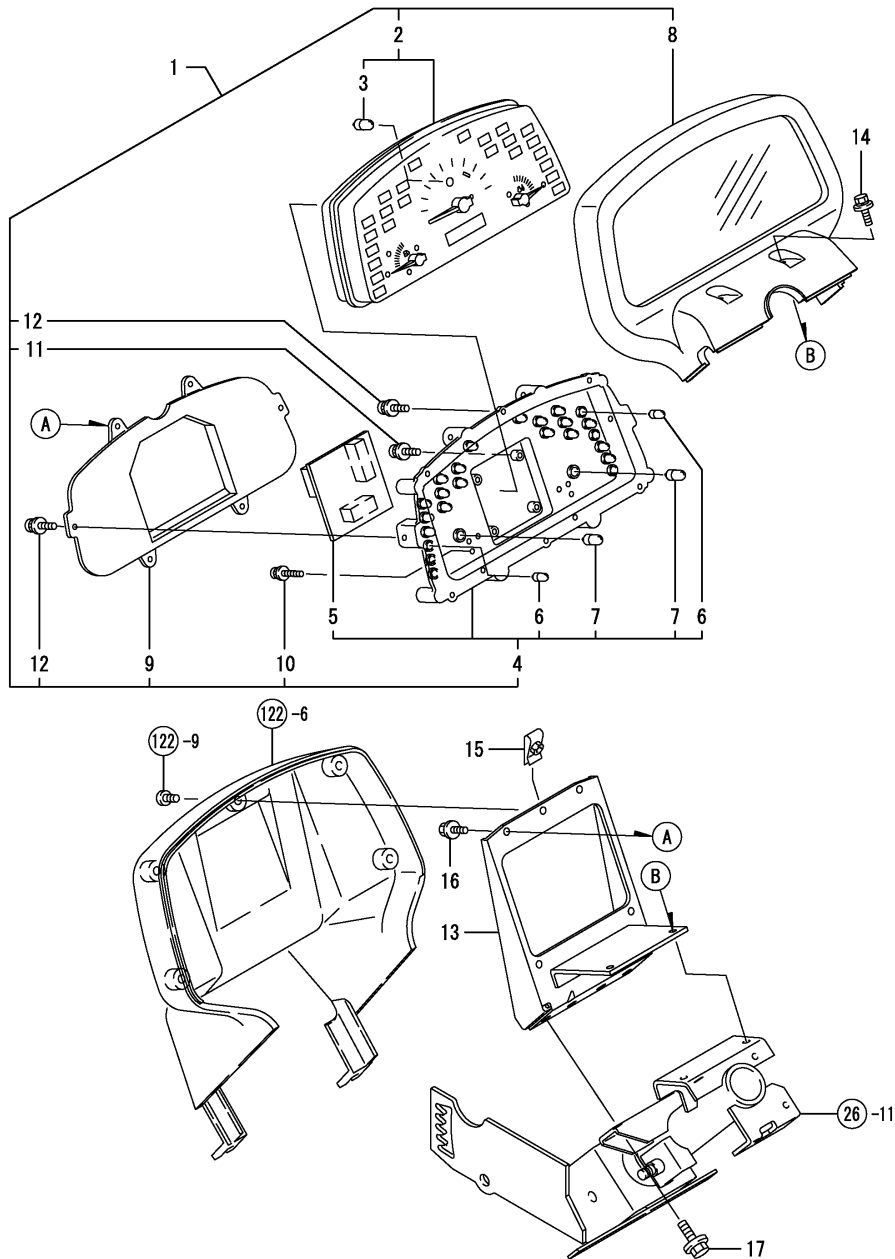
(E)=

(F)=



No.	Lev.	Parts No.	Description	Qty						I	R
				(A)	(B)	(C)	(D)	(E)	(F)		
1	1	1A7450-53200	LAMP ASSY, HEAD L	1							
2	2	1A7450-53230	WIRE ASSY, LEAD	1							
3	2	198448-53320	BULB, 12V45/45W	1							
4	1	1A7450-53252	LAMP ASSY, SIDE L	1							
5	2	1A7450-53370	BULB, 12V21W	1							
6	2	1A7450-53380	WIRE ASSY, LEAD	1							
7	1	1A7450-53262	LAMP ASSY, SIDE R	1							
8	2	1A7450-53370	BULB, 12V21W	1							
9	2	1A7450-53380	WIRE ASSY, LEAD	1							
10	1	1A7450-53290	BRACKET, SIDE LAMP	6							
11	1	1A7450-53300	LAMP ASSY, HEAD R	1							
12	2	1A7450-53230	WIRE ASSY, LEAD	1							
13	2	198448-53320	BULB, 12V45/45W	1							
14	1	1A7260-53350	SEAL, HEAD LAMP	2							
15	1	198153-53410	SPRING, ADJUST	6							
16	1	1A7640-53410	STAY ASSY, LAMP	1							
17	1	1A7640-53420	STAY, HEAD LIGHT L	1							
18	1	1A7640-53430	STAY, HEAD LIGHT R	1							
19	1	1A7640-53440	STAY, HEAD LIGHT	2							
20	1	198071-78420	SCREW, TAPPING M5X10	3							
20-1	1	22857-500101	SCREW 5X10,TAPPING	3							N
(A=FXXXXX)											
21	1	198071-78420	SCREW, TAPPING M5X10	4							
21-1	1	22857-500101	SCREW 5X10,TAPPING	4							N
(A=FXXXXX)											
22	1	198196-83170	BOLT, M6X16	2							
22-1	1	26106-060162	BOLT, M6X 16 PLATED	2							N
(A=FXXXXX)											
23	1	22137-060000	WASHER, 6	6							
24	1	22137-060000	WASHER, 6	7							
25	1	22857-600101	SCREW, 6X10	6							
26	1	26557-060402	SCREW, M6X40	6							

Fig.113. METER



(A)=EF685T-PQ  
(B)=  
(C)=

(D)=  
(E)=  
(F)=

No.	Lev.	Parts No.	Description	Q'ty						I	R
				(A)	(B)	(C)	(D)	(E)	(F)		
1	1	1A7660-56010	METER ASSY	1							
2	2	1A7660-56110	TACHOMETER ASSY	1							
3	3	198448-56160	BULB, 14V-1.7W	1							
4	2	198535-56120	HOUSING ASSY, LOWER	1							
5	3	198268-56040	FPC ASSY	1							
6	3	198448-56150	BULB, 14V-1.4W	20							
7	3	198448-56160	BULB, 14V-1.7W	2							
8	2	1A7640-56170	CASE, TOP	1							
9	2	198448-56180	COVER	1							
10	2	198448-56190	SCREW, 3X22	6							
11	2	198535-56190	SCREW, 3X16	4							
12	2	129574-91580	SCREW 4X16	8							
13	1	198448-56050	BRACKET, COMBINAT.M.	1							
13-1	1	198448-56051	BRACKET, METER	1							N
(A=FXXXXX)											
13-2	1	1A6380-56050	BRACKET ASSY, METER	1							R
(A=FXXXXX)											
14	1	198461-60590	BOLT, M6X20	2							
15	1	194167-61650	NUT 5008	1							
16	1	26106-060122	BOLT, M6X 12 PLATED	4							
17	1	26106-080162	BOLT, M8X 16 PLATED	2							

Fig.114. HORN

(A)=EF685T-PQ  
(B)=  
(C)=

(D)=  
(E)=  
(F)=

No.	Lev.	Parts No.	Description	Q'ty						I	R
				(A)	(B)	(C)	(D)	(E)	(F)		
1	1	1C7100-08150	HORN ASSY	1							
2	1	194990-22130	NUT, M6	2							
3	1	129467-44580	MOUNT, RUBBER	2							
4	1	1A7000-57210	COLLAR, 7X11X14	2							
5	1	22157-060000	WASHER, 6	2							
6	1	26106-060252	BOLT, M6X 25 PLATED	2							

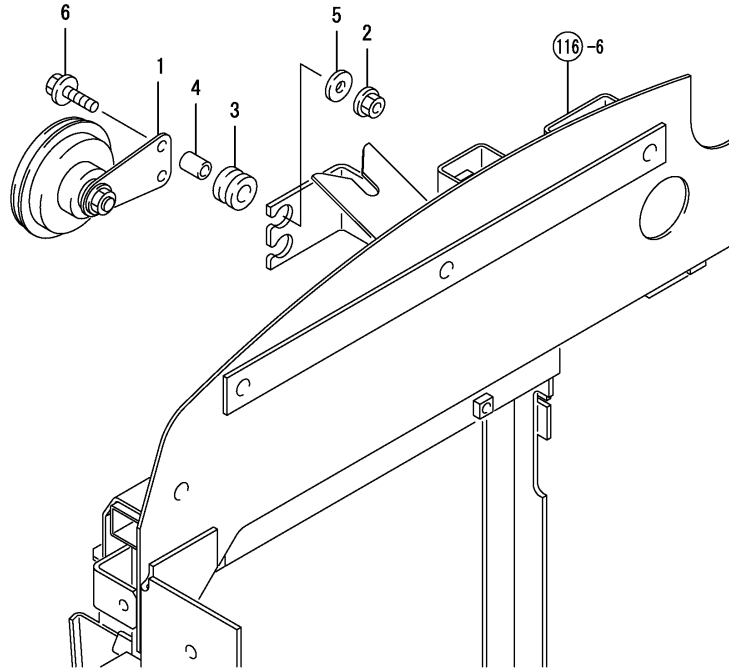
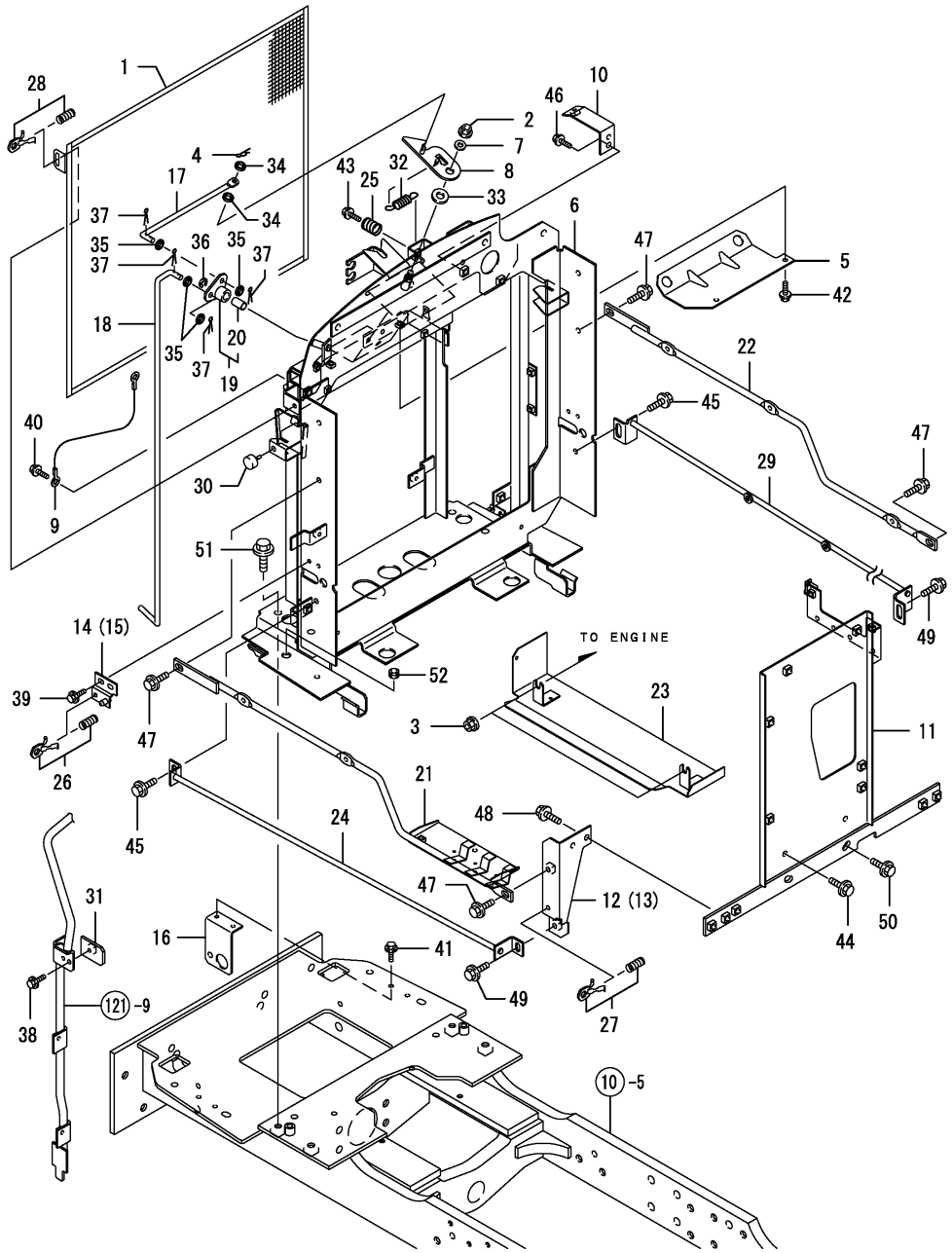




Fig.116. FRONT FRAME



(A)=EF685T-PQ

(B)=

(C)=

(D)=

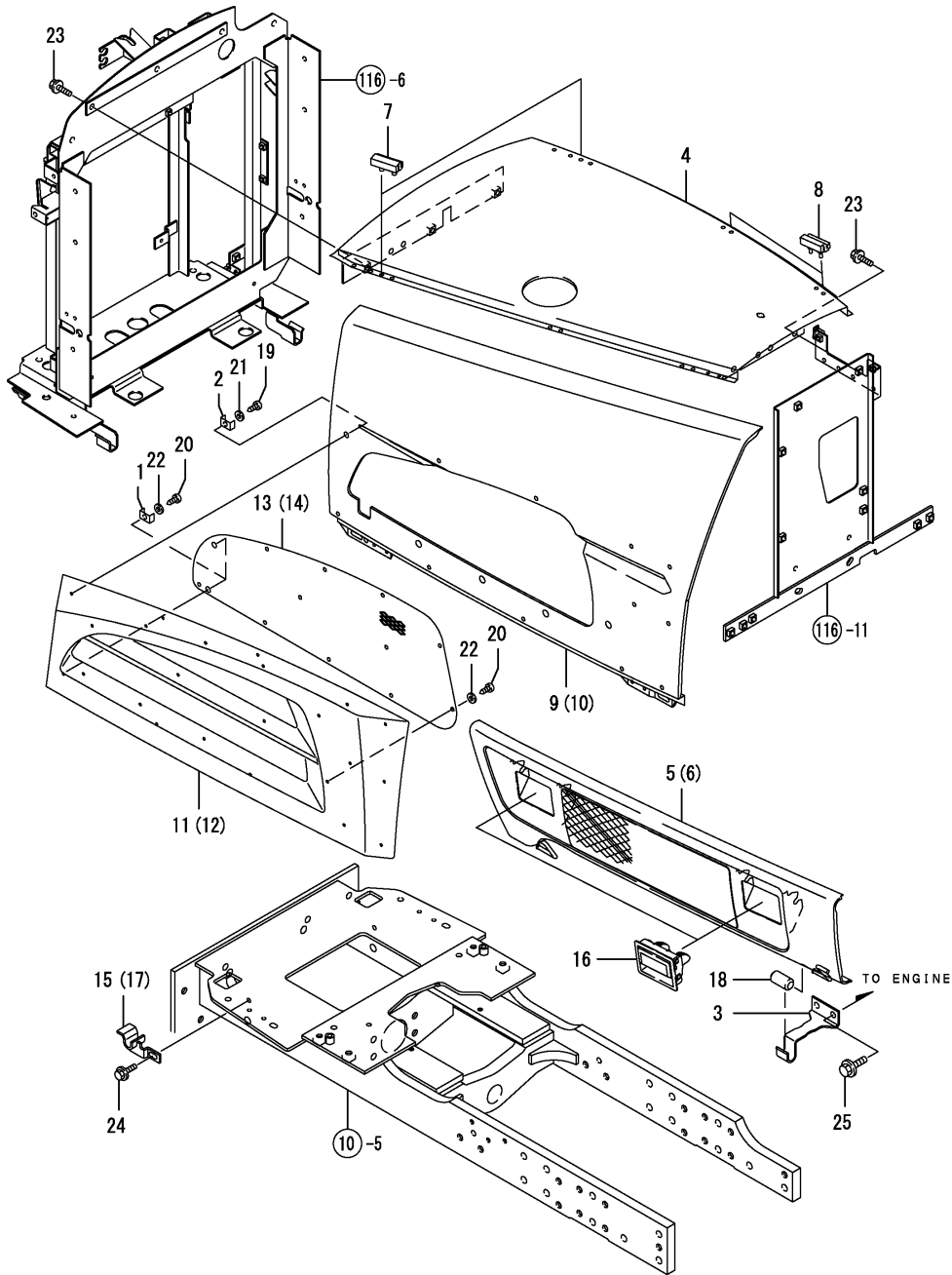
(E)=

(F)=

No.	Lev.	Parts No.	Description	Qty						I	R
				(A)	(B)	(C)	(D)	(E)	(F)		
1	1	1A7650-01250	SCREEN, RADIATOR	1							
2	1	194990-22140	NUT, M8	1							
3	1	194990-22140	NUT, M8	2							
4	1	1C6281-52310	PIN, SNAP 6	1							
5	1	1A7610-58100	BRACKET, CONTROLLER	1							
6	1	1A7660-60010	FRAME ASSY, FRONT M	1							
7	1	1A7600-60300	WASHER, 8X18	1							
8	1	198535-60330	LOCK, GRILLE	1							
9	1	1A7640-60371	WIRE, GRILLE	1							
10	1	1A7650-60390	BRACKET	1							
11	1	1A7650-60500	FRAME ASSY, REAR	1							
12	1	1A7650-60530	STAY, BONNET SIDE L	1							
13	1	1A7650-60540	STAY, BONNET SIDE R	1							
14	1	1A7640-60640	BRACKET ASSY	1							
15	1	1A7640-60650	BRACKET ASSY	1							
16	1	1A7640-60700	BRACKET, VALVE	1							
17	1	1A7650-60700	ROD, GRILLE LOCK A	1							
18	1	1A7650-60710	ROD, GRILLE LOCK B	1							
19	1	1A7450-60720	ARM ASSY, LOCK	1							
20	2	24550-010200	BUSH, 10X20	1							
21	1	1A7650-60930	STAY, HARNESS L	1							
22	1	1A7650-60940	STAY, HARNESS R	1							
23	1	1A7650-60960	COVER, MOTOR	1							
24	1	1A7600-61280	ROD ASSY, STAY L	1							
25	1	198220-61340	SPRING	1							
26	1	198220-61351	LOCK ASSY, CAM	2							
27	1	198220-61351	LOCK ASSY, CAM	2							
28	1	198220-61351	LOCK ASSY, CAM	1							
29	1	1A7600-61380	ROD ASSY, STAY R	1							
30	1	194145-61560	RUBBER, ABSORBER	2							
31	1	198550-61580	STAY, GRILLE SIDE	2							
32	1	198230-61960	SPRING	1							
33	1	22137-120000	WASHER, 12	1							
34	1	22190-060002	WASHER, SEAL 6	2							
35	1	22190-080002	WASHER, SEAL 6	4							
36	1	22272-000080	RING, E- 8	1							
37	1	22417-160180	PIN, COTTER 1.6X18	4							
38	1	26106-060122	BOLT, M6X 12 PLATED	2							
39	1	26106-060122	BOLT, M6X 12 PLATED	4							
40	1	26106-060122	BOLT, M6X 12 PLATED	1							
41	1	26106-060162	BOLT, M6X 16 PLATED	2							
42	1	26106-060162	BOLT, M6X 16 PLATED	2							
43	1	26106-060162	BOLT, M6X 16 PLATED	1							
44	1	26106-080122	BOLT, M8X 12 PLATED	2							
45	1	26106-080122	BOLT, M8X 12 PLATED	2							
46	1	26106-080162	BOLT, M8X 16 PLATED	1							
47	1	26106-080162	BOLT, M8X 16 PLATED	4							
48	1	26106-080162	BOLT, M8X 16 PLATED	4							
49	1	26106-080162	BOLT, M8X 16 PLATED	2							
50	1	26106-080162	BOLT, M8X 16 PLATED	2							
51	1	26106-100252	BOLT, M10X 25 PLATED	4							



Fig.117. HOOD



(A)=EF685T-PQ

(B)=

(C)=

(D)=

(E)=

(F)=

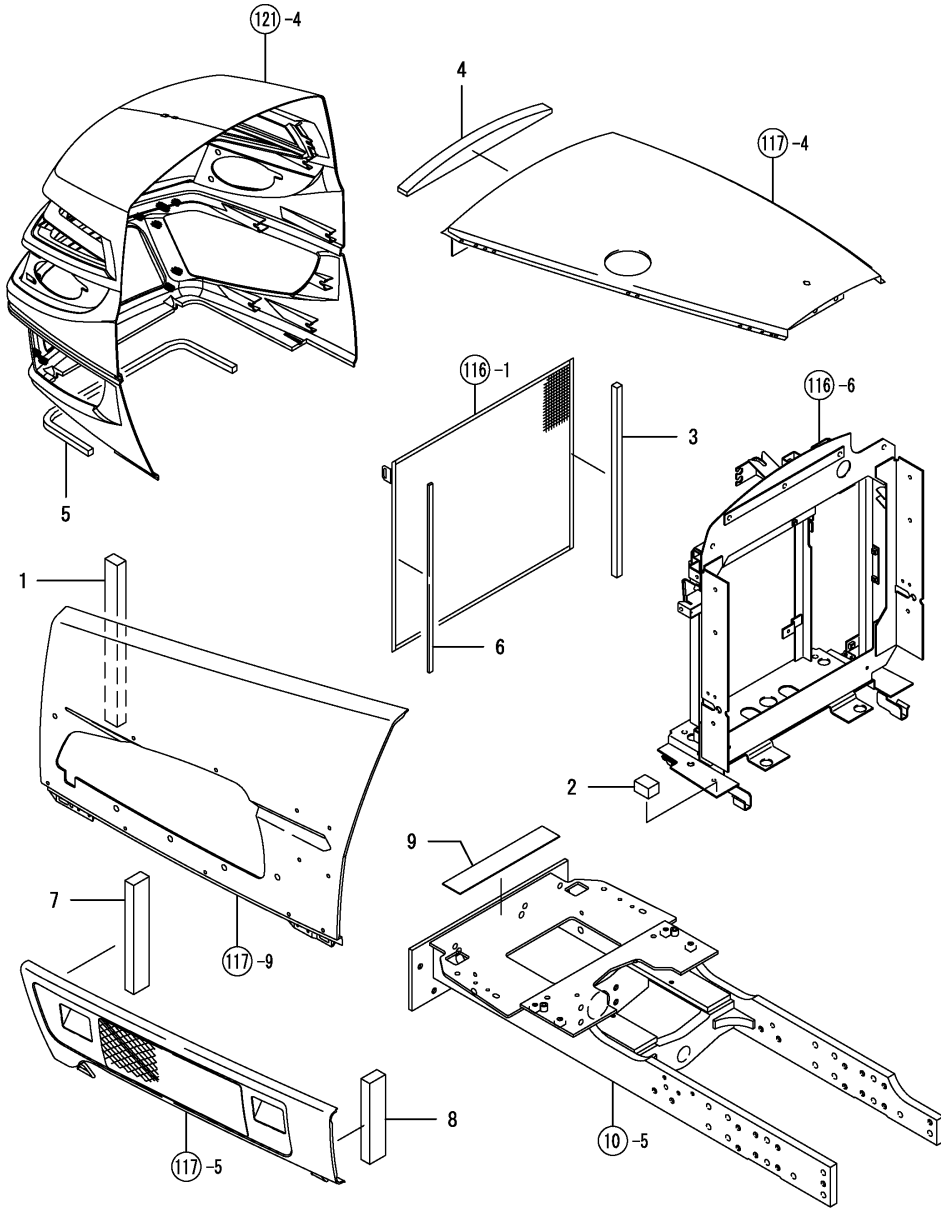
No.	Lev.	Parts No.	Description	Qty						I	R
				(A)	(B)	(C)	(D)	(E)	(F)		
1	1	1A7450-53290	BRACKET, SIDE LAMP	4							
2	1	1A7450-53290	BRACKET, SIDE LAMP	2							
3	1	1A7650-60910	STAY, LOWER COVER R	2							
4	1	1A7650-61010	BONNET ASSY, UPPER	1							
5	1	1A7650-61040	COVER ASSY, LOWER L	1							
6	1	1A7650-61050	COVER ASSY, LOWER R	1							
7	1	1A7790-61070	RUBBER, BONNET UPPER	2							
8	1	198151-61080	RUBBER, BONNET UPPER	4							
9	1	1A7450-61150	BONNET, SIDE UPPER L	1							
10	1	1A7450-61160	BONNET, SIDE UPPER R	1							
11	1	1A7450-61190	GRILLE, SIDE L	1							
12	1	1A7450-61200	GRILLE, SIDE R	1							
13	1	1A7640-61240	SCREEN, GRILLE L	1							
14	1	1A7640-61250	SCREEN, GRILLE R	1							
15	1	198550-61410	HOOK, LOWER L	1							
16	1	172187-61421	HANDLE, LOCK	4							
17	1	198550-61420	HOOK, LOWER R	1							
18	1	198220-61800	RUBBER, CUSHION	4							
19	1	198071-78420	SCREW, TAPPING M5X10	20							
19-1	1	22857-500101 (A=FXXXXX)	SCREW 5X10,TAPPING	20							N
20	1	198071-78420	SCREW, TAPPING M5X10	24							
20-1	1	22857-500101 (A=FXXXXX)	SCREW 5X10,TAPPING	24							N
21	1	22137-050000	WASHER, 5	20							
21-1	1	22137-060000 (A=FXXXXX)	WASHER, 6	20							N
22	1	22137-060000	WASHER, 6	24							
23	1	26106-080162	BOLT, M8X 16 PLATED	5							
24	1	26106-080162	BOLT, M8X 16 PLATED	2							
25	1	26106-100202	BOLT, M10X 20 PLATED	4							



Fig.118. HOOD SEAL

(A)=EF685T-PQ  
(B)=  
(C)=

(D)=  
(E)=  
(F)=



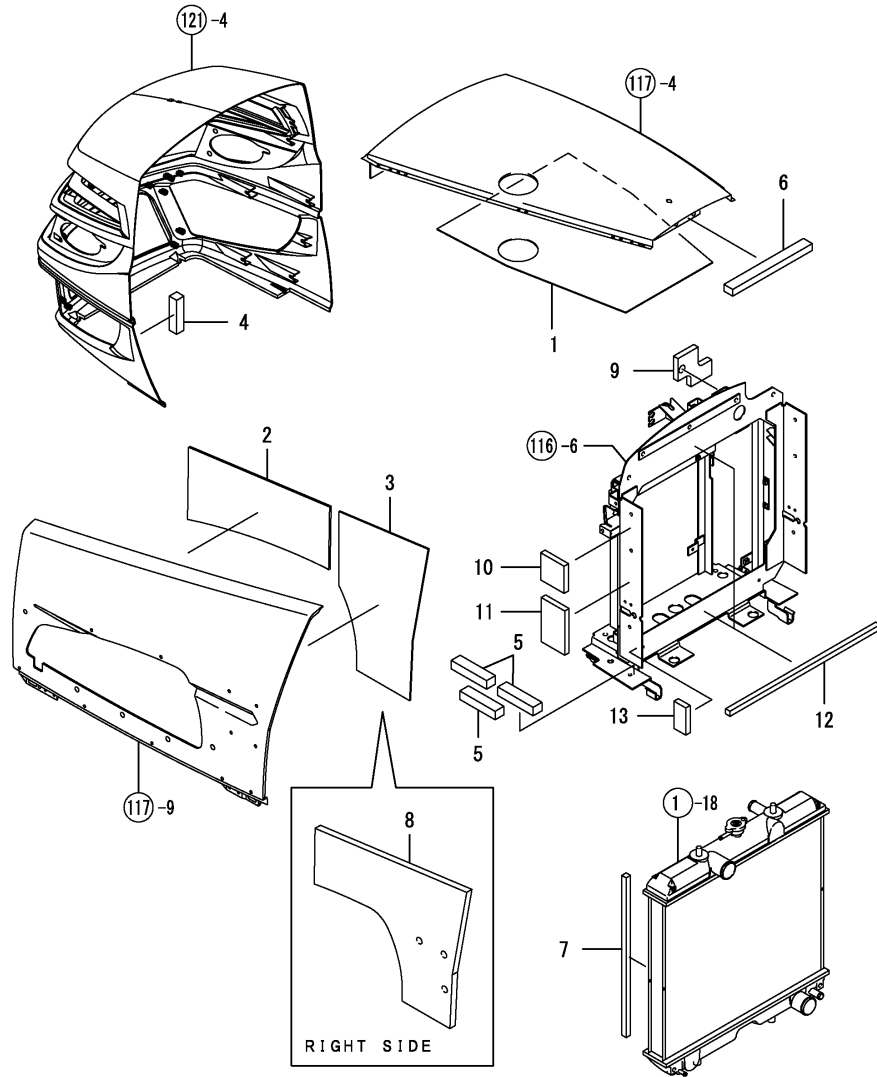
No.	Lev.	Parts No.	Description	Q'ty						I	R
				(A)	(B)	(C)	(D)	(E)	(F)		
1	1	198535-60640	URETHANE, SIDE UPPER	2							
2	1	1A7600-60690	URETHANE, 40X30	2							
3	1	198448-60710	URETHANE, 470	1							
4	1	198448-60730	URETHANE, UPPER F	1							
5	1	198448-60750	URETHANE, 750	1							
6	1	198448-60760	URETHANE, SCREEN	1							
7	1	1A7640-60820	URETHANE, 25X45X270	2							
8	1	1A7640-60830	URETHANE, 25X45X200	2							
9	1	1A7640-61410	RUBBER, MASK	1							



Fig.120. HOOD SEAL

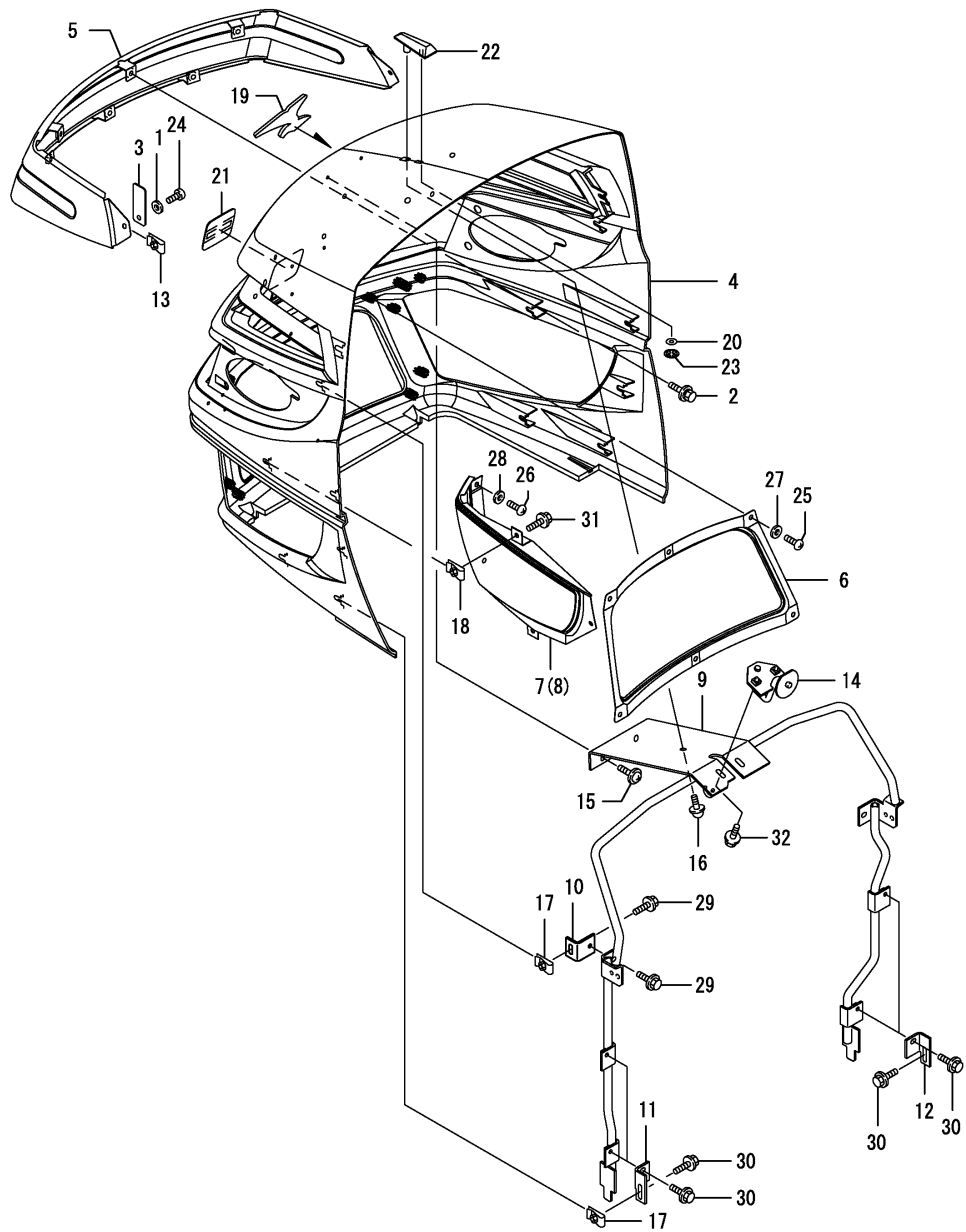
(A)=EF685T-PQ  
(B)=  
(C)=

(D)=  
(E)=  
(F)=



No.	Lev.	Parts No.	Description	Q'ty						I	R
				(A)	(B)	(C)	(D)	(E)	(F)		
1	1	1A7600-60610	URETHANE, BONNET U	1							
2	1	1A7650-60622	URETHANE, SIDE UPPER	1							
3	1	1A7650-60641	URETHANE, SIDE UPPER	1							
4	1	198550-60650	URETHANE, SIDE LOWER	2							
5	1	198448-60690	URETHANE, 120	6							
6	1	198448-60700	URETHANE, 20X30X270	1							
7	1	198448-60710	URETHANE, 470	2							
8	1	1A7650-60771	URETHANE, SIDE UPPER	1							
9	1	1A7650-60810	URETHANE, HOSE	1							
10	1	1A7650-60820	URETHANE, 80	2							
11	1	1A7650-60830	URETHANE, 130	2							
12	1	198268-61470	URETHANE, GRILLE 150	2							
13	1	1A7650-61810	URETHANE, 80X40X15	2							

Fig.121. FRONT GRILLE



(A)=EF685T-PQ

(B)=

(C)=

(D)=

(E)=

(F)=

No.	Lev.	Parts No.	Description	(A)	(B)	(C)	Qty	(D)	(E)	(F)	I	R
1	1	194515-01190	WASHER, 6	2								
1-1	1	22157-060000	WASHER, 6	2								N
(A=FXXXXX)												
2	1	198072-60590	BOLT, M6X20	6								
3	1	1A7600-61120	PLATE	2								
4	1	1A7640-61311	GRILLE, FRONT	1								
5	1	1A7640-61330	SCREEN ASSY, UPPER	1								
6	1	1A7640-61350	SCREEN, LOWER CENTER	1								
7	1	1A7640-61360	SCREEN ASSY, LOWER L	1								
8	1	1A7640-61370	SCREEN ASSY, LOWER R	1								
9	1	1A7640-61510	FRAME ASSY, GRILLE	1								
10	1	1A7640-61591	STAY, FRONT GRILLE A	2								
11	1	1A7640-61611	STAY, FRONT GRILLE L	2								
12	1	1A7640-61621	STAY, FRONT GRILLE R	2								
13	1	194145-61651	NUT, SPEED M5	2								
14	1	1A7640-61750	CATCH, LOCK	1								
15	1	194940-61790	SCREW, TAPPING M5X16	2								
15-1	1	194420-61640	SCREW, TAPPING M5X16	2								N
(A=FXXXXX)												
16	1	194940-61790	SCREW, TAPPING M5X16	1								
16-1	1	194420-61640	SCREW, TAPPING M5X16	1								N
(A=FXXXXX)												
17	1	198071-61890	NUT, SPEED M6	6								
18	1	198071-61890	NUT, SPEED M6	6								
19	1	1A7890-65010	MARK, BRAN 63-R600	1								
20	1	198475-65030	CUSHION	1								
21	1	1A7450-65250	LABEL, YANMAR 60	1								
22	1	198448-65590	MARK	1								
23	1	198071-65610	NUT, SPEED M5	1								
24	1	198071-78420	SCREW, TAPPING M5X10	2								
24-1	1	22857-500101	SCREW 5X10, TAPPING	2								N
(A=FXXXXX)												
25	1	198071-78420	SCREW, TAPPING M5X10	6								
25-1	1	22857-500101	SCREW 5X10, TAPPING	6								N
(A=FXXXXX)												
26	1	198071-78420	SCREW, TAPPING M5X10	4								
26-1	1	22857-500101	SCREW 5X10, TAPPING	4								N
(A=FXXXXX)												
27	1	22137-060000	WASHER, 6	6								
28	1	22137-060000	WASHER, 6	4								
29	1	26106-060122	BOLT, M6X 12 PLATED	4								
30	1	26106-060122	BOLT, M6X 12 PLATED	8								
31	1	26106-060122	BOLT, M6X 12 PLATED	6								
32	1	26106-060162	BOLT, M6X 16 PLATED	2								

Fig.122. DASHBOARD

(A)=EF685T-PQ  
(B)=  
(C)=

(D)=  
(E)=  
(F)=

No.	Lev.	Parts No.	Description	Q'ty						I	R
				(A)	(B)	(C)	(D)	(E)	(F)		
1	1	1A1040-41610	PLUG, RUBBER	1							
2	1	194197-56350	GROMMET	1							
3	1	198072-60590	BOLT, M6X20	6							
4	1	194555-61640	SCREW, TAPPING M5X25	3							
5	1	194167-61650	NUT 5008	3							
6	1	198448-61661	COVER, COLUMN F	1							
7	1	1A7450-61670	COVER, COLUMN R	1							
8	1	198448-61680	COVER, SWITCH HOLE	4							
9	1	194940-61790	SCREW, TAPPING M5X16	5							
10	1	1A7450-61790	GROMMET, 40	1							
11	1	1A7480-61810	DASHBOARD ASSY, M	1							
12	1	198071-61890	NUT, SPEED M6	6							

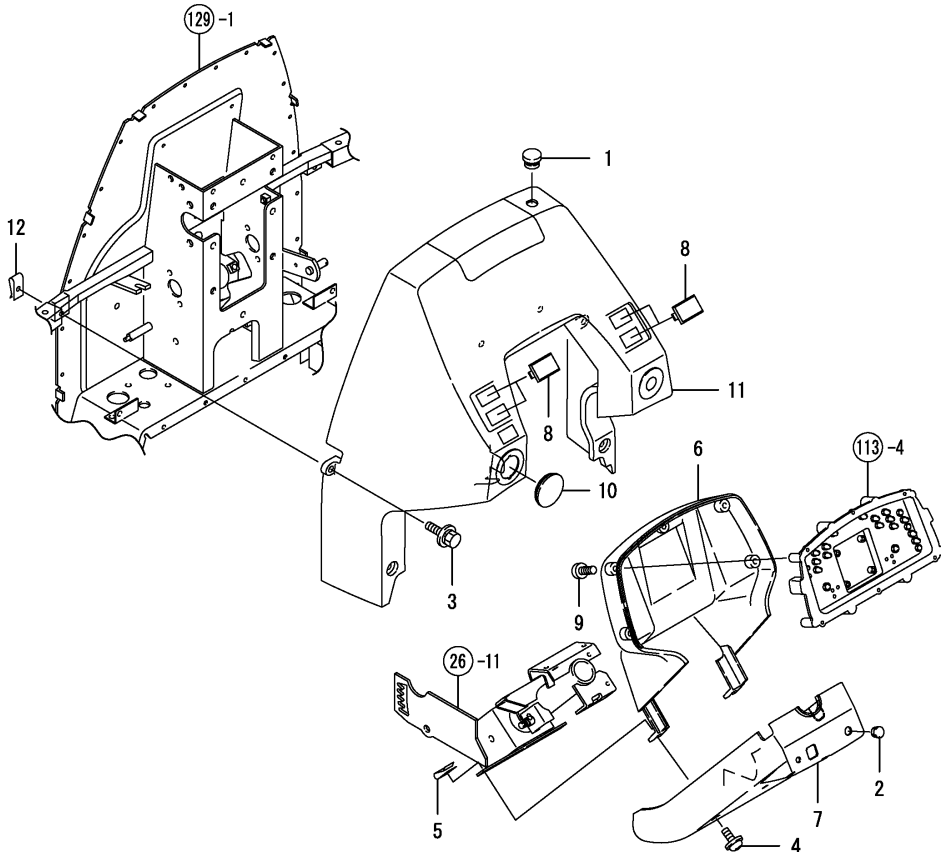
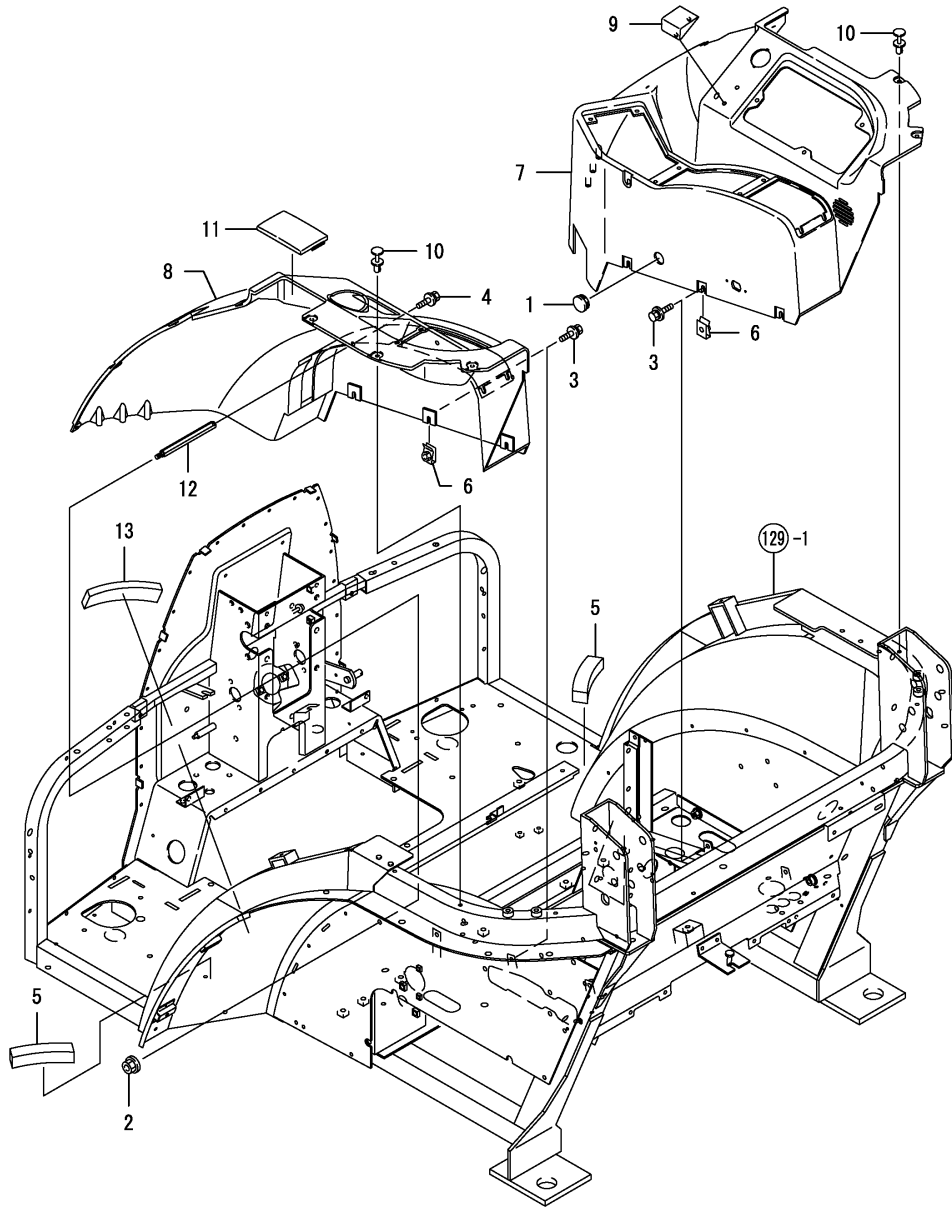


Fig.123. LEVER GUIDE



(A)=EF685T-PQ  
(B)=  
(C)=

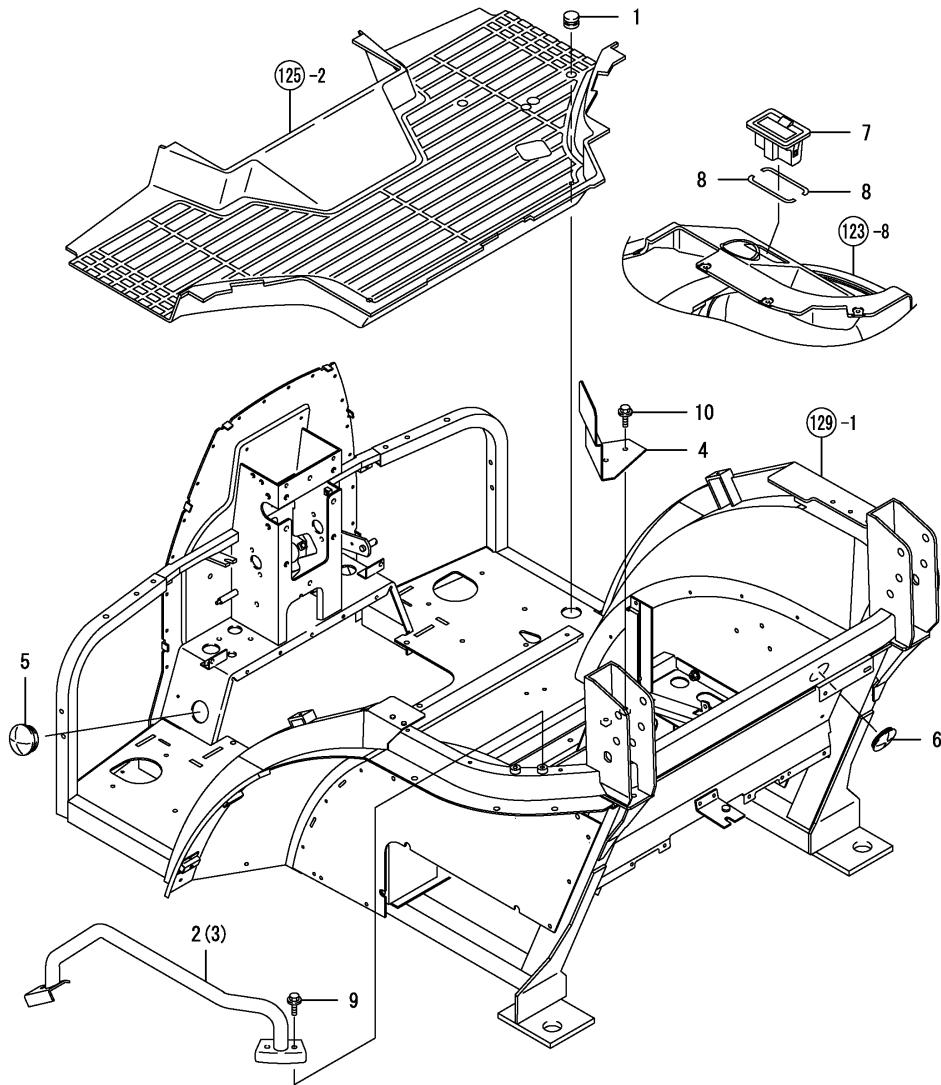
(D)=  
(E)=  
(F)=

No.	Lev.	Parts No.	Description	Qty						I	R
				(A)	(B)	(C)	(D)	(E)	(F)		
1	1	194300-21460	CAP, RUBBER 25	1							
2	1	194990-22140	NUT, M8	3							
3	1	198072-60590	BOLT, M6X20	7							
4	1	198072-60590	BOLT, M6X20	3							
5	1	198448-60690	URETHANE, 120	2							
6	1	198071-61890	NUT, SPEED M6	7							
7	1	1A7660-62250	GUIDE ASSY, LEVER RM	1							
8	1	1A7640-62270	GUIDE, LEVER L	1							
9	1	1A7640-62310	RUBBER, CUSHION	1							
10	1	1A7450-62320	RIVET, NYLON	13							
11	1	198448-62390	COVER, LEVER GUIDE	1							
12	1	198535-62390	BOLT, GUIDE	3							
13	1	198083-88810	URETHANE, GRILLE	1							

Fig.124. INTERIOR

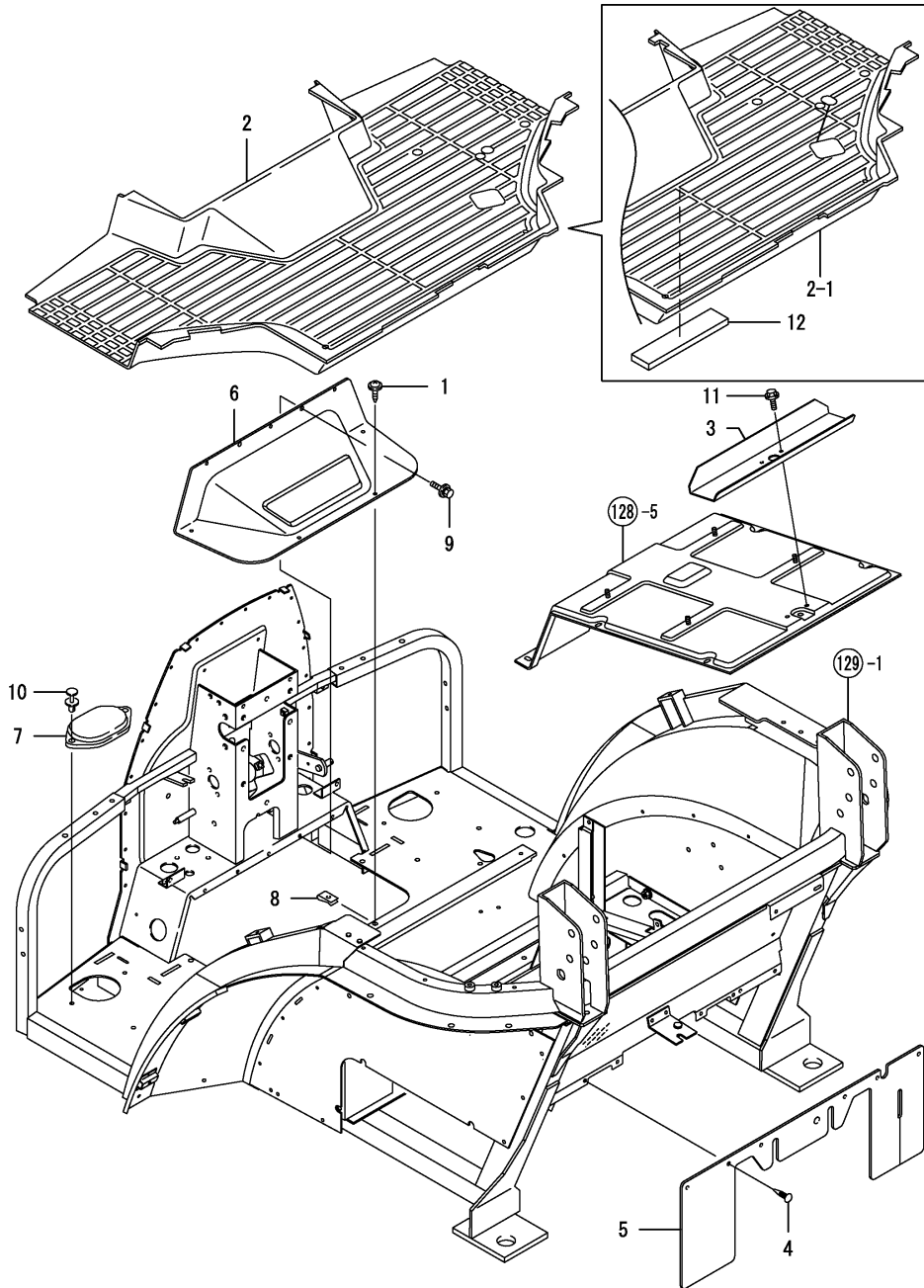
(A)=EF685T-PQ  
(B)=  
(C)=

(D)=  
(E)=  
(F)=



No.	Lev.	Parts No.	Description	Q'ty						I	R
				(A)	(B)	(C)	(D)	(E)	(F)		
1	1	194464-12190	CAP, RUBBER	1							
2	1	198448-62410	BAR ASSY, ASSIST L	1							
3	1	198448-62420	BAR ASSY, ASSIST R	1							
4	1	198448-62520	STAY, FUSE BOX	1							
5	1	198153-83870	BOOT, RUBBER	1							
6	1	198153-83870	BOOT, RUBBER	1							
7	1	1A7640-84710	ASHTRAY	1							
8	1	198492-84720	PACKING, ASHTRAY	2							
9	1	26106-080162	BOLT, M8X 16 PLATED	6							
10	1	26106-080162	BOLT, M8X 16 PLATED	2							

Fig.125. INTERIOR



(A)=EF685T-PQ  
(B)=  
(C)=

(D)=  
(E)=  
(F)=

No.	Lev.	Parts No.	Description	Qty						I	R
				(A)	(B)	(C)	(D)	(E)	(F)		
1	1	194940-61790	SCREW, TAPPING M5X16	7							
2	1	1A7640-62100	MAT ASSY, FLOOR	1							
2-1	1	1A7640-62101	MAT ASSY, FLOOR	1							S
(A=*2009.04.)											
3	1	1A7640-62460	HOLDER, REAR	1							
4	1	194697-62560	CAP, HOLE	6							
5	1	1A7640-62610	PLATE, RUBBER	1							
6	1	198268-62760	COVER, FLOOR	1							
7	1	198071-62791	COVER, FLOOR	2							
8	1	198220-63850	NUT, M5	7							
9	1	198093-85650	BOLT, M6X16	2							
10	1	198010-85810	RIVET, NYLON	4							
11	1	26106-060122	BOLT, M6X 12 PLATED	2							
12	1	1A7651-62120	URETAN	1							W
(A=*2009.04.)											



Fig.126. FLOOR SEAL

(A)=EF685T-PQ  
(B)=  
(C)=

(D)=  
(E)=  
(F)=

No.	Lev.	Parts No.	Description	Qty						I	R
				(A)	(B)	(C)	(D)	(E)	(F)		
1	1	198448-61880	SEAL ASSY, BONNET	1							

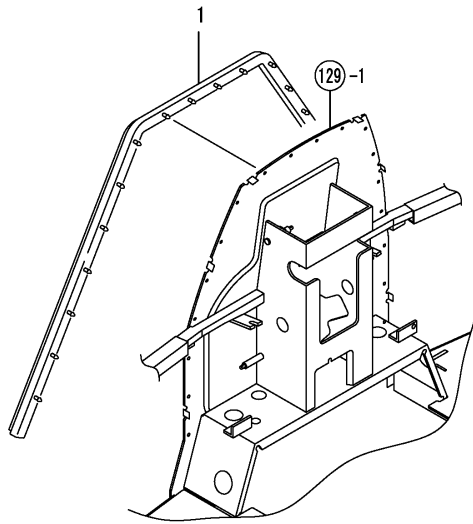
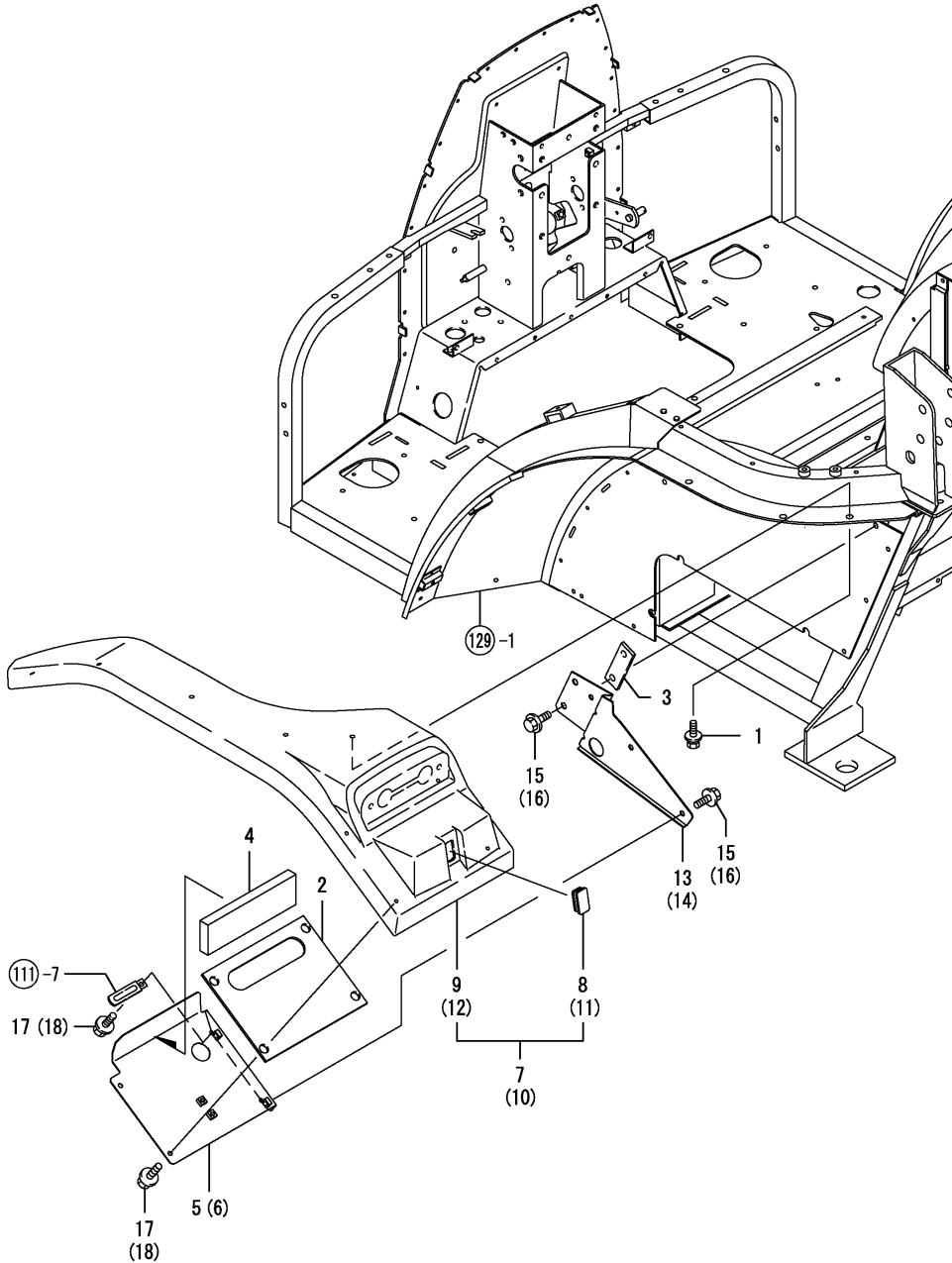


Fig.127. OVER FENDER

(A)=EF685T-PQ  
(B)=  
(C)=

(D)=  
(E)=  
(F)=



No.	Lev.	Parts No.	Description	Q'ty						I	R
				(A)	(B)	(C)	(D)	(E)	(F)		
1	1	194420-05210	BOLT, M6X16	10							
2	1	1A7470-62030	SEAL, MUDGUARD	2							
3	1	198463-62040	SEAL, GUARD	2							
4	1	1A7470-62040	URETHANE, 220X65X20	2							
5	1	1A7470-62054	BRACKET, MUDGUARD L	1							
6	1	1A7470-62064	BRACKET, MUDGUARD R	1							
7	1	1A7640-62201	FENDER, OVER L	1							
8	2	198153-52400	CAP, SWITCH	1							
9	2	1A7450-62211	FENDER ASSY, OVER L	1							
10	1	1A7640-62301	FENDER, OVER R	1							
11	2	198153-52400	CAP, SWITCH	1							
12	2	1A7450-62231	FENDER ASSY, OVER R	1							
13	1	198463-62431	MUDGUARD, L	1							
14	1	198463-62441	MUDGUARD, R	1							
15	1	198460-83350	BOLT, M8X16	4							
16	1	198460-83350	BOLT, M8X16	4							
17	1	26106-060162	BOLT, M6X 16 PLATED	4							
18	1	26106-060162	BOLT, M6X 16 PLATED	4							

Fig.128. FLOOR COVER

(A)=EF685T-PQ  
(B)=  
(C)=

(D)=  
(E)=  
(F)=

No.	Lev.	Parts No.	Description	Qty						I	R
				(A)	(B)	(C)	(D)	(E)	(F)		
1	1	194130-61570	GROMMET, 27	1							
2	1	198463-62170-1	COVER, FENDER	2							
2-1	1	198463-62171-1	COVER, FENDER R	1							N
(A=FZZZZZ)											
3	1	198463-62460	SEAL, FENDER COVER L	1							
4	1	198463-62470	SEAL, FENDER COVER R	1							
5	1	1A7640-62910	COVER ASSY, DUST	1							
6	1	198460-83350	BOLT, M8X16	8							
7	1	26106-080162	BOLT, M8X 16 PLATED	6							
8	1	198463-62200-2	COVER, FENDER L	1							W
(A=FZZZZZ)											

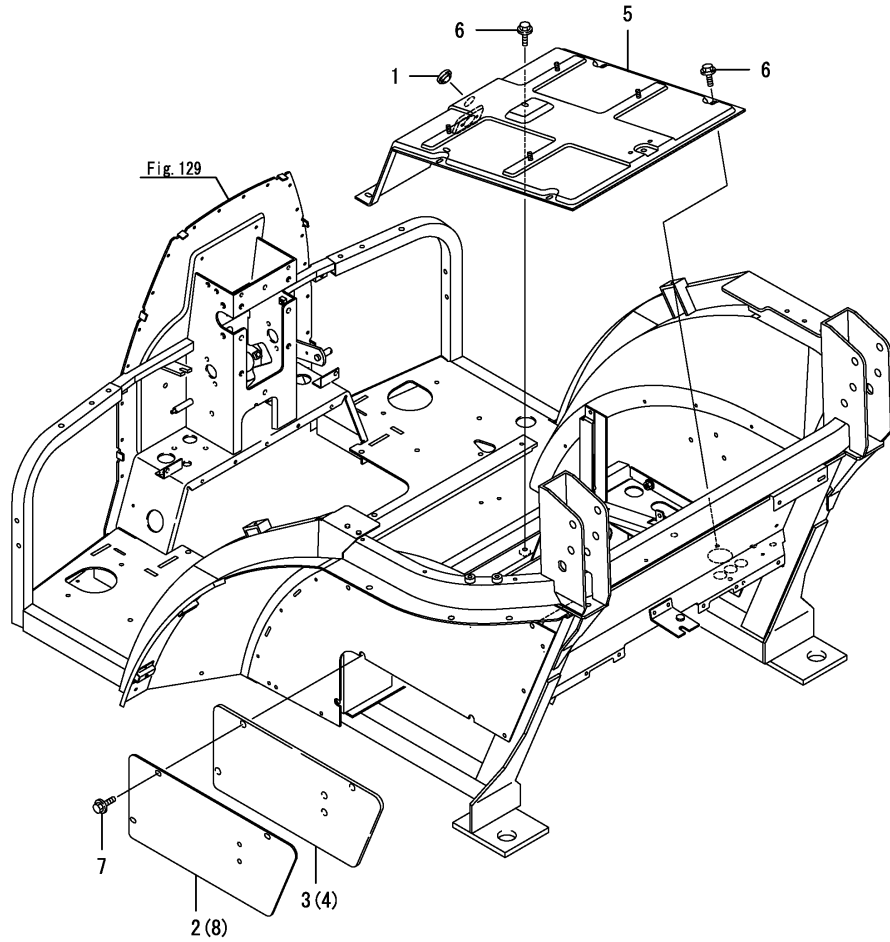


Fig.129. FLOOR FRAME

(A)=EF685T-PQ  
(B)=  
(C)=

(D)=  
(E)=  
(F)=

No.	Lev.	Parts No.	Description	Qty						I	R
				(A)	(B)	(C)	(D)	(E)	(F)		
1	1	1A7680-62060	FRAME ASSY, FLOOR M	1							
2	1	194197-56350	GROMMET	2							W
(A=*2009.04.)											

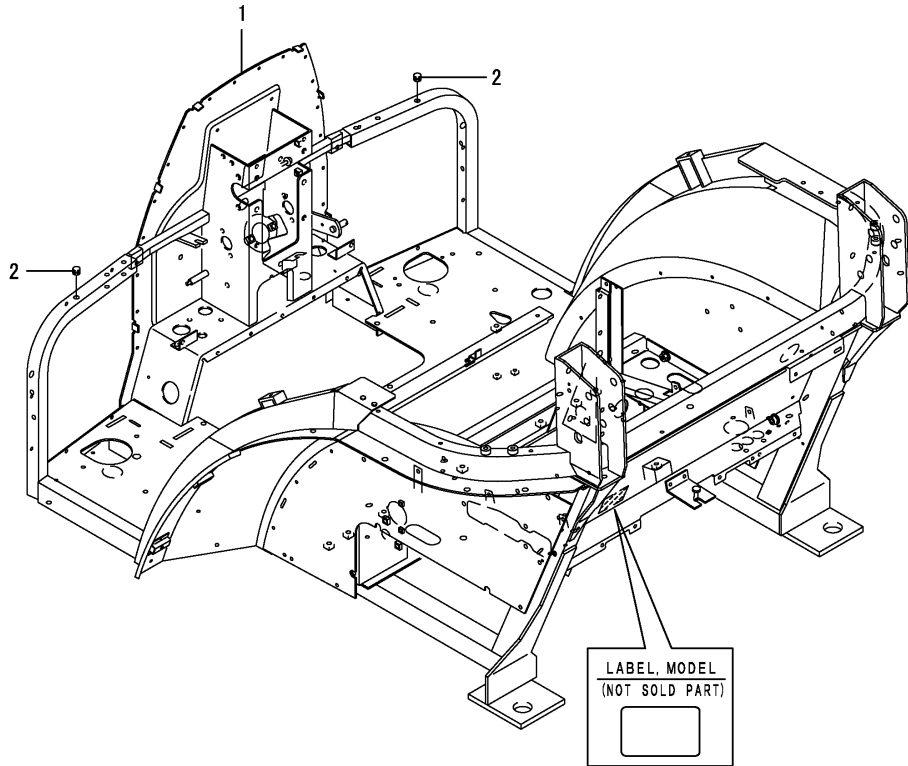
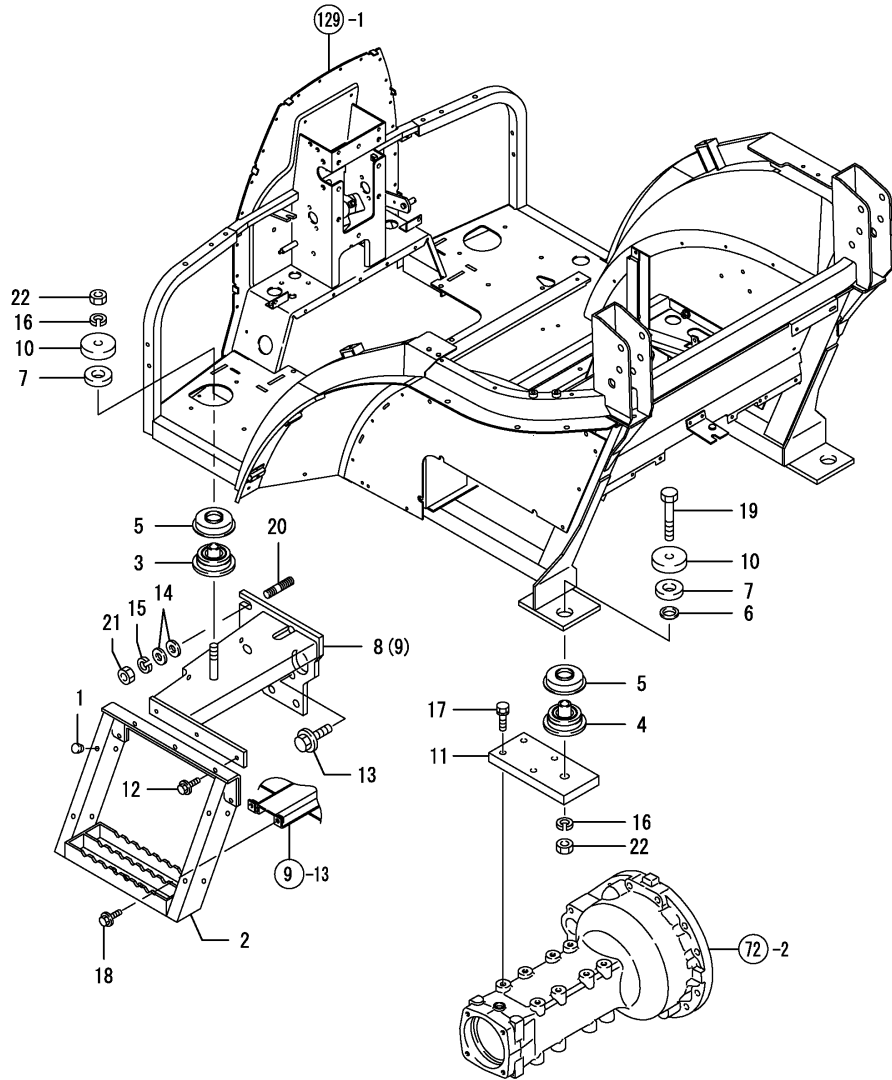


Fig.130. FLOOR SUPPORT



(A)=EF685T-PQ  
(B)=  
(C)=

(D)=  
(E)=  
(F)=

No.	Lev.	Parts No.	Description	Qty						I	R
				(A)	(B)	(C)	(D)	(E)	(F)		
1	1	194555-56890	GROMMET, 15	3							
2	1	198448-62600	STEP ASSY, SUB	2							
3	1	198094-62720	MOUNT, LOWER F	2							
4	1	1A7030-62750	MOUNT, REAR	2							
5	1	198094-62770	STOPPER, MOUNT	4							
6	1	198094-62790	RUBBER, STOPPER	2							
7	1	198071-62800	MOUNT, UPPER	4							
8	1	198535-62850	SUPPORT, FRONT L	1							
9	1	198535-62860	SUPPORT, FRONT R	1							
10	1	198071-62890	STOPPER, U	4							
11	1	198463-80610	PLATE, REAR	2							
12	1	198460-83350	BOLT, M8X16	6							
13	1	198220-85290	BOLT, M16X40	4							
14	1	22137-160000	WASHER, 16	4							
15	1	22217-160000	WASHER, SPRING 16	2							
16	1	22217-160000	WASHER, SPRING 16	4							
17	1	26013-120452	BOLT, M12X 45	8							
18	1	26106-080162	BOLT, M8X 16 PLATED	4							
19	1	26116-161002	BOLT, M16X100 PLATED	2							
20	1	26216-160452	STUD, M16X 45	4							
21	1	26716-160002	NUT, M16	2							
22	1	26716-160002	NUT, M16	4							

Fig.131. DUST GUARD

(A)=EF685T-PQ  
(B)=  
(C)=

(D)=  
(E)=  
(F)=

No.	Lev.	Parts No.	Description	Q'ty						I	R
				(A)	(B)	(C)	(D)	(E)	(F)		
1	1	198448-62060	GUARD, DUST	2							
2	1	197810-84840	RIVET, NYLON	12							

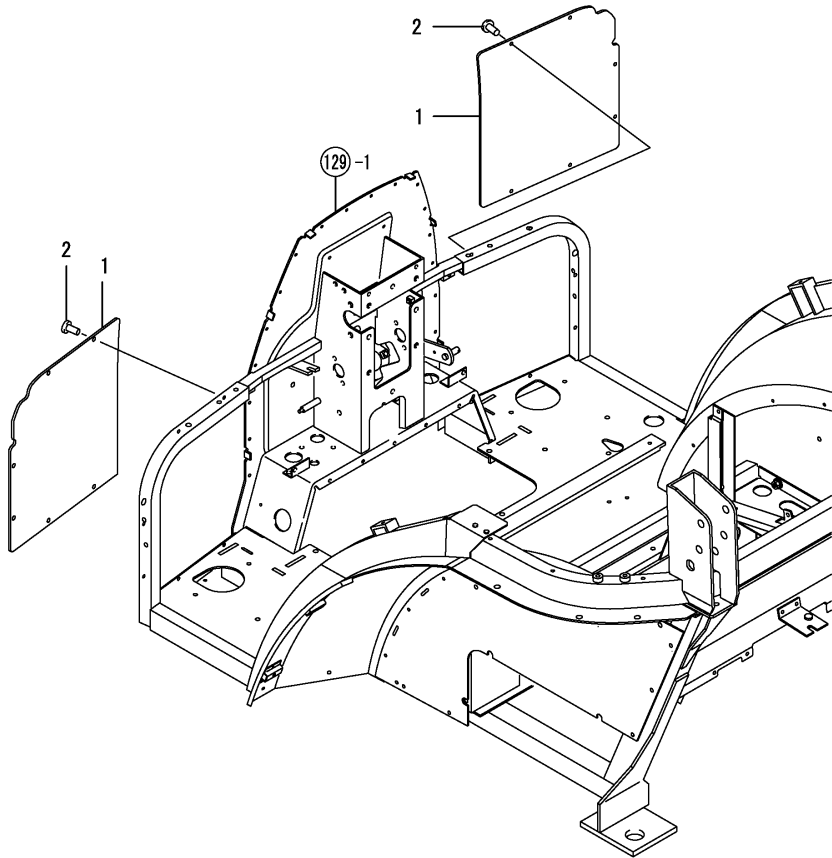
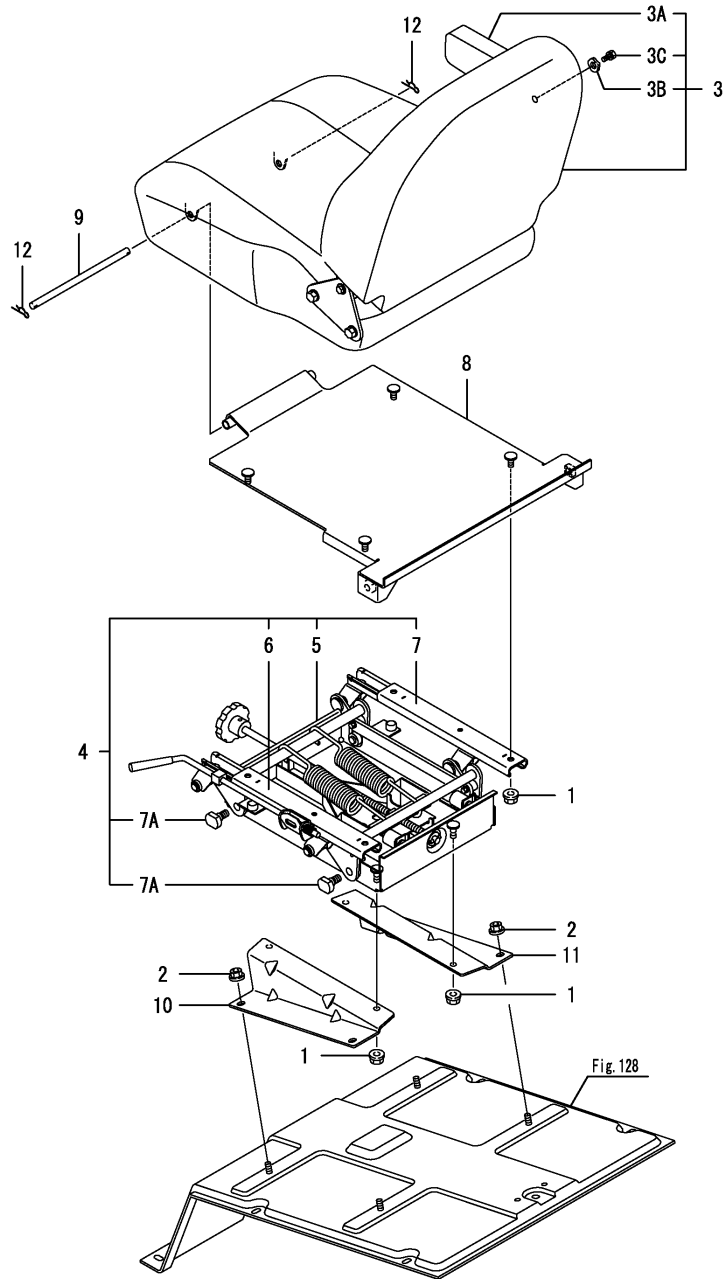


Fig.132. SEAT

(A)=EF685T-PQ  
(B)=  
(C)=

(D)=  
(E)=  
(F)=



No.	Lev.	Parts No.	Description	Q'ty						I	R
				(A)	(B)	(C)	(D)	(E)	(F)		
1	1	194990-22140	NUT, M8	8							
2	1	194990-22140	NUT, M8	4							
3	1	1A7640-63110	SEAT ASSY, OPERATOR	1							
3A	2	1A7640-63130 (A=FXXXXX)	ARMREST ASSY	1							W
3B	2	1A7640-63310 (A=FXXXXX)	WASHER	1							W
3C	2	1A7640-63320 (A=FXXXXX)	BOLT	1							W
4	1	1A7640-63151	SUSPENSION ASSY, SEAT	1							
5	2	1A7640-63160	BODY, SUSPENSION	1							
6	2	1A7640-63170	RAIL ASSY, SEAT L	1							
7	2	1A7640-63180	RAIL ASSY, SEAT R	1							
7A	2	1A7640-63190 (A=FXXXXX)	BOLT, HINGE	4							W
8	1	1A7640-63200	SUPPORT ASSY, SEAT	1							
9	1	1A7640-63220	PIN, HINGE	1							
10	1	1A7640-63260	STAY, SEAT L	1							
11	1	1A7640-63270	STAY, SEAT R	1							
12	1	22372-120000	PIN, SNAP 12	2							

Fig.133. SEAT BELT

(A)=EF685T-PQ  
(B)=  
(C)=

(D)=  
(E)=  
(F)=

No.	Lev.	Parts No.	Description	Q'ty						I	R
				(A)	(B)	(C)	(D)	(E)	(F)		
1	1	195747-22360	COLLAR, EXTENSION	2							
2	1	198268-63120	BELT, SEAT	1							
3	1	22137-100000	WASHER, 10	2							
4	1	26106-100302	BOLT, M10X 30 PLATED	2							

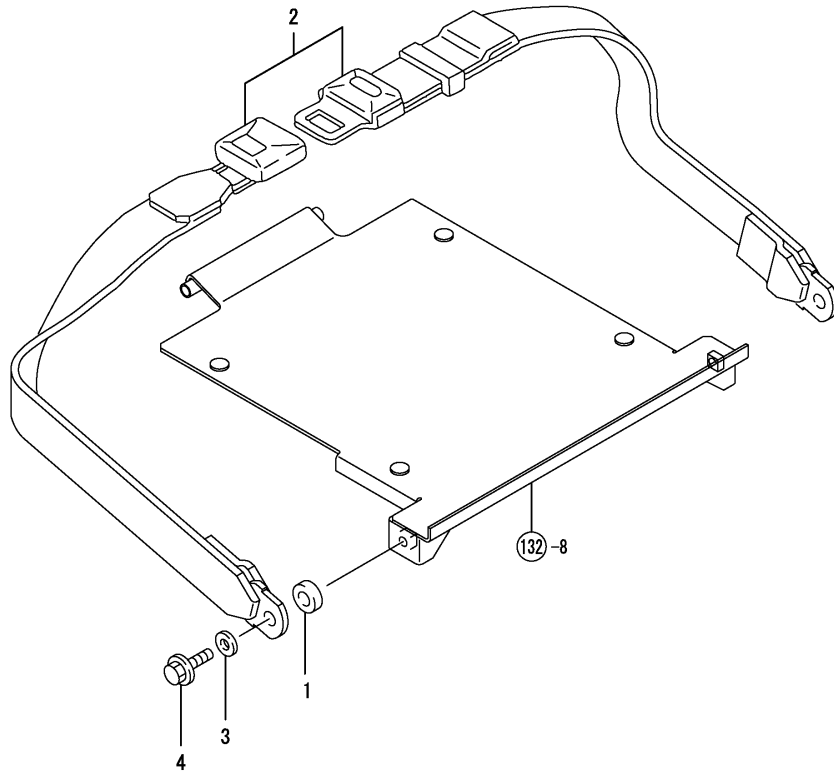




Fig.134. BACK MIRROR

(A)=EF685T-PQ  
(B)=  
(C)=

(D)=  
(E)=  
(F)=

No.	Lev.	Parts No.	Description	Q'ty						I	R
				(A)	(B)	(C)	(D)	(E)	(F)		
1	1	198220-63340	SPRING, FRICTION	2							
2	1	198440-64100	HEAD, MIRROR	2							
3	1	1A7450-64310	STAY, BACK MIRROR L	1							
4	1	1A7450-64350	STAY, BACK MIRROR R	1							
5	1	198133-64400	GROMMET	2							
6	1	22137-120000	WASHER, 12	2							
7	1	22351-060036	PIN, SPRING 6.0X36	2							
8	1	26346-100002	NUT, M10	2							

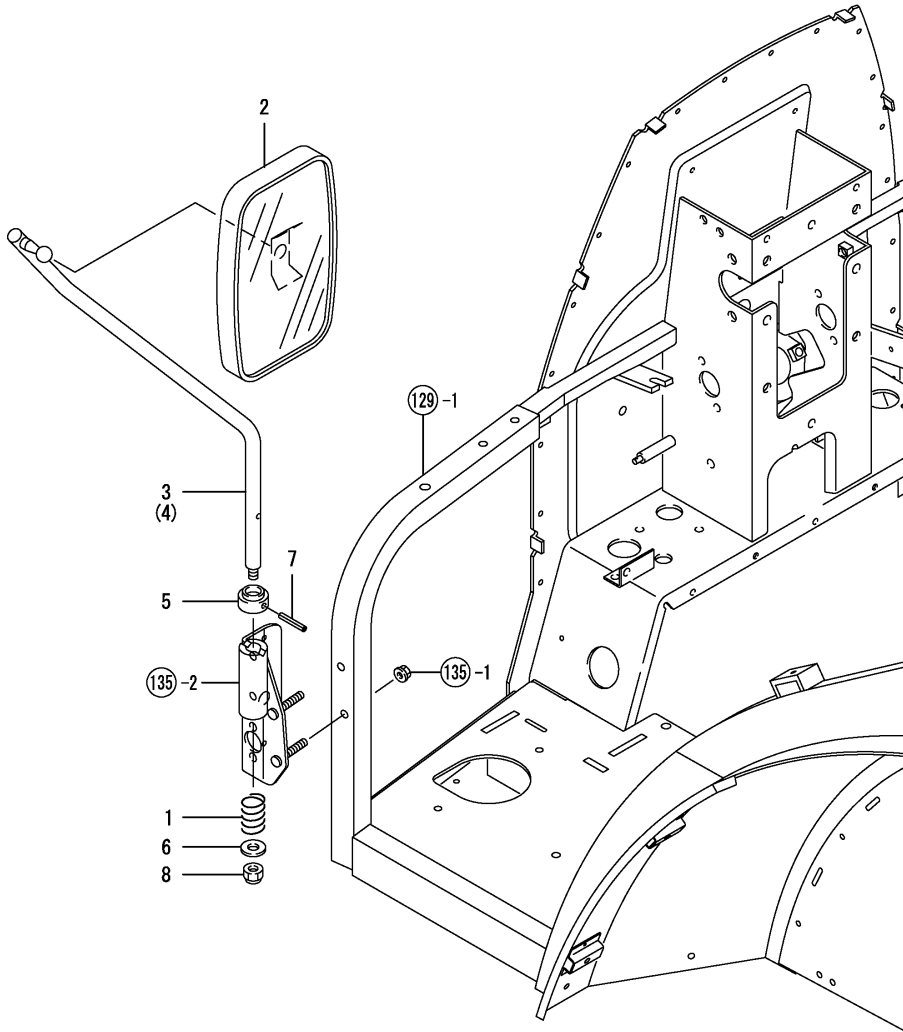
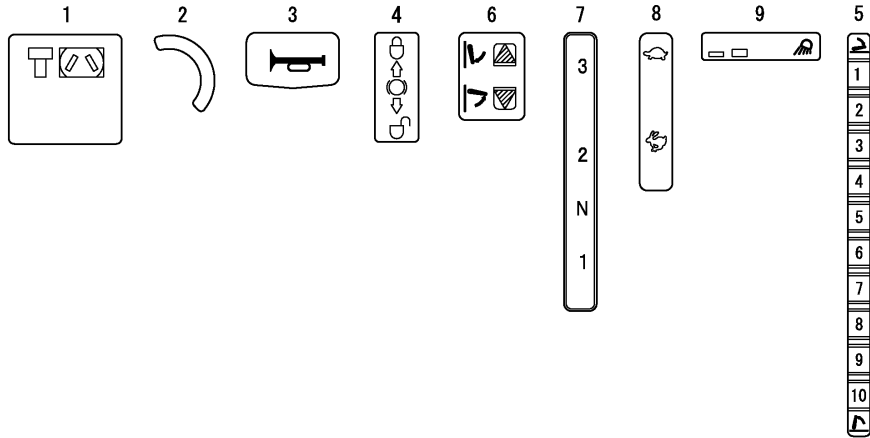




Fig.136. LABELS

(A)=EF685T-PQ  
(B)=  
(C)=

(D)=  
(E)=  
(F)=



No.	Lev.	Parts No.	Description	Q'ty						I	R
				(A)	(B)	(C)	(D)	(E)	(F)		
1	1	1A7480-64780	LABEL,	1							
2	1	1A7347-65050	LABEL,KEY SW.	1							
3	1	198153-65351	LABEL,HORN	1							
4	1	1A7480-65470	LABEL,	1							
5	1	1A7480-65510	LABEL,	1							
6	1	1A7680-65520	LABEL,	1							
7	1	198535-65660	LABEL, RANGE SHIFT	1							
8	1	1A7660-65690	LABEL,CREEP	1							
9	1	1A7480-65890	LABEL,SIDE LAMP	1							

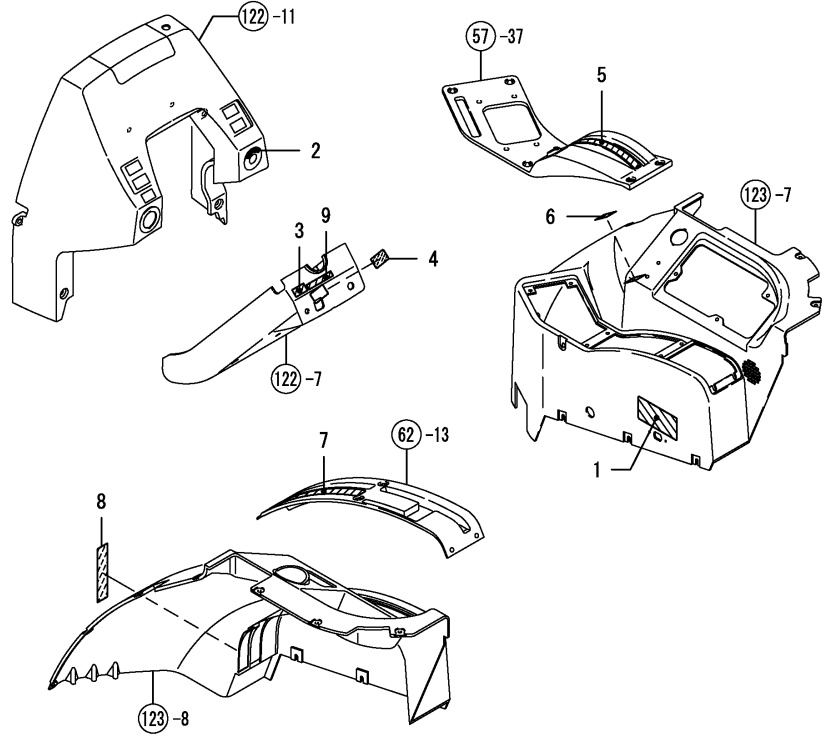


Fig.137. LABELS

(A)=EF685T-PQ  
(B)=  
(C)=

(D)=  
(E)=  
(F)=

No.	Lev.	Parts No.	Description	Q'ty						I	R
				(A)	(B)	(C)	(D)	(E)	(F)		
1	1	124764-44810	LABEL,SUB-TANK	1							
2	1	1A7680-65440	LABEL,	1							
3	1	1A7480-65720	LABEL,ECU FUSE	1							
4	1	194640-65730	LABEL	1							
5	1	1A7660-65781	LABEL, FUSE	1							
6	1	1A7640-65790	LABEL,	1							W

(A)=FXXXXXX

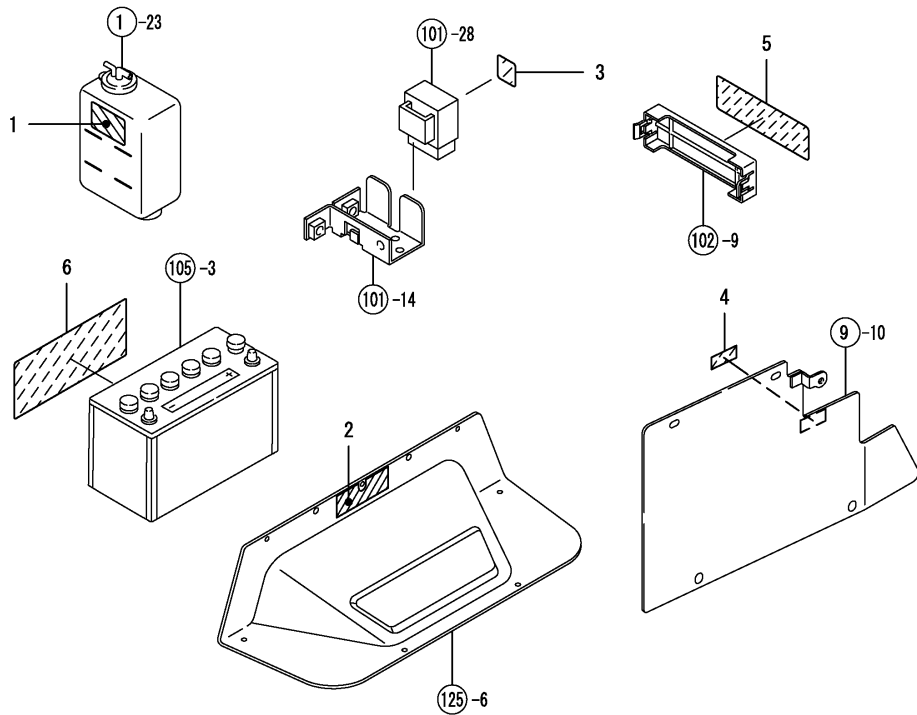
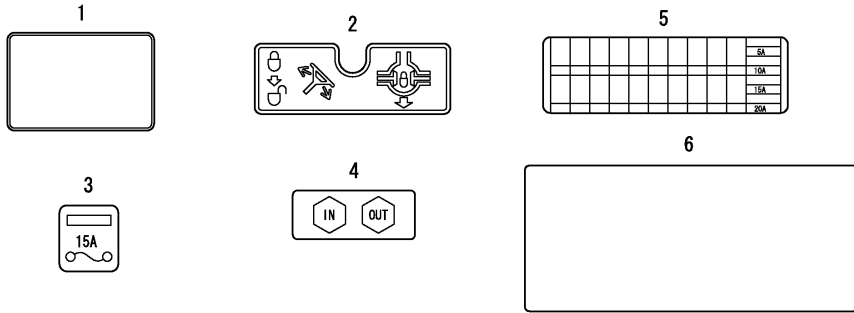
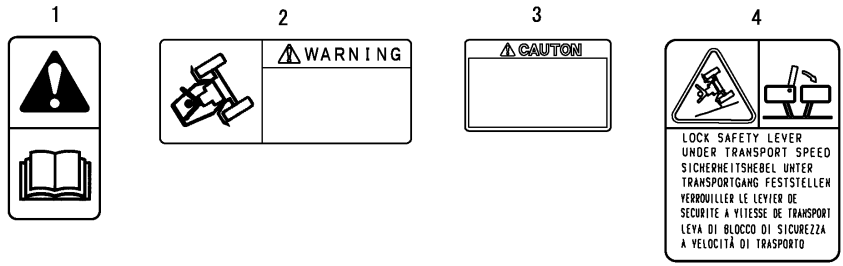




Fig.139. LABELS(SAFETY)

(A)=EF685T-PQ  
(B)=  
(C)=

(D)=  
(E)=  
(F)=



No.	Lev.	Parts No.	Description	Q'ty						I	R
				(A)	(B)	(C)	(D)	(E)	(F)		
1	1	1A7480-65310	LABEL, CAUTION	1							
2	1	1A7480-65450	LABEL,	1							
3	1	198122-65730	LABEL, CAUTION	1							
4	1	198163-65780	LABEL,BRAKE COUPLING	1							

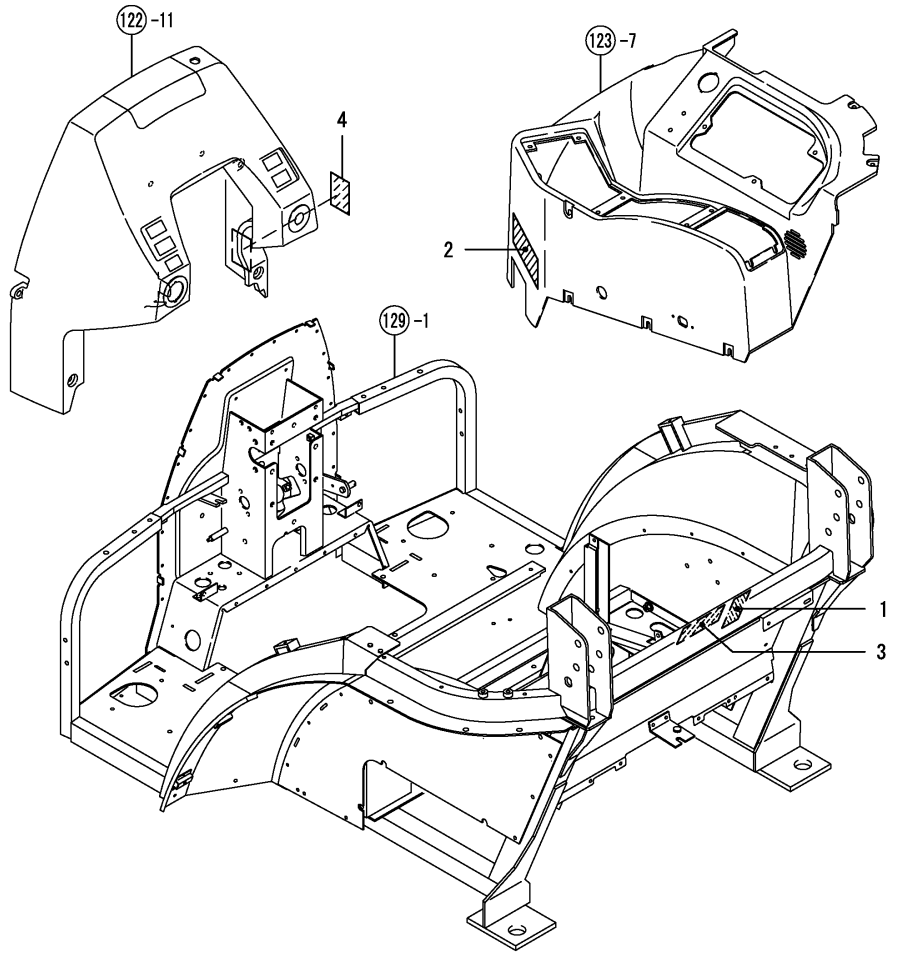




Fig.141. LABELS(SAFETY)

(A)=EF685T-PQ  
(B)=  
(C)=

(D)=  
(E)=  
(F)=

No.	Lev.	Parts No.	Description	Qty						I	R
				(A)	(B)	(C)	(D)	(E)	(F)		
1	1	1A8160-65350	LABEL,WARNING,ROPS	1							
2	1	1A7130-65910	LABEL (ROPS CAUTION)	1							

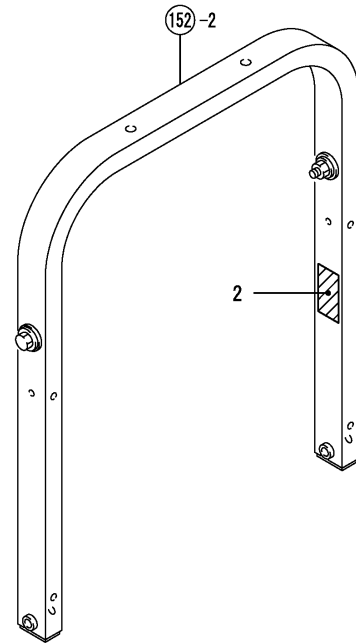
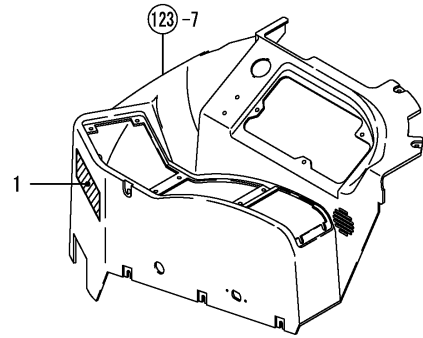
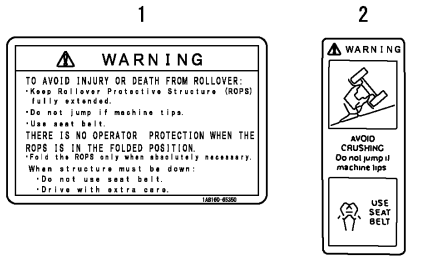
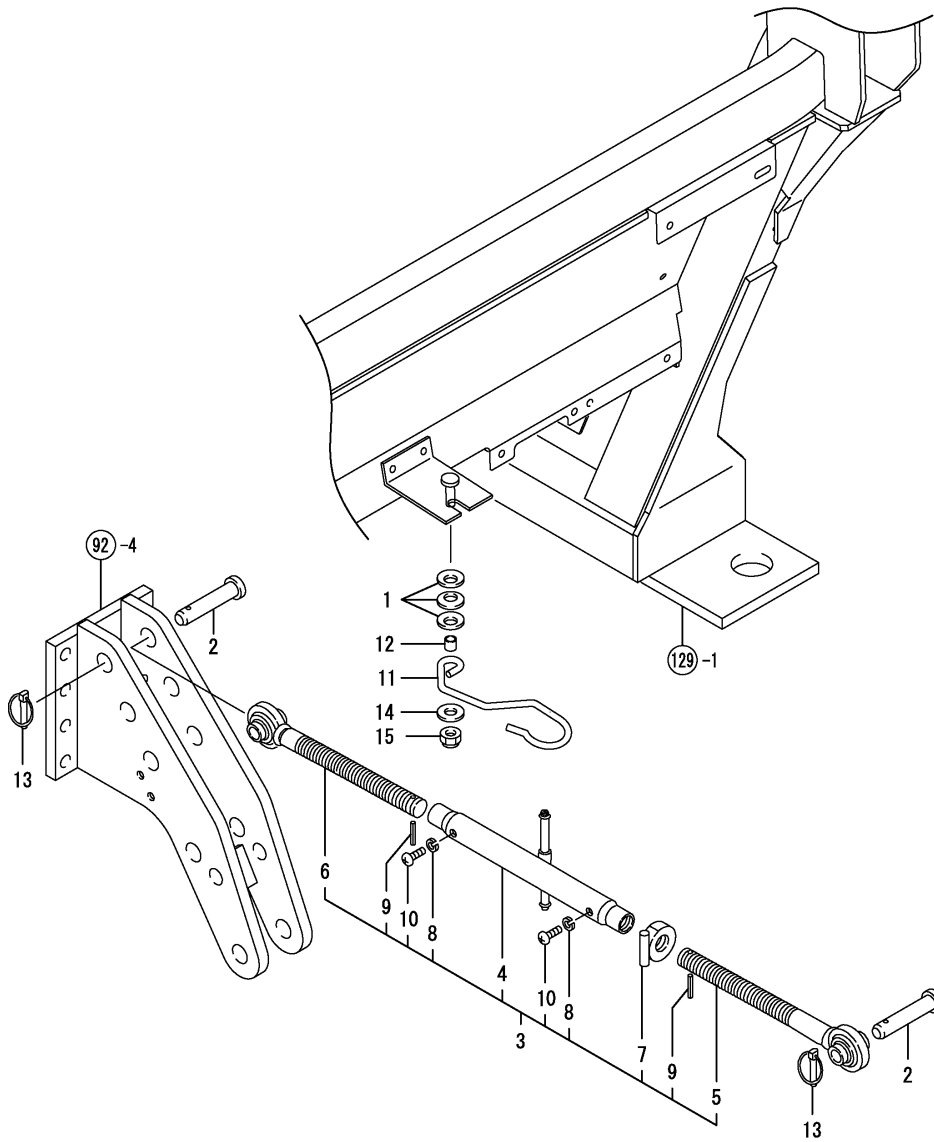




Fig.142. TOP LINK

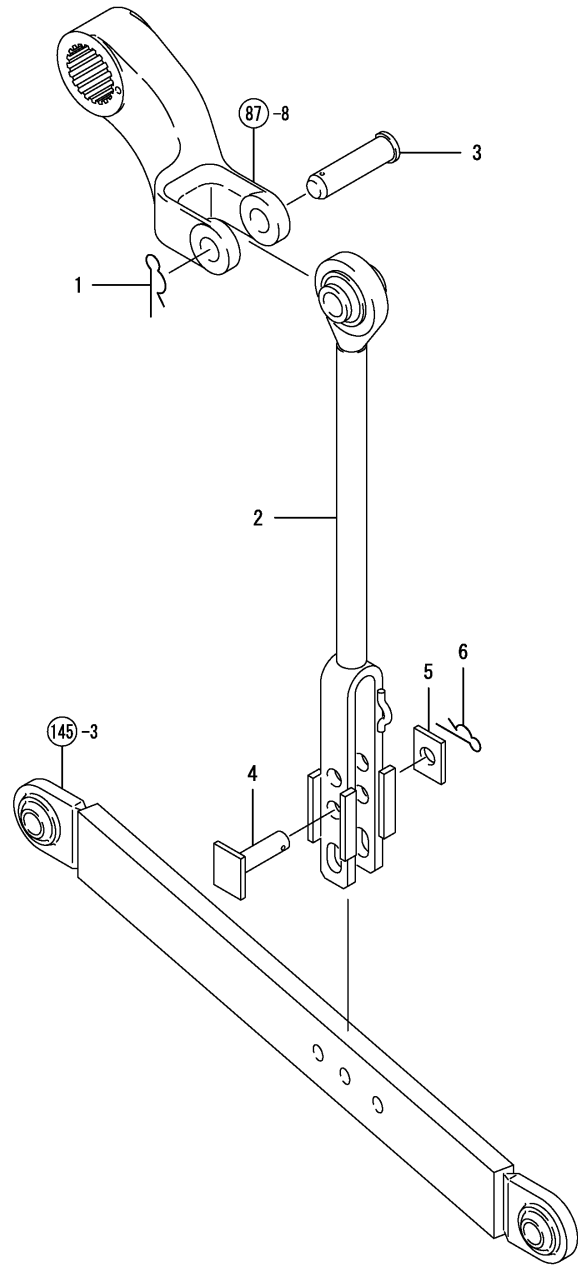
(A)=EF685T-PQ  
(B)=  
(C)=

(D)=  
(E)=  
(F)=



No.	Lev.	Parts No.	Description	Q'ty						I	R
				(A)	(B)	(C)	(D)	(E)	(F)		
1	1	198072-18320	SPRING, 12	3							
2	1	195397-27810	PIN, 19X92	2							
3	1	198084-71110	LINK ASSY, TOP	1							
4	2	198092-71530	TURNBUCKLE ASSY	1							
5	2	194145-71600	LINK ASSY, TOP R	1							
6	2	194145-71700	LINK ASSY, TOP L	1							
7	2	198092-71750	NUT ASSY, M24	1							
8	2	22217-060000	WASHER, SPRING 6	2							
9	2	22351-040024	PIN, SPRING 4.0X24	2							
10	2	26557-060062	SCREW, M6X 6	2							
11	1	1A7640-71710	HOOK, TOP LINK	1							
12	1	198092-71720	COLLAR, 8.1X10.5X9.3	1							
13	1	194180-72950	PIN ASSY, LOCK	2							
14	1	22137-080000	WASHER, 8	1							
15	1	26346-080002	NUT, M8	1							

Fig.143. LIFT LINK(L)



(A)=EF685T-PQ  
(B)=  
(C)=

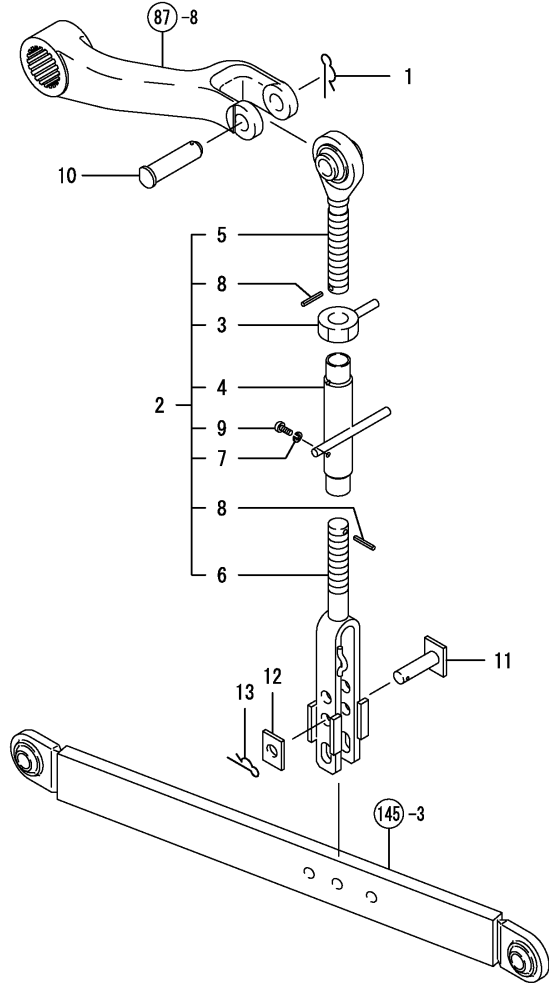
(D)=  
(E)=  
(F)=

No.	Lev.	Parts No.	Description	Q'ty						I	R
				(A)	(B)	(C)	(D)	(E)	(F)		
1	1	195184-15360	PIN, SNAP 19	1							
2	1	1A7640-72300	LINK ASSY, LIFT L	1							
3	1	1A7640-72410	PIN, LIFT ARM	1							
4	1	194640-72550	PIN, LIFT YOKE	1							
5	1	194330-72560	STOPPER	1							
6	1	22372-160000	PIN, SNAP 16	1							

Fig.144. LIFT LINK(R

(A)=EF685T-PQ  
(B)=  
(C)=

(D)=  
(E)=  
(F)=

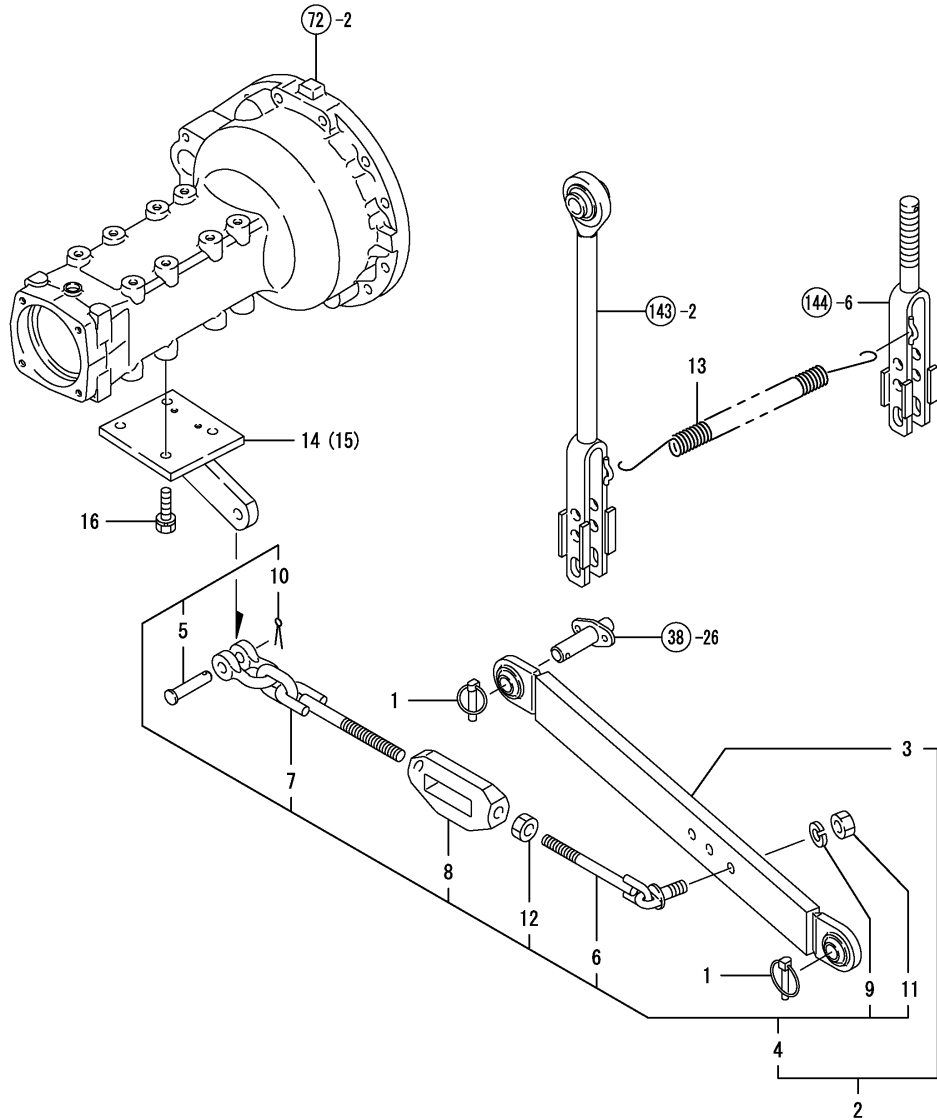


No.	Lev.	Parts No.	Description	Q'ty						
				(A)	(B)	(C)	(D)	(E)	(F)	
1	1	195184-15360	PIN, SNAP 19	1						
2	1	1A7640-72100	LINK KIT, LIFT R	1						
3	2	198492-71800	NUT ASSY, LOCK 24	1						
4	2	198253-72150	TURNBUCKLE	1						
5	2	1A7640-72200	BOLT, EYE	1						
6	2	1A7640-72250	YOKE ASSY, LINK R	1						
7	2	22217-060000	WASHER, SPRING 6	2						
8	2	22351-040024	PIN, SPRING 4.0X24	2						
9	2	26557-060062	SCREW, M6X 6	2						
10	1	1A7640-72410	PIN, LIFT ARM	1						
11	1	194640-72550	PIN, LIFT YOKE	1						
12	1	194330-72560	STOPPER	1						
13	1	22372-160000	PIN, SNAP 16	1						

Fig.145. LOWER LINK

(A)=EF685T-PQ  
(B)=  
(C)=

(D)=  
(E)=  
(F)=

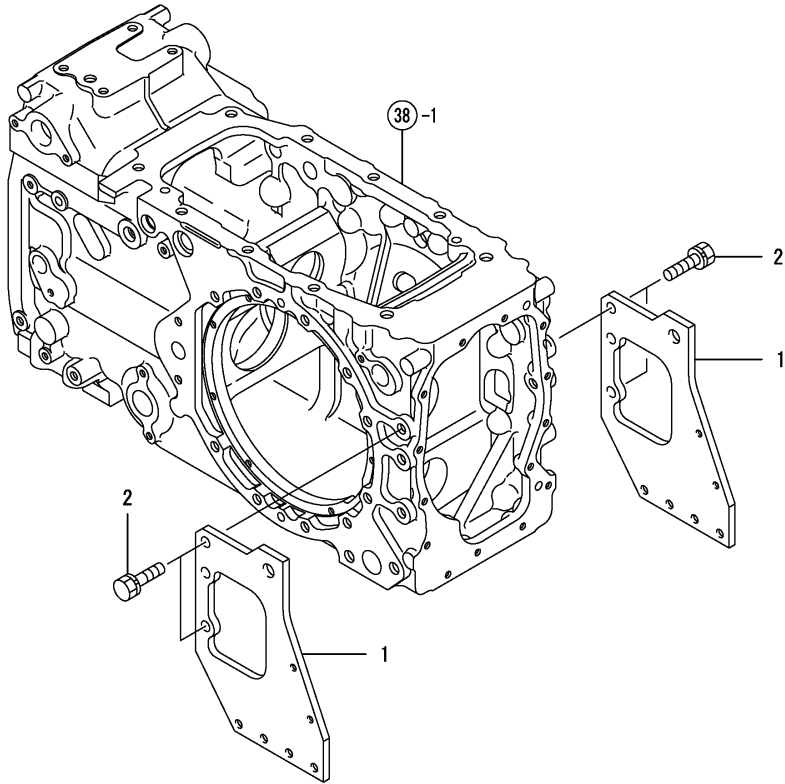


No.	Lev.	Parts No.	Description	Q'ty						I	R
				(A)	(B)	(C)	(D)	(E)	(F)		
1	1	794130-71410	PIN ASSY, BALL	4							
2	1	1A7640-73100	LINK ASSY, LOWER	2							
3	2	1A7640-73110	LINK ASSY, LOWER	2							
4	2	1A7640-74500	CHAIN ASSY, CHECK	2							
5	3	198153-74100	PIN, SHACKLE	2							
6	3	1A7270-74250	CHAIN ASSY, CHECK R	2							
7	3	1A7640-74510	CHAIN ASSY, CHECK F	2							
8	3	198153-74680	TURNBUCKLE	2							
9	3	22217-160000	WASHER, SPRING 16	2							
10	3	22417-400320	PIN, COTTER 4.0X32	2							
11	3	26736-160002	NUT, M16	2							
12	3	26756-160002	NUT, LOCK M16	2							
13	1	194145-73150	SPRING, LOCK	1							
14	1	198448-74100	BRACKET, CHAIN L	1							
15	1	198448-74200	BRACKET, CHAIN R	1							
16	1	26013-120302	BOLT, M12X 30	8							

Fig.146. DRAWBAR PLATE

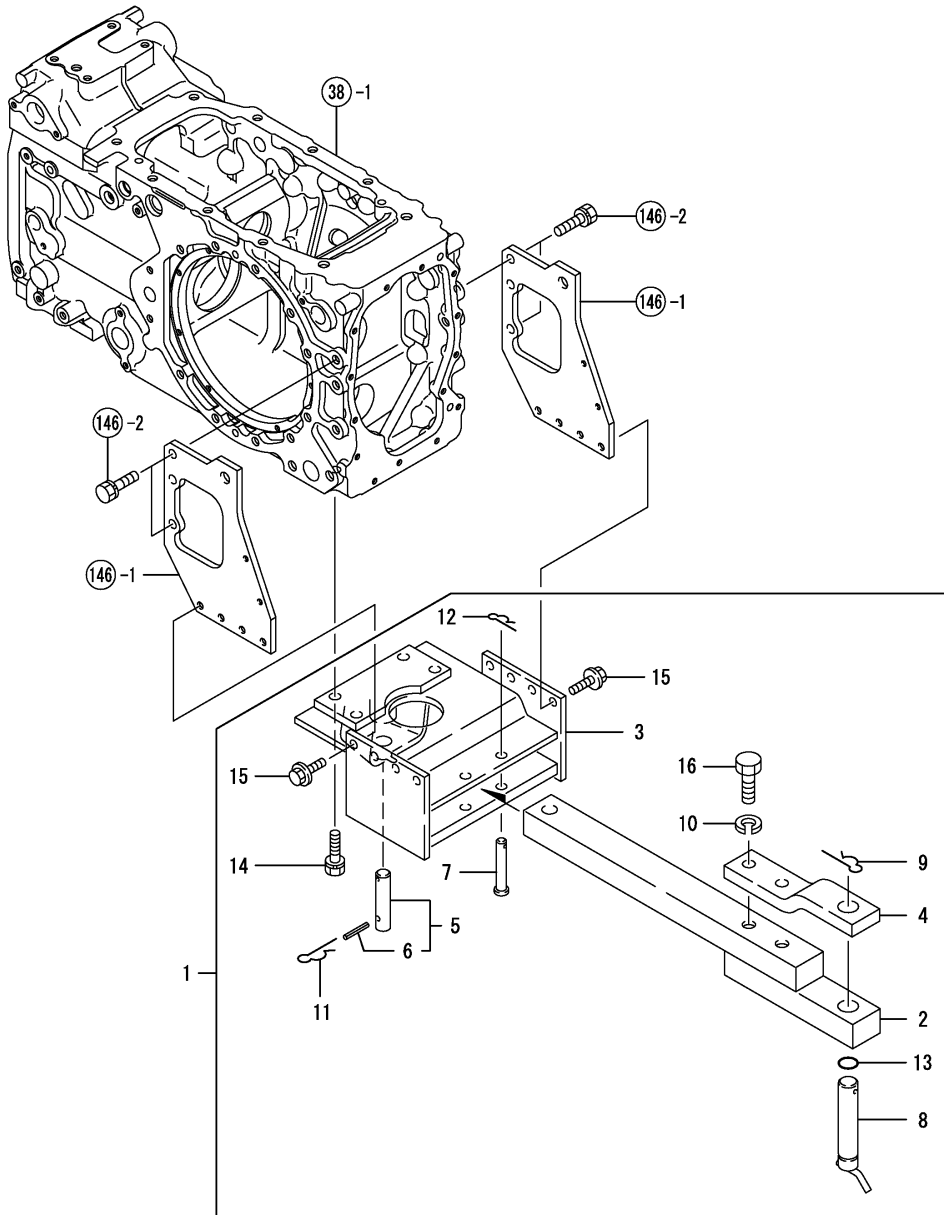
(A)=EF685T-PQ  
(B)=  
(C)=

(D)=  
(E)=  
(F)=



No.	Lev.	Parts No.	Description	Q'ty						I	R
				(A)	(B)	(C)	(D)	(E)	(F)		
1	1	198535-75140	PLATE, DRAWBAR	2							
2	1	26013-120302	BOLT, M12X 30	4							

Fig.147. DRAWBAR HITCH



(A)=EF685T-PQ  
(B)=  
(C)=

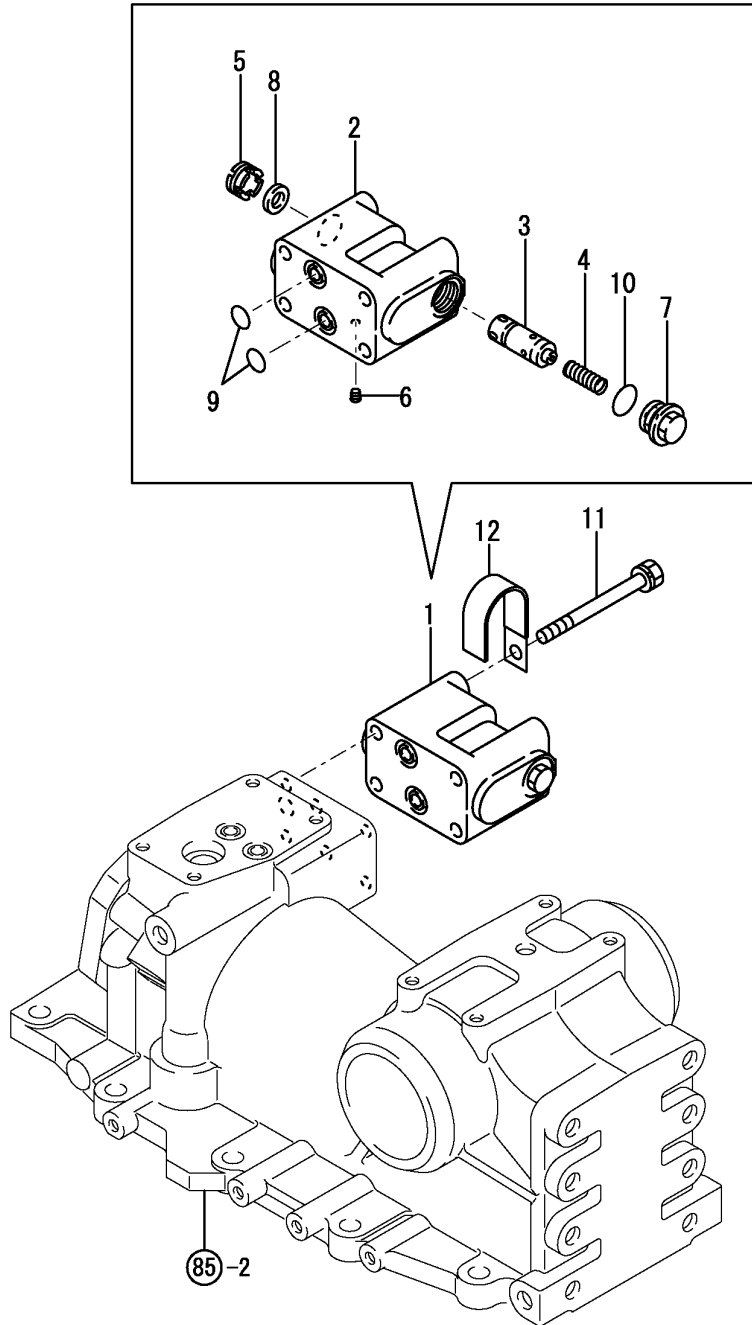
(D)=  
(E)=  
(F)=

No.	Lev.	Parts No.	Description	Qty						I	R
				(A)	(B)	(C)	(D)	(E)	(F)		
1	1	198535-75700	HITCH KIT, DRAWBAR	1							
2	2	198448-75111	HITCH, DRAWBAR	1							
3	2	198448-75130	BRACKET, DRAWBAR	1							
4	2	198448-75250	PLATE, DRAWBAR	1							
5	2	198448-75320	PIN ASSY, HITCH	1							
6	3	22351-060040	PIN, SPRING 6.0X40	1							
7	2	198448-75440	PIN, STOPPER	2							
8	2	198133-75750	PIN ASSY, HITCH 25	1							
9	2	194080-75790	PIN, SNAP 28	1							
10	2	22217-160000	WASHER, SPRING 16	2							
11	2	22360-200000	PIN, SNAP 20	1							
12	2	22372-120000	PIN, SNAP 12	2							
13	2	24311-000220	O-RING, 1AP22.0	1							
14	2	26013-140452	BOLT, M14X 45	4							
15	2	26106-100202	BOLT, M10X 20 PLATED	8							
16	2	26116-160502	BOLT, M16X 50 PLATED	2							

Fig.148. FLOW CONTROL VALVE

(A)=EF685T-PQ  
(B)=  
(C)=

(D)=  
(E)=  
(F)=

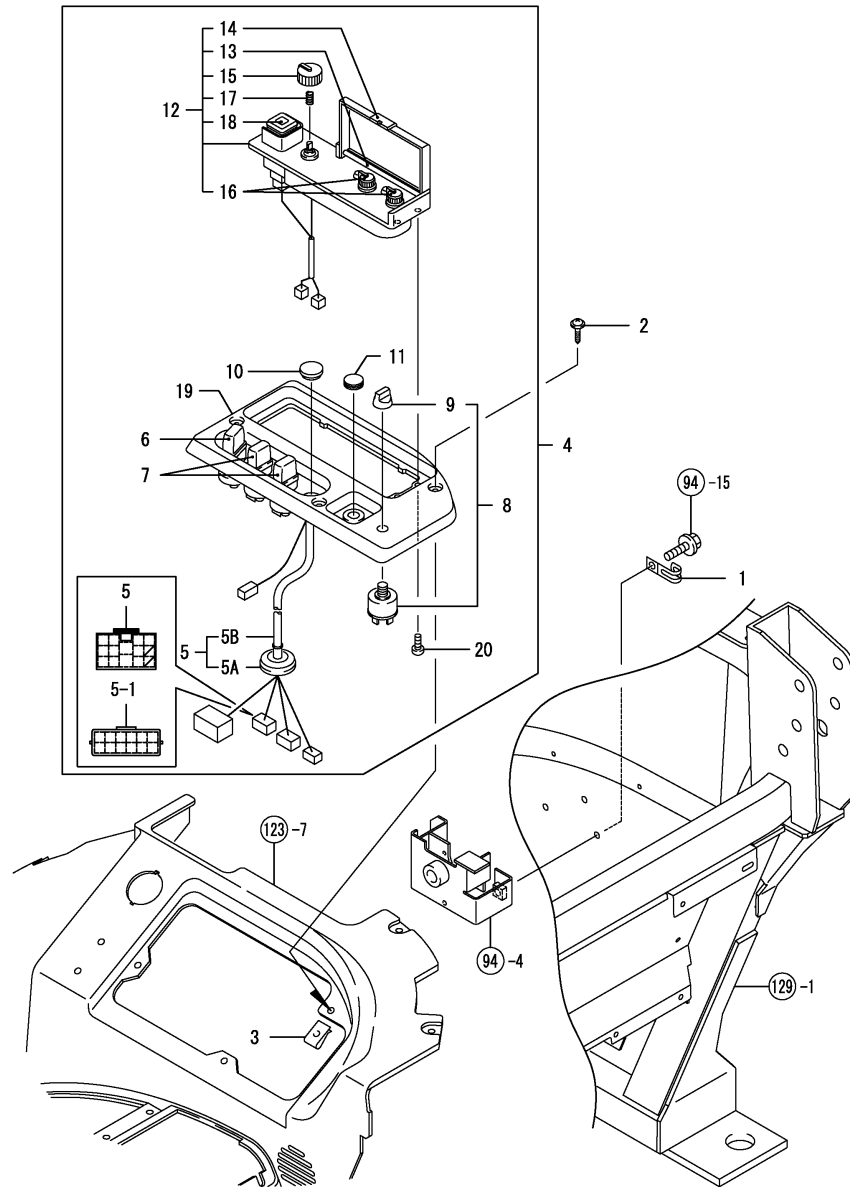


No.	Lev.	Parts No.	Description	Q'ty						I	R
				(A)	(B)	(C)	(D)	(E)	(F)		
1	1	1A7640-48690	VALVE ASSY, CONTROL	1							
2	2	16826A-01950	VALVE BODY(10B1	1							
3	2	16826A-02050	SPOOL(FLOW CONT. 10B	1							
4	2	178073-02220	SPRING, FLOW CONTROL	1							
5	2	194275-45340	SCREW, VALVE SEAT	1							
6	2	194555-77120	PLUG, 1/16	1							
7	2	198121-77330	PLUG	1							
8	2	22117-100000	WASHER, 10	1							
9	2	24315-000140	O-RING, 1BP14.0	2							
10	2	24315-000180	O-RING, 1BP18.0	1							
11	1	26013-080852	BOLT, M8X 85	4							
11-1	1	26106-080852	BOLT, M8X 85 PLATED	4							Q
(A=FZZZZZ)											
12	1	198448-51460	CLAMP, HARNESS	1							W
(A=FXXXXXX)											

Fig.149. CONTROL BOX

(A)=EF685T-PQ  
(B)=  
(C)=

(D)=  
(E)=  
(F)=



No.	Lev.	Parts No.	Description	Qty						I	R
				(A)	(B)	(C)	(D)	(E)	(F)		
1	1	194440-51620	CLAMP	1							
2	1	194555-61640	SCREW, TAPPING M5X25	3							
3	1	198220-63850	NUT, M5	3							
4	1	1A7660-78320	CONTROLLER ASSY	1							
4-1	1	1A7660-78321	CONTROLLER ASSY	1						S	1
(A=FZZZZZ)											
5	2	1A7640-51380	HARNESS, WIRE	1							
5-1	2	1A7640-51381	HARNESS, WIRE	1							S
(A=FZZZZZ)											
5A	3	1A7640-51320	GROMMET, 50	1							W
(A=FZZZZZ)											
5B	3	1A7640-51391	WIRING HARNESS,	1							W
(A=FZZZZZ)											
6	2	198448-52260	SWITCH, SELECTOR 2	1							
7	2	198448-52280	SWITCH, SELECTOR 3	2							
8	2	1A7450-52310	SWITCH ASSY, SELECT	1							
9	3	1A7450-52330	KNOB	1							
10	2	194448-61620	GROMMET, 20.5	1							
11	2	194145-64430	GROMMET, 12	1							
12	2	1A7660-78330	BOX ASSY, CONTROL	1							
13	3	198535-78420	SHAFT	1							
14	3	198535-78430	COVER	1							
15	3	198535-78440	KNOB ASSY, SWITCH 1	1							
16	3	198535-78450	KNOB ASSY, SWITCH 2	2							
17	3	198535-78460	SPRING	1							
18	3	198535-78470	SWITCH	1							
19	2	1A7660-78370	PANEL, OPERATION	1							
20	2	198071-78420	SCREW, TAPPING M5X10	2							

Remarks

(1)Ref.No.4 and the difference of 4-1 refer to ref.Nos.5,5-1.



Fig.150. CONTROLLER

(A)=EF685T-PQ  
(B)=  
(C)=

(D)=  
(E)=  
(F)=

No.	Lev.	Parts No.	Description	Q'ty						I	R
				(A)	(B)	(C)	(D)	(E)	(F)		
1	1	1A7640-78351	CONTROLLER, UFO	1							
2	1	1A7640-78410	BRACKET, CONTROL	1							
3	1	22157-080000	WASHER, 8	2							
4	1	26106-060452	BOLT, M6X 45 PLATED	2							
5	1	26106-080162	BOLT, M8X 16 PLATED	2							

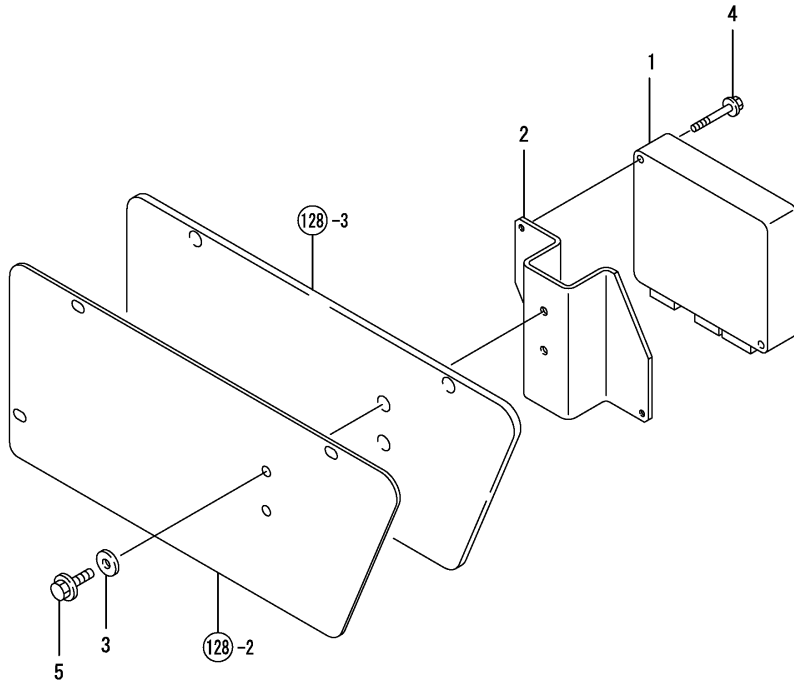
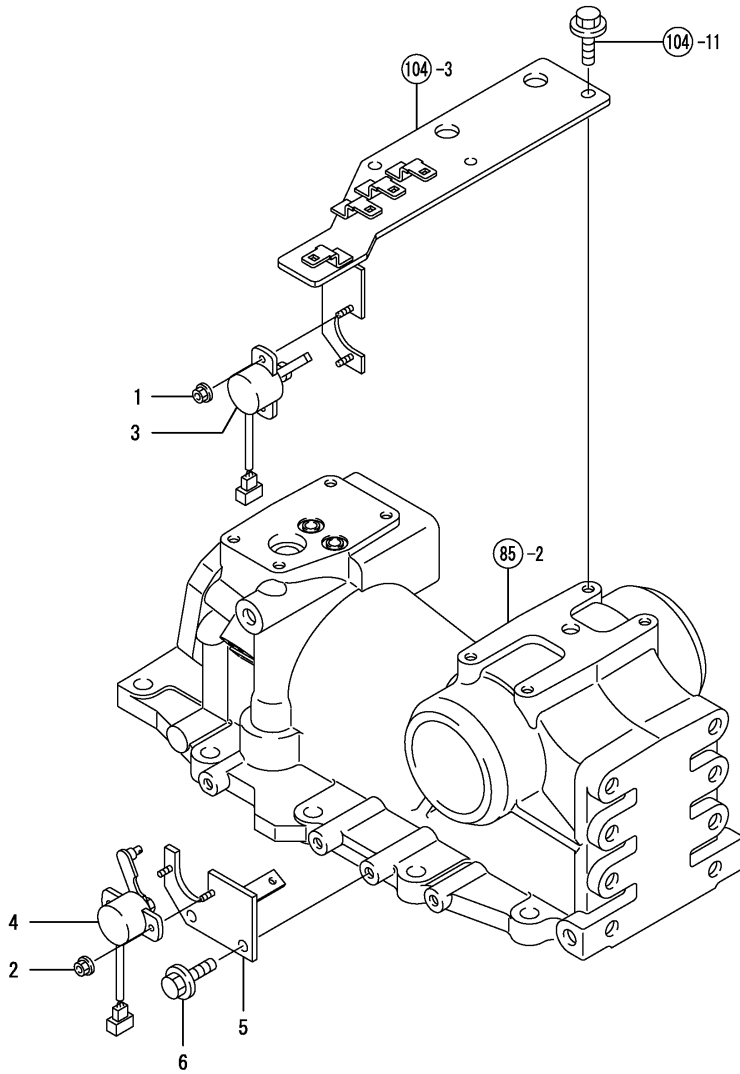


Fig.151. SENSOR

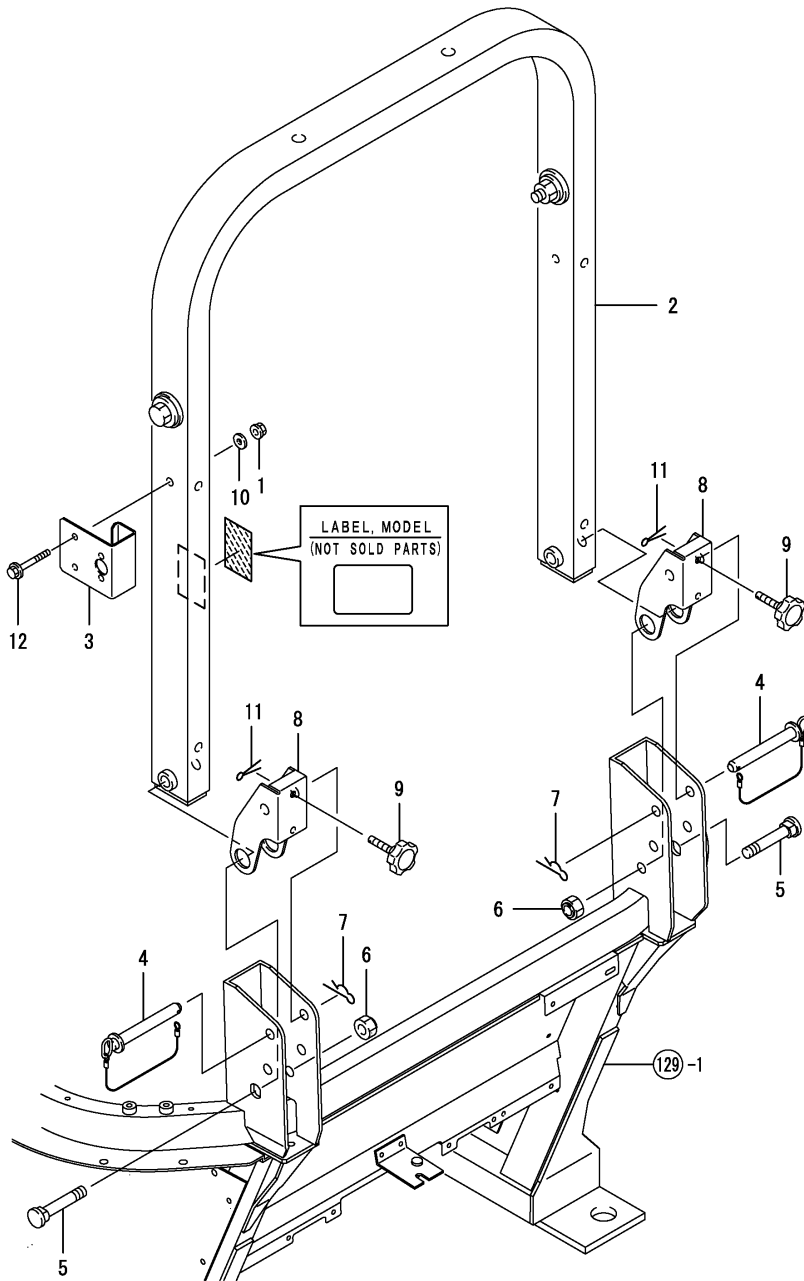
(A)=EF685T-PQ  
(B)=  
(C)=

(D)=  
(E)=  
(F)=



No.	Lev.	Parts No.	Description	Q'ty						I	R
				(A)	(B)	(C)	(D)	(E)	(F)		
1	1	194990-22110	NUT, M4	2							
2	1	194990-22110	NUT, M4	2							
3	1	198448-78560	SENSOR, LIFT ANGLE	1							
4	1	198360-78571	SENSOR, COVER F	1							
5	1	198094-78690	BRACKET, SENSOR	1							
6	1	26106-080162	BOLT, M8X 16 PLATED	2							

Fig.152. ROPS



(A)=EF685T-PQ  
(B)=  
(C)=

(D)=  
(E)=  
(F)=

No.	Lev.	Parts No.	Description	Qty						I	R
				(A)	(B)	(C)	(D)	(E)	(F)		
1	1	194990-22140	NUT, M8	2							
2	1	1A7660-85060	FRAME ASSY, UPPER M	1							
3	1	1A7450-85281	STAY, LAMP	2							
4	1	198448-85290	PIN ASSY, STOPPER	2							
5	1	198101-85411	PIN, 16	2							
6	1	1A7260-85510	NUT, M16	2							
7	1	198133-85850	PIN, SNAP 16	2							
8	1	198448-85900	PLATE ASSY, BACK	2							
9	1	198133-85920	BOLT, M10X50	2							
10	1	22157-080000	WASHER, 8	2							
11	1	22417-200200	PIN, COTTER 2.0X20	2							
12	1	26106-080652	BOLT, M8X 65 PLATED	2							

Fig.153. ACCESSORY

(A)=EF685T-PQ  
(B)=  
(C)=

(D)=  
(E)=  
(F)=

No.	Lev.	Parts No.	Description	Q'ty						I	R
				(A)	(B)	(C)	(D)	(E)	(F)		
1	1	0A042-G00301	OPERATION MANUAL	1							
1-1	1	0A042-G00302 (A=FXXXXXX)	OPERATION MANUAL	1							N
1-2	1	0A042-G00303 (A=FXXXXXX)	OPERATION MANUAL	1							N

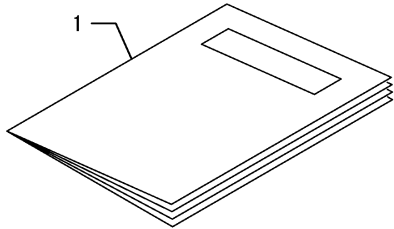
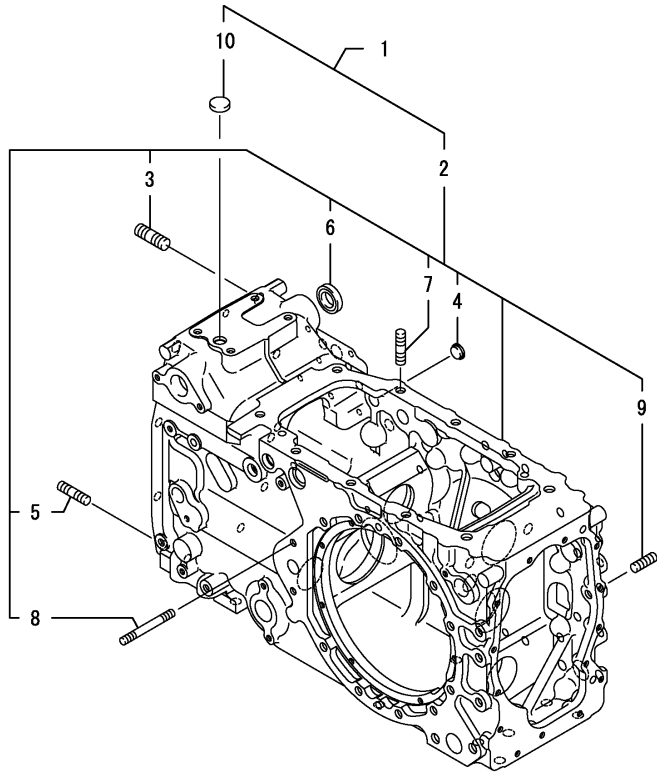


Fig.155. REPAIR PART(MISSION HOUSING

(A)=EF685T-PQ  
(B)=  
(C)=

(D)=  
(E)=  
(F)=



No.	Lev.	Parts No.	Description	Q'ty						I	R
				(A)	(B)	(C)	(D)	(E)	(F)		
1	1	1A7640-24970	HOUSING,TRANSMISSION	1							
2	2	1A7640-24101	HOUSING ASSY, XMSN.	1							
3	3	198240-24120	STUD, M16X45	2							
4	3	1A7450-24170	PLUG, BORE 17	1							
5	3	198240-24530	STUD, M12X45	2							
6	3	198212-27350	SEAL, OIL TC4 203507	1							
7	3	26216-120352	STUD, M12X 35	2							
8	3	26218-100902	STUD, M10X 90	2							
9	3	26218-120252	STUD, M12X 25	2							
10	2	27260-170000	PLUG, 17	1							

## Parts No. Index

Parts No.	Fig. No.	Ref. No.
0A042-G00301	153	1
0A042-G00302	153	1 -1
0A042-G00303	153	1 -2
101504-55101	7	25
106990-44660	7	21
		22
119005-12571	1	15
119060-61990	3	4
119255-44660	1	31
119527-44610	1	29 A
119527-44630	1	29 B
119620-51350	41	19
119650-77910	1	44
119802-55710	1	38
119808-12540	1	13
121267-44590	1	26
121450-44531	1	24
121468-44540	1	27
121470-44581	1	28
124450-44560	1	25
124550-77030	1	42
124756-77040	1	43
	101	26
		27
124764-44810	137	1
124766-59050	1	41
	2	16
		17
		18
		19
	7	26
		27
		28
		29
126650-12680	1	17
129005-12080	1	3
129054-77800	3	5
129054-77811	3	7
129054-77820	3	8
129054-77830	3	9
129062-12560	1	14
129100-55690	1	37
129150-49081	1	33
129150-49101	1	32
129457-12530	1	12
129457-44520	1	22
129457-44530	1	21
129461-59580	7	30
129466-44510	1	23
129467-44580	114	3

Parts No.	Fig. No.	Ref. No.
129574-91580	113	12
129612-12650	1	16
129612-52100	1	35
129906-55700	1	36
129956-12040	1	2
129956-12100	1	4
129956-12110	1	5
129956-12120	1	6
129956-12130	1	7
129956-12140	1	8
129956-12150	1	9
129956-12160	1	10
129963-12512	1	11
129963-44500	1	18
129963-44550	1	20
129963-44600	1	29
129963-44640	1	30
129963-49150	1	34
129972-13580	6	9
129972-13590	6	8
129972-44600	1	19
168227-01020	41	16
168227-01050	41	3
168227-02120	41	17
16826A-01950	148	2
16826A-02050	148	3
172010-07810	2	10
	100	1
	102	1
		2
	111	1
172112-41980	57	10
		17
	59	26
172157-72710	29	22
172187-61421	117	16
174810-22130	16	9
174841-42920	8	1
175022-49700	7	23
178073-01200	40	11
	41	2
	68	4
178073-02220	148	4
178076-00201	40	3
178076-02300	41	4
178076-02400	41	5
178076-02430	41	6
178076-02460	41	52 A
178076-07200	68	10
185100-50070	3	6

Parts No.	Fig. No.	Ref. No.
192157-24801	41	15
192157-26460	40	35
192160-34150	21	5
192180-24641	40	24
192180-24680	40	25
192180-24690	40	26
192180-24700	40	27
192180-24730	40	33
192180-24740	40	34
192180-24770	40	5
192180-24780	40	6
192180-24790	40	7
192180-24800	40	8
192180-24810	40	9
192180-24850	40	10
192180-24910	40	28
194065-34170	24	10
		10 -1
		20
		20 -1
	79	7
		17
194065-45610	41	36
194065-45620	41	37
194065-45630	41	38
194065-45640	41	39
194065-45650	41	40
194065-45660	41	41
194065-45670	41	42
194065-45680	41	43
194065-45690	41	44
194065-45710	41	45
194065-45730	41	46
194065-45740	41	47
194065-45750	41	48
194065-60570	4	13
194066-13130	70	1
194080-75790	147	9
194130-37730	83	8
194130-37740	63	4
194130-37750	63	5
194130-48650	97	2
194130-61570	128	1
194145-27450	56	10
	66	3
194145-34390	78	6
194145-51550	105	6
194145-61560	116	30
194145-61570	57	29
194145-61651	121	13

Parts No.	Fig. No.	Ref. No.
194145-64430	149	11
194145-71600	142	5
194145-71700	142	6
194145-73150	145	13
194146-21150	33	5
194150-01270	2	6
	30	1
	57	24
194150-21910	10	14
194150-22480	57	5
	63	3
	83	3
194150-24270	33	9
194150-25530	44	9
194150-52160	106	10
194150-52170	108	1
194151-04260	9	5
194151-36670	20	21
194151-47760	94	5
194151-63250	4	14
194167-61650	113	15
	122	5
194170-45370	41	18
194171-13870	20	19
194180-12471	13	7
	29	1
194180-25550	45	2
194180-32640	72	3
194180-51640	100	12
194180-61980	95	12
194180-72950	142	13
194181-14180	24	6
		6 -1
		16
		16 -1
	79	6
		16
194181-14800	24	2
		12
194181-14810	24	3
		13
194197-25930	10	15 -1
194197-56350	57	38
	119	1
	122	2
	129	2
194205-36320	81	6
194205-63550	8	2
	95	13
194215-27260	57	8

## Parts No. Index

Parts No.	Fig. No.	Ref. No.
194235-29440	58	3
194250-11140	10	4
194250-25240	44	1
194250-25520	43	9
194250-47490	63	6
194274-13580	20	1
194275-27750	20	20
194275-45340	148	5
194275-51210	100	3
194278-34820	79	9
		19
194279-14220	25	1
	80	1
194300-21460	123	1
194300-25790	49	5
194301-12730	45	1
194305-32650	42	4
194310-24770	41	53
	85	1
194310-47790	94	6
194312-25470	43	8
194312-46750	85	21
	95	8
194320-31560	70	4
194321-11940	18	4
194321-13230	15	2
194321-13250	15	4
194321-13270	15	6
194321-13680	20	2
194323-13290	15	7
194330-62530	74	10
194330-72560	143	5
	144	12
194361-25681	154	3
194370-26350	52	4
194420-05210	127	1
194420-39360	67	26
194420-39370	47	25
	67	27
	154	27
194420-56620	7	9
194420-61640	121	15 -1
		16 -1
194420-62260	2	20
	99	12
194430-25460	47	2
	49	2
	154	2
194440-25810	49	6
194440-51620	101	15

Parts No.	Fig. No.	Ref. No.
194440-51620	149	1
194440-51630	101	16
	111	7
194448-61620	149	10
194450-11190	33	1
194450-34511	79	8
		18
194450-34600	79	2
		12
194450-34610	79	3
		13
194450-34620	79	4
		14
194450-48830	96	20
194451-14820	24	4
		14
194454-25870	51	5
194464-12190	124	1
194464-33130	73	2
194465-13240	15	3
194465-13260	15	5
194470-48630	96	16
194470-48640	96	18
194515-01190	6	3
	121	1
194515-25530	49	3
194515-25690	49	4
194521-41570	40	36
194550-47110	94	1
194555-25510	67	4
194555-25520	67	5
194555-25550	67	6
194555-25560	67	7
194555-25570	67	8
194555-25620	67	11
194555-25760	67	12
194555-25790	67	13
194555-26520	50	6
194555-26620	44	16
194555-42280	85	7
194555-46380	85	20
194555-51210	100	4
		5
194555-56890	130	1
194555-61640	122	4
	149	2
194555-77120	148	6
194555-77910	85	22
	95	6
		9

Parts No.	Fig. No.	Ref. No.
194556-42220	40	37
194630-24230	57	2
194640-25860	44	13
	45	15
194640-26130	46	2
194640-32650	72	5
194640-34140	78	3
194640-42140	85	3
194640-44250	87	6
194640-44260	87	7
194640-44540	87	10
194640-46420	91	5
194640-65730	137	4
194640-72550	143	4
	144	11
194640-73180	38	26
194641-13210	15	1
194641-13670	18	7
194641-13760	20	8
194641-13780	20	11
194641-13790	20	14
194641-13830	21	3
194641-13840	17	4
	21	4
194680-25820	51	3
194680-25840	51	4
194680-27540	61	8
	64	2
194680-51560	105	7
194680-51670	2	13
	4	11
	100	13
		14
	101	17
		18
194681-14790	24	7
		17
194681-14830-1	24	8
		18
194681-14860	24	9
		19
194681-14890	24	5
		15
194697-62560	125	4
194740-00160	57	21
194740-55430	94	11
194765-14860	24	2 -1
		12 -1
194765-14870	24	3 -1
		13 -1

Parts No.	Fig. No.	Ref. No.
194765-14880	24	4 -1
		14 -1
194800-24620	41	8
194800-25250	51	1
194820-27370	57	9
		16
	59	25
194850-24630	41	9
194850-26340	49	14
194850-26370	49	17
194850-49240	40	38
194850-49290	40	39
194855-24290	12	4
194940-61790	57	39
	62	15
	95	11
	121	15
		16
	122	9
	125	1
194951-14430	67	2
194951-14440	67	3
194990-20170	57	4
		14
	59	24
194990-22110	151	1
		2
194990-22120	7	6
	82	2
	111	2
194990-22130	2	11
		12
	4	8
	7	7
	96	1
	101	1
		2
		3
	104	1
		2
	111	3
	114	2
194990-22140	4	9
	6	14
	31	4
	60	4
	61	1
	101	4
	105	1
	116	2

## Parts No. Index

Parts No.	Fig. No.	Ref. No.
194990-22140	116	3
	123	2
	132	1
		2
	135	1
	152	1
194990-22150	30	12
195184-15360	143	1
	144	1
195188-11210	16	2
		5
195397-27810	142	2
195747-22360	133	1
197810-84840	57	41
	131	2
197830-85490	102	15
198010-85810	8	3
	125	10
198071-01340	4	4
198071-01390	4	6
198071-04331	7	15
198071-04490	9	12
198071-13780	20	12
198071-15612	26	10
198071-15720	28	2
198071-15740	28	3
198071-17150	29	2
198071-17481	29	18
198071-18401	59	16
198071-18520	59	17
		18
198071-18530	59	19
		20
198071-21140	33	4
198071-24340	38	19
	39	1
198071-25590	67	9
198071-25610	67	10
198071-27860	56	12
198071-27890	39	3
198071-37510	82	13
198071-37781	84	6
198071-37791	84	7
198071-37820	84	8
198071-47840	94	10
198071-53610	111	12
198071-53660	111	14
		21
198071-53670	111	15
198071-53710	111	23

Parts No.	Fig. No.	Ref. No.
198071-53770	111	26
198071-56290	4	12
198071-57110	115	1
198071-61890	121	17
		18
		12
	122	12
	123	6
198071-62791	125	7
198071-62800	130	7
198071-62890	130	10
198071-65610	121	23
198071-78420	112	20
		21
		117
		19
		20
		121
		24
		25
		26
		20
198072-18320	59	28
	142	1
198072-25520	67	5 -1
198072-27650	40	54
198072-52180	110	1
198072-60590	121	2
	122	3
	123	3
		4
198075-18311	59	5
198075-25940	44	15
198083-88810	123	13
198084-71110	142	3
198092-71530	142	4
198092-71720	142	12
198092-71750	142	7
198093-84810	26	24
		25
		101
		29
		30
198093-85650	115	2
	125	9
198093-86180	100	21
198094-62720	130	3
198094-62770	130	5
198094-62790	130	6
198094-78690	151	5
198101-85411	152	5
198119-27150	61	2
	64	1
	66	1

Parts No.	Fig. No.	Ref. No.
198121-25830	44	5
198121-25840	44	11
198121-25850	44	12
198121-25870	44	14
198121-48870	95	5
198121-55510	106	18
198121-77330	148	7
198122-65730	139	3
198129-78710	96	21
198129-78720	96	22
198133-02120	2	7
	99	1
198133-11132	10	7
198133-13760	20	9
198133-13780	20	13
198133-13790	20	15
198133-13810	14	3
198133-17211	13	8
198133-17550	30	11
198133-22510	82	6
198133-22530	82	7
198133-25860	45	16
198133-25890	48	6
198133-27781	59	8
198133-27820	59	9
198133-52170	2	14
		15
		107
		2
198133-64400	134	5
198133-75750	147	8
198133-85850	152	7
198133-85920	152	9
198138-49100	99	9
198141-11111	10	6
198141-13600	18	2
198141-19100	107	1
198149-25700	45	7
198149-25780	45	8
198149-25880	45	17
198149-25890	45	9
198149-33410	76	1
198149-33420	76	2
198151-61080	117	8
198153-04290	7	5
198153-04670	9	16
198153-13521	17	2
198153-51020	100	16
198153-51040	100	17
198153-51540	105	5
198153-51700	103	2

Parts No.	Fig. No.	Ref. No.
198153-51810	83	15
	106	2
198153-52150	100	15
198153-52400	127	8
		11
198153-53410	112	15
198153-65351	136	3
198153-74100	145	5
198153-74680	145	8
198153-83870	124	5
		6
198163-65350	140	1
198163-65780	139	4
198163-65930	140	5
198165-46130	68	5
198165-46140	68	6
198165-46150	68	7
198196-83170	112	22
198200-18350	65	2
198200-34130	25	2
	80	2
198200-34190	25	3
	80	3
198208-11310	22	8 -2
198212-24140	38	10
198212-24281	40	1
198212-24700	42	1
198212-24750	42	3
198212-24910	41	54
198212-25130	43	1
198212-25150	43	2
198212-25210	43	3
198212-25220	43	4
198212-25240	43	5
198212-25320	44	2
198212-25340	48	2
198212-25400	44	3
198212-25460	44	4
198212-25520	44	8
198212-25550	48	4
198212-25560	48	5
198212-25680	45	6
198212-25690	47	3
	154	4
198212-25720	42	8
198212-25750	47	6
	154	7
198212-25770	47	8
198212-25790	47	10
198212-25810	47	12



## Parts No. Index

Parts No.	Fig. No.	Ref. No.
198212-25820	47	13
198212-25830	47	14
198212-25840	47	15
198212-25850	47	16
198212-25860	47	17
198212-25870	47	18
198212-25880	47	19
198212-25890	47	20
	154	22
198212-25930	47	23
	154	25
198212-26090	43	10
198212-26190	43	11
198212-26240	49	9
198212-26260	49	11
198212-26290	49	13
198212-26380	49	18
198212-26440	49	19
198212-26580	49	20
198212-26590	49	21
198212-27250	56	2
198212-27261	56	3
198212-27280	56	5
198212-27321	56	6
198212-27330	56	7
198212-27350	38	5
	56	8
	155	6
198212-27371	56	9
198212-27470	56	11
198212-27521	61	7
198212-27651	66	5
198212-27710	66	6
198212-27990	66	7
198212-33150	73	4
198213-24322	40	12
198213-24341	40	14
198213-24350	40	15
198213-24360	40	16
198213-24370	40	17
198213-24380	40	4
198213-24390	40	18
198213-24400	40	19
198213-24420	40	20
198213-24441	40	21
198213-24470	40	22
198213-24510	40	23
198213-24700	41	10
198213-24710	41	11
198213-24720	41	12

Parts No.	Fig. No.	Ref. No.
198213-24740	41	13
198213-24750	41	14
198217-27570	61	9
198217-33650	77	10 -1
198220-11520	10	11
198220-11530	10	12
198220-22520	36	5
198220-25810	50	1
198220-25830	45	12
198220-25840	45	13
198220-37900	74	8
	75	1
	83	14
	84	9
		10
198220-46400	91	3
198220-48750	31	5
198220-51860	7	24
198220-51870	32	2
	102	12
198220-52180	101	19
198220-61340	116	25
198220-61351	116	26
		27
		28
198220-61800	117	18
198220-63340	134	1
198220-63850	57	40
	62	16
	95	14
	125	8
	149	3
198220-85290	130	13
198223-52150	106	6
		8
198230-61560	9	22
	26	21
		22
		23
	101	24
		25
198230-61960	116	32
198240-04710	68	1
198240-11550	11	5
198240-21270	34	1
198240-24120	38	2
	155	3
198240-24530	38	4
	155	5
198240-32640	72	4

Parts No.	Fig. No.	Ref. No.
198240-36310	81	2
198240-36320	81	3
198240-36351	81	4
198240-36380	81	7
198240-36520	81	5
198240-36700	81	11
198240-36710	81	12
198240-36720	81	13
198240-56630	7	10
198245-51210	111	4
198250-32310	71	2
198251-11220	18	3
198251-13510	17	1
198251-13520	17	3
198251-13670	14	2
198251-13810	21	1
198251-13820	21	2
198253-72150	144	4
198255-24460	38	20
198255-83550	9	24
		25
198266-24330	41	7
198268-34850	24	7 -1
		17 -1
	79	10
		20
198268-56040	113	5
198268-61470	120	12
198268-62760	125	6
198268-63120	133	2
198273-01230	65	1
198273-27290	65	3
198273-27860	65	6
198273-27890	65	8
198273-28520	65	13
198273-28521	65	13 -1
198290-37510	26	20
	37	4
	74	7
	83	1
198290-78550	94	12
198291-77870	7	31
	100	19
		20
198320-31530	70	2
198320-31550	70	3
198320-31570	70	5
198320-31630	70	6
198320-31820	70	7
198320-32111	70	8

Parts No.	Fig. No.	Ref. No.
198320-32660	72	6
198320-33550	77	2
198320-33560	77	3
198320-33610	77	6
198320-36200	81	1
198320-36790	81	14
198321-32612	72	2
198327-04840	68	2
198327-51530	105	4
198360-03260	2	8
	9	1
198360-03270	2	9
	9	2
198360-22550	47	1
	154	1
198360-53630	111	9
198360-78571	151	4
198361-48750	95	4
198390-25790	51	2
	52	1
	69	1
198401-13720	20	6
198401-13750	20	7
198401-13770	20	10
198401-13790	20	16
198401-13850	20	18
198401-14110	22	1
198401-14120	22	2
198401-14150	22	4
198415-25840	45	14
198440-11080	10	3
198440-11090	10	2
198440-34130	78	2
198440-64100	134	2
198448-01110	57	22
198448-01172	57	23
198448-01390	3	1
198448-04211	7	11
198448-04250	7	12
198448-04270	7	13
198448-04280	7	14
	95	1
198448-04340	7	3
198448-04370	9	6
198448-04380	9	8
198448-04480	9	11
198448-04490	7	16
198448-04503	9	13
198448-04651	9	15
198448-04710	7	17

## Parts No. Index

Parts No.	Fig. No.	Ref. No.
198448-04720	9	17
198448-04730	9	18
198448-04750	9	19
198448-04810	3	2
198448-04840	3	3
198448-04930	7	19
198448-11900	12	2
198448-12310	13	1
198448-12321	13	2
198448-13301	16	1
198448-13380	16	6
198448-13410	16	7
198448-13420	16	3
198448-13450	18	1
198448-13690	20	3
198448-13710	20	4
198448-13720	20	5
198448-14590	23	1
198448-14640	23	3
198448-14670	23	4
198448-14711	23	5
198448-14750	23	6
198448-15370	26	1
198448-15380	26	2
198448-15581	27	4
198448-15590	27	5
198448-15650	26	3
198448-15690	27	10
198448-15700	28	1
198448-15750	26	19
198448-17102	30	2
198448-17103	30	2 -1
198448-17113	30	3
198448-17114	30	3 -1
198448-17190	30	4
198448-18100	59	1
198448-18110	59	2
198448-18150	59	12
198448-18170	59	13
198448-18200	59	3
198448-18220	59	4
198448-18250	59	14
198448-18310	59	22
198448-18320	59	23
198448-18350	59	29
198448-18360	59	30
198448-18400	59	31
198448-18440	59	33
198448-18460	59	21
198448-18490	60	2

Parts No.	Fig. No.	Ref. No.
198448-18500	60	1
198448-18540	59	6
198448-18580	60	3
198448-21062	33	2
198448-21280	33	6
	34	2
198448-21320	33	7
198448-22150	35	1
198448-22190	35	2
198448-22301	36	1
198448-22350	36	3
198448-22360	36	4
198448-22401	82	3
198448-22470	82	5
198448-22510	37	1
198448-22520	37	2
198448-22550	36	6
198448-22610	37	3
198448-24230	38	14
198448-24290	38	15
198448-24310	38	16
198448-24320	38	17
198448-24330	38	18
198448-24740	42	2
198448-25782	45	11
198448-25801	47	11
198448-25891	45	18
198448-25910	47	22
198448-26110	50	3
198448-26120	50	4
198448-26130	50	5
198448-26140	51	6
198448-26150	51	7
198448-26160	53	1
198448-26170	52	2
198448-26220	49	8
198448-26310	52	3
198448-26320	51	8
198448-26340	51	9
198448-26510	51	10
198448-26520	51	11
198448-26530	51	12
198448-26910	55	1
198448-27470	61	4
198448-27590	61	10
198448-27880	64	5
198448-27950	64	6
198448-28100	67	14
198448-28220	67	16
198448-28230	67	17

Parts No.	Fig. No.	Ref. No.
198448-28250	67	19
198448-28310	67	20
198448-28320	67	21
198448-28330	67	22
198448-28340	67	23
198448-28361	67	24
198448-28370	67	25
198448-28430	68	12
198448-31401	69	2
198448-33120	73	1
198448-33220	74	1
198448-33310	74	2
198448-33340	74	4
198448-33380	74	5
198448-33390	74	6
198448-34110	78	1
198448-34211	99	2
198448-37202	82	1
198448-37250	82	8
198448-37360	82	4
		9
		12
198448-37370	84	1
198448-37401	82	11
198448-37450	83	4
198448-37530	83	5
198448-37551	82	14
198448-37600	83	6
198448-37610	83	2
198448-37620	83	7
198448-43300	85	15
198448-43340	85	16
198448-44510	87	9
198448-45150	88	2
198448-46370	95	10
198448-46581	89	1
198448-46610	89	2
198448-46630	90	3
198448-46660	90	4
198448-47510	93	2
198448-48111	96	2
198448-48140	96	3
198448-48250	68	15
198448-48340	96	8
198448-48522	96	13
198448-48530	96	14
198448-48570	96	15
198448-48620	30	13
198448-48630	30	14
198448-48820	99	3

Parts No.	Fig. No.	Ref. No.
198448-48941	99	6
198448-48980	98	3
198448-48990	101	5
198448-49110	97	3
198448-51450	101	8
198448-51460	99	10
	101	9
		10
		11
		12
		13
	148	12
198448-51510	105	2
198448-51910	102	13
198448-52111	106	3
198448-52220	108	2
198448-52260	149	6
198448-52280	149	7
198448-52310	101	20
198448-53320	112	3
		13
198448-56050	113	13
198448-56051	113	13 -1
198448-56150	113	6
198448-56160	113	3
		7
198448-56180	113	9
198448-56190	113	10
198448-56600	7	8
198448-60080	101	22
198448-60690	120	5
	123	5
198448-60700	120	6
198448-60710	118	3
	120	7
198448-60730	118	4
198448-60750	118	5
198448-60760	118	6
198448-61661	122	6
198448-61680	122	8
198448-61880	126	1
198448-62060	131	1
198448-62390	123	11
198448-62410	124	2
198448-62420	124	3
198448-62520	124	4
198448-62600	130	2
198448-65590	121	22
198448-74100	145	14
198448-74200	145	15

## Parts No. Index

Parts No.	Fig. No.	Ref. No.
198448-75111	147	2
198448-75130	147	3
198448-75250	147	4
198448-75320	147	5
198448-75440	147	7
198448-78560	151	3
198448-85290	152	4
198448-85900	152	8
198450-33540	77	1
198450-33570	77	4
198450-33590	77	5
198450-33610	77	7
198450-34150	78	4
198450-34730	79	1
198450-34751	79	5
		15
198450-34830	79	11
198450-51510	105	3
198451-28750	47	24
	49	22
	154	26
198454-60830	99	11
198460-83350	9	23
	127	15
		16
	128	6
	130	12
198461-52950	102	14
	103	6
	104	5
		6
198461-60590	113	14
198463-03140	6	6
198463-05551	10	1
198463-13100	14	1
198463-14610	23	2
198463-14700	24	1
198463-14800	24	11
198463-17911	32	1
198463-62040	127	3
198463-62170-1	128	2
198463-62171-1	128	2 -1
198463-62200-2	128	8
198463-62431	127	13
198463-62441	127	14
198463-62460	128	3
198463-62470	128	4
198463-80610	130	11
198475-37690	83	13
198475-37770	82	15

Parts No.	Fig. No.	Ref. No.
198475-37780	82	16
198475-42250	85	6
198475-65030	121	20
198492-71800	144	3
198492-84720	124	8
198535-04050	9	4
198535-11890	12	1
198535-11920	12	3
198535-13790	20	17
198535-14130	22	3
198535-15720	26	18
198535-17270	29	3
198535-24120	38	9
198535-24350	39	2
198535-25260	43	6
198535-25330	48	1
198535-25350	48	3
198535-25510	44	7
198535-25640	45	4
198535-25660	45	5
198535-25760	45	10
198535-26090	50	2
198535-26140	57	6
198535-27050	56	1
198535-27120	57	1
198535-27130	57	3
198535-27140	57	7
198535-27150	57	13
198535-27160	57	15
198535-27170	63	1
198535-27171	63	1 -1
198535-27230	57	19
198535-27260	56	4
198535-27310	57	25
198535-27350	57	36
198535-27390	57	26
198535-27410	66	2
198535-27470	57	37
198535-27490	61	6
198535-27570	62	9
198535-27590	62	11
198535-27620	66	4
198535-27740	63	2
198535-27810	62	14
198535-28241	67	18
198535-28760	63	9
198535-32660	72	7
198535-34360	78	5
198535-36690	81	8
198535-36730	81	9

Parts No.	Fig. No.	Ref. No.
198535-36740	81	10
198535-37301	82	10
198535-45600	41	35
198535-48410	96	11
198535-52110	102	5
198535-52120	102	6
198535-52130	102	7
198535-52140	102	8
198535-52410	102	9
198535-54500	111	33
198535-56120	113	4
198535-56190	113	11
198535-57110	101	21
198535-60330	116	8
198535-60640	118	1
198535-62390	123	12
198535-62850	130	8
198535-62860	130	9
198535-65660	136	7
198535-75140	146	1
198535-75700	147	1
198535-78420	149	13
198535-78430	149	14
198535-78440	149	15
198535-78450	149	16
198535-78460	149	17
198535-78470	149	18
198550-60650	120	4
198550-61410	117	15
198550-61420	117	17
198550-61580	116	31
1A1040-41610	122	1
1A6150-91251	140	6
1A6150-93151	140	7
1A6380-56050	113	13 -2
1A7000-51430	100	10
1A7000-51440	100	11
1A7000-52820	103	3
1A7000-57210	114	4
1A7000-61480	101	23
1A7020-54510	111	34
1A7020-54540	111	35
1A7020-54560	111	36
1A7030-62750	130	4
1A7100-26850	54	1
1A7130-65910	141	2
1A7260-42310	85	8
1A7260-45100	88	1
1A7260-52190	107	3
1A7260-53350	112	14

Parts No.	Fig. No.	Ref. No.
1A7260-85510	152	6
1A7270-74250	145	6
1A7340-52290	106	16
1A7340-65810	140	3
1A7347-65050	136	2
1A7350-25600	45	3
1A7350-26360	49	15
1A7350-33140	73	3
1A7351-25760	154	8
1A7351-25770	154	9
1A7351-25780	154	10
1A7351-25820	154	13
1A7351-25830	154	14
1A7351-25840	154	15
1A7351-25850	154	16
1A7351-25860	154	17
1A7351-25870	154	18
1A7351-25880	154	19
1A7351-25890	154	20
1A7351-25930	154	21
1A7352-25800	154	11
1A7352-25810	154	12
1A7352-25900	154	23
1A7352-25910	154	24
1A7450-01340	4	5
1A7450-03110	6	1
1A7450-03131	6	5
1A7450-03170	6	7
1A7450-04400	7	4
1A7450-11330	10	8
1A7450-11340	10	9
1A7450-11350	10	10
1A7450-13220	11	6
1A7450-24170	38	3
	155	4
1A7450-24190	38	13
1A7450-24300	40	2
1A7450-26190	49	7
1A7450-27850	65	4
1A7450-27910	65	5
1A7450-28100	67	14 -1
1A7450-37650	83	12
1A7450-47970	92	2
1A7450-51200	100	2
1A7450-51310	102	11
1A7450-51820	83	16
1A7450-52110	106	4
1A7450-52130	106	5
1A7450-52210	106	13
1A7450-52230	106	14

## Parts No. Index

Parts No.	Fig. No.	Ref. No.
1A7450-52310	149	8
1A7450-52330	149	9
1A7450-52450	106	17
1A7450-53200	112	1
1A7450-53230	112	2
		12
1A7450-53252	112	4
1A7450-53262	112	7
1A7450-53290	112	10
	117	1
		2
1A7450-53300	112	11
1A7450-53370	112	5
		8
1A7450-53380	112	6
		9
		19
1A7450-60720	116	19
1A7450-61150	117	9
1A7450-61160	117	10
1A7450-61190	117	11
1A7450-61200	117	12
1A7450-61670	122	7
1A7450-61790	122	10
1A7450-62211	127	9
1A7450-62231	127	12
1A7450-62320	123	10
1A7450-64310	134	3
1A7450-64350	134	4
1A7450-65250	121	21
1A7450-85281	152	3
1A7470-51222	100	6
1A7470-62030	127	2
1A7470-62040	127	4
1A7470-62054	127	5
1A7470-62064	127	6
1A7480-01410	4	7
1A7480-47450	65	14
1A7480-47470	65	15
1A7480-52250	106	15
1A7480-61810	122	11
1A7480-64780	136	1
1A7480-65310	139	1
1A7480-65450	139	2
1A7480-65470	136	4
1A7480-65510	136	5
1A7480-65720	137	3
1A7480-65890	136	9
1A7480-65900	140	4
1A7480-95950	140	8
1A7600-27791	64	3

Parts No.	Fig. No.	Ref. No.
1A7600-27850	64	4
1A7600-37460	84	2
1A7600-37470	84	4
1A7600-52222	109	1
1A7600-52223	109	1 -1
1A7600-60300	116	7
1A7600-60610	120	1
1A7600-60690	118	2
1A7600-61120	121	3
1A7600-61280	116	24
1A7600-61380	116	29
1A7601-13300	16	1 -1
1A7601-17190	30	4 -1
1A7601-32310	71	2 -1
1A7610-48630	96	17
1A7610-48650	96	19
1A7610-48830	99	4
1A7610-48870	99	5
1A7610-58100	116	5
1A7640-01151	4	1
1A7640-01200	4	3
1A7640-03101	6	4
1A7640-03201	6	2
1A7640-04100	7	1
1A7640-04300	7	2
1A7640-04370	9	7
1A7640-04400	9	9
1A7640-04450	9	10
1A7640-04600	9	14
1A7640-04770	9	20
1A7640-04780	9	21
1A7640-04940	7	20
1A7640-11500	11	1
1A7640-11510	11	2
1A7640-11540	11	4
1A7640-13610	18	5
1A7640-15310	26	9
1A7640-15520	27	2
1A7640-15521	27	2 -1
1A7640-15700	26	4
1A7640-15710	26	5
1A7640-15720	26	6
1A7640-15730	26	7
1A7640-15800	26	8
1A7640-15850	26	11
1A7640-15900	26	15
1A7640-17431	29	26
1A7640-17750	31	2
1A7640-17770	31	3
1A7640-24100	38	1

Parts No.	Fig. No.	Ref. No.
1A7640-24101	38	1 -1
	155	2
1A7640-24150	38	11
1A7640-24600	41	1
1A7640-24820	38	21
1A7640-24860	38	22
1A7640-24870	38	23
1A7640-24950	38	24
1A7640-24970	155	1
1A7640-24980	38	25
1A7640-25610	46	1
1A7640-26010	62	1
1A7640-26250	49	10
1A7640-26270	49	12
1A7640-27300	57	20
1A7640-27340	58	1
1A7640-27370	58	2
1A7640-27400	62	2
1A7640-27420	61	3
1A7640-27430	57	28
1A7640-27481	61	5
1A7640-27510	62	5
1A7640-27550	62	6
1A7640-27580	62	10
1A7640-27800	62	13
1A7640-27870	65	7
1A7640-27910	63	8
1A7640-27950	64	7
1A7640-33281	41	55
1A7640-34220	97	1
1A7640-42150	85	5
1A7640-43201	85	9
1A7640-43250	86	1
1A7640-43260	86	2
1A7640-43270	86	3
1A7640-43280	86	4
1A7640-43290	86	5
1A7640-43410	87	1
1A7640-43450	85	17
1A7640-43810	85	18
1A7640-43850	85	19
1A7640-44110	87	2
1A7640-44210	87	3
1A7640-44230	87	4
1A7640-44240	87	5
1A7640-44410	87	8
1A7640-46300	90	1
1A7640-46620	90	2
1A7640-46670	90	5
1A7640-47100	92	1

Parts No.	Fig. No.	Ref. No.
1A7640-47170	92	3
1A7640-47300	94	2
1A7640-47310	94	3
1A7640-47340	94	4
1A7640-47440	93	1
1A7640-47610	92	4
1A7640-47660	92	5
1A7640-47910	92	6
1A7640-47950	104	3
1A7640-47980	92	7
1A7640-48170	96	4
1A7640-48171-1	96	4 -1
1A7640-48310	98	1
1A7640-48330	98	2
1A7640-48340	96	9
1A7640-48350	96	10
1A7640-48351	96	10 -1
1A7640-48410	68	16
1A7640-48450	95	2
1A7640-48640	95	3
1A7640-48690	148	1
1A7640-48950	99	7
1A7640-48960	99	8
1A7640-51114	103	1
1A7640-51134	104	4
1A7640-51135	104	4 -1
1A7640-51166	102	4
1A7640-51230	100	7 -1
1A7640-51240	100	7
1A7640-51270	101	6
1A7640-51320	149	5 A
1A7640-51380	149	5
1A7640-51381	149	5 -1
1A7640-51391	149	5 B
1A7640-51420	101	7
1A7640-51610	105	8
1A7640-53410	112	16
1A7640-53420	112	17
1A7640-53430	112	18
1A7640-53440	112	19
1A7640-56170	113	8
1A7640-58150	104	7
1A7640-60371	116	9
1A7640-60640	116	14
1A7640-60650	116	15
1A7640-60700	116	16
1A7640-60820	118	7
1A7640-60830	118	8
1A7640-61240	117	13
1A7640-61250	117	14

## Parts No. Index

Parts No.	Fig. No.	Ref. No.
1A7640-61311	121	4
1A7640-61330	121	5
1A7640-61350	121	6
1A7640-61360	121	7
1A7640-61370	121	8
1A7640-61410	118	9
1A7640-61510	121	9
1A7640-61591	121	10
1A7640-61611	121	11
1A7640-61621	121	12
1A7640-61750	121	14
1A7640-62100	125	2
1A7640-62101	125	2 -1
1A7640-62201	127	7
1A7640-62270	123	8
1A7640-62301	127	10
1A7640-62310	123	9
1A7640-62460	125	3
1A7640-62610	125	5
1A7640-62910	128	5
1A7640-63110	132	3
1A7640-63130	132	3 A
1A7640-63151	132	4
1A7640-63160	132	5
1A7640-63170	132	6
1A7640-63180	132	7
1A7640-63190	132	7 A
1A7640-63200	132	8
1A7640-63220	132	9
1A7640-63260	132	10
1A7640-63270	132	11
1A7640-63310	132	3 B
1A7640-63320	132	3 C
1A7640-65670	138	3
1A7640-65790	137	6
1A7640-71710	142	11
1A7640-72100	144	2
1A7640-72200	144	5
1A7640-72250	144	6
1A7640-72300	143	2
1A7640-72410	143	3
	144	10
1A7640-73100	145	2
1A7640-73110	145	3
1A7640-74500	145	4
1A7640-74510	145	7
1A7640-78351	150	1
1A7640-78410	150	2
1A7640-78880	104	8
1A7640-84710	124	7

Parts No.	Fig. No.	Ref. No.
1A7641-51300	102	10
1A7641-51410	100	8
		9
1A7650-01210	2	2
1A7650-01220	2	3
1A7650-01230	2	4
1A7650-01240	2	5
1A7650-01250	116	1
1A7650-11640	10	13
1A7650-15510	27	1
1A7650-15511	27	1 -1
1A7650-15560	27	3
1A7650-15561	27	3 -1
1A7650-17300	29	4
1A7650-17310	29	8
1A7650-17400	29	11
1A7650-17450	29	13
1A7650-17520	29	19
1A7650-17530	29	20
1A7650-17540	29	21
1A7650-48300	96	7
1A7650-48420	96	12
1A7650-51350	103	5
1A7650-60390	116	10
1A7650-60500	116	11
1A7650-60530	116	12
1A7650-60540	116	13
1A7650-60622	120	2
1A7650-60641	120	3
1A7650-60700	116	17
1A7650-60710	116	18
1A7650-60771	120	8
1A7650-60810	120	9
1A7650-60820	120	10
1A7650-60830	120	11
1A7650-60910	117	3
1A7650-60930	116	21
1A7650-60940	116	22
1A7650-60960	116	23
1A7650-61010	117	4
1A7650-61040	117	5
1A7650-61050	117	6
1A7650-61810	120	13
1A7651-25730	154	5
1A7651-62120	125	12
1A7660-01050-1	2	1
1A7660-27610	62	12
1A7660-56010	113	1
1A7660-56110	113	2
1A7660-60010	116	6

Parts No.	Fig. No.	Ref. No.
1A7660-62250	123	7
1A7660-65690	136	8
1A7660-65781	137	5
1A7660-78320	149	4
1A7660-78321	149	4 -1
1A7660-78330	149	12
1A7660-78370	149	19
1A7660-85060	152	2
1A7670-11100	10	5
1A7670-14700	24	1 -1
1A7670-14720	24	5 -1
		15 -1
1A7670-14730	24	8 -1
		18 -1
1A7670-14760	24	9 -1
		19 -1
		11 -1
1A7670-14800	24	11 -1
1A7670-17501	30	10
1A7670-17711	31	1
1A7670-21110	33	3
1A7670-22480	33	8
1A7670-24160	38	12
1A7670-24420	40	53
1A7670-24700	68	3
1A7670-24910	68	11
1A7670-25290	43	7
1A7670-25440	44	6
1A7670-25530	44	10
1A7670-25731	47	4
1A7670-25760	47	7
1A7670-25780	47	9
1A7670-25900	47	21
1A7670-28450	68	13
1A7670-28470	68	14
1A7670-42101	85	2
1A7670-48260	96	5
1A7670-48280	96	6
1A7670-48610	68	17
1A7670-48650	68	18
1A7680-04010	9	3
1A7680-27920	65	9
		11
1A7680-27930	65	10
		12
1A7680-45320	91	1
1A7680-45370	91	2
1A7680-46410	91	4
1A7680-47910	92	6 -1
1A7680-62060	129	1
1A7680-64760	138	1

Parts No.	Fig. No.	Ref. No.
1A7680-65440	137	2
1A7680-65520	136	6
1A7690-51550	101	14
1A7790-01160	4	2
1A7790-61070	117	7
1A7880-65620	140	2
1A7890-04740	7	18
1A7890-51230	111	6
1A7890-53400	111	8
1A7890-53600	111	11
1A7890-53630	111	13
		20
1A7890-53680	111	16
		22
1A7890-53700	111	19
1A7890-53710	111	17
		24
1A7890-53720	111	18
		25
1A7890-53810	111	27
		30
1A7890-53820	111	28
		31
1A7890-53840	111	29
		32
1A7890-57200	100	18
1A7890-65010	121	19
1A7891-43450	85	10
1A7891-43480	85	11
1A7900-17260	29	7
1A7900-17330	29	9
1A7900-17360	29	10
1A7920-63860	135	2
1A7920-63870	135	3
1A7950-51220	111	5
1A8070-65251	138	2
1A8160-46670	89	3
1A8160-65350	141	1
1C6215-48870	4	10
1C6281-52310	37	5
	116	4
1C6281-52320	36	7
	37	6
	58	5
	63	10
		11
		12
	74	9
	75	2
	83	17

## Parts No. Index

Parts No.	Fig. No.	Ref. No.
1C6281-52320	84	11
1C6460-14340	49	1
	67	1
1C6900-07200	106	1
1C6900-23020	19	1
1C7100-08150	114	1
1E3080-46590	102	3
1E6190-55660	41	56
1E6190-55710	41	57
1E6191-54330	49	16
	67	15
1E6210-54920	56	13
1E6910-82500	101	28
1E9170-81270	111	10
1R1012-00017	1	1
22117-060000	41	58
22117-100000	6	10
	148	8
22117-120000	106	19
22137-050000	93	3
	117	21
22137-060000	3	12
	4	15
		16
	5	1
	37	7
	112	23
		24
	117	21 -1
		22
	121	27
		28
22137-080000	36	8
	37	8
	57	30
	60	5
	84	12
	142	14
22137-100000	2	21
	36	9
	58	6
	59	35
	99	13
	133	3
22137-120000	57	42
	65	16
	83	18
	116	33
	134	6
22137-160000	10	15

Parts No.	Fig. No.	Ref. No.
22137-160000	26	26
	130	14
22137-200000	73	5
22157-060000	2	22
	39	4
	96	23
	114	5
	121	1 -1
22157-080000	9	26
	150	3
	152	10
22190-060002	116	34
22190-080000	42	5
		9
22190-080002	116	35
22217-040000	88	3
22217-060000	142	8
	144	7
22217-080000	27	11
	106	11
22217-100000	6	11
	26	27
	38	27
	70	9
	72	8
22217-120000	12	5
	38	28
		29
		30
22217-140000	29	27
22217-160000	38	31
	92	8
		9
	130	15
		16
	145	9
	147	10
22242-000110	89	4
22242-000170	30	5
	64	8
22242-000200	26	12
22242-000250	154	28
22242-000290	81	15
22242-000300	29	12
	46	3
	47	26
		27
	48	7
	49	23
	62	17

Parts No.	Fig. No.	Ref. No.
22242-000300	154	29
		30
22242-000320	11	7
22242-000340	43	12
22242-000400	48	8
	49	24
	67	28
22242-000450	47	28
	67	29
22242-000480	16	10
22242-000500	70	10
22242-100480	29	23
22252-000140	85	23
22252-000180	41	20
	85	24
22252-000190	43	13
22252-000200	27	6
	40	29
	41	21
22252-000220	40	30
	50	7
22252-000250	16	4
		8
22252-000370	30	6
22252-000400	30	7
22252-000420	26	13
22252-000550	47	29
	67	30
	154	31
22252-000620	53	2
	67	31
22252-000950	49	25
22252-001000	67	32
22272-000040	4	17
22272-000080	116	36
22272-000150	57	31
		43
22272-000190	82	17
22292-000340	44	17
22312-080180	42	10
22312-100180	12	6
	15	8
	33	10
	34	3
	38	32
	72	9
	77	8
	85	25
22312-100250	38	33
22351-030008	154	32

Parts No.	Fig. No.	Ref. No.
22351-030016	90	6
22351-030028	40	31
22351-035032	15	9
22351-035040	62	7
		18
	74	11
22351-040024	142	9
	144	8
22351-040032	61	11
22351-050020	78	7
22351-050040	73	6
22351-050070	87	11
22351-060012	87	12
22351-060025	56	14
22351-060028	90	7
22351-060030	91	6
22351-060032	15	10
	27	7
	40	55
	59	10
		34
	61	12
		13
	66	8
		9
	73	7
22351-060036	134	7
22351-060040	62	8
		19
	74	12
	147	6
22351-060050	70	11
22351-080032	56	15
	73	8
22351-080040	73	9
	77	9
22351-080070	87	13
22360-200000	10	16
	147	11
22372-060000	5	2
22372-080000	92	10
22372-120000	132	12
	147	12
22372-160000	143	6
	144	13
22417-160180	4	18
		19
	5	3
	93	4
	116	37

## Parts No. Index

Parts No.	Fig. No.	Ref. No.
22417-200100	41	59
22417-200200	57	32
	94	13
	152	11
22417-200300	9	27
	36	10
	59	11
	60	6
	83	9
22417-250250	94	7
22417-250300	83	19
	84	13
22417-400320	145	10
22417-400400	13	13
	29	28
22487-080200	63	13
		14
22487-080500	57	33
22487-080550	9	28
22487-120400	83	10
22512-070200	62	20
22512-070400	82	18
22635-600120	72	10
22857-500101	112	20 -1
		21 -1
	117	19 -1
		20 -1
	121	24 -1
		25 -1
		26 -1
22857-600101	112	25
23000-022000	99	14
23000-025000	2	23
23000-035000	2	24
23000-041000	96	24
23000-048000	96	25
23000-054000	2	25
		26
23000-060000	2	27
	23	7
	96	26
23000-080000	1	45
23000-102000	23	8
23061-190210	9	29
23414-100000	56	16
23414-140000	41	22
	68	19
23414-150019	92	11
23414-160000	49	26
23414-180023	31	6

Parts No.	Fig. No.	Ref. No.
23414-180023	68	20
		21
	96	27
		28
	97	4
23414-200026	38	34
	68	22
	95	7
	96	29
	97	5
	99	15
23414-220029	96	30
23491-140002	18	8
	20	22
	38	35
23857-080000	68	23
23857-120000	68	24
		25
	96	31
		32
23857-150000	38	36
	68	26
	96	33
	99	16
23857-180000	68	27
23871-005000	67	33
23871-010000	68	28
23871-020000	38	37
	68	8
23871-030000	41	23
23876-010000	42	6
	85	12
23876-020000	85	4
		13
23876-040000	12	7
23887-100002	56	17
23980-730850	2	28
		29
		30
23980-730900	7	32
23980-731000	7	33
23980-731100	2	31
24101-060054	45	19
24101-060064	47	30
	67	34
	154	33
24101-060094	47	31
	154	34
24101-060104	15	11
	47	32

Parts No.	Fig. No.	Ref. No.
24101-060104	70	12
	154	35
24101-060114	78	8
24101-060124	14	4
24101-060144	22	5
24101-062034	47	33
	154	36
24101-062064	43	14
	44	18
	47	34
	53	3
	154	37
24101-062074	43	15
24101-062094	20	23
24101-062114	70	13
24101-062124	78	9
24101-062134	22	6
24101-063054	44	19
	46	4
	50	8
	51	13
	52	5
24101-063064	46	5
24104-062030	30	8
24105-060040	26	14
24107-060064	47	35
	49	27
	154	38
24107-062054	154	39
24121-062044	48	9
24161-202617	48	10
24161-303520	44	20
24161-323717	51	14
24163-305200	44	21
24164-000202	48	11
24165-000372	51	15
24165-000402	44	22
24190-080001	47	5
	61	14
	64	9
	154	6
24190-100001	40	40
	56	18
		19
	66	10
24190-130003	85	26
24190-160001	85	27
	90	8
24190-180001	81	16
24311-000070	3	10

Parts No.	Fig. No.	Ref. No.
24311-000070	41	27
24311-000090	85	14
	89	5
24311-000110	30	15
	67	35
24311-000125	40	41
24311-000140	30	16
	68	9
24311-000150	90	9
24311-000160	1	39
	18	9
	20	24
	38	38
	61	15
	64	10
	66	11
24311-000180	12	8
	19	2
	40	42
	107	4
24311-000200	41	30
24311-000210	64	11
24311-000220	31	7
	40	43
	96	34
	147	13
24311-000290	40	44
24311-000320	40	45
24311-000340	96	35
24311-000400	87	14
24315-000110	90	10
24315-000120	91	7
24315-000140	85	28
		29
		30
	148	9
24315-000160	41	28
24315-000180	41	29
	85	31
	91	8
	148	10
24315-000220	85	32
24315-000440	29	24
24321-000250	40	32
24321-000300	56	20
24321-000350	98	4
24321-000600	78	10
24321-000650	1	40
	38	39
	87	15

## Parts No. Index

Parts No.	Fig. No.	Ref. No.
24321-000700	18	10
24321-001000	18	11
24321-001700	18	12
24321-002200	20	25
24325-000650	22	7
24325-000900	85	33
24341-000080	49	28
	88	4
24341-000220	40	46
	41	31
24341-000224	40	47
	41	32
24341-000240	41	33
24341-000250	41	34
24341-000315	14	5
24341-000350	42	11
24341-000500	67	36
24351-010140	40	48
24351-010160	85	34
24351-020300	38	40
		41
24351-020400	67	37
24361-090500	40	49
24365-091000	85	35
24421-173507	30	9
24421-203007	73	10
24421-304208	81	17
24421-456209	18	13
24550-010200	116	20
24550-012150	59	32
	94	8
24550-015120	59	7
24550-015150	36	2
24550-016150	59	15
24550-017150	40	13
	62	3
	74	3
24550-018120	57	27
24550-025200	82	4 -1
		9 -1
		12 -1
24550-030150	62	4
24761-010000	84	3
		5
24761-050000	11	3
24761-060000	13	6
		11
	29	16
		25
26013-060352	31	8

Parts No.	Fig. No.	Ref. No.
26013-060352	96	36
26013-080122	33	11
		12
		38
		42
26013-080162	33	13
	64	12
26013-080202	38	43
		44
		47
		56
		22
26013-080252	20	26
	38	45
		46
		71
		3
26013-080352	27	8
	42	12
26013-080452	38	47
26013-080602	38	48
26013-080702	68	29
26013-080752	38	49
26013-080802	40	56
	41	60
26013-080852	41	61
	148	11
26013-080952	40	57
26013-100252	20	27
26013-100302	33	14
	72	11
26013-100352	58	7
26013-100452	38	50
26013-120202	96	37
	99	17
26013-120252	9	30
	96	38
26013-120302	10	17
		18
		14
		29
		29
		92
		12
		145
		16
		146
		2
26013-120352	11	8
		85
		36
		87
		16
26013-120402	72	12
	85	37
26013-120452	130	17
26013-120502	72	13
26013-120652	85	38
26013-120702	9	31

Parts No.	Fig. No.	Ref. No.
26013-120802	12	9
26013-120852	85	39
26013-121052	10	18
		23
		9
26013-121202	12	10
26013-121302	9	32
26013-140352	38	51
26013-140452	147	14
26016-060162	40	50
		51
		51
		41
		24
26016-080302	40	52
26016-080652	2	32
26016-100452	41	25
26016-100802	41	26
26023-040102	108	3
26023-040162	94	14
26023-040202	3	11
26106-060122	2	33
		34
		3
		13
		15
		100
		22
		101
		31
		113
		16
		116
		38
		39
		40
		121
		29
		30
		31
		125
		11
26106-060162	2	35
	89	6
	100	23
	101	32
		33
		33
		34
		35
		103
		7
		104
		9
		10
		110
		2
		112
		22 -1
		116
		41
		42
		43
		121
		32
		127
		17
		18

Parts No.	Fig. No.	Ref. No.
26106-060252	114	6
26106-060302	2	36
	96	39
26106-060402	102	16
26106-060452	150	4
26106-080122	29	30
	54	2
	59	36
	98	5
	101	37
	116	44
		45
26106-080162	2	37
		38
	8	4
	9	33
		34
		35
		36
		10
		19
		23
		10
		26
		28
		33
		11 -1
		12 -1
		3
		35
		56
		22 -1
		44
		45
		59
		37
		61
		16
		62
		21
		64
		12 -1
		66
		12
		68
		30
		74
		13
		92
		13
		94
		15
		95
		15
		96
		40
		41
		99
		18
		19
		20
		101
		36
		38
		39
		104
		11
		106
		20
		107
		5
		113
		17



## Parts No. Index

Parts No.	Fig. No.	Ref. No.	
26106-080162	116	46	
		47	
		48	
		49	
		50	
	117	23	
		24	
	124	9	
		10	
	128	7	
		130	
	130	18	
		150	
	150	5	
		151	
	151	6	
		154	
	26106-080202	38	43 -1
			44 -1
	26106-080252	9	56 21 -1
96 42			
98 6			
27 12			
26106-080302	6	38 45 -1	
		68 31	
		71 3 -1	
		10 20	
26106-080352	42	12 -1	
		55 2	
26106-080502	39	5	
		42 7	
26106-080552	104	12	
		26106-080602	98 7
26106-080652	152	12	
		26106-080752	9 38
26106-080802	40	56 -1	
		41 60 -1	
26106-080852	41	61 -1	
		148 11 -1	
26106-080952	40	57 -1	
		26106-081102	42 13
26106-100162	101	40	
		26106-100202	9 39
26106-100252	22	40	
		26	
		29	
		30 17	
		82 19	
		99 21	
		117 25	
		147 15	
		8 -1	

Parts No.	Fig. No.	Ref. No.
26106-100252	116	51
		26106-100302
26106-100402	26	16
		26106-100652
26106-120302	87	16 -1
		26106-120352
26108-100852	72	1 -1
		26108-120402
26108-120502	38	52
		39 6
26108-120652	38	53
		26108-120852
26116-060122	39	7
		26116-080754
26116-100252	22	8
		26116-100552
26116-100852	72	1
		26116-160252
26116-160502	147	16
		26116-161002
26216-100252	30	18
		26216-120352
26216-120502	12	11
		26216-160452
26218-100902	38	7
		155 8
26218-120252	38	8
		155 9
26346-060002	39	8
		26346-080002
26346-100002	26	17
		59 39
26347-060002	3	14
		26356-160002
26366-080002	61	1 -1
		64 13
26366-100002	38	54 -1

Parts No.	Fig. No.	Ref. No.
26366-120002	38	56 -1
		26450-040402
26450-080252	18	15
		67 38
26450-080352	88	6
		26557-030162
26557-050162	106	21
		26557-060062
26557-060402	144	9
		112 26
26711-100002	6	13
		26716-080002
26716-100002	36	11
		39 9
26716-120002	12	12
		57 18
26716-160002	92	16
		130 21
26736-080002	106	12
		26736-160002
26756-100002	57	34
		26756-160002
26776-120002	106	7
		9
26877-120002	94	9
		26986-100002
27260-170000	38	37 -1
		155 10
27260-550000	33	17
		29420-150000
29621-100000	2	39
		29622-140001
29622-250001	4	21
		7 34

Parts No.	Fig. No.	Ref. No.
29622-250001	100	26
		104 13
41850-000080	41	49
		41851-000090
41851-000220	41	51
		41856-010150
41856-020230	96	43
		794130-71410
794251-13910	71	1
		794321-13660
933160-09240	116	52