

0CNP5-M15301EN

# Contents

OCNP5-M15301

Fig. No.	Fig. Name
ENGINE CONTROL SECTION	
1.	ENGINE RELATED(1
2.	ENGINE RELATED(2
3.	ACCEL LEVER & FOOT ACCELERATOR
4.	MUFFLER
5.	EXHAUST
6.	FUEL TANK
7.	FUEL PIPE
8.	AIR CLEANER

FRONT AXLE SECTION	
9.	FRONT BRACKET
10.	FRONT SUPPORT
11.	TIE ROD
12.	RING GEAR
13.	DIFFERENTIAL GEAR
14.	PROPELLER SHAFT
15.	FRONT SHAFT
16.	FRONT AXLE CASE
17.	FRONT GEAR CASE
18.	FRONT SPINDLE
19.	FRONT WHEEL TIRE
20.	STEERING
21.	PST CYLINDER
22.	PST VALVE

Fig. No.	Fig. Name
23.	PST HOSE
TRANSMISSION SECTION	
24.	CLUTCH HOUSING
25.	CLUTCH & CLUTCH SHAFT
26.	CLUTCH RELEASE
27.	TRANSMISSION CASE
28.	CENTER PLATE
29.	REVERSE HOUSING
30.	MAIN DRIVE SHAFT
31.	MAIN SHAFT
32.	REVERSE SHAFT
33.	REDUCTION SHAFT
34.	COUNTER SHAFT
35.	REVERSE IDLE SHAFT
36.	PTO DRIVE SHAFT
37.	PTO SHAFT
38.	MAIN CHANGE SHIFT
39.	SHIFT LEVER
40.	REVERSE SHIFT
41.	REVERSE LEVER
42.	SUB CHANGE SHIFT
43.	CHANGE LINK
44.	PTO SHIFT
45.	PTO LEVER

# Contents

OCNP5-M15301

Fig. No. Fig. Name

46. KNOB

47. FRONT DRIVE

48. FRONT SHIFT

## REAR AXLE SECTION

49. RING GEAR & DIFFERENTIAL GEAR

50. REAR HOUSING

51. DIFFERENTIAL LOCK

52. FINAL PINION & FINAL GEAR

53. REAR AXLE SHAFT

54. REAR WHEEL TIRE

55. BRAKE

56. PEDAL

57. BRAKE LINK

58. PARKING BRAKE

## HYDRAULIC CONTROL SECTION

59. HYDRAULIC CYLINDER CASE

60. PISTON & LIFT CRANK

61. CONTROL VALVE

62. RELIEF VALVE

63. HYDRAULIC CONTROL

64. STOP VALVE KNOB

65. HYDRAULIC PIPING

Fig. No. Fig. Name

## ELECTRICAL PARTS SECTION

66. WIRE HARNESS

67. WIRE HARNESS

68. SWITCH

69. LAMPS & REFLECTOR

70. METER

71. HORN

## FITTINGS SECTION

72. HOOD

73. HOOD

74. DASHBOARD

75. FENDER

76. FLOOR COVER

77. FLOOR

78. DRIVER SEAT

85. SEAT BELT(ADDITIONAL ITEM)

79. LABELS

80. LABELS(SAFETY)

## HITCH SECTION

81. THREE POINT LINK

82. DRAWBAR HITCH

83. REAR ROPS(OPTION)

86. REAR ROPS(ADDITIONAL ITEM)

# Contents

0CNP5-M15301

Fig. No. Fig. Name

Fig. No. Fig. Name

## ACCESSORIES SECTION

84. ACCESSORIES

## OPTIONAL SECTION

87. KARTE(CENTER PLATE

88. REAR HOUSING(REPAIR PART

89. GEAR KIT, DRIVEN 20

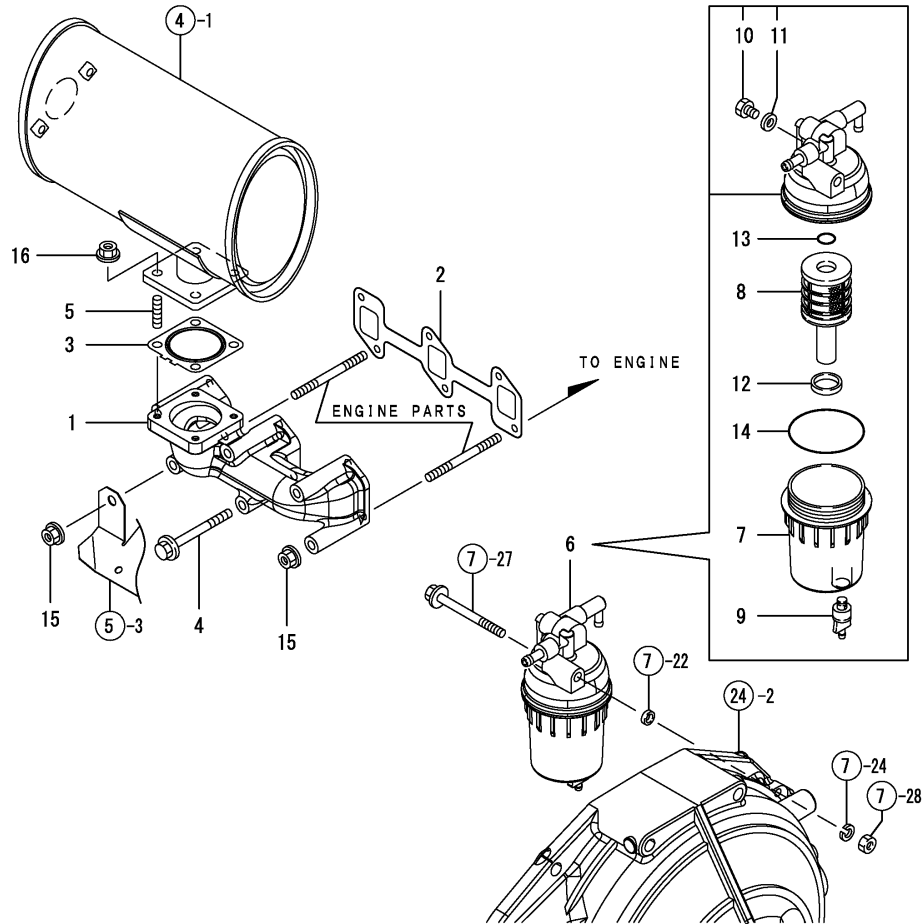
90. GEAR KIT, DRIVEN 21

91. GEAR KIT, REVERSER

Fig.1. ENGINE RELATED(1)

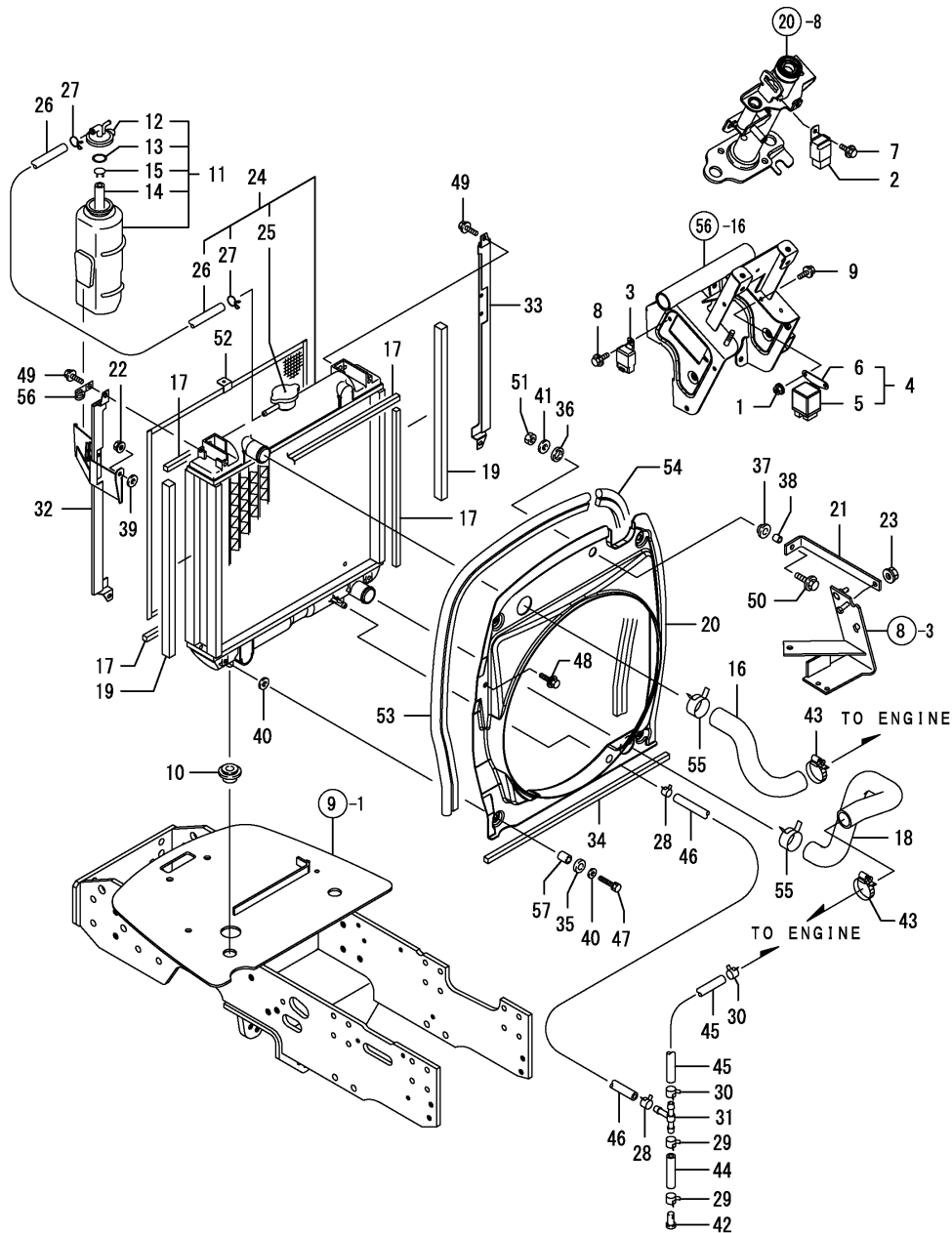
(A)=EF312PT  
(B)=EF352PT  
(C)=

(D)=  
(E)=  
(F)=



No.	Lev.	Parts No.	Description	Q'ty						I	R
				(A)	(B)	(C)	(D)	(E)	(F)		
1	1	171350-13100	MANIFOLD, EXHAUST	1	1						
2	1	129150-13110	GASKET	1	1						
3	1	129004-13200	GASKET, SILENCER	1	1						
4	1	123900-13630	BOLT, M8X80	4	4						
5	1	119131-18320	STUD, M8X22	4	4						
6	1	129055-55700	SEPARATOR ASSY	1	1						
7	2	129938-55720	CUP	1	1						
8	2	129242-55730	ELEMENT	1	1						
9	2	129242-55740	PLUG, DRAIN	1	1						
10	2	129242-55750	VALVE, AIR VENT	1	1						
11	2	129242-55760	GASKET	1	1						
12	2	129242-55770	FLOAT	1	1						
13	2	24311-000160	O-RING, 1AP16.0	1	1						
14	2	24321-000750	O-RING, 1AG75.0	1	1						
15	1	26306-080002	NUT, M8	2	2						
16	1	26306-080002	NUT, M8	4	4						

Fig.2. ENGINE RELATED(2)

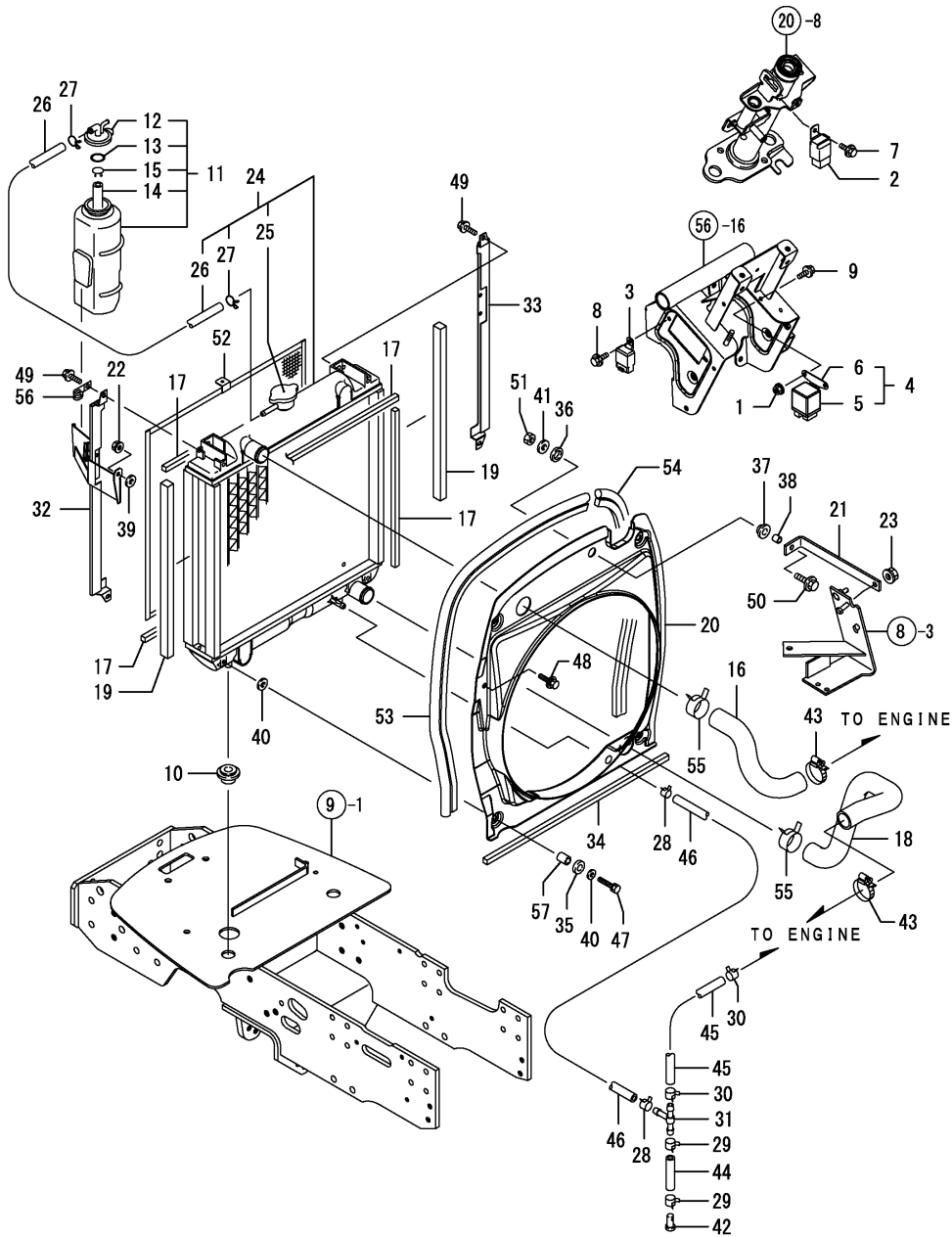


(A)=EF312PT  
(B)=EF352PT  
(C)=

(D)=  
(E)=  
(F)=

No.	Lev.	Parts No.	Description	Q'ty						I	R
				(A)	(B)	(C)	(D)	(E)	(F)		
1	1	194990-22130	NUT, M6	2	2						
2	1	198220-52180	RELAY, STARTER	1	1						
3	1	198461-52950	RELAY, CA TYPE C	1	1						
4	1	119650-77910	RELAY ASSY, GLOW	1	1						
5	2	129052-77920	BODY, RELAY	1	1						
6	2	119650-77930	BRACKET, RELAY	1	1						
7	1	26106-060122	BOLT, M6X 12 PLATED	1	1						
8	1	26106-060122	BOLT, M6X 12 PLATED	1	1						
9	1	26106-060122	BOLT, M6X 12 PLATED	2	2						
10	1	1A8115-00610	RUBBER, ABSORBER	2	2						
11	1	1A8115-00650	TANK ASSY, SUB	1	1						
12	2	1A8115-00670	CAP	1	1						
13	2	1A8115-00680	GASKET	1	1						
14	2	23065-070180	PIPE, 7X 180	1	1						
15	2	1A8115-00690	RETAINER, PIPE	1	1						
16	1	198208-01410	HOSE, WATER A	1	1						
17	1	198200-01440	SEAL, RADIATOR	4	4						
18	1	198208-01451	HOSE, WATER B	1	1						
19	1	198208-01480	URETHANE, RADIATOR	2	2						
20	1	1A8115-01511	SHROUD, FAN	1	1						
21	1	1A8115-05601	STAY, RADIATOR	1	1						
21-1	1	1A8115-05650	ROD, RADIATOR	1	1						N
		(A=F210101) (B=F210201)									
22	1	194990-22130	NUT, M6	1	1						
23	1	194990-22140	NUT, M8	1	1						
24	1	129055-44501	RADIATOR ASSY	1	1						
25	2	129107-44590	CAP, RADIATOR	1	1						
26	2	121236-59080	PIPE, FUEL D12X400	1	1						
27	2	121250-44590	CLAMP	2	2						
28	1	124766-59050	CLIP, HOSE 12	2	2						
29	1	124766-59050	CLIP, HOSE 12	2	2						
30	1	124766-59050	CLIP, HOSE 12	2	2						
31	1	119629-59910	JOINT, 3-WAY	1	1						
32	1	1A8115-60711	GUIDE ASSY, SCREEN L	1	1						
33	1	1A8115-60760	GUIDE, SCREEN R	1	1						
34	1	1A8115-61970	SEAL, RADIATOR LOWER	1	1						
35	1	194420-62260	RUBBER, CUSHION	4	4						
36	1	198220-62260	CUSHION, RUBBER	1	1						
37	1	198220-62270	CUSHION, RUBBER	1	1						
38	1	198220-62920	COLLAR, ABSORBER	1	1						
39	1	22157-060000	WASHER, 6	1	1						
40	1	22157-060000	WASHER, 6	8	8						
41	1	22157-080000	WASHER, 8	1	1						
42	1	22487-080160	PIN, H 8X 16	1	1						
43	1	23000-035000	CLAMP, 35	2	2						
44	1	23980-730060	HOSE, 7.3X 60	1	1						
45	1	23980-730200	HOSE, 7.3X 200	1	1						
46	1	23980-730530	HOSE, 7.3X 530	1	1						
47	1	26013-060302	BOLT, M6X 30	4	4						
48	1	26018-060202	BOLT, M6X 20	1	1						
49	1	26106-060122	BOLT, M6X 12 PLATED	4	4						

Fig.2. ENGINE RELATED(2)

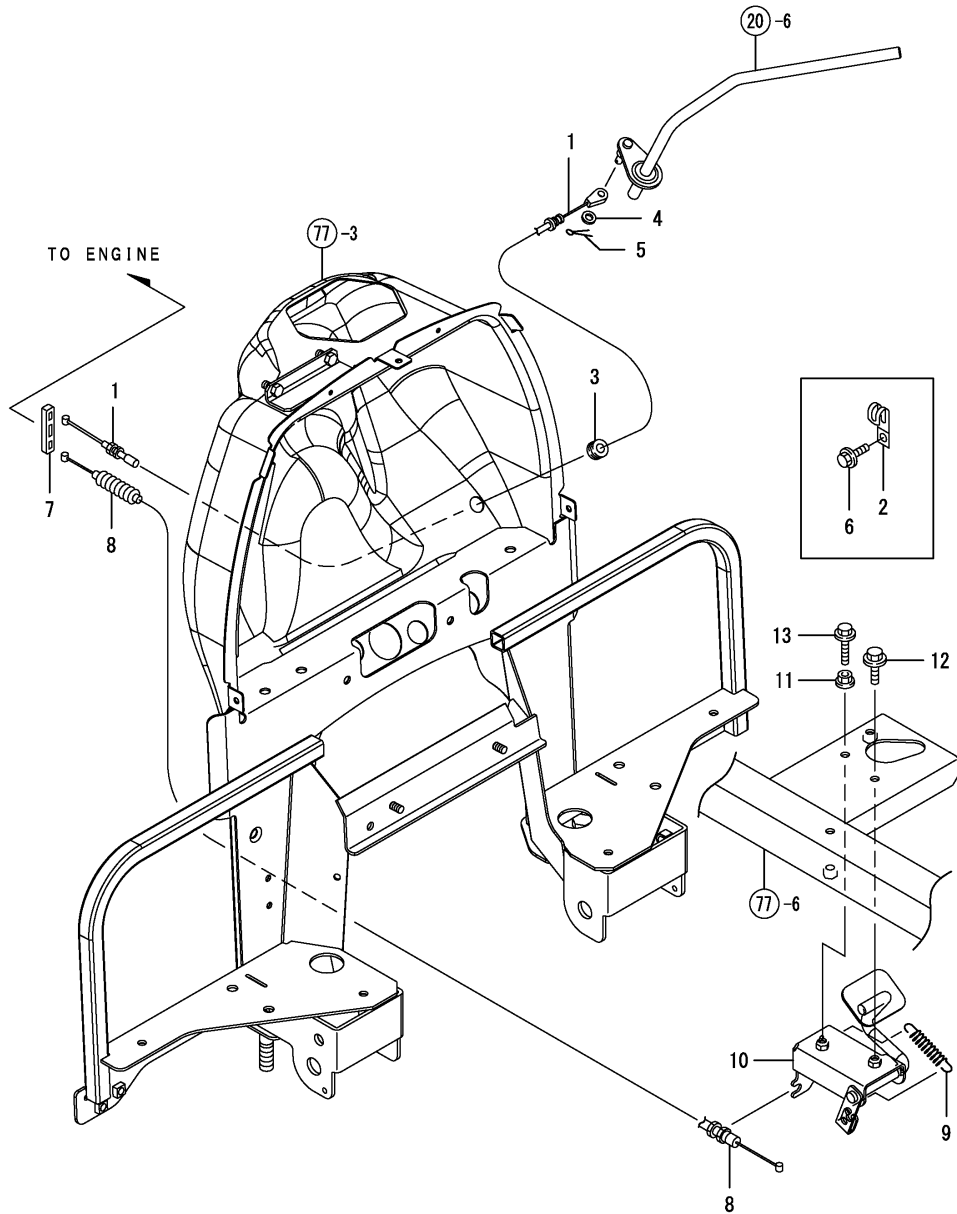


(A)=EF312PT  
(B)=EF352PT  
(C)=

(D)=  
(E)=  
(F)=

No.	Lev.	Parts No.	Description	Q'ty						I	R
				(A)	(B)	(C)	(D)	(E)	(F)		
50	1	26106-080302	BOLT, M8X 30 PLATED	1	1						
51	1	26986-080002	NUT, LOCK M8	1	1						
52	1	1A8115-60950	SCREEN, RADIATOR	1	1						
53	1	1A8115-61950	WEATHER-STRIP	1	1						
54	1	1A8115-61960	WEATHER-STRIP	1	1						
55	1	175022-49730	CRIP 31, HOSE	2	2						
56	1	194440-51630	CLAMP, HARNESS	1	1						
57	1	1A7000-57210	COLLAR, 7X11X14	4	4						

Fig.3. ACCEL LEVER & FOOT ACCELERATOR



(A)=EF312PT  
(B)=EF352PT  
(C)=

(D)=  
(E)=  
(F)=

No.	Lev.	Parts No.	Description	Q'ty						I	R
				(A)	(B)	(C)	(D)	(E)	(F)		
1	1	198200-01150	WIRE ASSY, THROTTLE	1	1						
2	1	194440-51630	CLAMP, HARNESS	1	1						
3	1	198071-58810	GROMMET, 8	1	1						
4	1	22137-060000	WASHER, 6	1	1						
5	1	22417-160180	PIN, COTTER 1.6X18	1	1						
6	1	26106-060122	BOLT, M6X 12 PLATED	1	1						
7	1	1A8115-01160	RUBBER	1	1						
8	1	198200-01210	WIRE ASSY	1	1						
9	1	1A8115-01280	SPRING, RETURN	1	1						
10	1	1A8115-01300	ACCELERATOR, FOOT	1	1						
11	1	194990-22130	NUT, M6	1	1						
12	1	26106-060162	BOLT, M6X 16 PLATED	1	1						
13	1	26106-060402	BOLT, M6X 40 PLATED	1	1						

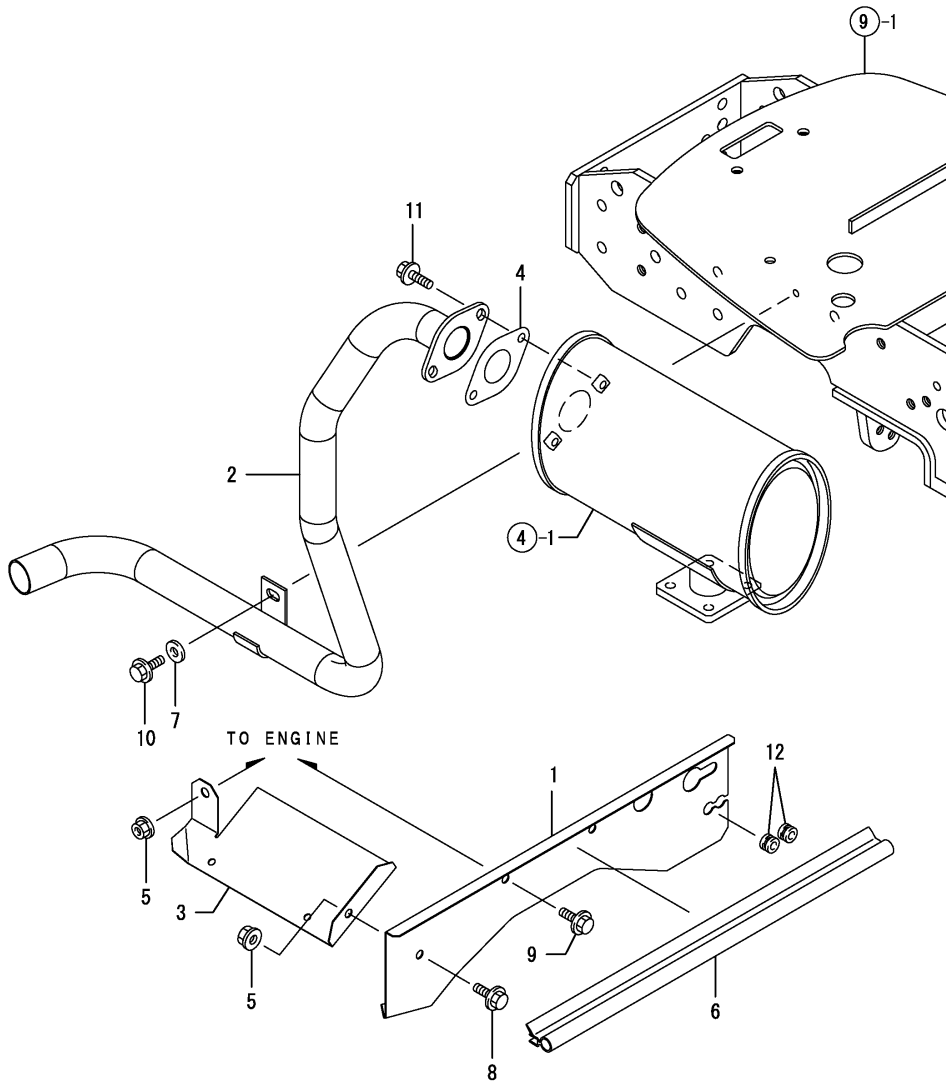




Fig.5. EXHAUST

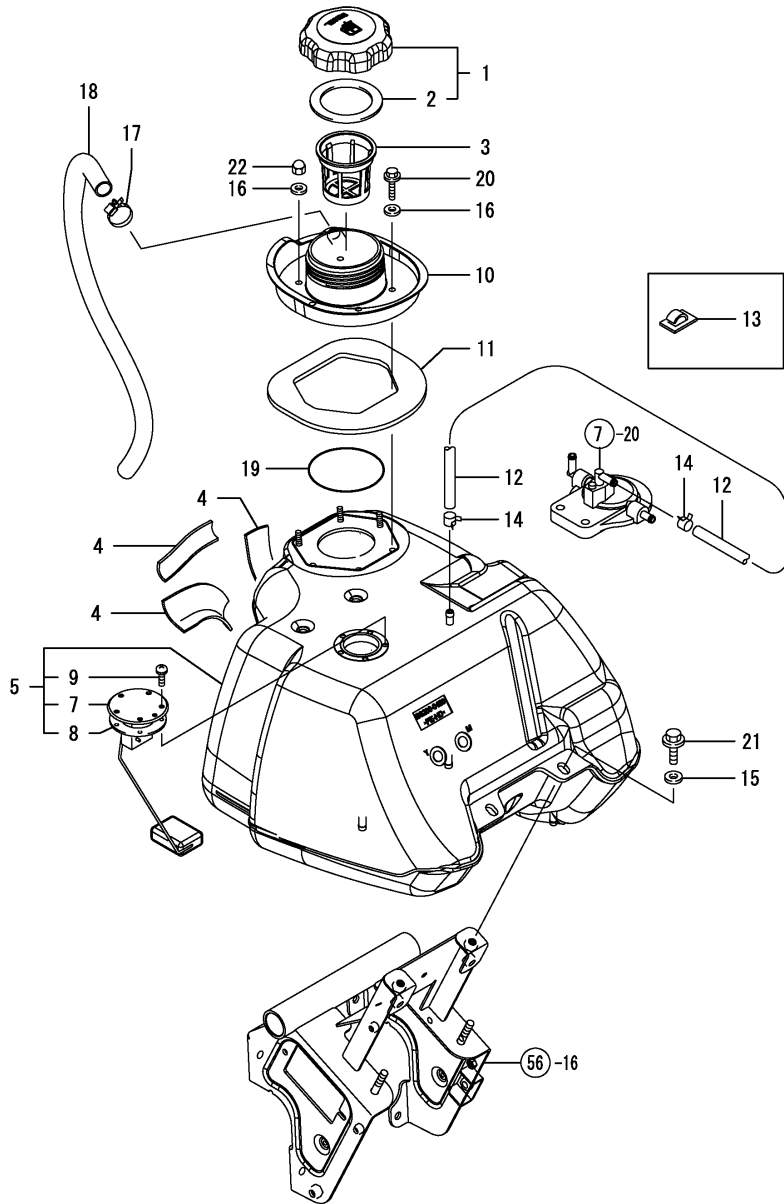
(A)=EF312PT  
(B)=EF352PT  
(C)=

(D)=  
(E)=  
(F)=



No.	Lev.	Parts No.	Description	Q'ty						I	R
				(A)	(B)	(C)	(D)	(E)	(F)		
1	1	1A8115-01611	STAY, ENGINE REAR	1	1						
2	1	1A8115-03110	PIPE, EXHAUST	1	1						
3	1	1A8115-05511	PLATE, SHUTTER	1	1						
4	1	129052-13550	GASKET	1	1						
5	1	194990-22140	NUT, M8	2	2						
6	1	1A8115-61890	WEATHER-STRIP	1	1						
7	1	22157-080000	WASHER, 8	1	1						
8	1	26106-080122	BOLT, M8X 12 PLATED	1	1						
9	1	26106-080122	BOLT, M8X 12 PLATED	2	2						
10	1	26106-080162	BOLT, M8X 16 PLATED	1	1						
11	1	26106-080252	BOLT, M8X 25 PLATED	2	2						
12	1	198071-58810	GROMMET, 8	2	2						

Fig.6. FUEL TANK

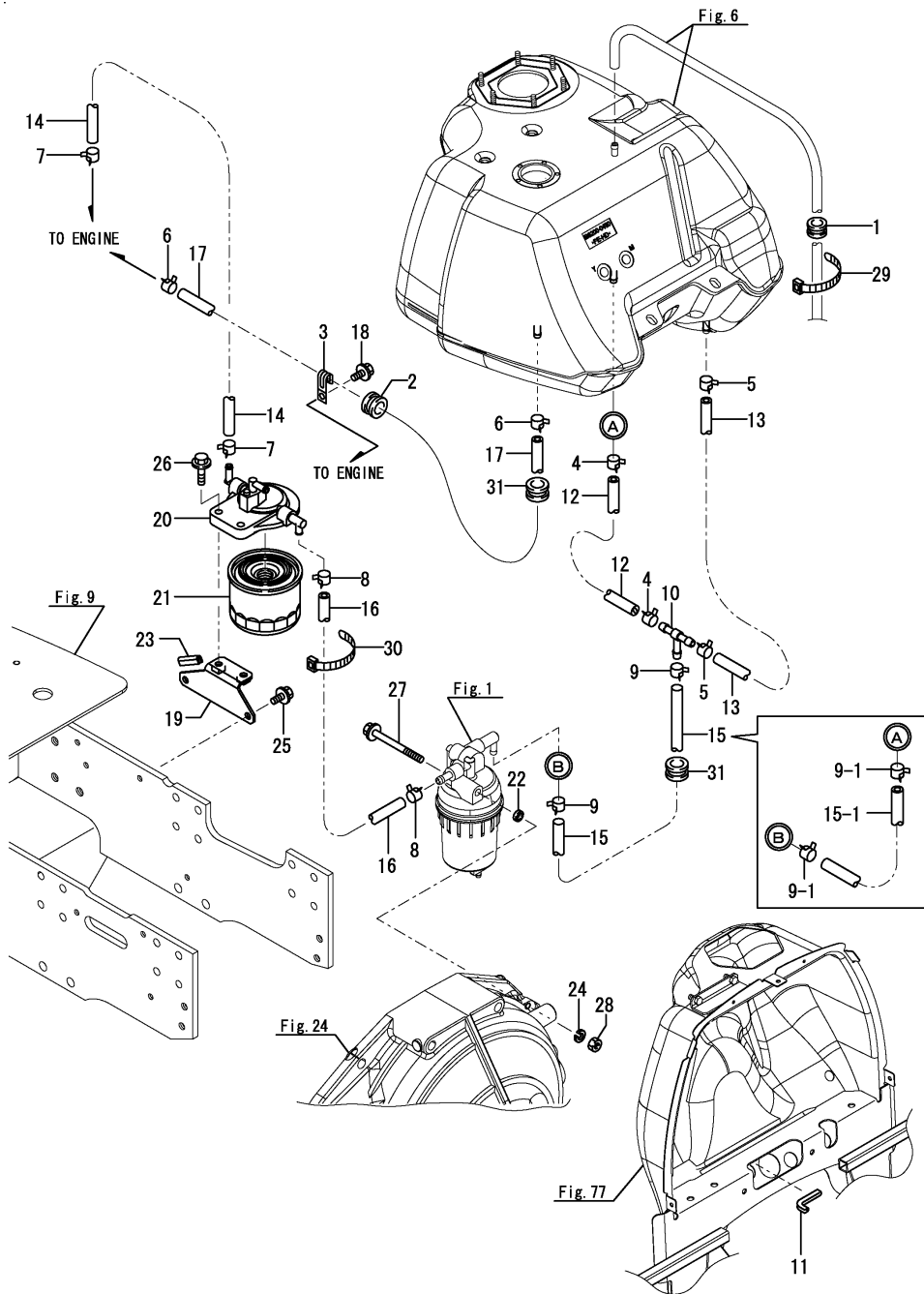


(A)=EF312PT  
(B)=EF352PT  
(C)=

(D)=  
(E)=  
(F)=

No.	Lev.	Parts No.	Description	Q'ty						I	R
				(A)	(B)	(C)	(D)	(E)	(F)		
1	1	198200-04030	CAP ASSY, FILLER	1	1						
2	2	198200-04040	GASKET, FUEL CAP	1	1						
3	1	198200-04061	STRAINER, FUEL	1	1						
4	1	198200-04090	CUSHION, TANK F	3	3						
5	1	198200-04101	TANK ASSY, FUEL	1	1						
5-1	1	1A8071-04100	TANK ASSY, FUEL	1	1						N
		(A=*2012.04) (B=*2012.04)									
7	2	198200-56600	GAUGE ASSY, FUEL	1	1						
8	2	198200-56630	GASKET, GAUGE	1	1						
9	2	26022-050102	SCREW, M5X10	5	5						
10	1	198208-04210	PAN, DRIP	1	1						
11	1	198200-04260	GASKET, SUMP	1	1						
12	1	198200-04270	HOSE, AIR VENT	1	1						
13	1	172010-07810	STICKER, WIRE	1	1						
14	1	124766-59050	CLIP, HOSE 12	2	2						
14-1	1	114270-59010	CLIP, HOSE 12	2	2						R
		(A=FXXXXX) (B=FXXXXX)									
15	1	22157-080000	WASHER, 8	2	2						
16	1	22190-060000	WASHER, SEAL 6	6	6						
17	1	23000-019000	CLAMP, 19	1	1						
18	1	23065-160650	PIPE, 16X 650	1	1						
19	1	24311-000850	O-RING, 1AP85.0	1	1						
20	1	26106-060252	BOLT, M6X 25 PLATED	3	3						
21	1	26106-080162	BOLT, M8X 16 PLATED	2	2						
22	1	26657-060002	NUT, CAP M6	3	3						

Fig.7. FUEL PIPE



(A)=EF312PT  
(B)=EF352PT  
(C)=

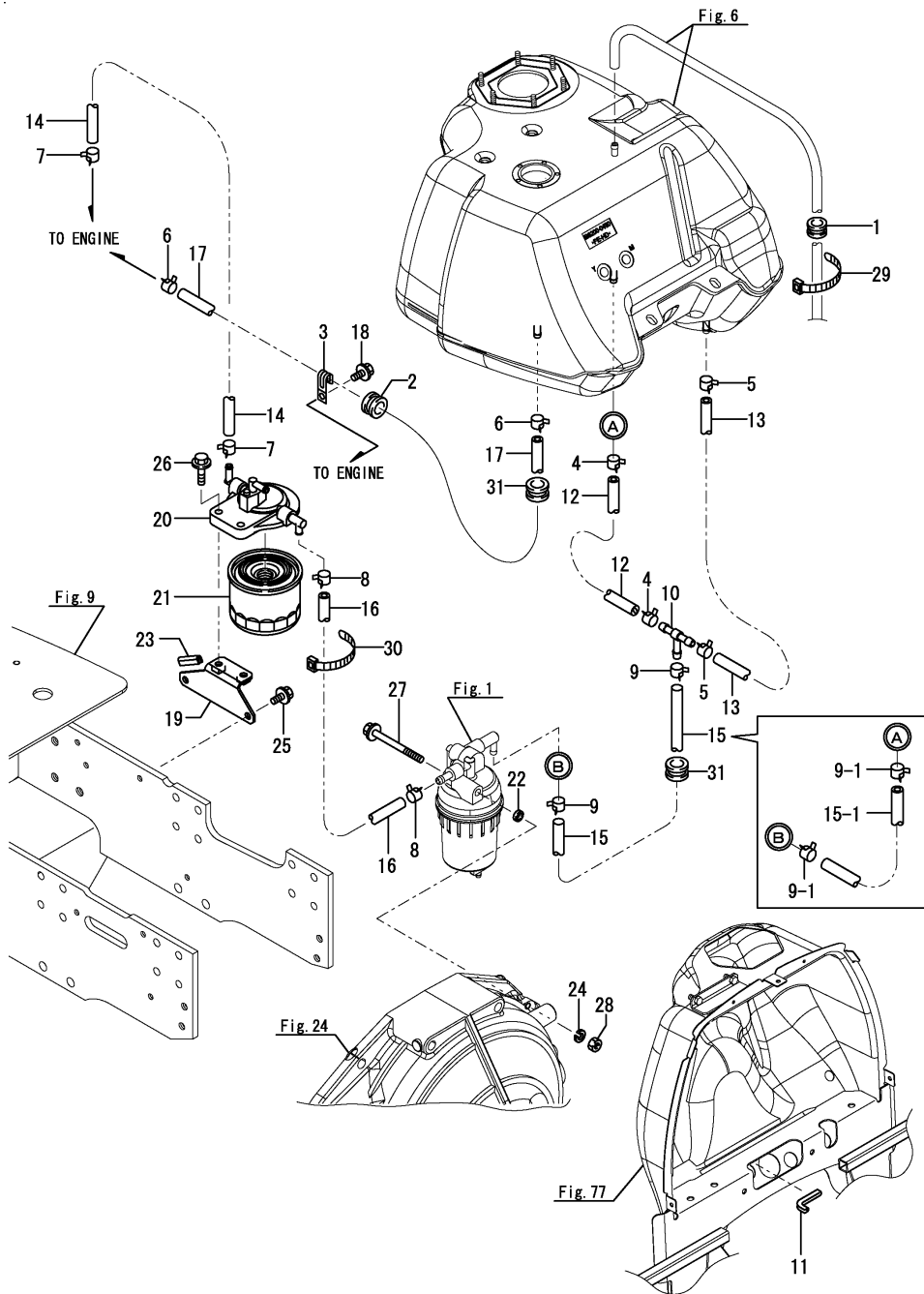
(D)=  
(E)=  
(F)=

No.	Lev.	Parts No.	Description	Q'ty						I	R
				(A)	(B)	(C)	(D)	(E)	(F)		
1	1	1E8050-05510	GROMMET, SLIT 16X3	1	1						
2	1	194170-51210	GROMMET	1	1						
3	1	194440-51620	CLAMP	1	1						
4	1	124766-59050	CLIP, HOSE 12	2	2						
4-1	1	114270-59010	CLIP, HOSE 12	2	2						R
		(A=FXXXXX) (B=FXXXXX)									
4-2	1	114270-59010	CLIP, HOSE 12	2	2						Z
		(A=*2012.04) (B=*2012.04)									
5	1	124766-59050	CLIP, HOSE 12	2	2						
5-1	1	114270-59010	CLIP, HOSE 12	2	2						R
		(A=FXXXXX) (B=FXXXXX)									
5-2	1	114270-59010	CLIP, HOSE 12	2	2						Z
		(A=*2012.04) (B=*2012.04)									
6	1	124766-59050	CLIP, HOSE 12	2	2						
6-1	1	114270-59010	CLIP, HOSE 12	2	2						R
		(A=FXXXXX) (B=FXXXXX)									
7	1	124766-59050	CLIP, HOSE 12	2	2						
7-1	1	114270-59010	CLIP, HOSE 12	2	2						R
		(A=FXXXXX) (B=FXXXXX)									
8	1	124766-59050	CLIP, HOSE 12	2	2						
8-1	1	114270-59010	CLIP, HOSE 12	2	2						R
		(A=FXXXXX) (B=FXXXXX)									
9	1	124766-59050	CLIP, HOSE 12	2	2						
9-1	1	114270-59010	CLIP, HOSE 12	2	2						R
		(A=FXXXXX) (B=FXXXXX)									
10	1	119629-59910	JOINT, 3-WAY	1	1						Z
		(A=*2012.04) (B=*2012.04)									
11	1	198093-84810	SEAL, FENDER	1	1						
12	1	23980-730060	HOSE, 7.3X 60	1	1						Z
		(A=*2012.04) (B=*2012.04)									
13	1	23980-730180	HOSE, 7.3X 180	1	1						Z
		(A=*2012.04) (B=*2012.04)									
14	1	23980-730310	HOSE, 7.3X 310	1	1						
15	1	23980-730420	HOSE, 7.3X 420	1	1						
15-1	1	23980-730510	HOSE, 7.3X 510	1	1						N
		(A=*2012.04) (B=*2012.04)									
16	1	23980-730530	HOSE, 7.3X 530	1	1						
17	1	23980-730730	HOSE, 7.3X 730	1	1						
18	1	26106-080122	BOLT, M8X 12 PLATED	1	1						
19	1	1A8115-11250	STAY ASSY, FILTER	1	1						
20	1	119852-55611	BRACKET, FILTER	1	1						
21	1	129004-55810	FILTER, FUEL	1	1						
22	1	1A8115-62490	COLLAR	1	1						
23	1	198093-84810	SEAL, FENDER	1	1						
24	1	22217-080000	WASHER, SPRING 8	1	1						
25	1	26106-080162	BOLT, M8X 16 PLATED	2	2						
26	1	26106-080252	BOLT, M8X 25 PLATED	2	2						
27	1	26106-080852	BOLT, M8X 85 PLATED	1	1						
28	1	26716-080002	NUT, M8	1	1						
29	1	29622-140001	BAND, RF140	1	1						
30	1	29622-140001	BAND, RF140	1	1						

Fig.7. FUEL PIPE

(A)=EF312PT  
(B)=EF352PT  
(C)=

(D)=  
(E)=  
(F)=

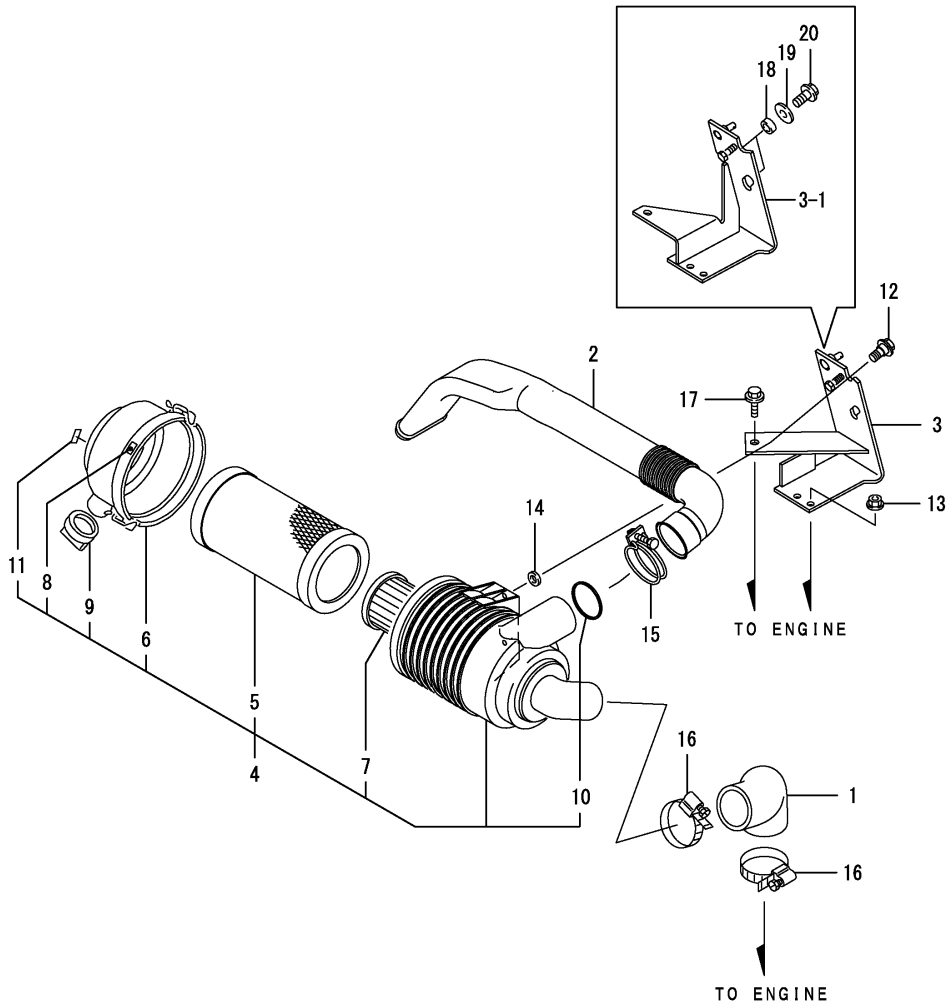


No.	Lev.	Parts No.	Description	Qty						I	R
				(A)	(B)	(C)	(D)	(E)	(F)		
31	1	194170-51210	GROMMET	2	2						

Fig.8. AIR CLEANER

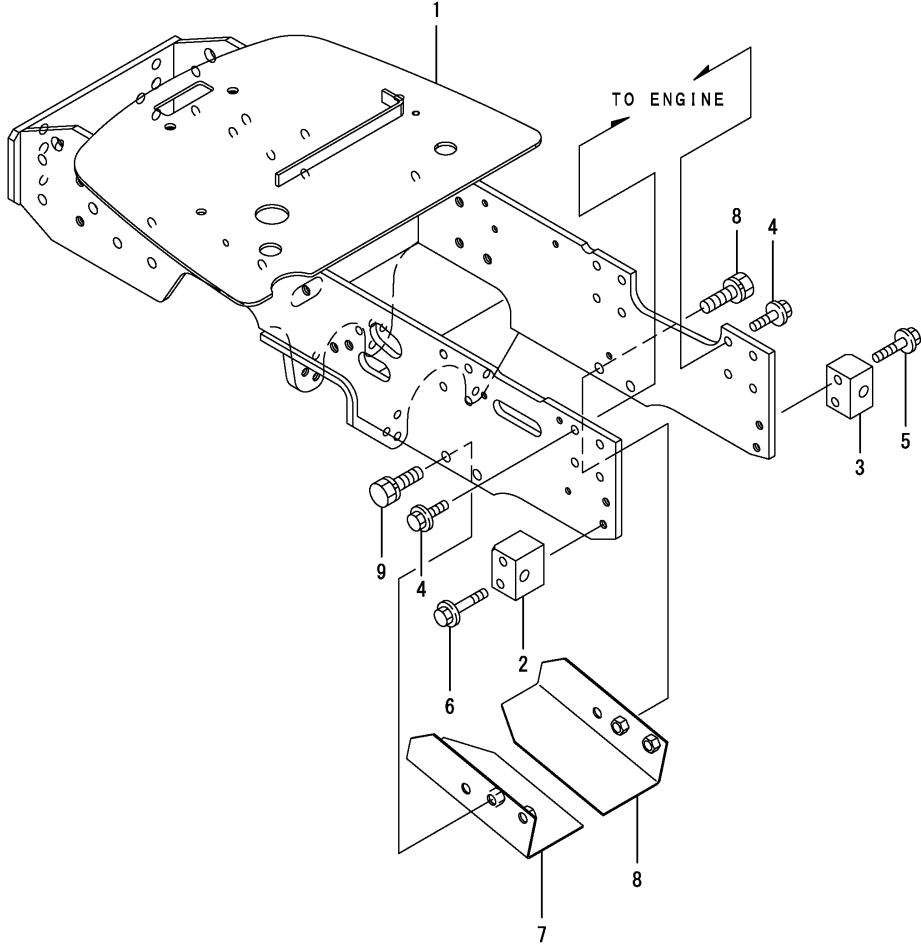
(A)=EF312PT  
(B)=EF352PT  
(C)=

(D)=  
(E)=  
(F)=



No.	Lev.	Parts No.	Description	Q'ty						I	R
				(A)	(B)	(C)	(D)	(E)	(F)		
1	1	1A8115-06010	HOSE, AIR INTAKE	1	1						
2	1	1A8115-06150	PIPE, AIR INTAKE	1	1						
2-1	1	198200-06150	PIPE, AIR INTAKE	1	1						R
		(A=F210101) (B=F210201)									
3	1	1A8115-06201	BRACKET, AIR CLEANER	1	1						
3-1	1	1A8115-06202	BRACKET, AIR CLEANER	1	1						N
		(A=*2009.02.) (B=*2009.02.)									
4	1	198287-06300	CLEANER ASSY, AIR	1	1						
5	2	119808-12520	ELEMENT	1	1						
6	2	119866-12530	COVER ASSY	1	1						
7	2	129051-12530	ELEMENT	1	1						
8	2	129418-12530	LABEL, MARK	1	1						
9	2	119808-12540	VALVE, UNLOADER	1	1						
10	2	129259-12570	RING	1	1						
11	2	129612-12650	LABEL, MARKING	1	1						
12	1	198280-06450	BOLT, M8X16	2	2						Z
		(A=*2009.02.) (B=*2009.02.)									
13	1	194990-22140	NUT, M8	2	2						
14	1	1A8115-06250	SHIM	2	2						
15	1	23000-060000	CLAMP, 60	1	1						
16	1	23000-070000	CLAMP, 70	2	2						
17	1	26106-080162	BOLT, M8X 16 PLATED	1	1						
18	1	1A8115-27030	COLLAR, 8X14X5.3	2	2						W
		(A=*2009.02.) (B=*2009.02.)									
19	1	22157-080000	WASHER, 8	2	2						W
		(A=*2009.02.) (B=*2009.02.)									
20	1	26106-080202	BOLT, M8X 20 PLATED	2	2						W
		(A=*2009.02.) (B=*2009.02.)									

Fig.9. FRONT BRACKET

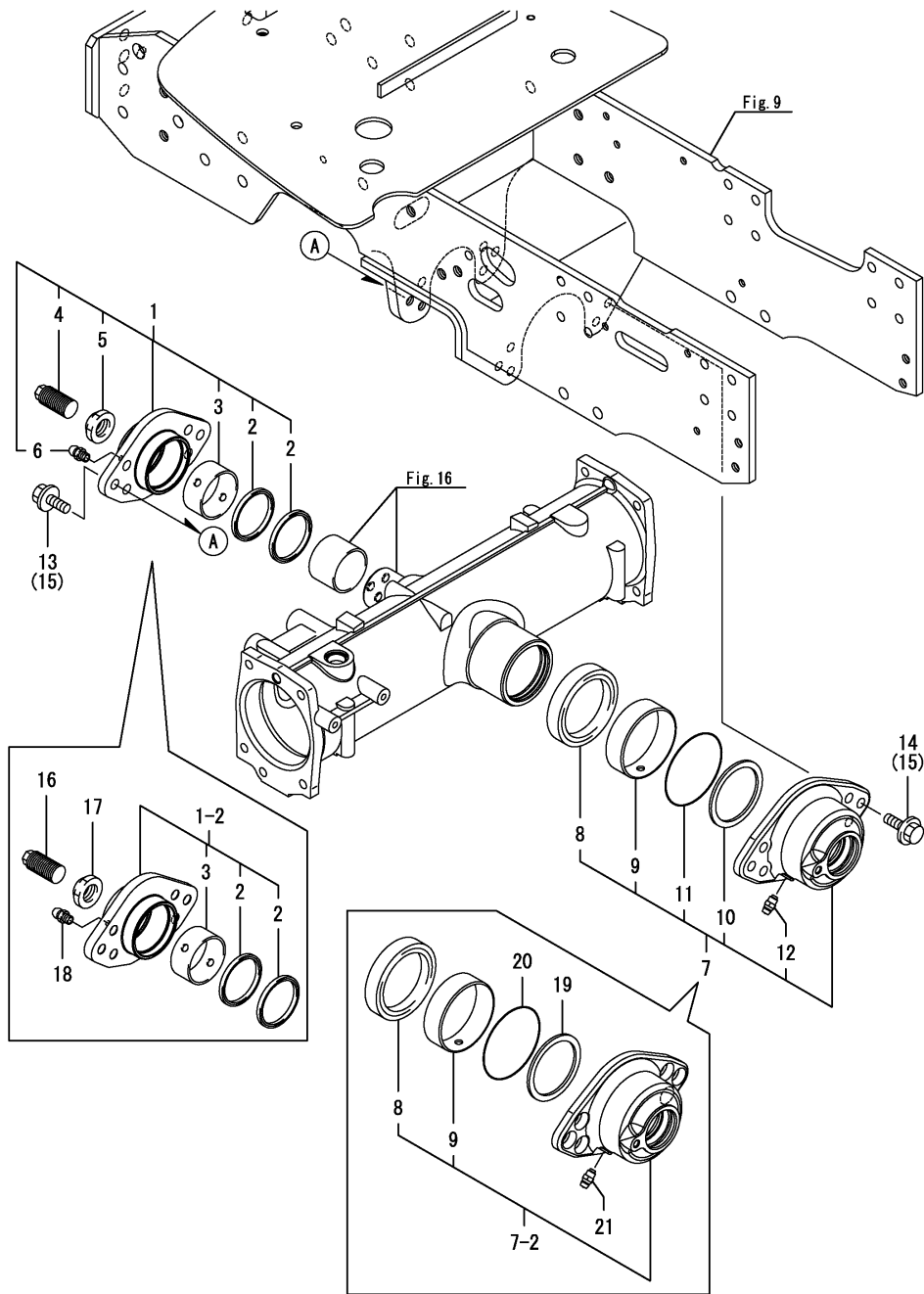


(A)=EF312PT  
(B)=EF352PT  
(C)=

(D)=  
(E)=  
(F)=

No.	Lev.	Parts No.	Description	Q'ty						I	R
				(A)	(B)	(C)	(D)	(E)	(F)		
1	1	1A8115-11100	BRACKET ASSY, AXLE M	1	1						
2	1	1A8115-11210	STAY, L	1	1						
3	1	1A8115-11220	STAY, R	1	1						
4	1	198208-11310	BOLT, M10X 25	16	16						
5	1	26106-100452	BOLT, M10X 45 PLATED	2	2						
6	1	26106-100552	BOLT, M10X 55 PLATED	2	2						
7	1	198287-11210	PLATE, OIL SUMP L	1	1						
8	1	198287-11230	PLATE, OIL SUMP R	1	1						
9	1	26013-120252	BOLT, M12X 25	4	4						

Fig.10. FRONT SUPPORT



(A)=EF312PT  
(B)=EF352PT  
(C)=

(D)=  
(E)=  
(F)=

No.	Lev.	Parts No.	Description	Qty						I	R
				(A)	(B)	(C)	(D)	(E)	(F)		
1	1	198283-13150-1	SUPPORT ASSY, PIN F	1	1						
1-1	1	198283-13151	SUPPORT ASSY, PIN F	1	1						N
		(A=FZZZZZ) (B=F210201)									
1-2	1	198283-13220	SUPPORT ASSY, F	1	1						N
		(A=FXXXXX) (B=FXXXXX)									
2	2	198172-11640	SEAL, OIL G50X58X4	2	2						
3	2	198283-13380	BUSH, 50X55X25	1	1						
4	2	198283-13450	BOLT, M20	1	1						Z
		(A=FXXXXX) (B=FXXXXX)									
5	2	198283-13460	NUT, LOCK	1	1						Z
		(A=FXXXXX) (B=FXXXXX)									
6	2	24761-010000	NIPPLE, GREASE M6F	1	1						Z
		(A=FXXXXX) (B=FXXXXX)									
7	1	198283-13160-1	SUPPORT ASSY, PIN R	1	1						
7-1	1	198283-13161	SUPPORT ASSY, PIN R	1	1						N
		(A=FZZZZZ) (B=F210201)									
7-2	1	198283-13230	SUPPORT ASSY, R	1	1						N
		(A=FXXXXX) (B=FXXXXX)									
8	2	194181-11560	SEAL, OIL VB75856.5	1	1						
9	2	194641-11630	BUSH, 75X80X25	1	1						
10	2	198283-13480	WASHER, 62X75X3	1	1						Z
		(A=FXXXXX) (B=FXXXXX)									
11	2	24321-000750	O-RING, 1AG75.0	1	1						Z
		(A=FXXXXX) (B=FXXXXX)									
12	2	24761-010000	NIPPLE, GREASE M6F	1	1						Z
		(A=FXXXXX) (B=FXXXXX)									
13	1	26106-100252	BOLT, M10X 25 PLATED	6	6						
13-1	1	198208-11310	BOLT, M10X 25	6	6						N
		(A=FZZZZZ) (B=F210201)									
13-2	1	198208-11310	BOLT, M10X 25	6	6						Z
		(A=FZZZZZ) (B=F210201)									
14	1	26106-100252	BOLT, M10X 25 PLATED	6	6						
14-1	1	198208-11310	BOLT, M10X 25	6	6						N
		(A=FZZZZZ) (B=F210201)									
14-2	1	198208-11310	BOLT, M10X 25	6	6						Z
		(A=FZZZZZ) (B=F210201)									
15	1	198208-11310	BOLT, M10X 25	12	12						W
		(A=FXXXXX) (B=FXXXXX)									
16	1	198283-13450	BOLT, M20	1	1						W
		(A=FXXXXX) (B=FXXXXX)									
17	1	198283-13460	NUT, LOCK	1	1						W
		(A=FXXXXX) (B=FXXXXX)									
18	1	24761-010000	NIPPLE, GREASE M6F	1	1						W
		(A=FXXXXX) (B=FXXXXX)									
19	1	198283-13480	WASHER, 62X75X3	1	1						W
		(A=FXXXXX) (B=FXXXXX)									
20	1	24321-000750	O-RING, 1AG75.0	1	1						W
		(A=FXXXXX) (B=FXXXXX)									
21	1	24761-010000	NIPPLE, GREASE M6F	1	1						W
		(A=FXXXXX) (B=FXXXXX)									

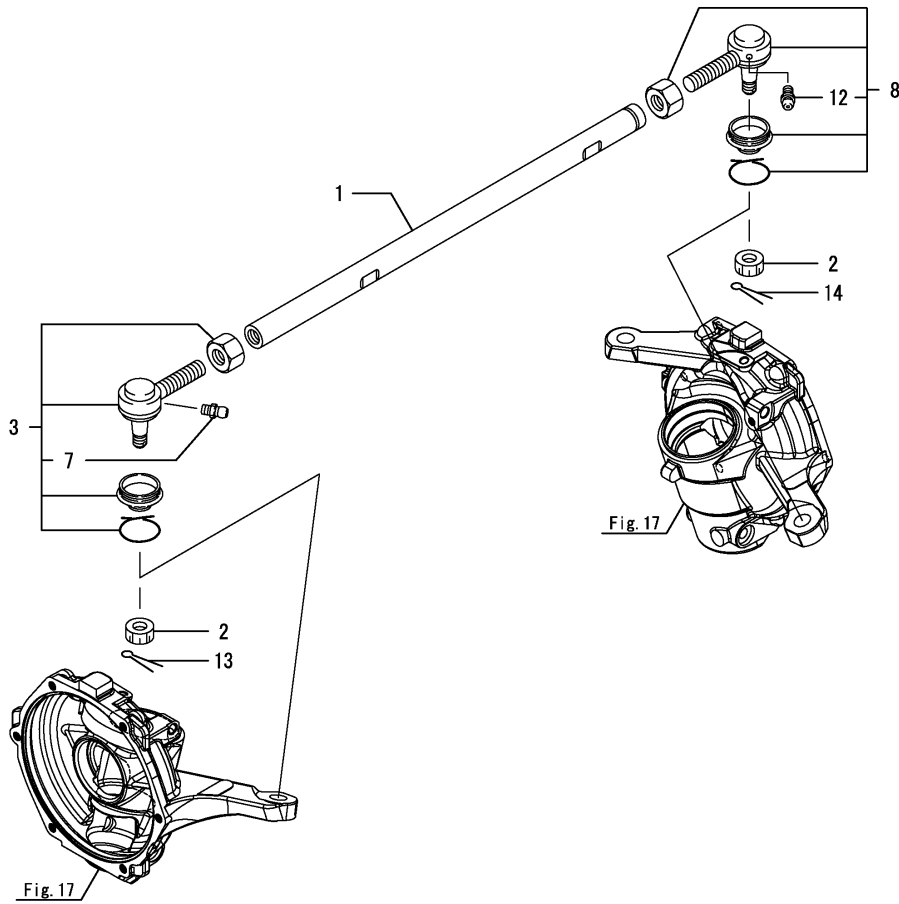


Fig.11. TIE ROD

(A)=EF312PT  
(B)=EF352PT  
(C)=

(D)=  
(E)=  
(F)=

No.	Lev.	Parts No.	Description	Q'ty						I	R
				(A)	(B)	(C)	(D)	(E)	(F)		
1	1	198220-12310	TIE-ROD	1	1						
2	1	194180-12471	NUT, CASTLE M16	2	2						
3	1	198283-12510	END ASSY, TIE-ROD RH	1	1						
7	2	24761-060000	NIPPLE, GREASE MT6X1	1	1						
8	1	198283-12550	END ASSY, TIE-ROD LH	1	1						
12	2	24761-060000	NIPPLE, GREASE MT6X1	1	1						
13	1	22417-400400	PIN, COTTER 4.0X40	1	1						
14	1	22417-400400	PIN, COTTER 4.0X40	1	1						




---

---

---

---

---

---

---

---

---

---

---

---

---

---

---

---

---

---

---

---

---

---

---

---

Fig.12. RING GEAR

(A)=EF312PT  
(B)=EF352PT  
(C)=

(D)=  
(E)=  
(F)=

No.	Lev.	Parts No.	Description	Q'ty						I	R
				(A)	(B)	(C)	(D)	(E)	(F)		
1	1	198200-13100	GEAR ASSY, RING	1	1						
2	2	198200-13110	PINION, DRIVE Z=17	1	1						
3	2	198200-13120	GEAR, RING 25	1	1						
4	1	194640-26440	BEARING, BALL TMB206	1	1						
5	1	1E6190-54080	SLEEVE SI25X30X13	1	1						
6	1	22242-000300	RING, 30	1	1						
7	1	24101-063054	BEARING, BALL 6305	1	1						

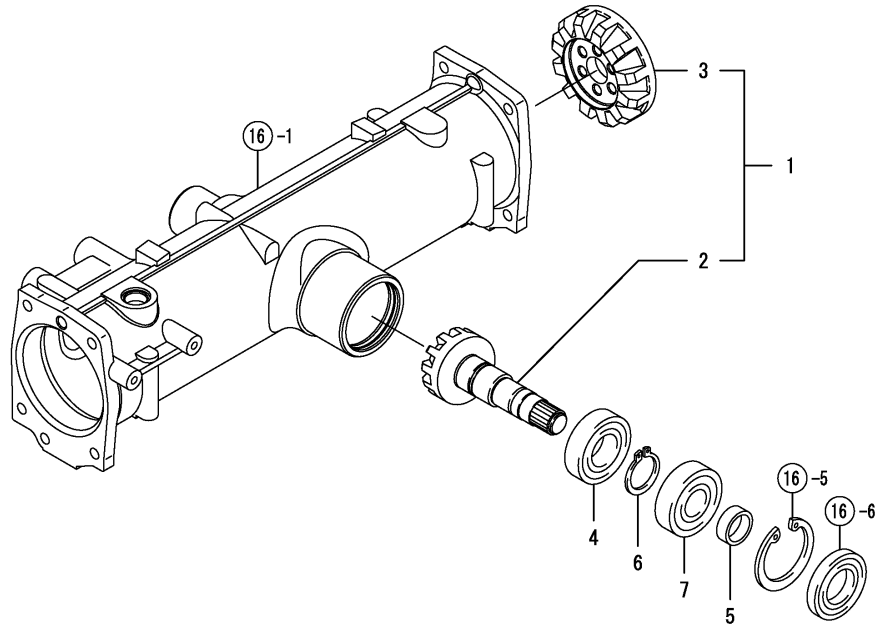


Fig.13. DIFFERENTIAL GEAR

(A)=EF312PT  
 (B)=EF352PT  
 (C)=

(D)=  
 (E)=  
 (F)=

No.	Lev.	Parts No.	Description	Q'ty						I	R
				(A)	(B)	(C)	(D)	(E)	(F)		
1	1	198200-13200	HOUSING ASSY	1	1						
2	2	198200-13210	CASE, DIFFERENTIAL	1	1						
3	2	198200-13220	SHAFT, DIFFERENTIAL	1	1						
4	2	194300-31550	GEAR, DIFFERENTIAL	2	2						
5	2	194300-31560	GEAR, PINION	2	2						
6	2	194300-31610	WASHER, DIFFERENTIAL	2	2						
7	2	194300-31620	WASHER, DIFFERENTIAL	2	2						
8	2	22351-040040	PIN, SPRING 4.0X40	1	1						
9	1	198200-13250	COLLAR	1	1						
10	1	194421-13640	BOLT, M8X22	6	6						
11	1	24101-060114	BEARING, BALL 6011	2	2						

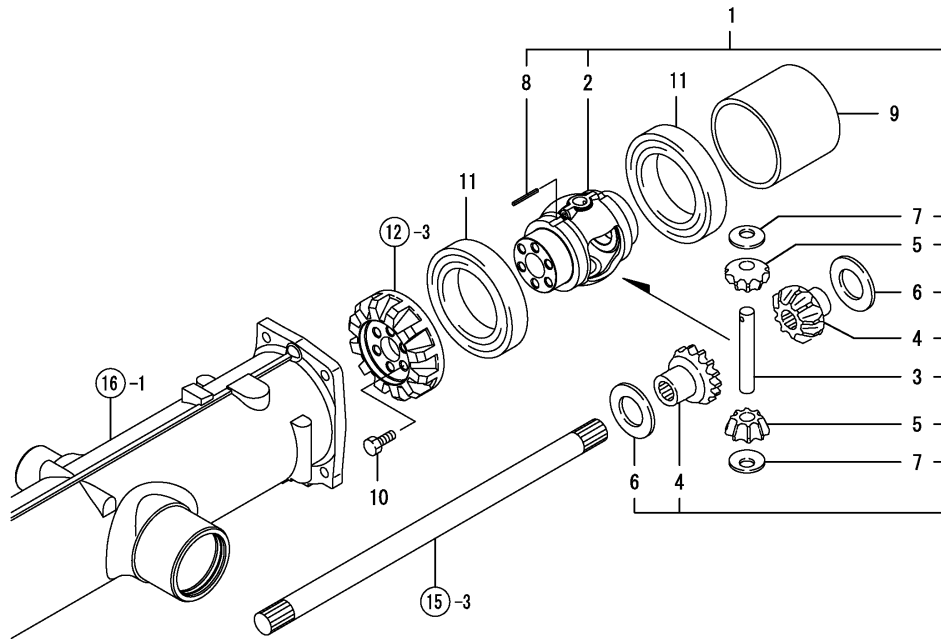
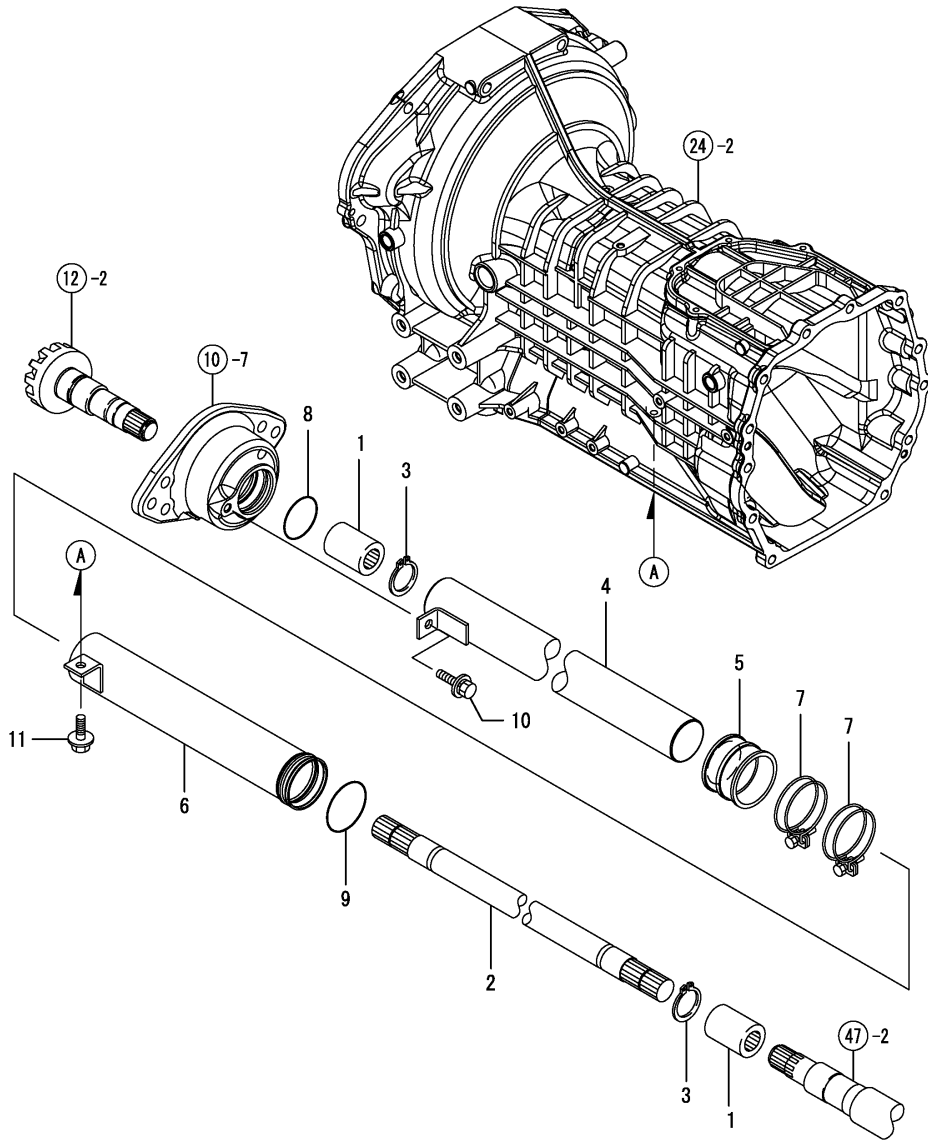


Fig.14. PROPELLER SHAFT

(A)=EF312PT  
 (B)=EF352PT  
 (C)=

(D)=  
 (E)=  
 (F)=



No.	Lev.	Parts No.	Description	Q'ty						I	R
				(A)	(B)	(C)	(D)	(E)	(F)		
1	1	1A8115-13280	COUPLING, FRONT	2	2						
2	1	1A8115-13310	SHAFT, PROPELLER	1	1						
3	1	22242-000220	RING, 22	2	2						
4	1	1A8115-14630	COVER ASSY, SHAFT	1	1						
5	1	1A8115-14650	BOOT, SHAT COVER	1	1						
6	1	1A8115-14671	COVER, SHAFT REAR	1	1						
7	1	23000-054000	CLAMP, 54	2	2						
8	1	24311-000420	O-RING, 1AP42.0	1	1						
9	1	24321-000450	O-RING, 1AG45.0	1	1						
10	1	26106-080162	BOLT, M8X 16 PLATED	1	1						
11	1	26106-080162	BOLT, M8X 16 PLATED	1	1						

Fig.15. FRONT SHAFT

(A)=EF312PT  
(B)=EF352PT  
(C)=

(D)=  
(E)=  
(F)=

No.	Lev.	Parts No.	Description	Q'ty						I	R
				(A)	(B)	(C)	(D)	(E)	(F)		
1	1	198208-13510	SHAFT, 1ST FRONT 242	1	1						
2	1	198200-13520	PINION, SHAFT	2	2						
3	1	198208-13530	SHAFT, 1ST FRONT 435	1	1						
4	1	24101-062074	BEARING, BALL 6207	2	2						

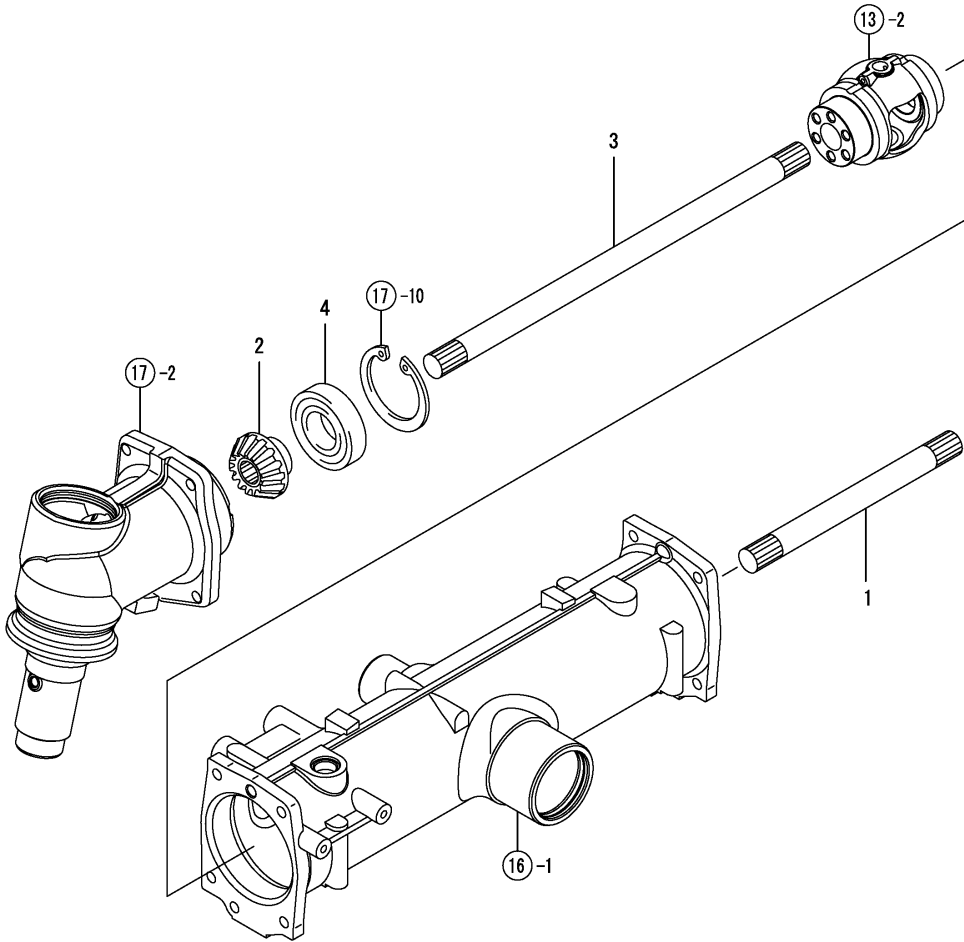


Fig.16. FRONT AXLE CASE

(A)=EF312PT  
(B)=EF352PT  
(C)=

(D)=  
(E)=  
(F)=

No.	Lev.	Parts No.	Description	Q'ty						I	R
				(A)	(B)	(C)	(D)	(E)	(F)		
1	1	198200-13611-1	HOUSING, FRONT AXLE	1	1						
2	1	198208-17210-1	BRACKET, CYLINDER	1	1						
3	1	198283-17220	STAY, GUARD	1	1						
4	1	192180-26380	BUSHING 45X50X35	1	1						
5	1	22252-000620	RING, 62	1	1						
6	1	24421-306210	SEAL, OIL TC306210	1	1						
7	1	26013-120302	BOLT, M12X 30	2	2						
8	1	26013-120402	BOLT, M12X 40	2	2						
9	1	198283-13850	HOLDER, BREATHER	1	1						
10	1	1C6900-23020	BREATHER	1	1						
11	2	1E8660-53100	BREATHER	1	1						
12	1	24311-000180	O-RING, 1AP18.0	1	1						

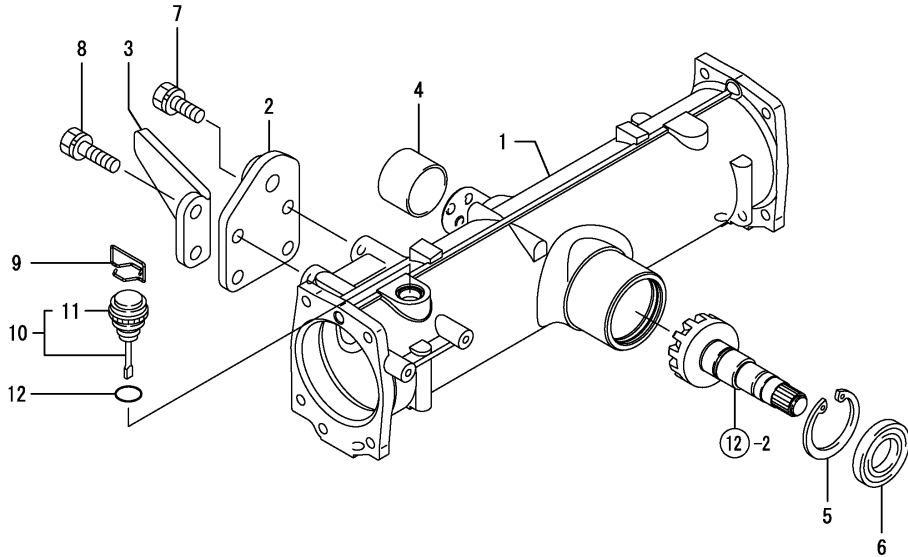
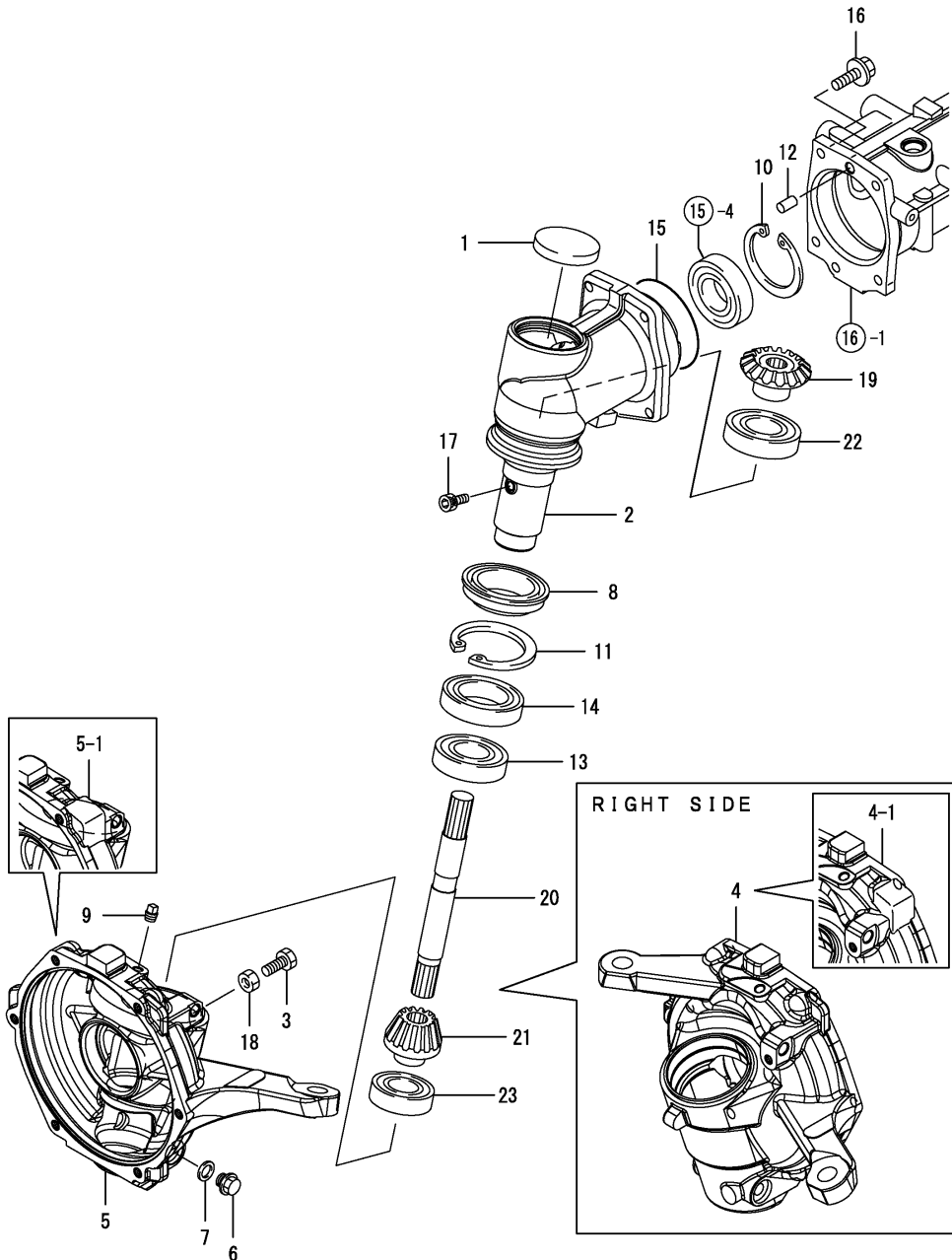


Fig.17. FRONT GEAR CASE

(A)=EF312PT  
(B)=EF352PT  
(C)=

(D)=  
(E)=  
(F)=



No.	Lev.	Parts No.	Description	Qty						I	R
				(A)	(B)	(C)	(D)	(E)	(F)		
1	1	177432-03450	PLUG	2	2						
2	1	198208-13721-1	HOUSING, FRONT GEAR	2	2						
3	1	198283-13970	BOLT, M10X40	2	2						
4	1	198283-14240	GEARBOX, FRONT R.H.	1	1						
4-1	1	198283-14241 (B=F210201)	BOX, GEAR R		1						S
5	1	198283-14250	GEARBOX, FRONT L.H.	1	1						
5-1	1	198283-14251 (B=F210201)	BOX, GEAR L		1						S
6	1	1C6900-23120	BOLT, DRAIN M14X10	2	2						
7	1	1C6900-23150	WASHER, PLUG	2	2						
8	1	198483-32660	SEAL, QLNY578015	2	2						
9	1	194151-36670	PLUG, PF02	2	2						
10	1	22252-000720	RING, 72	2	2						
11	1	22252-000800	RING, 80	2	2						
12	1	22312-100180	PIN, PARALLEL M10X18	2	2						
13	1	24101-060084	BEARING, BALL 6008	2	2						
14	1	24101-060104	BEARING, BALL 6010	2	2						
15	1	24321-000950	O-RING, 1AG95.0	2	2						
16	1	26106-100302	BOLT, M10X 30 PLATED	10	10						
17	1	26450-080122	BOLT, M8X 12	2	2						
18	1	26716-100002	NUT, M10	2	2						
19	1	198200-13821	GEAR, FRONT SHAFT	2	2						
20	1	198283-14270	SHAFT, FRONT 2ND	2	2						
21	1	198283-14280	PINION, FINAL Z=11	2	2						
22	1	24101-062064	BEARING, BALL 6206	2	2						
23	1	24104-062064	BEARING, BALL 6206UU	2	2						

Fig.18. FRONT SPINDLE

(A)=EF312PT  
(B)=EF352PT  
(C)=

(D)=  
(E)=  
(F)=

No.	Lev.	Parts No.	Description	Q'ty						I	R
				(A)	(B)	(C)	(D)	(E)	(F)		
1	1	194556-13790	O-RING, 190X2.7	2	2						
2	1	198200-14130-1	COVER, GEAR BOX	2	2						
3	1	198200-14210	RING, HALF	4	4						
4	1	198283-14290	GEAR, FINAL 51	2	2						
5	1	198283-14310	SPINDLE, FRONT	2	2						
6	1	198475-32660	SEAL, QLNY527514.5	2	2						
7	1	24101-062074	BEARING, BALL 6207	2	2						
8	1	24101-062094	BEARING, BALL 6209	2	2						
9	1	26106-100252	BOLT, M10X 25 PLATED	12	12						

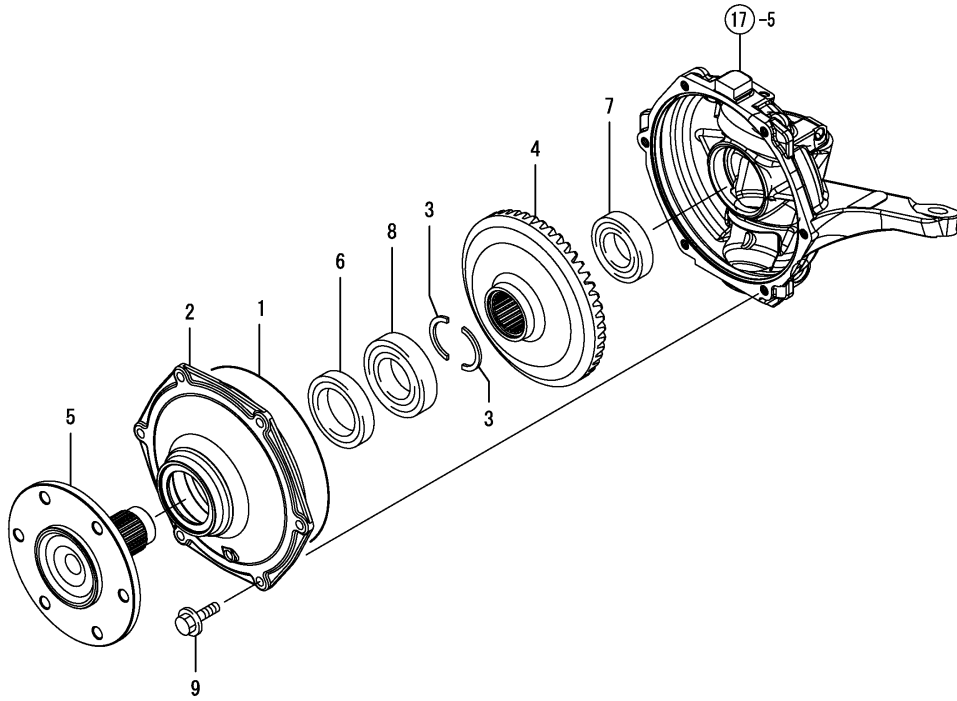


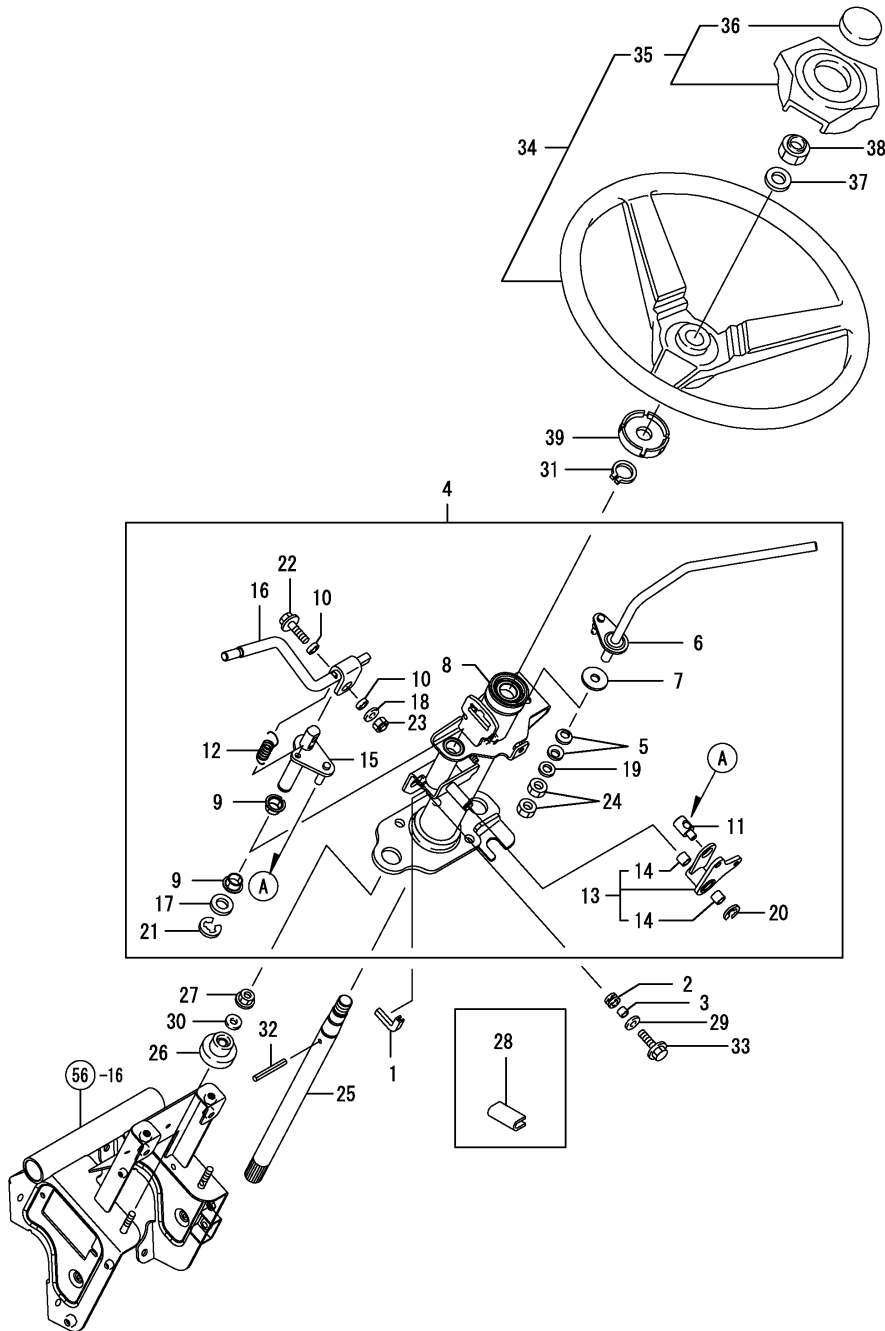




Fig.20. STEERING

(A)=EF312PT  
(B)=EF352PT  
(C)=

(D)=  
(E)=  
(F)=

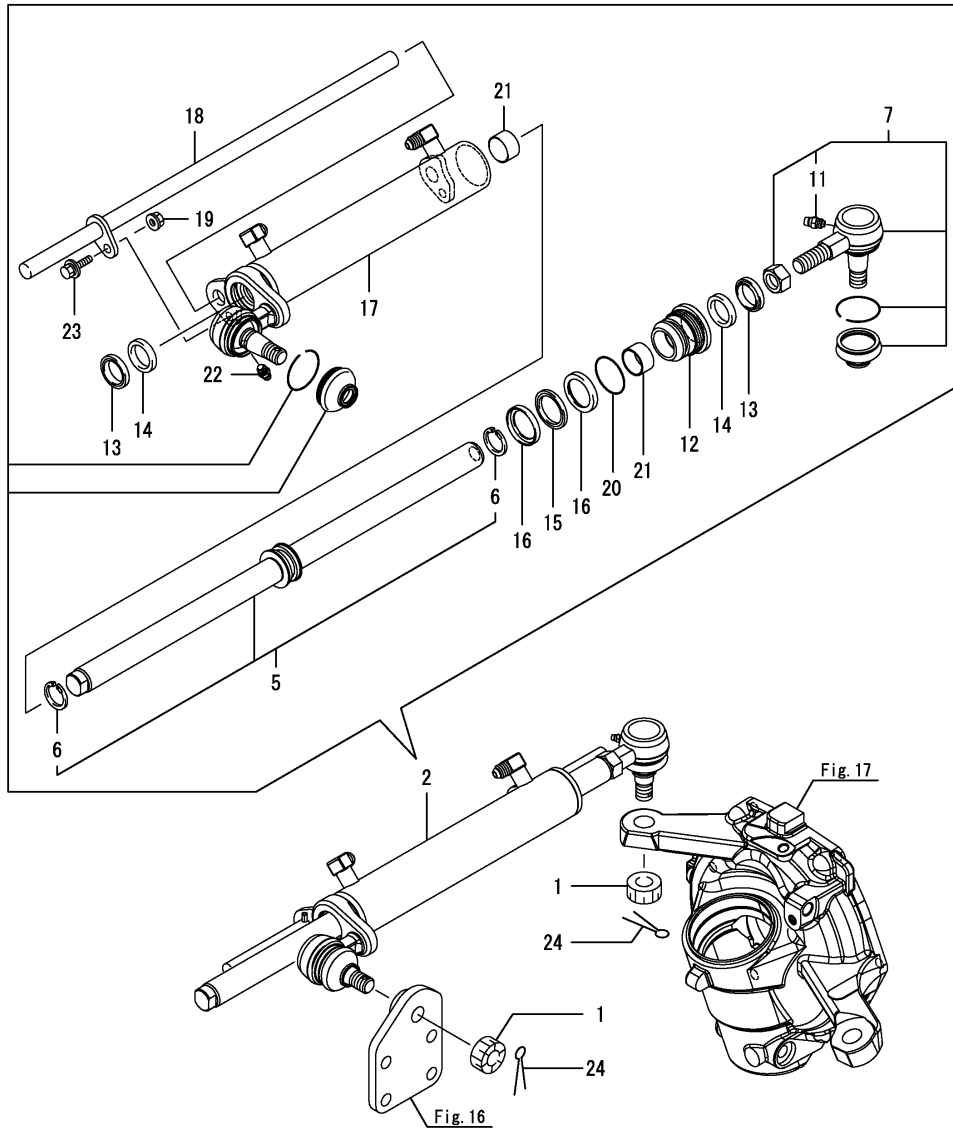


No.	Lev.	Parts No.	Description	Q'ty						I	R
				(A)	(B)	(C)	(D)	(E)	(F)		
1	1	198200-01170	SEAL, WIRE	1	1						
2	1	198360-03260	GROMMET, 12	2	2						
3	1	198360-03270	SPACER	2	2						
4	1	1A8115-15090	COLUMN, STEERING	1	1						
5	2	194740-00160	SPRING, 10	2	2						
6	2	1A8115-01110	LEVER ASSY	1	1						
7	2	198200-01260	PLATE, FRICTION	1	1						
8	2	1A8115-15100	COLUMN ASSY,STEERING	1	1						
9	2	1A8115-27000	BUSH, 15X17X10	2	2						
10	2	1A8115-27030	COLLAR, 8X14X5.3	2	2						
11	2	1A8115-27090	PIN, CONNECTING	1	1						
12	2	1A8115-27240	SPRING, RETURN	1	1						
13	2	1A8115-27250	PLATE ASSY, ARM	1	1						
14	3	24550-012100	BUSH 12X10	2	2						
15	2	1A8115-27400	SHAFT, REVERSER	1	1						
16	2	1A8115-27460	LEVER, REVERSER	1	1						
17	2	22117-140000	WASHER, 14	1	1						
18	2	22137-080000	WASHER, 8	1	1						
19	2	22137-100000	WASHER, 10	1	1						
20	2	22272-000090	RING, E- 9	1	1						
21	2	22272-000120	RING, E-12	1	1						
22	2	26106-080352	BOLT, M8X 35 PLATED	1	1						
23	2	26346-080002	NUT, M8	1	1						
24	2	26716-100002	NUT, M10	2	2						
25	1	198200-15180	SHAFT, STEERING	1	1						
26	1	1A8115-15250	MOUNT, STEERING	2	2						
27	1	194990-22140	NUT, M8	2	2						
28	1	198093-84810	SEAL, FENDER	1	1						
29	1	22157-080000	WASHER, 8	2	2						
30	1	22157-080000	WASHER, 8	2	2						
31	1	22242-000200	RING, 20	1	1						
32	1	22351-040032	PIN, SPRING 4.0X32	1	1						
33	1	26106-080252	BOLT, M8X 25 PLATED	2	2						
34	1	198133-15700	WHEEL ASSY, STEERING	1	1						
35	2	198133-15740	CAP ASSY, STEERING	1	1						
36	3	198133-15780	NAMEPLATE,HANDLE	1	1						
37	1	22137-160000	WASHER, 16	1	1						
38	1	26356-160002	NUT, M16	1	1						
39	1	1A8115-15720	COVER, STEERING	1	1						

Fig.21. PST CYLINDER

(A)=EF312PT  
(B)=EF352PT  
(C)=

(D)=  
(E)=  
(F)=



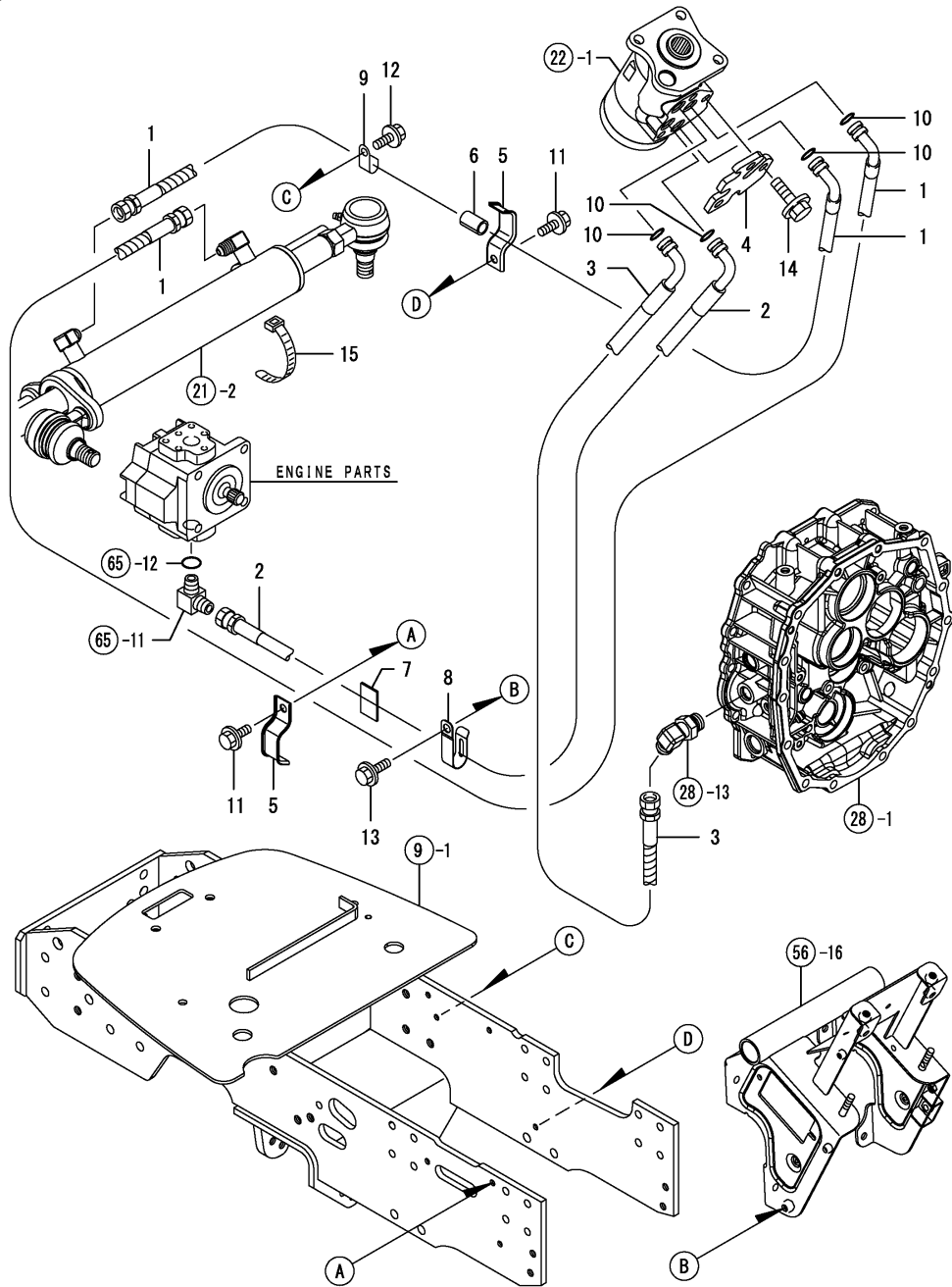
No.	Lev.	Parts No.	Description	Q'ty						I	R
				(A)	(B)	(C)	(D)	(E)	(F)		
1	1	194180-12471	NUT, CASTLE M16	2	2						
2	1	198283-17300	CYLINDER KIT	1	1						
5	2	198200-17050	ROD ASSY, STEERING	1	1						
6	3	22292-000250	RING, S-25	2	2						
7	2	198200-17070	END ASSY, ROD R	1	1						
11	3	24761-060000	NIPPLE, GREASE MT6X1	1	1						
12	2	198200-17120	CAP, CYLINDER	1	1						
13	2	198200-17140	SEAL, DUST 25	2	2						
14	2	198200-17150	PACKING, 25	2	2						
15	2	198200-17160	PACKING, PISTON	1	1						
16	2	198200-17170	BEARING, PWL40	2	2						
17	2	198283-17350	TUBE ASSY, CYLINDER	1	1						
18	2	198283-17640	BAR, GUARD	1	1						
19	2	194990-22140	NUT, M8	1	1						
20	2	24315-000350	O-RING, 1BP35.0	1	1						
21	2	24550-025150	BUSH, 25X15	2	2						
22	2	24761-060000	NIPPLE, GREASE MT6X1	1	1						
23	2	26106-080202	BOLT, M8X 20 PLATED	1	1						
24	1	22417-400250	PIN, COTTER 4.0X25	2	2						



Fig.23. PST HOSE

(A)=EF312PT  
(B)=EF352PT  
(C)=

(D)=  
(E)=  
(F)=

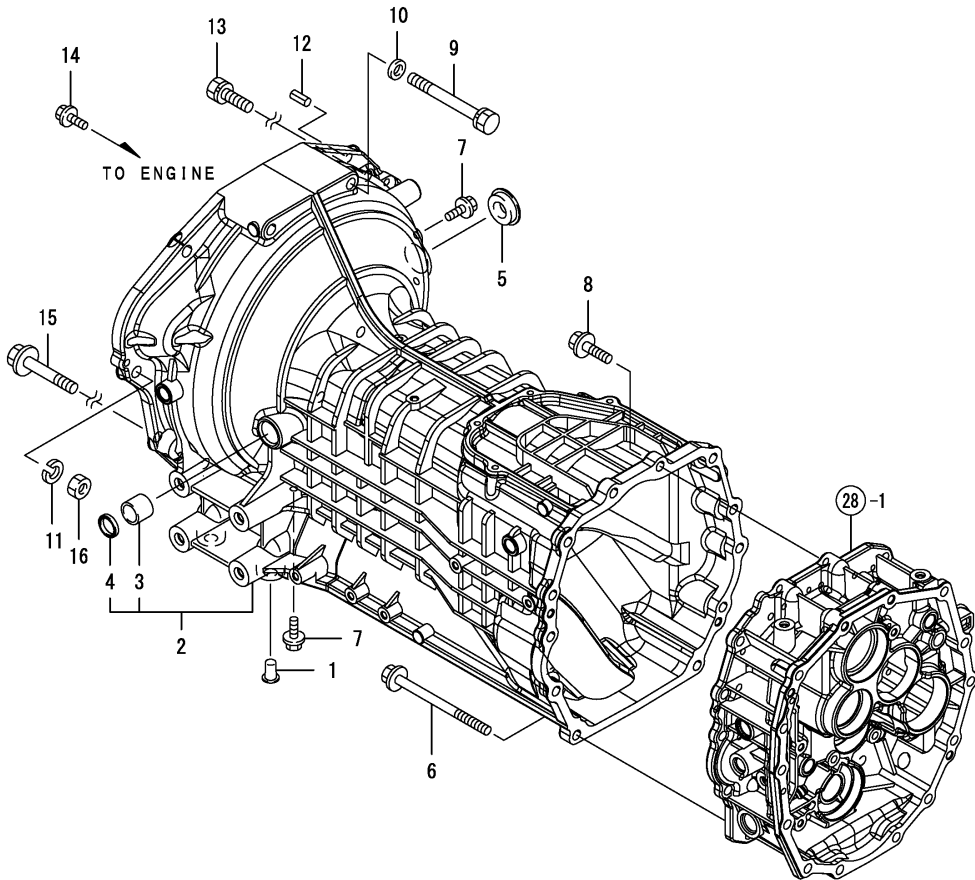


No.	Lev.	Parts No.	Description	Qty						I	R
				(A)	(B)	(C)	(D)	(E)	(F)		
1	1	1A8115-17810	HOSE, PRESSURE	2	2						
2	1	1A8115-17830	HOSE, PRESSURE	1	1						
3	1	1A8115-17840	HOSE, PRESSURE	1	1						
4	1	1A8115-17910	PLATE, RETAINER	1	1						
5	1	1A8115-17950	CLAMP, HOSE	2	2						
6	1	198240-48850	CLAMP, ABSORBER	1	1						
7	1	198240-48850	CLAMP, ABSORBER	1	1						
8	1	1E6102-83230	CLAMP, CABLE	1	1						
9	1	1E8945-85480	CLAMP, 14	1	1						
10	1	24315-000120	O-RING, 1BP12.0	4	4						
11	1	26106-080102	BOLT, M8X 10 PLATED	2	2						
12	1	26106-080102	BOLT, M8X 10 PLATED	1	1						
13	1	26106-080162	BOLT, M8X 16 PLATED	1	1						
14	1	26136-100162	BOLT, M10X 16 PLATED	3	3						
15	1	29622-250001	BAND, RF250	1	1						

Fig.24. CLUTCH HOUSING

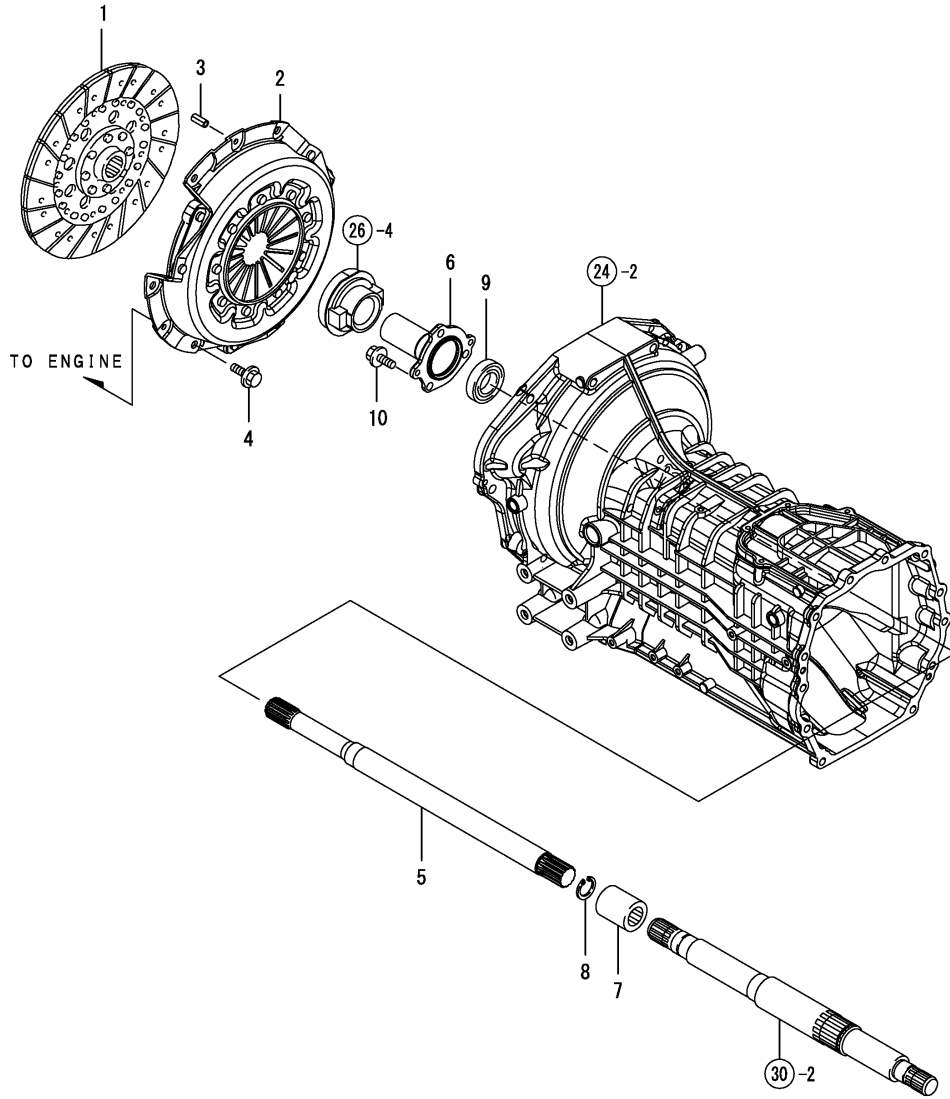
(A)=EF312PT  
(B)=EF352PT  
(C)=

(D)=  
(E)=  
(F)=



No.	Lev.	Parts No.	Description	Q'ty						I	R
				(A)	(B)	(C)	(D)	(E)	(F)		
1	1	194201-11230	CAP. SCREW 12.0	4	4						
2	1	198200-21100-1	HOUSING ASSY, CLUTCH	1	1						
3	2	194680-22280	BUSH, 20X26X22	2	2						
3-1	2	24550-020200	BUSH, 20X20	2	2						S
		(A=FXXXXX) (B=FXXXXX)									
4	2	194680-22290	SEAL, OIL G202604	2	2						
4-1	2	24421-203007	SEAL, OIL TC203007	2	2						S
		(A=FXXXXX) (B=FXXXXX)									
5	1	198200-21120	PLUG, BORE 35	1	1						
5-1	1	27260-350000	PLUG, 35	1	1						S
		(A=FXXXXX) (B=FXXXXX)									
6	1	198200-21140	BOLT, M10X135	10	10						
7	1	26106-080162	BOLT, M8X 16 PLATED	2	2						
8	1	26106-100352	BOLT, M10X 35 PLATED	2	2						
9	1	198206-21220	BOLT, M12X110	2	2						
10	1	198206-21230	COLLAR	2	2						
11	1	22217-120000	WASHER, SPRING 12	1	1						
12	1	22351-080018	PIN, SPRING 8.0X18	2	2						
13	1	26013-120352	BOLT, M12X 35	4	4						
14	1	26106-080122	BOLT, M8X 12 PLATED	2	2						
15	1	26108-120702	BOLT, M12X 70 PLATED	2	2						
16	1	26716-120002	NUT, M12	1	1						

Fig.25. CLUTCH & CLUTCH SHAFT



(A)=EF312PT  
(B)=EF352PT  
(C)=

(D)=  
(E)=  
(F)=

No.	Lev.	Parts No.	Description	Q'ty						I	R
				(A)	(B)	(C)	(D)	(E)	(F)		
1	1	198287-21510	DISK, CLUTCH 225	1	1						
2	1	198287-21700	PLATE, PRESSURE	1	1						
3	1	22351-080018	PIN, SPRING 8.0X18	3	3						
4	1	26106-080162	BOLT, M8X 16 PLATED	6	6						
5	1	198200-22111	SHAFT, MAIN DRIVE	1	1						
6	1	198200-22531	SLEEVE, BEARING	1	1						
7	1	194555-26520	COUPLING, PTO	1	1						
8	1	22252-000220	RING, 22	1	1						
9	1	24104-060054	BEARING, BALL 6005UU	1	1						
10	1	26106-080202	BOLT, M8X 20 PLATED	3	3						

Fig.26. CLUTCH RELEASE

(A)=EF312PT  
(B)=EF352PT  
(C)=

(D)=  
(E)=  
(F)=

No.	Lev.	Parts No.	Description	Q'ty						I	R
				(A)	(B)	(C)	(D)	(E)	(F)		
1	1	198071-22310	YOKE, CLUTCH SHAFT	1	1						
1-1	1	198071-22311	YOKE, CLUTCH SHIFT	1	1						N
		(A=FXXXXX) (B=FXXXXX)									
2	1	198071-22320	BOLT, M8X40	2	2						
2-1	1	26450-080402	BOLT, M8X 40	2	2						R
		(A=FXXXXX) (B=FXXXXX)									
3	1	198200-22330-1	SHAFT,CLUTCH RELEASE	1	1						
4	1	198360-22210	BEARING, RELEASE	1	1						
5	1	198360-22250	HOOK, SPRING	1	1						Z
		(A=FXXXXX) (B=FXXXXX)									
6	1	194800-22480	SPRING, 58	2	2						
6-1	1	1A8310-22480	SPRING, RETURN	1	1						S
		(A=FXXXXX) (B=FXXXXX)									

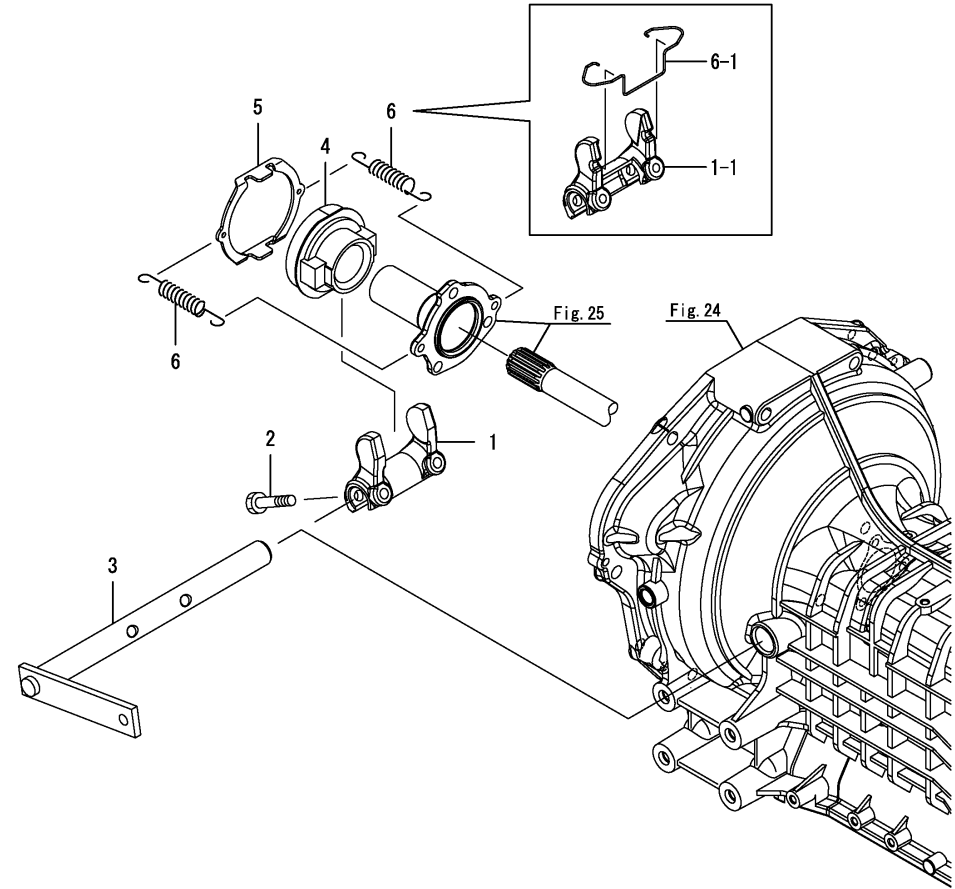
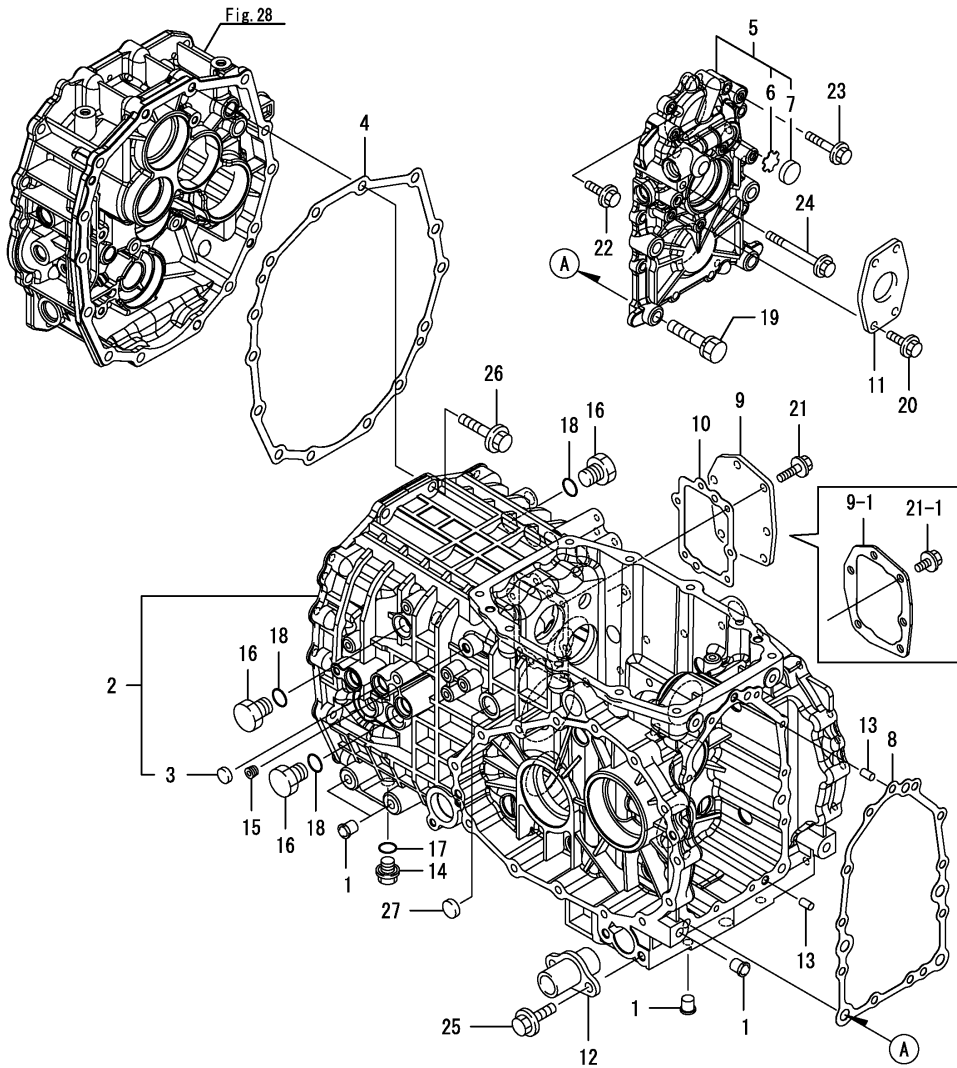




Fig.27. TRANSMISSION CASE

(A)=EF312PT  
(B)=EF352PT  
(C)=

(D)=  
(E)=  
(F)=

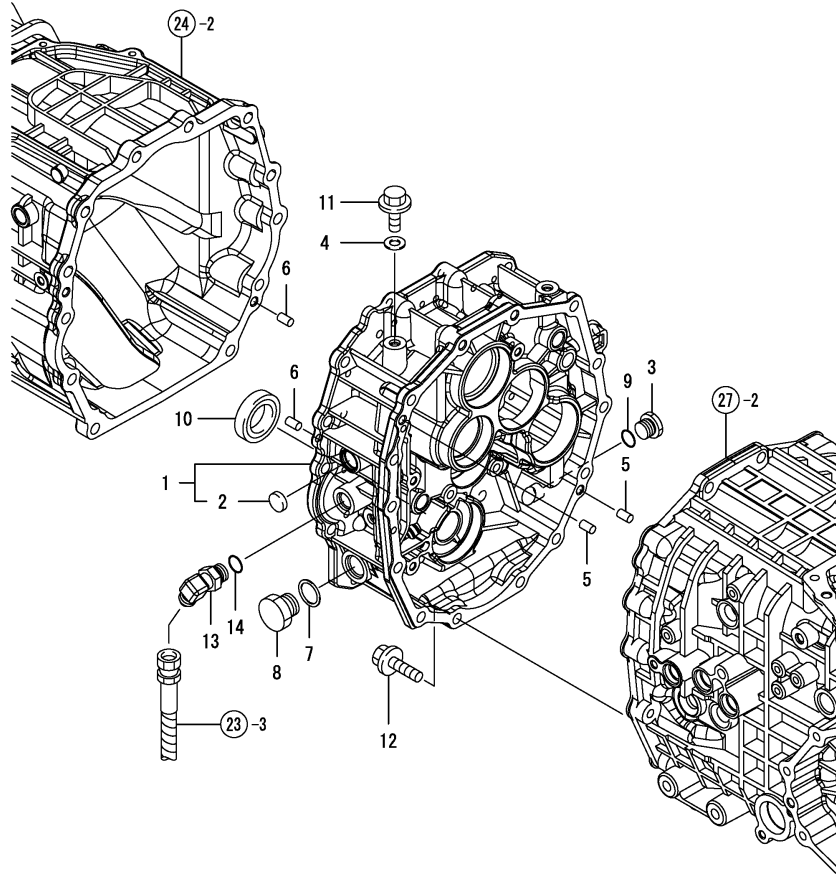


No.	Lev.	Parts No.	Description	Q'ty						I	R
				(A)	(B)	(C)	(D)	(E)	(F)		
1	1	194150-21910	PLUG, 11.2	10	10						
2	1	198282-24010-1	HOUSING ASSY	1	1						
3	2	27260-220000	PLUG, 22	1	1						
4	1	198200-24120	GASKET, MISSION CASE	1	1						
5	1	198280-24152-1	COVER ASSY, MISSION	1	1						
6	2	198071-24350	PLATE, WINDOW	1	1						
7	2	1A1040-28470	WINDOW, OIL CHECK 25	1	1						
8	1	198200-24170	GASKET, MISSION	1	1						
9	1	198280-24180-1	COVER, MISSION	1	1						
9-1	1	1A8100-24180	COVER, XMSN. SIDE	1	1						S
		(A=FXXXXX) (B=FXXXXX)									
10	1	198200-24190	GASKET, HOUSING	1	1						Z
		(A=FXXXXX) (B=FXXXXX)									
11	1	198255-24460-3	PLATE, OIL SEAL	1	1						
12	1	198200-73170-1	SUPPORT, LOWER LINK	2	2						
13	1	22312-080140	PIN, PARALLEL M8X14	2	2						
14	1	23491-140002	PLUG, 14	1	1						
15	1	23871-010000	PLUG, R01	1	1						
16	1	23887-180002	PLUG, 18	3	3						
17	1	24311-000160	O-RING, 1AP16.0	1	1						
18	1	24311-000180	O-RING, 1AP18.0	3	3						
19	1	26013-120552	BOLT, M12X 55	2	2						
20	1	26106-080162	BOLT, M8X 16 PLATED	2	2						
21	1	26106-080202	BOLT, M8X 20 PLATED	6	6						
21-1	1	26106-080162	BOLT, M8X 16 PLATED	6	6						S
		(A=FXXXXX) (B=FXXXXX)									
22	1	26106-080252	BOLT, M8X 25 PLATED	8	8						
23	1	26106-080452	BOLT, M8X 45 PLATED	1	1						
24	1	26106-080802	BOLT, M8X 80 PLATED	1	1						
25	1	26106-100252	BOLT, M10X 25 PLATED	4	4						
26	1	26106-100502	BOLT, M10X 50 PLATED	2	2						
27	1	27260-200000	PLUG, 20	1	1						

Fig.28. CENTER PLATE

(A)=EF312PT  
(B)=EF352PT  
(C)=

(D)=  
(E)=  
(F)=



No.	Lev.	Parts No.	Description	Q'ty						I	R
				(A)	(B)	(C)	(D)	(E)	(F)		
1	1	198282-24300-1	PLATE ASSY, CENTER	1	1						
1-1	1	198282-24301	PLATE ASSY, CENTER	1	1						N 1
		(A=FZZZZZ) (B=FZZZZZ)									
2	2	198282-24330	PLUG, BORE 19	1	1						
3	1	192167-24600	PLUG	1	1						
4	1	22190-100000	WASHER, SEAL 10	1	1						
5	1	22312-080140	PIN, PARALLEL M8X14	2	2						
6	1	22312-080140	PIN, PARALLEL M8X14	2	2						
7	1	23414-220000	GASKET, 22X1.0	1	1						
8	1	23887-220002	PLUG M22,HEX.	1	1						
9	1	24311-000140	O-RING, 1AP14.0	1	1						
10	1	24421-305011	SEAL, OIL TC305011	1	1						
11	1	26106-100162	BOLT, M10X 16 PLATED	1	1						
12	1	26106-100302	BOLT, M10X 30 PLATED	2	2						
13	1	1E6680-66470	ELBOW, 3/8	1	1						
14	1	24311-000140	O-RING, 1AP14.0	1	1						

Remarks  
(1) Refer to Fig.87 for the Repair part.

Fig.29. REVERSE HOUSING

(A)=EF312PT  
 (B)=EF352PT  
 (C)=

(D)=  
 (E)=  
 (F)=

No.	Lev.	Parts No.	Description	Q'ty						I	R
				(A)	(B)	(C)	(D)	(E)	(F)		
1	1	198200-24320	SEAL, OIL TC304508	1	1						
2	1	198200-24410-1	CASE, REVERSER	1	1						
3	1	198200-24420	GASKET, HOUSING	1	1						
4	1	22312-080140	PIN, PARALLEL M8X14	2	2						
5	1	26106-080252	BOLT, M8X 25 PLATED	13	13						

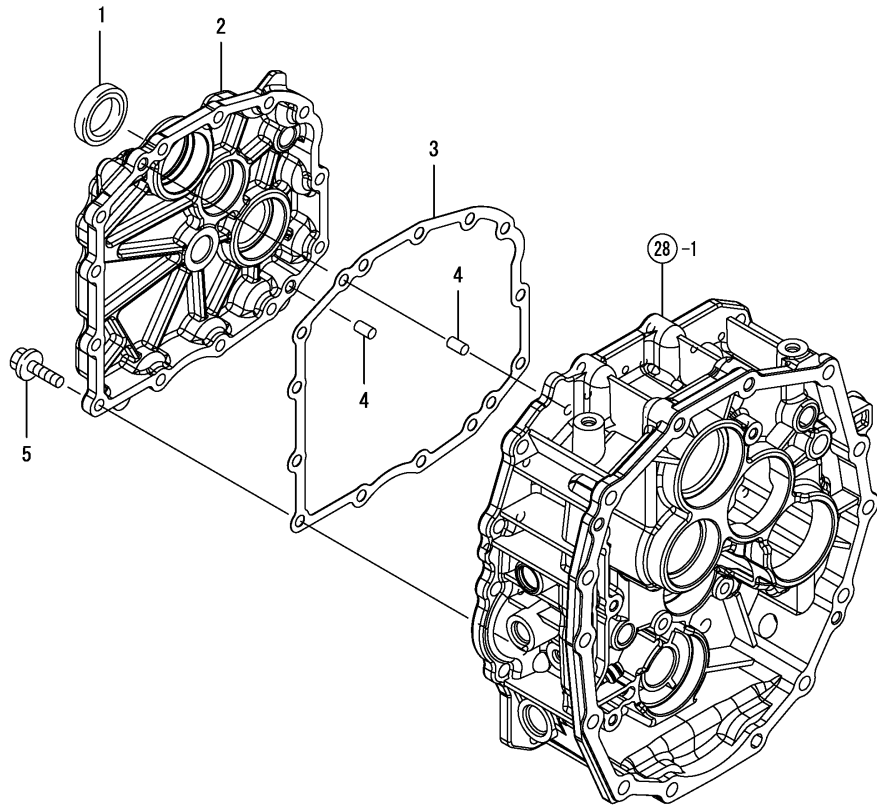


Fig.30. MAIN DRIVE SHAFT

(A)=EF312PT  
(B)=EF352PT  
(C)=

(D)=  
(E)=  
(F)=

No.	Lev.	Parts No.	Description	Q'ty						I	R
				(A)	(B)	(C)	(D)	(E)	(F)		
1	1	1D2180-22130	BEARING, BALL 63/22	1	1						
2	1	198282-25110	SHAFT, DRIVE	1	1						
3	1	198282-25130	GEAR, MAIN DRIVE 26	1	1						
4	1	1E6190-54080	SLEEVE SI25X30X13	1	1						
5	1	22242-000340	RING, 34	1	1						
6	1	24101-060054	BEARING, BALL 6005	1	1						
7	1	24101-062064	BEARING, BALL 6206	1	1						

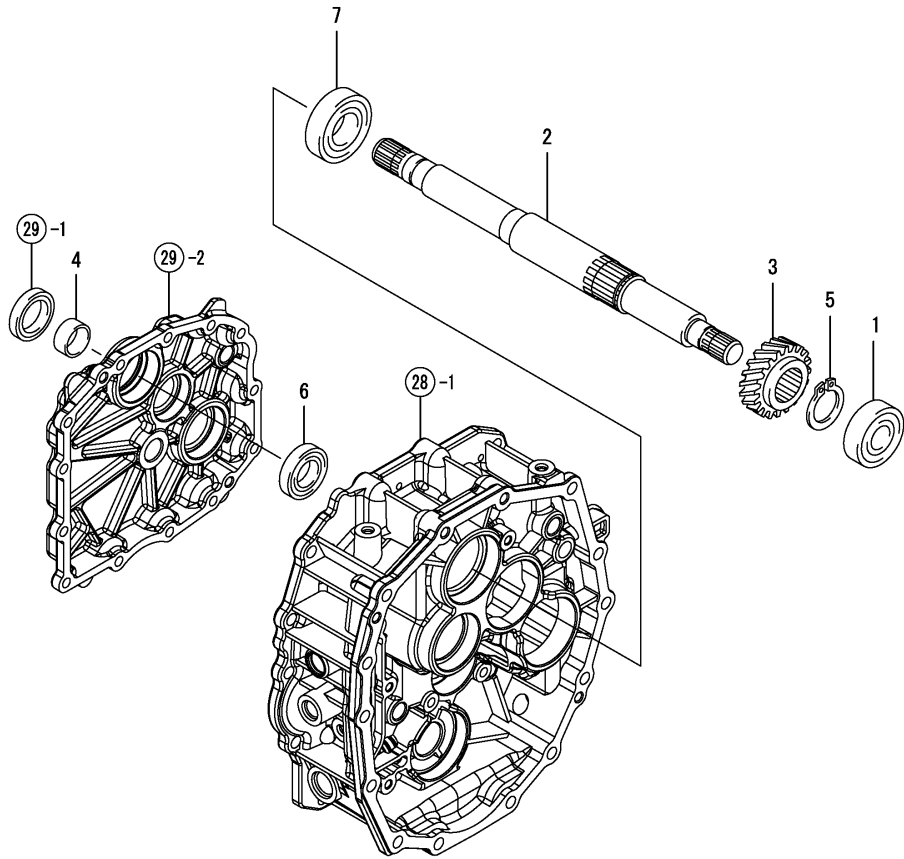


Fig.31. MAIN SHAFT

(A)=EF312PT  
(B)=EF352PT  
(C)=

(D)=  
(E)=  
(F)=

No.	Lev.	Parts No.	Description	Q'ty						I	R
				(A)	(B)	(C)	(D)	(E)	(F)		
1	1	198200-25120	GEAR, MAIN 40	1	1						
2	1	198200-25210	SHAFT, MAIN	1	1						
3	1	24101-063044	BEARING, BALL 6304	2	2						

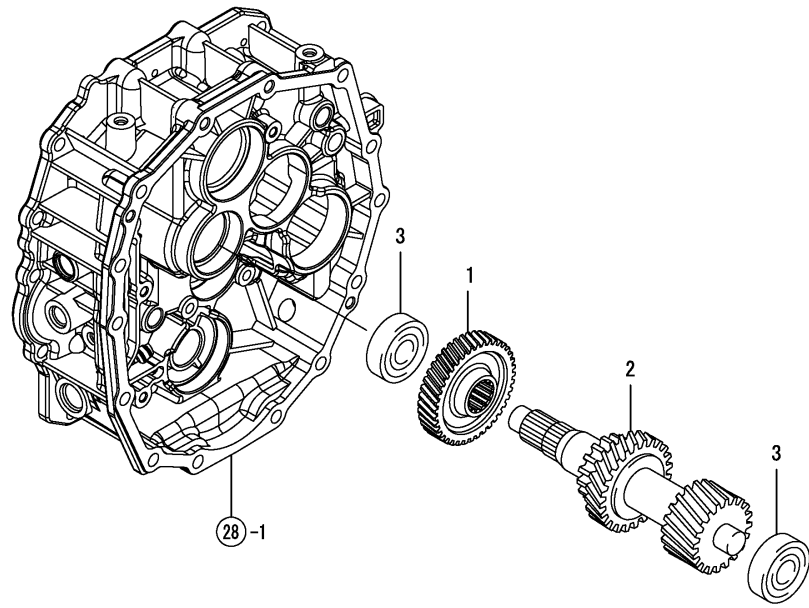
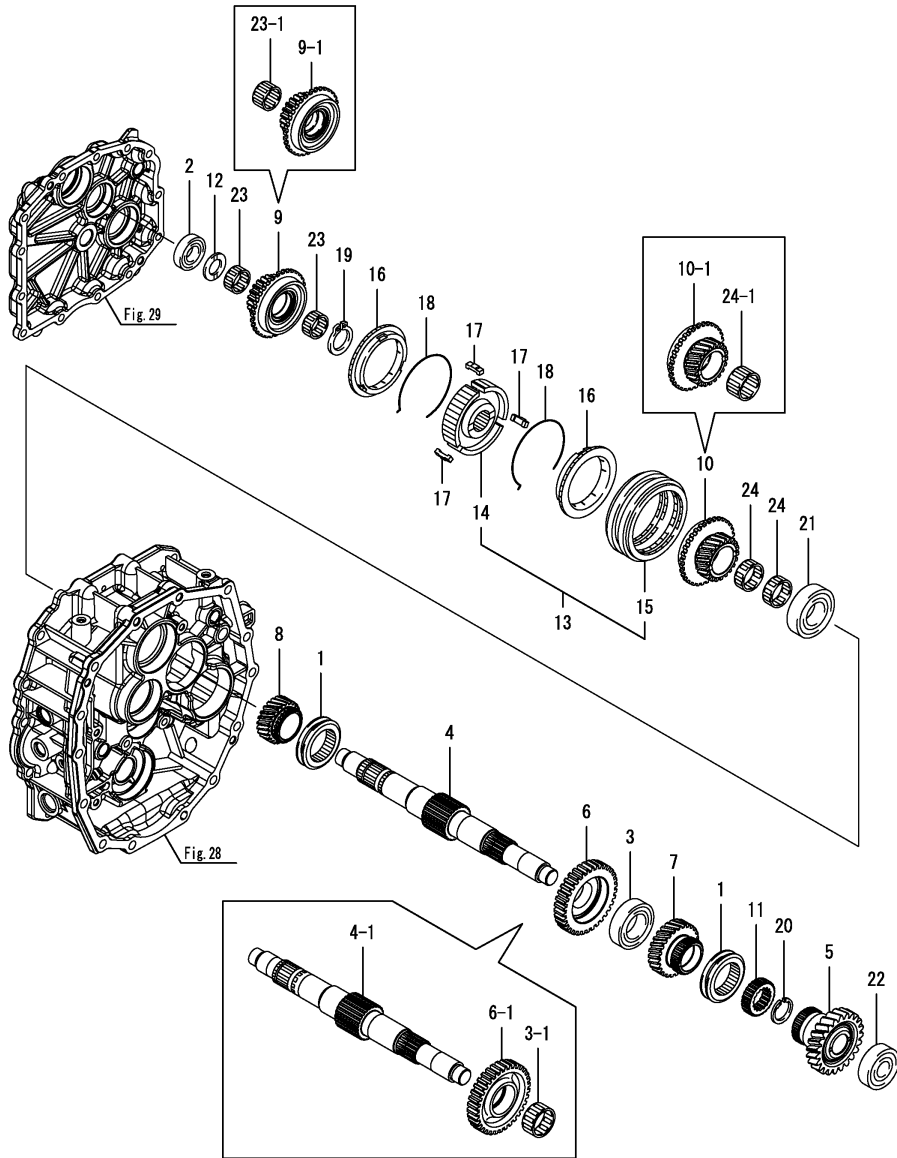


Fig.32. REVERSE SHAFT



(A)=EF312PT  
(B)=EF352PT  
(C)=

(D)=  
(E)=  
(F)=

No.	Lev.	Parts No.	Description	Q'ty						I	R
				(A)	(B)	(C)	(D)	(E)	(F)		
1	1	198200-25150	SHIFTER, MAIN SHIFT	2	2						
2	1	194515-25180	BEARING, BALL TMB004	1	1						
2-1	1	24101-060044	BEARING, BALL 6004	1	1						R
(A=FZZZZZ) (B=FZZZZZ)											
3	1	194800-25250	BEARING, BALL 60/32	1	1						1
3-1	1	24161-323717	BEARING, 323717	1	1						S
(A=FXXXXX) (B=FXXXXX)											
4	1	198200-25410	SHAFT, REVERSER	1	1						1
4-1	1	198200-25411	SHAFT, REVERSER	1	1						S
(A=FXXXXX) (B=FXXXXX)											
5	1	198200-25420	GEAR, SHIFT 31	1	1						
6	1	198200-25430	GEAR, SHIFT 34	1	1						1
6-1	1	198200-25431	GEAR, MAIN SHIFT	1	1						S
(A=FXXXXX) (B=FXXXXX)											
7	1	198200-25440	GEAR, SHIFT 26	1	1						
8	1	198200-25450	GEAR, SHIFT 23	1	1						
9	1	198200-25460	GEAR, DRIVEN 20	1	1						1
9-1	1	198200-25461	GEAR, DRIVEN	1	1						S
(A=FZZZZZ) (B=FZZZZZ)											
10	1	198200-25470	GEAR, DRIVEN 21	1	1						1
10-1	1	198200-25471	GEAR, DRIVEN21	1	1						S
(A=FZZZZZ) (B=FZZZZZ)											
11	1	198200-25480	COLLAR, SPLINE 25	1	1						
12	1	198200-25490	WASHER, 20	1	1						
13	1	198121-25800	HUB ASSY, SYNCHRO	1	1						
14	2	198121-25820	HUB, SYNCHRO	1	1						
15	2	198121-25830	SLIDER	1	1						
16	1	198121-25840	RING, SYNCHRONIZER	2	2						
17	1	198121-25850	KEY, SYNCHRONIZER	3	3						
18	1	198121-25870	SPRING, SYNCHRO	2	2						
19	1	22242-000290	RING, 29	1	1						
20	1	22292-000280	RING, S-28	1	1						
21	1	24101-062064	BEARING, BALL 6206	1	1						
22	1	24101-063044	BEARING, BALL 6304	1	1						
23	1	24161-253013	BEARING, 253013	2	2						1
23-1	1	24161-253017	BEARING, 253017	1	1						S
(A=FZZZZZ) (B=FZZZZZ)											
24	1	24161-303513	BEARING, 303513	2	2						1
24-1	1	24161-303520	BEARING, 303520	1	1						S
(A=FZZZZZ) (B=FZZZZZ)											

Remarks  
(1) Refer to Fig.91 for the spare part.

Fig.33. REDUCTION SHAFT

(A)=EF312PT  
(B)=EF352PT  
(C)=

(D)=  
(E)=  
(F)=

No.	Lev.	Parts No.	Description	Q'ty						I	R
				(A)	(B)	(C)	(D)	(E)	(F)		
1	1	1A8115-25510	SHAFT, REDUCTION	1	1						
2	1	198200-25650	GEAR, DRIVE 33	1	1						
3	1	198200-25660	GEAR, REVERSE R 32	1	1						
4	1	194640-26440	BEARING, BALL TMB206	1	1						
5	1	22242-000290	RING, 29	1	1						
6	1	24101-062034	BEARING, BALL 6203	1	1						
7	1	24101-062044	BEARING, BALL 6204	1	1						

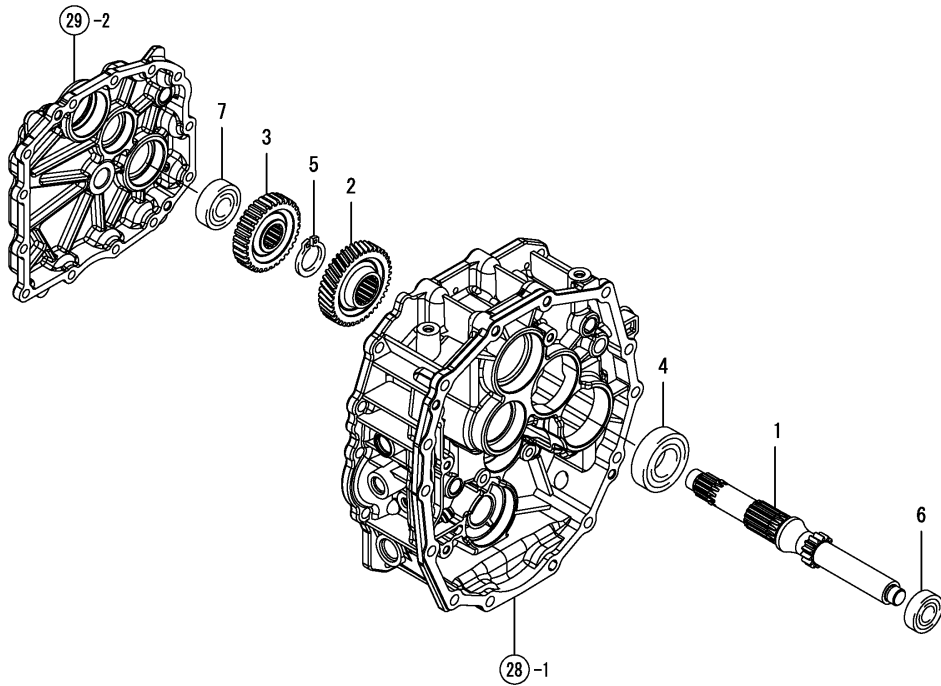
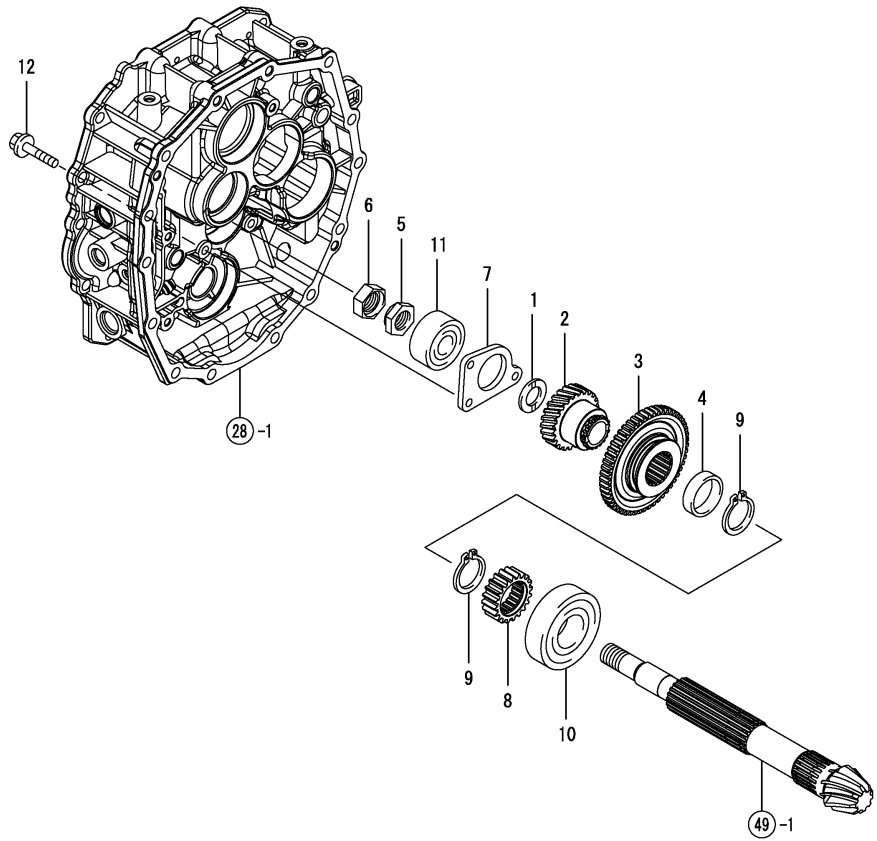


Fig.34. COUNTER SHAFT

(A)=EF312PT  
(B)=EF352PT  
(C)=

(D)=  
(E)=  
(F)=



No.	Lev.	Parts No.	Description	Q'ty						I	R
				(A)	(B)	(C)	(D)	(E)	(F)		
1	1	198200-25490	WASHER, 20	1	1						
2	1	198200-25520	GEAR, COUNTER 24	1	1						
3	1	1A8115-25530	GEAR, SLIDE 49	1	1						
4	1	198282-25540	COLLAR, 36X43X11	1	1						
5	1	198200-25550	NUT, LOCK M20	1	1						Z
		(A=FZZZZZ) (B=FZZZZZ)									
6	1	198200-25560	NUT, LOCK M20	1	1						Z
		(A=FZZZZZ) (B=FZZZZZ)									
7	1	198200-25590	PLATE, KEEP	1	1						Z
		(A=FZZZZZ) (B=FZZZZZ)									
8	1	198200-28250	GEAR, DRIVE 20	1	1						
8-1	1	198200-28251	GEAR, FRONT DRIVE	1	1						N
		(A=FZZZZZ) (B=FZZZZZ)									
9	1	22242-000340	RING, 34	2	2						
10	1	24101-063074	BEARING, BALL 6307	1	1						
11	1	24512-053044	BEARING, BALL 5304	1	1						
12	1	26106-080402	BOLT, M8X 40 PLATED	3	3						
12-1	1	26106-080502	BOLT, M8X 50 PLATED	3	3						N 1
		(A=FZZZZZ) (B=FZZZZZ)									
12-2	1	26106-080502	BOLT, M8X 50 PLATED	3	3						Z 1
		(A=FZZZZZ) (B=FZZZZZ)									

Remarks  
(1) Refer to Fig.87 for the Repair part.



Fig.35. REVERSE IDLE SHAFT

(A)=EF312PT  
(B)=EF352PT  
(C)=

(D)=  
(E)=  
(F)=

No.	Lev.	Parts No.	Description	Q'ty						I	R
				(A)	(B)	(C)	(D)	(E)	(F)		
1	1	198200-25490	WASHER, 20	1	1						
2	1	198172-25630	NUT, LOCK M12	1	1						
3	1	198172-25640	NUT, LOCK M12	1	1						
4	1	198200-25910	SHAFT, REVERSE IDLE	1	1						
5	1	198200-25930	GEAR, IDLE 21	1	1						
6	1	22137-120000	WASHER, 12	1	1						
7	1	24161-253017	BEARING, 253017	1	1						
8	1	24311-000160	O-RING, 1AP16.0	1	1						

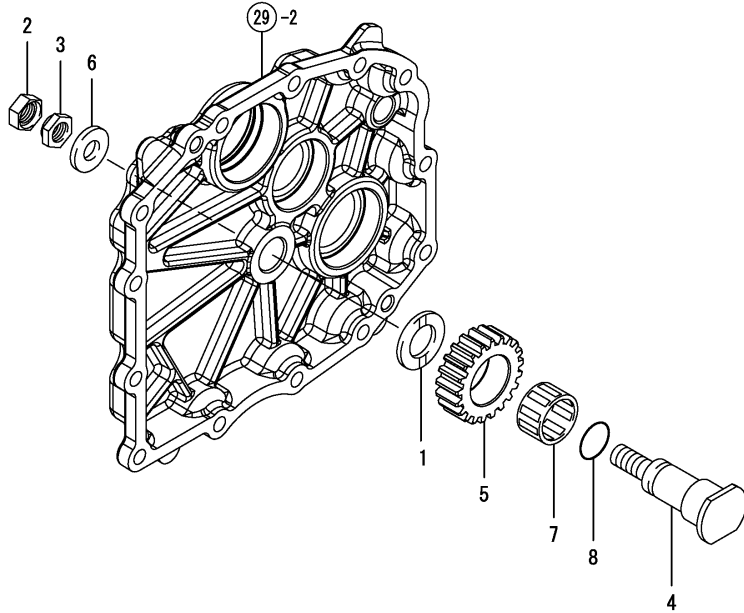


Fig.36. PTO DRIVE SHAFT

(A)=EF312PT  
(B)=EF352PT  
(C)=

(D)=  
(E)=  
(F)=

No.	Lev.	Parts No.	Description	Qty						I	R
				(A)	(B)	(C)	(D)	(E)	(F)		
1	1	198212-25150	COUPLING, 13X16/32	1	1						
2	1	194640-25390	BEARING, BALL TMB205	1	1						
3	1	198282-26250	SHAFT, PTO PINION	1	1						
4	1	22252-000190	RING, 19	1	1						
5	1	24101-063054	BEARING, BALL 6305	1	1						

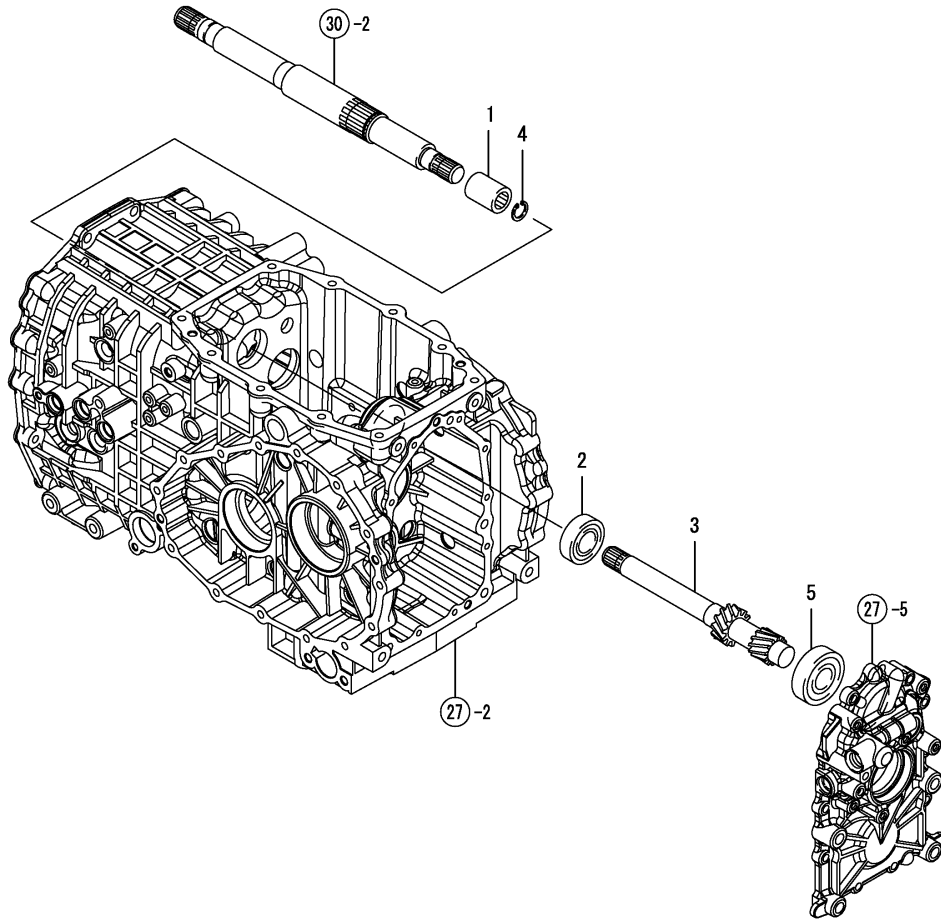
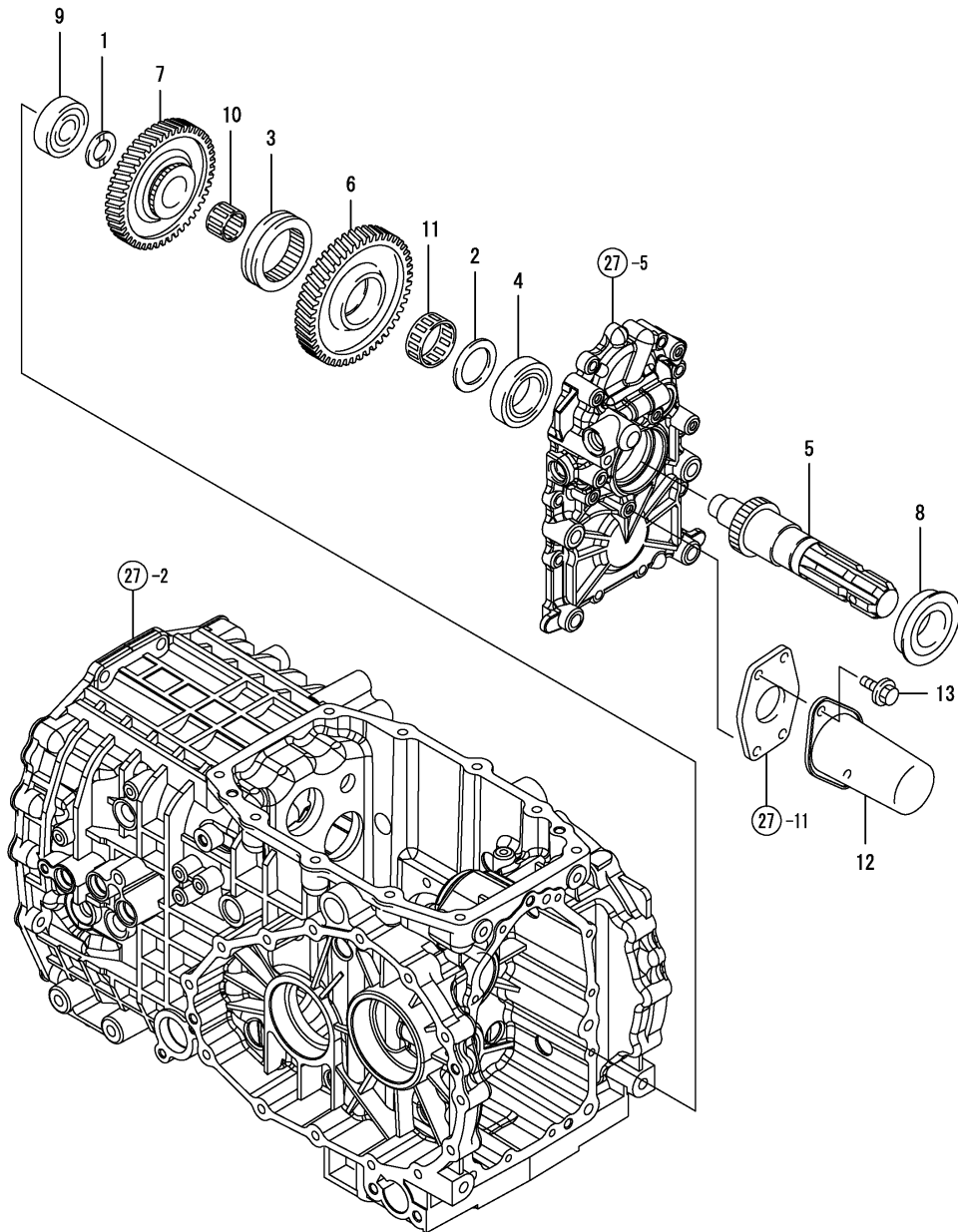


Fig.37. PTO SHAFT



(A)=EF312PT  
(B)=EF352PT  
(C)=

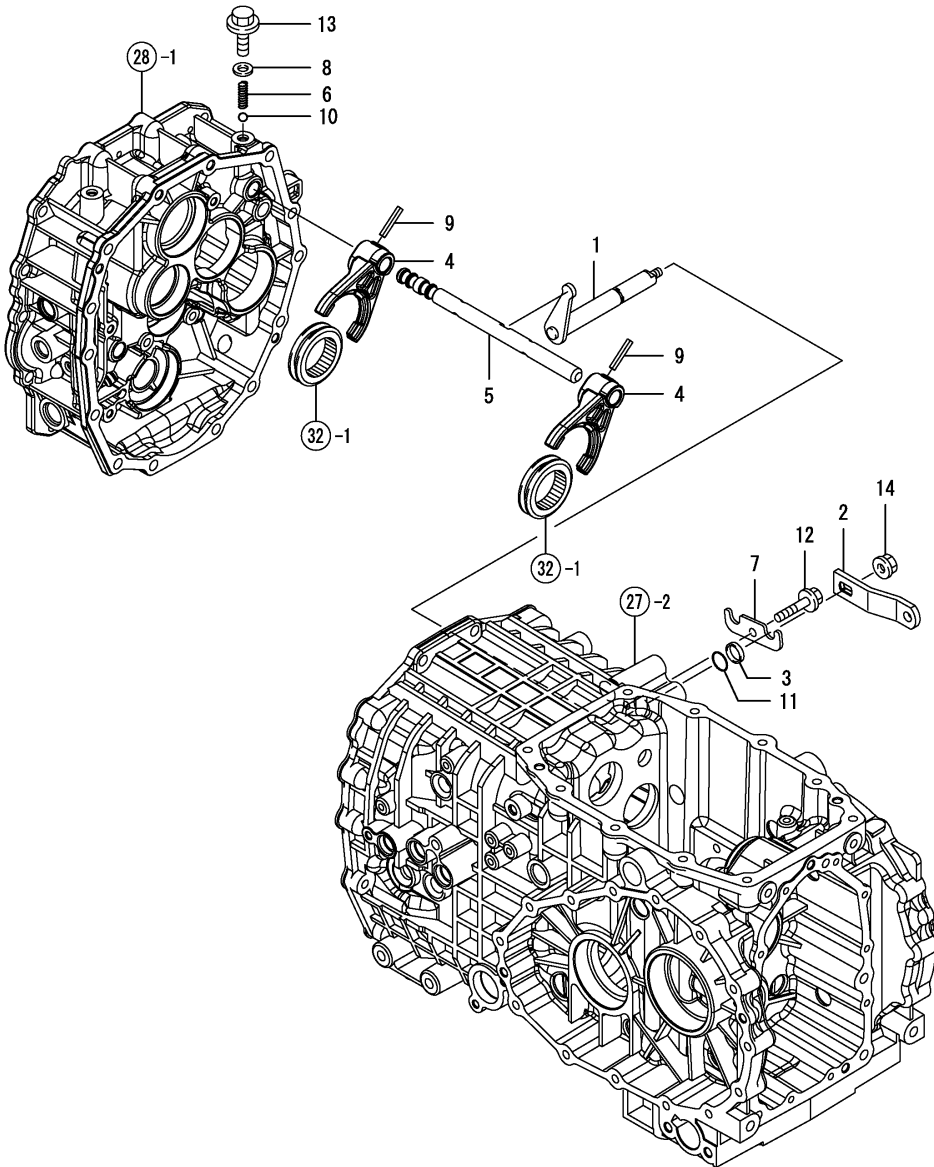
(D)=  
(E)=  
(F)=

No.	Lev.	Parts No.	Description	Q'ty						I	R
				(A)	(B)	(C)	(D)	(E)	(F)		
1	1	198200-25490	WASHER, 20	1	1						
2	1	194180-25550	WASHER, 35X50X3	1	1						
3	1	198149-25890	SHIFTER	1	1						
4	1	194680-25940	BEARING (TMB007)	1	1						
5	1	198282-26310	SHAFT, PTO	1	1						
6	1	198282-26320	GEAR, PTO DRIVEN 50	1	1						
7	1	198282-26330	GEAR, PTO DRIVEN 47	1	1						
8	1	194370-26350	SEAL, OIL QLF356019	1	1						
9	1	24101-063044	BEARING, BALL 6304	1	1						
10	1	24161-253020	BEARING, 253020	1	1						
11	1	24161-404517	BEARING, 404517	1	1						
12	1	1A8115-26850	COVER ASSY, SHAFT M	1	1						
12-1	1	1A7100-26850	COVER ASSY, SHAFT M	1	1						R
		(A=FXXXXX) (B=FXXXXX)									
13	1	26106-080122	BOLT, M8X 12 PLATED	2	2						

Fig.38. MAIN CHANGE SHIFT

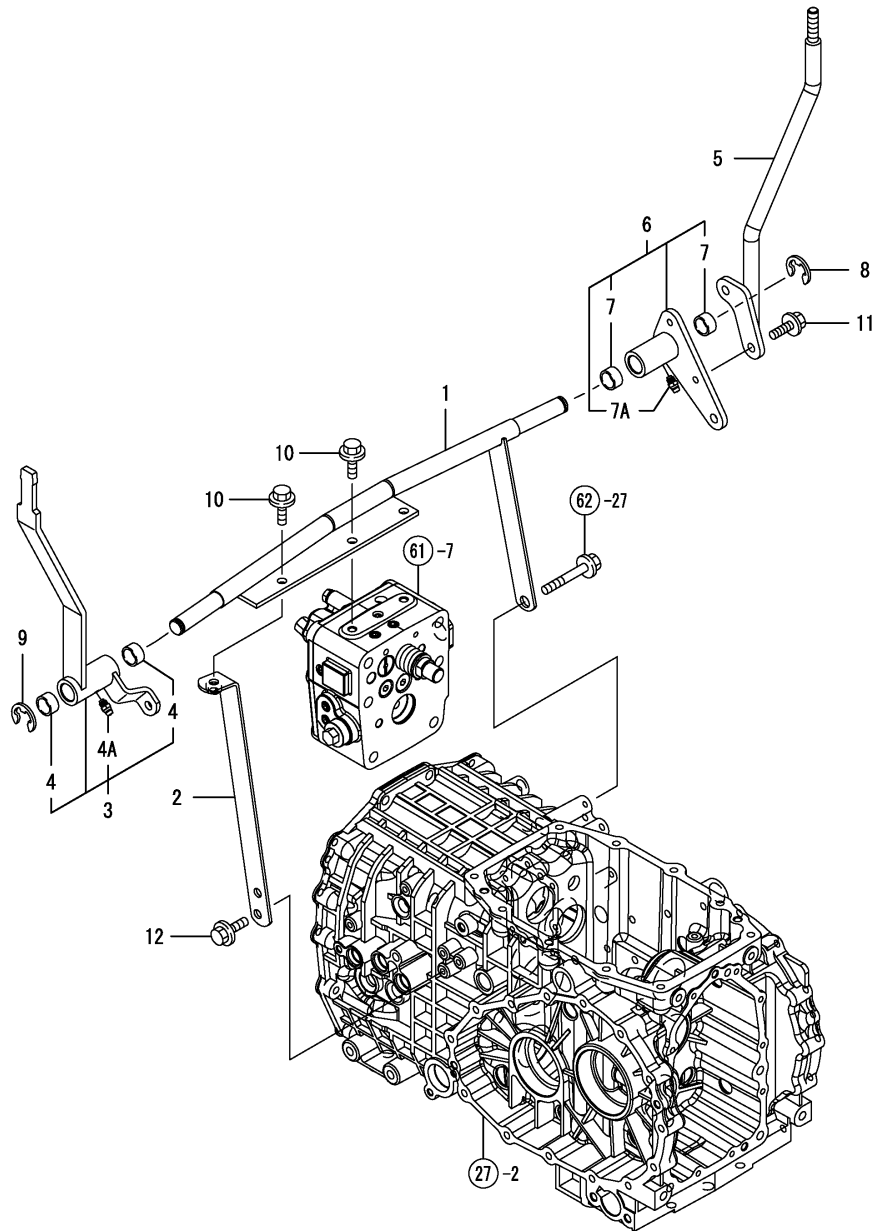
(A)=EF312PT  
(B)=EF352PT  
(C)=

(D)=  
(E)=  
(F)=



No.	Lev.	Parts No.	Description	Q'ty						I	R
				(A)	(B)	(C)	(D)	(E)	(F)		
1	1	198200-27110	ARM, SHIFT	1	1						
2	1	1A8115-27140	ARM, CHANGE	1	1						
3	1	198119-27150	COLLAR, ARM	1	1						
4	1	198200-27170	FORK, SHIFT	2	2						
5	1	198200-27180	SHAFT, MAIN FORK	1	1						
6	1	194145-27450	SPRING	1	1						
7	1	198200-27740-1	PLATE, KEEP B	1	1						
8	1	22190-100000	WASHER, SEAL 10	1	1						
9	1	22351-060032	PIN, SPRING 6.0X32	2	2						
10	1	24190-100001	BALL, STEEL 5/16	1	1						
11	1	24311-000160	O-RING, 1AP16.0	1	1						
12	1	26106-080402	BOLT, M8X 40 PLATED	1	1						
13	1	26106-100162	BOLT, M10X 16 PLATED	1	1						
14	1	26366-080002	NUT, M8	1	1						

Fig.39. SHIFT LEVER

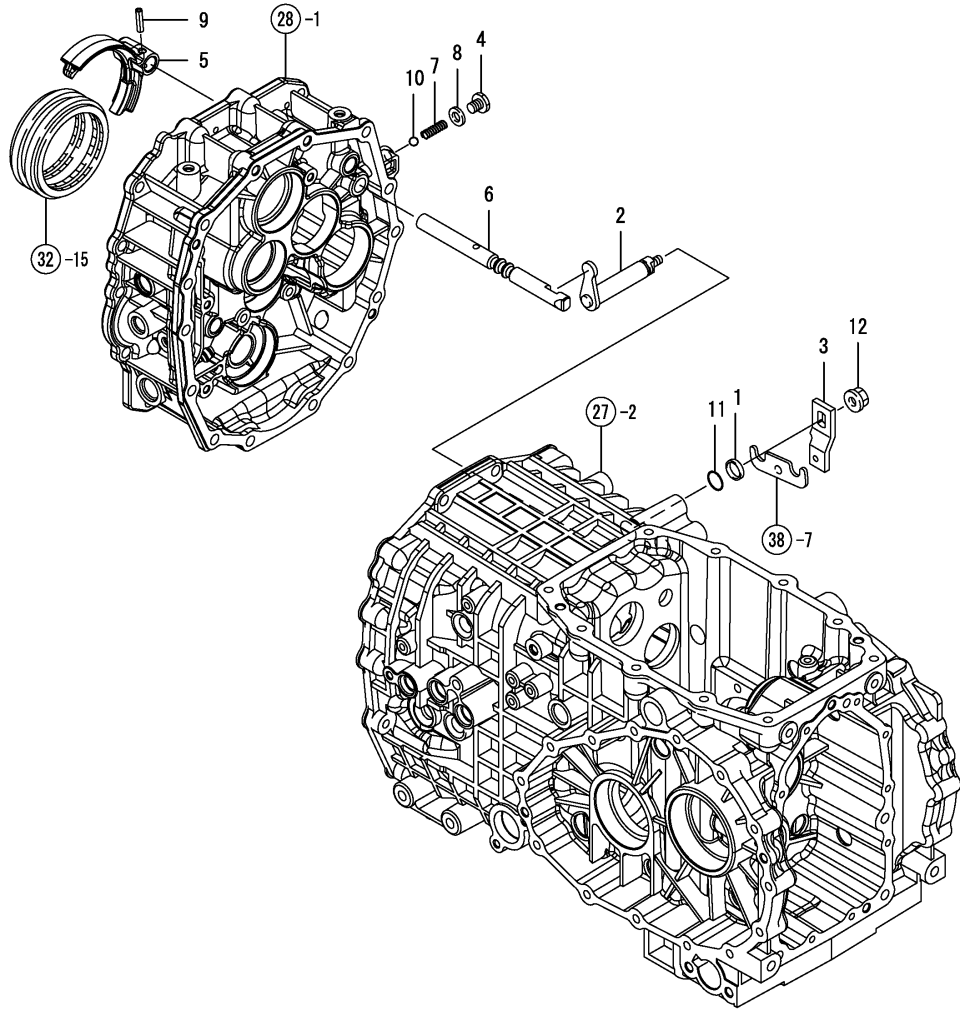


(A)=EF312PT  
(B)=EF352PT  
(C)=

(D)=  
(E)=  
(F)=

No.	Lev.	Parts No.	Description	Q'ty						I	R
				(A)	(B)	(C)	(D)	(E)	(F)		
1	1	1A8115-27670	BRACKET, LEVER	1	1						
2	1	1A8115-27710	PLATE ASSY, C	1	1						
3	1	1A8115-27820	LEVER ASSY, SHIFT	1	1						
4	2	24550-016100	BUSH, 16X10	2	2						
4A	2	24761-010000	NIPPLE, GREASE M6F	1	1						
5	1	1A8115-28100	LEVER, MAIN SHIFT	1	1						
6	1	1A8115-28130	BOSS ASSY, SHIFT	1	1						
7	2	24550-016100	BUSH, 16X10	2	2						
7A	2	24761-010000	NIPPLE, GREASE M6F	1	1						
8	1	22272-000150	RING, E-15	1	1						
9	1	22272-000150	RING, E-15	1	1						
10	1	26106-080162	BOLT, M8X 16 PLATED	3	3						
11	1	26106-080162	BOLT, M8X 16 PLATED	2	2						
12	1	26106-080162	BOLT, M8X 16 PLATED	2	2						

Fig.40. REVERSE SHIFT



(A)=EF312PT  
(B)=EF352PT  
(C)=

(D)=  
(E)=  
(F)=

No.	Lev.	Parts No.	Description	Q'ty						I	R
				(A)	(B)	(C)	(D)	(E)	(F)		
1	1	198119-27150	COLLAR, ARM	1	1						
2	1	198200-27310	ARM, SHIFT	1	1						
3	1	198200-27340-1	ARM, CHANGE	1	1						
4	1	198200-27360	PLUG, 10	1	1						
5	1	198200-27370	FORK, REVERSER SHIFT	1	1						
6	1	198200-27380	SHAFT, REVERSER FORK	1	1						
7	1	194145-27450	SPRING	1	1						
8	1	22190-100000	WASHER, SEAL 10	1	1						
9	1	22351-060025	PIN, SPRING 6.0X25	1	1						
10	1	24190-100001	BALL, STEEL 5/16	1	1						
11	1	24311-000160	O-RING, 1AP16.0	1	1						
12	1	26366-080002	NUT, M8	1	1						

Fig.41. REVERSE LEVER

(A)=EF312PT  
 (B)=EF352PT  
 (C)=

(D)=  
 (E)=  
 (F)=

No.	Lev.	Parts No.	Description	Q'ty						
				(A)	(B)	(C)	(D)	(E)	(F)	
1	1	1A8115-27530	WIRE ASSY, REVERSER	1	1					
2	1	22137-060000	WASHER, 6	2	2					
3	1	22417-160180	PIN, COTTER 1.6X18	2	2					
4	1	22487-060160	PIN, H 6X 16	2	2					

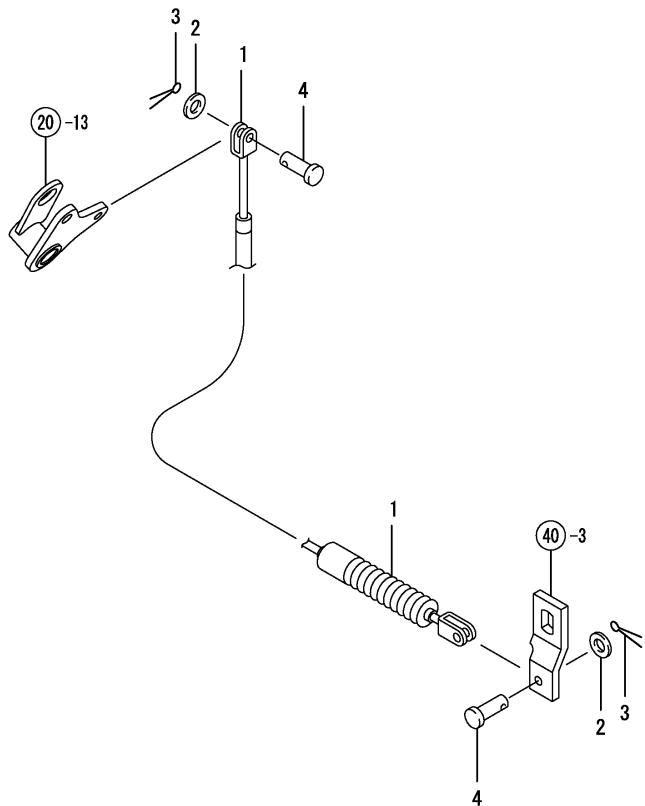
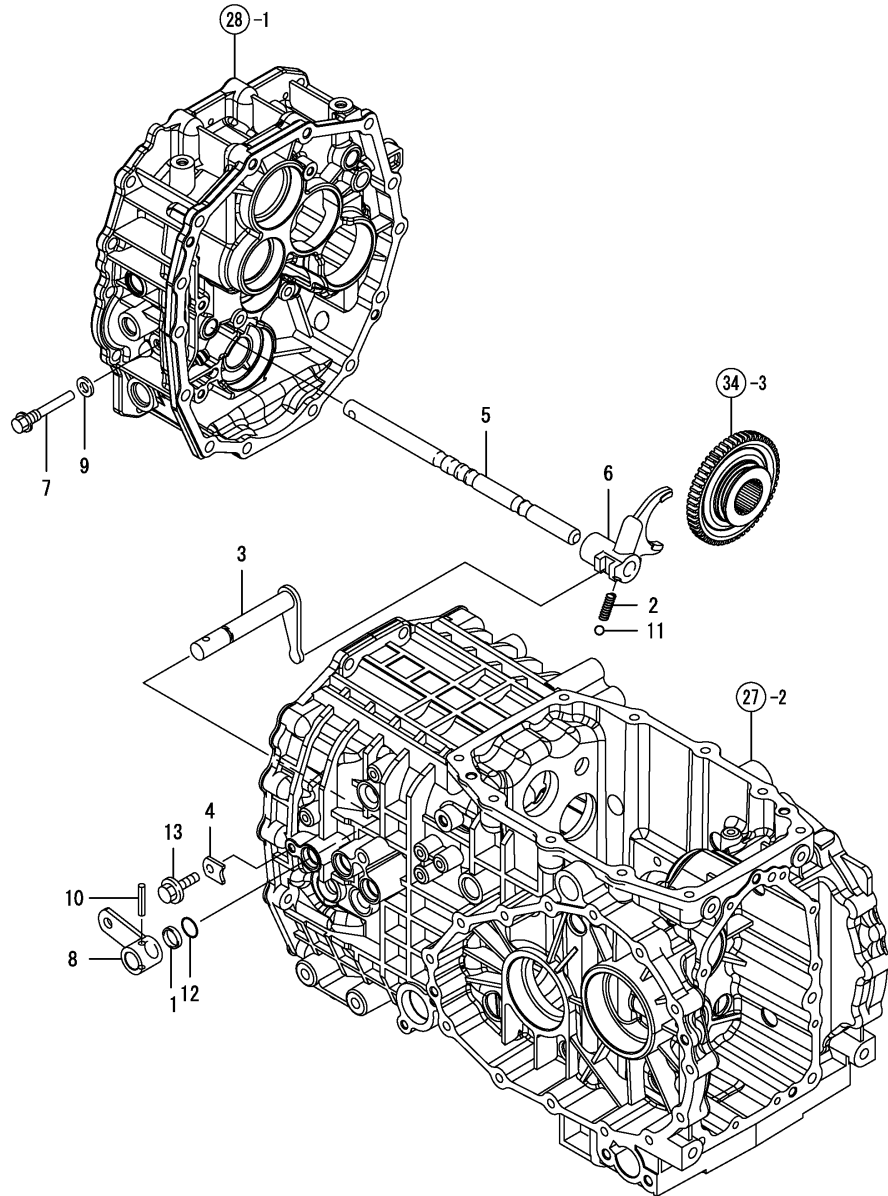


Fig.42. SUB CHANGE SHIFT

(A)=EF312PT  
(B)=EF352PT  
(C)=

(D)=  
(E)=  
(F)=



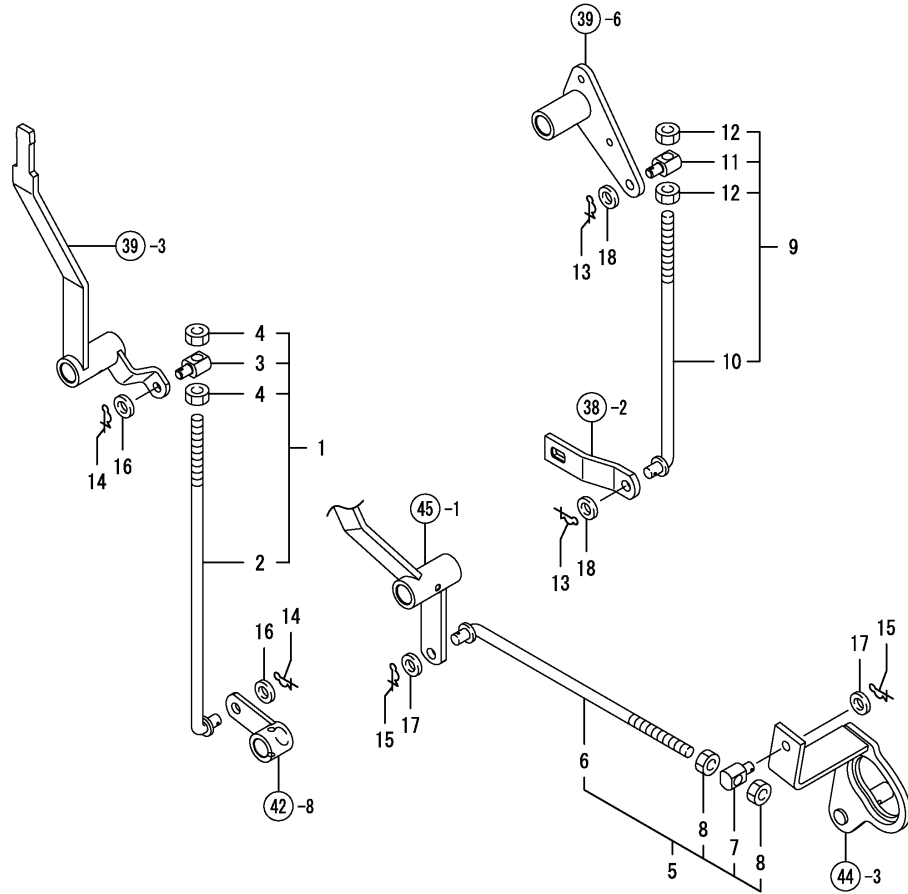
No.	Lev.	Parts No.	Description	Q'ty						I	R
				(A)	(B)	(C)	(D)	(E)	(F)		
1	1	198119-27150	COLLAR, ARM	1	1						
2	1	194145-27450	SPRING	1	1						
3	1	198282-27520	ARM, SHIFT	1	1						
4	1	198119-27570-1	PLATE, KEEP	1	1						
5	1	198282-27570	SHAFT, FORK	1	1						
6	1	198282-27580	FORK, SHIFT	1	1						
7	1	198282-27590	BOLT, SET M10	1	1						
8	1	1A8115-27610	ARM, CHANGE	1	1						
9	1	22190-100000	WASHER, SEAL 10	1	1						
10	1	22351-060032	PIN, SPRING 6.0X32	1	1						
11	1	24190-100001	BALL, STEEL 5/16	1	1						
12	1	24311-000160	O-RING, 1AP16.0	1	1						
13	1	26106-080162	BOLT, M8X 16 PLATED	1	1						



Fig.43. CHANGE LINK

(A)=EF312PT  
(B)=EF352PT  
(C)=

(D)=  
(E)=  
(F)=

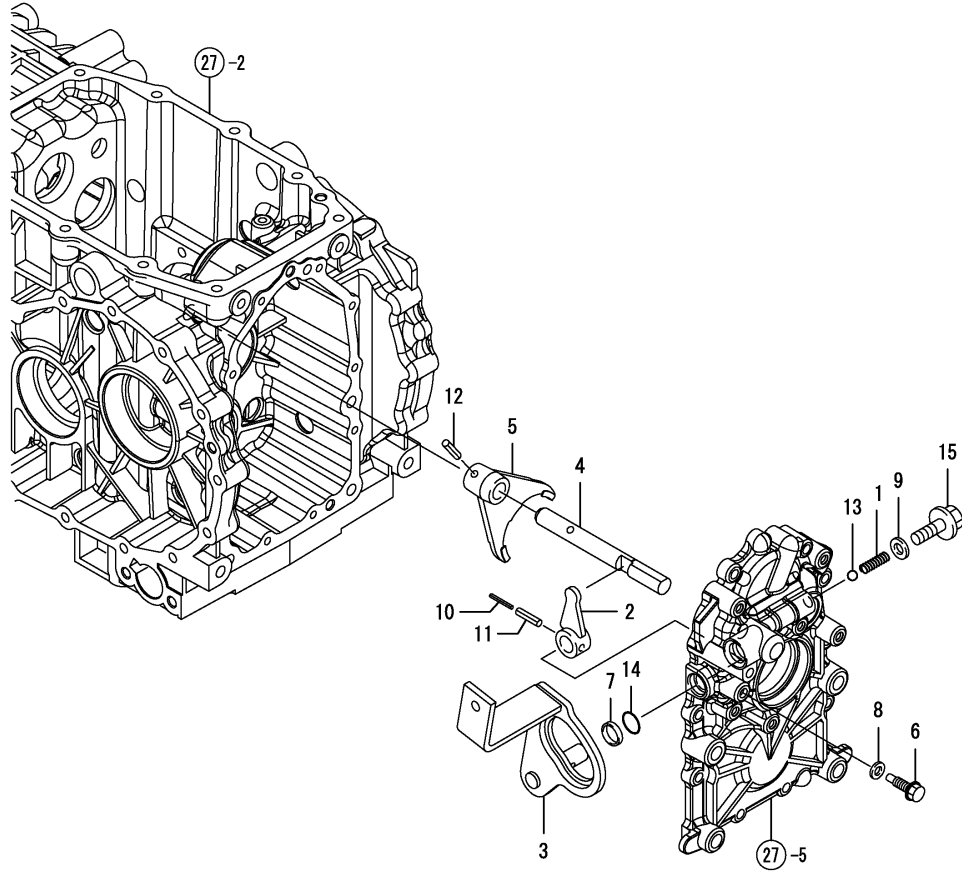


No.	Lev.	Parts No.	Description	Q'ty						I	R
				(A)	(B)	(C)	(D)	(E)	(F)		
1	1	1A8115-27870	ROD KIT	1	1						
2	2	1A8115-27880	ROD, SHIFT	1	1						
3	2	1A8115-28080	JOINT	1	1						
4	2	26707-100002	NUT, M10	2	2						
5	1	1A8115-28050	ROD KIT	1	1						
6	2	1A8115-28060	ROD, SHIFT	1	1						
7	2	1A8115-28080	JOINT	1	1						
8	2	26707-100002	NUT, M10	2	2						
9	1	1A8115-28050	ROD KIT	1	1						
10	2	1A8115-28060	ROD, SHIFT	1	1						
11	2	1A8115-28080	JOINT	1	1						
12	2	26707-100002	NUT, M10	2	2						
13	1	1C6360-65700	PIN, SNAP 10	2	2						
14	1	1C6360-65700	PIN, SNAP 10	2	2						
15	1	1C6360-65700	PIN, SNAP 10	2	2						
16	1	22137-100000	WASHER, 10	2	2						
17	1	22137-100000	WASHER, 10	2	2						
18	1	22137-100000	WASHER, 10	2	2						

Fig.44. PTO SHIFT

(A)=EF312PT  
(B)=EF352PT  
(C)=

(D)=  
(E)=  
(F)=



No.	Lev.	Parts No.	Description	Q'ty						I	R
				(A)	(B)	(C)	(D)	(E)	(F)		
1	1	194680-27540	SPRING, FORK LOCK	1	1						
2	1	198280-27711	ARM, SHIFT	1	1						
3	1	198282-27742-1	ARM, CHANGE	1	1						
4	1	198280-27771	SHAFT, PTO FORK	1	1						
5	1	198282-27780	FORK, PTO SHIFT	1	1						
6	1	198280-27790	BOLT, SET M8	1	1						
7	1	198121-28380	COLLAR, ARM	1	1						
8	1	22190-080000	WASHER, SEAL 8	1	1						
9	1	22190-100000	WASHER, SEAL 10	1	1						
10	1	22351-035025	PIN, SPRING 3.5X25	1	1						
11	1	22351-060025	PIN, SPRING 6.0X25	1	1						
12	1	22351-060025	PIN, SPRING 6.0X25	1	1						
13	1	24190-080001	BALL, STEEL 1/4	1	1						
14	1	24311-000150	O-RING, 1AP15.0	1	1						
15	1	26106-100302	BOLT, M10X 30 PLATED	1	1						

Fig.45. PTO LEVER

(A)=EF312PT  
(B)=EF352PT  
(C)=

(D)=  
(E)=  
(F)=

No.	Lev.	Parts No.	Description	Q'ty						I	R
				(A)	(B)	(C)	(D)	(E)	(F)		
1	1	1A8115-27900	LEVER ASSY, PTO	1	1						
2	2	24550-016100	BUSH, 16X10	2	2						
3	2	24761-010000	NIPPLE, GREASE M6F	1	1						
4	1	1A8115-27961	BRACKET, PTO LEVER	1	1						
5	1	22272-000150	RING, E-15	1	1						
6	1	26106-080202	BOLT, M8X 20 PLATED	2	2						

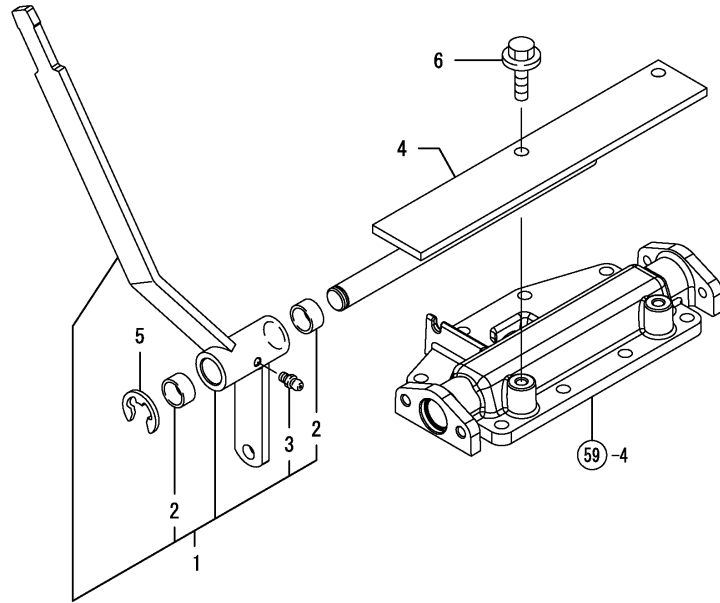
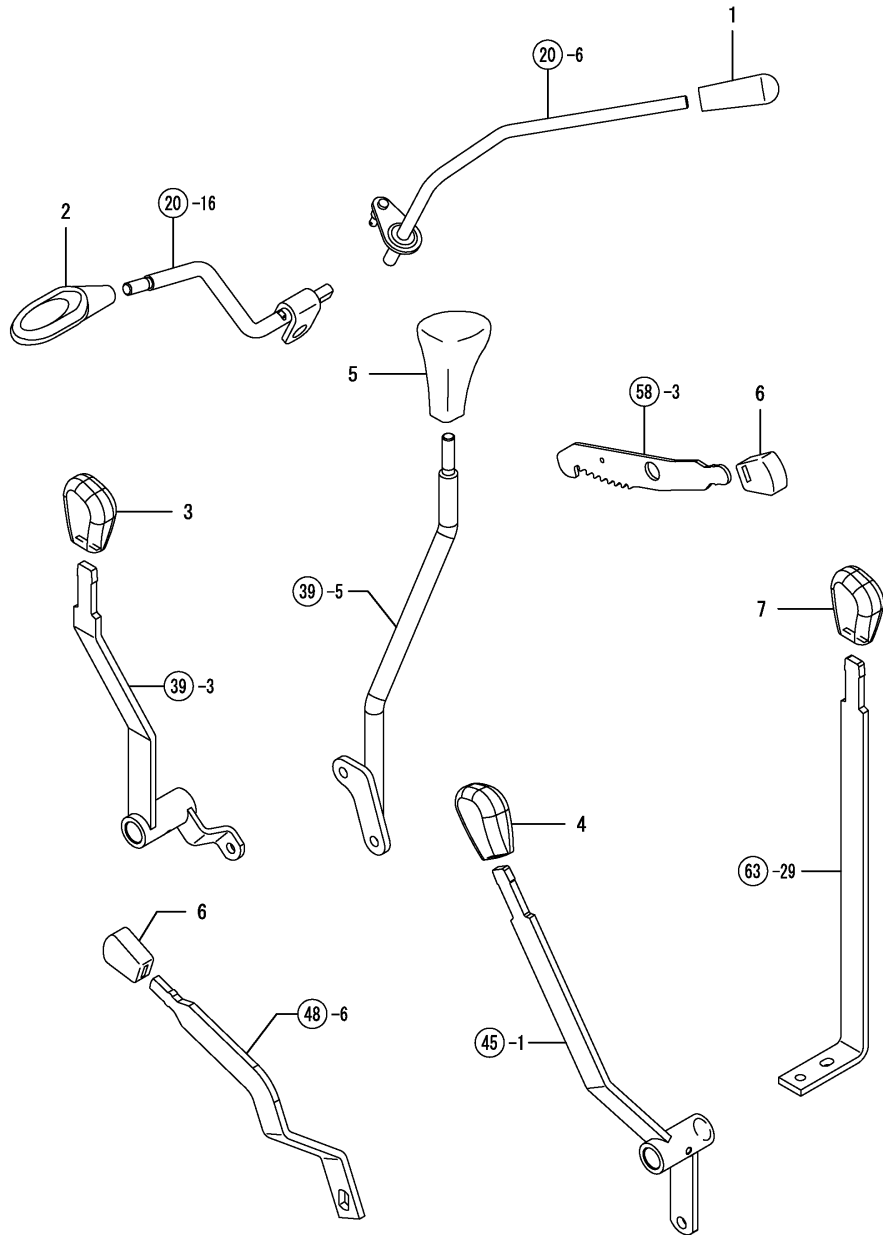


Fig.46. KNOB

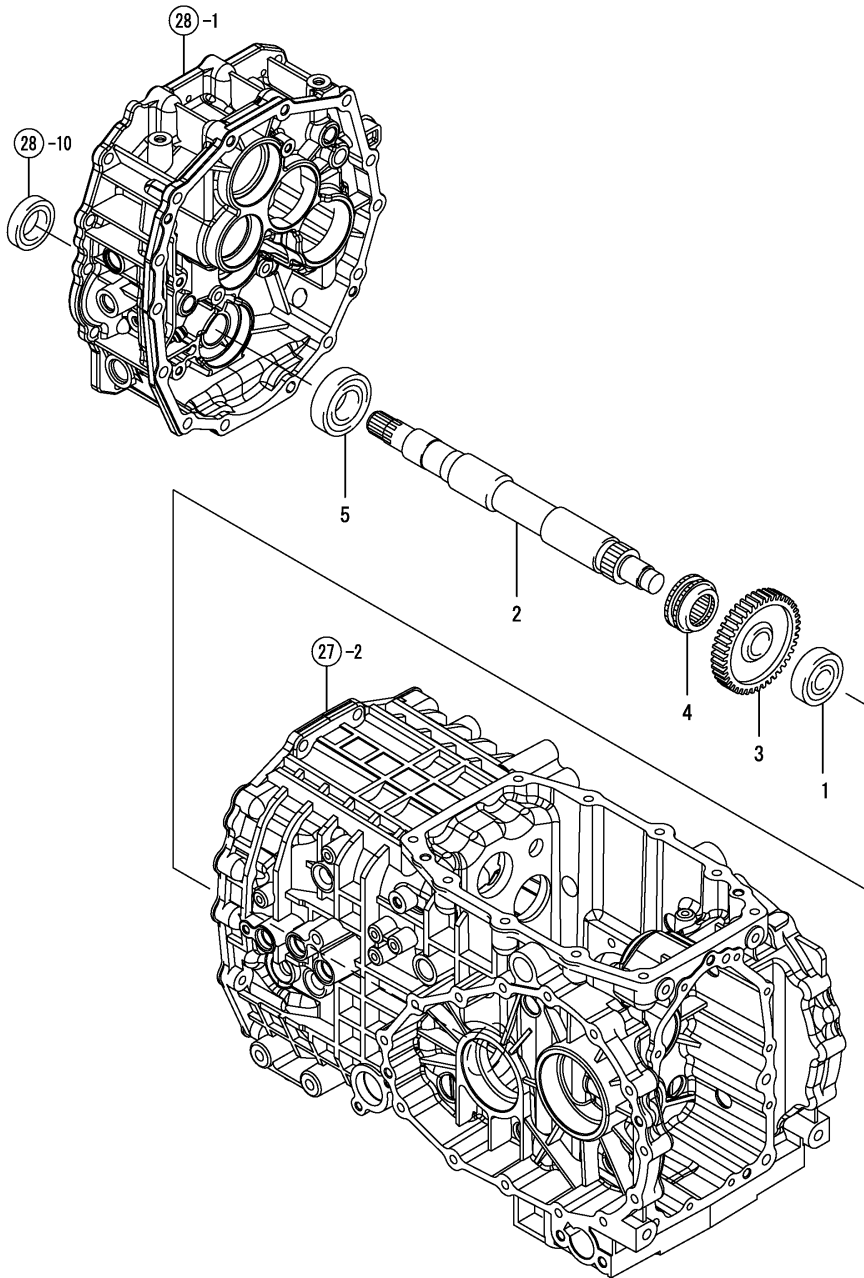


(A)=EF312PT  
(B)=EF352PT  
(C)=

(D)=  
(E)=  
(F)=

No.	Lev.	Parts No.	Description	Q'ty						I	R
				(A)	(B)	(C)	(D)	(E)	(F)		
1	1	1A8115-01190	KNOB, LEVER	1	1						
2	1	1A8115-18350	KNOB, LEVER	1	1						
3	1	1A8115-27810	KNOB, ORANGE	1	1						
4	1	1A8115-27910	KNOB, YELLOW	1	1						
5	1	1A8115-28010	KNOB, MAIN SHIFT	1	1						
6	1	1A8115-37580	KNOB, PARKING BRAKE	2	2						
7	1	1A8115-47810	KNOB, BLACK	1	1						

Fig.47. FRONT DRIVE



(A)=EF312PT  
(B)=EF352PT  
(C)=

(D)=  
(E)=  
(F)=

No.	Lev.	Parts No.	Description	Q'ty						I	R
				(A)	(B)	(C)	(D)	(E)	(F)		
1	1	194447-13860	BEARING, TMB304CX1	1	1						
2	1	198282-28180	SHAFT, FRONT DRIVE	1	1						
3	1	198282-28340	GEAR, DRIVE 43	1	1						
4	1	198282-28360	SHIFTER	1	1						
5	1	24101-062064	BEARING, BALL 6206	1	1						

Fig.48. FRONT SHIFT

(A)=EF312PT  
(B)=EF352PT  
(C)=

(D)=  
(E)=  
(F)=

No.	Lev.	Parts No.	Description	Q'ty						I	R
				(A)	(B)	(C)	(D)	(E)	(F)		
1	1	198119-27150	COLLAR, ARM	1	1						
2	1	194145-27450	SPRING	1	1						
3	1	198200-27730-1	PLATE, KEEP A	1	1						
4	1	198282-28410	ARM, SHIFT	1	1						
5	1	198282-28430	FORK, 4WD SHIFT	1	1						
6	1	1A8115-28440	LEVER, 4WD	1	1						
7	1	24190-100001	BALL, STEEL 5/16	1	1						
8	1	24311-000160	O-RING, 1AP16.0	1	1						
9	1	26106-080402	BOLT, M8X 40 PLATED	1	1						
10	1	26366-080002	NUT, M8	1	1						

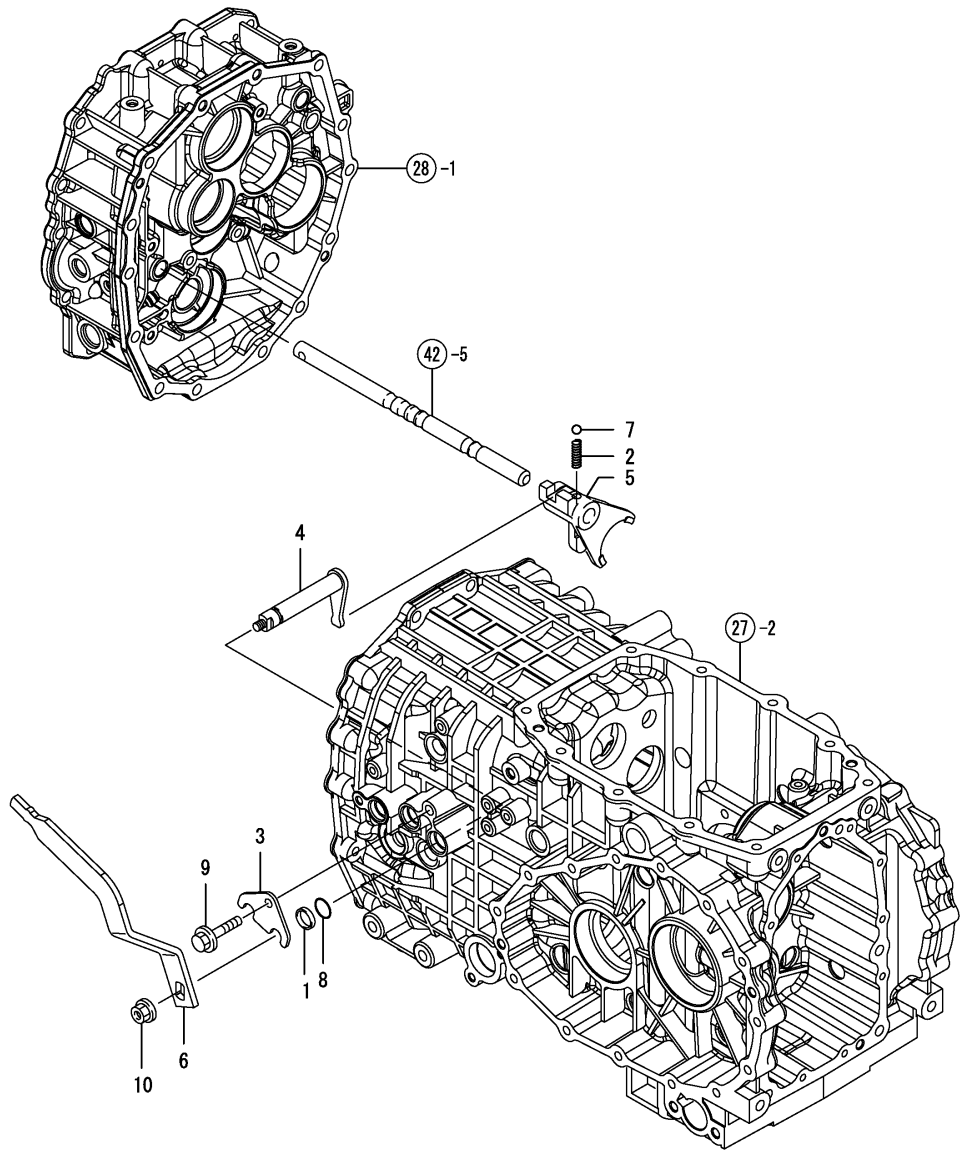
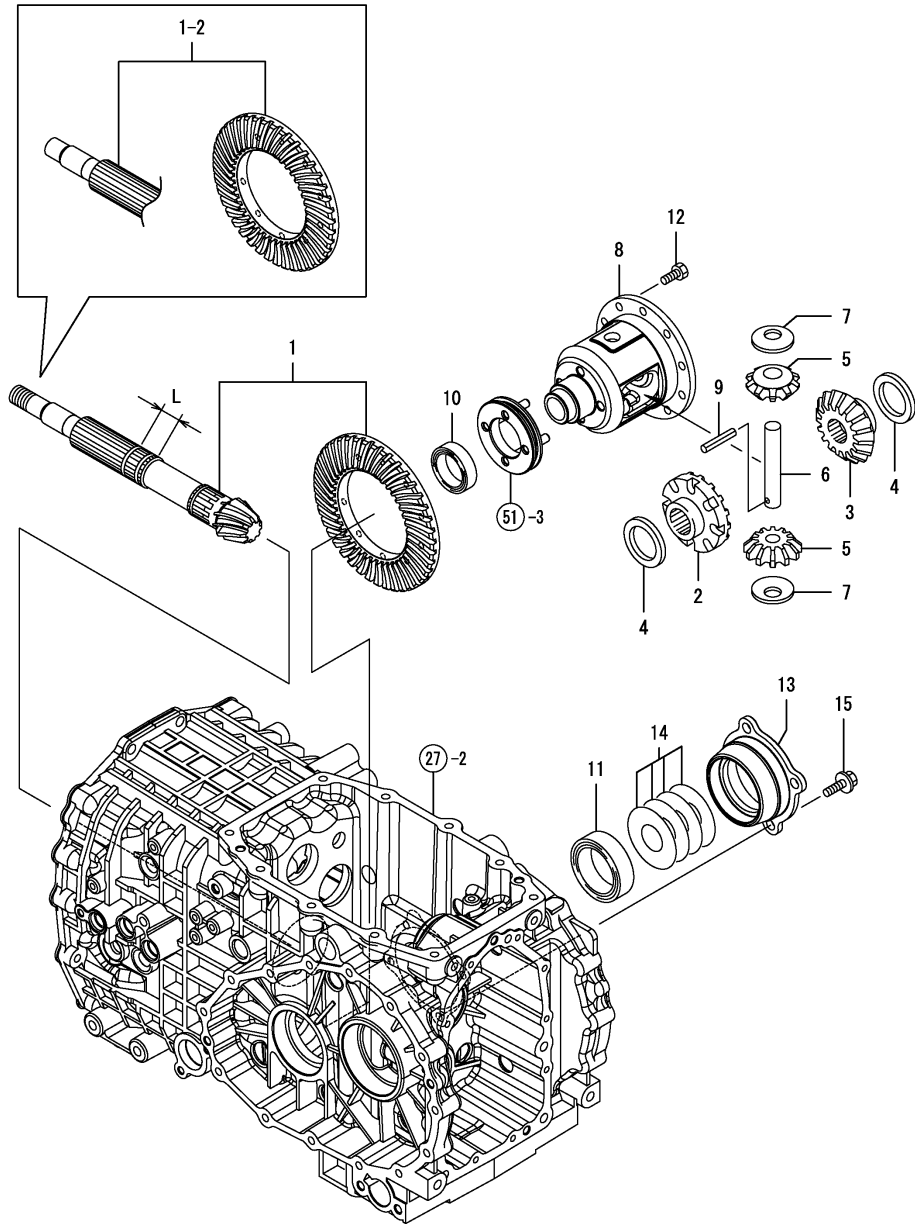


Fig.49. RING GEAR & DIFFERENTIAL GEAR



(A)=EF312PT  
(B)=EF352PT  
(C)=

(D)=  
(E)=  
(F)=

No.	Lev.	Parts No.	Description	Q'ty						I	R
				(A)	(B)	(C)	(D)	(E)	(F)		
1	1	198200-31400	GEAR ASSY, RING	1	1						
1-1	1	198200-31401	GEAR ASSY, RING	1	1						S 1
		(A=FZZZZZ) (B=FZZZZZ)									
1-2	1	198200-31402	GEAR ASSY, RING	1	1						S
		(A=FZZZZZ) (B=FZZZZZ)									
2	1	198200-31510	GEAR, DIFFERENTIAL L	1	1						
3	1	194525-31520	GEAR, DIFFERENTIAL R	1	1						
4	1	194515-31610	WASHER, DIFFERENTIAL	2	2						
5	1	198200-31810	PINION, DIFFERENTIAL	2	2						
6	1	198200-31820	SHAFT, DIFFERENTIAL	1	1						
7	1	194515-31850	WASHER, DIFFERENTIAL	2	2						
8	1	198200-32110	CASE, DIFFERENTIAL	1	1						
9	1	22351-040040	PIN, SPRING 4.0X40	1	1						
10	1	24101-060074	BEARING, BALL 6007	1	1						
11	1	24101-062074	BEARING, BALL 6207	1	1						
12	1	26116-080162	BOLT, M8X 16 PLATED	10	10						
13	1	198200-32320	CARRIER	1	1						
14	1	194850-32340	SHIM SET	1	1						
15	1	26106-100252	BOLT, M10X 25 PLATED	4	4						

Remarks

(1) L= Ref.No.1 20.8mm, 1-1 14.6mm.

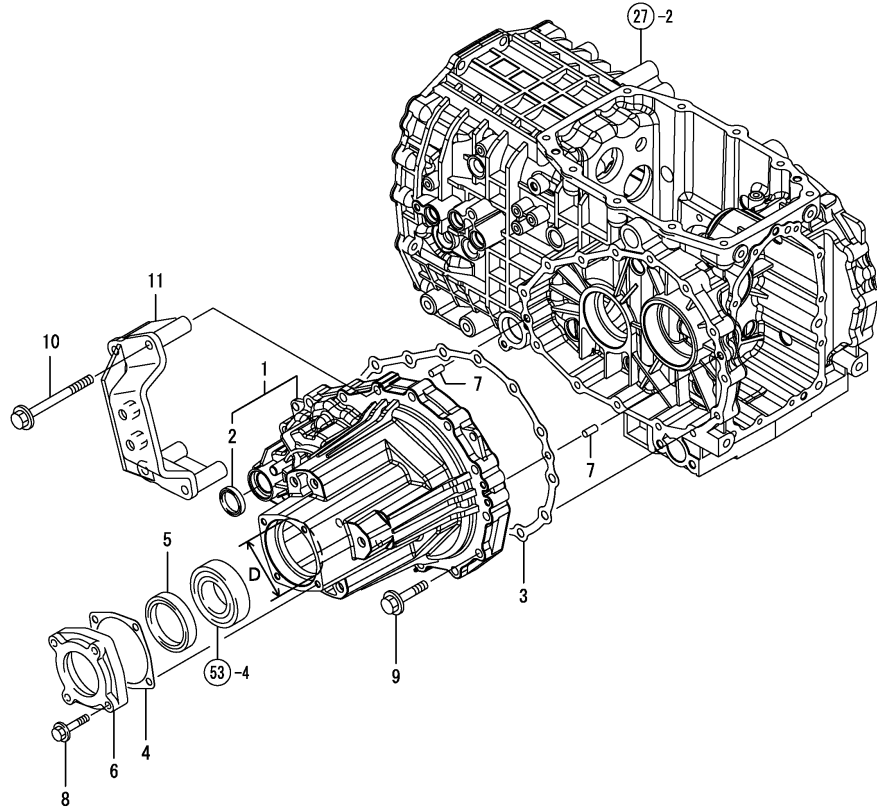
N:Old  $\begin{matrix} \leftarrow \text{Yes} \\ \text{No} \end{matrix}$  New, Q:Old  $\begin{matrix} \leftarrow \text{No} \\ \text{Yes} \end{matrix}$  New, R:Old  $\begin{matrix} \leftarrow \text{Yes} \\ \text{Yes} \end{matrix}$  New, S:Old  $\begin{matrix} \leftarrow \text{No} \\ \text{No} \end{matrix}$  New, W:Add, Z:Discontinued, F:Interchangeable by set, K:Q'ty Change

Fig.50. REAR HOUSING

(A)=EF312PT  
(B)=EF352PT  
(C)=

(D)=  
(E)=  
(F)=

No.	Lev.	Parts No.	Description	Q'ty						I	R
				(A)	(B)	(C)	(D)	(E)	(F)		
1	1	198200-32600-1	HOUSING ASSY, AXLE	2	2						
1-1	1	198200-32601	HOUSING ASSY, AXLE	2	2						S 1
		(A=FZZZZZ) (B=FZZZZZ)									
2	2	198290-32750	SEAL, OIL TC253506	2	2						
3	1	198200-32630	GASKET, REAR AXLE	2	2						
4	1	198200-32660	GASKET, SEAL CASE	2	2						
5	1	198475-32660	SEAL, QLNY527514.5	2	2						
6	1	198200-32731-1	CASE, OIL SEAL	2	2						
7	1	22312-080140	PIN, PARALLEL M8X14	4	4						
8	1	26106-080402	BOLT, M8X 40 PLATED	8	8						
9	1	26106-100502	BOLT, M10X 50 PLATED	20	20						
10	1	26106-101102	BOLT, M10X110 PLATED	8	8						
11	1	1A8115-31100	STAY ASSY, REAR AXLE	2	2						

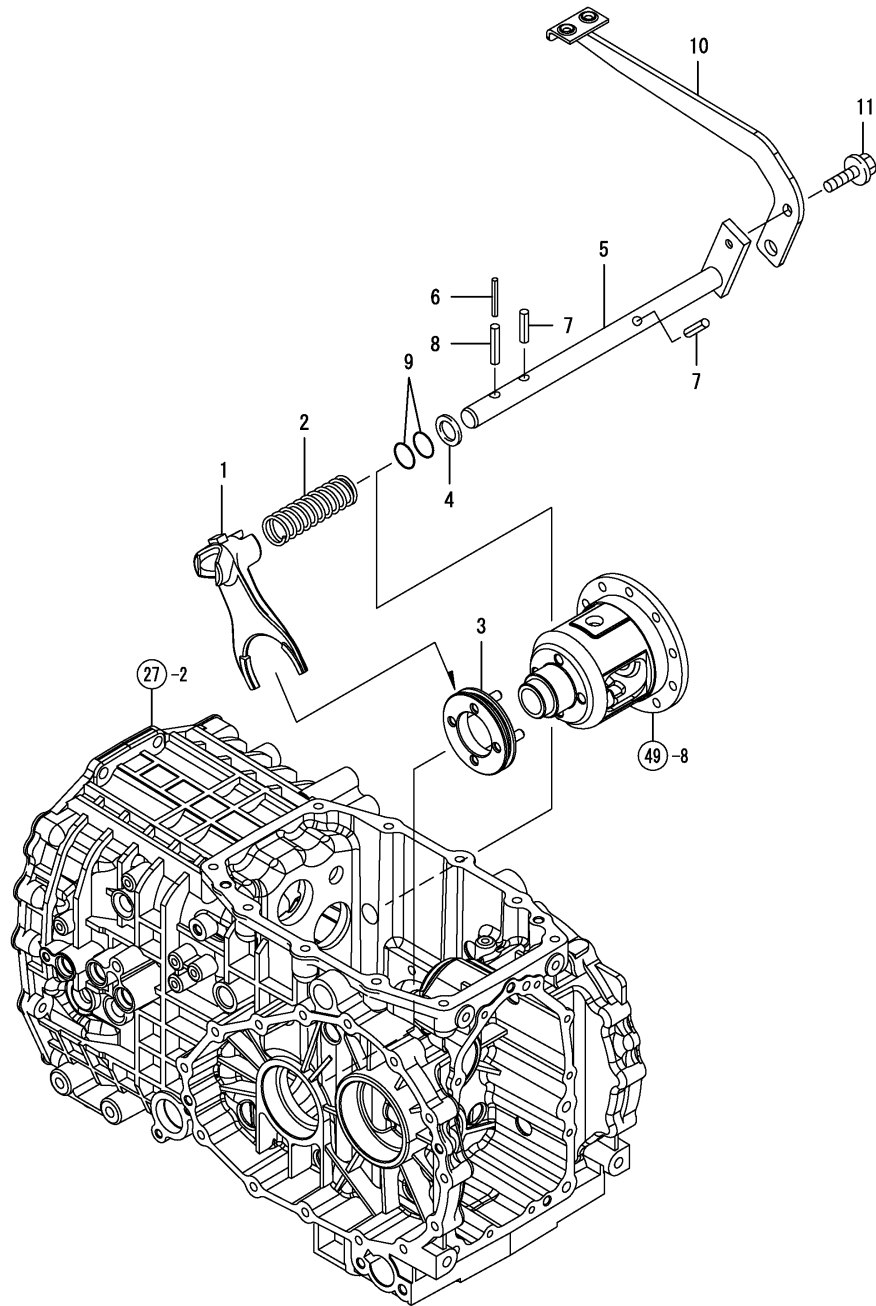


Remarks

(1) D=Ref.No.1 75mm, 1-1 75.4mm.  
Refer to Fig.88 for the repair part.



Fig.51. DIFFERENTIAL LOCK



(A)=EF312PT  
(B)=EF352PT  
(C)=

(D)=  
(E)=  
(F)=

No.	Lev.	Parts No.	Description	Q'ty						I	R
				(A)	(B)	(C)	(D)	(E)	(F)		
1	1	198200-33111	FORK, LOCK	1	1						
2	1	194420-33150	SPRING, RETURN	1	1						
3	1	198200-33150	SLIDER, LOCK	1	1						
4	1	194300-33200	SPACER, 20X32X3.2	1	1						
5	1	198200-33211	SHAFT ASSY, LOCK	1	1						
6	1	22351-050040	PIN, SPRING 5.0X40	1	1						
7	1	22351-080032	PIN, SPRING 8.0X32	2	2						
8	1	22351-080040	PIN, SPRING 8.0X40	1	1						
9	1	24311-000200	O-RING, 1AP20.0	2	2						
10	1	1A8115-33250	PEDAL, LOCK	1	1						
11	1	26106-100202	BOLT, M10X 20 PLATED	1	1						

Fig.52. FINAL PINION & FINAL GEAR

(A)=EF312PT  
(B)=EF352PT  
(C)=

(D)=  
(E)=  
(F)=

No.	Lev.	Parts No.	Description	Qty						I	R
				(A)	(B)	(C)	(D)	(E)	(F)		
1	1	198200-33410	PINION, FINAL L 9T	1	1						
2	1	198200-33420	PINION, FINAL R 9T	1	1						
3	1	24101-063064	BEARING, BALL 6306	4	4						
4	1	198200-33511	GEAR, FINAL 56T	2	2						

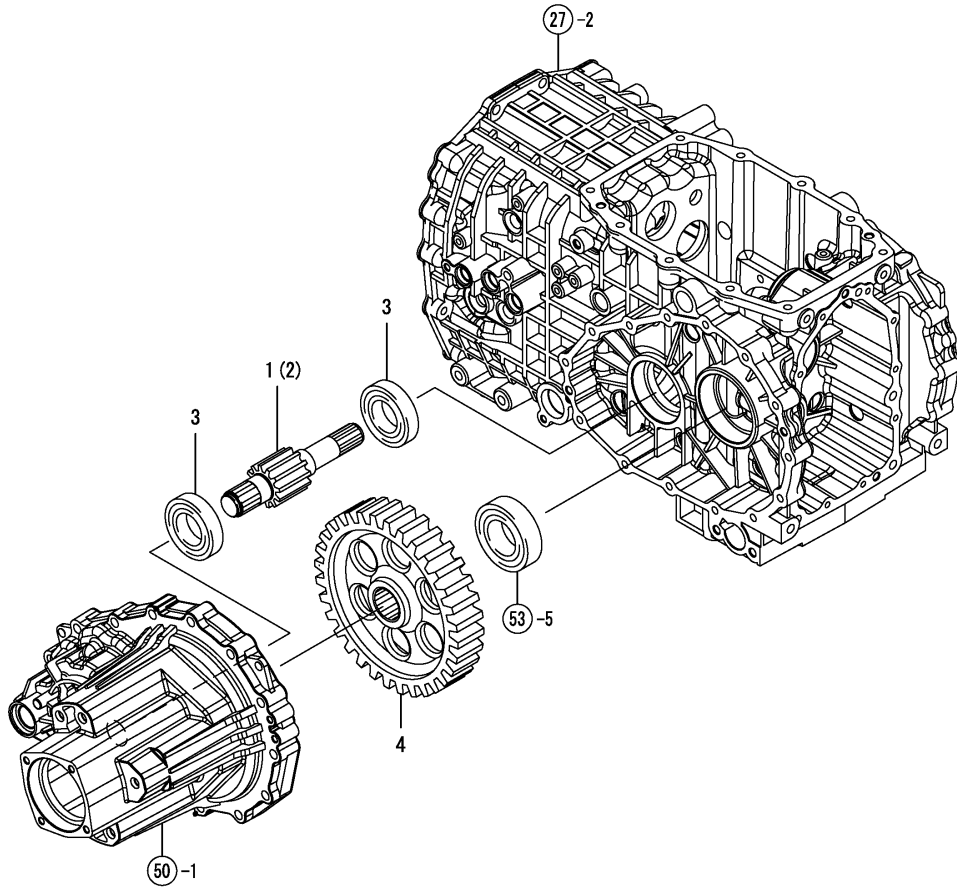
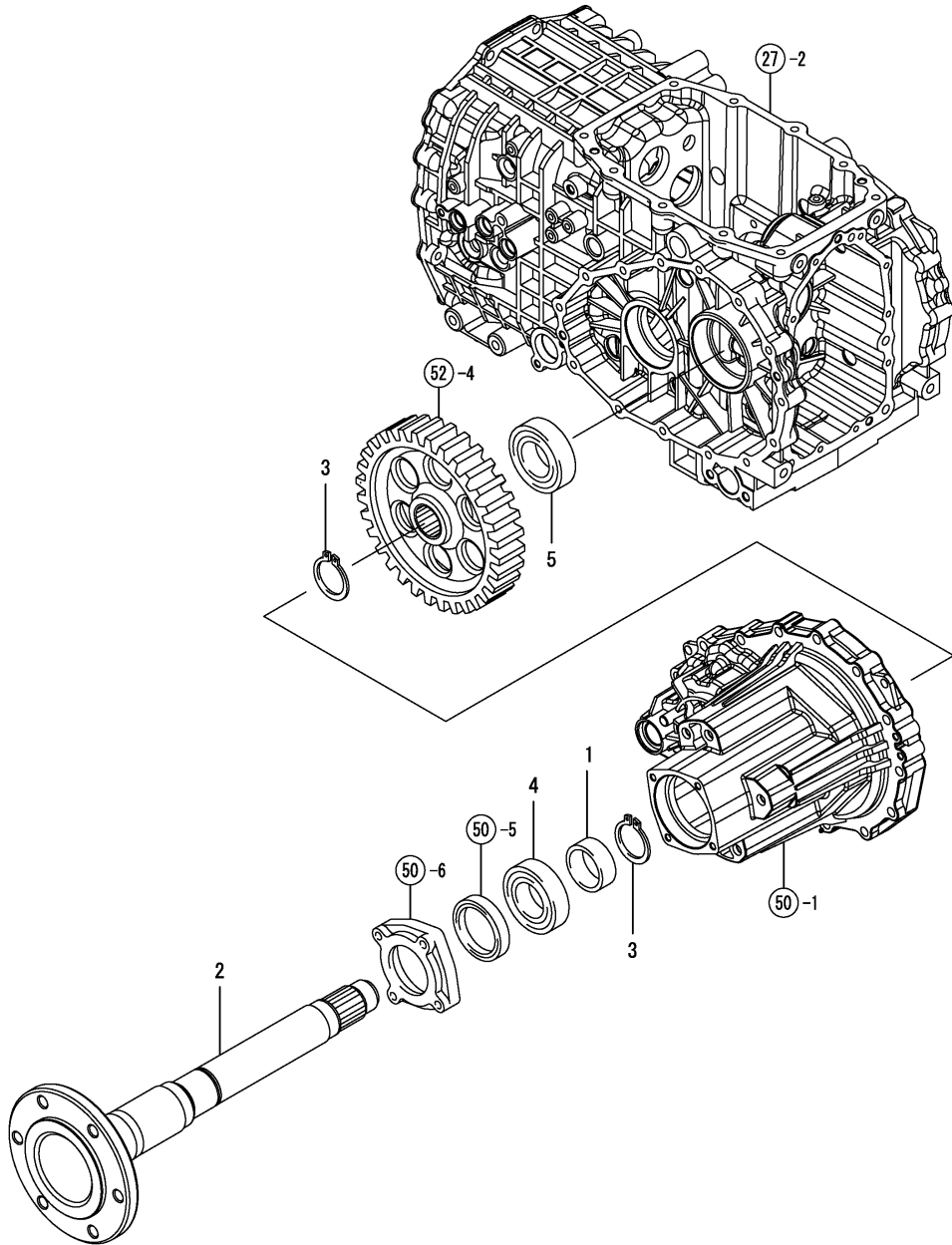


Fig.53. REAR AXLE SHAFT

(A)=EF312PT  
(B)=EF352PT  
(C)=

(D)=  
(E)=  
(F)=

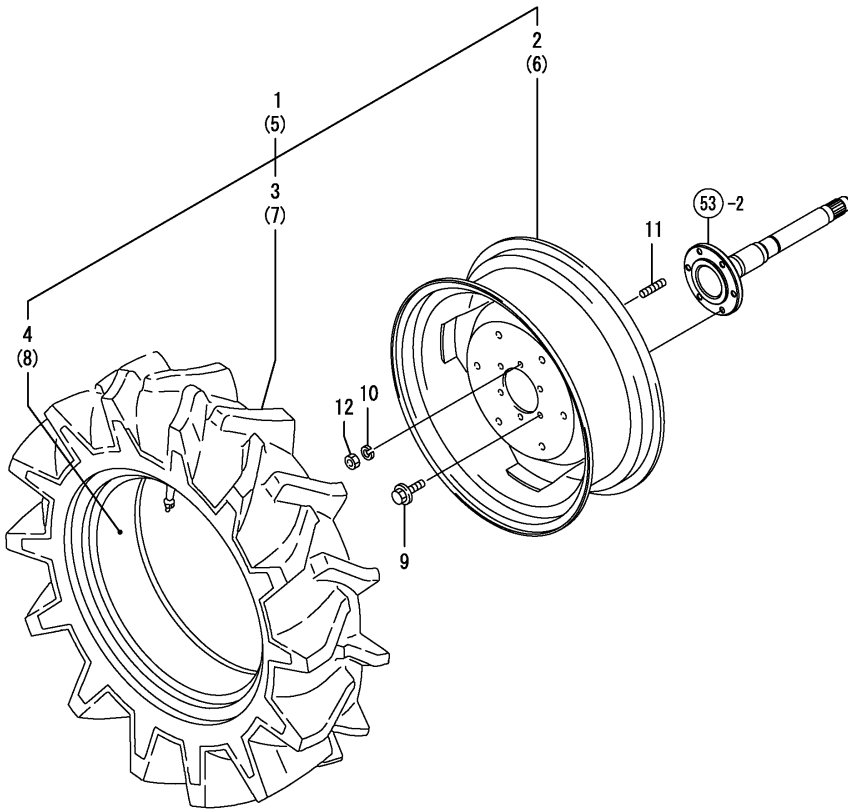


No.	Lev.	Parts No.	Description	Qty						I	R
				(A)	(B)	(C)	(D)	(E)	(F)		
1	1	194440-32580	COLLAR, 45X55X20	2	2						
2	1	198283-34110-1	SHAFT, REAR AXLE	2	2						
3	1	198196-34140	RING, 45	4	4						
4	1	24101-062094	BEARING, BALL 6209	2	2						
5	1	24101-063074	BEARING, BALL 6307	2	2						

Fig.54. REAR WHEEL TIRE

(A)=EF312PT  
(B)=EF352PT  
(C)=

(D)=  
(E)=  
(F)=

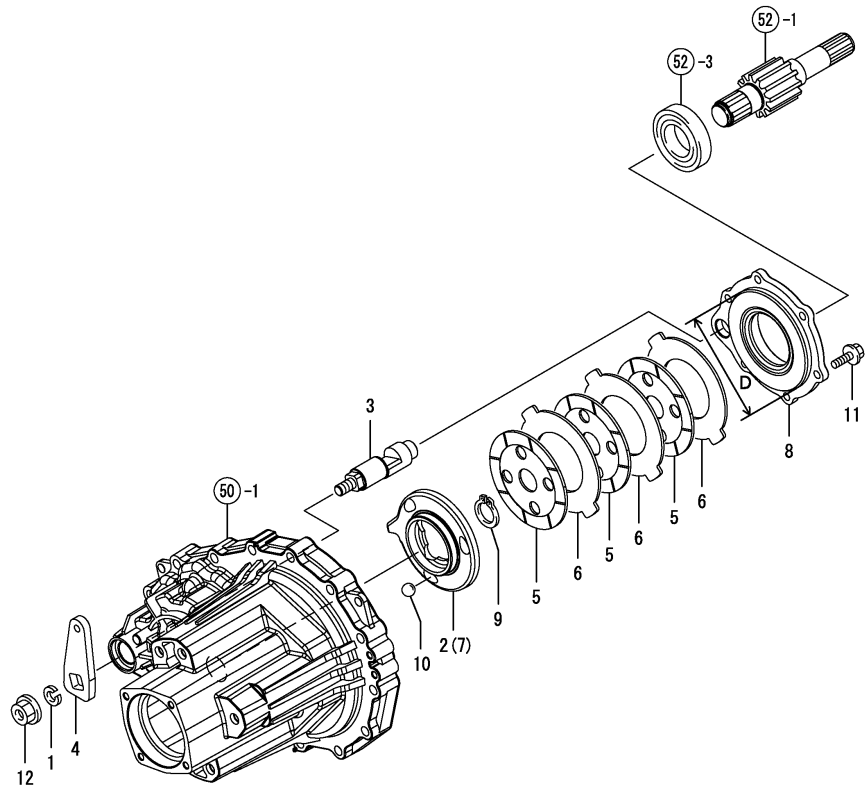


No.	Lev.	Parts No.	Description	Q'ty						I	R
				(A)	(B)	(C)	(D)	(E)	(F)		
1	1	198283-34700	TIRE KIT, 11.2-24L	1	1						
2	2	198282-34650	WHEEL, W9X24	1	1						
3	2	198128-34910	TIRE, REAR	1	1						
4	2	198128-34920	TUBE, 11.2-24	1	1						
5	1	198283-34800	TIRE KIT, 11.2-24 R	1	1						
6	2	198282-34650	WHEEL, W9X24	1	1						
7	2	198128-34910	TIRE, REAR	1	1						
8	2	198128-34920	TUBE, 11.2-24	1	1						
9	1	194881-12650	BOLT, M14X24	8	8						
10	1	194279-14220	WASHER, 14	4	4						
11	1	198200-34130	STUD, M14X31	4	4						
12	1	198200-34190	NUT, M14	4	4						

Fig.55. BRAKE

(A)=EF312PT  
(B)=EF352PT  
(C)=

(D)=  
(E)=  
(F)=



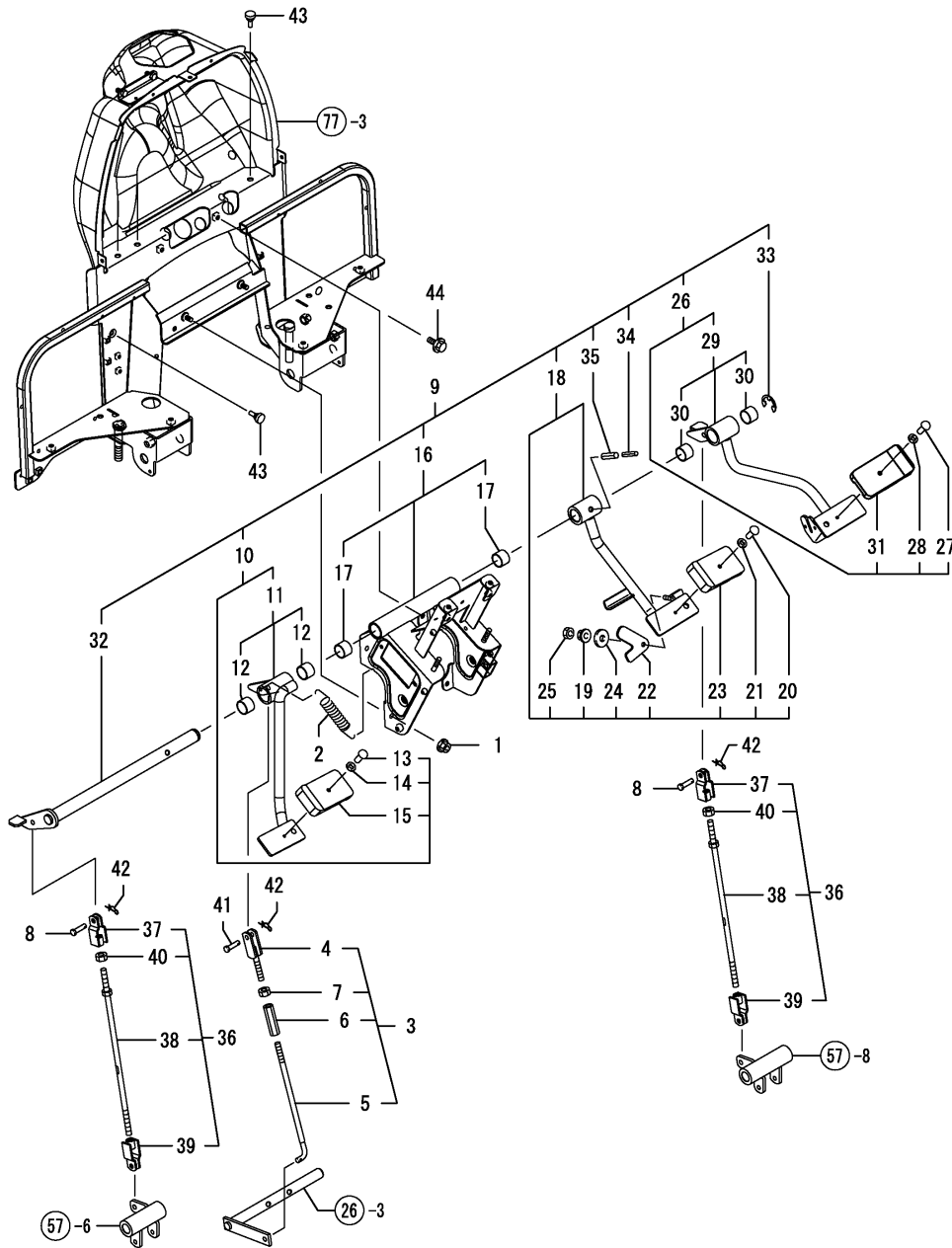
No.	Lev.	Parts No.	Description	Q'ty						I	R
				(A)	(B)	(C)	(D)	(E)	(F)		
1	1	194274-13580	WASHER, SPRING 12	2	2						
2	1	198200-36310	ACTUATOR	1	1						
3	1	198200-36341	CAMSHAFT	2	2						
4	1	198200-36350-2	ARM, BRAKE	2	2						
5	1	198200-36380	PLATE, FRICTION 114	6	6						
6	1	198200-36390	PLATE, STEEL	6	6						
7	1	198200-36410	ACTUATOR	1	1						
8	1	198200-36421	HOLDER, BEARING	2	2						
8-1	1	198200-36422	HOLDER, BEARING	2	2					S	1
				(A=FZZZZZ)		(B=FZZZZZ)					
9	1	22242-000260	RING, 26	2	2						
10	1	24190-170001	BALL, STEEL 17/32	6	6						
11	1	26106-080252	BOLT, M8X 25 PLATED	12	12						
12	1	26376-120002	NUT, M12	2	2						

Remarks  
(1) D=Ref.No.8 118.5mm, 8-1 120.4mm.  
Refer to Fig.88 for the repair part.

Fig.56. PEDAL

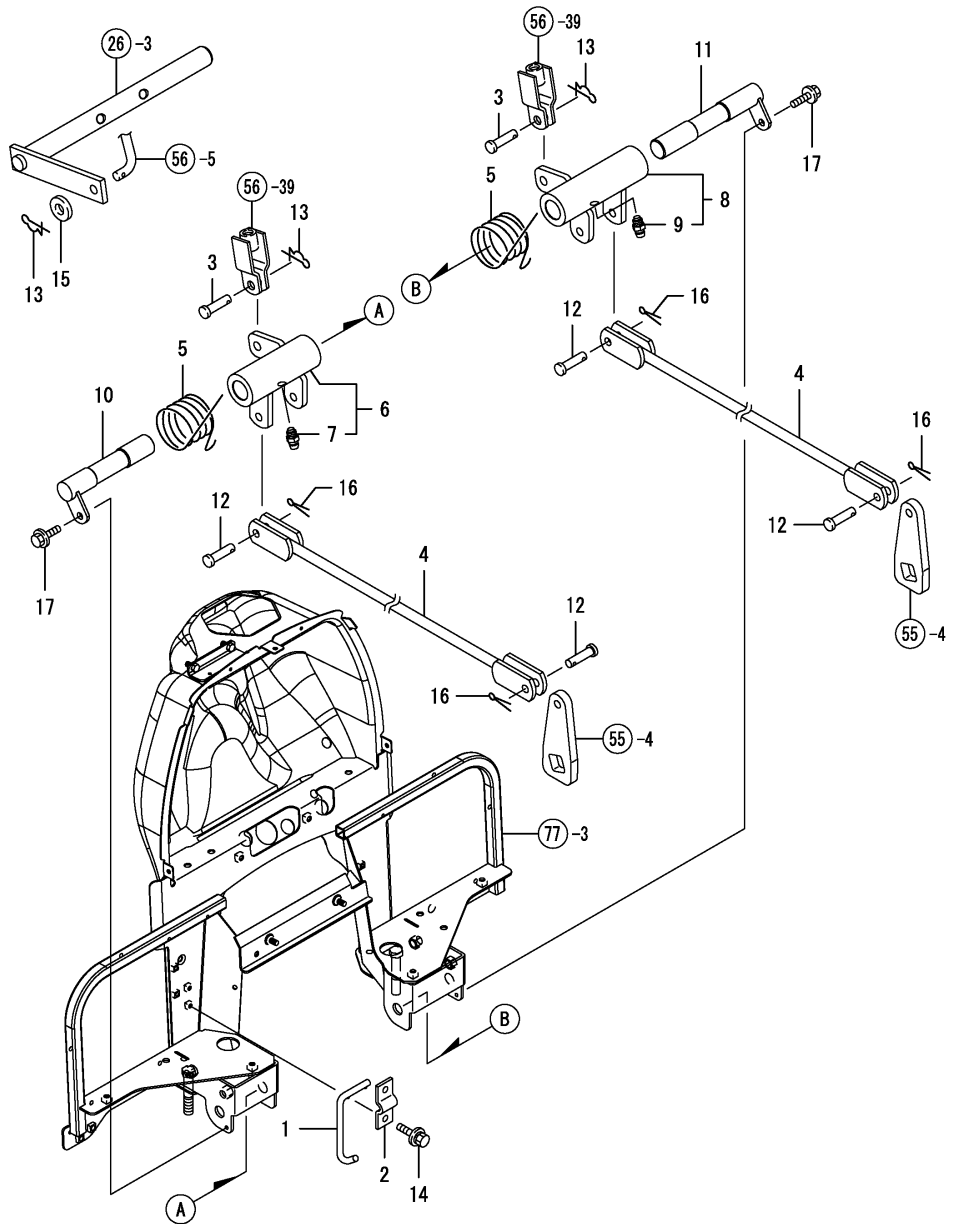
(A)=EF312PT  
(B)=EF352PT  
(C)=

(D)=  
(E)=  
(F)=



No.	Lev.	Parts No.	Description	Qty						I	R
				(A)	(B)	(C)	(D)	(E)	(F)		
1	1	194990-22140	NUT, M8	2	2						
2	1	1A8115-22510	SPRING, RETURN	1	1						
3	1	1A8115-22650	ROD ASSY, CLUTCH	1	1						
4	2	1A8115-22660	JOINT, 2-WAY	1	1						
5	2	1A8115-22690	ROD, CLUTCH	1	1						
6	2	1A8115-22700	TURNBUCKLE, M10	1	1						
7	2	26707-100002	NUT, M10	1	1						
8	1	194312-27780	PIN, 8.9	2	2						
9	1	198282-37250	PEDAL	1	1						
10	2	198200-22380	PEDAL, CLUTCH	1	1						
11	3	198200-22400	PEDAL ASSY, CLUTCH	1	1						
12	4	198448-37360	BUSH, 25X28X20	2	2						
12-1	4	24550-025200	BUSH, 25X20	2	2						R
		(A=FZZZZZ) (B=FZZZZZ)									
13	3	198133-22510	RIVET, PEDAL HEAD	1	1						
14	3	198133-22530	WASHER, RIVET	1	1						
15	3	198071-37510	COVER, HEAD	1	1						
16	2	1A8115-37270	BRACKET ASSY, PEDAL	1	1						
17	3	198448-37360	BUSH, 25X28X20	2	2						
17-1	3	24550-025200	BUSH, 25X20	2	2						R
		(A=FZZZZZ) (B=FZZZZZ)									
18	2	198200-37290	PEDAL, BRAKE L	1	1						
19	3	194990-22140	NUT, M8	1	1						
20	3	198133-22510	RIVET, PEDAL HEAD	1	1						
21	3	198133-22530	WASHER, RIVET	1	1						
22	3	198200-37240	CONNECTOR	1	1						
23	3	198071-37510	COVER, HEAD	1	1						
24	3	22157-080000	WASHER, 8	1	1						
25	3	26716-080002	NUT, M8	1	1						
26	2	198282-37490	PEDAL, BRAKE R	1	1						
27	3	198133-22510	RIVET, PEDAL HEAD	1	1						
28	3	198133-22530	WASHER, RIVET	1	1						
29	3	198282-37400	PEDAL ASSY, BRAKE R	1	1						
30	4	198448-37360	BUSH, 25X28X20	2	2						
30-1	4	24550-025200	BUSH, 25X20	2	2						R
		(A=FZZZZZ) (B=FZZZZZ)									
31	3	198071-37510	COVER, HEAD	1	1						
32	2	198282-37550	SHAFT ASSY, BRAKE	1	1						
33	2	22272-000190	RING, E-19	1	1						
34	2	22351-050045	PIN, SPRING 5.0X45	1	1						
35	2	22351-080045	PIN, SPRING 8.0X45	1	1						
36	1	1A8115-37610	ROD ASSY, BRAKE F	2	2						
37	2	1A8115-37620	JOINT, 2-WAY	2	2						
38	2	1A8115-37660	ROD ASSY, BRAKE	2	2						
39	2	1A8115-37680	JOINT, 2-WAY	2	2						
40	2	26707-100002	NUT, M10	2	2						
41	1	198220-37900	PIN, 8X24	1	1						
42	1	1C6281-52320	PIN, SNAP 8	3	3						
43	1	194330-62530	STOPPER, PEDAL	4	4						
44	1	26106-080162	BOLT, M8X 16 PLATED	2	2						

Fig.57. BRAKE LINK



(A)=EF312PT  
(B)=EF352PT  
(C)=

(D)=  
(E)=  
(F)=

No.	Lev.	Parts No.	Description	Q'ty						I	R
				(A)	(B)	(C)	(D)	(E)	(F)		
1	1	198200-22460	LEVER, PEDAL LOCK	1	1						
2	1	198200-22470	HINGE, LEVER	1	1						
3	1	194312-27780	PIN, 8.9	2	2						
4	1	1A8115-37370	ROD ASSY, BRAKE	2	2						
5	1	1A8115-37460	SPRING, BRAKE PEDAL	2	2						
6	1	1A8115-37700	ARM ASSY, BRAKE L	1	1						
7	2	24761-010000	NIPPLE, GREASE M6F	1	1						
8	1	1A8115-37710	ARM ASSY, BRAKE R	1	1						
9	2	24761-010000	NIPPLE, GREASE M6F	1	1						
10	1	1A8115-37740	SHAFT ASSY, L	1	1						
11	1	1A8115-37840	SHAFT ASSY	1	1						
12	1	198220-37900	PIN, 8X24	4	4						
13	1	1C6281-52320	PIN, SNAP 8	3	3						
14	1	198093-85650	BOLT, M6X16	2	2						
15	1	22137-100000	WASHER, 10	1	1						
16	1	22417-250300	PIN, COTTER 2.5X30	4	4						
17	1	26106-060122	BOLT, M6X 12 PLATED	2	2						

Fig.58. PARKING BRAKE

(A)=EF312PT  
(B)=EF352PT  
(C)=

(D)=  
(E)=  
(F)=

No.	Lev.	Parts No.	Description	Q'ty						I	R
				(A)	(B)	(C)	(D)	(E)	(F)		
1	1	1A8115-37590	SPRING, LOCK	1	1						
2	1	1A8115-37640	COLLAR	1	1						
3	1	1A8115-37650	LEVER, BRAKE LOCK	1	1						
4	1	22157-080000	WASHER, 8	2	2						
5	1	26106-080202	BOLT, M8X 20 PLATED	1	1						

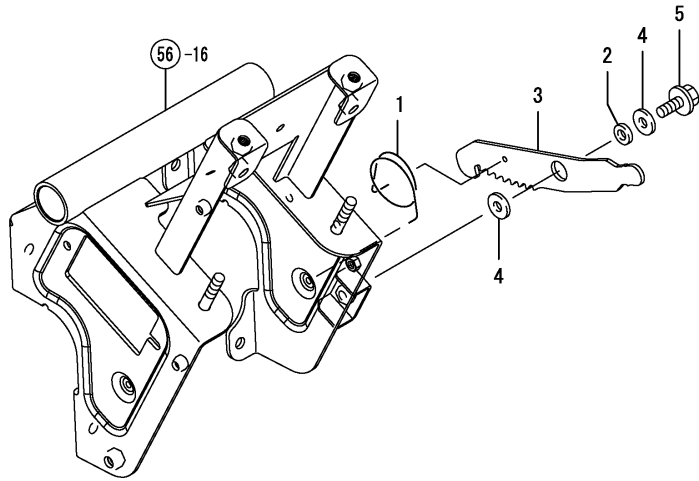
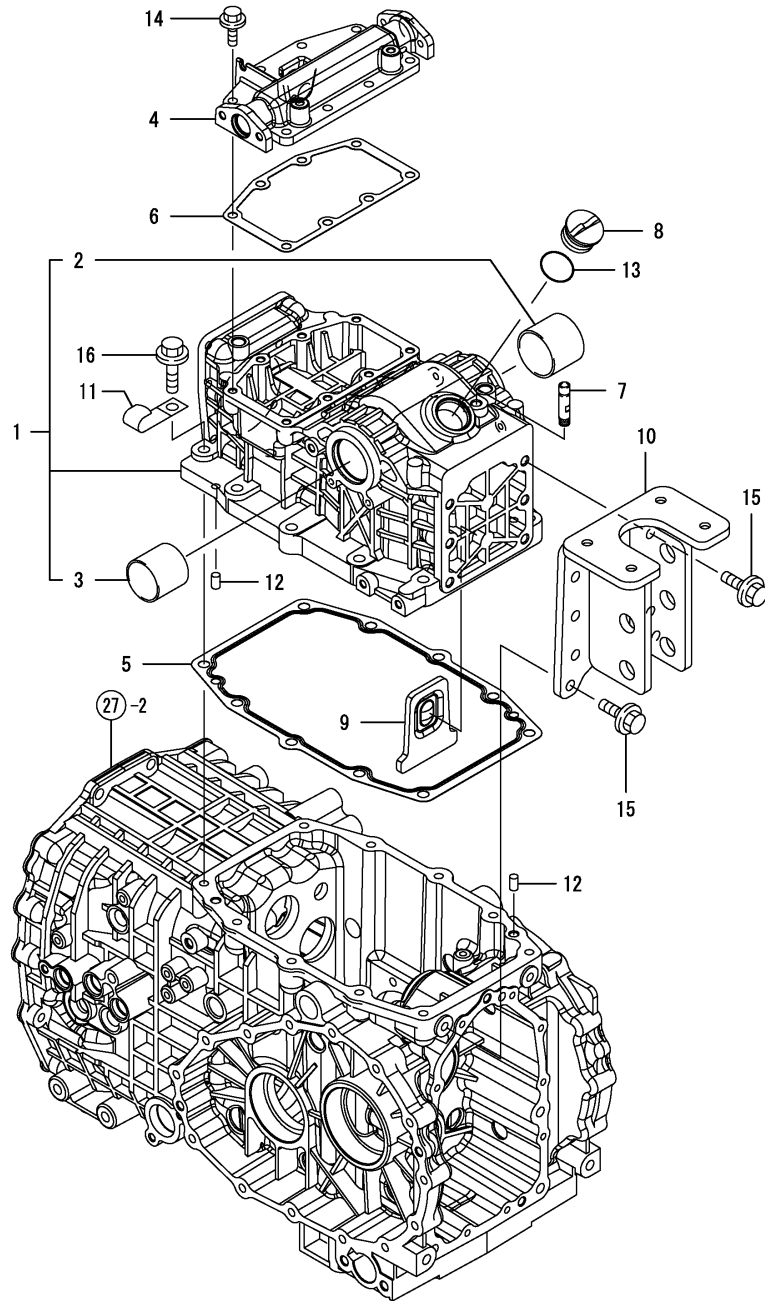




Fig.59. HYDRAULIC CYLINDER CASE



(A)=EF312PT  
(B)=EF352PT  
(C)=

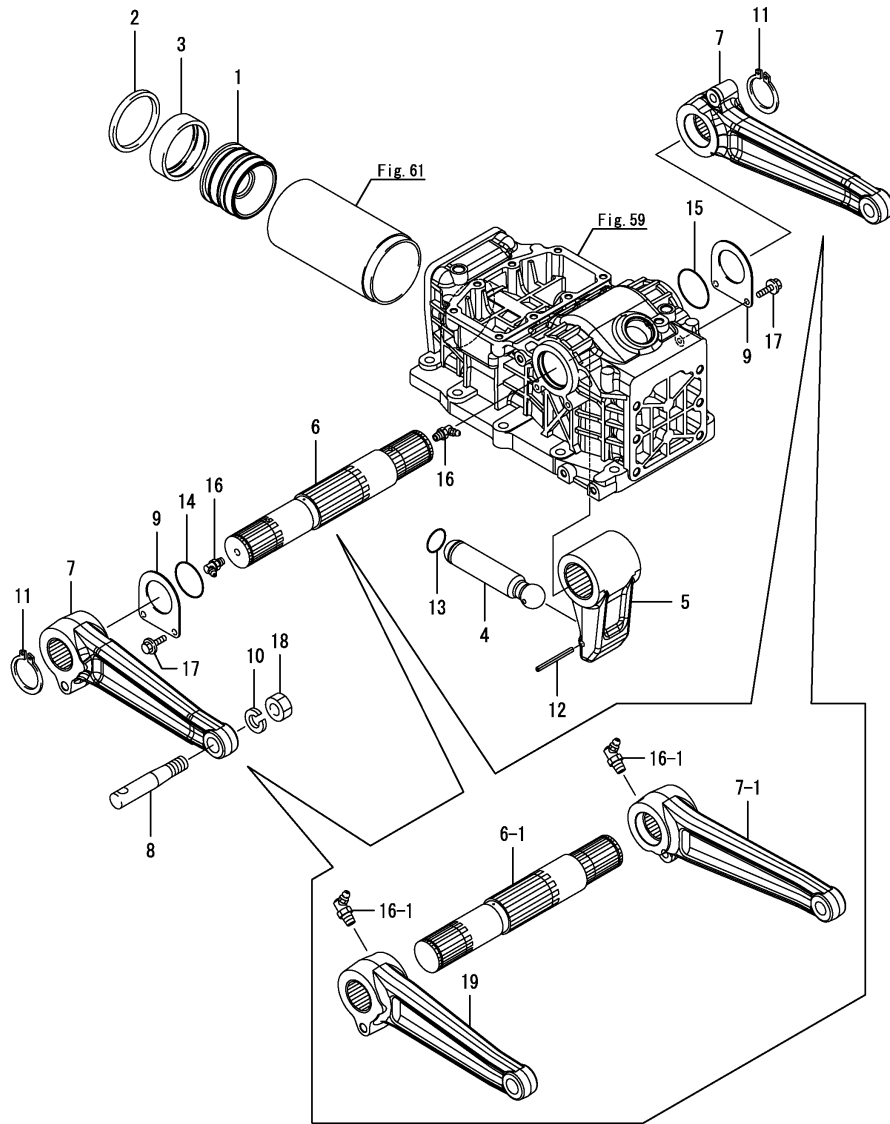
(D)=  
(E)=  
(F)=

No.	Lev.	Parts No.	Description	Q'ty						I	R
				(A)	(B)	(C)	(D)	(E)	(F)		
1	1	198200-42101-1	HOUSING ASSY, LIFT	1	1						
2	2	198200-42130	BUSH, 45X40	1	1						
3	2	198200-42140	BUSH, 40X40	1	1						
4	1	198200-42150-1	CASE, LINK	1	1						
5	1	198200-42180	GASKET, HOUSING	1	1						
6	1	198200-42190	GASKET, HOUSING	1	1						
7	1	194555-42280	BREATHER, AIR	1	1						
8	1	194850-42500	CAP, OIL M33	1	1						
9	1	198200-42710	PLATE, STOPPER	1	1						
10	1	1A8115-42810	HINGE ASSY, TOP LINK	1	1						
11	1	194180-51640	CLAMP, HARNESS	1	1						
12	1	22312-080140	PIN, PARALLEL M8X14	2	2						
13	1	24351-020300	O-RING 1A 2030	1	1						
14	1	26106-080252	BOLT, M8X 25 PLATED	8	8						
15	1	26106-100252	BOLT, M10X 25 PLATED	8	8						
16	1	26106-100402	BOLT, M10X 40 PLATED	10	10						

Fig.60. PISTON & LIFT CRANK

(A)=EF312PT  
(B)=EF352PT  
(C)=

(D)=  
(E)=  
(F)=



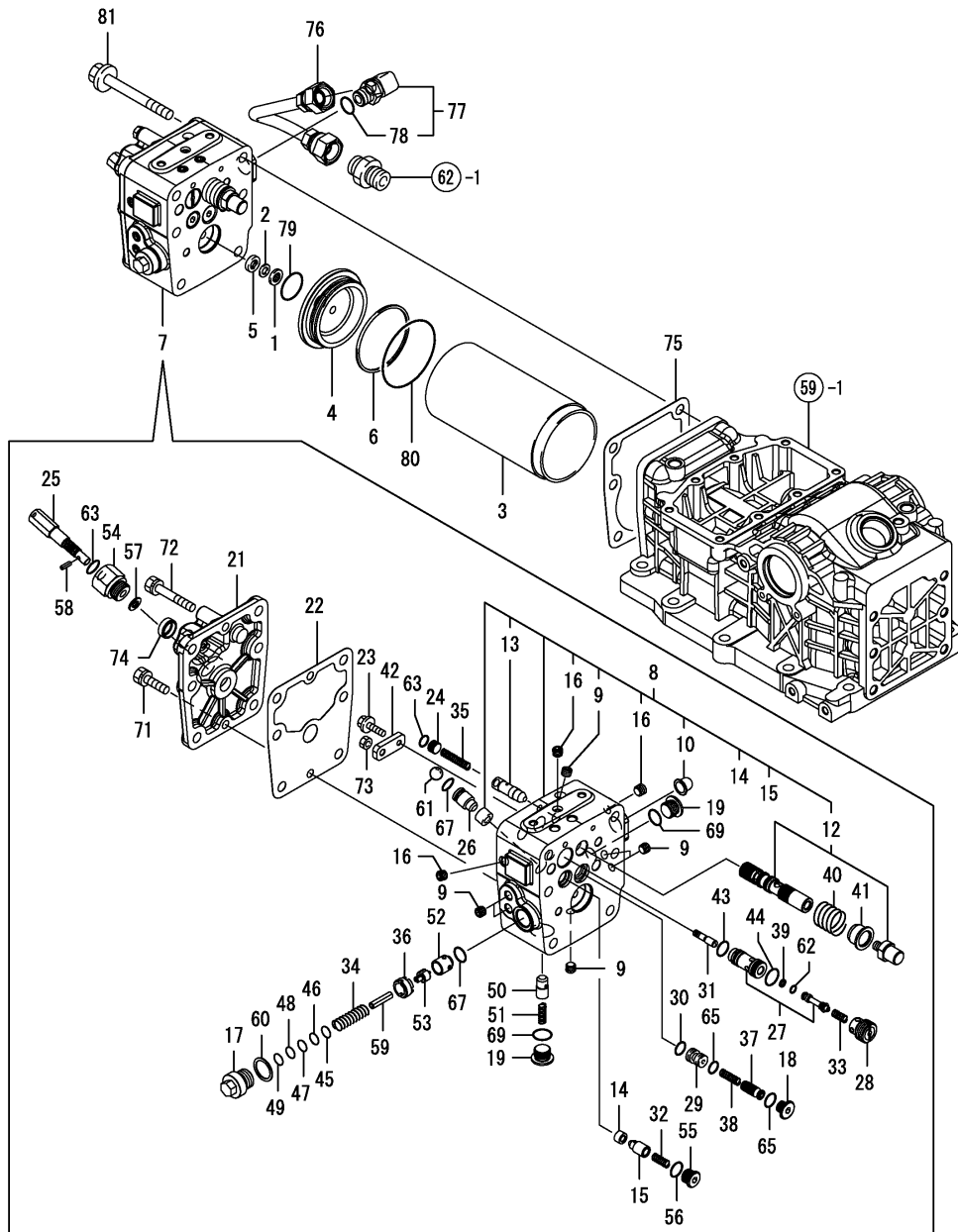
No.	Lev.	Parts No.	Description	Q'ty						I	R
				(A)	(B)	(C)	(D)	(E)	(F)		
1	1	198200-43310	PISTON, HYDRAULIC 75	1	1						
2	1	198071-43320	PACKING, 75	1	1						
3	1	198071-43330	WEARING	1	1						
4	1	198200-43410	ROD, PISTON	1	1						
5	1	198200-44110	CRANK, LIFT	1	1						
6	1	198283-44210	SHAFT, LIFTING	1	1						
6-1	1	198283-44211	SHAFT, LIFT	1	1					F	1
		(A=*2012.05) (B=*2012.05)									
7	1	198283-44420-1	ARM, LIFT R	2	2						
7-1	1	1A8310-44420	ARM, LIFT R	1	1					S	
		(A=*2012.05) (B=*2012.05)									
8	1	194130-44480-1	PIN, LIFT ARM	2	2						
9	1	198283-44510-1	WASHER, THRUST	2	2						
10	1	22217-160000	WASHER, SPRING 16	2	2						
11	1	22242-000400	RING, 40	2	2						
12	1	22351-050056	PIN, SPRING 5.0X56	1	1						
13	1	24311-000260	O-RING, 1AP26.0	1	1						
14	1	24311-000400	O-RING, 1AP40.0	1	1						
15	1	24311-000440	O-RING, 1AP44.0	1	1						
16	1	24761-040000	NIPPLE, GREASE B	2	2						
16-1	1	24761-050000	NIPPLE, GREASE C	2	2						N
		(A=*2012.05) (B=*2012.05)									
17	1	26106-060122	BOLT, M6X 12 PLATED	4	4						
18	1	26736-160002	NUT, M16	2	2						
19	1	1A8310-44410	ARM, LIFT L	1	1					W	
		(A=*2012.05) (B=*2012.05)									

Remarks

(1)No.6, 7, 16 is interchangeable with a set of No.6-1, 7-1, 16-1 & 19.

N:Old  $\xrightarrow{\text{Yes}}$  New, Q:Old  $\xrightarrow{\text{No}}$  New, R:Old  $\xrightarrow{\text{Yes}}$  New, S:Old  $\xrightarrow{\text{No}}$  New, W:Add, Z:Discontinued, F:Interchangeable by set, K:Q'ty Change

Fig.61. CONTROL VALVE

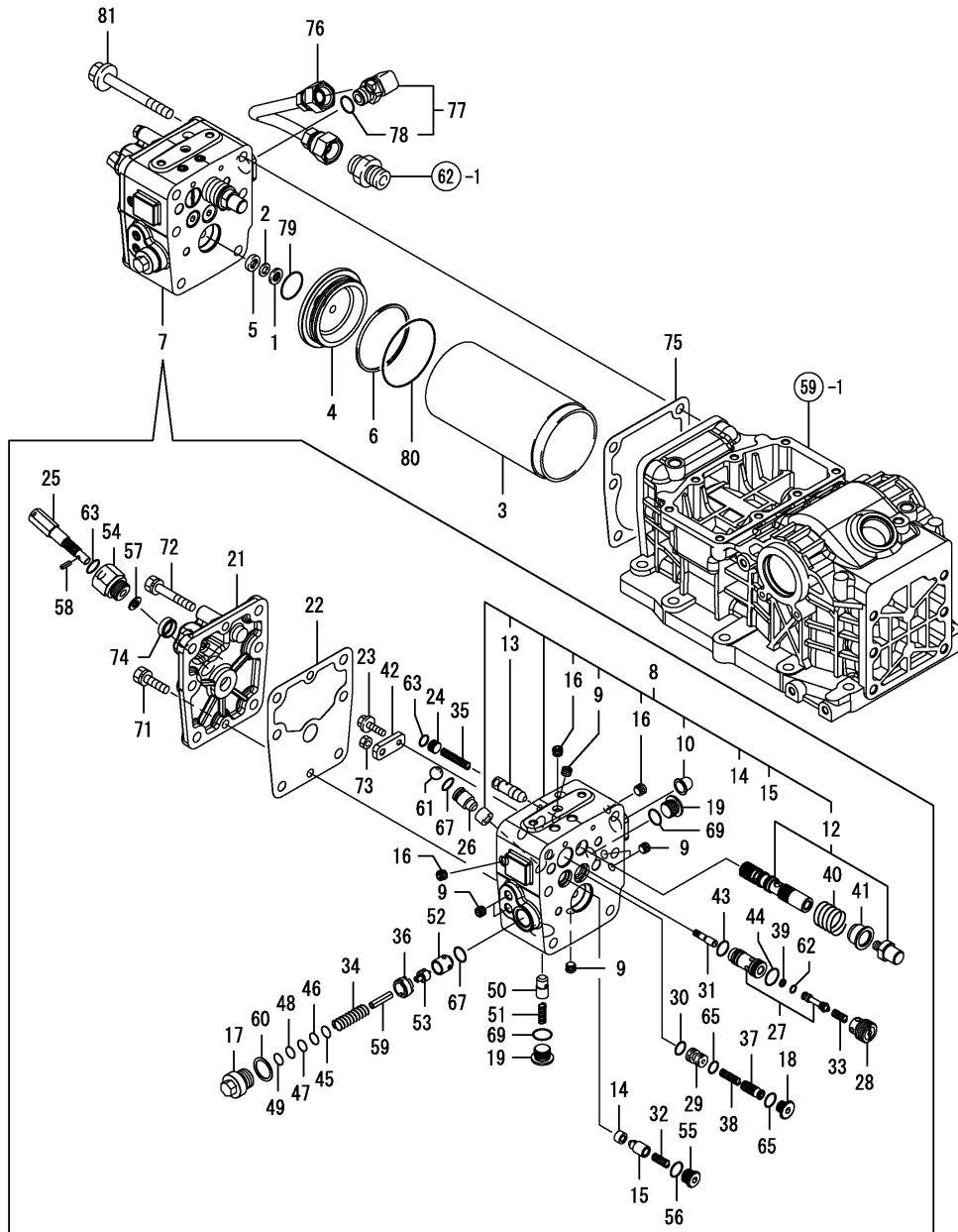


(A)=EF312PT  
(B)=EF352PT  
(C)=

(D)=  
(E)=  
(F)=

No.	Lev.	Parts No.	Description	Qty						I	R
				(A)	(B)	(C)	(D)	(E)	(F)		
1	1	194850-42180	STRAINER	1	1						
2	1	194850-42190	SPACER	1	1						
3	1	198200-43110	LINER, CYLINDER	1	1						
4	1	198200-43211	HEAD, CYLINDER	1	1						
5	1	194630-43230	PACKING	1	1						
6	1	198200-43250	RING, BACK UP G70	1	1						
7	1	1A8070-45100	VALVE ASSY, LIFT	1	1						
8	2	168232-02010	VALVEBODY(2P-1 CMP	1	1						
9	3	178073-01200	PLUG PT 1/8	6	6						
10	3	1A7390-23140	STRAINER	1	1						
12	3	178076-40200	SPOOL ASSY, MAIN	1	1						
13	3	194170-45310	POPPET	1	1						
14	3	198435-45410	SEAT, CHECK	1	1						
15	3	194170-45420	POPPET, L CHECK	1	1						
16	3	194555-77120	PLUG, 1/16	3	3						
17	2	178076-02230	PLUG, RELIEF VALVE	1	1						
18	2	178076-12400	PLUG, G1/4	1	1						
19	2	1A6750-29850	PLUG, G3/8	2	2						
21	2	178076-40100-1	COVER,	1	1						
22	2	178076-40110	GASKET, COVER	1	1						
23	2	178076-40250	BOLT, 6 X 16	1	1						
24	2	178076-40300	PLUG, 12	1	1						
25	2	178076-40400	BOLT, STOP	1	1						
26	2	178076-40410	STOP VALVE	1	1						
27	2	178076-40501	VALVE ASSY, CHECK	1	1						
28	2	178076-40531	RETAINER, SEAT	1	1						
29	2	178076-40600	PLUG,	1	1						
30	2	178076-40610	PACKING, 1B	1	1						
31	2	194170-45220	BAR, PUSH	1	1						
32	2	194170-45230	SPRING	1	1						
33	2	1A6640-45230	SPRING, VALVE	1	1						
34	2	194150-45320	SPRING, RELIEF VALVE	1	1						
35	2	194170-45321	SPRING	1	1						
36	2	194275-45340	SCREW, VALVE SEAT	1	1						
37	2	194170-45350	SPOOL	1	1						
38	2	194170-45360	SPRING	1	1						
39	2	194170-45430	RING, BACK UP	1	1						
40	2	194170-45520	SPRING, SPOOL	1	1						
41	2	194170-45530	STOPPER, SPOOL	1	1						
42	2	194170-45550	BAR, SPOOL	1	1						
43	2	194327-45640	O-RING, 1AS14.0	1	1						
44	2	194327-45650	O-RING, 1BS16.0	1	1						
45	2	194170-45700	SHIM, T=0.1	1	1						Z
				(A)=FXXXXXX	(B)=FXXXXXX						
46	2	194170-45710	SHIM, T=0.2	1	1						
47	2	194170-45720	SHIM, T=0.3	1	1						
48	2	194170-45730	SHIM, T=0.5	1	1						
49	2	194170-45740	SHIM, T=1.0	1	1						
50	2	194310-46350	POPPET, CHECK	1	1						
51	2	194310-46380	SPRING	1	1						
52	2	194640-46410	SEAT, SAFETY VALVE	1	1						

Fig.61. CONTROL VALVE



(A)=EF312PT  
(B)=EF352PT  
(C)=

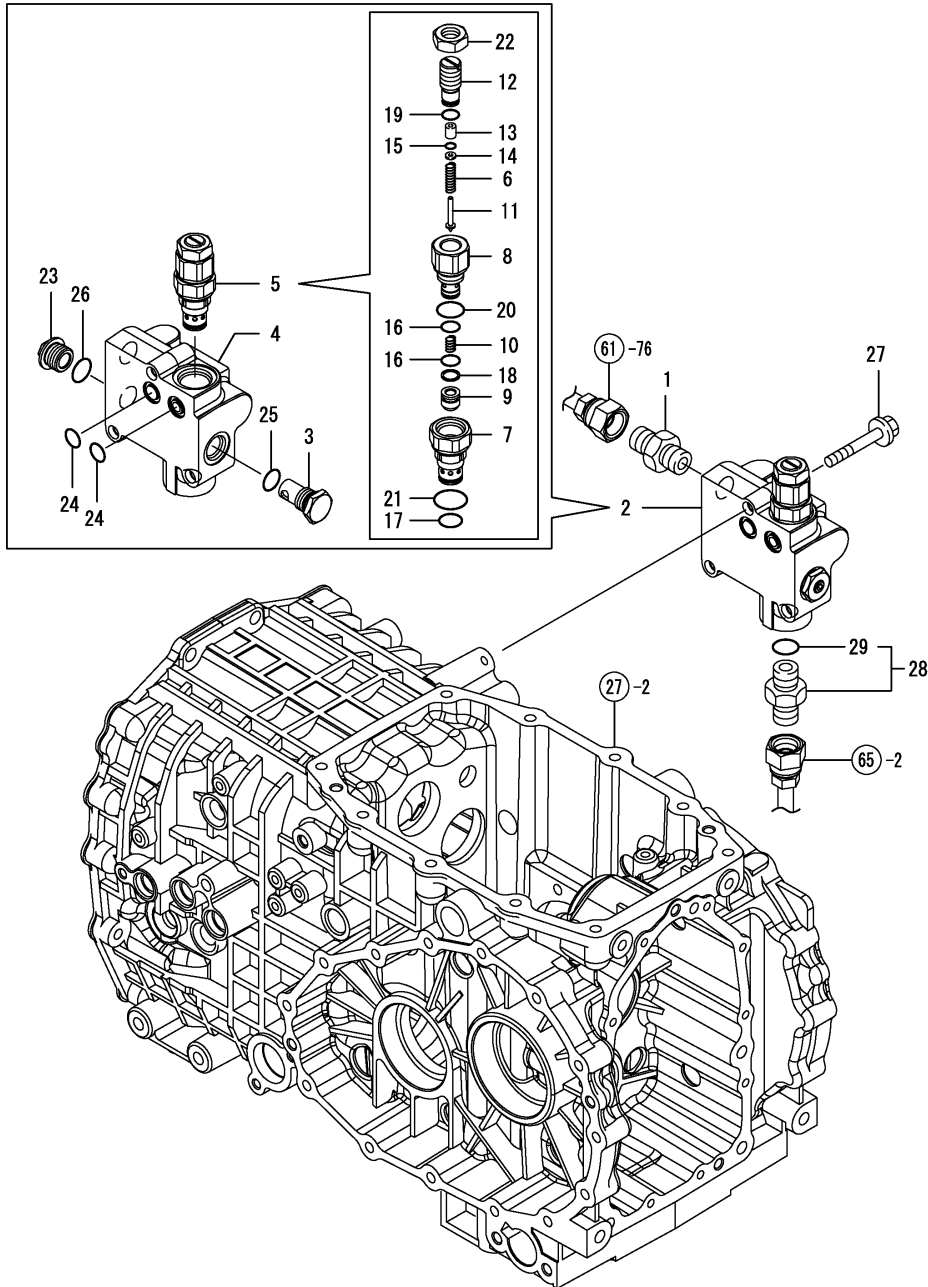
(D)=  
(E)=  
(F)=

No.	Lev.	Parts No.	Description	Q'ty						I	R
				(A)	(B)	(C)	(D)	(E)	(F)		
53	2	194640-46420	POPPET	1	1						
54	2	194312-46630	HOLDER, VALVE	1	1						
55	2	198165-48560	PLUG, 9/16	1	1						
56	2	194850-49290	PACKING, 6-1	1	1						
57	2	22117-080000	WASHER, 8	1	1						
58	2	22351-040012	PIN, SPRING 4.0X12	1	1						
59	2	22351-060028	PIN, SPRING 6.0X28	1	1						
60	2	23414-200026	GASKET, 20X1.0	1	1						
61	2	24190-160001	BALL, STEEL 1/2	1	1						
62	2	24311-000050	O-RING, 1AP5.0	1	1						
63	2	24315-000090	O-RING, 1BP9.0	2	2						
65	2	24315-000110	O-RING, 1BP11.0	2	2						
67	2	24315-000120	O-RING, 1BP12.0	2	2						
69	2	24315-000140	O-RING, 1BP14.0	2	2						
71	2	26016-080252	BOLT, M8X 25	1	1						
72	2	26016-080502	BOLT M 8X 50	1	1						
73	2	26756-060002	NUT, LOCK M6	1	1						
74	2	27260-200000	PLUG, 20	1	1						
75	1	198200-45150	GASKET, LIFT VALVE	1	1						
76	1	1A8070-48140	PIPE, PRESSURE	1	1						
77	1	1A7550-77900	ELBOW, 3/8	1	1						
78	2	24315-000140	O-RING, 1BP14.0	1	1						
79	1	24325-000250	O-RING, 1BG25.0	1	1						
80	1	24325-000700	O-RING, 1BG70.0	1	1						
81	1	26106-100902	BOLT, M10X 90 PLATED	6	6						

Fig.62. RELIEF VALVE

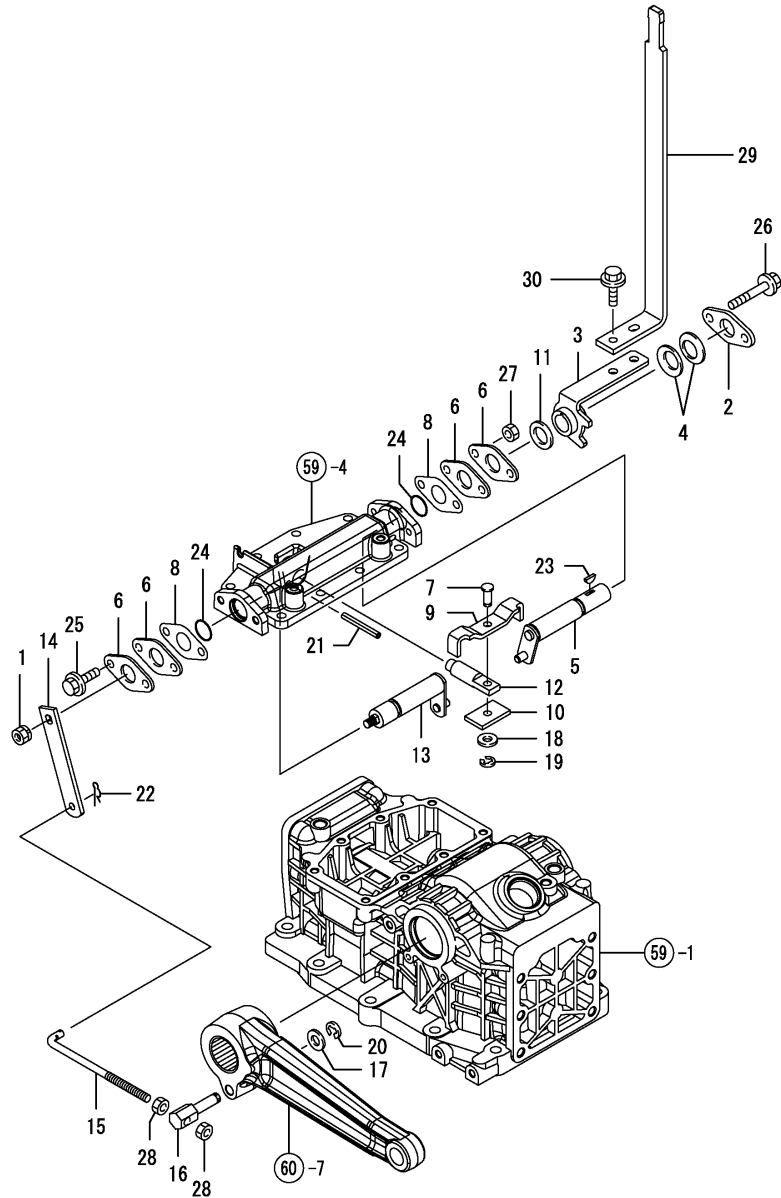
(A)=EF312PT  
(B)=EF352PT  
(C)=

(D)=  
(E)=  
(F)=



No.	Lev.	Parts No.	Description	Q'ty						I	R
				(A)	(B)	(C)	(D)	(E)	(F)		
1	1	198266-24980	FITTING, 3/8	1	1						
2	1	1A8070-48500	HOUSING ASSY, VALVE	1	1						
3	2	168371-01100	PLUG(M18)	1	1						
4	2	16826B-01500	VALVEBODY(11C1	1	1						
5	2	198200-45510-1	VALVE ASSY, RELIEF	1	1						
6	3	178073-04310	SP(PILOT	1	1						
7	3	178076-26100	HOLDER, RELIEF	1	1						
8	3	178076-26110	HOLDER, RELIEF PILOT	1	1						
9	3	178076-26120	VALVE, RELIEF	1	1						
10	3	178076-26130	SPRING	1	1						
11	3	178076-26140	VALVE, PILOT	1	1						
12	3	178076-26160	SCREW, ADJUSTMENT	1	1						
13	3	178076-26170	GUIDE, RELIEF VALVE	1	1						
14	3	178076-26180	SPACER,	1	1						
15	3	178076-26190	PACKING, P 3	1	1						
16	3	194327-45630	O-RING, 1BS12.0	2	2						
17	3	194327-45650	O-RING, 1BS16.0	1	1						
18	3	172510-74530	RING, BACK UP	1	1						
19	3	24315-000100	O-RING, 1BP10.0	1	1						
20	3	24315-000180	O-RING, 1BP18.0	1	1						
21	3	24315-000220	O-RING, 1BP22.0	1	1						
22	3	26776-160002	NUT, LOCK M16	1	1						
23	2	198121-77330	PLUG	1	1						
24	2	24311-000140	O-RING, 1AP14.0	2	2						
25	2	24315-000160	O-RING, 1BP16.0	1	1						
26	2	24315-000180	O-RING, 1BP18.0	1	1						
27	1	26106-080552	BOLT, M8X 55 PLATED	3	3						
28	1	198265-48200	ADAPTER ASSY	1	1						
29	2	24311-000180	O-RING, 1AP18.0	1	1						

Fig.63. HYDRAULIC CONTROL



(A)=EF312PT  
(B)=EF352PT  
(C)=

(D)=  
(E)=  
(F)=

No.	Lev.	Parts No.	Description	Q'ty						I	R
				(A)	(B)	(C)	(D)	(E)	(F)		
1	1	194990-22050	NUT, M8	1	1						
2	1	194940-47210-1	PLATE	1	1						
3	1	198280-47210-1	ARM, LEVER	1	1						
3-1	1	198280-47710-1 (A=FZZZZZ) (B=FZZZZZ)	ARM, P LEVER	1	1						N
4	1	194940-47220	WASHER, 20	2	2						
5	1	198280-47310	SHAFT, P LEVER	1	1						
6	1	194555-47340-1	PLATE, A	4	4						
7	1	198431-47340	PIN, CONTROL	1	1						
8	1	194555-47350-1	PLATE, B	2	2						
9	1	198200-47411	LINK, CONTROL	1	1						
10	1	198280-47430	PLATE	1	1						
11	1	194170-47440	PLATE, FRICTION	1	1						
12	1	198200-47460	ROD, CONTROL	1	1						
13	1	198280-47500	SHAFT, FEEDBACK	1	1						
14	1	198200-47510-1	ARM, FEEDBACK	1	1						
15	1	198200-47540	ROD, FEEDBACK	1	1						
16	1	198283-47650	PIN, ADJUST	1	1						
17	1	22117-100000	WASHER, 10	1	1						
18	1	22137-080000	WASHER, 8	1	1						
19	1	22272-000060	RING, E- 6	1	1						
20	1	22272-000080	RING, E- 8	1	1						
21	1	22351-060050	PIN, SPRING 6.0X50	1	1						
22	1	22372-080000	PIN, SNAP 8	1	1						
23	1	22522-030130	KEY, WOODRUFF 3X13	1	1						
24	1	24311-000200	O-RING, 1AP20.0	2	2						
25	1	26106-080162	BOLT, M8X 16 PLATED	2	2						
26	1	26106-080502	BOLT, M8X 50 PLATED	2	2						
27	1	26716-080002	NUT, M8	2	2						
28	1	26716-080002	NUT, M8	2	2						
29	1	1A8115-47111	LEVER, POSITION	1	1						
30	1	26106-080162	BOLT, M8X 16 PLATED	2	2						

Fig.64. STOP VALVE KNOB

(A)=EF312PT  
 (B)=EF352PT  
 (C)=

(D)=  
 (E)=  
 (F)=

No.	Lev.	Parts No.	Description	Q'ty						I	R
				(A)	(B)	(C)	(D)	(E)	(F)		
1	1	1A7260-46640	KNOB, VALVE	1	1						
2	1	1A7260-46650	BOLT, M6X40	1	1						

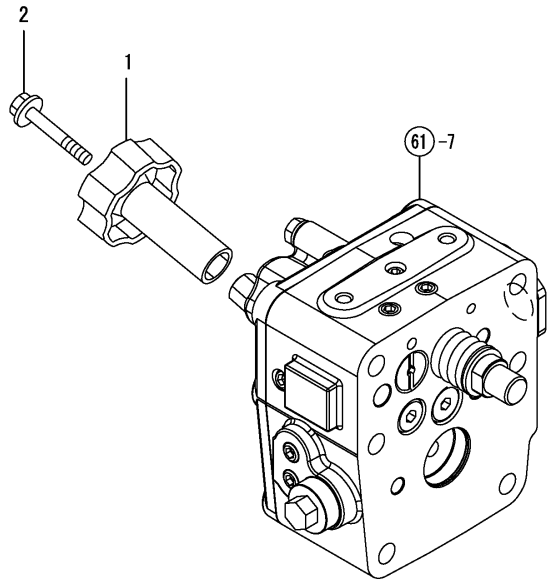
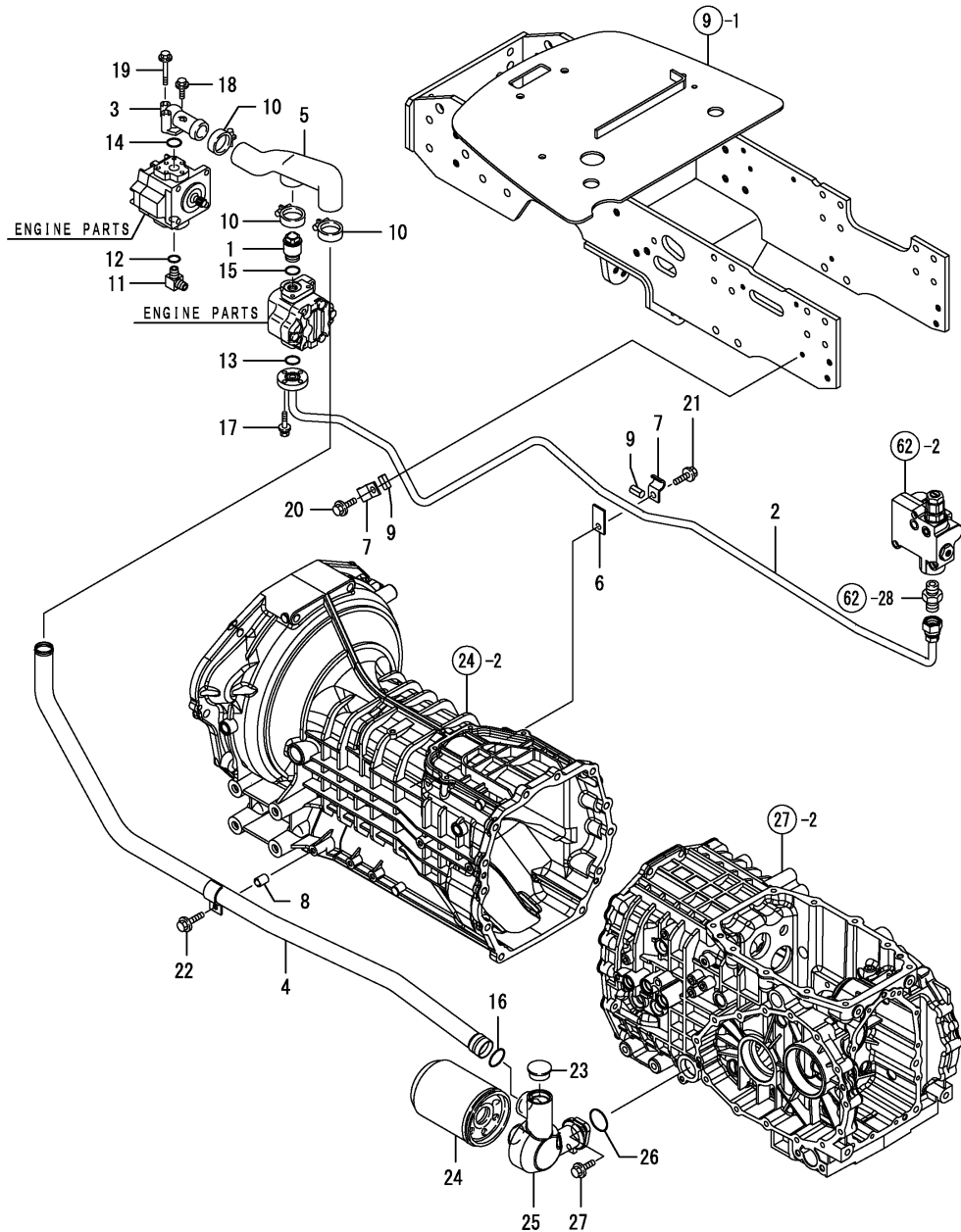


Fig.65. HYDRAULIC PIPING



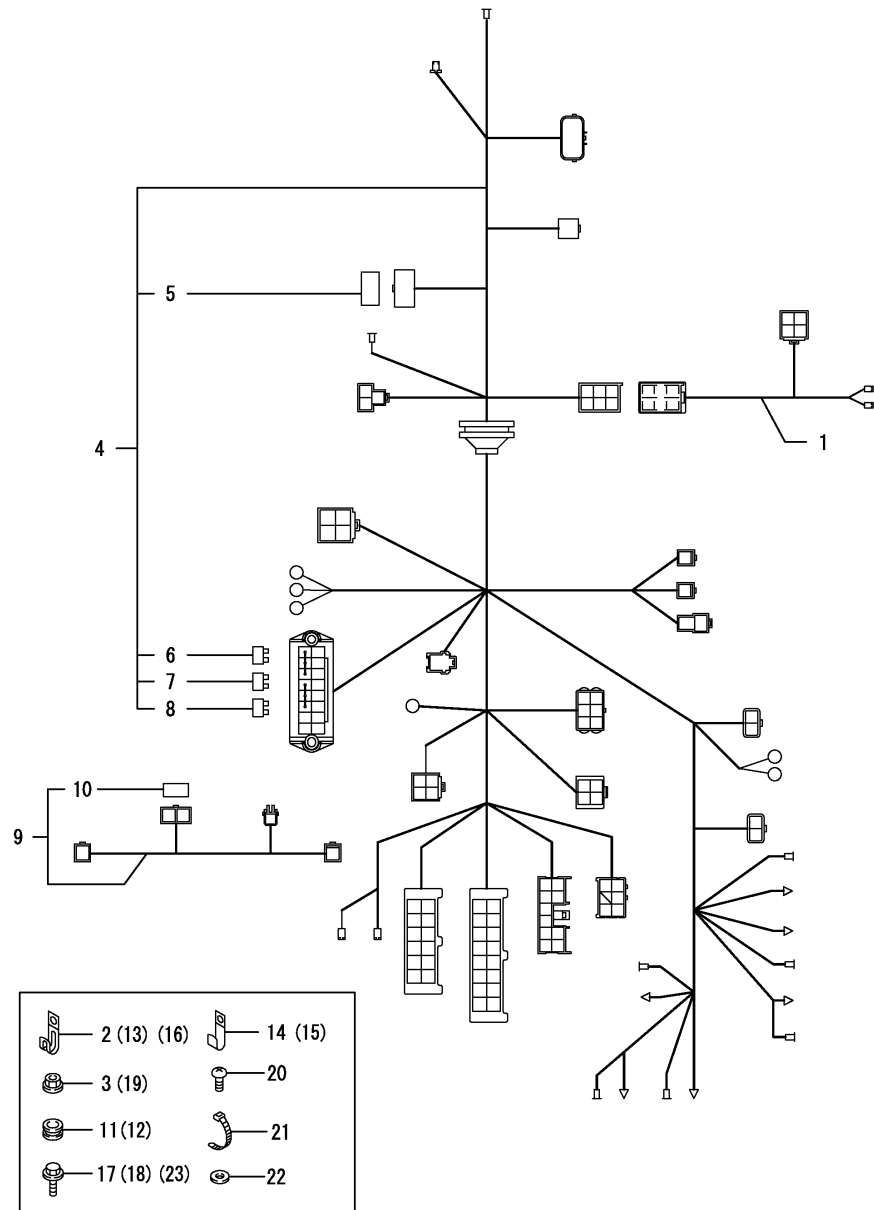
(A)=EF312PT  
(B)=EF352PT  
(C)=

(D)=  
(E)=  
(F)=

No.	Lev.	Parts No.	Description	Q'ty						I	R
				(A)	(B)	(C)	(D)	(E)	(F)		
1	1	198010-41211	JOINT, M22	1	1						
2	1	198208-48110	PIPE, PRESSURE	1	1						
2-1	1	198208-48111	LINE ASSY,PRESSURE	1	1						N
				(A=FZZZZZ)	(B=FZZZZZ)						
3	1	198220-48140	FLANGE, PIPE P	1	1						
4	1	198208-48160	PIPE, PRESSURE	1	1						
5	1	198072-48340	TUBE, PRESSURE	1	1						
6	1	198330-48410	CLAMP	1	1						
7	1	198200-48810	CLAMP, PIPE	2	2						
8	1	1A8115-48840	COLLAR, 8.4X12X15	1	1						
9	1	198240-48850	CLAMP, ABSORBER	2	2						
10	1	175022-49730	CRIP 31, HOSE	3	3						
11	1	1E6680-66470	ELBOW, 3/8	1	1						
12	1	24311-000140	O-RING, 1AP14.0	1	1						
13	1	24311-000200	O-RING, 1AP20.0	1	1						
14	1	24311-000200	O-RING, 1AP20.0	1	1						
15	1	24311-000200	O-RING, 1AP20.0	1	1						
16	1	24311-000260	O-RING, 1AP26.0	1	1						
17	1	26018-060252	BOLT, M6X 25	4	4						
18	1	26106-060202	BOLT, M6X 20 PLATED	1	1						
19	1	26106-060452	BOLT, M6X 45 PLATED	2	2						
20	1	26106-080162	BOLT, M8X 16 PLATED	1	1						
21	1	26106-080202	BOLT, M8X 20 PLATED	1	1						
22	1	26106-080302	BOLT, M8X 30 PLATED	1	1						
23	1	1A6660-24250	PLUG, BORE 32	1	1						
23-1	1	27260-320000	PLUG, 32	1	1						R
				(A=FXXXXX)	(B=FXXXXX)						
24	1	1A8115-48310	FILTER, HYDRAULIC	1	1						
25	1	198200-48350	COVER, FILTER	1	1						
26	1	24311-000340	O-RING, 1AP34.0	1	1						
27	1	26106-080252	BOLT, M8X 25 PLATED	2	2						



Fig.66. WIRE HARNESS

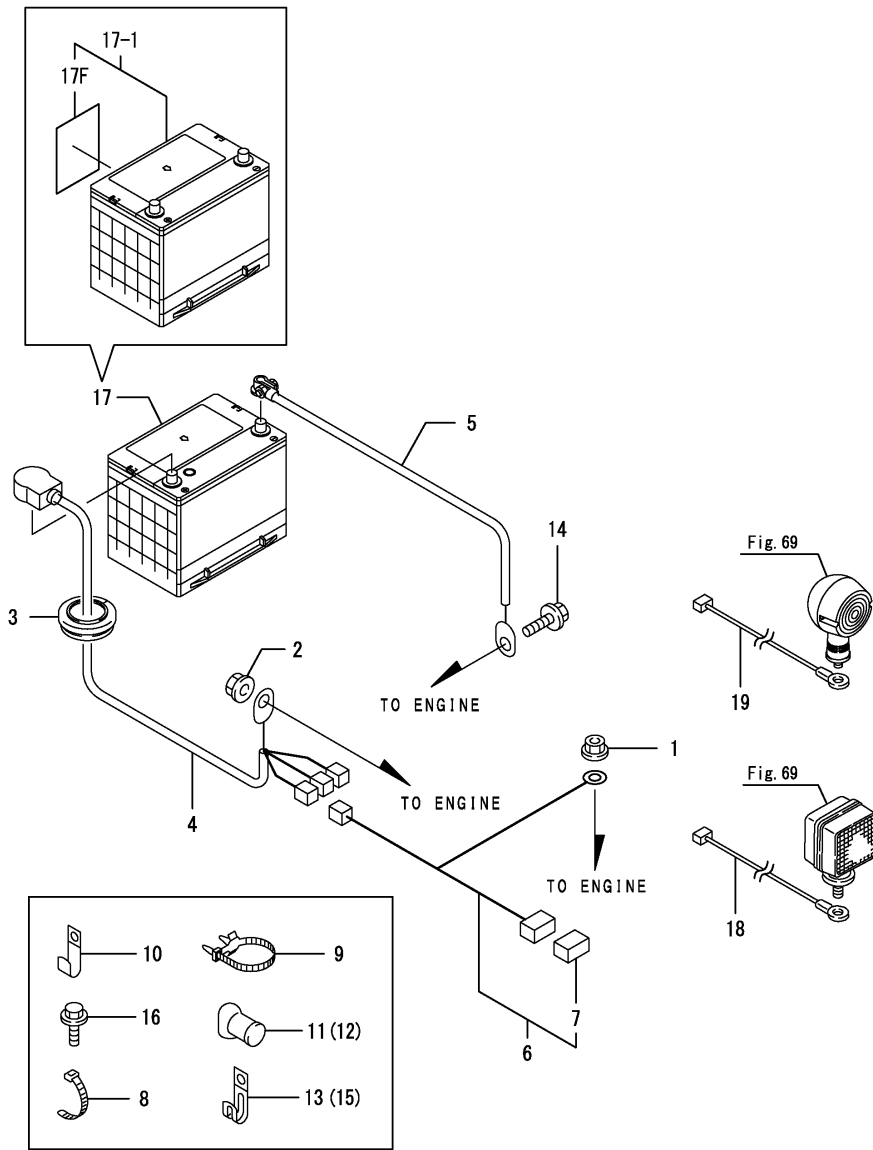


(A)=EF312PT  
(B)=EF352PT  
(C)=

(D)=  
(E)=  
(F)=

No.	Lev.	Parts No.	Description	Q'ty						I	R
				(A)	(B)	(C)	(D)	(E)	(F)		
1	1	1A8115-51170	HARNESS, WIRE	1	1						
2	1	194440-51630	CLAMP, HARNESS	1	1						
3	1	194990-22130	NUT, M6	1	1						
4	1	1A8115-51110	HARNESS ASSY, WIRE	1	1						
5	2	1A7000-52820	FUSE, SLOW BLOW 60A	1	1						
6	2	29420-050000	FUSE, B 5A	3	3						
7	2	29420-100000	FUSE, B 10A	3	3						
8	2	29420-150000	FUSE, B 15A	2	2						
9	1	1A8115-51200	CABLE, STARTER	1	1						
10	2	1A7000-52820	FUSE, SLOW BLOW 60A	1	1						
11	1	194170-51210	GROMMET 25	1	1						
12	1	194170-51210	GROMMET 25	1	1						
13	1	1E6102-83230	CLAMP, CABLE	1	1						
14	1	198220-51870	BAND, NYLON 200	2	2						
15	1	198220-51870	BAND, NYLON 200	1	1						
16	1	1E6102-83230	CLAMP, CABLE	1	1						
17	1	26106-080122	BOLT, M8X 12 PLATED	1	1						
18	1	26106-080122	BOLT, M8X 12 PLATED	1	1						
19	1	194990-22130	NUT, M6	2	2						
20	1	26557-060202	SCREW, M6X20	2	2						
21	1	29622-250001	BAND, RF250	1	1						
22	1	22157-060000	WASHER, 6	1	1						
23	1	26106-080122	BOLT, M8X 12 PLATED	1	1						

Fig.67. WIRE HARNESS



(A)=EF312PT  
(B)=EF352PT  
(C)=

(D)=  
(E)=  
(F)=

No.	Lev.	Parts No.	Description	Q'ty						I	R
				(A)	(B)	(C)	(D)	(E)	(F)		
1	1	194990-22130	NUT, M6	1	1						
2	1	194990-22140	NUT, M8	1	1						
3	1	198133-51350	GROMMET, 38A	1	1						
4	1	1A8115-51410	CABLE, BATTERY	1	1						
5	1	194250-51420	CABLE, BATTERY EARTH	1	1						
6	1	1A8115-51450	HARNESS ASSY, WIRE	1	1						
7	2	1A7000-52820	FUSE, SLOW BLOW 60A	1	1						
8	1	29622-140001	BAND, RF140	2	2						
9	1	194680-51670	BAND, CLIP	1	1						
9-1	1	194680-51670	BAND, CLIP	2	2						K
		(A=FXXXXXX) (B=FXXXXXX)									
10	1	198220-51870	BAND, NYLON 200	1	1						
11	1	124550-77030	COVER, TERMINAL	1	1						
12	1	124756-77040	COVER, TERMINAL	1	1						
13	1	1E6102-83230	CLAMP, CABLE	1	1						
14	1	26106-080162	BOLT, M8X 16 PLATED	1	1						
15	1	1E6102-83230	CLAMP, CABLE	4	4						
16	1	26106-080122	BOLT, M8X 12 PLATED	3	3						
17	1	198280-51540	BATTERY,	1	1						
17-1	1	198280-51900	BATTERY KIT, 80D26R	1	1						N
		(A=*2009.03.) (B=*2009.03.)									
17F	2	1A7550-91900	LABEL,CROSSED OUT PB	1	1						W
		(A=*2009.03.) (B=*2009.03.)									
18	1	198121-51190	HARNESS, WIRE	2	2						
19	1	198121-51190	HARNESS, WIRE	2	2						

Fig.68. SWITCH

(A)=EF312PT  
(B)=EF352PT  
(C)=

(D)=  
(E)=  
(F)=

No.	Lev.	Parts No.	Description	Q'ty						I	R
				(A)	(B)	(C)	(D)	(E)	(F)		
1	1	198200-52140	SWITCH, COMBINATION	1	1						
2	1	198280-52450	COVER, BOX	1	1						
3	2	198280-52460	LABEL,	1	1						
4	1	1E6650-82400	RELAY	1	1						
5	1	26106-060122	BOLT, M6X 12 PLATED	1	1						
6	1	194940-52110	SWITCH, STARTING	1	1						
7	2	198360-52320	NUT, RING	1	1						
8	2	198360-52330	WASHER	1	1						
9	2	198360-52160	KEY ASSY	1	1						
10	1	1A7450-52210	SWITCH ASSY	1	1						
11	2	1A7450-52230	BULB, WITH SOCKET	1	1						
12	1	198269-52190	SWITCH, SAFETY	1	1						
13	1	198269-52190	SWITCH, SAFETY	1	1						
14	1	24311-000180	O-RING, 1AP18.0	2	2						

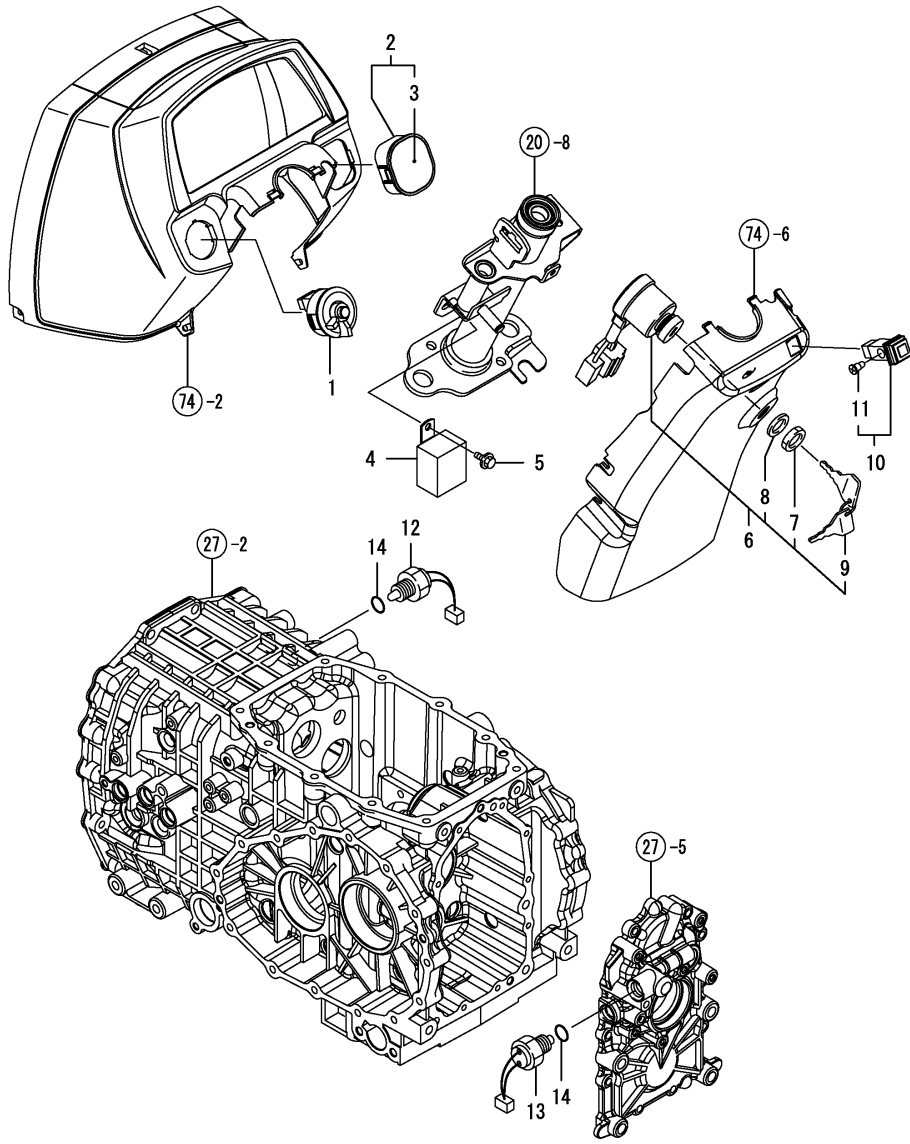
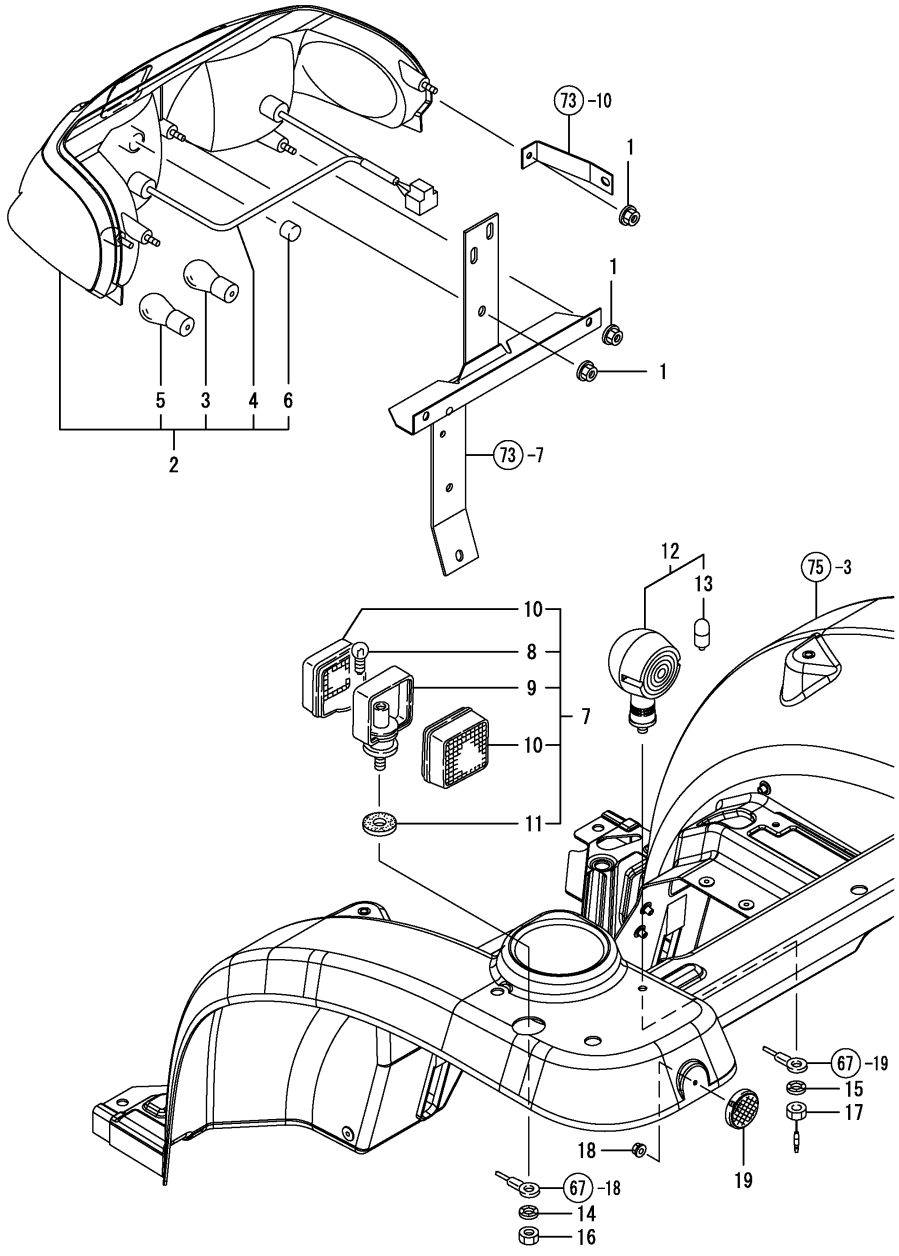


Fig.69. LAMPS & REFLECTOR

(A)=EF312PT  
(B)=EF352PT  
(C)=

(D)=  
(E)=  
(F)=



No.	Lev.	Parts No.	Description	Q'ty						I	R
				(A)	(B)	(C)	(D)	(E)	(F)		
1	1	194990-22130	NUT, M6	5	5						
2	1	198200-53100	LAMP ASSY, HEAD	1	1						
3	2	198425-53110	BULB, 12V25/25W	2	2						
4	2	198200-53120	WIRE, HEAD LAMP	1	1						
5	2	198200-53130	VALVE, 12V/18.4W	2	2						
6	2	1A7260-53220	CAP	1	1						
7	1	198010-53420	LAMP, FLASHER	2	2						
8	2	194200-53400	BULB, 12V-20W	2	2						
9	2	198010-53410	BODY ASSY	2	2						
10	2	198511-53430	LENS	4	4						
11	2	198511-53450	GASKET	2	2						
12	1	198283-53810	LAMP, POSITION	2	2						
13	2	1A7450-53820	BULB, 12V/10W	2	2						
14	1	22222-100000	WASHER, SPRING 10	2	2						
15	1	22222-100000	WASHER, SPRING 10	2	2						
16	1	26776-100002	NUT, LOCK M10	2	2						
17	1	26776-100002	NUT, LOCK M10	2	2						
18	1	194990-22120	NUT, M5	2	2						
19	1	1A6481-62650	REFLECTOR	2	2						

Fig.70. METER

(A)=EF312PT  
(B)=EF352PT  
(C)=

(D)=  
(E)=  
(F)=

No.	Lev.	Parts No.	Description	Q'ty						I	R
				(A)	(B)	(C)	(D)	(E)	(F)		
1	1	198280-56012	METER ASSY	1	1						
1-1	1	198280-56013	METER ASSY	1	1						R
		(A=F210101)	(B=F210204)								
2	2	1C6920-36260	LAMP ASSY, SOCKET	1	1						
3	2	198200-56050	BULB, 14V-1.7W	10	10						
4	2	198448-56150	BULB, 14V-1.4W	5	5						
5	2	198200-56060	GLASS	1	1						
6	1	194940-61790	SCREW, TAPPING M5X16	4	4						

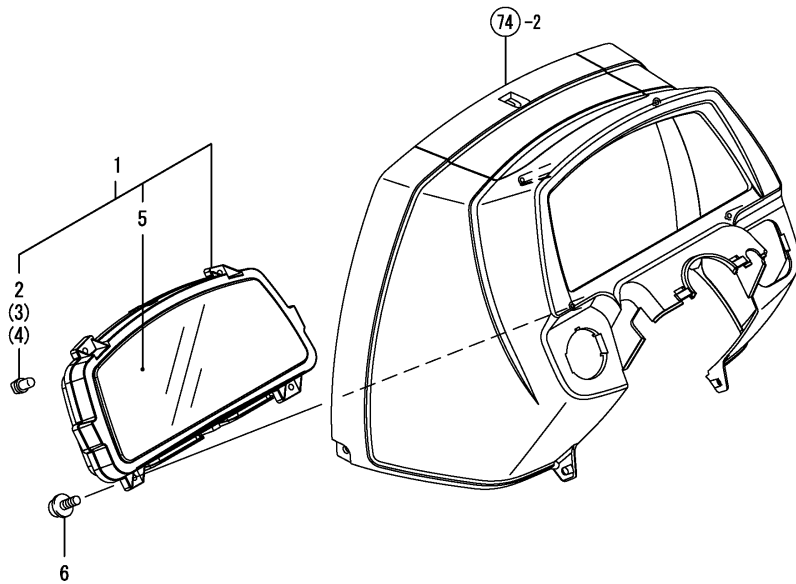


Fig.71. HORN

(A)=EF312PT  
(B)=EF352PT  
(C)=

(D)=  
(E)=  
(F)=

No.	Lev.	Parts No.	Description	Q'ty						I	R
				(A)	(B)	(C)	(D)	(E)	(F)		
1	1	194990-22130	NUT, M6	1	1						
2	1	1A8115-57150	HOON	1	1						
3	1	26106-060162	BOLT, M6X 16 PLATED	1	1						

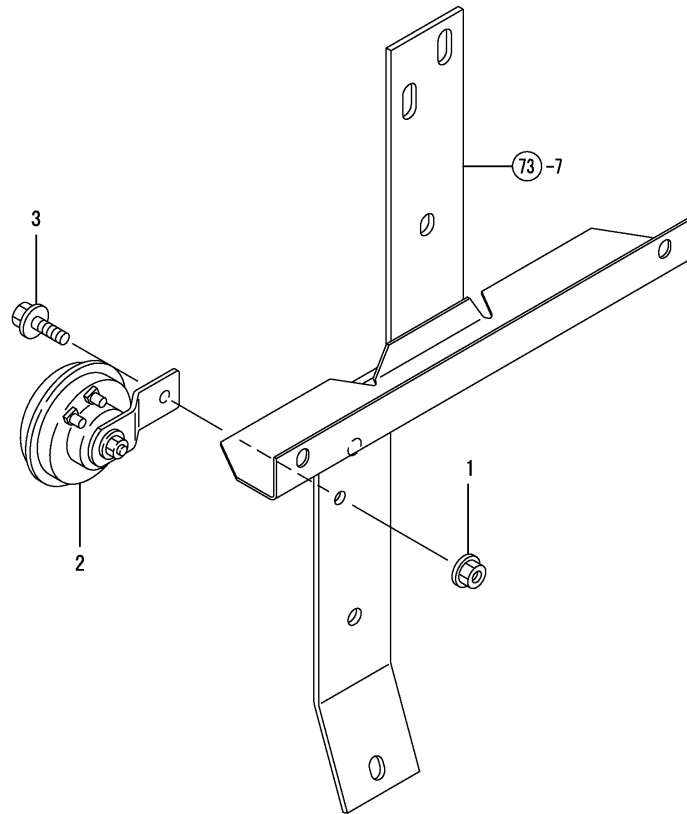
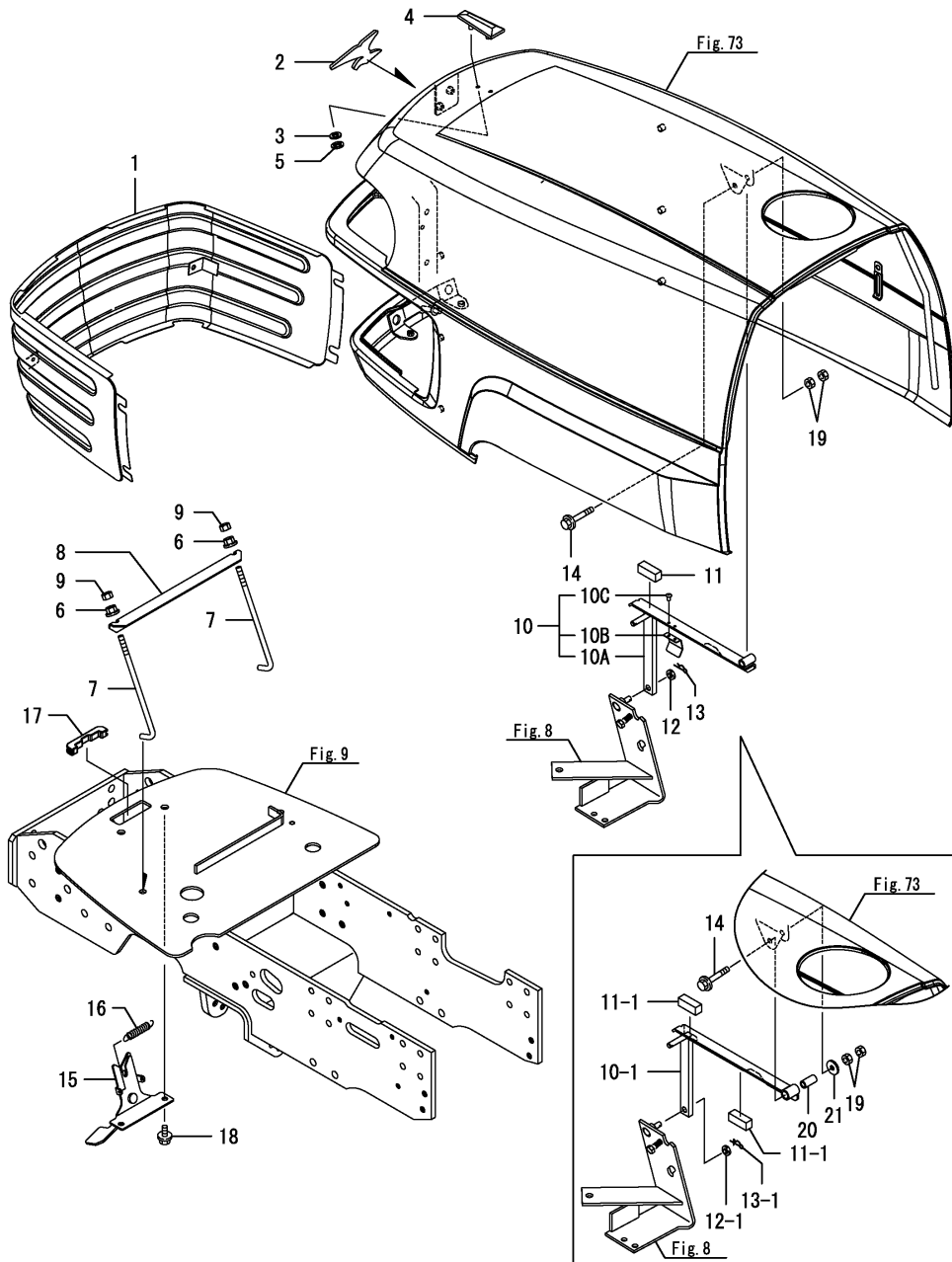


Fig.72. HOOD

(A)=EF312PT  
(B)=EF352PT  
(C)=

(D)=  
(E)=  
(F)=

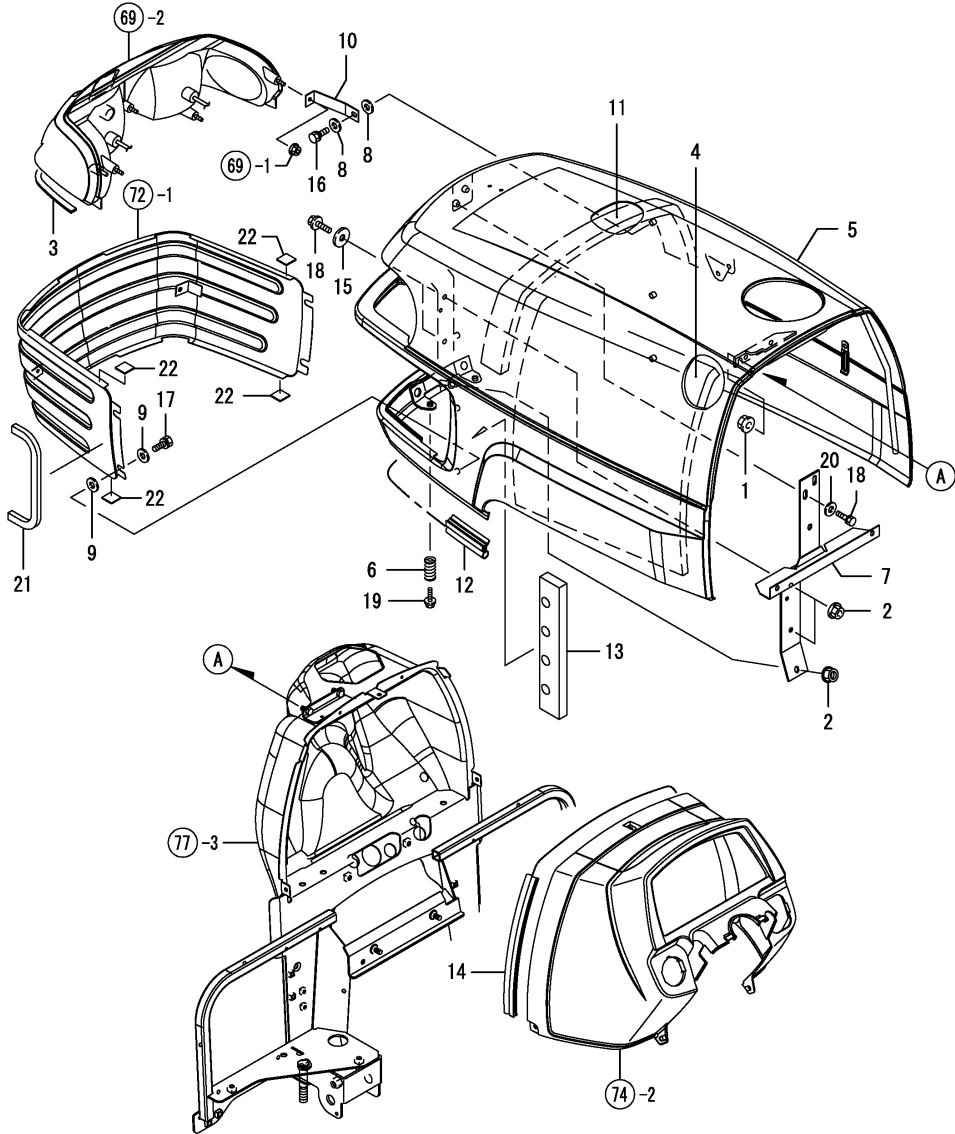


No.	Lev.	Parts No.	Description	Q'ty						I	R
				(A)	(B)	(C)	(D)	(E)	(F)		
1	1	198200-61340	NET ASSY, BONNET	1	1						
2	1	198200-65010	MARK, BRAN 63-R400	1	1						
3	1	194555-65130	CUSHION	2	2						
4	1	194940-65590	MARK, TOP	1	1						
5	1	198071-65610	NUT, SPEED M5	2	2						
6	1	194990-22140	NUT, M8	2	2						
7	1	1A8115-61530	ROD, BATTERY CLAMP	2	2						
8	1	1A8115-61580	CLAMP, BATTERY	1	1						
9	1	26716-080002	NUT, M8	2	2						
10	1	1A8115-61350	STAND	1	1						
10-1	1	1A8115-61070	STAND ASSY,	1	1						S
		(A=*2010.06) (B=*2010.06)									
10A	2	1A8115-61401	STAND ASSY	1	1						Z
		(A=*2010.06) (B=*2010.06)									
10B	2	1A8115-61850	SPRING	1	1						Z
		(A=*2010.06) (B=*2010.06)									
10C	2	22693-320641	RIVET, 3.2X 6.4	2	2						Z
		(A=*2010.06) (B=*2010.06)									
11	1	1A8115-61550	STOPPER, STAND	1	1						
11-1	1	1A8115-61550	STOPPER, STAND	2	2						K
		(A=*2010.06) (B=*2010.06)									
12	1	22137-080000	WASHER, 8	1	1						
12-1	1	22190-080003	WASHER, SEAL 8	1	1						S
		(A=*2010.06) (B=*2010.06)									
13	1	22372-080000	PIN, SNAP 8	1	1						
13-1	1	1C6281-52320	PIN, SNAP 8	1	1						S
		(A=*2010.06) (B=*2010.06)									
14	1	26106-080504	BOLT, M8X 50 PLATED	1	1						
15	1	1A8115-61250	LOCK ASSY, BONNET	1	1						
16	1	1A8115-61300	SPRING, LOCK	1	1						
17	1	1A8115-61340	GROMMET	1	1						
18	1	26106-080102	BOLT, M8X 10 PLATED	2	2						
19	1	26716-080002	NUT, M8	2	2						
20	1	1A8115-61900	RUBBER,	1	1						W
		(A=*2010.06) (B=*2010.06)									
21	1	198220-62150	WASHER	1	1						W
		(A=*2010.06) (B=*2010.06)									

Fig.73. HOOD

(A)=EF312PT  
(B)=EF352PT  
(C)=

(D)=  
(E)=  
(F)=



No.	Lev.	Parts No.	Description	Q'ty						I	R
				(A)	(B)	(C)	(D)	(E)	(F)		
1	1	194990-22140	NUT, M8	2	2						
2	1	194990-22140	NUT, M8	3	3						
3	1	198200-53220	SEAL, HEAD LAMP	2	2						
4	1	1A8115-60890	URETHANE, BONNET UL	1	1						
5	1	1A8115-61101	BONNET ASSY	1	1						
6	1	1A8115-61310	SPRING, 20X46	2	2						
7	1	1A8115-61362	STAY ASSY, BONNET	1	1						
8	1	1A8115-61390	WASHER, BONNET	4	4						
9	1	1A8115-61390	WASHER, BONNET	8	8						
10	1	1A8115-61452	STAY, LIGHT	2	2						
11	1	1A8115-61470	URETHANE, BONNET U	1	1						
12	1	1A8115-61480	WEATHER-STRIP	1	1						
13	1	1A8115-61510	URETHANE, BONNET L	2	2						
14	1	198200-61620	TRIM, 920	1	1						
15	1	22157-080000	WASHER, 8	2	2						
16	1	26013-080162	BOLT, M8X 16	2	2						
17	1	26013-080162	BOLT, M8X 16	4	4						
18	1	26013-080202	BOLT, M8X 20	4	4						
19	1	26106-060162	BOLT, M6X 16 PLATED	2	2						
20	1	1A8115-61390	WASHER, BONNET	2	2						
21	1	1A8115-61520	PAD, BONNET	2	2						
22	1	1A8115-84820	SEAL, BONNET	4	4						

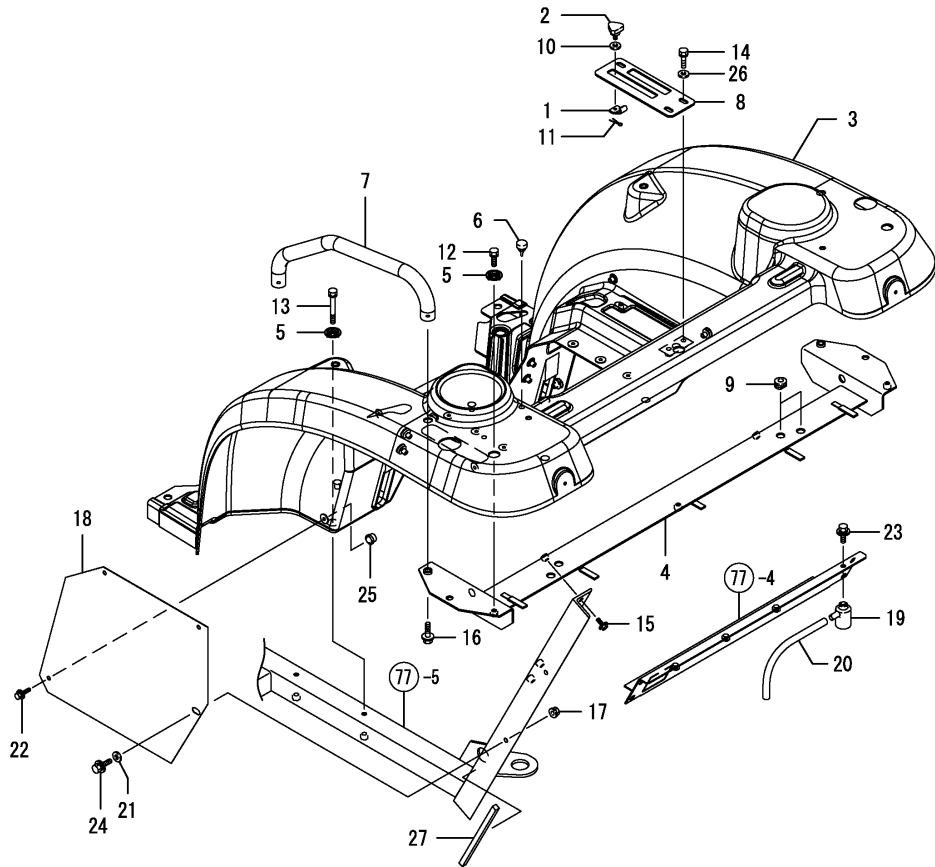




Fig.75. FENDER

(A)=EF312PT  
(B)=EF352PT  
(C)=

(D)=  
(E)=  
(F)=



No.	Lev.	Parts No.	Description	Q'ty						I	R
				(A)	(B)	(C)	(D)	(E)	(F)		
1	1	1A8115-47120	STOPPER	1	1						
1-1	1	1A8115-47121	STOPPER, LEVER	1	1						N
		(A="2010.06.) (B="2010.06.)									
2	1	194130-47851	BOLT, M6X15	1	1						
3	1	1A8115-62101	FENDER ASSY	1	1						
3-1	1	1A8115-62090	FENDER ASSY, M	1	1						N
		(A=F210201) (B=F210251)									
4	1	1A8115-62201	FRAME ASSY, REAR	1	1						
5	1	1A8115-62450	WASHER	5	5						
6	1	194330-62530	STOPPER, PEDAL	1	1						
7	1	1A8115-63401	BAR ASSY, ASSIST	2	2						
8	1	1A8115-63610	GUIDE, LEVER R	1	1						
9	1	198129-78720	GROMMET, 10-16	4	4						
10	1	22157-080000	WASHER, 8	1	1						
11	1	22417-200200	PIN, COTTER 2.0X20	1	1						
11-1	1	26346-060002	NUT, M6	1	1						N
		(A="2010.06.) (B="2010.06.)									
12	1	26013-080202	BOLT, M8X 20	3	3						
13	1	26013-080652	BOLT, M8X 65	4	4						
14	1	26013-080252	BOLT, M8X 25	3	3						
15	1	26106-080162	BOLT, M8X 16 PLATED	2	2						
16	1	26106-080302	BOLT, M8X 30 PLATED	4	4						
17	1	194990-22140	NUT, M8	2	2						
18	1	1A8115-62181	COVER, FENDER LOWER	2	2						
19	1	194205-63550	BREATHER, AIR	1	1						
20	1	1A8115-48250	PIPE, BREATHER 250	1	1						
21	1	22157-080000	WASHER, 8	2	2						
22	1	26018-060202	BOLT, M6X 20	6	6						
23	1	26106-080122	BOLT, M8X 12 PLATED	1	1						
24	1	26106-080162	BOLT, M8X 16 PLATED	2	2						
25	1	194150-21910	PLUG, 11.2	6	6						
26	1	1A8115-61390	WASHER, BONNET	3	3						
27	1	1A8115-62960	SEAL, STAY REAR	2	2						

Fig.76. FLOOR COVER

(A)=EF312PT  
(B)=EF352PT  
(C)=

(D)=  
(E)=  
(F)=

No.	Lev.	Parts No.	Description	Q'ty						I	R
				(A)	(B)	(C)	(D)	(E)	(F)		
1	1	1A8115-62350	COVER, FLOOR	1	1						
2	1	1A8115-62450	WASHER	10	10						
3	1	1A8115-62490	COLLAR	4	4						
4	1	26013-080202	BOLT, M8X 20	8	8						
5	1	26013-080652	BOLT, M8X 65	2	2						
6	1	194697-62560	CAP, HOLE	2	2						W
		(A=F210101) (B=F210201)									
7	1	198093-84810	SEAL, FENDER	1	1						

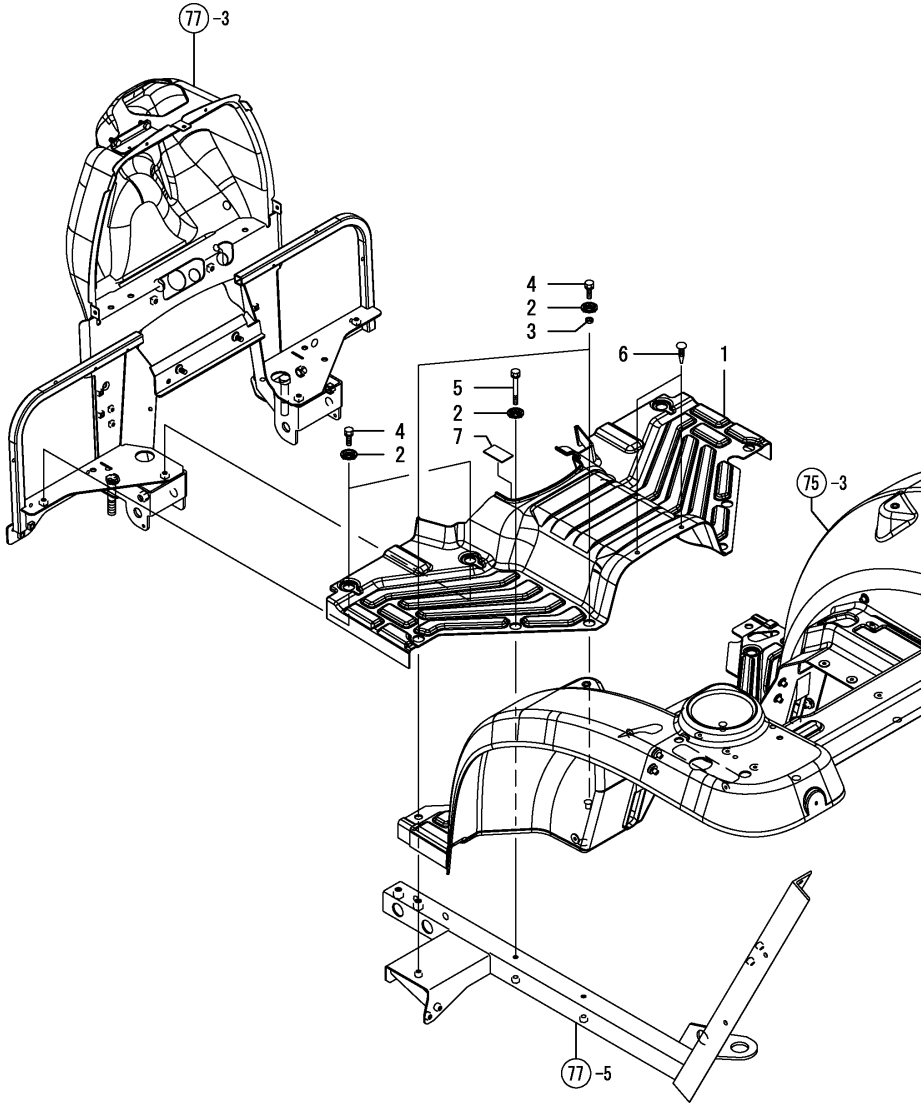
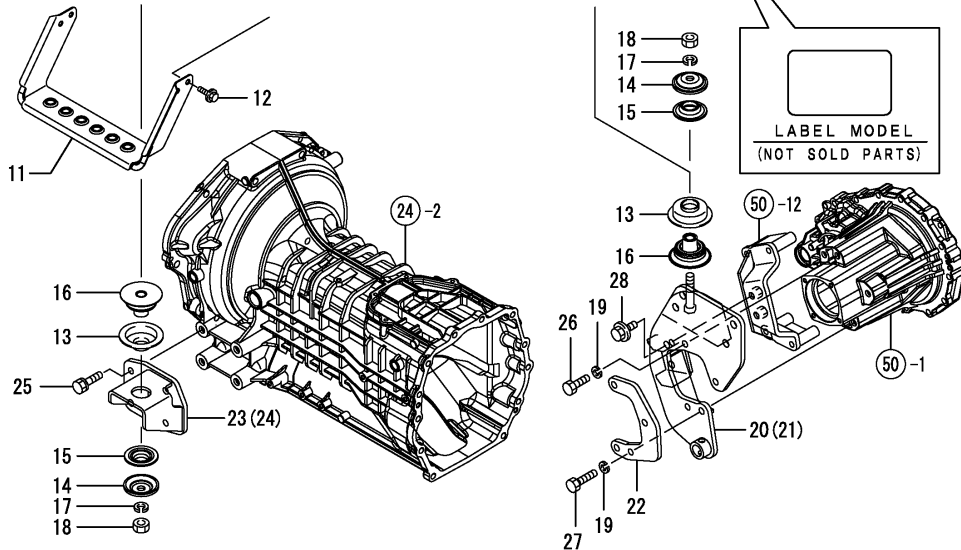
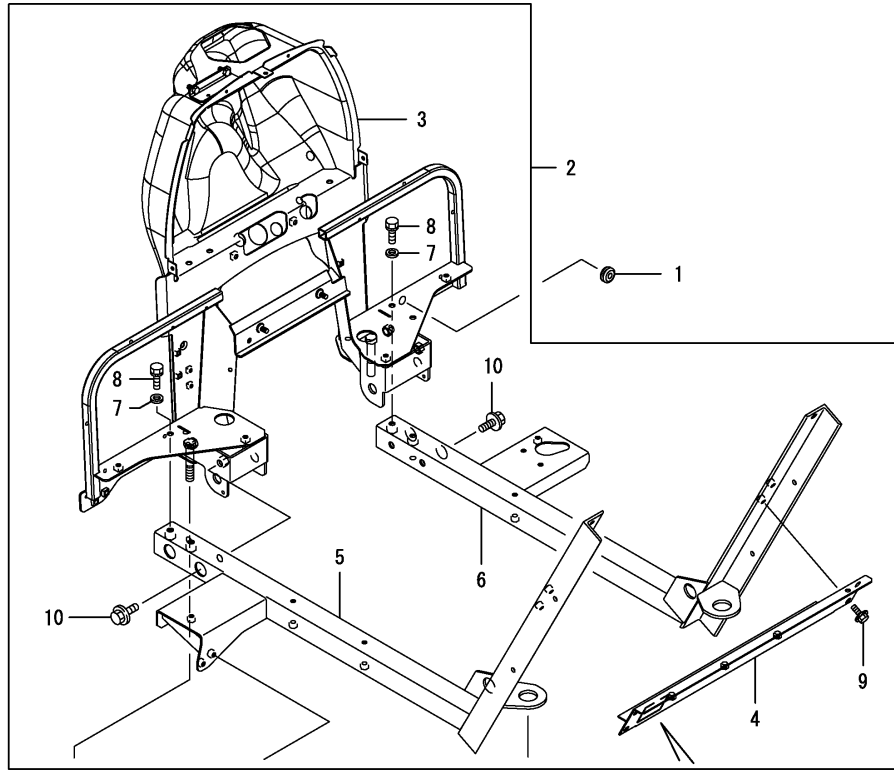


Fig.77. FLOOR

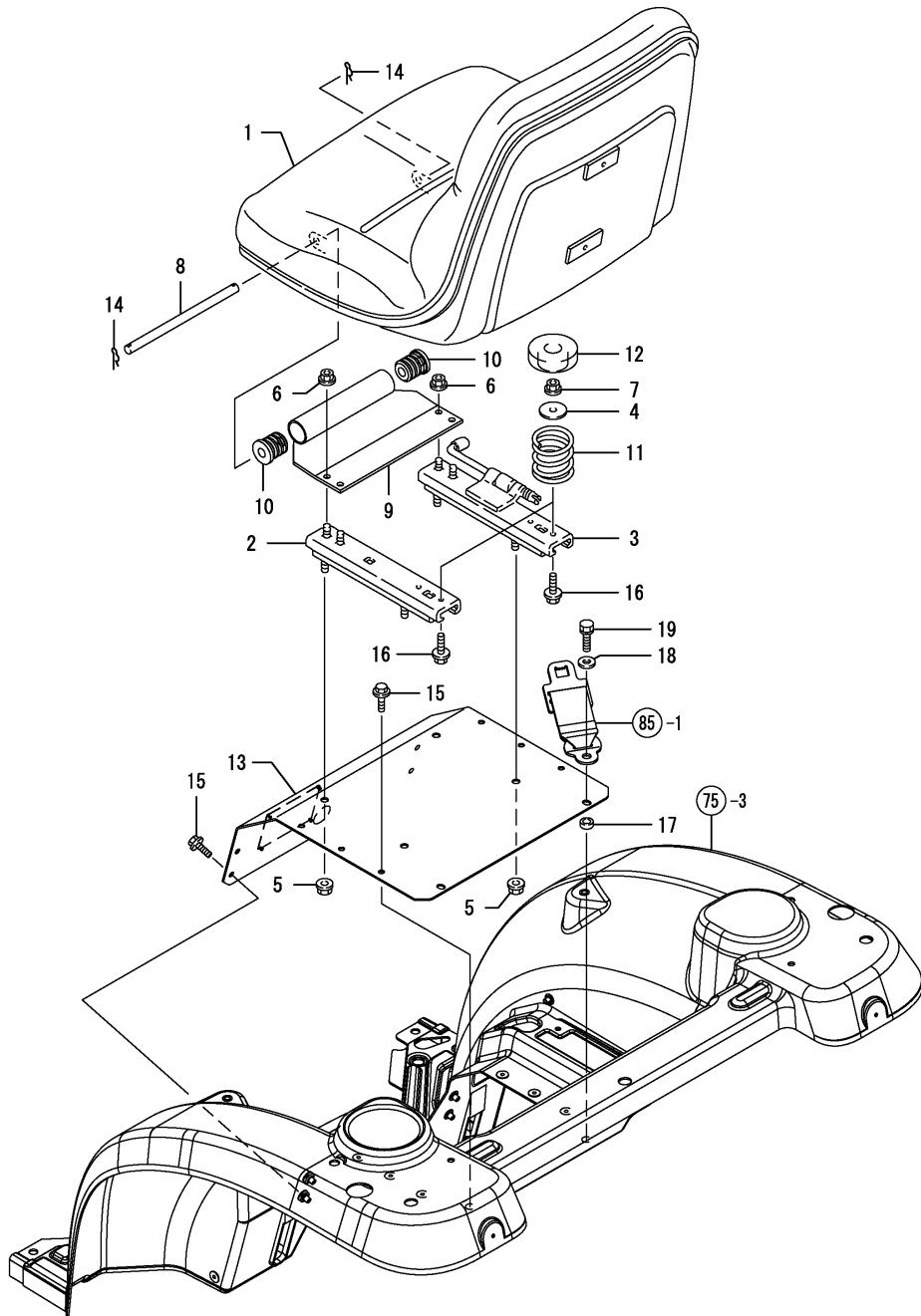
(A)=EF312PT  
(B)=EF352PT  
(C)=

(D)=  
(E)=  
(F)=



No.	Lev.	Parts No.	Description	Q'ty						I	R
				(A)	(B)	(C)	(D)	(E)	(F)		
1	1	198448-46490	GROMMET, 16/8.5-4.5	1	1						
2	1	1A8115-62500	FRAME ASSY, FLOOR	1	1						
3	2	1A8115-61700	FLOOR ASSY, FRONT	1	1						
4	2	1A8115-62270	STAY ASSY, SEAT	1	1						
5	2	1A8115-62830	FRAME ASSY, LOWER L	1	1						
6	2	1A8115-62840	FRAME ASSY, LOWER R	1	1						
7	2	22137-100000	WASHER, 10	4	4						
8	2	26013-100302	BOLT, M10X 30	4	4						
9	2	26106-080162	BOLT, M8X 16 PLATED	4	4						
10	2	26106-120252	BOLT, M12X 25 PLATED	4	4						
11	1	1A8115-62560	STEP, SUB	1	1						
12	1	26106-080162	BOLT, M8X 16 PLATED	4	4						
13	1	198071-62900	STOPPER, MOUNT	4	4						
14	1	198200-62910	STOPPER, U	4	4						
15	1	198200-62970	MOUNT, UPPER	4	4						
16	1	198200-62990	MOUNT, LOWER	4	4						
17	1	22217-140000	WASHER, SPRING 14	4	4						
18	1	26716-140002	NUT, M14	4	4						
19	1	194274-13580	WASHER, SPRING 12	10	10						
20	1	1A8115-62631	MOUNT ASSY, REAR L	1	1						
21	1	1A8115-62641	MOUNT ASSY, REAR R	1	1						
22	1	1A8115-62760	PLATE, MOUNT	2	2						
23	1	198200-62850	MOUNT ASSY, FRONT L	1	1						
24	1	198200-62860	MOUNT ASSY, FRONT R	1	1						
25	1	26013-120402	BOLT, M12X 40	8	8						
26	1	26116-120402	BOLT, M12X 40 PLATED	2	2						
27	1	26116-120502	BOLT, M12X 50 PLATED	8	8						
28	1	26106-120252	BOLT, M12X 25 PLATED	2	2						

Fig.78. DRIVER SEAT



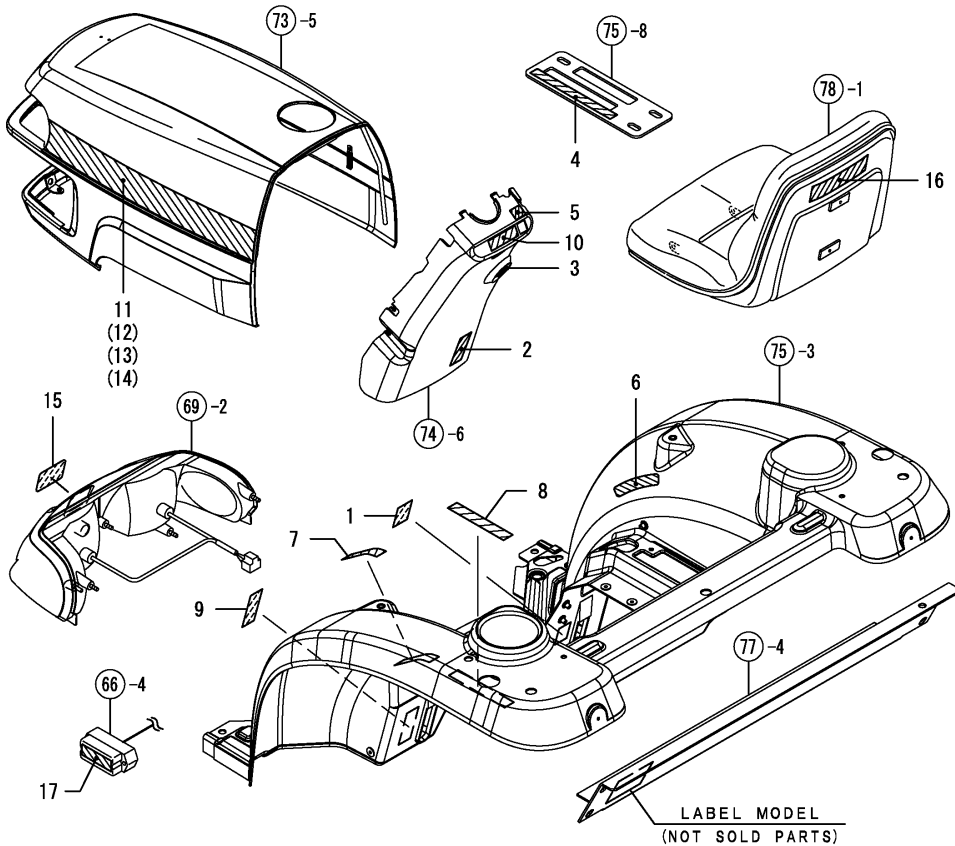
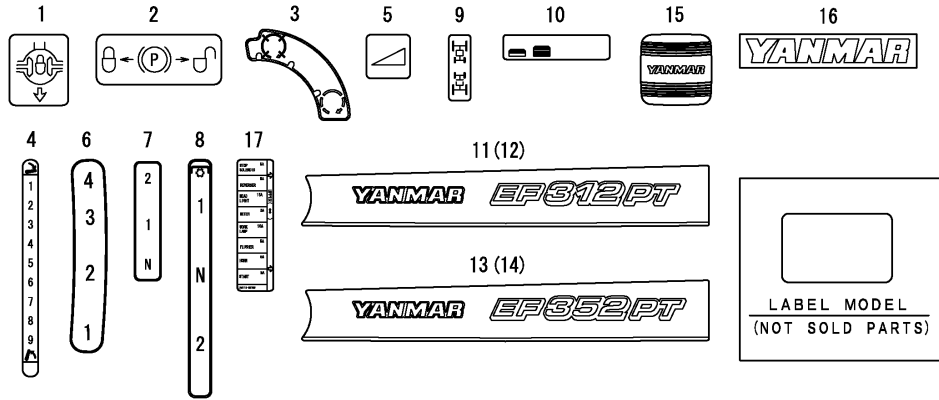
(A)=EF312PT  
(B)=EF352PT  
(C)=

(D)=  
(E)=  
(F)=

No.	Lev.	Parts No.	Description	Q'ty						I	R
				(A)	(B)	(C)	(D)	(E)	(F)		
1	1	198240-63110	SEAT ASSY, OPERATOR	1	1						
2	1	198360-63150	RAIL, L	1	1						
3	1	198360-63160	RAIL, R	1	1						
4	1	1C6140-12060	SPACER, 9X36X3.2	2	2						
5	1	194990-22140	NUT, M8	4	4						
6	1	194990-22140	NUT, M8	4	4						
7	1	194990-22140	NUT, M8	2	2						
8	1	1A8115-63120	PIN, HINGE	1	1						
9	1	1A8115-63200	BRACKET, SEAT	1	1						
10	1	1A8115-63240	DAMPER	2	2						
11	1	1A8115-63260	SPRING	2	2						
12	1	1A8115-63270	STOPPER, SEAT	2	2						
13	1	1A8115-63300	COVER ASSY, DUST	1	1						
14	1	22372-120000	PIN, SNAP 12	2	2						
15	1	26018-060202	BOLT, M6X 20	10	10						
16	1	26106-080202	BOLT, M8X 20 PLATED	2	2						
17	1	1A8115-27030	COLLAR, 8X14X5.3	2	2						
18	1	1A8115-61390	WASHER, BONNET	2	2						
19	1	26013-080252	BOLT, M8X 25	2	2						



Fig.79. LABELS

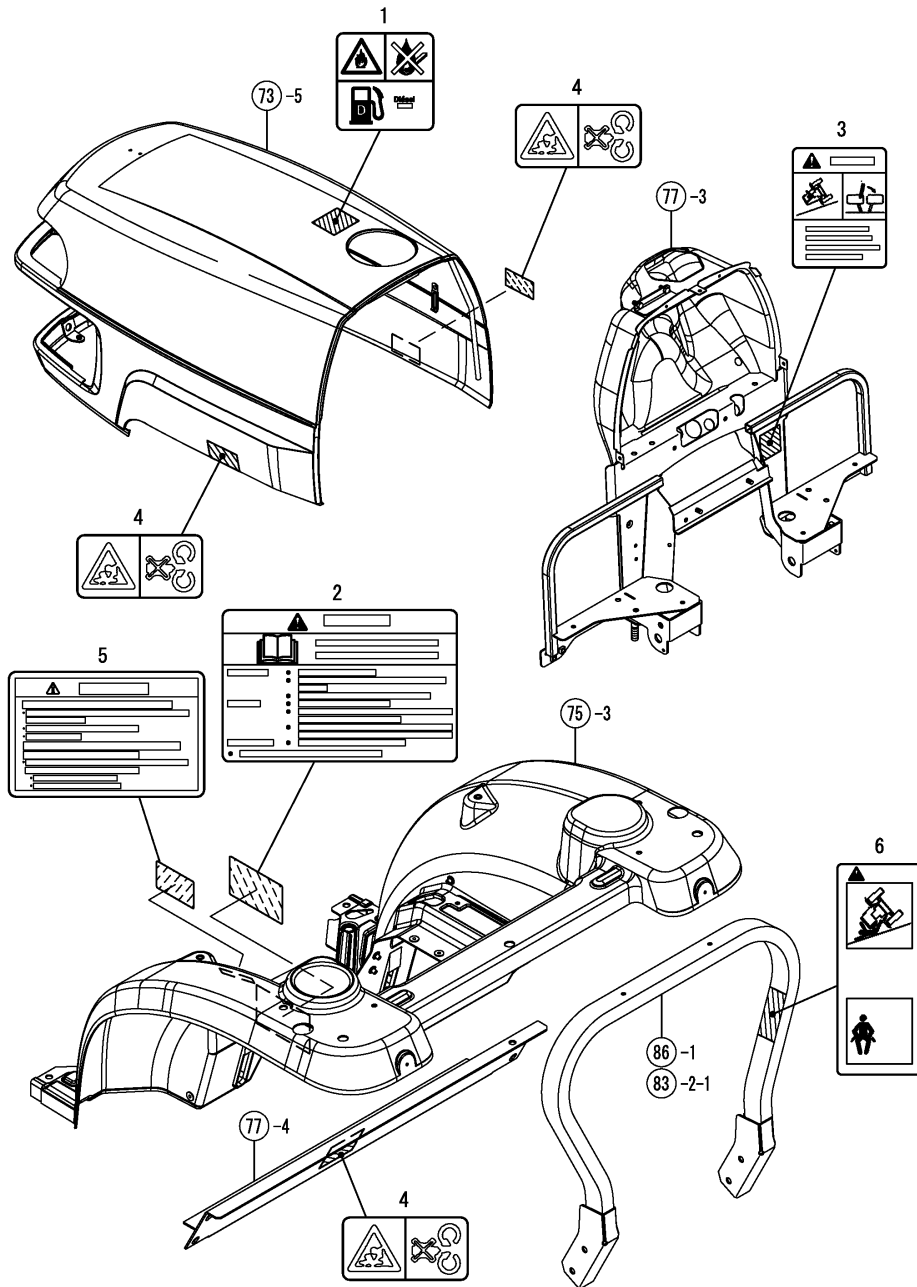


(A)=EF312PT  
(B)=EF352PT  
(C)=

(D)=  
(E)=  
(F)=

No.	Lev.	Parts No.	Description	Q'ty						I	R
				(A)	(B)	(C)	(D)	(E)	(F)		
1	1	194240-65441	LABEL, DIFF. LOCK	1	1						
2	1	198036-65470	LABEL, BRAKE LOCK	1	1						
3	1	198283-65510	LABEL,KEY SWITCH	1	1						
4	1	1A8115-65511	LABEL, POSITION	1	1						
5	1	1A6640-65530	LABEL,THROTTLE	1	1						
6	1	1A8115-65651	LABEL, NAIN SHIFT	1	1						
7	1	1A8115-65660	LABEL, RANGE	1	1						
8	1	1A8115-65670	LABEL, PTO	1	1						
9	1	198221-65740	LABEL, MFWD	1	1						
10	1	198283-65850	LABEL,SIDE LAMP	1	1						
11	1	1A8115-65110	LABEL, NAME	1							
12	1	1A8115-65120	LABEL, NAME	1							
13	1	1A8115-65210	LABEL, NAME		1						
14	1	1A8115-65220	LABEL, NAME		1						
15	1	1A8115-65250	LABEL,YANMAR 50	1	1						
16	1	198208-65890	LABEL, ROOF	1	1						
17	1	1A8115-65780	LABEL, FUSE	1	1						

Fig.80. LABELS(SAFETY)



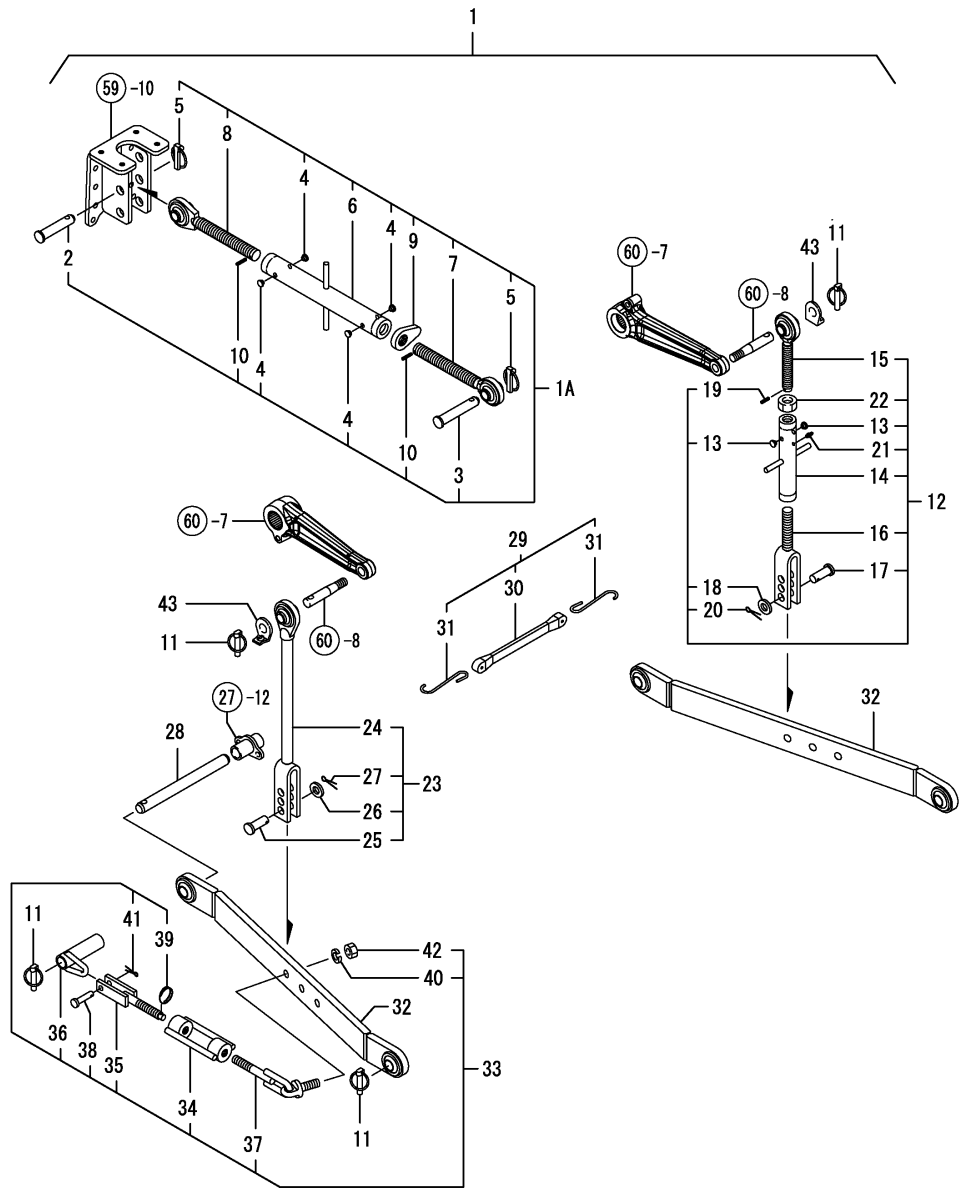
(A)=EF312PT  
(B)=EF352PT  
(C)=

(D)=  
(E)=  
(F)=

No.	Lev.	Parts No.	Description	Q'ty						I	R
				(A)	(B)	(C)	(D)	(E)	(F)		
1	1	198283-65250	LABEL,RAKE CAUTION	1	1						
2	1	198283-65310	LABEL, CAUTION	1	1						
3	1	198283-65360	LABEL,BREAKE PEDAL	1	1						
4	1	1A6150-93151	LABEL,COVER	3	3						
5	1	1A7680-65350	LABEL,WARNING,ROPS	1	1						W
		(A=F210201) (B=F210251)									
6	1	1A7680-65910	LABEL,ROPS WARNING	1	1						W
		(A=F210201) (B=F210251)									



Fig.81. THREE POINT LINK



(A)=EF312PT  
(B)=EF352PT  
(C)=

(D)=  
(E)=  
(F)=

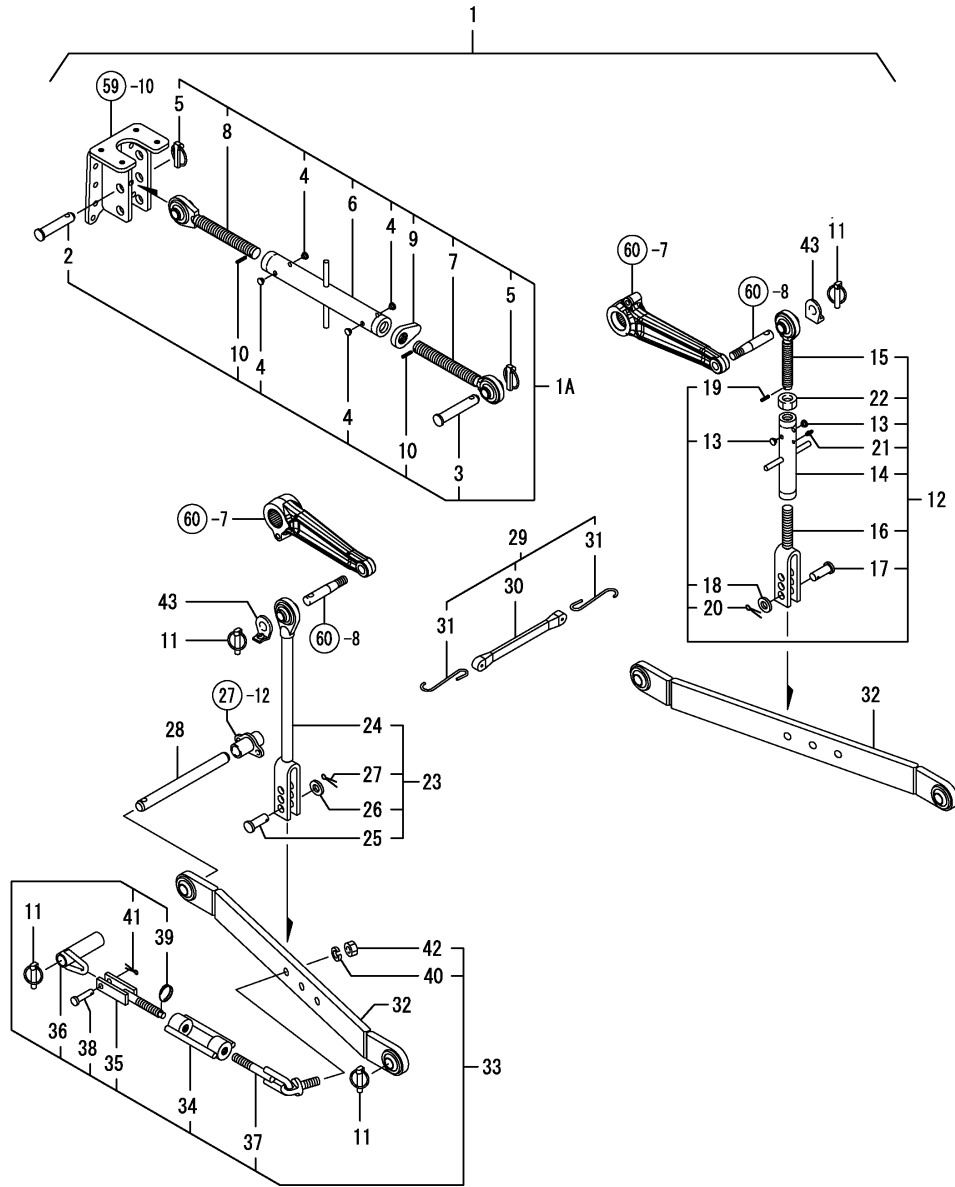
No.	Lev.	Parts No.	Description	Q'ty						I	R
				(A)	(B)	(C)	(D)	(E)	(F)		
1	1	198283-71002	HITCH KIT, 3 POINT	1	1						
1-1	1	198283-71003	HITCH KIT, 3 POINT	1	1						R
		(A=FZZZZZ) (B=FZZZZZ)									
1A	2	198254-71100	LINK KIT, TOP	1	1						
2	3	1A7335-71230	PIN, LINK	1	1						
3	3	1A7335-71240	PIN, HITCH	1	1						
4	3	1A7335-71250	CAP	4	4						
5	3	1A7335-71410	PIN ASSY, BALL	2	2						
6	3	198254-71500	TURNBUCKLE ASSY	1	1						
7	3	198254-71600	LINK ASSY, TOP R	1	1						
8	3	198254-71700	LINK ASSY, TOP L	1	1						
9	3	1A7335-71750	NUT, LOCK M24	1	1						
10	3	22351-050025	PIN, SPRING 5.0X25	2	2						
10-1	3	1A7335-71760	PIN, SPRING 5.0X25	2	2						R
		(A=FXXXXXX) (B=FXXXXXX)									
11	2	1A7335-71410	PIN ASSY, BALL	6	6						
12	2	198283-72100	LINK KIT, LIFT R	1	1						
12-1	2	198283-72101	LINK KIT, LIFT R	1	1						R
		(A=FZZZZZ) (B=FZZZZZ)									
13	3	1A7335-71250	CAP	2	2						
14	3	198283-72150	TURNBUCKLE ASSY	1	1						
14-1	3	198283-72151	ADJ,TUBE ASSY	1	1						R
		(A=FZZZZZ) (B=FZZZZZ)									
15	3	198283-72200	BOLT, EYE	1	1						
15-1	3	198283-72201	EYEBOLT ASSY,	1	1						R
		(A=FZZZZZ) (B=FZZZZZ)									
16	3	198283-72250	YOKE ASSY, LINK R	1	1						
16-1	3	198283-72251	YORK ASSY, LIFT LINK	1	1						R
		(A=FZZZZZ) (B=FZZZZZ)									
17	3	198234-72550	PIN, 16X44	1	1						
18	3	22137-160000	WASHER, 16	1	1						
19	3	22351-050020	PIN, SPRING 5.0X20	1	1						
20	3	22417-320320	PIN, COTTER 3.2X32	1	1						
20-1	3	1A8275-72180	SNAP PIN 13-19	1	1						R
		(A=FZZZZZ) (B=FZZZZZ)									
21	3	24761-060000	NIPPLE, GREASE MT6X1	1	1						
22	3	26757-200002	NUT, LOCK M20	1	1						
23	2	198283-72300	LINK KIT, LIFT L	1	1						
23-1	2	198283-72301	LINK KIT,LIFT L.H.	1	1						R
		(A=FZZZZZ) (B=FZZZZZ)									
24	3	198283-72310	LINK ASSY, LIFT L	1	1						
24-1	3	198283-72311	LINK ASSY,LIFT L.H.	1	1						R
		(A=FZZZZZ) (B=FZZZZZ)									
25	3	198234-72550	PIN, 16X44	1	1						
26	3	22137-160000	WASHER, 16	1	1						
27	3	22417-320320	PIN, COTTER 3.2X32	1	1						
27-1	3	1A8275-72180	SNAP PIN 13-19	1	1						R
		(A=FZZZZZ) (B=FZZZZZ)									
28	2	1A7530-73120	PIN, HINGE	2	2						
29	2	198283-73310	STRAP, LINK	1	1						
30	3	1A7500-73320	STRAP	1	1						

N:Old  $\xrightarrow{\text{Yes}}$  New, Q:Old  $\xrightarrow{\text{No}}$  New, R:Old  $\xrightarrow{\text{Yes}}$  New, S:Old  $\xrightarrow{\text{No}}$  New, W:Add, Z:Discontinued, F:Interchangeable by set, K:Q'ty Change  
 ++ CONTINUE ++  
 Copyright (C) YANMAR CO., LTD. All Rights Reserved.

Fig.81. THREE POINT LINK

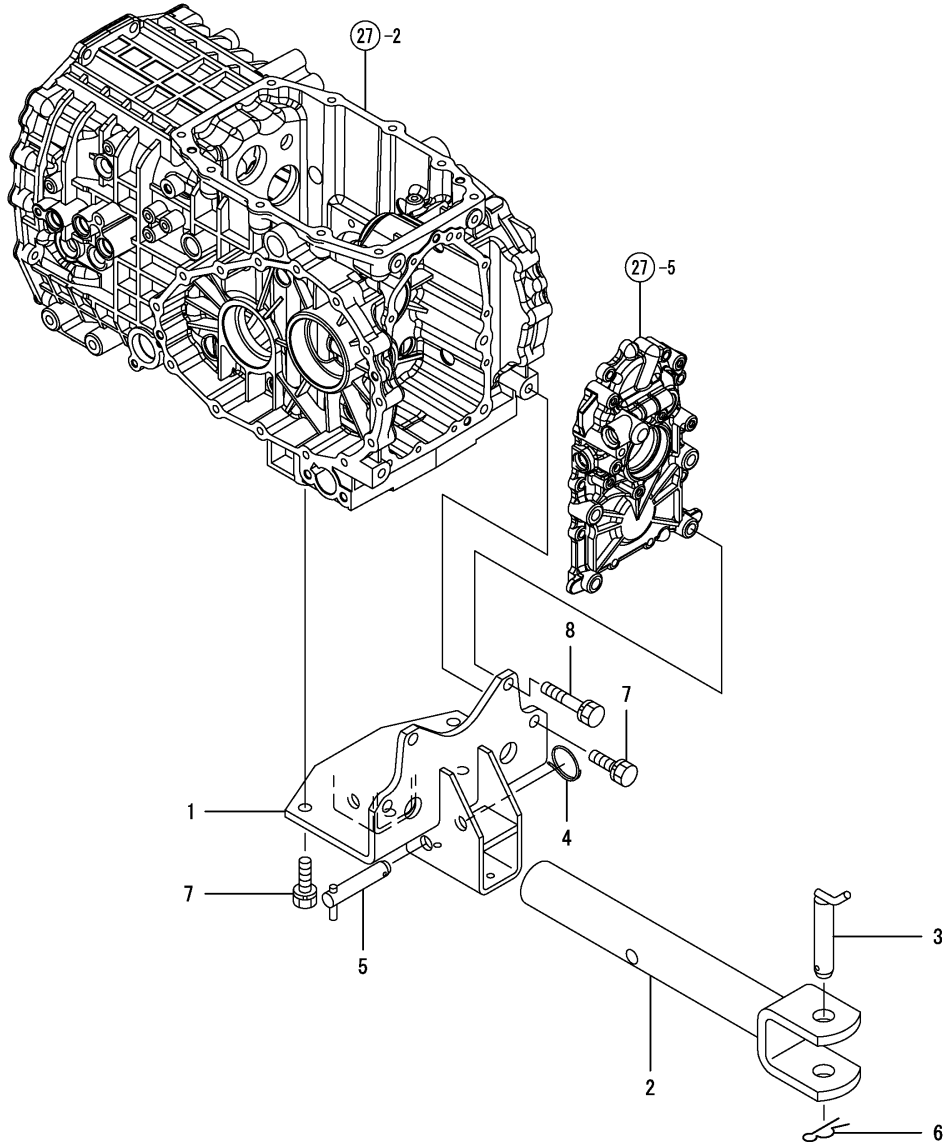
(A)=EF312PT  
(B)=EF352PT  
(C)=

(D)=  
(E)=  
(F)=



No.	Lev.	Parts No.	Description	Q'ty						I	R
				(A)	(B)	(C)	(D)	(E)	(F)		
31	3	198283-73330	HOOK, S	2	2						
32	2	198283-73500	LINK ASSY, LOWER	2	2						
33	2	198283-74100	CHAIN KIT, CHECK	2	2						
34	3	198283-74150	TURNBUCKLE, M16	2	2						
35	3	198283-74200	CHAIN ASSY, CHECK F	2	2						
36	3	198283-74250	HOOK ASSY, V	2	2						
37	3	198283-74300	CHAIN ASSY, CHECK R	2	2						
38	3	198283-74350	PIN, 11	2	2						
39	3	198283-74370	RING	2	2						
40	3	22217-160000	WASHER, SPRING 16	2	2						
41	3	22417-400250	PIN, COTTER 4.0X25	2	2						
42	3	26736-160002	NUT, M16	2	2						
43	1	198071-74970	COLLAR, BALL SOCKET	2	2						

Fig.82. DRAWBAR HITCH

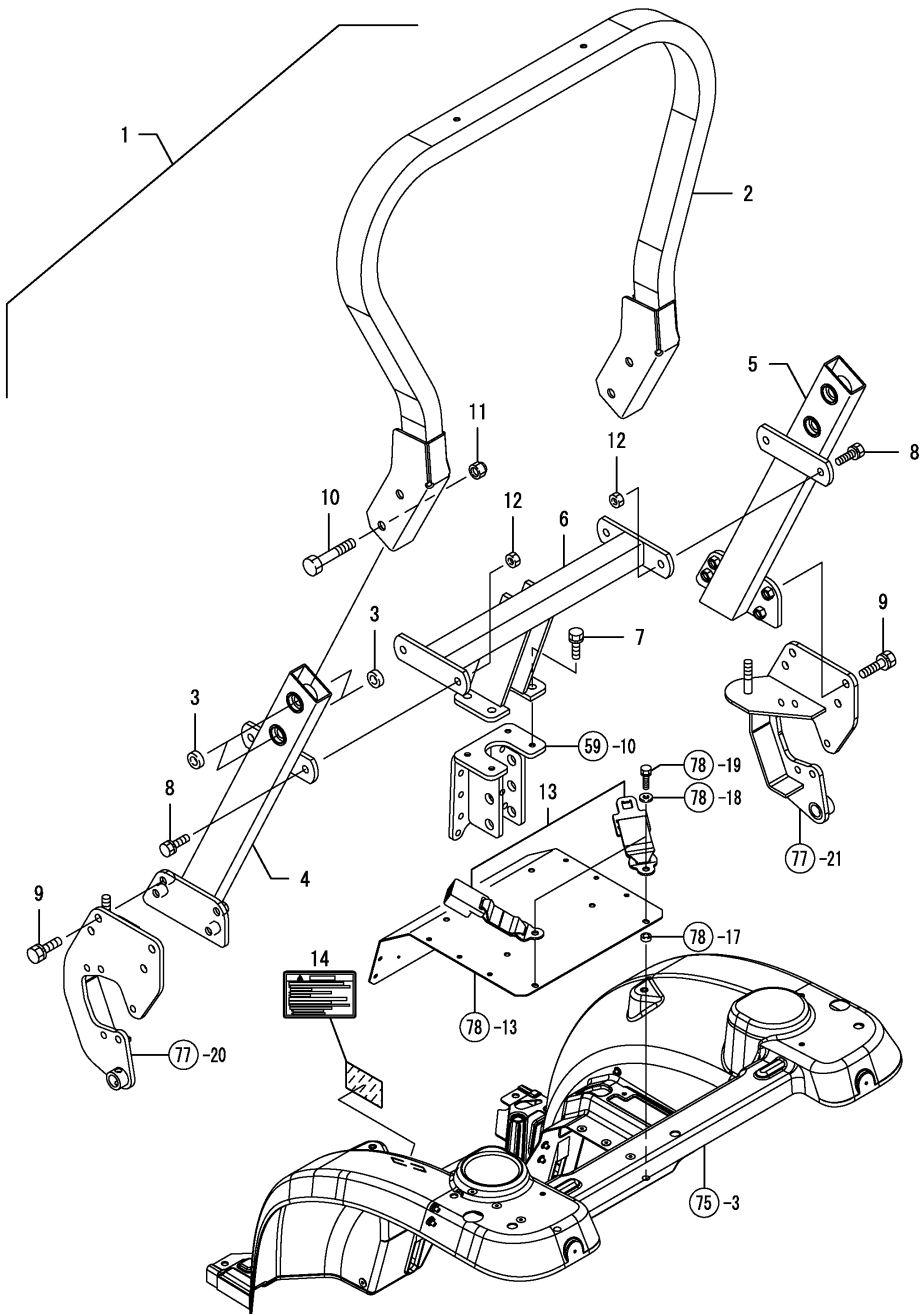


(A)=EF312PT  
(B)=EF352PT  
(C)=

(D)=  
(E)=  
(F)=

No.	Lev.	Parts No.	Description	Q'ty						I	R
				(A)	(B)	(C)	(D)	(E)	(F)		
1	1	198283-75750	BRACKET, HITCH	1	1						
2	1	198283-75860	HITCH ASSY, DRAWBAR	1	1						
3	1	194145-75240	PIN, HITCH 22	1	1						
4	1	194145-75250	RING, STOPPER	1	1						
5	1	194150-75740	PIN, HITCH 16	1	1						
6	1	22360-200000	PIN, SNAP 20	1	1						
7	1	26013-120352	BOLT, M12X 35	6	6						
8	1	26013-120652	BOLT, M12X 65	2	2						

Fig.83. REAR ROPS(OPTION)

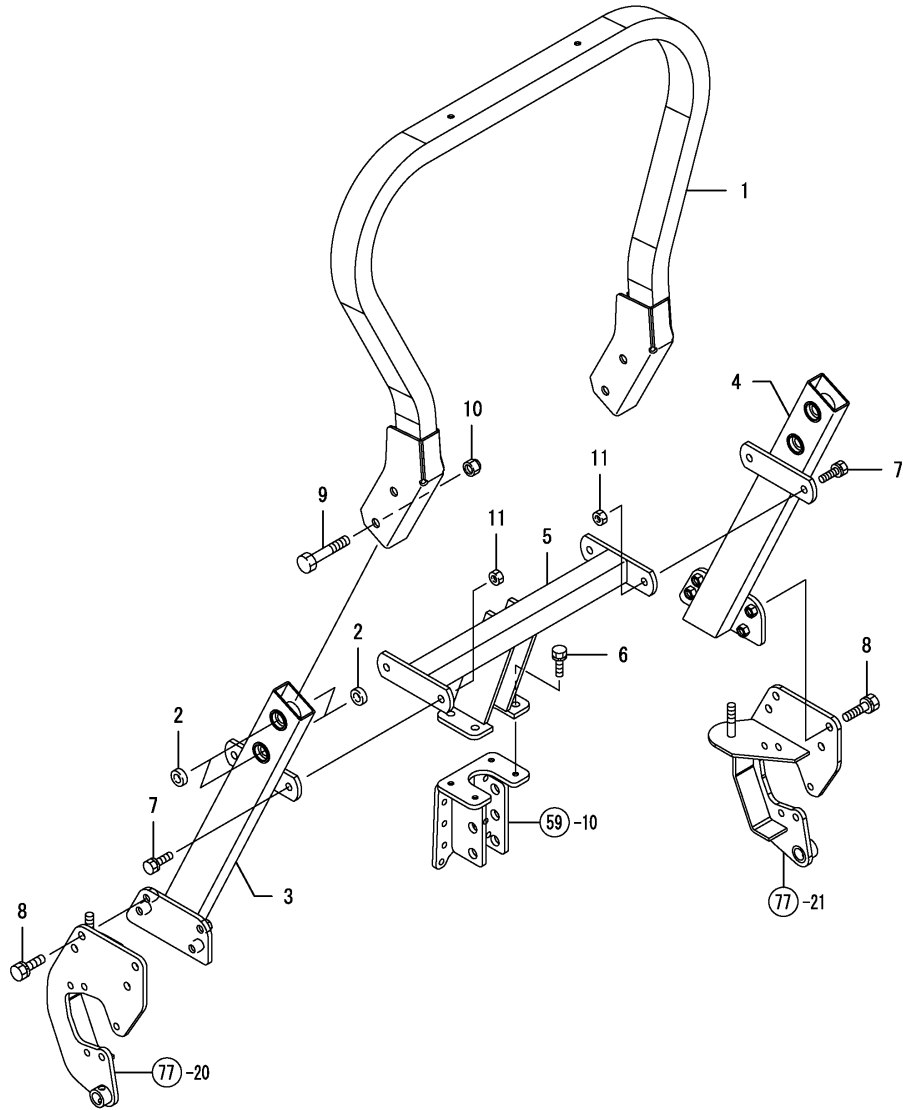


(A)=EF312PT  
(B)=EF352PT  
(C)=

(D)=  
(E)=  
(F)=

No.	Lev.	Parts No.	Description	Q'ty						I	R
				(A)	(B)	(C)	(D)	(E)	(F)		
1	1	1A8115-85050	ROPS KIT, REAR	1	1						
2	2	1A8115-85100	FRAME ASSY, UPPER	1	1						
2-1	2	1A8115-85090	FRAME ASSY, UPPER M	1	1						N
		(A=F210201) (B=F210251)									
3	2	1A8115-85390	COLLAR, PIPE	8	8						
4	2	1A8115-85510	FRAME ASSY, REAR L	1	1						
5	2	1A8115-85520	FRAME ASSY, REAR R	1	1						
6	2	1A8115-85750	FRAME, CENTER	1	1						
7	2	26013-120352	BOLT, M12X 35	4	4						
8	2	26013-120352	BOLT, M12X 35	4	4						
9	2	26013-140352	BOLT, M14X 35	8	8						
10	2	26116-160802	BOLT, M16X 80 PLATED	4	4						
11	2	26346-160002	NUT, M16	4	4						
12	2	26716-120002	NUT, M12	4	4						
13	2	194180-63150	BELT ASSY, SEAT	1	1						W
		(A=F210201) (B=F210251)									
14	2	1A7680-65350	LABEL,WARNING,ROPS	1	1						W
		(A=F210201) (B=F210251)									

Fig.86. REAR ROPS(ADDITIONAL ITEM)



(A)=EF312PT  
(B)=EF352PT  
(C)=

(D)=  
(E)=  
(F)=

No.	Lev.	Parts No.	Description	Q'ty						I	R
				(A)	(B)	(C)	(D)	(E)	(F)		
1	1	1A8115-85090	FRAME ASSY, UPPER M	1	1						
2	1	1A8115-85390	COLLAR, PIPE	8	8						
3	1	1A8115-85510	FRAME ASSY, REAR L	1	1						
4	1	1A8115-85520	FRAME ASSY, REAR R	1	1						
5	1	1A8115-85750	FRAME, CENTER	1	1						
6	1	26013-120352	BOLT, M12X 35	4	4						
7	1	26013-120352	BOLT, M12X 35	4	4						
8	1	26013-140352	BOLT, M14X 35	8	8						
9	1	26116-160802	BOLT, M16X 80 PLATED	4	4						
10	1	26346-160002	NUT, M16	4	4						
11	1	26716-120002	NUT, M12	4	4						

Fig.84. ACCESSORIES

(A)=EF312PT  
(B)=EF352PT  
(C)=

(D)=  
(E)=  
(F)=

No.	Lev.	Parts No.	Description	Q'ty						I	R
				(A)	(B)	(C)	(D)	(E)	(F)		
1	1	0A041-G00100	OPERATION MANUAL	1	1						
1-1	1	0A041-G00101	OPERATION MANUAL	1	1						N
		(A=F210101) (B=F210201)									
1-2	1	0A041-G00102	OPERATION MANUAL	1	1						N
		(A=F210201) (B=F210251)									

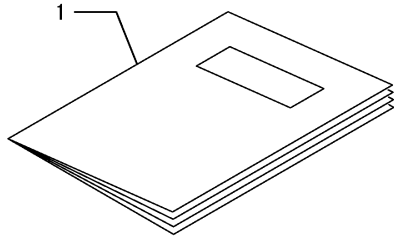


Fig.87. KARTE(CENTER PLATE)

(A)=EF312PT  
(B)=EF352PT  
(C)=

(D)=  
(E)=  
(F)=

No.	Lev.	Parts No.	Description	Q'ty						I	R
				(A)	(B)	(C)	(D)	(E)	(F)		
1	1	198283-24330	PLATE KIT, CENTER	1							
2	2	198282-24301	PLATE ASSY, CENTER	1							
3	3	198200-24311	PLATE, CENTER	1							
4	3	198282-24330	PLUG, BORE 19	1							
5	2	26106-080502	BOLT, M8X 50 PLATED	3							

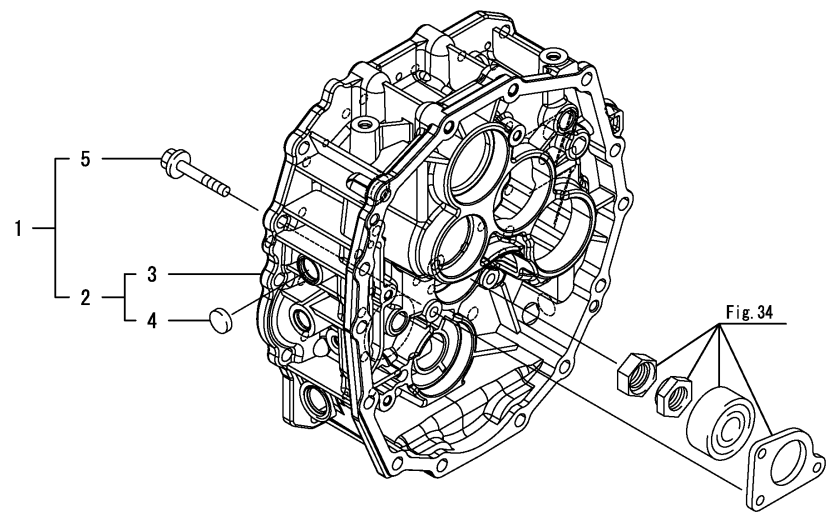


Fig.88. REAR HOUSING(REPAIR PART)

(A)=EF312PT  
 (B)=EF352PT  
 (C)=

(D)=  
 (E)=  
 (F)=

No.	Lev.	Parts No.	Description	Q'ty						I	R
				(A)	(B)	(C)	(D)	(E)	(F)		
1	1	198200-32590	HOUSING KIT, AXLE	2	2						
2	2	198200-32601	HOUSING ASSY, AXLE	2	2						
3	3	198290-32750	SEAL, OIL TC253506	2	2						
4	2	198200-36422	HOLDER, BEARING	2	2						

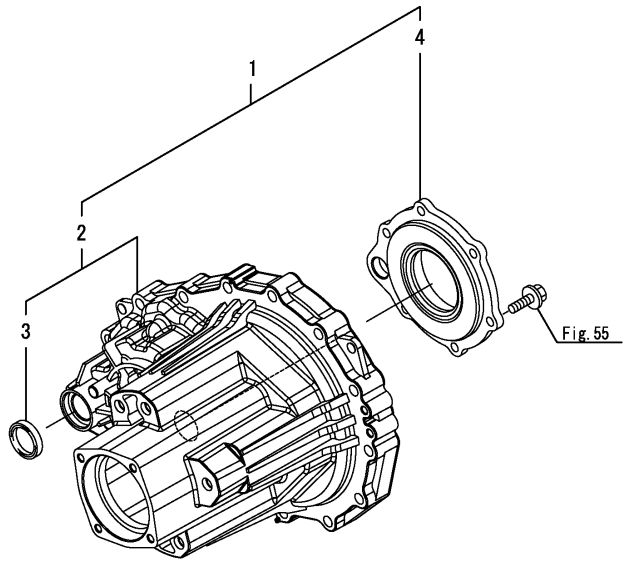


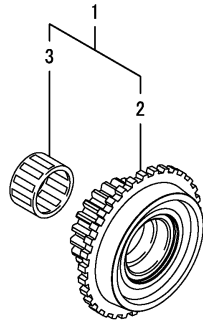


Fig.89. GEAR KIT, DRIVEN 20

(A)=EF312PT  
(B)=EF352PT  
(C)=

(D)=  
(E)=  
(F)=

No.	Lev.	Parts No.	Description	Q'ty						I	R
				(A)	(B)	(C)	(D)	(E)	(F)		
1	1	1A8070-25460	GEAR KIT, DRIVEN 20	1	1						
2	2	198200-25461	GEAR, DRIVEN	1	1						
3	2	24161-253017	BEARING, 253017	1	1						



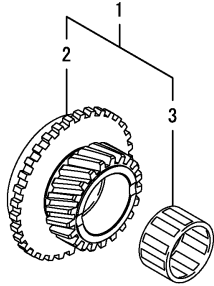
Remarks  
\* Refer to Fig.91 for this item by change.

Fig.90. GEAR KIT, DRIVEN 21

(A)=EF312PT  
(B)=EF352PT  
(C)=

(D)=  
(E)=  
(F)=

No.	Lev.	Parts No.	Description	Q'ty						I	R
				(A)	(B)	(C)	(D)	(E)	(F)		
1	1	1A8070-25470	GEAR KIT, DRIVEN 21	1	1						
2	2	198200-25471	GEAR, DRIVEN21	1	1						
3	2	24161-303520	BEARING, 303520	1	1						



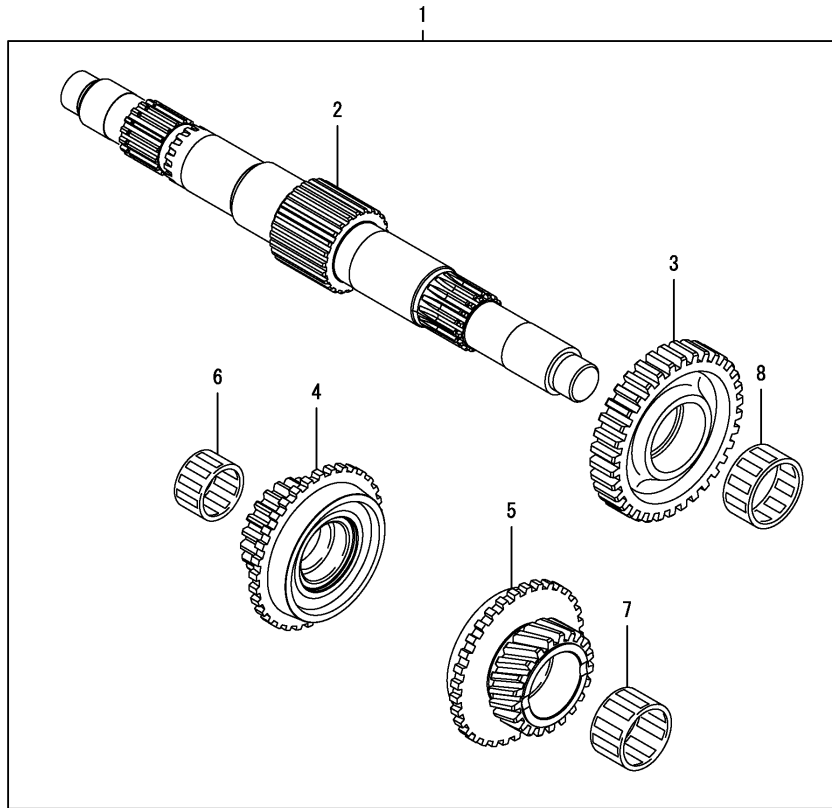
Remarks  
\* Refer to Fig.91 for this item by change.

Fig.91. GEAR KIT, REVERSER

(A)=EF312PT  
(B)=EF352PT  
(C)=

(D)=  
(E)=  
(F)=

No.	Lev.	Parts No.	Description	Q'ty						I	R
				(A)	(B)	(C)	(D)	(E)	(F)		
1	1	1A8070-25410	GEAR KIT, REVERSER	1	1						
2	2	198200-25411	SHAFT, REVERSER	1	1						
3	2	198200-25431	GEAR, MAIN SHIFT	1	1						
4	2	198200-25461	GEAR, DRIVEN	1	1						
5	2	198200-25471	GEAR, DRIVEN21	1	1						
6	2	24161-253017	BEARING, 253017	1	1						
7	2	24161-303520	BEARING, 303520	1	1						
8	2	24161-323717	BEARING, 323717	1	1						



## Parts No. Index

Parts No.	Fig. No.	Ref. No.
0A041-G00100	84	1
0A041-G00101	84	1 -1
0A041-G00102	84	1 -2
114270-59010	6	14 -1
	7	4 -1
		4 -2
		5 -1
		5 -2
		6 -1
		7 -1
		8 -1
		9 -1
119131-18320	1	5
119629-59910	2	31
	7	10
119650-77910	2	4
119650-77930	2	6
119808-12520	8	5
119808-12540	8	9
119852-55611	7	20
119866-12530	8	6
121236-59080	2	26
121250-44590	2	27
123900-13630	1	4
124550-77030	67	11
124756-77040	67	12
124766-59050	2	28
		29
		30
	6	14
	7	4
		5
		6
		7
		8
		9
129004-13200	1	3
129004-55810	7	21
129051-12530	8	7
129052-13550	5	4
129052-77920	2	5
129055-44501	2	24
129055-55700	1	6
129107-44590	2	25
129150-13110	1	2
129242-55730	1	8
129242-55740	1	9
129242-55750	1	10
129242-55760	1	11
129242-55770	1	12

Parts No.	Fig. No.	Ref. No.
129259-12570	8	10
129418-12530	8	8
129612-12650	8	11
129938-55720	1	7
168232-02010	61	8
16826B-01500	62	4
168371-01100	62	3
171350-13100	1	1
172010-07810	6	13
172510-74530	62	18
175022-49730	2	55
	65	10
177432-03450	17	1
178073-01200	61	9
178073-04310	62	6
178076-02230	61	17
178076-12400	61	18
178076-26100	62	7
178076-26110	62	8
178076-26120	62	9
178076-26130	62	10
178076-26140	62	11
178076-26160	62	12
178076-26170	62	13
178076-26180	62	14
178076-26190	62	15
178076-40100-1	61	21
178076-40110	61	22
178076-40200	61	12
178076-40250	61	23
178076-40300	61	24
178076-40400	61	25
178076-40410	61	26
178076-40501	61	27
178076-40531	61	28
178076-40600	61	29
178076-40610	61	30
192167-24600	28	3
192180-26380	16	4
194130-44480-1	60	8
194130-47851	75	2
194145-27450	38	6
	40	7
	42	2
	48	2
194145-75240	82	3
194145-75250	82	4
194150-21910	27	1
	75	25
194150-45320	61	34

Parts No.	Fig. No.	Ref. No.
194150-75740	82	5
194151-36670	17	9
194170-45220	61	31
194170-45230	61	32
194170-45310	61	13
194170-45321	61	35
194170-45350	61	37
194170-45360	61	38
194170-45420	61	15
194170-45430	61	39
194170-45520	61	40
194170-45530	61	41
194170-45550	61	42
194170-45700	61	45
194170-45710	61	46
194170-45720	61	47
194170-45730	61	48
194170-45740	61	49
194170-47440	63	11
194170-51210	7	2
		31
	66	11
		12
194180-12471	11	2
	21	1
194180-25550	37	2
194180-51640	59	11
194180-63150	83	13
	85	1
194181-11560	10	8
194200-53400	69	8
194201-11230	24	1
194205-63550	75	19
194240-65441	79	1
194250-51420	67	5
194274-13580	55	1
	77	19
194275-45340	61	36
194279-14220	54	10
194300-31550	13	4
194300-31560	13	5
194300-31610	13	6
194300-31620	13	7
194300-33200	51	4
194310-46350	61	50
194310-46380	61	51
194312-27780	56	8
	57	3
194312-46630	61	54
194321-14820	19	3

Parts No.	Fig. No.	Ref. No.
194321-14820	19	7
194321-14860	19	4
		8
194327-45630	62	16
194327-45640	61	43
194327-45650	61	44
	62	17
194330-62530	56	43
	75	6
194370-26350	37	8
194420-33150	51	2
194420-62260	2	35
194421-13640	13	10
194440-32580	53	1
194440-51620	7	3
194440-51630	2	56
	3	2
	66	2
194447-13860	47	1
194515-25180	32	2
194515-31610	49	4
194515-31850	49	7
194525-31520	49	3
194555-26520	25	7
194555-42280	59	7
194555-47340-1	63	6
194555-47350-1	63	8
194555-65130	72	3
194555-77120	61	16
194556-13790	18	1
194630-43230	61	5
194640-25390	36	2
194640-26440	12	4
	33	4
194640-46410	61	52
194640-46420	61	53
194641-11630	10	9
194680-22280	24	3
194680-22290	24	4
194680-25940	37	4
194680-27540	44	1
194680-51670	67	9
		9 -1
194697-62560	76	6
194740-00160	20	5
194800-22480	26	6
194800-25250	32	3
194850-32340	49	14
194850-42180	61	1
194850-42190	61	2

## Parts No. Index

Parts No.	Fig. No.	Ref. No.
194850-42500	59	8
194850-49290	61	56
194881-12650	19	9
	54	9
194940-47210-1	63	2
194940-47220	63	4
194940-52110	68	6
194940-61790	70	6
194940-65590	72	4
194990-22050	63	1
194990-22120	69	18
194990-22130	2	1
		22
	3	11
	66	3
		19
	67	1
	69	1
	71	1
194990-22140	2	23
	5	5
	8	13
	20	27
	21	19
	56	1
		19
	67	2
	72	6
	73	1
		2
	75	17
	78	5
		6
		7
198010-41211	65	1
198010-53410	69	9
198010-53420	69	7
198036-65470	79	2
198071-22310	26	1
198071-22311	26	1 -1
198071-22320	26	2
198071-24350	27	6
198071-37510	56	15
		23
		31
198071-43320	60	2
198071-43330	60	3
198071-58810	3	3
	5	12
198071-61890	74	3

Parts No.	Fig. No.	Ref. No.
198071-61890	74	3 -1
		7
198071-62900	77	13
198071-65610	72	5
198071-74970	81	43
198072-17550	22	1 A
198072-48340	65	5
198072-60590	74	1
198093-84810	7	11
		23
	20	28
	76	7
198093-85650	57	14
198119-27150	38	3
	40	1
	42	1
	48	1
198119-27570-1	42	4
198121-25800	32	13
198121-25820	32	14
198121-25830	32	15
198121-25840	32	16
198121-25850	32	17
198121-25870	32	18
198121-28380	44	7
198121-51190	67	18
		19
198121-77330	62	23
198128-34910	54	3
		7
198128-34920	54	4
		8
198129-78720	75	9
198133-15700	20	34
198133-15740	20	35
198133-15780	20	36
198133-22510	56	13
		20
		27
198133-22530	56	14
		21
		28
198133-51350	67	3
198149-25890	37	3
198165-48560	61	55
198172-11640	10	2
198172-25630	35	2
198172-25640	35	3
198196-34140	53	3
198200-01150	3	1

Parts No.	Fig. No.	Ref. No.
198200-01170	20	1
198200-01210	3	8
198200-01260	20	7
198200-01440	2	17
198200-04030	6	1
198200-04040	6	2
198200-04061	6	3
198200-04090	6	4
198200-04101	6	5
198200-04260	6	11
198200-04270	6	12
198200-06150	8	2 -1
198200-13100	12	1
198200-13110	12	2
198200-13120	12	3
198200-13200	13	1
198200-13210	13	2
198200-13220	13	3
198200-13250	13	9
198200-13520	15	2
198200-13611-1	16	1
198200-13821	17	19
198200-14130-1	18	2
198200-14210	18	3
198200-15180	20	25
198200-17050	21	5
198200-17070	21	7
198200-17120	21	12
198200-17140	21	13
198200-17150	21	14
198200-17160	21	15
198200-17170	21	16
198200-17500	22	1
198200-21100-1	24	2
198200-21120	24	5
198200-21140	24	6
198200-22111	25	5
198200-22330-1	26	3
198200-22380	56	10
198200-22400	56	11
198200-22460	57	1
198200-22470	57	2
198200-22531	25	6
198200-24120	27	4
198200-24170	27	8
198200-24190	27	10
198200-24311	87	3
198200-24320	29	1
198200-24410-1	29	2
198200-24420	29	3

Parts No.	Fig. No.	Ref. No.
198200-25120	31	1
198200-25150	32	1
198200-25210	31	2
198200-25410	32	4
198200-25411	32	4 -1
	91	2
198200-25420	32	5
198200-25430	32	6
198200-25431	32	6 -1
	91	3
198200-25440	32	7
198200-25450	32	8
198200-25460	32	9
198200-25461	32	9 -1
	89	2
	91	4
198200-25470	32	10
198200-25471	32	10 -1
	90	2
	91	5
198200-25480	32	11
198200-25490	32	12
	34	1
	35	1
	37	1
198200-25520	34	2
198200-25550	34	5
198200-25560	34	6
198200-25590	34	7
198200-25650	33	2
198200-25660	33	3
198200-25910	35	4
198200-25930	35	5
198200-27110	38	1
198200-27170	38	4
198200-27180	38	5
198200-27310	40	2
198200-27340-1	40	3
198200-27360	40	4
198200-27370	40	5
198200-27380	40	6
198200-27730-1	48	3
198200-27740-1	38	7
198200-28250	34	8
198200-28251	34	8 -1
198200-31400	49	1
198200-31401	49	1 -1
198200-31402	49	1 -2
198200-31510	49	2
198200-31810	49	5

## Parts No. Index

Parts No.	Fig. No.	Ref. No.
198200-31820	49	6
198200-32110	49	8
198200-32320	49	13
198200-32590	88	1
198200-32600-1	50	1
198200-32601	50	1 -1
	88	2
198200-32630	50	3
198200-32660	50	4
198200-32731-1	50	6
198200-33111	51	1
198200-33150	51	3
198200-33211	51	5
198200-33410	52	1
198200-33420	52	2
198200-33511	52	4
198200-34130	54	11
198200-34190	54	12
198200-36310	55	2
198200-36341	55	3
198200-36350-2	55	4
198200-36380	55	5
198200-36390	55	6
198200-36410	55	7
198200-36421	55	8
198200-36422	55	8 -1
	88	4
198200-37240	56	22
198200-37290	56	18
198200-42101-1	59	1
198200-42130	59	2
198200-42140	59	3
198200-42150-1	59	4
198200-42180	59	5
198200-42190	59	6
198200-42710	59	9
198200-43110	61	3
198200-43211	61	4
198200-43250	61	6
198200-43310	60	1
198200-43410	60	4
198200-44110	60	5
198200-45150	61	75
198200-45510-1	62	5
198200-47411	63	9
198200-47460	63	12
198200-47510-1	63	14
198200-47540	63	15
198200-48350	65	25
198200-48810	65	7

Parts No.	Fig. No.	Ref. No.
198200-52140	68	1
198200-53100	69	2
198200-53120	69	4
198200-53130	69	5
198200-53220	73	3
198200-56050	70	3
198200-56060	70	5
198200-56600	6	7
198200-56630	6	8
198200-61340	72	1
198200-61600	74	2
198200-61620	73	14
198200-61680	74	6
198200-62850	77	23
198200-62860	77	24
198200-62910	77	14
198200-62970	77	15
198200-62990	77	16
198200-63620	74	4
198200-65010	72	2
198200-73170-1	27	12
198206-21220	24	9
198206-21230	24	10
198208-01410	2	16
198208-01451	2	18
198208-01480	2	19
198208-04210	6	10
198208-11310	9	4
	10	13 -1
		13 -2
		14 -1
		14 -2
		15
198208-13510	15	1
198208-13530	15	3
198208-13721-1	17	2
198208-17210-1	16	2
198208-48110	65	2
198208-48111	65	2 -1
198208-48160	65	4
198208-65890	79	16
198212-25150	36	1
198220-12310	11	1
198220-37900	56	41
	57	12
198220-48140	65	3
198220-51870	66	14
		15
	67	10
198220-52180	2	2

Parts No.	Fig. No.	Ref. No.
198220-62150	72	21
198220-62260	2	36
198220-62270	2	37
198220-62920	2	38
198221-65740	79	9
198234-72550	81	17
		25
198240-48850	23	6
		7
	65	9
198240-63110	78	1
198254-71100	81	1 A
198254-71500	81	6
198254-71600	81	7
198254-71700	81	8
198255-24460-3	27	11
198265-48200	62	28
198266-24980	62	1
198269-52190	68	12
		13
198280-06450	8	12
198280-24152-1	27	5
198280-24180-1	27	9
198280-27711	44	2
198280-27771	44	4
198280-27790	44	6
198280-47210-1	63	3
198280-47310	63	5
198280-47430	63	10
198280-47500	63	13
198280-47710-1	63	3 -1
198280-51540	67	17
198280-51900	67	17 -1
198280-52450	68	2
198280-52460	68	3
198280-56012	70	1
198280-56013	70	1 -1
198282-24010-1	27	2
198282-24300-1	28	1
198282-24301	28	1 -1
	87	2
198282-24330	28	2
	87	4
198282-25110	30	2
198282-25130	30	3
198282-25540	34	4
198282-26250	36	3
198282-26310	37	5
198282-26320	37	6
198282-26330	37	7

Parts No.	Fig. No.	Ref. No.
198282-27520	42	3
198282-27570	42	5
198282-27580	42	6
198282-27590	42	7
198282-27742-1	44	3
198282-27780	44	5
198282-28180	47	2
198282-28340	47	3
198282-28360	47	4
198282-28410	48	4
198282-28430	48	5
198282-34650	54	2
		6
198282-37250	56	9
198282-37400	56	29
198282-37490	56	26
198282-37550	56	32
198283-12510	11	3
198283-12550	11	8
198283-13150-1	10	1
198283-13151	10	1 -1
198283-13160-1	10	7
198283-13161	10	7 -1
198283-13220	10	1 -2
198283-13230	10	7 -2
198283-13380	10	3
198283-13450	10	4
		16
198283-13460	10	5
		17
198283-13480	10	10
		19
198283-13850	16	9
198283-13970	17	3
198283-14240	17	4
198283-14241	17	4 -1
198283-14250	17	5
198283-14251	17	5 -1
198283-14270	17	20
198283-14280	17	21
198283-14290	18	4
198283-14310	18	5
198283-17220	16	3
198283-17300	21	2
198283-17350	21	17
198283-17640	21	18
198283-24330	87	1
198283-34110-1	53	2
198283-34700	54	1
198283-34800	54	5

## Parts No. Index

Parts No.	Fig. No.	Ref. No.
198283-44210	60	6
198283-44211	60	6 -1
198283-44420-1	60	7
198283-44510-1	60	9
198283-47650	63	16
198283-53810	69	12
198283-65250	80	1
198283-65310	80	2
198283-65360	80	3
198283-65510	79	3
198283-65850	79	10
198283-71002	81	1
198283-71003	81	1 -1
198283-72100	81	12
198283-72101	81	12 -1
198283-72150	81	14
198283-72151	81	14 -1
198283-72200	81	15
198283-72201	81	15 -1
198283-72250	81	16
198283-72251	81	16 -1
198283-72300	81	23
198283-72301	81	23 -1
198283-72310	81	24
198283-72311	81	24 -1
198283-73310	81	29
198283-73330	81	31
198283-73500	81	32
198283-74100	81	33
198283-74150	81	34
198283-74200	81	35
198283-74250	81	36
198283-74300	81	37
198283-74350	81	38
198283-74370	81	39
198283-75750	82	1
198283-75860	82	2
198287-06300	8	4
198287-11210	9	7
198287-11230	9	8
198287-21510	25	1
198287-21700	25	2
198290-32750	50	2
	88	3
198330-48410	65	6
198360-03260	20	2
198360-03270	20	3
198360-22210	26	4
198360-22250	26	5
198360-52160	68	9

Parts No.	Fig. No.	Ref. No.
198360-52320	68	7
198360-52330	68	8
198360-63150	78	2
198360-63160	78	3
198425-53110	69	3
198431-47340	63	7
198435-45410	61	14
198448-37360	56	12
		17
		30
198448-46490	77	1
198448-56150	70	4
198461-52950	2	3
198461-60590	74	5
198475-32660	18	6
	50	5
198483-32660	17	8
198511-53430	69	10
198511-53450	69	11
1A1040-28470	27	7
1A6150-93151	80	4
1A6481-62650	69	19
1A6640-45230	61	33
1A6640-65530	79	5
1A6660-24250	65	23
1A6750-29850	61	19
1A7000-52820	66	5
		10
	67	7
1A7000-57210	2	57
1A7100-26850	37	12 -1
1A7260-46640	64	1
1A7260-46650	64	2
1A7260-53220	69	6
1A7300-14720	19	2
		6
1A7300-14850	19	1
1A7300-14860	19	5
1A7335-71230	81	2
1A7335-71240	81	3
1A7335-71250	81	4
		13
1A7335-71410	81	5
		11
1A7335-71750	81	9
1A7335-71760	81	10 -1
1A7390-23140	61	10
1A7450-52210	68	10
1A7450-52230	68	11
1A7450-53820	69	13

Parts No.	Fig. No.	Ref. No.
1A7500-73320	81	30
1A7530-73120	81	28
1A7550-77900	61	77
1A7550-91900	67	17 F
1A7680-65350	80	5
	83	14
1A7680-65910	80	6
1A8070-25410	91	1
1A8070-25460	89	1
1A8070-25470	90	1
1A8070-45100	61	7
1A8070-48140	61	76
1A8070-48500	62	2
1A8071-04100	6	5 -1
1A8100-24180	27	9 -1
1A8115-00610	2	10
1A8115-00650	2	11
1A8115-00670	2	12
1A8115-00680	2	13
1A8115-00690	2	15
1A8115-01110	20	6
1A8115-01160	3	7
1A8115-01190	46	1
1A8115-01280	3	9
1A8115-01300	3	10
1A8115-01511	2	20
1A8115-01611	5	1
1A8115-03110	5	2
1A8115-03200	4	1
1A8115-05511	5	3
1A8115-05601	2	21
1A8115-05650	2	21 -1
1A8115-06010	8	1
1A8115-06150	8	2
1A8115-06201	8	3
1A8115-06202	8	3 -1
1A8115-06250	8	14
1A8115-11100	9	1
1A8115-11210	9	2
1A8115-11220	9	3
1A8115-11250	7	19
1A8115-13280	14	1
1A8115-13310	14	2
1A8115-14630	14	4
1A8115-14650	14	5
1A8115-14671	14	6
1A8115-15090	20	4
1A8115-15100	20	8
1A8115-15250	20	26
1A8115-15720	20	39

Parts No.	Fig. No.	Ref. No.
1A8115-17810	23	1
1A8115-17830	23	2
1A8115-17840	23	3
1A8115-17910	23	4
1A8115-17950	23	5
1A8115-18350	46	2
1A8115-22510	56	2
1A8115-22650	56	3
1A8115-22660	56	4
1A8115-22690	56	5
1A8115-22700	56	6
1A8115-25510	33	1
1A8115-25530	34	3
1A8115-26850	37	12
1A8115-27000	20	9
1A8115-27030	8	18
	20	10
	78	17
1A8115-27090	20	11
1A8115-27140	38	2
1A8115-27240	20	12
1A8115-27250	20	13
1A8115-27400	20	15
1A8115-27460	20	16
1A8115-27530	41	1
1A8115-27610	42	8
1A8115-27670	39	1
1A8115-27710	39	2
1A8115-27810	46	3
1A8115-27820	39	3
1A8115-27870	43	1
1A8115-27880	43	2
1A8115-27900	45	1
1A8115-27910	46	4
1A8115-27961	45	4
1A8115-28010	46	5
1A8115-28050	43	5
		9
1A8115-28060	43	6
		10
1A8115-28080	43	3
		7
		11
1A8115-28100	39	5
1A8115-28130	39	6
1A8115-28440	48	6
1A8115-31100	50	11
1A8115-33250	51	10
1A8115-37270	56	16
1A8115-37370	57	4

## Parts No. Index

Parts No.	Fig. No.	Ref. No.
1A8115-37460	57	5
1A8115-37580	46	6
1A8115-37590	58	1
1A8115-37610	56	36
1A8115-37620	56	37
1A8115-37640	58	2
1A8115-37650	58	3
1A8115-37660	56	38
1A8115-37680	56	39
1A8115-37700	57	6
1A8115-37710	57	8
1A8115-37740	57	10
1A8115-37840	57	11
1A8115-42810	59	10
1A8115-47111	63	29
1A8115-47120	75	1
1A8115-47121	75	1 -1
1A8115-47810	46	7
1A8115-48250	75	20
1A8115-48310	65	24
1A8115-48840	65	8
1A8115-51110	66	4
1A8115-51170	66	1
1A8115-51200	66	9
1A8115-51410	67	4
1A8115-51450	67	6
1A8115-57150	71	2
1A8115-60711	2	32
1A8115-60760	2	33
1A8115-60890	73	4
1A8115-60950	2	52
1A8115-61070	72	10 -1
1A8115-61101	73	5
1A8115-61250	72	15
1A8115-61300	72	16
1A8115-61310	73	6
1A8115-61340	72	17
1A8115-61350	72	10
1A8115-61362	73	7
1A8115-61390	73	8
		9
		20
	75	26
	78	18
1A8115-61401	72	10 A
1A8115-61452	73	10
1A8115-61470	73	11
1A8115-61480	73	12
1A8115-61510	73	13
1A8115-61520	73	21

Parts No.	Fig. No.	Ref. No.
1A8115-61530	72	7
1A8115-61550	72	11
		11 -1
1A8115-61580	72	8
1A8115-61700	77	3
1A8115-61850	72	10 B
1A8115-61890	5	6
1A8115-61900	72	20
1A8115-61950	2	53
1A8115-61960	2	54
1A8115-61970	2	34
1A8115-62090	75	3 -1
1A8115-62101	75	3
1A8115-62181	75	18
1A8115-62201	75	4
1A8115-62270	77	4
1A8115-62350	76	1
1A8115-62450	75	5
	76	2
1A8115-62490	7	22
	76	3
1A8115-62500	77	2
1A8115-62560	77	11
1A8115-62631	77	20
1A8115-62641	77	21
1A8115-62760	77	22
1A8115-62830	77	5
1A8115-62840	77	6
1A8115-62960	75	27
1A8115-63120	78	8
1A8115-63200	78	9
1A8115-63240	78	10
1A8115-63260	78	11
1A8115-63270	78	12
1A8115-63300	78	13
1A8115-63401	75	7
1A8115-63610	75	8
1A8115-65110	79	11
1A8115-65120	79	12
1A8115-65210	79	13
1A8115-65220	79	14
1A8115-65250	79	15
1A8115-65511	79	4
1A8115-65651	79	6
1A8115-65660	79	7
1A8115-65670	79	8
1A8115-65780	79	17
1A8115-84820	73	22
1A8115-85050	83	1
1A8115-85090	83	2 -1

Parts No.	Fig. No.	Ref. No.
1A8115-85090	86	1
1A8115-85100	83	2
1A8115-85390	83	3
	86	2
1A8115-85510	83	4
	86	3
1A8115-85520	83	5
	86	4
1A8115-85750	83	6
	86	5
1A8275-72180	81	20 -1
		27 -1
1A8310-22480	26	6 -1
1A8310-44410	60	19
1A8310-44420	60	7 -1
1C6140-12060	78	4
1C6281-52320	56	42
	57	13
	72	13 -1
1C6360-65700	43	13
		14
		15
1C6900-23020	16	10
1C6900-23120	17	6
1C6900-23150	17	7
1C6920-36260	70	2
1D2180-22130	30	1
1E6102-83230	23	8
	66	13
		16
	67	13
		15
1E6190-54080	12	5
	30	4
1E6650-82400	68	4
1E6680-66470	28	13
	65	11
1E8050-05510	7	1
1E8660-53100	16	11
1E8945-85480	23	9
22117-080000	61	57
22117-100000	63	17
22117-140000	20	17
22137-060000	3	4
	41	2
22137-080000	20	18
	63	18
	72	12
22137-100000	20	19
	43	16

Parts No.	Fig. No.	Ref. No.
22137-100000	43	17
		18
	57	15
	77	7
22137-120000	35	6
22137-160000	20	37
	81	18
		26
22157-060000	2	39
		40
	66	22
22157-080000	2	41
	5	7
	6	15
	8	19
	20	29
		30
	56	24
	58	4
	73	15
	75	10
		21
22190-060000	6	16
22190-080000	44	8
22190-080003	72	12 -1
22190-100000	28	4
	38	8
	40	8
	42	9
	44	9
22217-080000	7	24
22217-120000	24	11
22217-140000	77	17
22217-160000	60	10
	81	40
22222-100000	69	14
		15
22242-000200	20	31
22242-000220	14	3
22242-000260	55	9
22242-000290	32	19
	33	5
22242-000300	12	6
22242-000340	30	5
	34	9
22242-000400	60	11
22252-000190	36	4
22252-000220	25	8
22252-000620	16	5
22252-000720	17	10



## Parts No. Index

Parts No.	Fig. No.	Ref. No.
22252-000800	17	11
22272-000060	63	19
22272-000080	63	20
22272-000090	20	20
22272-000120	20	21
22272-000150	39	8
		9
	45	5
22272-000190	56	33
22292-000250	21	6
22292-000280	32	20
22312-080140	27	13
	28	5
		6
	29	4
	50	7
	59	12
22312-100180	17	12
22351-035025	44	10
22351-040012	61	58
22351-040032	20	32
22351-040040	13	8
	49	9
22351-050020	81	19
22351-050025	81	10
22351-050040	51	6
22351-050045	56	34
22351-050056	60	12
22351-060025	40	9
	44	11
		12
22351-060028	61	59
22351-060032	38	9
	42	10
22351-060050	63	21
22351-080018	24	12
	25	3
22351-080032	51	7
22351-080040	51	8
22351-080045	56	35
22360-200000	82	6
22372-080000	63	22
	72	13
22372-120000	78	14
22417-160180	3	5
	41	3
22417-200200	75	11
22417-250300	57	16
22417-320320	81	20
		27

Parts No.	Fig. No.	Ref. No.
22417-400250	21	24
	81	41
22417-400400	11	13
		14
22487-060160	41	4
22487-080160	2	42
22522-030130	63	23
22693-320641	72	10 C
23000-019000	6	17
23000-035000	2	43
23000-054000	14	7
23000-060000	8	15
23000-070000	8	16
23065-070180	2	14
23065-160650	6	18
23414-200026	61	60
23414-220000	28	7
23491-140002	27	14
23871-010000	27	15
23887-180002	27	16
23887-220002	28	8
23980-730060	2	44
	7	12
23980-730180	7	13
23980-730200	2	45
23980-730310	7	14
23980-730420	7	15
23980-730510	7	15 -1
23980-730530	2	46
	7	16
23980-730730	7	17
24101-060044	32	2 -1
24101-060054	30	6
24101-060074	49	10
24101-060084	17	13
24101-060104	17	14
24101-060114	13	11
24101-062034	33	6
24101-062044	33	7
24101-062064	17	22
	30	7
	32	21
	47	5
24101-062074	15	4
	18	7
	49	11
24101-062094	18	8
	53	4
24101-063044	31	3
	32	22

Parts No.	Fig. No.	Ref. No.
24101-063044	37	9
24101-063054	12	7
	36	5
24101-063064	52	3
24101-063074	34	10
	53	5
24104-060054	25	9
24104-062064	17	23
24161-253013	32	23
24161-253017	32	23 -1
	35	7
	89	3
	91	6
24161-253020	37	10
24161-303513	32	24
24161-303520	32	24 -1
	90	3
	91	7
24161-323717	32	3 -1
	91	8
24161-404517	37	11
24190-080001	44	13
24190-100001	38	10
	40	10
	42	11
	48	7
24190-160001	61	61
24190-170001	55	10
24311-000050	61	62
24311-000140	28	9
		14
	62	24
	65	12
24311-000150	44	14
24311-000160	1	13
	27	17
	35	8
	38	11
	40	11
	42	12
	48	8
24311-000180	16	12
	27	18
	62	29
	68	14
24311-000200	51	9
	63	24
	65	13
		14
		15

Parts No.	Fig. No.	Ref. No.
24311-000260	60	13
	65	16
24311-000340	65	26
24311-000400	60	14
24311-000420	14	8
24311-000440	60	15
24311-000850	6	19
24315-000090	61	63
24315-000100	62	19
24315-000110	61	65
24315-000120	23	10
	61	67
24315-000140	61	69
		78
24315-000160	62	25
24315-000180	62	20
		26
24315-000220	62	21
24315-000350	21	20
24321-000450	14	9
24321-000750	1	14
	10	11
		20
24321-000950	17	15
24325-000250	61	79
24325-000700	61	80
24351-020300	59	13
24421-203007	24	4 -1
24421-305011	28	10
24421-306210	16	6
24512-053044	34	11
24550-012100	20	14
24550-016100	39	4
		7
	45	2
24550-020200	24	3 -1
24550-025150	21	21
24550-025200	56	12 -1
		17 -1
		30 -1
24761-010000	10	6
		12
		18
		21
	39	4 A
		7 A
	45	3
	57	7
		9
24761-040000	60	16

## Parts No. Index

Parts No.	Fig. No.	Ref. No.
24761-050000	60	16 -1
24761-060000	11	7
		12
	21	11
		22
	81	21
26013-060302	2	47
26013-080162	73	16
		17
26013-080202	73	18
	75	12
	76	4
26013-080252	75	14
	78	19
26013-080652	75	13
	76	5
26013-100302	77	8
26013-120252	9	9
26013-120302	16	7
26013-120352	24	13
	82	7
	83	7
		8
	86	6
		7
26013-120402	16	8
	77	25
26013-120552	27	19
26013-120652	82	8
26013-140352	83	9
	86	8
26016-080252	61	71
26016-080502	61	72
26018-060202	2	48
	75	22
	78	15
26018-060252	65	17
26022-050102	6	9
26106-060122	2	7
		8
		9
		49
	3	6
	57	17
	60	17
	68	5
26106-060162	3	12
	71	3
	73	19
26106-060202	65	18

Parts No.	Fig. No.	Ref. No.
26106-060252	6	20
26106-060402	3	13
26106-060452	65	19
26106-080102	23	11
		12
	72	18
26106-080122	5	8
		9
	7	18
	24	14
	37	13
	66	17
		18
		23
	67	16
	75	23
26106-080162	5	10
	6	21
	7	25
	8	17
	14	10
		11
	23	13
	24	7
	25	4
	27	20
		21 -1
	39	10
		11
		12
	42	13
	56	44
	63	25
		30
	65	20
	67	14
	75	15
		24
	77	9
		12
26106-080202	8	20
	21	23
	25	10
	27	21
	45	6
	58	5
	65	21
	78	16
26106-080252	5	11
	7	26

Parts No.	Fig. No.	Ref. No.
26106-080252	20	33
	27	22
	29	5
	55	11
	59	14
	65	27
26106-080302	2	50
	65	22
	75	16
26106-080352	20	22
26106-080402	34	12
	38	12
	48	9
	50	8
26106-080452	27	23
26106-080502	34	12 -1
		12 -2
	63	26
	87	5
26106-080504	72	14
26106-080552	62	27
26106-080802	27	24
26106-080852	7	27
26106-100162	28	11
	38	13
26106-100202	51	11
26106-100252	10	13
		14
	18	9
	27	25
	49	15
	59	15
26106-100302	17	16
	28	12
	44	15
26106-100352	24	8
26106-100402	59	16
26106-100452	9	5
26106-100502	27	26
	50	9
26106-100552	9	6
26106-100902	61	81
26106-101102	50	10
26106-120252	77	10
		28
26108-120702	24	15
26116-080162	49	12
26116-120402	77	26
26116-120502	77	27
26116-160802	83	10

Parts No.	Fig. No.	Ref. No.
26116-160802	86	9
26136-100162	22	2
	23	14
26306-080002	1	15
		16
26346-060002	75	11 -1
26346-080002	20	23
26346-160002	83	11
	86	10
26356-160002	20	38
26366-080002	38	14
	40	12
	48	10
26376-120002	55	12
26450-080122	17	17
26450-080402	26	2 -1
26557-060202	66	20
26657-060002	6	22
26707-100002	43	4
		8
		12
	56	7
		40
26716-080002	7	28
	56	25
	63	27
		28
	72	9
		19
26716-100002	17	18
	20	24
26716-120002	24	16
	83	12
	86	11
26716-140002	77	18
26736-160002	60	18
	81	42
26756-060002	61	73
26757-200002	81	22
26776-100002	69	16
		17
26776-160002	62	22
26986-080002	2	51
27260-200000	27	27
	61	74
27260-220000	27	3
27260-320000	65	23 -1
27260-350000	24	5 -1
29420-050000	66	6
29420-100000	66	7

# Parts No. Index

Parts No.	Fig. No.	Ref. No.
29420-150000	66	8
29622-140001	7	29
		30
	67	8
29622-250001	23	15
	66	21

Parts No.	Fig. No.	Ref. No.
-----------	----------	----------

Parts No.	Fig. No.	Ref. No.
-----------	----------	----------

Parts No.	Fig. No.	Ref. No.
-----------	----------	----------