

0CNP5-M14600EN

Contents

OCNP5-M14600

Fig. No.	Fig. Name
ENGINE CONTROL SECTION	
1.	ENGINE RELATED
2.	ENGINE ACCESSORIES
3.	ACCEL LEVER
4.	EXHAUST
5.	FUEL TANK
6.	TANK BRACKET
7.	FUEL PIPE
8.	SHUTTER PLATE
FRONT AXLE SECTION	
9.	FRONT BRACKET
10.	CENTER PIN
11.	KNUCKLE ARM
12.	TIE ROD
13.	RING GEAR
14.	DIFFERENTIAL GEAR
15.	PROPELLER SHAFT
16.	FRONT SHAFT(1
17.	FRONT AXLE CASE
18.	FRONT GEAR CASE
19.	FRONT SHAFT(2
20.	FRONT SPINDLE
21.	SHAFT COVER
22.	FRONT WHEEL TIRE

Fig. No.	Fig. Name
23.	HUB BOLT
24.	STEERING WHEEL
25.	PST CYLINDER
26.	PST VALVE
27.	PST PIPING
TRANSMISSION SECTION	
28.	CLUTCH HOUSING
29.	DOCKING BOLT
30.	SINGLE CLUTCH
31.	CLUTCH RELEASE
32.	CLUTCH PEDAL
33.	TRANSMISSION CASE
34.	CENTER PLATE
35.	OIL STRAINER
36.	MAIN SHAFT
37.	DRIVEN SHAFT
38.	COUNTER SHAFT
39.	REDUCTION SHAFT
40.	REVERSE GEAR
41.	CONNECTING SHAFT
42.	PTO DRIVE SHAFT
43.	PTO SHAFT
44.	PTO SHAFT COVER
45.	MAIN CHANGE LEVER

Contents

OCNP5-M14600

Fig. No. Fig. Name

- 46. MAIN CHANGE
- 47. REVERSER CHANGE
- 48. REVERSER LEVER
- 49. SUB CHANGE LEVER
- 50. PTO CHANGE
- 51. FRONT DRIVE
- 52. FRONT SHIFT

REAR AXLE SECTION

- 53. RING GEAR,DIFFERENTIAL GEAR
- 54. REAR HOUSING
- 55. DIFFERENTIAL LOCK
- 56. FINAL PINION
- 57. REAR AXLE SHAFT
- 58. REAR WHEEL TIRE
- 59. HUB BOLT
- 60. BRAKE
- 61. BRAKE PEDAL

HYDRAULIC CONTROL SECTION

- 62. HYDRAULIC CYLINDER CASE
- 63. PISTON & LIFT CRANK
- 64. CONTROL VALVE
- 65. RELIEF VALVE
- 66. STOP VALVE

Fig. No. Fig. Name

- 67. SAFETY VALVE
- 68. HYDRAULIC CONTROL
- 69. HYDRAULIC PIPING
- 70. HYDRAULIC FILTER
- 71. SEAL
- 98. PLUG

ELECTRICAL PARTS SECTION

- 72. WIRE HARNESS
- 73. BATTERY
- 74. SWITCHES
- 75. LAMPS
- 76. FRONT LAMPS
- 77. METER
- 78. HORN
- 79. RELAY

FITTINGS SECTION

- 80. FRONT FRAME
- 81. FRAME,HOOD
- 82. HOOD
- 83. FRONT GRILLE
- 84. SIDE COVER
- 85. DASHBOARD
- 86. FENDER

Contents

OCNP5-M14600

Fig. No. Fig. Name

87. STEP

88. SEAT

89. LABELS

90. LABELS(SAFETY)

HITCH SECTION

91. TOP LINK

92. LIFT LINK(R)

93. LIFT LINK(L)

94. LOWER LINK & CHECK CHAIN

95. DRAWBAR HITCH

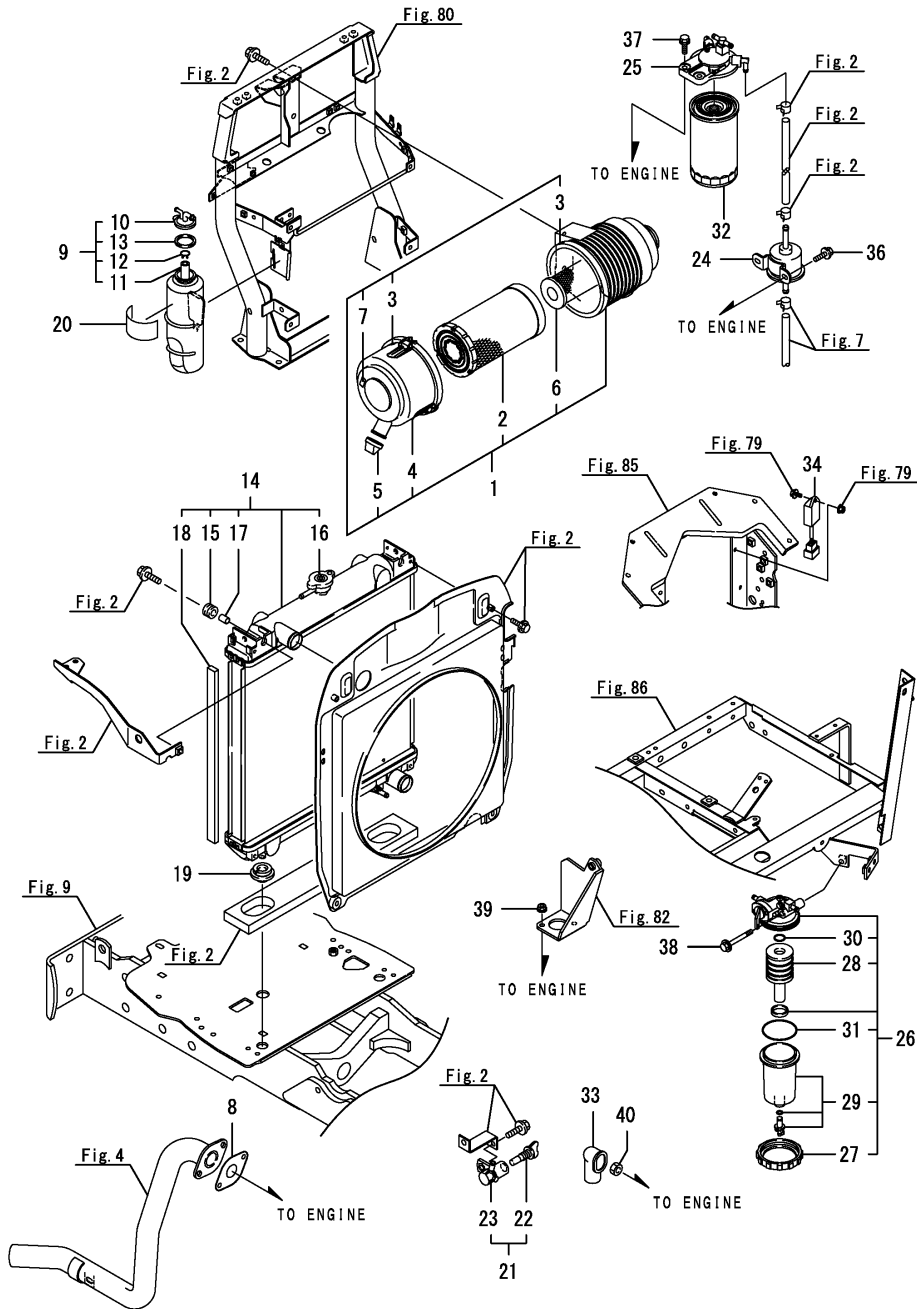
96. SAFETY FRAME

ACCESSORIES SECTION

97. ACCESSORIES

Fig. No. Fig. Name

Fig.1. ENGINE RELATED



(A)=EF453TM-PQ

(B)=

(C)=

(D)=

(E)=

(F)=

No.	Lev.	Parts No.	Description	Qty						I	R
				(A)	(B)	(C)	(D)	(E)	(F)		
1	1	129659-12520	CLEANER ASSY, AIR	1							
2	2	129906-12520	ELEMENT	1							
3	2	129418-12530	LABEL, MARK	2							
4	2	129900-12530	COVER ASSY	1							
5	2	119808-12540	VALVE, UNLOADER	1							
6	2	119005-12571	ELEMENT	1							
7	2	129612-12650	LABEL, MARKING	1							
8	1	129052-13550	GASKET,NOZZLE	1							
9	1	129263-44510	TANK ASSY, SUB	1							
10	2	121450-44531	CAP	1							
11	2	23065-070180	PIPE, 7X 180	1							
12	2	124450-44560	RETAINER	1							
13	2	121470-44581	GASKET	1							
14	1	129659-44510	RADIATOR ASSY	1							
15	2	129467-44580	MOUNT, RUBBER	2							
16	2	129107-44590	CAP, RADIATOR	1							
17	2	129467-44590	COLLAR	2							
18	2	129956-44730	SEAL, RADIATOR	4							
19	1	119255-44660	ABSORBER	2							
20	1	124764-44810	LABEL,SUB-TANK	1							
21	1	129550-49101	COCK ASSY, 2-WAY	1							
22	2	129150-49081	COCK, DRAIN	1							
23	2	129550-49090	BODY, 2-WAY COCK	1							
24	1	119225-52102	PUMP ASSY, FUEL FEED	1							
25	1	119934-55611	BRACKET, FILTER	1							
26	1	119802-55700	SEPARATOR ASSY	1							
27	2	129100-55690	RING, RETAINING	1							
28	2	119802-55710	ELEMENT	1							
29	2	119802-55730	CUP ASSY	1							
30	2	24311-000160	O-RING, 1AP16.0	1							
31	2	24321-000650	O-RING, 1AG65.0	1							
32	1	129907-55810	FILTER, FUEL	1							
33	1	124550-77030	COVER, TERMINAL	1							
34	1	129211-77920	TIMER	1							
36	1	26106-060122	BOLT, M6X 12 PLATED	2							
37	1	26106-080302	BOLT, M8X 30 PLATED	2							
38	1	26106-080702	BOLT, M8X 70 PLATED	1							
39	1	26306-080002	NUT, M8	2							
40	1	26756-060002	NUT, LOCK M6	1							

Fig.2. ENGINE ACCESSORIES

(A)=EF453TM-PQ

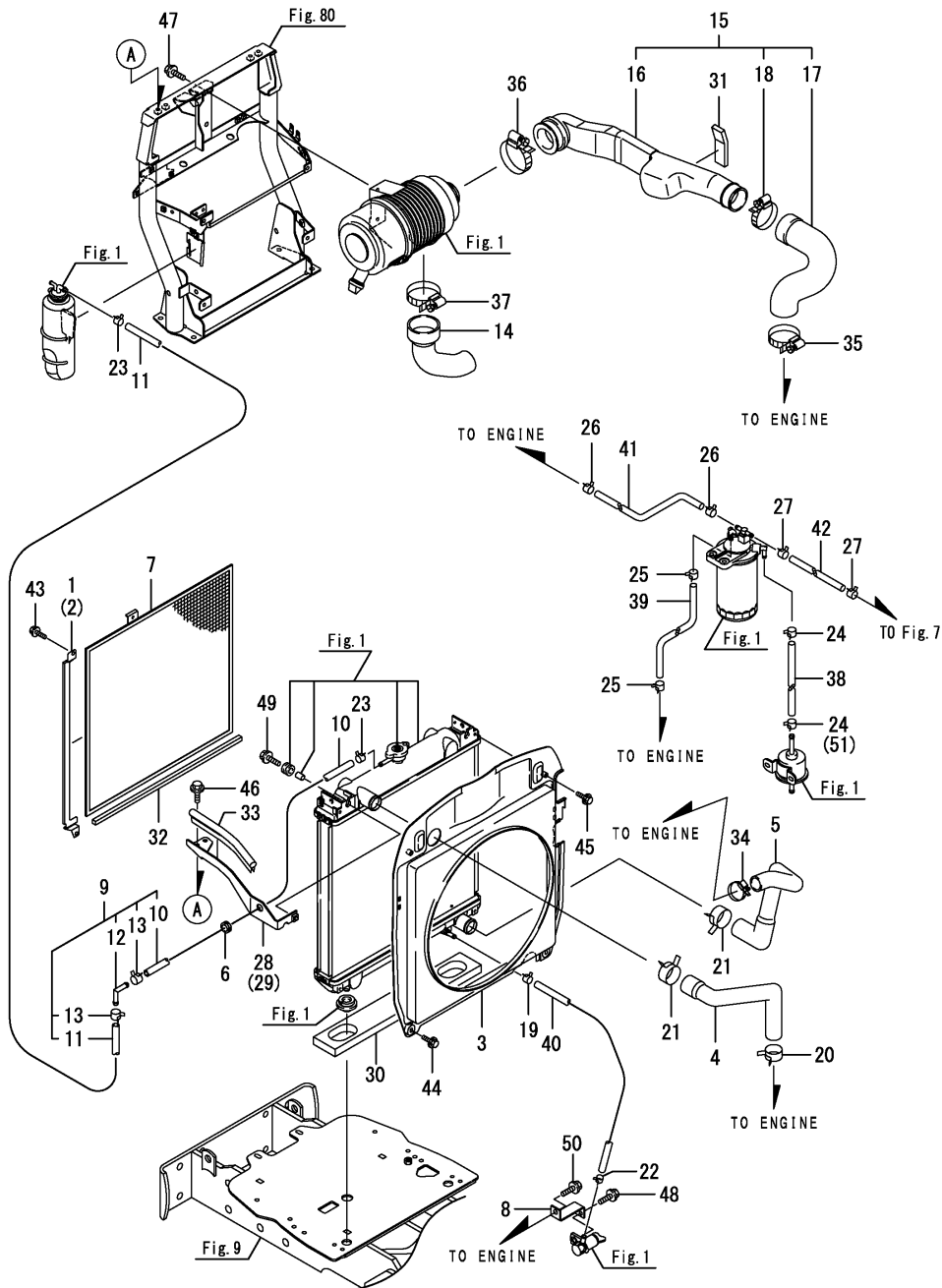
(B)=

(C)=

(D)=

(E)=

(F)=



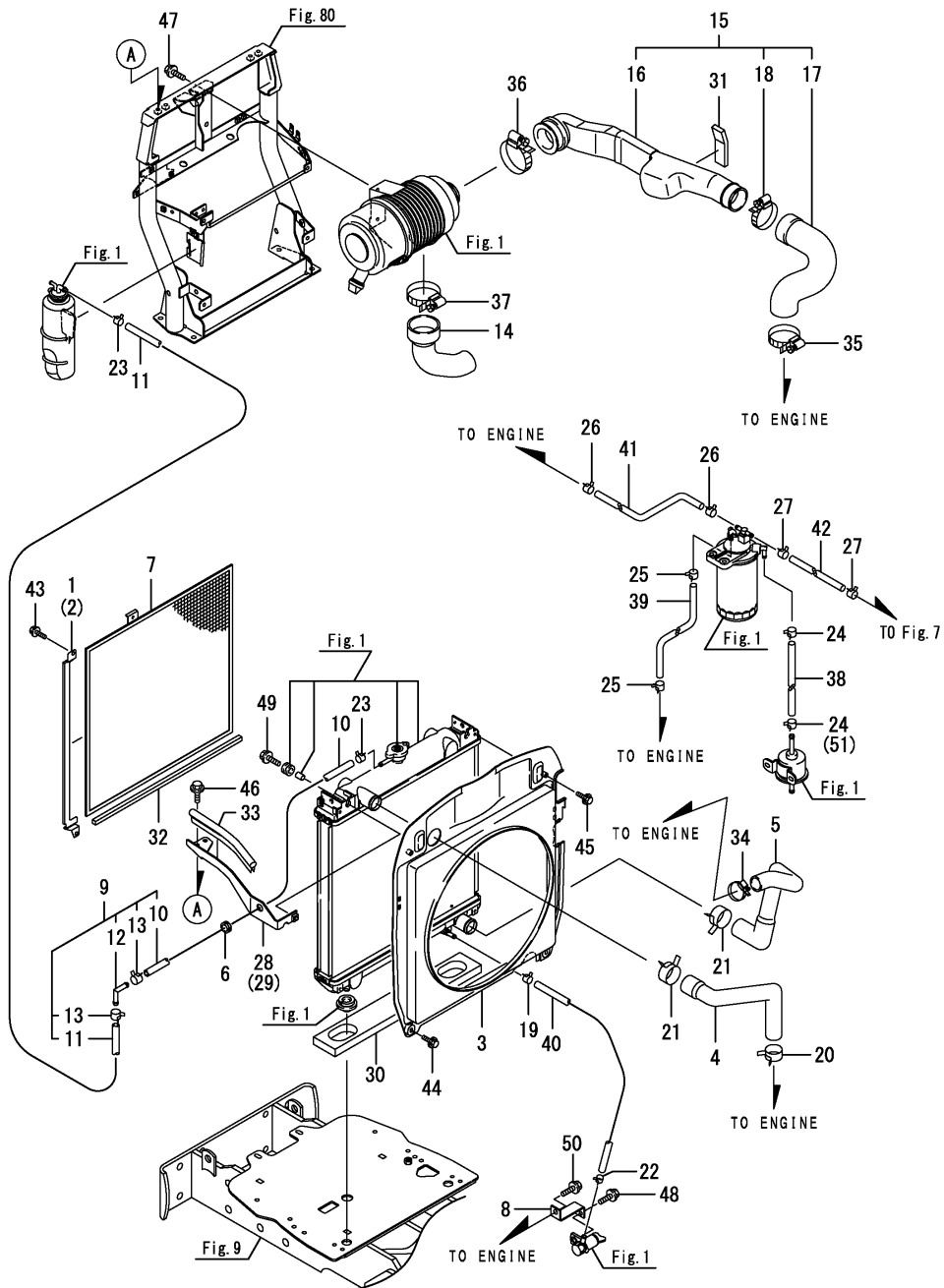
No.	Lev.	Parts No.	Description	(A)	(B)	(C)	(D)	(E)	(F)	Q'ty	I	R
1	1	1A7260-01030	RAIL, RADIATOR L	1								
2	1	1A7260-01040	RAIL, RADIATOR R	1								
3	1	1A7260-01200	SHROUD, FAN	1								
4	1	1A7260-01210	PIPE, WATER A	1								
5	1	1A7260-01220	PIPE, WATER B	1								
6	1	194180-01240	GROMMET, 13	1								
7	1	1A7780-01250	SCREEN, RADIATOR	1								
8	1	198242-02310	STAY, DRAIN	1								
9	1	1A7260-03151	HOSE ASSY, OVERFLOW	1								
10	2	1A7260-03160	PIPE, OVERFLOW A	1								
11	2	1A7260-03170	PIPE, OVERFLOW B	1								
12	2	1A7260-03180	ELBOW	1								
13	2	124766-59050	CLIP, HOSE 12	2								
14	1	1A7300-06100	HOSE, INTAKE	1								
15	1	1A7310-06200	PIPE ASSY, INTAKE	1								
16	2	1A7300-06210	PIPE, AIR INTAKE A	1								
17	2	1A7270-06220	PIPE, AIR INTAKE B	1								
18	2	129956-12160	CLAMP, HOSE	1								
19	1	106990-44660	CLIP, HOSE 12.5	1								
20	1	175022-49730	CRIP 31, HOSE	1								
21	1	175022-49750	CLIP 37, HOSE	2								
22	1	124766-59050	CLIP, HOSE 12	1								
23	1	124766-59050	CLIP, HOSE 12	2								
24	1	124766-59050	CLIP, HOSE 12	2								
24-1	1	124766-59050	CLIP, HOSE 12	1								K
(A=FZZZZZ)												
25	1	124766-59050	CLIP, HOSE 12	2								
26	1	124766-59050	CLIP, HOSE 12	2								
27	1	124766-59050	CLIP, HOSE 12	2								
28	1	1A7270-60211	STAY ASSY, RADIATOR	1								
29	1	1A7270-60221	STAY ASSY, RADIATOR	1								
30	1	1A7260-60860	URETHANE, RADIATOR	1								
31	1	1A7260-60880	URETHANE, HOSE	1								
32	1	198071-61990	URETHANE, RADIATOR	2								
33	1	198146-63660	WEATHER-STRIP, 250	2								
34	1	23000-035000	CLAMP, 35	1								
35	1	23000-070000	CLAMP, 70	1								
36	1	23000-080000	CLAMP, 80	1								
37	1	23010-075000	CLAMP, 75	1								
38	1	23980-730250	HOSE, 7.3X 250	1								
39	1	23980-730400	HOSE, 7.3X 400	1								
40	1	23980-730400	HOSE, 7.3X 400	1								
41	1	23980-730420	HOSE, 7.3X 420	1								
42	1	23980-730760	HOSE, 7.3X 760	1								
43	1	26106-060122	BOLT, M6X 12 PLATED	4								
44	1	26106-060122	BOLT, M6X 12 PLATED	2								
45	1	26106-060252	BOLT, M6X 25 PLATED	2								
46	1	26106-080162	BOLT, M8X 16 PLATED	4								
47	1	26106-080162	BOLT, M8X 16 PLATED	2								
48	1	26106-080252	BOLT, M8X 25 PLATED	1								
49	1	26106-080252	BOLT, M8X 25 PLATED	2								

N:Old $\xrightarrow{\text{Yes}}$ New, Q:Old $\xrightarrow{\text{No}}$ New, R:Old $\xrightarrow{\text{Yes}}$ New, S:Old $\xrightarrow{\text{No}}$ New, W:Add, Z:Discontinued, F:Interchangeable by set, K:Q'ty Change
 ++ CONTINUE ++
 Copyright (C) YANMAR CO., LTD. All Rights Reserved.

Fig.2. ENGINE ACCESSORIES

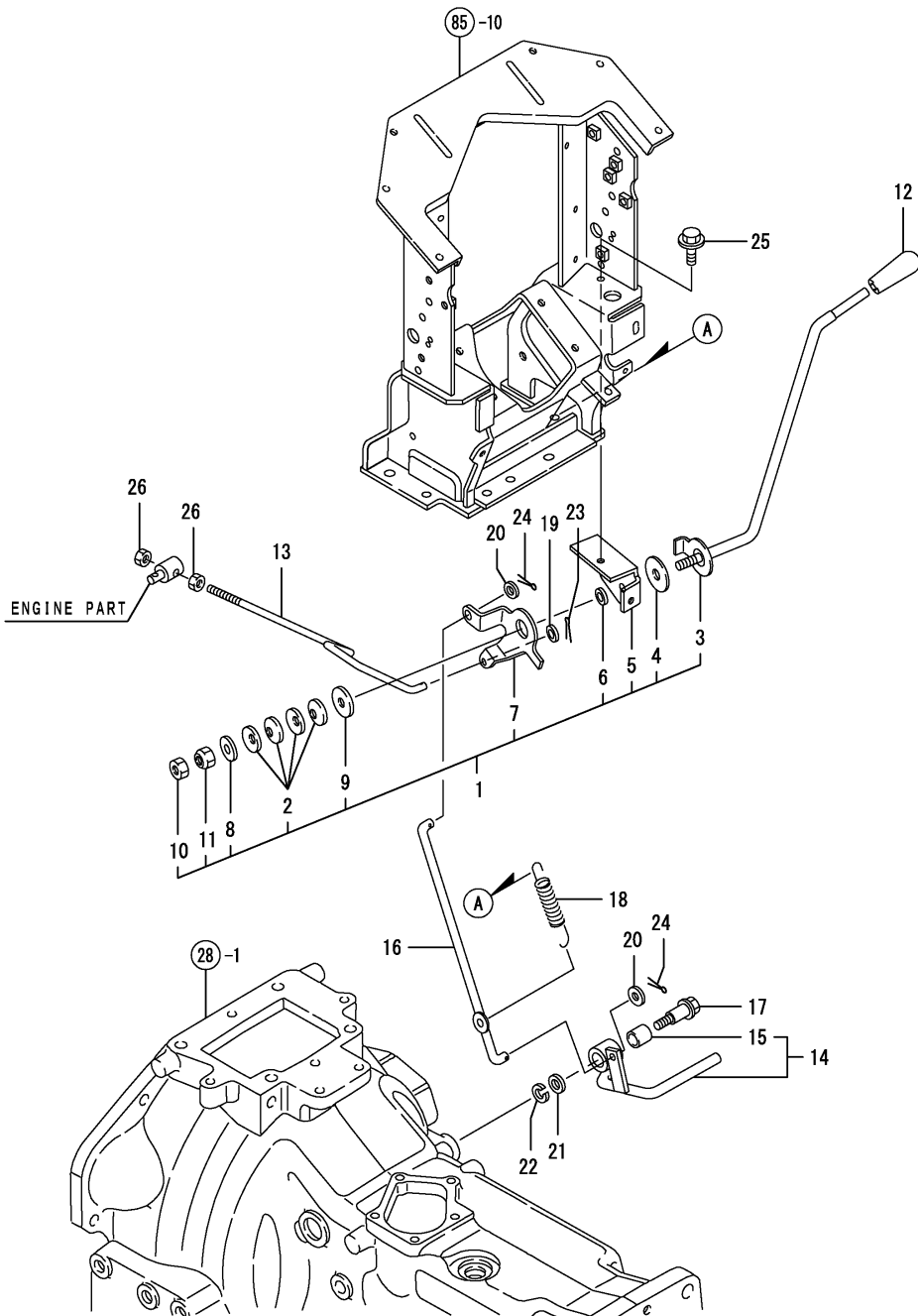
(A)=EF453TM-PQ
(B)=
(C)=

(D)=
(E)=
(F)=



No.	Lev.	Parts No.	Description	Q'ty						I	R
				(A)	(B)	(C)	(D)	(E)	(F)		
50	1	26106-100162	BOLT, M10X 16 PLATED	1							
51	1	114270-59010	CLIP, HOSE 12	1							W
(A=FZZZZZ)											

Fig.3. ACCEL LEVER



(A)=EF453TM-PQ

(B)=

(C)=

(D)=

(E)=

(F)=

No.	Lev.	Parts No.	Description	Q'ty						I	R
				(A)	(B)	(C)	(D)	(E)	(F)		
1	1	7A7780-01110	LEVER KIT	1							
2	2	194740-00160	SPRING, 10	4							
3	2	1A7780-01110	LEVER ASSY	1							
4	2	198165-01130	PLATE, FRICTION	1							
5	2	198220-01140	BRACKET, LEVER	1							
6	2	194150-01270	SPACER, 20	1							
7	2	198242-01350	LEVER, LINK	1							
8	2	194145-61570	WASHER, 10	1							
9	2	22157-100000	WASHER, 10	1							
10	2	26756-100002	NUT, LOCK M10	1							
11	2	26986-100002	NUT, LOCK M10	1							
11-1	2	26716-100002	NUT, M10	1							R
(A=FZZZZZ)											
12	1	198253-01190	KNOB, LEVER	1							
13	1	1A7780-01320	ROD, LINK	1							
14	1	198240-01400	PEDAL ASSY, THROTTLE	1							
15	2	24550-014200	BUSH, 14X20	1							
16	1	198240-01450	ROD, ACCELERATOR	1							
17	1	198240-01470	BOLT, M10	1							
18	1	194750-04400	SPRING, RETURN	1							
19	1	22137-080000	WASHER, 8	1							
20	1	22137-080000	WASHER, 8	2							
21	1	22137-100000	WASHER, 10	1							
22	1	22217-100000	WASHER, SPRING 10	1							
23	1	22417-250300	PIN, COTTER 2.5X30	1							
24	1	22417-250300	PIN, COTTER 2.5X30	2							
25	1	26106-080162	BOLT, M8X 16 PLATED	2							
26	1	26716-080002	NUT, M8	2							

Fig.4. EXHAUST

(A)=EF453TM-PQ
(B)=
(C)=

(D)=
(E)=
(F)=

No.	Lev.	Parts No.	Description	Q'ty						I	R
				(A)	(B)	(C)	(D)	(E)	(F)		
1	1	1A7780-03110	PIPE, EXHAUST	1							
2	1	26106-080202	BOLT, M8X 20 PLATED	1							
3	1	26106-080202	BOLT, M8X 20 PLATED	2							

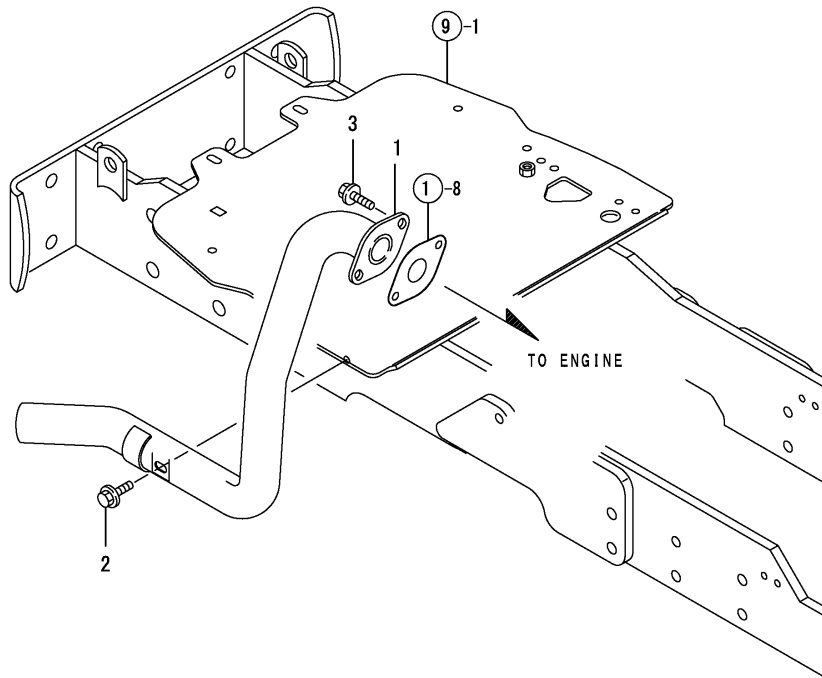
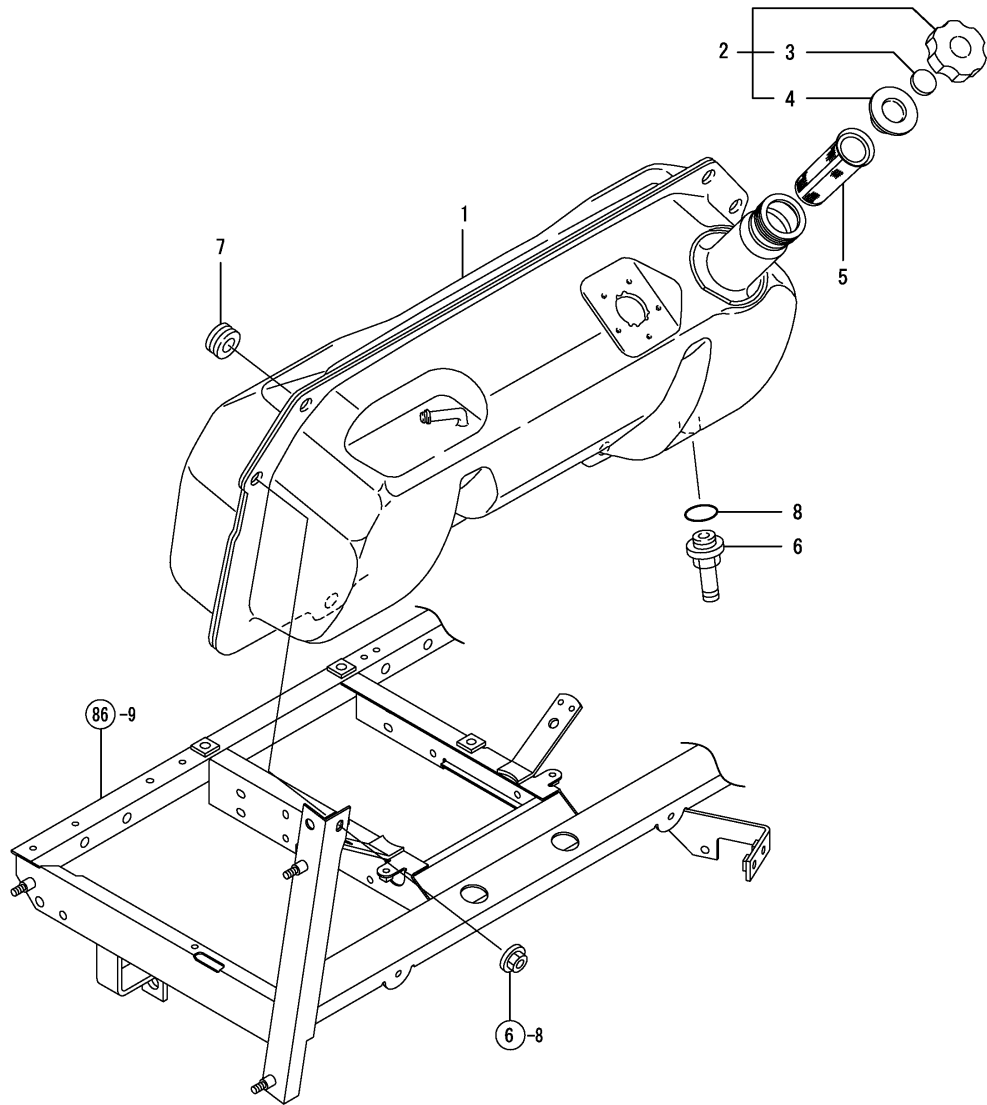


Fig.5. FUEL TANK

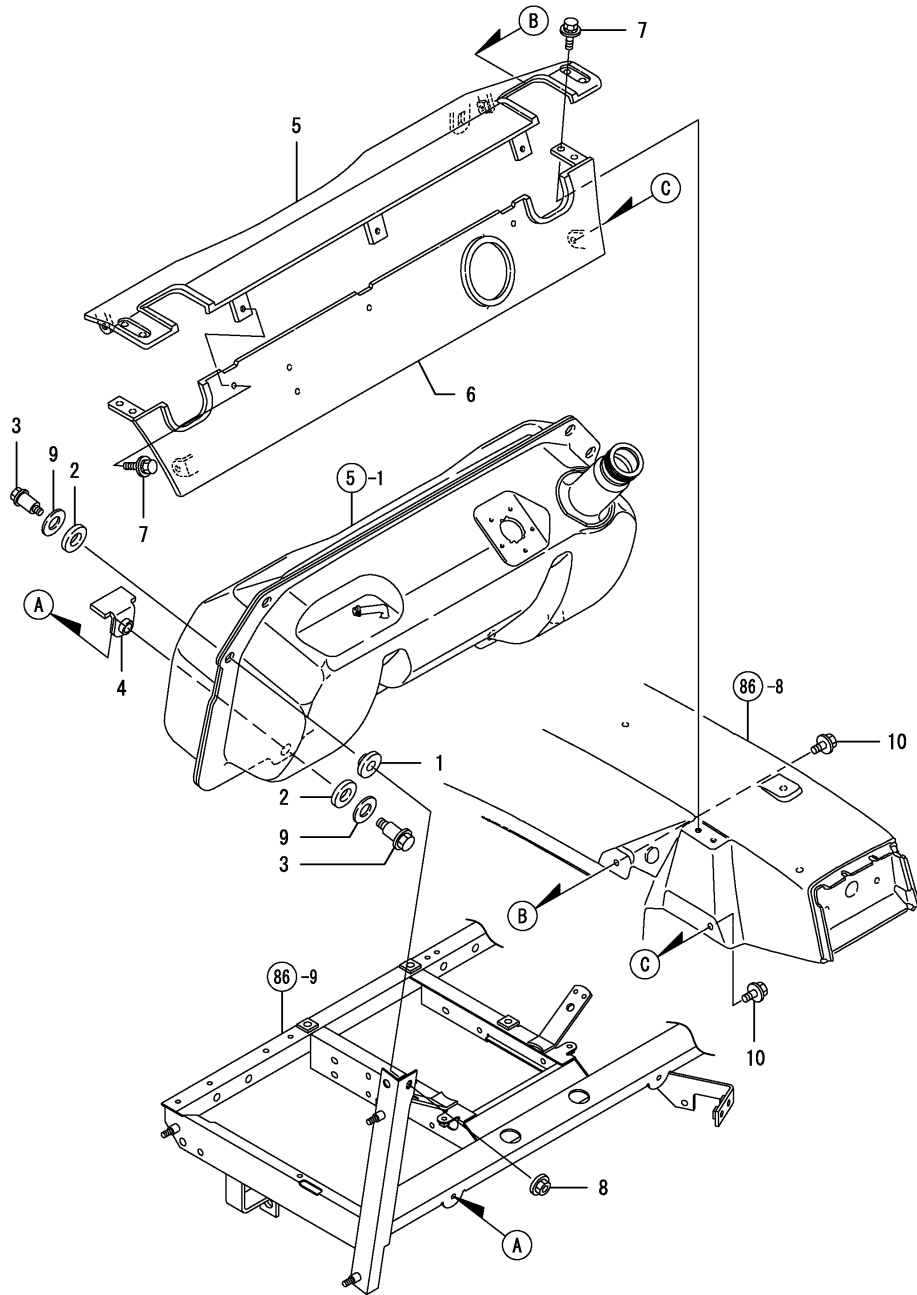


(A)=EF453TM-PQ
(B)=
(C)=

(D)=
(E)=
(F)=

No.	Lev.	Parts No.	Description	Q'ty						I	R
				(A)	(B)	(C)	(D)	(E)	(F)		
1	1	1A7780-04110	TANK ASSY, FUEL	1							
1-1	1	1A7780-04111	TANK ASSY, FUEL	1							N
(A=FZZZZZ)											
1-2	1	1A7780-04111-1	TANK ASSY, FUEL	1							R
(A=F008557)											
2	1	198071-04500	CAP ASSY, FILLER	1							
3	2	1A1120-61531	PACKING, FUEL CAP	1							
4	2	1A1120-61541	SEAL, RUBBER	1							
5	1	198072-04510	FILTER	1							
6	1	198230-04750	JOINT, PIPE	1							
7	1	194170-51210	GROMMET 25	1							
8	1	24311-000150	O-RING, 1AP15.0	1							

Fig.6. TANK BRACKET



(A)=EF453TM-PQ
(B)=
(C)=

(D)=
(E)=
(F)=

No.	Lev.	Parts No.	Description	Q'ty						I	R
				(A)	(B)	(C)	(D)	(E)	(F)		
1	1	194555-04260	PACKING, TANK A	2							
2	1	194555-04270	PACKING, TANK B	4							
3	1	194555-04280	BOLT, M8X26	4							
4	1	198220-04290	GASKET, TANK	2							
5	1	198320-04300	COVER, TANK FRONT	1							
6	1	1A7780-04350-2	COVER, TANK REAR M	1							
7	1	194155-05210	BOLT, M6X16	7							
7-1	1	26018-060162	BOLT, M6X 16	7							R
(A=FXXXXX)											
8	1	194990-22140	NUT, M8	2							
9	1	22157-120000	WASHER, 12	4							
10	1	26106-080162	BOLT, M8X 16 PLATED	4							

Fig.7. FUEL PIPE

(A)=EF453TM-PQ

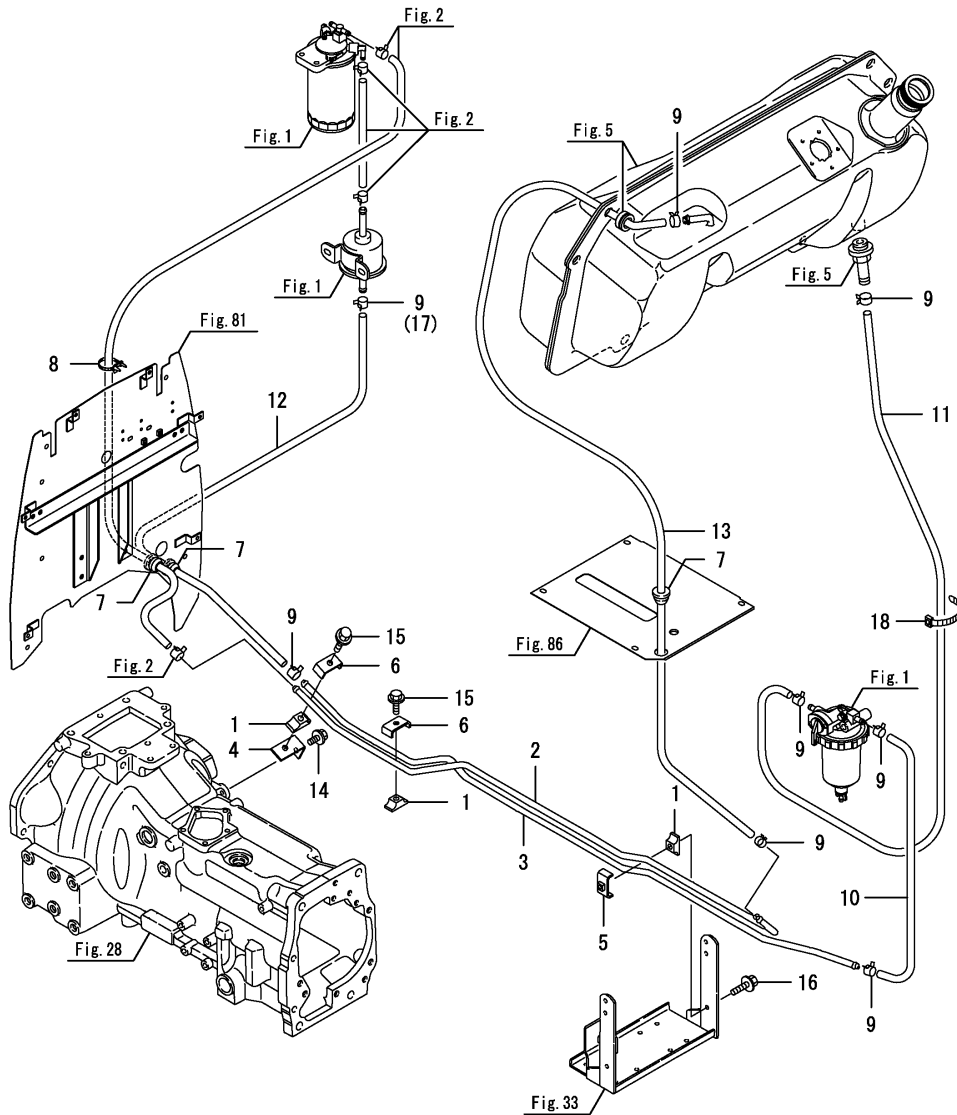
(B)=

(C)=

(D)=

(E)=

(F)=



No.	Lev.	Parts No.	Description	Q'ty						I	R
				(A)	(B)	(C)	(D)	(E)	(F)		
1	1	198240-04710	BASE, CLAMP	3							
2	1	198240-04750	PIPE, FUEL	1							
3	1	198240-04760	PIPE, FUEL	1							
4	1	198240-04770	BRACKET, PIPE	1							
5	1	198327-04840	CLAMP	1							
6	1	194180-17770	CLAMP, PIPE	2							
7	1	194170-51210	GROMMET 25	3							
8	1	198448-51910	CLIP, BAND	1							
9	1	124766-59050	CLIP, HOSE 12	8							
9-1	1	124766-59050	CLIP, HOSE 12	7							K
		(A=FZZZZZ)									
10	1	23980-730300	HOSE, 7.3X 300	1							
11	1	23980-730420	HOSE, 7.3X 420	1							
11-1	1	23980-730300	HOSE, 7.3X 300	1							N
		(A=FZZZZZ)									
12	1	23980-730450	HOSE, 7.3X 450	1							
13	1	23980-731200	HOSE, 7.3X1200	1							
14	1	26106-080162	BOLT, M8X 16 PLATED	1							
15	1	26106-080252	BOLT, M8X 25 PLATED	2							
16	1	26106-080302	BOLT, M8X 30 PLATED	1							
17	1	114270-59010	CLIP, HOSE 12	1							W
		(A=FZZZZZ)									
18	1	29622-140001	BAND, RF140	1							W
		(A=FZZZZZ)									

Fig.8. SHUTTER PLATE

(A)=EF453TM-PQ
(B)=
(C)=

(D)=
(E)=
(F)=

No.	Lev.	Parts No.	Description	Q'ty						I	R
				(A)	(B)	(C)	(D)	(E)	(F)		
1	1	1A7940-05510	PLATE, SHUTTER	1							
1-1	1	1A8205-05510 (A=FZZZZZ)	PLATE, SHUTTER	1							S
2	1	194990-22140	NUT, M8	2							

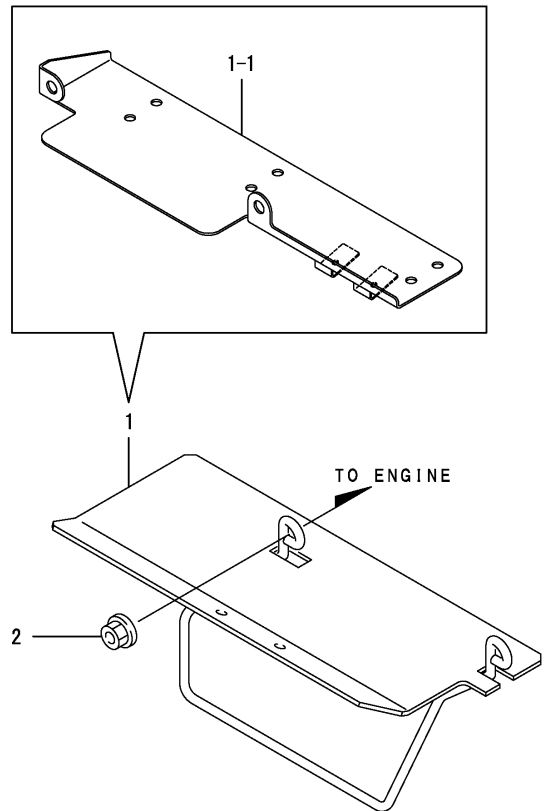


Fig.11. KNUCKLE ARM

(A)=EF453TM-PQ
(B)=
(C)=

(D)=
(E)=
(F)=

No.	Lev.	Parts No.	Description	Q'ty						I	R
				(A)	(B)	(C)	(D)	(E)	(F)		
1	1	198251-11800	ARM ASSY, KNUCKLE L	1							
1-1	1	198251-11800-1	ARM ASSY, KNUCKLE L	1							R
(A=F008557)											
2	2	23876-040000	PLUG, R04	1							
3	1	198251-11820	ARM ASSY, KNUCKLE R	1							
3-1	1	198251-11820-1	ARM ASSY, KNUCKLE R	1							R
(A=F008557)											
4	2	198251-13630	GAUGE, OIL LEVEL	1							
5	2	24311-000180	O-RING, 1AP18.0	1							
6	1	22217-120000	WASHER, SPRING 12	4							
7	1	22312-100180	PIN, PARALLEL M10X18	4							
8	1	26013-120802	BOLT, M12X 80	4							
9	1	26216-120352	STUD, M12X 35	4							
10	1	26716-120002	NUT, M12	4							

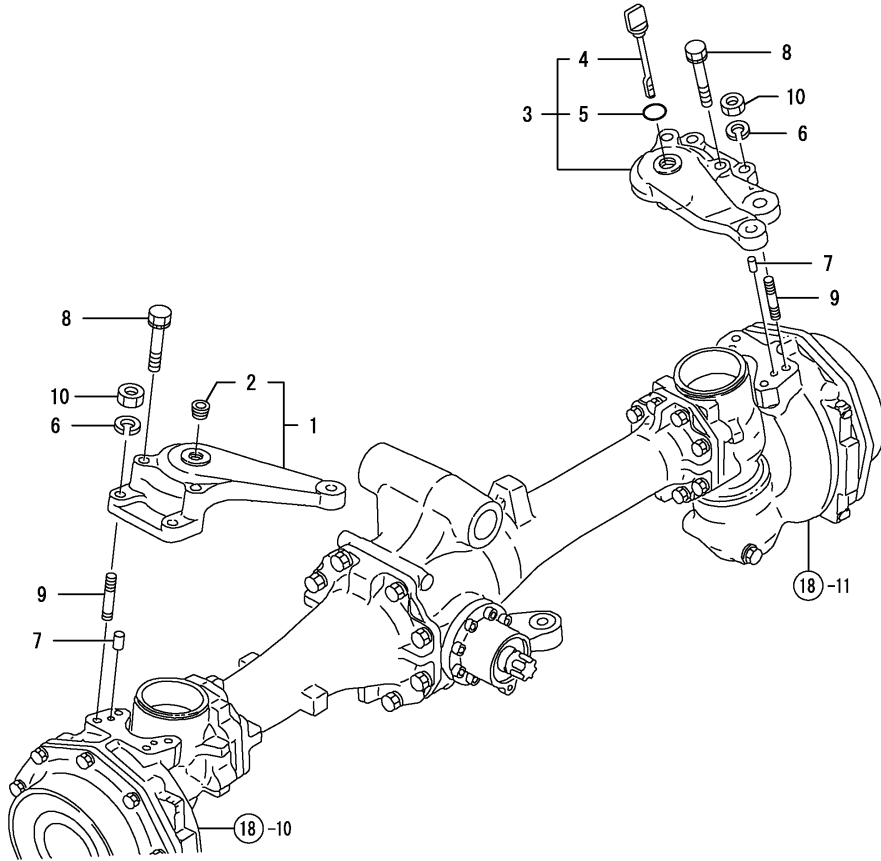
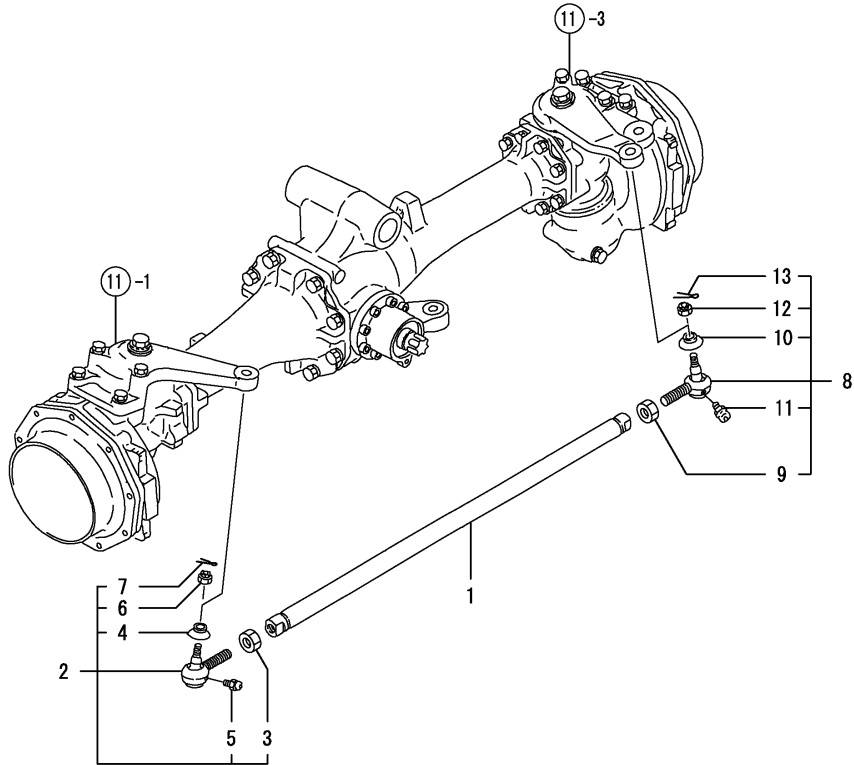


Fig.12. TIE ROD

(A)=EF453TM-PQ
(B)=
(C)=

(D)=
(E)=
(F)=



No.	Lev.	Parts No.	Description	Q'ty						I	R
				(A)	(B)	(C)	(D)	(E)	(F)		
1	1	198251-12310	TIE-ROD	1							
1-1	1	198251-12310-1	TIE-ROD	1							R
(A=F008557)											
2	1	198240-18120	END KIT, TIE-ROD LR	1							
2-1	1	198240-18120-2	TIRE-ROD END KIT(LR)	1							R
(A=F008557)											
3	2	194990-22831	NUT, LOCK M17 L	1							
4	2	194730-57220	COVER, DUCT	1							
5	2	24761-060000	NIPPLE, GREASE MT6X1	1							
6	2	198240-12590	NUT, M12	1							
7	2	22417-300250	PIN, COTTER 3.0X25	1							
8	1	198240-18130	END KIT, TIE-ROD RL	1							
8-1	1	198240-18130-2	END KIT, TIE ROD	1							R
(A=F008557)											
9	2	194990-22841	NUT, M17	1							
10	2	194730-57220	COVER, DUCT	1							
11	2	24761-060000	NIPPLE, GREASE MT6X1	1							
12	2	198240-12590	NUT, M12	1							
13	2	22417-300250	PIN, COTTER 3.0X25	1							

Fig.13. RING GEAR

(A)=EF453TM-PQ
(B)=
(C)=

(D)=
(E)=
(F)=

No.	Lev.	Parts No.	Description	Q'ty						I	R
				(A)	(B)	(C)	(D)	(E)	(F)		
1	1	198251-13100	GEAR ASSY, RING	1							
2	1	1A7780-13670	COLLAR, SEAL	1							
3	1	24101-060124	BEARING, BALL 6012	1							
4	1	24141-320070	BEARING, 32007	2							
5	1	24341-000315	O-RING, 1AS31.5	1							

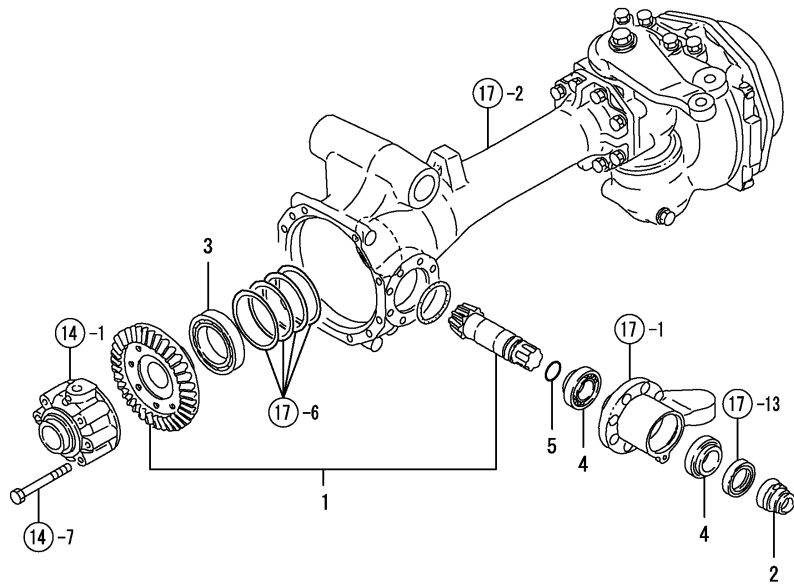


Fig.14. DIFFERENTIAL GEAR

(A)=EF453TM-PQ
(B)=
(C)=

(D)=
(E)=
(F)=

No.	Lev.	Parts No.	Description	Q'ty						I	R
				(A)	(B)	(C)	(D)	(E)	(F)		
1	1	194641-13210	CASE, DIFFERENTIAL	1							
2	1	194321-13230	PINION, DIFFERENTIAL	2							
3	1	194465-13240	LINER, DIFFERENTIAL	2							
4	1	194321-13250	GEAR, DIFFERENTIAL	2							
5	1	194465-13260	WASHER, DIFFERENTIAL	2							
6	1	194321-13270	SHAFT, DIFFERENTIAL	1							
7	1	194323-13290	BOLT, M10X70	6							
8	1	22312-100180	PIN, PARALLEL M10X18	2							
9	1	22351-035032	PIN, SPRING 3.5X32	1							
10	1	22351-060032	PIN, SPRING 6.0X32	1							
11	1	24101-060104	BEARING, BALL 6010	1							

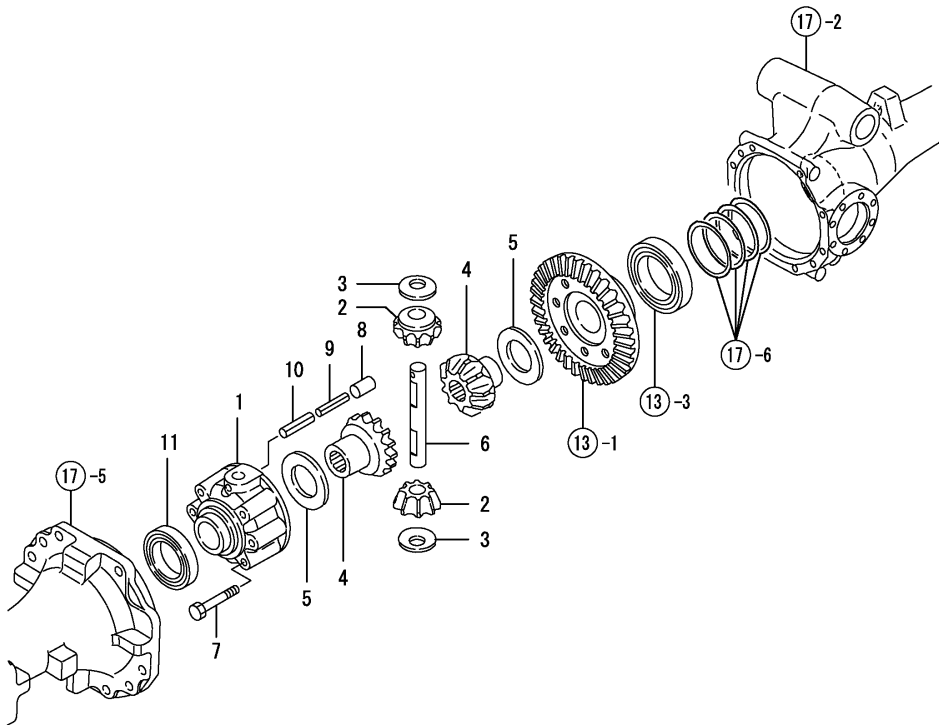
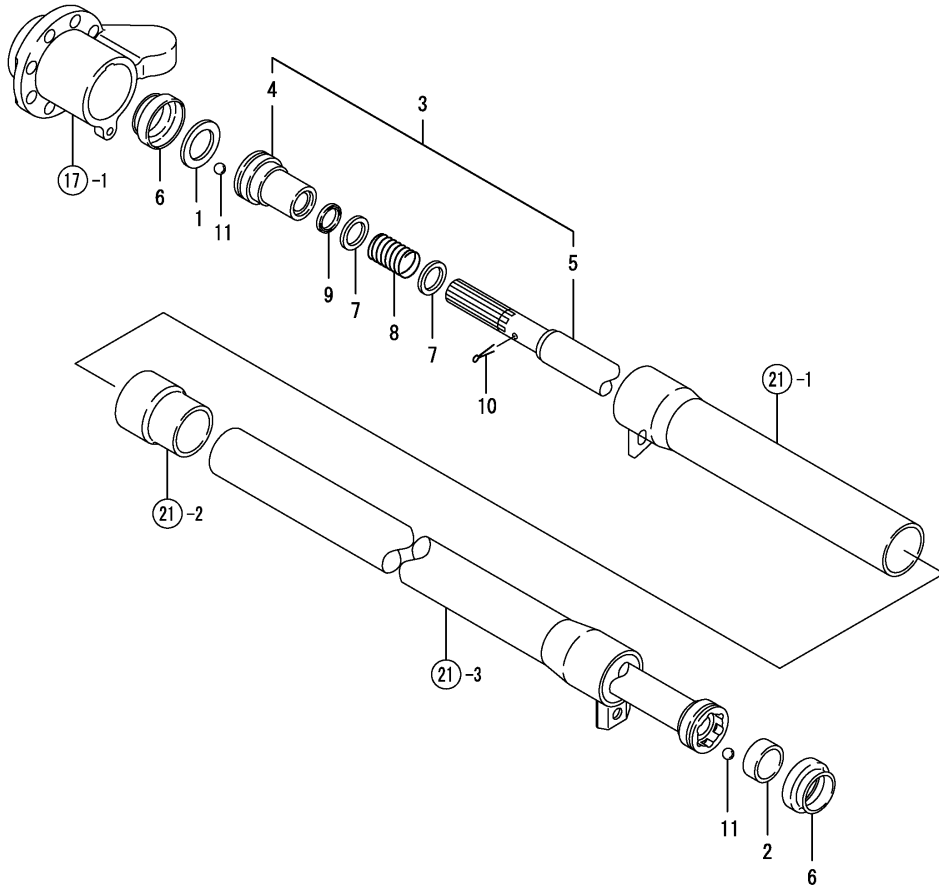


Fig.15. PROPELLER SHAFT

(A)=EF453TM-PQ
(B)=
(C)=

(D)=
(E)=
(F)=

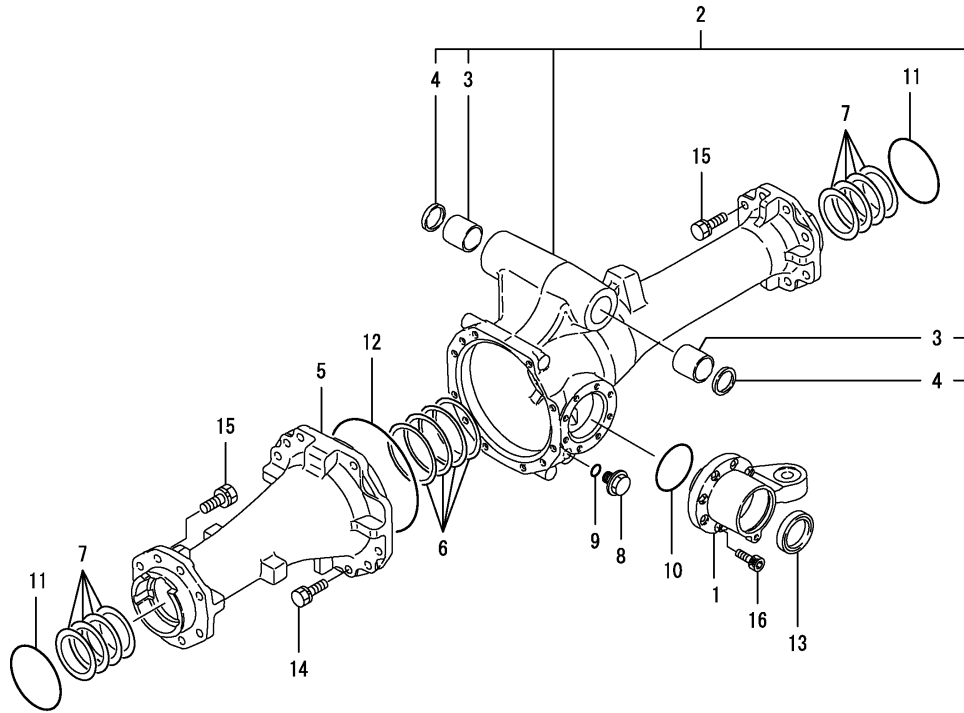


No.	Lev.	Parts No.	Description	Q'ty						I	R
				(A)	(B)	(C)	(D)	(E)	(F)		
1	1	198251-13270	SPACER, 33X48X 2	1							
2	1	198241-13280	SPACER, 33X40X15.5	1							
3	1	198137-13300	SHAFT ASSY,PROPELLER	1							
4	2	198133-13340	COUPLING, B	1							
5	2	198137-13350	SHAFT, PROPELLER	1							
6	1	194274-13350	BOOT, RUBBER	2							
7	1	194321-13360	WASHER, 25	2							
7-1	1	1A7260-43650	SPACER	2							R
(A=FZZZZZ)											
8	1	198441-13370	SPRING, RETAINER	1							
9	1	194321-13380	SEAL, SPLINE SHAFT	1							
10	1	22417-400500	PIN, COTTER 4.0X50	1							
11	1	24190-110001	BALL, STEEL 11/32	12							

Fig.17. FRONT AXLE CASE

(A)=EF453TM-PQ
(B)=
(C)=

(D)=
(E)=
(F)=



No.	Lev.	Parts No.	Description	Q'ty						I	R
				(A)	(B)	(C)	(D)	(E)	(F)		
1	1	198251-13450	RETAINER, BEARING	1							
1-1	1	198251-13450-1	RETAINER, BEARING	1							R
(A=F008557)											
2	1	198251-13600	HOUSING ASSY, AXLE R	1							
2-1	1	198251-13600-1	HOUSING ASSY, AXLE R	1							R
(A=F008557)											
3	2	198251-11220	BUSH, 35X41X40	2							
4	2	194321-11940	SEAL, OIL VB354105	2							
5	1	198251-13610	HOUSING, FRONT AXLE	1							
5-1	1	198251-13610-1	HOUSING, FRONT AXLE	1							R
(A=F008557)											
6	1	794321-13660	SHIM SET	1							
7	1	194641-13670	SHIM SET, PINION	1							
8	1	23491-140002	PLUG, 14	1							
9	1	24311-000160	O-RING, 1AP16.0	1							
10	1	24321-000700	O-RING, 1AG70.0	1							
11	1	24321-001000	O-RING, 1AG100.0	2							
12	1	24321-001700	O-RING, 1AG170.0	1							
13	1	24421-456209	SEAL, OIL TC456209	1							
14	1	26013-120302	BOLT, M12X 30	11							
15	1	26013-120302	BOLT, M12X 30	16							
16	1	26450-080252	BOLT, M8X 25	8							

Fig.18. FRONT GEAR CASE

(A)=EF453TM-PQ

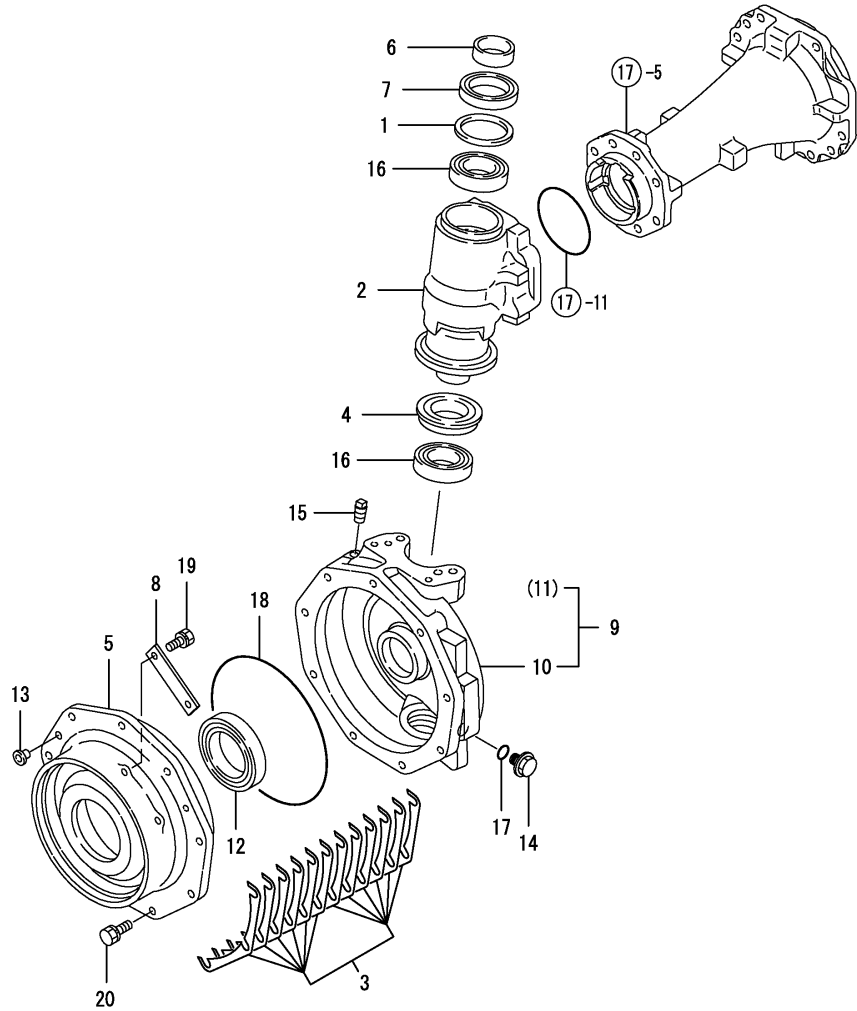
(B)=

(C)=

(D)=

(E)=

(F)=

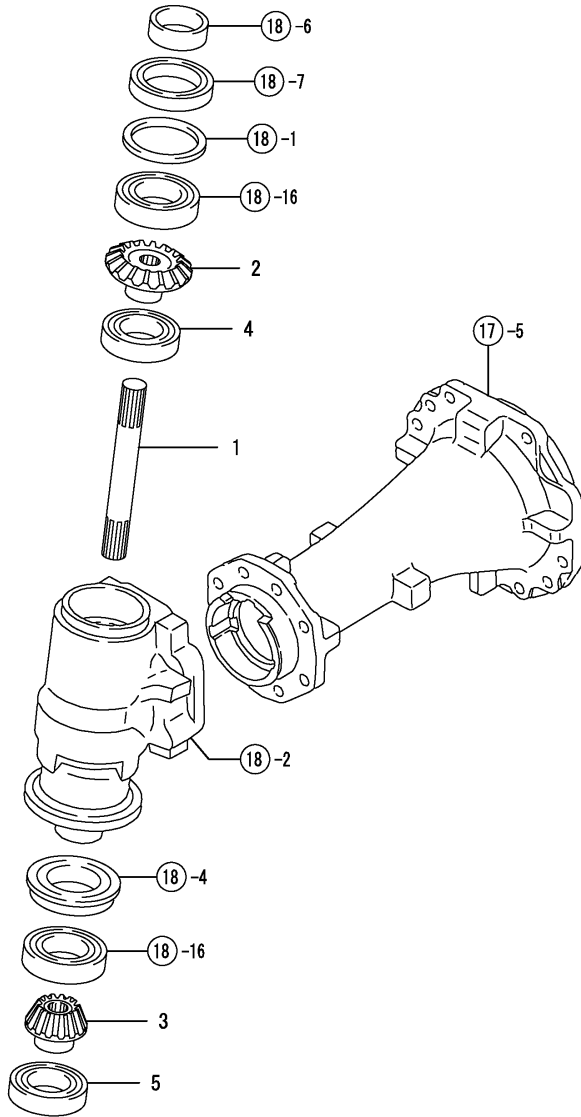


No.	Lev.	Parts No.	Description	Q'ty						I	R
				(A)	(B)	(C)	(D)	(E)	(F)		
1	1	194321-13680	SPACER, 85X1	2							
2	1	198251-13710	CASE, FRONT GEAR	2							
2-1	1	198251-13710-1	CASE, FRONT GEAR	2							R
(A=F008557)											
3	1	198401-13720	SHIM SET	1							
4	1	194641-13760	SEAL, OIL 55X85	2							
5	1	198401-13770-2	CASE, FRONT BEARING	2							
5-1	1	198401-13770	CASE, FRONT BEARING	2							R
(A=F008557)											
6	1	194641-13780	SLEEVE, SI 50X55X18	2							
7	1	194641-13790	SEAL, OIL TC6Y558514	2							
8	1	198401-13790	RETAINER, BEARING	4							
9	1	198401-13800	BOX ASSY, GEAR	1							
9-1	1	198401-13800-1	BOX, FRONT GEAR	1							R
(A=F008557)											
10	2	198401-13750-2	BOX, GEAR L	1							
10-1	2	198401-13750	BOX, GEAR L	1							R
(A=F008557)											
11	2	198401-13850-2	BOX, GEAR R	1							
11-1	2	198401-13850	BOX, GEAR R	1							R
(A=F008557)											
12	1	194180-32670	SEAL, TC6Y8010515	2							
13	1	1A1120-68070	CAP, SCREW 6.8	6							
14	1	23491-140002	PLUG, 14	2							
15	1	23876-010000	PLUG, R01	2							
16	1	24101-062094	BEARING, BALL 6209	4							
17	1	24311-000160	O-RING, 1AP16.0	2							
18	1	24321-002200	O-RING, 1AG220.0	2							
19	1	26013-080252	BOLT, M8X 25	8							
20	1	26013-100252	BOLT, M10X 25	18							

Fig.19. FRONT SHAFT(2)

(A)=EF453TM-PQ
(B)=
(C)=

(D)=
(E)=
(F)=



No.	Lev.	Parts No.	Description	Q'ty						I	R
				(A)	(B)	(C)	(D)	(E)	(F)		
1	1	198251-13810	SHAFT, FRONT 2ND	2							
2	1	198251-13820	GEAR, 2ND SHAFT	2							
3	1	194641-13830	PINION, FRONT FINAL	2							
4	1	194641-13840	BEARING, BALL TMB208	2							
5	1	192160-34150	BALL BEARING	2							

Fig.20. FRONT SPINDLE

(A)=EF453TM-PQ
(B)=
(C)=

(D)=
(E)=
(F)=

No.	Lev.	Parts No.	Description	Q'ty						I	R
				(A)	(B)	(C)	(D)	(E)	(F)		
1	1	198401-14110-2	SPINDLE, FRONT	2							
1-1	1	198401-14110	SPINDLE, FRONT	2							R
(A=F008557)											
2	1	198401-14120	GEAR, FRONT SHAFT	2							
3	1	198401-14130	COLLAR, SEAL	2							
4	1	198401-14150	WASHER	2							
5	1	198401-14160	WASHER	2							
6	1	24101-060144	BEARING, BALL 6014	2							
7	1	24101-062134	BEARING, BALL 6213	2							
8	1	24325-000650	O-RING, 1BG65.0	2							
9	1	26116-100252	BOLT, M10X 25 PLATED	6							

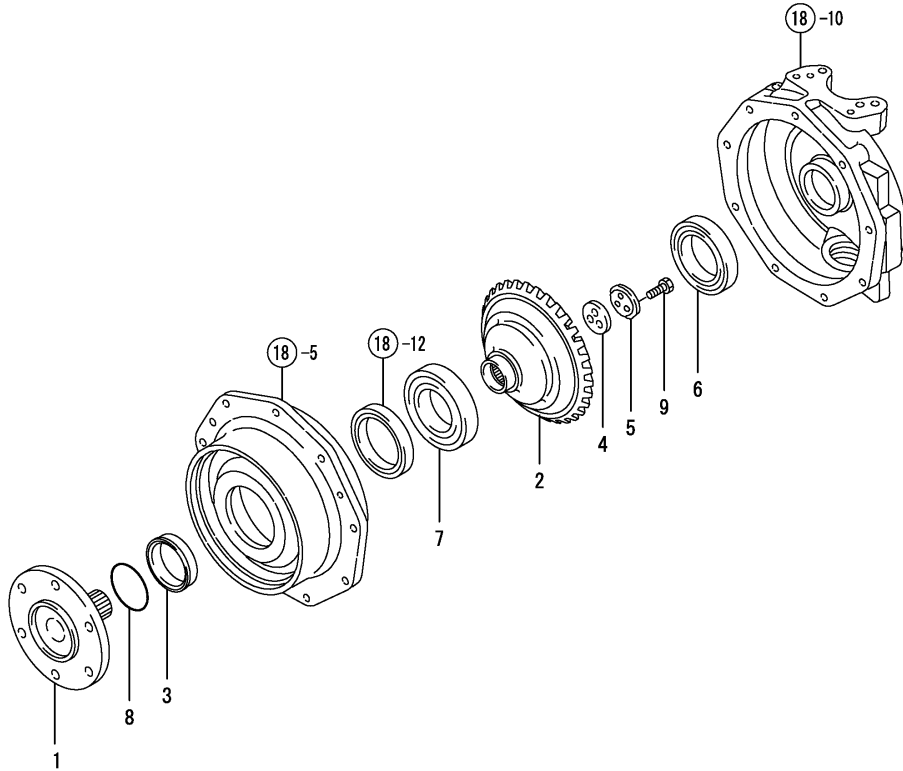


Fig.21. SHAFT COVER

(A)=EF453TM-PQ
(B)=
(C)=

(D)=
(E)=
(F)=

No.	Lev.	Parts No.	Description	Q'ty						I	R
				(A)	(B)	(C)	(D)	(E)	(F)		
1	1	1A7780-14600	COVER, SHAFT FRONT	1							
1-1	1	1A7780-14600-1	COVER, SHAFT FRONT	1							R
(A=F008557)											
2	1	198241-14650	BOOT, SHAFT COVER	1							
3	1	1A7780-14700	COVER, SHAFT	1							
3-1	1	1A7780-14700-1	COVER, SHAFT	1							R
(A=F008557)											
4	1	198255-14740	SEAL, COVER 62	1							
5	1	1A7780-14740	COLLAR, 8.1X10.5X4	2							
6	1	198255-14760	SEAL, COVER 65	1							
7	1	23000-070000	CLAMP, 70	2							
8	1	26106-080122	BOLT, M8X 12 PLATED	2							

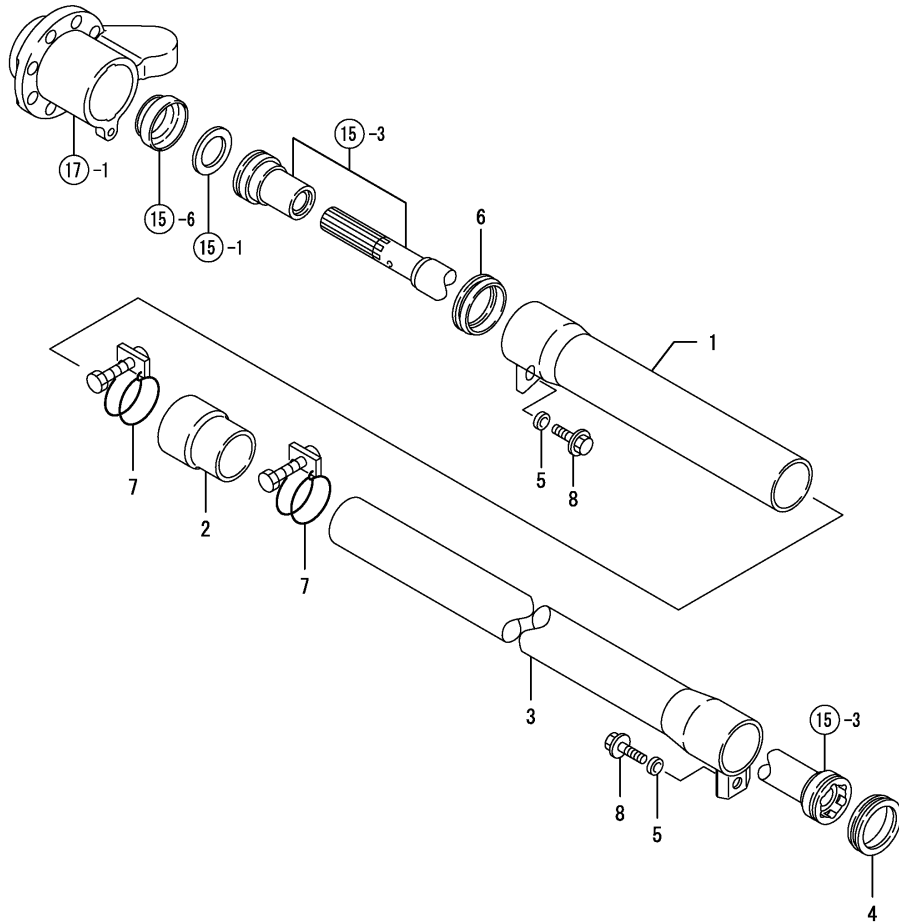
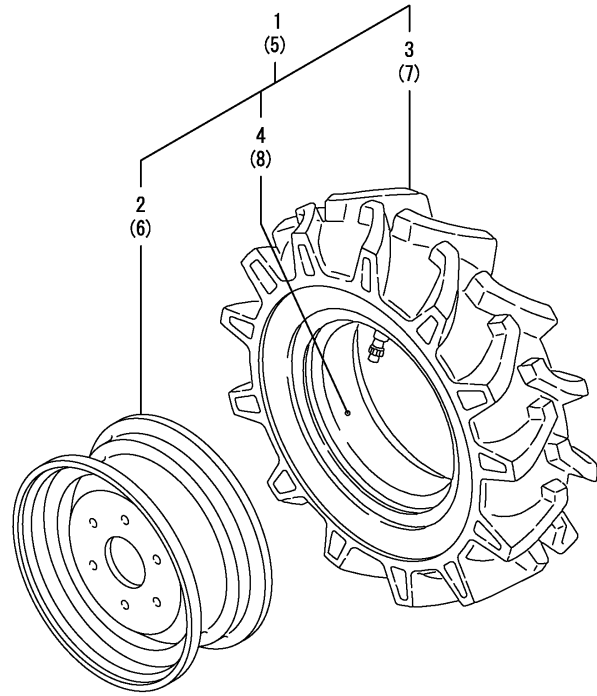


Fig.22. FRONT WHEEL TIRE

(A)=EF453TM-PQ
(B)=
(C)=

(D)=
(E)=
(F)=

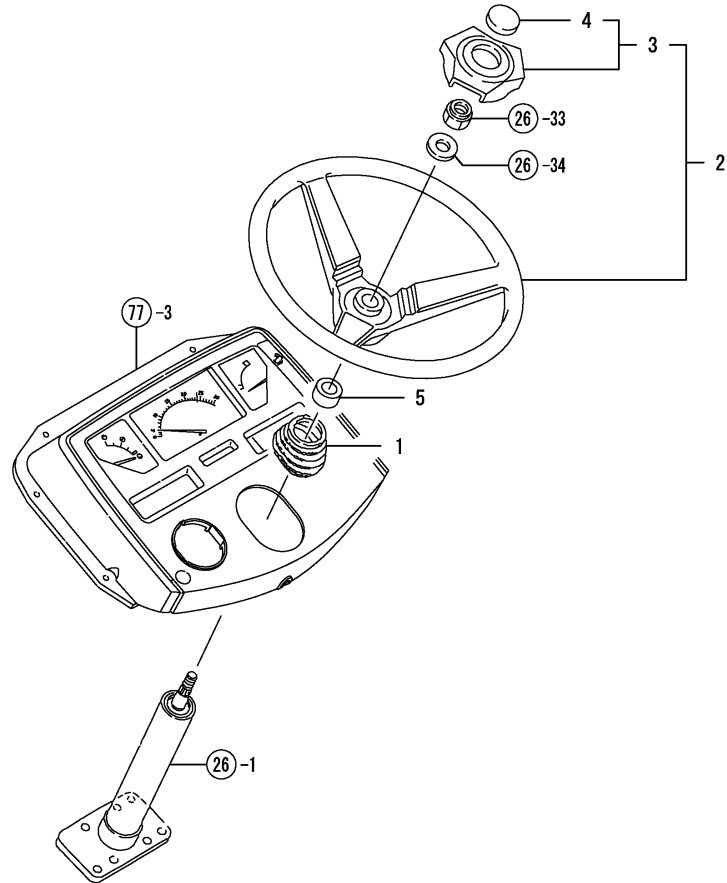


No.	Lev.	Parts No.	Description	Q'ty						I	R
				(A)	(B)	(C)	(D)	(E)	(F)		
1	1	794328-14700	TIRE KIT, FRONT L	1							
2	2	194279-14700	WHEEL DC5JAX16WDC	1							
2-1	2	1A7140-14760	WHEEL ASSY, 5JA X 16	1							R
(A=FXXXXX)											
3	2	194328-14820	TIRE, 8-16 4 FSLM	1							
4	2	194328-14830	TUBE	1							
5	1	794328-14800	TIRE KIT, FRONT R	1							
6	2	194279-14700	WHEEL DC5JAX16WDC	1							
6-1	2	1A7140-14760	WHEEL ASSY, 5JA X 16	1							R
(A=FXXXXX)											
7	2	194328-14820	TIRE, 8-16 4 FSLM	1							
8	2	194328-14830	TUBE	1							

Fig.24. STEERING WHEEL

(A)=EF453TM-PQ
(B)=
(C)=

(D)=
(E)=
(F)=

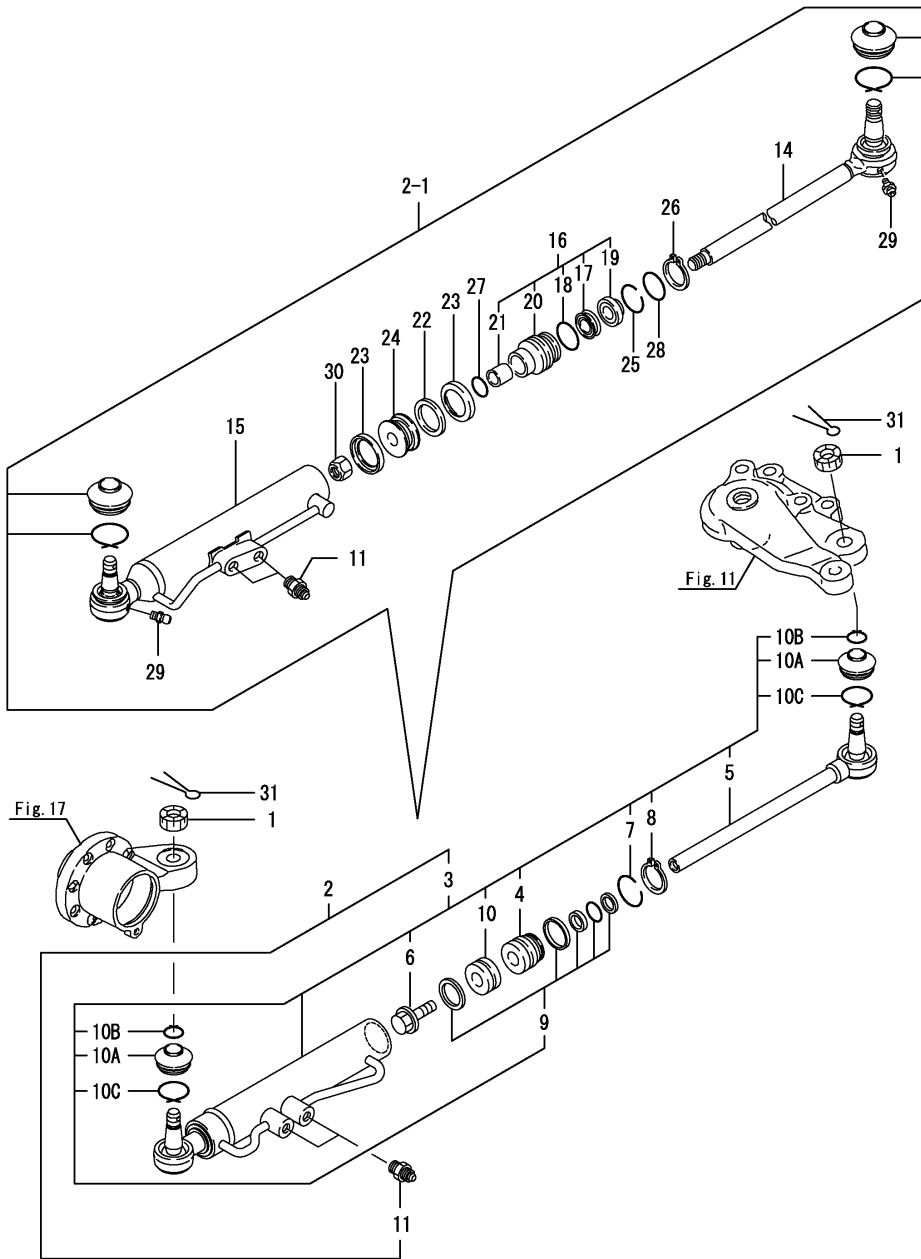


No.	Lev.	Parts No.	Description	Q'ty						I	R
				(A)	(B)	(C)	(D)	(E)	(F)		
1	1	198220-15650	COVER, COLUMN	1							
2	1	198133-15700	WHEEL ASSY, STEERING	1							
3	2	198133-15740	CAP ASSY, STEERING	1							
4	3	198133-15780	NAMEPLATE, HANDLE	1							
5	1	1A7000-15720	COVER, STEERING	1							

Fig.25. PST CYLINDER

(A)=EF453TM-PQ
(B)=
(C)=

(D)=
(E)=
(F)=



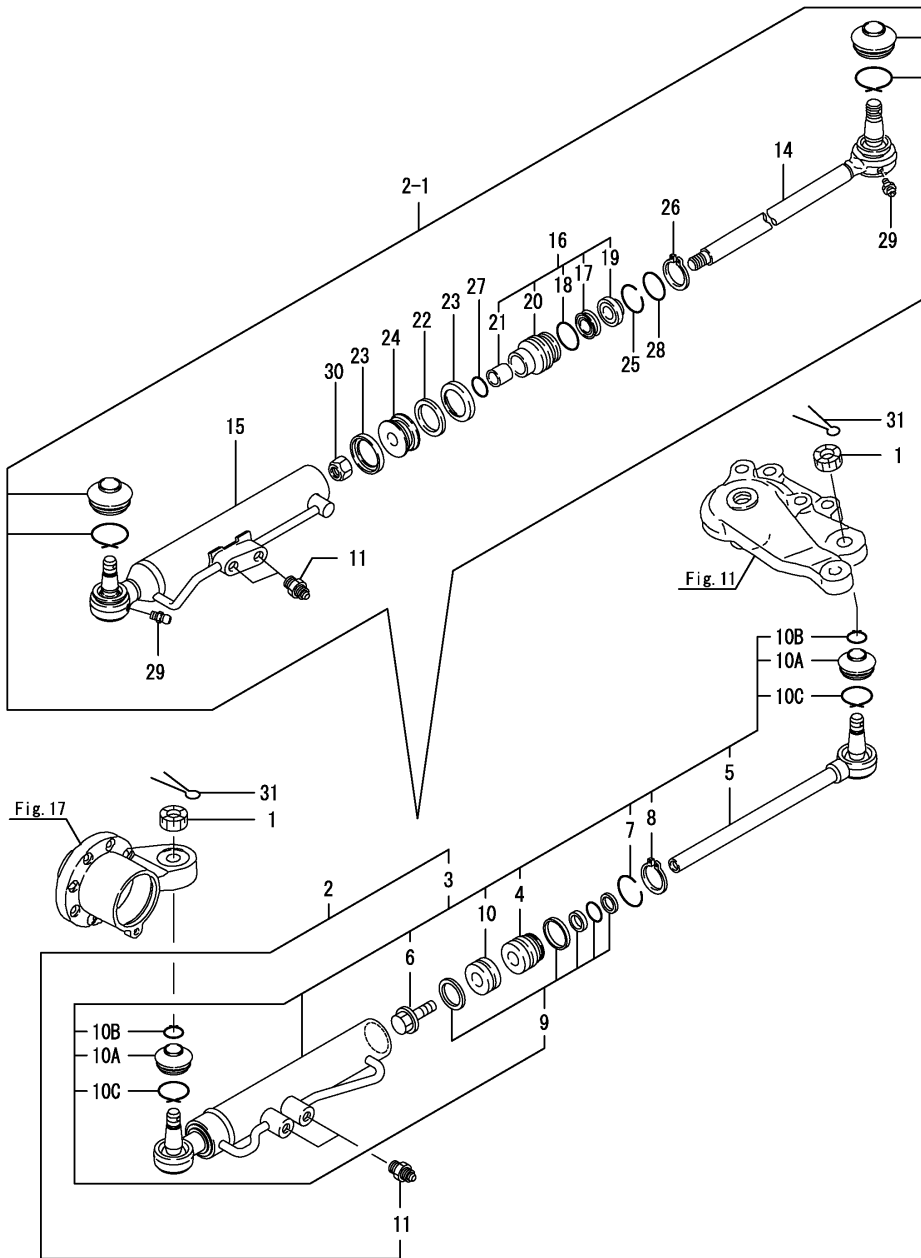
No.	Lev.	Parts No.	Description	(A)	(B)	(C)	Q'ty	(D)	(E)	(F)	I	R
1	1	194180-12471	NUT, CASTLE M16	2								
2	1	798254-17500	CYLINDER ASSY	1								
2-1	1	7A7780-17500	CYLINDER ASSY, ST.	1								N
(A=*2008.09.)												
2-2	1	7A7780-17501	CYLINDER ASSY	1								N
(A=*2009.05.)												
3	2	198254-17510	CYLINDER ASSY, ST.	1								Z
(A=*2008.09.)												
4	3	1A7335-17310	CAP, CYLINDER	1								Z
(A=*2008.09.)												
5	3	1A7335-17410	ROD ASSY, STEERING	1								Z
(A=*2008.09.)												
6	3	1A7335-17500	BOLT, M12X1.25	1								Z
(A=*2008.09.)												
7	3	1A7335-17520	CIRCLIP	1								Z
(A=*2008.09.)												
8	3	1A7335-17530	CIRCLIP	1								Z
(A=*2008.09.)												
9	3	1A7335-17550	SEAL KIT	1								Z
(A=*2008.09.)												
10	3	1A7335-17750	PISTON	1								Z
(A=*2008.09.)												
10A	3	1A7780-17450	BOOT, RUBBER	2								Z
(A=*2008.09.)												
10B	3	1A7780-17460	STOPPER	2								Z
(A=*2008.09.)												
10C	3	1A7780-17470	STOPPER	2								Z
(A=*2008.09.)												
11	2	194065-38380	ADAPTER, 1/4	2								
14	2	1A7780-17510	ROD ASSY, STEERING	1								W
(A=*2008.09.)												
15	2	1A7780-17530	TUBE ASSY, CYLINDER	1								W
(A=*2008.09.)												
16	2	1A7780-17550	CAP ASSY, CYLINDER	1								W
(A=*2008.09.)												
16-1	2	1A7780-17551	CAP ASSY, CYLINDER	1								N
(A=*2009.05.)												
17	3	1A7780-17560	PACKING, 22	1								W
(A=*2008.09.)												
18	3	1A7780-17570	PACKING, 34	1								W
(A=*2008.09.)												
19	3	1A7780-17580	SCRAPER	1								W
(A=*2008.09.)												
19-1	3	1A7780-17581	SCRAPER, 22	1								N
(A=*2009.05.)												
20	3	1A7780-17590	CAP, CYLINDER	1								W
(A=*2008.09.)												
20-1	3	1A7780-17591	CAP, CYLINDER	1								N
(A=*2009.05.)												
21	3	24550-022250	BUSH, 22X25	1								W
(A=*2008.09.)												

N:Old $\begin{matrix} \leftarrow \text{Yes} \\ \text{No} \end{matrix}$ New, Q:Old $\begin{matrix} \leftarrow \text{No} \\ \text{Yes} \end{matrix}$ New, R:Old $\begin{matrix} \leftarrow \text{Yes} \\ \text{No} \end{matrix}$ New, S:Old $\begin{matrix} \leftarrow \text{No} \\ \text{Yes} \end{matrix}$ New, W:Add, Z:Discontinued, F:Interchangeable by set, K:Q'ty Change
 ++ CONTINUE ++
 Copyright (C) YANMAR CO., LTD. All Rights Reserved.

Fig.25. PST CYLINDER

(A)=EF453TM-PQ
(B)=
(C)=

(D)=
(E)=
(F)=



No.	Lev.	Parts No.	Description	Q'ty						I	R
				(A)	(B)	(C)	(D)	(E)	(F)		
21-1	3	24550-022200 (A=*2009.05.)	BUSH, 22X20	1							N
22	2	172156-72330 (A=*2008.09.)	PACKING	1							W
23	2	172156-72340 (A=*2008.09.)	BEARING	2							W
24	2	198071-72750 (A=*2008.09.)	PISTON, CYLINDER	1							W
25	2	22207-040320 (A=*2008.09.)	RING, 40X3.2	1							W
26	2	22242-000360 (A=*2008.09.)	RING, 36	1							W
27	2	24315-000180 (A=*2008.09.)	O-RING, 1BP18.0	1							W
28	2	24351-240350 (A=*2008.09.)	O-RING, 1A24035	1							W
29	2	24761-060000 (A=*2008.09.)	NIPPLE, GREASE MT6X1	2							W
30	2	26996-140002 (A=*2008.09.)	NUT, LOCK M14	1							W
31	1	22417-400250	PIN, COTTER 4.0X25	2							

Fig.26. PST VALVE

(A)=EF453TM-PQ

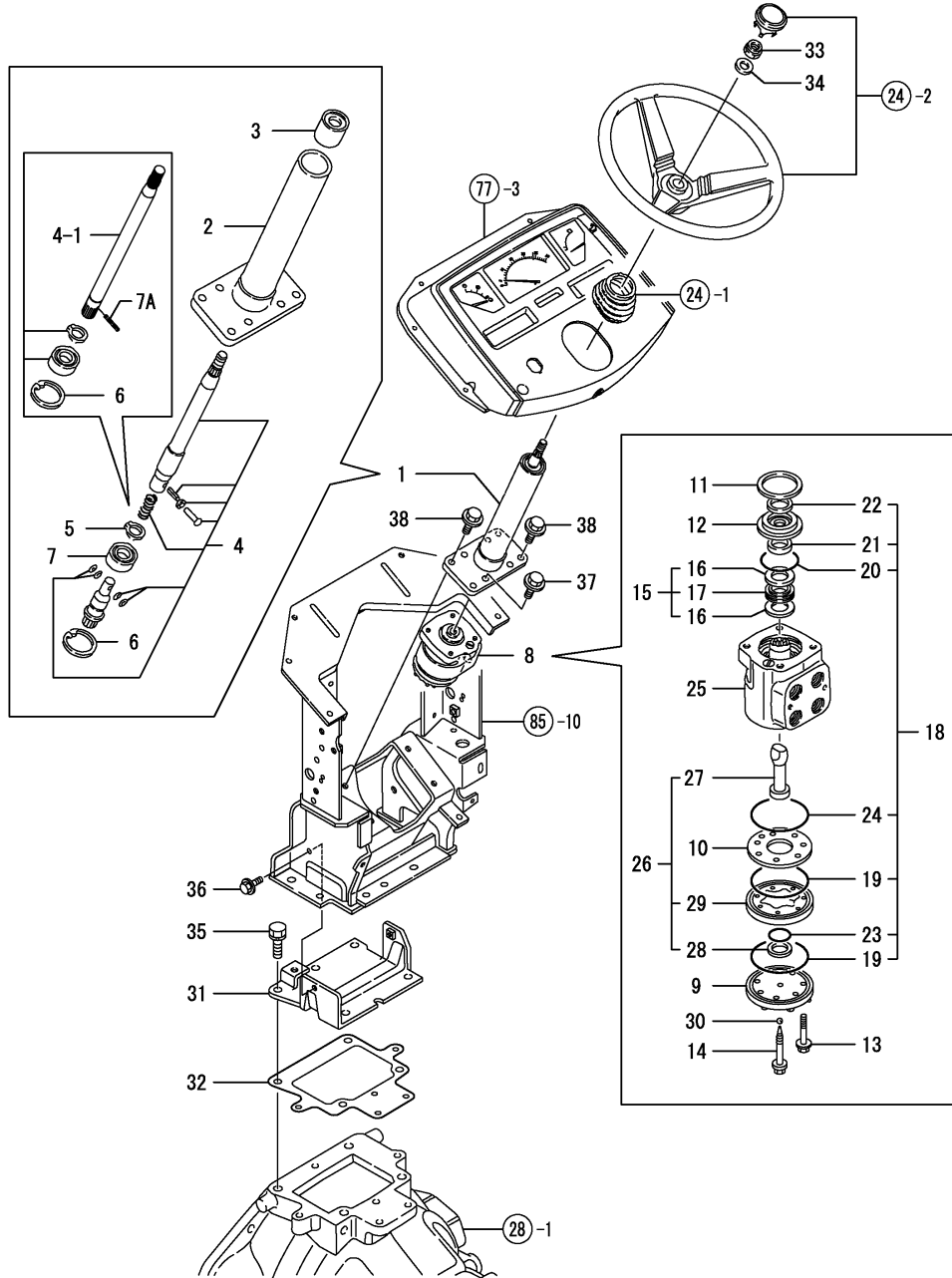
(B)=

(C)=

(D)=

(E)=

(F)=



No.	Lev.	Parts No.	Description	Qty						I	R
				(A)	(B)	(C)	(D)	(E)	(F)		
1	1	198230-17301	COLUMN ASSY,STEERING	1							
1-1	1	1A7780-17300	COLUMN ASSY,STEERING	1							R
(A=FZZZZZ)											
2	2	198230-17311	COLUMN ASSY,STEERING	1							
3	2	194640-17340	BUSH, COLUMN	1							
4	2	198230-17340	SHAFT ASSY	1							
4-1	2	1A7780-17370	SHAFT, STEERING 1	1							R
(A=FZZZZZ)											
5	2	22242-000200	RING, 20	1							Z
(A=FZZZZZ)											
6	2	22252-000420	RING, 42	1							
7	2	24104-060040	BEARING, 6004UUC3	1							Z
(A=FZZZZZ)											
7A	2	22351-040025	PIN, SPRING 4.0X25	1							W
(A=FZZZZZ)											
8	1	198251-17500	VALVE ASSY, STEERING	1							
9	2	194337-17220	CAP, END	1							
10	2	194337-17251	PLATE, SPACER	1							
11	2	194337-17390	RING, RETAINING	1							
12	2	194337-17400	BUSH, SEAL GRAND	1							
13	2	198220-17610	SCREW	6							
14	2	198220-17620	SCREW ASSY, RETAINER	1							
15	2	198153-17630	BEARING ASSY, NEEDLE	1							
16	3	194337-17340	BEARING	2							
17	3	194337-17350	NEEDLE, THRUST	1							
18	2	198220-17642	SEAL KIT	1							
19	3	194337-17330	O-RING	2							
20	3	194337-17360	O-RING	1							
21	3	194337-17370	SEAL, OIL	1							
22	3	194337-17380	SEAL, DUST	1							
23	3	198390-17670	O-RING	1							
24	3	198220-17680	O-RING	1							
25	2	198220-17651	VALVE ASSY, CONTROL	1							
26	2	198220-17660	DRIVE ASSY, GIROTOR	1							
27	3	198220-17631	GEROTOR	1							
28	3	198390-17660	PLUG	1							
29	3	198220-17670	DRIVE	1							
30	2	24190-070001	BALL, STEEL 7/32	1							
31	1	198240-17870	COVER, HOUSING	1							
32	1	198327-21150	PACKING, CLUTCH	1							
33	1	1A7260-85510	NUT, M16	1							
34	1	22137-160000	WASHER, 16	1							
35	1	26013-120202	BOLT, M12X 20	4							
36	1	26106-080162	BOLT, M8X 16 PLATED	2							
37	1	26106-100202	BOLT, M10X 20 PLATED	4							
38	1	26106-100202	BOLT, M10X 20 PLATED	4							

Fig.27. PST PIPING

(A)=EF453TM-PQ

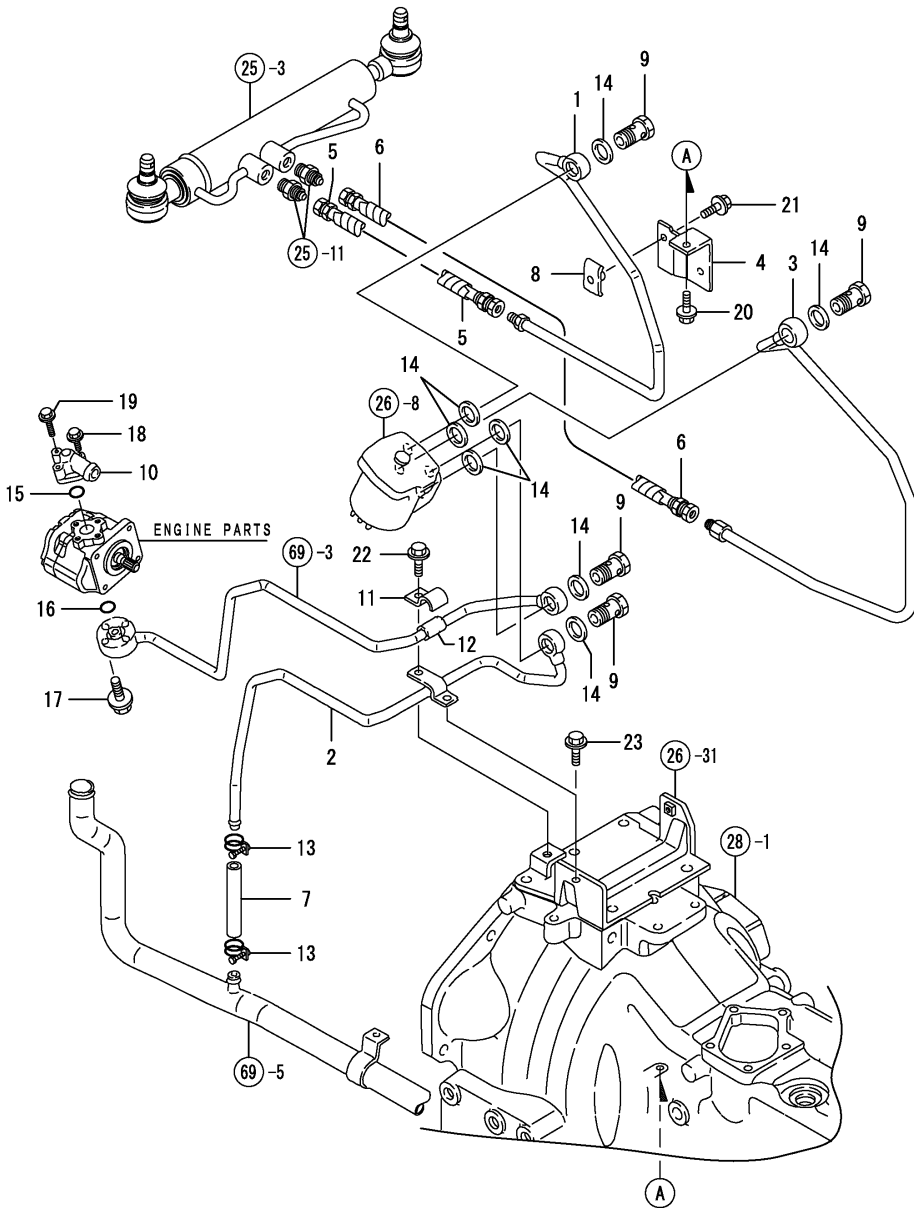
(B)=

(C)=

(D)=

(E)=

(F)=



No.	Lev.	Parts No.	Description	Q'ty						I	R
				(A)	(B)	(C)	(D)	(E)	(F)		
1	1	198253-17700	PIPE, PRESSURE L	1							
1-1	1	198253-17700-1	PIPE, PRESSURE L	1							R
(A=F008557)											
2	1	198253-17750	PIPE, PRESSURE T	1							
2-1	1	198253-17750-1	PIPE, PRESSURE T	1							R
(A=F008557)											
3	1	1A7780-17780	PIPE, PRESSURE R	1							
3-1	1	1A7780-17780-1	PIPE, PRESSURE R	1							R
(A=F008557)											
4	1	198240-17840	BRACKET	1							
5	1	198250-17850	HOSE, 450	1							
6	1	198251-17850	HOSE, 350	1							
7	1	194556-17870	HOSE, RETURN RUBBER	1							
8	1	198220-46560	CLAMP, PIPE 12	1							
9	1	198245-46680	BOLT, M3/4-16	4							
10	1	198220-48140	FLANGE, PIPE P	1							
11	1	194450-48830	CLAMP	1							
12	1	194464-48850	RUBBER, ABSORBER	1							
13	1	23010-018000	CLAMP, 18	2							
14	1	23414-190000	GASKET, 19X1.0	8							
15	1	24311-000200	O-RING, 1AP20.0	1							
16	1	24311-000200	O-RING, 1AP20.0	1							
17	1	26018-060352	BOLT, M6X 35	4							
18	1	26106-060202	BOLT, M6X 20 PLATED	1							
19	1	26106-060402	BOLT, M6X 40 PLATED	2							
20	1	26106-080162	BOLT, M8X 16 PLATED	1							
21	1	26106-080162	BOLT, M8X 16 PLATED	1							
22	1	26106-080202	BOLT, M8X 20 PLATED	1							
23	1	26106-080202	BOLT, M8X 20 PLATED	1							

Fig.28. CLUTCH HOUSING

(A)=EF453TM-PQ
(B)=
(C)=

(D)=
(E)=
(F)=

No.	Lev.	Parts No.	Description	Q'ty						I	R
				(A)	(B)	(C)	(D)	(E)	(F)		
1	1	1A7780-21100	HOUSING ASSY, CLUTCH	1							
1-1	1	1A7780-21100-2	HOUSING ASSY, CLUTCH	1							R
(A=F008557)											
2	2	194740-06080	BUSH, 25X30X18	4							
3	2	194450-11190	PLUG, 15.0	11							
4	2	194150-21910	PLUG, 11.2	4							
5	2	194150-22250	PIN, HOOK	2							
5-1	2	194150-22250-1	PIN, HOOK	2							R
(A=F008557)											
6	2	194680-22280	BUSH, 20X26X22	2							
7	2	194680-22290	SEAL, OIL G202604	2							
8	1	198240-25180	SEAL, OIL TC4 05812	1							
9	1	22252-000620	RING, 62	1							
10	1	26013-120402	BOLT, M12X 40	2							

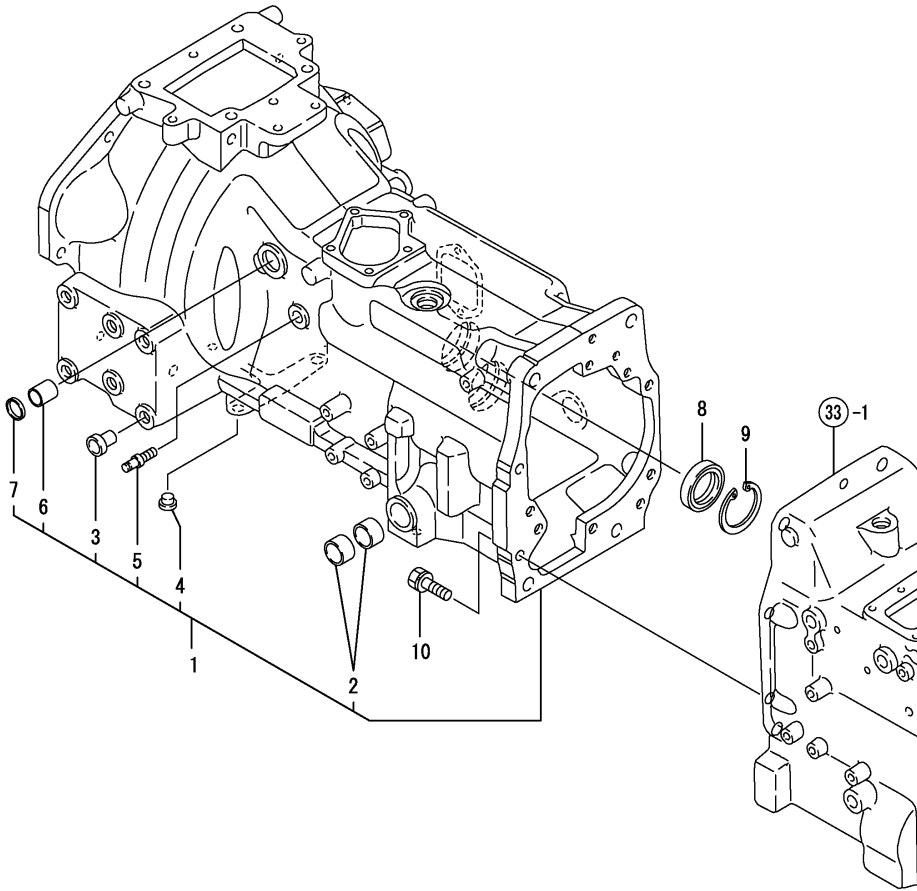
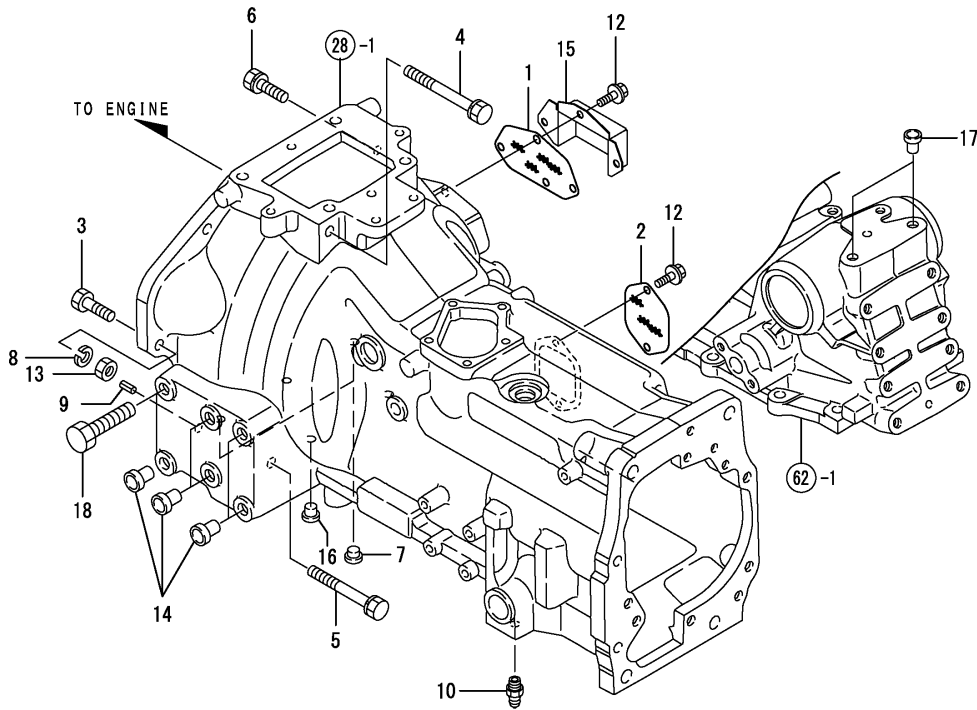


Fig.29. DOCKING BOLT

(A)=EF453TM-PQ
(B)=
(C)=

(D)=
(E)=
(F)=



No.	Lev.	Parts No.	Description	Q'ty						I	R
				(A)	(B)	(C)	(D)	(E)	(F)		
1	1	198220-21171	COVER, HOUSING A	1							
2	1	198240-21180	COVER, HOUSING B	1							
3	1	198240-21220	BOLT, M12X40	1							
4	1	198240-21250	BOLT, M12X170	2							
5	1	198240-21260	BOLT, M12X100	2							
6	1	198240-21270	BOLT, M12X30	3							
7	1	194150-21910	PLUG, 11.2	2							
8	1	22217-120000	WASHER, SPRING 12	2							
9	1	22351-080018	PIN, SPRING 8.0X18	2							
10	1	24761-020000	NIPPLE, GREASE PT1/8	2							
11	1	26106-080122	BOLT, M8X 12 PLATED	3							
12	1	26106-080122	BOLT, M8X 12 PLATED	2							
13	1	26716-120002	NUT, M12	2							
14	1	194450-11190	PLUG, 15.0	10							W
(A=FXXXXXX)											
15	1	1A8170-21130-1	COVER, HOUSING	1							W
(A=FXXXXXX)											
16	1	194150-21910	PLUG, 11.2	4							W
(A=FXXXXXX)											
17	1	194150-24270	CAP, SCREW 13.0	2							W
(A=FXXXXXX)											
18	1	26116-160302	BOLT, M16X 30 PLATED	2							W
(A=FXXXXXX)											

Fig.30. SINGLE CLUTCH

(A)=EF453TM-PQ
(B)=
(C)=

(D)=
(E)=
(F)=

No.	Lev.	Parts No.	Description	Q'ty						I	R
				(A)	(B)	(C)	(D)	(E)	(F)		
1	1	198440-21610	CLUTCH KIT, SINGLE	1							
2	2	198440-21401	DISK, CLUTCH	1							
3	2	198440-21700	PLATE, PRESSURE	1							
4	1	22351-080018	PIN, SPRING 8.0X18	3							
5	1	26106-080162	BOLT, M8X 16 PLATED	9							

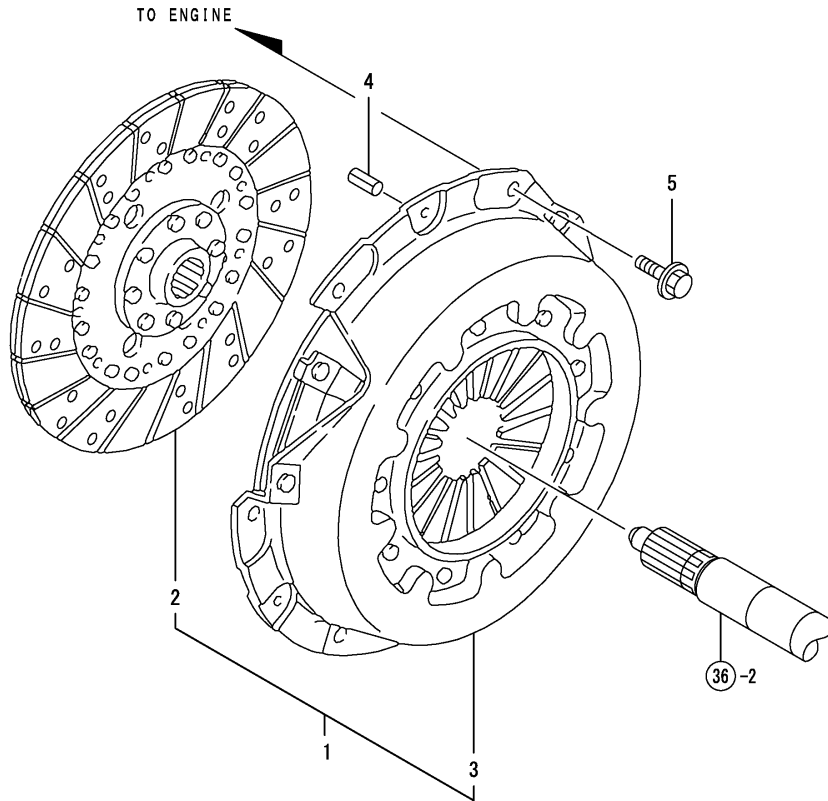


Fig.31. CLUTCH RELEASE

(A)=EF453TM-PQ
(B)=
(C)=

(D)=
(E)=
(F)=

No.	Lev.	Parts No.	Description	Q'ty						I	R
				(A)	(B)	(C)	(D)	(E)	(F)		
1	1	1A7780-22251	SHAFT,CLUTCH RELEASE	1							
1-1	1	1A7780-22251-1	SHAFT,CLUTCH RELEASE	1							R
(A=F008557)											
2	1	198149-22280	YOKE, CLUTCH SHIFT	1							
3	1	198071-22320	BOLT, M8X40	2							
4	1	1A7780-22210	SLEEVE ASSY, BEARING	1							
5	2	194145-21121	BUSH, 32X38X30	2							
6	2	1A7780-22170	FELT, 10X132	2							
7	2	1A7780-22220	SLEEVE, BEARING	1							
8	1	194680-22230	BEARING, TK45-4BU3	1							
9	1	198327-22230	SPRING, RETURN	2							

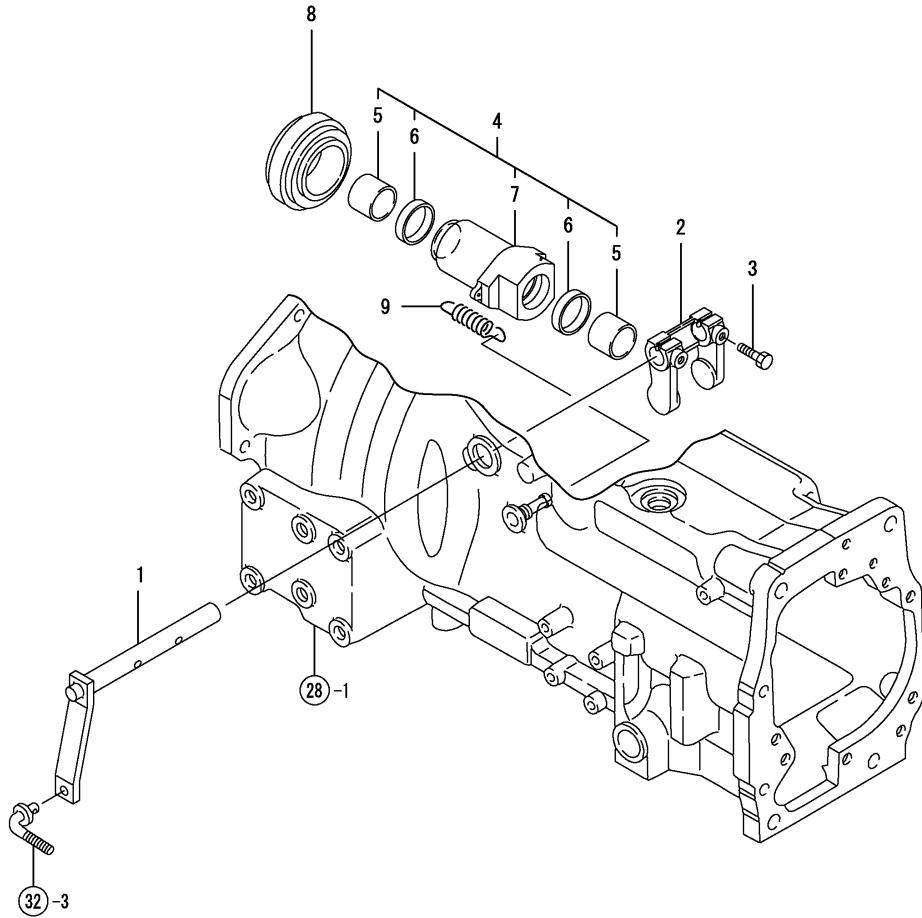
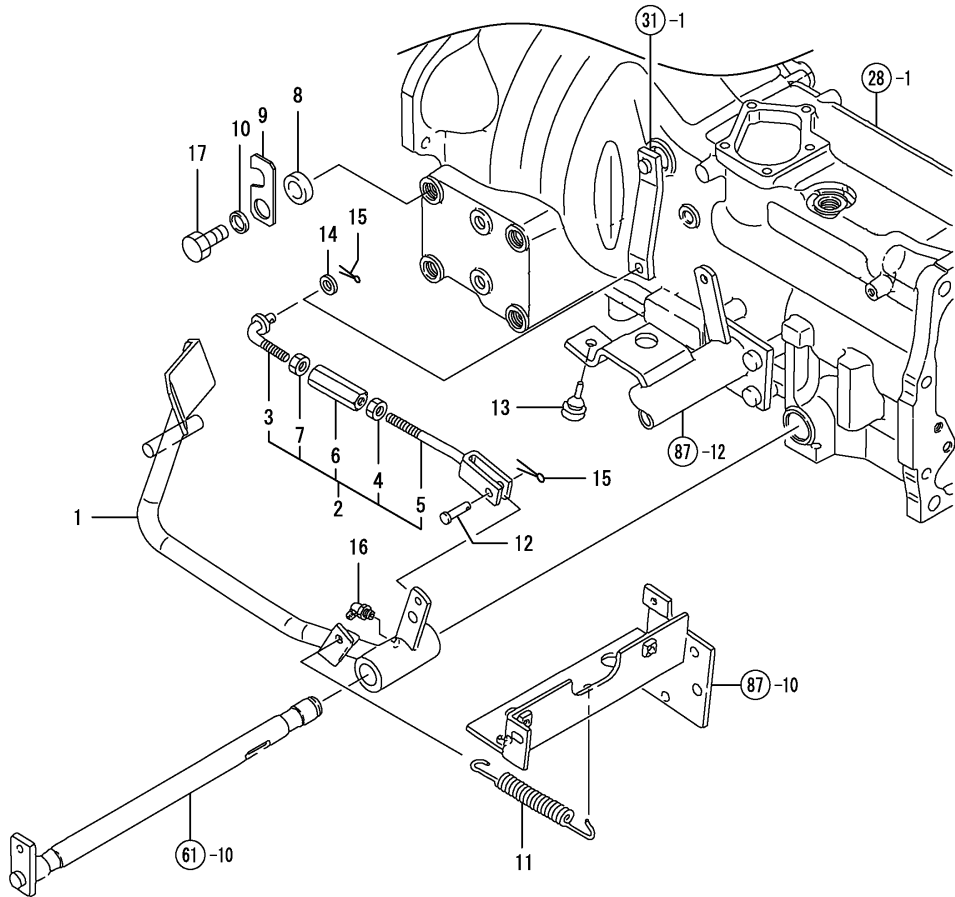


Fig.32. CLUTCH PEDAL

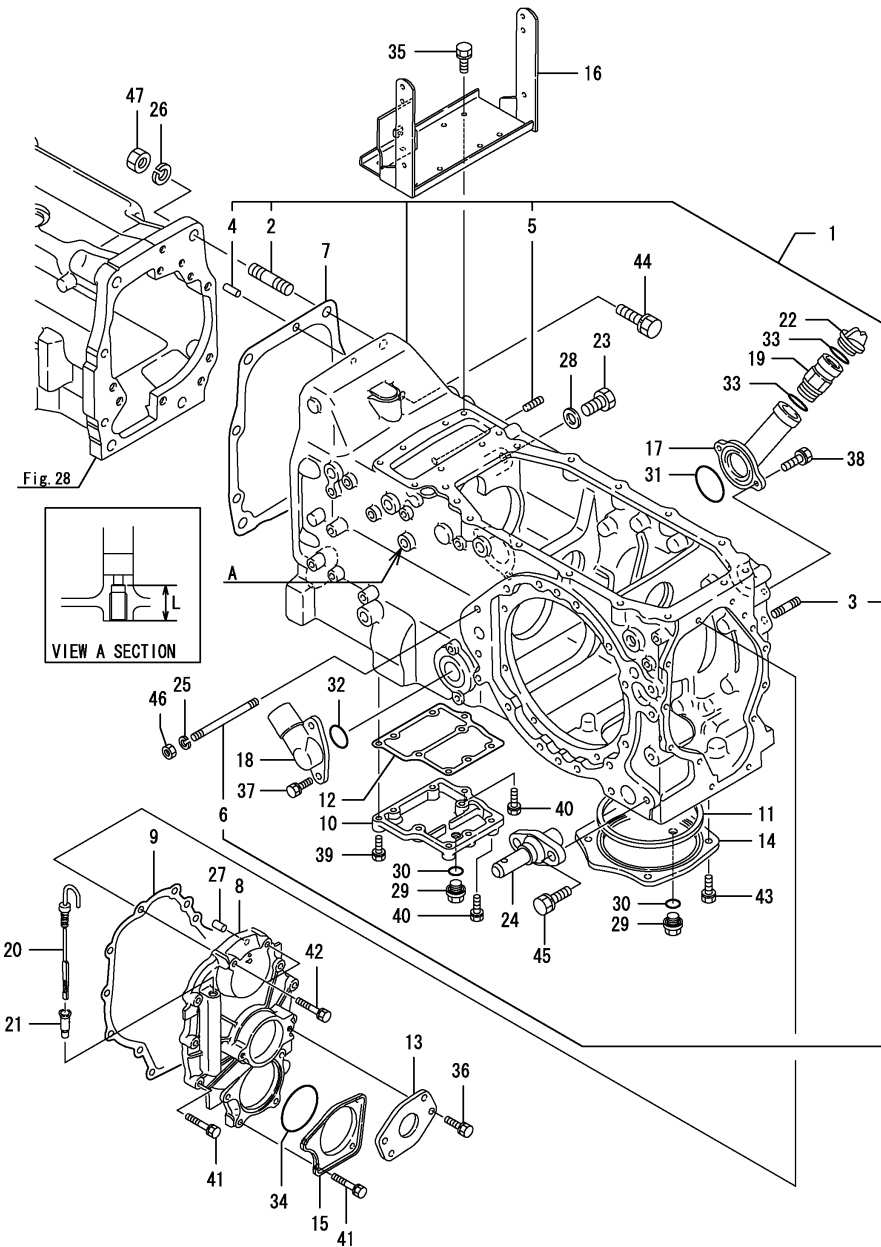
(A)=EF453TM-PQ
(B)=
(C)=

(D)=
(E)=
(F)=



No.	Lev.	Parts No.	Description	Q'ty						I	R
				(A)	(B)	(C)	(D)	(E)	(F)		
1	1	1A7780-22410	PEDAL, CLUTCH	1							
1-1	1	1A7780-22410-1	PEDAL, CLUTCH	1							R
(A=F008557)											
2	1	1A7780-22470	ROD KIT, CLUTCH	1							
2-1	1	798240-22470	ROD KIT, CLUTCH	1							R
(A=FXXXXX)											
3	2	198240-22470	ROD, CLUTCH	1							
4	2	194150-22480	NUT, M10 L	1							
5	2	198240-22550	ROD, CLUTCH	1							
6	2	194130-37730	TURNBUCKLE M10X70	1							
6-1	2	194300-22260	TURNBUCKLE, M10	1							R
(A=FXXXXX)											
7	2	26716-100002	NUT, M10	1							
8	1	198327-22910	COLLAR, 18X30X9	1							
9	1	1A7100-22920	LOCK, CLUTCH PEDAL	1							
10	1	198327-22930	COLLAR, 16.1X21.7X4	1							
11	1	198240-37510	SPRING, RETURN	1							
12	1	198220-37900	PIN, 8X24	1							
13	1	194330-62530	STOPPER, PEDAL	1							
14	1	22137-100000	WASHER, 10	1							
15	1	22417-250300	PIN, COTTER 2.5X30	2							
16	1	24761-040000	NIPPLE, GREASE B	1							
17	1	26116-160302	BOLT, M16X 30 PLATED	1							

Fig.33. TRANSMISSION CASE



(A)=EF453TM-PQ
(B)=
(C)=

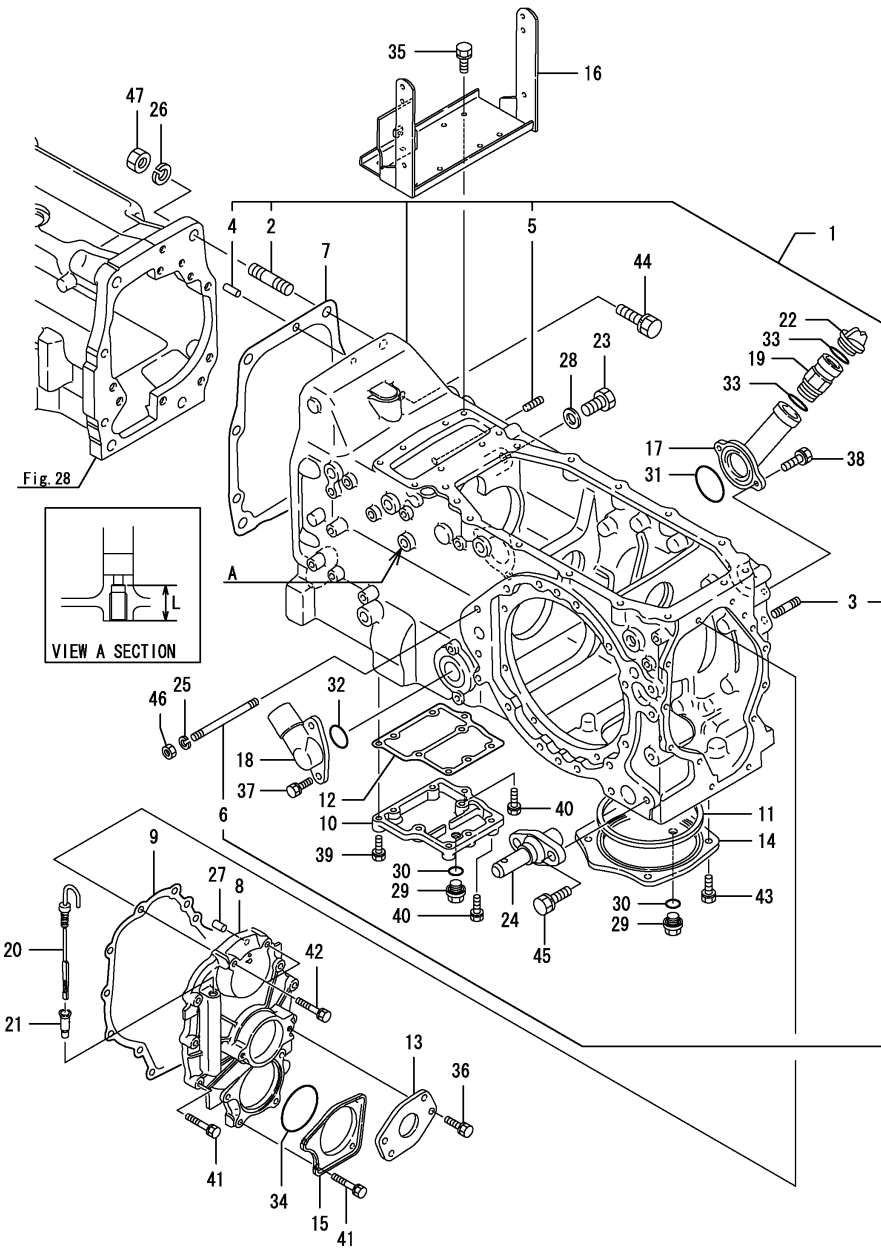
(D)=
(E)=
(F)=

No.	Lev.	Parts No.	Description	Q'ty						I	R
				(A)	(B)	(C)	(D)	(E)	(F)		
1	1	198149-24101	HOUSING, TRANSMISSION	1							
1-1	1	198149-24101-1	HOUSING ASSY	1							R
(A=F008557)											
1-2	1	198149-24102-1	HOUSING ASSY	1							S 1
(A=FZZZZZ)											
1-3	1	1A7780-24100	HOUSING ASSY, XMSN.	1							N
(A=FZZZZZ)											
2	2	198240-24120	STUD, M16X45	4							
3	2	198240-24530	STUD, M12X45	2							
4	2	22312-100180	PIN, PARALLEL M10X18	2							
5	2	26218-080202	STUD, M8X 20	2							
6	2	26218-100902	STUD, M10X 90	2							
7	1	198240-24140	PACKING, MISSION	1							
8	1	198327-24240	COVER, REAR	1							
8-1	1	198327-24240-1	COVER, REAR	1							
(A=F008557)											
9	1	198240-24320	PACKING	1							
10	1	198133-24370	COVER, FRONT DRIVE	1							
10-1	1	198133-24370-1	COVER, FRONT DRIVE	1							R
(A=F008557)											
11	1	198133-24380	PACKING, 140X3	1							
12	1	198138-24390	PACKING	1							
13	1	198255-24460-2	PLATE, OIL SEAL	1							
13-1	1	198255-24460	PLATE, OIL SEAL	1							R
(A=F008557)											
14	1	198240-24480	COVER, PTO	1							
14-1	1	198240-24480-1	COVER, PTO	1							R
(A=F008557)											
15	1	198240-24510	COVER, REAR COVER	1							
15-1	1	198240-24510-1	COVER, REAR COVER	1							R
(A=F008557)											
16	1	198240-24682	COVER, MISSION CASE	1							
16-1	1	198240-24682-1	COVER, MISSION CASE	1							R
(A=F008557)											
16-2	1	1A7781-24680	COVER, MISSION CASE	1							R
(A=FXXXXX)											
17	1	198240-24690	NECK, FILLER	1							
17-1	1	198240-24690-2	CAP ASSY	1							R
(A=F008557)											
18	1	198240-24920	FLANGE, PIPE S	1							
18-1	1	198240-24920-1	FLANGE, PIPE S	1							R
(A=F008557)											
19	1	194215-24960	PIPE	1							
20	1	194850-24960	GAUGE ASSY, LEVEL	1							
21	1	119860-34810	GUIDE, DIPSTICK	1							
22	1	194850-42500	CAP, OIL M33	1							
23	1	198220-45920	PLUG, 3/4-16UNF	1							
24	1	194640-73180	PIN, LOWER LINK	2							
25	1	22217-100000	WASHER, SPRING 10	2							Z
(A=*2009.05.)											
26	1	22217-160000	WASHER, SPRING 16	4							

Remarks

(1) L=Ref.No.1,1-1 25mm,1-2 20mm.

Fig.33. TRANSMISSION CASE



(A)=EF453TM-PQ

(B)=

(C)=

(D)=

(E)=

(F)=

No.	Lev.	Parts No.	Description	Q'ty						I	R
				(A)	(B)	(C)	(D)	(E)	(F)		
27	1	22312-100180	PIN, PARALLEL M10X18	2							
28	1	23414-190000	GASKET, 19X1.0	1							
29	1	23491-140002	PLUG, 14	2							
30	1	24311-000160	O-RING, 1AP16.0	2							
31	1	24311-000500	O-RING, 1AP50.0	1							
32	1	24321-000300	O-RING, 1AG30.0	1							
33	1	24321-000300	O-RING, 1AG30.0	2							
34	1	24321-000750	O-RING, 1AG75.0	1							
35	1	26013-080162	BOLT, M8X 16	8							
36	1	26013-080162	BOLT, M8X 16	2							
36-1	1	26106-080162	BOLT, M8X 16 PLATED	2							R
(A=*2009.05.)											
37	1	26013-080202	BOLT, M8X 20	2							
38	1	26013-080202	BOLT, M8X 20	2							
39	1	26013-080252	BOLT, M8X 25	5							
40	1	26013-080302	BOLT, M8X 30	4							
41	1	26013-080352	BOLT, M8X 35	10							
41-1	1	26106-080352	BOLT, M8X 35 PLATED	10							R
(A=*2009.05.)											
42	1	26013-080502	BOLT, M8X 50	2							
43	1	26013-100252	BOLT, M10X 25	4							
43-1	1	26106-100252	BOLT, M10X 25 PLATED	4							R
(A=*2009.05.)											
44	1	26013-120402	BOLT, M12X 40	2							
45	1	26013-140352	BOLT, M14X 35	4							
46	1	26716-100002	NUT, M10	2							
46-1	1	26366-100002	NUT, M10	2							N
(A=*2009.05.)											
47	1	26716-160002	NUT, M16	4							

Remarks

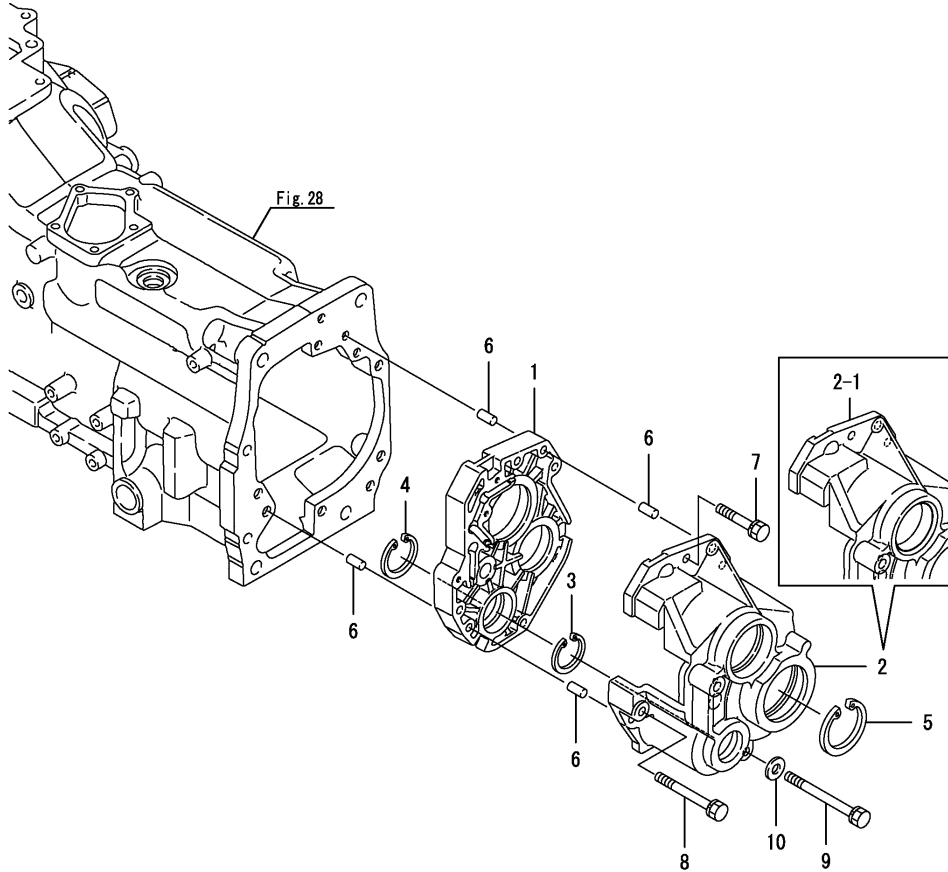
(1) L=Ref.No.1,1-1 25mm,1-2 20mm.

N:Old $\begin{matrix} \text{Yes} \\ \text{No} \end{matrix}$ New, Q:Old $\begin{matrix} \text{No} \\ \text{Yes} \end{matrix}$ New, R:Old $\begin{matrix} \text{Yes} \\ \text{No} \end{matrix}$ New, S:Old $\begin{matrix} \text{No} \\ \text{Yes} \end{matrix}$ New, W:Add, Z:Discontinued, F:Interchangeable by set, K:Q'ty Change

Fig.34. CENTER PLATE

(A)=EF453TM-PQ
(B)=
(C)=

(D)=
(E)=
(F)=



No.	Lev.	Parts No.	Description	Q'ty						I	R
				(A)	(B)	(C)	(D)	(E)	(F)		
1	1	198133-24361	PLATE, CENTER	1							
2	1	198133-25310	RETAINER, BEARING	1							
2-1	1	198133-25311	RETAINER, BEARING	1							S
(A=FXXXXX)											
3	1	22252-000470	RING, 47	1							
4	1	22252-000620	RING, 62	1							
5	1	22252-000800	RING, 80	1							
6	1	22312-100200	PIN, PARALLEL M10X20	4							
7	1	26013-100552	BOLT, M10X 55	2							
7-1	1	26106-100502	BOLT, M10X 50 PLATED	2							R
(A=*2009.05.)											
8	1	26013-100852	BOLT, M10X 85	1							
8-1	1	26106-100802	BOLT, M10X 80 PLATED	1							R
(A=FXXXXX)											
9	1	26013-101502	BOLT, M10X150	1							
10	1	22117-100000	WASHER, 10	1							W
(A=FXXXXX)											

Fig.36. MAIN SHAFT

(A)=EF453TM-PQ
(B)=
(C)=

(D)=
(E)=
(F)=

No.	Lev.	Parts No.	Description	Q'ty						I	R
				(A)	(B)	(C)	(D)	(E)	(F)		
1	1	194274-22090	SLEEVE, SI 35X40X17	1							
2	1	1A7780-22121	SHAFT, MAIN DRIVE	1							
3	1	198240-25220	GEAR, MAIN 21	1							
4	1	198133-25230	GEAR, MAIN 27	1							
5	1	198133-25240	GEAR, MAIN 33	1							
6	1	1A7780-25270	HOLDER, BEARING	1							
7	1	194312-25470	SPACER, 30X40X2	1							
8	1	22242-000340	RING, 34	2							
9	1	24101-060074	BEARING, BALL 6007	1							
10	1	24101-062064	BEARING, BALL 6206	1							

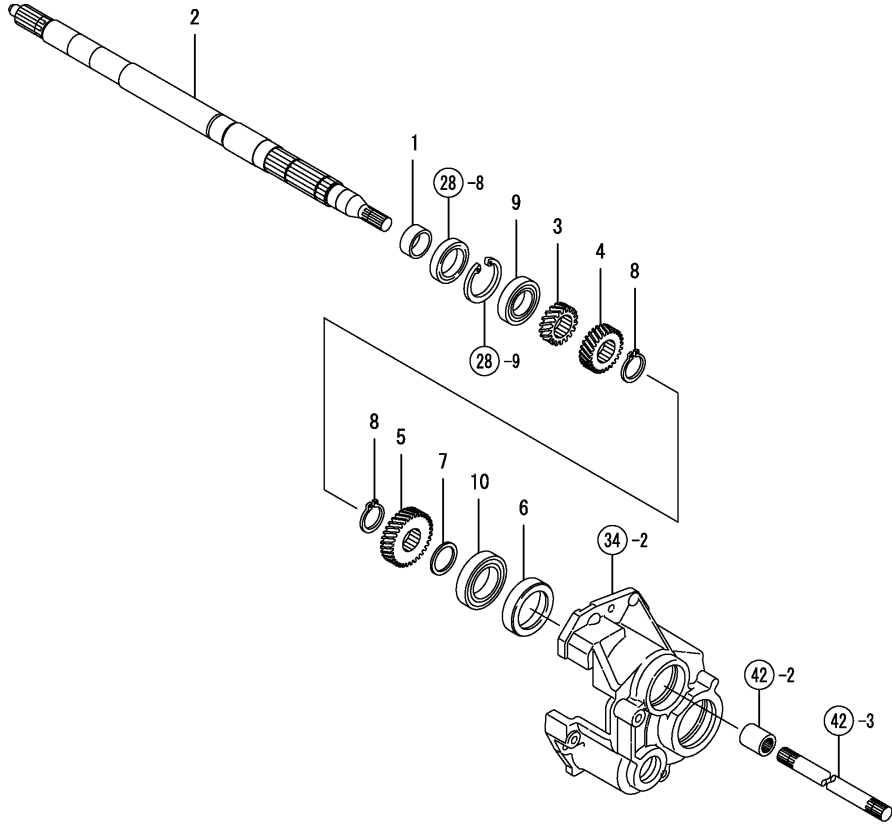
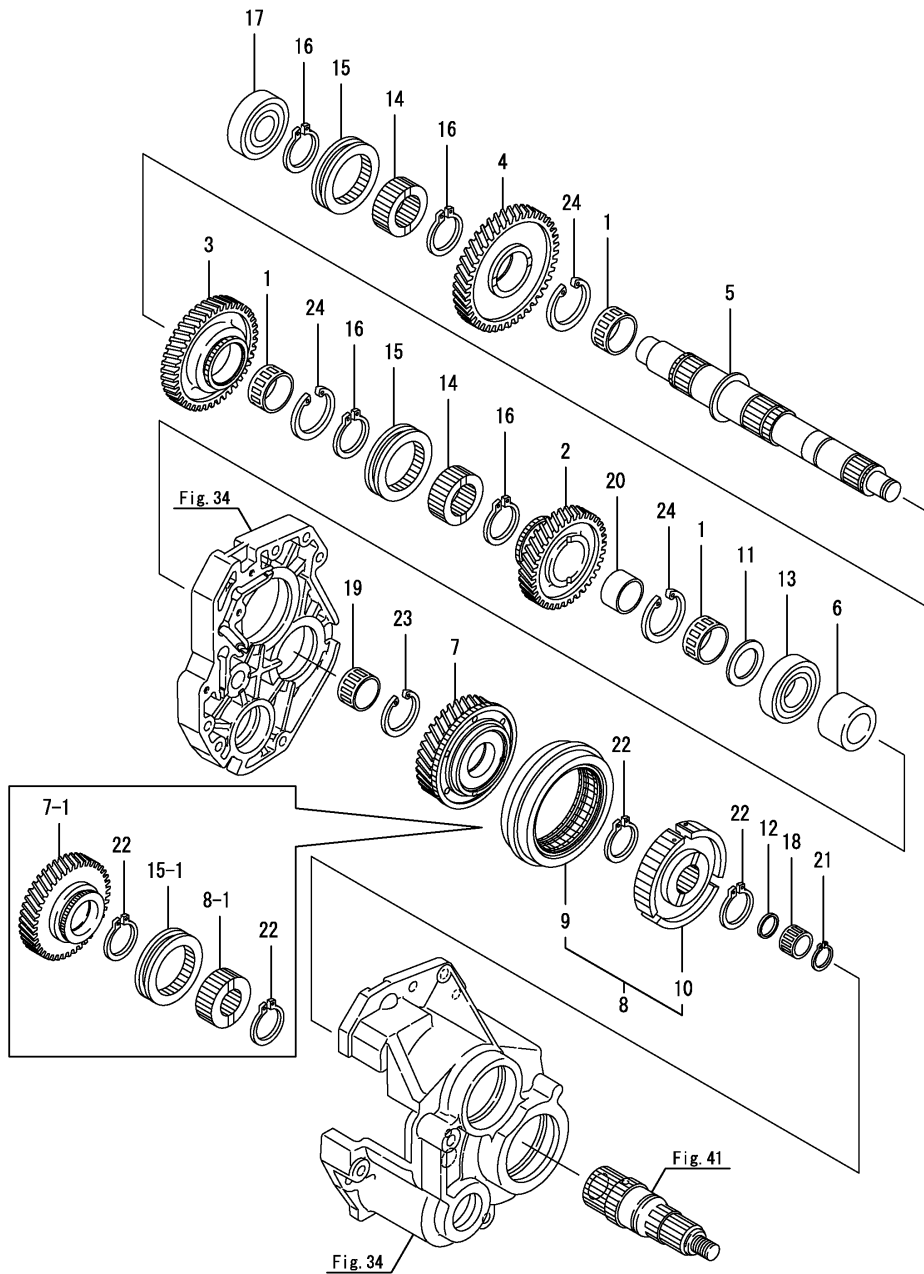


Fig.37. DRIVEN SHAFT



(A)=EF453TM-PQ

(B)=

(C)=

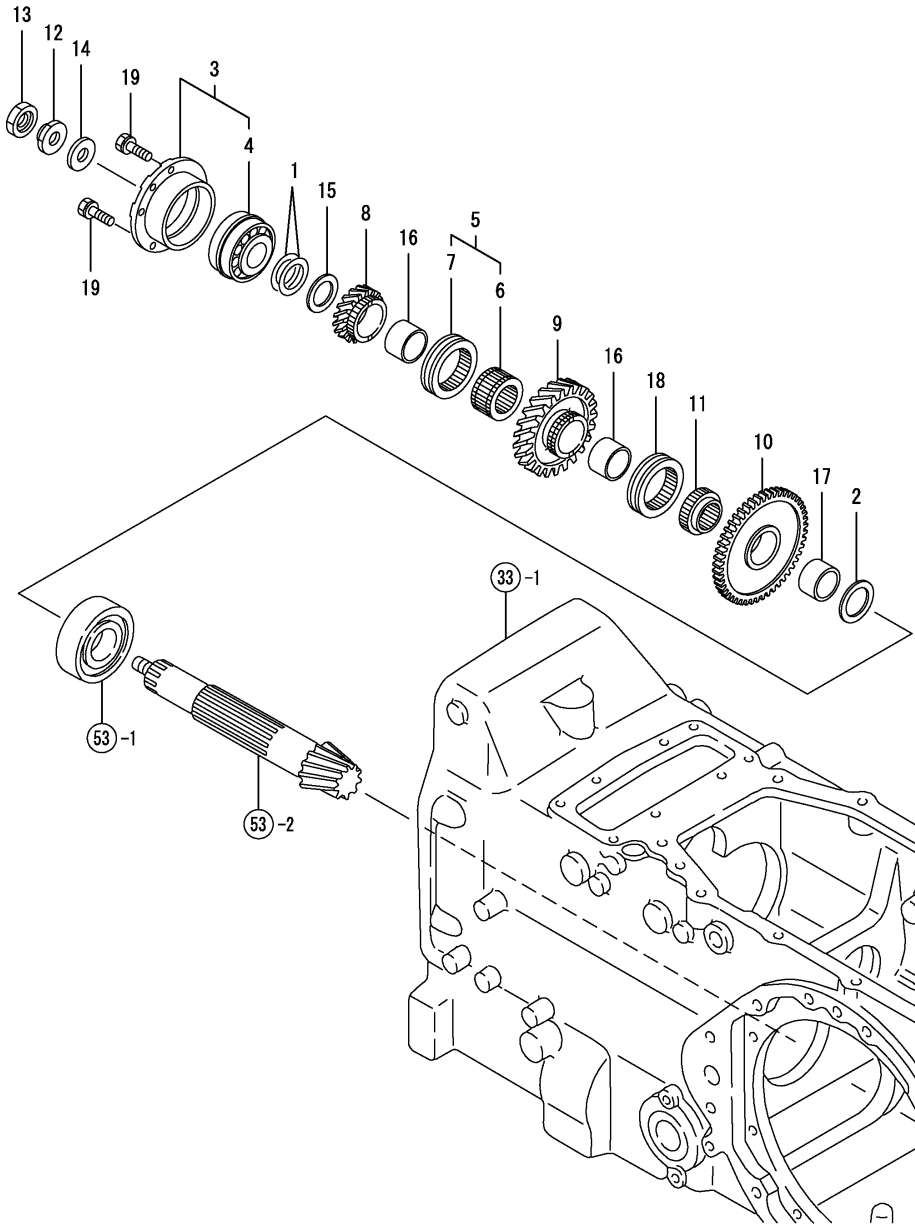
(D)=

(E)=

(F)=

No.	Lev.	Parts No.	Description	Q'ty						I	R
				(A)	(B)	(C)	(D)	(E)	(F)		
1	1	194250-25240	BEARING, 354019	3							
2	1	198240-25440	GEAR, DRIVEN 53	1							
3	1	198133-25451	SHAFT, DRIVEN	1							
4	1	1A7780-25460	GEAR, DRIVEN 41	1							
5	1	1A7780-25480	GEAR, DRIVE 49	1							
6	1	198133-25761	COLLAR, 30X45X20	1							
7	1	198133-25822	GEAR ASSY, 44T	1							
7-1	1	1A7780-25820	GEAR, DRIVE 44	1							S
(A=FZZZZZ)											
8	1	198242-25830	SLIDER ASSY, SYNCHRO	1							
8-1	1	1A7780-26610	COLLAR, SPLINE	1							S
(A=FZZZZZ)											
9	2	198133-25841	SLIDER, SYNCHRO	1							Z
(A=FZZZZZ)											
10	2	198242-25950	HUB, SYNCHRO	1							Z
(A=FZZZZZ)											
11	1	194640-25860	WASHER, 30X45X3	1							
12	1	198133-25870	COLLAR, 20X24X3.5	1							
13	1	194640-26440	BEARING, BALL TMB206	1							
14	1	198360-26610	COLLAR, SPLINE	2							
15	1	194555-26620	SHIFTER	2							
15-1	1	194555-26620	SHIFTER	3							K
(A=FZZZZZ)											
16	1	22292-000340	RING, S-34	4							
17	1	24107-063054	BEARING, BALL 6305ZZ	1							
18	1	24161-202617	BEARING, 202617	1							
19	1	24161-303520	BEARING, 303520	1							
20	1	24163-305200	RING, INNER 303520	1							
21	1	24164-000202	CIRCLIP, 20	1							
22	1	24164-000302	CIRCLIP, 30	2							
23	1	24165-000352	C-CIRCLIP 35H	1							
24	1	24165-000402	CIRCLIP, 40	3							

Fig.38. COUNTER SHAFT



(A)=EF453TM-PQ
(B)=
(C)=

(D)=
(E)=
(F)=

No.	Lev.	Parts No.	Description	Q'ty						I	R
				(A)	(B)	(C)	(D)	(E)	(F)		
1	1	194301-12730	SHIM, 30X45X0.1	2							
2	1	194180-25550	WASHER, 35X50X3	1							
3	1	198149-25600	BEARING ASSY	1							
4	2	194464-25600	BEARING, 4T-30306DDB	1							
5	1	198149-25700	COLLAR ASSY, SPLINE	1							
6	2	198149-25780	COLLAR, SPLINE A	1							
7	2	198149-25890	SHIFTER	1							
8	1	198149-25740	GEAR, COUNTER 21	1							
9	1	198149-25750	GEAR, COUNTER 45	1							
10	1	198149-25760	GEAR, COUNTER 53	1							
11	1	198149-25790	COLLAR, SPLINE B	1							
12	1	198220-25830	NUT, LOCK M16	1							
13	1	198220-25840	NUT, LOCK M16	1							
14	1	198415-25840	SPACER, 16X38X4.5	1							
15	1	194640-25860	WASHER, 30X45X3	1							
16	1	198133-25860	BUSH, 34X40X26	2							
17	1	198149-25880	BUSH, 35X40X19	1							
18	1	198149-25890	SHIFTER	1							
19	1	26013-080252	BOLT, M8X 25	4							

Fig.40. REVERSE GEAR

(A)=EF453TM-PQ
(B)=
(C)=

(D)=
(E)=
(F)=

No.	Lev.	Parts No.	Description	Q'ty						I	R
				(A)	(B)	(C)	(D)	(E)	(F)		
1	1	198133-25832	GEAR ASSY, 48L	1							
1-1	1	1A7780-25830	GEAR, DRIVEN	1							S
(A=FZZZZZ)											
2	1	198133-25850	NEEDLE, 202615	2							
3	1	198133-25890	WASHER, 20X32X2	1							
4	1	198133-25911	GEAR, REVERSE IDLE	1							
5	1	198240-25930	WASHER, 17X32	1							
6	1	198133-25941	GEAR, REVERSE IDLE	1							
7	1	198133-25960	SHAFT, REVERSE IDLE	1							
8	1	198133-25970	PLATE, KEEP	1							
9	1	24101-062044	BEARING, BALL 6204	2							
10	1	26013-080202	BOLT, M8X 20	1							
10-1	1	26106-080162	BOLT, M8X 16 PLATED	1							R
(A=*2009.05.)											

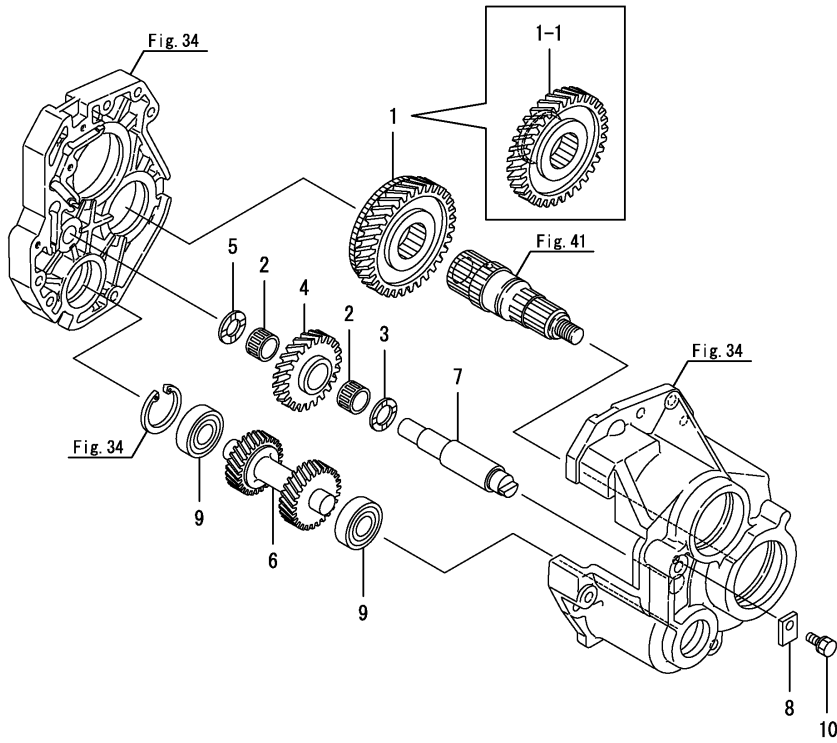
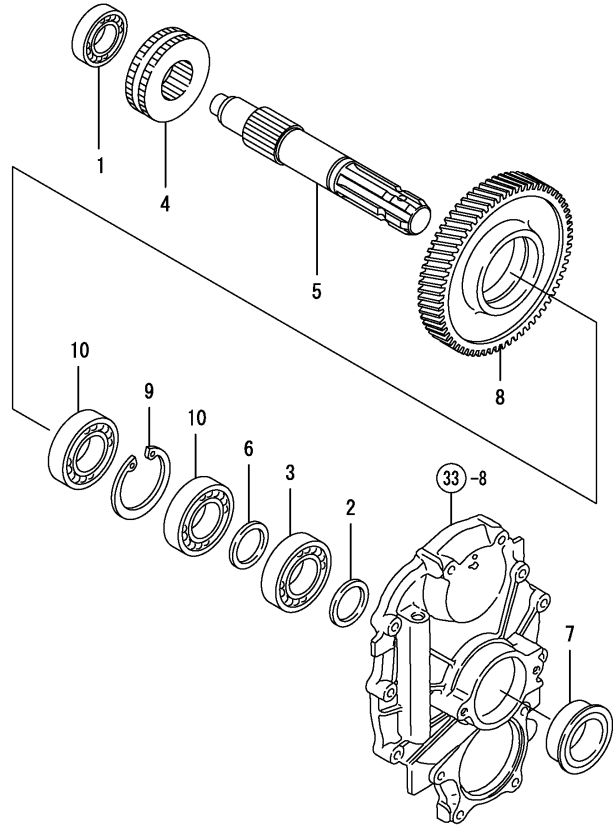


Fig.43. PTO SHAFT

(A)=EF453TM-PQ
(B)=
(C)=

(D)=
(E)=
(F)=



No.	Lev.	Parts No.	Description	Q'ty						I	R
				(A)	(B)	(C)	(D)	(E)	(F)		
1	1	194447-13860	BEARING, TMB304CX1	1							
2	1	194310-25660	COLLAR, 35X45X5	1							
3	1	194430-25810	BEARING, BALL TMB207	1							
4	1	1A7780-26121	SLIDER, PTO	1							
5	1	1A7780-26310	SHAFT, PTO	1							
6	1	194640-26330	WASHER, 35X46X32	1							
7	1	194370-26350	SEAL, OIL QLF356019	1							
8	1	198240-26520	GEAR, PTO	1							
9	1	22252-000720	RING, 72	1							
10	1	24101-062074	BEARING, BALL 6207	2							

Fig.44. PTO SHAFT COVER

(A)=EF453TM-PQ
(B)=
(C)=

(D)=
(E)=
(F)=

No.	Lev.	Parts No.	Description	Q'ty						I	R
				(A)	(B)	(C)	(D)	(E)	(F)		
1	1	1A7100-26850	COVER ASSY, SHAFT M	1							
2	1	26106-080122	BOLT, M8X 12 PLATED	2							

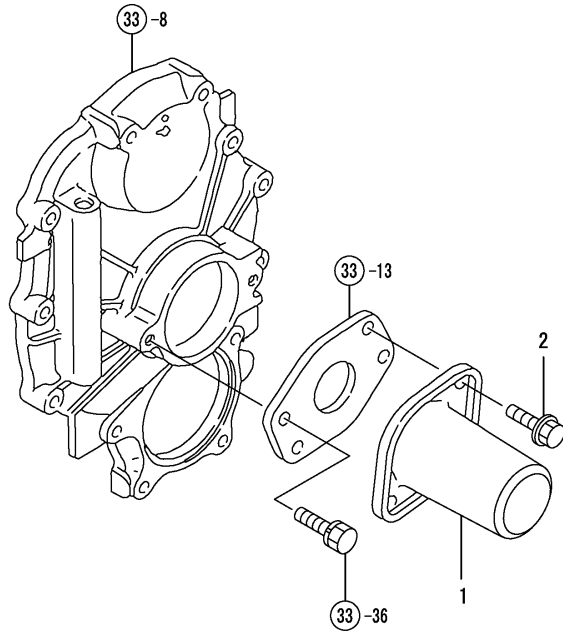


Fig.45. MAIN CHANGE LEVER

(A)=EF453TM-PQ

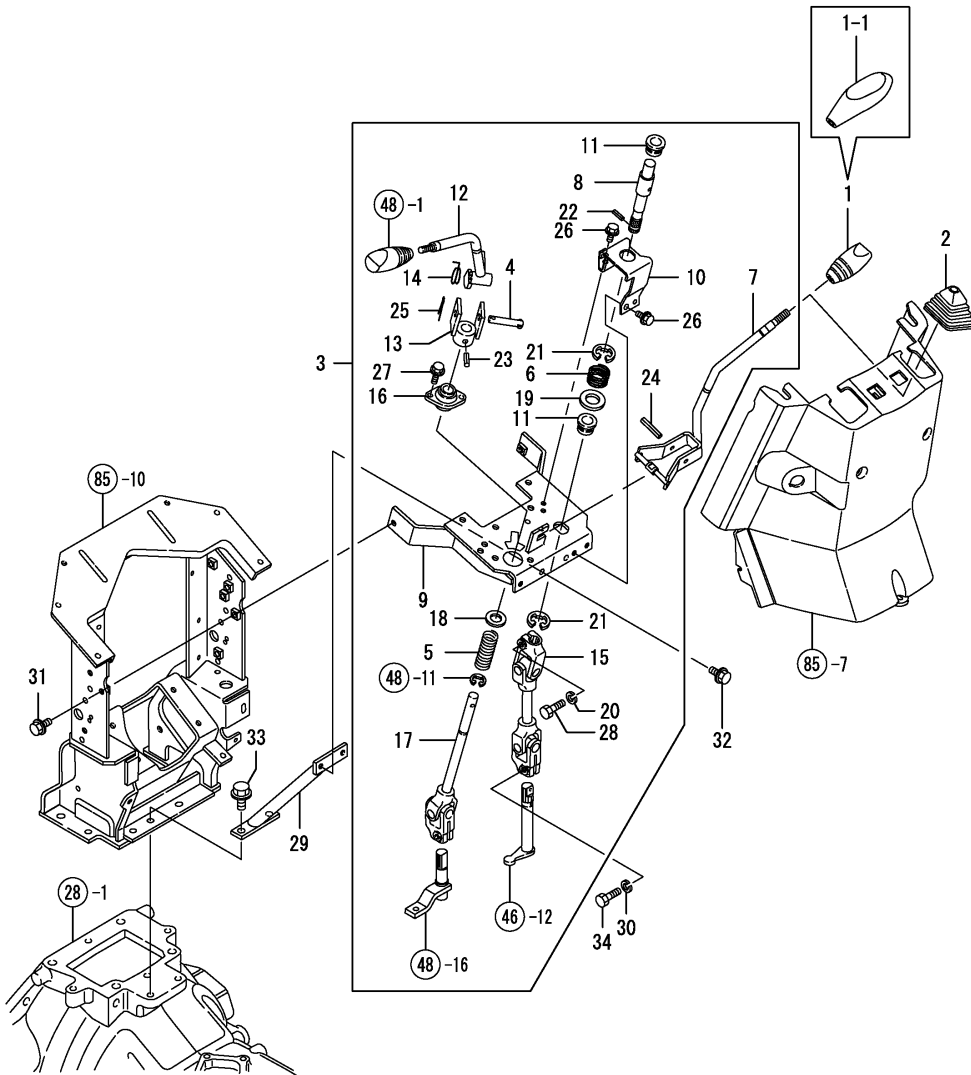
(B)=

(C)=

(D)=

(E)=

(F)=



No.	Lev.	Parts No.	Description	Q'ty						I	R
				(A)	(B)	(C)	(D)	(E)	(F)		
1	1	198133-27100	KNOB, MAIN SHIFT	1							
1-1	1	1A8170-27100	KNOB, MAIN SHIFT	1							R
				(A=*2009.07.)		(B=*2009.07.)					
2	1	198133-27350	BOOT	1							
3	1	1A7780-27800	SHIFT ASSY, COLUMN	1							
4	2	198075-18311	PIN, 8X52	1							
5	2	198133-27060	SPRING, REVERSER	1							
6	2	198133-27070	SPRING	1							
7	2	1A7780-27360	LEVER, MAIN SHIFT	1							
8	2	198133-27401	SHAFT ASSY	1							
9	2	198133-27652	BRACKET, SHIFT	1							
10	2	198133-27711	STAY, MAIN SHIFT	1							
11	2	198133-27720	BUSH, MAIN SHIFT	2							
12	2	1A7780-27750	LEVER, REVERSER	1							
13	2	198133-27781	HOLDER, REVERSER	1							
14	2	198133-27820	SPRING, RETURN	1							
15	2	198133-27850	JOINT ASSY, SHIFT	1							
16	2	198133-27881	FLANGE, REVERSER	1							
17	2	198133-27940	SHAFT ASSY, REVERSER	1							
18	2	22137-140000	WASHER, 14	1							
19	2	22137-220000	WASHER, 22	1							
20	2	22217-080000	WASHER, SPRING 8	1							
21	2	22272-000190	RING, E-19	2							
22	2	22351-020012	PIN, SPRING 2.0X12	1							
23	2	22351-060032	PIN, SPRING 6.0X32	1							
24	2	22351-080040	PIN, SPRING 8.0X40	1							
25	2	22417-200300	PIN, COTTER 2.0X30	1							
26	2	26106-060162	BOLT, M6X 16 PLATED	3							
27	2	26106-060162	BOLT, M6X 16 PLATED	2							
28	2	26116-080252	BOLT, M8X 25 PLATED	1							
29	1	198133-27950	STAY ASSY, SHIFT	1							
30	1	22217-080000	WASHER, SPRING 8	1							
31	1	26106-080162	BOLT, M8X 16 PLATED	2							
32	1	26106-080162	BOLT, M8X 16 PLATED	2							
33	1	26106-100202	BOLT, M10X 20 PLATED	2							
34	1	26116-080252	BOLT, M8X 25 PLATED	1							

Fig.46. MAIN CHANGE

(A)=EF453TM-PQ

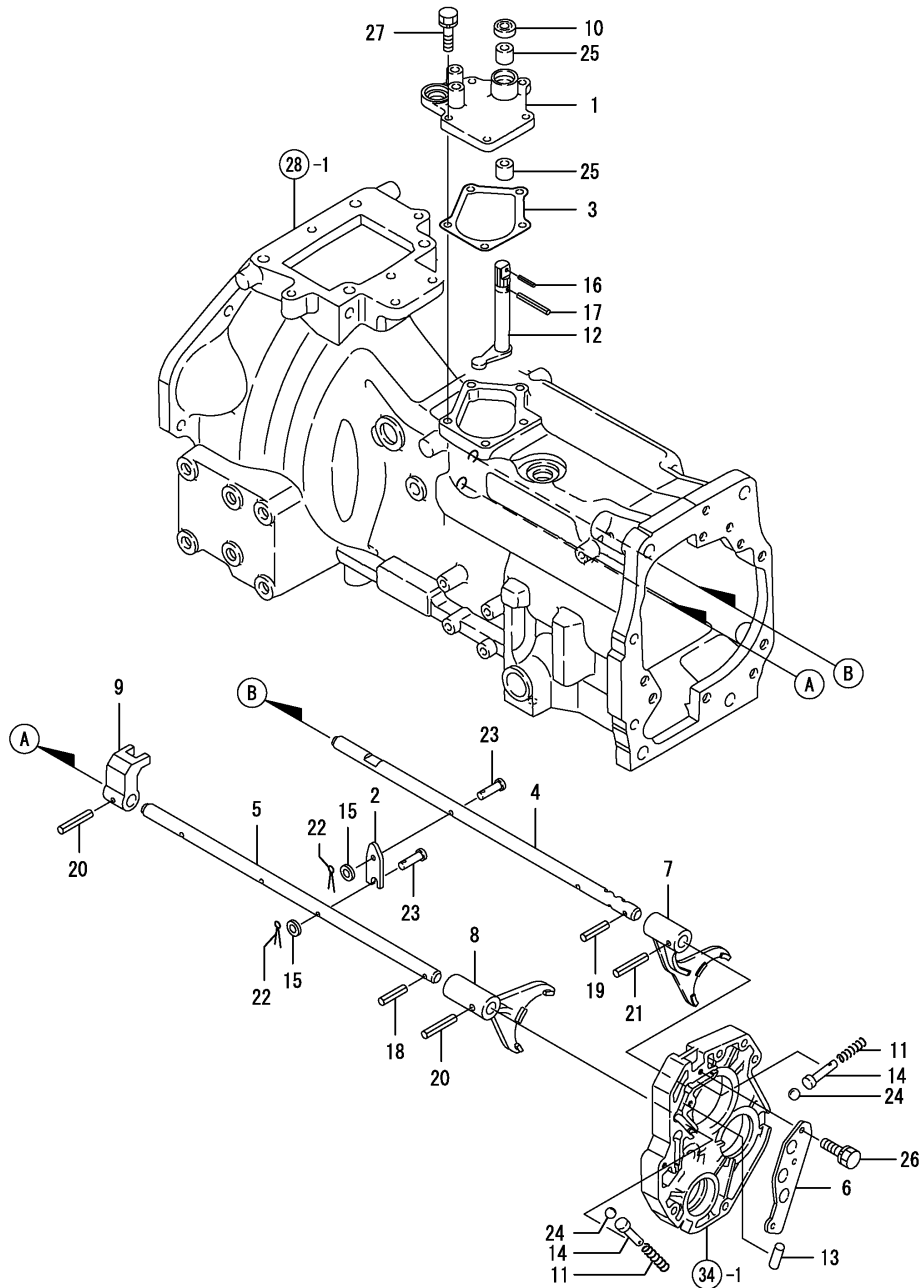
(B)=

(C)=

(D)=

(E)=

(F)=



No.	Lev.	Parts No.	Description	Q'ty						I	R
				(A)	(B)	(C)	(D)	(E)	(F)		
1	1	1A7780-27150	RETAINER, LEVER	1							
1-1	1	1A7780-27150-1	RETAINER, LEVER	1							R
(A=F008557)											
2	1	194250-27160	ARM, SWITCH	1							
3	1	198133-27170	GASKET, RETAINER	1							
4	1	198137-27180	SHAFT, FORK 2-3	1							
5	1	198137-27190	SHAFT, FORK 1	1							
6	1	198133-27280	HOLDER, INTERLOCK	1							
7	1	1A7780-27310	FORK, SHIFT 2-3	1							
8	1	198240-27320	FORK, SHIFT 2-3	1							
9	1	198133-27330	SHIFTER	1							
10	1	198133-27340	SEAL, OIL KBY172406	1							
11	1	194145-27450	SPRING	2							
12	1	198133-27450	ARM, SHIFT	1							
13	1	194130-27490	SPINDLE	1							
14	1	198071-27860	PIN, 4X35	2							
15	1	1C6460-84420	SPACER, 6.4X12.5X1	2							
16	1	22351-020012	PIN, SPRING 2.0X12	1							
17	1	22351-040032	PIN, SPRING 4.0X32	1							
18	1	22351-060025	PIN, SPRING 6.0X25	1							
19	1	22351-060025	PIN, SPRING 6.0X25	1							
20	1	22351-060032	PIN, SPRING 6.0X32	2							
21	1	22351-060032	PIN, SPRING 6.0X32	1							
22	1	22417-160180	PIN, COTTER 1.6X18	2							
23	1	22487-060200	PIN, H 6X 20	2							
24	1	24190-100001	BALL, STEEL 5/16	2							
25	1	24550-017150	BUSH, 17X15	2							
26	1	26013-080202	BOLT, M8X 20	3							
26-1	1	26106-080162	BOLT, M8X 16 PLATED	3							R
(A=*2009.05.)											
27	1	26013-080252	BOLT, M8X 25	5							

Fig.47. REVERSER CHANGE

(A)=EF453TM-PQ

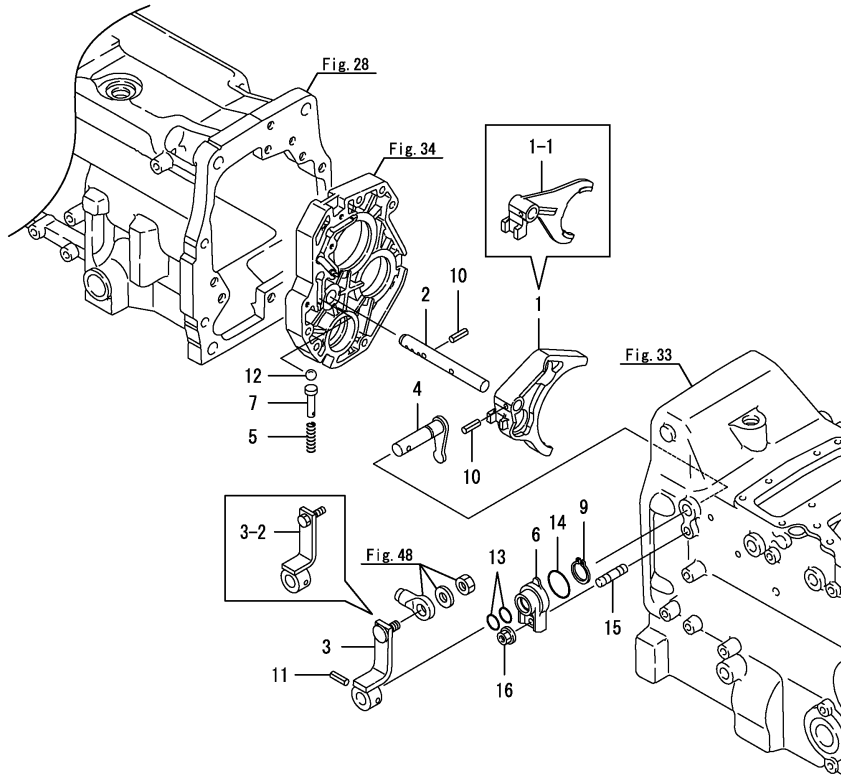
(B)=

(C)=

(D)=

(E)=

(F)=



No.	Lev.	Parts No.	Description	Q'ty						I	R
				(A)	(B)	(C)	(D)	(E)	(F)		
1	1	198133-27110	FORK, REVERSER SHIFT	1							
1-1	1	1A7780-27110	FORK, SHIFT REVERSER	1							S
(A=FZZZZZ)											
2	1	198133-27120	SHAFT, REVERSER FORK	1							
3	1	198133-27180	ARM, CHANGE	1							
3-1	1	198133-27180-1	ARM, CHANGE	1							R
(A=F008557)											
3-2	1	1A7780-27180-1	ARM, SHIFT	1							F 1
(A=FXXXXX)											
4	1	198133-27300	ARM, SHIFT	1							
5	1	194145-27450	SPRING	1							
6	1	198071-27470-2	HOLDER, SHIFT ARM	1							
6-1	1	198071-27470	HOLDER, SHIFT ARM	1							R
(A=F008557)											
7	1	198071-27860	PIN, 4X35	1							
9	1	22242-000170	RING, 17	1							
10	1	22351-060025	PIN, SPRING 6.0X25	2							
11	1	22351-060032	PIN, SPRING 6.0X32	1							
12	1	24190-100001	BALL, STEEL 5/16	1							
13	1	24311-000160	O-RING, 1AP16.0	2							
14	1	24321-000250	O-RING, 1AG25.0	1							
15	1	26218-080202	STUD, M8X 20	1							
16	1	26366-080002	NUT, M8	1							

Remarks
 (1)Fig.48 Ref.No.3-2, 9-1 & 13-1
 Interchangeable by set.

Fig.48. REVERSER LEVER

(A)=EF453TM-PQ

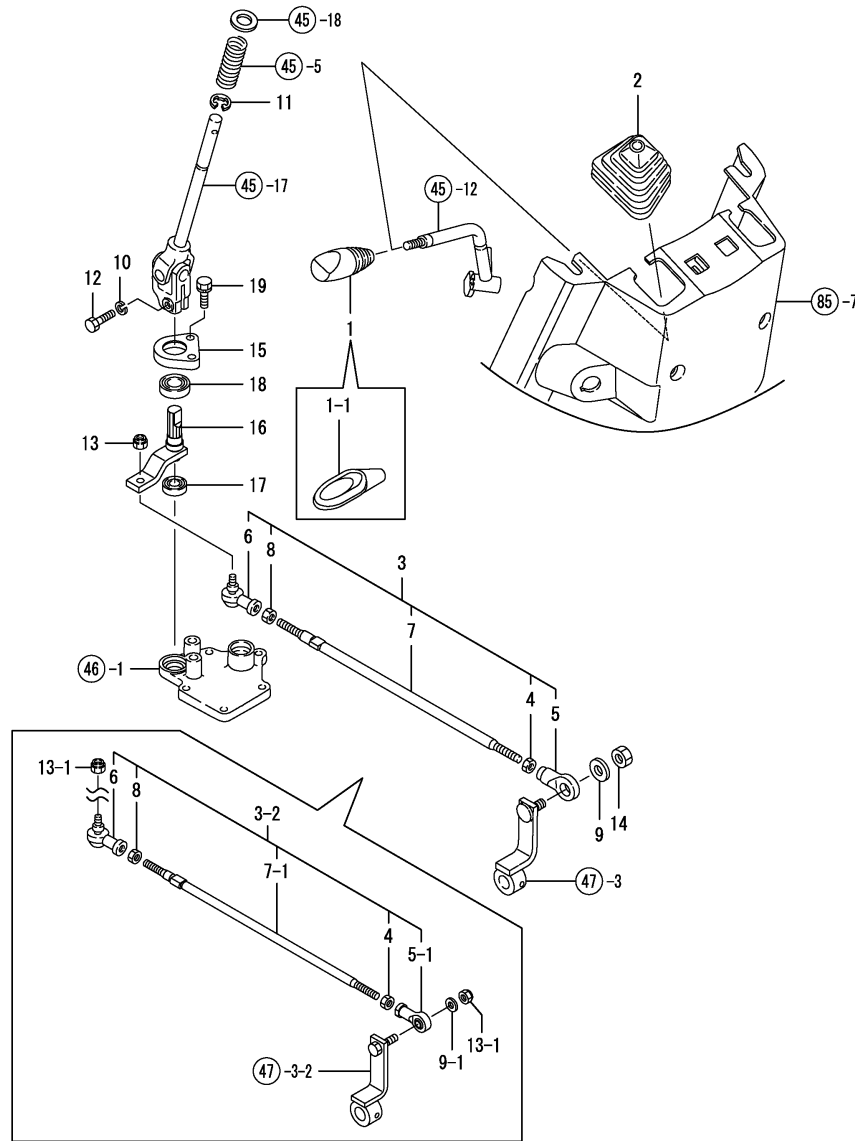
(B)=

(C)=

(D)=

(E)=

(F)=



No.	Lev.	Parts No.	Description	Q'ty						I	R
				(A)	(B)	(C)	(D)	(E)	(F)		
1	1	198071-18350	KNOB, LEVER	1							
1-1	1	198200-18350	KNOB, LEVER	1							R
(A=*2009.07.)											
2	1	198133-27350	BOOT	1							
3	1	198133-27900	ROD ASSY, REVERSER	1							
3-1	1	198133-27900-2	ROD COMP.,REVERSER	1							R
(A=F008557)											
3-2	1	1A7780-27900-1	ROD ASSY, REVERSER	1							F 1
(A=FXXXXX)											
4	2	194990-20170	NUT, M8	1							
5	2	194170-27180	END, ROD R	1							
5-1	2	172122-46571	END, ROD	1							S
(A=FXXXXX)											
6	2	194820-27370	END, ROD L	1							
7	2	198133-27910	ROD, SHIFT	1							
7-1	2	1A7780-27910	ROD, SHIFT	1							S
(A=FXXXXX)											
8	2	26716-080002	NUT, M8	1							
9	1	22137-100000	WASHER, 10	1							
9-1	1	22137-080000	WASHER, 8	1							F 1
(A=FXXXXX)											
10	1	22217-080000	WASHER, SPRING 8	1							
11	1	22272-000120	RING, E-12	1							
12	1	26116-080252	BOLT, M8X 25 PLATED	1							
13	1	26346-080002	NUT, M8	1							
13-1	1	26346-080002	NUT, M8	2							K 1
(A=FXXXXX)											
14	1	26756-100002	NUT, LOCK M10	1							Z
(A=FXXXXX)											
15	1	1A7780-27160	HOLDER, REVERSER ARM	1							
15-1	1	1A7780-27160-1	HOLDER, REVERSER ARM	1							R
(A=F008557)											
16	1	1A7780-27210	ARM, LINK	1							
16-1	1	1A7780-27210-1	ARM, LINK	1							R
(A=F008557)											
17	1	24104-060014	BEARING, BALL 6001UU	1							
18	1	24104-060034	BEARING, BALL 6003UU	1							
19	1	26013-080252	BOLT, M8X 25	2							

Remarks

(1)Ref.No.3-2, 9-1,13-1 & Fig.47 Ref.
No.3-2 Interchangeable by set.

Fig.49. SUB CHANGE LEVER

(A)=EF453TM-PQ

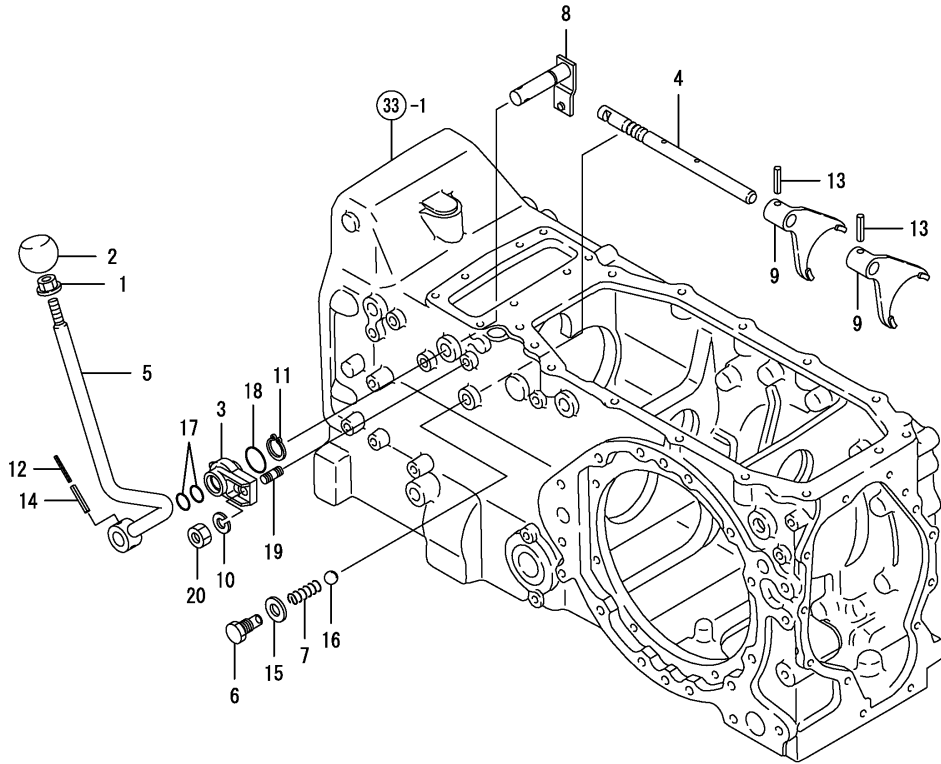
(B)=

(C)=

(D)=

(E)=

(F)=



No.	Lev.	Parts No.	Description	Q'ty						I	R
				(A)	(B)	(C)	(D)	(E)	(F)		
1	1	194990-22150	NUT, M10	1							
2	1	198253-27510	KNOB, LEVER	1							
3	1	198071-27470-2	HOLDER, SHIFT ARM	1							
3-1	1	198071-27470 (A=F008557)	HOLDER, SHIFT ARM	1							R
4	1	198149-27490	SHAFT, FORK	1							
5	1	198253-27520	LEVER, RANGE SHIFT	1							
5-1	1	198253-27520-1 (A=F008557)	LEVER, RANGE SHIFT	1							R
6	1	198149-27530	PLUG, M12	1							
7	1	194680-27540	SPRING, FORK LOCK	1							
8	1	198149-27560	ARM, SHIFT	1							
9	1	198149-27570	FORK, SHIFT	2							
10	1	22217-080000 (A=*2009.05.)	WASHER, SPRING 8	1							Z
11	1	22242-000170	RING, 17	1							
12	1	22351-035032	PIN, SPRING 3.5X32	1							
13	1	22351-060032	PIN, SPRING 6.0X32	2							
14	1	22351-060032	PIN, SPRING 6.0X32	1							
15	1	23414-120016	GASKET, 12X1.0	1							
16	1	24190-080001	BALL, STEEL 1/4	1							
17	1	24311-000160	O-RING, 1AP16.0	2							
18	1	24321-000250	O-RING, 1AG25.0	1							
19	1	26218-080252	STUD, M8X 25	1							
19-1	1	26218-080202 (A=*2009.05.)	STUD, M8X 20	1							R
20	1	26716-080002	NUT, M8	1							
20-1	1	26366-080002 (A=*2009.05.)	NUT, M8	1							R

Fig.50. PTO CHANGE

(A)=EF453TM-PQ

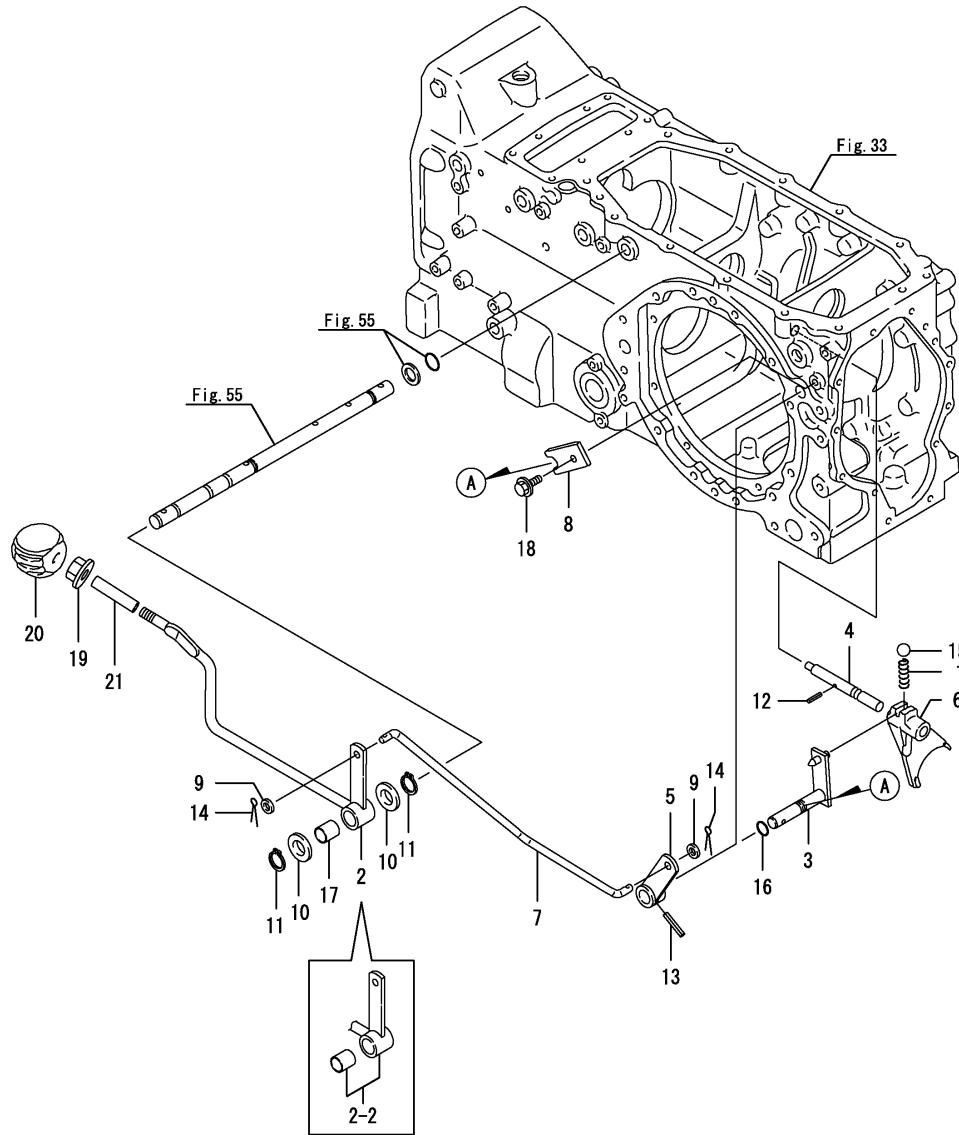
(B)=

(C)=

(D)=

(E)=

(F)=



No.	Lev.	Parts No.	Description	Qty						I	R
				(A)	(B)	(C)	(D)	(E)	(F)		
1	1	194680-27540	SPRING, FORK LOCK	1							
2	1	198242-27830	LEVER, PTO	1							
2-1	1	198242-27831	LEVER, PTO	1							N
(A=FZZZZZ)											
2-2	1	1A7780-27820	LEVER ASSY, PTO	1							S
(A=FZZZZZ)											
2-3	1	1A7780-27820-2	LEVER ASSY, PTO	1							R
(A=F008557)											
3	1	198240-27841	ARM, SHIFT	1							
4	1	198240-27880	SHAFT, PTO FORK	1							
5	1	198240-27890-2	ARM, CHANGE	1							
5-1	1	198240-27890-1	ARM, CHANGE	1							R
(A=F008557)											
6	1	198240-27950	FORK, PTO SHIFT	1							
7	1	198240-27961	ROD, PTO	1							
7-1	1	198240-27961-1	ROD, PTO	1							R
(A=F008557)											
8	1	198220-27990	PLATE, KEEP	1							
9	1	22137-100000	WASHER, 10	2							
10	1	22137-200000	WASHER, 20	2							
11	1	22242-000200	RING, 20	2							
12	1	22351-060025	PIN, SPRING 6.0X25	1							
13	1	22351-060032	PIN, SPRING 6.0X32	1							
14	1	22417-250200	PIN, COTTER 2.5X20	2							
15	1	24190-080001	BALL, STEEL 1/4	1							
16	1	24311-000125	O-RING, 1AP12.5	1							
17	1	24550-020250	BUSH, 20X25	1							Z
(A=FZZZZZ)											
18	1	26106-080162	BOLT, M8X 16 PLATED	1							
19	1	194990-22150	NUT, M10	1							
20	1	198220-27290	KNOB, LEVER	1							
21	1	23065-160080	PIPE, 16X 80	1							

Fig.51. FRONT DRIVE

(A)=EF453TM-PQ
(B)=
(C)=

(D)=
(E)=
(F)=

No.	Lev.	Parts No.	Description	Qty						I	R
				(A)	(B)	(C)	(D)	(E)	(F)		
1	1	194446-25450	BEARING, BALL TM302	1							
2	1	198241-28100	GEAR KIT, DRIVE	1							
3	2	198133-28110	SHAFT, FRONT DRIVE	1							
4	2	194765-28170	GEAR, FRONT DRIVE	1							
5	2	194765-28180	SLIDER	1							
6	1	198241-28220	PINION, FRONT FINAL	1							
7	1	194321-28230	SPRING, 26.2	1							
8	1	198241-28240	COLLAR, 18X30X15	1							
9	1	24101-060074	BEARING, BALL 6007	1							
10	1	24190-080001	BALL, STEEL 1/4	2							
11	1	24421-356212	SEAL, OIL TC356212	1							
12	1	22252-000620	RING, 62	1							

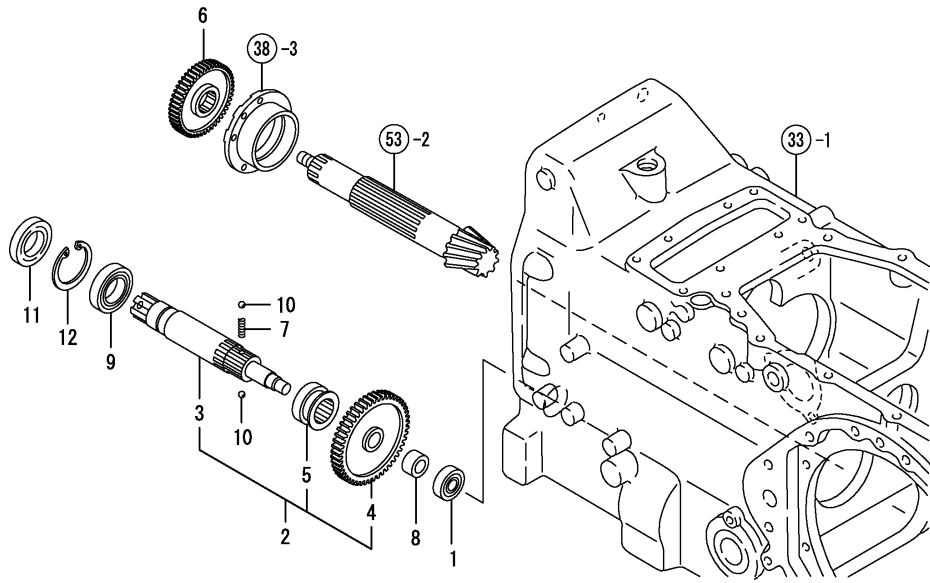
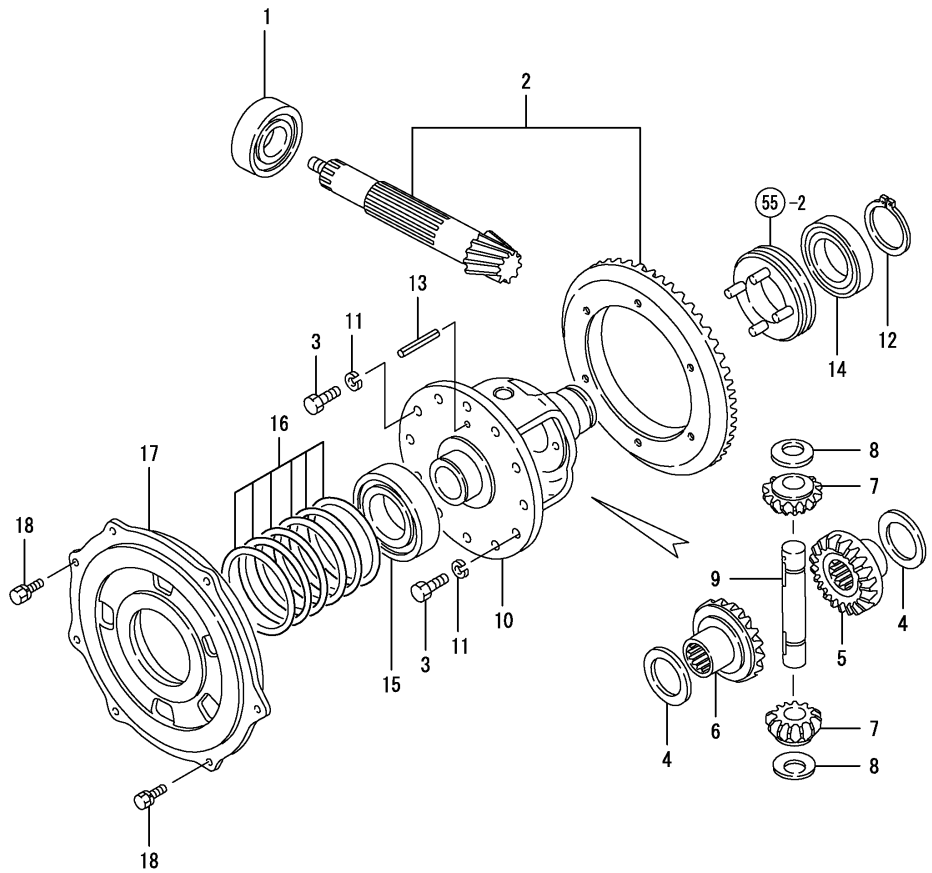


Fig.53. RING GEAR,DIFFERENTIAL GEAR

(A)=EF453TM-PQ
(B)=
(C)=

(D)=
(E)=
(F)=



No.	Lev.	Parts No.	Description	Q'ty						I	R
				(A)	(B)	(C)	(D)	(E)	(F)		
1	1	198390-25790	BEARING, 6307R SH2	1							
2	1	198149-31400	GEAR ASSY, RING	1							
3	1	194066-13130	BOLT, M10X25	6							
4	1	198320-31530	WASHER, DIFFERENTIAL	2							
5	1	198320-31550	GEAR, DIFFERENTIAL	1							
6	1	194320-31560	GEAR, DIFFERENTIAL	1							
7	1	198320-31570	PINION, DIFFERENTIAL	2							
8	1	198320-31630	WASHER, DIFFERENTIAL	2							
9	1	198320-31820	SHAFT, DIFFERENTIAL	1							
10	1	198320-32111	CASE, DIFFERENTIAL	1							
11	1	22217-100000	WASHER, SPRING 10	6							
12	1	22242-000500	RING, 50	1							
13	1	22351-060050	PIN, SPRING 6.0X50	1							
14	1	24101-060104	BEARING, BALL 6010	1							
15	1	24101-062114	BEARING, BALL 6211	1							
16	1	794251-13910	SHIM SET	1							
17	1	198250-32310	CARRIER	1							
17-1	1	1A7601-32310	CARRIER, DIFF.	1							R
(A=FZZZZZ)											
18	1	26013-080252	BOLT, M8X 25	7							
18-1	1	26106-080252	BOLT, M8X 25 PLATED	7							R

(A=*2009.05.)

Fig.54. REAR HOUSING

(A)=EF453TM-PQ

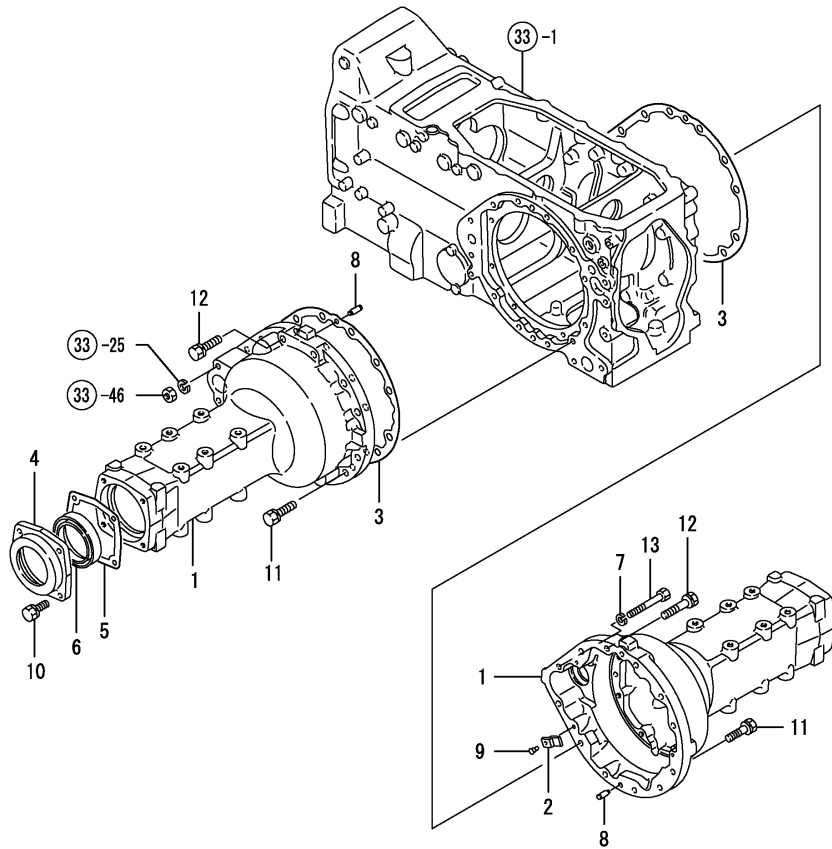
(B)=

(C)=

(D)=

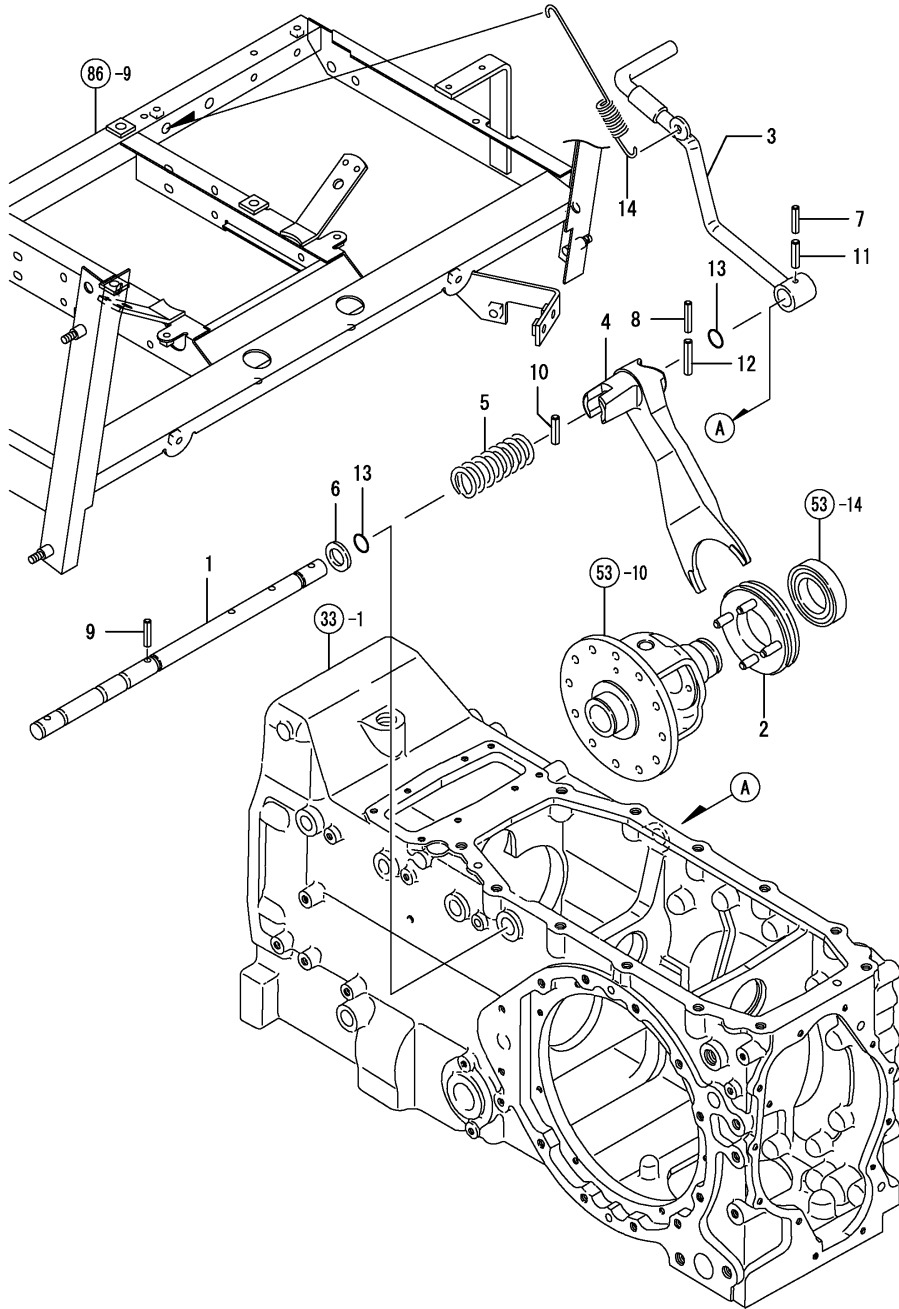
(E)=

(F)=



No.	Lev.	Parts No.	Description	Q'ty						I	R
				(A)	(B)	(C)	(D)	(E)	(F)		
1	1	198212-32611	HOUSING, REAR AXLE	2							
1-1	1	198212-32611-1	HOUSING, REAR AXLE	2							R
(A=F008557)											
2	1	194180-32640	PLATE, PUSH	3							
3	1	198240-32640	PACKING, AXLE	2							
4	1	194640-32650-2	CASE, OIL SEAL	2							
4-1	1	194640-32650	CASE, OIL SEAL	2							R
(A=F008557)											
5	1	198320-32660	GASKET, SEAL CASE	2							
6	1	198535-32660	SEAL, QLNY7210016	2							
7	1	22217-100000	WASHER, SPRING 10	2							Z
(A=*2009.05.)											
8	1	22312-100180	PIN, PARALLEL M10X18	4							
9	1	22635-600120	RIVET, 6.0X12	3							
10	1	26013-100302	BOLT, M10X 30	8							
10-1	1	26106-100302	BOLT, M10X 30 PLATED	8							R
(A=*2009.05.)											
11	1	26013-120402	BOLT, M12X 40	16							
12	1	26013-120502	BOLT, M12X 50	4							
13	1	26116-100852	BOLT, M10X 85 PLATED	2							
13-1	1	26106-100852	BOLT, M10X 85 PLATED	2							N
(A=*2009.05.)											

Fig.55. DIFFERENTIAL LOCK



(A)=EF453TM-PQ
(B)=
(C)=

(D)=
(E)=
(F)=

No.	Lev.	Parts No.	Description	Q'ty						I	R
				(A)	(B)	(C)	(D)	(E)	(F)		
1	1	198250-33110	SHAFT, LOCK	1							
1-1	1	198254-33110	SHAFT, LOCK	1							R
(A=FZZZZZ)											
2	1	194464-33130	SLIDER, DIFFERENTIAL	1							
3	1	198240-33130	PEDAL ASSY, LOCK	1							
3-1	1	198240-33130-1	PEDAL ASSY, LOCK	1							R
(A=F008557)											
4	1	1A7350-33140	FORK, SHIFT	1							
5	1	194150-33150	SPRING, RETURN	1							
6	1	194300-33200	SPACER, 20X32X3.2	1							
7	1	22351-050032	PIN, SPRING 5.0X32	1							
8	1	22351-050040	PIN, SPRING 5.0X40	1							
9	1	22351-060032	PIN, SPRING 6.0X32	1							
10	1	22351-080032	PIN, SPRING 8.0X32	1							
11	1	22351-080032	PIN, SPRING 8.0X32	1							
12	1	22351-080040	PIN, SPRING 8.0X40	1							
13	1	24311-000150	O-RING, 1AP15.0	2							
14	1	198240-33170	SPRING	1							

Fig.56. FINAL PINION

(A)=EF453TM-PQ
(B)=
(C)=

(D)=
(E)=
(F)=

No.	Lev.	Parts No.	Description	Q'ty						I	R
				(A)	(B)	(C)	(D)	(E)	(F)		
1	1	198320-33412	PINION, FINAL L	1							
2	1	198320-33422	PINION, FINAL R	1							
3	1	198320-33540	PINION, PLANETARY	6							
4	1	198320-33550	SHAFT, PLANETARY	6							
5	1	198320-33560	NEEDLE, 4.5X31.8	63							
6	1	198320-33560	NEEDLE, 4.5X31.8	63							
7	1	198320-33570	CARRIER, PLANETARY	2							
8	1	198320-33610	GEAR, INTERNAL	2							
9	1	198320-33620	WASHER, 26X42X1	12							
10	1	198217-33650	BOLT, M10X55	16							
11	1	22312-100180	PIN, PARALLEL M10X18	4							
12	1	22351-080040	PIN, SPRING 8.0X40	6							

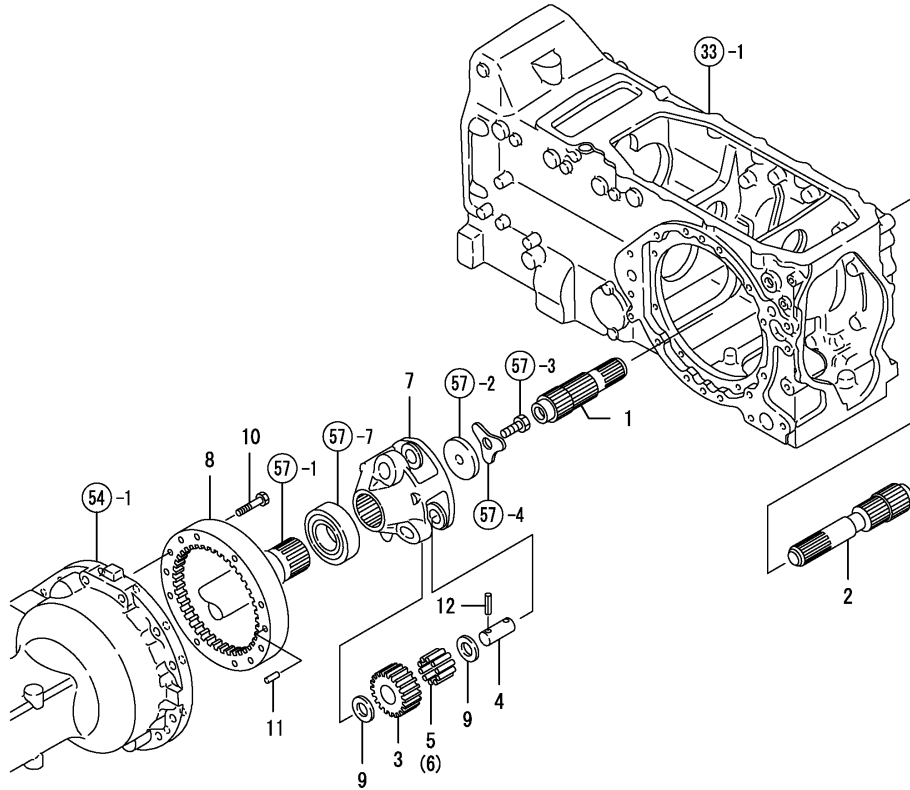


Fig.57. REAR AXLE SHAFT

(A)=EF453TM-PQ
(B)=
(C)=

(D)=
(E)=
(F)=

No.	Lev.	Parts No.	Description	Q'ty						I	R
				(A)	(B)	(C)	(D)	(E)	(F)		
1	1	198255-34110	SHAFT, REAR AXLE	2							
1-1	1	198255-34110-1	SHAFT, REAR AXLE (A=F008557)	2							R
2	1	194640-34130	WASHER, 13X64X9	2							
3	1	194640-34140	BOLT, M12X30	2							
4	1	194640-34150	WASHER, THRUST	2							
5	1	198535-34360	COLLAR, 60X72X26	2							
6	1	194145-34390	SPACER, O-RING	2							
7	1	24101-060114	BEARING, BALL 6011	2							
8	1	24101-062124	BEARING, BALL 6212	2							
9	1	24321-000600	O-RING, 1AG60.0	2							

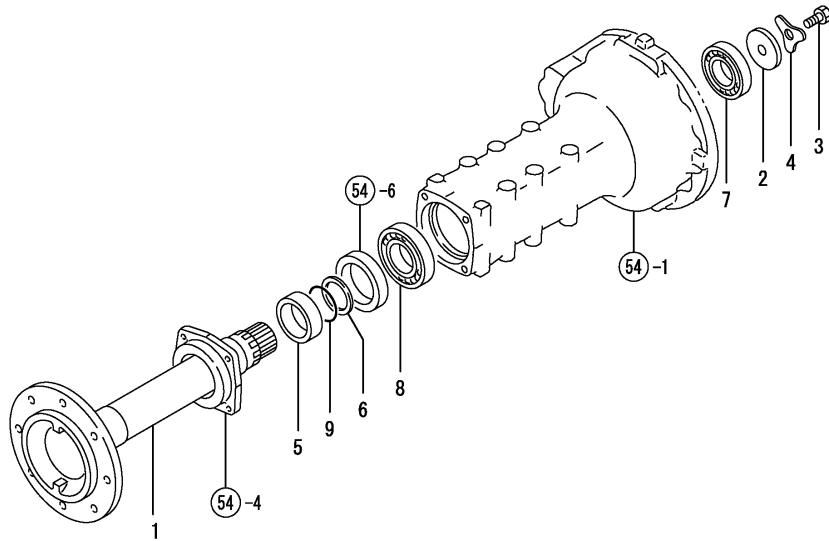
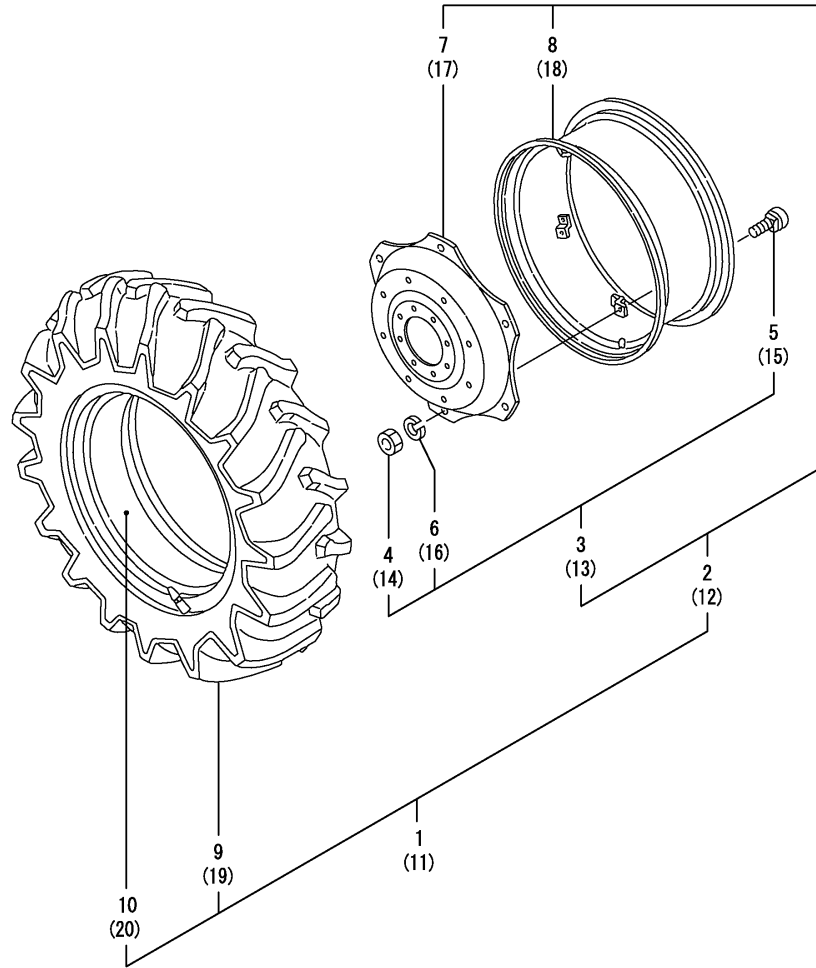


Fig.58. REAR WHEEL TIRE



(A)=EF453TM-PQ
(B)=
(C)=

(D)=
(E)=
(F)=

No.	Lev.	Parts No.	Description	Q'ty						I	R
				(A)	(B)	(C)	(D)	(E)	(F)		
1	1	198492-34700	TIRE KIT, 12.4-28L	1							
2	2	198492-34750	WHEEL ASSY, W11X28W	1							
3	3	198460-34100	BOLT KIT	1							
4	4	194181-14180	NUT, M16	6							
5	4	194681-14790	BOLT, M16X35	6							
6	4	194065-34170	WASHER, 16	6							
7	3	198146-34740	DISK, W11X28D	1							
8	3	194142-34821	RIM	1							
9	2	194082-34910	TIRE, 12.4-28 4 FSL	1							
10	2	198083-34940	TUBE ASSY	1							
11	1	198492-34800	TIRE KIT, 12.4-28R	1							
12	2	198492-34750	WHEEL ASSY, W11X28W	1							
13	3	198460-34100	BOLT KIT	1							
14	4	194181-14180	NUT, M16	6							
15	4	194681-14790	BOLT, M16X35	6							
16	4	194065-34170	WASHER, 16	6							
17	3	198146-34740	DISK, W11X28D	1							
18	3	194142-34821	RIM	1							
19	2	194082-34910	TIRE, 12.4-28 4 FSL	1							
20	2	198083-34940	TUBE ASSY	1							

Fig.59. HUB BOLT

(A)=EF453TM-PQ
(B)=
(C)=

(D)=
(E)=
(F)=

No.	Lev.	Parts No.	Description	Q'ty						I	R
				(A)	(B)	(C)	(D)	(E)	(F)		
1	1	198133-34130	BOLT, M14X30	16							

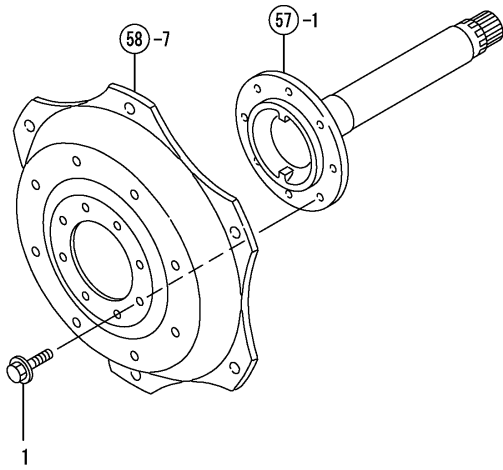
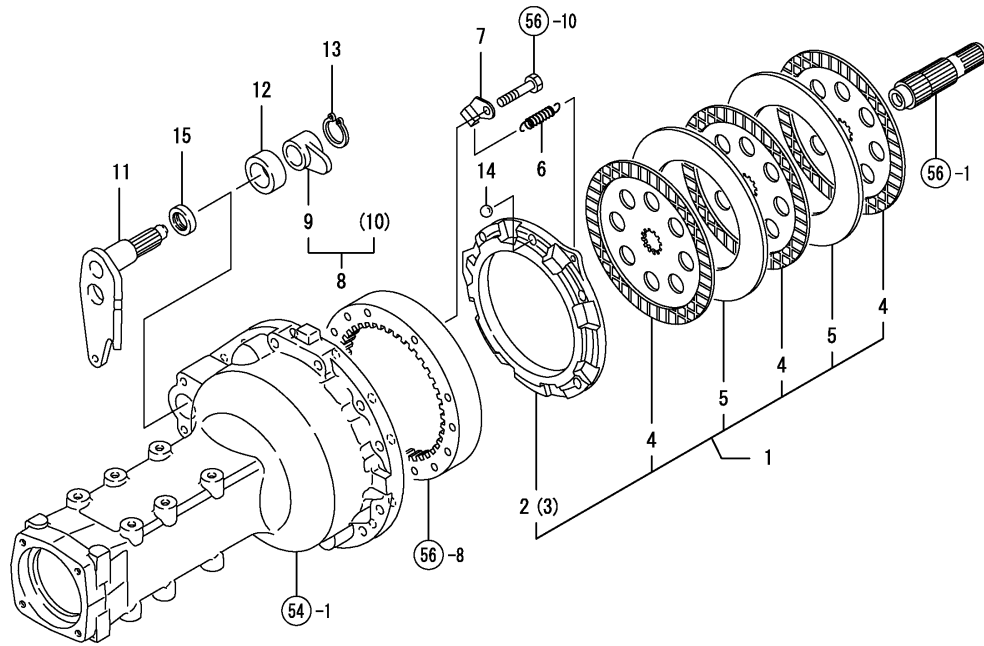


Fig.60. BRAKE

(A)=EF453TM-PQ
(B)=
(C)=

(D)=
(E)=
(F)=



No.	Lev.	Parts No.	Description	Q'ty						I	R
				(A)	(B)	(C)	(D)	(E)	(F)		
1	1	198320-36200	BRAKE ASSY	1							
1-1	1	1A7601-36200	BRAKE ASSY	1							R
(A=FZZZZZ)											
2	2	198240-36310	ACTUATOR	1							
2-1	2	1A7601-36310	ACTUATOR, L	1							R
(A=FZZZZZ)											
3	2	198240-36320	ACTUATOR	1							
3-1	2	1A7601-36320	ACTUATOR, R	1							R
(A=FZZZZZ)											
4	2	198240-36351	PLATE, FRICTION 226	6							
4-1	2	1A7601-36350	PLATE, FRICTION 226	6							R
(A=FZZZZZ)											
5	2	198240-36520	PLATE, STEEL 3.2	5							
5-1	2	1A8275-36520	PLATE, STEEL 3.2	5							R
(A=FZZZZZ)											
6	1	194205-36320	SPRING, ACTUATOR	4							
7	1	198240-36380	HOOK, RETURN SPRING	4							
8	1	198240-36700	LEVER ASSY, CAM	1							
9	2	198240-36710	CAMSHAFT, BRAKE L	1							
10	2	198240-36720	CAMSHAFT, BRAKE R	1							
11	1	198240-36730	SHAFT, CAM LEVER	2							
11-1	1	198240-36730-1	SHAFT, CAM LEVER	2							R
(A=F008557)											
12	1	198320-36790	SLEEVE, CAM LEVER	2							
13	1	22242-000290	RING, 29	2							
14	1	24190-180001	BALL, STEEL 9/16	12							
15	1	24421-304208	SEAL, OIL TC304208	2							

Fig.61. BRAKE PEDAL

(A)=EF453TM-PQ

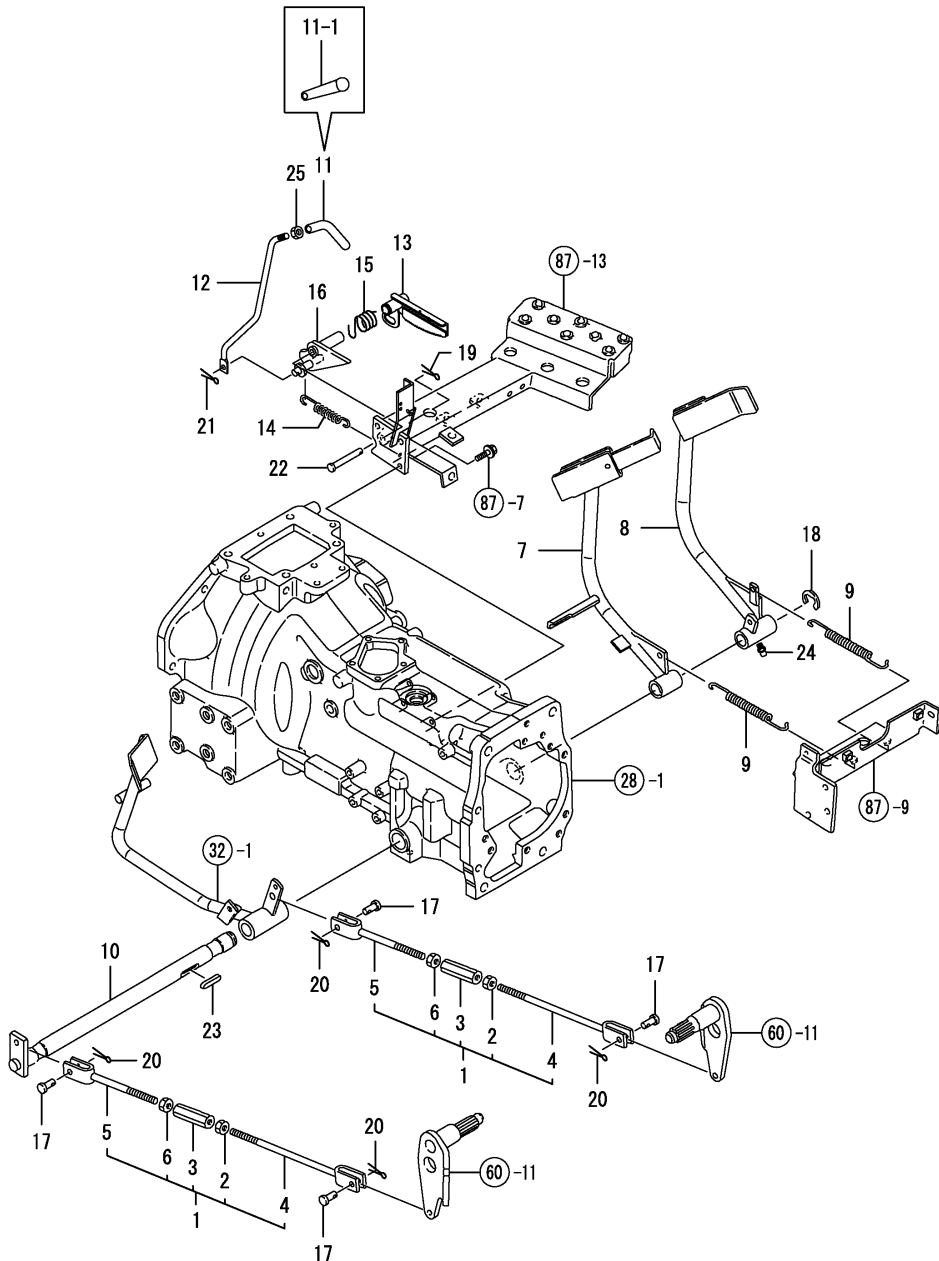
(B)=

(C)=

(D)=

(E)=

(F)=



No.	Lev.	Parts No.	Description	Q'ty						I	R
				(A)	(B)	(C)	(D)	(E)	(F)		
1	1	794525-37000	ROD ASSY, BRAKE	2							
2	2	194150-22480	NUT, M10 L	2							
3	2	194130-37730	TURNBUCKLE M10X70	2							
4	2	194310-37741	ROD, BRAKE L	2							
5	2	194134-37771	ROD, BRAKE R	2							
6	2	26716-100002	NUT, M10	2							
7	1	198175-37421-2	PEDAL ASSY, BRAKE L	1							
7-1	1	198175-37421-1	PEDAL ASSY, BRAKE L	1							R
(A=F008557)											
8	1	198240-37470-1	PEDAL, BRAKE R	1							
8-1	1	198240-37470-2	PEDAL, BRAKE R	1							R
(A=F008557)											
9	1	198240-37510	SPRING, RETURN	2							
10	1	198240-37550	SHAFT, BRAKE PEDAL	1							
10-1	1	198240-37550-1	SHAFT, BRAKE PEDAL	1							R
(A=F008557)											
11	1	198138-37610	LEVER, PARKING B	1							
11-1	1	198253-37610	KNOB, PARKING BRAKE	1							R
(A=*2009.07.)											
12	1	1A7780-37610	LEVER, PARKING	1							
13	1	198254-37660	LEVER, BRAKE LOCK	1							
14	1	198220-37700	SPRING, RETURN	1							
15	1	198220-37720	SPRING	1							
16	1	198240-37850	LEVER, PARKING B	1							
17	1	198220-37900	PIN, 8X24	4							
18	1	22272-000190	RING, E-19	1							
19	1	22417-200300	PIN, COTTER 2.0X30	1							
20	1	22417-250300	PIN, COTTER 2.5X30	4							
21	1	22417-250300	PIN, COTTER 2.5X30	1							
22	1	22487-100700	PIN, H10X 70	1							
23	1	22512-070400	KEY, 7X 40	1							
24	1	24761-010000	NIPPLE, GREASE M6F	1							
25	1	26716-100002	NUT, M10	1							

Fig.62. HYDRAULIC CYLINDER CASE

(A)=EF453TM-PQ

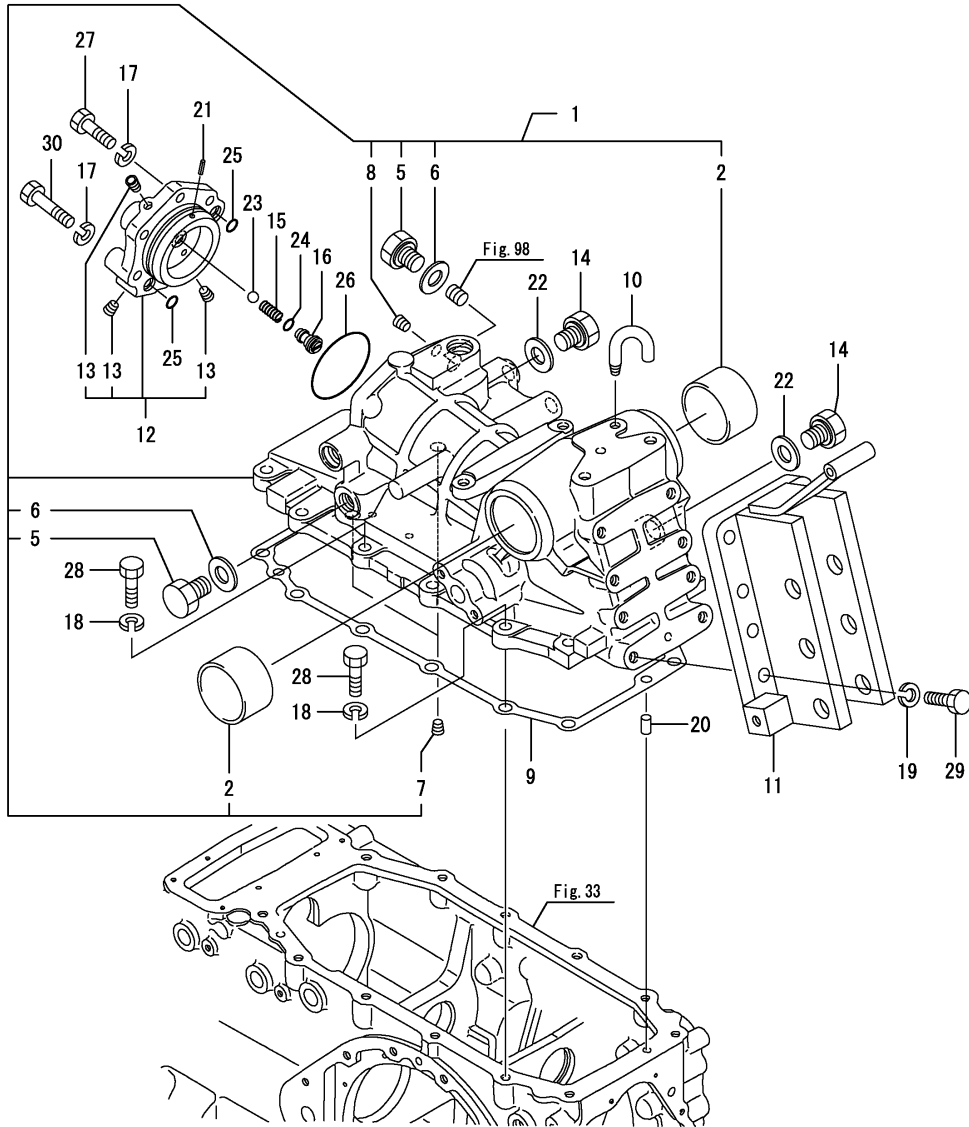
(B)=

(C)=

(D)=

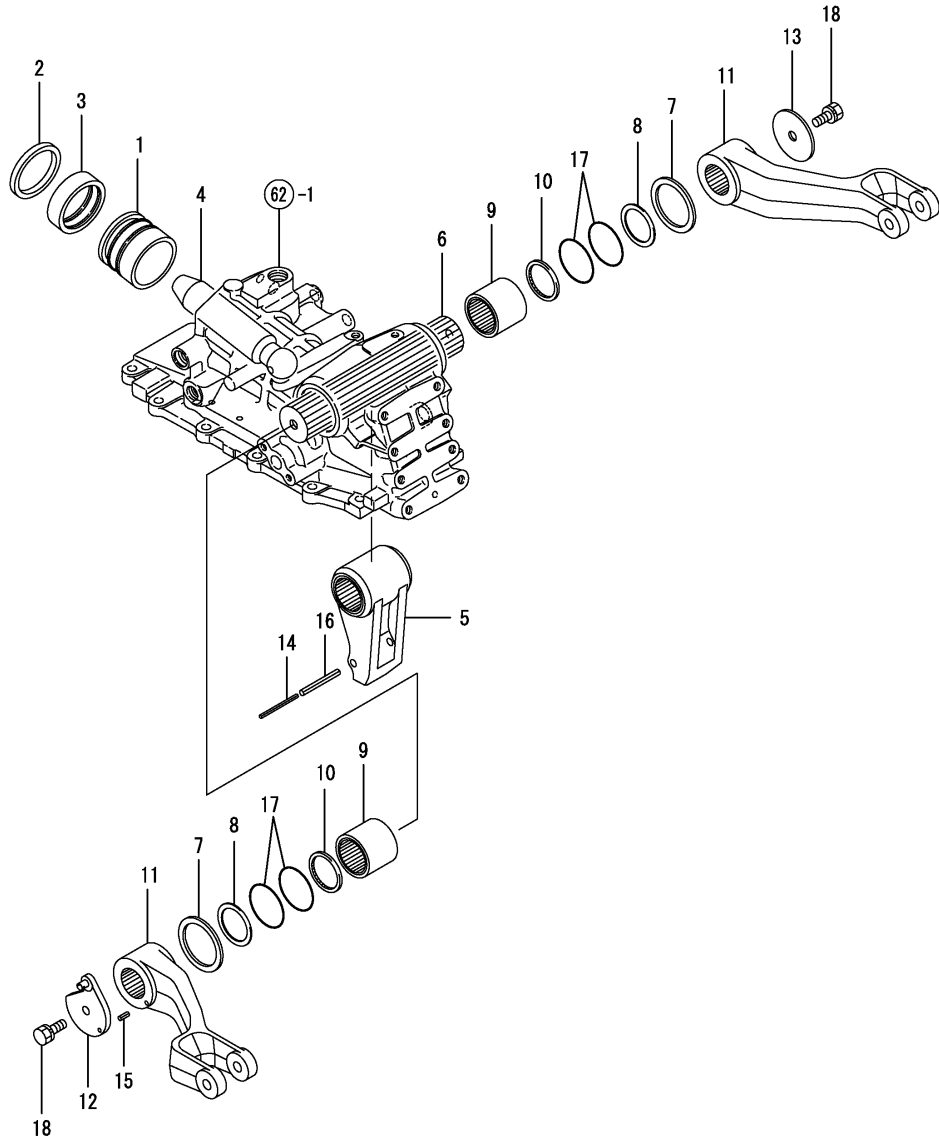
(E)=

(F)=



No.	Lev.	Parts No.	Description	Q'ty						I	R
				(A)	(B)	(C)	(D)	(E)	(F)		
1	1	198133-42102	HOUSING ASSY	1							
1-1	1	198133-42102-2	HOUSING, HYDRAULIC	1							R
(A=F008557)											
2	2	198133-42130	BUSH, 65X70X40	2							
5	2	198220-45920	PLUG, 3/4-16UNF	2							
6	2	23414-190000	GASKET, 19X1.0	2							
7	2	23876-010000	PLUG, R01	2							
8	2	23876-020000	PLUG, R02	1							
9	1	198240-42130	PACKING, HOUSING	1							
10	1	194150-42280	BREATHER, AIR	1							
10-1	1	194150-42280-1	BREATHER, AIR	1							R
(A=F008557)											
11	1	198255-42810	HINGE, TOP LINK P	1							
11-1	1	1A7780-42810	HINGE, TOP LINK	1							N
(A=*2009.01.)											
11-2	1	1A7780-42810-2	HINGE, TOP LINK	1							R
(A=F008557)											
12	1	194640-43201	HEAD ASSY, CYLINDER	1							
12-1	1	194640-43201-1	HEAD ASSY, CYLINDER	1							R
(A=F008557)											
13	2	23876-010000	PLUG, R01	3							
14	1	198220-45920	PLUG, 3/4-16UNF	3							
15	1	194555-46380	SPRING	1							
16	1	194555-46730	PLUG, CHECK VALVE	1							
17	1	22217-120000	WASHER, SPRING 12	6							Z
(A=FXXXXXX)											
18	1	22217-120000	WASHER, SPRING 12	12							Z
(A=FXXXXXX)											
19	1	22217-120000	WASHER, SPRING 12	8							Z
(A=FXXXXXX)											
20	1	22312-100180	PIN, PARALLEL M10X18	2							
21	1	22351-040016	PIN, SPRING 4.0X16	1							
22	1	23414-190000	GASKET, 19X1.0	3							
23	1	24190-130003	BALL, STEEL 13/32	1							
24	1	24315-000120	O-RING, 1BP12.0	1							
25	1	24315-000140	O-RING, 1BP14.0	2							
26	1	24325-000800	O-RING, 1BG80.0	1							
27	1	26116-120352	BOLT, M12X 35 PLATED	5							
27-1	1	26013-120352	BOLT, M12X 35	5							N
(A=FXXXXXX)											
28	1	26116-120352	BOLT, M12X 35 PLATED	12							
28-1	1	26013-120352	BOLT, M12X 35	12							N
(A=FXXXXXX)											
29	1	26116-120352	BOLT, M12X 35 PLATED	8							
29-1	1	26013-120352	BOLT, M12X 35	8							N
(A=FXXXXXX)											
30	1	26116-120552	BOLT, M12X 55 PLATED	1							
30-1	1	26013-120552	BOLT, M12X 55	1							N
(A=FXXXXXX)											

Fig.63. PISTON & LIFT CRANK

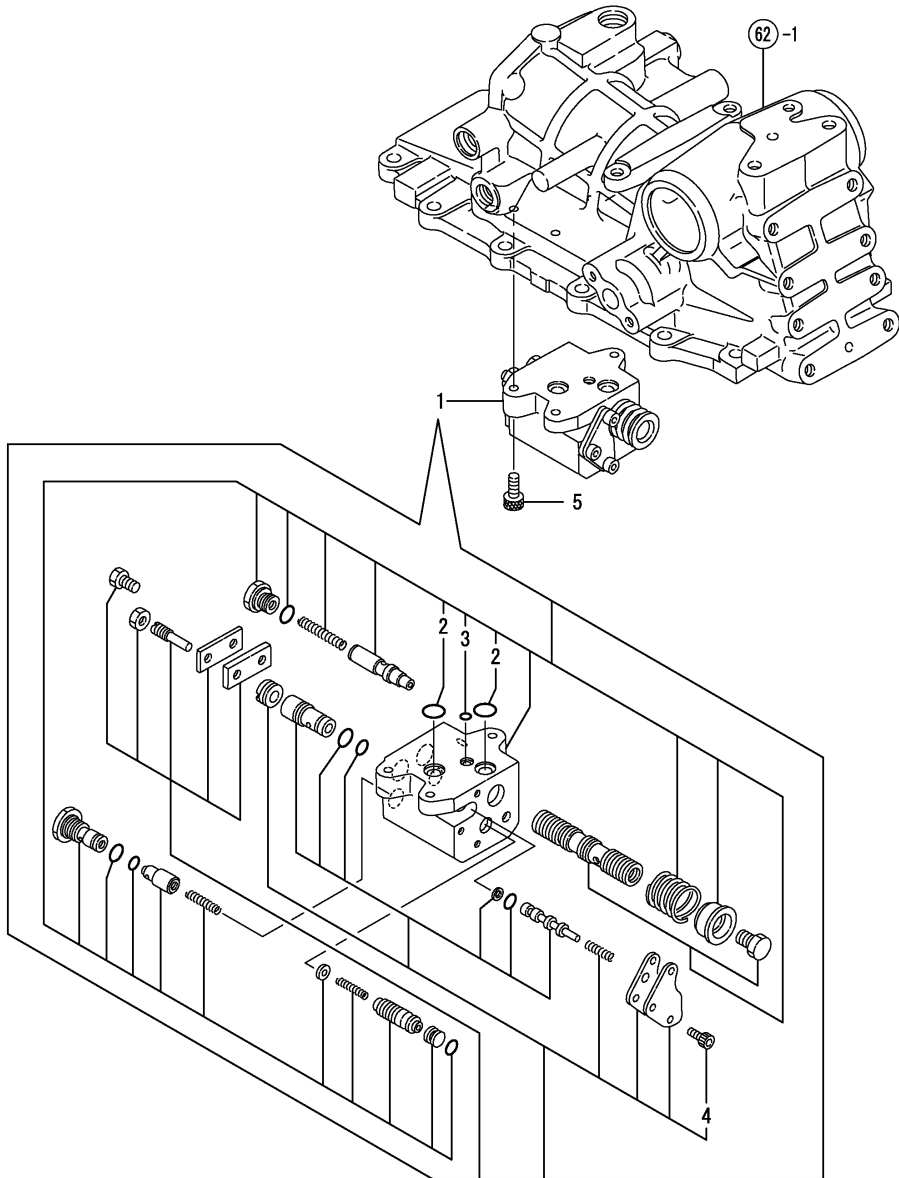


(A)=EF453TM-PQ
(B)=
(C)=

(D)=
(E)=
(F)=

No.	Lev.	Parts No.	Description	Q'ty						I	R
				(A)	(B)	(C)	(D)	(E)	(F)		
1	1	198133-43310	PISTON, HYDRAULIC	1							
2	1	198133-43330	PACKING	1							
3	1	198133-43360	SLEEVE	1							
4	1	194180-43410	ROD, PISTON	1							
5	1	198215-44110	CRANK, LIFT	1							
5-1	1	198215-44110-1	CRANK,LIFT	1							R
(A=F008557)											
6	1	198133-44210	SHAFT, LIFTING	1							
7	1	1A7640-44230	WASHER, 65X82X2	2							
8	1	1A7640-44240	PLATE, 50X64X2	2							
9	1	1A7780-44250	SLEEVE, LIFT SHAFT	2							
10	1	194640-44260	SEAL, SPLINE	2							
11	1	198133-44410	ARM, LIFT	2							
11-1	1	198133-44410-1	ARM, LIFT	2							R
(A=F008557)											
11-2	1	198133-44411	ARM, LIFT	2							N
(A=FZZZZZ)											
12	1	1A7780-44510	PLATE, FEEDBACK	1							
12-1	1	1A7780-44510-1	PLATE, FEEDBACK	1							R
(A=F008557)											
13	1	194640-44540-2	RETAINER, SHAFT	1							
13-1	1	194640-44540	RETAINER, SHAFT	1							R
(A=F008557)											
14	1	22351-050070	PIN, SPRING 5.0X70	1							
15	1	22351-060016	PIN, SPRING 6.0X16	1							
16	1	22351-080070	PIN, SPRING 8.0X70	1							
17	1	24321-000650	O-RING, 1AG65.0	4							
18	1	26013-120352	BOLT, M12X 35	2							

Fig.64. CONTROL VALVE



(A)=EF453TM-PQ
(B)=
(C)=

(D)=
(E)=
(F)=

No.	Lev.	Parts No.	Description	Q'ty						I	R
				(A)	(B)	(C)	(D)	(E)	(F)		
1	1	178071-03010	VALVE ASSY,ROCKSHAFT	1							
1-1	1	168246-00110	CONTROL VALVE(6F-11	1							N
(A=FZZZZZ)											
2	2	194327-45120	O-RING, 1BP14.0	2							
3	2	194327-45130	O-RING, 1BP7.0	1							
4	2	26450-080142	BOLT, M8X 14	3							
5	1	26450-080202	BOLT, M8X 20	3							

Fig.65. RELIEF VALVE

(A)=EF453TM-PQ
(B)=
(C)=

(D)=
(E)=
(F)=

No.	Lev.	Parts No.	Description	Q'ty						I	R
				(A)	(B)	(C)	(D)	(E)	(F)		
1	1	198133-45600	VALVE ASSY, RELIEF	1							
2	2	194180-45620	SPRING	1							
3	2	194450-45630	O-RING, 2.5X23	1							
4	2	194450-45640	PLUG, RELIEF VALVE	1							
4-1	2	194450-45640-1	PLUG, RELIEF VALVE (A=F008557)	1							R
5	2	194450-45650	GASKET, 20X27.8X2	1							
6	2	794464-45660	SHIM SET	1							

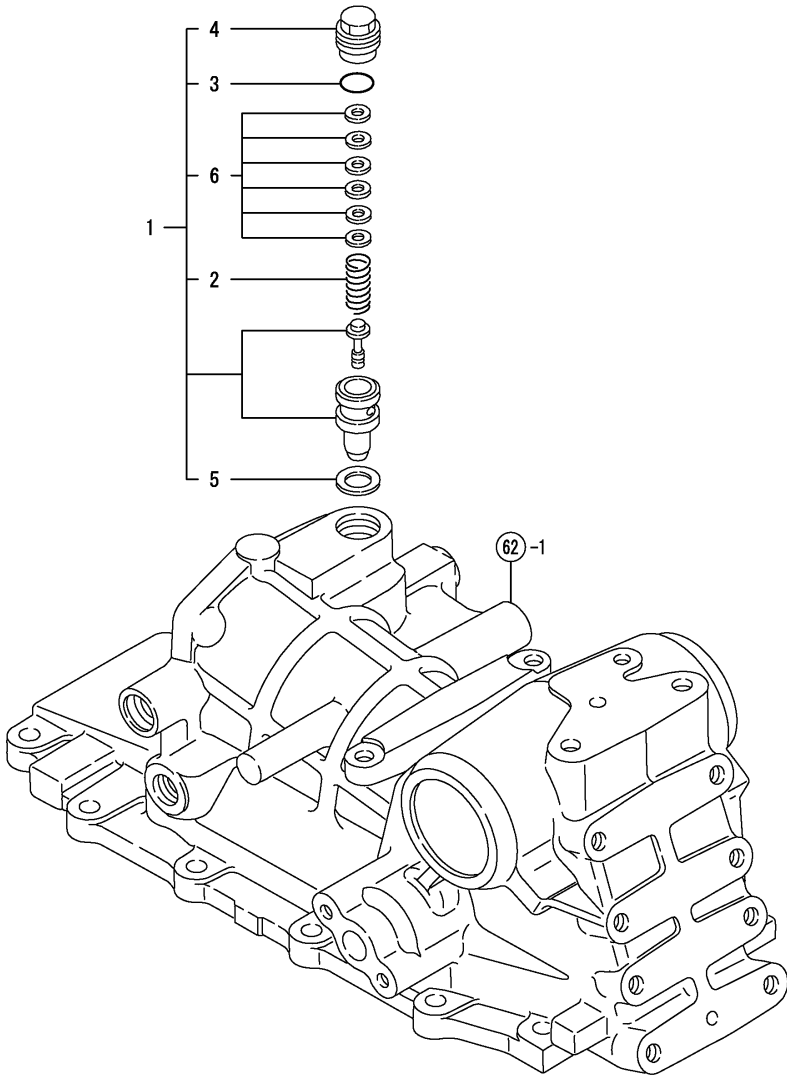
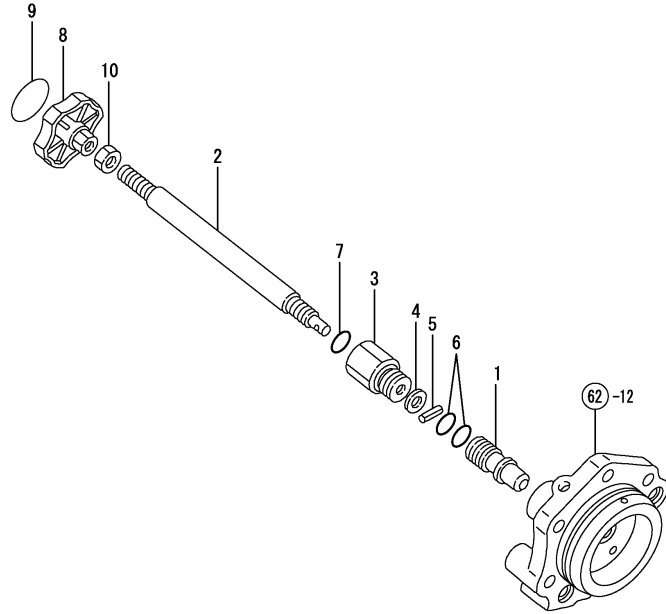


Fig.66. STOP VALVE

(A)=EF453TM-PQ
(B)=
(C)=

(D)=
(E)=
(F)=

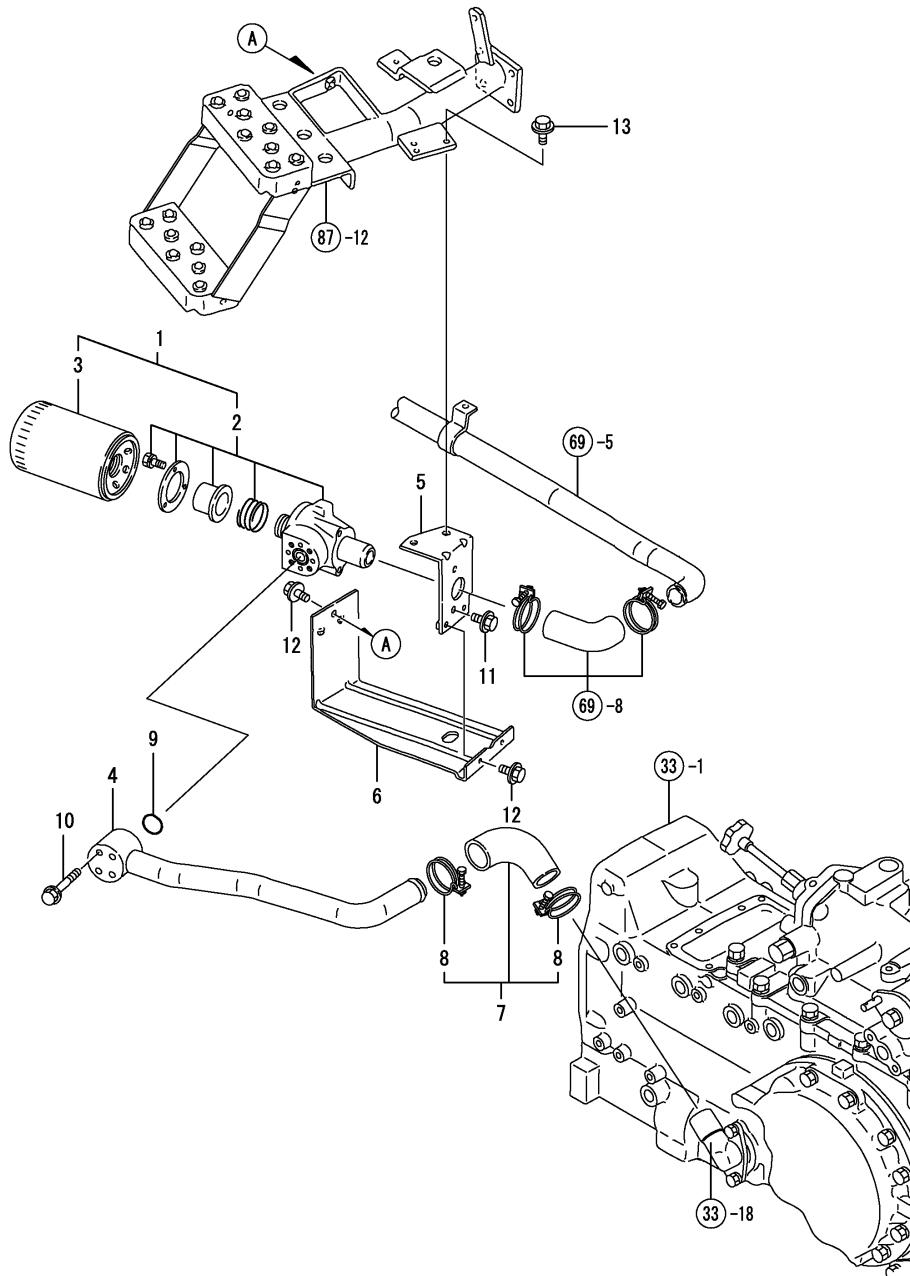


No.	Lev.	Parts No.	Description	Q'ty						I	R
				(A)	(B)	(C)	(D)	(E)	(F)		
1	1	194555-46300	VALVE, STOP	1							
2	1	198240-46620	BOLT, STOP	1							
3	1	194312-46630-2	HOLDER, VALVE	1							
3-1	1	194312-46630-1 (A=F008557)	HOLDER, VALVE	1							R
4	1	22117-080000	WASHER, 8	1							
5	1	22351-040012	PIN, SPRING 4.0X12	1							
6	1	24311-000110	O-RING, 1AP11.0	2							
7	1	24311-000120	O-RING, 1AP12.0	1							
8	1	198220-46670	KNOB, SHAFT	1							
8-1	1	1A8160-46670 (A=*2009.07.)	KNOB, VALVE	1							R 1
9	2	198220-46660	LABEL	1							
9-1	2	1A8160-46660 (A=*2009.07.)	LABEL	1							R
10	1	26716-100002	NUT, M10	1							

Remarks

(1) INDICATION= REF.NO.8 AN ENGLISH SENTENCE TYPE
REF.NO.8-1 A PATTERN TYPE

Fig.70. HYDRAULIC FILTER



(A)=EF453TM-PQ
(B)=
(C)=

(D)=
(E)=
(F)=

No.	Lev.	Parts No.	Description	Q'ty						I	R
				(A)	(B)	(C)	(D)	(E)	(F)		
1	1	194278-48300	FILTER ASSY	1							
2	2	194555-48350	COVER ASSY, FILTER	1							
3	2	194327-48450	FILTER, HYDRAULIC	1							
4	1	198240-48300	PIPE, PRESSURE	1							
4-1	1	198240-48300-1	PIPE, PRESSURE	1							R
(A=F008557)											
5	1	198240-48380	BRACKET, FILTER	1							
6	1	198240-48410-1	PROTECTOR, FILTER	1							
6-1	1	198240-48410-2	PROTECTOR, FILTER	1							R
(A=F008557)											
7	1	198240-48500	HOSE, PRESSURE S	1							
8	2	23010-048000	CLAMP, 48	2							
9	1	24321-000250	O-RING, 1AG25.0	1							
10	1	26106-060602	BOLT, M6X 60 PLATED	4							
11	1	26106-080162	BOLT, M8X 16 PLATED	2							
12	1	26106-080162	BOLT, M8X 16 PLATED	3							
13	1	26106-080202	BOLT, M8X 20 PLATED	2							

Fig.71. SEAL

(A)=EF453TM-PQ
(B)=
(C)=

(D)=
(E)=
(F)=

No.	Lev.	Parts No.	Description	Q'ty						I	R
				(A)	(B)	(C)	(D)	(E)	(F)		
1	1	1A7270-49221	SEAL, COOLER	1							
2	1	194697-62560	CAP, HOLE	4							

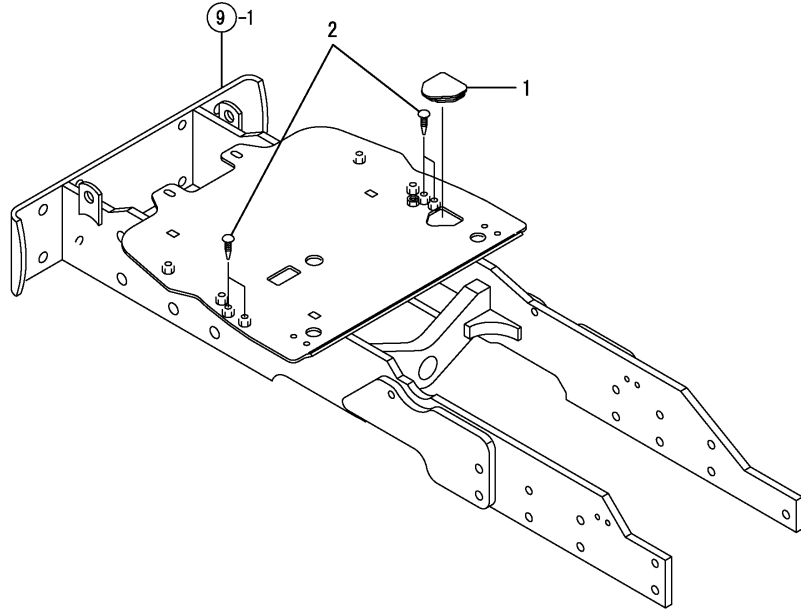
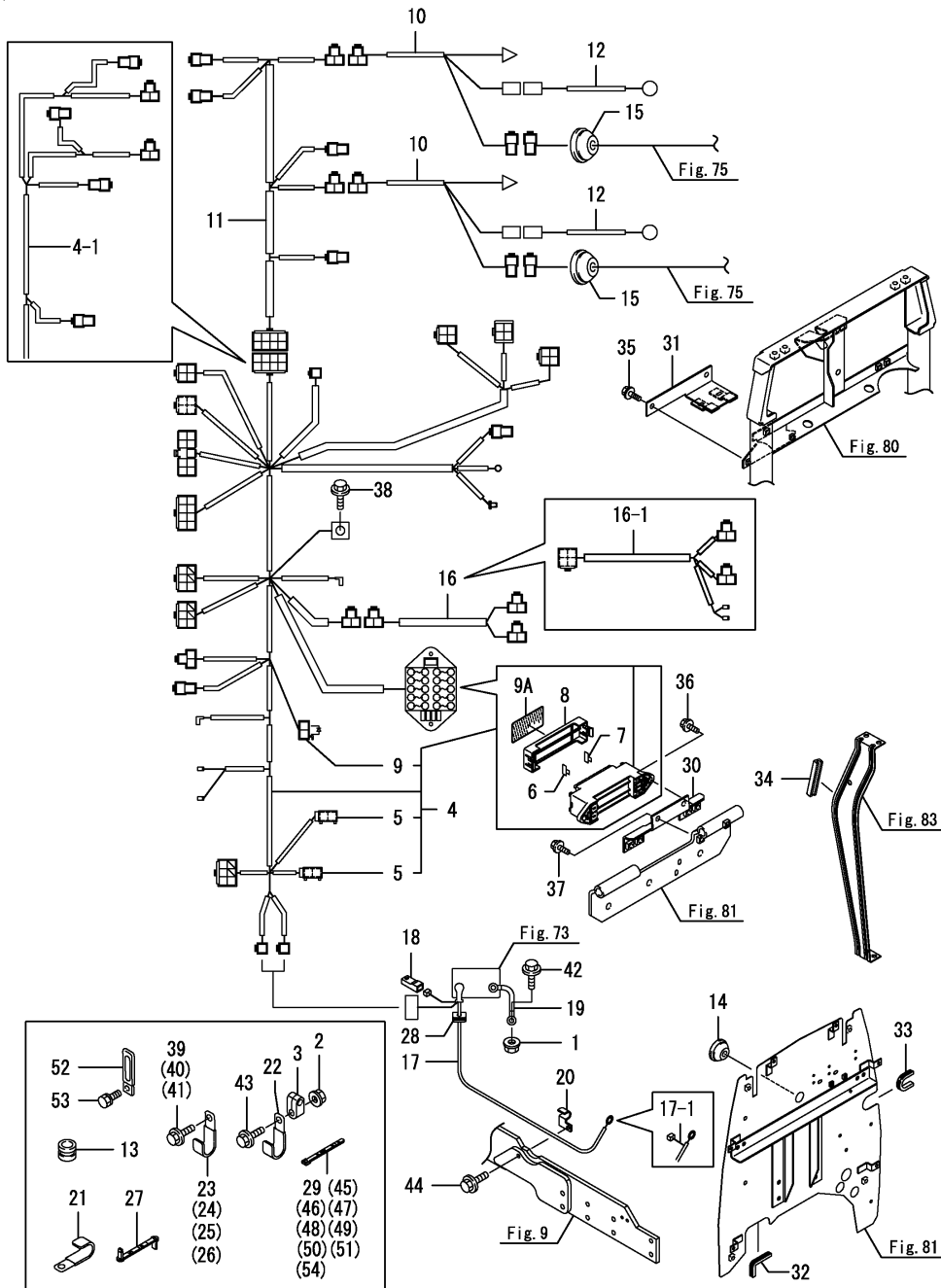


Fig.72. WIRE HARNESS

(A)=EF453TM-PQ
(B)=
(C)=

(D)=
(E)=
(F)=



No.	Lev.	Parts No.	Description	Qty						I	R
				(A)	(B)	(C)	(D)	(E)	(F)		
1	1	194990-22140	NUT, M8	1							
2	1	194990-22140	NUT, M8	2							
3	1	1E8080-43850	CLAMP, WIRE	2							
4	1	1A7780-51110	HARNESS ASSY, WIRE A	1							
4-1	1	1A7780-51200 (A=F008574)	WIRING HARNESS, A	1							S
4-2	1	1A7780-51201 (A=F008693)	WIRING HARNESS, A	1							N
5	2	198153-51700	FUSE, SLOW BLOW 80A	2							
5-1	2	1A6380-52700 (A=F008693)	FUSE, SLOW BLOW 60A	2							N
6	2	198535-52110	FUSE, 5A	8							
7	2	198535-52130	FUSE, 15A	2							
8	2	1A7260-52410	COVER, FUSE BOX	1							
9	2	1E8235-84910	DIODE, 090 3A	1							
9A	2	1A7780-65470 (A=F008574)	LABEL, FUSE	1							W
10	1	198242-51130	HARNESS, WIRE	2							
11	1	1A7780-51130 (A=F008574)	HARNESS, WIRE	1							Z
12	1	198121-51190	HARNESS, WIRE	2							
13	1	194170-51210	GROMMET	2							
14	1	194275-51210	GROMMET	1							
15	1	194275-51210	GROMMET	2							
16	1	1A7780-51310	HARNESS, WIRE	1							
16-1	1	1A7780-51320 (A=F008574)	WIRING HARNESS,	1							S
17	1	1A7890-51350	CABLE ASSY, BATTERY	1							
17-1	1	198071-51411 (A=F008574)	CABLE, BATTERY 1150	1							S
18	1	1A7000-51370 (A=F008574)	CONNECTOR, 1F	1							Z
19	1	194250-51420	CABLE, BATTERY EARTH	1							
20	1	198121-51430	CLAMP, CABLE B	1							
21	1	194440-51620	CLAMP	2							
22	1	194440-51620	CLAMP	1							
23	1	194440-51620	CLAMP	2							
23-1	1	1E6102-83230 (A=F008724)	CLAMP, CABLE	2							N
24	1	194440-51620	CLAMP	2							
25	1	194440-51620	CLAMP	1							
26	1	194440-51620	CLAMP	1							
27	1	194250-51650	CLAMP, SPEED 63	4							
28	1	1A7260-51710	GROMMET, CABLE	1							
29	1	198153-51810	BAND, NYLON 150	1							
30	1	1A7260-52510	STAY, FUSE BOX	1							
30-1	1	1A7780-52510 (A=F008574)	STAY, FUSE BOX	1							N
31	1	1A7780-58100-1 (A=F008574)	STAY, SLOW BROW	1							Z
32	1	1A7000-61490	TRIM, 120	1							

Fig.72. WIRE HARNESS

(A)=EF453TM-PQ

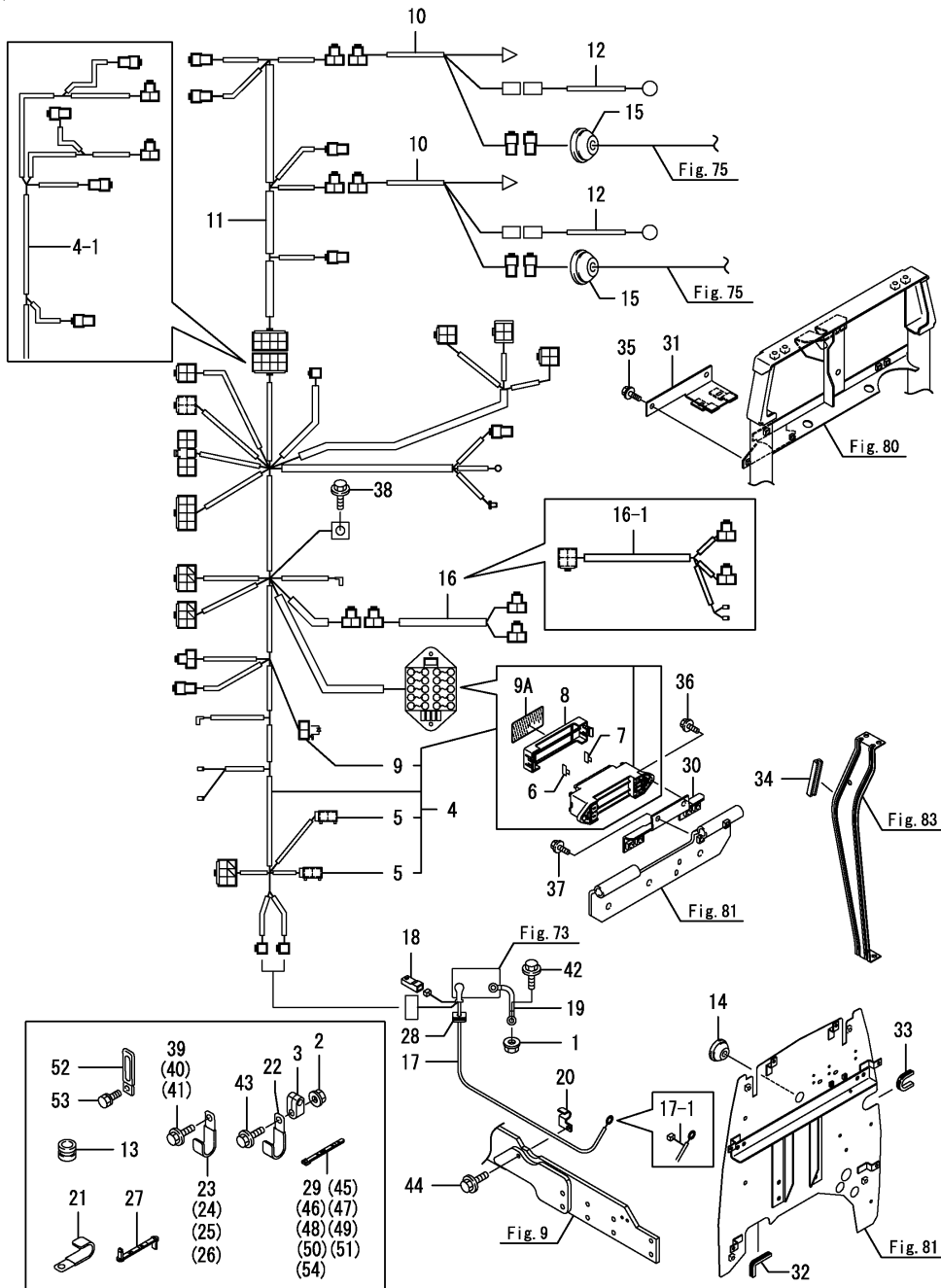
(B)=

(C)=

(D)=

(E)=

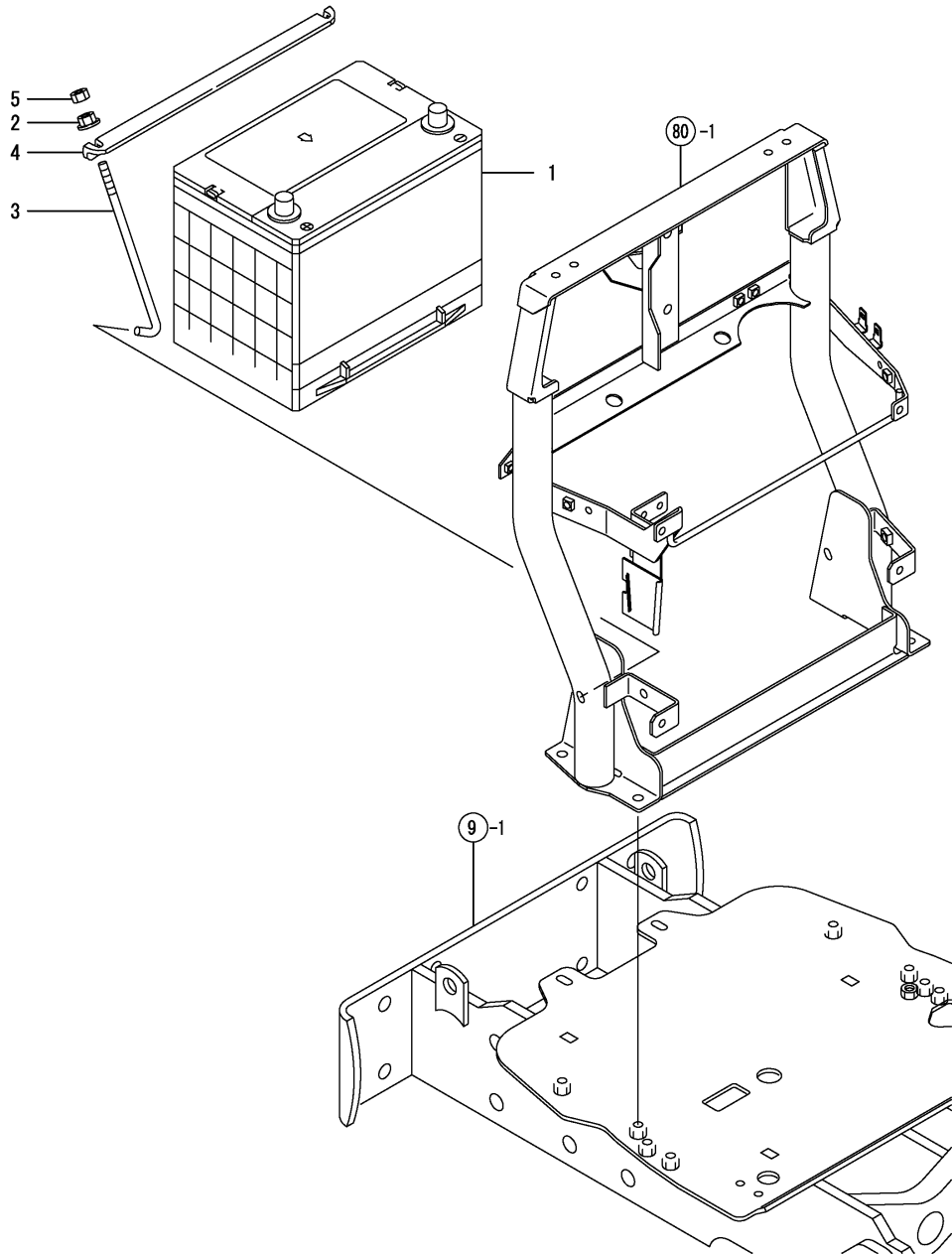
(F)=



No.	Lev.	Parts No.	Description	Q'ty						I	R
				(A)	(B)	(C)	(D)	(E)	(F)		
33	1	1A7000-61490	TRIM, 120	1							
34	1	198291-77870	COVER, GUARD	1							
35	1	26106-060122	BOLT, M6X 12 PLATED	2							Z
(A=F008574)											
36	1	26106-060122	BOLT, M6X 12 PLATED	2							
37	1	26106-060162	BOLT, M6X 16 PLATED	2							
38	1	26106-080122	BOLT, M8X 12 PLATED	1							
39	1	26106-080122	BOLT, M8X 12 PLATED	1							
40	1	26106-080122	BOLT, M8X 12 PLATED	1							
41	1	26106-080162	BOLT, M8X 16 PLATED	2							
42	1	26106-080162	BOLT, M8X 16 PLATED	1							
43	1	26106-080252	BOLT, M8X 25 PLATED	2							
44	1	26106-080352	BOLT, M8X 35 PLATED	1							
45	1	29622-140001	BAND, RF140	2							
45-1	1	29622-140001	BAND, RF140	1							K
(A=F008574)											
46	1	29622-140001	BAND, RF140	4							
47	1	29622-140001	BAND, RF140	1							
47-1	1	29622-140001	BAND, RF140	2							K
(A=F008574)											
48	1	29622-140001	BAND, RF140	2							
49	1	29622-140001	BAND, RF140	3							
50	1	29622-250001	BAND, RF250	1							
51	1	29622-250001	BAND, RF250	2							
52	1	194180-51640	CLAMP, HARNESS	1							
53	1	26013-100162	BOLT, M10X 16	1							
54	1	29622-140001	BAND, RF140	1							W

(A=*2009.02)

Fig.73. BATTERY



(A)=EF453TM-PQ
(B)=
(C)=

(D)=
(E)=
(F)=

No.	Lev.	Parts No.	Description	Q'ty						I	R
				(A)	(B)	(C)	(D)	(E)	(F)		
1	1	1A7780-51500	BATTERY, 95D31R	1							
1-1	1	198280-51540	BATTERY,	1							R
(A=FZZZZZ)											
2	1	194990-22140	NUT, M8	2							
3	1	1A7260-51540	ROD, BATTERY CLAMP	2							
4	1	198240-51561	CLAMP, BATTERY	1							
5	1	26716-080002	NUT, M8	2							

Fig.74. SWITCHES

(A)=EF453TM-PQ
(B)=
(C)=

(D)=
(E)=
(F)=

No.	Lev.	Parts No.	Description	Q'ty						I	R
				(A)	(B)	(C)	(D)	(E)	(F)		
1	1	194940-52110	SWITCH, STARTING	1							
2	2	198360-52160	KEY ASSY	1							
3	1	194555-52140	SWITCH, COMBINATION	1							
3-1	1	198200-52140 (A=FZZZZZ)	SWITCH, COMBINATION	1							S
4	1	194464-52190	SWITCH, SAFETY START	2							
5	1	24311-000180	O-RING, 1AP18.0	2							
6	1	1E8560-61290 (A=FZZZZZ)	CAP, 20X20	1							W

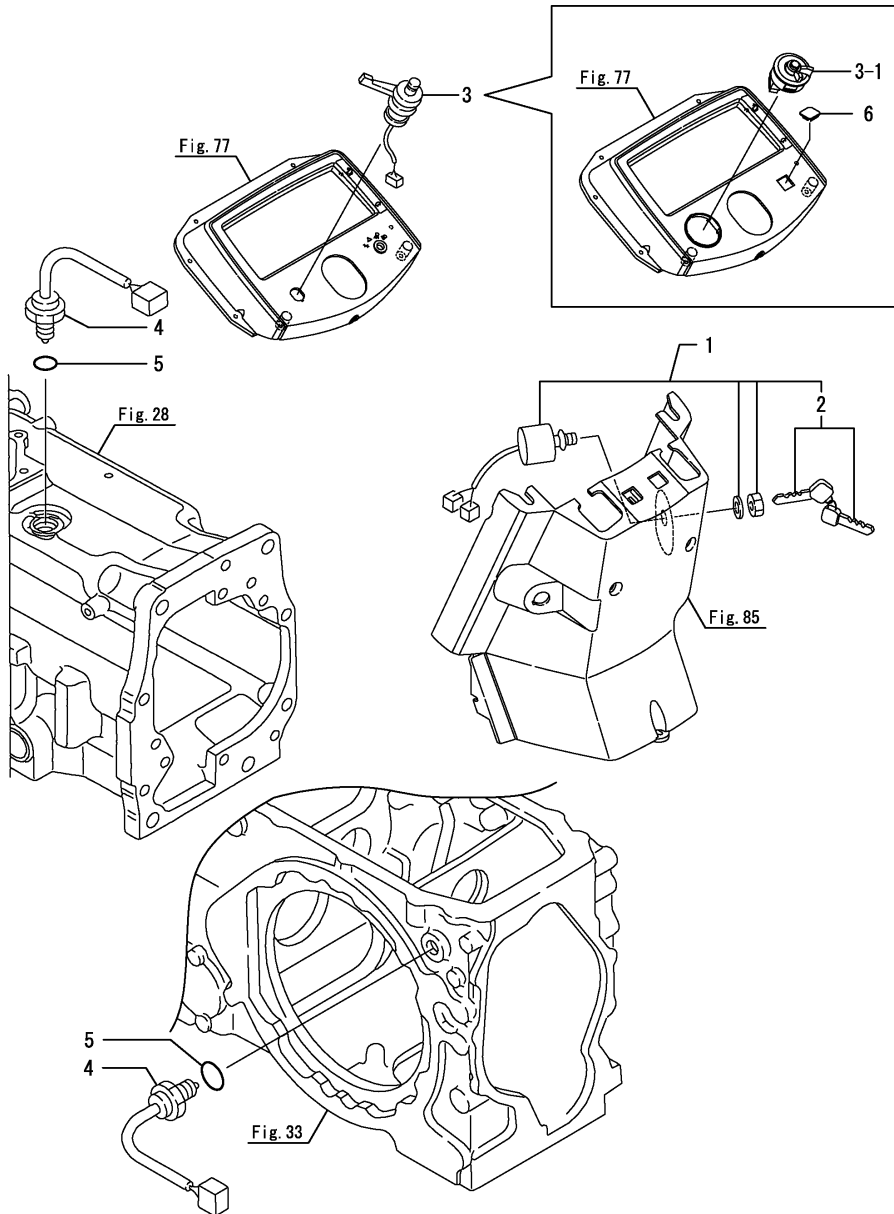


Fig.75. LAMPS

(A)=EF453TM-PQ
(B)=
(C)=

(D)=
(E)=
(F)=

No.	Lev.	Parts No.	Description	Q'ty						I	R
				(A)	(B)	(C)	(D)	(E)	(F)		
1	1	194990-22130	NUT, M6	4							
3	1	198010-53420	LAMP, FLASHER	2							
4	2	194200-53400	BULB, 12V-20W	2							
5	2	198010-53410	BODY ASSY	2							
6	2	198511-53430	LENS	4							
7	2	198511-53450	GASKET	2							
8	1	22217-100000	WASHER, SPRING 10	2							
9	1	26776-100002	NUT, LOCK M10	2							
10	1	198254-53600	LAMP, TAIL	2							
11	2	198254-53610	BULB, 12V-8W	2							
12	2	198254-53620	LENS ASSY	2							
13	2	198254-53630	HOUSING ASSY, SEMI	2							
14	2	1A7335-53640	GASKET	2							
15	2	198254-53650	SCREW, TAPPING M6X16	4							

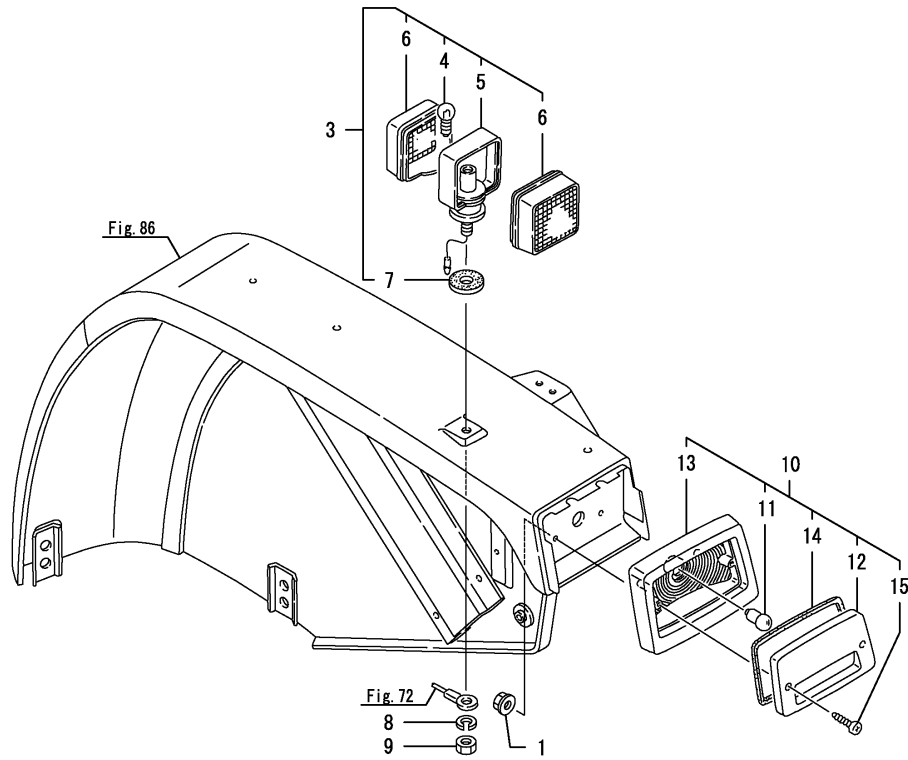
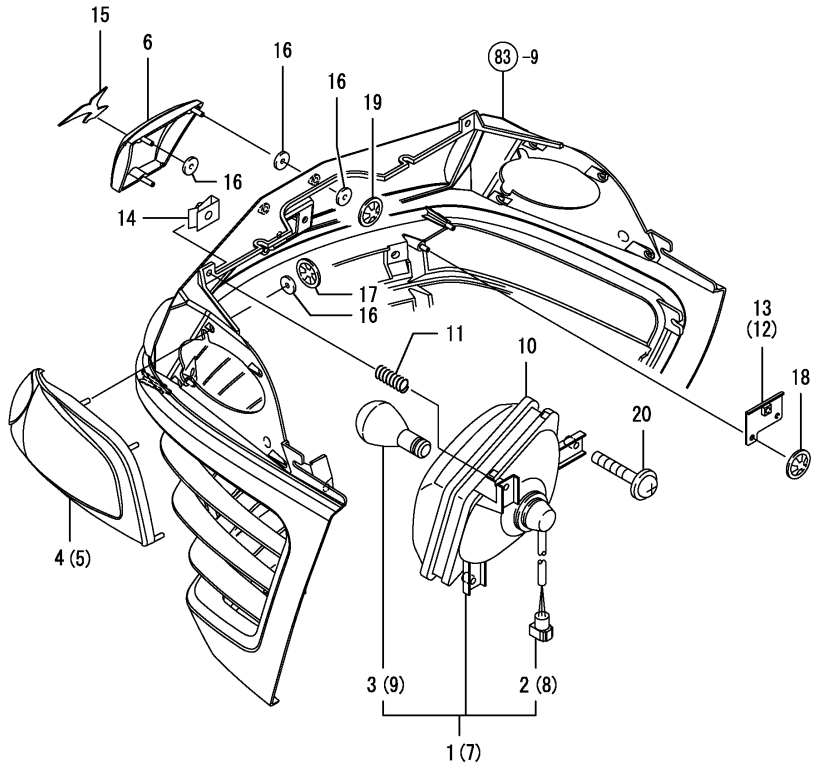


Fig.76. FRONT LAMPS

(A)=EF453TM-PQ
(B)=
(C)=

(D)=
(E)=
(F)=



No.	Lev.	Parts No.	Description	Q'ty						I	R
				(A)	(B)	(C)	(D)	(E)	(F)		
1	1	1A7780-53200	LAMP ASSY, HEAD L	1							
2	2	1A7000-53230	WIRE ASSY, LEAD	1							
3	2	198448-53320	BULB, 12V45/45W	1							
4	1	1A7780-53250	LENS, SIDE L	1							
5	1	1A7780-53260	LENS, SIDE R	1							
6	1	1A7890-53270	LENS, CENTER	1							
7	1	1A7780-53300	LAMP ASSY, HEAD R	1							
8	2	1A7000-53230	WIRE ASSY, LEAD	1							
9	2	198448-53320	BULB, 12V45/45W	1							
10	1	1A7260-53350	SEAL, HEAD LAMP	2							
11	1	198153-53410	SPRING, ADJUST	6							
12	1	1A7260-61250	BRACKET ASSY, GRILLE	1							
13	1	1A7260-61260	BRACKET ASSY, GRILLE	1							
14	1	198071-61890	NUT, SPEED M6	4							
15	1	1A7890-65010	MARK, BRAN 63-R600	1							
16	1	198475-65030	CUSHION	13							
17	1	198071-65610	NUT, SPEED M5	8							
18	1	198071-65610	NUT, SPEED M5	4							
19	1	198071-65610	NUT, SPEED M5	3							
20	1	26557-060352	SCREW, M6X35	6							

Fig.77. METER

(A)=EF453TM-PQ

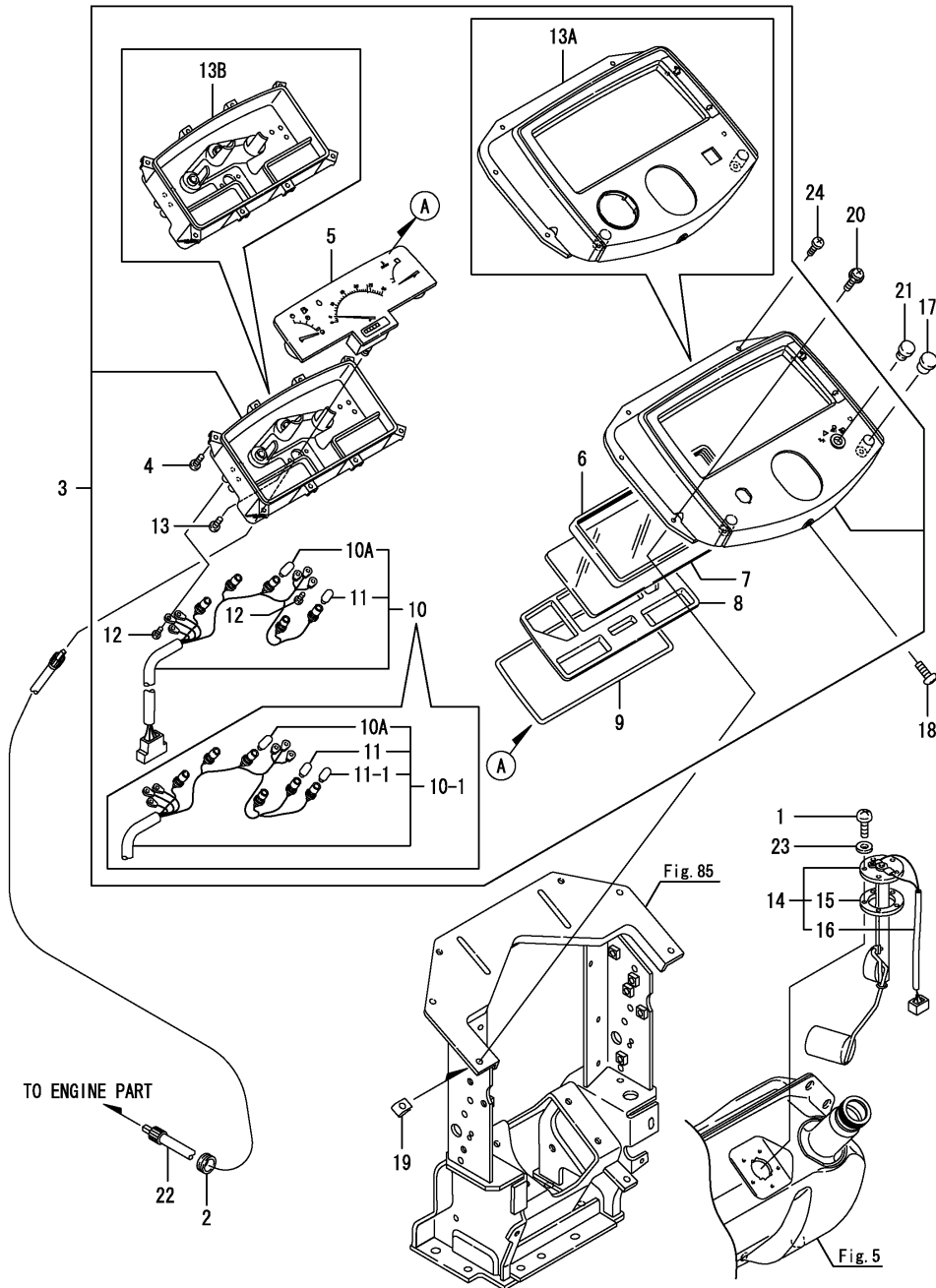
(B)=

(C)=

(D)=

(E)=

(F)=



No.	Lev.	Parts No.	Description	Qty						I	R
				(A)	(B)	(C)	(D)	(E)	(F)		
1	1	198240-04550	SCREW, M5X12	5							
2	1	194275-51210	GROMMET 25	1							
3	1	1A7780-56101	PANEL ASSY	1							
3-1	1	1A7780-56501	PANEL, INSTRUMENT	1							S
		(A=FZZZZZ)									
3-2	1	1A7780-56502	PANEL, INSTRUMENT	1							N
		(A=FZZZZZ)									
4	2	198220-53170	SCREW	8							
5	2	198220-56111	METER ASSY	1							
6	2	198220-56130	PACKING	1							
7	2	198220-56140	GLASS	1							
8	2	198220-56150	REFLECTOR	1							
9	2	198220-56160	PACKING	1							
10	2	1A7780-56210	HARNES, WIRE	1							
10-1	2	1A8160-56211	HARNES, WIRE	1							S
		(A=FZZZZZ)									
10A	3	198220-56220	BULB, 12V-3.4W	3							
11	3	124617-91920	BULB, 12V-3W	2							
11-1	3	124617-91920	BULB, 12V-3W	3							K
		(A=FZZZZZ)									
12	2	198220-56230	SCREW, M3X22	6							
13	2	26022-030062	SCREW, M3X 6	2							
13A	2	1A7335-56120	VISOR	1							W
		(A=FZZZZZ)									
13B	2	1A7780-56300	CASE ASSY	1							W
		(A=FZZZZZ)									
14	1	198240-56600	GAUGE ASSY, FUEL	1							
15	2	194420-56620	GASKET	1							
16	2	198240-56630	WIRE, LEAD	1							
17	1	194555-56890	GROMMET, 15	2							
18	1	194065-60580	SCREW, M6X25	1							
19	1	194145-61651	NUT, SPEED M5	4							
20	1	194940-61790	SCREW, TAPPING M5X16	4							
21	1	194275-62310	CAP, RUBBER 10	1							Z
		(A=FZZZZZ)									
22	1	124701-91140	CABLE, L=985	1							
23	1	22190-050000	WASHER, SEAL 5	5							
24	1	26589-060162	SCREW, M6	2							

Fig.78. HORN

(A)=EF453TM-PQ
(B)=
(C)=

(D)=
(E)=
(F)=

No.	Lev.	Parts No.	Description	Q'ty						I	R
				(A)	(B)	(C)	(D)	(E)	(F)		
1	1	1C7100-08150	HORN ASSY	1							
2	1	26106-060122	BOLT, M6X 12 PLATED	2							

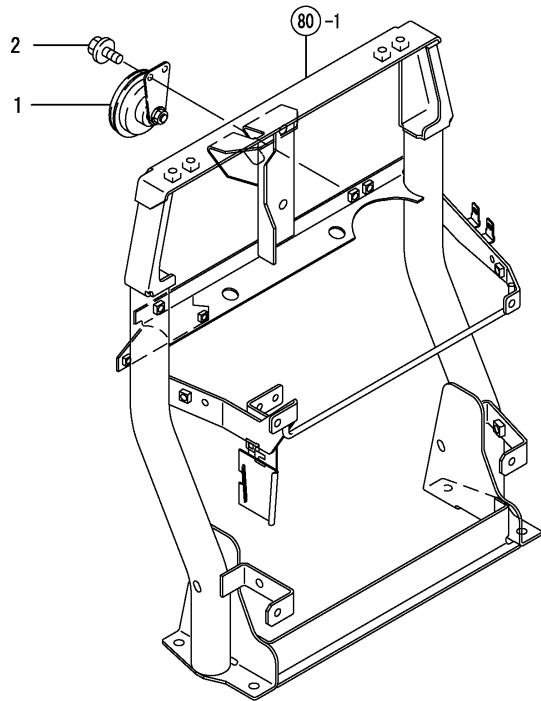
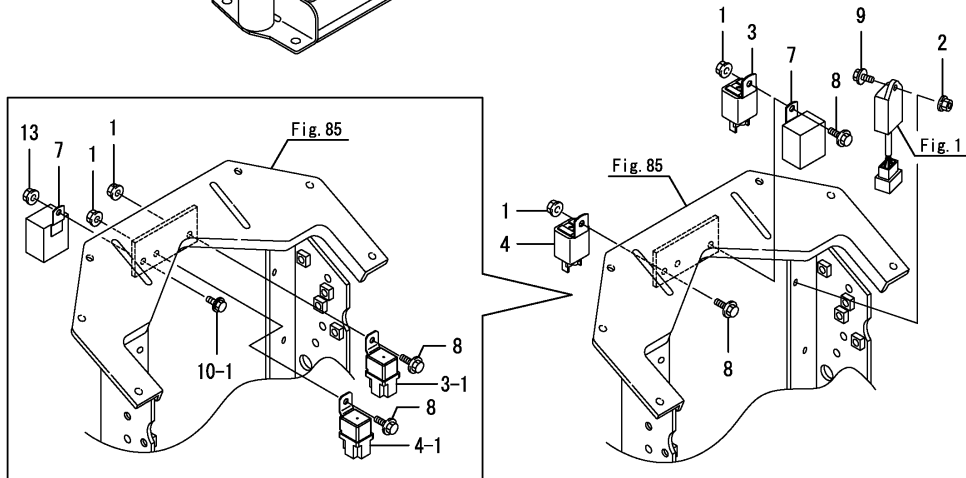
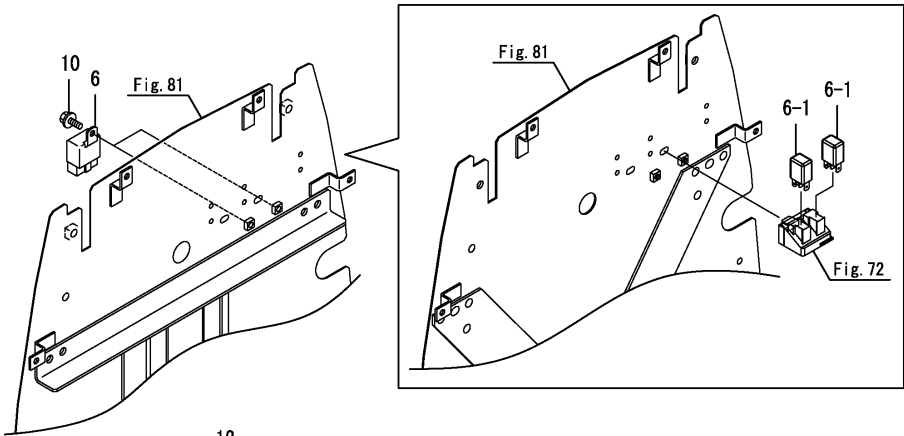


Fig.79. RELAY

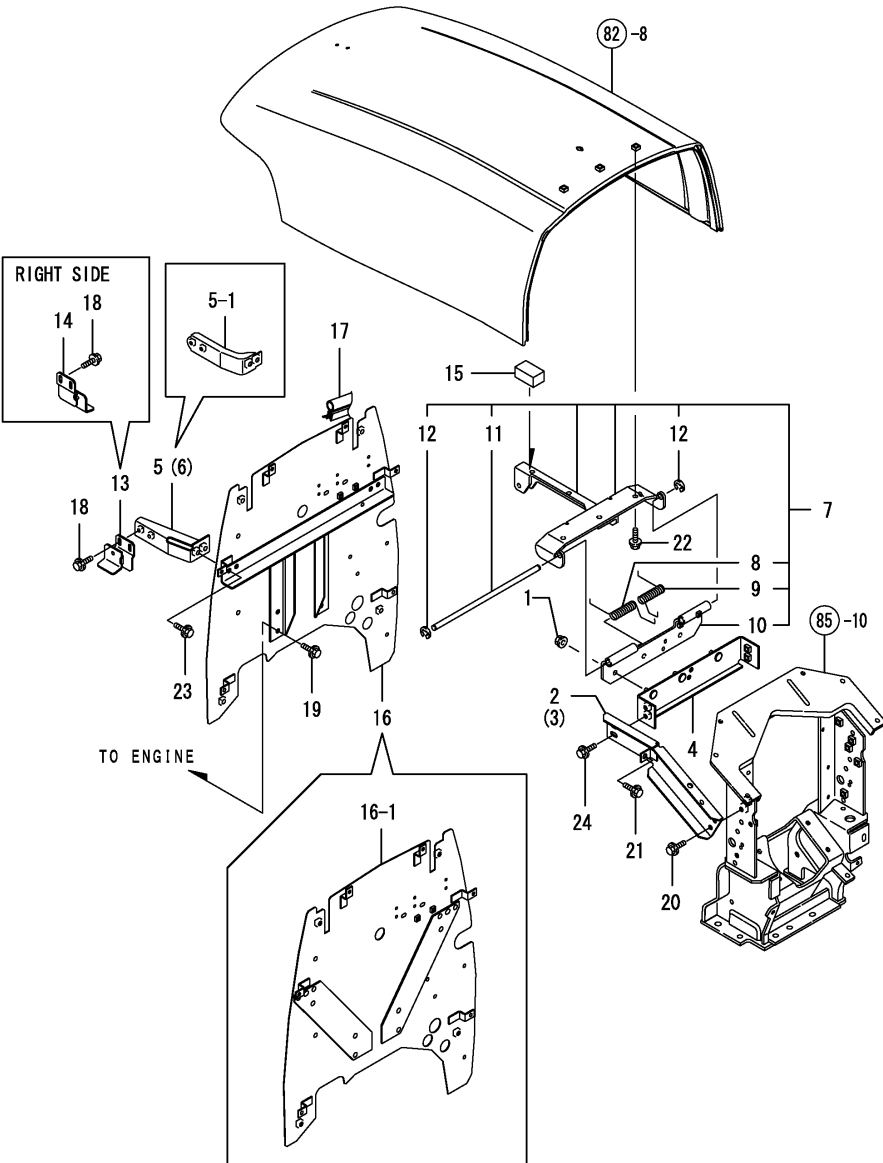
(A)=EF453TM-PQ
(B)=
(C)=

(D)=
(E)=
(F)=



No.	Lev.	Parts No.	Description	Q'ty						I	R
				(A)	(B)	(C)	(D)	(E)	(F)		
1	1	194990-22130	NUT, M6	2							
2	1	194990-22130	NUT, M6	1							
3	1	198220-52180	RELAY, STARTER	1							
3-1	1	1A7870-52950 (A=FZZZZZ)	RELAY, CB	1							S
4	1	198220-52180	RELAY, STARTER	1							
4-1	1	1A7870-52950 (A=FZZZZZ)	RELAY, CB	1							S
5	1	198461-52950 (A=FZZZZZ)	RELAY, CA TYPE C	1							Z
6	1	198461-52950	RELAY, CA TYPE C	2							
6-1	1	1K1140-82500 (A=FZZZZZ)	RELAY(ACM13211M01	2							S
7	1	1E6650-82400	RELAY	1							
8	1	26106-060122	BOLT, M6X 12 PLATED	2							
9	1	26106-060122	BOLT, M6X 12 PLATED	1							
10	1	26106-060122	BOLT, M6X 12 PLATED	2							
10-1	1	26106-060122 (A=FZZZZZ)	BOLT, M6X 12 PLATED	1							K
11	1	26106-060162 (A=FZZZZZ)	BOLT, M6X 16 PLATED	1							Z
12	1	26367-060002 (A=FZZZZZ)	NUT, M6	1							Z
13	1	194990-22130 (A=FZZZZZ)	NUT, M6	1							W

Fig.81. FRAME,HOOD



(A)=EF453TM-PQ
(B)=
(C)=

(D)=
(E)=
(F)=

No.	Lev.	Parts No.	Description	Q'ty						I	R
				(A)	(B)	(C)	(D)	(E)	(F)		
1	1	194990-22140	NUT, M8	3							
2	1	1A7780-60340	FRAME ASSY, SIDE L	1							
2-1	1	1A7780-60580	FRAME, SIDE L	1							R
2-2	1	1A7780-60600	FRAME ASSY, SIDE L	1							N
3	1	1A7780-60350	FRAME ASSY, SIDE R.H.	1							
3-1	1	1A7780-60590	FRAME, SIDE R	1							R
3-2	1	1A7780-60610	FRAME ASSY, SIDE R	1							N
4	1	1A7780-60370	PLATE ASSY, UPPER	1							
5	1	1A7780-60480	STAY, SIDE COVER L	1							
5-1	1	1A7780-60450	SUPPORT, SIDE COVER	2							S
6	1	1A7780-60490	SUPPORT, COVER R	1							Z
7	1	1A7260-60911	HINGE ASSY, BONNET	1							
7-1	1	1A7891-60910	HINGE ASSY, BONNET	1							R
8	2	1A7260-60580	SPRING, L	1							
9	2	1A7260-60590	SPRING, R	1							
10	2	1A7260-61080	PLATE, LOWER	1							
11	2	1A7260-61190	PIN, 10X286	1							
12	2	22272-000080	RING, E- 8	2							
13	1	1A7260-60920	BRACKET, COVER	1							
14	1	1A7260-60930	BRACKET, COVER	1							
15	1	1A7890-60980	RUBBER, CUSHION	1							
16	1	1A7780-61672-1	PLATE ASSY, AIR CUT	1							
16-1	1	1A7780-61673	PLATE ASSY, AIR CUT	1							S
17	1	198153-89730	WEATHER-STRIP, 1520	1							
18	1	26106-060122	BOLT, M6X 12 PLATED	4							
19	1	26106-080122	BOLT, M8X 12 PLATED	4							
20	1	26106-080162	BOLT, M8X 16 PLATED	6							
21	1	26106-080162	BOLT, M8X 16 PLATED	2							
22	1	26106-080162	BOLT, M8X 16 PLATED	3							
23	1	26106-080162	BOLT, M8X 16 PLATED	4							
24	1	26106-080162	BOLT, M8X 16 PLATED	4							

Fig.82. HOOD

(A)=EF453TM-PQ

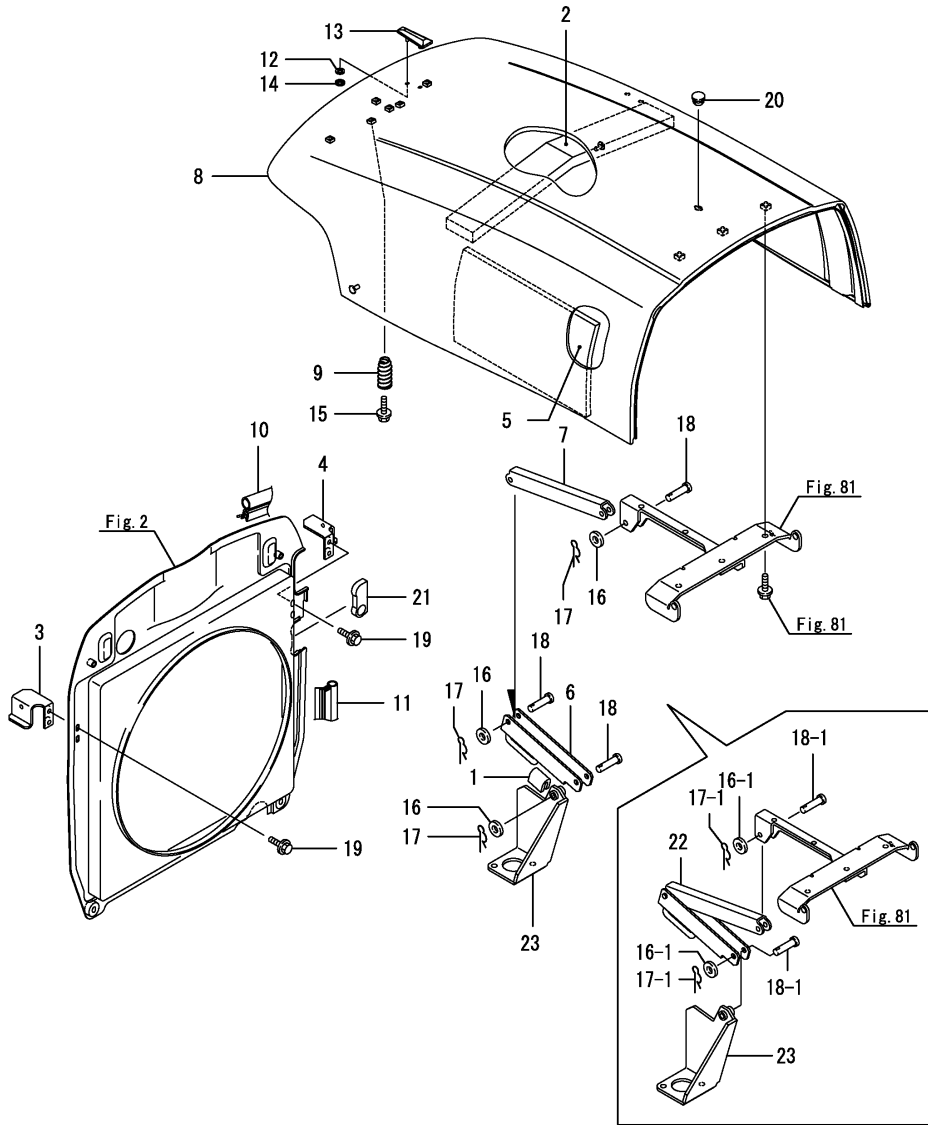
(B)=

(C)=

(D)=

(E)=

(F)=



No.	Lev.	Parts No.	Description	Qty						I	R
				(A)	(B)	(C)	(D)	(E)	(F)		
1	1	198448-60080	TRIM, 40	1							
2	1	1A7270-60610	URETHANE, BONNET U	1							
3	1	1A7260-60780	BRACKET, GUIDE	1							
4	1	1A7260-60790	BRACKET, GUIDE	1							
5	1	1A7260-60890	URETHANE, BONNET UL	1							
6	1	1A7260-60950	STAND, BONNET A	1							Z
(A=FZZZZZ)											
7	1	1A7260-60960	STAND, BONNET B	1							Z
(A=FZZZZZ)											
8	1	1A7270-61100	BONNET ASSY, UPPER	1							
8-1	1	1A7780-61100	HOOD ASSY,	1							N
(A=FZZZZZ)											
9	1	198220-61340	SPRING	2							
10	1	1A7260-61860	WEATHER-STRIP, 1130	1							
11	1	1A7260-61970	WEATHER-STRIP, 390	1							
12	1	198475-65030	CUSHION	2							
13	1	194940-65590	MARK, TOP	1							
14	1	198071-65610	NUT, SPEED M5	2							
15	1	198196-83170	BOLT, M6X16	2							
16	1	22137-080000	WASHER, 8	3							
16-1	1	22137-080000	WASHER, 8	2							K
(A=FZZZZZ)											
17	1	22372-080000	PIN, SNAP 8	3							
17-1	1	22372-080000	PIN, SNAP 8	2							K
(A=FZZZZZ)											
18	1	22487-080300	PIN, H 8X 30	3							
18-1	1	22487-080300	PIN, H 8X 30	2							K
(A=FZZZZZ)											
19	1	26106-060122	BOLT, M6X 12 PLATED	4							
20	1	194197-56350	GROMMET	1							Z
(A=FZZZZZ)											
21	1	1A7260-60720	GROMMET, HOSE	1							
21-1	1	1A8160-60720	GROMMET	1							R
(A=FZZZZZ)											
22	1	1A7780-60550	STAND ASSY, HOOD	1							W
(A=FZZZZZ)											
23	1	1A7780-61650	STAY ASSY, HOOD STAND	1							

Fig.83. FRONT GRILLE

(A)=EF453TM-PQ

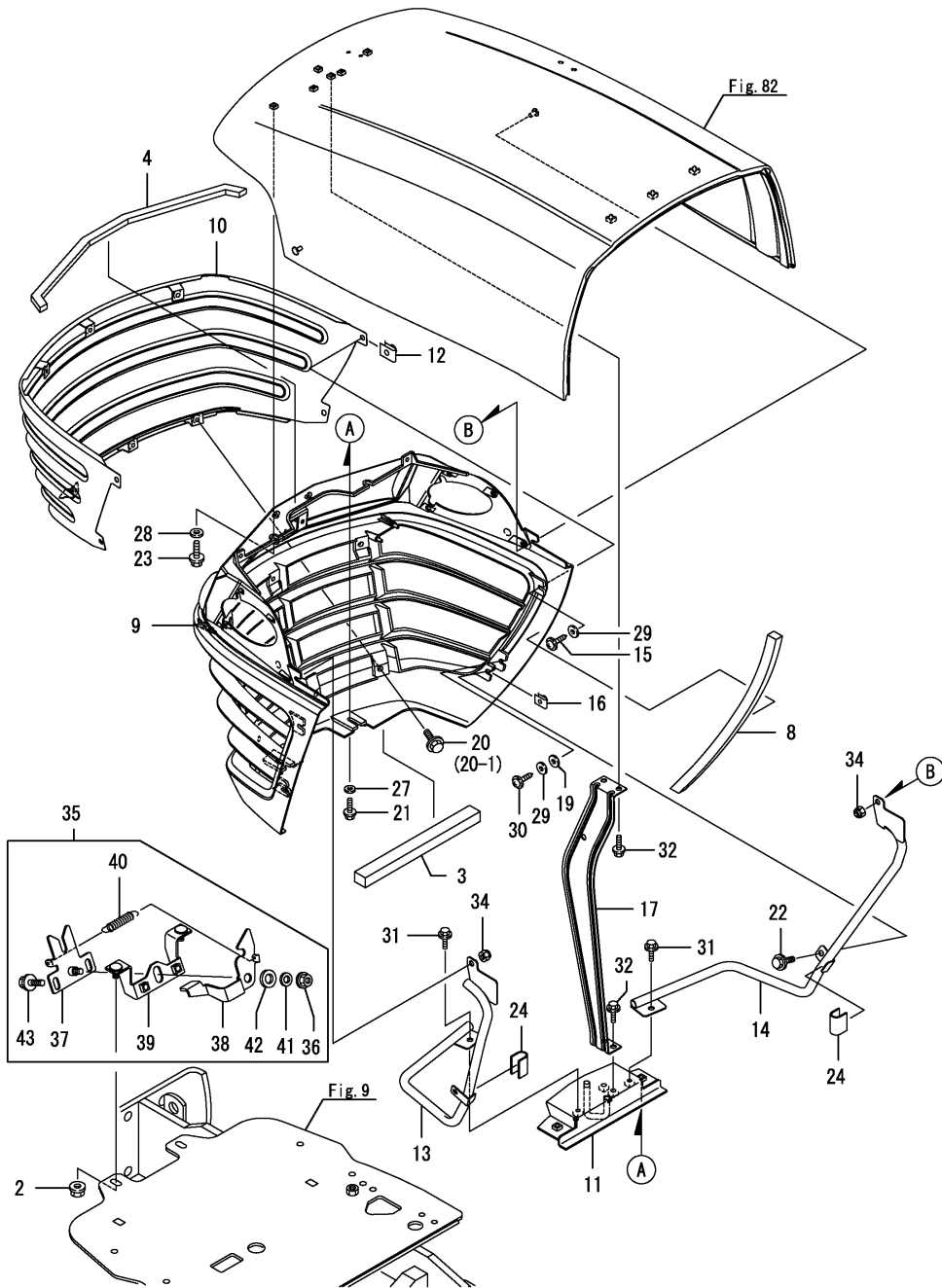
(B)=

(C)=

(D)=

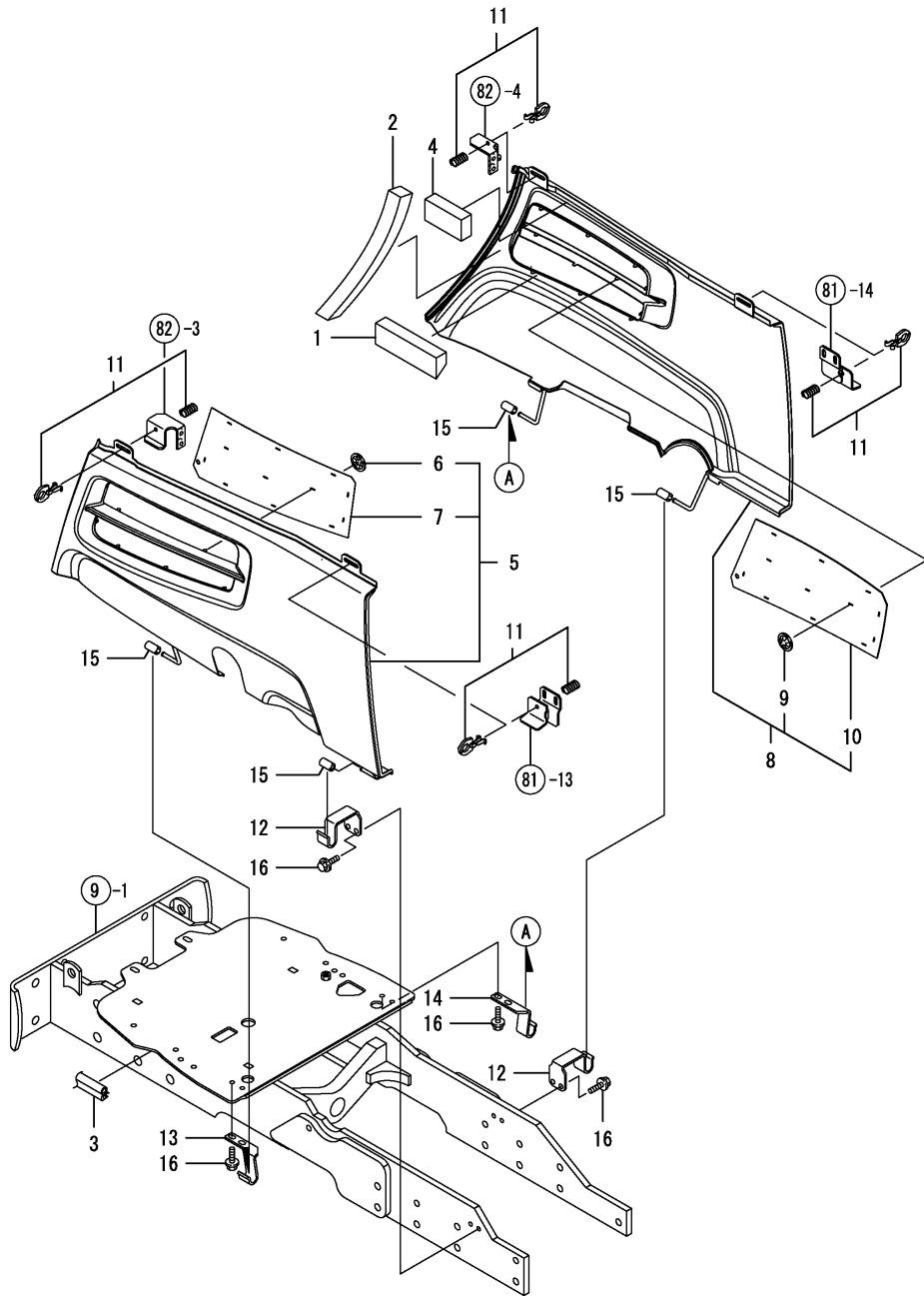
(E)=

(F)=



No.	Lev.	Parts No.	Description	Qty						I	R
				(A)	(B)	(C)	(D)	(E)	(F)		
2	1	194990-22140	NUT, M8	2							
3	1	1A7260-60661	GASKET	1							
4	1	1A7260-60680	URETHANE, GRILLE	1							
8	1	1A7260-60870	SEAL, GRILLE SIDE	2							
9	1	1A7890-61300	GRILLE, FRONT	1							
9-1	1	1A7890-61301-2	GRILLE, FRONT	1							S
(A=F008565)											
10	1	1A7260-61310	NET ASSY, GRILLE	1							
10-1	1	1A7260-61310-1	NET ASSY, GRILLE	1							R
(A=F008557)											
11	1	1A7260-61550	STAY ASSY, LOCK	1							
12	1	194145-61651	NUT, SPEED M5	4							
13	1	1A7260-61650	FRAME ASSY, GRILLE L	1							
14	1	1A7260-61660	FRAME ASSY, GRILLE R	1							
15	1	194940-61790	SCREW, TAPPING M5X16	2							
16	1	198071-61890	NUT, SPEED M6	2							
17	1	1A7260-61920	STAY, FRONT GRILLE	1							
17-1	1	1A7780-61750	STAY ASSY, GRILL	1							N
(A=FZZZZZ)											
19	1	198220-62150	WASHER	2							
20	1	198196-83170	BOLT, M6X16	6							
20-1	1	198196-83170	BOLT, M6X16	4							K
(A=FZZZZZ)											
21	1	198196-83170	BOLT, M6X16	2							
22	1	198196-83170	BOLT, M6X16	2							
23	1	198196-83170	BOLT, M6X16	2							
24	1	198093-84810	SEAL, FENDER	2							
27	1	22157-060000	WASHER, 6	2							
28	1	22157-060000	WASHER, 6	2							
29	1	22157-060000	WASHER, 6	4							
30	1	22859-500202	SCREW, 5X20	2							
31	1	26106-060122	BOLT, M6X 12 PLATED	2							
32	1	26106-060122	BOLT, M6X 12 PLATED	4							
34	1	26346-060002	NUT, M6	2							
35	1	1A7780-60800	CATCH ASSY, LOCK	1							
36	2	194990-22140	NUT, M8	1							
37	2	1A7260-60800	CATCH, LOCK	1							
38	2	1A7260-60810	LEVER, LOCK	1							
39	2	1A7260-60820	PLATE, BASE	1							
40	2	198230-61960	SPRING	1							
41	2	22137-080000	WASHER, 8	1							
42	2	22137-120000	WASHER, 12	1							
43	2	26106-080122	BOLT, M8X 12 PLATED	2							

Fig.84. SIDE COVER

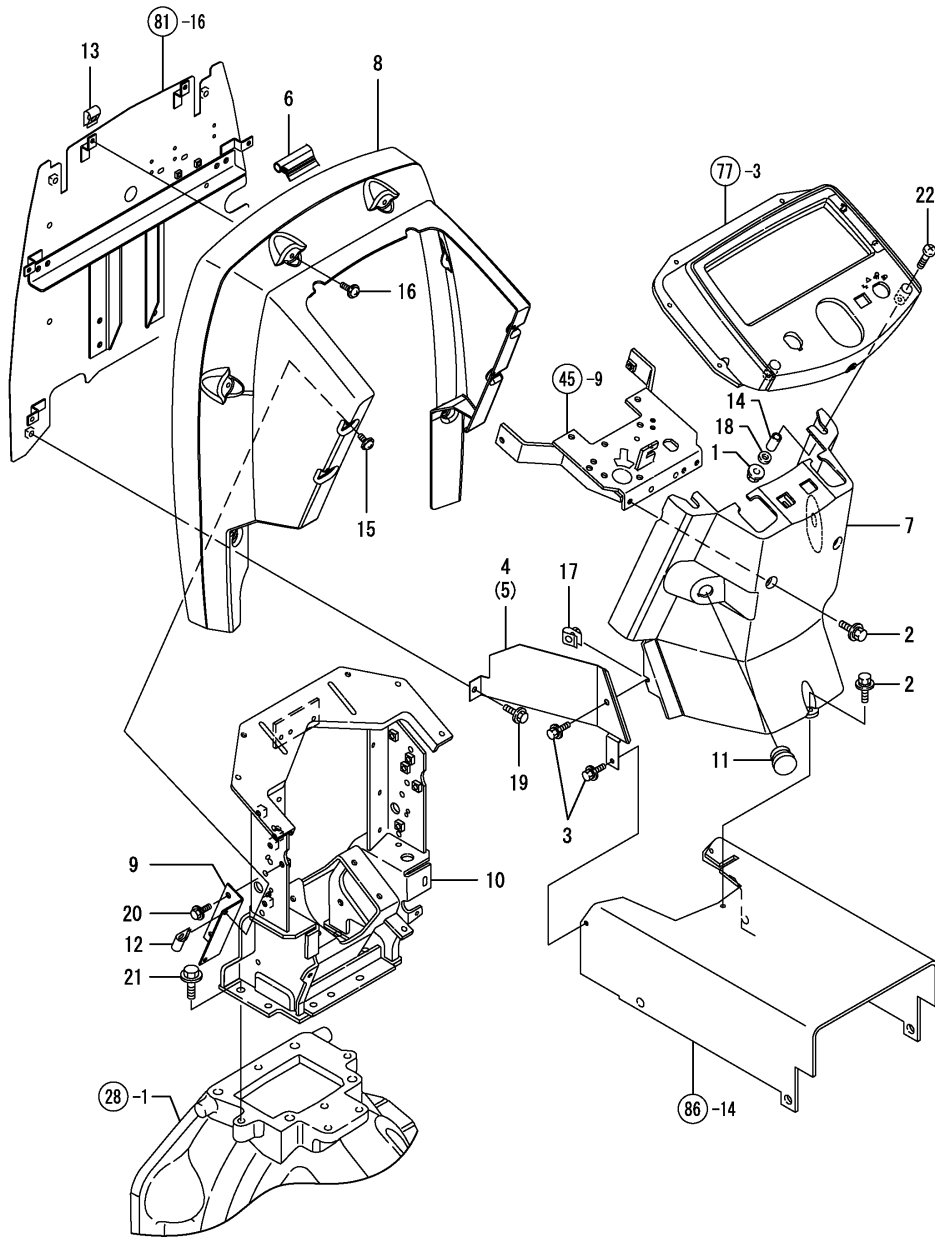


(A)=EF453TM-PQ
(B)=
(C)=

(D)=
(E)=
(F)=

No.	Lev.	Parts No.	Description	Q'ty						I	R
				(A)	(B)	(C)	(D)	(E)	(F)		
1	1	1A7260-60640	URETHANE, COVER A	2							
2	1	1A7260-60670	URETHANE, COVER B	2							
3	1	1A7270-60750	WEATHER-STRIP, 440	2							
4	1	1A7260-60900	URETHANE, COVER C	2							
5	1	1A7780-61000-2	COVER ASSY, SIDE L M	1							
5-1	1	1A7780-61000	COVER ASSY, SIDE L M	1							S
(A=F008565)											
6	2	198129-05190	NUT, PUSH M6	12							
7	2	1A7260-61060	NET, SIDE COVER L	1							
7-1	2	1A7260-61150-2	NET, SIDE COVER	1							R
(A=FZZZZZ)											
7-2	2	1A7260-61150-1	NET, SIDE COVER	1							R
(A=F008557)											
8	1	1A7780-61010-2	COVER ASSY, SIDE R M	1							
8-1	1	1A7780-61010	COVER ASSY, SIDE R M	1							S
(A=F008565)											
9	2	198129-05190	NUT, PUSH M6	12							
10	2	1A7260-61070	NET, SIDE COVER R	1							
10-1	2	1A7260-61150-2	NET, SIDE COVER	1							R
(A=FZZZZZ)											
10-2	2	1A7260-61150-1	NET, SIDE COVER	1							R
(A=F008557)											
11	1	198220-61351	LOCK ASSY, CAM	4							
12	1	1A7260-61400	STAY, SIDE COVER R	2							
13	1	1A7260-61450	STAY, SIDE COVER FL	1							
14	1	1A7260-61460	STAY, SIDE COVER FR	1							
15	1	198220-61800	RUBBER, CUSHION	4							
16	1	26106-080102	BOLT, M8X 10 PLATED	8							

Fig.85. DASHBOARD



(A)=EF453TM-PQ

(B)=

(C)=

(D)=

(E)=

(F)=

No.	Lev.	Parts No.	Description	Q'ty						I	R
				(A)	(B)	(C)	(D)	(E)	(F)		
1	1	194990-22130	NUT, M6	2							
2	1	198461-60590	BOLT, M6X20	3							
3	1	198461-60590	BOLT, M6X20	4							
4	1	1A7780-61410	COVER ASSY, LOWER L	1							
4-1	1	1A7780-61410-1 (A=F008557)	COVER ASSY, LOWER L	1							R
5	1	1A7780-61420	COVER ASSY, LOWER R	1							
5-1	1	1A7780-61420-1 (A=F008557)	COVER ASSY, LOWER R	1							R
6	1	1A7780-61510	WEATHER STRIP,1700	1							
6-1	1	1A7780-61511 (A=*2010.05.)	WEATHER-STRIP, 1670	1							N
7	1	198138-61530	COVER, DASHBOARD	1							
7-1	1	198138-61531 (A=*2008.11.)	COVER, DASHBOARD	1							R
8	1	1A7780-61540	COVER, DASHBOARD	1							
9	1	1A7780-61550	STAY, DASHBOARD	2							
10	1	1A7780-61600	STAY ASSY, DASHBOARD	1							
11	1	194448-61620	GROMMET, 20.5	1							
12	1	194167-61650	NUT 5008	4							
13	1	194167-61650	NUT 5008	6							
14	1	198133-61690	COLLAR, 10.5X17	2							
15	1	194940-61790	SCREW, TAPPING M5X16	4							
16	1	194940-61790	SCREW, TAPPING M5X16	6							
17	1	198071-61890	NUT, SPEED M6	2							
18	1	22117-060000	WASHER, 6	2							
19	1	26106-080122	BOLT, M8X 12 PLATED	2							
20	1	26106-080162	BOLT, M8X 16 PLATED	4							
21	1	26106-100202	BOLT, M10X 20 PLATED	4							
22	1	26587-060352	SCREW, M6X35	2							

Fig.86. FENDER

(A)=EF453TM-PQ

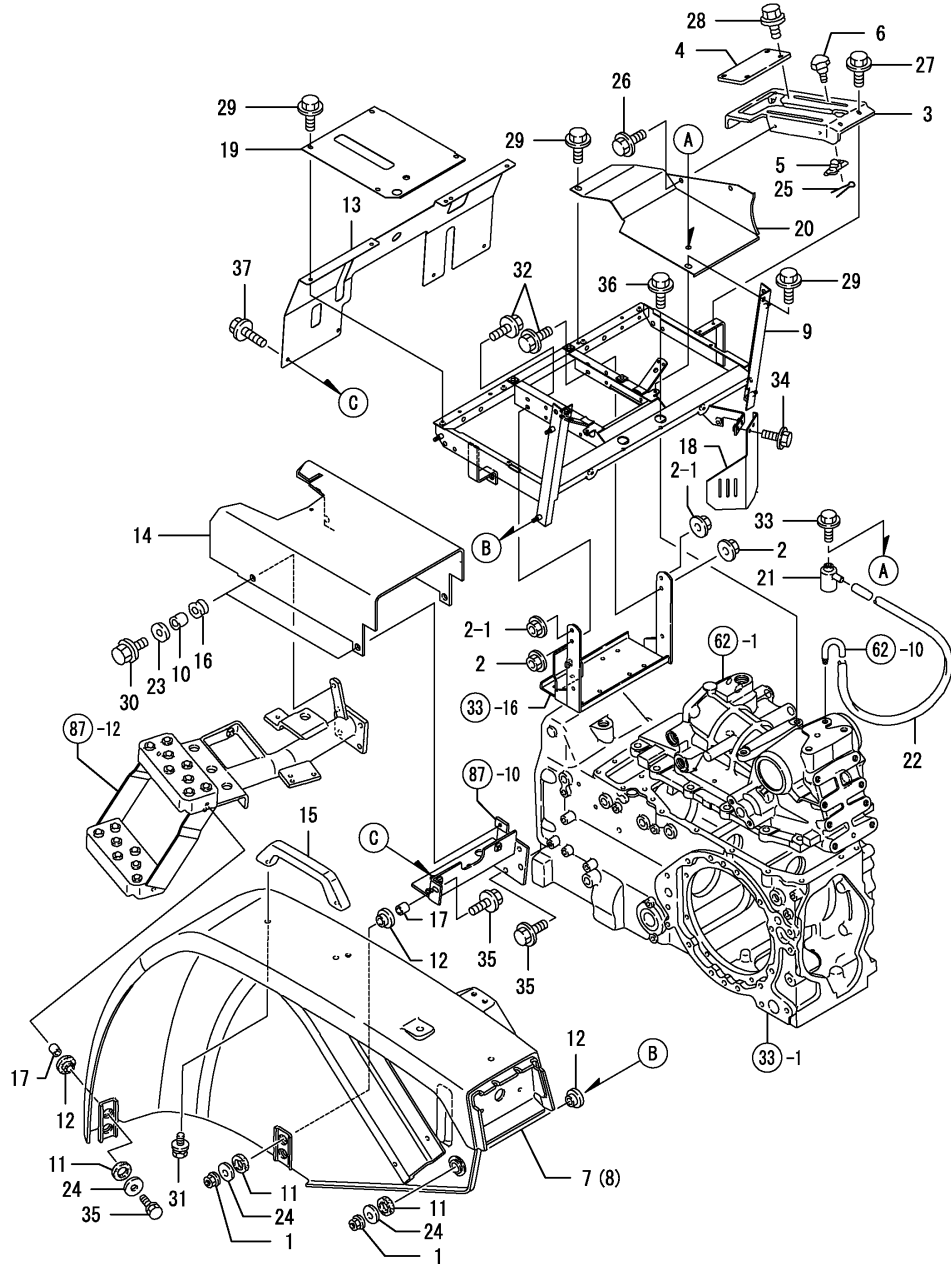
(B)=

(C)=

(D)=

(E)=

(F)=



No.	Lev.	Parts No.	Description	Q'ty						I	R
				(A)	(B)	(C)	(D)	(E)	(F)		
1	1	194990-22140	NUT, M8	8							
2	1	194990-22140	NUT, M8	2							
2-1	1	194990-22140	NUT, M8	4							K
(A=FXXXXX)											
3	1	198240-47710-1	GUIDE, LEVER	1							
3-1	1	198240-47710-2	GUIDE, LEVER	1							R
(A=F008557)											
4	1	198240-47730-1	COVER, LEVER GUIDE	1							
4-1	1	198240-47730-2	COVER, LEVER GUIDE	1							R
(A=F008557)											
5	1	198220-47750	STOPPER, LEVER	1							
6	1	194130-47851	BOLT, M6X15	1							
7	1	198240-62110	FENDER L.H.	1							
8	1	198240-62120	FENDER R.H.	1							
9	1	1A7780-62150	BRACKET, FENDER	1							
9-1	1	1A7780-62150-1	BRACKET, FENDER	1							R
(A=F008557)											
10	1	198220-62220	COLLAR	4							
11	1	198220-62260	CUSHION, RUBBER	10							
12	1	198220-62270	CUSHION, RUBBER	10							
13	1	1A7780-62270	COVER, CASE M	1							
13-1	1	1A7780-62270-1	COVER, CASE M	1							R
(A=F008557)											
14	1	1A7780-62310-2	COVER ASSY, CLUTCH M	1							
14-1	1	1A7780-62310-1	COVER ASSY, CLUTCH M	1							R
(A=F008557)											
15	1	198220-62410	BAR, ASSIST	2							
16	1	198220-62440	GROMMET	4							
17	1	198220-62920	COLLAR, ABSORBER	4							
18	1	1A7780-63060	COVER, SEPARATOR	1							
19	1	1A7780-63090	COVER, DUST L	1							
19-1	1	1A7780-63090-1	COVER, DUST L	1							R
(A=F008557)											
20	1	1A7780-63100	COVER, DUST R	1							
20-1	1	1A7780-63100-1	COVER, DUST R	1							R
(A=F008557)											
21	1	194205-63550	BREATHER, AIR	1							
22	1	194640-63560	PIPE, AIR BREATHER	1							
23	1	22157-060000	WASHER, 6	4							
24	1	22157-080000	WASHER, 8	10							
25	1	22417-200160	PIN, COTTER 2.0X16	1							
26	1	26106-060122	BOLT, M6X 12 PLATED	2							
27	1	26106-060122	BOLT, M6X 12 PLATED	4							
28	1	26106-060122	BOLT, M6X 12 PLATED	4							
29	1	26106-060122	BOLT, M6X 12 PLATED	6							
30	1	26106-060202	BOLT, M6X 20 PLATED	4							
31	1	26106-080122	BOLT, M8X 12 PLATED	4							
32	1	26106-080162	BOLT, M8X 16 PLATED	4							
33	1	26106-080162	BOLT, M8X 16 PLATED	1							
34	1	26106-080162	BOLT, M8X 16 PLATED	2							
35	1	26106-080302	BOLT, M8X 30 PLATED	4							

Fig.86. FENDER

(A)=EF453TM-PQ
(B)=
(C)=

(D)=
(E)=
(F)=

No.	Lev.	Parts No.	Description	Qty						I	R
				(A)	(B)	(C)	(D)	(E)	(F)		
36	1	26106-100252	BOLT, M10X 25 PLATED	2							
37	1	26106-060162	BOLT, M6X 16 PLATED	4							

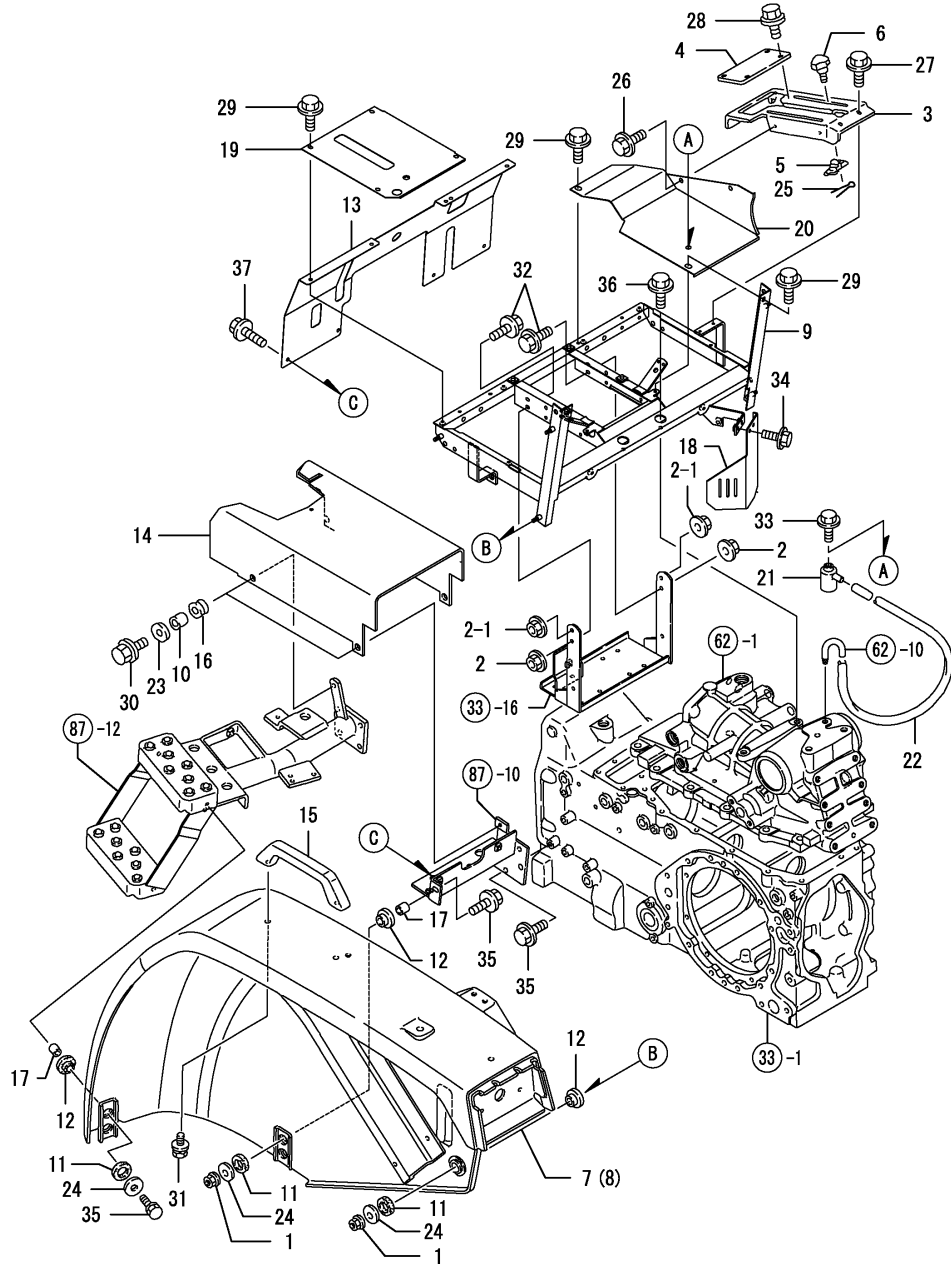
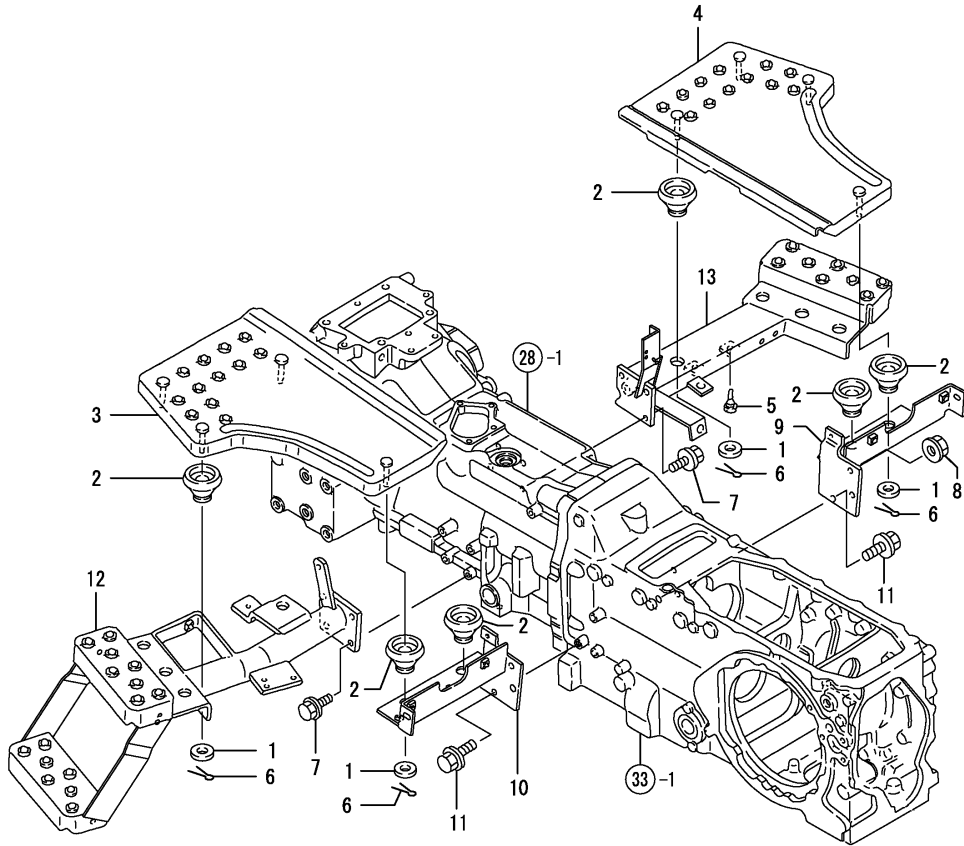


Fig.87. STEP

(A)=EF453TM-PQ
(B)=
(C)=

(D)=
(E)=
(F)=

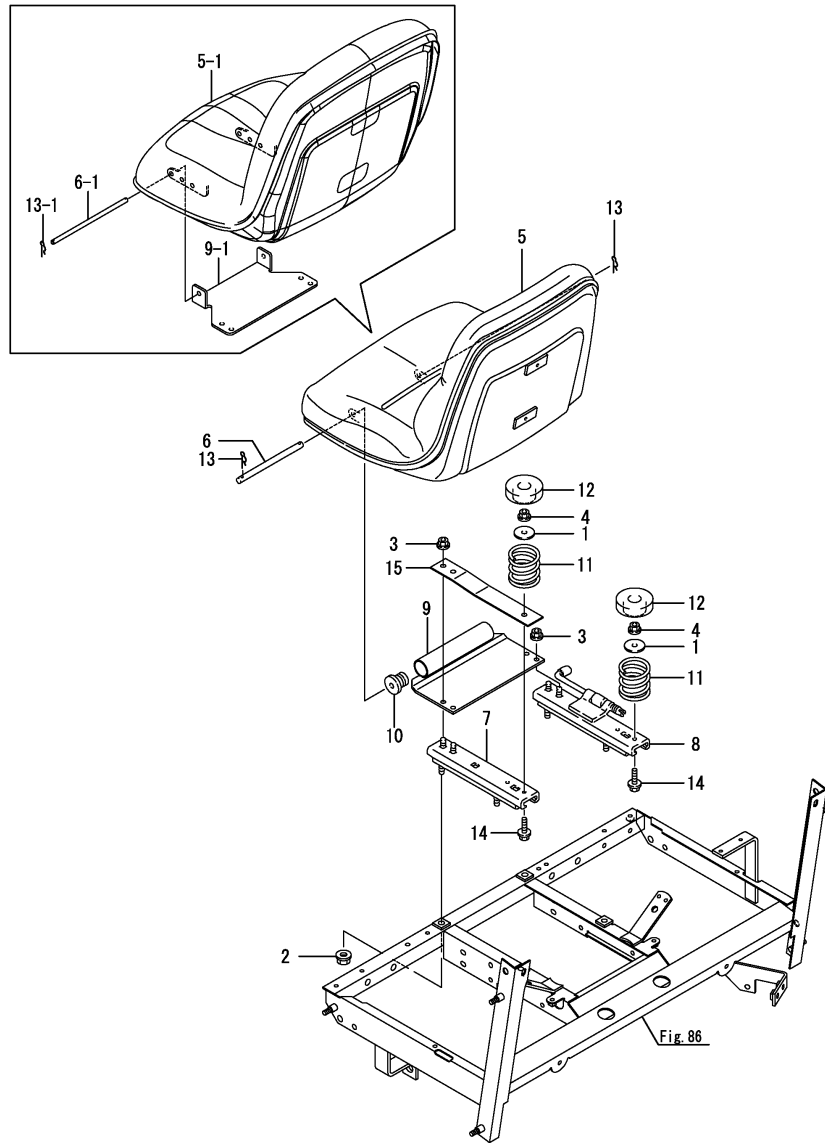


No.	Lev.	Parts No.	Description	Q'ty						I	R
				(A)	(B)	(C)	(D)	(E)	(F)		
1	1	198220-62150	WASHER	8							
2	1	198240-62451	ABSORBER, STEP	10							
3	1	198320-62510	STEP ASSY, L	1							
4	1	198320-62520	STEP ASSY, R	1							
5	1	194330-62530	STOPPER, PEDAL	2							
6	1	22417-250300	PIN, COTTER 2.5X30	8							
7	1	26106-080202	BOLT, M8X 20 PLATED	7							
8	1	194990-22140	NUT, M8	1							
9	1	198320-62580	STAY, ABSORBER R	1							
9-1	1	198320-62580-1	STAY, ABSORBER R	1							R
		(A=F008557)									
10	1	198320-62610	STAY, ABSORBER L	1							
10-1	1	198320-62610-1	STAY, ABSORBER L	1							R
		(A=F008557)									
11	1	26106-080162	BOLT, M8X 16 PLATED	3							
12	1	198320-62531	STAY, STEP L	1							
13	1	198178-62541	STAY, STEP R	1							

Fig.88. SEAT

(A)=EF453TM-PQ
(B)=
(C)=

(D)=
(E)=
(F)=

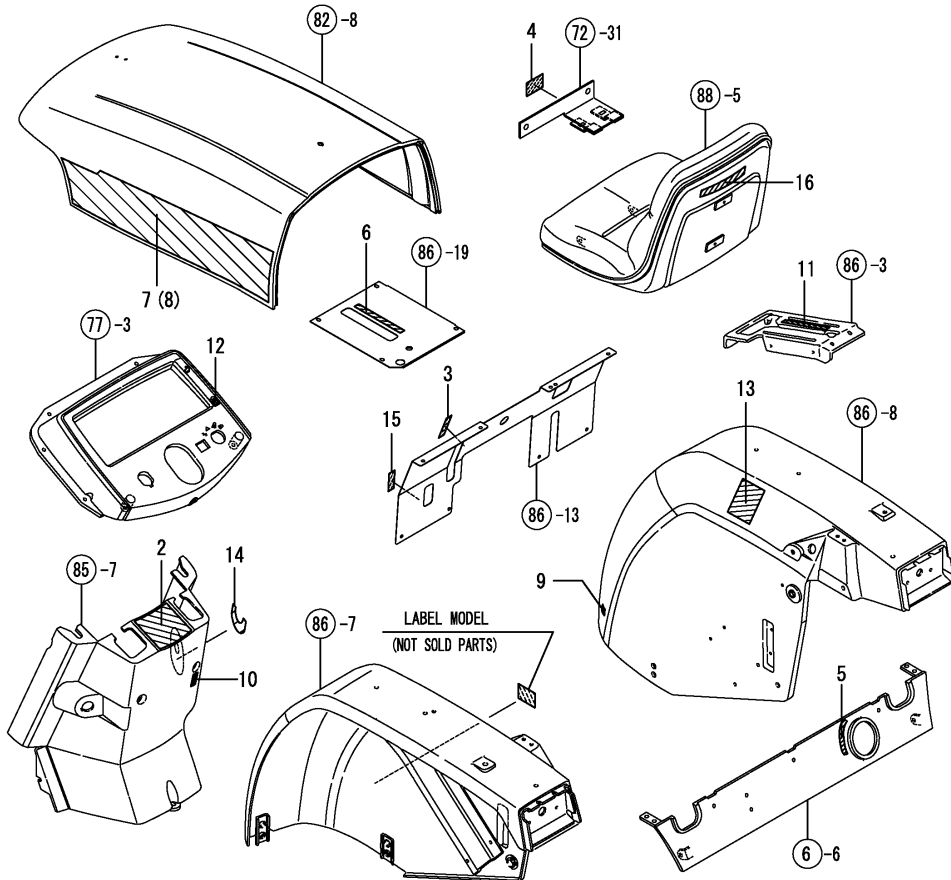
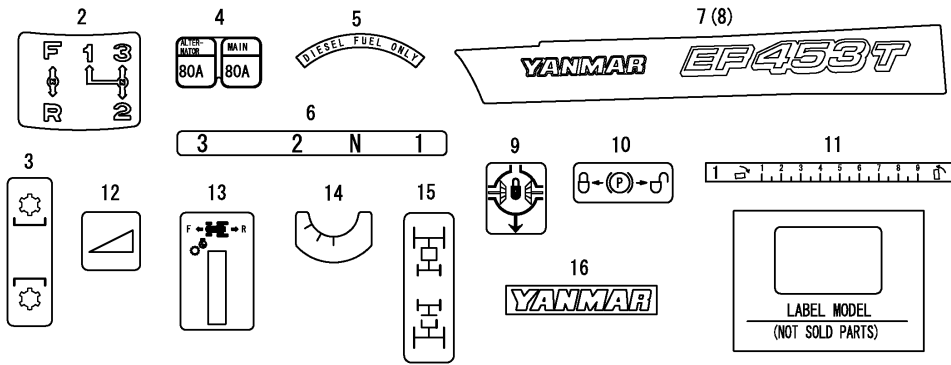


No.	Lev.	Parts No.	Description	Q'ty						I	R
				(A)	(B)	(C)	(D)	(E)	(F)		
1	1	1C6140-12060	SPACER, 9X36X3.2	2							
1-1	1	1C6140-47210-1	WASHER, 9X32X3.2	2							N
(A=FXXXXX)											
2	1	194990-22140	NUT, M8	4							
3	1	194990-22140	NUT, M8	4							
4	1	194990-22140	NUT, M8	2							
5	1	198240-63110	SEAT ASSY, OPERATOR	1							
5-1	1	1A7780-63120	SEAT ASSY	1							F 1
(A=FZZZZZ)											
6	1	198220-63120	PIN, HINGE	1							
6-1	1	198425-63270	PIN, 8X190	1							F 1
(A=FZZZZZ)											
7	1	198071-63150	RAIL, L	1							
8	1	198071-63160	RAIL, R	1							
9	1	1A7780-63210	BRACKET, SEAT	1							
9-1	1	1A7780-63260	BRACKET, SEAT	1							F 1
(A=FZZZZZ)											
10	1	198220-63240	DAMPER	2							Z
(A=FZZZZZ)											
11	1	198176-63260	SPRING	2							
12	1	198284-63270	STOPPER, SEAT	2							
13	1	22372-120000	PIN, SNAP 12	2							
13-1	1	22372-080000	PIN, SNAP 8	2							F 1
(A=FZZZZZ)											
14	1	26106-080202	BOLT, M8X 20 PLATED	2							
14-1	1	26106-080252	BOLT, M8X 25 PLATED	2							N
(A=FXXXXX)											
15	1	1A7780-63270	STAY, SEAT RAIL	1							W
(A=FXXXXX)											

Remarks

(1)Ref.No.5,6,9,10 & 13 is interchangeable with a set of 5-1,6-1,9-1 & 13-1.

Fig.89. LABELS



(A)=EF453TM-PQ

(B)=

(C)=

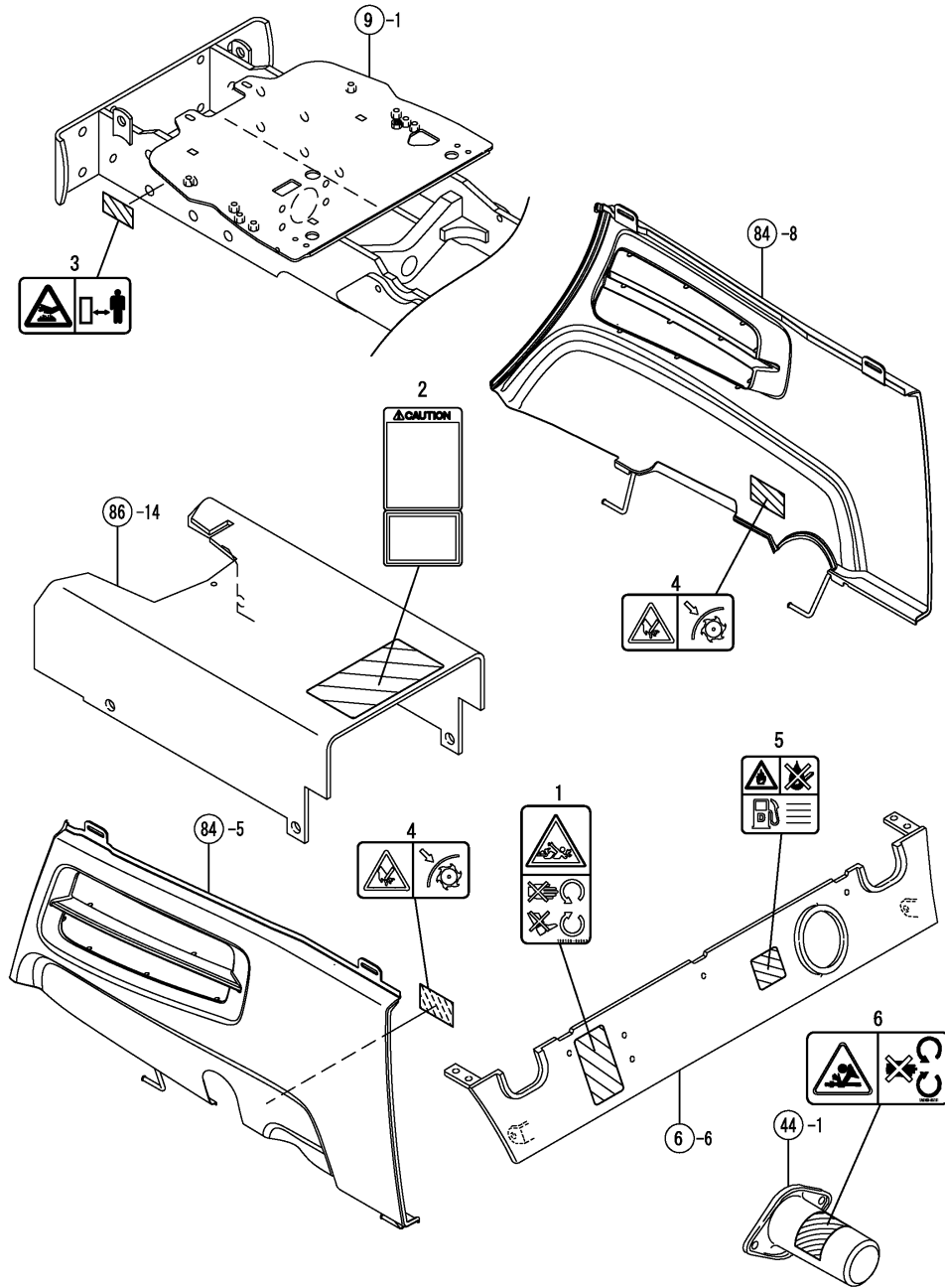
(D)=

(E)=

(F)=

No.	Lev.	Parts No.	Description	Q'ty						I	R
				(A)	(B)	(C)	(D)	(E)	(F)		
2	1	198175-65500	LABEL,MAIN CHANGE	1							
3	1	198220-65610	LABEL, PTO	1							
4	1	1A7780-65770	LABEL,	1							Z
(A=FZZZZZ)											
5	1	194275-65790	LABEL, FUEL CAUTION	1							Z
(A=FXXXXX)											
6	1	198242-65940	LABEL,SUB CHANGE	1							
7	1	1A7780-64750	LABEL,	1							
8	1	1A7780-64760	LABEL,	1							
9	1	194240-65441	LABEL, DIFF. LOCK	1							
10	1	198036-65470	LABEL, BRAKE LOCK	1							
10-1	1	1A7480-65470	LABEL,	1							R
(A=FZZZZZ)											
11	1	198220-65470	LABEL, LEVER	1							
12	1	1A6640-65530	LABEL,THROTTLE	1							Z
(A=FXXXXX)											
13	1	198178-65560	LABEL,SPEED	1							
14	1	198327-65720	LABEL, KEY SWITCH	1							
15	1	198221-65740	LABEL, MFWD	1							
16	1	198208-65890	LABEL, ROOF	1							

Fig.90. LABELS(SAFETY)



(A)=EF453TM-PQ
(B)=
(C)=

(D)=
(E)=
(F)=

No.	Lev.	Parts No.	Description	Q'ty						I	R
				(A)	(B)	(C)	(D)	(E)	(F)		
1	1	198163-65350	DANGER,ROTAT.SHAFT	1							
2	1	198253-65732	LABEL, CAUTION	1							
3	1	198163-65930	CAUTION,MUFFLER	1							
4	1	198163-65940	CAUTION,SAFETY COVER	2							
5	1	1A6150-91251	LABEL,RAKE CAUTION	1							
6	1	1A6150-93151	LABEL,COVER	1							

Fig.91. TOP LINK

(A)=EF453TM-PQ
(B)=
(C)=

(D)=
(E)=
(F)=

No.	Lev.	Parts No.	Description	Q'ty						I	R
				(A)	(B)	(C)	(D)	(E)	(F)		
1	1	195397-27810	PIN, 19X92	2							
2	1	1A7780-71100	LINK KIT, TOP	1							
3	2	1A7780-71500	TURNBUCKLE ASSY	1							
4	2	198133-71600	LINK ASSY, TOP R	1							
5	2	198133-71700	LINK ASSY, TOP L	1							
6	2	198092-71750	NUT ASSY, M24	1							
7	2	22137-060000	WASHER, 6	2							
8	2	22217-060000	WASHER, SPRING 6	2							
9	2	22351-040024	PIN, SPRING 4.0X24	2							
10	2	26557-060062	SCREW, M6X 6	2							
11	1	194275-71550	SPRING	1							
11-1	1	1A7780-71600	SPRING	1							R
(A=FZZZZZ)											
12	1	194180-72950	PIN ASSY, LOCK	2							
13	1	22137-080000	WASHER, 8	1							
14	1	22417-300250	PIN, COTTER 3.0X25	1							

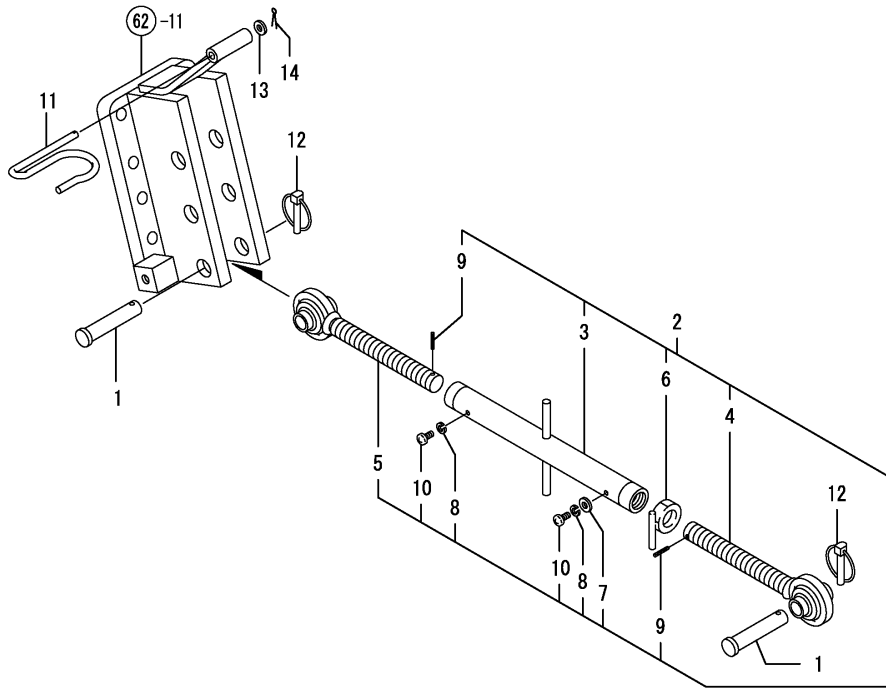
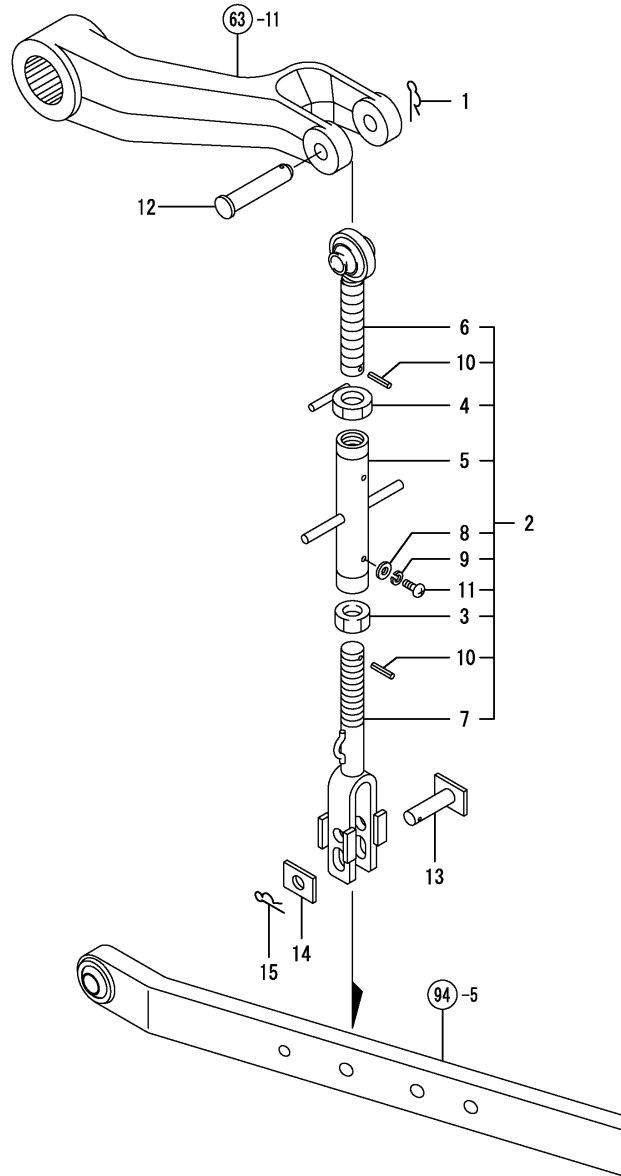


Fig.92. LIFT LINK(R)

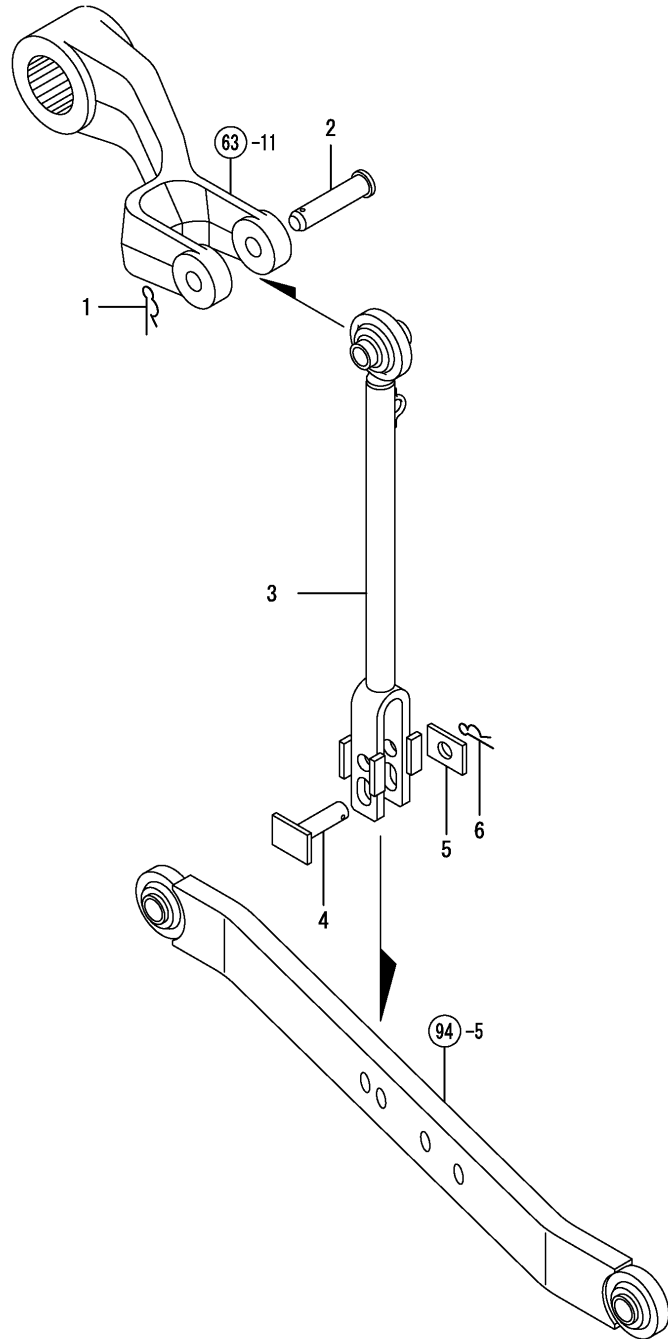


(A)=EF453TM-PQ
(B)=
(C)=

(D)=
(E)=
(F)=

No.	Lev.	Parts No.	Description	Q'ty						I	R
				(A)	(B)	(C)	(D)	(E)	(F)		
1	1	195184-15360	PIN, SNAP 19	1							
2	1	1A7780-72100	LINK KIT, LIFT R	1							
3	2	194700-71410	NUT M24 L.H.	1							
4	2	198092-71750	NUT ASSY, M24	1							
5	2	1A7780-72150	TURNBUCKLE ASSY	1							
6	2	198242-72200	BOLT, EYE	1							
7	2	198175-72250	YOKE ASSY, LINK R	1							
8	2	22137-060000	WASHER, 6	2							
9	2	22217-060000	WASHER, SPRING 6	2							
10	2	22351-040024	PIN, SPRING 4.0X24	2							
11	2	26557-060062	SCREW, M6X 6	2							
12	1	194640-72410	PIN, LIFT ARM	1							
13	1	194640-72550	PIN, LIFT YOKE	1							
14	1	194330-72560	STOPPER	1							
15	1	22372-160000	PIN, SNAP 16	1							

Fig.93. LIFT LINK(L)

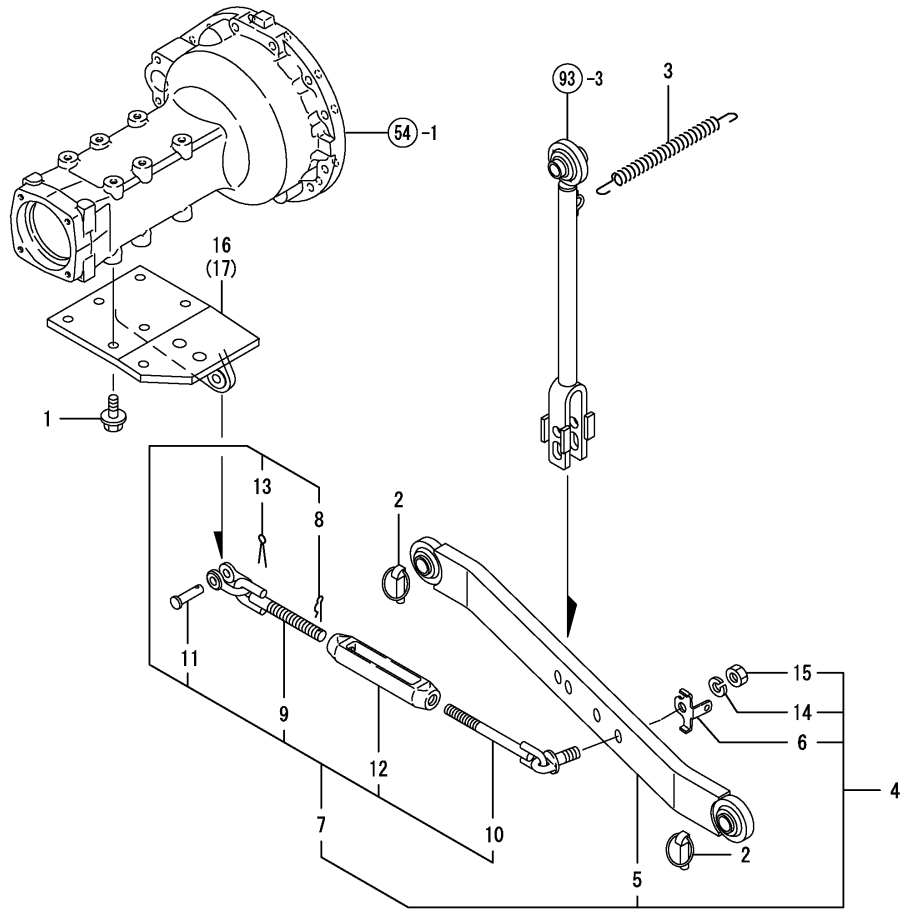


(A)=EF453TM-PQ
(B)=
(C)=

(D)=
(E)=
(F)=

No.	Lev.	Parts No.	Description	Q'ty						I	R
				(A)	(B)	(C)	(D)	(E)	(F)		
1	1	195184-15360	PIN, SNAP 19	1							
2	1	194640-72410	PIN, LIFT ARM	1							
3	1	198133-72530	LINK ASSY, LIFT L	1							
4	1	194640-72550	PIN, LIFT YOKE	1							
5	1	194330-72560	STOPPER	1							
6	1	22372-160000	PIN, SNAP 16	1							

Fig.94. LOWER LINK & CHECK CHAIN



(A)=EF453TM-PQ
(B)=
(C)=

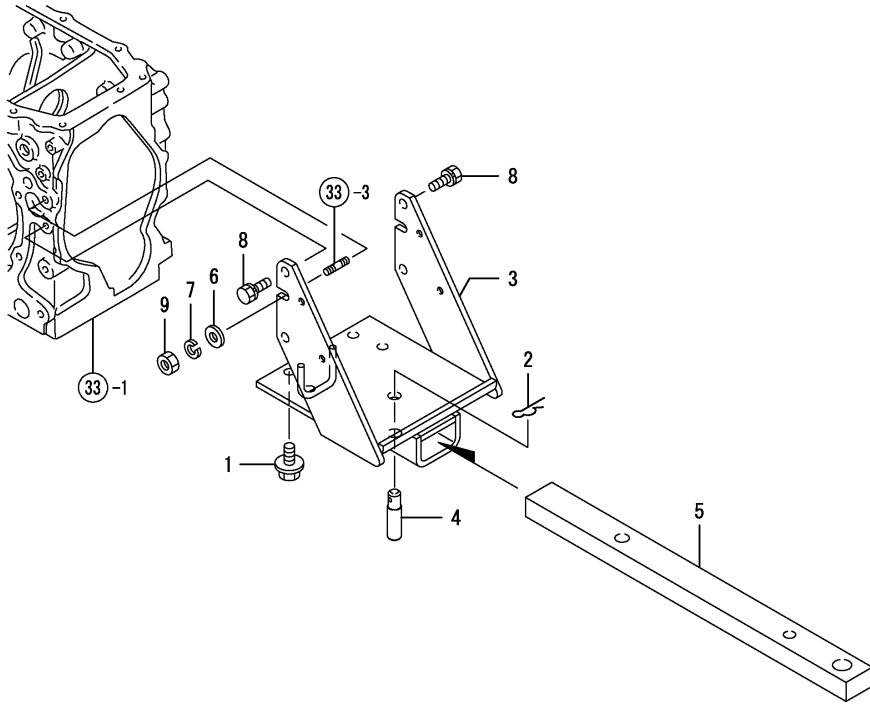
(D)=
(E)=
(F)=

No.	Lev.	Parts No.	Description	Q'ty						I	R
				(A)	(B)	(C)	(D)	(E)	(F)		
1	1	198220-11510	BOLT, M12X27	12							
2	1	794130-71410	PIN ASSY, BALL	4							
3	1	194145-73150	SPRING, LOCK	1							
4	1	1A7780-73410	LINK KIT, LOWER	2							
5	2	198133-73100	LINK ASSY, LOWER	2							
6	2	198071-73550	PLATE, HOOK	2							Z
(A=FZZZZZ)											
7	2	1A7780-74200	CHAIN ASSY, CHECK	2							
8	3	1A6150-73700	PIN, SNAP 16	2							
9	3	1A7780-74210	CHAIN ASSY, CHECK F	2							
10	3	1A7270-74250	CHAIN ASSY, CHECK R	2							
11	3	198181-74630	PIN, CHAIN	2							
12	3	198475-74700	TURNBUCKLE, M16	2							
13	3	22417-400320	PIN, COTTER 4.0X32	2							
14	2	22217-160000	WASHER, SPRING 16	2							
15	2	26736-160002	NUT, M16	2							
16	1	1A7780-85500	PLATE ASSY, BASE L	1							
16-1	1	1A7780-85500-1	PLATE ASSY, BASE L	1							R
(A=F008557)											
17	1	1A7780-85550	PLATE ASSY, BASE R	1							
17-1	1	1A7780-85550-1	PLATE ASSY, BASE R	1							R
(A=F008557)											

Fig.95. DRAWBAR HITCH

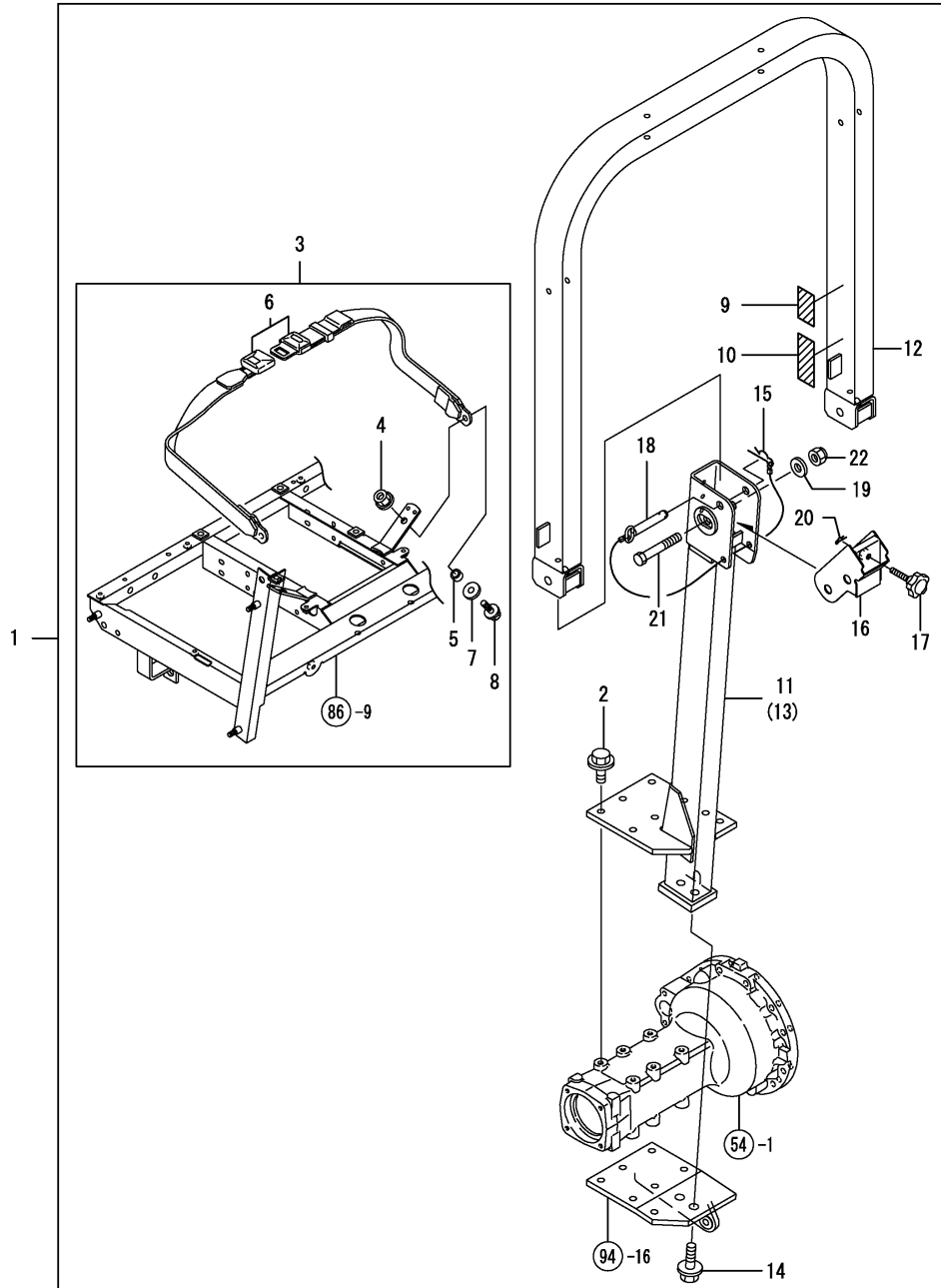
(A)=EF453TM-PQ
(B)=
(C)=

(D)=
(E)=
(F)=



No.	Lev.	Parts No.	Description	Q'ty						I	R
				(A)	(B)	(C)	(D)	(E)	(F)		
1	1	198240-12650	BOLT, M14X28	4							
2	1	195230-17260	PIN, SNAP 22S	1							
3	1	198253-75131	BRACKET, DRAWBAR	1							
3-1	1	198253-75131-1 (A=F008557)	BRACKET, DRAWBAR	1							R
4	1	198253-75430	PIN, HITCH	1							
5	1	198253-75720-1	HITCH, DRAWBAR	1							
5-1	1	198253-75720-2 (A=F008557)	HITCH, DRAWBAR	1							R
6	1	22137-120000	WASHER, 12	2							
7	1	22217-120000	WASHER, SPRING 12	2							
8	1	26013-120302	BOLT, M12X 30	4							
9	1	26716-120002	NUT, M12	2							

Fig.96. SAFETY FRAME



(A)=EF453TM-PQ

(B)=

(C)=

(D)=

(E)=

(F)=

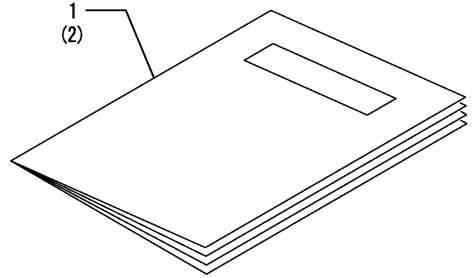
No.	Lev.	Parts No.	Description	Qty						I	R
				(A)	(B)	(C)	(D)	(E)	(F)		
1	1	1A7780-85100	ROPS KIT	1							
2	2	198220-11510	BOLT, M12X27	12							
3	2	198268-63110	BELT KIT, SEAT	1							
4	3	194990-22150	NUT, M10	2							
5	3	195747-22360	COLLAR, EXTENSION	2							
6	3	198268-63120	BELT, SEAT	1							
7	3	22137-100000	WASHER, 10	2							
8	3	26106-100302	BOLT, M10X 30 PLATED	2							
9	2	198440-65860	LABEL,ROPS	1							
10	2	1A7130-65910	LABEL (ROPS CAUTION	1							
11	2	1A7780-85110	ROPS ASSY, LOWER L	1							
11-1	2	1A7780-85110-1	ROPS ASSY, LOWER L	1							R
(A=F008557)											
12	2	1A7780-85200	ROPS, UPPER	1							
12-1	2	1A7780-85200-1	ROPS, UPPER	1							R
(A=F008557)											
13	2	1A7780-85210	ROPS ASSY, LOWER R	1							
13-1	2	1A7780-85210-1	ROPS ASSY, LOWER R	1							R
(A=F008557)											
14	2	198220-85290	BOLT, M16X40	4							
15	2	198133-85850	PIN, SNAP 16	2							
16	2	1A7780-85900	PLATE ASSY, BACK	2							
16-1	2	1A7780-85900-1	PLATE ASSY, BACK	2							R
(A=F008557)											
17	2	198133-85920	BOLT, M10X50	2							
18	2	198133-85980	PIN ASSY, STOPPER	2							
19	2	22157-160000	WASHER, 16	2							
20	2	22372-080000	PIN, SNAP 8	2							
21	2	26156-161002	BOLT, M16X100 PLATED	2							
22	2	26356-160002	NUT, M16	2							

Fig.97. ACCESSORIES

(A)=EF453TM-PQ
(B)=
(C)=

(D)=
(E)=
(F)=

No.	Lev.	Parts No.	Description	Q'ty						I	R
				(A)	(B)	(C)	(D)	(E)	(F)		
1	1	0A042-G00100	OPERATION MANUAL	1							
1-1	1	0A042-G00101	OPERATION MANUAL	1							N
(A=FZZZZZ)											
1-2	1	0A042-G00102	OPERATION MANUAL	1							S
(A=FXXXXX)											
2	1	0F042-G00100	ASSEMBLY BRIEF	1							
2-1	1	0F042-G00101	ASSEMBLY BRIEF	1							N
(A=FZZZZZ)											



Parts No. Index

Parts No.	Fig. No.	Ref. No.
0A042-G00100	97	1
0A042-G00101	97	1 -1
0A042-G00102	97	1 -2
0F042-G00100	97	2
0F042-G00101	97	2 -1
106990-44660	2	19
114270-59010	2	51
	7	17
119005-12571	1	6
119225-52102	1	24
119255-44660	1	19
119802-55700	1	26
119802-55710	1	28
119802-55730	1	29
119808-12540	1	5
119860-34810	33	21
119934-55611	1	25
121450-44531	1	10
121470-44581	1	13
124450-44560	1	12
124550-77030	1	33
124617-91920	77	11
		11 -1
124701-91140	77	22
124764-44810	1	20
124766-59050	2	13
		22
		23
		24
		24 -1
		25
		26
		27
	7	9
		9 -1
129052-13550	1	8
129100-55690	1	27
129107-44590	1	16
129150-49081	1	22
129211-77920	1	34
129263-44510	1	9
129418-12530	1	3
129467-44580	1	15
129467-44590	1	17
129550-49090	1	23
129550-49101	1	21
129612-12650	1	7
129659-12520	1	1
129659-44510	1	14
129900-12530	1	4

Parts No.	Fig. No.	Ref. No.
129906-12520	1	2
129907-55810	1	32
129956-12160	2	18
129956-44730	1	18
168246-00110	64	1 -1
172122-46571	48	5 -1
172156-72330	25	22
172156-72340	25	23
175022-49730	2	20
175022-49750	2	21
178071-03010	64	1
192160-34150	19	5
194065-34170	58	6
		16
194065-38380	25	11
194065-60580	77	18
194066-13130	53	3
194082-34910	58	9
		19
194130-27490	46	13
194130-37730	32	6
	61	3
194130-47851	86	6
194134-37771	61	5
194142-34821	58	8
		18
194145-21121	31	5
194145-27450	46	11
	47	5
194145-34390	57	6
194145-61570	3	8
194145-61651	77	19
	83	12
194145-73150	94	3
194150-01270	3	6
194150-21910	28	4
	29	7
		16
194150-22250	28	5
194150-22250-1	28	5 -1
194150-22480	32	4
	61	2
194150-24270	29	17
194150-33150	55	5
194150-42280	62	10
194150-42280-1	62	10 -1
194150-45320	67	1
194151-47760	68	13
194155-05210	6	7
194167-61650	85	12

Parts No.	Fig. No.	Ref. No.
194167-61650	85	13
194170-27180	48	5
194170-51210	5	7
	7	7
	72	13
194180-01240	2	6
194180-12471	25	1
194180-17770	7	6
194180-25550	38	2
194180-32640	54	2
194180-32670	18	12
194180-43410	63	4
194180-45620	65	2
194180-51640	68	15
	72	52
194180-61980	9	6
194180-72950	91	12
194181-14180	58	4
		14
194197-25810	42	4
194197-56350	82	20
194200-53400	75	4
194205-36320	60	6
194205-63550	86	21
194215-24960	33	19
194240-65441	89	9
194250-25240	37	1
194250-27160	46	2
194250-51420	72	19
194250-51650	72	27
194274-13350	15	6
194274-22090	36	1
194275-48400	35	3
194275-51210	72	14
		15
	77	2
194275-62310	77	21
194275-65790	89	5
194275-71550	91	11
194278-48300	70	1
194279-14700	22	2
		6
194300-22260	32	6 -1
194300-33200	55	6
194301-12730	38	1
194310-25100	42	2
194310-25660	43	2
194310-37741	61	4
194310-47790	68	14
194312-25470	36	7

Parts No.	Fig. No.	Ref. No.
194312-46630-1	66	3 -1
194312-46630-2	66	3
194320-31560	53	6
194321-11940	17	4
194321-13230	14	2
194321-13250	14	4
194321-13270	14	6
194321-13360	15	7
194321-13380	15	9
194321-13680	18	1
194321-28230	51	7
194322-24980	35	2
194323-13290	14	7
194327-45120	64	2
194327-45130	64	3
194327-48450	70	3
194328-14820	22	3
		7
194328-14830	22	4
		8
194330-62530	32	13
	87	5
194330-72560	92	14
	93	5
194337-17220	26	9
194337-17251	26	10
194337-17330	26	19
194337-17340	26	16
194337-17350	26	17
194337-17360	26	20
194337-17370	26	21
194337-17380	26	22
194337-17390	26	11
194337-17400	26	12
194370-26350	43	7
194420-56620	77	15
194430-25810	43	3
194440-51620	72	21
		22
		23
		24
		25
		26
194446-25450	51	1
194447-13860	42	1
	43	1
194448-61620	85	11
194450-11190	28	3
	29	14
194450-45630	65	3

Parts No. Index

Parts No.	Fig. No.	Ref. No.
194450-45640	65	4
194450-45640-1	65	4 -1
194450-45650	65	5
194450-48830	27	11
194464-25600	38	4
194464-33130	55	2
194464-48850	27	12
194464-52190	74	4
194465-13240	14	3
194465-13260	14	5
194550-47530	68	11
194555-04260	6	1
194555-04270	6	2
194555-04280	6	3
194555-26620	37	15
		15 -1
194555-46300	66	1
194555-46380	62	15
194555-46730	62	16
194555-47420	68	9
194555-48350	70	2
194555-52140	74	3
194555-56890	77	17
194556-17870	27	7
194640-17340	26	3
194640-25860	37	11
	38	15
194640-26130	41	2
194640-26330	43	6
194640-26440	37	13
194640-32650	54	4 -1
194640-32650-2	54	4
194640-34130	57	2
194640-34140	57	3
194640-34150	57	4
194640-43201	62	12
194640-43201-1	62	12 -1
194640-44260	63	10
194640-44540	63	13 -1
194640-44540-2	63	13
194640-46410	67	5
194640-46420	67	6
194640-47560	68	12
194640-63560	86	22
194640-72410	92	12
	93	2
194640-72550	92	13
	93	4
194640-73180	33	24
194641-13210	14	1

Parts No.	Fig. No.	Ref. No.
194641-13670	17	7
194641-13760	18	4
194641-13780	18	6
194641-13790	18	7
194641-13830	19	3
194641-13840	19	4
194680-22230	31	8
194680-22280	28	6
194680-22290	28	7
194680-27540	49	7
	50	1
194681-14790	58	5
		15
194697-62560	71	2
194700-71410	92	3
194730-57220	12	4
		10
194740-00160	3	2
194740-06080	28	2
194750-04400	3	18
194765-28170	51	4
194765-28180	51	5
194820-27370	48	6
194850-24960	33	20
194850-42500	33	22
194881-12650	23	1
194940-52110	74	1
194940-61790	77	20
	83	15
	85	15
		16
194940-65590	82	13
194990-20170	48	4
194990-22130	75	1
	79	1
		2
		13
	85	1
194990-22140	6	8
	8	2
	69	1
	72	1
		2
	73	2
	81	1
	83	2
		36
	86	1
		2
		2 -1

Parts No.	Fig. No.	Ref. No.
194990-22140	87	8
	88	2
		3
		4
194990-22150	49	1
	50	19
	52	1
	96	4
194990-22831	12	3
194990-22841	12	9
195184-15360	92	1
	93	1
195230-17260	95	2
195397-27810	91	1
195747-22360	96	5
198010-53410	75	5
198010-53420	75	3
198036-65470	89	10
198071-04500	5	2
198071-18350	48	1
198071-22320	31	3
198071-27470	47	6 -1
	49	3 -1
198071-27470-2	47	6
	49	3
198071-27860	46	14
	47	7
198071-51411	72	17 -1
198071-61890	76	14
	83	16
	85	17
198071-61990	2	32
198071-63150	88	7
198071-63160	88	8
198071-65610	76	17
		18
		19
	82	14
198071-72750	25	24
198071-73550	94	6
198072-04510	5	5
198075-18311	45	4
198083-34940	58	10
		20
198092-71750	91	6
	92	4
198093-84810	83	24
198121-51190	72	12
198121-51430	72	20
198129-05190	84	6

Parts No.	Fig. No.	Ref. No.
198129-05190	84	9
198133-13340	15	4
198133-15700	24	2
198133-15740	24	3
198133-15780	24	4
198133-24361	34	1
198133-24370	33	10
198133-24370-1	33	10 -1
198133-24380	33	11
198133-25230	36	4
198133-25240	36	5
198133-25310	34	2
198133-25311	34	2 -1
198133-25451	37	3
198133-25701	39	3
198133-25761	37	6
198133-25822	37	7
198133-25832	40	1
198133-25841	37	9
198133-25850	40	2
198133-25860	38	16
198133-25870	37	12
198133-25890	40	3
198133-25911	40	4
198133-25941	40	6
198133-25960	40	7
198133-25970	40	8
198133-27060	45	5
198133-27070	45	6
198133-27100	45	1
198133-27110	47	1
198133-27120	47	2
198133-27170	46	3
198133-27180	47	3
198133-27180-1	47	3 -1
198133-27280	46	6
198133-27300	47	4
198133-27330	46	9
198133-27340	46	10
198133-27350	45	2
	48	2
198133-27401	45	8
198133-27450	46	12
198133-27652	45	9
198133-27711	45	10
198133-27720	45	11
198133-27781	45	13
198133-27820	45	14
198133-27850	45	15
198133-27881	45	16

Parts No. Index

Parts No.	Fig. No.	Ref. No.
198133-27900	48	3
198133-27900-2	48	3 -1
198133-27910	48	7
198133-27940	45	17
198133-27950	45	29
198133-28110	51	3
198133-34130	59	1
198133-42102	62	1
198133-42102-2	62	1 -1
198133-42130	62	2
198133-43310	63	1
198133-43330	63	2
198133-43360	63	3
198133-44210	63	6
198133-44410	63	11
198133-44410-1	63	11 -1
198133-44411	63	11 -2
198133-45600	65	1
198133-61690	85	14
198133-71600	91	4
198133-71700	91	5
198133-72530	93	3
198133-73100	94	5
198133-85850	96	15
198133-85920	96	17
198133-85980	96	18
198137-13300	15	3
198137-13350	15	5
198137-27180	46	4
198137-27190	46	5
198138-24390	33	12
198138-37610	61	11
198138-61530	85	7
198138-61531	85	7 -1
198146-34740	58	7
		17
198146-63660	2	33
198149-22280	31	2
198149-24101	33	1
198149-24101-1	33	1 -1
198149-24102-1	33	1 -2
198149-25600	38	3
198149-25690	39	1
198149-25700	38	5
198149-25740	38	8
198149-25750	38	9
198149-25760	38	10
198149-25780	38	6
198149-25790	38	11
198149-25880	38	17

Parts No.	Fig. No.	Ref. No.
198149-25890	38	7
		18
198149-27490	49	4
198149-27530	49	6
198149-27560	49	8
198149-27570	49	9
198149-31400	53	2
198153-13521	16	2
198153-17630	26	15
198153-51700	72	5
198153-51810	72	29
198153-53410	76	11
198153-89730	81	17
198163-65350	90	1
198163-65930	90	3
198163-65940	90	4
198165-01130	3	4
198175-37421-1	61	7 -1
198175-37421-2	61	7
198175-65500	89	2
198175-72250	92	7
198176-63260	88	11
198178-47300	68	1
198178-47300-1	68	1 -1
198178-62541	87	13
198178-65560	89	13
198181-74630	94	11
198196-83170	82	15
	83	20
		20 -1
		21
		22
		23
198200-18350	48	1 -1
198200-47810	68	33 -1
198200-52140	74	3 -1
198208-65890	89	16
198212-32611	54	1
198212-32611-1	54	1 -1
198215-44110	63	5
198215-44110-1	63	5 -1
198217-33650	56	10
198220-01140	3	5
198220-04290	6	4
198220-11510	94	1
	96	2
198220-15650	24	1
198220-17610	26	13
198220-17620	26	14
198220-17631	26	27

Parts No.	Fig. No.	Ref. No.
198220-17642	26	18
198220-17651	26	25
198220-17660	26	26
198220-17670	26	29
198220-17680	26	24
198220-21171	29	1
198220-25830	38	12
198220-25840	38	13
198220-26790	52	3
198220-27290	50	20
198220-27990	50	8
	52	4
198220-37700	61	14
198220-37720	61	15
198220-37900	32	12
	61	17
198220-45350	67	2
198220-45370	67	3
198220-45920	33	23
	62	5
		14
198220-46400	67	4
198220-46560	27	8
198220-46660	66	9
198220-46670	66	8
198220-47370	68	33
198220-47750	86	5
198220-48140	27	10
198220-52180	79	3
		4
198220-53170	77	4
198220-56111	77	5
198220-56130	77	6
198220-56140	77	7
198220-56150	77	8
198220-56160	77	9
198220-56220	77	10 A
198220-56230	77	12
198220-61340	82	9
198220-61351	84	11
198220-61800	84	15
198220-62150	83	19
	87	1
198220-62220	86	10
198220-62260	86	11
198220-62270	86	12
198220-62410	86	15
198220-62440	86	16
198220-62920	86	17
198220-63120	88	6

Parts No.	Fig. No.	Ref. No.
198220-63240	88	10
198220-65470	89	11
198220-65610	89	3
198220-85290	96	14
198221-65740	89	15
198230-04750	5	6
198230-17301	26	1
198230-17311	26	2
198230-17340	26	4
198230-61960	83	40
198240-01400	3	14
198240-01450	3	16
198240-01470	3	17
198240-04550	77	1
198240-04710	7	1
198240-04750	7	2
198240-04760	7	3
198240-04770	7	4
198240-11500	10	1
198240-11540	10	3
198240-11550	10	4
198240-11620	9	3
198240-11640	9	4
198240-11650	9	5
198240-12590	12	6
		12
198240-12650	95	1
198240-17840	27	4
198240-17870	26	31
198240-18120	12	2
198240-18120-2	12	2 -1
198240-18130	12	8
198240-18130-2	12	8 -1
198240-21180	29	2
198240-21220	29	3
198240-21250	29	4
198240-21260	29	5
198240-21270	29	6
198240-22470	32	3
198240-22550	32	5
198240-24120	33	2
198240-24140	33	7
198240-24320	33	9
198240-24480	33	14
198240-24480-1	33	14 -1
198240-24510	33	15
198240-24510-1	33	15 -1
198240-24530	33	3
198240-24682	33	16
198240-24682-1	33	16 -1

Parts No. Index

Parts No.	Fig. No.	Ref. No.
198240-24690	33	17
198240-24690-2	33	17 -1
198240-24900	35	1
198240-24900-1	35	1 -1
198240-24920	33	18
198240-24920-1	33	18 -1
198240-25180	28	8
198240-25220	36	3
198240-25292	42	3
198240-25440	37	2
198240-25930	40	5
198240-26110	42	5
198240-26520	43	8
198240-27320	46	8
198240-27841	50	3
198240-27880	50	4
198240-27890-1	50	5 -1
198240-27890-2	50	5
198240-27950	50	6
198240-27961	50	7
198240-27961-1	50	7 -1
198240-32640	54	3
198240-33130	55	3
198240-33130-1	55	3 -1
198240-33170	55	14
198240-36310	60	2
198240-36320	60	3
198240-36351	60	4
198240-36380	60	7
198240-36520	60	5
198240-36700	60	8
198240-36710	60	9
198240-36720	60	10
198240-36730	60	11
198240-36730-1	60	11 -1
198240-37470-1	61	8
198240-37470-2	61	8 -1
198240-37510	32	11
	61	9
198240-37550	61	10
198240-37550-1	61	10 -1
198240-37850	61	16
198240-42130	62	9
198240-46620	66	2
198240-47380	68	7
198240-47430-1	68	10 -1
198240-47430-2	68	10
198240-47710-1	86	3
198240-47710-2	86	3 -1
198240-47730-1	86	4

Parts No.	Fig. No.	Ref. No.
198240-47730-2	86	4 -1
198240-48140	69	6
198240-48300	70	4
198240-48300-1	70	4 -1
198240-48380	70	5
198240-48410-1	70	6
198240-48410-2	70	6 -1
198240-48500	69	8
	70	7
198240-48830	69	11
198240-48850	69	12
198240-51561	73	4
198240-56600	77	14
198240-56630	77	16
198240-62110	86	7
198240-62120	86	8
198240-62451	87	2
198240-63110	88	5
198241-13280	15	2
198241-14650	21	2
198241-28100	51	2
198241-28220	51	6
198241-28240	51	8
198241-28310	52	6
198242-01350	3	7
198242-02310	2	8
198242-25350	41	1
198242-25830	37	8
198242-25950	37	10
198242-27830	50	2
198242-27831	50	2 -1
198242-51130	72	10
198242-65940	89	6
198242-72200	92	6
198245-42160	98	1
198245-46680	27	9
198250-17850	27	5
198250-32310	53	17
198250-33110	55	1
198250-48100	69	4
198250-48100-1	69	4 -1
198251-11220	17	3
198251-11800	11	1
198251-11800-1	11	1 -1
198251-11820	11	3
198251-11820-1	11	3 -1
198251-12310	12	1
198251-12310-1	12	1 -1
198251-13100	13	1
198251-13270	15	1

Parts No.	Fig. No.	Ref. No.
198251-13450	17	1
198251-13450-1	17	1 -1
198251-13510	16	1
198251-13520	16	3
198251-13600	17	2
198251-13600-1	17	2 -1
198251-13610	17	5
198251-13610-1	17	5 -1
198251-13630	11	4
198251-13710	18	2
198251-13710-1	18	2 -1
198251-13810	19	1
198251-13820	19	2
198251-17500	26	8
198251-17850	27	6
198253-01190	3	12
198253-17700	27	1
198253-17700-1	27	1 -1
198253-17750	27	2
198253-17750-1	27	2 -1
198253-27510	49	2
	52	2
198253-27520	49	5
198253-27520-1	49	5 -1
198253-37610	61	11 -1
198253-65732	90	2
198253-75131	95	3
198253-75131-1	95	3 -1
198253-75430	95	4
198253-75720-1	95	5
198253-75720-2	95	5 -1
198254-17510	25	3
198254-28270	52	5
198254-28270-1	52	5 -1
198254-33110	55	1 -1
198254-37660	61	13
198254-47370	68	6
198254-53600	75	10
198254-53610	75	11
198254-53620	75	12
198254-53630	75	13
198254-53650	75	15
198255-14740	21	4
198255-14760	21	6
198255-24460	33	13 -1
198255-24460-2	33	13
198255-34110	57	1
198255-34110-1	57	1 -1
198255-42810	62	11
198268-63110	96	3

Parts No.	Fig. No.	Ref. No.
198268-63120	96	6
198280-51540	73	1 -1
198284-63270	88	12
198291-77870	72	34
198320-04300	6	5
198320-17720	69	3
198320-17720-1	69	3 -1
198320-31530	53	4
198320-31550	53	5
198320-31570	53	7
198320-31630	53	8
198320-31820	53	9
198320-32111	53	10
198320-32660	54	5
198320-33412	56	1
198320-33422	56	2
198320-33540	56	3
198320-33550	56	4
198320-33560	56	5
		6
198320-33570	56	7
198320-33610	56	8
198320-33620	56	9
198320-36200	60	1
198320-36790	60	12
198320-47321	68	2
198320-47321-1	68	2 -1
198320-47330	68	4
198320-47330-1	68	4 -1
198320-47410	68	8
198320-47410-1	68	8 -1
198320-48150	69	5
198320-48150-1	69	5 -1
198320-48220	69	7
198320-62510	87	3
198320-62520	87	4
198320-62531	87	12
198320-62580	87	9
198320-62580-1	87	9 -1
198320-62610	87	10
198320-62610-1	87	10 -1
198327-04840	7	5
198327-21150	26	32
198327-22230	31	9
198327-22910	32	8
198327-22930	32	10
198327-24240	33	8
198327-24240-1	33	8 -1
198327-65720	89	14
198360-26610	37	14

Parts No. Index

Parts No.	Fig. No.	Ref. No.
198360-47320	68	3
198360-47330	68	5
198360-52160	74	2
198361-48750	69	10
198390-17660	26	28
198390-17670	26	23
198390-25790	53	1
198401-13720	18	3
198401-13750	18	10 -1
198401-13750-2	18	10
198401-13770	18	5 -1
198401-13770-2	18	5
198401-13790	18	8
198401-13800	18	9
198401-13800-1	18	9 -1
198401-13850	18	11 -1
198401-13850-2	18	11
198401-14110	20	1 -1
198401-14110-2	20	1
198401-14120	20	2
198401-14130	20	3
198401-14150	20	4
198401-14160	20	5
198415-25840	38	14
198425-63270	88	6 -1
198440-21401	30	2
198440-21610	30	1
198440-21700	30	3
198440-65860	96	9
198441-13370	15	8
198448-51910	7	8
198448-53320	76	3
		9
198448-60080	82	1
198460-34100	58	3
		13
198461-52950	79	5
		6
198461-60590	85	2
		3
198475-65030	76	16
	82	12
198475-74700	94	12
198492-34700	58	1
198492-34750	58	2
		12
198492-34800	58	11
198511-53430	75	6
198511-53450	75	7
198535-32660	54	6

Parts No.	Fig. No.	Ref. No.
198535-34360	57	5
198535-52110	72	6
198535-52130	72	7
1A1120-61531	5	3
1A1120-61541	5	4
1A1120-68070	18	13
1A6150-73700	94	8
1A6150-91251	90	5
1A6150-93151	90	6
1A6380-52700	72	5 -1
1A6640-65530	89	12
1A6770-85920	10	5 -1
1A7000-15720	24	5
1A7000-51370	72	18
1A7000-53230	76	2
		8
1A7000-61490	72	32
		33
1A7100-22920	32	9
1A7100-26850	44	1
1A7130-65910	96	10
1A7140-14760	22	2 -1
		6 -1
1A7260-01030	2	1
1A7260-01040	2	2
1A7260-01200	2	3
1A7260-01210	2	4
1A7260-01220	2	5
1A7260-03151	2	9
1A7260-03160	2	10
1A7260-03170	2	11
1A7260-03180	2	12
1A7260-43650	15	7 -1
1A7260-51540	73	3
1A7260-51710	72	28
1A7260-52410	72	8
1A7260-52510	72	30
1A7260-53350	76	10
1A7260-60580	81	8
1A7260-60590	81	9
1A7260-60640	84	1
1A7260-60661	83	3
1A7260-60670	84	2
1A7260-60680	83	4
1A7260-60720	82	21
1A7260-60780	82	3
1A7260-60790	82	4
1A7260-60800	83	37
1A7260-60810	83	38
1A7260-60820	83	39

Parts No.	Fig. No.	Ref. No.
1A7260-60860	2	30
1A7260-60870	83	8
1A7260-60880	2	31
1A7260-60890	82	5
1A7260-60900	84	4
1A7260-60911	81	7
1A7260-60920	81	13
1A7260-60930	81	14
1A7260-60950	82	6
1A7260-60960	82	7
1A7260-61060	84	7
1A7260-61070	84	10
1A7260-61080	81	10
1A7260-61150-1	84	7 -2
		10 -2
1A7260-61150-2	84	7 -1
		10 -1
1A7260-61190	81	11
1A7260-61250	76	12
1A7260-61260	76	13
1A7260-61310	83	10
1A7260-61310-1	83	10 -1
1A7260-61400	84	12
1A7260-61450	84	13
1A7260-61460	84	14
1A7260-61550	83	11
1A7260-61650	83	13
1A7260-61660	83	14
1A7260-61860	82	10
1A7260-61920	83	17
1A7260-61970	82	11
1A7260-85510	26	33
1A7270-06220	2	17
1A7270-49221	71	1
1A7270-60211	2	28
1A7270-60221	2	29
1A7270-60610	82	2
1A7270-60750	84	3
1A7270-61100	82	8
1A7270-74250	94	10
1A7300-06100	2	14
1A7300-06210	2	16
1A7310-06200	2	15
1A7335-17310	25	4
1A7335-17410	25	5
1A7335-17500	25	6
1A7335-17520	25	7
1A7335-17530	25	8
1A7335-17550	25	9
1A7335-17750	25	10

Parts No.	Fig. No.	Ref. No.
1A7335-53640	75	14
1A7335-56120	77	13 A
1A7350-33140	55	4
1A7480-65470	89	10 -1
1A7601-32310	53	17 -1
1A7601-36200	60	1 -1
1A7601-36310	60	2 -1
1A7601-36320	60	3 -1
1A7601-36350	60	4 -1
1A7640-44230	63	7
1A7640-44240	63	8
1A7780-01110	3	3
1A7780-01250	2	7
1A7780-01320	3	13
1A7780-03110	4	1
1A7780-04110	5	1
1A7780-04111	5	1 -1
1A7780-04111-1	5	1 -2
1A7780-04350-2	6	6
1A7780-11090-1	9	1 -1
1A7780-11090-2	9	1
1A7780-11510	9	2
1A7780-13670	13	2
1A7780-14600	21	1
1A7780-14600-1	21	1 -1
1A7780-14700	21	3
1A7780-14700-1	21	3 -1
1A7780-14740	21	5
1A7780-17300	26	1 -1
1A7780-17370	26	4 -1
1A7780-17450	25	10 A
1A7780-17460	25	10 B
1A7780-17470	25	10 C
1A7780-17510	25	14
1A7780-17530	25	15
1A7780-17550	25	16
1A7780-17551	25	16 -1
1A7780-17560	25	17
1A7780-17570	25	18
1A7780-17580	25	19
1A7780-17581	25	19 -1
1A7780-17590	25	20
1A7780-17591	25	20 -1
1A7780-17780	27	3
1A7780-17780-1	27	3 -1
1A7780-21100	28	1
1A7780-21100-2	28	1 -1
1A7780-22121	36	2
1A7780-22170	31	6
1A7780-22210	31	4

Parts No. Index

Parts No.	Fig. No.	Ref. No.
1A7780-22220	31	7
1A7780-22251	31	1
1A7780-22251-1	31	1 -1
1A7780-22410	32	1
1A7780-22410-1	32	1 -1
1A7780-22470	32	2
1A7780-24100	33	1 -3
1A7780-25270	36	6
1A7780-25460	37	4
1A7780-25480	37	5
1A7780-25820	37	7 -1
1A7780-25830	40	1 -1
1A7780-26121	43	4
1A7780-26310	43	5
1A7780-26610	37	8 -1
1A7780-27110	47	1 -1
1A7780-27150	46	1
1A7780-27150-1	46	1 -1
1A7780-27160	48	15
1A7780-27160-1	48	15 -1
1A7780-27180-1	47	3 -2
1A7780-27210	48	16
1A7780-27210-1	48	16 -1
1A7780-27310	46	7
1A7780-27360	45	7
1A7780-27750	45	12
1A7780-27800	45	3
1A7780-27820	50	2 -2
1A7780-27820-2	50	2 -3
1A7780-27900-1	48	3 -2
1A7780-27910	48	7 -1
1A7780-37610	61	12
1A7780-42810	62	11 -1
1A7780-42810-2	62	11 -2
1A7780-44250	63	9
1A7780-44510	63	12
1A7780-44510-1	63	12 -1
1A7780-47300-2	68	1 -2
1A7780-47420	68	9 -1
1A7780-51110	72	4
1A7780-51130	72	11
1A7780-51200	72	4 -1
1A7780-51201	72	4 -2
1A7780-51310	72	16
1A7780-51320	72	16 -1
1A7780-51500	73	1
1A7780-52510	72	30 -1
1A7780-53200	76	1
1A7780-53250	76	4
1A7780-53260	76	5

Parts No.	Fig. No.	Ref. No.
1A7780-53300	76	7
1A7780-56101	77	3
1A7780-56210	77	10
1A7780-56300	77	13 B
1A7780-56501	77	3 -1
1A7780-56502	77	3 -2
1A7780-58100-1	72	31
1A7780-60100	80	1 -1
1A7780-60200	80	1 -2
1A7780-60340	81	2
1A7780-60350	81	3
1A7780-60370	81	4
1A7780-60450	81	5 -1
1A7780-60480	81	5
1A7780-60490	81	6
1A7780-60550	82	22
1A7780-60580	81	2 -1
1A7780-60590	81	3 -1
1A7780-60600	81	2 -2
1A7780-60610	81	3 -2
1A7780-60800	83	35
1A7780-61000	84	5 -1
1A7780-61000-2	84	5
1A7780-61010	84	8 -1
1A7780-61010-2	84	8
1A7780-61100	82	8 -1
1A7780-61410	85	4
1A7780-61410-1	85	4 -1
1A7780-61420	85	5
1A7780-61420-1	85	5 -1
1A7780-61510	85	6
1A7780-61511	85	6 -1
1A7780-61540	85	8
1A7780-61550	85	9
1A7780-61600	85	10
1A7780-61650	82	23
1A7780-61672-1	81	16
1A7780-61673	81	16 -1
1A7780-61750	83	17 -1
1A7780-62150	86	9
1A7780-62150-1	86	9 -1
1A7780-62270	86	13
1A7780-62270-1	86	13 -1
1A7780-62310-1	86	14 -1
1A7780-62310-2	86	14
1A7780-63060	86	18
1A7780-63090	86	19
1A7780-63090-1	86	19 -1
1A7780-63100	86	20
1A7780-63100-1	86	20 -1

Parts No.	Fig. No.	Ref. No.
1A7780-63120	88	5 -1
1A7780-63210	88	9
1A7780-63260	88	9 -1
1A7780-63270	88	15
1A7780-64750	89	7
1A7780-64760	89	8
1A7780-65470	72	9 A
1A7780-65770	89	4
1A7780-71100	91	2
1A7780-71500	91	3
1A7780-71600	91	11 -1
1A7780-72100	92	2
1A7780-72150	92	5
1A7780-73410	94	4
1A7780-74200	94	7
1A7780-74210	94	9
1A7780-85100	96	1
1A7780-85110	96	11
1A7780-85110-1	96	11 -1
1A7780-85200	96	12
1A7780-85200-1	96	12 -1
1A7780-85210	96	13
1A7780-85210-1	96	13 -1
1A7780-85500	94	16
1A7780-85500-1	94	16 -1
1A7780-85550	94	17
1A7780-85550-1	94	17 -1
1A7780-85900	96	16
1A7780-85900-1	96	16 -1
1A7781-24680	33	16 -2
1A7870-52950	79	3 -1
		4 -1
1A7890-51350	72	17
1A7890-53270	76	6
1A7890-60980	81	15
1A7890-61300	83	9
1A7890-61301-2	83	9 -1
1A7890-65010	76	15
1A7891-60910	81	7 -1
1A7940-05510	8	1
1A7940-60101	80	1
1A8160-46660	66	9 -1
1A8160-46670	66	8 -1
1A8160-56211	77	10 -1
1A8160-60720	82	21 -1
1A8170-21130-1	29	15
1A8170-27100	45	1 -1
1A8205-05510	8	1 -1
1A8275-36520	60	5 -1
1C6140-12060	88	1

Parts No.	Fig. No.	Ref. No.
1C6140-47210-1	88	1 -1
1C6460-84420	46	15
1C7100-08150	78	1
1E6102-83230	72	23 -1
1E6650-82400	79	7
1E8080-43850	72	3
1E8235-84910	72	9
1E8560-61290	74	6
1K1140-82500	79	6 -1
22117-060000	85	18
22117-080000	66	4
22117-100000	34	10
22137-060000	91	7
	92	8
22137-080000	3	19
		20
	48	9 -1
	68	16
	82	16
		16 -1
	83	41
	91	13
22137-100000	3	21
	32	14
	48	9
	50	9
	68	17
		18
	96	7
22137-120000	83	42
	95	6
22137-140000	45	18
22137-160000	26	34
22137-200000	50	10
22137-220000	45	19
22157-060000	83	27
		28
		29
	86	23
22157-080000	86	24
22157-100000	3	9
22157-120000	6	9
22157-160000	96	19
22190-050000	77	23
22207-040320	25	25
22217-060000	91	8
	92	9
22217-080000	45	20
		30
	48	10

Parts No. Index

Parts No.	Fig. No.	Ref. No.
22217-080000	49	10
22217-100000	3	22
	33	25
	53	11
	54	7
	75	8
22217-120000	11	6
	29	8
	62	17
		18
		19
	95	7
22217-160000	33	26
	94	14
22242-000170	47	9
	49	11
22242-000200	26	5
	50	11
22242-000290	39	4
	60	13
22242-000340	36	8
22242-000360	25	26
22242-000400	41	3
22242-000500	53	12
22252-000170	42	6
22252-000420	26	6
22252-000470	34	3
22252-000620	28	9
	34	4
	51	12
22252-000720	43	9
22252-000800	34	5
22272-000070	68	19
22272-000080	81	12
22272-000120	48	11
22272-000190	45	21
	61	18
22292-000340	37	16
22312-100180	11	7
	14	8
	33	4
		27
	54	8
	56	11
	62	20
22312-100200	34	6
22351-020012	45	22
	46	16
22351-035032	14	9
	49	12

Parts No.	Fig. No.	Ref. No.
22351-040012	66	5
22351-040016	62	21
22351-040024	91	9
	92	10
22351-040025	26	7 A
22351-040032	46	17
22351-050025	68	20
22351-050032	55	7
22351-050040	55	8
22351-050070	63	14
22351-060016	63	15
22351-060025	46	18
		19
	47	10
	50	12
22351-060028	67	7
22351-060032	14	10
	45	23
	46	20
		21
	47	11
	49	13
		14
	50	13
	52	7
	55	9
22351-060050	53	13
22351-080018	29	9
	30	4
22351-080032	55	10
		11
22351-080040	45	24
	55	12
	56	12
22351-080070	63	16
22372-080000	82	17
		17 -1
	88	13 -1
	96	20
22372-120000	88	13
22372-160000	92	15
	93	6
22417-160180	46	22
22417-200160	68	21
	86	25
22417-200300	45	25
	61	19
22417-250200	50	14
22417-250300	3	23
		24

Parts No.	Fig. No.	Ref. No.
22417-250300	32	15
	61	20
		21
	87	6
22417-300200	68	22
22417-300250	12	7
		13
	91	14
22417-400250	25	31
22417-400320	94	13
22417-400500	15	10
22487-060200	46	23
22487-080300	82	18
		18 -1
22487-080350	68	23
22487-100700	61	22
22512-070400	61	23
22522-030130	68	24
22635-600120	54	9
22859-500202	83	30
23000-035000	2	34
	69	13 -1
23000-048000	69	9 -1
		14 -1
23000-070000	2	35
	21	7
23000-080000	2	36
23010-018000	27	13
23010-035000	69	13
23010-040000	69	14
23010-046000	69	15
23010-048000	69	9
	70	8
23010-075000	2	37
23065-070180	1	11
23065-160080	50	21
23414-120016	49	15
23414-190000	27	14
	33	28
	62	6
		22
23414-200026	69	16
23491-140002	17	8
	18	14
	33	29
23876-010000	18	15
	62	7
		13
23876-020000	62	8
23876-040000	11	2

Parts No.	Fig. No.	Ref. No.
23980-730250	2	38
23980-730300	7	10
		11 -1
23980-730400	2	39
		40
23980-730420	2	41
	7	11
23980-730450	7	12
23980-730760	2	42
23980-731200	7	13
24101-060074	36	9
	51	9
24101-060104	14	11
	53	14
24101-060114	57	7
24101-060124	13	3
24101-060144	20	6
24101-062044	40	9
24101-062064	36	10
24101-062074	43	10
24101-062084	16	4
	41	4
24101-062094	18	16
24101-062114	53	15
24101-062124	57	8
24101-062134	20	7
24101-063044	39	5
24101-063064	39	6
24104-060014	48	17
24104-060034	48	18
24104-060040	26	7
24107-063054	37	17
24141-320070	13	4
24161-202617	37	18
24161-303520	37	19
24163-305200	37	20
24164-000202	37	21
24164-000302	37	22
24165-000352	37	23
24165-000402	37	24
24190-070001	26	30
24190-080001	49	16
		50
		15
		10
24190-100001	46	24
	47	12
		11
24190-110001	15	11
24190-130003	62	23
24190-180001	60	14
24311-000110	66	6

Parts No. Index

Parts No.	Fig. No.	Ref. No.
24311-000120	66	7
	67	8
24311-000125	50	16
	52	8
24311-000150	5	8
	55	13
	68	25
		26
24311-000160	1	30
	17	9
	18	17
	33	30
	47	13
	49	17
24311-000180	11	5
	67	9
	74	5
24311-000200	27	15
		16
24311-000500	33	31
24315-000120	62	24
24315-000140	62	25
24315-000180	25	27
24321-000250	47	14
	49	18
	69	17
	70	9
24321-000300	33	32
		33
24321-000600	57	9
24321-000650	1	31
	35	4
	63	17
24321-000700	17	10
24321-000750	33	34
24321-001000	17	11
24321-001700	17	12
24321-002200	18	18
24325-000650	20	8
24325-000800	62	26
24341-000250	69	18
24341-000315	13	5
24351-240350	25	28
24421-304208	60	15
24421-356212	51	11
24421-456209	17	13
24550-014200	3	15
24550-016150	39	2
24550-017150	46	25
24550-020250	50	17

Parts No.	Fig. No.	Ref. No.
24550-022200	25	21 -1
24550-022250	25	21
24761-010000	61	24
24761-020000	29	10
24761-040000	10	2
	32	16
24761-060000	12	5
		11
	25	29
26013-080162	33	35
		36
26013-080202	33	37
		38
	35	5
	40	10
	46	26
	68	27
26013-080252	18	19
	33	39
	38	19
	46	27
	48	19
	53	18
26013-080302	33	40
26013-080352	33	41
26013-080502	33	42
26013-100162	68	28
	72	53
26013-100252	18	20
	33	43
26013-100302	54	10
26013-100552	34	7
26013-100852	34	8
26013-101502	34	9
26013-120202	26	35
26013-120302	17	14
		15
	95	8
26013-120352	62	27 -1
		28 -1
		29 -1
	63	18
26013-120402	28	10
	33	44
	54	11
26013-120502	54	12
26013-120552	62	30 -1
26013-120802	11	8
26013-140352	33	45
26018-060162	6	7 -1

Parts No.	Fig. No.	Ref. No.
26018-060252	69	19
26018-060352	27	17
26022-030062	77	13
26106-060122	1	36
	2	43
		44
	72	35
		36
	78	2
	79	8
		9
		10
		10 -1
	81	18
	82	19
	83	31
		32
	86	26
		27
		28
		29
26106-060162	45	26
		27
	72	37
	79	11
	86	37
26106-060202	27	18
	86	30
26106-060252	2	45
26106-060402	27	19
	69	20
26106-060502	69	21
26106-060602	70	10
26106-080102	84	16
26106-080122	21	8
	29	11
		12
	44	2
	72	38
		39
		40
	81	19
	83	43
	85	19
	86	31
26106-080162	2	46
		47
	3	25
	6	10
	7	14

Parts No.	Fig. No.	Ref. No.
26106-080162	26	36
	27	20
		21
	30	5
	33	36 -1
	40	10 -1
	45	31
		32
	46	26 -1
	50	18
	52	9
	69	22
		23
		24
	70	11
		12
	72	41
		42
	80	2
	81	20
		21
		22
		23
		24
	85	20
	86	32
		33
		34
	87	11
26106-080202	4	2
		3
	27	22
		23
	70	13
	87	7
	88	14
26106-080252	2	48
		49
	7	15
	53	18 -1
	72	43
	88	14 -1
26106-080302	1	37
	7	16
	86	35
26106-080352	33	41 -1
	72	44
26106-080702	1	38
26106-100162	2	50
26106-100202	26	37

Parts No. Index

Parts No.	Fig. No.	Ref. No.
26106-100202	26	38
	45	33
	85	21
26106-100252	33	43 -1
	86	36
26106-100302	54	10 -1
	96	8
26106-100502	34	7 -1
26106-100802	34	8 -1
26106-100852	54	13 -1
26106-120352	10	5
26116-080252	45	28
		34
	48	12
26116-100252	20	9
26116-100504	68	29
26116-100852	54	13
26116-120352	62	27
		28
		29
26116-120552	62	30
26116-160302	29	18
	32	17
26156-161002	96	21
26216-120352	11	9
26218-080202	33	5
	47	15
	49	19 -1
26218-080252	49	19
26218-100902	33	6
26306-080002	1	39
26346-060002	83	34
26346-080002	48	13
		13 -1
26356-160002	96	22
26366-080002	47	16
	49	20 -1
26366-100002	33	46 -1
26367-060002	79	12
26450-080142	64	4
26450-080202	64	5
26450-080252	17	16
26557-060062	91	10
	92	11
26557-060352	76	20
26587-060352	85	22
26589-060162	77	24
26716-080002	3	26
	48	8
	49	20

Parts No.	Fig. No.	Ref. No.
26716-080002	73	5
26716-100002	3	11 -1
	32	7
	33	46
	61	6
		25
	66	10
	68	30
		31
26716-120002	11	10
	29	13
	68	32
	95	9
26716-160002	33	47
26736-160002	94	15
26756-060002	1	40
26756-100002	3	10
	48	14
26776-100002	75	9
26986-100002	3	11
26996-140002	25	30
29622-140001	7	18
	72	45
		45 -1
		46
		47
		47 -1
		48
		49
		54
29622-250001	72	50
		51
794130-71410	94	2
794251-13910	53	16
794321-13660	17	6
794328-14700	22	1
794328-14800	22	5
794464-45660	65	6
794525-37000	61	1
798240-22470	32	2 -1
798253-48080	69	2
798253-48080-1	69	2 -1
798254-17500	25	2
7A7780-01110	3	1
7A7780-17500	25	2 -1
7A7780-17501	25	2 -2

Parts No.	Fig. No.	Ref. No.
-----------	----------	----------

Parts No.	Fig. No.	Ref. No.
-----------	----------	----------