

0CNP5-M14400EN

Directions for the Parts Catalog.

1. This Parts Catalog shows both standard and optional parts.
2. Parts may change without prior notice.
3. The following is an example of the Parts Catalog format.

REF.	LEV.	PARTS NO.	DESCRIPTION	Q'TY						I	R
				(A)	(B)	(C)	(D)	(E)	(F)		
1	1	729595-51390	FUEL INJECTION PUMP	1	1	1	1	1			1
1-1	1	729595-51391	FUEL INJECTION PUMP	1	1	1	1	1		N	1
		(A=E00185) (B=E00200)									
3	2	26022-060162	SCREW M 6X 16	9	9	9	9	9			
3-1	2	26022-060162	SCREW M 6X 16	4	4	4	4	4		K	
		(A=E00156) (B=E00156) (C=E00156) (D=E00156) (E=E00156)									
4	2	129470-51040	CAMSHAFT	1	1	1	1	1			
5	2	122710-51050	BEARING, ROLLER	2	2	2	2	2			
6	2	129470-51060	RETAINER	1	1	1	1	1			

Remarks
(1) BOOST COMPEMSATOR TYPE. OPTIONAL PART, TO E00155,(4JH-DT, 4JH-DTZ

① Ref. No.

The Ref. No. listed may not be in accordance with the illustration Ref. No.

(Ex.) Illustration No.

List Ref No.

1

1

(Before change)

1-1

(After change)

For interchangeable symbols N, R and K, illustrations for new parts may be abbreviated.

② Lev. (Level)

Level indication

The numbers below indicate the level of relativity towards the main part.

1 ----- Main parts (Assembly parts)

2 ----- Sub component included in " 1 ".

3 ----- Sub component included in " 2 ".

Note) Parts that are not for sale are partially illustrated but not listed.

③ Interchangeability Symbol

When a part change takes place, one of the following interchangeability symbols is indicated beside the part.

Symbol	Interchangeability	Contents note
N	Old $\begin{matrix} \leftarrow \text{Yes} \\ \text{No} \rightarrow \end{matrix}$ New	New Part is interchangeable for Old Part but Old Part is not interchangeable for New Part.
Q	Old $\begin{matrix} \leftarrow \text{No} \\ \text{Yes} \rightarrow \end{matrix}$ New	New Part is not interchangeable for Old Part but Old Part is interchangeable for New Part.
R	Old $\begin{matrix} \leftarrow \text{Yes} \\ \text{Yes} \rightarrow \end{matrix}$ New	New/ Old Parts are both interchangeable.
S	Old $\begin{matrix} \leftarrow \text{No} \\ \text{No} \rightarrow \end{matrix}$ New	New/ Old Parts are both not interchangeable.
W		Part newly added.
Z		Part discontinued.
F		Not interchangeable by a single part but interchangeable together with related parts.
K		Changes only for used parts quantities.

④ Effective Machine No.

When a part changes, the effective Machine No. will be indicated in the (A)-(F) column.

Product Symbol	Product No.	Product Symbol	Product No.
C	Clutch No. Compressor No.	F	Machine No. (Agricultural Equip.)
D	Drive No.	M	Machine No.
E	Engine No.		

Note 1) A date may follow the symbol. (Ex.) 1996.01

Note 2) "XXXXX" and "ZZZZZ" are for parts that could not be predicted or for engine models that could not be identified.

Note 3) (A=E00185) is the E (Engine Serial Number) for the column (A) model (in this case 4JH-DT) after the parts design change.

⑤ Remarks

Figures or alphabets (symbols) are entered in the remarks column.

The comments (remarks) on parts that are indicated at the bottom of the illustration are the same symbols as those stated above.

Contents

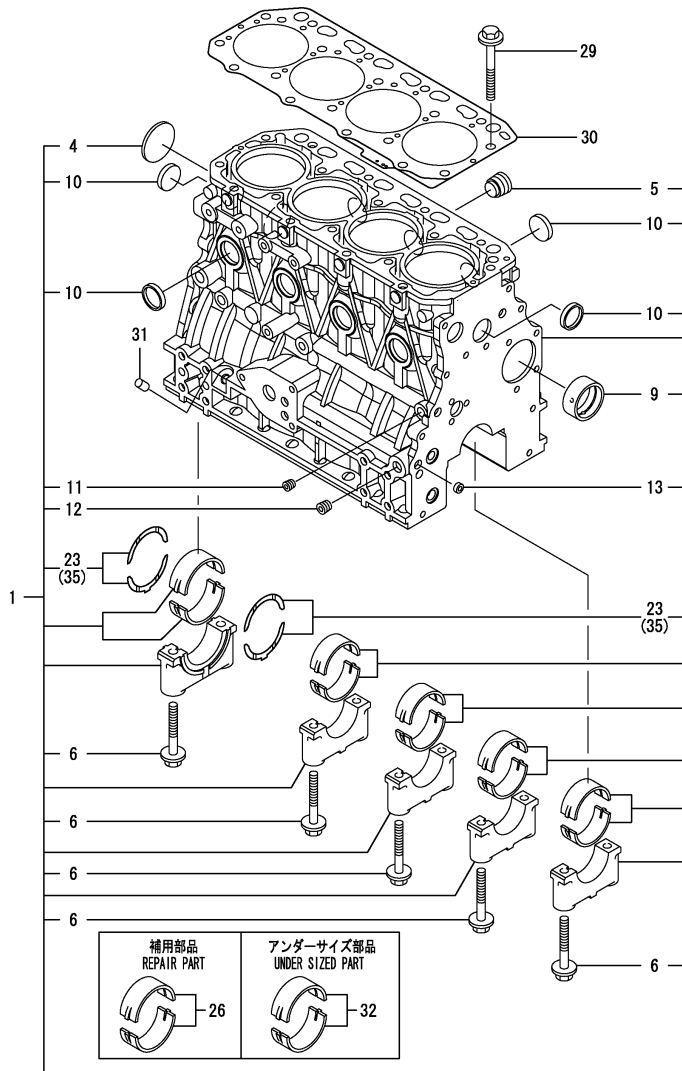
OCNP5-M14400

Fig. No.	Fig. Name	Fig. No.	Fig. Name
ENGINE SECTION (4TNV88-BLRG)			
1.	CYLINDER BLOCK		
2.	GEAR HOUSING		
3.	MOUNTING FLANGE & OIL SUMP		
4.	CYLINDER HEAD & BONNET		
5.	SUCTION MANIFOLD		
6.	EXHAUST MANIFOLD & SILENCER		
7.	CAMSHAFT & DRIVING GEAR		
8.	CRANKSHAFT & PISTON		
9.	HYDRAULIC PUMP		
10.	BALANCER		
11.	LUB.OIL SYSTEM		
12.	COOLING WATER SYSTEM		
13.	FUEL INJECTION PUMP		
14.	GOVERNOR		
15.	FUEL INJECTION VALVE		
16.	STARTING MOTOR		
17.	GENERATOR		

Fig.1. CYLINDER BLOCK

(A)=4TNV88-BLRG
(B)=
(C)=

(D)=
(E)=
(F)=



No.	Lev.	Parts No.	Description	Q'ty						I	R
				(A)	(B)	(C)	(D)	(E)	(F)		
1	1	729659-01570	BLOCK ASSY, CYLINDER	1							
4	2	129001-01250	PLUG, 50	1							
5	2	171051-01921	PLUG, NPTF1	1							
6	2	129150-02020	BOLT, METAL CAP	10							
9	2	129795-02412	BUSH, CAMSHAFT	1							
10	2	27241-300000	PLUG 30	8							
11	2	124060-01050	PLUG, PT1/8	1							
12	2	124160-01910	PLUG, PT1/4	2							
13	2	27241-120000	PLUG, 12	2							
23	2	129150-02931	BEARING, THRUST	2							
26	1	129001-02931	BEARING, MAIN	5							3
29	1	129150-01200	BOLT, HEAD	18							
30	1	129407-01340	GASKET, HEAD	1							
31	1	119309-01810	PLUG	1							
32	1	129150-02871	BEARING, 0.25 US	5							1
35	1	129150-02941	BEARING, THRUST 0.25	1							2

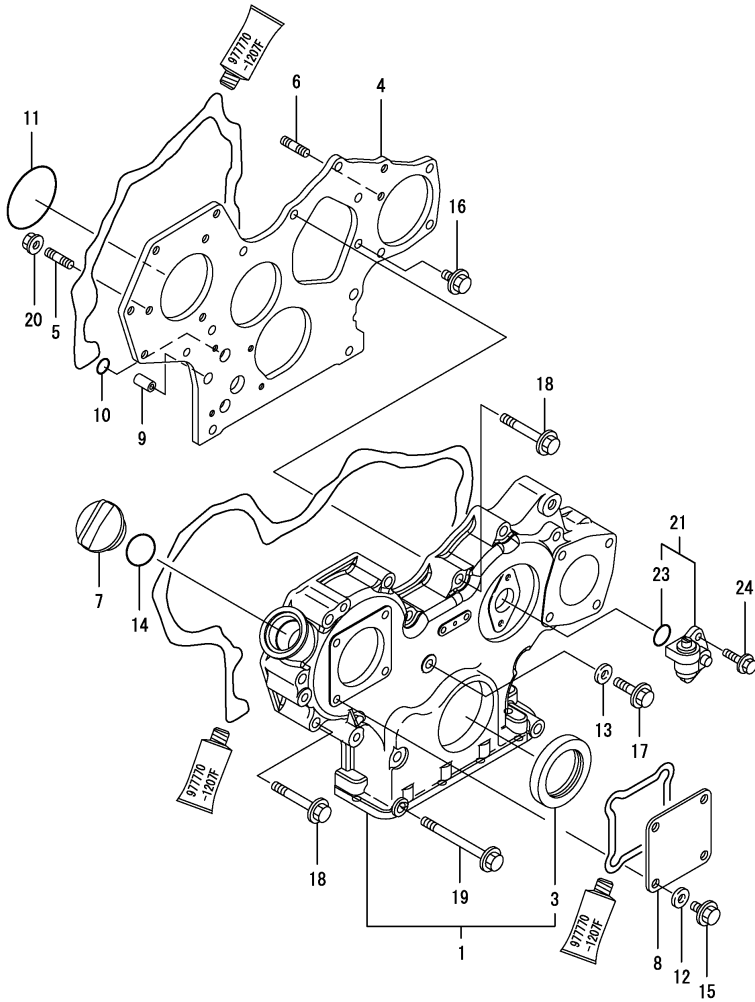
Remarks

- (1) UNDER-SIZE(U.S=0.25)PART.
 - (2) OVER-SIZE(O.S=0.25)PART.
 - (3) REPAIR PART.
- (REMARKS)"EFFECTIVE MACHINE NO." OF ENGINE IS INDICATED ON THE ENGINE LABEL WHICH IS SHOWN IN FIG.4.

Fig.2. GEAR HOUSING

(A)=4TNV88-BLRG
(B)=
(C)=

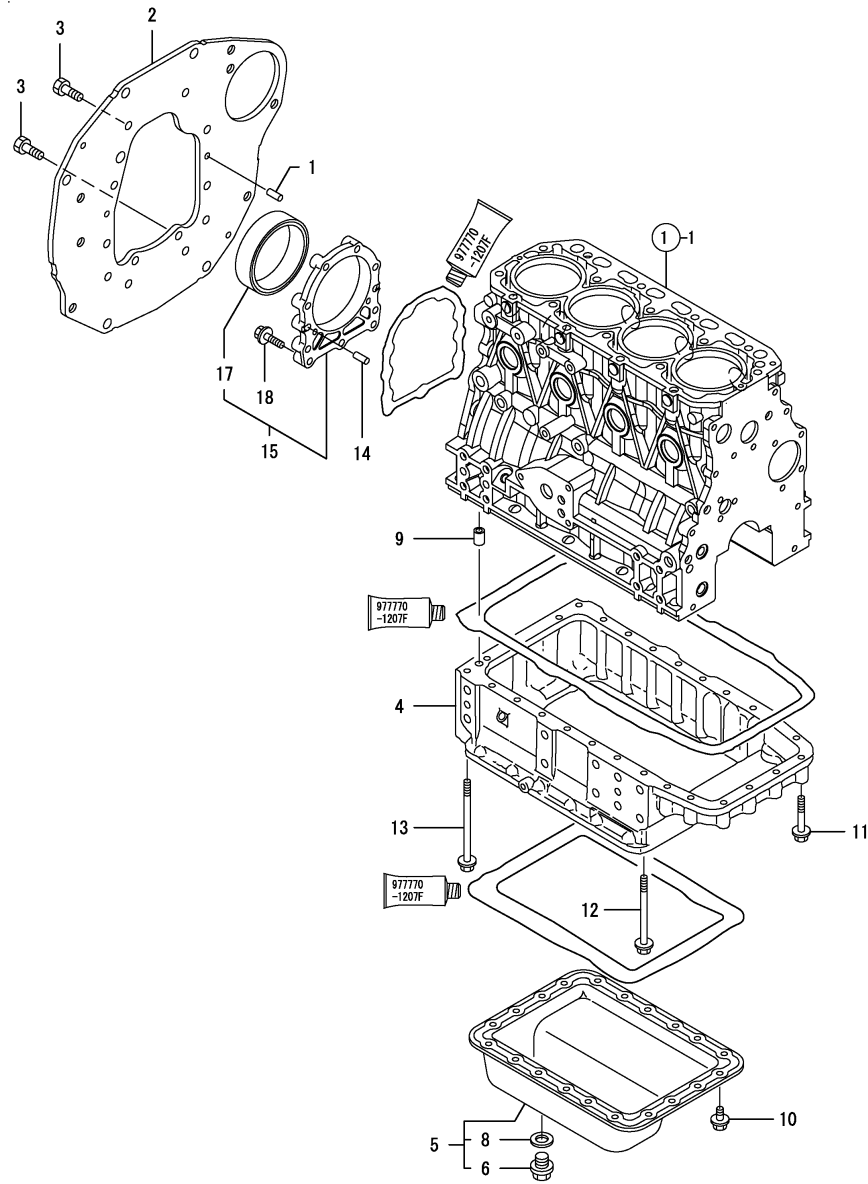
(D)=
(E)=
(F)=



No.	Lev.	Parts No.	Description	Q'ty						I	R
				(A)	(B)	(C)	(D)	(E)	(F)		
1	1	729008-01500	CASE ASSY, GEAR	1							
3	2	119934-01800	SEAL, OIL	1							
4	1	129008-01520	FLANGE, GEAR CASE	1							
5	1	119802-01561	STUD, M8X25	3							
6	1	129150-01580	STUD, M8X30	1							
7	1	124160-01751	COVER, FILLER	1							
8	1	124240-01871	COVER	1							
9	1	129795-01950	PIPE, KNOCK L=18	2							
10	1	119609-32040	O-RING, P16	2							
11	1	121850-51960	O-RING	1							
12	1	22190-080002	WASHER, SEAL 6	4							
13	1	22190-080002	WASHER, SEAL 6	1							
14	1	24311-000320	O-RING, 1AP32.0	1							
15	1	26106-080162	BOLT, M8X 16 PLATED	4							
16	1	26106-080162	BOLT, M8X 16 PLATED	3							
17	1	26106-080302	BOLT, M8X 30 PLATED	1							
18	1	26106-080552	BOLT, M8X 55 PLATED	10							
19	1	26106-080852	BOLT, M8X 85 PLATED	3							
20	1	26306-080002	NUT, M8	3							
21	1	129150-91400	GEAR	1							
23	2	24341-000240	O-RING, 1AS24.0	1							
24	1	26106-060162	BOLT, M6X 16 PLATED	2							

Remarks
(REMARKS)"EFFECTIVE MACHINE NO." OF
ENGINE IS INDICATED ON THE
ENGINE LABEL WHICH IS SHOWN
IN FIG.4.

Fig.3. MOUNTING FLANGE & OIL SUMP



(A)=4TNV88-BLRG
(B)=
(C)=

(D)=
(E)=
(F)=

No.	Lev.	Parts No.	Description	Q'ty						I	R
				(A)	(B)	(C)	(D)	(E)	(F)		
1	1	129100-01580	PIN, M8X16	2							
2	1	129126-01600	FLANGE, MOUNTING	1							
3	1	26206-100202	BOLT, M10X 20 PLATED	8							
4	1	129550-01702	SUMP, OIL	1							
5	1	729429-01721	SUMP ASSY, OIL	1							
6	2	105425-01690	PLUG, 16	1							
8	2	22190-160002	WASHER, SEAL 16	1							
9	1	129555-01750	PIPE, KNOCK 14X18	1							
10	1	26106-080122	BOLT, M8X 12 PLATED	20							
11	1	26106-080502	BOLT, M8X 50 PLATED	8							
12	1	26106-081002	BOLT, M8X100 PLATED	14							
13	1	26106-081202	BOLT, M8X120 PLATED	4							
14	1	129100-01580	PIN, M8X16	2							
15	1	729402-01650	CASE ASSY, OIL SEAL	1							
17	2	129120-01780	SEAL, OIL	1							
18	1	129486-01670	BOLT, M8X30	9							

Remarks
(REMARKS)"EFFECTIVE MACHINE NO." OF
ENGINE IS INDICATED ON THE
ENGINE LABEL WHICH IS SHOWN
IN FIG.4.

Fig.4. CYLINDER HEAD & BONNET

(A)=4TNV88-BLRG

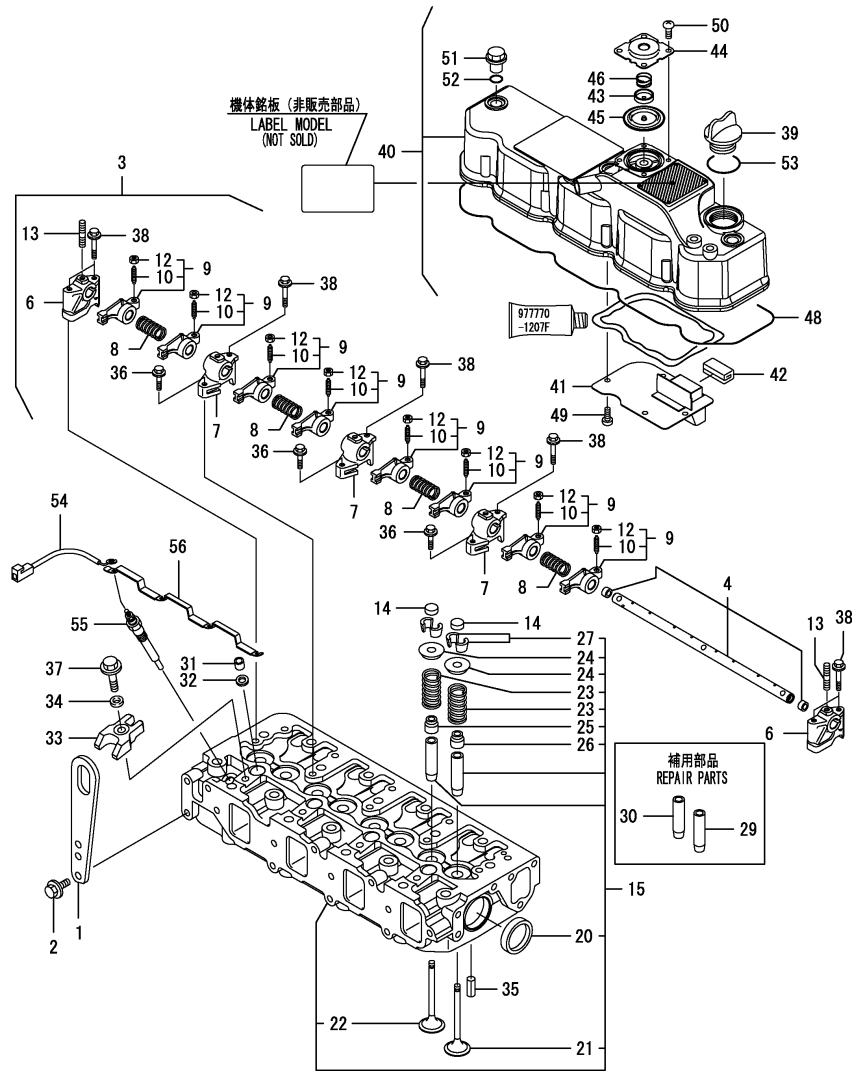
(B)=

(C)=

(D)=

(E)=

(F)=



No.	Lev.	Parts No.	Description	Q'ty						I	R
				(A)	(B)	(C)	(D)	(E)	(F)		
1	1	129900-07900	LIFTER	1							
2	1	26106-080142	BOLT, M8X 14 PLATED	2							
3	1	129601-11241	SHAFT ASSY, ROCKER	1							
4	2	129601-11251	SHAFT, ROCKER ARM	1							
6	2	119802-11260	SUPPORT, ROCKER ARM	2							
7	2	119802-11270	SUPPORT, ROCKER ARM	3							
8	2	129150-11280	SPRING	4							
9	2	129004-11650	ARM, ROCKER	8							
10	3	129150-11230	SCREW, VALVE ADJUST	8							
12	3	129150-11750	NUT, M8	8							
13	2	26226-080182	STUD, M8X 18	3							
14	1	129150-11370	CAP, VALVE	8							
15	1	129604-11700	HEAD ASSY, CYLINDER	1							
20	2	27241-400000	PLUG, 40	2							
21	2	129005-11100	VALVE, INTAKE	4							
22	2	129100-11112	VALVE, EXHAUST	4							
23	2	129795-11120	SPRING, VALVE	8							
24	2	129795-11180	RETAINER, SPRING	8							
25	2	121400-11340	SEAL, VALVE STEM	4							
26	2	124460-11340	SEAL, VALVE STEM	4							
27	2	27310-080001	COTTER, 8	8							
29	1	120130-11860	GUIDE, VALVE	4							1
30	1	129150-11810	GUIDE, VALVE	4							1
31	1	119802-11870	PROTECTOR, NOZZLE	4							
32	1	119625-11880	SEAT, NOZZLE	4							
33	1	129004-11900	RETAINER, NOZZLE	4							
34	1	120270-54410	WASHER, INJECTOR	4							
35	1	22351-060012	PIN, SPRING 6.0X12	2							
36	1	26106-080252	BOLT, M8X 25 PLATED	3							
37	1	26106-080352	BOLT, M8X 35 PLATED	4							
38	1	26106-080502	BOLT, M8X 50 PLATED	7							
39	1	124160-01751	COVER, FILLER	1							
40	1	129601-11350	BONNET ASSY, HEAD	1							
41	2	129004-03010	PLATE	1							
42	2	129150-03070	BAFFLE, BREATHER	1							
43	2	119802-03110	PLATE	1							
44	2	119802-03121	COVER, DIAPHRAGM	1							
45	2	119802-03130	DIAPHRAGM	1							
46	2	119802-03141	SPRING, DIAPHRAGM	1							
48	2	129601-11310	GASKET, BONNET	1							
49	2	22857-500100	SCREW, 5X10	4							
50	2	22857-500100	SCREW, 5X10	4							
51	1	124160-11360	KNOB	3							
52	1	24311-000120	O-RING, 1AP12.0	3							
53	1	24311-000320	O-RING, 1AP32.0	1							
54	1	119803-77830	HARNASS, WIRE	1							
55	1	129008-77800	PLUG, GLOW	4							
56	1	129604-77821	CONNECTOR, GLOW PLUG	1							

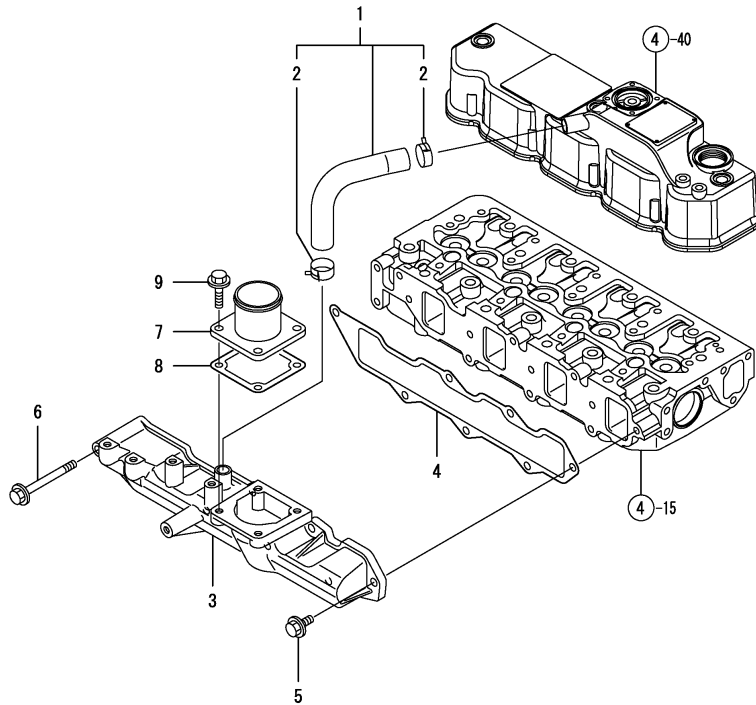
Remarks

(1) REPAIR PART.
 (REMARKS)"EFFECTIVE MACHINE NO." OF
 ENGINE IS INDICATED ON THE
 ENGINE LABEL WHICH IS SHOWN
 IN FIG.4.

Fig.5. SUCTION MANIFOLD

(A)=4TNV88-BLRG
(B)=
(C)=

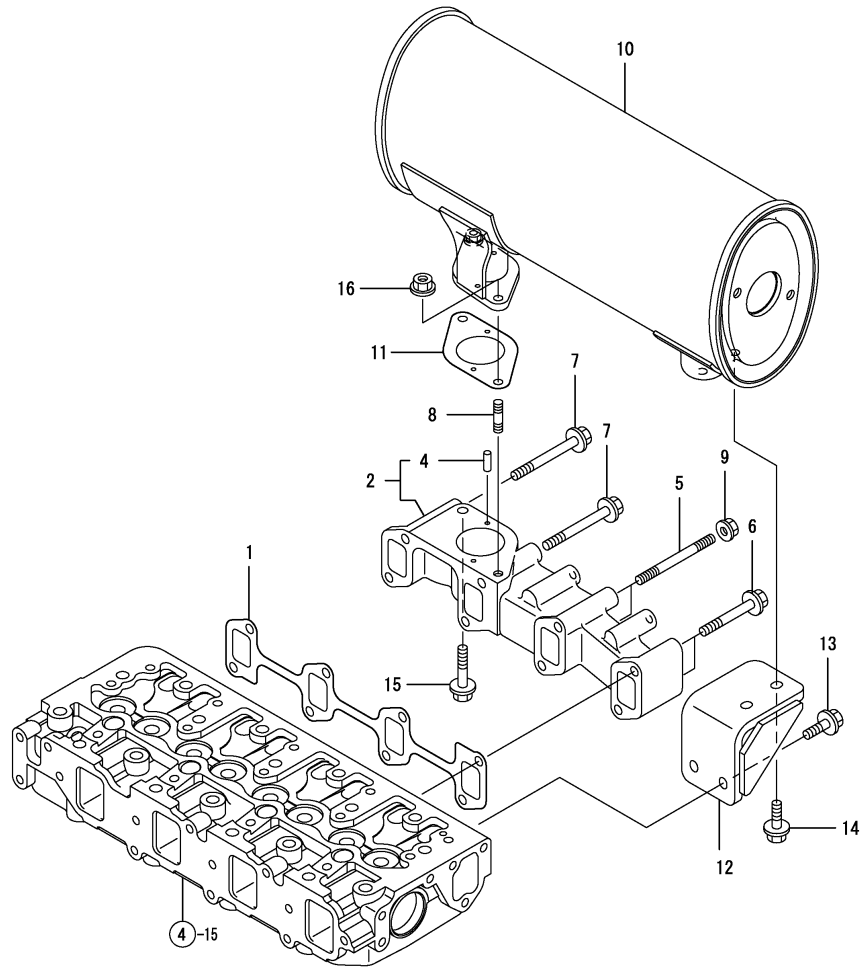
(D)=
(E)=
(F)=



No.	Lev.	Parts No.	Description	Q'ty						I	R
				(A)	(B)	(C)	(D)	(E)	(F)		
1	1	129005-03080	PIPE , BREATHER	1							
2	2	129410-03990	CLIP	2							
3	1	129602-12101	MANIFOLD, AIR INTAKE	1							
4	1	129407-12110	GASKET, MANIFOLD	1							
5	1	26106-080202	BOLT, M8X 20 PLATED	6							
6	1	26106-080802	BOLT, M8X 80 PLATED	1							
7	1	129486-12581	JOINT, MANIFOLD	1							
8	1	129150-77511	GASKET	1							
9	1	26106-080202	BOLT, M8X 20 PLATED	4							

Remarks
(REMARKS)"EFFECTIVE MACHINE NO." OF
ENGINE IS INDICATED ON THE
ENGINE LABEL WHICH IS SHOWN
IN FIG.4.

Fig.6. EXHAUST MANIFOLD & SILENCER



(A)=4TNV88-BLRG
(B)=
(C)=

(D)=
(E)=
(F)=

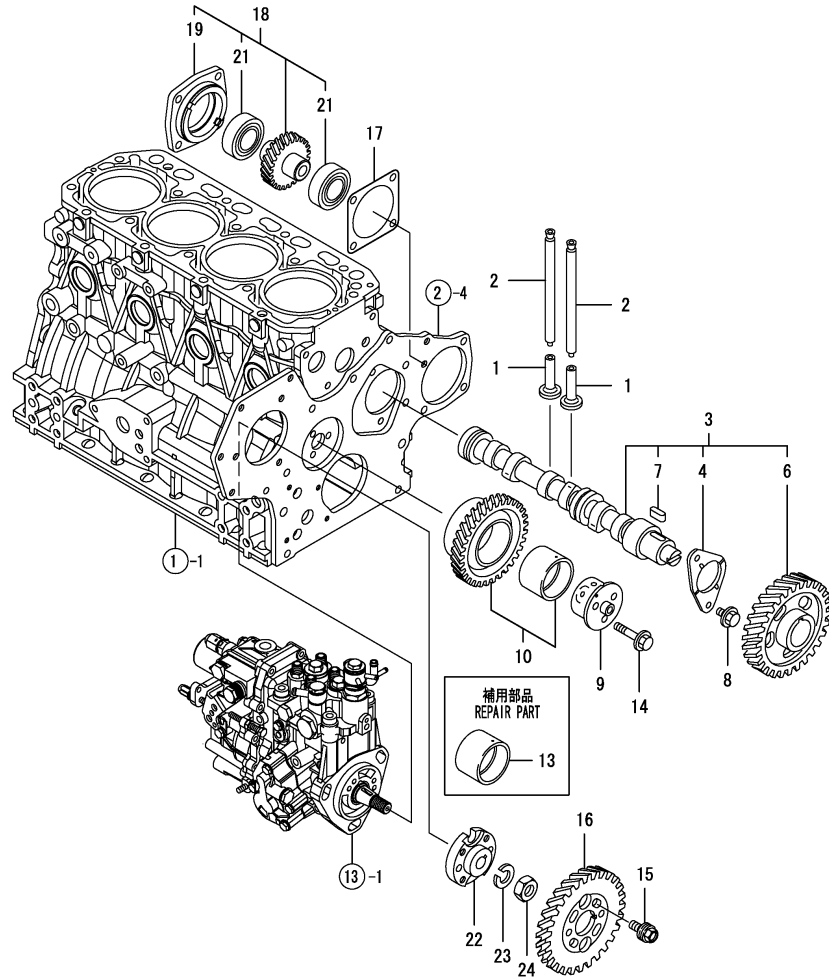
No.	Lev.	Parts No.	Description	Q'ty						I	R
				(A)	(B)	(C)	(D)	(E)	(F)		
1	1	129550-13110	GASKET	1							
2	1	129659-13130	MANIFOLD ASSY	1							
4	2	22351-040012	PIN, SPRING 4.0X12				2				
5	1	129263-13210	STUD, M8X90				2				
6	1	119802-13640	BOLT, M8X60 10.9T				2				
7	1	119802-13660	BOLT, M8X75 10.9T				4				
8	1	119131-18320	STUD, M8X22				1				
9	1	26306-080002	NUT, M8				2				
10	1	129659-13531	SILENCER				1				
11	1	129107-13540	GASKET, SILENCER				1				
12	1	129659-13680	STAY, SILENCER				1				
13	1	26014-080222	BOLT, M8X 22				2				
14	1	26014-080252	BOLT, M8X 25				2				
15	1	26106-080402	BOLT, M8X 40 PLATED				1				
16	1	26306-080002	NUT, M8				1				

Remarks
(REMARKS)"EFFECTIVE MACHINE NO." OF
ENGINE IS INDICATED ON THE
ENGINE LABEL WHICH IS SHOWN
IN FIG.4.

Fig.7. CAMSHAFT & DRIVING GEAR

(A)=4TNV88-BLRG
(B)=
(C)=

(D)=
(E)=
(F)=



No.	Lev.	Parts No.	Description	Q'ty						I	R
				(A)	(B)	(C)	(D)	(E)	(F)		
1	1	129150-14200	TAPPET	8							
2	1	129150-14400	ROD, PUSH L=178	8							
3	1	729402-14580	CAMSHAFT ASSY	1							
4	2	129150-02450	BEARING, THRUST	1							
6	2	129150-14101	GEAR, CAMSHAFT	1							
7	2	22512-070140	KEY, 7X 14	1							
8	1	26106-080142	BOLT, M8X 14 PLATED	2							
9	1	119803-25050	SHAFT, IDLE	1							
10	1	119802-25101	GEAR ASSY, IDLE	1							
13	1	119802-25071	BUSH, IDLE GEAR	1							1
14	1	26106-080402	BOLT, M8X 40 PLATED	3							
15	1	129150-25301	BOLT	4							
16	1	119802-25901	GEAR, PUMP	1							
17	1	129150-01881	GASKET	1							
18	1	129150-26000	DRIVE ASSY, PUMP	1							
19	2	129150-26050	BRACKET, PUMP	1							
21	2	24105-060064	BEARING, BALL 6006Z	2							
22	1	158552-51151	FLANGE	1							
23	1	22217-140000	WASHER, SPRING 14	1							
24	1	26776-140002	NUT, LOCK M14	1							

Remarks
(1) REPAIR PART.
(REMARKS)"EFFECTIVE MACHINE NO." OF
ENGINE IS INDICATED ON THE
ENGINE LABEL WHICH IS SHOWN
IN FIG.4.

Fig.8. CRANKSHAFT & PISTON

(A)=4TNV88-BLRG

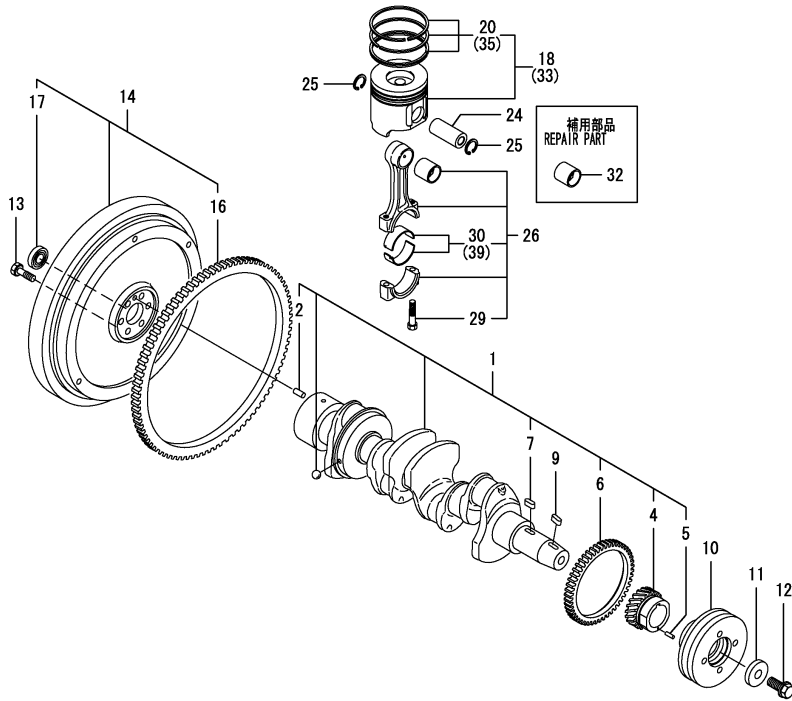
(B)=

(C)=

(D)=

(E)=

(F)=



No.	Lev.	Parts No.	Description	Q'ty						I	R
				(A)	(B)	(C)	(D)	(E)	(F)		
1	1	129652-21010	CRANKSHAFT ASSY	1							
2	2	129100-01580	PIN, M8X16	1							
4	2	119803-21200	GEAR, CRANKSHAFT	1							
5	2	121850-21290	PIN	1							
6	2	129400-28121	GEAR, BALANCER	1							
7	2	22512-070140	KEY, 7X 14	1							
9	1	22512-070140	KEY, 7X 14	1							
10	1	119852-21650	V-PULLEY, 120	1							
11	1	129795-21661	WASHER	1							
12	1	121850-21680	BOLT	1							
13	1	121111-21501	BOLT, FLYWHEEL	6							
14	1	129429-21590	FLYWHEEL ASSY	1							
16	2	124550-21600	GEAR, RING	1							
17	2	121820-21690	BEARING, 6203DDUC4	1							
18	1	129005-22080	PISTON ASSY	4							
20	2	129005-22500	RING SET, PISTON	4							
24	1	129202-22300	PIN, PISTON D26 L70	4							
25	1	22252-000260	RING, 26	8							
26	1	729402-23100	ROD ASSY, CONNECTING	4							
29	2	121550-23200	BOLT, CONNECTING ROD	8							
30	2	129150-23601	BEARING, CRANK PIN	4							
32	1	129100-23910	BEARING, PISTON PIN	4							1
33	1	129005-22900	PISTON ASSY, 0.25 OS	4							2
35	2	129005-22950	RING SET, 0.25 OS	4							2
39	1	129150-23611	BEARING, 0.25 US	4							3

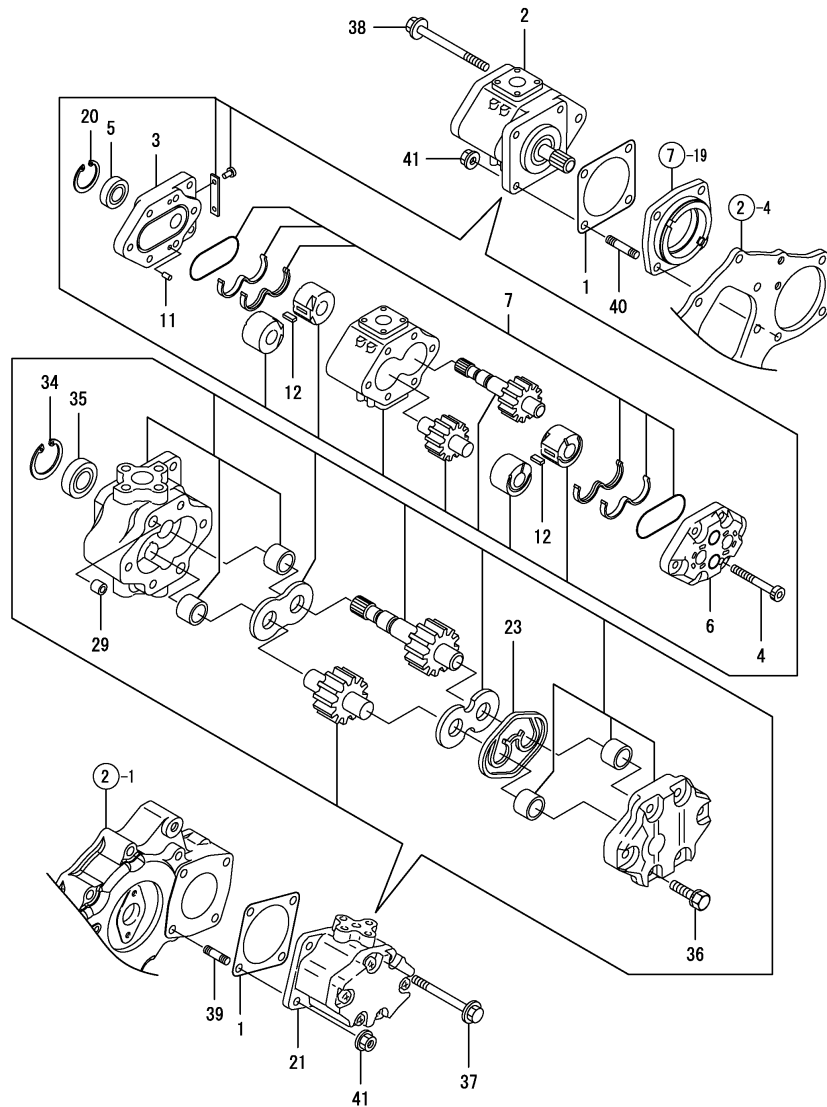
Remarks

- (1) REPAIR PART.
- (2) OVER-SIZE(O.S=0.25)PART.
- (3) UNDER-SIZE(U.S=0.25)PART.
- (REMARKS)"EFFECTIVE MACHINE NO." OF ENGINE IS INDICATED ON THE ENGINE LABEL WHICH IS SHOWN IN FIG.4.

Fig.9. HYDRAULIC PUMP

(A)=4TNV88-BLRG
(B)=
(C)=

(D)=
(E)=
(F)=



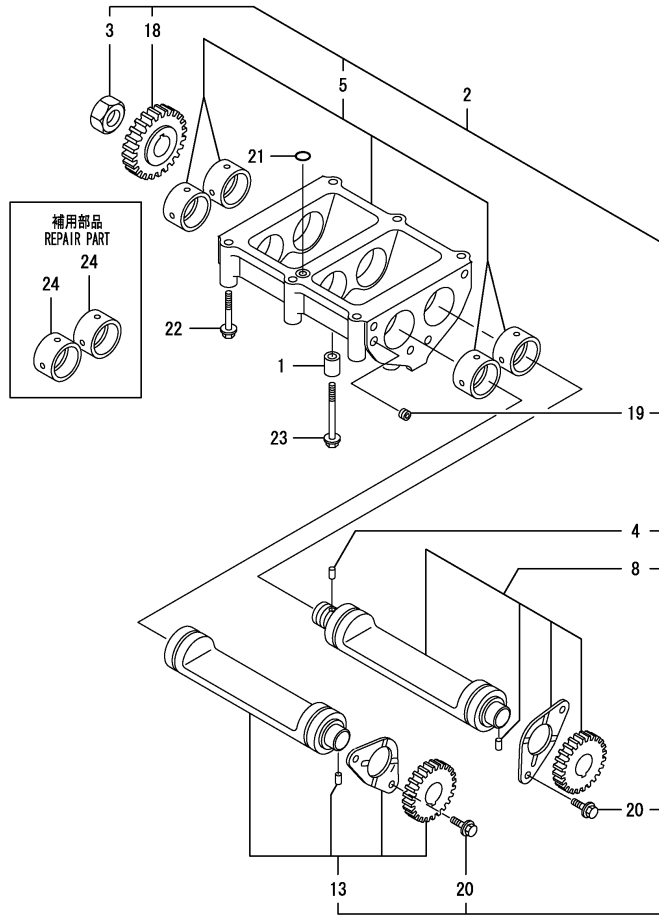
No.	Lev.	Parts No.	Description	Q'ty						I	R
				(A)	(B)	(C)	(D)	(E)	(F)		
1	1	124240-01883	GASKET	2							
2	1	198240-41110	PUMP, HY/ZFD100/13L	1							
3	2	194278-41151	FLANGE	1							
4	2	198240-41150	BOLT, M8X83.5	4							
5	2	194278-41160	SEAL, OIL TC173008	1							
6	2	194278-41190	COVER	1							
7	2	794275-41200	SEAL KIT	1							
11	2	194065-41210	PIN, PARALLEL 6X12	2							
12	2	194278-41210	KEY	2							
20	2	22252-000300	RING, 30	1							
21	1	178070-44000	PUMP ASSY, HYDRAULIC	1							
23	2	178070-10401	RING	1							
29	2	194521-41570	PIN, 11X7	2							
34	2	22252-000320	RING, 32	1							
35	2	24421-153207	SEAL, OIL TC153207	1							
36	2	26016-080352	BOLT, M8X 35	4							
37	1	26106-080802	BOLT, M8X 80 PLATED	2							
38	1	26106-081202	BOLT, M8X120 PLATED	2							
39	1	26216-080222	STUD, M8X 22	2							
40	1	26216-080402	STUD, M8X 40	1							
41	1	26306-080002	NUT, M8	4							

Remarks
(REMARKS)"EFFECTIVE MACHINE NO." OF
ENGINE IS INDICATED ON THE
ENGINE LABEL WHICH IS SHOWN
IN FIG.4.

Fig.10. BALANCER

(A)=4TNV88-BLRG
(B)=
(C)=

(D)=
(E)=
(F)=



No.	Lev.	Parts No.	Description	Q'ty						I	R
				(A)	(B)	(C)	(D)	(E)	(F)		
1	1	129795-01960	PIPE, KNOCK	2							
2	1	129457-28000	BALANCER ASSY	1							
3	2	128170-14150	NUT	1							
4	2	121850-21290	PIN	1							
5	2	129457-28011	CASE ASSY, BALANCER	1							
8	2	729490-28510	SHAFT ASSY, BALANCER	1							
13	2	729490-28520	SHAFT ASSY, BALANCER	1							
18	2	129400-28150	GEAR, BALANCER	1							
19	2	23876-005000	PLUG, R005	1							
20	2	26106-080142	BOLT, M8X 14 PLATED	4							
21	1	24311-000140	O-RING, 1AP14.0	1							
22	1	26106-080602	BOLT, M8X 60 PLATED	4							
23	1	26106-080802	BOLT, M8X 80 PLATED	2							
24	1	129400-28920	BUSH	4							1

Remarks
(1) REPAIR PART.
(REMARKS)"EFFECTIVE MACHINE NO." OF
ENGINE IS INDICATED ON THE
ENGINE LABEL WHICH IS SHOWN
IN FIG.4.

Fig.11. LUB.OIL SYSTEM

(A)=4TNV88-BLRG

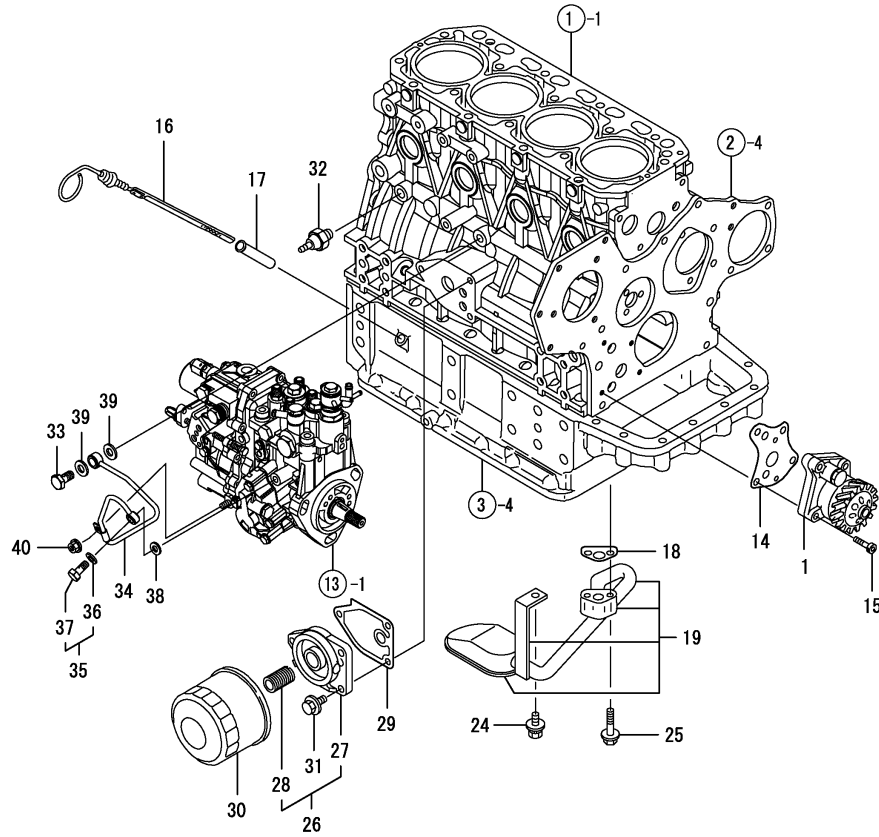
(B)=

(C)=

(D)=

(E)=

(F)=



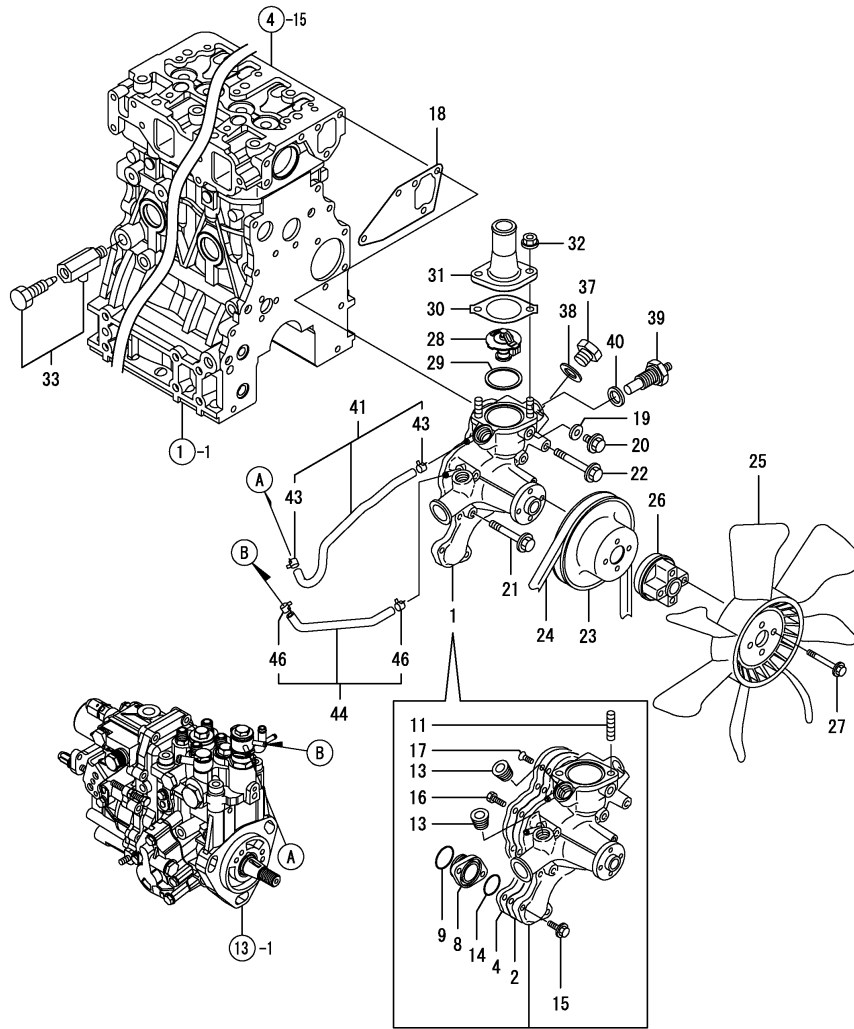
No.	Lev.	Parts No.	Description	Q'ty						I	R
				(A)	(B)	(C)	(D)	(E)	(F)		
1	1	129407-32000	PUMP ASSY, OIL	1							
14	1	129150-32020	GASKET, PUMP	1							
15	1	26450-060252	BOLT, M6X 25	4							
16	1	129457-34800	DIPSTICK, OIL	1							
17	1	121520-34810	GUIDE, DIPSTICK	1							
18	1	129150-35042	GASKET	1							
19	1	129550-35090	PIPE ASSY, OIL INLET	1							
24	1	26014-080162	BOLT, M8X 16	1							
25	1	26106-080352	BOLT, M8X 35 PLATED	2							
26	1	119802-35100	BRACKET ASSY, FILTER	1							
27	2	119802-35110	BRACKET, FILTER	1							
28	2	129100-35140	STUD	1							
29	1	129150-35111	GASKET	1							
30	1	129150-35170	FILTER, LO	1							1
31	1	26106-080202	BOLT, M8X 20 PLATED	3							
32	1	114250-39450	SWITCH, 0.5KG	1							
33	1	124160-39140	BOLT, PIPE JOINT M10	1							
34	1	119802-39450	PIPE ASSY, OIL	1							
35	1	129005-59830	BOLT ASSY, JOINT M8	1							
36	2	22190-080002	WASHER, SEAL 6	1							
37	2	23857-030000	BOLT, JOINT 3	1							
38	1	22190-080002	WASHER, SEAL 6	1							
39	1	22190-100002	WASHER, SEAL 10	2							
40	1	26366-060002	NUT, M6	1							

Remarks

(1) REPAIR PART.

N:Old $\xrightarrow{\text{Yes}}$ New, Q:Old $\xrightarrow{\text{No}}$ New, R:Old $\xrightarrow{\text{Yes}}$ New, S:Old $\xrightarrow{\text{No}}$ New, W:Add, Z:Discontinued, F:Interchangeable by set, K:Q'ty Change

Fig.12. COOLING WATER SYSTEM



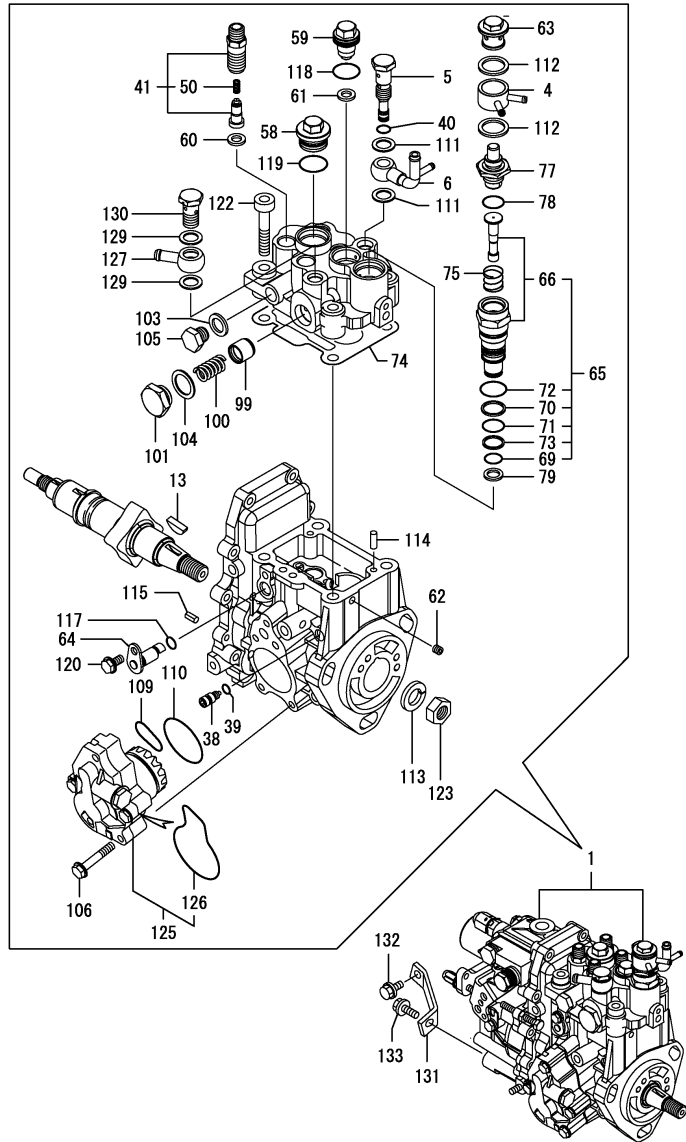
(A)=4TNV88-BLRG
(B)=
(C)=

(D)=
(E)=
(F)=

No.	Lev.	Parts No.	Description	Q'ty						I	R
				(A)	(B)	(C)	(D)	(E)	(F)		
1	1	129659-42040	PUMP ASSY, WATER	1							
2	2	129150-42059	GASKET	1							
4	2	129263-42120	PLATE	1							
8	2	129150-42301	FLANGE	1							
9	2	129054-42320	O-RING	1							
11	2	129555-44750	STUD, M8X30	2							
13	2	129916-49740	PLUG, R03	2							
14	2	24358-240310	O-RING, 524031	1							
15	2	26106-060202	BOLT, M6X 20 PLATED	2							
16	2	26116-060162	BOLT, M6X 16 PLATED	3							
17	2	26577-060142	SCREW M 6X 14	3							
18	1	129486-42050	GASKET, WATER PUMP	1							
19	1	23414-080000	GASKET, 8X1.0	1							
20	1	26106-080122	BOLT, M8X 12 PLATED	1							
21	1	26106-080552	BOLT, M8X 55 PLATED	3							
22	1	26106-080602	BOLT, M8X 60 PLATED	1							
23	1	129550-42350	V-PULLEY, D=120	1							
24	1	129052-42290	V-BELT, A40.5	1							
25	1	129655-44740	FAN, COOLING D380	1							
26	1	129030-44760	SPACER, FAN L38.5	1							
27	1	26106-060502	BOLT, M6X 50 PLATED	4							
28	1	129155-49801	THERMOSTAT, 71	1							
29	1	129150-49811	GASKET, THERMOSTAT	1							
30	1	129795-49551	GASKET	1							
31	1	129350-49560	COVER, THERMOSTAT	1							
32	1	26306-080002	NUT, M8	2							
33	1	119620-49290	COCK ASSY, 1/4	1							
37	1	121450-42450	PLUG, M16	1							
38	1	124465-44950	GASKET, 16	1							
39	1	124250-49351	SENSOR	1							
40	1	129150-49360	GASKET	1							
41	1	129263-49610	PIPE, WATER	1							
43	2	124722-59050	CLIP, HOSE 9	2							
44	1	129263-49620	PIPE, WATER	1							
46	2	124722-59050	CLIP, HOSE 9	4							

Remarks
(REMARKS)"EFFECTIVE MACHINE NO." OF
ENGINE IS INDICATED ON THE
ENGINE LABEL WHICH IS SHOWN
IN FIG.4.

Fig.13. FUEL INJECTION PUMP



(A)=4TNV88-BLRG
(B)=
(C)=

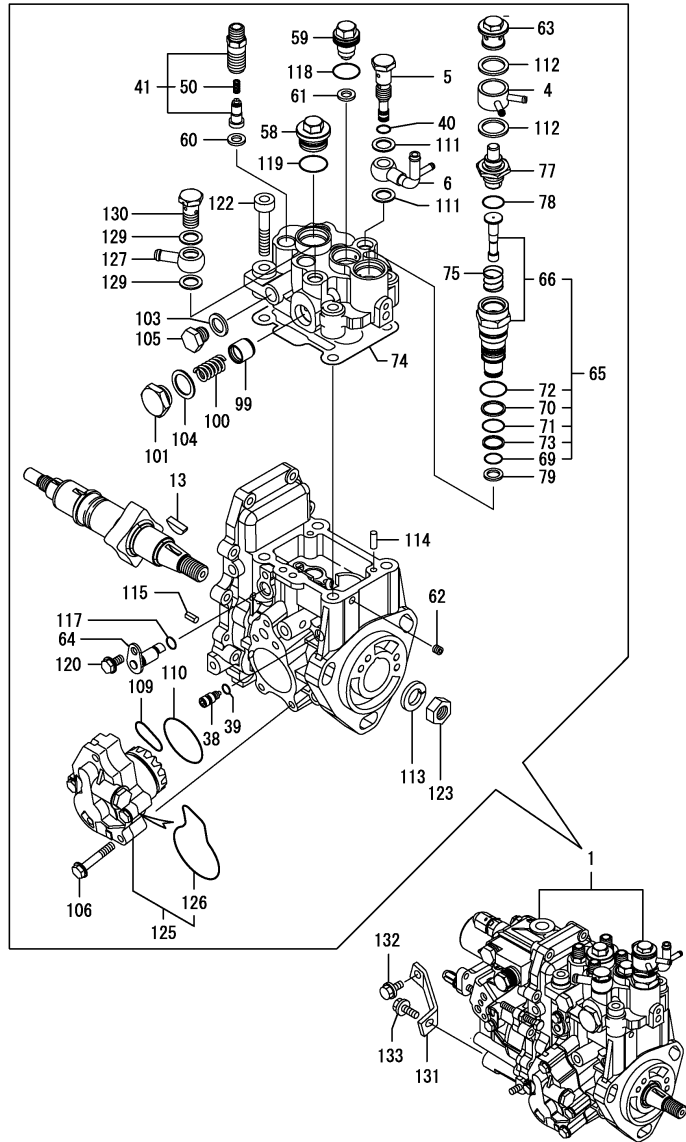
(D)=
(E)=
(F)=

No.	Lev.	Parts No.	Description	Q'ty						I	R
				(A)	(B)	(C)	(D)	(E)	(F)		
1	1	729652-51401	PUMP ASSY, INJECTION	1							1
1-1	1	729652-51510	PUMP ASSY, INJECTION	1							S 2
(A=E_C1661)											
4	2	158553-51551	JOINT	1							
5	2	158601-51650	JOINT, OVER FLOW	1							
6	2	158552-51670	JOINT, OVER FLOW	1							
13	2	119802-51090	KEY, 4X16	1							
38	2	158600-51270	STOPPER, TAPPET	1							
39	2	158563-51281	O-RING, 4D S6	1							
40	2	158563-51281	O-RING, 4D S6	1							
41	2	129008-51390	VALVE ASSY, DELIVERY	4							
50	3	158563-51330	SPRING, DELIVERY	4							
58	2	158601-51550	PLUG	1							
59	2	119802-51560	PLUG, BARREL	1							
60	2	158552-51571	GASKET	3							
61	2	158552-51571	GASKET	1							
62	2	158557-51570	PLUG	1							
63	2	158601-51570	PLUG	1							
64	2	158552-51580	LIFTER	1							
65	2	119802-51590	TIMER SET	1							
66	3	119802-51600	TIMER ASSY	1							
69	3	158553-51670	O-RING, 1011	1							
70	3	119802-51680	RING, BACK UP	1							
71	3	119802-51690	O-RING	1							
72	3	24356-010200	O-RING, 4D1020	1							
73	3	24372-000150	RING, BACK UP T2P15	1							
74	3	158552-51600	GASKET	1							
75	2	158553-51630	SPRING, TIMER	1							
77	2	158553-51650	ELEMENT	1							
78	2	158553-51660	O-RING, P14	1							
79	2	158553-51680	GASKET	1							
99	2	158601-51770	PISTON	1							
100	2	158552-51781	SPRING	1							
101	2	158601-51790	PLUG	1							
103	2	22190-120002	WASHER, SEAL 12	1							
104	2	22190-180002	WASHER, SEAL 18	1							
105	2	23887-120002	PLUG, 12	1							
106	2	158553-51770	BOLT	4							
109	2	158552-52310	O-RING	1							
110	2	158552-52400	O-RING, 4E S42	1							
111	2	22190-120002	WASHER, SEAL 12	2							
112	2	22190-180002	WASHER, SEAL 18	2							
113	2	22217-140000	WASHER, SPRING 14	1							
114	2	22312-050140	PIN, PARALLEL M5X14	2							
115	2	22351-050010	PIN, SPRING 5.0X10	2							
117	2	24311-000070	O-RING, 1AP7.0	1							
118	2	24356-010180	O-RING, 4D1018	1							
119	2	24356-010200	O-RING, 4D1020	1							
120	2	26106-060102	BOLT, M6X 10 PLATED	1							
122	2	26450-080452	BOLT, M8X 45	4							
123	2	26776-140002	NUT, LOCK M14	1							

Remarks

(1) GOVERNOR ASSY(FIG.14) IS INCORPORATED IN THIS FOP.CMP (REF.NO.1).
(2) REF.NO.1-1 & FIG.NO.15 REF.NO.1-1 INTERCHANGEABLE BY SET.

Fig.13. FUEL INJECTION PUMP



(A)=4TNV88-BLRG
(B)=
(C)=

(D)=
(E)=
(F)=

No.	Lev.	Parts No.	Description	Q'ty						I	R
				(A)	(B)	(C)	(D)	(E)	(F)		
125	2	158552-52100	PUMP ASSY, FUEL FEED	1							
126	2	158552-52500	O-RING	1							
127	2	129916-59020	JOINT, PIPE 12	1							
129	2	22190-120002	WASHER, SEAL 12	2							
130	2	23857-060000	BOLT, JOINT 6	1							
131	1	129601-51250	RETAINER, PUMP	1							
132	1	26106-080162	BOLT, M8X 16 PLATED	1							
133	1	26106-080202	BOLT, M8X 20 PLATED	1							

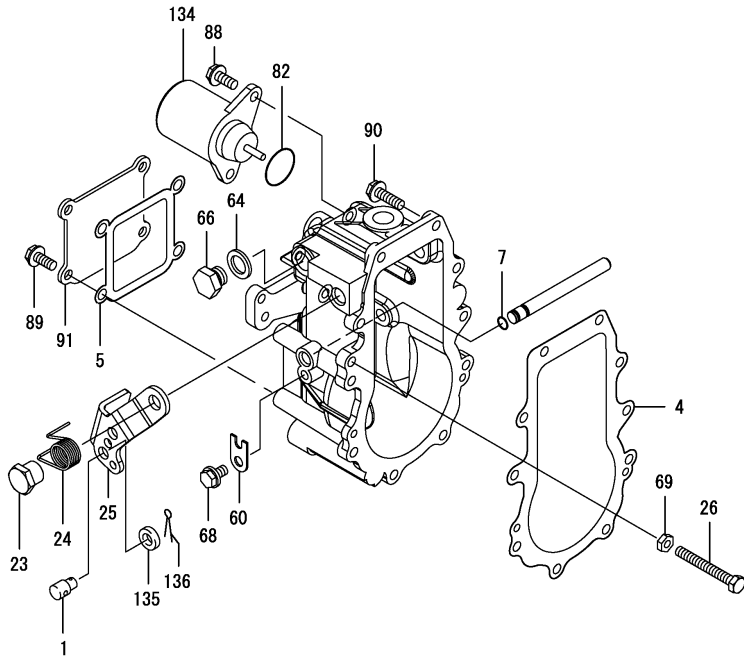
Remarks

- (1) GOVERNOR ASSY(FIG.14) IS INCORPORATED IN THIS FOP.CMP (REF.NO.1).
- (2) REF.NO.1-1 & FIG.NO.15 REF.NO.1-1 INTERCHANGEABLE BY SET.

Fig.14. GOVERNOR

(A)=4TNV88-BLRG
(B)=
(C)=

(D)=
(E)=
(F)=



No.	Lev.	Parts No.	Description	Q'ty						I	R
				(A)	(B)	(C)	(D)	(E)	(F)		
1	2	194150-01370	ADJUSTER	1							
4	2	158553-61050	GASKET	1							
5	2	158553-61070	GASKET	1							
7	2	129155-51280	O-RING, S6	1							
23	2	129255-61410	NUT, LOCK	1							
24	2	119807-61420	SPRING, RETURN	1							
25	2	158552-61441	LEVER, REGULATOR	1							
26	2	129155-61460	BOLT, IDLE	1							
60	2	119660-61901	RETAINER, SHAFT	1							
64	2	22190-120000	WASHER, SEAL 12	1							
66	2	23887-120002	PLUG, 12	1							
68	2	26106-060102	BOLT, M6X 10 PLATED	1							
69	2	26756-060002	NUT, LOCK M6	1							
82	2	158552-61900	O-RING	1							
88	2	26106-060142	BOLT, M6X 14 PLATED	2							
89	2	26106-060142	BOLT, M6X 14 PLATED	4							
90	2	26106-060202	BOLT, M6X 20 PLATED	10							
91	2	129642-61060	COVER, GOVERNOR CASE	1							
134	2	119653-77950	SOLENOID, STOP	1							
135	2	22137-080000	WASHER, 8	1							
136	2	22417-160180	PIN, COTTER 1.6X18	1							

Remarks

* THIS FIGURE(GOVERNOR ASSY)IS
INCORPORATED IN THE FUEL INJECTION
PUMP ASSY(FIG.13).

Fig.15. FUEL INJECTION VALVE

(A)=4TNV88-BLRG

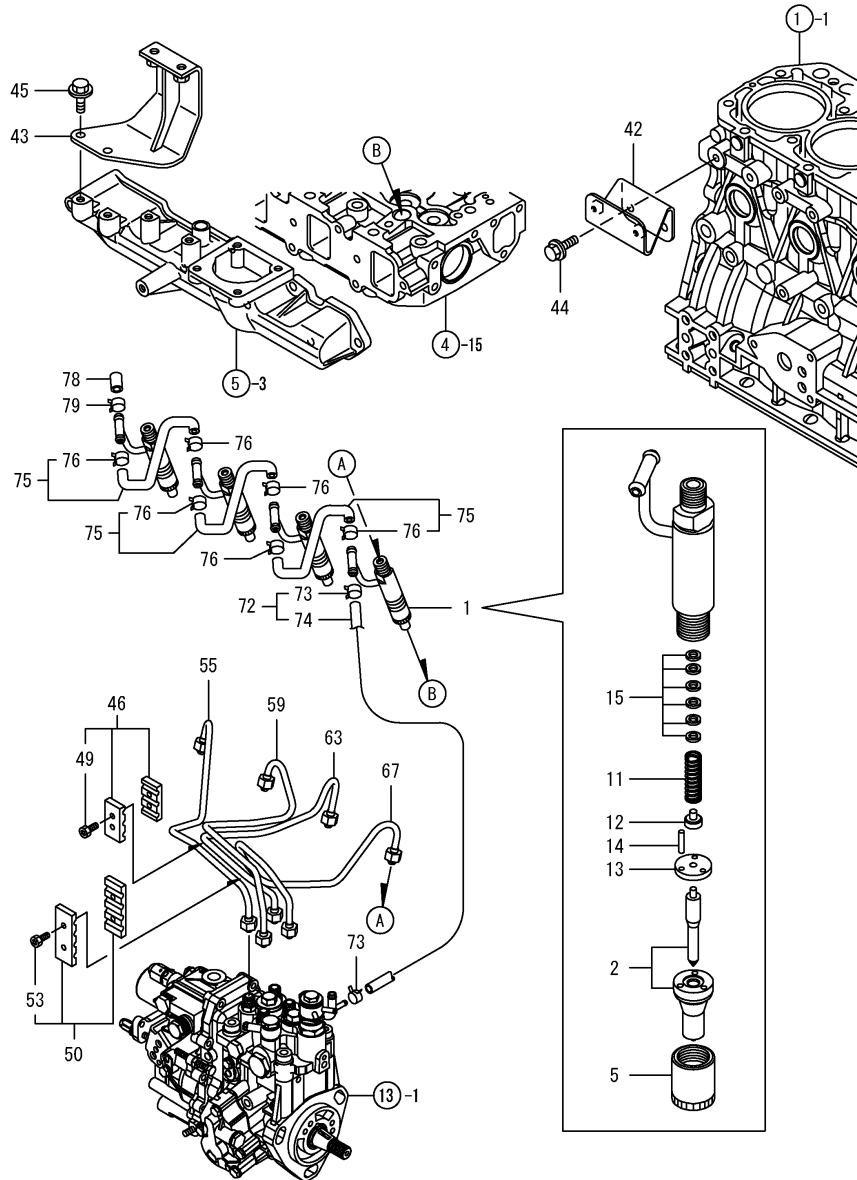
(B)=

(C)=

(D)=

(E)=

(F)=



No.	Lev.	Parts No.	Description	Q'ty						I	R
				(A)	(B)	(C)	(D)	(E)	(F)		
1	1	729604-53200	VALVE ASSY,INJECTION	4							
1-1	1	729604-53400	VALVE ASSY,INJECTION	4							S 1
(A=E_C1661)											
2	2	129604-53000	VALVE ASSY,INJECTION	4							
2-1	2	129604-53300	VALVE ASSY,INJECTION	4							S
(A=E_C1661)											
5	2	114250-53080	NUT, NOZZLE D16.95	4							
11	2	114250-53120	SPRING, NOZZLE	4							
12	2	114250-53130	SEAT, SPRING	4							
13	2	114250-53140	PLATE	4							
14	2	114250-53210	PIN	8							
15	2	119803-53400	SHIM SET	4							
42	1	129633-52110	BRACKET, PUMP	1							
43	1	129633-55620	STAY, FILTER	1							
44	1	26106-080142	BOLT, M8X 14 PLATED	2							
45	1	26106-080162	BOLT, M8X 16 PLATED	2							
46	1	129150-59120	RETAINER, PIPE	1							
49	2	129150-59131	BOLT, M4X14	2							
50	1	129550-59120	RETAINER, PIPE	1							
53	2	129150-59131	BOLT, M4X14	2							
55	1	129601-59810	PIPE ASSY, INJECTION	1							
59	1	129601-59820	PIPE ASSY, INJECTION	1							
63	1	129601-59830	PIPE ASSY, INJECTION	1							
67	1	129601-59840	PIPE ASSY, INJECTION	1							
72	1	119802-59550	PIPE ASSY, RETURN	1							
73	2	124722-59050	CLIP, HOSE 9	2							
74	2	119802-59560	PIPE, FUEL RETURN	1							
75	1	129486-59551	PIPE ASSY, RETURN	3							
76	2	124722-59050	CLIP, HOSE 9	6							
78	1	119593-59581	CAP	1							
79	1	124060-77680	CLIP, HOSE 10	1							

Remarks

(1) REF.NO.1-1 & FIG.NO.13 REF.NO.1-1
INTERCHANGEABLE BY SET.

Fig.16. STARTING MOTOR

(A)=4TNV88-BLRG

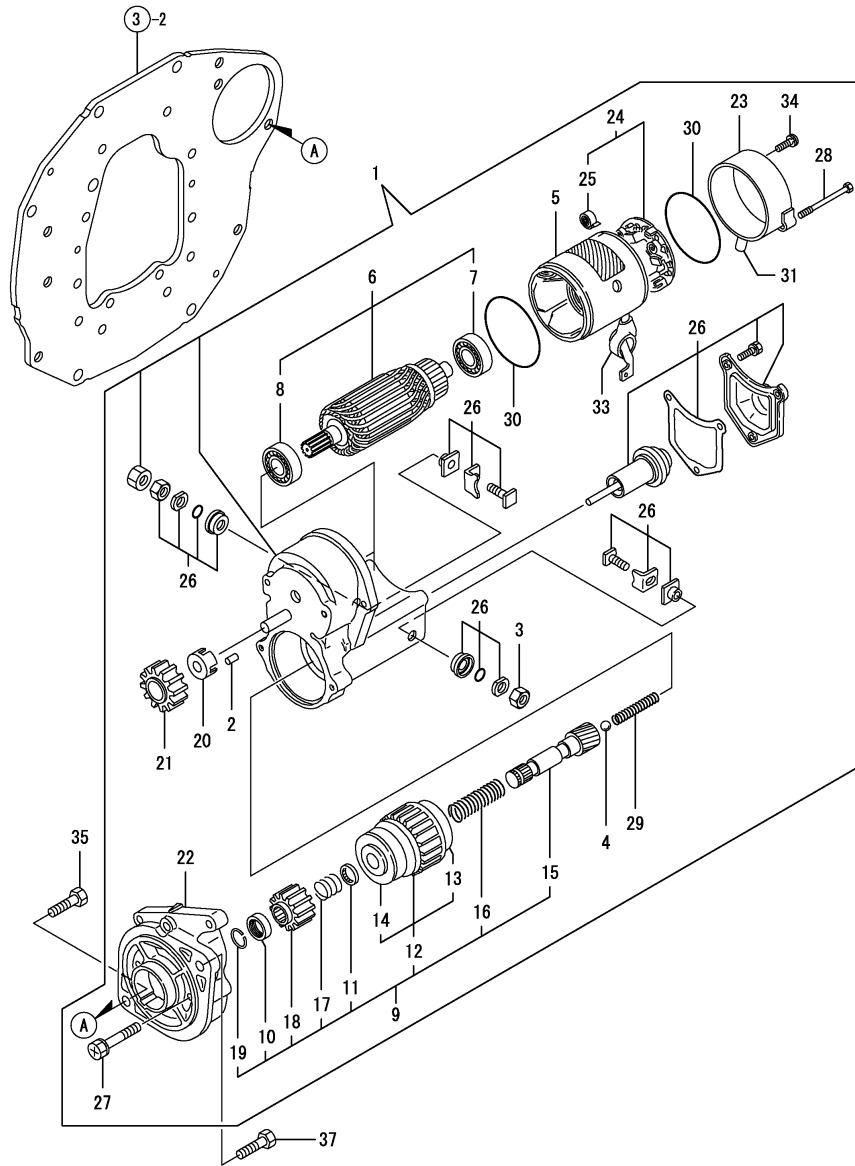
(B)=

(C)=

(D)=

(E)=

(F)=



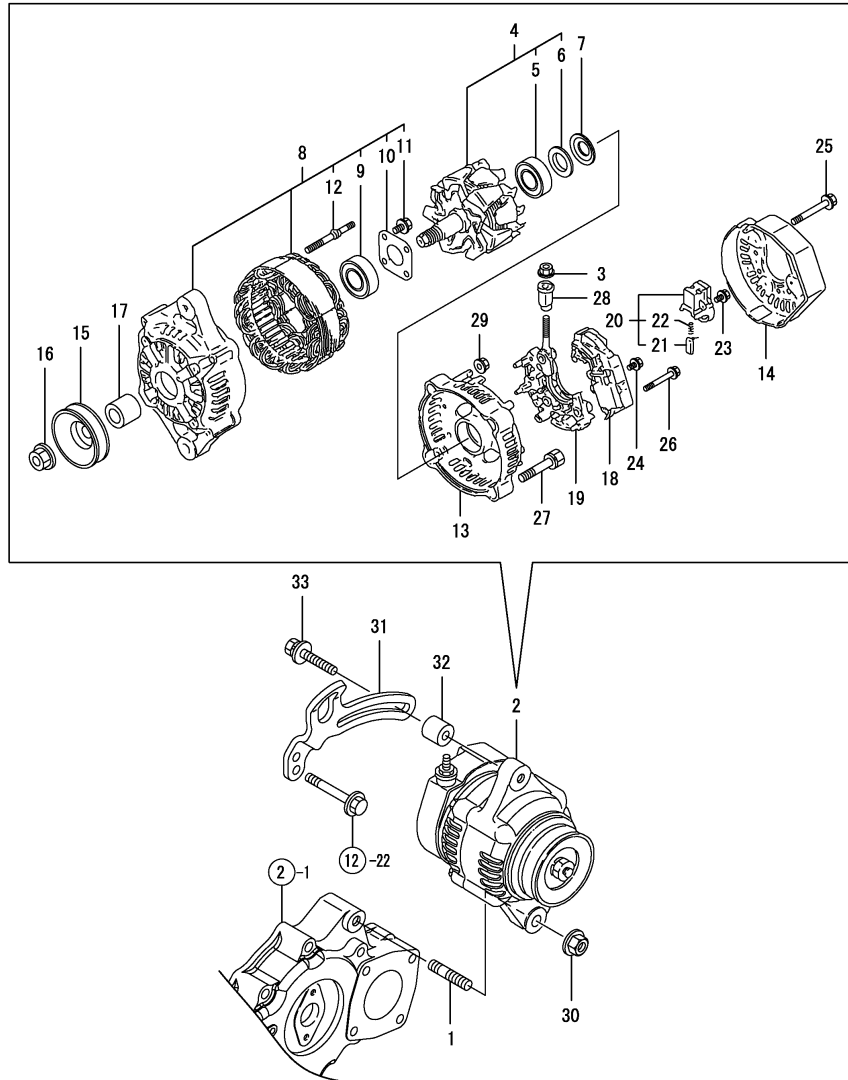
No.	Lev.	Parts No.	Description	Qty						I	R
				(A)	(B)	(C)	(D)	(E)	(F)		
1	1	129407-77010	STARTER, RA1.4	1							
2	2	X0283060061	ROLLER	5							
3	2	X9490561370	NUT	1							
4	2	X9491200240	BALL	1							
5	2	129407-77210	YOKE ASSY	1							
6	2	129407-77220	ARMATURE ASSY	1							
7	3	129129-77230	BEARING	1							
8	3	129129-77240	BEARING	1							
9	2	129407-77250	STARTER	1							
10	3	X0280210230	NUT	1							
11	3	X0283270140	RETAINER	1							
12	3	129407-77390	CLUTCH ASSY	1							
13	4	129129-77440	BEARING, BALL	1							
14	4	129129-77450	BEARING, BALL	1							
15	3	129129-77400	SHAFT	1							
16	3	129129-77410	SPRING, COIL	1							
17	3	X9491703371	SPRING, COIL	1							
18	3	129129-77420	PINION, STARTER	1							
19	3	129129-77430	RING	1							
20	2	129129-77260	RETAINER	1							
21	2	129129-77270	PINION	1							
22	2	129407-77280	HOUSING	1							
23	2	129407-77290	FRAME	1							
24	2	129407-77300	HOLDER ASSY	1							
25	3	X9491730461	SPRING	4							
26	2	129407-77310	SWITCH ASSY	1							
27	2	129129-77320	BOLT	2							
28	2	129407-77330	BOLT	2							
29	2	129129-77340	SPRING	1							
30	2	129129-77350	O-RING	2							
31	2	129129-77362	COVER	1							
33	2	129129-77380	CAP	1							
34	2	129129-77460	SCREW	2							
35	1	129155-77060	BOLT	1							
37	1	26116-120202	BOLT, M12X 20 PLATED	1							

Remarks
 (REMARKS)"EFFECTIVE MACHINE NO." OF
 ENGINE IS INDICATED ON THE
 ENGINE LABEL WHICH IS SHOWN
 IN FIG.4.

Fig.17. GENERATOR

(A)=4TNV88-BLRG
(B)=
(C)=

(D)=
(E)=
(F)=



No.	Lev.	Parts No.	Description	Q'ty						I	R
				(A)	(B)	(C)	(D)	(E)	(F)		
1	1	129795-01900	STUD	1							
2	1	119620-77201	GENERATOR, 40A	1							
3	2	X9490561001	NUT	1							
4	2	119620-77380	ROTOR ASSY	1							
5	3	123501-79240	BEARING, BALL	1							
6	3	119620-79250	COVER	1							
7	2	119620-79360	WASHER, THRUST	1							
8	2	119620-77421	FRAME ASSY, DRIVE	1							
9	3	119620-79200	BEARING, BALL	1							
10	3	119620-79210	PLATE, RETAINER	1							
11	3	119620-79220	SCREW	4							
12	3	119620-79230	STUD	2							
13	2	119620-77440	FRAME ASSY	1							
14	2	119620-77450	COVER	1							
15	2	119620-77461	PULLEY	1							
16	2	119620-77471	NUT	1							
17	2	119620-77490	COLLAR	1							
18	2	119620-77710	REGULATOR ASSY	1							
19	2	119620-79260	HOLDER	1							
20	2	119620-79270	HOLDER, BRUSH	1							
21	3	119620-77480	BRUSH ASSY	2							
22	3	119620-79280	SPRING	2							
23	2	119620-79290	SCREW	6							
24	2	119620-79300	SCREW	1							
25	2	119620-79310	BOLT	3							
26	2	119620-79320	SCREW	2							
27	2	119620-79330	BOLT	2							
28	2	119620-79340	BUSH, INSULATION	1							
29	2	119620-79350	NUT	2							
30	1	26306-100002	NUT, M10	1							
31	1	129107-77330	ADJUSTER	1							
32	1	124732-77340	SPACER	1							
33	1	129972-77341	BOLT, ADJUSTER L=50	1							

Remarks
(REMARKS)"EFFECTIVE MACHINE NO." OF
ENGINE IS INDICATED ON THE
ENGINE LABEL WHICH IS SHOWN
IN FIG.4.

Parts No. Index

Parts No.	Fig. No.	Ref. No.
105425-01690	3	6
114250-39450	11	32
114250-53080	15	5
114250-53120	15	11
114250-53130	15	12
114250-53140	15	13
114250-53210	15	14
119131-18320	6	8
119309-01810	1	31
119593-59581	15	78
119609-32040	2	10
119620-49290	12	33
119620-77201	17	2
119620-77380	17	4
119620-77421	17	8
119620-77440	17	13
119620-77450	17	14
119620-77461	17	15
119620-77471	17	16
119620-77480	17	21
119620-77490	17	17
119620-77710	17	18
119620-79200	17	9
119620-79210	17	10
119620-79220	17	11
119620-79230	17	12
119620-79250	17	6
119620-79260	17	19
119620-79270	17	20
119620-79280	17	22
119620-79290	17	23
119620-79300	17	24
119620-79310	17	25
119620-79320	17	26
119620-79330	17	27
119620-79340	17	28
119620-79350	17	29
119620-79360	17	7
119625-11880	4	32
119653-77950	14	134
119660-61901	14	60
119802-01561	2	5
119802-03110	4	43
119802-03121	4	44
119802-03130	4	45
119802-03141	4	46
119802-11260	4	6
119802-11270	4	7
119802-11870	4	31
119802-13640	6	6

Parts No.	Fig. No.	Ref. No.
119802-13660	6	7
119802-25071	7	13
119802-25101	7	10
119802-25901	7	16
119802-35100	11	26
119802-35110	11	27
119802-39450	11	34
119802-51090	13	13
119802-51560	13	59
119802-51590	13	65
119802-51600	13	66
119802-51680	13	70
119802-51690	13	71
119802-59550	15	72
119802-59560	15	74
119803-21200	8	4
119803-25050	7	9
119803-53400	15	15
119803-77830	4	54
119807-61420	14	24
119852-21650	8	10
119934-01800	2	3
120130-11860	4	29
120270-54410	4	34
121111-21501	8	13
121400-11340	4	25
121450-42450	12	37
121520-34810	11	17
121550-23200	8	29
121820-21690	8	17
121850-21290	8	5
	10	4
121850-21680	8	12
121850-51960	2	11
123501-79240	17	5
124060-01050	1	11
124060-77680	15	79
124160-01751	2	7
	4	39
124160-01910	1	12
124160-11360	4	51
124160-39140	11	33
124240-01871	2	8
124240-01883	9	1
124250-49351	12	39
124460-11340	4	26
124465-44950	12	38
124550-21600	8	16
124722-59050	12	43
		46

Parts No.	Fig. No.	Ref. No.
124722-59050	15	73
		76
124732-77340	17	32
128170-14150	10	3
129001-01250	1	4
129001-02931	1	26
129004-03010	4	41
129004-11650	4	9
129004-11900	4	33
129005-03080	5	1
129005-11100	4	21
129005-22080	8	18
129005-22500	8	20
129005-22900	8	33
129005-22950	8	35
129005-59830	11	35
129008-01520	2	4
129008-51390	13	41
129008-77800	4	55
129030-44760	12	26
129052-42290	12	24
129054-42320	12	9
129100-01580	3	1
		14
	8	2
129100-11112	4	22
129100-23910	8	32
129100-35140	11	28
129107-13540	6	11
129107-77330	17	31
129120-01780	3	17
129126-01600	3	2
129129-77230	16	7
129129-77240	16	8
129129-77260	16	20
129129-77270	16	21
129129-77320	16	27
129129-77340	16	29
129129-77350	16	30
129129-77362	16	31
129129-77380	16	33
129129-77400	16	15
129129-77410	16	16
129129-77420	16	18
129129-77430	16	19
129129-77440	16	13
129129-77450	16	14
129129-77460	16	34
129150-01200	1	29
129150-01580	2	6

Parts No.	Fig. No.	Ref. No.
129150-01881	7	17
129150-02020	1	6
129150-02450	7	4
129150-02871	1	32
129150-02931	1	23
129150-02941	1	35
129150-03070	4	42
129150-11230	4	10
129150-11280	4	8
129150-11370	4	14
129150-11750	4	12
129150-11810	4	30
129150-14101	7	6
129150-14200	7	1
129150-14400	7	2
129150-23601	8	30
129150-23611	8	39
129150-25301	7	15
129150-26000	7	18
129150-26050	7	19
129150-32020	11	14
129150-35042	11	18
129150-35111	11	29
129150-35170	11	30
129150-42059	12	2
129150-42301	12	8
129150-49360	12	40
129150-49811	12	29
129150-59120	15	46
129150-59131	15	49
		53
129150-77511	5	8
129150-91400	2	21
129155-49801	12	28
129155-51280	14	7
129155-61460	14	26
129155-77060	16	35
129202-22300	8	24
129255-61410	14	23
129263-13210	6	5
129263-42120	12	4
129263-49610	12	41
129263-49620	12	44
129350-49560	12	31
129400-28121	8	6
129400-28150	10	18
129400-28920	10	24
129407-01340	1	30
129407-12110	5	4
129407-32000	11	1

Parts No. Index

Parts No.	Fig. No.	Ref. No.
129407-77010	16	1
129407-77210	16	5
129407-77220	16	6
129407-77250	16	9
129407-77280	16	22
129407-77290	16	23
129407-77300	16	24
129407-77310	16	26
129407-77330	16	28
129407-77390	16	12
129410-03990	5	2
129429-21590	8	14
129457-28000	10	2
129457-28011	10	5
129457-34800	11	16
129486-01670	3	18
129486-12581	5	7
129486-42050	12	18
129486-59551	15	75
129550-01702	3	4
129550-13110	6	1
129550-35090	11	19
129550-42350	12	23
129550-59120	15	50
129555-01750	3	9
129555-44750	12	11
129601-11241	4	3
129601-11251	4	4
129601-11310	4	48
129601-11350	4	40
129601-51250	13	131
129601-59810	15	55
129601-59820	15	59
129601-59830	15	63
129601-59840	15	67
129602-12101	5	3
129604-11700	4	15
129604-53000	15	2
129604-53300	15	2 -1
129604-77821	4	56
129633-52110	15	42
129633-55620	15	43
129642-61060	14	91
129652-21010	8	1
129655-44740	12	25
129659-13130	6	2
129659-13531	6	10
129659-13680	6	12
129659-42040	12	1
129795-01900	17	1

Parts No.	Fig. No.	Ref. No.
129795-01950	2	9
129795-01960	10	1
129795-02412	1	9
129795-11120	4	23
129795-11180	4	24
129795-21661	8	11
129795-49551	12	30
129900-07900	4	1
129916-49740	12	13
129916-59020	13	127
129972-77341	17	33
158552-51151	7	22
158552-51571	13	60
		61
158552-51580	13	64
158552-51600	13	74
158552-51670	13	6
158552-51781	13	100
158552-52100	13	125
158552-52310	13	109
158552-52400	13	110
158552-52500	13	126
158552-61441	14	25
158552-61900	14	82
158553-51551	13	4
158553-51630	13	75
158553-51650	13	77
158553-51660	13	78
158553-51670	13	69
158553-51680	13	79
158553-51770	13	106
158553-61050	14	4
158553-61070	14	5
158557-51570	13	62
158563-51281	13	39
		40
158563-51330	13	50
158600-51270	13	38
158601-51550	13	58
158601-51570	13	63
158601-51650	13	5
158601-51770	13	99
158601-51790	13	101
171051-01921	1	5
178070-10401	9	23
178070-44000	9	21
194065-41210	9	11
194150-01370	14	1
194278-41151	9	3
194278-41160	9	5

Parts No.	Fig. No.	Ref. No.
194278-41190	9	6
194278-41210	9	12
194521-41570	9	29
198240-41110	9	2
198240-41150	9	4
22137-080000	14	135
22190-080002	2	12
		13
	11	36
		38
22190-100002	11	39
22190-120000	14	64
22190-120002	13	103
		111
		129
22190-160002	3	8
22190-180002	13	104
		112
22217-140000	7	23
	13	113
22252-000260	8	25
22252-000300	9	20
22252-000320	9	34
22312-050140	13	114
22351-040012	6	4
22351-050010	13	115
22351-060012	4	35
22417-160180	14	136
22512-070140	7	7
	8	7
		9
22857-500100	4	49
		50
23414-080000	12	19
23857-030000	11	37
23857-060000	13	130
23876-005000	10	19
23887-120002	13	105
	14	66
24105-060064	7	21
24311-000070	13	117
24311-000120	4	52
24311-000140	10	21
24311-000320	2	14
	4	53
24341-000240	2	23
24356-010180	13	118
24356-010200	13	72
		119
24358-240310	12	14

Parts No.	Fig. No.	Ref. No.
24372-000150	13	73
24421-153207	9	35
26014-080162	11	24
26014-080222	6	13
26014-080252	6	14
26016-080352	9	36
26106-060102	13	120
	14	68
26106-060142	14	88
		89
26106-060162	2	24
26106-060202	12	15
	14	90
26106-060502	12	27
26106-080122	3	10
	12	20
26106-080142	4	2
	7	8
	10	20
	15	44
26106-080162	2	15
		16
	13	132
	15	45
26106-080202	5	5
		9
	11	31
	13	133
26106-080252	4	36
26106-080302	2	17
26106-080352	4	37
	11	25
26106-080402	6	15
	7	14
26106-080502	3	11
	4	38
26106-080552	2	18
	12	21
26106-080602	10	22
	12	22
26106-080802	5	6
	9	37
	10	23
26106-080852	2	19
26106-081002	3	12
26106-081202	3	13
	9	38
26116-060162	12	16
26116-120202	16	37
26206-100202	3	3

Parts No. Index

Parts No.	Fig. No.	Ref. No.
26216-080222	9	39
26216-080402	9	40
26226-080182	4	13
26306-080002	2	20
	6	9
		16
	9	41
	12	32
26306-100002	17	30
26366-060002	11	40
26450-060252	11	15
26450-080452	13	122
26577-060142	12	17
26756-060002	14	69
26776-140002	7	24
	13	123
27241-120000	1	13
27241-300000	1	10
27241-400000	4	20
27310-080001	4	27
729008-01500	2	1
729402-01650	3	15
729402-14580	7	3
729402-23100	8	26
729429-01721	3	5
729490-28510	10	8
729490-28520	10	13
729604-53200	15	1
729604-53400	15	1 -1
729652-51401	13	1
729652-51510	13	1 -1
729659-01570	1	1
794275-41200	9	7
X0280210230	16	10
X0283060061	16	2
X0283270140	16	11
X9490561001	17	3
X9490561370	16	3
X9491200240	16	4
X9491703371	16	17
X9491730461	16	25

Parts No.	Fig. No.	Ref. No.
-----------	----------	----------

Parts No.	Fig. No.	Ref. No.
-----------	----------	----------

Parts No.	Fig. No.	Ref. No.
-----------	----------	----------