

0CNP5-M14301EN

# Contents

OCNP5-M14301

Fig. No.	Fig. Name
ENGINE CONTROL SECTION	
1.	ENGINE RELATED
2.	ENGINE ACCESSORIES
3.	ACCEL LEVER
4.	EXHAUST
5.	TANK,FUEL OIL
6.	TANK BRACKET
7.	FUEL PIPE
8.	SHUTTER PLATE

FRONT AXLE SECTION	
9.	FRONT BRACKET
10.	FRONT HITCH(OPTION
11.	CENTER PIN
12.	KNUCKLE ARM
13.	TIE-ROD
14.	RING GEAR
15.	DIFFERENTIAL GEAR
16.	PROPELLER SHAFT
17.	FRONT SHAFT(1
18.	FRONT AXLE HOUSING
19.	FRONT GEAR CASE
20.	FRONT SHAFT(2
21.	FRONT SPINDLE
22.	SHAFT COVER

Fig. No.	Fig. Name
23.	FRONT WHEEL TIRE
24.	FRONT WHEEL TIRE
25.	FRONT WHEEL TIRE
106.	FRONT WHEEL TIRE
26.	STEERING WHEEL
27.	PST CYLINDER
28.	PST VALVE
29.	PST PIPING

TRANSMISSION SECTION	
30.	CLUTCH HOUSING
31.	DOCKING BOLT
32.	DUAL CLUTCH & SHAFT
33.	CLUTCH RELEASE
34.	CLUTCH PEDAL
35.	TRANSMISSION CASE
36.	CENTER PLATE
37.	OIL STRAINER
38.	MAIN SHAFT
39.	DRIVEN SHAFT
40.	COUNTERSHAFT
41.	REDUCTION SHAFT
42.	REVERSE GEAR
43.	CONNECTING SHAFT
44.	PTO DRIVE SHAFT

# Contents

OCNP5-M14301

Fig. No. Fig. Name

- 45. PTO. SHAFT
- 46. MAIN CHANGE LEVER
- 47. MAIN CHANGE
- 48. REVERSER CHANGE
- 49. REVERSE LEVER
- 50. SUB-CHANGE LEVER
- 51. PTO CHANGE
- 52. FRONT DRIVE
- 53. FRONT SHIFT

## REAR AXLE SECTION

- 54. RING GEAR
- 55. REAR HOUSING
- 56. DIFFERENTIAL LOCK
- 57. FINAL PINION & FINAL GEAR
- 58. REAR AXLE SHAFT
- 59. REAR WHEEL TIRE
- 60. REAR WHEEL TIRE
- 61. REAR WHEEL TIRE
- 107. REAR WHEEL TIRE
- 62. BRAKE
- 63. BRAKE PEDAL

## HYD. CONTROL SECTION

- 64. HYD.CYLINDER CASE

Fig. No. Fig. Name

- 65. PISTON & LIFT CRANK
- 66. CONTROL VALVE
- 67. RELIEF VALVE
- 68. STOP VALVE
- 69. SAFETY VALVE
- 70. SUB CONTROL VALVE(OPTION)
- 71. REAR REMOTE VALVE 2P(OPTION)
- 72. HYDRAULIC CONTROL
- 73. HYDRAULIC CONTROL(KNOB)
- 74. HYDRAULIC LINE
- 75. HYDRAULIC FILTER
- 76. SEAL

## ELECTRICAL PARTS SECTION

- 77. WIRE HARNESS
- 78. BATTERY
- 79. SWITCHES
- 80. SEAT SWITCH
- 81. LAMPS
- 82. FRONT LAMP
- 83. METER
- 84. RELAY

## FITTING SECTION

- 85. FRONT FRAME

# Contents

0CNP5-M14301

Fig. No. Fig. Name

86. FRAME,HOOD

87. HOOD

88. FRONT GRILLE

89. SIDE COVER

90. DASHBOARD

91. FENDER

92. STEP

93. DRIVER SEAT

94. SEAT BELT

95. LABEL

96. LABEL(SAFETY

## HITCH SECTION

97. THREE POINT LINK

98. TOP HOOK

99. PTO GUARD

100. DRAW BAR HITCH

## SAFETY FRAME SECTION

101. SAFETY FRAME

## ACCESSORIES SECTION

102. ACCESSORY

Fig. No. Fig. Name

## OPTION SECTION

103. HEATER(OPTION

104. FRONT WEIGHT(OPTION

105. EXTRA HITCH(OPTION

108. BLOCK HEATER(OPTION

109. FO HOSE(FAME(OPTION

110. TANK,FAME FUEL(OPTION

111. WORK LAMP(OPTION

Fig.1. ENGINE RELATED

(A)=EX450(CCY)

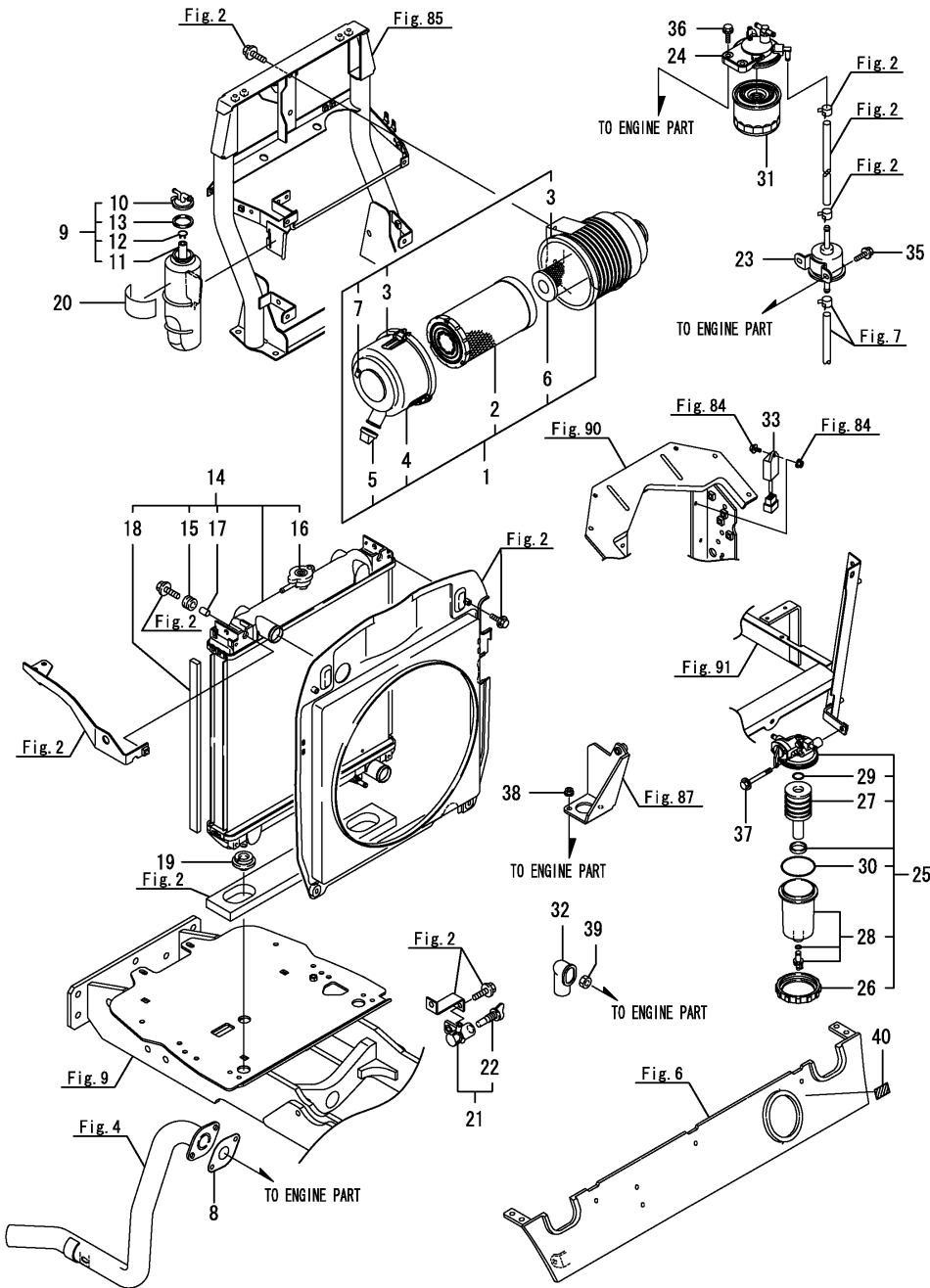
(B)=

(C)=

(D)=

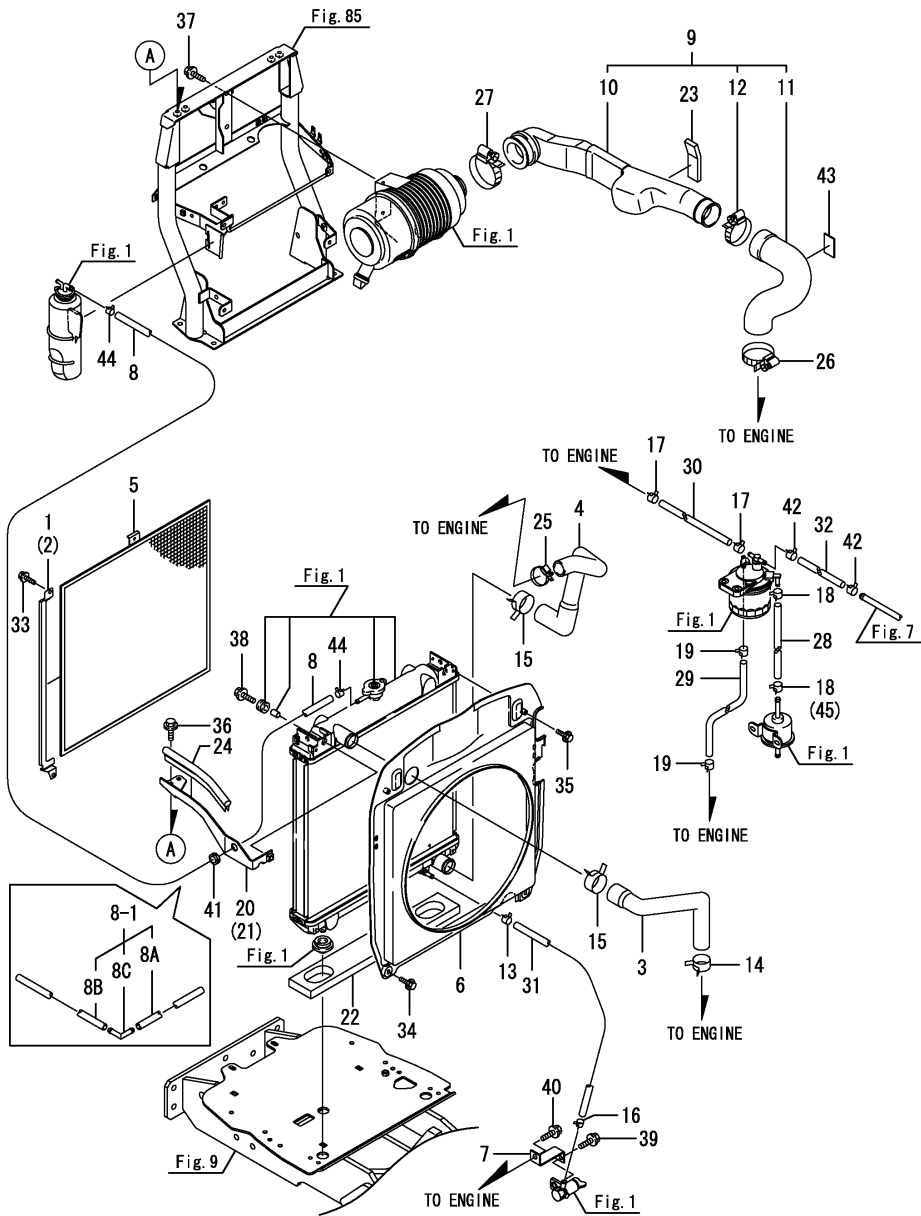
(E)=

(F)=



No.	Lev.	Parts No.	Description	(A)	(B)	(C)	(D)	(E)	(F)	Qty	I	R
1	1	129659-12520	CLEANER ASSY, AIR	1								
2	2	129906-12520	ELEMENT	1								
2-1	2	129062-12560	ELEMENT	1								N
(A=FXXXXX)												
3	2	129418-12530	LABEL, MARK	2								
4	2	129900-12530	COVER ASSY	1								
5	2	119808-12540	VALVE, UNLOADER	1								
6	2	119005-12571	ELEMENT	1								
7	2	129612-12650	LABEL, MARKING	1								
8	1	129052-13550	GASKET	1								
9	1	129263-44510	TANK ASSY, SUB	1								
10	2	121450-44531	CAP	1								
11	2	23065-070180	PIPE, 7X 180	1								
12	2	124450-44560	RETAINER	1								
13	2	121470-44581	GASKET	1								
14	1	129659-44510	RADIATOR ASSY	1								
15	2	129467-44580	MOUNT, RUBBER	2								
16	2	129107-44590	CAP, RADIATOR	1								
17	2	129467-44590	COLLAR	2								
18	2	129956-44730	SEAL, RADIATOR	4								
19	1	119255-44660	ABSORBER	2								
20	1	124764-44810	LABEL, SUB-TANK	1								
21	1	129550-49101	COCK ASSY, 2-WAY	1								
22	2	129150-49081	COCK, DRAIN	1								
23	1	119225-52102	PUMP ASSY, FUEL FEED	1								
24	1	129004-55612	BRACKET, FILTER	1								
25	1	119802-55700	SEPARATOR ASSY	1								
26	2	129100-55690	RING, RETAINING	1								
27	2	119802-55710	ELEMENT	1								
28	2	119802-55730	CUP ASSY	1								
29	2	24311-000160	O-RING, 1AP16.0	1								
30	2	24321-000650	O-RING, 1AG65.0	1								
31	1	119802-55810	FILTER, FO	1								
32	1	124550-77030	COVER, TERMINAL	1								
33	1	129211-77920	TIMER	1								
35	1	26106-060122	BOLT, M6X 12 PLATED	2								
36	1	26106-080302	BOLT, M8X 30 PLATED	2								
37	1	26106-080702	BOLT, M8X 70 PLATED	1								
38	1	26306-080002	NUT, M8	2								
39	1	26756-060002	NUT, LOCK M6	1								
40	1	114110-07760	LABEL, FUEL OIL	1								
40-1	1	114110-07761	LABEL, FUEL OIL CAUT	1								N
(A=FXXXXX)												

Fig.2. ENGINE ACCESSORIES



(A)=EX450(CCY)

(B)=

(C)=

(D)=

(E)=

(F)=

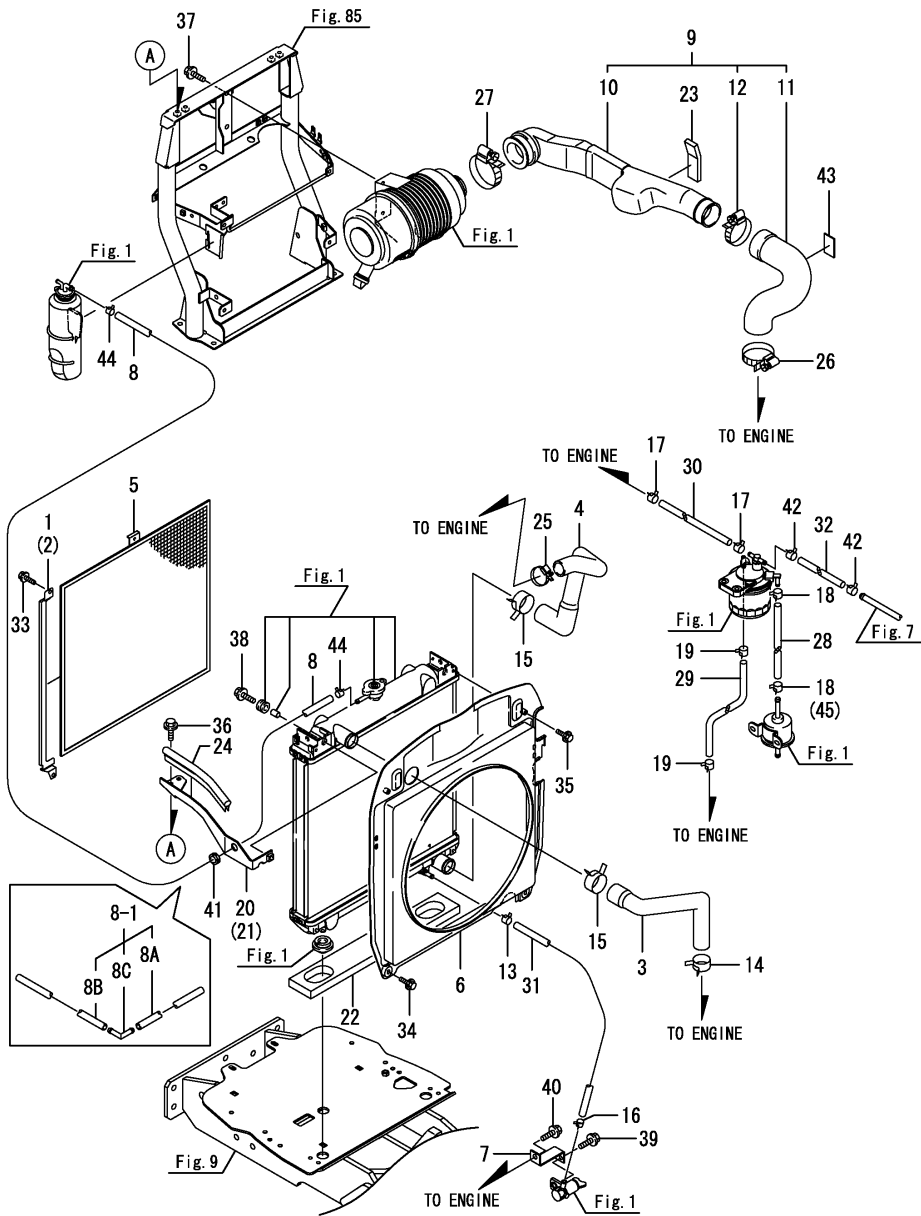
No.	Lev.	Parts No.	Description	Qty						I	R
				(A)	(B)	(C)	(D)	(E)	(F)		
1	1	1A7260-01030	RAIL, RADIATOR L	1							
2	1	1A7260-01040	RAIL, RADIATOR R	1							
3	1	1A7260-01210	PIPE, WATER A	1							
4	1	1A7260-01220	PIPE, WATER B	1							
5	1	1A7780-01250	SCREEN, RADIATOR	1							
6	1	1A8170-01300	SHROUD ASSY, FAN M	1							
7	1	198242-02310	STAY, DRAIN	1							
8	1	1A7260-03151	HOSE ASSY, OVERFLOW	1							
8-1	1	1A7780-03150	HOSE ASSY, OVERFLOW	1							R
(A=F001028)											
8A	2	1A7260-03160	PIPE, OVERFLOW A	1							W
(A=F001028)											
8B	2	1A7335-03160	HOSE, OVERFLOW	1							W
(A=F001028)											
8B-1	2	1A7260-03170	PIPE, OVERFLOW B	1							N
(A=F001028)											
8C	2	1A7260-03180	ELBOW	1							W
(A=F001028)											
9	1	1A7310-06200	PIPE ASSY, INTAKE	1							
10	2	1A7300-06210	PIPE, AIR INTAKE A	1							
11	2	1A7270-06220	PIPE, AIR INTAKE B	1							
12	2	129956-12160	CLAMP, HOSE	1							
13	1	106990-44660	CLIP, HOSE 12.5	1							
14	1	175022-49730	CRIP 31, HOSE	1							
15	1	175022-49750	CLIP 37, HOSE	2							
16	1	124766-59050	CLIP, HOSE 12	1							
17	1	124766-59050	CLIP, HOSE 12	2							
18	1	124766-59050	CLIP, HOSE 12	2							
18-1	1	124766-59050	CLIP, HOSE 12	1							K
(A=FXXXXX)											
19	1	124766-59050	CLIP, HOSE 12	2							
20	1	1A7270-60211	STAY ASSY, RADIATOR	1							
21	1	1A7270-60221	STAY ASSY, RADIATOR	1							
22	1	1A7260-60860	URETHANE, RADIATOR	1							
22-1	1	1A7780-60860	URETHANE, RADIATOR	1							R
(A=F001028)											
23	1	1A7260-60880	URETHANE, HOSE	1							
24	1	198146-63660	WEATHER-STRIP, 250	2							
25	1	23000-035000	CLAMP, 35	1							
26	1	23000-070000	CLAMP, 70	1							
27	1	23000-080000	CLAMP, 80	1							
28	1	23980-730180	HOSE, 7.3X 180	1							
29	1	23980-730350	HOSE, 7.3X 350	1							
30	1	23980-730400	HOSE, 7.3X 400	1							
31	1	23980-730400	HOSE, 7.3X 400	1							
32	1	23980-730680	HOSE, 7.3X 680	1							
33	1	26106-060122	BOLT, M6X 12 PLATED	4							
34	1	26106-060122	BOLT, M6X 12 PLATED	2							
35	1	26106-060252	BOLT, M6X 25 PLATED	2							
36	1	26106-080162	BOLT, M8X 16 PLATED	4							
37	1	26106-080162	BOLT, M8X 16 PLATED	2							

N:Old  $\frac{Yes}{No}$  New, Q:Old  $\frac{No}{Yes}$  New, R:Old  $\frac{Yes}{No}$  New, S:Old  $\frac{No}{Yes}$  New, W:Add, Z:Discontinued, F:Interchangeable by set, K:Qty Change

++ CONTINUE ++

Copyright (C) YANMAR CO., LTD. All Rights Reserved.

Fig.2. ENGINE ACCESSORIES

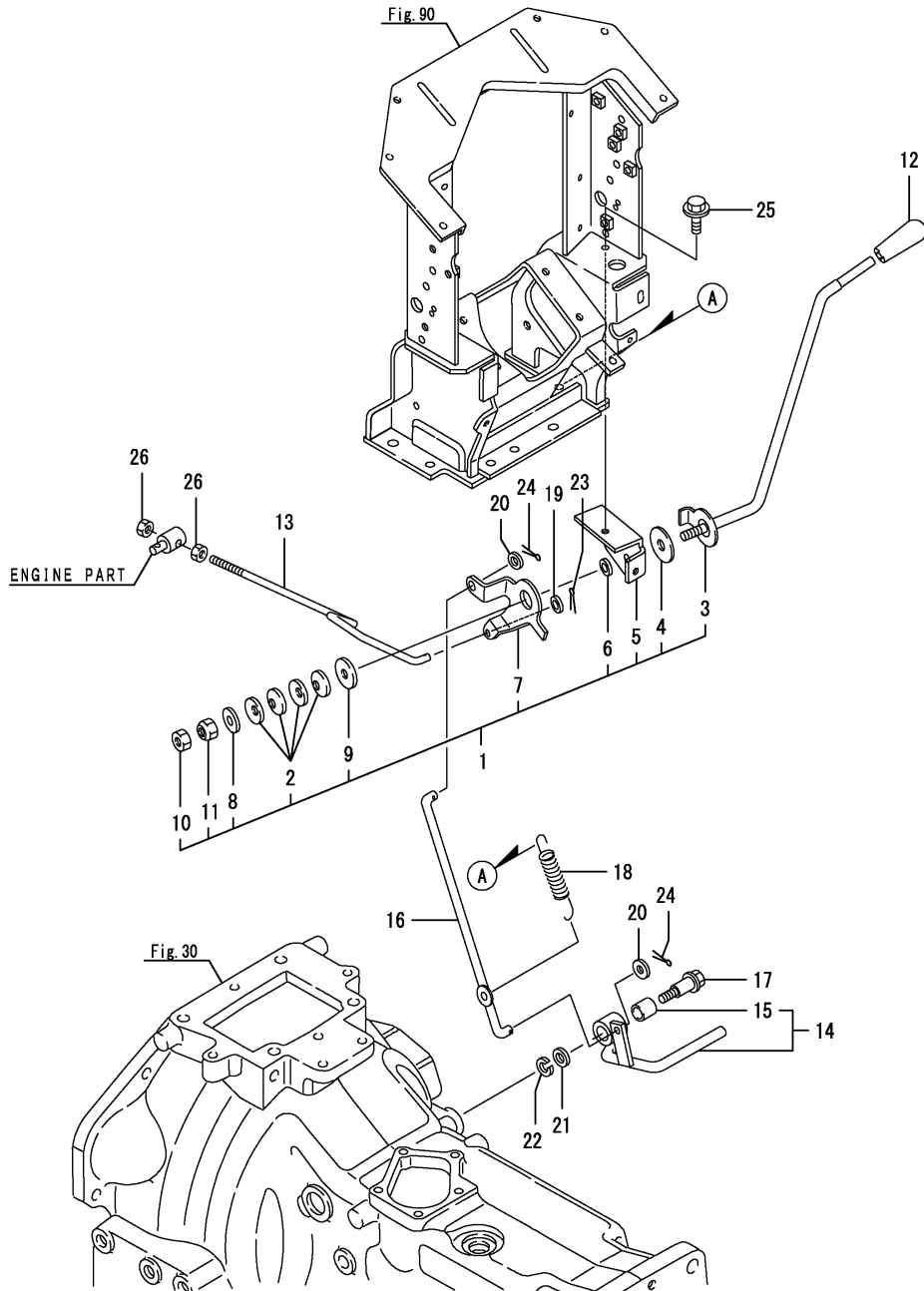


(A)=EX450(CCY)  
(B)=  
(C)=

(D)=  
(E)=  
(F)=

No.	Lev.	Parts No.	Description	Q'ty						I	R
				(A)	(B)	(C)	(D)	(E)	(F)		
38	1	26106-080252	BOLT, M8X 25 PLATED	2							
39	1	26106-080162	BOLT, M8X 16 PLATED	1							
40	1	26106-100162	BOLT, M10X 16 PLATED	1							
41	1	194180-01240	GROMMET, 13	1							
42	1	124766-59050	CLIP, HOSE 12	2							
43	1	198093-84810	SEAL, FENDER	1							
44	1	124766-59050	CLIP, HOSE 12	2							Z
45	1	114270-59010	CLIP, HOSE 12	1							W

Fig.3. ACCEL LEVER



(A)=EX450(CCY)

(B)=

(C)=

(D)=

(E)=

(F)=

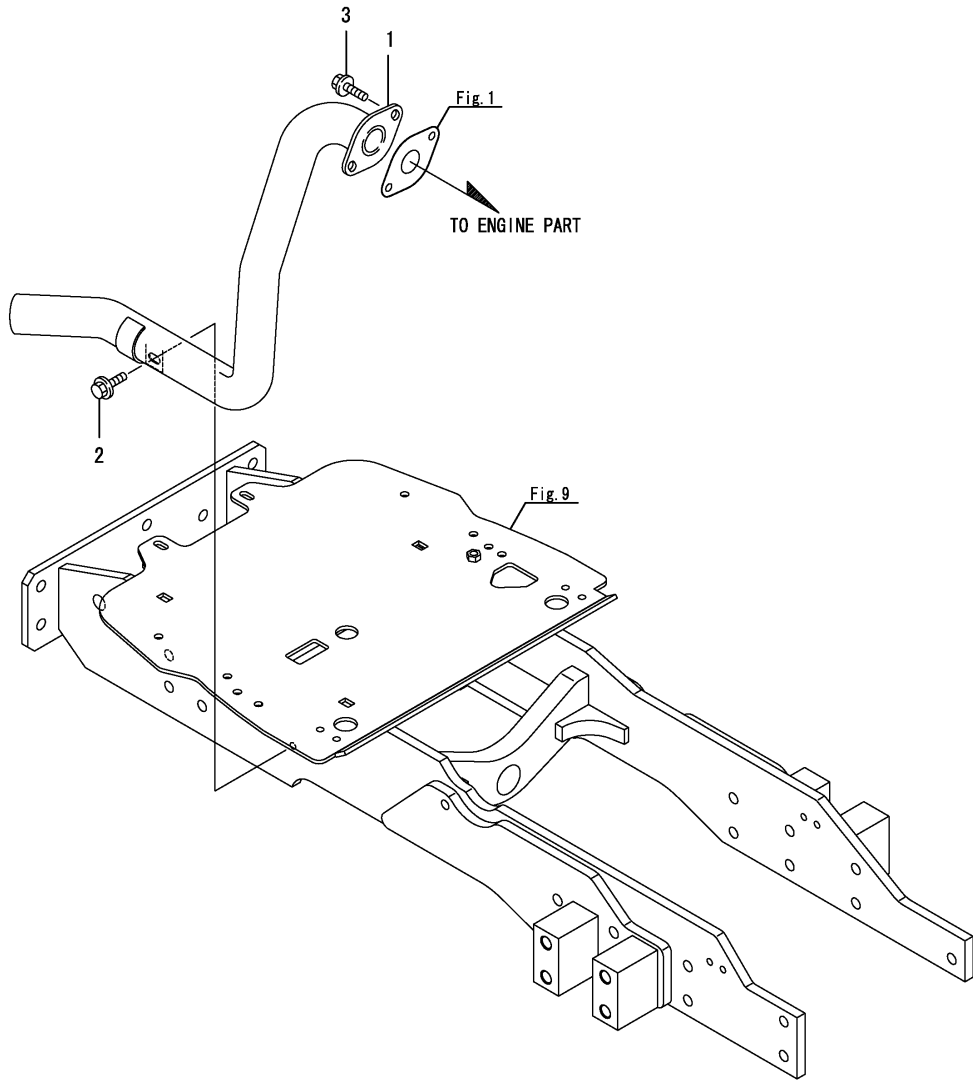
No.	Lev.	Parts No.	Description	Q'ty						I	R
				(A)	(B)	(C)	(D)	(E)	(F)		
1	1	7A7780-01110	LEVER KIT	1							
2	2	194740-00160	SPRING, 10	4							
3	2	1A7780-01110	LEVER ASSY	1							
4	2	198165-01130	PLATE, FRICTION	1							
5	2	198220-01140	BRACKET, LEVER	1							
6	2	194150-01270	SPACER, 20	1							
7	2	198242-01350	LEVER, LINK	1							
8	2	194145-61570	WASHER, 10	1							
9	2	22157-100000	WASHER, 10	1							
10	2	26756-100002	NUT, LOCK M10	1							
11	2	26986-100002	NUT, LOCK M10	1							
11-1	2	26716-100002	NUT, M10	1							R
(A=FZZZZZ)											
12	1	198253-01190	KNOB, LEVER	1							
13	1	1A7780-01320	ROD, LINK	1							
14	1	198240-01400	PEDAL ASSY, THROTTLE	1							
15	2	24550-014200	BUSH, 14X20	1							
16	1	198240-01450	ROD, ACCELERATOR	1							
17	1	198240-01470	BOLT, M10	1							
18	1	194750-04400	SPRING, RETURN	1							
19	1	22137-080000	WASHER, 8	1							
20	1	22137-080000	WASHER, 8	2							
21	1	22137-100000	WASHER, 10	1							
22	1	22217-100000	WASHER, SPRING 10	1							
23	1	22417-250300	PIN, COTTER 2.5X30	1							
24	1	22417-250300	PIN, COTTER 2.5X30	2							
25	1	26106-080162	BOLT, M8X 16 PLATED	2							
26	1	26716-080002	NUT, M8	2							



Fig.4. EXHAUST

(A)=EX450(CCY)  
(B)=  
(C)=

(D)=  
(E)=  
(F)=



No.	Lev.	Parts No.	Description	Q'ty						I	R
				(A)	(B)	(C)	(D)	(E)	(F)		
1	1	1A7780-03110	PIPE, EXHAUST	1							
2	1	26106-080202	BOLT, M8X 20 PLATED	1							
3	1	26106-080202	BOLT, M8X 20 PLATED	2							

---

---

---

---

---

---

---

---

---

---

---

---

---

---

---

---

---

---

---

---

---

---

---

---

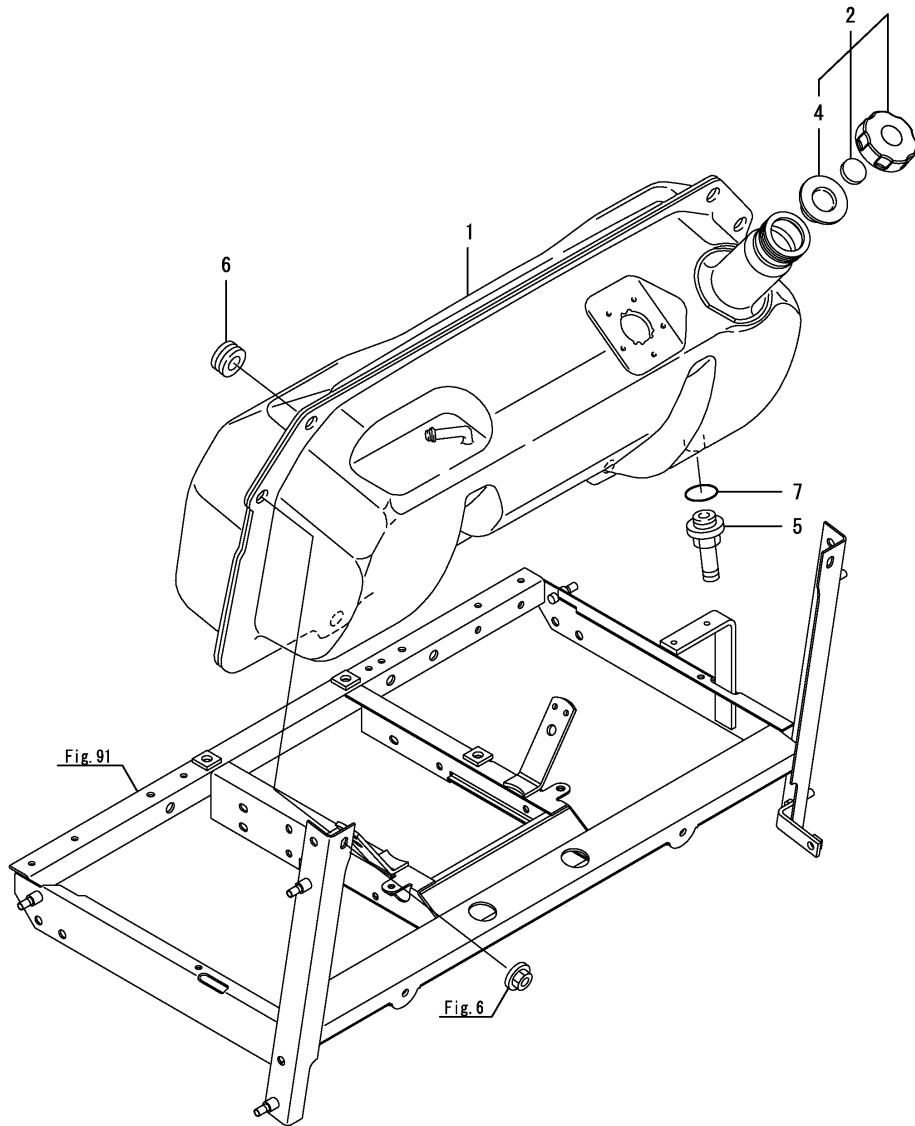
---

N:Old  $\frac{Yes}{No}$  New, Q:Old  $\frac{No}{Yes}$  New, R:Old  $\frac{Yes}{No}$  New, S:Old  $\frac{No}{Yes}$  New, W:Add, Z:Discontinued, F:Interchangeable by set, K:Q'ty Change  
Copyright (C) YANMAR CO., LTD. All Rights Reserved.

Fig.5. TANK,FUEL OIL

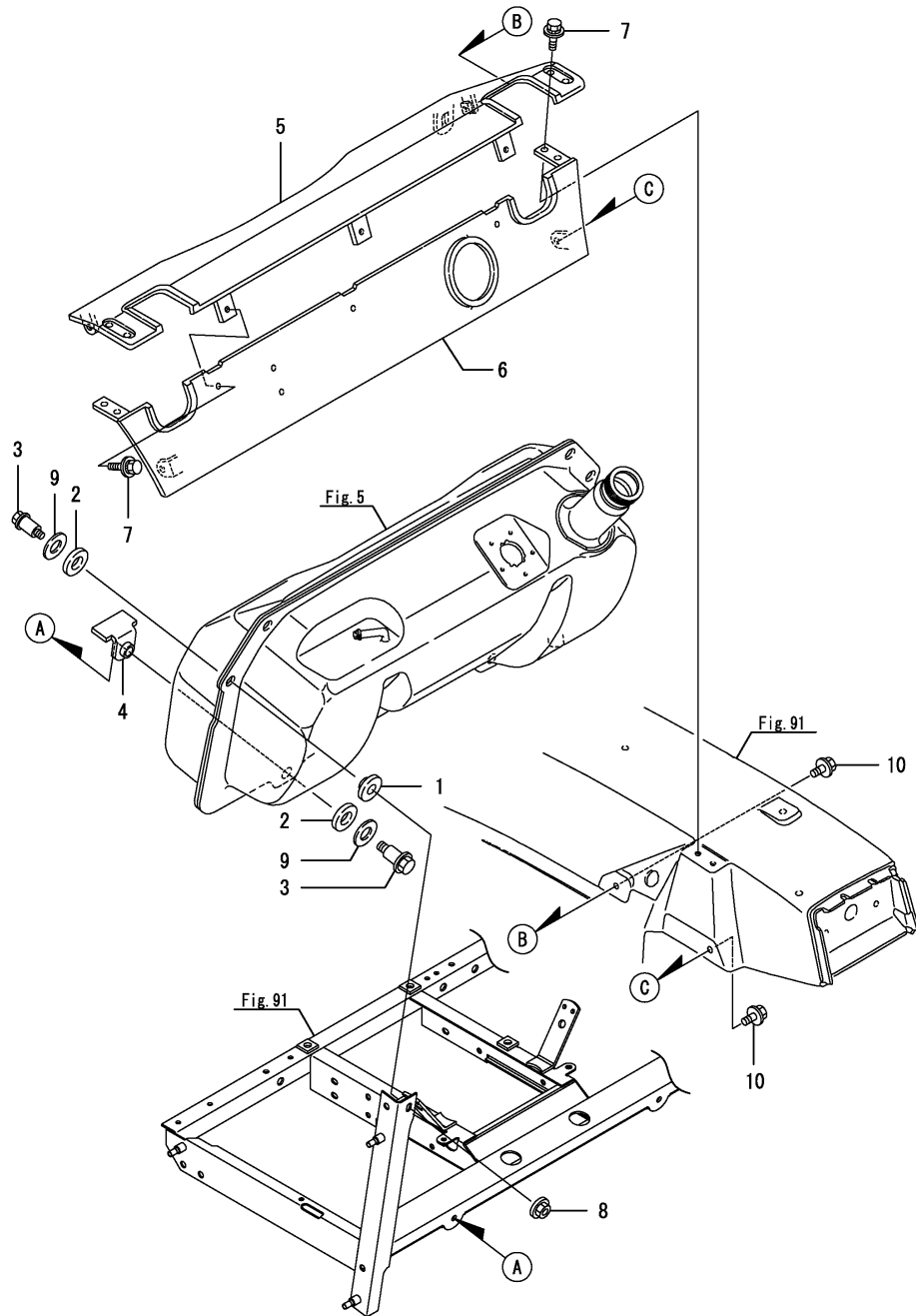
(A)=EX450(CCY)  
 (B)=  
 (C)=

(D)=  
 (E)=  
 (F)=



No.	Lev.	Parts No.	Description	Qty						I	R
				(A)	(B)	(C)	(D)	(E)	(F)		
1	1	1A7780-04111-1	TANK ASSY, FUEL	1							
2	1	198071-04500-2	CAP ASSY, FILLER	1							
4	2	1A1120-61541	SEAL, RUBBER	1							
5	1	198230-04750	JOINT, PIPE	1							
6	1	194170-51210	GROMMET 25	1							
7	1	24311-000150	O-RING, 1AP15.0	1							

Fig.6. TANK BRACKET



(A)=EX450(CCY)  
 (B)=  
 (C)=

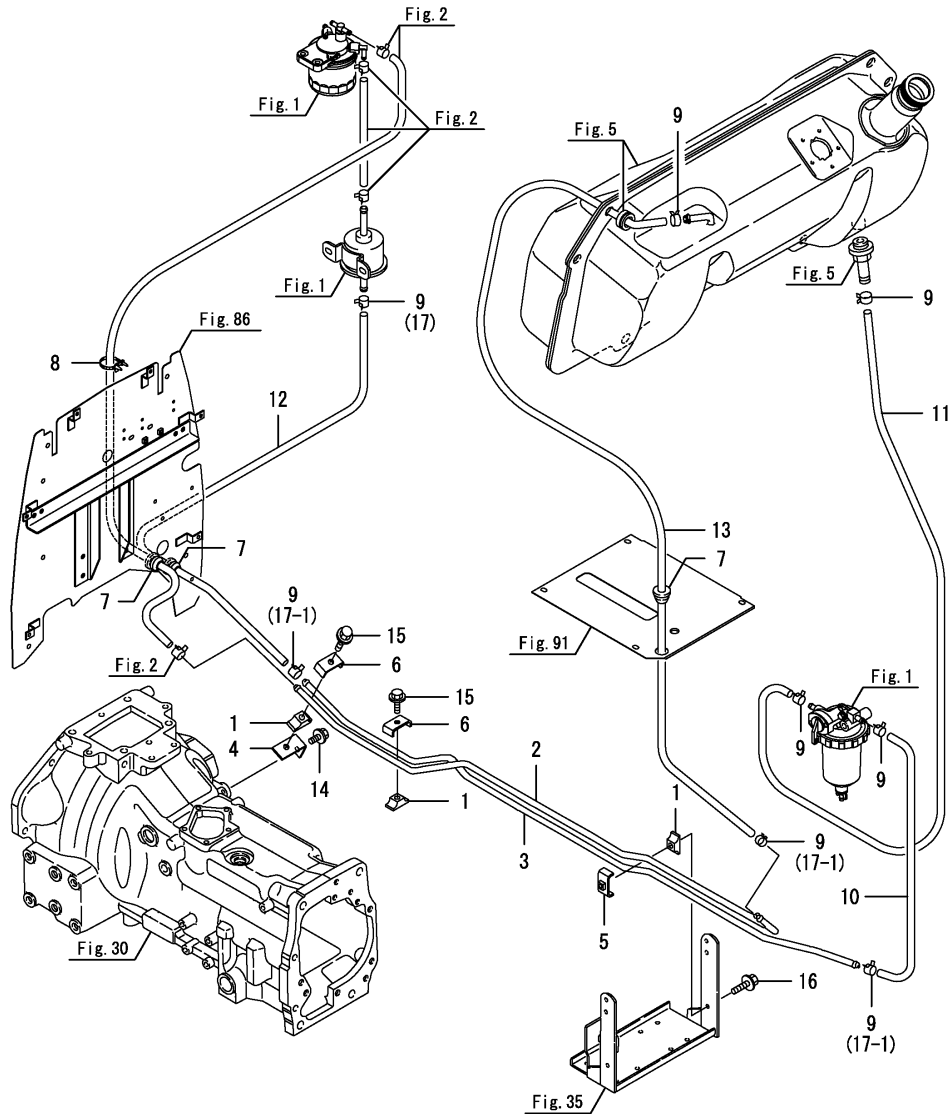
(D)=  
 (E)=  
 (F)=

No.	Lev.	Parts No.	Description	Q'ty						I	R
				(A)	(B)	(C)	(D)	(E)	(F)		
1	1	194555-04260	PACKING, TANK A	2							
2	1	194555-04270	PACKING, TANK B	4							
3	1	194555-04280	BOLT, M8X26	4							
4	1	198220-04290	GASKET, TANK	2							
5	1	198320-04300-1	COVER, TANK FRONT	1							
6	1	198320-04350-2	COVER, TANK REAR	1							
7	1	194155-05210	BOLT, M6X16	7							
7-1	1	26018-060162	BOLT, M6X 16	7							R
(A=F001028)											
8	1	194990-22140	NUT, M8	2							
9	1	22157-120000	WASHER, 12	4							
10	1	26106-080162	BOLT, M8X 16 PLATED	4							

Fig.7. FUEL PIPE

(A)=EX450(CCY)  
(B)=  
(C)=

(D)=  
(E)=  
(F)=



No.	Lev.	Parts No.	Description	Q'ty						I	R
				(A)	(B)	(C)	(D)	(E)	(F)		
1	1	198240-04710	BASE, CLAMP	3							
2	1	198240-04750	PIPE, FUEL	1							
3	1	198240-04760	PIPE, FUEL	1							
4	1	198240-04770	BRACKET, PIPE	1							
4-1	1	198240-04780	PLATE	1							R
(A=F001085)											
5	1	198327-04840	CLAMP	1							
6	1	194180-17770	CLAMP, PIPE	2							
7	1	194170-51210	GROMMET 25	3							
8	1	198448-51910	CLIP, BAND	1							
9	1	124766-59050	CLIP, HOSE 12	8							
9-1	1	124766-59050	CLIP, HOSE 12	7							K
(A=FXXXXX)											
9-2	1	124766-59050	CLIP, HOSE 12	4							K
(A=FXXXXX)											
10	1	23980-730300	HOSE, 7.3X 300	1							
11	1	23980-730420	HOSE, 7.3X 420	1							
11-1	1	23980-730300	HOSE, 7.3X 300	1							N
(A=F000280)											
12	1	23980-730450	HOSE, 7.3X 450	1							
13	1	23980-731120	HOSE, 7.3X1120	1							
14	1	26106-080162	BOLT, M8X 16 PLATED	1							
15	1	26106-080252	BOLT, M8X 25 PLATED	2							
16	1	26106-080302	BOLT, M8X 30 PLATED	1							
17	1	114270-59010	CLIP, HOSE 12	1							W
(A=FXXXXX)											
17-1	1	114270-59010	CLIP, HOSE 12	4							K
(A=FXXXXX)											

Fig.8. SHUTTER PLATE

(A)=EX450(CCY)  
(B)=  
(C)=

(D)=  
(E)=  
(F)=

No.	Lev.	Parts No.	Description	Q'ty						I	R
				(A)	(B)	(C)	(D)	(E)	(F)		
1	1	1A8205-05510	PLATE, SHUTTER	1							
2	1	194990-22140	NUT, M8	2							

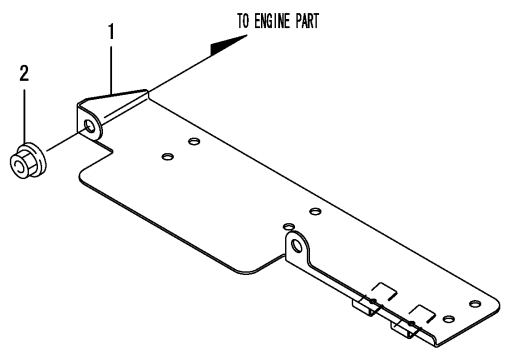


Fig.9. FRONT BRACKET

(A)=EX450(CCY)  
 (B)=  
 (C)=

(D)=  
 (E)=  
 (F)=

No.	Lev.	Parts No.	Description	Qty						I	R
				(A)	(B)	(C)	(D)	(E)	(F)		
1	1	1A8170-11100	BRACKET ASSY, AXLE	1							
2	1	194450-11190	PLUG, 15.0	8							
3	1	1A7780-11510	BOLT, M12X30	6							
4	1	198240-11620	BOLT, M12X34	1							
5	1	198240-11640	BOLT, M12X46	1							
6	1	198240-11650	BOLT, M12X45	7							
7	1	194180-61980	GROMMET, 24	4							

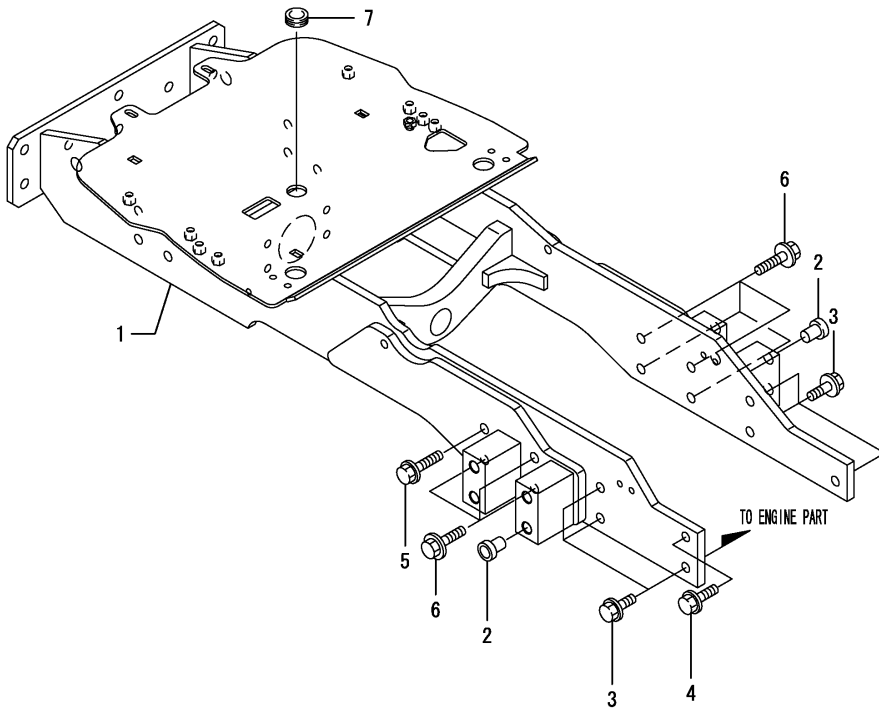
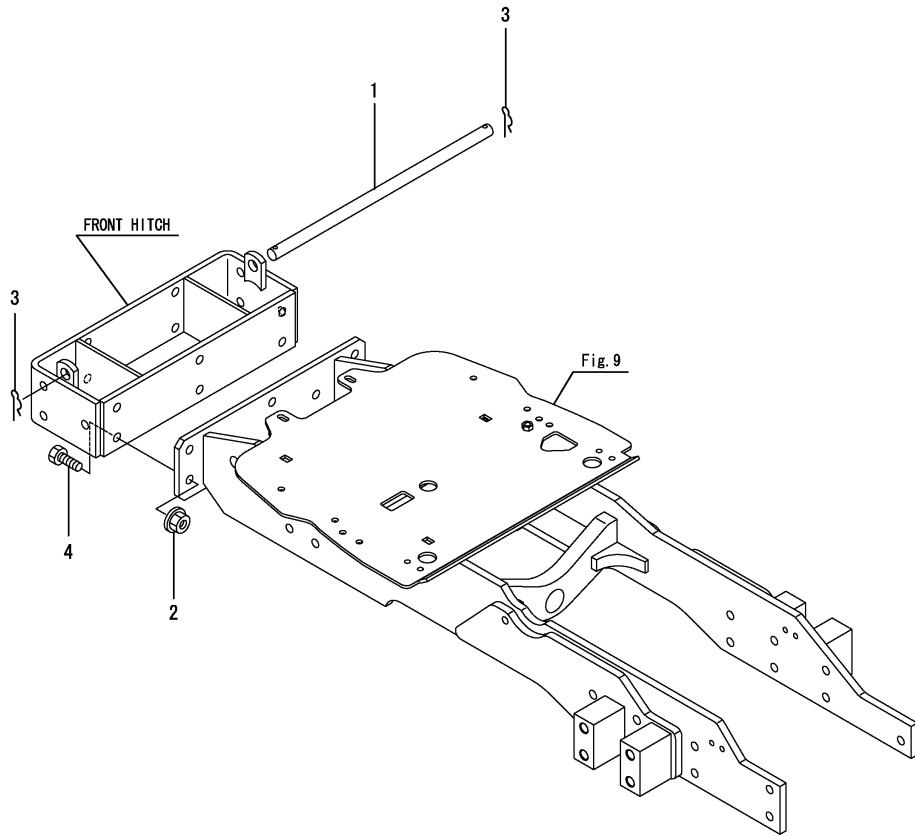


Fig.10. FRONT HITCH(OPTION)



(A)=EX450(CCY)  
(B)=  
(C)=

(D)=  
(E)=  
(F)=

No.	Lev.	Parts No.	Description	Qty						I	R
				(A)	(B)	(C)	(D)	(E)	(F)		
1	1	194197-11140	PIN, WEIGHT LOCK	1							
2	1	194990-22160	NUT, M12	6							
3	1	22372-160000	PIN, SNAP 16	2							
4	1	26116-120352	BOLT, M12X 35 PLATED	6							

---

---

---

---

---

---

---

---

---

---

---

---

---

---

---

---

---

---

---

---

---

---

---

---

Remarks  
\* Optional parts.

Fig.11. CENTER PIN

(A)=EX450(CCY)  
 (B)=  
 (C)=

(D)=  
 (E)=  
 (F)=

No.	Lev.	Parts No.	Description	Q'ty						I	R
				(A)	(B)	(C)	(D)	(E)	(F)		
1	1	198240-11500	PIN ASSY, CENTER	1							
2	2	24761-040000	NIPPLE, GREASE B	1							
3	1	198240-11540	SHIM SET	1							
4	1	198240-11550	SPACER, 36X62X27	1							
5	1	26106-120352	BOLT, M12X 35 PLATED	4							

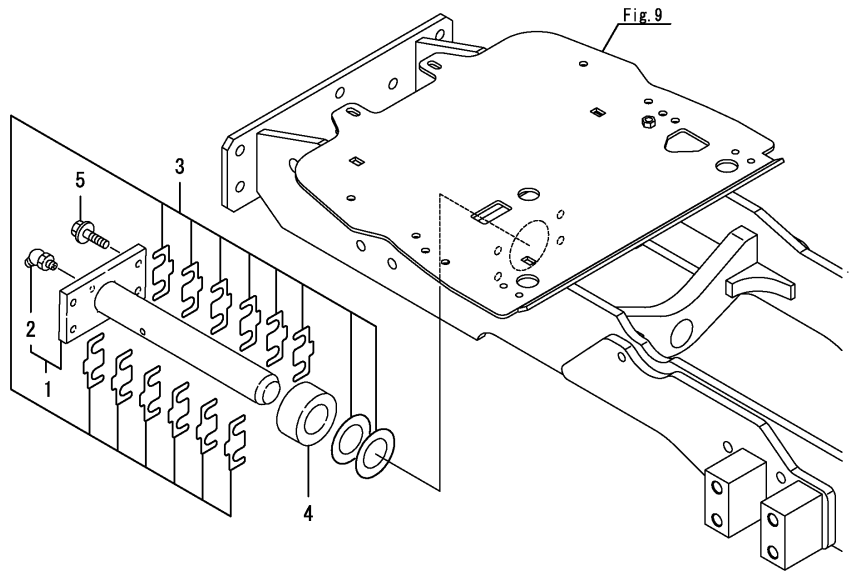




Fig.12. KNUCKLE ARM

(A)=EX450(CCY)  
 (B)=  
 (C)=

(D)=  
 (E)=  
 (F)=

No.	Lev.	Parts No.	Description	Q'ty						I	R
				(A)	(B)	(C)	(D)	(E)	(F)		
1	1	198251-11800-1	ARM ASSY, KNUCKLE L	1							
2	2	23876-040000	PLUG, R04	1							
3	1	198251-11820-1	ARM ASSY, KNUCKLE R	1							
4	2	198251-13630	GAUGE, OIL LEVEL	1							
5	2	24311-000180	O-RING, 1AP18.0	1							
6	1	22217-120000	WASHER, SPRING 12	4							
7	1	22312-100180	PIN, PARALLEL M10X18	4							
8	1	26013-120802	BOLT, M12X 80	4							
9	1	26216-120352	STUD, M12X 35	4							
10	1	26716-120002	NUT, M12	4							

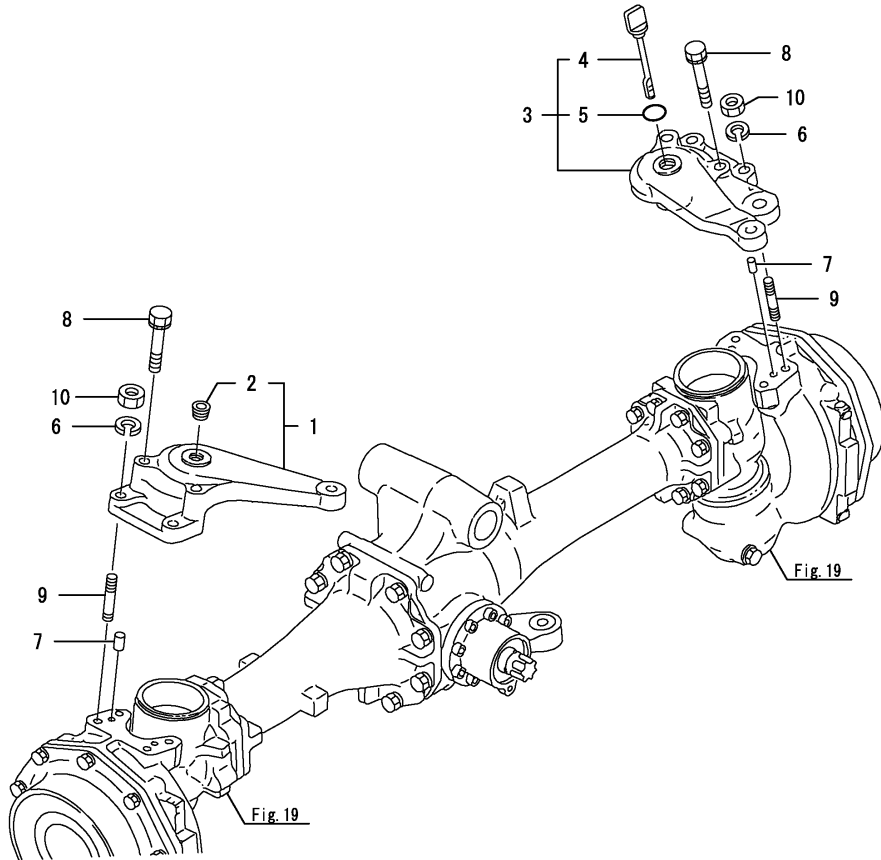
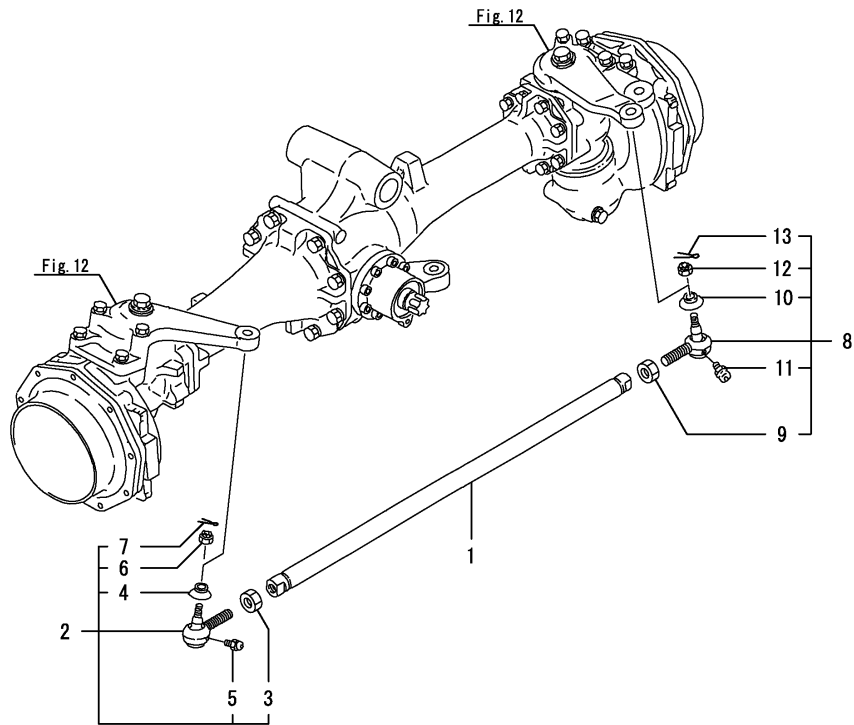


Fig.13. TIE-ROD

(A)=EX450(CCY)  
(B)=  
(C)=

(D)=  
(E)=  
(F)=



No.	Lev.	Parts No.	Description	Q'ty						I	R
				(A)	(B)	(C)	(D)	(E)	(F)		
1	1	198251-12310-1	TIE-ROD	1							
2	1	198240-18120-2	TIRE-ROD END KIT(LR)	1							
3	2	194990-22831	NUT, LOCK M17 L	1							
4	2	194730-57220	COVER, DUCT	1							
5	2	24761-060000	NIPPLE, GREASE MT6X1	1							
6	2	198240-12590	NUT, M12	1							
7	2	22417-300250	PIN, COTTER 3.0X25	1							
8	1	198240-18130-2	END KIT, TIE ROD	1							
9	2	194990-22841	NUT, M17	1							
10	2	194730-57220	COVER, DUCT	1							
11	2	24761-060000	NIPPLE, GREASE MT6X1	1							
12	2	198240-12590	NUT, M12	1							
13	2	22417-300250	PIN, COTTER 3.0X25	1							

Fig.14. RING GEAR

(A)=EX450(CCY)  
 (B)=  
 (C)=

(D)=  
 (E)=  
 (F)=

No.	Lev.	Parts No.	Description	Qty						I	R
				(A)	(B)	(C)	(D)	(E)	(F)		
1	1	198251-13100	GEAR ASSY, RING	1							
2	1	1A7780-13670	COLLAR, SEAL	1							
3	1	24101-060124	BEARING, BALL 6012	1							
4	1	24141-320070	BEARING, 32007	2							
5	1	24341-000315	O-RING, 1AS31.5	1							

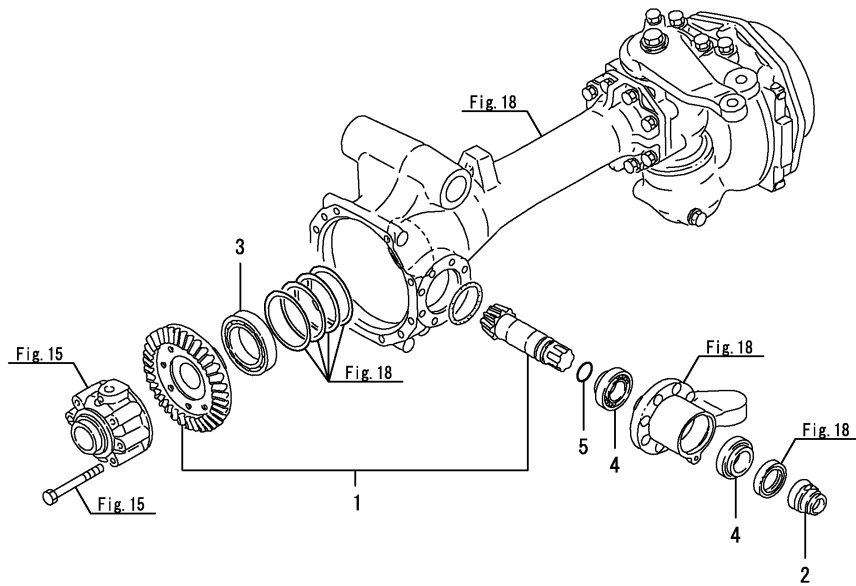


Fig.15. DIFFERENTIAL GEAR

(A)=EX450(CCY)  
 (B)=  
 (C)=

(D)=  
 (E)=  
 (F)=

No.	Lev.	Parts No.	Description	Q'ty						I	R
				(A)	(B)	(C)	(D)	(E)	(F)		
1	1	194641-13210	CASE, DIFFERENTIAL	1							
2	1	194321-13230	PINION, DIFFERENTIAL	2							
3	1	194465-13240	LINER, DIFFERENTIAL	2							
4	1	194321-13250	GEAR, DIFFERENTIAL	2							
5	1	194465-13260	WASHER, DIFFERENTIAL	2							
6	1	194321-13270	SHAFT, DIFFERENTIAL	1							
7	1	194323-13290	BOLT, M10X70	6							
8	1	22312-100180	PIN, PARALLEL M10X18	2							
9	1	22351-035032	PIN, SPRING 3.5X32	1							
10	1	22351-060032	PIN, SPRING 6.0X32	1							
11	1	24101-060104	BEARING, BALL 6010	1							

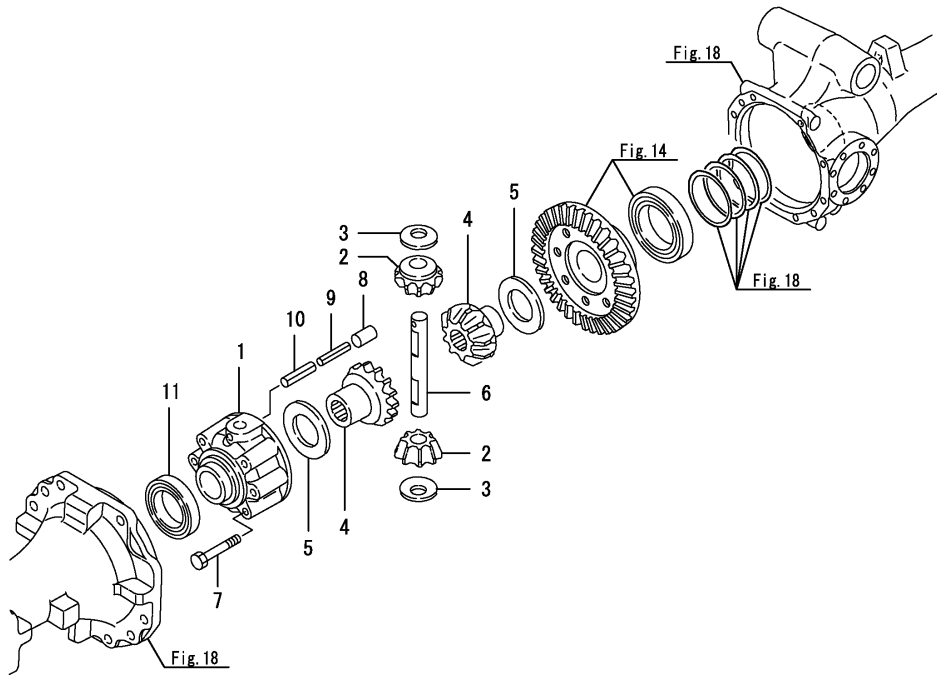


Fig.16. PROPELLER SHAFT

(A)=EX450(CCY)  
(B)=  
(C)=

(D)=  
(E)=  
(F)=

No.	Lev.	Parts No.	Description	Q'ty						I	R
				(A)	(B)	(C)	(D)	(E)	(F)		
1	1	198251-13270	SPACER, 33X48X 2	1							
2	1	198241-13280	SPACER, 33X40X15.5	1							
3	1	198137-13300	SHAFT ASSY,PROPELLER	1							
4	2	198133-13340	COUPLING, B	1							
5	2	198137-13350	SHAFT, PROPELLER	1							
6	1	194274-13350	BOOT, RUBBER	2							
7	1	194321-13360	WASHER, 25	2							
7-1	1	1A7260-43650	SPACER	2							R
(A=F001086)											
8	1	198441-13370	SPRING, RETAINER	1							
9	1	194321-13380	SEAL, SPLINE SHAFT	1							
10	1	22417-400500	PIN, COTTER 4.0X50	1							
11	1	24190-110001	BALL, STEEL 11/32	12							

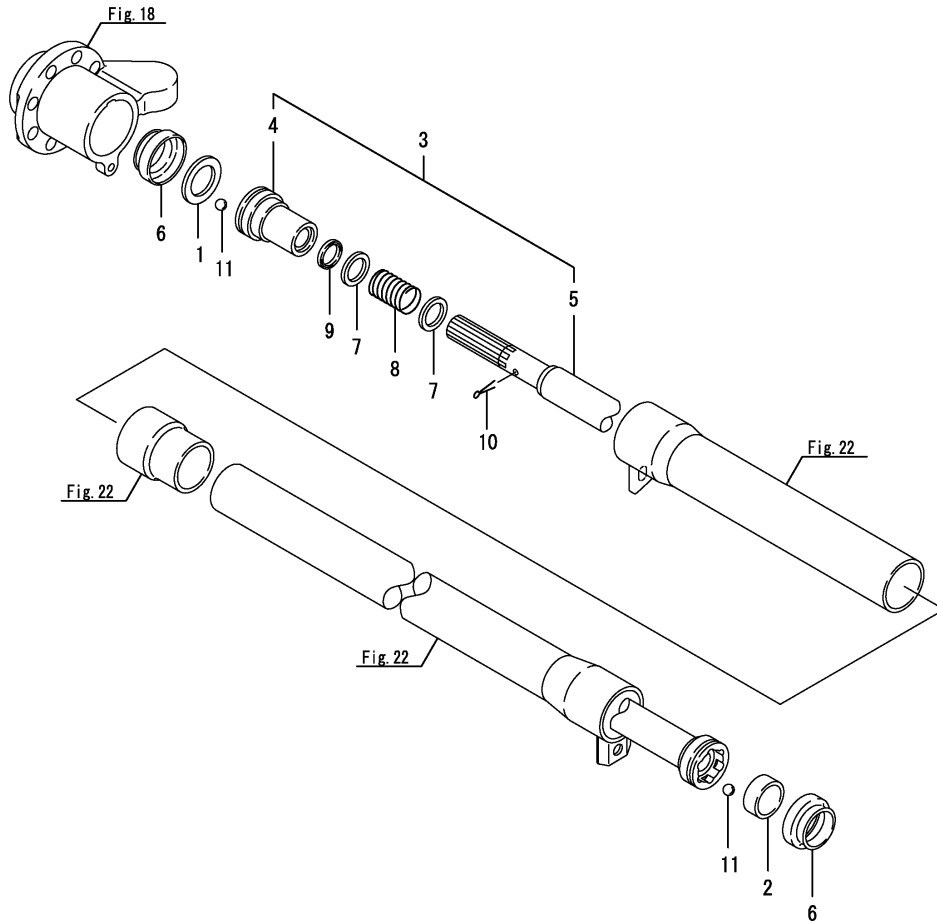


Fig.17. FRONT SHAFT(1)

(A)=EX450(CCY)  
 (B)=  
 (C)=

(D)=  
 (E)=  
 (F)=

No.	Lev.	Parts No.	Description	Q'ty						I	R
				(A)	(B)	(C)	(D)	(E)	(F)		
1	1	198251-13510	SHAFT, FRONT 1ST L	1							
2	1	198153-13521	PINION, SHAFT	2							
3	1	198251-13520	SHAFT, FRONT 1ST R	1							
4	1	24101-062084	BEARING, BALL 6208	2							

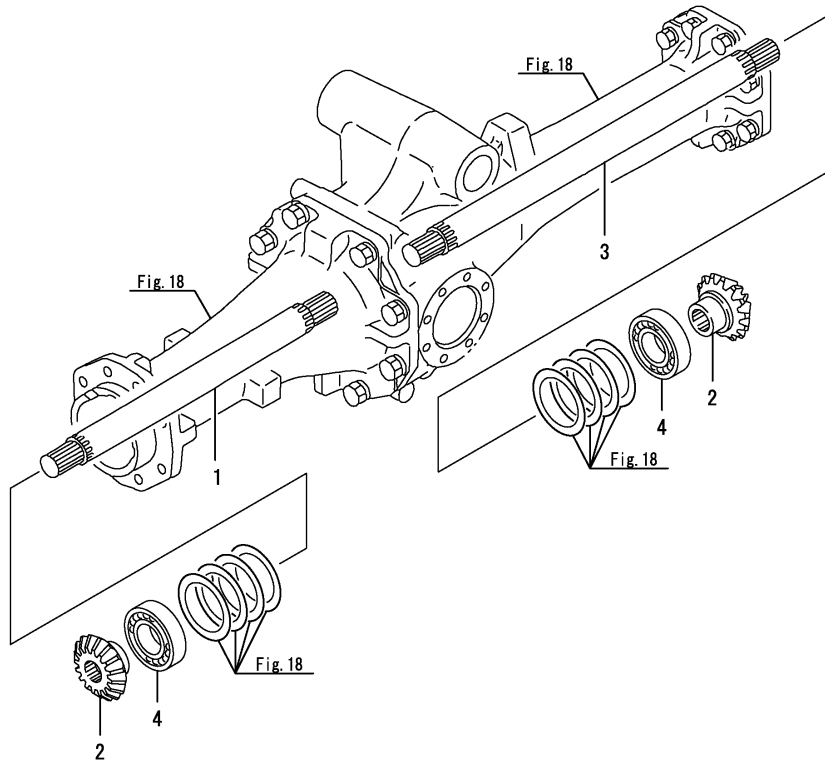
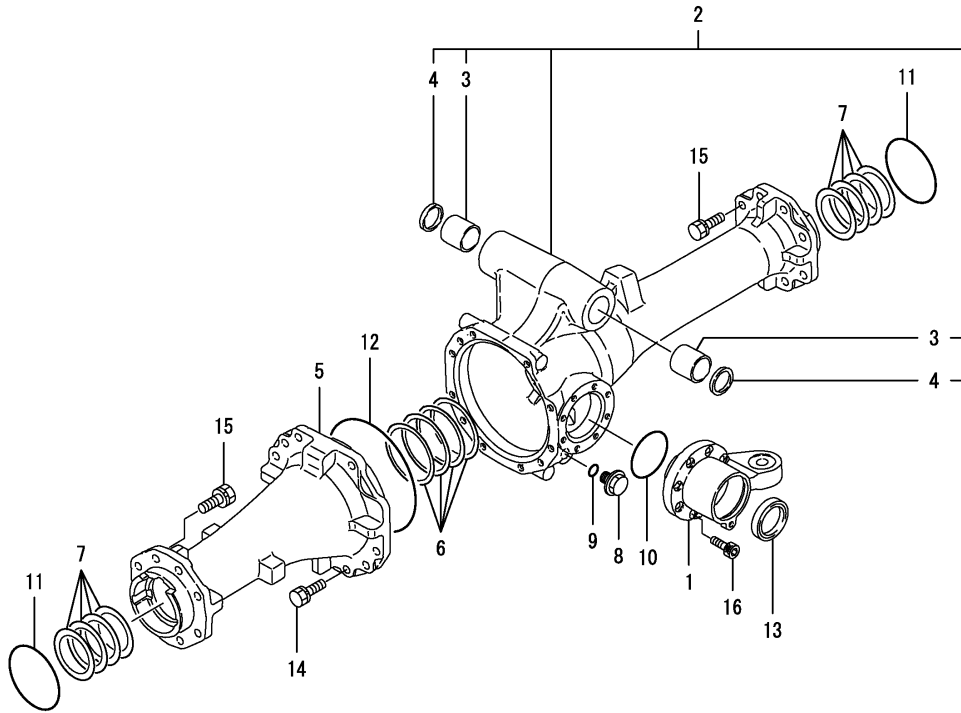


Fig.18. FRONT AXLE HOUSING

(A)=EX450(CCY)  
 (B)=  
 (C)=

(D)=  
 (E)=  
 (F)=

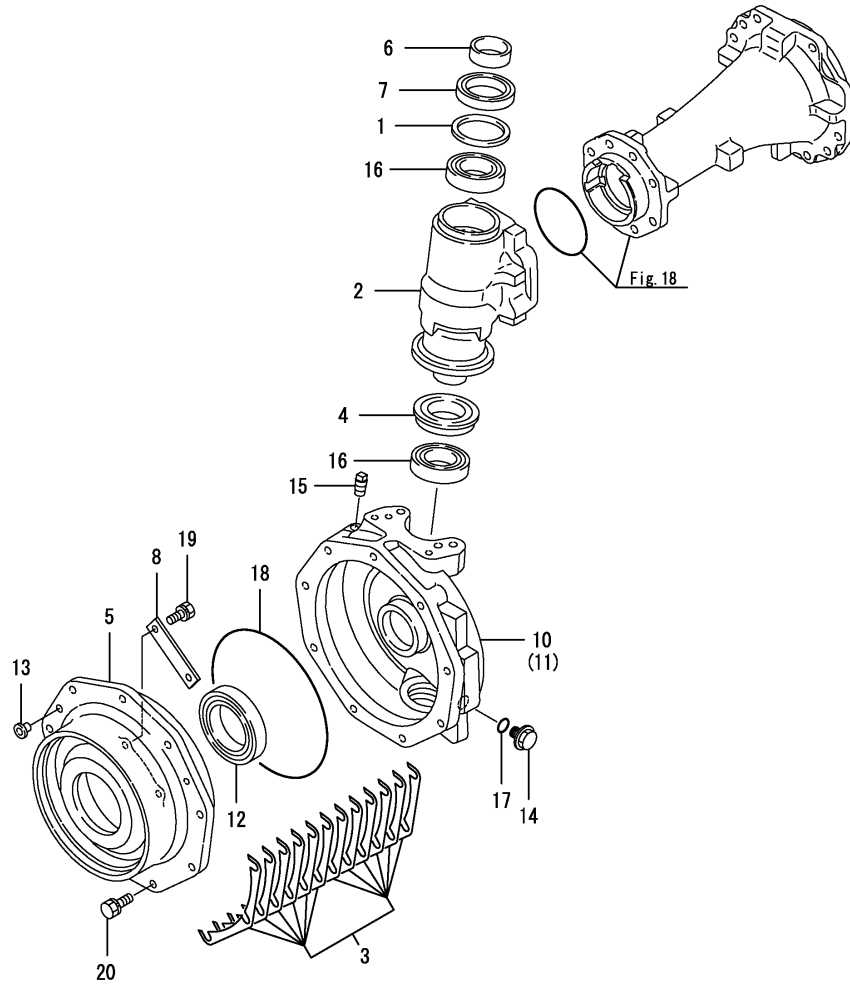


No.	Lev.	Parts No.	Description	Q'ty						I	R
				(A)	(B)	(C)	(D)	(E)	(F)		
1	1	198251-13450-1	RETAINER, BEARING	1							
2	1	198251-13600-1	HOUSING ASSY, AXLE R	1							
3	2	198251-11220	BUSH, 35X41X40	2							
4	2	194321-11940	SEAL, OIL VB354105	2							
5	1	198251-13610-1	HOUSING, FRONT AXLE	1							
6	1	794321-13660	SHIM SET	1							
7	1	194641-13670	SHIM SET, PINION	1							
8	1	23491-140002	PLUG, 14	1							
9	1	24311-000160	O-RING, 1AP16.0	1							
10	1	24321-000700	O-RING, 1AG70.0	1							
11	1	24321-001000	O-RING, 1AG100.0	2							
12	1	24321-001700	O-RING, 1AG170.0	1							
13	1	24421-456209	SEAL, OIL TC456209	1							
14	1	26013-120302	BOLT, M12X 30	11							
15	1	26013-120302	BOLT, M12X 30	16							
16	1	26450-080252	BOLT, M8X 25	8							

Fig.19. FRONT GEAR CASE

(A)=EX450(CCY)  
 (B)=  
 (C)=

(D)=  
 (E)=  
 (F)=



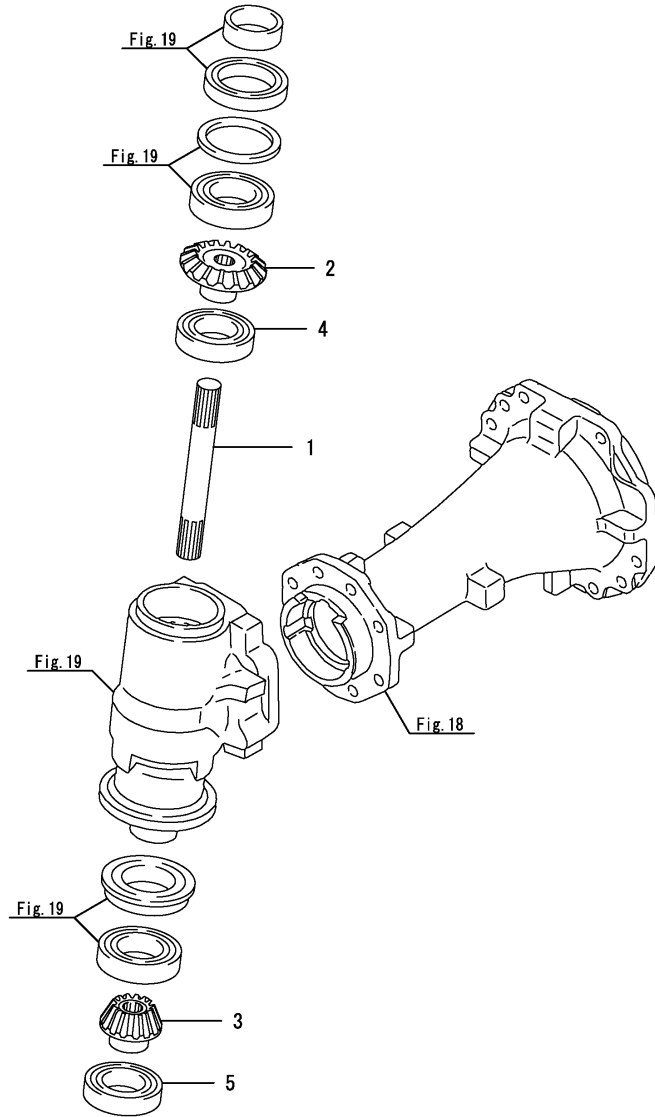
No.	Lev.	Parts No.	Description	Q'ty						I	R
				(A)	(B)	(C)	(D)	(E)	(F)		
1	1	194321-13680	SPACER, 85X1	2							
2	1	198251-13710-1	CASE, FRONT GEAR	2							
3	1	198401-13720	SHIM SET	1							
4	1	194641-13760	SEAL, OIL 55X85	2							
5	1	198401-13770-1	CASE, FRONT BEARING	2							
6	1	194641-13780	SLEEVE, SI 50X55X18	2							
7	1	194641-13790	SEAL, OIL TC6Y558514	2							
8	1	198401-13790	RETAINER, BEARING	4							
10	1	198401-13750-1	BOX, GEAR L	1							
11	1	198401-13850-1	BOX, GEAR R	1							
12	1	194180-32670	SEAL, TC6Y8010515	2							
13	1	1A1120-68070	CAP, SCREW 6.8	6							
14	1	23491-140002	PLUG, 14	2							
15	1	23876-010000	PLUG, R01	2							
16	1	24101-062094	BEARING, BALL 6209	4							
17	1	24311-000160	O-RING, 1AP16.0	2							
18	1	24321-002200	O-RING, 1AG220.0	2							
19	1	26013-080252	BOLT, M8X 25	8							
20	1	26013-100252	BOLT, M10X 25	18							



Fig.20. FRONT SHAFT(2)

(A)=EX450(CCY)  
(B)=  
(C)=

(D)=  
(E)=  
(F)=



No.	Lev.	Parts No.	Description	Q'ty						I	R
				(A)	(B)	(C)	(D)	(E)	(F)		
1	1	198251-13810	SHAFT, FRONT 2ND	2							
2	1	198251-13820	GEAR, 2ND SHAFT	2							
3	1	194641-13830	PINION, FRONT FINAL	2							
4	1	194641-13840	BEARING, BALL TMB208	2							
5	1	192160-34150	BALL BEARING	2							

Fig.21. FRONT SPINDLE

(A)=EX450(CCY)  
 (B)=  
 (C)=

(D)=  
 (E)=  
 (F)=

No.	Lev.	Parts No.	Description	Q'ty						I	R
				(A)	(B)	(C)	(D)	(E)	(F)		
1	1	198401-14110-1	SPINDLE, FRONT	2							
2	1	198401-14120	GEAR, FRONT SHAFT	2							
3	1	198401-14130	COLLAR, SEAL	2							
4	1	198401-14150	WASHER	2							
4-1	1	1A7780-14180 (A=F001028)	WASHER	2							R
5	1	198401-14160 (A=F001142)	WASHER	2							Z
6	1	24101-060144	BEARING, BALL 6014	2							
7	1	24101-062134	BEARING, BALL 6213	2							
8	1	24325-000650	O-RING, 1BG65.0	2							
9	1	26116-100252	BOLT, M10X 25 PLATED	6							
9-1	1	26106-100252 (A=F001142)	BOLT, M10X 25 PLATED	6							R
9-2	1	198208-11310 (A=FXXXXX)	BOLT, M10X 25	6							N

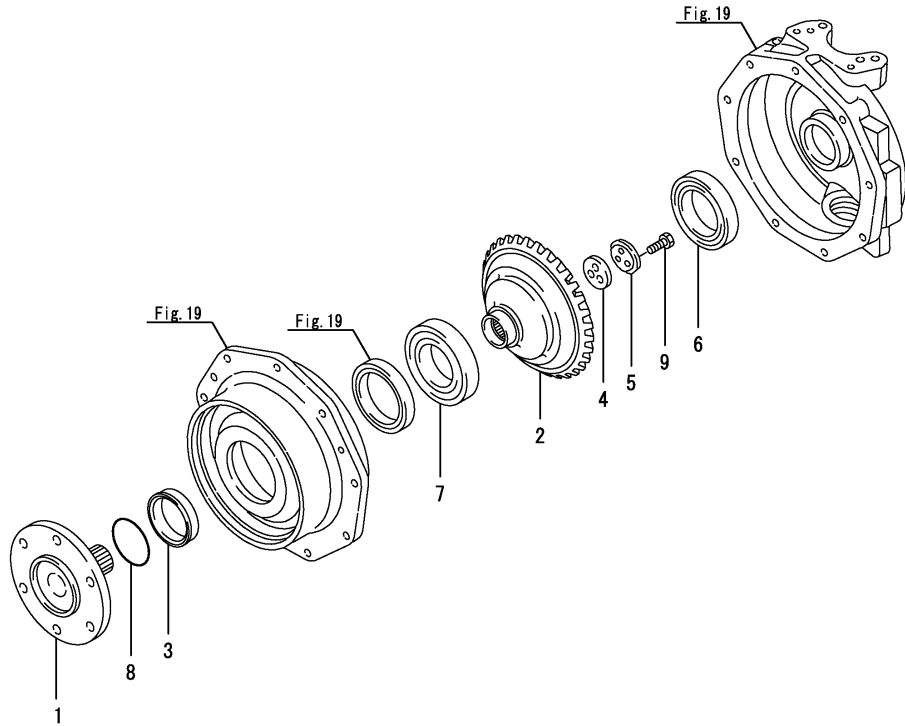


Fig.22. SHAFT COVER

(A)=EX450(CCY)  
(B)=  
(C)=

(D)=  
(E)=  
(F)=

No.	Lev.	Parts No.	Description	Q'ty						I	R
				(A)	(B)	(C)	(D)	(E)	(F)		
1	1	1A7780-14600-1	COVER, SHAFT FRONT	1							
2	1	198241-14650	BOOT, SHAFT COVER	1							
3	1	1A7780-14700-1	COVER, SHAFT	1							
4	1	198255-14740	SEAL, COVER 62	1							
5	1	1A7780-14740	COLLAR, 8.1X10.5X4	2							
6	1	198255-14760	SEAL, COVER 65	1							
7	1	23000-070000	CLAMP, 70	2							
8	1	26106-080122	BOLT, M8X 12 PLATED	2							

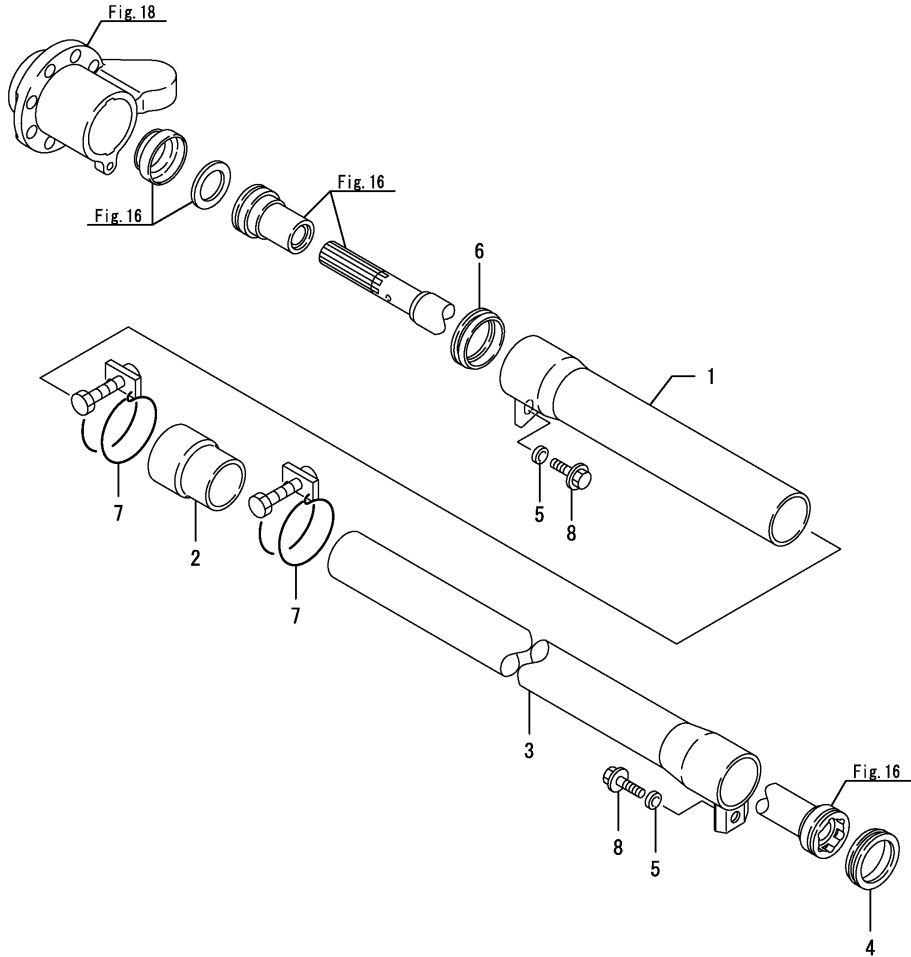
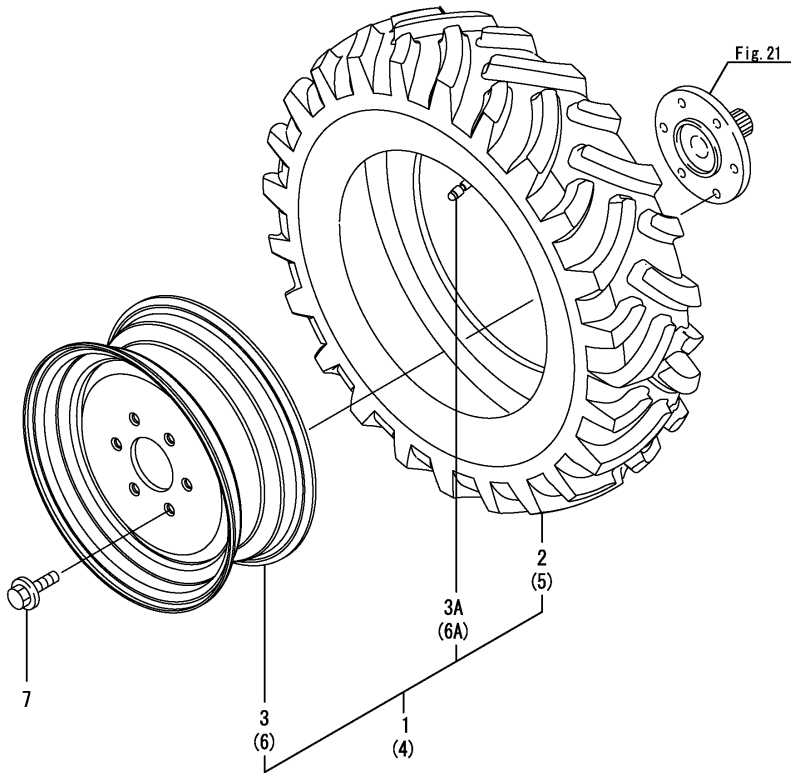


Fig.23. FRONT WHEEL TIRE

(A)=EX450(CCY)  
 (B)=  
 (C)=

(D)=  
 (E)=  
 (F)=



No.	Lev.	Parts No.	Description	Q'ty						I	R
				(A)	(B)	(C)	(D)	(E)	(F)		
1	1	1A8170-14300	TIRE KIT, FRONT R1 L	1							
2	2	1A8170-14310	TIRE, FRONT R1 8X16	1							
3	2	1A8170-14330	WHEEL, R1 F	1							
3A	2	1A8170-14350	VALVE, TIRE R1 F	1							
4	1	1A8170-14400	TIRE KIT, FRONT R1 R	1							
5	2	1A8170-14310	TIRE, FRONT R1 8X16	1							
6	2	1A8170-14330	WHEEL, R1 F	1							
6A	2	1A8170-14350	VALVE, TIRE R1 F	1							
7	1	1A8170-14210	BOLT, HUB M14	12							

---

---

---

---

---

---

---

---

---

---

---

---

---

---

---

---

---

---

---

---

---

---

---

---

---

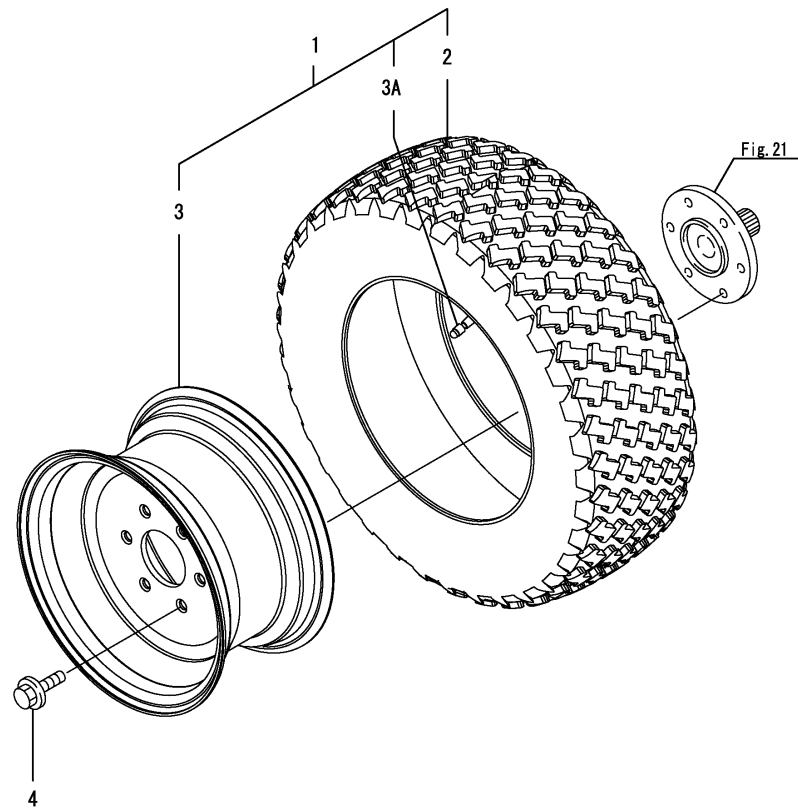
---

Fig.24. FRONT WHEEL TIRE

(A)=EX450(CCY)  
 (B)=  
 (C)=

(D)=  
 (E)=  
 (F)=

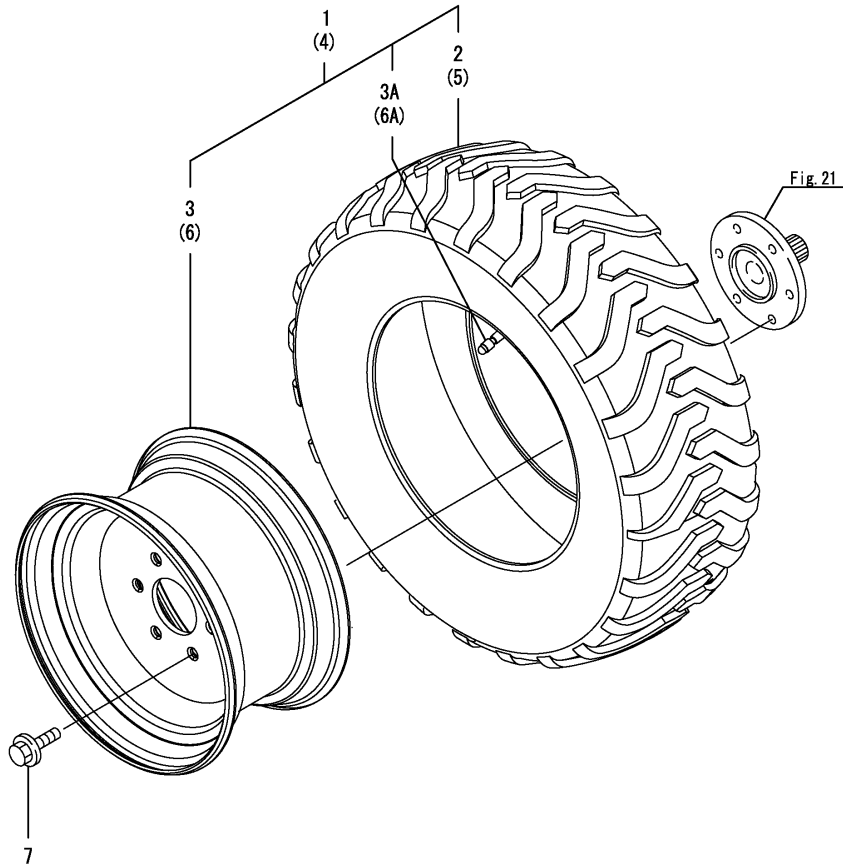
No.	Lev.	Parts No.	Description	Q'ty						I	R
				(A)	(B)	(C)	(D)	(E)	(F)		
1	1	1A8170-14500	TIRE KIT, FRONT R3	2							
2	2	1A8170-14510	TIRE, R3 27X10.5-15	2							
3	2	1A8170-14530	WHEEL, R3 F	2							
3A	2	1A8170-14350	VALVE, TIRE R1 F	2							
4	1	1A8170-14210	BOLT, HUB M14	12							



(A)=EX450(CCY)  
 (B)=  
 (C)=

(D)=  
 (E)=  
 (F)=

No.	Lev.	Parts No.	Description	Q'ty						I	R
				(A)	(B)	(C)	(D)	(E)	(F)		
1	1	1A8170-14700	TIRE KIT, FRONT R4 L	1							
2	2	1A8170-14710	TIRE, R4 10X16.5	1							
3	2	1A8170-14730	WHEEL, R4 F	1							
3A	2	1A8170-14750	VALVE, TIRE	1							
4	1	1A8170-14800	TIRE KIT, FRONT R4 R	1							
5	2	1A8170-14710	TIRE, R4 10X16.5	1							
6	2	1A8170-14730	WHEEL, R4 F	1							
6A	2	1A8170-14750	VALVE, TIRE	1							
7	1	1A8170-14210	BOLT, HUB M14	12							



0CNP5-M14301 FRONT AXLE SECTION  
**Fig.106. FRONT WHEEL TIRE**

(A)=EX450(CCY)  
 (B)=  
 (C)=

(D)=  
 (E)=  
 (F)=

No.	Lev.	Parts No.	Description	Q'ty						I	R
				(A)	(B)	(C)	(D)	(E)	(F)		
1	1	1A8170-14600	TIRE KIT, FRONT R3G	2							
2	2	1A8170-14610	TIRE, R3G 27/12LL-15	2							
3	2	1A8170-14630	WHEEL, R3G F	2							
4	2	1A8170-14650	VALVE, R3G F	2							
5	1	1A8170-14210	BOLT, HUB M14	12							

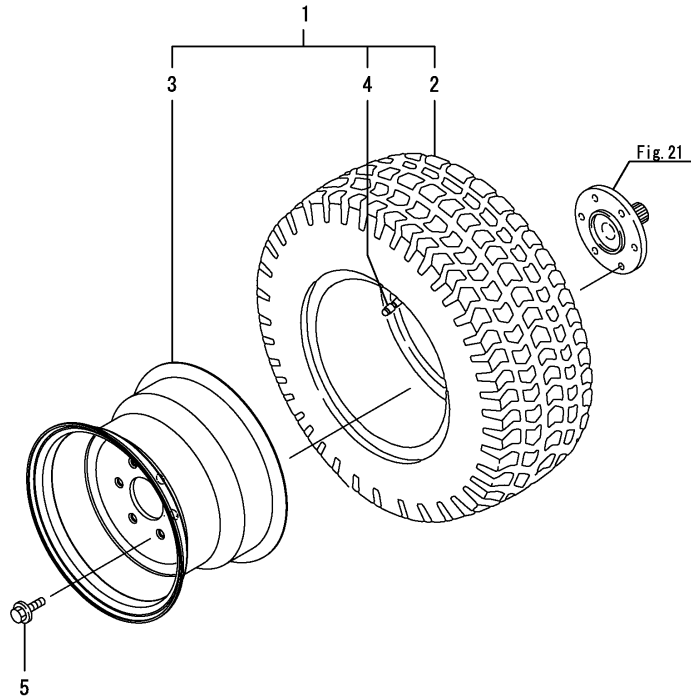


Fig.26. STEERING WHEEL

(A)=EX450(CCY)  
(B)=  
(C)=

(D)=  
(E)=  
(F)=

No.	Lev.	Parts No.	Description	Qty						I	R
				(A)	(B)	(C)	(D)	(E)	(F)		
1	1	198220-15650	COVER, COLUMN	1							
2	1	1A8160-15700	WHEEL ASSY, STEERING	1							
3	2	198133-15710	WHEEL, STEERING	1							
4	2	1A8160-15740	CAP ASSY, STEERING	1							
5	1	22137-160000	WASHER, 16	1							
6	1	26356-160002	NUT, M16	1							

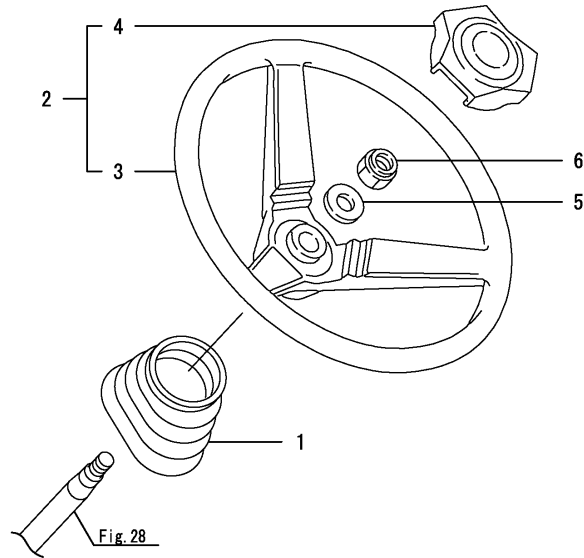
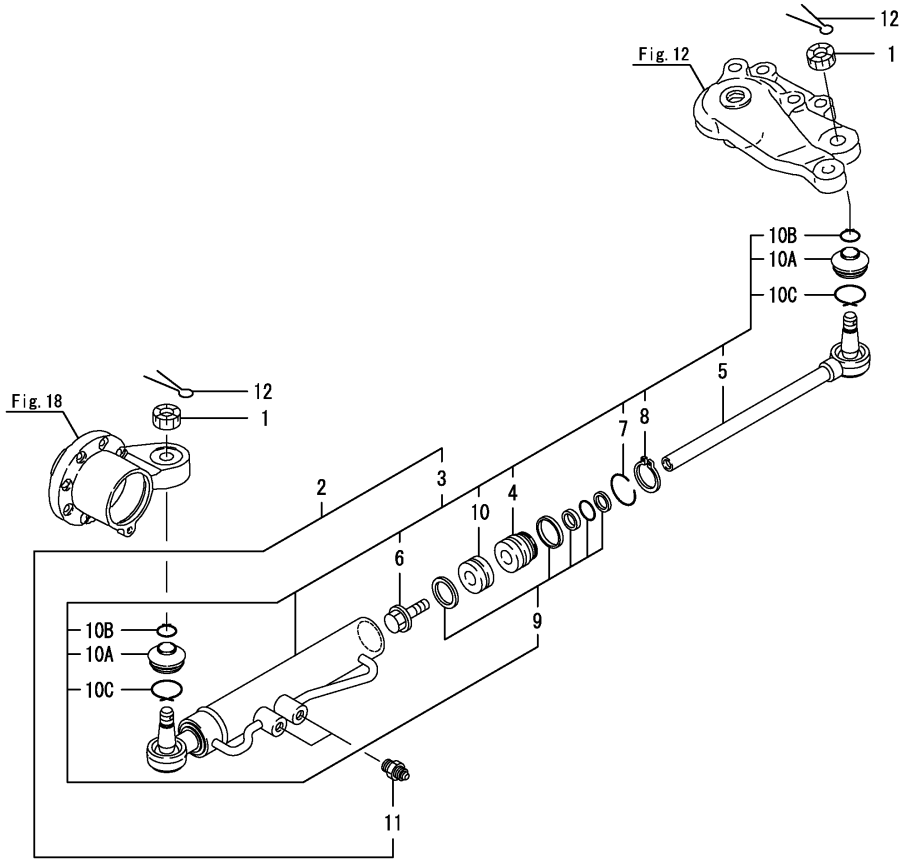




Fig.27. PST CYLINDER



(A)=EX450(CCY)  
(B)=  
(C)=

(D)=  
(E)=  
(F)=

No.	Lev.	Parts No.	Description	Q'ty						I	R
				(A)	(B)	(C)	(D)	(E)	(F)		
1	1	194180-12471	NUT, CASTLE M16	2							
2	1	798254-17500	CYLINDER ASSY	1							
3	2	198254-17510	CYLINDER ASSY,	1							
3-1	2	198254-17511	CYLINDER ASSY	1							N
		(A=F001028)									
4	3	1A7335-17310	CAP, CYLINDER	1							
5	3	1A7335-17410	ROD ASSY, STEERING	1							
6	3	1A7335-17500	BOLT, M12X1.25	1							
7	3	1A7335-17520	CIRCLIP	1							
8	3	1A7335-17530	CIRCLIP	1							
9	3	1A7335-17550	SEAL KIT	1							
9-1	3	1A7335-17551	SEAL KIT	1							N
		(A=F001028)									
10	3	1A7335-17750	PISTON	1							
10A	3	1A7780-17450	BOOT, RUBBER	2							
10B	3	1A7780-17460	STOPPER	2							
10C	3	1A7780-17470	STOPPER	2							
11	2	194065-38380	ADAPTER, 1/4	2							
12	1	22417-400250	PIN, COTTER 4.0X25	2							

Fig.28. PST VALVE

(A)=EX450(CCY)

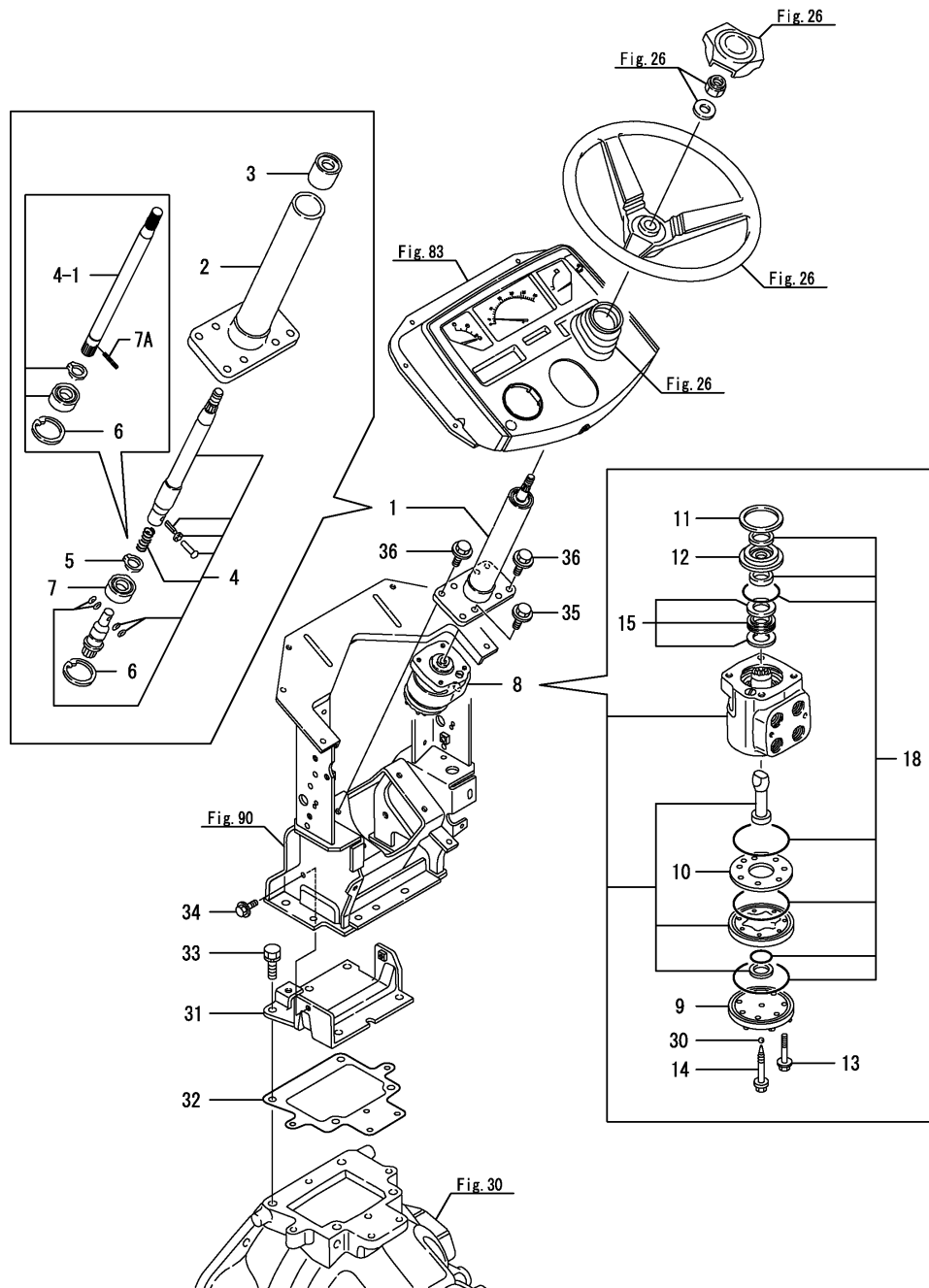
(B)=

(C)=

(D)=

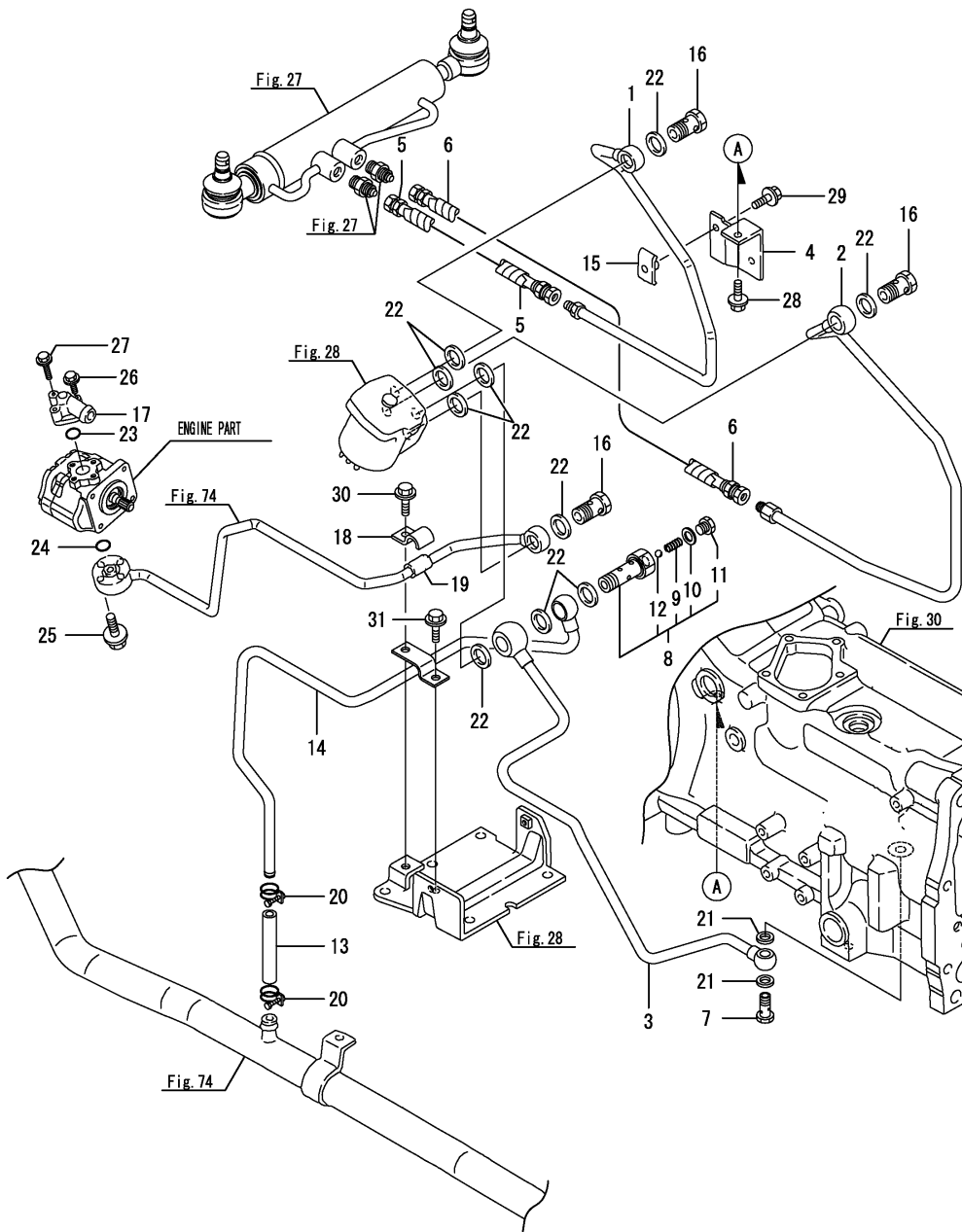
(E)=

(F)=



No.	Lev.	Parts No.	Description	Qty						I	R
				(A)	(B)	(C)	(D)	(E)	(F)		
1	1	198230-17301	COLUMN ASSY,STEERING	1							
1-1	1	1A7780-17300	COLUMN ASSY,STEERING	1							R
(A=F000556)											
2	2	198230-17311	COLUMN ASSY,STEERING	1							
3	2	194640-17340	BUSH, COLUMN	1							
4	2	198230-17340	SHAFT ASSY	1							
4-1	2	1A7780-17370	SHAFT, STEERING 1	1							R
(A=F000556)											
5	2	22242-000200	RING, 20	1							Z
(A=F000556)											
6	2	22252-000420	RING, 42	1							
7	2	24104-060040	BEARING, 6004UUC3	1							Z
(A=F000556)											
7A	2	22351-040025	PIN, SPRING 4.0X25	1							W
(A=F000556)											
8	1	198251-17500	VALVE ASSY, STEERING	1							
9	2	194337-17220	CAP, END	1							
10	2	194337-17251	PLATE, SPACER	1							
11	2	194337-17390	RING, RETAINING	1							
12	2	194337-17400	BUSH, SEAL GRAND	1							
13	2	198220-17610	SCREW	6							
14	2	198220-17620	SCREW ASSY, RETAINER	1							
15	2	198153-17630	BEARING ASSY, NEEDLE	1							
18	2	198220-17642	SEAL KIT	1							
30	2	24190-070001	BALL, STEEL 7/32	1							
31	1	198240-17870	COVER, HOUSING	1							
32	1	198327-21150	PACKING, CLUTCH	1							
33	1	26013-120202	BOLT, M12X 20	4							
34	1	26106-080162	BOLT, M8X 16 PLATED	2							
35	1	26106-100252	BOLT, M10X 25 PLATED	4							
36	1	26106-100252	BOLT, M10X 25 PLATED	4							

Fig.29. PST PIPING



(A)=EX450(CCY)  
(B)=  
(C)=

(D)=  
(E)=  
(F)=

No.	Lev.	Parts No.	Description	Qty						I	R
				(A)	(B)	(C)	(D)	(E)	(F)		
1	1	198253-17700-1	PIPE, PRESSURE L	1							
2	1	1A7780-17780-1	PIPE, PRESSURE R	1							
3	1	1A7780-17800-1	PIPE, SYNCHRO	1							
4	1	198240-17840	BRACKET	1							
5	1	198240-17850	HOSE, 400	1							
6	1	198251-17850	HOSE, 350	1							
7	1	1A7780-17850	BOLT, JOINT M6	1							
8	1	1A7780-17860	BOLT ASSY, JOINT 3/4	1							
9	2	198448-48690	SPRING, CHECK VALVE	1							
10	2	23414-120000	GASKET, 12X1.0	1							
11	2	23887-120002	PLUG, 12	1							
12	2	24190-100001	BALL, STEEL 5/16	1							
13	1	194556-17870	HOSE, RETURN RUBBER	1							
14	1	1A7780-17900-1	PIPE, PRESSURE T	1							
15	1	198220-46560	CLAMP, PIPE 12	1							
16	1	198245-46680	BOLT, M3/4-16	3							
17	1	198220-48140	FLANGE, PIPE P	1							
18	1	194450-48830	CLAMP	1							
19	1	194464-48850	RUBBER, ABSORBER	1							
20	1	23010-018000	CLAMP, 18	2							
21	1	23414-120000	GASKET, 12X1.0	2							
22	1	23414-190000	GASKET, 19X1.0	9							
23	1	24311-000200	O-RING, 1AP20.0	1							
24	1	24311-000200	O-RING, 1AP20.0	1							
25	1	26018-060352	BOLT, M6X 35	4							
26	1	26106-060202	BOLT, M6X 20 PLATED	1							
27	1	26106-060402	BOLT, M6X 40 PLATED	2							
28	1	26106-080162	BOLT, M8X 16 PLATED	1							
29	1	26106-080202	BOLT, M8X 20 PLATED	1							
30	1	26106-080202	BOLT, M8X 20 PLATED	1							
31	1	26106-080162	BOLT, M8X 16 PLATED	1							

Fig.30. CLUTCH HOUSING

(A)=EX450(CCY)  
 (B)=  
 (C)=

(D)=  
 (E)=  
 (F)=

No.	Lev.	Parts No.	Description	Q'ty						I	R
				(A)	(B)	(C)	(D)	(E)	(F)		
1	1	1A7780-21150-1	HOUSING ASSY, CLUTCH	1							
2	2	194740-06080	BUSH, 25X30X18	4							
3	2	194450-11190	PLUG, 15.0	11							
4	2	194150-21910	PLUG, 11.2	4							
5	2	194150-22250-1	PIN, HOOK	2							
6	2	194680-22280	BUSH, 20X26X22	2							
7	2	194680-22290	SEAL, OIL G202604	2							
8	1	198240-25180	SEAL, OIL TC4 05812	1							
9	1	22252-000620	RING, 62	1							
10	1	26013-120402	BOLT, M12X 40	2							

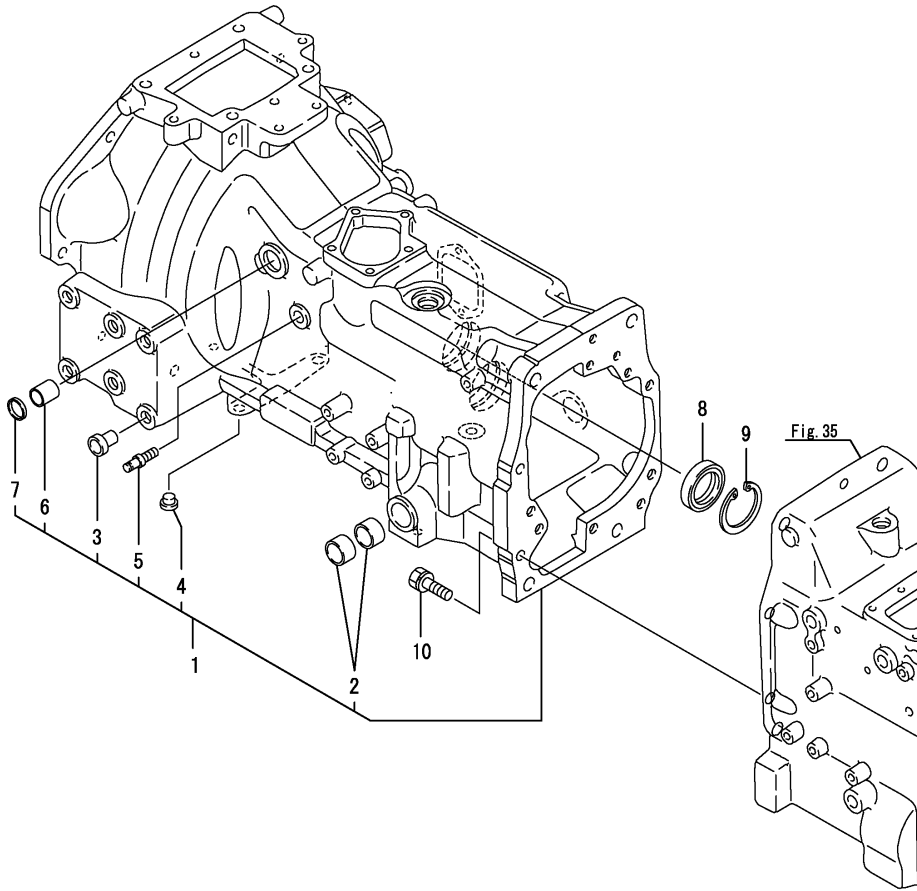
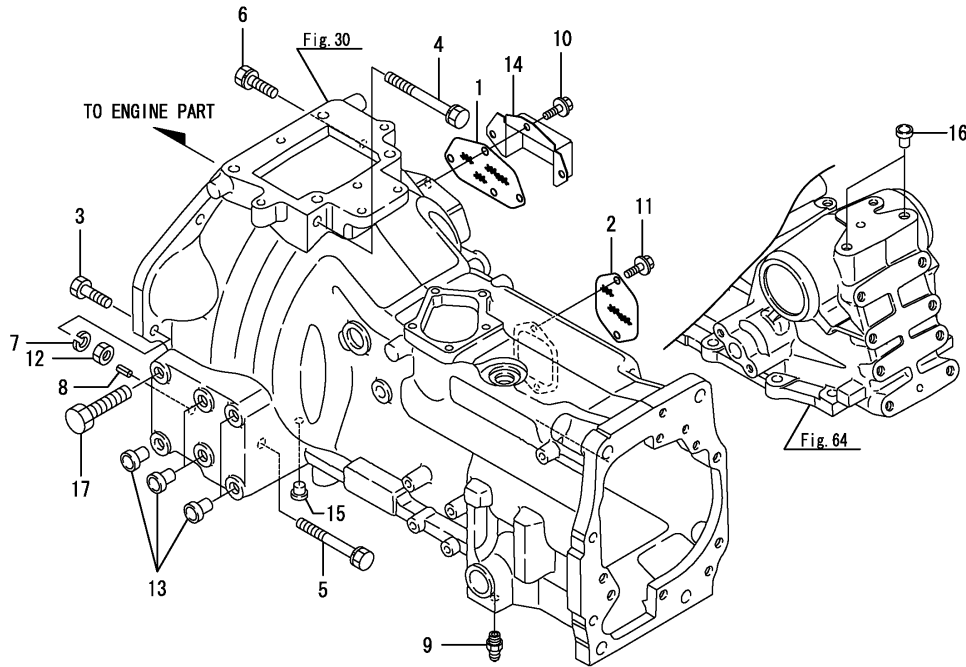


Fig.31. DOCKING BOLT

(A)=EX450(CCY)  
 (B)=  
 (C)=

(D)=  
 (E)=  
 (F)=



No.	Lev.	Parts No.	Description	Q'ty						I	R
				(A)	(B)	(C)	(D)	(E)	(F)		
1	1	198220-21171-1	COVER, HOUSING A	1							
2	1	198240-21180	COVER, HOUSING B	1							
3	1	198240-21220	BOLT, M12X40	1							
4	1	198240-21250	BOLT, M12X170	2							
5	1	198240-21260	BOLT, M12X100	2							
6	1	198240-21270	BOLT, M12X30	3							
7	1	22217-120000	WASHER, SPRING 12	2							
8	1	22351-080018	PIN, SPRING 8.0X18	2							
9	1	24761-020000	NIPPLE, GREASE PT1/8	2							
10	1	26106-080122	BOLT, M8X 12 PLATED	3							
11	1	26106-080122	BOLT, M8X 12 PLATED	2							
12	1	26716-120002	NUT, M12	2							
13	1	194450-11190	PLUG, 15.0	10							
14	1	1A8170-21130	COVER, HOUSING	1							
15	1	194150-21910	PLUG, 11.2	4							
16	1	194150-24270	CAP, SCREW 13.0	2							
16-1	1	194450-11190	PLUG, 15.0	2							R
(A=F001028)											
17	1	26116-160302	BOLT, M16X 30 PLATED	2							

Fig.32. DUAL CLUTCH & SHAFT

(A)=EX450(CCY)  
(B)=  
(C)=

(D)=  
(E)=  
(F)=

No.	Lev.	Parts No.	Description	Q'ty						I	R
				(A)	(B)	(C)	(D)	(E)	(F)		
1	1	1A7780-21400	CLUTCH ASSY, DUAL	1							
2	2	1A7780-21410	DISK, PTO CLUTCH	1							
3	2	1A7780-21420	DISK, MAIN CLUTCH	1							
4	2	194274-21510	PIN, PARALLEL	3							
5	2	194274-21520	PIN, PARALLEL	3							
6	2	194274-21530	WASHER	3							
7	2	194274-21550	PIN, KNOCK	4							
8	2	194274-21610	ROD ASSY, RELEASE	3							
9	2	194278-21640	SPRING, DIAPHRAGM	2							
10	2	194274-21650	BOLT, ADJUST	3							
11	2	194274-21660	NUT	3							
12	2	194278-21670	BOLT	3							
13	2	194274-21680	PIN	3							
14	2	194274-21690	NUT, M10	3							
15	2	194278-21710	PLATE, PRESSURE A	1							
16	2	198325-21720	PLATE, PRESSURE B	1							
17	2	198325-21730	COVER, CLUTCH	1							
18	2	198327-21740	COVER, CLUTCH	1							
19	2	194274-21750	LEVER ASSY, RELEASE	3							
20	2	22417-160150	PIN, COTTER 1.6X15	3							
21	1	22137-080000	WASHER, 8	2							
22	1	26106-080802	BOLT, M8X 80 PLATED	6							
23	1	198133-22121	SHAFT, MAIN DRIVE	1							

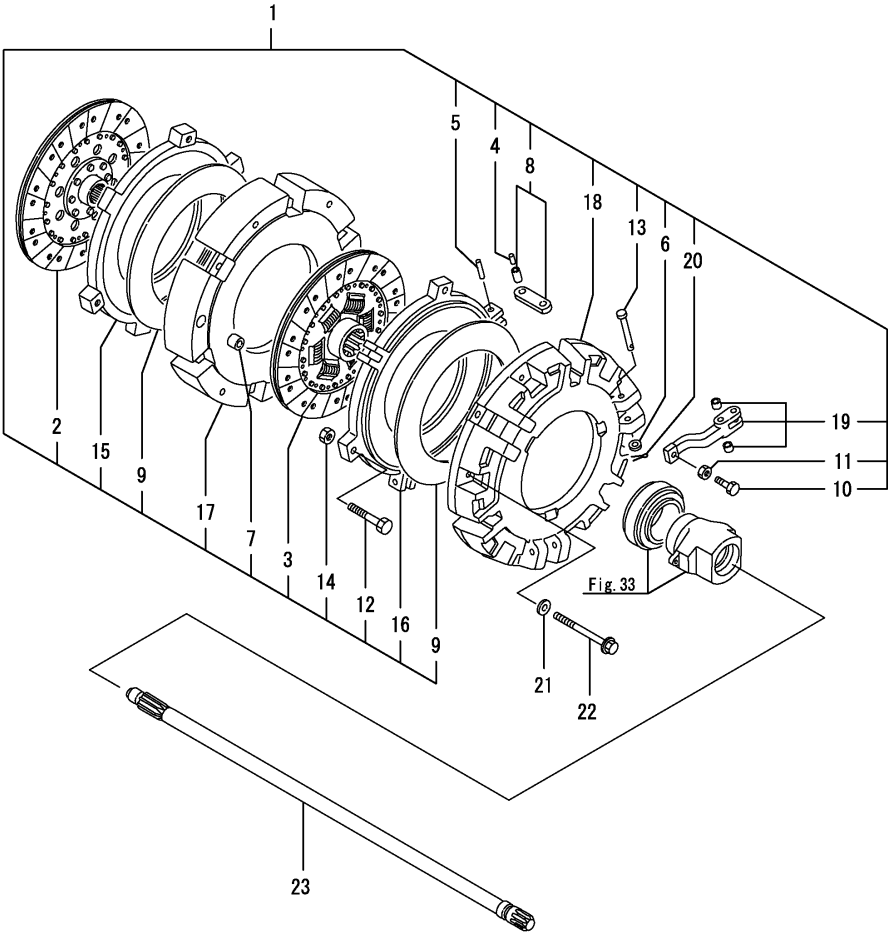


Fig.33. CLUTCH RELEASE

(A)=EX450(CCY)  
(B)=  
(C)=

(D)=  
(E)=  
(F)=

No.	Lev.	Parts No.	Description	Q'ty						I	R
				(A)	(B)	(C)	(D)	(E)	(F)		
1	1	1A7780-22251-1	SHAFT,CLUTCH RELEASE	1							
2	1	198149-22280	YOKE, CLUTCH SHIFT	1							
3	1	198071-22320	BOLT, M8X40	2							
4	1	198240-22200	SLEEVE ASSY, BEARING	1							
5	2	194274-22160	BUSH, 35X42X32	2							
6	2	194274-22170	FELT	2							
7	2	198240-22220	SLEEVE, BEARING	1							
8	2	194274-22290	BEARING, TK55-1	1							
9	1	198327-22230	SPRING, RETURN	2							

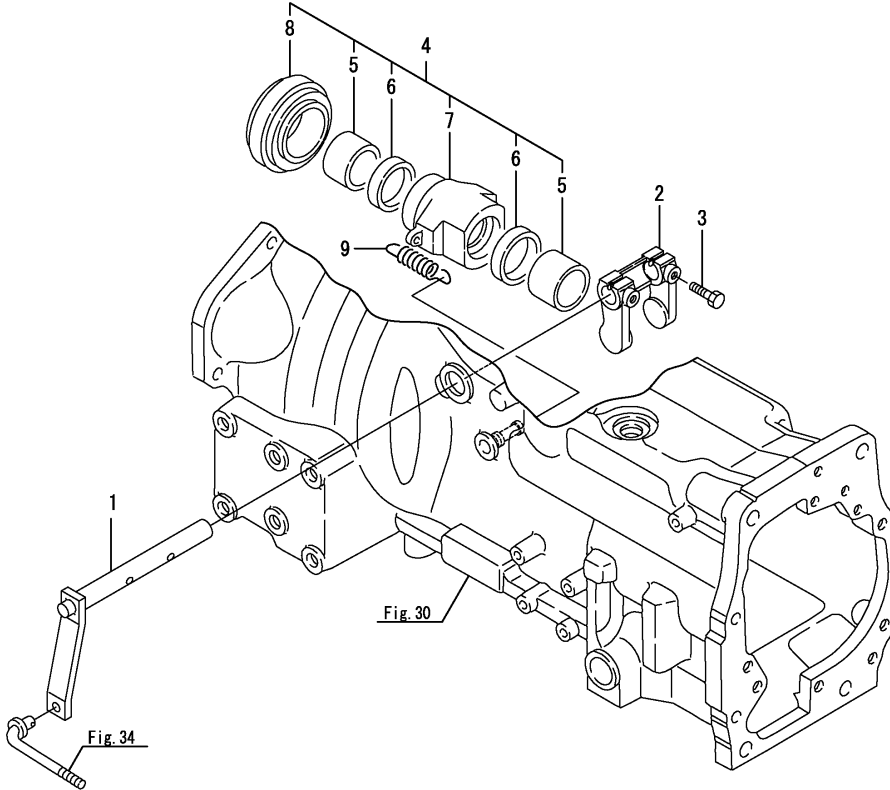
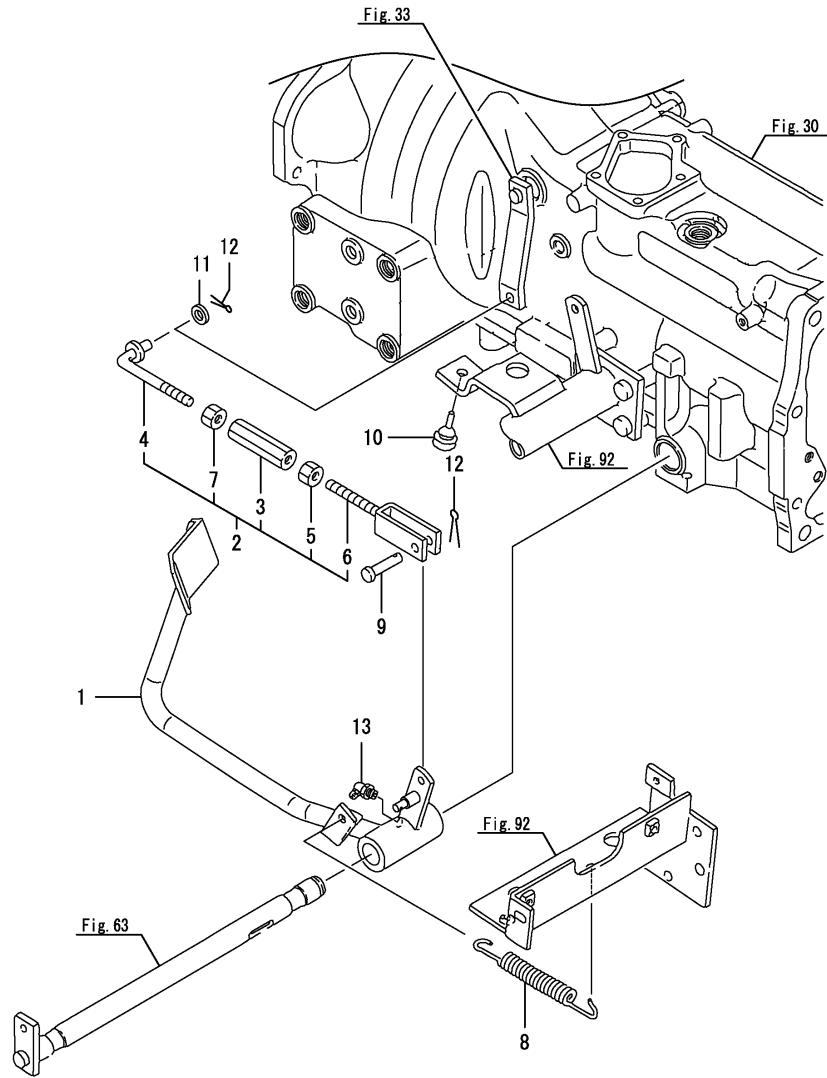


Fig.34. CLUTCH PEDAL

(A)=EX450(CCY)  
(B)=  
(C)=

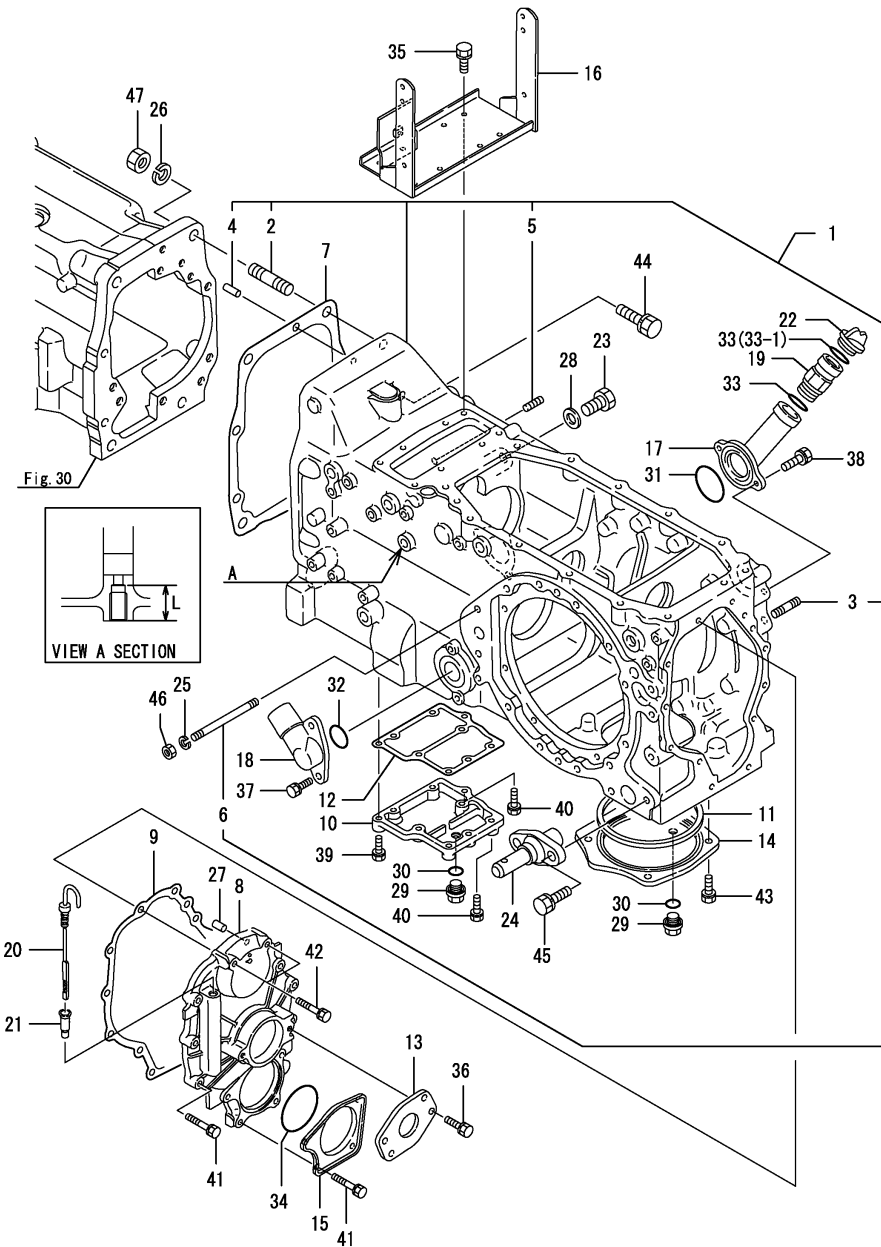
(D)=  
(E)=  
(F)=



No.	Lev.	Parts No.	Description	Q'ty						I	R
				(A)	(B)	(C)	(D)	(E)	(F)		
1	1	198320-22410-1	PEDAL, CLUTCH	1							
2	1	798240-22470	ROD KIT, CLUTCH	1							
3	2	194300-22260	TURNBUCKLE, M10	1							
4	2	198240-22470	ROD, CLUTCH	1							
5	2	194150-22480	NUT, M10 L	1							
6	2	198240-22550	ROD, CLUTCH	1							
7	2	26716-100002	NUT, M10	1							
8	1	198240-37510	SPRING, RETURN	1							
9	1	198220-37900	PIN, 8X24	1							
10	1	194330-62530	STOPPER, PEDAL	1							
11	1	22137-100000	WASHER, 10	1							
12	1	22417-250300	PIN, COTTER 2.5X30	2							
13	1	24761-040000	NIPPLE, GREASE B	1							



Fig.35. TRANSMISSION CASE



(A)=EX450(CCY)

(B)=

(C)=

(D)=

(E)=

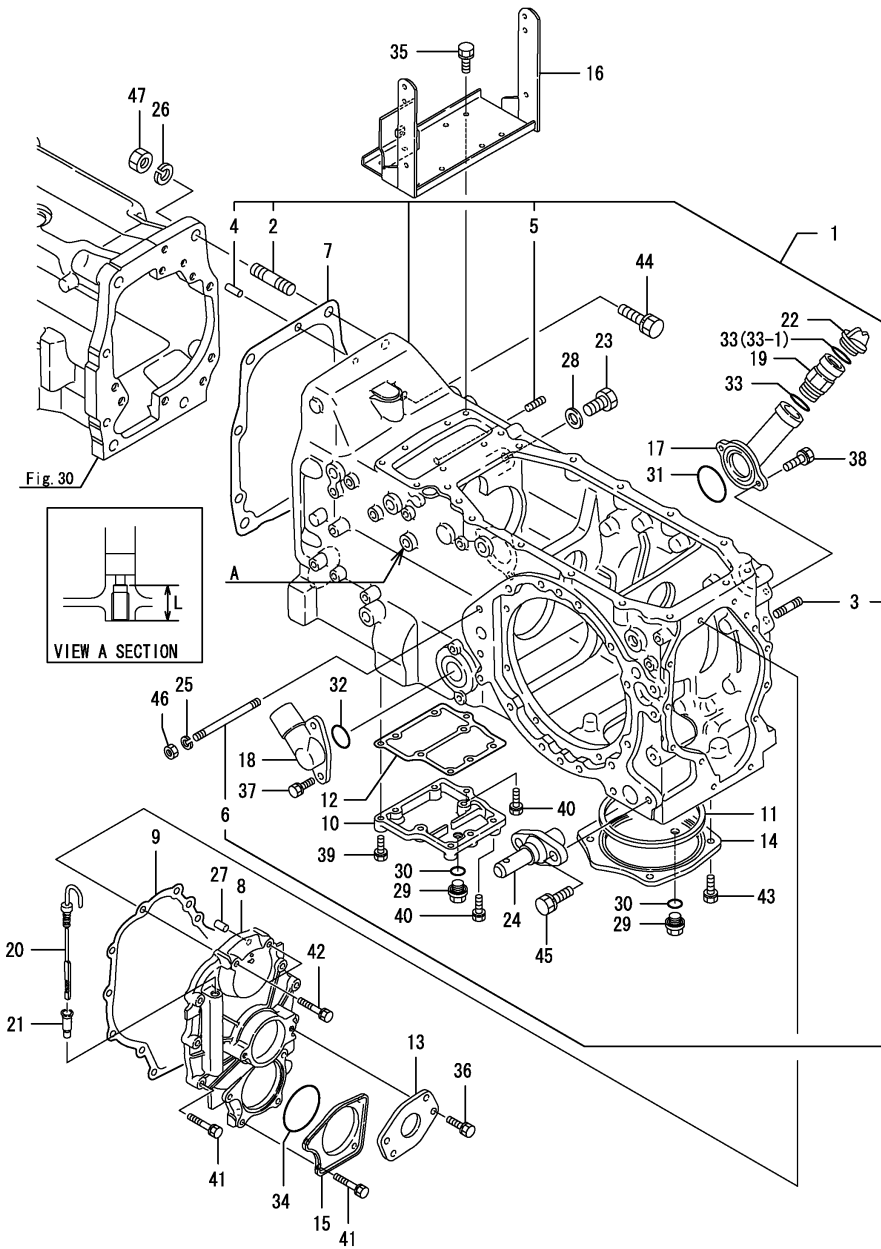
(F)=

No.	Lev.	Parts No.	Description	Q'ty						I	R
				(A)	(B)	(C)	(D)	(E)	(F)		
1	1	198149-24101-1	HOUSING ASSY	1							
1-1	1	198149-24102-1	HOUSING ASSY	1							S 1
(A=F001028)											
1-2	1	1A7780-24100	HOUSING ASSY, XMSN.	1							N
(A=F001028)											
2	2	198240-24120	STUD, M16X45	4							
3	2	198240-24530	STUD, M12X45	2							
4	2	22312-100180	PIN, PARALLEL M10X18	2							
5	2	26218-080202	STUD, M8X 20	2							
6	2	26218-100902	STUD, M10X 90	2							
7	1	198240-24140	PACKING, MISSION	1							
8	1	198327-24240-1	COVER, REAR	1							
9	1	198240-24320	PACKING	1							
10	1	198133-24370-1	COVER, FRONT DRIVE	1							
11	1	198133-24380	PACKING, 140X3	1							
12	1	198138-24390	PACKING	1							
13	1	198255-24460	PLATE, OIL SEAL	1							
14	1	198240-24480-1	COVER, PTO	1							
15	1	198240-24510-1	COVER, REAR COVER	1							
16	1	198240-24682-1	COVER, MISSION CASE	1							
16-1	1	1A7781-24680	COVER, MISSION CASE	1							R
(A=FZZZZZ)											
17	1	198240-24690-2	CAP ASSY	1							
18	1	198240-24920-1	FLANGE, PIPE S	1							
19	1	194215-24960	PIPE	1							Z
(A=F001028)											
20	1	194850-24960	GAUGE ASSY, LEVEL	1							
21	1	119860-34810	GUIDE, DIPSTICK	1							
22	1	194850-42500	CAP, OIL M33	1							
23	1	198220-45920	PLUG, 3/4-16UNF	1							
24	1	194640-73180	PIN, LOWER LINK	2							
25	1	22217-100000	WASHER, SPRING 10	2							Z
(A=F000935)											
26	1	22217-160000	WASHER, SPRING 16	4							
27	1	22312-100180	PIN, PARALLEL M10X18	2							
28	1	23414-190000	GASKET, 19X1.0	1							
29	1	23491-140002	PLUG, 14	2							
30	1	24311-000160	O-RING, 1AP16.0	2							
31	1	24311-000500	O-RING, 1AP50.0	1							
32	1	24321-000300	O-RING, 1AG30.0	1							
33	1	24321-000300	O-RING, 1AG30.0	2							
33-1	1	24321-000300	O-RING, 1AG30.0	1							K
(A=F001028)											
34	1	24321-000750	O-RING, 1AG75.0	1							
35	1	26013-080162	BOLT, M8X 16	8							
36	1	26013-080162	BOLT, M8X 16	2							
36-1	1	26106-080162	BOLT, M8X 16 PLATED	2							R
(A=F000935)											
37	1	26013-080202	BOLT, M8X 20	2							
38	1	26013-080202	BOLT, M8X 20	2							
39	1	26013-080252	BOLT, M8X 25	5							

Remarks

(1) L=Ref.No.1 25mm,1-1 20mm.

Fig.35. TRANSMISSION CASE



(A)=EX450(CCY)  
(B)=  
(C)=

(D)=  
(E)=  
(F)=

No.	Lev.	Parts No.	Description	Q'ty						I	R
				(A)	(B)	(C)	(D)	(E)	(F)		
40	1	26013-080302	BOLT, M8X 30	4							
41	1	26013-080352	BOLT, M8X 35	10							
41-1	1	26106-080352	BOLT, M8X 35 PLATED	10							R
(A=F000935)											
42	1	26013-080502	BOLT, M8X 50	2							
43	1	26013-100252	BOLT, M10X 25	4							
43-1	1	26106-100252	BOLT, M10X 25 PLATED	4							R
(A=F000935)											
44	1	26013-120402	BOLT, M12X 40	2							
45	1	26013-140352	BOLT, M14X 35	4							
46	1	26716-100002	NUT, M10	2							
46-1	1	26366-100002	NUT, M10	2							N
(A=F000935)											
47	1	26716-160002	NUT, M16	4							

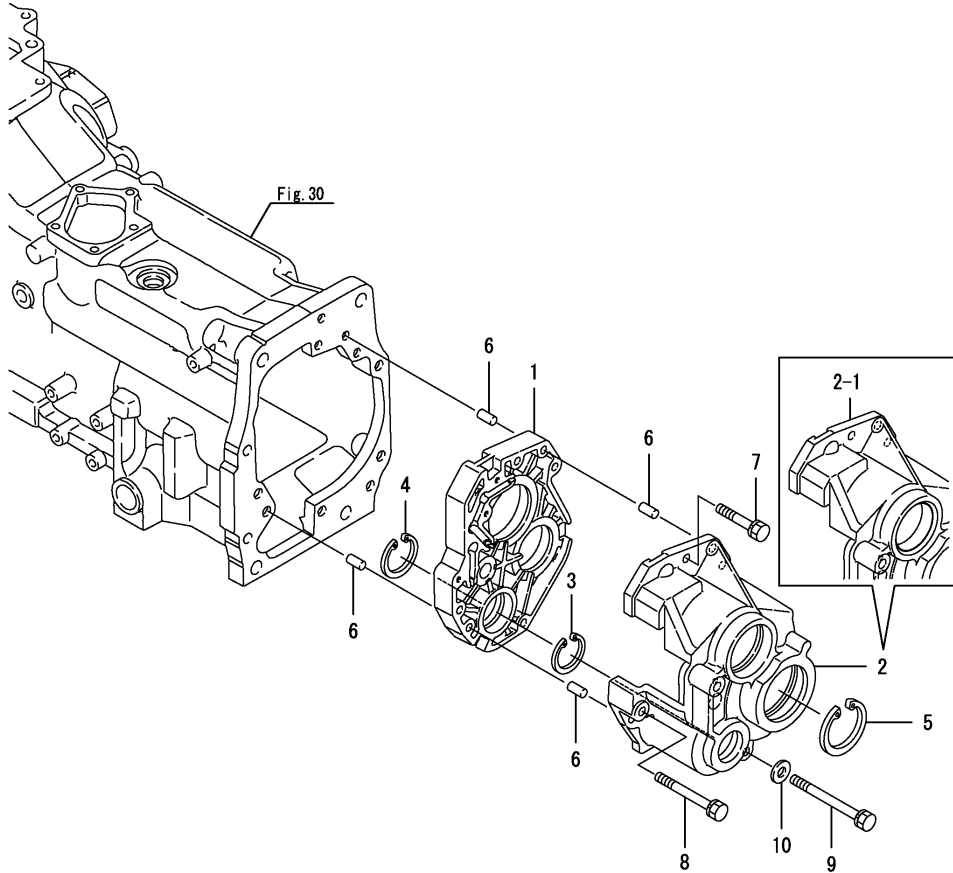
Remarks

(1) L=Ref.No.1 25mm,1-1 20mm.

Fig.36. CENTER PLATE

(A)=EX450(CCY)  
(B)=  
(C)=

(D)=  
(E)=  
(F)=



No.	Lev.	Parts No.	Description	Q'ty						I	R
				(A)	(B)	(C)	(D)	(E)	(F)		
1	1	198133-24361	PLATE, CENTER	1							
2	1	198133-25310	RETAINER, BEARING	1							
2-1	1	198133-25311	RETAINER, BEARING	1							S
(A=F001019)											
3	1	22252-000470	RING, 47	1							
4	1	22252-000620	RING, 62	1							
5	1	22252-000800	RING, 80	1							
6	1	22312-100200	PIN, PARALLEL M10X20	4							
7	1	26013-100552	BOLT, M10X 55	2							
7-1	1	26106-100502	BOLT, M10X 50 PLATED	2							R
(A=F000935)											
8	1	26013-100852	BOLT, M10X 85	1							
8-1	1	26106-100802	BOLT, M10X 80 PLATED	1							R
(A=F001050)											
9	1	26013-101502	BOLT, M10X150	1							
10	1	22117-100000	WASHER, 10	1							W
(A=F001028)											

Fig.37. OIL STRAINER

(A)=EX450(CCY)  
 (B)=  
 (C)=

(D)=  
 (E)=  
 (F)=

No.	Lev.	Parts No.	Description	Q'ty						I	R
				(A)	(B)	(C)	(D)	(E)	(F)		
1	1	198240-24900-1	COVER, STRAINER	1							
2	1	194322-24980	PLUG, 1-2NPT	1							
3	1	194275-48400	STRAINER, OIL	1							
4	1	24321-000650	O-RING, 1AG65.0	1							
5	1	26013-080202	BOLT, M8X 20	2							

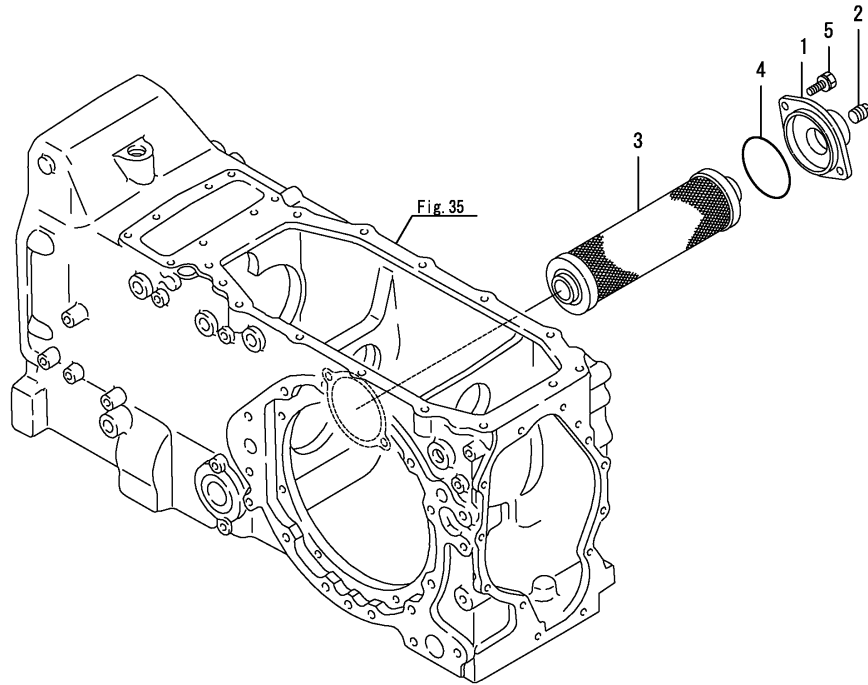
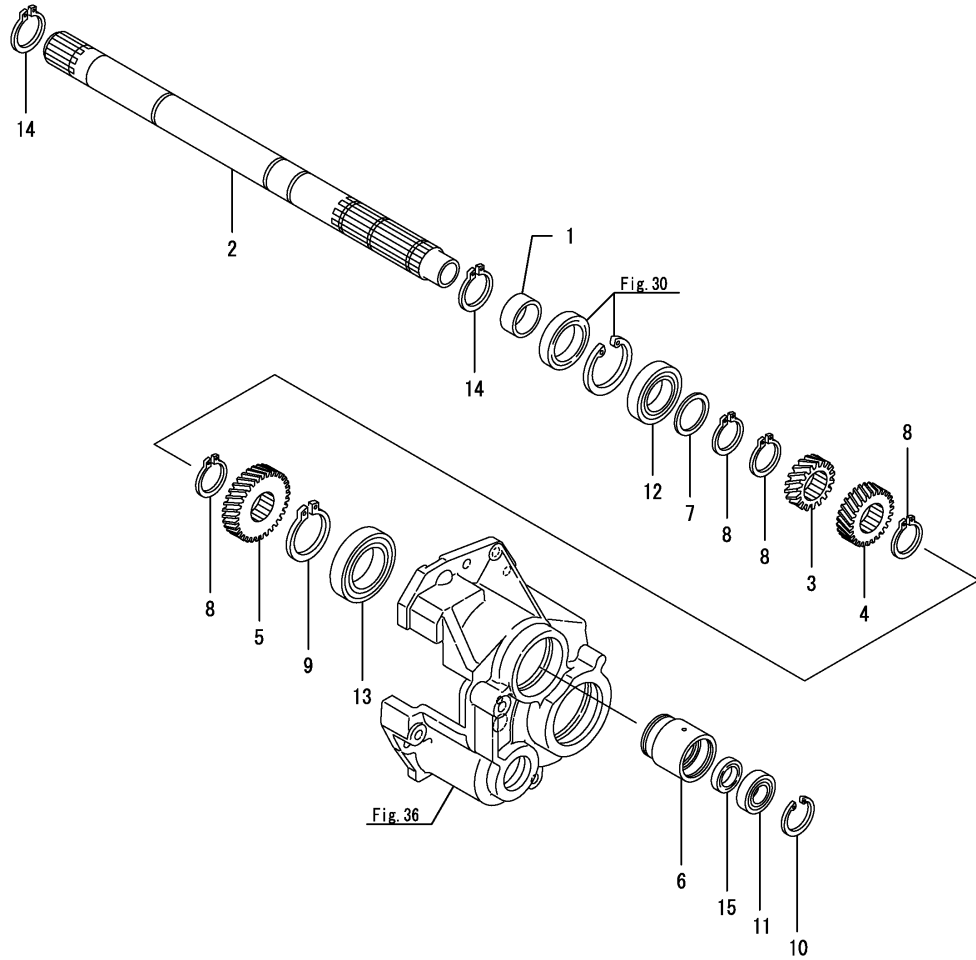


Fig.38. MAIN SHAFT

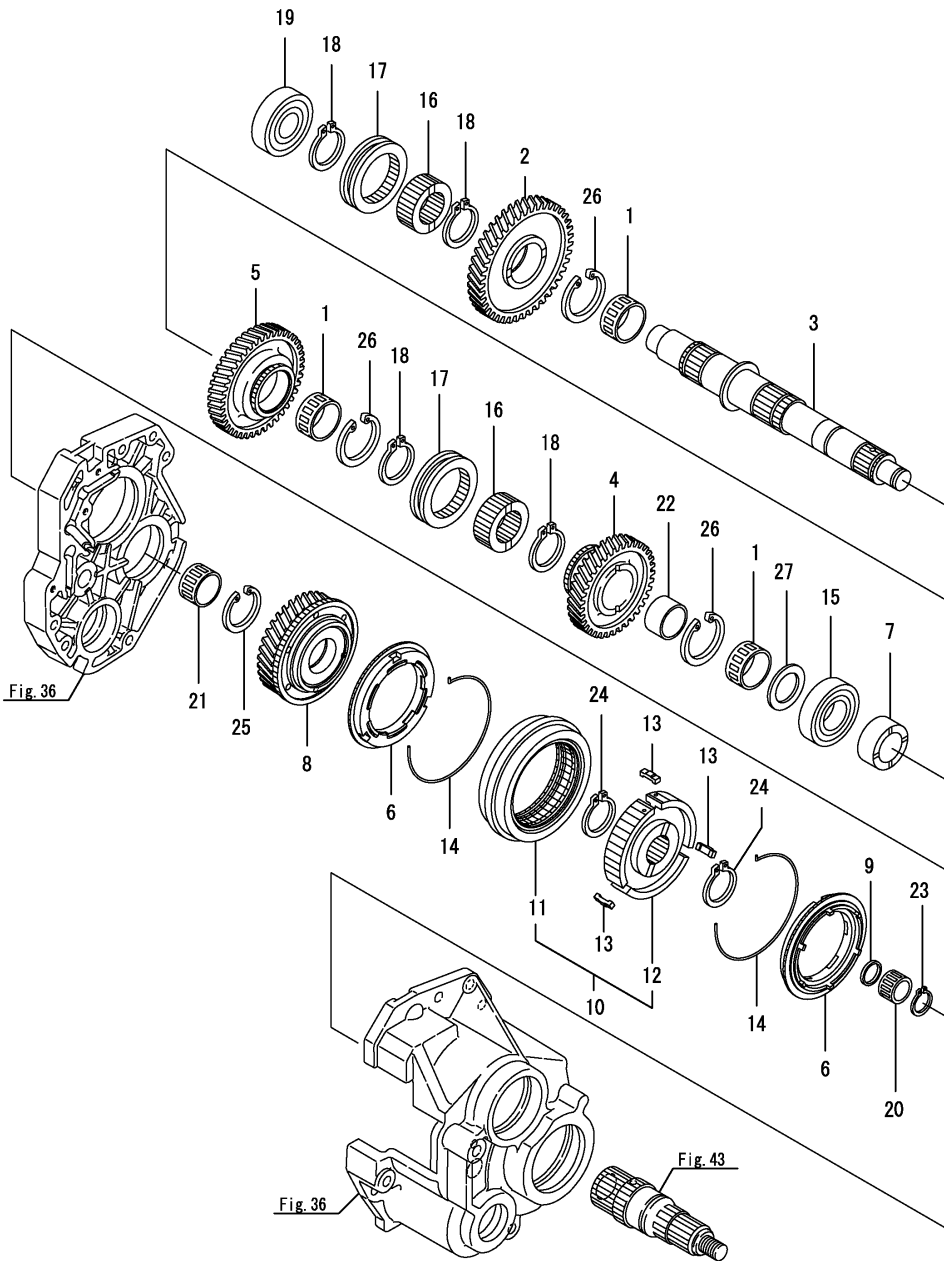


(A)=EX450(CCY)  
 (B)=  
 (C)=

(D)=  
 (E)=  
 (F)=

No.	Lev.	Parts No.	Description	Q'ty						I	R
				(A)	(B)	(C)	(D)	(E)	(F)		
1	1	194274-22090	SLEEVE, SI 35X40X17	1							
2	1	198133-25210	SHAFT, MAIN	1							
3	1	198240-25220	GEAR, MAIN 21	1							
4	1	198133-25230	GEAR, MAIN 27	1							
5	1	198133-25240	GEAR, MAIN 33	1							
6	1	198133-25270	CASE, SEAL	1							
7	1	194250-25520	SPACER, 35X45X2	1							
8	1	22242-000340	RING, 34	4							
9	1	22242-000450	RING, 45	1							
10	1	22252-000420	RING, 42	1							
11	1	24101-060044	BEARING, BALL 6004	1							
12	1	24101-060074	BEARING, BALL 6007	1							
13	1	24101-060094	BEARING, BALL 6009	1							
14	1	24164-000352	CIRCLIP, 35	2							
15	1	24421-223508	SEAL, OIL TC223508	1							

Fig.39. DRIVEN SHAFT



(A)=EX450(CCY)  
(B)=  
(C)=

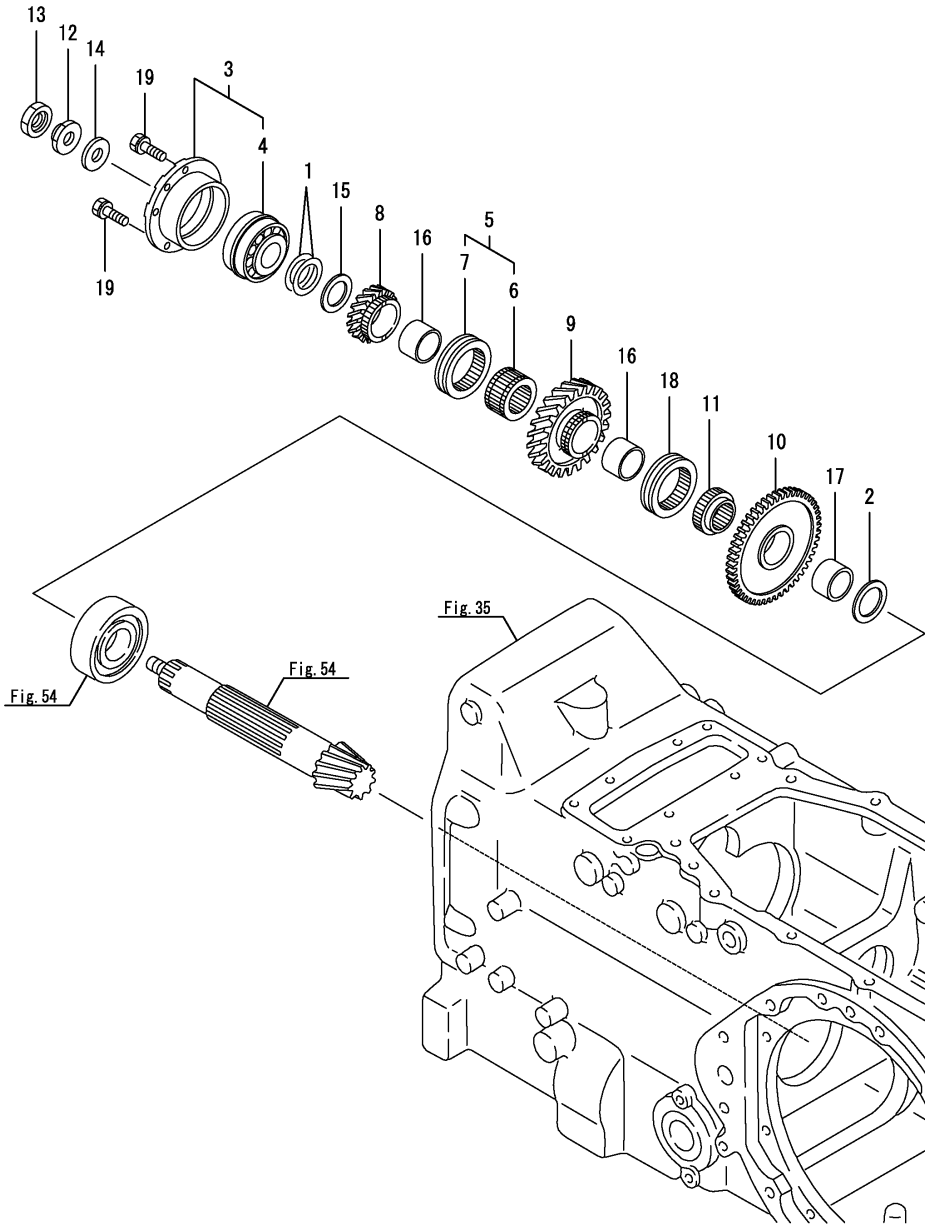
(D)=  
(E)=  
(F)=

No.	Lev.	Parts No.	Description	Q'ty						I	R
				(A)	(B)	(C)	(D)	(E)	(F)		
1	1	194250-25240	BEARING, 354019	3							
2	1	198240-25440	GEAR, DRIVEN 53	1							
3	1	1A7780-25450	SHAFT, DRIVEN S	1							
4	1	1A7780-25460	GEAR, DRIVEN 41	1							
5	1	1A7780-25480	GEAR, DRIVE 49	1							
6	1	198133-25501	RING ASSY	2							
7	1	198133-25761	COLLAR, 30X45X20	1							
8	1	198133-25822	GEAR ASSY, 44T	1							
9	1	198133-25870	COLLAR, 20X24X3.5	1							
10	1	1A7780-25930	SLIDER ASSY, SYNCHRO	1							
11	2	198133-25841	SLIDER, SYNCHRO	1							
12	2	1A7780-25950	SYNCHRO	1							
13	1	198133-25980	KEY, SYNCHRO	3							
14	1	198133-25990	SPRING, SYNCHRO	2							
15	1	194640-26440	BEARING, BALL TMB206	1							
16	1	198360-26610	COLLAR, SPLINE	2							
17	1	194555-26620	SHIFTER	2							
18	1	22292-000340	RING, S-34	4							
19	1	24107-063054	BEARING, BALL 6305ZZ	1							
20	1	24161-202617	BEARING, 202617	1							
21	1	24161-303520	BEARING, 303520	1							
22	1	24163-305200	RING, INNER 303520	1							
23	1	24164-000202	CIRCLIP, 20	1							
24	1	24164-000302	CIRCLIP, 30	2							
25	1	24165-000352	C-CIRCLIP 35H	1							
26	1	24165-000402	CIRCLIP, 40	3							
27	1	194640-25860	WASHER, 30X45X3	1							

Fig.40. COUNTERSHAFT

(A)=EX450(CCY)  
(B)=  
(C)=

(D)=  
(E)=  
(F)=



No.	Lev.	Parts No.	Description	Q'ty						I	R
				(A)	(B)	(C)	(D)	(E)	(F)		
1	1	194301-12730	SHIM, 30X45X0.1	2							
2	1	194180-25550	WASHER, 35X50X3	1							
3	1	198149-25600	BEARING ASSY	1							
4	2	194464-25600	BEARING, 4T-30306DDB	1							
5	1	198149-25700	COLLAR ASSY, SPLINE	1							
6	2	198149-25780	COLLAR, SPLINE A	1							
7	2	198149-25890	SHIFTER	1							
8	1	198149-25740	GEAR, COUNTER 21	1							
9	1	198149-25750	GEAR, COUNTER 45	1							
10	1	198149-25760	GEAR, COUNTER 53	1							
11	1	198149-25790	COLLAR, SPLINE B	1							
12	1	198220-25830	NUT, LOCK M16	1							
13	1	198220-25840	NUT, LOCK M16	1							
14	1	198415-25840	SPACER, 16X38X4.5	1							
15	1	194640-25860	WASHER, 30X45X3	1							
16	1	198133-25860	BUSH, 34X40X26	2							
17	1	198149-25880	BUSH, 35X40X19	1							
18	1	198149-25890	SHIFTER	1							
19	1	26013-080252	BOLT, M8X 25	4							

Fig.41. REDUCTION SHAFT

(A)=EX450(CCY)  
 (B)=  
 (C)=

(D)=  
 (E)=  
 (F)=

No.	Lev.	Parts No.	Description	Q'ty						I	R
				(A)	(B)	(C)	(D)	(E)	(F)		
1	1	198149-25690	GEAR ASSY, REDUCTION	1							
2	2	24550-016150	BUSH, 16X15	1							
3	1	198133-25701	COLLAR, BEARING	1							
4	1	22242-000290	RING, 29	1							
5	1	24101-063044	BEARING, BALL 6304	1							
6	1	24101-063064	BEARING, BALL 6306	1							

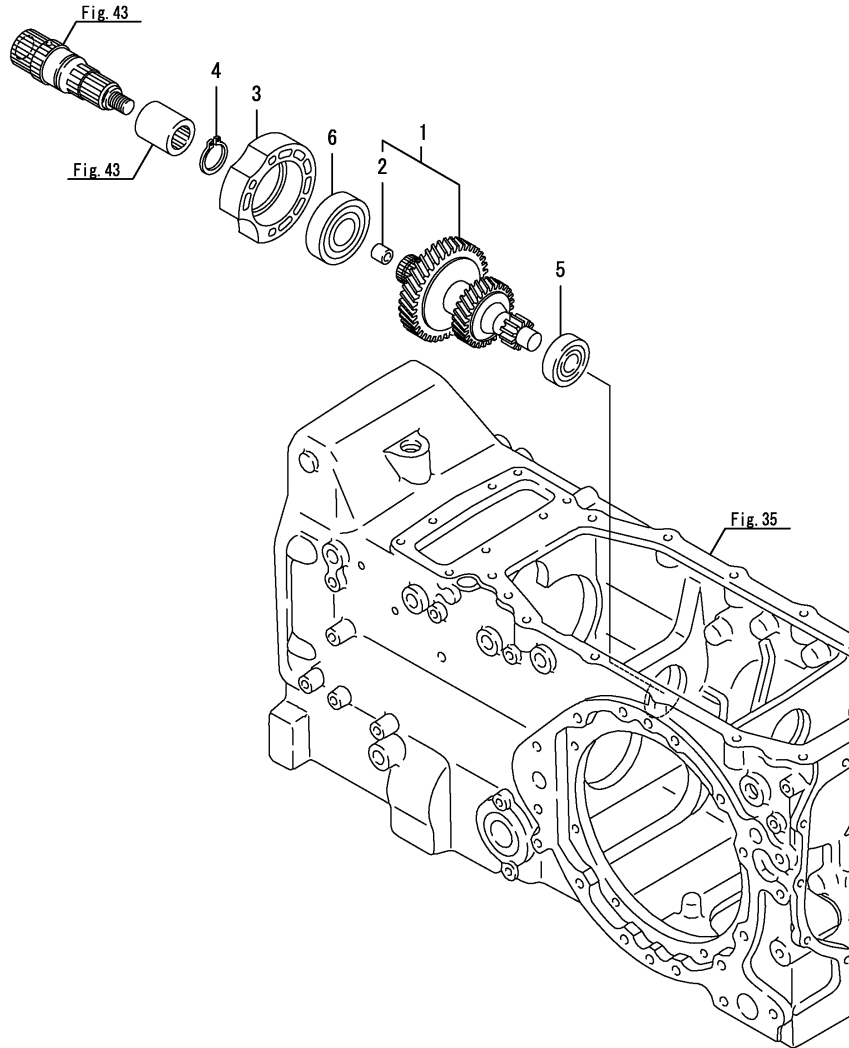




Fig.42. REVERSE GEAR

(A)=EX450(CCY)  
 (B)=  
 (C)=

(D)=  
 (E)=  
 (F)=

No.	Lev.	Parts No.	Description	Q'ty						I	R
				(A)	(B)	(C)	(D)	(E)	(F)		
1	1	198133-25832	GEAR ASSY, 48L	1							
2	1	198133-25850	NEEDLE, 202615	2							
3	1	198133-25890	WASHER, 20X32X2	1							
4	1	198133-25911	GEAR, REVERSE IDLE	1							
5	1	198240-25930	WASHER, 17X32	1							
6	1	198133-25941	GEAR, REVERSE IDLE	1							
7	1	198133-25960	SHAFT, REVERSE IDLE	1							
8	1	198133-25970	PLATE, KEEP	1							
9	1	24101-062044	BEARING, BALL 6204	2							
10	1	26013-080202	BOLT, M8X 20	1							
10-1	1	26106-080162	BOLT, M8X 16 PLATED	1							R

(A=F000935)

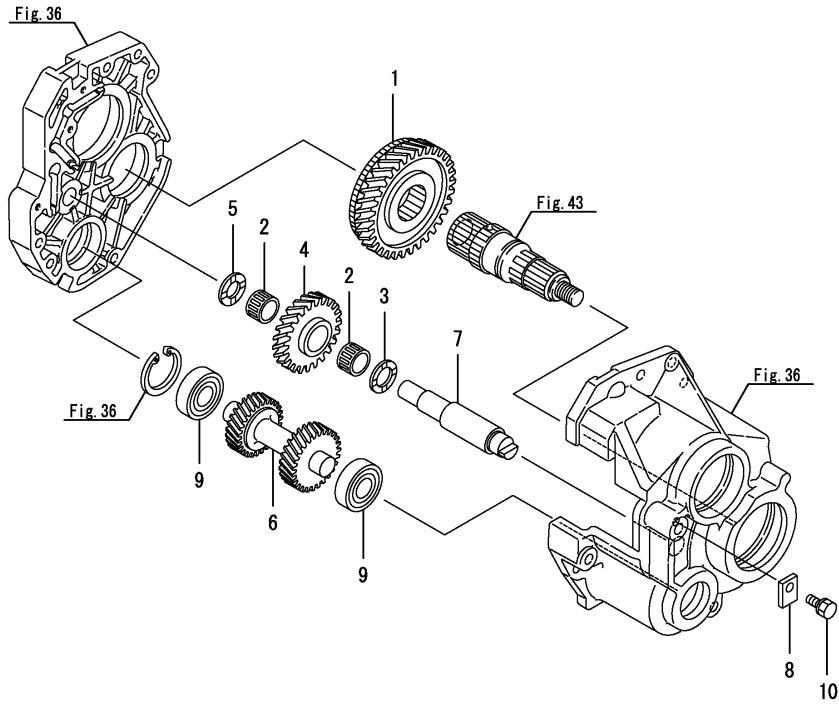


Fig.43. CONNECTING SHAFT

(A)=EX450(CCY)  
(B)=  
(C)=

(D)=  
(E)=  
(F)=

No.	Lev.	Parts No.	Description	Q'ty						I	R
				(A)	(B)	(C)	(D)	(E)	(F)		
1	1	198242-25350	SHAFT, CONNECTING	1							
2	1	194640-26130	COUPLING, PTO	1							
3	1	22242-000400	RING, 40	1							
4	1	24101-062084	BEARING, BALL 6208	1							

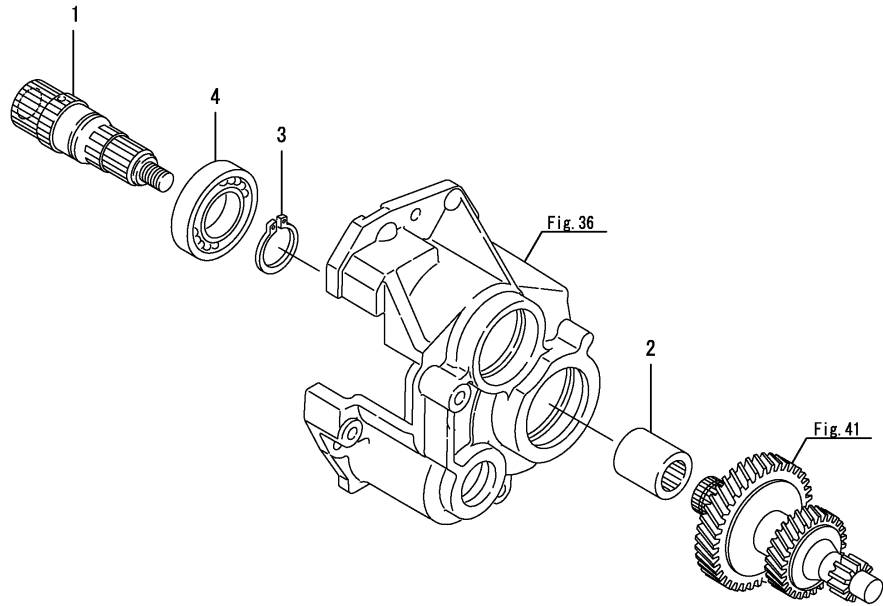


Fig.44. PTO DRIVE SHAFT

(A)=EX450(CCY)  
(B)=  
(C)=

(D)=  
(E)=  
(F)=

No.	Lev.	Parts No.	Description	Q'ty						I	R
				(A)	(B)	(C)	(D)	(E)	(F)		
1	1	194447-13860	BEARING, TMB304CX1	1							
2	1	194310-25100	JOINT	2							
3	1	198133-25291	SHAFT, CONNECTING	1							
4	1	194197-25810	BEARING, BALL TMB306	1							
5	1	198240-26110	SHAFT, PTO PINION	1							
6	1	22252-000170	RING, 17	2							

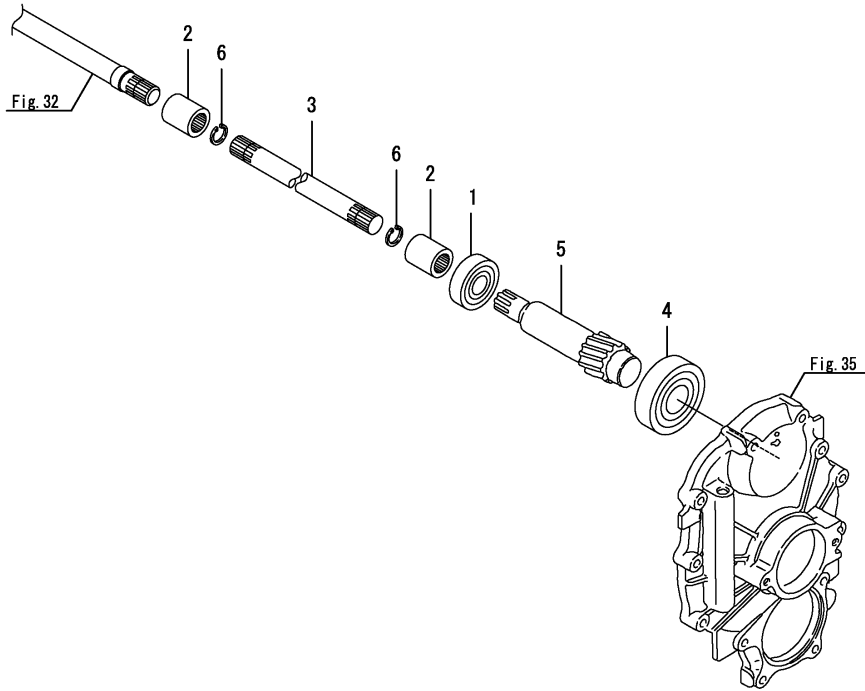
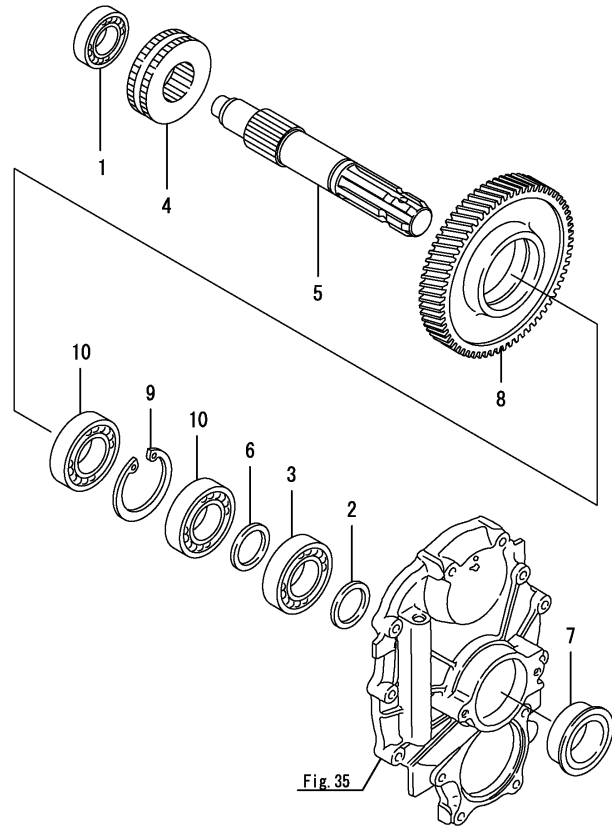


Fig.45. PTO. SHAFT

(A)=EX450(CCY)  
(B)=  
(C)=

(D)=  
(E)=  
(F)=



No.	Lev.	Parts No.	Description	Q'ty						I	R
				(A)	(B)	(C)	(D)	(E)	(F)		
1	1	194447-13860	BEARING, TMB304CX1	1							
2	1	194310-25660	COLLAR, 35X45X5	1							
3	1	194430-25810	BEARING, BALL TMB207	1							
4	1	1A7780-26121	SLIDER, PTO	1							
5	1	1A7780-26310	SHAFT, PTO	1							
6	1	194640-26330	WASHER, 35X46X32	1							
7	1	194370-26350	SEAL, OIL QLF356019	1							
8	1	198240-26520	GEAR, PTO	1							
9	1	22252-000720	RING, 72	1							
10	1	24101-062074	BEARING, BALL 6207	2							

Fig.46. MAIN CHANGE LEVER

(A)=EX450(CCY)

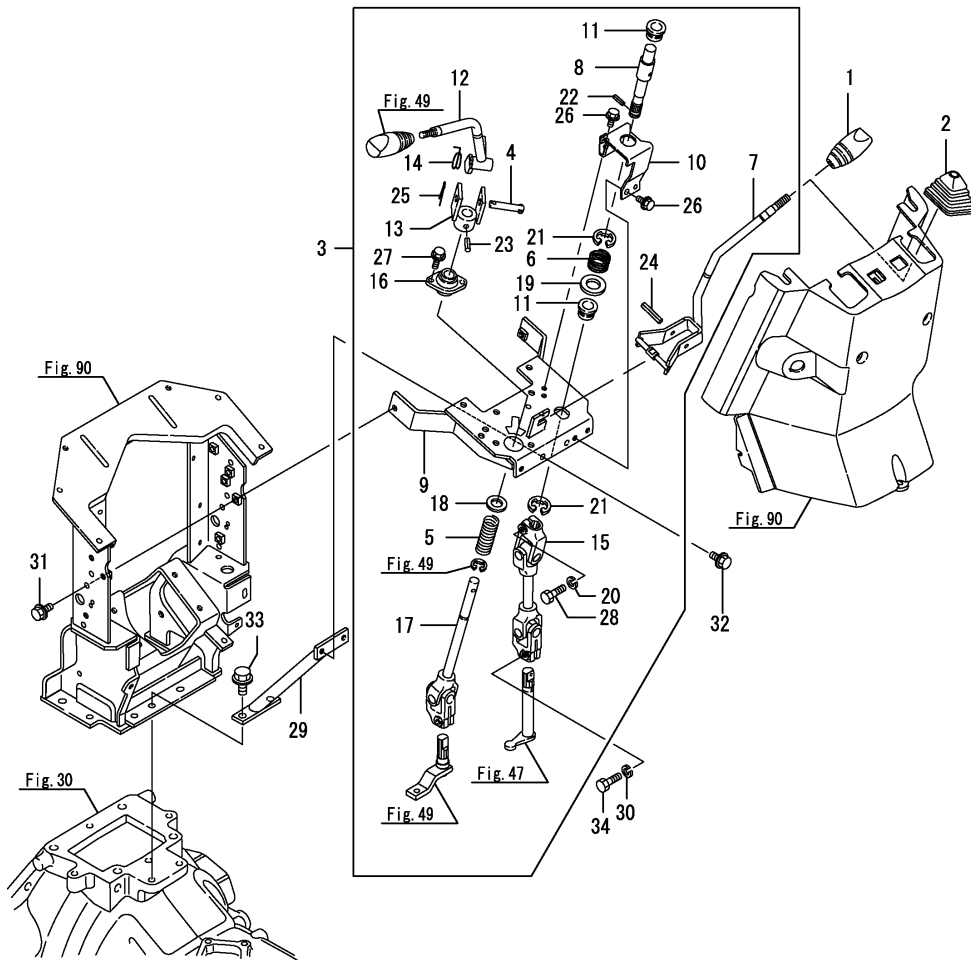
(B)=

(C)=

(D)=

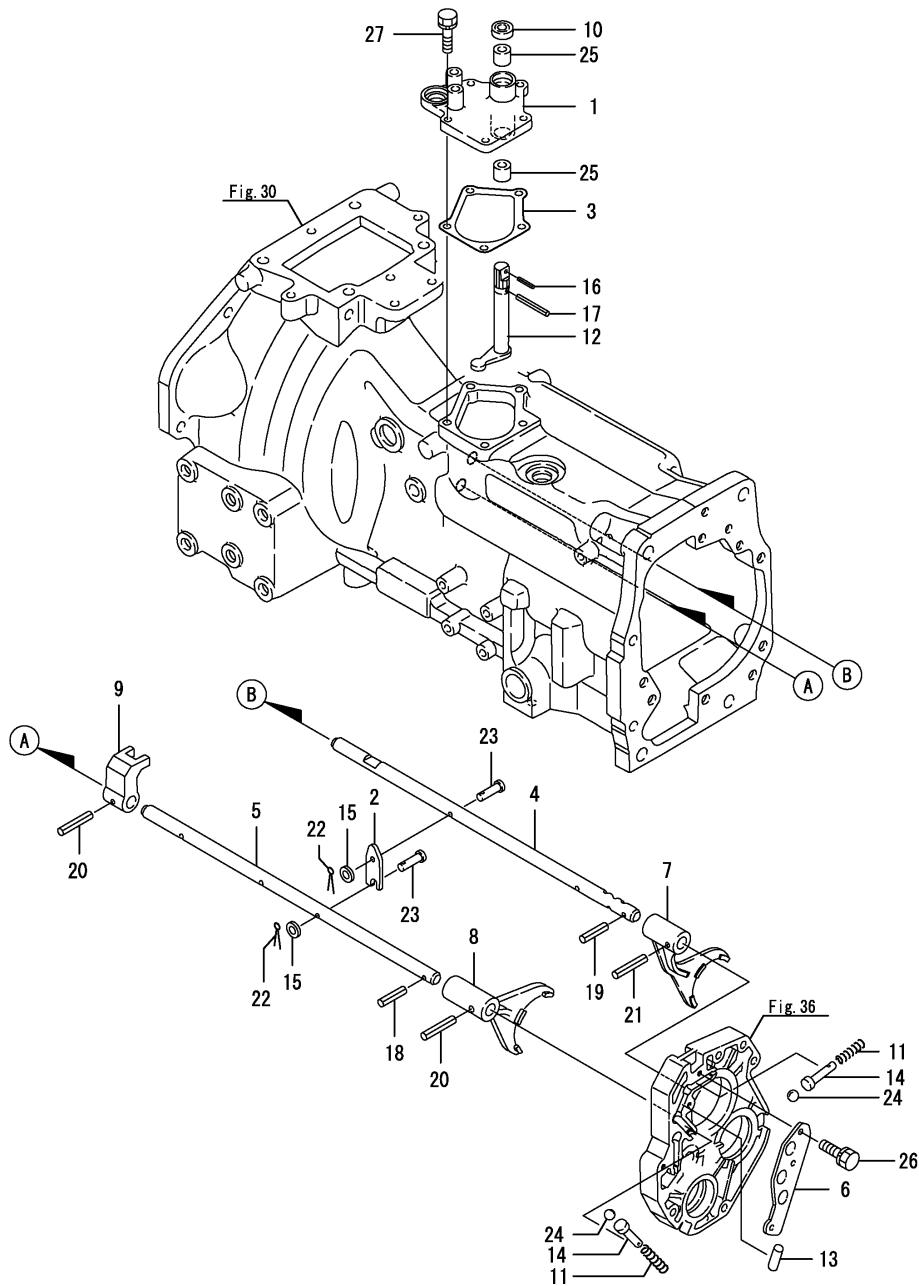
(E)=

(F)=



No.	Lev.	Parts No.	Description	Qty						I	R
				(A)	(B)	(C)	(D)	(E)	(F)		
1	1	1A8170-27100	KNOB, MAIN SHIFT	1							
2	1	198133-27350	BOOT	1							
3	1	1A7780-27801	SHIFT ASSY, COLUMN	1							
4	2	198075-18311	PIN, 8X52	1							
5	2	198133-27060	SPRING, REVERSER	1							
6	2	198133-27070	SPRING	1							
7	2	1A7780-27360	LEVER, MAIN SHIFT	1							
8	2	198133-27401	SHAFT ASSY	1							
9	2	198133-27652	BRACKET, SHIFT	1							
10	2	198133-27711	STAY, MAIN SHIFT	1							
11	2	198133-27720	BUSH, MAIN SHIFT	2							
12	2	1A7780-27751	LEVER, REVERSER	1							
13	2	198133-27781	HOLDER, REVERSER	1							
14	2	198133-27820	SPRING, RETURN	1							
15	2	198133-27850	JOINT ASSY, SHIFT	1							
16	2	198133-27881	FLANGE, REVERSER	1							
17	2	198133-27940	SHAFT ASSY, REVERSER	1							
18	2	22137-140000	WASHER, 14	1							
19	2	22137-220000	WASHER, 22	1							
20	2	22217-080000	WASHER, SPRING 8	1							
21	2	22272-000190	RING, E-19	2							
22	2	22351-020012	PIN, SPRING 2.0X12	1							
23	2	22351-060032	PIN, SPRING 6.0X32	1							
24	2	22351-080040	PIN, SPRING 8.0X40	1							
25	2	22417-200300	PIN, COTTER 2.0X30	1							
26	2	26106-060162	BOLT, M6X 16 PLATED	3							
27	2	26106-060162	BOLT, M6X 16 PLATED	2							
28	2	26116-080252	BOLT, M8X 25 PLATED	1							
29	1	198133-27950	STAY ASSY, SHIFT	1							
30	1	22217-080000	WASHER, SPRING 8	1							
31	1	26106-080162	BOLT, M8X 16 PLATED	2							
32	1	26106-080162	BOLT, M8X 16 PLATED	2							
33	1	26106-100202	BOLT, M10X 20 PLATED	2							
34	1	26116-080252	BOLT, M8X 25 PLATED	1							

Fig.47. MAIN CHANGE



(A)=EX450(CCY)  
(B)=  
(C)=

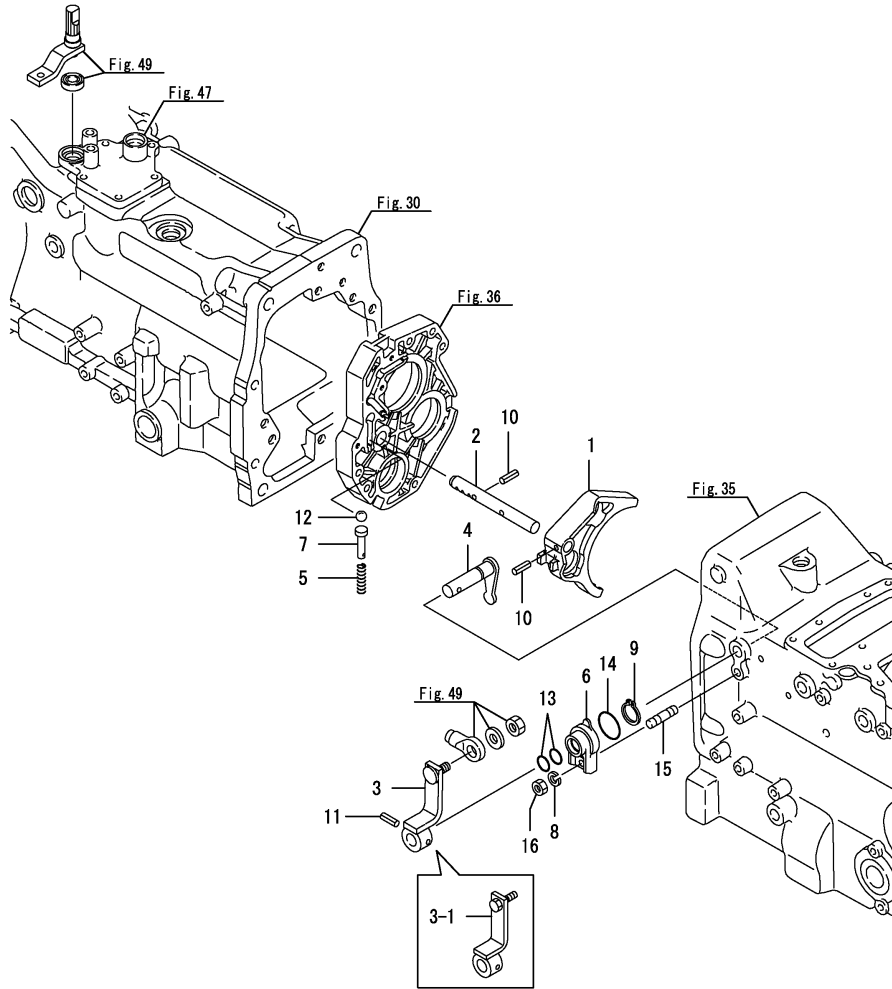
(D)=  
(E)=  
(F)=

No.	Lev.	Parts No.	Description	Q'ty						I	R
				(A)	(B)	(C)	(D)	(E)	(F)		
1	1	1A7780-27150-1	RETAINER, LEVER	1							
2	1	194250-27160	ARM, SWITCH	1							
3	1	198133-27170	GASKET, RETAINER	1							
4	1	198137-27180	SHAFT, FORK 2-3	1							
5	1	198137-27190	SHAFT, FORK 1	1							
6	1	198133-27280	HOLDER, INTERLOCK	1							
7	1	1A7780-27310	FORK, SHIFT 2-3	1							
8	1	198240-27320	FORK, SHIFT 2-3	1							
9	1	198133-27330	SHIFTER	1							
10	1	198133-27340	SEAL, OIL KBY172406	1							
11	1	194145-27450	SPRING	2							
12	1	198133-27450	ARM, SHIFT	1							
13	1	194130-27490	SPINDLE	1							
14	1	198071-27860	PIN, 4X35	2							
15	1	1C6460-84420	SPACER, 6.4X12.5X1	2							
16	1	22351-020012	PIN, SPRING 2.0X12	1							
17	1	22351-040032	PIN, SPRING 4.0X32	1							
18	1	22351-060025	PIN, SPRING 6.0X25	1							
19	1	22351-060025	PIN, SPRING 6.0X25	1							
20	1	22351-060032	PIN, SPRING 6.0X32	2							
21	1	22351-060032	PIN, SPRING 6.0X32	1							
22	1	22417-160180	PIN, COTTER 1.6X18	2							
23	1	22487-060200	PIN, H 6X 20	2							
24	1	24190-100001	BALL, STEEL 5/16	2							
25	1	24550-017150	BUSH, 17X15	2							
26	1	26013-080202	BOLT, M8X 20	3							
26-1	1	26106-080162	BOLT, M8X 16 PLATED	3							R
27	1	26013-080252	BOLT, M8X 25	5							

Fig.48. REVERSER CHANGE

(A)=EX450(CCY)  
(B)=  
(C)=

(D)=  
(E)=  
(F)=



No.	Lev.	Parts No.	Description	Q'ty						I	R
				(A)	(B)	(C)	(D)	(E)	(F)		
1	1	198133-27110	FORK, REVERSER SHIFT	1							
2	1	198133-27120	SHAFT, REVERSER FORK	1							
3	1	198133-27180-1	ARM, CHANGE	1							
3-1	1	1A7780-27180-1 (A=FZZZZZ)	ARM, SHIFT	1							F 1
4	1	198133-27300	ARM, SHIFT	1							
5	1	194145-27450	SPRING	1							
6	1	198071-27470-1	HOLDER, SHIFT ARM	1							
7	1	198071-27860	PIN, 4X35	1							
8	1	22217-080000 (A=F000935)	WASHER, SPRING 8	1							Z
9	1	22242-000170	RING, 17	1							
10	1	22351-060025	PIN, SPRING 6.0X25	2							
11	1	22351-060032	PIN, SPRING 6.0X32	1							
12	1	24190-100001	BALL, STEEL 5/16	1							
13	1	24311-000160	O-RING, 1AP16.0	2							
14	1	24321-000250	O-RING, 1AG25.0	1							
15	1	26218-080202	STUD, M8X 20	1							
16	1	26716-080002	NUT, M8	1							
16-1	1	26366-080002 (A=F000935)	NUT, M8	1							N

Remarks  
(1)Fig.49 Ref.No.3-1, 9-1 & 13-1  
Interchangeable by set.

Fig.49. REVERSE LEVER

(A)=EX450(CCY)

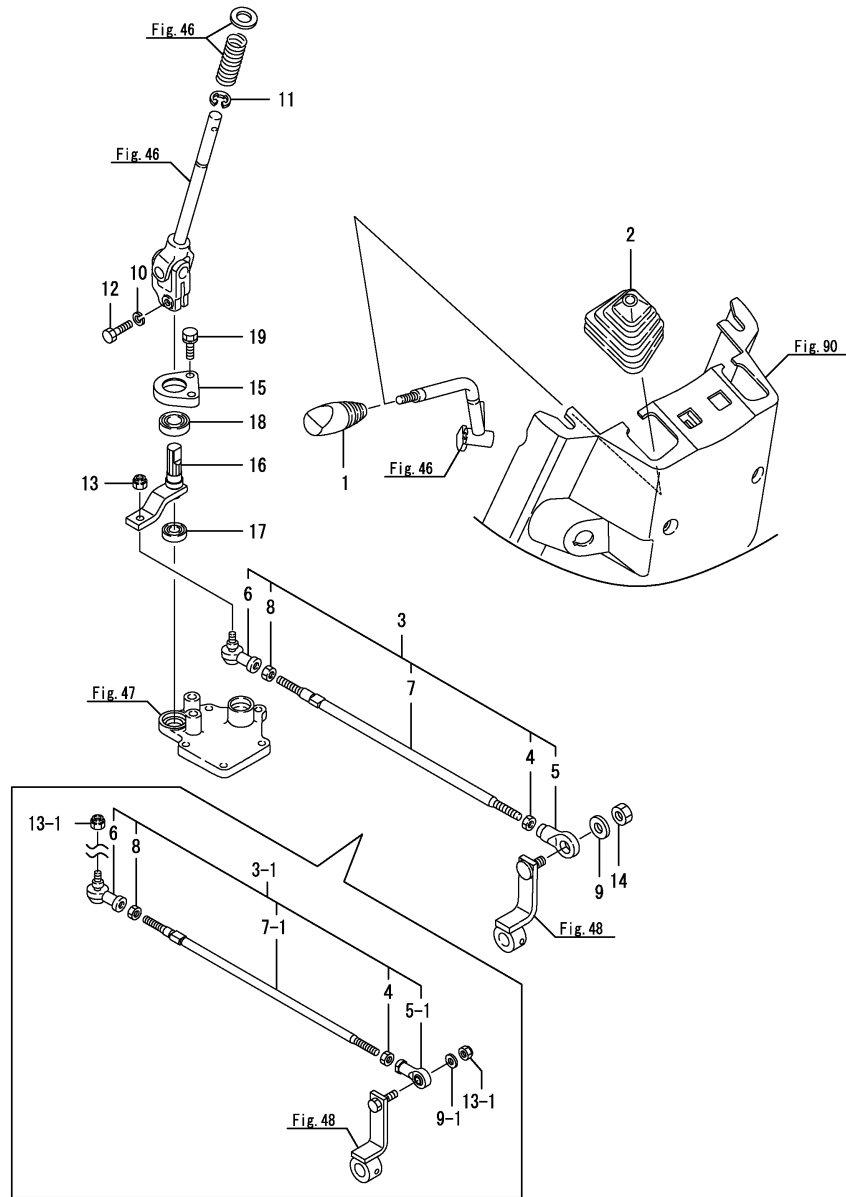
(B)=

(C)=

(D)=

(E)=

(F)=



No.	Lev.	Parts No.	Description	Q'ty						I	R
				(A)	(B)	(C)	(D)	(E)	(F)		
1	1	198200-18350	KNOB, LEVER	1							
2	1	198133-27350	BOOT	1							
3	1	198133-27900	ROD ASSY, REVERSER	1							
3-1	1	1A7780-27900 (A=FZZZZZ)	ROD ASSY, REVERSER	1						F	1
4	2	194990-20170	NUT, M8	1							
5	2	194170-27180	END, ROD R	1							
5-1	2	172122-46571 (A=FZZZZZ)	END, ROD	1							S
6	2	194820-27370	END, ROD L	1							
7	2	198133-27910	ROD, SHIFT	1							
7-1	2	1A7780-27910 (A=FZZZZZ)	ROD, SHIFT	1							S
8	2	26716-080002	NUT, M8	1							
9	1	22137-100000	WASHER, 10	1							
9-1	1	22137-080000 (A=FZZZZZ)	WASHER, 8	1						F	1
10	1	22217-080000	WASHER, SPRING 8	1							
11	1	22272-000120	RING, E-12	1							
12	1	26116-080252	BOLT, M8X 25 PLATED	1							
13	1	26346-080002	NUT, M8	1							
13-1	1	26346-080002 (A=FZZZZZ)	NUT, M8	2							K 1
14	1	26756-100002 (A=FZZZZZ)	NUT, LOCK M10	1							Z
15	1	1A7780-27160-1	HOLDER, REVERSER ARM	1							
15-1	1	1A7780-27161-1 (A=F001041)	HOLDER, REVERSER ARM	1							N
16	1	1A7780-27210-1	ARM, LINK	1							
17	1	24104-060014	BEARING, BALL 6001UU	1							
18	1	24104-060034	BEARING, BALL 6003UU	1							
19	1	26013-080252	BOLT, M8X 25	2							

Remarks

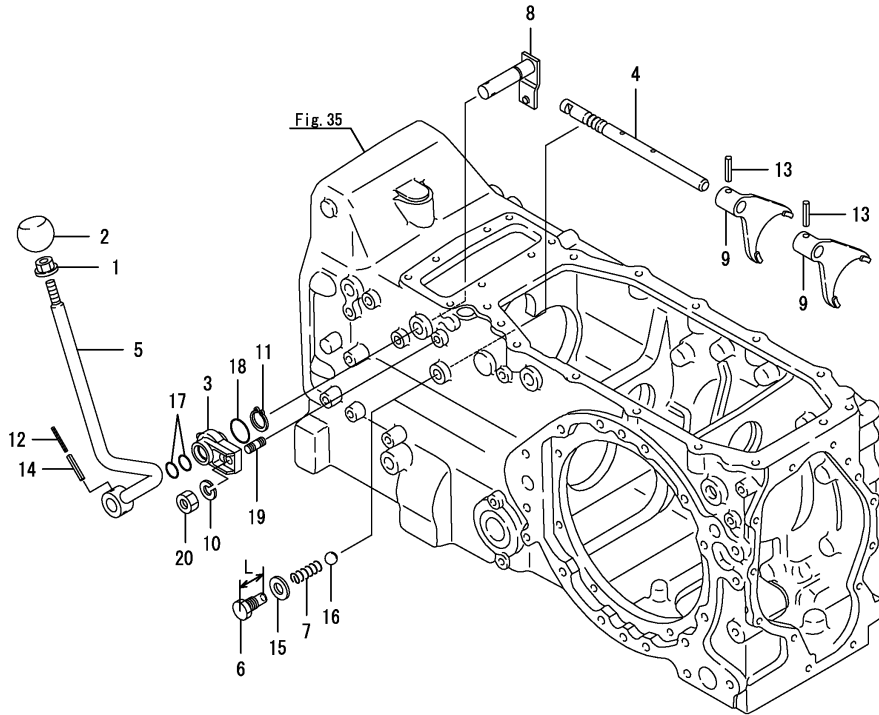
(1)Ref.No.3-1, 9-1,13-1 & Fig.48 Ref.  
No.3-1 Interchangeable by set.



Fig.50. SUB-CHANGE LEVER

(A)=EX450(CCY)  
(B)=  
(C)=

(D)=  
(E)=  
(F)=



No.	Lev.	Parts No.	Description	Q'ty						I	R
				(A)	(B)	(C)	(D)	(E)	(F)		
1	1	194990-22150	NUT, M10	1							
2	1	198253-27510	KNOB, LEVER	1							
3	1	198071-27470-1	HOLDER, SHIFT ARM	1							
4	1	198149-27490	SHAFT, FORK	1							
5	1	198253-27520-1	LEVER, RANGE SHIFT	1							
6	1	198149-27530	PLUG, M12	1							
6-1	1	198149-27531	PLUG, M12	1						S	1
(A=F001028)											
7	1	194680-27540	SPRING, FORK LOCK	1							
8	1	198149-27560	ARM, SHIFT	1							
9	1	198149-27570	FORK, SHIFT	2							
10	1	22217-080000	WASHER, SPRING 8	1							Z
(A=F000935)											
11	1	22242-000170	RING, 17	1							
12	1	22351-035032	PIN, SPRING 3.5X32	1							
13	1	22351-060032	PIN, SPRING 6.0X32	2							
14	1	22351-060032	PIN, SPRING 6.0X32	1							
15	1	23414-120016	GASKET, 12X1.0	1							
16	1	24190-080001	BALL, STEEL 1/4	1							
17	1	24311-000160	O-RING, 1AP16.0	2							
18	1	24321-000250	O-RING, 1AG25.0	1							
19	1	26218-080252	STUD, M8X 25	1							
19-1	1	26218-080202	STUD, M8X 20	1							R
(A=F000935)											
20	1	26716-080002	NUT, M8	1							
20-1	1	26366-080002	NUT, M8	1							N
(A=F000935)											

Remarks

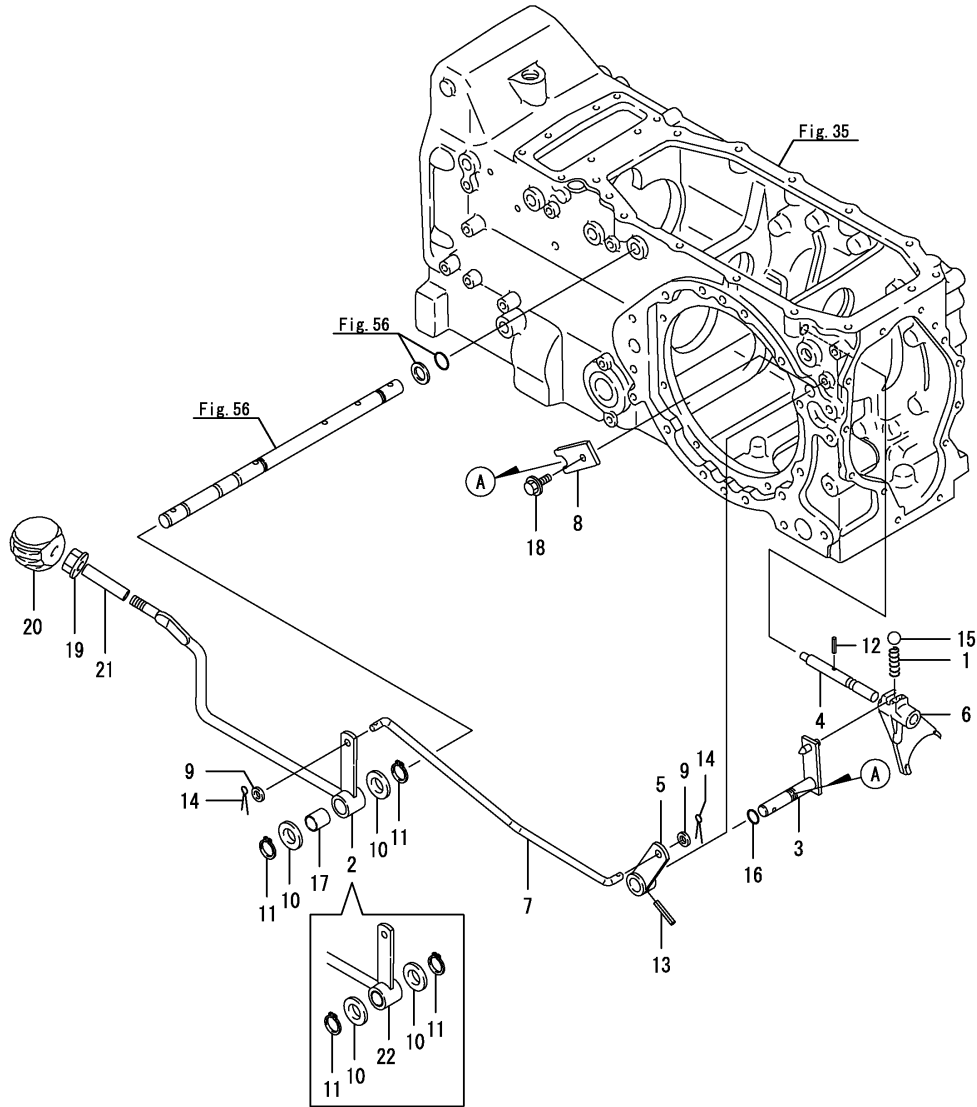
(1) L=Ref.No.6 32mm, 6-1 27mm.

N:Old  $\xrightarrow{\text{Yes}}$  New, Q:Old  $\xrightarrow{\text{No}}$  New, R:Old  $\xrightarrow{\text{Yes}}$  New, S:Old  $\xrightarrow{\text{No}}$  New, W:Add, Z:Discontinued, F:Interchangeable by set, K:Q'ty Change

Fig.51. PTO CHANGE

(A)=EX450(CCY)  
(B)=  
(C)=

(D)=  
(E)=  
(F)=



No.	Lev.	Parts No.	Description	Q'ty						I	R
				(A)	(B)	(C)	(D)	(E)	(F)		
1	1	194680-27540	SPRING, FORK LOCK	1							
2	1	198242-27830-1	LEVER, PTO	1							
2-1	1	198242-27831-1	LEVER, PTO	1							N
		(A=F000940)									
2-2	1	198242-27831-1	LEVER, PTO	1							Z
		(A=F001025)									
3	1	198240-27841	ARM, SHIFT	1							
4	1	198240-27880	SHAFT, PTO FORK	1							
5	1	198240-27890-1	ARM, CHANGE	1							
6	1	198240-27950	FORK, PTO SHIFT	1							
7	1	198240-27961-1	ROD, PTO	1							
8	1	198220-27990	PLATE, KEEP	1							
9	1	22137-100000	WASHER, 10	2							
10	1	22137-200000	WASHER, 20	2							
11	1	22242-000200	RING, 20	2							
12	1	22351-060025	PIN, SPRING 6.0X25	1							
13	1	22351-060032	PIN, SPRING 6.0X32	1							
14	1	22417-250200	PIN, COTTER 2.5X20	2							
14-1	1	1C6281-52320	PIN, SNAP 8	2							R
		(A=F001028)									
15	1	24190-080001	BALL, STEEL 1/4	1							
16	1	24311-000125	O-RING, 1AP12.5	1							
17	1	24550-020250	BUSH, 20X25	1							Z
		(A=F001025)									
18	1	26106-080162	BOLT, M8X 16 PLATED	1							
19	1	194990-22150	NUT, M10	1							
20	1	198220-27290	KNOB, LEVER	1							
21	1	23065-160080	PIPE, 16X 80	1							
22	1	1A7780-27820-2	LEVER ASSY, PTO	1							W
		(A=F001025)									

Fig.52. FRONT DRIVE

(A)=EX450(CCY)  
 (B)=  
 (C)=

(D)=  
 (E)=  
 (F)=

No.	Lev.	Parts No.	Description	Q'ty						I	R
				(A)	(B)	(C)	(D)	(E)	(F)		
1	1	194446-25450	BEARING, BALL TM302	1							
2	1	198241-28100	GEAR KIT, DRIVE	1							
3	2	198133-28110	SHAFT, FRONT DRIVE	1							
4	2	194765-28170	GEAR, FRONT DRIVE	1							
5	2	194765-28180	SLIDER	1							
6	1	198241-28220	PINION, FRONT FINAL	1							
7	1	194321-28230	SPRING, 26.2	1							
8	1	198241-28240	COLLAR, 18X30X15	1							
9	1	24101-060074	BEARING, BALL 6007	1							
10	1	24190-080001	BALL, STEEL 1/4	2							
11	1	24421-356212	SEAL, OIL TC356212	1							

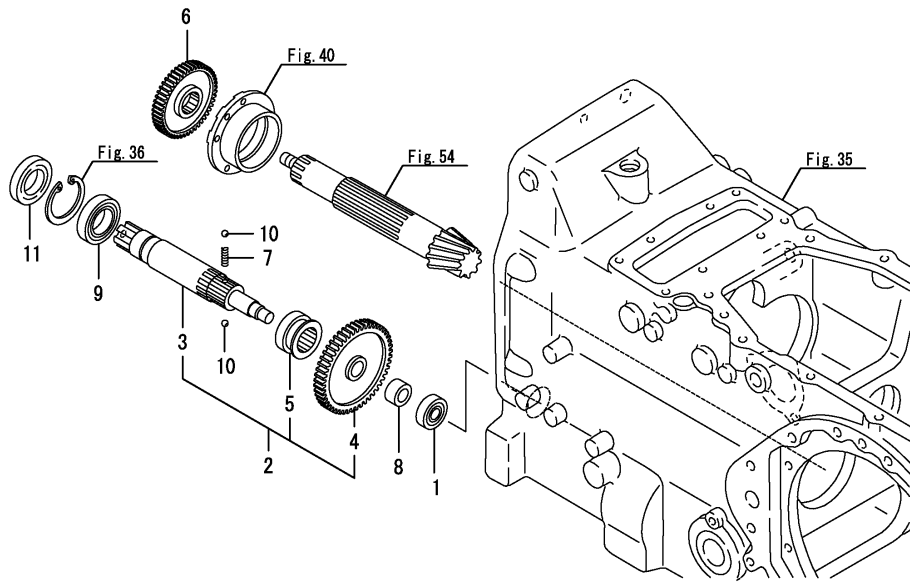
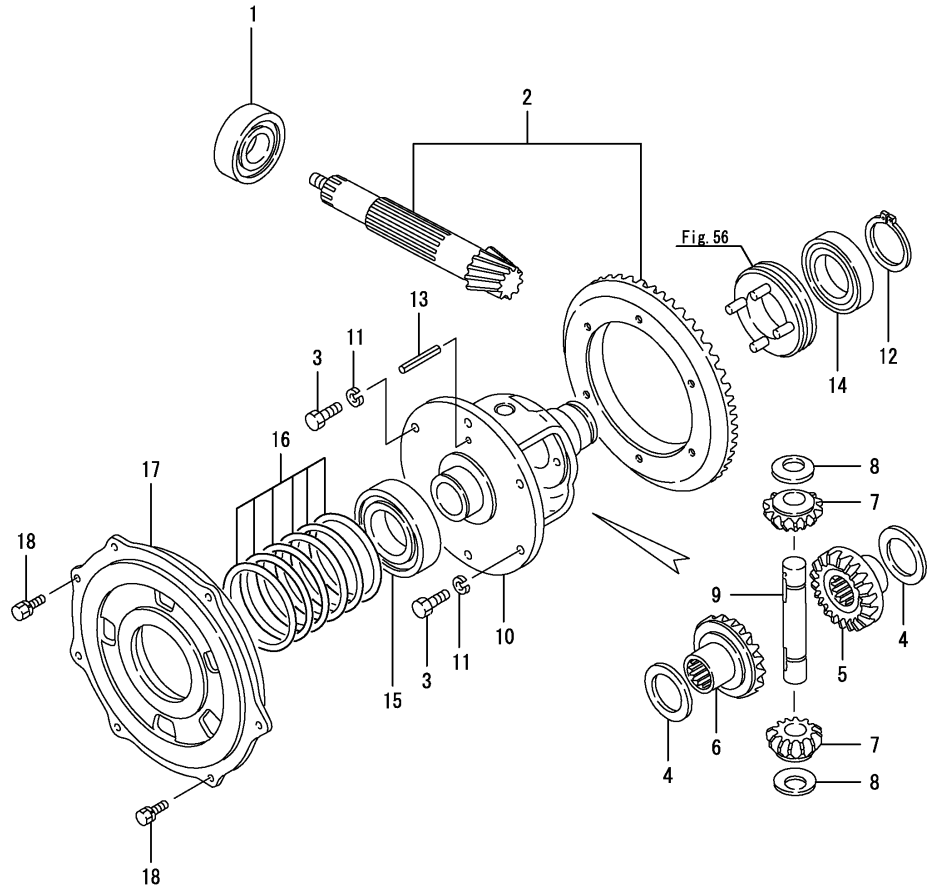




Fig.54. RING GEAR

(A)=EX450(CCY)  
(B)=  
(C)=

(D)=  
(E)=  
(F)=



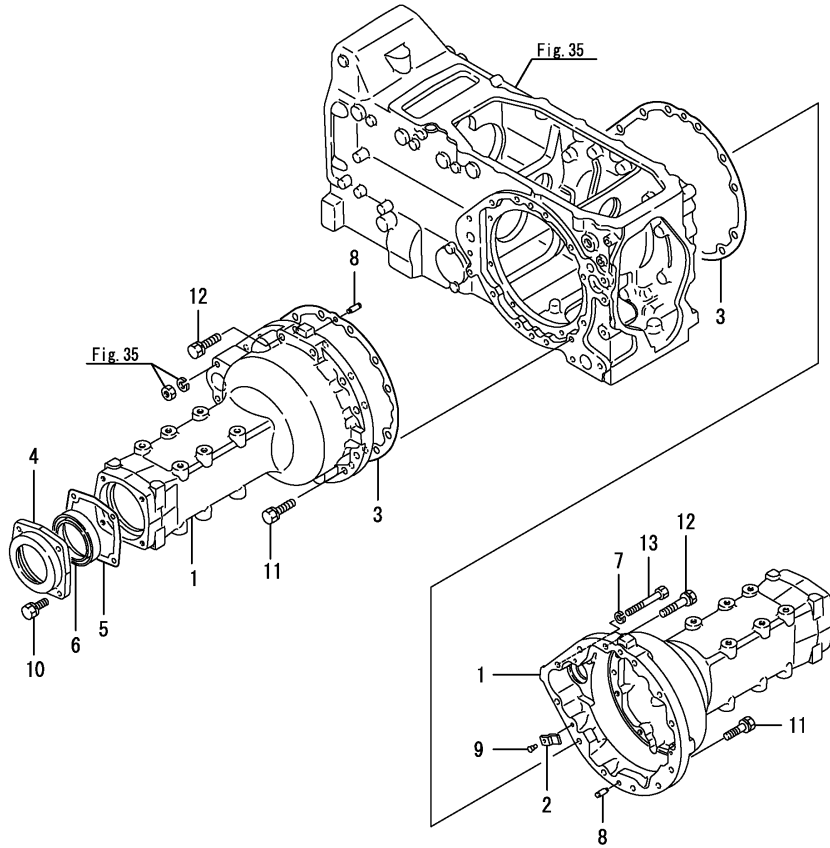
No.	Lev.	Parts No.	Description	Q'ty						I	R
				(A)	(B)	(C)	(D)	(E)	(F)		
1	1	198390-25790	BEARING, 6307R SH2	1							
2	1	198149-31400	GEAR ASSY, RING	1							
3	1	194066-13130	BOLT, M10X25	6							
4	1	198320-31530	WASHER, DIFFERENTIAL	2							
5	1	198320-31550	GEAR, DIFFERENTIAL	1							
6	1	194320-31560	GEAR, DIFFERENTIAL	1							
7	1	198320-31570	PINION, DIFFERENTIAL	2							
8	1	198320-31630	WASHER, DIFFERENTIAL	2							
9	1	198320-31820	SHAFT, DIFFERENTIAL	1							
10	1	198320-32111	CASE, DIFFERENTIAL	1							
11	1	22217-100000	WASHER, SPRING 10	6							
12	1	22242-000500	RING, 50	1							
13	1	22351-060050	PIN, SPRING 6.0X50	1							
14	1	24101-060104	BEARING, BALL 6010	1							
15	1	24101-062114	BEARING, BALL 6211	1							
16	1	794251-13910	SHIM SET	1							
17	1	198250-32310	CARRIER	1							
17-1	1	1A7601-32310	CARRIER, DIFF.	1							R
(A=FZZZZZ)											
18	1	26013-080252	BOLT, M8X 25	7							
18-1	1	26106-080252	BOLT, M8X 25 PLATED	7							R

(A=F000935)

Fig.55. REAR HOUSING

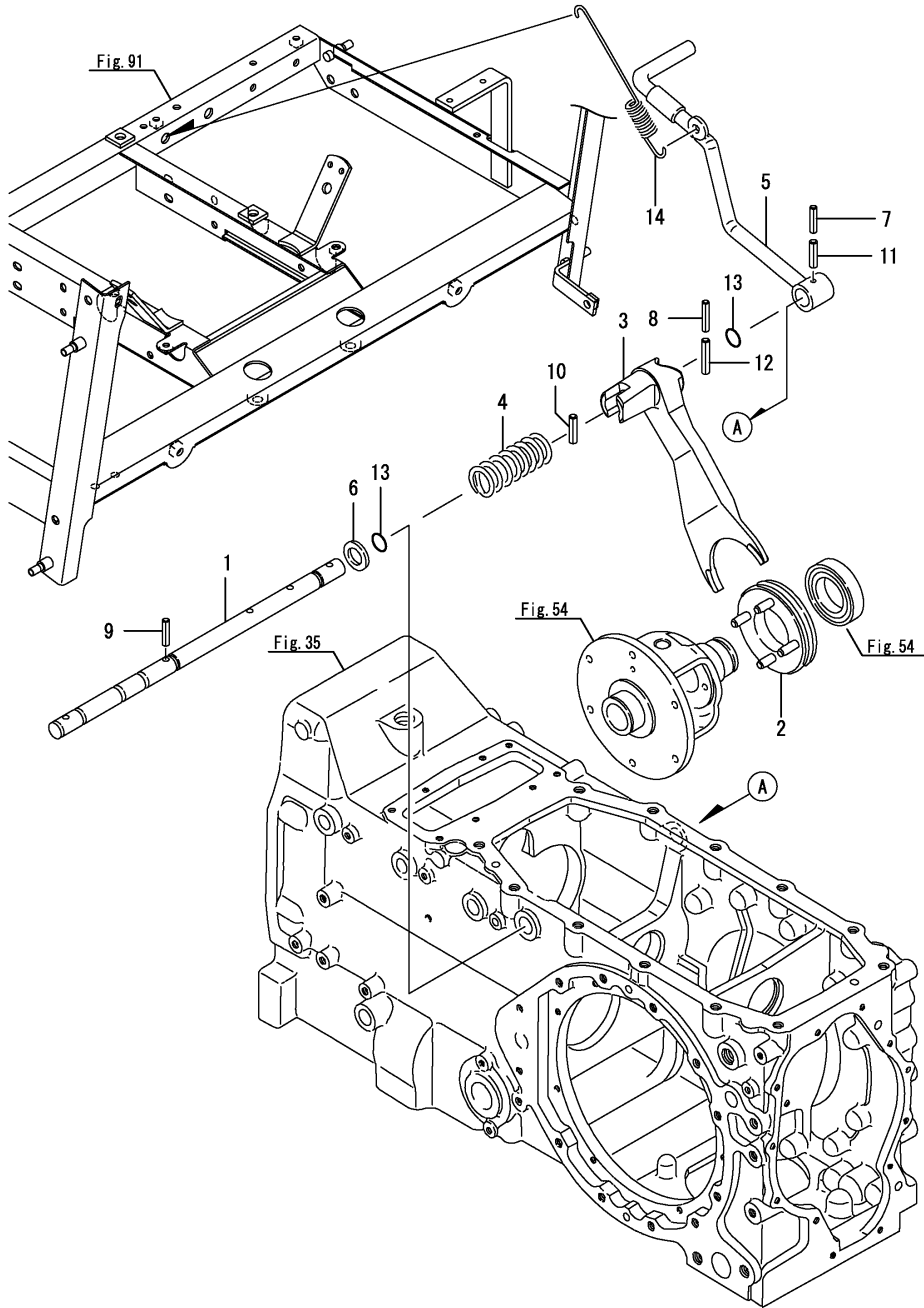
(A)=EX450(CCY)  
(B)=  
(C)=

(D)=  
(E)=  
(F)=



No.	Lev.	Parts No.	Description	Q'ty						I	R
				(A)	(B)	(C)	(D)	(E)	(F)		
1	1	198212-32611-1	HOUSING, REAR AXLE	2							
2	1	194180-32640	PLATE, PUSH	3							
3	1	198240-32640	PACKING, AXLE	2							
4	1	194640-32650-1	CASE, OIL SEAL	2							
5	1	198320-32660	GASKET, SEAL CASE	2							
6	1	194327-32730	SEAL, TC6Y7510014.5	2							
7	1	22217-100000	WASHER, SPRING 10	2							Z
(A=F000935)											
8	1	22312-100180	PIN, PARALLEL M10X18	4							
9	1	22635-600120	RIVET, 6.0X12	3							
10	1	26013-100302	BOLT, M10X 30	8							
10-1	1	26106-100302	BOLT, M10X 30 PLATED	8							R
(A=F000935)											
11	1	26013-120402	BOLT, M12X 40	16							
12	1	26013-120502	BOLT, M12X 50	4							
13	1	26116-100852	BOLT, M10X 85 PLATED	2							
13-1	1	26106-100852	BOLT, M10X 85 PLATED	2							N
(A=F000935)											

Fig.56. DIFFERENTIAL LOCK



(A)=EX450(CCY)  
(B)=  
(C)=

(D)=  
(E)=  
(F)=

No.	Lev.	Parts No.	Description	Q'ty						I	R
				(A)	(B)	(C)	(D)	(E)	(F)		
1	1	198250-33110	SHAFT, LOCK	1							
1-1	1	198254-33110	SHAFT, LOCK	1							R
(A=F000940)											
2	1	194464-33130	SLIDER, DIFFERENTIAL	1							
3	1	1A7350-33140	FORK, SHIFT	1							
4	1	194150-33150	SPRING, RETURN	1							
5	1	198240-33130-1	PEDAL ASSY, LOCK	1							
6	1	194300-33200	SPACER, 20X32X3.2	1							
7	1	22351-050032	PIN, SPRING 5.0X32	1							
8	1	22351-050040	PIN, SPRING 5.0X40	1							
9	1	22351-060032	PIN, SPRING 6.0X32	1							
10	1	22351-080032	PIN, SPRING 8.0X32	1							
11	1	22351-080032	PIN, SPRING 8.0X32	1							
12	1	22351-080040	PIN, SPRING 8.0X40	1							
13	1	24311-000150	O-RING, 1AP15.0	2							
14	1	198240-33170	SPRING	1							

Fig.57. FINAL PINION & FINAL GEAR

(A)=EX450(CCY)  
(B)=  
(C)=

(D)=  
(E)=  
(F)=

No.	Lev.	Parts No.	Description	Q'ty						I	R
				(A)	(B)	(C)	(D)	(E)	(F)		
1	1	198320-33412	PINION, FINAL L	1							
2	1	198320-33422	PINION, FINAL R	1							
3	1	198320-33540	PINION, PLANETARY	6							
4	1	198320-33550	SHAFT, PLANETARY	6							
5	1	198320-33560	NEEDLE, 4.5X31.8	63							
6	1	198320-33560	NEEDLE, 4.5X31.8	63							
7	1	198320-33570	CARRIER, PLANETARY	2							
8	1	198320-33610	GEAR, INTERNAL	2							
9	1	198320-33620	WASHER, 26X42X1	12							
10	1	198217-33650	BOLT, M10X55	16							
11	1	22312-100180	PIN, PARALLEL M10X18	4							
12	1	22351-080040	PIN, SPRING 8.0X40	6							

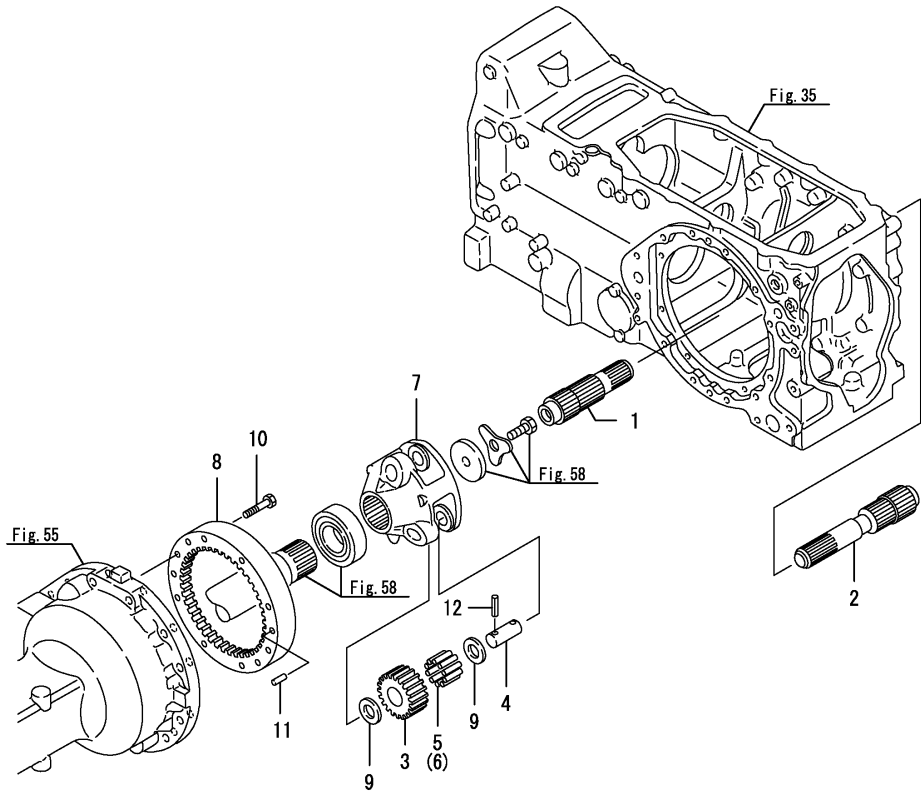




Fig.58. REAR AXLE SHAFT

(A)=EX450(CCY)  
 (B)=  
 (C)=

(D)=  
 (E)=  
 (F)=

No.	Lev.	Parts No.	Description	Q'ty						I	R
				(A)	(B)	(C)	(D)	(E)	(F)		
1	1	198255-34110-1	SHAFT, REAR AXLE	2							
2	1	194640-34130	WASHER, 13X64X9	2							
3	1	194640-34140	BOLT, M12X30	2							
4	1	194640-34150	WASHER, THRUST	2							
5	1	194145-34360	COLLAR, 60X75X26	2							
6	1	194145-34390	SPACER, O-RING	2							
7	1	24101-060114	BEARING, BALL 6011	2							
8	1	24101-062124	BEARING, BALL 6212	2							
9	1	24321-000600	O-RING, 1AG60.0	2							

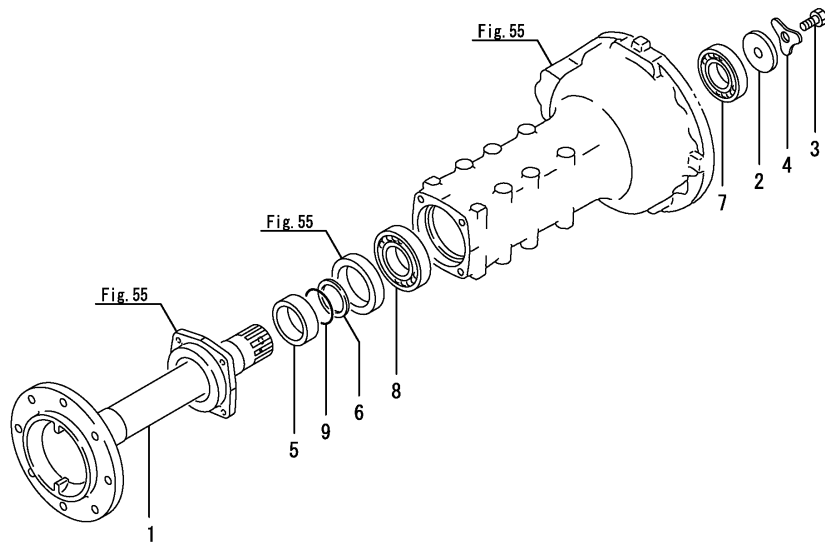
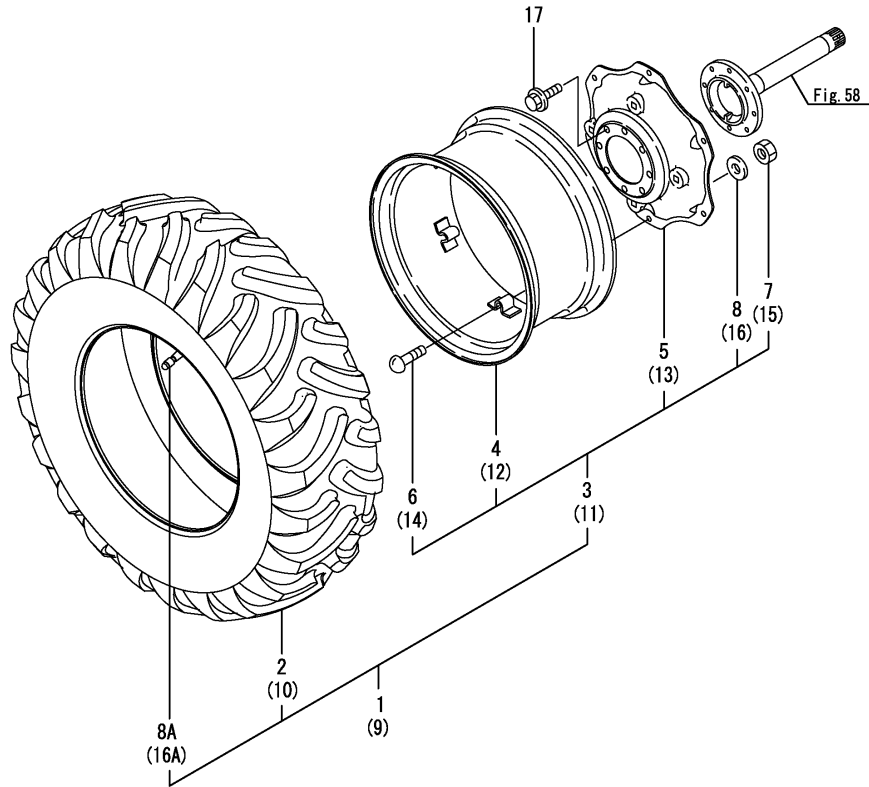


Fig.59. REAR WHEEL TIRE

(A)=EX450(CCY)  
(B)=  
(C)=

(D)=  
(E)=  
(F)=



No.	Lev.	Parts No.	Description	Q'ty						I	R
				(A)	(B)	(C)	(D)	(E)	(F)		
1	1	1A8170-34300	TIRE KIT, REAR R1 L	1							
2	2	1A8170-34310	TIRE, R1 14.9X24	1							
3	2	1A8170-34330	WHEEL, R1 R	1							
4	3	1A8170-34340	RIM ASSY, R1	1							
5	3	1A8170-34360	DISK ASSY, R1	1							
6	3	1A8170-34370	BOLT, R1	6							
7	3	1A8170-34380	NUT, R1	6							
8	3	1A8170-34390	WASHER, R1	6							
8A	2	1A8170-34350	VALVE, TIRE R1 R	1							
9	1	1A8170-34400	TIRE KIT, REAR R1 R	1							
10	2	1A8170-34310	TIRE, R1 14.9X24	1							
11	2	1A8170-34330	WHEEL, R1 R	1							
12	3	1A8170-34340	RIM ASSY, R1	1							
13	3	1A8170-34360	DISK ASSY, R1	1							
14	3	1A8170-34370	BOLT, R1	6							
15	3	1A8170-34380	NUT, R1	6							
16	3	1A8170-34390	WASHER, R1	6							
16A	2	1A8170-34350	VALVE, TIRE R1 R	1							
17	1	1A8170-14210	BOLT, HUB M14	16							

Fig.60. REAR WHEEL TIRE

(A)=EX450(CCY)  
 (B)=  
 (C)=

(D)=  
 (E)=  
 (F)=

No.	Lev.	Parts No.	Description	Q'ty						I	R
				(A)	(B)	(C)	(D)	(E)	(F)		
1	1	1A8170-34500	TIRE KIT, REAR R3	2							
2	2	1A8170-34510	TIRE, R3 44X18.00-20	2							
3	2	1A8170-34530	WHEEL, R3 R	2							
3A	2	1A8170-34350	VALVE, TIRE R1 R	2							
4	1	1A8170-14210	BOLT, HUB M14	16							

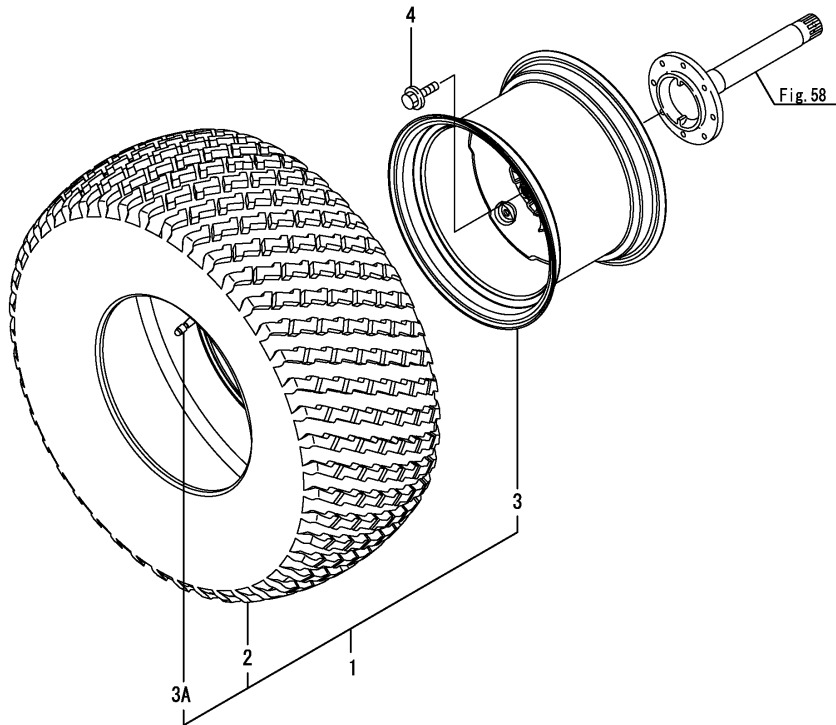




Fig.107. REAR WHEEL TIRE

(A)=EX450(CCY)  
 (B)=  
 (C)=

(D)=  
 (E)=  
 (F)=

No.	Lev.	Parts No.	Description	Q'ty						I	R
				(A)	(B)	(C)	(D)	(E)	(F)		
1	1	1A8170-34600	TIRE KIT, REAR R3G	2							
2	2	1A8170-34610	TIRE, R3G22.5LL-16.1	2							
3	2	1A8170-34630	WHEEL, R3G R	2							
4	2	1A8170-34650	VALVE, R3G R	2							
5	1	1A8170-14210	BOLT, HUB M14	16							

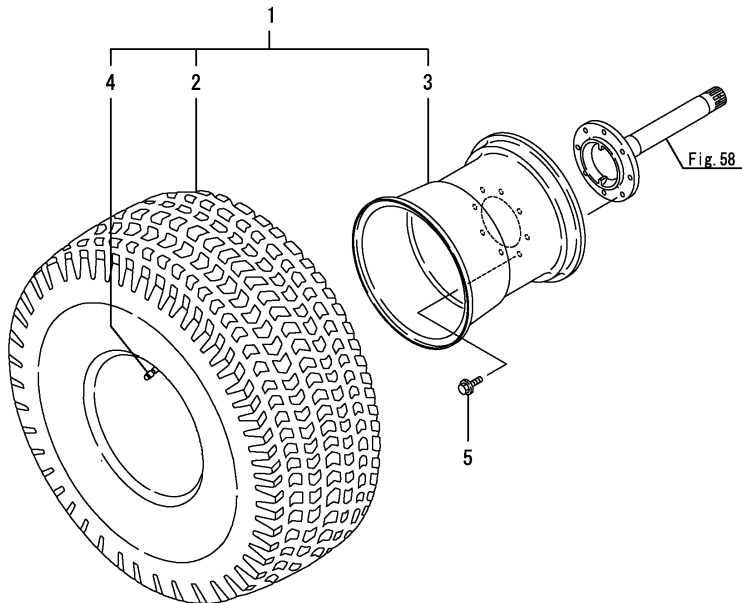
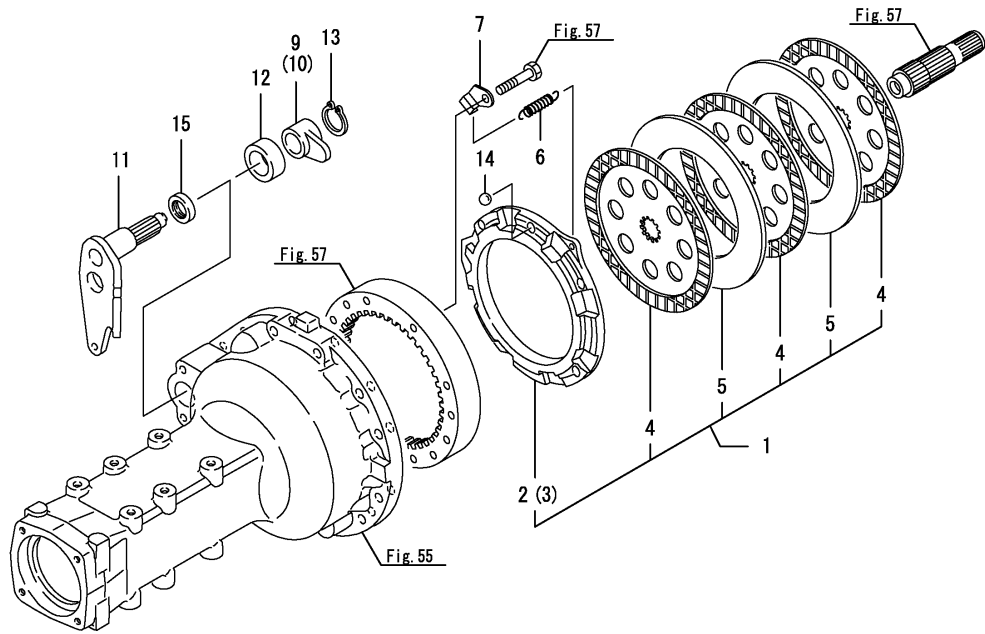


Fig.62. BRAKE

(A)=EX450(CCY)  
(B)=  
(C)=

(D)=  
(E)=  
(F)=



No.	Lev.	Parts No.	Description	Q'ty						I	R
				(A)	(B)	(C)	(D)	(E)	(F)		
1	1	198320-36200	BRAKE ASSY	1							
1-1	1	1A7601-36200	BRAKE ASSY	1							R
(A=FZZZZZ)											
2	2	198240-36310	ACTUATOR	1							
2-1	2	1A7601-36310	ACTUATOR, L	1							R
(A=FZZZZZ)											
3	2	198240-36320	ACTUATOR	1							
3-1	2	1A7601-36320	ACTUATOR, R	1							R
(A=FZZZZZ)											
4	2	198240-36351	PLATE, FRICTION 226	6							
4-1	2	1A7601-36350	PLATE, FRICTION 226	6							R
(A=FZZZZZ)											
5	2	198240-36520	PLATE, STEEL 3.2	5							
5-1	2	1A8275-36520	PLATE, STEEL 3.2	5							R
(A=FZZZZZ)											
6	1	194205-36320	SPRING, ACTUATOR	4							
7	1	198240-36380	HOOK, RETURN SPRING	4							
9	1	198240-36710	CAMSHAFT, BRAKE L	1							
10	1	198240-36720	CAMSHAFT, BRAKE R	1							
11	1	198240-36730-1	SHAFT, CAM LEVER	2							
12	1	198320-36790	SLEEVE, CAM LEVER	2							
13	1	22242-000290	RING, 29	2							
14	1	24190-180001	BALL, STEEL 9/16	12							
15	1	24421-304208	SEAL, OIL TC304208	2							

Fig.63. BRAKE PEDAL

(A)=EX450(CCY)

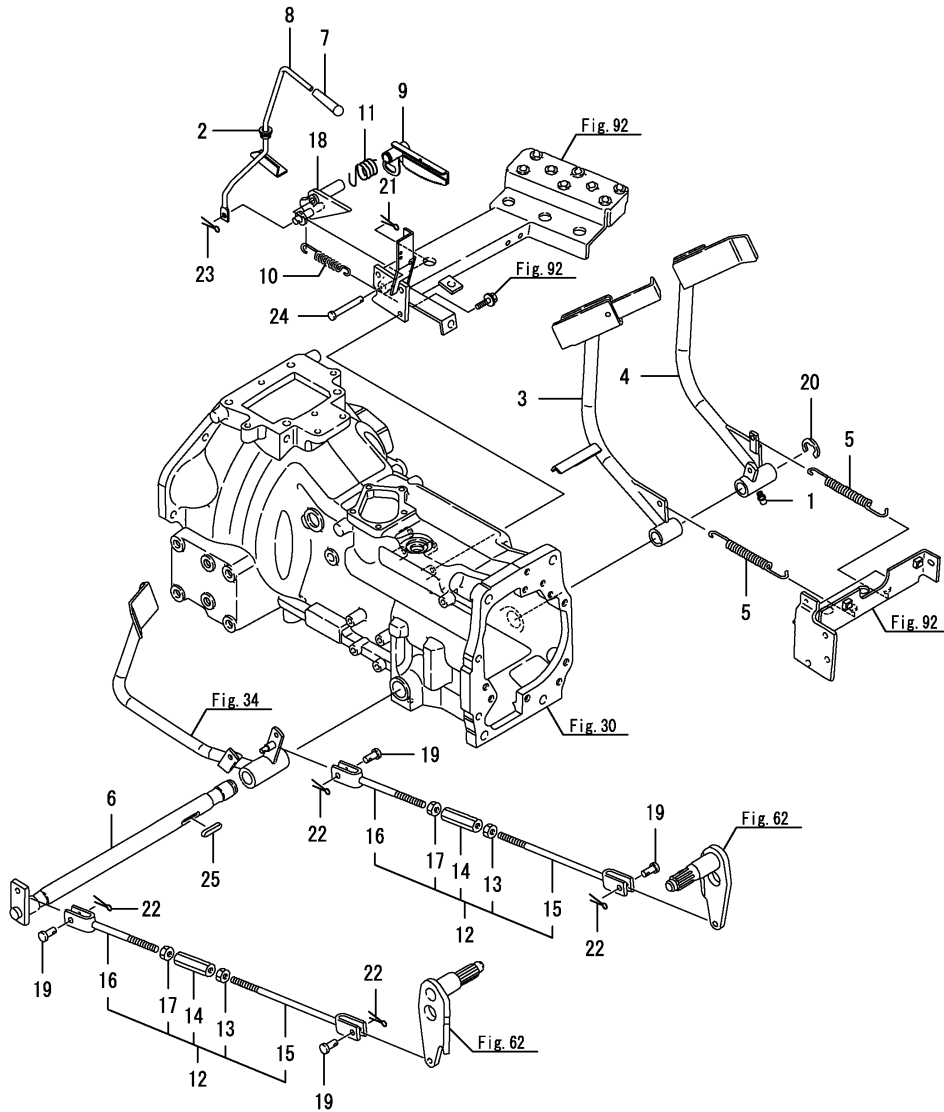
(B)=

(C)=

(D)=

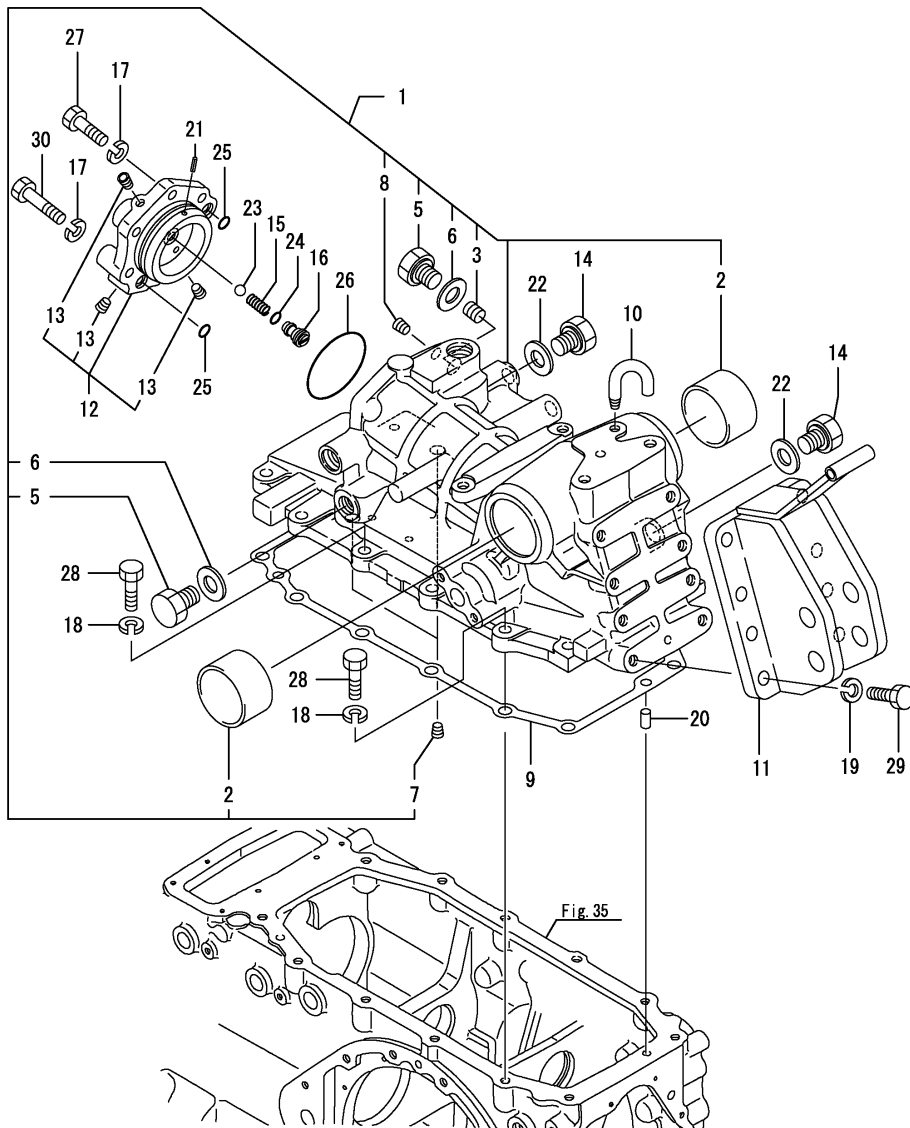
(E)=

(F)=



No.	Lev.	Parts No.	Description	Q'ty						I	R
				(A)	(B)	(C)	(D)	(E)	(F)		
1	1	24761-010000	NIPPLE, GREASE M6F	1							
2	1	198241-28330	GUIDE, SHIFT	1							
3	1	198240-37420-2	PEDAL, BRAKE L	1							
4	1	198240-37470-2	PEDAL, BRAKE R	1							
5	1	198240-37510	SPRING, RETURN	2							
6	1	198240-37550-1	SHAFT, BRAKE PEDAL	1							
7	1	198253-37610	KNOB, PARKING BRAKE	1							
8	1	1A7780-37620	ROD ASSY, PARKING	1							
9	1	198254-37660	LEVER, BRAKE LOCK	1							
10	1	198220-37700	SPRING, RETURN	1							
11	1	198220-37720	SPRING	1							
12	1	794525-37000	ROD ASSY, BRAKE	2							
13	2	194150-22480	NUT, M10 L	2							
14	2	194130-37730	TURNBUCKLE M10X70	2							
15	2	194310-37741	ROD, BRAKE L	2							
16	2	194134-37771	ROD, BRAKE R	2							
17	2	26716-100002	NUT, M10	2							
18	1	198240-37850	LEVER, PARKING B	1							
19	1	198220-37900	PIN, 8X24	4							
20	1	22272-000190	RING, E-19	1							
21	1	22417-200300	PIN, COTTER 2.0X30	1							
22	1	22417-250300	PIN, COTTER 2.5X30	4							
23	1	22417-250300	PIN, COTTER 2.5X30	1							
24	1	22487-100700	PIN, H10X 70	1							
25	1	22512-070400	KEY, 7X 40	1							

Fig.64. HYD.CYLINDER CASE



(A)=EX450(CCY)

(B)=

(C)=

(D)=

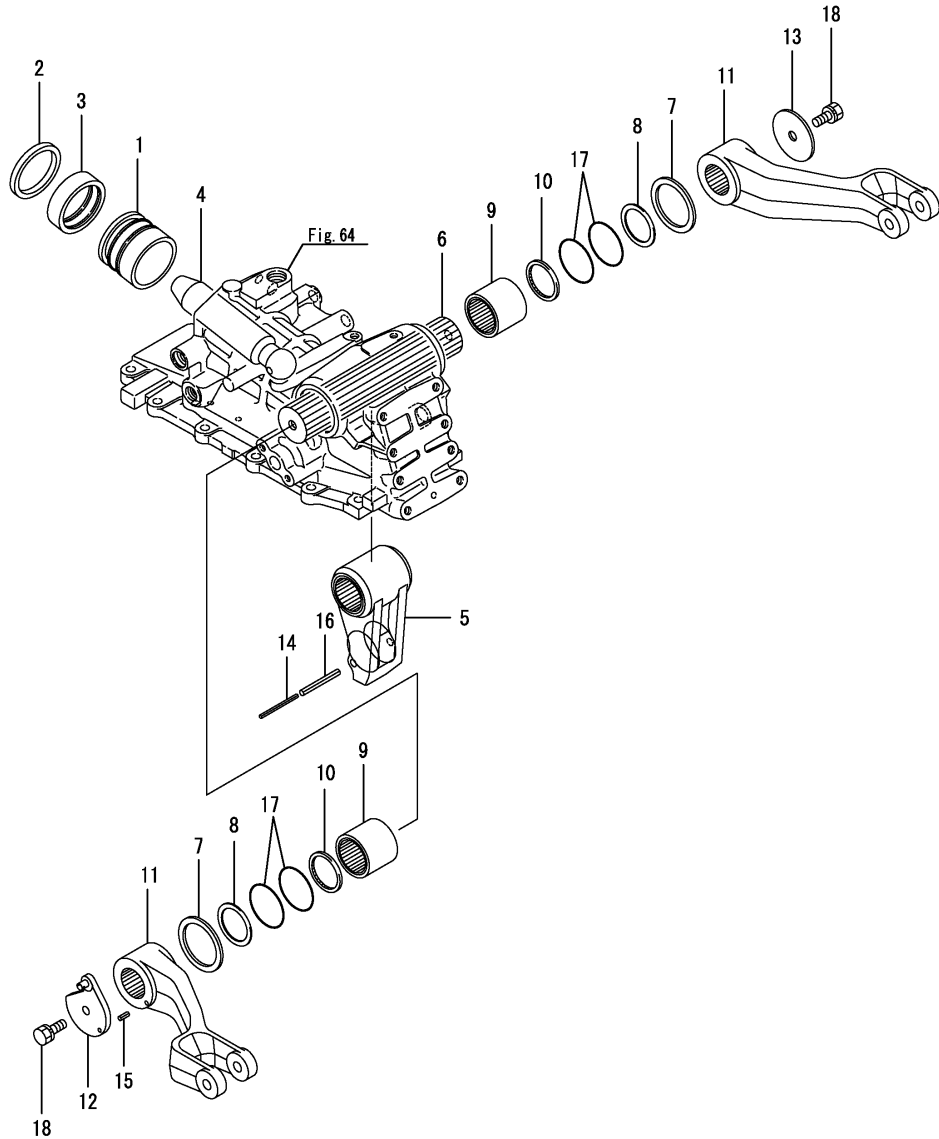
(E)=

(F)=

No.	Lev.	Parts No.	Description	Q'ty						I	R
				(A)	(B)	(C)	(D)	(E)	(F)		
1	1	1A8170-42100	HOUSING ASSY	1							
2	2	198133-42130	BUSH, 65X70X40	2							
3	2	198245-42160	PLUG, 1/4	1							
5	2	198220-45920	PLUG, 3/4-16UNF	2							
6	2	23414-190000	GASKET, 19X1.0	2							
7	2	23876-010000	PLUG, R01	2							
8	2	23876-020000	PLUG, R02	1							
9	1	198240-42130	PACKING, HOUSING	1							
10	1	194150-42280-1	BREATHER, AIR	1							
11	1	198240-42810-1	HINGE, TOP LINK	1							
12	1	194640-43201-1	HEAD ASSY, CYLINDER	1							
13	2	23876-010000	PLUG, R01	3							
14	1	198220-45920	PLUG, 3/4-16UNF	3							
15	1	194555-46380	SPRING	1							
16	1	194555-46730	PLUG, CHECK VALVE	1							
17	1	22217-120000	WASHER, SPRING 12	6							Z
		(A=FXXXXX)									
18	1	22217-120000	WASHER, SPRING 12	12							Z
		(A=FXXXXX)									
19	1	22217-120000	WASHER, SPRING 12	8							Z
		(A=FXXXXX)									
20	1	22312-100180	PIN, PARALLEL M10X18	2							
21	1	22351-040016	PIN, SPRING 4.0X16	1							
22	1	23414-190000	GASKET, 19X1.0	3							
23	1	24190-130003	BALL, STEEL 13/32	1							
24	1	24315-000120	O-RING, 1BP12.0	1							
25	1	24315-000140	O-RING, 1BP14.0	2							
26	1	24325-000800	O-RING, 1BG80.0	1							
27	1	26116-120352	BOLT, M12X 35 PLATED	5							
27-1	1	26013-120352	BOLT, M12X 35	5							N
		(A=FXXXXX)									
28	1	26116-120352	BOLT, M12X 35 PLATED	12							
28-1	1	26013-120352	BOLT, M12X 35	12							N
		(A=FXXXXX)									
29	1	26116-120352	BOLT, M12X 35 PLATED	8							
29-1	1	26013-120352	BOLT, M12X 35	8							N
		(A=FXXXXX)									
30	1	26116-120552	BOLT, M12X 55 PLATED	1							
30-1	1	26013-120552	BOLT, M12X 55	1							N
		(A=FXXXXX)									



Fig.65. PISTON & LIFT CRANK



(A)=EX450(CCY)  
(B)=  
(C)=

(D)=  
(E)=  
(F)=

No.	Lev.	Parts No.	Description	Q'ty						I	R
				(A)	(B)	(C)	(D)	(E)	(F)		
1	1	198133-43310	PISTON, HYDRAULIC	1							
2	1	198133-43330	PACKING	1							
3	1	198133-43360	SLEEVE	1							
4	1	194180-43410	ROD, PISTON	1							
5	1	198215-44110-1	CRANK,LIFT	1							
6	1	198133-44210	SHAFT, LIFTING	1							
7	1	1A7640-44230	WASHER, 65X82X2	2							
8	1	1A7640-44240	PLATE, 50X64X2	2							
9	1	1A7780-44250	SLEEVE, LIFT SHAFT	2							
10	1	194640-44260	SEAL, SPLINE	2							
10-1	1	194640-44261	SEAL, SPLINE	2							N
(A=F001028)											
11	1	198133-44410-1	ARM, LIFT	2							
11-1	1	198133-44411-1	ARM, LIFT	2							N
(A=FZZZZZ)											
12	1	1A7780-44510-1	PLATE, FEEDBACK	1							
13	1	194640-44540	RETAINER, SHAFT	1							
14	1	22351-050070	PIN, SPRING 5.0X70	1							
15	1	22351-060016	PIN, SPRING 6.0X16	1							
16	1	22351-080070	PIN, SPRING 8.0X70	1							
17	1	24321-000650	O-RING, 1AG65.0	4							
18	1	26013-120352	BOLT, M12X 35	2							

Fig.66. CONTROL VALVE

(A)=EX450(CCY)  
 (B)=  
 (C)=

(D)=  
 (E)=  
 (F)=

No.	Lev.	Parts No.	Description	Q'ty						I	R
				(A)	(B)	(C)	(D)	(E)	(F)		
1	1	178071-03010	VALVE ASSY,ROCKSHAFT	1							
1-1	1	168246-00110	CONTROL VALVE(6F-11	1							N
(A=F001028)											
2	2	194327-45120	O-RING, 1BP14.0	2							
3	2	194327-45130	O-RING, 1BP7.0	1							
4	2	26450-080142	BOLT, M8X 14	3							
5	1	26450-080202	BOLT, M8X 20	3							

---

---

---

---

---

---

---

---

---

---

---

---

---

---

---

---

---

---

---

---

---

---

---

---

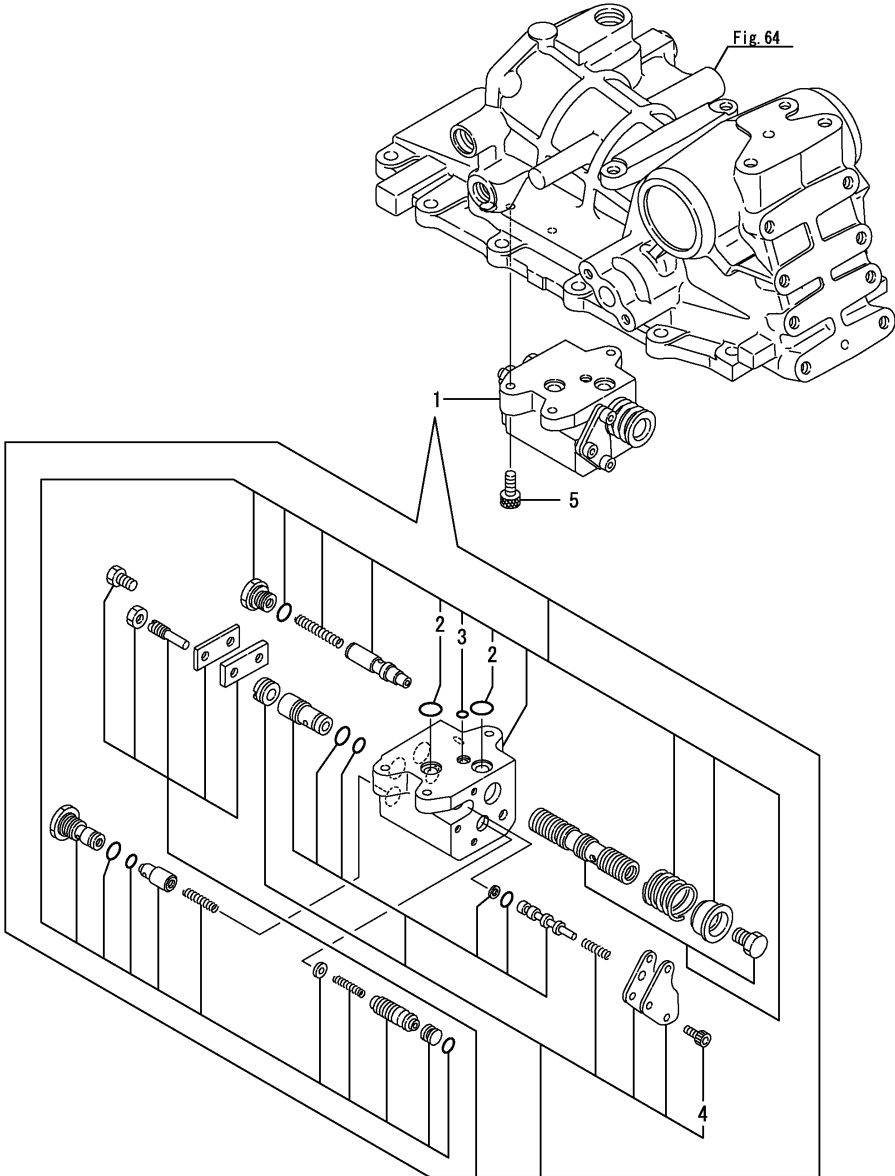
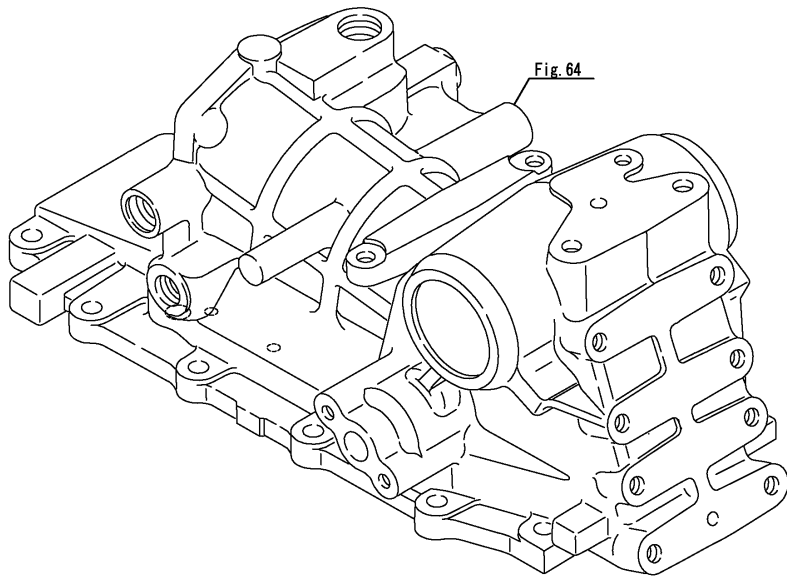
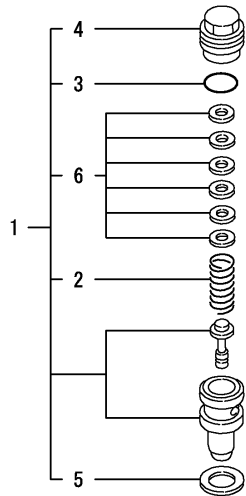


Fig.67. RELIEF VALVE

(A)=EX450(CCY)  
 (B)=  
 (C)=

(D)=  
 (E)=  
 (F)=

No.	Lev.	Parts No.	Description	Q'ty						I	R
				(A)	(B)	(C)	(D)	(E)	(F)		
1	1	198133-45600	VALVE ASSY, RELIEF	1							
2	2	194180-45620	SPRING	1							
3	2	194450-45630	O-RING, 2.5X23	1							
4	2	194450-45640-1	PLUG, RELIEF VALVE	1							
5	2	194450-45650	GASKET, 20X27.8X2	1							
6	2	794464-45660	SHIM SET	1							



# Fig.68. STOP VALVE

(A)=EX450(CCY)  
(B)=  
(C)=

(D)=  
(E)=  
(F)=

No.	Lev.	Parts No.	Description	Q'ty						I	R
				(A)	(B)	(C)	(D)	(E)	(F)		
1	1	194555-46300	VALVE, STOP	1							
2	1	198240-46620	BOLT, STOP	1							
3	1	194312-46630	HOLDER, VALVE	1							
4	1	22117-080000	WASHER, 8	1							
5	1	22351-040012	PIN, SPRING 4.0X12	1							
6	1	24311-000110	O-RING, 1AP11.0	2							
7	1	24311-000120	O-RING, 1AP12.0	1							
8	1	1A8160-46670	KNOB, VALVE	1							
9	1	26716-100002	NUT, M10	1							

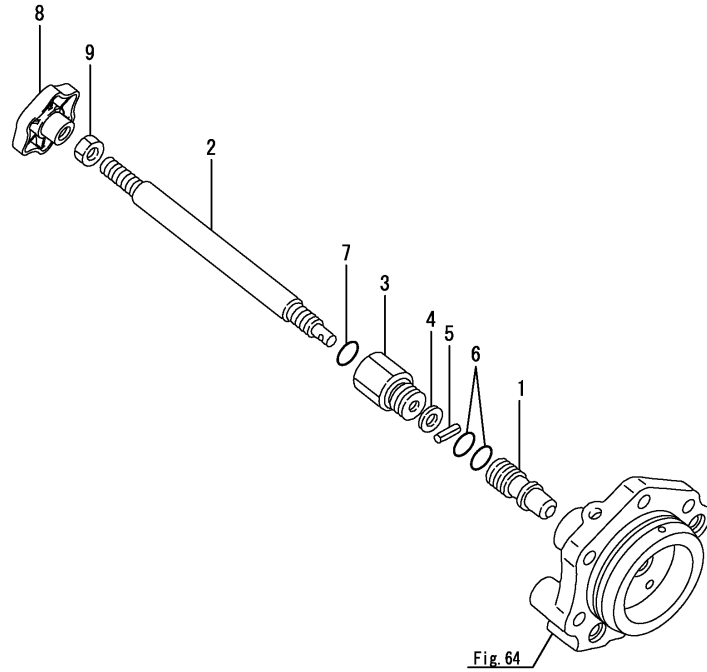


Fig.69. SAFETY VALVE

(A)=EX450(CCY)  
(B)=  
(C)=

(D)=  
(E)=  
(F)=

No.	Lev.	Parts No.	Description	Qty						I	R
				(A)	(B)	(C)	(D)	(E)	(F)		
1	1	194150-45320	SPRING, RELIEF VALVE	1							
1-1	1	1A7680-45320	SPRING	1							N
(A=F001028)											
2	1	198220-45350	COLLAR, VALVE	1							Z
(A=F001028)											
3	1	198220-45370	PLUG, SAFETY VALVE	1							
3-1	1	1A7680-45370	PLUG, SAFETY VALVE	1							N
(A=F001028)											
4	1	198220-46400	SHIM SET	1							
5	1	194640-46410	SEAT, SAFETY VALVE	1							
5-1	1	1A7680-46410	SEAT, SAFETY VALVE	1							N
(A=F001028)											
6	1	194640-46420	POPPET	1							
7	1	22351-060028	PIN, SPRING 6.0X28	1							
7-1	1	22351-060030	PIN, SPRING 6.0X30	1							N
(A=F001028)											
8	1	24311-000120	O-RING, 1AP12.0	1							
8-1	1	24315-000120	O-RING, 1BP12.0	1							N
(A=F001028)											
9	1	24311-000180	O-RING, 1AP18.0	1							
9-1	1	24315-000180	O-RING, 1BP18.0	1							N
(A=F001028)											

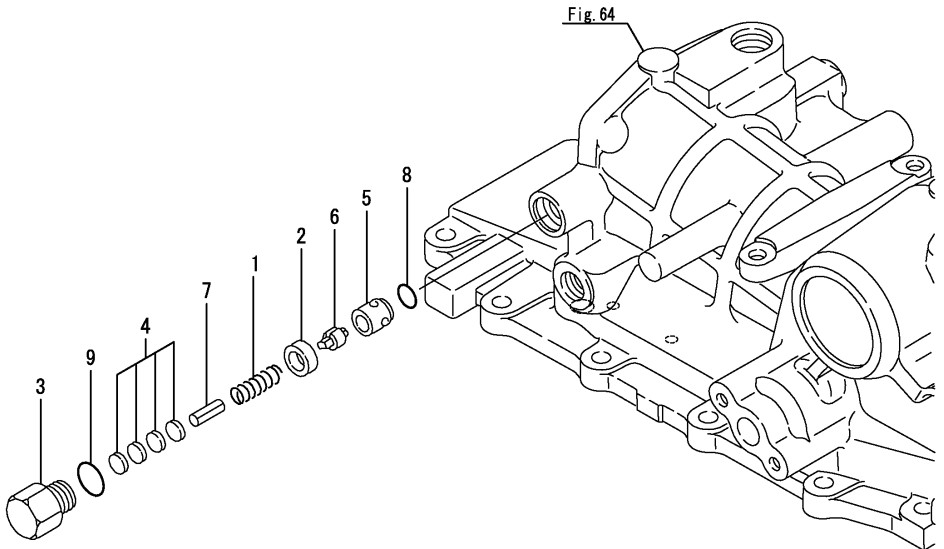
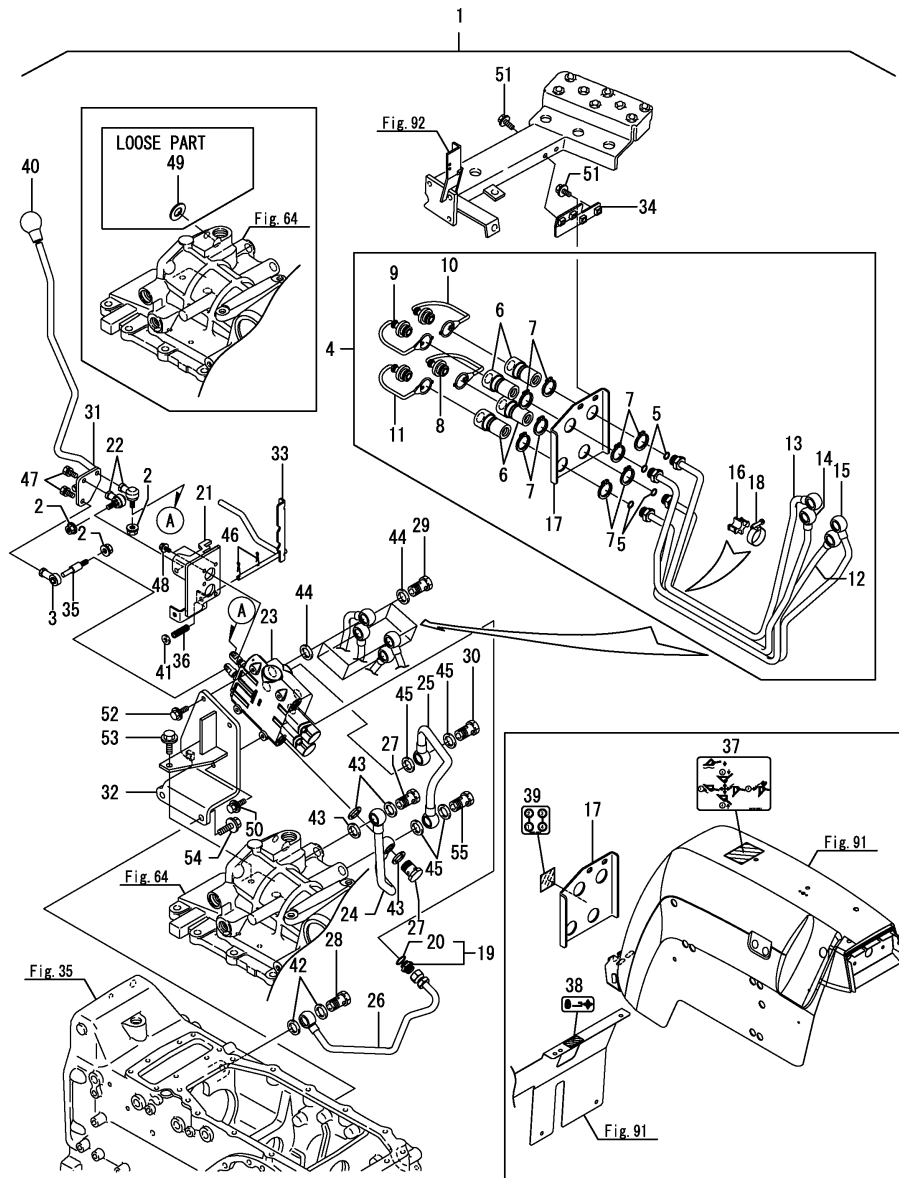


Fig.70. SUB CONTROL VALVE(OPTION)



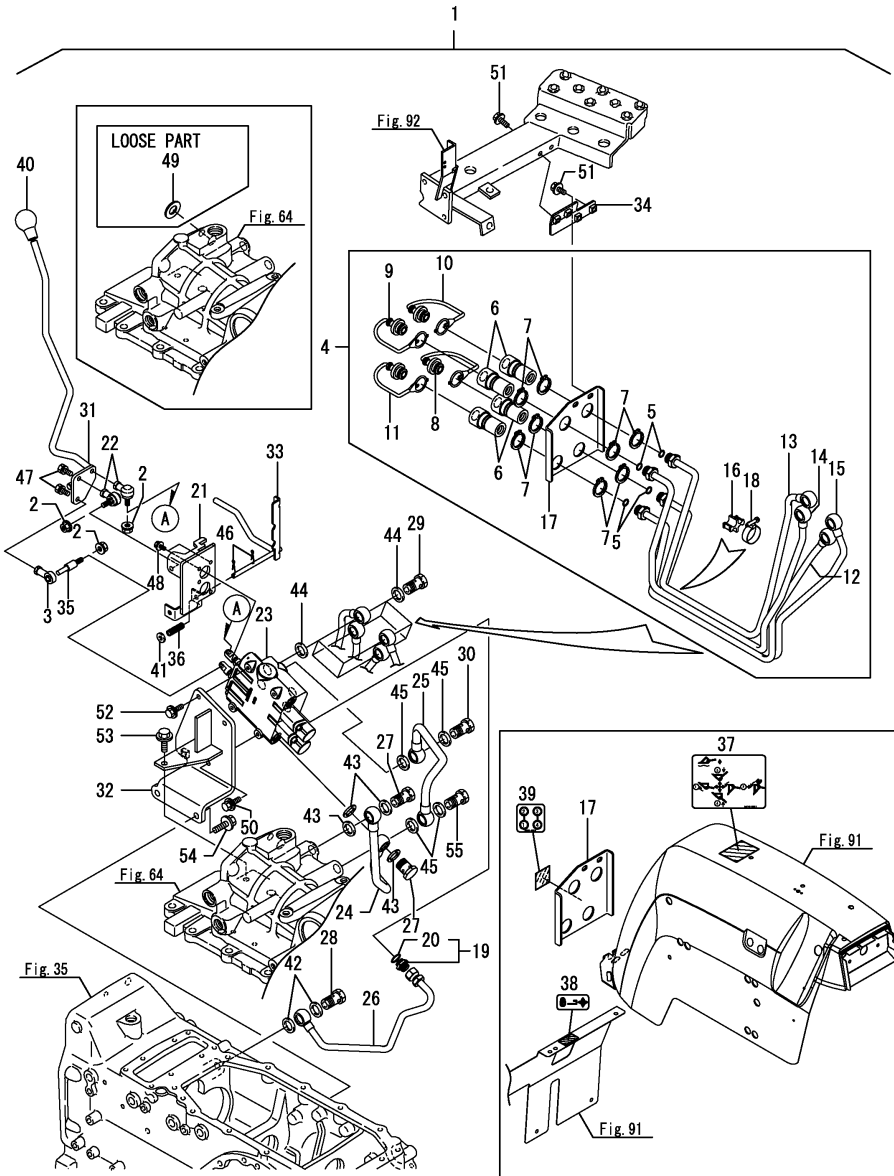
(A)=EX450(CCY)  
(B)=  
(C)=

(D)=  
(E)=  
(F)=

No.	Lev.	Parts No.	Description	Qty						I	R
				(A)	(B)	(C)	(D)	(E)	(F)		
1	1	1A8170-40400	VALVE KIT, SUB	1							
2	2	194990-22140	NUT, M8	3							
3	2	198164-27970	END, ROD 8R	1							
4	2	1A8170-46410	PIPE, SCV	1							
5	3	194464-45930	O-RING, 8-1	4							
6	3	1A8160-46250	COUPLER, QUICK 3/8	4							
7	3	198240-46260	RING, SNAP	8							
8	3	1A8160-46280	PLUG, DUST RED	1							
9	3	1A8160-46290	PLUG, DUST BLUE	1							
10	3	1A8160-46300	PLUG, DUST YELLOW	1							
11	3	1A8160-46310	PLUG, DUST GREEN	1							
12	3	1A8170-46420	PIPE, PRESSURE B	1							
13	3	1A8170-46440	PIPE, PRESSURE C	1							
14	3	1A8170-46460	PIPE, PRESSURE A	1							
15	3	1A8170-46480	PIPE, PRESSURE D	1							
16	3	198220-46500	CLAMP	1							
17	3	1A8160-46930	SUPPORT, SCV COUPLER	1							
18	3	23000-035000	CLAMP, 35	1							
19	2	1A8170-46510	CONNECTOR ASSY	1							
20	3	194464-45930	O-RING, 8-1	1							
21	2	1A8170-46550	BRACKET ASSY, LEVER	1							
22	2	172122-46590	ELBOW	2							
23	2	1A8170-46600	CONTROL ASSY, SUB	1							
24	2	1A8170-46610	PIPE, PRESSURE P	1							
25	2	1A8170-46630	PIPE, PRESSURE C	1							
26	2	1A8170-46650	PIPE, PRESSURE T	1							
27	2	198245-46680	BOLT, M3/4-16	2							
28	2	198245-46680	BOLT, M3/4-16	1							
29	2	198245-46680	BOLT, M3/4-16	4							
30	2	198245-46680	BOLT, M3/4-16	1							
31	2	1A8170-46800	LEVER, CONTROL	1							
32	2	1A8170-46850	BRACKET, SCV	1							
33	2	1A8170-46900	PLATE ASSY, LOCK	1							
34	2	1A8170-46950	BRACKET, SCV SUPPORT	1							
35	2	1A7880-47750	BOLT, LEVER	1							
36	2	198220-46200	SPRING	1							
37	2	1A8170-65410	LABEL, SCV LEVER	1							
38	2	1A8170-65420	LABEL, SCV LOCK	1							
39	2	1A8160-65430	LABEL, SCV COUPLER	1							
40	2	194990-85561	KNOB, HIGH/LOW	1							
41	2	22117-080000	WASHER, 8	1							
42	2	23414-190000	GASKET, 19X1.0	2							
43	2	23414-190000	GASKET, 19X1.0	4							
44	2	23414-190000	GASKET, 19X1.0	8							
45	2	23414-190000	GASKET, 19X1.0	4							
46	2	22417-250300	PIN, COTTER 2.5X30	2							
47	2	26013-080162	BOLT, M8X 16	3							
48	2	26106-060162	BOLT, M6X 16 PLATED	4							
49	2	23414-190000	GASKET, 19X1.0	1							1
50	2	26014-080202	BOLT, M8X 20	1							
51	2	26106-080202	BOLT, M8X 20 PLATED	4							

Remarks  
\* Optional parts.  
(1) Rear remote port is attached.

Fig.70. SUB CONTROL VALVE(OPTION)



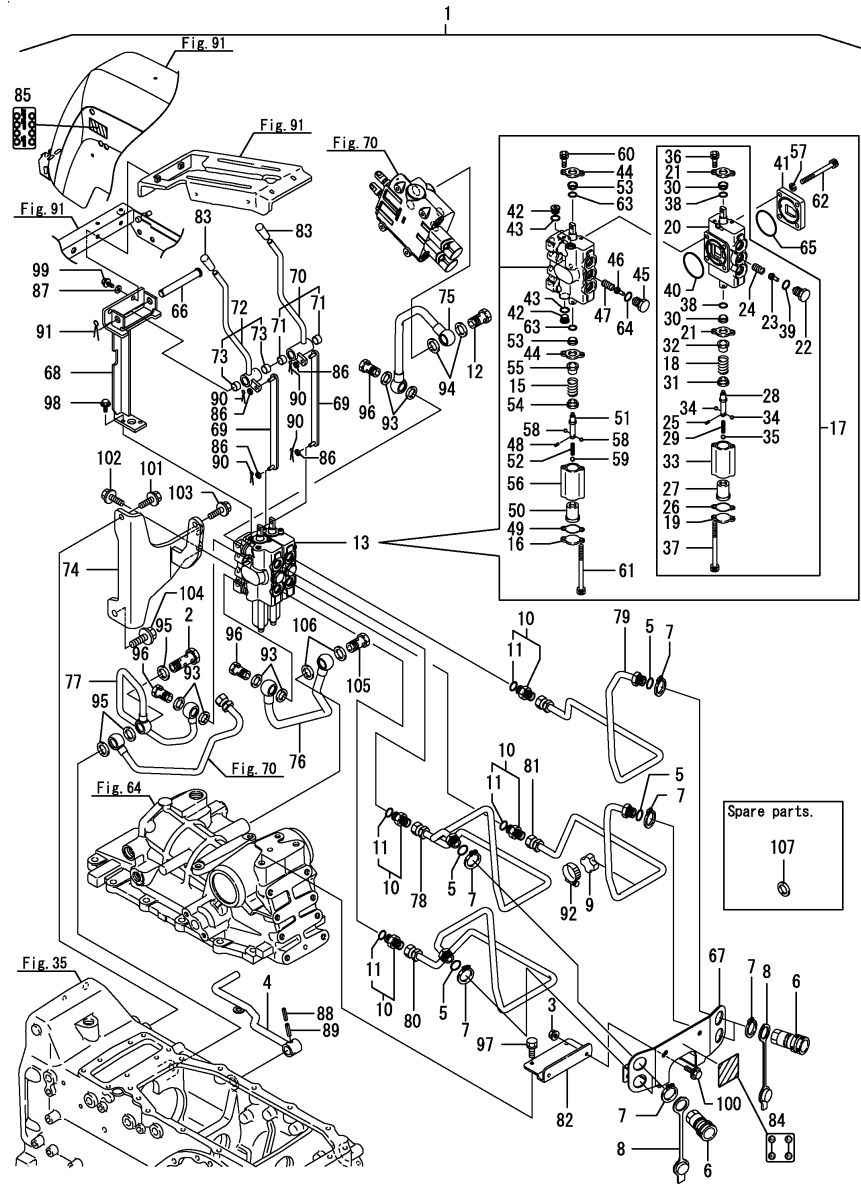
(A)=EX450(CCY)  
 (B)=  
 (C)=

(D)=  
 (E)=  
 (F)=

No.	Lev.	Parts No.	Description	Q'ty						I	R
				(A)	(B)	(C)	(D)	(E)	(F)		
52	2	26106-080202	BOLT, M8X 20 PLATED	2							
53	2	26106-100202	BOLT, M10X 20 PLATED	1							
54	2	26106-100252	BOLT, M10X 25 PLATED	2							
55	2	198327-48750	BOLT ASSY, JOINT	1							

Remarks  
 \* Optional parts.  
 (1) Rear remote port is attached.

Fig.71. REAR REMOTE VALVE 2P(OPTION)



(A)=EX450(CCY)

(B)=

(C)=

(D)=

(E)=

(F)=

No.	Lev.	Parts No.	Description	Q'ty						I	R
				(A)	(B)	(C)	(D)	(E)	(F)		
1	1	1A8170-46710	REMOTE KIT, REAR	1							
2	2	1A8170-17870	BOLT, JOINT 3/4-16	1							
3	2	194990-22140	NUT, M8	2							
4	2	1A8170-33150	PEDAL, LOCK	1							
5	2	194464-45930	O-RING, 8-1	4							
6	2	1A8160-46250	COUPLER, QUICK 3/8	4							
7	2	198240-46260	RING, SNAP	8							
8	2	198240-46280	PLUG, DUST	4							
9	2	198220-46500	CLAMP	1							
10	2	1A7780-46530	CONNECTOR ASSY	4							
11	3	24311-000140	O-RING, 1AP14.0	4							
12	2	198245-46680	BOLT, M3/4-16	1							
13	2	198448-46702	CONTROLLER ASSY	1							
15	3	178076-04140	SPRING(4P)	1							
16	3	178076-04150	COVER	1							
17	3	178076-04300	SCV CMP	1							
18	4	178076-04140	SPRING(4P)	1							
19	4	178076-04150	COVER	1							
20	4	178076-04210	BODY ASSY, A-2	1							
21	4	194850-49340	PLATE, SEAL	2							
22	4	194850-49380	PLUG, CHECK	1							
23	4	194850-49400	VALVE, CHECK	1							
24	4	194850-49410	SPRING	1							
25	4	194850-49440	PIN, SPRING 2X9	1							
26	4	194850-49450	PACKING	1							
27	4	194850-49460	HOLDER, DETENT	1							
28	4	194850-49480	SLIDER	1							
29	4	194850-49490	SPRING	1							
30	4	172510-74410	SEAL, DUST	2							
31	4	172510-74440	RETAINER, SPRING	1							
32	4	172510-74450	RETAINER, SPRING	1							
33	4	172510-74471	COVER ASSY	1							
34	4	24190-050001	BALL, STEEL 5/32	2							
35	4	24190-070001	BALL, STEEL 7/32	1							
36	4	26450-060102	BOLT, M6X 10	2							
37	4	26450-060802	BOLT, M6X 80	2							
38	4	41850-000140	O RING 14.0 ACM	2							
39	4	41851-000140	O RING P 14.0 HNBR	1							
40	4	41856-020530	PACKING,2053	1							
41	3	178076-04310	COVER	1							
42	3	198165-48560	PLUG, 9/16	2							
43	3	194850-49290	PACKING, 6-1	2							
44	3	194850-49340	PLATE, SEAL	2							1
45	3	194850-49380	PLUG, CHECK	1							
46	3	194850-49400	VALVE, CHECK	1							
47	3	194850-49410	SPRING	1							
48	3	194850-49440	PIN, SPRING 2X9	1							
49	3	194850-49450	PACKING	1							
50	3	194850-49460	HOLDER, DETENT	1							
51	3	194850-49480	SLIDER	1							
52	3	194850-49490	SPRING	1							

Remarks

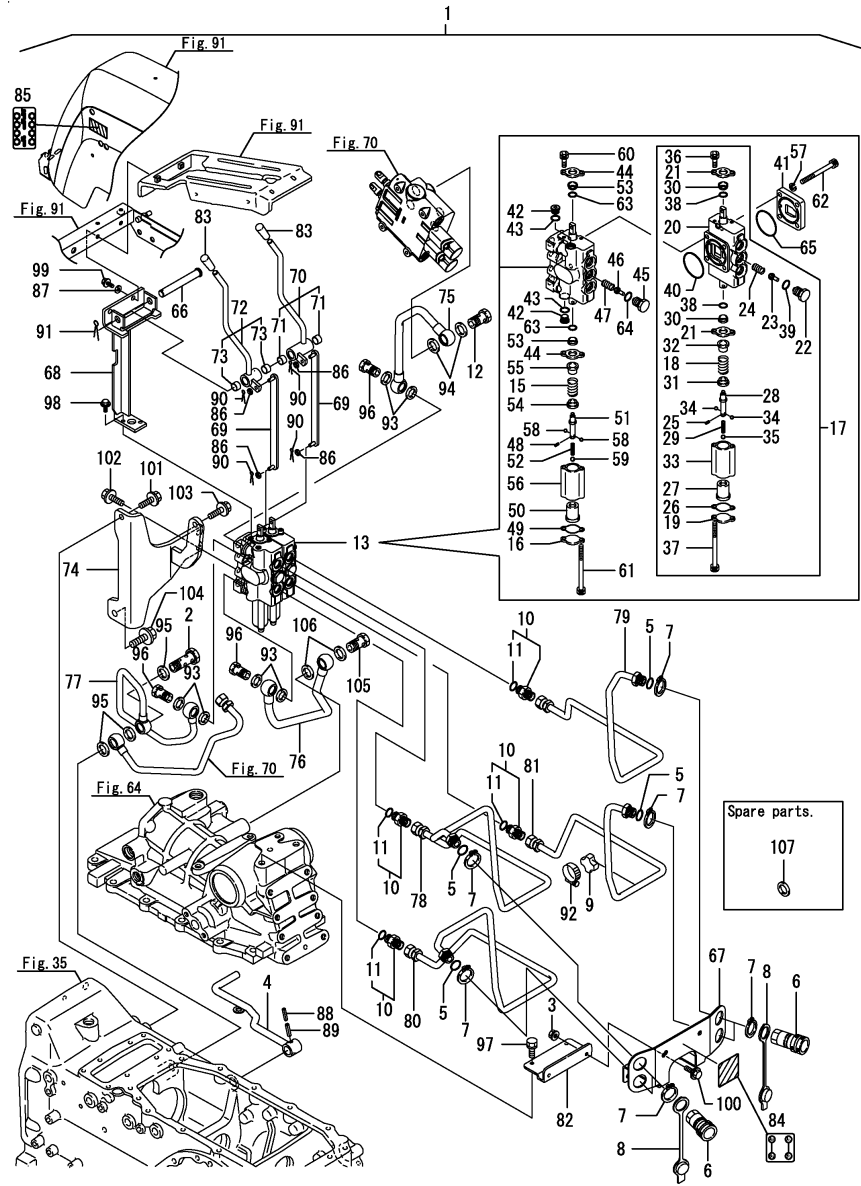
\* Optional parts.

(1) I donot use Ref.No.44 & 60 please change Ref.No.98.

(2) Spare parts.



Fig.71. REAR REMOTE VALVE 2P(OPTION)



(A)=EX450(CCY)

(B)=

(C)=

(D)=

(E)=

(F)=

No.	Lev.	Parts No.	Description	Q'ty						I	R
				(A)	(B)	(C)	(D)	(E)	(F)		
53	3	172510-74410	SEAL, DUST	2							
54	3	172510-74440	RETAINER, SPRING	1							
55	3	172510-74450	RETAINER, SPRING	1							
56	3	172510-74471	COVER ASSY	1							
57	3	22287-080000	WASHER, 8	4							
58	3	24190-050001	BALL, STEEL 5/32	2							
59	3	24190-070001	BALL, STEEL 7/32	1							
60	3	26450-060102	BOLT, M6X 10	2							1
61	3	26450-060802	BOLT, M6X 80	2							
62	3	26450-080652	BOLT, M8X 65	4							
63	3	41850-000140	O RING 14.0 ACM	2							
64	3	41851-000140	O RING P 14.0 HNBR	1							
65	3	41856-020530	PACKING,2053	1							
66	2	1A7780-46750	SHAFT, LEVER	1							
67	2	1A7780-46790	BRACKET, PORT	1							
68	2	1A7780-47510	BRACKET ASSY, LEVER	1							
69	2	1A7780-47570	ROD, LEVER	2							
70	2	1A7780-47650	LEVER ASSY, REMOTE A	1							
71	3	24550-014100	BUSH, 14X10	2							
72	2	1A7780-47710	LEVER ASSY, REMOTE B	1							
73	3	24550-014100	BUSH, 14X10	2							
74	2	1A8170-47750	BRACKET, REMOTE	1							
75	2	1A8170-48210	PIPE, PRESSURE P	1							
76	2	1A8170-48230	PIPE, PRESSURE C	1							
77	2	1A8170-48250	PIPE, PRESSURE T	1							
78	2	1A8170-48510	PIPE, PRESSURE A1	1							
79	2	1A8170-48530	PIPE, PRESSURE A2	1							
80	2	1A8170-48550	PIPE, PRESSURE B1	1							
81	2	1A8170-48570	PIPE, PRESSURE B2	1							
82	2	198240-48780	STAY, REAR PIPE	1							
83	2	1E4130-51400	GRIP, LEVER	2							
84	2	1A8170-65670	LABEL, R REMOTE PORT	1							
85	2	1A8170-65680	LABEL,R REMOTE LEVER	1							
86	2	22137-060000	WASHER, 6	4							
87	2	22157-060000	WASHER, 6	2							
88	2	22351-050032	PIN, SPRING 5.0X32	1							
89	2	22351-080032	PIN, SPRING 8.0X32	1							
90	2	22417-160160	PIN, COTTER 1.6X16	4							
91	2	22417-250300	PIN, COTTER 2.5X30	1							
92	2	23000-035000	CLAMP, 35	1							
93	2	23414-180023	GASKET, 18X1.0	6							
94	2	23414-190000	GASKET, 19X1.0	2							
95	2	23414-190000	GASKET, 19X1.0	3							
96	2	23857-120000	BOLT, JOINT 12	3							
97	2	26013-140252	BOLT, M14X 25	2							
98	2	26106-060162	BOLT, M6X 16 PLATED	2							1
99	2	26106-060202	BOLT, M6X 20 PLATED	2							
100	2	26106-080162	BOLT, M8X 16 PLATED	2							
101	2	26106-100252	BOLT, M10X 25 PLATED	1							
102	2	26106-100252	BOLT, M10X 25 PLATED	2							
103	2	26106-100302	BOLT, M10X 30 PLATED	1							

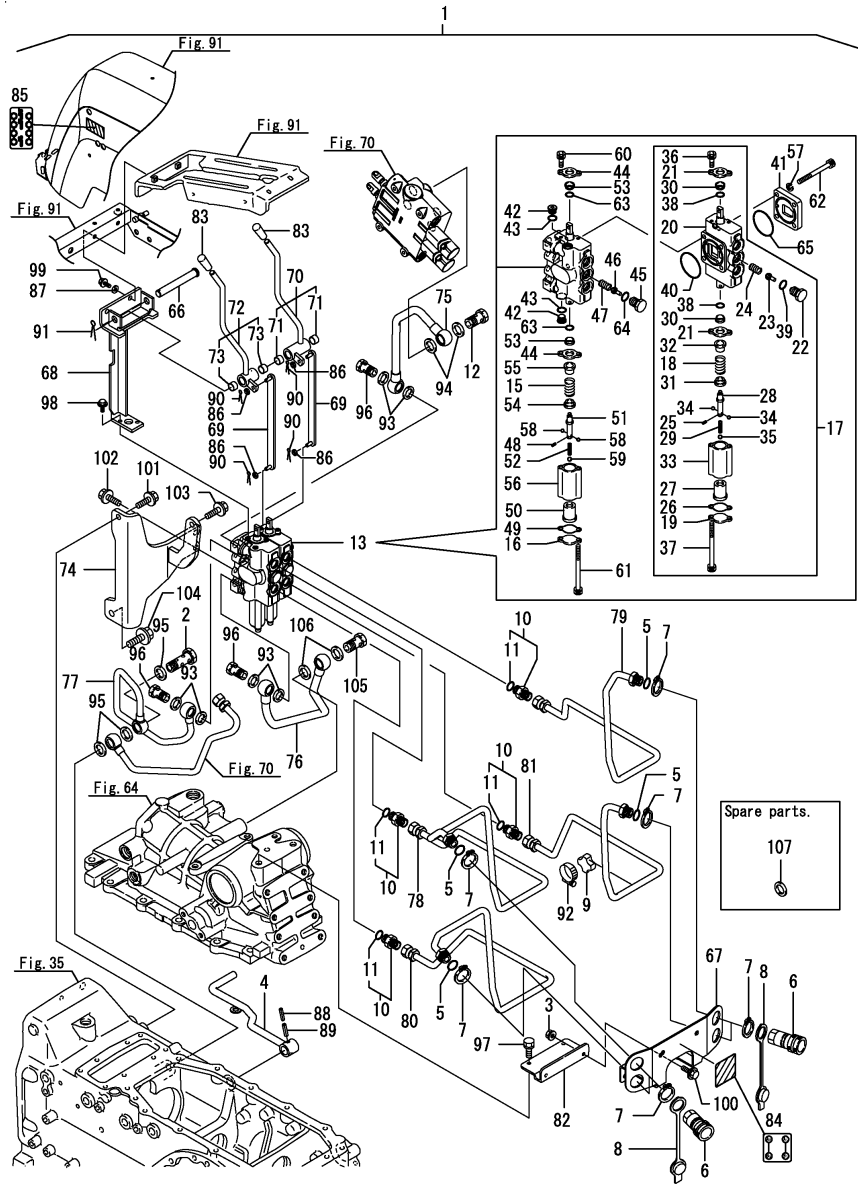
Remarks

\* Optional parts.

(1) I donot use Ref.No.44 & 60 please change Ref.No.98.

(2) Spare parts.

Fig.71. REAR REMOTE VALVE 2P(OPTION)



(A)=EX450(CCY)  
(B)=  
(C)=

(D)=  
(E)=  
(F)=

No.	Lev.	Parts No.	Description	Q'ty						I	R
				(A)	(B)	(C)	(D)	(E)	(F)		
104	2	26106-120252	BOLT, M12X 25 PLATED	1							
105	2	198327-48750	BOLT ASSY, JOINT	1							
106	2	23414-190000	GASKET, 19X1.0	2							
107	2	23414-190000	GASKET, 19X1.0	10							2

Remarks

\* Optional parts.

(1) I donot use Ref.No.44 & 60  
please change Ref.No.98.

(2) Spare parts.

Fig.72. HYDRAULIC CONTROL

(A)=EX450(CCY)

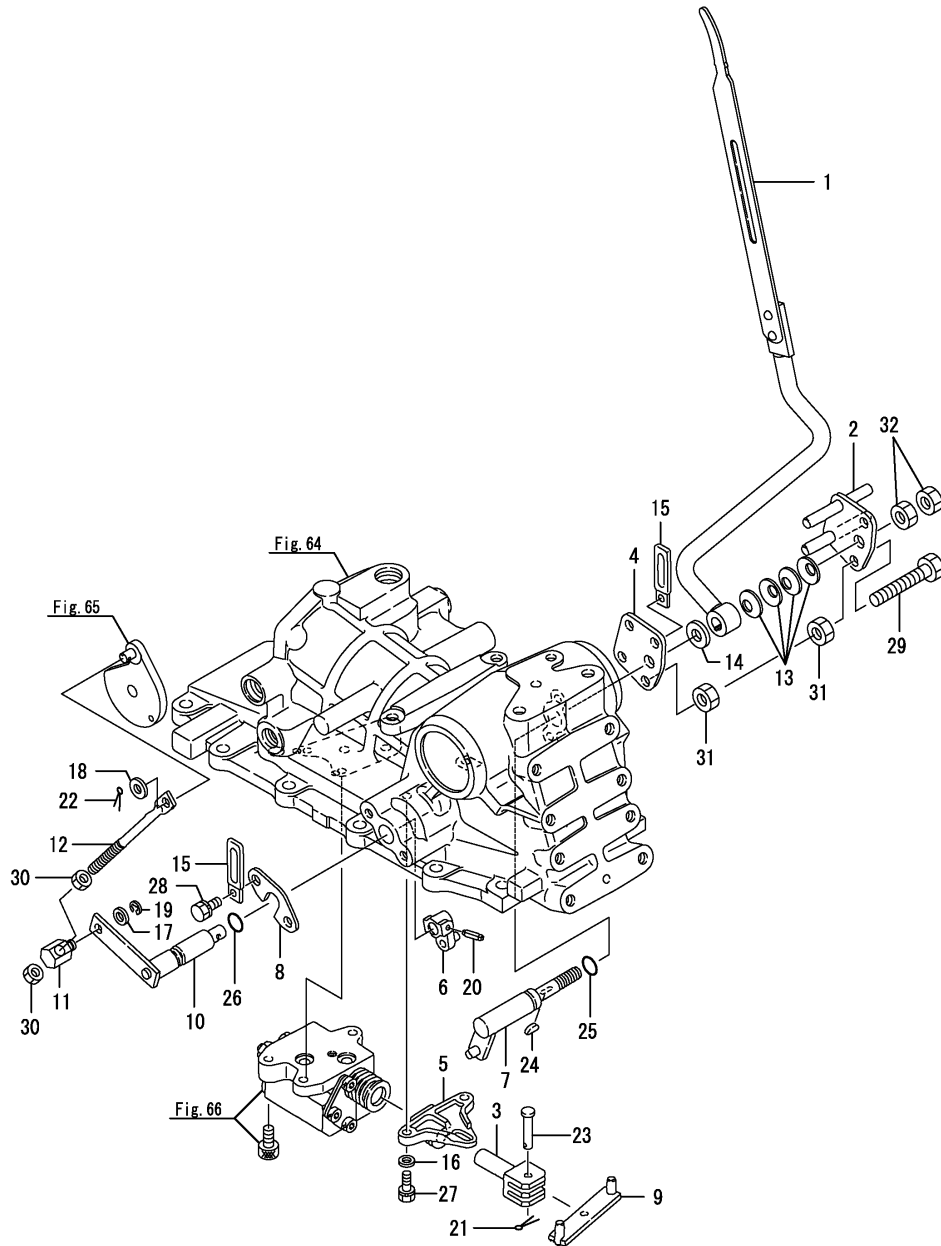
(B)=

(C)=

(D)=

(E)=

(F)=



No.	Lev.	Parts No.	Description	Q'ty						I	R
				(A)	(B)	(C)	(D)	(E)	(F)		
1	1	198178-47300-1	LEVER, CONTROL	1							
2	1	198320-47321-1	PLATE, FRICTION	1							
3	1	198360-47320	ROD, CONTROL	1							
4	1	198320-47330-1	PLATE	1							
5	1	198360-47330	PLATE, CONTROL	1							
6	1	198254-47370	ARM, CONTROL	1							
7	1	198240-47380	SHAFT, CONTROL	1							
8	1	198320-47410-1	PLATE, A	1							
9	1	194555-47420	BAR, CONTROL	1							
9-1	1	1A7780-47420	ROD, CONTROL	1							R
		(A=F001028)									
10	1	198240-47430-1	ARM	1							
11	1	194550-47530	ADJUSTER	1							
12	1	194640-47560	ROD, FEEDBACK	1							
13	1	194151-47760	WASHER, 12	4							
14	1	194310-47790	PLATE, FRICTION	1							
15	1	194180-51640	CLAMP, HARNESS	2							
16	1	22137-080000	WASHER, 8	2							
17	1	22137-100000	WASHER, 10	1							
18	1	22137-100000	WASHER, 10	1							
19	1	22272-000070	RING, E- 7	1							
20	1	22351-050025	PIN, SPRING 5.0X25	1							
21	1	22417-200160	PIN, COTTER 2.0X16	1							
22	1	22417-300200	PIN, COTTER 3.0X20	2							
23	1	22487-080350	PIN, H 8X 35	1							
24	1	22522-030130	KEY, WOODRUFF 3X13	1							
25	1	24311-000150	O-RING, 1AP15.0	1							
26	1	24311-000150	O-RING, 1AP15.0	1							
27	1	26013-080202	BOLT, M8X 20	2							
28	1	26013-100162	BOLT, M10X 16	2							
29	1	26116-100504	BOLT, M10X 50 PLATED	2							
30	1	26716-100002	NUT, M10	2							
31	1	26716-100002	NUT, M10	4							
32	1	26716-120002	NUT, M12	2							

Fig.73. HYDRAULIC CONTROL(KNOB)

(A)=EX450(CCY)  
 (B)=  
 (C)=

(D)=  
 (E)=  
 (F)=

No.	Lev.	Parts No.	Description	Q'ty						I	R
				(A)	(B)	(C)	(D)	(E)	(F)		
1	1	198220-47370	KNOB, LEVER	1							

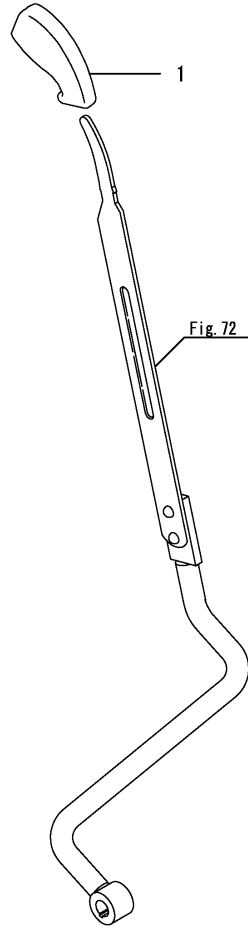
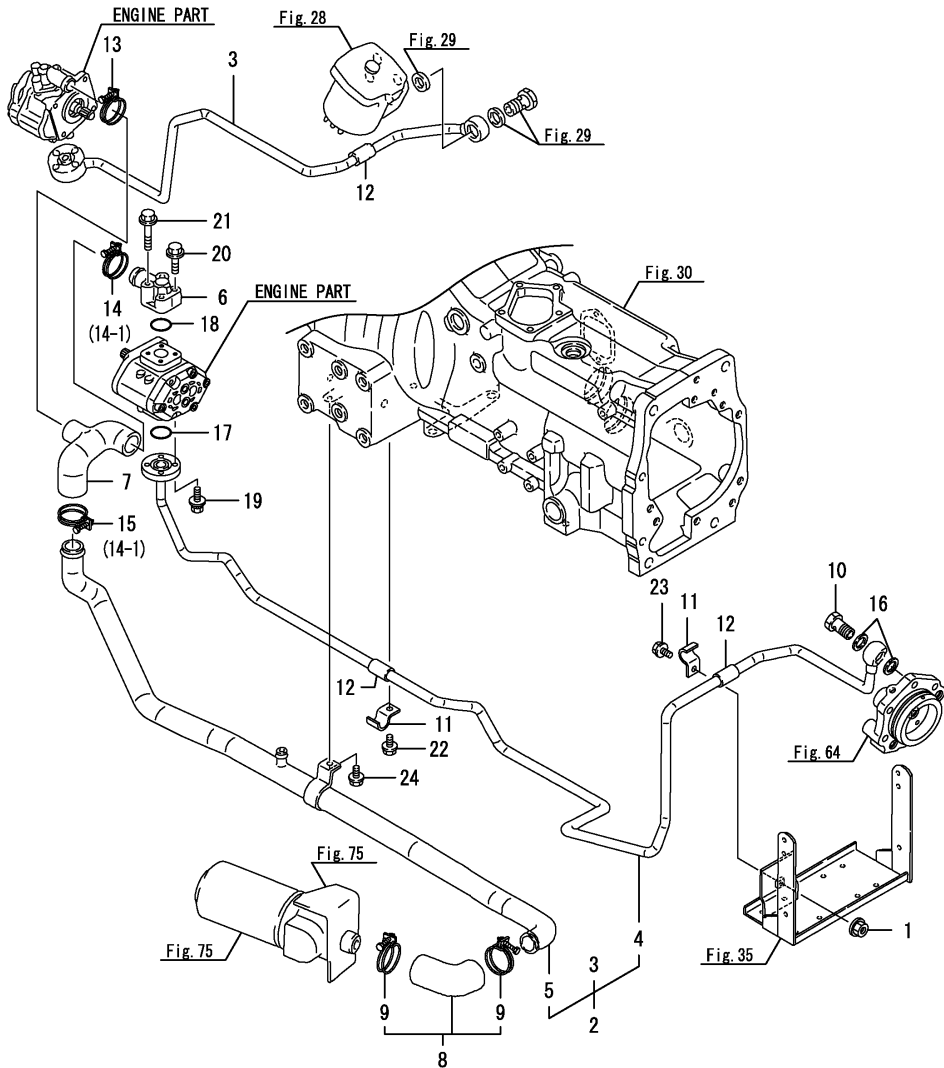


Fig.74. HYDRAULIC LINE



(A)=EX450(CCY)  
(B)=  
(C)=

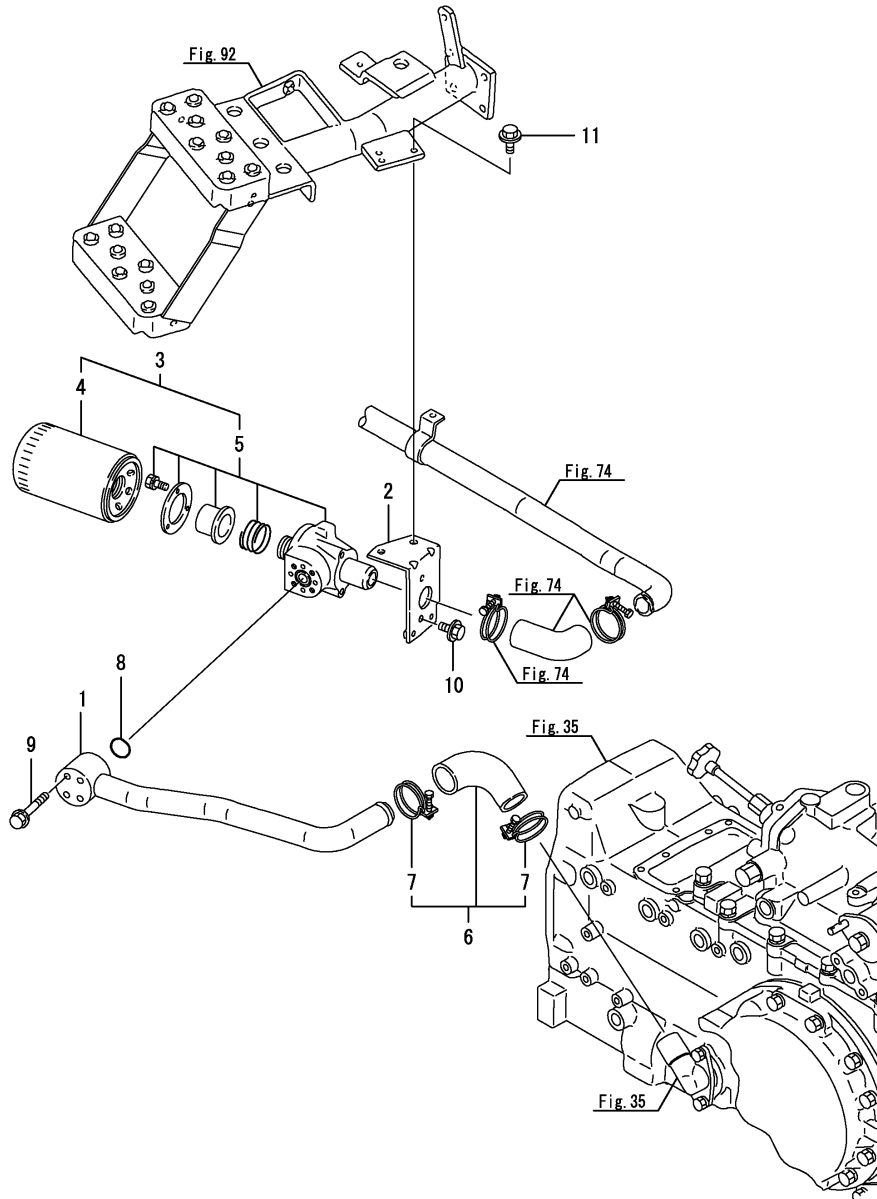
(D)=  
(E)=  
(F)=

No.	Lev.	Parts No.	Description	Q'ty						I	R
				(A)	(B)	(C)	(D)	(E)	(F)		
1	1	194990-22140	NUT, M8	1							
2	1	1A8170-48080	PIPE KIT	1							
3	2	198320-17720-1	PIPE, PRESSURE P	1							
4	2	1A8170-48100	PIPE, PRESSURE	1							
5	2	1A8170-48150	PIPE, PRESSURE	1							
6	1	198240-48140	FLANGE, PIPE P	1							
7	1	198320-48220	HOSE, PRESSURE	1							
8	1	198240-48500	HOSE, PRESSURE S	1							
9	2	23010-048000	CLAMP, 48	2							
9-1	2	23000-048000	CLAMP, 48	2							N
		(A=F000853)									
10	1	198361-48750	BOLT ASSY, JOINT	1							
11	1	198240-48830	CLAMP	2							
12	1	198240-48850	CLAMP, ABSORBER	3							
13	1	23010-035000	CLAMP, 35	1							
13-1	1	23000-035000	CLAMP, 35	1							N
		(A=F000853)									
14	1	23010-040000	CLAMP, 40	1							
14-1	1	23000-048000	CLAMP, 48	2							N
		(A=F000853)									
15	1	23010-046000	CLAMP, 46	1							Z
		(A=F000853)									
16	1	23414-200026	GASKET, 20X1.0	2							
17	1	24321-000250	O-RING, 1AG25.0	1							
18	1	24341-000250	O-RING, 1AS25.0	1							
19	1	26018-060252	BOLT, M6X 25	4							
20	1	26106-060402	BOLT, M6X 40 PLATED	2							
21	1	26106-060502	BOLT, M6X 50 PLATED	2							
22	1	26106-080162	BOLT, M8X 16 PLATED	1							
23	1	26106-080162	BOLT, M8X 16 PLATED	1							
24	1	26106-080162	BOLT, M8X 16 PLATED	1							

Fig.75. HYDRAULIC FILTER

(A)=EX450(CCY)  
(B)=  
(C)=

(D)=  
(E)=  
(F)=



No.	Lev.	Parts No.	Description	Q'ty						I	R
				(A)	(B)	(C)	(D)	(E)	(F)		
1	1	198240-48300-1	PIPE, PRESSURE	1							
2	1	198240-48380	BRACKET, FILTER	1							
3	1	1A8160-48400	FILTER KIT	1							
4	2	198119-48310	FILTER	1							
5	2	194555-48350	COVER ASSY, FILTER	1							
6	1	198240-48500	HOSE, PRESSURE S	1							
7	2	23010-048000	CLAMP, 48	2							
7-1	2	23000-048000	CLAMP, 48	2							N
(A=F000853)											
8	1	24321-000250	O-RING, 1AG25.0	1							
9	1	26106-060602	BOLT, M6X 60 PLATED	4							
10	1	26106-080162	BOLT, M8X 16 PLATED	2							
11	1	26106-080202	BOLT, M8X 20 PLATED	2							

Fig.76. SEAL

(A)=EX450(CCY)  
 (B)=  
 (C)=

(D)=  
 (E)=  
 (F)=

No.	Lev.	Parts No.	Description	Q'ty						I	R
				(A)	(B)	(C)	(D)	(E)	(F)		
1	1	1A7270-49221	SEAL, COOLER	1							
2	1	194697-62560	CAP, HOLE	4							

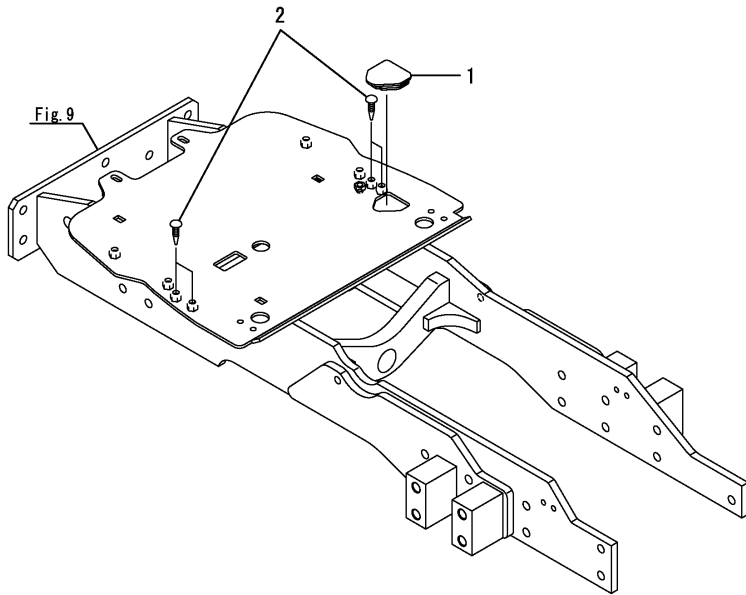
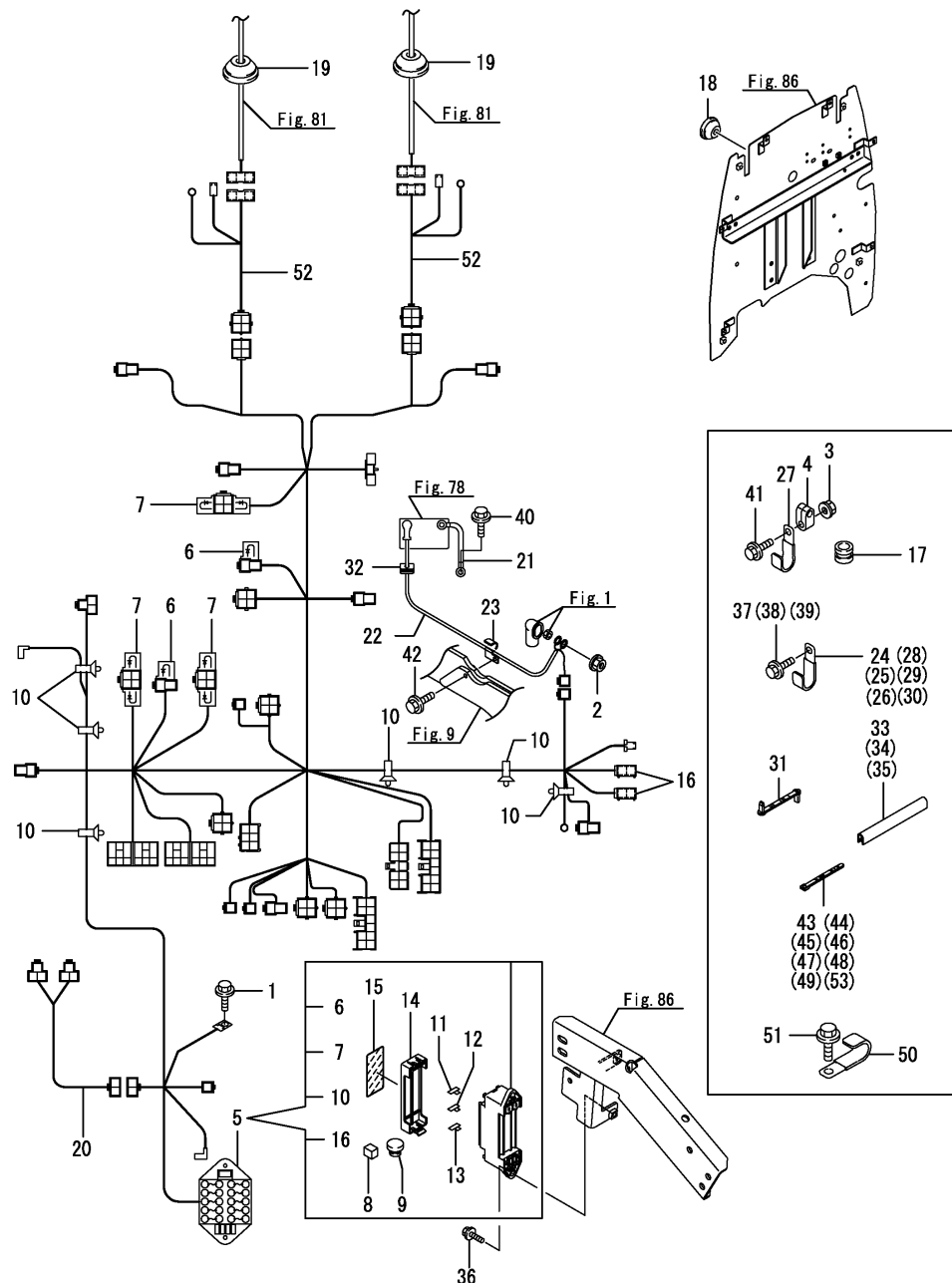


Fig.77. WIRE HARNESS



(A)=EX450(CCY)  
(B)=  
(C)=

(D)=  
(E)=  
(F)=

No.	Lev.	Parts No.	Description	Q'ty						I	R
				(A)	(B)	(C)	(D)	(E)	(F)		
1	1	26106-080122	BOLT, M8X 12 PLATED	1							
2	1	194990-22140	NUT, M8	1							
3	1	194990-22140	NUT, M8	1							
4	1	1E8080-43850	CLAMP, WIRE	2							
5	1	1A8170-51100	HARNESS ASSY, WIRE A	1							
6	2	1A7500-51130	DIODE, 3.0A	2							
7	2	1A8160-51130	DIODE, 3.0AX2	3							
8	2	194275-51160	COUPLER	1							
9	2	194275-51170	PLUG	1							
10	2	1A7500-51170	CLIP, HARNESS	6							
11	2	198535-52110	FUSE, 5A	5							
12	2	198535-52120	FUSE, 10A	4							
13	2	198535-52130	FUSE, 15A	2							
14	2	1A7531-52420	COVER, FUSE BOX	1							
15	2	1A8170-65440	LABEL, FUSE	1							
16	2	198153-51700	FUSE, SLOW BLOW 80A	2							
17	1	194170-51210	GROMMET 25	2							
18	1	194275-51210	GROMMET 25	1							
19	1	194275-51210	GROMMET 25	2							
20	1	1A8160-51310	HARNESS, WIRE	1							
21	1	198153-51420	CABLE, BATTERY EARTH	1							
22	1	198071-51411	CABLE, BATTERY 1150	1							
23	1	198121-51430	CLAMP, CABLE B	1							
24	1	194440-51620	CLAMP	2							
25	1	194440-51620	CLAMP	1							
26	1	194440-51620	CLAMP	2							
26-1	1	1E6102-83230	CLAMP, CABLE	2							N
(A=FXXXXX)											
27	1	194440-51620	CLAMP	2							
28	1	194440-51620	CLAMP	1							
29	1	194440-51620	CLAMP	1							
30	1	194440-51620	CLAMP	1							
31	1	194250-51650	CLAMP, SPEED 63	4							
32	1	1A7260-51710	GROMMET, CABLE	1							
33	1	1A7000-61490	TRIM, 120	1							
34	1	1A7000-61490	TRIM, 120	1							
35	1	198291-77870	COVER, GUARD	1							
36	1	26106-060162	BOLT, M6X 16 PLATED	2							
37	1	26106-080122	BOLT, M8X 12 PLATED	1							
38	1	26106-080122	BOLT, M8X 12 PLATED	1							
39	1	26106-080162	BOLT, M8X 16 PLATED	2							
40	1	26106-080162	BOLT, M8X 16 PLATED	1							
41	1	26106-080252	BOLT, M8X 25 PLATED	2							
42	1	26106-080352	BOLT, M8X 35 PLATED	1							
43	1	29622-140001	BAND, RF140	1							
44	1	29622-140001	BAND, RF140	1							
45	1	29622-140001	BAND, RF140	4							
45-1	1	29622-100001	BAND, RF100	4							N
(A=FXXXXX)											
46	1	29622-140001	BAND, RF140	2							
47	1	29622-140001	BAND, RF140	2							

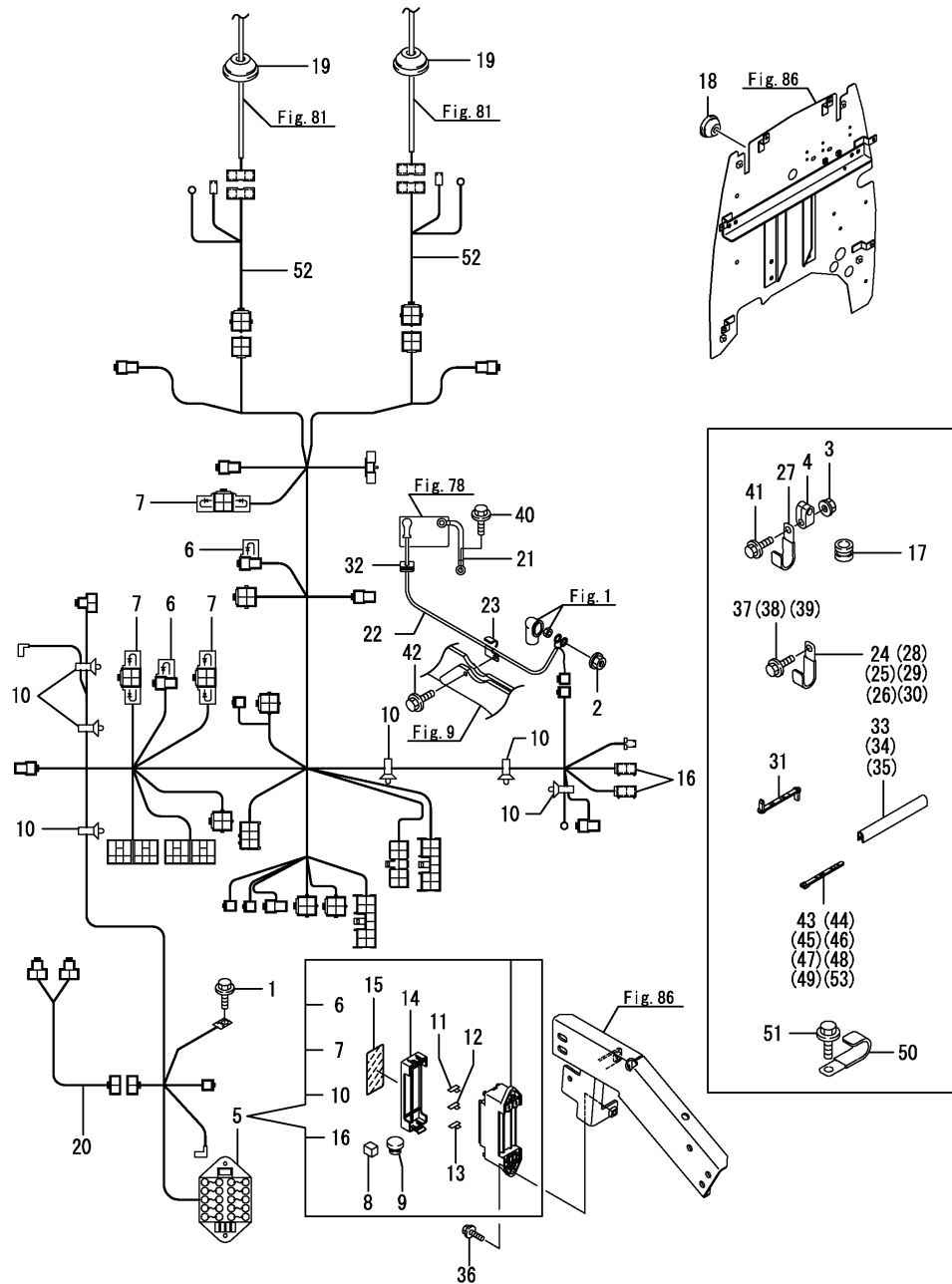
N:Old  $\xrightarrow{Yes}$  New, Q:Old  $\xrightarrow{No}$  New, R:Old  $\xrightarrow{Yes}$  New, S:Old  $\xrightarrow{No}$  New, W:Add, Z:Discontinued, F:Interchangeable by set, K:Q'ty Change  
 ++ CONTINUE ++  
 Copyright (C) YANMAR CO., LTD. All Rights Reserved.



Fig.77. WIRE HARNESS

(A)=EX450(CCY)  
 (B)=  
 (C)=

(D)=  
 (E)=  
 (F)=



No.	Lev.	Parts No.	Description	Qty						I	R
				(A)	(B)	(C)	(D)	(E)	(F)		
48	1	29622-140001	BAND, RF140	1							
48-1	1	198153-51810	BAND, NYLON 150	1							N
(A=FXXXXX)											
49	1	29622-250001	BAND, RF250	1							
50	1	194180-51640	CLAMP, HARNESS	1							
51	1	26013-100162	BOLT, M10X 16	1							
52	1	1A8170-51130	HARNESS ASSY, WIRE C	2							
53	1	29622-140001	BAND, RF140	1							

Fig.78. BATTERY

(A)=EX450(CCY)  
 (B)=  
 (C)=

(D)=  
 (E)=  
 (F)=

No.	Lev.	Parts No.	Description	Q'ty						I	R
				(A)	(B)	(C)	(D)	(E)	(F)		
1	1	1A8160-51550	BATTERY ASSY, DRY526R	1							
2	2	1A8160-51570	LABEL, BATTERY	1							
3	2	1A8160-51580	LABEL, BATTERY	1							
4	1	194990-22140	NUT, M8	2							
5	1	1A7260-51540	ROD, BATTERY CLAMP	2							
6	1	198240-51561	CLAMP, BATTERY	1							
7	1	26716-080002	NUT, M8	2							
8	1	198234-48650	SPACER	2							

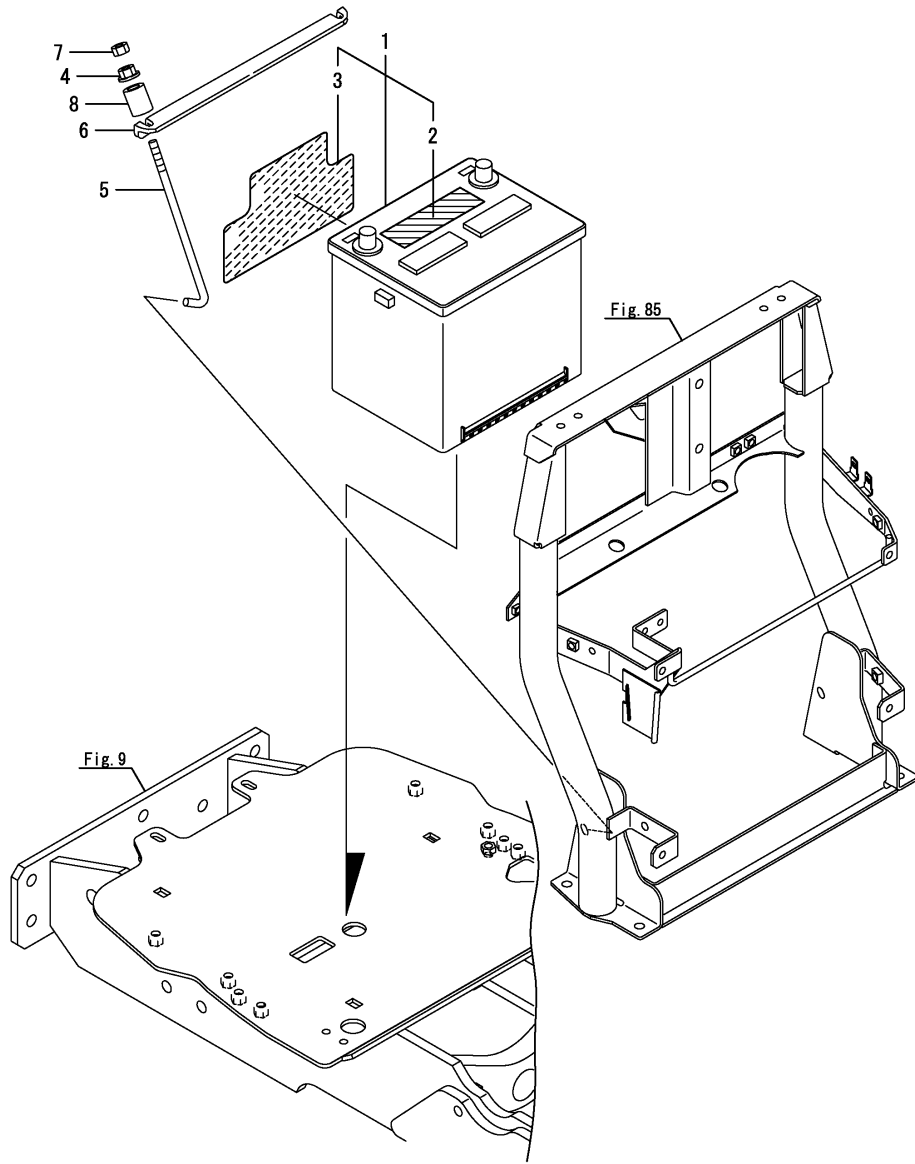
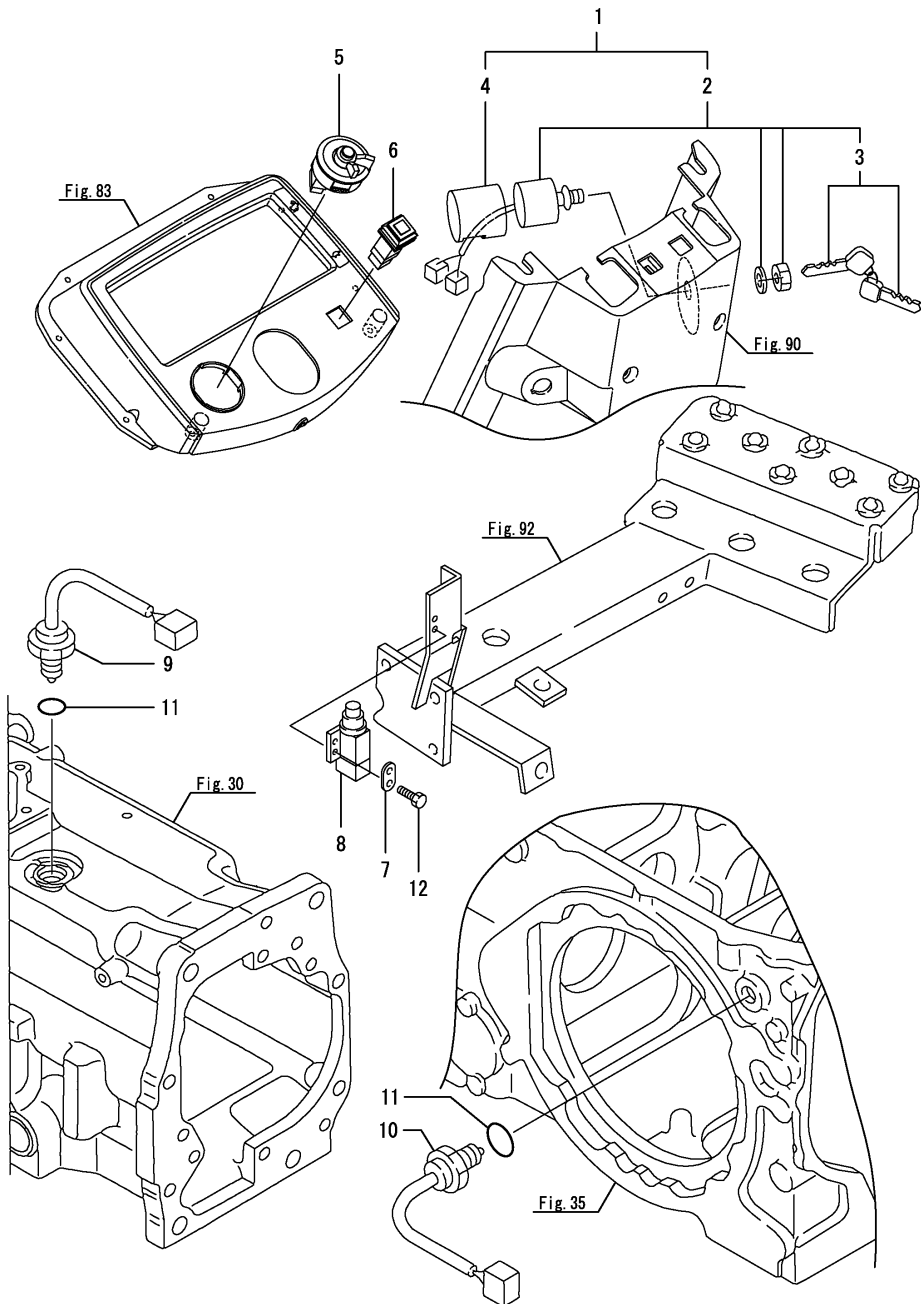


Fig.79. SWITCHES

(A)=EX450(CCY)  
(B)=  
(C)=

(D)=  
(E)=  
(F)=



No.	Lev.	Parts No.	Description	Q'ty						I	R
				(A)	(B)	(C)	(D)	(E)	(F)		
1	1	1A8170-52000	SWITCH ASSY, STARTER	1							
2	2	1A7880-52110	SWITCH ASSY, STARTER	1							
3	3	1A7880-52100	KEY ASSY	1							
4	2	1A7780-52150	COVER, SWITCH	1							
5	1	1A7335-52110	SWITCH, COMBINATION	1							
6	1	1A7335-52120	SWITCH, HAZARD	1							
7	1	1A7510-52120	WASHER, SWITCH	1							
8	1	1A7335-52150	SWITCH, STOP LAMP	1							
9	1	194464-52190	SWITCH, SAFETY START	1							
10	1	194464-52190	SWITCH, SAFETY START	1							
11	1	24311-000180	O-RING, 1AP18.0	2							
12	1	26117-040162	BOLT, M4X 16 PLATED	2							

Fig.80. SEAT SWITCH

(A)=EX450(CCY)  
(B)=  
(C)=

(D)=  
(E)=  
(F)=

No.	Lev.	Parts No.	Description	Q'ty						I	R
				(A)	(B)	(C)	(D)	(E)	(F)		
1	1	1A8160-52300	SWITCH, SEAT DELTA	1							
2	2	1A8160-52310	SWITCH, SEAT DELTA	1							
3	2	1A8160-52330	COVER, GUARD	1							

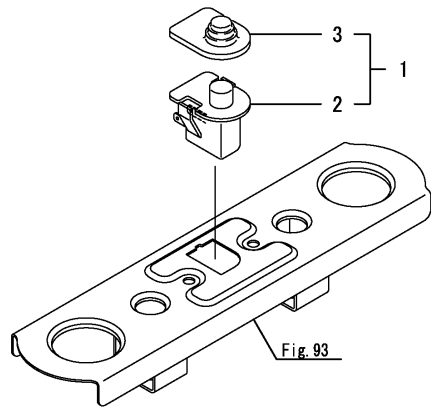


Fig.81. LAMPS

(A)=EX450(CCY)  
 (B)=  
 (C)=

(D)=  
 (E)=  
 (F)=

No.	Lev.	Parts No.	Description	Qty						I	R
				(A)	(B)	(C)	(D)	(E)	(F)		
1	1	194990-22130	NUT, M6	4							
2	1	7A7330-53400	LAMP KIT, WARNING	2							
3	2	1A7330-53430	BULB, 12V27W	2							
4	2	22137-120000	WASHER, 12	2							
5	2	22217-120000	WASHER, SPRING 12	2							
6	2	26776-120002	NUT, LOCK M12	2							
7	1	1A7335-53600	LAMP, TAIL	2							
8	2	1A7335-53610	BULB, 12V-21/5W	2							
9	2	1A7335-53620	LENS ASSY	2							
10	2	1A7335-53640	GASKET	2							
11	2	1A7335-53650	SCREW, TAPPING M6X32	4							

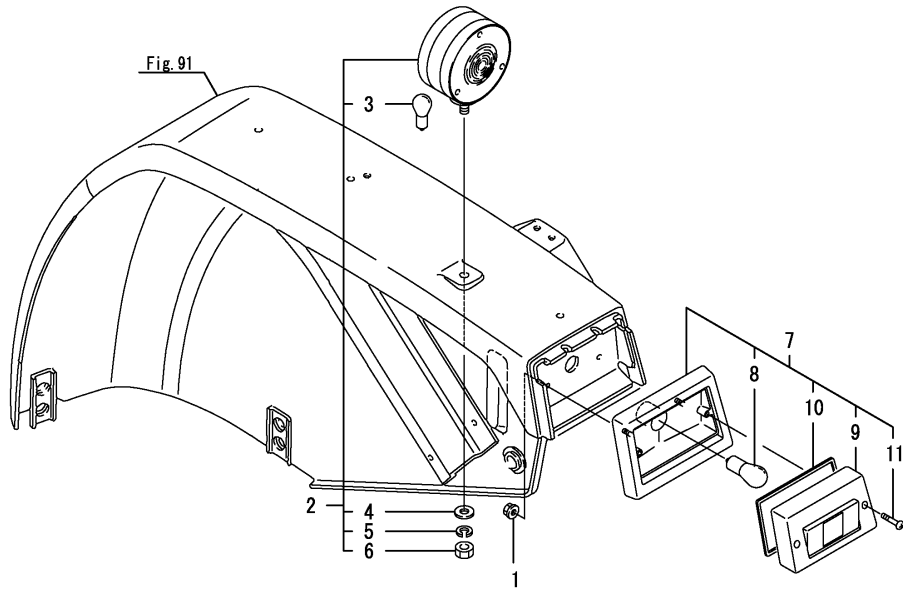
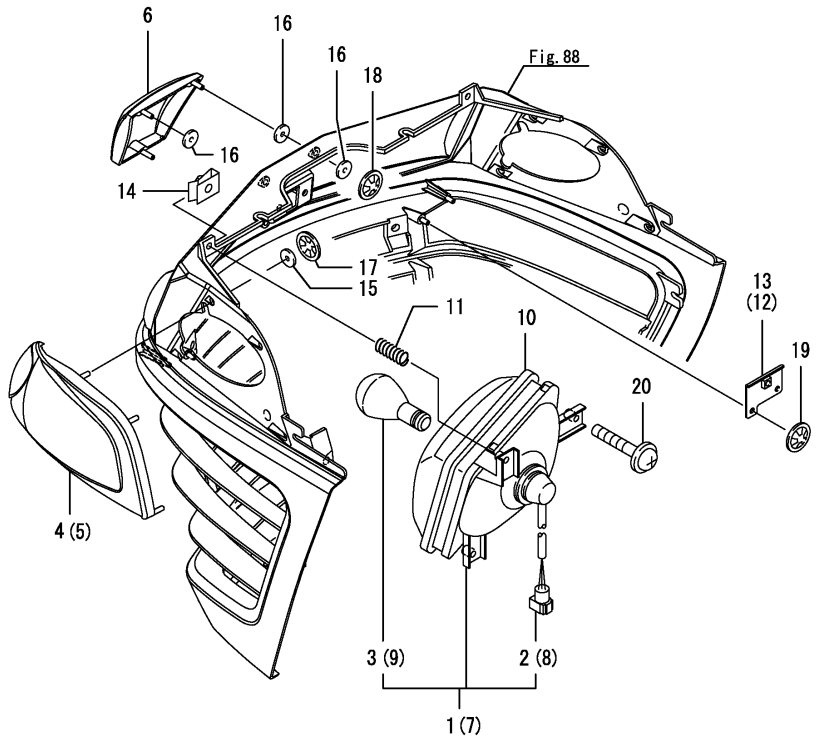


Fig.82. FRONT LAMP



(A)=EX450(CCY)  
(B)=  
(C)=

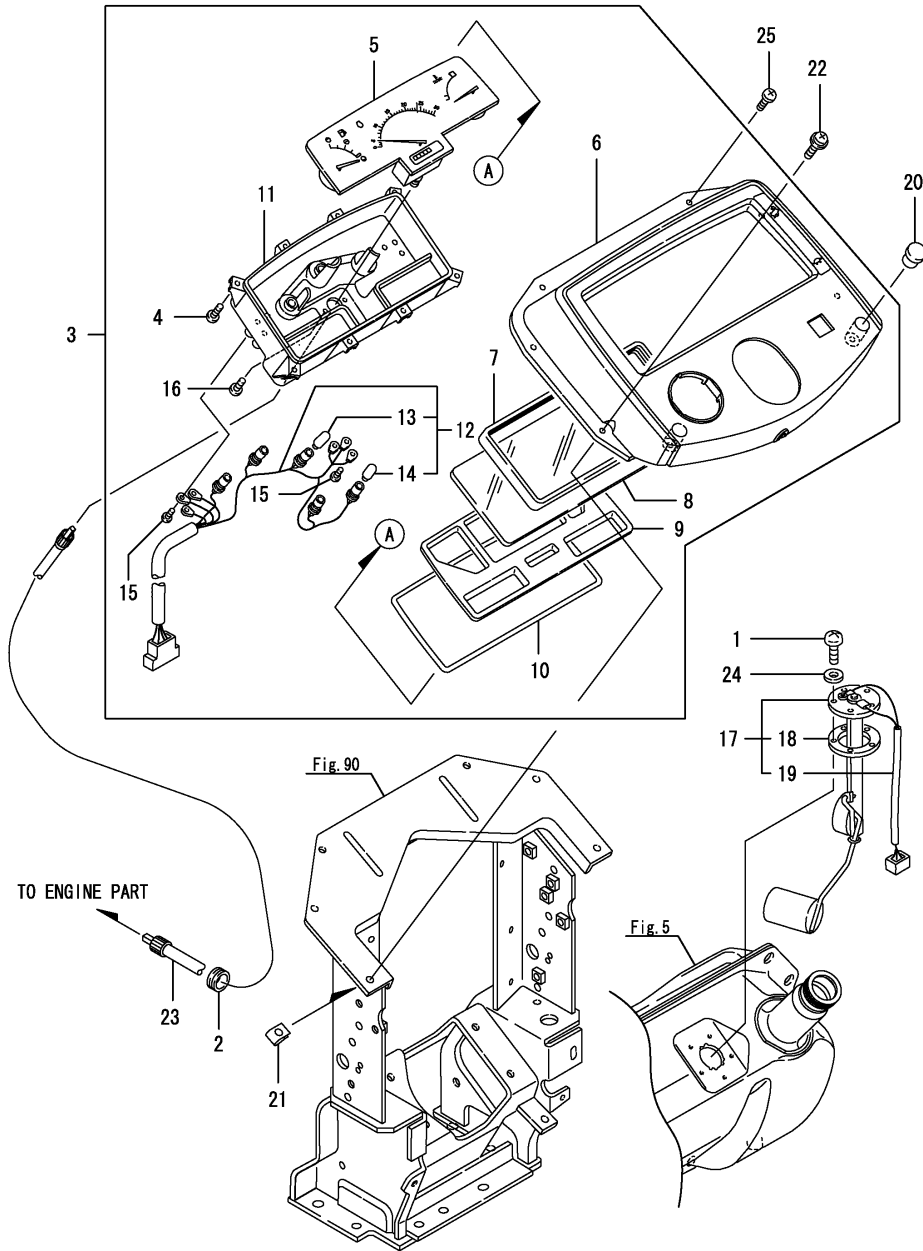
(D)=  
(E)=  
(F)=

No.	Lev.	Parts No.	Description	Q'ty						I	R
				(A)	(B)	(C)	(D)	(E)	(F)		
1	1	1A7780-53200	LAMP ASSY, HEAD L	1							
2	2	1A7000-53230	WIRE ASSY, LEAD	1							
3	2	198448-53320	BULB, 12V45/45W	1							
4	1	1A7780-53250	LENS, SIDE L	1							
4-1	1	1A7780-53350	LENS, SIDE L	1							R
(A=F001028)											
5	1	1A7780-53260	LENS, SIDE R	1							
5-1	1	1A7780-53360	LENS, SIDE R	1							R
(A=F001028)											
6	1	1A7890-53270	LENS, CENTER	1							
6-1	1	1A7780-53370	LENS, CENTER	1							R
(A=F001028)											
7	1	1A7780-53300	LAMP ASSY, HEAD R	1							
8	2	1A7000-53230	WIRE ASSY, LEAD	1							
9	2	198448-53320	BULB, 12V45/45W	1							
10	1	1A7260-53350	SEAL, HEAD LAMP	2							
11	1	198153-53410	SPRING, ADJUST	6							
12	1	1A7260-61250	BRACKET ASSY, GRILLE	1							
13	1	1A7260-61260	BRACKET ASSY, GRILLE	1							
14	1	198071-61890	NUT, SPEED M6	4							
15	1	198475-65030	CUSHION	8							
16	1	198475-65030	CUSHION	6							
17	1	198071-65610	NUT, SPEED M5	8							
18	1	198071-65610	NUT, SPEED M5	3							
19	1	198071-65610	NUT, SPEED M5	4							
20	1	26557-060352	SCREW, M6X35	6							
20-1	1	26106-060352	BOLT, M6X 35 PLATED	6							R
(A=F001028)											

Fig.83. METER

(A)=EX450(CCY)  
(B)=  
(C)=

(D)=  
(E)=  
(F)=

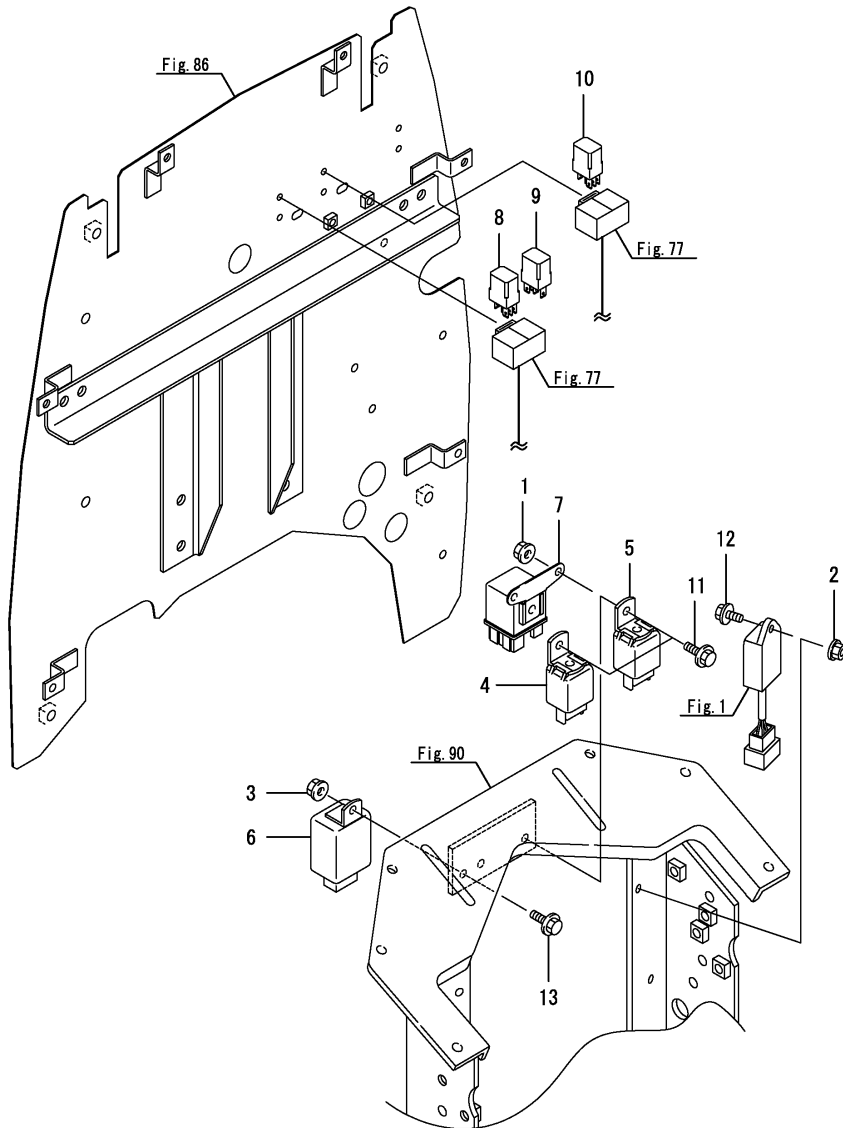


No.	Lev.	Parts No.	Description	Q'ty						I	R
				(A)	(B)	(C)	(D)	(E)	(F)		
1	1	198240-04550	SCREW, M5X12	5							
2	1	194275-51210	GROMMET 25	1							
3	1	1A7780-56500	PANEL, INSTRUMENT	1							
3-1	1	1A7780-56501	PANEL, INSTRUMENT	1							N
(A=F001028)											
3-2	1	1A7780-56502	PANEL, INSTRUMENT	1							N
(A=F001028)											
4	2	198220-53170	SCREW	8							
5	2	198220-56111	METER ASSY	1							
6	2	1A7335-56120	VISOR	1							
7	2	198220-56130	PACKING	1							
8	2	198220-56140	GLASS	1							
9	2	198220-56150	REFLECTOR	1							
10	2	198220-56160	PACKING	1							
11	2	1A8160-56200	CASE ASSY	1							
11-1	2	1A7780-56300	CASE ASSY	1							N
(A=F001028)											
12	2	1A8160-56211	HARNES, WIRE	1							
13	3	198220-56220	BULB, 12V-3.4W	3							
14	3	124617-91920	BULB, 12V-3W	3							
15	2	198220-56230	SCREW, M3X22	6							
16	2	26022-030062	SCREW, M3X 6	2							
17	1	198240-56600	GAUGE ASSY, FUEL	1							
18	2	194420-56620	GASKET	1							
19	2	198240-56630	WIRE, LEAD	1							
20	1	194555-56890	GROMMET, 15	2							
21	1	194145-61651	NUT, SPEED M5	4							
22	1	194940-61790	SCREW, TAPPING M5X16	4							
23	1	124701-91140	CABLE, L=985	1							
24	1	22190-050000	WASHER, SEAL 5	5							
25	1	26589-060162	SCREW, M6	2							

Fig.84. RELAY

(A)=EX450(CCY)  
(B)=  
(C)=

(D)=  
(E)=  
(F)=



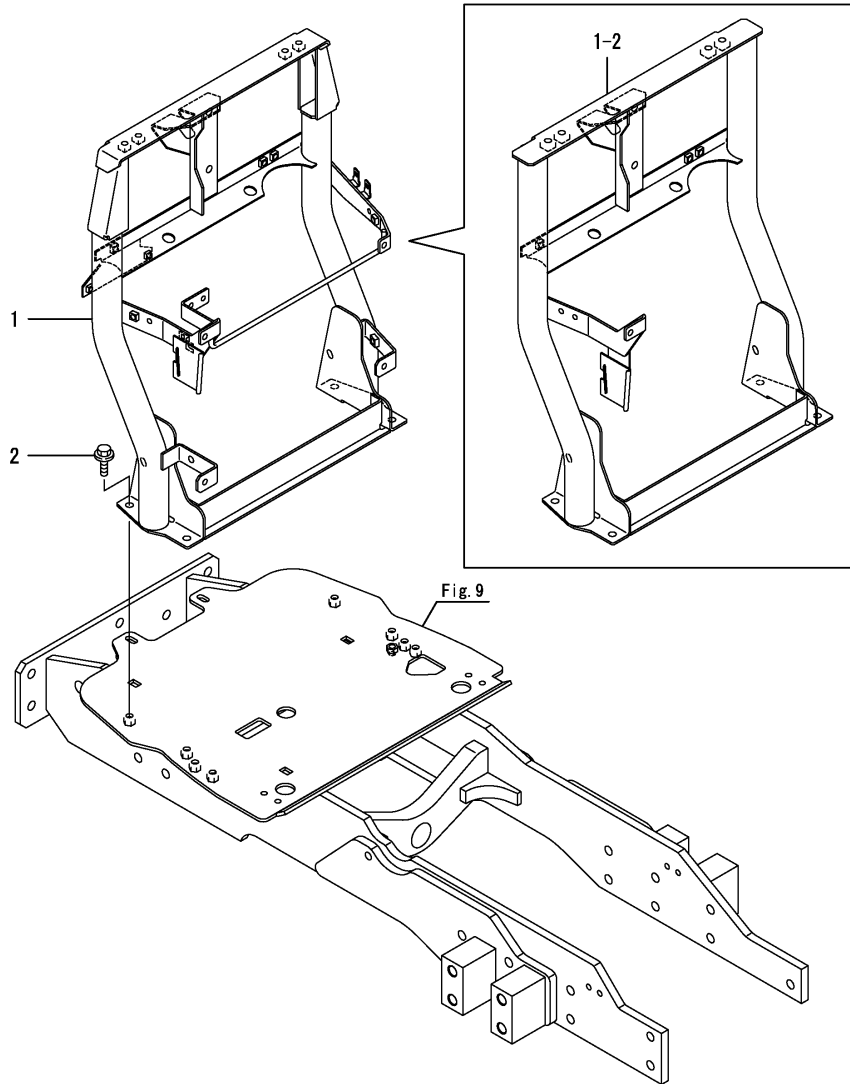
No.	Lev.	Parts No.	Description	Q'ty						I	R
				(A)	(B)	(C)	(D)	(E)	(F)		
1	1	194990-22130	NUT, M6	2							
2	1	194990-22130	NUT, M6	1							
3	1	194990-22130	NUT, M6	1							
4	1	198220-52180	RELAY, STARTER	1							
5	1	198220-52180	RELAY, STARTER	1							
6	1	1A6780-57200	FLASHER	1							
7	1	119650-77910	RELAY ASSY, GLOW	1							
7-1	1	119650-77911 (A=FXXXXX)	RELAY ASSY, GLOW	1							S
8	1	1K1140-82500	RELAY(ACM13211M01	1							
9	1	1K1140-82500	RELAY(ACM13211M01	1							
10	1	1K1140-82500	RELAY(ACM13211M01	1							
11	1	26106-060162	BOLT, M6X 16 PLATED	2							
12	1	26106-060162	BOLT, M6X 16 PLATED	1							
13	1	26106-060162	BOLT, M6X 16 PLATED	1							



Fig.85. FRONT FRAME

(A)=EX450(CCY)  
(B)=  
(C)=

(D)=  
(E)=  
(F)=



No.	Lev.	Parts No.	Description	Q'ty						I	R
				(A)	(B)	(C)	(D)	(E)	(F)		
1	1	1A7940-60101	FRAME ASSY, FRONT	1							
1-1	1	1A7780-60100	FRAME ASSY, FRONT	1							N
(A=F001028)											
1-2	1	1A7780-60200	FRAME ASSY, FRONT	1							Q
(A=F001028)											
2	1	26106-080162	BOLT, M8X 16 PLATED	4							

Fig.86. FRAME,HOOD

(A)=EX450(CCY)

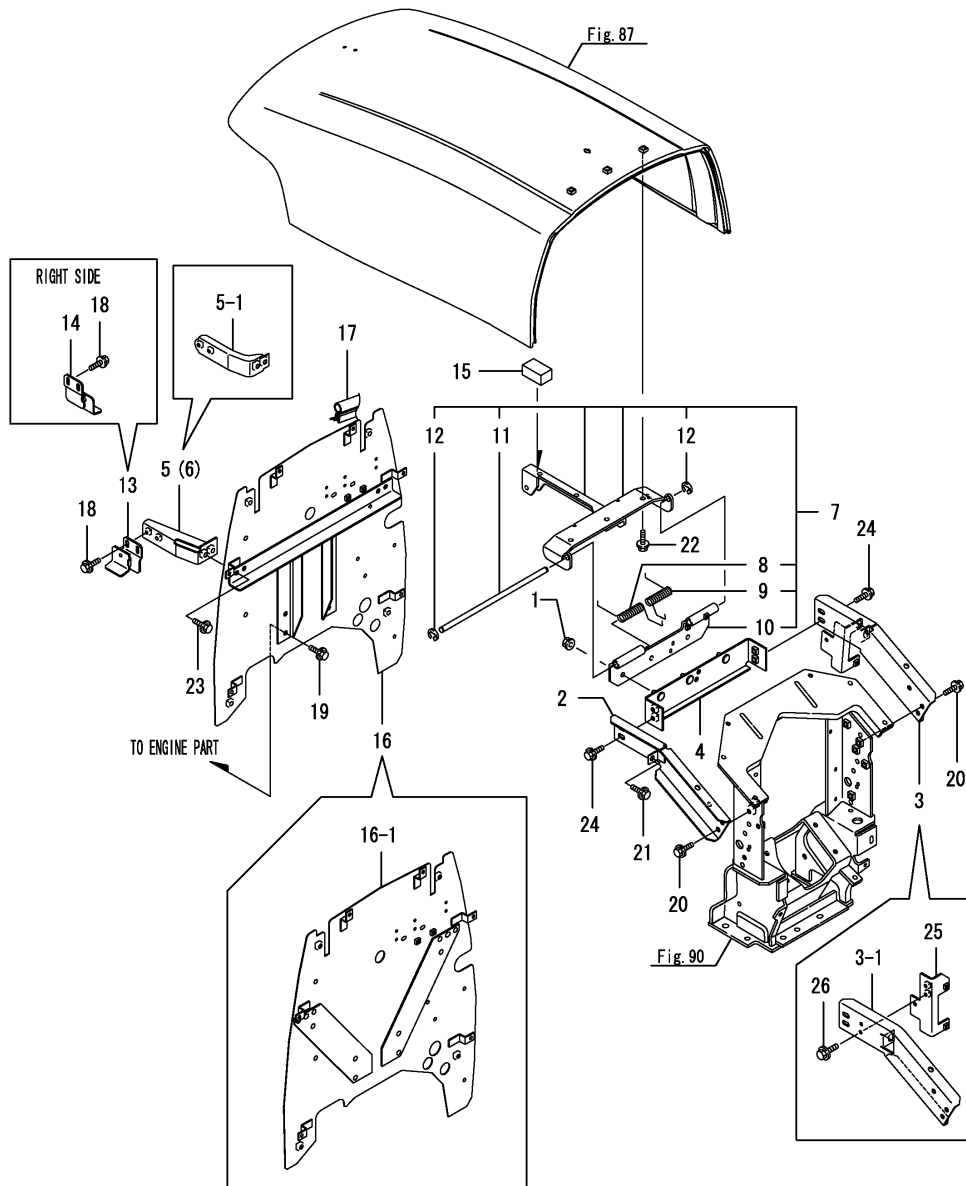
(B)=

(C)=

(D)=

(E)=

(F)=



No.	Lev.	Parts No.	Description	Q'ty						I	R
				(A)	(B)	(C)	(D)	(E)	(F)		
1	1	194990-22140	NUT, M8	3							
2	1	1A7780-60340	FRAME ASSY, SIDE L	1							
2-1	1	1A7780-60580	FRAME, SIDE L	1							R
2-2	1	1A7780-60600	FRAME ASSY, SIDE L	1							N
3	1	1A8170-60350	FRAME ASSY, SIDE R	1							
3-1	1	1A7780-60590	FRAME, SIDE R	1							R
3-2	1	1A7780-60610	FRAME ASSY, SIDE R	1							N
4	1	1A7780-60370	PLATE ASSY, UPPER	1							
5	1	1A7780-60480	STAY, SIDE COVER L	1							
5-1	1	1A7780-60450	SUPPORT, SIDE COVER	2							S
6	1	1A7780-60490	SUPPORT, COVER R	1							Z
7	1	1A7260-60911	HINGE ASSY, BONNET	1							
7-1	1	1A7891-60910	HINGE ASSY, BONNET	1							R
8	2	1A7260-60580	SPRING, L	1							Z
9	2	1A7260-60590	SPRING, R	1							
10	2	1A7260-61080	PLATE, LOWER	1							
11	2	1A7260-61190	PIN, 10X286	1							
12	2	22272-000080	RING, E- 8	2							
13	1	1A7260-60920	BRACKET, COVER	1							
14	1	1A7260-60930	BRACKET, COVER	1							
15	1	1A7890-60980	RUBBER, CUSHION	1							
16	1	1A7780-61672	PLATE ASSY,SHIELD	1							
16-1	1	1A7780-61673	PLATE ASSY, AIR CUT	1							S
17	1	198153-89730	WEATHER-STRIP, 1520	1							
18	1	26106-060122	BOLT, M6X 12 PLATED	4							
19	1	26106-080122	BOLT, M8X 12 PLATED	4							
20	1	26106-080162	BOLT, M8X 16 PLATED	6							
21	1	26106-080162	BOLT, M8X 16 PLATED	2							
22	1	26106-080162	BOLT, M8X 16 PLATED	3							
23	1	26106-080162	BOLT, M8X 16 PLATED	4							
24	1	26106-080162	BOLT, M8X 16 PLATED	4							
25	1	1A8170-52540	BRACKET, FUSE BOX	1							W
26	1	26106-060162	BOLT, M6X 16 PLATED	2							W

Fig.87. HOOD

(A)=EX450(CCY)

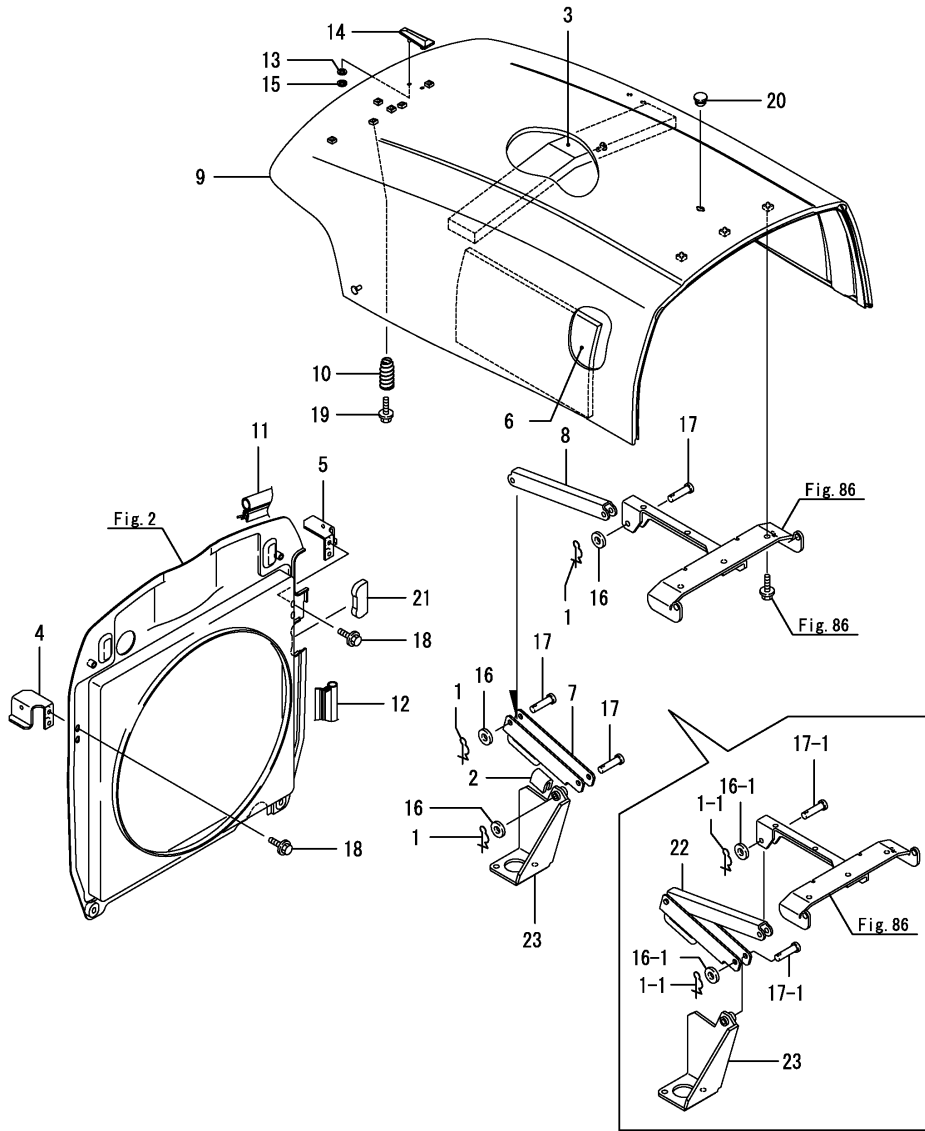
(B)=

(C)=

(D)=

(E)=

(F)=

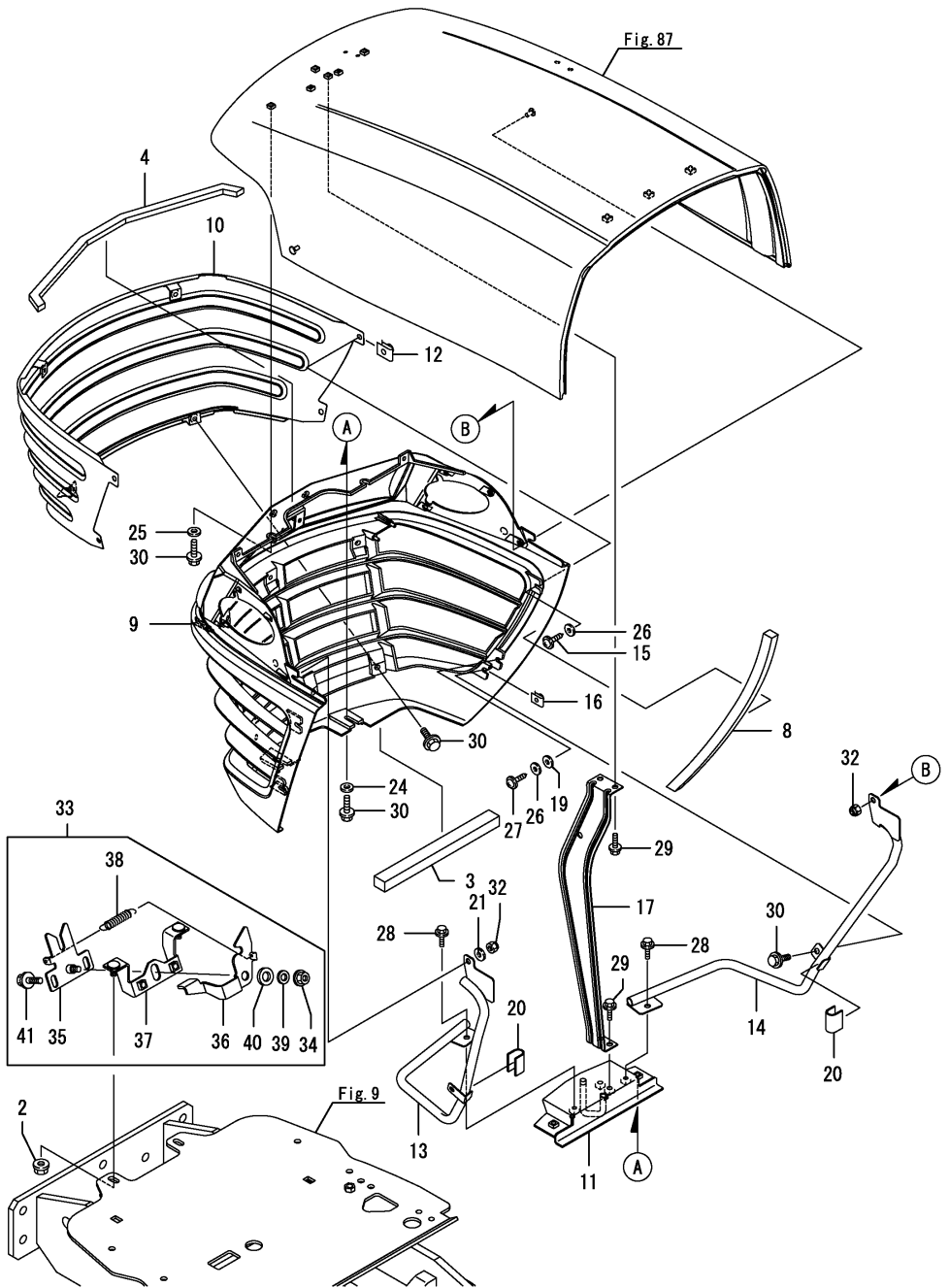


No.	Lev.	Parts No.	Description	Qty						I	R
				(A)	(B)	(C)	(D)	(E)	(F)		
1	1	1C6281-52320	PIN, SNAP 8	3							
1-1	1	1C6281-52320	PIN, SNAP 8	2							K
(A=F000982)											
2	1	198448-60080	TRIM, 40	1							
3	1	1A7270-60610	URETHANE, BONNET U	1							
4	1	1A7260-60780	BRACKET, GUIDE	1							
5	1	1A7260-60790	BRACKET, GUIDE	1							
6	1	1A7260-60890	URETHANE, BONNET UL	1							
7	1	1A7260-60950	STAND, BONNET A	1							Z
(A=F000982)											
8	1	1A7260-60960	STAND, BONNET B	1							Z
(A=F000982)											
9	1	1A7270-61100-2	BONNET ASSY, UPPER	1							
9-1	1	1A7780-61100-2	HOOD ASSY,	1							N
(A=F001028)											
10	1	198220-61340	SPRING	2							
11	1	1A7260-61860	WEATHER-STRIP, 1130	1							
12	1	1A7260-61970	WEATHER-STRIP, 390	1							
13	1	198475-65030	CUSHION	2							
14	1	194940-65590	MARK, TOP	1							
15	1	198071-65610	NUT, SPEED M5	2							
16	1	22137-080000	WASHER, 8	3							
16-1	1	22137-080000	WASHER, 8	2							K
(A=F000982)											
17	1	22487-080300	PIN, H 8X 30	3							
17-1	1	22487-080300	PIN, H 8X 30	2							K
(A=F000982)											
18	1	26106-060122	BOLT, M6X 12 PLATED	4							
19	1	26106-060162	BOLT, M6X 16 PLATED	2							
20	1	194197-56350	GROMMET	1							Z
(A=F001028)											
21	1	1A8160-60720	GROMMET	1							
22	1	1A7780-60550	STAND ASSY, HOOD	1							W
(A=F000982)											
23	1	1A7780-61650	STAY ASSY, HOOD STAND	1							

Fig.88. FRONT GRILLE

(A)=EX450(CCY)  
(B)=  
(C)=

(D)=  
(E)=  
(F)=

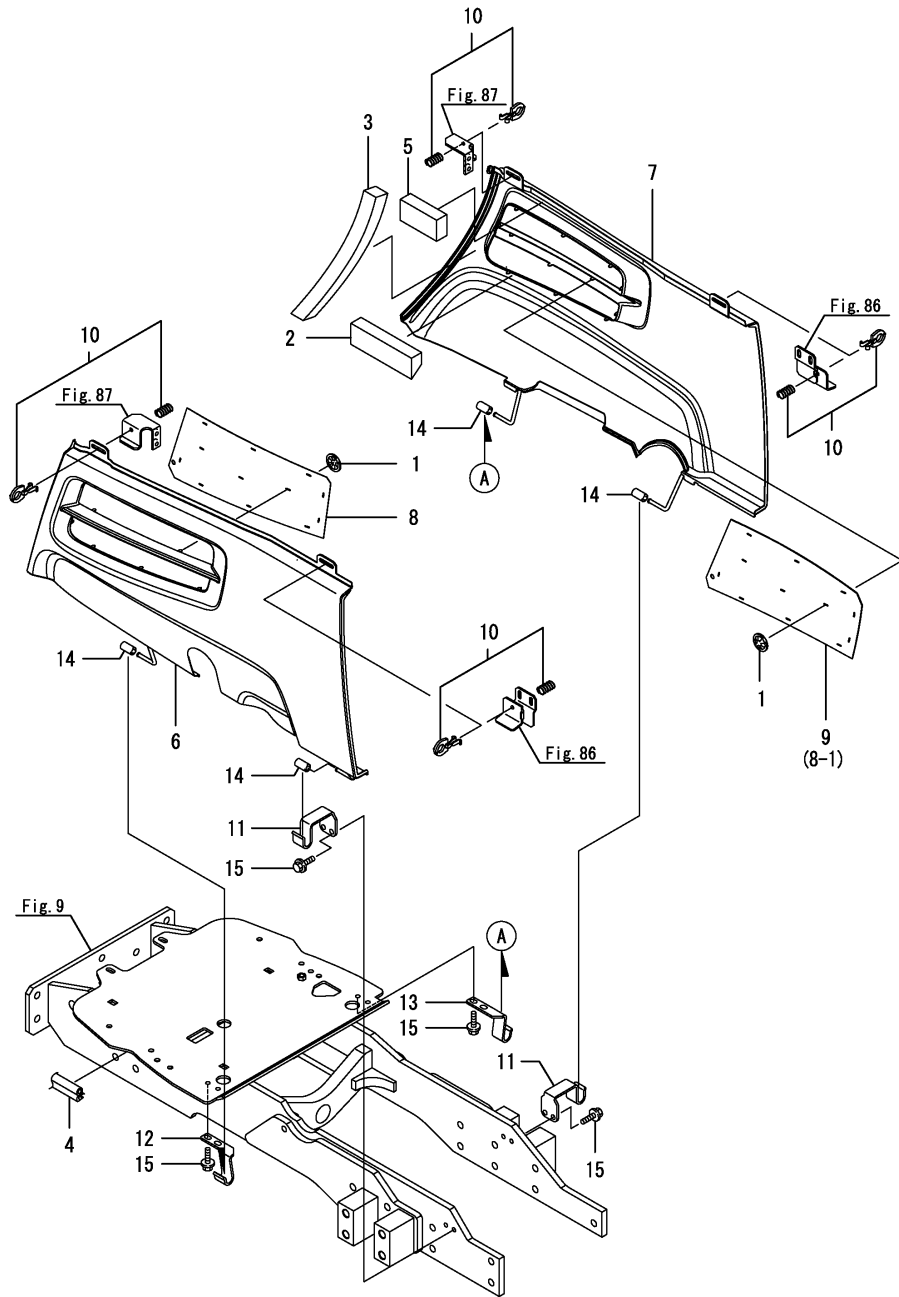


No.	Lev.	Parts No.	Description	Q'ty						I	R
				(A)	(B)	(C)	(D)	(E)	(F)		
2	1	194990-22140	NUT, M8	2							
3	1	1A7260-60661	GASKET	1							
4	1	1A7260-60680	URETHANE, GRILLE	1							
8	1	1A7260-60870	SEAL, GRILLE SIDE	2							
9	1	1A8160-61300	GRILLE, FRONT	1							
10	1	1A7260-61310-1	NET ASSY, GRILLE	1							
11	1	1A7260-61550	STAY ASSY, LOCK	1							
12	1	194145-61651	NUT, SPEED M5	4							
13	1	1A7260-61650	FRAME ASSY, GRILLE L	1							
14	1	1A7260-61660	FRAME ASSY, GRILLE R	1							
15	1	194940-61790	SCREW, TAPPING M5X16	2							
16	1	198071-61890	NUT, SPEED M6	2							
17	1	1A7260-61920	STAY, FRONT GRILLE	1							
19	1	198220-62150	WASHER	2							
20	1	198093-84810	SEAL, FENDER	2							
21	1	22137-060000	WASHER, 6	2							
24	1	22157-060000	WASHER, 6	2							
25	1	22157-060000	WASHER, 6	2							
26	1	22157-060000	WASHER, 6	4							
27	1	22859-500202	SCREW, 5X20	2							
28	1	26106-060122	BOLT, M6X 12 PLATED	2							
29	1	26106-060122	BOLT, M6X 12 PLATED	4							
30	1	26106-060162	BOLT, M6X 16 PLATED	10							
32	1	26346-060002	NUT, M6	2							
33	1	1A7780-60800	CATCH ASSY, LOCK	1							
34	2	194990-22140	NUT, M8	1							
35	2	1A7260-60800	CATCH, LOCK	1							
36	2	1A7260-60810	LEVER, LOCK	1							
37	2	1A7260-60820	PLATE, BASE	1							
38	2	198230-61960	SPRING	1							
39	2	22137-080000	WASHER, 8	1							
40	2	22137-120000	WASHER, 12	1							
41	2	26106-080122	BOLT, M8X 12 PLATED	2							

Fig.89. SIDE COVER

(A)=EX450(CCY)  
 (B)=  
 (C)=

(D)=  
 (E)=  
 (F)=

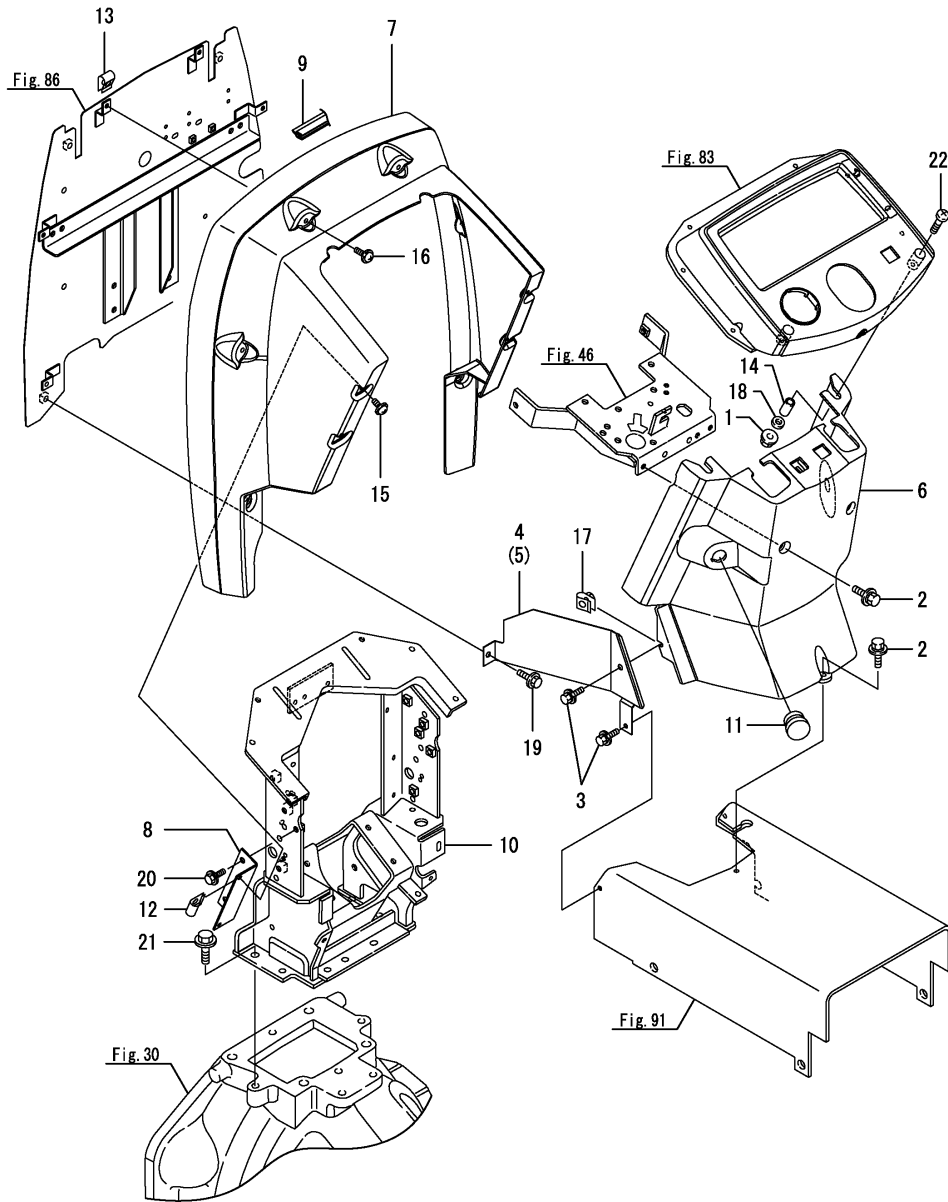


No.	Lev.	Parts No.	Description	Q'ty						I	R
				(A)	(B)	(C)	(D)	(E)	(F)		
1	1	198129-05190	NUT, PUSH M6	24							
2	1	1A7260-60640	URETHANE, COVER A	2							
3	1	1A7260-60670	URETHANE, COVER B	2							
4	1	1A7270-60750	WEATHER-STRIP, 440	2							
5	1	1A7260-60900	URETHANE, COVER C	2							
6	1	1A7780-61020-1	COVER ASSY, SIDE L	1							
7	1	1A7780-61030-1	COVER ASSY, SIDE R	1							
8	1	1A7260-61060-1	NET, SIDE COVER L	1							
8-1	1	1A7260-61150-1	NET, SIDE COVER	2							N
		(A=F000940)									
9	1	1A7260-61070-1	NET, SIDE COVER R	1							Z
		(A=F000940)									
10	1	198220-61351	LOCK ASSY, CAM	4							
11	1	1A7260-61400	STAY, SIDE COVER R	2							
12	1	1A7260-61450	STAY, SIDE COVER FL	1							
13	1	1A7260-61460	STAY, SIDE COVER FR	1							
14	1	198220-61800	RUBBER, CUSHION	4							
15	1	26106-080102	BOLT, M8X 10 PLATED	8							

Fig.90. DASHBOARD

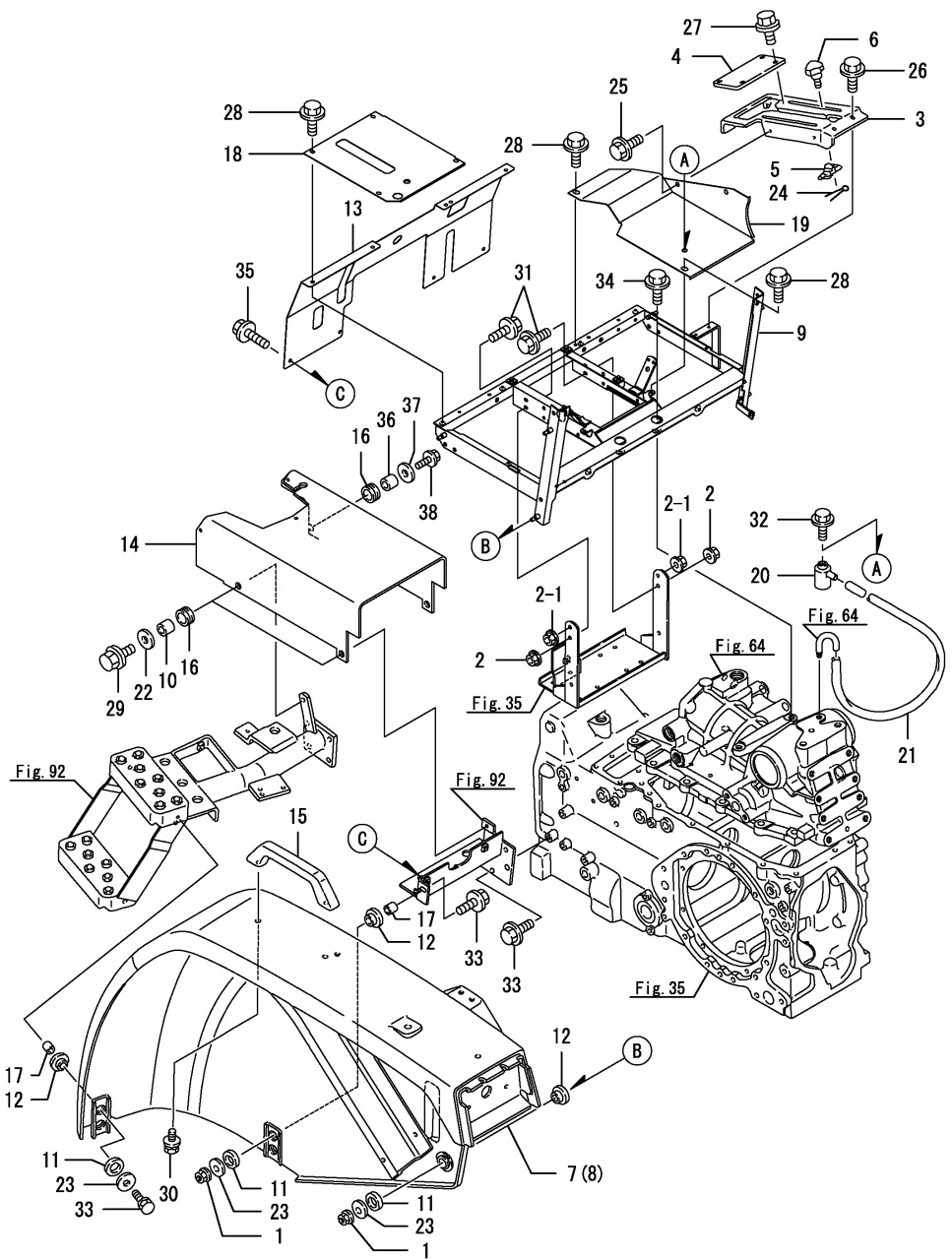
(A)=EX450(CCY)  
(B)=  
(C)=

(D)=  
(E)=  
(F)=



No.	Lev.	Parts No.	Description	Q'ty						I	R
				(A)	(B)	(C)	(D)	(E)	(F)		
1	1	194990-22130	NUT, M6	2							
2	1	198461-60590	BOLT, M6X20	3							
3	1	198461-60590	BOLT, M6X20	4							
4	1	1A7780-61410-1	COVER ASSY, LOWER L	1							
5	1	1A7780-61420-1	COVER ASSY, LOWER R	1							
6	1	198138-61531	COVER, DASHBOARD	1							
7	1	1A7780-61540	COVER, DASHBOARD	1							
8	1	1A7780-61550	STAY, DASHBOARD	2							
9	1	1A7780-61510	WEATHER STRIP,1700	1							
9-1	1	1A7780-61511	WEATHER-STRIP, 1670	1							N
		(A=F001028)									
10	1	1A7780-61600	STAY ASSY, DASHBOARD	1							
11	1	194448-61620	GROMMET, 20.5	1							
12	1	194167-61650	NUT 5008	4							
13	1	194167-61650	NUT 5008	6							
14	1	198133-61690	COLLAR, 10.5X17	2							
15	1	194940-61790	SCREW, TAPPING M5X16	4							
16	1	194940-61790	SCREW, TAPPING M5X16	6							
17	1	198071-61890	NUT, SPEED M6	2							
18	1	22117-060000	WASHER, 6	2							
19	1	26106-080122	BOLT, M8X 12 PLATED	2							
20	1	26106-080162	BOLT, M8X 16 PLATED	4							
21	1	26106-100202	BOLT, M10X 20 PLATED	4							
22	1	26587-060352	SCREW, M6X35	2							

Fig.91. FENDER



(A)=EX450(CCY)

(B)=

(C)=

(D)=

(E)=

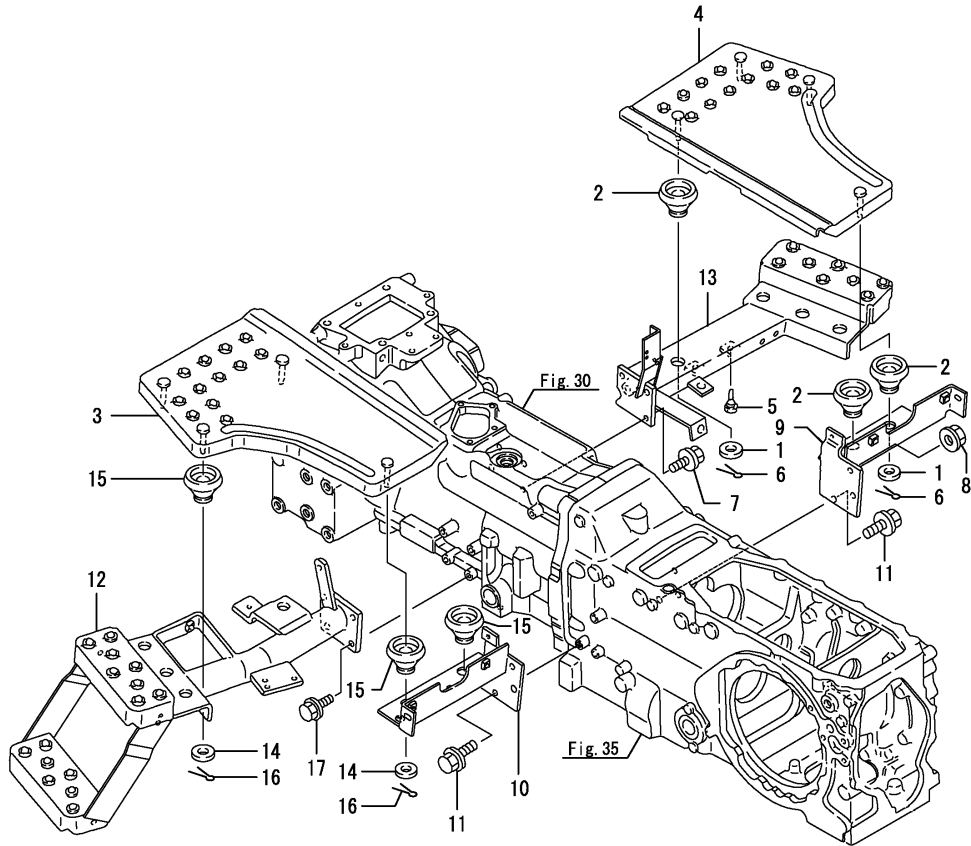
(F)=

No.	Lev.	Parts No.	Description	Q'ty						I	R
				(A)	(B)	(C)	(D)	(E)	(F)		
1	1	194990-22140	NUT, M8	8							
2	1	194990-22140	NUT, M8	2							
2-1	1	194990-22140	NUT, M8	4							K
(A=FZZZZZ)											
3	1	198240-47710-2	GUIDE, LEVER	1							
4	1	198240-47730-2	COVER, LEVER GUIDE	1							
5	1	198220-47750	STOPPER, LEVER	1							
6	1	194130-47851	BOLT, M6X15	1							
7	1	1A8170-62010	FENDER ASSY, L M	1							
8	1	1A8170-62020	FENDER ASSY, R M	1							
9	1	1A8170-62150	BRACKET, FENDER	1							
10	1	198220-62220	COLLAR	3							
11	1	198220-62260	CUSHION, RUBBER	10							
12	1	198220-62270	CUSHION, RUBBER	10							
13	1	1A7780-62280-1	COVER, CASE	1							
14	1	1A8170-62400	COVER ASSY, CLUTCH M	1							
15	1	198220-62410	BAR, ASSIST	2							
16	1	198220-62440	GROMMET	4							
17	1	198220-62920	COLLAR, ABSORBER	4							
18	1	1A7780-63090-1	COVER, DUST L	1							
19	1	1A7780-63100-1	COVER, DUST R	1							
20	1	194205-63550	BREATHER, AIR	1							
21	1	194640-63560	PIPE, AIR BREATHER	1							
22	1	22157-060000	WASHER, 6	3							
23	1	22157-080000	WASHER, 8	10							
24	1	22417-200160	PIN, COTTER 2.0X16	1							
25	1	26106-060122	BOLT, M6X 12 PLATED	2							
26	1	26106-060122	BOLT, M6X 12 PLATED	4							
27	1	26106-060122	BOLT, M6X 12 PLATED	4							
28	1	26106-060122	BOLT, M6X 12 PLATED	6							
29	1	26106-060202	BOLT, M6X 20 PLATED	3							
30	1	26106-080122	BOLT, M8X 12 PLATED	4							
31	1	26106-080162	BOLT, M8X 16 PLATED	4							
32	1	26106-080162	BOLT, M8X 16 PLATED	1							
33	1	26106-080302	BOLT, M8X 30 PLATED	4							
34	1	26106-100252	BOLT, M10X 25 PLATED	2							
35	1	26106-060122	BOLT, M6X 12 PLATED	4							
36	1	198220-62220	COLLAR	1							
37	1	22157-060000	WASHER, 6	1							
38	1	26106-060202	BOLT, M6X 20 PLATED	1							

Fig.92. STEP

(A)=EX450(CCY)  
(B)=  
(C)=

(D)=  
(E)=  
(F)=



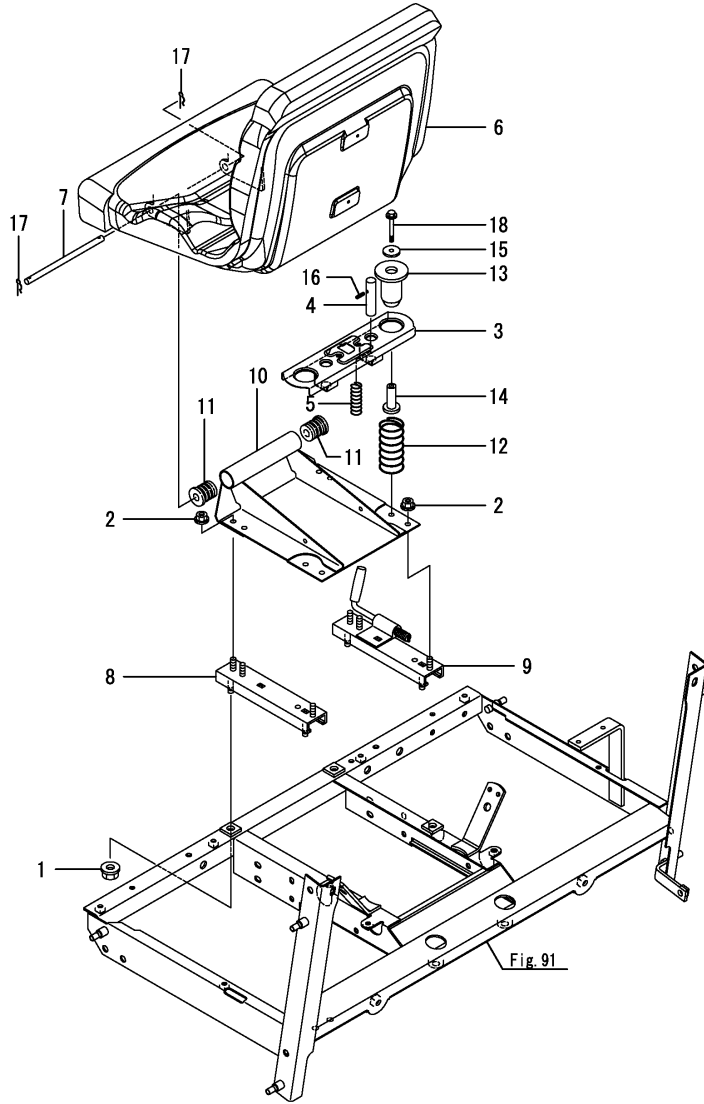
No.	Lev.	Parts No.	Description	Q'ty						I	R
				(A)	(B)	(C)	(D)	(E)	(F)		
1	1	198220-62150	WASHER	4							
2	1	198240-62451	ABSORBER, STEP	5							
3	1	198320-62510-2	STEP ASSY, L	1							
4	1	198320-62520-2	STEP ASSY, R	1							
5	1	194330-62530	STOPPER, PEDAL	2							
6	1	22417-250300	PIN, COTTER 2.5X30	4							
7	1	26106-080202	BOLT, M8X 20 PLATED	3							
8	1	194990-22140	NUT, M8	1							
9	1	198320-62580-1	STAY, ABSORBER R	1							
10	1	198320-62610-1	STAY, ABSORBER L	1							
11	1	26106-080162	BOLT, M8X 16 PLATED	3							
12	1	198320-62531-1	STAY, STEP L	1							
13	1	198178-62541-1	STAY, STEP R	1							
14	1	198220-62150	WASHER	4							
15	1	198240-62451	ABSORBER, STEP	5							
16	1	22417-250300	PIN, COTTER 2.5X30	4							
17	1	26106-080202	BOLT, M8X 20 PLATED	4							



Fig.93. DRIVER SEAT

(A)=EX450(CCY)  
(B)=  
(C)=

(D)=  
(E)=  
(F)=



No.	Lev.	Parts No.	Description	Q'ty						I	R
				(A)	(B)	(C)	(D)	(E)	(F)		
1	1	194990-22140	NUT, M8	4							
2	1	194990-22140	NUT, M8	6							
3	1	1A8160-52320	BRACKET, SPRING	1							
4	1	198220-52410	PIN, 16X77.5	2							
5	1	198220-52420	SPRING, 17X60	2							
6	1	198240-63110	SEAT ASSY, OPERATOR	1							
7	1	198220-63120	PIN, HINGE	1							
8	1	198220-63150	ADJUSTER, SEAT	1							
9	1	198220-63160	ADJUSTER, SEAT	1							
10	1	1A8160-63200	BRACKET, SEAT LOWER	1							
11	1	198220-63240	DAMPER	2							
12	1	198220-63260	SPRING, CUSHION	2							
13	1	198220-63270	RUBBER, CUSHION	2							
14	1	198220-63280	COLLAR, SPRING	2							
15	1	1E6213-64490	WASHER, 8.5X22X2.3	2							
16	1	22351-030025	PIN, SPRING 3.0X25	2							
17	1	22372-120000	PIN, SNAP 12	2							
18	1	26106-080702	BOLT, M8X 70 PLATED	2							

Fig.94. SEAT BELT

(A)=EX450(CCY)  
 (B)=  
 (C)=

(D)=  
 (E)=  
 (F)=

No.	Lev.	Parts No.	Description	Q'ty						I	R
				(A)	(B)	(C)	(D)	(E)	(F)		
1	1	1A8160-63400	BELT ASSY, SEAT	1							
2	2	1A8160-63410	BELT ASSY, SEAT	1							
3	2	1A8160-63420	BELT ASSY, SEAT	1							
4	1	1A8160-63440	COLLAR, SEAT BELT	2							
5	1	26106-100352	BOLT, M10X 35 PLATED	2							
6	1	26346-100002	NUT, M10	2							

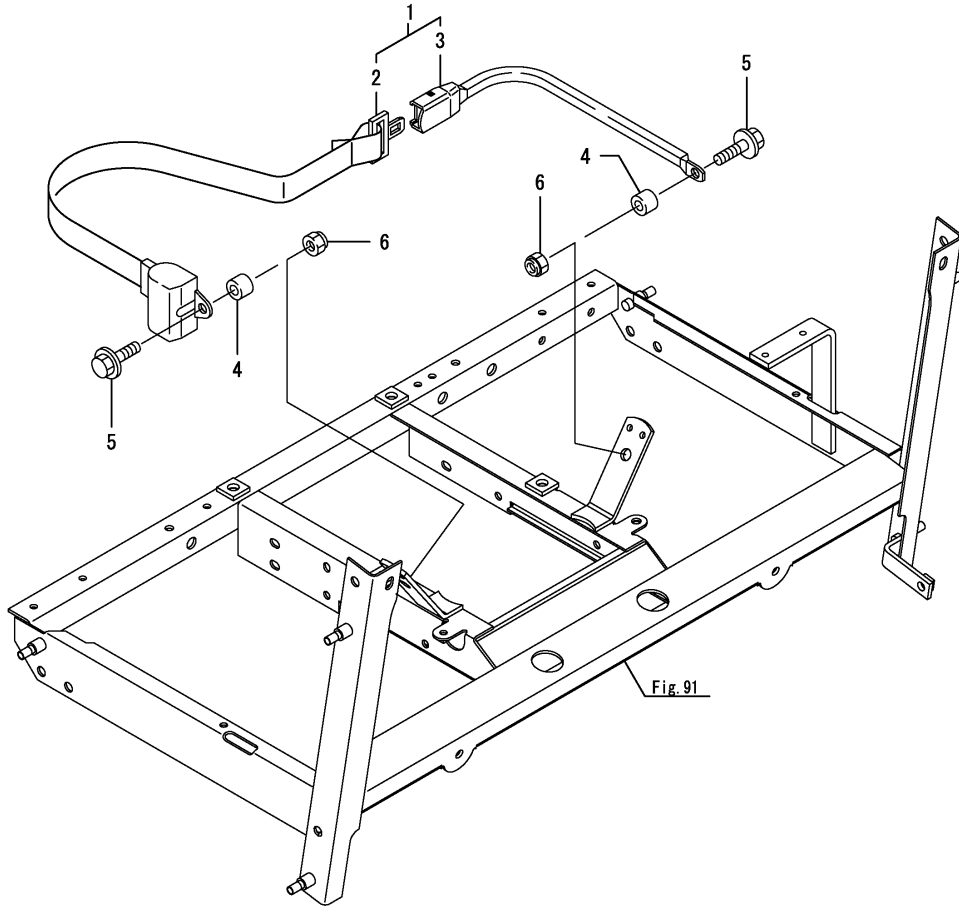


Fig.94

Fig.95. LABEL

(A)=EX450(CCY)

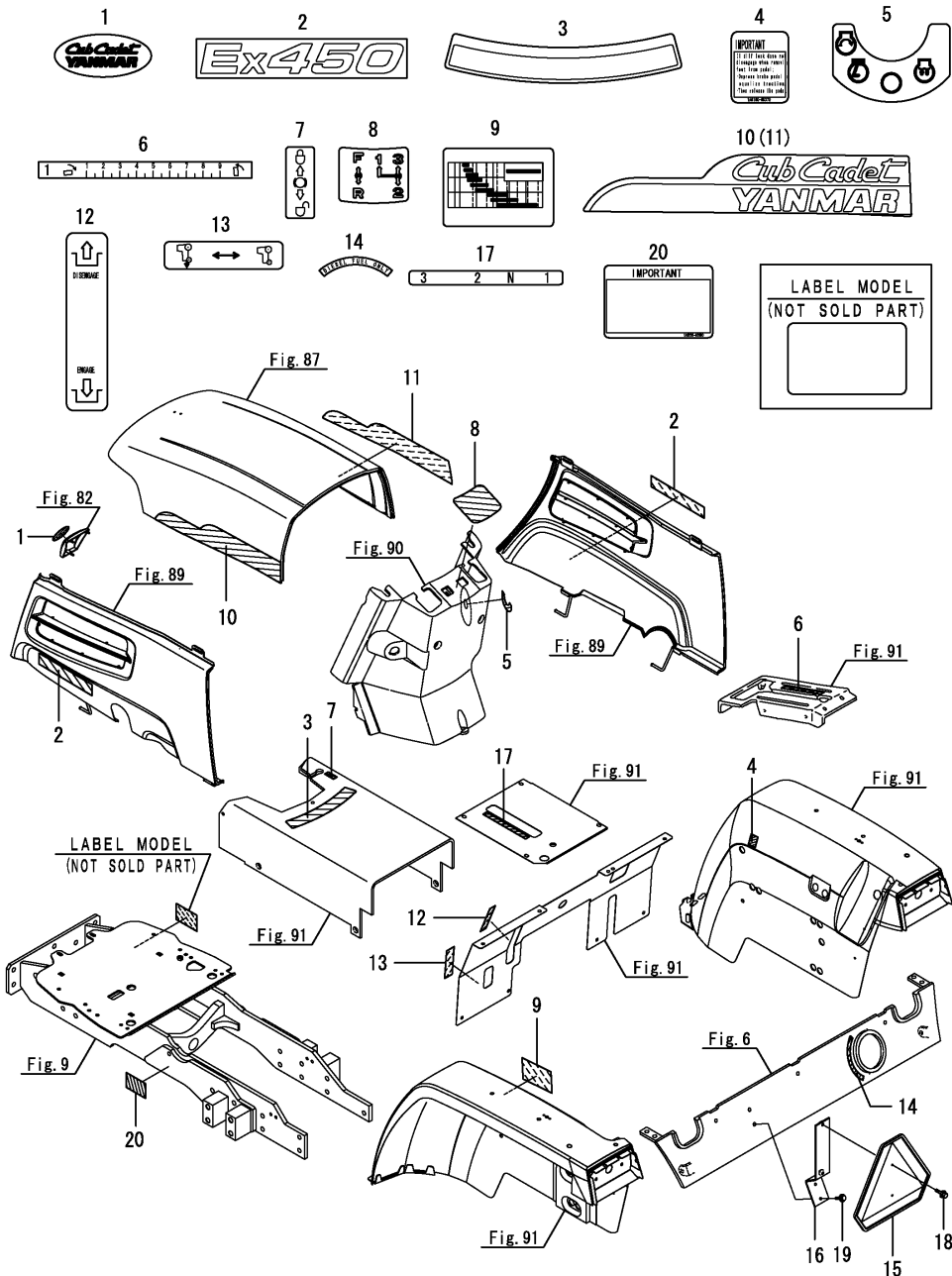
(B)=

(C)=

(D)=

(E)=

(F)=

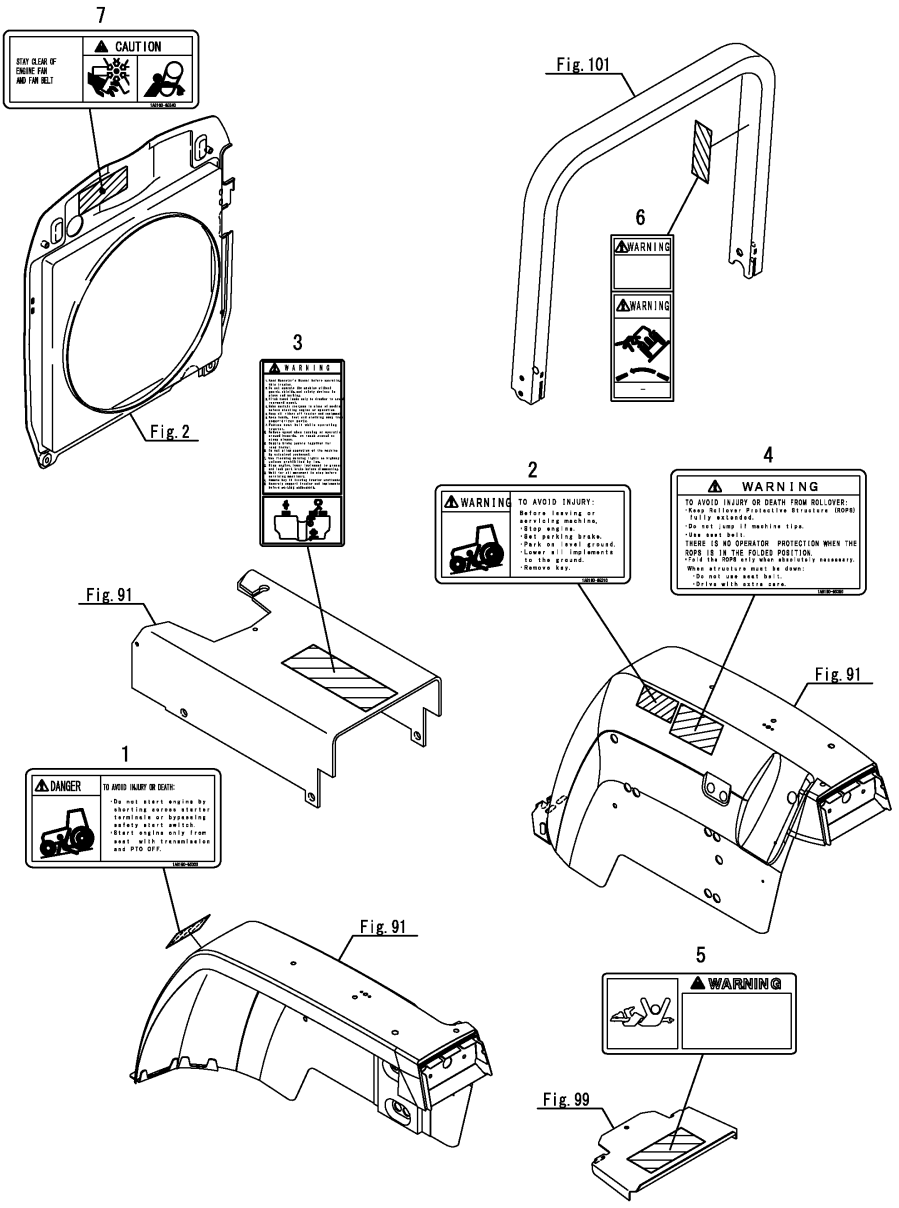


No.	Lev.	Parts No.	Description	Q'ty						I	R
				(A)	(B)	(C)	(D)	(E)	(F)		
1	1	1A7880-65560	LABEL CENTER LOGO	1							
2	1	1A8170-64710	LABEL, MODEL	2							
3	1	198220-65350	DECAL,COLD START	1							
4	1	1A8160-65370	LABEL,IMPORTANT,DIFF	1							
5	1	1A8160-65420	LABEL,START SWITCH	1							
5-1	1	1A8160-65421	LABEL,START SWITCH	1							N
(A=F001064)											
6	1	198220-65470	LABEL, LEVER	1							
7	1	1A7480-65470	LABEL,	1							
8	1	198175-65500	LABEL,MAIN CHANGE	1							
9	1	1A8170-65560	LABEL, SPEED	1							
10	1	1A8160-65580	LABEL L	1							
11	1	1A8160-65590	LABEL M	1							
12	1	1A8160-65610	LABEL,PTO	1							
13	1	1A8170-65750	LABEL, 4WD	1							
14	1	194275-65790	LABEL, FUEL CAUTION	1							
15	1	1A8160-65800	EMBLEM, SMV	1							
16	1	198240-65900	BRACKET, EMBLEM	1							
17	1	198242-65940	LABEL,SUB CHANGE	1							
18	1	26106-060162	BOLT, M6X 16 PLATED	2							
19	1	26589-060202	SCREW, M6X20	2							
20	1	1A8250-65390	LABEL,SPARK ARRESTOR	1							W
(A=F000980)											

Fig.96. LABEL(SAFETY)

(A)=EX450(CCY)  
(B)=  
(C)=

(D)=  
(E)=  
(F)=



No.	Lev.	Parts No.	Description	Q'ty						I	R
				(A)	(B)	(C)	(D)	(E)	(F)		
1	1	1A8160-65300	LABEL,DANGER,START	1							
2	1	1A8160-65310	LABEL,WARNING,STOP	1							
3	1	1A8170-65320	LABEL, WARNING	1							
4	1	1A8160-65350	LABEL,WARNING,ROPS	1							
5	1	198220-65621	LABEL, P.T.O.WARNING	1							
6	1	1A8170-85170	SAFETY DECAL	1							
7	1	1A7880-65620	LABEL,WARNING,FAN	1							

Fig.97. THREE POINT LINK

(A)=EX450(CCY)

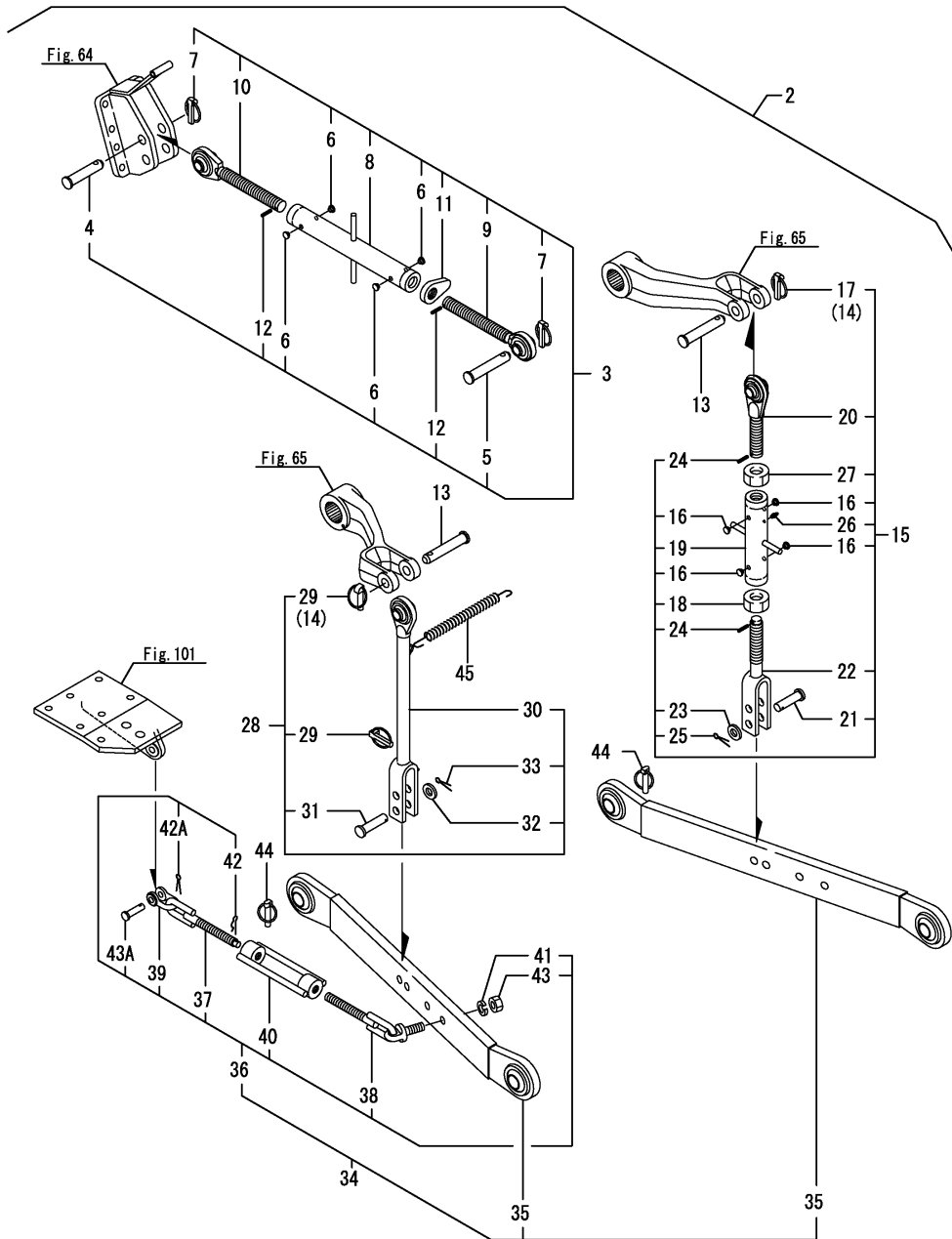
(B)=

(C)=

(D)=

(E)=

(F)=



No.	Lev.	Parts No.	Description	Qty						I	R
				(A)	(B)	(C)	(D)	(E)	(F)		
2	1	1A8170-71000	HITCH KIT, 3 POINT	1							
3	2	198254-71100	LINK KIT, TOP	1							
4	3	1A7335-71230	PIN, LINK	1							
5	3	1A7335-71240	PIN, HITCH	1							
6	3	1A7335-71250	CAP	4							
7	3	1A7335-71410	PIN ASSY, BALL	2							
8	3	198254-71500	TURNBUCKLE ASSY	1							
9	3	198254-71600	LINK ASSY, TOP R	1							
10	3	198254-71700	LINK ASSY, TOP L	1							
11	3	1A7335-71750	NUT, LOCK M24	1							
12	3	22351-050025	PIN, SPRING 5.0X25	2							
12-1	3	1A7335-71760	PIN, SPRING 5.0X25	2							R
(A=FXXXXX)											
13	2	1A7335-71240	PIN, HITCH	2							
14	2	1A7335-71410	PIN ASSY, BALL	2							
15	2	1A8170-72100	LINK KIT, LIFT R	1							
16	3	1A7335-71250	CAP	4							
17	3	1A7335-71410	PIN ASSY, BALL	1							
18	3	1A8170-72110	NUT, LOCK M24 L	1							
19	3	198254-72150	TURNBUCKLE ASSY	1							
20	3	198254-72200	BOLT ASSY, EYE	1							
21	3	198253-72550	PIN, 16X53	1							
22	3	1A8170-72800	YOKE ASSY, LINK R	1							
23	3	22137-160000	WASHER, 16	1							
24	3	22351-050022	PIN, SPRING 5.0X22	2							
25	3	22417-320320	PIN, COTTER 3.2X32	1							
26	3	24761-060000	NIPPLE, GREASE MT6X1	1							
27	3	26756-240002	NUT, LOCK M24	1							
28	2	1A8170-72500	LINK KIT, LIFT L	1							
29	3	1A7335-71410	PIN ASSY, BALL	2							
30	3	1A8170-72530	LINK ASSY, LIFT L	1							
31	3	198234-72550	PIN, 16X44	1							
32	3	22137-160000	WASHER, 16	1							
33	3	22417-320320	PIN, COTTER 3.2X32	1							
34	2	1A8170-73400	LINK KIT, LOWER	2							
35	3	1A8170-73100	LINK ASSY, LOWER	2							
36	3	1A8170-74500	CHAIN KIT, CHECK	2							
37	4	1A8170-74510	CHAIN ASSY, CHECK F	2							
38	4	1A8170-74550	CHAIN ASSY, CHECK R	2							
39	4	198254-74620	SHACKLE	2							
40	4	1A8170-74700	TURNBUCKLE, M16	2							
41	4	22217-160000	WASHER, SPRING 16	2							
42	4	22360-180000	PIN, SNAP 18	2							
42A	4	1A7500-72180	PIN, 4.0X32	2							
43	4	26736-160002	NUT, M16	2							
43A	4	198181-74630	PIN, CHAIN	2							
44	1	794130-71410	PIN ASSY, BALL	2							
45	1	194145-73150	SPRING, LOCK	1							

Fig.98. TOP HOOK

(A)=EX450(CCY)  
 (B)=  
 (C)=

(D)=  
 (E)=  
 (F)=

No.	Lev.	Parts No.	Description	Q'ty						I	R
				(A)	(B)	(C)	(D)	(E)	(F)		
1	1	1A7335-71550	SPRING	1							
1-1	1	1A7880-71550	SPRING	1							R
			(A=F001028)								
2	1	22137-080000	WASHER, 8	1							
3	1	22417-300250	PIN, COTTER 3.0X25	1							

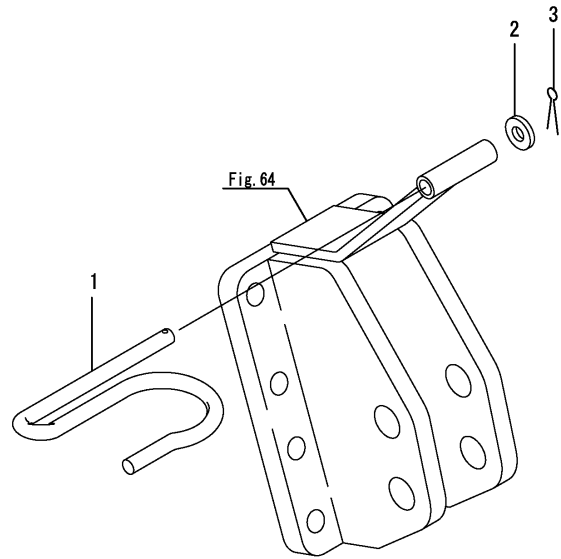


Fig.99. PTO GUARD

(A)=EX450(CCY)  
 (B)=  
 (C)=

(D)=  
 (E)=  
 (F)=

No.	Lev.	Parts No.	Description	Q'ty						I	R
				(A)	(B)	(C)	(D)	(E)	(F)		
1	1	198240-26910-1	GUARD ASSY, PTO	1							
2	1	198240-26921-1	BRACKET, GUARD	1							
3	1	198240-26930-1	BRACKET, GUARD	1							
4	1	194630-62360	GROMMET	2							
5	1	26106-100162	BOLT, M10X 16 PLATED	4							

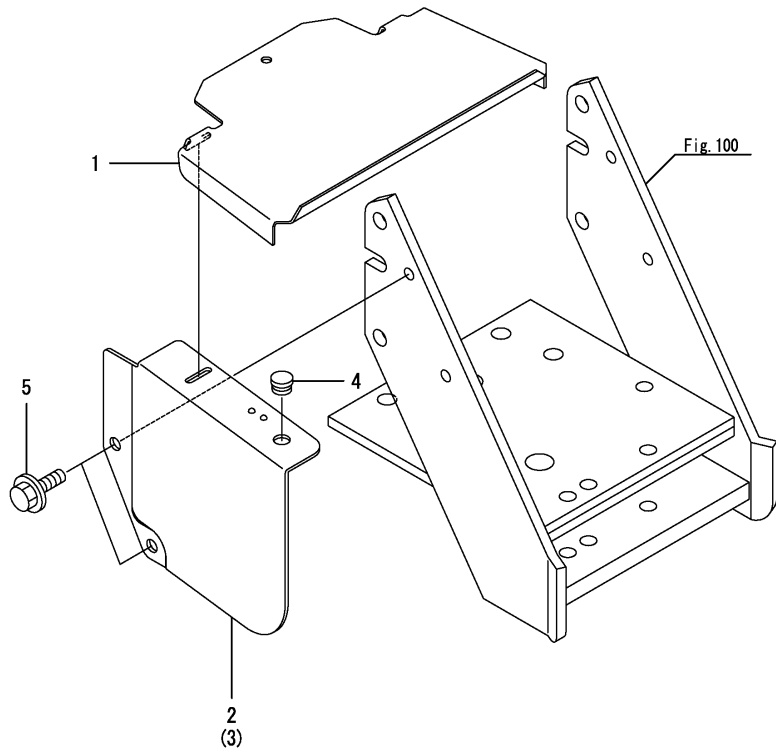


Fig.100. DRAW BAR HITCH

(A)=EX450(CCY)  
(B)=  
(C)=

(D)=  
(E)=  
(F)=

No.	Lev.	Parts No.	Description	Q'ty						I	R
				(A)	(B)	(C)	(D)	(E)	(F)		
1	1	198240-12650	BOLT, M14X28	4							
2	1	198133-75110-1	HITCH, DRAWBAR	1							
3	1	198133-75130-1	BRACKET, DRAWBAR	1							
4	1	198133-75320	PIN ASSY, HITCH	1							
5	2	22351-060040	PIN, SPRING 6.0X40	1							
6	1	198240-75440	PIN, STOPPER 12X74	2							
7	1	22137-120000	WASHER, 12	2							
8	1	22217-120000	WASHER, SPRING 12	2							
9	1	22360-200000	PIN, SNAP 20	1							
10	1	22372-120000	PIN, SNAP 12	2							
11	1	26013-120302	BOLT, M12X 30	4							
12	1	26716-120002	NUT, M12	2							

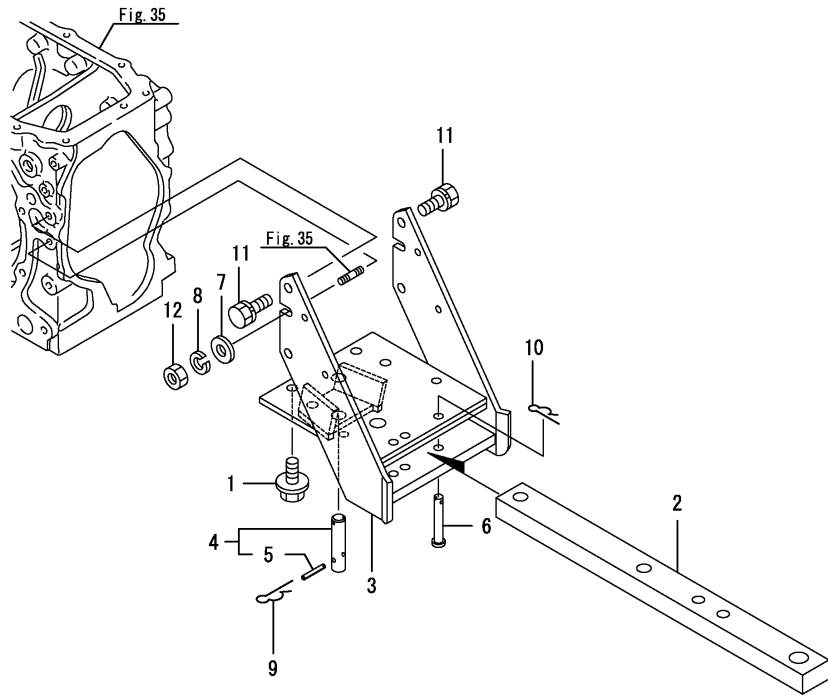
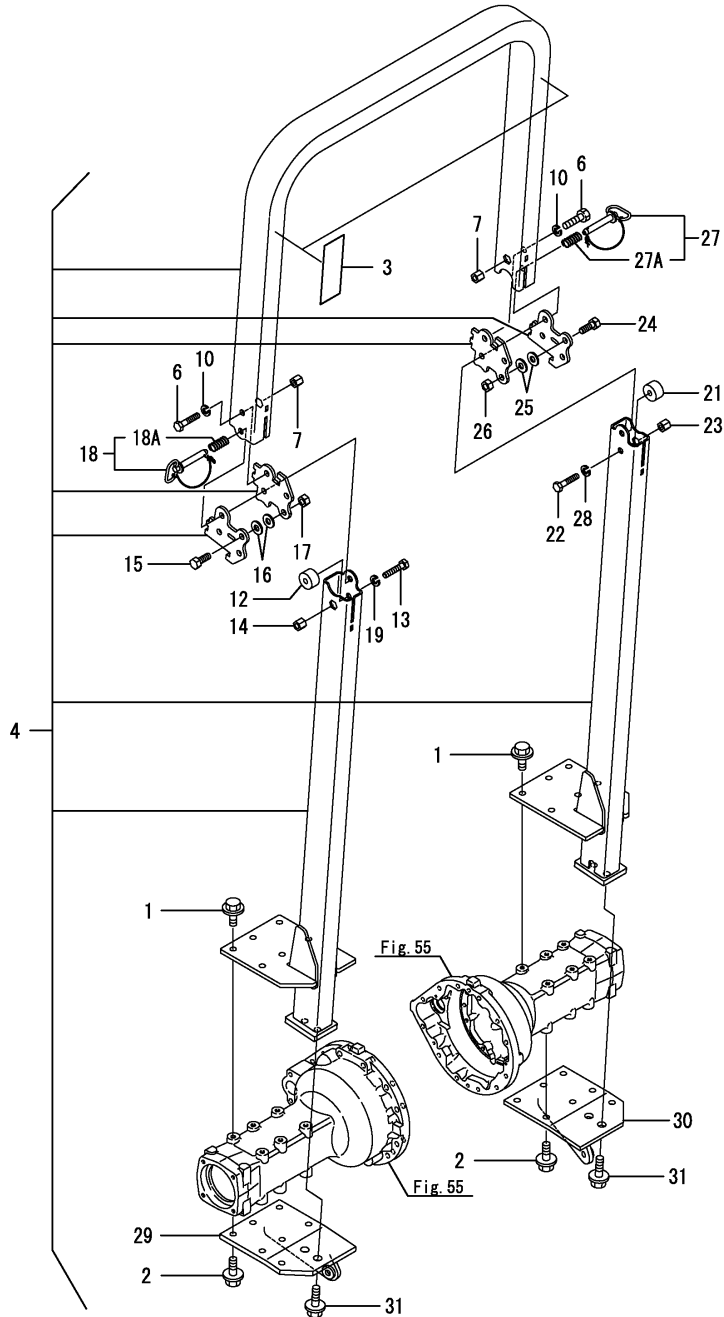




Fig.101. SAFETY FRAME

(A)=EX450(CCY)  
(B)=  
(C)=

(D)=  
(E)=  
(F)=



No.	Lev.	Parts No.	Description	Q'ty						I	R
				(A)	(B)	(C)	(D)	(E)	(F)		
1	1	198220-11510	BOLT, M12X27	12							
2	1	198220-11510	BOLT, M12X27	12							
3	1	1A8160-65860	TAPE, 50X115	2							
4	1	1A8170-85010	ROPS ASSY	1							
6	2	1A8160-85070	BOLT, 1/2-20X2.25	2							
7	2	1A8160-85080	NUT, 1/2-20	2							
12	2	1A8160-85060	COLLAR, HINGE	1							
13	2	1A8160-85070	BOLT, 1/2-20X2.25	1							
14	2	1A8160-85080	NUT, 1/2-20	1							
15	2	1A8160-85090	BOLT, 1/2-13X1.25	1							
16	2	1A8160-85100	WASHER	2							
17	2	1A8160-85110	NUT, 1/2-13	1							
18	2	1A8160-85121	PIN ASSY, HITCH	1							
18A	3	1A8160-85130	SPRING	1							
19	2	1A8160-85200	WASHER, 1/2	1							
21	2	1A8160-85060	COLLAR, HINGE	1							
22	2	1A8160-85070	BOLT, 1/2-20X2.25	1							
23	2	1A8160-85080	NUT, 1/2-20	1							
24	2	1A8160-85090	BOLT, 1/2-13X1.25	1							
25	2	1A8160-85100	WASHER	2							
26	2	1A8160-85110	NUT, 1/2-13	1							
27	2	1A8160-85121	PIN ASSY, HITCH	1							
27A	3	1A8160-85130	SPRING	1							
28	2	1A8160-85200	WASHER, 1/2	1							
29	2	1A8170-85500	PLATE ASSY, BASE L	1							
30	2	1A8170-85550	PLATE ASSY, BASE R	1							
31	1	198220-85290	BOLT, M16X40	4							

Fig.102. ACCESSORY

(A)=EX450(CCY)  
(B)=  
(C)=

(D)=  
(E)=  
(F)=

No.	Lev.	Parts No.	Description	Q'ty						I	R
				(A)	(B)	(C)	(D)	(E)	(F)		
1	1	0A042-U00100	OPERATION MANUAL	1							
1-1	1	0A042-U00101 (A=FZZZZZ)	OPERATION MANUAL	1							N
1-2	1	0A042-U00102 (A=FXXXXX)	OPERATION MANUAL	1							N

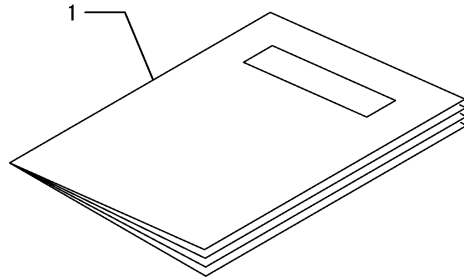
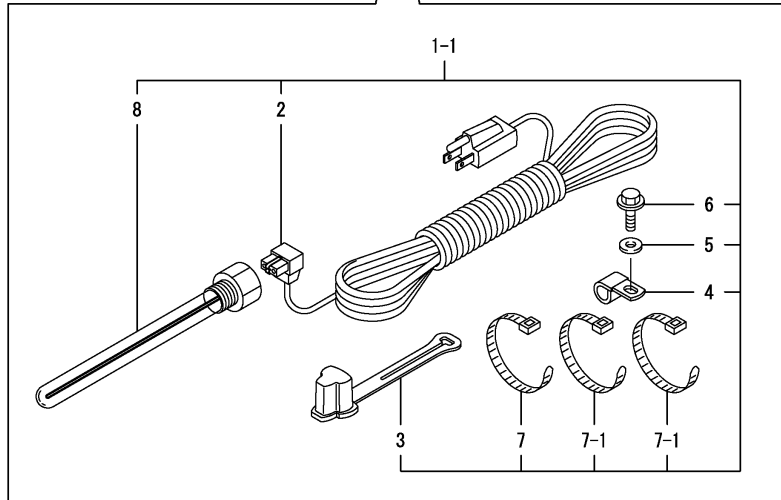
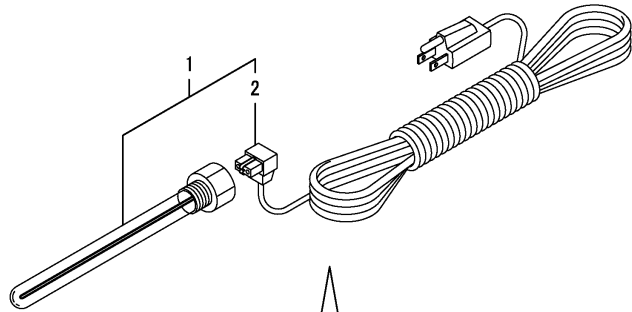


Fig.103. HEATER(OPTION

(A)=EX450(CCY)  
(B)=  
(C)=

(D)=  
(E)=  
(F)=



No.	Lev.	Parts No.	Description	Q'ty						I	R
				(A)	(B)	(C)	(D)	(E)	(F)		
1	1	1A8160-99000	HEATER, TM	1							
1-1	1	1A8170-99000	HEATER, TM	1							N
(A=FXXXXX)											
1-2	1	1A8170-99001	HEATER, TM KIT	1							R
(A=FXXXXX)											
2	2	1A8160-99020	CODE, POWER	1							
3	2	1A7880-57260	PROTECTOR, PLUG	1							W
(A=FXXXXX)											
4	2	1E6213-83410	CLIP, HARNESS 18	1							W
(A=FXXXXX)											
5	2	22157-060000	WASHER, 6	1							W
(A=FXXXXX)											
6	2	26106-060202	BOLT, M6X 20 PLATED	1							W
(A=FXXXXX)											
7	2	29622-250001	BAND, RF250	1							W
(A=FXXXXX)											
7-1	2	1A8300-51210	BAND, REPEAT	3							N
(A=FXXXXX)											
8	2	1A8160-99010	HEATER, TRANSMISSION	1							W
(A=FXXXXX)											

Remarks  
\* Optional parts.

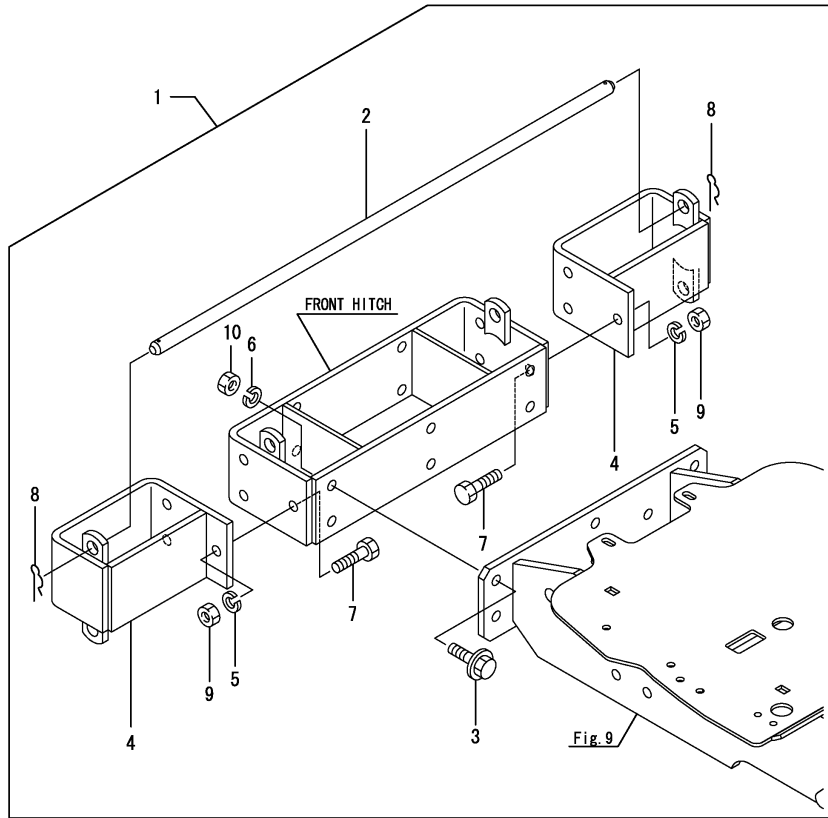


Fig.105. EXTRA HITCH(OPTION

(A)=EX450(CCY)  
 (B)=  
 (C)=

(D)=  
 (E)=  
 (F)=

No.	Lev.	Parts No.	Description	Q'ty						I	R
				(A)	(B)	(C)	(D)	(E)	(F)		
1	1	1A8160-11900	HITCH KIT, EXTRA	1							
2	2	198220-11350	PIN, WEIGHT LOCK	1							
3	2	198220-11520	BOLT, M12X38	6							
4	2	198220-11900	HITCH, EXTRA	2							
5	2	194274-13580	WASHER, SPRING 12	6							
6	2	194274-13580	WASHER, SPRING 12	6							
7	2	194465-13650	BOLT, M12X32	6							
8	2	22372-160000	PIN, SNAP 16	2							
9	2	26716-120002	NUT, M12	6							
10	2	26716-120002	NUT, M12	6							



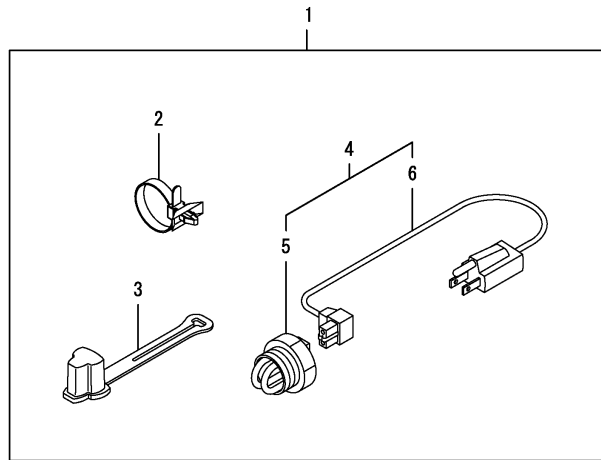
Remarks  
 \* Optional parts.

Fig.108. BLOCK HEATER(OPTION

(A)=EX450(CCY)  
(B)=  
(C)=

(D)=  
(E)=  
(F)=

No.	Lev.	Parts No.	Description	Q'ty						I	R
				(A)	(B)	(C)	(D)	(E)	(F)		
1	1	129652-95010	HEATER EX450, KIT	1							
1-1	1	129652-95011	HEATER KIT, EX450	1							N
(A=FXXXXX)											
2	2	1A7500-51170	CLIP, HARNESS	1							
3	2	1A7880-57260	PROTECTOR, PLUG	1							
4	2	129269-95010	HEATER ASSY	1							
5	3	171015-77900	HEATER	1							
6	3	171015-77910	CORD, HEATER	1							

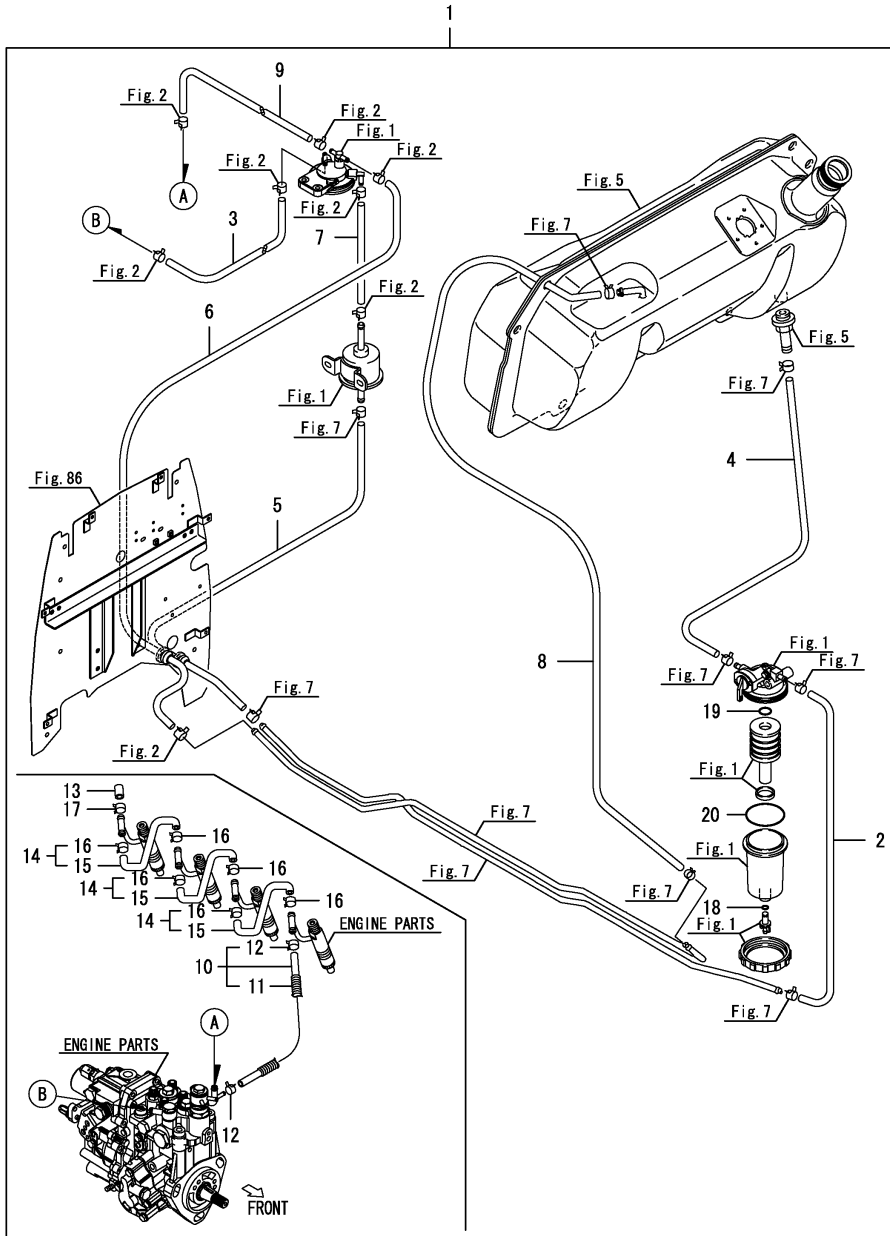


Remarks  
\* Optional parts.

Fig.109. FO HOSE(FAME(OPTION

(A)=EX450(CCY)  
(B)=  
(C)=

(D)=  
(E)=  
(F)=



No.	Lev.	Parts No.	Description	Q'ty						I	R
				(A)	(B)	(C)	(D)	(E)	(F)		
1	1	1A8170-04250	HOSE KIT, FUEL	1							
2	2	1A7780-04200	HOSE, FUEL 300	1							
3	2	1A7780-04210	HOSE, FUEL 350	1							
4	2	1A7780-04230	HOSE, FUEL 420	1							
5	2	1A7780-04240	HOSE, FUEL 450	1							
6	2	1A7780-04250	HOSE, FUEL 680	1							
7	2	198280-04260	HOSE, FUEL	1							
8	2	1A7780-04270	HOSE, FUEL 1120	1							
9	2	198280-04290	HOSE, FUEL	1							
10	2	129268-59551	PIPE ASSY, RETURN	1							
11	3	129237-59120	PROTECTOR,HOSE	1							
12	3	124060-77680	CLIP, HOSE 10	2							
13	2	119593-59581	CAP	1							
14	2	129486-59581	HOSE, FUEL	3							
15	3	129486-59521	PIPE, FUEL RETURN	3							
16	3	124060-77680	CLIP, HOSE 10	6							
17	2	124060-77680	CLIP, HOSE 10	1							
18	2	24316-000070	O-RING, 4DP7.0	1							
19	2	24316-000160	O-RING, 4DP16.0	1							
20	2	24326-000650	O-RING, 4DG65.0	1							

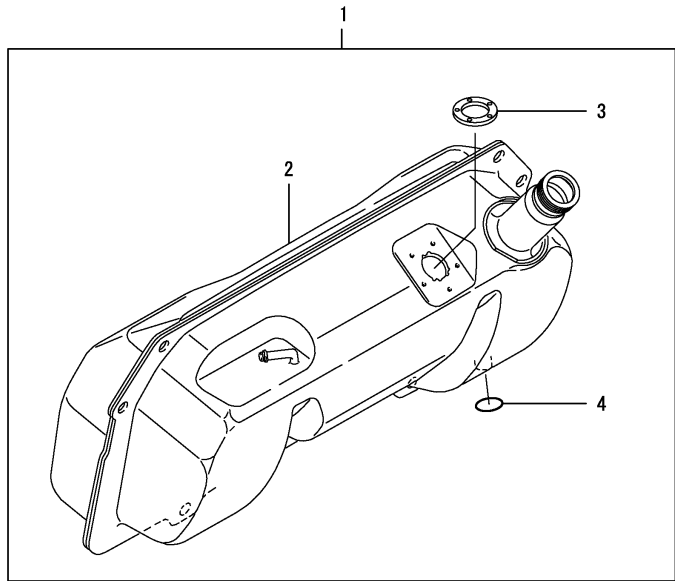
Remarks  
\* Optional parts.

Fig.110. TANK,FAME FUEL(OPTION

(A)=EX450(CCY)  
 (B)=  
 (C)=

(D)=  
 (E)=  
 (F)=

No.	Lev.	Parts No.	Description	Q'ty						I	R
				(A)	(B)	(C)	(D)	(E)	(F)		
1	1	1A8170-04260	TANK KIT , FUEL	1							
2	2	1A7780-04111-1	TANK ASSY, FUEL	1							
3	2	194420-56620	GASKET	1							
4	2	24311-000150	O-RING, 1AP15.0	1							



Remarks  
 \* Optional parts.

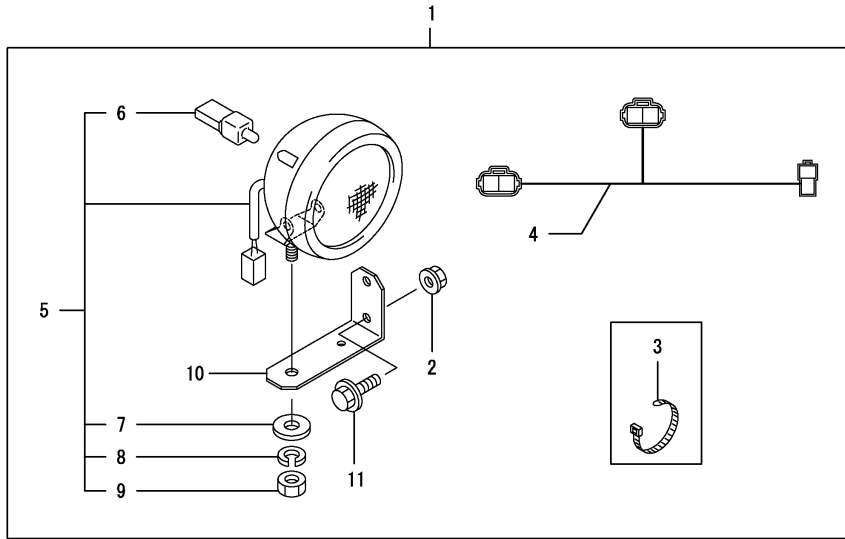


Fig.111. WORK LAMP(OPTION)

(A)=EX450(CCY)  
(B)=  
(C)=

(D)=  
(E)=  
(F)=

No.	Lev.	Parts No.	Description	Q'ty						I	R
				(A)	(B)	(C)	(D)	(E)	(F)		
1	1	1A8240-53300	WORK LAMP KIT	1							
2	2	194990-22140	NUT, M8	4							
3	2	1A8300-51210	BAND, REPEAT	13							
4	2	1A8275-51260	LEAD,WORK LAMP	1							
5	2	1A7340-54100	LAMP ASSY, WORKING	2							
6	3	1A7470-86270	BULB, 12V-35W	2							
7	3	22137-100000	WASHER, 10	2							
8	3	22217-100000	WASHER, SPRING 10	2							
9	3	26736-100002	NUT, M10	2							
10	2	1A8250-99320	STAY, WORK LAMP	2							
11	2	26106-080202	BOLT, M8X 20 PLATED	4							



Remarks  
\* Optional parts.

## Parts No. Index

Parts No.	Fig. No.	Ref. No.
0A042-U00100	102	1
0A042-U00101	102	1 -1
0A042-U00102	102	1 -2
106990-44660	2	13
114110-07760	1	40
114110-07761	1	40 -1
114270-59010	2	45
	7	17
		17 -1
119005-12571	1	6
119225-52102	1	23
119255-44660	1	19
119593-59581	109	13
119650-77910	84	7
119650-77911	84	7 -1
119802-55700	1	25
119802-55710	1	27
119802-55730	1	28
119802-55810	1	31
119808-12540	1	5
119860-34810	35	21
121450-44531	1	10
121470-44581	1	13
124060-77680	109	12
		16
		17
124450-44560	1	12
124550-77030	1	32
124617-91920	83	14
124701-91140	83	23
124764-44810	1	20
124766-59050	2	16
		17
		18
		18 -1
		19
		42
		44
	7	9
		9 -1
		9 -2
129004-55612	1	24
129052-13550	1	8
129062-12560	1	2 -1
129100-55690	1	26
129107-44590	1	16
129150-49081	1	22
129211-77920	1	33
129237-59120	109	11
129263-44510	1	9

Parts No.	Fig. No.	Ref. No.
129268-59551	109	10
129269-95010	108	4
129418-12530	1	3
129467-44580	1	15
129467-44590	1	17
129486-59521	109	15
129486-59581	109	14
129550-49101	1	21
129612-12650	1	7
129652-95010	108	1
129652-95011	108	1 -1
129659-12520	1	1
129659-44510	1	14
129900-12530	1	4
129906-12520	1	2
129956-12160	2	12
129956-44730	1	18
168246-00110	66	1 -1
171015-77900	108	5
171015-77910	108	6
172122-46571	49	5 -1
172122-46590	70	22
172510-74410	71	30
		53
172510-74440	71	31
		54
172510-74450	71	32
		55
172510-74471	71	33
		56
175022-49730	2	14
175022-49750	2	15
178071-03010	66	1
178076-04140	71	15
		18
178076-04150	71	16
		19
178076-04210	71	20
178076-04300	71	17
178076-04310	71	41
192160-34150	20	5
194065-38380	27	11
194066-13130	54	3
194130-27490	47	13
194130-37730	63	14
194130-47851	91	6
194134-37771	63	16
194145-27450	47	11
	48	5
194145-34360	58	5

Parts No.	Fig. No.	Ref. No.
194145-34390	58	6
194145-61570	3	8
194145-61651	83	21
	88	12
194145-73150	97	45
194150-01270	3	6
194150-21910	30	4
	31	15
194150-22250-1	30	5
194150-22480	34	5
	63	13
194150-24270	31	16
194150-33150	56	4
194150-42280-1	64	10
194150-45320	69	1
194151-47760	72	13
194155-05210	6	7
194167-61650	90	12
		13
194170-27180	49	5
194170-51210	5	6
	7	7
	77	17
194180-01240	2	41
194180-12471	27	1
194180-17770	7	6
194180-25550	40	2
194180-32640	55	2
194180-32670	19	12
194180-43410	65	4
194180-45620	67	2
194180-51640	72	15
	77	50
194180-61980	9	7
194197-11140	10	1
194197-25810	44	4
194197-56350	87	20
194205-36320	62	6
194205-63550	91	20
194215-24960	35	19
194250-25240	39	1
194250-25520	38	7
194250-27160	47	2
194250-51650	77	31
194274-13350	16	6
194274-13580	105	5
		6
194274-21510	32	4
194274-21520	32	5
194274-21530	32	6

Parts No.	Fig. No.	Ref. No.
194274-21550	32	7
194274-21610	32	8
194274-21650	32	10
194274-21660	32	11
194274-21680	32	13
194274-21690	32	14
194274-21750	32	19
194274-22090	38	1
194274-22160	33	5
194274-22170	33	6
194274-22290	33	8
194275-48400	37	3
194275-51160	77	8
194275-51170	77	9
194275-51210	77	18
		19
		83
		2
194275-65790	95	14
194278-21640	32	9
194278-21670	32	12
194278-21710	32	15
194300-22260	34	3
194300-33200	56	6
194301-12730	40	1
194310-25100	44	2
194310-25660	45	2
194310-37741	63	15
194310-47790	72	14
194312-46630	68	3
194320-31560	54	6
194321-11940	18	4
194321-13230	15	2
194321-13250	15	4
194321-13270	15	6
194321-13360	16	7
194321-13380	16	9
194321-13680	19	1
194321-28230	52	7
194322-24980	37	2
194323-13290	15	7
194327-32730	55	6
194327-45120	66	2
194327-45130	66	3
194330-62530	34	10
		92
		5
194337-17220	28	9
194337-17251	28	10
194337-17390	28	11
194337-17400	28	12
194370-26350	45	7

## Parts No. Index

Parts No.	Fig. No.	Ref. No.
194420-56620	83	18
	110	3
194430-25810	45	3
194440-51620	77	24
		25
		26
		27
		28
		29
		30
194446-25450	52	1
194447-13860	44	1
	45	1
194448-61620	90	11
194450-11190	9	2
	30	3
	31	13
		16 -1
194450-45630	67	3
194450-45640-1	67	4
194450-45650	67	5
194450-48830	29	18
194464-25600	40	4
194464-33130	56	2
194464-45930	70	5
		20
	71	5
194464-48850	29	19
194464-52190	79	9
		10
194465-13240	15	3
194465-13260	15	5
194465-13650	105	7
194550-47530	72	11
194555-04260	6	1
194555-04270	6	2
194555-04280	6	3
194555-26620	39	17
194555-46300	68	1
194555-46380	64	15
194555-46730	64	16
194555-47420	72	9
194555-48350	75	5
194555-56890	83	20
194556-17870	29	13
194630-62360	99	4
194640-17340	28	3
194640-25860	39	27
	40	15
194640-26130	43	2

Parts No.	Fig. No.	Ref. No.
194640-26330	45	6
194640-26440	39	15
194640-32650-1	55	4
194640-34130	58	2
194640-34140	58	3
194640-34150	58	4
194640-43201-1	64	12
194640-44260	65	10
194640-44261	65	10 -1
194640-44540	65	13
194640-46410	69	5
194640-46420	69	6
194640-47560	72	12
194640-63560	91	21
194640-73180	35	24
194641-13210	15	1
194641-13670	18	7
194641-13760	19	4
194641-13780	19	6
194641-13790	19	7
194641-13830	20	3
194641-13840	20	4
194680-22280	30	6
194680-22290	30	7
194680-27540	50	7
	51	1
194697-62560	76	2
194730-57220	13	4
		10
194740-00160	3	2
194740-06080	30	2
194750-04400	3	18
194765-28170	52	4
194765-28180	52	5
194820-27370	49	6
194850-24960	35	20
194850-42500	35	22
194850-49290	71	43
194850-49340	71	21
		44
194850-49380	71	22
		45
194850-49400	71	23
		46
194850-49410	71	24
		47
194850-49440	71	25
		48
194850-49450	71	26
		49

Parts No.	Fig. No.	Ref. No.
194850-49460	71	27
		50
194850-49480	71	28
		51
194850-49490	71	29
		52
194940-61790	83	22
	88	15
	90	15
		16
194940-65590	87	14
194990-20170	49	4
194990-22130	81	1
	84	1
		2
		3
	90	1
194990-22140	6	8
	8	2
	70	2
	71	3
	74	1
	77	2
		3
	78	4
	86	1
	88	2
		34
	91	1
		2
		2 -1
	92	8
	93	1
		2
	111	2
194990-22150	50	1
	51	19
	53	1
194990-22160	10	2
194990-22831	13	3
194990-22841	13	9
194990-85561	70	40
198071-04500-2	5	2
198071-22320	33	3
198071-27470-1	48	6
	50	3
198071-27860	47	14
	48	7
198071-51411	77	22
198071-61890	82	14

Parts No.	Fig. No.	Ref. No.
198071-61890	88	16
	90	17
198071-65610	82	17
		18
		19
	87	15
198075-18311	46	4
198093-84810	2	43
	88	20
198119-48310	75	4
198121-51430	77	23
198129-05190	89	1
198133-13340	16	4
198133-15710	26	3
198133-22121	32	23
198133-24361	36	1
198133-24370-1	35	10
198133-24380	35	11
198133-25210	38	2
198133-25230	38	4
198133-25240	38	5
198133-25270	38	6
198133-25291	44	3
198133-25310	36	2
198133-25311	36	2 -1
198133-25501	39	6
198133-25701	41	3
198133-25761	39	7
198133-25822	39	8
198133-25832	42	1
198133-25841	39	11
198133-25850	42	2
198133-25860	40	16
198133-25870	39	9
198133-25890	42	3
198133-25911	42	4
198133-25941	42	6
198133-25960	42	7
198133-25970	42	8
198133-25980	39	13
198133-25990	39	14
198133-27060	46	5
198133-27070	46	6
198133-27110	48	1
198133-27120	48	2
198133-27170	47	3
198133-27180-1	48	3
198133-27280	47	6
198133-27300	48	4
198133-27330	47	9

## Parts No. Index

Parts No.	Fig. No.	Ref. No.
198133-27340	47	10
198133-27350	46	2
	49	2
198133-27401	46	8
198133-27450	47	12
198133-27652	46	9
198133-27711	46	10
198133-27720	46	11
198133-27781	46	13
198133-27820	46	14
198133-27850	46	15
198133-27881	46	16
198133-27900	49	3
198133-27910	49	7
198133-27940	46	17
198133-27950	46	29
198133-28110	52	3
198133-42130	64	2
198133-43310	65	1
198133-43330	65	2
198133-43360	65	3
198133-44210	65	6
198133-44410-1	65	11
198133-44411-1	65	11 -1
198133-45600	67	1
198133-61690	90	14
198133-75110-1	100	2
198133-75130-1	100	3
198133-75320	100	4
198137-13300	16	3
198137-13350	16	5
198137-27180	47	4
198137-27190	47	5
198138-24390	35	12
198138-61531	90	6
198146-63660	2	24
198149-22280	33	2
198149-24101-1	35	1
198149-24102-1	35	1 -1
198149-25600	40	3
198149-25690	41	1
198149-25700	40	5
198149-25740	40	8
198149-25750	40	9
198149-25760	40	10
198149-25780	40	6
198149-25790	40	11
198149-25880	40	17
198149-25890	40	7
		18

Parts No.	Fig. No.	Ref. No.
198149-27490	50	4
198149-27530	50	6
198149-27531	50	6 -1
198149-27560	50	8
198149-27570	50	9
198149-31400	54	2
198153-13521	17	2
198153-17630	28	15
198153-51420	77	21
198153-51700	77	16
198153-51810	77	48 -1
198153-53410	82	11
198153-89730	86	17
198164-27970	70	3
198165-01130	3	4
198165-48560	71	42
198175-65500	95	8
198178-47300-1	72	1
198178-62541-1	92	13
198181-74630	97	43 A
198200-18350	49	1
198208-11310	21	9 -2
198212-32611-1	55	1
198215-44110-1	65	5
198217-33650	57	10
198220-01140	3	5
198220-04290	6	4
198220-11350	105	2
198220-11510	101	1
		2
198220-11520	105	3
198220-11900	105	4
198220-15650	26	1
198220-17610	28	13
198220-17620	28	14
198220-17642	28	18
198220-21171-1	31	1
198220-25830	40	12
198220-25840	40	13
198220-26790	53	3
198220-27290	51	20
198220-27990	51	8
	53	4
198220-37700	63	10
198220-37720	63	11
198220-37900	34	9
	63	19
198220-45350	69	2
198220-45370	69	3
198220-45920	35	23

Parts No.	Fig. No.	Ref. No.
198220-45920	64	5
		14
198220-46200	70	36
198220-46400	69	4
198220-46500	70	16
	71	9
198220-46560	29	15
198220-47370	73	1
198220-47750	91	5
198220-48140	29	17
198220-52180	84	4
		5
198220-52410	93	4
198220-52420	93	5
198220-53170	83	4
198220-56111	83	5
198220-56130	83	7
198220-56140	83	8
198220-56150	83	9
198220-56160	83	10
198220-56220	83	13
198220-56230	83	15
198220-61340	87	10
198220-61351	89	10
198220-61800	89	14
198220-62150	88	19
	92	1
		14
198220-62220	91	10
		36
198220-62260	91	11
198220-62270	91	12
198220-62410	91	15
198220-62440	91	16
198220-62920	91	17
198220-63120	93	7
198220-63150	93	8
198220-63160	93	9
198220-63240	93	11
198220-63260	93	12
198220-63270	93	13
198220-63280	93	14
198220-65350	95	3
198220-65470	95	6
198220-65621	96	5
198220-85290	101	31
198230-04750	5	5
198230-17301	28	1
198230-17311	28	2
198230-17340	28	4

Parts No.	Fig. No.	Ref. No.
198230-61960	88	38
198234-48650	78	8
198234-72550	97	31
198240-01400	3	14
198240-01450	3	16
198240-01470	3	17
198240-04550	83	1
198240-04710	7	1
198240-04750	7	2
198240-04760	7	3
198240-04770	7	4
198240-04780	7	4 -1
198240-11500	11	1
198240-11540	11	3
198240-11550	11	4
198240-11620	9	4
198240-11640	9	5
198240-11650	9	6
198240-12590	13	6
		12
198240-12650	100	1
198240-17840	29	4
198240-17850	29	5
198240-17870	28	31
198240-18120-2	13	2
198240-18130-2	13	8
198240-21180	31	2
198240-21220	31	3
198240-21250	31	4
198240-21260	31	5
198240-21270	31	6
198240-22200	33	4
198240-22220	33	7
198240-22470	34	4
198240-22550	34	6
198240-24120	35	2
198240-24140	35	7
198240-24320	35	9
198240-24480-1	35	14
198240-24510-1	35	15
198240-24530	35	3
198240-24682-1	35	16
198240-24690-2	35	17
198240-24900-1	37	1
198240-24920-1	35	18
198240-25180	30	8
198240-25220	38	3
198240-25440	39	2
198240-25930	42	5
198240-26110	44	5

## Parts No. Index

Parts No.	Fig. No.	Ref. No.
198240-26520	45	8
198240-26910-1	99	1
198240-26921-1	99	2
198240-26930-1	99	3
198240-27320	47	8
198240-27841	51	3
198240-27880	51	4
198240-27890-1	51	5
198240-27950	51	6
198240-27961-1	51	7
198240-32640	55	3
198240-33130-1	56	5
198240-33170	56	14
198240-36310	62	2
198240-36320	62	3
198240-36351	62	4
198240-36380	62	7
198240-36520	62	5
198240-36710	62	9
198240-36720	62	10
198240-36730-1	62	11
198240-37420-2	63	3
198240-37470-2	63	4
198240-37510	34	8
	63	5
198240-37550-1	63	6
198240-37850	63	18
198240-42130	64	9
198240-42810-1	64	11
198240-46260	70	7
	71	7
198240-46280	71	8
198240-46620	68	2
198240-47380	72	7
198240-47430-1	72	10
198240-47710-2	91	3
198240-47730-2	91	4
198240-48140	74	6
198240-48300-1	75	1
198240-48380	75	2
198240-48500	74	8
	75	6
198240-48780	71	82
198240-48830	74	11
198240-48850	74	12
198240-51561	78	6
198240-56600	83	17
198240-56630	83	19
198240-62451	92	2
		15

Parts No.	Fig. No.	Ref. No.
198240-63110	93	6
198240-65900	95	16
198240-75440	100	6
198241-13280	16	2
198241-14650	22	2
198241-28100	52	2
198241-28220	52	6
198241-28240	52	8
198241-28310	53	6
198241-28330	63	2
198242-01350	3	7
198242-02310	2	7
198242-25350	43	1
198242-27830-1	51	2
198242-27831-1	51	2 -1
		2 -2
198242-65940	95	17
198245-42160	64	3
198245-46680	29	16
	70	27
		28
		29
		30
	71	12
198250-32310	54	17
198250-33110	56	1
198251-11220	18	3
198251-11800-1	12	1
198251-11820-1	12	3
198251-12310-1	13	1
198251-13100	14	1
198251-13270	16	1
198251-13450-1	18	1
198251-13510	17	1
198251-13520	17	3
198251-13600-1	18	2
198251-13610-1	18	5
198251-13630	12	4
198251-13710-1	19	2
198251-13810	20	1
198251-13820	20	2
198251-17500	28	8
198251-17850	29	6
198253-01190	3	12
198253-17700-1	29	1
198253-27510	50	2
	53	2
198253-27520-1	50	5
198253-37610	63	7
198253-72550	97	21

Parts No.	Fig. No.	Ref. No.
198254-17510	27	3
198254-17511	27	3 -1
198254-28270-1	53	5
198254-33110	56	1 -1
198254-37660	63	9
198254-47370	72	6
198254-71100	97	3
198254-71500	97	8
198254-71600	97	9
198254-71700	97	10
198254-72150	97	19
198254-72200	97	20
198254-74620	97	39
198255-14740	22	4
198255-14760	22	6
198255-24460	35	13
198255-34110-1	58	1
198280-04260	109	7
198280-04290	109	9
198291-77870	77	35
198320-04300-1	6	5
198320-04350-2	6	6
198320-17720-1	74	3
198320-22410-1	34	1
198320-31530	54	4
198320-31550	54	5
198320-31570	54	7
198320-31630	54	8
198320-31820	54	9
198320-32111	54	10
198320-32660	55	5
198320-33412	57	1
198320-33422	57	2
198320-33540	57	3
198320-33550	57	4
198320-33560	57	5
		6
198320-33570	57	7
198320-33610	57	8
198320-33620	57	9
198320-36200	62	1
198320-36790	62	12
198320-47321-1	72	2
198320-47330-1	72	4
198320-47410-1	72	8
198320-48220	74	7
198320-62510-2	92	3
198320-62520-2	92	4
198320-62531-1	92	12
198320-62580-1	92	9

Parts No.	Fig. No.	Ref. No.
198320-62610-1	92	10
198325-21720	32	16
198325-21730	32	17
198327-04840	7	5
198327-21150	28	32
198327-21740	32	18
198327-22230	33	9
198327-24240-1	35	8
198327-48750	70	55
	71	105
198360-26610	39	16
198360-47320	72	3
198360-47330	72	5
198361-48750	74	10
198390-25790	54	1
198401-13720	19	3
198401-13750-1	19	10
198401-13770-1	19	5
198401-13790	19	8
198401-13850-1	19	11
198401-14110-1	21	1
198401-14120	21	2
198401-14130	21	3
198401-14150	21	4
198401-14160	21	5
198415-25840	40	14
198441-13370	16	8
198448-46702	71	13
198448-48690	29	9
198448-51910	7	8
198448-53320	82	3
		9
198448-60080	87	2
198461-60590	90	2
		3
198475-65030	82	15
		16
		13
198535-52110	77	11
198535-52120	77	12
198535-52130	77	13
1A1120-61541	5	4
1A1120-68070	19	13
1A6780-57200	84	6
1A7000-53230	82	2
		8
1A7000-61490	77	33
		34
1A7260-01030	2	1
1A7260-01040	2	2

## Parts No. Index

Parts No.	Fig. No.	Ref. No.
1A7260-01210	2	3
1A7260-01220	2	4
1A7260-03151	2	8
1A7260-03160	2	8 A
1A7260-03170	2	8 B-1
1A7260-03180	2	8 C
1A7260-43650	16	7 -1
1A7260-51540	78	5
1A7260-51710	77	32
1A7260-53350	82	10
1A7260-60580	86	8
1A7260-60590	86	9
1A7260-60640	89	2
1A7260-60661	88	3
1A7260-60670	89	3
1A7260-60680	88	4
1A7260-60780	87	4
1A7260-60790	87	5
1A7260-60800	88	35
1A7260-60810	88	36
1A7260-60820	88	37
1A7260-60860	2	22
1A7260-60870	88	8
1A7260-60880	2	23
1A7260-60890	87	6
1A7260-60900	89	5
1A7260-60911	86	7
1A7260-60920	86	13
1A7260-60930	86	14
1A7260-60950	87	7
1A7260-60960	87	8
1A7260-61060-1	89	8
1A7260-61070-1	89	9
1A7260-61080	86	10
1A7260-61150-1	89	8 -1
1A7260-61190	86	11
1A7260-61250	82	12
1A7260-61260	82	13
1A7260-61310-1	88	10
1A7260-61400	89	11
1A7260-61450	89	12
1A7260-61460	89	13
1A7260-61550	88	11
1A7260-61650	88	13
1A7260-61660	88	14
1A7260-61860	87	11
1A7260-61920	88	17
1A7260-61970	87	12
1A7270-06220	2	11
1A7270-49221	76	1

Parts No.	Fig. No.	Ref. No.
1A7270-60211	2	20
1A7270-60221	2	21
1A7270-60610	87	3
1A7270-60750	89	4
1A7270-61100-2	87	9
1A7300-06210	2	10
1A7310-06200	2	9
1A7330-53430	81	3
1A7335-03160	2	8 B
1A7335-17310	27	4
1A7335-17410	27	5
1A7335-17500	27	6
1A7335-17520	27	7
1A7335-17530	27	8
1A7335-17550	27	9
1A7335-17551	27	9 -1
1A7335-17750	27	10
1A7335-52110	79	5
1A7335-52120	79	6
1A7335-52150	79	8
1A7335-53600	81	7
1A7335-53610	81	8
1A7335-53620	81	9
1A7335-53640	81	10
1A7335-53650	81	11
1A7335-56120	83	6
1A7335-71230	97	4
1A7335-71240	97	5
		13
1A7335-71250	97	6
		16
1A7335-71410	97	7
		14
		17
		29
1A7335-71550	98	1
1A7335-71750	97	11
1A7335-71760	97	12 -1
1A7340-54100	111	5
1A7350-33140	56	3
1A7470-86270	111	6
1A7480-65470	95	7
1A7500-51130	77	6
1A7500-51170	77	10
		108
1A7500-72180	97	42 A
1A7510-52120	79	7
1A7531-52420	77	14
1A7601-32310	54	17 -1
1A7601-36200	62	1 -1

Parts No.	Fig. No.	Ref. No.
1A7601-36310	62	2 -1
1A7601-36320	62	3 -1
1A7601-36350	62	4 -1
1A7640-44230	65	7
1A7640-44240	65	8
1A7680-45320	69	1 -1
1A7680-45370	69	3 -1
1A7680-46410	69	5 -1
1A7780-01110	3	3
1A7780-01250	2	5
1A7780-01320	3	13
1A7780-03110	4	1
1A7780-03150	2	8 -1
1A7780-04111-1	5	1
	110	2
1A7780-04200	109	2
1A7780-04210	109	3
1A7780-04230	109	4
1A7780-04240	109	5
1A7780-04250	109	6
1A7780-04270	109	8
1A7780-11510	9	3
1A7780-13670	14	2
1A7780-14180	21	4 -1
1A7780-14600-1	22	1
1A7780-14700-1	22	3
1A7780-14740	22	5
1A7780-17300	28	1 -1
1A7780-17370	28	4 -1
1A7780-17450	27	10 A
1A7780-17460	27	10 B
1A7780-17470	27	10 C
1A7780-17780-1	29	2
1A7780-17800-1	29	3
1A7780-17850	29	7
1A7780-17860	29	8
1A7780-17900-1	29	14
1A7780-21150-1	30	1
1A7780-21400	32	1
1A7780-21410	32	2
1A7780-21420	32	3
1A7780-22251-1	33	1
1A7780-24100	35	1 -2
1A7780-25450	39	3
1A7780-25460	39	4
1A7780-25480	39	5
1A7780-25930	39	10
1A7780-25950	39	12
1A7780-26121	45	4
1A7780-26310	45	5

Parts No.	Fig. No.	Ref. No.
1A7780-27150-1	47	1
1A7780-27160-1	49	15
1A7780-27161-1	49	15 -1
1A7780-27180-1	48	3 -1
1A7780-27210-1	49	16
1A7780-27310	47	7
1A7780-27360	46	7
1A7780-27751	46	12
1A7780-27801	46	3
1A7780-27820-2	51	22
1A7780-27900	49	3 -1
1A7780-27910	49	7 -1
1A7780-37620	63	8
1A7780-44250	65	9
1A7780-44510-1	65	12
1A7780-46530	71	10
1A7780-46750	71	66
1A7780-46790	71	67
1A7780-47420	72	9 -1
1A7780-47510	71	68
1A7780-47570	71	69
1A7780-47650	71	70
1A7780-47710	71	72
1A7780-52150	79	4
1A7780-53200	82	1
1A7780-53250	82	4
1A7780-53260	82	5
1A7780-53300	82	7
1A7780-53350	82	4 -1
1A7780-53360	82	5 -1
1A7780-53370	82	6 -1
1A7780-56300	83	11 -1
1A7780-56500	83	3
1A7780-56501	83	3 -1
1A7780-56502	83	3 -2
1A7780-60100	85	1 -1
1A7780-60200	85	1 -2
1A7780-60340	86	2
1A7780-60370	86	4
1A7780-60450	86	5 -1
1A7780-60480	86	5
1A7780-60490	86	6
1A7780-60550	87	22
1A7780-60580	86	2 -1
1A7780-60590	86	3 -1
1A7780-60600	86	2 -2
1A7780-60610	86	3 -2
1A7780-60800	88	33
1A7780-60860	2	22 -1
1A7780-61020-1	89	6

## Parts No. Index

Parts No.	Fig. No.	Ref. No.
1A7780-61030-1	89	7
1A7780-61100-2	87	9 -1
1A7780-61410-1	90	4
1A7780-61420-1	90	5
1A7780-61510	90	9
1A7780-61511	90	9 -1
1A7780-61540	90	7
1A7780-61550	90	8
1A7780-61600	90	10
1A7780-61650	87	23
1A7780-61672	86	16
1A7780-61673	86	16 -1
1A7780-62280-1	91	13
1A7780-63090-1	91	18
1A7780-63100-1	91	19
1A7781-24680	35	16 -1
1A7880-47750	70	35
1A7880-52100	79	3
1A7880-52110	79	2
1A7880-57260	103	3
	108	3
1A7880-65560	95	1
1A7880-65620	96	7
1A7880-71550	98	1 -1
1A7890-53270	82	6
1A7890-60980	86	15
1A7891-60910	86	7 -1
1A7940-60101	85	1
1A8160-11900	105	1
1A8160-15700	26	2
1A8160-15740	26	4
1A8160-46250	70	6
	71	6
1A8160-46280	70	8
1A8160-46290	70	9
1A8160-46300	70	10
1A8160-46310	70	11
1A8160-46670	68	8
1A8160-46930	70	17
1A8160-48400	75	3
1A8160-51130	77	7
1A8160-51310	77	20
1A8160-51550	78	1
1A8160-51570	78	2
1A8160-51580	78	3
1A8160-52300	80	1
1A8160-52310	80	2
1A8160-52320	93	3
1A8160-52330	80	3
1A8160-56200	83	11

Parts No.	Fig. No.	Ref. No.
1A8160-56211	83	12
1A8160-60720	87	21
1A8160-61300	88	9
1A8160-63200	93	10
1A8160-63400	94	1
1A8160-63410	94	2
1A8160-63420	94	3
1A8160-63440	94	4
1A8160-65300	96	1
1A8160-65310	96	2
1A8160-65350	96	4
1A8160-65370	95	4
1A8160-65420	95	5
1A8160-65421	95	5 -1
1A8160-65430	70	39
1A8160-65580	95	10
1A8160-65590	95	11
1A8160-65610	95	12
1A8160-65800	95	15
1A8160-65860	101	3
1A8160-85060	101	12
		21
1A8160-85070	101	6
		13
		22
1A8160-85080	101	7
		14
		23
1A8160-85090	101	15
		24
1A8160-85100	101	16
		25
1A8160-85110	101	17
		26
1A8160-85121	101	18
		27
1A8160-85130	101	18 A
		27 A
1A8160-85200	101	19
		28
1A8160-91000	104	1
1A8160-99000	103	1
1A8160-99010	103	8
1A8160-99020	103	2
1A8170-01300	2	6
1A8170-04250	109	1
1A8170-04260	110	1
1A8170-11100	9	1
1A8170-14210	23	7
	24	4

Parts No.	Fig. No.	Ref. No.
1A8170-14210	25	7
	59	17
	60	4
	61	7
	106	5
	107	5
1A8170-14300	23	1
1A8170-14310	23	2
		5
1A8170-14330	23	3
		6
1A8170-14350	23	3 A
		6 A
	24	3 A
1A8170-14400	23	4
1A8170-14500	24	1
1A8170-14510	24	2
1A8170-14530	24	3
1A8170-14600	106	1
1A8170-14610	106	2
1A8170-14630	106	3
1A8170-14650	106	4
1A8170-14700	25	1
1A8170-14710	25	2
		5
1A8170-14730	25	3
		6
1A8170-14750	25	3 A
		6 A
1A8170-14800	25	4
1A8170-17870	71	2
1A8170-21130	31	14
1A8170-27100	46	1
1A8170-33150	71	4
1A8170-34300	59	1
1A8170-34310	59	2
		10
1A8170-34330	59	3
		11
1A8170-34340	59	4
		12
1A8170-34350	59	8 A
		16 A
	60	3 A
1A8170-34360	59	5
		13
1A8170-34370	59	6
		14
1A8170-34380	59	7
		15

Parts No.	Fig. No.	Ref. No.
1A8170-34390	59	8
		16
1A8170-34400	59	9
1A8170-34500	60	1
1A8170-34510	60	2
1A8170-34530	60	3
1A8170-34600	107	1
1A8170-34610	107	2
1A8170-34630	107	3
1A8170-34650	107	4
1A8170-34700	61	1
1A8170-34710	61	2
		5
1A8170-34730	61	3
		6
1A8170-34750	61	3 A
		6 A
1A8170-34800	61	4
1A8170-40400	70	1
1A8170-42100	64	1
1A8170-46410	70	4
1A8170-46420	70	12
1A8170-46440	70	13
1A8170-46460	70	14
1A8170-46480	70	15
1A8170-46510	70	19
1A8170-46550	70	21
1A8170-46600	70	23
1A8170-46610	70	24
1A8170-46630	70	25
1A8170-46650	70	26
1A8170-46710	71	1
1A8170-46800	70	31
1A8170-46850	70	32
1A8170-46900	70	33
1A8170-46950	70	34
1A8170-47750	71	74
1A8170-48080	74	2
1A8170-48100	74	4
1A8170-48150	74	5
1A8170-48210	71	75
1A8170-48230	71	76
1A8170-48250	71	77
1A8170-48510	71	78
1A8170-48530	71	79
1A8170-48550	71	80
1A8170-48570	71	81
1A8170-51100	77	5
1A8170-51130	77	52
1A8170-52000	79	1

## Parts No. Index

Parts No.	Fig. No.	Ref. No.
1A8170-52540	86	25
1A8170-60350	86	3
1A8170-62010	91	7
1A8170-62020	91	8
1A8170-62150	91	9
1A8170-62400	91	14
1A8170-64710	95	2
1A8170-65320	96	3
1A8170-65410	70	37
1A8170-65420	70	38
1A8170-65440	77	15
1A8170-65560	95	9
1A8170-65670	71	84
1A8170-65680	71	85
1A8170-65750	95	13
1A8170-71000	97	2
1A8170-72100	97	15
1A8170-72110	97	18
1A8170-72500	97	28
1A8170-72530	97	30
1A8170-72800	97	22
1A8170-73100	97	35
1A8170-73400	97	34
1A8170-74500	97	36
1A8170-74510	97	37
1A8170-74550	97	38
1A8170-74700	97	40
1A8170-85010	101	4
1A8170-85170	96	6
1A8170-85500	101	29
1A8170-85550	101	30
1A8170-99000	103	1 -1
1A8170-99001	103	1 -2
1A8205-05510	8	1
1A8240-53300	111	1
1A8250-65390	95	20
1A8250-99320	111	10
1A8275-36520	62	5 -1
1A8275-51260	111	4
1A8300-51210	103	7 -1
	111	3
1C6281-52320	51	14 -1
	87	1
		1 -1
1C6460-84420	47	15
1E4130-51400	71	83
1E6102-83230	77	26 -1
1E6213-64490	93	15
1E6213-83410	103	4
1E8080-43850	77	4

Parts No.	Fig. No.	Ref. No.
1K1140-82500	84	8
		9
		10
22117-060000	90	18
22117-080000	68	4
	70	41
22117-100000	36	10
22137-060000	71	86
	88	21
22137-080000	3	19
		20
	32	21
	49	9 -1
	72	16
	87	16
		16 -1
	88	39
	98	2
22137-100000	3	21
	34	11
	49	9
	51	9
	72	17
		18
22137-120000	111	7
	81	4
	88	40
	100	7
22137-140000	46	18
22137-160000	26	5
	97	23
		32
22137-200000	51	10
22137-220000	46	19
22157-060000	71	87
	88	24
		25
		26
	91	22
		37
	103	5
22157-080000	91	23
22157-100000	3	9
22157-120000	6	9
22190-050000	83	24
22217-080000	46	20
		30
	48	8
	49	10
	50	10

Parts No.	Fig. No.	Ref. No.
22217-100000	3	22
	35	25
	54	11
	55	7
	111	8
22217-120000	12	6
	31	7
	64	17
		18
		19
	81	5
	100	8
22217-160000	35	26
	97	41
22242-000170	48	9
	50	11
22242-000200	28	5
	51	11
22242-000290	41	4
	62	13
22242-000340	38	8
22242-000400	43	3
22242-000450	38	9
22242-000500	54	12
22252-000170	44	6
22252-000420	28	6
	38	10
22252-000470	36	3
22252-000620	30	9
	36	4
22252-000720	45	9
22252-000800	36	5
22272-000070	72	19
22272-000080	86	12
22272-000120	49	11
22272-000190	46	21
	63	20
22287-080000	71	57
22292-000340	39	18
22312-100180	12	7
	15	8
	35	4
		27
	55	8
	57	11
	64	20
22312-100200	36	6
22351-020012	46	22
	47	16
22351-030025	93	16

Parts No.	Fig. No.	Ref. No.
22351-035032	15	9
	50	12
22351-040012	68	5
22351-040016	64	21
22351-040025	28	7 A
22351-040032	47	17
22351-050022	97	24
22351-050025	72	20
	97	12
22351-050032	56	7
	71	88
22351-050040	56	8
22351-050070	65	14
22351-060016	65	15
22351-060025	47	18
		19
	48	10
	51	12
22351-060028	69	7
22351-060030	69	7 -1
22351-060032	15	10
	46	23
	47	20
		21
	48	11
	50	13
		14
	51	13
	53	7
	56	9
22351-060040	100	5
22351-060050	54	13
22351-080018	31	8
22351-080032	56	10
		11
	71	89
22351-080040	46	24
	56	12
	57	12
22351-080070	65	16
22360-180000	97	42
22360-200000	100	9
22372-120000	93	17
	100	10
22372-160000	10	3
	105	8
22417-160150	32	20
22417-160160	71	90
22417-160180	47	22
22417-200160	72	21



## Parts No. Index

Parts No.	Fig. No.	Ref. No.
22417-200160	91	24
22417-200300	46	25
	63	21
22417-250200	51	14
22417-250300	3	23
		24
	34	12
	63	22
		23
	70	46
	71	91
	92	6
		16
22417-300200	72	22
22417-300250	13	7
		13
	98	3
22417-320320	97	25
		33
22417-400250	27	12
22417-400500	16	10
22487-060200	47	23
22487-080300	87	17
		17 -1
22487-080350	72	23
22487-100700	63	24
22512-070400	63	25
22522-030130	72	24
22635-600120	55	9
22859-500202	88	27
23000-035000	2	25
	70	18
	71	92
	74	13 -1
23000-048000	74	9 -1
		14 -1
	75	7 -1
23000-070000	2	26
	22	7
23000-080000	2	27
23010-018000	29	20
23010-035000	74	13
23010-040000	74	14
23010-046000	74	15
23010-048000	74	9
	75	7
23065-070180	1	11
23065-160080	51	21
23414-120000	29	10
		21

Parts No.	Fig. No.	Ref. No.
23414-120016	50	15
23414-180023	71	93
23414-190000	29	22
	35	28
	64	6
		22
	70	42
		43
		44
		45
		49
	71	94
		95
		106
		107
23414-200026	74	16
23491-140002	18	8
	19	14
	35	29
23857-120000	71	96
23876-010000	19	15
	64	7
		13
23876-020000	64	8
23876-040000	12	2
23887-120002	29	11
23980-730180	2	28
23980-730300	7	10
		11 -1
23980-730350	2	29
23980-730400	2	30
		31
23980-730420	7	11
23980-730450	7	12
23980-730680	2	32
23980-731120	7	13
24101-060044	38	11
24101-060074	38	12
	52	9
24101-060094	38	13
24101-060104	15	11
	54	14
24101-060114	58	7
24101-060124	14	3
24101-060144	21	6
24101-062044	42	9
24101-062074	45	10
24101-062084	17	4
	43	4
24101-062094	19	16

Parts No.	Fig. No.	Ref. No.
24101-062114	54	15
24101-062124	58	8
24101-062134	21	7
24101-063044	41	5
24101-063064	41	6
24104-060014	49	17
24104-060034	49	18
24104-060040	28	7
24107-063054	39	19
24141-320070	14	4
24161-202617	39	20
24161-303520	39	21
24163-305200	39	22
24164-000202	39	23
24164-000302	39	24
24164-000352	38	14
24165-000352	39	25
24165-000402	39	26
24190-050001	71	34
		58
24190-070001	28	30
	71	35
		59
24190-080001	50	16
	51	15
	52	10
24190-100001	29	12
	47	24
	48	12
24190-110001	16	11
24190-130003	64	23
24190-180001	62	14
24311-000110	68	6
24311-000120	68	7
	69	8
24311-000125	51	16
	53	8
24311-000140	71	11
24311-000150	5	7
	56	13
	72	25
		26
	110	4
24311-000160	1	29
	18	9
	19	17
	35	30
	48	13
	50	17
24311-000180	12	5

Parts No.	Fig. No.	Ref. No.
24311-000180	69	9
	79	11
24311-000200	29	23
		24
24311-000500	35	31
24315-000120	64	24
	69	8 -1
24315-000140	64	25
24315-000180	69	9 -1
24316-000070	109	18
24316-000160	109	19
24321-000250	48	14
	50	18
	74	17
	75	8
24321-000300	35	32
		33
		33 -1
24321-000600	58	9
24321-000650	1	30
	37	4
	65	17
24321-000700	18	10
24321-000750	35	34
24321-001000	18	11
24321-001700	18	12
24321-002200	19	18
24325-000650	21	8
24325-000800	64	26
24326-000650	109	20
24341-000250	74	18
24341-000315	14	5
24421-223508	38	15
24421-304208	62	15
24421-356212	52	11
24421-456209	18	13
24550-014100	71	71
		73
24550-014200	3	15
24550-016150	41	2
24550-017150	47	25
24550-020250	51	17
24761-010000	63	1
24761-020000	31	9
24761-040000	11	2
	34	13
24761-060000	13	5
		11
	97	26
26013-080162	35	35

## Parts No. Index

Parts No.	Fig. No.	Ref. No.
26013-080162	35	36
	70	47
26013-080202	35	37
		38
	37	5
	42	10
	47	26
	72	27
26013-080252	19	19
	35	39
	40	19
	47	27
	49	19
	54	18
26013-080302	35	40
26013-080352	35	41
26013-080502	35	42
26013-100162	72	28
	77	51
26013-100252	19	20
	35	43
26013-100302	55	10
26013-100552	36	7
26013-100852	36	8
26013-101502	36	9
26013-120202	28	33
26013-120302	18	14
		15
	100	11
26013-120352	64	27 -1
		28 -1
		29 -1
	65	18
26013-120402	30	10
	35	44
	55	11
26013-120502	55	12
26013-120552	64	30 -1
26013-120802	12	8
26013-140252	71	97
26013-140352	35	45
26014-080202	70	50
26018-060162	6	7 -1
26018-060252	74	19
26018-060352	29	25
26022-030062	83	16
26106-060122	1	35
	2	33
		34
	86	18

Parts No.	Fig. No.	Ref. No.
26106-060122	87	18
	88	28
		29
	91	25
		26
		27
		28
		35
26106-060162	46	26
		27
	70	48
	71	98
	77	36
	84	11
		12
		13
	86	26
	87	19
	88	30
	95	18
26106-060202	29	26
	71	99
	91	29
		38
	103	6
26106-060252	2	35
26106-060352	82	20 -1
26106-060402	29	27
	74	20
26106-060502	74	21
26106-060602	75	9
26106-080102	89	15
26106-080122	22	8
	31	10
		11
	77	1
		37
		38
	86	19
	88	41
	90	19
	91	30
26106-080162	2	36
		37
		39
	3	25
	6	10
	7	14
	28	34
	29	28

Parts No.	Fig. No.	Ref. No.
26106-080162	29	31
	35	36 -1
	42	10 -1
	46	31
		32
	47	26 -1
	51	18
	53	9
	71	100
	74	22
		23
		24
	75	10
	77	39
		40
	85	2
	86	20
		21
		22
		23
		24
	90	20
	91	31
		32
	92	11
26106-080202	4	2
		3
	29	29
		30
	70	51
		52
	75	11
	92	7
		17
	111	11
26106-080252	2	38
	7	15
	54	18 -1
	77	41
26106-080302	1	36
	7	16
	91	33
26106-080352	35	41 -1
	77	42
26106-080702	1	37
	93	18
26106-080802	32	22
26106-100162	2	40
	99	5
26106-100202	46	33

Parts No.	Fig. No.	Ref. No.
26106-100202	70	53
	90	21
26106-100252	21	9 -1
	28	35
		36
	35	43 -1
	70	54
	71	101
		102
	91	34
26106-100302	55	10 -1
	71	103
26106-100352	94	5
26106-100502	36	7 -1
26106-100802	36	8 -1
26106-100852	55	13 -1
26106-120252	71	104
26106-120352	11	5
26116-080252	46	28
		34
	49	12
26116-100252	21	9
26116-100504	72	29
26116-100852	55	13
26116-120352	10	4
	64	27
		28
		29
26116-120552	64	30
26116-160302	31	17
26117-040162	79	12
26216-120352	12	9
26218-080202	35	5
	48	15
	50	19 -1
26218-080252	50	19
26218-100902	35	6
26306-080002	1	38
26346-060002	88	32
26346-080002	49	13
		13 -1
26346-100002	94	6
26356-160002	26	6
26366-080002	48	16 -1
	50	20 -1
26366-100002	35	46 -1
26450-060102	71	36
		60
26450-060802	71	37
		61

## Parts No. Index

Parts No.	Fig. No.	Ref. No.
26450-080142	66	4
26450-080202	66	5
26450-080252	18	16
26450-080652	71	62
26557-060352	82	20
26587-060352	90	22
26589-060162	83	25
26589-060202	95	19
26716-080002	3	26
	48	16
	49	8
	50	20
	78	7
26716-100002	3	11 -1
	34	7
	35	46
	63	17
	68	9
	72	30
		31
26716-120002	12	10
	31	12
	72	32
	100	12
	105	9
		10
26716-160002	35	47
26736-100002	111	9
26736-160002	97	43
26756-060002	1	39
26756-100002	3	10
	49	14
26756-240002	97	27
26776-120002	81	6
26986-100002	3	11
29622-100001	77	45 -1
29622-140001	77	43
		44
		45
		46
		47
		48
		53
29622-250001	77	49
	103	7
41850-000140	71	38
		63
41851-000140	71	39
		64
41856-020530	71	40

Parts No.	Fig. No.	Ref. No.
41856-020530	71	65
794130-71410	97	44
794251-13910	54	16
794321-13660	18	6
794464-45660	67	6
794525-37000	63	12
798240-22470	34	2
798254-17500	27	2
7A7330-53400	81	2
7A7780-01110	3	1

Parts No.	Fig. No.	Ref. No.
-----------	----------	----------

Parts No.	Fig. No.	Ref. No.
-----------	----------	----------