

0CNP5-M07500EN

Directions for the Parts Catalog.

1. This Parts Catalog shows both standard and optional parts.
2. Parts may change without prior notice.
3. The following is an example of the Parts Catalog format.

REF.	LEV.	PARTS NO.	DESCRIPTION	Q'TY						I	R
				(A)	(B)	(C)	(D)	(E)	(F)		
1	1	729595-51390	FUEL INJECTION PUMP	1	1	1	1	1			1
1-1	1	729595-51391	FUEL INJECTION PUMP	1	1	1	1	1		N	1
		(A=E00185) (B=E00200)									
3	2	26022-060162	SCREW M 6X 16	9	9	9	9	9			
3-1	2	26022-060162	SCREW M 6X 16	4	4	4	4	4		K	
		(A=E00156) (B=E00156) (C=E00156) (D=E00156) (E=E00156)									
4	2	129470-51040	CAMSHAFT	1	1	1	1	1			
5	2	122710-51050	BEARING, ROLLER	2	2	2	2	2			
6	2	129470-51060	RETAINER	1	1	1	1	1			

Remarks
(1) BOOST COMPEMSATOR TYPE. OPTIONAL PART, TO E00155,(4JH-DT, 4JH-DTZ

① Ref. No.

The Ref. No. listed may not be in accordance with the illustration Ref. No.

(Ex.) Illustration No.

List Ref No.

1

1

(Before change)

1-1

(After change)

For interchangeable symbols N, R and K, illustrations for new parts may be abbreviated.

② Lev. (Level)

Level indication

The numbers below indicate the level of relativity towards the main part.

1 ----- Main parts (Assembly parts)

2 ----- Sub component included in " 1 ".

3 ----- Sub component included in " 2 ".

Note) Parts that are not for sale are partially illustrated but not listed.

③ Interchangeability Symbol

When a part change takes place, one of the following interchangeability symbols is indicated beside the part.

Symbol	Interchangeability	Contents note
N	Old $\begin{matrix} \leftarrow \text{Yes} \\ \text{No} \rightarrow \end{matrix}$ New	New Part is interchangeable for Old Part but Old Part is not interchangeable for New Part.
Q	Old $\begin{matrix} \leftarrow \text{No} \\ \text{Yes} \rightarrow \end{matrix}$ New	New Part is not interchangeable for Old Part but Old Part is interchangeable for New Part.
R	Old $\begin{matrix} \leftarrow \text{Yes} \\ \text{Yes} \rightarrow \end{matrix}$ New	New/ Old Parts are both interchangeable.
S	Old $\begin{matrix} \leftarrow \text{No} \\ \text{No} \rightarrow \end{matrix}$ New	New/ Old Parts are both not interchangeable.
W		Part newly added.
Z		Part discontinued.
F		Not interchangeable by a single part but interchangeable together with related parts.
K		Changes only for used parts quantities.

④ Effective Machine No.

When a part changes, the effective Machine No. will be indicated in the (A)-(F) column.

Product Symbol	Product No.	Product Symbol	Product No.
C	Clutch No. Compressor No.	F	Machine No. (Agricultural Equip.)
D	Drive No.	M	Machine No.
E	Engine No.		

Note 1) A date may follow the symbol. (Ex.) 1996.01

Note 2) "XXXXX" and "ZZZZZ" are for parts that could not be predicted or for engine models that could not be identified.

Note 3) (A=E00185) is the E (Engine Serial Number) for the column (A) model (in this case 4JH-DT) after the parts design change.

⑤ Remarks

Figures or alphabets (symbols) are entered in the remarks column.

The comments (remarks) on parts that are indicated at the bottom of the illustration are the same symbols as those stated above.

Contents

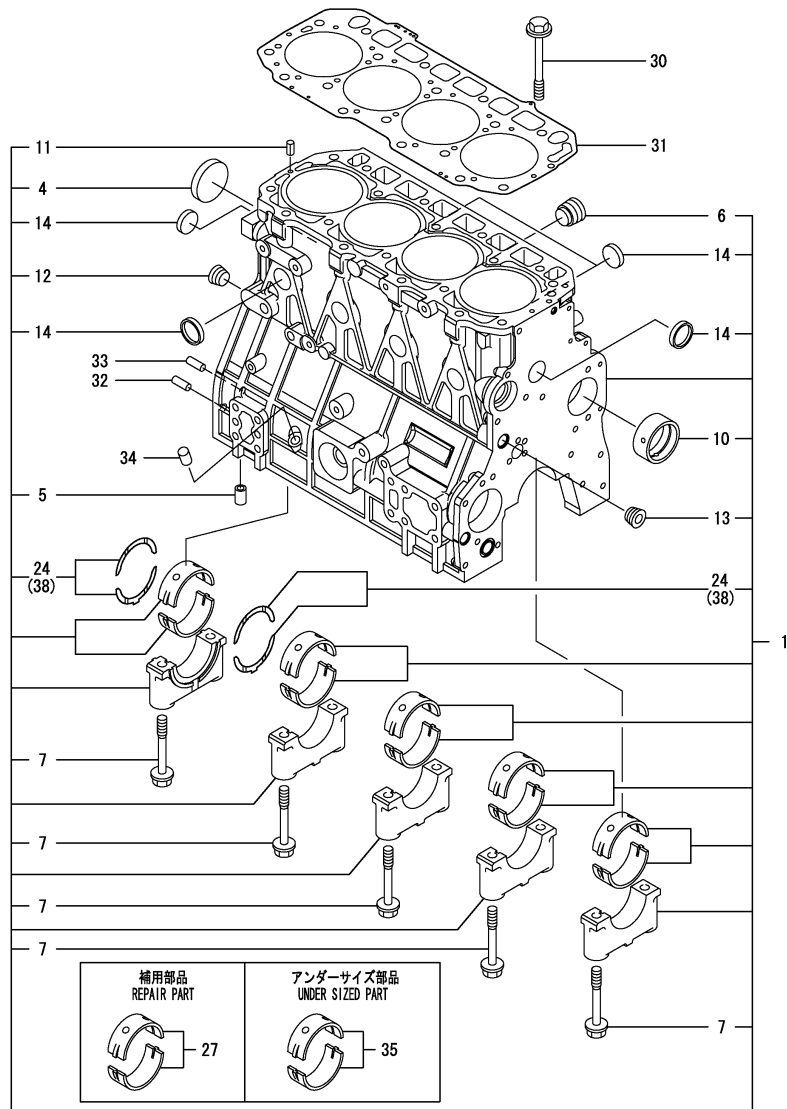
OCNP5-M07500

Fig. No.	Fig. Name	Fig. No.	Fig. Name
ENGINE SECTION(4TNV98-RZUN)			
1.	CYLINDER BLOCK		
2.	GEAR HOUSING		
3.	MOUNTING FLANGE & OIL SUMP		
4.	CYLINDER HEAD & BONNET		
5.	SUCTION MANIFOLD		
6.	EXHAUST MANIFOLD & SILENCER		
7.	CAMSHAFT & DRIVING GEAR		
8.	CRANKSHAFT & PISTON		
9.	HYDRAULIC PUMP		
10.	BALANCER		
11.	LUB.OIL SYSTEM		
12.	COOLING WATER SYSTEM		
13.	FUEL INJECTION PUMP		
14.	GOVERNOR		
15.	FUEL INJECTION VALVE		
16.	FUEL LINE		
17.	STARTING MOTOR		
18.	GENERATOR		

Fig.1. CYLINDER BLOCK

(A)=4TNV98-RZUN
(B)=
(C)=

(D)=
(E)=
(F)=



No.	Lev.	Parts No.	Description	Q'ty						I	R
				(A)	(B)	(C)	(D)	(E)	(F)		
1	1	729963-01560	BLOCK ASSY, CYLINDER	1							
4	2	129900-01250	PLUG, 55	1							
5	2	129956-01710	PIPE, KNOCK L=25	1							
6	2	171051-01921	PLUG, NPTF1	1							
7	2	129900-02020	BOLT, METAL CAP	10							
10	2	129900-02410	BUSH, CAMSHAFT	1							
11	2	22351-060012	PIN, SPRING 6.0X12	2							
12	2	23876-030000	PLUG, R03	1							
13	2	23876-030000	PLUG, R03	1							
14	2	27241-300000	PLUG 30	8							
24	2	129900-02931	BEARING, THRUST	2							
27	1	729900-02801	BEARING, MAIN	5							3
30	1	129900-01200	BOLT, HEAD	18							
31	1	129907-01331	GASKET, HEAD	1							
32	1	129100-01580	PIN, M8X16	2							
33	1	129100-01580	PIN, M8X16	2							
34	1	119309-01810	PLUG	1							
35	1	129900-02341	BEARING, 0.25 US	5							1
38	1	129900-02941	BEARING, THRUST 0.25	2							2

Remarks

- (1) UNDER-SIZE(U.S=0.25)PART.
- (2) OVER-SIZE(O.S=0.25)PART.
- (3) REPAIR PART.

(REMARKS)"EFFECTIVE MACHINE NO." OF ENGINE IS INDICATED ON THE ENGINE LABEL WHICH IS SHOWN IN FIG.4.

Fig.2. GEAR HOUSING

(A)=4TNV98-RZUN

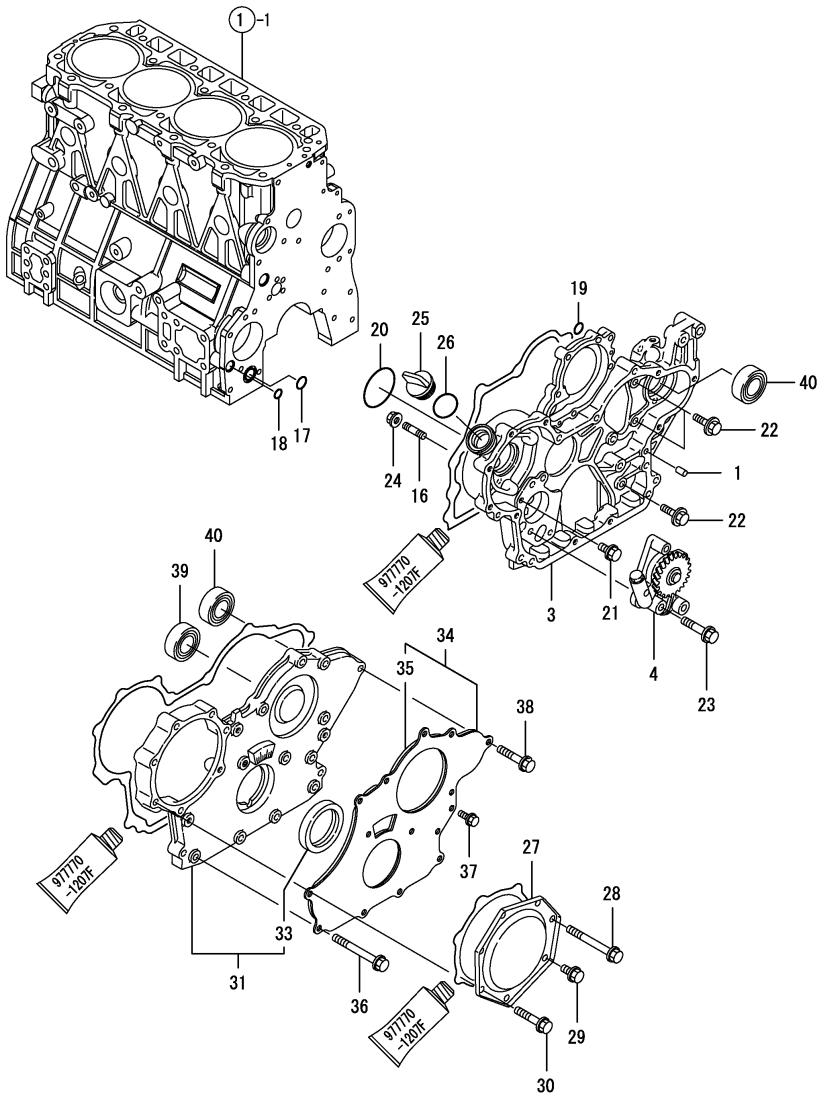
(B)=

(C)=

(D)=

(E)=

(F)=



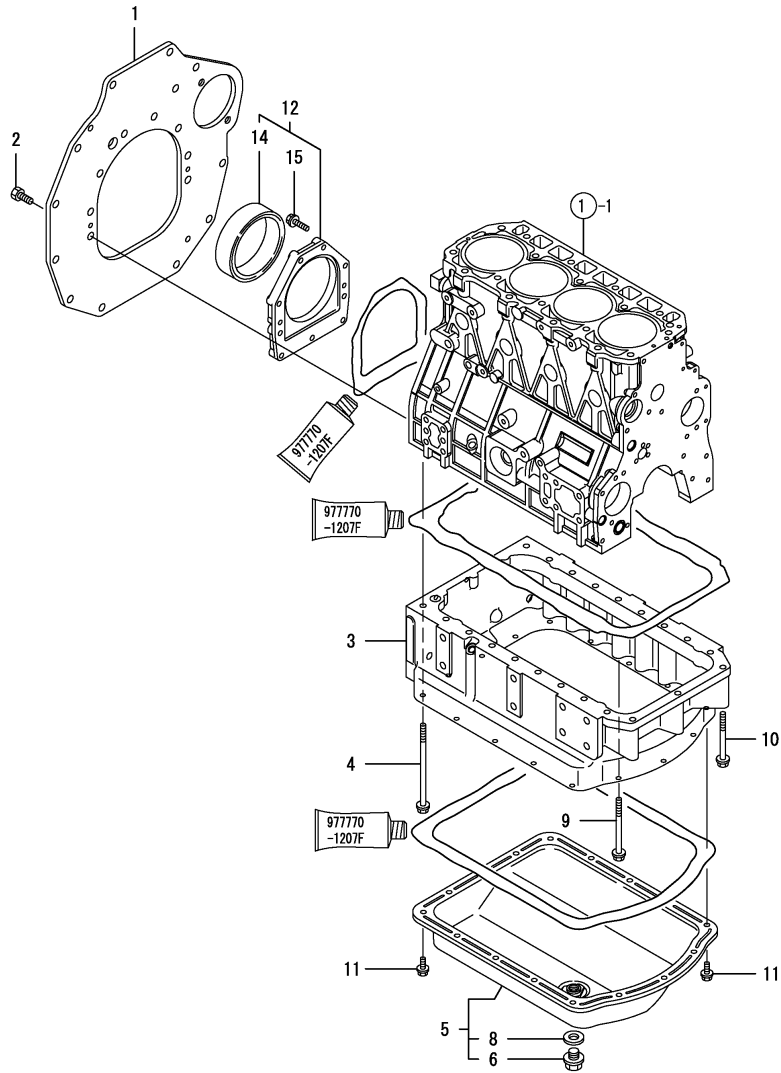
No.	Lev.	Parts No.	Description	Q'ty						I	R
				(A)	(B)	(C)	(D)	(E)	(F)		
1	1	129100-01580	PIN, M8X16	4							
3	1	129907-01500	CASE, GEAR	1							
4	1	129956-32001	PUMP ASSY, OIL	1							
16	1	26216-100302	STUD, M10X 30	4							
17	1	129900-32030	O-RING, P20	1							
18	1	129900-32040	O-RING, P14	1							
19	1	24311-000070	O-RING, 1AP7.0	1							
20	1	24351-030750	O-RING, 1A3075	1							
21	1	26106-080162	BOLT, M8X 16 PLATED	1							
22	1	26106-080202	BOLT, M8X 20 PLATED	3							
23	1	26106-080452	BOLT, M8X 45 PLATED	3							
24	1	26306-100002	NUT, M10	4							
25	1	124160-01751	COVER, FILLER	1							
26	1	24311-000320	O-RING, 1AP32.0	1							
27	1	129900-01740	COVER	1							
28	1	129001-91810	BOLT, M8X70	1							
29	1	26106-080162	BOLT, M8X 16 PLATED	1							
30	1	26106-080402	BOLT, M8X 40 PLATED	5							
31	1	729906-01550	COVER ASSY,GEAR CASE	1							
33	2	129916-01800	SEAL, OIL	1							
34	1	129900-01850	COVER ASSY,GEAR CASE	1							
35	2	129900-01870	SPONGE	1							
36	1	129001-91810	BOLT, M8X70	6							
37	1	26106-080162	BOLT, M8X 16 PLATED	3							
38	1	26106-080402	BOLT, M8X 40 PLATED	5							
39	1	129900-14140	BEARING, BALL 6205	1							
40	1	129900-26250	BEARING, BALL 6206C3	2							

Remarks
 (REMARKS)"EFFECTIVE MACHINE NO." OF
 ENGINE IS INDICATED ON THE
 ENGINE LABEL WHICH IS SHOWN
 IN FIG.4.

Fig.3. MOUNTING FLANGE & OIL SUMP

(A)=4TNV98-RZUN
(B)=
(C)=

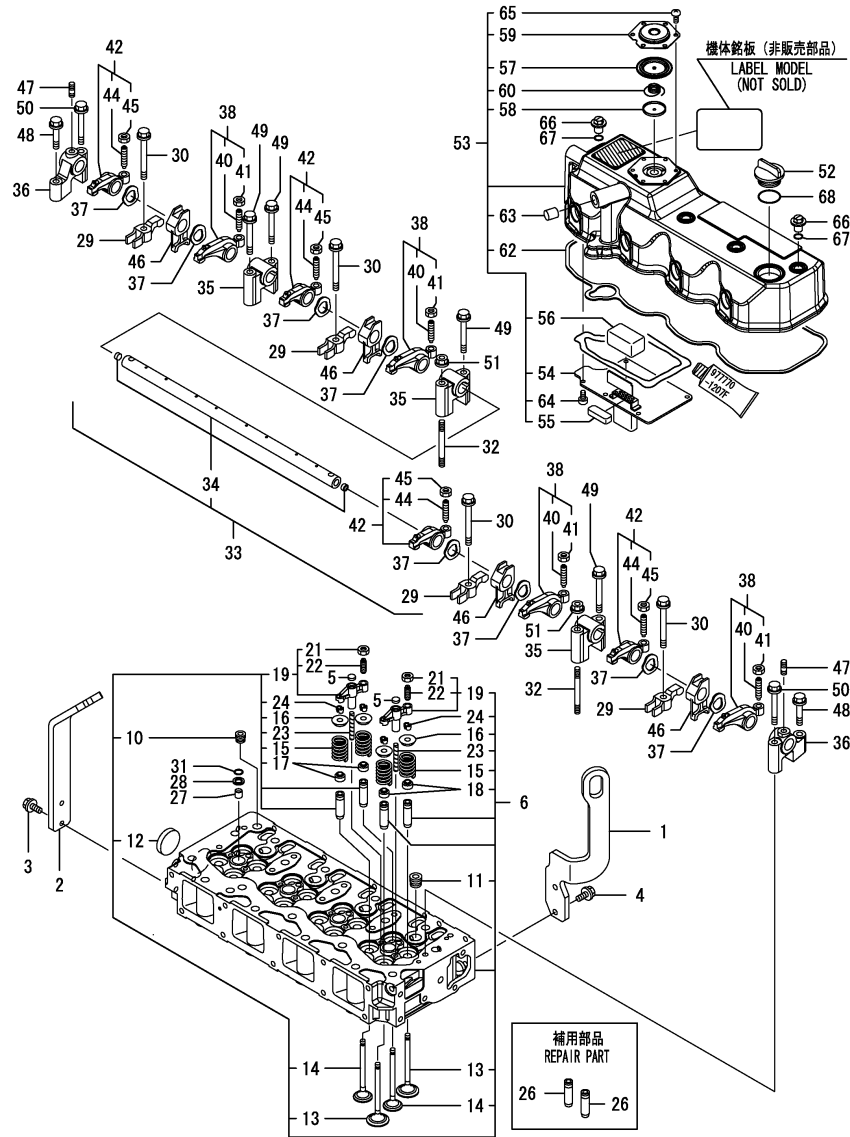
(D)=
(E)=
(F)=



No.	Lev.	Parts No.	Description	Q'ty						I	R
				(A)	(B)	(C)	(D)	(E)	(F)		
1	1	129956-01602	FLANGE, MOUNTING	1							
2	1	26116-100202	BOLT, M10X 20 PLATED	9							
3	1	129956-01700	SUMP, OIL	1							
4	1	129972-01731	BOLT, M8X150	2							
5	1	129956-01740	COVER ASSY, OIL SUMP	1							
6	2	105425-01690	PLUG, 16	1							
8	2	22190-160002	WASHER, SEAL 16	1							
9	1	129693-44310	BOLT	16							
10	1	129001-91841	BOLT, M8X85	3							
11	1	26106-080122	BOLT, M8X 12 PLATED	16							
12	1	129956-01640	CASE ASSY, OIL SEAL	1							
14	2	124411-01780	SEAL, HTC95X115X12	1							
15	1	26106-080302	BOLT, M8X 30 PLATED	9							

Remarks
(REMARKS)"EFFECTIVE MACHINE NO." OF
ENGINE IS INDICATED ON THE
ENGINE LABEL WHICH IS SHOWN
IN FIG.4.

Fig.4. CYLINDER HEAD & BONNET



(A)=4TNV98-RZUN

(B)=

(C)=

(D)=

(E)=

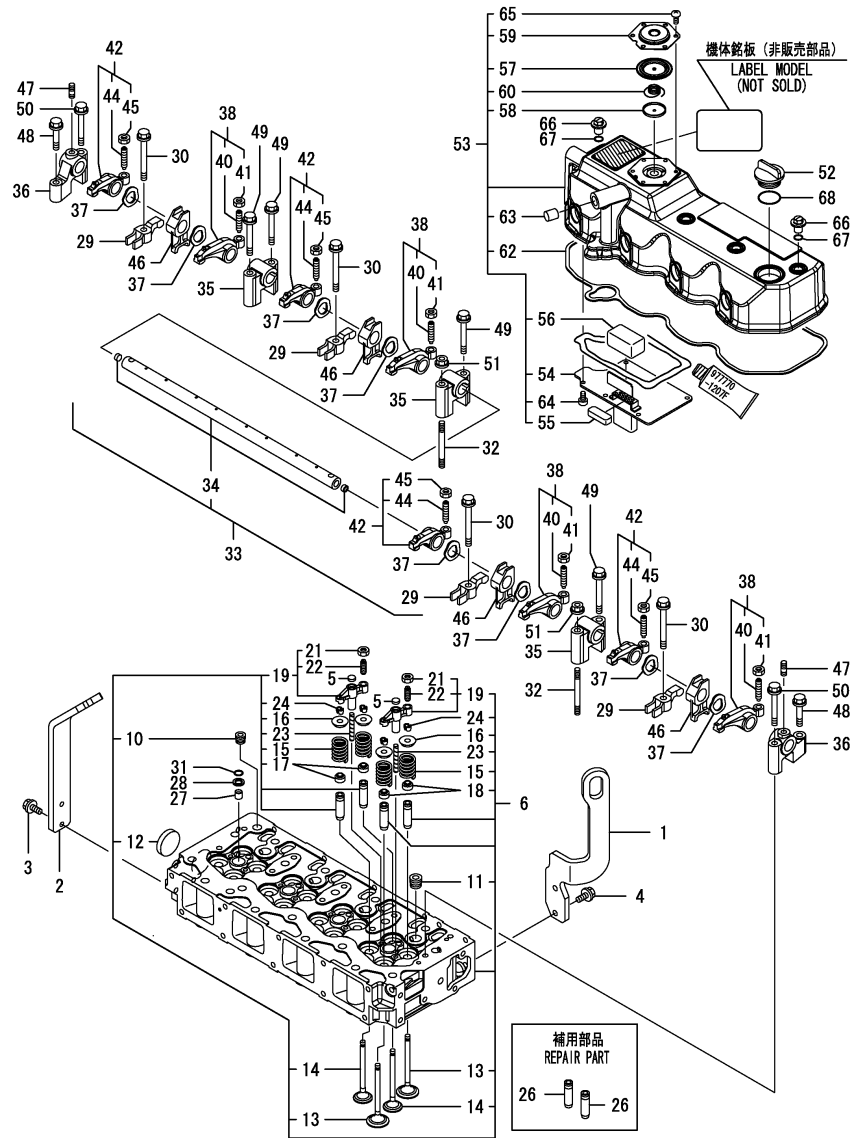
(F)=

No.	Lev.	Parts No.	Description	Q'ty						I	R
				(A)	(B)	(C)	(D)	(E)	(F)		
1	1	129963-07902	LIFTER	1							
2	1	129956-07911	LIFTER	1							
3	1	26106-080202	BOLT, M8X 20 PLATED								
4	1	26106-080202	BOLT, M8X 20 PLATED	2							
5	1	123907-11550	SEAT, VALVE BRIDGE	8							
6	1	129907-11700	HEAD ASSY, CYLINDER	1							
10	2	23876-020000	PLUG, R02	1							
11	2	23876-030000	PLUG, R03	4							
12	2	27241-400000	PLUG, 40	1							
13	2	129907-11100	VALVE, INTAKE	8							
14	2	129907-11110	VALVE, EXHAUST	8							
15	2	129907-11120	SPRING, VALVE	16							
16	2	119620-11180	RETAINER, SPRING	16							
17	2	119803-11340	SEAL, VALVE STEM	8							
18	2	124160-11340	SEAL, VALVE STEM	8							
19	2	129907-11510	BRIDGE ASSY, VALVE	8							
21	3	129150-11750	NUT, M8	8							
22	3	123907-11830	ADJUSTER	8							
23	2	123907-11820	GUIDE	8							
24	2	27310-070001	COTTER, 7	16							
26	1	129907-11800	GUIDE, VALVE	16							1
27	1	119802-11870	PROTECTOR, NOZZLE	4							
28	1	119625-11880	SEAT, NOZZLE	4							
29	1	129907-11910	RETAINER, NOZZLE	4							
30	1	129907-11950	BOLT, M8X75	4							
31	1	24311-000120	O-RING, 1AP12.0	4							
32	1	119593-11301	STUD, M8X80	2							
33	1	129907-11341	SHAFT ASSY, ROCKER	1							
34	2	129907-11250	SHAFT, ROCKER ARM	1							
35	2	129907-11260	SUPPORT, ROCKER ARM	3							
36	2	129907-11270	SUPPORT, ROCKER ARM	2							
37	2	123907-11280	WASHER	8							
38	2	129907-11650	ARM, ROCKER	4							
40	3	129150-11230	SCREW, VALVE ADJUST	4							
41	3	129150-11750	NUT, M8	4							
42	2	129907-11660	ARM, ROCKER	4							
44	3	129150-11230	SCREW, VALVE ADJUST	4							
45	3	129150-11750	NUT, M8	4							
46	2	129907-11920	RETAINER	4							
47	2	26226-080222	STUD, M8X 22	2							
48	1	26106-080402	BOLT, M8X 40 PLATED	2							
49	1	26106-080602	BOLT, M8X 60 PLATED	4							
50	1	26106-080602	BOLT, M8X 60 PLATED	2							
51	1	26306-080002	NUT, M8	2							
52	1	124160-01751	COVER, FILLER	1							
53	1	129907-11321	BONNET ASSY, HEAD	1							
54	2	129907-03011	PLATE	1							
55	2	129907-03061	BAFFLE, BREATHER	1							
56	2	129907-03070	BAFFLE, BREATHER	1							
57	2	123907-03100	DIAPHRAGM	1							
58	2	123907-03110	PLATE	1							

Remarks

(1) REPAIR PART.
 (REMARKS)"EFFECTIVE MACHINE NO." OF
 ENGINE IS INDICATED ON THE
 ENGINE LABEL WHICH IS SHOWN
 IN FIG.4.

Fig.4. CYLINDER HEAD & BONNET



(A)=4TNV98-RZUN
(B)=
(C)=

(D)=
(E)=
(F)=

No.	Lev.	Parts No.	Description	Q'ty						I	R
				(A)	(B)	(C)	(D)	(E)	(F)		
59	2	123907-03120	PLATE, BREATHER	1							
60	2	123907-03140	SPRING, DIAPHRAGM	1							
62	2	129933-11310	GASKET, BONNET	1							
63	2	119640-61400	PLUG	1							
64	2	22857-500100	SCREW, 5X10	6							
65	2	22857-500100	SCREW, 5X10	6							
66	1	124160-11360	KNOB	4							
67	1	24311-000120	O-RING, 1AP12.0	4							
68	1	24311-000320	O-RING, 1AP32.0	1							

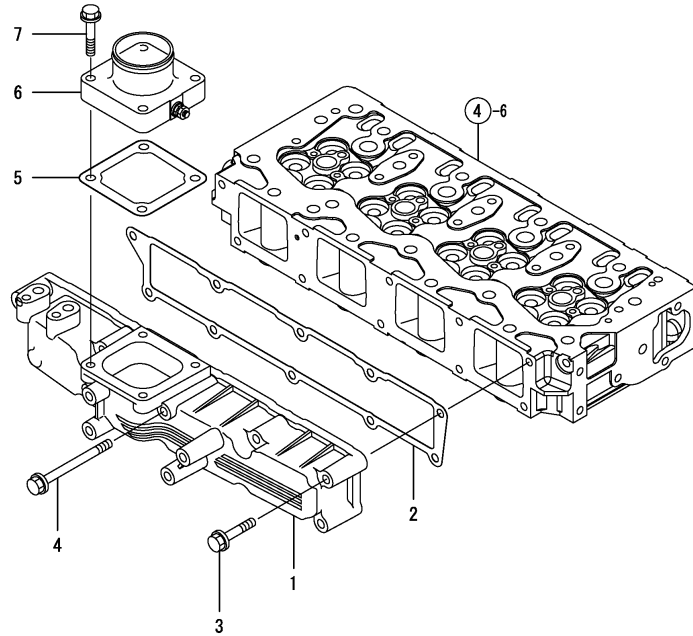
Remarks
(1) REPAIR PART.
(REMARKS)"EFFECTIVE MACHINE NO." OF
ENGINE IS INDICATED ON THE
ENGINE LABEL WHICH IS SHOWN
IN FIG.4.

Fig.5. SUCTION MANIFOLD

(A)=4TNV98-RZUN
(B)=
(C)=

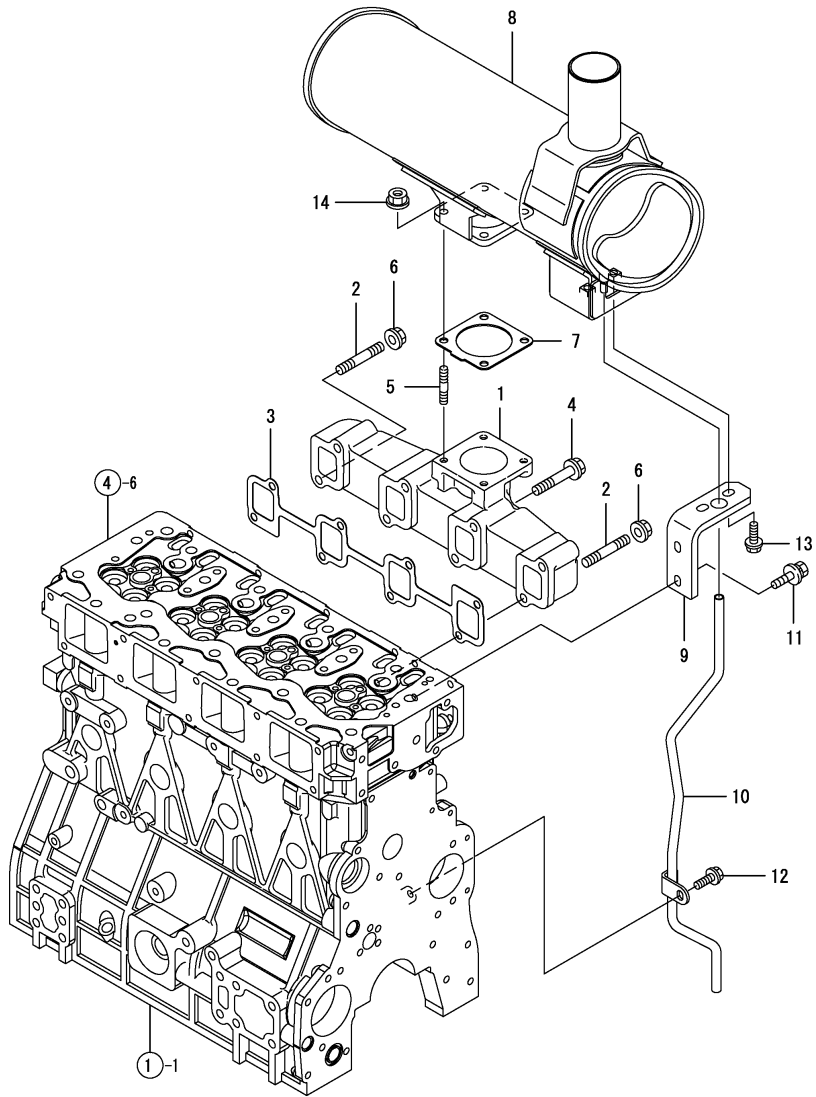
(D)=
(E)=
(F)=

No.	Lev.	Parts No.	Description	Q'ty						I	R
				(A)	(B)	(C)	(D)	(E)	(F)		
1	1	129907-12100	MANIFOLD, AIR INTAKE	1							
2	1	129907-12110	GASKET, MANIFOLD	1							
3	1	26106-080552	BOLT, M8X 55 PLATED	9							
4	1	26106-080852	BOLT, M8X 85 PLATED	1							
5	1	121850-77021	GASKET	1							
6	1	129915-77051	HEATER	1							
7	1	26106-080352	BOLT, M8X 35 PLATED	4							



Remarks
(REMARKS)"EFFECTIVE MACHINE NO." OF
ENGINE IS INDICATED ON THE
ENGINE LABEL WHICH IS SHOWN
IN FIG.4.

Fig.6. EXHAUST MANIFOLD & SILENCER



(A)=4TNV98-RZUN
(B)=
(C)=

(D)=
(E)=
(F)=

No.	Lev.	Parts No.	Description	Q'ty						I	R
				(A)	(B)	(C)	(D)	(E)	(F)		
1	1	129900-13200	MANIFOLD, EXHAUST	1							
2	1	129263-13210	STUD, M8X90	2							
3	1	129900-13251	GASKET	1							
4	1	123900-13630	BOLT, M8X80	6							
5	1	119131-18320	STUD, M8X22	4							
6	1	26306-080002	NUT, M8	2							
7	1	129930-13201	GASKET, SILENCER	1							
8	1	129963-13511	SILENCER	1							
9	1	129963-13650	STAY, SILENCER	1							
10	1	129963-13950	PIPE, WATER DRAIN	1							
11	1	26014-080222	BOLT, M8X 22	2							
12	1	26106-080122	BOLT, M8X 12 PLATED	1							
13	1	26106-080222	BOLT, M8X 22 PLATED	2							
14	1	26306-080002	NUT, M8	4							

Remarks
(REMARKS)"EFFECTIVE MACHINE NO." OF
ENGINE IS INDICATED ON THE
ENGINE LABEL WHICH IS SHOWN
IN FIG.4.

Fig.7. CAMSHAFT & DRIVING GEAR

(A)=4TNV98-RZUN

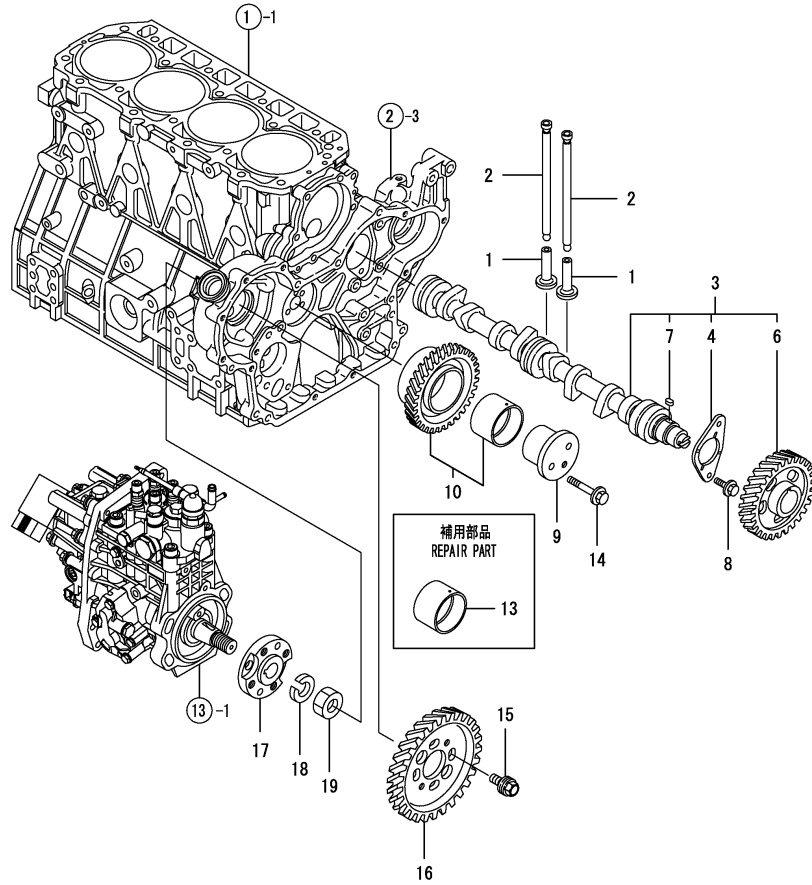
(B)=

(C)=

(D)=

(E)=

(F)=



No.	Lev.	Parts No.	Description	Q'ty						I	R
				(A)	(B)	(C)	(D)	(E)	(F)		
1	1	129150-14200	TAPPET	8							
2	1	129907-14400	ROD, PUSH	8							
3	1	129907-14581	CAMSHAFT ASSY	1							
3-1	1	129908-14581 (A=EZZZZZ)	CAMSHAFT ASSY	1							N
4	2	129150-02450	BEARING, THRUST	1							
6	2	129900-14100	GEAR, CAMSHAFT	1							
7	2	22512-070140	KEY, 7X 14	1							
8	1	26106-080162	BOLT, M8X 16 PLATED	2							
9	1	123900-25060	SHAFT, IDLE GEAR	1							
10	1	129900-25100	GEAR ASSY, IDLE	1							
13	1	129150-25920	BUSH, IDLE GEAR	1							1
14	1	26106-080552	BOLT, M8X 55 PLATED	3							
15	1	129953-25300	BOLT	4							
16	1	129907-25900	GEAR, PUMP	1							
17	1	158563-51150	FLANGE	1							
18	1	22217-180000	WASHER, SPRING 18	1							
19	1	26776-180002	NUT, LOCK M18	1							

Remarks

(1) REPAIR PART.
 (REMARKS)"EFFECTIVE MACHINE NO." OF
 ENGINE IS INDICATED ON THE
 ENGINE LABEL WHICH IS SHOWN
 IN FIG.4.

Fig.8. CRANKSHAFT & PISTON

(A)=4TNV98-RZUN

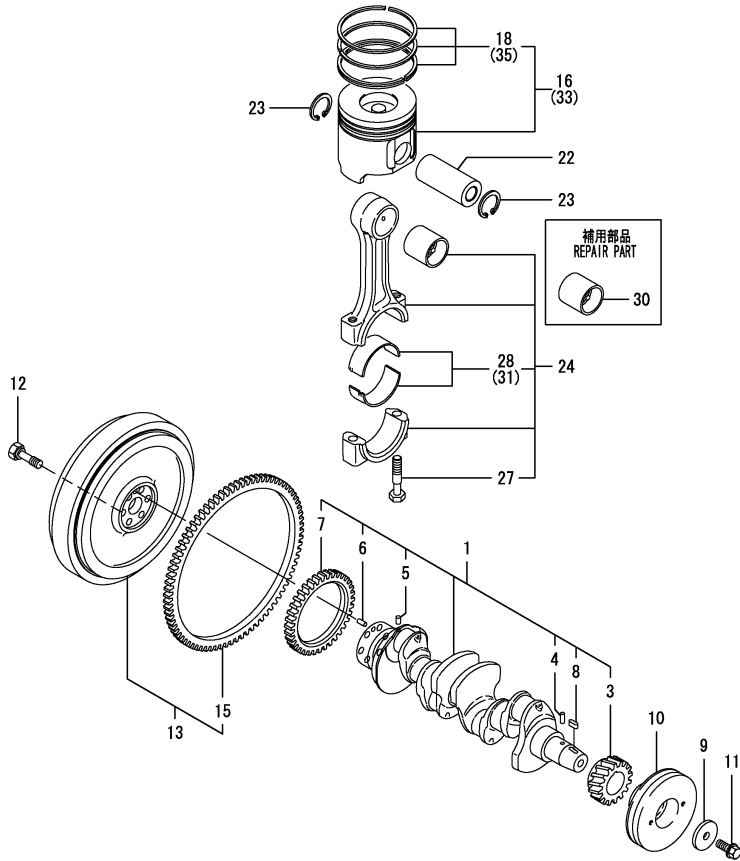
(B)=

(C)=

(D)=

(E)=

(F)=



No.	Lev.	Parts No.	Description	Q'ty						I	R
				(A)	(B)	(C)	(D)	(E)	(F)		
1	1	129956-21000	CRANKSHAFT ASSY	1							
3	2	129900-21200	GEAR, CRANKSHAFT	1							
4	2	121850-21290	PIN	1							
5	2	121850-21290	PIN	1							
6	2	121850-21920	PIN, M10X22	1							
7	2	129956-28321	GEAR, BALANCER	1							
8	2	22512-070140	KEY, 7X 14	1							
9	1	129900-21640	WASHER	1							
10	1	129972-21650	V-PULLEY, 150	1							
11	1	121850-21680	BOLT	1							
12	1	121850-21130	BOLT, FLYWHEEL	6							
13	1	129956-21591	FLYWHEEL ASSY	1							
15	2	129900-21600	GEAR, RING	1							
16	1	129963-22080	PISTON ASSY, 18.5	4							
18	2	129907-22050	RING SET, PISTON	4							
22	1	120130-22301	PIN, PISTON	4							
23	1	22252-000300	RING, 30	8							
24	1	129900-23001	ROD ASSY, CONNECTING	4							
27	2	129900-23200	BOLT, CONNECTING ROD	8							
28	2	129900-23601	BEARING, CRANK PIN	4							
30	1	129900-23911	BEARING, PISTON PIN	4							1
31	1	129900-23611	BEARING, 0.25 US	4							2
33	1	729963-22900	PISTON ASSY, 0.25 OS	4							3
35	2	729907-22950	RING SET, 0.25 OS	4							3

Remarks

- (1) REPAIR PART.
 - (2) UNDER-SIZE(U.S=0.25)PART.
 - (3) OVER-SIZE(O.S=0.25)PART.
- (REMARKS)"EFFECTIVE MACHINE NO." OF ENGINE IS INDICATED ON THE ENGINE LABEL WHICH IS SHOWN IN FIG.4.

Fig.9. HYDRAULIC PUMP

(A)=4TNPV98-RZUN

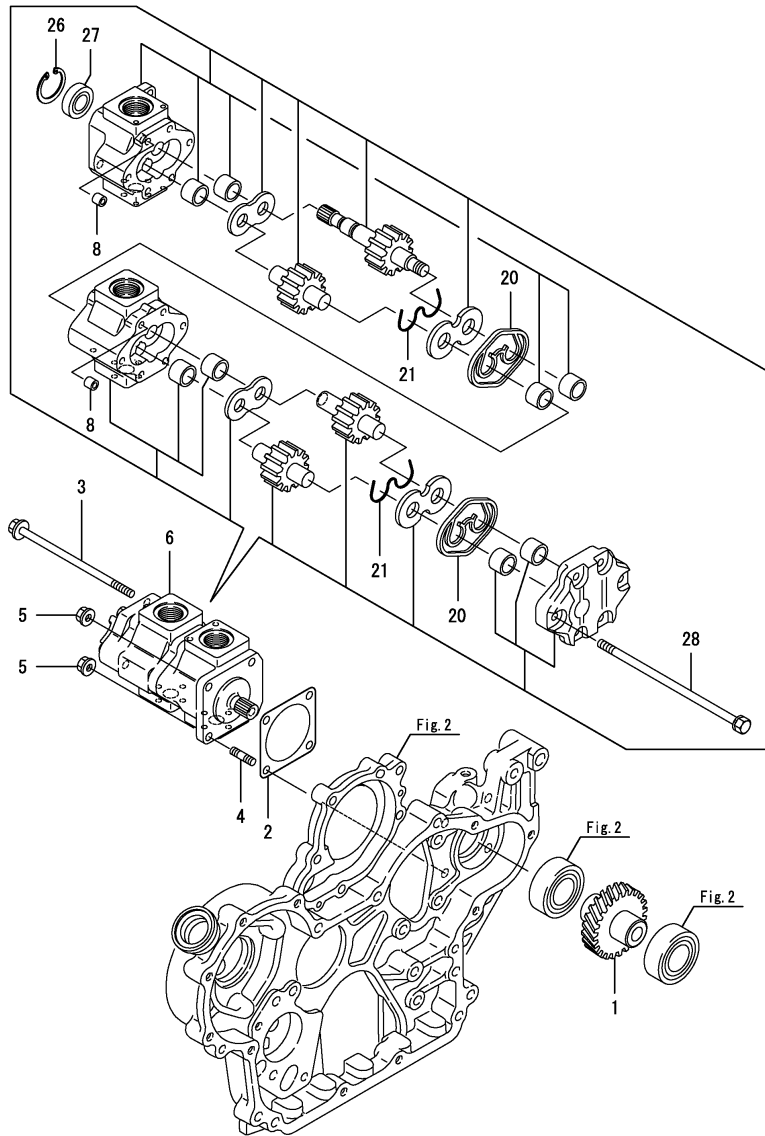
(B)=

(C)=

(D)=

(E)=

(F)=



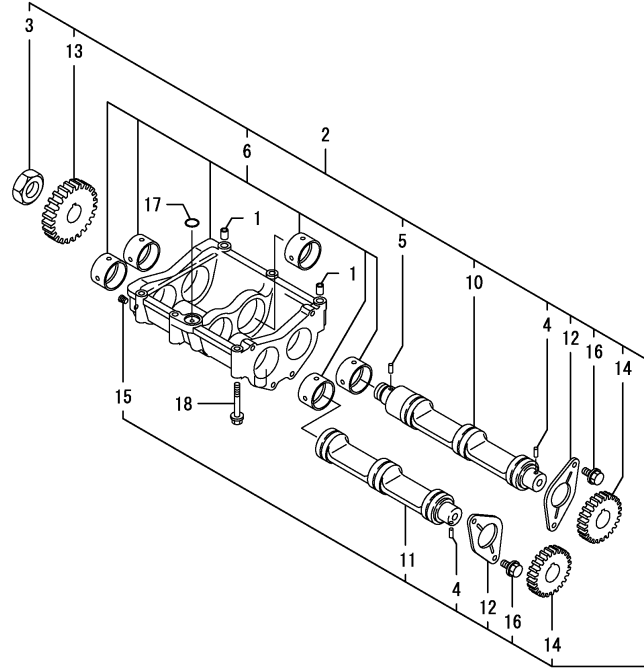
No.	Lev.	Parts No.	Description	Q'ty						I	R
				(A)	(B)	(C)	(D)	(E)	(F)		
1	1	129956-26010	GEAR, PUMP	1							
2	1	124240-01883	GASKET	1							
3	1	129956-26220	BOLT, M8X170	2							
4	1	26216-080202	STUD, M8X 20	2							
4-1	1	121450-01560	STUD, M8X22	2							N
(A=*2009.06.)											
5	1	26306-080002	NUT, M8	2							
6	1	1A7670-41110	PUMP ASSY, HYDRAULIC	1							
6-1	1	1A7670-41111	HO-P(PWF2-D-11X10AK	1							R
(A=EXXXXX)											
8	2	178077-00500	PIN 11X7	8							
20	2	178077-15400	SEAL RING	2							
21	2	178077-15410	BACKUP RING	2							
26	2	22252-000320	RING, 32	1							
27	2	24421-183207	SEAL, OIL TC183207	1							
27-1	2	168000-01180	SEAL TCV183207	1							R
(A=EXXXXX)											
28	2	26016-081052	BOLT, M8X105	4							

Remarks
 (Remarks)"Effective Machine No."of
 Engine is indicated on the
 Engine Label Which is shown
 in Fig.4.

Fig.10. BALANCER

(A)=4TNV98-RZUN
(B)=
(C)=

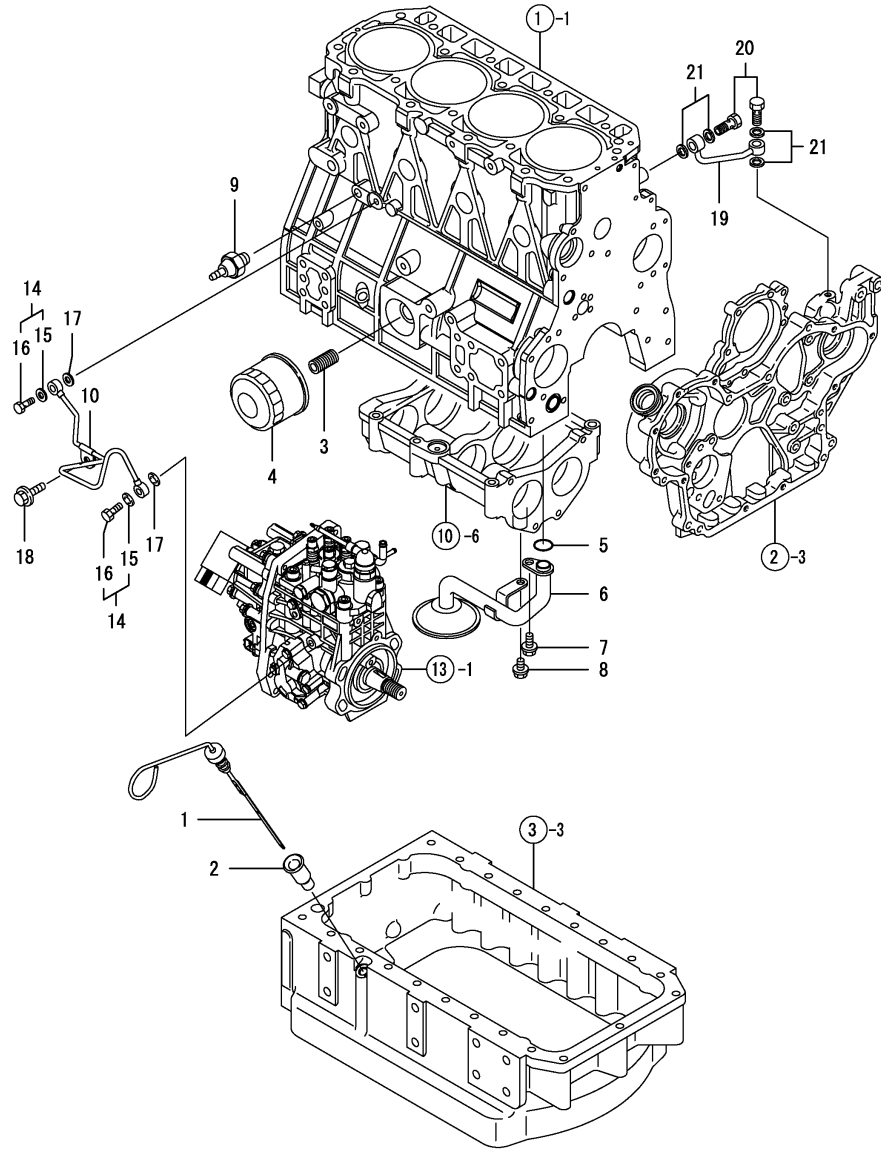
(D)=
(E)=
(F)=



No.	Lev.	Parts No.	Description	Q'ty						I	R
				(A)	(B)	(C)	(D)	(E)	(F)		
1	1	129795-01960	PIPE, KNOCK	2							
2	1	129956-28009	BALANCER ASSY	1							
3	2	128610-14120	NUT, END	1							
4	2	121850-21290	PIN	2							
5	2	121850-21290	PIN	1							
6	2	129956-28019	CASE ASSY, BALANCER	1							
10	2	129956-28101	SHAFT, BALANCER	1							
11	2	129956-28111	SHAFT, BALANCER	1							
12	2	129956-28180	PLATE, THRUST	2							
13	2	129956-28332	GEAR, BALANCER	1							
14	2	129956-28341	GEAR, BALANCER	2							
15	2	23876-005000	PLUG, R005	1							
16	2	26106-080162	BOLT, M8X 16 PLATED	4							
17	1	24311-000200	O-RING, 1AP20.0	1							
18	1	26106-080602	BOLT, M8X 60 PLATED	6							

Remarks
(REMARKS)"EFFECTIVE MACHINE NO." OF
ENGINE IS INDICATED ON THE
ENGINE LABEL WHICH IS SHOWN
IN FIG.4.

Fig.11. LUB.OIL SYSTEM



(A)=4TNV98-RZUN
(B)=
(C)=

(D)=
(E)=
(F)=

No.	Lev.	Parts No.	Description	Q'ty						I	R
				(A)	(B)	(C)	(D)	(E)	(F)		
1	1	129972-34800	DIPSTICK, OIL	1							
2	1	119860-34810	GUIDE, DIPSTICK	1							
3	1	119000-35140	BOLT, FILTER	1							
4	1	119005-35170	FILTER, D80X100	1							1
5	1	129900-32030	O-RING, P20	1							
6	1	129956-35000	PIPE ASSY, OIL INLET	1							
7	1	26106-080142	BOLT, M8X 14 PLATED	1							
8	1	26106-080202	BOLT, M8X 20 PLATED	1							
9	1	114250-39450	SWITCH, 0.5KG	1							
10	1	129963-39060	PIPE ASSY, OIL	1							
14	1	129005-59830	BOLT ASSY, JOINT M8	2							
15	2	22190-080002	WASHER, SEAL 6	2							
16	2	23857-030000	BOLT, JOINT 3	2							
17	1	22190-080002	WASHER, SEAL 6	2							
18	1	26106-080122	BOLT, M8X 12 PLATED	1							
19	1	129930-39050	PIPE, OIL	1							
20	1	105010-39140	BOLT, PIPE JOINT	2							
21	1	22190-080002	WASHER, SEAL 6	4							

Remarks
(1) REPAIR PART.

Fig.12. COOLING WATER SYSTEM

(A)=4TNV98-RZUN

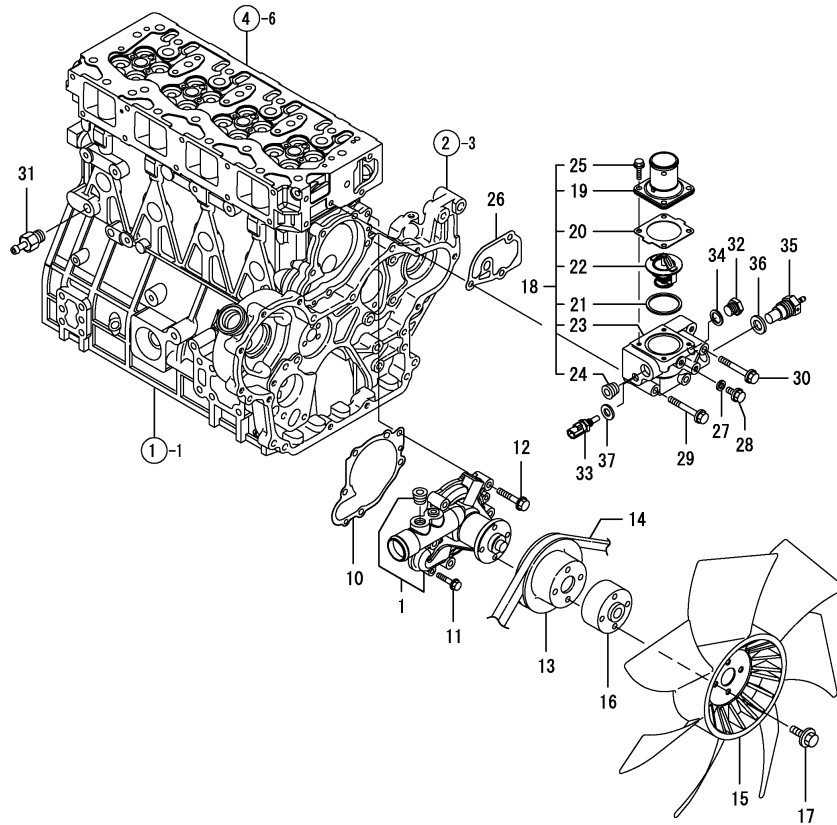
(B)=

(C)=

(D)=

(E)=

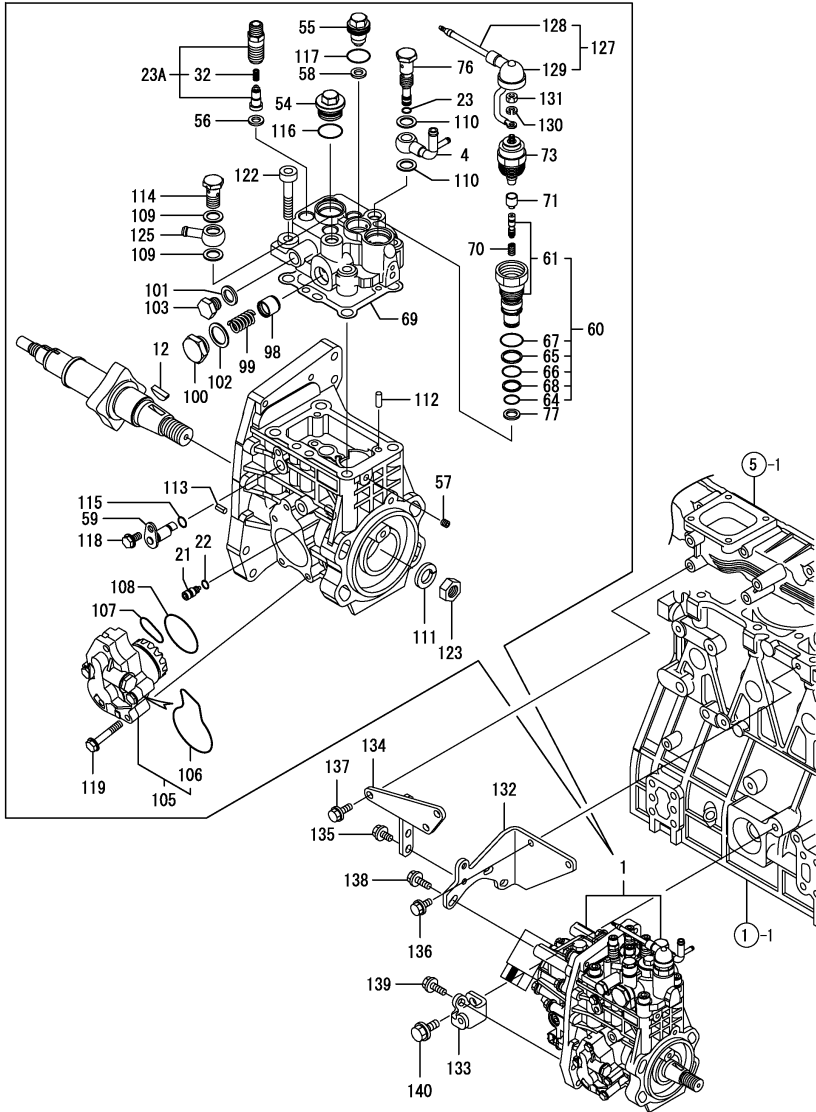
(F)=



No.	Lev.	Parts No.	Description	Q'ty						I	R
				(A)	(B)	(C)	(D)	(E)	(F)		
1	1	129900-42002	PUMP ASSY, WATER	1							
10	1	129900-42020	GASKET, WATER PUMP	1							
11	1	26106-060302	BOLT, M6X 30 PLATED	2							
12	1	26106-080552	BOLT, M8X 55 PLATED	5							
13	1	129900-42461	V-PULLEY	1							
14	1	129963-42280	V-BELT, A42.5	1							
15	1	129907-44740	FAN, COOLING D430X7	1							
16	1	119005-44761	SPACER, FAN	1							
17	1	26106-080452	BOLT, M8X 45 PLATED	4							
18	1	129963-49860	CASE ASSY,THERMOSTAT	1							
19	2	129916-49530	COVER, THERMOSTAT	1							
20	2	121850-49540	GASKET, THERMOSTAT	1							
21	2	121850-49550	GASKET, THERMOSTAT	1							
22	2	121850-49810	THERMOSTAT, 71	1							
23	2	129963-49850	CASE, THERMOSTAT	1							
24	2	23876-030000	PLUG, R03	1							
25	2	26106-060202	BOLT, M6X 20 PLATED	4							
26	1	129900-49870	GASKET	1							
27	1	23414-080000	GASKET, 8X1.0	1							
28	1	26106-080122	BOLT, M8X 12 PLATED	1							
29	1	26106-080652	BOLT, M8X 65 PLATED	2							
30	1	26106-080852	BOLT, M8X 85 PLATED	1							
31	1	121550-49111	JOINT, PT1/4	1							
32	1	121450-42450	PLUG, M16	1							
33	1	119254-44910	SENSOR ASSY	1							
34	1	124465-44950	GASKET, 16	1							
35	1	124250-49351	SENSOR	1							
36	1	129150-49360	GASKET	1							
37	1	22190-120002	WASHER, SEAL 12	1							

Remarks
 (REMARKS)"EFFECTIVE MACHINE NO." OF
 ENGINE IS INDICATED ON THE
 ENGINE LABEL WHICH IS SHOWN
 IN FIG.4.

Fig.13. FUEL INJECTION PUMP



(A)=4TNV98-RZUN
(B)=
(C)=

(D)=
(E)=
(F)=

No.	Lev.	Parts No.	Description	Q'ty						I	R
				(A)	(B)	(C)	(D)	(E)	(F)		
1	1	729963-51340	PUMP ASSY, INJECTION	1							1
4	2	158552-51670	JOINT, OVER FLOW	1							
12	2	144626-51090	KEY, 5X19	1							
21	2	158600-51270	STOPPER, TAPPET	1							
22	2	158563-51281	O-RING, 4D S6	1							
23	2	158563-51281	O-RING, 4D S6	1							
23A	2	129509-51390	VALVE ASSY, DELIVERY	4							W
		(A=*2008.04.)									
32	3	158563-51330	SPRING, DELIVERY	4							
54	2	158601-51550	PLUG	1							
55	2	129907-51560	PLUG, BARREL	1							
56	2	158552-51570	GASKET	4							
57	2	158557-51570	PLUG	1							
58	2	129906-51580	GASKET	1							
59	2	158552-51580	LIFTER	1							
60	2	129657-51590	TIMER SET	1							
61	3	129657-51600	TIMER ASSY	1							
64	3	158553-51670	O-RING, 1011	1							
65	3	119802-51680	RING, BACK UP	1							
66	3	119802-51690	O-RING	1							
67	3	24356-010200	O-RING, 4D1020	1							
68	3	24372-000150	RING, BACK UP T2P15	1							
69	2	158560-51600	GASKET	1							
70	2	119852-51630	SPRING, TIMER	1							
71	2	119852-51640	CAP	1							
73	2	119852-51650	VALVE ASSY	1							
76	2	158601-51650	JOINT, OVER FLOW	1							
77	2	158553-51680	GASKET	1							
98	2	158601-51770	PISTON	1							
99	2	158552-51781	SPRING	1							
100	2	158601-51790	PLUG	1							
101	2	22190-120002	WASHER, SEAL 12	1							
102	2	22190-180002	WASHER, SEAL 18	1							
103	2	23887-120002	PLUG, 12	1							
105	2	158552-52100	PUMP ASSY, FUEL FEED	1							
106	3	158552-52500	O-RING	1							
107	2	158552-52310	O-RING	1							
108	2	158552-52400	O-RING, 4E S42	1							
109	2	22190-120002	WASHER, SEAL 12	2							
110	2	22190-120002	WASHER, SEAL 12	2							
111	2	22217-180000	WASHER, SPRING 18	1							
112	2	22312-050140	PIN, PARALLEL M5X14	2							
113	2	22351-050010	PIN, SPRING 5.0X10	2							
114	2	23857-060000	BOLT, JOINT 6	1							
115	2	24311-000070	O-RING, 1AP7.0	1							
116	2	24356-010200	O-RING, 4D1020	1							
117	2	24356-020210	O-RING, 4D2021	1							
118	2	26106-060102	BOLT, M6X 10 PLATED	1							
119	2	26106-060352	BOLT, M6X 35 PLATED	4							
122	2	26450-100452	BOLT, M10X 45	4							
123	2	26776-180002	NUT, LOCK M18	1							

Remarks
(1) GOVERNOR ASSY(FIG.14) IS INCORPORATED IN THIS FOP.CMP (REF.NO.1).
(REMARKS)"EFFECTIVE MACHINE NO." OF ENGINE IS INDICATED ON THE ENGINE LABEL WHICH IS SHOW IN FIG.4.

Fig.13. FUEL INJECTION PUMP

(A)=4TNV98-RZUN

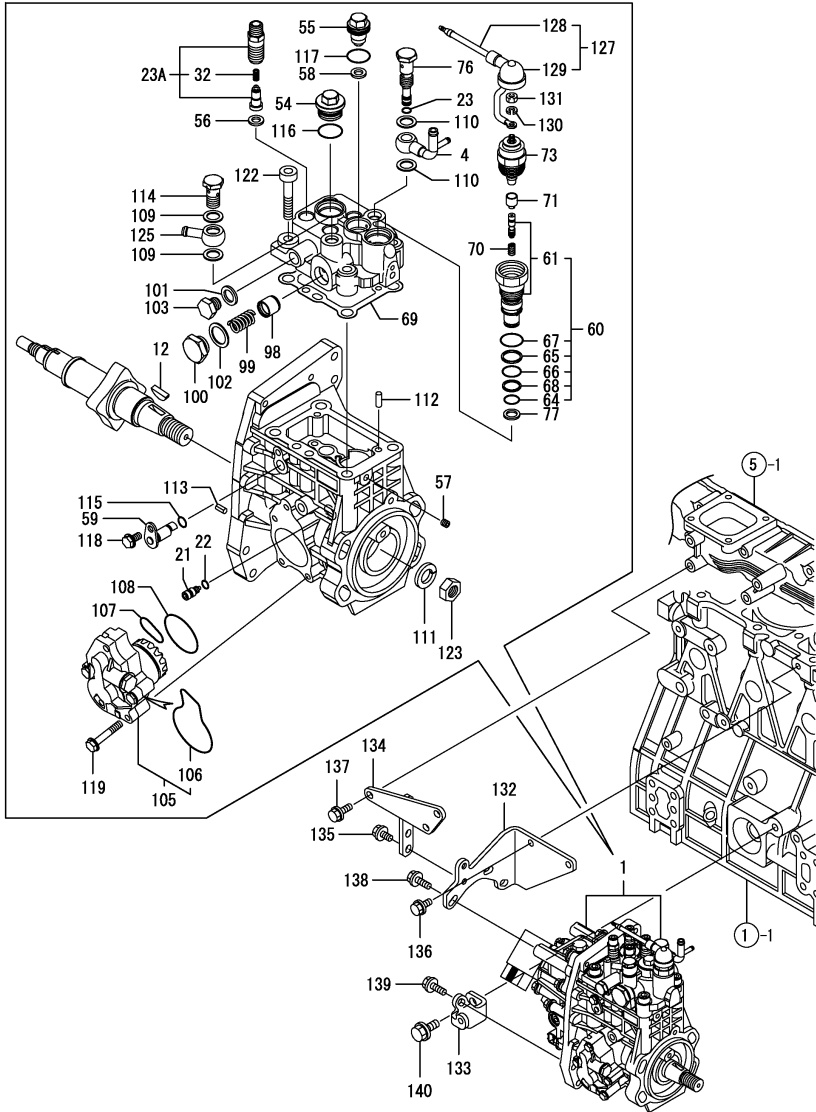
(B)=

(C)=

(D)=

(E)=

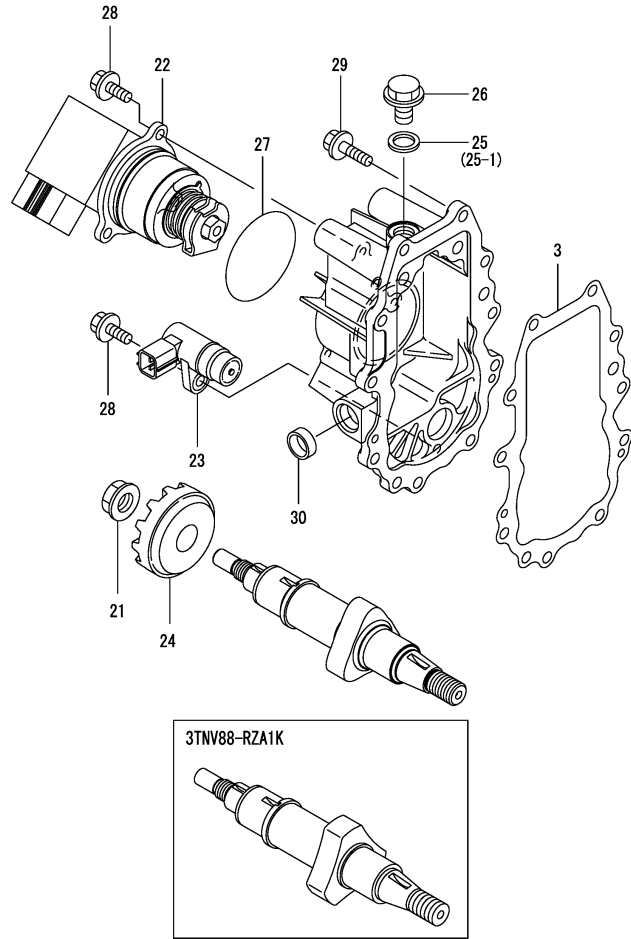
(F)=



No.	Lev.	Parts No.	Description	Q'ty						I	R
				(A)	(B)	(C)	(D)	(E)	(F)		
125	2	129916-59020	JOINT, PIPE 12	1							
127	2	129263-77951	HARNESS ASSY, WIRE	1							
128	3	129263-77930	HARNESS, (CSD)	1							
129	3	129263-77941	CAP, RUBBER	1							
130	2	22217-050000	WASHER, SPRING 5	1							
131	2	26716-050002	NUT, M5	1							
132	1	129972-01950	RETAINER	1							
133	1	129906-01960	RETAINER	1							
134	1	129972-01970	SUPPORT	1							
135	1	26106-080142	BOLT, M8X 14 PLATED	2							
136	1	26106-080162	BOLT, M8X 16 PLATED	2							
137	1	26106-080222	BOLT, M8X 22 PLATED	3							
138	1	26106-080222	BOLT, M8X 22 PLATED	2							
139	1	26106-080222	BOLT, M8X 22 PLATED	1							
140	1	26106-100202	BOLT, M10X 20 PLATED	1							

Remarks
 (1) GOVERNOR ASSY(FIG.14) IS INCORPORATED IN THIS FOP.CMP (REF.NO.1).
 (REMARKS)"EFFECTIVE MACHINE NO." OF ENGINE IS INDICATED ON THE ENGINE LABEL WHICH IS SHOW IN FIG.4.

Fig.14. GOVERNOR



(A)=4TNV98-RZUN
(B)=
(C)=

(D)=
(E)=
(F)=

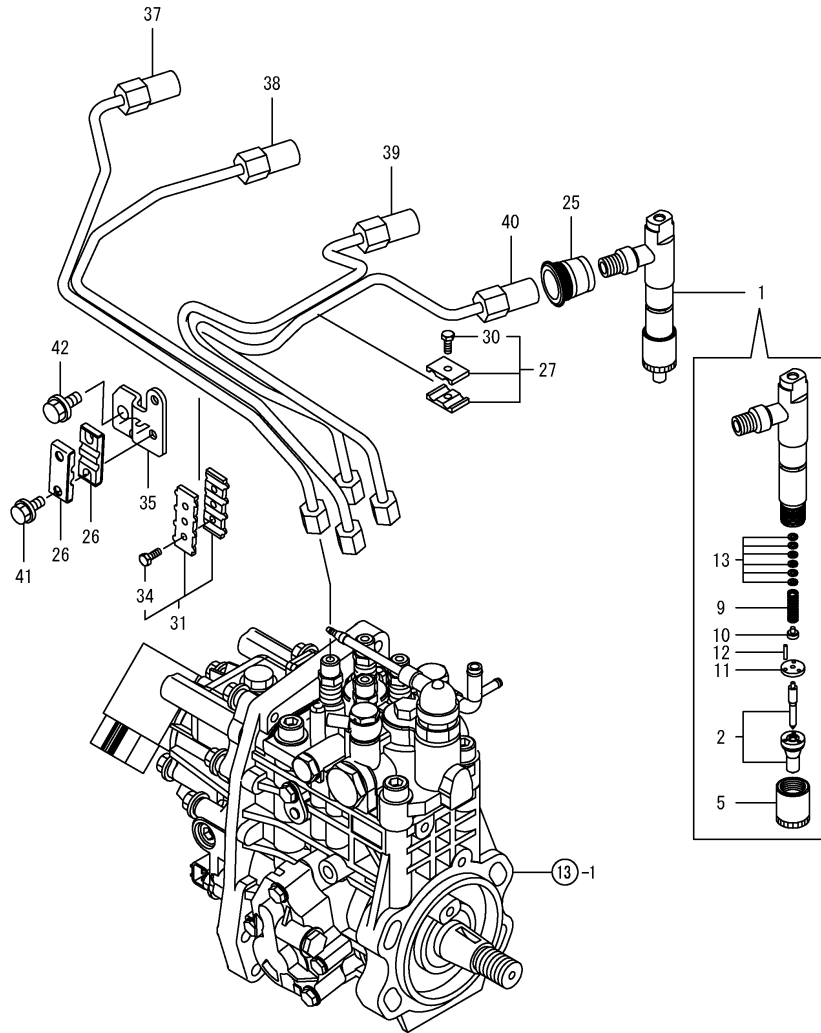
No.	Lev.	Parts No.	Description	Q'ty						I	R
				(A)	(B)	(C)	(D)	(E)	(F)		
2	2	158560-61050	GASKET	1							
19	2	129008-61301	NUT	1							
20	2	158557-61600	ACTUATOR	1							
21	2	158557-61720	SENSOR	1							
22	2	158553-61780	GEAR, SENSOR	1							
23	2	23414-120000	GASKET, 12X1.0	1							
24	2	23887-120002	PLUG, 12	1							
25	2	24341-000480	O-RING, 1AS48.0	1							
26	2	26106-060162	BOLT, M6X 16 PLATED	4							
27	2	26106-060252	BOLT, M6X 25 PLATED	9							
28	2	26106-060402	BOLT, M6X 40 PLATED	1							
29	2	27241-160000	PLUG, 16	1							

Remarks
 * THIS FIGURE(GOVERNOR ASSY)IS
 INCORPORATED IN THE FUEL INJECTION
 PUMP ASSY(FIG.13).
 (REMARKS)"EFFECTIVE MACHINE NO." OF
 ENGINE IS INDICATED ON THE
 ENGINE LABEL WHICH IS SHOW
 IN FIG.4.

Fig.15. FUEL INJECTION VALVE

(A)=4TNV98-RZUN
(B)=
(C)=

(D)=
(E)=
(F)=



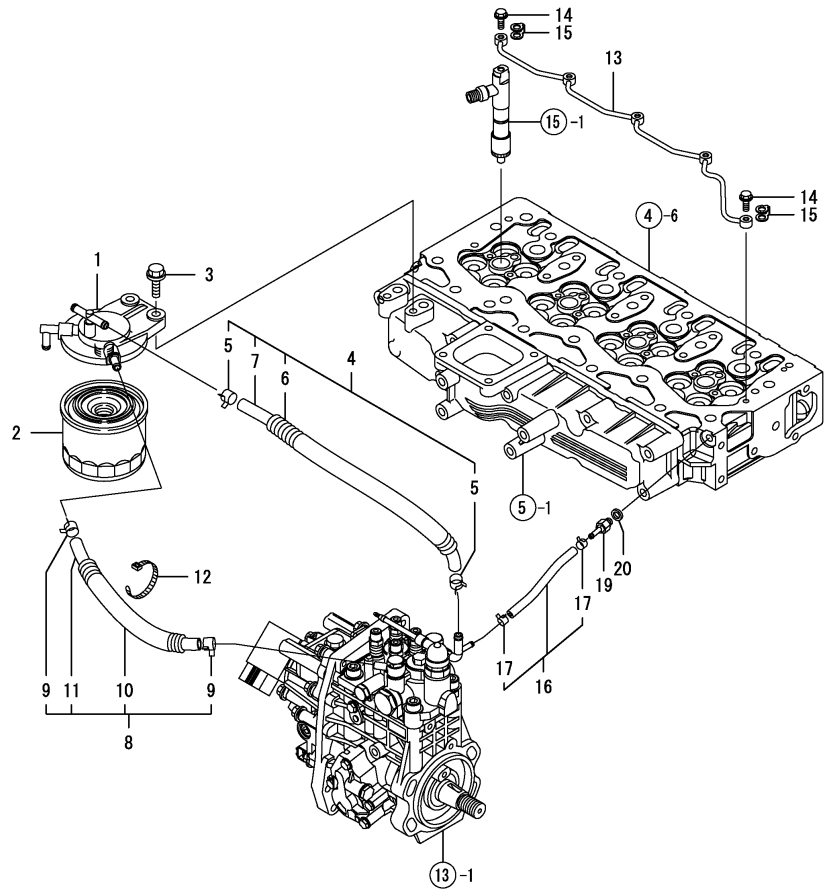
No.	Lev.	Parts No.	Description	Q'ty						I	R
				(A)	(B)	(C)	(D)	(E)	(F)		
1	1	729907-53100	VALVE ASSY,INJECTION	4							
2	2	129907-53000	VALVE ASSY,INJECTION	4							
5	2	114250-53080	NUT, NOZZLE D16.95	4							
9	2	114250-53120	SPRING, NOZZLE	4							
10	2	114250-53130	SEAT, SPRING	4							
11	2	114250-53140	PLATE	4							
12	2	114250-53210	PIN	8							
13	2	114250-53400	SHIM SET	4							
25	1	123907-11601	SEAL	4							
26	1	122780-59100	RETAINER	2							
27	1	119305-59120	RETAINER, PIPE	1							
30	2	129150-59131	BOLT, M4X14	1							
31	1	129550-59120	RETAINER, PIPE	1							
34	2	129150-59131	BOLT, M4X14	2							
35	1	129972-59710	SUPPORT	1							
37	1	129907-59810	PIPE ASSY, INJECTION	1							
38	1	129907-59820	PIPE ASSY, INJECTION	1							
39	1	129907-59830	PIPE ASSY, INJECTION	1							
40	1	129907-59840	PIPE ASSY, INJECTION	1							
41	1	26106-060162	BOLT, M6X 16 PLATED	2							
42	1	26106-080182	BOLT, M8X 18 PLATED	1							

Remarks
(REMARKS)"EFFECTIVE MACHINE NO." OF
ENGINE IS INDICATED ON THE
ENGINE LABEL WHICH IS SHOWN
IN FIG.4.

Fig.16. FUEL LINE

(A)=4TNV98-RZUN
(B)=
(C)=

(D)=
(E)=
(F)=



No.	Lev.	Parts No.	Description	Qty						I	R
				(A)	(B)	(C)	(D)	(E)	(F)		
1	1	129004-55612	BRACKET, FILTER	1							
2	1	119802-55810	FILTER,FO	1							
3	1	26106-080302	BOLT, M8X 30 PLATED	2							
4	1	129457-59010	PIPE ASSY, FUEL	1							
5	2	124766-59050	CLIP, HOSE 12	2							
6	2	129957-59120	TUBE, CORRUGATED	1							
7	2	105025-59750	PIPE, FUEL	1							
8	1	129981-59010	PIPE ASSY, FUEL	1							
9	2	124766-59050	CLIP, HOSE 12	2							
10	2	129950-59221	TUBE, CORRUGATED	1							
11	2	129980-59510	PIPE, FUEL	1							
12	1	121750-59890	BAND, 140	1							
13	1	129907-59140	PIPE ASSY, RETURN	1							
14	1	123907-59540	BOLT, PIPE JOINT M6	5							
15	1	123907-59550	GASKET	5							
16	1	129486-59551	PIPE ASSY, RETURN	1							
17	2	124722-59050	CLIP, HOSE 9	2							
19	1	123907-59560	JOINT	1							
20	1	22190-080002	WASHER, SEAL 6	1							

Remarks
(REMARKS)"EFFECTIVE MACHINE NO." OF
ENGINE IS INDICATED ON THE
ENGINE LABEL WHICH IS SHOWN
IN FIG.4.

Fig.17. STARTING MOTOR

(A)=4TNV98-RZUN

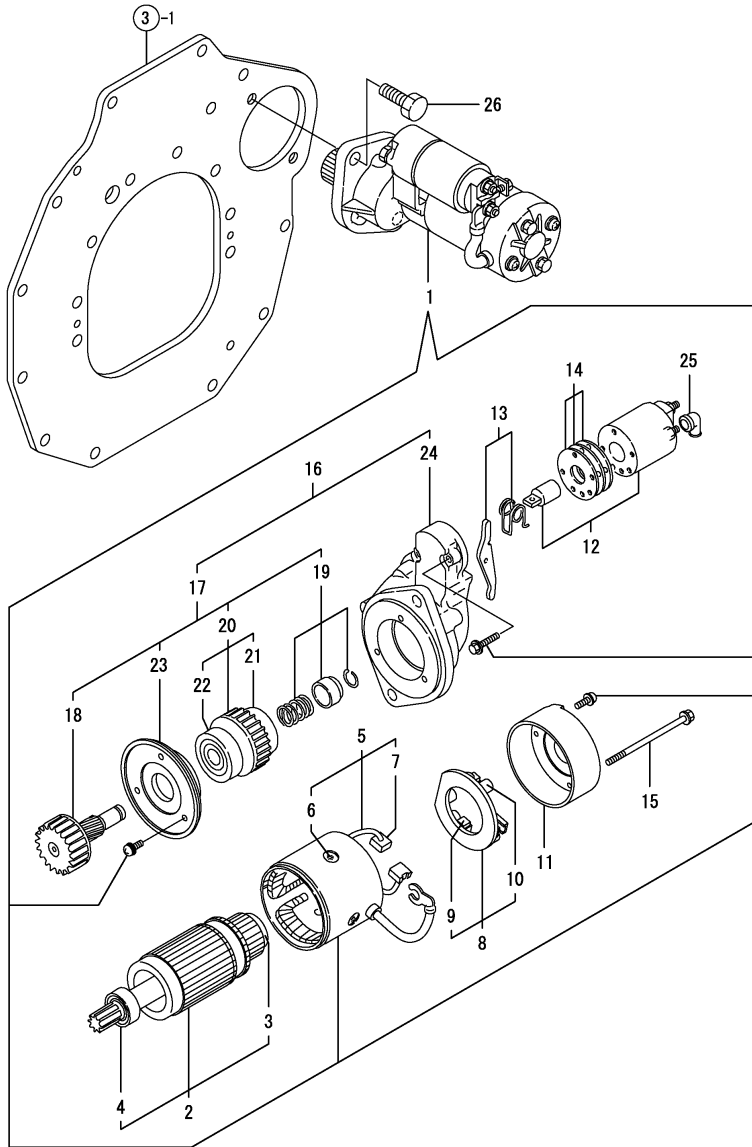
(B)=

(C)=

(D)=

(E)=

(F)=



No.	Lev.	Parts No.	Description	Q'ty						I	R
				(A)	(B)	(C)	(D)	(E)	(F)		
1	1	129900-77010	STARTER	1							
2	2	129900-77400	ARMATURE ASSY	1							
3	3	X2114155110	BEARING, BALL	1							
4	3	X2114255110	BEARING, BALL	1							
5	2	129900-77440	COIL ASSY, FIELD	1							
6	3	171008-77450	SCREW	4							
7	3	129900-77450	BRUSH	2							
8	2	129900-77480	HOLDER ASSY, BRUSH	1							
9	3	129900-77450	BRUSH	2							
10	3	X2130631300	SPRING, BRUSH	4							
11	2	129900-77460	COVER	1							
12	2	129900-77591	SWITCH ASSY	1							
13	2	129900-77620	LEVER SET	1							
14	2	129900-77650	COVER ASSY, DUST	1							
15	2	129900-77640	BOLT, THROUGH	2							
16	2	129900-77700	CASE ASSY	1							
17	3	129900-77510	PINION ASSY	1							
18	4	129900-77540	SHAFT	1							
19	4	129900-77550	STOPPER SET	1							
20	4	129900-77520	CLUTCH ASSY	1							
21	5	171008-77730	BEARING, BALL	1							
22	5	171008-77740	BEARING	1							
23	4	129900-77610	RETAINER	1							
24	3	129900-77710	CASE, GEAR	1							
25	2	171008-77750	COVER	1							
26	1	26116-120252	BOLT, M12X 25 PLATED	2							

Remarks
 (REMARKS)"EFFECTIVE MACHINE NO." OF
 ENGINE IS INDICATED ON THE
 ENGINE LABEL WHICH IS SHOWN
 IN FIG.4.

Fig.18. GENERATOR

(A)=4TNV98-RZUN

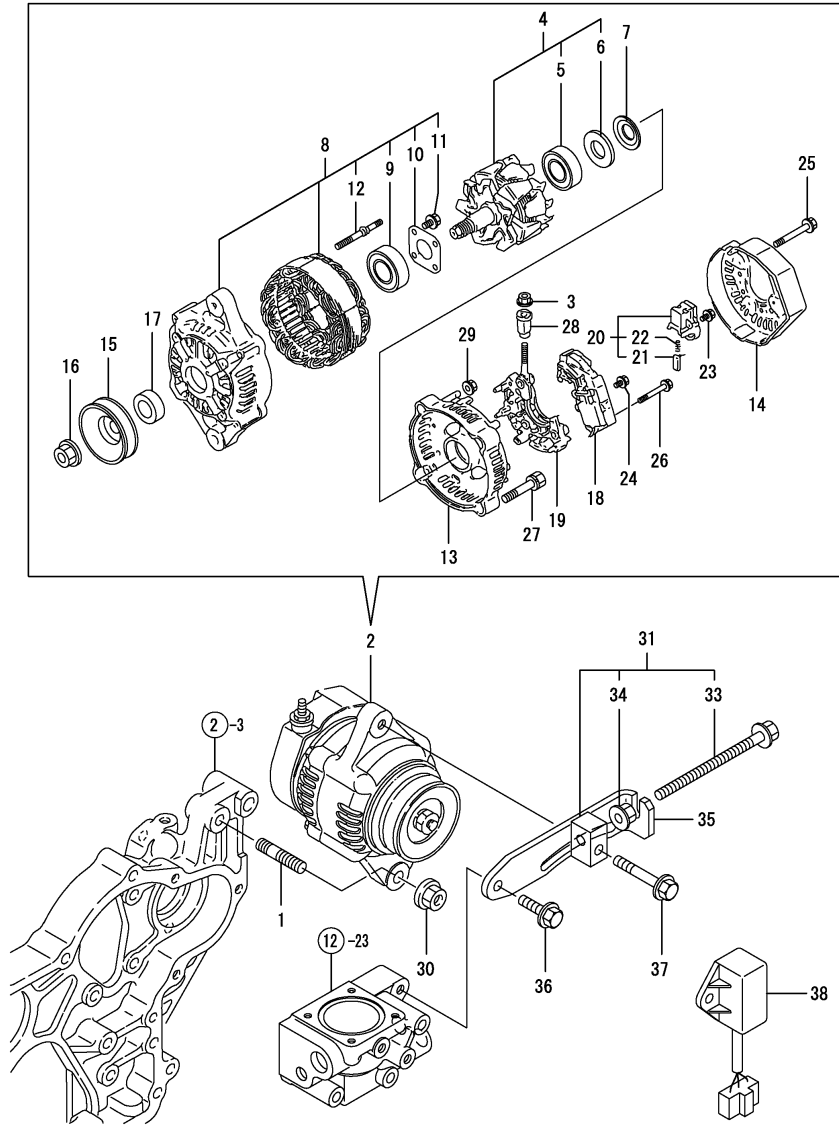
(B)=

(C)=

(D)=

(E)=

(F)=



No.	Lev.	Parts No.	Description	Q'ty						I	R
				(A)	(B)	(C)	(D)	(E)	(F)		
1	1	129795-01900	STUD	1							
2	1	119620-77201	GENERATOR, 40A	1							
3	2	X9490561001	NUT	1							
4	2	119620-77380	ROTOR ASSY	1							
5	3	123501-79240	BEARING, BALL	1							
6	3	119620-79250	COVER	1							
7	2	119620-79360	WASHER, THRUST	1							
8	2	119620-77421	FRAME ASSY, DRIVE	1							
9	3	119620-79200	BEARING, BALL	1							
10	3	119620-79210	PLATE, RETAINER	1							
11	3	119620-79220	SCREW	4							
12	3	119620-79230	STUD	2							
13	2	119620-77440	FRAME ASSY	1							
14	2	119620-77450	COVER	1							
15	2	119620-77461	PULLEY	1							
16	2	119620-77471	NUT	1							
17	2	119620-77490	COLLAR	1							
18	2	119620-77710	REGULATOR ASSY	1							
19	2	119620-79260	HOLDER	1							
20	2	119620-79270	HOLDER, BRUSH	1							
21	3	119620-77480	BRUSH ASSY	2							
22	3	119620-79280	SPRING	2							
23	2	119620-79290	SCREW	6							
24	2	119620-79300	SCREW	1							
25	2	119620-79310	BOLT	3							
26	2	119620-79320	SCREW	2							
27	2	119620-79330	BOLT	2							
28	2	119620-79340	BUSH, INSULATION	1							
29	2	119620-79350	NUT	2							
30	1	26306-100002	NUT, M10	1							
31	1	119624-77351	BLOCK ASSY, ADJUSTER	1							
33	2	26106-081004	BOLT, M8X100 PLATED	1							
34	2	26306-080002	NUT, M8	1							
35	1	129972-77360	ADJUSTER	1							
36	1	26014-080252	BOLT, M8X 25	1							
37	1	26106-080452	BOLT, M8X 45 PLATED	1							
38	1	185109-00080	CHANGEVER, MODEL	1							

Remarks
 (REMARKS)"EFFECTIVE MACHINE NO." OF
 ENGINE IS INDICATED ON THE
 ENGINE LABEL WHICH IS SHOWN
 IN FIG.4.

Parts No. Index

Parts No.	Fig. No.	Ref. No.
105010-39140	11	20
105025-59750	16	7
105425-01690	3	6
114250-39450	11	9
114250-53080	15	5
114250-53120	15	9
114250-53130	15	10
114250-53140	15	11
114250-53210	15	12
114250-53400	15	13
119000-35140	11	3
119005-35170	11	4
119005-44761	12	16
119131-18320	6	5
119254-44910	12	33
119305-59120	15	27
119309-01810	1	34
119593-11301	4	32
119620-11180	4	16
119620-77201	18	2
119620-77380	18	4
119620-77421	18	8
119620-77440	18	13
119620-77450	18	14
119620-77461	18	15
119620-77471	18	16
119620-77480	18	21
119620-77490	18	17
119620-77710	18	18
119620-79200	18	9
119620-79210	18	10
119620-79220	18	11
119620-79230	18	12
119620-79250	18	6
119620-79260	18	19
119620-79270	18	20
119620-79280	18	22
119620-79290	18	23
119620-79300	18	24
119620-79310	18	25
119620-79320	18	26
119620-79330	18	27
119620-79340	18	28
119620-79350	18	29
119620-79360	18	7
119624-77351	18	31
119625-11880	4	28
119640-61400	4	63
119802-11870	4	27
119802-51680	13	65

Parts No.	Fig. No.	Ref. No.
119802-51690	13	66
119802-55810	16	2
119803-11340	4	17
119852-51630	13	70
119852-51640	13	71
119852-51650	13	73
119860-34810	11	2
120130-22301	8	22
121450-01560	9	4 -1
121450-42450	12	32
121550-49111	12	31
121750-59890	16	12
121850-21130	8	12
121850-21290	8	4
		5
	10	4
		5
121850-21680	8	11
121850-21920	8	6
121850-49540	12	20
121850-49550	12	21
121850-49810	12	22
121850-77021	5	5
122780-59100	15	26
123501-79240	18	5
123900-13630	6	4
123900-25060	7	9
123907-03100	4	57
123907-03110	4	58
123907-03120	4	59
123907-03140	4	60
123907-11280	4	37
123907-11550	4	5
123907-11601	15	25
123907-11820	4	23
123907-11830	4	22
123907-59540	16	14
123907-59550	16	15
123907-59560	16	19
124160-01751	2	25
	4	52
124160-11340	4	18
124160-11360	4	66
124240-01883	9	2
124250-49351	12	35
124411-01780	3	14
124465-44950	12	34
124722-59050	16	17
124766-59050	16	5
		9

Parts No.	Fig. No.	Ref. No.
128610-14120	10	3
129001-91810	2	28
		36
129001-91841	3	10
129004-55612	16	1
129005-59830	11	14
129008-61301	14	19
129100-01580	1	32
		33
	2	1
129150-02450	7	4
129150-11230	4	40
		44
129150-11750	4	21
		41
		45
129150-14200	7	1
129150-25920	7	13
129150-49360	12	36
129150-59131	15	30
		34
129263-13210	6	2
129263-77930	13	128
129263-77941	13	129
129263-77951	13	127
129457-59010	16	4
129486-59551	16	16
129509-51390	13	23 A
129550-59120	15	31
129657-51590	13	60
129657-51600	13	61
129693-44310	3	9
129795-01900	18	1
129795-01960	10	1
129900-01200	1	30
129900-01250	1	4
129900-01740	2	27
129900-01850	2	34
129900-01870	2	35
129900-02020	1	7
129900-02341	1	35
129900-02410	1	10
129900-02931	1	24
129900-02941	1	38
129900-13200	6	1
129900-13251	6	3
129900-14100	7	6
129900-14140	2	39
129900-21200	8	3
129900-21600	8	15

Parts No.	Fig. No.	Ref. No.
129900-21640	8	9
129900-23001	8	24
129900-23200	8	27
129900-23601	8	28
129900-23611	8	31
129900-23911	8	30
129900-25100	7	10
129900-26250	2	40
129900-32030	2	17
	11	5
129900-32040	2	18
129900-42002	12	1
129900-42020	12	10
129900-42461	12	13
129900-49870	12	26
129900-77010	17	1
129900-77400	17	2
129900-77440	17	5
129900-77450	17	7
		9
129900-77460	17	11
129900-77480	17	8
129900-77510	17	17
129900-77520	17	20
129900-77540	17	18
129900-77550	17	19
129900-77591	17	12
129900-77610	17	23
129900-77620	17	13
129900-77640	17	15
129900-77650	17	14
129900-77700	17	16
129900-77710	17	24
129906-01960	13	133
129906-51580	13	58
129907-01331	1	31
129907-01500	2	3
129907-03011	4	54
129907-03061	4	55
129907-03070	4	56
129907-11100	4	13
129907-11110	4	14
129907-11120	4	15
129907-11250	4	34
129907-11260	4	35
129907-11270	4	36
129907-11321	4	53
129907-11341	4	33
129907-11510	4	19
129907-11650	4	38

Parts No. Index

Parts No.	Fig. No.	Ref. No.
129907-11660	4	42
129907-11700	4	6
129907-11800	4	26
129907-11910	4	29
129907-11920	4	46
129907-11950	4	30
129907-12100	5	1
129907-12110	5	2
129907-14400	7	2
129907-14581	7	3
129907-22050	8	18
129907-25900	7	16
129907-44740	12	15
129907-51560	13	55
129907-53000	15	2
129907-59140	16	13
129907-59810	15	37
129907-59820	15	38
129907-59830	15	39
129907-59840	15	40
129908-14581	7	3 -1
129915-77051	5	6
129916-01800	2	33
129916-49530	12	19
129916-59020	13	125
129930-13201	6	7
129930-39050	11	19
129933-11310	4	62
129950-59221	16	10
129953-25300	7	15
129956-01602	3	1
129956-01640	3	12
129956-01700	3	3
129956-01710	1	5
129956-01740	3	5
129956-07911	4	2
129956-21000	8	1
129956-21591	8	13
129956-26010	9	1
129956-26220	9	3
129956-28009	10	2
129956-28019	10	6
129956-28101	10	10
129956-28111	10	11
129956-28180	10	12
129956-28321	8	7
129956-28332	10	13
129956-28341	10	14
129956-32001	2	4
129956-35000	11	6

Parts No.	Fig. No.	Ref. No.
129957-59120	16	6
129963-07902	4	1
129963-13511	6	8
129963-13650	6	9
129963-13950	6	10
129963-22080	8	16
129963-39060	11	10
129963-42280	12	14
129963-49850	12	23
129963-49860	12	18
129972-01731	3	4
129972-01950	13	132
129972-01970	13	134
129972-21650	8	10
129972-34800	11	1
129972-59710	15	35
129972-77360	18	35
129980-59510	16	11
129981-59010	16	8
144626-51090	13	12
158552-51570	13	56
158552-51580	13	59
158552-51670	13	4
158552-51781	13	99
158552-52100	13	105
158552-52310	13	107
158552-52400	13	108
158552-52500	13	106
158553-51670	13	64
158553-51680	13	77
158553-61780	14	22
158557-51570	13	57
158557-61600	14	20
158557-61720	14	21
158560-01600	13	69
158560-61050	14	2
158563-51150	7	17
158563-51281	13	22
		23
158563-51330	13	32
158600-51270	13	21
158601-51550	13	54
158601-51650	13	76
158601-51770	13	98
158601-51790	13	100
168000-01180	9	27 -1
171008-77450	17	6
171008-77730	17	21
171008-77740	17	22
171008-77750	17	25

Parts No.	Fig. No.	Ref. No.
171051-01921	1	6
178077-00500	9	8
178077-15400	9	20
178077-15410	9	21
185109-00080	18	38
1A7670-41110	9	6
1A7670-41111	9	6 -1
22190-080002	11	15
		17
		21
	16	20
22190-120002	12	37
	13	101
		109
		110
22190-160002	3	8
22190-180002	13	102
22217-050000	13	130
22217-180000	7	18
	13	111
22252-000300	8	23
22252-000320	9	26
22312-050140	13	112
22351-050010	13	113
22351-060012	1	11
22512-070140	7	7
	8	8
22857-500100	4	64
		65
23414-080000	12	27
23414-120000	14	23
23857-030000	11	16
23857-060000	13	114
23876-005000	10	15
23876-020000	4	10
23876-030000	1	12
		13
	4	11
	12	24
23887-120002	13	103
	14	24
24311-000070	2	19
	13	115
24311-000120	4	31
		67
24311-000200	10	17
24311-000320	2	26
	4	68
24341-000480	14	25
24351-030750	2	20

Parts No.	Fig. No.	Ref. No.
24356-010200	13	67
		116
24356-020210	13	117
24372-000150	13	68
24421-183207	9	27
26014-080222	6	11
26014-080252	18	36
26016-081052	9	28
26106-060102	13	118
26106-060162	14	26
	15	41
26106-060202	12	25
26106-060252	14	27
26106-060302	12	11
26106-060352	13	119
26106-060402	14	28
26106-080122	3	11
	6	12
	11	18
	12	28
26106-080142	11	7
	13	135
26106-080162	2	21
		29
		37
	7	8
	10	16
	13	136
26106-080182	15	42
26106-080202	2	22
	4	3
		4
	11	8
26106-080222	6	13
	13	137
		138
		139
26106-080302	3	15
	16	3
26106-080352	5	7
26106-080402	2	30
		38
	4	48
26106-080452	2	23
	12	17
	18	37
26106-080552	5	3
	7	14
	12	12
26106-080602	4	49

Parts No. Index

Parts No.	Fig. No.	Ref. No.
26106-080602	4	50
	10	18
26106-080652	12	29
26106-080852	5	4
	12	30
26106-081004	18	33
26106-100202	13	140
26116-100202	3	2
26116-120252	17	26
26216-080202	9	4
26216-100302	2	16
26226-080222	4	47
26306-080002	4	51
	6	6
		14
	9	5
	18	34
26306-100002	2	24
	18	30
26450-100452	13	122
26716-050002	13	131
26776-180002	7	19
	13	123
27241-160000	14	29
27241-300000	1	14
27241-400000	4	12
27310-070001	4	24
729900-02801	1	27
729906-01550	2	31
729907-22950	8	35
729907-53100	15	1
729963-01560	1	1
729963-22900	8	33
729963-51340	13	1
X2114155110	17	3
X2114255110	17	4
X2130631300	17	10
X9490561001	18	3

Parts No.	Fig. No.	Ref. No.
-----------	----------	----------

Parts No.	Fig. No.	Ref. No.
-----------	----------	----------

Parts No.	Fig. No.	Ref. No.
-----------	----------	----------