

0CNP5-M07400EN

Contents

OCNP5-M07400

Fig. No.	Fig. Name
ENGINE CONTROL SECTION	
1.	ENGINE RELATED
2.	ENG. ACCESSORIES
3.	ACCEL SENSOR
4.	FOOT ACCELERATOR
5.	FOOT ACCELERATOR
6.	EXHAUST
7.	FUEL TANK
8.	FUEL BREATHER
9.	TANK COVER

FRONT AXLE SECTION	
10.	FRONT BRACKET
11.	CENTER PIN
12.	KNUCKLE ARM
13.	TIE ROD
14.	RING GEAR
15.	DIFFERENTIAL GEAR
16.	PROPELLER SHAFT
17.	FRONT SHAFT(1)
18.	FRONT AXLE CASE
19.	BREATHING(FRONT
20.	FRONT GEAR CASE
21.	FRONT SHAFT(2)
22.	FRONT SPINDLE

Fig. No.	Fig. Name
23.	SHAFT COVER
24.	FRONT WHEEL TIRE
25.	FRONT WHEEL TIRE
26.	HUB BOLT
27.	STEERING COLUMN
28.	STEERING SHAFT
29.	STEERING WHEEL
30.	PST CYLINDER
31.	PST VALVE
32.	PST PIPING
33.	PST HOSE

TRANSMISSION SECTION	
34.	CLUTCH HOUSING
35.	DOCKING BOLT
36.	DAMPER DISC
37.	CLUTCH LINK
38.	CLUTCH WIRE
39.	TRANSMISSION CASE
40.	CENTER PLATE
41.	REVERSER VALVE
42.	PTO VALVE
43.	FRONT COVER
44.	MAIN SHAFT
45.	DRIVEN SHAFT

Contents

0CNP5-M07400

Fig. No.	Fig. Name
46.	COUNTER SHAFT
47.	REDUCTION SHAFT
48.	POWER REVERSER
160.	POWER REVERSE
49.	CREEP GEAR
50.	PTO CLUTCH
51.	PTO DRIVE SHAFT
52.	PTO DRIVEN SHAFT
53.	PTO SHAFT
54.	PTO IDLE GEAR
55.	PTO SHAFT COVER
56.	PTO SHAFT GUARD
57.	MAIN CHANGE SHIFT
58.	SHIFT LEVER
59.	SHIFT LEVER LINK
60.	REVERSER LEVER
61.	REVERSER LEVER LINK
62.	SUB CHANGE SHIFT
63.	SUB LEVER
64.	SUB LEVER LINK
65.	PTO SHIFT
66.	LEVER KNOB
67.	CREEP SHIFT
68.	FRONT DRIVE
69.	FRONT SHIFT

Fig. No.	Fig. Name
----------	-----------

REAR AXLE SECTION

70.	RING GEAR
71.	DIFFERENTIAL GEAR
72.	DIFFERENTIAL CARRIER
73.	REAR HOUSING
74.	DIFFERENTIAL LOCK
75.	DIFFERENTIAL LOCK PEDAL
76.	DIFFERENTIAL LOCK LINK
77.	FINAL PINION
78.	FINAL GEAR
79.	REAR AXLE SHAFT
80.	REAR WHEEL TIRE
81.	REAR WHEEL TIRE
82.	HUB BOLT
83.	BRAKE
84.	PEDAL
85.	BRAKE LINK(1
86.	BRAKE LINK(2

HYDRAULIC CONTROL SECTION

87.	HYDAULIC CYLINDER CASE
88.	PISTON
89.	LIFT CRANK
90.	CONTROL

Contents

OCNP5-M07400

Fig. No.	Fig. Name
91.	STOP VALVE CONTROL
92.	STOP VALVE
93.	SAFETY VALVE
94.	SUB CONTROL VALVE
95.	SCV CONTROL
96.	SCV CONTROL
97.	HYDRAULIC CONTROL
98.	HYDRAULIC CONTROL
99.	HYDRAULIC CONTROL LEVER
100.	HYDRAULIC PIPING
101.	HYDRAULIC PIPING
102.	HYDRAULIC FILTER
103.	OIL COOLER

ELECTRICAL PARTS SECTION

104.	WIRE HARNESS
105.	WIRE HARNESS
106.	WIRE HARNESS
107.	WIRE HARNESS
108.	WIRE HARNESS
109.	BATTERY
110.	SWITCH
111.	SWITCH
112.	SWITCH
113.	SWITCH

Fig. No.	Fig. Name
114.	SWITCH
115.	LAMP
116.	FRONT LAMP
117.	METER
118.	HORN
119.	BACKBUZZER

FITTINGS SECTION

120.	FRONT FRAME
121.	HOOD
122.	HOOD SEAL
123.	HOOD SEAL
124.	HOOD SEAL
125.	FRONT GRILLE
126.	DASHBOARD
127.	LEVER GUIDE
128.	INTERIOR
129.	INTERIOR
130.	FLOOR SEAL
131.	OVER FENDER
132.	FLOOR COVER
133.	FLOOR FRAME
134.	FLOOR SUPPORT
135.	DUST GUARD
136.	SEAT

Contents

OCNP5-M07400

Fig. No.	Fig. Name
137.	SEAT BELT
138.	BACK MIRROR
139.	BACK MIRROR BRACKET
140.	LABELS
141.	LABELS
142.	LABELS
143.	LABELS(SAFETY)
144.	LABELS(SAFETY)
145.	LABELS(SAFETY)

HITCH SECTION

146.	TOP LINK
147.	LIFT LINK(L
148.	LIFT LINK(R
149.	LOWER LINK
150.	DRAWBAR PLATE
151.	DRAWBAR HITCH
152.	FLOW CONTROL VALVE
153.	CONTROL BOX
154.	CONTROLLER
155.	SENSOR

SAFETY FRAME SECTION

156.	ROPS
------	------

Fig. No.	Fig. Name
ACCESSORIES SECTION	
157.	ACCESSORY
OPTIONAL SECTION	
158.	DRAFT CONTROL
159.	REPAIR PARTS(FUEL PUMP
161.	REPAIR PART(MISSION HOUSING

Fig.1. ENGINE RELATED

(A)=EF685-AU-PQ

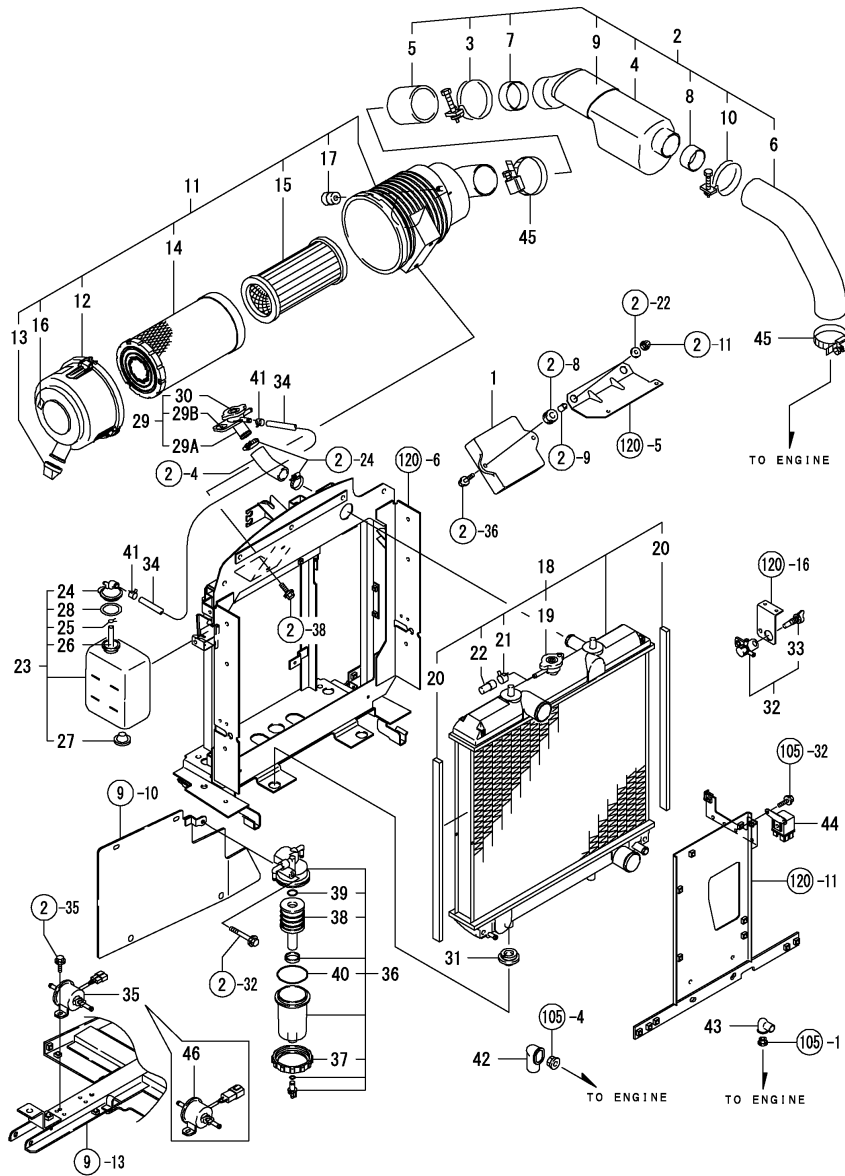
(B)=

(C)=

(D)=

(E)=

(F)=

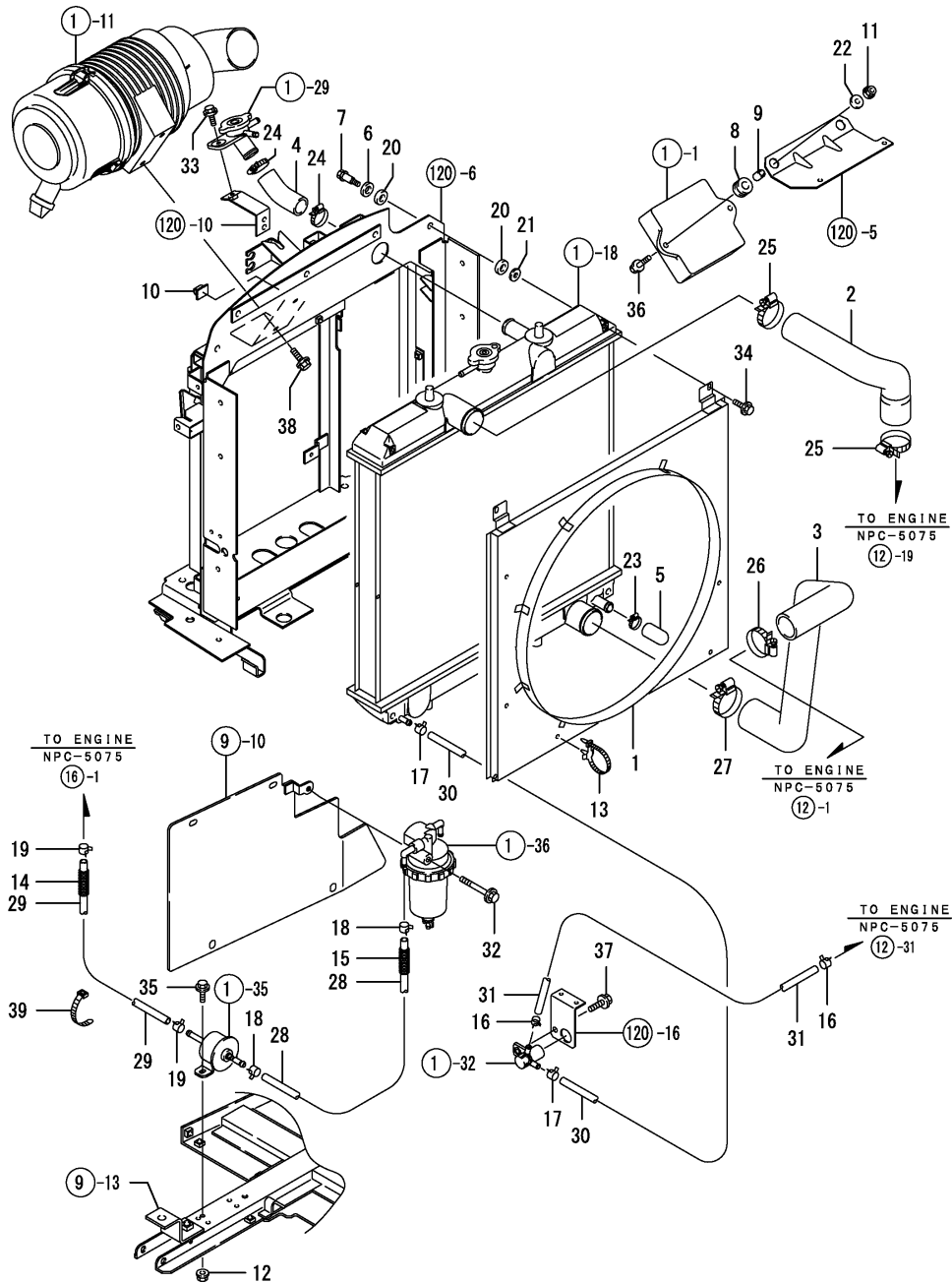


No.	Lev.	Parts No.	Description	Q'ty						I	R
				(A)	(B)	(C)	(D)	(E)	(F)		
1	1	1R1012-00016	ECO-GOVER CAN ASSY	1							
2	1	129956-12040	PIPE, AIR INTAKE	1							
3	2	129005-12080	CLAMP, HOSE	1							
4	2	129956-12100	RESONATOR	1							
5	2	129956-12110	PIPE, AIR INTAKE	1							
6	2	129956-12120	PIPE, AIR INTAKE	1							
7	2	129956-12130	PIPE	1							
8	2	129956-12140	PIPE	1							
9	2	129956-12150	PROTECTOR	1							
10	2	129956-12160	CLAMP, HOSE	1							
11	1	129963-12512	CLEANER ASSY, AIR	1							
12	2	129457-12530	COVER	1							
13	2	119808-12540	VALVE, UNLOADER	1							
14	2	129062-12560	ELEMENT	1							
15	2	119005-12571	ELEMENT	1							
16	2	129612-12650	LABEL, MARKING	1							
17	2	126650-12680	INDICATOR	1							
18	1	129963-44500	RADIATOR ASSY	1							
19	2	129972-44600	CAP, RADIATOR	1							
20	2	129963-44550	GASKET	2							
21	2	129457-44530	CLAMP	1							
22	2	129457-44520	CAP	1							
23	1	129466-44510	TANK ASSY, SUB	1							
24	2	121450-44531	CAP	1							
25	2	124450-44560	RETAINER	1							
26	2	121267-44590	PIPE	1							
27	2	121468-44540	PLUG, SUB-TANK	1							
28	2	121470-44581	GASKET	1							
29	1	129963-44600	TUBE ASSY, FILLER	1							
29A	2	119527-44610	BODY	1							W
(A=*2009.08)											
29B	2	119527-44630	COLLAR	1							W
(A=*2009.08)											
30	2	129963-44640	CAP	1							
31	1	119255-44660	ABSORBER	2							
32	1	129150-49101	COCK ASSY, 3-WAY	1							
33	2	129150-49081	COCK, DRAIN	1							
34	1	129963-49150	PIPE, WATER DRAIN	1							
35	1	119225-52102	PUMP ASSY, FUEL FEED	1							Z 1
(A=*2008.08.)											
36	1	129906-55700	SEPARATOR ASSY	1							
37	2	129100-55690	RING, RETAINING	1							
38	2	119802-55710	ELEMENT	1							
39	2	24311-000160	O-RING, 1AP16.0	1							
40	2	24321-000650	O-RING, 1AG65.0	1							
41	1	124766-59050	CLIP, HOSE 12	2							
42	1	124550-77030	COVER, TERMINAL	1							
43	1	124756-77040	COVER, TERMINAL	1							
44	1	119650-77910	RELAY ASSY, GLOW	1							
45	1	23000-080000	CLAMP, 80	2							
46	1	129612-52100	PUMP ASSY, FUEL FEED	1							W 1

Remarks

(1)There is an assistant article and refers to Fig.159.

Fig.2. ENG. ACCESSORIES



(A)=EF685-AU-PQ

(B)=

(C)=

(D)=

(E)=

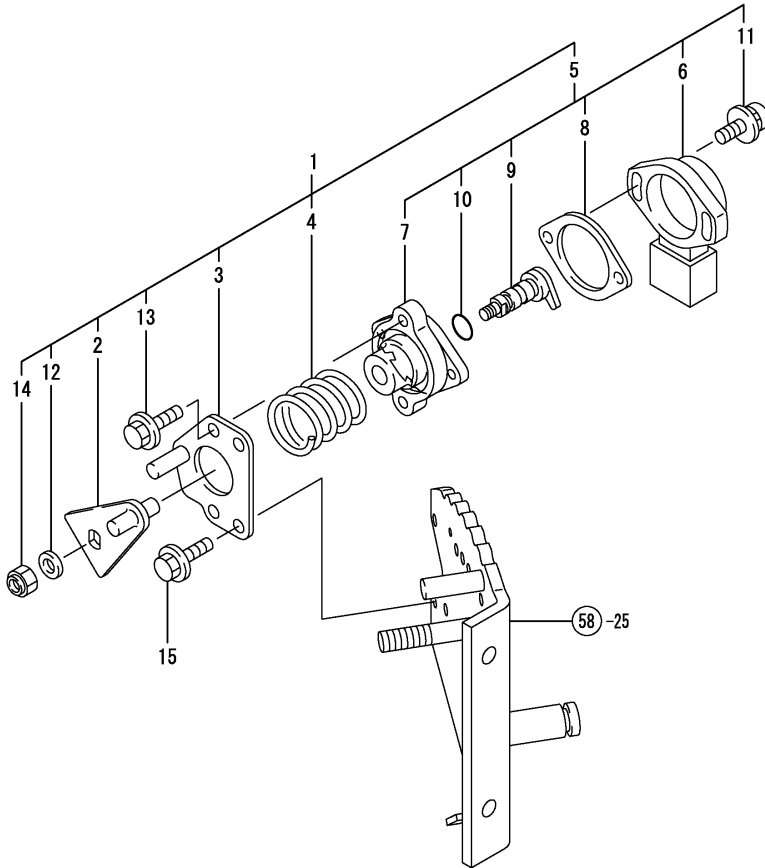
(F)=

No.	Lev.	Parts No.	Description	Qty						I	R
				(A)	(B)	(C)	(D)	(E)	(F)		
1	1	1A7660-01050	SHROUD ASSY, FAN M	1							
2	1	1A7650-01210	TUBE, WATER A	1							
3	1	1A7650-01220	TUBE, WATER B	1							
4	1	1A7650-01230	TUBE, WATER	1							
5	1	1A7650-01240	CAP, RADIATOR	1							
6	1	194150-01270	SPACER, 20	2							
7	1	198133-02120	BOLT, STEPPED M6	2							
8	1	198360-03260	GROMMET, 12	2							
9	1	198360-03270	SPACER	2							
10	1	172010-07810	STICKER, WIRE	1							
11	1	194990-22130	NUT, M6	2							
12	1	194990-22130	NUT, M6	2							
13	1	194680-51670	BAND, CLIP	1							
14	1	198133-52170	TUBE, CORRUGATED 13	1							
15	1	198133-52170	TUBE, CORRUGATED 13	1							
16	1	124766-59050	CLIP, HOSE 12	2							
17	1	124766-59050	CLIP, HOSE 12	2							
18	1	124766-59050	CLIP, HOSE 12	2							
19	1	124766-59050	CLIP, HOSE 12	2							
20	1	194420-62260	RUBBER, CUSHION	4							
21	1	22137-100000	WASHER, 10	2							
22	1	22157-060000	WASHER, 6	2							
23	1	23000-025000	CLAMP, 25	1							
24	1	23000-035000	CLAMP, 35	2							
25	1	23000-054000	CLAMP, 54	2							
26	1	23000-054000	CLAMP, 54	1							
27	1	23000-060000	CLAMP, 60	1							
28	1	23980-730850	HOSE, 7.3X 850	1							
29	1	23980-730850	HOSE, 7.3X 850	1							
30	1	23980-730850	HOSE, 7.3X 850	1							
31	1	23980-731100	HOSE, 7.3X1100	1							
32	1	26016-080652	BOLT, M8X 65	1							
33	1	26106-060122	BOLT, M6X 12 PLATED	1							
34	1	26106-060122	BOLT, M6X 12 PLATED	4							
35	1	26106-060162	BOLT, M6X 16 PLATED	2							
36	1	26106-060302	BOLT, M6X 30 PLATED	2							
37	1	26106-080162	BOLT, M8X 16 PLATED	1							
38	1	26106-080162	BOLT, M8X 16 PLATED	2							
39	1	29621-100000	BAND, TR100	1							

Fig.3. ACCEL SENSOR

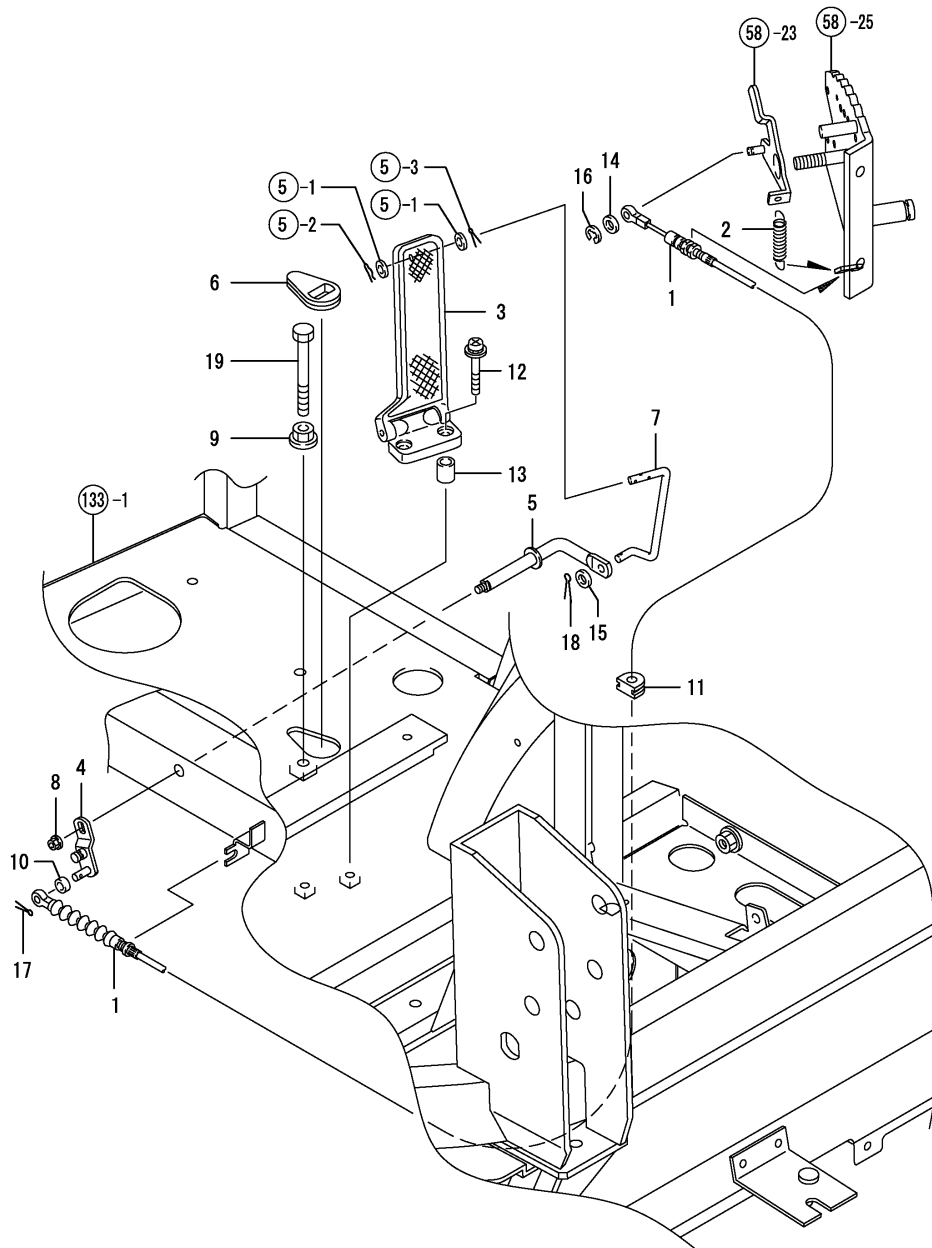
(A)=EF685-AU-PQ
(B)=
(C)=

(D)=
(E)=
(F)=



No.	Lev.	Parts No.	Description	Q'ty						I	R
				(A)	(B)	(C)	(D)	(E)	(F)		
1	1	198448-01390	SENSOR ASSY	1							
2	2	198448-04810	ARM, SENSOR	1							
3	2	198448-04840	BRACKET, SENSOR	1							
4	2	119060-61990	SPRING, RETURN	1							
5	2	129054-77800	SENSOR ASSY	1							
6	3	185100-50070	BODY	1							
7	3	129054-77811	SUPPORT	1							
8	3	129054-77820	GASKET, SUPPORT	1							
9	3	129054-77830	SHAFT ASY	1							
10	3	24311-000070	O-RING, 1AP7.0	1							
11	3	26023-040202	SCREW, M4X20	2							
12	2	22137-060000	WASHER, 6	1							
13	2	26106-060122	BOLT, M6X 12 PLATED	2							
14	2	26347-060002	NUT, M6	1							
15	1	26106-060122	BOLT, M6X 12 PLATED	2							

Fig.4. FOOT ACCELERATOR



(A)=EF685-AU-PQ
(B)=
(C)=

(D)=
(E)=
(F)=

No.	Lev.	Parts No.	Description	Qty						I	R
				(A)	(B)	(C)	(D)	(E)	(F)		
1	1	1A7640-01151	CABLE ASSY	1							
2	1	1A7790-01160	SPRING, RETURN	1							
3	1	1A7640-01200	PEDAL, FOOT THROTTLE	1							
4	1	198071-01340	ARM ASSY	1							
5	1	1A7450-01340	ROD, ACCELERATOR	1							
6	1	198071-01390	GROMMET	1							
7	1	1A7480-01410	ROD, ACCELERATOR	1							
8	1	194990-22130	NUT, M6	1							
9	1	194990-22140	NUT, M8	1							
10	1	1C6215-48870	COLLAR, 6.5X10.5X4.2	1							
11	1	198071-56290	GROMMET, A	1							
12	1	194065-60570	SCREW M 6X 40	2							
13	1	194151-63250	COLLAR, CUSHION	2							
14	1	22137-060000	WASHER, 6	1							
15	1	22137-060000	WASHER, 6	1							
16	1	22272-000040	RING, E- 4	1							
17	1	22417-160180	PIN, COTTER 1.6X18	1							
18	1	22417-160180	PIN, COTTER 1.6X18	1							
19	1	26116-080754	BOLT, M8X 75 PLATED	1							
20	1	194680-51670	BAND, CLIP	2							
21	1	29622-250001	BAND, RF250	1							

Fig.5. FOOT ACCELERATOR

(A)=EF685-AU-PQ
(B)=
(C)=

(D)=
(E)=
(F)=

No.	Lev.	Parts No.	Description	Q'ty						I	R
				(A)	(B)	(C)	(D)	(E)	(F)		
1	1	22137-060000	WASHER, 6	2							
2	1	22372-060000	PIN, SNAP 6	1							
3	1	22417-160180	PIN, COTTER 1.6X18	1							

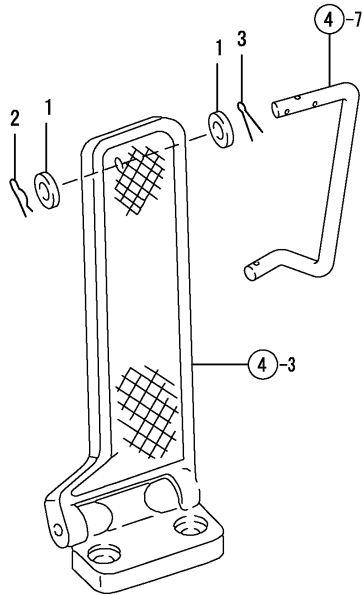
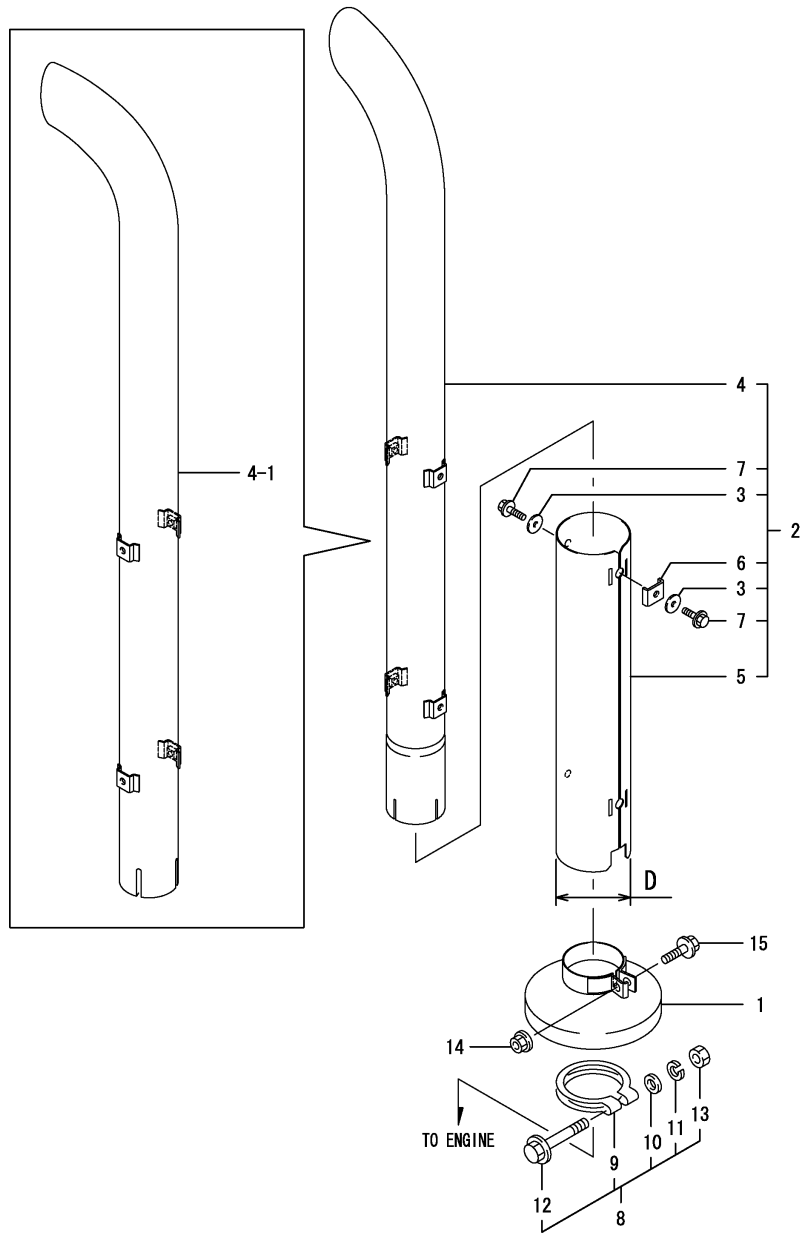


Fig.6. EXHAUST

(A)=EF685-AU-PQ
(B)=
(C)=

(D)=
(E)=
(F)=



No.	Lev.	Parts No.	Description	Q'ty						I	R
				(A)	(B)	(C)	(D)	(E)	(F)		
1	1	1A7450-03110	COVER, TAIL PIPE	1							
2	1	1A7640-03200	PIPE ASSY, EXHAUST	1							
2-1	1	1A7640-03201	PIPE ASSY, TAIL	1							N
(A=FZZZZZ)											
3	2	194515-01190	WASHER, 6	4							
4	2	1A7640-03100	PIPE, EXHAUST	1							
4-1	2	1A7640-03101	PIPE, TAIL	1							S
(A=FZZZZZ)											
5	2	1A7450-03130	COVER, MUFFLER PIPE	1							
5-1	2	1A7450-03131	COVER, MUFFLER PIPE	1							S 1
(A=FZZZZZ)											
6	2	198463-03140	STAY, COVER	2							
7	2	1A7450-03170	BOLT, M6X10	4							
8	1	129972-13590	CLAMP,PIPE,EXH	1							
9	2	129972-13580	CLAMP,PIPE,EXH	1							
10	2	22117-100000	WASHER, 10	1							
11	2	22217-100000	WASHER, SPRING 10	1							
12	2	26106-100652	BOLT, M10X 65 PLATED	1							
13	2	26711-100002	NUT, M10	1							
14	1	194990-22140	NUT, M8	1							
15	1	26106-080302	BOLT, M8X 30 PLATED	1							

Remarks

(1) D= Ref.No.5 73.5M/M,5-1 77.3M/M.

N:Old $\xrightarrow{\text{Yes}}$ New, Q:Old $\xrightarrow{\text{No}}$ New, R:Old $\xrightarrow{\text{Yes}}$ New, S:Old $\xrightarrow{\text{No}}$ New, W:Add, Z:Discontinued, F:Interchangeable by set, K:Q'ty Change

Fig.7. FUEL TANK

(A)=EF685-AU-PQ

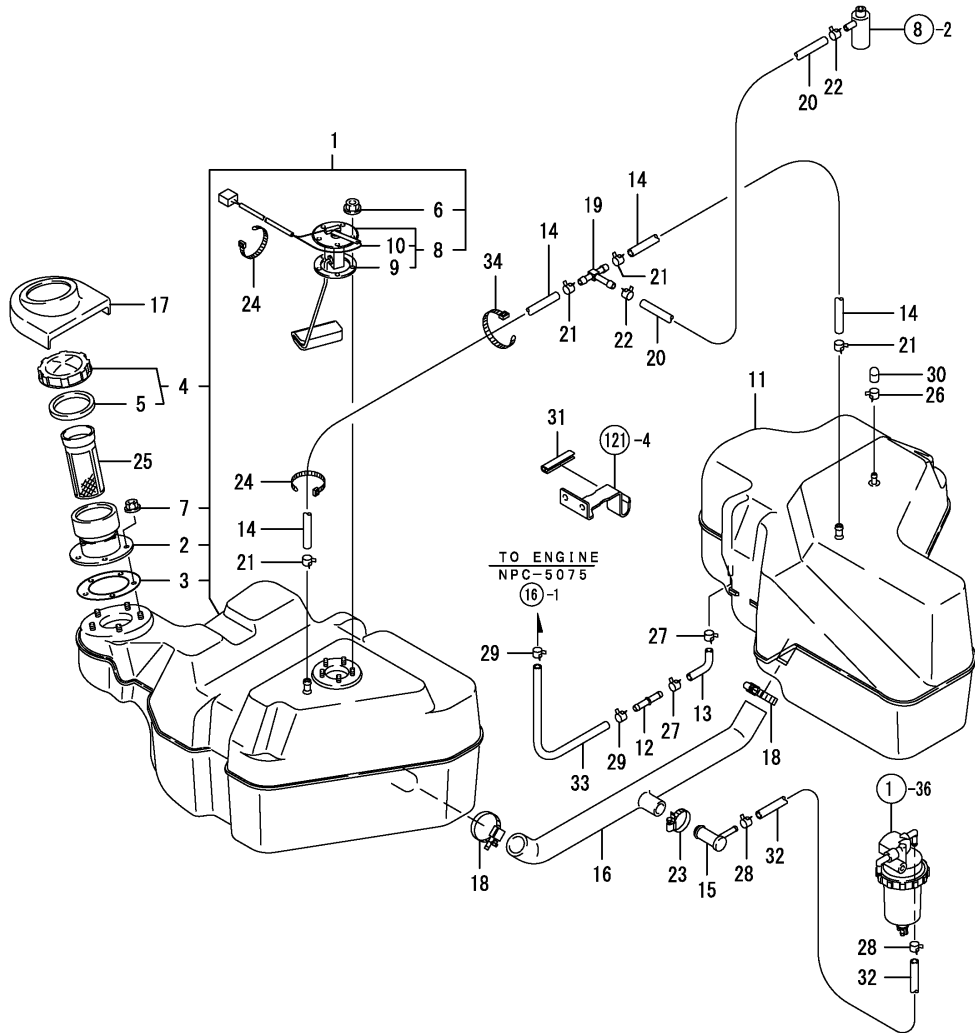
(B)=

(C)=

(D)=

(E)=

(F)=



No.	Lev.	Parts No.	Description	Qty						I	R
				(A)	(B)	(C)	(D)	(E)	(F)		
1	1	1A7640-04100	TANK ASSY, FUEL L	1							
2	2	1A7640-04300	NECK, FILLER	1							
3	2	198448-04340	GASKET, FILLER NECK	1							
4	2	1A7450-04400	CAP ASSY, TANK	1							
5	3	198153-04290	GASKET	1							
6	2	194990-22120	NUT, M5	5							
7	2	194990-22130	NUT, M6	5							
8	2	198448-56600	GAUGE ASSY, FUEL	1							
9	3	194420-56620	GASKET	1							
10	3	198240-56630	WIRE, LEAD	1							
11	1	198448-04211	TANK ASSY, FUEL R	1							
12	1	198448-04250	JOINT	1							
13	1	198448-04270	HOSE, RETURN	1							
14	1	198448-04280	PIPE, OVERFLOW	2							
15	1	198071-04331	PIPE ASSY, SUCTION	1							
16	1	198448-04490	HOSE, FUEL	1							
17	1	198448-04710	COVER, FILLER NECK	1							
18	1	1A7890-04740	CLIP, HOSE 34	2							
19	1	198448-04930	JOINT, HOSE	1							
20	1	1A7640-04940	HOSE, TANK	1							
21	1	106990-44660	CLIP, HOSE 12.5	4							
22	1	106990-44660	CLIP, HOSE 12.5	2							
23	1	175022-49700	CRIP 23, HOSE	1							
24	1	198220-51860	CLAMP 100	2							
25	1	101504-55101	STRAINER, FUEL	1							
26	1	124766-59050	CLIP, HOSE 12	1							
27	1	124766-59050	CLIP, HOSE 12	2							
28	1	124766-59050	CLIP, HOSE 12	2							
29	1	124766-59050	CLIP, HOSE 12	2							
30	1	129461-59580	CAP, FUEL OIL	1							
31	1	198291-77870	COVER, GUARD	1							
32	1	23980-730900	HOSE, 7.3X 900	1							
33	1	23980-731000	HOSE, 7.3X1000	1							
34	1	29622-250001	BAND, RF250	1							

Fig.8. FUEL BREATHER

(A)=EF685-AU-PQ
(B)=
(C)=

(D)=
(E)=
(F)=

No.	Lev.	Parts No.	Description	Qty						I	R
				(A)	(B)	(C)	(D)	(E)	(F)		
1	1	174841-42920	STAY, BREATHER	1							
2	1	194205-63550	BREATHER, AIR	1							
3	1	198010-85810	RIVET, NYLON	1							
4	1	26106-080162	BOLT, M8X 16 PLATED	1							

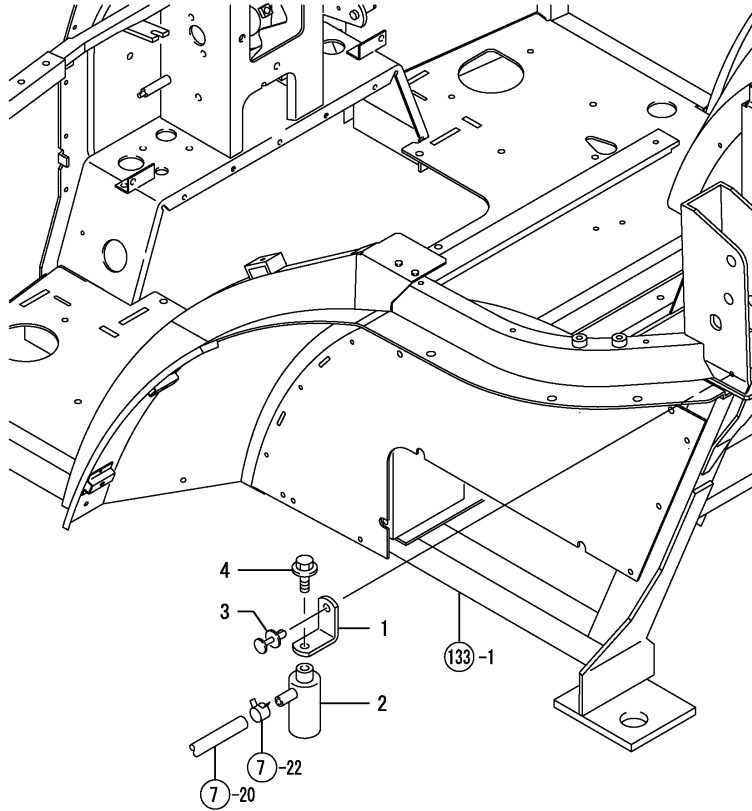
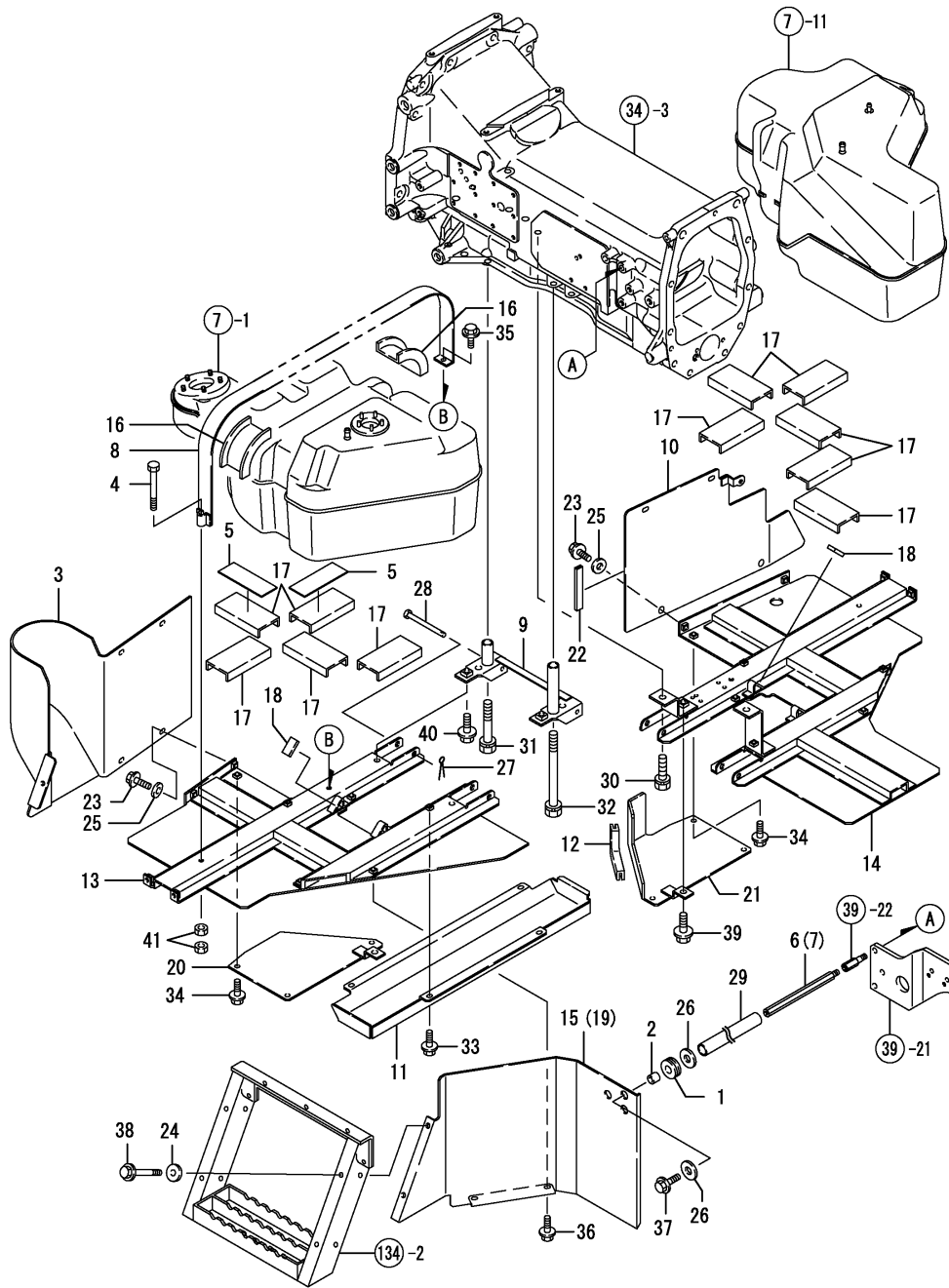


Fig.9. TANK COVER



(A)=EF685-AU-PQ

(B)=

(C)=

(D)=

(E)=

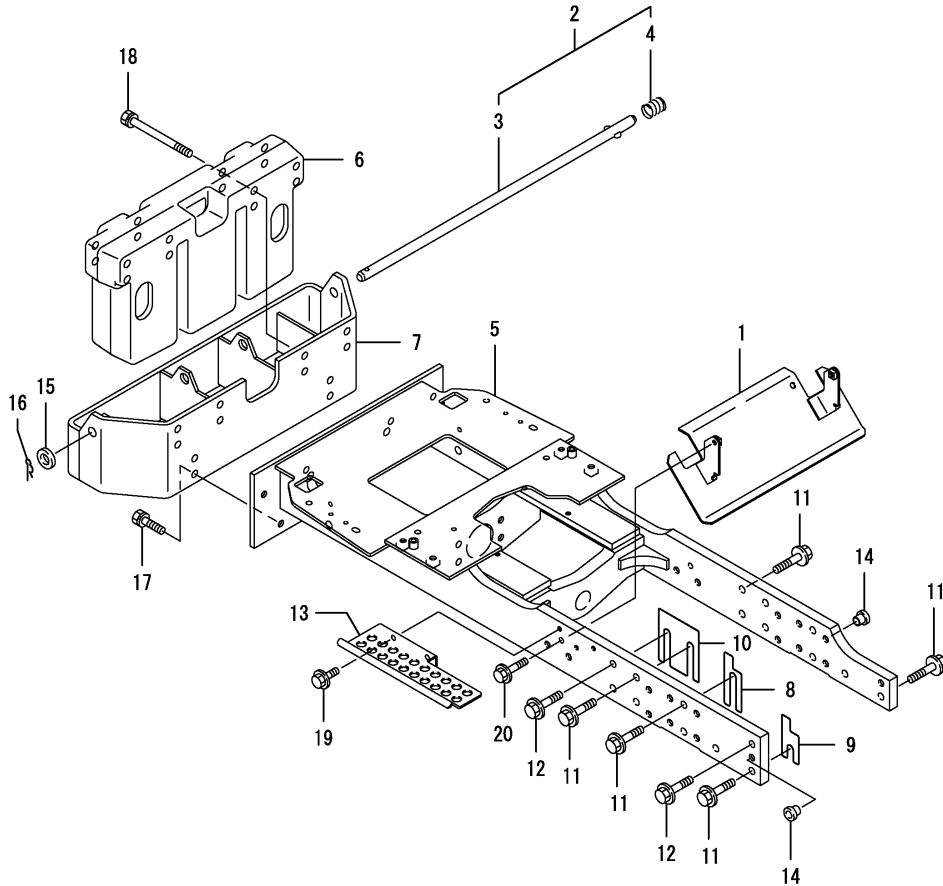
(F)=

No.	Lev.	Parts No.	Description	Q'ty						I	R
				(A)	(B)	(C)	(D)	(E)	(F)		
1	1	198360-03260	GROMMET, 12	2							
2	1	198360-03270	SPACER	2							
3	1	1A7680-04010	COVER ASSY, TANK LM	1							
4	1	198535-04050	BOLT, M8X115	2							
5	1	194151-04260	GASKET, FUEL TANK	2							
6	1	198448-04370	STAY, M10-M8	1							
7	1	1A7640-04370	STAY, M10-M8	1							
8	1	198448-04380	BAND ASSY	2							
9	1	1A7640-04400	STAY ASSY, TANK L	1							
10	1	1A7640-04450	COVER ASSY, TANK R	1							
11	1	198448-04480	COVER, UNDER	1							
12	1	198071-04490	TRIM, TANK 240	1							
13	1	198448-04503	COVER ASSY, TANK L	1							
14	1	1A7640-04600	COVER ASSY, TANK R	1							
15	1	198448-04651	COVER ASSY, TANK L	1							
16	1	198153-04670	RETAINER, BAND	4							
17	1	198448-04720	SEAT, TANK	11							
18	1	198448-04730	PAD	4							
19	1	198448-04750	COVER ASSY, TANK R	1							
20	1	1A7640-04770	COVER ASSY, TANK L	1							
21	1	1A7640-04780	COVER ASSY, TANK R	1							
22	1	198230-61560	GUIDE, HOSE	1							
23	1	198460-83350	BOLT, M8X16	8							
24	1	198255-83550	WASHER, 8	5							
25	1	198255-83550	WASHER, 8	8							
26	1	22157-080000	WASHER, 8	4							
27	1	22417-200300	PIN, COTTER 2.0X30	2							
28	1	22487-080550	PIN 8X 55	2							
29	1	23061-190210	PIPE, 19X 210	1							
30	1	26013-120252	BOLT, M12X 25	2							
31	1	26013-120702	BOLT, M12X 70	1							
32	1	26013-121302	BOLT, M12X130	1							
33	1	26106-080162	BOLT, M8X 16 PLATED	4							
34	1	26106-080162	BOLT, M8X 16 PLATED	4							
35	1	26106-080162	BOLT, M8X 16 PLATED	2							
36	1	26106-080162	BOLT, M8X 16 PLATED	4							
37	1	26106-080252	BOLT, M8X 25 PLATED	2							
38	1	26106-080752	BOLT, M8X 75 PLATED	5							
39	1	26106-100202	BOLT, M10X 20 PLATED	1							
40	1	26106-100202	BOLT, M10X 20 PLATED	2							
41	1	26716-080002	NUT, M8	4							

Fig.10. FRONT BRACKET

(A)=EF685-AU-PQ
(B)=
(C)=

(D)=
(E)=
(F)=



No.	Lev.	Parts No.	Description	Q'ty						I	R
				(A)	(B)	(C)	(D)	(E)	(F)		
1	1	198463-05551	PLATE ASSY, SHUTTER	1							
2	1	198440-11090	PIN ASSY, LOCK	1							
3	2	198440-11080	PIN	1							
4	2	194250-11140	SPRING	1							
5	1	1A7670-11100	BRACKET, FRONT AXLE	1							
6	1	198141-11111	WEIGHT, FRONT 50KG	1							
7	1	198133-11132	HITCH ASSY, FRONT	1							
8	1	1A7450-11330	SHIM, FAB 1MM A	1							
9	1	1A7450-11340	SHIM, FAB 1MM B	1							
10	1	1A7450-11350	SHIM, FAB 1MM C	1							
11	1	198220-11520	BOLT, M12X38	13							
12	1	198220-11530	BOLT, M12X38	2							
13	1	1A7650-11640	PLATE, SHUTTER L	1							
14	1	194150-21910	PLUG, 11.2	14							
15	1	22137-160000	WASHER, 16	1							
15-1	1	194197-25930	WASHER, 17X24X1.6	1							N
(A=FZZZZZ)											
16	1	22360-200000	PIN, SNAP 20	1							
17	1	26013-120302	BOLT, M12X 30	2							
18	1	26013-121052	BOLT, M12X105	4							
19	1	26106-080162	BOLT, M8X 16 PLATED	2							
20	1	26106-080302	BOLT, M8X 30 PLATED	2							

Fig.11. CENTER PIN

(A)=EF685-AU-PQ
(B)=
(C)=

(D)=
(E)=
(F)=

No.	Lev.	Parts No.	Description	Q'ty						I	R
				(A)	(B)	(C)	(D)	(E)	(F)		
1	1	1A7640-11500	PIN ASSY, CENTER	1							
2	2	1A7640-11510	PIN, CENTER	1							
3	2	24761-050000	NIPPLE, GREASE C	1							
4	1	1A7640-11540	SPACER, 33X41X2	1							
5	1	198240-11550	SPACER, 36X62X27	1							
6	1	1A7450-13220	SHIM SET, CENTER PIN	1							
7	1	22242-000320	RING, 32	1							
8	1	26013-120352	BOLT, M12X 35	4							

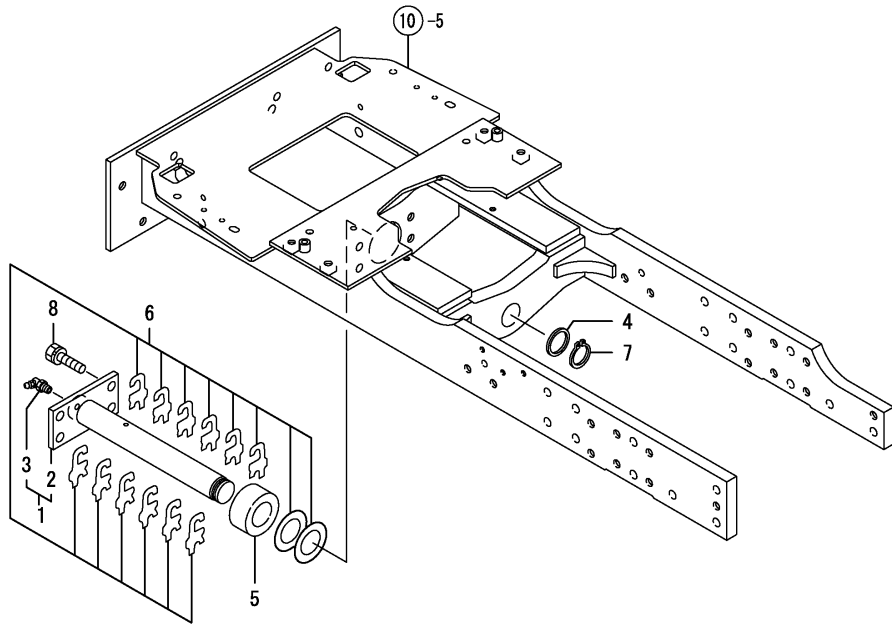


Fig.12. KNUCKLE ARM

(A)=EF685-AU-PQ
(B)=
(C)=

(D)=
(E)=
(F)=

No.	Lev.	Parts No.	Description	Q'ty						I	R
				(A)	(B)	(C)	(D)	(E)	(F)		
1	1	198535-11890	ARM ASSY, KNUCKLE	1							
2	2	198448-11900	ARM, KNUCKLE L	1							
3	2	198535-11920	ARM, KNUCKLE R	1							
4	1	194855-24290	CAP, OIL M20	1							
5	1	22217-120000	WASHER, SPRING 12	4							
6	1	22312-100180	PIN, PARALLEL M10X18	4							
7	1	23876-040000	PLUG, R04	1							
8	1	24311-000180	O-RING, 1AP18.0	1							
9	1	26013-120802	BOLT, M12X 80	2							
10	1	26013-121202	BOLT, M12X120	2							
11	1	26216-120502	STUD, M12X 50	4							
12	1	26716-120002	NUT, M12	4							

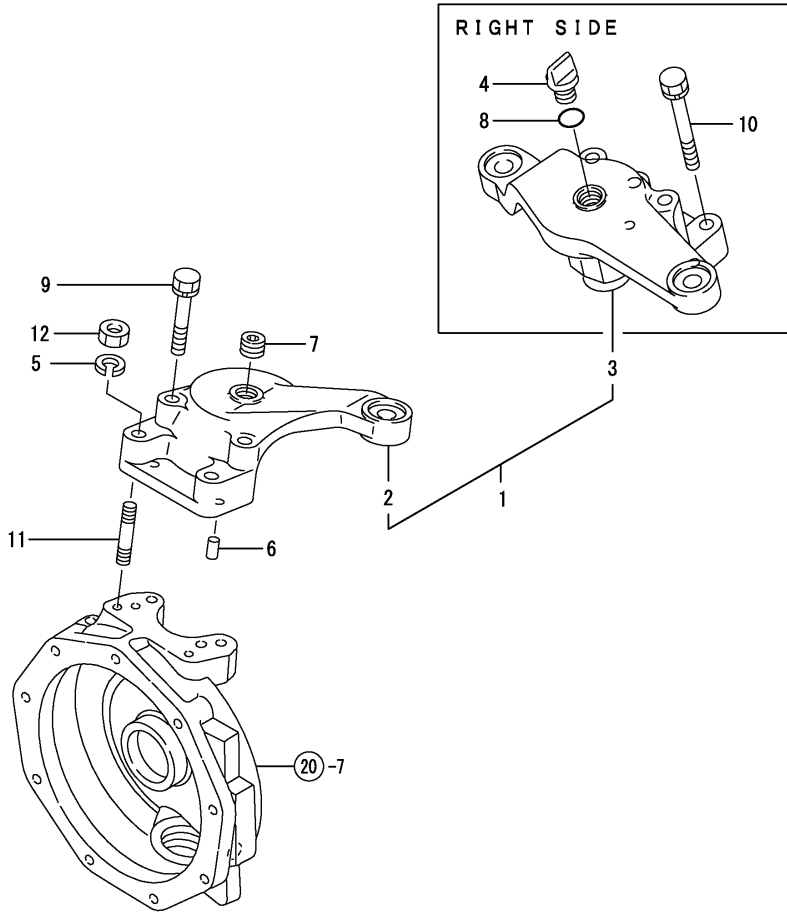


Fig.13. TIE ROD

(A)=EF685-AU-PQ
(B)=
(C)=

(D)=
(E)=
(F)=

No.	Lev.	Parts No.	Description	Q'ty						I	R
				(A)	(B)	(C)	(D)	(E)	(F)		
1	1	198448-12310	TIE-ROD	1							
2	1	198448-12321	END ASSY, TIE-ROD LL	1							
6	2	24761-060000	NIPPLE, GREASE MT6X1	1							
7	1	194180-12471	NUT, CASTLE M16	2							
8	1	198133-17211	END ASSY, ROD RR	1							
11	2	24761-060000	NIPPLE, GREASE MT6X1	1							
13	1	22417-400400	PIN, COTTER 4.0X40	2							

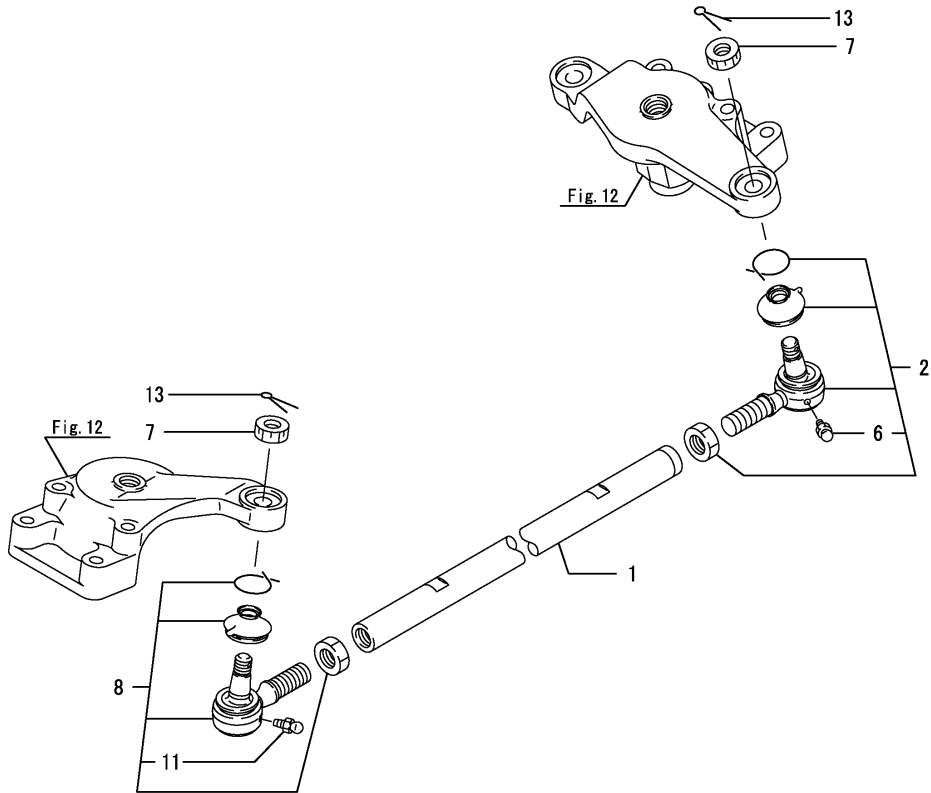


Fig.14. RING GEAR

(A)=EF685-AU-PQ
(B)=
(C)=

(D)=
(E)=
(F)=

No.	Lev.	Parts No.	Description	Qty						I	R
				(A)	(B)	(C)	(D)	(E)	(F)		
1	1	198463-13100	GEAR ASSY, RING	1							
2	1	198251-13670	COLLAR, SEAL	1							
3	1	198133-13810	BEARING, ET-32007XST	2							
4	1	24101-060124	BEARING, BALL 6012	1							
5	1	24341-000315	O-RING, 1AS31.5	1							

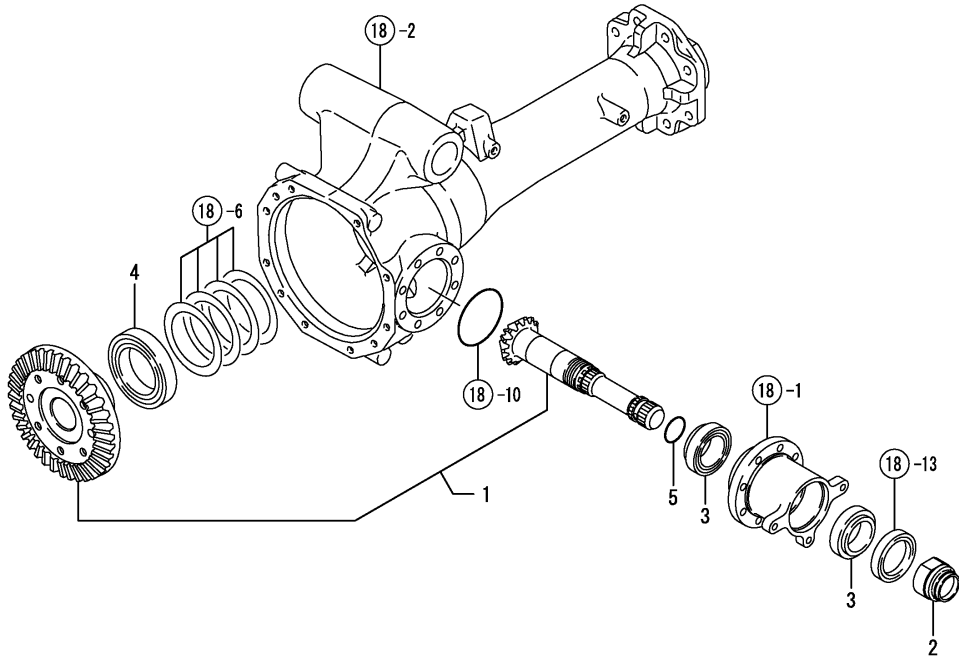


Fig.15. DIFFERENTIAL GEAR

(A)=EF685-AU-PQ
(B)=
(C)=

(D)=
(E)=
(F)=

No.	Lev.	Parts No.	Description	Q'ty						I	R
				(A)	(B)	(C)	(D)	(E)	(F)		
1	1	194641-13210	CASE, DIFFERENTIAL	1							
2	1	194321-13230	PINION, DIFFERENTIAL	2							
3	1	194465-13240	LINER, DIFFERENTIAL	2							
4	1	194321-13250	GEAR, DIFFERENTIAL	2							
5	1	194465-13260	WASHER, DIFFERENTIAL	2							
6	1	194321-13270	SHAFT, DIFFERENTIAL	1							
7	1	194323-13290	BOLT, M10X70	6							
8	1	22312-100180	PIN, PARALLEL M10X18	2							
9	1	22351-035032	PIN, SPRING 3.5X32	1							
10	1	22351-060032	PIN, SPRING 6.0X32	1							
11	1	24101-060104	BEARING, BALL 6010	1							

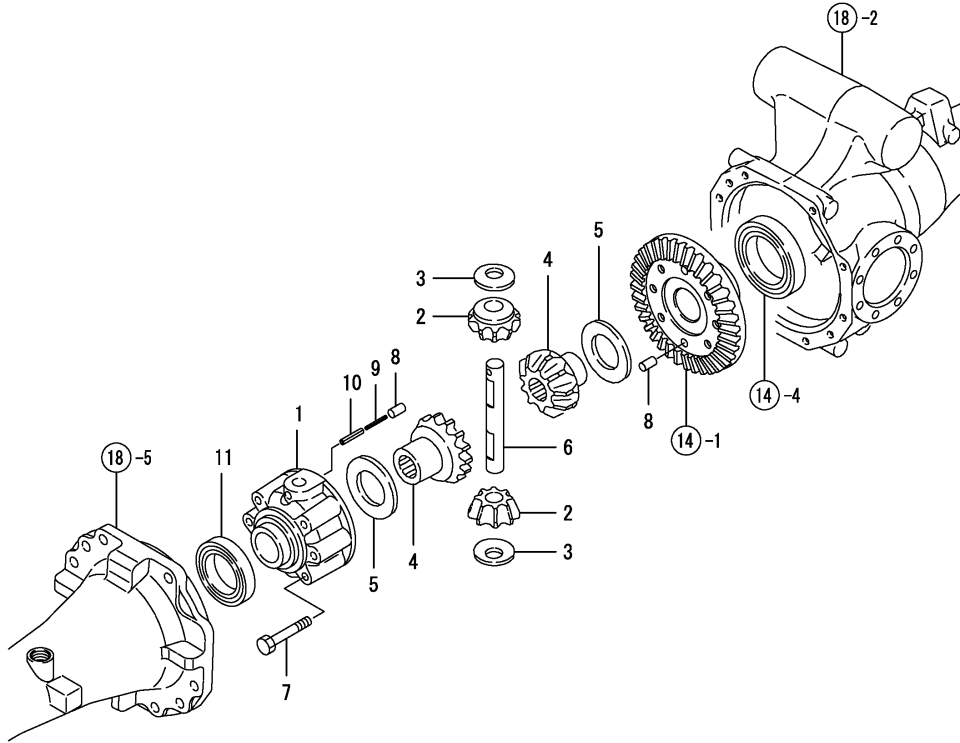
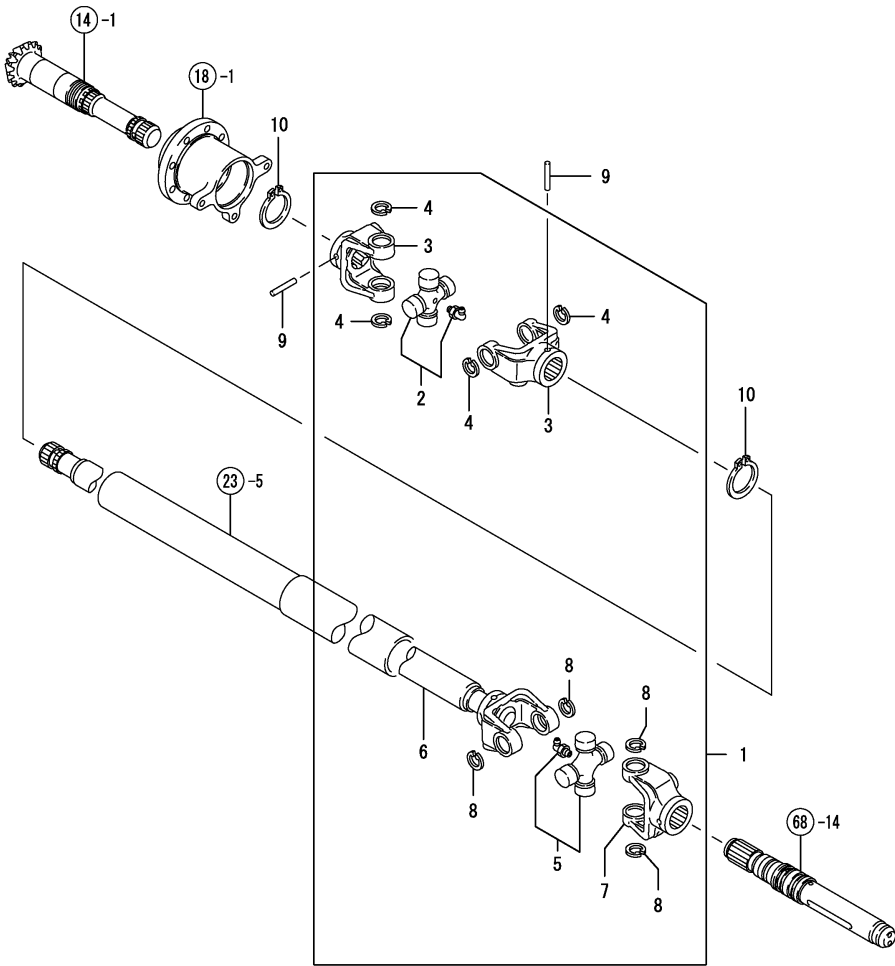


Fig.16. PROPELLER SHAFT



(A)=EF685-AU-PQ
(B)=
(C)=

(D)=
(E)=
(F)=

No.	Lev.	Parts No.	Description	Q'ty						I	R
				(A)	(B)	(C)	(D)	(E)	(F)		
1	1	198448-13301	SHAFT ASSY,PROPELLER	1							
1-1	1	1A7601-13300	SHAFT ASSY,PROPELLER	1							F 1
(A=FZZZZZ)											
2	2	195188-11210	SPIDER	1							
3	2	198448-13420	YOKE, SPLINE	2							
4	2	22252-000250	RING, 25	4							
5	2	195188-11210	SPIDER	1							
6	2	198448-13380	SHAFT R	1							
7	2	198448-13410	YOKE, SPLINE	1							
8	2	22252-000250	RING, 25	4							
9	1	174810-22130	NEEDLE, 6.35X4.45	2							
10	1	22242-000480	RING, 48	2							

Remarks
(1)Fig.68 Ref.No.14-1 Interchangeable
by set.

Fig.17. FRONT SHAFT(1)

(A)=EF685-AU-PQ
(B)=
(C)=

(D)=
(E)=
(F)=

No.	Lev.	Parts No.	Description	Q'ty						I	R
				(A)	(B)	(C)	(D)	(E)	(F)		
1	1	198251-13510	SHAFT, FRONT 1ST L	1							
2	1	198153-13521	PINION, SHAFT	2							
3	1	198251-13520	SHAFT, FRONT 1ST R	1							
4	1	194641-13840	BEARING, BALL TMB208	2							

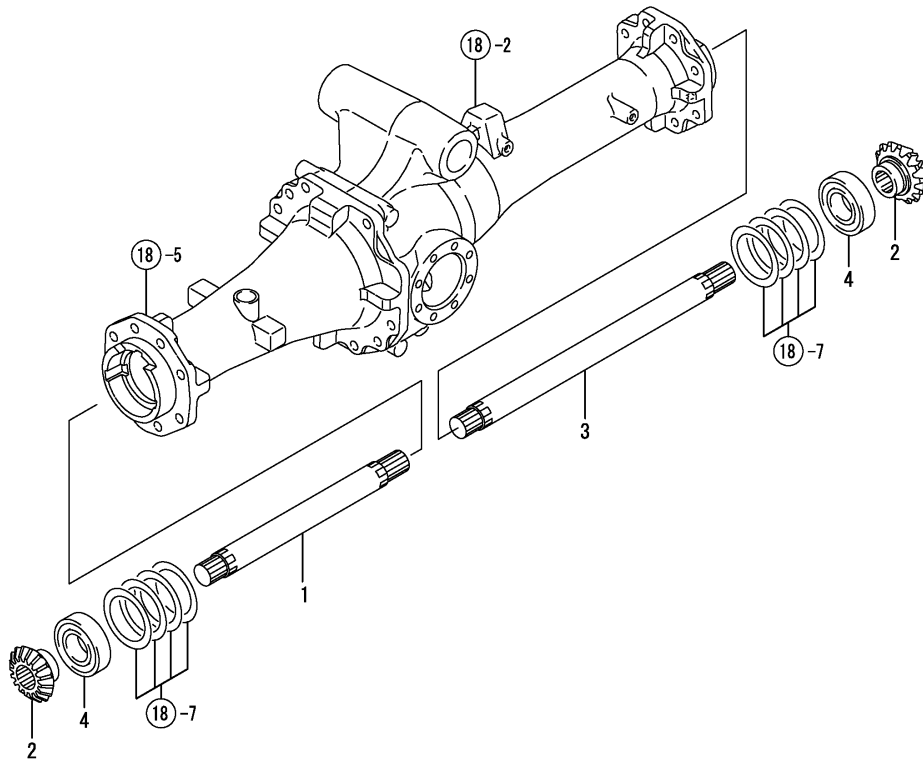
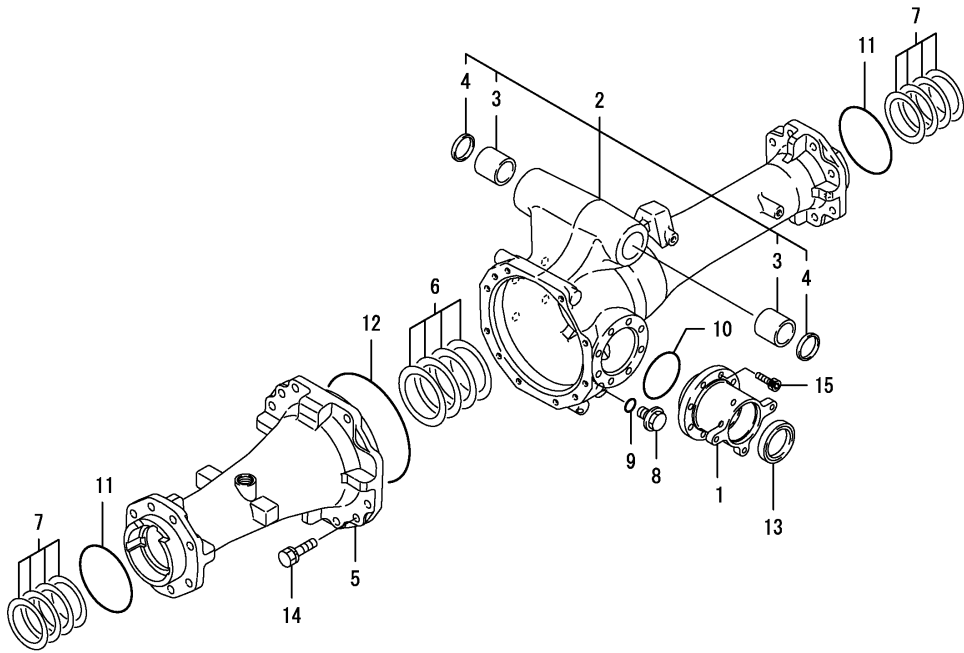


Fig.18. FRONT AXLE CASE

(A)=EF685-AU-PQ
(B)=
(C)=

(D)=
(E)=
(F)=



No.	Lev.	Parts No.	Description	Q'ty						I	R
				(A)	(B)	(C)	(D)	(E)	(F)		
1	1	198448-13450	RETAINER, BEARING	1							
2	1	198141-13600	HOUSING ASSY, AXLE R	1							
3	2	198251-11220	BUSH, 35X41X40	2							
4	2	194321-11940	SEAL, OIL VB354105	2							
5	1	1A7640-13610	HOUSING, FRONT AXLE	1							
6	1	794321-13660	SHIM SET	1							
7	1	194641-13670	SHIM SET, PINION	1							
8	1	23491-140002	PLUG, 14	1							
9	1	24311-000160	O-RING, 1AP16.0	1							
10	1	24321-000700	O-RING, 1AG70.0	1							
11	1	24321-001000	O-RING, 1AG100.0	2							
12	1	24321-001700	O-RING, 1AG170.0	1							
13	1	24421-456209	SEAL, OIL TC456209	1							
14	1	26013-120302	BOLT, M12X 30	11							
15	1	26450-080252	BOLT, M8X 25	8							

Fig.19. BREATHER(FRONT

(A)=EF685-AU-PQ
(B)=
(C)=

(D)=
(E)=
(F)=

No.	Lev.	Parts No.	Description	Q'ty						I	R
				(A)	(B)	(C)	(D)	(E)	(F)		
1	1	1C6900-23020	BREATHER	1							
2	1	24311-000180	O-RING, 1AP18.0	1							

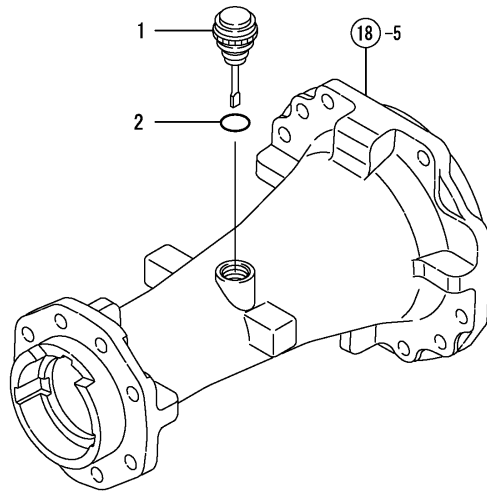


Fig.20. FRONT GEAR CASE

(A)=EF685-AU-PQ

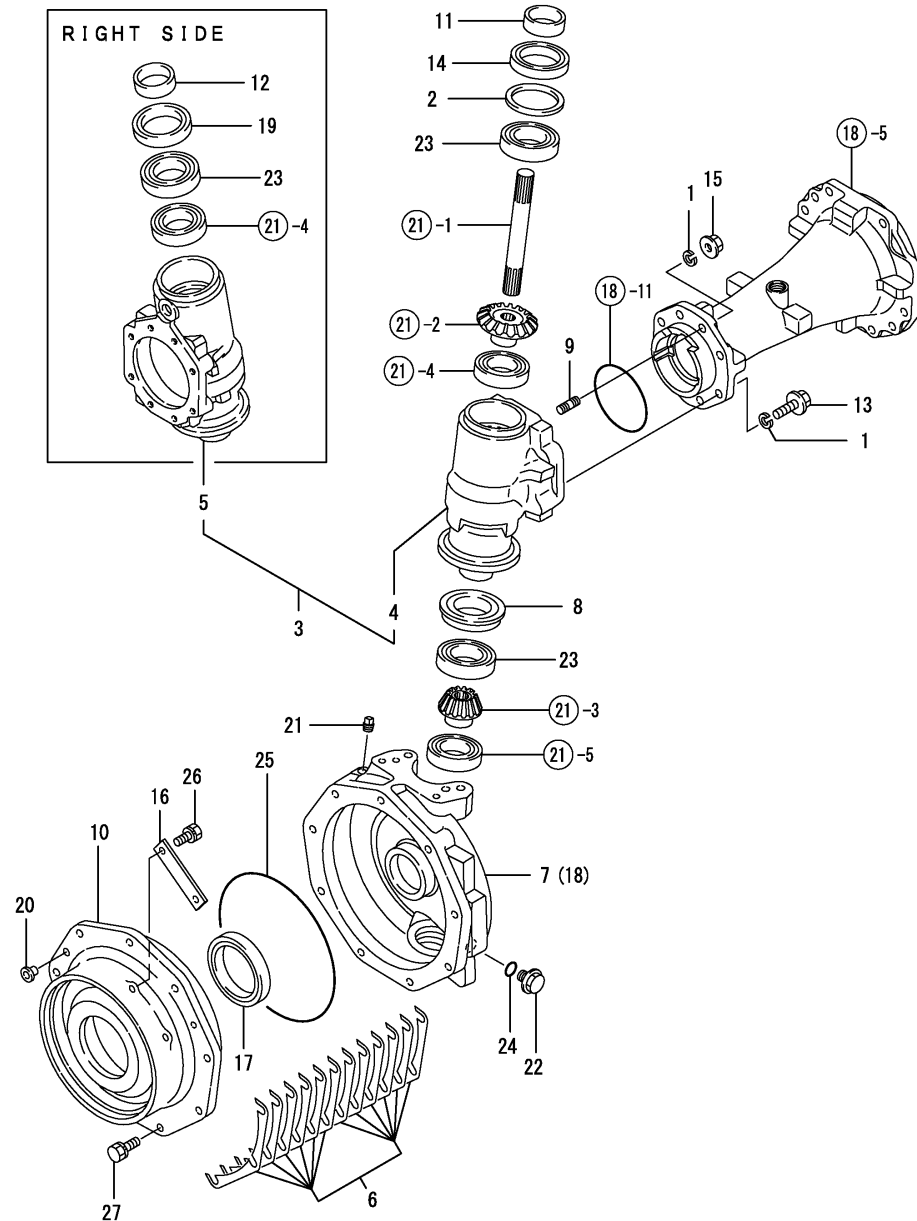
(B)=

(C)=

(D)=

(E)=

(F)=

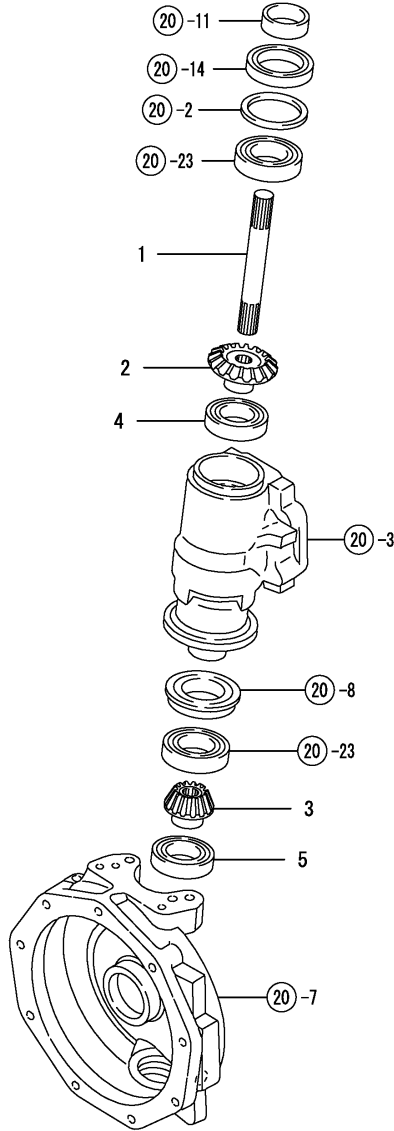


No.	Lev.	Parts No.	Description	Q'ty						I	R
				(A)	(B)	(C)	(D)	(E)	(F)		
1	1	194274-13580	WASHER, SPRING 12	16							
2	1	194321-13680	SPACER, 85X1	1							
3	1	198448-13690	HOUSING ASSY, GEAR	1							
4	2	198448-13710	CASE, FRONT GEAR L	1							
5	2	198448-13720	CASE, FRONT GEAR R	1							
6	1	198401-13720	SHIM SET	1							
7	1	198401-13750	BOX, GEAR L	1							
8	1	194641-13760	SEAL, OIL 55X85	2							
9	1	198133-13760	STUD, M12X30	2							
10	1	198401-13770	CASE, FRONT BEARING	2							
11	1	194641-13780	SLEEVE, SI 50X55X18	1							
12	1	198071-13780	SLEEVE, SI 63X68X17	1							
13	1	198133-13780	BOLT, M12X30	14							
14	1	194641-13790	SEAL, OIL TC6Y558514	1							
15	1	198133-13790	NUT, M12	2							
16	1	198401-13790	RETAINER, BEARING	4							
17	1	198535-13790	SEAL, QLNY7810516	2							
18	1	198401-13850	BOX, GEAR R	1							
19	1	194171-13870	SEAL, OIL TC6Y689013	1							
20	1	194275-27750	PLUG, 7.8	6							
21	1	194151-36670	PLUG, PF02	2							
22	1	23491-140002	PLUG, 14	2							
23	1	24101-062094	BEARING, BALL 6209	4							
24	1	24311-000160	O-RING, 1AP16.0	2							
25	1	24321-002200	O-RING, 1AG220.0	2							
26	1	26013-080252	BOLT, M8X 25	8							
27	1	26013-100252	BOLT, M10X 25	18							

Fig.21. FRONT SHAFT(2)

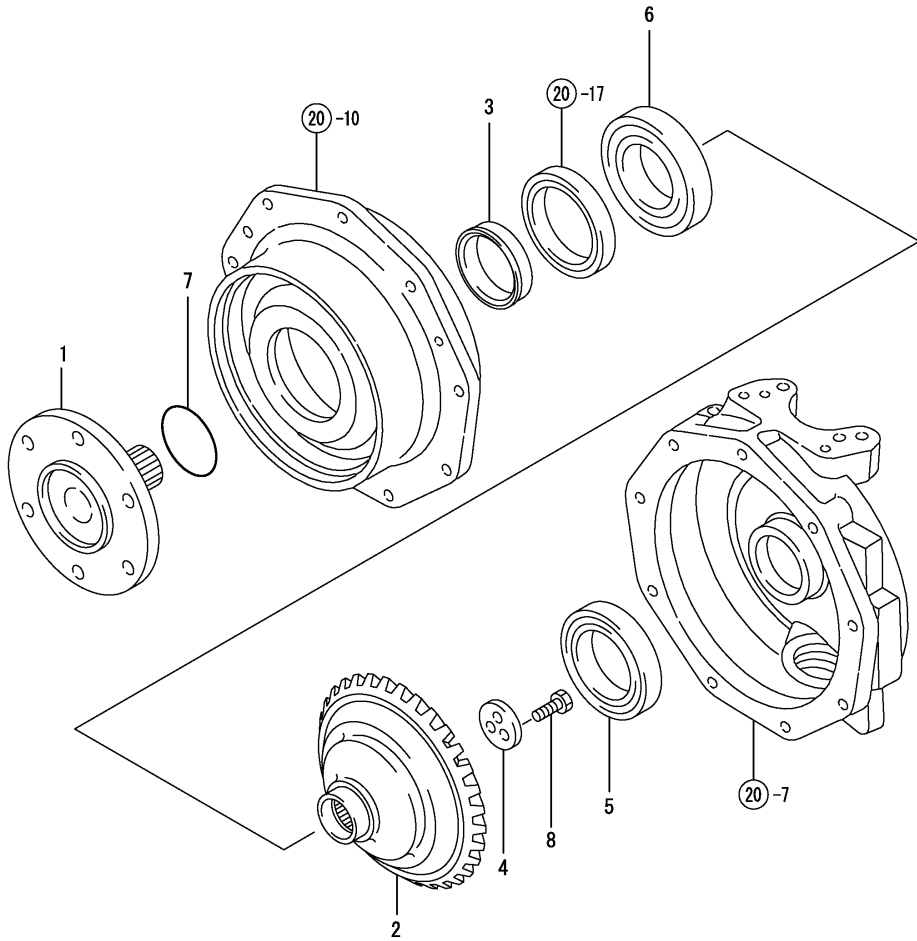
(A)=EF685-AU-PQ
(B)=
(C)=

(D)=
(E)=
(F)=



No.	Lev.	Parts No.	Description	Q'ty						I	R
				(A)	(B)	(C)	(D)	(E)	(F)		
1	1	198251-13810	SHAFT, FRONT 2ND	2							
2	1	198251-13820	GEAR, 2ND SHAFT	2							
3	1	194641-13830	PINION, FRONT FINAL	2							
4	1	194641-13840	BEARING, BALL TMB208	2							
5	1	192160-34150	BALL BEARING	2							

Fig.22. FRONT SPINDLE



(A)=EF685-AU-PQ
(B)=
(C)=

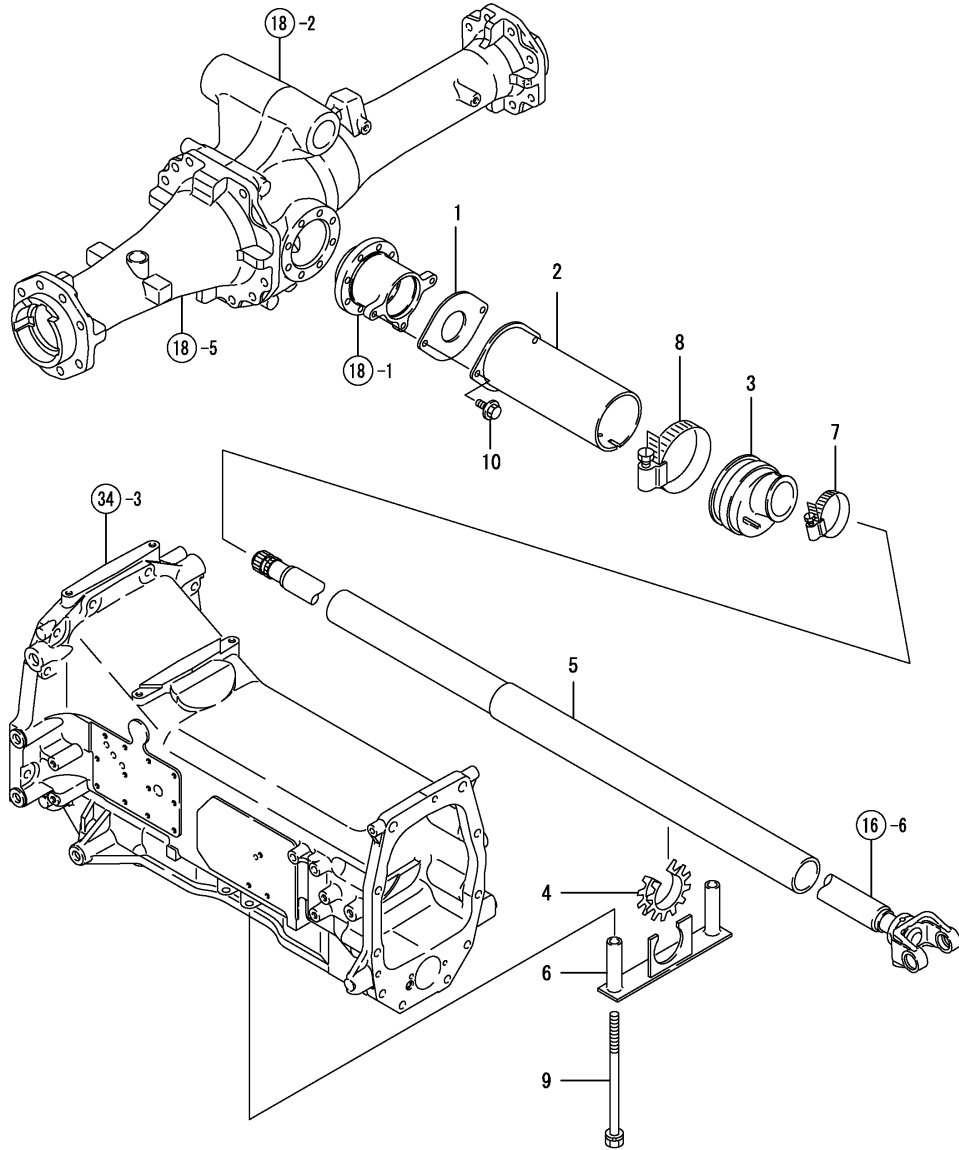
(D)=
(E)=
(F)=

No.	Lev.	Parts No.	Description	Q'ty						I	R
				(A)	(B)	(C)	(D)	(E)	(F)		
1	1	198401-14110	SPINDLE, FRONT	2							
2	1	198401-14120	GEAR, FRONT SHAFT	2							
3	1	198535-14130	COLLAR, 65X78X19.5	2							
4	1	198401-14150	WASHER	2							
5	1	24101-060144	BEARING, BALL 6014	2							
6	1	24101-062134	BEARING, BALL 6213	2							
7	1	24325-000650	O-RING, 1BG65.0	2							
8	1	26116-100252	BOLT, M10X 25 PLATED	6							
8-1	1	26106-100252	BOLT, M10X 25 PLATED	6							R
		(A=FZZZZZ)									
8-2	1	198208-11310	BOLT, M10X 25	6							N
		(A=FZZZZZ)									

Fig.23. SHAFT COVER

(A)=EF685-AU-PQ
(B)=
(C)=

(D)=
(E)=
(F)=

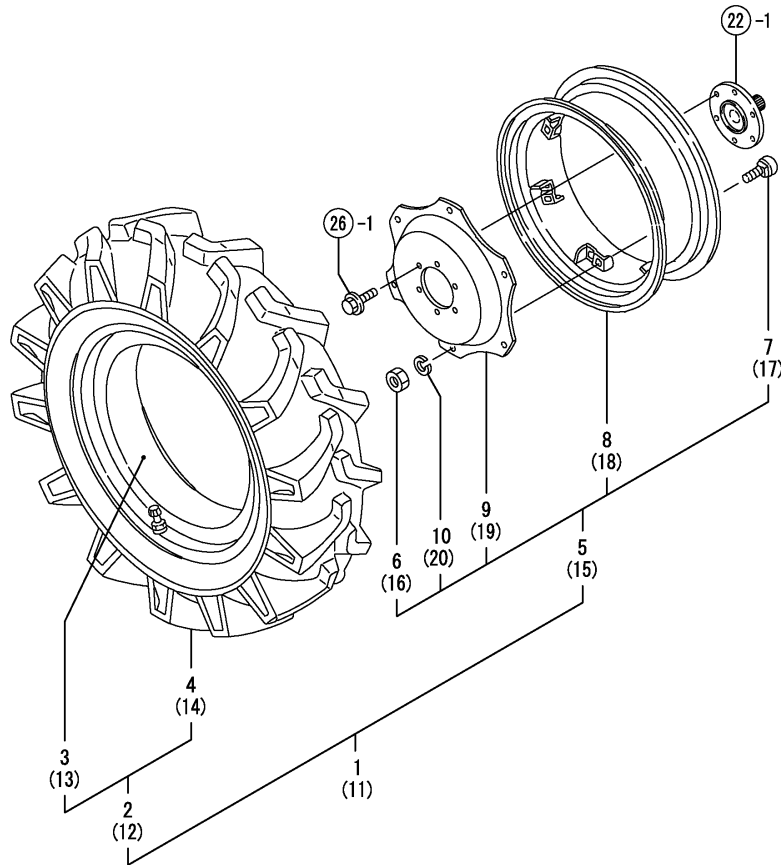


No.	Lev.	Parts No.	Description	Q'ty						I	R
				(A)	(B)	(C)	(D)	(E)	(F)		
1	1	198448-14590	COVER, FRONT SEAL	1							
2	1	198463-14610	COVER, SHAFT FRONT	1							
3	1	198448-14640	BOOT, SHAFT COVER	1							
4	1	198448-14670	BUSH, UNIVERSAL	1							
5	1	198448-14711	COVER ASSY, SHAFT	1							
6	1	198448-14750	BRACKET, COVER	1							
7	1	23000-060000	CLAMP, 60	1							
8	1	23000-102000	CLAMP, 102	1							
9	1	26013-121052	BOLT, M12X105	2							
10	1	26106-080162	BOLT, M8X 16 PLATED	2							

Fig.24. FRONT WHEEL TIRE

(A)=EF685-AU-PQ
(B)=
(C)=

(D)=
(E)=
(F)=



No.	Lev.	Parts No.	Description	(A)	(B)	(C)	(D)	(E)	(F)	I	R
1	1	198463-14700	TIRE ASSY, 8.3-20-6L	1							
1-1	1	1A7670-14700	TIRE&WHEEL L.H. KIT	1							N
(A=FZZZZZ)											
2	2	194181-14800	TIRE ASSY, FRONT	1							
2-1	2	194765-14860	TIRE ASSY, 9.5-18-6	1							S
(A=FZZZZZ)											
3	3	194451-14820	TUBE, 8.3-20	1							
3-1	3	194765-14880	TUBE, 9.5-18	1							S
(A=FZZZZZ)											
4	3	194181-14810	TIRE, 8.3-20 6 FSLM	1							
4-1	3	194765-14870	TIRE, 9.5-18 6 FL-16	1							S
(A=FZZZZZ)											
5	2	194681-14890	WHEEL ASSY, W7X20W	1							
5-1	2	1A7670-14720	WHEEL ASSY, W8X18	1							S
(A=FZZZZZ)											
6	3	194181-14180	NUT, M16	6							
6-1	3	194181-14180	NUT, M16	5							K
(A=FZZZZZ)											
7	3	194681-14790	BOLT, M16X35	6							
7-1	3	198268-34850	BOLT, M16X70	5							S
(A=FZZZZZ)											
8	3	194681-14830	RIM, W7X20	1							
8-1	3	1A7670-14730	RIM, W8X18	1							S
(A=FZZZZZ)											
9	3	194681-14860	DISK, W7X20	1							
9-1	3	1A7670-14760	DISK, W8X18	1							S
(A=FZZZZZ)											
10	3	194065-34170	WASHER, 16	6							
10-1	3	194065-34170	WASHER, 16	5							K
(A=FZZZZZ)											
11	1	198463-14800	TIRE ASSY, 8.3-20-6R	1							
11-1	1	1A7670-14800	TIRE&WHEEL R.H. KIT	1							N
(A=FZZZZZ)											
12	2	194181-14800	TIRE ASSY, FRONT	1							
12-1	2	194765-14860	TIRE ASSY, 9.5-18-6	1							S
(A=FZZZZZ)											
13	3	194451-14820	TUBE, 8.3-20	1							
13-1	3	194765-14880	TUBE, 9.5-18	1							S
(A=FZZZZZ)											
14	3	194181-14810	TIRE, 8.3-20 6 FSLM	1							
14-1	3	194765-14870	TIRE, 9.5-18 6 FL-16	1							S
(A=FZZZZZ)											
15	2	194681-14890	WHEEL ASSY, W7X20W	1							
15-1	2	1A7670-14720	WHEEL ASSY, W8X18	1							S
(A=FZZZZZ)											
16	3	194181-14180	NUT, M16	6							
16-1	3	194181-14180	NUT, M16	5							K
(A=FZZZZZ)											
17	3	194681-14790	BOLT, M16X35	6							
17-1	3	198268-34850	BOLT, M16X70	5							S
(A=FZZZZZ)											

N:Old $\begin{matrix} \text{Yes} \\ \leftarrow \\ \text{No} \end{matrix}$ New, Q:Old $\begin{matrix} \text{No} \\ \leftarrow \\ \text{Yes} \end{matrix}$ New, R:Old $\begin{matrix} \text{Yes} \\ \leftarrow \\ \text{Yes} \end{matrix}$ New, S:Old $\begin{matrix} \text{No} \\ \leftarrow \\ \text{No} \end{matrix}$ New, W:Add, Z:Discontinued, F:Interchangeable by set, K:Q'ty Change
 ++ CONTINUE ++
 Copyright (C) YANMAR CO., LTD. All Rights Reserved.

Fig.24. FRONT WHEEL TIRE

(A)=EF685-AU-PQ
(B)=
(C)=

(D)=
(E)=
(F)=

No.	Lev.	Parts No.	Description	Q'ty						I	R
				(A)	(B)	(C)	(D)	(E)	(F)		
18	3	194681-14830	RIM, W7X20	1							
18-1	3	1A7670-14730	RIM, W8X18	1							S
(A=FZZZZZ)											
19	3	194681-14860	DISK, W7X20	1							
19-1	3	1A7670-14760	DISK, W8X18	1							S
(A=FZZZZZ)											
20	3	194065-34170	WASHER, 16	6							
20-1	3	194065-34170	WASHER, 16	5							K
(A=FZZZZZ)											

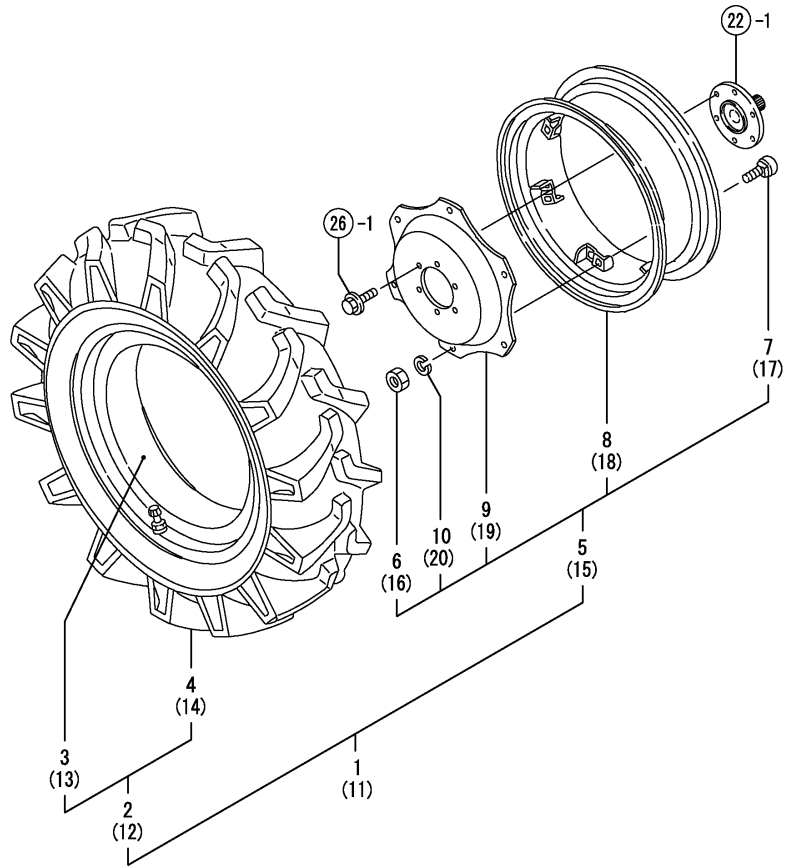


Fig.25. FRONT WHEEL TIRE

(A)=EF685-AU-PQ
(B)=
(C)=

(D)=
(E)=
(F)=

No.	Lev.	Parts No.	Description	Q'ty						I	R
				(A)	(B)	(C)	(D)	(E)	(F)		
1	1	198448-14700	TIRE, 29X12.00-15L	1							
2	2	198448-14810	WHEEL, 15X10LB	1							
3	2	194305-34810	TIRE, 29X12.00-15	1							
4	1	198448-14800	TIRE, 29X12.00-15R	1							
5	2	198448-14810	WHEEL, 15X10LB	1							
6	2	194305-34810	TIRE, 29X12.00-15	1							

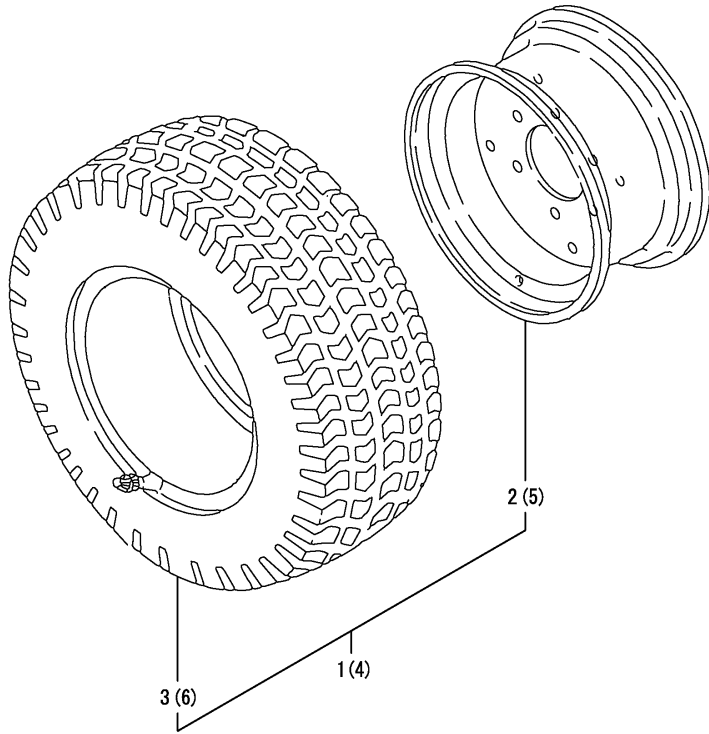


Fig.26. HUB BOLT

(A)=EF685-AU-PQ
(B)=
(C)=

(D)=
(E)=
(F)=

No.	Lev.	Parts No.	Description	Q'ty						I	R
				(A)	(B)	(C)	(D)	(E)	(F)		
1	1	194881-12650	BOLT, M14X24	12							
1-1	1	194881-12650	BOLT, M14X24	8							K
		(A=FXXXXX)									
2	1	194279-14220	WASHER, 14	4							W
		(A=FXXXXX)									
3	1	198200-34130	STUD, M14X31	4							W
		(A=FXXXXX)									
4	1	198200-34190	NUT, M14	4							W
		(A=FXXXXX)									

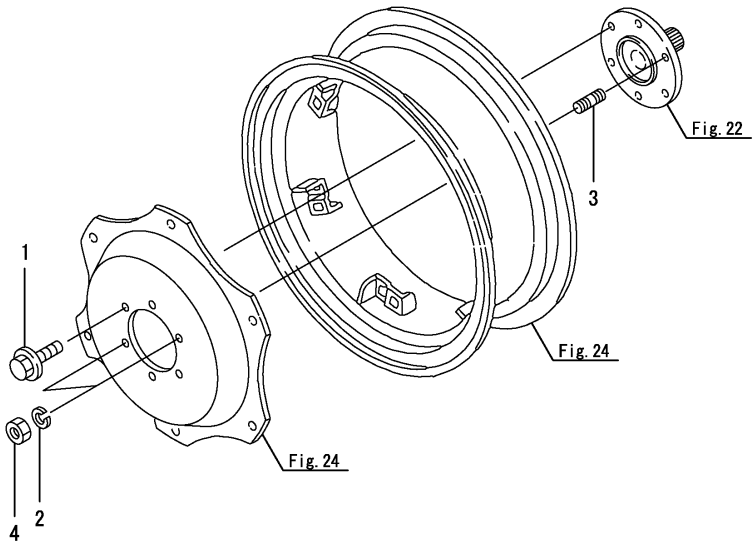
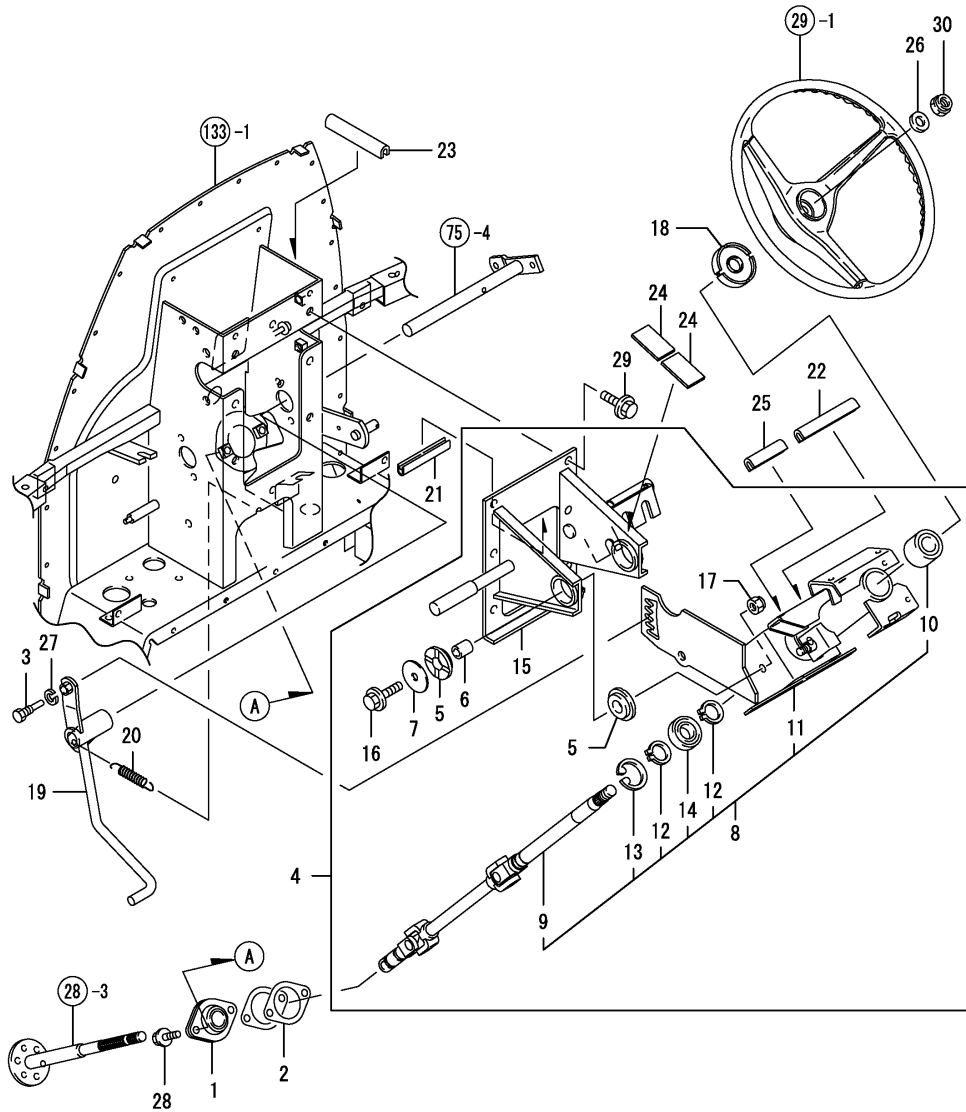


Fig.27. STEERING COLUMN

(A)=EF685-AU-PQ
(B)=
(C)=

(D)=
(E)=
(F)=



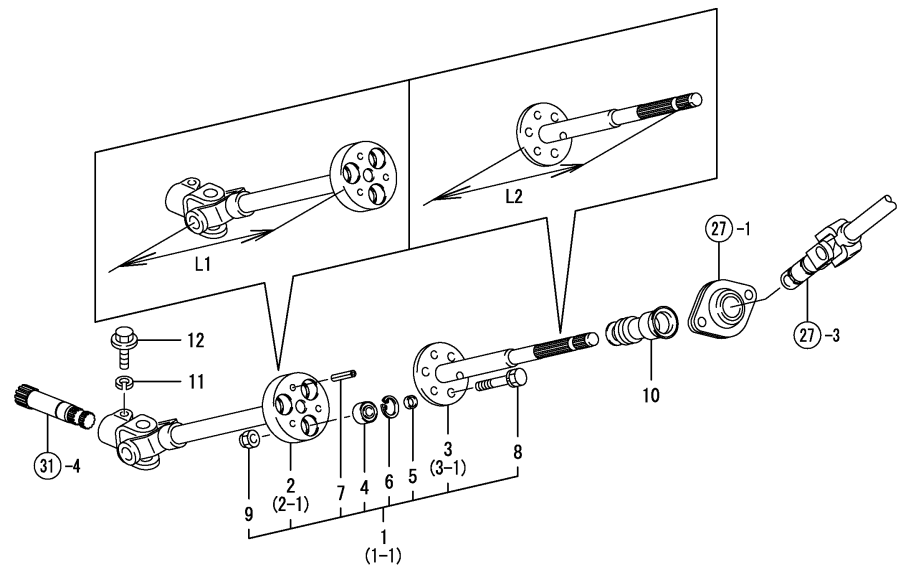
No.	Lev.	Parts No.	Description	Q'ty						I	R
				(A)	(B)	(C)	(D)	(E)	(F)		
1	1	198448-15370	PILLOW, 20	1							
2	1	198448-15380	SHIM, PILLOW UNIT	2							
3	1	198448-15650	PIN, TILT LOCK	1							
4	1	1A7640-15700	COLUMN, STEERING	1							
5	2	1A7640-15710	BUSH, STEERING	4							
6	2	1A7640-15720	COLLAR, 17.3X3.5	2							
7	2	1A7640-15730	WASHER, 10.5X44X2.3	2							
8	2	1A7640-15800	COLUMN ASSY, STEERING	1							
9	3	1A7640-15310	SHAFT ASSY, JOINT	1							
10	3	198071-15612	BUSH, COLUMN	1							
11	3	1A7640-15850	COLUMN, STEERING	1							
12	3	22242-000200	RING, 20	2							
13	3	22252-000420	RING, 42	1							
14	3	24105-060040	BEARING, 6004ZC3	1							
15	2	1A7640-15900	BRACKET, STEERING	1							
16	2	26106-100402	BOLT, M10X 40 PLATED	2							
17	2	26346-100002	NUT, M10	2							
18	1	198535-15720	COVER, COLUMN	1							
19	1	198448-15750	PEDAL, TILT	1							
20	1	198290-37510	SPRING, RETURN	1							
21	1	198230-61560	GUIDE, HOSE	1							
22	1	198230-61560	GUIDE, HOSE	1							
23	1	198230-61560	GUIDE, HOSE	1							
24	1	198093-84810	SEAL, FENDER	2							
25	1	198093-84810	SEAL, FENDER	1							
26	1	22137-160000	WASHER, 16	1							
27	1	22217-100000	WASHER, SPRING 10	1							
28	1	26106-080162	BOLT, M8X 16 PLATED	2							
29	1	26106-100202	BOLT, M10X 20 PLATED	4							
30	1	26356-160002	NUT, M16	1							

Fig.28. STEERING SHAFT

(A)=EF685-AU-PQ
(B)=
(C)=

(D)=
(E)=
(F)=

No.	Lev.	Parts No.	Description	Qty						I	R
				(A)	(B)	(C)	(D)	(E)	(F)		
1	1	1A7650-15510	SHAFT ASSY, JOINT	1							
1-1	1	1A7650-15511	SHAFT ASSY, JOINT	1							
(A=*2009.06.)											
2	2	1A7640-15520	SHAFT ASSY, JOINT A	1							
2-1	2	1A7640-15521	SHAFT ASSY, JOINT A	1						S	1
(A=*2009.06.)											
3	2	1A7650-15560	SHAFT, JOINT B	1							
3-1	2	1A7650-15561	SHAFT, JOINT B	1						S	2
(A=*2009.06.)											
4	2	198448-15581	BUSH, 8X20X14	3							
5	2	198448-15590	COLLAR, D12XL5	3							
6	2	22252-000200	RING, 20	3							
7	2	22351-060032	PIN, SPRING 6.0X32	3							
8	2	26013-080352	BOLT, M8X 35	3							
9	2	26346-080002	NUT, M8	3							
10	1	198448-15690	BOOT, SHAFT	1							
11	1	22217-080000	WASHER, SPRING 8	1							
12	1	26106-080252	BOLT, M8X 25 PLATED	1							



Remarks
(1) L1= REF.NO.2 253M/M, 2-1 303M/M
(2) L2= REF.NO.3 242M/M, 3-1 193M/M

Fig.29. STEERING WHEEL

(A)=EF685-AU-PQ
(B)=
(C)=

(D)=
(E)=
(F)=

No.	Lev.	Parts No.	Description	Q'ty						I	R
				(A)	(B)	(C)	(D)	(E)	(F)		
1	1	198448-15700	WHEEL ASSY, STEERING	1							
2	2	198071-15720	CAP ASSY	1							
3	3	198071-15740	EMBLEM	1							

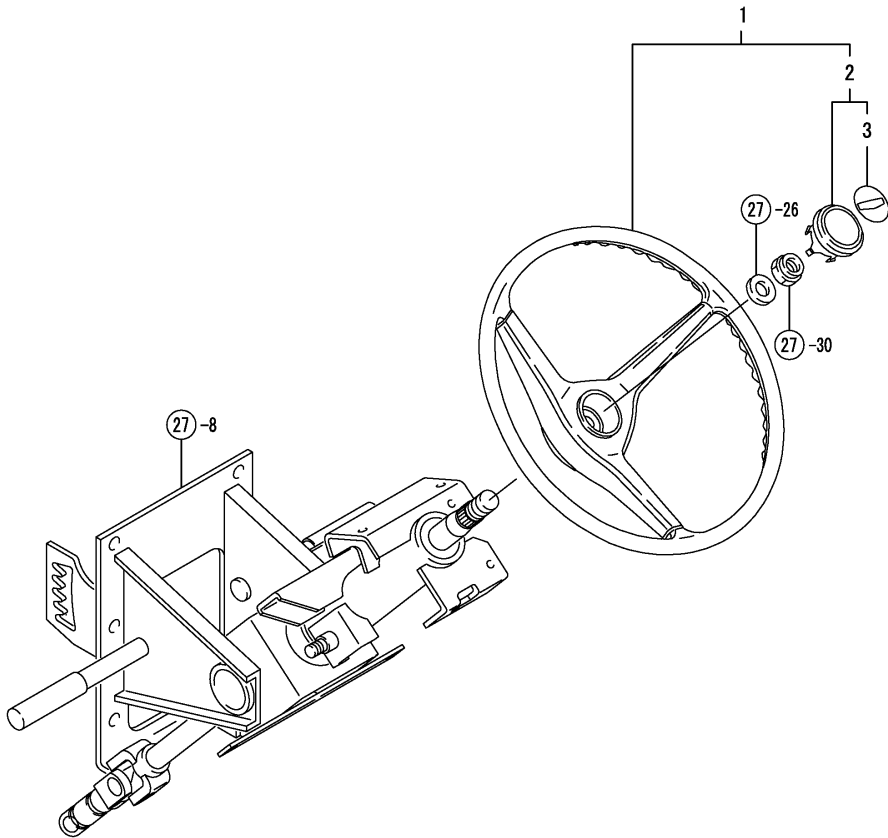
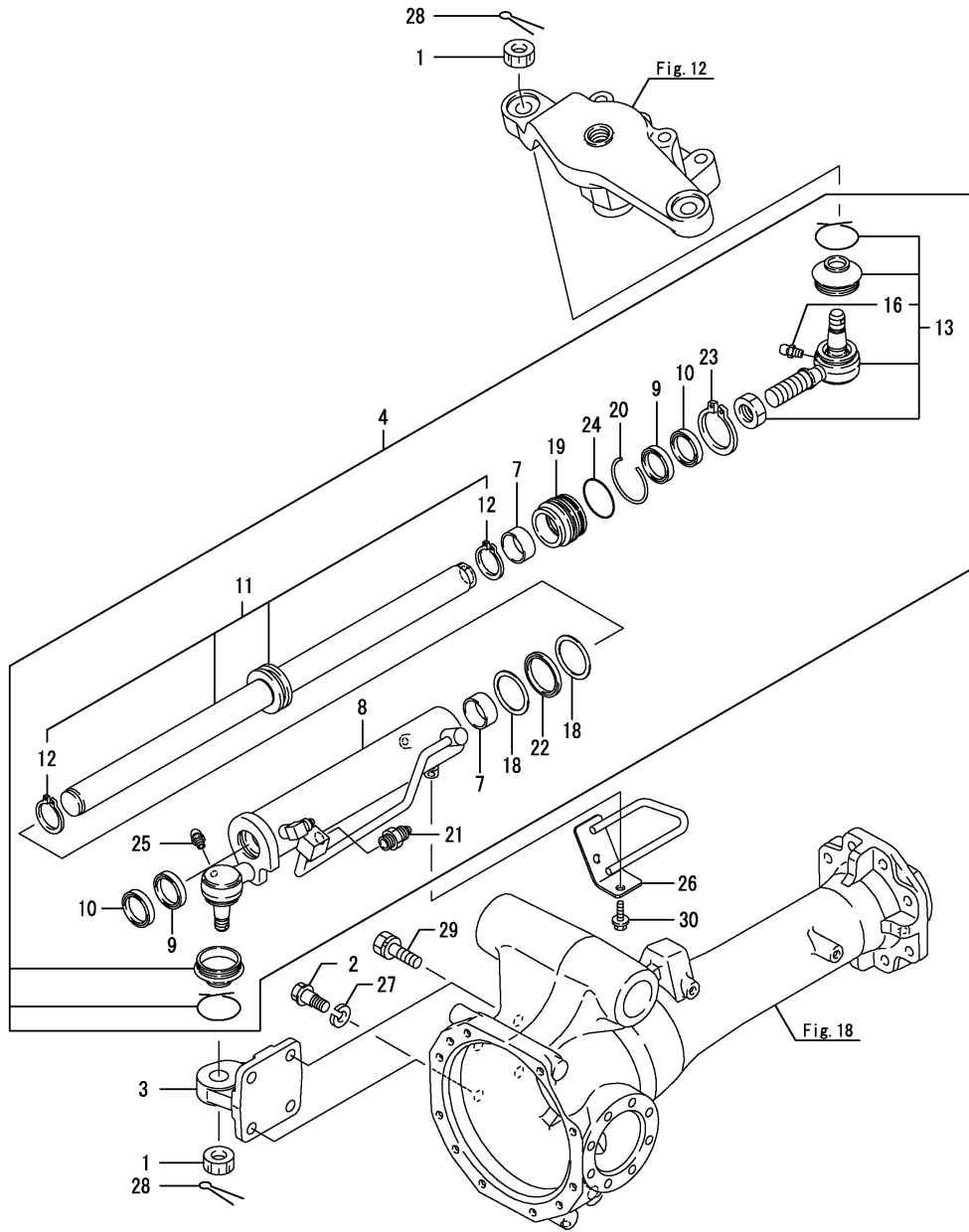


Fig.30. PST CYLINDER

(A)=EF685-AU-PQ
(B)=
(C)=

(D)=
(E)=
(F)=

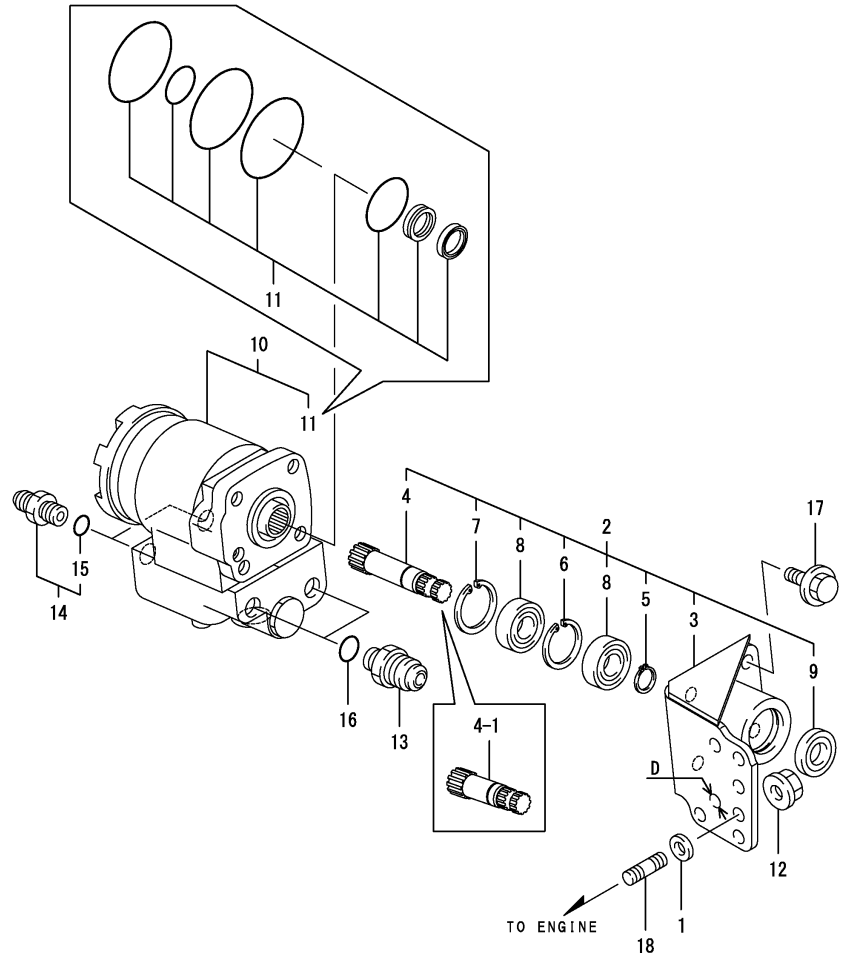


No.	Lev.	Parts No.	Description	Q'ty						I	R
				(A)	(B)	(C)	(D)	(E)	(F)		
1	1	194180-12471	NUT, CASTLE M16	2							
2	1	198071-17150	BOLT, REAMER M12X30	2							
3	1	198535-17270	BOSS, CYLINDER	1							
4	1	1A7650-17300	CYLINDER ASSY	1							
7	2	1A7900-17260	BUSH, 30X15	2							
8	2	1A7650-17310	TUBE ASSY, CYLINDER	1							
9	2	1A7900-17330	PACKING, 30	2							
10	2	1A7900-17360	SEAL, DUST	2							
11	2	1A7650-17400	ROD ASSY, CYLINDER	1							
12	3	22242-000300	RING, 30	2							
13	2	1A7650-17450	END ASSY, ROD RR	1							
16	3	24761-060000	NIPPLE, GREASE MT6X1	1							
18	2	198071-17481	RING, BACK UP 50	2							
19	2	1A7650-17520	CAP, CYLINDER	1							
20	2	1A7650-17530	RING, 50X3.2	1							
21	2	1A7650-17540	ADAPTOR	1							
22	2	172157-72710	PACKING 50,HSD	1							
23	2	22242-100480	RING, 48	1							
24	2	24315-000440	O-RING 1B P-44.0	1							
25	2	24761-060000	NIPPLE, GREASE MT6X1	1							
26	1	1A7640-17431	COVER, CYLINDER	1							
27	1	22217-140000	WASHER, SPRING 14	2							
28	1	22417-400400	PIN, COTTER 4.0X40	2							
29	1	26013-120302	BOLT, M12X 30	2							
30	1	26106-080122	BOLT, M8X 12 PLATED	2							

Fig.31. PST VALVE

(A)=EF685-AU-PQ
(B)=
(C)=

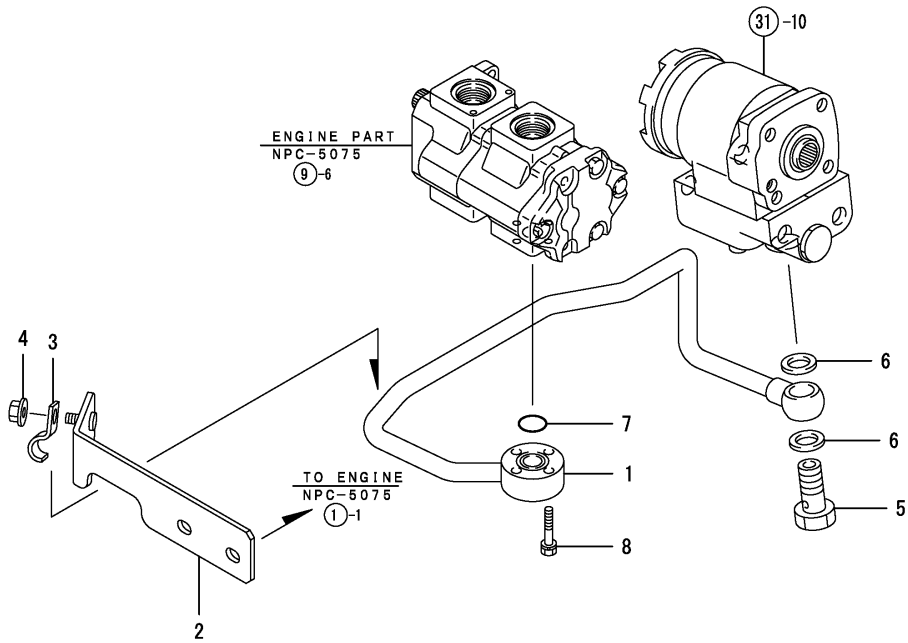
(D)=
(E)=
(F)=



No.	Lev.	Parts No.	Description	Qty						I	R
				(A)	(B)	(C)	(D)	(E)	(F)		
1	1	194150-01270	SPACER, 20	4							
2	1	198448-17102	SHAFT, STEERING	1							
2-1	1	198448-17103	SHAFT, STEERING	1							N
(A=FZZZZZ)											
3	2	198448-17113	BRACKET, VALVE	1							
3-1	2	198448-17114	BRACKET, VALVE	1							S 1
(A=FZZZZZ)											
4	2	198448-17190	SHAFT, STEERING	1							
4-1	2	1A7601-17190	SHAFT, STEERING	1							S
(A=FZZZZZ)											
5	2	22242-000170	RING, 17	1							
6	2	22252-000370	RING, 37	1							
7	2	22252-000400	RING, 40	1							
8	2	24104-062030	BEARING, 6203UUC3	2							
9	2	24421-173507	SEAL, OIL TC173507	1							
10	1	1A7670-17501	VALVE ASSY, STEERING	1							
11	2	198133-17550	SEAL KIT	1							
12	1	194990-22150	NUT, M10	4							
13	1	198448-48620	JOINT, 3/8-M24	2							
14	1	198448-48630	JOINT ASSY, 1/4	2							
15	2	24311-000110	O-RING, 1AP11.0	2							
16	1	24311-000140	O-RING, 1AP14.0	2							
17	1	26106-100202	BOLT, M10X 20 PLATED	4							
18	1	26216-100252	STUD, M10X 25	4							

Remarks
(1)D=Ref.No.3 11mm,3-1 10.5mm.

Fig.32. PST PIPING



(A)=EF685-AU-PQ
(B)=
(C)=

(D)=
(E)=
(F)=

No.	Lev.	Parts No.	Description	Q'ty						I	R
				(A)	(B)	(C)	(D)	(E)	(F)		
1	1	1A7670-17711	PIPE, PRESSURE	1							
2	1	1A7640-17750	CLAMP ASSY, PIPE	1							
3	1	1A7640-17770	CLAMP	1							
4	1	194990-22140	NUT, M8	1							
5	1	198220-48750	BOLT ASSY, JOINT	1							
6	1	23414-180023	GASKET, 18X1.0	2							
7	1	24311-000220	O-RING, 1AP22.0	1							
8	1	26013-060352	BOLT, M6X 35	4							

Fig.33. PST HOSE

(A)=EF685-AU-PQ
(B)=
(C)=

(D)=
(E)=
(F)=

No.	Lev.	Parts No.	Description	Qty						I	R
				(A)	(B)	(C)	(D)	(E)	(F)		
1	1	198463-17911	HOSE, STEERING	2							
2	1	198220-51870	BAND, NYLON 200	1							

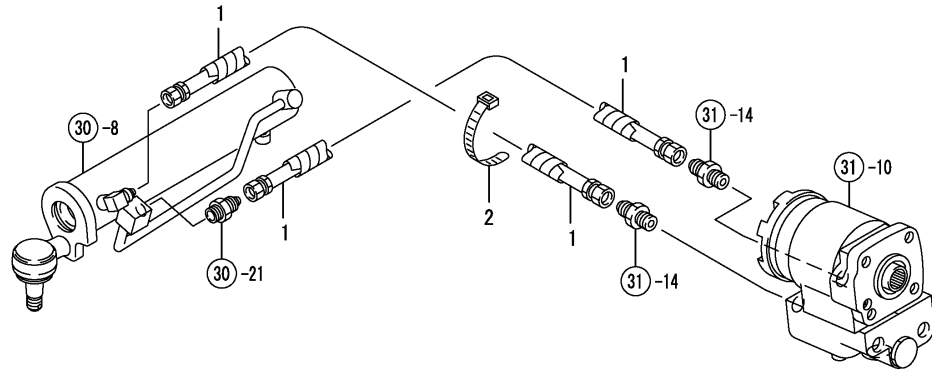
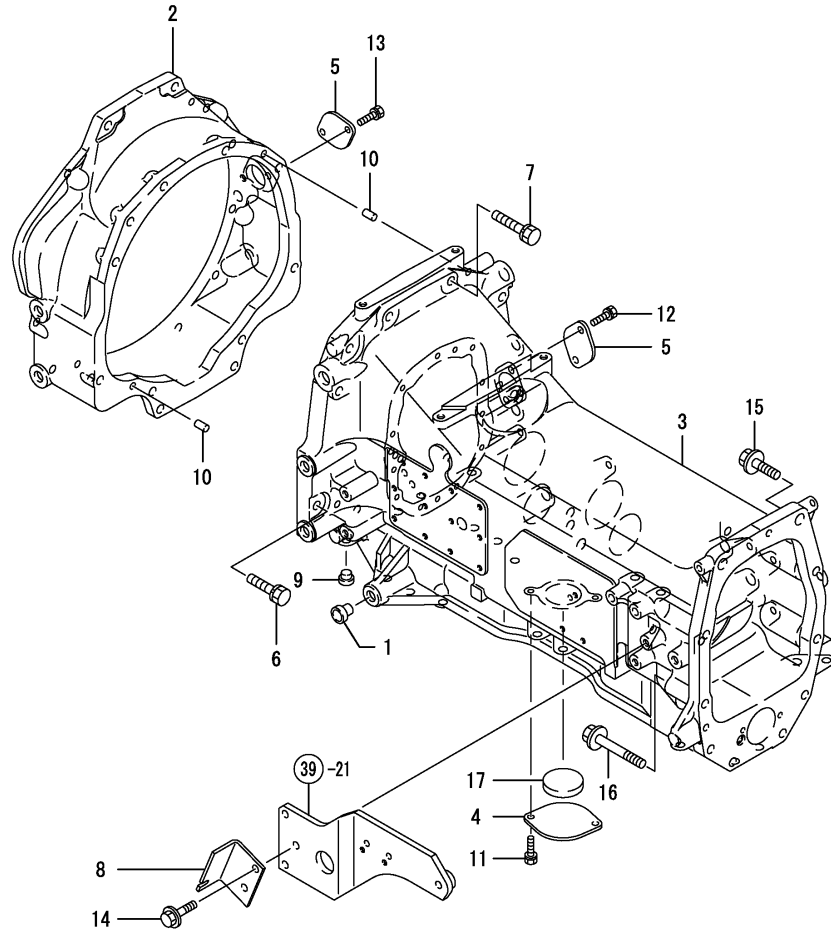


Fig.34. CLUTCH HOUSING

(A)=EF685-AU-PQ
(B)=
(C)=

(D)=
(E)=
(F)=



No.	Lev.	Parts No.	Description	Q'ty						I	R
				(A)	(B)	(C)	(D)	(E)	(F)		
1	1	194450-11190	PLUG, 15.0	4							
2	1	198448-21062	HOUSING, FLYWHEEL	1							
3	1	1A7670-21110	HOUSING, CLUTCH	1							
4	1	198071-21140	COVER, HOUSING	1							
5	1	194146-21150	COVER, SIDE	2							
6	1	198448-21280	BOLT, M12X50	1							
7	1	198448-21320	BOLT, M12X60	8							
8	1	1A7670-22480	SUPPORT, CLUTCH CABLE	1							
9	1	194150-24270	CAP, SCREW 13.0	2							
10	1	22312-100180	PIN, PARALLEL M10X18	2							
11	1	26013-080122	BOLT, M8X 12	2							
11-1	1	26106-080162	BOLT, M8X 16 PLATED	2							N
(A=*2009.04.)											
12	1	26013-080122	BOLT, M8X 12	2							
12-1	1	26106-080162	BOLT, M8X 16 PLATED	2							N
(A=*2009.04.)											
13	1	26013-080162	BOLT, M8X 16	2							
14	1	26106-100252	BOLT, M10X 25 PLATED	2							
14-1	1	26013-100302	BOLT, M10X 30	2							N
(A=FXXXXXXX)											
15	1	26108-120402	BOLT, M12X 40 PLATED	5							
16	1	26108-120852	BOLT, M12X 85 PLATED	1							
17	1	27260-550000	PLUG, 55	1							

Fig.35. DOCKING BOLT

(A)=EF685-AU-PQ
(B)=
(C)=

(D)=
(E)=
(F)=

No.	Lev.	Parts No.	Description	Q'ty						I	R
				(A)	(B)	(C)	(D)	(E)	(F)		
1	1	198240-21270	BOLT, M12X30	7							
2	1	198448-21280	BOLT, M12X50	4							
3	1	22312-100180	PIN, PARALLEL M10X18	2							
4	1	26216-160452	STUD, M16X 45	2							
5	1	26216-160452	STUD, M16X 45	2							

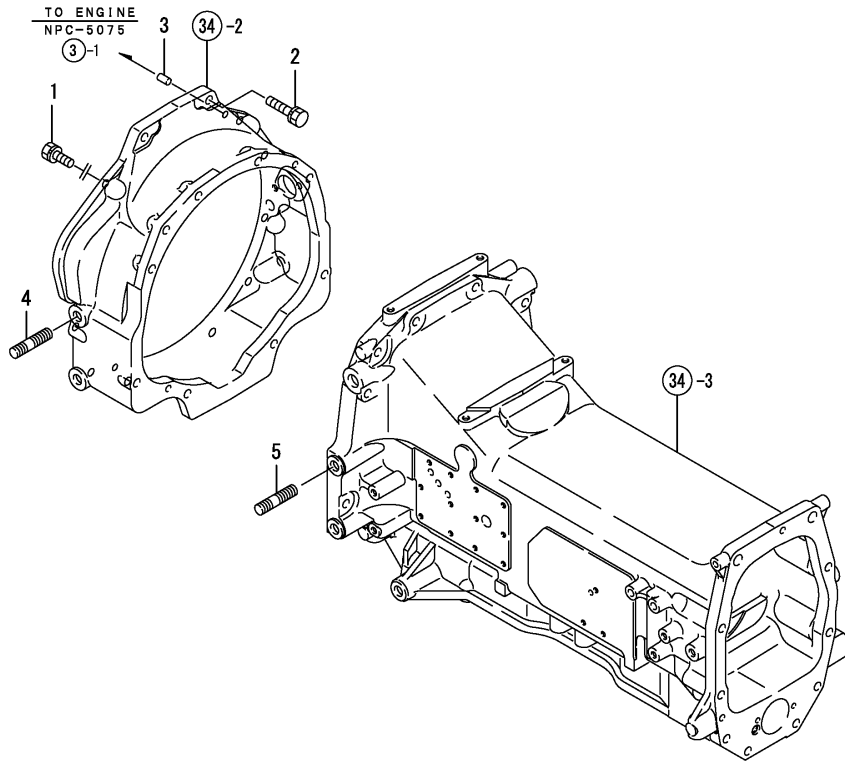


Fig.36. DAMPER DISC

(A)=EF685-AU-PQ
(B)=
(C)=

(D)=
(E)=
(F)=

No.	Lev.	Parts No.	Description	Qty						I	R
				(A)	(B)	(C)	(D)	(E)	(F)		
1	1	198448-22150	DISK, DAMPER	1							
2	1	198448-22190	PIN, PARALLEL 10X18	3							
3	1	26106-080162	BOLT, M8X 16 PLATED	6							

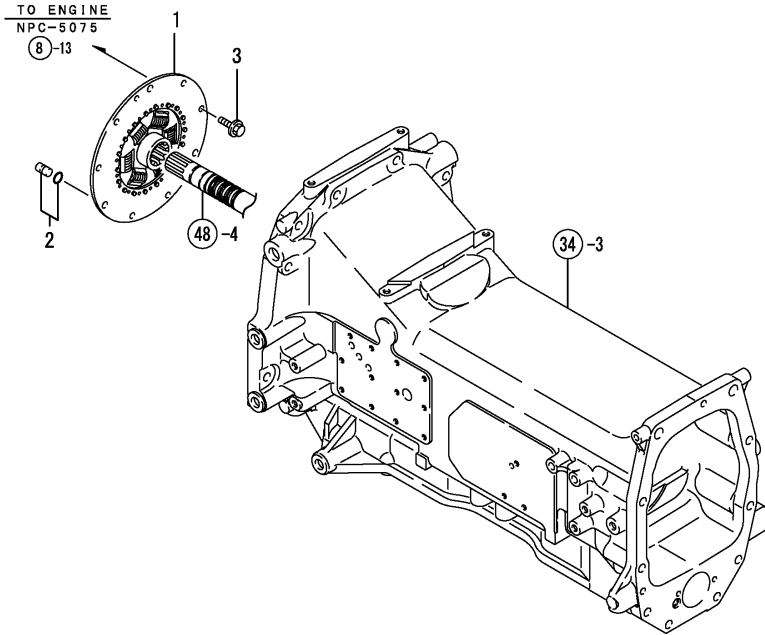


Fig.37. CLUTCH LINK

(A)=EF685-AU-PQ
(B)=
(C)=

(D)=
(E)=
(F)=

No.	Lev.	Parts No.	Description	Q'ty						I	R
				(A)	(B)	(C)	(D)	(E)	(F)		
1	1	198448-22301	ARM ASSY, CLUTCH	1							
2	2	24550-015150	BUSH, 15X15	2							
3	1	198448-22350	BOLT, STEPPED M12	1							
4	1	198448-22360	BOLT, M8X70	1							
5	1	198220-22520	SPRING, CLUTCH	1							
6	1	198448-22550	ROD, CLUTCH	1							
7	1	1C6281-52320	PIN, SNAP 8	1							
8	1	22137-080000	WASHER, 8	1							
9	1	22137-100000	WASHER, 10	2							
10	1	22417-200300	PIN, COTTER 2.0X30	2							
11	1	26716-080002	NUT, M8	1							

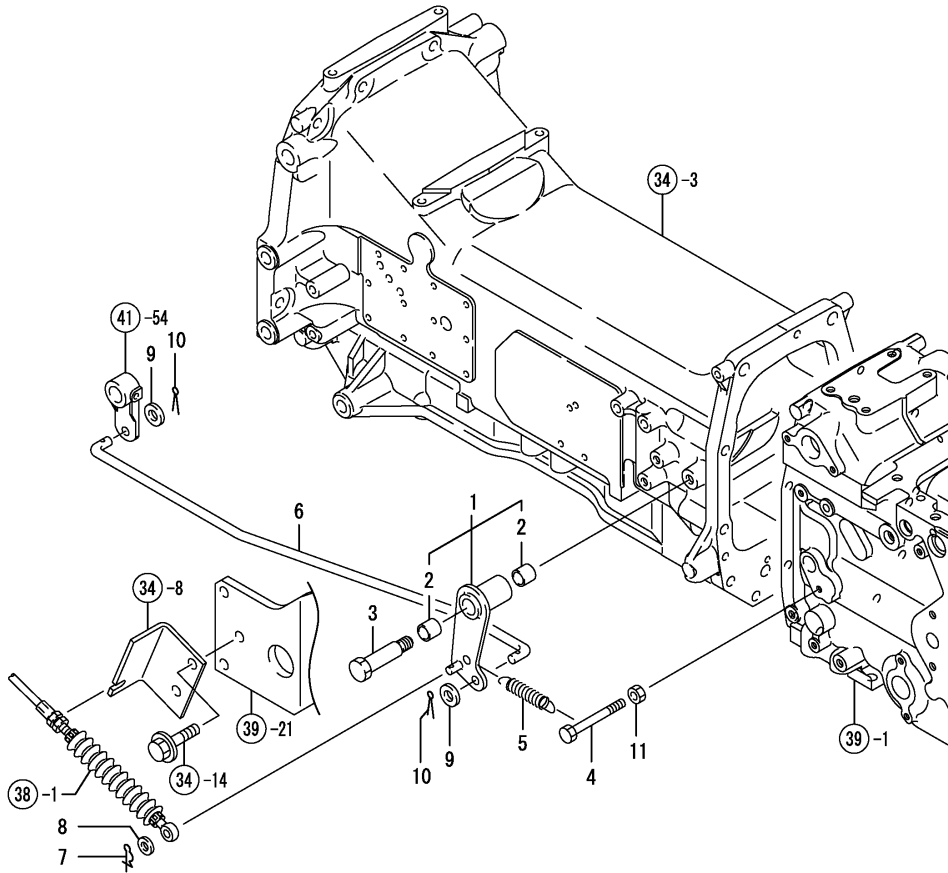
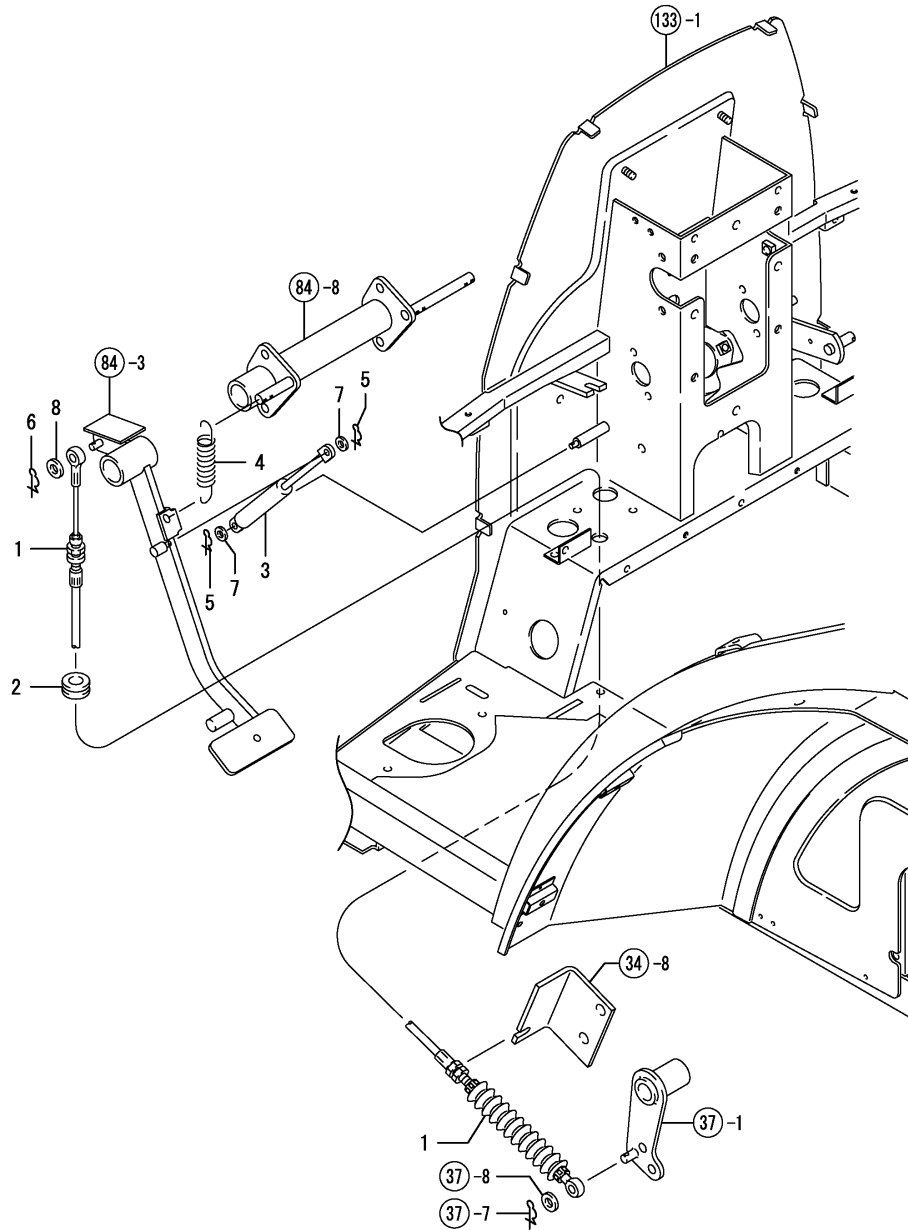


Fig.38. CLUTCH WIRE

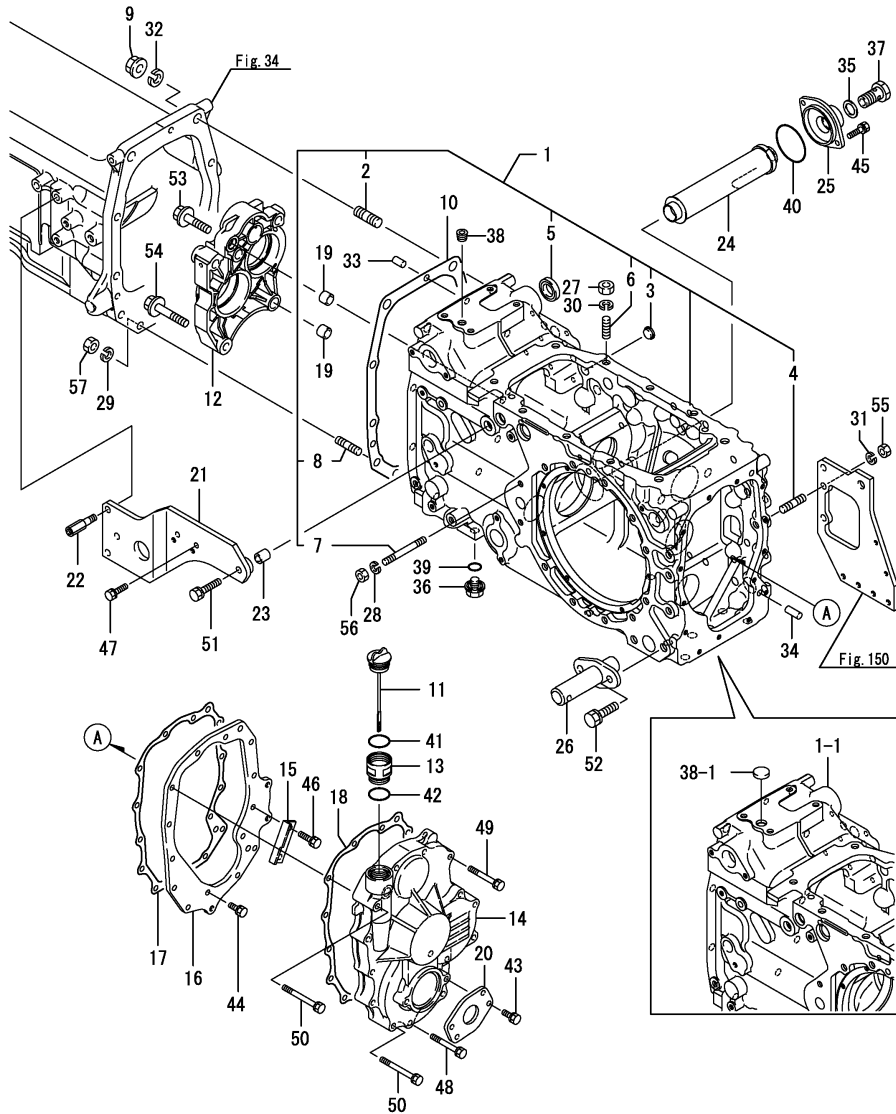
(A)=EF685-AU-PQ
(B)=
(C)=

(D)=
(E)=
(F)=



No.	Lev.	Parts No.	Description	Q'ty						I	R
				(A)	(B)	(C)	(D)	(E)	(F)		
1	1	198448-22510	CABLE ASSY, CLUTCH	1							
2	1	198448-22520	GROMMET, CABLE	1							
3	1	198448-22610	DAMPER, CLUTCH	1							
4	1	198290-37510	SPRING, RETURN	1							
5	1	1C6281-52310	PIN, SNAP 6	2							
6	1	1C6281-52320	PIN, SNAP 8	1							
7	1	22137-060000	WASHER, 6	2							
8	1	22137-080000	WASHER, 8	1							

Fig.39. TRANSMISSION CASE



(A)=EF685-AU-PQ

(B)=

(C)=

(D)=

(E)=

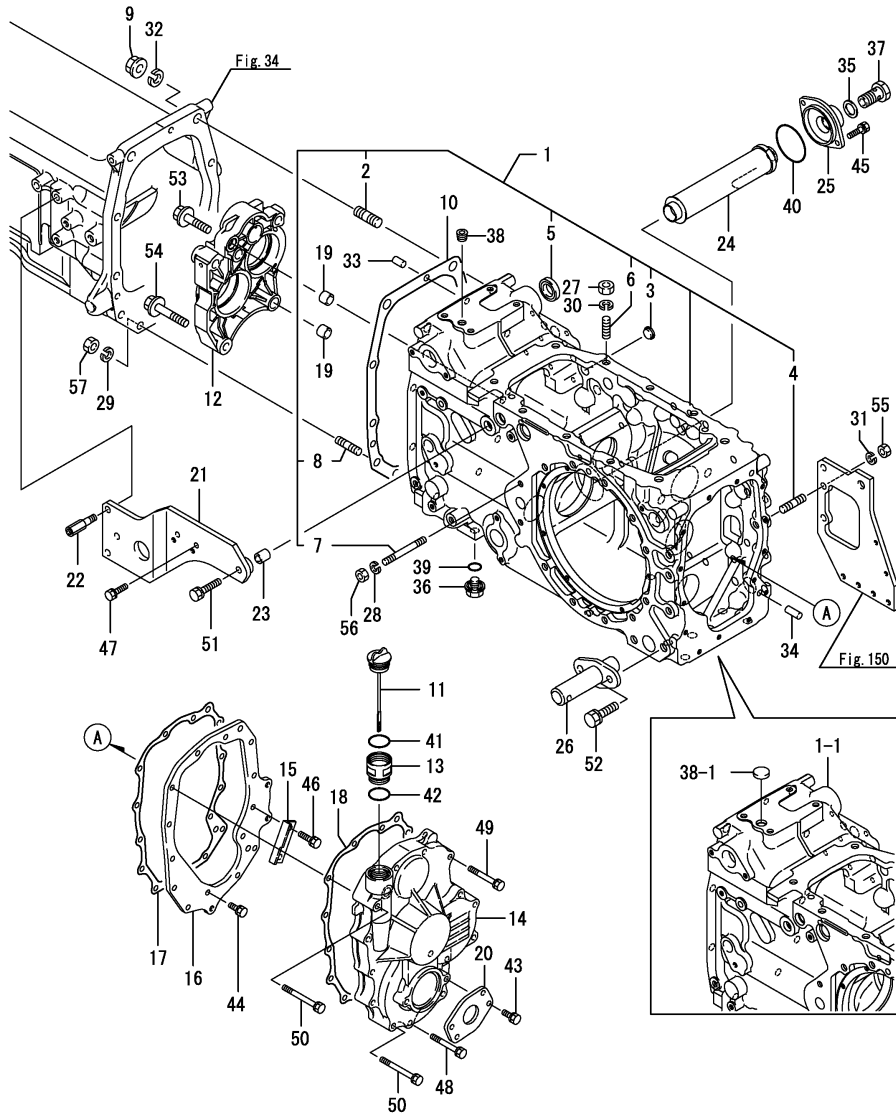
(F)=

No.	Lev.	Parts No.	Description	Qty						I	R
				(A)	(B)	(C)	(D)	(E)	(F)		
1	1	1A7640-24100	HOUSING ASSY	1							
1-1	1	1A7640-24101	HOUSING ASSY, XMSN.	1							S 1
(A=FZZZZZ)											
2	2	198240-24120	STUD, M16X45	2							
3	2	1A7450-24170	PLUG, BORE 17	1							
4	2	198240-24530	STUD, M12X45	2							
5	2	198212-27350	SEAL, OIL TC4 203507	1							
6	2	26216-120352	STUD, M12X 35	2							
7	2	26218-100902	STUD, M10X 90	2							
8	2	26218-120252	STUD, M12X 25	2							
9	1	198535-24120	NUT, M16	2							
10	1	198212-24140	GASKET, MISSION CASE	1							
11	1	1A7640-24150	PLUG, OIL M33X125	1							
12	1	1A7670-24160	RETAINER, BEARING	1							
13	1	1A7450-24190	PIPE, FILLER	1							
14	1	198448-24230	COVER, REAR	1							
15	1	198448-24290	STAY, IDLE GEAR	1							
16	1	198448-24310	SPACER, REAR COVER	1							
17	1	198448-24320	PACKING REAR COVER F	1							
18	1	198448-24330	PACKING REAR COVER R	1							
19	1	198071-24340	COLLAR, 13X17X14	2							
20	1	198255-24460	PLATE, OIL SEAL	1							
21	1	1A7640-24820	PLATE, SUPPORT L	1							
22	1	1A7640-24860	BOLT, REAMER M10X28	1							
23	1	1A7640-24870	PIN, 17X19	1							
24	1	1A7640-24950	PIPE, INNER	1							
25	1	1A7640-24980	COVER, STRAINER	1							
26	1	194640-73180	PIN, LOWER LINK	2							
27	1	26716-120002	NUT, M12	2							
27-1	1	26366-120002	NUT, M12	2							S
(A=FXXXXXX)											
28	1	22217-100000	WASHER, SPRING 10	2							Z
(A=FXXXXXX)											
29	1	22217-120000	WASHER, SPRING 12	2							
30	1	22217-120000	WASHER, SPRING 12	2							Z
(A=FXXXXXX)											
31	1	22217-120000	WASHER, SPRING 12	2							
32	1	22217-160000	WASHER, SPRING 16	2							
33	1	22312-100180	PIN, PARALLEL M10X18	2							
34	1	22312-100250	PIN, PARALLEL M10X25	2							
35	1	23414-200026	GASKET, 20X1.0	1							
36	1	23491-140002	PLUG, 14	1							
37	1	23857-150000	BOLT, JOINT 15	1							
38	1	23871-020000	PLUG, R02	1							
38-1	1	27260-170000	PLUG, 17	1							S
(A=FZZZZZ)											
39	1	24311-000160	O-RING, 1AP16.0	1							
40	1	24321-000650	O-RING, 1AG65.0	1							
41	1	24351-020300	O-RING 1A 2030	1							
42	1	24351-020300	O-RING 1A 2030	1							
43	1	26013-080122	BOLT, M8X 12	2							

Remarks

(1) Refer to Fig.161 for the repair part.

Fig.39. TRANSMISSION CASE



(A)=EF685-AU-PQ
(B)=
(C)=

(D)=
(E)=
(F)=

No.	Lev.	Parts No.	Description	Qty						I	R
				(A)	(B)	(C)	(D)	(E)	(F)		
44	1	26013-080202	BOLT, M8X 20	1							
44-1	1	26106-080202	BOLT, M8X 20 PLATED	1							N
(A=*2009.04.)											
45	1	26013-080202	BOLT, M8X 20	2							
45-1	1	26106-080202	BOLT, M8X 20 PLATED	2							R
(A=FXXXXXX)											
46	1	26013-080252	BOLT, M8X 25	2							
46-1	1	26106-080252	BOLT, M8X 25 PLATED	2							N
(A=*2009.04.)											
47	1	26013-080252	BOLT, M8X 25	2							
48	1	26013-080452	BOLT, M8X 45	3							
49	1	26013-080602	BOLT, M8X 60	6							
50	1	26013-080752	BOLT, M8X 75	5							
51	1	26013-100452	BOLT, M10X 45	1							
52	1	26013-140352	BOLT, M14X 35	4							
53	1	26108-120502	BOLT, M12X 50 PLATED	2							
54	1	26108-120652	BOLT, M12X 65 PLATED	2							
55	1	26716-120002	NUT, M12	2							
56	1	26716-100002	NUT, M10	2							
56-1	1	26366-100002	NUT, M10	2							S
(A=FXXXXXX)											
57	1	26716-120002	NUT, M12	2							

Remarks
(1) Refer to Fig.161 for the repair part.

Fig.40. CENTER PLATE

(A)=EF685-AU-PQ
(B)=
(C)=

(D)=
(E)=
(F)=

No.	Lev.	Parts No.	Description	Q'ty						I	R
				(A)	(B)	(C)	(D)	(E)	(F)		
1	1	198071-24340	COLLAR, 13X17X14	2							
2	1	198535-24350	PLATE, CENTER	1							
3	1	198071-27890	SPRING	1							
4	1	22157-060000	WASHER, 6	1							
5	1	26106-080502	BOLT, M8X 50 PLATED	1							
6	1	26108-120502	BOLT, M12X 50 PLATED	3							
7	1	26116-060122	BOLT, M6X 12 PLATED	1							
8	1	26346-060002	NUT, M6	1							
9	1	26716-080002	NUT, M8	2							

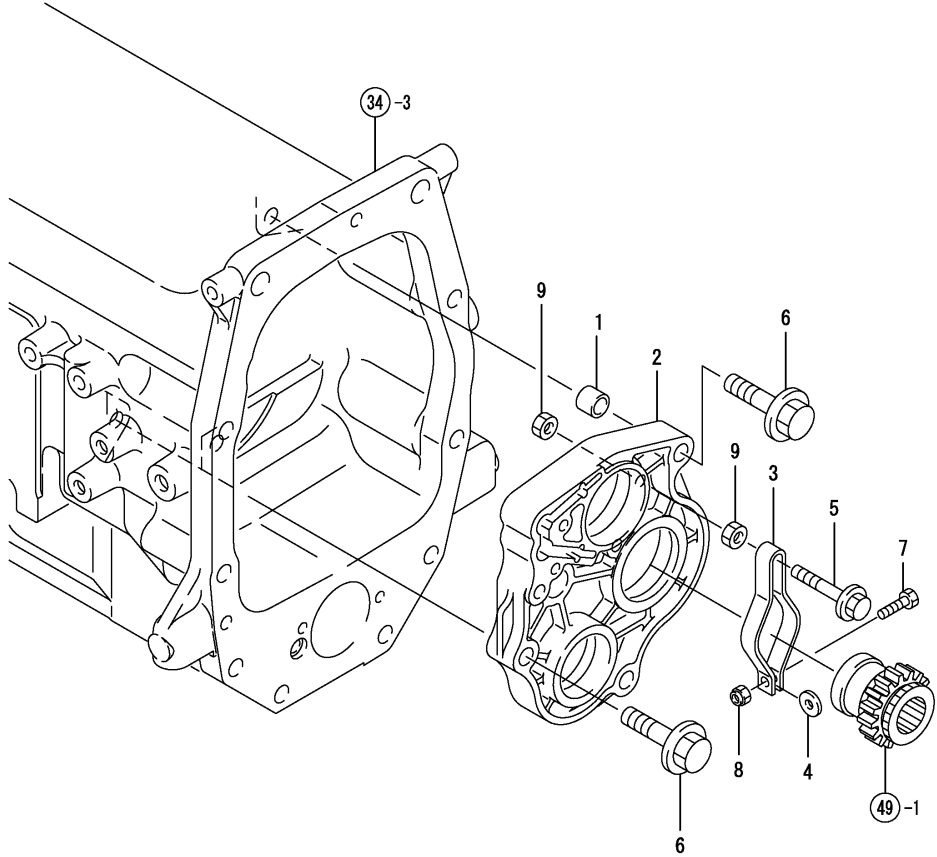
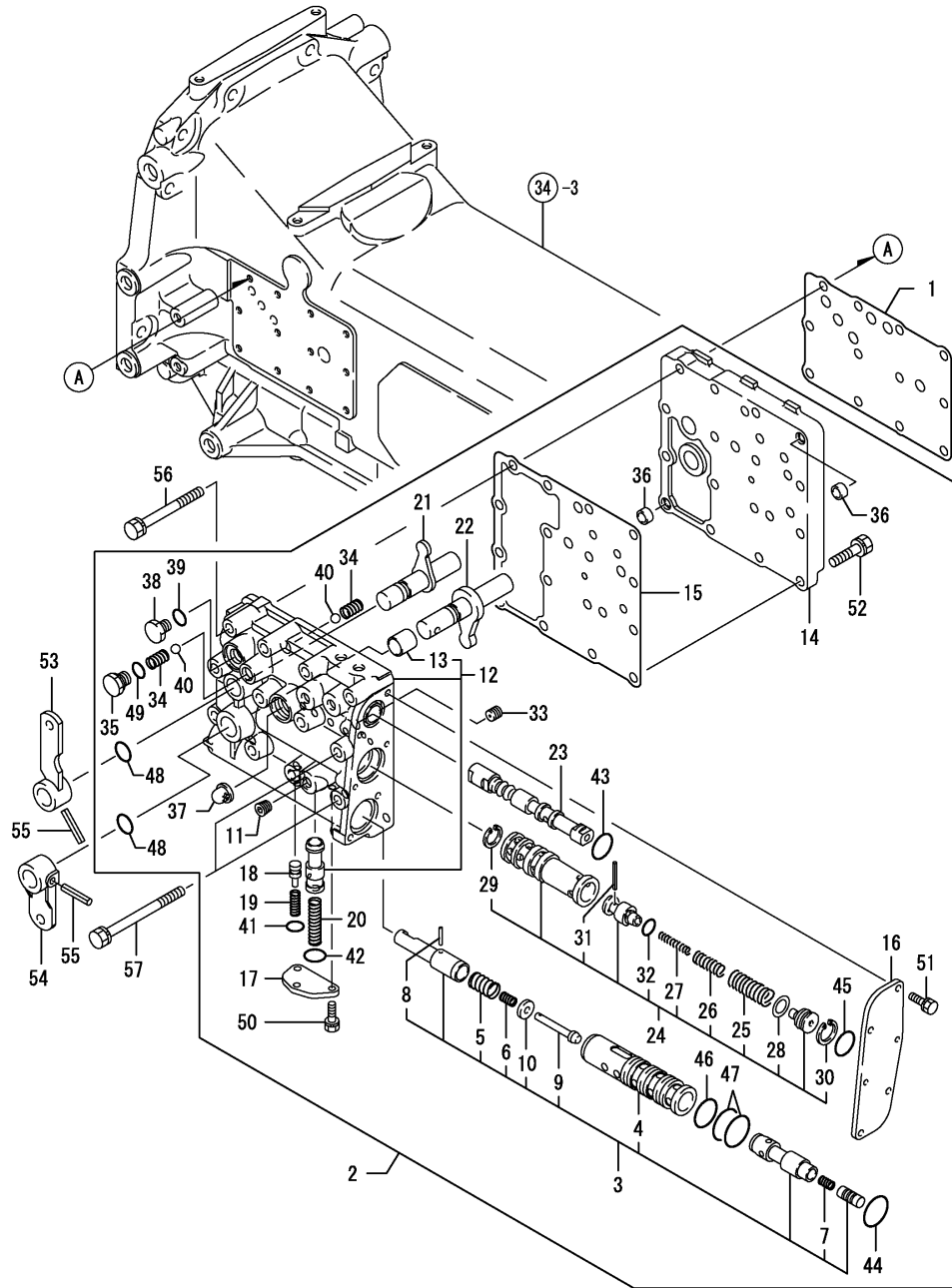


Fig.41. REVERSER VALVE



(A)=EF685-AU-PQ

(B)=

(C)=

(D)=

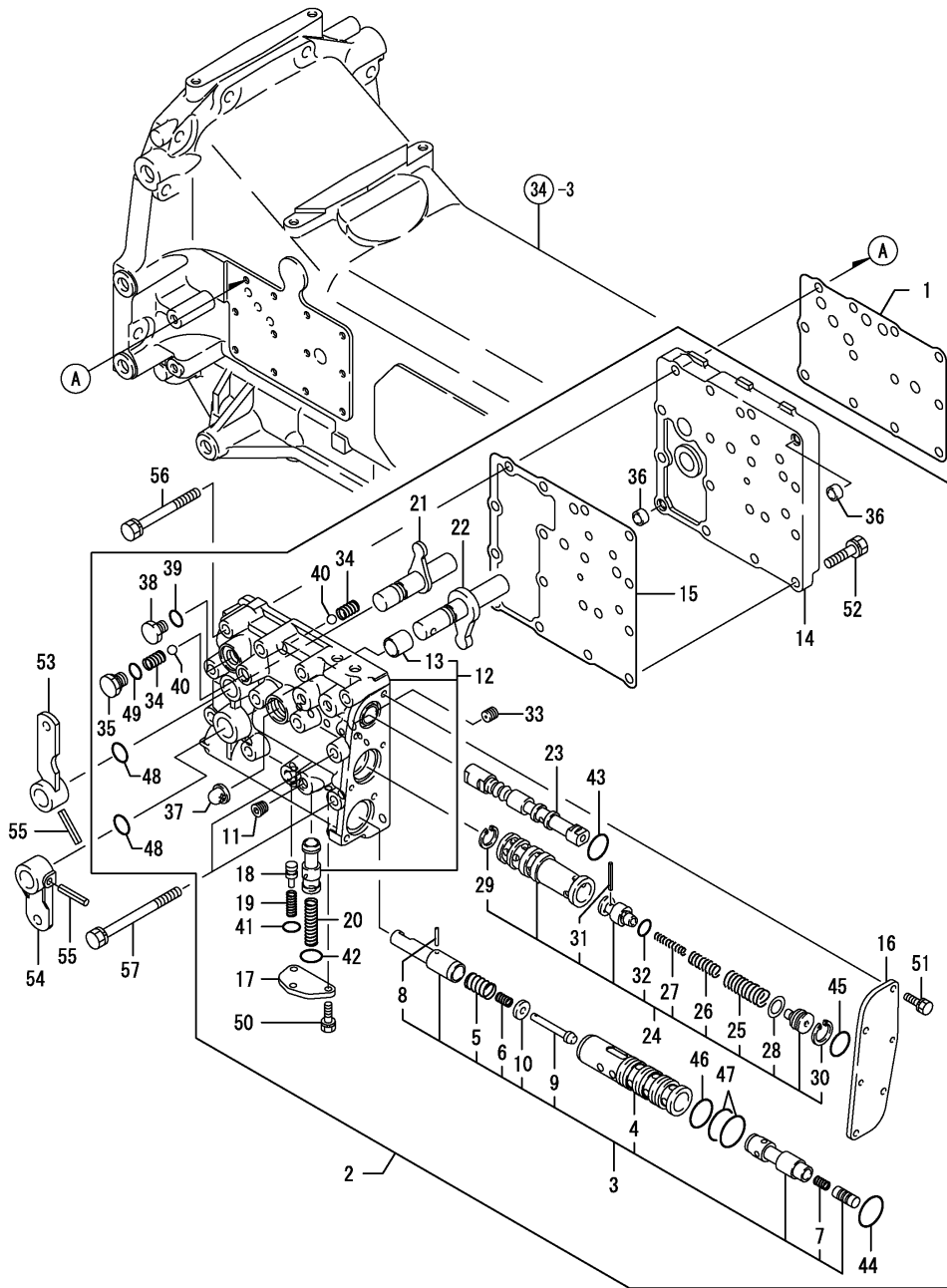
(E)=

(F)=

No.	Lev.	Parts No.	Description	Q'ty						I	R
				(A)	(B)	(C)	(D)	(E)	(F)		
1	1	198212-24281	GASKET, PR VALVE	1							
2	1	1A7450-24300	VALVE ASSY, REVERSE	1							
3	2	178076-00201	CLUTCH VALVE CMP	1							
4	3	198213-24380	SLEEVE, I/C	1							
5	3	192180-24770	SPRING,CV OUT	1							
6	3	192180-24780	SPRING,CV INN	1							
7	3	192180-24790	SPRING,CV RET	1							
8	3	192180-24800	PIN 2*18	1							
9	3	192180-24810	PIN,GUIDE	1							
10	3	192180-24850	WASHER 1.6	1							
11	2	178073-01200	PLUG PT 1/8	3							
12	2	198213-24322	CASE ASSY, VALVE	1							
13	3	24550-017150	BUSH, 17X15	1							
14	2	198213-24341	PLATE, VALVE	1							
15	2	198213-24350	GASKET, CASE	1							
16	2	198213-24360	COVER, SPOOL	1							
17	2	198213-24370	COVER, RELIEF	1							
18	2	198213-24390	VALVE, RELIEF	1							
19	2	198213-24400	SPRING, RELIEF	1							
20	2	198213-24420	SPRING, CUT-OFF	1							
21	2	198213-24441	ARM ASSY, SHIFT	1							
22	2	198213-24470	ARM ASSY, CLUTCH	1							
23	2	198213-24510	SPOOL, P/R	1							
24	2	192180-24641	DRV CMP	1							
25	3	192180-24680	SPRING (DRV OUT	1							
26	3	192180-24690	SPRING(DRV CEN	1							
27	3	192180-24700	SPRING(DRV INN	1							
28	3	192180-24910	SHIM	2							
29	3	22252-000200	RING, 20	1							
30	3	22252-000220	RING, 22	1							
31	3	22351-030028	PIN, SPRING 3.0X28	1							
32	3	24321-000250	O-RING, 1AG25.0	1							
33	2	192180-24730	ORIFICE	1							
34	2	192180-24740	SPRING	2							
35	2	192157-26460	PLUG 1/2-20 UNF	1							
36	2	194521-41570	PIN, 11X7	2							
37	2	194556-42220	STRAINER, A	1							
38	2	194850-49240	PLUG, 9/16-18	1							
39	2	194850-49290	PACKING, 6-1	1							
40	2	24190-100001	BALL, STEEL 5/16	2							
41	2	24311-000125	O-RING, 1AP12.5	1							
42	2	24311-000180	O-RING, 1AP18.0	1							
43	2	24311-000220	O-RING, 1AP22.0	1							
44	2	24311-000290	O-RING, 1AP29.0	1							
45	2	24311-000320	O-RING, 1AP32.0	1							
46	2	24341-000220	O-RING, 1AS22.0	1							
47	2	24341-000224	O-RING, 1AS22.4	2							
48	2	24351-010140	PACKING 1A 1014	2							
49	2	24361-090500	O-RING, 1AAS905	1							
50	2	26016-060162	BOLT, M6X 16	3							
51	2	26016-060162	BOLT, M6X 16	6							

N:Old $\begin{matrix} \text{Yes} \\ \text{No} \end{matrix}$ New, Q:Old $\begin{matrix} \text{No} \\ \text{Yes} \end{matrix}$ New, R:Old $\begin{matrix} \text{Yes} \\ \text{No} \end{matrix}$ New, S:Old $\begin{matrix} \text{No} \\ \text{Yes} \end{matrix}$ New, W:Add, Z:Discontinued, F:Interchangeable by set, K:Q'ty Change
 ++ CONTINUE ++
 Copyright (C) YANMAR CO., LTD. All Rights Reserved.

Fig.41. REVERSER VALVE

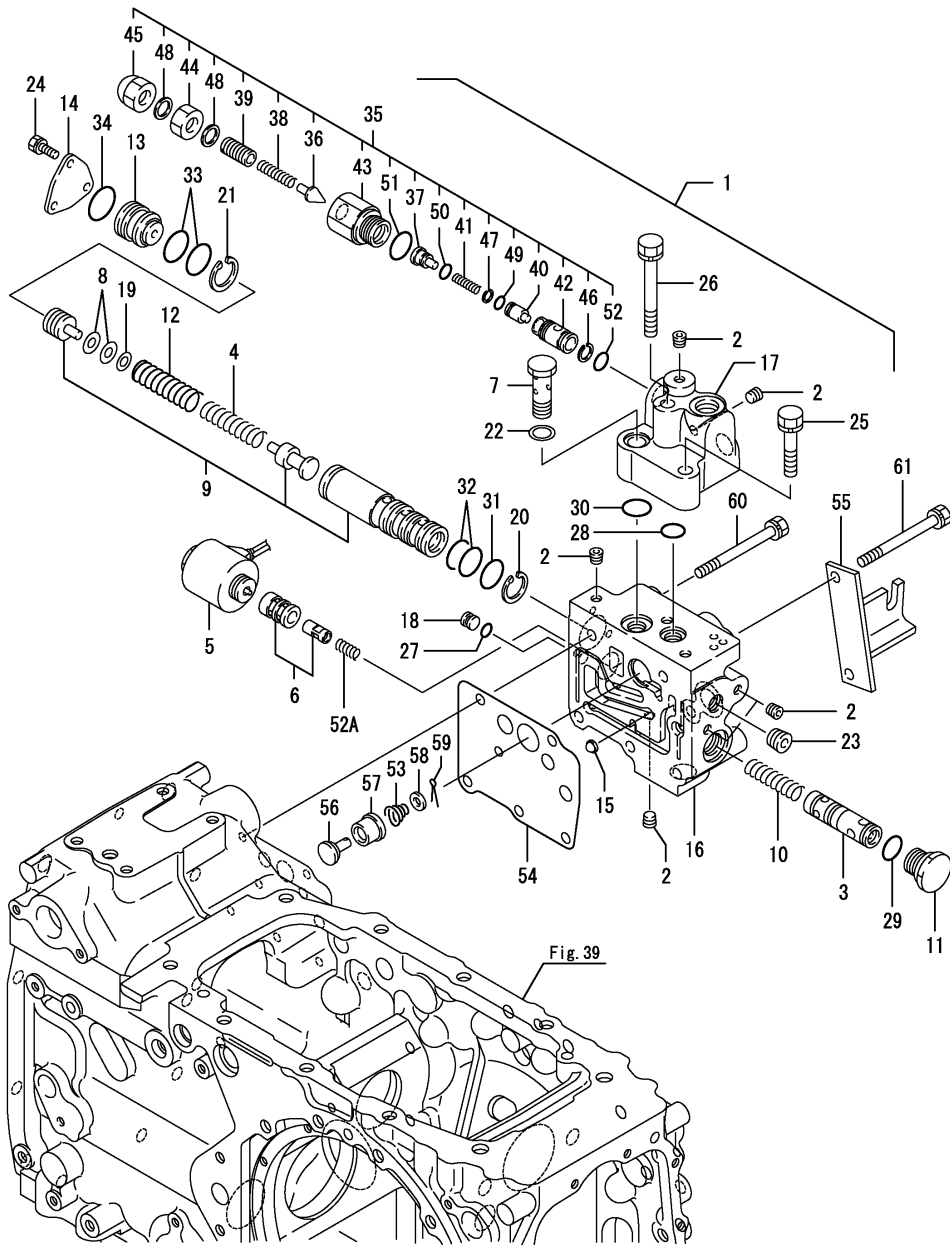


(A)=EF685-AU-PQ
 (B)=
 (C)=

(D)=
 (E)=
 (F)=

No.	Lev.	Parts No.	Description	Q'ty						I	R
				(A)	(B)	(C)	(D)	(E)	(F)		
52	2	26016-080302	BOLT, M8X 30	4							
53	1	1A7670-24420	ARM, CHANGE	1							
54	1	198072-27650	ARM, CHANGE	1							
55	1	22351-060032	PIN, SPRING 6.0X32	2							
56	1	26013-080802	BOLT, M8X 80	10							
56-1	1	26106-080802	BOLT, M8X 80 PLATED	10							R
(A=FXXXXXX)											
57	1	26013-080952	BOLT, M8X 95	2							
57-1	1	26106-080952	BOLT, M8X 95 PLATED	2							R
(A=FXXXXXX)											

Fig.42. PTO VALVE

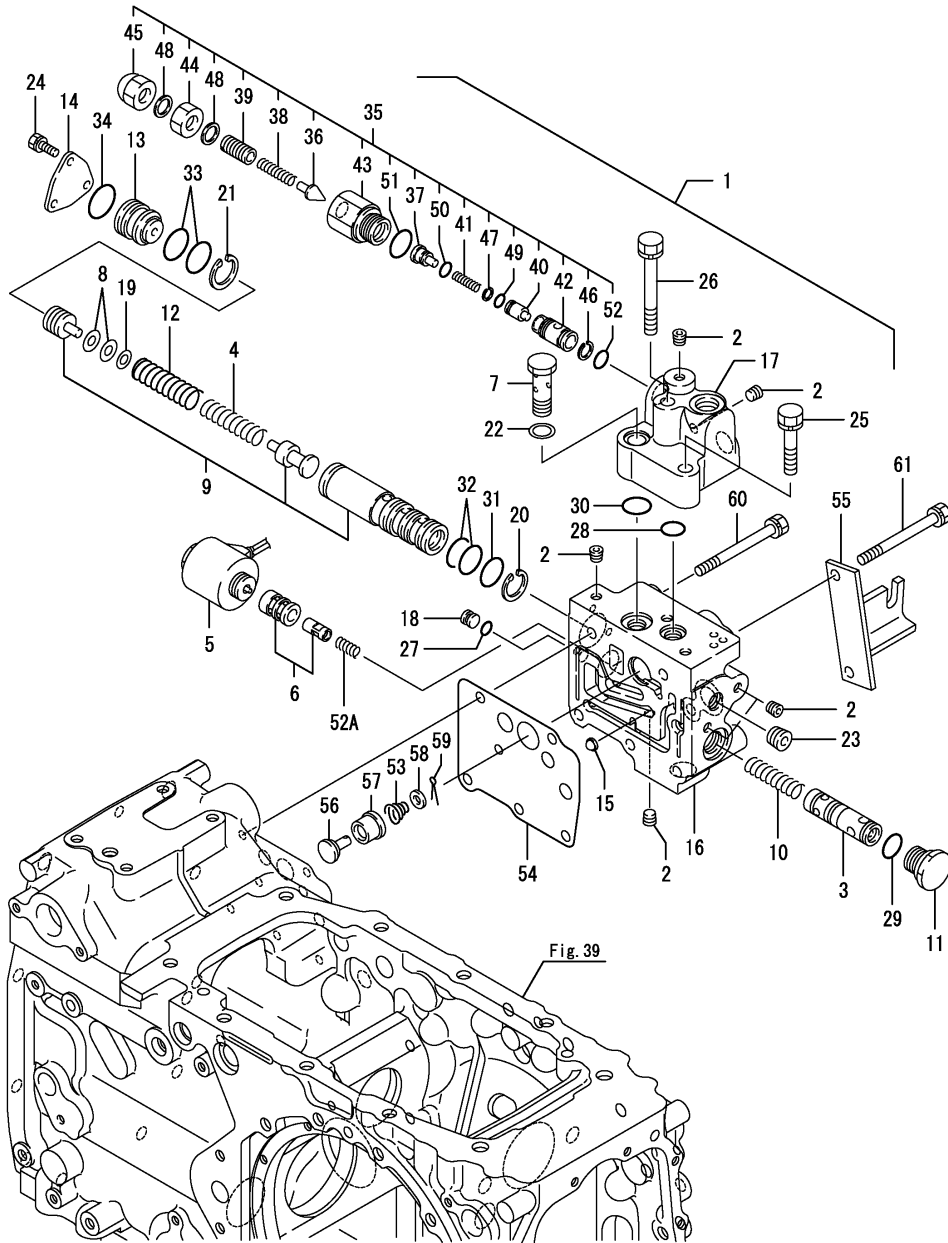


(A)=EF685-AU-PQ
(B)=
(C)=

(D)=
(E)=
(F)=

No.	Lev.	Parts No.	Description	Q'ty						I	R
				(A)	(B)	(C)	(D)	(E)	(F)		
1	1	1A7640-24600	VALVE ASSY, PTO	1							
2	2	178073-01200	PLUG PT 1/8	6							
3	2	168227-01050	SPOOL FLOW CONT. 7A	1							
4	2	178076-02300	SPRING, DRV INNER	1							
5	2	178076-02400	SOLENOID ASSY	1							
6	2	178076-02430	VALVE ASSY, SOLENOID	1							
7	2	198266-24330	BOLT, PIPE JOINT M14	1							
8	2	194800-24620	SHIM, T=0.5	2							
9	2	194850-24630	VALVE ASSY, DRV	1							
10	2	198213-24700	SPRING, FLOW CONTROL	1							
11	2	198213-24710	PLUG	1							
12	2	198213-24720	SPRING, DRV OUTER	1							
13	2	198213-24740	PLUG, DRV	1							
14	2	198213-24750	COVER, DRV	1							
15	2	192157-24801	STRAINER	1							
16	2	168227-01020	VALVEBODY	1							
17	2	168227-02120	RELIEF CASE	1							
18	2	194170-45370	PLUG, FLOW CONTROL	1							
19	2	119620-51350	GASKET, DELIVERY	2							
20	2	22252-000180	RING, 18	1							
21	2	22252-000200	RING, 20	1							
22	2	23414-140000	GASKET, 14X1.0	1							
23	2	23871-030000	PLUG, R03	1							
24	2	26016-060162	BOLT, M6X 16	3							
25	2	26016-100452	BOLT, M10X 45	1							
26	2	26016-100802	BOLT, M10X 80	1							
27	2	24311-000070	O-RING, 1AP7.0	1							
28	2	24315-000160	O-RING, 1BP16.0	1							
29	2	24315-000180	O-RING, 1BP18.0	1							
30	2	24311-000200	O-RING, 1AP20.0	1							
31	2	24341-000220	O-RING, 1AS22.0	1							
32	2	24341-000224	O-RING, 1AS22.4	2							
33	2	24341-000240	O-RING, 1AS24.0	2							
34	2	24341-000250	O-RING, 1AS25.0	1							
35	2	198535-45600	VALVE ASSY, RELIEF	1							
36	3	194065-45610	POPPET, PILOT	1							
37	3	194065-45620	SEAT, VALVE	1							
38	3	194065-45630	SPRING, PILOT	1							
39	3	194065-45640	SCREW	1							
40	3	194065-45650	PISTON	1							
41	3	194065-45660	SPRING, PISTON	1							
42	3	194065-45670	SLEEVE	1							
43	3	194065-45680	PLUG	1							
44	3	194065-45690	NUT	1							
45	3	194065-45710	NUT, CAP	1							
46	3	194065-45730	RING, BACK UP	1							
47	3	194065-45740	RING, BACK UP P9	1							
48	3	194065-45750	PACKING, 12X18X1.5	2							
49	3	41850-000080	RING	1							
50	3	41851-000090	RING	1							
51	3	41851-000220	RING	1							

Fig.42. PTO VALVE



(A)=EF685-AU-PQ
(B)=
(C)=

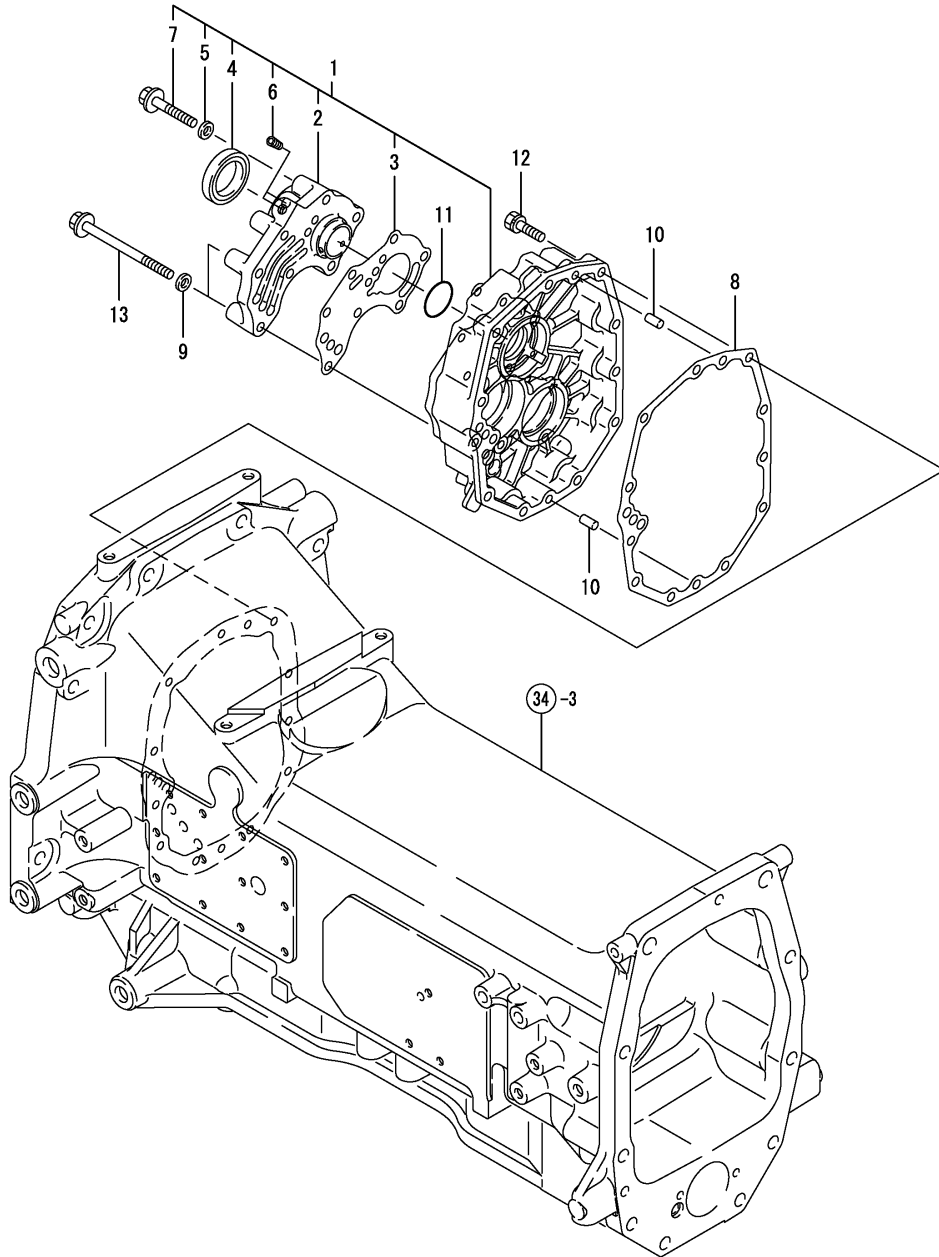
(D)=
(E)=
(F)=

No.	Lev.	Parts No.	Description	Q'ty						I	R
				(A)	(B)	(C)	(D)	(E)	(F)		
52	3	41856-010150	PACKING 1015	1							
52A	2	178076-02460	SPRING, SPOOL	1							
53	1	194310-24770	SPRING, 2ND RELIEF A	1							
54	1	198212-24910	GASKET, PTO VALVE	1							
55	1	1A7640-33281	BRACKET, WIRE	1							
56	1	1E6190-55660	VALVE, 2ND RELIEF	1							
57	1	1E6190-55710	SEAT, 2ND RELIEF	1							
58	1	22117-060000	WASHER, 6	1							
59	1	22417-200100	COTTER PIN 2.0X10	1							
60	1	26013-080802	BOLT, M8X 80	3							
60-1	1	26106-080802	BOLT, M8X 80 PLATED	3							R
(A=FXXXXXX)											
61	1	26013-080852	BOLT, M8X 85	2							
61-1	1	26106-080852	BOLT, M8X 85 PLATED	2							R
(A=FXXXXXX)											

Fig.43. FRONT COVER

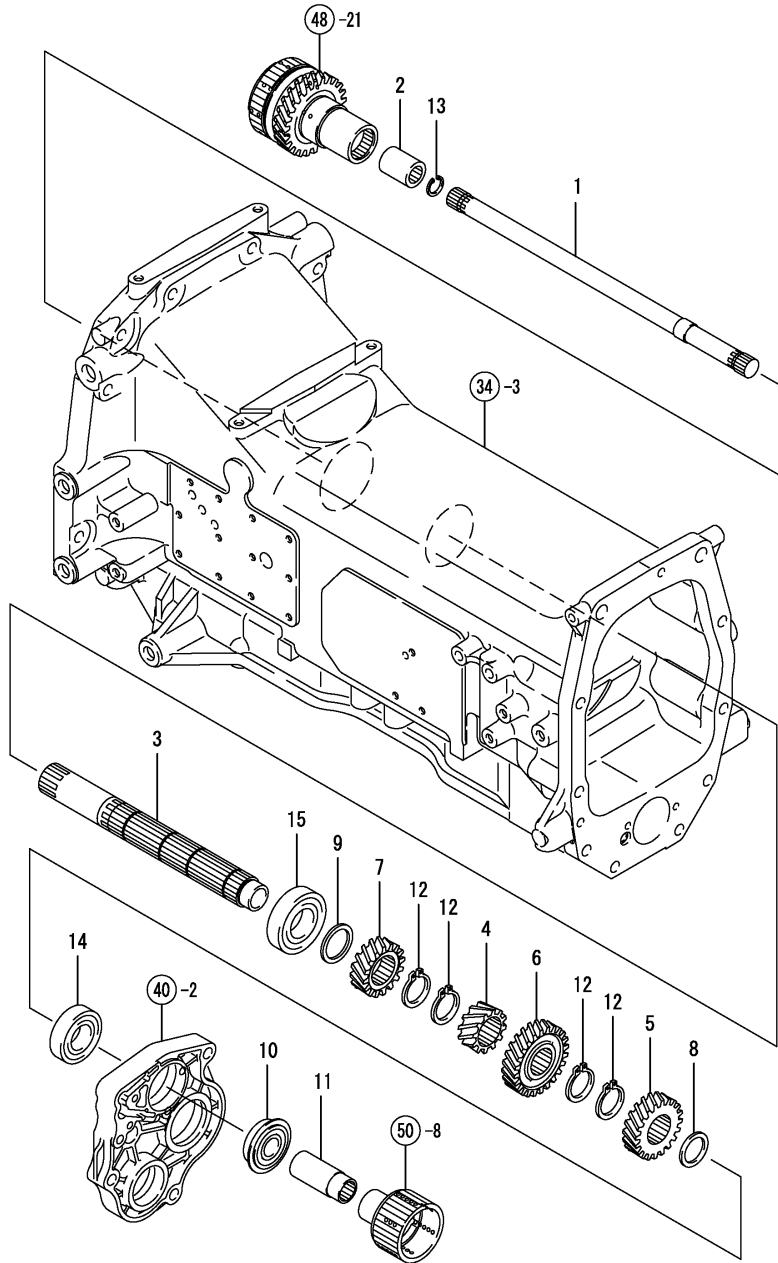
(A)=EF685-AU-PQ
(B)=
(C)=

(D)=
(E)=
(F)=



No.	Lev.	Parts No.	Description	Q'ty						I	R
				(A)	(B)	(C)	(D)	(E)	(F)		
1	1	198212-24700	COVER ASSY, FRONT	1							
2	2	198448-24740	CASE, REVERSE SEAL	1							
3	2	198212-24750	GASKET, SEAL CASE	1							
4	2	194305-32650	SEAL, OIL TC35529	1							
5	2	22190-080000	WASHER, SEAL 8	5							
6	2	23876-010000	PLUG, R01	2							
7	2	26106-080502	BOLT, M8X 50 PLATED	5							
8	1	198212-25720	GASKET, FRONT COVER	1							
9	1	22190-080000	WASHER, SEAL 8	2							
10	1	22312-080180	PIN, PARALLEL M8X18	2							
11	1	24341-000350	O-RING, 1AS35.0	1							
12	1	26013-080352	BOLT, M8X 35	9							
12-1	1	26106-080352	BOLT, M8X 35 PLATED	9							N
(A=*2009.04.)											
13	1	26106-081102	BOLT, M8X110 PLATED	2							

Fig.44. MAIN SHAFT

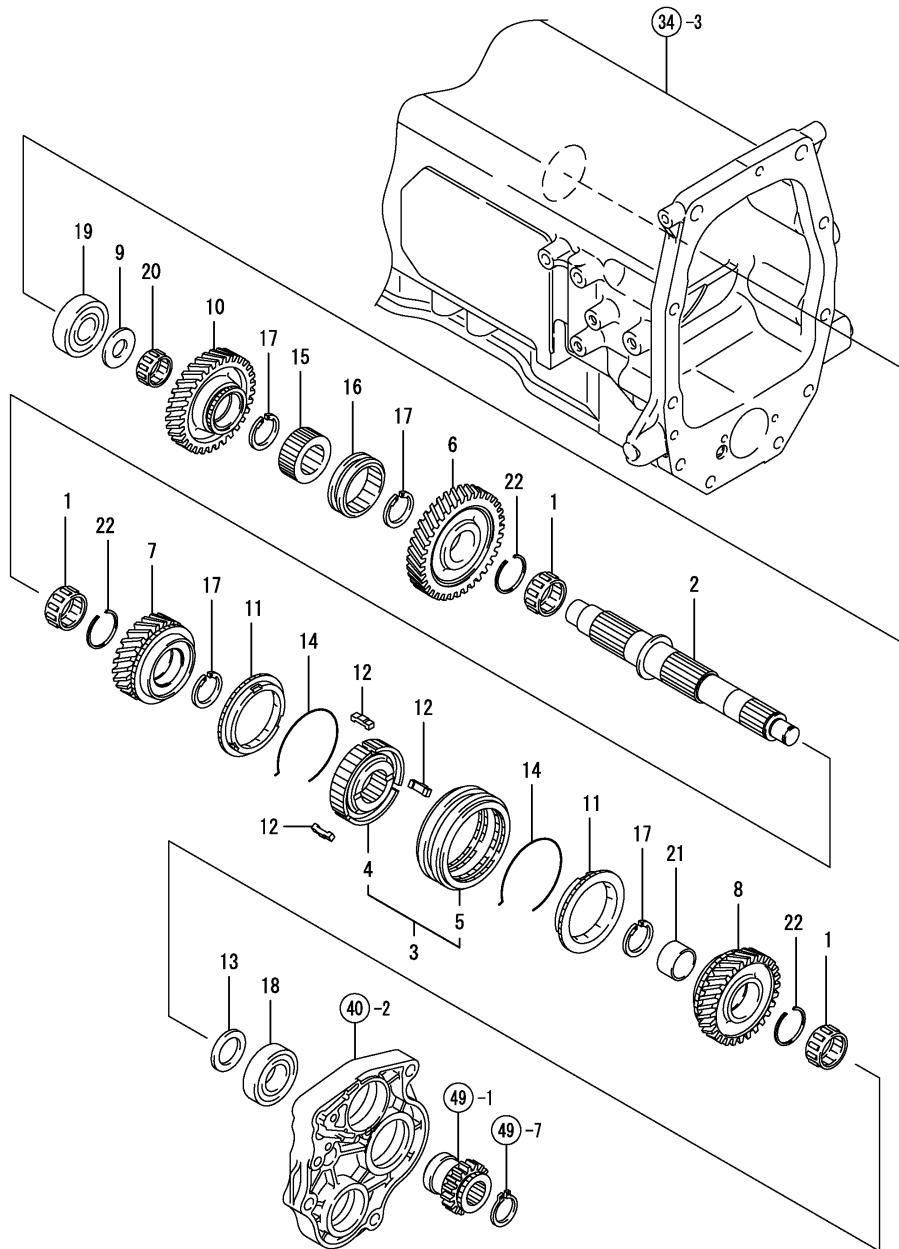


(A)=EF685-AU-PQ
(B)=
(C)=

(D)=
(E)=
(F)=

No.	Lev.	Parts No.	Description	Q'ty						I	R
				(A)	(B)	(C)	(D)	(E)	(F)		
1	1	198212-25130	SHAFT, PTO DRIVE	1							
2	1	198212-25150	COUPLING, 13X16/32	1							
3	1	198212-25210	SHAFT, MAIN	1							
4	1	198212-25220	GEAR, MAIN 21	1							
5	1	198212-25240	GEAR, MAIN 31R	1							
6	1	198535-25260	GEAR, MAIN 36	1							
7	1	1A7670-25290	GEAR, MAIN 27R	1							
8	1	194312-25470	SPACER, 30X40X2	1							
9	1	194250-25520	SPACER, 35X45X2	1							
10	1	198212-26090	BEARING, 63/22 NR	1							
11	1	198212-26190	SPACER, 23X30X72	1							
12	1	22242-000340	RING, 34	4							
13	1	22252-000190	RING, 19	1							
14	1	24101-062064	BEARING, BALL 6206	1							
15	1	24101-062074	BEARING, BALL 6207	1							

Fig.45. DRIVEN SHAFT

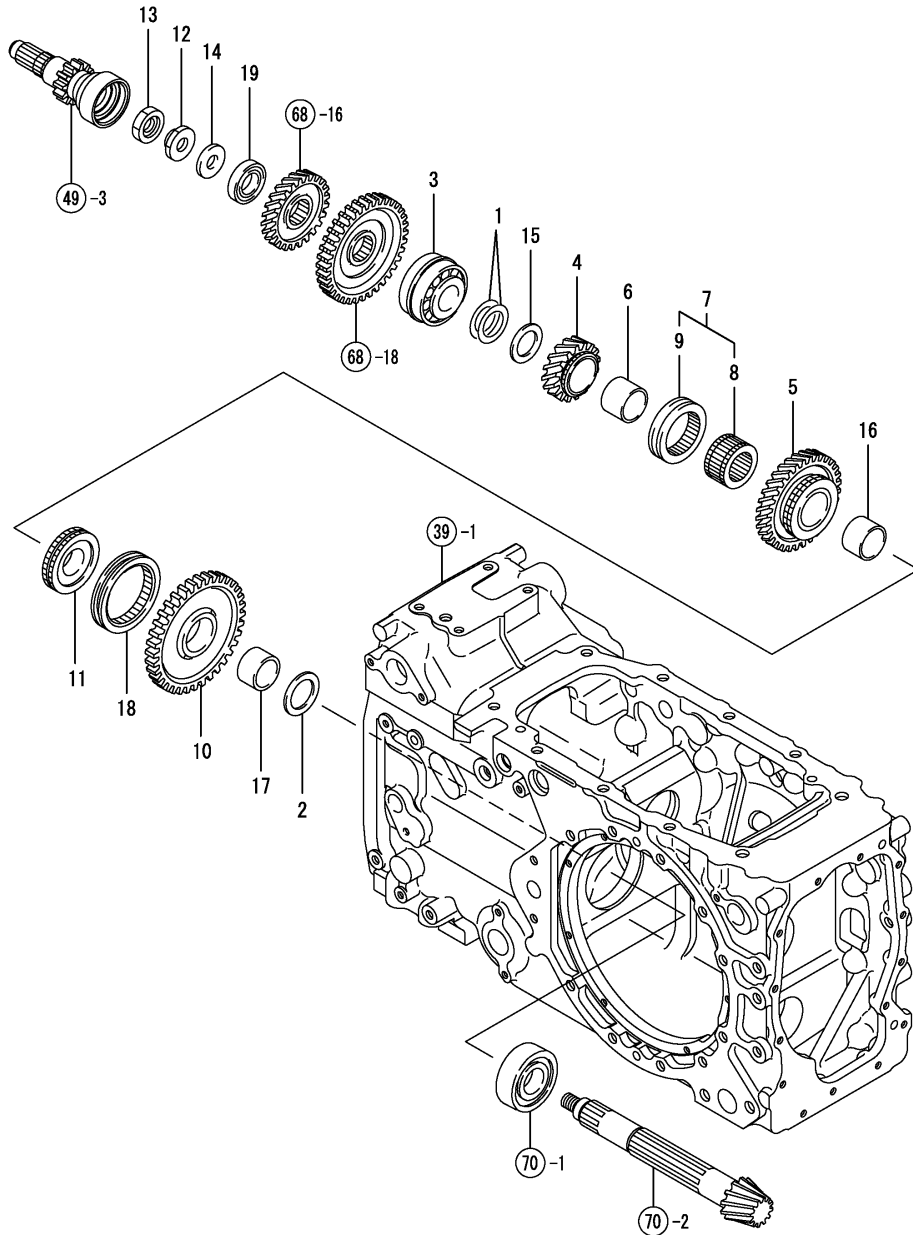


(A)=EF685-AU-PQ
(B)=
(C)=

(D)=
(E)=
(F)=

No.	Lev.	Parts No.	Description	Q'ty						I	R
				(A)	(B)	(C)	(D)	(E)	(F)		
1	1	194250-25240	BEARING, 354019	3							
2	1	198212-25320	SHAFT, DRIVEN	1							
3	1	198212-25400	HUB ASSY, SYNCHRO	1							
4	2	198212-25460	HUB, SYNCHRO	1							
5	2	198121-25830	SLIDER	1							
6	1	1A7670-25440	GEAR, DRIVEN 53R	1							
7	1	198535-25510	GEAR, DRIVEN 39	1							
8	1	198212-25520	GEAR, DRIVEN 44	1							
9	1	194150-25530	WASHER, 20X43X2.5	1							
10	1	1A7670-25530	GEAR, DRIVEN 49L	1							
11	1	198121-25840	RING, SYNCHRONIZER	2							
12	1	198121-25850	KEY, SYNCHRONIZER	3							
13	1	194640-25860	WASHER, 30X45X3	1							
14	1	198121-25870	SPRING, SYNCHRO	2							
15	1	198075-25940	COLLAR, SPLINE	1							
16	1	194555-26620	SHIFTER	1							
17	1	22292-000340	RING, S-34	4							
18	1	24101-062064	BEARING, BALL 6206	1							
19	1	24101-063054	BEARING, BALL 6305	1							
20	1	24161-303520	BEARING, 303520	1							
21	1	24163-305200	RING, INNER 303520	1							
22	1	24165-000402	CIRCLIP, 40	3							

Fig.46. COUNTER SHAFT



(A)=EF685-AU-PQ
(B)=
(C)=

(D)=
(E)=
(F)=

No.	Lev.	Parts No.	Description	Q'ty						I	R
				(A)	(B)	(C)	(D)	(E)	(F)		
1	1	194301-12730	SHIM, 30X45X0.1	2							
2	1	194180-25550	WASHER, 35X50X3	1							
3	1	1A7350-25600	BEARING ASSY,4T30306	1							
4	1	198535-25640	GEAR, COUNTER 21	1							
5	1	198535-25660	GEAR, COUNTER 39	1							
6	1	198212-25680	BUSH, 34X40X30	1							
7	1	198149-25700	COLLAR ASSY, SPLINE	1							
8	2	198149-25780	COLLAR, SPLINE A	1							
9	2	198149-25890	SHIFTER	1							
10	1	198535-25760	GEAR, COUNTER 53	1							
11	1	198448-25782	COLLAR, SPLINE B	1							
12	1	198220-25830	NUT, LOCK M16	1							
13	1	198220-25840	NUT, LOCK M16	1							
14	1	198415-25840	SPACER, 16X38X4.5	1							
15	1	194640-25860	WASHER, 30X45X3	1							
16	1	198133-25860	BUSH, 34X40X26	1							
17	1	198149-25880	BUSH, 35X40X19	1							
18	1	198448-25891	SHIFTER, 72	1							
19	1	24101-060054	BEARING, BALL 6005	1							

Fig.47. REDUCTION SHAFT

(A)=EF685-AU-PQ
(B)=
(C)=

(D)=
(E)=
(F)=

No.	Lev.	Parts No.	Description	Q'ty						I	R
				(A)	(B)	(C)	(D)	(E)	(F)		
1	1	1A7640-25610	GEAR, REDUCTION	1							
2	1	194640-26130	COUPLING, PTO	1							
3	1	22242-000300	RING, 30	2							
4	1	24101-063054	BEARING, BALL 6305	1							
5	1	24101-063064	BEARING, BALL 6306	1							

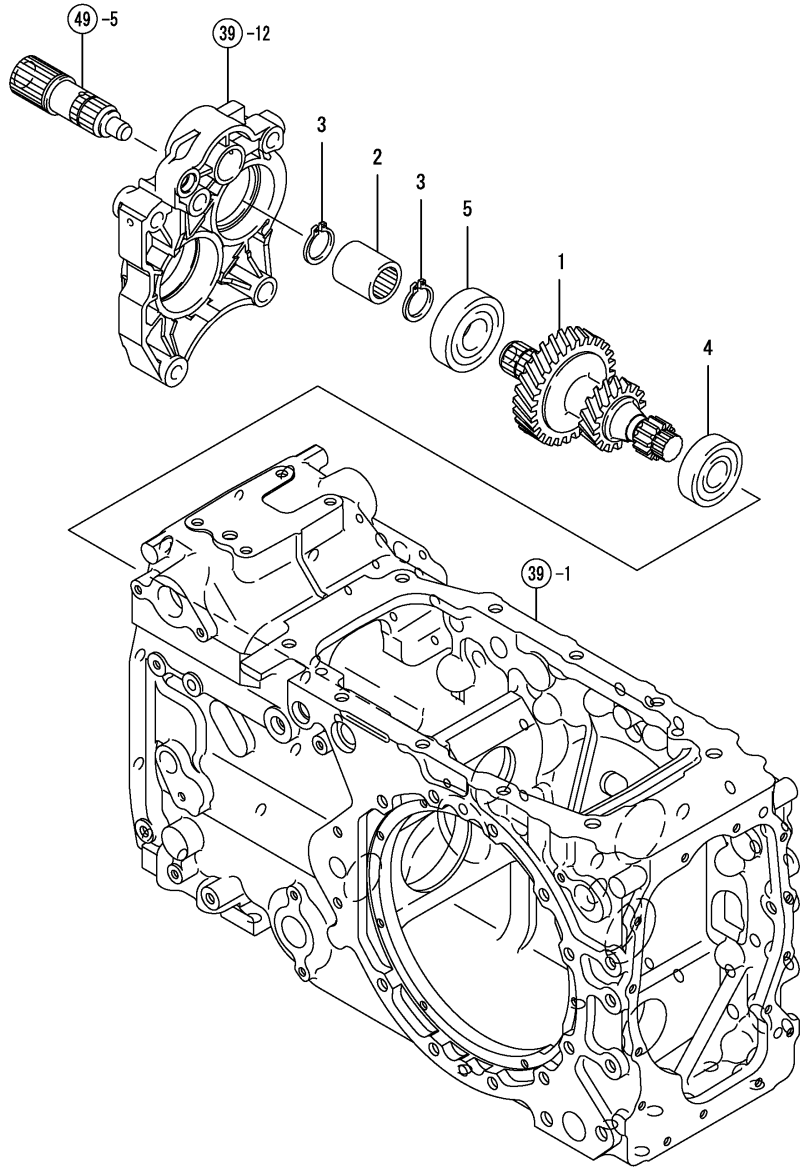
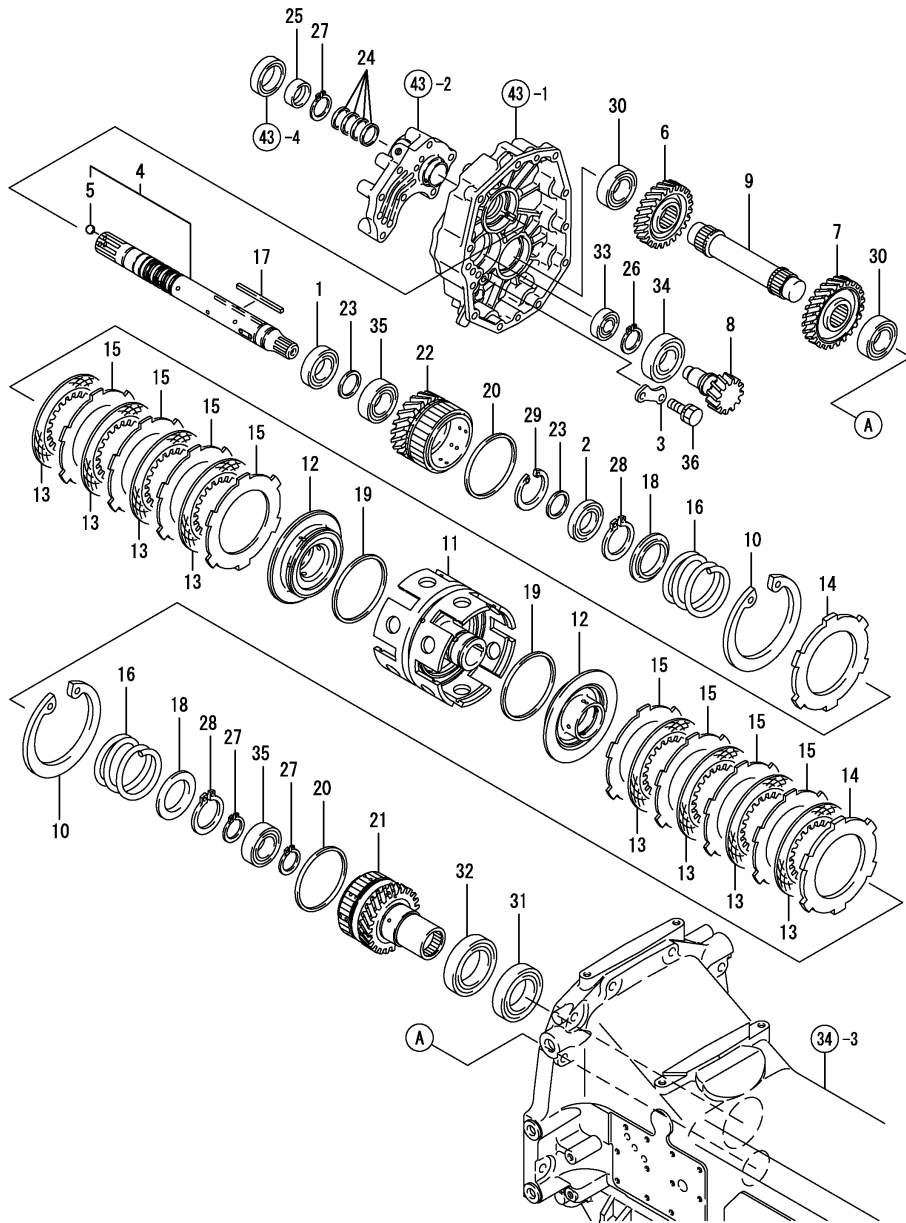


Fig.48. POWER REVERSER



(A)=EF685-AU-PQ

(B)=

(C)=

(D)=

(E)=

(F)=

No.	Lev.	Parts No.	Description	Q'ty						I	R
				(A)	(B)	(C)	(D)	(E)	(F)		
1	1	198360-22550	BEARING, TMB006	1							
2	1	194430-25460	BEARING, BALL 16006	1							
3	1	198212-25690	PLATE, KEEP	1							
4	1	1A7670-25731	SHAFT ASSY, INPUT	1							
5	2	24190-080001	BALL, STEEL 1/4	3							
6	1	198212-25750	GEAR, DRIVEN 34	1							
7	1	1A7670-25760	GEAR, DRIVEN 37F	1							
8	1	198212-25770	GEAR, IDLE 17	1							
9	1	1A7670-25780	SHAFT, DRIVEN P/R	1							
10	1	198212-25790	RING, C130	2							
11	1	198448-25801	CYLINDER, CLUTCH	1							
12	1	198212-25810	PISTON, CLUTCH	2							
13	1	198212-25820	PLATE, FRICTION 130	8							
14	1	198212-25830	PLATE, STEEL 5.0	2							
15	1	198212-25840	PLATE, STEEL 0.3	8							
16	1	198212-25850	SPRING, RETURN	2							
17	1	198212-25860	KEY, 5X5X80	1							
18	1	198212-25870	HOOK, SPRING	2							
19	1	198212-25880	RING, 95	2							
20	1	198212-25890	RING 90	2							
21	1	1A7670-25900	GEAR, CLUTCH 36 P/R	1							
22	1	198448-25910	GEAR, CLUTCH 33	1							
23	1	198212-25930	WASHER, 30X36X2	2							
24	1	198451-28750	RING, 26.27X30.07X3	4							
25	1	194420-39370	SLEEVE, SI 30X35X13A	1							
26	1	22242-000300	RING, 30	1							
27	1	22242-000300	RING, 30	3							
28	1	22242-000450	RING, 45	2							
29	1	22252-000550	RING, 55	1							
30	1	24101-060064	BEARING, BALL 6006	2							
31	1	24101-060094	BEARING, BALL 6009	1							
32	1	24101-060104	BEARING, BALL 6010	1							
33	1	24101-062034	BEARING, BALL 6203	1							
34	1	24101-062064	BEARING, BALL 6206	1							
35	1	24107-060064	BEARING, BALL 6006ZZ	2							
36	1	26013-080202	BOLT, M8X 20	2							

Remarks

*Please refer to FIG.160 for new type

N:Old $\begin{matrix} \leftarrow \text{Yes} \\ \text{No} \end{matrix}$ New, Q:Old $\begin{matrix} \leftarrow \text{No} \\ \text{Yes} \end{matrix}$ New, R:Old $\begin{matrix} \leftarrow \text{Yes} \\ \text{Yes} \end{matrix}$ New, S:Old $\begin{matrix} \leftarrow \text{No} \\ \text{No} \end{matrix}$ New, W:Add, Z:Discontinued, F:Interchangeable by set, K:Q'ty Change

Fig.160. POWER REVERSE

(A)=EF685-AU-PQ

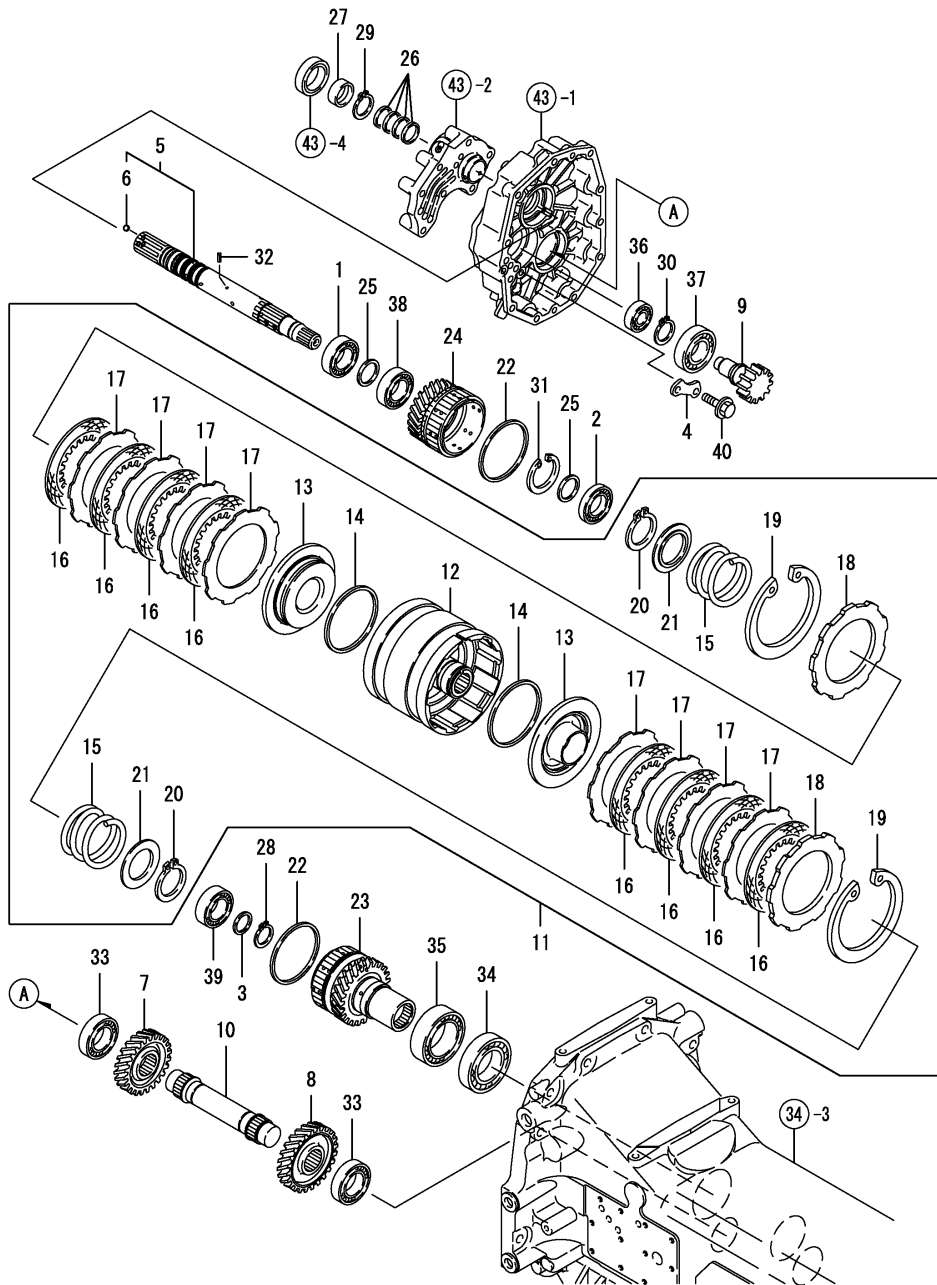
(B)=

(C)=

(D)=

(E)=

(F)=

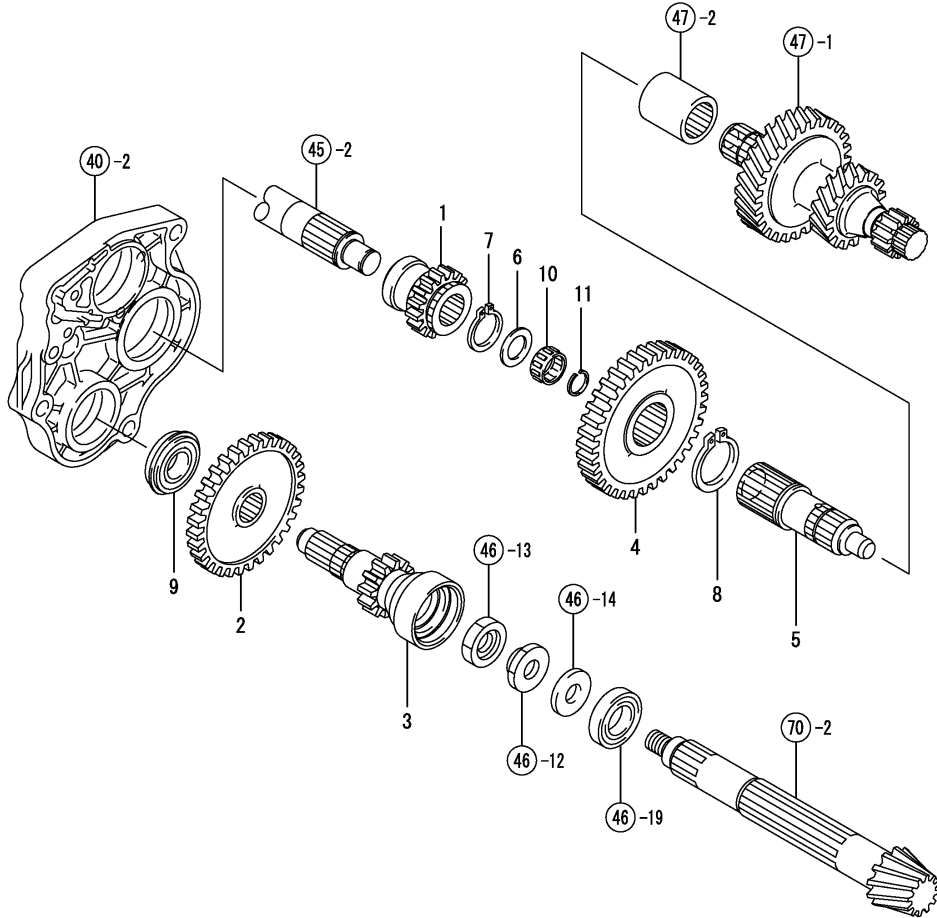


No.	Lev.	Parts No.	Description	Q'ty						I	R
				(A)	(B)	(C)	(D)	(E)	(F)		
1	1	198360-22550	BEARING, TMB006	1	1						
2	1	194430-25460	BEARING, BALL 16006	1	1						
3	1	194361-25681	SPACER	1	1						
4	1	198212-25690	PLATE, KEEP	1	1						
5	1	1A7651-25730	SHAFT ASSY, INPUT	1	1						
6	2	24190-080001	BALL, STEEL 1/4	3	3						
7	1	198212-25750	GEAR, DRIVEN 34	1	1						
8	1	1A7351-25760	GEAR, DRIVEN 37F	1	1						
9	1	1A7351-25770	GEAR, IDLE 17	1	1						
10	1	1A7351-25780	SHAFT, DRIVEN P/R	1	1						
11	1	1A7352-25800	CLUTCH ASSY, P/R-4	1	1						
12	2	1A7352-25810	CLUTCH, CASE 4X4	1	1						
13	2	1A7351-25820	PISTON, HYDRAULIC	2	2						
14	2	1A7351-25830	RING, 96	2	2						
15	2	1A7351-25840	SPRING	2	2						
16	2	1A7351-25850	PLATE, DISK 2.0	8	8						
17	2	1A7351-25860	PLATE, STEEL 3.0	8	8						
18	2	1A7351-25870	PLATE, STEEL 5.0	2	2						
19	2	1A7351-25880	RING, C130	2	2						
20	2	1A7351-25890	CIRCLIP, C45 SHAFT	2	2						
21	2	1A7351-25930	WASHER	2	2						
22	1	198212-25890	RING 90	2	2						
23	1	1A7352-25900	GEAR, CLUTCH 36 P/R	1	1						
24	1	1A7352-25910	GEAR, CLUTCH 33	1	1						
25	1	198212-25930	WASHER, 30X36X2	2	2						
26	1	198451-28750	RING, 26.27X30.07X3	4	4						
27	1	194420-39370	SLEEVE, SI 30X35X13A	1	1						
28	1	22242-000250	RING, 25	1	1						
29	1	22242-000300	RING, 30	1	1						
30	1	22242-000300	RING, 30	1	1						
31	1	22252-000550	RING, 55	1	1						
32	1	22351-030008	PIN, SPRING 3.0X 8	1	1						
33	1	24101-060064	BEARING, BALL 6006	2	2						
34	1	24101-060094	BEARING, BALL 6009	1	1						
35	1	24101-060104	BEARING, BALL 6010	1	1						
36	1	24101-062034	BEARING, BALL 6203	1	1						
37	1	24101-062064	BEARING, BALL 6206	1	1						
38	1	24107-060064	BEARING, BALL 6006ZZ	1	1						
39	1	24107-062054	BEARING, BALL 6205ZZ	1	1						
40	1	26106-080162	BOLT, M8X 16 PLATED	2	2						

Fig.49. CREEP GEAR

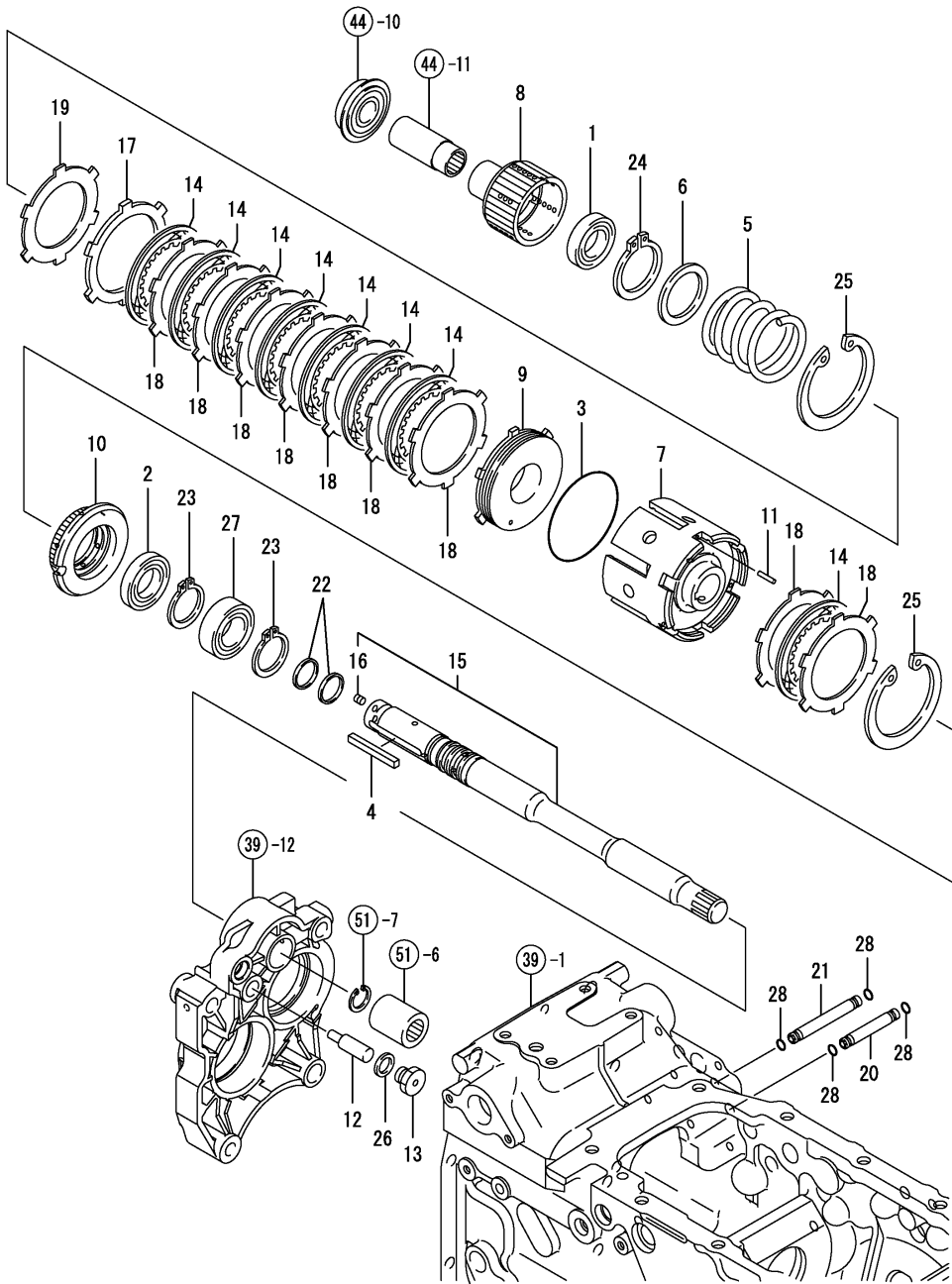
(A)=EF685-AU-PQ
(B)=
(C)=

(D)=
(E)=
(F)=



No.	Lev.	Parts No.	Description	Q'ty						I	R
				(A)	(B)	(C)	(D)	(E)	(F)		
1	1	198535-25330	PINION, CREEP	1							
2	1	198212-25340	GEAR, CREEP 42	1							
3	1	198535-25350	SHAFT, CREEP	1							
4	1	198212-25550	GEAR, SLIDING 41	1							
5	1	198212-25560	SHAFT, CONNECTING	1							
6	1	198133-25890	WASHER, 20X32X2	1							
7	1	22242-000300	RING, 30	1							
8	1	22242-000400	RING, 40	1							
9	1	24121-062044	BEARING, BALL 6204NR	1							
10	1	24161-202617	BEARING, 202617	1							
11	1	24164-000202	CIRCLIP, 20	1							

Fig.50. PTO CLUTCH



(A)=EF685-AU-PQ
(B)=
(C)=

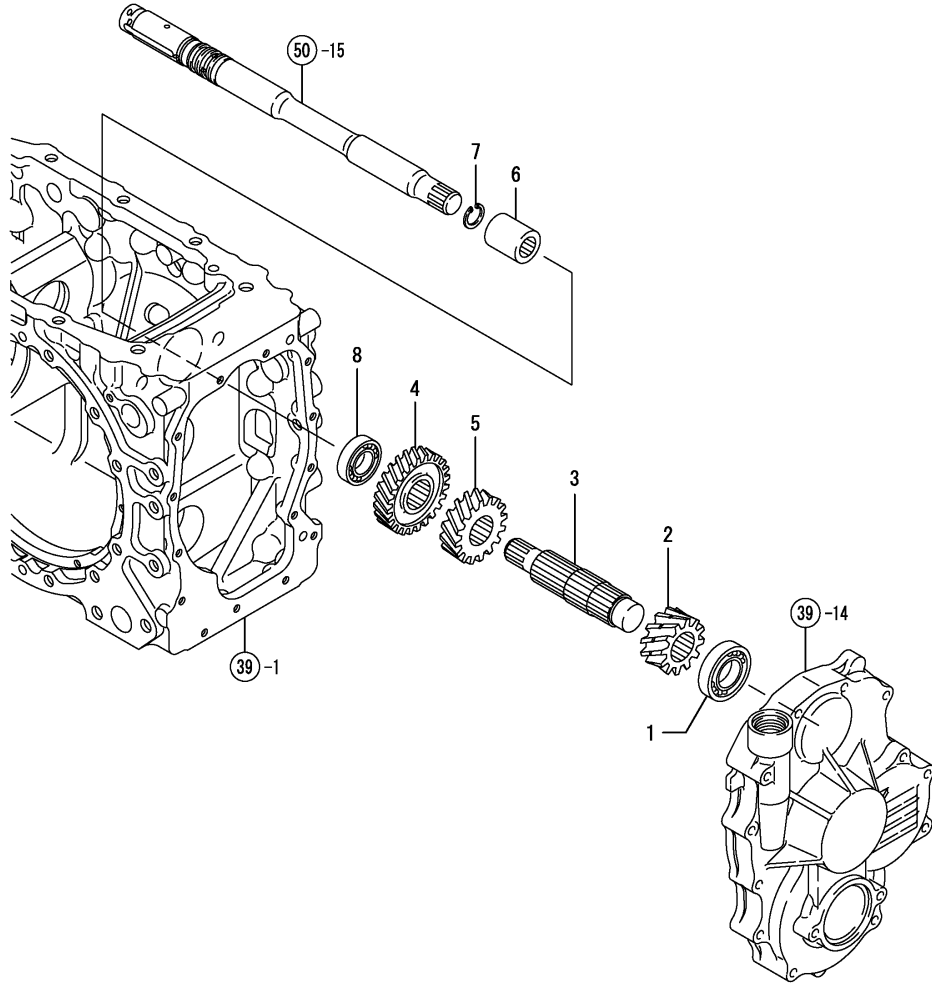
(D)=
(E)=
(F)=

No.	Lev.	Parts No.	Description	Q'ty						I	R
				(A)	(B)	(C)	(D)	(E)	(F)		
1	1	1C6460-14340	BEARING, BALL 60/28	1							
2	1	194430-25460	BEARING, BALL 16006	1							
3	1	194515-25530	RING, 95	1							
4	1	194515-25690	KEY, 7X5.8X60	1							
5	1	194300-25790	SPRING	1							
6	1	194440-25810	RETAINER, 40X54X2.3	1							
7	1	1A7450-26190	CYLINDER, CLUTCH	1							
8	1	198448-26220	HUB, SPLINE	1							
9	1	198212-26240	PISTON, PTO CLUTCH	1							
10	1	1A7640-26250	SPLINE, BRAKE	1							
11	1	198212-26260	PIN, 2.6X19.5	3							
12	1	1A7640-26270	PIN, ANCHOR	1							
13	1	198212-26290	PLUG, ANCHOR PIN	1							
14	1	194850-26340	PLATE, FRICTION 95P	8							
15	1	1A7350-26360	SHAFT ASSY, CLUTCH	1							
16	2	1E6191-54330	SCREW 7X8	2							Z
		(A=FXXXXX)									
17	1	194850-26370	PLATE, STEEL 3.2P	1							
18	1	198212-26380	PLATE, STEEL 2.3	9							
19	1	198212-26440	PLATE, STOPPER	1							
20	1	198212-26580	PIPE, OIL	1							
21	1	198212-26590	PIPE, OIL	1							
22	1	198451-28750	RING, 26.27X30.07X3	2							
23	1	22242-000300	RING, 30	2							
24	1	22242-000400	RING, 40	1							
25	1	22252-000950	RING, 95	2							
26	1	23414-160000	GASKET, 16X1.0	1							
27	1	24107-060064	BEARING, BALL 6006ZZ	1							
28	1	24341-000080	O-RING, 1AS8.0	4							

Fig.51. PTO DRIVE SHAFT

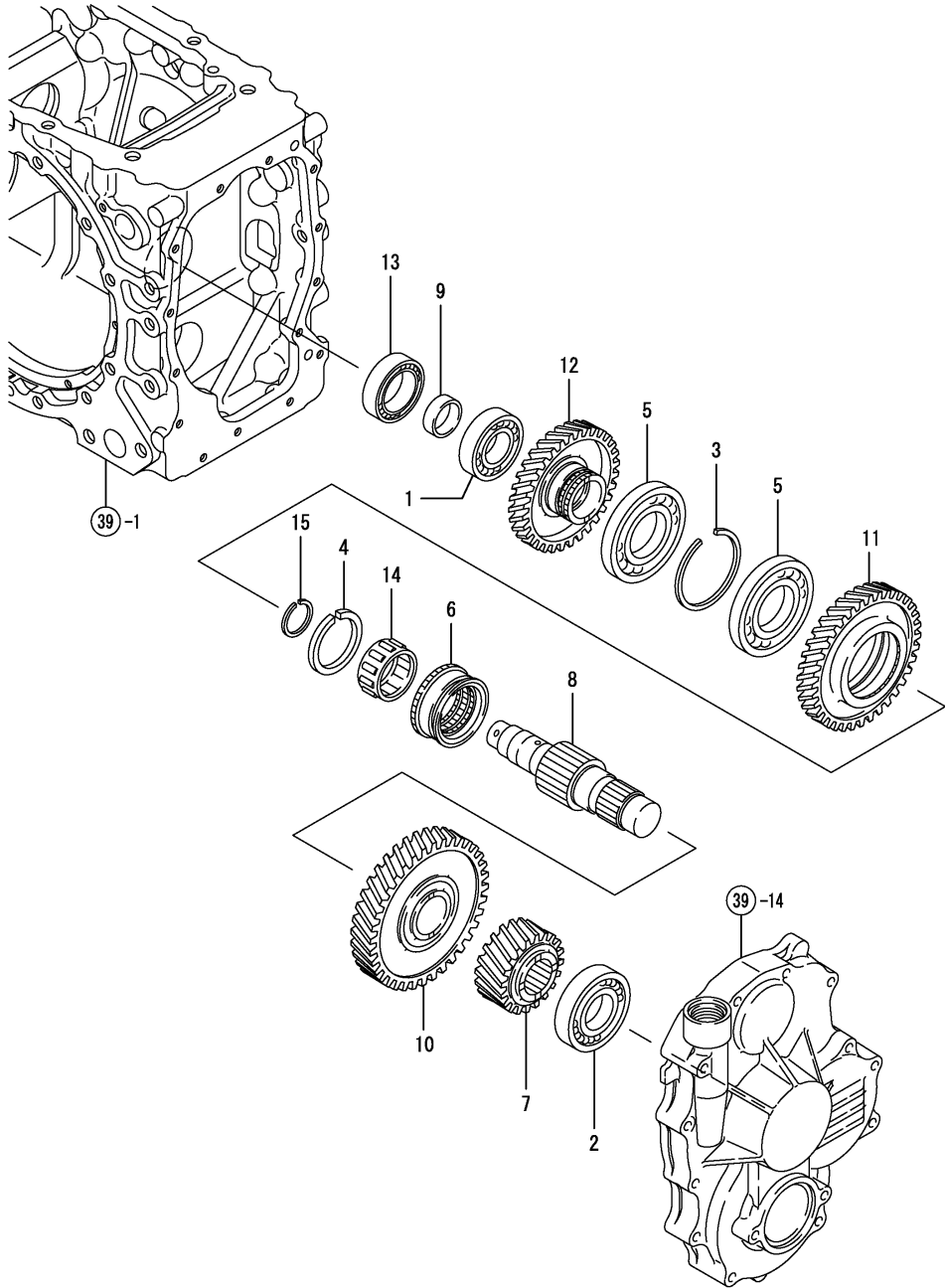
(A)=EF685-AU-PQ
(B)=
(C)=

(D)=
(E)=
(F)=



No.	Lev.	Parts No.	Description	Q'ty						I	R
				(A)	(B)	(C)	(D)	(E)	(F)		
1	1	198220-25810	BEARING, TMB306CC3	1							
2	1	198535-26090	PINION, PTO Z=18	1							
3	1	198448-26110	SHAFT, PTO PINION	1							
4	1	198448-26120	PINION, PTO Z=35	1							
5	1	198448-26130	PINION, PTO Z=28	1							
6	1	194555-26520	COUPLING, PTO	1							
7	1	22252-000220	RING, 22	1							
8	1	24101-063054	BEARING, BALL 6305	1							

Fig.52. PTO DRIVEN SHAFT



(A)=EF685-AU-PQ
(B)=
(C)=

(D)=
(E)=
(F)=

No.	Lev.	Parts No.	Description	Qty						I	R
				(A)	(B)	(C)	(D)	(E)	(F)		
1	1	194800-25250	BEARING, BALL 60/32	1							
2	1	198390-25790	BEARING, 6307R SH2	1							
3	1	194680-25820	CIRCLIP, NEEDLE 81	1							
4	1	194680-25840	CIRCLIP, NEEDLE 50	1							
5	1	194454-25870	BEARING, BALL 16010	2							
6	1	198448-26140	SHIFTER, PTO	1							
7	1	198448-26150	GEAR, DRIVE 20	1							
8	1	198448-26320	SHAFT, PTO DRIVEN	1							
9	1	198448-26340	SPACER, 32X38X12	1							
10	1	198448-26510	GEAR, PTO 48	1							
11	1	198448-26520	GEAR, PTO 59	1							
12	1	198448-26530	GEAR, PTO 52	1							
13	1	24101-063054	BEARING, BALL 6305	1							
14	1	24161-323717	BEARING, 323717	1							
15	1	24165-000372	CIRCLIP, 37	1							

Fig.53. PTO SHAFT

(A)=EF685-AU-PQ
(B)=
(C)=

(D)=
(E)=
(F)=

No.	Lev.	Parts No.	Description	Q'ty						I	R
				(A)	(B)	(C)	(D)	(E)	(F)		
1	1	198390-25790	BEARING, 6307R SH2	1							
2	1	198448-26170	GEAR, PTO DRIVEN 32	1							
3	1	198448-26310	SHAFT, PTO	1							
4	1	194370-26350	SEAL, OIL QLF356019	1							
5	1	24101-063054	BEARING, BALL 6305	1							

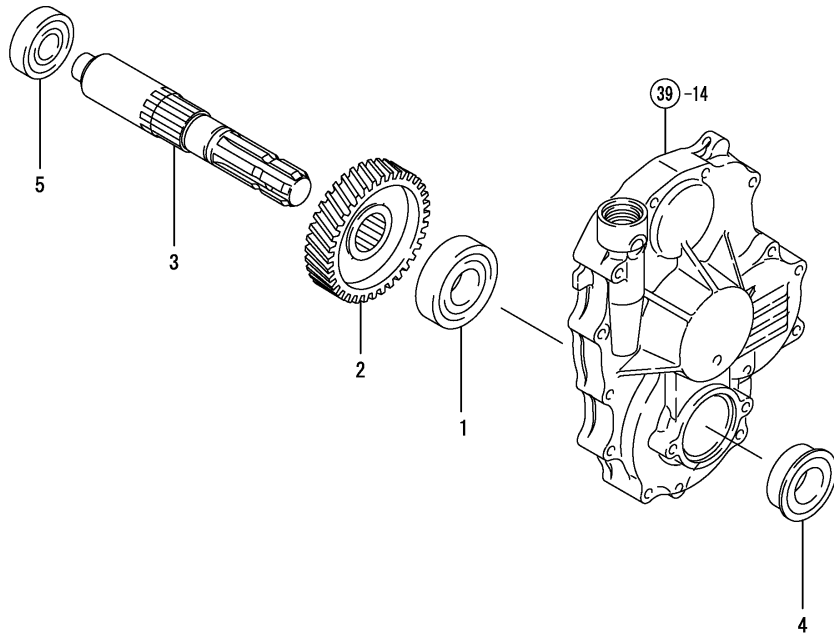


Fig.54. PTO IDLE GEAR

(A)=EF685-AU-PQ
(B)=
(C)=

(D)=
(E)=
(F)=

No.	Lev.	Parts No.	Description	Q'ty						I	R
				(A)	(B)	(C)	(D)	(E)	(F)		
1	1	198448-26160	GEAR, IDLE 23	1							
2	1	22252-000620	RING, 62	1							
3	1	24101-062064	BEARING, BALL 6206	2							

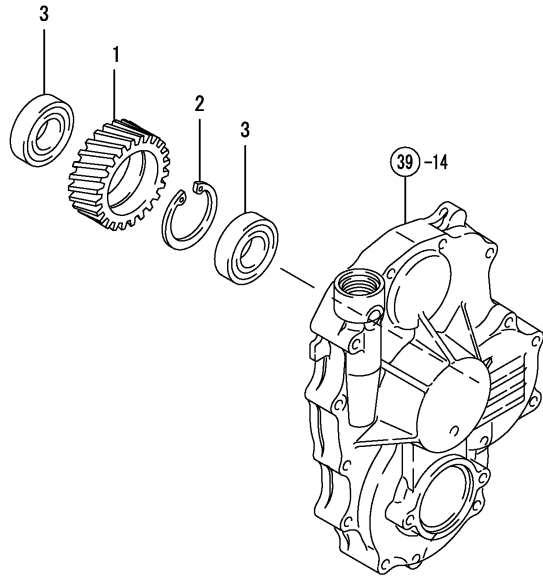


Fig.55. PTO SHAFT COVER

(A)=EF685-AU-PQ
(B)=
(C)=

(D)=
(E)=
(F)=

No.	Lev.	Parts No.	Description	Q'ty						I	R
				(A)	(B)	(C)	(D)	(E)	(F)		
1	1	1A7100-26850	COVER ASSY, SHAFT M	1							
2	1	26106-080122	BOLT, M8X 12 PLATED	2							

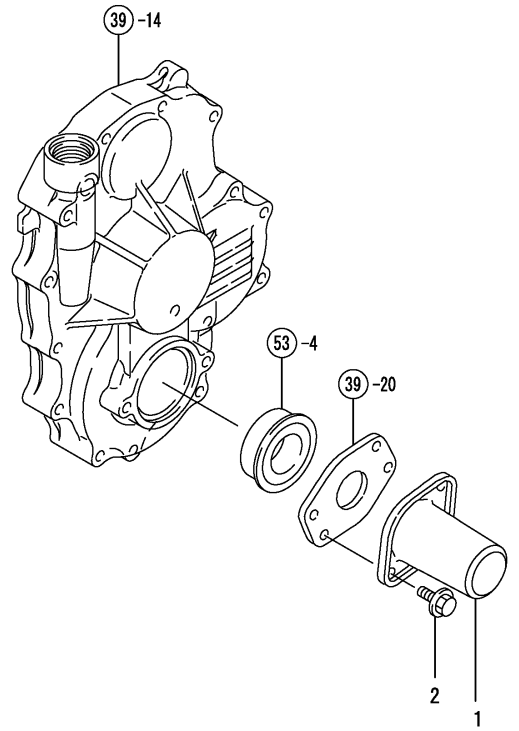


Fig.56. PTO SHAFT GUARD

(A)=EF685-AU-PQ
(B)=
(C)=

(D)=
(E)=
(F)=

No.	Lev.	Parts No.	Description	Q'ty						I	R
				(A)	(B)	(C)	(D)	(E)	(F)		
1	1	198448-26910	COVER, SHAFT	1							
2	1	26106-080352	BOLT, M8X 35 PLATED	4							

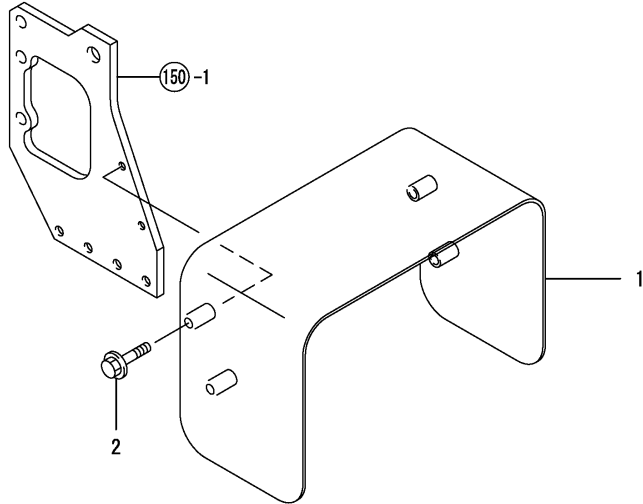
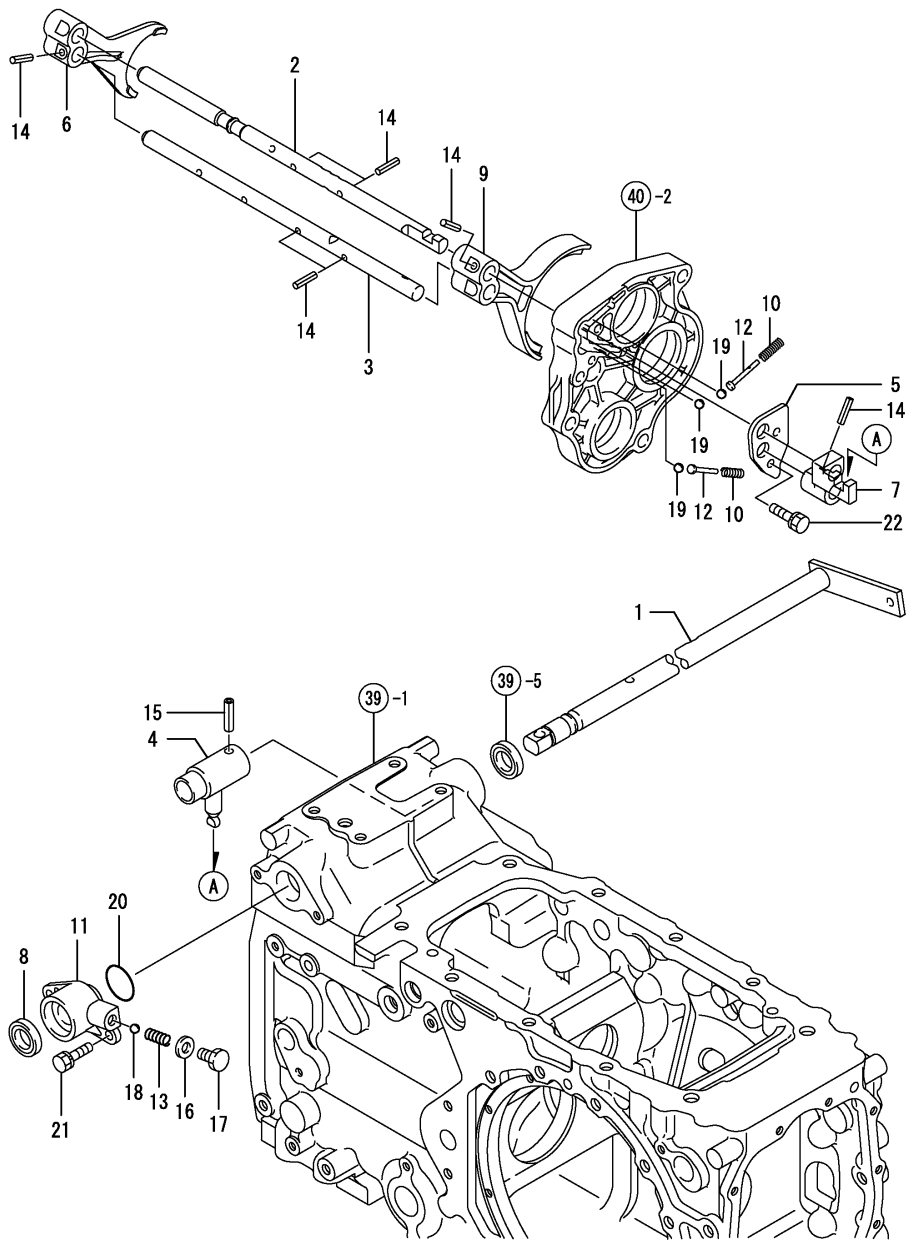


Fig.57. MAIN CHANGE SHIFT



(A)=EF685-AU-PQ
(B)=
(C)=

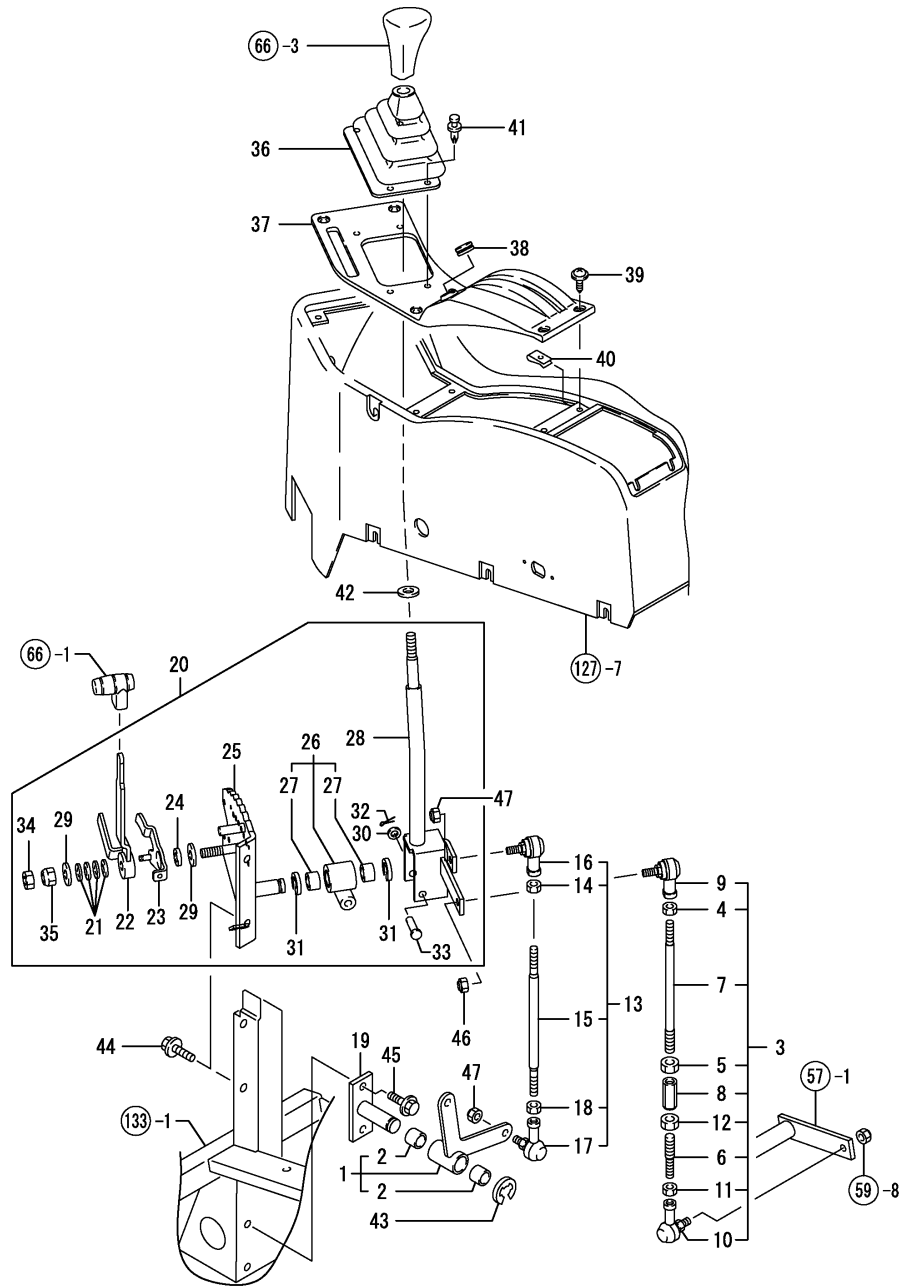
(D)=
(E)=
(F)=

No.	Lev.	Parts No.	Description	Q'ty						I	R
				(A)	(B)	(C)	(D)	(E)	(F)		
1	1	198535-27050	ARM, CHANGE	1							
2	1	198212-27250	SHAFT, FORK 3-4/2-3	1							
3	1	198212-27261	SHAFT, FORK 1-2/1-R	1							
4	1	198535-27260	ARM, SHIFT	1							
5	1	198212-27280	PLATE, FORK LOCK	1							
6	1	198212-27321	FORK, SHIFT	1							
7	1	198212-27330	SHIFTER, MAIN SHIFT	1							
8	1	198212-27350	SEAL, OIL TC4 203507	1							
9	1	198212-27371	FORK, SHIFT	1							
10	1	194145-27450	SPRING	2							
11	1	198212-27470	HOLDER, SHIFT ARM	1							
12	1	198071-27860	PIN, 4X35	2							
13	1	1E6210-54920	SPRING 23	1							
14	1	22351-060025	PIN, SPRING 6.0X25	7							
15	1	22351-080032	PIN, SPRING 8.0X32	1							
16	1	23414-100000	GASKET, 10X1.0	1							
17	1	23887-100002	PLUG, 10	1							
18	1	24190-100001	BALL, STEEL 5/16	1							
19	1	24190-100001	BALL, STEEL 5/16	3							
20	1	24321-000300	O-RING, 1AG30.0	1							
21	1	26013-080202	BOLT, M8X 20	2							
21-1	1	26106-080202	BOLT, M8X 20 PLATED	2							R
(A=FXXXXXX)											
22	1	26013-080202	BOLT, M8X 20	2							
22-1	1	26106-080162	BOLT, M8X 16 PLATED	2							R
(A=FXXXXXX)											

Fig.58. SHIFT LEVER

(A)=EF685-AU-PQ
(B)=
(C)=

(D)=
(E)=
(F)=



No.	Lev.	Parts No.	Description	Q'ty						I	R
				(A)	(B)	(C)	(D)	(E)	(F)		
1	1	198535-27120	CRANK ASSY, BELL B	1							
2	2	194630-24230	BUSH, 17X19X15	2							
3	1	198535-27130	ROD, SHIFT A	1							
4	2	194990-20170	NUT, M8	1							
5	2	194150-22480	NUT, M10 L	1							
6	2	198535-26140	ROD, D	1							
7	2	198535-27140	ROD, A	1							
8	2	194215-27260	TURNBUCKLE, M10X31	1							
9	2	194820-27370	END, ROD L	1							
10	2	172112-41980	BEARING, ROD-END	1							
11	2	26716-080002	NUT, M8	1							
12	2	26716-100002	NUT, M10	1							
13	1	198535-27150	ROD, SHIFT B	1							
14	2	194990-20170	NUT, M8	1							
15	2	198535-27160	ROD, B	1							
16	2	194820-27370	END, ROD L	1							
17	2	172112-41980	BEARING, ROD-END	1							
18	2	26716-080002	NUT, M8	1							
19	1	198535-27230	BRACKET, BELL CRANK	1							
20	1	1A7640-27300	LEVER, SHIFT	1							
21	2	194740-00160	SPRING, 10	4							
22	2	198448-01110	LEVER, ACCELERATOR	1							
23	2	198448-01172	LEVER, LINK	1							
24	2	194150-01270	SPACER, 20	1							
25	2	198535-27310	PLATE ASSY, SHIFT	1							
26	2	198535-27390	BOSS ASSY, LEVER	1							
27	3	24550-018120	BUSH, 18X12	2							
28	2	1A7640-27430	LEVER, MAIN SHIFT	1							
29	2	194145-61570	WASHER, 10	2							
30	2	22137-080000	WASHER, 8	1							
31	2	22272-000150	RING, E-15	2							
32	2	22417-200200	PIN, COTTER 2.0X20	1							
33	2	22487-080500	PIN, H 8X 50	1							
34	2	26756-100002	NUT, LOCK M10	1							
35	2	26986-100002	NUT, LOCK M10	1							
35-1	2	26716-100002	NUT, M10	1							R
(A=FZZZZZ)											
36	1	198535-27350	BOOT, MAIN SHIFT	1							
37	1	198535-27470	COVER, MAIN SHIFT	1							
38	1	194197-56350	GROMMET	1							
39	1	194940-61790	SCREW, TAPPING M5X16	6							
40	1	198220-63850	NUT, M5	6							
41	1	197810-84840	RIVET, NYLON	4							
42	1	22137-120000	WASHER, 12	1							
43	1	22272-000150	RING, E-15	1							
44	1	26106-080162	BOLT, M8X 16 PLATED	2							
45	1	26106-080162	BOLT, M8X 16 PLATED	2							
46	1	26346-080002	NUT, M8	1							
47	1	26346-080002	NUT, M8	2							

Fig.59. SHIFT LEVER LINK

(A)=EF685-AU-PQ
(B)=
(C)=

(D)=
(E)=
(F)=

No.	Lev.	Parts No.	Description	Q'ty						I	R
				(A)	(B)	(C)	(D)	(E)	(F)		
1	1	1A7640-27340	ROD, SHIFT	1							
2	2	1A7640-27370	ROD	1							
3	2	194235-29440	BALL, PILLOW 10	1							
4	2	26716-100002	NUT, M10	2							
5	1	1C6281-52320	PIN, SNAP 8	1							
6	1	22137-100000	WASHER, 10	1							
7	1	26013-100352	BOLT, M10X 35	1							
8	1	26346-080002	NUT, M8	1							

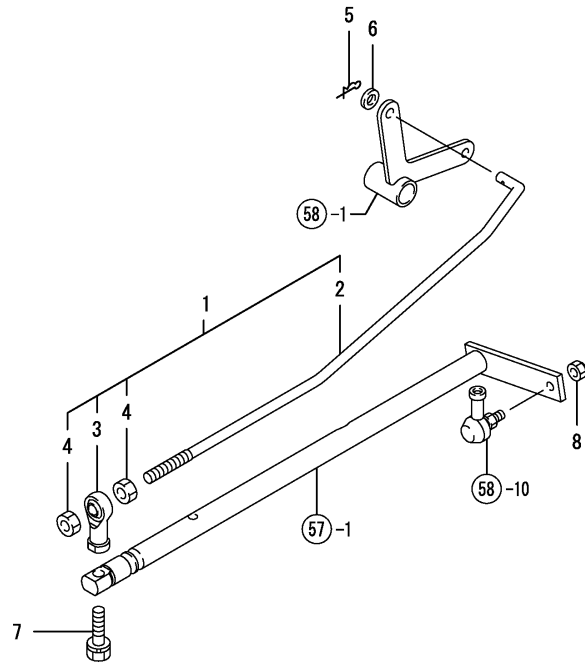
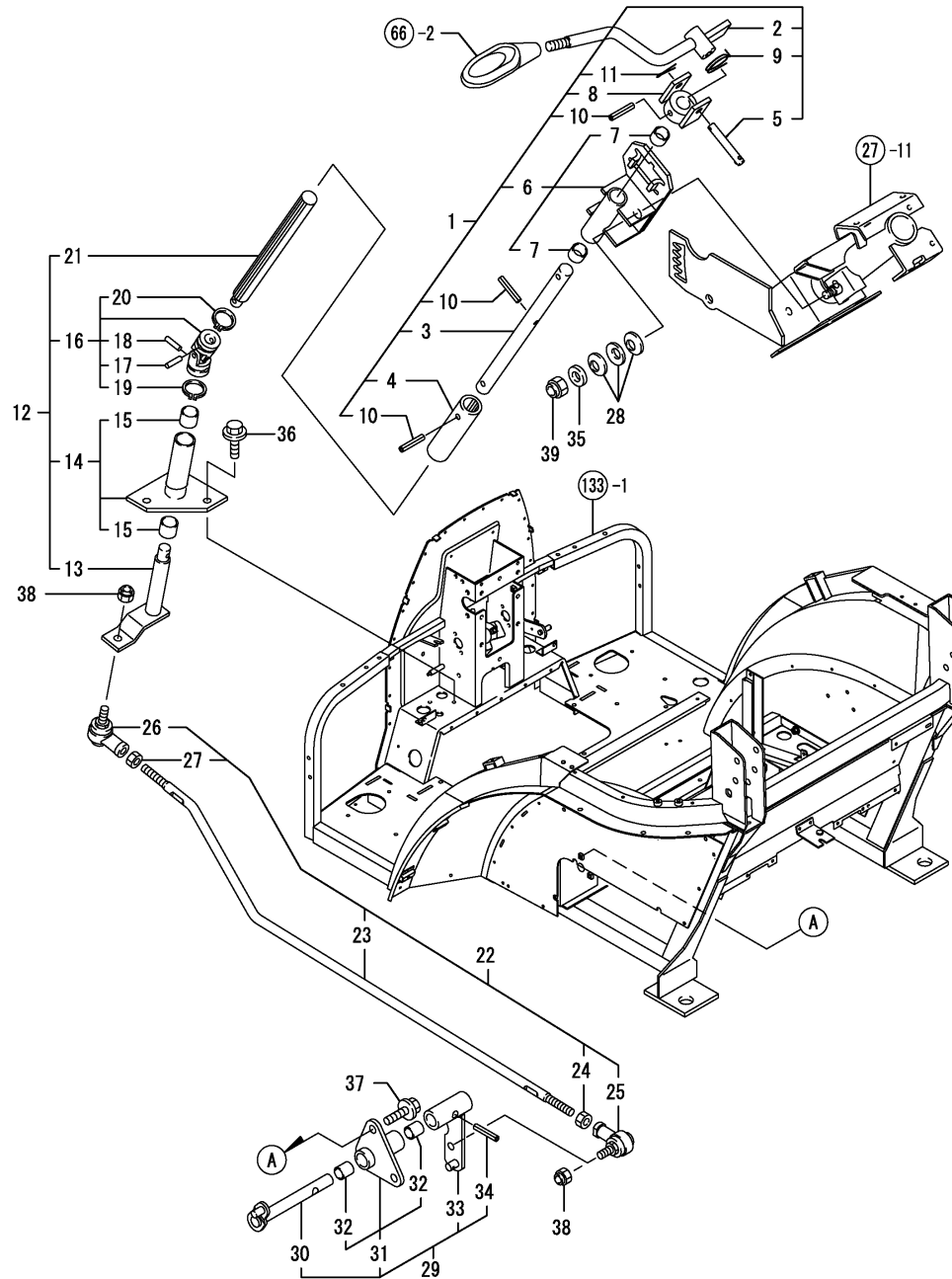


Fig.60. REVERSER LEVER



(A)=EF685-AU-PQ

(B)=

(C)=

(D)=

(E)=

(F)=

No.	Lev.	Parts No.	Description	Q'ty						I	R
				(A)	(B)	(C)	(D)	(E)	(F)		
1	1	198448-18100	LEVER ASSY, REVERSER	1							
2	2	198448-18110	LEVER, REVERSER	1							
3	2	198448-18200	SHAFT, COUPLING	1							
4	2	198448-18220	COUPLING	1							
5	2	198075-18311	PIN, 8X52	1							
6	2	198448-18540	BRACKET ASSY	1							
7	3	24550-015120	BUSH, 15X12	2							
8	2	198133-27781	HOLDER, REVERSER	1							
9	2	198133-27820	SPRING, RETURN	1							
10	2	22351-060032	PIN, SPRING 6.0X32	3							
11	2	22417-200300	PIN, COTTER 2.0X30	1							
12	1	198448-18150	SHAFT ASSY, REVERSER	1							
13	2	198448-18170	SHAFT, REVERSER	1							
14	2	198448-18250	BRACKET ASSY, SHAFT	1							
15	3	24550-016150	BUSH, 16X15	2							
16	2	198071-18401	JOINT ASSY	1							
17	3	198071-18520	PIN	1							
18	3	198071-18520	PIN	1							
19	3	198071-18530	CIRCLIP, 23	1							
20	3	198071-18530	CIRCLIP, 23	1							
21	2	198448-18460	SHAFT, INNER	1							
22	1	198448-18310	ROD ASSY, REVERSER	1							
23	2	198448-18320	ROD, REVERSER	1							
24	2	194990-20170	NUT, M8	1							
25	2	194820-27370	END, ROD L	1							
26	2	172112-41980	BEARING, ROD-END	1							
27	2	26716-080002	NUT, M8	1							
28	1	198072-18320	SPRING, 12	3							
29	1	198448-18350	ARM ASSY, REVERSER	1							
30	2	198448-18360	ARM, REVERSER	1							
31	2	198448-18400	BRACKET ASSY, ARM	1							
32	3	24550-012150	BUSH, 12X15	2							
33	2	198448-18440	ARM, REVERSER	1							
34	2	22351-060032	PIN, SPRING 6.0X32	1							
35	1	22137-100000	WASHER, 10	1							
36	1	26106-080122	BOLT, M8X 12 PLATED	2							
37	1	26106-080162	BOLT, M8X 16 PLATED	2							
38	1	26346-080002	NUT, M8	2							
39	1	26346-100002	NUT, M10	1							

Fig.61. REVERSER LEVER LINK

(A)=EF685-AU-PQ
(B)=
(C)=

(D)=
(E)=
(F)=

No.	Lev.	Parts No.	Description	Q'ty						I	R
				(A)	(B)	(C)	(D)	(E)	(F)		
1	1	198448-18500	ROD ASSY, REVERSER	1							
2	2	198448-18490	ROD, REVERSER B	1							
3	2	198448-18580	ROD, REVERSER A	1							
4	2	194990-22140	NUT, M8	2							
5	1	22137-080000	WASHER, 8	2							
6	1	22417-200300	PIN, COTTER 2.0X30	2							

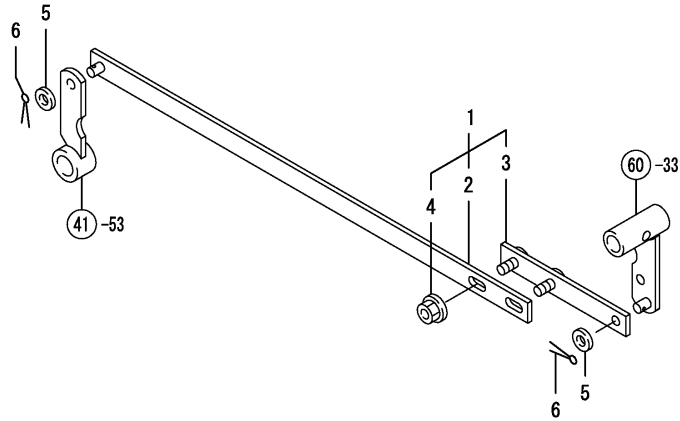
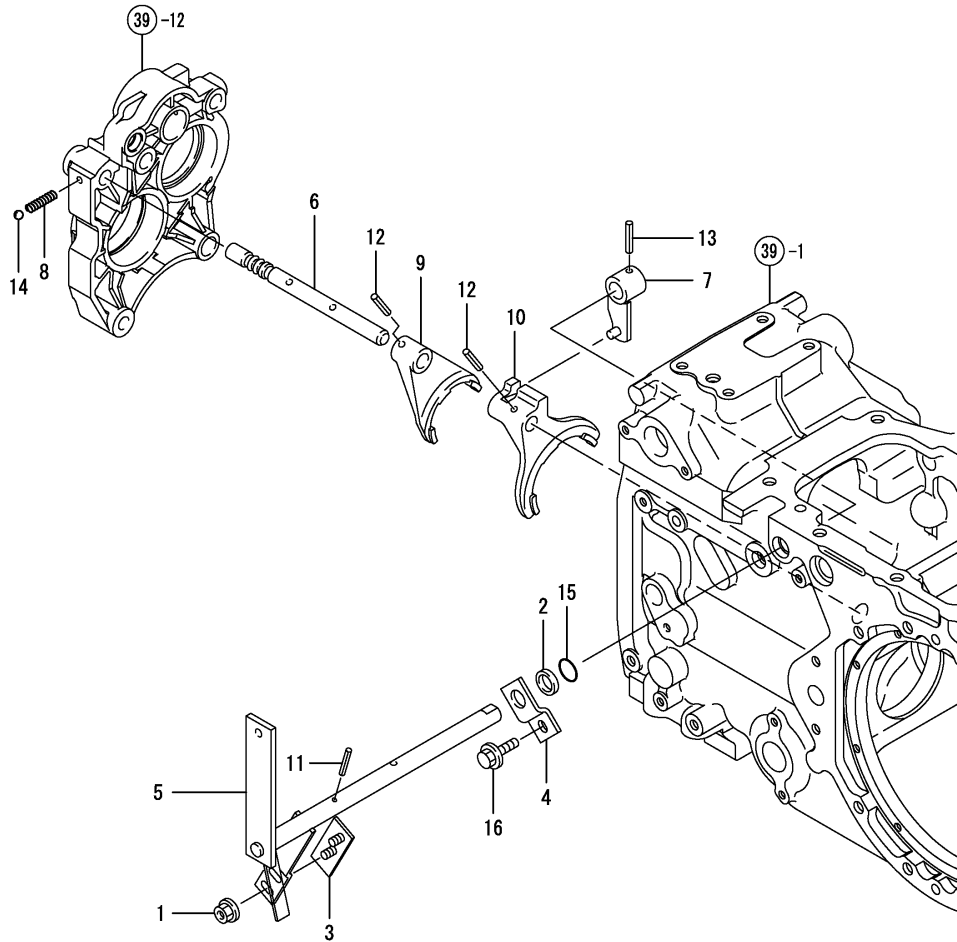


Fig.62. SUB CHANGE SHIFT

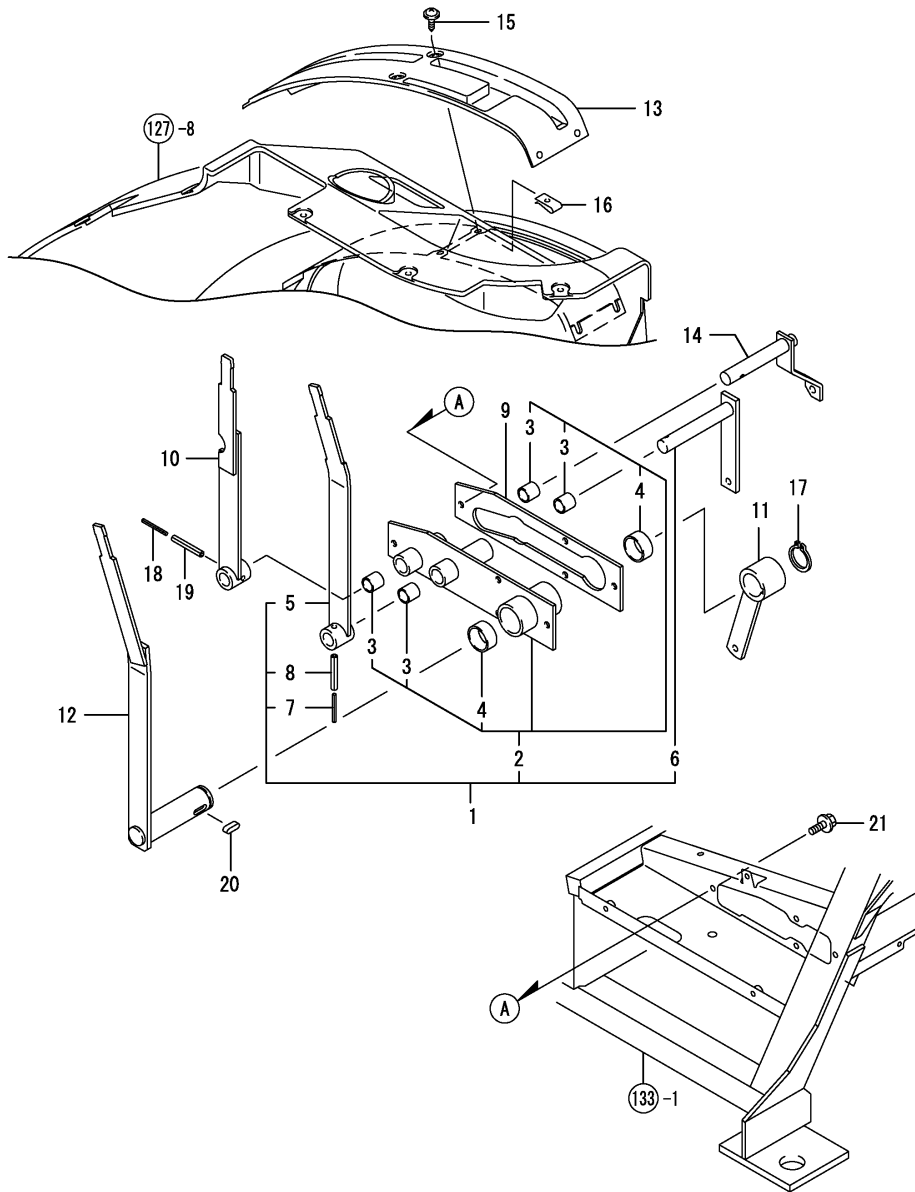


(A)=EF685-AU-PQ
(B)=
(C)=

(D)=
(E)=
(F)=

No.	Lev.	Parts No.	Description	Q'ty						I	R
				(A)	(B)	(C)	(D)	(E)	(F)		
1	1	194990-22140	NUT, M8	2							
1-1	1	26366-080002	NUT, M8	2							R
(A=FZZZZZ)											
2	1	198119-27150	COLLAR, ARM	1							
3	1	1A7640-27420	PLATE, INTERLOCK	1							
4	1	198448-27470	PLATE, KEEP	1							
5	1	1A7640-27481	SHAFT, RANGE SHIFT	1							
6	1	198535-27490	SHAFT, FORK	1							
7	1	198212-27521	ARM, SHIFT	1							
8	1	194680-27540	SPRING, FORK LOCK	1							
9	1	198217-27570	FORK, SHIFT A	1							
10	1	198448-27590	FORK, SHIFT B	1							
11	1	22351-040032	PIN, SPRING 4.0X32	1							
12	1	22351-060032	PIN, SPRING 6.0X32	2							
13	1	22351-060032	PIN, SPRING 6.0X32	1							
14	1	24190-080001	BALL, STEEL 1/4	1							
15	1	24311-000160	O-RING, 1AP16.0	1							
16	1	26106-080162	BOLT, M8X 16 PLATED	1							

Fig.63. SUB LEVER



(A)=EF685-AU-PQ
(B)=
(C)=

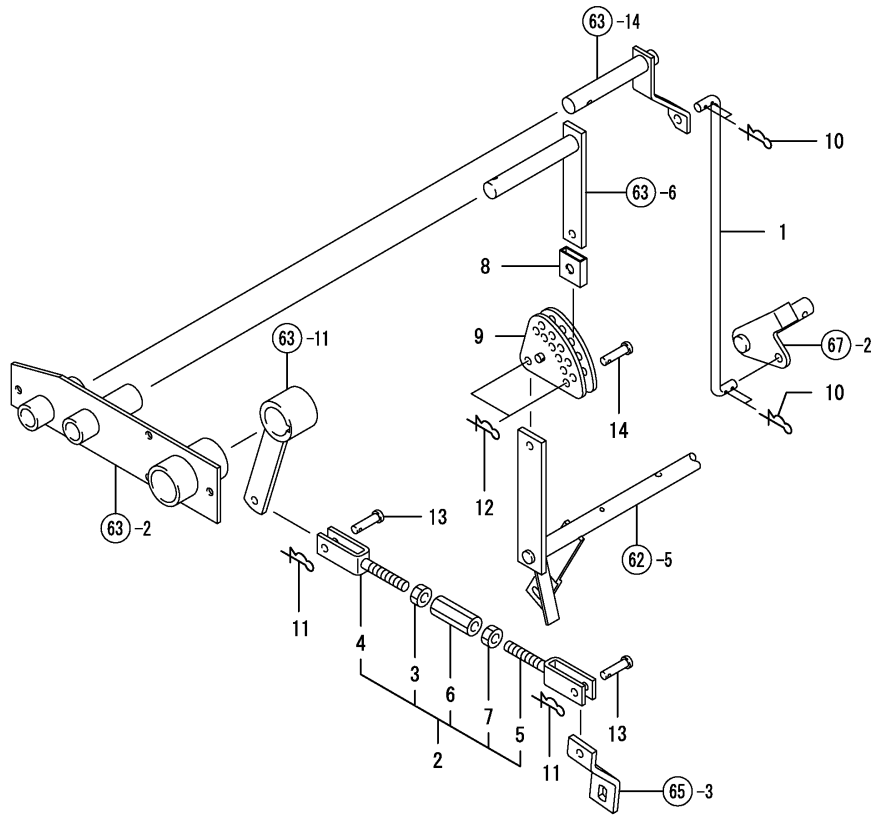
(D)=
(E)=
(F)=

No.	Lev.	Parts No.	Description	Qty						I	R
				(A)	(B)	(C)	(D)	(E)	(F)		
1	1	1A7640-26010	LEVER, SUB	1							
2	2	1A7640-27400	BRACKET ASSY	1							
3	3	24550-017150	BUSH, 17X15	4							
4	3	24550-030150	BUSH, 30X15	2							
5	2	1A7640-27510	LEVER, RANGE SHIFT	1							
6	2	1A7640-27550	ARM, SHIFT	1							
7	2	22351-035040	PIN, SPRING 3.5X40	1							
8	2	22351-060040	PIN, SPRING 6.0X40	1							
9	1	198535-27570	SEAL, LEVER	1							Z
(A=FZZZZZ)											
10	1	1A7640-27580	LEVER, CREEP	1							
11	1	198535-27590	ARM, SHIFT	1							
12	1	1A7660-27610	LEVER, PTO SHIFT	1							
13	1	1A7640-27800	COVER, SUB-LEVER	1							
14	1	198535-27810	ARM, SHIFT	1							
15	1	194940-61790	SCREW, TAPPING M5X16	6							
16	1	198220-63850	NUT, M5	6							
17	1	22242-000300	RING, 30	1							
18	1	22351-035040	PIN, SPRING 3.5X40	1							
19	1	22351-060040	PIN, SPRING 6.0X40	1							
20	1	22512-070200	KEY, 7X 20	1							
21	1	26106-080162	BOLT, M8X 16 PLATED	4							

Fig.64. SUB LEVER LINK

(A)=EF685-AU-PQ
(B)=
(C)=

(D)=
(E)=
(F)=

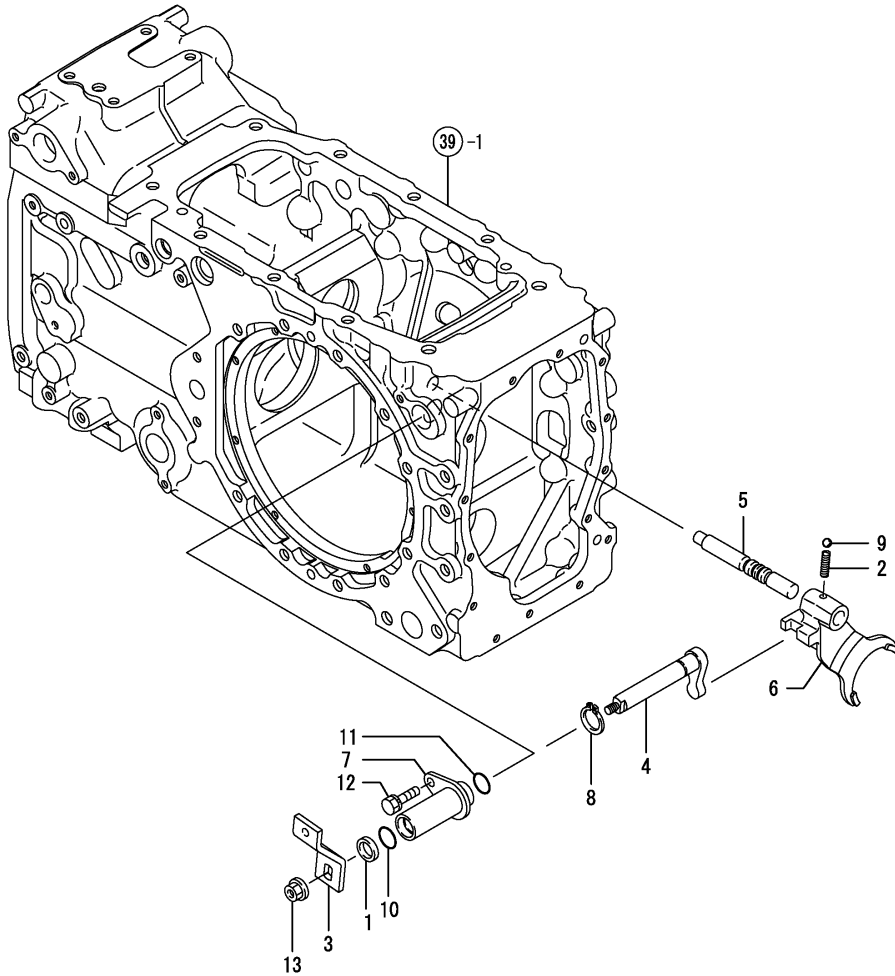


No.	Lev.	Parts No.	Description	Q'ty						I	R
				(A)	(B)	(C)	(D)	(E)	(F)		
1	1	198535-27170	ROD, CREEP	1							
1-1	1	198535-27171	ROD, CREEP	1							N
(A=*2009.04.)											
2	1	198535-27740	ROD ASSY, PTO	1							
3	2	194150-22480	NUT, M10 L	1							
4	2	194130-37740	ROD, BRAKE L	1							
5	2	194130-37750	JOINT, 2-WAY	1							
6	2	194250-47490	TURNBUCKLE 10X50	1							
7	2	26716-100002	NUT, M10	1							
8	1	1A7640-27910	PIPE, GUARD	1							
9	1	198535-28760	PLATE ASSY, LINK	1							
10	1	1C6281-52320	PIN, SNAP 8	4							
11	1	1C6281-52320	PIN, SNAP 8	2							
12	1	1C6281-52320	PIN, SNAP 8	2							
13	1	22487-080200	PIN, H 8X 20	2							
14	1	22487-080200	PIN, H 8X 20	2							

Fig.65. PTO SHIFT

(A)=EF685-AU-PQ
(B)=
(C)=

(D)=
(E)=
(F)=



No.	Lev.	Parts No.	Description	Q'ty						I	R
				(A)	(B)	(C)	(D)	(E)	(F)		
1	1	198119-27150	COLLAR, ARM	1							
2	1	194680-27540	SPRING, FORK LOCK	1							
3	1	1A7600-27791	ARM, CHANGE	1							
4	1	1A7600-27850	ARM, SHIFT	1							
5	1	198448-27880	SHAFT, PTO FORK	1							
6	1	198448-27950	FORK, PTO SHIFT	1							
7	1	1A7640-27950	HOLDER, SHIFT ARM	1							
8	1	22242-000170	RING, 17	1							
9	1	24190-080001	BALL, STEEL 1/4	1							
10	1	24311-000160	O-RING, 1AP16.0	1							
11	1	24311-000210	O-RING, 1AP21.0	1							
12	1	26013-080162	BOLT, M8X 16	1							
12-1	1	26106-080162	BOLT, M8X 16 PLATED	1							R
(A=FXXXXXX)											
13	1	26366-080002	NUT, M8	1							

Fig.66. LEVER KNOB

(A)=EF685-AU-PQ
(B)=
(C)=

(D)=
(E)=
(F)=

No.	Lev.	Parts No.	Description	Q'ty						I	R
				(A)	(B)	(C)	(D)	(E)	(F)		
1	1	198273-01230	KNOB, LEVER	1							
2	1	198200-18350	KNOB, LEVER	1							
3	1	198273-27290	KNOB, MAIN SHIFT	1							
4	1	1A7450-27850	KNOB, PTO	1							
5	2	1A7450-27910	LABEL,	1							
6	1	198273-27860	BOOT, SHAFT	2							
7	1	1A7640-27870	BOOT, SHAFT	1							
8	1	198273-27890	BOOT, SHAFT	1							
9	1	1A7680-27920	KNOB, LOW SPEED	1							
10	2	1A7680-27930	LABEL,	1							
11	1	1A7680-27920	KNOB, LOW SPEED	1							
12	2	1A7680-27930	LABEL,	1							
13	1	198273-28520	KNOB, PARKING BRAKE	1							
13-1	1	198273-28521	KNOB, PARKING BRAKE	1							N
(A=FZZZZZ)											
14	1	1A7480-47450	KNOB, CONTROL	1							
15	2	1A7480-47470	LABEL,	1							
16	1	22137-120000	WASHER, 12	1							

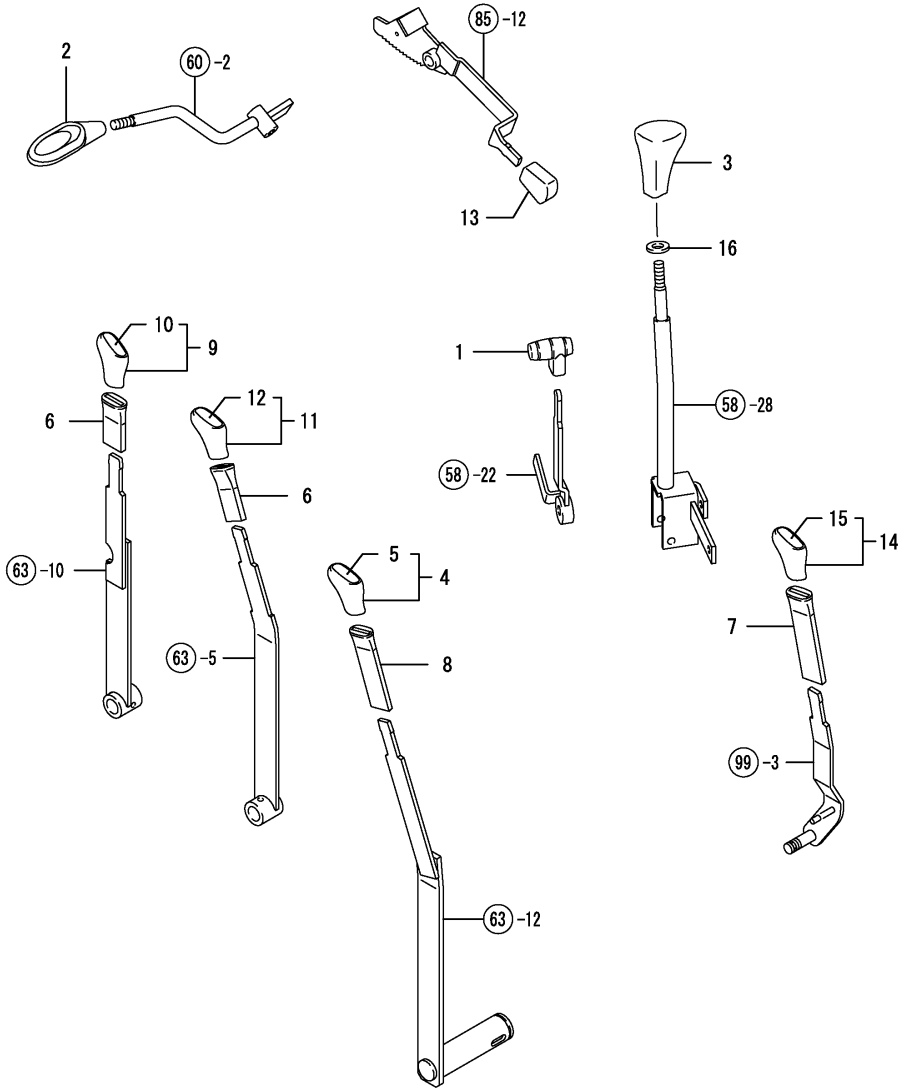
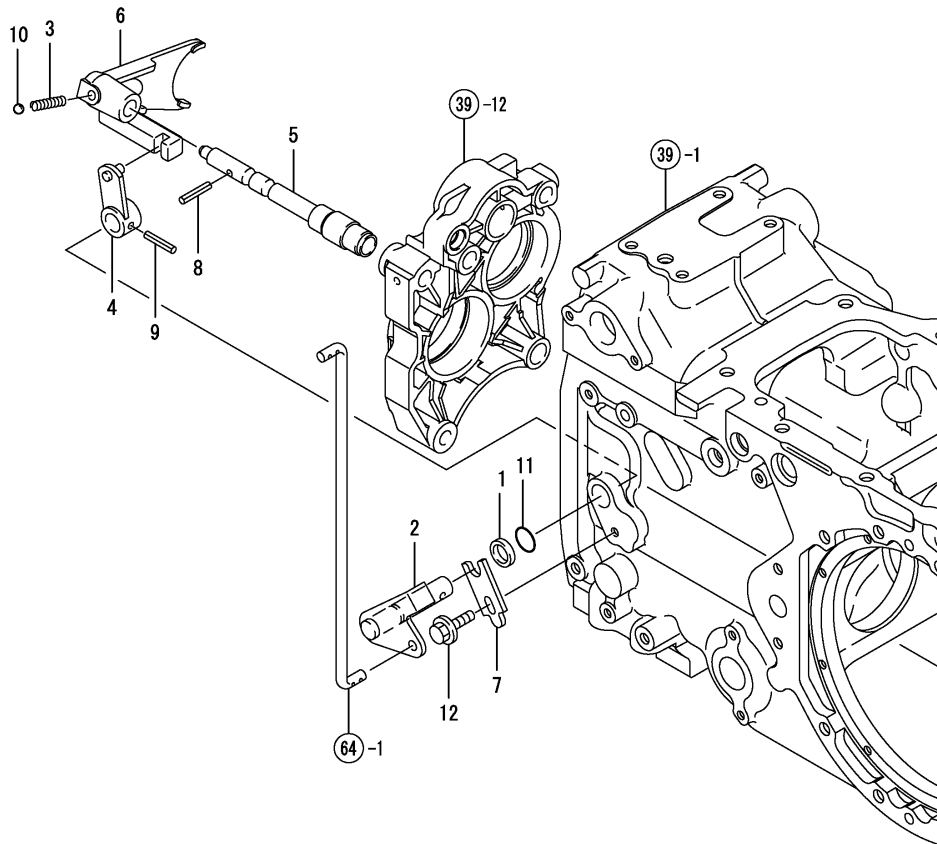


Fig.67. CREEP SHIFT

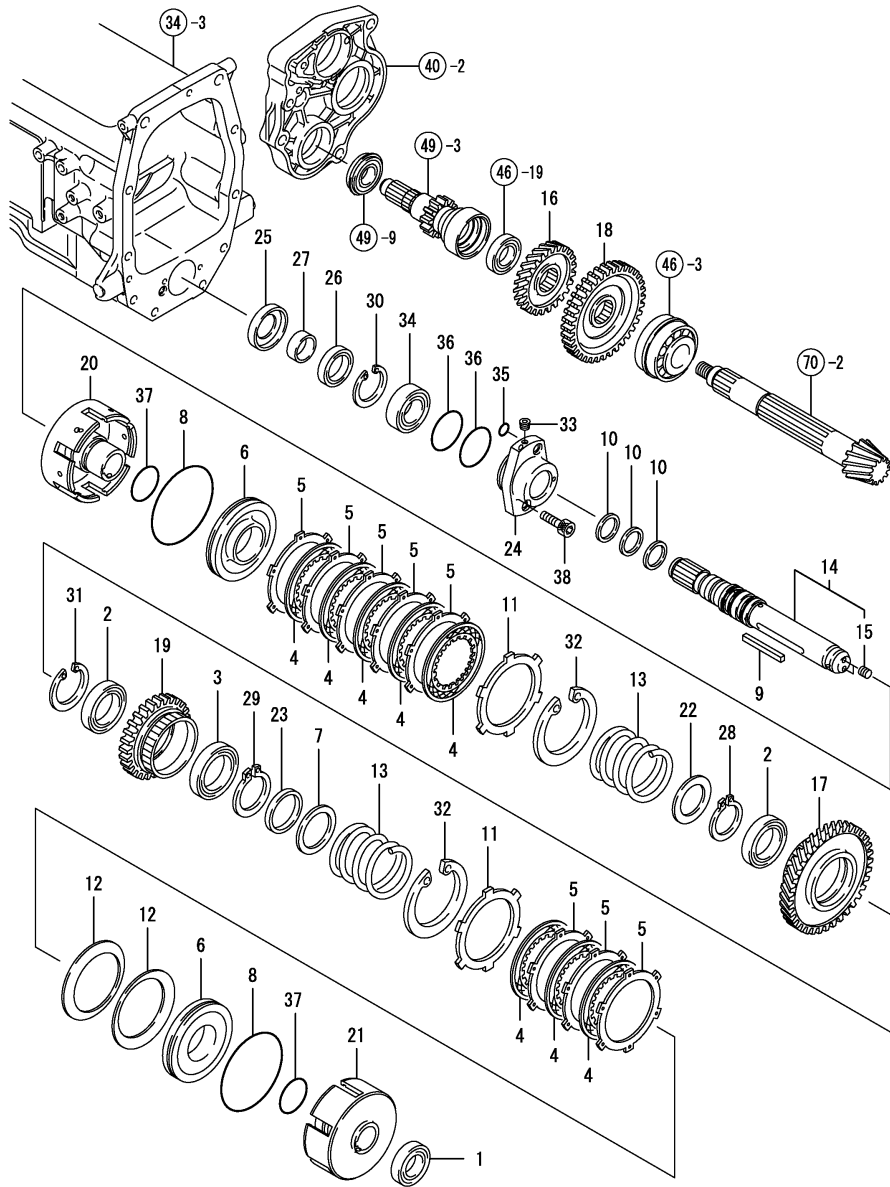
(A)=EF685-AU-PQ
(B)=
(C)=

(D)=
(E)=
(F)=



No.	Lev.	Parts No.	Description	Q'ty						I	R
				(A)	(B)	(C)	(D)	(E)	(F)		
1	1	198119-27150	COLLAR, ARM	1							
2	1	198535-27410	ARM, CHANGE	1							
3	1	194145-27450	SPRING	1							
4	1	198535-27620	ARM, SHIFT	1							
5	1	198212-27651	SHAFT, CREEP FORK	1							
6	1	198212-27710	FORK, SHIFT	1							
7	1	198212-27990	PLATE, KEEP	1							
8	1	22351-060032	PIN, SPRING 6.0X32	1							
9	1	22351-060032	PIN, SPRING 6.0X32	1							
10	1	24190-100001	BALL, STEEL 5/16	1							
11	1	24311-000160	O-RING, 1AP16.0	1							
12	1	26106-080162	BOLT, M8X 16 PLATED	1							

Fig.68. FRONT DRIVE



(A)=EF685-AU-PQ

(B)=

(C)=

(D)=

(E)=

(F)=

No.	Lev.	Parts No.	Description	Qty						I	R
				(A)	(B)	(C)	(D)	(E)	(F)		
1	1	1C6460-14340	BEARING, BALL 60/28	1							
2	1	194951-14430	BEARING, 6908	2							
3	1	194951-14440	BEARING, 6909	1							
4	1	194555-25510	PLATE, 100X2.0	8							
5	1	194555-25520	PLATE, STEEL 100X1.2	8							
5-1	1	198072-25520	PLATE, STEEL 100X1.2	8							N
(A=FXXXXX)											
6	1	194555-25550	PISTON, CLUTCH	2							
7	1	194555-25560	SPACER, 46X61X2	1							
8	1	194555-25570	RING, 100	2							
9	1	198071-25590	KEY, 7X5.8X68	1							
10	1	198071-25610	RING, SEAL 35	3							
11	1	194555-25620	PLATE, STEEL 100X3.5	2							
12	1	194555-25760	SPRING	2							
13	1	194555-25790	SPRING, RETURN	2							
14	1	198448-28100	SHAFT ASSY, DRIVE	1							
14-1	1	1A7450-28100	SHAFT ASSY, DRIVE	1							F 1
(A=FZZZZZ)											
15	2	1E6191-54330	SCREW 7X8	2							
16	1	198448-28220	PINION, DRIVE Z=33	1							
17	1	198448-28230	GEAR, CLUTCH 54	1							
18	1	198535-28241	PINION, DRIVE Z=39	1							
19	1	198448-28250	GEAR, CLUTCH 33 HG	1							
20	1	198448-28310	CYLINDER, CLUTCH	1							
21	1	198448-28320	CYLINDER, CLUTCH	1							
22	1	198448-28330	WASHER, 40X60X2	1							
23	1	198448-28340	COLLAR, 45X55X5	1							
24	1	198448-28361	HOUSING, SEAL FRONT	1							
25	1	198448-28370	COVER, OIL SEAL	1							
26	1	194420-39360	SEAL, OIL TC355508	1							
27	1	194420-39370	SLEEVE, SI 30X35X13A	1							
28	1	22242-000400	RING, 40	1							
29	1	22242-000450	RING, 45	1							
30	1	22252-000550	RING, 55	1							
31	1	22252-000620	RING, 62	1							
32	1	22252-001000	RING, 100	2							
33	1	23871-005000	PLUG, R005	1							
34	1	24101-060064	BEARING, BALL 6006	1							
35	1	24311-000110	O-RING, 1AP11.0	1							
36	1	24341-000500	O-RING, 1AS50.0	2							
37	1	24351-020400	O-RING 1A 2040	2							
38	1	26450-080252	BOLT, M8X 25	2							

Remarks
 (1)Fig.16 Ref.No.1-1 Interchangeable by set.

Fig.69. FRONT SHIFT

(A)=EF685-AU-PQ

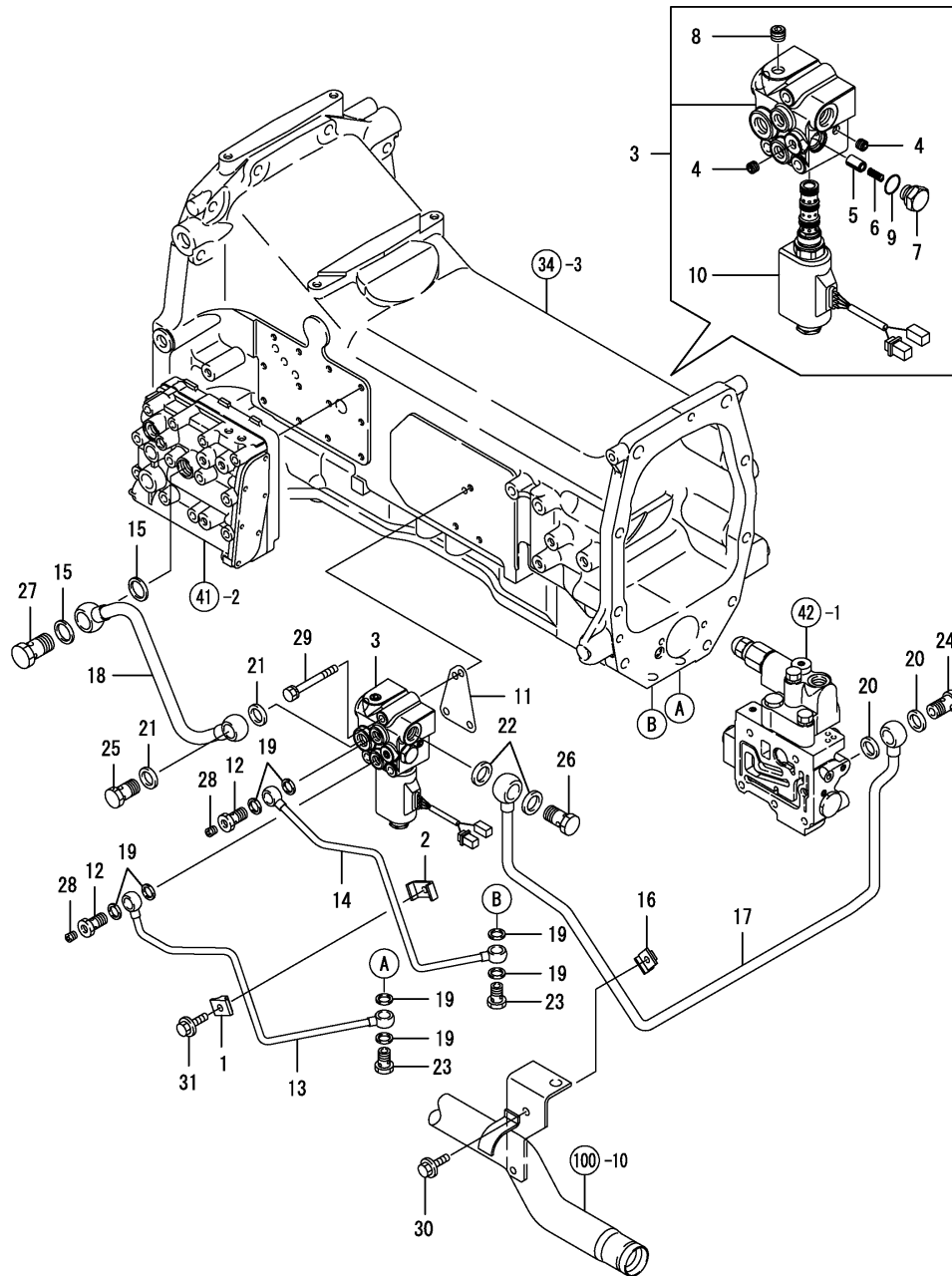
(B)=

(C)=

(D)=

(E)=

(F)=



No.	Lev.	Parts No.	Description	Q'ty						I	R
				(A)	(B)	(C)	(D)	(E)	(F)		
1	1	198240-04710	BASE, CLAMP	1							
2	1	198327-04840	CLAMP	1							
3	1	1A7670-24700	VALVE ASSY, 4WD	1							
4	2	178073-01200	PLUG PT 1/8	2							
5	2	198165-46130	VALVE, CHECK	1							
6	2	198165-46140	SPRING	1							
7	2	198165-46150	PLUG, CHECK	1							
8	2	23871-020000	PLUG, R02	1							
9	2	24311-000140	O-RING, 1AP14.0	1							
10	2	178076-07200	SOLENOID	1							
11	1	1A7670-24910	PACKING, VALVE	1							
12	1	198448-28430	BOLT, JOINT M14	2							
13	1	1A7670-28450	PIPE, PRESSURE	1							
14	1	1A7670-28470	PIPE, PRESSURE HG	1							
15	1	198448-48250	GASKET, 22	2							
16	1	1A7640-48410	CLAMP, 12M	1							
17	1	1A7670-48610	PIPE ASSY, PRESSURE	1							
18	1	1A7670-48650	PIPE	1							
19	1	23414-140000	GASKET, 14X1.0	8							
20	1	23414-180023	GASKET, 18X1.0	2							
21	1	23414-180023	GASKET, 18X1.0	2							
22	1	23414-200026	GASKET, 20X1.0	2							
23	1	23857-080000	BOLT, JOINT 8	2							
24	1	23857-120000	BOLT, JOINT 12	1							
25	1	23857-120000	BOLT, JOINT 12	1							
26	1	23857-150000	BOLT, JOINT 15	1							
27	1	23857-180000	BOLT, JOINT 18	1							
28	1	23871-010000	PLUG, R01	2							
29	1	26013-080702	BOLT, M8X 70	3							
30	1	26106-080162	BOLT, M8X 16 PLATED	1							
31	1	26106-080252	BOLT, M8X 25 PLATED	1							

Fig.70. RING GEAR

(A)=EF685-AU-PQ
(B)=
(C)=

(D)=
(E)=
(F)=

No.	Lev.	Parts No.	Description	Q'ty						I	R
				(A)	(B)	(C)	(D)	(E)	(F)		
1	1	198390-25790	BEARING, 6307R SH2	1							
2	1	198448-31401	GEAR ASSY, RING	1							

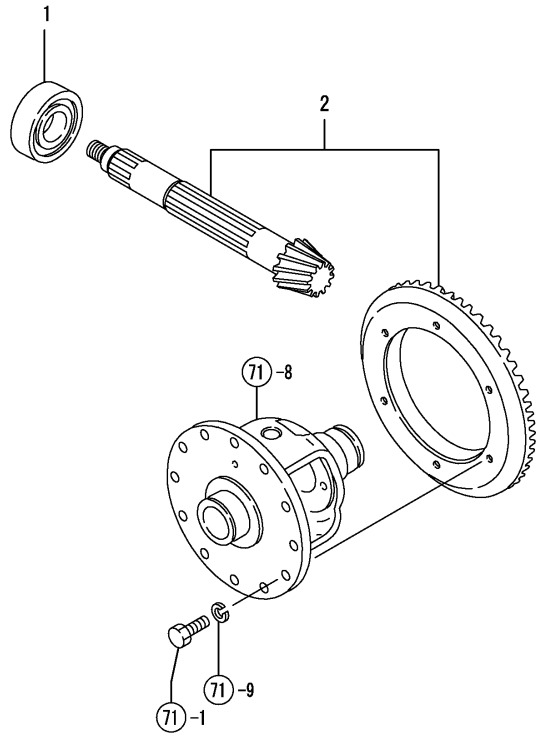
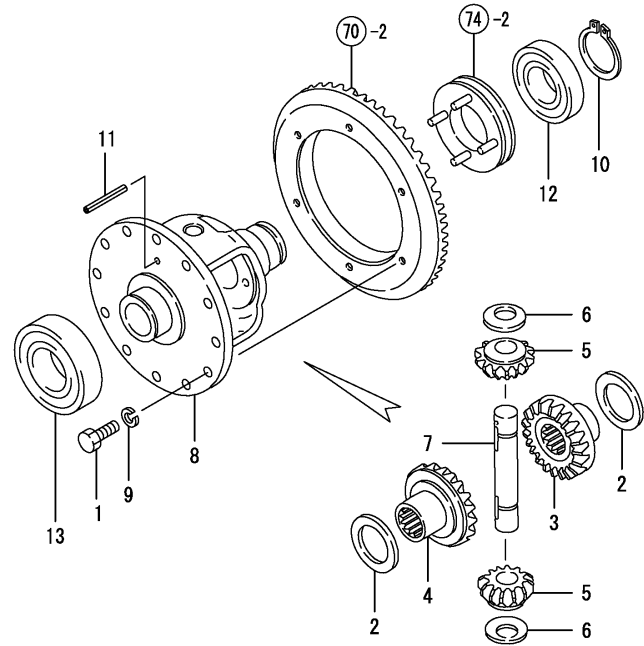


Fig.71. DIFFERENTIAL GEAR

(A)=EF685-AU-PQ
(B)=
(C)=

(D)=
(E)=
(F)=



No.	Lev.	Parts No.	Description	Q'ty						I	R
				(A)	(B)	(C)	(D)	(E)	(F)		
1	1	194066-13130	BOLT, M10X25	6							
2	1	198320-31530	WASHER, DIFFERENTIAL	2							
3	1	198320-31550	GEAR, DIFFERENTIAL	1							
4	1	194320-31560	GEAR, DIFFERENTIAL	1							
5	1	198320-31570	PINION, DIFFERENTIAL	2							
6	1	198320-31630	WASHER, DIFFERENTIAL	2							
7	1	198320-31820	SHAFT, DIFFERENTIAL	1							
8	1	198320-32111	CASE, DIFFERENTIAL	1							
9	1	22217-100000	WASHER, SPRING 10	6							
10	1	22242-000500	RING, 50	1							
11	1	22351-060050	PIN, SPRING 6.0X50	1							
12	1	24101-060104	BEARING, BALL 6010	1							
13	1	24101-062114	BEARING, BALL 6211	1							

Fig.72. DIFFERENTIAL CARRIER

(A)=EF685-AU-PQ
(B)=
(C)=

(D)=
(E)=
(F)=

No.	Lev.	Parts No.	Description	Q'ty						I	R
				(A)	(B)	(C)	(D)	(E)	(F)		
1	1	794251-13910	SHIM SET	1							
2	1	198250-32310	CARRIER	1							
2-1	1	1A7601-32310	CARRIER, DIFF.	1							R
(A=FZZZZZ)											
3	1	26013-080252	BOLT, M8X 25	7							

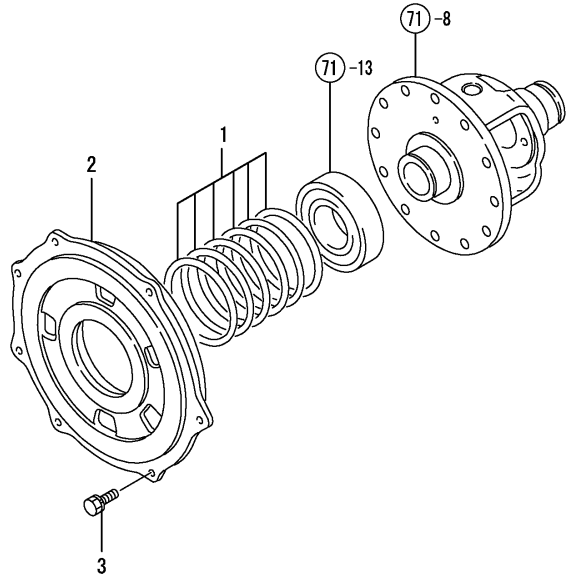


Fig.73. REAR HOUSING

(A)=EF685-AU-PQ

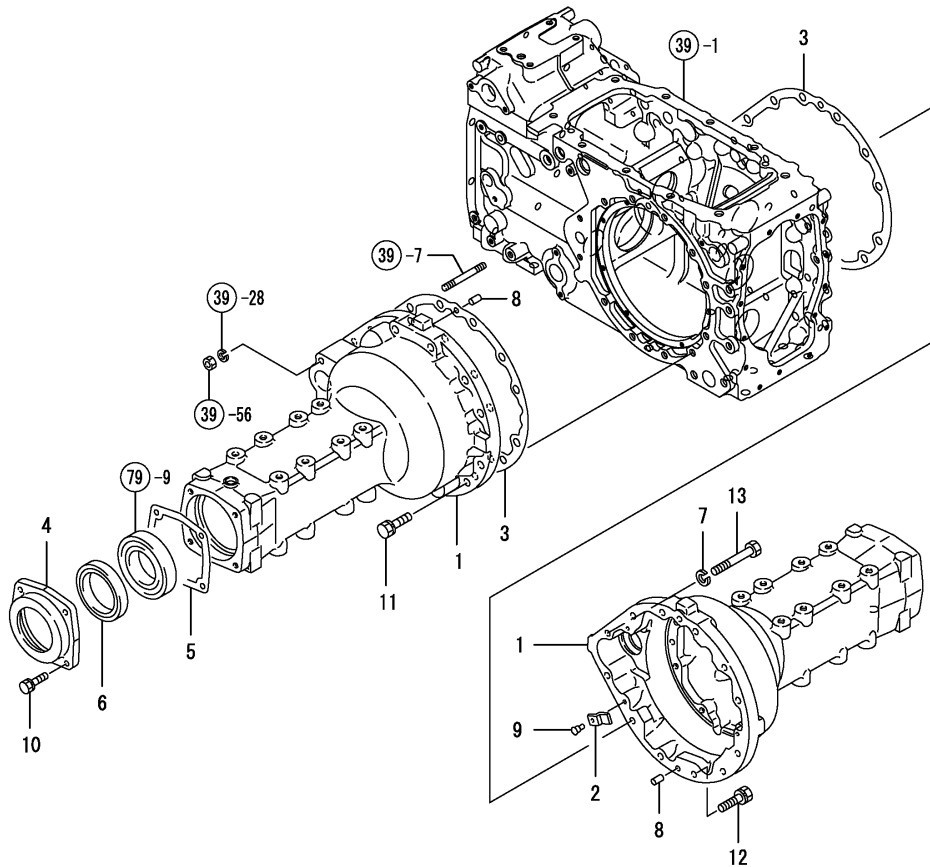
(B)=

(C)=

(D)=

(E)=

(F)=

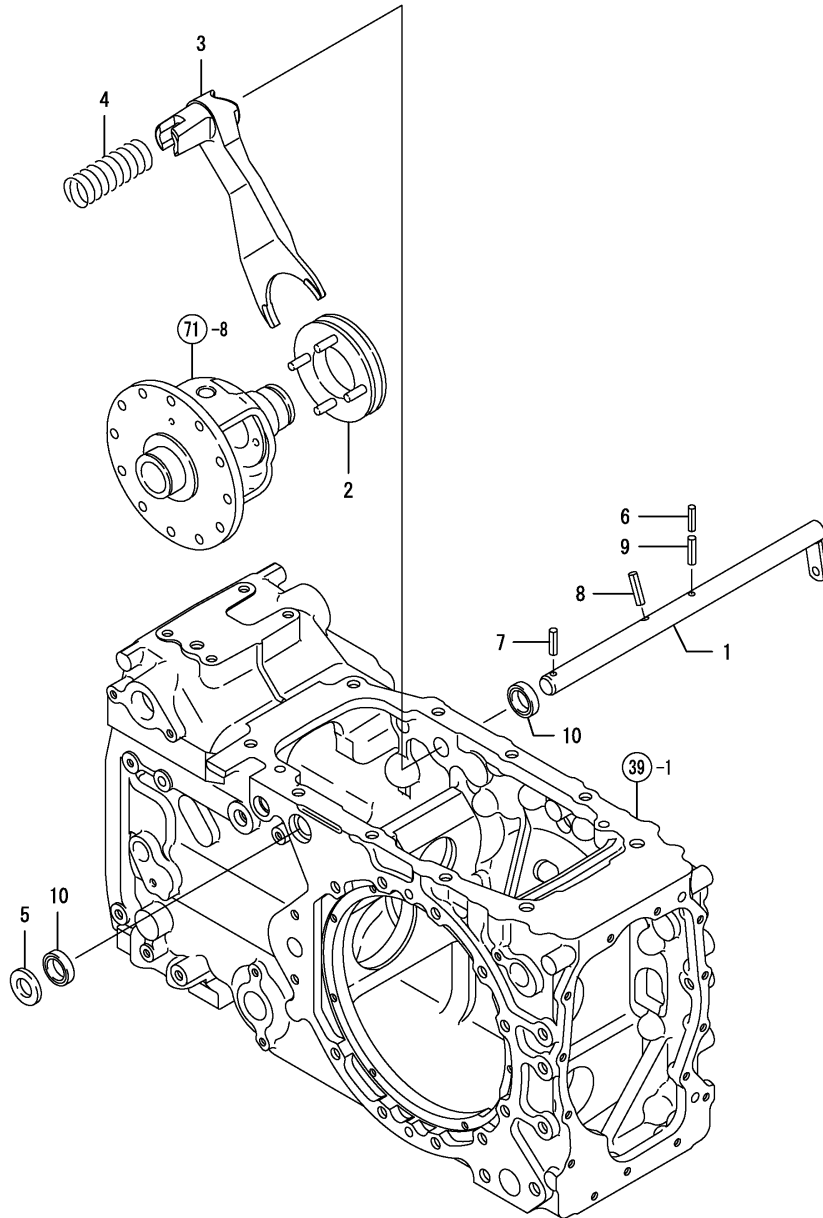


No.	Lev.	Parts No.	Description	Q'ty						I	R
				(A)	(B)	(C)	(D)	(E)	(F)		
1	1	198321-32612	HOUSING, REAR AXLE	2							
2	1	194180-32640	PLATE, PUSH	3							
3	1	198240-32640	PACKING, AXLE	2							
4	1	194640-32650	CASE, OIL SEAL	2							
5	1	198320-32660	GASKET, SEAL CASE	2							
6	1	198535-32660	SEAL, QLNY7210016	2							
7	1	22217-100000	WASHER, SPRING 10	2							Z
(A=FXXXXXX)											
8	1	22312-100180	PIN, PARALLEL M10X18	4							
9	1	22635-600120	RIVET, 6.0X12	3							
10	1	26013-100302	BOLT, M10X 30	8							
10-1	1	26106-100302	BOLT, M10X 30 PLATED	8							R
(A=FXXXXXX)											
11	1	26013-120402	BOLT, M12X 40	16							
11-1	1	26108-120402	BOLT, M12X 40 PLATED	16							R
(A=FXXXXXX)											
12	1	26013-120502	BOLT, M12X 50	4							
12-1	1	26108-120502	BOLT, M12X 50 PLATED	4							R
(A=FXXXXXX)											
13	1	26116-100852	BOLT, M10X 85 PLATED	2							
13-1	1	26108-100852	BOLT, M10X 85 PLATED	2							R
(A=FXXXXXX)											

Fig.74. DIFFERENTIAL LOCK

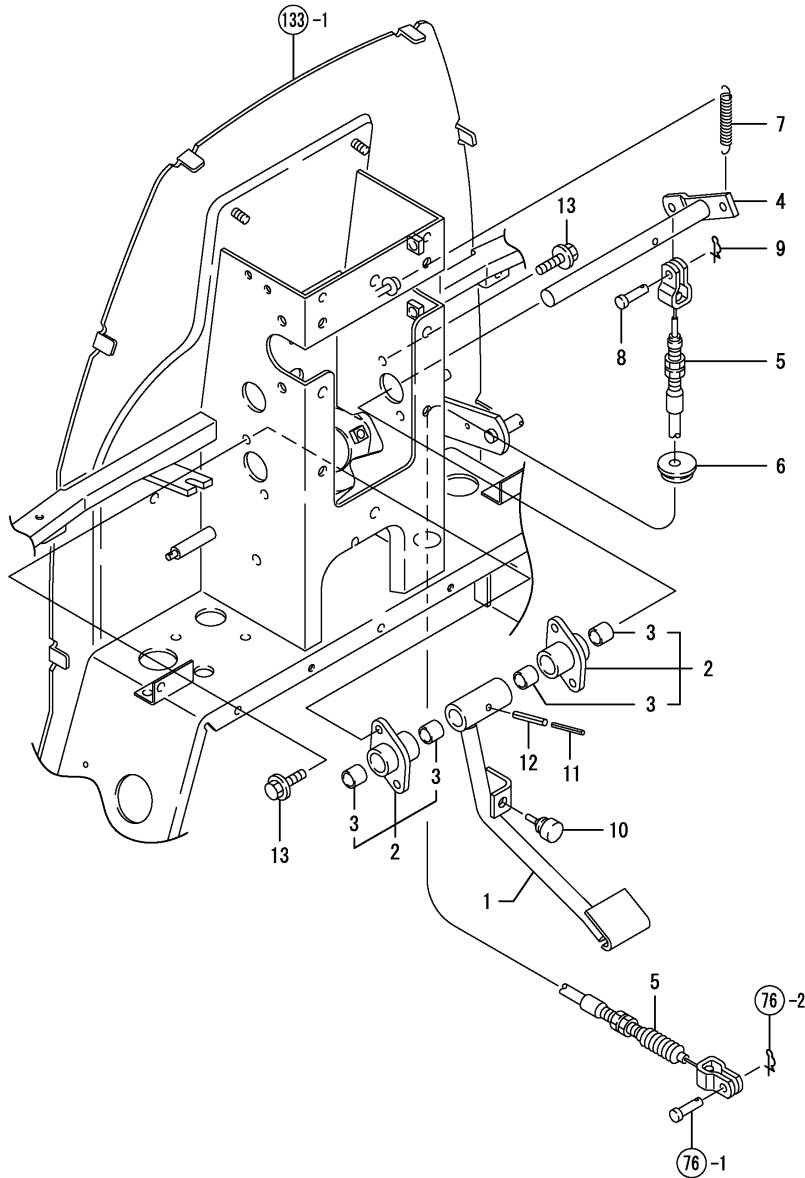
(A)=EF685-AU-PQ
(B)=
(C)=

(D)=
(E)=
(F)=



No.	Lev.	Parts No.	Description	Q'ty						I	R
				(A)	(B)	(C)	(D)	(E)	(F)		
1	1	198448-33120	SHAFT, LOCK	1							
2	1	194464-33130	SLIDER, DIFFERENTIAL	1							
3	1	1A7350-33140	FORK, SHIFT	1							
4	1	198212-33150	SPRING, RETURN	1							
5	1	22137-200000	WASHER, 20	1							
6	1	22351-050040	PIN, SPRING 5.0X40	1							
7	1	22351-060032	PIN, SPRING 6.0X32	1							
8	1	22351-080032	PIN, SPRING 8.0X32	1							
9	1	22351-080040	PIN, SPRING 8.0X40	1							
10	1	24421-203007	SEAL, OIL TC203007	2							

Fig.75. DIFFERENTIAL LOCK PEDAL



(A)=EF685-AU-PQ
(B)=
(C)=

(D)=
(E)=
(F)=

No.	Lev.	Parts No.	Description	Q'ty						I	R
				(A)	(B)	(C)	(D)	(E)	(F)		
1	1	198448-33220	PEDAL ASSY, LOCK	1							
2	1	198448-33310	RETAINER, PEDAL	2							
3	2	24550-017150	BUSH, 17X15	4							
4	1	198448-33340	SHAFT, PEDAL	1							
5	1	198448-33380	WIRE ASSY	1							
6	1	198448-33390	GROMMET, CABLE	1							
7	1	198290-37510	SPRING, RETURN	1							
8	1	198220-37900	PIN, 8X24	1							
9	1	1C6281-52320	PIN, SNAP 8	1							
10	1	194330-62530	STOPPER, PEDAL	1							
11	1	22351-035040	PIN, SPRING 3.5X40	1							
12	1	22351-060040	PIN, SPRING 6.0X40	1							
13	1	26106-080162	BOLT, M8X 16 PLATED	4							

Fig.76. DIFFERENTIAL LOCK LINK

(A)=EF685-AU-PQ
(B)=
(C)=

(D)=
(E)=
(F)=

No.	Lev.	Parts No.	Description	Q'ty						I	R
				(A)	(B)	(C)	(D)	(E)	(F)		
1	1	198220-37900	PIN, 8X24	1							
2	1	1C6281-52320	PIN, SNAP 8	1							

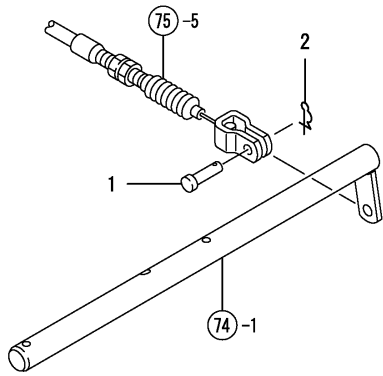


Fig.77. FINAL PINION

(A)=EF685-AU-PQ
(B)=
(C)=

(D)=
(E)=
(F)=

No.	Lev.	Parts No.	Description	Q'ty						I	R
				(A)	(B)	(C)	(D)	(E)	(F)		
1	1	198149-33410	PINION, FINAL L	1							
2	1	198149-33420	PINION, FINAL R	1							

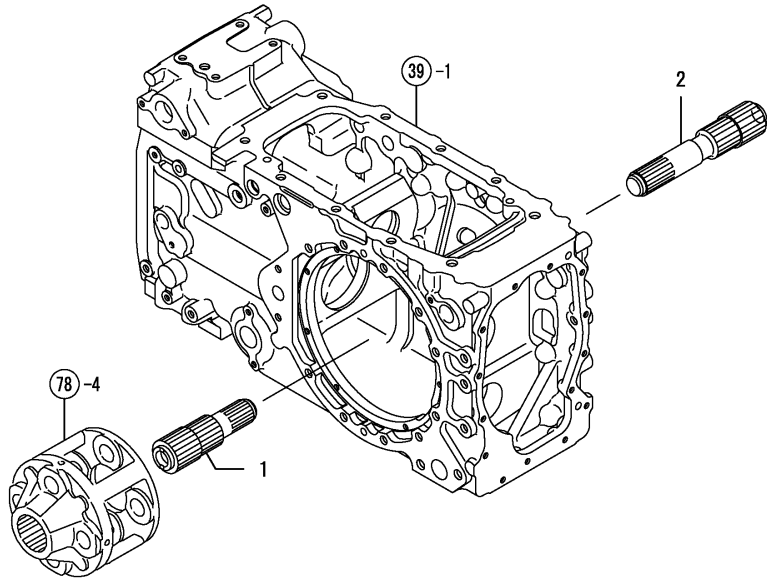


Fig.78. FINAL GEAR

(A)=EF685-AU-PQ
(B)=
(C)=

(D)=
(E)=
(F)=

No.	Lev.	Parts No.	Description	Q'ty						I	R
				(A)	(B)	(C)	(D)	(E)	(F)		
1	1	198450-33540	PINION, PLANETARY	8							
2	1	198320-33550	SHAFT, PLANETARY	8							
3	1	198320-33560	NEEDLE, 4.5X31.8	168							
4	1	198450-33570	CARRIER, PLANETARY	2							
5	1	198450-33590	WASHER, 26X50X1	16							
6	1	198320-33610	GEAR, INTERNAL	2							
7	1	198450-33610	BUSH, 354232	8							
8	1	22312-100180	PIN, PARALLEL M10X18	8							
9	1	22351-080040	PIN, SPRING 8.0X40	8							
10	1	26116-100552	BOLT, M10X 55 PLATED	16							
10-1	1	198217-33650	BOLT, M10X55	16							N

(A)=FXXXXXX

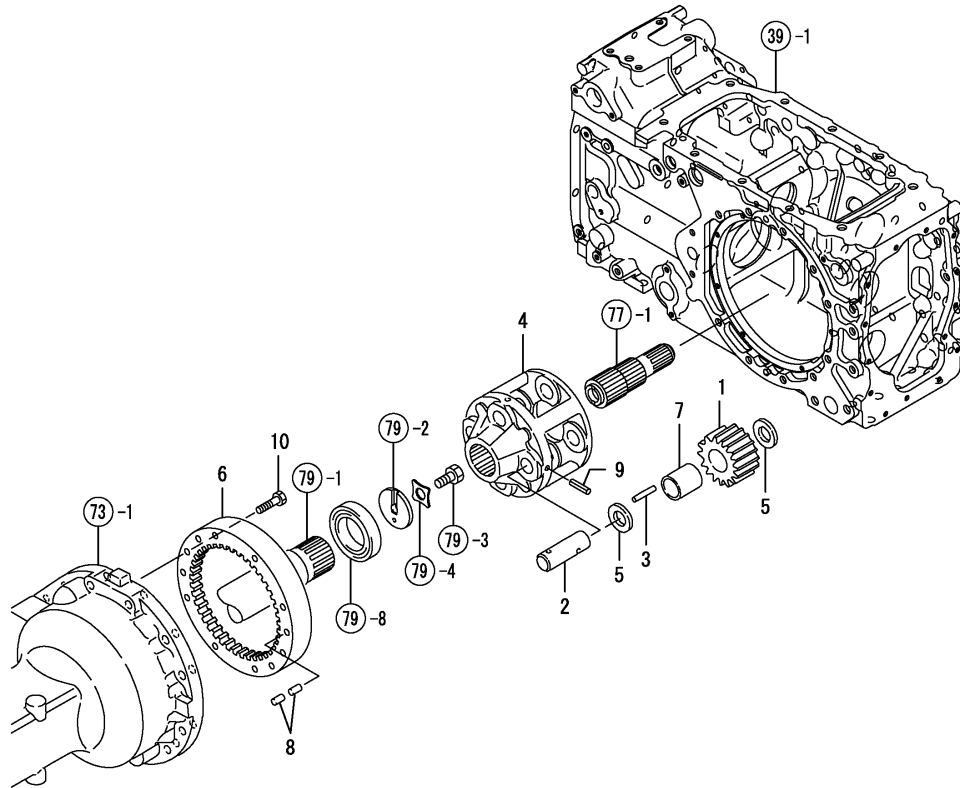
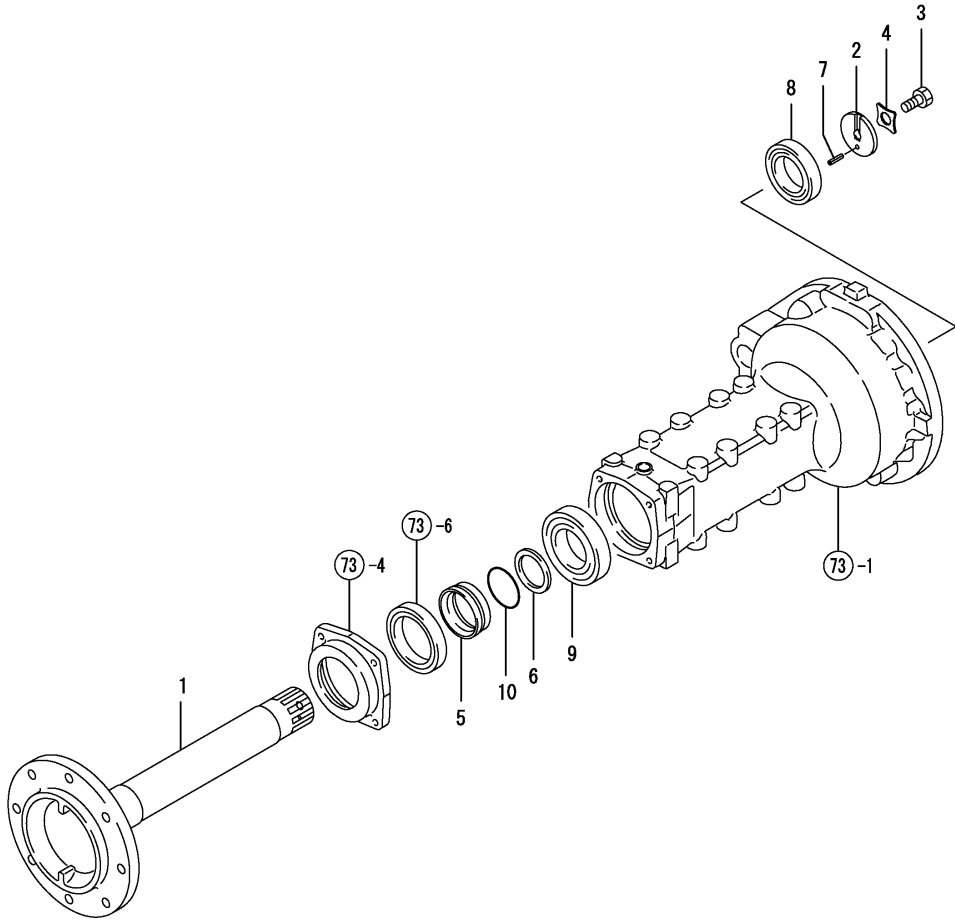


Fig.79. REAR AXLE SHAFT

(A)=EF685-AU-PQ
(B)=
(C)=

(D)=
(E)=
(F)=

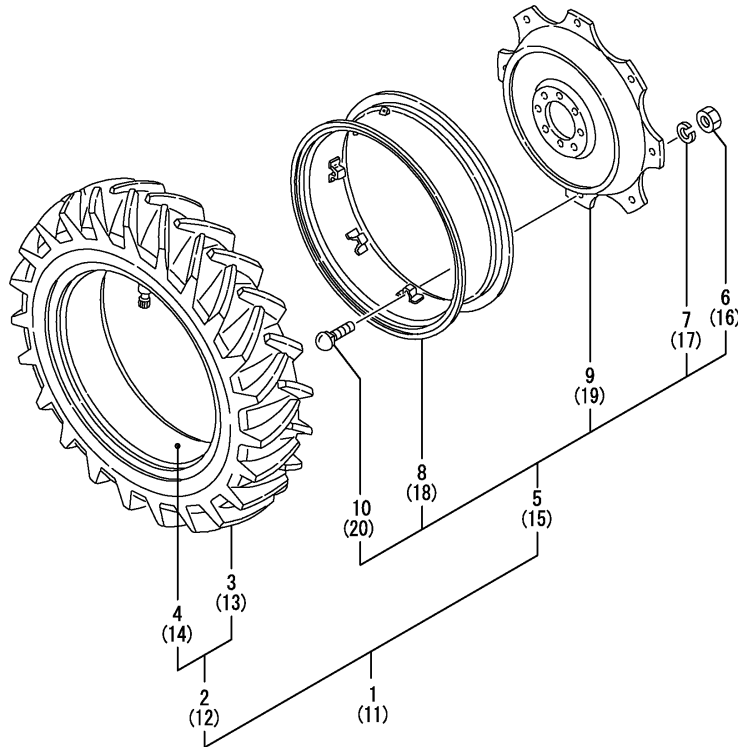


No.	Lev.	Parts No.	Description	Q'ty						I	R
				(A)	(B)	(C)	(D)	(E)	(F)		
1	1	198448-34110	SHAFT, REAR AXLE	2							
2	1	198440-34130	WASHER, 13X64X9	2							
3	1	194640-34140	BOLT, M12X30	2							
4	1	198450-34150	WASHER, THRUST	2							
5	1	198535-34360	COLLAR, 60X72X26	2							
6	1	194145-34390	SPACER, O-RING	2							
7	1	22351-050020	PIN, SPRING 5.0X20	2							
8	1	24101-060114	BEARING, BALL 6011	2							
9	1	24101-062124	BEARING, BALL 6212	2							
10	1	24321-000600	O-RING, 1AG60.0	2							

Fig.80. REAR WHEEL TIRE

(A)=EF685-AU-PQ
(B)=
(C)=

(D)=
(E)=
(F)=

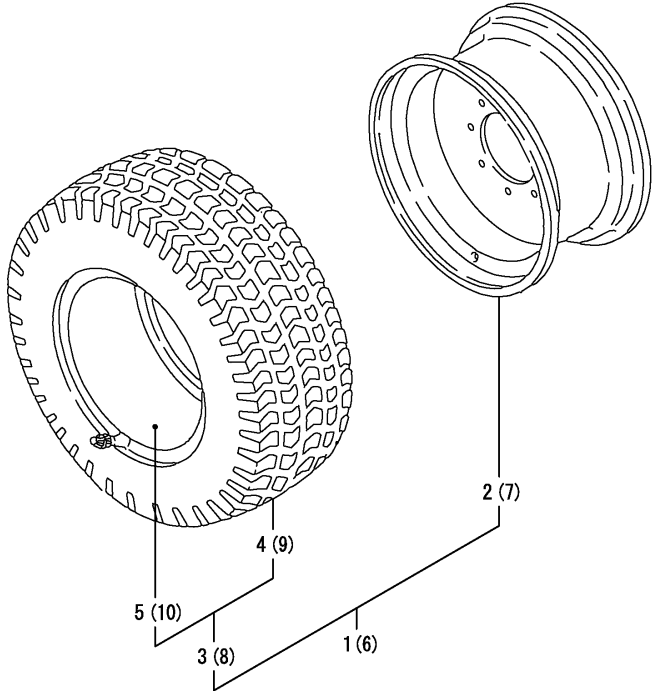


No.	Lev.	Parts No.	Description	Qty						I	R
				(A)	(B)	(C)	(D)	(E)	(F)		
1	1	198450-34730	TIRE KIT, 14.9-28 L	1							
2	2	194450-34600	TIRE W/TUBE 14.9-28	1							
3	3	194450-34610	TIRE, 14.9-28 6 FSL	1							
4	3	194450-34620	TUBE, 14.9-28	1							
5	2	198450-34751	WHEEL ASSY, W12X28W	1							
6	3	194181-14180	NUT, M16	8							
7	3	194065-34170	WASHER, 16	8							
8	3	194450-34511	RIM, W12X28W	1							
9	3	194278-34820	DISK, W11X28W	1							
10	3	198268-34850	BOLT, M16X70	8							
11	1	198450-34830	TIRE KIT, 14.9-28 R	1							
12	2	194450-34600	TIRE W/TUBE 14.9-28	1							
13	3	194450-34610	TIRE, 14.9-28 6 FSL	1							
14	3	194450-34620	TUBE, 14.9-28	1							
15	2	198450-34751	WHEEL ASSY, W12X28W	1							
16	3	194181-14180	NUT, M16	8							
17	3	194065-34170	WASHER, 16	8							
18	3	194450-34511	RIM, W12X28W	1							
19	3	194278-34820	DISK, W11X28W	1							
20	3	198268-34850	BOLT, M16X70	8							

Fig.81. REAR WHEEL TIRE

(A)=EF685-AU-PQ
(B)=
(C)=

(D)=
(E)=
(F)=



No.	Lev.	Parts No.	Description	Q'ty						I	R
				(A)	(B)	(C)	(D)	(E)	(F)		
1	1	194680-34710	TIRE ASSY, REAR L	1							
2	2	194680-34761	WHEEL, W15X20	1							
3	2	194680-34900	TIRE ASSY, 475/65D20	1							
4	3	194680-34910	TIRE, 475/65 D20	1							
5	3	194680-34920	TUBE, 475/65 D20	1							
6	1	194680-34810	TIRE ASSY, REAR R	1							
7	2	194680-34761	WHEEL, W15X20	1							
8	2	194680-34900	TIRE ASSY, 475/65D20	1							
9	3	194680-34910	TIRE, 475/65 D20	1							
10	3	194680-34920	TUBE, 475/65 D20	1							

Fig.82. HUB BOLT

(A)=EF685-AU-PQ
(B)=
(C)=

(D)=
(E)=
(F)=

No.	Lev.	Parts No.	Description	Q'ty						I	R
				(A)	(B)	(C)	(D)	(E)	(F)		
1	1	198133-34130	BOLT, M14X30	16							

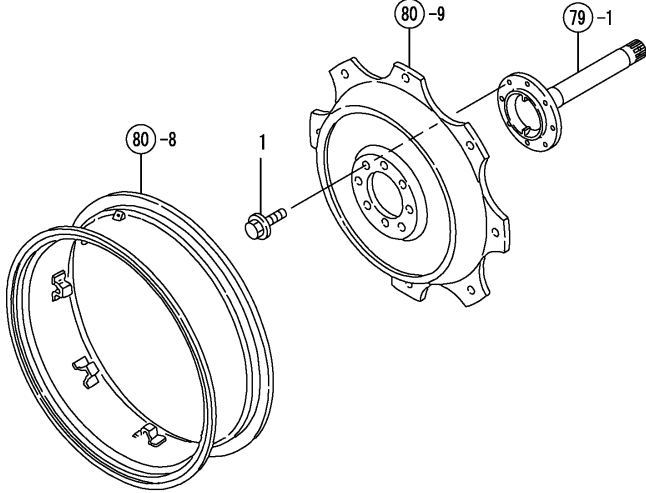
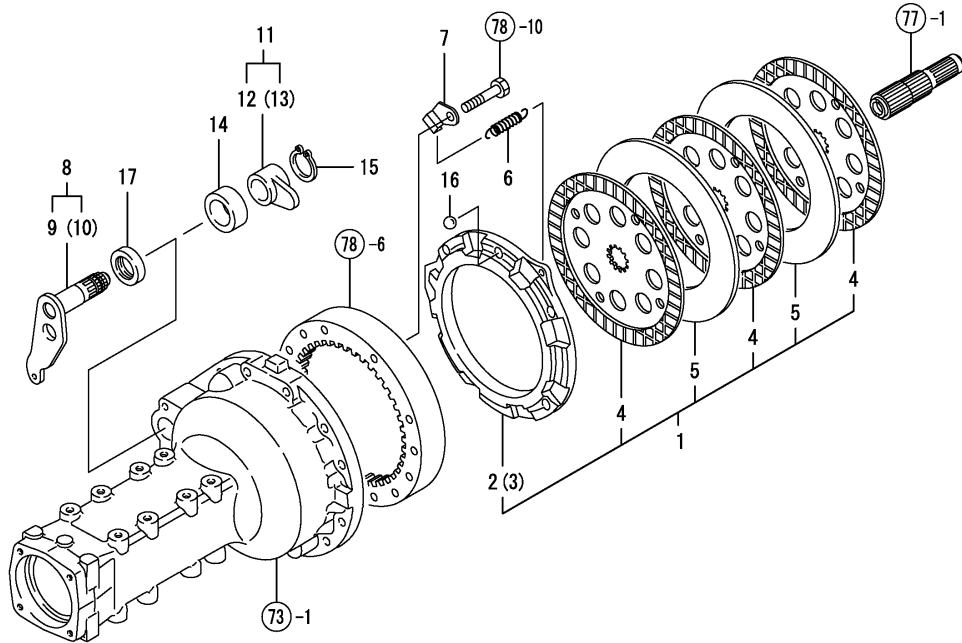


Fig.83. BRAKE

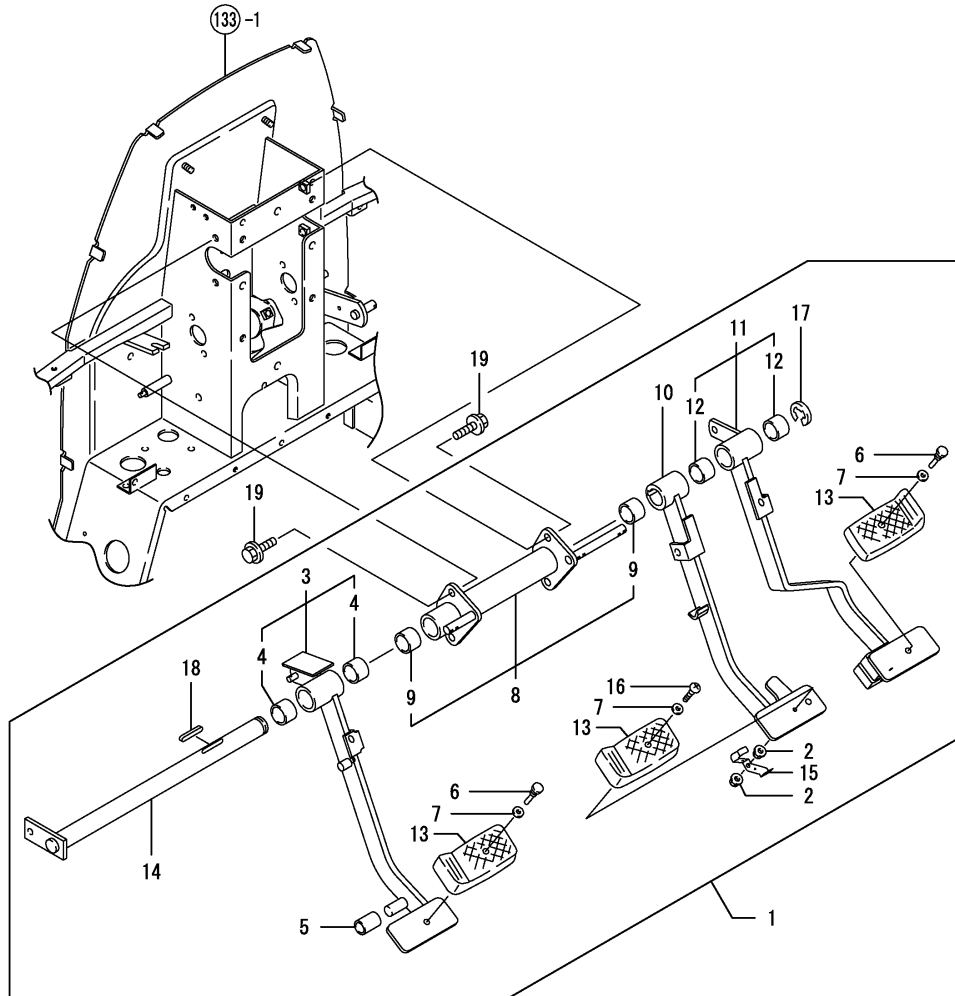
(A)=EF685-AU-PQ
(B)=
(C)=

(D)=
(E)=
(F)=



No.	Lev.	Parts No.	Description	Q'ty						I	R
				(A)	(B)	(C)	(D)	(E)	(F)		
1	1	198320-36200	BRAKE ASSY	1							
2	2	198240-36310	ACTUATOR	1							
3	2	198240-36320	ACTUATOR	1							
4	2	198240-36351	PLATE, FRICTION 226	6							
5	2	198240-36520	PLATE, STEEL 3.2	5							
6	1	194205-36320	SPRING, ACTUATOR	4							
7	1	198240-36380	HOOK, RETURN SPRING	4							
8	1	198535-36690	SHAFT ASSY, LEVER	1							
9	2	198535-36730	SHAFT, CAM LEVER L	1							
10	2	198535-36740	SHAFT, CAM LEVER R	1							
11	1	198240-36700	LEVER ASSY, CAM	1							
12	2	198240-36710	CAMSHAFT, BRAKE L	1							
13	2	198240-36720	CAMSHAFT, BRAKE R	1							
14	1	198320-36790	SLEEVE, CAM LEVER	2							
15	1	22242-000290	RING, 29	2							
16	1	24190-180001	BALL, STEEL 9/16	12							
17	1	24421-304208	SEAL, OIL TC304208	2							

Fig.84. PEDAL



(A)=EF685-AU-PQ
(B)=
(C)=

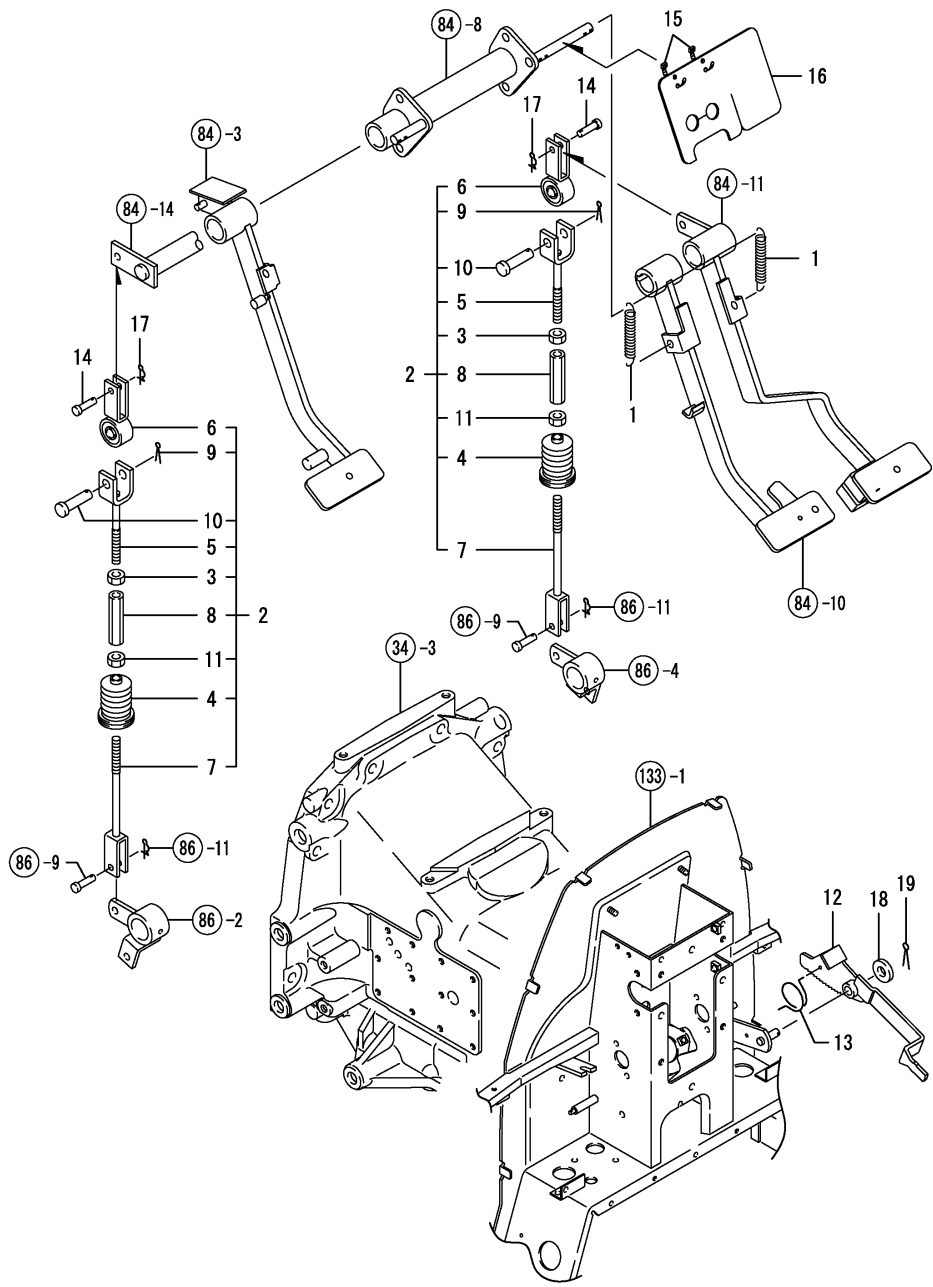
(D)=
(E)=
(F)=

No.	Lev.	Parts No.	Description	Q'ty						I	R
				(A)	(B)	(C)	(D)	(E)	(F)		
1	1	1A7670-37200	PEDAL ASSY	1							
2	2	194990-22120	NUT, M5	2							
3	2	198448-22401	PEDAL ASSY, CLUTCH	1							
4	3	198448-37360	BUSH, 25X28X20	2							
4-1	3	24550-025200	BUSH, 25X20	2							R
(A=FZZZZZ)											
5	2	198448-22470	PIPE, CLUTCH STOPPER	1							
6	2	198133-22510	RIVET, PEDAL HEAD	2							
7	2	198133-22530	WASHER, RIVET	3							
8	2	198448-37250	RETAINER ASSY, SHAFT	1							
9	3	198448-37360	BUSH, 25X28X20	2							
9-1	3	24550-025200	BUSH, 25X20	2							R
(A=FZZZZZ)											
10	2	198535-37301	PEDAL ASSY, BRAKE L	1							
11	2	198448-37401	PEDAL ASSY, BRAKE R	1							
12	3	198448-37360	BUSH, 25X28X20	2							
12-1	3	24550-025200	BUSH, 25X20	2							R
(A=FZZZZZ)											
13	2	198071-37510	COVER, HEAD	3							
14	2	198448-37551	SHAFT, BRAKE	1							
15	2	198475-37770	SPRING, LOCK	1							
16	2	198475-37780	SCREW, M5X25	1							
17	2	22272-000190	RING, E-19	1							
18	2	22512-070400	KEY, 7X 40	1							
19	1	26106-100202	BOLT, M10X 20 PLATED	4							

Fig.85. BRAKE LINK(1)

(A)=EF685-AU-PQ
(B)=
(C)=

(D)=
(E)=
(F)=



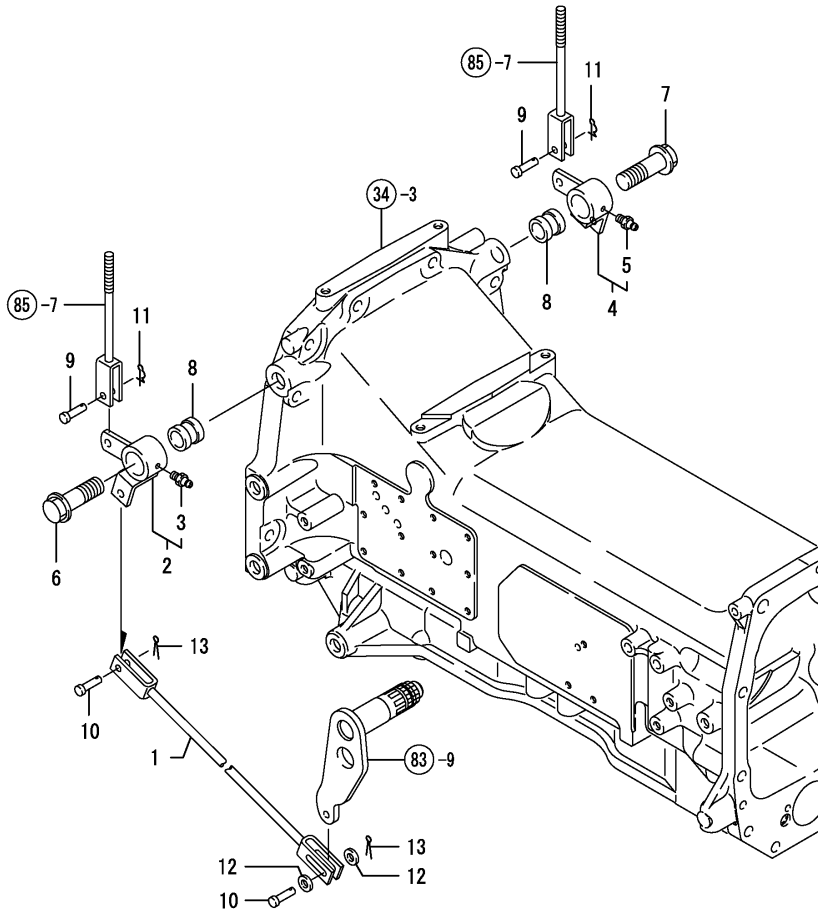
No.	Lev.	Parts No.	Description	Q'ty						I	R
				(A)	(B)	(C)	(D)	(E)	(F)		
1	1	198290-37510	SPRING, RETURN	2							
2	1	198448-37610	ROD ASSY, BRAKE	2							
3	2	194150-22480	NUT, M10 L	2							
4	2	198448-37450	BOOT, ROD	2							
5	2	198448-37530	ROD, BRAKE L	2							
6	2	198448-37600	ROD ASSY, BRAKE A	2							
7	2	198448-37620	ROD, BRAKE R	2							
8	2	194130-37730	TURNBUCKLE M10X70	2							
9	2	22417-200300	PIN, COTTER 2.0X30	2							
10	2	22487-120400	PIN, H12X40	2							
11	2	26716-100002	NUT, M10	2							
12	1	1A7450-37650	LEVER, BRAKE LOCK	1							
13	1	198475-37690	SPRING, LOCK	1							
14	1	198220-37900	PIN, 8X24	2							
15	1	198153-51810	BAND, NYLON 150	2							
16	1	1A7450-51820	COVER, HARNESS	1							
17	1	1C6281-52320	PIN, SNAP 8	2							
18	1	22137-120000	WASHER, 12	1							
19	1	22417-250300	PIN, COTTER 2.5X30	1							

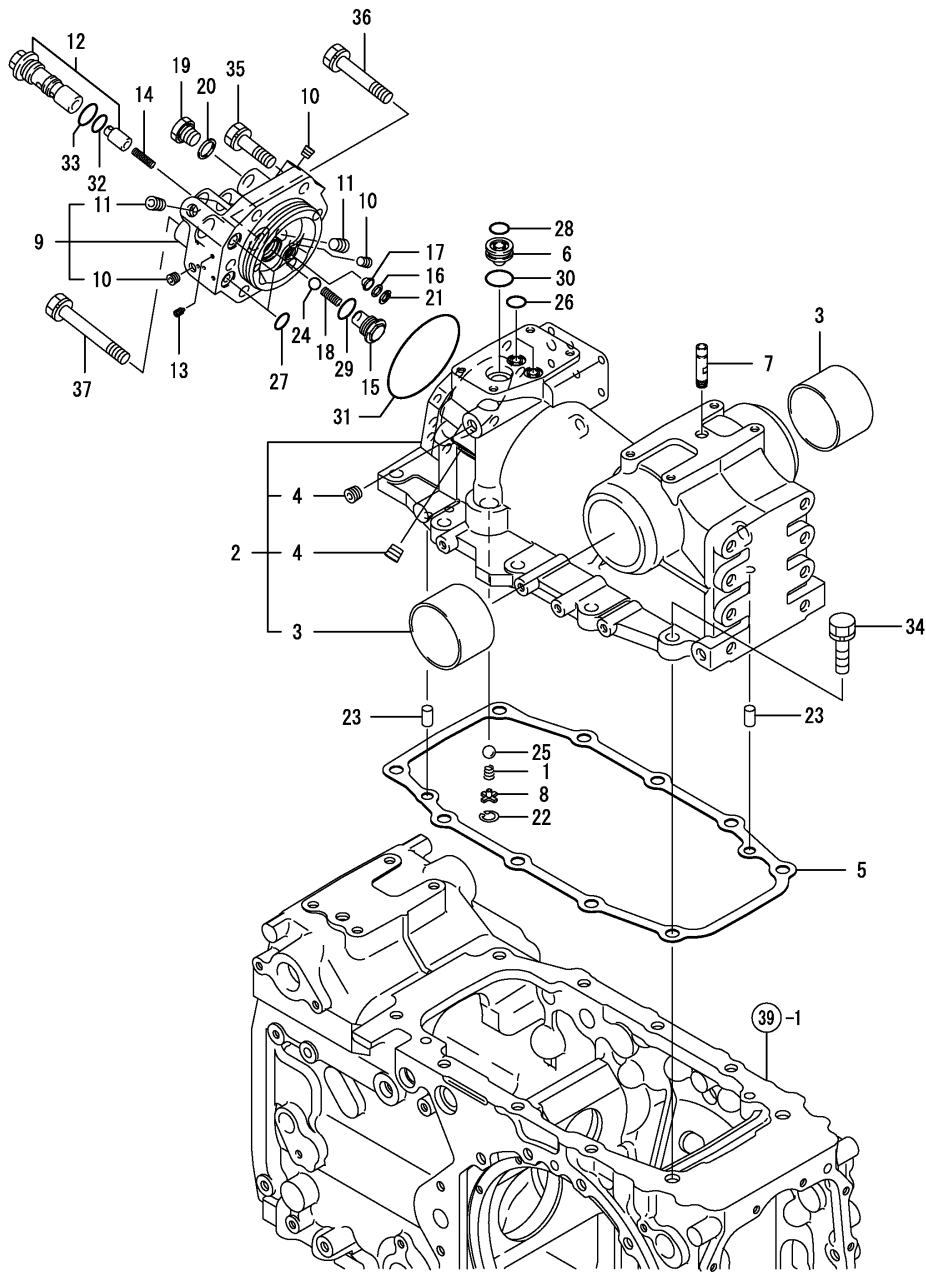
Fig.86. BRAKE LINK(2)

(A)=EF685-AU-PQ
(B)=
(C)=

(D)=
(E)=
(F)=

No.	Lev.	Parts No.	Description	Q'ty						I	R
				(A)	(B)	(C)	(D)	(E)	(F)		
1	1	198448-37370	ROD, BRAKE	2							
2	1	1A7600-37460	ARM ASSY, BRAKE L	1							
3	2	24761-010000	NIPPLE, GREASE M6F	1							
4	1	1A7600-37470	ARM ASSY, BRAKE R	1							
5	2	24761-010000	NIPPLE, GREASE M6F	1							
6	1	198071-37781	BOLT, M20	1							
7	1	198071-37791	BOLT, M20	1							
8	1	198071-37820	SPACER, 20/29	2							
9	1	198220-37900	PIN, 8X24	2							
10	1	198220-37900	PIN, 8X24	4							
11	1	1C6281-52320	PIN, SNAP 8	2							
12	1	22137-080000	WASHER, 8	4							
13	1	22417-250300	PIN, COTTER 2.5X30	4							





(A)=EF685-AU-PQ
 (B)=
 (C)=

(D)=
 (E)=
 (F)=

No.	Lev.	Parts No.	Description	Qty						I	R
				(A)	(B)	(C)	(D)	(E)	(F)		
1	1	194310-24770	SPRING	1							
2	1	1A7670-42101	HOUSING ASSY	1							
3	2	194640-42140	BUSH, 65X70X45	2							
4	2	23876-020000	PLUG, R02	2							
5	1	1A7640-42150	PACKING, HOUSING	1							
6	1	198475-42250	STRAINER ASSY	1							
7	1	194555-42280	BREATHER, AIR	1							
8	1	1A7260-42310	SUPPORT, SPRING	1							
9	1	1A7640-43200	HEAD ASSY, CYLINDER	1							
10	2	23876-010000	PLUG, R01	3							
11	2	23876-020000	PLUG, R02	2							
12	1	198448-43300	SEAT ASSY, VALVE	1							
13	1	198448-43331	ORIFICE, VALVE	1							
14	1	198448-43340	SPRING, CHECK VALVE	1							
15	1	1A7640-43450	PLUG, CHECK VALVE	1							
16	1	1A7640-43810	SPACER, 9X13X1	1							
17	1	1A7640-43850	STRAINER	1							
18	1	194555-46380	SPRING	1							
19	1	194312-46750	PLUG, PF3/8	1							
20	1	194555-77910	GASKET, 17	1							
21	1	22252-000140	RING, 14	1							
22	1	22252-000180	RING, 18	1							
23	1	22312-100180	PIN, PARALLEL M10X18	2							
24	1	24190-130003	BALL, STEEL 13/32	1							
25	1	24190-160001	BALL, STEEL 1/2	1							
26	1	24315-000140	O-RING, 1BP14.0	2							
27	1	24315-000140	O-RING, 1BP14.0	2							
28	1	24315-000140	O-RING, 1BP14.0	1							
29	1	24315-000180	O-RING, 1BP18.0	1							
30	1	24315-000220	O-RING, 1BP22.0	1							
31	1	24325-000900	O-RING, 1BG90.0	1							
32	1	24351-010160	O-RING 1A 1016	1							
33	1	24365-091000	O-RING, 1BAS910	1							
34	1	26013-120352	BOLT, M12X 35	8							
34-1	1	26106-120352	BOLT, M12X 35 PLATED	8							R
(A=FXXXXXX)											
35	1	26013-120402	BOLT, M12X 40	4							
36	1	26013-120652	BOLT, M12X 65	1							
37	1	26013-120852	BOLT, M12X 85	1							

Fig.88. PISTON

(A)=EF685-AU-PQ
(B)=
(C)=

(D)=
(E)=
(F)=

No.	Lev.	Parts No.	Description	Qty						I	R
				(A)	(B)	(C)	(D)	(E)	(F)		
1	1	1A7640-43250	PISTON ASSY	1							
2	2	1A7640-43260	PACKING, 95	1							
3	2	1A7640-43270	RING, BACK UP 95	1							
4	2	1A7640-43280	WEARING, 95	2							
5	2	1A7640-43290	PISTON, HYDRAULIC	1							

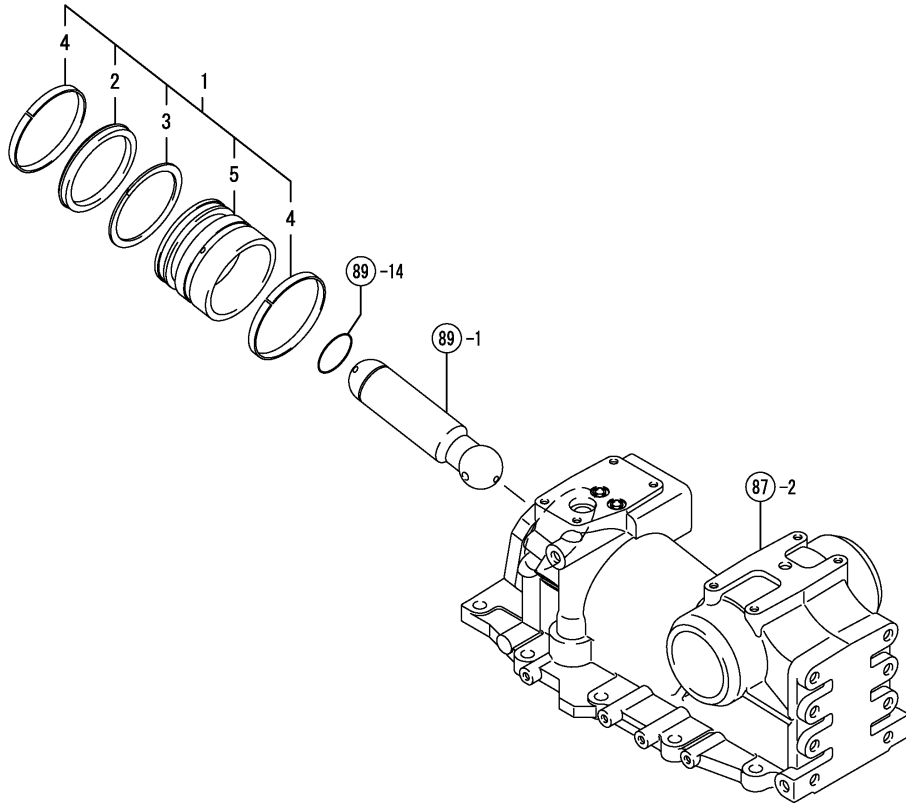
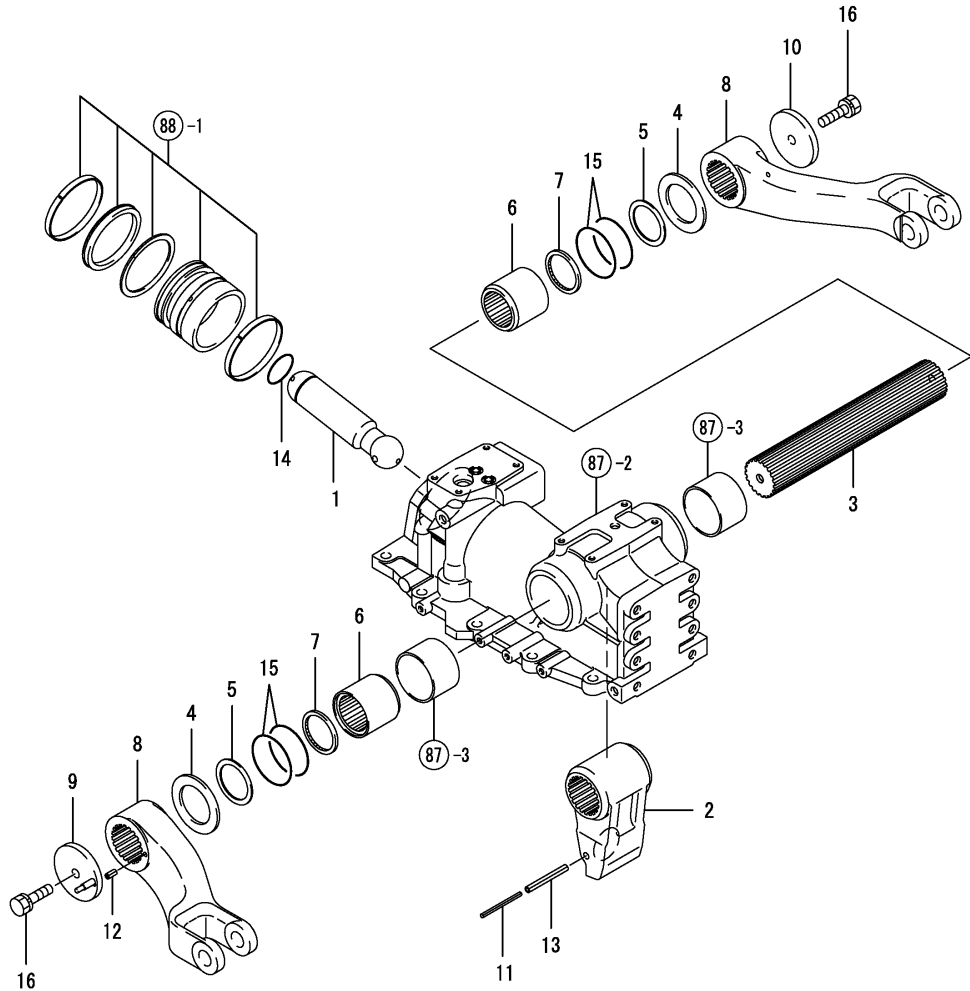


Fig.89. LIFT CRANK



(A)=EF685-AU-PQ
(B)=
(C)=

(D)=
(E)=
(F)=

No.	Lev.	Parts No.	Description	Q'ty						I	R
				(A)	(B)	(C)	(D)	(E)	(F)		
1	1	1A7640-43410	ROD, PISTON	1							
2	1	1A7640-44110	CRANK, LIFT	1							
3	1	1A7640-44210	SHAFT, LIFTING	1							
4	1	1A7640-44230	WASHER, 65X82X2	2							
5	1	1A7640-44240	PLATE, 50X64X2	2							
6	1	194640-44250	SLEEVE, LIFT SHAFT	2							
7	1	194640-44260	SEAL, SPLINE	2							
8	1	1A7640-44410	ARM, LIFT	2							
9	1	198448-44510	ARM, FEEDBACK	1							
10	1	194640-44540	RETAINER, SHAFT	1							
11	1	22351-050070	PIN, SPRING 5.0X70	1							
12	1	22351-060012	PIN, SPRING 6.0X12	1							
13	1	22351-080070	PIN, SPRING 8.0X70	1							
14	1	24311-000400	O-RING, 1AP40.0	1							
15	1	24321-000650	O-RING, 1AG65.0	4							
16	1	26013-120352	BOLT, M12X 35	2							
16-1	1	26106-120302	BOLT, M12X 30 PLATED	2							R

(A)=FXXXXXX

Fig.90. CONTROL

(A)=EF685-AU-PQ
 (B)=
 (C)=

(D)=
 (E)=
 (F)=

No.	Lev.	Parts No.	Description	Q'ty						I	R
				(A)	(B)	(C)	(D)	(E)	(F)		
1	1	1A7260-45100	VALVE ASSY, SOLENOID	1							
2	1	198448-45150	VALVE ASSY, SOLENOID	1							
3	2	22217-040000	WASHER, SPRING 4	2							
4	2	24341-000080	O-RING, 1AS8.0	2							
5	2	26450-040402	BOLT, M4X 40	2							
6	1	26450-080352	BOLT, M8X 35	4							

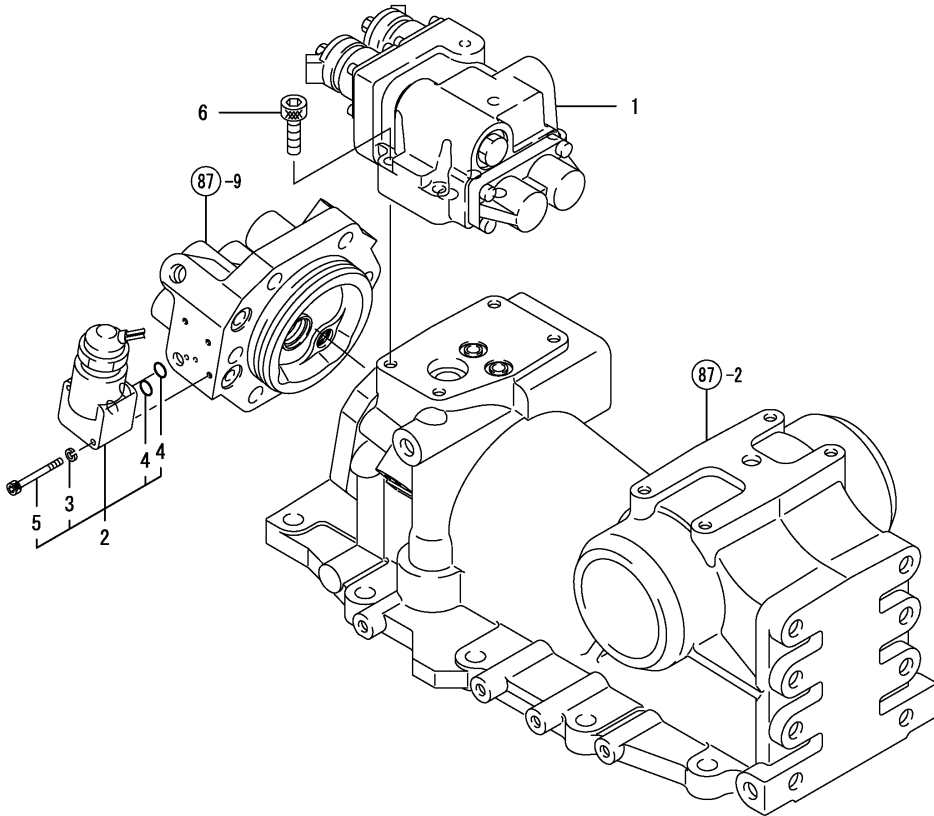


Fig.91. STOP VALVE CONTROL

(A)=EF685-AU-PQ
(B)=
(C)=

(D)=
(E)=
(F)=

No.	Lev.	Parts No.	Description	Q'ty						I	R
				(A)	(B)	(C)	(D)	(E)	(F)		
1	1	198448-46581	BOLT, STOP	1							
2	1	198448-46610	FLANGE ASSY	1							
3	1	1A8160-46670	KNOB, VALVE	1							
4	1	22242-000110	RING, 11	1							
5	1	24311-000090	O-RING, 1AP9.0	2							
6	1	26106-060162	BOLT, M6X 16 PLATED	2							
7	1	26716-100002	NUT, M10	1							

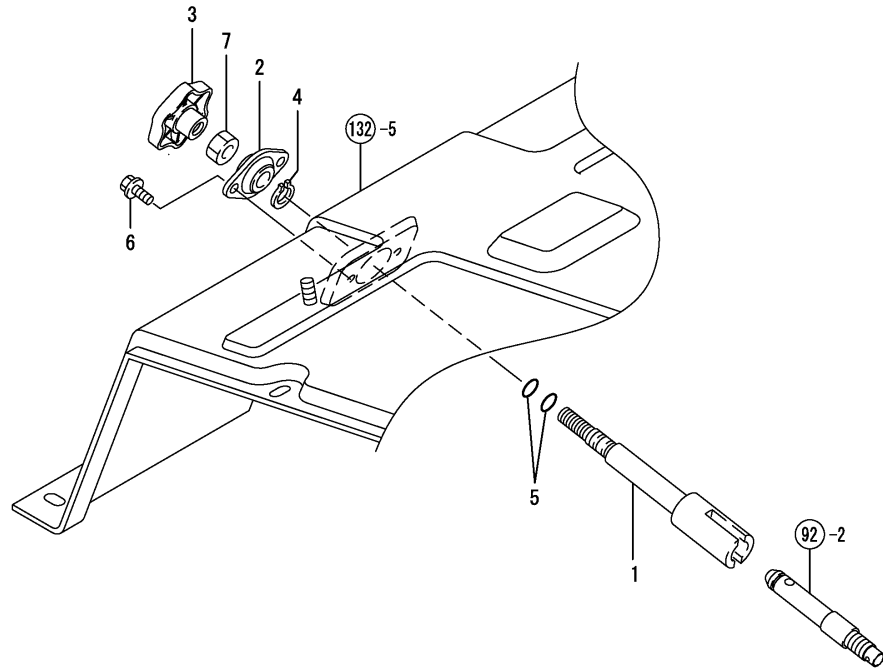
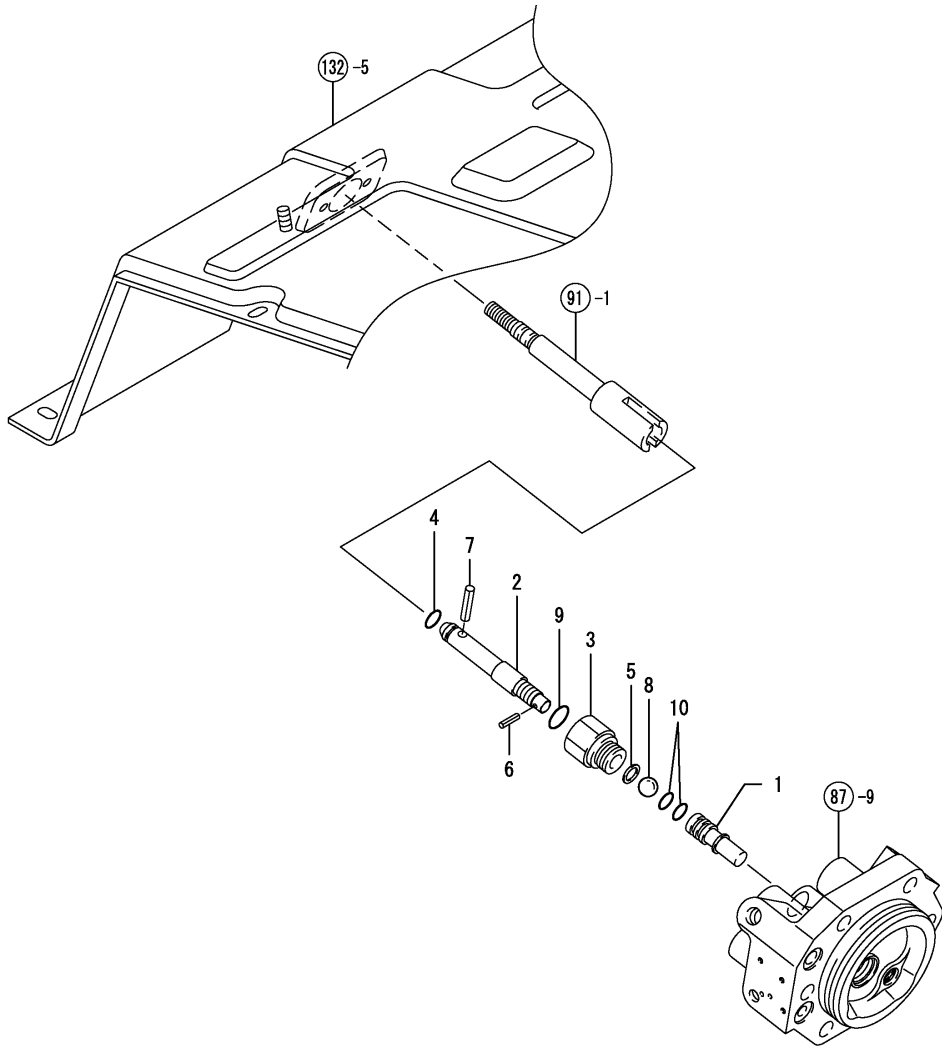


Fig.92. STOP VALVE

(A)=EF685-AU-PQ
(B)=
(C)=

(D)=
(E)=
(F)=



No.	Lev.	Parts No.	Description	Q'ty						I	R
				(A)	(B)	(C)	(D)	(E)	(F)		
1	1	1A7640-46300	VALVE, STOP	1							
2	1	1A7640-46620	BOLT, STOP	1							
3	1	198448-46630	HOLDER, VALVE	1							
4	1	198448-46660	PACKING, 10	1							
5	1	1A7640-46670	WASHER, 10.5X15X1	1							
6	1	22351-030016	PIN, SPRING 3.0X16	1							
7	1	22351-060028	PIN, SPRING 6.0X28	1							
8	1	24190-160001	BALL, STEEL 1/2	1							
9	1	24311-000150	O-RING, 1AP15.0	1							
10	1	24315-000110	O-RING, 1BP11.0	2							

Fig.93. SAFETY VALVE

(A)=EF685-AU-PQ
(B)=
(C)=

(D)=
(E)=
(F)=

No.	Lev.	Parts No.	Description	Q'ty						I	R
				(A)	(B)	(C)	(D)	(E)	(F)		
1	1	1A7680-45320	SPRING	1							
2	1	1A7680-45370	PLUG, SAFETY VALVE	1							
3	1	198220-46400	SHIM SET	1							
4	1	1A7680-46410	SEAT, SAFETY VALVE	1							
5	1	194640-46420	POPPET	1							
6	1	22351-060030	PIN, SPRING 6.0X30	1							
7	1	24315-000120	O-RING, 1BP12.0	1							
8	1	24315-000180	O-RING, 1BP18.0	1							

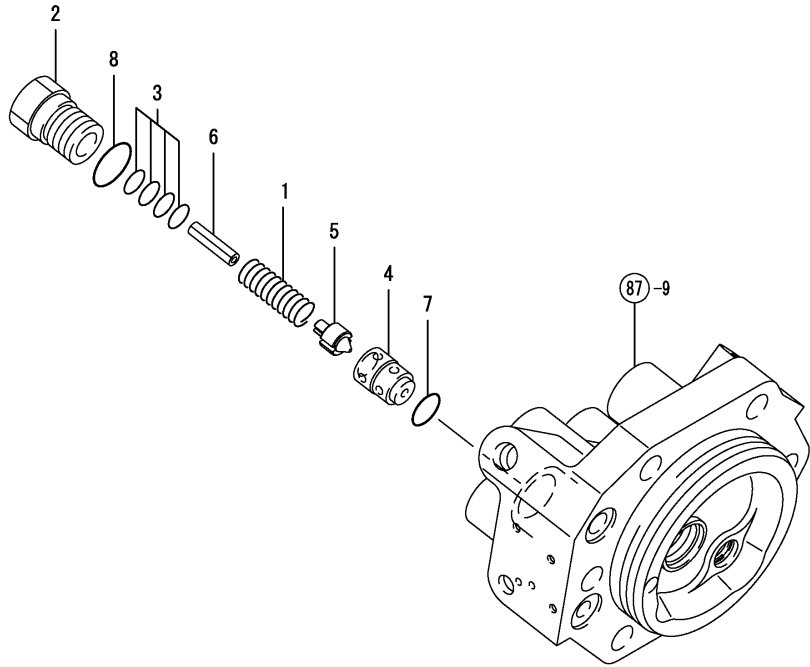
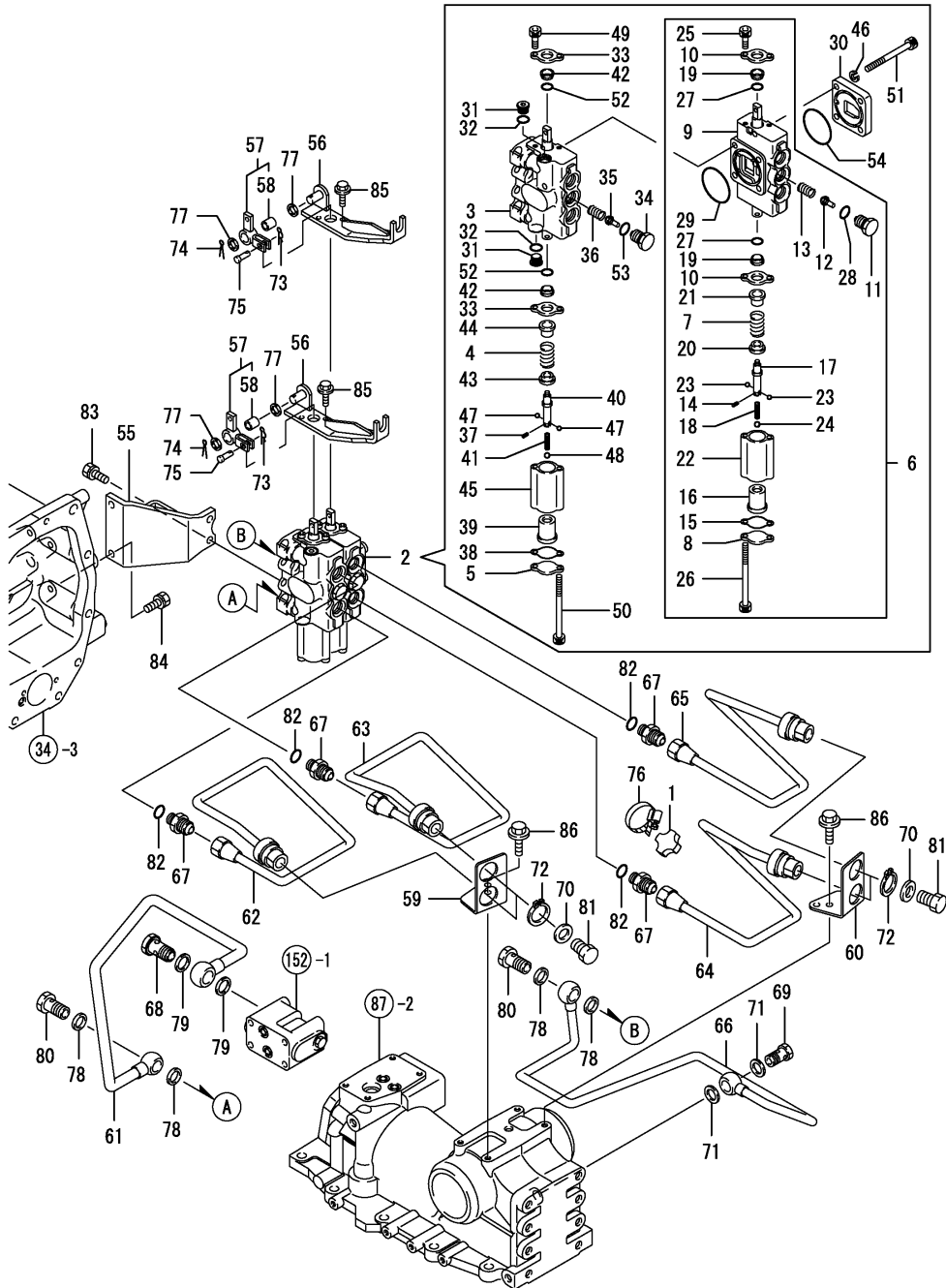


Fig.94. SUB CONTROL VALVE



(A)=EF685-AU-PQ

(B)=

(C)=

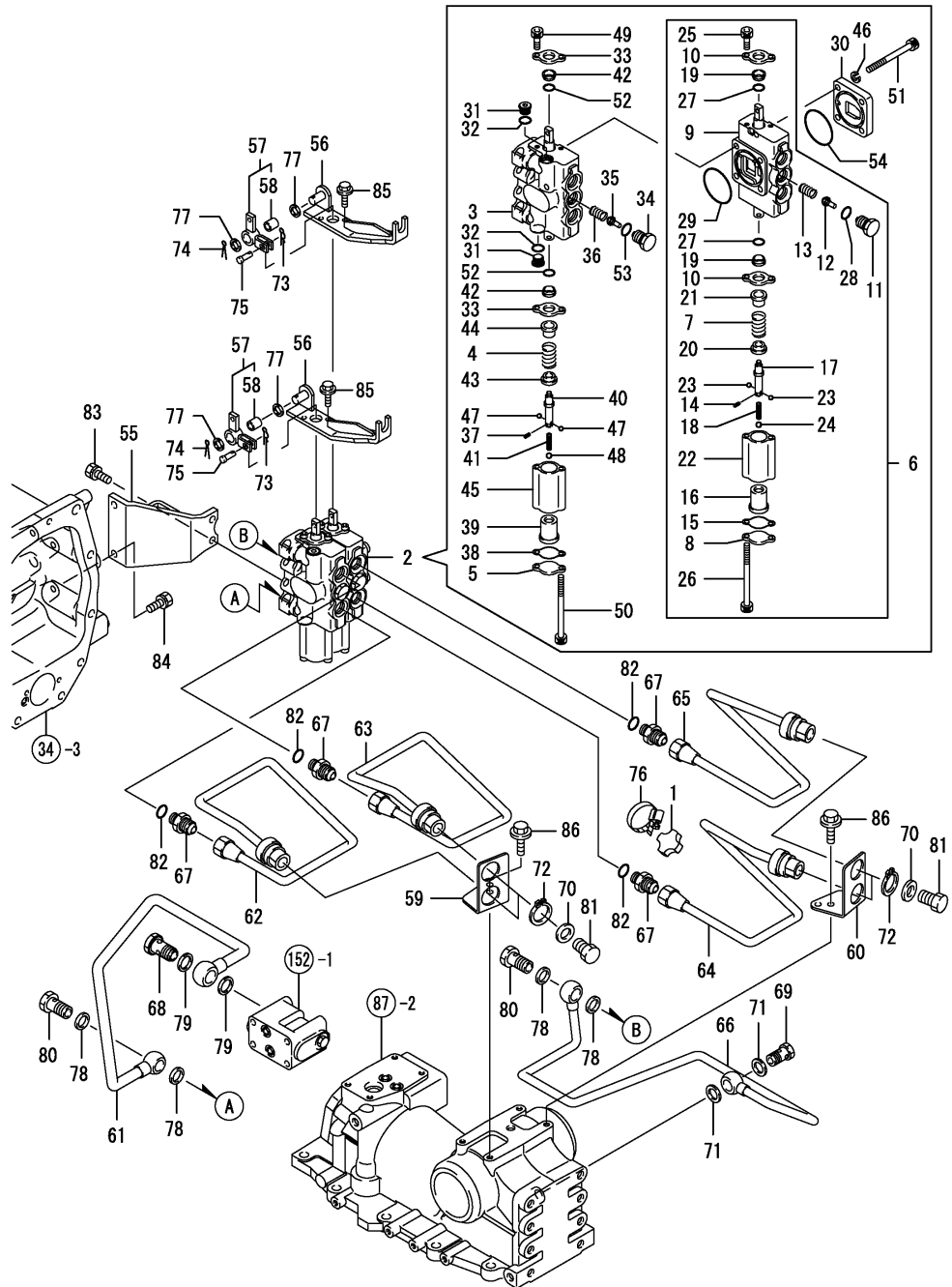
(D)=

(E)=

(F)=

No.	Lev.	Parts No.	Description	Q'ty						I	R
				(A)	(B)	(C)	(D)	(E)	(F)		
1	1	198220-46500	CLAMP	1							
2	1	198448-46702	CONTROLLER ASSY	1							
3	2	178076-04111	BODY(A-1 CMP)	1							
4	2	178076-04140	SPRING(4P)	1							
5	2	178076-04150	COVER	1							
6	2	178076-04300	SCV CMP	1							
7	3	178076-04140	SPRING(4P)	1							
8	3	178076-04150	COVER	1							
9	3	178076-04210	BODY ASSY, A-2	1							
10	3	194850-49340	PLATE, SEAL	2							
11	3	194850-49380	PLUG, CHECK	1							
12	3	194850-49400	VALVE, CHECK	1							
13	3	194850-49410	SPRING	1							
14	3	194850-49440	PIN, SPRING 2X9	1							
15	3	194850-49450	PACKING	1							
16	3	194850-49460	HOLDER, DETENT	1							
17	3	194850-49480	SLIDER	1							
18	3	194850-49490	SPRING	1							
19	3	172510-74410	SEAL, DUST	2							
20	3	172510-74440	RETAINER, SPRING	1							
21	3	172510-74450	RETAINER, SPRING	1							
22	3	172510-74471	COVER ASSY	1							
23	3	24190-050001	BALL, STEEL 5/32	2							
24	3	24190-070001	BALL, STEEL 7/32	1							
25	3	26450-060102	BOLT, M6X 10	2							
26	3	26450-060802	BOLT, M6X 80	2							
27	3	41850-000140	O RING 14.0 ACM	2							
28	3	41851-000140	O RING P 14.0 HNBR	1							
29	3	41856-020530	PACKING,2053	1							
30	2	178076-04310	COVER	1							
31	2	198165-48560	PLUG, 9/16	2							
32	2	194850-49290	PACKING, 6-1	2							
33	2	194850-49340	PLATE, SEAL	2							
34	2	194850-49380	PLUG, CHECK	1							
35	2	194850-49400	VALVE, CHECK	1							
36	2	194850-49410	SPRING	1							
37	2	194850-49440	PIN, SPRING 2X9	1							
38	2	194850-49450	PACKING	1							
39	2	194850-49460	HOLDER, DETENT	1							
40	2	194850-49480	SLIDER	1							
41	2	194850-49490	SPRING	1							
42	2	172510-74410	SEAL, DUST	2							
43	2	172510-74440	RETAINER, SPRING	1							
44	2	172510-74450	RETAINER, SPRING	1							
45	2	172510-74471	COVER ASSY	1							
46	2	22287-080000	WASHER, 8	4							
47	2	24190-050001	BALL, STEEL 5/32	2							
48	2	24190-070001	BALL, STEEL 7/32	1							
49	2	26450-060102	BOLT, M6X 10	2							
50	2	26450-060802	BOLT, M6X 80	2							
51	2	26450-080652	BOLT, M8X 65	4							

Fig.94. SUB CONTROL VALVE



(A)=EF685-AU-PQ

(B)=

(C)=

(D)=

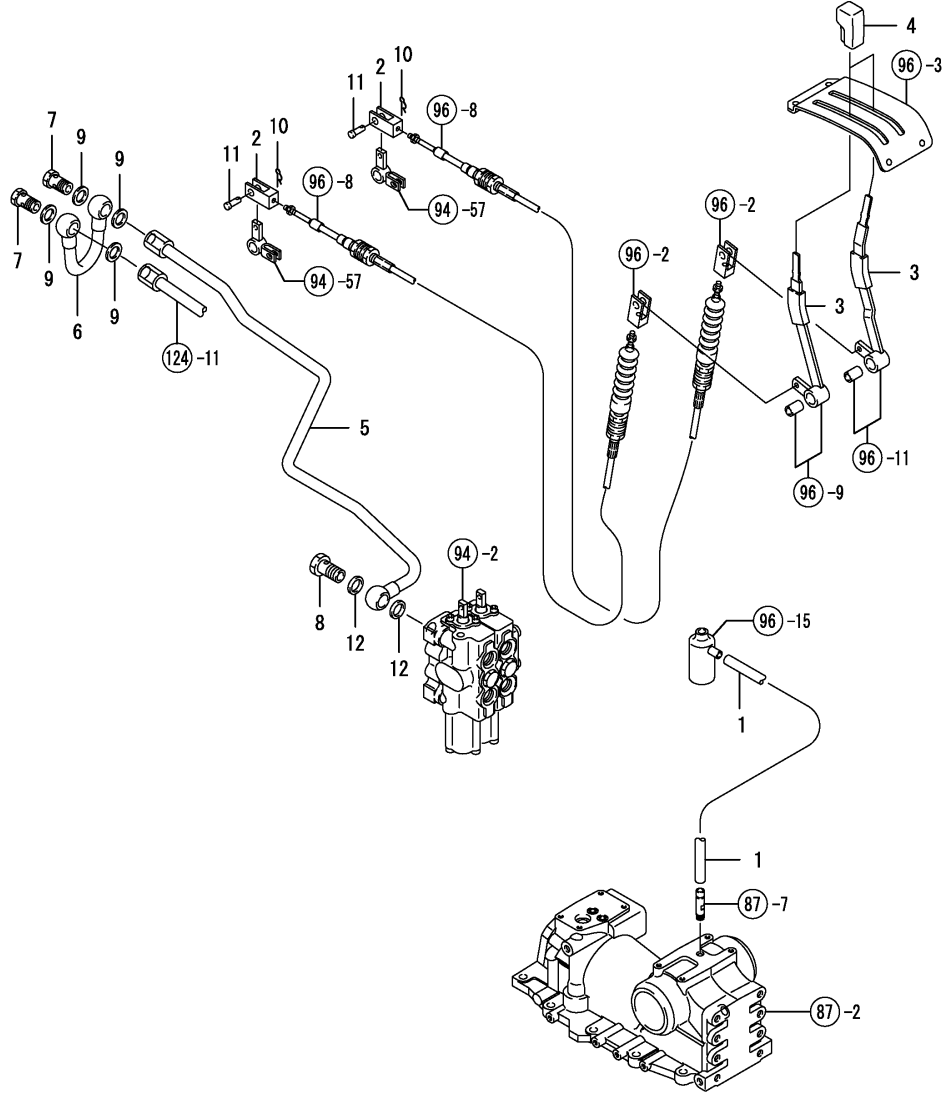
(E)=

(F)=

No.	Lev.	Parts No.	Description	Q'ty						I	R
				(A)	(B)	(C)	(D)	(E)	(F)		
52	2	41850-000140	O RING 14.0 ACM	2							
53	2	41851-000140	O RING P 14.0 HNBR	1							
54	2	41856-020530	PACKING,2053	1							
55	1	198448-46750	BRACKET, SCV	1							
56	1	198448-46760	LINK, STAY	2							
57	1	198448-46800	LINK ASSY, SCV	2							
58	2	24550-012150	BUSH, 12X15	2							
59	1	198448-46970	BRACKET, L	1							
60	1	198448-46980	BRACKET, R	1							
61	1	1A7640-48230	PIPE, PRESSURE S-R	1							
62	1	198448-48410	PIPE, PRESSURE 1A	1							
63	1	198448-48430	PIPE, PRESSURE 1B	1							
64	1	198448-48450	PIPE, PRESSURE 2A	1							
65	1	198448-48470	PIPE, PRESSURE 2B	1							
66	1	1A7640-48490	PIPE, PRESSURE	1							
67	1	198448-48610	JOINT, 3/8-M20	4							
68	1	198361-48750	BOLT ASSY, JOINT	1							
69	1	198121-48870	JOINT, PF3/8	1							
70	1	194555-77910	GASKET, 17	4							
71	1	194555-77910	GASKET, 17	2							
72	1	22242-000300	RING, 30	4							
73	1	22372-050000	PIN, SNAP 5	2							
74	1	22417-200300	PIN, COTTER 2.0X30	2							
75	1	22486-060160	PIN, H 6X 16	2							
76	1	23000-035000	CLAMP, 35	1							
77	1	23414-120016	GASKET, 12X1.0	4							
78	1	23414-180023	GASKET, 18X1.0	4							
79	1	23414-200026	GASKET, 20X1.0	2							
80	1	23857-120000	BOLT, JOINT 12	2							
81	1	23897-030002	PLUG G3/8,HEX.	4							
82	1	24311-000140	O-RING, 1AP14.0	4							
83	1	26013-100252	BOLT, M10X 25	2							
84	1	26013-100252	BOLT, M10X 25	2							
85	1	26106-060162	BOLT, M6X 16 PLATED	4							
86	1	26106-080162	BOLT, M8X 16 PLATED	2							
86-1	1	26013-080162	BOLT, M8X 16	2							N

(A)=*2008.06.)

Fig.95. SCV CONTROL

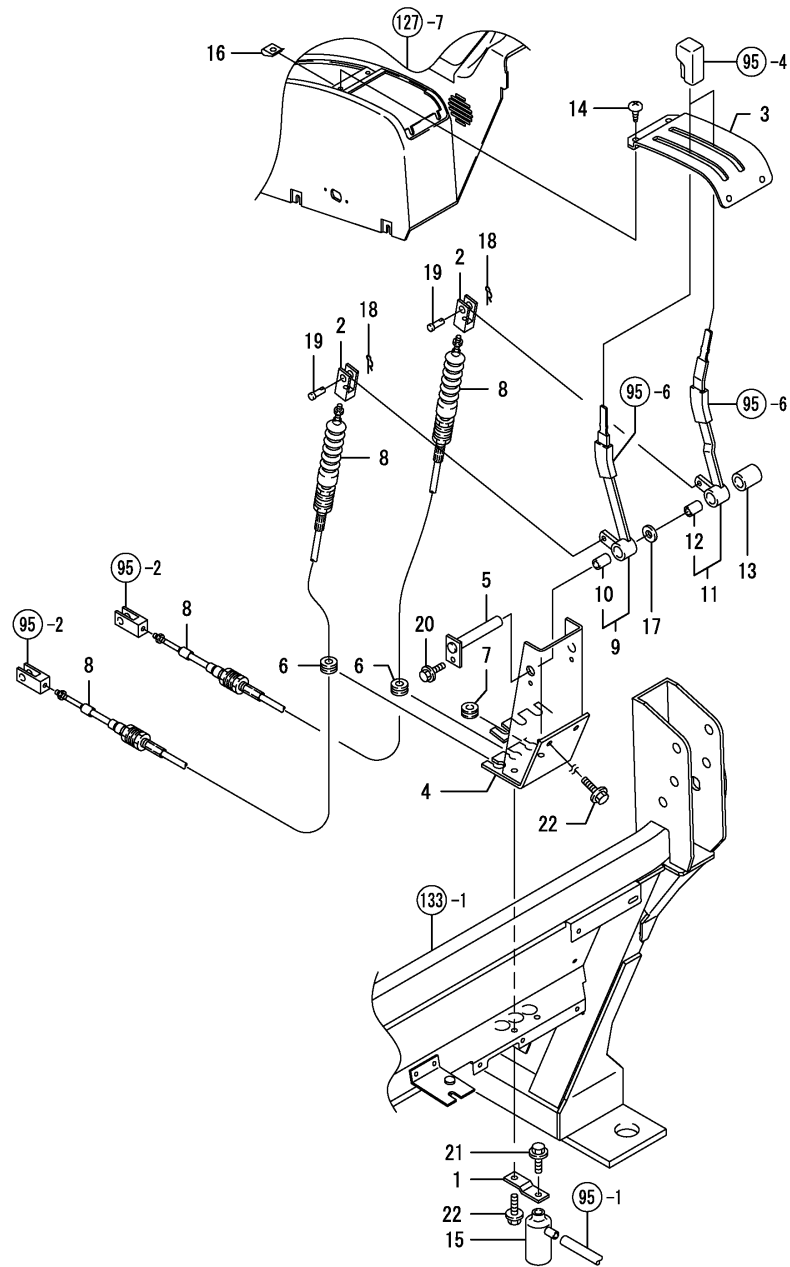


(A)=EF685-AU-PQ
(B)=
(C)=

(D)=
(E)=
(F)=

No.	Lev.	Parts No.	Description	Qty						I	R
				(A)	(B)	(C)	(D)	(E)	(F)		
1	1	198448-04280	PIPE, OVERFLOW	1							
2	1	198460-46110	CLEVIS	2							
3	1	198448-46960	PIPE, PROTECTOR	2							
4	1	194940-47341	KNOB, LEVER	2							
5	1	198535-48430	PIPE, PRESSURE	1							
6	1	1A7640-48640	JOINT, PIPE	1							
7	1	198121-48870	JOINT, PF3/8	2							
8	1	23857-120000	BOLT, JOINT 12	1							
9	1	194555-77910	GASKET, 17	4							
10	1	22372-050000	PIN, SNAP 5	2							
11	1	22486-060160	PIN, H 6X 16	2							
12	1	23414-180023	GASKET, 18X1.0	2							

Fig.96. SCV CONTROL



(A)=EF685-AU-PQ
(B)=
(C)=

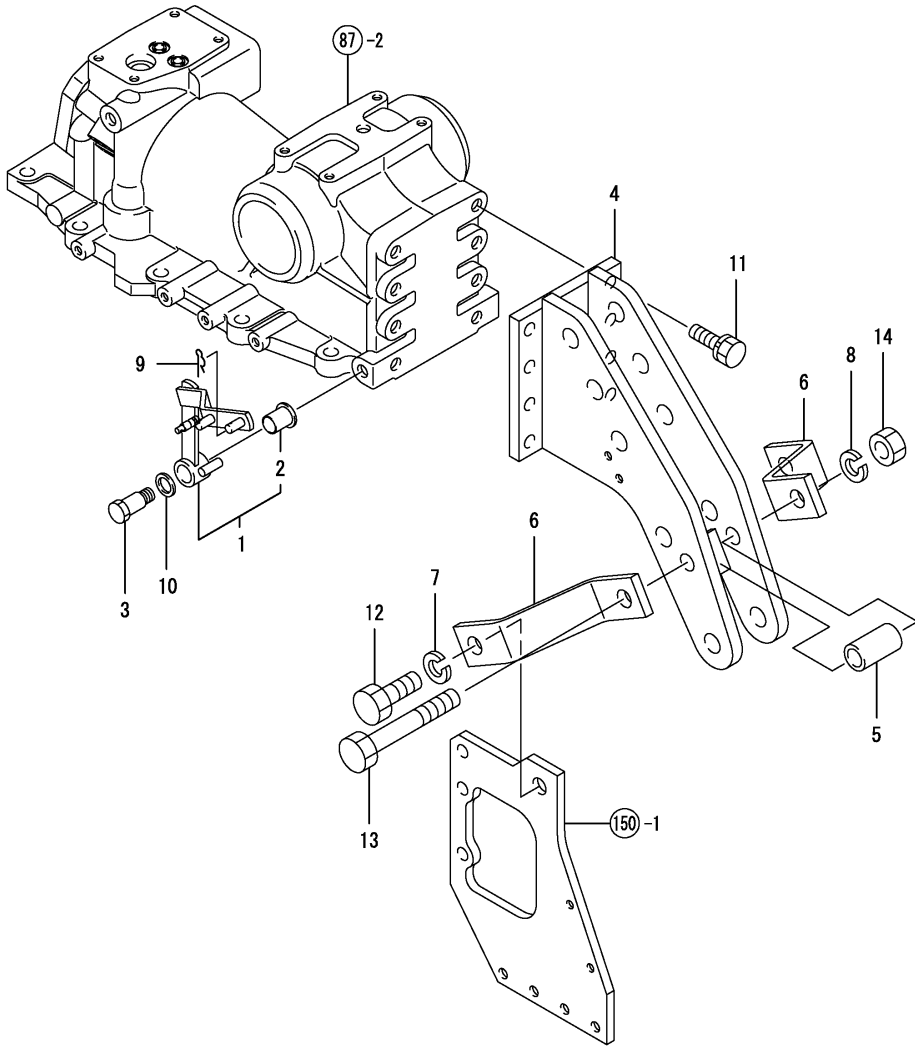
(D)=
(E)=
(F)=

No.	Lev.	Parts No.	Description	Q'ty						I	R
				(A)	(B)	(C)	(D)	(E)	(F)		
1	1	194312-39480	SUPPORT, BREATHER	1							
2	1	198460-46110	CLEVIS	2							
3	1	198448-46350	GUIDE, LEVER	1							
4	1	198448-46410-1	BRACKET, SCV LEVER	1							
5	1	198448-46450	SHAFT, LEVER	1							
6	1	198448-46490	GROMMET, 16/8.5-4.5	2							
7	1	198448-46500	GROMMET, 16-4.5	1							
8	1	198448-46850	CABLE, SCV	2							
9	1	1A7640-46860	LEVER ASSY, SCV A	1							
10	2	24550-014200	BUSH, 14X20	1							
11	1	1A7640-46910	LEVER ASSY, SCV B	1							
12	2	24550-014200	BUSH, 14X20	1							
13	1	198448-46940	COLLAR, 15X25X25	1							
14	1	194940-61790	SCREW, TAPPING M5X16	4							
15	1	194205-63550	BREATHER, AIR	1							
16	1	198220-63850	NUT, M5	4							
17	1	22137-140000	WASHER, 14	1							
18	1	22372-050000	PIN, SNAP 5	2							
19	1	22486-060160	PIN, H 6X 16	2							
20	1	26106-060122	BOLT, M6X 12 PLATED	1							
21	1	26106-080162	BOLT, M8X 16 PLATED	1							
22	1	26106-080162	BOLT, M8X 16 PLATED	4							

Fig.97. HYDRAULIC CONTROL

(A)=EF685-AU-PQ
(B)=
(C)=

(D)=
(E)=
(F)=



No.	Lev.	Parts No.	Description	Q'ty						I	R
				(A)	(B)	(C)	(D)	(E)	(F)		
1	1	1A7640-47100	LINK ASSY, FEEDBACK	1							
2	2	1A7450-47970	BUSH, DRY 17X15X21	1							
3	1	1A7640-47170	BOLT, STEPPED M12	1							
4	1	1A7640-47610	HINGE, TOP LINK	1							
5	1	1A7640-47660	SPACER, 17X25X45	1							
6	1	1A7640-47980	SUPPORT, HINGE	2							
7	1	22217-160000	WASHER, SPRING 16	2							
8	1	22217-160000	WASHER, SPRING 16	1							
9	1	22372-080000	PIN, SNAP 8	1							
10	1	23414-150019	GASKET, 15X1.0	1							
11	1	26013-120302	BOLT, M12X 30	8							
12	1	26116-160252	BOLT, M16X 25 PLATED	2							
13	1	26116-161102	BOLT, M16X110 PLATED	1							
14	1	26716-160002	NUT, M16	1							

Fig.98. HYDRAULIC CONTROL

(A)=EF685-AU-PQ
(B)=
(C)=

(D)=
(E)=
(F)=

No.	Lev.	Parts No.	Description	Q'ty						I	R
				(A)	(B)	(C)	(D)	(E)	(F)		
1	1	1A7640-47440	SPRING, RETURN	1							
2	1	198448-47510	ROD, FEEDBACK	1							
3	1	1A7640-47910	BRACKET ASSY, WIRE	1							
3-1	1	1A7680-47910 (A=FZZZZZ)	BRACKET ASSY, WIRE	1							R
4	1	22137-050000	WASHER, 5	2							
5	1	22417-160180	PIN, COTTER 1.6X18	2							
6	1	26106-080162	BOLT, M8X 16 PLATED	2							

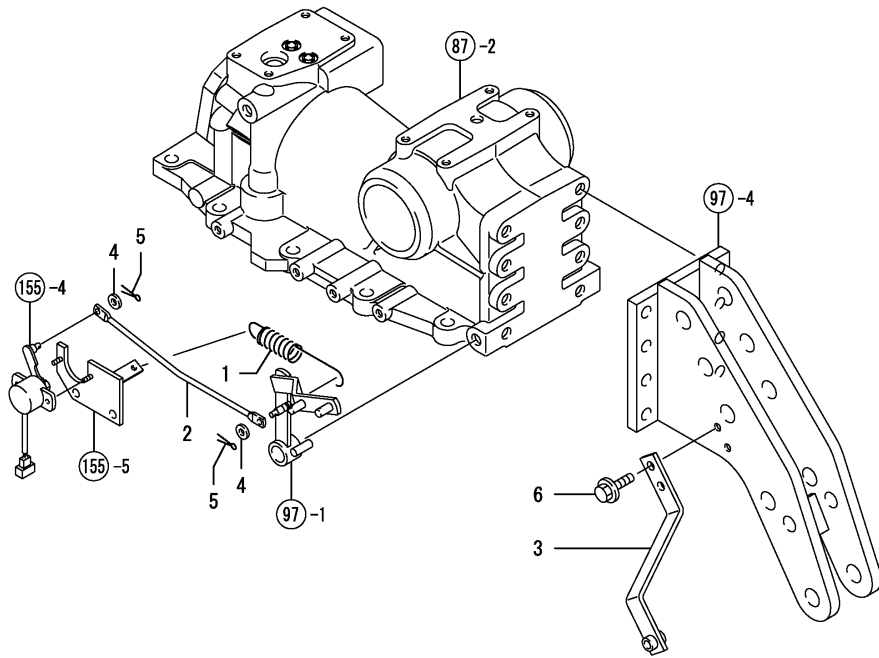


Fig.99. HYDRAULIC CONTROL LEVER

(A)=EF685-AU-PQ
(B)=
(C)=

(D)=
(E)=
(F)=

No.	Lev.	Parts No.	Description	Q'ty						I	R
				(A)	(B)	(C)	(D)	(E)	(F)		
1	1	194550-47110	STOPPER	1							
2	1	1A7640-47300	LEVER ASSY, POSITION	1							
3	2	1A7640-47310	LEVER, POSITION	1							
4	2	1A7640-47340	SUPPORT, LEVER	1							
5	2	194151-47760	WASHER, 12	3							
6	2	194310-47790	PLATE, FRICTION	1							
7	2	22417-250250	PIN, COTTER 2.5X25	1							
8	2	24550-012150	BUSH, 12X15	1							
9	2	26877-120002	NUT, CASTLE M12	1							
10	1	198071-47840	BOLT, WING M8X30	1							
11	1	194740-55430	WASHER, 8	1							
12	1	198290-78550	SENSOR, POSITION	1							
13	1	22417-200200	PIN, COTTER 2.0X20	1							
14	1	26023-040162	SCREW, M4X16	2							
15	1	26106-080162	BOLT, M8X 16 PLATED	2							

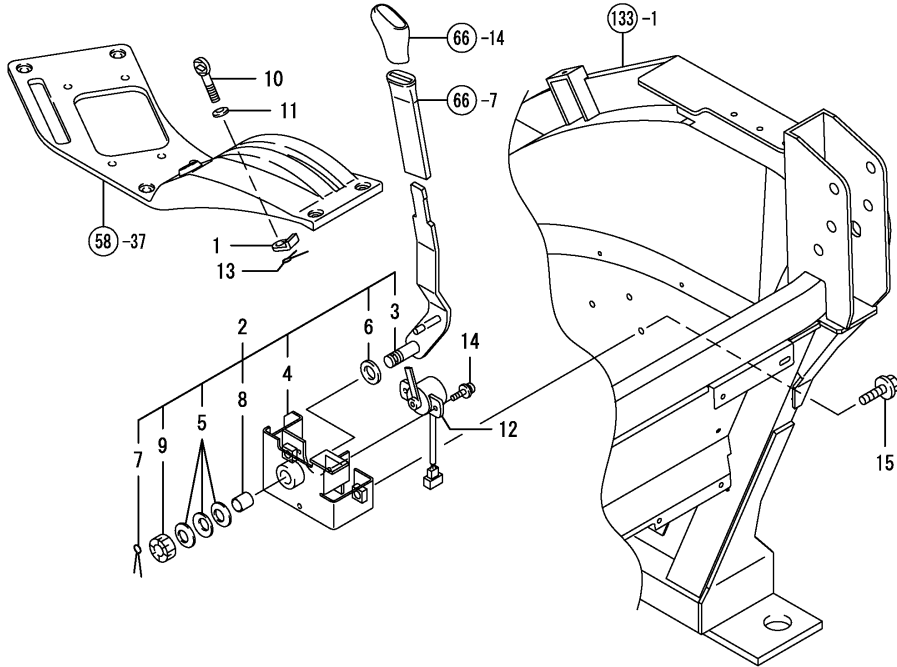
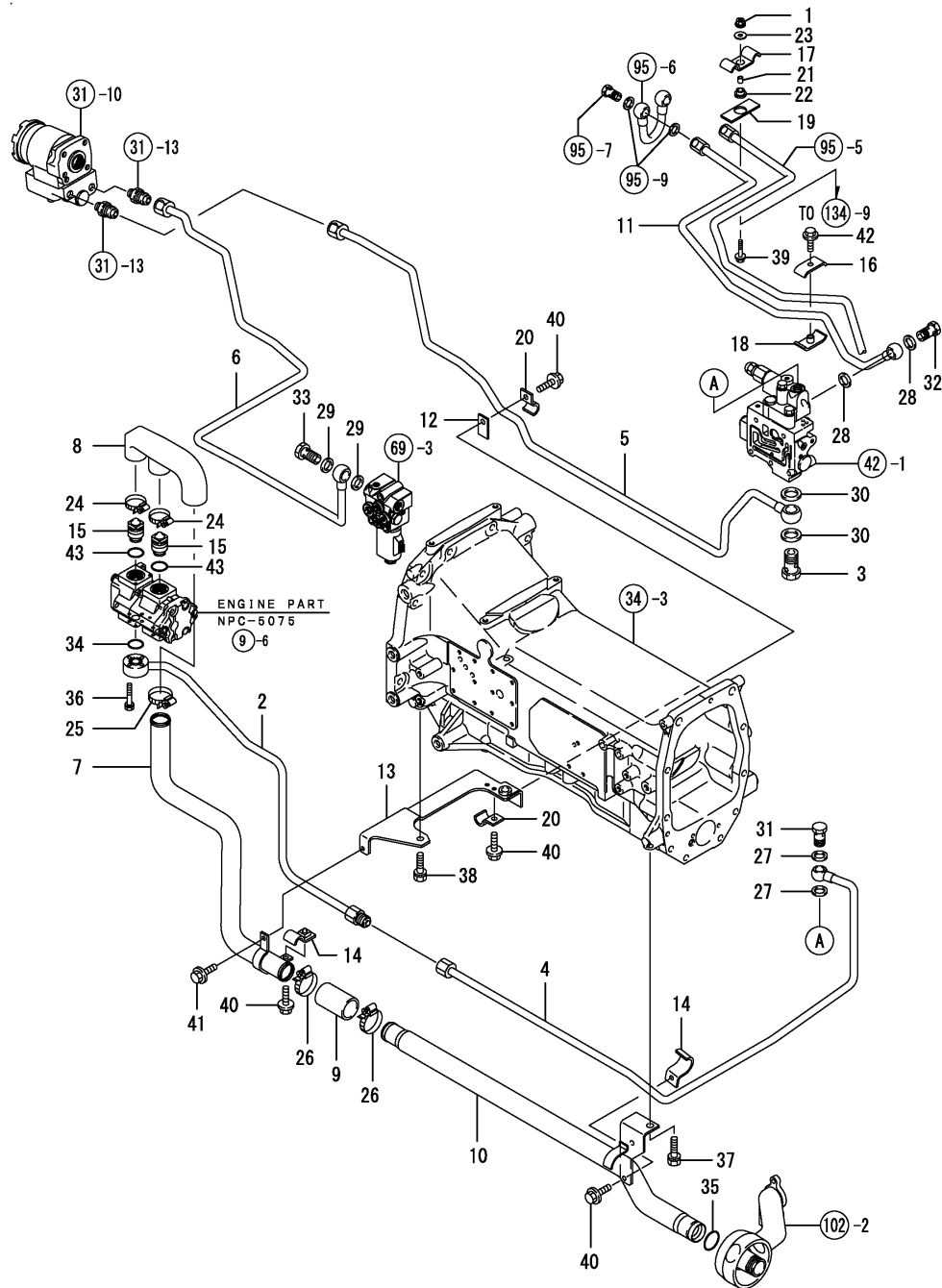


Fig.100. HYDRAULIC PIPING



(A)=EF685-AU-PQ

(B)=

(C)=

(D)=

(E)=

(F)=

No.	Lev.	Parts No.	Description	Q'ty						I	R
				(A)	(B)	(C)	(D)	(E)	(F)		
1	1	194990-22130	NUT, M6	1							
2	1	198448-48111	PIPE, PRESSURE F	1							
3	1	198448-48140	BOLT ASSY, JOINT	1							
4	1	1A7640-48170	PIPE, PRESSURE R	1							
4-1	1	1A7640-48171-1	LINE ASSY,PRESSURE	1							N
(A=FXXXXX)											
5	1	1A7670-48260	PIPE ASSY, PRESSURE	1							
6	1	1A7670-48280	PIPE, OIL	1							
7	1	1A7650-48300	PIPE, PRESSURE F	1							
8	1	198448-48340	HOSE, PRESSURE	1							
9	1	1A7640-48340	HOSE, PRESSURE	1							
10	1	1A7640-48350	PIPE, PRESSURE R-L	1							
10-1	1	1A7640-48351	LINE ASSY,LOW PRESS.	1							N
(A=FXXXXX)											
11	1	198535-48410	PIPE, PRESSURE	1							
12	1	1A7650-48420	STAY, CLAMP	1							
13	1	198448-48522	STAY ASSY, PIPE	1							
14	1	198448-48530	CLAMP, PIPE	2							
15	1	198448-48570	JOINT,LOW-PRESS.PIPE	2							
16	1	194470-48630	CLAMP	1							
17	1	1A7610-48630	CLAMP, PIPE	1							
18	1	194470-48640	CLAMP, PIPE	1							
19	1	1A7610-48650	RUBBER, CUSHION	1							
20	1	194450-48830	CLAMP	2							
21	1	198129-78710	SPACER, 6-10	1							
22	1	198129-78720	GROMMET, 10-16	1							
23	1	22157-060000	WASHER, 6	1							
24	1	23000-041000	CLAMP, 41	2							
25	1	23000-048000	CLAMP, 48	1							
26	1	23000-060000	CLAMP, 60	2							
27	1	23414-180023	GASKET, 18X1.0	2							
28	1	23414-180023	GASKET, 18X1.0	2							
29	1	23414-200026	GASKET, 20X1.0	2							
30	1	23414-220029	GASKET, 22X1.0	2							
31	1	23857-120000	BOLT, JOINT 12	1							
32	1	23857-120000	BOLT, JOINT 12	1							
33	1	23857-150000	BOLT, JOINT 15	1							
34	1	24311-000220	O-RING, 1AP22.0	1							
35	1	24311-000340	O-RING, 1AP34.0	1							
36	1	26013-060352	BOLT, M6X 35	4							
37	1	26013-120202	BOLT, M12X 20	1							
38	1	26013-120252	BOLT, M12X 25	2							
39	1	26106-060302	BOLT, M6X 30 PLATED	1							
40	1	26106-080162	BOLT, M8X 16 PLATED	4							
41	1	26106-080162	BOLT, M8X 16 PLATED	1							
42	1	26106-080202	BOLT, M8X 20 PLATED	1							
43	1	41856-020230	PACKING, 2023	2							

N:Old $\begin{matrix} \leftarrow \text{Yes} \\ \text{No} \end{matrix}$ New, Q:Old $\begin{matrix} \leftarrow \text{No} \\ \text{Yes} \end{matrix}$ New, R:Old $\begin{matrix} \leftarrow \text{Yes} \\ \text{Yes} \end{matrix}$ New, S:Old $\begin{matrix} \leftarrow \text{No} \\ \text{No} \end{matrix}$ New, W:Add, Z:Discontinued, F:Interchangeable by set, K:Q'ty Change

Fig.102. HYDRAULIC FILTER

(A)=EF685-AU-PQ
(B)=
(C)=

(D)=
(E)=
(F)=

No.	Lev.	Parts No.	Description	Q'ty						I	R
				(A)	(B)	(C)	(D)	(E)	(F)		
1	1	1A7640-48310	FILTER, HYDRAULIC	1							
2	1	1A7640-48330	COVER, FILTER	1							
3	1	198448-48980	COVER, FILTER	1							
4	1	24321-000350	O-RING, 1AG35.0	1							
5	1	26106-080122	BOLT, M8X 12 PLATED	2							
6	1	26106-080202	BOLT, M8X 20 PLATED	1							
7	1	26106-080602	BOLT, M8X 60 PLATED	1							

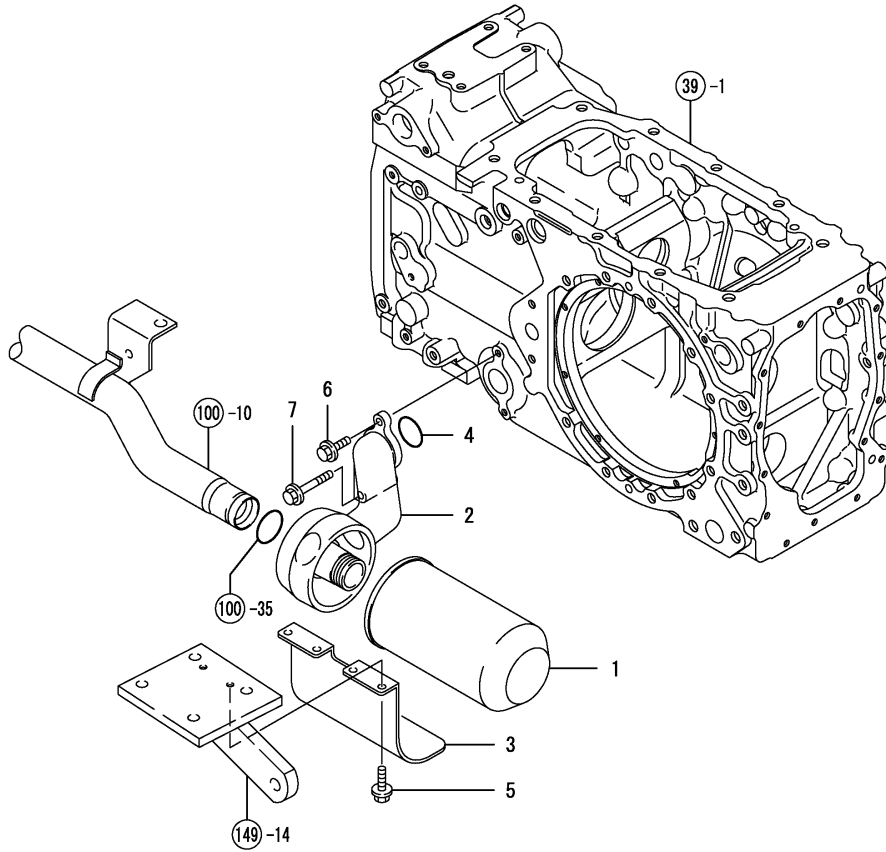


Fig.103. OIL COOLER

(A)=EF685-AU-PQ

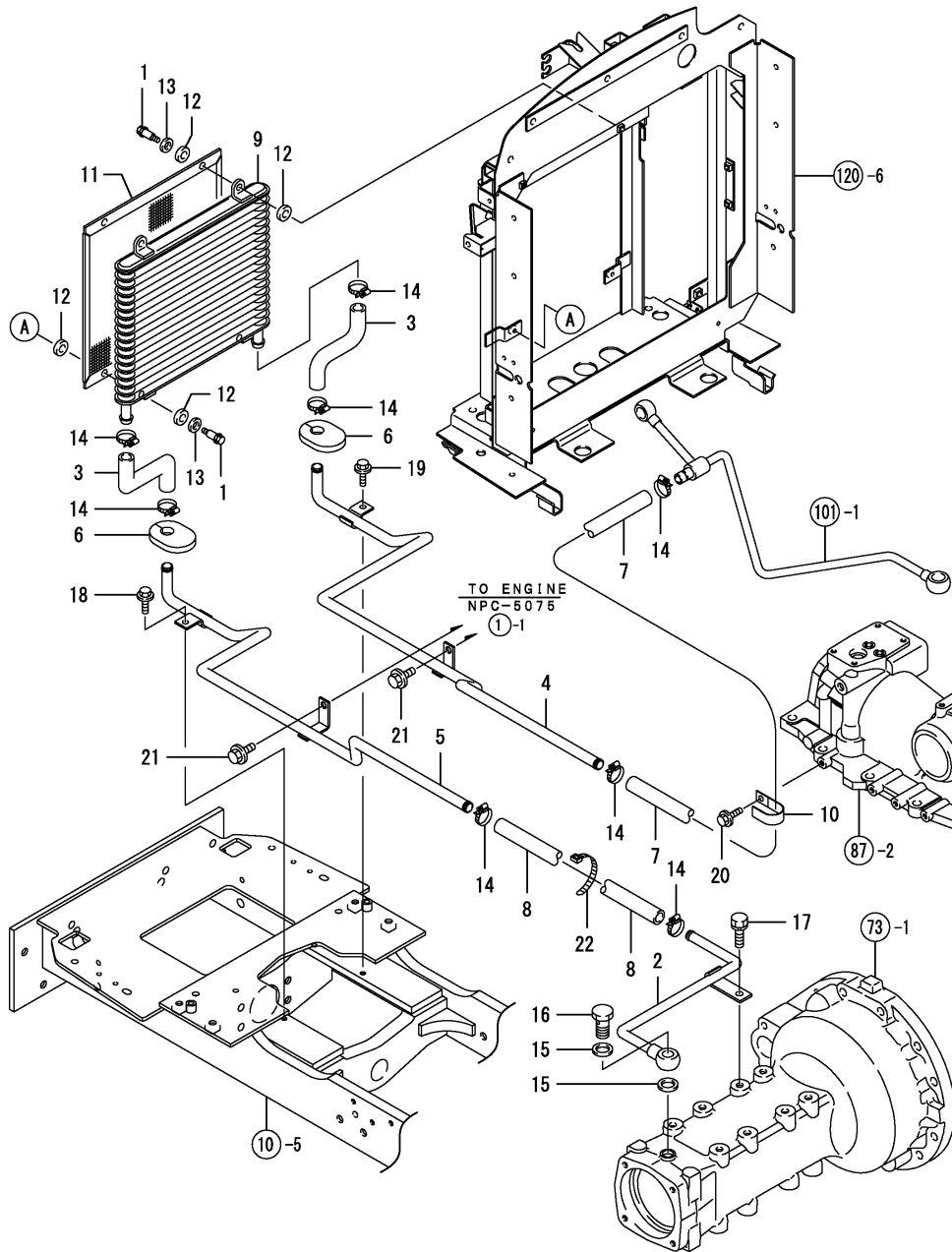
(B)=

(C)=

(D)=

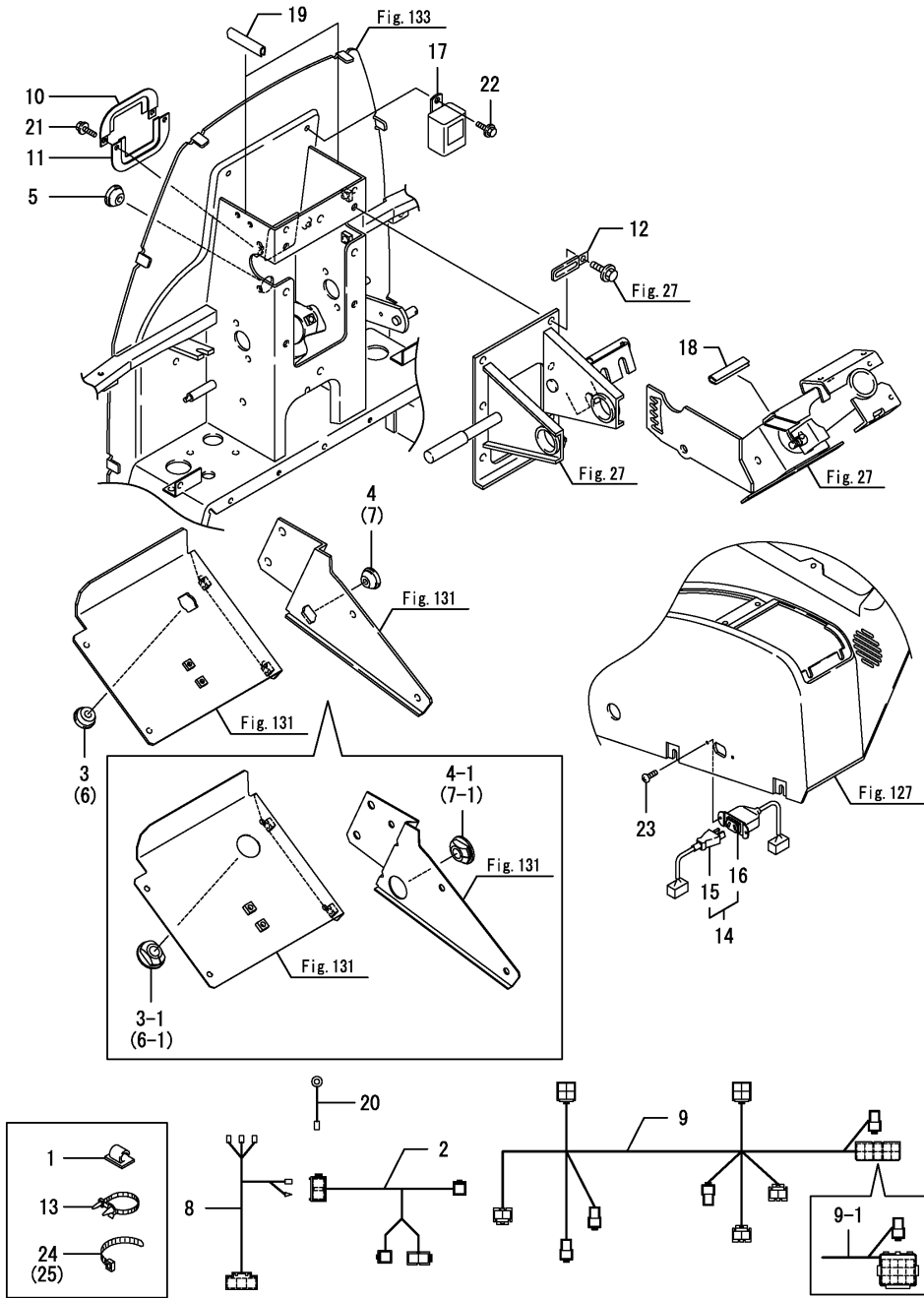
(E)=

(F)=



No.	Lev.	Parts No.	Description	Qty						I	R
				(A)	(B)	(C)	(D)	(E)	(F)		
1	1	198133-02120	BOLT, STEPPED M6	4							
2	1	198448-34211	PIPE ASSY, PRESSURE	1							
3	1	198448-48820	BOSS, COOLER	2							
4	1	1A7610-48830	PIPE, COOLER IN-F	1							
5	1	1A7610-48870	PIPE, COOLER OUT F	1							
6	1	198448-48941	SEAL, COOLER PIPE	2							
7	1	1A7640-48950	HOSE, RUBBER 1500	1							
8	1	1A7640-48960	HOSE, RUBBER 1160	1							
9	1	198138-49100	COOLER ASSY, OIL	1							
10	1	198448-51460	CLAMP, HARNESS	1							
11	1	198454-60830	SCREEN, OIL COOLER	1							
12	1	194420-62260	RUBBER, CUSHION	8							
13	1	22137-100000	WASHER, 10	4							
14	1	23000-022000	CLAMP, 22	8							
15	1	23414-200026	GASKET, 20X1.0	2							
16	1	23857-150000	BOLT, JOINT 15	1							
17	1	26013-120202	BOLT, M12X 20	1							
18	1	26106-080162	BOLT, M8X 16 PLATED	1							
19	1	26106-080162	BOLT, M8X 16 PLATED	1							
20	1	26106-080162	BOLT, M8X 16 PLATED	1							
21	1	26106-100202	BOLT, M10X 20 PLATED	2							
22	1	29622-140001	BAND, RF140	1							

Fig.104. WIRE HARNESS



(A)=EF685-AU-PQ
(B)=
(C)=

(D)=
(E)=
(F)=

No.	Lev.	Parts No.	Description	Q'ty						I	R
				(A)	(B)	(C)	(D)	(E)	(F)		
1	1	172010-07810	STICKER, WIRE	4							
2	1	1A7450-51200	HARNESS, WIRE	1							
3	1	194170-51210	GROMMET 25	1							
3-1	1	194555-51210	GROMMET, 35	1							S
(A=FZZZZZ)											
4	1	194170-51210	GROMMET 25	1							
4-1	1	194555-51210	GROMMET, 35	1							S
(A=FZZZZZ)											
5	1	194275-51210	GROMMET 25	1							
6	1	198245-51210	GROMMET, 25/18	1							
6-1	1	1A7641-51410	GROMMET, 35	1							S
(A=FZZZZZ)											
7	1	198245-51210	GROMMET, 25/18	1							
7-1	1	1A7641-51410	GROMMET, 35	1							S
(A=FZZZZZ)											
8	1	1A7470-51222	CABLE, FLASHER	2							
9	1	1A7640-51240	HARNESS, WIRE	1							
9-1	1	1A7640-51230	HARNESS, WIRE	1							S
(A=FZZZZZ)											
10	1	1A7000-51430	RETAINER, GROMMET FA	1							
11	1	1A7000-51440	RETAINER, GROMMET FB	1							
12	1	194180-51640	CLAMP, HARNESS	2							
13	1	194680-51670	BAND, CLIP	5							
14	1	198153-52150	CONSENT ASSY	1							
15	2	198153-51020	PLUG ASSY	1							
16	2	198153-51040	CONSENT ASSY	1							
17	1	1A7890-57200	LAMP ASSY, FLASHER	1							
18	1	198291-77870	COVER, GUARD	1							
19	1	198291-77870	COVER, GUARD	2							
20	1	198093-86180	WIRE, WASHER LEAD	1							
21	1	26106-060122	BOLT, M6X 12 PLATED	2							
22	1	26106-060162	BOLT, M6X 16 PLATED	1							
23	1	26557-030162	SCREW, M3X16	2							
24	1	29622-140001	BAND, RF140	1							
25	1	29622-250001	BAND, RF250	2							

Fig.105. WIRE HARNESS

(A)=EF685-AU-PQ

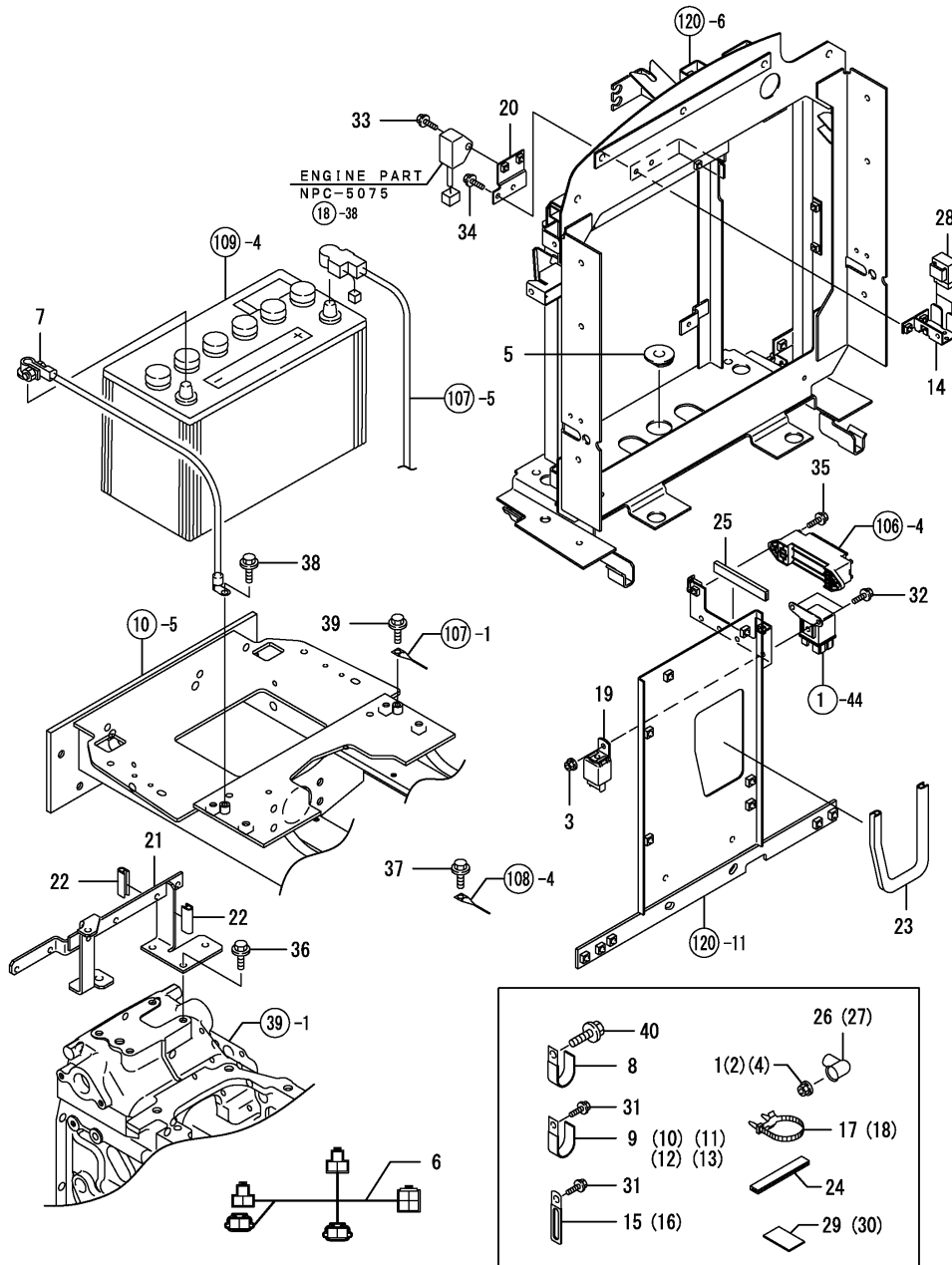
(B)=

(C)=

(D)=

(E)=

(F)=

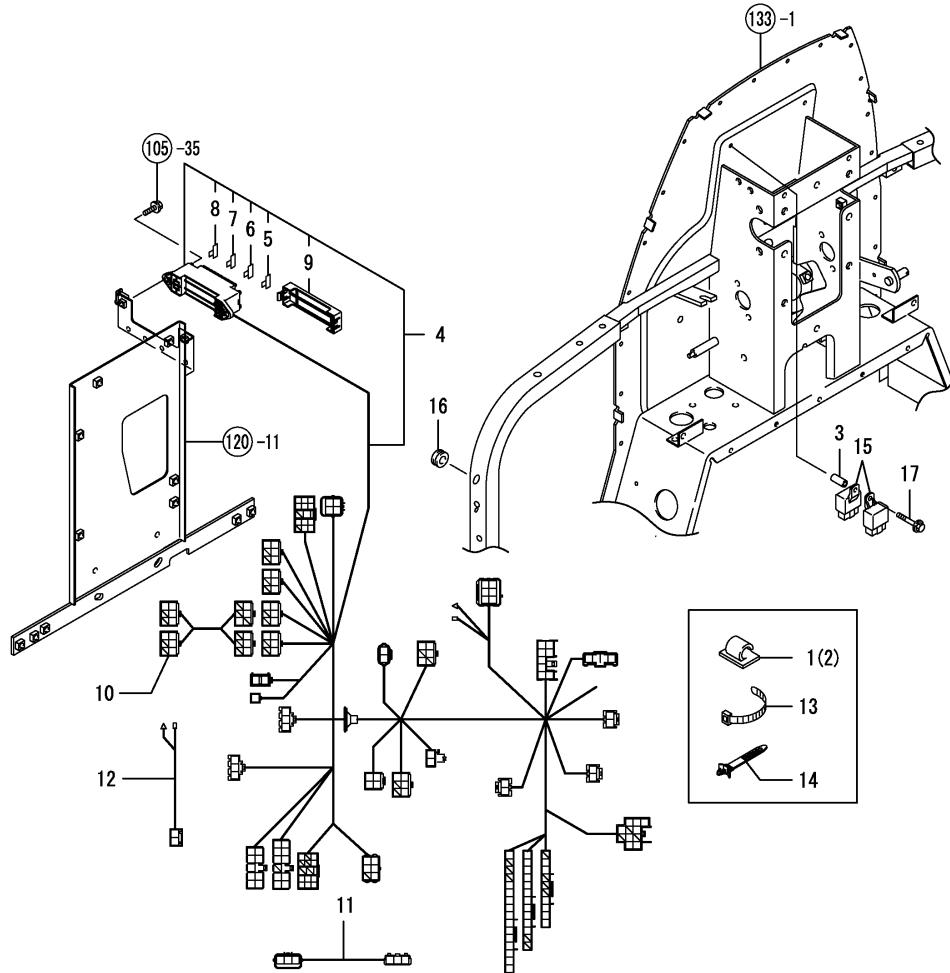


No.	Lev.	Parts No.	Description	Qty						I	R
				(A)	(B)	(C)	(D)	(E)	(F)		
1	1	194990-22130	NUT, M6	1							
2	1	194990-22130	NUT, M6	1							
3	1	194990-22130	NUT, M6	2							
4	1	194990-22140	NUT, M8	1							
5	1	198448-48990	GROMMET, HOSE	1							
6	1	1A7640-51270	HARNESS, WIRE	1							
7	1	1A7640-51420	CABLE, BATTERY EARTH	1							
8	1	198448-51450	CLAMP, HARNESS	1							
9	1	198448-51460	CLAMP, HARNESS	1							
10	1	198448-51460	CLAMP, HARNESS	1							
11	1	198448-51460	CLAMP, HARNESS	2							
12	1	198448-51460	CLAMP, HARNESS	1							
13	1	198448-51460	CLAMP, HARNESS	1							
14	1	1A7690-51550	STAY ASSY, RELAY	1							
15	1	194440-51620	CLAMP	1							
16	1	194440-51630	CLAMP, HARNESS	1							
17	1	194680-51670	BAND, CLIP	2							
18	1	194680-51670	BAND, CLIP	3							
19	1	198220-52180	RELAY, STARTER	1							
20	1	198448-52310	BRACKET, RELAY	1							
21	1	198535-57110	BRACKET, RELAY	1							
22	1	198448-60080	TRIM, 40	2							
23	1	1A7000-61480	TRIM, 360	1							
24	1	198230-61560	GUIDE, HOSE	2							
25	1	198230-61560	GUIDE, HOSE	1							
26	1	124756-77040	COVER, TERMINAL	1							
27	1	124756-77040	COVER, TERMINAL	1							
28	1	1E6910-82500	RELAY, CA-1A	2							
29	1	198093-84810	SEAL, FENDER	1							
30	1	198093-84810	SEAL, FENDER	1							
31	1	26106-060122	BOLT, M6X 12 PLATED	2							
32	1	26106-060162	BOLT, M6X 16 PLATED	2							
33	1	26106-060162	BOLT, M6X 16 PLATED	1							
34	1	26106-060162	BOLT, M6X 16 PLATED	2							
35	1	26106-060162	BOLT, M6X 16 PLATED	2							
36	1	26106-080162	BOLT, M8X 16 PLATED	3							
37	1	26106-080122	BOLT, M8X 12 PLATED	1							
38	1	26106-080162	BOLT, M8X 16 PLATED	1							
39	1	26106-080162	BOLT, M8X 16 PLATED	1							
40	1	26106-100162	BOLT, M10X 16 PLATED	1							

Fig.106. WIRE HARNESS

(A)=EF685-AU-PQ
(B)=
(C)=

(D)=
(E)=
(F)=

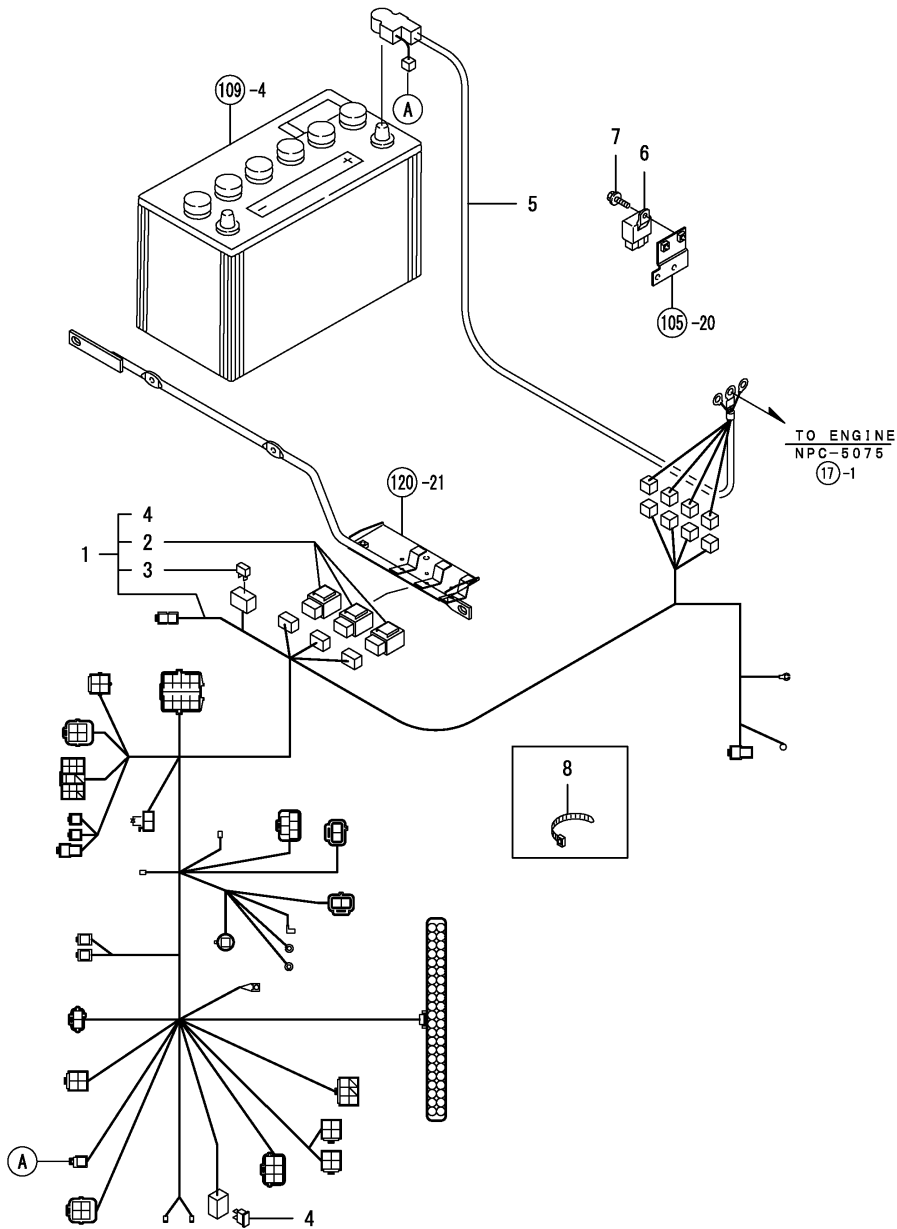


No.	Lev.	Parts No.	Description	Q'ty						I	R
				(A)	(B)	(C)	(D)	(E)	(F)		
1	1	172010-07810	STICKER, WIRE	1							
2	1	172010-07810	STICKER, WIRE	4							
3	1	1E3080-46590	COLLAR, 6.510.524	1							
4	1	1A7640-51165	HARNESS ASSY, WIRE F	1							
5	2	198535-52110	FUSE, 5A	7							
6	2	198535-52120	FUSE, 10A	4							
7	2	198535-52130	FUSE, 15A	4							
8	2	198535-52140	FUSE, 20A	3							
9	2	198535-52410	COVER, FUSE BOX	1							
10	1	1A7640-51190	HARNESS, WIRE	1							
11	1	1A7640-51300	WIRE, SWITCH LEAD	1							
12	1	1A7450-51310	CABLE, TURN SIGNAL	2							
13	1	198220-51870	BAND, NYLON 200	1							
14	1	198448-51910	CLIP, BAND	4							
15	1	198461-52950	RELAY, CA TYPE C	2							
16	1	197830-85490	GROMMET	4							
17	1	26106-060402	BOLT, M6X 40 PLATED	1							

Fig.107. WIRE HARNESS

(A)=EF685-AU-PQ
(B)=
(C)=

(D)=
(E)=
(F)=

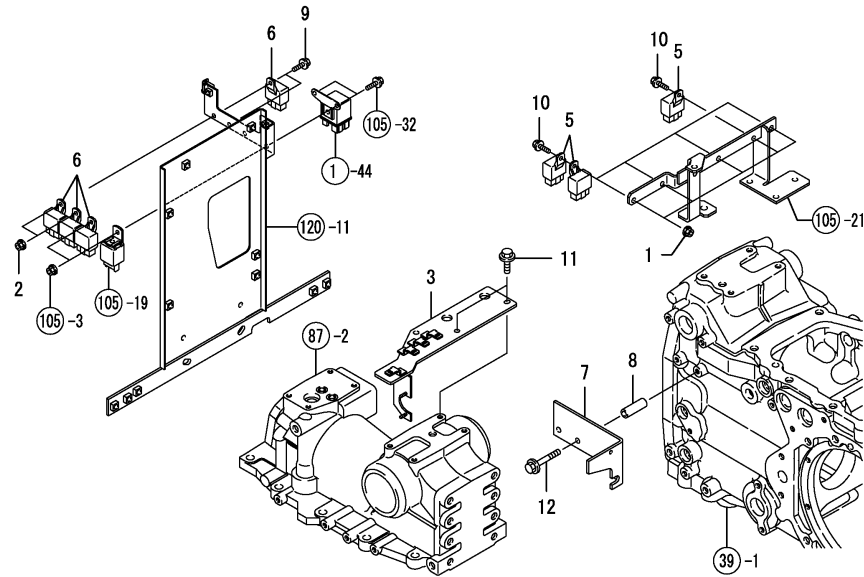


No.	Lev.	Parts No.	Description	Q'ty						I	R
				(A)	(B)	(C)	(D)	(E)	(F)		
1	1	1A7640-51114	HARNESS ASSY, WIRE A	1							
2	2	198153-51700	FUSE, SLOW BLOW 80A	3							
3	2	1A7000-52820	FUSE, SLOW BLOW 60A	1							
4	2	29420-150000	FUSE, B 15A	1							
5	1	1A7650-51350	CABLE ASSY, BATTERY	1							
6	1	198461-52950	RELAY, CA TYPE C	1							
7	1	26106-060162	BOLT, M6X 16 PLATED	1							
8	1	29622-140001	BAND, RF140	1							

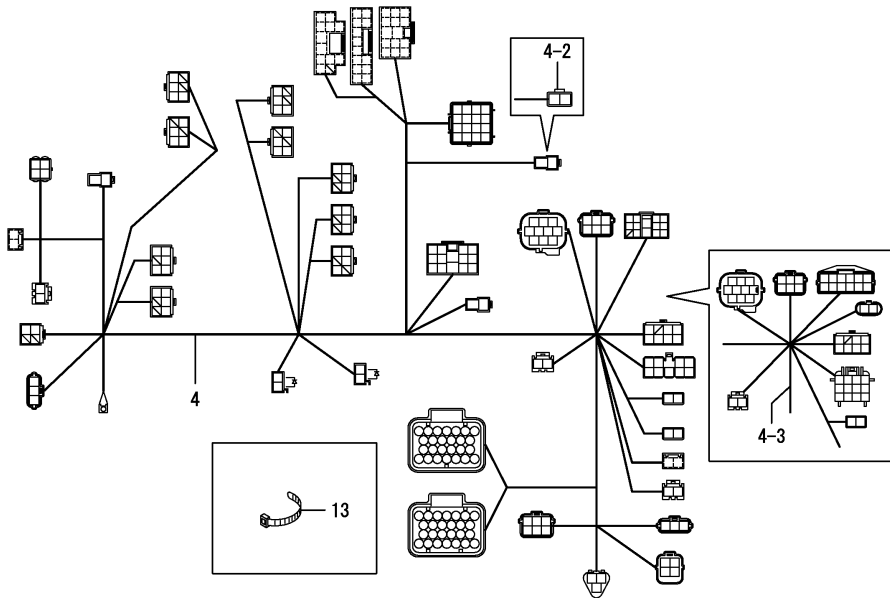
Fig.108. WIRE HARNESS

(A)=EF685-AU-PQ
(B)=
(C)=

(D)=
(E)=
(F)=



No.	Lev.	Parts No.	Description	Q'ty						I	R
				(A)	(B)	(C)	(D)	(E)	(F)		
1	1	194990-22130	NUT, M6	5							
2	1	194990-22130	NUT, M6	2							
3	1	1A7640-47950	BRACKET, SENSOR	1							
4	1	1A7640-51132	HARNESS ASSY, WIRE B	1							
4-1	1	1A7640-51133 (A=*2008.06.)	HARNESS ASSY, WIRE B	1							R 1
4-2	1	1A7640-51134 (A=*2008.08.)	HARNESS ASSY, WIRE B	1							S
4-3	1	1A7640-51135 (A=FZZZZZ)	HARNESS ASSY, WIRE B	1							S
5	1	198461-52950	RELAY, CA TYPE C	9							
6	1	198461-52950	RELAY, CA TYPE C	4							
7	1	1A7640-58150	BRACKET, SWITCH	1							
8	1	1A7640-78880	SPACER, 8.4X15X44	2							
9	1	26106-060162	BOLT, M6X 16 PLATED	2							
10	1	26106-060162	BOLT, M6X 16 PLATED	5							
11	1	26106-080162	BOLT, M8X 16 PLATED	2							
12	1	26106-080552	BOLT, M8X 55 PLATED	2							
13	1	29622-250001	BAND, RF250	1							

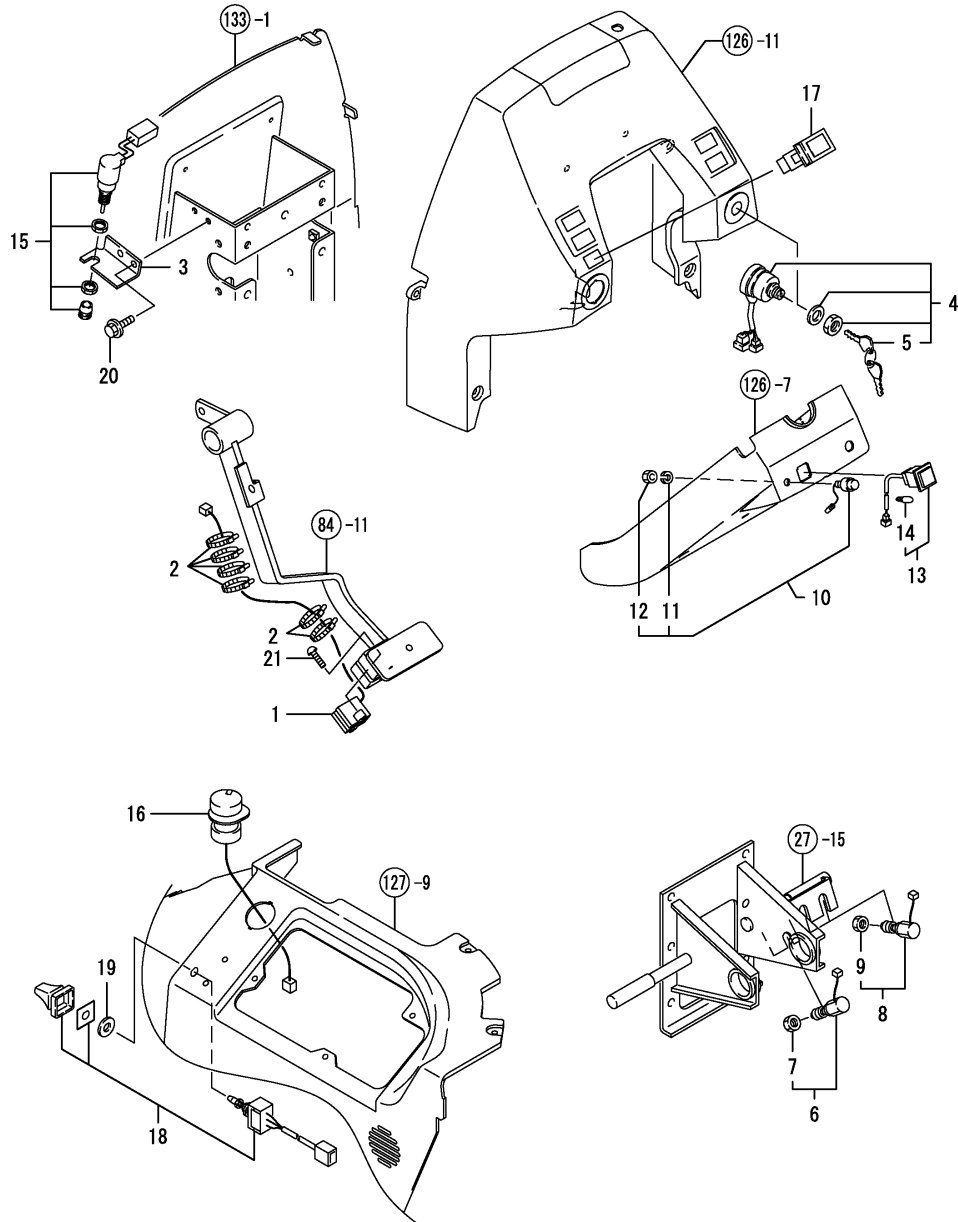


Remarks
(1) THERE IS AN ASSISTANT ARTICLE
AND REFERS TO FIG.159

Fig.110. SWITCH

(A)=EF685-AU-PQ
(B)=
(C)=

(D)=
(E)=
(F)=



No.	Lev.	Parts No.	Description	Q'ty						I	R
				(A)	(B)	(C)	(D)	(E)	(F)		
1	1	1C6900-07200	SWITCH, COUPLING	1							
2	1	198153-51810	BAND, NYLON 150	6							
3	1	198448-52111	STAY, SWITCH	1							
4	1	1A7450-52110	SWITCH ASSY, STARTER	1							
5	2	1A7450-52130	KEY ASSY	1							
6	1	198223-52150	SWITCH, STOP LAMP	1							
7	2	26776-120002	NUT, LOCK M12	1							
8	1	198223-52150	SWITCH, STOP LAMP	2							
9	2	26776-120002	NUT, LOCK M12	2							
10	1	194150-52160	SWITCH, HORN	1							
11	2	22217-080000	WASHER, SPRING 8	1							
12	2	26736-080002	NUT, M8	1							
13	1	1A7450-52210	SWITCH ASSY	1							
14	2	1A7450-52230	BULB, WITH SOCKET	1							
15	1	1A7480-52250	SWITCH, CLUTCH	1							
16	1	1A7340-52290	SWITCH, PTO ON-OFF	1							
17	1	1A7450-52450	SWITCH, HAZARD	1							
18	1	198121-55510	SWITCH ASSY	1							
19	1	22117-120000	WASHER, 12	1							
20	1	26106-080162	BOLT, M8X 16 PLATED	2							
21	1	26557-050162	SCREW, M5X16	2							

Fig.111. SWITCH

(A)=EF685-AU-PQ
(B)=
(C)=

(D)=
(E)=
(F)=

No.	Lev.	Parts No.	Description	Q'ty						I	R
				(A)	(B)	(C)	(D)	(E)	(F)		
1	1	198141-19100	COVER, SWITCH	1							
2	1	198133-52170	TUBE, CORRUGATED 13	1							
3	1	1A7260-52190	SWITCH, HIGH GRIP	1							
4	1	24311-000180	O-RING, 1AP18.0	1							
5	1	26106-080162	BOLT, M8X 16 PLATED	2							

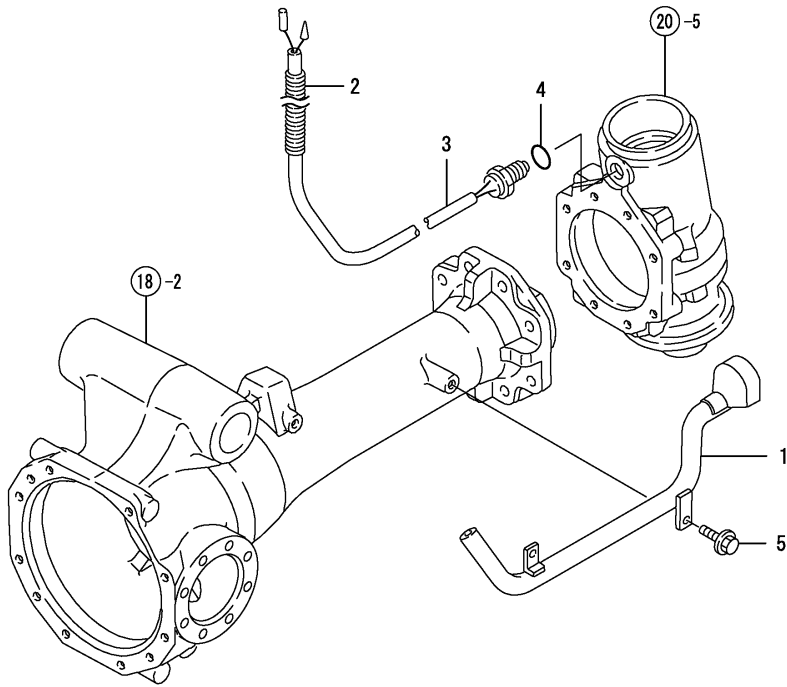


Fig.112. SWITCH

(A)=EF685-AU-PQ
(B)=
(C)=

(D)=
(E)=
(F)=

No.	Lev.	Parts No.	Description	Q'ty						I	R
				(A)	(B)	(C)	(D)	(E)	(F)		
1	1	194150-52170	CAP. SWITCH	1							
2	1	198448-52220	SWITCH ASSY, LIGHT	1							
3	1	26023-040102	SCREW, M4X10	2							

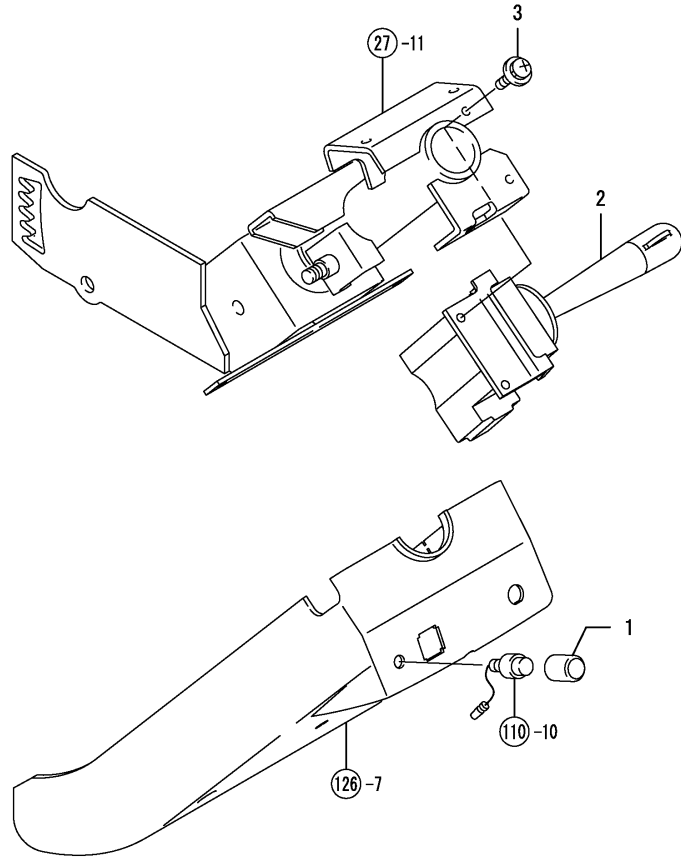


Fig.113. SWITCH

(A)=EF685-AU-PQ
(B)=
(C)=

(D)=
(E)=
(F)=

No.	Lev.	Parts No.	Description	Q'ty						I	R
				(A)	(B)	(C)	(D)	(E)	(F)		
1	1	1A7600-52222	SWITCH, RANGE SHIFT	1							
1-1	1	1A7600-52223	SWITCH, RANGE SHIFT	1							N
(A=*2009.01.)											

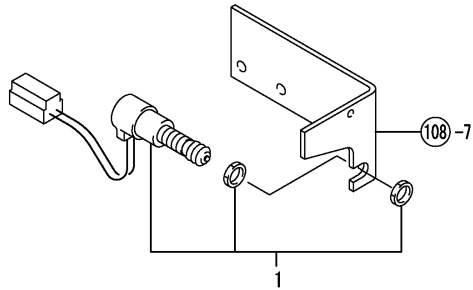


Fig.114. SWITCH

(A)=EF685-AU-PQ
(B)=
(C)=

(D)=
(E)=
(F)=

No.	Lev.	Parts No.	Description	Q'ty						I	R
				(A)	(B)	(C)	(D)	(E)	(F)		
1	1	198072-52180	SWITCH, NR	1							
2	1	26106-060162	BOLT, M6X 16 PLATED	2							

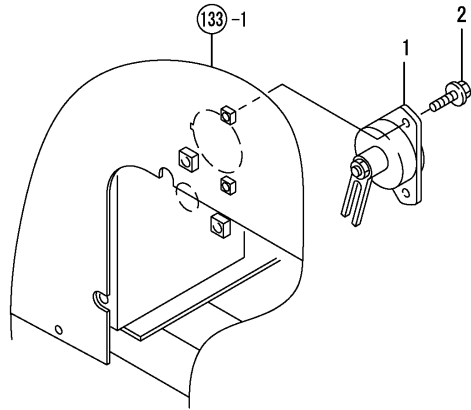


Fig.115. LAMP

(A)=EF685-AU-PQ

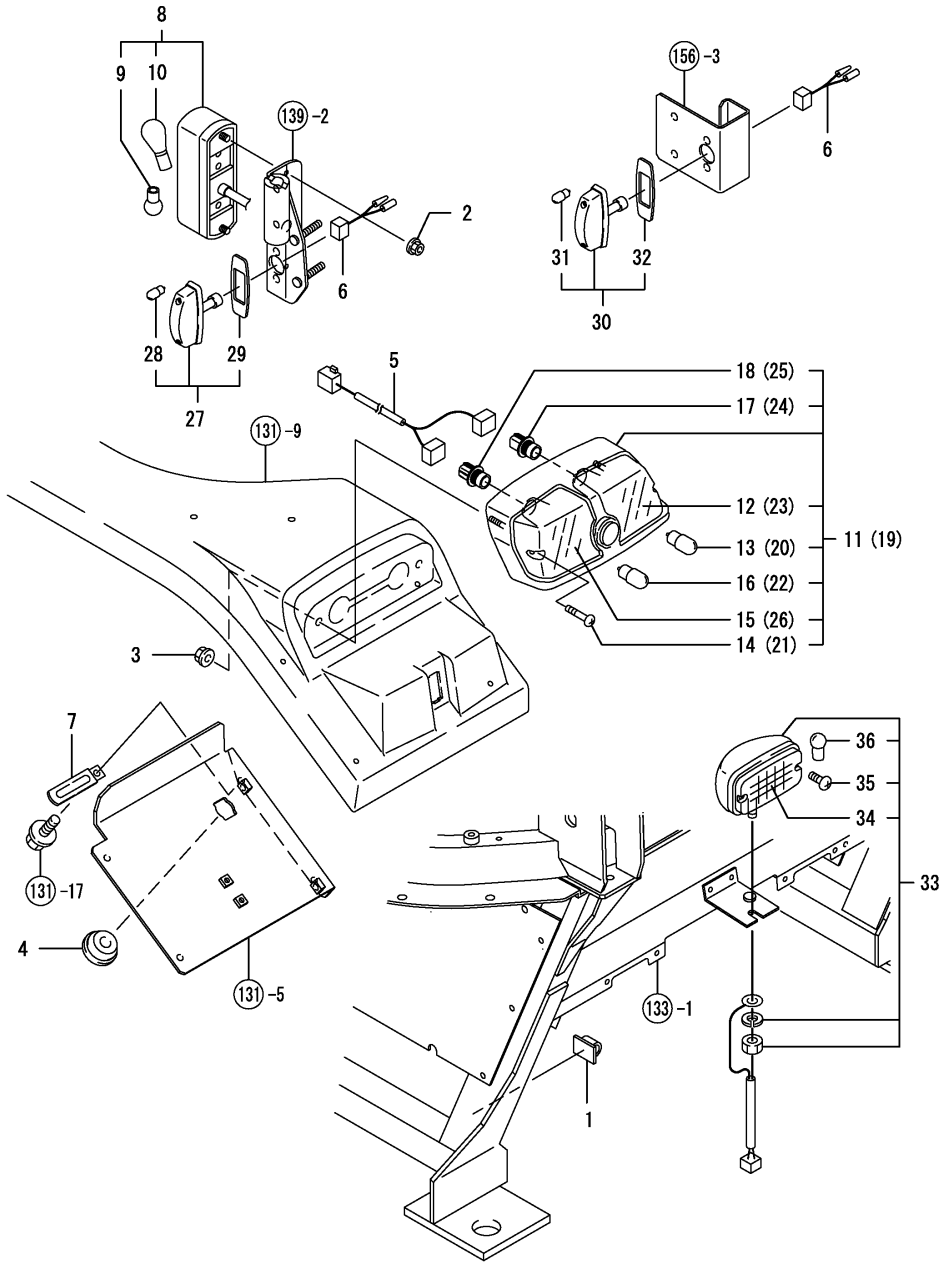
(B)=

(C)=

(D)=

(E)=

(F)=



No.	Lev.	Parts No.	Description	Q'ty						I	R
				(A)	(B)	(C)	(D)	(E)	(F)		
1	1	172010-07810	STICKER, WIRE	2							
2	1	194990-22120	NUT, M5	4							
3	1	194990-22130	NUT, M6	4							
4	1	198245-51210	GROMMET, 25/18	2							
5	1	1A7950-51220	CABLE, FLASHER	2							
6	1	1A7890-51230	CABLE, SIDE FLASHER	4							
7	1	194440-51630	CLAMP, HARNESS	2							
8	1	1A7890-53400	LAMP ASSY	2							
9	2	198360-53630	BULB 12V-10W	2							
10	2	1E9170-81270	VALVE, 12V 21W	2							
11	1	1A7890-53600	LAMP ASSY, L	1							
12	2	198071-53610	LENS, L	1							
13	2	1A7890-53630	BULB, 12V21W	1							
14	2	198071-53660	SCREW, TAPPING M5X25	2							
15	2	198071-53670	LENS, RED L	1							
16	2	1A7890-53680	BULB, 12V21/5W	1							
17	2	1A7890-53710	SOCKET	1							
18	2	1A7890-53720	SOCKET	1							
19	1	1A7890-53700	LAMP ASSY, R	1							
20	2	1A7890-53630	BULB, 12V21W	1							
21	2	198071-53660	SCREW, TAPPING M5X25	2							
22	2	1A7890-53680	BULB, 12V21/5W	1							
23	2	198071-53710	LENS, R	1							
24	2	1A7890-53710	SOCKET	1							
25	2	1A7890-53720	SOCKET	1							
26	2	198071-53770	LENS, RED R	1							
27	1	1A7890-53810	LAMP, TURN SIGNAL	2							
28	2	1A7890-53820	BULB, 12V/3W	2							
29	2	1A7890-53840	PACKING	2							
30	1	1A7890-53810	LAMP, TURN SIGNAL	2							
31	2	1A7890-53820	BULB, 12V/3W	2							
32	2	1A7890-53840	PACKING	2							
33	1	198535-54500	LAMP ASSY, BACK	1							
34	2	1A7020-54510	LENS	1							
35	2	1A7020-54540	SCREW	2							
36	2	1A7020-54560	BULB, 12V15W	1							

Fig.116. FRONT LAMP

(A)=EF685-AU-PQ

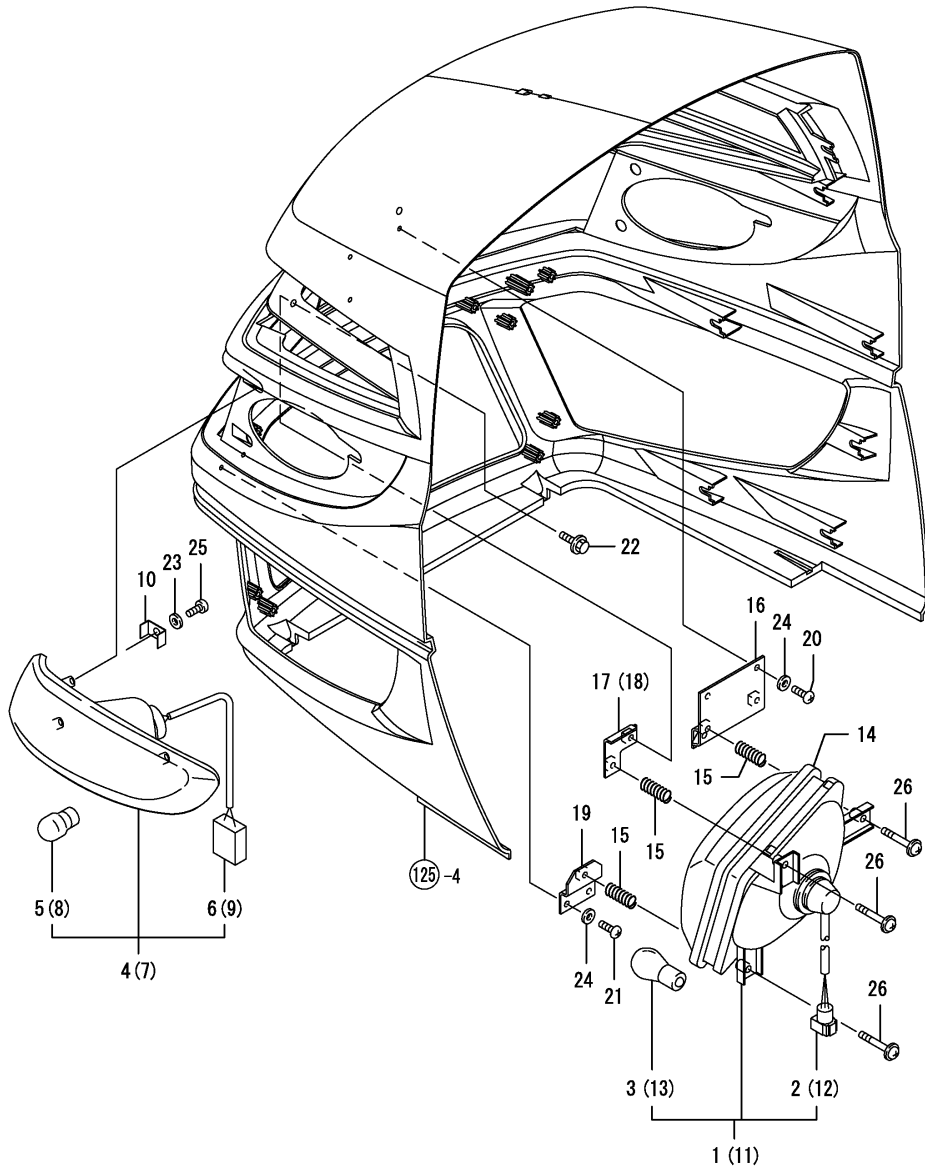
(B)=

(C)=

(D)=

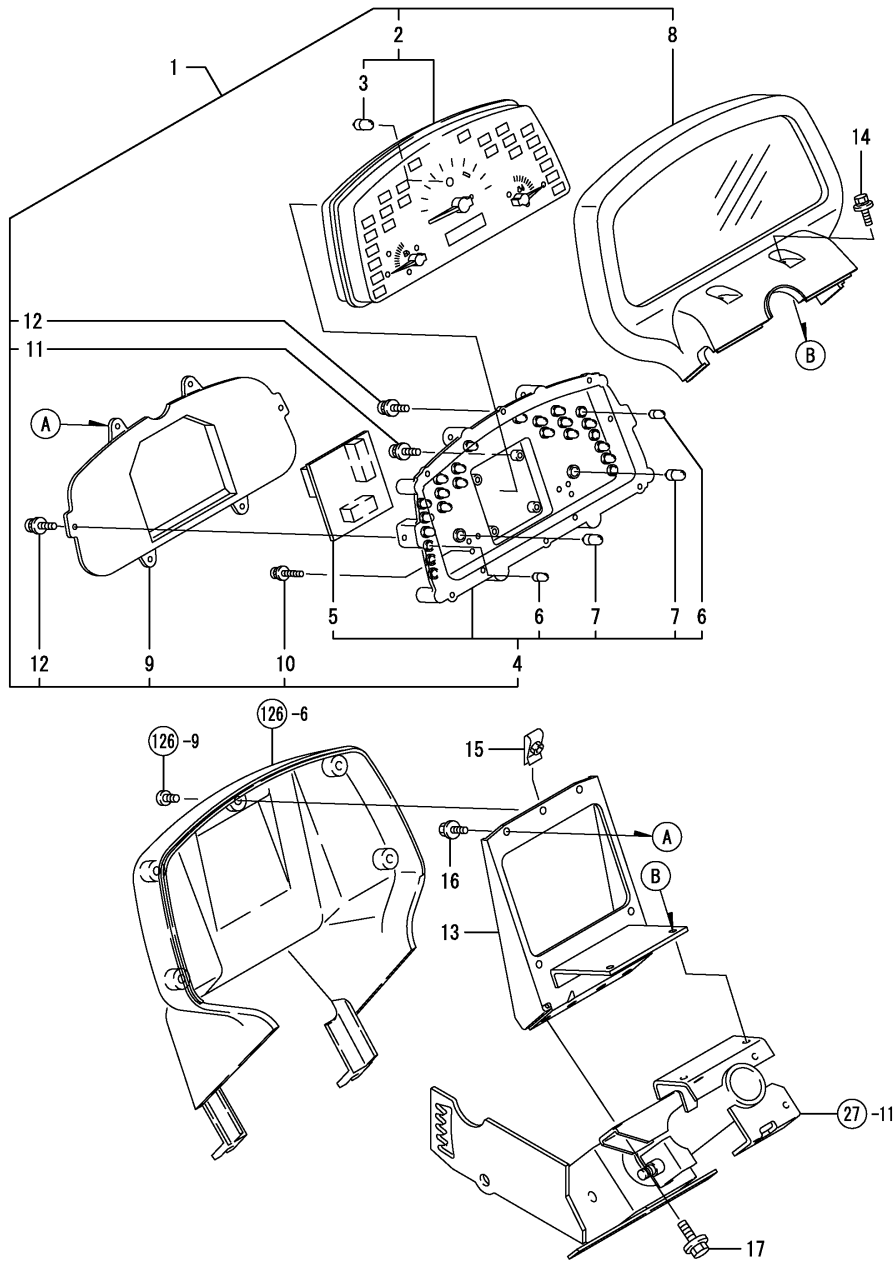
(E)=

(F)=



No.	Lev.	Parts No.	Description	Qty						I	R
				(A)	(B)	(C)	(D)	(E)	(F)		
1	1	1A7450-53200	LAMP ASSY, HEAD L	1							
2	2	1A7450-53230	WIRE ASSY, LEAD	1							
3	2	198448-53320	BULB, 12V45/45W	1							
4	1	1A7450-53252	LAMP ASSY, SIDE L	1							
5	2	1A7450-53370	BULB, 12V21W	1							
6	2	1A7450-53380	WIRE ASSY, LEAD	1							
7	1	1A7450-53262	LAMP ASSY, SIDE R	1							
8	2	1A7450-53370	BULB, 12V21W	1							
9	2	1A7450-53380	WIRE ASSY, LEAD	1							
10	1	1A7450-53290	BRACKET, SIDE LAMP	6							
11	1	1A7450-53300	LAMP ASSY, HEAD R	1							
12	2	1A7450-53230	WIRE ASSY, LEAD	1							
13	2	198448-53320	BULB, 12V45/45W	1							
14	1	1A7260-53350	SEAL, HEAD LAMP	2							
15	1	198153-53410	SPRING, ADJUST	6							
16	1	1A7640-53410	STAY ASSY, LAMP	1							
17	1	1A7640-53420	STAY, HEAD LIGHT L	1							
18	1	1A7640-53430	STAY, HEAD LIGHT R	1							
19	1	1A7640-53440	STAY, HEAD LIGHT	2							
20	1	198071-78420	SCREW, TAPPING M5X10	3							
20-1	1	22857-500101	SCREW 5X10,TAPPING	3							N
(A=FXXXXX)											
21	1	198071-78420	SCREW, TAPPING M5X10	4							
21-1	1	22857-500101	SCREW 5X10,TAPPING	4							N
(A=FXXXXX)											
22	1	198196-83170	BOLT, M6X16	2							
22-1	1	26106-060162	BOLT, M6X 16 PLATED	2							N
(A=FXXXXX)											
23	1	22137-060000	WASHER, 6	6							
24	1	22137-060000	WASHER, 6	7							
25	1	22857-600101	SCREW, 6X10	6							
26	1	26557-060402	SCREW, M6X40	6							

Fig.117. METER



(A)=EF685-AU-PQ
(B)=
(C)=

(D)=
(E)=
(F)=

No.	Lev.	Parts No.	Description	Q'ty						I	R
				(A)	(B)	(C)	(D)	(E)	(F)		
1	1	1A7660-56010	METER ASSY	1							
2	2	1A7660-56110	TACHOMETER ASSY	1							
3	3	198448-56160	BULB, 14V-1.7W	1							
4	2	198535-56120	HOUSING ASSY, LOWER	1							
5	3	198268-56040	FPC ASSY	1							
6	3	198448-56150	BULB, 14V-1.4W	20							
7	3	198448-56160	BULB, 14V-1.7W	2							
8	2	1A7640-56170	CASE, TOP	1							
9	2	198448-56180	COVER	1							
10	2	198448-56190	SCREW, 3X22	6							
11	2	198535-56190	SCREW, 3X16	4							
12	2	129574-91580	SCREW 4X16	8							
13	1	198448-56050	BRACKET, COMBINAT.M.	1							
13-1	1	198448-56051	BRACKET, METER	1							N
(A=FXXXXX)											
13-2	1	1A6380-56050	BRACKET ASSY, METER	1							R
(A=FXXXXX)											
14	1	198461-60590	BOLT, M6X20	2							
15	1	194167-61650	NUT 5008	1							
16	1	26106-060122	BOLT, M6X 12 PLATED	4							
17	1	26106-080162	BOLT, M8X 16 PLATED	2							

Fig.118. HORN

(A)=EF685-AU-PQ
(B)=
(C)=

(D)=
(E)=
(F)=

No.	Lev.	Parts No.	Description	Q'ty						I	R
				(A)	(B)	(C)	(D)	(E)	(F)		
1	1	1C7100-08150	HORN ASSY	1							
2	1	194990-22130	NUT, M6	2							
3	1	129467-44580	MOUNT, RUBBER	2							
4	1	1A7000-57210	COLLAR, 7X11X14	2							
5	1	22157-060000	WASHER, 6	2							
6	1	26106-060252	BOLT, M6X 25 PLATED	2							

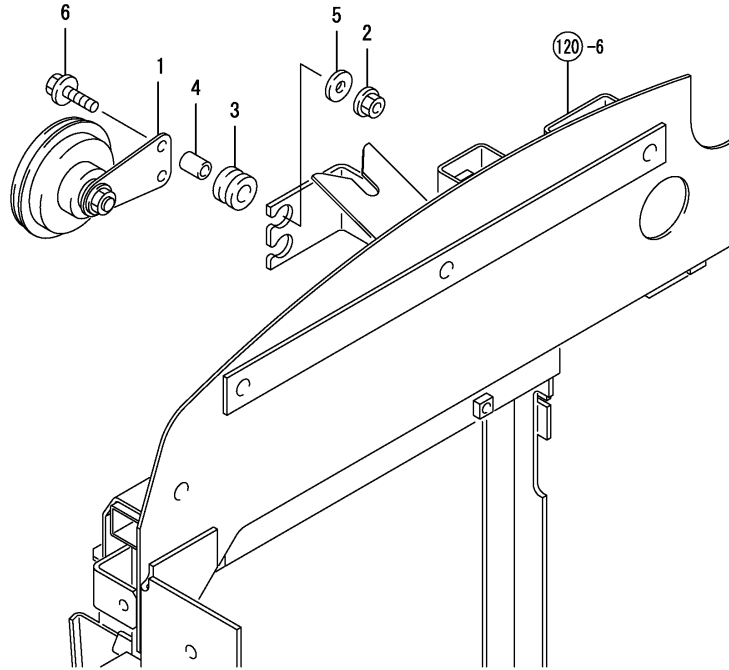


Fig.119. BACKBUZZER

(A)=EF685-AU-PQ
(B)=
(C)=

(D)=
(E)=
(F)=

No.	Lev.	Parts No.	Description	Q'ty						I	R
				(A)	(B)	(C)	(D)	(E)	(F)		
1	1	198071-57110	BUZZER, BACK	1							
2	1	198093-85650	BOLT, M6X16	1							

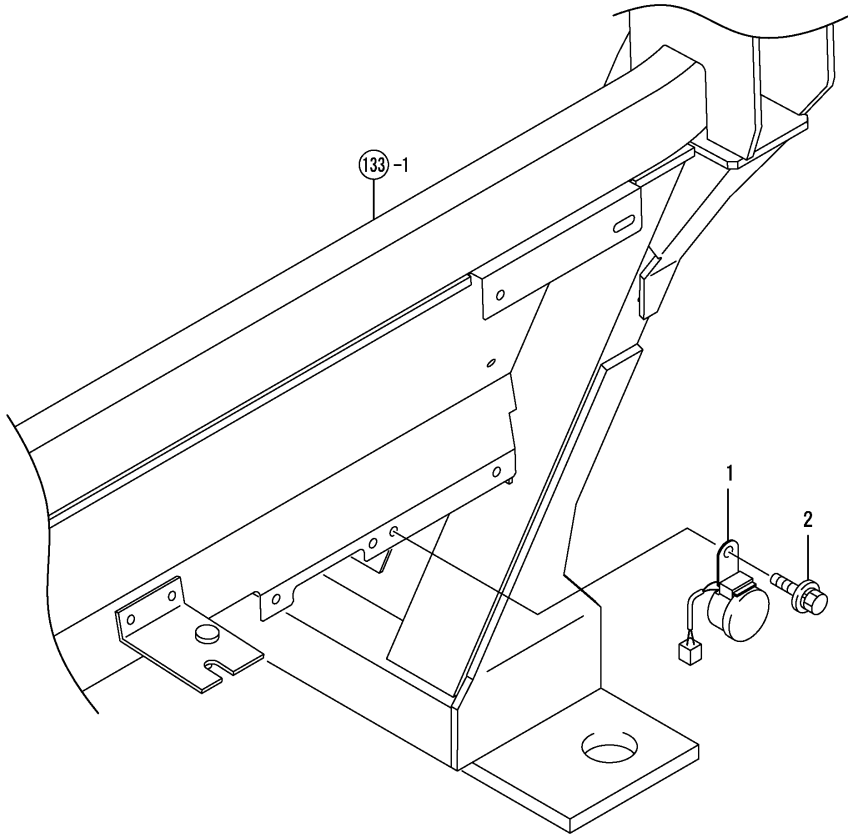


Fig.120. FRONT FRAME

(A)=EF685-AU-PQ

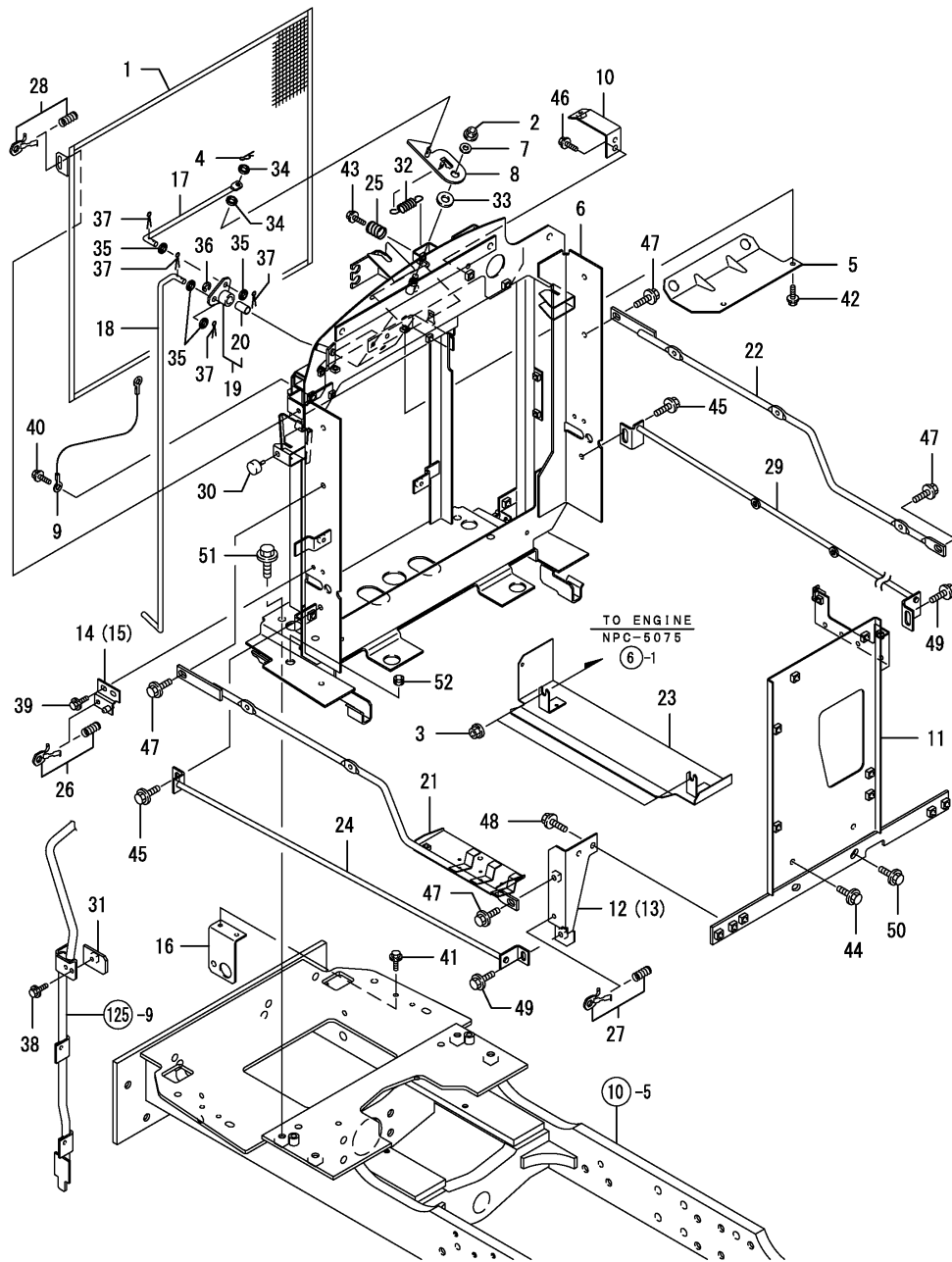
(B)=

(C)=

(D)=

(E)=

(F)=

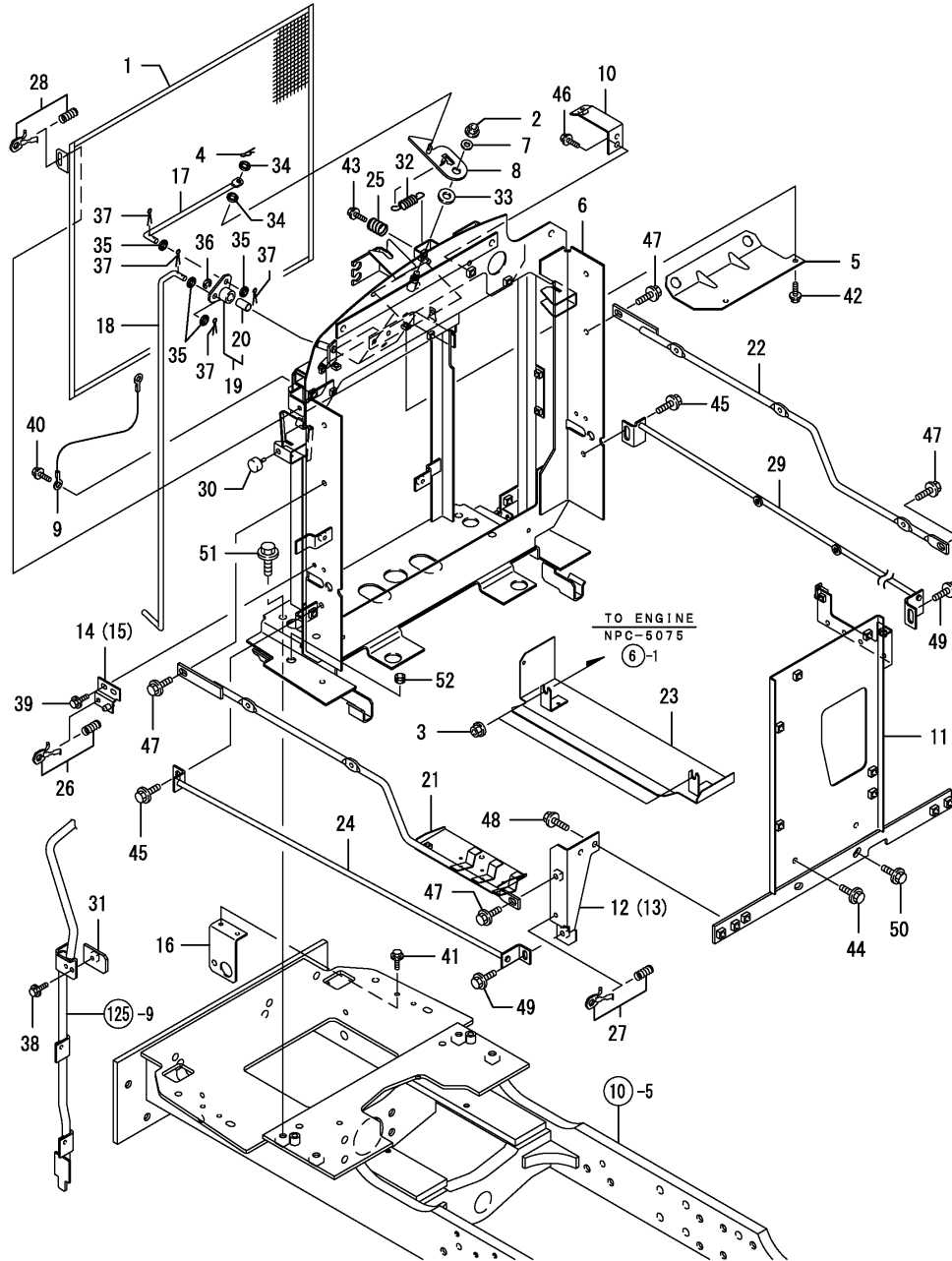


No.	Lev.	Parts No.	Description	Qty						I	R
				(A)	(B)	(C)	(D)	(E)	(F)		
1	1	1A7650-01250	SCREEN, RADIATOR	1							
2	1	194990-22140	NUT, M8	1							
3	1	194990-22140	NUT, M8	2							
4	1	1C6281-52310	PIN, SNAP 6	1							
5	1	1A7610-58100	BRACKET, CONTROLLER	1							
6	1	1A7660-60010	FRAME ASSY, FRONT M	1							
7	1	1A7600-60300	WASHER, 8X18	1							
8	1	198535-60330	LOCK, GRILLE	1							
9	1	1A7640-60371	WIRE, GRILLE	1							
10	1	1A7650-60390	BRACKET	1							
11	1	1A7650-60500	FRAME ASSY, REAR	1							
12	1	1A7650-60530	STAY, BONNET SIDE L	1							
13	1	1A7650-60540	STAY, BONNET SIDE R	1							
14	1	1A7640-60640	BRACKET ASSY	1							
15	1	1A7640-60650	BRACKET ASSY	1							
16	1	1A7640-60700	BRACKET, VALVE	1							
17	1	1A7650-60700	ROD, GRILLE LOCK A	1							
18	1	1A7650-60710	ROD, GRILLE LOCK B	1							
19	1	1A7450-60720	ARM ASSY, LOCK	1							
20	2	24550-010200	BUSH, 10X20	1							
21	1	1A7650-60930	STAY, HARNESS L	1							
22	1	1A7650-60940	STAY, HARNESS R	1							
23	1	1A7650-60960	COVER, MOTOR	1							
24	1	1A7600-61280	ROD ASSY, STAY L	1							
25	1	198220-61340	SPRING	1							
26	1	198220-61351	LOCK ASSY, CAM	2							
27	1	198220-61351	LOCK ASSY, CAM	2							
28	1	198220-61351	LOCK ASSY, CAM	1							
29	1	1A7600-61380	ROD ASSY, STAY R	1							
30	1	194145-61560	RUBBER, ABSORBER	2							
31	1	198550-61580	STAY, GRILLE SIDE	2							
32	1	198230-61960	SPRING	1							
33	1	22137-120000	WASHER, 12	1							
34	1	22190-060002	WASHER, SEAL 6	2							
35	1	22190-080002	WASHER, SEAL 6	4							
36	1	22272-000080	RING, E- 8	1							
37	1	22417-160180	PIN, COTTER 1.6X18	4							
38	1	26106-060122	BOLT, M6X 12 PLATED	2							
39	1	26106-060122	BOLT, M6X 12 PLATED	4							
40	1	26106-060122	BOLT, M6X 12 PLATED	1							
41	1	26106-060162	BOLT, M6X 16 PLATED	2							
42	1	26106-060162	BOLT, M6X 16 PLATED	2							
43	1	26106-060162	BOLT, M6X 16 PLATED	1							
44	1	26106-080122	BOLT, M8X 12 PLATED	2							
45	1	26106-080122	BOLT, M8X 12 PLATED	2							
46	1	26106-080162	BOLT, M8X 16 PLATED	1							
47	1	26106-080162	BOLT, M8X 16 PLATED	4							
48	1	26106-080162	BOLT, M8X 16 PLATED	4							
49	1	26106-080162	BOLT, M8X 16 PLATED	2							
50	1	26106-080162	BOLT, M8X 16 PLATED	2							
51	1	26106-100252	BOLT, M10X 25 PLATED	4							

Fig.120. FRONT FRAME

(A)=EF685-AU-PQ
(B)=
(C)=

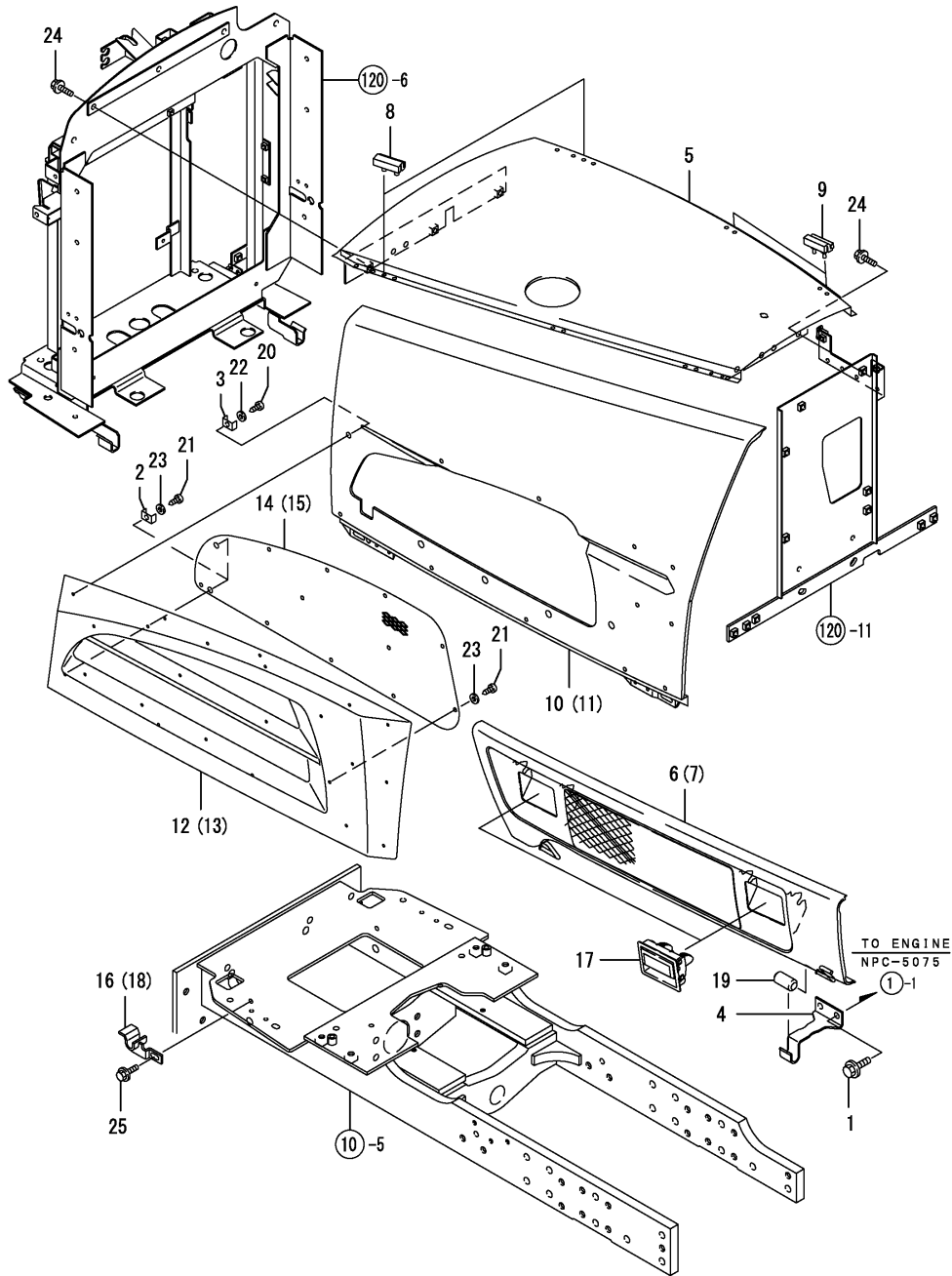
(D)=
(E)=
(F)=



No.	Lev.	Parts No.	Description	Q'ty						I	R
				(A)	(B)	(C)	(D)	(E)	(F)		
52	1	933160-09240	GROMMET, 9X10.5	1							

N:Old $\begin{matrix} \leftarrow \text{Yes} \\ \text{No} \rightarrow \end{matrix}$ New, Q:Old $\begin{matrix} \leftarrow \text{No} \\ \text{Yes} \rightarrow \end{matrix}$ New, R:Old $\begin{matrix} \leftarrow \text{Yes} \\ \text{No} \rightarrow \end{matrix}$ New, S:Old $\begin{matrix} \leftarrow \text{No} \\ \text{Yes} \rightarrow \end{matrix}$ New, W:Add, Z:Discontinued, F:Interchangeable by set, K:Q'ty Change
Copyright (C) YANMAR CO., LTD. All Rights Reserved.

Fig.121. HOOD



(A)=EF685-AU-PQ
(B)=
(C)=

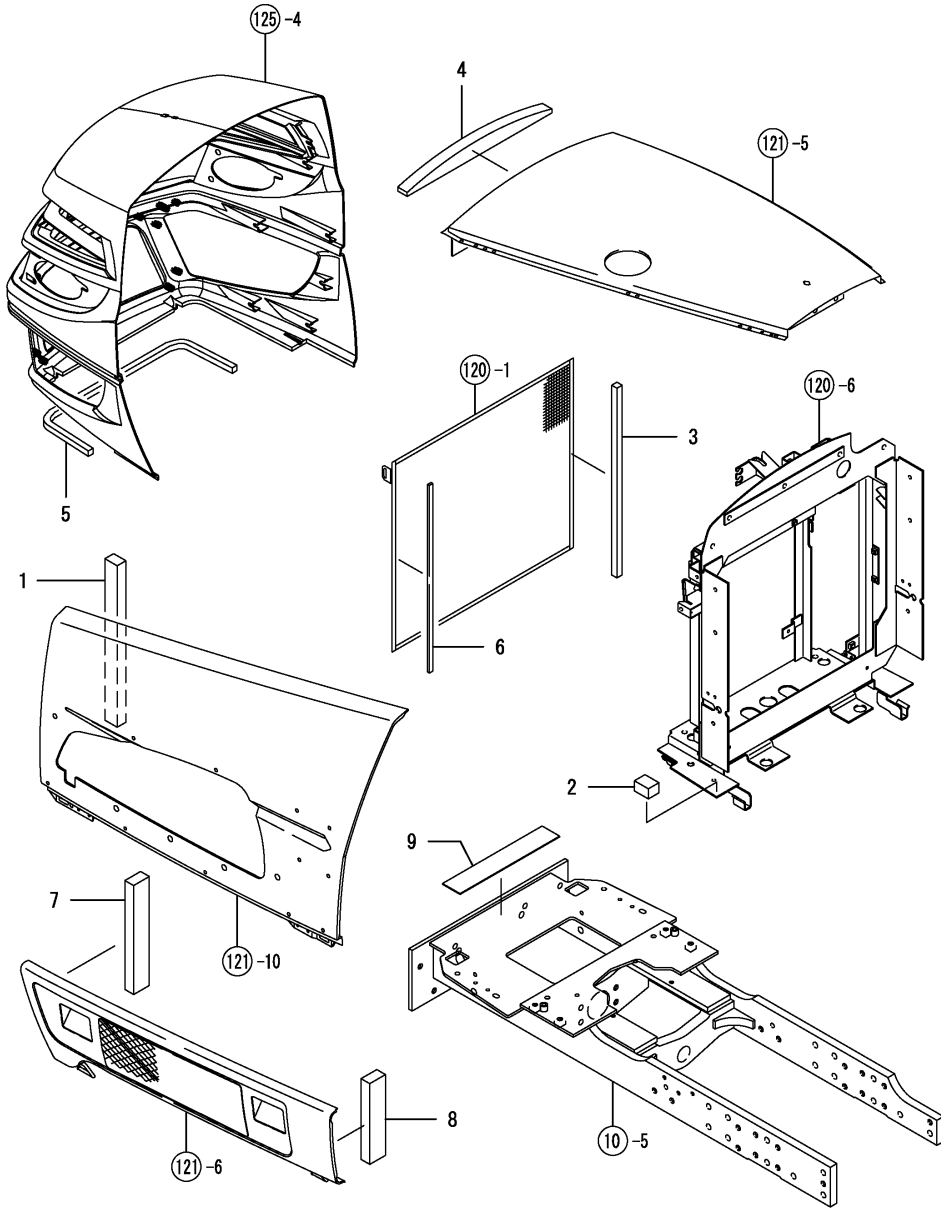
(D)=
(E)=
(F)=

No.	Lev.	Parts No.	Description	Qty						I	R
				(A)	(B)	(C)	(D)	(E)	(F)		
1	1	26106-100202	BOLT, M10X 20 PLATED	4							
2	1	1A7450-53290	BRACKET, SIDE LAMP	4							
3	1	1A7450-53290	BRACKET, SIDE LAMP	2							
4	1	1A7650-60910	STAY, LOWER COVER R	2							
5	1	1A7650-61010	BONNET ASSY, UPPER	1							
6	1	1A7650-61040	COVER ASSY, LOWER L	1							
7	1	1A7650-61050	COVER ASSY, LOWER R	1							
8	1	1A7790-61070	RUBBER, BONNET UPPER	2							
9	1	198151-61080	RUBBER, BONNET UPPER	4							
10	1	1A7450-61150	BONNET, SIDE UPPER L	1							
11	1	1A7450-61160	BONNET, SIDE UPPER R	1							
12	1	1A7450-61190	GRILLE, SIDE L	1							
13	1	1A7450-61200	GRILLE, SIDE R	1							
14	1	1A7640-61240	SCREEN, GRILLE L	1							
15	1	1A7640-61250	SCREEN, GRILLE R	1							
16	1	198550-61410	HOOK, LOWER L	1							
17	1	172187-61421	HANDLE, LOCK	4							
18	1	198550-61420	HOOK, LOWER R	1							
19	1	198220-61800	RUBBER, CUSHION	4							
20	1	198071-78420	SCREW, TAPPING M5X10	20							
20-1	1	22857-500101	SCREW 5X10,TAPPING	20							N
(A=FXXXXX)											
21	1	198071-78420	SCREW, TAPPING M5X10	24							
21-1	1	22857-500101	SCREW 5X10,TAPPING	24							N
(A=FXXXXX)											
22	1	22137-050000	WASHER, 5	20							
22-1	1	22137-060000	WASHER, 6	20							N
(A=FXXXXX)											
23	1	22137-060000	WASHER, 6	24							
24	1	26106-080162	BOLT, M8X 16 PLATED	5							
25	1	26106-080162	BOLT, M8X 16 PLATED	2							

Fig.122. HOOD SEAL

(A)=EF685-AU-PQ
(B)=
(C)=

(D)=
(E)=
(F)=



No.	Lev.	Parts No.	Description	Q'ty						I	R
				(A)	(B)	(C)	(D)	(E)	(F)		
1	1	198535-60640	URETHANE, SIDE UPPER	2							
2	1	1A7600-60690	URETHANE, 40X30	2							
3	1	198448-60710	URETHANE, 470	1							
4	1	198448-60730	URETHANE, UPPER F	1							
5	1	198448-60750	URETHANE, 750	1							
6	1	198448-60760	URETHANE, SCREEN	1							
7	1	1A7640-60820	URETHANE, 25X45X270	2							
8	1	1A7640-60830	URETHANE, 25X45X200	2							
9	1	1A7640-61410	RUBBER, MASK	1							

Fig.123. HOOD SEAL

(A)=EF685-AU-PQ
(B)=
(C)=

(D)=
(E)=
(F)=

No.	Lev.	Parts No.	Description	Qty						I	R	
				(A)	(B)	(C)	(D)	(E)	(F)			
1	1	194197-56350	GROMMET	1								

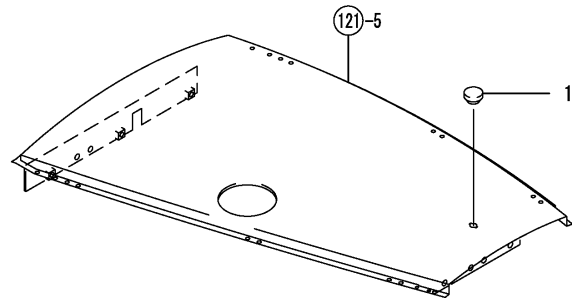
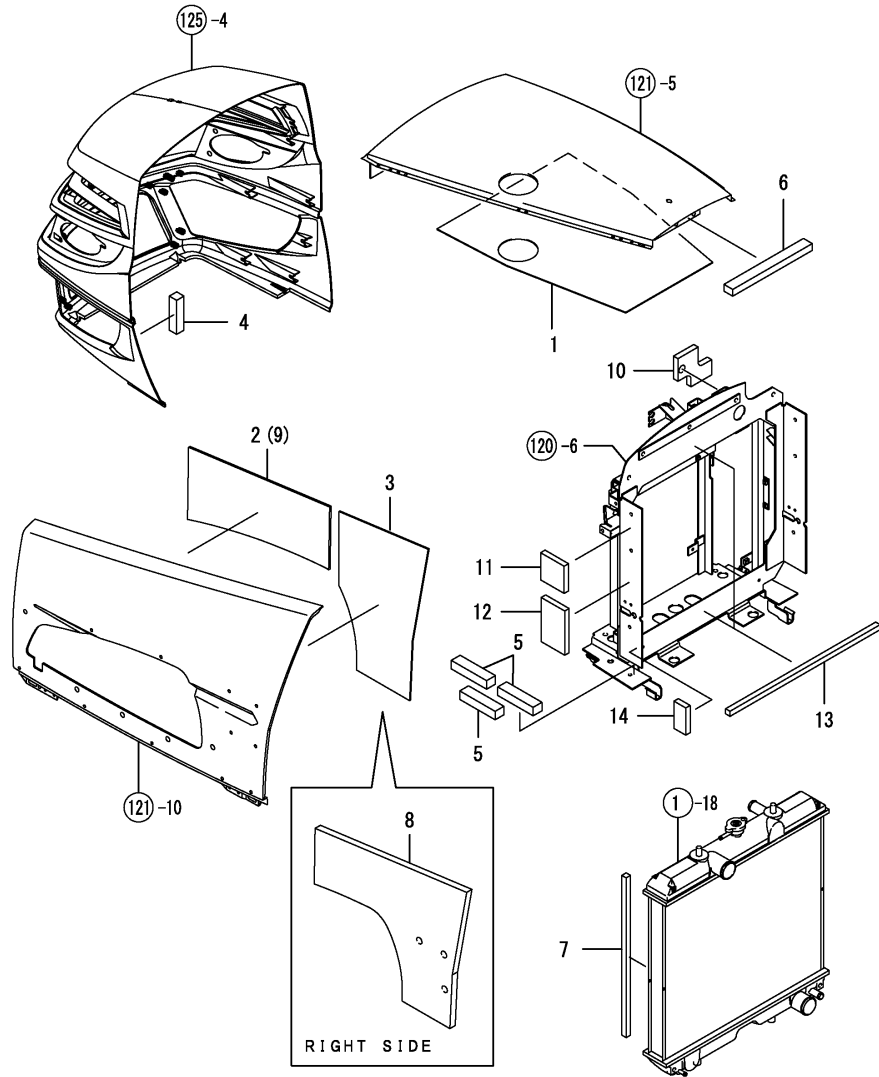


Fig.124. HOOD SEAL

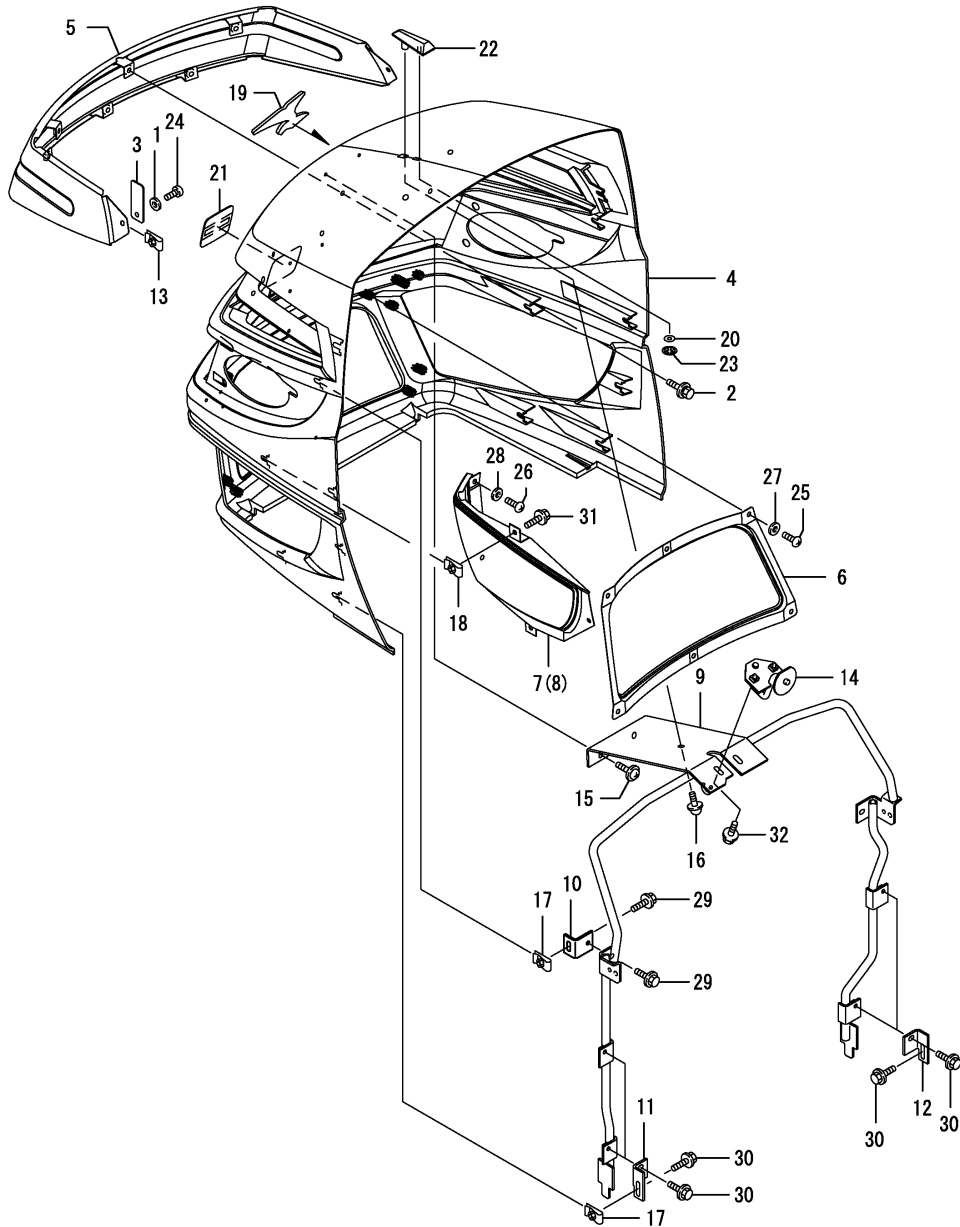
(A)=EF685-AU-PQ
(B)=
(C)=

(D)=
(E)=
(F)=



No.	Lev.	Parts No.	Description	Q'ty						I	R
				(A)	(B)	(C)	(D)	(E)	(F)		
1	1	1A7600-60610	URETHANE, BONNET U	1							
2	1	1A7650-60622	URETHANE, SIDE UPPER	1							
3	1	1A7650-60641	URETHANE, SIDE UPPER	1							
4	1	198550-60650	URETHANE, SIDE LOWER	2							
5	1	198448-60690	URETHANE, 120	6							
6	1	198448-60700	URETHANE, 20X30X270	1							
7	1	198448-60710	URETHANE, 470	2							
8	1	1A7650-60771	URETHANE, SIDE UPPER	1							
9	1	1A7650-60780	URETHANE, SIDE UPPER	1							
10	1	1A7650-60810	URETHANE, HOSE	1							
11	1	1A7650-60820	URETHANE, 80	2							
12	1	1A7650-60830	URETHANE, 130	2							
13	1	198268-61470	URETHANE, GRILLE 150	2							
14	1	1A7650-61810	URETHANE, 80X40X15	2							

Fig.125. FRONT GRILLE



(A)=EF685-AU-PQ

(B)=

(C)=

(D)=

(E)=

(F)=

No.	Lev.	Parts No.	Description	Qty						I	R
				(A)	(B)	(C)	(D)	(E)	(F)		
1	1	194515-01190	WASHER, 6	2							
1-1	1	22157-060000	WASHER, 6	2							N
(A=FXXXXX)											
2	1	198072-60590	BOLT, M6X20	6							
3	1	1A7600-61120	PLATE	2							
4	1	1A7640-61311	GRILLE, FRONT	1							
5	1	1A7640-61330	SCREEN ASSY, UPPER	1							
6	1	1A7640-61350	SCREEN, LOWER CENTER	1							
7	1	1A7640-61360	SCREEN ASSY, LOWER L	1							
8	1	1A7640-61370	SCREEN ASSY, LOWER R	1							
9	1	1A7640-61510	FRAME ASSY, GRILLE	1							
10	1	1A7640-61591	STAY, FRONT GRILLE A	2							
11	1	1A7640-61611	STAY, FRONT GRILLE L	2							
12	1	1A7640-61621	STAY, FRONT GRILLE R	2							
13	1	194145-61651	NUT, SPEED M5	2							
14	1	1A7640-61750	CATCH, LOCK	1							
15	1	194940-61790	SCREW, TAPPING M5X16	2							
15-1	1	194420-61640	SCREW, TAPPING M5X16	2							N
(A=FXXXXX)											
16	1	194940-61790	SCREW, TAPPING M5X16	1							
16-1	1	194420-61640	SCREW, TAPPING M5X16	1							N
(A=FXXXXX)											
17	1	198071-61890	NUT, SPEED M6	6							
18	1	198071-61890	NUT, SPEED M6	6							
19	1	1A7890-65010	MARK, BRAN 63-R600	1							
20	1	198475-65030	CUSHION	1							
21	1	1A7450-65250	LABEL, YANMAR 60	1							
22	1	198448-65590	MARK	1							
23	1	198071-65610	NUT, SPEED M5	1							
24	1	198071-78420	SCREW, TAPPING M5X10	2							
24-1	1	22857-500101	SCREW 5X10, TAPPING	2							N
(A=FXXXXX)											
25	1	198071-78420	SCREW, TAPPING M5X10	6							
25-1	1	22857-500101	SCREW 5X10, TAPPING	6							N
(A=FXXXXX)											
26	1	198071-78420	SCREW, TAPPING M5X10	4							
26-1	1	22857-500101	SCREW 5X10, TAPPING	4							N
(A=FXXXXX)											
27	1	22137-060000	WASHER, 6	6							
28	1	22137-060000	WASHER, 6	4							
29	1	26106-060122	BOLT, M6X 12 PLATED	4							
30	1	26106-060122	BOLT, M6X 12 PLATED	8							
31	1	26106-060122	BOLT, M6X 12 PLATED	6							
32	1	26106-060162	BOLT, M6X 16 PLATED	2							

Fig.126. DASHBOARD

(A)=EF685-AU-PQ
(B)=
(C)=

(D)=
(E)=
(F)=

No.	Lev.	Parts No.	Description	Q'ty						I	R
				(A)	(B)	(C)	(D)	(E)	(F)		
1	1	1A1040-41610	PLUG, RUBBER	1							
2	1	194197-56350	GROMMET	1							
3	1	198072-60590	BOLT, M6X20	6							
4	1	194555-61640	SCREW, TAPPING M5X25	3							
5	1	194167-61650	NUT 5008	3							
6	1	198448-61661	COVER, COLUMN F	1							
7	1	1A7450-61670	COVER, COLUMN R	1							
8	1	198448-61680	COVER, SWITCH HOLE	4							
9	1	194940-61790	SCREW, TAPPING M5X16	5							
10	1	1A7450-61790	GROMMET, 40	1							
11	1	1A7480-61810	DASHBOARD ASSY, M	1							
12	1	198071-61890	NUT, SPEED M6	6							

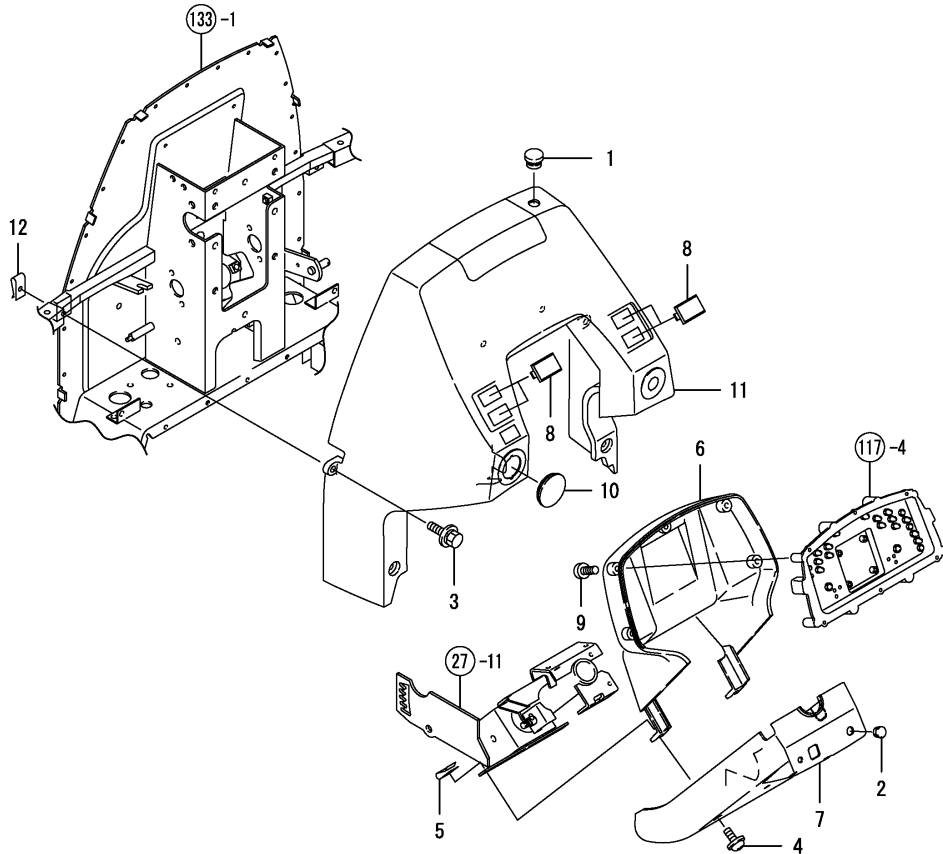
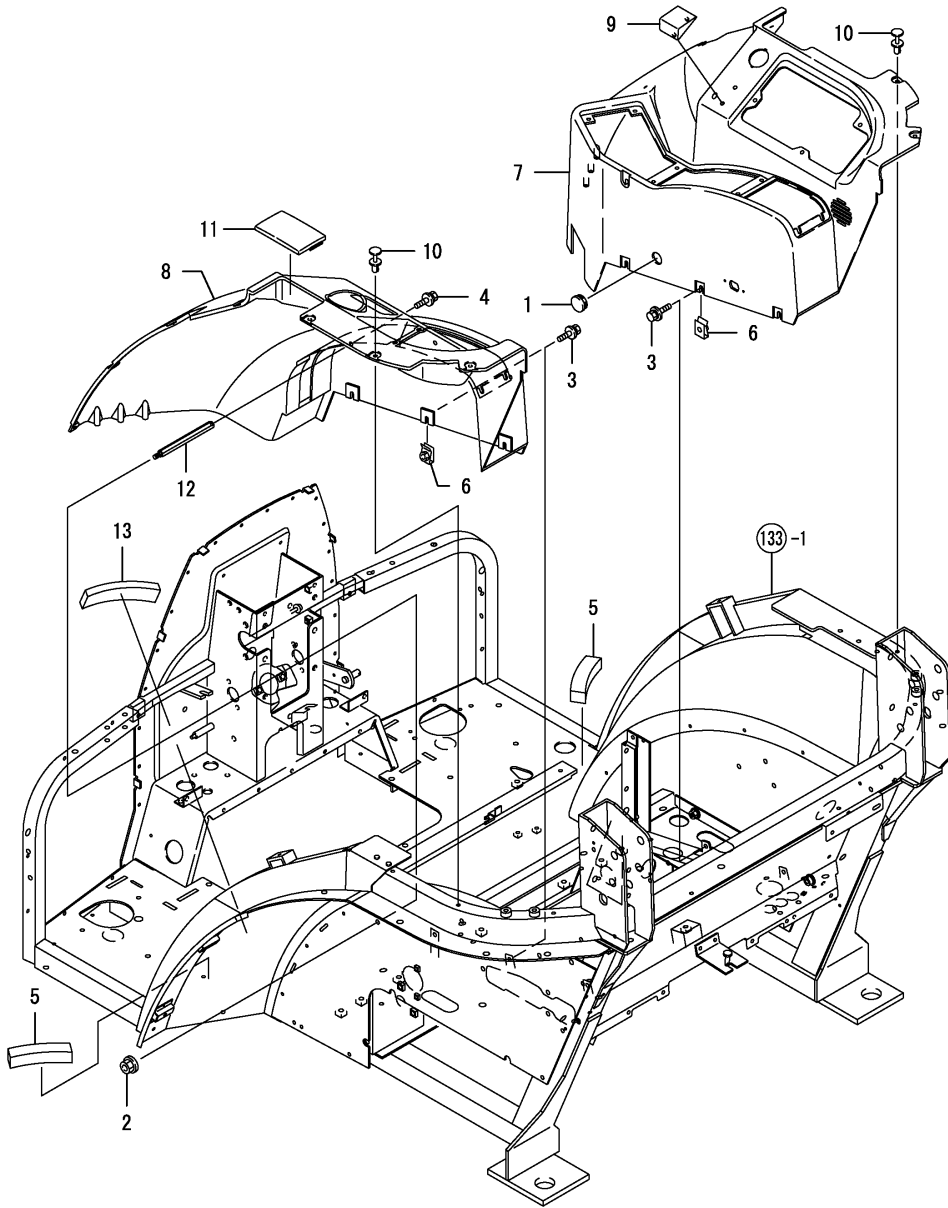


Fig.127. LEVER GUIDE

(A)=EF685-AU-PQ
(B)=
(C)=

(D)=
(E)=
(F)=

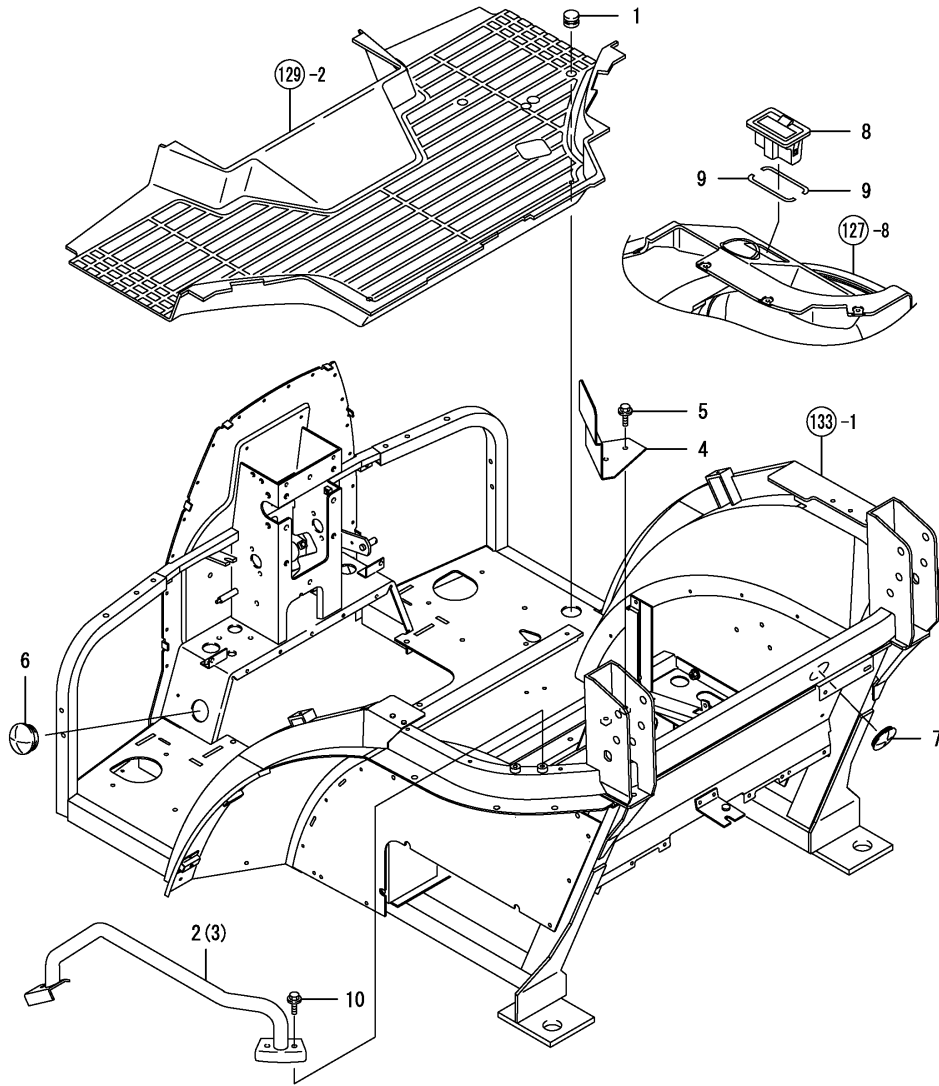


No.	Lev.	Parts No.	Description	Qty						I	R
				(A)	(B)	(C)	(D)	(E)	(F)		
1	1	194300-21460	CAP, RUBBER 25	1							
2	1	194990-22140	NUT, M8	3							
3	1	198072-60590	BOLT, M6X20	7							
4	1	198072-60590	BOLT, M6X20	3							
5	1	198448-60690	URETHANE, 120	2							
6	1	198071-61890	NUT, SPEED M6	7							
7	1	1A7660-62250	GUIDE ASSY, LEVER RM	1							
8	1	1A7640-62270	GUIDE, LEVER L	1							
9	1	1A7640-62310	RUBBER, CUSHION	1							
10	1	1A7450-62320	RIVET, NYLON	13							
11	1	198448-62390	COVER, LEVER GUIDE	1							
12	1	198535-62390	BOLT, GUIDE	3							
13	1	198083-88810	URETHANE, GRILLE	1							

Fig.128. INTERIOR

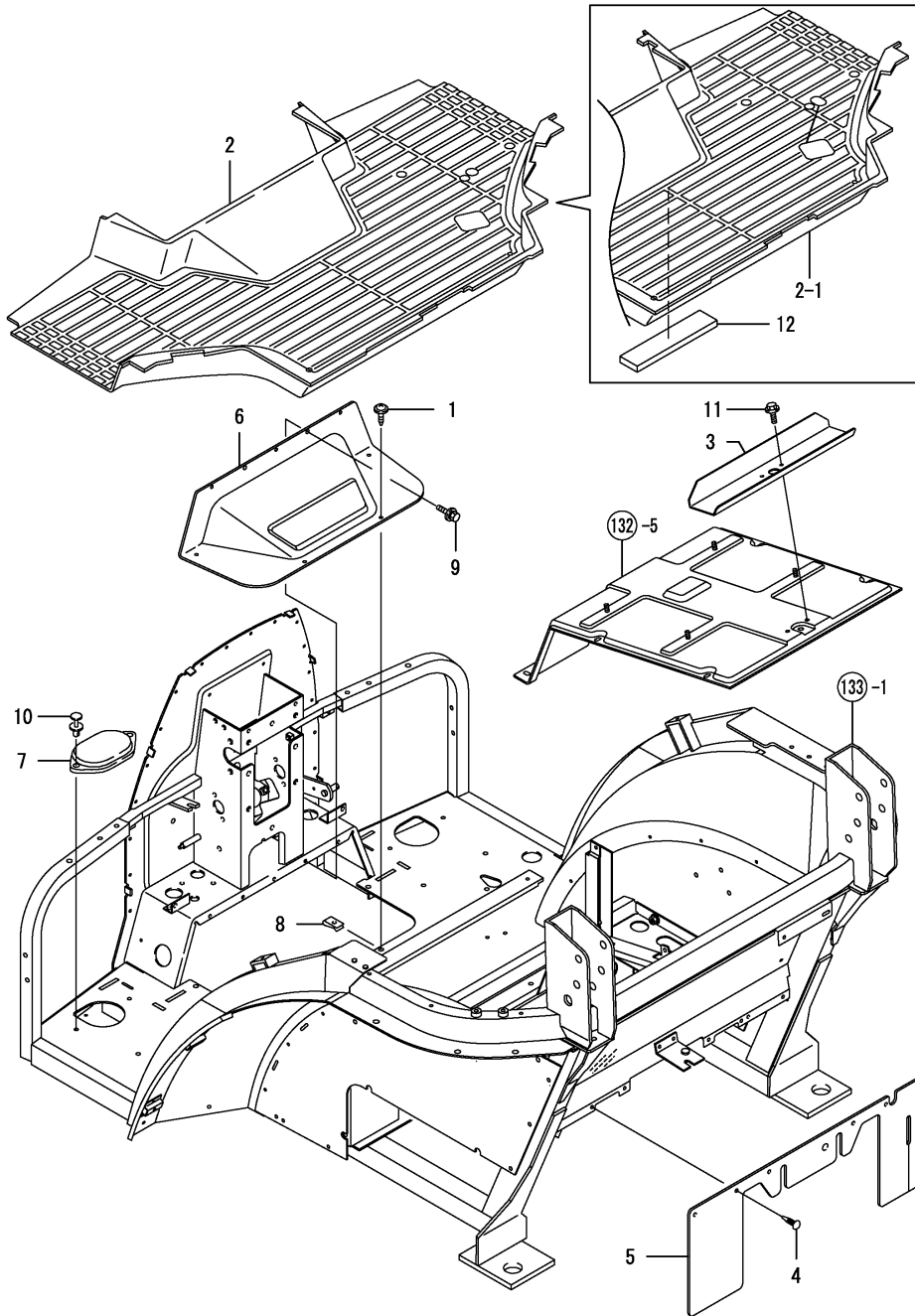
(A)=EF685-AU-PQ
(B)=
(C)=

(D)=
(E)=
(F)=



No.	Lev.	Parts No.	Description	Q'ty						I	R
				(A)	(B)	(C)	(D)	(E)	(F)		
1	1	194464-12190	CAP, RUBBER	1							
2	1	198448-62410	BAR ASSY, ASSIST L	1							
3	1	198448-62420	BAR ASSY, ASSIST R	1							
4	1	198448-62520	STAY, FUSE BOX	1							
5	1	26106-080162	BOLT, M8X 16 PLATED	2							
6	1	198153-83870	BOOT, RUBBER	1							
7	1	198153-83870	BOOT, RUBBER	1							
8	1	1A7640-84710	ASHTRAY	1							
9	1	198492-84720	PACKING, ASHTRAY	2							
10	1	26106-080162	BOLT, M8X 16 PLATED	6							

Fig.129. INTERIOR



(A)=EF685-AU-PQ
(B)=
(C)=

(D)=
(E)=
(F)=

No.	Lev.	Parts No.	Description	Q'ty						I	R
				(A)	(B)	(C)	(D)	(E)	(F)		
1	1	194940-61790	SCREW, TAPPING M5X16	7							
2	1	1A7640-62100	MAT ASSY, FLOOR	1							
2-1	1	1A7640-62101	MAT ASSY, FLOOR	1							S
(A=*2009.04.)											
3	1	1A7640-62460	HOLDER, REAR	1							
4	1	194697-62560	CAP, HOLE	6							
5	1	1A7640-62610	PLATE, RUBBER	1							
6	1	198268-62760	COVER, FLOOR	1							
7	1	198071-62791	COVER, FLOOR	2							
8	1	198220-63850	NUT, M5	7							
9	1	198093-85650	BOLT, M6X16	2							
10	1	198010-85810	RIVET, NYLON	4							
11	1	26106-060122	BOLT, M6X 12 PLATED	2							
12	1	1A7651-62120	URETAN	1							W
(A=*2009.04.)											

Fig.130. FLOOR SEAL

(A)=EF685-AU-PQ
(B)=
(C)=

(D)=
(E)=
(F)=

No.	Lev.	Parts No.	Description	Q'ty						I	R
				(A)	(B)	(C)	(D)	(E)	(F)		
1	1	198448-61880	SEAL ASSY, BONNET	1							

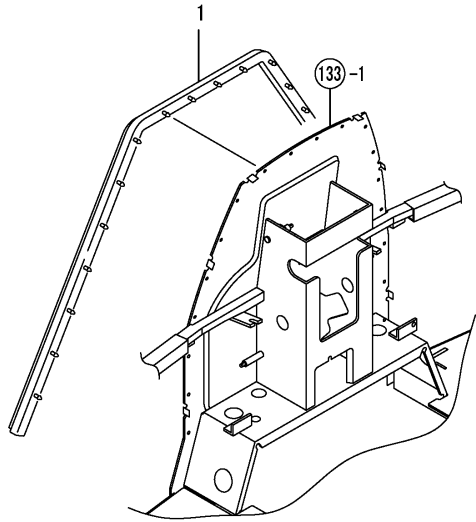


Fig.131. OVER FENDER

(A)=EF685-AU-PQ
(B)=
(C)=

(D)=
(E)=
(F)=

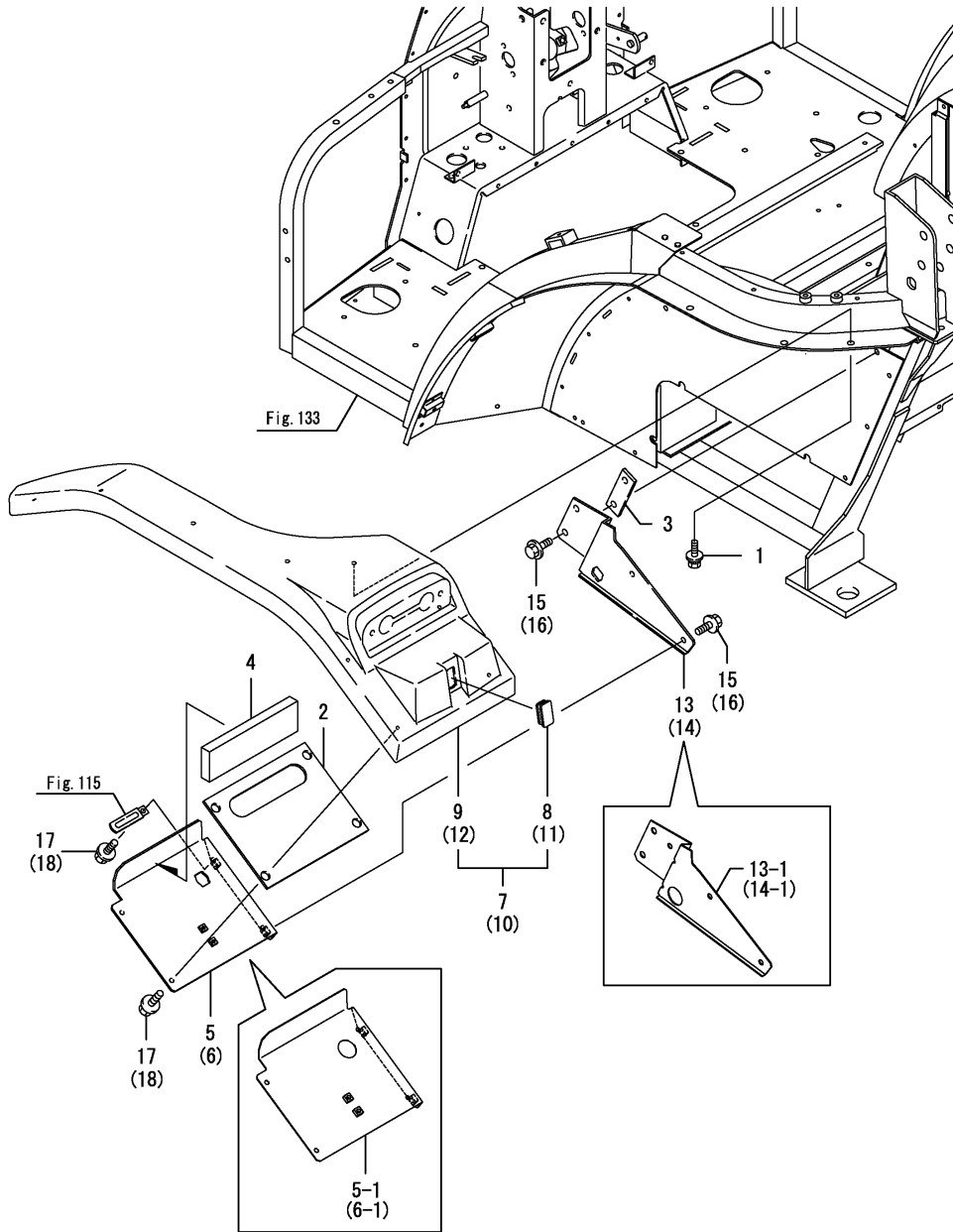


Fig.133

No.	Lev.	Parts No.	Description	Q'ty						I	R
				(A)	(B)	(C)	(D)	(E)	(F)		
1	1	194420-05210	BOLT, M6X16	10							
2	1	1A7470-62030	SEAL, MUDGUARD	2							
3	1	198463-62040	SEAL, GUARD	2							
4	1	1A7470-62040	URETHANE, 220X65X20	2							
5	1	1A7470-62053	BRACKET, MUDGUARD L	1							
5-1	1	1A7470-62054	BRACKET, MUDGUARD L	1							S
(A=FZZZZZ)											
6	1	1A7470-62063	BRACKET, MUDGUARD R	1							
6-1	1	1A7470-62064	BRACKET, MUDGUARD R	1							S
(A=FZZZZZ)											
7	1	1A7640-62201	FENDER, OVER L	1							
8	2	198153-52400	CAP, SWITCH	1							
9	2	1A7450-62211	FENDER ASSY, OVER L	1							
10	1	1A7640-62301	FENDER, OVER R	1							
11	2	198153-52400	CAP, SWITCH	1							
12	2	1A7450-62231	FENDER ASSY, OVER R	1							
13	1	198463-62430	MUDGUARD, L	1							
13-1	1	198463-62431	MUDGUARD, L	1							S
(A=FZZZZZ)											
14	1	198463-62440	MUDGUARD, R	1							
14-1	1	198463-62441	MUDGUARD, R	1							S
(A=FZZZZZ)											
15	1	198460-83350	BOLT, M8X16	4							
16	1	198460-83350	BOLT, M8X16	4							
17	1	26106-060162	BOLT, M6X 16 PLATED	4							
18	1	26106-060162	BOLT, M6X 16 PLATED	4							

Fig.132. FLOOR COVER

(A)=EF685-AU-PQ
(B)=
(C)=

(D)=
(E)=
(F)=

No.	Lev.	Parts No.	Description	Qty						I	R
				(A)	(B)	(C)	(D)	(E)	(F)		
1	1	194130-61570	GROMMET, 27	1							
2	1	198463-62170-1	COVER, FENDER	2							
2-1	1	198463-62171-1	COVER, FENDER R	1							N
(A=FZZZZZ)											
3	1	198463-62460	SEAL, FENDER COVER L	1							
4	1	198463-62470	SEAL, FENDER COVER R	1							
5	1	1A7640-62910	COVER ASSY, DUST	1							
6	1	198460-83350	BOLT, M8X16	8							
7	1	26106-080162	BOLT, M8X 16 PLATED	6							
8	1	198463-62200-2	COVER, FENDER L	1							W
(A=FZZZZZ)											

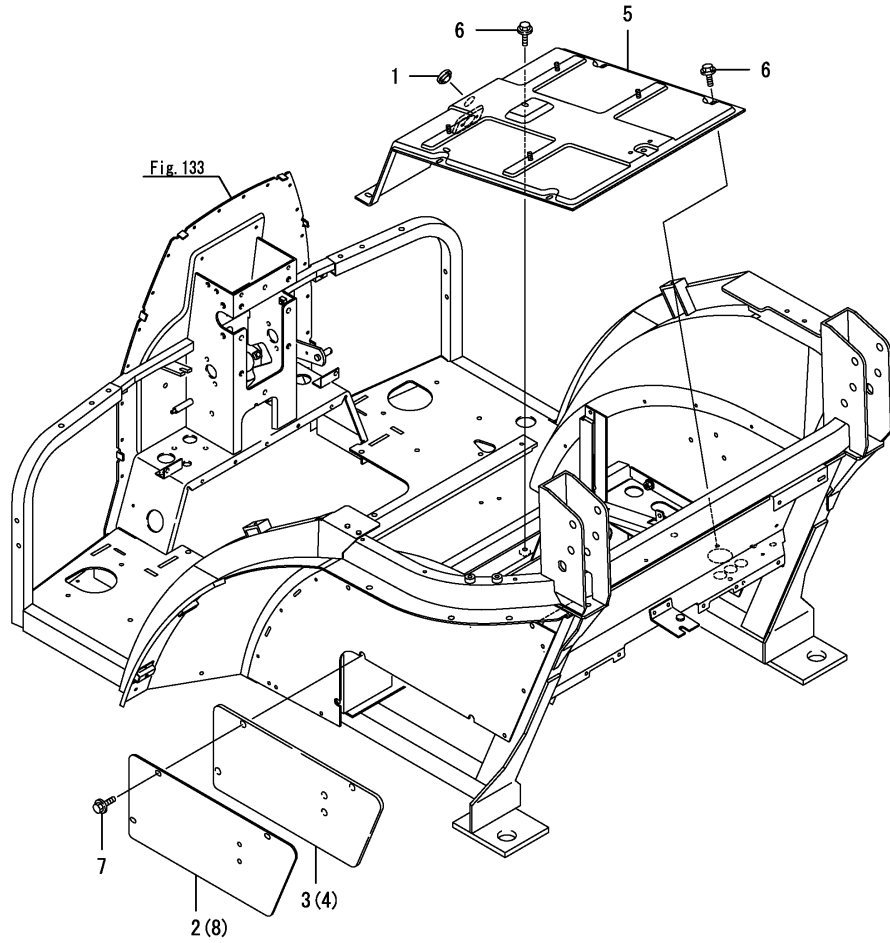


Fig.133. FLOOR FRAME

(A)=EF685-AU-PQ
(B)=
(C)=

(D)=
(E)=
(F)=

No.	Lev.	Parts No.	Description	Qty						I	R
				(A)	(B)	(C)	(D)	(E)	(F)		
1	1	1A7680-62060	FRAME ASSY, FLOOR M	1							
2	1	194197-56350	GROMMET	2							W
(A=*2009.04.)											

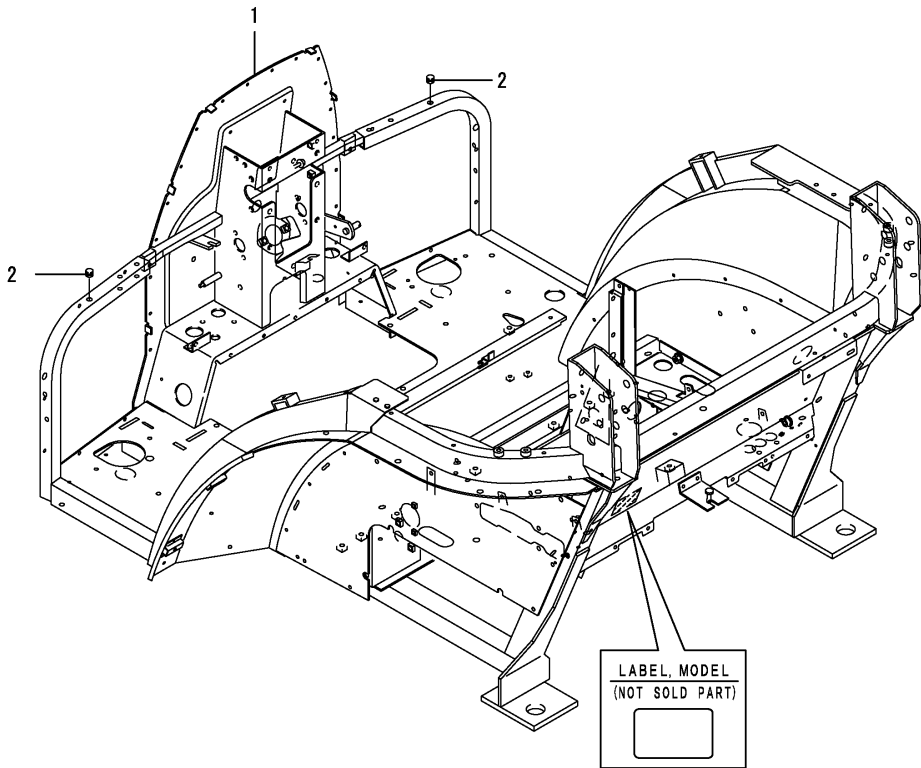


Fig.134. FLOOR SUPPORT

(A)=EF685-AU-PQ
(B)=
(C)=

(D)=
(E)=
(F)=

No.	Lev.	Parts No.	Description	Qty						I	R
				(A)	(B)	(C)	(D)	(E)	(F)		
1	1	194555-56890	GROMMET, 15	3							
2	1	198448-62600	STEP ASSY, SUB	2							
3	1	198094-62720	MOUNT, LOWER F	2							
4	1	1A7030-62750	MOUNT, REAR	2							
5	1	198094-62770	STOPPER, MOUNT	4							
6	1	198094-62790	RUBBER, STOPPER	2							
7	1	198071-62800	MOUNT, UPPER	4							
8	1	198535-62850	SUPPORT, FRONT L	1							
9	1	198535-62860	SUPPORT, FRONT R	1							
10	1	198071-62890	STOPPER, U	4							
11	1	198463-80610	PLATE, REAR	2							
12	1	198460-83350	BOLT, M8X16	6							
13	1	198220-85290	BOLT, M16X40	4							
14	1	22137-160000	WASHER, 16	4							
15	1	22217-160000	WASHER, SPRING 16	2							
16	1	22217-160000	WASHER, SPRING 16	4							
17	1	26013-120452	BOLT, M12X 45	8							
18	1	26106-080162	BOLT, M8X 16 PLATED	4							
19	1	26116-161002	BOLT, M16X100 PLATED	2							
20	1	26216-160452	STUD, M16X 45	4							
21	1	26716-160002	NUT, M16	2							
22	1	26716-160002	NUT, M16	4							

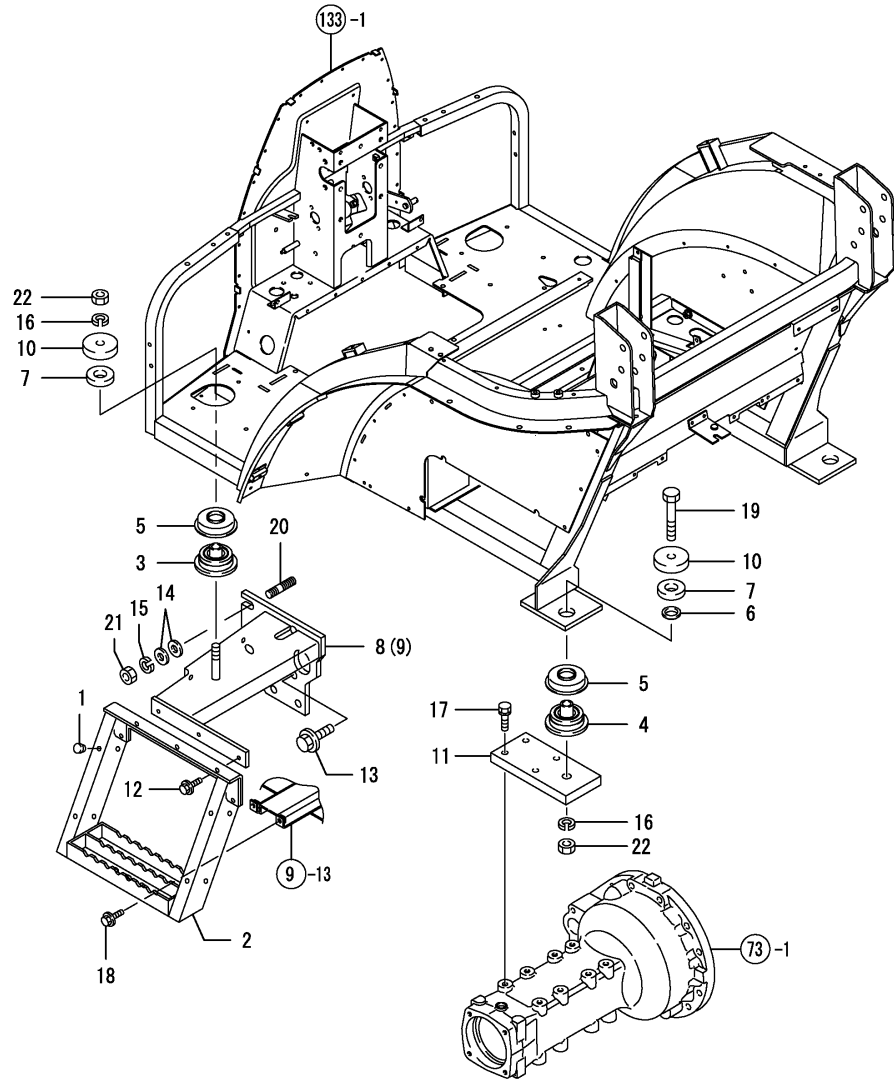


Fig.135. DUST GUARD

(A)=EF685-AU-PQ
(B)=
(C)=

(D)=
(E)=
(F)=

No.	Lev.	Parts No.	Description	Q'ty						I	R
				(A)	(B)	(C)	(D)	(E)	(F)		
1	1	198448-62060	GUARD, DUST	2							
2	1	197810-84840	RIVET, NYLON	12							

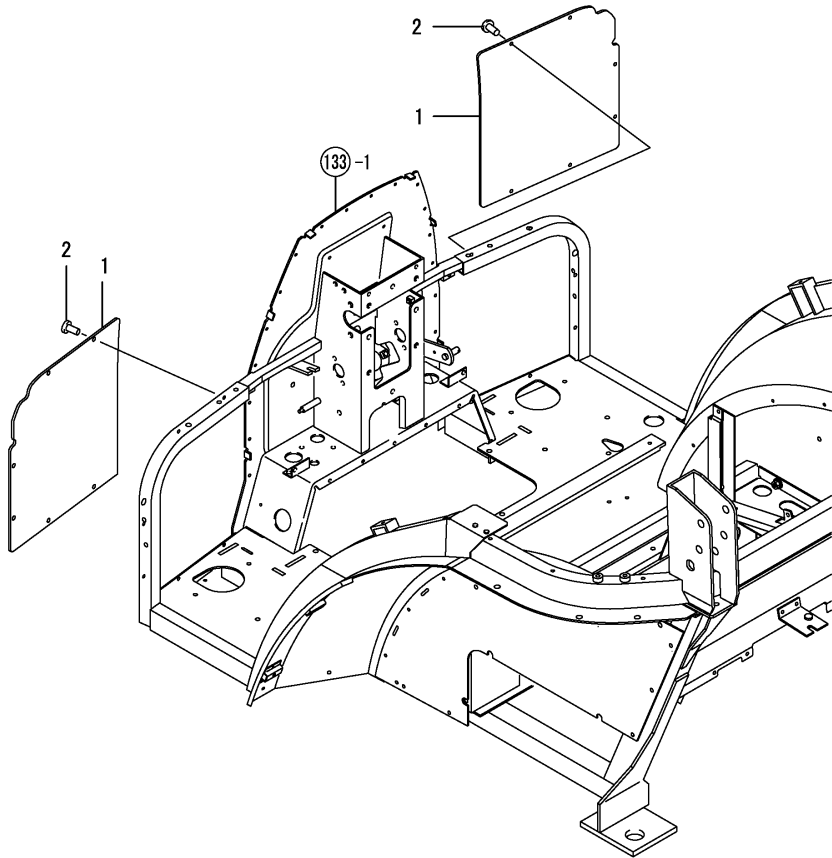
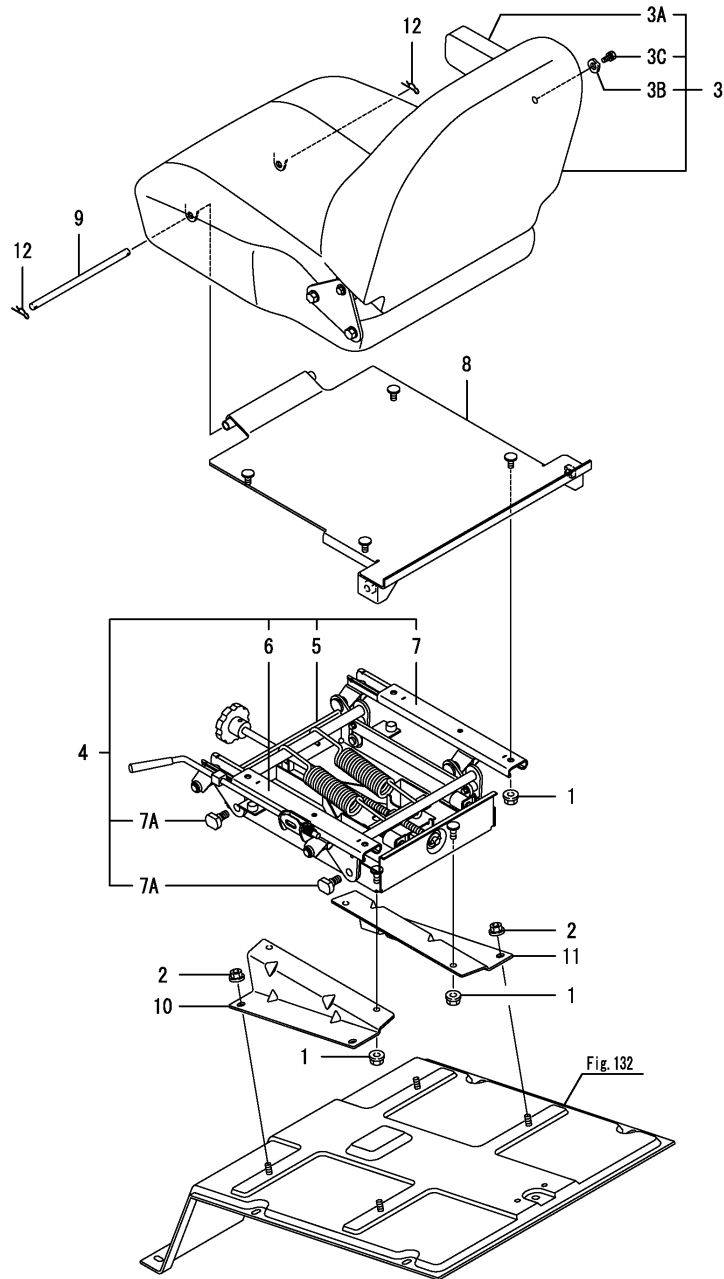


Fig.136. SEAT

(A)=EF685-AU-PQ
(B)=
(C)=

(D)=
(E)=
(F)=



No.	Lev.	Parts No.	Description	Q'ty						I	R
				(A)	(B)	(C)	(D)	(E)	(F)		
1	1	194990-22140	NUT, M8	8							
2	1	194990-22140	NUT, M8	4							
3	1	1A7640-63110	SEAT ASSY, OPERATOR	1							
3A	2	1A7640-63130 (A=FXXXXX)	ARMREST ASSY	1							W
3B	2	1A7640-63310 (A=FXXXXX)	WASHER	1							W
3C	2	1A7640-63320 (A=FXXXXX)	BOLT	1							W
4	1	1A7640-63151	SUSPENSION ASSY, SEAT	1							
5	2	1A7640-63160	BODY, SUSPENSION	1							
6	2	1A7640-63170	RAIL ASSY, SEAT L	1							
7	2	1A7640-63180	RAIL ASSY, SEAT R	1							
7A	2	1A7640-63190 (A=FXXXXX)	BOLT, HINGE	4							W
8	1	1A7640-63200	SUPPORT ASSY, SEAT	1							
9	1	1A7640-63220	PIN, HINGE	1							
10	1	1A7640-63260	STAY, SEAT L	1							
11	1	1A7640-63270	STAY, SEAT R	1							
12	1	22372-120000	PIN, SNAP 12	2							

Fig.137. SEAT BELT

(A)=EF685-AU-PQ
(B)=
(C)=

(D)=
(E)=
(F)=

No.	Lev.	Parts No.	Description	Q'ty						I	R
				(A)	(B)	(C)	(D)	(E)	(F)		
1	1	195747-22360	COLLAR, EXTENSION	2							
2	1	198268-63120	BELT, SEAT	1							
3	1	22137-100000	WASHER, 10	2							
4	1	26106-100302	BOLT, M10X 30 PLATED	2							

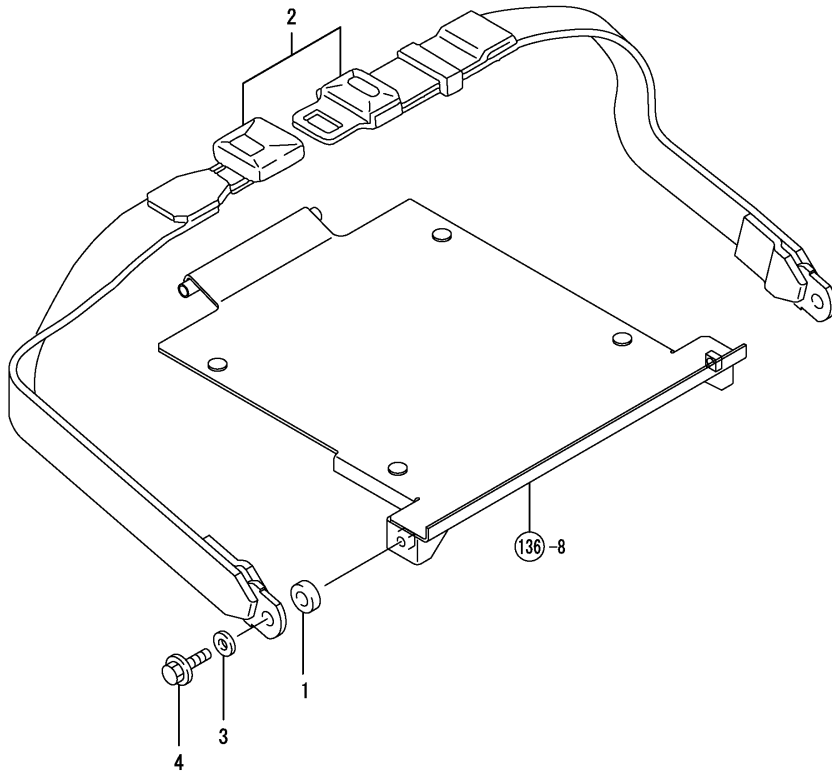


Fig.138. BACK MIRROR

(A)=EF685-AU-PQ
(B)=
(C)=

(D)=
(E)=
(F)=

No.	Lev.	Parts No.	Description	Q'ty						I	R
				(A)	(B)	(C)	(D)	(E)	(F)		
1	1	198220-63340	SPRING, FRICTION	2							
2	1	198440-64100	HEAD, MIRROR	2							
3	1	1A7450-64310	STAY, BACK MIRROR L	1							
4	1	1A7450-64350	STAY, BACK MIRROR R	1							
5	1	198133-64400	GROMMET	2							
6	1	22137-120000	WASHER, 12	2							
7	1	22351-060036	PIN, SPRING 6.0X36	2							
8	1	26346-100002	NUT, M10	2							

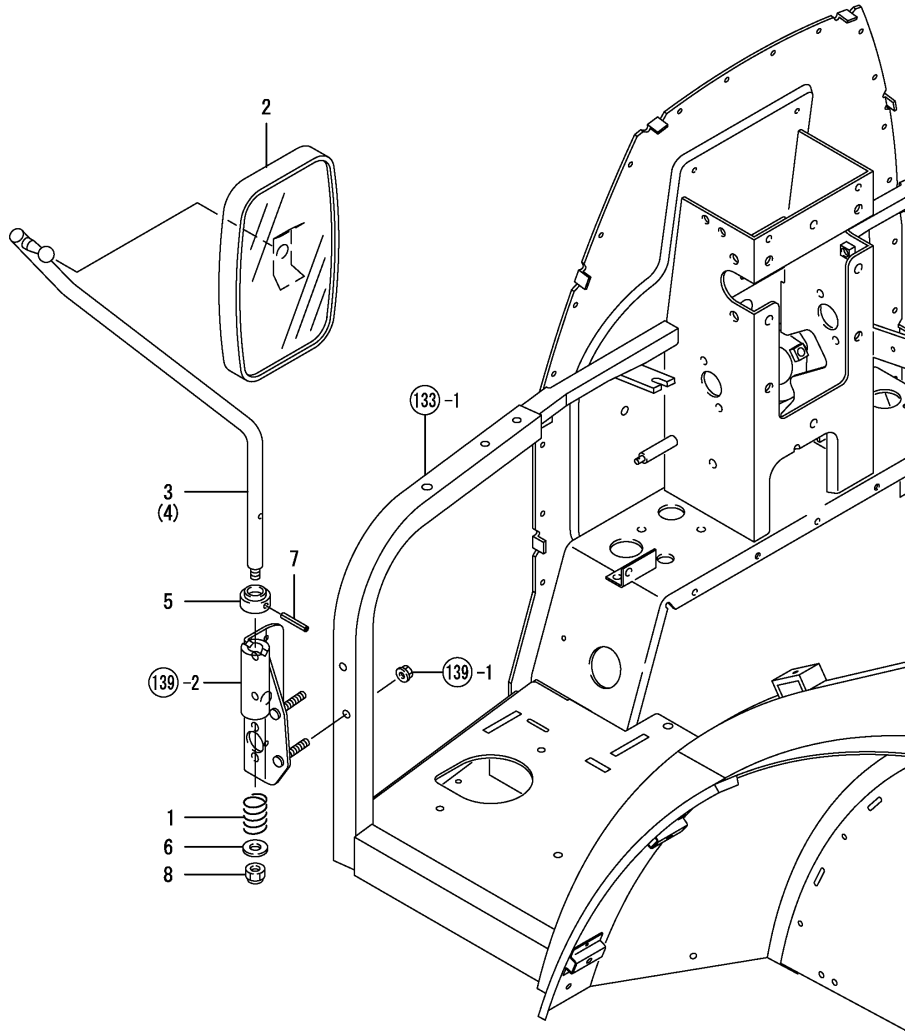
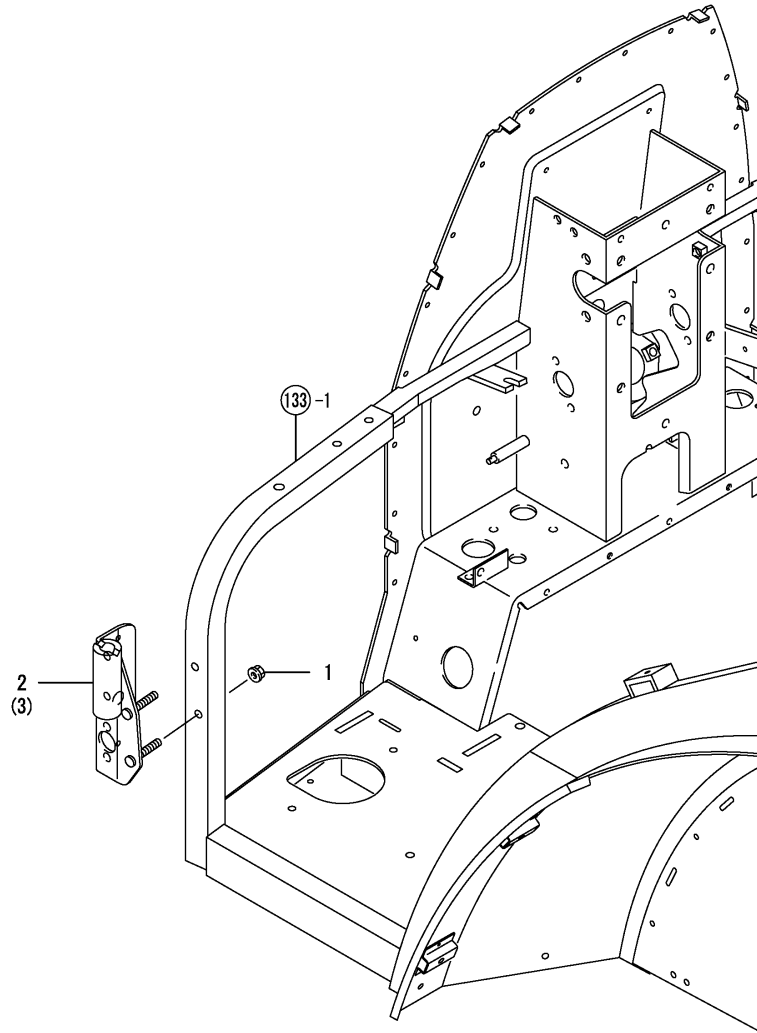


Fig.139. BACK MIRROR BRACKET

(A)=EF685-AU-PQ
(B)=
(C)=

(D)=
(E)=
(F)=

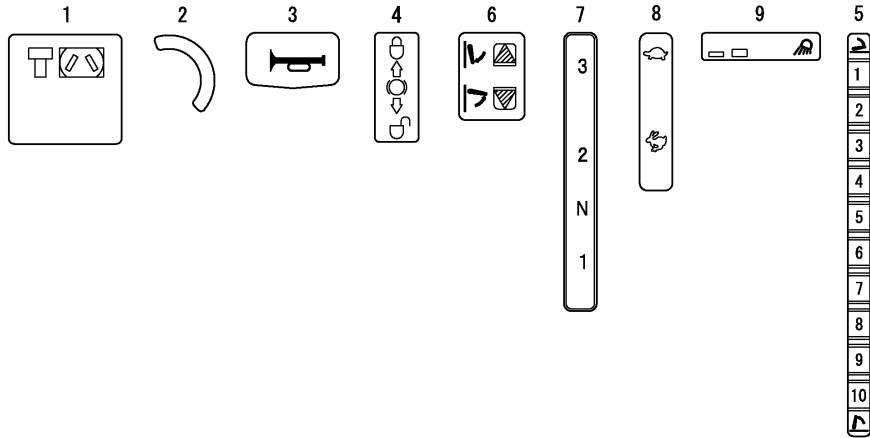


No.	Lev.	Parts No.	Description	Q'ty						I	R
				(A)	(B)	(C)	(D)	(E)	(F)		
1	1	194990-22140	NUT, M8	4							
2	1	1A7920-63860	BRACKET ASSY, LAMP L	1							
3	1	1A7920-63870	BRACKET ASSY, LAMP R	1							

Fig.140. LABELS

(A)=EF685-AU-PQ
(B)=
(C)=

(D)=
(E)=
(F)=



No.	Lev.	Parts No.	Description	Q'ty						I	R
				(A)	(B)	(C)	(D)	(E)	(F)		
1	1	1A7480-64780	LABEL,	1							
2	1	1A7347-65050	LABEL,KEY SW.	1							
3	1	198153-65351	LABEL,HORN	1							
4	1	1A7480-65470	LABEL,	1							
5	1	1A7480-65510	LABEL,	1							
6	1	1A7680-65520	LABEL,	1							
7	1	198535-65660	LABEL, RANGE SHIFT	1							
8	1	1A7660-65690	LABEL,CREEP	1							
9	1	1A7480-65890	LABEL,SIDE LAMP	1							

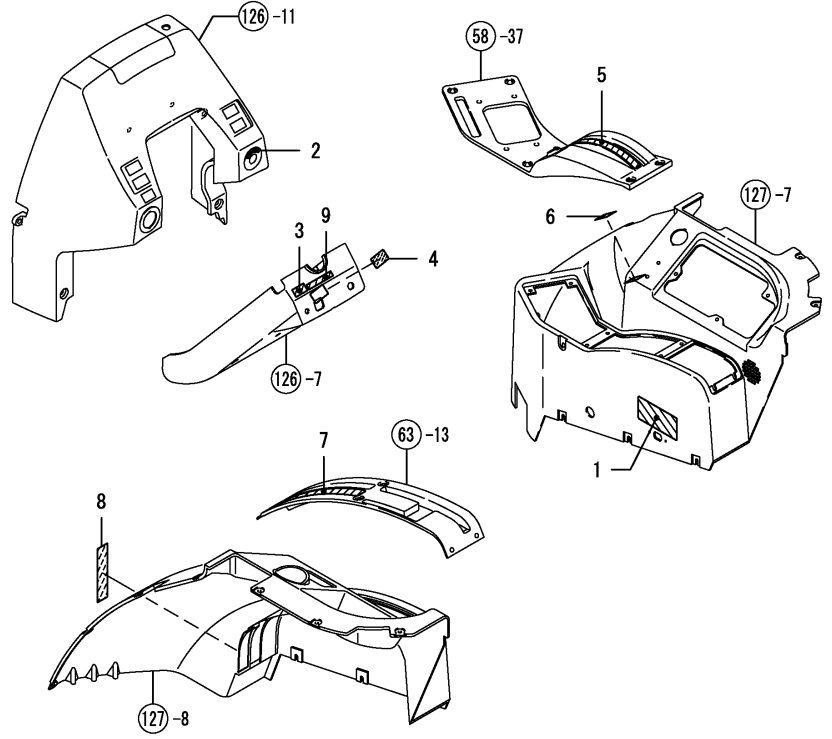
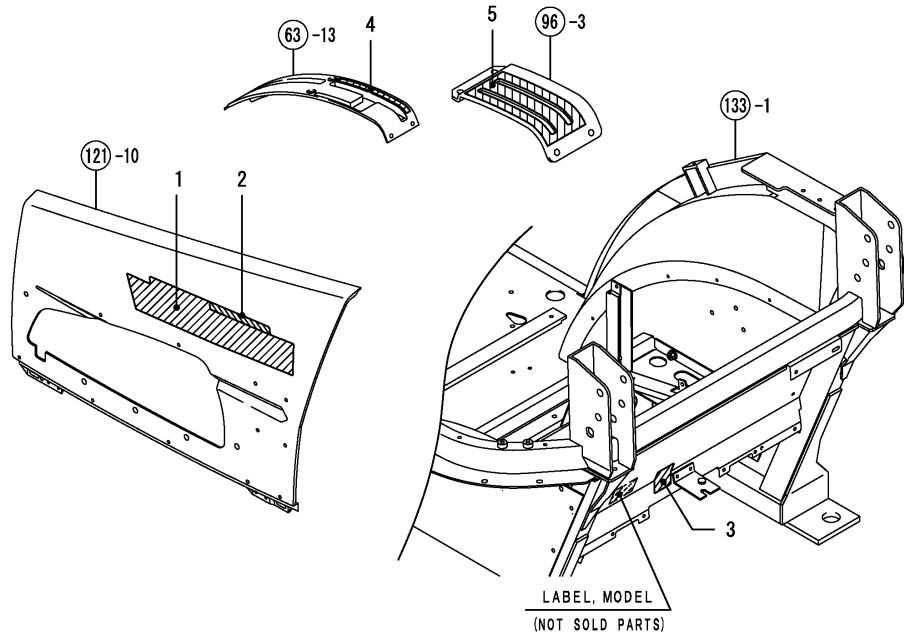
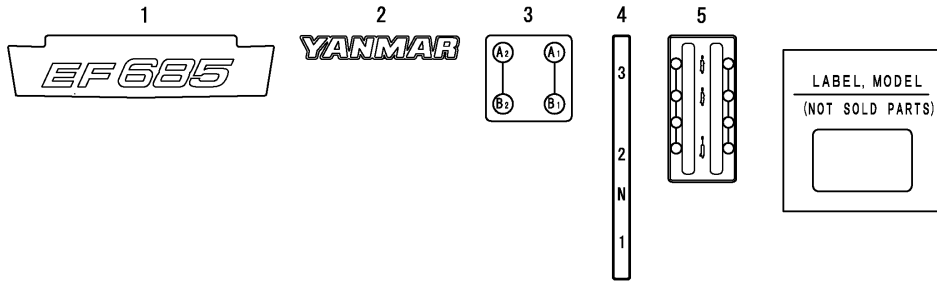


Fig.142. LABELS

(A)=EF685-AU-PQ
(B)=
(C)=

(D)=
(E)=
(F)=



No.	Lev.	Parts No.	Description	Q'ty						I	R
				(A)	(B)	(C)	(D)	(E)	(F)		
1	1	1A7680-64760	LABEL, NAME	2							
2	1	1A8070-65251	LABEL, YANMAR	2							
3	1	1A7660-65670	LABEL, SCV PORT	1							
4	1	1A7640-65670	LABEL,	1							
5	1	1A7660-65680	LABEL, SCV LEVER	1							

Fig.143. LABELS(SAFETY)

(A)=EF685-AU-PQ
(B)=
(C)=

(D)=
(E)=
(F)=

No.	Lev.	Parts No.	Description	Q'ty						I	R
				(A)	(B)	(C)	(D)	(E)	(F)		

1	1	1A7480-65310	LABEL, CAUTION	1							
2	1	1A7480-65450	LABEL,	1							
3	1	198122-65730	LABEL, CAUTION	1							
4	1	198163-65780	LABEL,BRAKE COUPLING	1							

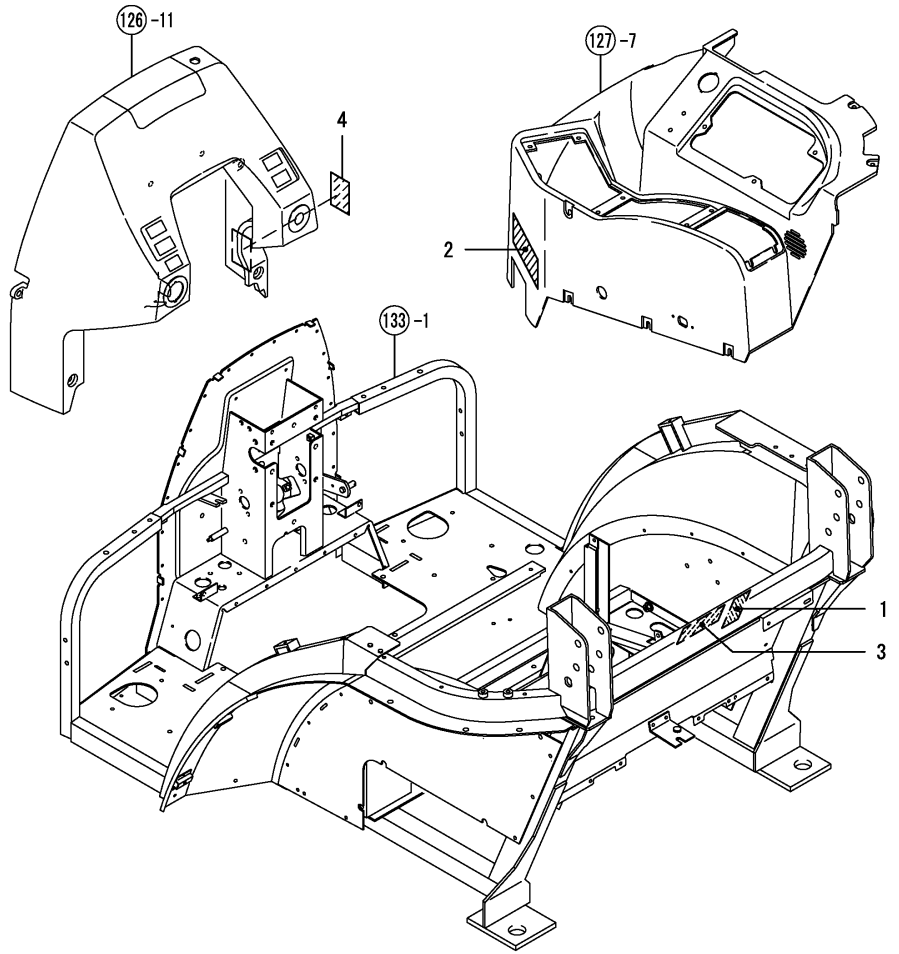
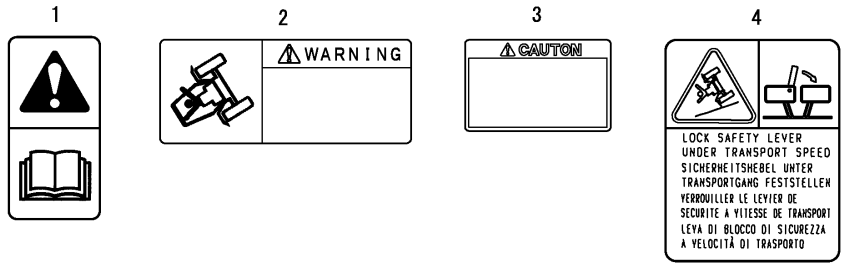


Fig.144. LABELS(SAFETY)

(A)=EF685-AU-PQ
(B)=
(C)=

(D)=
(E)=
(F)=

No.	Lev.	Parts No.	Description	Q'ty						I	R
				(A)	(B)	(C)	(D)	(E)	(F)		
1	1	198163-65350	DANGER,ROTAT.SHAFT	1							
2	1	1A7880-65620	LABEL,WARNING,FAN	2							
3	1	1A7340-65810	DECAL,RADIATOR	1							
4	1	1A7480-65900	LABEL,	1							
5	1	198163-65930	CAUTION,MUFFLER	1							
6	1	1A6150-91251	LABEL,RAKE CAUTION	1							
7	1	1A6150-93151	LABEL,COVER	1							
8	1	1A7480-95950	LABEL,BATTERY	1							

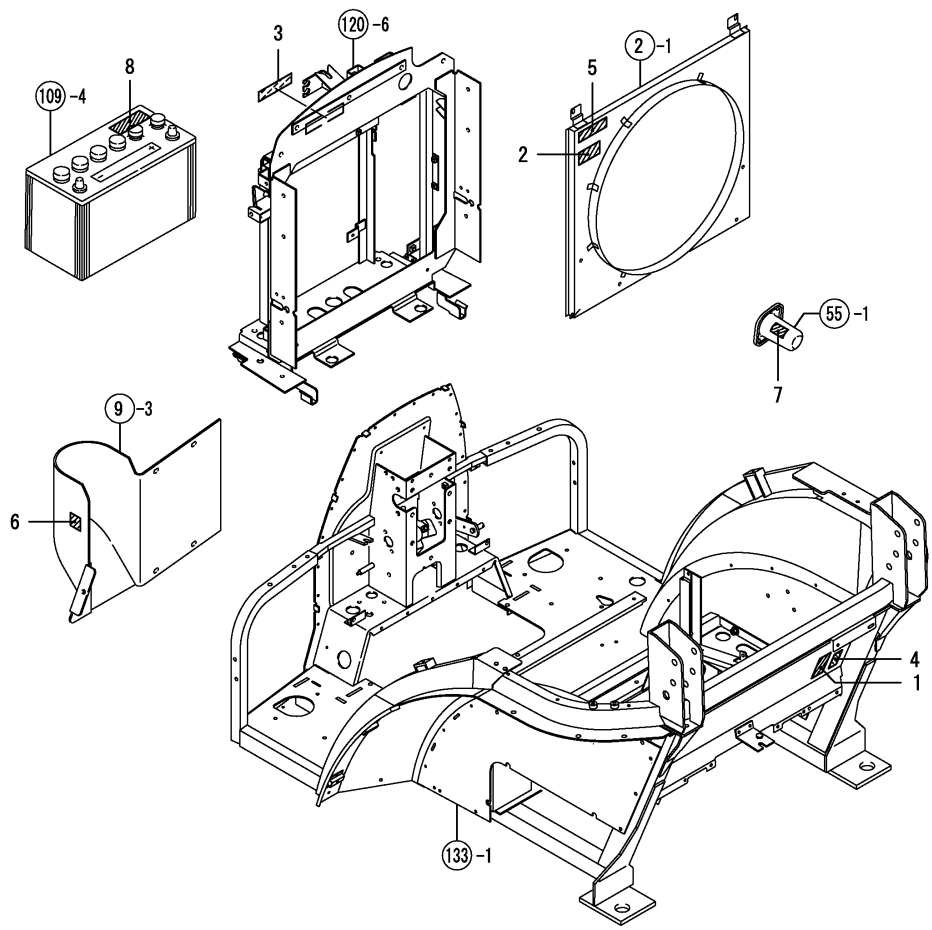
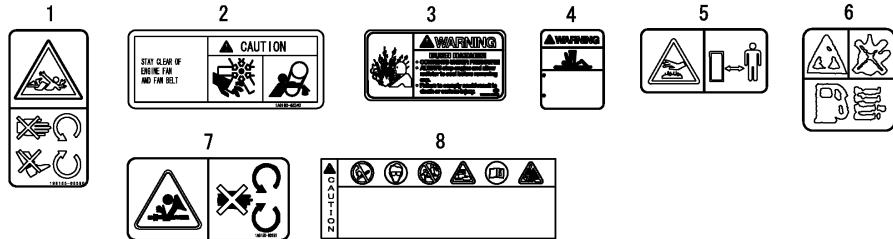


Fig.145. LABELS(SAFETY)

(A)=EF685-AU-PQ
(B)=
(C)=

(D)=
(E)=
(F)=

No.	Lev.	Parts No.	Description	Qty						I	R
				(A)	(B)	(C)	(D)	(E)	(F)		
1	1	1A8160-65350	LABEL,WARNING,ROPS	1							
2	1	1A7130-65910	LABEL (ROPS CAUTION)	1							

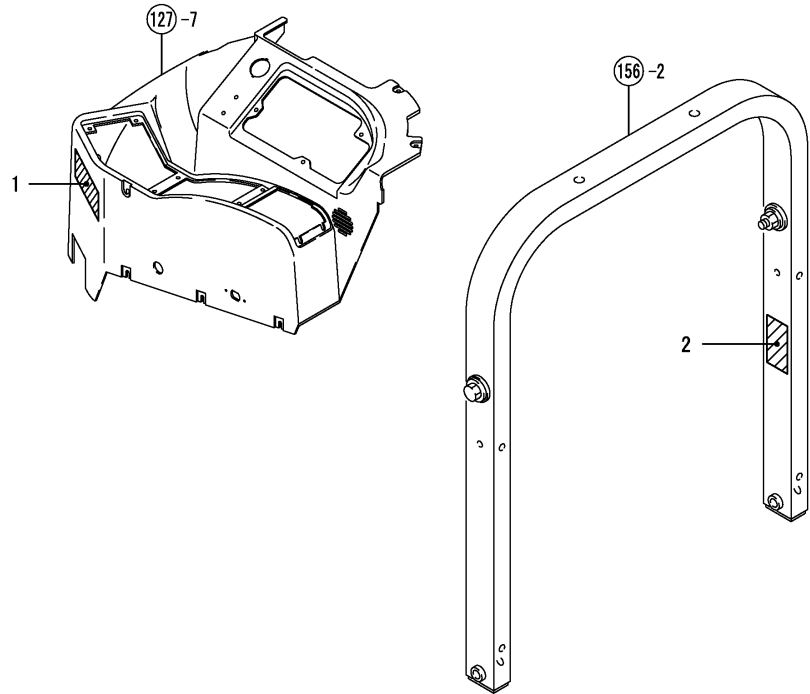
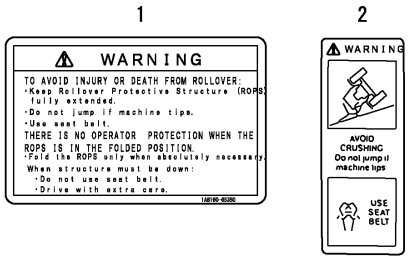
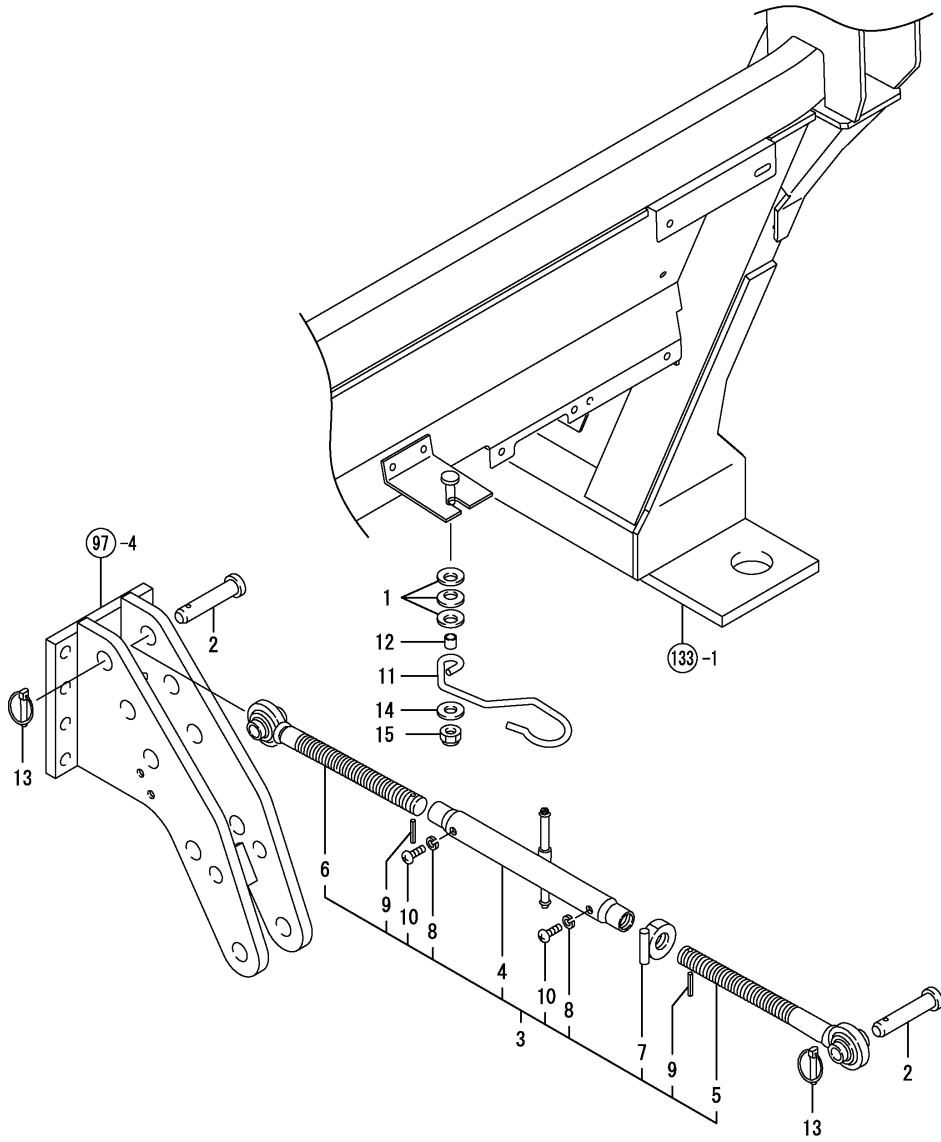


Fig.146. TOP LINK

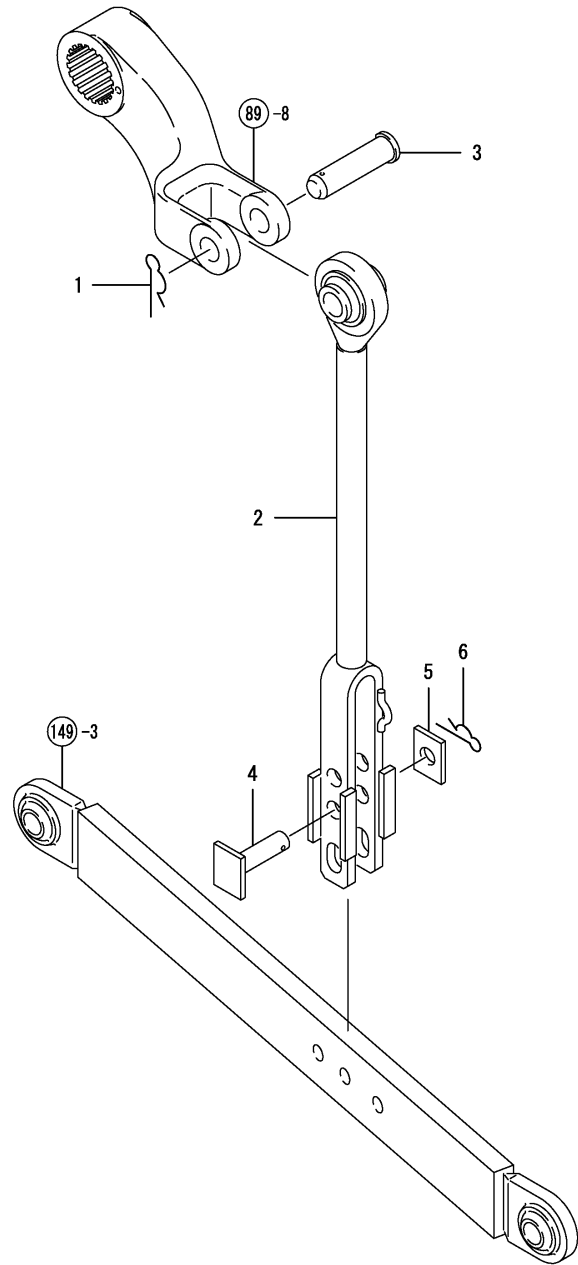
(A)=EF685-AU-PQ
(B)=
(C)=

(D)=
(E)=
(F)=



No.	Lev.	Parts No.	Description	Q'ty						I	R
				(A)	(B)	(C)	(D)	(E)	(F)		
1	1	198072-18320	SPRING, 12	3							
2	1	195397-27810	PIN, 19X92	2							
3	1	198084-71110	LINK ASSY, TOP	1							
4	2	198092-71530	TURNBUCKLE ASSY	1							
5	2	194145-71600	LINK ASSY, TOP R	1							
6	2	194145-71700	LINK ASSY, TOP L	1							
7	2	198092-71750	NUT ASSY, M24	1							
8	2	22217-060000	WASHER, SPRING 6	2							
9	2	22351-040024	PIN, SPRING 4.0X24	2							
10	2	26557-060062	SCREW, M6X 6	2							
11	1	1A7640-71710	HOOK, TOP LINK	1							
12	1	198092-71720	COLLAR, 8.1X10.5X9.3	1							
13	1	194180-72950	PIN ASSY, LOCK	2							
14	1	22137-080000	WASHER, 8	1							
15	1	26346-080002	NUT, M8	1							

Fig.147. LIFT LINK(L)



(A)=EF685-AU-PQ
(B)=
(C)=

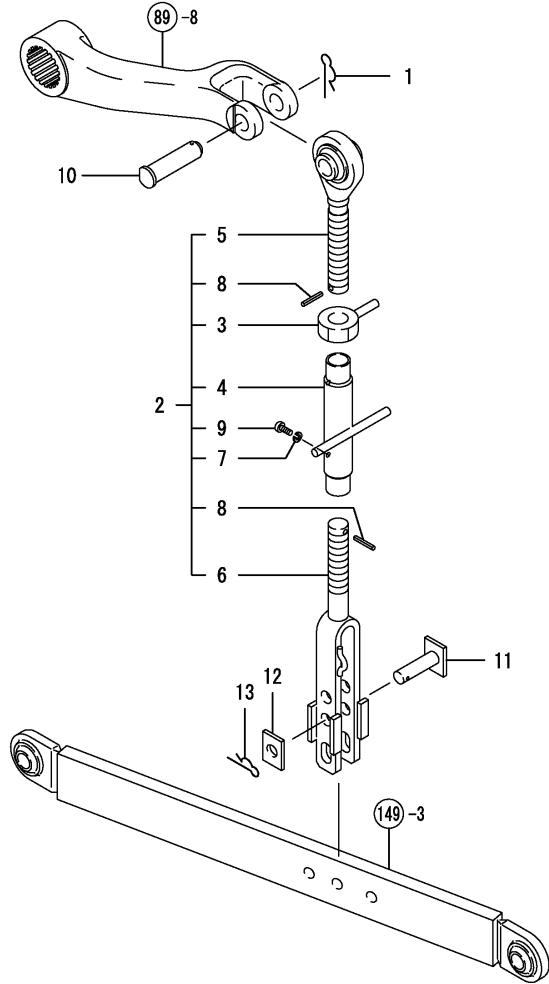
(D)=
(E)=
(F)=

No.	Lev.	Parts No.	Description	Q'ty						I	R
				(A)	(B)	(C)	(D)	(E)	(F)		
1	1	195184-15360	PIN, SNAP 19	1							
2	1	1A7640-72300	LINK ASSY, LIFT L	1							
3	1	1A7640-72410	PIN, LIFT ARM	1							
4	1	194640-72550	PIN, LIFT YOKE	1							
5	1	194330-72560	STOPPER	1							
6	1	22372-160000	PIN, SNAP 16	1							

Fig.148. LIFT LINK(R

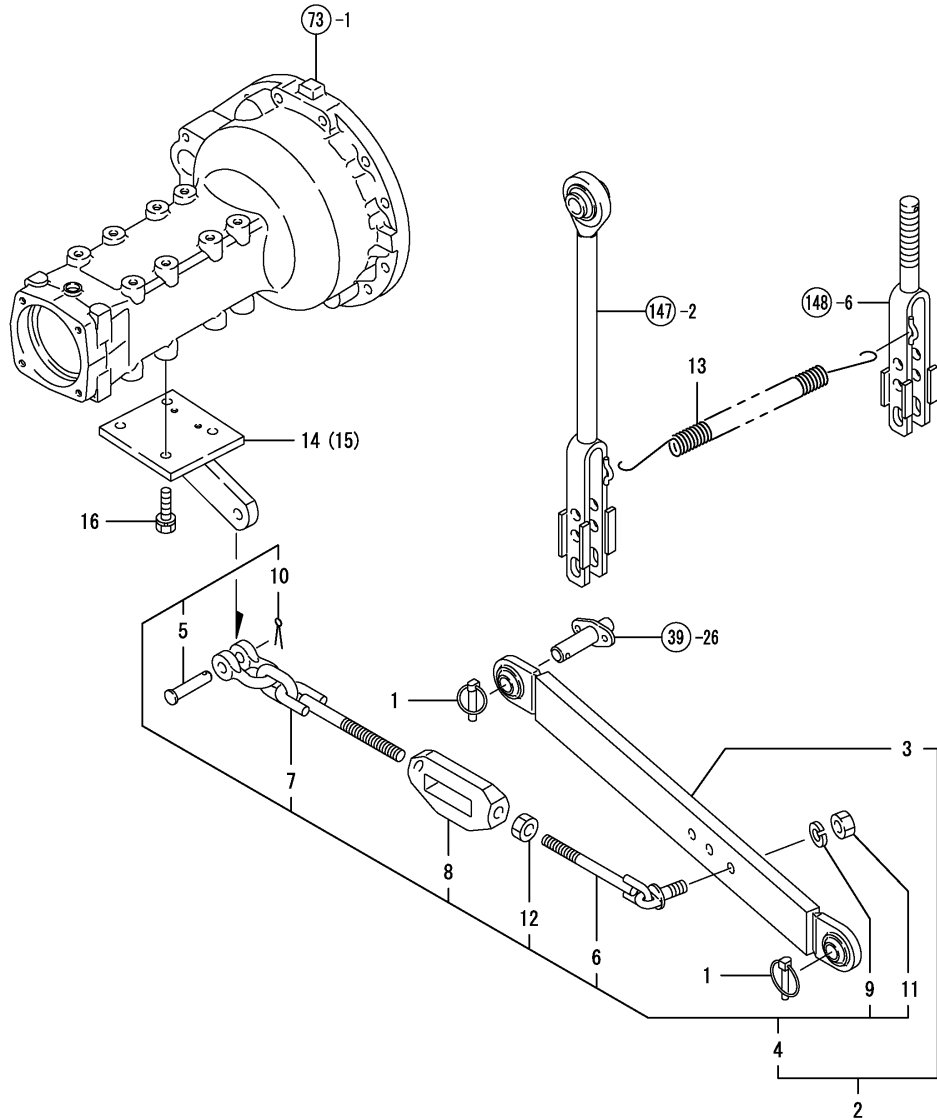
(A)=EF685-AU-PQ
(B)=
(C)=

(D)=
(E)=
(F)=



No.	Lev.	Parts No.	Description	Q'ty						I	R
				(A)	(B)	(C)	(D)	(E)	(F)		
1	1	195184-15360	PIN, SNAP 19	1							
2	1	1A7640-72100	LINK KIT, LIFT R	1							
3	2	198492-71800	NUT ASSY, LOCK 24	1							
4	2	198253-72150	TURNBUCKLE	1							
5	2	1A7640-72200	BOLT, EYE	1							
6	2	1A7640-72250	YOKE ASSY, LINK R	1							
7	2	22217-060000	WASHER, SPRING 6	2							
8	2	22351-040024	PIN, SPRING 4.0X24	2							
9	2	26557-060062	SCREW, M6X 6	2							
10	1	1A7640-72410	PIN, LIFT ARM	1							
11	1	194640-72550	PIN, LIFT YOKE	1							
12	1	194330-72560	STOPPER	1							
13	1	22372-160000	PIN, SNAP 16	1							

Fig.149. LOWER LINK



(A)=EF685-AU-PQ
(B)=
(C)=

(D)=
(E)=
(F)=

No.	Lev.	Parts No.	Description	Q'ty						I	R
				(A)	(B)	(C)	(D)	(E)	(F)		
1	1	794130-71410	PIN ASSY, BALL	4							
2	1	1A7640-73100	LINK ASSY, LOWER	2							
3	2	1A7640-73110	LINK ASSY, LOWER	2							
4	2	1A7640-74500	CHAIN ASSY, CHECK	2							
5	3	198153-74100	PIN, SHACKLE	2							
6	3	1A7270-74250	CHAIN ASSY, CHECK R	2							
7	3	1A7640-74510	CHAIN ASSY, CHECK F	2							
8	3	198153-74680	TURNBUCKLE	2							
9	3	22217-160000	WASHER, SPRING 16	2							
10	3	22417-400320	PIN, COTTER 4.0X32	2							
11	3	26736-160002	NUT, M16	2							
12	3	26756-160002	NUT, LOCK M16	2							
13	1	194145-73150	SPRING, LOCK	1							
14	1	198448-74100	BRACKET, CHAIN L	1							
15	1	198448-74200	BRACKET, CHAIN R	1							
16	1	26013-120302	BOLT, M12X 30	8							

Fig.150. DRAWBAR PLATE

(A)=EF685-AU-PQ
(B)=
(C)=

(D)=
(E)=
(F)=

No.	Lev.	Parts No.	Description	Q'ty						I	R
				(A)	(B)	(C)	(D)	(E)	(F)		
1	1	198535-75140	PLATE, DRAWBAR	2							
2	1	26013-120302	BOLT, M12X 30	4							

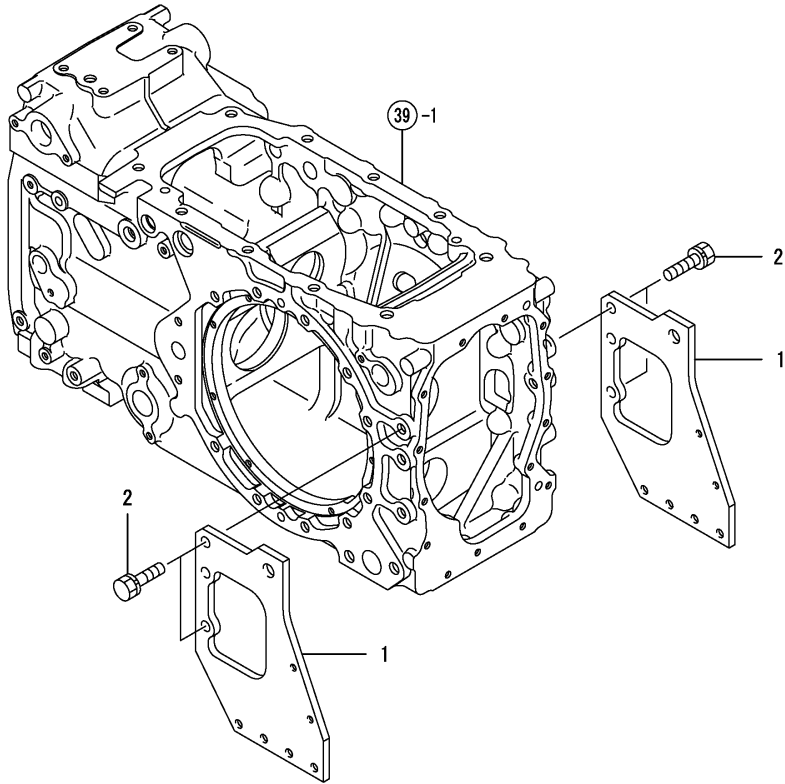
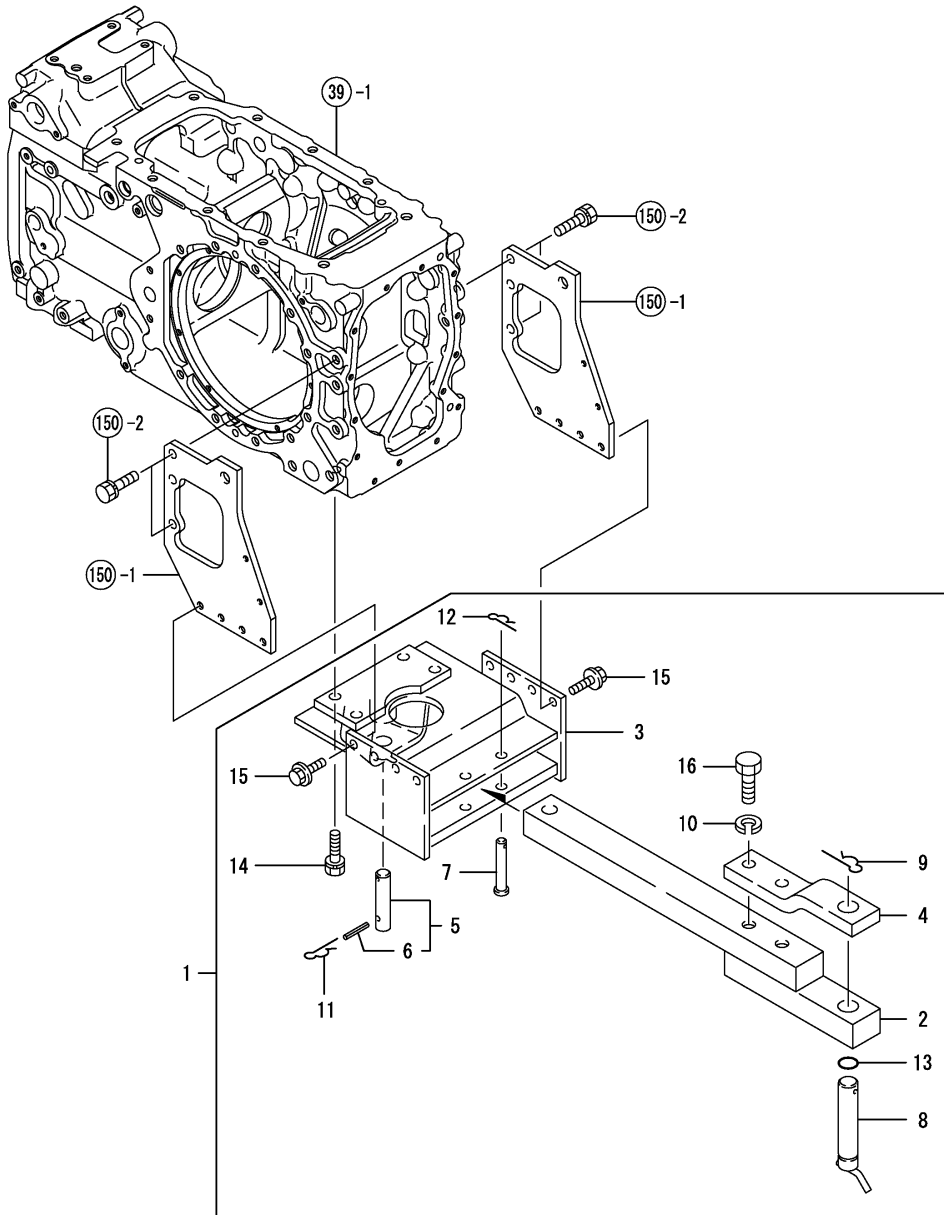


Fig.151. DRAWBAR HITCH

(A)=EF685-AU-PQ
(B)=
(C)=

(D)=
(E)=
(F)=

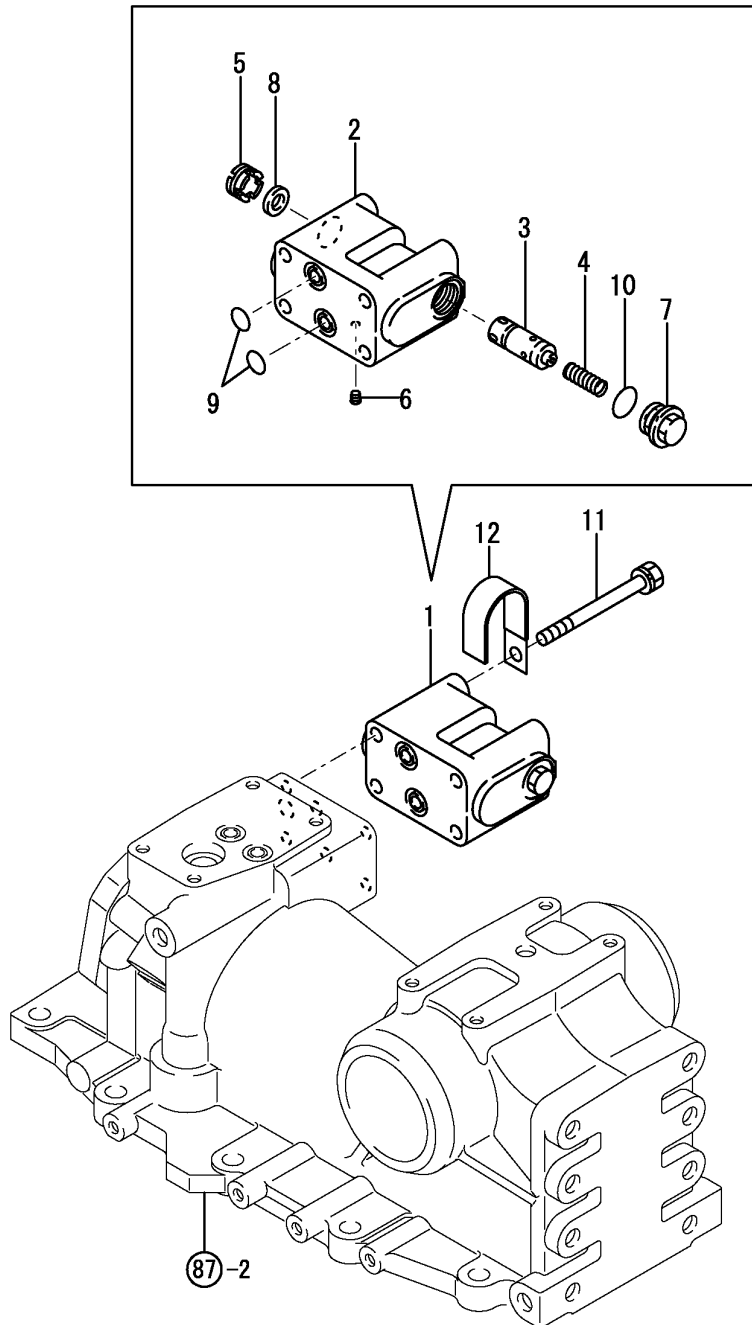


No.	Lev.	Parts No.	Description	Q'ty						I	R
				(A)	(B)	(C)	(D)	(E)	(F)		
1	1	198535-75700	HITCH KIT, DRAWBAR	1							
2	2	198448-75111	HITCH, DRAWBAR	1							
3	2	198448-75130	BRACKET, DRAWBAR	1							
4	2	198448-75250	PLATE, DRAWBAR	1							
5	2	198448-75320	PIN ASSY, HITCH	1							
6	3	22351-060040	PIN, SPRING 6.0X40	1							
7	2	198448-75440	PIN, STOPPER	2							
8	2	198133-75750	PIN ASSY, HITCH 25	1							
9	2	194080-75790	PIN, SNAP 28	1							
10	2	22217-160000	WASHER, SPRING 16	2							
11	2	22360-190000	PIN, SNAP 19	1							
12	2	22372-120000	PIN, SNAP 12	2							
13	2	24311-000220	O-RING, 1AP22.0	1							
14	2	26013-140452	BOLT, M14X 45	4							
15	2	26106-100202	BOLT, M10X 20 PLATED	8							
16	2	26116-160502	BOLT, M16X 50 PLATED	2							

Fig.152. FLOW CONTROL VALVE

(A)=EF685-AU-PQ
(B)=
(C)=

(D)=
(E)=
(F)=



No.	Lev.	Parts No.	Description	Q'ty						I	R
				(A)	(B)	(C)	(D)	(E)	(F)		
1	1	1A7640-48690	VALVE ASSY, CONTROL	1							
2	2	16826A-01950	VALVE BODY(10B1	1							
3	2	16826A-02050	SPOOL(FLOW CONT. 10B	1							
4	2	178073-02220	SPRING, FLOW CONTROL	1							
5	2	194275-45340	SCREW, VALVE SEAT	1							
6	2	194555-77120	PLUG, 1/16	1							
7	2	198121-77330	PLUG	1							
8	2	22117-100000	WASHER, 10	1							
9	2	24315-000140	O-RING, 1BP14.0	2							
10	2	24315-000180	O-RING, 1BP18.0	1							
11	1	26013-080852	BOLT, M8X 85	4							
11-1	1	26106-080852	BOLT, M8X 85 PLATED	4							Q
(A=FZZZZZ)											
12	1	198448-51460	CLAMP, HARNESS	1							W
(A=FXXXXXX)											

Fig.153. CONTROL BOX

(A)=EF685-AU-PQ

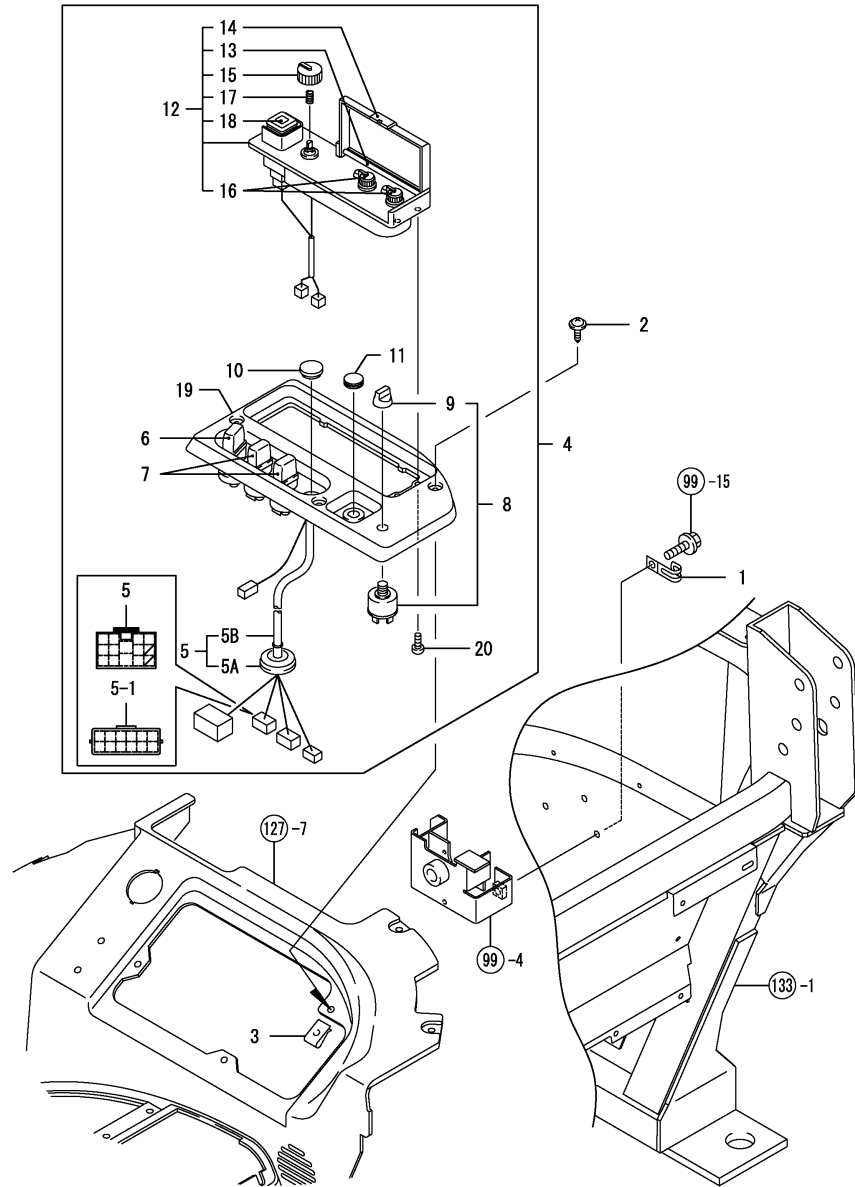
(B)=

(C)=

(D)=

(E)=

(F)=



No.	Lev.	Parts No.	Description	Q'ty						I	R
				(A)	(B)	(C)	(D)	(E)	(F)		
1	1	194440-51620	CLAMP	1							
2	1	194940-61790	SCREW, TAPPING M5X16	3							
2-1	1	194555-61640	SCREW, TAPPING M5X25	3							N
(A=*2008.05.)											
3	1	198220-63850	NUT, M5	3							
4	1	1A7660-78320	CONTROLLER ASSY	1							
4-1	1	1A7660-78321	CONTROLLER ASSY	1							S 1
(A=FZZZZZ)											
5	2	1A7640-51380	HARNESS, WIRE	1							
5-1	2	1A7640-51381	HARNESS, WIRE	1							S
(A=FZZZZZ)											
5A	3	1A7640-51320	GROMMET, 50	1							W
(A=FZZZZZ)											
5B	3	1A7640-51391	WIRING HARNESS,	1							W
(A=FZZZZZ)											
6	2	198448-52260	SWITCH, SELECTOR 2	1							
7	2	198448-52280	SWITCH, SELECTOR 3	2							
8	2	1A7450-52310	SWITCH ASSY, SELECT	1							
9	3	1A7450-52330	KNOB	1							
10	2	194448-61620	GROMMET, 20.5	1							
11	2	194145-64430	GROMMET, 12	1							
12	2	1A7660-78330	BOX ASSY, CONTROL	1							
13	3	198535-78420	SHAFT	1							
14	3	198535-78430	COVER	1							
15	3	198535-78440	KNOB ASSY, SWITCH 1	1							
16	3	198535-78450	KNOB ASSY, SWITCH 2	2							
17	3	198535-78460	SPRING	1							
18	3	198535-78470	SWITCH	1							
19	2	1A7660-78370	PANEL, OPERATION	1							
20	2	198071-78420	SCREW, TAPPING M5X10	2							

Remarks

(1)Ref.No.4 and the difference of 4-1 refer to ref.Nos.5,5-1.

Fig.154. CONTROLLER

(A)=EF685-AU-PQ
(B)=
(C)=

(D)=
(E)=
(F)=

No.	Lev.	Parts No.	Description	Q'ty						I	R
				(A)	(B)	(C)	(D)	(E)	(F)		
1	1	1A7640-78351	CONTROLLER, UFO	1							
2	1	1A7640-78410	BRACKET, CONTROL	1							
3	1	22157-080000	WASHER, 8	2							
4	1	26106-060452	BOLT, M6X 45 PLATED	2							
5	1	26106-080162	BOLT, M8X 16 PLATED	2							

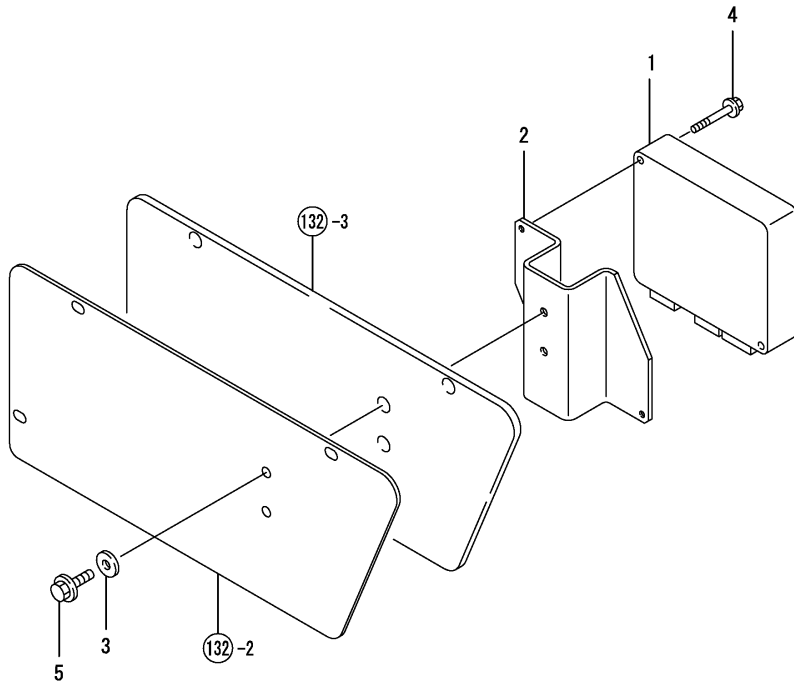


Fig.155. SENSOR

(A)=EF685-AU-PQ
(B)=
(C)=

(D)=
(E)=
(F)=

No.	Lev.	Parts No.	Description	Q'ty						I	R
				(A)	(B)	(C)	(D)	(E)	(F)		
1	1	194990-22110	NUT, M4	2							
2	1	194990-22110	NUT, M4	2							
3	1	198448-78560	SENSOR, LIFT ANGLE	1							
4	1	198360-78571	SENSOR, COVER F	1							
5	1	198094-78690	BRACKET, SENSOR	1							
6	1	26106-080162	BOLT, M8X 16 PLATED	2							

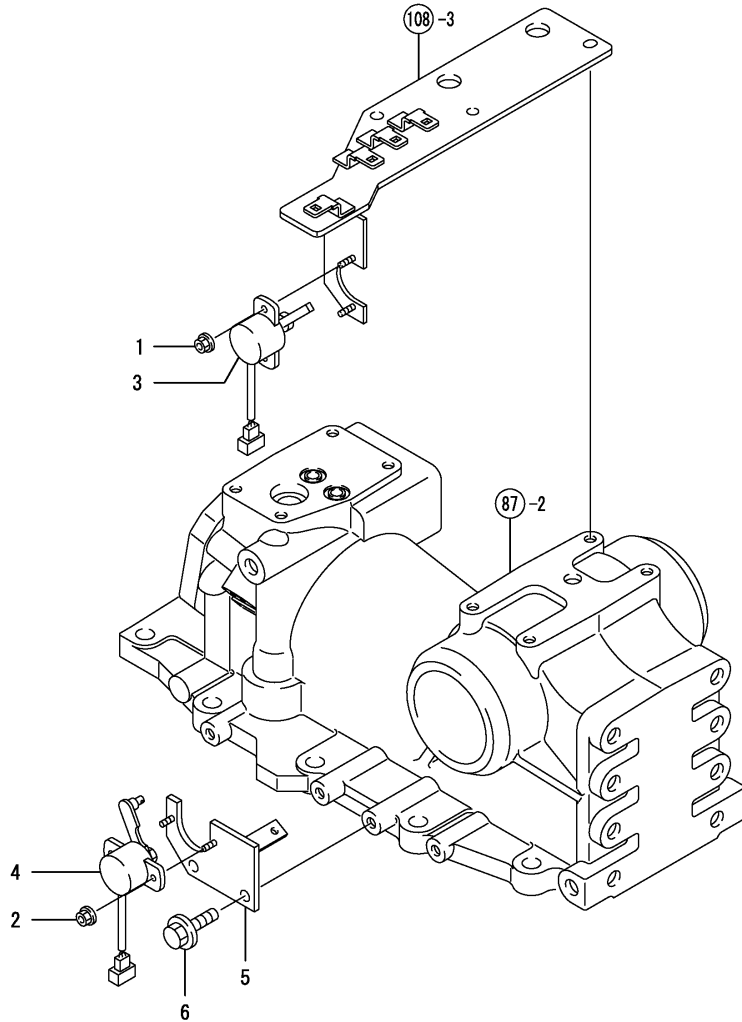
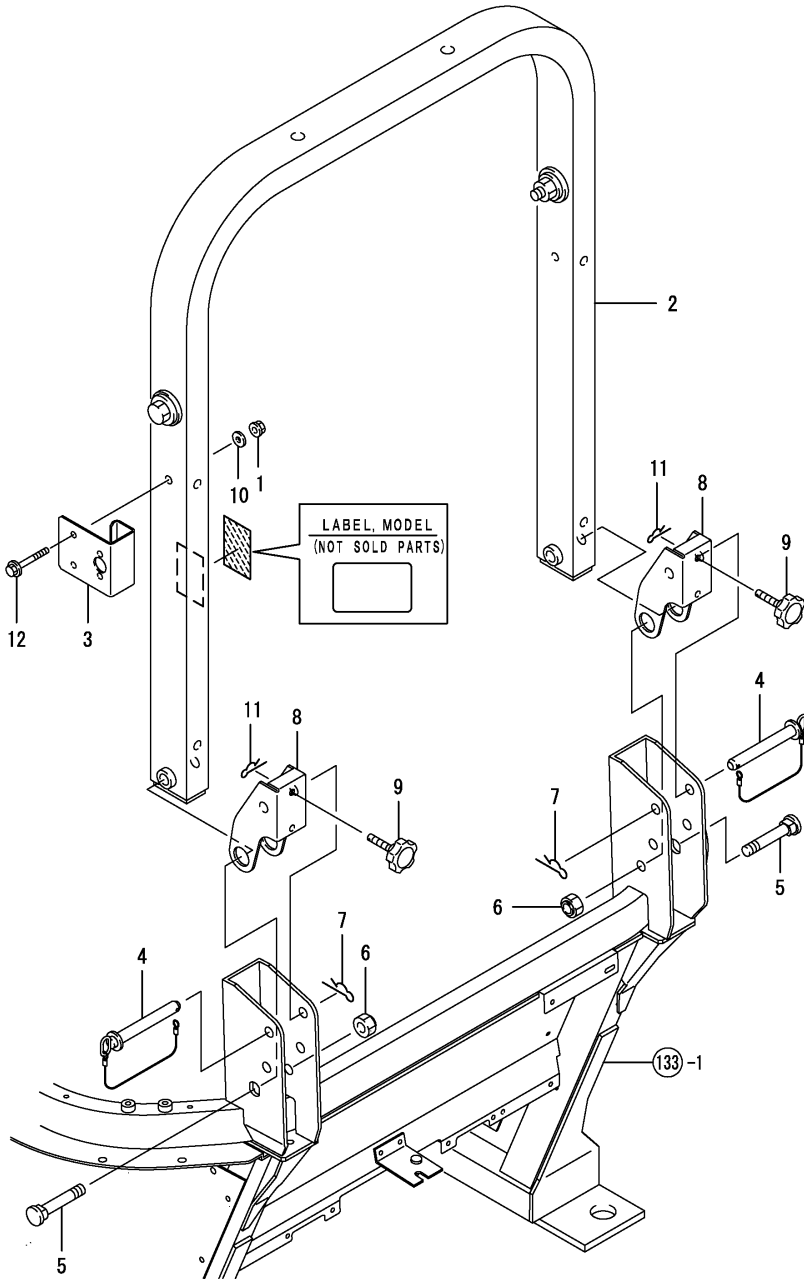


Fig.156. ROPS



(A)=EF685-AU-PQ
(B)=
(C)=

(D)=
(E)=
(F)=

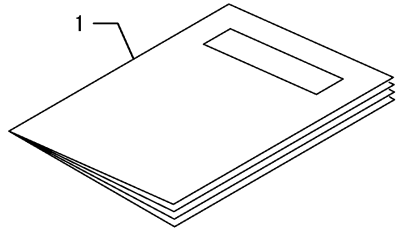
No.	Lev.	Parts No.	Description	Qty						I	R
				(A)	(B)	(C)	(D)	(E)	(F)		
1	1	194990-22140	NUT, M8	2							
2	1	1A7660-85060	FRAME ASSY, UPPER M	1							
3	1	1A7450-85281	STAY, LAMP	2							
4	1	198448-85290	PIN ASSY, STOPPER	2							
5	1	198101-85411	PIN, 16	2							
6	1	1A7260-85510	NUT, M16	2							
7	1	198133-85850	PIN, SNAP 16	2							
8	1	198448-85900	PLATE ASSY, BACK	2							
9	1	198133-85920	BOLT, M10X50	2							
10	1	22157-080000	WASHER, 8	2							
11	1	22417-200200	PIN, COTTER 2.0X20	2							
12	1	26106-080652	BOLT, M8X 65 PLATED	2							

Fig.157. ACCESSORY

(A)=EF685-AU-PQ
(B)=
(C)=

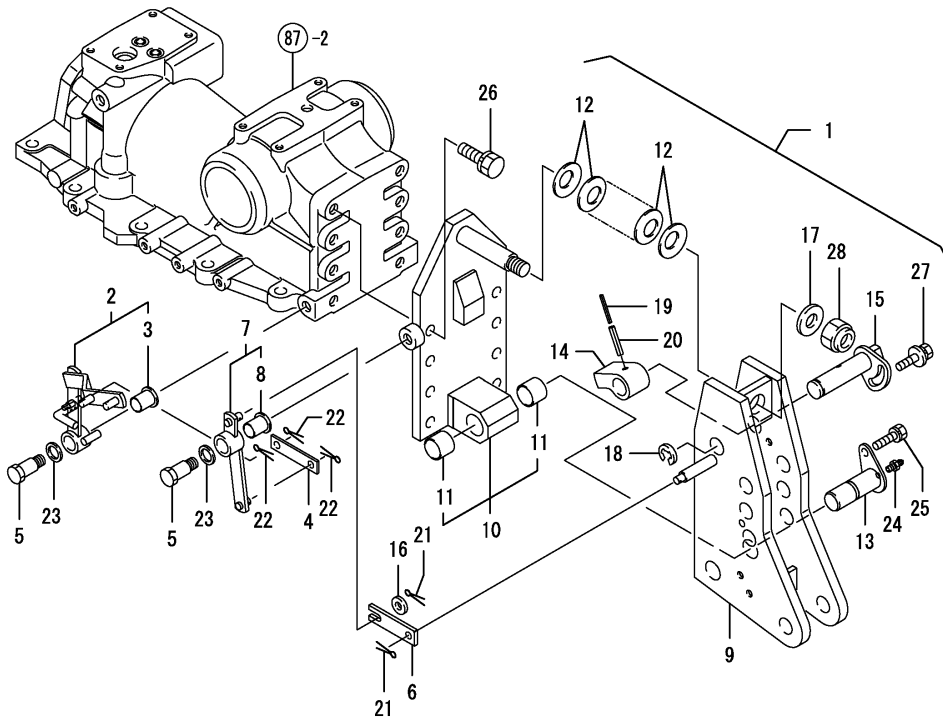
(D)=
(E)=
(F)=

No.	Lev.	Parts No.	Description	Q'ty						I	R
				(A)	(B)	(C)	(D)	(E)	(F)		
1	1	0A042-G00300	OPERATION MANUAL	1							
1-1	1	0A042-G00301 (A=*2008.08.)	OPERATION MANUAL	1							S
1-2	1	0A042-G00302 (A=FXXXXXX)	OPERATION MANUAL	1							N
1-3	1	0A042-G00303 (A=FXXXXXX)	OPERATION MANUAL	1							N



(A)=EF685-AU-PQ
 (B)=
 (C)=

(D)=
 (E)=
 (F)=



No.	Lev.	Parts No.	Description	Q'ty						I	R
				(A)	(B)	(C)	(D)	(E)	(F)		
1	1	1A7680-47000	DRAFT KIT,	1							
2	2	1A7680-47100	LINK ASSY, FEEDBACK	1							
3	3	1A7450-47970	BUSH, DRY 17X15X21	1							
4	2	198448-47160	PLATE	1							
5	2	1A7640-47170	BOLT, STEPPED M12	2							
6	2	198448-47190	PLATE, S	1							
7	2	1A7680-47200	LINK ASSY, FEEDBACK	1							
8	3	1A7450-47970	BUSH, DRY 17X15X21	1							
9	2	1A7680-47610	HINGE, TOP LINK	1							
10	2	1A7680-47700	SUPPORT ASSY, HINGE	1							
11	3	24550-022200	BUSH, 22X20	2							
12	2	198091-47790	SPRING, 20	23							
13	2	198448-47850	PIN, HINGE	1							
14	2	194640-47931	CAM, DRAFT LOCK	1							
15	2	194640-47961	SHAFT, LOCK	1							
16	2	22137-080000	WASHER, 8	1							
17	2	22137-160000	WASHER, 16	1							
18	2	22272-000150	RING, E-15	1							
19	2	22351-035032	PIN, SPRING 3.5X32	1							
20	2	22351-060032	PIN, SPRING 6.0X32	1							
21	2	22417-200200	PIN, COTTER 2.0X20	2							
22	2	22417-200200	PIN, COTTER 2.0X20	3							
23	2	23414-150019	GASKET, 15X1.0	2							
24	2	24761-010000	NIPPLE, GREASE M6F	1							
25	2	26013-080162	BOLT, M8X 16	1							
26	2	26013-120302	BOLT, M12X 30	8							
27	2	26014-080202	BOLT, M8X 20	1							
28	2	26356-160002	NUT, M16	1							

Fig.159. REPAIR PARTS(FUEL PUMP)

(A)=EF685-AU-PQ
(B)=
(C)=

(D)=
(E)=
(F)=

No.	Lev.	Parts No.	Description	Q'ty						I	R
				(A)	(B)	(C)	(D)	(E)	(F)		
1	1	1A7450-51900	PUMP KIT, FUEL FEED	1							
2	2	1A7450-51190	CABLE, FUEL PUMP	1							
3	2	129612-52100	PUMP ASSY, FUEL FEED	1							
4	2	29622-140001	BAND, RF140	1							

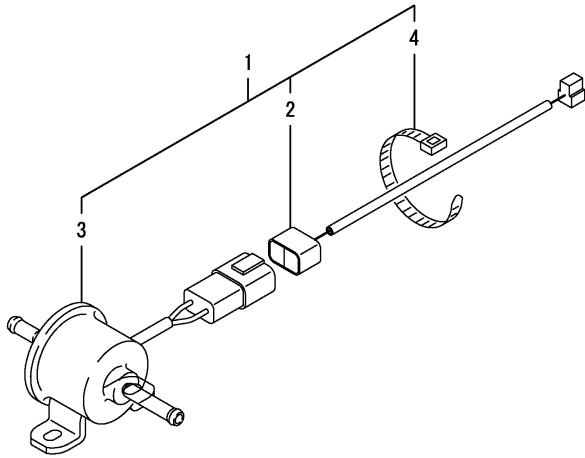
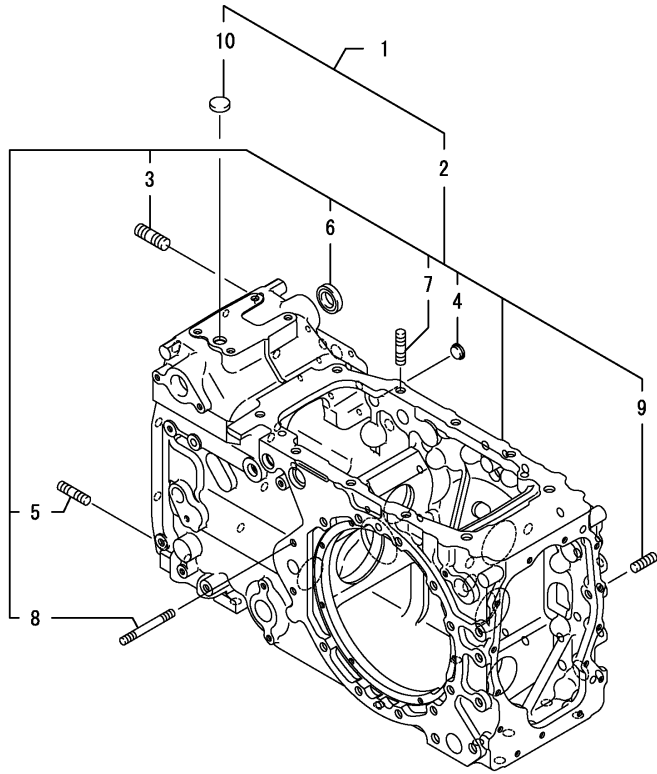


Fig.161. REPAIR PART(MISSION HOUSING

(A)=EF685-AU-PQ
(B)=
(C)=

(D)=
(E)=
(F)=



No.	Lev.	Parts No.	Description	Q'ty						I	R
				(A)	(B)	(C)	(D)	(E)	(F)		
1	1	1A7640-24970	HOUSING,TRANSMISSION	1							
2	2	1A7640-24101	HOUSING ASSY, XMSN.	1							
3	3	198240-24120	STUD, M16X45	2							
4	3	1A7450-24170	PLUG, BORE 17	1							
5	3	198240-24530	STUD, M12X45	2							
6	3	198212-27350	SEAL, OIL TC4 203507	1							
7	3	26216-120352	STUD, M12X 35	2							
8	3	26218-100902	STUD, M10X 90	2							
9	3	26218-120252	STUD, M12X 25	2							
10	2	27260-170000	PLUG, 17	1							

Parts No. Index

Parts No.	Fig. No.	Ref. No.
0A042-G00300	157	1
0A042-G00301	157	1 -1
0A042-G00302	157	1 -2
0A042-G00303	157	1 -3
101504-55101	7	25
106990-44660	7	21
		22
119005-12571	1	15
119060-61990	3	4
119225-52102	1	35
119255-44660	1	31
119527-44610	1	29 A
119527-44630	1	29 B
119620-51350	42	19
119650-77910	1	44
119802-55710	1	38
119808-12540	1	13
121267-44590	1	26
121450-44531	1	24
121468-44540	1	27
121470-44581	1	28
124450-44560	1	25
124550-77030	1	42
124756-77040	1	43
	105	26
		27
124764-44810	141	1
124766-59050	1	41
	2	16
		17
		18
		19
	7	26
		27
		28
		29
126650-12680	1	17
129005-12080	1	3
129054-77800	3	5
129054-77811	3	7
129054-77820	3	8
129054-77830	3	9
129062-12560	1	14
129100-55690	1	37
129150-49081	1	33
129150-49101	1	32
129457-12530	1	12
129457-44520	1	22
129457-44530	1	21
129461-59580	7	30

Parts No.	Fig. No.	Ref. No.
129466-44510	1	23
129467-44580	118	3
129574-91580	117	12
129612-12650	1	16
129612-52100	1	46
	159	3
		36
129906-55700	1	2
129956-12040	1	2
129956-12100	1	4
129956-12110	1	5
129956-12120	1	6
129956-12130	1	7
129956-12140	1	8
129956-12150	1	9
129956-12160	1	10
129963-12512	1	11
129963-44500	1	18
129963-44550	1	20
129963-44600	1	29
129963-44640	1	30
129963-49150	1	34
129972-13580	6	9
129972-13590	6	8
129972-44600	1	19
168227-01020	42	16
168227-01050	42	3
168227-02120	42	17
16826A-01950	152	2
16826A-02050	152	3
172010-07810	2	10
	104	1
	106	1
		2
	115	1
172112-41980	58	10
		17
	60	26
172157-72710	30	22
172187-61421	121	17
172510-74410	94	19
		42
172510-74440	94	20
		43
172510-74450	94	21
		44
172510-74471	94	22
		45
174810-22130	16	9
174841-42920	8	1
175022-49700	7	23

Parts No.	Fig. No.	Ref. No.
178073-01200	41	11
	42	2
	69	4
178073-02220	152	4
178076-00201	41	3
178076-02300	42	4
178076-02400	42	5
178076-02430	42	6
178076-02460	42	52 A
178076-04111	94	3
178076-04140	94	4
		7
178076-04150	94	5
		8
178076-04210	94	9
178076-04300	94	6
178076-04310	94	30
178076-07200	69	10
185100-50070	3	6
192157-24801	42	15
192157-26460	41	35
192160-34150	21	5
192180-24641	41	24
192180-24680	41	25
192180-24690	41	26
192180-24700	41	27
192180-24730	41	33
192180-24740	41	34
192180-24770	41	5
192180-24780	41	6
192180-24790	41	7
192180-24800	41	8
192180-24810	41	9
192180-24850	41	10
192180-24910	41	28
194065-34170	24	10
		10 -1
		20
		20 -1
	80	7
		17
194065-45610	42	36
194065-45620	42	37
194065-45630	42	38
194065-45640	42	39
194065-45650	42	40
194065-45660	42	41
194065-45670	42	42
194065-45680	42	43
194065-45690	42	44

Parts No.	Fig. No.	Ref. No.
194065-45710	42	45
194065-45730	42	46
194065-45740	42	47
194065-45750	42	48
194065-60570	4	12
194066-13130	71	1
194080-75790	151	9
194130-37730	85	8
194130-37740	64	4
194130-37750	64	5
194130-48650	101	2
194130-61570	132	1
194145-27450	57	10
	67	3
194145-34390	79	6
194145-51550	109	7
194145-61560	120	30
194145-61570	58	29
194145-61651	125	13
194145-64430	153	11
194145-71600	146	5
194145-71700	146	6
194145-73150	149	13
194146-21150	34	5
194150-01270	2	6
	31	1
	58	24
194150-21910	10	14
194150-22480	58	5
	64	3
	85	3
194150-24270	34	9
194150-25530	45	9
194150-52160	110	10
194150-52170	112	1
194151-04260	9	5
194151-36670	20	21
194151-47760	99	5
194151-63250	4	13
194167-61650	117	15
	126	5
194170-45370	42	18
194170-51210	104	3
		4
194171-13870	20	19
194180-12471	13	7
	30	1
194180-25550	46	2
194180-32640	73	2
194180-51640	104	12

Parts No. Index

Parts No.	Fig. No.	Ref. No.
194180-72950	146	13
194181-14180	24	6
		6 -1
		16
		16 -1
	80	6
		16
194181-14800	24	2
		12
194181-14810	24	4
		14
194197-25930	10	15 -1
194197-56350	58	38
	123	1
	126	2
	133	2
194205-36320	83	6
194205-63550	8	2
	96	15
194215-27260	58	8
194235-29440	59	3
194250-11140	10	4
194250-25240	45	1
194250-25520	44	9
194250-47490	64	6
194274-13580	20	1
194275-27750	20	20
194275-45340	152	5
194275-51210	104	5
194278-34820	80	9
		19
194279-14220	26	2
194300-21460	127	1
194300-25790	50	5
194301-12730	46	1
194305-32650	43	4
194305-34810	25	3
		6
194310-24770	42	53
	87	1
194310-47790	99	6
194312-25470	44	8
194312-39480	96	1
194312-46750	87	19
194320-31560	71	4
194321-11940	18	4
194321-13230	15	2
194321-13250	15	4
194321-13270	15	6
194321-13680	20	2

Parts No.	Fig. No.	Ref. No.
194323-13290	15	7
194330-62530	75	10
194330-72560	147	5
	148	12
194361-25681	160	3
194370-26350	53	4
194420-05210	131	1
194420-39360	68	26
194420-39370	48	25
	68	27
	160	27
194420-56620	7	9
194420-61640	125	15 -1
		16 -1
194420-62260	2	20
	103	12
194430-25460	48	2
	50	2
	160	2
194440-25810	50	6
194440-51620	105	15
	153	1
194440-51630	105	16
	115	7
194448-61620	153	10
194450-11190	34	1
194450-34511	80	8
		18
194450-34600	80	2
		12
194450-34610	80	3
		13
194450-34620	80	4
		14
194450-48830	100	20
194451-14820	24	3
		13
194454-25870	52	5
194464-12190	128	1
194464-33130	74	2
194465-13240	15	3
194465-13260	15	5
194470-48630	100	16
194470-48640	100	18
194515-01190	6	3
	125	1
194515-25530	50	3
194515-25690	50	4
194521-41570	41	36
194550-47110	99	1

Parts No.	Fig. No.	Ref. No.
194555-25510	68	4
194555-25520	68	5
194555-25550	68	6
194555-25560	68	7
194555-25570	68	8
194555-25620	68	11
194555-25760	68	12
194555-25790	68	13
194555-26520	51	6
194555-26620	45	16
194555-42280	87	7
194555-46380	87	18
194555-51210	104	3 -1
		4 -1
194555-56890	134	1
194555-61640	126	4
	153	2 -1
194555-77120	152	6
194555-77910	87	20
	94	70
		71
	95	9
194556-42220	41	37
194630-24230	58	2
194640-25860	45	13
	46	15
194640-26130	47	2
194640-32650	73	4
194640-34140	79	3
194640-42140	87	3
194640-44250	89	6
194640-44260	89	7
194640-44540	89	10
194640-46420	93	5
194640-47931	158	14
194640-47961	158	15
194640-65730	141	4
194640-72550	147	4
	148	11
194640-73180	39	26
194641-13210	15	1
194641-13670	18	7
194641-13760	20	8
194641-13780	20	11
194641-13790	20	14
194641-13830	21	3
194641-13840	17	4
	21	4
194680-25820	52	3
194680-25840	52	4

Parts No.	Fig. No.	Ref. No.
194680-27540	62	8
	65	2
194680-34710	81	1
194680-34761	81	2
		7
194680-34810	81	6
194680-34900	81	3
		8
194680-34910	81	4
		9
194680-34920	81	5
		10
194680-51560	109	8
194680-51670	2	13
	4	20
	104	13
	105	17
		18
194681-14790	24	7
		17
194681-14830	24	8
		18
194681-14860	24	9
		19
194681-14890	24	5
		15
194697-62560	129	4
194740-00160	58	21
194740-55430	99	11
194765-14860	24	2 -1
		12 -1
194765-14870	24	4 -1
		14 -1
194765-14880	24	3 -1
		13 -1
194800-24620	42	8
194800-25250	52	1
194820-27370	58	9
		16
	60	25
194850-24630	42	9
194850-26340	50	14
194850-26370	50	17
194850-49240	41	38
194850-49290	41	39
	94	32
194850-49340	94	10
		33
194850-49380	94	11
		34

Parts No. Index

Parts No.	Fig. No.	Ref. No.
194850-49400	94	12
		35
194850-49410	94	13
		36
194850-49440	94	14
		37
194850-49450	94	15
		38
194850-49460	94	16
		39
194850-49480	94	17
		40
194850-49490	94	18
		41
194855-24290	12	4
194881-12650	26	1
		1 -1
194940-47341	95	4
194940-61790	58	39
		63
		96
		125
		126
		129
		153
		153
194951-14430	68	2
194951-14440	68	3
194990-20170	58	4
		14
		60
		24
194990-22110	155	1
		2
194990-22120	7	6
		84
		115
		2
194990-22130	2	11
		12
		4
		8
		7
		7
		100
		1
		105
		1
		2
		3
		108
		1
		2
		115
		3
		118
194990-22140	4	9
		6
	6	14

Parts No.	Fig. No.	Ref. No.
194990-22140	32	4
		61
		62
		1
		105
		4
		109
		1
		120
		2
		3
		127
		2
		136
		1
		2
		139
		1
		156
		1
194990-22150	31	12
195184-15360	147	1
195188-11210	16	2
		5
195397-27810	146	2
195747-22360	137	1
197810-84840	58	41
		58
		135
		2
197830-85490	106	16
198010-85810	8	3
		129
		10
198071-01340	4	4
198071-01390	4	6
198071-04331	7	15
198071-04490	9	12
198071-13780	20	12
198071-15612	27	10
198071-15720	29	2
198071-15740	29	3
198071-17150	30	2
198071-17481	30	18
198071-18401	60	16
198071-18520	60	17
		18
		18
198071-18530	60	19
		20
		20
198071-21140	34	4
198071-24340	39	19
		40
		1
198071-25590	68	9
198071-25610	68	10
198071-27860	57	12
198071-27890	40	3
198071-37510	84	13
198071-37781	86	6
198071-37791	86	7
198071-37820	86	8

Parts No.	Fig. No.	Ref. No.
198071-47840	99	10
198071-53610	115	12
198071-53660	115	14
		21
198071-53670	115	15
198071-53710	115	23
198071-53770	115	26
198071-56290	4	11
198071-57110	119	1
198071-61890	125	17
		18
		126
		12
		127
		6
198071-62791	129	7
198071-62800	134	7
198071-62890	134	10
198071-65610	125	23
198071-78420	116	20
		21
		21
		20
		21
		21
		125
		24
		25
		26
		153
		20
198072-18320	60	28
		146
		1
198072-25520	68	5 -1
198072-27650	41	54
198072-52180	114	1
198072-60590	125	2
		3
		126
		3
		127
		3
		4
		4
198075-18311	60	5
198075-25940	45	15
198083-88810	127	13
198084-71110	146	3
198091-47790	158	12
198092-71530	146	4
198092-71720	146	12
198092-71750	146	7
198093-84810	27	24
		25
		105
		29
		30
		30
198093-85650	119	2
		129
		9
198093-86180	104	20
198094-62720	134	3

Parts No.	Fig. No.	Ref. No.
198094-62770	134	5
198094-62790	134	6
198094-78690	155	5
198101-85411	156	5
198119-27150	62	2
		65
		67
		1
198121-25830	45	5
198121-25840	45	11
198121-25850	45	12
198121-25870	45	14
198121-48870	94	69
		95
		7
		7
198121-55510	110	18
198121-77330	152	7
198122-65730	143	3
198129-78710	100	21
198129-78720	100	22
198133-02120	2	7
		1
		103
		1
198133-11132	10	7
198133-13760	20	9
198133-13780	20	13
198133-13790	20	15
198133-13810	14	3
198133-17211	13	8
198133-17550	31	11
198133-22510	84	6
198133-22530	84	7
198133-25860	46	16
198133-25890	49	6
198133-27781	60	8
198133-27820	60	9
198133-34130	82	1
198133-52170	2	14
		15
		111
		2
198133-64400	138	5
198133-75750	151	8
198133-85850	156	7
198133-85920	156	9
198138-49100	103	9
198141-11111	10	6
198141-13600	18	2
198141-19100	111	1
198149-25700	46	7
198149-25780	46	8
198149-25880	46	17
198149-25890	46	9
198149-33410	77	1

Parts No. Index

Parts No.	Fig. No.	Ref. No.
198149-33420	77	2
198151-61080	121	9
198153-04290	7	5
198153-04670	9	16
198153-13521	17	2
198153-51020	104	15
198153-51040	104	16
198153-51540	109	6
198153-51700	107	2
198153-51810	85	15
	110	2
198153-52150	104	14
198153-52400	131	8
		11
198153-53410	116	15
198153-65351	140	3
198153-74100	149	5
198153-74680	149	8
198153-83870	128	6
		7
198163-65350	144	1
198163-65780	143	4
198163-65930	144	5
198165-46130	69	5
198165-46140	69	6
198165-46150	69	7
198165-48560	94	31
198196-83170	116	22
198200-18350	66	2
198200-34130	26	3
198200-34190	26	4
198208-11310	22	8 -2
198212-24140	39	10
198212-24281	41	1
198212-24700	43	1
198212-24750	43	3
198212-24910	42	54
198212-25130	44	1
198212-25150	44	2
198212-25210	44	3
198212-25220	44	4
198212-25240	44	5
198212-25320	45	2
198212-25340	49	2
198212-25400	45	3
198212-25460	45	4
198212-25520	45	8
198212-25550	49	4
198212-25560	49	5
198212-25680	46	6

Parts No.	Fig. No.	Ref. No.
198212-25690	48	3
	160	4
198212-25720	43	8
198212-25750	48	6
	160	7
198212-25770	48	8
198212-25790	48	10
198212-25810	48	12
198212-25820	48	13
198212-25830	48	14
198212-25840	48	15
198212-25850	48	16
198212-25860	48	17
198212-25870	48	18
198212-25880	48	19
198212-25890	48	20
	160	22
198212-25930	48	23
	160	25
198212-26090	44	10
198212-26190	44	11
198212-26240	50	9
198212-26260	50	11
198212-26290	50	13
198212-26380	50	18
198212-26440	50	19
198212-26580	50	20
198212-26590	50	21
198212-27250	57	2
198212-27261	57	3
198212-27280	57	5
198212-27321	57	6
198212-27330	57	7
198212-27350	39	5
	57	8
	161	6
198212-27371	57	9
198212-27470	57	11
198212-27521	62	7
198212-27651	67	5
198212-27710	67	6
198212-27990	67	7
198212-33150	74	4
198213-24322	41	12
198213-24341	41	14
198213-24350	41	15
198213-24360	41	16
198213-24370	41	17
198213-24380	41	4
198213-24390	41	18

Parts No.	Fig. No.	Ref. No.
198213-24400	41	19
198213-24420	41	20
198213-24441	41	21
198213-24470	41	22
198213-24510	41	23
198213-24700	42	10
198213-24710	42	11
198213-24720	42	12
198213-24740	42	13
198213-24750	42	14
198217-27570	62	9
198217-33650	78	10 -1
198220-11520	10	11
198220-11530	10	12
198220-22520	37	5
198220-25810	51	1
198220-25830	46	12
198220-25840	46	13
198220-37900	75	8
	76	1
	85	14
	86	9
		10
198220-46400	93	3
198220-46500	94	1
198220-48750	32	5
198220-51860	7	24
198220-51870	33	2
	106	13
198220-52180	105	19
198220-61340	120	25
198220-61351	120	26
		27
		28
198220-61800	121	19
198220-63340	138	1
198220-63850	58	40
	63	16
	96	16
	129	8
	153	3
198220-85290	134	13
198223-52150	110	6
		8
198230-61560	9	22
	27	21
		22
		23
	105	24
		25

Parts No.	Fig. No.	Ref. No.
198230-61960	120	32
198240-04710	69	1
198240-11550	11	5
198240-21270	35	1
198240-24120	39	2
	161	3
198240-24530	39	4
	161	5
198240-32640	73	3
198240-36310	83	2
198240-36320	83	3
198240-36351	83	4
198240-36380	83	7
198240-36520	83	5
198240-36700	83	11
198240-36710	83	12
198240-36720	83	13
198240-56630	7	10
198245-51210	104	6
		7
	115	4
198250-32310	72	2
198251-11220	18	3
198251-13510	17	1
198251-13520	17	3
198251-13670	14	2
198251-13810	21	1
198251-13820	21	2
198253-72150	148	4
198255-24460	39	20
198255-83550	9	24
		25
198266-24330	42	7
198268-34850	24	7 -1
		17 -1
	80	10
		20
198268-56040	117	5
198268-61470	124	13
198268-62760	129	6
198268-63120	137	2
198273-01230	66	1
198273-27290	66	3
198273-27860	66	6
198273-27890	66	8
198273-28520	66	13
198273-28521	66	13 -1
198290-37510	27	20
	38	4
	75	7

Parts No. Index

Parts No.	Fig. No.	Ref. No.
198290-37510	85	1
198290-78550	99	12
198291-77870	7	31
	104	18
		19
198320-31530	71	2
198320-31550	71	3
198320-31570	71	5
198320-31630	71	6
198320-31820	71	7
198320-32111	71	8
198320-32660	73	5
198320-33550	78	2
198320-33560	78	3
198320-33610	78	6
198320-36200	83	1
198320-36790	83	14
198321-32612	73	1
198327-04840	69	2
198327-51530	109	5
198360-03260	2	8
	9	1
198360-03270	2	9
	9	2
198360-22550	48	1
	160	1
198360-53630	115	9
198360-78571	155	4
198361-48750	94	68
198390-25790	52	2
	53	1
	70	1
198401-13720	20	6
198401-13750	20	7
198401-13770	20	10
198401-13790	20	16
198401-13850	20	18
198401-14110	22	1
198401-14120	22	2
198401-14150	22	4
198415-25840	46	14
198440-11080	10	3
198440-11090	10	2
198440-34130	79	2
198440-64100	138	2
198448-01110	58	22
198448-01172	58	23
198448-01390	3	1
198448-04211	7	11
198448-04250	7	12

Parts No.	Fig. No.	Ref. No.
198448-04270	7	13
198448-04280	7	14
	95	1
198448-04340	7	3
198448-04370	9	6
198448-04380	9	8
198448-04480	9	11
198448-04490	7	16
198448-04503	9	13
198448-04651	9	15
198448-04710	7	17
198448-04720	9	17
198448-04730	9	18
198448-04750	9	19
198448-04810	3	2
198448-04840	3	3
198448-04930	7	19
198448-11900	12	2
198448-12310	13	1
198448-12321	13	2
198448-13301	16	1
198448-13380	16	6
198448-13410	16	7
198448-13420	16	3
198448-13450	18	1
198448-13690	20	3
198448-13710	20	4
198448-13720	20	5
198448-14590	23	1
198448-14640	23	3
198448-14670	23	4
198448-14700	25	1
198448-14711	23	5
198448-14750	23	6
198448-14800	25	4
198448-14810	25	2
		5
198448-15370	27	1
198448-15380	27	2
198448-15581	28	4
198448-15590	28	5
198448-15650	27	3
198448-15690	28	10
198448-15700	29	1
198448-15750	27	19
198448-17102	31	2
198448-17103	31	2 -1
198448-17113	31	3
198448-17114	31	3 -1
198448-17190	31	4

Parts No.	Fig. No.	Ref. No.
198448-18100	60	1
198448-18110	60	2
198448-18150	60	12
198448-18170	60	13
198448-18200	60	3
198448-18220	60	4
198448-18250	60	14
198448-18310	60	22
198448-18320	60	23
198448-18350	60	29
198448-18360	60	30
198448-18400	60	31
198448-18440	60	33
198448-18460	60	21
198448-18490	61	2
198448-18500	61	1
198448-18540	60	6
198448-18580	61	3
198448-21062	34	2
198448-21280	34	6
	35	2
198448-21320	34	7
198448-22150	36	1
198448-22190	36	2
198448-22301	37	1
198448-22350	37	3
198448-22360	37	4
198448-22401	84	3
198448-22470	84	5
198448-22510	38	1
198448-22520	38	2
198448-22550	37	6
198448-22610	38	3
198448-24230	39	14
198448-24290	39	15
198448-24310	39	16
198448-24320	39	17
198448-24330	39	18
198448-24740	43	2
198448-25782	46	11
198448-25801	48	11
198448-25891	46	18
198448-25910	48	22
198448-26110	51	3
198448-26120	51	4
198448-26130	51	5
198448-26140	52	6
198448-26150	52	7
198448-26160	54	1
198448-26170	53	2

Parts No.	Fig. No.	Ref. No.
198448-26220	50	8
198448-26310	53	3
198448-26320	52	8
198448-26340	52	9
198448-26510	52	10
198448-26520	52	11
198448-26530	52	12
198448-26910	56	1
198448-27470	62	4
198448-27590	62	10
198448-27880	65	5
198448-27950	65	6
198448-28100	68	14
198448-28220	68	16
198448-28230	68	17
198448-28250	68	19
198448-28310	68	20
198448-28320	68	21
198448-28330	68	22
198448-28340	68	23
198448-28361	68	24
198448-28370	68	25
198448-28430	69	12
198448-31401	70	2
198448-33120	74	1
198448-33220	75	1
198448-33310	75	2
198448-33340	75	4
198448-33380	75	5
198448-33390	75	6
198448-34110	79	1
198448-34211	103	2
198448-37250	84	8
198448-37360	84	4
		9
		12
198448-37370	86	1
198448-37401	84	11
198448-37450	85	4
198448-37530	85	5
198448-37551	84	14
198448-37600	85	6
198448-37610	85	2
198448-37620	85	7
198448-43300	87	12
198448-43331	87	13
198448-43340	87	14
198448-44510	89	9
198448-45150	90	2
198448-46350	96	3

Parts No. Index

Parts No.	Fig. No.	Ref. No.
198448-46410-1	96	4
198448-46450	96	5
198448-46490	96	6
198448-46500	96	7
198448-46581	91	1
198448-46610	91	2
198448-46630	92	3
198448-46660	92	4
198448-46702	94	2
198448-46750	94	55
198448-46760	94	56
198448-46800	94	57
198448-46850	96	8
198448-46940	96	13
198448-46960	95	3
198448-46970	94	59
198448-46980	94	60
198448-47160	158	4
198448-47190	158	6
198448-47510	98	2
198448-47850	158	13
198448-48111	100	2
198448-48140	100	3
198448-48250	69	15
198448-48340	100	8
198448-48410	94	62
198448-48430	94	63
198448-48450	94	64
198448-48470	94	65
198448-48522	100	13
198448-48530	100	14
198448-48570	100	15
198448-48610	94	67
198448-48620	31	13
198448-48630	31	14
198448-48820	103	3
198448-48941	103	6
198448-48980	102	3
198448-48990	105	5
198448-49110	101	3
198448-51450	105	8
198448-51460	103	10
	105	9
		10
		11
		12
		13
	152	12
198448-51510	109	3
198448-51910	106	14

Parts No.	Fig. No.	Ref. No.
198448-52111	110	3
198448-52220	112	2
198448-52260	153	6
198448-52280	153	7
198448-52310	105	20
198448-53320	116	3
		13
198448-56050	117	13
198448-56051	117	13 -1
198448-56150	117	6
198448-56160	117	3
		7
198448-56180	117	9
198448-56190	117	10
198448-56600	7	8
198448-60080	105	22
198448-60690	124	5
	127	5
198448-60700	124	6
198448-60710	122	3
	124	7
198448-60730	122	4
198448-60750	122	5
198448-60760	122	6
198448-61661	126	6
198448-61680	126	8
198448-61880	130	1
198448-62060	135	1
198448-62390	127	11
198448-62410	128	2
198448-62420	128	3
198448-62520	128	4
198448-62600	134	2
198448-65590	125	22
198448-74100	149	14
198448-74200	149	15
198448-75111	151	2
198448-75130	151	3
198448-75250	151	4
198448-75320	151	5
198448-75440	151	7
198448-78560	155	3
198448-85290	156	4
198448-85900	156	8
198450-33540	78	1
198450-33570	78	4
198450-33590	78	5
198450-33610	78	7
198450-34150	79	4
198450-34730	80	1

Parts No.	Fig. No.	Ref. No.
198450-34751	80	5
		15
198450-34830	80	11
198450-51510	109	4
198451-28750	48	24
	50	22
	160	26
198454-60830	103	11
198460-46110	95	2
	96	2
198460-83350	9	23
	131	15
		16
	132	6
	134	12
198461-52950	106	15
	107	6
	108	5
		6
198461-60590	117	14
198463-03140	6	6
198463-05551	10	1
198463-13100	14	1
198463-14610	23	2
198463-14700	24	1
198463-14800	24	11
198463-17911	33	1
198463-62040	131	3
198463-62170-1	132	2
198463-62171-1	132	2 -1
198463-62200-2	132	8
198463-62430	131	13
198463-62431	131	13 -1
198463-62440	131	14
198463-62441	131	14 -1
198463-62460	132	3
198463-62470	132	4
198463-80610	134	11
198475-37690	85	13
198475-37770	84	15
198475-37780	84	16
198475-42250	87	6
198475-65030	125	20
198492-71800	148	3
198492-84720	128	9
198535-04050	9	4
198535-11890	12	1
198535-11920	12	3
198535-13790	20	17
198535-14130	22	3

Parts No.	Fig. No.	Ref. No.
198535-15720	27	18
198535-17270	30	3
198535-24120	39	9
198535-24350	40	2
198535-25260	44	6
198535-25330	49	1
198535-25350	49	3
198535-25510	45	7
198535-25640	46	4
198535-25660	46	5
198535-25760	46	10
198535-26090	51	2
198535-26140	58	6
198535-27050	57	1
198535-27120	58	1
198535-27130	58	3
198535-27140	58	7
198535-27150	58	13
198535-27160	58	15
198535-27170	64	1
198535-27171	64	1 -1
198535-27230	58	19
198535-27260	57	4
198535-27310	58	25
198535-27350	58	36
198535-27390	58	26
198535-27410	67	2
198535-27470	58	37
198535-27490	62	6
198535-27570	63	9
198535-27590	63	11
198535-27620	67	4
198535-27740	64	2
198535-27810	63	14
198535-28241	68	18
198535-28760	64	9
198535-32660	73	6
198535-34360	79	5
198535-36690	83	8
198535-36730	83	9
198535-36740	83	10
198535-37301	84	10
198535-45600	42	35
198535-48410	100	11
198535-48430	95	5
198535-52110	106	5
198535-52120	106	6
198535-52130	106	7
198535-52140	106	8
198535-52410	106	9

Parts No. Index

Parts No.	Fig. No.	Ref. No.
198535-54500	115	33
198535-56120	117	4
198535-56190	117	11
198535-57110	105	21
198535-60330	120	8
198535-60640	122	1
198535-62390	127	12
198535-62850	134	8
198535-62860	134	9
198535-65660	140	7
198535-75140	150	1
198535-75700	151	1
198535-78420	153	13
198535-78430	153	14
198535-78440	153	15
198535-78450	153	16
198535-78460	153	17
198535-78470	153	18
198550-60650	124	4
198550-61410	121	16
198550-61420	121	18
198550-61580	120	31
1A1040-41610	126	1
1A6150-91251	144	6
1A6150-93151	144	7
1A6380-56050	117	13 -2
1A7000-51430	104	10
1A7000-51440	104	11
1A7000-52820	107	3
1A7000-57210	118	4
1A7000-61480	105	23
1A7020-54510	115	34
1A7020-54540	115	35
1A7020-54560	115	36
1A7030-62750	134	4
1A7100-26850	55	1
1A7130-65910	145	2
1A7260-42310	87	8
1A7260-45100	90	1
1A7260-52190	111	3
1A7260-53350	116	14
1A7260-85510	156	6
1A7270-74250	149	6
1A7340-52290	110	16
1A7340-65810	144	3
1A7347-65050	140	2
1A7350-25600	46	3
1A7350-26360	50	15
1A7350-33140	74	3
1A7351-25760	160	8

Parts No.	Fig. No.	Ref. No.
1A7351-25770	160	9
1A7351-25780	160	10
1A7351-25820	160	13
1A7351-25830	160	14
1A7351-25840	160	15
1A7351-25850	160	16
1A7351-25860	160	17
1A7351-25870	160	18
1A7351-25880	160	19
1A7351-25890	160	20
1A7351-25930	160	21
1A7352-25800	160	11
1A7352-25810	160	12
1A7352-25900	160	23
1A7352-25910	160	24
1A7450-01340	4	5
1A7450-03110	6	1
1A7450-03130	6	5
1A7450-03131	6	5 -1
1A7450-03170	6	7
1A7450-04400	7	4
1A7450-11330	10	8
1A7450-11340	10	9
1A7450-11350	10	10
1A7450-13220	11	6
1A7450-24170	39	3
	161	4
1A7450-24190	39	13
1A7450-24300	41	2
1A7450-26190	50	7
1A7450-27850	66	4
1A7450-27910	66	5
1A7450-28100	68	14 -1
1A7450-37650	85	12
1A7450-47970	97	2
	158	3
		8
1A7450-51190	159	2
1A7450-51200	104	2
1A7450-51310	106	12
1A7450-51820	85	16
1A7450-51900	159	1
1A7450-52110	110	4
1A7450-52130	110	5
1A7450-52210	110	13
1A7450-52230	110	14
1A7450-52310	153	8
1A7450-52330	153	9
1A7450-52450	110	17
1A7450-53200	116	1

Parts No.	Fig. No.	Ref. No.
1A7450-53230	116	2
		12
1A7450-53252	116	4
1A7450-53262	116	7
1A7450-53290	116	10
	121	2
		3
1A7450-53300	116	11
1A7450-53370	116	5
		8
1A7450-53380	116	6
		9
1A7450-60720	120	19
1A7450-61150	121	10
1A7450-61160	121	11
1A7450-61190	121	12
1A7450-61200	121	13
1A7450-61670	126	7
1A7450-61790	126	10
1A7450-62211	131	9
1A7450-62231	131	12
1A7450-62320	127	10
1A7450-64310	138	3
1A7450-64350	138	4
1A7450-65250	125	21
1A7450-85281	156	3
1A7470-51222	104	8
1A7470-62030	131	2
1A7470-62040	131	4
1A7470-62053	131	5
1A7470-62054	131	5 -1
1A7470-62063	131	6
1A7470-62064	131	6 -1
1A7480-01410	4	7
1A7480-47450	66	14
1A7480-47470	66	15
1A7480-52250	110	15
1A7480-61810	126	11
1A7480-64780	140	1
1A7480-65310	143	1
1A7480-65450	143	2
1A7480-65470	140	4
1A7480-65510	140	5
1A7480-65720	141	3
1A7480-65890	140	9
1A7480-65900	144	4
1A7480-95950	144	8
1A7600-27791	65	3
1A7600-27850	65	4
1A7600-37460	86	2

Parts No.	Fig. No.	Ref. No.
1A7600-37470	86	4
1A7600-52222	113	1
1A7600-52223	113	1 -1
1A7600-60300	120	7
1A7600-60610	124	1
1A7600-60690	122	2
1A7600-61120	125	3
1A7600-61280	120	24
1A7600-61380	120	29
1A7601-13300	16	1 -1
1A7601-17190	31	4 -1
1A7601-32310	72	2 -1
1A7610-48630	100	17
1A7610-48650	100	19
1A7610-48830	103	4
1A7610-48870	103	5
1A7610-58100	120	5
1A7640-01151	4	1
1A7640-01200	4	3
1A7640-03100	6	4
1A7640-03101	6	4 -1
1A7640-03200	6	2
1A7640-03201	6	2 -1
1A7640-04100	7	1
1A7640-04300	7	2
1A7640-04370	9	7
1A7640-04400	9	9
1A7640-04450	9	10
1A7640-04600	9	14
1A7640-04770	9	20
1A7640-04780	9	21
1A7640-04940	7	20
1A7640-11500	11	1
1A7640-11510	11	2
1A7640-11540	11	4
1A7640-13610	18	5
1A7640-15310	27	9
1A7640-15520	28	2
1A7640-15521	28	2 -1
1A7640-15700	27	4
1A7640-15710	27	5
1A7640-15720	27	6
1A7640-15730	27	7
1A7640-15800	27	8
1A7640-15850	27	11
1A7640-15900	27	15
1A7640-17431	30	26
1A7640-17750	32	2
1A7640-17770	32	3
1A7640-24100	39	1

Parts No. Index

Parts No.	Fig. No.	Ref. No.
1A7640-24101	39	1 -1
	161	2
1A7640-24150	39	11
1A7640-24600	42	1
1A7640-24820	39	21
1A7640-24860	39	22
1A7640-24870	39	23
1A7640-24950	39	24
1A7640-24970	161	1
1A7640-24980	39	25
1A7640-25610	47	1
1A7640-26010	63	1
1A7640-26250	50	10
1A7640-26270	50	12
1A7640-27300	58	20
1A7640-27340	59	1
1A7640-27370	59	2
1A7640-27400	63	2
1A7640-27420	62	3
1A7640-27430	58	28
1A7640-27481	62	5
1A7640-27510	63	5
1A7640-27550	63	6
1A7640-27580	63	10
1A7640-27800	63	13
1A7640-27870	66	7
1A7640-27910	64	8
1A7640-27950	65	7
1A7640-33281	42	55
1A7640-34220	101	1
1A7640-42150	87	5
1A7640-43200	87	9
1A7640-43250	88	1
1A7640-43260	88	2
1A7640-43270	88	3
1A7640-43280	88	4
1A7640-43290	88	5
1A7640-43410	89	1
1A7640-43450	87	15
1A7640-43810	87	16
1A7640-43850	87	17
1A7640-44110	89	2
1A7640-44210	89	3
1A7640-44230	89	4
1A7640-44240	89	5
1A7640-44410	89	8
1A7640-46300	92	1
1A7640-46620	92	2
1A7640-46670	92	5
1A7640-46860	96	9

Parts No.	Fig. No.	Ref. No.
1A7640-46910	96	11
1A7640-47100	97	1
1A7640-47170	97	3
	158	5
1A7640-47300	99	2
1A7640-47310	99	3
1A7640-47340	99	4
1A7640-47440	98	1
1A7640-47610	97	4
1A7640-47660	97	5
1A7640-47910	98	3
1A7640-47950	108	3
1A7640-47980	97	6
1A7640-48170	100	4
1A7640-48171-1	100	4 -1
1A7640-48230	94	61
1A7640-48310	102	1
1A7640-48330	102	2
1A7640-48340	100	9
1A7640-48350	100	10
1A7640-48351	100	10 -1
1A7640-48410	69	16
1A7640-48490	94	66
1A7640-48640	95	6
1A7640-48690	152	1
1A7640-48950	103	7
1A7640-48960	103	8
1A7640-51114	107	1
1A7640-51132	108	4
1A7640-51133	108	4 -1
1A7640-51134	108	4 -2
1A7640-51135	108	4 -3
1A7640-51165	106	4
1A7640-51190	106	10
1A7640-51230	104	9 -1
1A7640-51240	104	9
1A7640-51270	105	6
1A7640-51300	106	11
1A7640-51320	153	5 A
1A7640-51380	153	5
1A7640-51381	153	5 -1
1A7640-51391	153	5 B
1A7640-51420	105	7
1A7640-51610	109	9
1A7640-53410	116	16
1A7640-53420	116	17
1A7640-53430	116	18
1A7640-53440	116	19
1A7640-56170	117	8
1A7640-58150	108	7

Parts No.	Fig. No.	Ref. No.
1A7640-60371	120	9
1A7640-60640	120	14
1A7640-60650	120	15
1A7640-60700	120	16
1A7640-60820	122	7
1A7640-60830	122	8
1A7640-61240	121	14
1A7640-61250	121	15
1A7640-61311	125	4
1A7640-61330	125	5
1A7640-61350	125	6
1A7640-61360	125	7
1A7640-61370	125	8
1A7640-61410	122	9
1A7640-61510	125	9
1A7640-61591	125	10
1A7640-61611	125	11
1A7640-61621	125	12
1A7640-61750	125	14
1A7640-62100	129	2
1A7640-62101	129	2 -1
1A7640-62201	131	7
1A7640-62270	127	8
1A7640-62301	131	10
1A7640-62310	127	9
1A7640-62460	129	3
1A7640-62610	129	5
1A7640-62910	132	5
1A7640-63110	136	3
1A7640-63130	136	3 A
1A7640-63151	136	4
1A7640-63160	136	5
1A7640-63170	136	6
1A7640-63180	136	7
1A7640-63190	136	7 A
1A7640-63200	136	8
1A7640-63220	136	9
1A7640-63260	136	10
1A7640-63270	136	11
1A7640-63310	136	3 B
1A7640-63320	136	3 C
1A7640-65670	142	4
1A7640-65790	141	6
1A7640-71710	146	11
1A7640-72100	148	2
1A7640-72200	148	5
1A7640-72250	148	6
1A7640-72300	147	2
1A7640-72410	147	3
	148	10

Parts No.	Fig. No.	Ref. No.
1A7640-73100	149	2
1A7640-73110	149	3
1A7640-74500	149	4
1A7640-74510	149	7
1A7640-78351	154	1
1A7640-78410	154	2
1A7640-78880	108	8
1A7640-84710	128	8
1A7641-51410	104	6 -1
		7 -1
1A7650-01210	2	2
1A7650-01220	2	3
1A7650-01230	2	4
1A7650-01240	2	5
1A7650-01250	120	1
1A7650-11640	10	13
1A7650-15510	28	1
1A7650-15511	28	1 -1
1A7650-15560	28	3
1A7650-15561	28	3 -1
1A7650-17300	30	4
1A7650-17310	30	8
1A7650-17400	30	11
1A7650-17450	30	13
1A7650-17520	30	19
1A7650-17530	30	20
1A7650-17540	30	21
1A7650-48300	100	7
1A7650-48420	100	12
1A7650-51350	107	5
1A7650-60390	120	10
1A7650-60500	120	11
1A7650-60530	120	12
1A7650-60540	120	13
1A7650-60622	124	2
1A7650-60641	124	3
1A7650-60700	120	17
1A7650-60710	120	18
1A7650-60771	124	8
1A7650-60780	124	9
1A7650-60810	124	10
1A7650-60820	124	11
1A7650-60830	124	12
1A7650-60910	121	4
1A7650-60930	120	21
1A7650-60940	120	22
1A7650-60960	120	23
1A7650-61010	121	5
1A7650-61040	121	6
1A7650-61050	121	7

Parts No. Index

Parts No.	Fig. No.	Ref. No.
1A7650-61810	124	14
1A7651-25730	160	5
1A7651-62120	129	12
1A7660-01050	2	1
1A7660-27610	63	12
1A7660-56010	117	1
1A7660-56110	117	2
1A7660-60010	120	6
1A7660-62250	127	7
1A7660-65670	142	3
1A7660-65680	142	5
1A7660-65690	140	8
1A7660-65780	141	5
1A7660-78320	153	4
1A7660-78321	153	4 -1
1A7660-78330	153	12
1A7660-78370	153	19
1A7660-85060	156	2
1A7670-11100	10	5
1A7670-14700	24	1 -1
1A7670-14720	24	5 -1
		15 -1
1A7670-14730	24	8 -1
		18 -1
1A7670-14760	24	9 -1
		19 -1
1A7670-14800	24	11 -1
1A7670-17501	31	10
1A7670-17711	32	1
1A7670-21110	34	3
1A7670-22480	34	8
1A7670-24160	39	12
1A7670-24420	41	53
1A7670-24700	69	3
1A7670-24910	69	11
1A7670-25290	44	7
1A7670-25440	45	6
1A7670-25530	45	10
1A7670-25731	48	4
1A7670-25760	48	7
1A7670-25780	48	9
1A7670-25900	48	21
1A7670-28450	69	13
1A7670-28470	69	14
1A7670-37200	84	1
1A7670-42101	87	2
1A7670-48260	100	5
1A7670-48280	100	6
1A7670-48610	69	17
1A7670-48650	69	18

Parts No.	Fig. No.	Ref. No.
1A7680-04010	9	3
1A7680-27920	66	9
		11
1A7680-27930	66	10
		12
1A7680-45320	93	1
1A7680-45370	93	2
1A7680-46410	93	4
1A7680-47000	158	1
1A7680-47100	158	2
1A7680-47200	158	7
1A7680-47610	158	9
1A7680-47700	158	10
1A7680-47910	98	3 -1
1A7680-62060	133	1
1A7680-64760	142	1
1A7680-65440	141	2
1A7680-65520	140	6
1A7690-51550	105	14
1A7790-01160	4	2
1A7790-61070	121	8
1A7880-65620	144	2
1A7890-04740	7	18
1A7890-51230	115	6
1A7890-53400	115	8
1A7890-53600	115	11
1A7890-53630	115	13
		20
1A7890-53680	115	16
		22
1A7890-53700	115	19
1A7890-53710	115	17
		24
1A7890-53720	115	18
		25
1A7890-53810	115	27
		30
1A7890-53820	115	28
		31
1A7890-53840	115	29
		32
1A7890-57200	104	17
1A7890-65010	125	19
1A7900-17260	30	7
1A7900-17330	30	9
1A7900-17360	30	10
1A7920-63860	139	2
1A7920-63870	139	3
1A7950-51220	115	5
1A8070-65251	142	2

Parts No.	Fig. No.	Ref. No.
1A8160-46670	91	3
1A8160-65350	145	1
1C6215-48870	4	10
1C6281-52310	38	5
	120	4
1C6281-52320	37	7
	38	6
	59	5
	64	10
		11
		12
	75	9
	76	2
	85	17
	86	11
1C6460-14340	50	1
	68	1
1C6900-07200	110	1
1C6900-23020	19	1
1C7100-08150	118	1
1E3080-46590	106	3
1E6190-55660	42	56
1E6190-55710	42	57
1E6191-54330	50	16
	68	15
1E6210-54920	57	13
1E6910-82500	105	28
1E9170-81270	115	10
1R1012-00016	1	1
22117-060000	42	58
22117-100000	6	10
	152	8
22117-120000	110	19
22137-050000	98	4
	121	22
22137-060000	3	12
	4	14
		15
	5	1
	38	7
	116	23
		24
		22 -1
		23
	125	27
		28
22137-080000	37	8
	38	8
	58	30
	61	5

Parts No.	Fig. No.	Ref. No.
22137-080000	86	12
	146	14
	158	16
22137-100000	2	21
	37	9
	59	6
	60	35
	103	13
	137	3
22137-120000	58	42
	66	16
	85	18
	120	33
	138	6
22137-140000	96	17
22137-160000	10	15
	27	26
	134	14
	158	17
22137-200000	74	5
22157-060000	2	22
	40	4
	100	23
	118	5
	125	1 -1
22157-080000	9	26
	154	3
	156	10
22190-060002	120	34
22190-080000	43	5
		9
22190-080002	120	35
22217-040000	90	3
22217-060000	146	8
	148	7
22217-080000	28	11
	110	11
22217-100000	6	11
	27	27
	39	28
	71	9
	73	7
22217-120000	12	5
	39	29
		30
		31
22217-140000	30	27
22217-160000	39	32
	97	7
		8

Parts No. Index

Parts No.	Fig. No.	Ref. No.
22217-160000	134	15
		16
	149	9
	151	10
22242-000110	91	4
22242-000170	31	5
	65	8
22242-000200	27	12
22242-000250	160	28
22242-000290	83	15
22242-000300	30	12
	47	3
	48	26
		27
	49	7
	50	23
	63	17
	94	72
	160	29
		30
22242-000320	11	7
22242-000340	44	12
22242-000400	49	8
	50	24
	68	28
22242-000450	48	28
	68	29
22242-000480	16	10
22242-000500	71	10
22242-100480	30	23
22252-000140	87	21
22252-000180	42	20
	87	22
22252-000190	44	13
22252-000200	28	6
	41	29
	42	21
22252-000220	41	30
	51	7
22252-000250	16	4
		8
22252-000370	31	6
22252-000400	31	7
22252-000420	27	13
22252-000550	48	29
	68	30
	160	31
22252-000620	54	2
	68	31
22252-000950	50	25

Parts No.	Fig. No.	Ref. No.
22252-001000	68	32
22272-000040	4	16
22272-000080	120	36
22272-000150	58	31
		43
	158	18
22272-000190	84	17
22287-080000	94	46
22292-000340	45	17
22312-080180	43	10
22312-100180	12	6
	15	8
	34	10
	35	3
	39	33
	73	8
	78	8
	87	23
22312-100250	39	34
22351-030008	160	32
22351-030016	92	6
22351-030028	41	31
22351-035032	15	9
	158	19
22351-035040	63	7
		18
	75	11
22351-040024	146	9
	148	8
22351-040032	62	11
22351-050020	79	7
22351-050040	74	6
22351-050070	89	11
22351-060012	89	12
22351-060025	57	14
22351-060028	92	7
22351-060030	93	6
22351-060032	15	10
	28	7
	41	55
	60	10
		34
	62	12
		13
	67	8
		9
	74	7
	158	20
22351-060036	138	7
22351-060040	63	8

Parts No.	Fig. No.	Ref. No.
22351-060040	63	19
	75	12
	151	6
22351-060050	71	11
22351-080032	57	15
	74	8
22351-080040	74	9
	78	9
22351-080070	89	13
22360-190000	151	11
22360-200000	10	16
22372-050000	94	73
	95	10
	96	18
22372-060000	5	2
22372-080000	97	9
22372-120000	136	12
	151	12
22372-160000	147	6
	148	13
22417-160180	4	17
		18
	5	3
	98	5
	120	37
22417-200100	42	59
22417-200200	58	32
	99	13
	156	11
	158	21
		22
22417-200300	9	27
	37	10
	60	11
	61	6
	85	9
	94	74
22417-250250	99	7
22417-250300	85	19
	86	13
22417-400320	149	10
22417-400400	13	13
	30	28
22486-060160	94	75
	95	11
	96	19
22487-080200	64	13
		14
22487-080500	58	33
22487-080550	9	28

Parts No.	Fig. No.	Ref. No.
22487-120400	85	10
22512-070200	63	20
22512-070400	84	18
22635-600120	73	9
22857-500101	116	20 -1
		21 -1
	121	20 -1
		21 -1
	125	24 -1
		25 -1
		26 -1
22857-600101	116	25
23000-022000	103	14
23000-025000	2	23
23000-035000	2	24
	94	76
23000-041000	100	24
23000-048000	100	25
23000-054000	2	25
		26
23000-060000	2	27
	23	7
	100	26
23000-080000	1	45
23000-102000	23	8
23061-190210	9	29
23414-100000	57	16
23414-120016	94	77
23414-140000	42	22
	69	19
23414-150019	97	10
	158	23
23414-160000	50	26
23414-180023	32	6
	69	20
		21
	94	78
	95	12
	100	27
		28
	101	4
23414-200026	39	35
	69	22
	94	79
	100	29
	101	5
	103	15
23414-220029	100	30
23491-140002	18	8
	20	22

Parts No. Index

Parts No.	Fig. No.	Ref. No.
23491-140002	39	36
23857-080000	69	23
23857-120000	69	24
		25
	94	80
	95	8
	100	31
		32
23857-150000	39	37
	69	26
	100	33
	103	16
23857-180000	69	27
23871-005000	68	33
23871-010000	69	28
23871-020000	39	38
	69	8
23871-030000	42	23
23876-010000	43	6
	87	10
23876-020000	87	4
		11
23876-040000	12	7
23887-100002	57	17
23897-030002	94	81
23980-730850	2	28
		29
		30
23980-730900	7	32
23980-731000	7	33
23980-731100	2	31
24101-060054	46	19
24101-060064	48	30
	68	34
	160	33
24101-060094	48	31
	160	34
24101-060104	15	11
	48	32
	71	12
	160	35
24101-060114	79	8
24101-060124	14	4
24101-060144	22	5
24101-062034	48	33
	160	36
24101-062064	44	14
	45	18
	48	34
	54	3

Parts No.	Fig. No.	Ref. No.
24101-062064	160	37
24101-062074	44	15
24101-062094	20	23
24101-062114	71	13
24101-062124	79	9
24101-062134	22	6
24101-063054	45	19
	47	4
	51	8
	52	13
	53	5
24101-063064	47	5
24104-062030	31	8
24105-060040	27	14
24107-060064	48	35
	50	27
	160	38
24107-062054	160	39
24121-062044	49	9
24161-202617	49	10
24161-303520	45	20
24161-323717	52	14
24163-305200	45	21
24164-000202	49	11
24165-000372	52	15
24165-000402	45	22
24190-050001	94	23
		47
24190-070001	94	24
		48
24190-080001	48	5
	62	14
	65	9
	160	6
24190-100001	41	40
	57	18
		19
	67	10
24190-130003	87	24
24190-160001	87	25
	92	8
24190-180001	83	16
24311-000070	3	10
	42	27
24311-000090	91	5
24311-000110	31	15
	68	35
24311-000125	41	41
24311-000140	31	16
	69	9

Parts No.	Fig. No.	Ref. No.
24311-000140	94	82
24311-000150	92	9
24311-000160	1	39
	18	9
	20	24
	39	39
	62	15
	65	10
	67	11
24311-000180	12	8
	19	2
	41	42
	111	4
24311-000200	42	30
24311-000210	65	11
24311-000220	32	7
	41	43
	100	34
	151	13
24311-000290	41	44
24311-000320	41	45
24311-000340	100	35
24311-000400	89	14
24315-000110	92	10
24315-000120	93	7
24315-000140	87	26
		27
		28
	152	9
24315-000160	42	28
24315-000180	42	29
	87	29
	93	8
	152	10
24315-000220	87	30
24315-000440	30	24
24321-000250	41	32
24321-000300	57	20
24321-000350	102	4
24321-000600	79	10
24321-000650	1	40
	39	40
	89	15
24321-000700	18	10
24321-001000	18	11
24321-001700	18	12
24321-002200	20	25
24325-000650	22	7
24325-000900	87	31
24341-000080	50	28

Parts No.	Fig. No.	Ref. No.
24341-000080	90	4
24341-000220	41	46
	42	31
24341-000224	41	47
	42	32
24341-000240	42	33
24341-000250	42	34
24341-000315	14	5
24341-000350	43	11
24341-000500	68	36
24351-010140	41	48
24351-010160	87	32
24351-020300	39	41
		42
24351-020400	68	37
24361-090500	41	49
24365-091000	87	33
24421-173507	31	9
24421-203007	74	10
24421-304208	83	17
24421-456209	18	13
24550-010200	120	20
24550-012150	60	32
	94	58
	99	8
24550-014200	96	10
		12
24550-015120	60	7
24550-015150	37	2
24550-016150	60	15
24550-017150	41	13
	63	3
	75	3
24550-018120	58	27
24550-022200	158	11
24550-025200	84	4 -1
		9 -1
		12 -1
24550-030150	63	4
24761-010000	86	3
		5
	158	24
24761-050000	11	3
24761-060000	13	6
		11
	30	16
		25
26013-060352	32	8
	100	36
26013-080122	34	11

Parts No. Index

Parts No.	Fig. No.	Ref. No.
26013-080122	34	12
	39	43
26013-080162	34	13
	65	12
	94	86 -1
	158	25
26013-080202	39	44
		45
	48	36
	57	21
		22
26013-080252	20	26
	39	46
		47
	72	3
26013-080352	28	8
	43	12
26013-080452	39	48
26013-080602	39	49
26013-080702	69	29
26013-080752	39	50
26013-080802	41	56
	42	60
26013-080852	42	61
	152	11
26013-080952	41	57
26013-100252	20	27
	94	83
		84
26013-100302	34	14 -1
	73	10
26013-100352	59	7
26013-100452	39	51
26013-120202	100	37
	103	17
26013-120252	9	30
	100	38
26013-120302	10	17
	18	14
	30	29
	97	11
	149	16
	150	2
	158	26
26013-120352	11	8
	87	34
	89	16
26013-120402	73	11
	87	35
26013-120452	134	17

Parts No.	Fig. No.	Ref. No.
26013-120502	73	12
26013-120652	87	36
26013-120702	9	31
26013-120802	12	9
26013-120852	87	37
26013-121052	10	18
	23	9
26013-121202	12	10
26013-121302	9	32
26013-140352	39	52
26013-140452	151	14
26014-080202	158	27
26016-060162	41	50
		51
	42	24
26016-080302	41	52
26016-080652	2	32
26016-100452	42	25
26016-100802	42	26
26023-040102	112	3
26023-040162	99	14
26023-040202	3	11
26106-060122	2	33
		34
	3	13
		15
	96	20
	104	21
	105	31
	117	16
	120	38
		39
		40
	125	29
		30
		31
	129	11
26106-060162	2	35
	91	6
	94	85
	104	22
	105	32
		33
		34
		35
	107	7
	108	9
		10
	114	2
	116	22 -1

Parts No.	Fig. No.	Ref. No.
26106-060162	120	41
		42
		43
	125	32
	131	17
		18
26106-060252	118	6
26106-060302	2	36
	100	39
26106-060402	106	17
26106-060452	154	4
26106-080122	30	30
	55	2
	60	36
	102	5
	105	37
	120	44
		45
26106-080162	2	37
		38
	8	4
	9	33
		34
		35
		36
	10	19
	23	10
	27	28
	34	11 -1
		12 -1
	36	3
	57	22 -1
	58	44
		45
	60	37
	62	16
	63	21
	65	12 -1
	67	12
	69	30
	75	13
	94	86
	96	21
		22
	98	6
	99	15
	100	40
		41
	103	18
		19

Parts No.	Fig. No.	Ref. No.
26106-080162	103	20
	105	36
		38
		39
	108	11
	110	20
	111	5
	117	17
	120	46
		47
		48
		49
		50
	121	24
		25
	128	5
		10
	132	7
	134	18
	154	5
	155	6
	160	40
26106-080202	39	44 -1
		45 -1
	57	21 -1
	100	42
	102	6
26106-080252	9	37
	28	12
	39	46 -1
	69	31
26106-080302	6	15
	10	20
26106-080352	43	12 -1
	56	2
26106-080502	40	5
	43	7
26106-080552	108	12
26106-080602	102	7
26106-080652	156	12
26106-080752	9	38
26106-080802	41	56 -1
	42	60 -1
26106-080852	42	61 -1
	152	11 -1
26106-080952	41	57 -1
26106-081102	43	13
26106-100162	105	40
26106-100202	9	39
		40

Parts No. Index

Parts No.	Fig. No.	Ref. No.
26106-100202	27	29
	31	17
	84	19
	103	21
	121	1
	151	15
26106-100252	22	8 -1
	34	14
	120	51
26106-100302	73	10 -1
	137	4
26106-100402	27	16
26106-100652	6	12
26106-120302	89	16 -1
26106-120352	87	34 -1
26108-100852	73	13 -1
26108-120402	34	15
	73	11 -1
26108-120502	39	53
	40	6
	73	12 -1
26108-120652	39	54
26108-120852	34	16
26116-060122	40	7
26116-080754	4	19
26116-100252	22	8
26116-100552	78	10
26116-100852	73	13
26116-160252	97	12
26116-160502	151	16
26116-161002	134	19
26116-161102	97	13
26216-100252	31	18
26216-120352	39	6
	161	7
26216-120502	12	11
26216-160452	35	4
		5
	134	20
26218-100902	39	7
	161	8
26218-120252	39	8
	161	9
26346-060002	40	8
26346-080002	28	9
	58	46
		47
	59	8
	60	38
	146	15

Parts No.	Fig. No.	Ref. No.
26346-100002	27	17
	60	39
	138	8
26347-060002	3	14
26356-160002	27	30
	158	28
26366-080002	62	1 -1
	65	13
26366-100002	39	56 -1
26366-120002	39	27 -1
26450-040402	90	5
26450-060102	94	25
		49
26450-060802	94	26
		50
26450-080252	18	15
	68	38
26450-080352	90	6
26450-080652	94	51
26557-030162	104	23
26557-050162	110	21
26557-060062	146	10
	148	9
26557-060402	116	26
26711-100002	6	13
26716-080002	9	41
	37	11
	40	9
	58	11
		18
	60	27
	109	2
26716-100002	39	56
	58	12
		35 -1
	59	4
	64	7
	85	11
	91	7
26716-120002	12	12
	39	27
		55
		57
26716-160002	97	14
	134	21
		22
26736-080002	110	12
26736-160002	149	11
26756-100002	58	34
26756-160002	149	12

Parts No.	Fig. No.	Ref. No.
26776-120002	110	7
		9
26877-120002	99	9
26986-100002	58	35
27260-170000	39	38 -1
	161	10
27260-550000	34	17
29420-150000	107	4
29621-100000	2	39
29622-140001	103	22
	104	24
	107	8
	159	4
29622-250001	4	21
	7	34
	104	25
	108	13
41850-000080	42	49
41850-000140	94	27
		52
41851-000090	42	50
41851-000140	94	28
		53
41851-000220	42	51
41856-010150	42	52
41856-020230	100	43
41856-020530	94	29
		54
794130-71410	149	1
794251-13910	72	1
794321-13660	18	6
933160-09240	120	52

Parts No.	Fig. No.	Ref. No.
-----------	----------	----------