

0CNP5-M07300EN

Directions for the Parts Catalog.

- The parts stipulated in this Parts Catalog are not necessarily standard equipped parts.
- Parts may change without prior notice.
- The following is an example of the Parts Catalog format.

REF.	LEV.	PARTS NO.	DESCRIPTION	Q'TY						I	R
				(A)	(B)	(C)	(D)	(E)	(F)		
1	1	729595-51390	FUEL INJECTION PUMP	1	1	1	1	1			1
1-1	1	729595-51391	FUEL INJECTION PUMP	1	1	1	1	1		N	1
		(A=E00185) (B=E00200)									
3	2	26022-060162	SCREW M 6X 16	9	9	9	9	9			
3-1	2	26022-060162	SCREW M 6X 16	4	4	4	4	4		K	
		(A=E00156) (B=E00156) (C=E00156) (D=E00156) (E=E00156)									
4	2	129470-51040	CAMSHAFT	1	1	1	1	1			
5	2	122710-51050	BEARING, ROLLER	2	2	2	2	2			
6	2	129470-51060	RETAINER	1	1	1	1	1			

Remarks
(1) BOOST COMPEMSATOR TYPE. OPTIONAL PART, TO E00155,(4JH-DT, 4JH-DTZ

① Ref. No.

The Ref. No. listed may not be in accordance with the illustration Ref. No.

(Ex.) Illustration No.

List Ref No.

1

1

(Before change)

1-1

(After change)

For interchangeable symbols N, R and K, illustrations for new parts may be abbreviated.

② Lev. (Level)

Level indication

The numbers below indicate the level of relativity towards the main part.

1 ----- Main parts (Assembly parts)

2 ----- Sub component included in " 1 ".

3 ----- Sub component included in " 2 ".

Note) Parts that are not for sale are partially illustrated but not listed.

③ Interchangeability Mark

When a part change takes place, one of the following interchangeability symbols is indicated beside the part.

Symbol	Interchangeability	Contents note
N	Old $\begin{matrix} \leftarrow \text{Yes} \\ \text{No} \rightarrow \end{matrix}$ New	New Part is interchangeable for Old Part but Old Part is not interchangeable for New Part.
Q	Old $\begin{matrix} \leftarrow \text{No} \\ \text{Yes} \rightarrow \end{matrix}$ New	New Part is not interchangeable for Old Part but Old Part is interchangeable for New Part.
R	Old $\begin{matrix} \leftarrow \text{Yes} \\ \text{Yes} \rightarrow \end{matrix}$ New	New/ Old Parts are both interchangeable.
S	Old $\begin{matrix} \leftarrow \text{No} \\ \text{No} \rightarrow \end{matrix}$ New	New/ Old Parts are both not interchangeable.
W		Part newly added.
Z		Part discontinued.
F		Not interchangeable by a single part but interchangeable together with related parts.
K		Changes only for used parts quantities.

④ Effective Machine No.

When a part changes, the effective Machine No. will be indicated in the (A)-(F) column.

Product Symbol	Product No.	Product Symbol	Product No.
C	Clutch No. Compressor No.	F	Machine No. (Agricultural Equip.)
D	Drive No.	M	Machine No.
E	Engine No.		

Note 1) A date may follow the symbol. (Ex.) 1996.01

Note 2) "XXXXX" and "ZZZZZ" are for parts that could not be predicted or for engine models that could not be identified.

Note 3) (A=E00185) is the E (Engine Serial Number) for the column (A) model (in this case 4JH-DT) after the parts design change.

⑤ Remarks Mark

Figures or alphabets (symbols) are entered in the remarks column.

The comments (remarks) on parts that are indicated at the bottom of the illustration are the same symbols as those stated above.

Contents

OCNP5-M07300

Fig. No. Fig. Name

Fig. No. Fig. Name

ENGINE SECTION

1. CYLINDER BLOCK
2. GEAR HOUSING
3. MOUNTING FLANGE & OIL SUMP
4. CYLINDER HEAD & BONNET
5. SUCTION MANIFOLD
6. EXHAUST MANIFOLD & SILENCER
7. CAMSHAFT & DRIVING GEAR
8. CRANKSHAFT & PISTON
9. HYDRAULIC PUMP
10. BALANCER
11. LUB.OIL SYSTEM
12. COOLING WATER SYSTEM
13. FUEL INJECTION PUMP
14. GOVERNOR
15. FUEL INJECTION VALVE
16. STARTING MOTOR
17. GENERATOR

Fig.1. CYLINDER BLOCK

(A)=4TNV88-XRY1

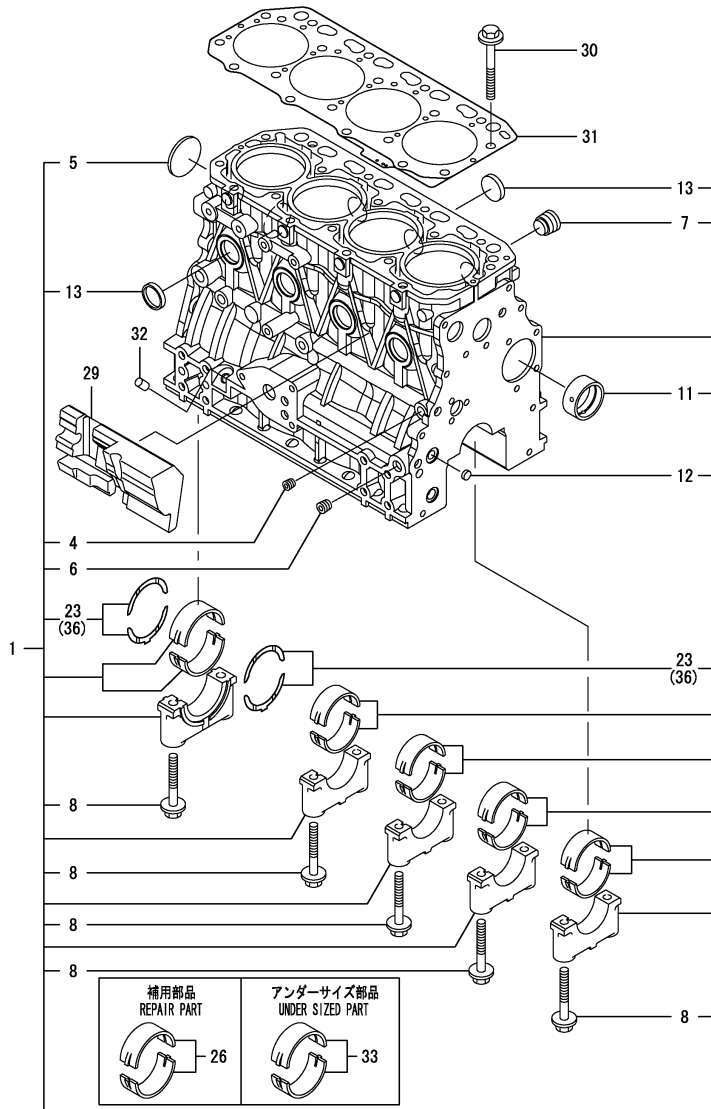
(B)=

(C)=

(D)=

(E)=

(F)=



No.	Lev.	Parts No.	Description	Q'ty						I	R
				(A)	(B)	(C)	(D)	(E)	(F)		
1	1	729659-01570	BLOCK ASSY, CYLINDER	1							
4	2	124060-01050	PLUG, PT1/8	1							
5	2	129001-01250	PLUG, 50	1							
6	2	124160-01910	PLUG, PT1/4	2							
7	2	171051-01921	PLUG, NPTF1	1							
8	2	129150-02020	BOLT, METAL CAP	10							
11	2	129795-02412	BUSH, CAMSHAFT	1							
12	2	27241-120000	PLUG, 12	2							
13	2	27241-300000	PLUG 30	8							
23	2	129150-02931	BEARING, THRUST	2							
26	1	129001-02931	BEARING, MAIN	5							3
29	1	129004-01190	SPACER	1							
30	1	129150-01200	BOLT, HEAD	18							
31	1	129407-01340	GASKET, HEAD	1							
32	1	119309-01810	PLUG	1							
33	1	129150-02871	BEARING, 0.25 US	5							1
36	1	129150-02941	BEARING, THRUST 0.25	1							2

Remarks

(1) UNDER-SIZE(U.S=0.25)PART.

(2) OVER-SIZE(O.S=0.25)PART.

(3) REPAIR PART.

(REMARKS)"EFFECTIVE MACHINE NO." OF ENGINE IS INDICATED ON THE ENGINE LABEL WHICH IS SHOWN IN FIG.4.

Fig.2. GEAR HOUSING

(A)=4TNV88-XRY1

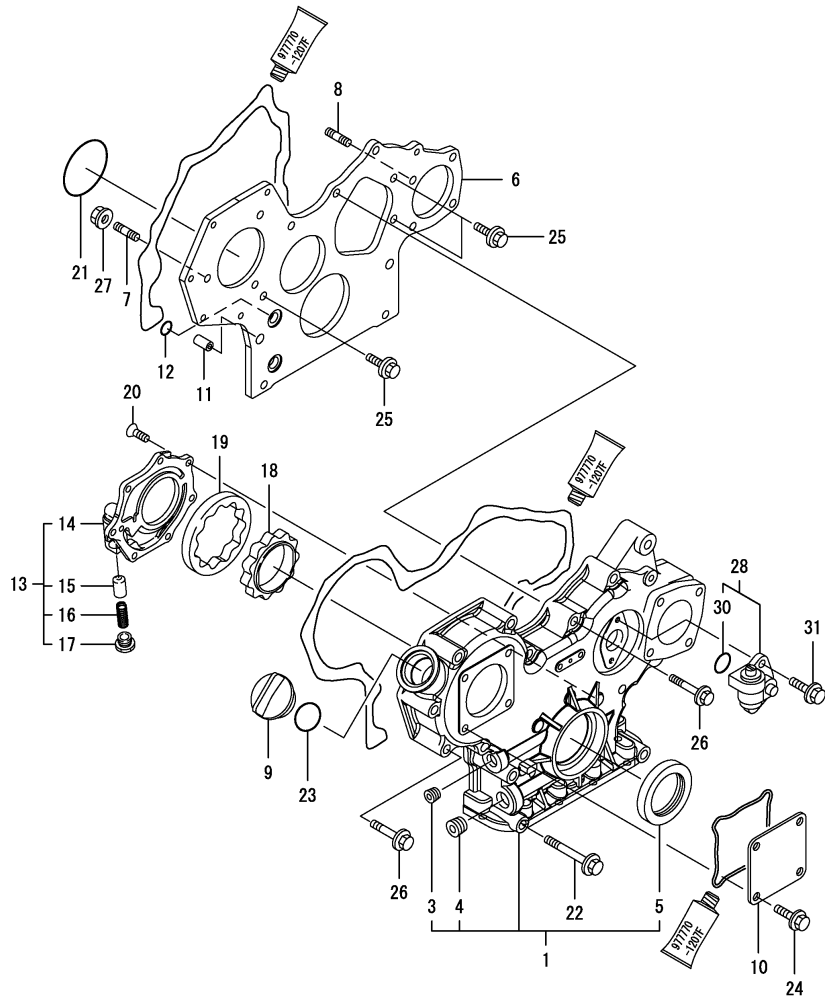
(B)=

(C)=

(D)=

(E)=

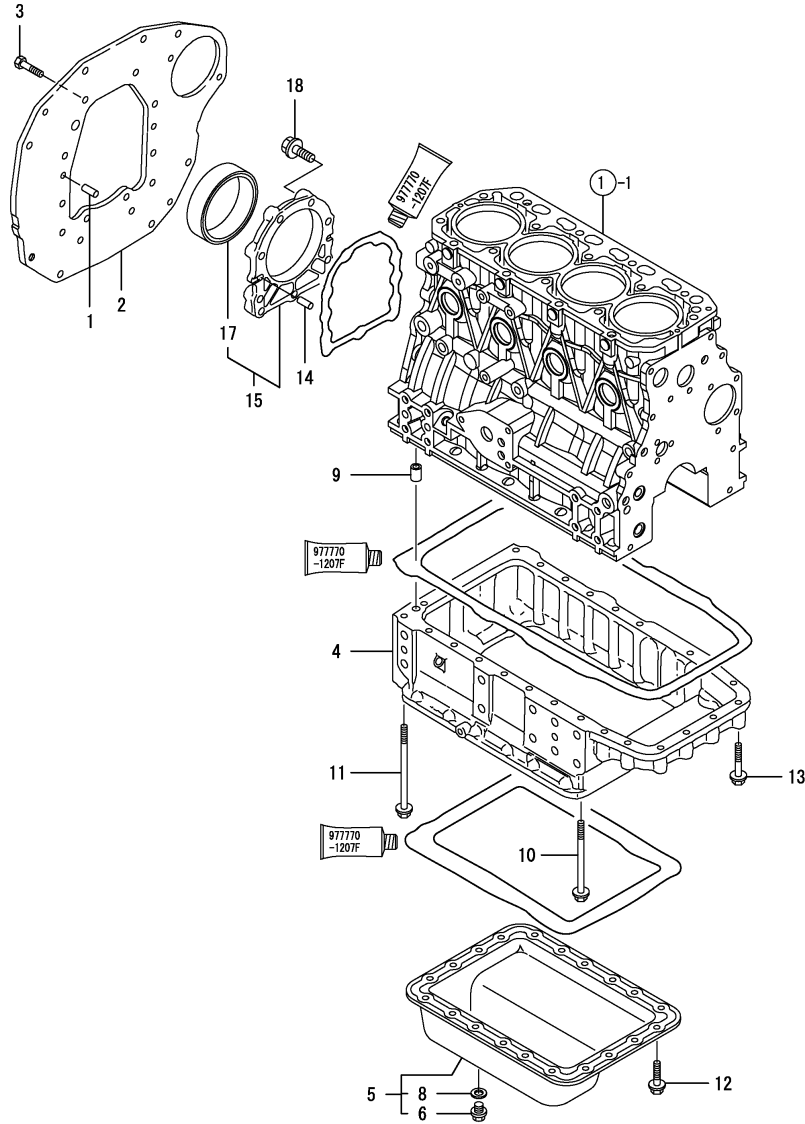
(F)=



No.	Lev.	Parts No.	Description	Q'ty						I	R
				(A)	(B)	(C)	(D)	(E)	(F)		
1	1	729235-01500	CASE ASSY, GEAR	1							
3	2	23876-030000	PLUG, R03	1							
4	2	23876-040000	PLUG, R04	1							
5	2	119934-01800	SEAL, OIL	1							
6	1	129004-01520	FLANGE, GEAR CASE	1							
7	1	119802-01561	STUD, M8X25	3							
8	1	129150-01580	STUD, M8X30	1							
9	1	124160-01751	COVER, FILLER	1							
10	1	124240-01871	COVER	1							
11	1	129795-01950	PIPE, KNOCK L=18	2							
12	1	119609-32040	O-RING, P16	4							
13	1	119802-32100	COVER ASSY	1							
14	2	119802-32070	COVER	1							
15	2	129900-32130	VALVE, RELIEF	1							
16	2	129418-32320	SPRING	1							
17	2	129001-32330	PLUG	1							
18	1	119802-32111	ROTOR, INNER	1							
19	1	119802-32120	ROTOR, OUTER	1							
20	1	119802-32130	SCREW, M6X16	7							
21	1	121850-51960	O-RING	1							
22	1	129001-91841	BOLT, M8X85	3							
23	1	24311-000320	O-RING, 1AP32.0	1							
24	1	26106-080162	BOLT, M8X 16 PLATED	4							
25	1	26106-080162	BOLT, M8X 16 PLATED	3							
26	1	26106-080552	BOLT, M8X 55 PLATED	11							
27	1	26306-080002	NUT, M8	3							
28	1	129150-91400	GEAR	1							
30	2	24341-000240	O-RING, 1AS24.0	1							
31	1	26106-060162	BOLT, M6X 16 PLATED	2							

Remarks
 (REMARKS)"EFFECTIVE MACHINE NO." OF
 ENGINE IS INDICATED ON THE
 ENGINE LABEL WHICH IS SHOWN
 IN FIG.4.

Fig.3. MOUNTING FLANGE & OIL SUMP



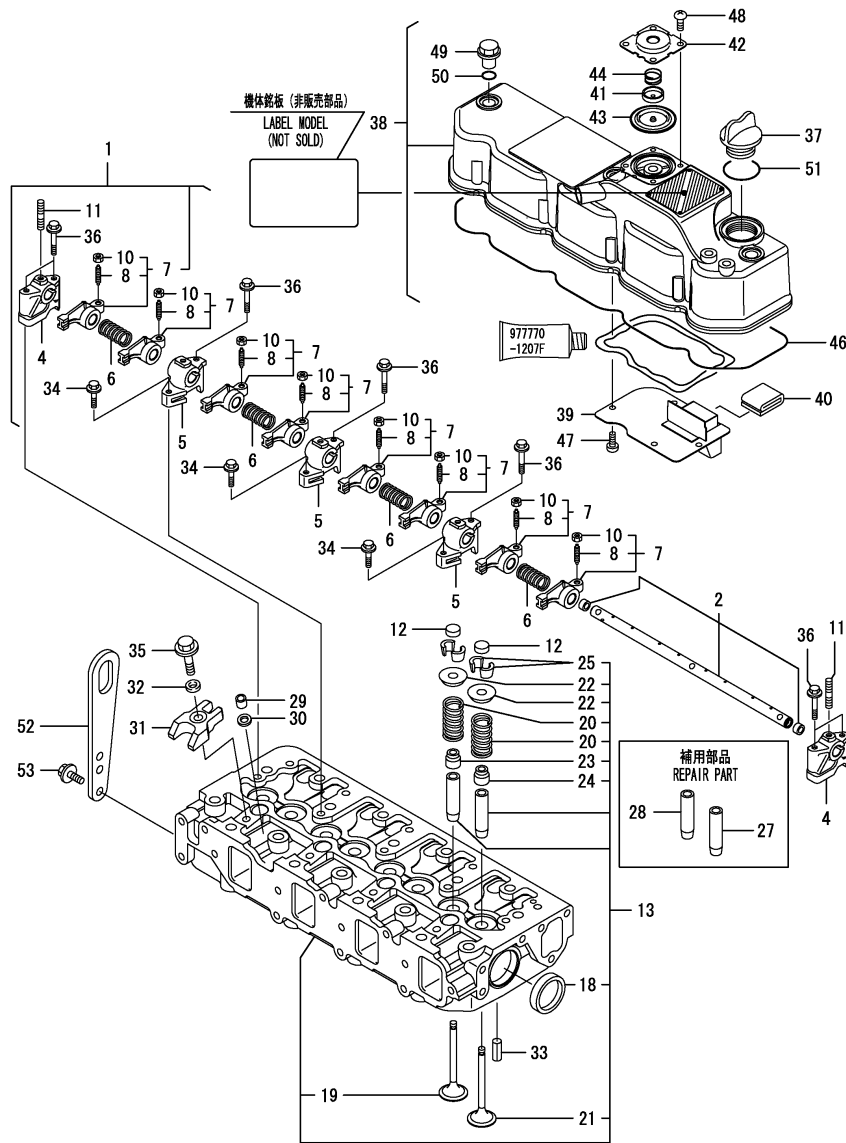
(A)=4TNV88-XRY1
(B)=
(C)=

(D)=
(E)=
(F)=

No.	Lev.	Parts No.	Description	Q'ty						I	R
				(A)	(B)	(C)	(D)	(E)	(F)		
1	1	129100-01580	PIN, M8X16	2							
2	1	129126-01600	FLANGE, MOUNTING	1							
3	1	26206-100202	BOLT, M10X 20 PLATED	8							
4	1	129550-01702	SUMP, OIL	1							
5	1	729429-01721	SUMP ASSY, OIL	1							
6	2	105425-01690	PLUG, 16	1							
8	2	22190-160002	WASHER, SEAL 16	1							
9	1	129555-01750	PIPE, KNOCK 14X18	1							
10	1	129001-91870	BOLT, M8X100	14							
11	1	129001-91910	BOLT, M8X120	4							
12	1	26106-080122	BOLT, M8X 12 PLATED	20							
13	1	26106-080502	BOLT, M8X 50 PLATED	8							
14	1	129100-01580	PIN, M8X16	2							
15	1	129648-01600	CASE ASSY, OIL SEAL	1							
17	2	129648-01780	SEAL, OIL	1							
18	1	129486-01670	BOLT, M8X30	9							

Remarks
(REMARKS)"EFFECTIVE MACHINE NO." OF
ENGINE IS INDICATED ON THE
ENGINE LABEL WHICH IS SHOWN
IN FIG.4.

Fig.4. CYLINDER HEAD & BONNET



(A)=4TNV88-XRY1
(B)=
(C)=

(D)=
(E)=
(F)=

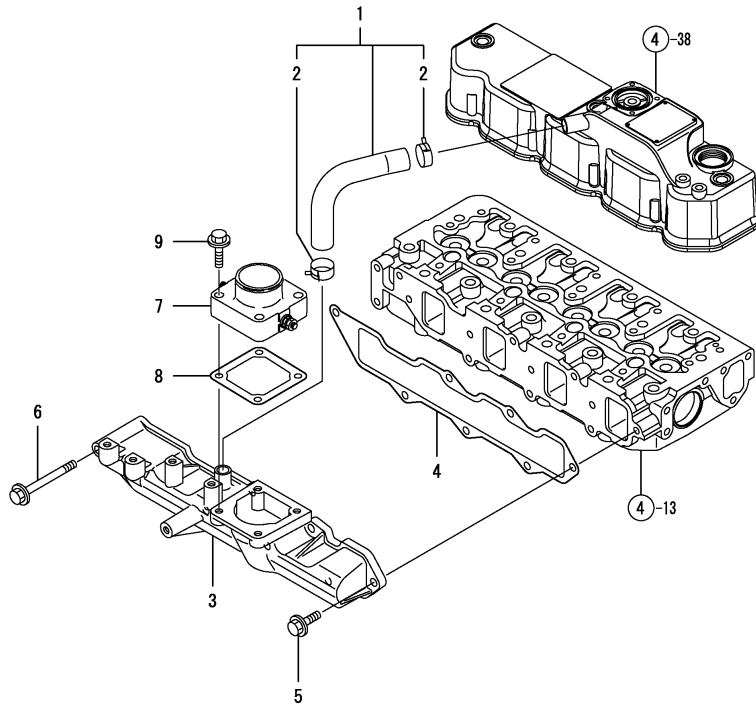
No.	Lev.	Parts No.	Description	Q'ty						I	R
				(A)	(B)	(C)	(D)	(E)	(F)		
1	1	129601-11241	SHAFT ASSY, ROCKER	1							
2	2	129601-11251	SHAFT, ROCKER ARM	1							
4	2	119802-11260	SUPPORT, ROCKER ARM	2							
5	2	119802-11270	SUPPORT, ROCKER ARM	3							
6	2	129150-11280	SPRING	4							
7	2	129004-11650	ARM, ROCKER	8							
8	3	129150-11230	SCREW, VALVE ADJUST	8							
10	3	129150-11750	NUT, M8	8							
11	2	26226-080182	STUD, M8X 18	3							
12	1	129150-11370	CAP, VALVE	8							
13	1	129601-11700	HEAD ASSY, CYLINDER	1							
18	2	27241-400000	PLUG, 40	2							
19	2	129100-11112	VALVE, EXHAUST	4							
20	2	129795-11120	SPRING, VALVE	8							
21	2	129004-11130	VALVE, INTAKE	4							
22	2	129795-11180	RETAINER, SPRING	8							
23	2	121400-11340	SEAL, VALVE STEM	4							
24	2	124460-11340	SEAL, VALVE STEM	4							
25	2	27310-080001	COTTER, 8	8							
27	1	120130-11860	GUIDE, VALVE	4							1
28	1	129150-11810	GUIDE, VALVE	4							1
29	1	119802-11870	PROTECTOR, NOZZLE	4							
30	1	119625-11880	SEAT, NOZZLE	4							
31	1	129004-11900	RETAINER, NOZZLE	4							
32	1	120270-54410	WASHER, INJECTOR	4							
33	1	22351-060012	PIN, SPRING 6.0X12	2							
34	1	26106-080252	BOLT, M8X 25 PLATED	3							
35	1	26106-080352	BOLT, M8X 35 PLATED	4							
36	1	26106-080502	BOLT, M8X 50 PLATED	7							
37	1	124160-01751	COVER, FILLER	1							
38	1	129601-11350	BONNET ASSY, HEAD	1							
39	2	129004-03010	PLATE	1							
40	2	129150-03070	BAFFLE, BREATHER	1							
41	2	119802-03110	PLATE	1							
42	2	119802-03121	COVER, DIAPHRAGM	1							
43	2	119802-03130	DIAPHRAGM	1							
44	2	119802-03141	SPRING, DIAPHRAGM	1							
46	2	129601-11310	GASKET, BONNET	1							
47	2	22857-500100	SCREW, 5X10	4							
48	2	22857-500100	SCREW, 5X10	4							
49	1	124160-11360	KNOB	3							
50	1	24311-000120	O-RING, 1AP12.0	3							
51	1	24311-000320	O-RING, 1AP32.0	1							
52	1	129900-07900	LIFTER	1							
53	1	26106-080142	BOLT, M8X 14 PLATED	2							

Remarks
(1) REPAIR PART.
(REMARKS)"EFFECTIVE MACHINE NO." OF ENGINE IS INDICATED ON THE ENGINE LABEL WHICH IS SHOWN IN FIG.4.

Fig.5. SUCTION MANIFOLD

(A)=4TNV88-XRY1
(B)=
(C)=

(D)=
(E)=
(F)=



No.	Lev.	Parts No.	Description	Qty						I	R
				(A)	(B)	(C)	(D)	(E)	(F)		
1	1	129005-03080	PIPE , BREATHER	1							
2	2	129410-03990	CLAMP 22	2							
3	1	129602-12100	MANIFOLD, AIR INTAKE	1							
4	1	129407-12110	GASKET, MANIFOLD	1							
5	1	26106-080202	BOLT, M8X 20 PLATED	6							
6	1	26106-080802	BOLT, M8X 80 PLATED	1							
7	1	129120-77502	HEATER	1							
8	1	129150-77511	GASKET	1							
9	1	26106-080352	BOLT, M8X 35 PLATED	4							

Remarks
(REMARKS)"EFFECTIVE MACHINE NO." OF
ENGINE IS INDICATED ON THE
ENGINE LABEL WHICH IS SHOWN
IN FIG.4.

Fig.6. EXHAUST MANIFOLD & SILENCER

(A)=4TNV88-XRY1

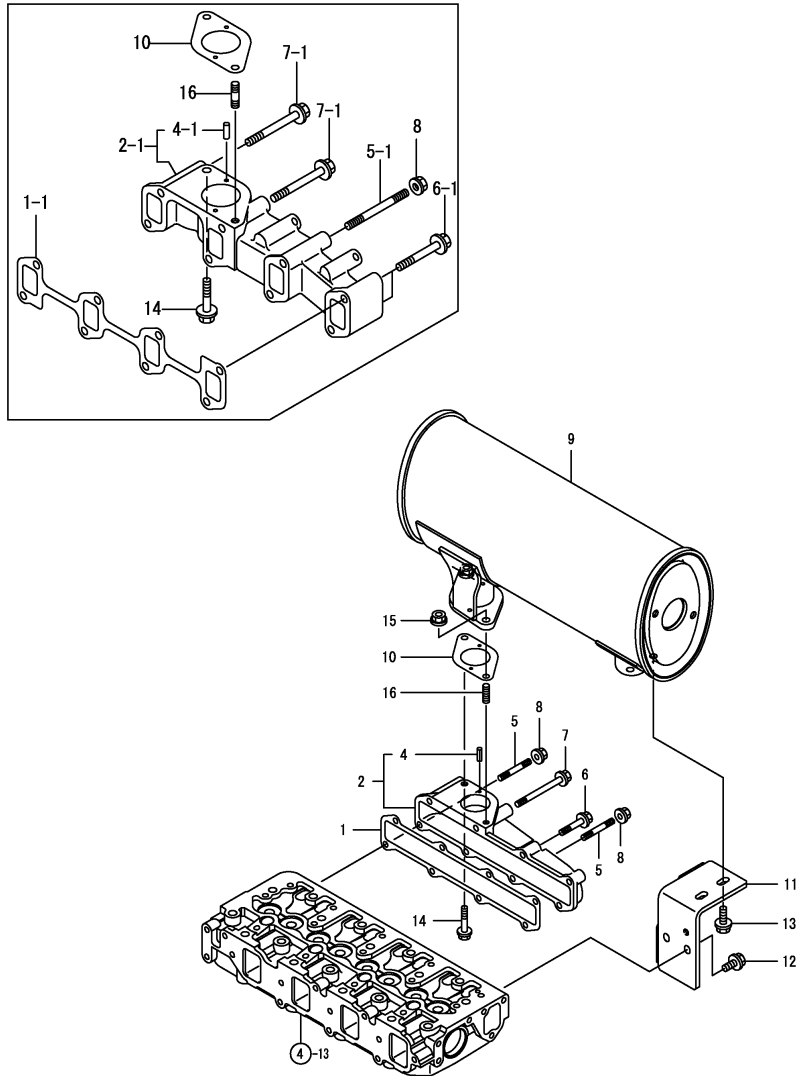
(B)=

(C)=

(D)=

(E)=

(F)=



No.	Lev.	Parts No.	Description	Q'ty						I	R
				(A)	(B)	(C)	(D)	(E)	(F)		
1	1	129407-13110	GASKET	1							
1-1	1	129550-13110	GASKET	1							N
(A=EZZZZZ)											
2	1	129659-13110	MANIFOLD ASSY	1							
2-1	1	129659-13130	MANIFOLD ASSY	1							N
(A=EZZZZZ)											
4	2	22351-040012	PIN, SPRING 4.0X12	1							
4-1	2	22351-040012	PIN, SPRING 4.0X12	2							K
(A=EZZZZZ)											
5	1	129054-13210	STUD, M8X55	2							
5-1	1	129263-13210	STUD, M8X90	2							S
(A=EZZZZZ)											
6	1	119802-13600	BOLT, M8X40	4							
6-1	1	119802-13640	BOLT, M8X60 10.9T	2							S
(A=EZZZZZ)											
7	1	119802-13660	BOLT, M8X75 10.9T	2							
7-1	1	119802-13660	BOLT, M8X75 10.9T	4							K
(A=EZZZZZ)											
8	1	26306-080002	NUT, M8	2							
9	1	129426-13500	SILENCER	1							
10	1	129107-13540	GASKET, SILENCER	1							
11	1	129659-13670	STAY	1							
12	1	26106-080162	BOLT, M8X 16 PLATED	2							
13	1	26106-080202	BOLT, M8X 20 PLATED	2							
14	1	26106-080402	BOLT, M8X 40 PLATED	1							
15	1	26306-080002	NUT, M8	1							
16	1	119131-18320	STUD, M8X22	1							

Remarks
 (REMARKS)"EFFECTIVE MACHINE NO." OF
 ENGINE IS INDICATED ON THE
 ENGINE LABEL WHICH IS SHOWN
 IN FIG.4.

Fig.7. CAMSHAFT & DRIVING GEAR

(A)=4TNV88-XRY1

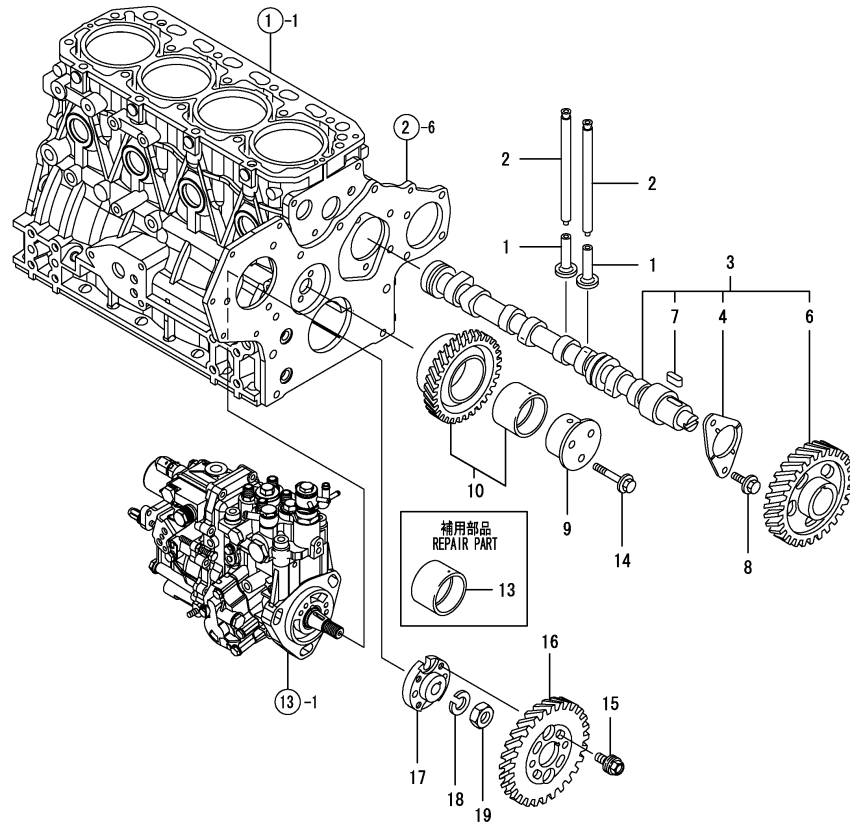
(B)=

(C)=

(D)=

(E)=

(F)=



No.	Lev.	Parts No.	Description	Q'ty						I	R
				(A)	(B)	(C)	(D)	(E)	(F)		
1	1	129150-14200	TAPPET	8							
2	1	129150-14400	ROD, PUSH L=178	8							
3	1	729402-14580	CAMSHAFT ASSY	1							
4	2	129150-02450	BEARING, THRUST	1							
6	2	129150-14101	GEAR, CAMSHAFT	1							
7	2	22512-070140	KEY, 7X 14	1							
8	1	26106-080142	BOLT, M8X 14 PLATED	2							
9	1	119802-25051	SHAFT, IDLE	1							
10	1	119802-25101	GEAR ASSY, IDLE	1							
13	1	119802-25071	BUSH, IDLE GEAR	1							1
14	1	26106-080402	BOLT, M8X 40 PLATED	3							
15	1	129150-25301	BOLT	4							
16	1	119802-25901	GEAR, PUMP	1							
17	1	158552-51151	FLANGE	1							
18	1	22217-140000	WASHER, SPRING 14	1							
19	1	26776-140002	NUT, LOCK M14	1							

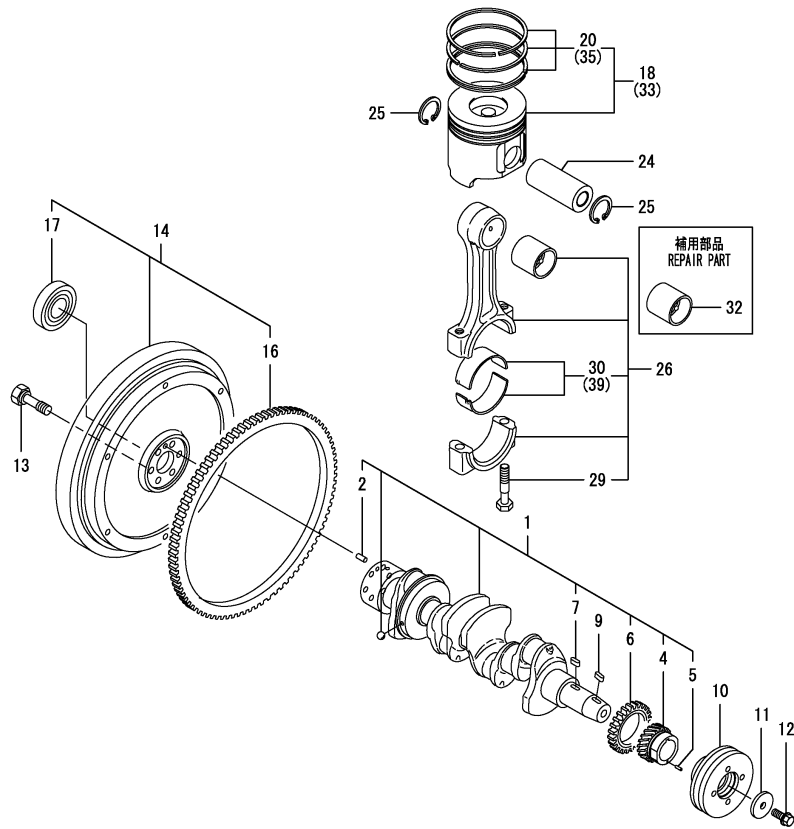
Remarks

(1) REPAIR PART.
 (REMARKS)"EFFECTIVE MACHINE NO." OF
 ENGINE IS INDICATED ON THE
 ENGINE LABEL WHICH IS SHOWN
 IN FIG.4.

Fig.8. CRANKSHAFT & PISTON

(A)=4TNV88-XRY1
(B)=
(C)=

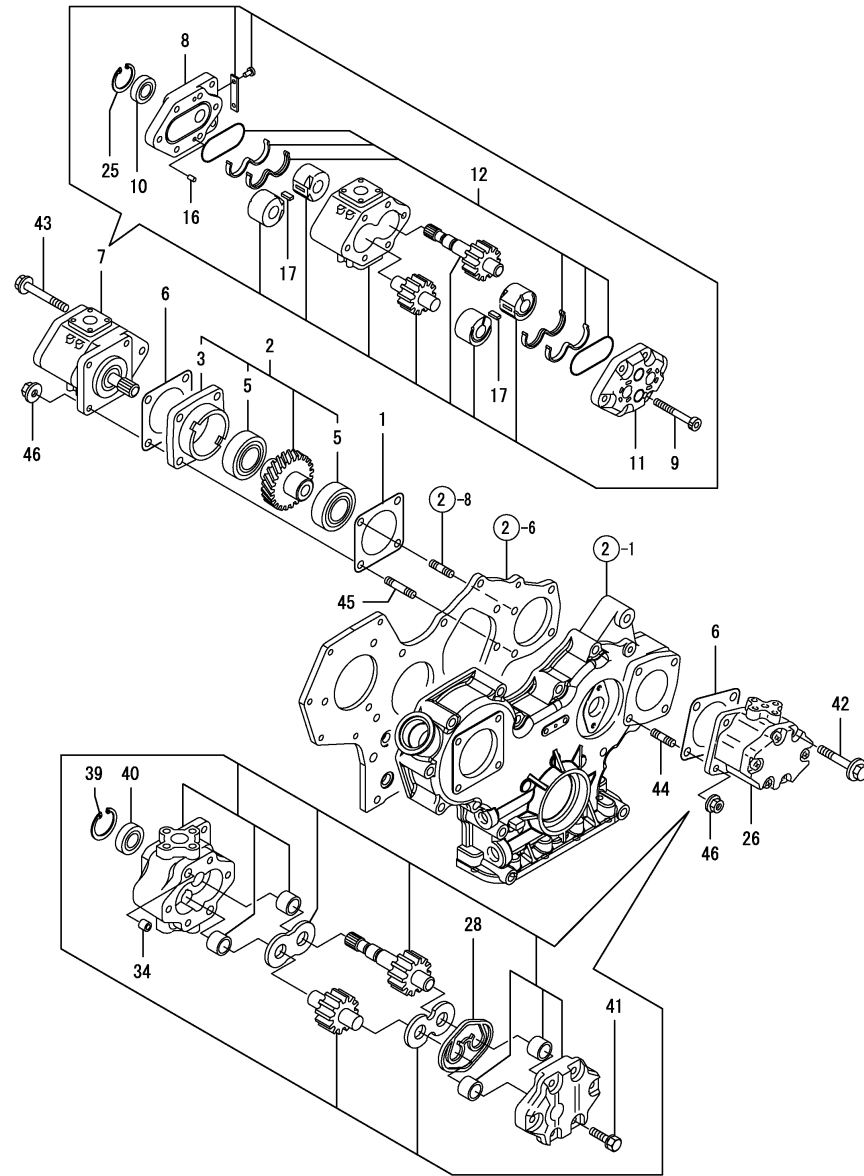
(D)=
(E)=
(F)=



No.	Lev.	Parts No.	Description	Q'ty						I	R
				(A)	(B)	(C)	(D)	(E)	(F)		
1	1	129657-21002	CRANKSHAFT ASSY	1							
2	2	129100-01580	PIN, M8X16	1							
4	2	119802-21202	GEAR, CRANKSHAFT	1							
5	2	121850-21290	PIN	1							
6	2	129400-28121	GEAR, BALANCER	1							
7	2	22512-070140	KEY, 7X 14	1							
9	1	22512-070140	KEY, 7X 14	1							
10	1	119852-21650	V-PULLEY, 120	1							
11	1	129795-21661	WASHER	1							
12	1	121850-21680	BOLT	1							
13	1	121111-21501	BOLT, FLYWHEEL	6							
14	1	129429-21590	FLYWHEEL ASSY	1							
16	2	124550-21600	GEAR, RING	1							
17	2	121820-21690	BEARING, 6203DDUC4	1							
18	1	129005-22080	PISTON ASSY	4							
20	2	129005-22500	RING SET, PISTON	4							
24	1	129202-22300	PIN, PISTON D26 L70	4							
25	1	22252-000260	RING, 26	8							
26	1	729402-23100	ROD ASSY, CONNECTING	4							
29	2	121550-23200	BOLT, CONNECTING ROD	8							
30	2	129150-23601	BEARING, CRANK PIN	4							
32	1	129100-23910	BEARING, PISTON PIN	4							1
33	1	129005-22900	PISTON ASSY, 0.25 OS	4							2
35	2	129005-22950	RING SET, 0.25 OS	4							2
39	1	129150-23611	BEARING, 0.25 US	4							3

Remarks
 (1) REPAIR PART.
 (2) OVER-SIZE(O.S=0.25)PART.
 (3) UNDER-SIZE(U.S=0.25)PART.
 (REMARKS)"EFFECTIVE MACHINE NO." OF ENGINE IS INDICATED ON THE ENGINE LABEL WHICH IS SHOWN IN FIG.4.

Fig.9. HYDRAULIC PUMP



(A)=4TNV88-XRY1
(B)=
(C)=

(D)=
(E)=
(F)=

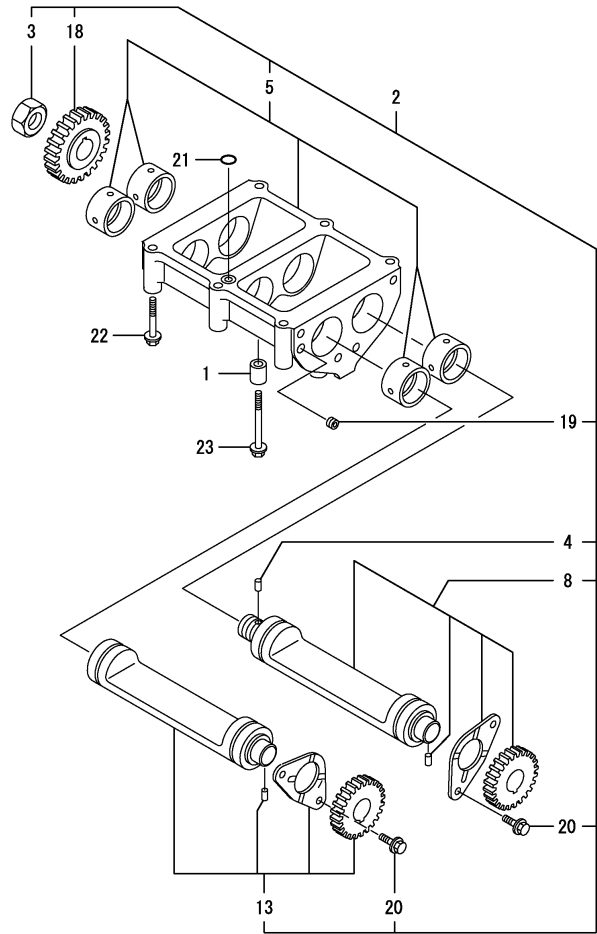
No.	Lev.	Parts No.	Description	Q'ty						I	R
				(A)	(B)	(C)	(D)	(E)	(F)		
1	1	129150-01881	GASKET	1							
2	1	129150-26000	DRIVE ASSY, PUMP	1							
3	2	129150-26050	BRACKET, PUMP	1							
5	2	24105-060064	BEARING, BALL 6006Z	2							
6	1	124240-01883	GASKET	2							
7	1	198240-41110	PUMP, HY/ZFD100/13L	1							
8	2	194278-41151	FLANGE	1							
9	2	198240-41150	BOLT, M8X83.5	4							
10	2	194278-41160	SEAL, OIL TC173008	1							
11	2	194278-41190	COVER	1							
12	2	794275-41200	SEAL KIT	1							
16	2	194065-41210	PIN, PARALLEL 6X12	2							
17	2	194278-41210	KEY	2							
25	2	22252-000300	RING, 30	1							
26	1	178070-44000	PUMP ASSY, HYDRAULIC	1							
28	2	178070-10401	RING	1							
34	2	194521-41570	PIN, 11X7	2							
39	2	22252-000320	RING, 32	1							
40	2	24421-153207	SEAL, OIL TC153207	1							
41	2	26016-080352	BOLT, M8X 35	4							
42	1	26106-080802	BOLT, M8X 80 PLATED	2							
43	1	26106-081202	BOLT, M8X120 PLATED	2							
44	1	26216-080222	STUD, M8X 22	2							
45	1	26216-080402	STUD, M8X 40	1							
46	1	26306-080002	NUT, M8	4							

Remarks
(REMARKS)"EFFECTIVE MACHINE NO." OF
ENGINE IS INDICATED ON THE
ENGINE LABEL WHICH IS SHOWN
IN FIG.4.

Fig.10. BALANCER

(A)=4TNV88-XRY1
(B)=
(C)=

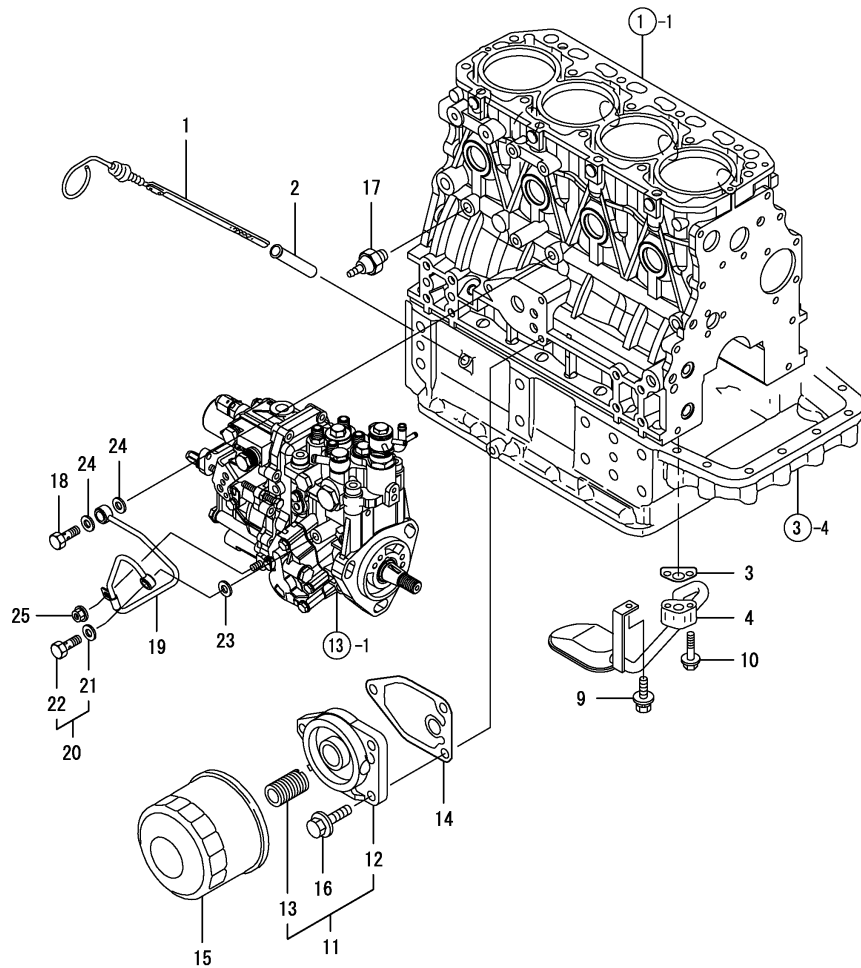
(D)=
(E)=
(F)=



No.	Lev.	Parts No.	Description	Q'ty						I	R
				(A)	(B)	(C)	(D)	(E)	(F)		
1	1	129795-01960	PIPE, KNOCK	2							
2	1	129457-28000	BALANCER ASSY	1							
3	2	128170-14150	NUT	1							
4	2	121850-21290	PIN	1							
5	2	129457-28011	CASE ASSY, BALANCER	1							
8	2	729490-28510	SHAFT ASSY, BALANCER	1							
13	2	729490-28520	SHAFT ASSY, BALANCER	1							
18	2	129400-28150	GEAR, BALANCER	1							
19	2	23876-005000	PLUG, R005	1							
20	2	26106-080142	BOLT, M8X 14 PLATED	4							
21	1	24311-000140	O-RING, 1AP14.0	1							
22	1	26106-080602	BOLT, M8X 60 PLATED	4							
23	1	26106-080802	BOLT, M8X 80 PLATED	2							

Remarks
(REMARKS)"EFFECTIVE MACHINE NO." OF
ENGINE IS INDICATED ON THE
ENGINE LABEL WHICH IS SHOWN
IN FIG.4.

Fig.11. LUB.OIL SYSTEM



(A)=4TNV88-XRY1
(B)=
(C)=

(D)=
(E)=
(F)=

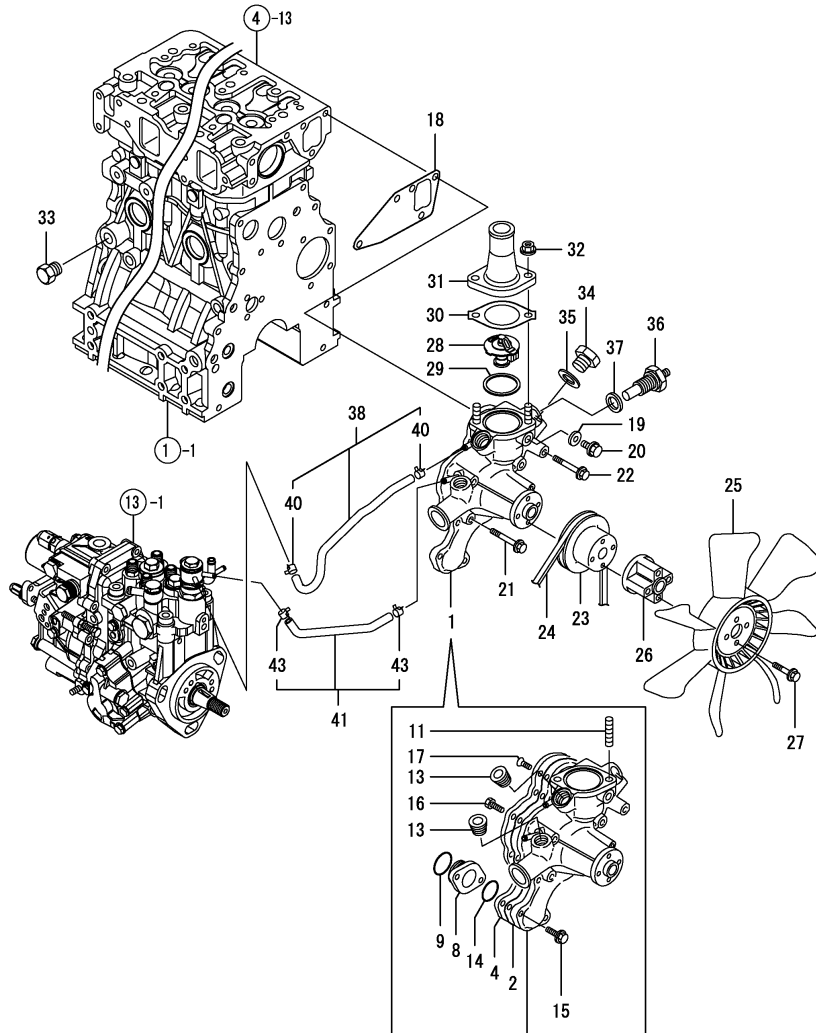
No.	Lev.	Parts No.	Description	Q'ty						I	R
				(A)	(B)	(C)	(D)	(E)	(F)		
1	1	129457-34800	DIPSTICK, OIL	1							
2	1	121520-34810	GUIDE, DIPSTICK	1							
3	1	129150-35042	GASKET	1							
4	1	129550-35090	PIPE ASSY, OIL INLET	1							
9	1	26014-080162	BOLT, M8X 16	1							
10	1	26106-080352	BOLT, M8X 35 PLATED	2							
11	1	119802-35100	BRACKET ASSY, FILTER	1							
12	2	119802-35110	BRACKET, FILTER	1							
13	2	129100-35140	STUD	1							
14	1	129150-35111	GASKET	1							
15	1	129150-35170	FILTER, LO	1							1
16	1	26106-080202	BOLT, M8X 20 PLATED	3							
17	1	114250-39450	SWITCH, 0.5KG	1							
18	1	124160-39140	BOLT, PIPE JOINT M10	1							
19	1	119802-39450	PIPE ASSY, OIL	1							
20	1	129005-59830	BOLT ASSY, JOINT M8	1							
21	2	22190-080002	WASHER, SEAL 6	1							
22	2	23857-030000	BOLT, JOINT 3	1							
23	1	22190-080002	WASHER, SEAL 6	1							
24	1	22190-100002	WASHER, SEAL 10	2							
25	1	26366-060002	NUT, M6	1							

Remarks
(1) REPAIR PART.

Fig.12. COOLING WATER SYSTEM

(A)=4TNV88-XRY1
(B)=
(C)=

(D)=
(E)=
(F)=



No.	Lev.	Parts No.	Description	Q'ty						I	R
				(A)	(B)	(C)	(D)	(E)	(F)		
1	1	129659-42040	PUMP ASSY, WATER	1							
2	2	129150-42059	GASKET	1							
4	2	129263-42120	PLATE	1							
8	2	129150-42301	FLANGE	1							
9	2	129054-42320	O-RING	1							
11	2	129555-44750	STUD, M8X30	2							
13	2	129916-49740	PLUG, R03	2							
14	2	24358-240310	O-RING, 524031	1							
15	2	26106-060202	BOLT, M6X 20 PLATED	2							
16	2	26116-060162	BOLT, M6X 16 PLATED	3							
17	2	26577-060142	SCREW M 6X 14	3							
18	1	129486-42050	GASKET, WATER PUMP	1							
19	1	23414-080000	GASKET, 8X1.0	1							
20	1	26106-080122	BOLT, M8X 12 PLATED	1							
21	1	26106-080552	BOLT, M8X 55 PLATED	3							
22	1	26106-080602	BOLT, M8X 60 PLATED	1							
23	1	129403-42380	V-PULLEY, D=110	1							
24	1	129052-42290	V-BELT, A40.5	1							
25	1	129655-44740	FAN, COOLING D380	1							
26	1	129030-44760	SPACER, FAN L38.5	1							
27	1	26106-060502	BOLT, M6X 50 PLATED	4							
28	1	129155-49801	THERMOSTAT, 71	1							
29	1	129150-49811	GASKET, THERMOSTAT	1							
30	1	129795-49551	GASKET	1							
31	1	129350-49560	COVER, THERMOSTAT	1							
32	1	26306-080002	NUT, M8	2							
33	1	171056-49120	PLUG, DRAIN	1							
34	1	121450-42450	PLUG, M16	1							
35	1	124465-44950	GASKET, 16	1							
36	1	124250-49351	SENSOR	1							
37	1	129150-49360	GASKET	1							
38	1	129263-49610	PIPE, WATER	1							
40	2	124722-59050	CLIP, HOSE 9	2							
41	1	129263-49620	PIPE, WATER	1							
43	2	124722-59050	CLIP, HOSE 9	4							

Remarks
(REMARKS)"EFFECTIVE MACHINE NO." OF
ENGINE IS INDICATED ON THE
ENGINE LABEL WHICH IS SHOWN
IN FIG.4.

Fig.13. FUEL INJECTION PUMP

(A)=4TNV88-XRY1

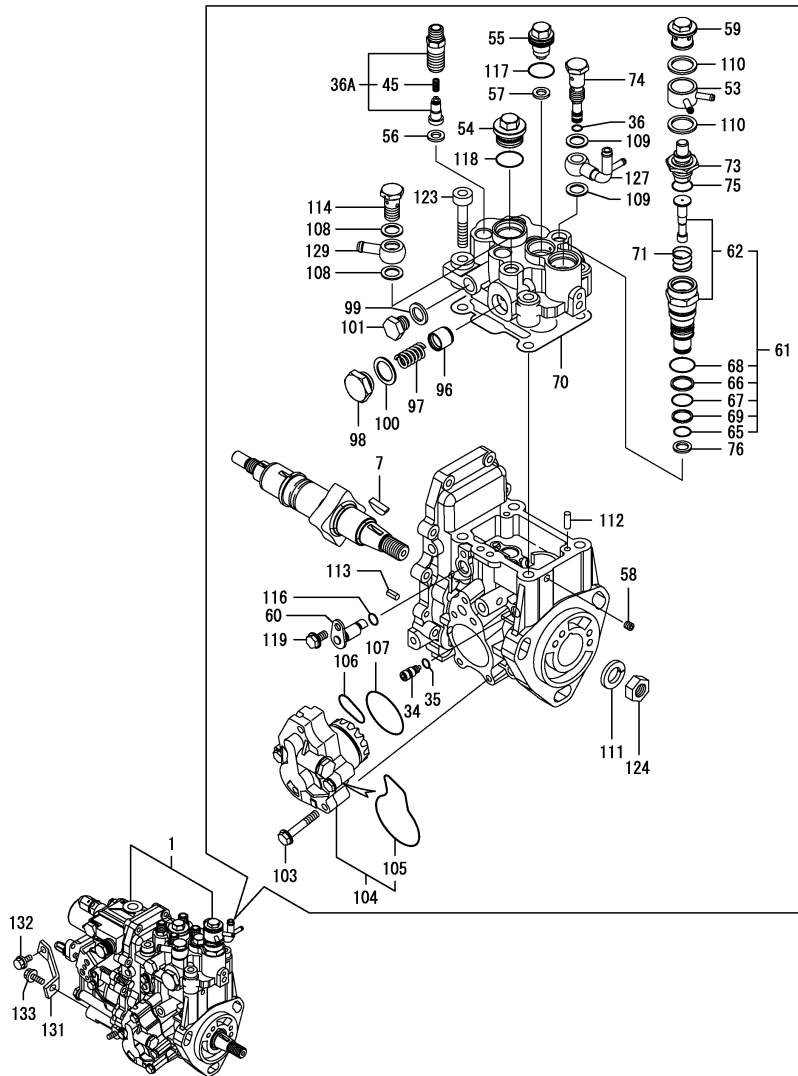
(B)=

(C)=

(D)=

(E)=

(F)=



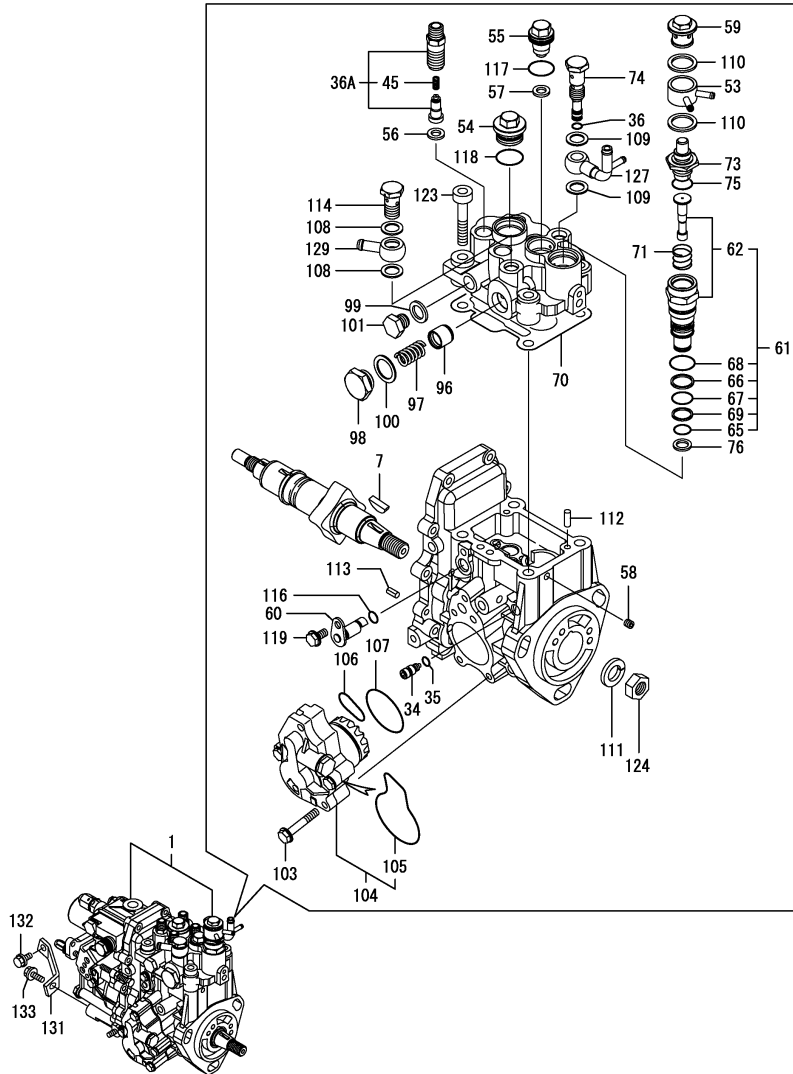
No.	Lev.	Parts No.	Description	Q'ty						I	R
				(A)	(B)	(C)	(D)	(E)	(F)		
1	1	729659-51351	PUMP ASSY, INJECTION	1							1
7	2	119802-51090	KEY, 4X16	1							
34	2	158600-51270	STOPPER, TAPPET	1							
35	2	158563-51281	O-RING, 4D S6	1							
36	2	158563-51281	O-RING, 4D S6	1							
36A	2	129509-51390	VALVE ASSY, DELIVERY	4							W
(A=*2008.04.)											
45	3	158563-51330	SPRING, DELIVERY	4							
53	2	158553-51551	JOINT	1							
54	2	158601-51550	PLUG	1							
55	2	119802-51560	PLUG, BARREL	1							
56	2	158552-51570	GASKET	4							
57	2	158552-51570	GASKET	1							
58	2	158557-51570	PLUG	1							
59	2	158601-51570	PLUG	1							
60	2	158552-51580	LIFTER	1							
61	2	119802-51590	TIMER SET	1							
62	3	119802-51600	TIMER ASSY	1							
65	3	158553-51670	O-RING, 1011	1							
66	3	119802-51680	RING, BACK UP	1							
67	3	119802-51690	O-RING	1							
68	3	24356-010200	O-RING, 4D1020	1							
69	3	24372-000150	RING, BACK UP T2P15	1							
70	2	158552-51600	GASKET	1							
71	2	158553-51630	SPRING, TIMER	1							
73	2	158553-51640	ELEMENT	1							
74	2	158601-51650	JOINT, OVER FLOW	1							
75	2	158553-51660	O-RING, P14	1							
76	2	158553-51680	GASKET	1							
96	2	158601-51770	PISTON	1							
97	2	158552-51781	SPRING	1							
98	2	158601-51790	PLUG	1							
99	2	22190-120002	WASHER, SEAL 12	1							
100	2	22190-180002	WASHER, SEAL 18	1							
101	2	23887-120002	PLUG, 12	1							
103	2	158553-51770	BOLT	4							
104	2	158552-52100	PUMP ASSY, FUEL FEED	1							
105	3	158552-52500	O-RING	1							
106	2	158552-52310	O-RING	1							
107	2	158552-52400	O-RING, 4E S42	1							
108	2	22190-120002	WASHER, SEAL 12	2							
109	2	22190-120002	WASHER, SEAL 12	2							
110	2	22190-180002	WASHER, SEAL 18	2							
111	2	22217-140000	WASHER, SPRING 14	1							
112	2	22312-050140	PIN, PARALLEL M5X14	2							
113	2	22351-050010	PIN, SPRING 5.0X10	2							
114	2	23857-060000	BOLT, JOINT 6	1							
116	2	24311-000070	O-RING, 1AP7.0	1							
117	2	24356-010180	O-RING, 4D1018	1							
118	2	24356-010200	O-RING, 4D1020	1							
119	2	26106-060102	BOLT, M6X 10 PLATED	1							

Remarks
 (1) GOVERNOR ASSY(FIG.14) IS INCORPORATED IN THIS FOP.CMP (REF.NO.1).
 (REMARKS)"EFFECTIVE MACHINE NO." OF ENGINE IS INDICATED ON THE ENGINE LABEL WHICH IS SHOWN IN FIG.4.

Fig.13. FUEL INJECTION PUMP

(A)=4TNV88-XRY1
(B)=
(C)=

(D)=
(E)=
(F)=



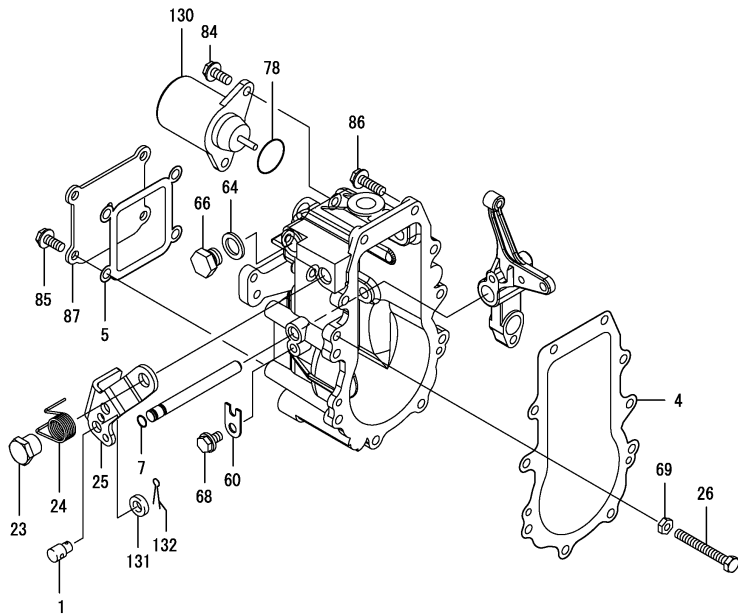
No.	Lev.	Parts No.	Description	Q'ty						I	R
				(A)	(B)	(C)	(D)	(E)	(F)		
123	2	26450-080452	BOLT, M8X 45	4							
124	2	26776-140002	NUT, LOCK M14	1							
127	2	158552-51670	JOINT, OVER FLOW	1							
129	2	129916-59020	JOINT, PIPE 12	1							
131	1	129601-51250	RETAINER, PUMP	1							
132	1	26106-080162	BOLT, M8X 16 PLATED	1							
133	1	26106-080202	BOLT, M8X 20 PLATED	1							

Remarks
 (1) GOVERNOR ASSY(FIG.14) IS INCORPORATED IN THIS FOP.CMP (REF.NO.1).
 (REMARKS)"EFFECTIVE MACHINE NO." OF ENGINE IS INDICATED ON THE ENGINE LABEL WHICH IS SHOWN IN FIG.4.

Fig.14. GOVERNOR

(A)=4TNV88-XRY1
(B)=
(C)=

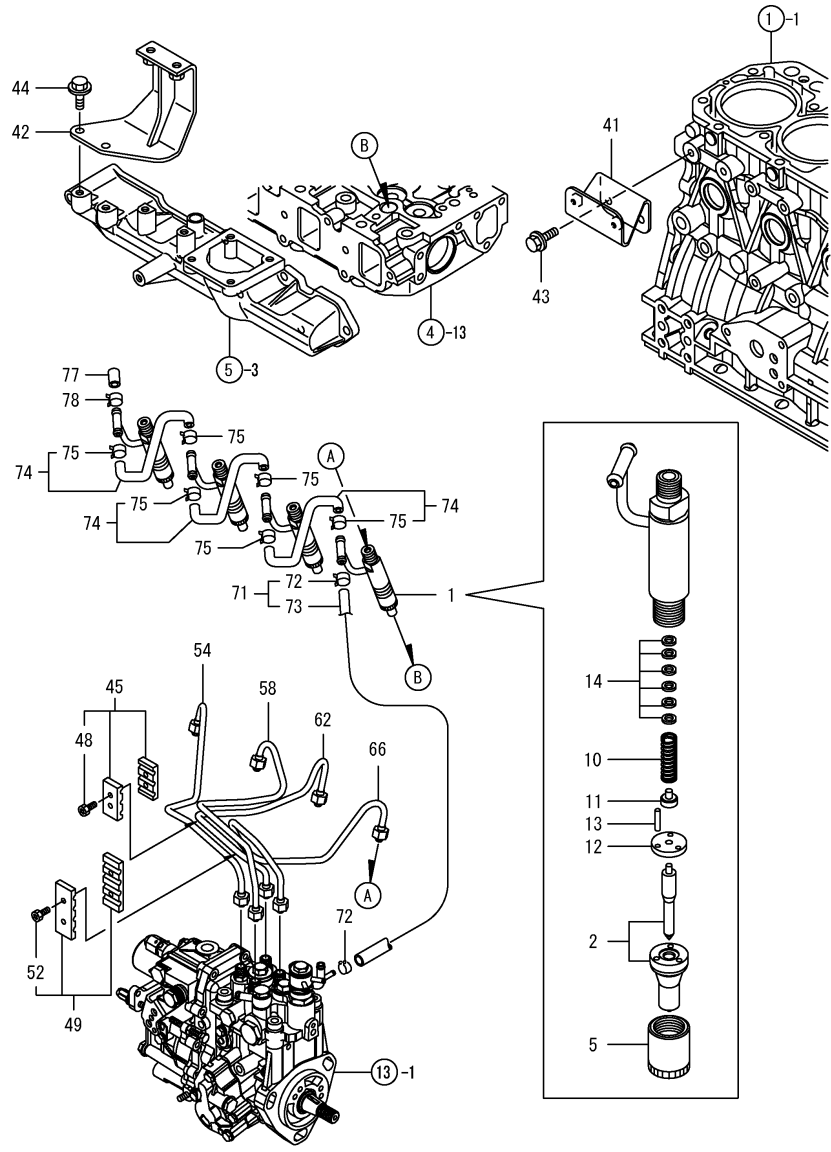
(D)=
(E)=
(F)=



No.	Lev.	Parts No.	Description	Q'ty						I	R
				(A)	(B)	(C)	(D)	(E)	(F)		
1	2	194150-01370	ADJUSTER	1							
4	2	158553-61050	GASKET	1							
5	2	158553-61070	GASKET	1							
7	2	129155-51280	O-RING, S6	1							
23	2	129255-61410	NUT, LOCK	1							
24	2	119807-61420	SPRING, RETURN	1							
25	2	158552-61441	LEVER, REGULATOR	1							
26	2	129155-61460	BOLT, IDLE	1							
60	2	119660-61901	RETAINER, SHAFT	1							
64	2	22190-120000	WASHER, SEAL 12	1							
66	2	23887-120002	PLUG, 12	1							
68	2	26106-060102	BOLT, M6X 10 PLATED	1							
69	2	26756-060002	NUT, LOCK M6	1							
78	2	158552-61900	O-RING	1							
84	2	26106-060142	BOLT, M6X 14 PLATED	2							
85	2	26106-060142	BOLT, M6X 14 PLATED	4							
86	2	26106-060202	BOLT, M6X 20 PLATED	10							
87	2	129642-61060	COVER, GOVERNOR CASE	1							
130	2	119653-77950	SOLENOID, STOP	1							
131	2	22137-080000	WASHER, 8	1							
132	2	22417-160180	PIN, COTTER 1.6X18	1							

Remarks
 * THIS FIGURE(GOVERNOR ASSY)IS
 INCORPORATED IN THE FUEL INJECTION
 PUMP ASSY(FIG.13).
 (REMARKS)"EFFECTIVE MACHINE NO." OF
 ENGINE IS INDICATED ON THE
 ENGINE LABEL WHICH IS SHOWN
 IN FIG.4.

Fig.15. FUEL INJECTION VALVE



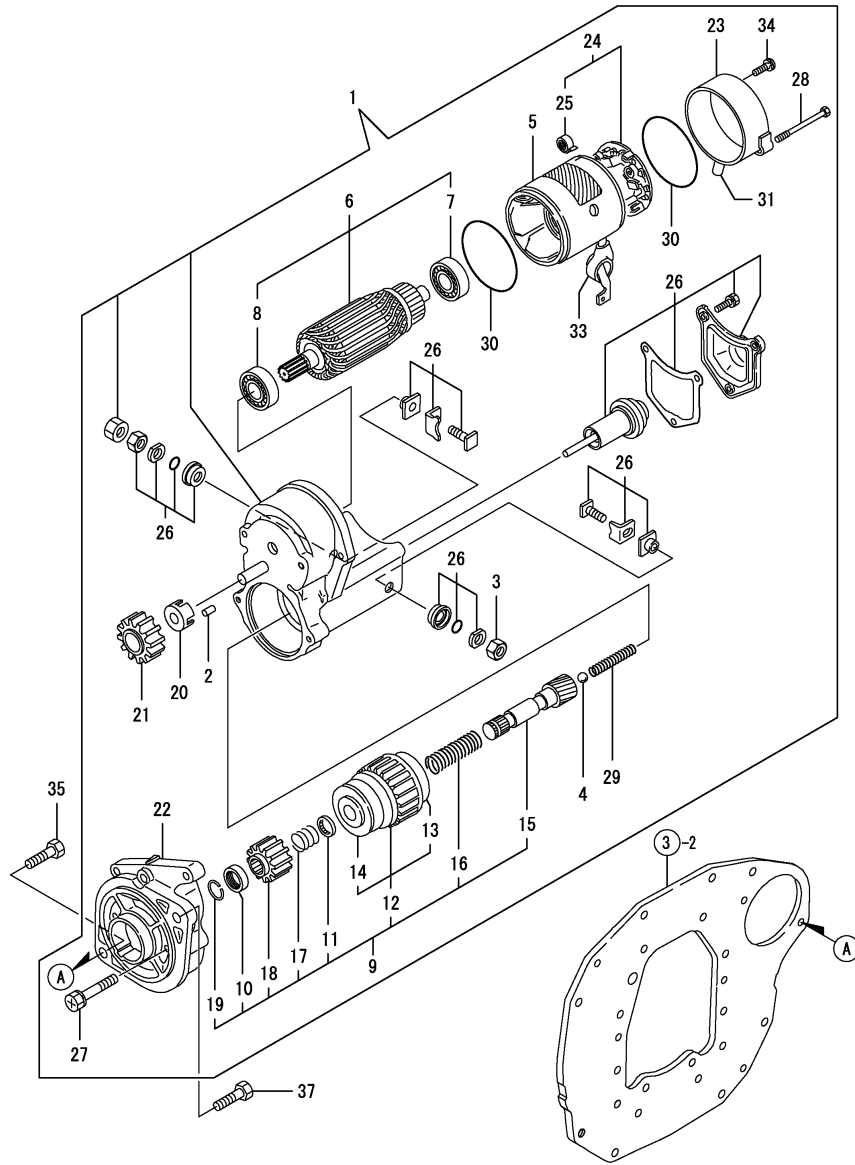
(A)=4TNV88-XRY1
(B)=
(C)=

(D)=
(E)=
(F)=

No.	Lev.	Parts No.	Description	Q'ty						I	R
				(A)	(B)	(C)	(D)	(E)	(F)		
1	1	729602-53101	VALVE ASSY,INJECTION	4							
2	2	129602-53001	VALVE ASSY,INJECTION	4							
5	2	114250-53080	NUT, NOZZLE D16.95	4							
10	2	114250-53120	SPRING, NOZZLE	4							
11	2	114250-53130	SEAT, SPRING	4							
12	2	114250-53140	PLATE	4							
13	2	114250-53210	PIN	8							
14	2	119803-53400	SHIM SET	4							
41	1	129633-52110	BRACKET, PUMP	1							
42	1	129633-55620	STAY, FILTER	1							
43	1	26106-080142	BOLT, M8X 14 PLATED	2							
44	1	26106-080162	BOLT, M8X 16 PLATED	2							
45	1	129150-59120	RETAINER, PIPE	1							
48	2	129150-59131	BOLT, M4X14	2							
49	1	129550-59120	RETAINER, PIPE	1							
52	2	129150-59131	BOLT, M4X14	2							
54	1	129601-59810	PIPE ASSY, INJECTION	1							
58	1	129601-59820	PIPE ASSY, INJECTION	1							
62	1	129601-59830	PIPE ASSY, INJECTION	1							
66	1	129601-59840	PIPE ASSY, INJECTION	1							
71	1	119802-59550	PIPE ASSY, RETURN	1							
72	2	124722-59050	CLIP, HOSE 9	2							
73	2	119802-59560	PIPE, FUEL RETURN	1							
74	1	129486-59551	PIPE ASSY, RETURN	3							
75	2	124722-59050	CLIP, HOSE 9	6							
77	1	119593-59581	CAP	1							
78	1	124060-77680	CLIP, HOSE 10	1							

Remarks
(REMARKS)"EFFECTIVE MACHINE NO." OF
ENGINE IS INDICATED ON THE
ENGINE LABEL WHICH IS SHOWN
IN FIG.4.

Fig.16. STARTING MOTOR



(A)=4TNV88-XRY1
(B)=
(C)=

(D)=
(E)=
(F)=

No.	Lev.	Parts No.	Description	Q'ty						I	R
				(A)	(B)	(C)	(D)	(E)	(F)		
1	1	129407-77010	STARTER, RA1.4	1							
2	2	X0283060061	ROLLER	5							
3	2	X9490561370	NUT	1							
4	2	X9491200240	BALL	1							
5	2	129407-77210	YOKE ASSY	1							
6	2	129407-77220	ARMATURE ASSY	1							
7	3	129129-77230	BEARING	1							
8	3	129129-77240	BEARING	1							
9	2	129407-77250	STARTER	1							
10	3	X0280210230	NUT	1							
11	3	X0283270140	RETAINER	1							
12	3	129407-77390	CLUTCH ASSY	1							
13	4	129129-77440	BEARING	1							
14	4	129129-77450	BEARING	1							
15	3	129129-77400	SHAFT	1							
16	3	129129-77410	SPRING, COIL	1							
17	3	X9491703371	SPRING, COIL	1							
18	3	129129-77420	PINION	1							
19	3	129129-77430	RING	1							
20	2	129129-77260	RETAINER	1							
21	2	129129-77270	PINION	1							
22	2	129407-77280	HOUSING	1							
23	2	129407-77290	FRAME	1							
24	2	129407-77300	HOLDER ASSY	1							
25	3	X9491730461	SPRING	4							
26	2	129407-77310	SWITCH ASSY	1							
27	2	129129-77320	BOLT	2							
28	2	129407-77330	BOLT	2							
29	2	129129-77340	SPRING	1							
30	2	129129-77350	O-RING	2							
31	2	129129-77362	COVER	1							
33	2	129129-77380	CAP	1							
34	2	129129-77460	SCREW	2							
35	1	129155-77060	BOLT	1							
37	1	26116-120202	BOLT, M12X 20 PLATED	1							

Remarks
(REMARKS)"EFFECTIVE MACHINE NO." OF
ENGINE IS INDICATED ON THE
ENGINE LABEL WHICH IS SHOWN
IN FIG.4.

Fig.17. GENERATOR

(A)=4TNV88-XRY1

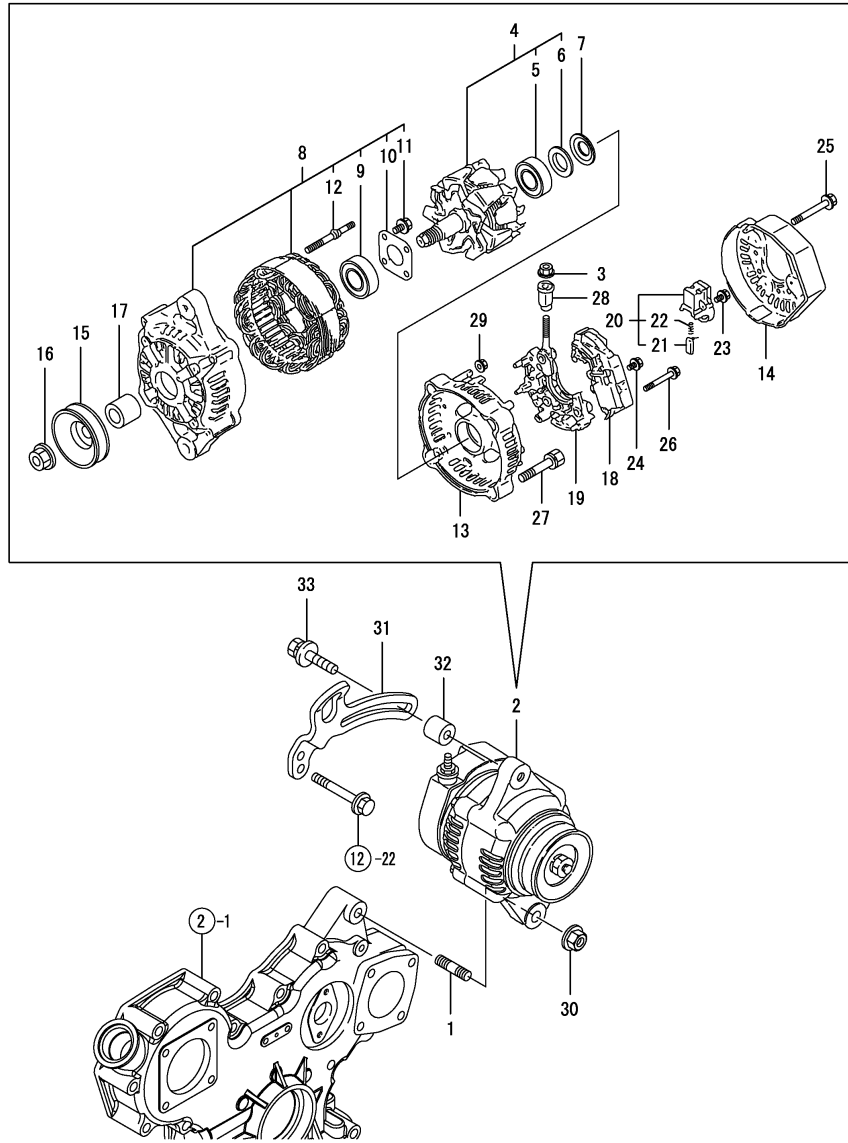
(B)=

(C)=

(D)=

(E)=

(F)=



No.	Lev.	Parts No.	Description	Q'ty						I	R
				(A)	(B)	(C)	(D)	(E)	(F)		
1	1	129795-01900	STUD	1							
2	1	119620-77201	GENERATOR, 40A	1							
3	2	X9490561001	NUT	1							
4	2	119620-77380	ROTOR ASSY	1							
5	3	123501-79240	BEARING, BALL	1							
6	3	119620-79250	COVER, BEARING	1							
7	2	119620-79360	WASHER, THRUST	1							
8	2	119620-77421	FRAME ASSY, DRIVE	1							
9	3	119620-79200	BALL BEARING	1							
10	3	119620-79210	PLATE	1							
11	3	119620-79220	SCREW	4							
12	3	119620-79230	BOLT, STUD	2							
13	2	119620-77440	FLAME ASSY, REAR	1							
14	2	119620-77450	COVER	1							
15	2	119620-77461	PULLEY	1							
16	2	119620-77471	NUT	1							
17	2	119620-77490	COLLAR	1							
18	2	119620-77710	REGULATOR ASSY	1							
19	2	119620-79260	HOLDER	1							
20	2	119620-79270	HOLDER, BRUSH	1							
21	3	119620-77480	BRUSH ASSY	2							
22	3	119620-79280	SPRING	2							
23	2	119620-79290	SCREW	6							
24	2	119620-79300	SCREW	1							
25	2	119620-79310	BOLT	3							
26	2	119620-79320	SCREW W/WASHER	2							
27	2	119620-79330	BOLT	2							
28	2	119620-79340	INSULATION BUSH	1							
29	2	119620-79350	NUT	2							
30	1	26306-100002	NUT, M10	1							
31	1	129107-77330	ADJUSTER	1							
32	1	124732-77340	SPACER	1							
33	1	129972-77341	BOLT, ADJUSTER L=50	1							

Remarks
 (REMARKS)"EFFECTIVE MACHINE NO." OF
 ENGINE IS INDICATED ON THE
 ENGINE LABEL WHICH IS SHOWN
 IN FIG.4.

Parts No. Index

Parts No.	Fig. No.	Ref. No.
105425-01690	3	6
114250-39450	11	17
114250-53080	15	5
114250-53120	15	10
114250-53130	15	11
114250-53140	15	12
114250-53210	15	13
119131-18320	6	16
119309-01810	1	32
119593-59581	15	77
119609-32040	2	12
119620-77201	17	2
119620-77380	17	4
119620-77421	17	8
119620-77440	17	13
119620-77450	17	14
119620-77461	17	15
119620-77471	17	16
119620-77480	17	21
119620-77490	17	17
119620-77710	17	18
119620-79200	17	9
119620-79210	17	10
119620-79220	17	11
119620-79230	17	12
119620-79250	17	6
119620-79260	17	19
119620-79270	17	20
119620-79280	17	22
119620-79290	17	23
119620-79300	17	24
119620-79310	17	25
119620-79320	17	26
119620-79330	17	27
119620-79340	17	28
119620-79350	17	29
119620-79360	17	7
119625-11880	4	30
119653-77950	14	130
119660-61901	14	60
119802-01561	2	7
119802-03110	4	41
119802-03121	4	42
119802-03130	4	43
119802-03141	4	44
119802-11260	4	4
119802-11270	4	5
119802-11870	4	29
119802-13600	6	6
119802-13640	6	6 -1

Parts No.	Fig. No.	Ref. No.
119802-13660	6	7
		7 -1
119802-21202	8	4
119802-25051	7	9
119802-25071	7	13
119802-25101	7	10
119802-25901	7	16
119802-32070	2	14
119802-32100	2	13
119802-32111	2	18
119802-32120	2	19
119802-32130	2	20
119802-35100	11	11
119802-35110	11	12
119802-39450	11	19
119802-51090	13	7
119802-51560	13	55
119802-51590	13	61
119802-51600	13	62
119802-51680	13	66
119802-51690	13	67
119802-59550	15	71
119802-59560	15	73
119803-53400	15	14
119807-61420	14	24
119852-21650	8	10
119934-01800	2	5
120130-11860	4	27
120270-54410	4	32
121111-21501	8	13
121400-11340	4	23
121450-42450	12	34
121520-34810	11	2
121550-23200	8	29
121820-21690	8	17
121850-21290	8	5
	10	4
121850-21680	8	12
121850-51960	2	21
123501-79240	17	5
124060-01050	1	4
124060-77680	15	78
124160-01751	2	9
	4	37
124160-01910	1	6
124160-11360	4	49
124160-39140	11	18
124240-01871	2	10
124240-01883	9	6
124250-49351	12	36

Parts No.	Fig. No.	Ref. No.
124460-11340	4	24
124465-44950	12	35
124550-21600	8	16
124722-59050	12	40
		43
	15	72
		75
124732-77340	17	32
128170-14150	10	3
129001-01250	1	5
129001-02931	1	26
129001-32330	2	17
129001-91841	2	22
129001-91870	3	10
129001-91910	3	11
129004-01190	1	29
129004-01520	2	6
129004-03010	4	39
129004-11130	4	21
129004-11650	4	7
129004-11900	4	31
129005-03080	5	1
129005-22080	8	18
129005-22500	8	20
129005-22900	8	33
129005-22950	8	35
129005-59830	11	20
129030-44760	12	26
129052-42290	12	24
129054-13210	6	5
129054-42320	12	9
129100-01580	3	1
		14
	8	2
129100-11112	4	19
129100-23910	8	32
129100-35140	11	13
129107-13540	6	10
129107-77330	17	31
129120-77502	5	7
129126-01600	3	2
129129-77230	16	7
129129-77240	16	8
129129-77260	16	20
129129-77270	16	21
129129-77320	16	27
129129-77340	16	29
129129-77350	16	30
129129-77362	16	31
129129-77380	16	33

Parts No.	Fig. No.	Ref. No.
129129-77400	16	15
129129-77410	16	16
129129-77420	16	18
129129-77430	16	19
129129-77440	16	13
129129-77450	16	14
129129-77460	16	34
129150-01200	1	30
129150-01580	2	8
129150-01881	9	1
129150-02020	1	8
129150-02450	7	4
129150-02871	1	33
129150-02931	1	23
129150-02941	1	36
129150-03070	4	40
129150-11230	4	8
129150-11280	4	6
129150-11370	4	12
129150-11750	4	10
129150-11810	4	28
129150-14101	7	6
129150-14200	7	1
129150-14400	7	2
129150-23601	8	30
129150-23611	8	39
129150-25301	7	15
129150-26000	9	2
129150-26050	9	3
129150-35042	11	3
129150-35111	11	14
129150-35170	11	15
129150-42059	12	2
129150-42301	12	8
129150-49360	12	37
129150-49811	12	29
129150-59120	15	45
129150-59131	15	48
		52
129150-77511	5	8
129150-91400	2	28
129155-49801	12	28
129155-51280	14	7
129155-61460	14	26
129155-77060	16	35
129202-22300	8	24
129255-61410	14	23
129263-13210	6	5 -1
129263-42120	12	4
129263-49610	12	38

Parts No. Index

Parts No.	Fig. No.	Ref. No.
129263-49620	12	41
129350-49560	12	31
129400-28121	8	6
129400-28150	10	18
129403-42380	12	23
129407-01340	1	31
129407-12110	5	4
129407-13110	6	1
129407-77010	16	1
129407-77210	16	5
129407-77220	16	6
129407-77250	16	9
129407-77280	16	22
129407-77290	16	23
129407-77300	16	24
129407-77310	16	26
129407-77330	16	28
129407-77390	16	12
129410-03990	5	2
129418-32320	2	16
129426-13500	6	9
129429-21590	8	14
129457-28000	10	2
129457-28011	10	5
129457-34800	11	1
129486-01670	3	18
129486-42050	12	18
129486-59551	15	74
129509-51390	13	36 A
129550-01702	3	4
129550-13110	6	1 -1
129550-35090	11	4
129550-59120	15	49
129555-01750	3	9
129555-44750	12	11
129601-11241	4	1
129601-11251	4	2
129601-11310	4	46
129601-11350	4	38
129601-11700	4	13
129601-51250	13	131
129601-59810	15	54
129601-59820	15	58
129601-59830	15	62
129601-59840	15	66
129602-12100	5	3
129602-53001	15	2
129633-52110	15	41
129633-55620	15	42
129642-61060	14	87

Parts No.	Fig. No.	Ref. No.
129648-01600	3	15
129648-01780	3	17
129655-44740	12	25
129657-21002	8	1
129659-13110	6	2
129659-13130	6	2 -1
129659-13670	6	11
129659-42040	12	1
129795-01900	17	1
129795-01950	2	11
129795-01960	10	1
129795-02412	1	11
129795-11120	4	20
129795-11180	4	22
129795-21661	8	11
129795-49551	12	30
129900-07900	4	52
129900-32130	2	15
129916-49740	12	13
129916-59020	13	129
129972-77341	17	33
158552-51151	7	17
158552-51570	13	56
		57
158552-51580	13	60
158552-51600	13	70
158552-51670	13	127
158552-51781	13	97
158552-52100	13	104
158552-52310	13	106
158552-52400	13	107
158552-52500	13	105
158552-61441	14	25
158552-61900	14	78
158553-51551	13	53
158553-51630	13	71
158553-51640	13	73
158553-51660	13	75
158553-51670	13	65
158553-51680	13	76
158553-51770	13	103
158553-61050	14	4
158553-61070	14	5
158557-51570	13	58
158563-51281	13	35
		36
158563-51330	13	45
158600-51270	13	34
158601-51550	13	54
158601-51570	13	59

Parts No.	Fig. No.	Ref. No.
158601-51650	13	74
158601-51770	13	96
158601-51790	13	98
171051-01921	1	7
171056-49120	12	33
178070-10401	9	28
178070-44000	9	26
194065-41210	9	16
194150-01370	14	1
194278-41151	9	8
194278-41160	9	10
194278-41190	9	11
194278-41210	9	17
194521-41570	9	34
198240-41110	9	7
198240-41150	9	9
22137-080000	14	131
22190-080002	11	21
		23
22190-100002	11	24
22190-120000	14	64
22190-120002	13	99
		108
		109
22190-160002	3	8
22190-180002	13	100
		110
22217-140000	7	18
	13	111
22252-000260	8	25
22252-000300	9	25
22252-000320	9	39
22312-050140	13	112
22351-040012	6	4
		4 -1
22351-050010	13	113
22351-060012	4	33
22417-160180	14	132
22512-070140	7	7
	8	7
		9
22857-500100	4	47
		48
23414-080000	12	19
23857-030000	11	22
23857-060000	13	114
23876-005000	10	19
23876-030000	2	3
23876-040000	2	4
23887-120002	13	101

Parts No.	Fig. No.	Ref. No.
23887-120002	14	66
24105-060064	9	5
24311-000070	13	116
24311-000120	4	50
24311-000140	10	21
24311-000320	2	23
	4	51
24341-000240	2	30
24356-010180	13	117
24356-010200	13	68
		118
24358-240310	12	14
24372-000150	13	69
24421-153207	9	40
26014-080162	11	9
26016-080352	9	41
26106-060102	13	119
	14	68
26106-060142	14	84
		85
26106-060162	2	31
26106-060202	12	15
	14	86
26106-060502	12	27
26106-080122	3	12
	12	20
26106-080142	4	53
	7	8
	10	20
	15	43
26106-080162	2	24
		25
	6	12
	13	132
	15	44
26106-080202	5	5
	6	13
	11	16
	13	133
26106-080252	4	34
26106-080352	4	35
	5	9
	11	10
26106-080402	6	14
	7	14
26106-080502	3	13
	4	36
26106-080552	2	26
	12	21
26106-080602	10	22

Parts No. Index

Parts No.	Fig. No.	Ref. No.
26106-080602	12	22
26106-080802	5	6
	9	42
	10	23
26106-081202	9	43
26116-060162	12	16
26116-120202	16	37
26206-100202	3	3
26216-080222	9	44
26216-080402	9	45
26226-080182	4	11
26306-080002	2	27
	6	8
		15
	9	46
	12	32
26306-100002	17	30
26366-060002	11	25
26450-080452	13	123
26577-060142	12	17
26756-060002	14	69
26776-140002	7	19
	13	124
27241-120000	1	12
27241-300000	1	13
27241-400000	4	18
27310-080001	4	25
729235-01500	2	1
729402-14580	7	3
729402-23100	8	26
729429-01721	3	5
729490-28510	10	8
729490-28520	10	13
729602-53101	15	1
729659-01570	1	1
729659-51351	13	1
794275-41200	9	12
X0280210230	16	10
X0283060061	16	2
X0283270140	16	11
X9490561001	17	3
X9490561370	16	3
X9491200240	16	4
X9491703371	16	17
X9491730461	16	25

Parts No.	Fig. No.	Ref. No.
-----------	----------	----------

Parts No.	Fig. No.	Ref. No.
-----------	----------	----------

Parts No.	Fig. No.	Ref. No.
-----------	----------	----------