

0CNP5-M07200EN

Contents

OCNP5-M07200

Fig. No.	Fig. Name
ENGINE CONTROL SECTION	
1.	ENGINE RELATED
2.	ENGINE ACCESSORIES
3.	ACCEL LEVER
4.	EXHAUST
5.	FUEL TANK
6.	TANK BRACKET
7.	FUEL PIPE
8.	SHUTTER PLATE
FRONT AXLE SECTION	
9.	FRONT BRACKET
10.	CENTER PIN
11.	KNUCKLE ARM
12.	TIE-ROD
13.	RING GEAR
14.	DIFFERENTIAL GEAR
15.	PROPELLER SHAFT
16.	FRONT SHAFT(1
17.	FRONT AXLE CASE
18.	FRONT GEAR CASE
19.	FRONT SHAFT(2
20.	FRONT SPINDLE
21.	SHAFT COVER
22.	FRONT WHEEL TIRE

Fig. No.	Fig. Name
23.	STEERING WHEEL
24.	P.S.T CYLINDER
25.	P.S.T VALVE
26.	P.S.T PIPING
TRANSMISSION SECTION	
27.	CLUTCH HOUSING
28.	DOCKING BOLT
29.	DUAL CLUTCH & SHAFT
30.	CLUTCH RELEASE
31.	CLUTCH PEDAL
32.	TRANSMISSION CASE
33.	CENTER PLATE
34.	OIL STRAINER
35.	MAIN SHAFT
36.	DRIVEN SHAFT
37.	COUNTER SHAFT
38.	REDUCTION SHAFT
39.	REVERSE GEAR
40.	CONNECTING SHAFT
41.	PTO DRIVE SHAFT
42.	P.T.O SHAFT
43.	PTO SHAFT COVER
44.	MAIN CHANGE LEVER
45.	MAIN CHANGE

Contents

OCNP5-M07200

Fig. No. Fig. Name

- 46. REVERSER CHANGE
- 47. REVERSER LEVER
- 48. SUB CHANGE LEVER
- 49. PTO CHANGE
- 50. FRONT DRIVE
- 51. FRONT SHIFT

REAR AXLE SECTION

- 52. RING GEAR & DIFFERENTIAL GEAR
- 53. REAR HOUSING
- 54. DIFFERENTIAL LOCK
- 55. FINAL PINION & FINAL GEAR
- 56. REAR AXLE SHAFT
- 57. FLANGE
- 58. REAR WHEEL TIRE
- 59. BRAKE
- 60. BRAKE PEDAL

HYDRAULIC CONTROL SECTION

- 61. HYD.CYLINDER CASE
- 62. PISTON & LIFT CRANK
- 63. CONTROL VALVE
- 64. RELIEF VALVE
- 65. STOP VALVE
- 66. SAFETY VALVE

Fig. No. Fig. Name

- 67. SUB CONTROL VALVE
- 68. HYDRAULIC CONTROL
- 69. HYDRAULIC CONTROL(KNOB
- 70. HYDRAULIC PIPING
- 71. HYDRAULIC FILTER
- 72. SEAL
- 101. PLUG

ELECTRICAL PARTS SECTION

- 73. WIRE HARNESS
- 74. BATTERY
- 75. SWITCH
- 76. LAMPS
- 77. FRONT LAMP
- 78. METER
- 79. HORN
- 80. RELAY

FITTINGS SECTION

- 81. FRONT FRAME
- 82. FRAME,HOOD
- 83. HOOD
- 84. FRONT GRILLE
- 85. SIDE COVER
- 86. DASHBOARD

Contents

0CNP5-M07200

Fig. No. Fig. Name

87. FENDER

88. STEP

89. SEAT

90. BACK MIRROR

91. LABELS

92. LABELS(SAFETY

Fig. No. Fig. Name

HITCH SECTION

93. TOP LINK

94. LIFT LINK R.

95. LIFT LINK L

96. LOWER LINK & CHECK CHAIN

97. DRAWBAR HITCH

98. PTO GUARD

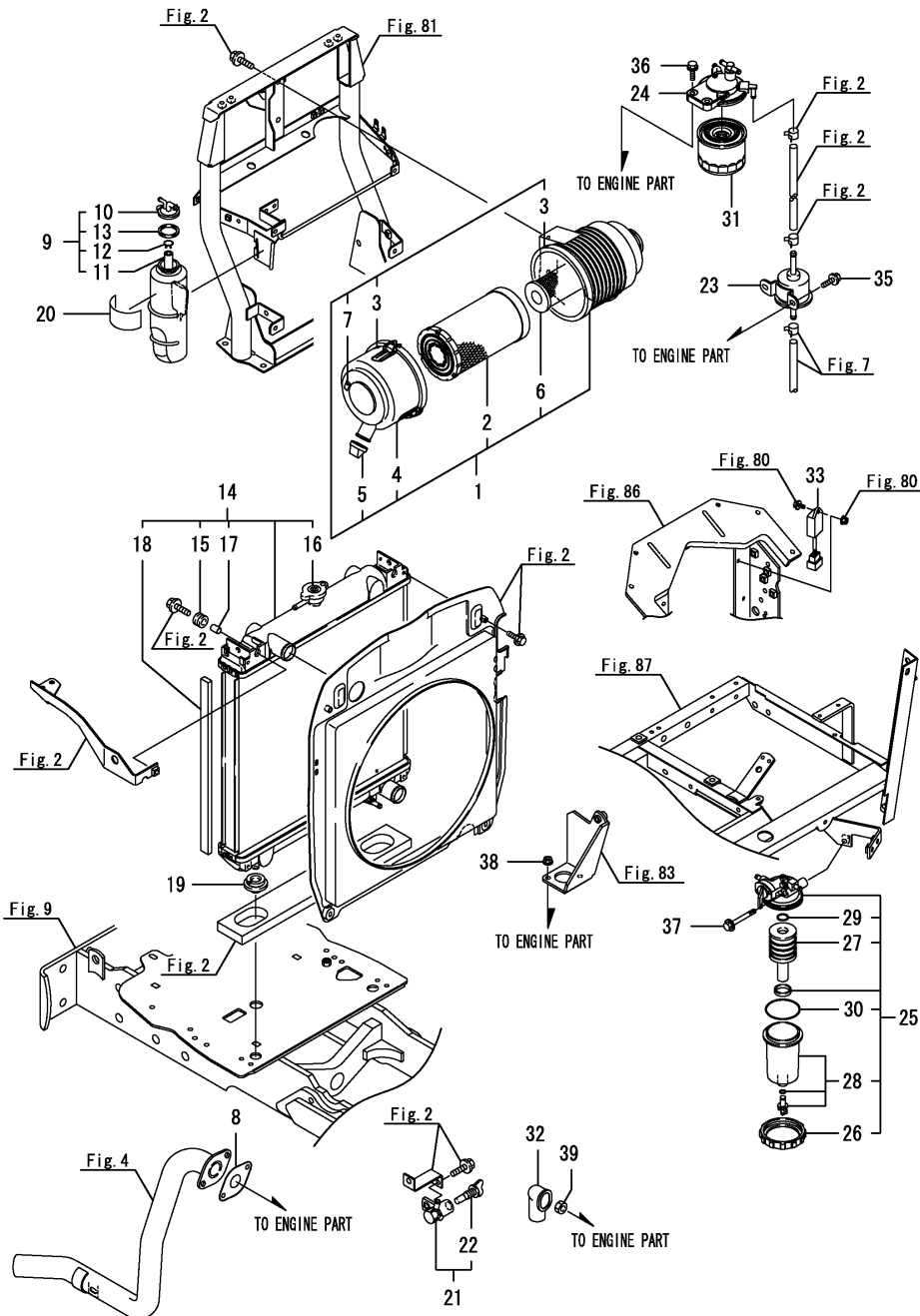
SAFETY FRAME SECTION

99. SAFETY FRAME

ACCESSORIES SECTION

100. ACCESSORY

Fig.1. ENGINE RELATED



(A)=EF453-AU-PQ

(B)=

(C)=

(D)=

(E)=

(F)=

No.	Lev.	Parts No.	Description	Qty						I	R
				(A)	(B)	(C)	(D)	(E)	(F)		
1	1	129659-12520	CLEANER ASSY, AIR	1							
2	2	129906-12520	ELEMENT	1							
3	2	129418-12530	MARK	2							
4	2	129900-12530	COVER ASSY	1							
5	2	119808-12540	VALVE, UNLOADER	1							
6	2	119005-12571	ELEMENT	1							
7	2	129612-12650	MARKING,(W)	1							
8	1	129052-13550	GASKET,NOZZLE	1							
9	1	129263-44510	TANK ASSY, SUB	1							
10	2	121450-44531	CAP	1							
11	2	23065-070180	PIPE, 7X 180	1							
12	2	124450-44560	RETAINER	1							
13	2	121470-44581	GASKET	1							
14	1	129659-44510	RADIATOR ASSY	1							
15	2	129467-44580	MOUNT, RUBBER	2							
16	2	129107-44590	CAP, RADIATOR	1							
17	2	129467-44590	COLLAR	2							
18	2	129956-44730	SEAL, RADIATOR	4							
19	1	119255-44660	ABSORBER	2							
20	1	124764-44810	LABEL,SUB-TANK	1							
21	1	129550-49101	COCK ASSY, 2-WAY	1							
22	2	129150-49081	COCK, DRAIN	1							
23	1	119225-52102	PUMP ASSY, FUEL FEED	1							
24	1	129004-55612	BRACKET, FILTER	1							
25	1	119802-55700	SEPARATOR ASSY	1							
26	2	129100-55690	RING, RETAINING	1							
27	2	119802-55710	ELEMENT	1							
28	2	119802-55730	CUP ASSY	1							
29	2	24311-000160	O-RING, 1AP16.0	1							
30	2	24321-000650	O-RING, 1AG65.0	1							
31	1	119802-55810	FILTER,FO	1							
32	1	124550-77030	COVER, TERMINAL	1							
33	1	129211-77920	TIMER	1							
35	1	26106-060122	BOLT, M6X 12 PLATED	2							
36	1	26106-080302	BOLT, M8X 30 PLATED	2							
37	1	26106-080702	BOLT, M8X 70 PLATED	1							
38	1	26306-080002	NUT, M8	2							
39	1	26756-060002	NUT, LOCK M6	1							

Fig.2. ENGINE ACCESSORIES

(A)=EF453-AU-PQ

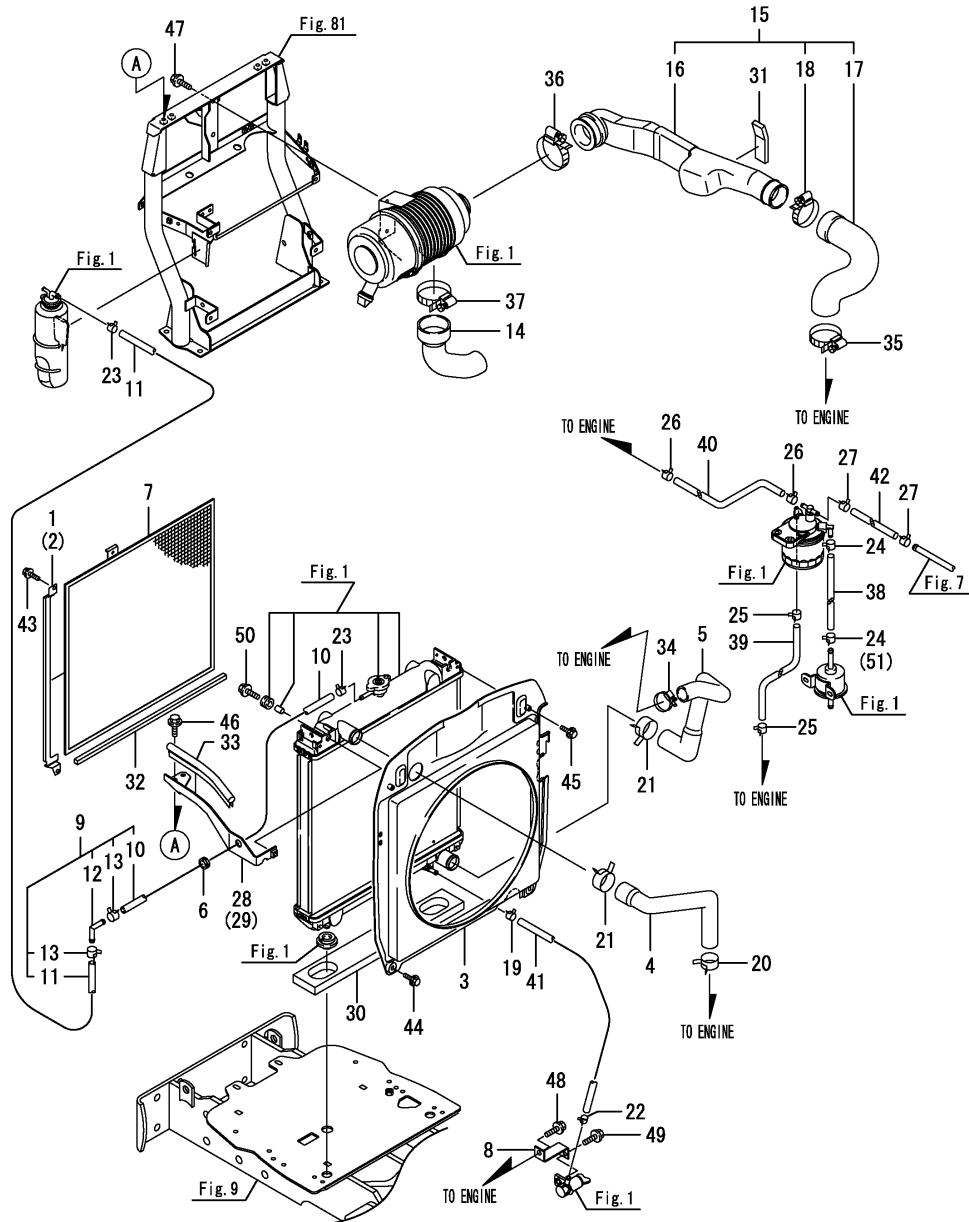
(B)=

(C)=

(D)=

(E)=

(F)=



No.	Lev.	Parts No.	Description	Qty						I	R
				(A)	(B)	(C)	(D)	(E)	(F)		
1	1	1A7260-01030	RAIL, RADIATOR L	1							
2	1	1A7260-01040	RAIL, RADIATOR R	1							
3	1	1A7260-01200	SHROUD, FAN	1							
4	1	1A7260-01210	PIPE, WATER A	1							
5	1	1A7260-01220	PIPE, WATER B	1							
6	1	194180-01240	GROMMET, 13	1							
7	1	1A7780-01250	SCREEN, RADIATOR	1							
8	1	198242-02310	STAY, DRAIN	1							
9	1	1A7260-03151	HOSE ASSY, OVERFLOW	1							
10	2	1A7260-03160	PIPE, OVERFLOW A	1							
11	2	1A7260-03170	PIPE, OVERFLOW B	1							
12	2	1A7260-03180	ELBOW	1							
13	2	124766-59050	CLIP, HOSE 12	2							
14	1	1A7300-06100	HOSE, INTAKE	1							
15	1	1A7310-06200	PIPE ASSY, INTAKE	1							
16	2	1A7300-06210	PIPE, AIR INTAKE A	1							
17	2	1A7270-06220	PIPE, AIR INTAKE B	1							
18	2	129956-12160	CLAMP, HOSE	1							
19	1	106990-44660	CLIP, HOSE 12.5	1							
20	1	175022-49730	CRIP 31, HOSE	1							
21	1	175022-49750	CLIP 37, HOSE	2							
22	1	124766-59050	CLIP, HOSE 12	2							
23	1	124766-59050	CLIP, HOSE 12	2							
24	1	124766-59050	CLIP, HOSE 12	2							
24-1	1	124766-59050	CLIP, HOSE 12	1							K
(A=FZZZZZ)											
25	1	124766-59050	CLIP, HOSE 12	2							
26	1	124766-59050	CLIP, HOSE 12	2							
27	1	124766-59050	CLIP, HOSE 12	2							
28	1	1A7270-60211	STAY ASSY, RADIATOR	1							
29	1	1A7270-60221	STAY ASSY, RADIATOR	1							
30	1	1A7260-60860	URETHANE, RADIATOR	1							
31	1	1A7260-60880	URETHANE, HOSE	1							
32	1	198071-61990	URETHANE, RADIATOR	2							
33	1	198146-63660	WEATHER-STRIP, 250	2							
34	1	23000-035000	CLAMP, 35	1							
35	1	23000-070000	CLAMP, 70	1							
36	1	23000-080000	CLAMP, 80	1							
37	1	23010-075000	CLAMP, 75	1							
38	1	23980-730180	HOSE, 7.3X 180	1							
39	1	23980-730350	HOSE, 7.3X 350	1							
40	1	23980-730400	HOSE, 7.3X 400	1							
41	1	23980-730400	HOSE, 7.3X 400	1							
42	1	23980-730680	HOSE, 7.3X 680	1							
43	1	26106-060122	BOLT, M6X 12 PLATED	4							
44	1	26106-060122	BOLT, M6X 12 PLATED	2							
45	1	26106-060252	BOLT, M6X 25 PLATED	2							
46	1	26106-080162	BOLT, M8X 16 PLATED	4							
47	1	26106-080162	BOLT, M8X 16 PLATED	2							
48	1	26106-080202	BOLT, M8X 20 PLATED	1							
49	1	26106-080252	BOLT, M8X 25 PLATED	1							

N:Old $\begin{matrix} \leftarrow \text{Yes} \\ \text{No} \end{matrix}$ New, Q:Old $\begin{matrix} \leftarrow \text{No} \\ \text{Yes} \end{matrix}$ New, R:Old $\begin{matrix} \leftarrow \text{Yes} \\ \text{Yes} \end{matrix}$ New, S:Old $\begin{matrix} \leftarrow \text{No} \\ \text{No} \end{matrix}$ New, W:Add, Z:Discontinued, F:Interchangeable by set, K:Q'ty Change

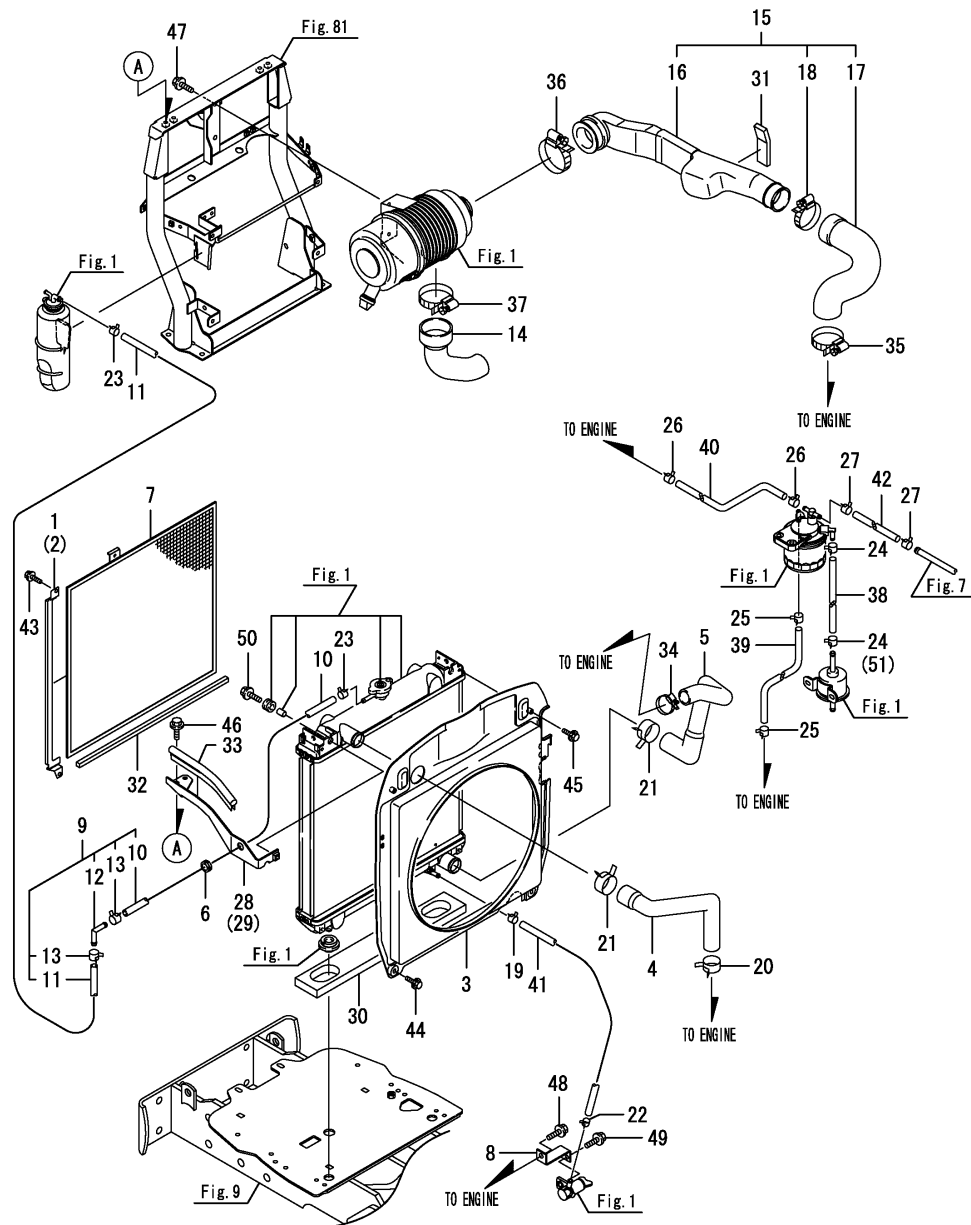
++ CONTINUE ++

Copyright (C) YANMAR CO., LTD. All Rights Reserved.

Fig.2. ENGINE ACCESSORIES

(A)=EF453-AU-PQ
(B)=
(C)=

(D)=
(E)=
(F)=



No.	Lev.	Parts No.	Description	Qty						I	R
				(A)	(B)	(C)	(D)	(E)	(F)		
50	1	26106-080252	BOLT, M8X 25 PLATED	2							
51	1	114270-59010	CLIP, HOSE 12	1							W
(A=FZZZZZ)											

Fig.3. ACCEL LEVER

(A)=EF453-AU-PQ

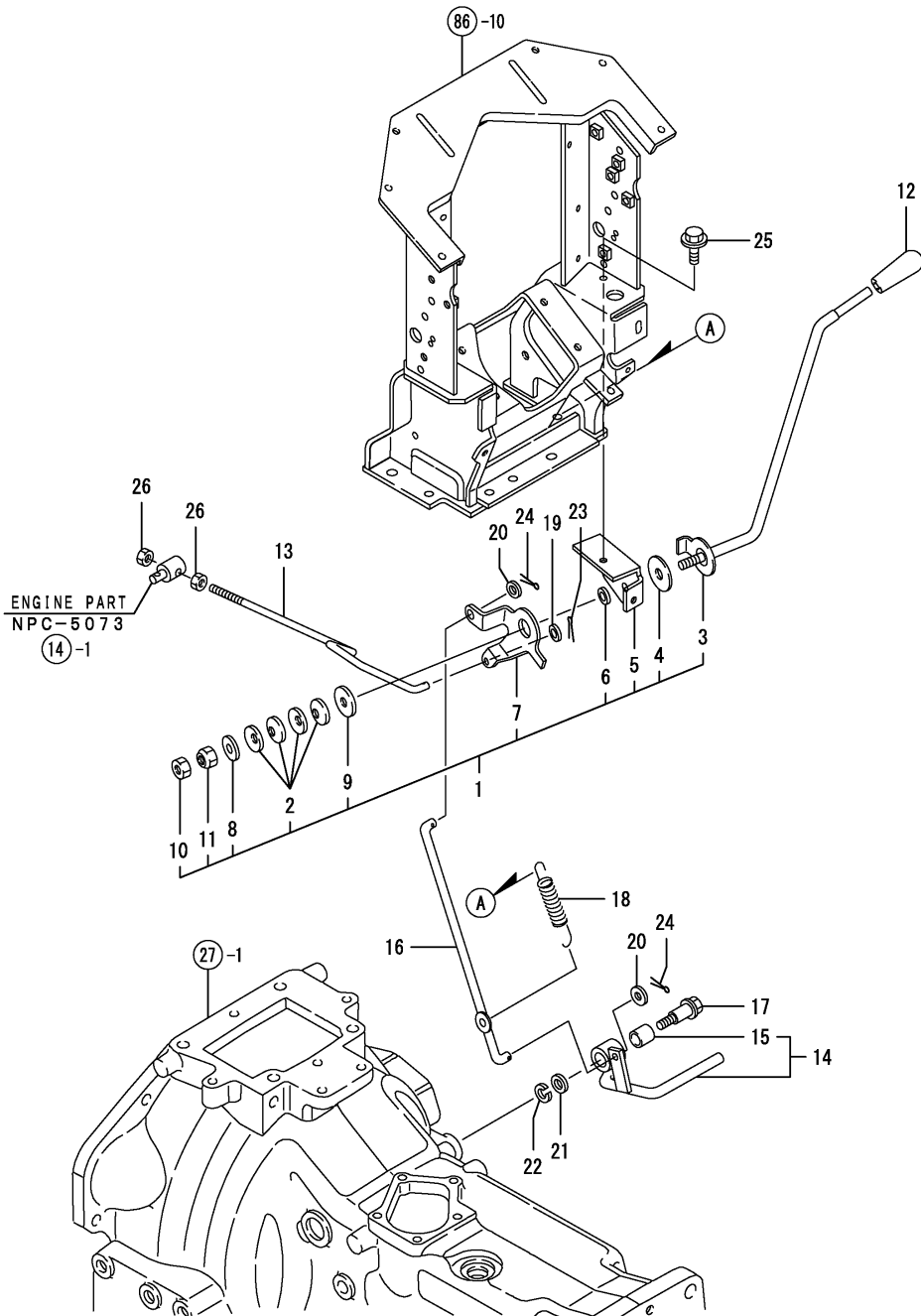
(B)=

(C)=

(D)=

(E)=

(F)=



No.	Lev.	Parts No.	Description	Q'ty						I	R
				(A)	(B)	(C)	(D)	(E)	(F)		
1	1	7A7780-01110	LEVER KIT	1							
2	2	194740-00160	SPRING, 10	4							
3	2	1A7780-01110	LEVER ASSY	1							
4	2	198165-01130	PLATE, FRICTION	1							
5	2	198220-01140	BRACKET, LEVER	1							
6	2	194150-01270	SPACER, 20	1							
7	2	198242-01350	LEVER, LINK	1							
8	2	194145-61570	WASHER, 10	1							
9	2	22157-100000	WASHER, 10	1							
10	2	26756-100002	NUT, LOCK M10	1							
11	2	26986-100002	NUT, LOCK M10	1							
11-1	2	26716-100002	NUT, M10	1							R
(A=FZZZZZ)											
12	1	198253-01190	KNOB, LEVER	1							
13	1	1A7780-01320	ROD, LINK	1							
14	1	198240-01400	PEDAL ASSY, THROTTLE	1							
15	2	24550-014200	BUSH, 14X20	1							
16	1	198240-01450	ROD, ACCELERATOR	1							
17	1	198240-01470	BOLT, M10	1							
18	1	194750-04400	SPRING, RETURN	1							
19	1	22137-080000	WASHER, 8	1							
20	1	22137-080000	WASHER, 8	2							
21	1	22137-100000	WASHER, 10	1							
22	1	22217-100000	WASHER, SPRING 10	1							
23	1	22417-250300	PIN, COTTER 2.5X30	1							
24	1	22417-250300	PIN, COTTER 2.5X30	2							
25	1	26106-080162	BOLT, M8X 16 PLATED	2							
26	1	26716-080002	NUT, M8	2							

Fig.4. EXHAUST

(A)=EF453-AU-PQ
 (B)=
 (C)=

(D)=
 (E)=
 (F)=

No.	Lev.	Parts No.	Description	Q'ty						I	R
				(A)	(B)	(C)	(D)	(E)	(F)		
1	1	1A7780-03110	PIPE, EXHAUST	1							
2	1	26106-080202	BOLT, M8X 20 PLATED	1							
3	1	26106-080202	BOLT, M8X 20 PLATED	2							

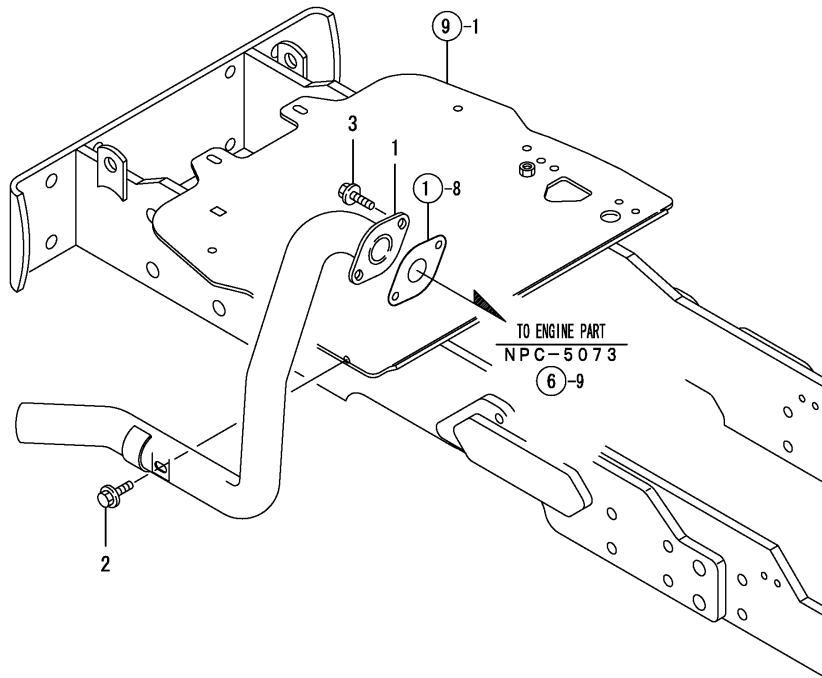
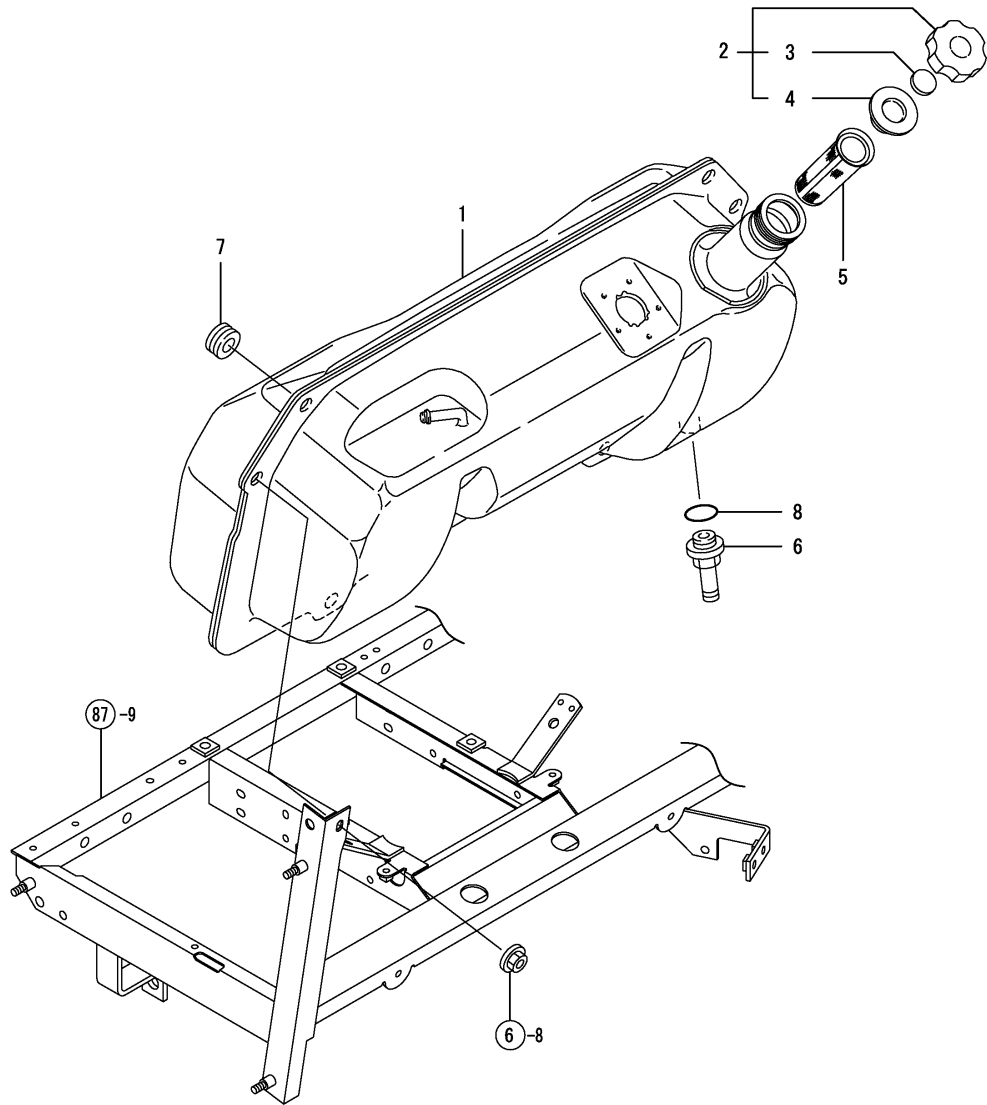


Fig.5. FUEL TANK

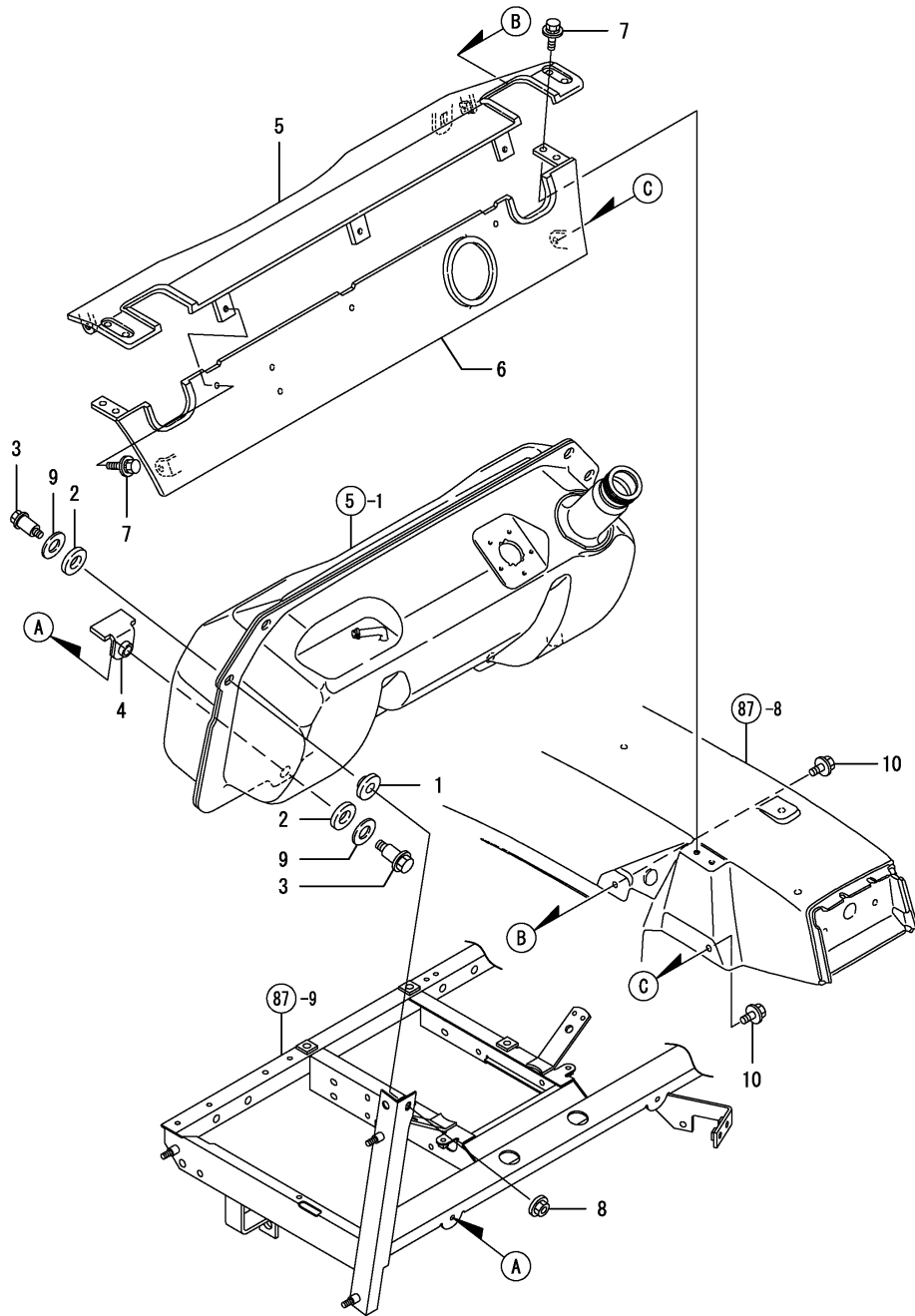


(A)=EF453-AU-PQ
(B)=
(C)=

(D)=
(E)=
(F)=

No.	Lev.	Parts No.	Description	Q'ty						I	R
				(A)	(B)	(C)	(D)	(E)	(F)		
1	1	1A7780-04110	TANK ASSY, FUEL	1							
1-1	1	1A7780-04111	TANK ASSY, FUEL	1							N
(A=FZZZZZ)											
1-2	1	1A7780-04111-1	TANK ASSY, FUEL	1							R
(A=F007874)											
2	1	198071-04500	CAP ASSY, FILLER	1							
3	2	1A1120-61531	PACKING, FUEL CAP	1							
4	2	1A1120-61541	SEAL, RUBBER	1							
5	1	198072-04510	FILTER	1							
6	1	198230-04750	JOINT, PIPE	1							
7	1	194170-51210	GROMMET 25	1							
8	1	24311-000150	O-RING, 1AP15.0	1							

Fig.6. TANK BRACKET

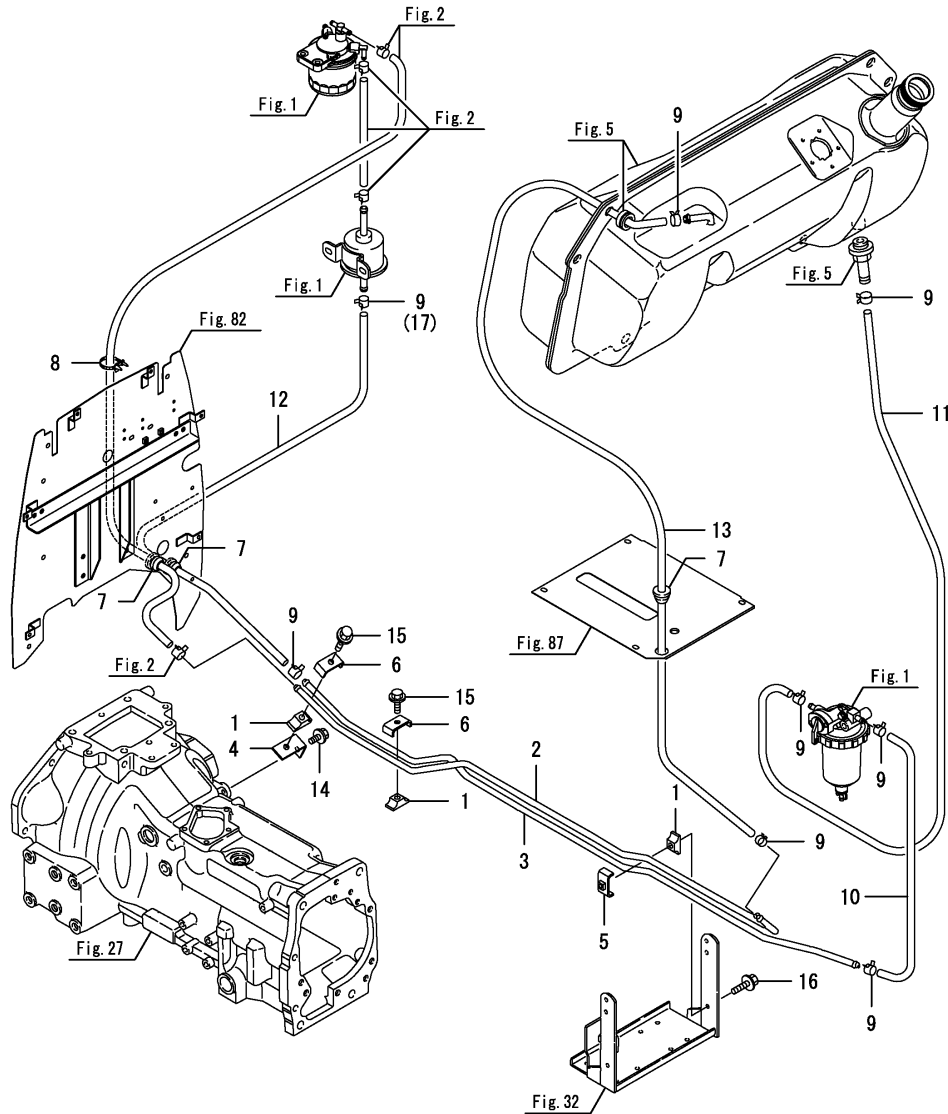


(A)=EF453-AU-PQ
(B)=
(C)=

(D)=
(E)=
(F)=

No.	Lev.	Parts No.	Description	Q'ty						I	R
				(A)	(B)	(C)	(D)	(E)	(F)		
1	1	194555-04260	PACKING, TANK A	2							
2	1	194555-04270	PACKING, TANK B	4							
3	1	194555-04280	BOLT, M8X26	4							
4	1	198220-04290	GASKET, TANK	2							
5	1	198320-04300	COVER, TANK FRONT	1							
6	1	1A7780-04350	COVER, TANK REAR M	1							
7	1	194155-05210	BOLT, M6X16	7							
7-1	1	26018-060162	BOLT, M6X 16	7							R
(A=FXXXXX)											
8	1	194990-22140	NUT, M8	2							
9	1	22157-120000	WASHER, 12	4							
10	1	26106-080162	BOLT, M8X 16 PLATED	4							

Fig.7. FUEL PIPE



(A)=EF453-AU-PQ

(B)=

(C)=

(D)=

(E)=

(F)=

No.	Lev.	Parts No.	Description	Q'ty						I	R
				(A)	(B)	(C)	(D)	(E)	(F)		
1	1	198240-04710	BASE, CLAMP	3							
2	1	198240-04750	PIPE, FUEL	1							
3	1	198240-04760	PIPE, FUEL	1							
4	1	198240-04770	BRACKET, PIPE	1							
5	1	198327-04840	CLAMP	1							
6	1	194180-17770	CLAMP, PIPE	2							
7	1	194170-51210	GROMMET 25	3							
8	1	198448-51910	CLIP, BAND	1							
9	1	124766-59050	CLIP, HOSE 12	8							
9-1	1	124766-59050	CLIP, HOSE 12	7							K
		(A=FZZZZZ)									
10	1	23980-730300	HOSE, 7.3X 300	1							
11	1	23980-730420	HOSE, 7.3X 420	1							
12	1	23980-730450	HOSE, 7.3X 450	1							
13	1	23980-731200	HOSE, 7.3X1200	1							
13-1	1	23980-730420	HOSE, 7.3X 420	1							N
		(A=FZZZZZ)									
14	1	26106-080162	BOLT, M8X 16 PLATED	1							
15	1	26106-080252	BOLT, M8X 25 PLATED	2							
16	1	26106-080302	BOLT, M8X 30 PLATED	1							
17	1	114270-59010	CLIP, HOSE 12	1							W
		(A=FZZZZZ)									

Fig.8. SHUTTER PLATE

(A)=EF453-AU-PQ
(B)=
(C)=

(D)=
(E)=
(F)=

No.	Lev.	Parts No.	Description	Q'ty						I	R
				(A)	(B)	(C)	(D)	(E)	(F)		
1	1	1A8205-05510	PLATE, SHUTTER	1							
2	1	194990-22140	NUT, M8	2							

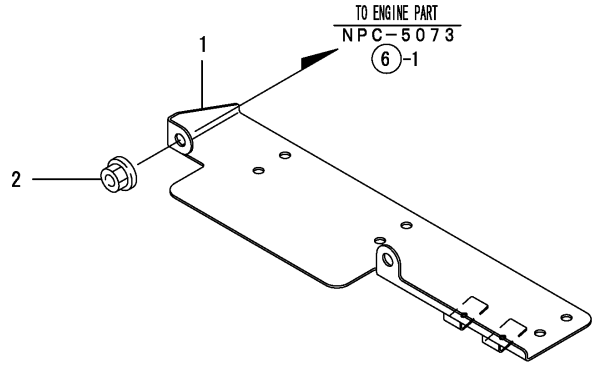


Fig.9. FRONT BRACKET

(A)=EF453-AU-PQ
(B)=
(C)=

(D)=
(E)=
(F)=

No.	Lev.	Parts No.	Description	Q'ty						I	R	
				(A)	(B)	(C)	(D)	(E)	(F)			
1	1	1A7780-11140	BRACKET ASSY, AXLE	1								
1-1	1	1A7780-11140-1	AXLE BRACKET(M ASSY (A=F007874)	1								R
2	1	1A7780-11510	BOLT, M12X30	6								
3	1	198240-11620	BOLT, M12X34	1								
4	1	198240-11640	BOLT, M12X46	1								
5	1	198240-11650	BOLT, M12X45	7								
6	1	194180-61980	GROMMET, 24	1								

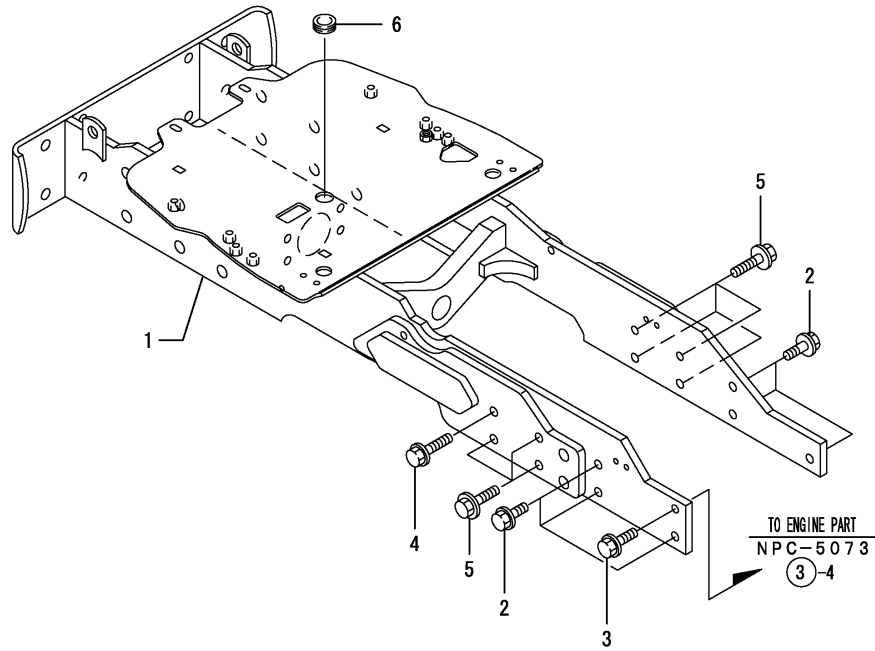


Fig.10. CENTER PIN

(A)=EF453-AU-PQ
 (B)=
 (C)=

(D)=
 (E)=
 (F)=

No.	Lev.	Parts No.	Description	Q'ty						I	R
				(A)	(B)	(C)	(D)	(E)	(F)		
1	1	198240-11500	PIN ASSY, CENTER	1							
2	2	24761-040000	NIPPLE, GREASE B	1							
3	1	198240-11540	SHIM SET	1							
4	1	198240-11550	SPACER, 36X62X27	1							
5	1	26106-120352	BOLT, M12X 35 PLATED	4							
5-1	1	1A6770-85920	BOLT, M12X30	4							N

(A=FXXXXX)

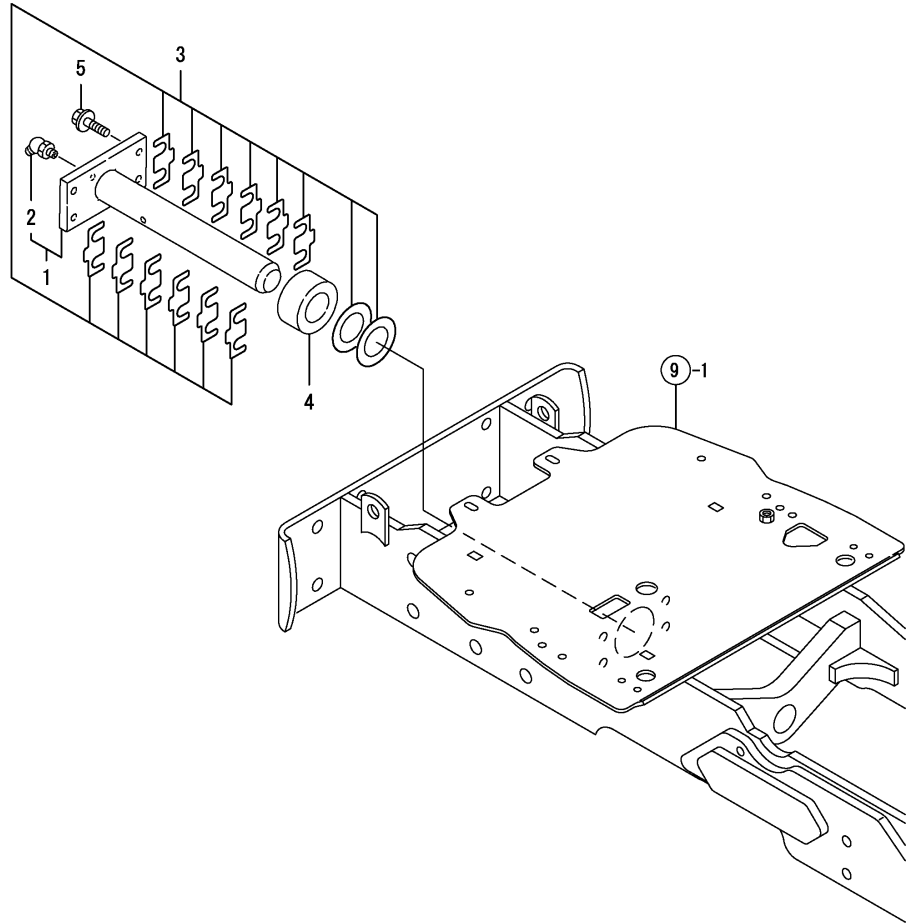


Fig.11. KNUCKLE ARM

(A)=EF453-AU-PQ
(B)=
(C)=

(D)=
(E)=
(F)=

No.	Lev.	Parts No.	Description	Q'ty						I	R
				(A)	(B)	(C)	(D)	(E)	(F)		
1	1	198251-11800	ARM ASSY, KNUCKLE L	1							
1-1	1	198251-11800-1	ARM ASSY, KNUCKLE L	1							R
(A=F007874)											
2	2	23876-040000	PLUG, R04	1							
3	1	198251-11820	ARM ASSY, KNUCKLE R	1							
3-1	1	198251-11820-1	ARM ASSY, KNUCKLE R	1							R
(A=F007874)											
4	2	198251-13630	GAUGE, OIL LEVEL	1							
5	2	24311-000180	O-RING, 1AP18.0	1							
6	1	22217-120000	WASHER, SPRING 12	4							
7	1	22312-100180	PIN, PARALLEL M10X18	4							
8	1	26013-120802	BOLT, M12X 80	4							
9	1	26216-120352	STUD, M12X 35	4							
10	1	26716-120002	NUT, M12	4							

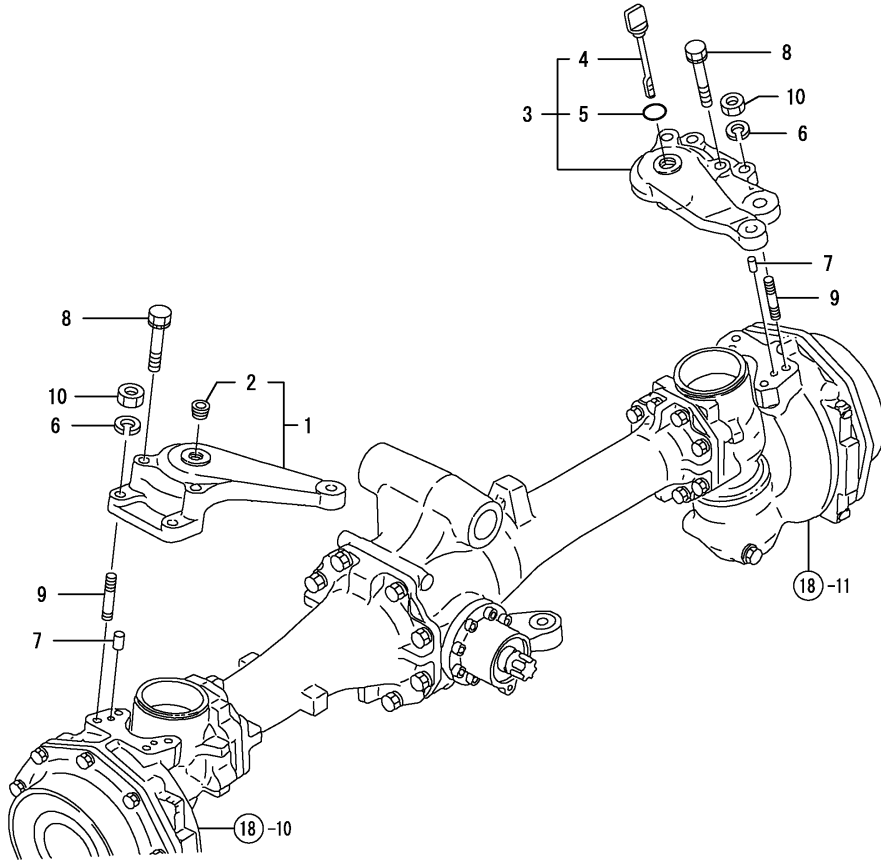
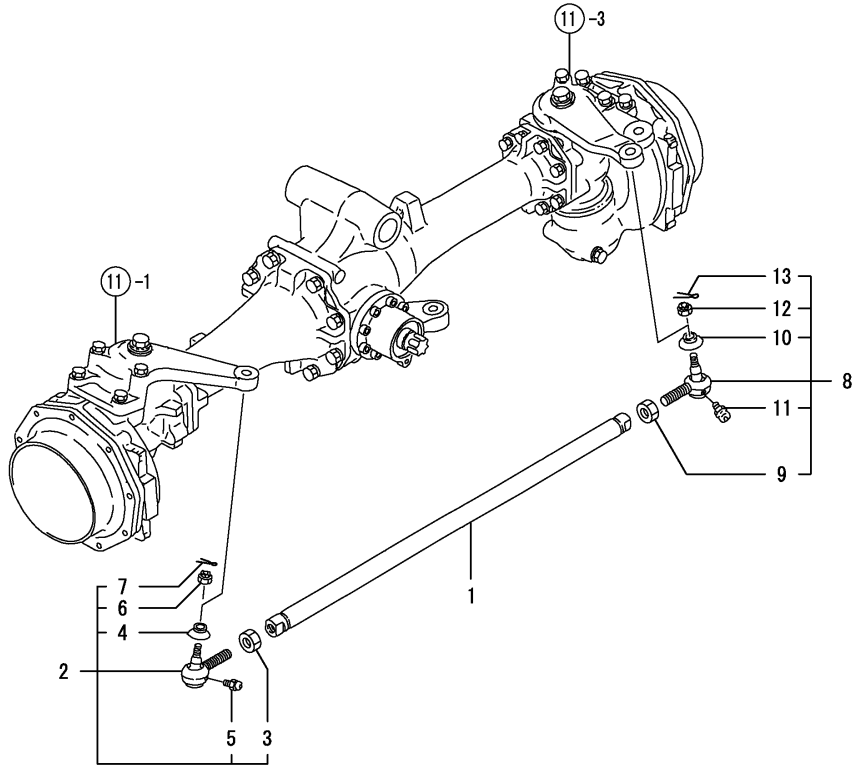


Fig.12. TIE-ROD

(A)=EF453-AU-PQ
(B)=
(C)=

(D)=
(E)=
(F)=



No.	Lev.	Parts No.	Description	Q'ty						I	R
				(A)	(B)	(C)	(D)	(E)	(F)		
1	1	198251-12310	TIE-ROD	1							
1-1	1	198251-12310-1	TIE-ROD	1							R
(A=F007874)											
2	1	198240-18120	END KIT, TIE-ROD LR	1							
2-1	1	198240-18120-2	TIRE-ROD END KIT(LR)	1							R
(A=F007874)											
3	2	194990-22831	NUT, LOCK M17 L	1							
4	2	194730-57220	COVER, DUCT	1							
5	2	24761-060000	NIPPLE, GREASE MT6X1	1							
6	2	198240-12590	NUT, M12	1							
7	2	22417-300250	PIN, COTTER 3.0X25	1							
8	1	198240-18130	END KIT, TIE-ROD RL	1							
8-1	1	198240-18130-2	END KIT, TIE ROD	1							R
(A=F007874)											
9	2	194990-22841	NUT, M17	1							
10	2	194730-57220	COVER, DUCT	1							
11	2	24761-060000	NIPPLE, GREASE MT6X1	1							
12	2	198240-12590	NUT, M12	1							
13	2	22417-300250	PIN, COTTER 3.0X25	1							

Fig.14. DIFFERENTIAL GEAR

(A)=EF453-AU-PQ
(B)=
(C)=

(D)=
(E)=
(F)=

No.	Lev.	Parts No.	Description	Q'ty						I	R
				(A)	(B)	(C)	(D)	(E)	(F)		
1	1	194641-13210	CASE, DIFFERENTIAL	1							
2	1	194321-13230	PINION, DIFFERENTIAL	2							
3	1	194465-13240	LINER, DIFFERENTIAL	2							
4	1	194321-13250	GEAR, DIFFERENTIAL	2							
5	1	194465-13260	WASHER, DIFFERENTIAL	2							
6	1	194321-13270	SHAFT, DIFFERENTIAL	1							
7	1	194323-13290	BOLT, M10X70	6							
8	1	22312-100180	PIN, PARALLEL M10X18	2							
9	1	22351-035032	PIN, SPRING 3.5X32	1							
10	1	22351-060032	PIN, SPRING 6.0X32	1							
11	1	24101-060104	BEARING, BALL 6010	1							

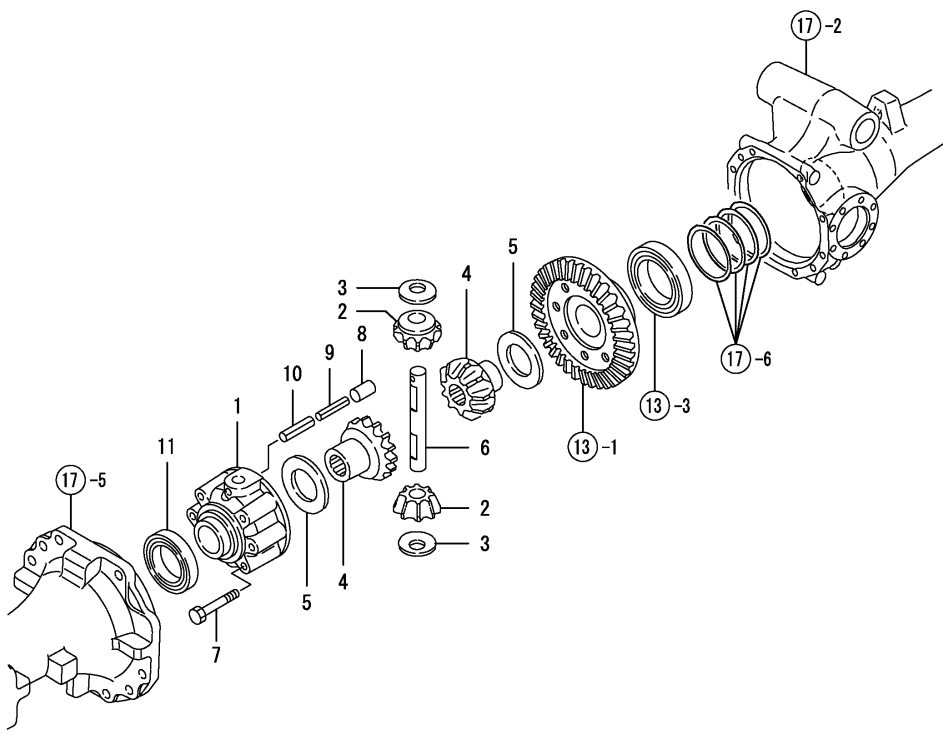
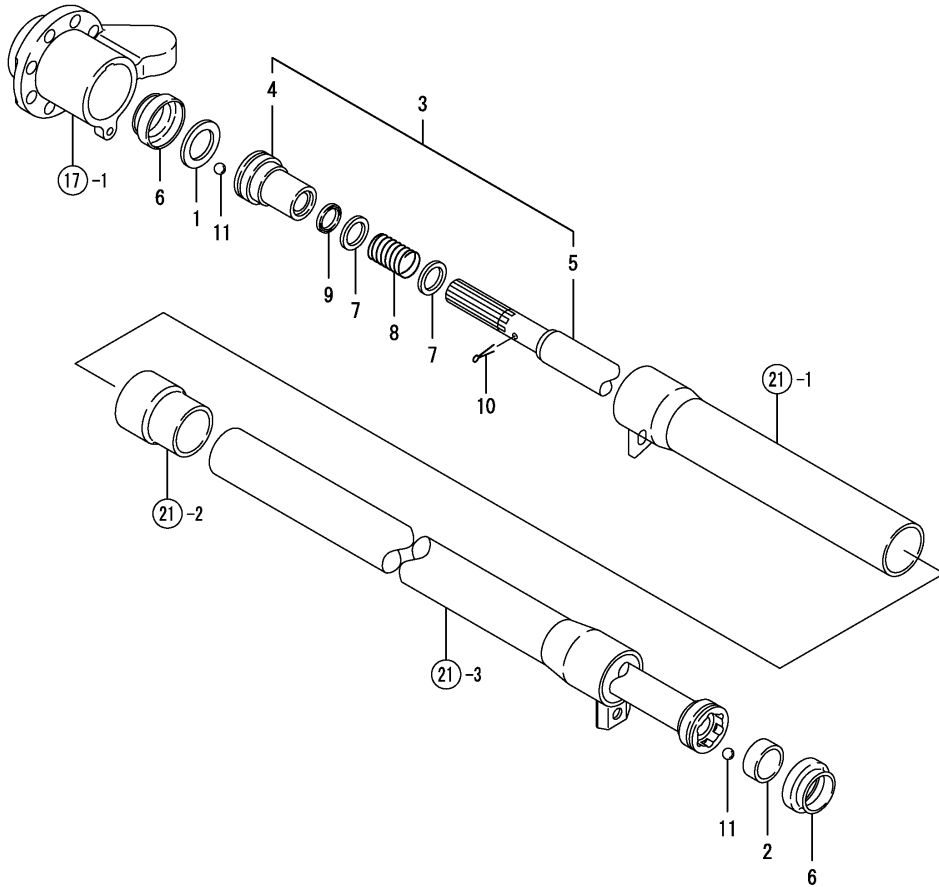


Fig.15. PROPELLER SHAFT

(A)=EF453-AU-PQ
(B)=
(C)=

(D)=
(E)=
(F)=



No.	Lev.	Parts No.	Description	Q'ty						I	R
				(A)	(B)	(C)	(D)	(E)	(F)		
1	1	198251-13270	SPACER, 33X48X 2	1							
2	1	198241-13280	SPACER, 33X40X15.5	1							
3	1	198137-13300	SHAFT ASSY,PROPELLER	1							
4	2	198133-13340	COUPLING, B	1							
5	2	198137-13350	SHAFT, PROPELLER	1							
6	1	194274-13350	BOOT, RUBBER	2							
7	1	194321-13360	WASHER, 25	2							
7-1	1	1A7260-43650	SPACER	2							R
(A=FZZZZZ)											
8	1	198441-13370	SPRING, RETAINER	1							
9	1	194321-13380	SEAL, SPLINE SHAFT	1							
10	1	22417-400500	PIN, COTTER 4.0X50	1							
11	1	24190-110001	BALL, STEEL 11/32	12							

Fig.17. FRONT AXLE CASE

(A)=EF453-AU-PQ

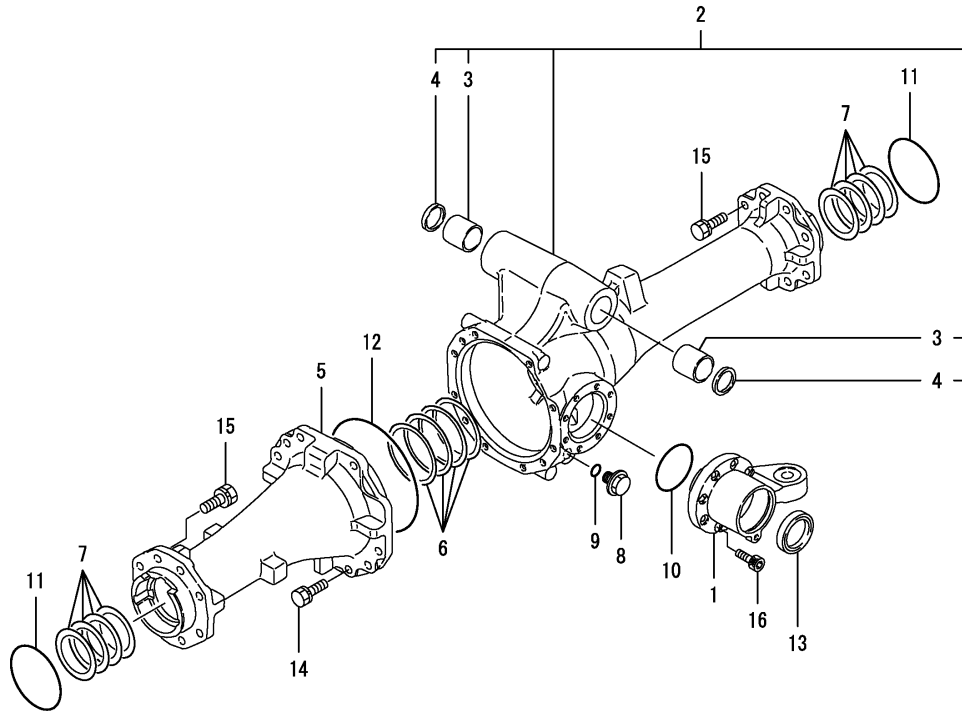
(B)=

(C)=

(D)=

(E)=

(F)=

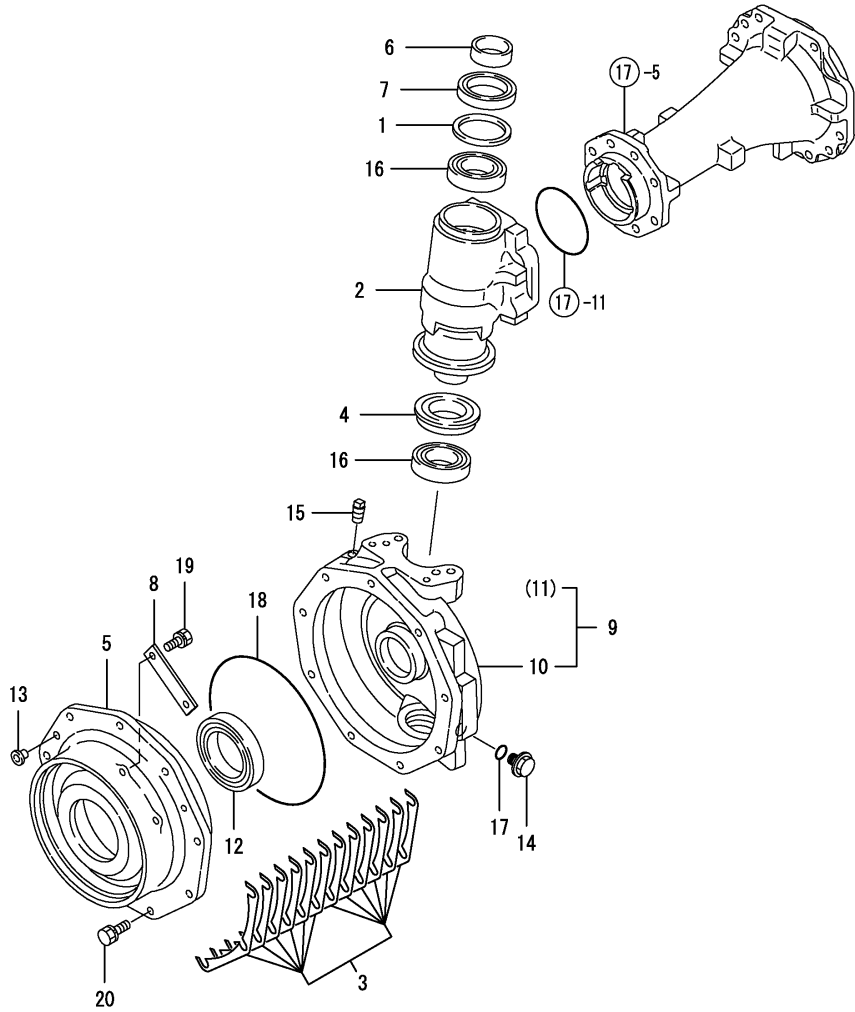


No.	Lev.	Parts No.	Description	Q'ty						I	R
				(A)	(B)	(C)	(D)	(E)	(F)		
1	1	198251-13450	RETAINER, BEARING	1							
1-1	1	198251-13450-1	RETAINER, BEARING	1							R
(A=F007874)											
2	1	198251-13600	HOUSING ASSY, AXLE R	1							
2-1	1	198251-13600-1	HOUSING ASSY, AXLE R	1							R
(A=F007874)											
3	2	198251-11220	BUSH, 35X41X40	2							
4	2	194321-11940	SEAL, OIL VB354105	2							
5	1	198251-13610	HOUSING, FRONT AXLE	1							
5-1	1	198251-13610-1	HOUSING, FRONT AXLE	1							R
(A=F007874)											
6	1	794321-13660	SHIM SET	1							
7	1	194641-13670	SHIM SET, PINION	1							
8	1	23491-140002	PLUG, 14	1							
9	1	24311-000160	O-RING, 1AP16.0	1							
10	1	24321-000700	O-RING, 1AG70.0	1							
11	1	24321-001000	O-RING, 1AG100.0	2							
12	1	24321-001700	O-RING, 1AG170.0	1							
13	1	24421-456209	SEAL, OIL TC456209	1							
14	1	26013-120302	BOLT, M12X 30	11							
15	1	26013-120302	BOLT, M12X 30	16							
16	1	26450-080252	BOLT, M8X 25	8							

Fig.18. FRONT GEAR CASE

(A)=EF453-AU-PQ
(B)=
(C)=

(D)=
(E)=
(F)=

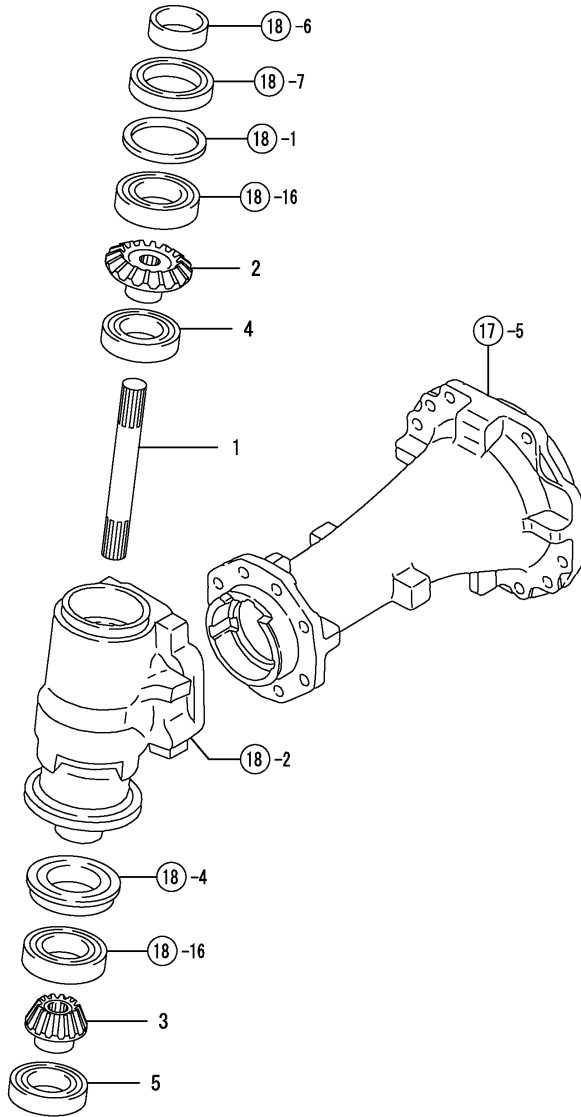


No.	Lev.	Parts No.	Description	Q'ty						I	R
				(A)	(B)	(C)	(D)	(E)	(F)		
1	1	194321-13680	SPACER, 85X1	2							
2	1	198251-13710	CASE, FRONT GEAR	2							
2-1	1	198251-13710-1	CASE, FRONT GEAR	2							R
(A=F007874)											
3	1	198401-13720	SHIM SET	1							
4	1	194641-13760	SEAL, OIL 55X85	2							
5	1	198401-13770-2	CASE, FRONT BEARING	2							
5-1	1	198401-13770	CASE, FRONT BEARING	2							R
(A=F007874)											
6	1	194641-13780	SLEEVE, SI 50X55X18	2							
7	1	194641-13790	SEAL, OIL TC6Y558514	2							
8	1	198401-13790	RETAINER, BEARING	4							
9	1	198401-13800	BOX ASSY, GEAR	1							
9-1	1	198401-13800-1	BOX, FRONT GEAR	1							R
(A=F007874)											
10	2	198401-13750-2	BOX, GEAR L	1							
10-1	2	198401-13750	BOX, GEAR L	1							R
(A=F007874)											
11	2	198401-13850-2	BOX, GEAR R	1							
11-1	2	198401-13850	BOX, GEAR R	1							R
(A=F007874)											
12	1	194180-32670	SEAL, TC6Y8010515	2							
13	1	1A1120-68070	CAP, SCREW 6.8	6							
14	1	23491-140002	PLUG, 14	2							
15	1	23876-010000	PLUG, R01	2							
16	1	24101-062094	BEARING, BALL 6209	4							
17	1	24311-000160	O-RING, 1AP16.0	2							
18	1	24321-002200	O-RING, 1AG220.0	2							
19	1	26013-080252	BOLT, M8X 25	8							
20	1	26013-100252	BOLT, M10X 25	18							

Fig.19. FRONT SHAFT(2)

(A)=EF453-AU-PQ
(B)=
(C)=

(D)=
(E)=
(F)=



No.	Lev.	Parts No.	Description	Q'ty						I	R
				(A)	(B)	(C)	(D)	(E)	(F)		
1	1	198251-13810	SHAFT, FRONT 2ND	2							
2	1	198251-13820	GEAR, 2ND SHAFT	2							
3	1	194641-13830	PINION, FRONT FINAL	2							
4	1	194641-13840	BEARING, BALL TMB208	2							
5	1	192160-34150	BALL BEARING	2							

Fig.20. FRONT SPINDLE

(A)=EF453-AU-PQ
(B)=
(C)=

(D)=
(E)=
(F)=

No.	Lev.	Parts No.	Description	Q'ty						I	R
				(A)	(B)	(C)	(D)	(E)	(F)		
1	1	198401-14110-2	SPINDLE, FRONT	2							
1-1	1	198401-14110	SPINDLE, FRONT	2							R
(A=F007874)											
2	1	198401-14120	GEAR, FRONT SHAFT	2							
3	1	198401-14130	COLLAR, SEAL	2							
4	1	198401-14150	WASHER	2							
5	1	198401-14160	WASHER	2							
6	1	24101-060144	BEARING, BALL 6014	2							
7	1	24101-062134	BEARING, BALL 6213	2							
8	1	24325-000650	O-RING, 1BG65.0	2							
9	1	26116-100252	BOLT, M10X 25 PLATED	6							

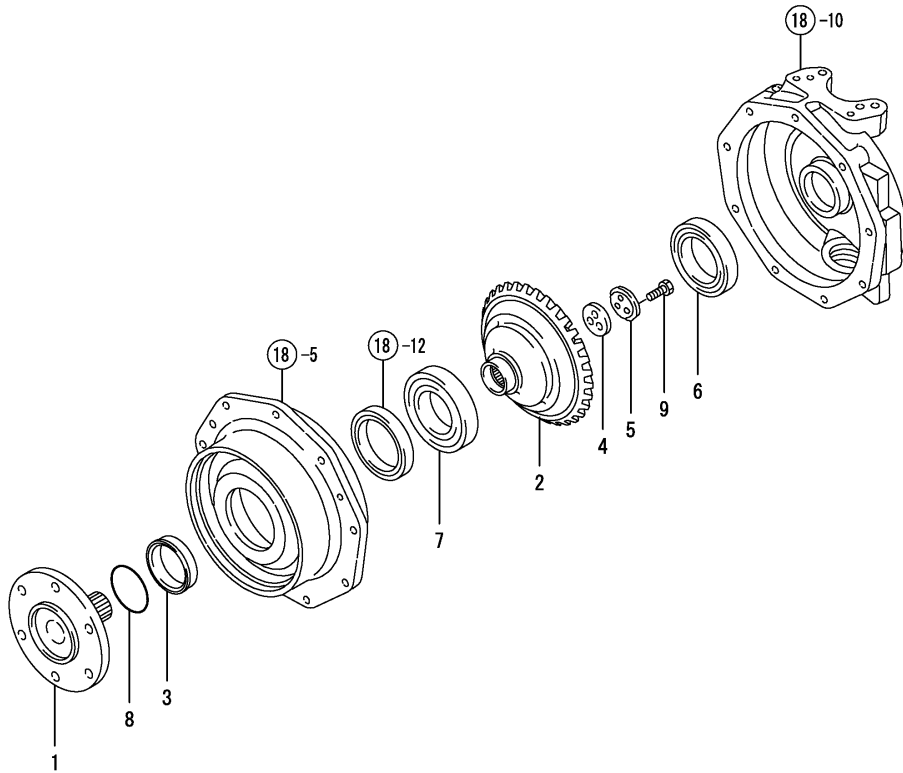


Fig.21. SHAFT COVER

(A)=EF453-AU-PQ
(B)=
(C)=

(D)=
(E)=
(F)=

No.	Lev.	Parts No.	Description	Q'ty						I	R
				(A)	(B)	(C)	(D)	(E)	(F)		
1	1	1A7780-14600	COVER, SHAFT FRONT	1							
1-1	1	1A7780-14600-1	COVER, SHAFT FRONT	1							R
(A=F007874)											
2	1	198241-14650	BOOT, SHAFT COVER	1							
3	1	1A7780-14700	COVER, SHAFT	1							
3-1	1	1A7780-14700-1	COVER, SHAFT	1							R
(A=F007874)											
4	1	198255-14740	SEAL, COVER 62	1							
5	1	1A7780-14740	COLLAR, 8.1X10.5X4	2							
6	1	198255-14760	SEAL, COVER 65	1							
7	1	23000-070000	CLAMP, 70	2							
8	1	26106-080122	BOLT, M8X 12 PLATED	2							

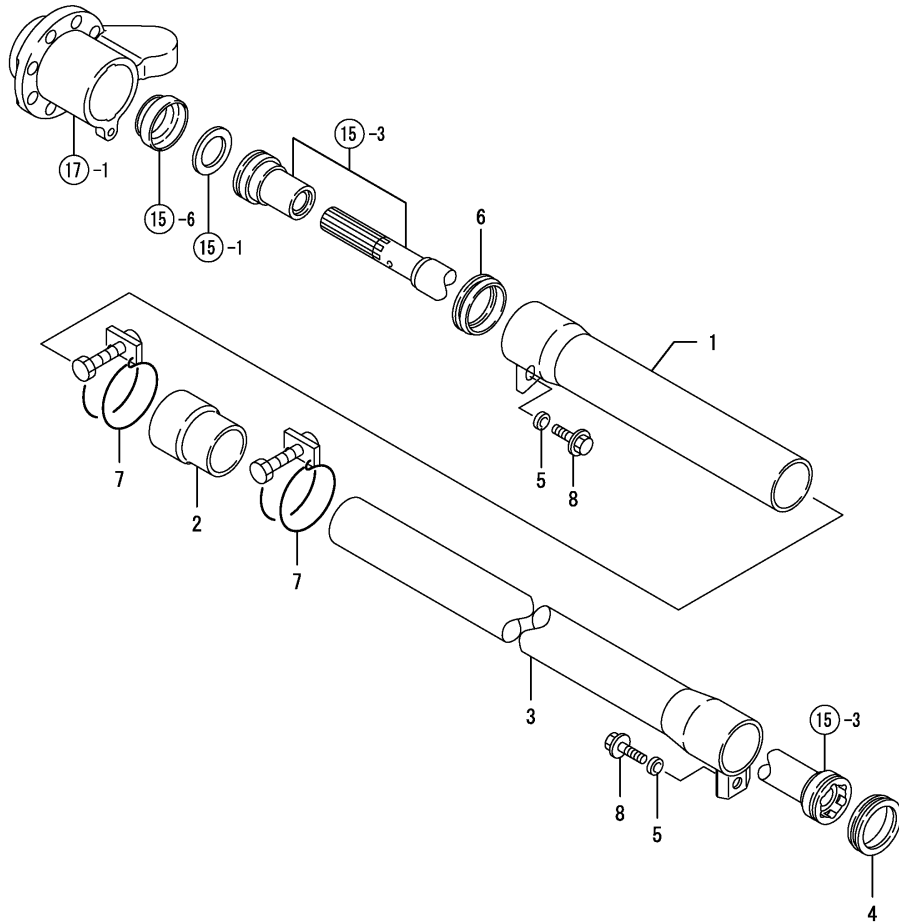
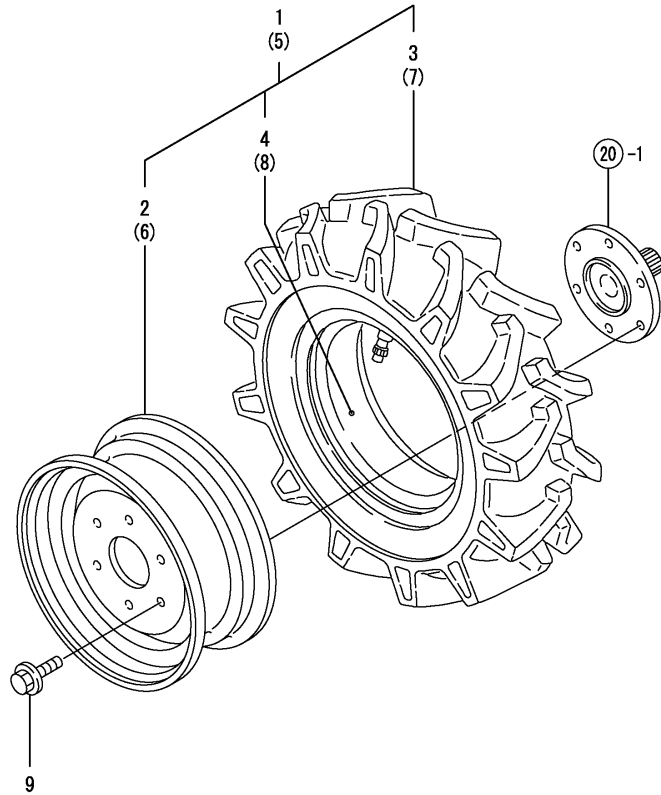


Fig.22. FRONT WHEEL TIRE

(A)=EF453-AU-PQ
(B)=
(C)=

(D)=
(E)=
(F)=

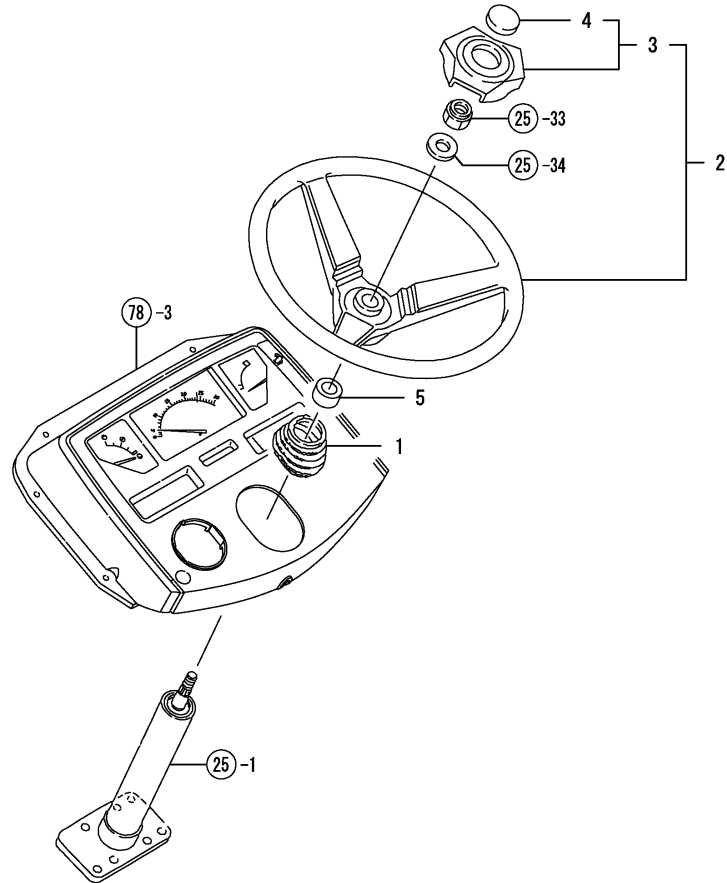


No.	Lev.	Parts No.	Description	Q'ty						I	R
				(A)	(B)	(C)	(D)	(E)	(F)		
1	1	794328-14700	TIRE KIT, FRONT L	1							
2	2	194279-14700	WHEEL DC5JAX16WDC	1							
2-1	2	1A7140-14760	WHEEL ASSY, 5JA X 16	1							R
(A=FXXXXX)											
3	2	194328-14820	TIRE, 8-16 4 FSLM	1							
4	2	194328-14830	TUBE	1							
5	1	794328-14800	TIRE KIT, FRONT R	1							
6	2	194279-14700	WHEEL DC5JAX16WDC	1							
6-1	2	1A7140-14760	WHEEL ASSY, 5JA X 16	1							R
(A=FXXXXX)											
7	2	194328-14820	TIRE, 8-16 4 FSLM	1							
8	2	194328-14830	TUBE	1							
9	1	194881-12650	BOLT, M14X24	12							

Fig.23. STEERING WHEEL

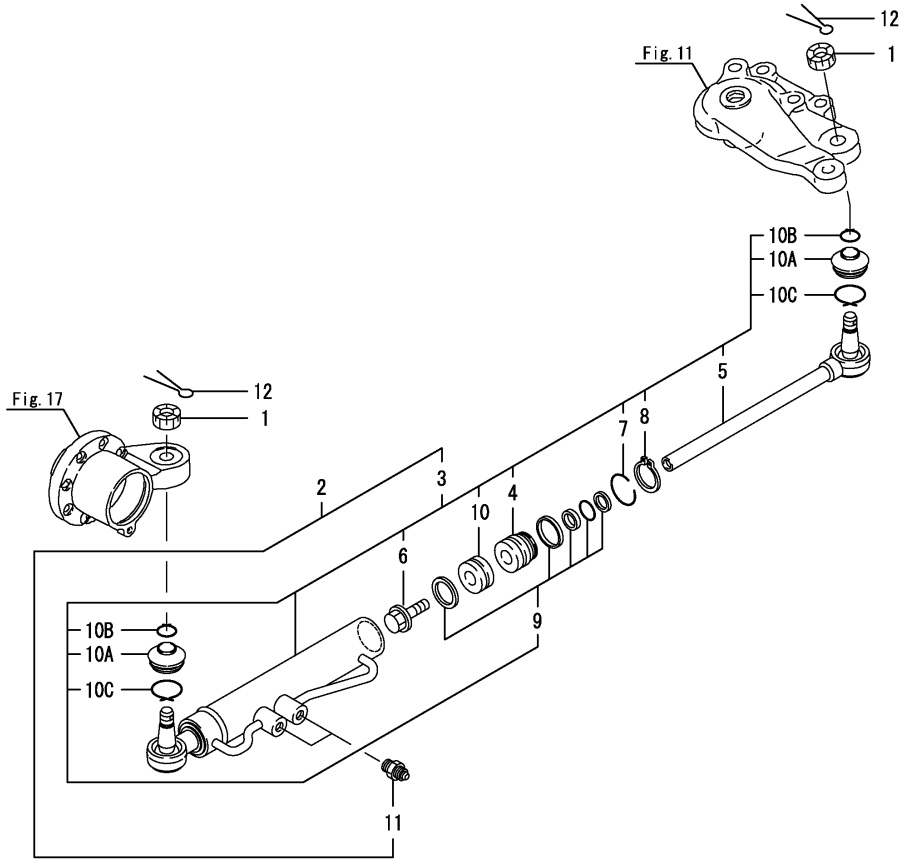
(A)=EF453-AU-PQ
(B)=
(C)=

(D)=
(E)=
(F)=



No.	Lev.	Parts No.	Description	Q'ty						I	R
				(A)	(B)	(C)	(D)	(E)	(F)		
1	1	198220-15650	COVER, COLUMN	1							
2	1	198133-15700	WHEEL ASSY, STEERING	1							
3	2	198133-15740	CAP ASSY, STEERING	1							
4	3	198133-15780	NAMEPLATE, HANDLE	1							
5	1	1A7000-15720	COVER, STEERING	1							

Fig.24. P.S.T CYLINDER



(A)=EF453-AU-PQ
(B)=
(C)=

(D)=
(E)=
(F)=

No.	Lev.	Parts No.	Description	Q'ty						I	R
				(A)	(B)	(C)	(D)	(E)	(F)		
1	1	194180-12471	NUT, CASTLE M16	2							
2	1	798254-17500	CYLINDER ASSY	1							
3	2	198254-17510	CYLINDER ASSY,	1							
3-1	2	198254-17511	CYLINDER ASSY	1							N
		(A=FZZZZZ)									
4	3	1A7335-17310	CAP, CYLINDER	1							
5	3	1A7335-17410	ROD ASSY, STEERING	1							
6	3	1A7335-17500	BOLT, M12X1.25	1							
7	3	1A7335-17520	CIRCLIP	1							
8	3	1A7335-17530	CIRCLIP	1							
9	3	1A7335-17550	SEAL KIT	1							
9-1	3	1A7335-17551	SEAL KIT	1							N
		(A=FZZZZZ)									
10	3	1A7335-17750	PISTON	1							
10A	3	1A7780-17450	BOOT, RUBBER	2							
10B	3	1A7780-17460	STOPPER	2							
10C	3	1A7780-17470	STOPPER	2							
11	2	194065-38380	ADAPTER, 1/4	2							
12	1	22417-400250	PIN, COTTER 4.0X25	2							

Fig.25. P.S.T VALVE

(A)=EF453-AU-PQ

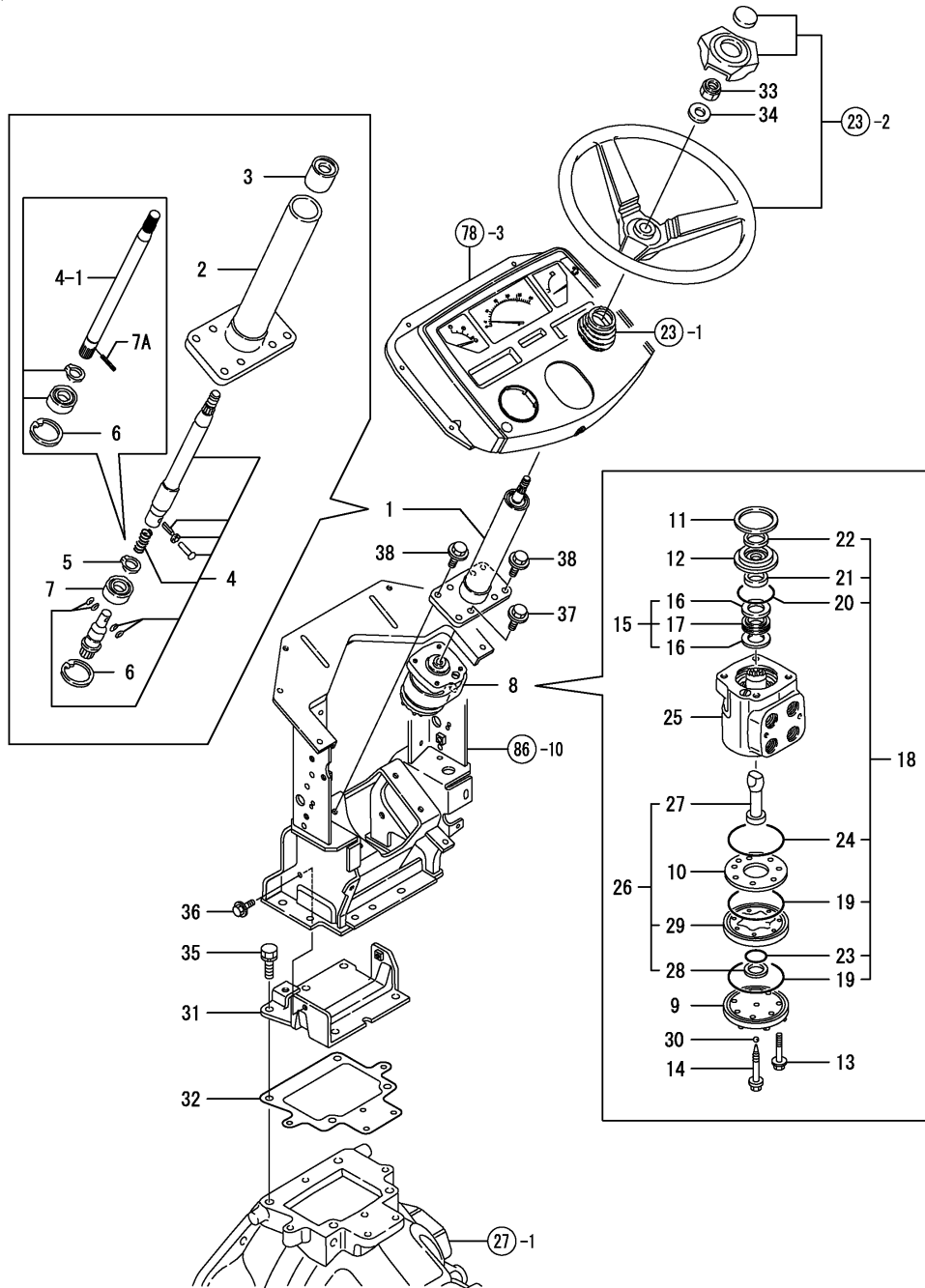
(B)=

(C)=

(D)=

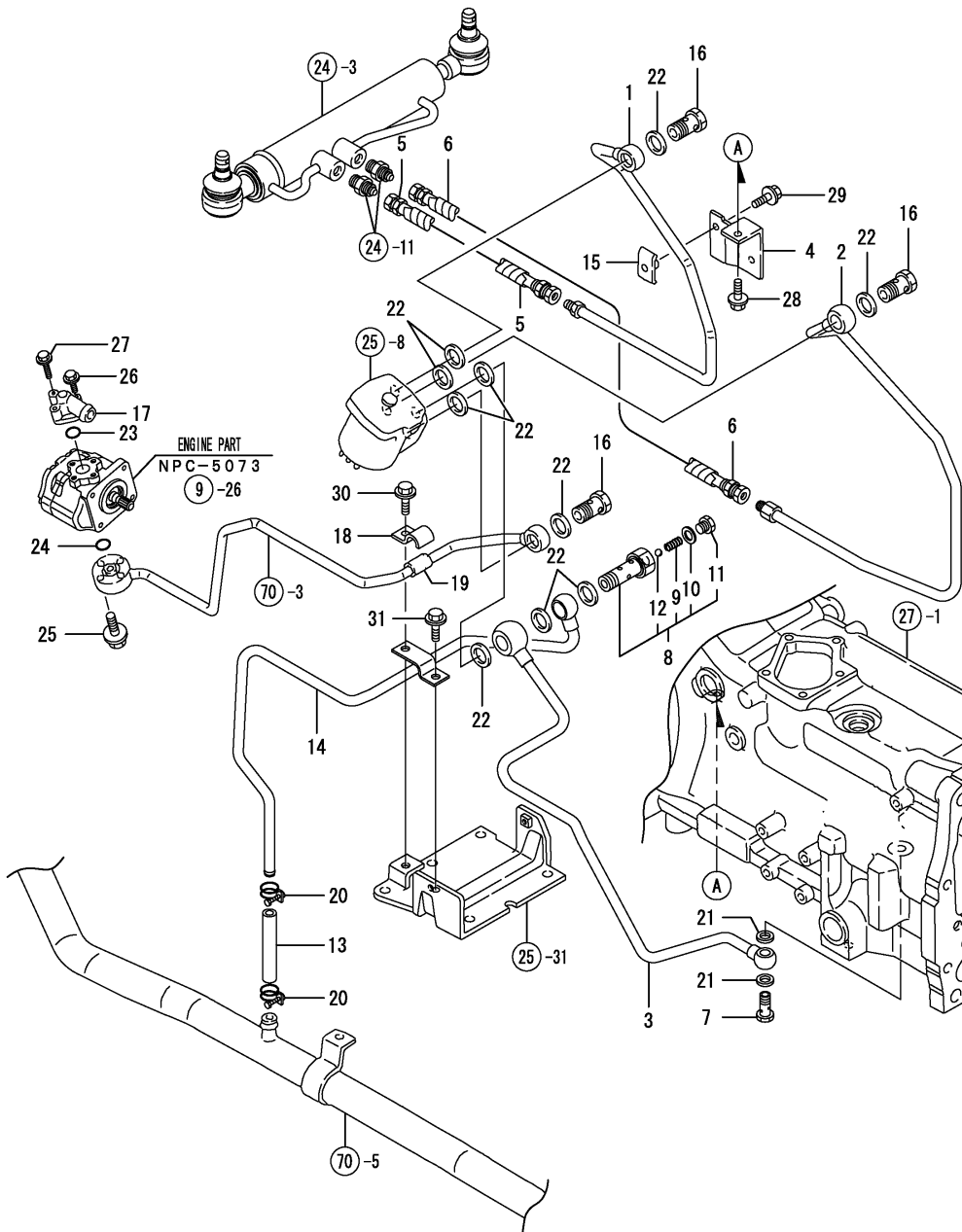
(E)=

(F)=



No.	Lev.	Parts No.	Description	Q'ty						I	R
				(A)	(B)	(C)	(D)	(E)	(F)		
1	1	198230-17301	COLUMN ASSY,STEERING	1							
1-1	1	1A7780-17300	COLUMN ASSY,STEERING	1							R
(A=FZZZZZ)											
2	2	198230-17311	COLUMN ASSY,STEERING	1							
3	2	194640-17340	BUSH, COLUMN	1							
4	2	198230-17340	SHAFT ASSY	1							
4-1	2	1A7780-17370	SHAFT, STEERING 1	1							R
(A=FZZZZZ)											
5	2	22242-000200	RING, 20	1							Z
(A=FZZZZZ)											
6	2	22252-000420	RING, 42	1							
7	2	24104-060040	BEARING, 6004UUC3	1							Z
(A=FZZZZZ)											
7A	2	22351-040025	PIN, SPRING 4.0X25	1							W
(A=FZZZZZ)											
8	1	198251-17500	VALVE ASSY, STEERING	1							
9	2	194337-17220	CAP, END	1							
10	2	194337-17251	PLATE, SPACER	1							
11	2	194337-17390	RING, RETAINING	1							
12	2	194337-17400	BUSH, SEAL GRAND	1							
13	2	198220-17610	SCREW	6							
14	2	198220-17620	SCREW ASSY, RETAINER	1							
15	2	198153-17630	BEARING ASSY, NEEDLE	1							
16	3	194337-17340	BEARING	2							
17	3	194337-17350	NEEDLE, THRUST	1							
18	2	198220-17642	SEAL KIT	1							
19	3	194337-17330	O-RING	2							
20	3	194337-17360	O-RING	1							
21	3	194337-17370	SEAL, OIL	1							
22	3	194337-17380	SEAL, DUST	1							
23	3	198390-17670	O-RING	1							
24	3	198220-17680	O-RING	1							
25	2	198220-17651	VALVE ASSY, CONTROL	1							
26	2	198220-17660	DRIVE ASSY, GIROTOR	1							
27	3	198220-17631	GEROTOR	1							
28	3	198390-17660	PLUG	1							
29	3	198220-17670	DRIVE	1							
30	2	24190-070001	BALL, STEEL 7/32	1							
31	1	198240-17870	COVER, HOUSING	1							
32	1	198327-21150	PACKING, CLUTCH	1							
33	1	1A7260-85510	NUT, M16	1							
34	1	22137-160000	WASHER, 16	1							
35	1	26013-120202	BOLT, M12X 20	4							
36	1	26106-080162	BOLT, M8X 16 PLATED	2							
37	1	26106-100202	BOLT, M10X 20 PLATED	4							
38	1	26106-100202	BOLT, M10X 20 PLATED	4							

Fig.26. P.S.T PIPING



(A)=EF453-AU-PQ

(B)=

(C)=

(D)=

(E)=

(F)=

No.	Lev.	Parts No.	Description	Qty						I	R
				(A)	(B)	(C)	(D)	(E)	(F)		
1	1	198253-17700	PIPE, PRESSURE L	1							
1-1	1	198253-17700-1	PIPE, PRESSURE L	1							R
(A=F007874)											
2	1	1A7780-17780	PIPE, PRESSURE R	1							
2-1	1	1A7780-17780-1	PIPE, PRESSURE R	1							R
(A=F007874)											
3	1	1A7780-17800	PIPE, SYNCHRO	1							
3-1	1	1A7780-17800-1	PIPE, SYNCHRO	1							R
(A=F007874)											
4	1	198240-17840	BRACKET	1							
5	1	198250-17850	HOSE, 450	1							
6	1	198251-17850	HOSE, 350	1							
7	1	1A7780-17850	BOLT, JOINT M6	1							
8	1	1A7780-17860	BOLT ASSY, JOINT 3/4	1							
9	2	198448-48690	SPRING, CHECK VALVE	1							
10	2	23414-120000	GASKET, 12X1.0	1							
11	2	23887-120002	PLUG, 12	1							
12	2	24190-100001	BALL, STEEL 5/16	1							
13	1	194556-17870	HOSE, RETURN RUBBER	1							
14	1	1A7780-17900	PIPE, PRESSURE T	1							
15	1	198220-46560	CLAMP, PIPE 12	1							
16	1	198245-46680	BOLT, M3/4-16	3							
17	1	198220-48140	FLANGE, PIPE P	1							
18	1	194450-48830	CLAMP	1							
19	1	194464-48850	RUBBER, ABSORBER	1							
20	1	23010-018000	CLAMP, 18	2							
21	1	23414-120000	GASKET, 12X1.0	2							
22	1	23414-190000	GASKET, 19X1.0	9							
23	1	24311-000200	O-RING, 1AP20.0	1							
24	1	24311-000200	O-RING, 1AP20.0	1							
25	1	26018-060352	BOLT, M6X 35	4							
26	1	26106-060202	BOLT, M6X 20 PLATED	1							
27	1	26106-060402	BOLT, M6X 40 PLATED	2							
28	1	26106-080162	BOLT, M8X 16 PLATED	1							
29	1	26106-080162	BOLT, M8X 16 PLATED	1							
30	1	26106-080202	BOLT, M8X 20 PLATED	1							
31	1	26106-080202	BOLT, M8X 20 PLATED	1							

Fig.27. CLUTCH HOUSING

(A)=EF453-AU-PQ
(B)=
(C)=

(D)=
(E)=
(F)=

No.	Lev.	Parts No.	Description	Q'ty						I	R
				(A)	(B)	(C)	(D)	(E)	(F)		
1	1	1A7780-21150	HOUSING ASSY, CLUTCH	1							
1-1	1	1A7780-21150-1	HOUSING ASSY, CLUTCH	1							R
(A=F007874)											
2	2	194740-06080	BUSH, 25X30X18	4							
3	2	194450-11190	PLUG, 15.0	11							
4	2	194150-21910	PLUG, 11.2	4							
5	2	194150-22250	PIN, HOOK	2							
5-1	2	194150-22250-1	PIN, HOOK	2							R
(A=F007874)											
6	2	194680-22280	BUSH, 20X26X22	2							
7	2	194680-22290	SEAL, OIL G202604	2							
8	1	198240-25180	SEAL, OIL TC4 05812	1							
9	1	22252-000620	RING, 62	1							
10	1	26013-120402	BOLT, M12X 40	2							

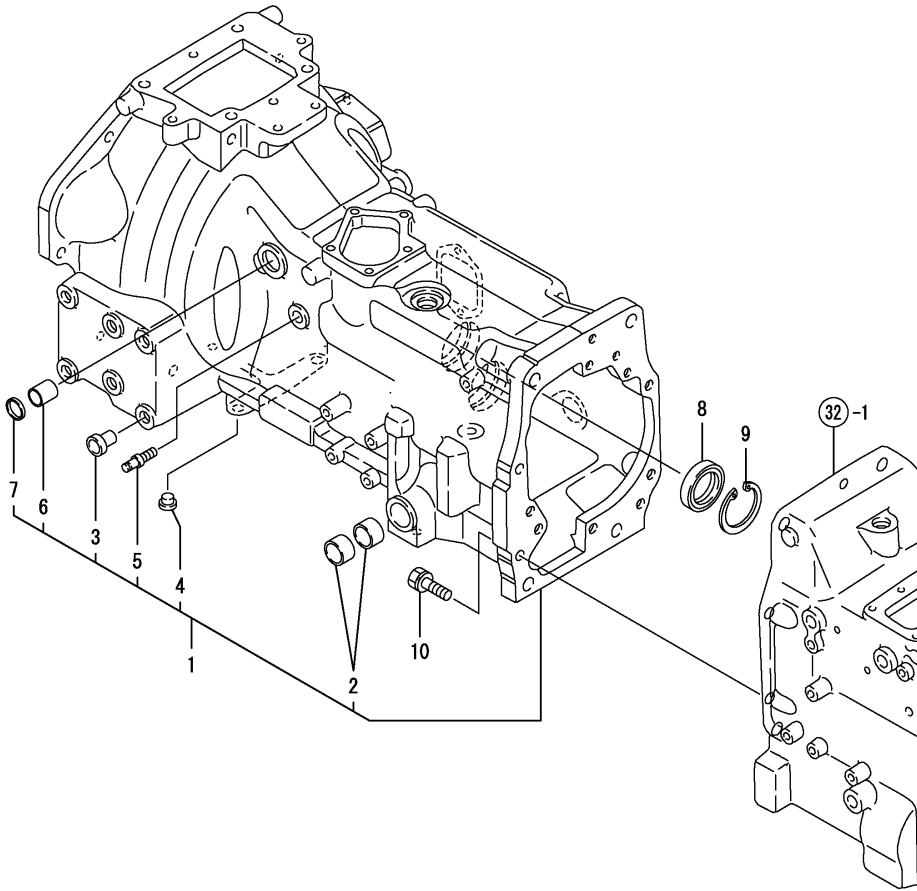
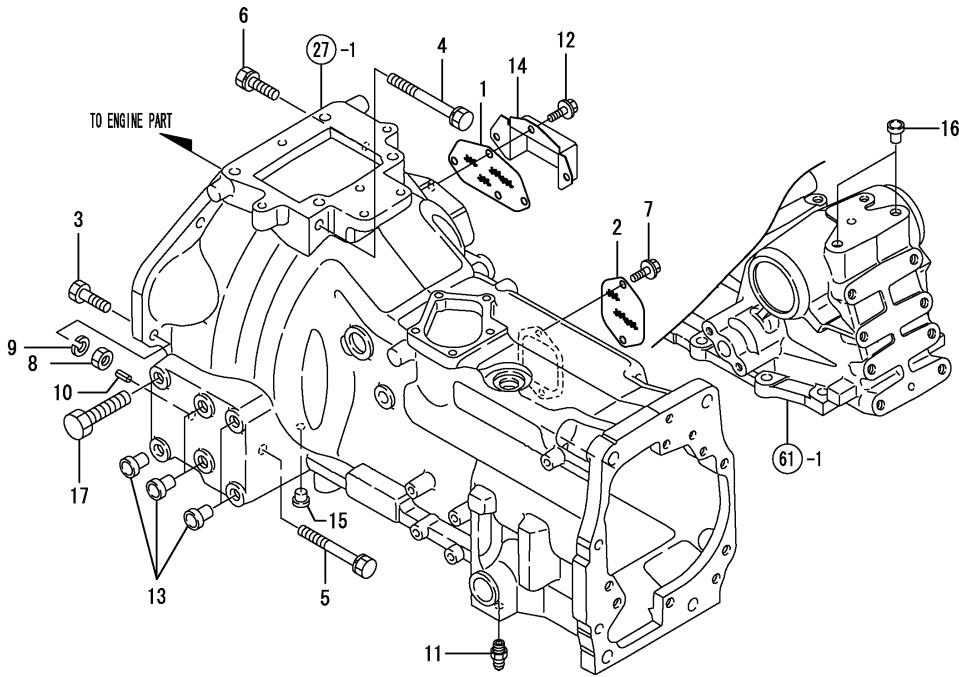


Fig.28. DOCKING BOLT

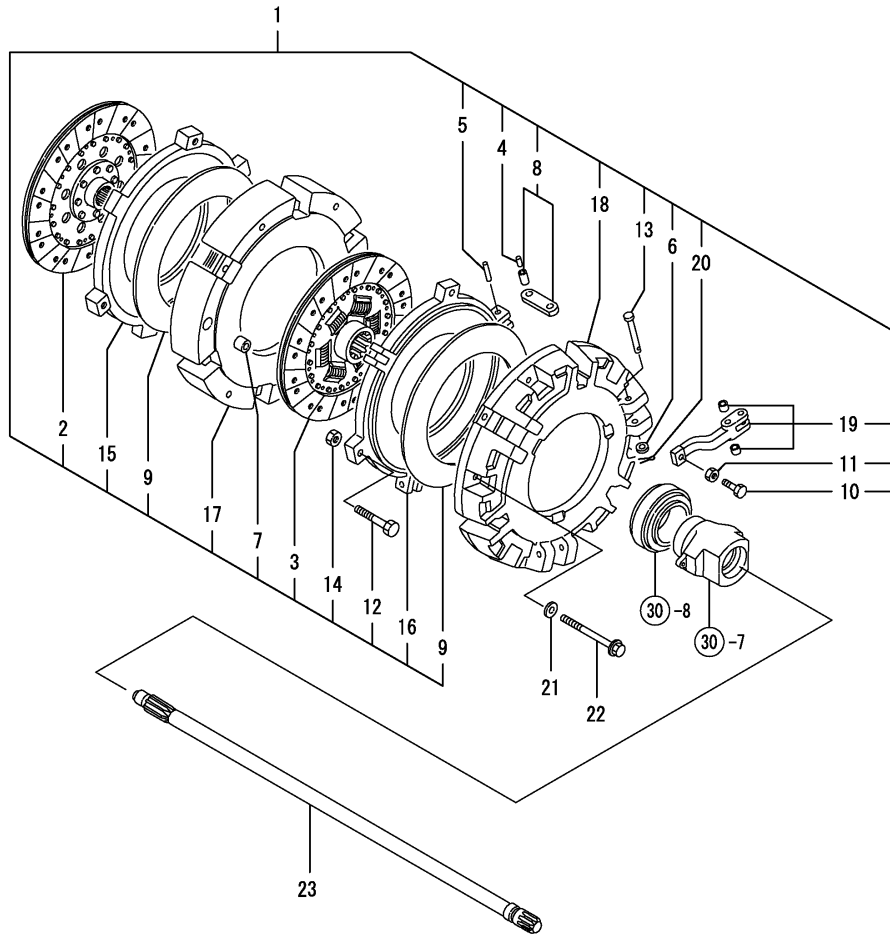
(A)=EF453-AU-PQ
(B)=
(C)=

(D)=
(E)=
(F)=



No.	Lev.	Parts No.	Description	Q'ty						I	R
				(A)	(B)	(C)	(D)	(E)	(F)		
1	1	198220-21171	COVER, HOUSING A	1							
2	1	198240-21180	COVER, HOUSING B	1							
3	1	198240-21220	BOLT, M12X40	1							
4	1	198240-21250	BOLT, M12X170	2							
5	1	198240-21260	BOLT, M12X100	2							
6	1	198240-21270	BOLT, M12X30	3							
7	1	26106-080122	BOLT, M8X 12 PLATED	2							
8	1	26716-120002	NUT, M12	2							
9	1	22217-120000	WASHER, SPRING 12	2							
10	1	22351-080018	PIN, SPRING 8.0X18	2							
11	1	24761-020000	NIPPLE, GREASE PT1/8	2							
12	1	26106-080122	BOLT, M8X 12 PLATED	3							
13	1	194450-11190	PLUG, 15.0	10							W
		(A=FXXXXXX)									
14	1	1A8170-21130-1	COVER, HOUSING	1							W
		(A=FXXXXXX)									
15	1	194150-21910	PLUG, 11.2	4							W
		(A=FXXXXXX)									
16	1	194150-24270	CAP, SCREW 13.0	2							W
		(A=FXXXXXX)									
17	1	26116-160302	BOLT, M16X 30 PLATED	2							W
		(A=FXXXXXX)									

Fig.29. DUAL CLUTCH & SHAFT



(A)=EF453-AU-PQ
(B)=
(C)=

(D)=
(E)=
(F)=

No.	Lev.	Parts No.	Description	Q'ty						I	R
				(A)	(B)	(C)	(D)	(E)	(F)		
1	1	1A7780-21400	CLUTCH ASSY, DUAL	1							
2	2	1A7780-21410	DISK, PTO CLUTCH	1							
3	2	1A7780-21420	DISK, MAIN CLUTCH	1							
4	2	194274-21510	PIN, PARALLEL	3							
5	2	194274-21520	PIN, PARALLEL	3							
6	2	194274-21530	WASHER	3							
7	2	194274-21550	PIN, KNOCK	4							
8	2	194274-21610	ROD ASSY, RELEASE	3							
9	2	194278-21640	SPRING, DIAPHRAGM	2							
10	2	194274-21650	BOLT, ADJUST	3							
11	2	194274-21660	NUT	3							
12	2	194278-21670	BOLT	3							
13	2	194274-21680	PIN	3							
14	2	194274-21690	NUT, M10	3							
15	2	194278-21710	PLATE, PRESSURE A	1							
16	2	198325-21720	PLATE, PRESSURE B	1							
17	2	198325-21730	COVER, CLUTCH	1							
18	2	198327-21740	COVER, CLUTCH	1							
19	2	194274-21750	LEVER ASSY, RELEASE	3							
20	2	22417-160150	PIN, COTTER 1.6X15	3							
21	1	22137-080000	WASHER, 8	2							
22	1	26106-080802	BOLT, M8X 80 PLATED	6							
23	1	198133-22121	SHAFT, MAIN DRIVE	1							

Fig.30. CLUTCH RELEASE

(A)=EF453-AU-PQ
(B)=
(C)=

(D)=
(E)=
(F)=

No.	Lev.	Parts No.	Description	Q'ty						I	R
				(A)	(B)	(C)	(D)	(E)	(F)		
1	1	1A7780-22251	SHAFT,CLUTCH RELEASE	1							
1-1	1	1A7780-22251-1	SHAFT,CLUTCH RELEASE	1							R
(A=F007874)											
2	1	198149-22280	YOKE, CLUTCH SHIFT	1							
3	1	198071-22320	BOLT, M8X40	2							
4	1	198240-22200	SLEEVE ASSY, BEARING	1							
5	2	194274-22160	BUSH, 35X42X32	2							
6	2	194274-22170	FELT	2							
7	2	198240-22220	SLEEVE, BEARING	1							
8	2	194274-22290	BEARING, TK55-1	1							
9	1	198327-22230	SPRING, RETURN	2							

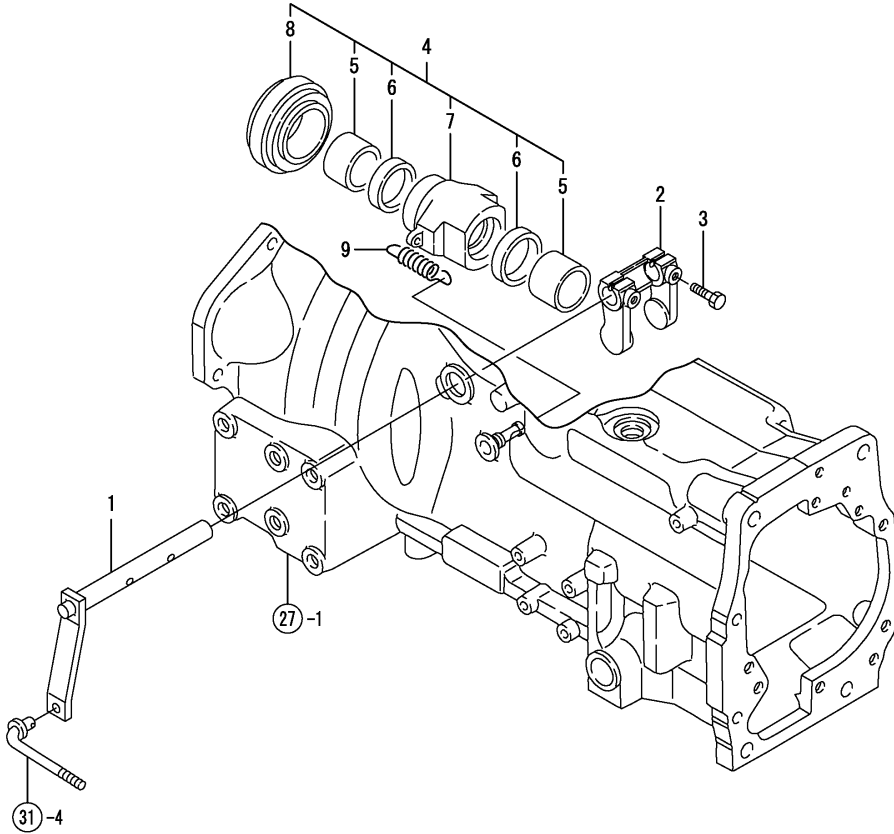
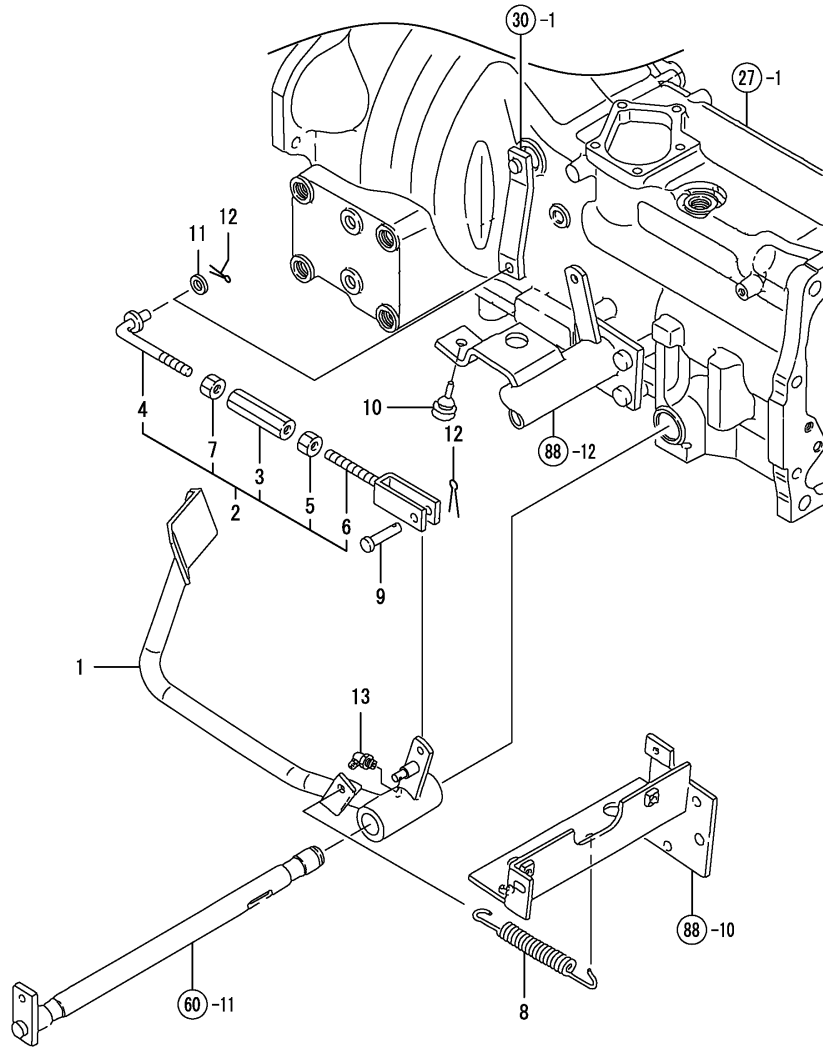


Fig.31. CLUTCH PEDAL

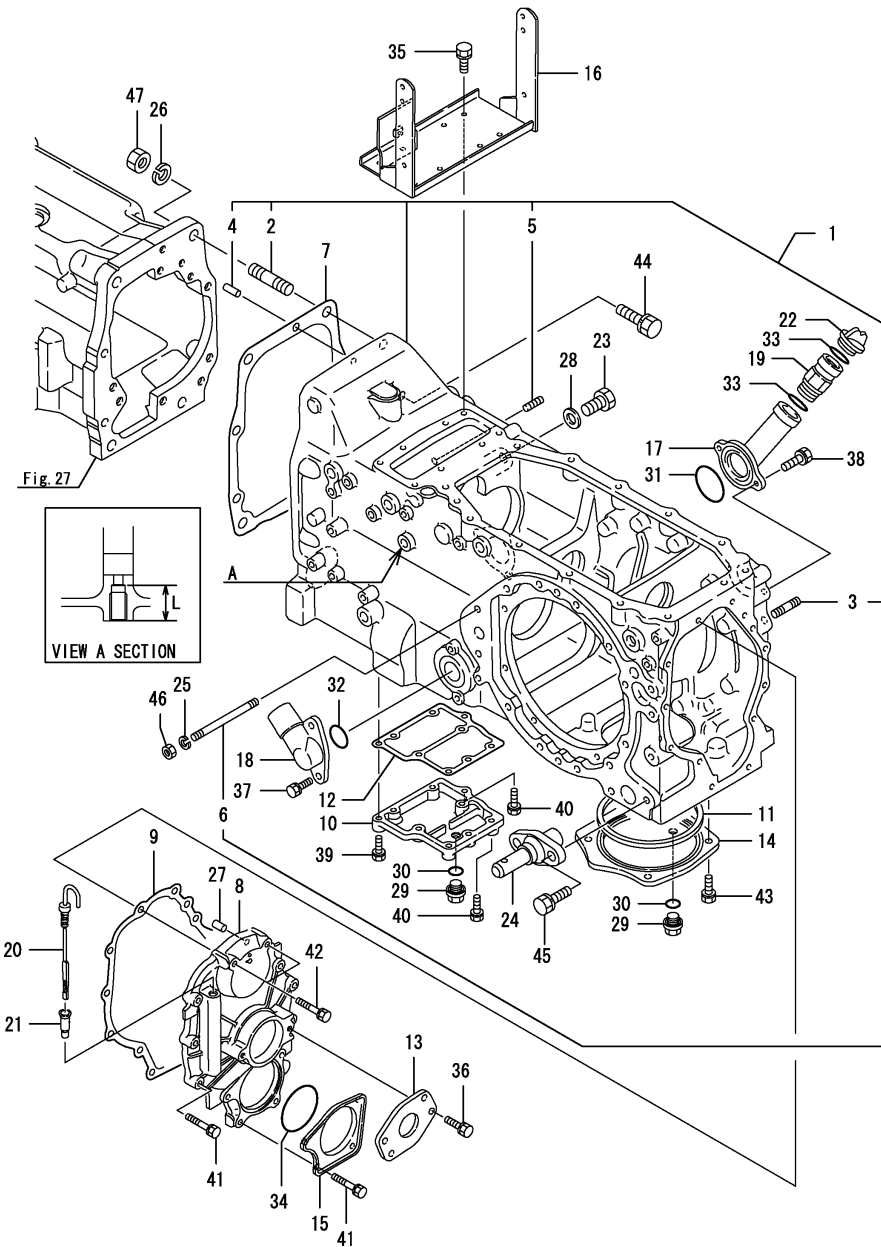
(A)=EF453-AU-PQ
(B)=
(C)=

(D)=
(E)=
(F)=



No.	Lev.	Parts No.	Description	Q'ty						I	R
				(A)	(B)	(C)	(D)	(E)	(F)		
1	1	198320-22410	PEDAL,CLUTCH	1							
1-1	1	198320-22410-1	PEDAL, CLUTCH	1							R
(A=F007874)											
2	1	798240-22470	ROD KIT, CLUTCH	1							
3	2	194300-22260	TURNBUCKLE, M10	1							
4	2	198240-22470	ROD, CLUTCH	1							
5	2	194150-22480	NUT, M10 L	1							
6	2	198240-22550	ROD, CLUTCH	1							
7	2	26716-100002	NUT, M10	1							
8	1	198240-37510	SPRING, RETURN	1							
9	1	198220-37900	PIN, 8X24	1							
10	1	194330-62530	STOPPER, PEDAL	1							
11	1	22137-100000	WASHER, 10	1							
12	1	22417-250300	PIN, COTTER 2.5X30	2							
13	1	24761-040000	NIPPLE, GREASE B	1							

Fig.32. TRANSMISSION CASE



(A)=EF453-AU-PQ

(B)=

(C)=

(D)=

(E)=

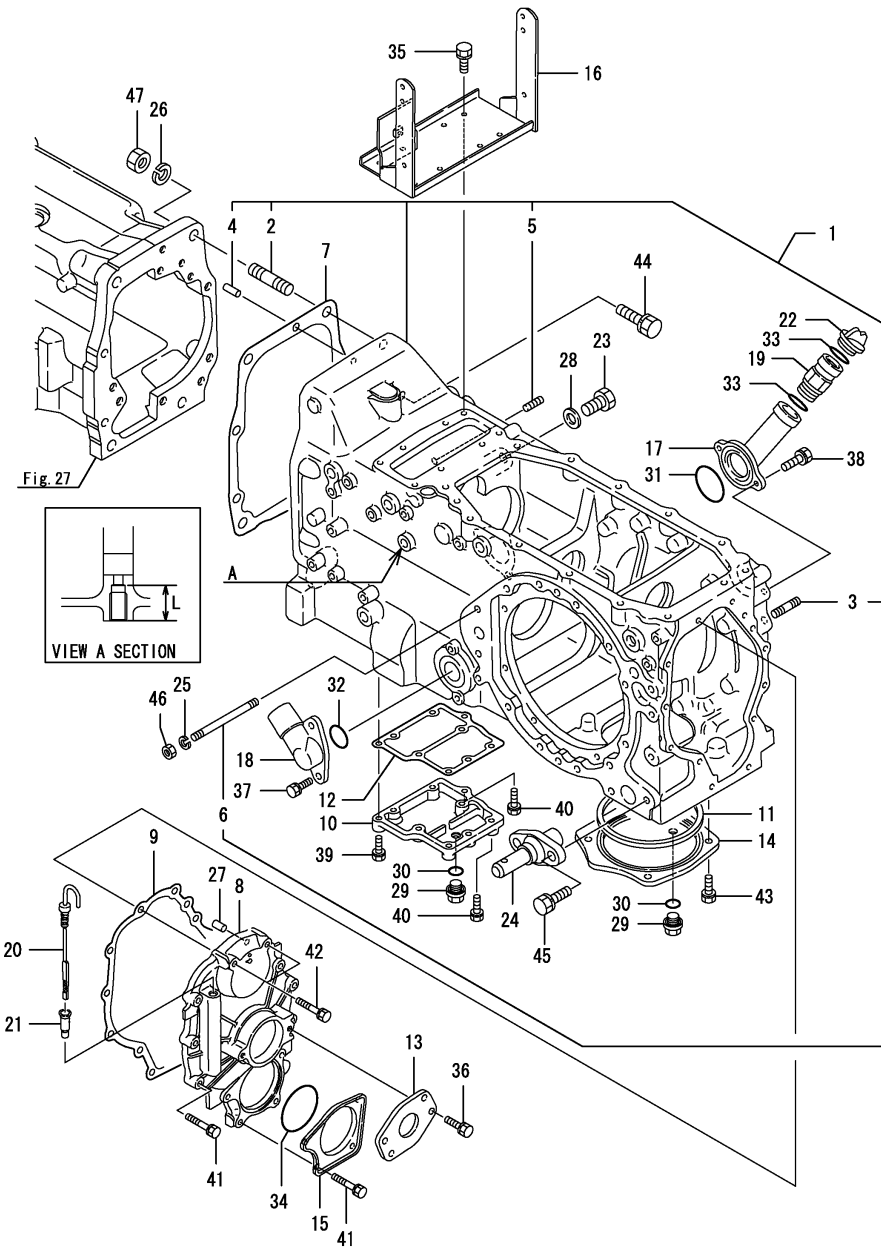
(F)=

No.	Lev.	Parts No.	Description	Q'ty						I	R
				(A)	(B)	(C)	(D)	(E)	(F)		
1	1	198149-24101	HOUSING,TRANSMISSION	1							
1-1	1	198149-24101-1	HOUSING ASSY	1							R
(A=F007874)											
1-2	1	198149-24102-1	HOUSING ASSY	1							S 1
(A=FZZZZZ)											
1-3	1	1A7780-24100	HOUSING ASSY, XMSN.	1							N
(A=FZZZZZ)											
2	2	198240-24120	STUD, M16X45	4							
3	2	198240-24530	STUD, M12X45	2							
4	2	22312-100180	PIN, PARALLEL M10X18	2							
5	2	26218-080202	STUD, M8X 20	2							
6	2	26218-100902	STUD, M10X 90	2							
7	1	198240-24140	PACKING, MISSION	1							
8	1	198327-24240	COVER, REAR	1							
8-1	1	198327-24240-1	COVER, REAR	1							R
(A=F007874)											
9	1	198240-24320	PACKING	1							
10	1	198133-24370	COVER, FRONT DRIVE	1							
10-1	1	198133-24370-1	COVER, FRONT DRIVE	1							R
(A=F007874)											
11	1	198133-24380	PACKING, 140X3	1							
12	1	198138-24390	PACKING	1							
13	1	198255-24460-2	PLATE, OIL SEAL	1							
13-1	1	198255-24460	PLATE, OIL SEAL	1							R
(A=F007874)											
14	1	198240-24480	COVER, PTO	1							
14-1	1	198240-24480-1	COVER, PTO	1							R
(A=F007874)											
15	1	198240-24510	COVER, REAR COVER	1							
15-1	1	198240-24510-1	COVER, REAR COVER	1							R
(A=F007874)											
16	1	198240-24682	COVER, MISSION CASE	1							
16-1	1	198240-24682-1	COVER, MISSION CASE	1							R
(A=F007874)											
16-2	1	1A7781-24680	COVER, MISSION CASE	1							R
(A=FXXXXX)											
17	1	198240-24690	NECK, FILLER	1							
17-1	1	198240-24690-2	CAP ASSY	1							R
(A=F007874)											
18	1	198240-24920	FLANGE, PIPE S	1							
18-1	1	198240-24920-1	FLANGE, PIPE S	1							R
(A=F007874)											
19	1	194215-24960	PIPE	1							
20	1	194850-24960	GAUGE ASSY, LEVEL	1							
21	1	119860-34810	GUIDE, DIPSTICK	1							
22	1	194850-42500	CAP, OIL M33	1							
23	1	198220-45920	PLUG, 3/4-16UNF	1							
24	1	194640-73180	PIN, LOWER LINK	2							
25	1	22217-100000	WASHER, SPRING 10	2							Z
(A=*2009.05.)											
26	1	22217-160000	WASHER, SPRING 16	4							

Remarks

(1) L=Ref.No.1,1-1 25mm,1-2 20mm.

Fig.32. TRANSMISSION CASE



(A)=EF453-AU-PQ
(B)=
(C)=

(D)=
(E)=
(F)=

No.	Lev.	Parts No.	Description	Q'ty						I	R
				(A)	(B)	(C)	(D)	(E)	(F)		
27	1	22312-100180	PIN, PARALLEL M10X18	2							
28	1	23414-190000	GASKET, 19X1.0	1							
29	1	23491-140002	PLUG, 14	2							
30	1	24311-000160	O-RING, 1AP16.0	2							
31	1	24311-000500	O-RING, 1AP50.0	1							
32	1	24321-000300	O-RING, 1AG30.0	1							
33	1	24321-000300	O-RING, 1AG30.0	2							
34	1	24321-000750	O-RING, 1AG75.0	1							
35	1	26013-080162	BOLT, M8X 16	8							
36	1	26013-080162	BOLT, M8X 16	2							
36-1	1	26106-080162	BOLT, M8X 16 PLATED	2							R
(A=*2009.05.)											
37	1	26013-080202	BOLT, M8X 20	2							
38	1	26013-080202	BOLT, M8X 20	2							
39	1	26013-080252	BOLT, M8X 25	5							
40	1	26013-080302	BOLT, M8X 30	4							
41	1	26013-080352	BOLT, M8X 35	10							
41-1	1	26106-080352	BOLT, M8X 35 PLATED	10							R
(A=*2009.05.)											
42	1	26013-080502	BOLT, M8X 50	2							
43	1	26013-100252	BOLT, M10X 25	4							
43-1	1	26106-100252	BOLT, M10X 25 PLATED	4							R
(A=*2009.05.)											
44	1	26013-120402	BOLT, M12X 40	2							
45	1	26013-140352	BOLT, M14X 35	4							
46	1	26716-100002	NUT, M10	2							
46-1	1	26366-100002	NUT, M10	2							N
(A=*2009.05.)											
47	1	26716-160002	NUT, M16	4							

Remarks

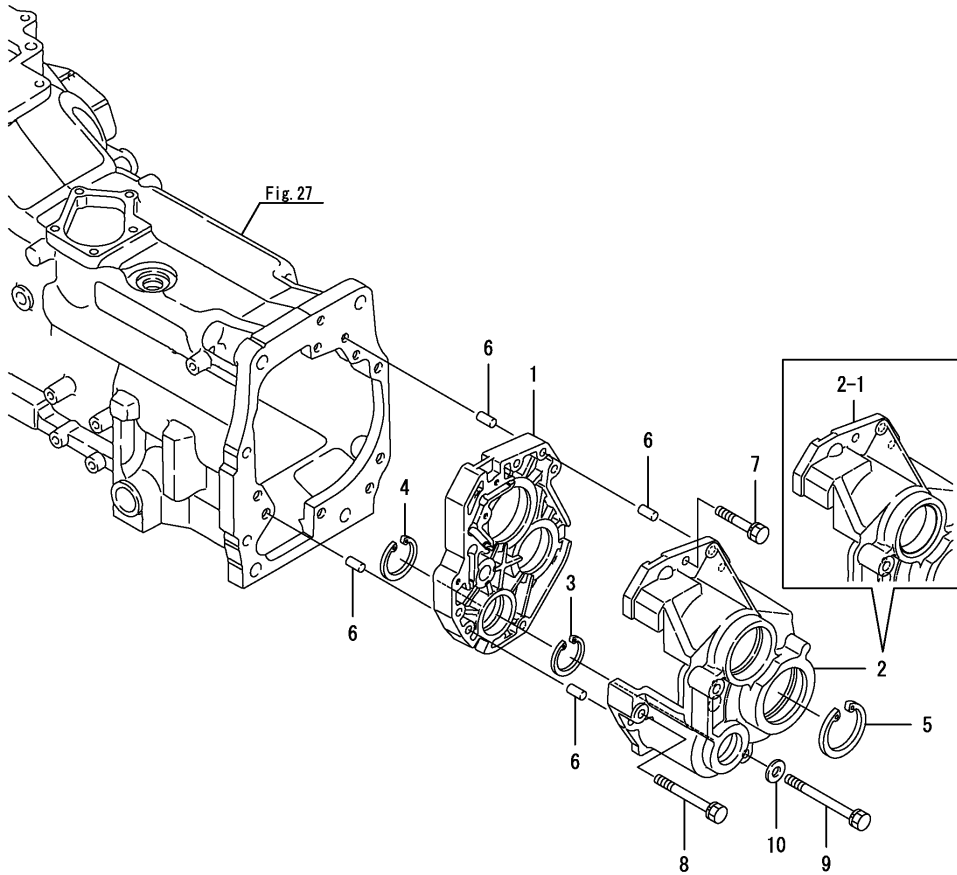
(1) L=Ref.No.1,1-1 25mm,1-2 20mm.

N:Old $\begin{matrix} \text{Yes} \\ \text{No} \end{matrix}$ New, Q:Old $\begin{matrix} \text{No} \\ \text{Yes} \end{matrix}$ New, R:Old $\begin{matrix} \text{Yes} \\ \text{No} \end{matrix}$ New, S:Old $\begin{matrix} \text{No} \\ \text{Yes} \end{matrix}$ New, W:Add, Z:Discontinued, F:Interchangeable by set, K:Q'ty Change

Fig.33. CENTER PLATE

(A)=EF453-AU-PQ
(B)=
(C)=

(D)=
(E)=
(F)=



No.	Lev.	Parts No.	Description	Q'ty						I	R
				(A)	(B)	(C)	(D)	(E)	(F)		
1	1	198133-24361	PLATE, CENTER	1							
2	1	198133-25310	RETAINER, BEARING	1							
2-1	1	198133-25311	RETAINER, BEARING	1							S
(A=FXXXXX)											
3	1	22252-000470	RING, 47	1							
4	1	22252-000620	RING, 62	1							
5	1	22252-000800	RING, 80	1							
6	1	22312-100200	PIN, PARALLEL M10X20	4							
7	1	26013-100552	BOLT, M10X 55	2							
7-1	1	26106-100502	BOLT, M10X 50 PLATED	2							R
(A=*2009.05.)											
8	1	26013-100852	BOLT, M10X 85	1							
8-1	1	26106-100802	BOLT, M10X 80 PLATED	1							R
(A=FXXXXX)											
9	1	26013-101502	BOLT, M10X150	1							
10	1	22117-100000	WASHER, 10	1							W
(A=FXXXXX)											

Fig.34. OIL STRAINER

(A)=EF453-AU-PQ
(B)=
(C)=

(D)=
(E)=
(F)=

No.	Lev.	Parts No.	Description	Q'ty						I	R
				(A)	(B)	(C)	(D)	(E)	(F)		
1	1	198240-24900	COVER, STRAINER	1							
1-1	1	198240-24900-1	COVER, STRAINER	1							R
(A=F007874)											
2	1	194322-24980	PLUG, 1-2NPT	1							
3	1	194275-48400	STRAINER, OIL	1							
4	1	24321-000650	O-RING, 1AG65.0	1							
5	1	26013-080202	BOLT, M8X 20	2							

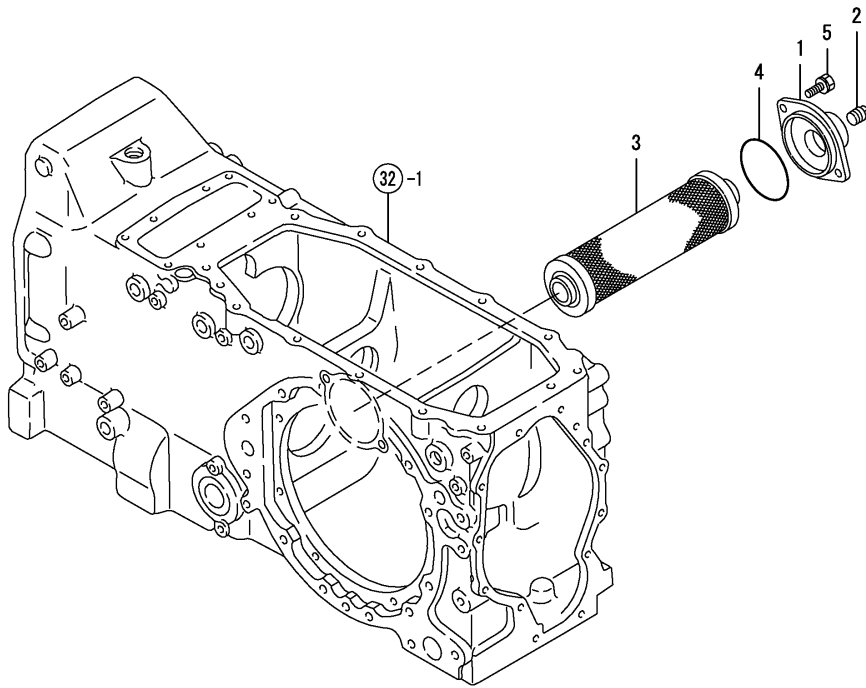
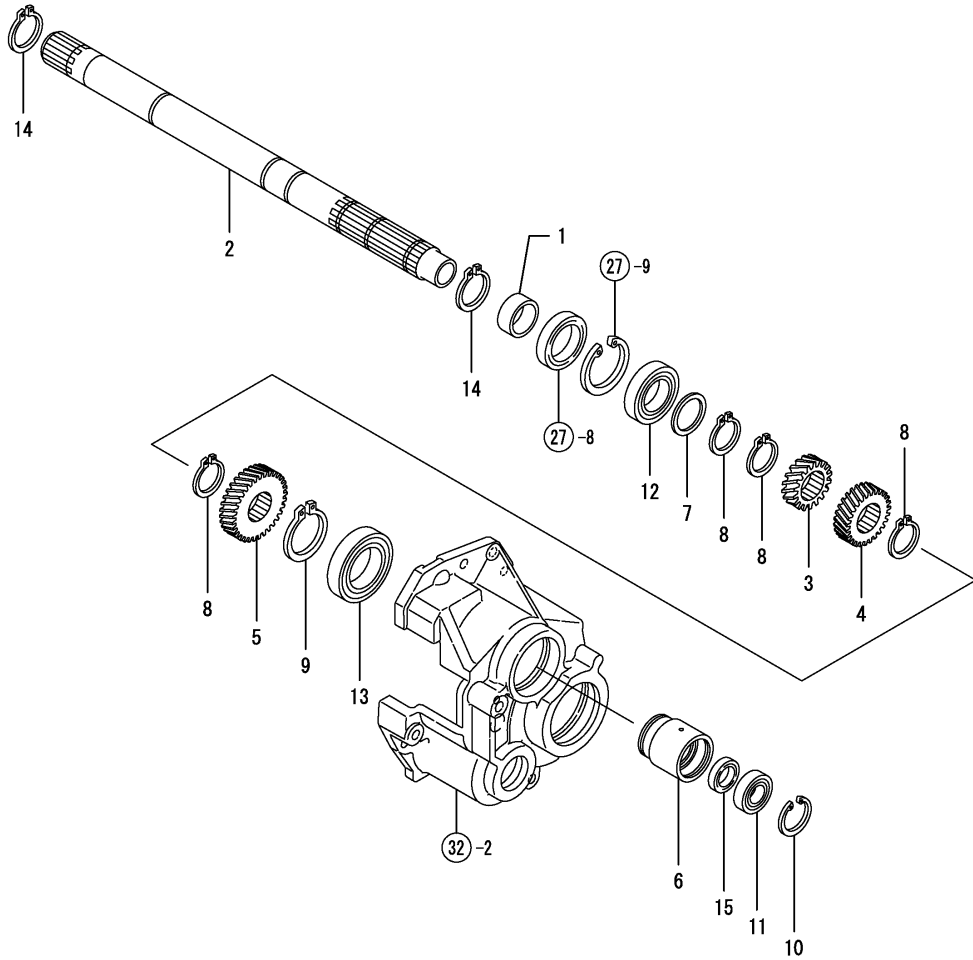


Fig.35. MAIN SHAFT

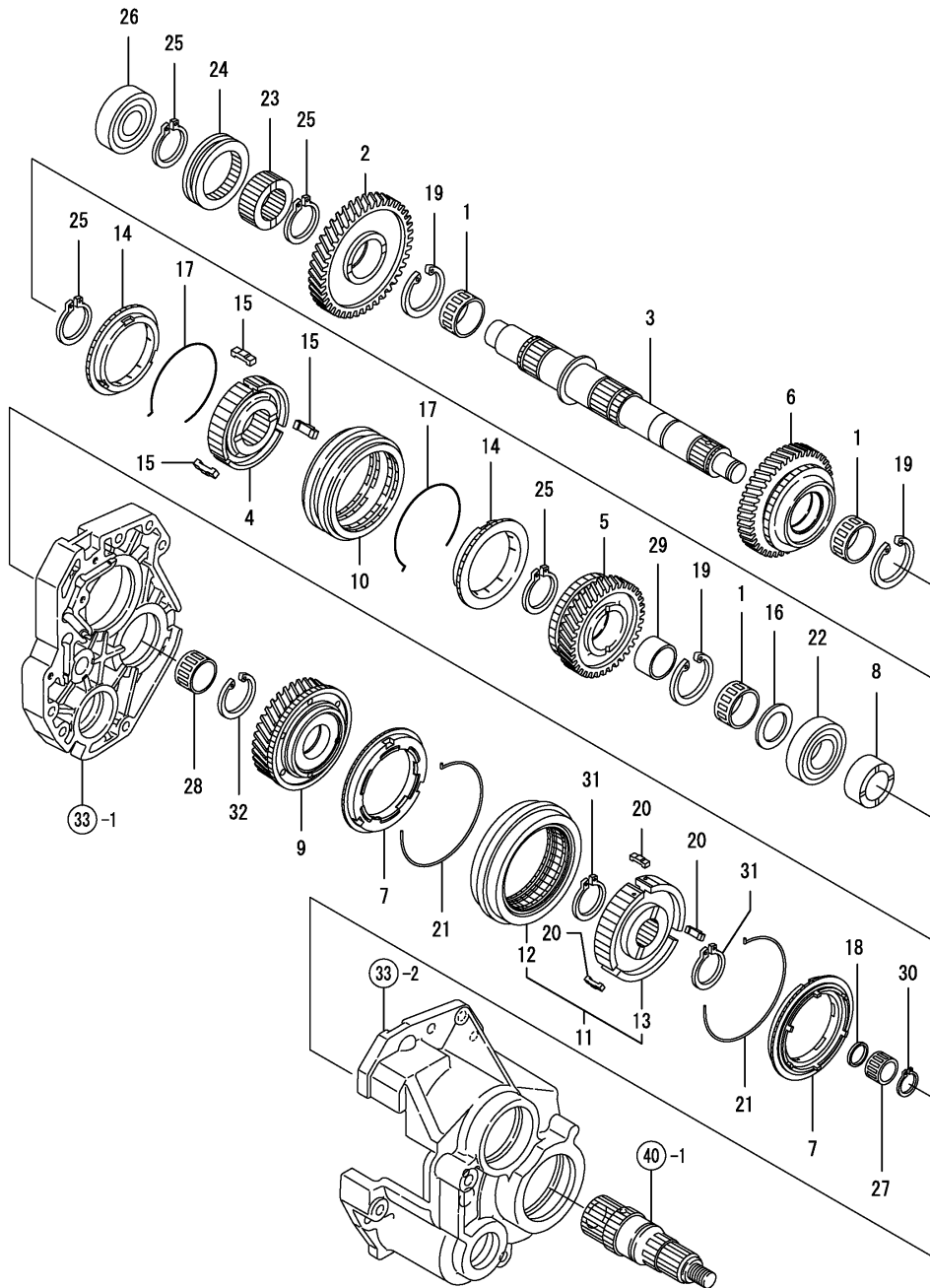


(A)=EF453-AU-PQ
(B)=
(C)=

(D)=
(E)=
(F)=

No.	Lev.	Parts No.	Description	Q'ty						I	R
				(A)	(B)	(C)	(D)	(E)	(F)		
1	1	194274-22090	SLEEVE, SI 35X40X17	1							
2	1	198133-25210	SHAFT, MAIN	1							
3	1	198240-25220	GEAR, MAIN 21	1							
4	1	198133-25230	GEAR, MAIN 27	1							
5	1	198133-25240	GEAR, MAIN 33	1							
6	1	198133-25270	CASE, SEAL	1							
7	1	194250-25520	SPACER, 35X45X2	1							
8	1	22242-000340	RING, 34	4							
9	1	22242-000450	RING, 45	1							
10	1	22252-000420	RING, 42	1							
11	1	24101-060044	BEARING, BALL 6004	1							
12	1	24101-060074	BEARING, BALL 6007	1							
13	1	24101-060094	BEARING, BALL 6009	1							
14	1	24164-000352	CIRCLIP, 35	2							
15	1	24421-223508	SEAL, OIL TC223508	1							

Fig.36. DRIVEN SHAFT



(A)=EF453-AU-PQ

(B)=

(C)=

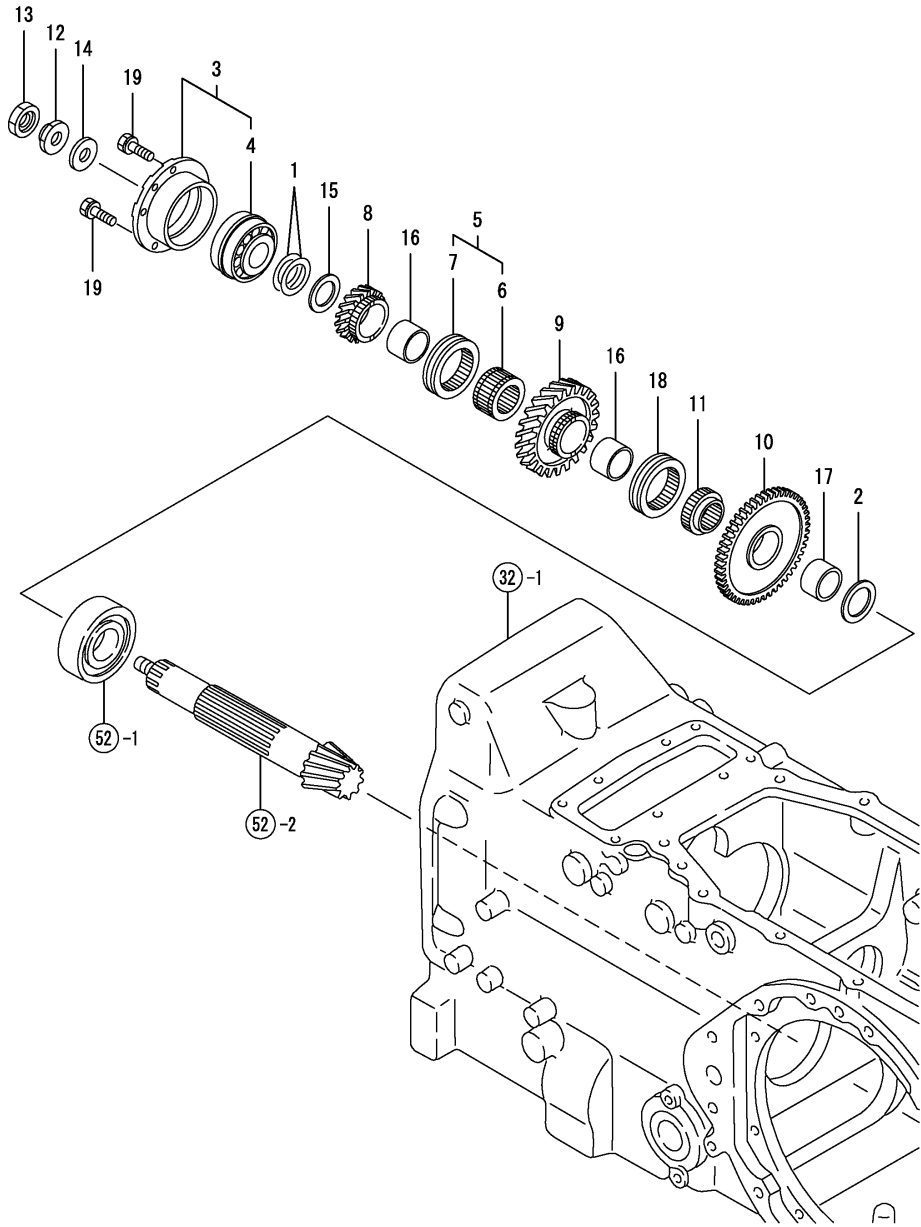
(D)=

(E)=

(F)=

No.	Lev.	Parts No.	Description	Qty						I	R
				(A)	(B)	(C)	(D)	(E)	(F)		
1	1	194250-25240	BEARING, 354019	3							
2	1	198240-25440	GEAR, DRIVEN 53	1							
3	1	1A7780-25450	SHAFT, DRIVEN S	1							
4	1	198212-25460	HUB, SYNCHRO	1							
5	1	1A7780-25470	GEAR, DRIVEN 41S	1							
6	1	1A7780-25490	GEAR, DRIVEN 49S	1							
7	1	198133-25501	RING ASSY	2							
8	1	198133-25761	COLLAR, 30X45X20	1							
9	1	198133-25822	GEAR ASSY, 44T	1							
10	1	198121-25830	SLIDER	1							
11	1	1A7780-25930	SLIDER ASSY, SYNCHRO	1							
12	2	198133-25841	SLIDER, SYNCHRO	1							
13	2	1A7780-25950	SYNCHRO	1							
14	1	198121-25840	RING, SYNCHRONIZER	2							
15	1	198121-25850	KEY, SYNCHRONIZER	3							
16	1	194640-25860	WASHER, 30X45X3	1							
17	1	198121-25870	SPRING, SYNCHRO	2							
18	1	198133-25870	COLLAR, 20X24X3.5	1							
19	1	24165-000402	CIRCLIP, 40	3							
20	1	198133-25980	KEY, SYNCHRO	3							
21	1	198133-25990	SPRING, SYNCHRO	2							
22	1	194640-26440	BEARING, BALL TMB206	1							
23	1	198360-26610	COLLAR, SPLINE	1							
24	1	194555-26620	SHIFTER	1							
25	1	22292-000340	RING, S-34	4							
26	1	24107-063054	BEARING, BALL 6305ZZ	1							
27	1	24161-202617	BEARING, 202617	1							
28	1	24161-303520	BEARING, 303520	1							
29	1	24163-305200	RING, INNER 303520	1							
30	1	24164-000202	CIRCLIP, 20	1							
31	1	24164-000302	CIRCLIP, 30	2							
32	1	24165-000352	C-CIRCLIP 35H	1							

Fig.37. COUNTER SHAFT



(A)=EF453-AU-PQ
(B)=
(C)=

(D)=
(E)=
(F)=

No.	Lev.	Parts No.	Description	Q'ty						I	R
				(A)	(B)	(C)	(D)	(E)	(F)		
1	1	194301-12730	SHIM, 30X45X0.1	2							
2	1	194180-25550	WASHER, 35X50X3	1							
3	1	198149-25600	BEARING ASSY	1							
4	2	194464-25600	BEARING, 4T-30306DDB	1							
5	1	198149-25700	COLLAR ASSY, SPLINE	1							
6	2	198149-25780	COLLAR, SPLINE A	1							
7	2	198149-25890	SHIFTER	1							
8	1	198149-25740	GEAR, COUNTER 21	1							
9	1	198149-25750	GEAR, COUNTER 45	1							
10	1	198149-25760	GEAR, COUNTER 53	1							
11	1	198149-25790	COLLAR, SPLINE B	1							
12	1	198220-25830	NUT, LOCK M16	1							
13	1	198220-25840	NUT, LOCK M16	1							
14	1	198415-25840	SPACER, 16X38X4.5	1							
15	1	194640-25860	WASHER, 30X45X3	1							
16	1	198133-25860	BUSH, 34X40X26	2							
17	1	198149-25880	BUSH, 35X40X19	1							
18	1	198149-25890	SHIFTER	1							
19	1	26013-080252	BOLT, M8X 25	4							

Fig.38. REDUCTION SHAFT

(A)=EF453-AU-PQ
(B)=
(C)=

(D)=
(E)=
(F)=

No.	Lev.	Parts No.	Description	Q'ty						I	R
				(A)	(B)	(C)	(D)	(E)	(F)		
1	1	198149-25690	GEAR ASSY, REDUCTION	1							
2	2	24550-016150	BUSH, 16X15	1							
3	1	198133-25701	COLLAR, BEARING	1							
4	1	22242-000290	RING, 29	1							
5	1	24101-063044	BEARING, BALL 6304	1							
6	1	24101-063064	BEARING, BALL 6306	1							

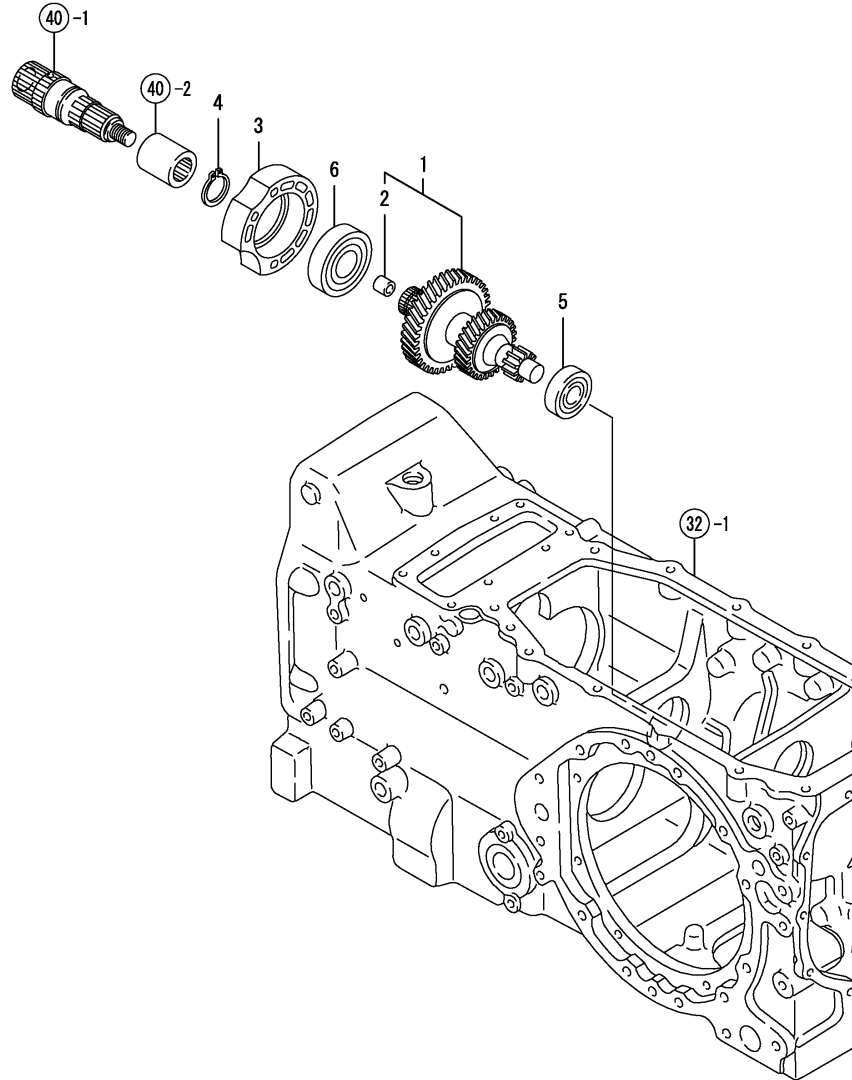


Fig.39. REVERSE GEAR

(A)=EF453-AU-PQ
(B)=
(C)=

(D)=
(E)=
(F)=

No.	Lev.	Parts No.	Description	Q'ty						I	R
				(A)	(B)	(C)	(D)	(E)	(F)		
1	1	198133-25832	GEAR ASSY, 48L	1							
2	1	198133-25850	NEEDLE, 202615	2							
3	1	198133-25890	WASHER, 20X32X2	1							
4	1	198133-25911	GEAR, REVERSE IDLE	1							
5	1	198240-25930	WASHER, 17X32	1							
6	1	198133-25941	GEAR, REVERSE IDLE	1							
7	1	198133-25960	SHAFT, REVERSE IDLE	1							
8	1	198133-25970	PLATE, KEEP	1							
9	1	24101-062044	BEARING, BALL 6204	2							
10	1	26013-080202	BOLT, M8X 20	1							
10-1	1	26106-080162	BOLT, M8X 16 PLATED	1							R

(A=*2009.05.)

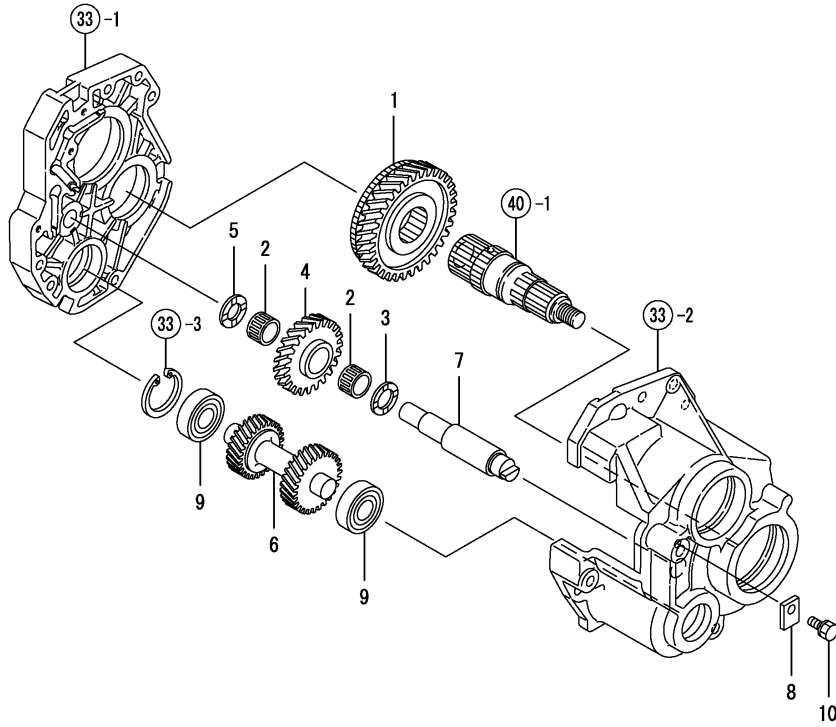


Fig.40. CONNECTING SHAFT

(A)=EF453-AU-PQ
(B)=
(C)=

(D)=
(E)=
(F)=

No.	Lev.	Parts No.	Description	Q'ty						I	R
				(A)	(B)	(C)	(D)	(E)	(F)		
1	1	198242-25350	SHAFT, CONNECTING	1							
2	1	194640-26130	COUPLING, PTO	1							
3	1	22242-000400	RING, 40	1							
4	1	24101-062084	BEARING, BALL 6208	1							

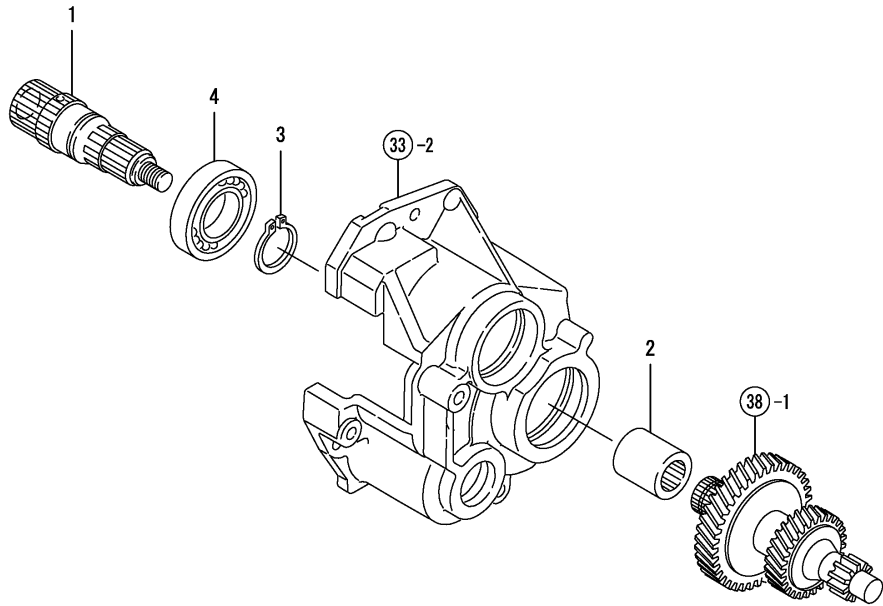


Fig.41. PTO DRIVE SHAFT

(A)=EF453-AU-PQ
(B)=
(C)=

(D)=
(E)=
(F)=

No.	Lev.	Parts No.	Description	Q'ty						I	R
				(A)	(B)	(C)	(D)	(E)	(F)		
1	1	194447-13860	BEARING, TMB304CX1	1							
2	1	194310-25100	JOINT	2							
3	1	198133-25291	SHAFT, CONNECTING	1							
4	1	194197-25810	BEARING, BALL TMB306	1							
5	1	198240-26110	SHAFT, PTO PINION	1							
6	1	22252-000170	RING, 17	2							

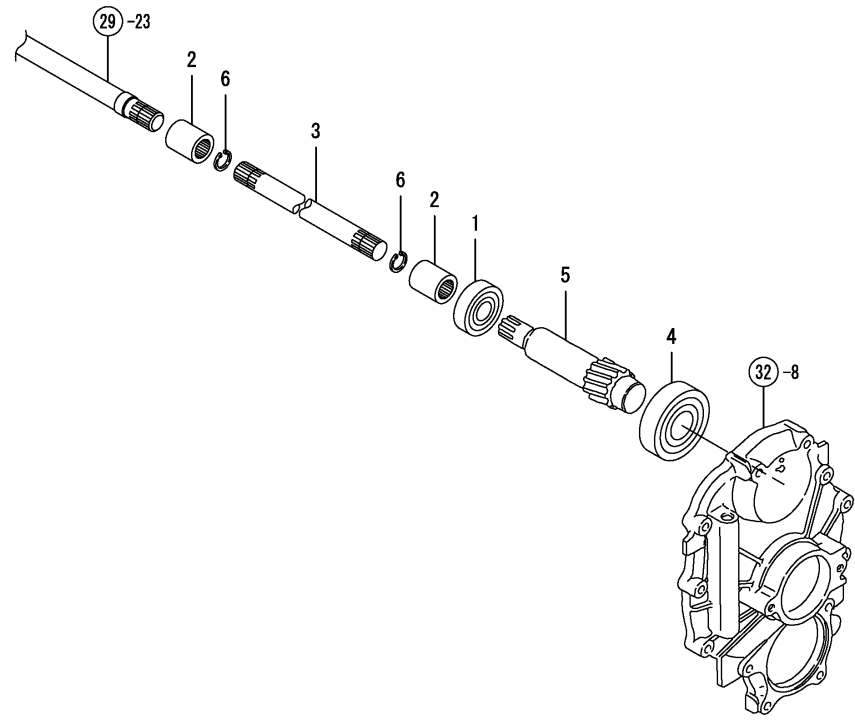
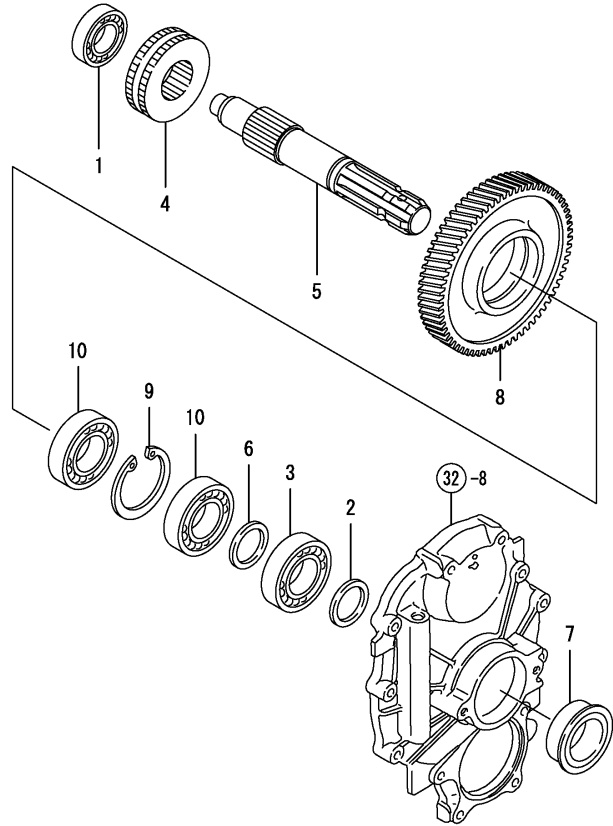


Fig.42. P.T.O SHAFT

(A)=EF453-AU-PQ
(B)=
(C)=

(D)=
(E)=
(F)=



No.	Lev.	Parts No.	Description	Q'ty						I	R
				(A)	(B)	(C)	(D)	(E)	(F)		
1	1	194447-13860	BEARING, TMB304CX1	1							
2	1	194310-25660	COLLAR, 35X45X5	1							
3	1	194430-25810	BEARING, BALL TMB207	1							
4	1	1A7780-26120	SLIDER, PTO	1							
5	1	1A7780-26310	SHAFT, PTO	1							
6	1	194640-26330	WASHER, 35X46X32	1							
7	1	194370-26350	SEAL, OIL QLF356019	1							
8	1	198240-26520	GEAR, PTO	1							
9	1	22252-000720	RING, 72	1							
10	1	24101-062074	BEARING, BALL 6207	2							

Fig.43. PTO SHAFT COVER

(A)=EF453-AU-PQ
(B)=
(C)=

(D)=
(E)=
(F)=

No.	Lev.	Parts No.	Description	Q'ty						I	R
				(A)	(B)	(C)	(D)	(E)	(F)		
1	1	1A7100-26850	COVER ASSY, SHAFT M	1							
2	1	26106-080122	BOLT, M8X 12 PLATED	2							

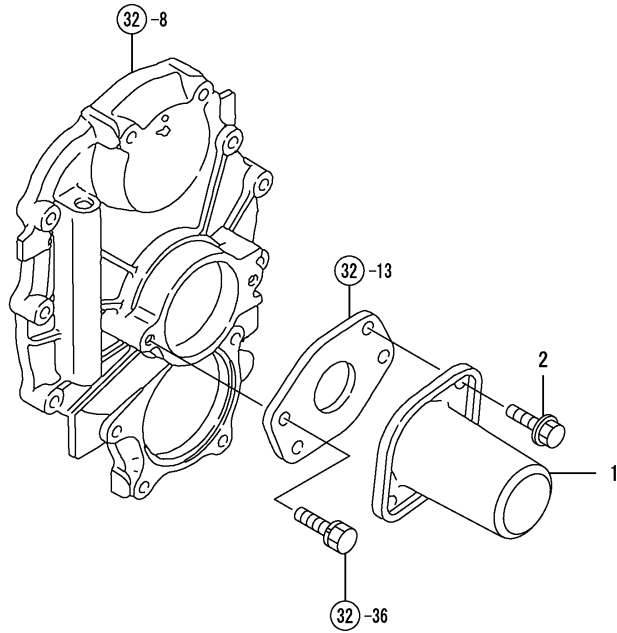


Fig.44. MAIN CHANGE LEVER

(A)=EF453-AU-PQ

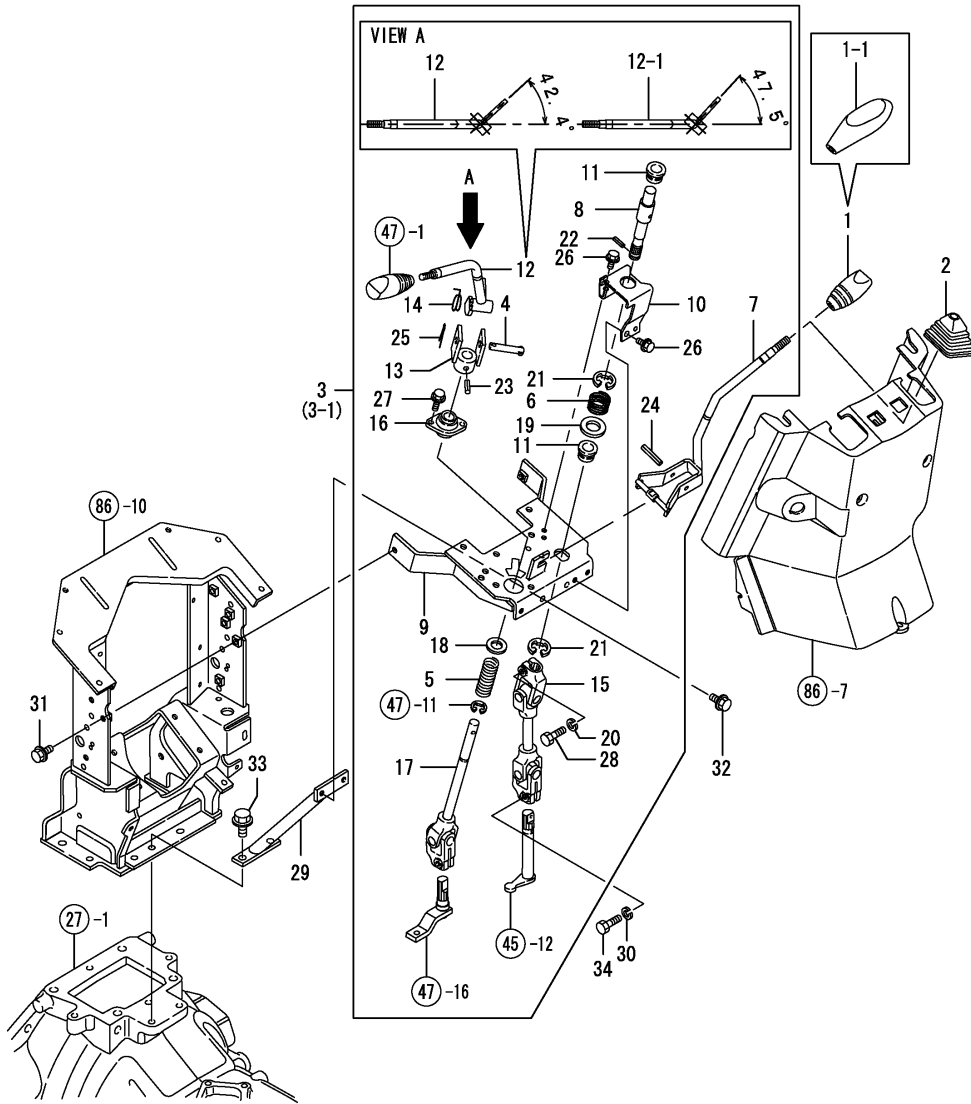
(B)=

(C)=

(D)=

(E)=

(F)=

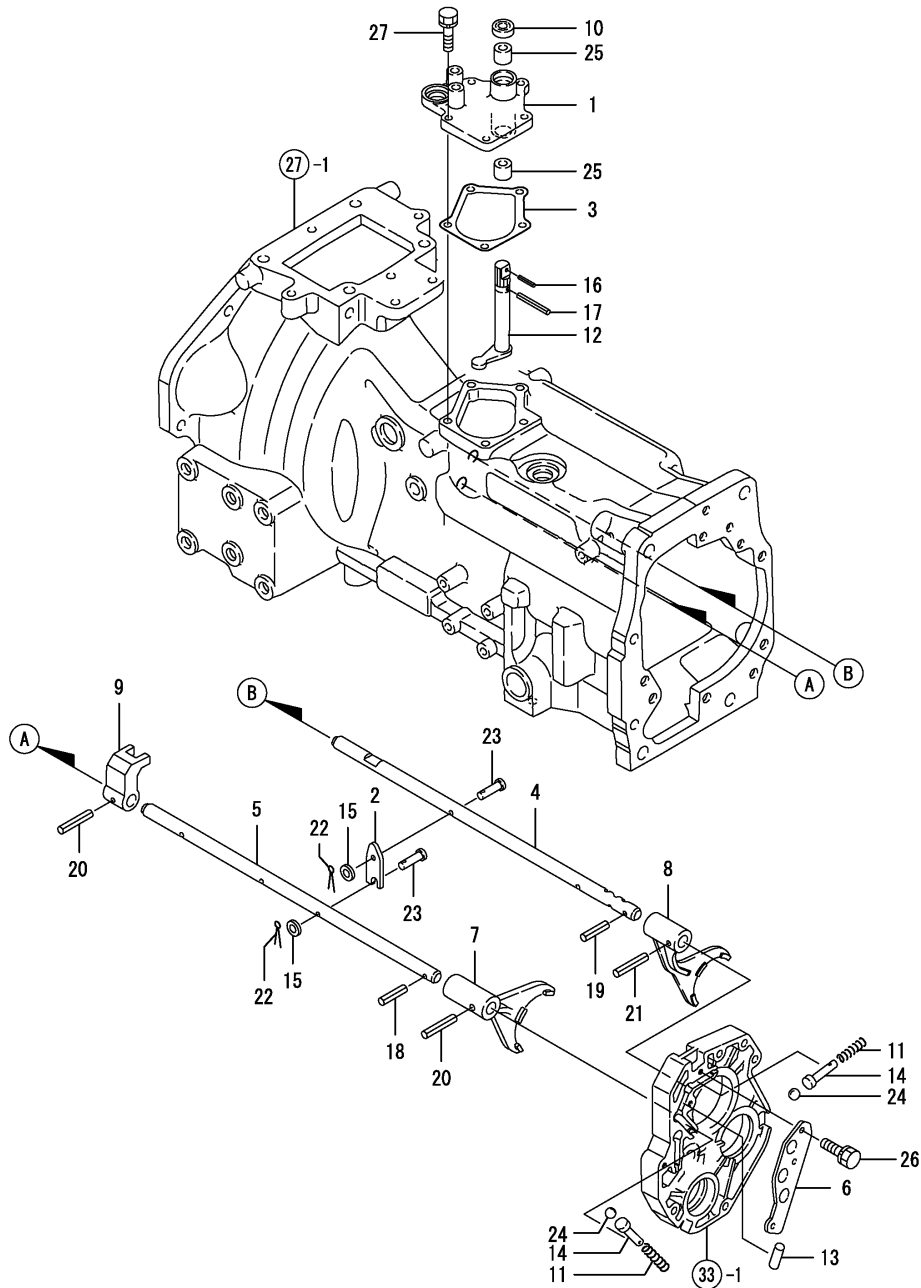


No.	Lev.	Parts No.	Description	Q'ty						I	R
				(A)	(B)	(C)	(D)	(E)	(F)		
1	1	198133-27100	KNOB, MAIN SHIFT	1							
1-1	1	1A8170-27100	KNOB, MAIN SHIFT	1							R
(A=*2009.07.)											
2	1	198133-27350	BOOT	1							
3	1	1A7780-27800	SHIFT ASSY, COLUMN	1							
3-1	1	1A7780-27801	SHIFT ASSY, COLUMN	1							S
(A=FXXXXXXX)											
4	2	198075-18311	PIN, 8X52	1							
5	2	198133-27060	SPRING, REVERSER	1							
6	2	198133-27070	SPRING	1							
7	2	1A7780-27360	LEVER, MAIN SHIFT	1							
8	2	198133-27401	SHAFT ASSY	1							
9	2	198133-27652	BRACKET, SHIFT	1							
10	2	198133-27711	STAY, MAIN SHIFT	1							
11	2	198133-27720	BUSH, MAIN SHIFT	2							
12	2	1A7780-27750	LEVER, REVERSER	1							
12-1	2	1A7780-27751	LEVER, REVERSER	1							S
(A=FXXXXXXX)											
13	2	198133-27781	HOLDER, REVERSER	1							
14	2	198133-27820	SPRING, RETURN	1							
15	2	198133-27850	JOINT ASSY, SHIFT	1							
16	2	198133-27881	FLANGE, REVERSER	1							
17	2	198133-27940	SHAFT ASSY, REVERSER	1							
18	2	22137-140000	WASHER, 14	1							
19	2	22137-220000	WASHER, 22	1							
20	2	22217-080000	WASHER, SPRING 8	1							
21	2	22272-000190	RING, E-19	2							
22	2	22351-020012	PIN, SPRING 2.0X12	1							
23	2	22351-060032	PIN, SPRING 6.0X32	1							
24	2	22351-080040	PIN, SPRING 8.0X40	1							
25	2	22417-200300	PIN, COTTER 2.0X30	1							
26	2	26106-060162	BOLT, M6X 16 PLATED	3							
27	2	26106-060162	BOLT, M6X 16 PLATED	2							
28	2	26116-080252	BOLT, M8X 25 PLATED	1							
29	1	198133-27950	STAY ASSY, SHIFT	1							
30	1	22217-080000	WASHER, SPRING 8	1							
31	1	26106-080162	BOLT, M8X 16 PLATED	2							
32	1	26106-080162	BOLT, M8X 16 PLATED	2							
33	1	26106-100202	BOLT, M10X 20 PLATED	2							
34	1	26116-080252	BOLT, M8X 25 PLATED	1							

Fig.45. MAIN CHANGE

(A)=EF453-AU-PQ
(B)=
(C)=

(D)=
(E)=
(F)=

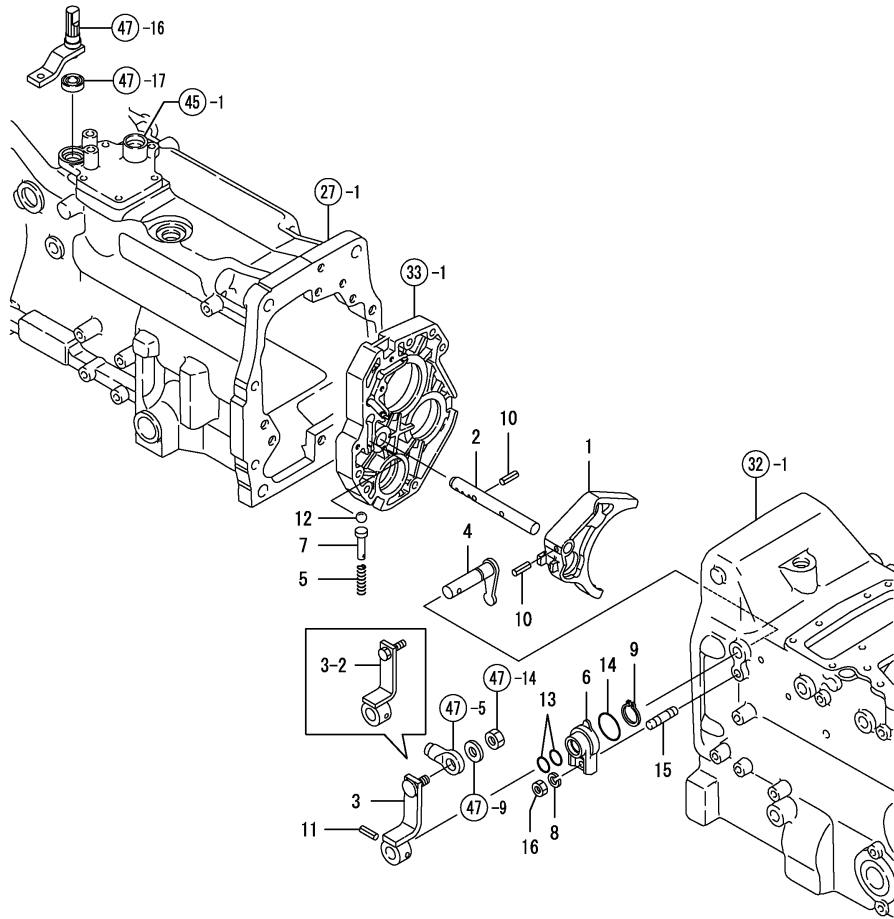


No.	Lev.	Parts No.	Description	Q'ty						I	R
				(A)	(B)	(C)	(D)	(E)	(F)		
1	1	1A7780-27150	RETAINER, LEVER	1							
1-1	1	1A7780-27150-1	RETAINER, LEVER	1							R
(A=F007874)											
2	1	194250-27160	ARM, SWITCH	1							
3	1	198133-27170	GASKET, RETAINER	1							
4	1	198137-27180	SHAFT, FORK 2-3	1							
5	1	198137-27190	SHAFT, FORK 1	1							
6	1	198133-27280	HOLDER, INTERLOCK	1							
7	1	198240-27320	FORK, SHIFT 2-3	1							
8	1	1A7780-27320	FORK, SHIFT 2-3S	1							
9	1	198133-27330	SHIFTER	1							
10	1	198133-27340	SEAL, OIL KBY172406	1							
11	1	194145-27450	SPRING	2							
12	1	198133-27450	ARM, SHIFT	1							
13	1	194130-27490	SPINDLE	1							
14	1	198071-27860	PIN, 4X35	2							
15	1	1C6460-84420	SPACER, 6.4X12.5X1	2							
16	1	22351-020012	PIN, SPRING 2.0X12	1							
17	1	22351-040032	PIN, SPRING 4.0X32	1							
18	1	22351-060025	PIN, SPRING 6.0X25	1							
19	1	22351-060025	PIN, SPRING 6.0X25	1							
20	1	22351-060032	PIN, SPRING 6.0X32	2							
21	1	22351-060032	PIN, SPRING 6.0X32	1							
22	1	22417-160180	PIN, COTTER 1.6X18	2							
23	1	22487-060200	PIN, H 6X 20	2							
24	1	24190-100001	BALL, STEEL 5/16	2							
25	1	24550-017150	BUSH, 17X15	2							
26	1	26013-080202	BOLT, M8X 20	3							
26-1	1	26106-080162	BOLT, M8X 16 PLATED	3							R
(A=*2009.05.)											
27	1	26013-080252	BOLT, M8X 25	5							

Fig.46. REVERSER CHANGE

(A)=EF453-AU-PQ
(B)=
(C)=

(D)=
(E)=
(F)=



No.	Lev.	Parts No.	Description	Q'ty						I	R
				(A)	(B)	(C)	(D)	(E)	(F)		
1	1	198133-27110	FORK, REVERSER SHIFT	1							
2	1	198133-27120	SHAFT, REVERSER FORK	1							
3	1	198133-27180	ARM, CHANGE	1							
3-1	1	198133-27180-1 (A=F007874)	ARM, CHANGE	1							R
3-2	1	1A7780-27180-1 (A=FXXXXX)	ARM, SHIFT	1							F 1
4	1	198133-27300	ARM, SHIFT	1							
5	1	194145-27450	SPRING	1							
6	1	198071-27470-2	HOLDER, SHIFT ARM	1							
6-1	1	198071-27470 (A=F007874)	HOLDER, SHIFT ARM	1							R
7	1	198071-27860	PIN, 4X35	1							
8	1	22217-080000	WASHER, SPRING 8	1							
9	1	22242-000170	RING, 17	1							
10	1	22351-060025	PIN, SPRING 6.0X25	2							
11	1	22351-060032	PIN, SPRING 6.0X32	1							
12	1	24190-100001	BALL, STEEL 5/16	1							
13	1	24311-000160	O-RING, 1AP16.0	2							
14	1	24321-000250	O-RING, 1AG25.0	1							
15	1	26218-080202	STUD, M8X 20	1							
16	1	26716-080002	NUT, M8	1							

Remarks
(1)Fig.47 Ref.No.3-2, 9-1 & 13-1
Interchangeable by set.

Fig.47. REVERSER LEVER

(A)=EF453-AU-PQ

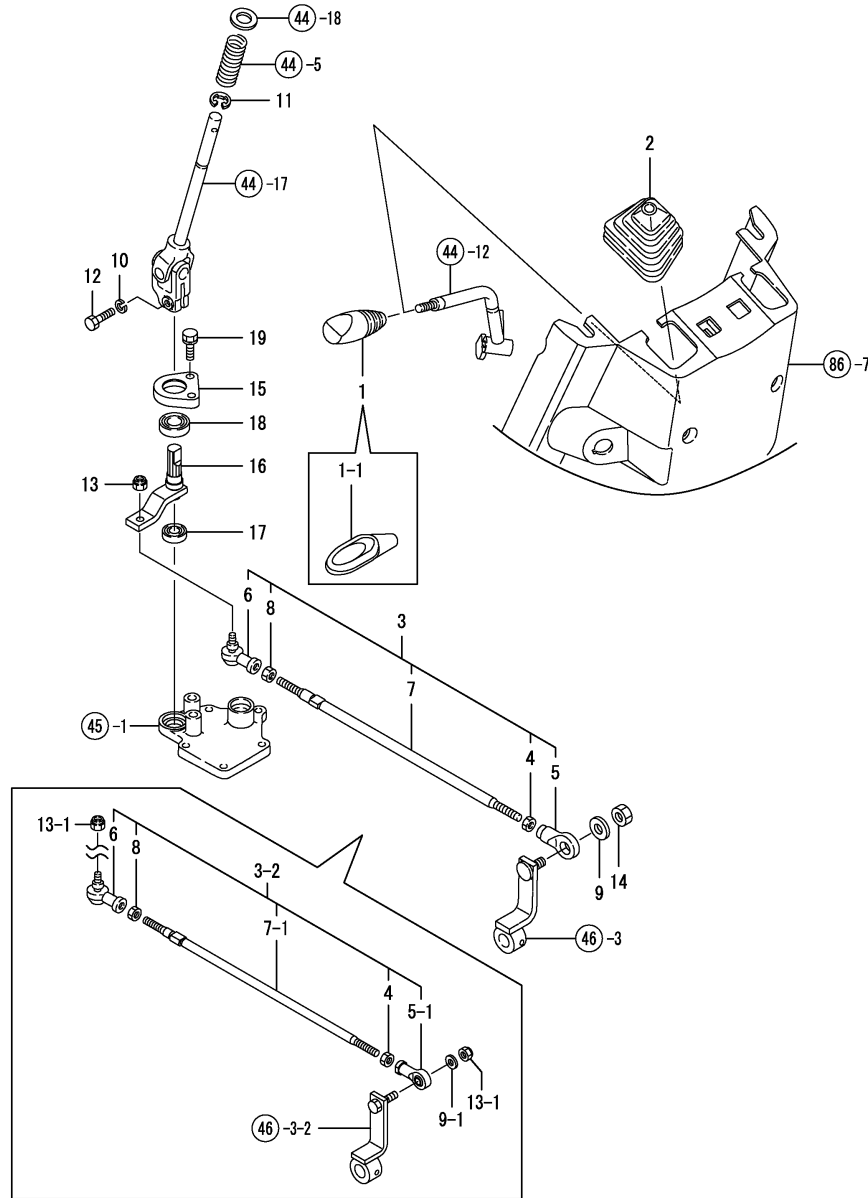
(B)=

(C)=

(D)=

(E)=

(F)=



No.	Lev.	Parts No.	Description	Q'ty						I	R
				(A)	(B)	(C)	(D)	(E)	(F)		
1	1	198071-18350	NOB, LEVER	1							
1-1	1	198200-18350	NOB, LEVER	1							R
(A=*2009.07.)											
2	1	198133-27350	BOOT	1							
3	1	198133-27900	ROD ASSY, REVERSER	1							
3-1	1	198133-27900-2	ROD COMP.,REVERSER	1							R
(A=F007874)											
3-2	1	1A7780-27900-1	ROD ASSY, REVERSER	1							F 1
(A=FXXXXX)											
4	2	194990-20170	NUT, M8	1							
5	2	194170-27180	END, ROD R	1							
5-1	2	172122-46571	END, ROD	1							S
(A=FXXXXX)											
6	2	194820-27370	END, ROD L	1							
7	2	198133-27910	ROD, SHIFT	1							
7-1	2	1A7780-27910	ROD, SHIFT	1							S
(A=FXXXXX)											
8	2	26716-080002	NUT, M8	1							
9	1	22137-100000	WASHER, 10	1							
9-1	1	22137-080000	WASHER, 8	1							F 1
(A=FXXXXX)											
10	1	22217-080000	WASHER, SPRING 8	1							
11	1	22272-000120	RING, E-12	1							
12	1	26116-080252	BOLT, M8X 25 PLATED	1							
13	1	26346-080002	NUT, M8	1							
13-1	1	26346-080002	NUT, M8	2							K 1
(A=FXXXXX)											
14	1	26756-100002	NUT, LOCK M10	1							Z
(A=FXXXXX)											
15	1	1A7780-27160	HOLDER, REVERSER ARM	1							
15-1	1	1A7780-27160-1	HOLDER, REVERSER ARM	1							R
(A=F007874)											
16	1	1A7780-27210	ARM, LINK	1							
16-1	1	1A7780-27210-1	ARM, LINK	1							R
(A=F007874)											
17	1	24104-060014	BEARING, BALL 6001UU	1							
18	1	24104-060034	BEARING, BALL 6003UU	1							
19	1	26013-080252	BOLT, M8X 25	2							

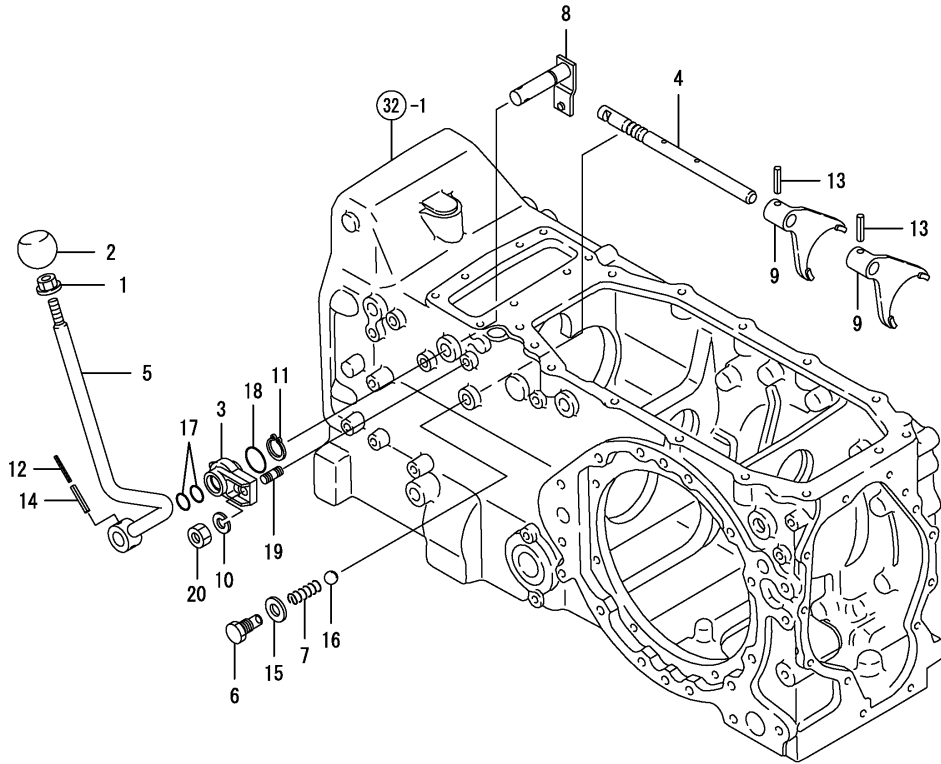
Remarks

(1)Ref.No.3-2, 9-1,13-1 & Fig.46 Ref.
No.3-2 Interchangeable by set.

Fig.48. SUB CHANGE LEVER

(A)=EF453-AU-PQ
(B)=
(C)=

(D)=
(E)=
(F)=

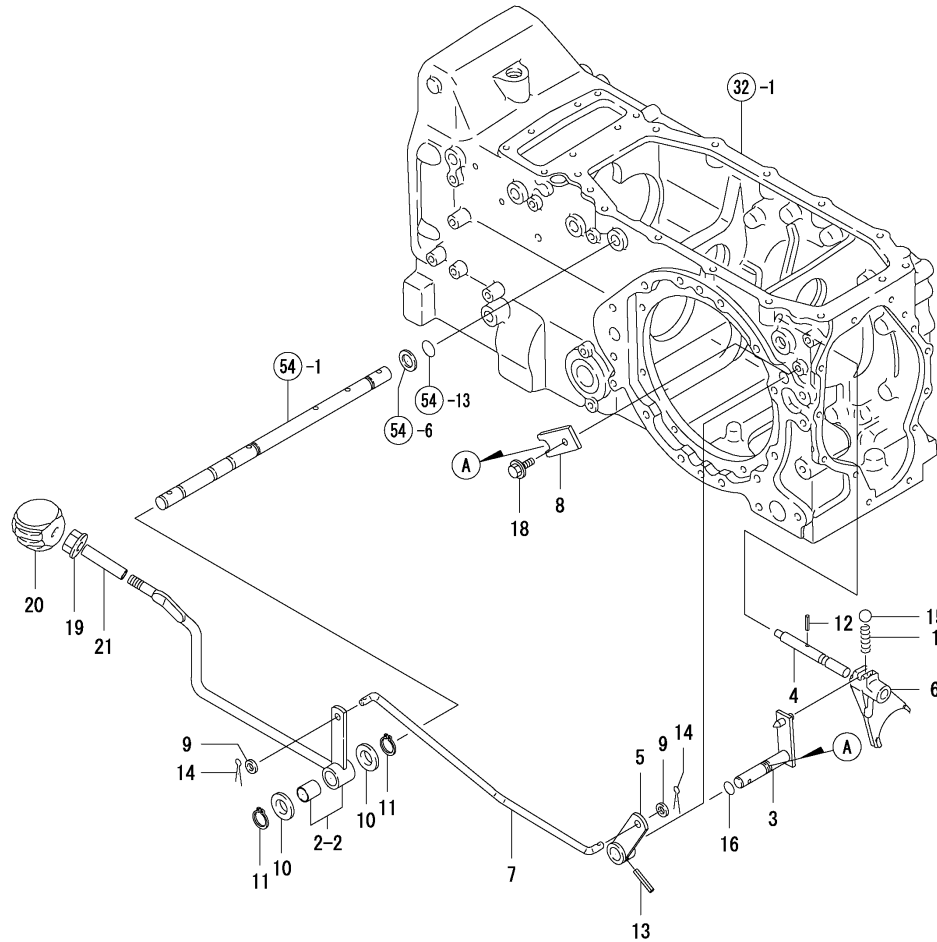


No.	Lev.	Parts No.	Description	Q'ty						I	R
				(A)	(B)	(C)	(D)	(E)	(F)		
1	1	194990-22150	NUT, M10	1							
2	1	198253-27510	KNOB, LEVER	1							
3	1	198071-27470-2	HOLDER, SHIFT ARM	1							
3-1	1	198071-27470 (A=F007874)	HOLDER, SHIFT ARM	1							R
4	1	198149-27490	SHAFT, FORK	1							
5	1	198253-27520	LEVER, RANGE SHIFT	1							
5-1	1	198253-27520-1 (A=F007874)	LEVER, RANGE SHIFT	1							R
6	1	198149-27530	PLUG, M12	1							
7	1	194680-27540	SPRING, FORK LOCK	1							
8	1	198149-27560	ARM, SHIFT	1							
9	1	198149-27570	FORK, SHIFT	2							
10	1	22217-080000 (A=*2009.05.)	WASHER, SPRING 8	1							Z
11	1	22242-000170	RING, 17	1							
12	1	22351-035032	PIN, SPRING 3.5X32	1							
13	1	22351-060032	PIN, SPRING 6.0X32	2							
14	1	22351-060032	PIN, SPRING 6.0X32	1							
15	1	23414-120016	GASKET, 12X1.0	1							
16	1	24190-080001	BALL, STEEL 1/4	1							
17	1	24311-000160	O-RING, 1AP16.0	2							
18	1	24321-000250	O-RING, 1AG25.0	1							
19	1	26218-080252	STUD, M8X 25	1							
19-1	1	26218-080202 (A=*2009.05.)	STUD, M8X 20	1							R
20	1	26716-080002	NUT, M8	1							
20-1	1	26366-080002 (A=*2009.05.)	NUT, M8	1							N

Fig.49. PTO CHANGE

(A)=EF453-AU-PQ
(B)=
(C)=

(D)=
(E)=
(F)=



No.	Lev.	Parts No.	Description	Qty						I	R
				(A)	(B)	(C)	(D)	(E)	(F)		
1	1	194680-27540	SPRING, FORK LOCK	1							
2-2	1	1A7780-27820	LEVER ASSY, PTO	1							W
(A=FXXXXXX)											
2-3	1	1A7780-27820-2	LEVER ASSY, PTO	1							R
(A=F007874)											
3	1	198240-27841	ARM, SHIFT	1							
4	1	198240-27880	SHAFT, PTO FORK	1							
5	1	198240-27890-2	ARM, CHANGE	1							
5-1	1	198240-27890-1	ARM, CHANGE	1							R
(A=F007874)											
6	1	198240-27950	FORK, PTO SHIFT	1							
7	1	198240-27961	ROD, PTO	1							
7-1	1	198240-27961-1	ROD, PTO	1							R
(A=F007874)											
8	1	198220-27990	PLATE, KEEP	1							
9	1	22137-100000	WASHER, 10	2							
10	1	22137-200000	WASHER, 20	2							
11	1	22242-000200	RING, 20	2							
12	1	22351-060025	PIN, SPRING 6.0X25	1							
13	1	22351-060032	PIN, SPRING 6.0X32	1							
14	1	22417-250200	PIN, COTTER 2.5X20	2							
15	1	24190-080001	BALL, STEEL 1/4	1							
16	1	24311-000125	O-RING, 1AP12.5	1							
18	1	26106-080162	BOLT, M8X 16 PLATED	1							
19	1	194990-22150	NUT, M10	1							
20	1	198220-27290	KNOB, LEVER	1							
21	1	23065-160080	PIPE, 16X 80	1							

Fig.50. FRONT DRIVE

(A)=EF453-AU-PQ
(B)=
(C)=

(D)=
(E)=
(F)=

No.	Lev.	Parts No.	Description	Qty						I	R
				(A)	(B)	(C)	(D)	(E)	(F)		
1	1	194446-25450	BEARING, BALL TM302	1							
2	1	198241-28100	GEAR KIT, DRIVE	1							
3	2	198133-28110	SHAFT, FRONT DRIVE	1							
4	2	194765-28170	GEAR, FRONT DRIVE	1							
5	2	194765-28180	SLIDER	1							
6	1	198241-28220	PINION, FRONT FINAL	1							
7	1	194321-28230	SPRING, 26.2	1							
8	1	198241-28240	COLLAR, 18X30X15	1							
9	1	24101-060074	BEARING, BALL 6007	1							
10	1	24190-080001	BALL, STEEL 1/4	2							
11	1	24421-356212	SEAL, OIL TC356212	1							
12	1	22252-000620	RING, 62	1							

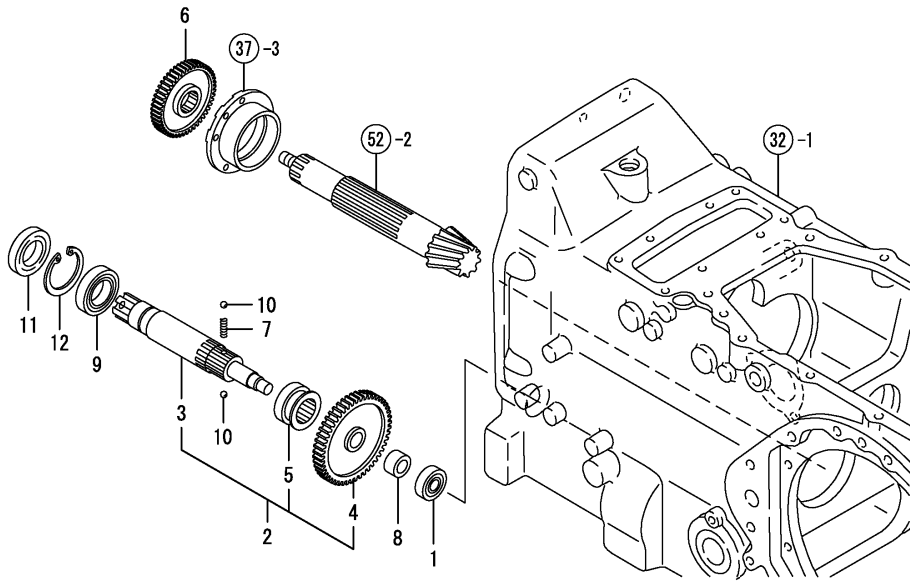


Fig.52. RING GEAR & DIFFERENTIAL GEAR

(A)=EF453-AU-PQ

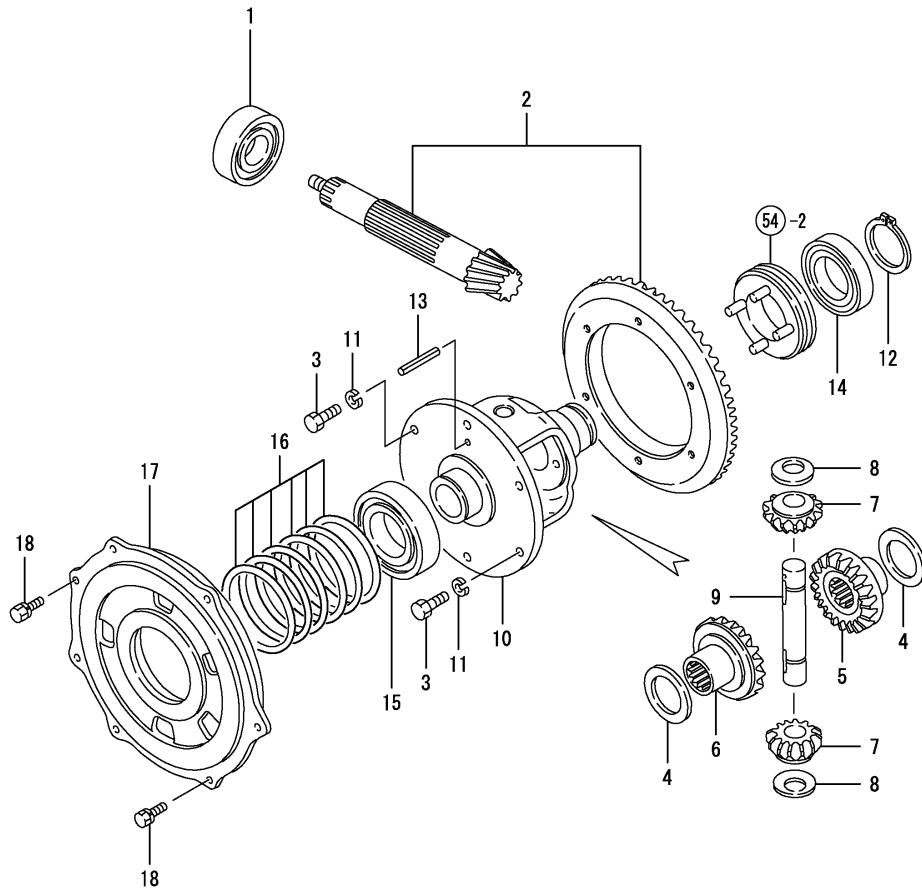
(B)=

(C)=

(D)=

(E)=

(F)=



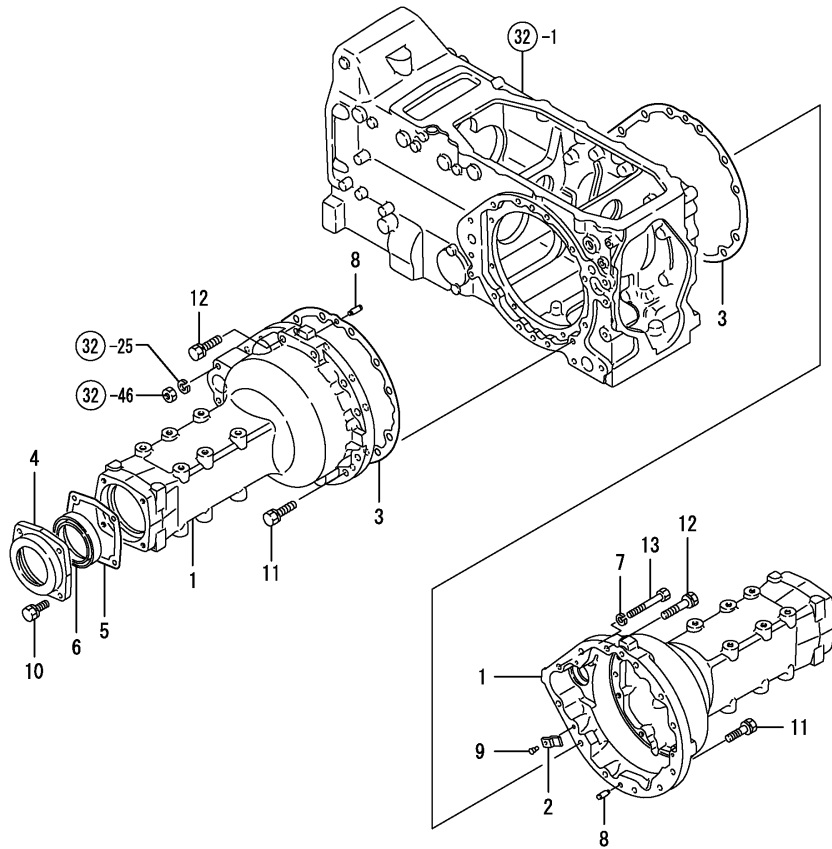
No.	Lev.	Parts No.	Description	Q'ty						I	R
				(A)	(B)	(C)	(D)	(E)	(F)		
1	1	198390-25790	BEARING, 6307R SH2	1							
2	1	198149-31400	GEAR ASSY, RING	1							
3	1	194066-13130	BOLT, M10X25	6							
4	1	198320-31530	WASHER, DIFFERENTIAL	2							
5	1	198320-31550	GEAR, DIFFERENTIAL	1							
6	1	194320-31560	GEAR, DIFFERENTIAL	1							
7	1	198320-31570	PINION, DIFFERENTIAL	2							
8	1	198320-31630	WASHER, DIFFERENTIAL	2							
9	1	198320-31820	SHAFT, DIFFERENTIAL	1							
10	1	198320-32111	CASE, DIFFERENTIAL	1							
11	1	22217-100000	WASHER, SPRING 10	6							
12	1	22242-000500	RING, 50	1							
13	1	22351-060050	PIN, SPRING 6.0X50	1							
14	1	24101-060104	BEARING, BALL 6010	1							
15	1	24101-062114	BEARING, BALL 6211	1							
16	1	794251-13910	SHIM SET	1							
17	1	198250-32310	CARRIER	1							
17-1	1	1A7601-32310	CARRIER, DIFF.	1							R
(A=FZZZZZ)											
18	1	26013-080252	BOLT, M8X 25	7							
18-1	1	26106-080252	BOLT, M8X 25 PLATED	7							R

(A=*2009.05.)

Fig.53. REAR HOUSING

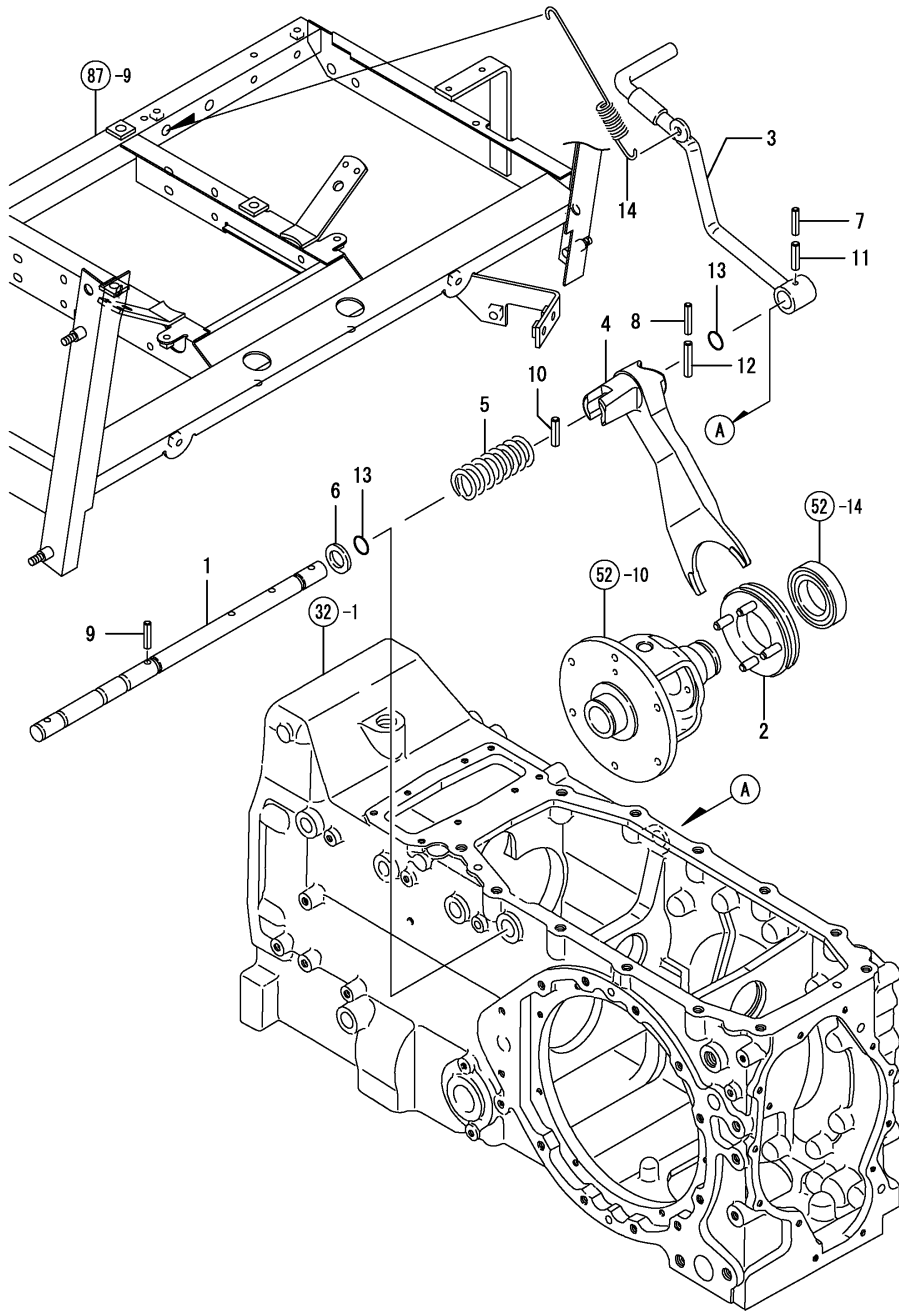
(A)=EF453-AU-PQ
(B)=
(C)=

(D)=
(E)=
(F)=



No.	Lev.	Parts No.	Description	Q'ty						I	R
				(A)	(B)	(C)	(D)	(E)	(F)		
1	1	198212-32611	HOUSING, REAR AXLE	2							
1-1	1	198212-32611-1	HOUSING, REAR AXLE	2							R
(A=F007874)											
2	1	194180-32640	PLATE, PUSH	3							
3	1	198240-32640	PACKING, AXLE	2							
4	1	194640-32650-2	CASE, OIL SEAL	2							
4-1	1	194640-32650	CASE, OIL SEAL	2							R
(A=F007874)											
5	1	198320-32660	GASKET, SEAL CASE	2							
6	1	194327-32730	SEAL, TC6Y7510014.5	2							
7	1	22217-100000	WASHER, SPRING 10	2							Z
(A=*2009.05.)											
8	1	22312-100180	PIN, PARALLEL M10X18	4							
9	1	22635-600120	RIVET, 6.0X12	3							
10	1	26013-100302	BOLT, M10X 30	8							
10-1	1	26106-100302	BOLT, M10X 30 PLATED	8							R
(A=*2009.05.)											
11	1	26013-120402	BOLT, M12X 40	16							
12	1	26013-120502	BOLT, M12X 50	4							
13	1	26116-100852	BOLT, M10X 85 PLATED	2							
13-1	1	26106-100852	BOLT, M10X 85 PLATED	2							N
(A=*2009.05.)											

Fig.54. DIFFERENTIAL LOCK



(A)=EF453-AU-PQ
(B)=
(C)=

(D)=
(E)=
(F)=

No.	Lev.	Parts No.	Description	Q'ty						I	R
				(A)	(B)	(C)	(D)	(E)	(F)		
1	1	198250-33110	SHAFT, LOCK	1							
1-1	1	198254-33110	SHAFT, LOCK	1							R
(A=FZZZZZ)											
2	1	194464-33130	SLIDER, DIFFERENTIAL	1							
3	1	198240-33130	PEDAL ASSY, LOCK	1							
3-1	1	198240-33130-1	PEDAL ASSY, LOCK	1							R
(A=F007874)											
4	1	1A7350-33140	FORK, SHIFT	1							
5	1	194150-33150	SPRING, RETURN	1							
6	1	194300-33200	SPACER, 20X32X3.2	1							
7	1	22351-050032	PIN, SPRING 5.0X32	1							
8	1	22351-050040	PIN, SPRING 5.0X40	1							
9	1	22351-060032	PIN, SPRING 6.0X32	1							
10	1	22351-080032	PIN, SPRING 8.0X32	1							
11	1	22351-080032	PIN, SPRING 8.0X32	1							
12	1	22351-080040	PIN, SPRING 8.0X40	1							
13	1	24311-000150	O-RING, 1AP15.0	2							
14	1	198240-33170	SPRING	1							

Fig.55. FINAL PINION & FINAL GEAR

(A)=EF453-AU-PQ
(B)=
(C)=

(D)=
(E)=
(F)=

No.	Lev.	Parts No.	Description	Q'ty						I	R
				(A)	(B)	(C)	(D)	(E)	(F)		
1	1	198320-33412	PINION, FINAL L	1							
2	1	198320-33422	PINION, FINAL R	1							
3	1	198320-33540	PINION, PLANETARY	6							
4	1	198320-33550	SHAFT, PLANETARY	6							
5	1	198320-33560	NEEDLE, 4.5X31.8	63							
6	1	198320-33560	NEEDLE, 4.5X31.8	63							
7	1	198320-33570	CARRIER, PLANETARY	2							
8	1	198320-33610	GEAR, INTERNAL	2							
9	1	198320-33620	WASHER, 26X42X1	12							
10	1	198217-33650	BOLT, M10X55	16							
11	1	22312-100180	PIN, PARALLEL M10X18	4							
12	1	22351-080040	PIN, SPRING 8.0X40	6							

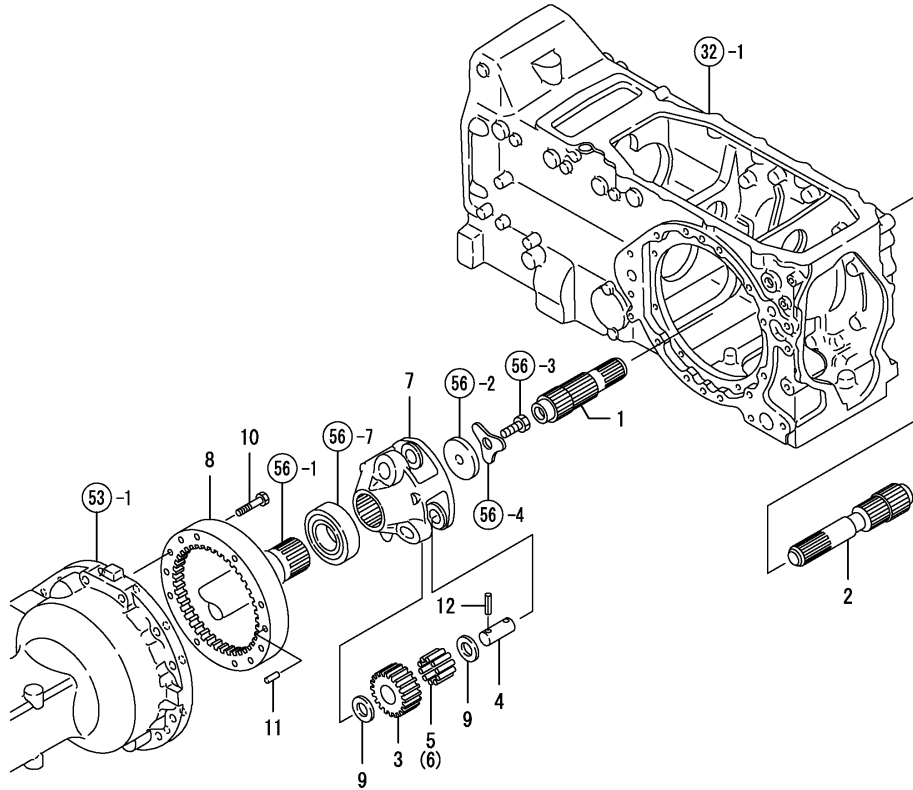
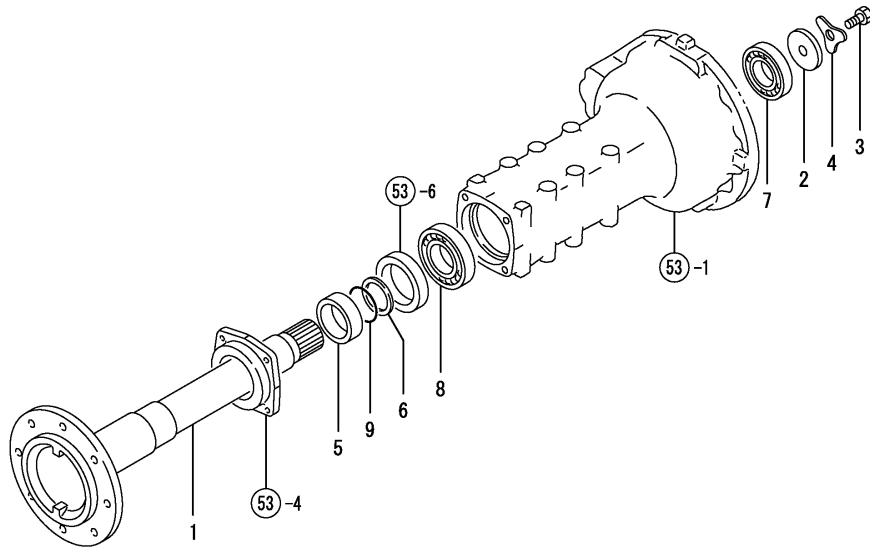


Fig.56. REAR AXLE SHAFT

(A)=EF453-AU-PQ
(B)=
(C)=

(D)=
(E)=
(F)=



No.	Lev.	Parts No.	Description	Q'ty						I	R
				(A)	(B)	(C)	(D)	(E)	(F)		
1	1	1A7780-34110	SHAFT, REAR AXLE	2							
1-1	1	1A7780-34110-2	SHAFT, REAR AXLE	2							R
(A=F007874)											
2	1	194640-34130	WASHER, 13X64X9	2							
3	1	194640-34140	BOLT, M12X30	2							
4	1	194640-34150	WASHER, THRUST	2							
5	1	198535-34360	COLLAR, 60X72X26	2							
6	1	194145-34390	SPACER, O-RING	2							
7	1	24101-060114	BEARING, BALL 6011	2							
8	1	24101-062124	BEARING, BALL 6212	2							
9	1	24321-000600	O-RING, 1AG60.0	2							

Fig.57. FLANGE

(A)=EF453-AU-PQ
(B)=
(C)=

(D)=
(E)=
(F)=

No.	Lev.	Parts No.	Description	Q'ty						I	R
				(A)	(B)	(C)	(D)	(E)	(F)		
1	1	198146-34200	FLANGE KIT	1							
2	2	198146-34110	FLANGE	2							
3	2	198146-34120	BOLT, M14X45	12							
4	2	22217-160000	WASHER, SPRING 16	12							
5	2	26116-160452	BOLT, M16X 45 PLATED	12							
6	2	26716-160002	NUT, M16	12							

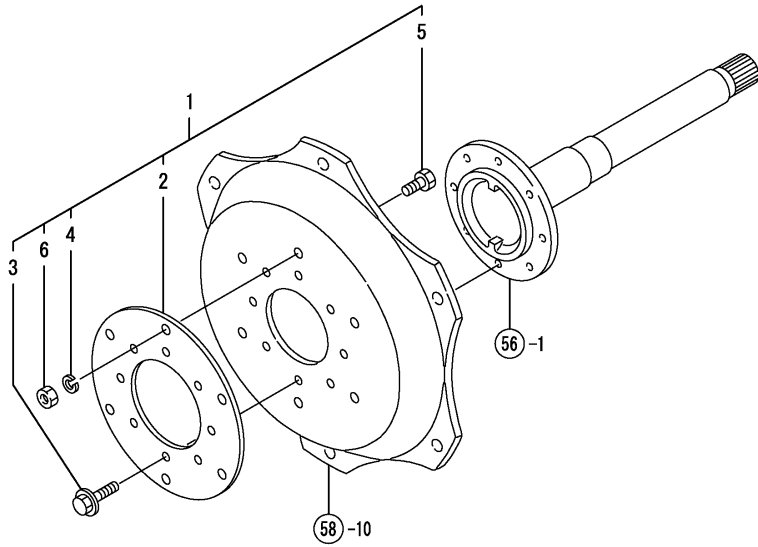
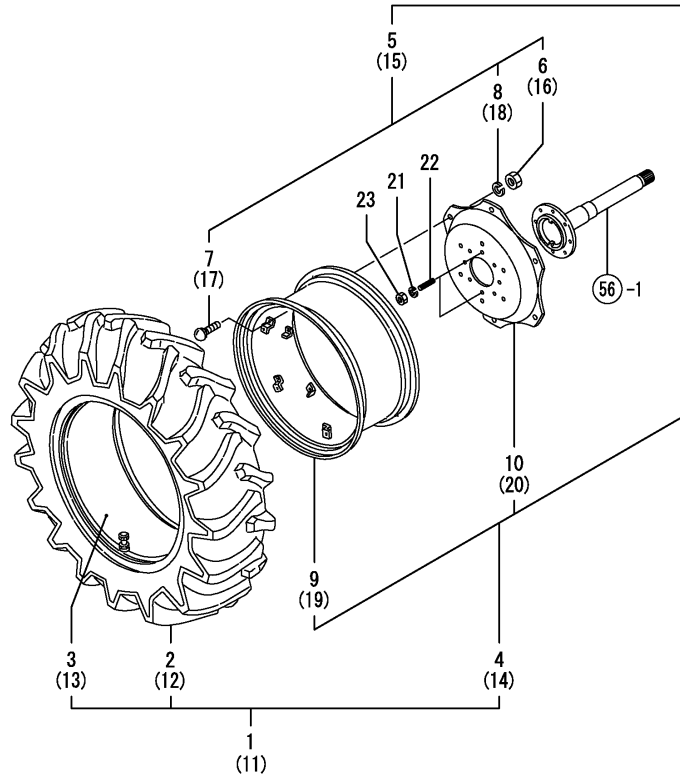


Fig.58. REAR WHEEL TIRE

(A)=EF453-AU-PQ
(B)=
(C)=

(D)=
(E)=
(F)=

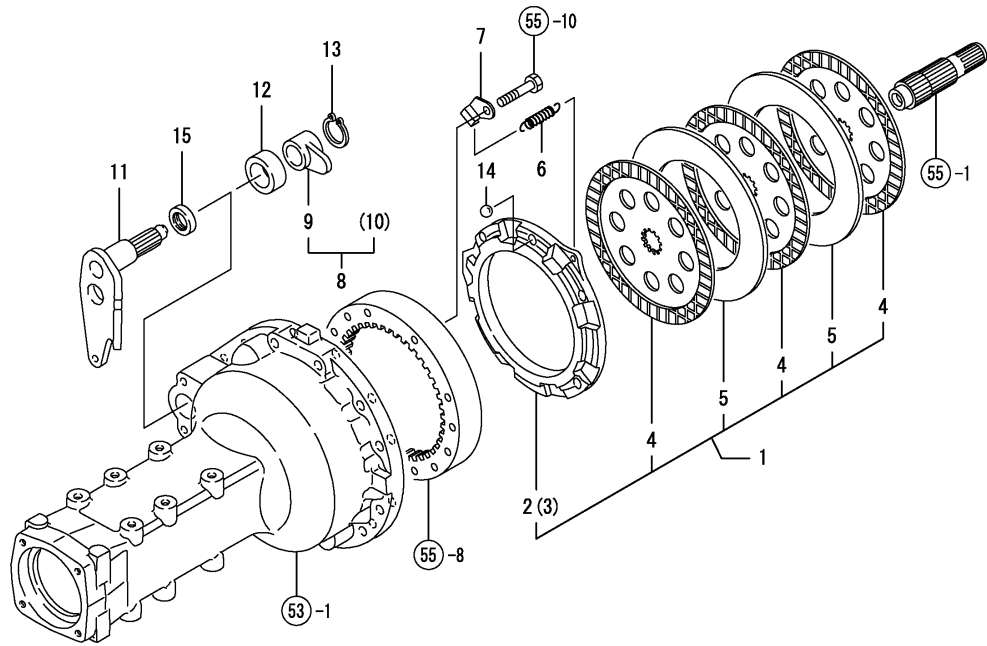


No.	Lev.	Parts No.	Description	Q'ty						I	R
				(A)	(B)	(C)	(D)	(E)	(F)		
1	1	198141-34700	TIRE KIT, 13.6-26L	1							
2	2	194335-34530	TIRE, 13.6-26 4 FL17	1							
3	2	198093-34940	TUBE ASSY	1							
4	2	198141-34710	WHEEL ASSY, W11X26W	1							
5	3	198460-34100	BOLT KIT	1							
6	4	194181-14180	NUT, M16	6							
7	4	194681-14790	BOLT, M16X35	6							
8	4	194065-34170	WASHER, 16	6							
9	2	198141-34540	RIM, W11X26R	1							
10	2	194335-34770	DISK, WHEEL	1							
11	1	198141-34800	TIRE KIT, 13.6-26R	1							
12	2	194335-34530	TIRE, 13.6-26 4 FL17	1							
13	2	198093-34940	TUBE ASSY	1							
14	2	198141-34710	WHEEL ASSY, W11X26W	1							
15	3	198460-34100	BOLT KIT	1							
16	4	194181-14180	NUT, M16	6							
17	4	194681-14790	BOLT, M16X35	6							
18	4	194065-34170	WASHER, 16	6							
19	3	198141-34540	RIM, W11X26R	1							
20	3	194335-34770	DISK, WHEEL	1							
21	1	194279-14220	WASHER, 14	4							
22	1	198282-34160	STUD, M14X40	4							
23	1	198200-34190	NUT, M14	4							

Fig.59. BRAKE

(A)=EF453-AU-PQ
(B)=
(C)=

(D)=
(E)=
(F)=



No.	Lev.	Parts No.	Description	Q'ty						I	R
				(A)	(B)	(C)	(D)	(E)	(F)		
1	1	198320-36200	BRAKE ASSY	1							
1-1	1	1A7601-36200	BRAKE ASSY	1							R
(A=FZZZZZ)											
2	2	198240-36310	ACTUATOR	1							
2-1	2	1A7601-36310	ACTUATOR, L	1							R
(A=FZZZZZ)											
3	2	198240-36320	ACTUATOR	1							
3-1	2	1A7601-36320	ACTUATOR, R	1							R
(A=FZZZZZ)											
4	2	198240-36351	PLATE, FRICTION 226	6							
4-1	2	1A7601-36350	PLATE, FRICTION 226	6							R
(A=FZZZZZ)											
5	2	198240-36520	PLATE, STEEL 3.2	5							
5-1	2	1A8275-36520	PLATE, STEEL 3.2	5							R
(A=FZZZZZ)											
6	1	194205-36320	SPRING, ACTUATOR	4							
7	1	198240-36380	HOOK, RETURN SPRING	4							
8	1	198240-36700	LEVER ASSY, CAM	1							
9	2	198240-36710	CAMSHAFT, BRAKE L	1							
10	2	198240-36720	CAMSHAFT, BRAKE R	1							
11	1	198240-36730	SHAFT, CAM LEVER	2							
11-1	1	198240-36730-1	SHAFT, CAM LEVER	2							R
(A=F007874)											
12	1	198320-36790	SLEEVE, CAM LEVER	2							
13	1	22242-000290	RING, 29	2							
14	1	24190-180001	BALL, STEEL 9/16	12							
15	1	24421-304208	SEAL, OIL TC304208	2							

Fig.60. BRAKE PEDAL

(A)=EF453-AU-PQ

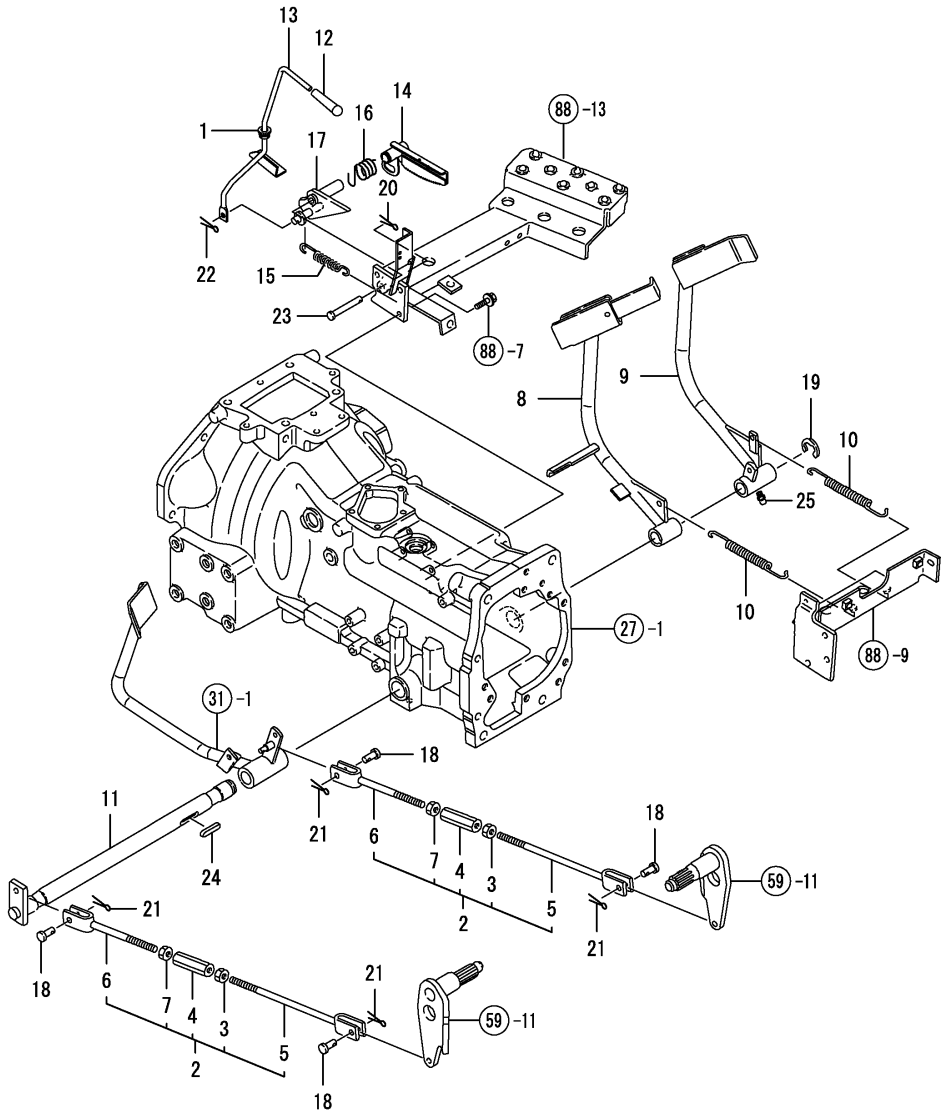
(B)=

(C)=

(D)=

(E)=

(F)=



No.	Lev.	Parts No.	Description	Q'ty						I	R
				(A)	(B)	(C)	(D)	(E)	(F)		
1	1	198241-28330	GUIDE, SHIFT	1							
2	1	794525-37000	ROD ASSY, BRAKE	2							
3	2	194150-22480	NUT, M10 L	2							
4	2	194130-37730	TURNBUCKLE M10X70	2							
5	2	194310-37741	ROD, BRAKE L	2							
6	2	194134-37771	ROD, BRAKE R	2							
7	2	26716-100002	NUT, M10	2							
8	1	198175-37421-2	PEDAL ASSY, BRAKE L	1							
8-1	1	198175-37421-1	PEDAL ASSY, BRAKE L	1							R
(A=F007874)											
9	1	198240-37470-1	PEDAL, BRAKE R	1							
9-1	1	198240-37470-2	PEDAL, BRAKE R	1							R
(A=F007874)											
10	1	198240-37510	SPRING, RETURN	2							
11	1	198240-37550	SHAFT, BRAKE PEDAL	1							
11-1	1	198240-37550-1	SHAFT, BRAKE PEDAL	1							R
(A=F007874)											
12	1	198253-37610	KNOB, PARKING BRAKE	1							
13	1	1A7780-37620	ROD ASSY, PARKING	1							
14	1	198254-37660	LEVER, BRAKE LOCK	1							
15	1	198220-37700	SPRING, RETURN	1							
16	1	198220-37720	SPRING	1							
17	1	198240-37850	LEVER, PARKING B	1							
18	1	198220-37900	PIN, 8X24	4							
19	1	22272-000190	RING, E-19	1							
20	1	22417-200300	PIN, COTTER 2.0X30	1							
21	1	22417-250300	PIN, COTTER 2.5X30	4							
22	1	22417-250300	PIN, COTTER 2.5X30	1							
23	1	22487-100700	PIN, H10X 70	1							
24	1	22512-070400	KEY, 7X 40	1							
25	1	24761-010000	NIPPLE, GREASE M6F	1							

Fig.61. HYD.CYLINDER CASE

(A)=EF453-AU-PQ

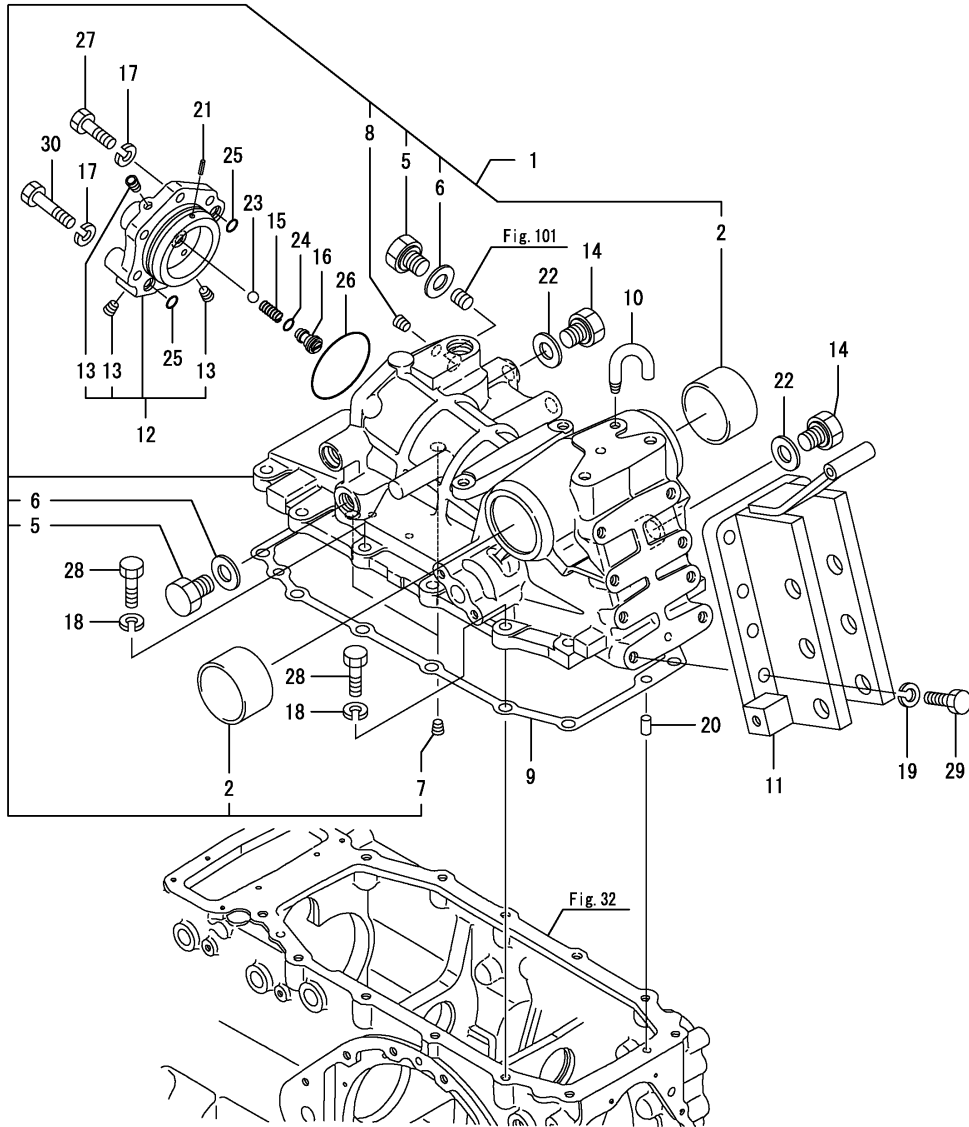
(B)=

(C)=

(D)=

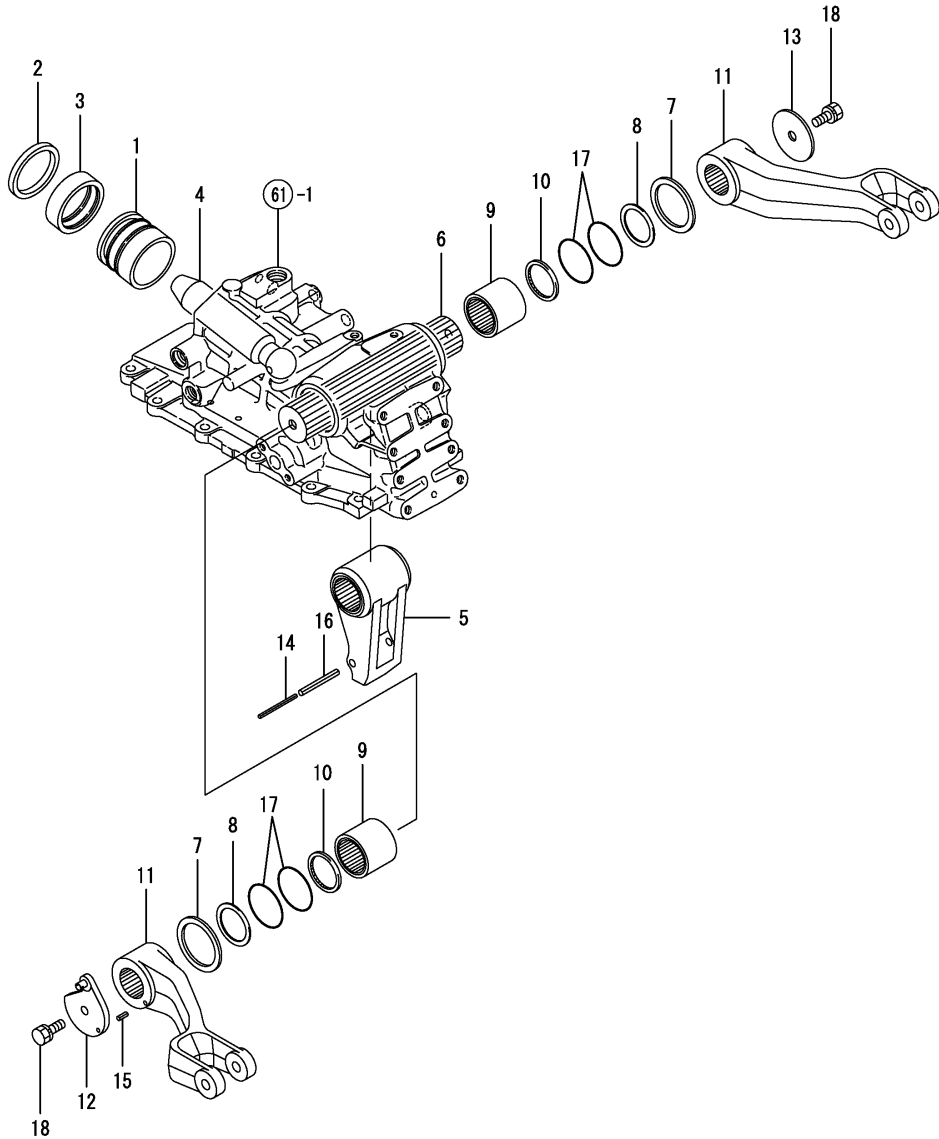
(E)=

(F)=



No.	Lev.	Parts No.	Description	Q'ty						I	R
				(A)	(B)	(C)	(D)	(E)	(F)		
1	1	198133-42102	HOUSING ASSY	1							
1-1	1	198133-42102-2	HOUSING, HYDRAULIC	1							R
(A=F007874)											
2	2	198133-42130	BUSH, 65X70X40	2							
5	2	198220-45920	PLUG, 3/4-16UNF	2							
6	2	23414-190000	GASKET, 19X1.0	2							
7	2	23876-010000	PLUG, R01	2							
8	2	23876-020000	PLUG, R02	1							
9	1	198240-42130	PACKING, HOUSING	1							
10	1	194150-42280	BREATHER, AIR	1							
10-1	1	194150-42280-1	BREATHER, AIR	1							R
(A=F007874)											
11	1	198255-42810	HINGE, TOP LINK P	1							
11-1	1	198255-42810-1	HINGE P, TOP LINK	1							R
(A=F007874)											
12	1	194640-43201	HEAD ASSY, CYLINDER	1							
12-1	1	194640-43201-1	HEAD ASSY, CYLINDER	1							R
(A=F007874)											
13	2	23876-010000	PLUG, R01	3							
14	1	198220-45920	PLUG, 3/4-16UNF	3							
15	1	194555-46380	SPRING	1							
16	1	194555-46730	PLUG, CHECK VALVE	1							
17	1	22217-120000	WASHER, SPRING 12	6							
18	1	22217-120000	WASHER, SPRING 12	12							
19	1	22217-120000	WASHER, SPRING 12	8							
20	1	22312-100180	PIN, PARALLEL M10X18	2							
21	1	22351-040016	PIN, SPRING 4.0X16	1							
22	1	23414-190000	GASKET, 19X1.0	3							
23	1	24190-130003	BALL, STEEL 13/32	1							
24	1	24315-000120	O-RING, 1BP12.0	1							
25	1	24315-000140	O-RING, 1BP14.0	2							
26	1	24325-000800	O-RING, 1BG80.0	1							
27	1	26116-120352	BOLT, M12X 35 PLATED	5							
28	1	26116-120352	BOLT, M12X 35 PLATED	12							
29	1	26116-120352	BOLT, M12X 35 PLATED	8							
30	1	26116-120552	BOLT, M12X 55 PLATED	1							

Fig.62. PISTON & LIFT CRANK

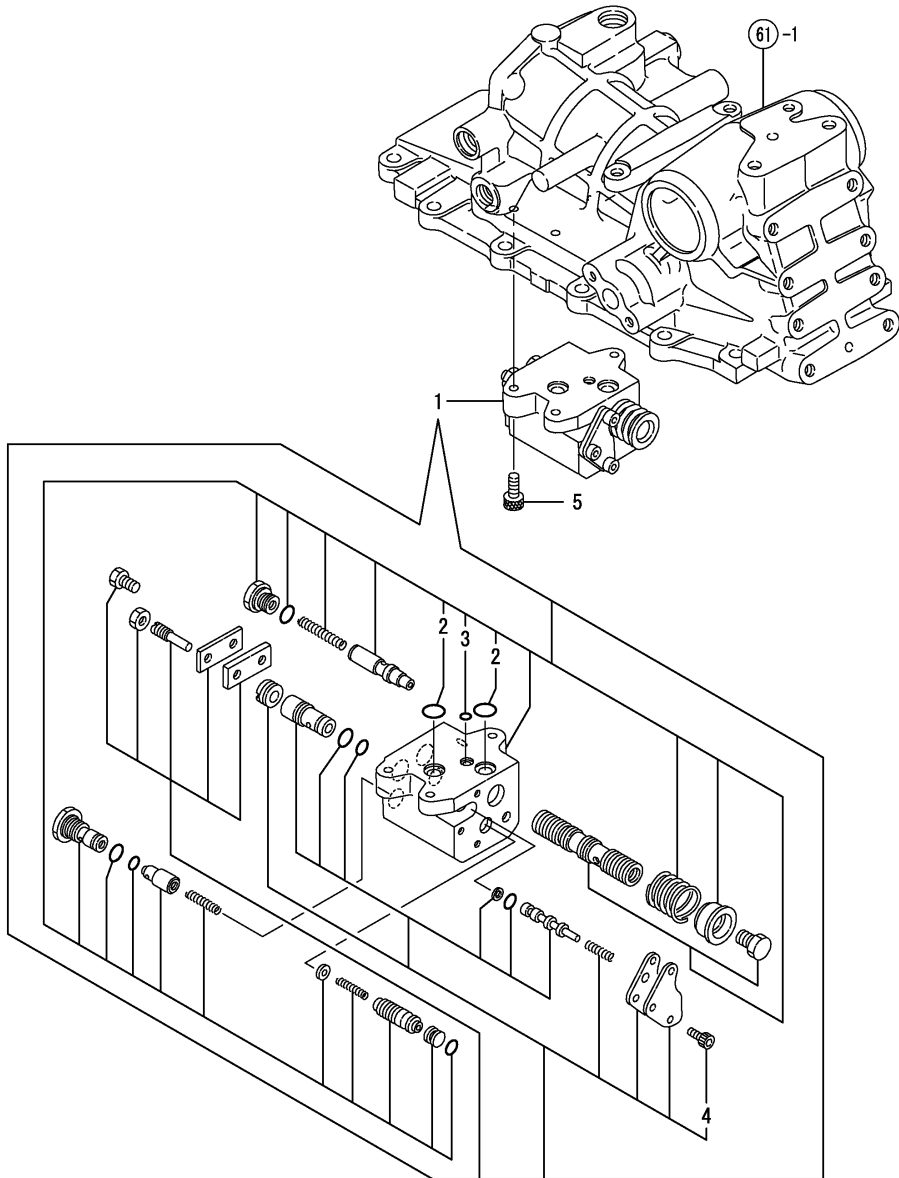


(A)=EF453-AU-PQ
(B)=
(C)=

(D)=
(E)=
(F)=

No.	Lev.	Parts No.	Description	Q'ty						I	R
				(A)	(B)	(C)	(D)	(E)	(F)		
1	1	198133-43310	PISTON, HYDRAULIC	1							
2	1	198133-43330	PACKING	1							
3	1	198133-43360	SLEEVE	1							
4	1	194180-43410	ROD, PISTON	1							
5	1	198215-44110	CRANK, LIFT	1							
5-1	1	198215-44110-1	CRANK,LIFT	1							R
(A=F007874)											
6	1	198133-44210	SHAFT, LIFTING	1							
7	1	1A7640-44230	WASHER, 65X82X2	2							
8	1	1A7640-44240	PLATE, 50X64X2	2							
9	1	1A7780-44250	SLEEVE, LIFT SHAFT	2							
10	1	194640-44260	SEAL, SPLINE	2							
11	1	198133-44410	ARM, LIFT	2							
11-1	1	198133-44410-1	ARM, LIFT	2							R
(A=F007874)											
11-2	1	198133-44411-1	ARM, LIFT	2							N
(A=FZZZZZ)											
12	1	1A7780-44510	PLATE, FEEDBACK	1							
12-1	1	1A7780-44510-1	PLATE, FEEDBACK	1							R
(A=F007874)											
13	1	194640-44540-2	RETAINER, SHAFT	1							
13-1	1	194640-44540	RETAINER, SHAFT	1							R
(A=F007874)											
14	1	22351-050070	PIN, SPRING 5.0X70	1							
15	1	22351-060016	PIN, SPRING 6.0X16	1							
16	1	22351-080070	PIN, SPRING 8.0X70	1							
17	1	24321-000650	O-RING, 1AG65.0	4							
18	1	26013-120352	BOLT, M12X 35	2							

Fig.63. CONTROL VALVE



(A)=EF453-AU-PQ
(B)=
(C)=

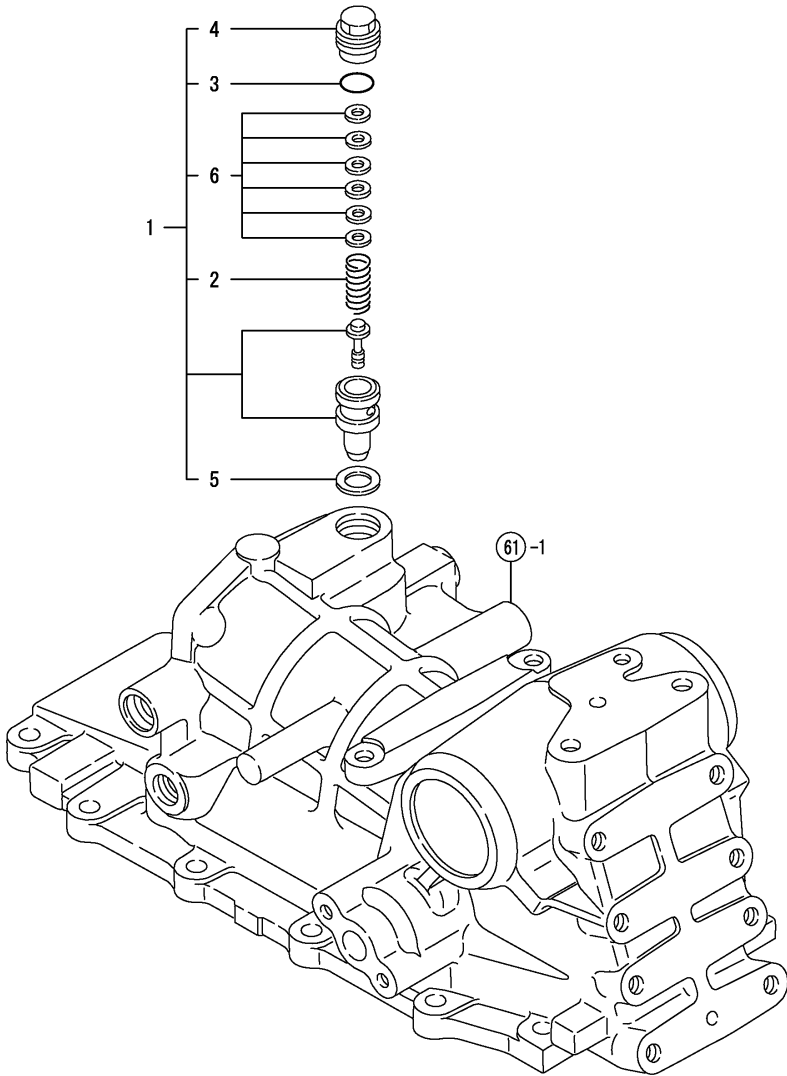
(D)=
(E)=
(F)=

No.	Lev.	Parts No.	Description	Q'ty						I	R
				(A)	(B)	(C)	(D)	(E)	(F)		
1	1	178071-03010	VALVE ASSY,ROCKSHAFT	1							
1-1	1	168246-00110	CONTROL VALVE(6F-11	1							N
(A=FZZZZZ)											
2	2	194327-45120	O-RING, 1BP14.0	2							
3	2	194327-45130	O-RING, 1BP7.0	1							
4	2	26450-080142	BOLT, M8X 14	3							
5	1	26450-080202	BOLT, M8X 20	3							

Fig.64. RELIEF VALVE

(A)=EF453-AU-PQ
(B)=
(C)=

(D)=
(E)=
(F)=

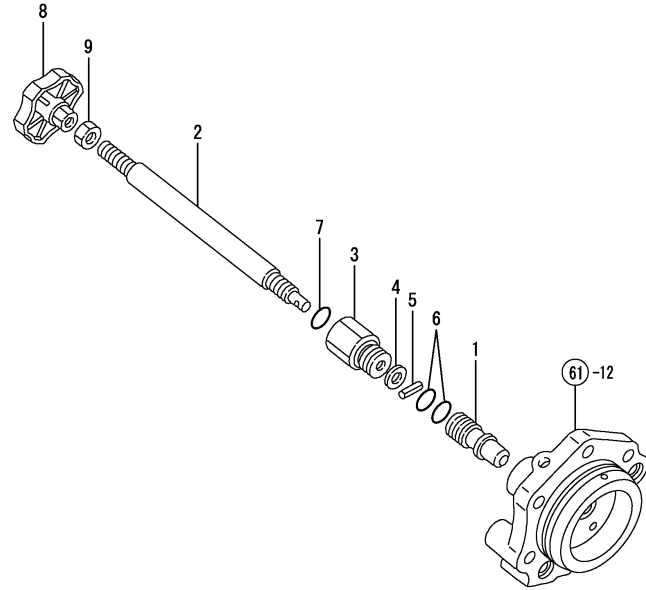


No.	Lev.	Parts No.	Description	Q'ty						I	R
				(A)	(B)	(C)	(D)	(E)	(F)		
1	1	198133-45600	VALVE ASSY, RELIEF	1							
2	2	194180-45620	SPRING	1							
3	2	194450-45630	O-RING, 2.5X23	1							
4	2	194450-45640	PLUG, RELIEF VALVE	1							
4-1	2	194450-45640-1	PLUG, RELIEF VALVE	1							R
		(A=F007874)									
5	2	194450-45650	GASKET, 20X27.8X2	1							
6	2	794464-45660	SHIM SET	1							

Fig.65. STOP VALVE

(A)=EF453-AU-PQ
(B)=
(C)=

(D)=
(E)=
(F)=



No.	Lev.	Parts No.	Description	Q'ty						I	R
				(A)	(B)	(C)	(D)	(E)	(F)		
1	1	194555-46300	VALVE, STOP	1							
2	1	198240-46620	BOLT, STOP	1							
3	1	194312-46630-2	HOLDER, VALVE	1							
3-1	1	194312-46630-1 (A=F007874)	HOLDER, VALVE	1							R
4	1	22117-080000	WASHER, 8	1							
5	1	22351-040012	PIN, SPRING 4.0X12	1							
6	1	24311-000110	O-RING, 1AP11.0	2							
7	1	24311-000120	O-RING, 1AP12.0	1							
8	1	198220-46670	KNOB, SHAFT	1							
8-1	1	1A8160-46670 (A=*2009.07.)	KNOB, VALVE	1							R 1
9	1	26716-100002	NUT, M10	1							

Remarks
(1) INDICATION= REF.NO.8 AN ENGLISH SENTENCE TYPE
REF.NO.8-1 A PATTERN TYPE

Fig.66. SAFETY VALVE

(A)=EF453-AU-PQ
(B)=
(C)=

(D)=
(E)=
(F)=

No.	Lev.	Parts No.	Description	Qty						I	R	
				(A)	(B)	(C)	(D)	(E)	(F)			
1	1	194150-45320	SPRING, RELIEF VALVE	1								
2	1	198220-45350	COLLAR, VALVE	1								
3	1	198220-45370	PLUG, SAFETY VALVE	1								
4	1	198220-46400	SHIM SET	1								
5	1	194640-46410	SEAT, SAFETY VALVE	1								
6	1	194640-46420	POPPET	1								
7	1	22351-060028	PIN, SPRING 6.0X28	1								
8	1	24311-000120	O-RING, 1AP12.0	1								
9	1	24311-000180	O-RING, 1AP18.0	1								

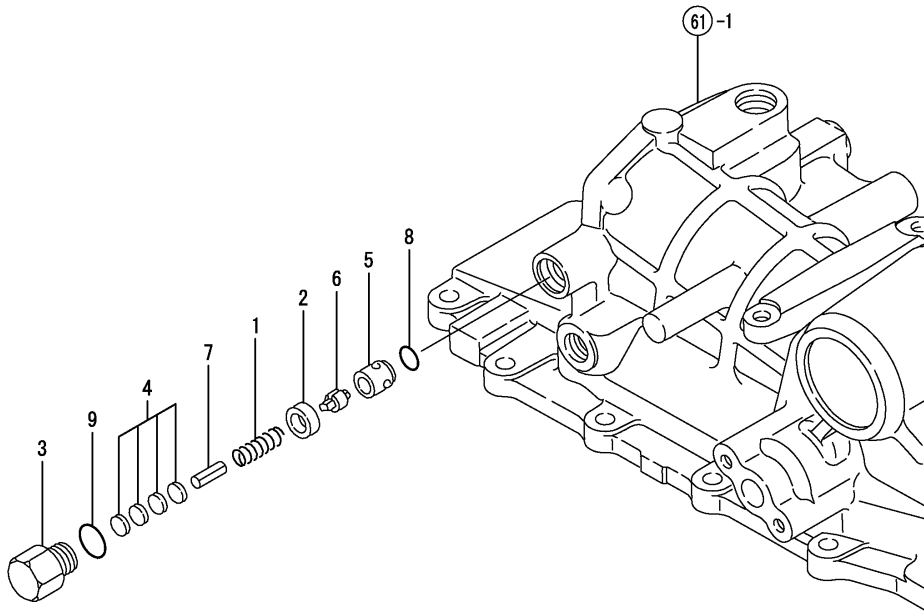
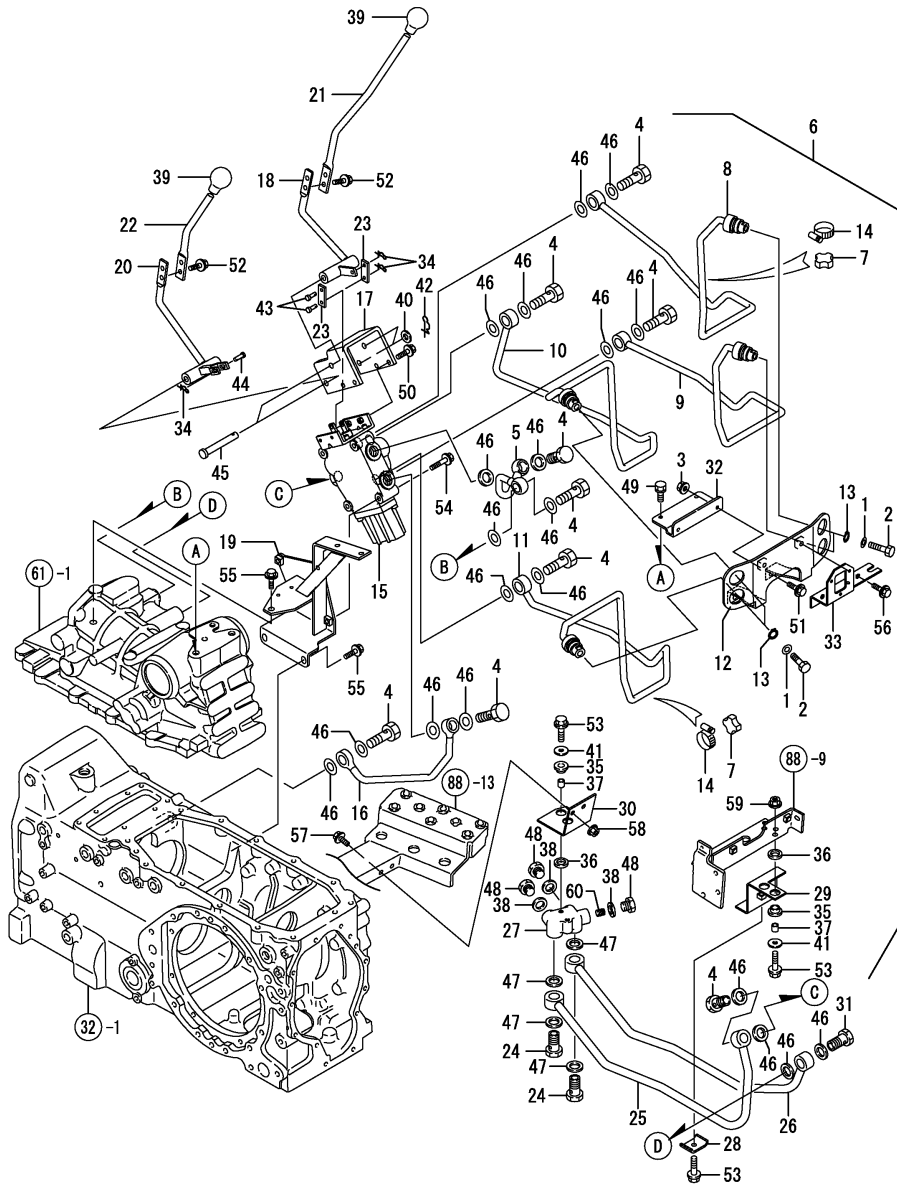


Fig.67. SUB CONTROL VALVE



(A)=EF453-AU-PQ

(B)=

(C)=

(D)=

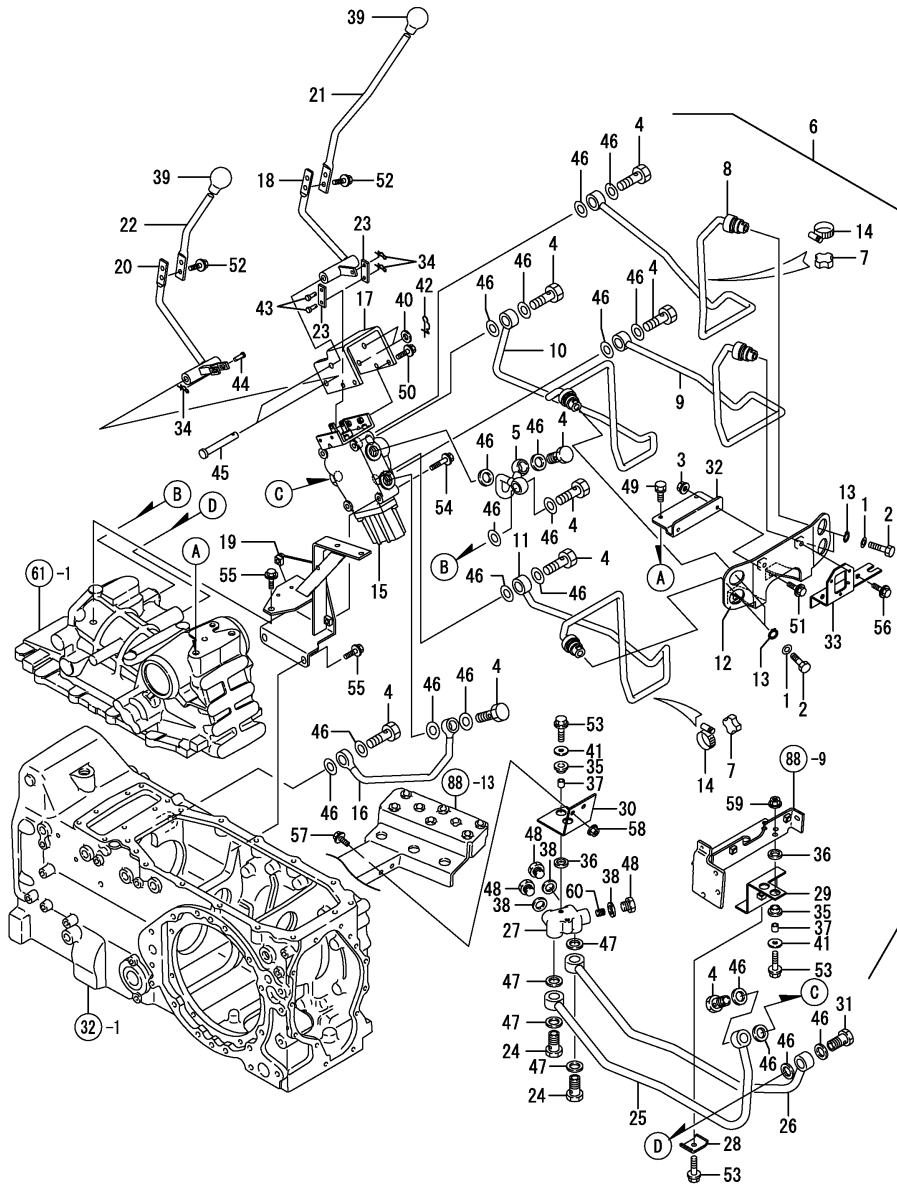
(E)=

(F)=

No.	Lev.	Parts No.	Description	Q'ty						I	R
				(A)	(B)	(C)	(D)	(E)	(F)		
1	1	194555-77910	GASKET, 17	4							
2	1	23897-030002	PLUG G3/8,HEX.	4							
3	1	26366-080002	NUT, M8	2							
3-1	1	194990-22140	NUT, M8	2							N
		(A=FXXXXXX)									
4	1	198245-46680	BOLT, M3/4-16	9							
5	1	198133-46711	PIPE, PRESSURE P	1							
6	1	1A7780-46730	PIPE ASSY, PRESSURE	1							
7	2	198220-46500	CLAMP	2							
8	2	198133-46612	PIPE, PRESSURE A1	1							
9	2	198133-46642	PIPE, PRESSURE B1	1							
10	2	198133-46662	PIPE, PRESSURE A2	1							
11	2	198133-46682	PIPE, PRESSURE B2	1							
12	2	1A7780-46760	BRACKET ASSY, PORT	1							
13	2	22242-000300	RING, 30	4							
14	2	23000-035000	CLAMP, 35	2							
15	1	198460-46740	VALVE KIT, CONTROL	1							
16	1	198133-46780	PIPE, PRESSURE T	1							
17	1	198327-46810	BRACKET, SCV LEVER	1							
18	1	198133-46822	LEVER, SCV 1	1							
19	1	198141-46851	BRACKET, SCV	1							
20	1	198133-46862	LEVER, SCV 2	1							
21	1	1A7780-46920	LEVER, SCV 1 UPPER	1							
22	1	1A7780-46960	LEVER, SCV 2 UPPER	1							
23	1	198280-46990	PLATE, LINK	2							
24	1	194321-48140	BOLT 15, PIPE JOINT	2							
25	1	1A7780-48410	PIPE, PRESSURE OUT	1							
26	1	1A7780-48510	PIPE, PRESSURE IN	1							
27	1	198361-48570	BLOCK, PORT	1							
28	1	194470-48630	CLAMP	1							
29	1	1A7780-48650	STAY, CLAMP	1							
30	1	1A7780-48670	STAY, BLOCK	1							
31	1	198327-48750	BOLT ASSY, JOINT	1							
32	1	198240-48780	STAY, REAR PIPE	1							
33	1	1A7780-51980	BRACKET, CONNECTOR	1							
34	1	1C6281-52310	PIN, SNAP 6	3							
35	1	198220-62260	CUSHION, RUBBER	4							
36	1	198220-62270	CUSHION, RUBBER	4							
37	1	198220-62920	COLLAR, ABSORBER	4							
38	1	194555-77910	GASKET, 17	3							
39	1	194990-85561	KNOB, HIGH/LOW	2							
40	1	22137-100000	WASHER, 10	2							
41	1	22157-080000	WASHER, 8	4							
42	1	22372-100000	PIN, SNAP 10	2							
43	1	22486-060160	PIN, H 6X 16	2							
44	1	22486-060160	PIN, H 6X 16	1							
45	1	22487-101000	PIN, H10X100	2							
46	1	23414-190000	GASKET, 19X1.0	20							
47	1	23414-200026	GASKET, 20X1.0	4							
48	1	23897-030002	PLUG G3/8,HEX.	3							
49	1	26013-140252	BOLT, M14X 25	2							

Remarks
 (1) WHEN I USE FRONT OIL PRESSURE
 TORIIDE, I INSERT IT.

Fig.67. SUB CONTROL VALVE



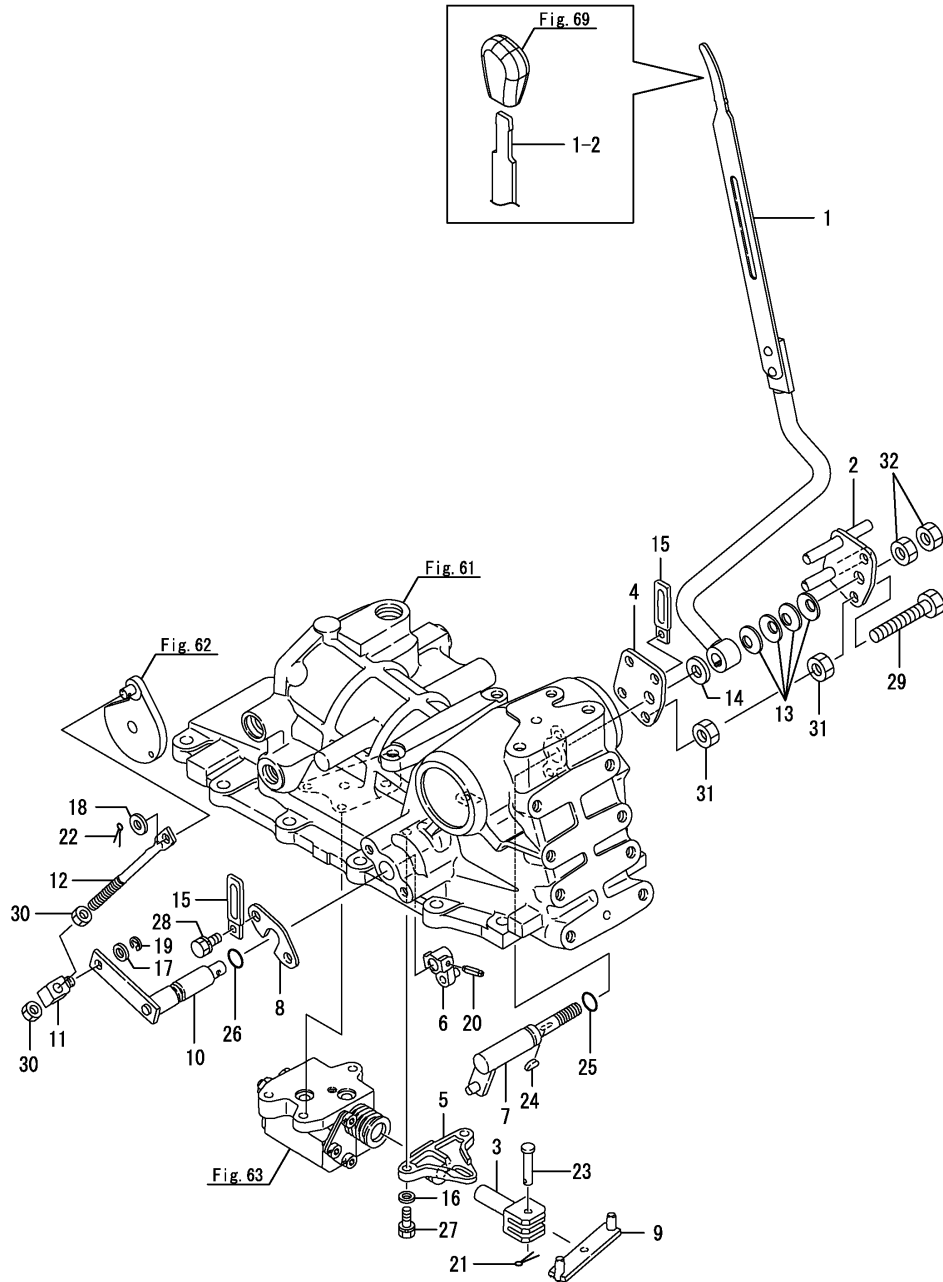
(A)=EF453-AU-PQ
(B)=
(C)=

(D)=
(E)=
(F)=

No.	Lev.	Parts No.	Description	Q'ty						I	R
				(A)	(B)	(C)	(D)	(E)	(F)		
50	1	26106-060162	BOLT, M6X 16 PLATED	4							
51	1	26106-080122	BOLT, M8X 12 PLATED	2							
51-1	1	26106-080162	BOLT, M8X 16 PLATED	2							N
(A)=FXXXXXX											
52	1	26106-080162	BOLT, M8X 16 PLATED	4							
53	1	26106-080302	BOLT, M8X 30 PLATED	5							
54	1	26106-080602	BOLT, M8X 60 PLATED	3							
55	1	26106-100202	BOLT, M10X 20 PLATED	3							
56	1	26106-080162	BOLT, M8X 16 PLATED	2							
57	1	26106-080202	BOLT, M8X 20 PLATED	2							
58	1	194990-22140	NUT, M8	2							
59	1	194990-22140	NUT, M8	2							
60	1	198245-42160	PLUG, 1/4	1							1

Remarks
(1) WHEN I USE FRONT OIL PRESSURE TORIIDE, I INSERT IT.

Fig.68. HYDRAULIC CONTROL



(A)=EF453-AU-PQ
(B)=
(C)=

(D)=
(E)=
(F)=

No.	Lev.	Parts No.	Description	Qty						I	R
				(A)	(B)	(C)	(D)	(E)	(F)		
1	1	198178-47300	LEVER, CONTROL	1							
1-1	1	198178-47300-1	LEVER, CONTROL	1							R
(A=F007874)											
1-2	1	1A7780-47300-2	LEVER, P CONTROL	1							S
(A=FZZZZZ)											
2	1	198320-47321	PLATE, FRICTION	1							
2-1	1	198320-47321-1	PLATE, FRICTION	1							R
(A=F007874)											
3	1	198360-47320	ROD, CONTROL	1							
4	1	198320-47330	PLATE	1							
4-1	1	198320-47330-1	PLATE	1							R
(A=F007874)											
5	1	198360-47330	PLATE, CONTROL	1							
6	1	198254-47370	ARM, CONTROL	1							
7	1	198240-47380	SHAFT, CONTROL	1							
8	1	198320-47410	PLATE, A	1							
8-1	1	198320-47410-1	PLATE, A	1							R
(A=F007874)											
9	1	194555-47420	BAR, CONTROL	1							
9-1	1	1A7780-47420	ROD, CONTROL	1							R
(A=FXXXXX)											
10	1	198240-47430-2	ARM	1							
10-1	1	198240-47430-1	ARM	1							R
(A=F007874)											
11	1	194550-47530	ADJUSTER	1							
12	1	194640-47560	ROD, FEEDBACK	1							
13	1	194151-47760	WASHER, 12	4							
14	1	194310-47790	PLATE, FRICTION	1							
15	1	194180-51640	CLAMP, HARNESS	2							
16	1	22137-080000	WASHER, 8	2							
17	1	22137-100000	WASHER, 10	1							
18	1	22137-100000	WASHER, 10	1							
19	1	22272-000070	RING, E- 7	1							
20	1	22351-050025	PIN, SPRING 5.0X25	1							
21	1	22417-200160	PIN, COTTER 2.0X16	1							
22	1	22417-300200	PIN, COTTER 3.0X20	2							
23	1	22487-080350	PIN, H 8X 35	1							
24	1	22522-030130	KEY, WOODRUFF 3X13	1							
25	1	24311-000150	O-RING, 1AP15.0	1							
26	1	24311-000150	O-RING, 1AP15.0	1							
27	1	26013-080202	BOLT, M8X 20	2							
28	1	26013-100162	BOLT, M10X 16	2							
29	1	26116-100504	BOLT, M10X 50 PLATED	2							
30	1	26716-100002	NUT, M10	2							
31	1	26716-100002	NUT, M10	4							
32	1	26716-120002	NUT, M12	2							

Fig.69. HYDRAULIC CONTROL(KNOB

(A)=EF453-AU-PQ
(B)=
(C)=

(D)=
(E)=
(F)=

No.	Lev.	Parts No.	Description	Q'ty						I	R
				(A)	(B)	(C)	(D)	(E)	(F)		
1	1	198220-47370	KNOB, LEVER	1							
1-1	1	198200-47810	KNOB, BLACK	1							S
(A=FZZZZZ)											

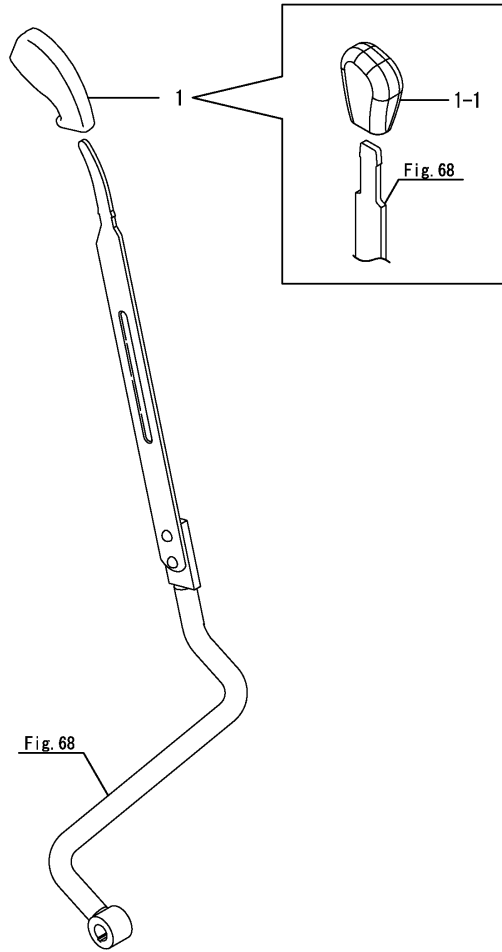
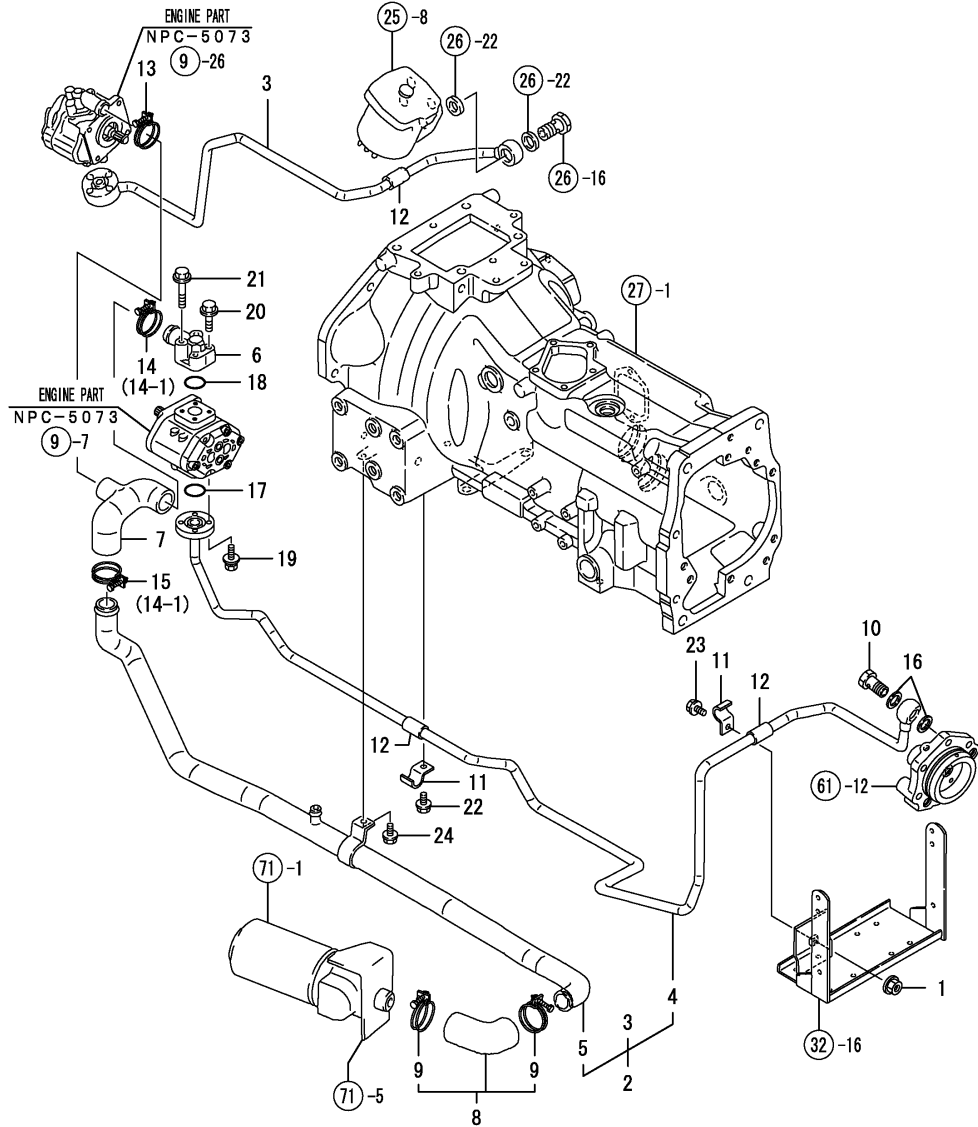


Fig.70. HYDRAULIC PIPING

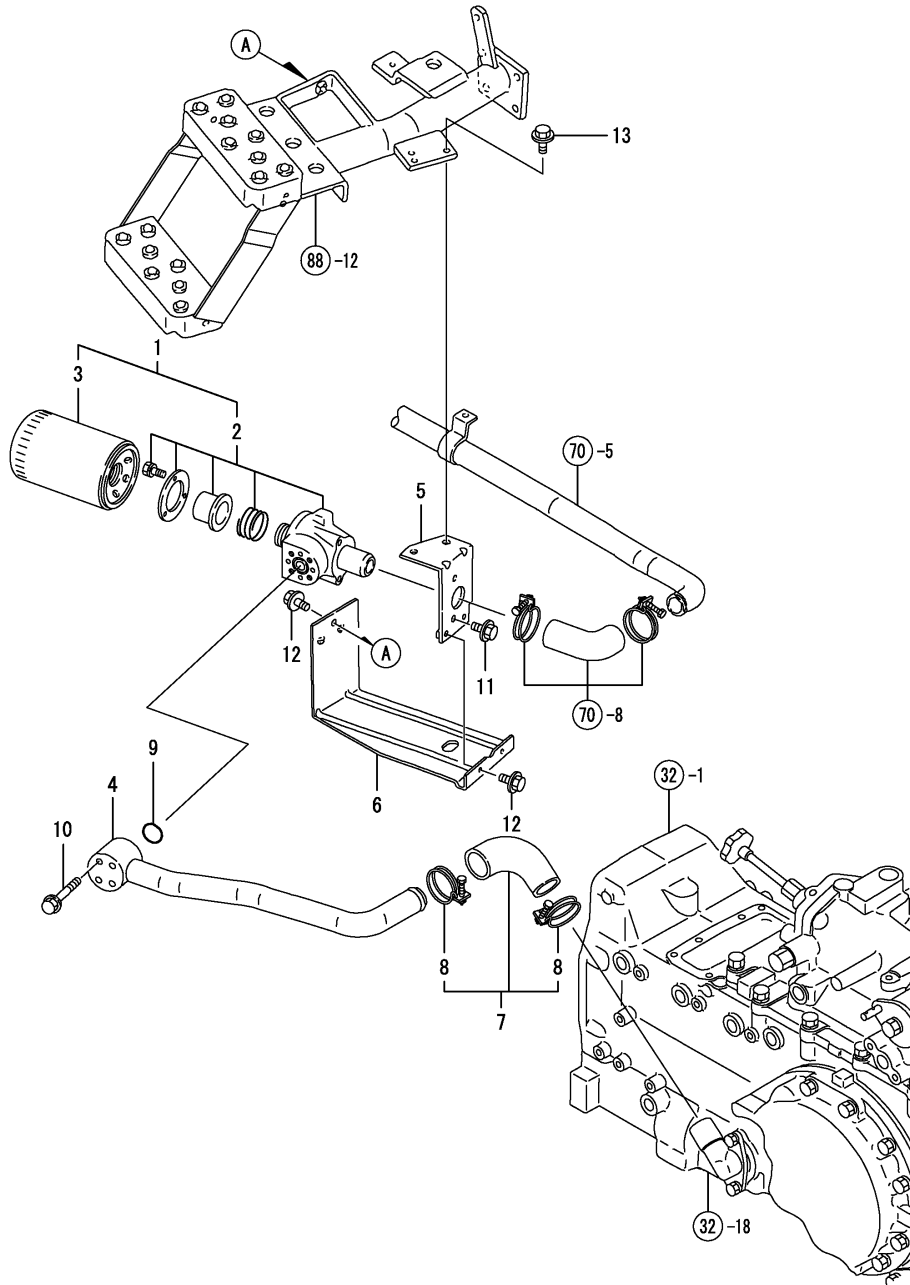


(A)=EF453-AU-PQ
(B)=
(C)=

(D)=
(E)=
(F)=

No.	Lev.	Parts No.	Description	Q'ty						I	R
				(A)	(B)	(C)	(D)	(E)	(F)		
1	1	194990-22140	NUT, M8	1							
2	1	7A7780-48080	PIPE KIT, KO	1							
2-1	1	1A8170-48080	PIPE KIT	1							N
(A=FXXXXX)											
3	2	198320-17720	PIPE, PRESSURE P	1							
3-1	2	198320-17720-1	PIPE, PRESSURE P	1							R
(A=F007874)											
4	2	1A7780-48100	PIPE, PRESSURE	1							
4-1	2	1A8170-48100-1	LINE, PRESSURE	1							N
(A=FXXXXX)											
4-2	2	1A8170-48100	PIPE, PRESSURE	1							R
(A=F007874)											
5	2	1A7780-48150	PIPE, PRESSURE	1							
5-1	2	1A8170-48150-1	LINE, SUCTION	1							N
(A=FXXXXX)											
5-2	2	1A8170-48150	PIPE, PRESSURE	1							R
(A=F007874)											
6	1	198240-48140	FLANGE, PIPE P	1							
7	1	198320-48220	HOSE, PRESSURE	1							
8	1	198240-48500	HOSE, PRESSURE S	1							
9	2	23010-048000	CLAMP, 48	2							
9-1	2	23000-048000	CLAMP, 48	2							N
(A=FZZZZZ)											
10	1	198361-48750	BOLT ASSY, JOINT	1							
11	1	198240-48830	CLAMP	2							
12	1	198240-48850	CLAMP, ABSORBER	3							
13	1	23010-035000	CLAMP, 35	1							
13-1	1	23000-035000	CLAMP, 35	1							N
(A=FZZZZZ)											
14	1	23010-040000	CLAMP, 40	1							
14-1	1	23000-048000	CLAMP, 48	2							N
(A=FZZZZZ)											
15	1	23010-046000	CLAMP, 46	1							Z
(A=FZZZZZ)											
16	1	23414-200026	GASKET, 20X1.0	2							
17	1	24321-000250	O-RING, 1AG25.0	1							
18	1	24341-000250	O-RING, 1AS25.0	1							
19	1	26018-060252	BOLT, M6X 25	4							
20	1	26106-060402	BOLT, M6X 40 PLATED	2							
21	1	26106-060502	BOLT, M6X 50 PLATED	2							
22	1	26106-080162	BOLT, M8X 16 PLATED	1							
23	1	26106-080162	BOLT, M8X 16 PLATED	1							
24	1	26106-080162	BOLT, M8X 16 PLATED	1							

Fig.71. HYDRAULIC FILTER



(A)=EF453-AU-PQ

(B)=

(C)=

(D)=

(E)=

(F)=

No.	Lev.	Parts No.	Description	Q'ty						I	R
				(A)	(B)	(C)	(D)	(E)	(F)		
1	1	194278-48300	FILTER ASSY	1							
2	2	194555-48350	COVER ASSY, FILTER	1							
3	2	194327-48450	FILTER, HYDRAULIC	1							
4	1	198240-48300	PIPE, PRESSURE	1							
4-1	1	198240-48300-1 (A=F007874)	PIPE, PRESSURE	1							R
5	1	198240-48380	BRACKET, FILTER	1							
6	1	198240-48410-1	PROTECTOR, FILTER	1							
6-1	1	198240-48410-2 (A=F007874)	PROTECTOR, FILTER	1							R
7	1	198240-48500	HOSE, PRESSURE S	1							
8	2	23010-048000	CLAMP, 48	2							
9	1	24321-000250	O-RING, 1AG25.0	1							
10	1	26106-060602	BOLT, M6X 60 PLATED	4							
11	1	26106-080162	BOLT, M8X 16 PLATED	2							
12	1	26106-080162	BOLT, M8X 16 PLATED	3							
13	1	26106-080202	BOLT, M8X 20 PLATED	2							

Fig.72. SEAL

(A)=EF453-AU-PQ
(B)=
(C)=

(D)=
(E)=
(F)=

No.	Lev.	Parts No.	Description	Q'ty						I	R
				(A)	(B)	(C)	(D)	(E)	(F)		
1	1	1A7270-49221	SEAL, COOLER	1							
2	1	194697-62560	CAP, HOLE	4							

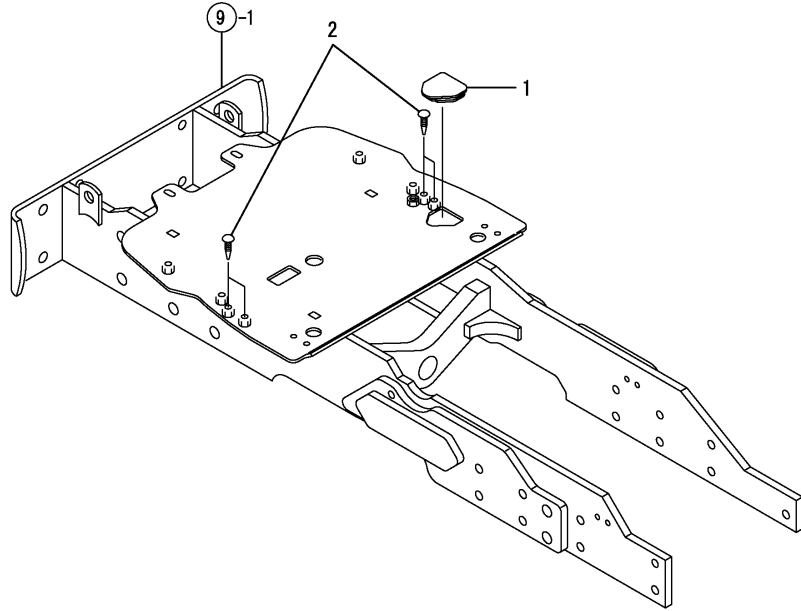


Fig.101. PLUG

(A)=EF453-AU-PQ
(B)=
(C)=

(D)=
(E)=
(F)=

No.	Lev.	Parts No.	Description	Q'ty						I	R
				(A)	(B)	(C)	(D)	(E)	(F)		
1	1	198245-42160	PLUG, 1/4	1							

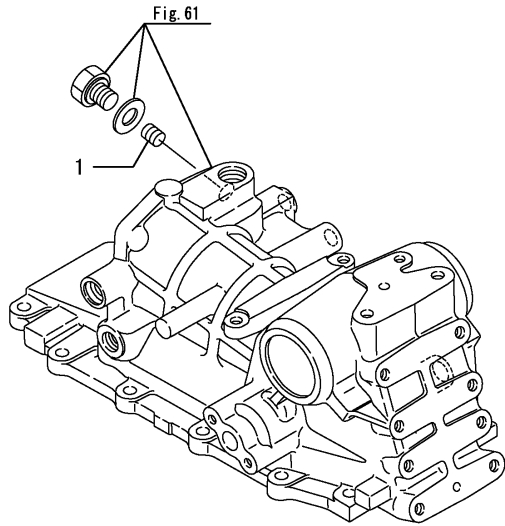


Fig.73. WIRE HARNESS

(A)=EF453-AU-PQ

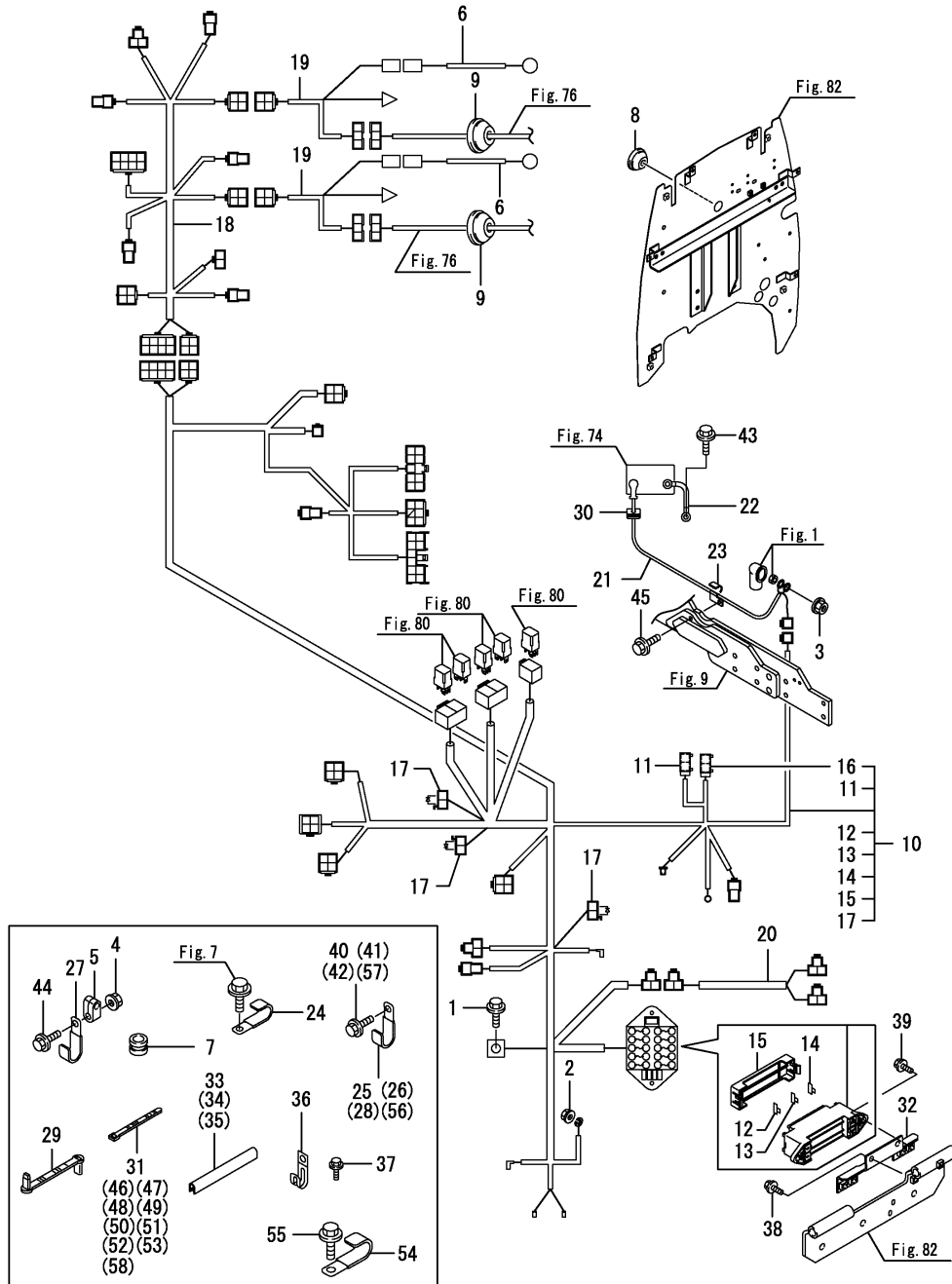
(B)=

(C)=

(D)=

(E)=

(F)=



No.	Lev.	Parts No.	Description	Q'ty						I	R
				(A)	(B)	(C)	(D)	(E)	(F)		
1	1	1C6560-06300	BOLT, EARTH M8X16	1							
1-1	1	26106-080122	BOLT, M8X 12 PLATED	1							R
(A=*2008.11.)											
2	1	194990-22130	NUT, M6	1							
3	1	194990-22140	NUT, M8	1							
4	1	194990-22140	NUT, M8	2							
5	1	1E8080-43850	CLAMP, WIRE	2							
6	1	198121-51190	HARNESS, WIRE	2							
7	1	194170-51210	GROMMET 25	2							
8	1	194275-51210	GROMMET 25	1							
9	1	194275-51210	GROMMET 25	2							
10	1	1A7780-51250	HARNESS ASSY, WIRE A	1							
11	2	198153-51700	FUSE, SLOW BLOW 80A	1							
12	2	198535-52110	FUSE, 5A	6							
13	2	198535-52120	FUSE, 10A	3							
14	2	198535-52130	FUSE, 15A	4							
15	2	1A7260-52410	COVER, FUSE BOX	1							
16	2	1A6380-52700	FUSE, SLOW BLOW 60A	1							
17	2	1E8235-84910	DIODE, 090 3A	3							
18	1	1A7780-51270	HARNESS, WIRE	1							
18-1	1	1A7780-51271	HARNESS, WIRE	1							N
(A=*2008.10.)											
19	1	1A7780-51290	HARNESS, WIRE	2							
20	1	1A7780-51310	HARNESS, WIRE	1							
21	1	198071-51411	CABLE, BATTERY 1150	1							
22	1	194250-51420	CABLE, BATTERY EARTH	1							
23	1	198121-51430	CLAMP, CABLE B	1							
24	1	194440-51620	CLAMP	2							
25	1	194440-51620	CLAMP	2							
26	1	194440-51620	CLAMP	2							
26-1	1	1E6102-83230	CLAMP, CABLE	2							N
(A=FXXXXX)											
27	1	194440-51620	CLAMP	1							
28	1	194440-51620	CLAMP	1							
29	1	194250-51650	CLAMP, SPEED 63	4							
30	1	1A7260-51710	GROMMET, CABLE	1							
31	1	198153-51810	BAND, NYLON 150	1							
32	1	1A7260-52510	STAY, FUSE BOX	1							
33	1	1A7000-61490	TRIM, 120	1							
34	1	1A7000-61490	TRIM, 120	1							
35	1	198291-77870	COVER, GUARD	1							
36	1	1E6102-83230	CLAMP, CABLE	1							
37	1	26106-060122	BOLT, M6X 12 PLATED	1							
38	1	26106-060122	BOLT, M6X 12 PLATED	2							
39	1	26106-060162	BOLT, M6X 16 PLATED	2							
40	1	26106-080122	BOLT, M8X 12 PLATED	1							
41	1	26106-080122	BOLT, M8X 12 PLATED	1							
42	1	26106-080162	BOLT, M8X 16 PLATED	2							
43	1	26106-080162	BOLT, M8X 16 PLATED	1							
44	1	26106-080252	BOLT, M8X 25 PLATED	2							
45	1	26106-080352	BOLT, M8X 35 PLATED	1							

N:Old $\xrightarrow{\text{Yes}}$ New, Q:Old $\xrightarrow{\text{No}}$ New, R:Old $\xrightarrow{\text{Yes}}$ New, S:Old $\xrightarrow{\text{No}}$ New, W:Add, Z:Discontinued, F:Interchangeable by set, K:Q'ty Change

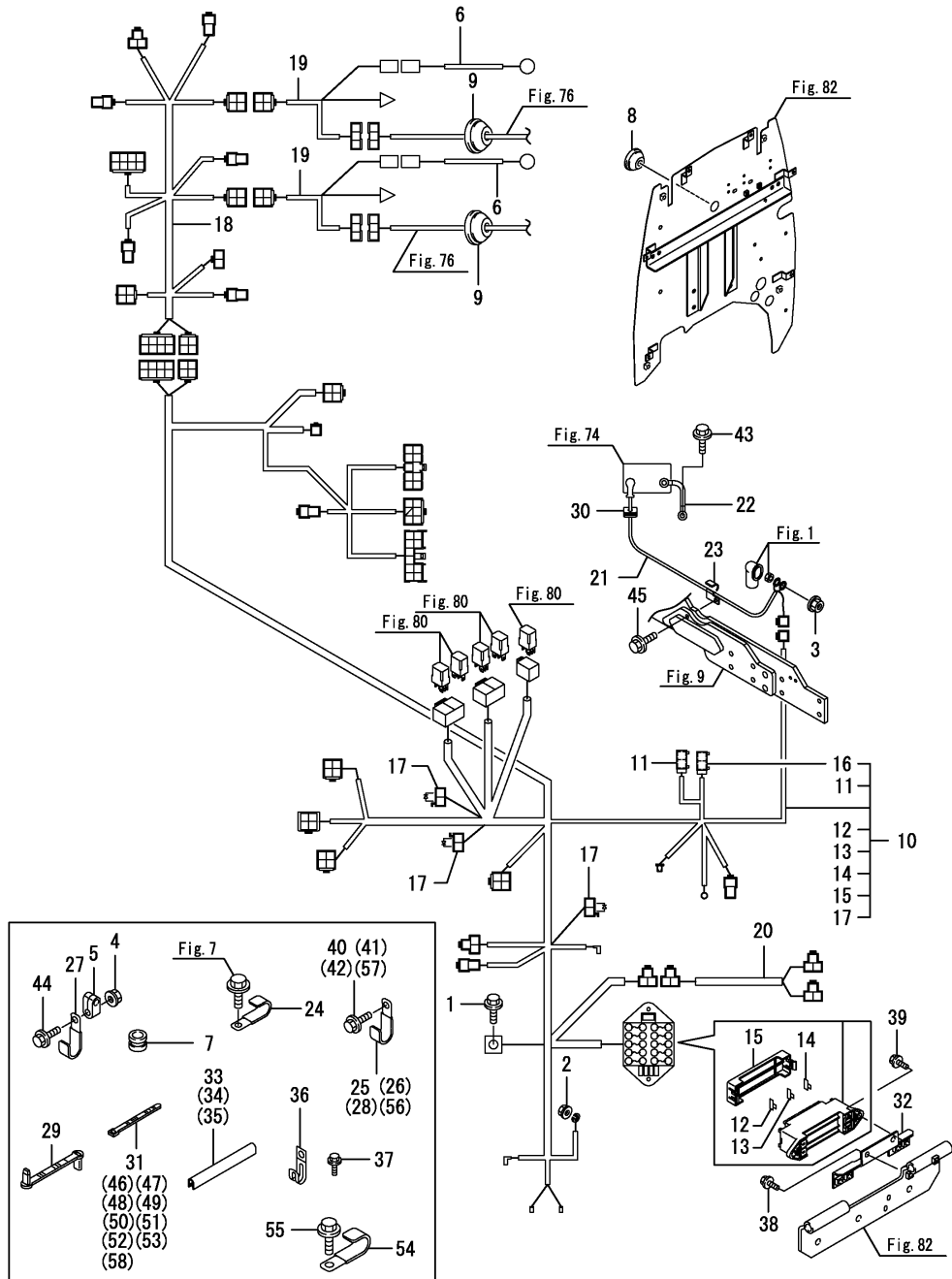
++ CONTINUE ++

Copyright (C) YANMAR CO., LTD. All Rights Reserved.

Fig.73. WIRE HARNESS

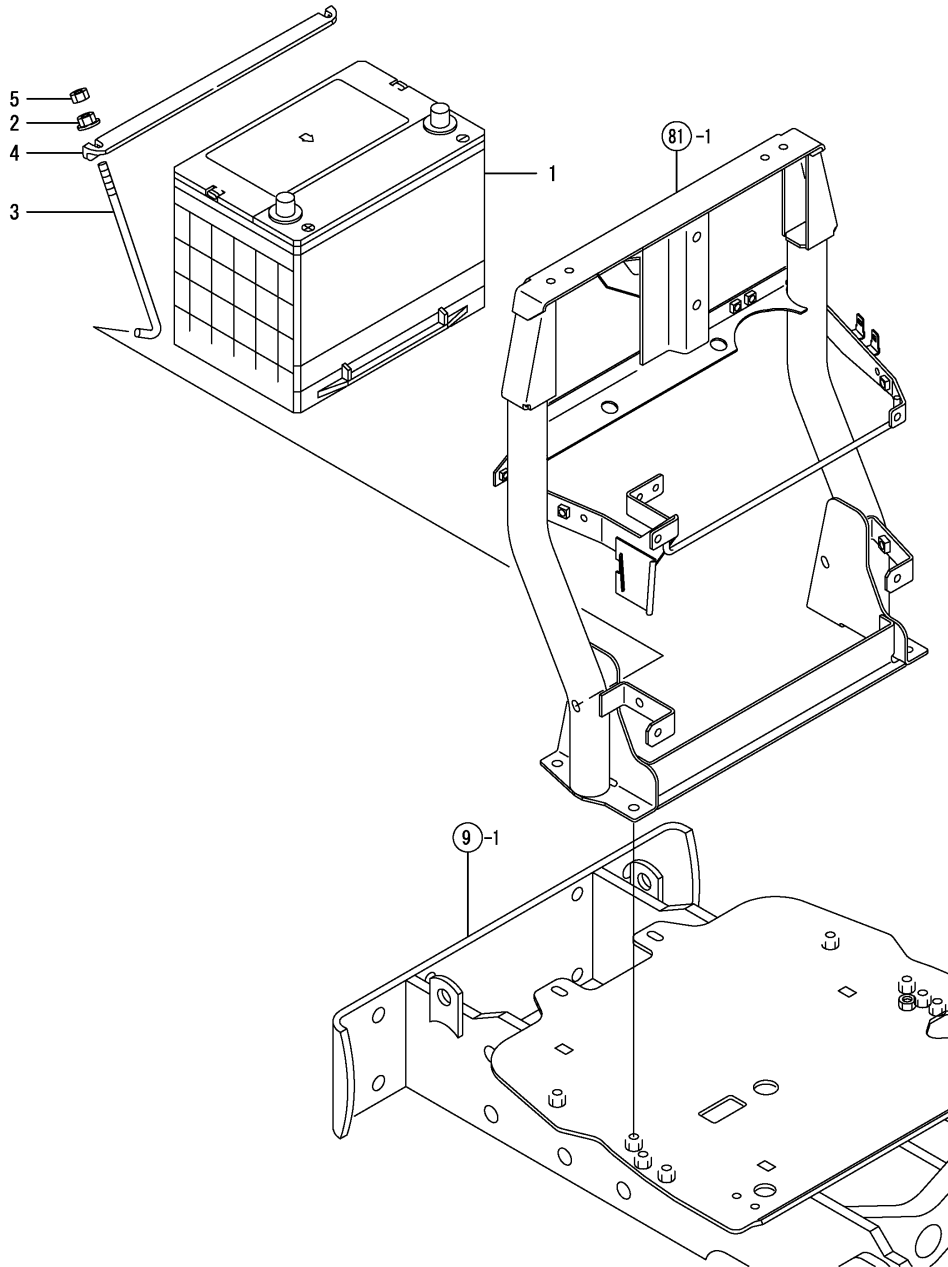
(A)=EF453-AU-PQ
(B)=
(C)=

(D)=
(E)=
(F)=



No.	Lev.	Parts No.	Description	Q'ty						I	R
				(A)	(B)	(C)	(D)	(E)	(F)		
46	1	29622-140001	BAND, RF140	4							
46-1	1	29622-100001	BAND, RF100	4							R
(A=FZZZZZ)											
47	1	29622-140001	BAND, RF140	1							
48	1	29622-140001	BAND, RF140	2							
49	1	29622-140001	BAND, RF140	1							
50	1	29622-250001	BAND, RF250	1							
51	1	29622-250001	BAND, RF250	2							
52	1	29622-250001	BAND, RF250	1							
53	1	29622-250001	BAND, RF250	1							
54	1	194180-51640	CLAMP, HARNESS	1							
55	1	26013-100162	BOLT, M10X 16	1							
56	1	194440-51620	CLAMP	1							W
(A=FZZZZZ)											
57	1	26106-080122	BOLT, M8X 12 PLATED	1							W
(A=FZZZZZ)											
58	1	29622-140001	BAND, RF140	1							W
(A=FZZZZZ)											

Fig.74. BATTERY

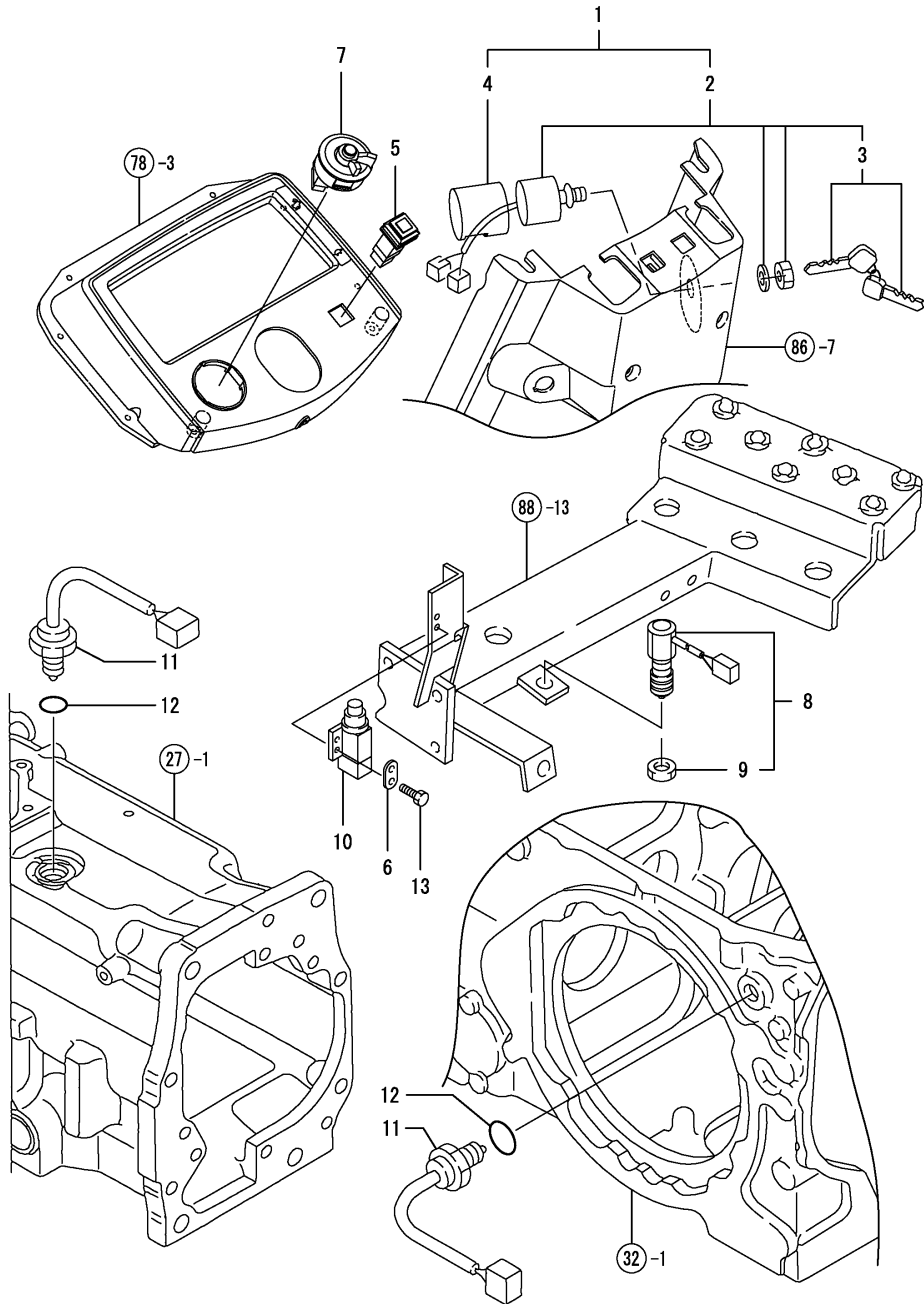


(A)=EF453-AU-PQ
(B)=
(C)=

(D)=
(E)=
(F)=

No.	Lev.	Parts No.	Description	Q'ty						I	R
				(A)	(B)	(C)	(D)	(E)	(F)		
1	1	1A7780-51500	BATTERY, 95D31R	1							
2	1	194990-22140	NUT, M8	2							
3	1	1A7260-51540	ROD, BATTERY CLAMP	2							
4	1	198240-51561	CLAMP, BATTERY	1							
5	1	26716-080002	NUT, M8	2							

Fig.75. SWITCH



(A)=EF453-AU-PQ
(B)=
(C)=

(D)=
(E)=
(F)=

No.	Lev.	Parts No.	Description	Q'ty						I	R
				(A)	(B)	(C)	(D)	(E)	(F)		
1	1	1A7780-52000	SWITCH ASSY, STARTER	1							
2	2	198226-52100	SWITCH ASSY, STARTER	1							
3	3	194155-52160	KEY ASSY	1							
4	2	1A7780-52150	COVER, SWITCH	1							
5	1	1A7335-52120	SWITCH, HAZARD	1							
6	1	1A7510-52120	WASHER, SWITCH	1							
7	1	198200-52140	SWITCH, COMBINATION	1							
8	1	198223-52150	SWITCH, STOP LAMP	1							
9	2	26776-120002	NUT, LOCK M12	1							
10	1	1A7335-52150	SWITCH, STOP LAMP	1							
11	1	194464-52190	SWITCH, SAFETY START	2							
12	1	24311-000180	O-RING, 1AP18.0	2							
13	1	26117-040162	BOLT, M4X 16 PLATED	2							

Fig.76. LAMPS

(A)=EF453-AU-PQ
(B)=
(C)=

(D)=
(E)=
(F)=

No.	Lev.	Parts No.	Description	Q'ty						I	R
				(A)	(B)	(C)	(D)	(E)	(F)		
1	1	194990-22130	NUT, M6	4							
2	1	198010-53400	LAMP ASSY, FLASHER	2							
3	2	198010-53420	LAMP, FLASHER	2							
4	3	194200-53400	BULB, 12V-20W	2							
5	3	198010-53410	BODY ASSY	2							
6	3	198511-53430	LENS	4							
7	3	198511-53450	GASKET	2							
8	2	22217-100000	WASHER, SPRING 10	2							
9	2	26776-100002	NUT, LOCK M10	2							
10	1	1A7335-53600	LAMP, TAIL	2							
11	2	1A7335-53610	BULB, 12V-21/5W	2							
12	2	1A7335-53620	LENS ASSY	2							
13	2	1A7335-53630	HOUSING ASSY, SEMI	2							
14	2	1A7335-53640	GASKET	2							
15	2	1A7335-53650	SCREW, TAPPING M6X32	4							

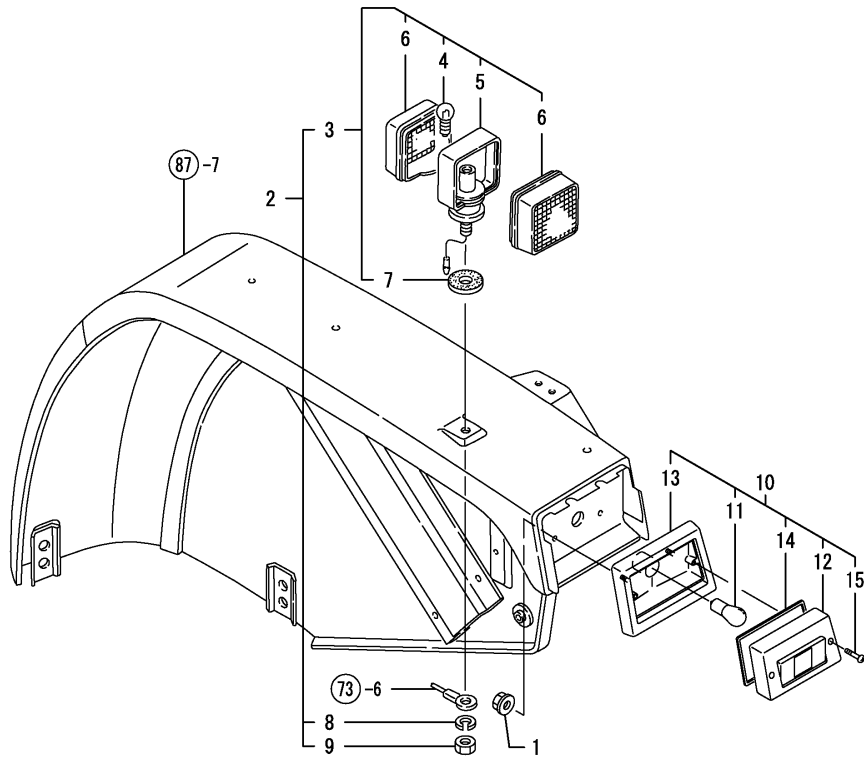
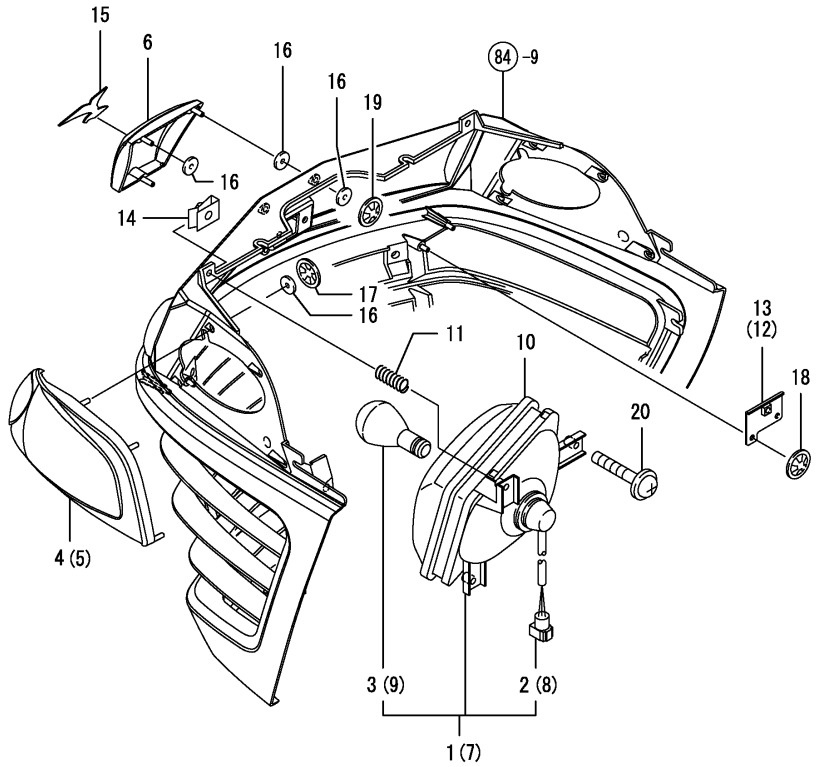


Fig.77. FRONT LAMP



(A)=EF453-AU-PQ
(B)=
(C)=

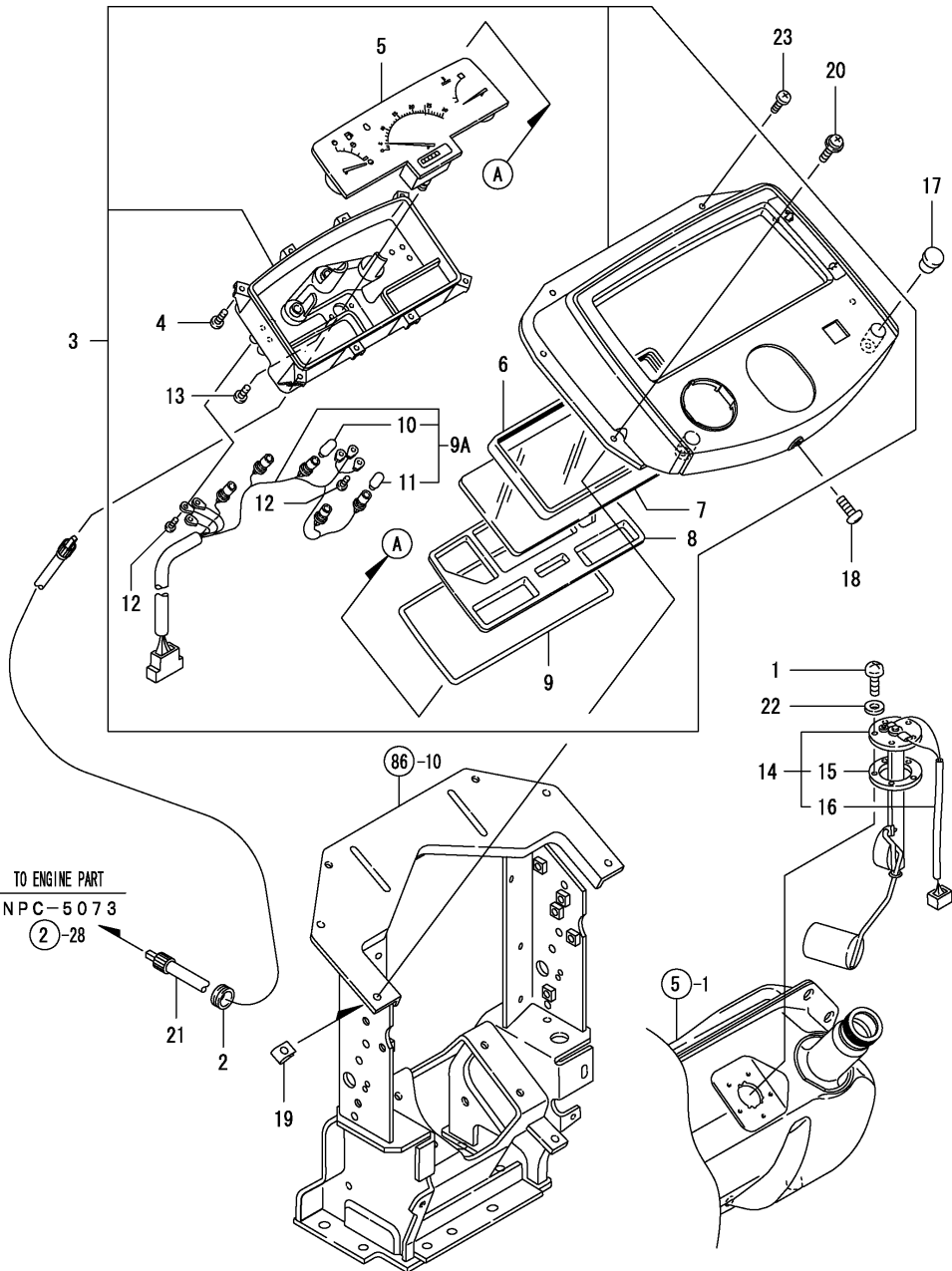
(D)=
(E)=
(F)=

No.	Lev.	Parts No.	Description	Q'ty						I	R
				(A)	(B)	(C)	(D)	(E)	(F)		
1	1	1A7780-53200	LAMP ASSY, HEAD L	1							
2	2	1A7000-53230	WIRE ASSY, LEAD	1							
3	2	198448-53320	BULB, 12V45/45W	1							
4	1	1A7780-53250	LENS, SIDE L	1							
5	1	1A7780-53260	LENS, SIDE R	1							
6	1	1A7890-53270	LENS, CENTER	1							
7	1	1A7780-53300	LAMP ASSY, HEAD R	1							
8	2	1A7000-53230	WIRE ASSY, LEAD	1							
9	2	198448-53320	BULB, 12V45/45W	1							
10	1	1A7260-53350	SEAL, HEAD LAMP	2							
11	1	198153-53410	SPRING, ADJUST	6							
12	1	1A7260-61250	BRACKET ASSY, GRILLE	1							
13	1	1A7260-61260	BRACKET ASSY, GRILLE	1							
14	1	198071-61890	NUT, SPEED M6	4							
15	1	1A7890-65010	MARK, BRAN 63-R600	1							
16	1	198475-65030	CUSHION	13							
17	1	198071-65610	NUT, SPEED M5	8							
18	1	198071-65610	NUT, SPEED M5	4							
19	1	198071-65610	NUT, SPEED M5	3							
20	1	26557-060352	SCREW, M6X35	6							

Fig.78. METER

(A)=EF453-AU-PQ
(B)=
(C)=

(D)=
(E)=
(F)=



No.	Lev.	Parts No.	Description	Q'ty						I	R
				(A)	(B)	(C)	(D)	(E)	(F)		
1	1	198240-04550	SCREW, M5X12	5							
2	1	194275-51210	GROMMET 25	1							
3	1	1A7780-56500	PANEL, INSTRUMENT	1							
3-1	1	1A7780-56501 (A=*2010.05.)	PANEL, INSTRUMENT	1							N
4	2	198220-53170	SCREW	8							
5	2	198220-56111	METER ASSY	1							
6	2	198220-56130	PACKING	1							
7	2	198220-56140	GLASS	1							
8	2	198220-56150	REFLECTOR	1							
9	2	198220-56160	PACKING	1							
9A	2	1A8160-56211	HARNESS, WIRE	1							W
(A=FROM 1ST)											
10	3	198220-56220	BULB, 12V-3.4W	3							
11	3	124617-91920	BULB, 12V-3W	3							
12	2	198220-56230	SCREW, M3X22	6							
13	2	26022-030062	SCREW, M3X 6	2							
14	1	198240-56600	GAUGE ASSY, FUEL	1							
15	2	194420-56620	GASKET	1							
16	2	198240-56630	WIRE, LEAD	1							
17	1	194555-56890	GROMMET, 15	2							
18	1	194065-60580	SCREW, M6X25	1							
19	1	194145-61651	NUT, SPEED M5	4							
20	1	194940-61790	SCREW, TAPPING M5X16	4							
21	1	124701-91140	CABLE, L=985	1							
22	1	22190-050000	WASHER, SEAL 5	5							
23	1	26589-060162	SCREW, M6	2							

Fig.79. HORN

(A)=EF453-AU-PQ
(B)=
(C)=

(D)=
(E)=
(F)=

No.	Lev.	Parts No.	Description	Q'ty						I	R
				(A)	(B)	(C)	(D)	(E)	(F)		
1	1	1C7100-08150	HORN ASSY	1							
2	1	26106-060122	BOLT, M6X 12 PLATED	2							

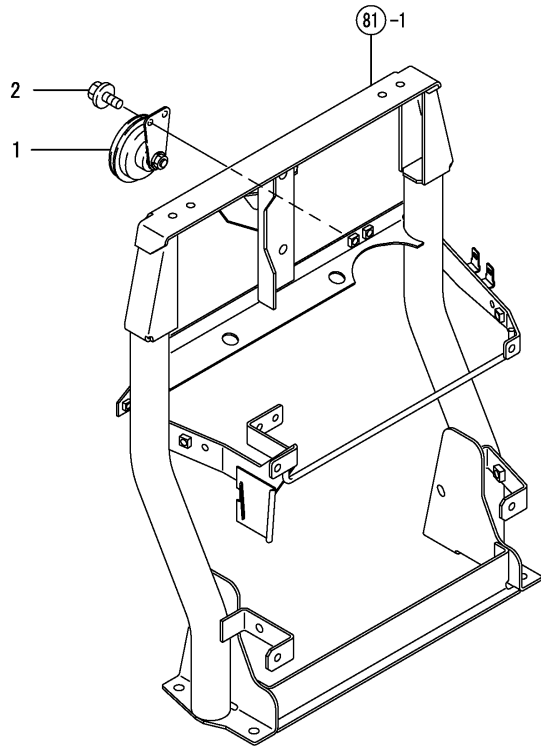
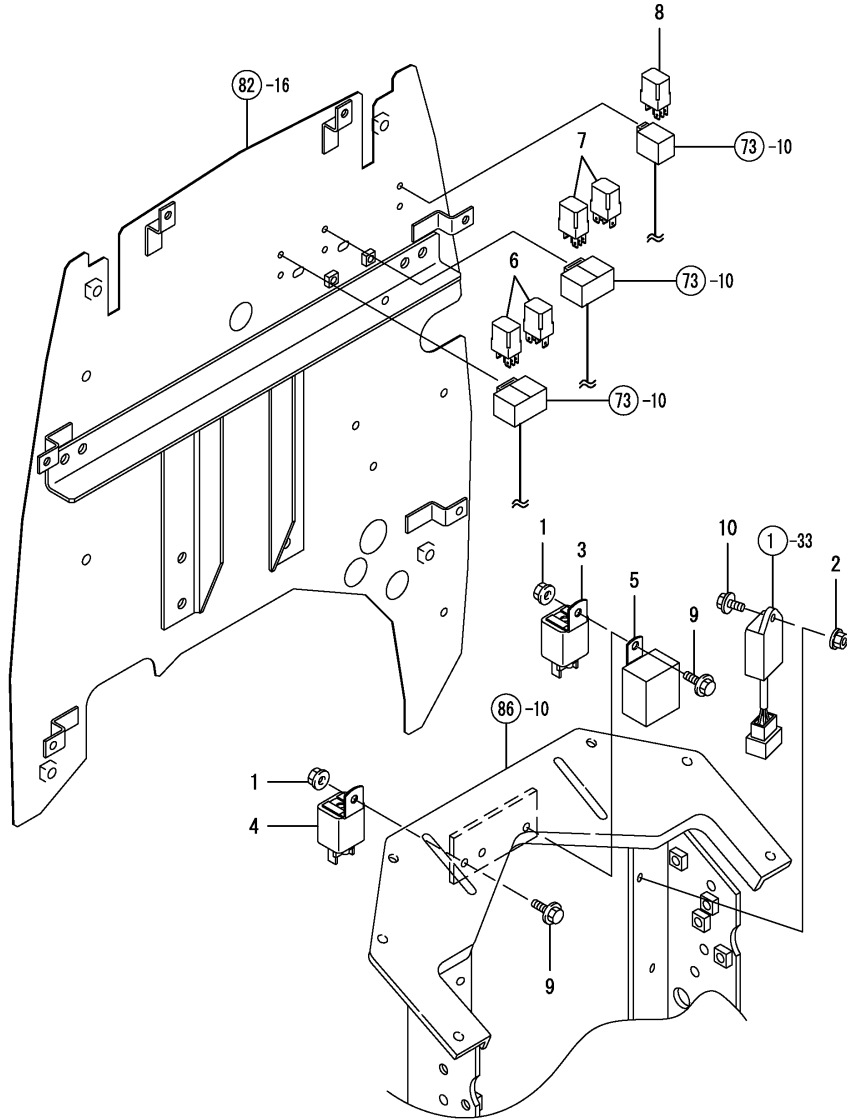


Fig.80. RELAY

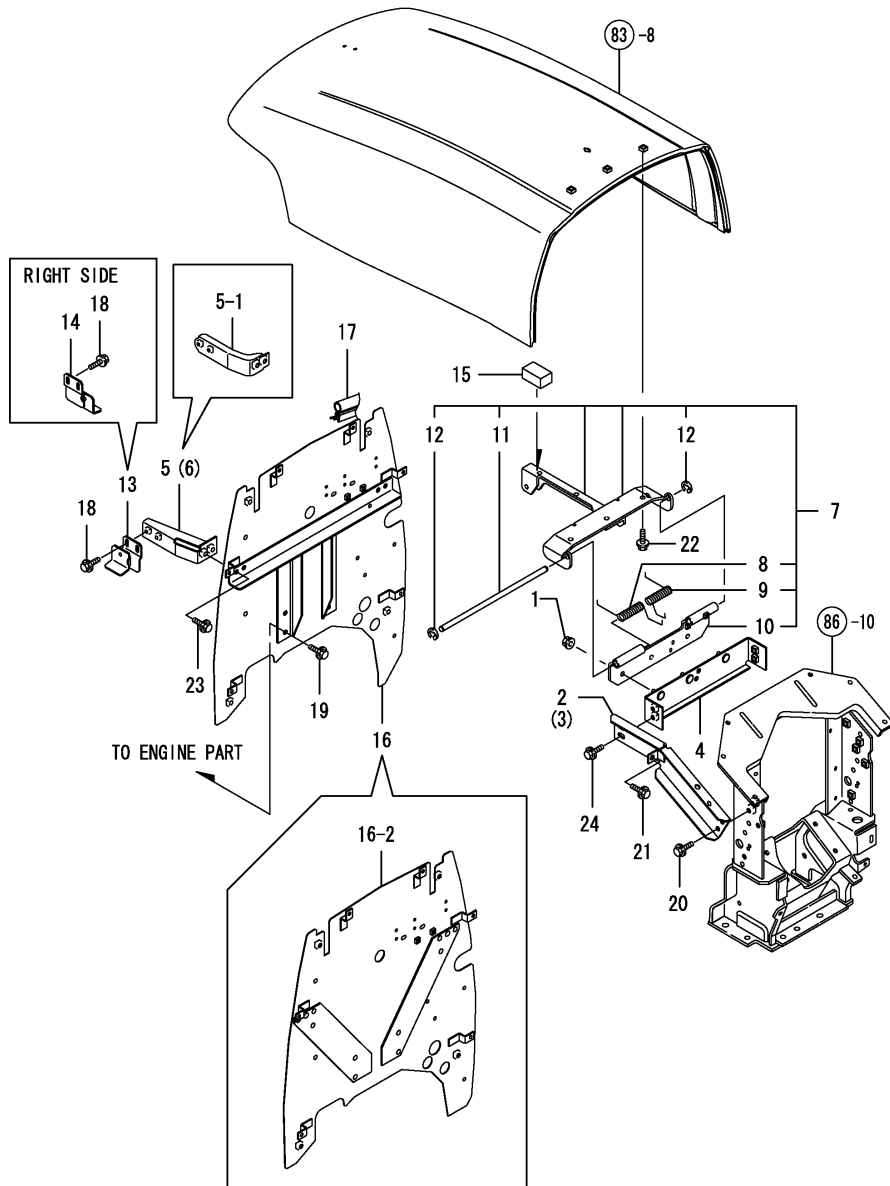
(A)=EF453-AU-PQ
(B)=
(C)=

(D)=
(E)=
(F)=



No.	Lev.	Parts No.	Description	Q'ty						I	R
				(A)	(B)	(C)	(D)	(E)	(F)		
1	1	194990-22130	NUT, M6	2							
2	1	194990-22130	NUT, M6	1							
3	1	198220-52180	RELAY, STARTER	1							
4	1	198220-52180	RELAY, STARTER	1							
5	1	1E6650-82400	RELAY	1							
6	1	1K1140-82500	RELAY(ACM13211M01	2							
7	1	1K1140-82500	RELAY(ACM13211M01	2							
8	1	1K1140-82500	RELAY(ACM13211M01	1							
9	1	26106-060122	BOLT, M6X 12 PLATED	2							
10	1	26106-060162	BOLT, M6X 16 PLATED	1							

Fig.82. FRAME,HOOD



(A)=EF453-AU-PQ

(B)=

(C)=

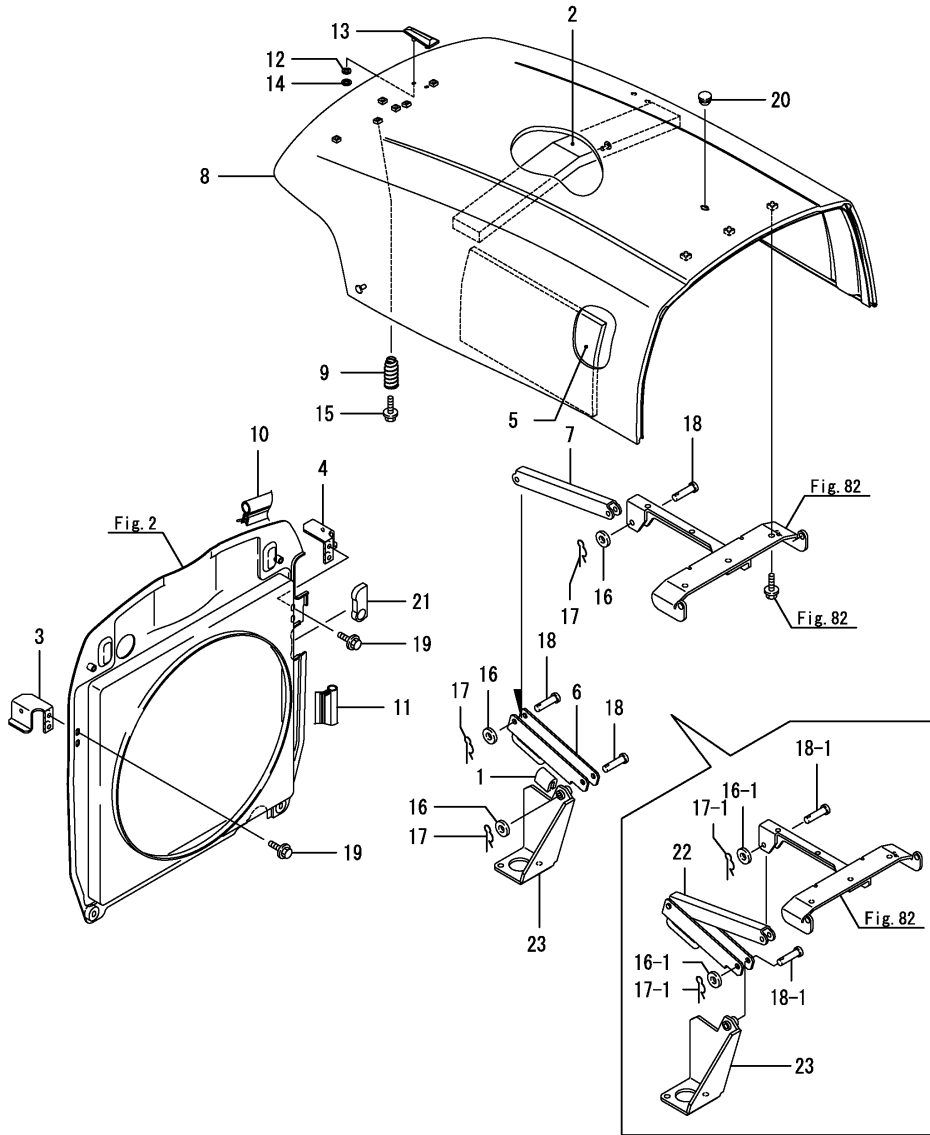
(D)=

(E)=

(F)=

No.	Lev.	Parts No.	Description	Q'ty						I	R
				(A)	(B)	(C)	(D)	(E)	(F)		
1	1	194990-22140	NUT, M8	3							
2	1	1A7780-60340	FRAME ASSY, SIDE L	1							
2-1	1	1A7780-60580	FRAME, SIDE L	1							R
2-2	1	1A7780-60600	FRAME ASSY, SIDE L	1							N
3	1	1A7780-60350	FRAME ASSY, SIDE R.H.	1							
3-1	1	1A7780-60590	FRAME, SIDE R	1							R
3-2	1	1A7780-60610	FRAME ASSY, SIDE R	1							N
4	1	1A7780-60370	PLATE ASSY, UPPER	1							
5	1	1A7780-60480	STAY, SIDE COVER L	1							
5-1	1	1A7780-60450	SUPPORT, SIDE COVER	2							S
6	1	1A7780-60490	SUPPORT, COVER R	1							Z
7	1	1A7260-60911	HINGE ASSY, BONNET	1							
7-1	1	1A7891-60910	HINGE ASSY, BONNET	1							R
8	2	1A7260-60580	SPRING, L	1							
9	2	1A7260-60590	SPRING, R	1							
10	2	1A7260-61080	PLATE, LOWER	1							
11	2	1A7260-61190	PIN, 10X286	1							
12	2	22272-000080	RING, E- 8	2							
13	1	1A7260-60920	BRACKET, COVER	1							
14	1	1A7260-60930	BRACKET, COVER	1							
15	1	1A7890-60980	RUBBER, CUSHION	1							
16	1	1A7780-61671	PLATE ASSY, SHIELD	1							
16-1	1	1A7780-61672	PLATE ASSY, SHIELD	1							N
16-2	1	1A7780-61673	PLATE ASSY, AIR CUT	1							S
17	1	198153-89730	WEATHER-STRIP, 1520	1							
18	1	26106-060122	BOLT, M6X 12 PLATED	4							
19	1	26106-080122	BOLT, M8X 12 PLATED	4							
20	1	26106-080162	BOLT, M8X 16 PLATED	6							
21	1	26106-080162	BOLT, M8X 16 PLATED	2							
22	1	26106-080162	BOLT, M8X 16 PLATED	3							
23	1	26106-080162	BOLT, M8X 16 PLATED	4							
24	1	26106-080162	BOLT, M8X 16 PLATED	4							

Fig.83. HOOD

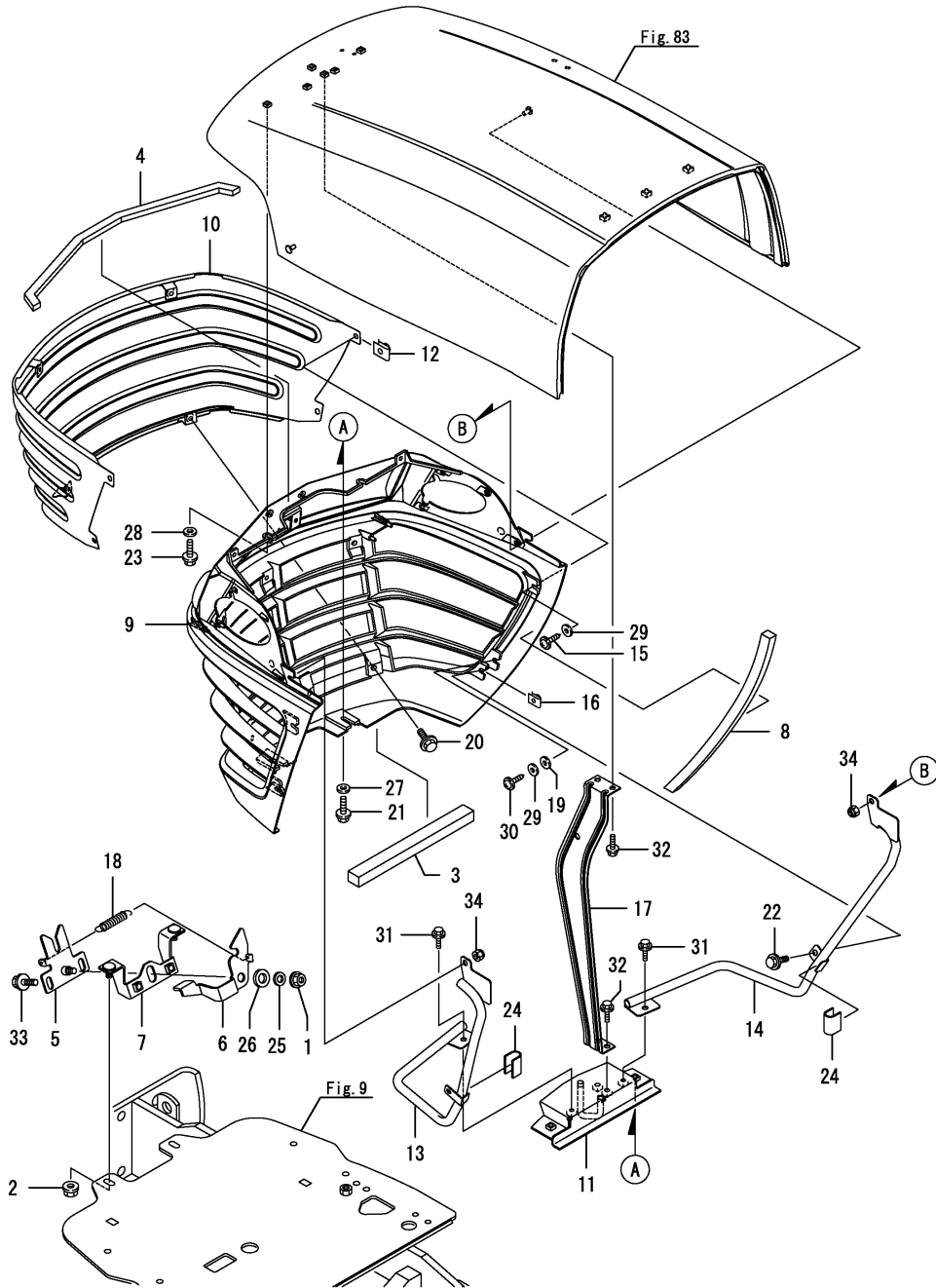


(A)=EF453-AU-PQ
(B)=
(C)=

(D)=
(E)=
(F)=

No.	Lev.	Parts No.	Description	Q'ty						I	R
				(A)	(B)	(C)	(D)	(E)	(F)		
1	1	198448-60080	TRIM, 40	1							
2	1	1A7270-60610	URETHANE, BONNET U	1							
3	1	1A7260-60780	BRACKET, GUIDE	1							
4	1	1A7260-60790	BRACKET, GUIDE	1							
5	1	1A7260-60890	URETHANE, BONNET UL	1							
6	1	1A7260-60950	STAND, BONNET A	1							Z
(A=FZZZZZ)											
7	1	1A7260-60960	STAND, BONNET B	1							Z
(A=FZZZZZ)											
8	1	1A7270-61100	BONNET ASSY, UPPER	1							
8-1	1	1A7780-61100	HOOD ASSY,	1							N
(A=FZZZZZ)											
9	1	198220-61340	SPRING	2							
10	1	1A7260-61860	WEATHER-STRIP, 1130	1							
11	1	1A7260-61970	WEATHER-STRIP, 390	1							
12	1	198475-65030	CUSHION	2							
13	1	194940-65590	MARK, TOP	1							
14	1	198071-65610	NUT, SPEED M5	2							
15	1	198196-83170	BOLT, M6X16	2							
16	1	22137-080000	WASHER, 8	3							
16-1	1	22137-080000	WASHER, 8	2							K
(A=FZZZZZ)											
17	1	22372-080000	PIN, SNAP 8	3							
17-1	1	22372-080000	PIN, SNAP 8	2							K
(A=FZZZZZ)											
18	1	22487-080300	PIN, H 8X 30	3							
18-1	1	22487-080300	PIN, H 8X 30	2							K
(A=FZZZZZ)											
19	1	26106-060122	BOLT, M6X 12 PLATED	4							
20	1	194197-56350	GROMMET	1							Z
(A=FZZZZZ)											
21	1	1A7260-60720	GROMMET, HOSE	1							
22	1	1A7780-60550	STAND ASSY, HOOD	1							W
(A=FZZZZZ)											
23	1	1A7780-61650	STAY ASSY, HOOD STAND	1							

Fig.84. FRONT GRILLE



(A)=EF453-AU-PQ

(B)=

(C)=

(D)=

(E)=

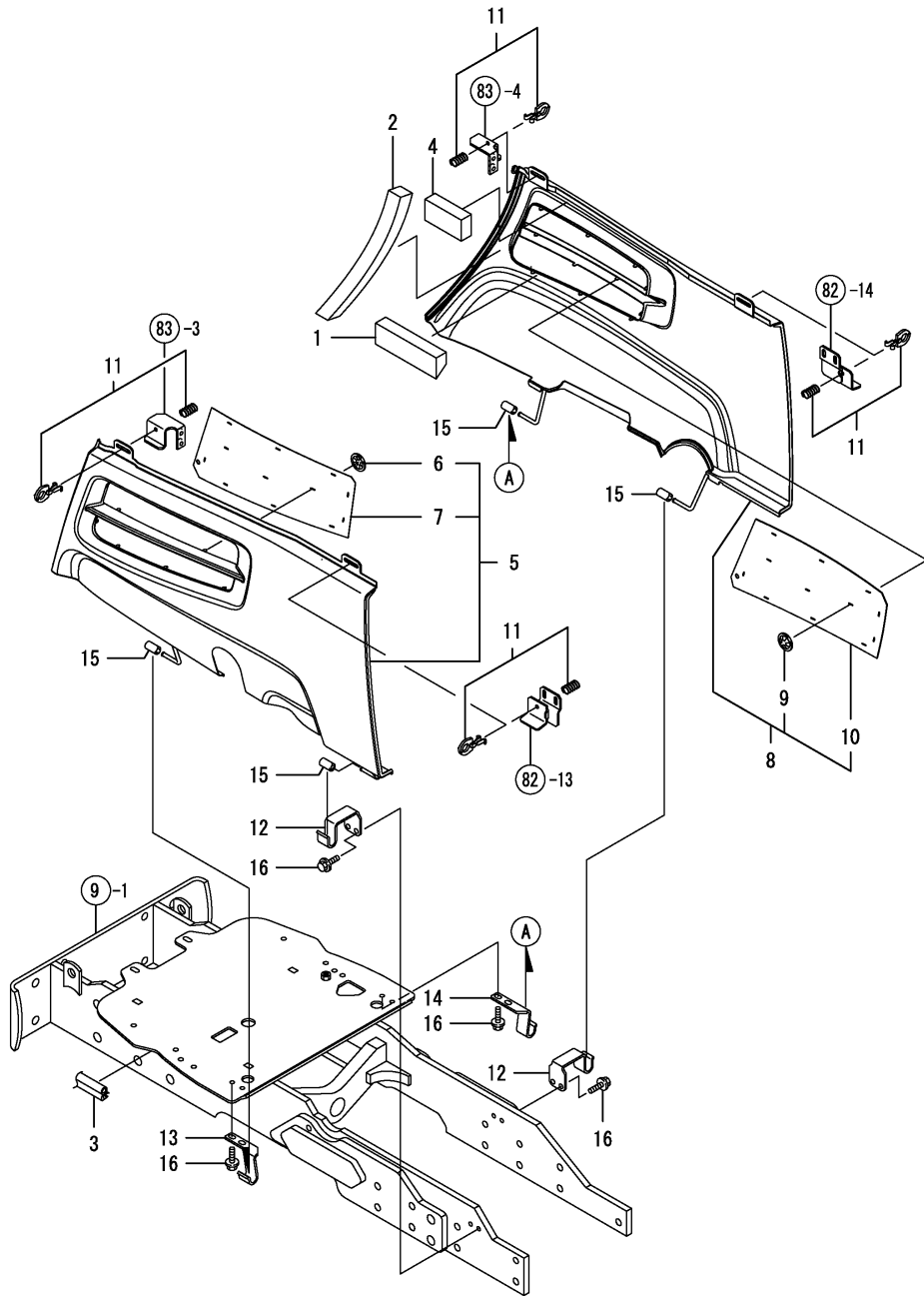
(F)=

No.	Lev.	Parts No.	Description	Q'ty						I	R
				(A)	(B)	(C)	(D)	(E)	(F)		
1	1	194990-22140	NUT, M8	1							
2	1	194990-22140	NUT, M8	2							
3	1	1A7260-60661	GASKET	1							
4	1	1A7260-60680	URETHANE, GRILLE	1							
5	1	1A7260-60800	CATCH, LOCK	1							
6	1	1A7260-60810	LEVER, LOCK	1							
7	1	1A7260-60820	PLATE, BASE	1							
8	1	1A7260-60870	SEAL, GRILLE SIDE	2							
9	1	1A7890-61300	GRILLE, FRONT	1							
9-1	1	1A7890-61300-2	GRILLE, FRONT	1							S
		(A=F008590)									
10	1	1A7260-61310	NET ASSY, GRILLE	1							
10-1	1	1A7260-61310-1	NET ASSY, GRILLE	1							R
		(A=F007874)									
11	1	1A7260-61550	STAY ASSY, LOCK	1							
12	1	194145-61651	NUT, SPEED M5	4							
13	1	1A7260-61650	FRAME ASSY, GRILLE L	1							
14	1	1A7260-61660	FRAME ASSY, GRILLE R	1							
15	1	194940-61790	SCREW, TAPPING M5X16	2							
16	1	198071-61890	NUT, SPEED M6	2							
17	1	1A7260-61920	STAY, FRONT GRILLE	1							
18	1	198230-61960	SPRING	1							
19	1	198220-62150	WASHER	2							
20	1	198196-83170	BOLT, M6X16	4							
21	1	198196-83170	BOLT, M6X16	2							
22	1	198196-83170	BOLT, M6X16	2							
23	1	198196-83170	BOLT, M6X16	2							
24	1	198093-84810	SEAL, FENDER	2							
25	1	22137-080000	WASHER, 8	1							
26	1	22137-120000	WASHER, 12	1							
27	1	22157-060000	WASHER, 6	2							
28	1	22157-060000	WASHER, 6	2							
29	1	22157-060000	WASHER, 6	4							
30	1	22859-500202	SCREW, 5X20	2							
31	1	26106-060122	BOLT, M6X 12 PLATED	2							
32	1	26106-060122	BOLT, M6X 12 PLATED	4							
33	1	26106-080122	BOLT, M8X 12 PLATED	2							
34	1	26346-060002	NUT, M6	2							

Fig.85. SIDE COVER

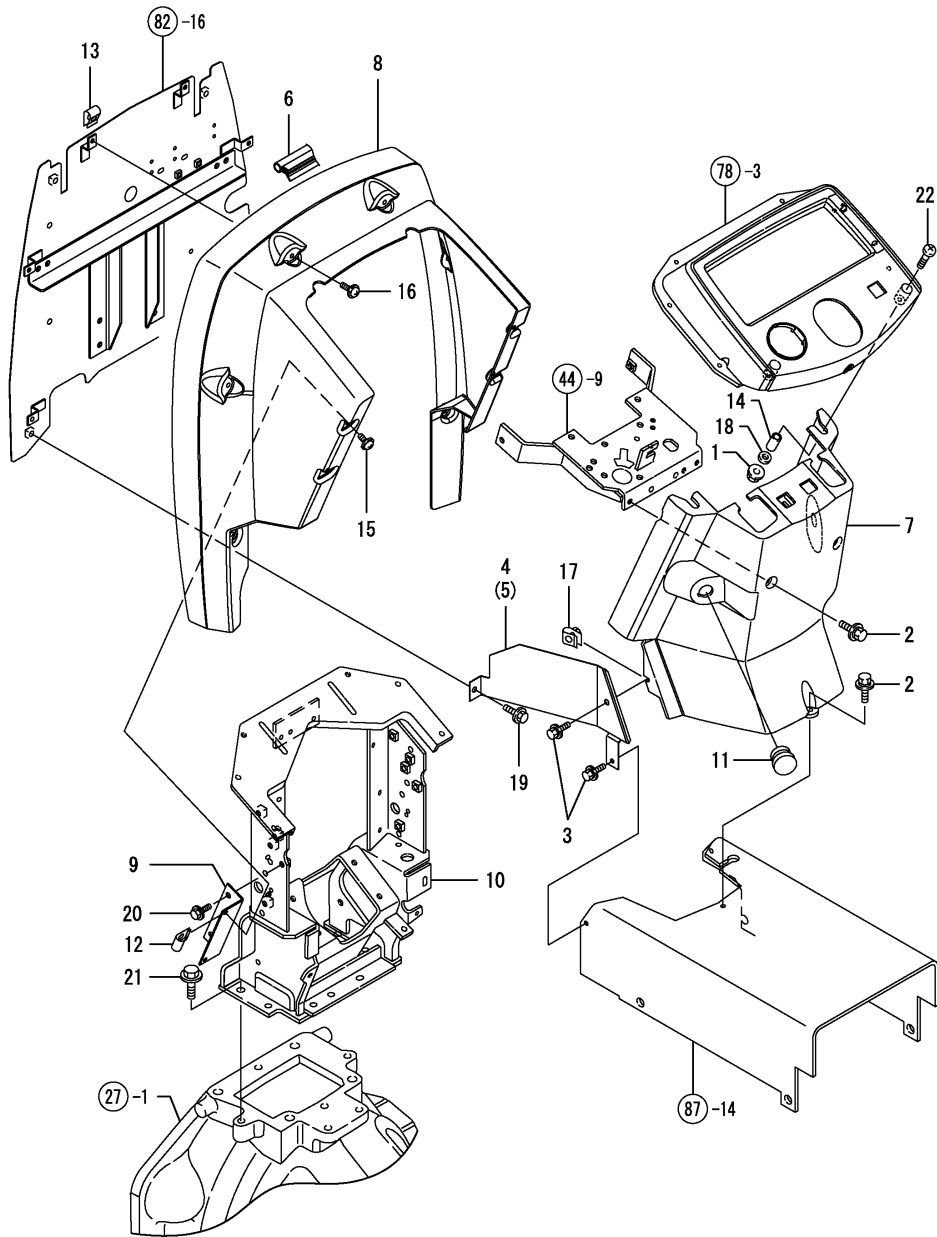
(A)=EF453-AU-PQ
(B)=
(C)=

(D)=
(E)=
(F)=



No.	Lev.	Parts No.	Description	Q'ty						I	R
				(A)	(B)	(C)	(D)	(E)	(F)		
1	1	1A7260-60640	URETHANE, COVER A	2							
2	1	1A7260-60670	URETHANE, COVER B	2							
3	1	1A7270-60750	WEATHER-STRIP, 440	2							
4	1	1A7260-60900	URETHANE, COVER C	2							
5	1	1A7780-61000-2	COVER ASSY, SIDE L M	1							
5-1	1	1A7780-61000	COVER ASSY, SIDE L M	1							S
(A=F008590)											
6	2	198129-05190	NUT, PUSH M6	12							
7	2	1A7260-61060	NET, SIDE COVER L	1							
7-1	2	1A7260-61150-2	NET, SIDE COVER	1							R
(A=FZZZZZ)											
7-2	2	1A7260-61150-1	NET, SIDE COVER	1							R
(A=F007874)											
8	1	1A7780-61010-2	COVER ASSY, SIDE R M	1							
8-1	1	1A7780-61010	COVER ASSY, SIDE R M	1							S
(A=F008590)											
9	2	198129-05190	NUT, PUSH M6	12							
10	2	1A7260-61070	NET, SIDE COVER R	1							
10-1	2	1A7260-61150-2	NET, SIDE COVER	1							R
(A=FZZZZZ)											
10-2	2	1A7260-61150-1	NET, SIDE COVER	1							R
(A=F007874)											
11	1	198220-61351	LOCK ASSY, CAM	4							
12	1	1A7260-61400	STAY, SIDE COVER R	2							
13	1	1A7260-61450	STAY, SIDE COVER FL	1							
14	1	1A7260-61460	STAY, SIDE COVER FR	1							
15	1	198220-61800	RUBBER, CUSHION	4							
16	1	26106-080102	BOLT, M8X 10 PLATED	8							

Fig.86. DASHBOARD

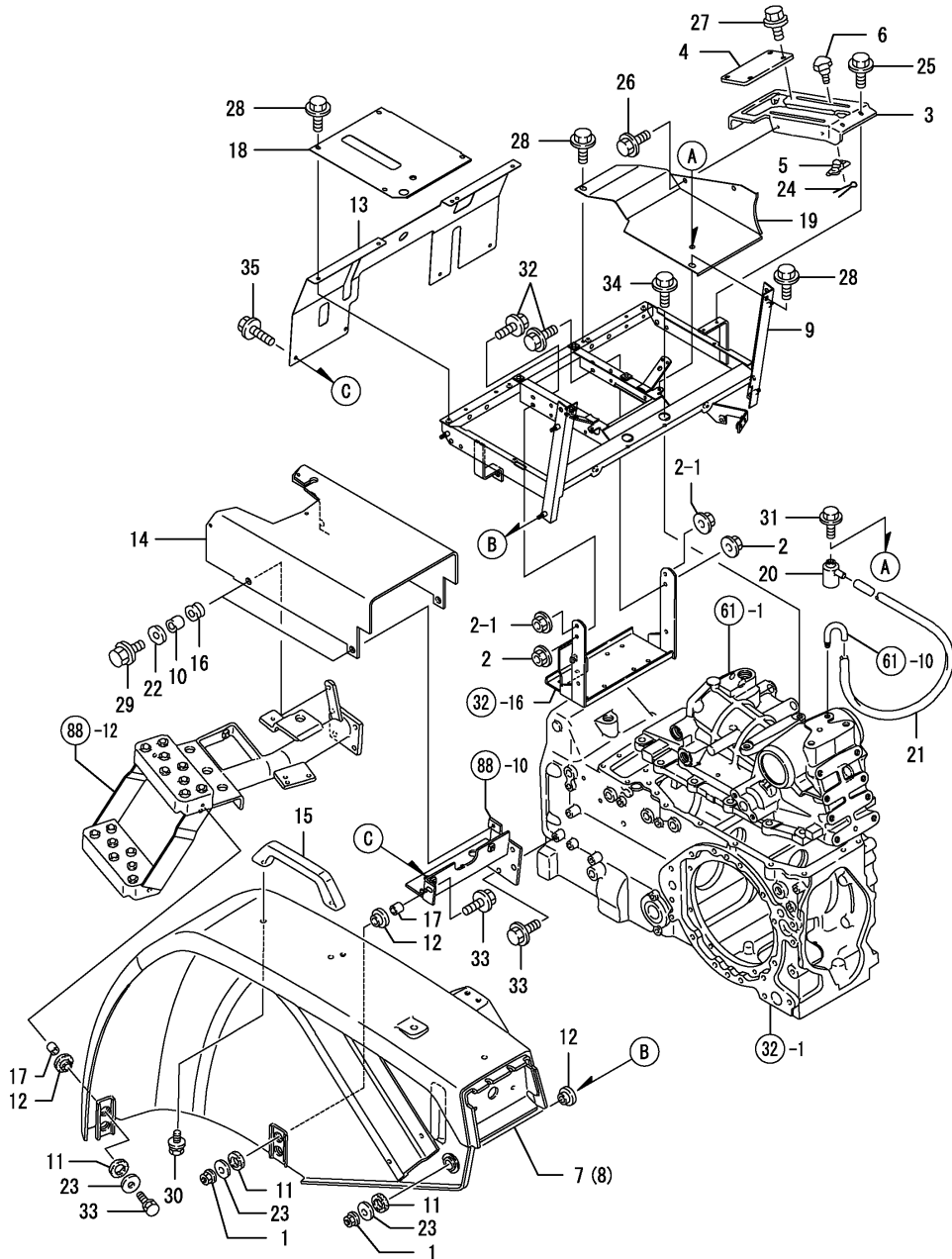


(A)=EF453-AU-PQ
(B)=
(C)=

(D)=
(E)=
(F)=

No.	Lev.	Parts No.	Description	Q'ty						I	R
				(A)	(B)	(C)	(D)	(E)	(F)		
1	1	194990-22130	NUT, M6	2							
2	1	198461-60590	BOLT, M6X20	3							
3	1	198461-60590	BOLT, M6X20	4							
4	1	1A7780-61410	COVER ASSY, LOWER L	1							
4-1	1	1A7780-61410-1 (A=F007874)	COVER ASSY, LOWER L	1							R
5	1	1A7780-61420	COVER ASSY, LOWER R	1							
5-1	1	1A7780-61420-1 (A=F007874)	COVER ASSY, LOWER R	1							R
6	1	1A7780-61510	WEATHER STRIP,1700	1							
6-1	1	1A7780-61511 (A=*2010.05.)	WEATHER-STRIP, 1670	1							N
7	1	198138-61530	COVER, DASHBOARD	1							
7-1	1	198138-61531 (A=*2008.11.)	COVER, DASHBOARD	1							R
8	1	1A7780-61540	COVER, DASHBOARD	1							
9	1	1A7780-61550	STAY, DASHBOARD	2							
10	1	1A7780-61600	STAY ASSY, DASHBOARD	1							
11	1	194448-61620	GROMMET, 20.5	1							
12	1	194167-61650	NUT 5008	4							
13	1	194167-61650	NUT 5008	6							
14	1	198133-61690	COLLAR, 10.5X17	2							
15	1	194940-61790	SCREW, TAPPING M5X16	4							
16	1	194940-61790	SCREW, TAPPING M5X16	6							
17	1	198071-61890	NUT, SPEED M6	2							
18	1	22117-060000	WASHER, 6	2							
19	1	26106-080122	BOLT, M8X 12 PLATED	2							
20	1	26106-080162	BOLT, M8X 16 PLATED	4							
21	1	26106-100202	BOLT, M10X 20 PLATED	4							
22	1	26587-060352	SCREW, M6X35	2							

Fig.87. FENDER



(A)=EF453-AU-PQ
(B)=
(C)=

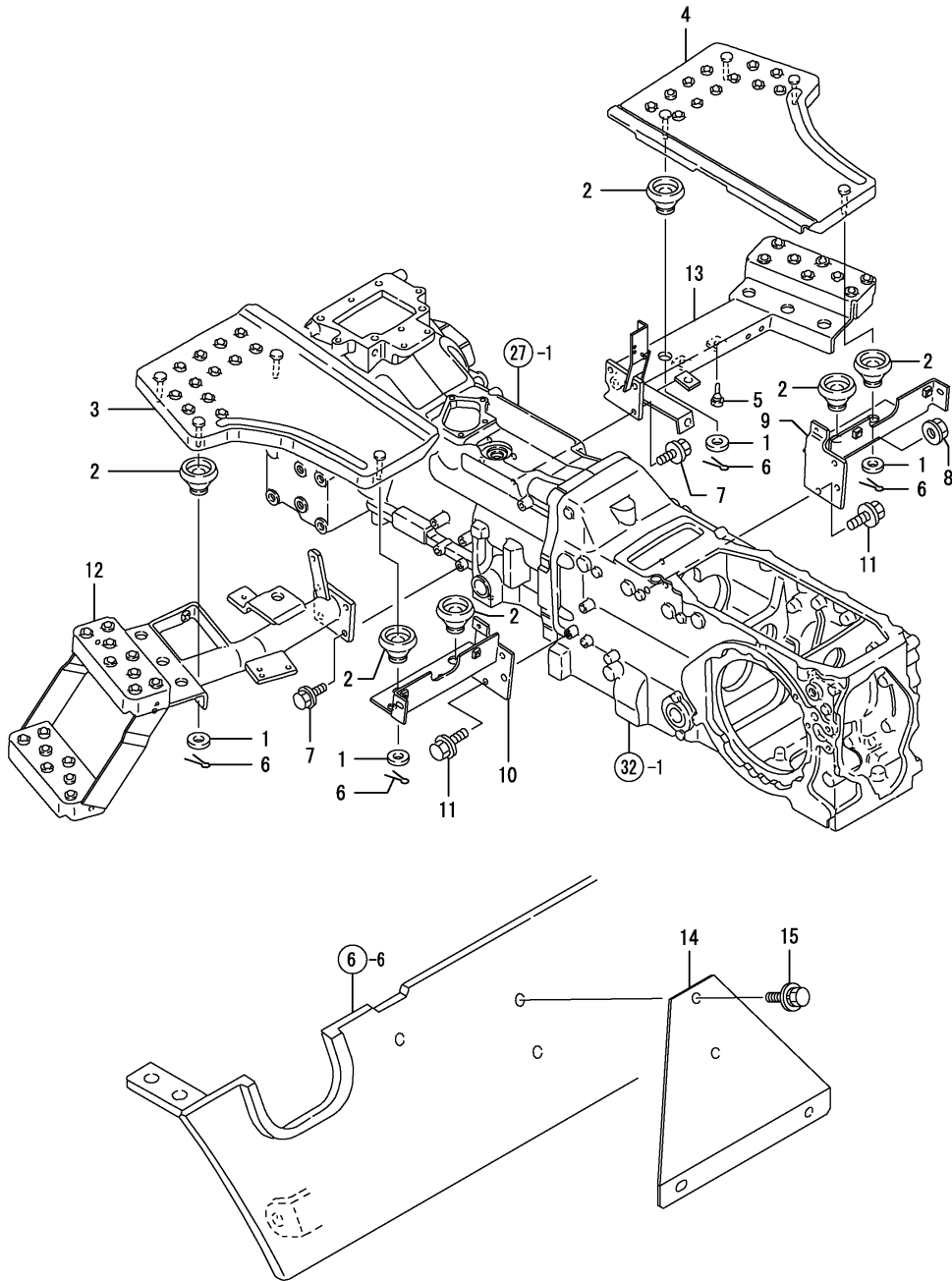
(D)=
(E)=
(F)=

No.	Lev.	Parts No.	Description	Q'ty						I	R
				(A)	(B)	(C)	(D)	(E)	(F)		
1	1	194990-22140	NUT, M8	8							
2	1	194990-22140	NUT, M8	2							
2-1	1	194990-22140	NUT, M8	4							K
(A=FXXXXX)											
3	1	198240-47710-1	GUIDE, LEVER	1							
3-1	1	198240-47710-2	GUIDE, LEVER	1							R
(A=F007874)											
4	1	198240-47730-1	COVER, LEVER GUIDE	1							
4-1	1	198240-47730-2	COVER, LEVER GUIDE	1							R
(A=F007874)											
5	1	198220-47750	STOPPER, LEVER	1							
6	1	194130-47851	BOLT, M6X15	1							
7	1	198240-62110	FENDER L.H.	1							
8	1	198133-62123	FENDER ASSYL R	1							
9	1	1A7780-62150	BRACKET, FENDER	1							
9-1	1	1A7780-62150-1	BRACKET, FENDER	1							R
(A=F007874)											
10	1	198220-62220	COLLAR	4							
11	1	198220-62260	CUSHION, RUBBER	10							
12	1	198220-62270	CUSHION, RUBBER	10							
13	1	1A7780-62270	COVER, CASE M	1							
14	1	1A7780-62330	COVER KIT, CLUTCH	1							
14-1	1	1A7780-62330-1	COVER(CLUTCH(M/A KIT	1							R
(A=F007874)											
15	1	198220-62410	BAR, ASSIST	2							
16	1	198220-62440	GROMMET	12							
17	1	198220-62920	COLLAR, ABSORBER	4							
18	1	1A7780-63090	COVER, DUST L	1							
18-1	1	1A7780-63090-1	COVER, DUST L	1							R
(A=F007874)											
19	1	1A7780-63100	COVER, DUST R	1							
19-1	1	1A7780-63100-1	COVER, DUST R	1							R
(A=F007874)											
20	1	194205-63550	BREATHER, AIR	1							
21	1	194640-63560	PIPE, AIR BREATHER	1							
22	1	22157-060000	WASHER, 6	4							
23	1	22157-080000	WASHER, 8	10							
24	1	22417-200160	PIN, COTTER 2.0X16	1							
25	1	26106-060122	BOLT, M6X 12 PLATED	2							
26	1	26106-060122	BOLT, M6X 12 PLATED	2							
27	1	26106-060122	BOLT, M6X 12 PLATED	4							
28	1	26106-060122	BOLT, M6X 12 PLATED	6							
29	1	26106-060202	BOLT, M6X 20 PLATED	4							
30	1	26106-080122	BOLT, M8X 12 PLATED	4							
31	1	26106-080162	BOLT, M8X 16 PLATED	1							
32	1	26106-080162	BOLT, M8X 16 PLATED	4							
33	1	26106-080302	BOLT, M8X 30 PLATED	4							
34	1	26106-100252	BOLT, M10X 25 PLATED	2							
35	1	26106-060122	BOLT, M6X 12 PLATED	4							

Fig.88. STEP

(A)=EF453-AU-PQ
(B)=
(C)=

(D)=
(E)=
(F)=

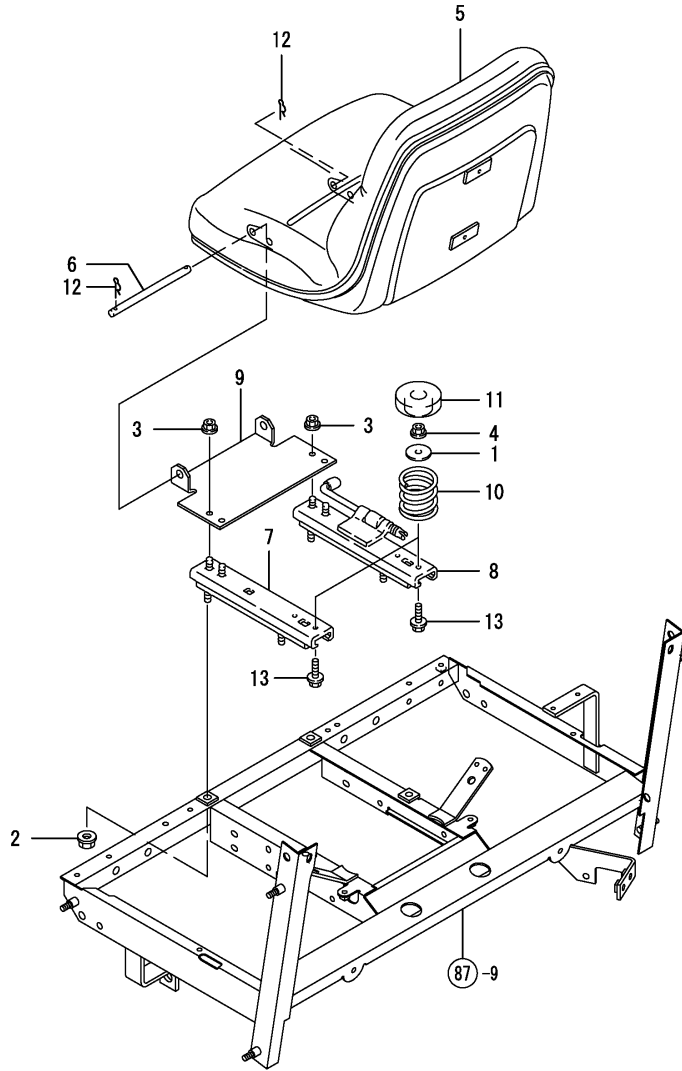


No.	Lev.	Parts No.	Description	Q'ty						I	R
				(A)	(B)	(C)	(D)	(E)	(F)		
1	1	198220-62150	WASHER	8							
2	1	198240-62451	ABSORBER, STEP	10							
3	1	198320-62510	STEP ASSY, L	1							
4	1	198320-62520	STEP ASSY, R	1							
5	1	194330-62530	STOPPER, PEDAL	2							
6	1	22417-250300	PIN, COTTER 2.5X30	8							
7	1	26106-080202	BOLT, M8X 20 PLATED	7							
8	1	194990-22140	NUT, M8	1							
9	1	198320-62580	STAY, ABSORBER R	1							
9-1	1	198320-62580-1	STAY, ABSORBER R	1							R
(A=F007874)											
10	1	198320-62610	STAY, ABSORBER L	1							
10-1	1	198320-62610-1	STAY, ABSORBER L	1							R
(A=F007874)											
11	1	26106-080162	BOLT, M8X 16 PLATED	3							
12	1	198320-62531	STAY, STEP L	1							
13	1	198178-62541	STAY, STEP R	1							
14	1	1A7780-62850	STAY, PLATE	1							
15	1	26018-060162	BOLT, M6X 16	2							

Fig.89. SEAT

(A)=EF453-AU-PQ
(B)=
(C)=

(D)=
(E)=
(F)=

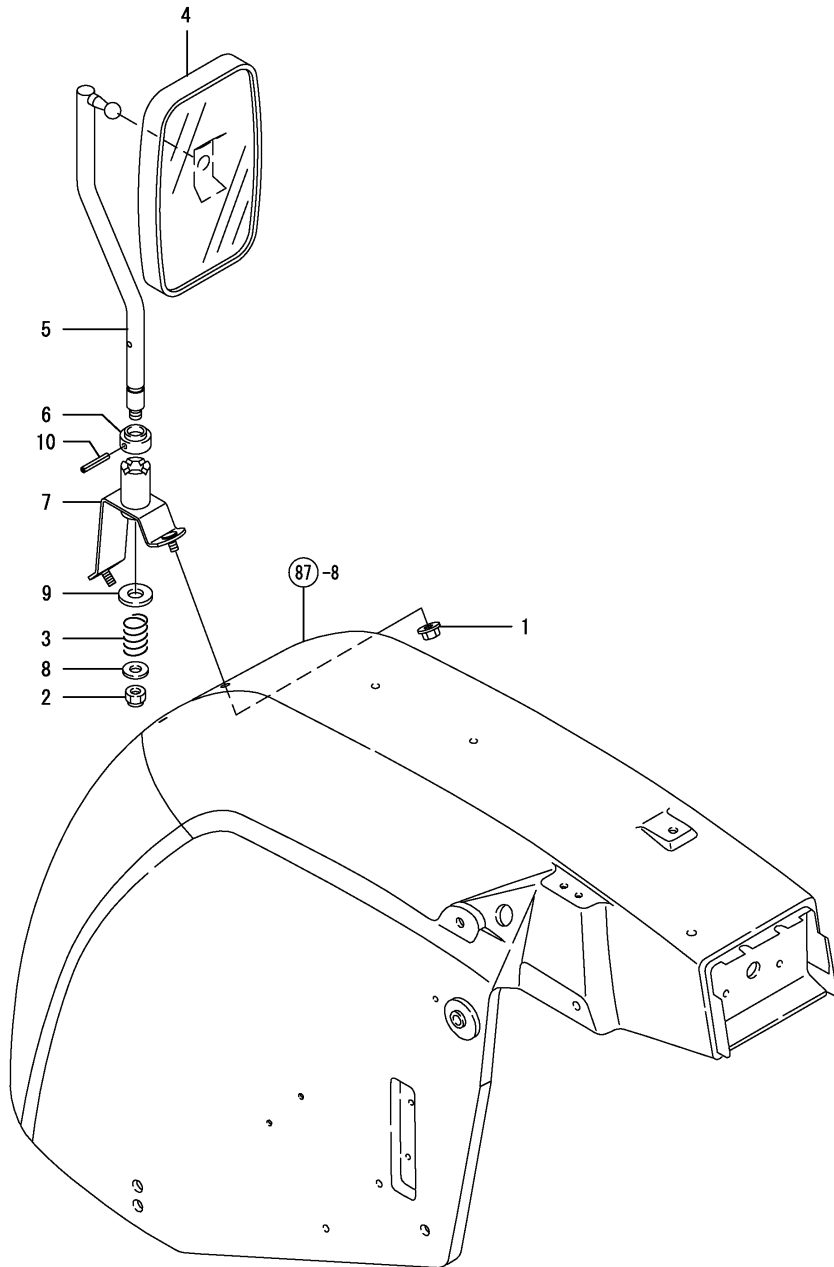


No.	Lev.	Parts No.	Description	Q'ty						I	R
				(A)	(B)	(C)	(D)	(E)	(F)		
1	1	1C6140-12060	SPACER, 9X36X3.2	2							
1-1	1	1C6140-47210-1	WASHER, 9X32X3.2	2							N
(A=FXXXXX)											
2	1	194990-22140	NUT, M8	4							
3	1	194990-22140	NUT, M8	4							
4	1	194990-22140	NUT, M8	2							
5	1	1A7780-63110	SEAT ASSY, OPERATOR	1							
5-1	1	198240-63110	SEAT ASSY, OPERATOR	1							N
(A=FZZZZZ)											
6	1	198220-63120	PIN, HINGE	1							
7	1	198071-63150	RAIL, L	1							
8	1	198071-63160	RAIL, R	1							
9	1	1A7780-63250	BRACKET, SEAT	1							
10	1	198176-63260	SPRING	2							
11	1	198284-63270	STOPPER, SEAT	2							
12	1	22372-120000	PIN, SNAP 12	2							
13	1	26106-080202	BOLT, M8X 20 PLATED	2							

Fig.90. BACK MIRROR

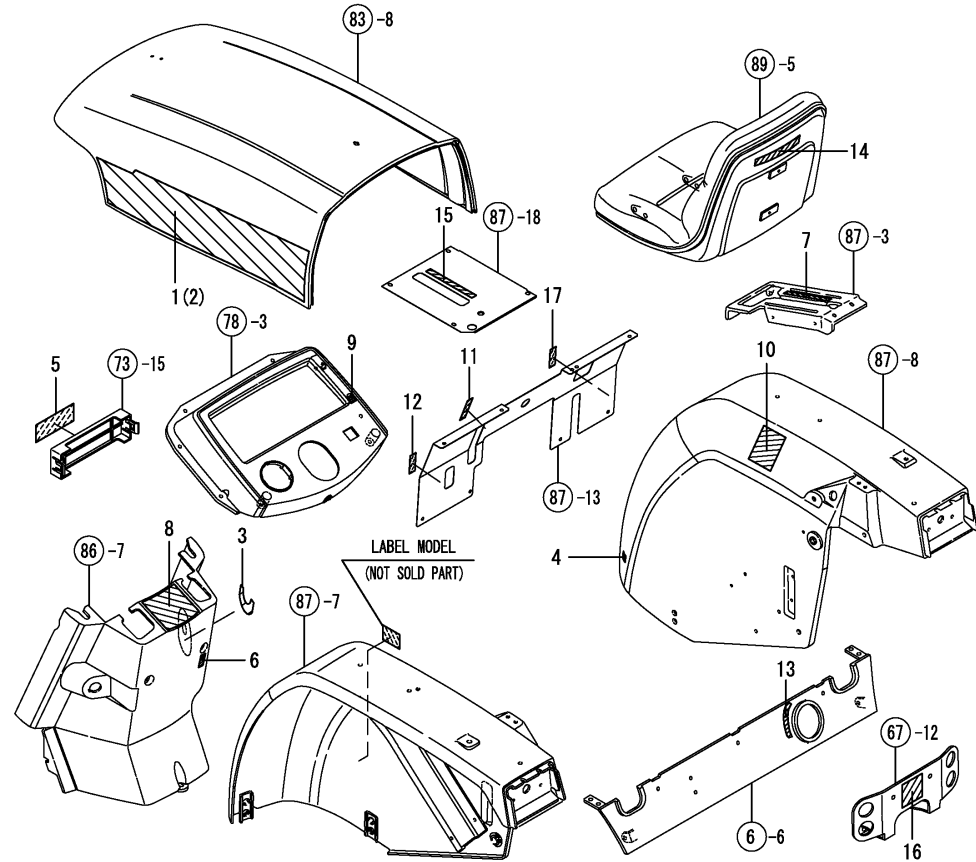
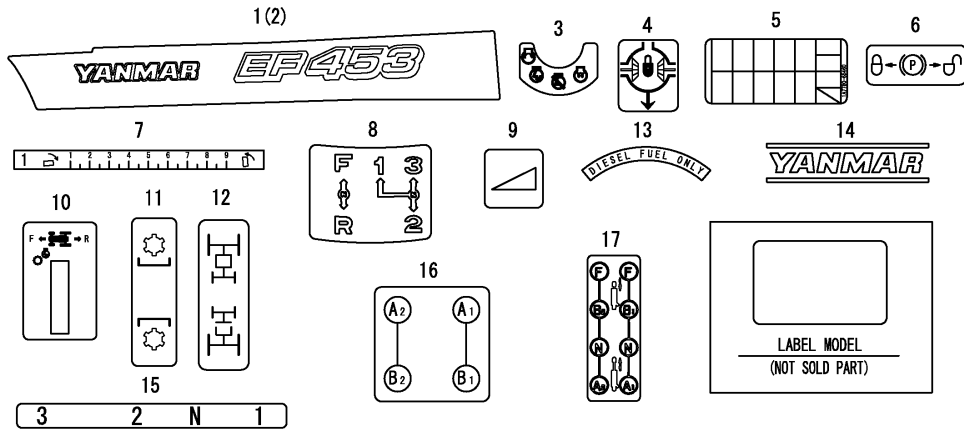
(A)=EF453-AU-PQ
(B)=
(C)=

(D)=
(E)=
(F)=



No.	Lev.	Parts No.	Description	Q'ty						I	R
				(A)	(B)	(C)	(D)	(E)	(F)		
1	1	194990-22140	NUT, M8	2							
2	1	194990-22160	NUT, M12	1							
3	1	198220-63340	SPRING, FRICTION	1							
4	1	198440-64100	HEAD, MIRROR	1							
5	1	1A7780-64350	STAY, BACK MIRROR R	1							
6	1	198133-64400	GROMMET	1							
7	1	1A7780-64410	BRACKET, MIRROR	1							
8	1	22137-120000	WASHER, 12	1							
9	1	22137-160000	WASHER, 16	1							
10	1	22351-060040	PIN, SPRING 6.0X40	1							

Fig.91. LABELS



(A)=EF453-AU-PQ
(B)=
(C)=

(D)=
(E)=
(F)=

No.	Lev.	Parts No.	Description	Q'ty						I	R
				(A)	(B)	(C)	(D)	(E)	(F)		
1	1	1A7780-64770	LABEL,	1							
2	1	1A7780-64780	LABEL,	1							
3	1	198220-65340	LABEL, START SWITCH	1							
4	1	194240-65441	LABEL, DIFF. LOCK	1							
5	1	1A7780-65460	LABEL,FUSE BOX AUS	1							
6	1	198036-65470	LABEL, BRAKE LOCK	1							
6-1	1	1A7480-65470	LABEL,	1							R
		(A=FZZZZZ)									
7	1	198220-65470	LABEL, LEVER	1							
8	1	198175-65500	LABEL,MAIN CHANGE	1							
9	1	1A6640-65530	LABEL,THROTTLE	1							Z
		(A=FXXXXX)									
10	1	198178-65560	LABEL,SPEED	1							
11	1	198220-65610	LABEL, PTO	1							
12	1	198221-65740	LABEL, MFWD	1							
13	1	194275-65790	LABEL, FUEL CAUTION	1							Z
		(A=FXXXXX)									
14	1	194170-65891	LABEL, SEAT	1							
15	1	198242-65940	LABEL,SUB CHANGE	1							
16	1	1A7660-65670	LABEL,SCV PORT	1							W
		(A=FXXXXXX)									
17	1	198173-65680	LABEL,SCV LEVER	1							W
		(A=FXXXXXX)									

Fig.93. TOP LINK

(A)=EF453-AU-PQ
(B)=
(C)=

(D)=
(E)=
(F)=

No.	Lev.	Parts No.	Description	Q'ty						I	R
				(A)	(B)	(C)	(D)	(E)	(F)		
1	1	195397-27810	PIN, 19X92	2							
2	1	1A7780-71100	LINK KIT, TOP	1							
3	2	1A7780-71500	TURNBUCKLE ASSY	1							
4	2	198133-71600	LINK ASSY, TOP R	1							
5	2	198133-71700	LINK ASSY, TOP L	1							
6	2	198092-71750	NUT ASSY, M24	1							
7	2	22217-060000	WASHER, SPRING 6	2							
8	2	22351-040024	PIN, SPRING 4.0X24	2							
9	2	26557-060062	SCREW, M6X 6	2							
10	1	194275-71550	SPRING	1							
10-1	1	1A7780-71600	SPRING	1							R
(A=FZZZZZ)											
11	1	194180-72950	PIN ASSY, LOCK	2							
12	1	22137-080000	WASHER, 8	1							
13	1	22417-300250	PIN, COTTER 3.0X25	1							

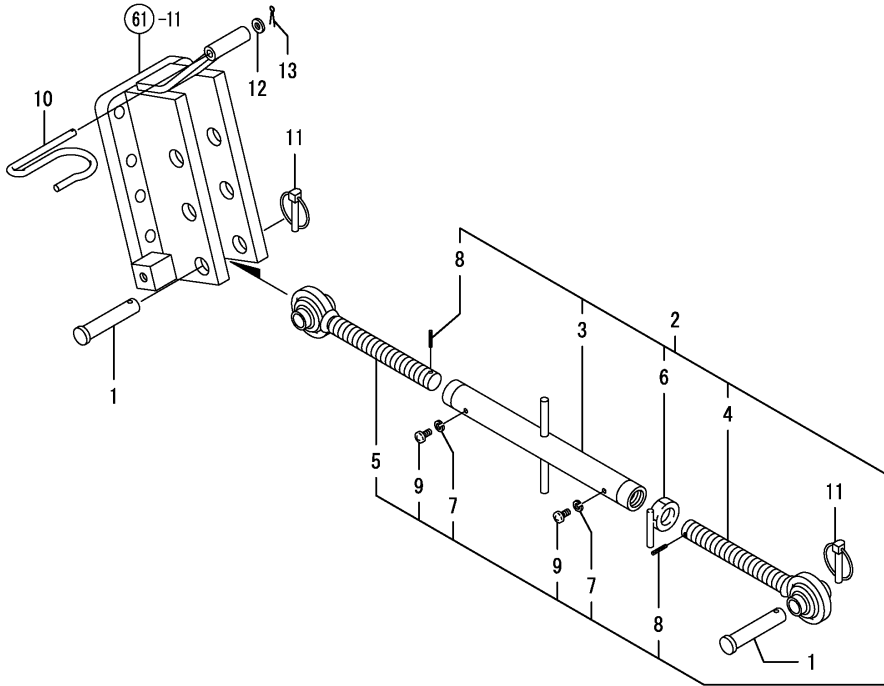
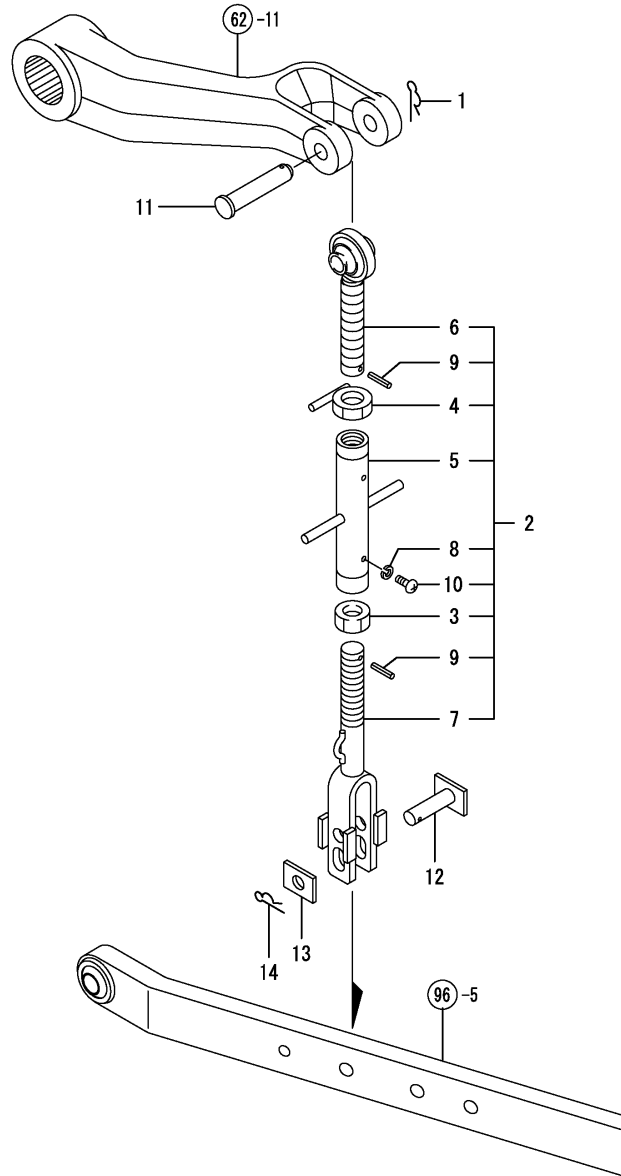


Fig.94. LIFT LINK R.

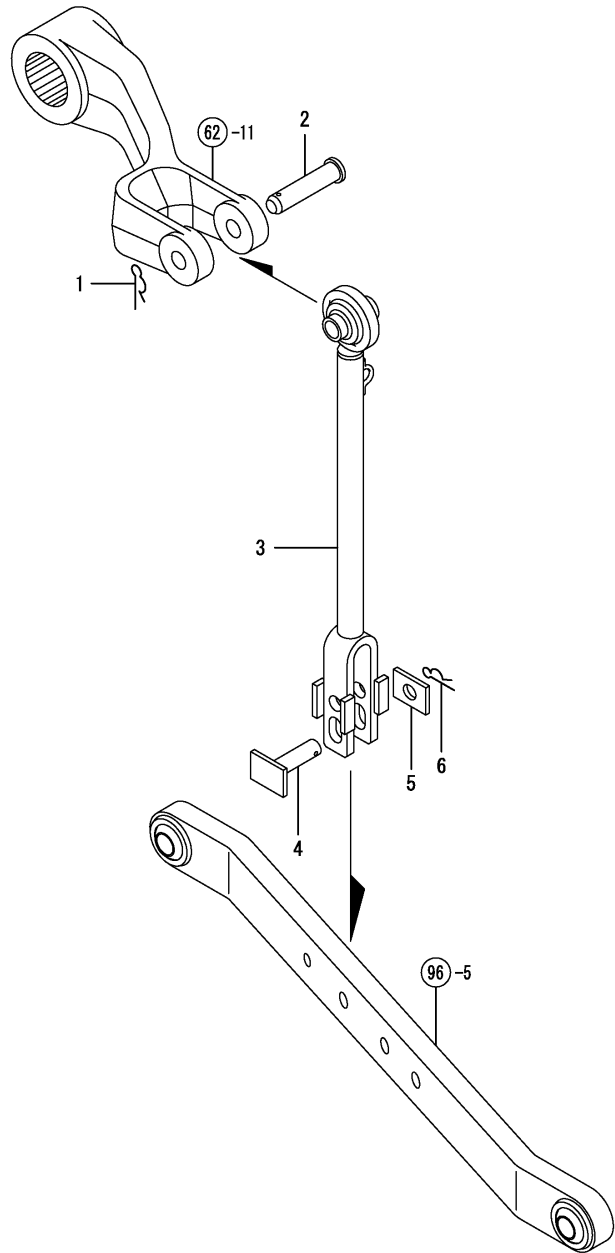


(A)=EF453-AU-PQ
(B)=
(C)=

(D)=
(E)=
(F)=

No.	Lev.	Parts No.	Description	Q'ty						I	R
				(A)	(B)	(C)	(D)	(E)	(F)		
1	1	195184-15360	PIN, SNAP 19	1							
2	1	1A7780-72100	LINK KIT, LIFT R	1							
3	2	194700-71410	NUT M24 L.H.	1							
4	2	198092-71750	NUT ASSY, M24	1							
5	2	1A7780-72150	TURNBUCKLE ASSY	1							
6	2	198242-72200	BOLT, EYE	1							
7	2	198175-72250	YOKE ASSY, LINK R	1							
8	2	22217-060000	WASHER, SPRING 6	2							
9	2	22351-040024	PIN, SPRING 4.0X24	2							
10	2	26557-060062	SCREW, M6X 6	2							
11	1	194640-72410	PIN, LIFT ARM	1							
12	1	194640-72550	PIN, LIFT YOKE	1							
13	1	194330-72560	STOPPER	1							
14	1	22372-160000	PIN, SNAP 16	1							

Fig.95. LIFT LINK L

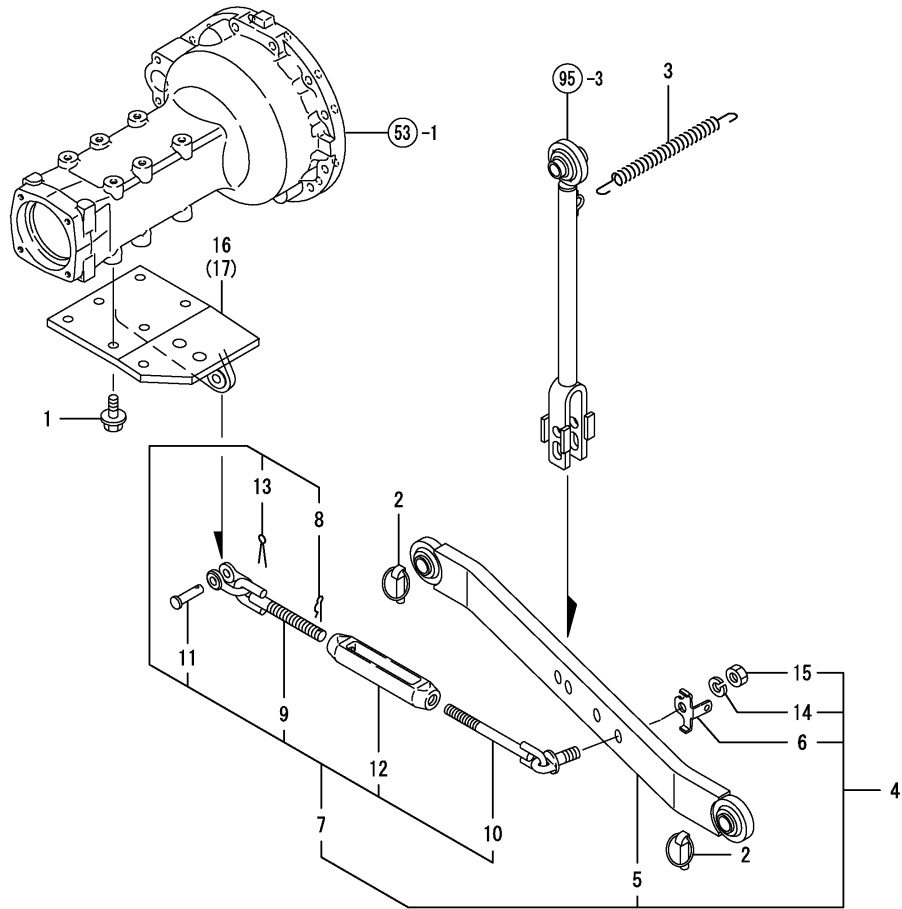


(A)=EF453-AU-PQ
(B)=
(C)=

(D)=
(E)=
(F)=

No.	Lev.	Parts No.	Description	Q'ty						I	R
				(A)	(B)	(C)	(D)	(E)	(F)		
1	1	195184-15360	PIN, SNAP 19	1							
2	1	194640-72410	PIN, LIFT ARM	1							
3	1	198133-72530	LINK ASSY, LIFT L	1							
4	1	194640-72550	PIN, LIFT YOKE	1							
5	1	194330-72560	STOPPER	1							
6	1	22372-160000	PIN, SNAP 16	1							

Fig.96. LOWER LINK & CHECK CHAIN



(A)=EF453-AU-PQ
(B)=
(C)=

(D)=
(E)=
(F)=

No.	Lev.	Parts No.	Description	Q'ty						I	R
				(A)	(B)	(C)	(D)	(E)	(F)		
1	1	198220-11510	BOLT, M12X27	12							
2	1	794130-71410	PIN ASSY, BALL	4							
3	1	194145-73150	SPRING, LOCK	1							
4	1	1A7780-73410	LINK KIT, LOWER	2							
5	2	198133-73100	LINK ASSY, LOWER	2							
6	2	198071-73550	PLATE, HOOK	2							Z
(A=FZZZZZ)											
7	2	1A7780-74200	CHAIN ASSY, CHECK	2							
8	3	1A6150-73700	PIN, SNAP 16	2							
9	3	1A7780-74210	CHAIN ASSY, CHECK F	2							
10	3	1A7270-74250	CHAIN ASSY, CHECK R	2							
11	3	198181-74630	PIN, CHAIN	2							
12	3	198475-74700	TURNBUCKLE, M16	2							
13	3	22417-400320	PIN, COTTER 4.0X32	2							
14	2	22217-160000	WASHER, SPRING 16	2							
15	2	26736-160002	NUT, M16	2							
16	1	1A7780-85500	PLATE ASSY, BASE L	1							
16-1	1	1A7780-85500-1	PLATE ASSY, BASE L	1							R
(A=F007874)											
17	1	1A7780-85550	PLATE ASSY, BASE R	1							
17-1	1	1A7780-85550-1	PLATE ASSY, BASE R	1							R
(A=F007874)											

Fig.97. DRAWBAR HITCH

(A)=EF453-AU-PQ
(B)=
(C)=

(D)=
(E)=
(F)=

No.	Lev.	Parts No.	Description	Q'ty						I	R
				(A)	(B)	(C)	(D)	(E)	(F)		
1	1	198240-12650	BOLT, M14X28	4							
2	1	198133-75110	HITCH, DRAWBAR	1							
2-1	1	198133-75110-1	HITCH, DRAWBAR	1							R
(A=F007874)											
3	1	198133-75130	BRACKET, DRAWBAR	1							
3-1	1	198133-75130-1	BRACKET, DRAWBAR	1							R
(A=F007874)											
4	1	198133-75320	PIN ASSY, HITCH	1							
5	2	22351-060040	PIN, SPRING 6.0X40	1							
6	1	198240-75440	PIN, STOPPER 12X74	2							
7	1	198133-75750	PIN ASSY, HITCH 25	1							
8	1	194080-75790	PIN, SNAP 28	1							
9	1	194180-75810-1	BRACKET, CLEVIS	1							
9-1	1	194180-75810-2	BRACKET, CREVIS (23)	1							R
(A=F007874)											
10	1	22137-120000	WASHER, 12	2							
11	1	22217-120000	WASHER, SPRING 12	2							
12	1	22217-160000	WASHER, SPRING 16	2							
13	1	22360-200000	PIN, SNAP 20	1							
14	1	22372-120000	PIN, SNAP 12	2							
15	1	24311-000220	O-RING, 1AP22.0	1							
16	1	26013-120302	BOLT, M12X 30	4							
17	1	26116-160702	BOLT M16X 70 PLATED	2							
18	1	26716-120002	NUT, M12	2							
19	1	26716-160002	NUT, M16	2							

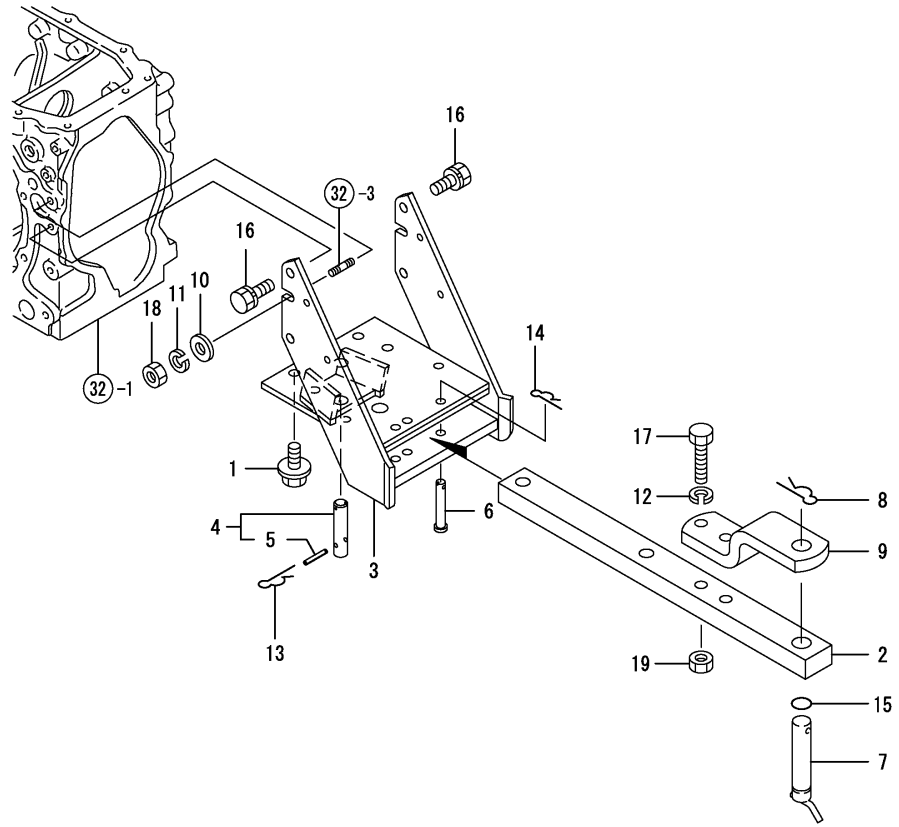
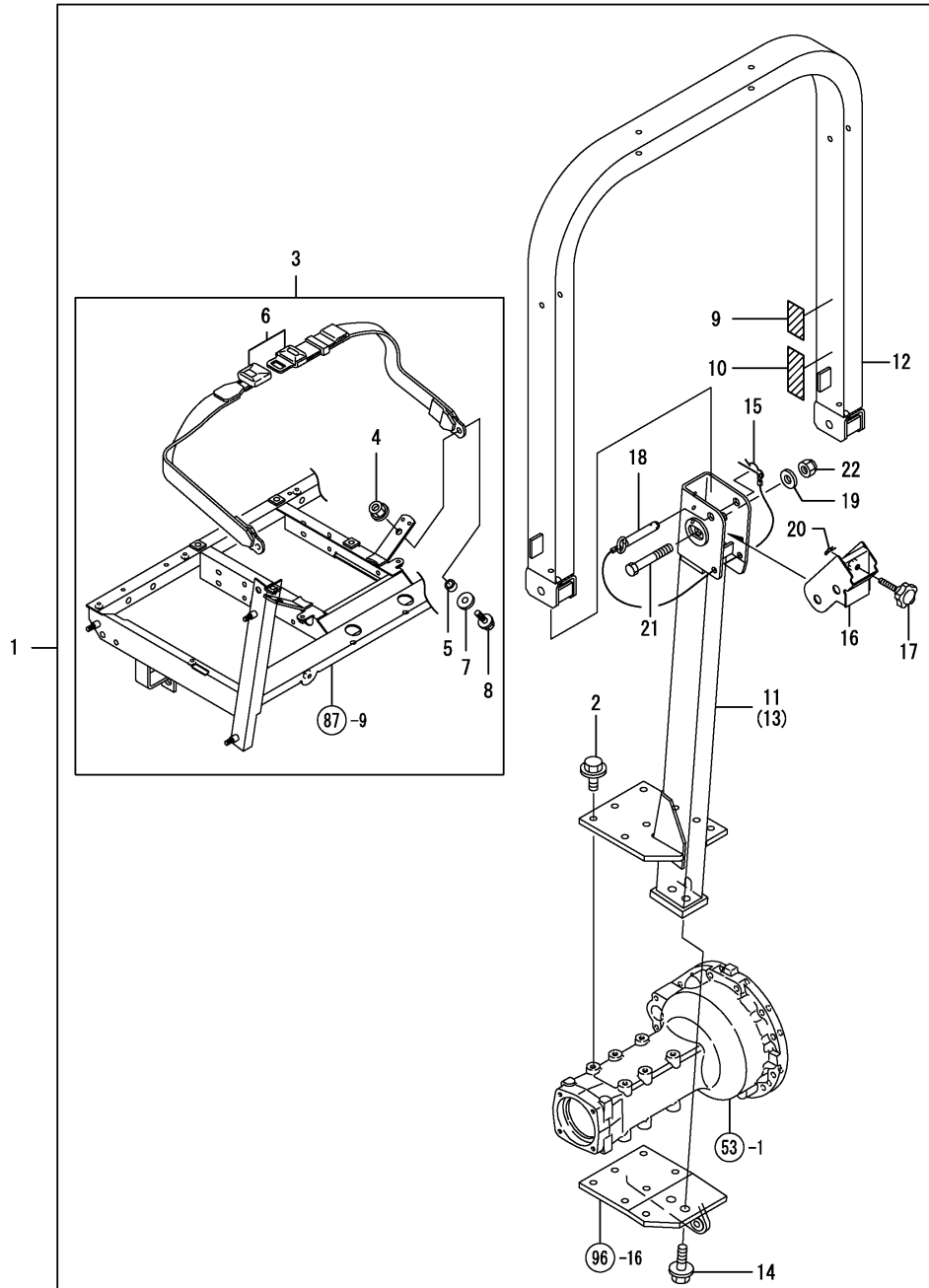


Fig.99. SAFETY FRAME



(A)=EF453-AU-PQ
(B)=
(C)=

(D)=
(E)=
(F)=

No.	Lev.	Parts No.	Description	Qty						I	R
				(A)	(B)	(C)	(D)	(E)	(F)		
1	1	1A7780-85100	ROPS KIT	1							
2	2	198220-11510	BOLT, M12X27	12							
3	2	198268-63110	BELT KIT, SEAT	1							
4	3	194990-22150	NUT, M10	2							
5	3	195747-22360	COLLAR, EXTENSION	2							
6	3	198268-63120	BELT, SEAT	1							
7	3	22137-100000	WASHER, 10	2							
8	3	26106-100302	BOLT, M10X 30 PLATED	2							
9	2	198440-65860	LABEL,ROPS	1							
10	2	1A7130-65910	LABEL (ROPS CAUTION	1							
11	2	1A7780-85110	ROPS ASSY, LOWER L	1							
11-1	2	1A7780-85110-1	ROPS ASSY, LOWER L	1							R
(A=F007874)											
12	2	1A7780-85200	ROPS, UPPER	1							
12-1	2	1A7780-85200-1	ROPS, UPPER	1							R
(A=F007874)											
13	2	1A7780-85210	ROPS ASSY, LOWER R	1							
13-1	2	1A7780-85210-1	ROPS ASSY, LOWER R	1							R
(A=F007874)											
14	2	198220-85290	BOLT, M16X40	4							
15	2	198133-85850	PIN, SNAP 16	2							
16	2	1A7780-85900	PLATE ASSY, BACK	2							
16-1	2	1A7780-85900-1	PLATE ASSY, BACK	2							R
(A=F007874)											
17	2	198133-85920	BOLT, M10X50	2							
18	2	198133-85980	PIN ASSY, STOPPER	2							
19	2	22157-160000	WASHER, 16	2							
20	2	22372-080000	PIN, SNAP 8	2							
21	2	26156-161002	BOLT, M16X100 PLATED	2							
22	2	26356-160002	NUT, M16	2							

Parts No. Index

Parts No.	Fig. No.	Ref. No.
0A042-G00200	100	1
106990-44660	2	19
114270-59010	2	51
	7	17
119005-12571	1	6
119225-52102	1	23
119255-44660	1	19
119802-55700	1	25
119802-55710	1	27
119802-55730	1	28
119802-55810	1	31
119808-12540	1	5
119860-34810	32	21
121450-44531	1	10
121470-44581	1	13
124450-44560	1	12
124550-77030	1	32
124617-91920	78	11
124701-91140	78	21
124764-44810	1	20
124766-59050	2	13
		22
		23
		24
		24 -1
		25
		26
		27
	7	9
		9 -1
129004-55612	1	24
129052-13550	1	8
129100-55690	1	26
129107-44590	1	16
129150-49081	1	22
129211-77920	1	33
129263-44510	1	9
129418-12530	1	3
129467-44580	1	15
129467-44590	1	17
129550-49101	1	21
129612-12650	1	7
129659-12520	1	1
129659-44510	1	14
129900-12530	1	4
129906-12520	1	2
129956-12160	2	18
129956-44730	1	18
168246-00110	63	1 -1
172122-46571	47	5 -1

Parts No.	Fig. No.	Ref. No.
175022-49730	2	20
175022-49750	2	21
178071-03010	63	1
192160-34150	19	5
194065-34170	58	8
		18
194065-38380	24	11
194065-60580	78	18
194066-13130	52	3
194080-75790	97	8
194130-27490	45	13
194130-37730	60	4
194130-47851	87	6
194134-37771	60	6
194145-27450	45	11
	46	5
194145-34390	56	6
194145-61570	3	8
194145-61651	78	19
	84	12
194145-73150	96	3
194150-01270	3	6
194150-21910	27	4
	28	15
194150-22250	27	5
194150-22250-1	27	5 -1
194150-22480	31	5
	60	3
194150-24270	28	16
194150-33150	54	5
194150-42280	61	10
194150-42280-1	61	10 -1
194150-45320	66	1
194151-47760	68	13
194155-05210	6	7
194155-52160	75	3
194167-61650	86	12
		13
194170-27180	47	5
194170-51210	5	7
	7	7
	73	7
194170-65891	91	14
194180-01240	2	6
194180-12471	24	1
194180-17770	7	6
194180-25550	37	2
194180-32640	53	2
194180-32670	18	12
194180-43410	62	4

Parts No.	Fig. No.	Ref. No.
194180-45620	64	2
194180-51640	68	15
	73	54
194180-61980	9	6
194180-72950	93	11
194180-75810-1	97	9
194180-75810-2	97	9 -1
194181-14180	58	6
		16
194197-25810	41	4
194197-56350	83	20
194200-53400	76	4
194205-36320	59	6
194205-63550	87	20
194215-24960	32	19
194240-65441	91	4
194250-25240	36	1
194250-25520	35	7
194250-27160	45	2
194250-51420	73	22
194250-51650	73	29
194274-13350	15	6
194274-21510	29	4
194274-21520	29	5
194274-21530	29	6
194274-21550	29	7
194274-21610	29	8
194274-21650	29	10
194274-21660	29	11
194274-21680	29	13
194274-21690	29	14
194274-21750	29	19
194274-22090	35	1
194274-22160	30	5
194274-22170	30	6
194274-22290	30	8
194275-48400	34	3
194275-51210	73	8
		9
	78	2
194275-65790	91	13
194275-71550	93	10
194278-21640	29	9
194278-21670	29	12
194278-21710	29	15
194278-48300	71	1
194279-14220	58	21
194279-14700	22	2
		6
194300-22260	31	3

Parts No.	Fig. No.	Ref. No.
194300-33200	54	6
194301-12730	37	1
194310-25100	41	2
194310-25660	42	2
194310-37741	60	5
194310-47790	68	14
194312-46630-1	65	3 -1
194312-46630-2	65	3
194320-31560	52	6
194321-11940	17	4
194321-13230	14	2
194321-13250	14	4
194321-13270	14	6
194321-13360	15	7
194321-13380	15	9
194321-13680	18	1
194321-28230	50	7
194321-48140	67	24
194322-24980	34	2
194323-13290	14	7
194327-32730	53	6
194327-45120	63	2
194327-45130	63	3
194327-48450	71	3
194328-14820	22	3
		7
194328-14830	22	4
		8
194330-62530	31	10
	88	5
194330-72560	94	13
	95	5
194335-34530	58	2
		12
194335-34770	58	10
		20
194337-17220	25	9
194337-17251	25	10
194337-17330	25	19
194337-17340	25	16
194337-17350	25	17
194337-17360	25	20
194337-17370	25	21
194337-17380	25	22
194337-17390	25	11
194337-17400	25	12
194370-26350	42	7
194420-56620	78	15
194430-25810	42	3
194440-51620	73	24

Parts No. Index

Parts No.	Fig. No.	Ref. No.
194440-51620	73	25
		26
		27
		28
		56
194446-25450	50	1
194447-13860	41	1
	42	1
194448-61620	86	11
194450-11190	27	3
	28	13
194450-45630	64	3
194450-45640	64	4
194450-45640-1	64	4 -1
194450-45650	64	5
194450-48830	26	18
194464-25600	37	4
194464-33130	54	2
194464-48850	26	19
194464-52190	75	11
194465-13240	14	3
194465-13260	14	5
194470-48630	67	28
194550-47530	68	11
194555-04260	6	1
194555-04270	6	2
194555-04280	6	3
194555-26620	36	24
194555-46300	65	1
194555-46380	61	15
194555-46730	61	16
194555-47420	68	9
194555-48350	71	2
194555-56890	78	17
194555-77910	67	1
		38
194556-17870	26	13
194630-62360	98	4
194640-17340	25	3
194640-25860	36	16
	37	15
194640-26130	40	2
194640-26330	42	6
194640-26440	36	22
194640-32650	53	4 -1
194640-32650-2	53	4
194640-34130	56	2
194640-34140	56	3
194640-34150	56	4
194640-43201	61	12

Parts No.	Fig. No.	Ref. No.
194640-43201-1	61	12 -1
194640-44260	62	10
194640-44540	62	13 -1
194640-44540-2	62	13
194640-46410	66	5
194640-46420	66	6
194640-47560	68	12
194640-63560	87	21
194640-72410	94	11
	95	2
194640-72550	94	12
	95	4
194640-73180	32	24
194641-13210	14	1
194641-13670	17	7
194641-13760	18	4
194641-13780	18	6
194641-13790	18	7
194641-13830	19	3
194641-13840	19	4
194680-22280	27	6
194680-22290	27	7
194680-27540	48	7
	49	1
194681-14790	58	7
		17
194697-62560	72	2
194700-71410	94	3
194730-57220	12	4
		10
194740-00160	3	2
194740-06080	27	2
194750-04400	3	18
194765-28170	50	4
194765-28180	50	5
194820-27370	47	6
194850-24960	32	20
194850-42500	32	22
194881-12650	22	9
194940-61790	78	20
	84	15
	86	15
		16
194940-65590	83	13
194990-20170	47	4
194990-22130	73	2
	76	1
	80	1
		2
	86	1

Parts No.	Fig. No.	Ref. No.
194990-22140	6	8
	8	2
	67	3 -1
		58
		59
	70	1
	73	3
		4
	74	2
	82	1
	84	1
		2
	87	1
		2
		2 -1
	88	8
	89	2
		3
		4
	90	1
194990-22150	48	1
	49	19
	51	1
	99	4
194990-22160	90	2
194990-22831	12	3
194990-22841	12	9
194990-85561	67	39
195184-15360	94	1
	95	1
195397-27810	93	1
195747-22360	99	5
198010-53400	76	2
198010-53410	76	5
198010-53420	76	3
198036-65470	91	6
198071-04500	5	2
198071-18350	47	1
198071-22320	30	3
198071-27470	46	6 -1
	48	3 -1
198071-27470-2	46	6
	48	3
198071-27860	45	14
	46	7
198071-51411	73	21
198071-61890	77	14
	84	16
	86	17
198071-61990	2	32

Parts No.	Fig. No.	Ref. No.
198071-63150	89	7
198071-63160	89	8
198071-65610	77	17
		18
		19
	83	14
198071-73550	96	6
198072-04510	5	5
198075-18311	44	4
198092-71750	93	6
	94	4
198093-34940	58	3
		13
198093-84810	84	24
198121-25830	36	10
198121-25840	36	14
198121-25850	36	15
198121-25870	36	17
198121-51190	73	6
198121-51430	73	23
198129-05190	85	6
		9
198133-13340	15	4
198133-15700	23	2
198133-15740	23	3
198133-15780	23	4
198133-22121	29	23
198133-24361	33	1
198133-24370	32	10
198133-24370-1	32	10 -1
198133-24380	32	11
198133-25210	35	2
198133-25230	35	4
198133-25240	35	5
198133-25270	35	6
198133-25291	41	3
198133-25310	33	2
198133-25311	33	2 -1
198133-25501	36	7
198133-25701	38	3
198133-25761	36	8
198133-25822	36	9
198133-25832	39	1
198133-25841	36	12
198133-25850	39	2
198133-25860	37	16
198133-25870	36	18
198133-25890	39	3
198133-25911	39	4
198133-25941	39	6

Parts No. Index

Parts No.	Fig. No.	Ref. No.
198133-25960	39	7
198133-25970	39	8
198133-25980	36	20
198133-25990	36	21
198133-27060	44	5
198133-27070	44	6
198133-27100	44	1
198133-27110	46	1
198133-27120	46	2
198133-27170	45	3
198133-27180	46	3
198133-27180-1	46	3 -1
198133-27280	45	6
198133-27300	46	4
198133-27330	45	9
198133-27340	45	10
198133-27350	44	2
	47	2
198133-27401	44	8
198133-27450	45	12
198133-27652	44	9
198133-27711	44	10
198133-27720	44	11
198133-27781	44	13
198133-27820	44	14
198133-27850	44	15
198133-27881	44	16
198133-27900	47	3
198133-27900-2	47	3 -1
198133-27910	47	7
198133-27940	44	17
198133-27950	44	29
198133-28110	50	3
198133-42102	61	1
198133-42102-2	61	1 -1
198133-42130	61	2
198133-43310	62	1
198133-43330	62	2
198133-43360	62	3
198133-44210	62	6
198133-44410	62	11
198133-44410-1	62	11 -1
198133-44411-1	62	11 -2
198133-45600	64	1
198133-46612	67	8
198133-46642	67	9
198133-46662	67	10
198133-46682	67	11
198133-46711	67	5
198133-46780	67	16

Parts No.	Fig. No.	Ref. No.
198133-46822	67	18
198133-46862	67	20
198133-61690	86	14
198133-62123	87	8
198133-64400	90	6
198133-71600	93	4
198133-71700	93	5
198133-72530	95	3
198133-73100	96	5
198133-75110	97	2
198133-75110-1	97	2 -1
198133-75130	97	3
198133-75130-1	97	3 -1
198133-75320	97	4
198133-75750	97	7
198133-85850	99	15
198133-85920	99	17
198133-85980	99	18
198137-13300	15	3
198137-13350	15	5
198137-27180	45	4
198137-27190	45	5
198138-24390	32	12
198138-61530	86	7
198138-61531	86	7 -1
198141-34540	58	9
		19
198141-34700	58	1
198141-34710	58	4
		14
198141-34800	58	11
198141-46851	67	19
198146-34110	57	2
198146-34120	57	3
198146-34200	57	1
198146-63660	2	33
198149-22280	30	2
198149-24101	32	1
198149-24101-1	32	1 -1
198149-24102-1	32	1 -2
198149-25600	37	3
198149-25690	38	1
198149-25700	37	5
198149-25740	37	8
198149-25750	37	9
198149-25760	37	10
198149-25780	37	6
198149-25790	37	11
198149-25880	37	17
198149-25890	37	7

Parts No.	Fig. No.	Ref. No.
198149-25890	37	18
198149-27490	48	4
198149-27530	48	6
198149-27560	48	8
198149-27570	48	9
198149-31400	52	2
198153-13521	16	2
198153-17630	25	15
198153-51700	73	11
198153-51810	73	31
198153-53410	77	11
198153-89730	82	17
198163-65350	92	1
198163-65930	92	3
198163-65940	92	4
198165-01130	3	4
198173-65680	91	17
198175-37421-1	60	8 -1
198175-37421-2	60	8
198175-65500	91	8
198175-72250	94	7
198176-63260	89	10
198178-47300	68	1
198178-47300-1	68	1 -1
198178-62541	88	13
198178-65560	91	10
198181-74630	96	11
198196-83170	83	15
	84	20
		21
		22
		23
198200-18350	47	1 -1
198200-34190	58	23
198200-47810	69	1 -1
198200-52140	75	7
198212-25460	36	4
198212-32611	53	1
198212-32611-1	53	1 -1
198215-44110	62	5
198215-44110-1	62	5 -1
198217-33650	55	10
198220-01140	3	5
198220-04290	6	4
198220-11510	96	1
	99	2
198220-15650	23	1
198220-17610	25	13
198220-17620	25	14
198220-17631	25	27

Parts No.	Fig. No.	Ref. No.
198220-17642	25	18
198220-17651	25	25
198220-17660	25	26
198220-17670	25	29
198220-17680	25	24
198220-21171	28	1
198220-25830	37	12
198220-25840	37	13
198220-26790	51	3
198220-27290	49	20
198220-27990	49	8
	51	4
198220-37700	60	15
198220-37720	60	16
198220-37900	31	9
	60	18
198220-45350	66	2
198220-45370	66	3
198220-45920	32	23
	61	5
		14
198220-46400	66	4
198220-46500	67	7
198220-46560	26	15
198220-46670	65	8
198220-47370	69	1
198220-47750	87	5
198220-48140	26	17
198220-52180	80	3
		4
198220-53170	78	4
198220-56111	78	5
198220-56130	78	6
198220-56140	78	7
198220-56150	78	8
198220-56160	78	9
198220-56220	78	10
198220-56230	78	12
198220-61340	83	9
198220-61351	85	11
198220-61800	85	15
198220-62150	84	19
	88	1
198220-62220	87	10
198220-62260	67	35
	87	11
198220-62270	67	36
	87	12
198220-62410	87	15
198220-62440	87	16

Parts No. Index

Parts No.	Fig. No.	Ref. No.
198220-62920	67	37
	87	17
198220-63120	89	6
198220-63340	90	3
198220-65340	91	3
198220-65470	91	7
198220-65610	91	11
198220-65621	92	7
198220-85290	99	14
198221-65740	91	12
198223-52150	75	8
198226-52100	75	2
198230-04750	5	6
198230-17301	25	1
198230-17311	25	2
198230-17340	25	4
198230-61960	84	18
198240-01400	3	14
198240-01450	3	16
198240-01470	3	17
198240-04550	78	1
198240-04710	7	1
198240-04750	7	2
198240-04760	7	3
198240-04770	7	4
198240-11500	10	1
198240-11540	10	3
198240-11550	10	4
198240-11620	9	3
198240-11640	9	4
198240-11650	9	5
198240-12590	12	6
		12
198240-12650	97	1
198240-17840	26	4
198240-17870	25	31
198240-18120	12	2
198240-18120-2	12	2 -1
198240-18130	12	8
198240-18130-2	12	8 -1
198240-21180	28	2
198240-21220	28	3
198240-21250	28	4
198240-21260	28	5
198240-21270	28	6
198240-22200	30	4
198240-22220	30	7
198240-22470	31	4
198240-22550	31	6
198240-24120	32	2

Parts No.	Fig. No.	Ref. No.
198240-24140	32	7
198240-24320	32	9
198240-24480	32	14
198240-24480-1	32	14 -1
198240-24510	32	15
198240-24510-1	32	15 -1
198240-24530	32	3
198240-24682	32	16
198240-24682-1	32	16 -1
198240-24690	32	17
198240-24690-2	32	17 -1
198240-24900	34	1
198240-24900-1	34	1 -1
198240-24920	32	18
198240-24920-1	32	18 -1
198240-25180	27	8
198240-25220	35	3
198240-25440	36	2
198240-25930	39	5
198240-26110	41	5
198240-26520	42	8
198240-26910	98	1
198240-26910-1	98	1 -1
198240-26921	98	2
198240-26921-1	98	2 -1
198240-26930	98	3
198240-26930-1	98	3 -1
198240-27320	45	7
198240-27841	49	3
198240-27880	49	4
198240-27890-1	49	5 -1
198240-27890-2	49	5
198240-27950	49	6
198240-27961	49	7
198240-27961-1	49	7 -1
198240-32640	53	3
198240-33130	54	3
198240-33130-1	54	3 -1
198240-33170	54	14
198240-36310	59	2
198240-36320	59	3
198240-36351	59	4
198240-36380	59	7
198240-36520	59	5
198240-36700	59	8
198240-36710	59	9
198240-36720	59	10
198240-36730	59	11
198240-36730-1	59	11 -1
198240-37470-1	60	9

Parts No.	Fig. No.	Ref. No.
198240-37470-2	60	9 -1
198240-37510	31	8
	60	10
198240-37550	60	11
198240-37550-1	60	11 -1
198240-37850	60	17
198240-42130	61	9
198240-46620	65	2
198240-47380	68	7
198240-47430-1	68	10 -1
198240-47430-2	68	10
198240-47710-1	87	3
198240-47710-2	87	3 -1
198240-47730-1	87	4
198240-47730-2	87	4 -1
198240-48140	70	6
198240-48300	71	4
198240-48300-1	71	4 -1
198240-48380	71	5
198240-48410-1	71	6
198240-48410-2	71	6 -1
198240-48500	70	8
	71	7
198240-48780	67	32
198240-48830	70	11
198240-48850	70	12
198240-51561	74	4
198240-56600	78	14
198240-56630	78	16
198240-62110	87	7
198240-62451	88	2
198240-63110	89	5 -1
198240-75440	97	6
198241-13280	15	2
198241-14650	21	2
198241-28100	50	2
198241-28220	50	6
198241-28240	50	8
198241-28310	51	6
198241-28330	60	1
198242-01350	3	7
198242-02310	2	8
198242-25350	40	1
198242-65940	91	15
198242-72200	94	6
198245-42160	67	60
	101	1
198245-46680	26	16
	67	4
198250-17850	26	5

Parts No.	Fig. No.	Ref. No.
198250-32310	52	17
198250-33110	54	1
198251-11220	17	3
198251-11800	11	1
198251-11800-1	11	1 -1
198251-11820	11	3
198251-11820-1	11	3 -1
198251-12310	12	1
198251-12310-1	12	1 -1
198251-13100	13	1
198251-13270	15	1
198251-13450	17	1
198251-13450-1	17	1 -1
198251-13510	16	1
198251-13520	16	3
198251-13600	17	2
198251-13600-1	17	2 -1
198251-13610	17	5
198251-13610-1	17	5 -1
198251-13630	11	4
198251-13710	18	2
198251-13710-1	18	2 -1
198251-13810	19	1
198251-13820	19	2
198251-17500	25	8
198251-17850	26	6
198253-01190	3	12
198253-17700	26	1
198253-17700-1	26	1 -1
198253-27510	48	2
	51	2
198253-27520	48	5
198253-27520-1	48	5 -1
198253-37610	60	12
198253-65731	92	2
198253-65732	92	2 -1
198254-17510	24	3
198254-17511	24	3 -1
198254-28270	51	5
198254-28270-1	51	5 -1
198254-33110	54	1 -1
198254-37660	60	14
198254-47370	68	6
198255-14740	21	4
198255-14760	21	6
198255-24460	32	13 -1
198255-24460-2	32	13
198255-42810	61	11
198255-42810-1	61	11 -1
198268-63110	99	3

Parts No. Index

Parts No.	Fig. No.	Ref. No.
198268-63120	99	6
198280-46990	67	23
198282-34160	58	22
198284-63270	89	11
198291-77870	73	35
198320-04300	6	5
198320-17720	70	3
198320-17720-1	70	3 -1
198320-22410	31	1
198320-22410-1	31	1 -1
198320-31530	52	4
198320-31550	52	5
198320-31570	52	7
198320-31630	52	8
198320-31820	52	9
198320-32111	52	10
198320-32660	53	5
198320-33412	55	1
198320-33422	55	2
198320-33540	55	3
198320-33550	55	4
198320-33560	55	5
	6	
198320-33570	55	7
198320-33610	55	8
198320-33620	55	9
198320-36200	59	1
198320-36790	59	12
198320-47321	68	2
198320-47321-1	68	2 -1
198320-47330	68	4
198320-47330-1	68	4 -1
198320-47410	68	8
198320-47410-1	68	8 -1
198320-48220	70	7
198320-62510	88	3
198320-62520	88	4
198320-62531	88	12
198320-62580	88	9
198320-62580-1	88	9 -1
198320-62610	88	10
198320-62610-1	88	10 -1
198325-21720	29	16
198325-21730	29	17
198327-04840	7	5
198327-21150	25	32
198327-21740	29	18
198327-22230	30	9
198327-24240	32	8
198327-24240-1	32	8 -1

Parts No.	Fig. No.	Ref. No.
198327-46810	67	17
198327-48750	67	31
198360-26610	36	23
198360-47320	68	3
198360-47330	68	5
198361-48570	67	27
198361-48750	70	10
198390-17660	25	28
198390-17670	25	23
198390-25790	52	1
198401-13720	18	3
198401-13750	18	10 -1
198401-13750-2	18	10
198401-13770	18	5 -1
198401-13770-2	18	5
198401-13790	18	8
198401-13800	18	9
198401-13800-1	18	9 -1
198401-13850	18	11 -1
198401-13850-2	18	11
198401-14110	20	1 -1
198401-14110-2	20	1
198401-14120	20	2
198401-14130	20	3
198401-14150	20	4
198401-14160	20	5
198415-25840	37	14
198440-64100	90	4
198440-65860	99	9
198441-13370	15	8
198448-48690	26	9
198448-51910	7	8
198448-53320	77	3
	9	
198448-60080	83	1
198460-34100	58	5
	15	
198460-46740	67	15
198461-60590	86	2
	3	
198475-65030	77	16
	83	12
198475-74700	96	12
198511-53430	76	6
198511-53450	76	7
198535-34360	56	5
198535-52110	73	12
198535-52120	73	13
198535-52130	73	14
1A1120-61531	5	3

Parts No.	Fig. No.	Ref. No.
1A1120-61541	5	4
1A1120-68070	18	13
1A6150-73700	96	8
1A6150-91251	92	5
1A6150-93151	92	6
1A6380-52700	73	16
1A6640-65530	91	9
1A6770-85920	10	5 -1
1A7000-15720	23	5
1A7000-53230	77	2
	8	
1A7000-61490	73	33
	34	
1A7100-26850	43	1
1A7130-65910	99	10
1A7140-14760	22	2 -1
	6	-1
1A7260-01030	2	1
1A7260-01040	2	2
1A7260-01200	2	3
1A7260-01210	2	4
1A7260-01220	2	5
1A7260-03151	2	9
1A7260-03160	2	10
1A7260-03170	2	11
1A7260-03180	2	12
1A7260-43650	15	7 -1
1A7260-51540	74	3
1A7260-51710	73	30
1A7260-52410	73	15
1A7260-52510	73	32
1A7260-53350	77	10
1A7260-60580	82	8
1A7260-60590	82	9
1A7260-60640	85	1
1A7260-60661	84	3
1A7260-60670	85	2
1A7260-60680	84	4
1A7260-60720	83	21
1A7260-60780	83	3
1A7260-60790	83	4
1A7260-60800	84	5
1A7260-60810	84	6
1A7260-60820	84	7
1A7260-60860	2	30
1A7260-60870	84	8
1A7260-60880	2	31
1A7260-60890	83	5
1A7260-60900	85	4
1A7260-60911	82	7

Parts No.	Fig. No.	Ref. No.
1A7260-60920	82	13
1A7260-60930	82	14
1A7260-60950	83	6
1A7260-60960	83	7
1A7260-61060	85	7
1A7260-61070	85	10
1A7260-61080	82	10
1A7260-61150-1	85	7 -2
		10 -2
1A7260-61150-2	85	7 -1
		10 -1
1A7260-61190	82	11
1A7260-61250	77	12
1A7260-61260	77	13
1A7260-61310	84	10
1A7260-61310-1	84	10 -1
1A7260-61400	85	12
1A7260-61450	85	13
1A7260-61460	85	14
1A7260-61550	84	11
1A7260-61650	84	13
1A7260-61660	84	14
1A7260-61860	83	10
1A7260-61920	84	17
1A7260-61970	83	11
1A7260-85510	25	33
1A7270-06220	2	17
1A7270-49221	72	1
1A7270-60211	2	28
1A7270-60221	2	29
1A7270-60610	83	2
1A7270-60750	85	3
1A7270-61100	83	8
1A7270-74250	96	10
1A7300-06100	2	14
1A7300-06210	2	16
1A7310-06200	2	15
1A7335-17310	24	4
1A7335-17410	24	5
1A7335-17500	24	6
1A7335-17520	24	7
1A7335-17530	24	8
1A7335-17550	24	9
1A7335-17551	24	9 -1
1A7335-17750	24	10
1A7335-52120	75	5
1A7335-52150	75	10
1A7335-53600	76	10
1A7335-53610	76	11
1A7335-53620	76	12

Parts No. Index

Parts No.	Fig. No.	Ref. No.
1A7335-53630	76	13
1A7335-53640	76	14
1A7335-53650	76	15
1A7350-33140	54	4
1A7480-65470	91	6 -1
1A7510-52120	75	6
1A7601-32310	52	17 -1
1A7601-36200	59	1 -1
1A7601-36310	59	2 -1
1A7601-36320	59	3 -1
1A7601-36350	59	4 -1
1A7640-44230	62	7
1A7640-44240	62	8
1A7660-65670	91	16
1A7780-01110	3	3
1A7780-01250	2	7
1A7780-01320	3	13
1A7780-03110	4	1
1A7780-04110	5	1
1A7780-04111	5	1 -1
1A7780-04111-1	5	1 -2
1A7780-04350	6	6
1A7780-11140	9	1
1A7780-11140-1	9	1 -1
1A7780-11510	9	2
1A7780-13670	13	2
1A7780-14600	21	1
1A7780-14600-1	21	1 -1
1A7780-14700	21	3
1A7780-14700-1	21	3 -1
1A7780-14740	21	5
1A7780-17300	25	1 -1
1A7780-17370	25	4 -1
1A7780-17450	24	10 A
1A7780-17460	24	10 B
1A7780-17470	24	10 C
1A7780-17780	26	2
1A7780-17780-1	26	2 -1
1A7780-17800	26	3
1A7780-17800-1	26	3 -1
1A7780-17850	26	7
1A7780-17860	26	8
1A7780-17900	26	14
1A7780-21150	27	1
1A7780-21150-1	27	1 -1
1A7780-21400	29	1
1A7780-21410	29	2
1A7780-21420	29	3
1A7780-22251	30	1
1A7780-22251-1	30	1 -1

Parts No.	Fig. No.	Ref. No.
1A7780-24100	32	1 -3
1A7780-25450	36	3
1A7780-25470	36	5
1A7780-25490	36	6
1A7780-25930	36	11
1A7780-25950	36	13
1A7780-26120	42	4
1A7780-26310	42	5
1A7780-27150	45	1
1A7780-27150-1	45	1 -1
1A7780-27160	47	15
1A7780-27160-1	47	15 -1
1A7780-27180-1	46	3 -2
1A7780-27210	47	16
1A7780-27210-1	47	16 -1
1A7780-27320	45	8
1A7780-27360	44	7
1A7780-27750	44	12
1A7780-27751	44	12 -1
1A7780-27800	44	3
1A7780-27801	44	3 -1
1A7780-27820	49	2 -2
1A7780-27820-2	49	2 -3
1A7780-27900-1	47	3 -2
1A7780-27910	47	7 -1
1A7780-34110	56	1
1A7780-34110-2	56	1 -1
1A7780-37620	60	13
1A7780-44250	62	9
1A7780-44510	62	12
1A7780-44510-1	62	12 -1
1A7780-46730	67	6
1A7780-46760	67	12
1A7780-46920	67	21
1A7780-46960	67	22
1A7780-47300-2	68	1 -2
1A7780-47420	68	9 -1
1A7780-48100	70	4
1A7780-48150	70	5
1A7780-48410	67	25
1A7780-48510	67	26
1A7780-48650	67	29
1A7780-48670	67	30
1A7780-51250	73	10
1A7780-51270	73	18
1A7780-51271	73	18 -1
1A7780-51290	73	19
1A7780-51310	73	20
1A7780-51500	74	1
1A7780-51980	67	33

Parts No.	Fig. No.	Ref. No.
1A7780-52000	75	1
1A7780-52150	75	4
1A7780-53200	77	1
1A7780-53250	77	4
1A7780-53260	77	5
1A7780-53300	77	7
1A7780-56500	78	3
1A7780-56501	78	3 -1
1A7780-60100	81	1 -1
1A7780-60300	81	1 -2
1A7780-60340	82	2
1A7780-60350	82	3
1A7780-60370	82	4
1A7780-60450	82	5 -1
1A7780-60480	82	5
1A7780-60490	82	6
1A7780-60550	83	22
1A7780-60580	82	2 -1
1A7780-60590	82	3 -1
1A7780-60600	82	2 -2
1A7780-60610	82	3 -2
1A7780-61000	85	5 -1
1A7780-61000-2	85	5
1A7780-61010	85	8 -1
1A7780-61010-2	85	8
1A7780-61100	83	8 -1
1A7780-61410	86	4
1A7780-61410-1	86	4 -1
1A7780-61420	86	5
1A7780-61420-1	86	5 -1
1A7780-61510	86	6
1A7780-61511	86	6 -1
1A7780-61540	86	8
1A7780-61550	86	9
1A7780-61600	86	10
1A7780-61650	83	23
1A7780-61671	82	16
1A7780-61672	82	16 -1
1A7780-61673	82	16 -2
1A7780-62150	87	9
1A7780-62150-1	87	9 -1
1A7780-62270	87	13
1A7780-62330	87	14
1A7780-62330-1	87	14 -1
1A7780-62850	88	14
1A7780-63090	87	18
1A7780-63090-1	87	18 -1
1A7780-63100	87	19
1A7780-63100-1	87	19 -1
1A7780-63110	89	5

Parts No.	Fig. No.	Ref. No.
1A7780-63250	89	9
1A7780-64350	90	5
1A7780-64410	90	7
1A7780-64770	91	1
1A7780-64780	91	2
1A7780-65460	91	5
1A7780-71100	93	2
1A7780-71500	93	3
1A7780-71600	93	10 -1
1A7780-72100	94	2
1A7780-72150	94	5
1A7780-73410	96	4
1A7780-74200	96	7
1A7780-74210	96	9
1A7780-85100	99	1
1A7780-85110	99	11
1A7780-85110-1	99	11 -1
1A7780-85200	99	12
1A7780-85200-1	99	12 -1
1A7780-85210	99	13
1A7780-85210-1	99	13 -1
1A7780-85500	96	16
1A7780-85500-1	96	16 -1
1A7780-85550	96	17
1A7780-85550-1	96	17 -1
1A7780-85900	99	16
1A7780-85900-1	99	16 -1
1A7781-24680	32	16 -2
1A7890-53270	77	6
1A7890-60980	82	15
1A7890-61300	84	9
1A7890-61300-2	84	9 -1
1A7890-65010	77	15
1A7891-60910	82	7 -1
1A7940-60101	81	1
1A8160-46670	65	8 -1
1A8160-56211	78	9 A
1A8170-21130-1	28	14
1A8170-27100	44	1 -1
1A8170-48080	70	2 -1
1A8170-48100	70	4 -2
1A8170-48100-1	70	4 -1
1A8170-48150	70	5 -2
1A8170-48150-1	70	5 -1
1A8205-05510	8	1
1A8275-36520	59	5 -1
1C6140-12060	89	1
1C6140-47210-1	89	1 -1
1C6281-52310	67	34
1C6460-84420	45	15

Parts No. Index

Parts No.	Fig. No.	Ref. No.
1C6560-06300	73	1
1C7100-08150	79	1
1E6102-83230	73	26 -1
		36
1E6650-82400	80	5
1E8080-43850	73	5
1E8235-84910	73	17
1K1140-82500	80	6
		7
		8
22117-060000	86	18
22117-080000	65	4
22117-100000	33	10
22137-080000	3	19
		20
	29	21
	47	9 -1
	68	16
	83	16
		16 -1
	84	25
	93	12
22137-100000	3	21
	31	11
	47	9
	49	9
	67	40
	68	17
		18
	99	7
22137-120000	84	26
	90	8
	97	10
22137-140000	44	18
22137-160000	25	34
	90	9
22137-200000	49	10
22137-220000	44	19
22157-060000	84	27
		28
		29
	87	22
22157-080000	67	41
	87	23
		9
22157-100000	3	9
22157-120000	6	9
22157-160000	99	19
22190-050000	78	22
22217-060000	93	7
	94	8

Parts No.	Fig. No.	Ref. No.
22217-080000	44	20
		30
	46	8
	47	10
	48	10
22217-100000	3	22
	32	25
	52	11
	53	7
	76	8
22217-120000	11	6
	28	9
	61	17
		18
		19
	97	11
22217-160000	32	26
	57	4
	96	14
	97	12
22242-000170	46	9
	48	11
22242-000200	25	5
	49	11
22242-000290	38	4
	59	13
22242-000300	67	13
22242-000340	35	8
22242-000400	40	3
22242-000450	35	9
22242-000500	52	12
22252-000170	41	6
22252-000420	25	6
	35	10
22252-000470	33	3
22252-000620	27	9
	33	4
	50	12
22252-000720	42	9
22252-000800	33	5
22272-000070	68	19
22272-000080	82	12
22272-000120	47	11
22272-000190	44	21
	60	19
22292-000340	36	25
22312-100180	11	7
	14	8
	32	4
		27

Parts No.	Fig. No.	Ref. No.
22312-100180	53	8
	55	11
	61	20
22312-100200	33	6
22351-020012	44	22
	45	16
22351-035032	14	9
	48	12
22351-040012	65	5
22351-040016	61	21
22351-040024	93	8
	94	9
22351-040025	25	7 A
22351-040032	45	17
22351-050025	68	20
22351-050032	54	7
22351-050040	54	8
22351-050070	62	14
22351-060016	62	15
22351-060025	45	18
		19
	46	10
	49	12
22351-060028	66	7
22351-060032	14	10
	44	23
	45	20
		21
	46	11
	48	13
		14
	49	13
	51	7
	54	9
22351-060040	90	10
	97	5
22351-060050	52	13
22351-080018	28	10
22351-080032	54	10
		11
22351-080040	44	24
	54	12
	55	12
22351-080070	62	16
22360-200000	97	13
22372-080000	83	17
		17 -1
	99	20
22372-100000	67	42
22372-120000	89	12

Parts No.	Fig. No.	Ref. No.
22372-120000	97	14
22372-160000	94	14
	95	6
22417-160150	29	20
22417-160180	45	22
22417-200160	68	21
	87	24
22417-200300	44	25
	60	20
22417-250200	49	14
22417-250300	3	23
		24
		31
		12
	60	21
		22
	88	6
22417-300200	68	22
22417-300250	12	7
		13
	93	13
22417-400250	24	12
22417-400320	96	13
22417-400500	15	10
22486-060160	67	43
		44
22487-060200	45	23
22487-080300	83	18
		18 -1
22487-080350	68	23
22487-100700	60	23
22487-101000	67	45
22512-070400	60	24
22522-030130	68	24
22635-600120	53	9
22859-500202	84	30
23000-035000	2	34
	67	14
	70	13 -1
23000-048000	70	9 -1
		14 -1
23000-070000	2	35
	21	7
23000-080000	2	36
23010-018000	26	20
23010-035000	70	13
23010-040000	70	14
23010-046000	70	15
23010-048000	70	9
	71	8
23010-075000	2	37

Parts No. Index

Parts No.	Fig. No.	Ref. No.
23065-070180	1	11
23065-160080	49	21
23414-120000	26	10
		21
23414-120016	48	15
23414-190000	26	22
	32	28
	61	6
		22
	67	46
23414-200026	67	47
	70	16
23491-140002	17	8
	18	14
	32	29
23876-010000	18	15
	61	7
		13
23876-020000	61	8
23876-040000	11	2
23887-120002	26	11
23897-030002	67	2
		48
23980-730180	2	38
23980-730300	7	10
23980-730350	2	39
23980-730400	2	40
		41
23980-730420	7	11
		13 -1
23980-730450	7	12
23980-730680	2	42
23980-731200	7	13
24101-060044	35	11
24101-060074	35	12
	50	9
24101-060094	35	13
24101-060104	14	11
	52	14
24101-060114	56	7
24101-060124	13	3
24101-060144	20	6
24101-062044	39	9
24101-062074	42	10
24101-062084	16	4
	40	4
24101-062094	18	16
24101-062114	52	15
24101-062124	56	8
24101-062134	20	7

Parts No.	Fig. No.	Ref. No.
24101-063044	38	5
24101-063064	38	6
24104-060014	47	17
24104-060034	47	18
24104-060040	25	7
24107-063054	36	26
24141-320070	13	4
24161-202617	36	27
24161-303520	36	28
24163-305200	36	29
24164-000202	36	30
24164-000302	36	31
24164-000352	35	14
24165-000352	36	32
24165-000402	36	19
24190-070001	25	30
24190-080001	48	16
	49	15
	50	10
24190-100001	26	12
	45	24
	46	12
24190-110001	15	11
24190-130003	61	23
24190-180001	59	14
24311-000110	65	6
24311-000120	65	7
	66	8
24311-000125	49	16
	51	8
24311-000150	5	8
	54	13
	68	25
		26
24311-000160	1	29
	17	9
	18	17
	32	30
	46	13
	48	17
24311-000180	11	5
	66	9
	75	12
24311-000200	26	23
		24
24311-000220	97	15
24311-000500	32	31
24315-000120	61	24
24315-000140	61	25
24321-000250	46	14

Parts No.	Fig. No.	Ref. No.
24321-000250	48	18
	70	17
	71	9
24321-000300	32	32
		33
24321-000600	56	9
24321-000650	1	30
	34	4
	62	17
24321-000700	17	10
24321-000750	32	34
24321-001000	17	11
24321-001700	17	12
24321-002200	18	18
24325-000650	20	8
24325-000800	61	26
24341-000250	70	18
24341-000315	13	5
24421-223508	35	15
24421-304208	59	15
24421-356212	50	11
24421-456209	17	13
24550-014200	3	15
24550-016150	38	2
24550-017150	45	25
24761-010000	60	25
24761-020000	28	11
24761-040000	10	2
	31	13
24761-060000	12	5
		11
26013-080162	32	35
		36
26013-080202	32	37
		38
	34	5
	39	10
	45	26
	68	27
26013-080252	18	19
	32	39
	37	19
	45	27
	47	19
	52	18
26013-080302	32	40
26013-080352	32	41
26013-080502	32	42
26013-100162	68	28
	73	55

Parts No.	Fig. No.	Ref. No.
26013-100252	18	20
	32	43
26013-100302	53	10
26013-100552	33	7
26013-100852	33	8
26013-101502	33	9
26013-120202	25	35
26013-120302	17	14
		15
	97	16
26013-120352	62	18
26013-120402	27	10
	32	44
	53	11
26013-120502	53	12
26013-120802	11	8
26013-140252	67	49
26013-140352	32	45
26018-060162	6	7 -1
	88	15
26018-060252	70	19
26018-060352	26	25
26022-030062	78	13
26106-060122	1	35
	2	43
		44
	73	37
		38
	79	2
	80	9
	82	18
	83	19
	84	31
		32
	87	25
		26
		27
		28
		35
26106-060162	44	26
		27
	67	50
	73	39
	80	10
26106-060202	26	26
	87	29
26106-060252	2	45
26106-060402	26	27
	70	20
26106-060502	70	21

Parts No. Index

Parts No.	Fig. No.	Ref. No.
26106-060602	71	10
26106-080102	85	16
26106-080122	21	8
	28	7
		12
	43	2
	67	51
	73	1 -1
		40
		41
		57
	82	19
	84	33
	86	19
	87	30
26106-080162	2	46
		47
	3	25
	6	10
	7	14
	25	36
	26	28
		29
	32	36 -1
	39	10 -1
	44	31
		32
	45	26 -1
	49	18
	51	9
	67	51 -1
		52
		56
	70	22
		23
		24
	71	11
		12
	73	42
		43
	81	2
	82	20
		21
		22
		23
		24
	86	20
	87	31
		32
	88	11

Parts No.	Fig. No.	Ref. No.
26106-080202	2	48
	4	2
		3
	26	30
		31
	67	57
	71	13
	88	7
	89	13
26106-080252	2	49
		50
	7	15
	52	18 -1
	73	44
26106-080302	1	36
	7	16
	67	53
	87	33
26106-080352	32	41 -1
	73	45
26106-080602	67	54
26106-080702	1	37
26106-080802	29	22
26106-100162	98	5
26106-100202	25	37
		38
	44	33
	67	55
	86	21
26106-100252	32	43 -1
	87	34
26106-100302	53	10 -1
	99	8
26106-100502	33	7 -1
26106-100802	33	8 -1
26106-100852	53	13 -1
26106-120352	10	5
26116-080252	44	28
		34
	47	12
26116-100252	20	9
26116-100504	68	29
26116-100852	53	13
26116-120352	61	27
		28
		29
26116-120552	61	30
26116-160302	28	17
26116-160452	57	5
26116-160702	97	17

Parts No.	Fig. No.	Ref. No.
26117-040162	75	13
26156-161002	99	21
26216-120352	11	9
26218-080202	32	5
	46	15
	48	19 -1
26218-080252	48	19
26218-100902	32	6
26306-080002	1	38
26346-060002	84	34
26346-080002	47	13
		13 -1
26356-160002	99	22
26366-080002	48	20 -1
	67	3
26366-100002	32	46 -1
26450-080142	63	4
26450-080202	63	5
26450-080252	17	16
26557-060062	93	9
	94	10
26557-060352	77	20
26587-060352	86	22
26589-060162	78	23
26716-080002	3	26
	46	16
	47	8
	48	20
	74	5
26716-100002	3	11 -1
	31	7
	32	46
	60	7
	65	9
	68	30
		31
26716-120002	11	10
	28	8
	68	32
	97	18
26716-160002	32	47
	57	6
	97	19
26736-160002	96	15
26756-060002	1	39
26756-100002	3	10
	47	14
26776-100002	76	9
26776-120002	75	9
26986-100002	3	11

Parts No.	Fig. No.	Ref. No.
29622-100001	73	46 -1
29622-140001	73	46
		47
		48
		49
		58
29622-250001	73	50
		51
		52
		53
794130-71410	96	2
794251-13910	52	16
794321-13660	17	6
794328-14700	22	1
794328-14800	22	5
794464-45660	64	6
794525-37000	60	2
798240-22470	31	2
798254-17500	24	2
7A7780-01110	3	1
7A7780-48080	70	2