

0CNP5-M07100EN

Directions for the Parts Catalog.

1. This Parts Catalog shows both standard and optional parts.
2. Parts may change without prior notice.
3. The following is an example of the Parts Catalog format.

REF.	LEV.	PARTS NO.	DESCRIPTION	Q'TY						I	R
				(A)	(B)	(C)	(D)	(E)	(F)		
1	1	729595-51390	FUEL INJECTION PUMP	1	1	1	1	1			1
1-1	1	729595-51391	FUEL INJECTION PUMP	1	1	1	1	1		N	1
		(A=E00185) (B=E00200)									
3	2	26022-060162	SCREW M 6X 16	9	9	9	9	9			
3-1	2	26022-060162	SCREW M 6X 16	4	4	4	4	4		K	
		(A=E00156) (B=E00156) (C=E00156) (D=E00156) (E=E00156)									
4	2	129470-51040	CAMSHAFT	1	1	1	1	1			
5	2	122710-51050	BEARING, ROLLER	2	2	2	2	2			
6	2	129470-51060	RETAINER	1	1	1	1	1			

Remarks
(1) BOOST COMPEMSATOR TYPE. OPTIONAL PART, TO E00155,(4JH-DT, 4JH-DTZ

① Ref. No.

The Ref. No. listed may not be in accordance with the illustration Ref. No.

(Ex.) Illustration No.

List Ref No.

1

1

(Before change)

1-1

(After change)

For interchangeable symbols N, R and K, illustrations for new parts may be abbreviated.

② Lev. (Level)

Level indication

The numbers below indicate the level of relativity towards the main part.

1 ----- Main parts (Assembly parts)

2 ----- Sub component included in " 1 ".

3 ----- Sub component included in " 2 ".

Note) Parts that are not for sale are partially illustrated but not listed.

③ Interchangeability Symbol

When a part change takes place, one of the following interchangeability symbols is indicated beside the part.

Symbol	Interchangeability	Contents note
N	Old $\begin{matrix} \leftarrow \text{Yes} \\ \text{No} \rightarrow \end{matrix}$ New	New Part is interchangeable for Old Part but Old Part is not interchangeable for New Part.
Q	Old $\begin{matrix} \leftarrow \text{No} \\ \text{Yes} \rightarrow \end{matrix}$ New	New Part is not interchangeable for Old Part but Old Part is interchangeable for New Part.
R	Old $\begin{matrix} \leftarrow \text{Yes} \\ \text{Yes} \rightarrow \end{matrix}$ New	New/ Old Parts are both interchangeable.
S	Old $\begin{matrix} \leftarrow \text{No} \\ \text{No} \rightarrow \end{matrix}$ New	New/ Old Parts are both not interchangeable.
W		Part newly added.
Z		Part discontinued.
F		Not interchangeable by a single part but interchangeable together with related parts.
K		Changes only for used parts quantities.

④ Effective Machine No.

When a part changes, the effective Machine No. will be indicated in the (A)-(F) column.

Product Symbol	Product No.	Product Symbol	Product No.
C	Clutch No. Compressor No.	F	Machine No. (Agricultural Equip.)
D	Drive No.	M	Machine No.
E	Engine No.		

Note 1) A date may follow the symbol. (Ex.) 1996.01

Note 2) "XXXXX" and "ZZZZZ" are for parts that could not be predicted or for engine models that could not be identified.

Note 3) (A=E00185) is the E (Engine Serial Number) for the column (A) model (in this case 4JH-DT) after the parts design change.

⑤ Remarks

Figures or alphabets (symbols) are entered in the remarks column.

The comments (remarks) on parts that are indicated at the bottom of the illustration are the same symbols as those stated above.

Contents

OCNP5-M07100

Fig. No. Fig. Name

Fig. No. Fig. Name

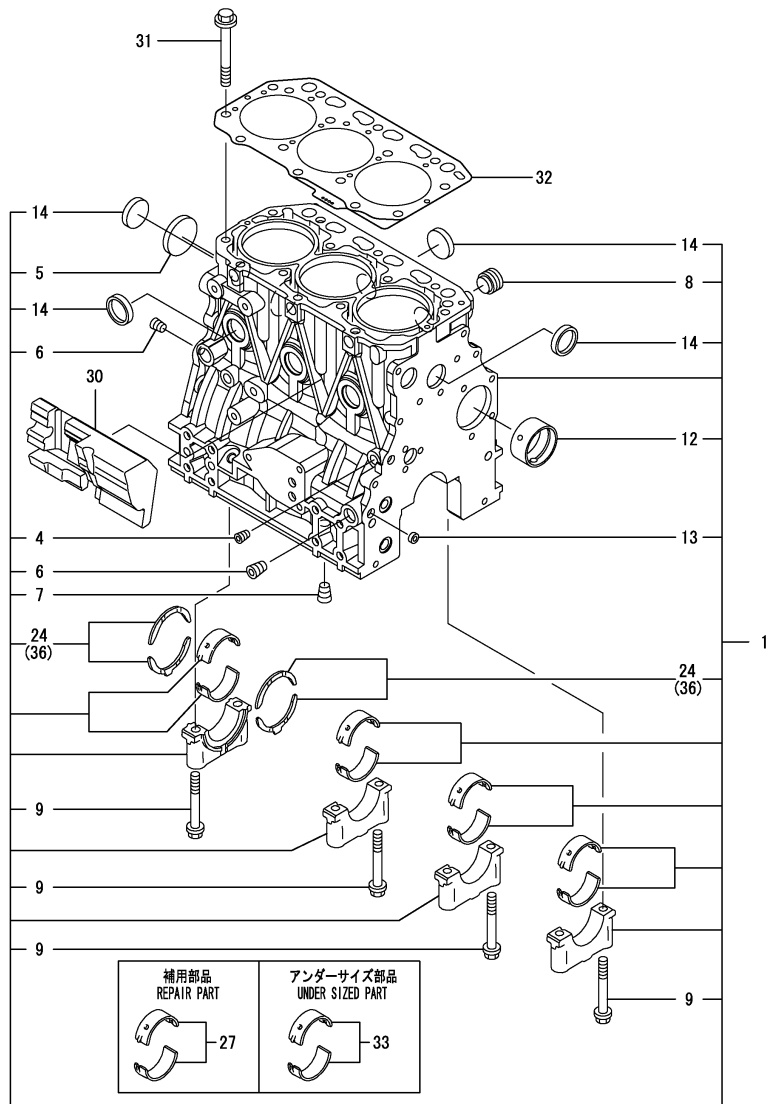
ENGINE SECTION

1. CYLINDER BLOCK
2. GEAR HOUSING
3. MOUNTING FLANGE & OIL SUMP
4. CYLINDER HEAD & BONNET
5. SUCTION MANIFOLD
6. EXHAUST MANIFOLD & SILENCER
7. CAMSHAFT & DRIVING GEAR
8. CRANKSHAFT & PISTON
9. HYDRAULIC PUMP
10. LUB.OIL SYSTEM
11. COOLING WATER SYSTEM
12. FUEL INJECTION PUMP
13. GOVERNOR
14. FUEL INJECTION VALVE
15. STARTING MOTOR
16. GENERATOR

Fig.1. CYLINDER BLOCK

(A)=3TNV88-XRE1
(B)=
(C)=

(D)=
(E)=
(F)=



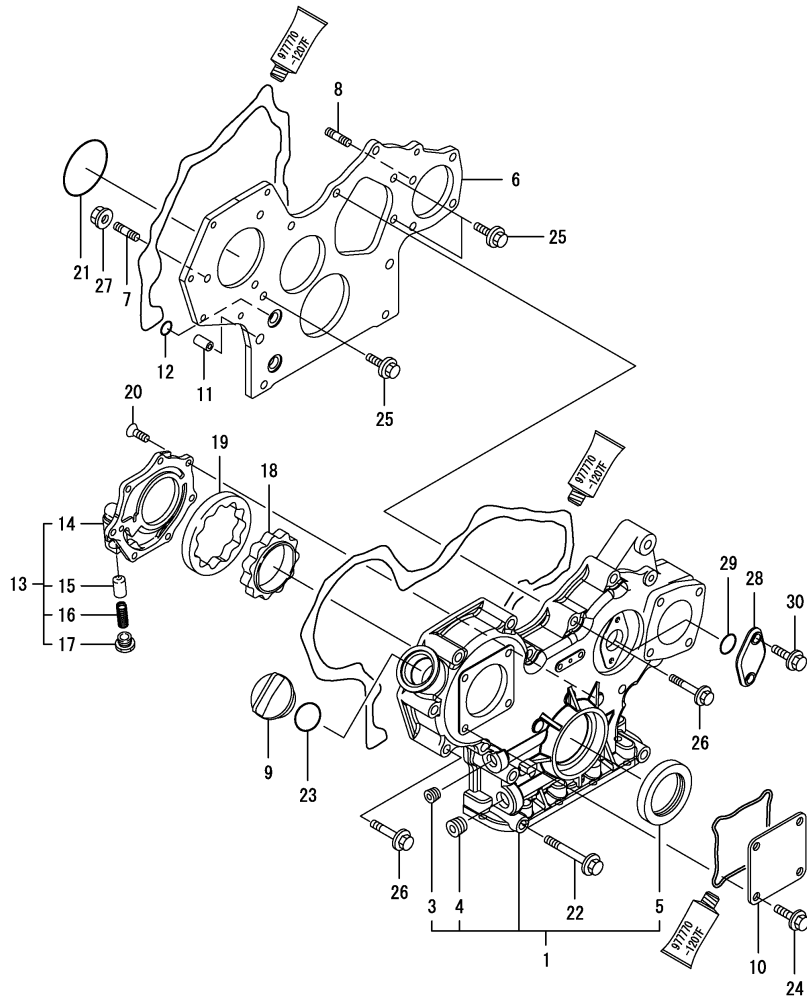
No.	Lev.	Parts No.	Description	Q'ty						I	R
				(A)	(B)	(C)	(D)	(E)	(F)		
1	1	729005-01562	BLOCK ASSY, CYLINDER	1							
4	2	124060-01050	PLUG, PT1/8	1							
5	2	129001-01250	PLUG, 50	1							
6	2	124160-01910	PLUG, PT1/4	2							
7	2	124160-01910	PLUG, PT1/4	1							
8	2	171051-01921	PLUG, NPTF1	1							
9	2	129150-02020	BOLT, METAL CAP	8							
12	2	129795-02412	BUSH, CAMSHAFT	1							
13	2	27241-120000	PLUG, 12	2							
14	2	27241-300000	PLUG 30	6							
24	2	129150-02931	BEARING, THRUST	2							
27	1	129001-02931	BEARING, MAIN	4							3
30	1	129004-01190	SPACER	1							
31	1	129150-01200	BOLT, HEAD	14							
32	1	129001-01340	GASKET, HEAD	1							
33	1	129150-02871	BEARING, 0.25 US	4							1
36	1	129150-02941	BEARING, THRUST 0.25	1							2

Remarks
 (1) UNDER-SIZE(U.S=0.25)PART.
 (2) OVER-SIZE(O.S=0.25)PART.
 (3) REPAIR PART.
 (REMARKS)"EFFECTIVE MACHINE NO." OF ENGINE IS INDICATED ON THE ENGINE LABEL WHICH IS SHOWN IN FIG.4.

Fig.2. GEAR HOUSING

(A)=3TNV88-XRE1
(B)=
(C)=

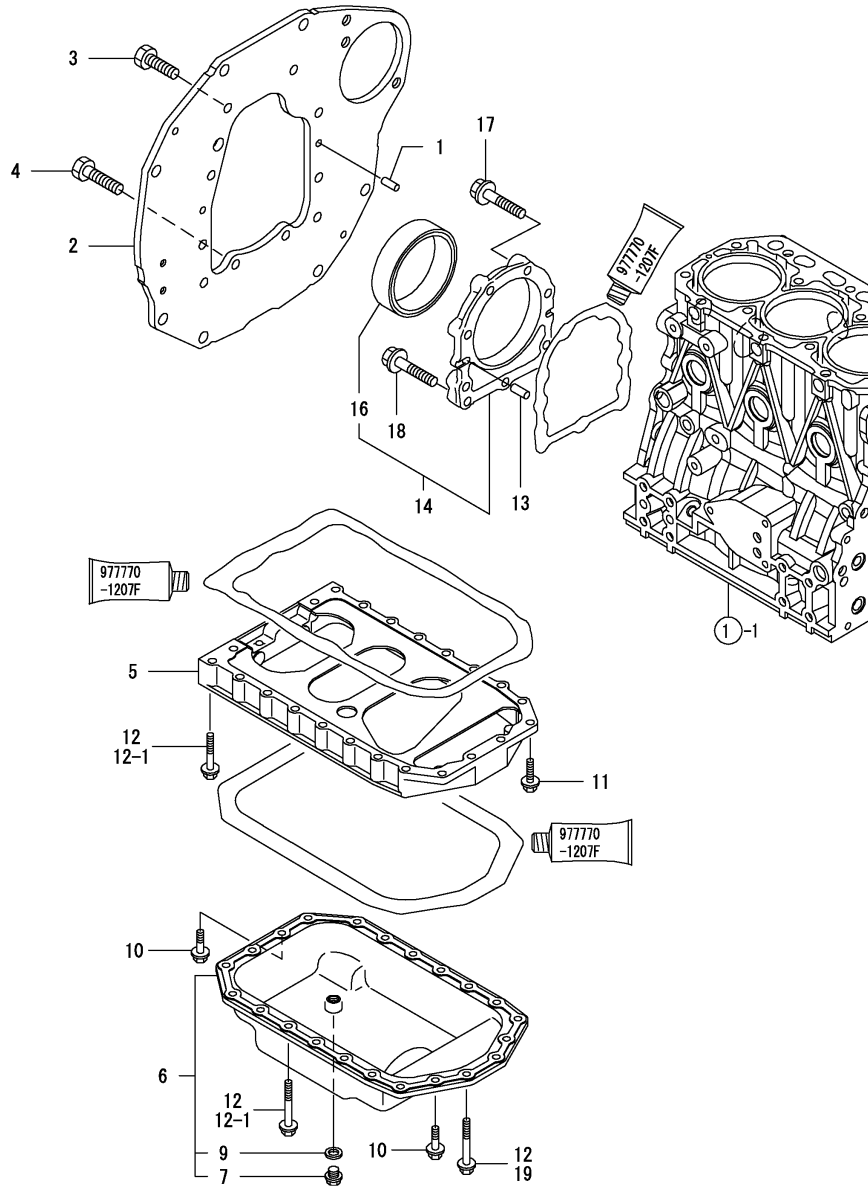
(D)=
(E)=
(F)=



No.	Lev.	Parts No.	Description	Q'ty						I	R
				(A)	(B)	(C)	(D)	(E)	(F)		
1	1	729235-01500	CASE ASSY, GEAR	1							
3	2	23876-030000	PLUG, R03	1							
4	2	23876-040000	PLUG, R04	1							
5	2	119934-01800	SEAL, OIL	1							
6	1	129004-01520	FLANGE, GEAR CASE	1							
7	1	119802-01561	STUD, M8X25	3							
8	1	129150-01580	STUD, M8X30	1							
9	1	124160-01751	COVER, FILLER	1							
10	1	124240-01871	COVER	1							
11	1	129795-01950	PIPE, KNOCK L=18	2							
12	1	119609-32040	O-RING, P16	4							
13	1	119802-32100	COVER ASSY	1							
14	2	119802-32070	COVER	1							
15	2	129900-32130	VALVE, RELIEF	1							
16	2	129418-32320	SPRING	1							
17	2	129001-32330	PLUG	1							
18	1	119802-32111	ROTOR, INNER	1							
19	1	119802-32120	ROTOR, OUTER	1							
20	1	119802-32130	SCREW, M6X16	7							
21	1	121850-51960	O-RING	1							
22	1	129001-91841	BOLT, M8X85	3							
23	1	24311-000320	O-RING, 1AP32.0	1							
24	1	26106-080162	BOLT, M8X 16 PLATED	4							
25	1	26106-080162	BOLT, M8X 16 PLATED	3							
26	1	26106-080552	BOLT, M8X 55 PLATED	11							
27	1	26306-080002	NUT, M8	3							
28	1	121023-01551	COVER	1							
29	1	24341-000240	O-RING, 1AS24.0	1							
30	1	26106-060162	BOLT, M6X 16 PLATED	2							

Remarks
(REMARKS)"EFFECTIVE MACHINE NO." OF
ENGINE IS INDICATED ON THE
ENGINE LABEL WHICH IS SHOWN
IN FIG.4.

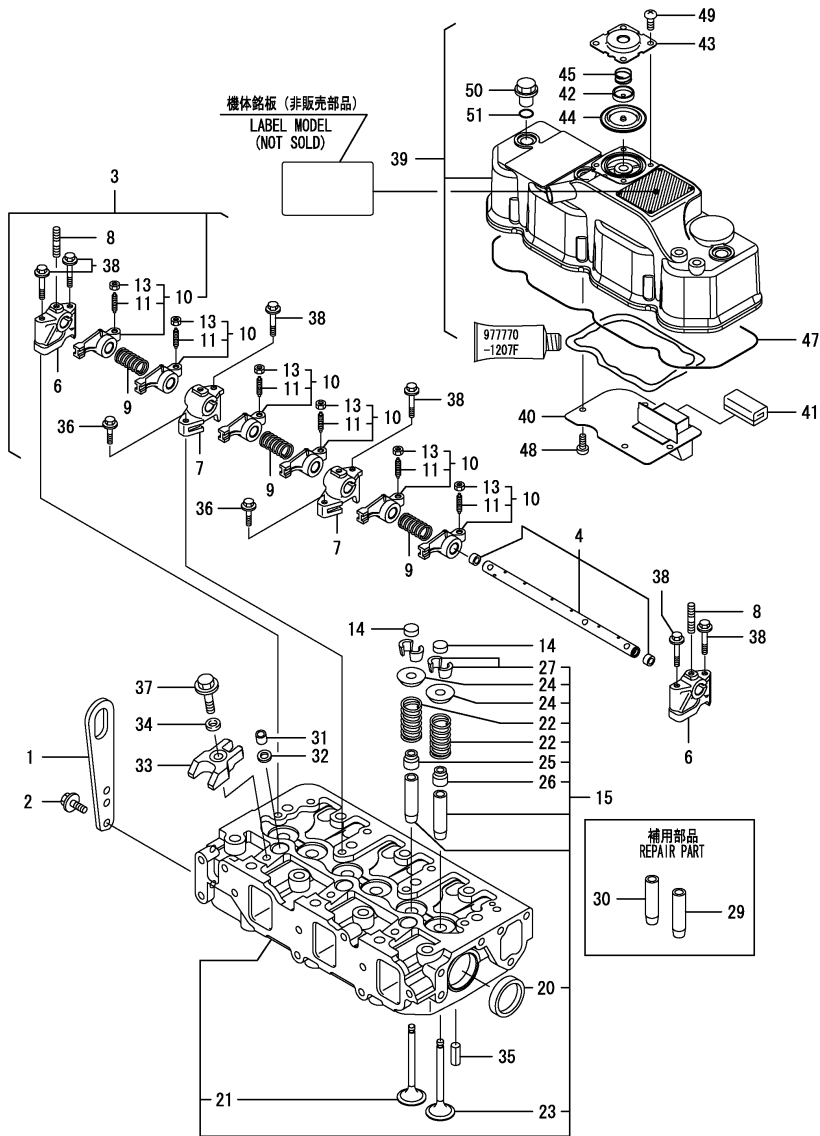
Fig.3. MOUNTING FLANGE & OIL SUMP



No.	Lev.	Parts No.	Description	Q'ty						I	R
				(A)	(B)	(C)	(D)	(E)	(F)		
1	1	129100-01580	PIN, M8X16	2							
2	1	119852-01601	FLANGE, MOUNTING	1							
3	1	26206-100202	BOLT, M10X 20 PLATED	6							
4	1	26206-100252	BOLT, M10X 25 PLATED	4							
5	1	129100-01730	SPACER, OIL SUMP	1							
6	1	129055-01770	SUMP ASSY, OIL	1							
7	2	129054-01640	PLUG, DRAIN 12	1							
9	2	22190-120002	WASHER, SEAL 12	1							
10	1	26106-080162	BOLT, M8X 16 PLATED	4							
11	1	26106-080252	BOLT, M8X 25 PLATED	2							
12	1	26106-080452	BOLT, M8X 45 PLATED	20							
12-1	1	26106-080452	BOLT, M8X 45 PLATED	16							K
(A=FROM 1ST)											
13	1	129100-01580	PIN, M8X16	2							
14	1	129100-01640	CASE ASSY, OIL SEAL	1							
16	2	129795-01780	SEAL, OIL	1							
17	1	129486-01670	BOLT, M8X30	6							
18	1	26106-080352	BOLT, M8X 35 PLATED	3							
19	1	26106-080502	BOLT, M8X 50 PLATED	4							W
(A=FROM 1ST)											

Remarks
 (REMARKS)"EFFECTIVE MACHINE NO." OF
 ENGINE IS INDICATED ON THE
 ENGINE LABEL WHICH IS SHOWN
 IN FIG.4.

Fig.4. CYLINDER HEAD & BONNET



(A)=3TNV88-XRE1
(B)=
(C)=

(D)=
(E)=
(F)=

No.	Lev.	Parts No.	Description	Qty						I	R
				(A)	(B)	(C)	(D)	(E)	(F)		
1	1	129900-07900	LIFTER	1							
2	1	26106-080162	BOLT, M8X 16 PLATED	2							
3	1	129004-11241	SHAFT ASSY, ROCKER	1							
4	2	129004-11251	SHAFT, ROCKER ARM	1							
6	2	119802-11260	SUPPORT, ROCKER ARM	2							
7	2	119802-11270	SUPPORT, ROCKER ARM	2							
8	2	119802-11280	STUD	3							
9	2	129150-11280	SPRING	3							
10	2	129004-11650	ARM, ROCKER	6							
11	3	129150-11230	SCREW, VALVE ADJUST	6							
13	3	129150-11750	NUT, M8	6							
14	1	129150-11370	CAP, VALVE	6							
15	1	129004-11700	HEAD ASSY, CYLINDER	1							
20	2	27241-400000	PLUG, 40	2							
21	2	129100-11112	VALVE, EXHAUST	3							
22	2	129795-11120	SPRING, VALVE	6							
23	2	129004-11130	VALVE, INTAKE	3							
24	2	129795-11180	RETAINER, SPRING	6							
25	2	121400-11340	SEAL, VALVE STEM	3							
26	2	124460-11340	SEAL, VALVE STEM	3							
27	2	27310-080001	COTTER, 8	6							
29	1	120130-11860	GUIDE, VALVE	3							1
30	1	129150-11810	GUIDE, VALVE	3							1
31	1	119802-11870	PROTECTOR, NOZZLE	3							
32	1	119625-11880	SEAT, NOZZLE	3							
33	1	129004-11900	RETAINER, NOZZLE	3							
34	1	120270-54410	WASHER, INJECTOR	3							
35	1	22351-060012	PIN, SPRING 6.0X12	2							
36	1	26106-080252	BOLT, M8X 25 PLATED	2							
37	1	26106-080352	BOLT, M8X 35 PLATED	3							
38	1	26106-080502	BOLT, M8X 50 PLATED	6							
39	1	129055-11350	BONNET ASSY, HEAD	1							
40	2	129004-03010	PLATE	1							
41	2	129150-03070	BAFFLE, BREATHER	1							
42	2	119802-03110	PLATE	1							
43	2	119802-03121	COVER, DIAPHRAGM	1							
44	2	119802-03130	DIAPHRAGM	1							
45	2	119802-03141	SPRING, DIAPHRAGM	1							
47	2	129004-11310	GASKET, BONNET	1							
48	2	22857-500100	SCREW, 5X10	4							
49	2	22857-500100	SCREW, 5X10	4							
50	1	124160-11360	KNOB	3							
51	1	24311-000120	O-RING, 1AP12.0	3							

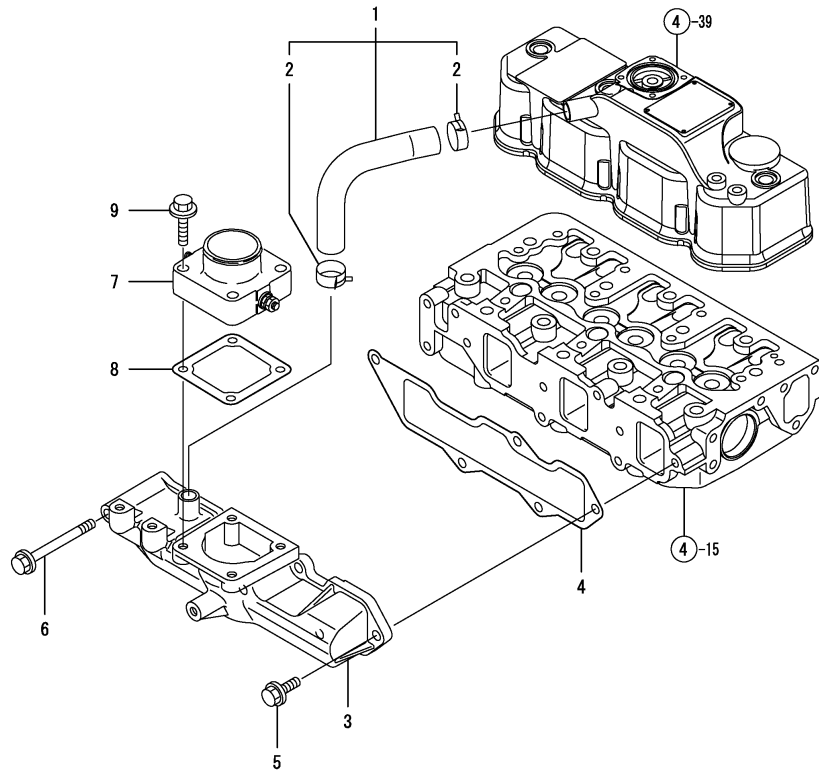
Remarks
(1) REPAIR PART.
(REMARKS)"EFFECTIVE MACHINE NO." OF
ENGINE IS INDICATED ON THE
ENGINE LABEL WHICH IS SHOWN
IN FIG.4.

Fig.5. SUCTION MANIFOLD

(A)=3TNV88-XRE1
(B)=
(C)=

(D)=
(E)=
(F)=

No.	Lev.	Parts No.	Description	Q'ty						I	R
				(A)	(B)	(C)	(D)	(E)	(F)		
1	1	129005-03080	PIPE , BREATHER	1							
2	2	129410-03990	CLIP	2							
3	1	129005-12100	MANIFOLD, AIR INTAKE	1							
4	1	129001-12110	GASKET, MANIFOLD	1							
5	1	26106-080202	BOLT, M8X 20 PLATED	4							
6	1	26106-080802	BOLT, M8X 80 PLATED	1							
7	1	129120-77502	HEATER	1							
8	1	129150-77511	GASKET	1							
9	1	26106-080352	BOLT, M8X 35 PLATED	4							

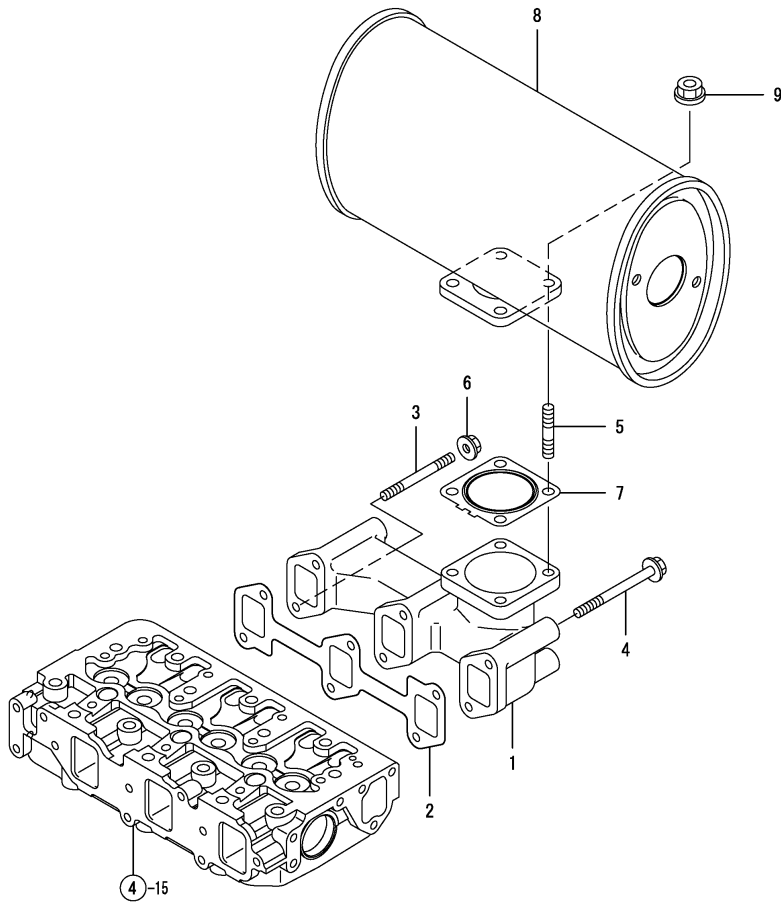


Remarks
(REMARKS)"EFFECTIVE MACHINE NO." OF
ENGINE IS INDICATED ON THE
ENGINE LABEL WHICH IS SHOWN
IN FIG.4.

Fig.6. EXHAUST MANIFOLD & SILENCER

(A)=3TNV88-XRE1
(B)=
(C)=

(D)=
(E)=
(F)=



No.	Lev.	Parts No.	Description	Q'ty						I	R
				(A)	(B)	(C)	(D)	(E)	(F)		
1	1	171350-13100	MANIFOLD, EXHAUST	1							
2	1	129150-13110	GASKET	1							
3	1	129263-13220	STUD, M8X95	2							
4	1	123900-13630	BOLT, M8X80	4							
5	1	119131-18320	STUD, M8X22	4							
6	1	26306-080002	NUT, M8	2							
7	1	129004-13200	GASKET, SILENCER	1							
8	1	129055-13521	SILENCER	1							
9	1	26306-080002	NUT, M8	4							

Remarks
(REMARKS)"EFFECTIVE MACHINE NO." OF
ENGINE IS INDICATED ON THE
ENGINE LABEL WHICH IS SHOWN
IN FIG.4.

Fig.7. CAMSHAFT & DRIVING GEAR

(A)=3TNV88-XRE1

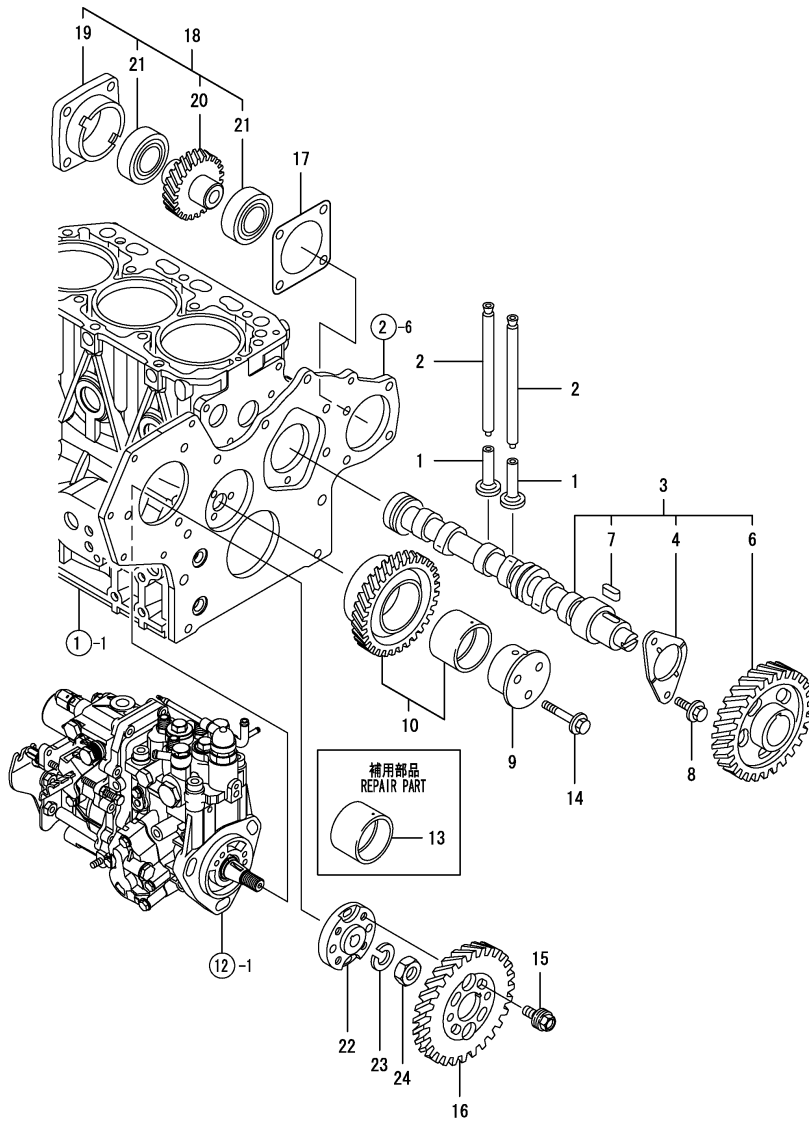
(B)=

(C)=

(D)=

(E)=

(F)=



No.	Lev.	Parts No.	Description	Q'ty						I	R
				(A)	(B)	(C)	(D)	(E)	(F)		
1	1	129150-14200	TAPPET	6							
2	1	129150-14400	ROD, PUSH L=178	6							
3	1	129129-14580	CAMSHAFT ASSY	1							
4	2	129150-02450	BEARING, THRUST	1							
6	2	129150-14101	GEAR, CAMSHAFT	1							
7	2	22512-070140	KEY, 7X 14	1							
8	1	26106-080142	BOLT, M8X 14 PLATED	2							
9	1	119802-25051	SHAFT, IDLE	1							
10	1	119802-25101	GEAR ASSY, IDLE	1							
13	1	119802-25071	BUSH, IDLE GEAR	1							1
14	1	26106-080402	BOLT, M8X 40 PLATED	3							
15	1	129150-25301	BOLT	4							
16	1	119802-25901	GEAR, PUMP	1							
17	1	129150-01881	GASKET	1							
18	1	129150-26000	DRIVE ASSY, PUMP	1							
19	2	129150-26050	BRACKET, PUMP	1							
21	2	24105-060064	BEARING, BALL 6006Z	2							
22	1	158552-51151	FLANGE	1							
23	1	22217-140000	WASHER, SPRING 14	1							
24	1	26776-140002	NUT, LOCK M14	1							

Remarks

(1) REPAIR PART.
 (REMARKS)"EFFECTIVE MACHINE NO." OF
 ENGINE IS INDICATED ON THE
 ENGINE LABEL WHICH IS SHOWN
 IN FIG.4.

Fig.8. CRANKSHAFT & PISTON

(A)=3TNV88-XRE1

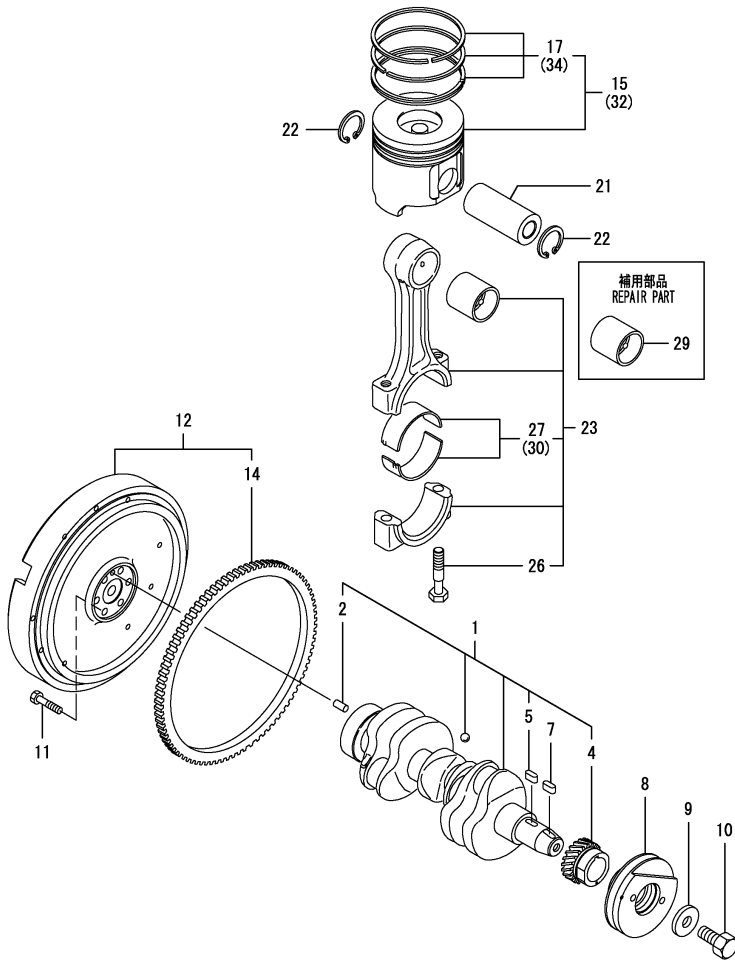
(B)=

(C)=

(D)=

(E)=

(F)=

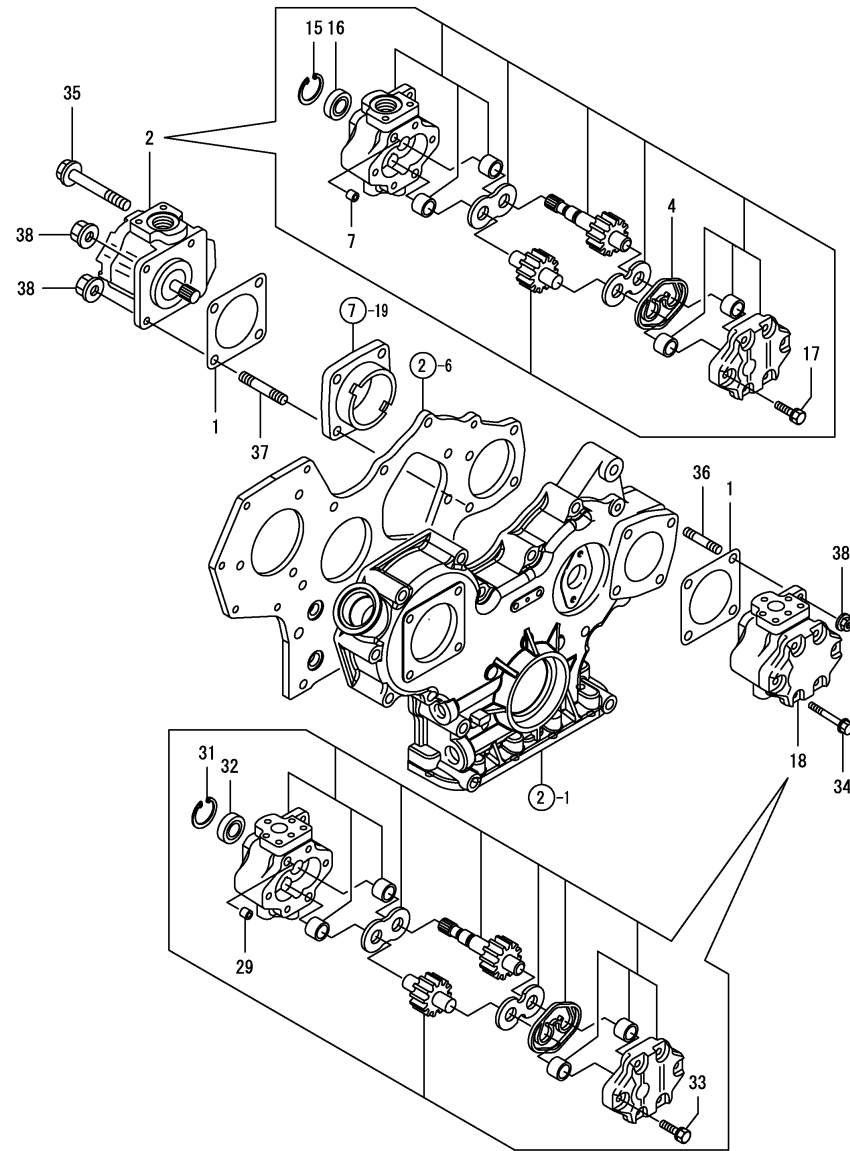


No.	Lev.	Parts No.	Description	Q'ty						I	R
				(A)	(B)	(C)	(D)	(E)	(F)		
1	1	129004-21002	CRANKSHAFT ASSY	1							
2	2	129100-01580	PIN, M8X16	1							
4	2	119802-21202	GEAR, CRANKSHAFT	1							
5	2	22512-070140	KEY, 7X 14	1							
7	1	22512-070140	KEY, 7X 14	1							
8	1	129055-21650	V-PULLEY, 120	1							
9	1	129795-21661	WASHER	1							
10	1	121850-21680	BOLT	1							
11	1	121111-21501	BOLT, FLYWHEEL	6							
12	1	129055-21592	FLYWHEEL ASSY	1							
14	2	124550-21600	GEAR, RING	1							
15	1	129005-22080	PISTON ASSY	3							
17	2	129005-22500	RING SET, PISTON	3							
21	1	129202-22300	PIN, PISTON D26 L70	3							
22	1	22252-000260	RING, 26	6							
23	1	729402-23100	ROD ASSY, CONNECTING	3							
26	2	121550-23200	BOLT, CONNECTING ROD	6							
27	2	129150-23601	BEARING, CRANK PIN	3							
29	1	129100-23910	BEARING, PISTON PIN	3							1
30	1	129150-23611	BEARING, 0.25 US	3							2
32	1	129005-22900	PISTON ASSY, 0.25 OS	3							3
34	2	129005-22950	RING SET, 0.25 OS	3							3

Remarks

- (1) REPAIR PART.
 - (2) UNDER-SIZE(U.S=0.25)PART.
 - (3) OVER-SIZE(O.S=0.25)PART.
- (REMARKS)"EFFECTIVE MACHINE NO." OF ENGINE IS INDICATED ON THE ENGINE LABEL WHICH IS SHOWN IN FIG.4.

Fig.9. HYDRAULIC PUMP



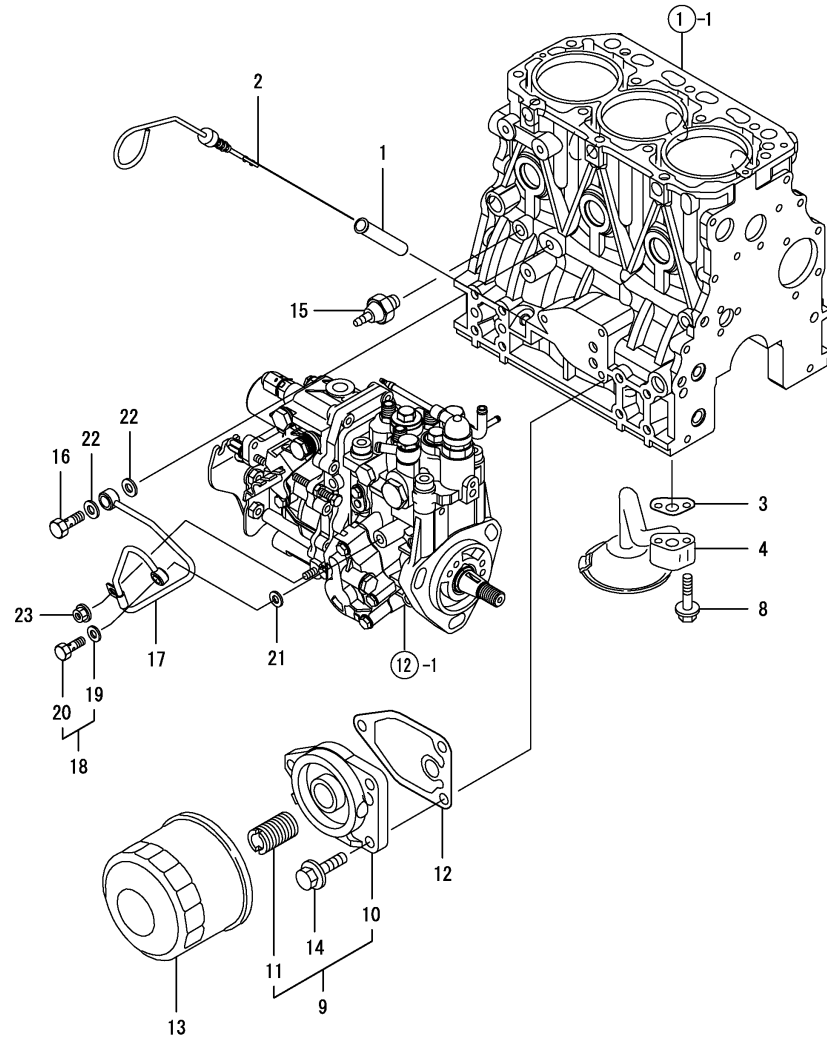
(A)=3TNV88-XRE1
(B)=
(C)=

(D)=
(E)=
(F)=

No.	Lev.	Parts No.	Description	Q'ty						I	R
				(A)	(B)	(C)	(D)	(E)	(F)		
1	1	124240-01883	GASKET	2							
2	1	198172-41110	PUMP, HYDRAULIC	1							
4	2	178070-10401	RING	1							
7	2	194521-41570	PIN, 11X7	2							
15	2	22252-000320	RING, 32	1							
16	2	24421-153207	SEAL, OIL TC153207	1							
17	2	26016-080352	BOLT, M8X 35	4							
18	1	198280-41150	PUMP ASSY, HYDRAULIC	1							
29	2	194521-41570	PIN, 11X7	2							
31	2	22252-000320	RING, 32	1							
32	2	24421-153207	SEAL, OIL TC153207	1							
33	2	26016-080352	BOLT, M8X 35	4							
34	1	26106-080802	BOLT, M8X 80 PLATED	2							
35	1	26106-080952	BOLT, M8X 95 PLATED	2							
36	1	26216-080222	STUD, M8X 22	2							
37	1	26216-080402	STUD, M8X 40	1							
38	1	26306-080002	NUT, M8	4							

Remarks
(REMARKS)"EFFECTIVE MACHINE NO." OF
ENGINE IS INDICATED ON THE
ENGINE LABEL WHICH IS SHOWN
IN FIG.4.

Fig.10. LUB.OIL SYSTEM



(A)=3TNV88-XRE1
(B)=
(C)=

(D)=
(E)=
(F)=

No.	Lev.	Parts No.	Description	Q'ty						I	R
				(A)	(B)	(C)	(D)	(E)	(F)		
1	1	121520-34810	GUIDE, DIPSTICK	1							
2	1	129055-34811	DIPSTICK, OIL	1							
3	1	129150-35042	GASKET	1							
4	1	129150-35091	PIPE ASSY, OIL INLET	1							
8	1	26106-080352	BOLT, M8X 35 PLATED	2							
9	1	119802-35100	BRACKET ASSY, FILTER	1							
10	2	119802-35110	BRACKET, FILTER	1							
11	2	129100-35140	STUD	1							
12	1	129150-35111	GASKET	1							
13	1	129150-35170	FILTER,LO	1							1
14	1	26106-080202	BOLT, M8X 20 PLATED	3							
15	1	114250-39450	SWITCH, 0.5KG	1							
16	1	124160-39140	BOLT, PIPE JOINT M10	1							
17	1	119802-39450	PIPE ASSY, OIL	1							
18	1	129005-59830	BOLT ASSY, JOINT M8	1							
19	2	22190-080002	WASHER, SEAL 6	1							
20	2	23857-030000	BOLT, JOINT 3	1							
21	1	22190-080002	WASHER, SEAL 6	1							
22	1	22190-100002	WASHER, SEAL 10	2							
23	1	26366-060002	NUT, M6	1							

Remarks

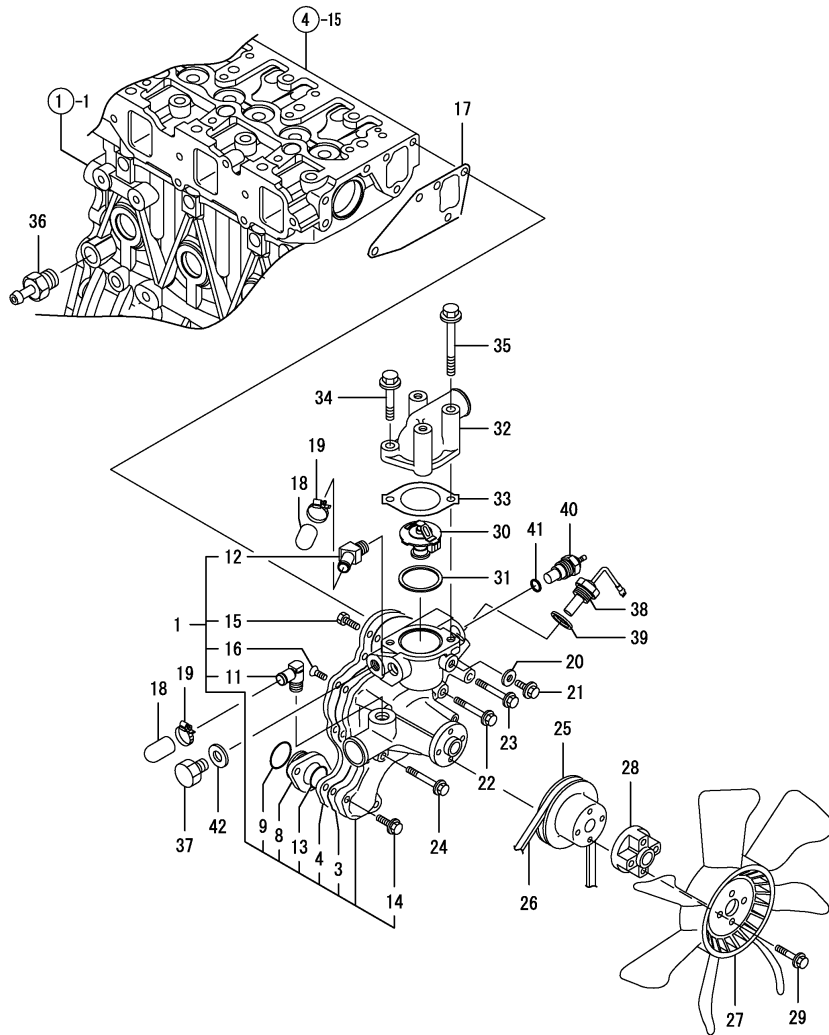
(1) REPAIR PART.

N:Old $\xrightarrow{\text{Yes}}$ New, Q:Old $\xrightarrow{\text{No}}$ New, R:Old $\xrightarrow{\text{Yes}}$ New, S:Old $\xrightarrow{\text{No}}$ New, W:Add, Z:Discontinued, F:Interchangeable by set, K:Q'ty Change

Fig.11. COOLING WATER SYSTEM

(A)=3TNV88-XRE1
(B)=
(C)=

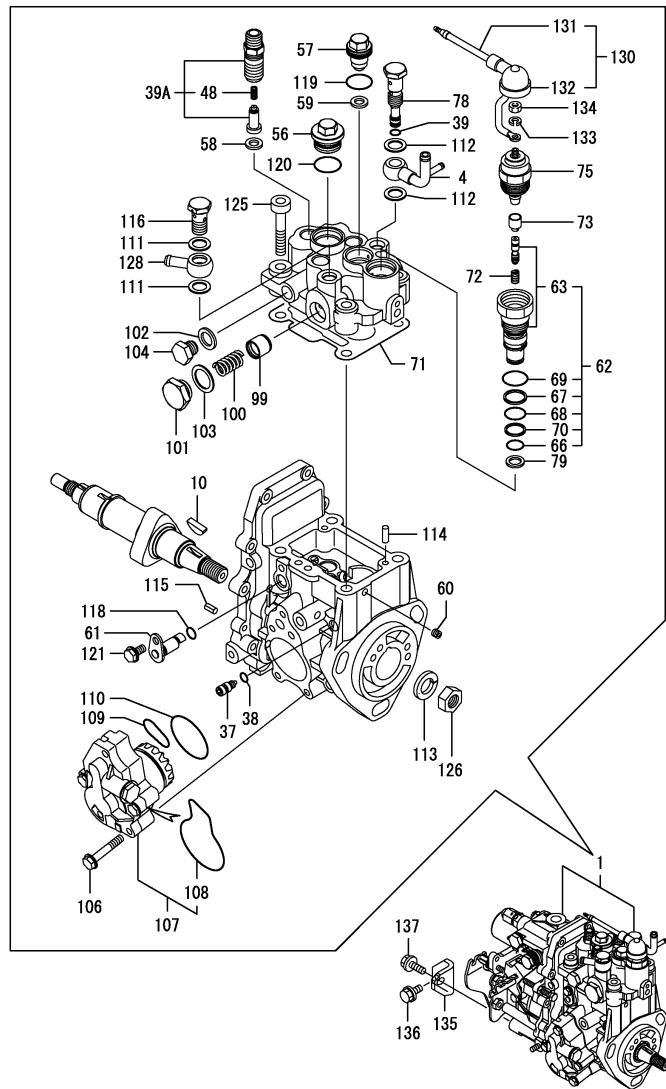
(D)=
(E)=
(F)=



No.	Lev.	Parts No.	Description	Q'ty						I	R
				(A)	(B)	(C)	(D)	(E)	(F)		
1	1	129055-42013	PUMP ASSY, WATER	1							
3	2	129457-42050	GASKET	1							
4	2	129457-42121	PLATE	1							
8	2	129150-42301	FLANGE	1							
9	2	129054-42320	O-RING	1							
11	2	119852-49300	ELBOW, R3/8	1							
12	2	129055-49300	ELBOW, R3/8	1							
13	2	24358-240310	O-RING, 524031	1							
14	2	26106-060202	BOLT, M6X 20 PLATED	2							
15	2	26116-060162	BOLT, M6X 16 PLATED	5							
16	2	26577-060162	SCREW, M6X16	1							
17	1	129486-42050	GASKET, WATER PUMP	1							
18	1	129055-49320	CAP	2							
19	1	23000-022000	CLAMP, 22	2							
20	1	23414-080000	GASKET, 8X1.0	1							
21	1	26106-080122	BOLT, M8X 12 PLATED	1							
22	1	26106-080552	BOLT, M8X 55 PLATED	2							
23	1	26106-080602	BOLT, M8X 60 PLATED	1							
24	1	26106-080702	BOLT, M8X 70 PLATED	1							
25	1	129120-42350	V-PULLEY, 130	1							
26	1	129612-42370	V-BELT, A39.5	1							
27	1	129556-44740	FAN, COOLING	1							
28	1	171353-44760	SPACER, FAN	1							
29	1	26106-060402	BOLT, M6X 40 PLATED	4							
30	1	129457-49801	THERMOSTAT, 82	1							
31	1	129150-49811	GASKET, THERMOSTAT	1							
32	1	119852-49530	COVER, THERMOSTAT	1							
33	1	129795-49551	GASKET	1							
34	1	26106-080282	BOLT, M8X 28 PLATED	1							
35	1	26106-080652	BOLT, M8X 65 PLATED	1							
36	1	121550-49111	JOINT, PT1/4	1							
37	1	129054-42450	PLUG, M12X1.5	1							
38	1	129107-44901	SENSOR	1							
39	1	124465-44950	GASKET, 16	1							
40	1	124250-49351	SENSOR	1							
41	1	129150-49360	GASKET	1							
42	1	22190-120002	WASHER, SEAL 12	1							

Remarks
(REMARKS)"EFFECTIVE MACHINE NO." OF
ENGINE IS INDICATED ON THE
ENGINE LABEL WHICH IS SHOWN
IN FIG.4.

Fig.12. FUEL INJECTION PUMP



(A)=3TNV88-XRE1
(B)=
(C)=

(D)=
(E)=
(F)=

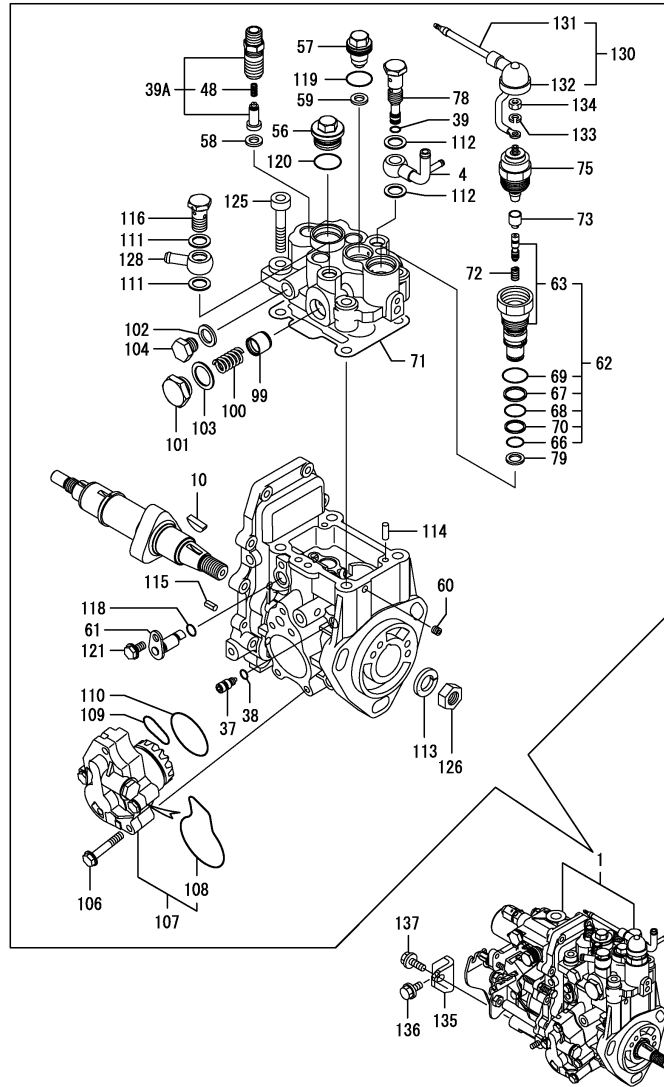
No.	Lev.	Parts No.	Description	Qty						I	R
				(A)	(B)	(C)	(D)	(E)	(F)		
1	1	729066-51360	PUMP ASSY, INJECTION	1							1
4	2	158552-51670	JOINT, OVER FLOW	1							
10	2	119802-51090	KEY, 4X16	1							
37	2	158600-51270	STOPPER, TAPPET	1							
38	2	158563-51281	O-RING, 4D S6	1							
39	2	158563-51281	O-RING, 4D S6	1							
39A	2	129509-51390	VALVE ASSY, DELIVERY	3							W
		(A=*2008.04.)									
48	3	158563-51330	SPRING, DELIVERY	3							
56	2	158601-51550	PLUG	1							
57	2	119802-51560	PLUG, BARREL	1							
58	2	158552-51570	GASKET	3							
59	2	158552-51570	GASKET	1							
60	2	158557-51570	PLUG	1							
61	2	158552-51580	LIFTER	1							
62	2	129657-51590	TIMER SET	1							
63	3	129657-51600	TIMER ASSY	1							
66	3	158553-51670	O-RING, 1011	1							
67	3	119802-51680	RING, BACK UP	1							
68	3	119802-51690	O-RING	1							
69	3	24356-010200	O-RING, 4D1020	1							
70	3	24372-000150	RING, BACK UP T2P15	1							
71	2	158552-51600	GASKET	1							
72	2	119852-51630	SPRING, TIMER	1							
73	2	119852-51640	CAP	1							
75	2	119852-51650	VALVE ASSY	1							
78	2	158601-51650	JOINT, OVER FLOW	1							
79	2	158553-51680	GASKET	1							
99	2	158601-51770	PISTON	1							
100	2	158552-51781	SPRING	1							
101	2	158601-51790	PLUG	1							
102	2	22190-120002	WASHER, SEAL 12	1							
103	2	22190-180002	WASHER, SEAL 18	1							
104	2	23887-120002	PLUG, 12	1							
106	2	158553-51770	BOLT	4							
107	2	158552-52100	PUMP ASSY, FUEL FEED	1							
108	3	158552-52500	O-RING	1							
109	2	158552-52310	O-RING	1							
110	2	158552-52400	O-RING, 4E S42	1							
111	2	22190-120002	WASHER, SEAL 12	2							
112	2	22190-120002	WASHER, SEAL 12	2							
113	2	22217-140000	WASHER, SPRING 14	1							
114	2	22312-050140	PIN, PARALLEL M5X14	2							
115	2	22351-050010	PIN, SPRING 5.0X10	2							
116	2	23857-060000	BOLT, JOINT 6	1							
118	2	24311-000070	O-RING, 1AP7.0	1							
119	2	24356-010180	O-RING, 4D1018	1							
120	2	24356-010200	O-RING, 4D1020	1							
121	2	26106-060102	BOLT, M6X 10 PLATED	1							
125	2	26450-080452	BOLT, M8X 45	4							
126	2	26776-140002	NUT, LOCK M14	1							

Remarks
(1) GOVERNOR ASSY(FIG.13) IS INCORPORATED IN THIS FOP.CMP (REF.NO.1).
(REMARKS)"EFFECTIVE MACHINE NO." OF ENGINE IS INDICATED ON THE ENGINE LABEL WHICH IS SHOWN IN FIG.4.

Fig.12. FUEL INJECTION PUMP

(A)=3TNV88-XRE1
(B)=
(C)=

(D)=
(E)=
(F)=



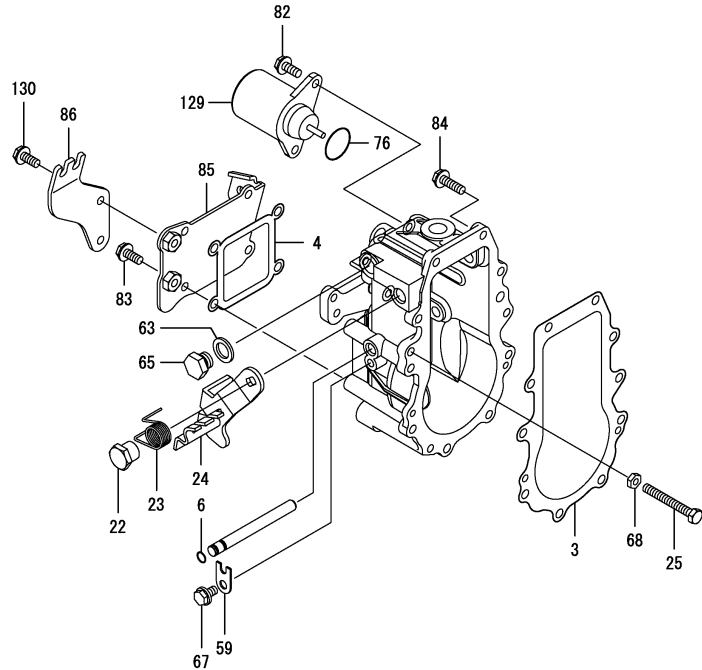
No.	Lev.	Parts No.	Description	Q'ty						I	R
				(A)	(B)	(C)	(D)	(E)	(F)		
128	2	129916-59020	JOINT, PIPE 12	1							
130	2	129263-77951	HARNESS ASSY, WIRE	1							
131	3	129263-77930	HARNESS,(CSD)	1							
132	3	129263-77941	CAP, RUBBER	1							
133	2	22217-050000	WASHER, SPRING 5	1							
134	2	26716-050002	NUT, M5	1							
135	1	119802-51250	RETAINER, PUMP	1							
136	1	26106-080162	BOLT, M8X 16 PLATED	1							
137	1	26106-080202	BOLT, M8X 20 PLATED	1							

Remarks
(1) GOVERNOR ASSY(FIG.13) IS INCORPORATED IN THIS FOP.CMP (REF.NO.1).
(REMARKS)"EFFECTIVE MACHINE NO." OF ENGINE IS INDICATED ON THE ENGINE LABEL WHICH IS SHOWN IN FIG.4.

Fig.13. GOVERNOR

(A)=3TNV88-XRE1
(B)=
(C)=

(D)=
(E)=
(F)=



No.	Lev.	Parts No.	Description	Q'ty						I	R
				(A)	(B)	(C)	(D)	(E)	(F)		
3	2	158553-61050	GASKET	1							
4	2	158553-61070	GASKET	1							
6	2	129155-51280	O-RING, S6	1							
22	2	129255-61410	NUT, LOCK	1							
23	2	119807-61420	SPRING, RETURN	1							
24	2	119852-61440	LEVER ASSY,REGULATOR	1							
25	2	129155-61460	BOLT, IDLE	1							
59	2	119660-61901	RETAINER, SHAFT	1							
63	2	22190-120000	WASHER, SEAL 12	1							
65	2	23887-120002	PLUG, 12	1							
67	2	26106-060102	BOLT, M6X 10 PLATED	1							
68	2	26756-060002	NUT, LOCK M6	1							
76	2	158552-61900	O-RING	1							
82	2	26106-060142	BOLT, M6X 14 PLATED	2							
83	2	26106-060142	BOLT, M6X 14 PLATED	4							
84	2	26106-060202	BOLT, M6X 20 PLATED	10							
85	2	158552-61061	COVER, GOVERNOR CASE	1							
86	2	119852-61080	SUPPORT, WIRE	1							
129	2	119653-77950	SOLENOID, STOP	1							
130	2	26106-060142	BOLT, M6X 14 PLATED	2							

Remarks
 * THIS FIGURE(GOVERNOR ASSY)IS
 INCORPORATED IN THE FUEL INJECTION
 PUMP ASSY(FIG.12).
 (REMARKS)"EFFECTIVE MACHINE NO." OF
 ENGINE IS INDICATED ON THE
 ENGINE LABEL WHICH IS SHOWN
 IN FIG.4.

Fig.14. FUEL INJECTION VALVE

(A)=3TNV88-XRE1

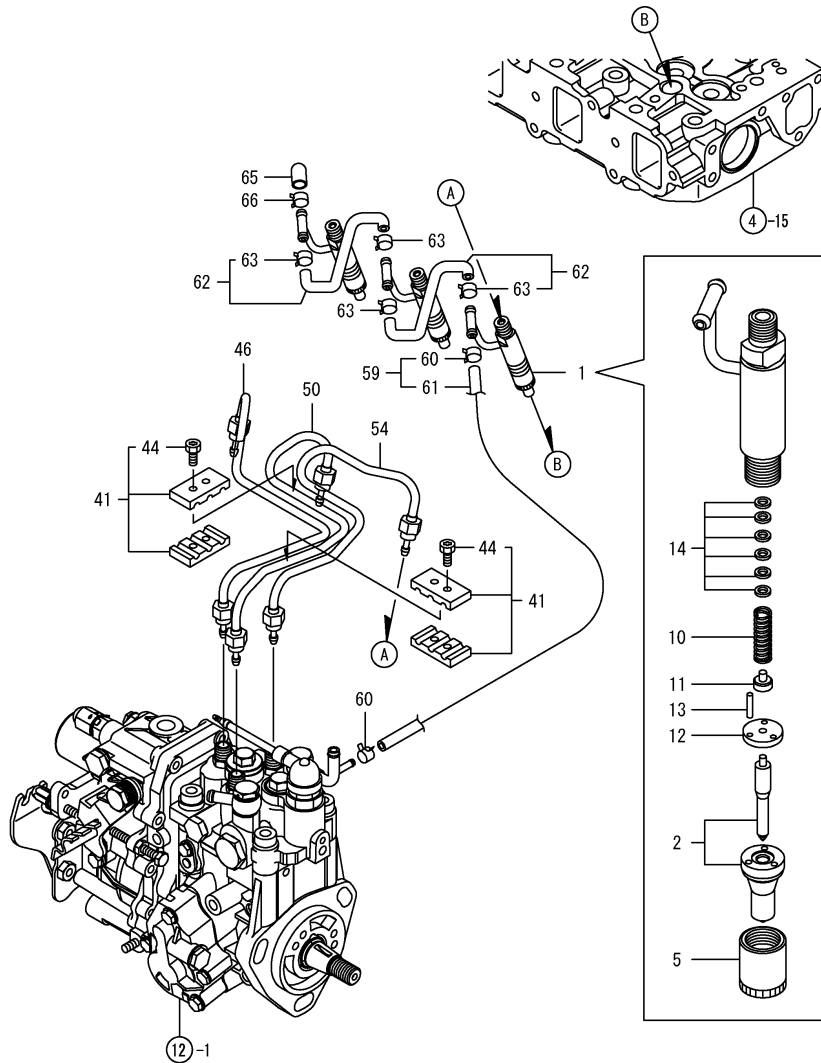
(B)=

(C)=

(D)=

(E)=

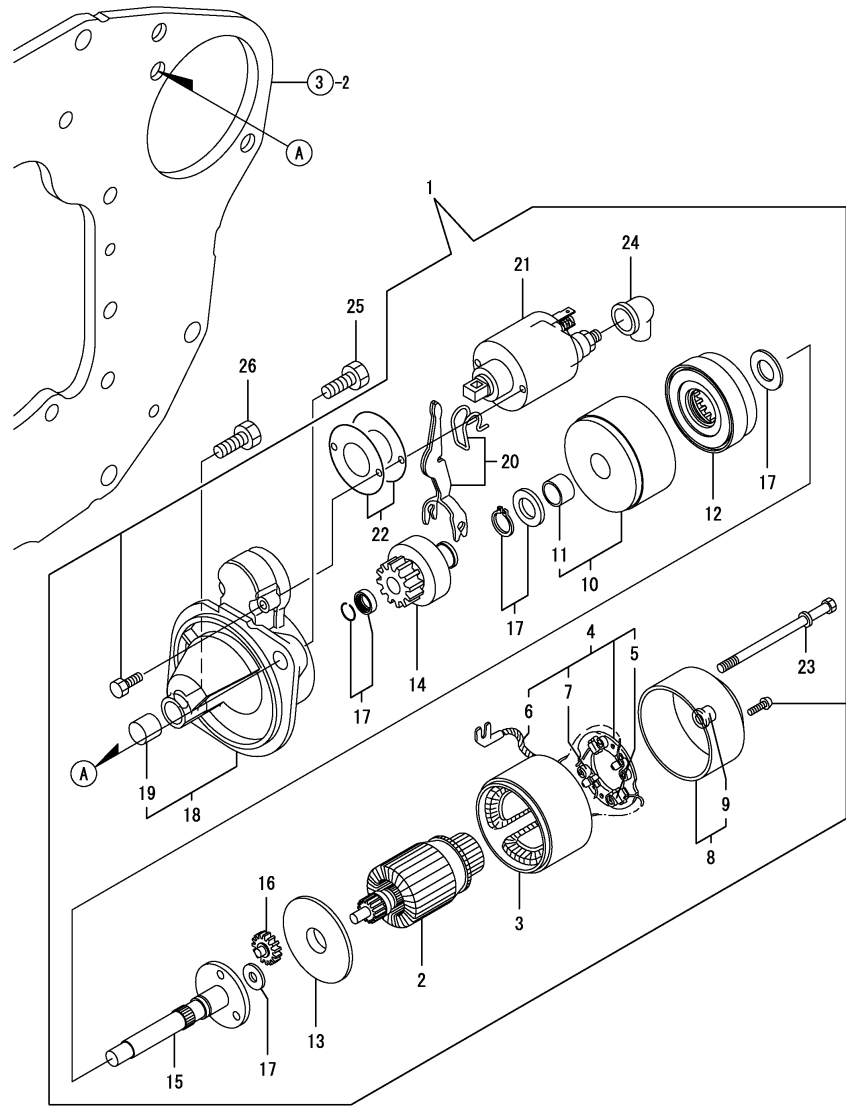
(F)=



No.	Lev.	Parts No.	Description	Q'ty						I	R
				(A)	(B)	(C)	(D)	(E)	(F)		
1	1	729245-53100	VALVE ASSY,INJECTION	3							
2	2	129004-53001	VALVE ASSY,INJECTION	3							
5	2	114250-53080	NUT, NOZZLE D16.95	3							
10	2	114250-53120	SPRING, NOZZLE	3							
11	2	114250-53130	SEAT, SPRING	3							
12	2	114250-53140	PLATE	3							
13	2	114250-53210	PIN	6							
14	2	119803-53400	SHIM SET	3							
41	1	129150-59120	RETAINER, PIPE	2							
44	2	129150-59131	BOLT, M4X14	4							
46	1	129004-59811	PIPE ASSY, INJECTION	1							
50	1	129004-59821	PIPE ASSY, INJECTION	1							
54	1	129004-59831	PIPE ASSY, INJECTION	1							
59	1	119802-59550	PIPE ASSY, RETURN	1							
60	2	124722-59050	CLIP, HOSE 9	2							
61	2	119802-59560	PIPE, FUEL RETURN	1							
62	1	129486-59551	PIPE ASSY, RETURN	2							
63	2	124722-59050	CLIP, HOSE 9	4							
65	1	119593-59581	CAP	1							
66	1	124060-77680	CLIP, HOSE 10	1							

Remarks
 (REMARKS)"EFFECTIVE MACHINE NO." OF
 ENGINE IS INDICATED ON THE
 ENGINE LABEL WHICH IS SHOWN
 IN FIG.4.

Fig.15. STARTING MOTOR



(A)=3TNV88-XRE1
(B)=
(C)=

(D)=
(E)=
(F)=

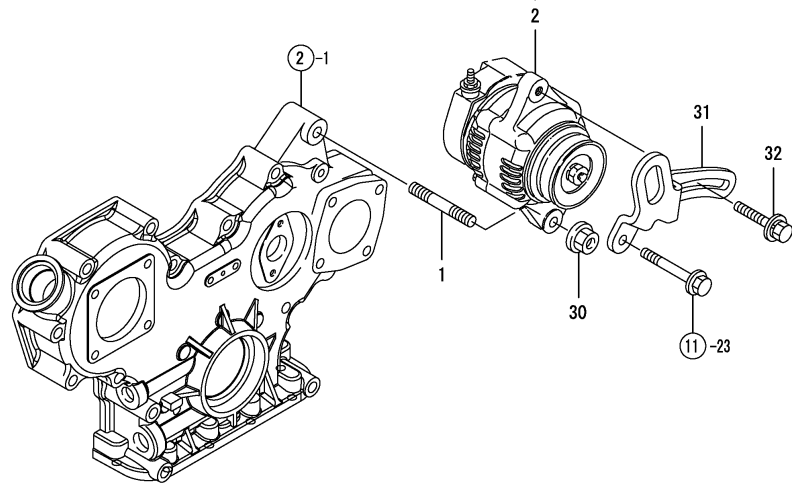
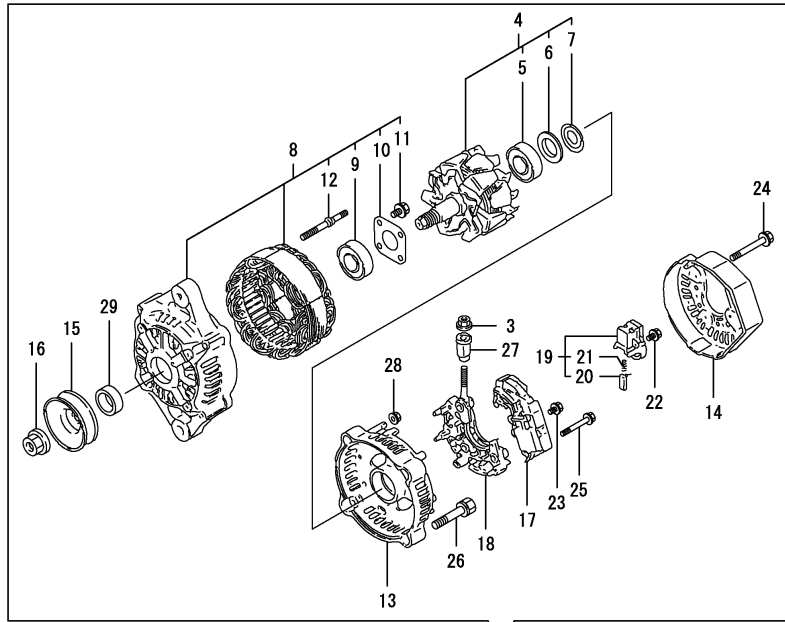
No.	Lev.	Parts No.	Description	Q'ty						I	R
				(A)	(B)	(C)	(D)	(E)	(F)		
1	1	129052-77010	STARTER, CR1.2	1							
2	2	129698-77101	ARMATURE ASSY	1							
3	2	129698-77110	YOKE ASSY	1							
4	2	129698-77120	HOLDER ASSY, BRUSH	1							
5	3	129698-77130	BRUSH	2							
6	3	129698-77140	BRUSH SET	1							
7	3	129698-77150	SPRING, BRUSH	4							
8	2	129698-77161	COVER ASSY	1							
9	3	129698-77170	BEARING	1							
10	2	129698-77180	BRACKET	1							
11	3	129698-77190	BRACKET	1							
12	2	129698-77200	GEAR, INTERNAL	1							
13	2	129698-77210	BRACKET	1							
14	2	129698-77220	PINION ASSY	1							
15	2	129698-77230	SHAFT	1							
16	2	118400-77170	GEAR	3							
17	2	129698-77250	WASHER SET	1							
18	2	129052-77030	HOUSING ASSY, GEARS	1							
19	3	X2114535200	METAL, STARTER	1							
20	2	129698-77270	LEVER SET, SHIFT	1							
21	2	129698-77020	SWITCH ASSY	1							
22	2	129698-77280	COVER KIT	1							
23	2	124195-77770	BOLT, THROUGH	2							
24	2	X2114274200	COVER	1							
25	1	129155-77060	BOLT	1							
26	1	26116-120202	BOLT, M12X 20 PLATED	1							

Remarks
(REMARKS)"EFFECTIVE MACHINE NO." OF
ENGINE IS INDICATED ON THE
ENGINE LABEL WHICH IS SHOWN
IN FIG.4.

Fig.16. GENERATOR

(A)=3TNV88-XRE1
(B)=
(C)=

(D)=
(E)=
(F)=



No.	Lev.	Parts No.	Description	Q'ty						I	R
				(A)	(B)	(C)	(D)	(E)	(F)		
1	1	129795-01900	STUD	1							
2	1	129423-77200	GENERATOR, 12V-40A	1							
3	2	X9490561001	NUT	1							
4	2	119620-77380	ROTOR ASSY	1							
5	3	123501-79240	BEARING, BALL	1							
6	3	119620-79250	COVER	1							
7	2	119620-79360	WASHER, THRUST	1							
8	2	119620-77421	FRAME ASSY, DRIVE	1							
9	3	119620-79200	BEARING, BALL	1							
10	3	119620-79210	PLATE, RETAINER	1							
11	3	119620-79220	SCREW	4							
12	3	119620-79230	STUD	2							
13	2	119620-77440	FRAME ASSY	1							
14	2	129240-79300	COVER	1							
15	2	119620-77461	PULLEY	1							
16	2	119620-77471	NUT	1							
17	2	129423-77710	REGULATOR ASSY	1							
18	2	119620-79260	HOLDER	1							
19	2	129052-79270	HOLDER, BRUSH	1							
20	3	119620-77480	BRUSH ASSY	2							
21	3	119620-79280	SPRING	2							
22	2	119620-79290	SCREW	6							
23	2	119620-79300	SCREW	1							
24	2	119620-79310	BOLT	3							
25	2	119620-79320	SCREW	2							
26	2	119620-79330	BOLT	2							
27	2	119620-79340	BUSH, INSULATION	1							
28	2	119620-79350	NUT	2							
29	2	119620-77490	COLLAR	1							
30	1	26306-100002	NUT, M10	1							
31	1	129263-77330	ADJUSTER	1							
32	1	119810-77340	BOLT, ADJUSTER	1							

Remarks
(REMARKS)"EFFECTIVE MACHINE NO." OF
ENGINE IS INDICATED ON THE
ENGINE LABEL WHICH IS SHOWN
IN FIG.4.

Parts No. Index

Parts No.	Fig. No.	Ref. No.
114250-39450	10	15
114250-53080	14	5
114250-53120	14	10
114250-53130	14	11
114250-53140	14	12
114250-53210	14	13
118400-77170	15	16
119131-18320	6	5
119593-59581	14	65
119609-32040	2	12
119620-77380	16	4
119620-77421	16	8
119620-77440	16	13
119620-77461	16	15
119620-77471	16	16
119620-77480	16	20
119620-77490	16	29
119620-79200	16	9
119620-79210	16	10
119620-79220	16	11
119620-79230	16	12
119620-79250	16	6
119620-79260	16	18
119620-79280	16	21
119620-79290	16	22
119620-79300	16	23
119620-79310	16	24
119620-79320	16	25
119620-79330	16	26
119620-79340	16	27
119620-79350	16	28
119620-79360	16	7
119625-11880	4	32
119653-77950	13	129
119660-61901	13	59
119802-01561	2	7
119802-03110	4	42
119802-03121	4	43
119802-03130	4	44
119802-03141	4	45
119802-11260	4	6
119802-11270	4	7
119802-11280	4	8
119802-11870	4	31
119802-21202	8	4
119802-25051	7	9
119802-25071	7	13
119802-25101	7	10
119802-25901	7	16
119802-32070	2	14

Parts No.	Fig. No.	Ref. No.
119802-32100	2	13
119802-32111	2	18
119802-32120	2	19
119802-32130	2	20
119802-35100	10	9
119802-35110	10	10
119802-39450	10	17
119802-51090	12	10
119802-51250	12	135
119802-51560	12	57
119802-51680	12	67
119802-51690	12	68
119802-59550	14	59
119802-59560	14	61
119803-53400	14	14
119807-61420	13	23
119810-77340	16	32
119852-01601	3	2
119852-49300	11	11
119852-49530	11	32
119852-51630	12	72
119852-51640	12	73
119852-51650	12	75
119852-61080	13	86
119852-61440	13	24
119934-01800	2	5
120130-11860	4	29
120270-54410	4	34
121023-01551	2	28
121111-21501	8	11
121400-11340	4	25
121520-34810	10	1
121550-23200	8	26
121550-49111	11	36
121850-21680	8	10
121850-51960	2	21
123501-79240	16	5
123900-13630	6	4
124060-01050	1	4
124060-77680	14	66
124160-01751	2	9
124160-01910	1	6
		7
124160-11360	4	50
124160-39140	10	16
124195-77770	15	23
124240-01871	2	10
124240-01883	9	1
124250-49351	11	40
124460-11340	4	26

Parts No.	Fig. No.	Ref. No.
124465-44950	11	39
124550-21600	8	14
124722-59050	14	60
		63
129001-01250	1	5
129001-01340	1	32
129001-02931	1	27
129001-12110	5	4
129001-32330	2	17
129001-91841	2	22
129004-01190	1	30
129004-01520	2	6
129004-03010	4	40
129004-11130	4	23
129004-11241	4	3
129004-11251	4	4
129004-11310	4	47
129004-11650	4	10
129004-11700	4	15
129004-11900	4	33
129004-13200	6	7
129004-21002	8	1
129004-53001	14	2
129004-59811	14	46
129004-59821	14	50
129004-59831	14	54
129005-03080	5	1
129005-12100	5	3
129005-22080	8	15
129005-22500	8	17
129005-22900	8	32
129005-22950	8	34
129005-59830	10	18
129052-77010	15	1
129052-77030	15	18
129052-79270	16	19
129054-01640	3	7
129054-42320	11	9
129054-42450	11	37
129055-01770	3	6
129055-11350	4	39
129055-13521	6	8
129055-21592	8	12
129055-21650	8	8
129055-34811	10	2
129055-42013	11	1
129055-49300	11	12
129055-49320	11	18
129100-01580	3	1
		13

Parts No.	Fig. No.	Ref. No.
129100-01580	8	2
129100-01640	3	14
129100-01730	3	5
129100-11112	4	21
129100-23910	8	29
129100-35140	10	11
129107-44901	11	38
129120-42350	11	25
129120-77502	5	7
129129-14580	7	3
129150-01200	1	31
129150-01580	2	8
129150-01881	7	17
129150-02020	1	9
129150-02450	7	4
129150-02871	1	33
129150-02931	1	24
129150-02941	1	36
129150-03070	4	41
129150-11230	4	11
129150-11280	4	9
129150-11370	4	14
129150-11750	4	13
129150-11810	4	30
129150-13110	6	2
129150-14101	7	6
129150-14200	7	1
129150-14400	7	2
129150-23601	8	27
129150-23611	8	30
129150-25301	7	15
129150-26000	7	18
129150-26050	7	19
129150-35042	10	3
129150-35091	10	4
129150-35111	10	12
129150-35170	10	13
129150-42301	11	8
129150-49360	11	41
129150-49811	11	31
129150-59120	14	41
129150-59131	14	44
129150-77511	5	8
129155-51280	13	6
129155-61460	13	25
129155-77060	15	25
129202-22300	8	21
129240-79300	16	14
129255-61410	13	22
129263-13220	6	3

Parts No. Index

Parts No.	Fig. No.	Ref. No.
129263-77330	16	31
129263-77930	12	131
129263-77941	12	132
129263-77951	12	130
129410-03990	5	2
129418-32320	2	16
129423-77200	16	2
129423-77710	16	17
129457-42050	11	3
129457-42121	11	4
129457-49801	11	30
129486-01670	3	17
129486-42050	11	17
129486-59551	14	62
129509-51390	12	39 A
129556-44740	11	27
129612-42370	11	26
129657-51590	12	62
129657-51600	12	63
129698-77020	15	21
129698-77101	15	2
129698-77110	15	3
129698-77120	15	4
129698-77130	15	5
129698-77140	15	6
129698-77150	15	7
129698-77161	15	8
129698-77170	15	9
129698-77180	15	10
129698-77190	15	11
129698-77200	15	12
129698-77210	15	13
129698-77220	15	14
129698-77230	15	15
129698-77250	15	17
129698-77270	15	20
129698-77280	15	22
129795-01780	3	16
129795-01900	16	1
129795-01950	2	11
129795-02412	1	12
129795-11120	4	22
129795-11180	4	24
129795-21661	8	9
129795-49551	11	33
129900-07900	4	1
129900-32130	2	15
129916-59020	12	128
158552-51151	7	22
158552-51570	12	58

Parts No.	Fig. No.	Ref. No.
158552-51570	12	59
158552-51580	12	61
158552-51600	12	71
158552-51670	12	4
158552-51781	12	100
158552-52100	12	107
158552-52310	12	109
158552-52400	12	110
158552-52500	12	108
158552-61061	13	85
158552-61900	13	76
158553-51670	12	66
158553-51680	12	79
158553-51770	12	106
158553-61050	13	3
158553-61070	13	4
158557-51570	12	60
158563-51281	12	38
		39
158563-51330	12	48
158600-51270	12	37
158601-51550	12	56
158601-51650	12	78
158601-51770	12	99
158601-51790	12	101
171051-01921	1	8
171350-13100	6	1
171353-44760	11	28
178070-10401	9	4
194521-41570	9	7
		29
198172-41110	9	2
198280-41150	9	18
22190-080002	10	19
		21
22190-100002	10	22
22190-120000	13	63
22190-120002	3	9
		11
		42
		102
		111
		112
22190-180002	12	103
22217-050000	12	133
22217-140000	7	23
	12	113
22252-000260	8	22
22252-000320	9	15
		31
22312-050140	12	114

Parts No.	Fig. No.	Ref. No.
22351-050010	12	115
22351-060012	4	35
22512-070140	7	7
	8	5
		7
22857-500100	4	48
		49
23000-022000	11	19
23414-080000	11	20
23857-030000	10	20
23857-060000	12	116
23876-030000	2	3
23876-040000	2	4
23887-120002	12	104
	13	65
24105-060064	7	21
24311-000070	12	118
24311-000120	4	51
24311-000320	2	23
24341-000240	2	29
24356-010180	12	119
24356-010200	12	69
		120
24358-240310	11	13
24372-000150	12	70
24421-153207	9	16
		32
26016-080352	9	17
		33
26106-060102	12	121
	13	67
26106-060142	13	82
		83
		130
26106-060162	2	30
26106-060202	11	14
	13	84
26106-060402	11	29
26106-080122	11	21
26106-080142	7	8
26106-080162	2	24
		25
	3	10
	4	2
	12	136
26106-080202	5	5
	10	14
	12	137
26106-080252	3	11
	4	36

Parts No.	Fig. No.	Ref. No.
26106-080282	11	34
26106-080352	3	18
	4	37
	5	9
	10	8
26106-080402	7	14
26106-080452	3	12
		12 -1
26106-080502	3	19
	4	38
26106-080552	2	26
	11	22
26106-080602	11	23
26106-080652	11	35
26106-080702	11	24
26106-080802	5	6
	9	34
26106-080952	9	35
26116-060162	11	15
26116-120202	15	26
26206-100202	3	3
26206-100252	3	4
26216-080222	9	36
26216-080402	9	37
26306-080002	2	27
	6	6
		9
	9	38
26306-100002	16	30
26366-060002	10	23
26450-080452	12	125
26577-060162	11	16
26716-050002	12	134
26756-060002	13	68
26776-140002	7	24
	12	126
27241-120000	1	13
27241-300000	1	14
27241-400000	4	20
27310-080001	4	27
729005-01562	1	1
729066-51360	12	1
729235-01500	2	1
729245-53100	14	1
729402-23100	8	23
X2114274200	15	24
X2114535200	15	19
X9490561001	16	3