

0CNP5-M07000EN

Contents

OCNP5-M07000

Fig. No. Fig. Name

ENGINE CONTROL SECTION

1. ENGINE ACCESSORIES
2. ACCEL LEVER & FOOT ACCELERATOR
3. EXHAUST
4. FUEL TANK
5. FUEL PIPE
6. AIR CLEANER

FRONT AXLE SECTION

7. FRONT BRACKET
8. FRONT SUPPORT
9. TIE-ROD
10. RING GEAR
11. DIFFERENTIAL GEAR
12. PROPELLER SHAFT
13. FRONT SHAFT
14. FRONT AXLE CASE
15. FRONT GEAR CASE
16. FRONT SPINDLE
17. FRONT WHEEL TIRE
18. FRONT WHEEL TIRE(TURF
19. STEERING
20. P.S.T CYLINDER
21. P.S.T VALVE
22. P.S.T HOSE

Fig. No. Fig. Name

TRANSMISSION SECTION

23. CLUTCH HOUSING
24. CLUTCH & CLUTCH SHAFT
25. CLUTCH RELEASE
26. TRANSMISSION CASE
27. CENTER PLATE
28. REVERSE HOUSING
29. MAIN DRIVE SHAFT
30. MAIN SHAFT
31. REVERSE SHAFT
32. REDUCTION SHAFT
33. COUNTER SHAFT
34. REVERSE IDLE SHAFT
35. PTO DRIVE SHAFT
36. PTO SHAFT
37. MAIN SHIFT
38. MAIN CHANGE LEVER
39. REVERSE SHIFT
40. REVERSE LEVER
41. RANGE SHIFT
42. SHIFT LINK
43. PTO. SHIFT
44. SUB CHANGE LEVER & PTO LEVER
45. KNOB

Contents

OCNP5-M07000

Fig. No. Fig. Name

46. FRONT DRIVE

47. FRONT SHIFT

48. 4WD LVER

REAR AXLE SECTION

49. RING GEAR & DIFFERENTIAL GEAR

50. REAR HOUSING

51. DIFFERENTIAL LOCK

52. FINAL PINION & FINAL GEAR

53. REAR AXLE SHAFT

54. REAR WHEEL TIRE

55. REAR WHEEL TIRE(TURF

56. BRAKE

57. PEDAL

58. BRAKE LINK

59. PARKING BRAKE

HYDRAULIC CONTROL SECTION

60. HYD.CYLINDER CASE

61. PISTON

62. CONTROL VALVE

63. RELIEF VALVE

64. SUB VALVE

65. S.C.V PIPING

66. S.C.V CONTROL

Fig. No. Fig. Name

67. HYDRAULIC CONTROL

68. HYDRAULIC PIPING

ELECTRICAL PARTS SECTION

69. WIRE HARNESS

70. WIRE HARNESS

71. SWITCH

72. LAMPS

73. LICENCE BRACKET

74. METER

75. HORN

76. RELAY

77. WATERPROOFING STOPPER

FITTINGS SECTION

78. HOOD

79. SIDE COVER

80. DASHBOARD

81. CURRENT PLATE

82. FENDER

83. LEVER GUIDE

84. FLOOR COVER

85. FLOOR

86. DRIVER SEAT

87. SEAT BELT

Contents

0CNP5-M07000

Fig. No. Fig. Name

88. BACK MIRROR

89. LABELS

90. LABEL(SAFETY

Fig. No. Fig. Name

HITCH SECTION

91. THREE POINT LINK

92. DRAWBAR HITCH

93. COVER(LEVER GUIDE

SAFETY FRAME SECTION

94. SAFETY FRAME

ACCESSORIES SECTION

95. ACCESSORIES

OPTIONAL SECTION

96. KARTE(CENTER PLATE

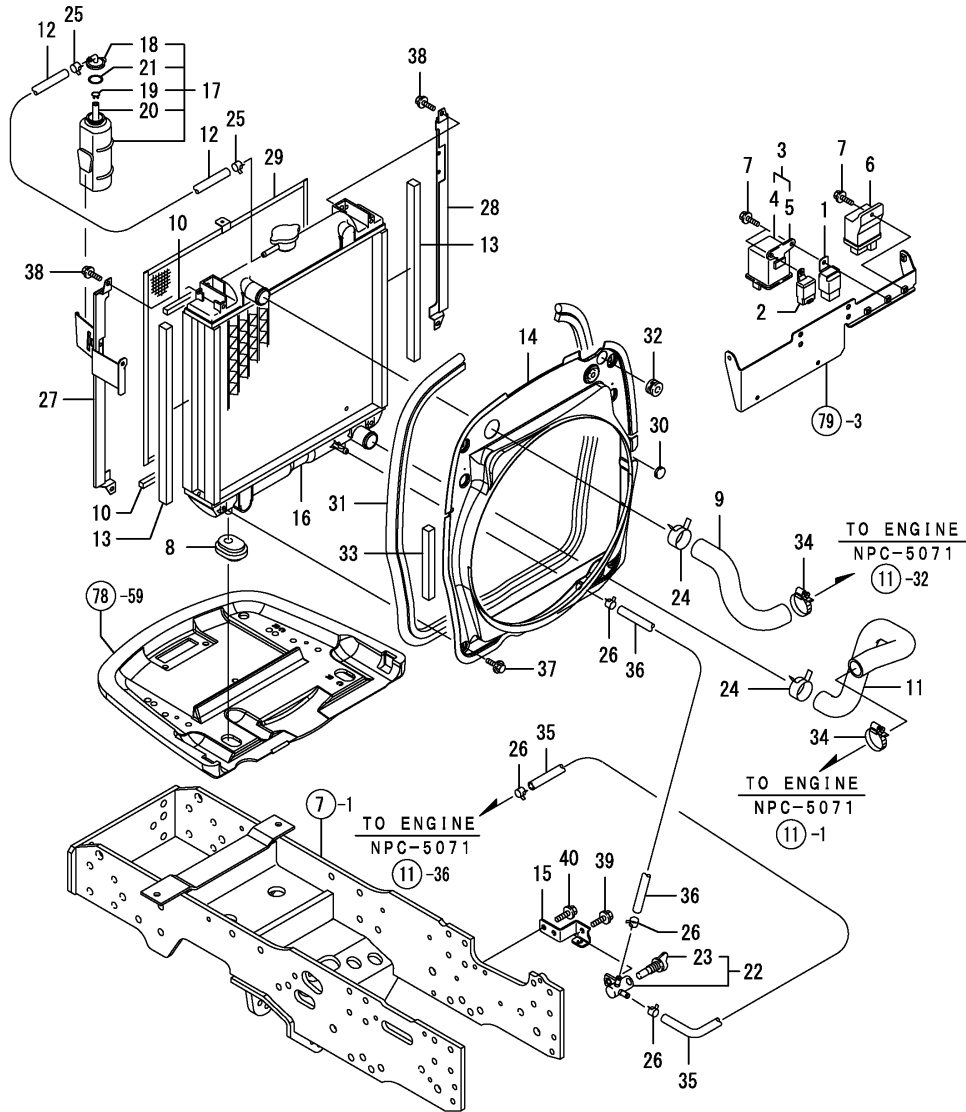
97. REAR HOUSING(REPAIR PART

98. GEAR KIT, DRIVEN 20

99. GEAR KIT, DRIVEN 21

100. GEAR KIT, REVERSER

Fig.1. ENGINE ACCESSORIES

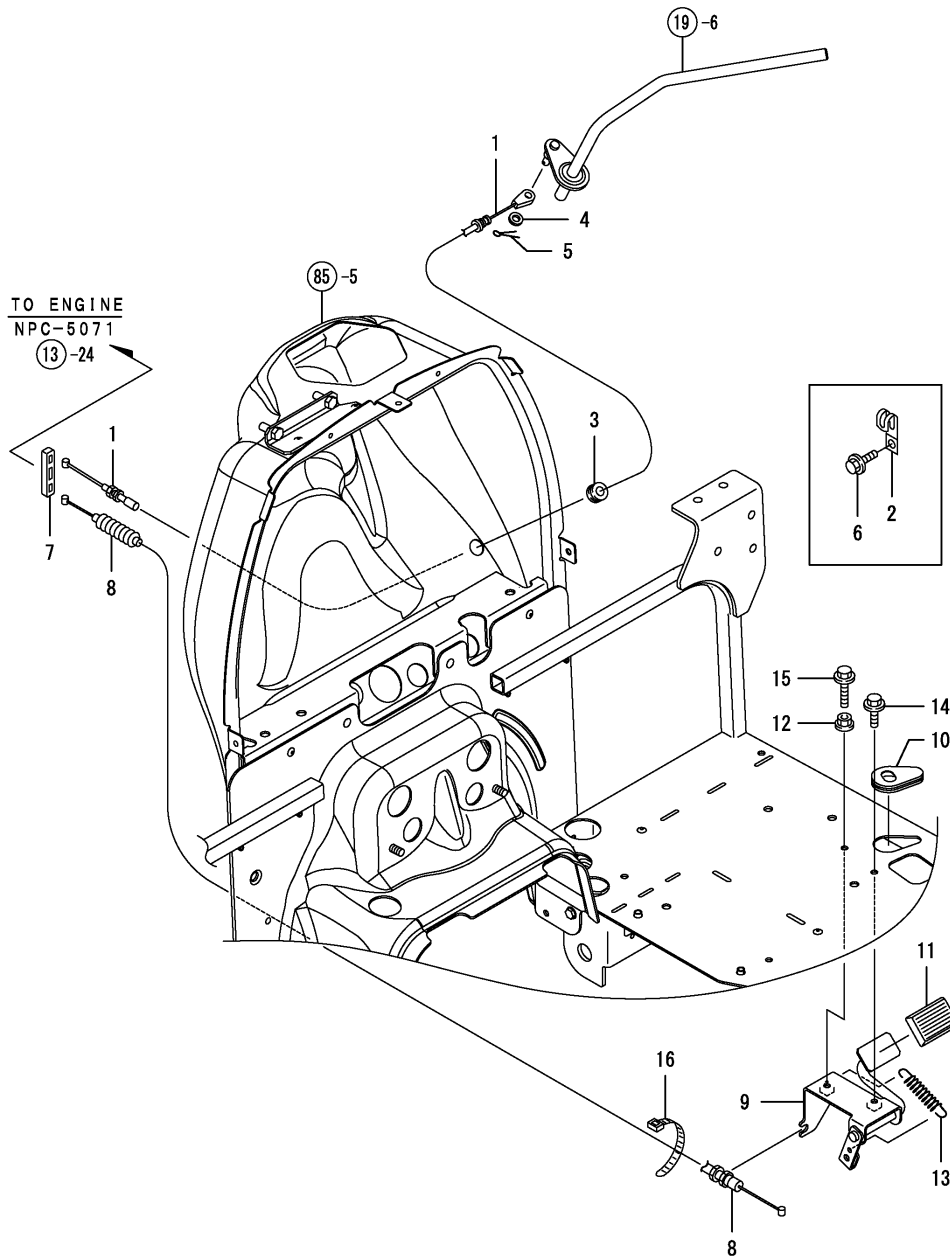


(A)=EF352-AU-PQ
(B)=
(C)=

(D)=
(E)=
(F)=

No.	Lev.	Parts No.	Description	Q'ty						I	R
				(A)	(B)	(C)	(D)	(E)	(F)		
1	1	198220-52180	RELAY, STARTER	1							
2	1	198461-52950	RELAY, CA TYPE C	1							
3	1	119650-77910	RELAY ASSY, GLOW	1							
4	2	129052-77920	BODY, RELAY	1							
5	2	119650-77930	BRACKET, RELAY	1							
6	1	119852-77910	CONTROLLER	1							
7	1	26106-060162	BOLT, M6X 16 PLATED	3							
8	1	198200-00610	RUBBER, ABSORBER	2							
9	1	198208-01410	HOSE, WATER A	1							
10	1	198200-01440	SEAL, RADIATOR	2							
11	1	198208-01451	HOSE, WATER B	1							
12	1	198280-01470	PIPE, WATER DRAIN	1							
13	1	198208-01480	URETHANE, RADIATOR	2							
14	1	198208-01510	SHROUD ASSY, FAN	1							
15	1	198200-11351	STAY ASSY, COCK	1							
16	1	129055-44501	RADIATOR ASSY	1							
17	1	129263-44510	TANK ASSY, SUB	1							
18	2	121450-44531	CAP	1							
19	2	124450-44560	RETAINER	1							
20	2	23065-070180	PIPE, 7X 180	1							
21	2	121470-44581	GASKET	1							
22	1	129150-49101	COCK ASSY, 3-WAY	1							
23	2	129150-49081	COCK, DRAIN	1							
24	1	175022-49730	CRIP 31, HOSE	2							
25	1	124766-59050	CLIP, HOSE 12	2							
26	1	124766-59050	CLIP, HOSE 12	4							
27	1	198206-60710	GUIDE ASSY, SCREEN L	1							
27-1	1	198206-60720	GUIDE, L	1							N
(A=*2008.07.)											
28	1	198206-60760	GUIDE, SCREEN R	1							
29	1	198206-60950	SCREEN, RADIATOR	1							
30	1	198448-61620	CAP,	1							
31	1	198200-61950	WEATHER-STRIP, 1740	1							
32	1	194180-61980	GROMMET, 24	1							
33	1	198200-61980	SEAL, RADIATOR L	1							
34	1	23000-035000	CLAMP, 35	2							
35	1	23980-730250	HOSE, 7.3X 250	1							
36	1	23980-730510	HOSE, 7.3X 510	1							
37	1	26106-060122	BOLT, M6X 12 PLATED	4							
38	1	26106-060122	BOLT, M6X 12 PLATED	4							
39	1	26106-080162	BOLT, M8X 16 PLATED	1							
40	1	26106-080162	BOLT, M8X 16 PLATED	2							

Fig.2. ACCEL LEVER & FOOT ACCELERATOR



(A)=EF352-AU-PQ
(B)=
(C)=

(D)=
(E)=
(F)=

No.	Lev.	Parts No.	Description	Q'ty						I	R
				(A)	(B)	(C)	(D)	(E)	(F)		
1	1	198200-01150	WIRE ASSY, THROTTLE	1							
2	1	194440-51630	CLAMP, HARNESS	1							
3	1	198071-58810	GROMMET, 8	1							
4	1	22137-060000	WASHER, 6	1							
5	1	22417-160180	PIN, COTTER 1.6X18	1							
6	1	26106-060122	BOLT, M6X 12 PLATED	1							
7	1	198071-01160	RUBBER	1							
8	1	198200-01210	WIRE ASSY	1							
9	1	198200-01300	ACCELERATOR, FOOT	1							
10	1	198071-01390	GROMMET	1							
11	1	1W3981-14050	RUBBER	1							
12	1	194990-22130	NUT, M6	1							
13	1	198360-55630	SPRING, RETURN	1							
14	1	26106-060122	BOLT, M6X 12 PLATED	1							
15	1	26116-060404	BOLT, M6X 40 PLATED	1							
16	1	1C6280-61100	BAND 70	1							W

(A=FXXXXX)

Fig.3. EXHAUST

(A)=EF352-AU-PQ
 (B)=
 (C)=

(D)=
 (E)=
 (F)=

No.	Lev.	Parts No.	Description	Q'ty						I	R
				(A)	(B)	(C)	(D)	(E)	(F)		
1	1	198208-03112	PIPE, EXHAUST	1							
2	1	198280-05510	PLATE, SHUTTER	1							
3	1	129052-13550	GASKET,NOZZLE	1							
4	1	194990-22140	NUT, M8	2							
5	1	22157-080000	WASHER, 8	1							
6	1	26106-080162	BOLT, M8X 16 PLATED	1							
7	1	26106-080252	BOLT, M8X 25 PLATED	2							

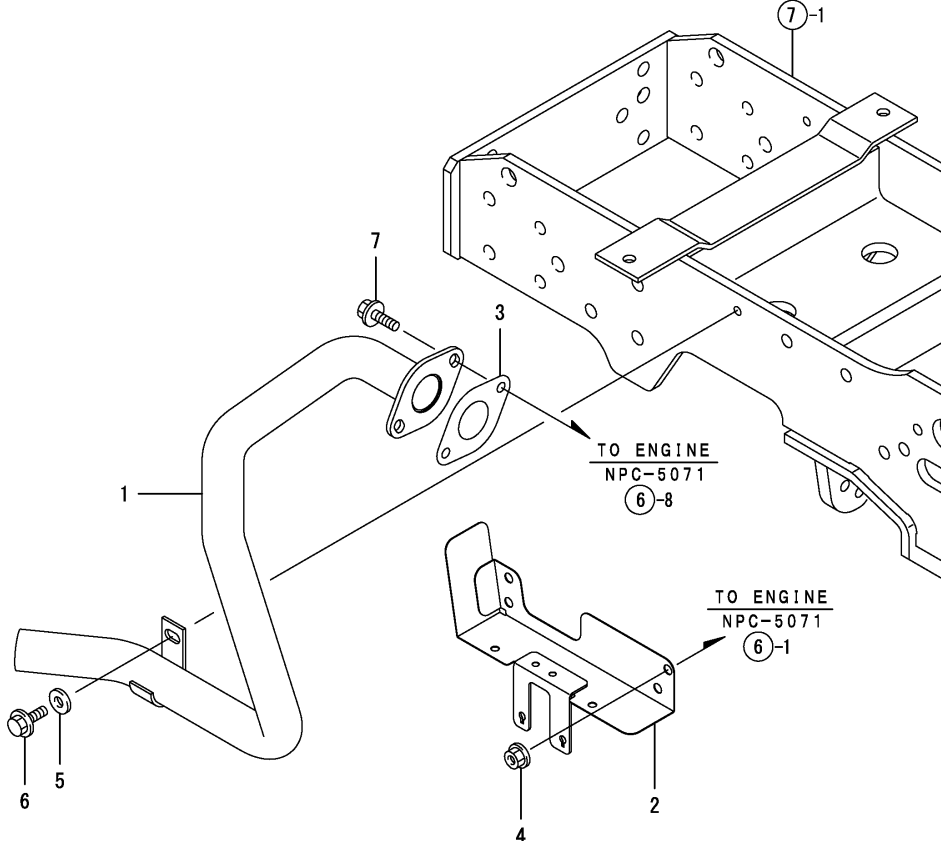
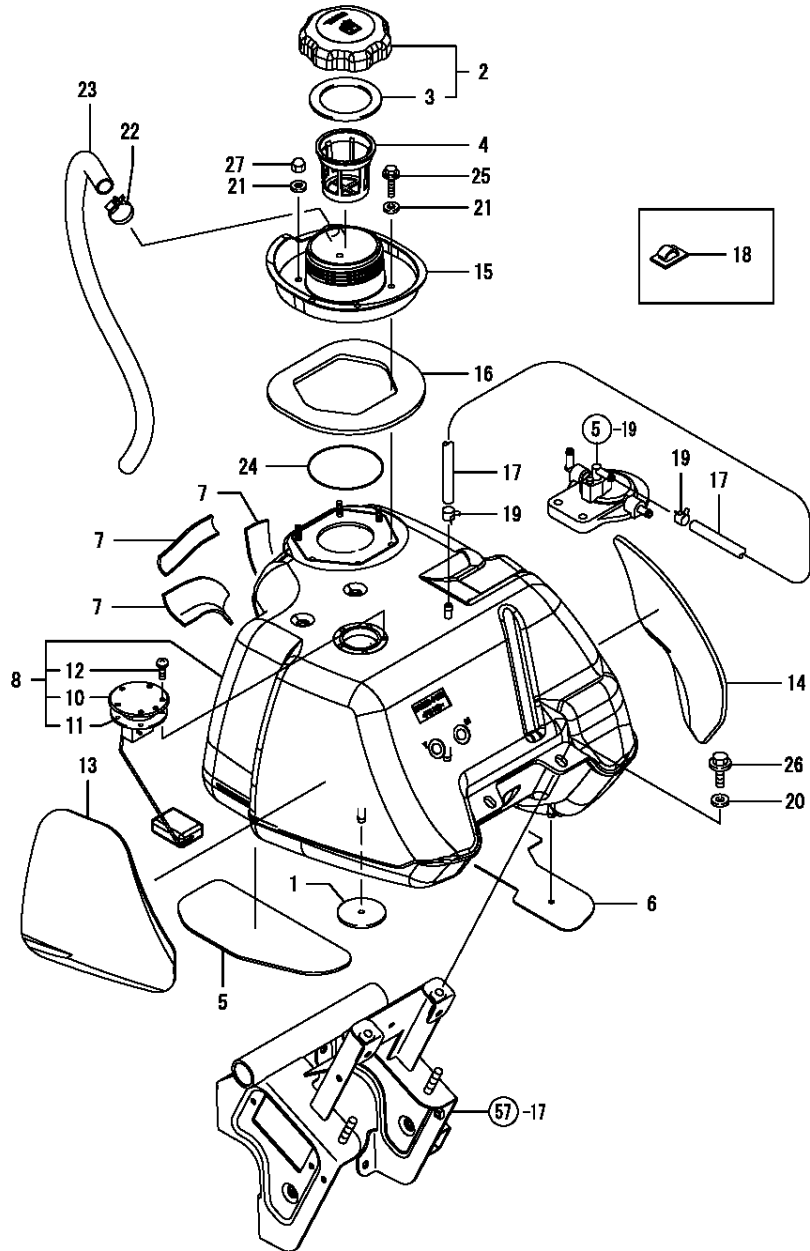


Fig.4. FUEL TANK

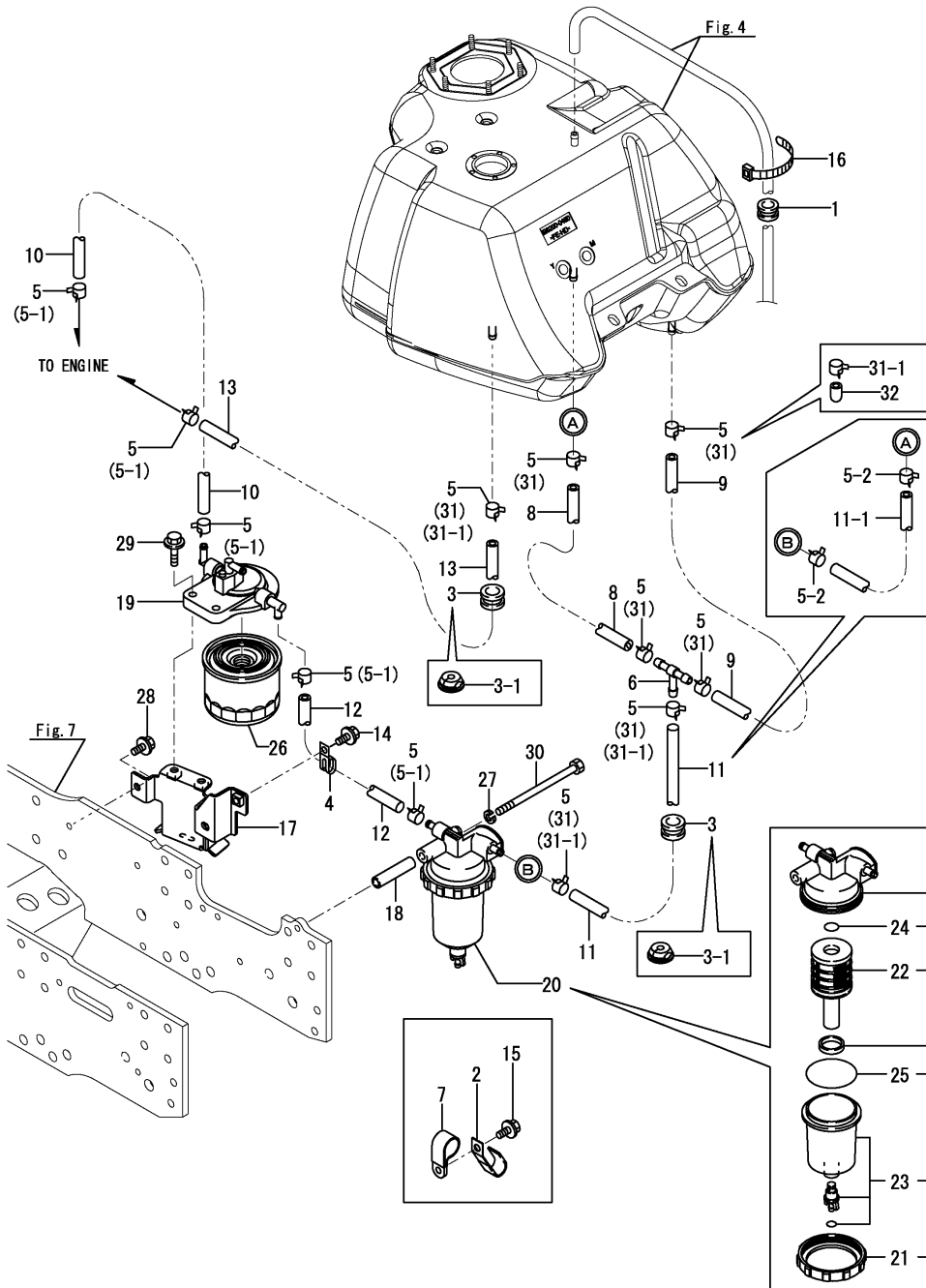


(A)=EF352-AU-PQ
(B)=
(C)=

(D)=
(E)=
(F)=

No.	Lev.	Parts No.	Description	Q'ty						I	R
				(A)	(B)	(C)	(D)	(E)	(F)		
1	1	198200-04020	INSULATOR, TANK R	1							
2	1	198200-04030	CAP ASSY, FILLER	1							
3	2	198200-04040	GASKET, FUEL CAP	1							
4	1	198200-04061	STRAINER, FUEL	1							
5	1	198200-04070	INSULATOR, TANK	1							
6	1	198200-04080	INSULATOR, TANK L	1							
7	1	198200-04090	CUSHION, TANK F	3							
8	1	198200-04101	TANK ASSY, FUEL	1							
8-1	1	1A8071-04100	TANK ASSY, FUEL	1							N
(A=*2012.04)											
10	2	198200-56600	GAUGE ASSY, FUEL	1							
11	2	198200-56630	GASKET, GAUGE	1							
12	2	26022-050102	SCREW, M5X10	5							
13	1	198200-04120	CUSHION, TANK L	1							
14	1	198200-04130	CUSHION, TANK R	1							
15	1	198200-04210	PAN, DRIP	1							
16	1	198200-04260	GASKET, SUMP	1							
17	1	198200-04270	HOSE, AIR VENT	1							
18	1	172010-07810	STICKER, WIRE	1							
19	1	124766-59050	CLIP, HOSE 12	2							
20	1	22157-080000	WASHER, 8	2							
21	1	22190-060000	WASHER, SEAL 6	6							
22	1	23000-019000	CLAMP, 19	1							
23	1	23065-160650	PIPE, 16X 650	1							
24	1	24311-000850	O-RING, 1AP85.0	1							
25	1	26106-060252	BOLT, M6X 25 PLATED	3							
26	1	26106-080162	BOLT, M8X 16 PLATED	2							
27	1	26657-060002	NUT, CAP M6	3							

Fig.5. FUEL PIPE



(A)=EF352-AU-PQ

(B)=

(C)=

(D)=

(E)=

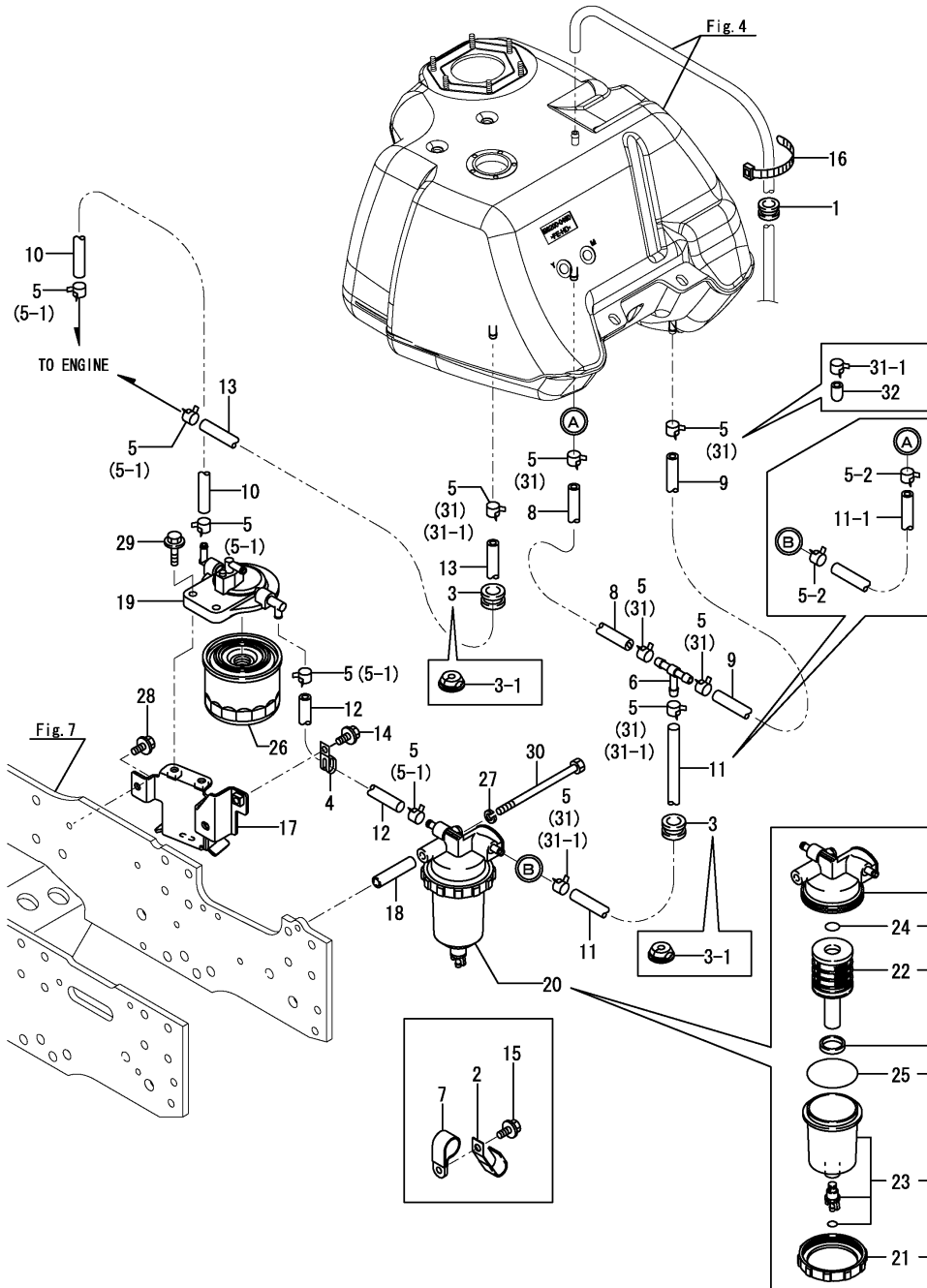
(F)=

No.	Lev.	Parts No.	Description	Q'ty						I	R
				(A)	(B)	(C)	(D)	(E)	(F)		
1	1	1E8050-05510	GROMMET, SLIT 16X3	1							
2	1	198082-17880	CLAMP, HOSE	1							
3	1	194170-51210	GROMMET	2							
3-1	1	198245-51210	GROMMET, 25/18	2							S
		(A=FZZZZZ)									
4	1	194440-51620	CLAMP	1							
5	1	124766-59050	CLIP, HOSE 12	12							
5-1	1	124766-59050	CLIP, HOSE 12	5							K
		(A=FXXXXX)									
5-2	1	114270-59010	CLIP, HOSE 12	5							R
		(A=FXXXXX)									
6	1	119629-59910	JOINT, 3-WAY	1							Z
		(A=FZZZZZ)									
7	1	1E6213-83410	CLIP, HARNESS 18	1							
8	1	23980-730060	HOSE, 7.3X 60	1							Z
		(A=FZZZZZ)									
9	1	23980-730180	HOSE, 7.3X 180	1							Z
		(A=FZZZZZ)									
10	1	23980-730310	HOSE, 7.3X 310	1							
11	1	23980-730400	HOSE, 7.3X 400	1							
11-1	1	23980-730510	HOSE, 7.3X 510	1							S
		(A=FZZZZZ)									
12	1	23980-730500	HOSE, 7.3X 500	1							
12-1	1	23980-730510	HOSE, 7.3X 510	1							R
		(A=FZZZZZ)									
13	1	23980-730730	HOSE, 7.3X 730	1							
14	1	26106-080122	BOLT, M8X 12 PLATED	1							
15	1	26106-080122	BOLT, M8X 12 PLATED	1							
16	1	29622-140001	BAND, RF140	1							
17	1	198200-11250	STAY ASSY, FILTER	1							
18	1	198280-11370	COLLAR, 9.2X13.8X60	1							
19	1	119852-55611	BRACKET, FILTER	1							
20	1	119802-55700	SEPARATOR ASSY	1							
21	2	129100-55690	RING, RETAINING	1							
22	2	119802-55710	ELEMENT	1							
23	2	119802-55730	CUP ASSY	1							
24	2	24311-000160	O-RING, 1AP16.0	1							
25	2	24321-000650	O-RING, 1AG65.0	1							
26	1	119802-55810	FILTER,FO	1							
27	1	22217-080000	WASHER, SPRING 8	1							
28	1	26106-080162	BOLT, M8X 16 PLATED	2							
29	1	26106-080252	BOLT, M8X 25 PLATED	2							
30	1	26116-081302	BOLT, M8X130 PLATED	1							
31	1	124766-59050	CLIP, HOSE 12	7							W
		(A=FXXXXX)									
31-1	1	124766-59050	CLIP, HOSE 12	4							K
		(A=FZZZZZ)									
31-2	1	124766-59050	CLIP, HOSE 11.5	3							K
		(A=*2012.04)									
32	1	129461-59580	CAP, FUEL OIL	1							W
		(A=FZZZZZ)									

Fig.5. FUEL PIPE

(A)=EF352-AU-PQ
(B)=
(C)=

(D)=
(E)=
(F)=

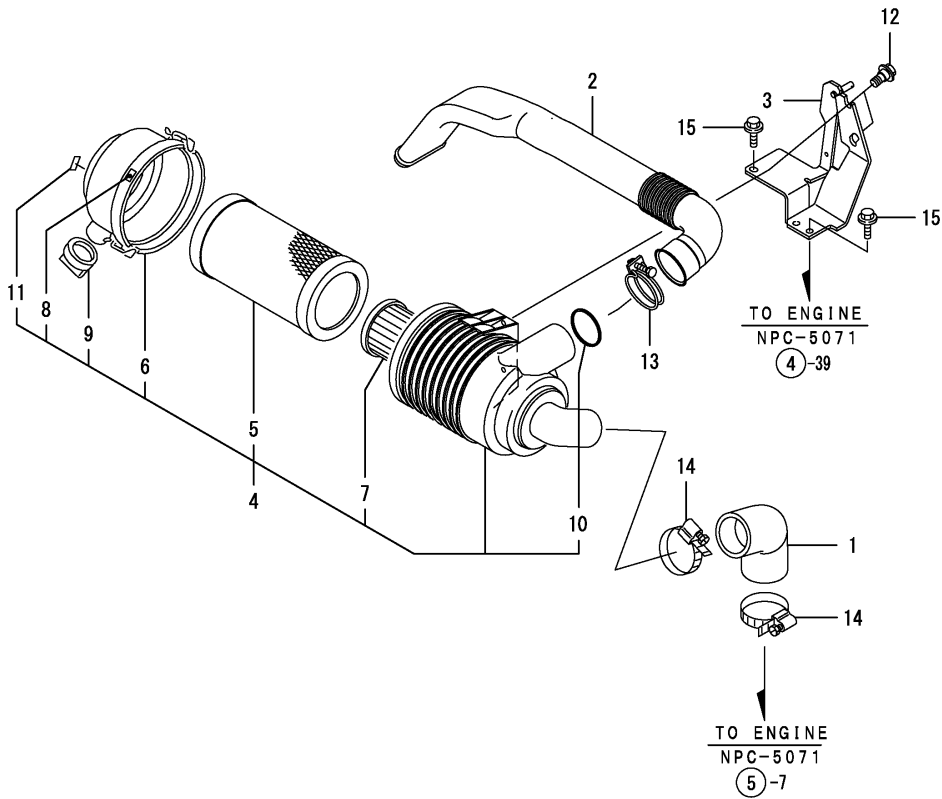


No.	Lev.	Parts No.	Description	Q'ty						I	R
				(A)	(B)	(C)	(D)	(E)	(F)		
32-1	1	129461-59580 (A=*2012.04)	CAP, FUEL OIL	1							Z

Fig.6. AIR CLEANER

(A)=EF352-AU-PQ
(B)=
(C)=

(D)=
(E)=
(F)=

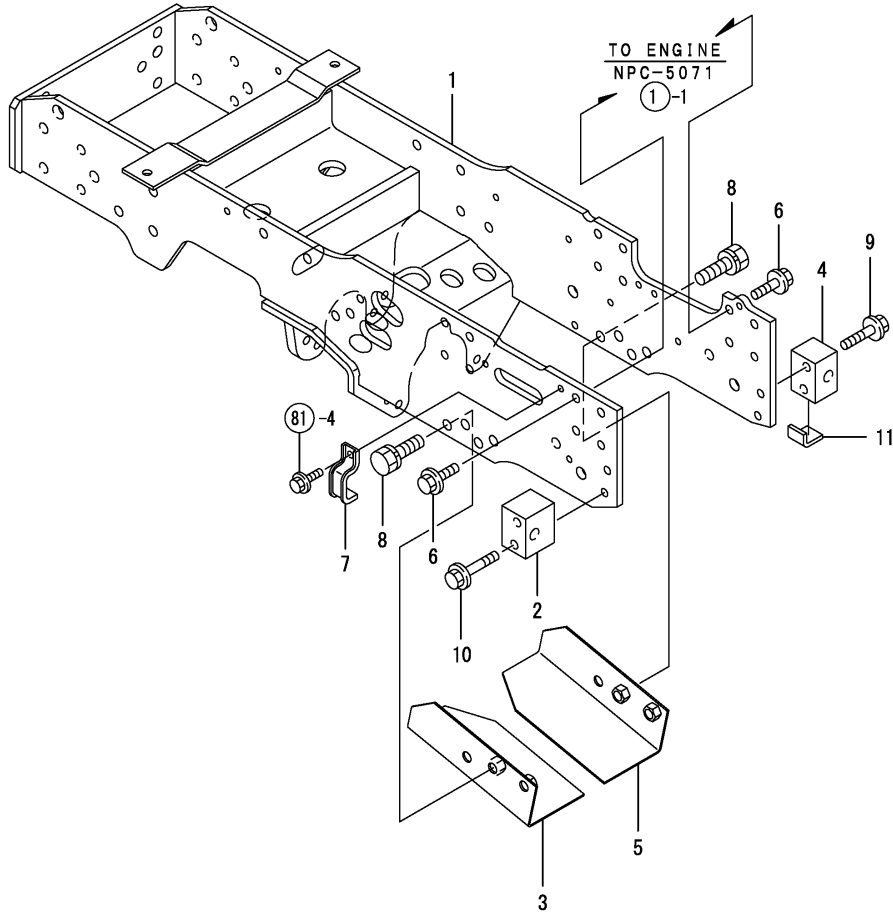


No.	Lev.	Parts No.	Description	Qty						I	R
				(A)	(B)	(C)	(D)	(E)	(F)		
1	1	198208-06010	HOSE, AIR INTAKE	1							
2	1	198200-06150	PIPE, AIR INTAKE	1							
3	1	198287-06200	BRACKET, AIR CLEANER	1							
4	1	198287-06300	CLEANER ASSY, AIR	1							
5	2	119808-12520	ELEMENT	1							
6	2	119866-12530	COVER ASSY	1							
7	2	129051-12530	ELEMENT	1							
8	2	129418-12530	MARK	1							
9	2	119808-12540	VALVE, UNLOADER	1							
10	2	129259-12570	RING	1							
11	2	129612-12650	MARKING,(W)	1							
12	1	198280-06450	BOLT, M8X16	2							
13	1	23000-060000	CLAMP, 60	1							
14	1	23000-070000	CLAMP, 70	2							
15	1	26106-080162	BOLT, M8X 16 PLATED	3							

Fig.7. FRONT BRACKET

(A)=EF352-AU-PQ
(B)=
(C)=

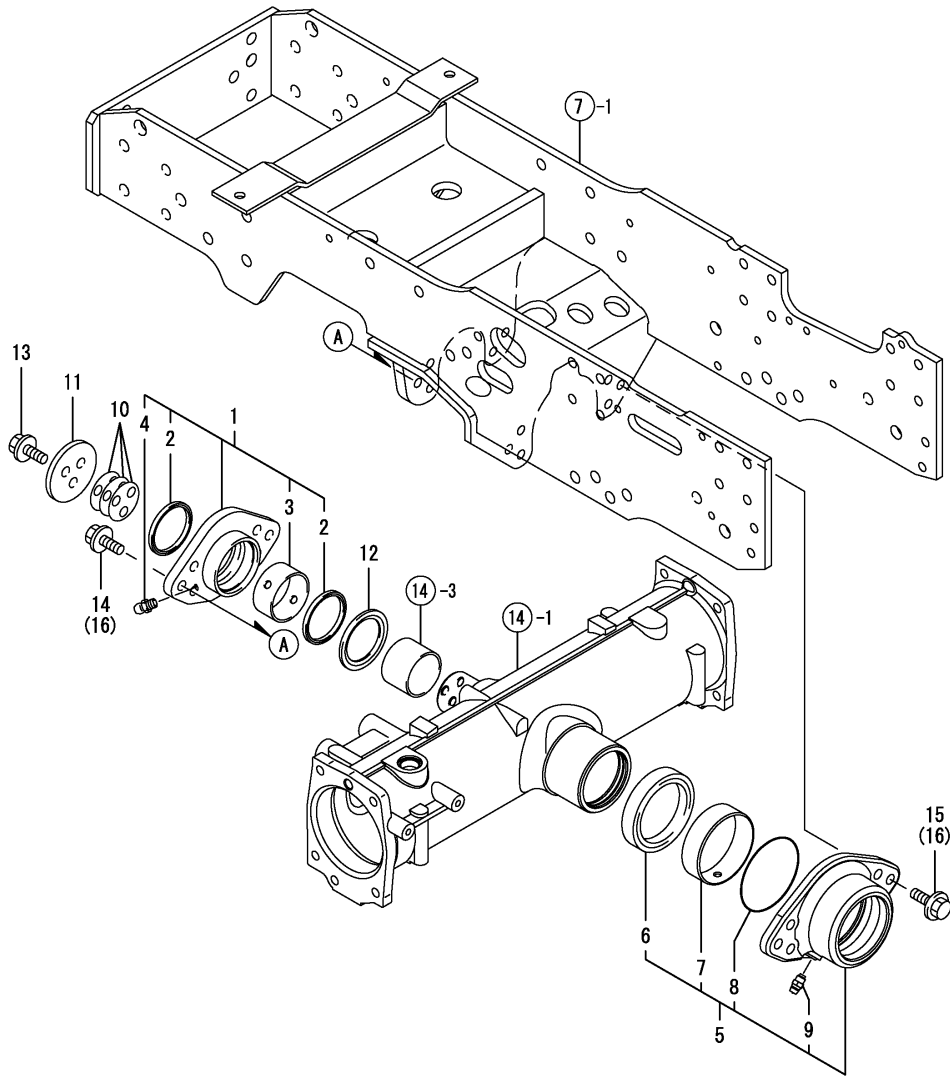
(D)=
(E)=
(F)=



No.	Lev.	Parts No.	Description	Qty						I	R
				(A)	(B)	(C)	(D)	(E)	(F)		
1	1	198283-11100	BRACKET, AXLE M	1							
2	1	198208-11210	STAY, L	1							
2-1	1	1A8115-11210	STAY, L	1							R
(A=*2008.11.)											
3	1	198287-11210	PLATE, OIL SUMP L	1							
4	1	198208-11220	STAY, R	1							
4-1	1	1A8115-11220	STAY, R	1							R
(A=*2008.11.)											
5	1	198287-11230	PLATE, OIL SUMP R	1							
6	1	198208-11310	BOLT, M10X 25	16							
7	1	198200-17950	CLAMP, HOSE	1							
8	1	26013-120252	BOLT, M12X 25	4							
9	1	26106-100452	BOLT, M10X 45 PLATED	2							
10	1	26106-100552	BOLT, M10X 55 PLATED	2							
11	1	198093-84810	SEAL, FENDER	1							W

(A=*2008.01.)

Fig.8. FRONT SUPPORT



(A)=EF352-AU-PQ

(B)=

(C)=

(D)=

(E)=

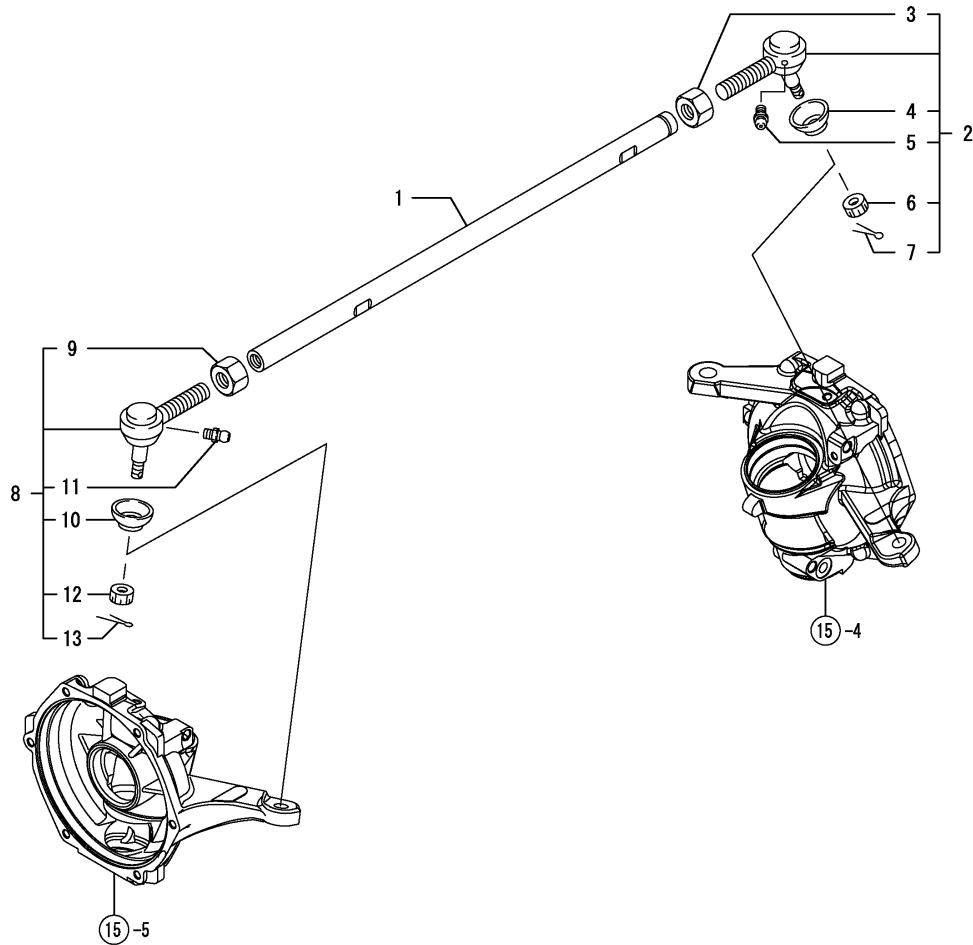
(F)=

No.	Lev.	Parts No.	Description	Q'ty						I	R
				(A)	(B)	(C)	(D)	(E)	(F)		
1	1	198283-13050	SUPPORT ASSY, F	1							
1-1	1	198283-13051	SUPPORT ASSY, PIN F	1							N
(A=FXXXXXX)											
2	2	198172-11640	SEAL, OIL G50X58X4	2							
3	2	198283-13380	BUSH, 50X55X25	1							
4	2	24761-010000	NIPPLE, GREASE M6F	1							
5	1	198200-13060	SUPPORT ASSY, R	1							
5-1	1	198200-13061	SUPPORT ASSY, PIN R	1							N
(A=FXXXXXX)											
6	2	194181-11560	SEAL, OIL VB75856.5	1							
7	2	194641-11630	BUSH, 75X80X25	1							
8	2	24321-000750	O-RING, 1AG75.0	1							
9	2	24761-010000	NIPPLE, GREASE M6F	1							
10	1	198200-13320	SHIM	3							
11	1	198283-13330	PLATE, THRUST	1							
12	1	198200-13350	WASHER, 48X66X3.2	1							
13	1	26106-100252	BOLT, M10X 25 PLATED	3							
14	1	26106-100252	BOLT, M10X 25 PLATED	6							Z
(A=FXXXXXX)											
15	1	26106-100252	BOLT, M10X 25 PLATED	6							Z
(A=FXXXXXX)											
16	1	198208-11310	BOLT, M10X 25	12							W
(A=FXXXXXX)											

Fig.9. TIE-ROD

(A)=EF352-AU-PQ
(B)=
(C)=

(D)=
(E)=
(F)=



No.	Lev.	Parts No.	Description	Q'ty						I	R
				(A)	(B)	(C)	(D)	(E)	(F)		
1	1	198127-12310	TIE-ROD	1							
2	1	198240-18120	END KIT, TIE-ROD LR	1							
3	2	194990-22831	NUT, LOCK M17 L	1							
4	2	194730-57220	COVER, DUCT	1							
5	2	24761-060000	NIPPLE, GREASE MT6X1	1							
6	2	198240-12590	NUT, M12	1							
7	2	22417-300250	PIN, COTTER 3.0X25	1							
8	1	198240-18130	END KIT, TIE-ROD RL	1							
9	2	194990-22841	NUT, M17	1							
10	2	194730-57220	COVER, DUCT	1							
11	2	24761-060000	NIPPLE, GREASE MT6X1	1							
12	2	198240-12590	NUT, M12	1							
13	2	22417-300250	PIN, COTTER 3.0X25	1							

Fig.10. RING GEAR

(A)=EF352-AU-PQ
(B)=
(C)=

(D)=
(E)=
(F)=

No.	Lev.	Parts No.	Description	Q'ty						I	R
				(A)	(B)	(C)	(D)	(E)	(F)		
1	1	198200-13170	GEAR ASSY, RING	1							
4	1	194640-26440	BEARING, BALL TMB206	1							
5	1	1E6190-54080	SLEEVE SI25X30X13	1							
6	1	22242-000300	RING, 30	1							
7	1	24101-063054	BEARING, BALL 6305	1							

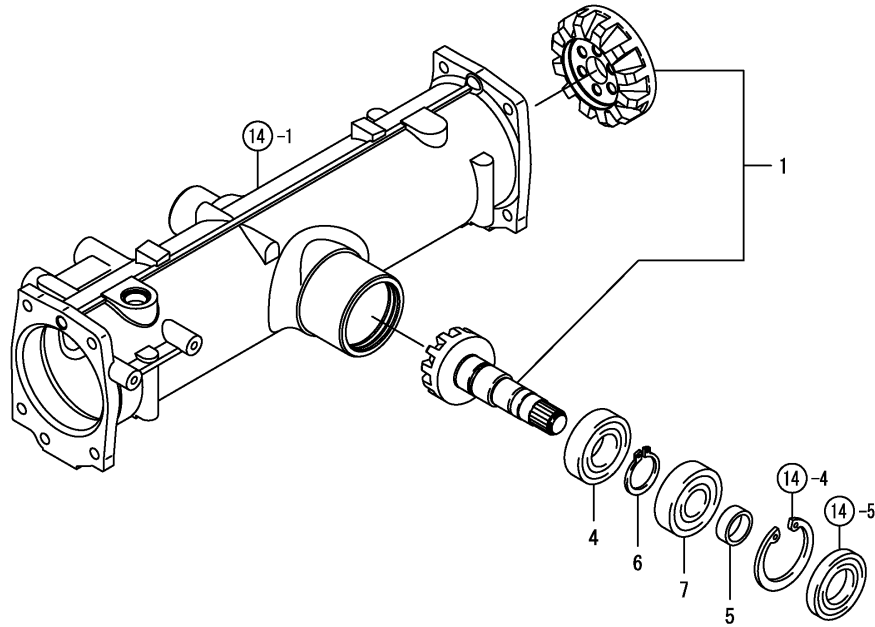


Fig.11. DIFFERENTIAL GEAR

(A)=EF352-AU-PQ
(B)=
(C)=

(D)=
(E)=
(F)=

No.	Lev.	Parts No.	Description	Q'ty						I	R
				(A)	(B)	(C)	(D)	(E)	(F)		
1	1	198200-13200	HOUSING ASSY	1							
2	2	198200-13210	CASE, DIFFERENTIAL	1							
3	2	198200-13220	SHAFT, DIFFERENTIAL	1							
4	2	194300-31550	GEAR, DIFFERENTIAL	2							
5	2	194300-31560	GEAR, PINION	2							
6	2	194300-31610	WASHER, DIFFERENTIAL	2							
7	2	194300-31620	WASHER, DIFFERENTIAL	2							
8	2	22351-040040	PIN, SPRING 4.0X40	1							
9	1	198200-13250	COLLAR	1							
10	1	194421-13640	BOLT, M8X22	6							
11	1	24101-060114	BEARING, BALL 6011	2							

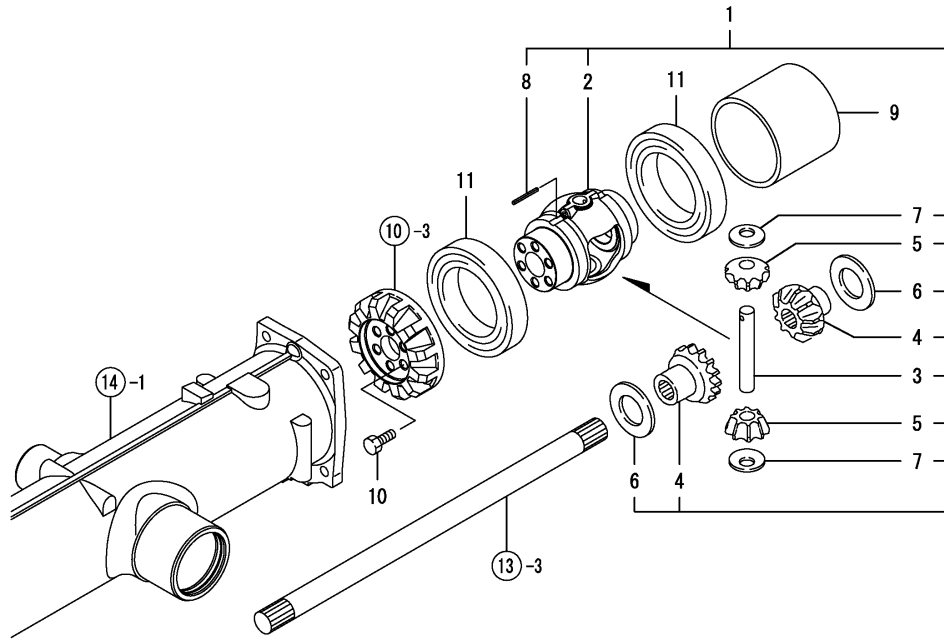
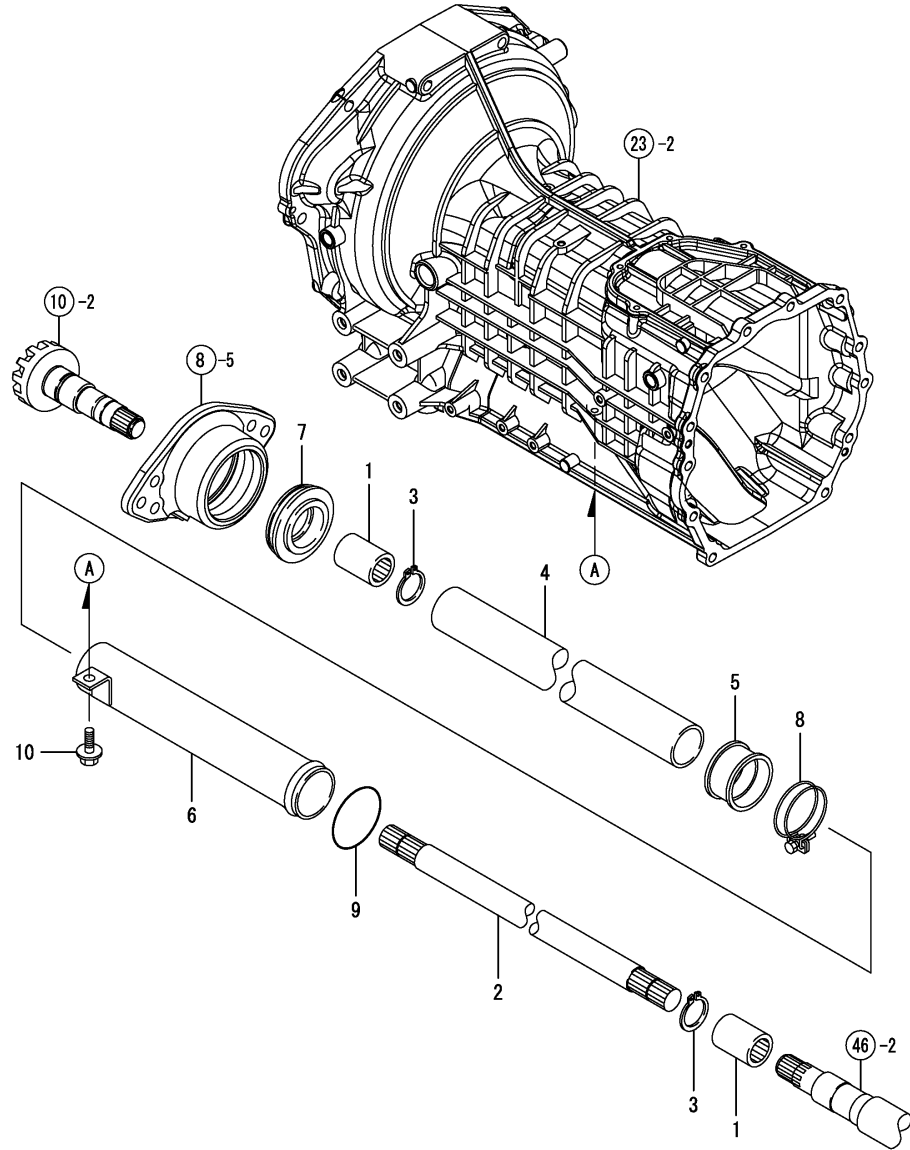


Fig.12. PROPELLER SHAFT

(A)=EF352-AU-PQ
(B)=
(C)=

(D)=
(E)=
(F)=



No.	Lev.	Parts No.	Description	Q'ty						I	R
				(A)	(B)	(C)	(D)	(E)	(F)		
1	1	198200-13280	COUPLING	2							
2	1	198280-13310	SHAFT, PROPELLER	1							
3	1	22242-000220	RING, 22	2							
4	1	198280-14630	COVER, SHAFT FRONT	1							
5	1	198071-14650	BOOT, SHAFT COVER	1							
6	1	198200-14670	COVER, SHAFT REAR	1							
7	1	198200-14910	SEAL, COVER	1							
8	1	23010-055000	CLAMP, 55	1							
9	1	24321-000450	O-RING, 1AG45.0	1							
10	1	26106-080162	BOLT, M8X 16 PLATED	1							

Fig.13. FRONT SHAFT

(A)=EF352-AU-PQ
(B)=
(C)=

(D)=
(E)=
(F)=

No.	Lev.	Parts No.	Description	Q'ty						I	R
				(A)	(B)	(C)	(D)	(E)	(F)		
1	1	198208-13510	SHAFT, 1ST FRONT 242	1							
2	1	198200-13520	PINION, SHAFT	2							
3	1	198208-13530	SHAFT, 1ST FRONT 435	1							
4	1	24101-062074	BEARING, BALL 6207	2							

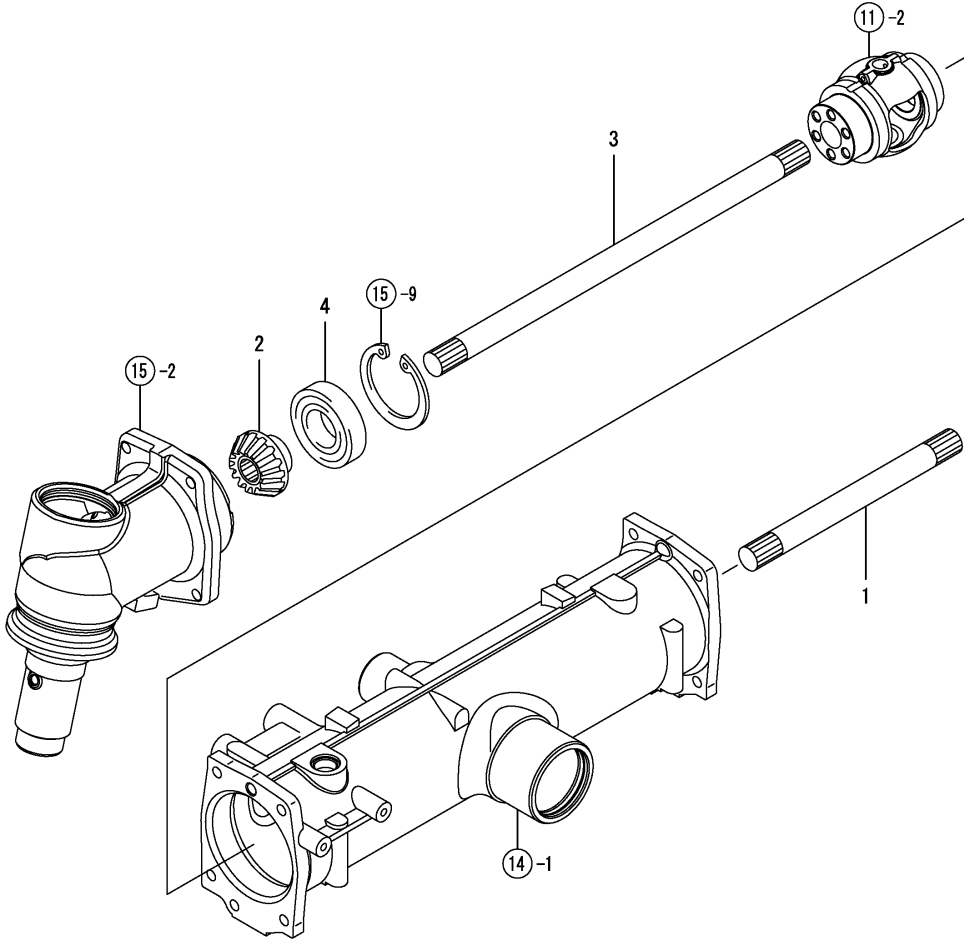


Fig.14. FRONT AXLE CASE

(A)=EF352-AU-PQ
(B)=
(C)=

(D)=
(E)=
(F)=

No.	Lev.	Parts No.	Description	Q'ty						I	R
				(A)	(B)	(C)	(D)	(E)	(F)		
1	1	198200-13611	HOUSING, FRONT AXLE	1							
2	1	198208-17210	BRACKET, CYLINDER	1							
3	1	192180-26380	BUSHING 45X50X35	1							
4	1	22252-000620	RING, 62	1							
5	1	24421-306210	SEAL, OIL TC306210	1							
6	1	26013-120302	BOLT, M12X 30	4							
7	1	1C6900-23020	BREATHER	1							
8	2	1E8660-53100	BREATHER	1							
9	1	24311-000180	O-RING, 1AP18.0	1							

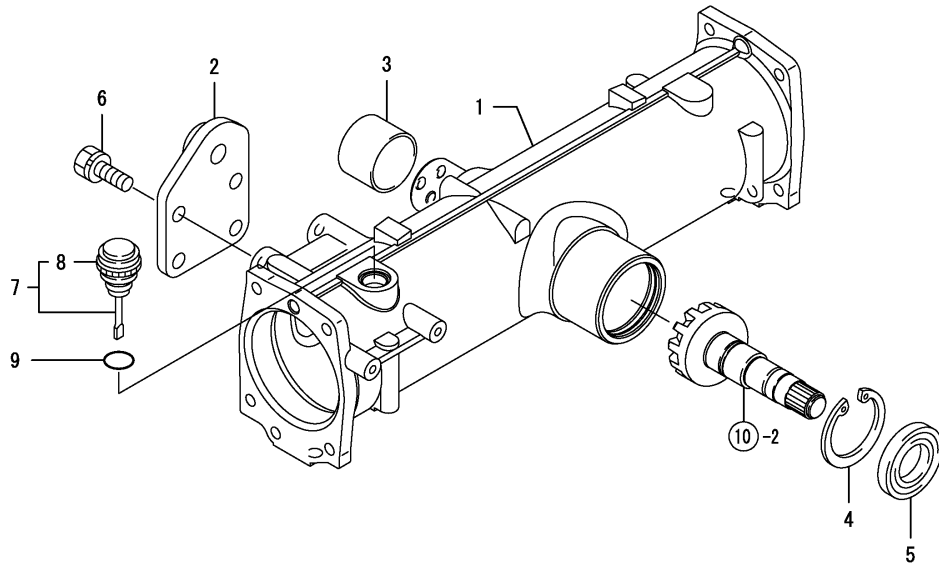
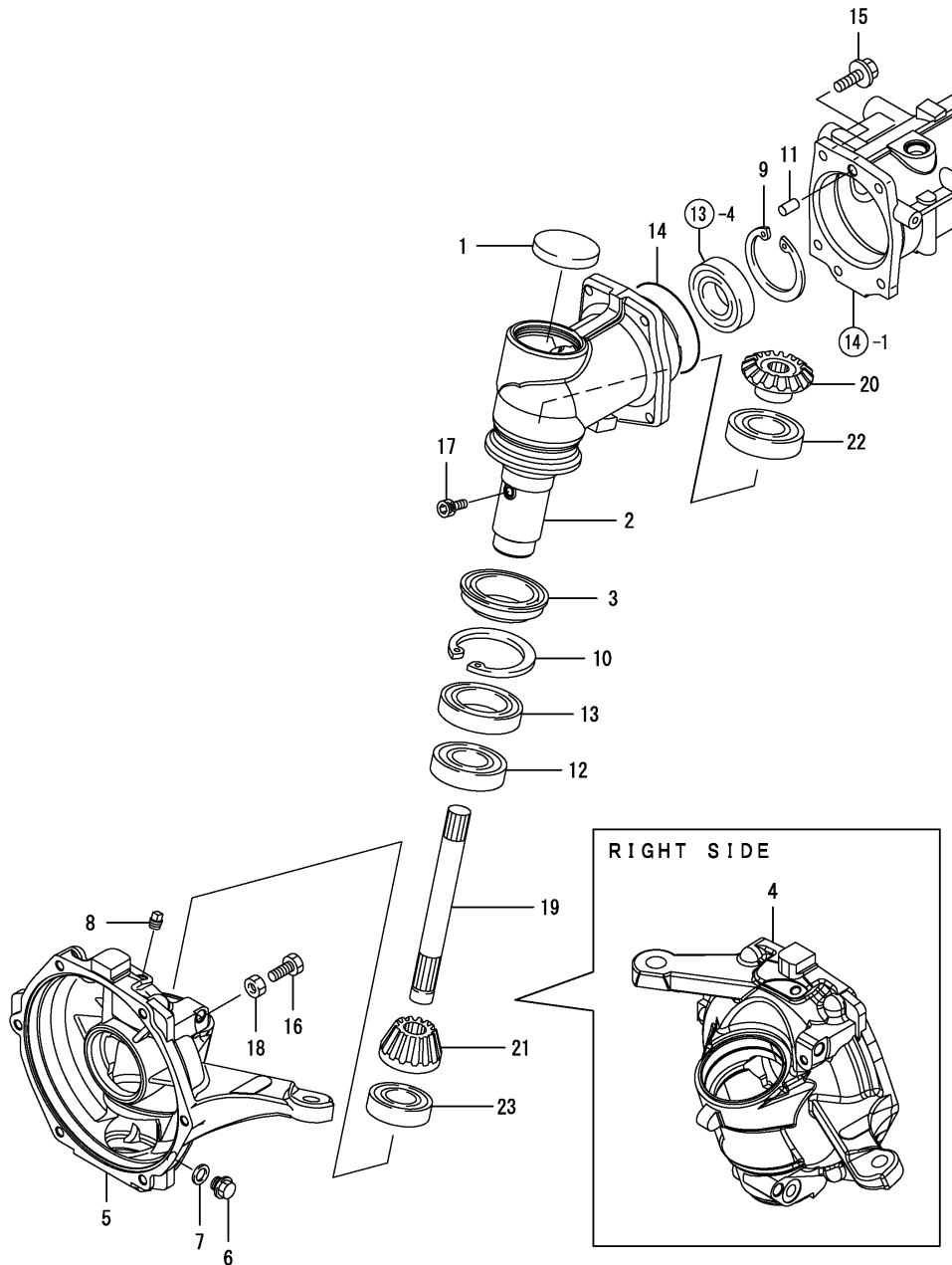


Fig.15. FRONT GEAR CASE

(A)=EF352-AU-PQ
(B)=
(C)=

(D)=
(E)=
(F)=



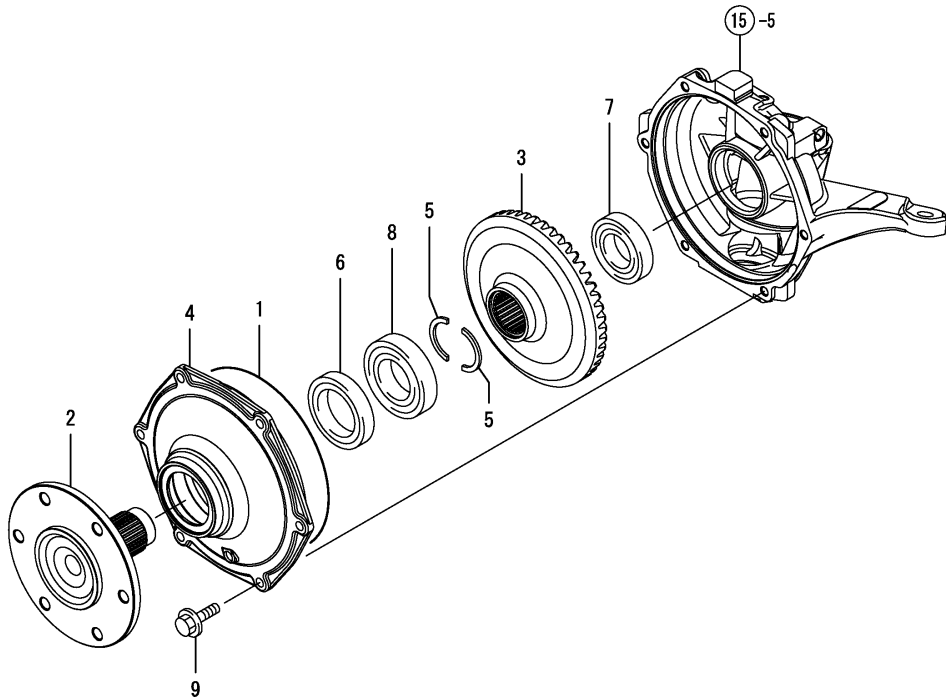
No.	Lev.	Parts No.	Description	Q'ty						I	R
				(A)	(B)	(C)	(D)	(E)	(F)		
1	1	177432-03450	PLUG	2							
2	1	198208-13720	HOUSING, FRONT GEAR	2							
3	1	198071-13760	SEAL, QLF578016.5	2							
4	1	198200-13780	BOX, GEAR R	1							
5	1	198200-13791	BOX, GEAR L	1							
6	1	1C6900-23120	BOLT, DRAIN M14X10	2							
7	1	1C6900-23150	WASHER, PLUG	2							
8	1	194151-36670	PLUG, PF02	2							
9	1	22252-000720	RING, 72	2							
10	1	22252-000800	RING, 80	2							
11	1	22312-100180	PIN, PARALLEL M10X18	2							
12	1	24101-060084	BEARING, BALL 6008	2							
13	1	24101-060104	BEARING, BALL 6010	2							
14	1	24321-000950	O-RING, 1AG95.0	2							
15	1	26106-100302	BOLT, M10X 30 PLATED	10							
16	1	26116-100352	BOLT, M10X 35 PLATED	2							
17	1	26450-080122	BOLT, M8X 12	2							
18	1	26716-100002	NUT, M10	2							
19	1	198200-13810	SHAFT, FRONT 2ND	2							
20	1	198200-13821	GEAR, FRONT SHAFT	2							
21	1	198200-13830	PINION, FINAL Z=11	2							
22	1	24101-062064	BEARING, BALL 6206	2							
23	1	24101-063044	BEARING, BALL 6304	2							

Fig.16. FRONT SPINDLE

(A)=EF352-AU-PQ
(B)=
(C)=

(D)=
(E)=
(F)=

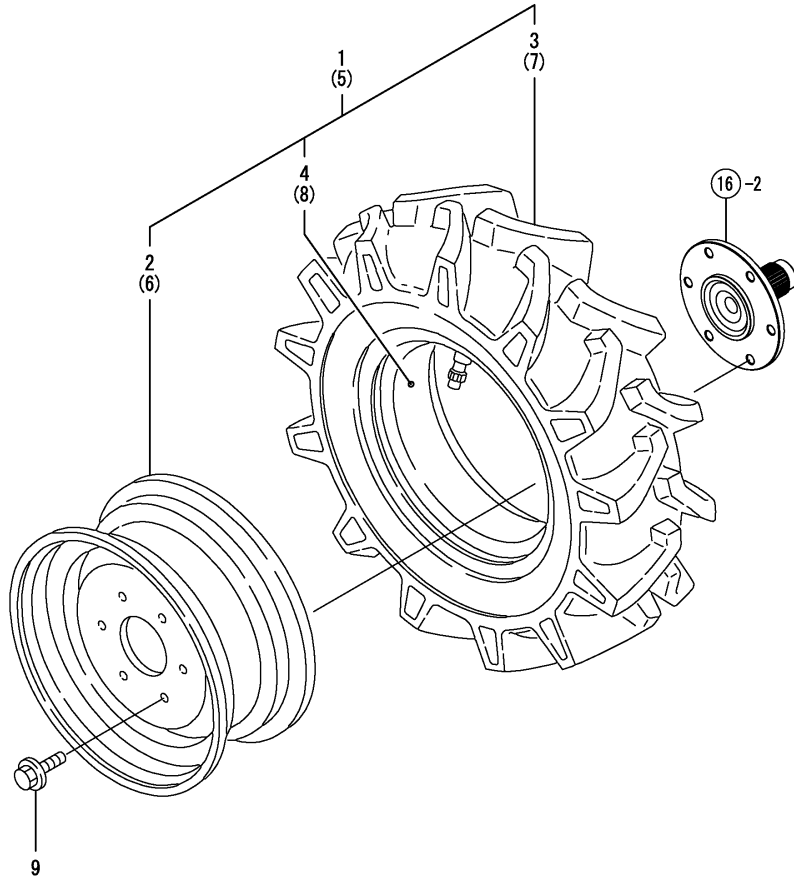
No.	Lev.	Parts No.	Description	Q'ty						I	R
				(A)	(B)	(C)	(D)	(E)	(F)		
1	1	194556-13790	O-RING, 190X2.7	2							
2	1	198200-14110	SPINDLE, FRONT	2							
3	1	198200-14120	GEAR, FINAL 48	2							
4	1	198200-14130	COVER, GEAR BOX	2							
5	1	198200-14210	RING, HALF	4							
6	1	198475-32660	SEAL, QLNY527514.5	2							
7	1	24101-060084	BEARING, BALL 6008	2							
8	1	24101-062094	BEARING, BALL 6209	2							
9	1	26106-100252	BOLT, M10X 25 PLATED	12							



0CNP5-M07000 FRONT AXLE SECTION
Fig.17. FRONT WHEEL TIRE

(A)=EF352-AU-PQ
 (B)=
 (C)=

(D)=
 (E)=
 (F)=



No.	Lev.	Parts No.	Description	Q'ty						I	R
				(A)	(B)	(C)	(D)	(E)	(F)		
1	1	198031-14700	TIRE KIT, FRONT L	1							
2	2	198031-14710	WHEEL, 5JAX14WDC	1							
3	2	194166-14810	TIRE, 6-14 4 FSLM	1							
4	2	194166-14820	TUBE, 6-14	1							
5	1	198031-14800	TIRE KIT, FRONT R	1							
6	2	198031-14710	WHEEL, 5JAX14WDC	1							
7	2	194166-14810	TIRE, 6-14 4 FSLM	1							
8	2	194166-14820	TUBE, 6-14	1							
9	1	194881-12650	BOLT, M14X24	12							

Fig.18. FRONT WHEEL TIRE(TURF)

(A)=EF352-AU-PQ
(B)=
(C)=

(D)=
(E)=
(F)=

No.	Lev.	Parts No.	Description	Q'ty						I	R
				(A)	(B)	(C)	(D)	(E)	(F)		
1	1	198280-14740	TIRE, 24X8.50-12	2							
2	2	198200-14741	WHEEL, 12X7JA	2							
3	2	198280-14760	TIRE, 24X8.50-12-6	2							
4	1	194881-12650	BOLT, M14X24	12							

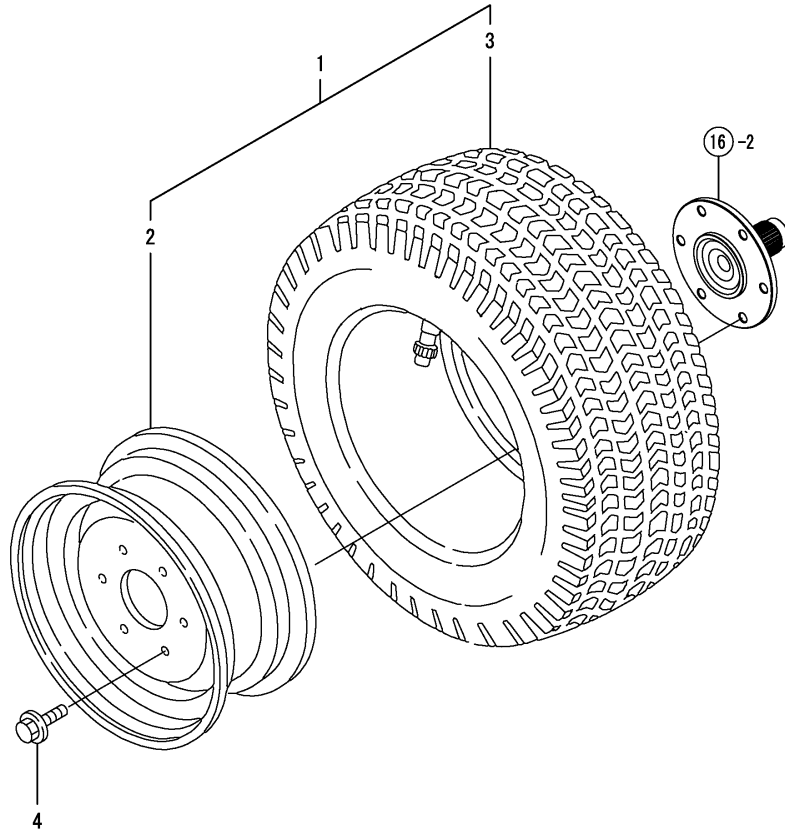
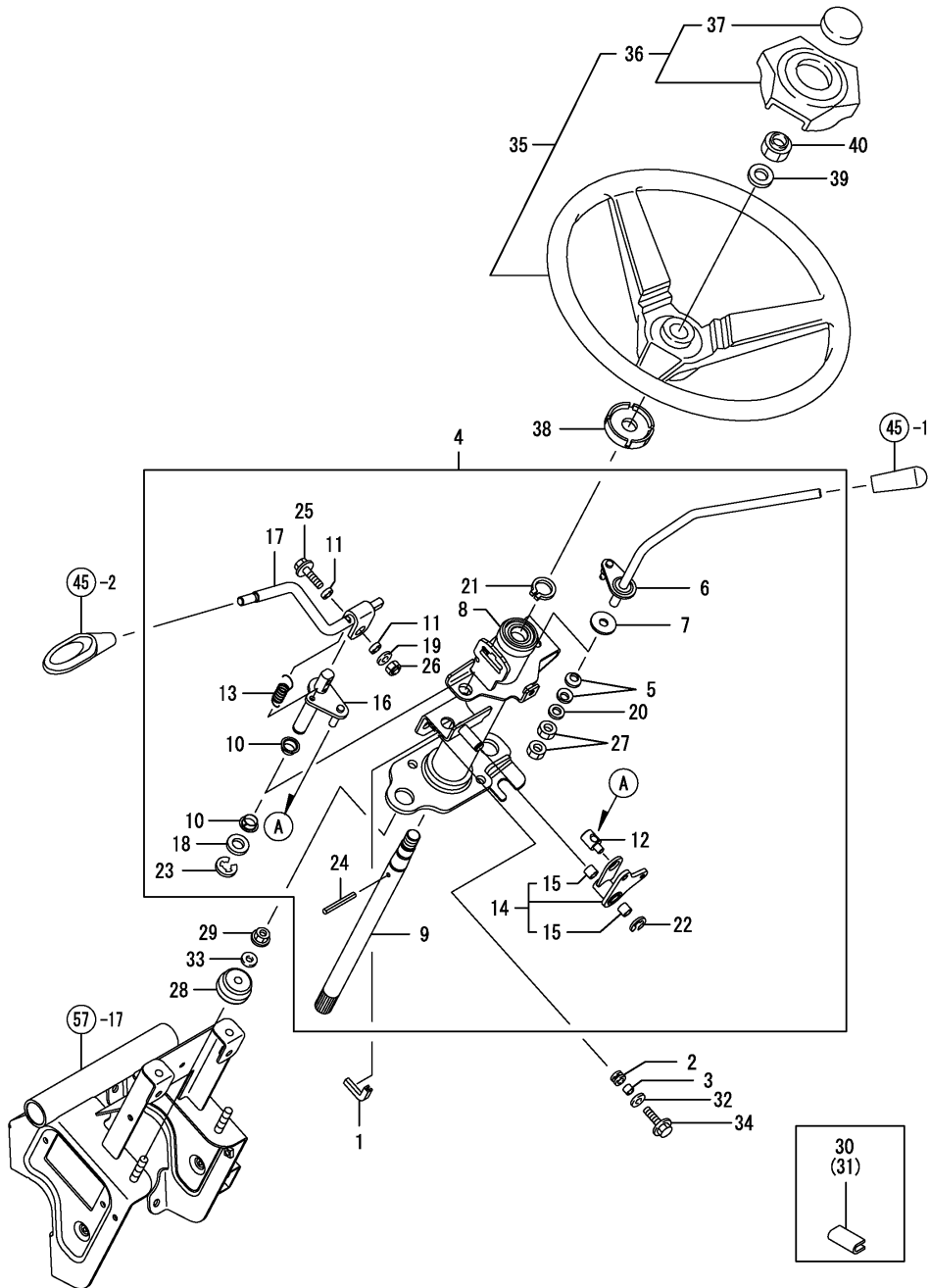


Fig.19. STEERING

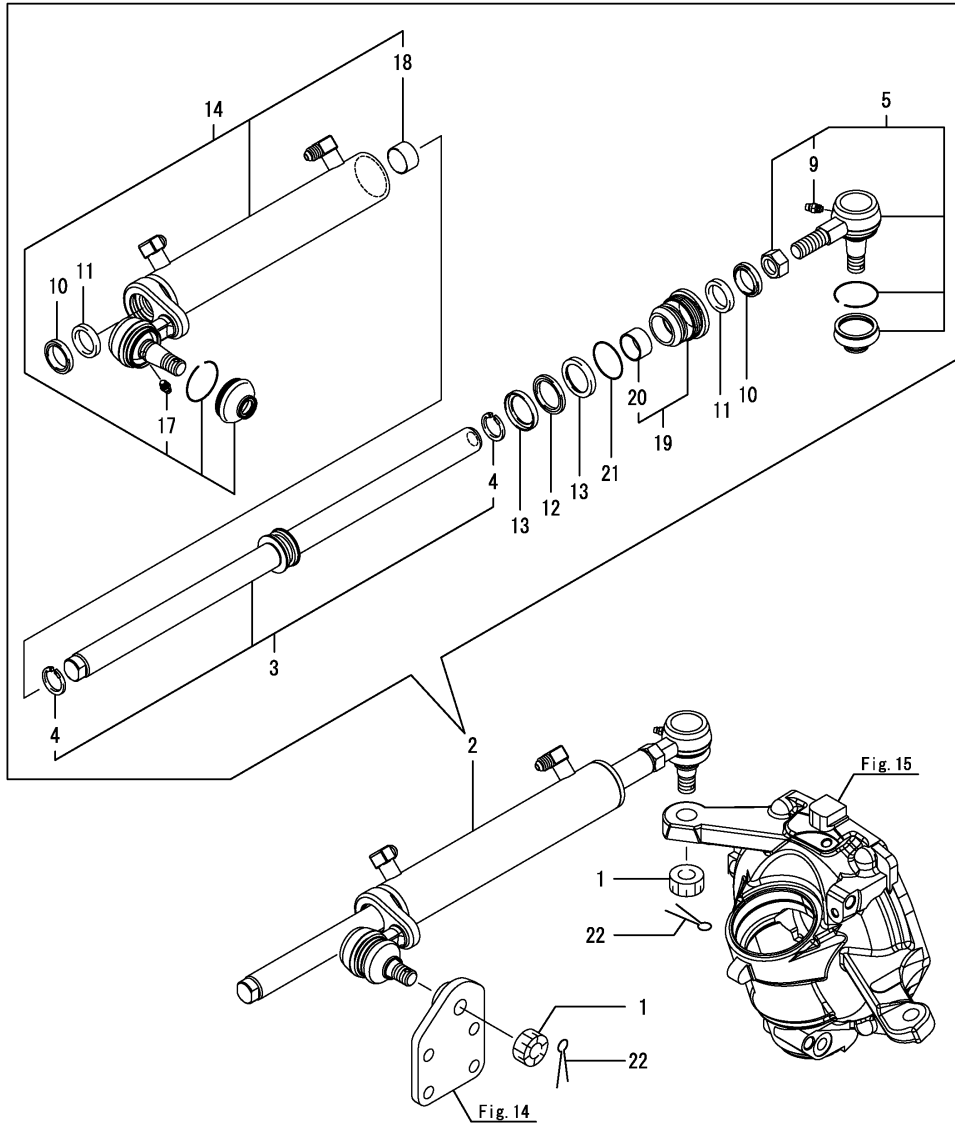


(A)=EF352-AU-PQ
(B)=
(C)=

(D)=
(E)=
(F)=

No.	Lev.	Parts No.	Description	Q'ty						I	R
				(A)	(B)	(C)	(D)	(E)	(F)		
1	1	198200-01170	SEAL, WIRE	1							
2	1	198360-03260	GROMMET, 12	2							
3	1	198360-03270	SPACER	2							
4	1	198200-15091	COLUMN, STEERING	1							
5	2	194740-00160	SPRING, 10	2							
6	2	198200-01110	LEVER ASSY	1							
7	2	198200-01260	PLATE, FRICTION	1							
8	2	198200-15101	COLUMN ASSY,STEERING	1							
9	2	198200-15180	SHAFT, STEERING	1							
10	2	198200-27000	BUSH, 15X16X8	2							
11	2	198200-27030	COLLAR, 9X14X4.7	2							
12	2	198200-27090	PIN, CONNECTING	1							
13	2	198200-27240	SPRING, RETURN	1							
14	2	198200-27250	PLATE ASSY, ARM	1							
15	3	24550-012100	BUSH 12X10	2							
16	2	198200-27400	SHAFT, REVERSER	1							
17	2	198200-27460	LEVER, REVERSER	1							
18	2	22117-140000	WASHER, 14	1							
19	2	22137-080000	WASHER, 8	1							
20	2	22137-100000	WASHER, 10	1							
21	2	22242-000200	RING, 20	1							
22	2	22272-000090	RING, E-9	1							
23	2	22272-000120	RING, E-12	1							
24	2	22351-040032	PIN, SPRING 4.0X32	1							
25	2	26106-080352	BOLT, M8X 35 PLATED	1							
26	2	26346-080002	NUT, M8	1							
27	2	26716-100002	NUT, M10	2							
28	1	198200-15250	MOUNT, STEERING	2							
29	1	194990-22140	NUT, M8	2							
30	1	198093-84810	SEAL, FENDER	1							
31	1	198093-84810	SEAL, FENDER	1							
32	1	22157-080000	WASHER, 8	2							
33	1	22157-080000	WASHER, 8	2							
34	1	26106-080252	BOLT, M8X 25 PLATED	2							
35	1	198133-15700	WHEEL ASSY, STEERING	1							
36	2	198133-15740	CAP ASSY, STEERING	1							
37	3	198133-15780	NAMEPLATE,HANDLE	1							
38	1	1A7000-15720	COVER, STEERING	1							
39	1	22137-160000	WASHER, 16	1							
40	1	26356-160002	NUT, M16	1							

Fig.20. P.S.T CYLINDER



(A)=EF352-AU-PQ
(B)=
(C)=

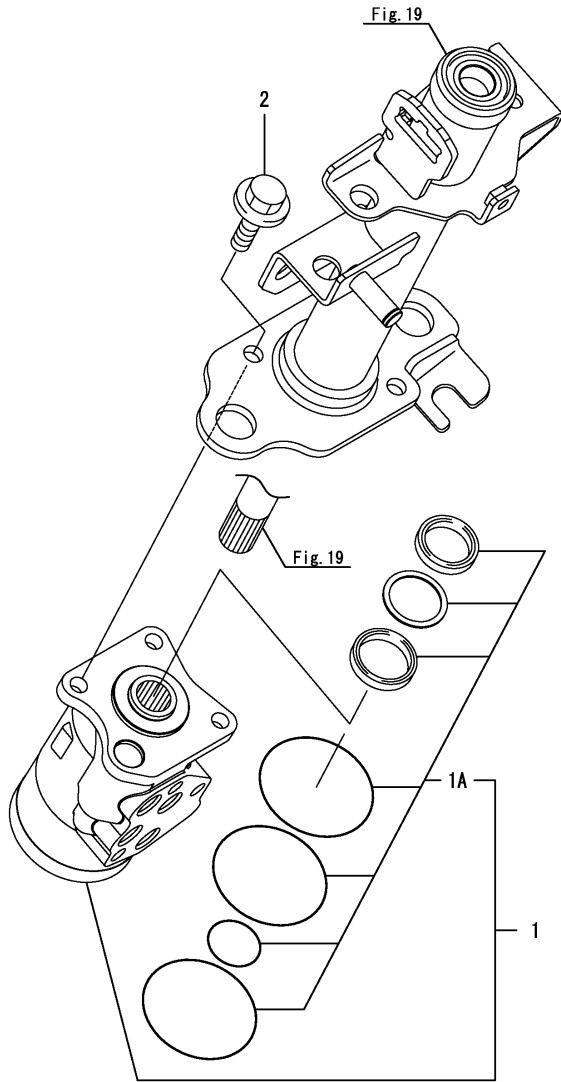
(D)=
(E)=
(F)=

No.	Lev.	Parts No.	Description	Q'ty						I	R
				(A)	(B)	(C)	(D)	(E)	(F)		
1	1	194180-12471	NUT, CASTLE M16	2							
2	1	198200-17010	CYLINDER KIT	1							
3	2	198200-17050	ROD ASSY, STEERING	1							
4	3	22292-000250	RING, S-25	2							
5	2	198200-17070	END ASSY, ROD R	1							
9	3	24761-060000	NIPPLE, GREASE MT6X1	1							
10	2	198200-17140	SEAL, DUST 25	2							
11	2	198200-17150	PACKING, 25	2							
12	2	198200-17160	PACKING, PISTON	1							
13	2	198200-17170	BEARING, PWL40	2							
14	2	198200-17240	TUBE ASSY, CYLINDER	1							
17	3	24761-060000	NIPPLE, GREASE MT6X1	1							
18	3	24550-025150	BUSH, 25X15	1							
19	2	198200-17250	CAP ASSY	1							
20	3	24550-025150	BUSH, 25X15	1							
21	2	24315-000350	O-RING, 1BP35.0	1							
22	1	22417-400250	PIN, COTTER 4.0X25	2							

Fig.21. P.S.T VALVE

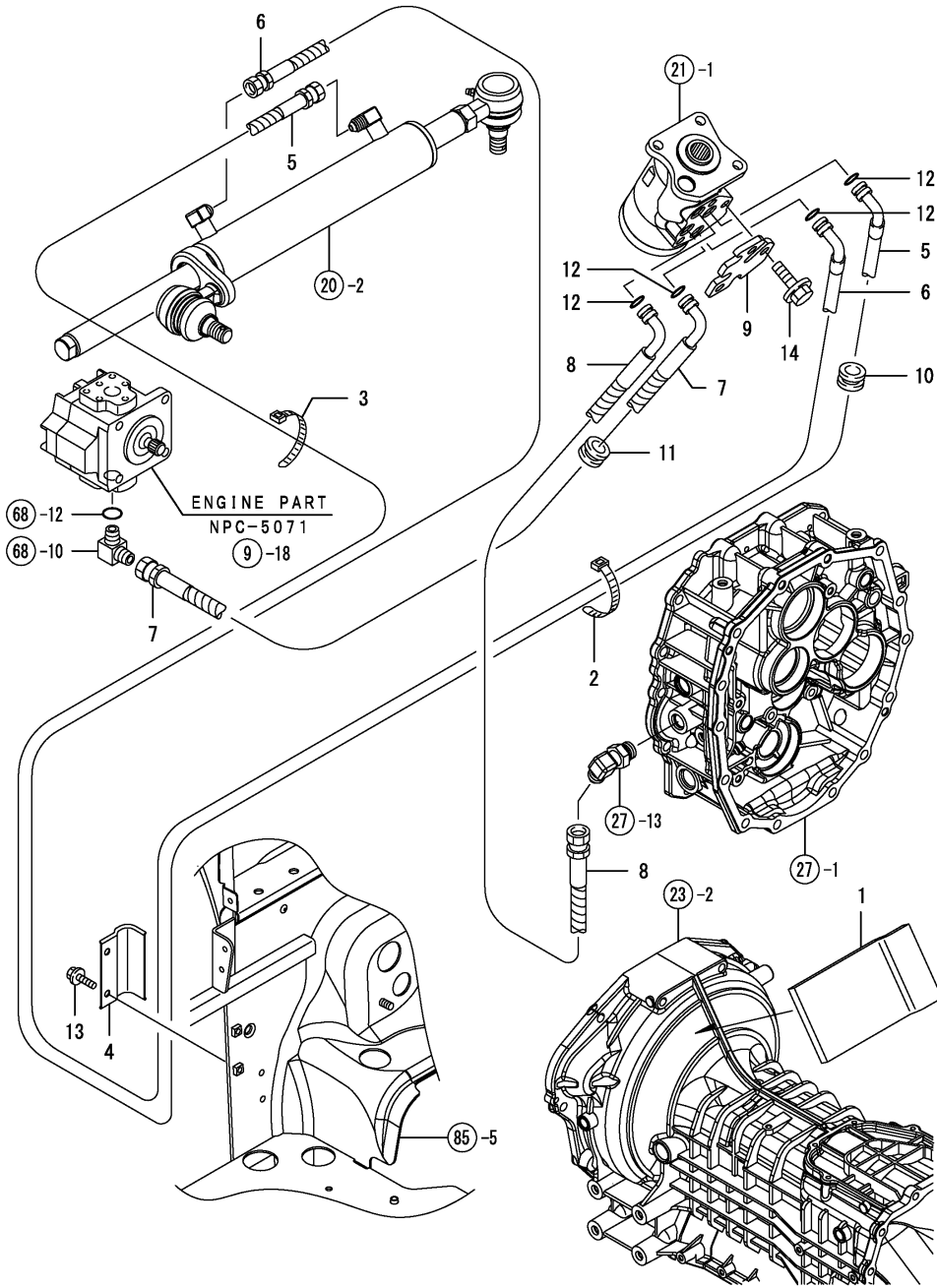
(A)=EF352-AU-PQ
(B)=
(C)=

(D)=
(E)=
(F)=



No.	Lev.	Parts No.	Description	Q'ty						I	R
				(A)	(B)	(C)	(D)	(E)	(F)		
1	1	198200-17500	VALVE ASSY, STEERING	1							
1A	2	198072-17550	SEAL KIT	1							W
(A=*2008.04.)											
2	1	26136-100162	BOLT, M10X 16 PLATED	3							

Fig.22. P.S.T HOSE



(A)=EF352-AU-PQ
(B)=
(C)=

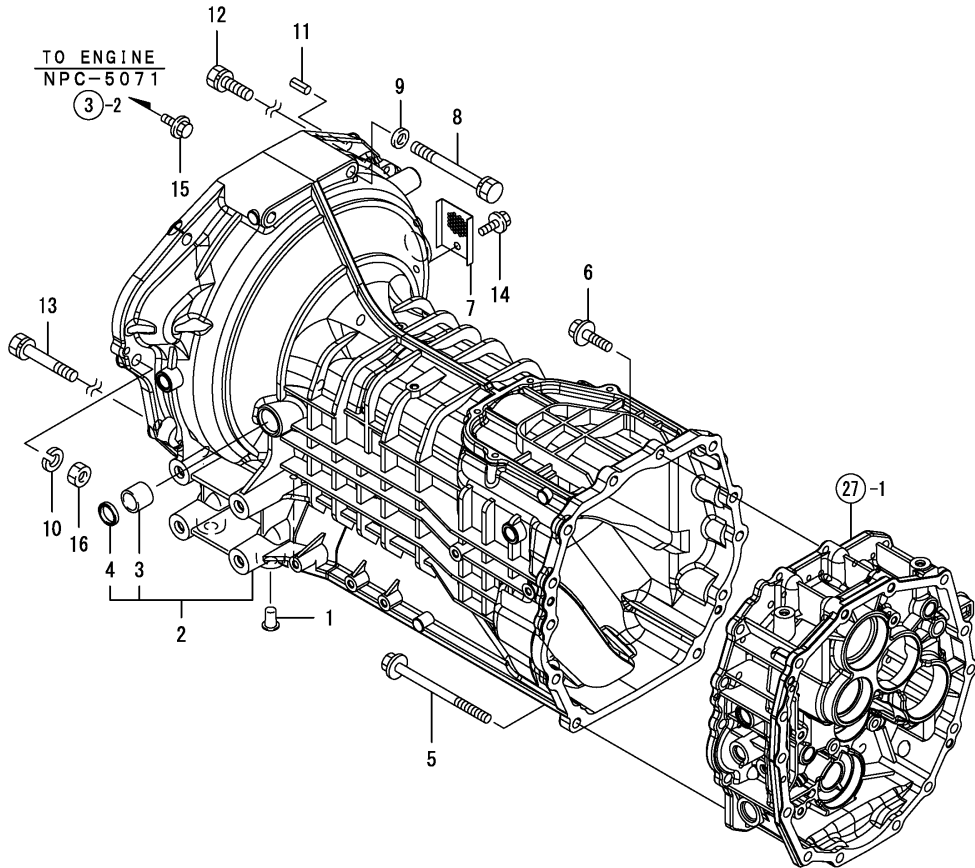
(D)=
(E)=
(F)=

No.	Lev.	Parts No.	Description	Q'ty						I	R
				(A)	(B)	(C)	(D)	(E)	(F)		
1	1	198280-04450	SEAL, FUEL HOSE	1							
2	1	29622-140001	BAND, RF140	1							
3	1	29622-250001	BAND, RF250	1							
4	1	198200-17750	CLAMP	1							
5	1	198280-17810	HOSE, PRESSURE L	1							
6	1	198280-17820	HOSE, PRESSURE R	1							
7	1	198200-17830	HOSE, PRESSURE	1							
8	1	198200-17840	HOSE, PRESSURE	1							
9	1	198200-17910	PLATE, RETAINER	1							
10	1	194170-51210	GROMMET 25	1							
11	1	198245-51210	GROMMET, 25/18	1							
12	1	24315-000120	O-RING, 1BP12.0	4							
13	1	26106-060122	BOLT, M6X 12 PLATED	2							
14	1	26136-100162	BOLT, M10X 16 PLATED	3							

Fig.23. CLUTCH HOUSING

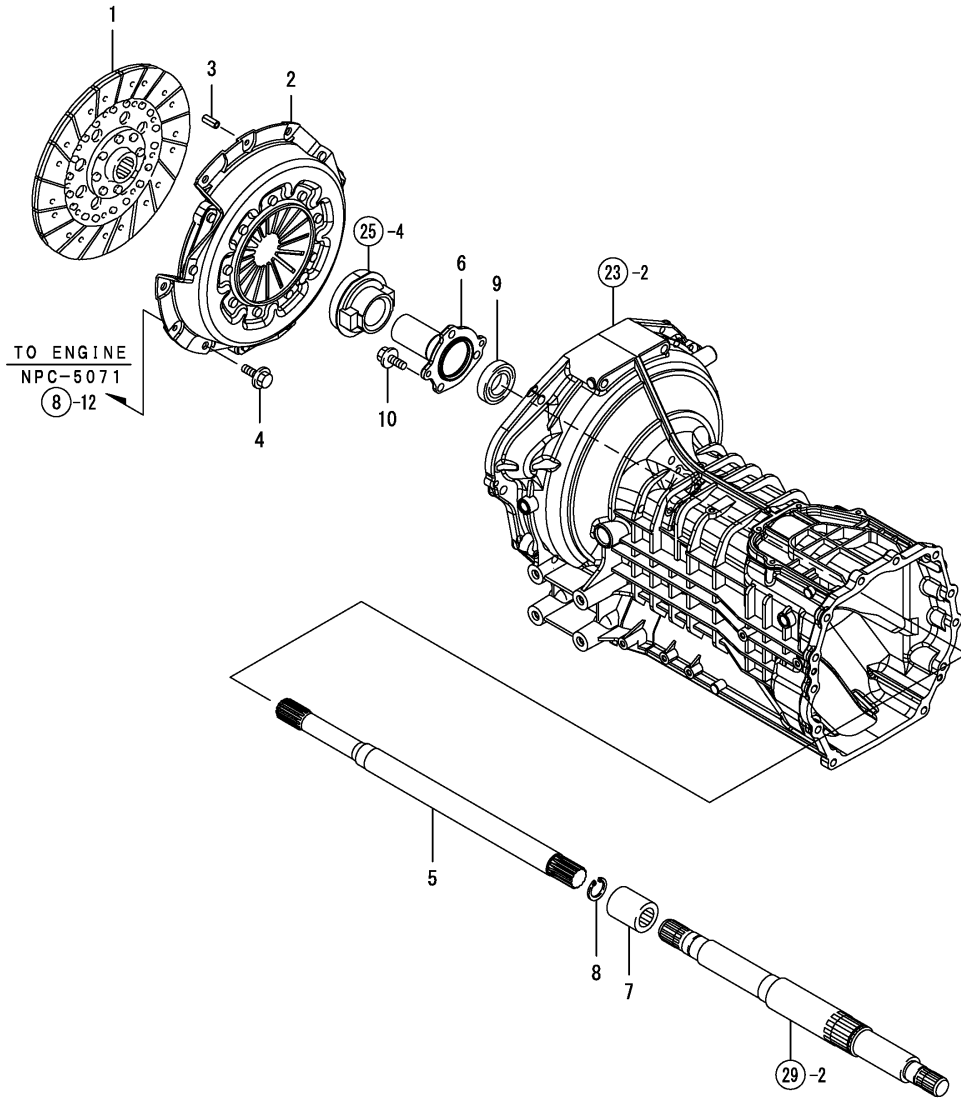
(A)=EF352-AU-PQ
(B)=
(C)=

(D)=
(E)=
(F)=



No.	Lev.	Parts No.	Description	Q'ty						I	R
				(A)	(B)	(C)	(D)	(E)	(F)		
1	1	194201-11230	CAP. SCREW 12.0	4							
2	1	198200-21100	HOUSING ASSY, CLUTCH	1							
3	2	194680-22280	BUSH, 20X26X22	2							
4	2	194680-22290	SEAL, OIL G202604	2							
5	1	198200-21140	BOLT, M10X135	10							
6	1	26106-100352	BOLT, M10X 35 PLATED	2							
7	1	198280-21170	COVER, SIDE	1							
8	1	198206-21220	BOLT, M12X110	2							
9	1	198206-21230	COLLAR	2							
10	1	22217-120000	WASHER, SPRING 12	1							
11	1	22351-080018	PIN, SPRING 8.0X18	2							
12	1	26013-120352	BOLT, M12X 35	4							
13	1	26013-120702	BOLT, M12X 70	2							
14	1	26106-080122	BOLT, M8X 12 PLATED	1							
15	1	26106-080122	BOLT, M8X 12 PLATED	2							
16	1	26716-120002	NUT, M12	1							

Fig.24. CLUTCH & CLUTCH SHAFT



(A)=EF352-AU-PQ
(B)=
(C)=

(D)=
(E)=
(F)=

No.	Lev.	Parts No.	Description	Q'ty						I	R
				(A)	(B)	(C)	(D)	(E)	(F)		
1	1	198287-21510	DISK, CLUTCH 225	1							
2	1	198287-21700	PLATE, PRESSURE	1							
3	1	22351-080018	PIN, SPRING 8.0X18	3							
4	1	26106-080162	BOLT, M8X 16 PLATED	6							
5	1	198200-22111	SHAFT, MAIN DRIVE	1							
6	1	198200-22531	SLEEVE, BEARING	1							
7	1	194555-26520	COUPLING, PTO	1							
8	1	22252-000220	RING, 22	1							
9	1	24104-060054	BEARING, BALL 6005UU	1							
10	1	26106-080202	BOLT, M8X 20 PLATED	3							

Fig.25. CLUTCH RELEASE

(A)=EF352-AU-PQ
(B)=
(C)=

(D)=
(E)=
(F)=

No.	Lev.	Parts No.	Description	Q'ty						I	R
				(A)	(B)	(C)	(D)	(E)	(F)		
1	1	198071-22310	YOKE, CLUTCH SHAFT	1							
1-1	1	198071-22311	YOKE, CLUTCH SHIFT	1							N
(A=FXXXXX)											
2	1	198071-22320	BOLT, M8X40	2							
2-1	1	26450-080402	BOLT, M8X 40	2							R
(A=FXXXXX)											
3	1	198200-22330	SHAFT,CLUTCH RELEASE	1							
4	1	198360-22210	BEARING, RELEASE	1							
5	1	198360-22250	HOOK, SPRING	1							Z
(A=FXXXXX)											
6	1	194800-22480	SPRING, 58	2							
6-1	1	1A8310-22480	SPRING, RETURN	1							S
(A=FXXXXX)											

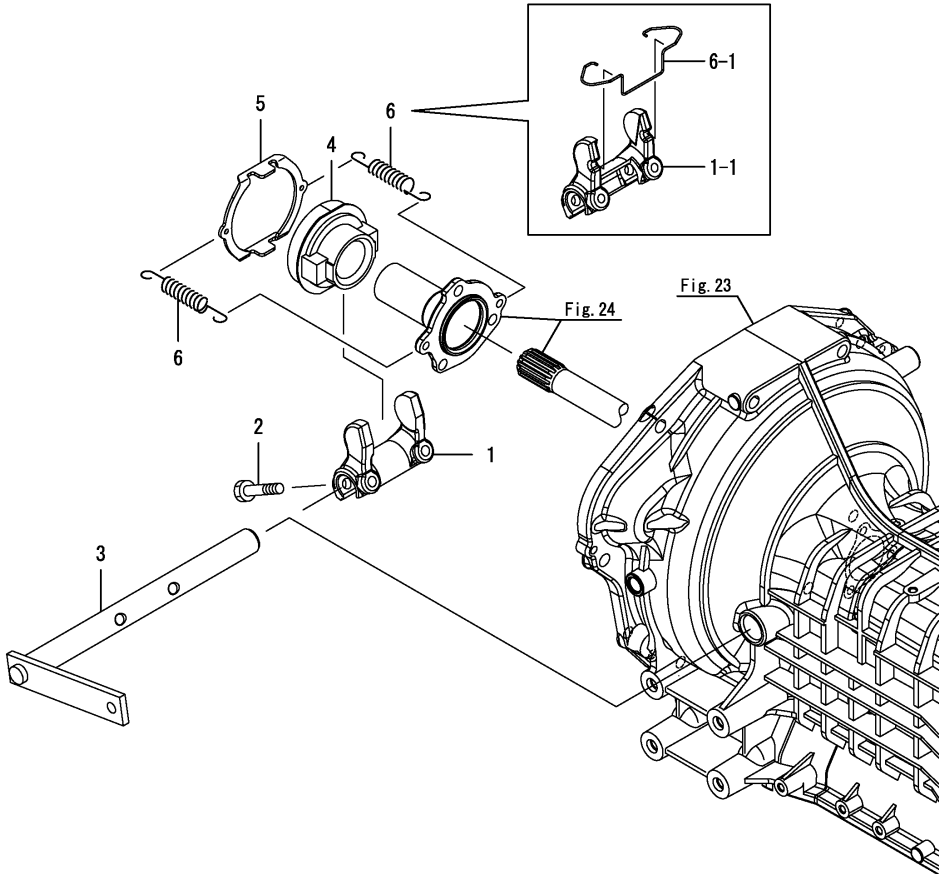
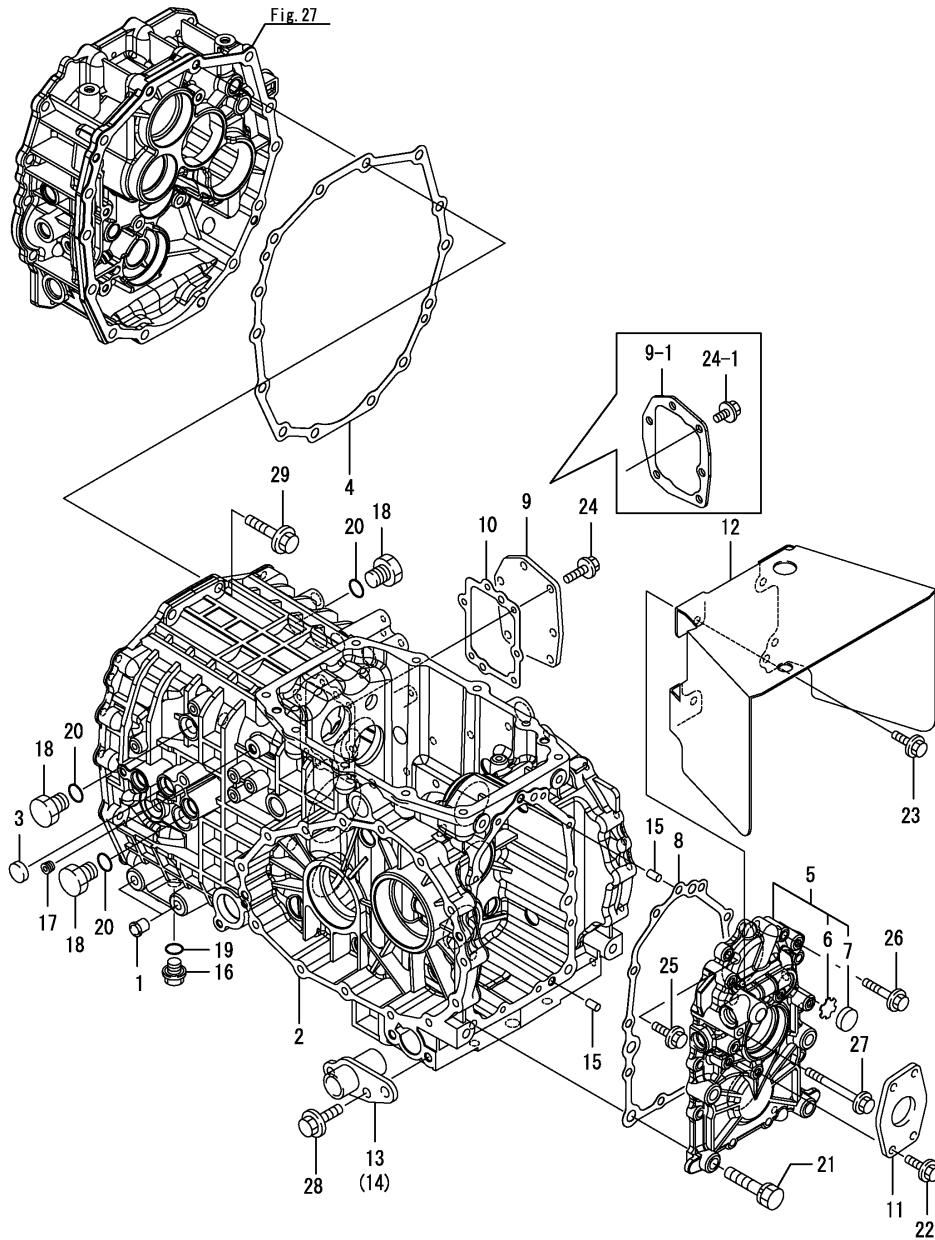


Fig.26. TRANSMISSION CASE



(A)=EF352-AU-PQ
(B)=
(C)=

(D)=
(E)=
(F)=

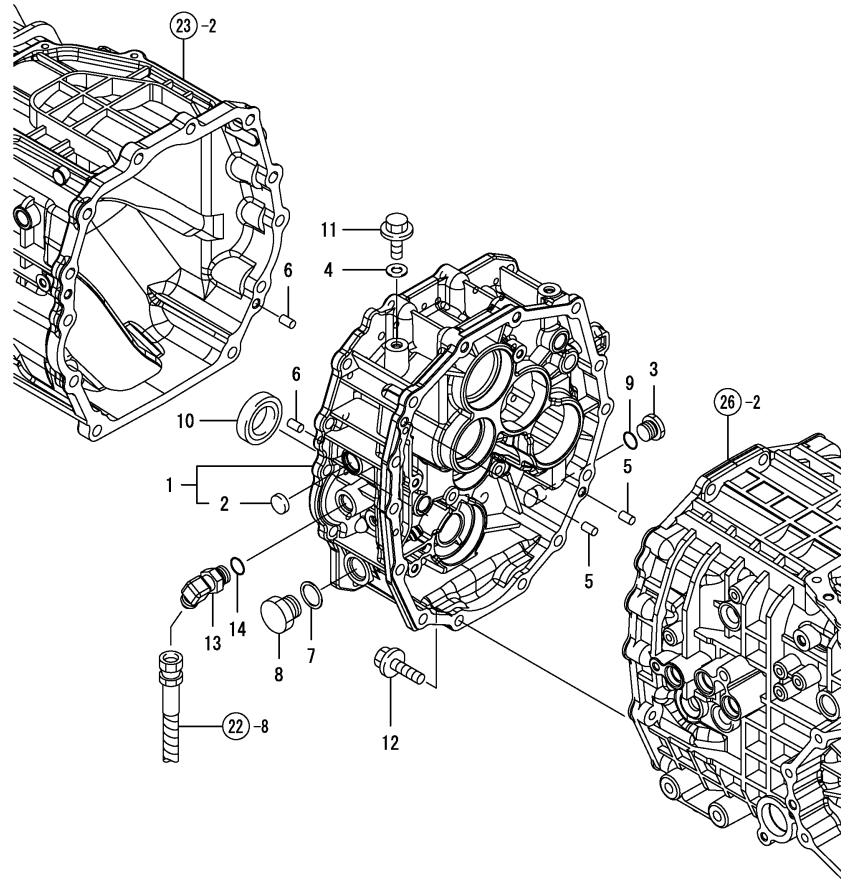
No.	Lev.	Parts No.	Description	Qty						I	R
				(A)	(B)	(C)	(D)	(E)	(F)		
1	1	194150-21910	PLUG, 11.2	4							
2	1	198282-24010	HOUSING ASSY	1							
3	2	27260-220000	PLUG, 22	1							
4	1	198200-24120	GASKET, MISSION CASE	1							
5	1	198280-24152	COVER ASSY, MISSION	1							
6	2	198071-24350	PLATE, WINDOW	1							
7	2	1A1040-28470	WINDOW, OIL CHECK 25	1							
8	1	198200-24170	GASKET, MISSION	1							
9	1	198280-24180	COVER, MISSION	1							
9-1	1	1A8100-24180	COVER, XMSN. SIDE	1							S
		(A=FXXXXX)									
10	1	198200-24190	GASKET, HOUSING	1							Z
		(A=FXXXXX)									
11	1	198255-24460	PLATE, OIL SEAL	1							
12	1	198280-26902	GUARD ASSY, PTO M	1							
13	1	198280-73170	SUPPORT, LOWER LINK	1							
14	1	198280-73250	SUPPORT, LOWER LINK	1							
15	1	22312-080140	PIN, PARALLEL M8X14	2							
16	1	23491-140002	PLUG, 14	1							
17	1	23871-010000	PLUG, R01	1							
18	1	23887-180002	PLUG, 18	3							
19	1	24311-000160	O-RING, 1AP16.0	1							
20	1	24311-000180	O-RING, 1AP18.0	3							
21	1	26013-120552	BOLT, M12X 55	2							
22	1	26106-080162	BOLT, M8X 16 PLATED	2							
23	1	26106-080162	BOLT, M8X 16 PLATED	4							
24	1	26106-080202	BOLT, M8X 20 PLATED	6							
24-1	1	26106-080162	BOLT, M8X 16 PLATED	6							S
		(A=FXXXXX)									
25	1	26106-080252	BOLT, M8X 25 PLATED	8							
26	1	26106-080452	BOLT, M8X 45 PLATED	1							
27	1	26106-080802	BOLT, M8X 80 PLATED	1							
28	1	26106-100252	BOLT, M10X 25 PLATED	4							
29	1	26106-100502	BOLT, M10X 50 PLATED	2							

Fig.27. CENTER PLATE

(A)=EF352-AU-PQ
(B)=
(C)=

(D)=
(E)=
(F)=

No.	Lev.	Parts No.	Description	Q'ty						I	R
				(A)	(B)	(C)	(D)	(E)	(F)		
1	1	198282-24300	PLATE ASSY, CENTER	1							
1-1	1	198282-24301	PLATE ASSY, CENTER	1							N 1
(A=FZZZZZ)											
2	2	198282-24330	PLUG, BORE 19	1							
3	1	192167-24600	PLUG	1							
4	1	22190-100000	WASHER, SEAL 10	1							
5	1	22312-080140	PIN, PARALLEL M8X14	2							
6	1	22312-080140	PIN, PARALLEL M8X14	2							
7	1	23414-220000	GASKET, 22X1.0	1							
8	1	23887-220002	PLUG M22,HEX.	1							
9	1	24311-000140	O-RING, 1AP14.0	1							
10	1	24421-305011	SEAL, OIL TC305011	1							
11	1	26106-100162	BOLT, M10X 16 PLATED	1							
12	1	26106-100302	BOLT, M10X 30 PLATED	2							
13	1	1E6680-66470	ELBOW, 3/8	1							
14	1	24311-000140	O-RING, 1AP14.0	1							



Remarks
(1) Refer to Fig.96 for the Repair part.

Fig.28. REVERSE HOUSING

(A)=EF352-AU-PQ
(B)=
(C)=

(D)=
(E)=
(F)=

No.	Lev.	Parts No.	Description	Q'ty						I	R
				(A)	(B)	(C)	(D)	(E)	(F)		
1	1	198200-24320	SEAL, OIL TC304508	1							
2	1	198200-24410	CASE, REVERSER	1							
3	1	198200-24420	GASKET, HOUSING	1							
4	1	22312-080140	PIN, PARALLEL M8X14	2							
5	1	26106-080252	BOLT, M8X 25 PLATED	13							

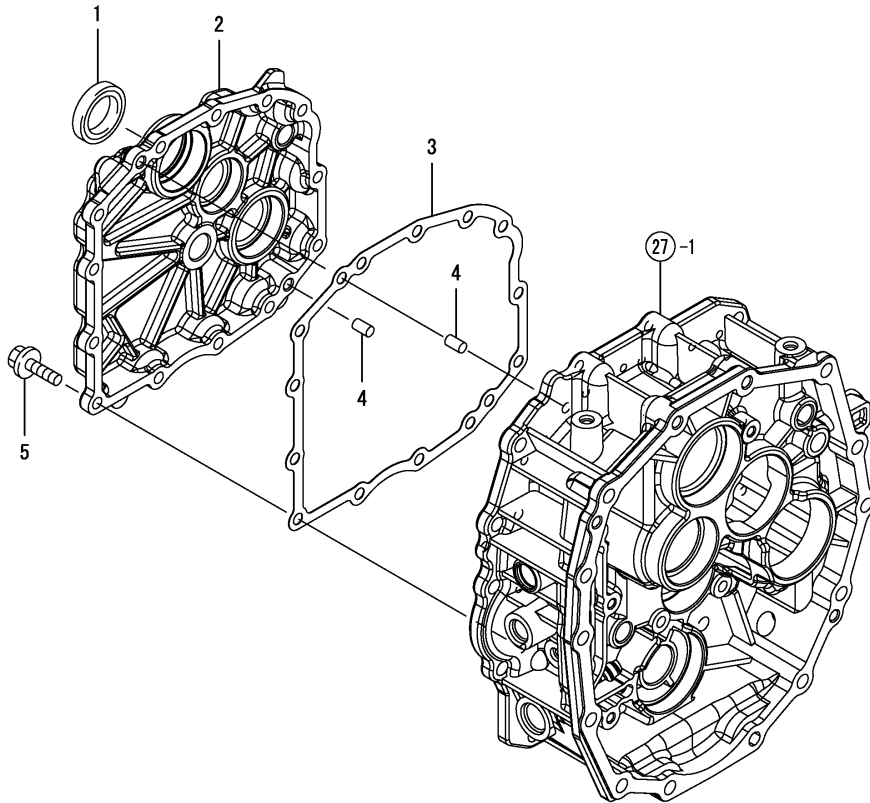


Fig.29. MAIN DRIVE SHAFT

(A)=EF352-AU-PQ
(B)=
(C)=

(D)=
(E)=
(F)=

No.	Lev.	Parts No.	Description	Q'ty						I	R
				(A)	(B)	(C)	(D)	(E)	(F)		
1	1	1D2180-22130	BEARING, BALL 63/22	1							
2	1	198282-25110	SHAFT, DRIVE	1							
3	1	198282-25130	GEAR, MAIN DRIVE 26	1							
4	1	1E6190-54080	SLEEVE SI25X30X13	1							
5	1	22242-000340	RING, 34	1							
6	1	24101-060054	BEARING, BALL 6005	1							
7	1	24101-062064	BEARING, BALL 6206	1							

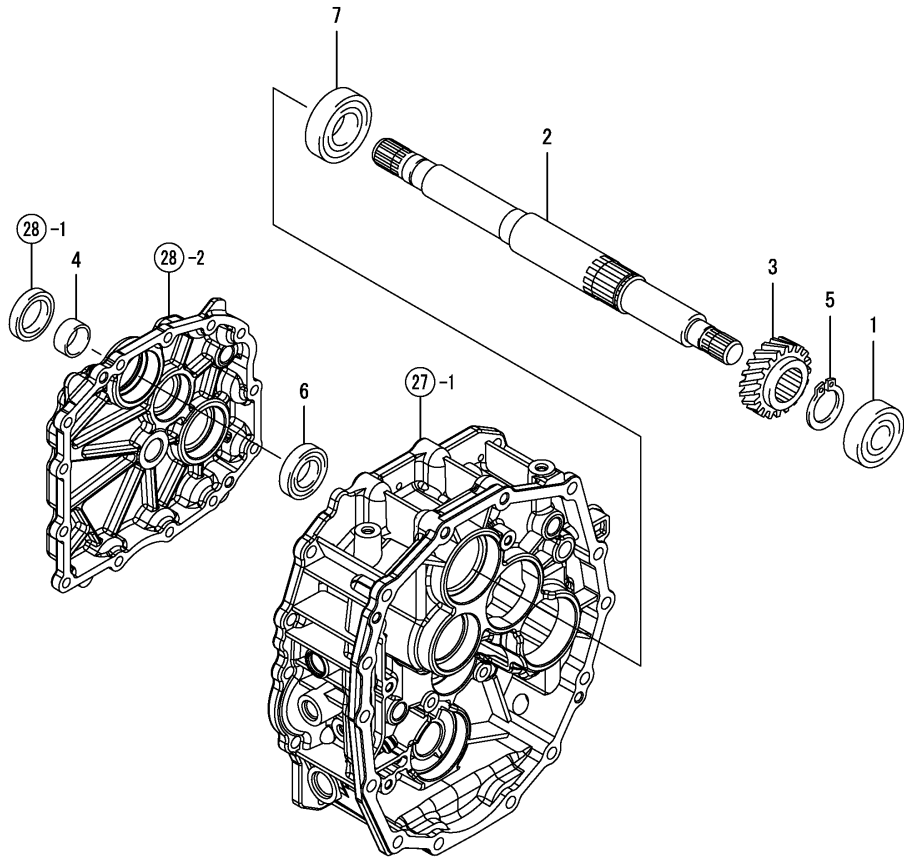


Fig.30. MAIN SHAFT

(A)=EF352-AU-PQ
(B)=
(C)=

(D)=
(E)=
(F)=

No.	Lev.	Parts No.	Description	Q'ty						I	R
				(A)	(B)	(C)	(D)	(E)	(F)		
1	1	198200-25120	GEAR, MAIN 40	1							
2	1	198200-25210	SHAFT, MAIN	1							
3	1	24101-063044	BEARING, BALL 6304	2							

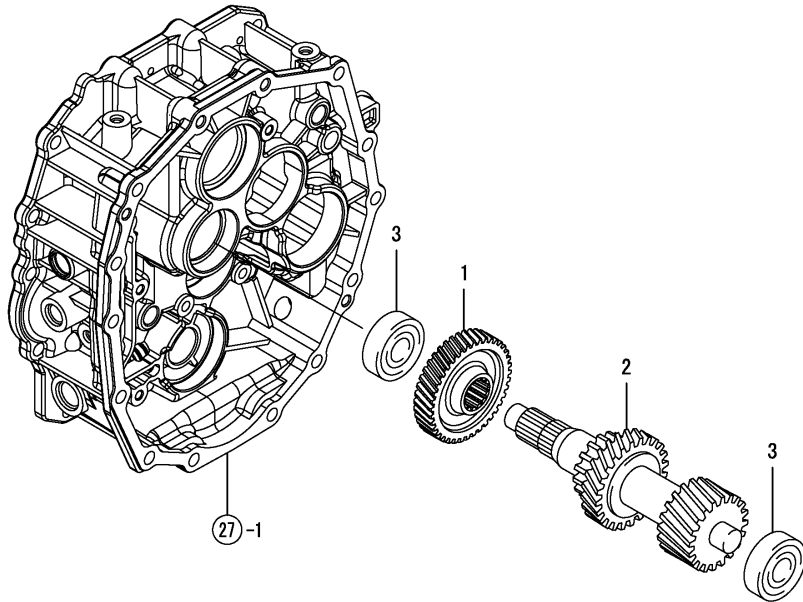
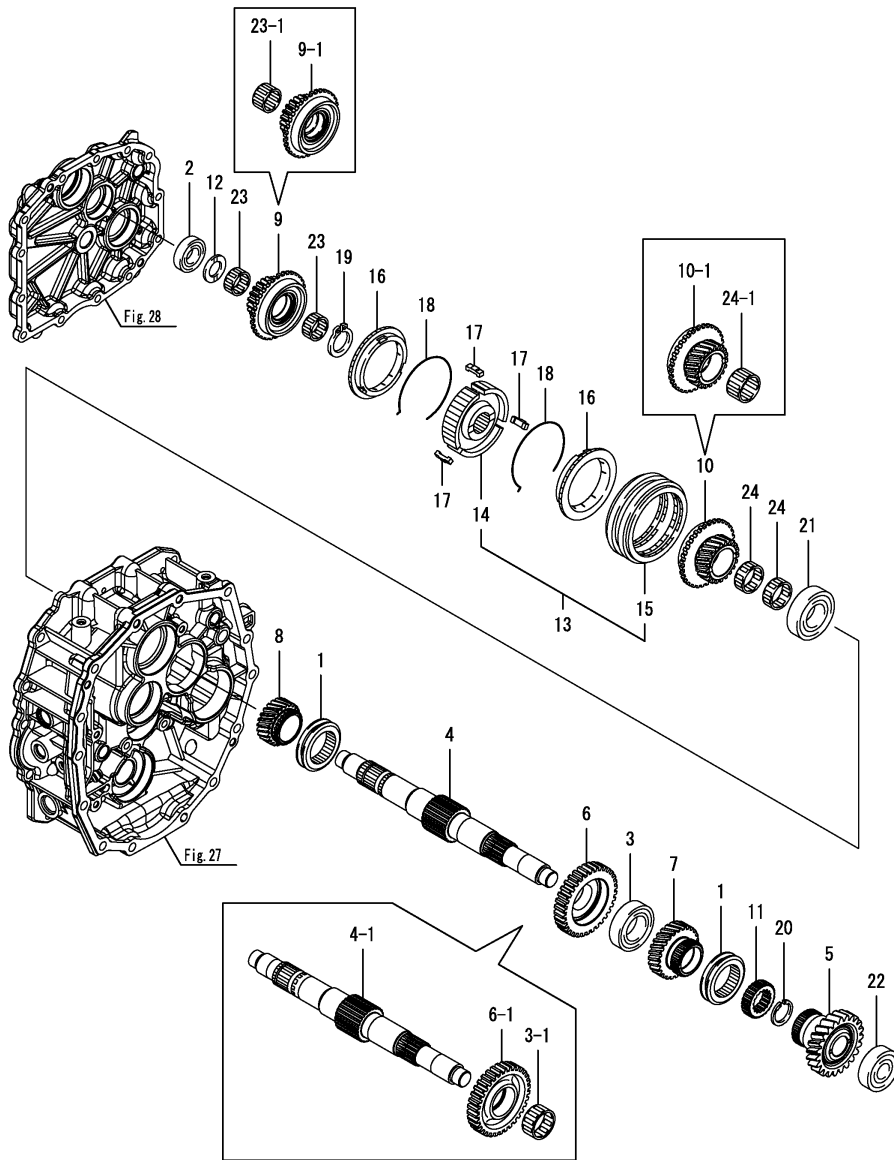


Fig.31. REVERSE SHAFT



(A)=EF352-AU-PQ
(B)=
(C)=

(D)=
(E)=
(F)=

No.	Lev.	Parts No.	Description	Q'ty						I	R
				(A)	(B)	(C)	(D)	(E)	(F)		
1	1	198200-25150	SHIFTER, MAIN SHIFT	2							
2	1	194515-25180	BEARING, BALL TMB004	1							
2-1	1	24101-060044	BEARING, BALL 6004	1							R
(A=FZZZZZ)											
3	1	194800-25250	BEARING, BALL 60/32	1							1
3-1	1	24161-323717	BEARING, 323717	1							S
(A=FXXXXX)											
4	1	198200-25410	SHAFT, REVERSER	1							1
4-1	1	198200-25411	SHAFT, REVERSER	1							S
(A=FXXXXX)											
5	1	198200-25420	GEAR, SHIFT 31	1							
6	1	198200-25430	GEAR, SHIFT 34	1							1
6-1	1	198200-25431	GEAR, MAIN SHIFT	1							S
(A=FXXXXX)											
7	1	198200-25440	GEAR, SHIFT 26	1							
8	1	198200-25450	GEAR, SHIFT 23	1							
9	1	198200-25460	GEAR, DRIVEN 20	1							1
9-1	1	198200-25461	GEAR, DRIVEN	1							S
(A=FZZZZZ)											
10	1	198200-25470	GEAR, DRIVEN 21	1							1
10-1	1	198200-25471	GEAR, DRIVEN21	1							S
(A=FZZZZZ)											
11	1	198200-25480	COLLAR, SPLINE 25	1							
12	1	198200-25490	WASHER, 20	1							
13	1	198121-25800	HUB ASSY, SYNCHRO	1							
14	2	198121-25820	HUB, SYNCHRO	1							
15	2	198121-25830	SLIDER	1							
16	1	198121-25840	RING, SYNCHRONIZER	2							
17	1	198121-25850	KEY, SYNCHRONIZER	3							
18	1	198121-25870	SPRING, SYNCHRO	2							
19	1	22242-000290	RING, 29	1							
20	1	22292-000280	RING, S-28	1							
21	1	24101-062064	BEARING, BALL 6206	1							
22	1	24101-063044	BEARING, BALL 6304	1							
23	1	24161-253013	BEARING, 253013	2							1
23-1	1	24161-253017	BEARING, 253017	1							S
(A=FZZZZZ)											
24	1	24161-303513	BEARING, 303513	2							1
24-1	1	24161-303520	BEARING, 303520	1							S
(A=FZZZZZ)											

Remarks
(1) Refer to Fig.100 for the spare part.

Fig.32. REDUCTION SHAFT

(A)=EF352-AU-PQ
(B)=
(C)=

(D)=
(E)=
(F)=

No.	Lev.	Parts No.	Description	Q'ty						I	R
				(A)	(B)	(C)	(D)	(E)	(F)		
1	1	198200-25510	SHAFT, REDUCTION	1							
2	1	198200-25650	GEAR, DRIVE 33	1							
3	1	198200-25660	GEAR, REVERSE R 32	1							
4	1	194640-26440	BEARING, BALL TMB206	1							
5	1	22242-000290	RING, 29	1							
6	1	24101-062034	BEARING, BALL 6203	1							
7	1	24101-062044	BEARING, BALL 6204	1							

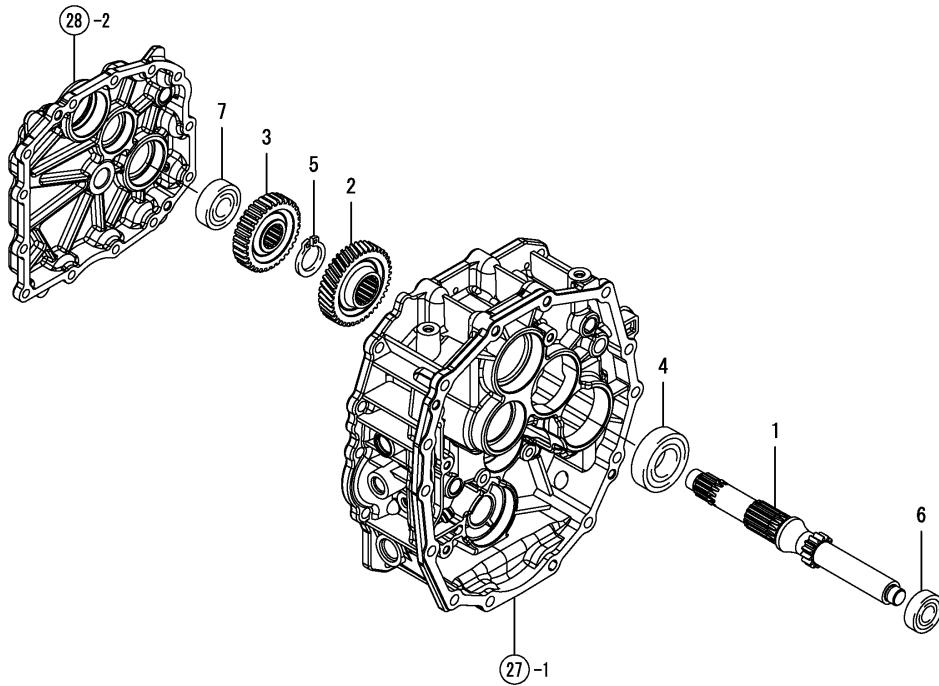
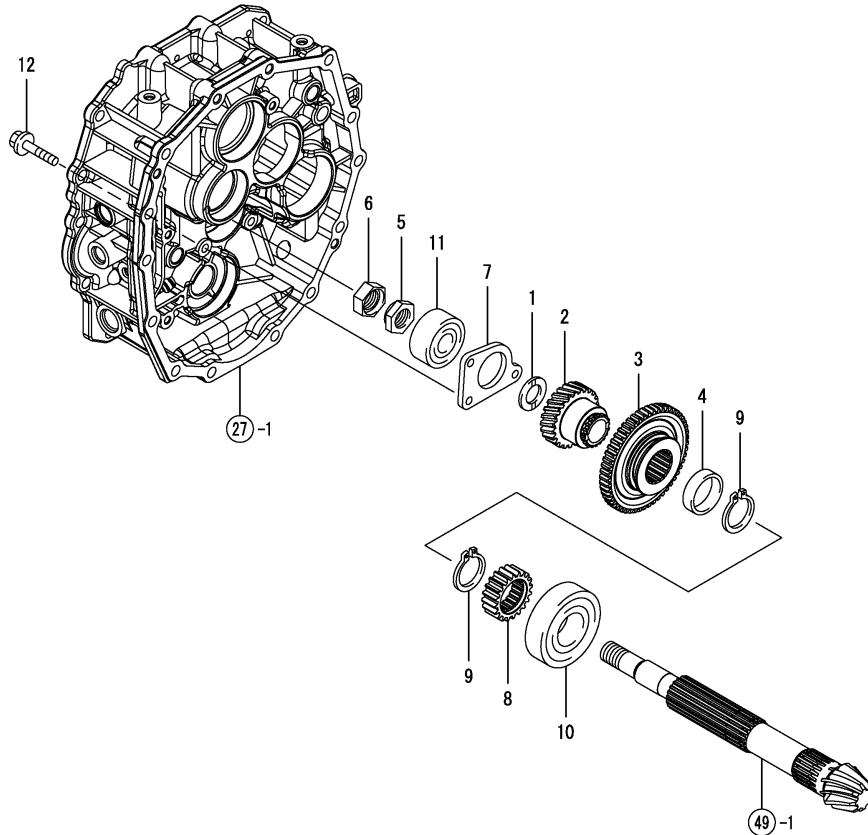


Fig.33. COUNTER SHAFT



(A)=EF352-AU-PQ
(B)=
(C)=

(D)=
(E)=
(F)=

No.	Lev.	Parts No.	Description	Q'ty						I	R
				(A)	(B)	(C)	(D)	(E)	(F)		
1	1	198200-25490	WASHER, 20	1							
2	1	198200-25520	GEAR, COUNTER 24	1							
3	1	198200-25530	GEAR, SLIDE 53	1							
4	1	198282-25540	COLLAR, 36X43X11	1							
5	1	198200-25550	NUT, LOCK M20	1							Z
(A=FZZZZZ)											
6	1	198200-25560	NUT, LOCK M20	1							Z
(A=FZZZZZ)											
7	1	198200-25590	PLATE, KEEP	1							Z
(A=FZZZZZ)											
8	1	198282-28250	GEAR, DRIVE 21	1							
8-1	1	198200-28251	GEAR, FRONT DRIVE	1							N
(A=FZZZZZ)											
9	1	22242-000340	RING, 34	2							
10	1	24101-063074	BEARING, BALL 6307	1							
11	1	24512-053044	BEARING, BALL 5304	1							
12	1	26106-080402	BOLT, M8X 40 PLATED	3							
12-1	1	26106-080502	BOLT, M8X 50 PLATED	3							N 1
(A=FZZZZZ)											
12-2	1	26106-080502	BOLT, M8X 50 PLATED	3							Z 1
(A=FZZZZZ)											

Remarks
(1) Refer to Fig.96 for the Repair part.

Fig.34. REVERSE IDLE SHAFT

(A)=EF352-AU-PQ
(B)=
(C)=

(D)=
(E)=
(F)=

No.	Lev.	Parts No.	Description	Q'ty						I	R
				(A)	(B)	(C)	(D)	(E)	(F)		
1	1	198200-25490	WASHER, 20	1							
2	1	198172-25630	NUT, LOCK M12	1							
3	1	198172-25640	NUT, LOCK M12	1							
4	1	198200-25910	SHAFT, REVERSE IDLE	1							
5	1	198200-25930	GEAR, IDLE 21	1							
6	1	22137-120000	WASHER, 12	1							
7	1	24161-253017	BEARING, 253017	1							
8	1	24311-000160	O-RING, 1AP16.0	1							

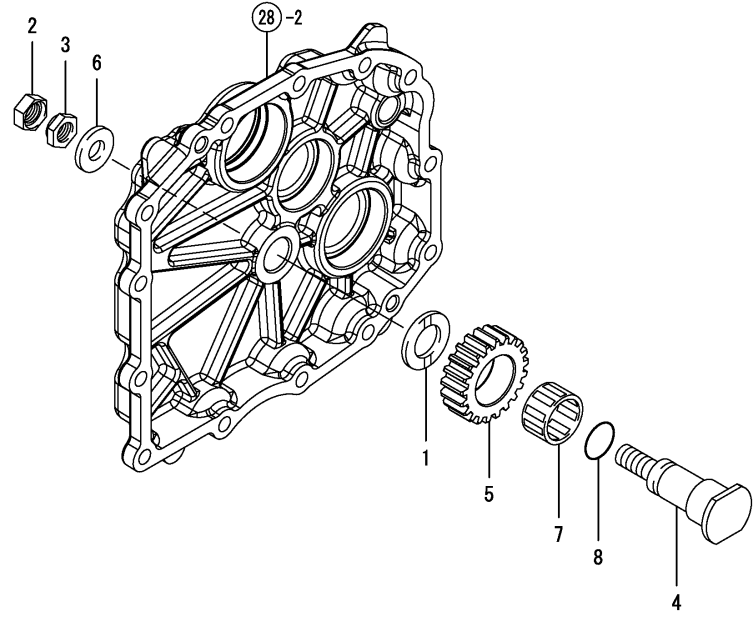


Fig.35. PTO DRIVE SHAFT

(A)=EF352-AU-PQ
(B)=
(C)=

(D)=
(E)=
(F)=

No.	Lev.	Parts No.	Description	Q'ty						I	R
				(A)	(B)	(C)	(D)	(E)	(F)		
1	1	198212-25150	COUPLING, 13X16/32	1							
2	1	194640-25390	BEARING, BALL TMB205	1							
3	1	198282-26250	SHAFT, PTO PINION	1							
4	1	22252-000190	RING, 19	1							
5	1	24101-063054	BEARING, BALL 6305	1							

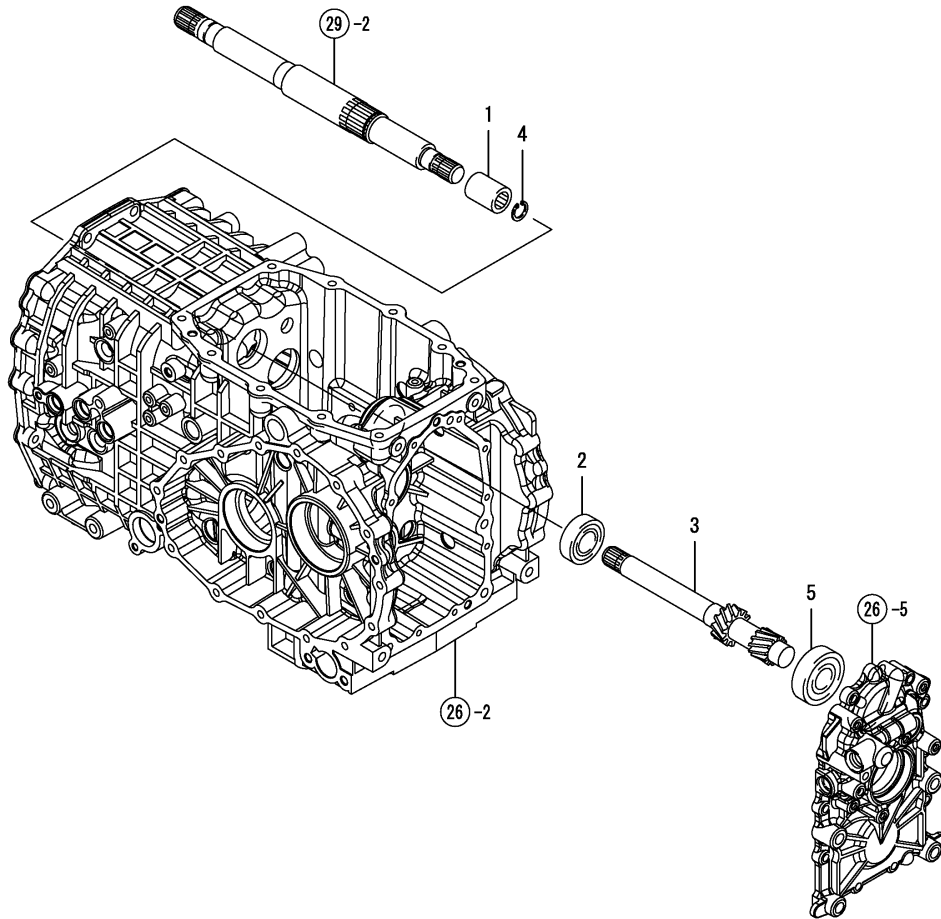
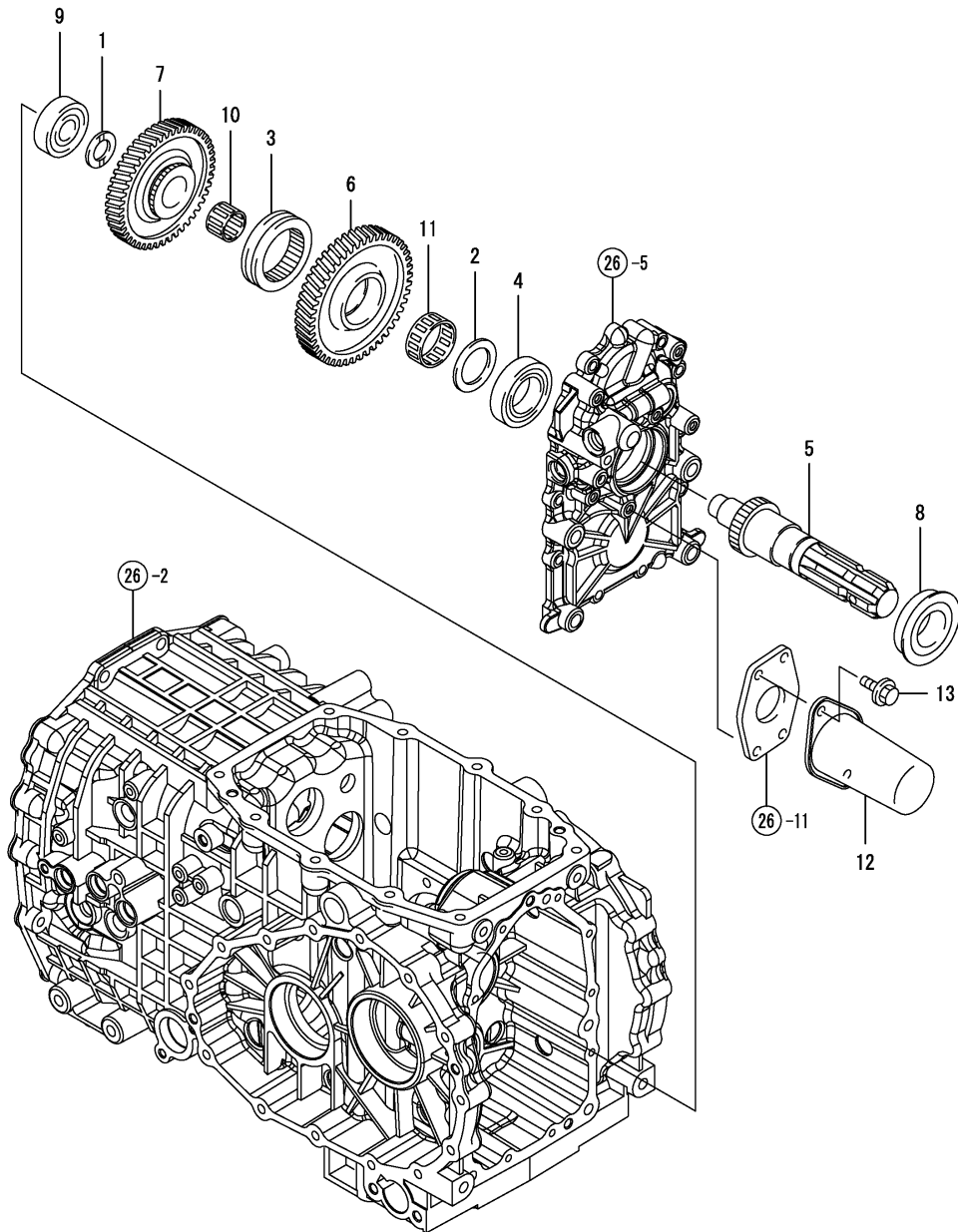


Fig.36. PTO SHAFT



(A)=EF352-AU-PQ
(B)=
(C)=

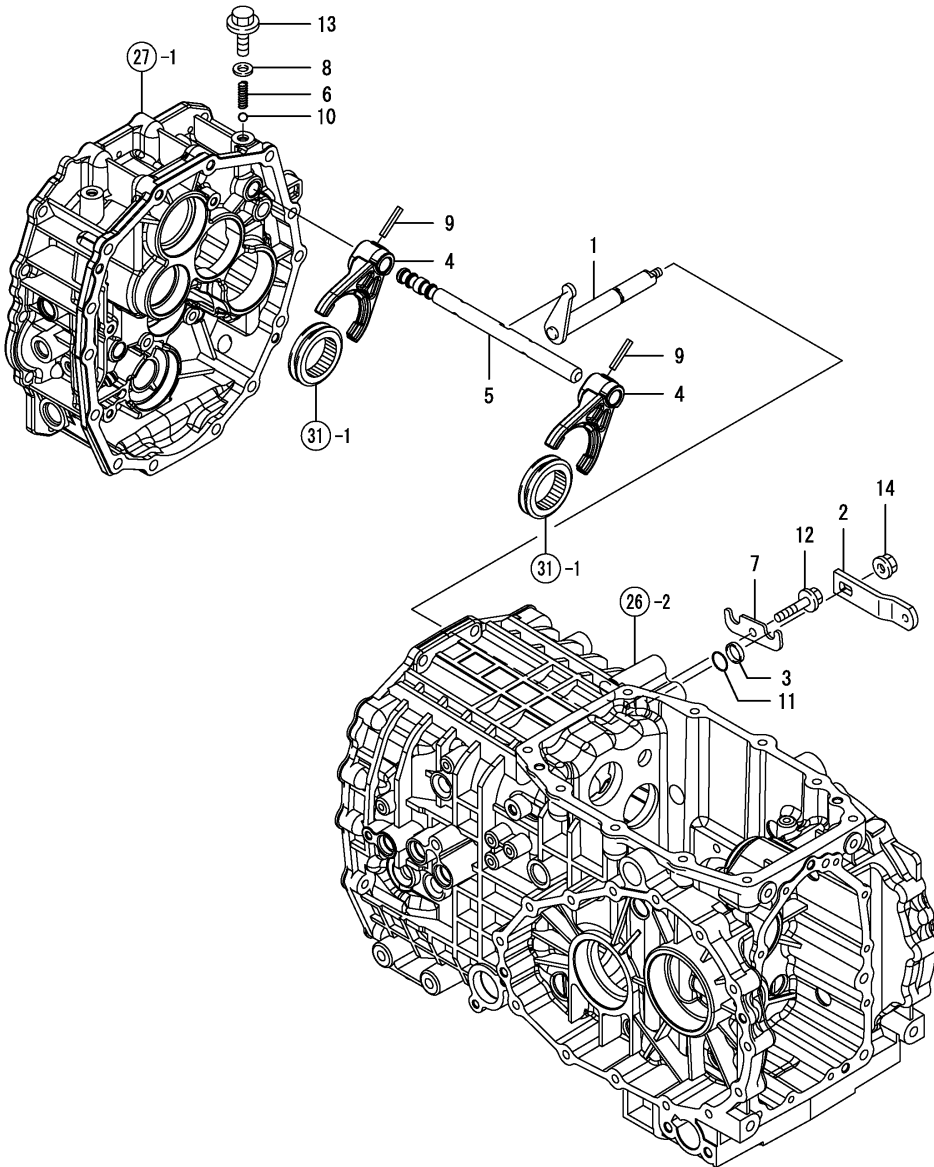
(D)=
(E)=
(F)=

No.	Lev.	Parts No.	Description	Q'ty						I	R
				(A)	(B)	(C)	(D)	(E)	(F)		
1	1	198200-25490	WASHER, 20	1							
2	1	194180-25550	WASHER, 35X50X3	1							
3	1	198149-25890	SHIFTER	1							
4	1	194680-25940	BEARING (TMB007)	1							
5	1	198282-26310	SHAFT, PTO	1							
6	1	198282-26320	GEAR, PTO DRIVEN 50	1							
7	1	198282-26330	GEAR, PTO DRIVEN 47	1							
8	1	194370-26350	SEAL, OIL QLF356019	1							
9	1	24101-063044	BEARING, BALL 6304	1							
10	1	24161-253020	BEARING, 253020	1							
11	1	24161-404517	BEARING, 404517	1							
12	1	1A7100-26850	COVER ASSY, SHAFT M	1							
13	1	26106-080122	BOLT, M8X 12 PLATED	2							

Fig.37. MAIN SHIFT

(A)=EF352-AU-PQ
(B)=
(C)=

(D)=
(E)=
(F)=



No.	Lev.	Parts No.	Description	Q'ty						I	R
				(A)	(B)	(C)	(D)	(E)	(F)		
1	1	198200-27110	ARM, SHIFT	1							
2	1	198200-27141	ARM, CHANGE	1							
3	1	198119-27150	COLLAR, ARM	1							
4	1	198200-27170	FORK, SHIFT	2							
5	1	198200-27180	SHAFT, MAIN FORK	1							
6	1	194145-27450	SPRING	1							
7	1	198200-27740	PLATE, KEEP B	1							
8	1	22190-100000	WASHER, SEAL 10	1							
9	1	22351-060032	PIN, SPRING 6.0X32	2							
10	1	24190-100001	BALL, STEEL 5/16	1							
11	1	24311-000160	O-RING, 1AP16.0	1							
12	1	26106-080402	BOLT, M8X 40 PLATED	1							
13	1	26106-100162	BOLT, M10X 16 PLATED	1							
14	1	26366-080002	NUT, M8	1							

Fig.38. MAIN CHANGE LEVER

(A)=EF352-AU-PQ
(B)=
(C)=

(D)=
(E)=
(F)=

No.	Lev.	Parts No.	Description	Q'ty						I	R
				(A)	(B)	(C)	(D)	(E)	(F)		
1	1	198200-28101	LEVER ASSY, CHANGE	1							
2	2	24550-016100	BUSH, 16X10	2							
3	1	1A8070-28160	BRACKET, LEVER R	1							
4	1	198221-28450	WASHER, 16	1							
5	1	198200-28650	SHAFT, LEVER	1							
6	1	26106-060122	BOLT, M6X 12 PLATED	1							
7	1	26106-080162	BOLT, M8X 16 PLATED	3							

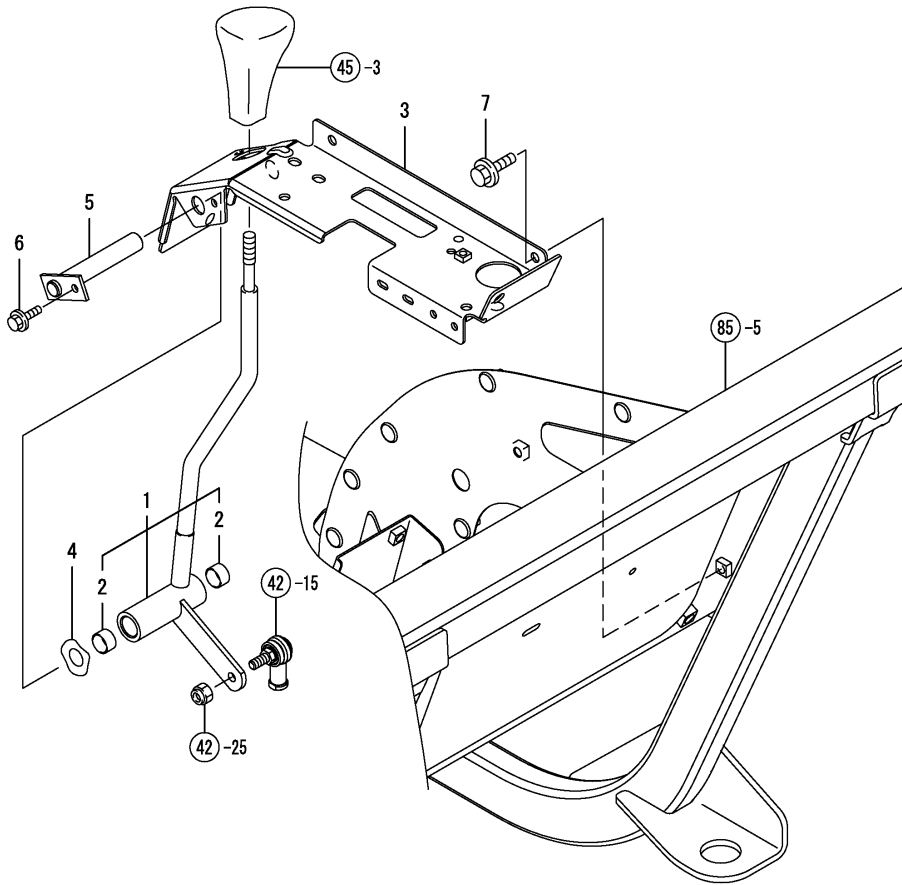
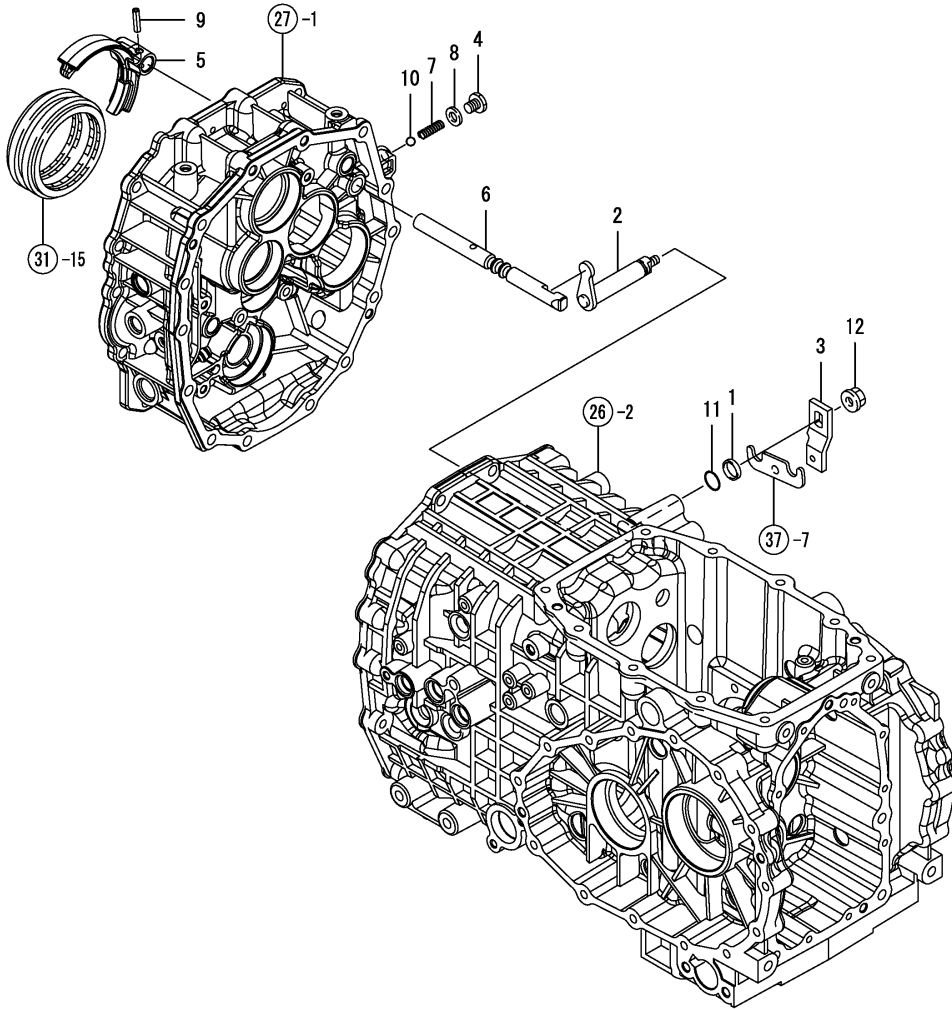


Fig.39. REVERSE SHIFT

(A)=EF352-AU-PQ
(B)=
(C)=

(D)=
(E)=
(F)=



No.	Lev.	Parts No.	Description	Q'ty						I	R
				(A)	(B)	(C)	(D)	(E)	(F)		
1	1	198119-27150	COLLAR, ARM	1							
2	1	198200-27310	ARM, SHIFT	1							
3	1	198200-27340	ARM, CHANGE	1							
4	1	198200-27360	PLUG, 10	1							
5	1	198200-27370	FORK, REVERSER SHIFT	1							
6	1	198200-27380	SHAFT, REVERSER FORK	1							
7	1	194145-27450	SPRING	1							
8	1	22190-100000	WASHER, SEAL 10	1							
9	1	22351-060025	PIN, SPRING 6.0X25	1							
10	1	24190-100001	BALL, STEEL 5/16	1							
11	1	24311-000160	O-RING, 1AP16.0	1							
12	1	26366-080002	NUT, M8	1							

Fig.40. REVERSE LEVER

(A)=EF352-AU-PQ
(B)=
(C)=

(D)=
(E)=
(F)=

No.	Lev.	Parts No.	Description	Q'ty						I	R
				(A)	(B)	(C)	(D)	(E)	(F)		
1	1	198200-27530	WIRE ASSY, REVERSER	1							
2	1	1C6281-52310	PIN, SNAP 6	2							
3	1	22137-060000	WASHER, 6	2							
4	1	22487-060160	PIN, H 6X 16	2							

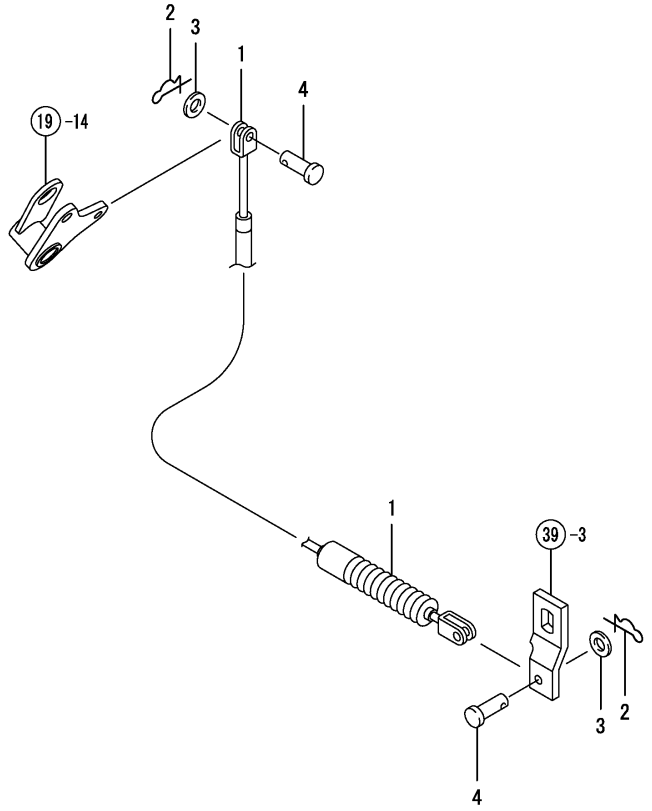
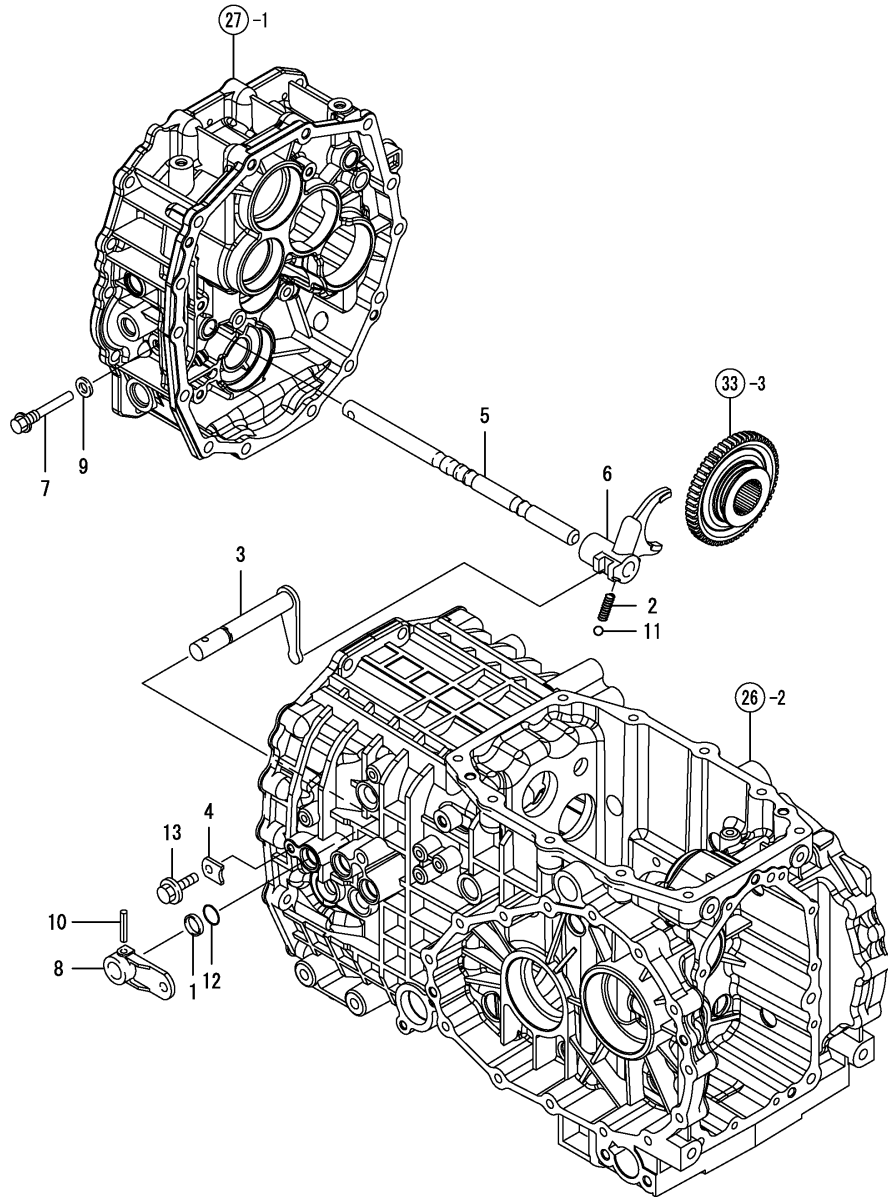


Fig.41. RANGE SHIFT



(A)=EF352-AU-PQ
(B)=
(C)=

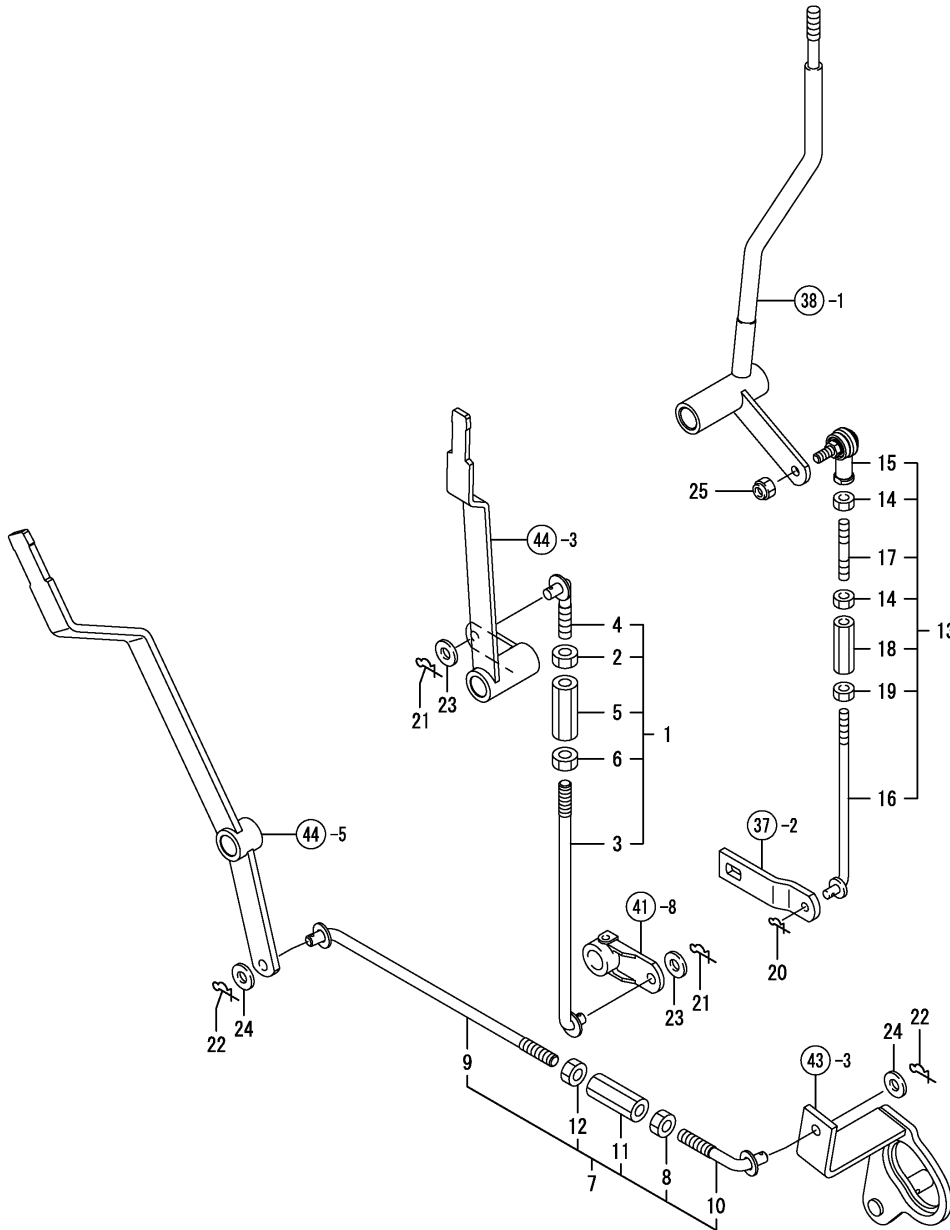
(D)=
(E)=
(F)=

No.	Lev.	Parts No.	Description	Q'ty						I	R
				(A)	(B)	(C)	(D)	(E)	(F)		
1	1	198119-27150	COLLAR, ARM	1							
2	1	194145-27450	SPRING	1							
3	1	198282-27520	ARM, SHIFT	1							
4	1	198119-27570	PLATE, KEEP	1							
5	1	198282-27570	SHAFT, FORK	1							
6	1	198282-27580	FORK, SHIFT	1							
7	1	198282-27590	BOLT, SET M10	1							
8	1	198072-27650	ARM, CHANGE	1							
9	1	22190-100000	WASHER, SEAL 10	1							
10	1	22351-060032	PIN, SPRING 6.0X32	1							
11	1	24190-100001	BALL, STEEL 5/16	1							
12	1	24311-000160	O-RING, 1AP16.0	1							
13	1	26106-080162	BOLT, M8X 16 PLATED	1							

Fig.42. SHIFT LINK

(A)=EF352-AU-PQ
(B)=
(C)=

(D)=
(E)=
(F)=

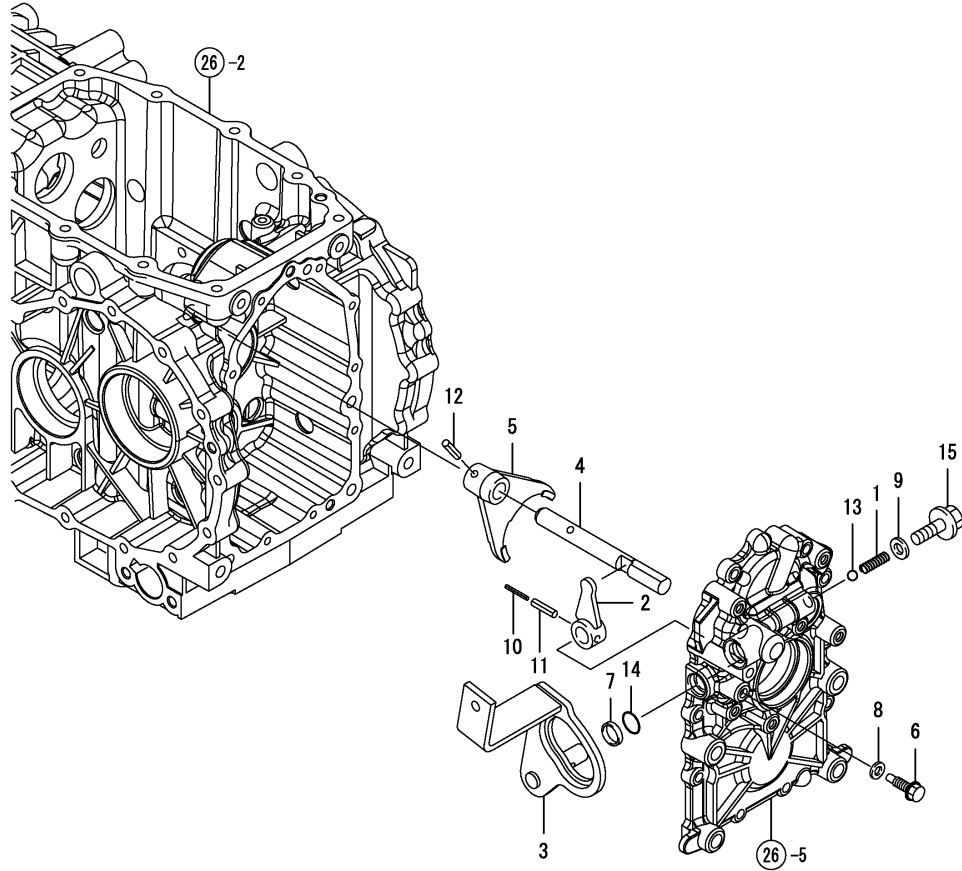


No.	Lev.	Parts No.	Description	Q'ty						I	R
				(A)	(B)	(C)	(D)	(E)	(F)		
1	1	198280-27650	ROD ASSY	1							
2	2	194150-22480	NUT, M10 L	1							
3	2	198280-27660	ROD ASSY, M10	1							
4	2	198121-28160	ROD, M10	1							
5	2	194250-47490	TURNBUCKLE 10X50	1							
6	2	26716-100002	NUT, M10	1							
7	1	198282-27960	ROD, PTO	1							
8	2	194150-22480	NUT, M10 L	1							
9	2	198282-27970	ROD ASSY, PTO A	1							
10	2	198280-28000	BOLT, M10L	1							
11	2	194250-47490	TURNBUCKLE 10X50	1							
12	2	26716-100002	NUT, M10	1							
13	1	198200-28051	END ASSY, ROD	1							
14	2	194990-20170	NUT, M8	2							
15	2	194820-27370	END, ROD L	1							
16	2	198200-28061	ROD, SHIFT	1							
17	2	198200-28080	ROD	1							
18	2	1C6140-43442	TURNBUCKLE, 8X46	1							
19	2	26716-080002	NUT, M8	1							
20	1	1C6281-52320	PIN, SNAP 8	1							
21	1	1C6360-65700	PIN, SNAP 10	2							
22	1	1C6360-65700	PIN, SNAP 10	2							
23	1	22137-100000	WASHER, 10	2							
24	1	22137-100000	WASHER, 10	2							
25	1	26346-080002	NUT, M8	1							

Fig.43. PTO. SHIFT

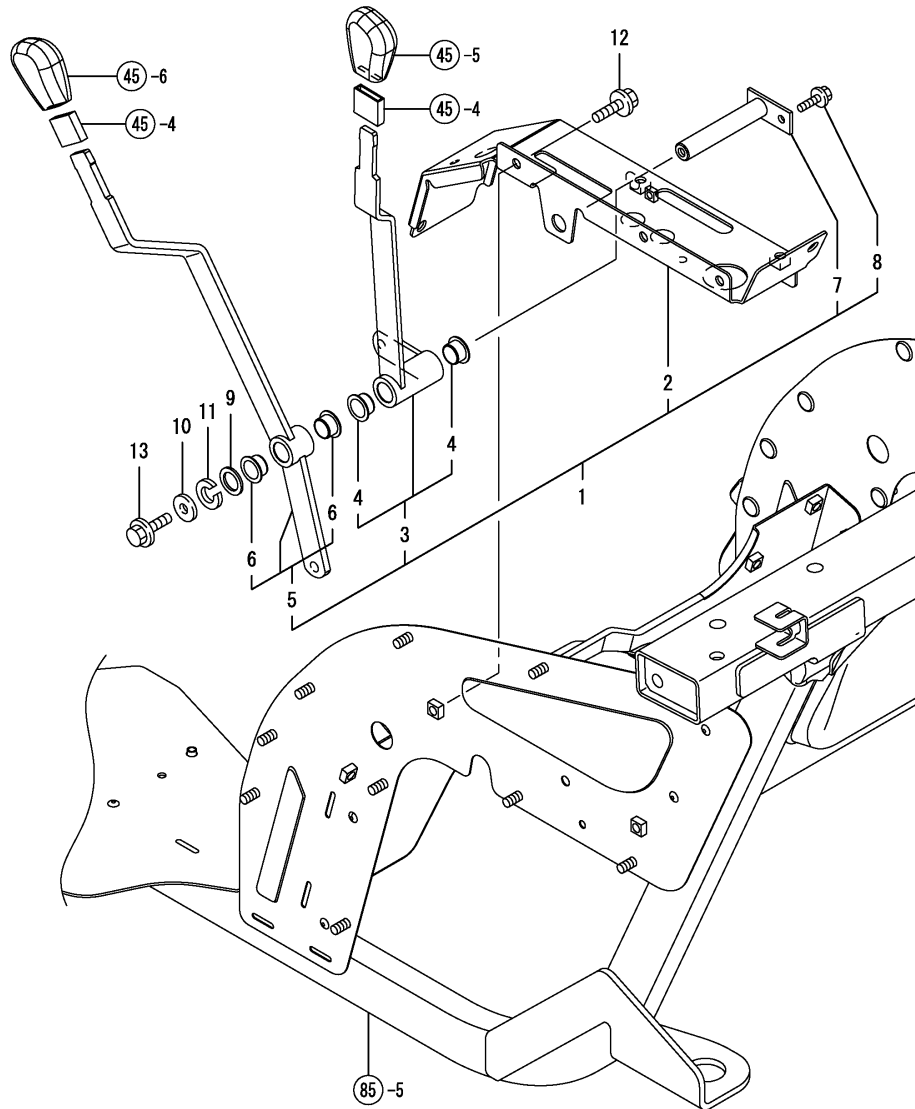
(A)=EF352-AU-PQ
(B)=
(C)=

(D)=
(E)=
(F)=



No.	Lev.	Parts No.	Description	Q'ty						I	R
				(A)	(B)	(C)	(D)	(E)	(F)		
1	1	194680-27540	SPRING, FORK LOCK	1							
2	1	198280-27711	ARM, SHIFT	1							
3	1	198282-27742	ARM, CHANGE	1							
4	1	198280-27771	SHAFT, PTO FORK	1							
5	1	198282-27780	FORK, PTO SHIFT	1							
6	1	198280-27790	BOLT, SET M8	1							
7	1	198121-28380	COLLAR, ARM	1							
8	1	22190-080000	WASHER, SEAL 8	1							
9	1	22190-100000	WASHER, SEAL 10	1							
10	1	22351-035025	PIN, SPRING 3.5X25	1							
11	1	22351-060025	PIN, SPRING 6.0X25	1							
12	1	22351-060025	PIN, SPRING 6.0X25	1							
13	1	24190-080001	BALL, STEEL 1/4	1							
14	1	24311-000150	O-RING, 1AP15.0	1							
15	1	26106-100302	BOLT, M10X 30 PLATED	1							

Fig.44. SUB CHANGE LEVER & PTO LEVER



(A)=EF352-AU-PQ
(B)=
(C)=

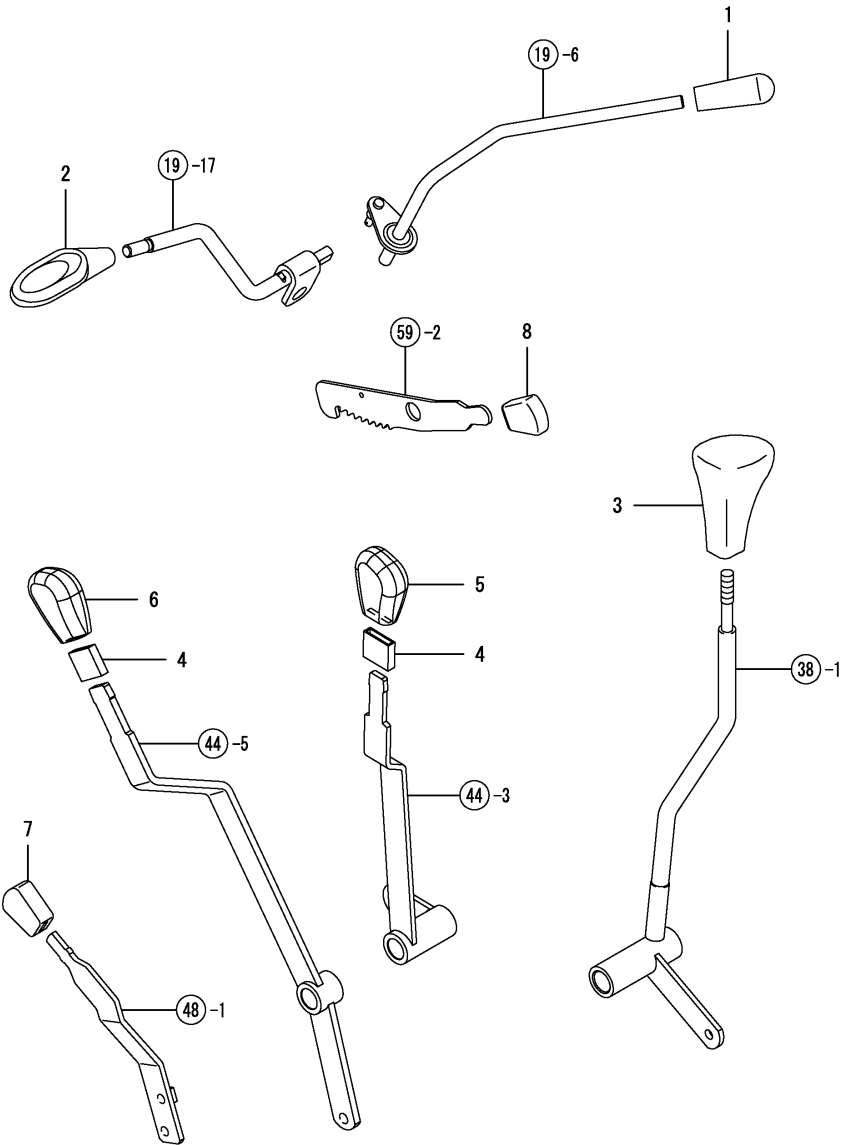
(D)=
(E)=
(F)=

No.	Lev.	Parts No.	Description	Q'ty						I	R
				(A)	(B)	(C)	(D)	(E)	(F)		
1	1	198282-27802	LEVER, PTO	1							
2	2	198200-27641	BRACKET, LEVER L	1							
3	2	198282-27820	LEVER ASSY, SHIFT	1							
4	3	1S6489-63330	BUSH, LFF1610	2							
5	2	198282-27881	LEVER ASSY, PTO	1							
6	3	1S6489-63330	BUSH, LFF1610	2							
7	2	198200-28660	SHAFT, LEVER	1							
8	2	26116-060122	BOLT, M6X 12 PLATED	1							
9	1	1A7550-35570	COLLAR, 25X17X2	1							
10	1	22157-080000	WASHER, 8	1							
11	1	22217-160000	WASHER, SPRING 16	1							
12	1	26106-080162	BOLT, M8X 16 PLATED	4							
13	1	26106-080162	BOLT, M8X 16 PLATED	1							

Fig.45. KNOB

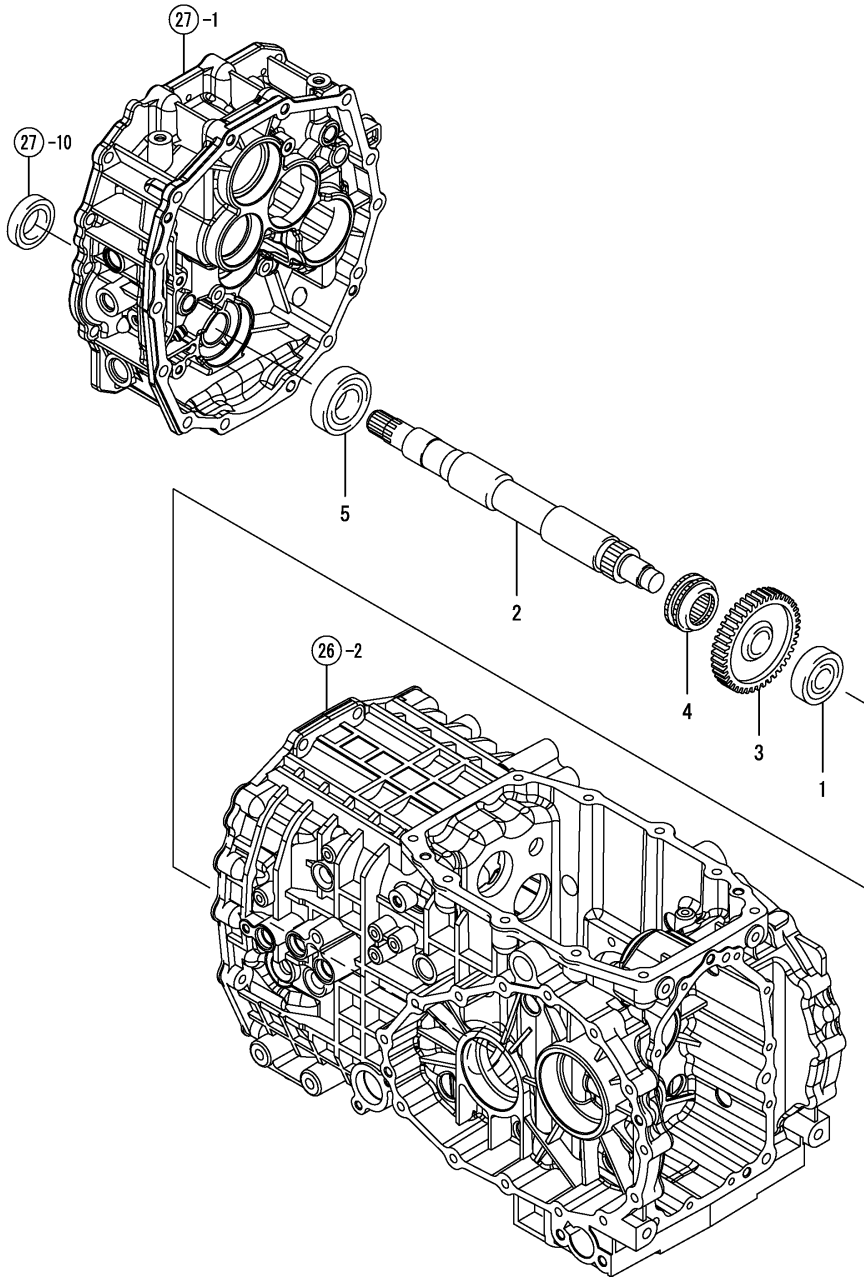
(A)=EF352-AU-PQ
(B)=
(C)=

(D)=
(E)=
(F)=



No.	Lev.	Parts No.	Description	Q'ty						I	R
				(A)	(B)	(C)	(D)	(E)	(F)		
1	1	198253-01190	KNOB, LEVER	1							
2	1	198200-18350	KNOB, LEVER	1							
3	1	1A7600-27310	KNOB, MAIN SHIFT	1							
4	1	174845-27700	BOOT, SHAFT	2							
5	1	198200-27810	KNOB, ORANGE	1							
5-1	1	198200-27811	KNOB, ORANGE	1							N
(A=FZZZZZ)											
6	1	198200-27910	KNOB, YELLOW	1							
6-1	1	198200-27911	KNOB, YELLOW	1							N
(A=FZZZZZ)											
7	1	198273-28520	KNOB, PARKING BRAKE	1							
7-1	1	198273-28521	KNOB, PARKING BRAKE	1							N
(A=FZZZZZ)											
8	1	198273-28520	KNOB, PARKING BRAKE	1							
8-1	1	198273-28521	KNOB, PARKING BRAKE	1							N
(A=FZZZZZ)											

Fig.46. FRONT DRIVE

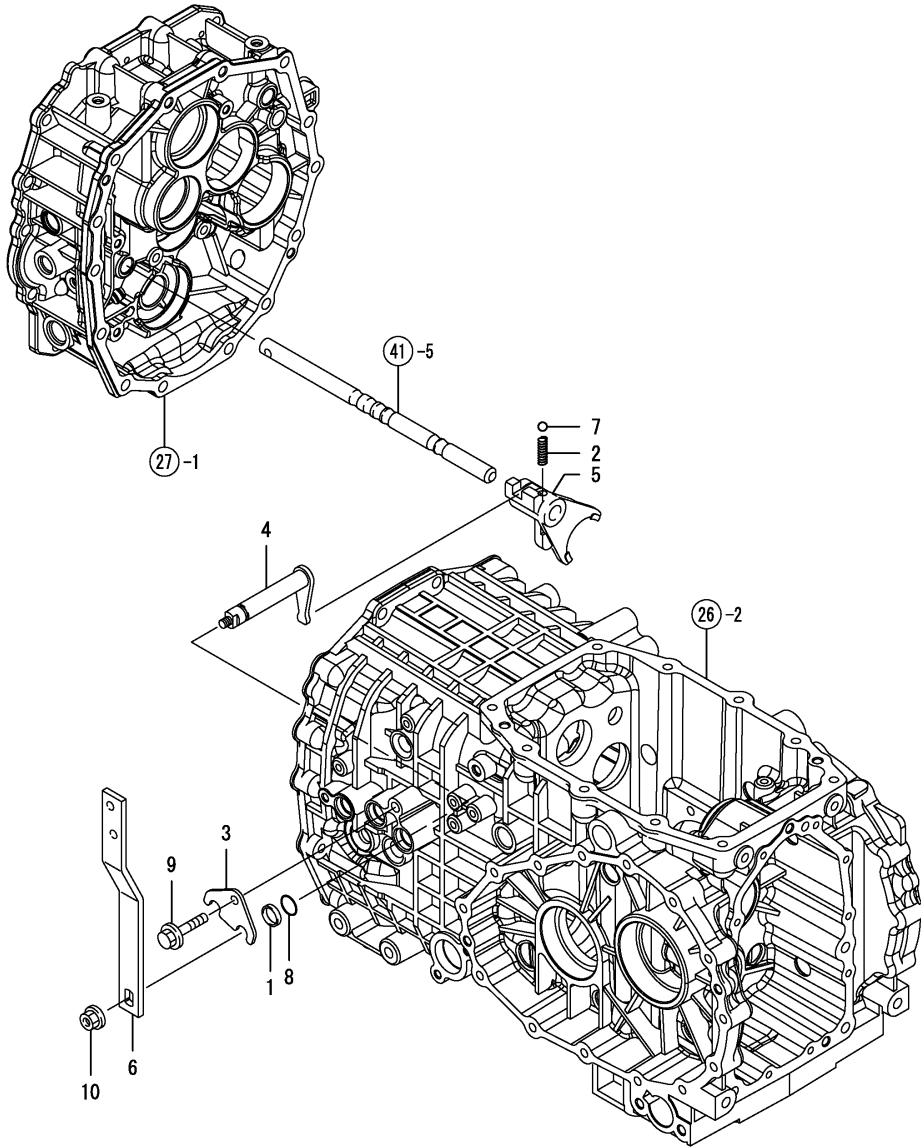


(A)=EF352-AU-PQ
(B)=
(C)=

(D)=
(E)=
(F)=

No.	Lev.	Parts No.	Description	Q'ty						I	R
				(A)	(B)	(C)	(D)	(E)	(F)		
1	1	194447-13860	BEARING, TMB304CX1	1							
2	1	198282-28180	SHAFT, FRONT DRIVE	1							
3	1	198282-28340	GEAR, DRIVE 43	1							
4	1	198282-28360	SHIFTER	1							
5	1	24101-062064	BEARING, BALL 6206	1							

Fig.47. FRONT SHIFT



(A)=EF352-AU-PQ
(B)=
(C)=

(D)=
(E)=
(F)=

No.	Lev.	Parts No.	Description	Q'ty						I	R
				(A)	(B)	(C)	(D)	(E)	(F)		
1	1	198119-27150	COLLAR, ARM	1							
2	1	194145-27450	SPRING	1							
3	1	198200-27730	PLATE, KEEP A	1							
4	1	198282-28410	ARM, SHIFT	1							
5	1	198282-28430	FORK, 4WD SHIFT	1							
6	1	198282-28440	ARM, CHANGE	1							
7	1	24190-100001	BALL, STEEL 5/16	1							
8	1	24311-000160	O-RING, 1AP16.0	1							
9	1	26106-080402	BOLT, M8X 40 PLATED	1							
10	1	26366-080002	NUT, M8	1							

Fig.48. 4WD LVER

(A)=EF352-AU-PQ
(B)=
(C)=

(D)=
(E)=
(F)=

No.	Lev.	Parts No.	Description	Q'ty						I	R
				(A)	(B)	(C)	(D)	(E)	(F)		
1	1	198282-28460	LEVER, 4WD	1							
2	1	26106-080202	BOLT, M8X 20 PLATED	2							

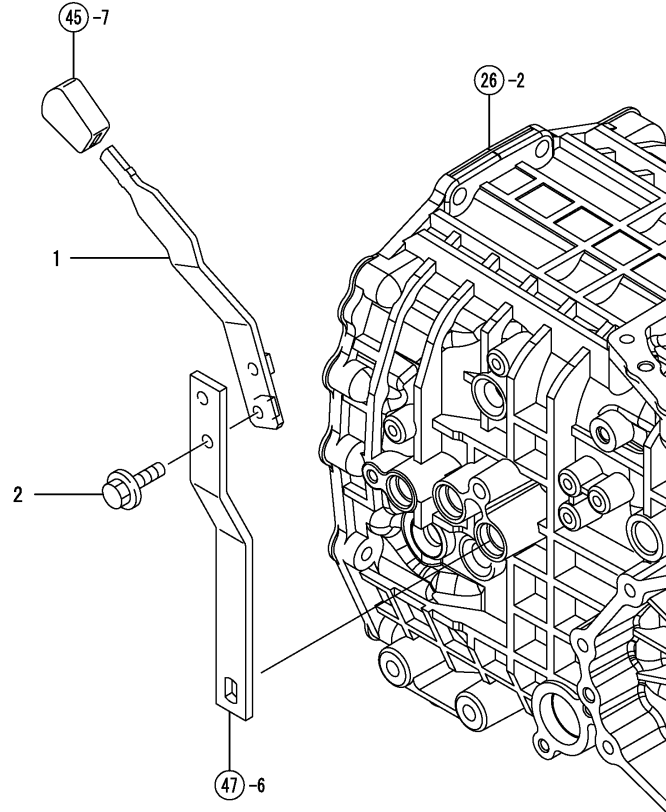
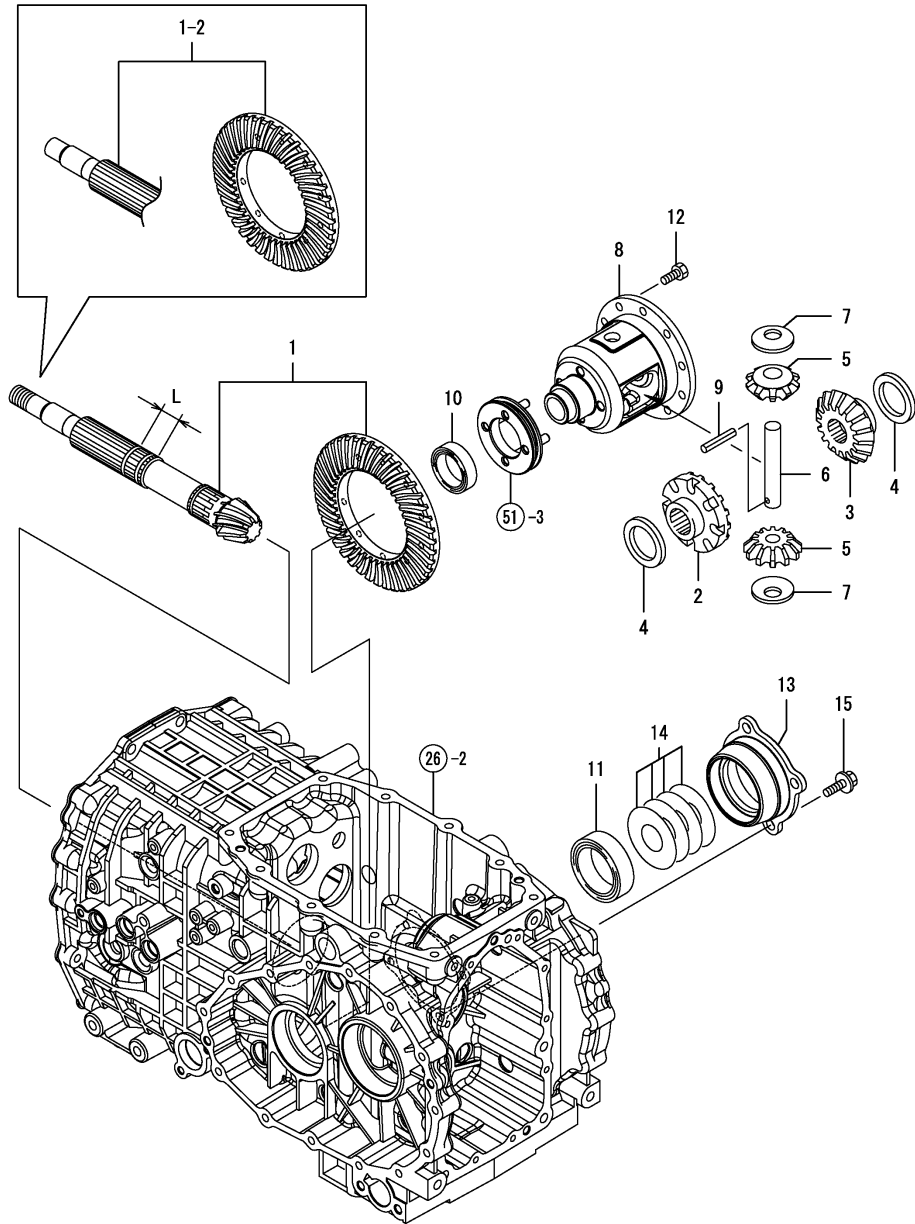


Fig.49. RING GEAR & DIFFERENTIAL GEAR



(A)=EF352-AU-PQ
(B)=
(C)=

(D)=
(E)=
(F)=

No.	Lev.	Parts No.	Description	Q'ty						I	R
				(A)	(B)	(C)	(D)	(E)	(F)		
1	1	198200-31400	GEAR ASSY, RING	1							
1-1	1	198200-31401	GEAR ASSY, RING	1						S	1
(A=FZZZZZ)											
1-2	1	198200-31402	GEAR ASSY, RING	1						S	
(A=FZZZZZ)											
2	1	198200-31510	GEAR, DIFFERENTIAL L	1							
3	1	194525-31520	GEAR, DIFFERENTIAL R	1							
4	1	194515-31610	WASHER, DIFFERENTIAL	2							
5	1	198200-31810	PINION, DIFFERENTIAL	2							
6	1	198200-31820	SHAFT, DIFFERENTIAL	1							
7	1	194515-31850	WASHER, DIFFERENTIAL	2							
8	1	198200-32110	CASE, DIFFERENTIAL	1							
9	1	22351-040040	PIN, SPRING 4.0X40	1							
10	1	24101-060074	BEARING, BALL 6007	1							
11	1	24101-062074	BEARING, BALL 6207	1							
12	1	26116-080162	BOLT, M8X 16 PLATED	10							
13	1	198200-32320	CARRIER	1							
14	1	194850-32340	SHIM SET	1							
15	1	26106-100252	BOLT, M10X 25 PLATED	4							

Remarks

(1) L= Ref.No.1 20.8mm, 1-1 14.6mm.

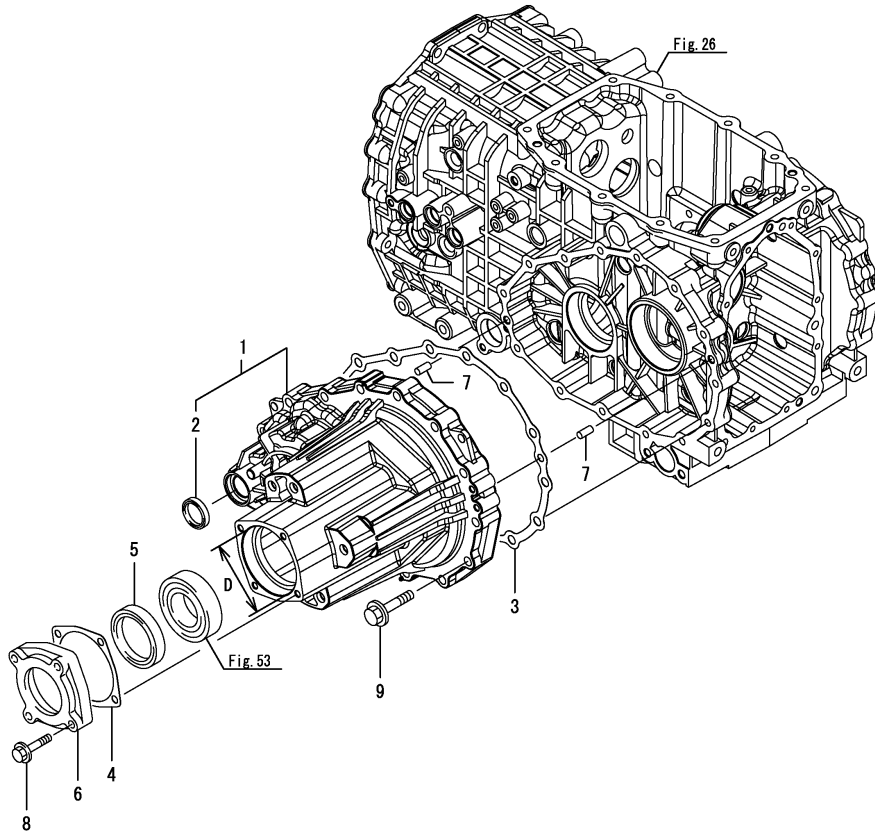
N:Old $\begin{matrix} \leftarrow \text{Yes} \\ \text{No} \end{matrix}$ New, Q:Old $\begin{matrix} \leftarrow \text{No} \\ \text{Yes} \end{matrix}$ New, R:Old $\begin{matrix} \leftarrow \text{Yes} \\ \text{Yes} \end{matrix}$ New, S:Old $\begin{matrix} \leftarrow \text{No} \\ \text{No} \end{matrix}$ New, W:Add, Z:Discontinued, F:Interchangeable by set, K:Q'ty Change

Fig.50. REAR HOUSING

(A)=EF352-AU-PQ
(B)=
(C)=

(D)=
(E)=
(F)=

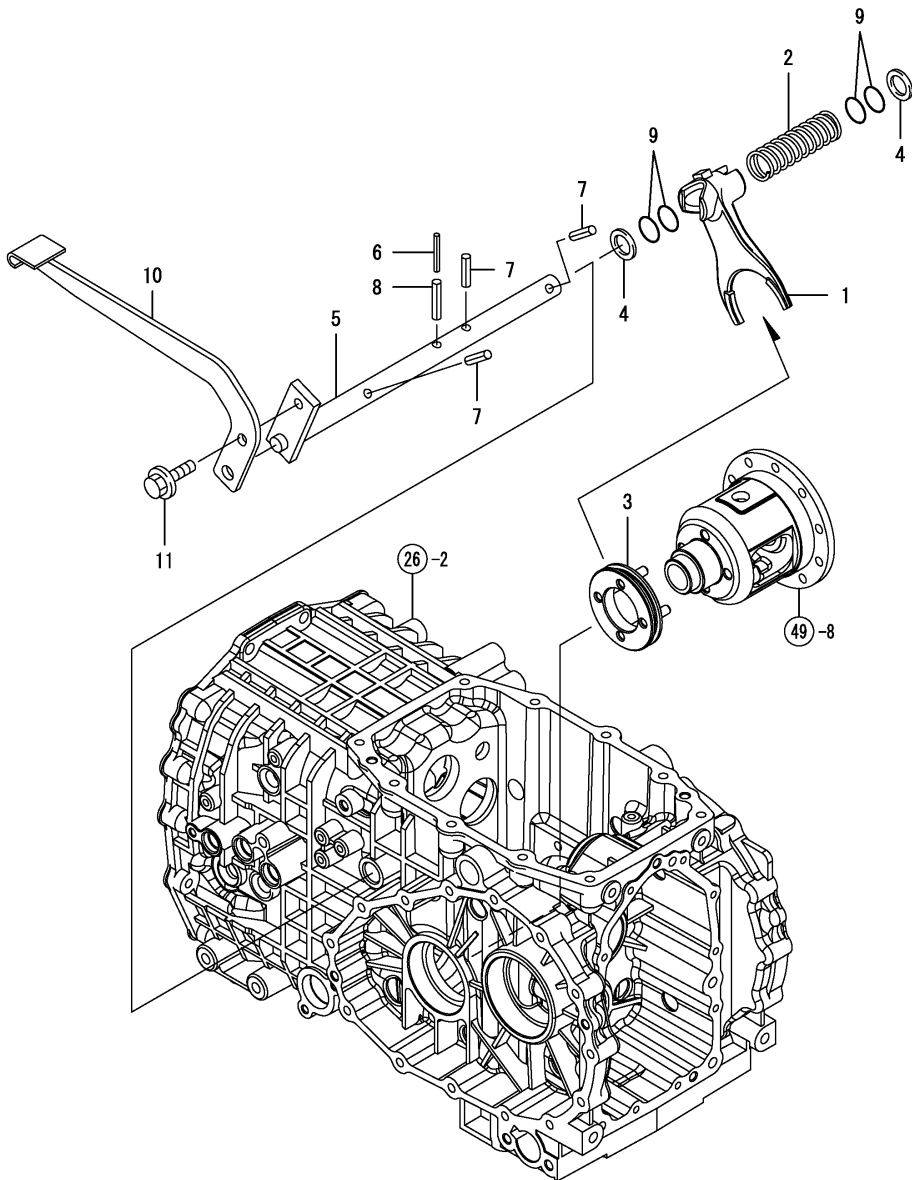
No.	Lev.	Parts No.	Description	Q'ty						I	R
				(A)	(B)	(C)	(D)	(E)	(F)		
1	1	198200-32600-1	HOUSING ASSY, AXLE	2							
1-1	1	198200-32601	HOUSING ASSY, AXLE	2							S 1
(A=FZZZZZ)											
2	2	198290-32750	SEAL, OIL TC253506	2							
3	1	198200-32630	GASKET, REAR AXLE	2							
4	1	198200-32660	GASKET, SEAL CASE	2							
5	1	198475-32660	SEAL, QLNY527514.5	2							
6	1	198200-32731	CASE, OIL SEAL	2							
7	1	22312-080140	PIN, PARALLEL M8X14	4							
8	1	26106-080402	BOLT, M8X 40 PLATED	8							
9	1	26106-100502	BOLT, M10X 50 PLATED	28							



Remarks

(1) D=Ref.No.1 75mm, 1-1 75.4mm.
Refer to Fig.97 for the repair part.

Fig.51. DIFFERENTIAL LOCK



(A)=EF352-AU-PQ
(B)=
(C)=

(D)=
(E)=
(F)=

No.	Lev.	Parts No.	Description	Q'ty						I	R
				(A)	(B)	(C)	(D)	(E)	(F)		
1	1	198200-33111	FORK, LOCK	1							
2	1	194420-33150	SPRING, RETURN	1							
3	1	198200-33150	SLIDER, LOCK	1							
4	1	194300-33200	SPACER, 20X32X3.2	2							
5	1	198280-33210	SHAFT ASSY, LOCK	1							
6	1	22351-050040	PIN, SPRING 5.0X40	1							
7	1	22351-080032	PIN, SPRING 8.0X32	3							
8	1	22351-080040	PIN, SPRING 8.0X40	1							
9	1	24311-000200	O-RING, 1AP20.0	4							
10	1	198200-33250-1	PEDAL, LOCK	1							
11	1	26106-100202	BOLT, M10X 20 PLATED	1							

Fig.52. FINAL PINION & FINAL GEAR

(A)=EF352-AU-PQ
(B)=
(C)=

(D)=
(E)=
(F)=

No.	Lev.	Parts No.	Description	Q'ty						I	R
				(A)	(B)	(C)	(D)	(E)	(F)		
1	1	198200-33410	PINION, FINAL L 9T	1							
2	1	198200-33420	PINION, FINAL R 9T	1							
3	1	24101-063064	BEARING, BALL 6306	4							
4	1	198200-33511	GEAR, FINAL 56T	2							

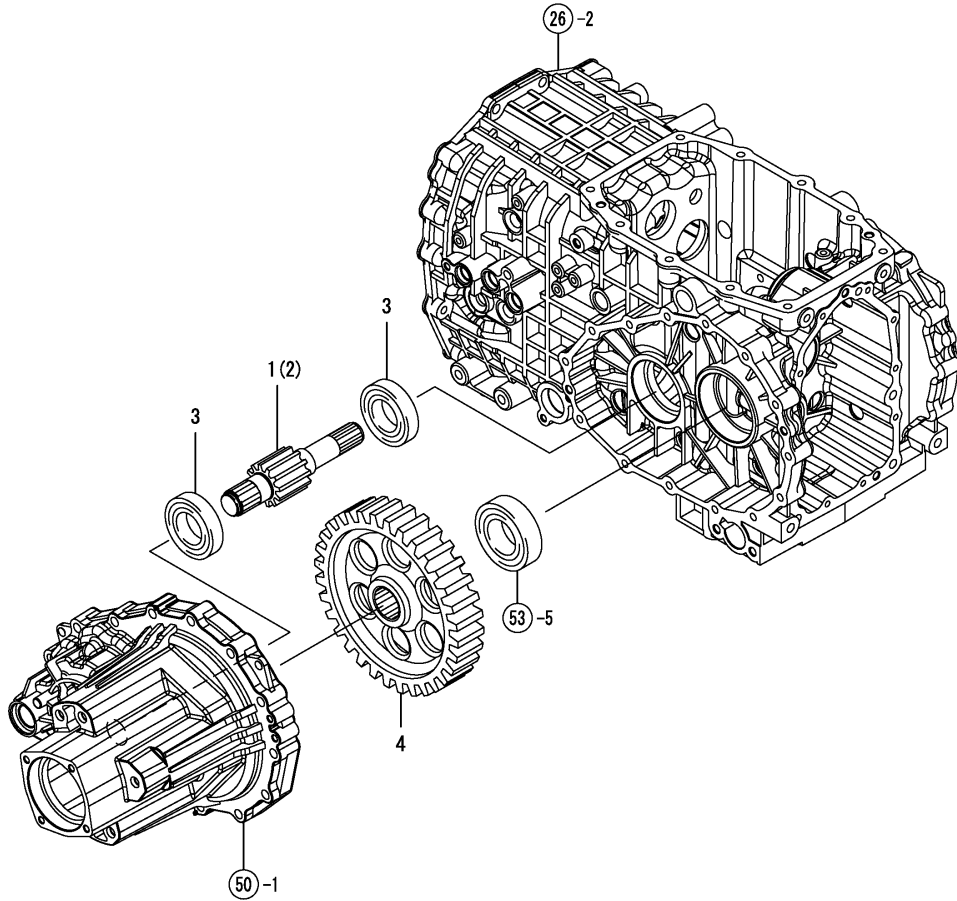
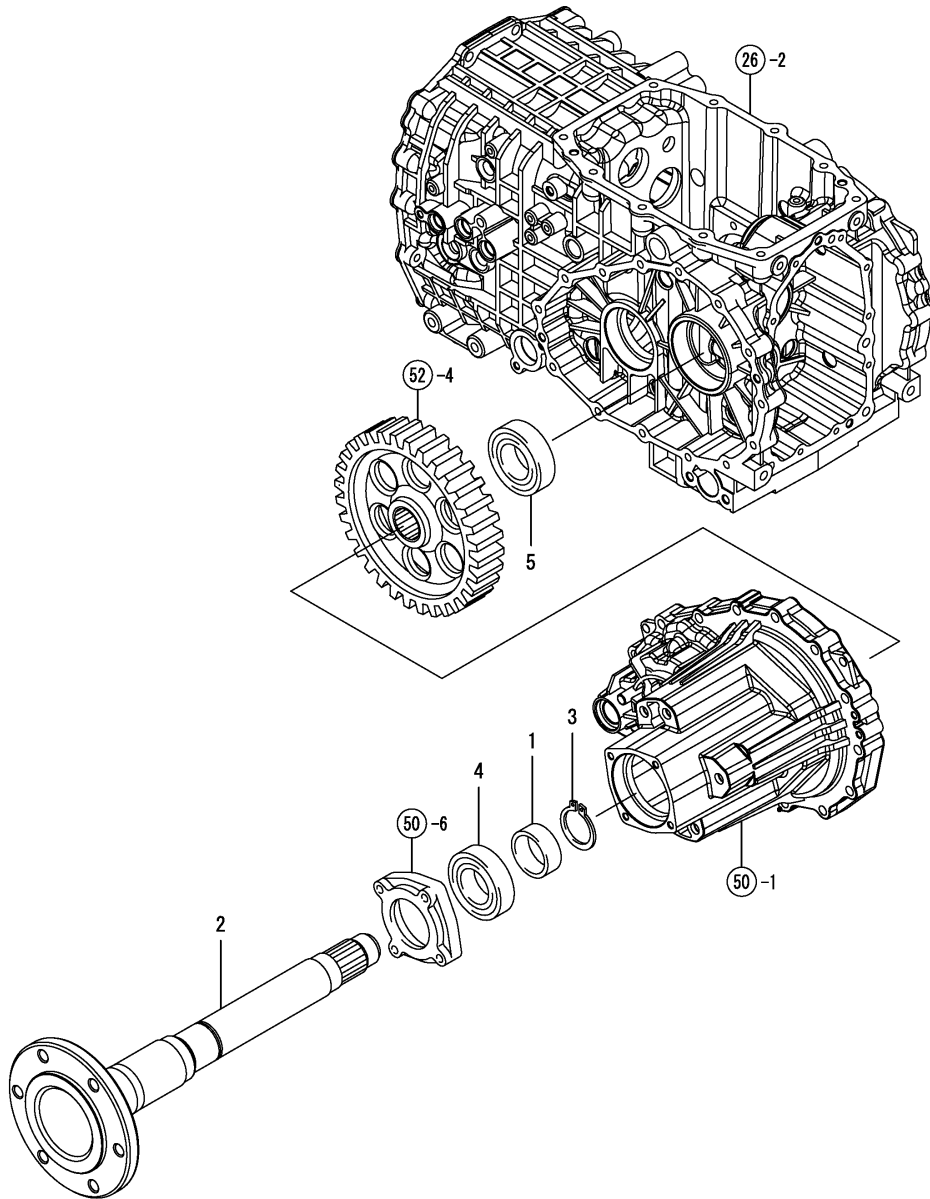


Fig.53. REAR AXLE SHAFT

(A)=EF352-AU-PQ
(B)=
(C)=

(D)=
(E)=
(F)=



No.	Lev.	Parts No.	Description	Q'ty						I	R
				(A)	(B)	(C)	(D)	(E)	(F)		
1	1	194440-32580	COLLAR, 45X55X20	2							
2	1	198283-34110	SHAFT, REAR AXLE	2							
3	1	198196-34140	RING, 45	4							
4	1	24101-062094	BEARING, BALL 6209	2							
5	1	24101-063074	BEARING, BALL 6307	2							

Fig.54. REAR WHEEL TIRE

(A)=EF352-AU-PQ
(B)=
(C)=

(D)=
(E)=
(F)=

No.	Lev.	Parts No.	Description	Q'ty						I	R
				(A)	(B)	(C)	(D)	(E)	(F)		
1	1	198280-34510	TIRE, REAR 9.5-22L	1							
2	2	198200-34650	WHEEL, W7X22	1							
3	2	198031-34910	TIRE, 9.5-22	1							
4	2	198031-34920	TUBE, 9.5-22	1							
5	1	198280-34610	TIRE, REAR 9.5-22R	1							
6	2	198200-34650	WHEEL, W7X22	1							
7	2	198031-34910	TIRE, 9.5-22	1							
8	2	198031-34920	TUBE, 9.5-22	1							
9	1	194881-12650	BOLT, M14X24	8							
10	1	194279-14220	WASHER, 14	4							
11	1	198200-34130	STUD, M14X31	4							
12	1	198200-34190	NUT, M14	4							

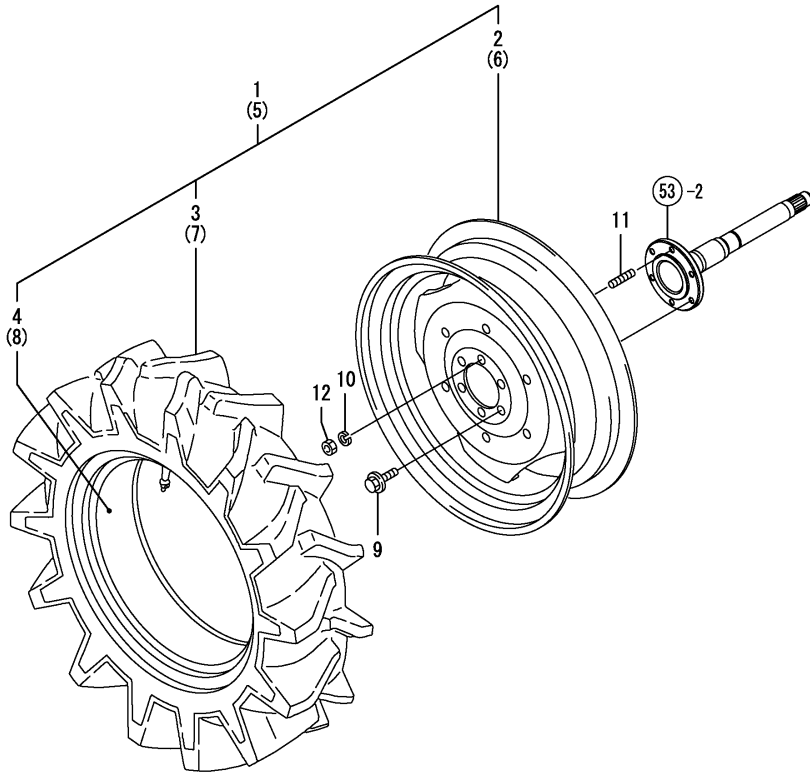


Fig.55. REAR WHEEL TIRE(TURF)

(A)=EF352-AU-PQ
(B)=
(C)=

(D)=
(E)=
(F)=

No.	Lev.	Parts No.	Description	Q'ty						I	R
				(A)	(B)	(C)	(D)	(E)	(F)		
1	1	198280-34720	TIRE, 315/80D16	2							
2	2	198200-34741	WHEEL, 16X10LB	2							
3	2	198280-34760	TIRE, 315/80D16-6	2							
4	1	194881-12650	BOLT, M14X24	8							
5	1	194279-14220	WASHER, 14	4							
6	1	198200-34130	STUD, M14X31	4							
7	1	198200-34190	NUT, M14	4							

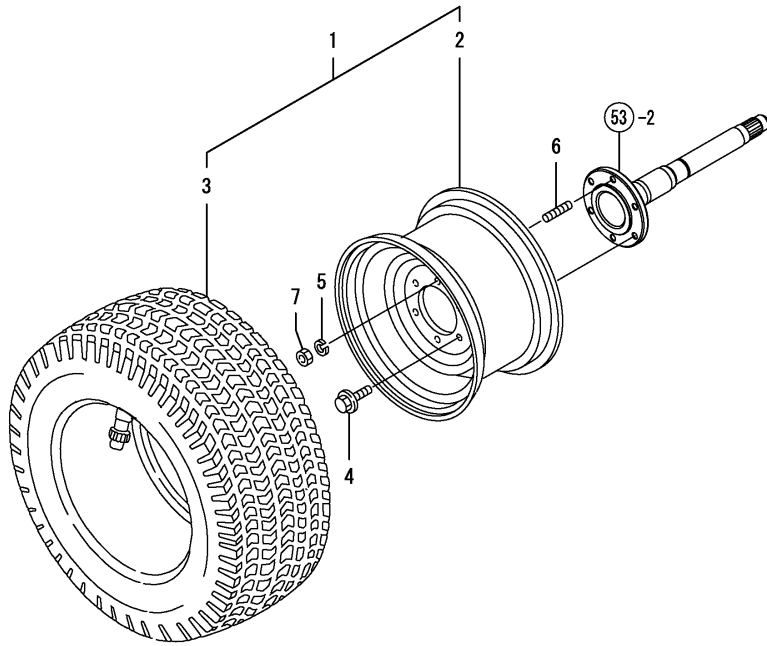
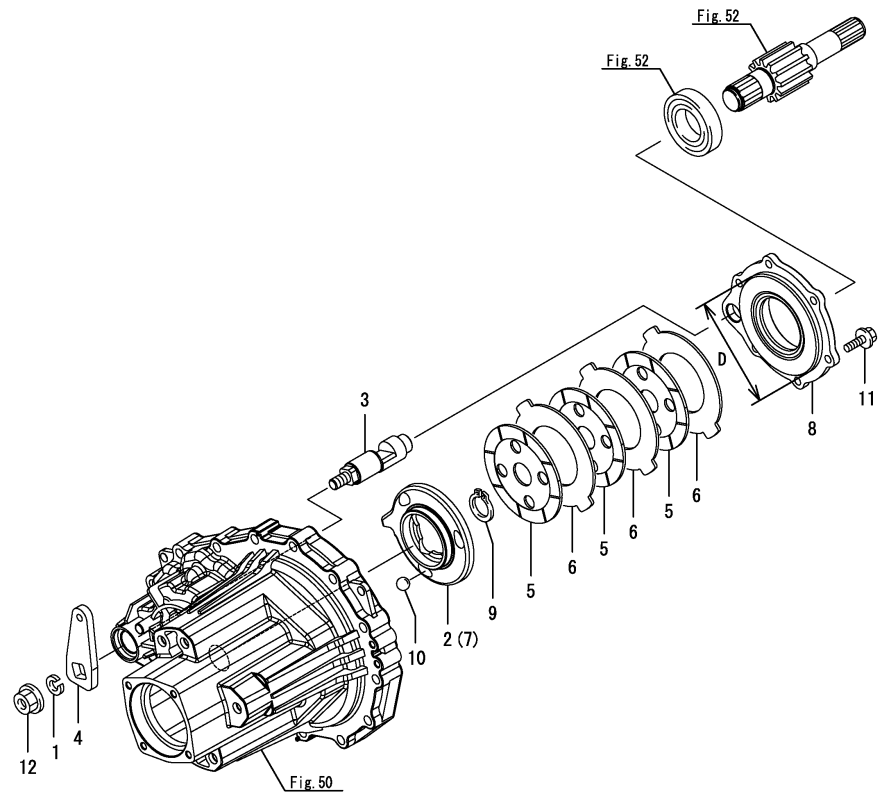


Fig.56. BRAKE

(A)=EF352-AU-PQ
(B)=
(C)=

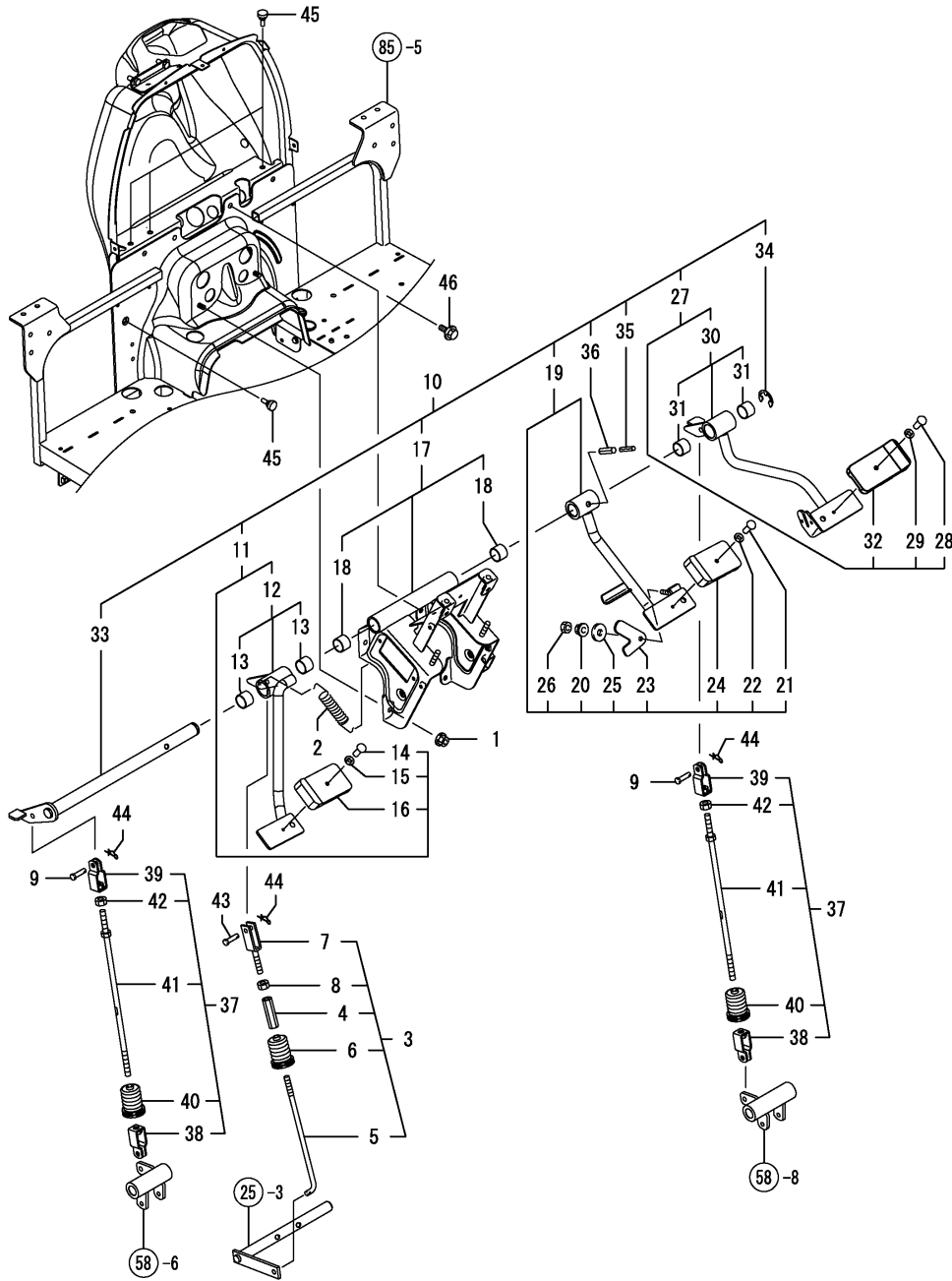
(D)=
(E)=
(F)=

No.	Lev.	Parts No.	Description	Q'ty						I	R
				(A)	(B)	(C)	(D)	(E)	(F)		
1	1	194274-13580	WASHER, SPRING 12	2							
2	1	198200-36310	ACTUATOR	1							
3	1	198200-36341	CAMSHAFT	2							
4	1	198200-36350	ARM, BRAKE	2							
5	1	198200-36380	PLATE, FRICTION 114	6							
6	1	198200-36390	PLATE, STEEL	6							
7	1	198200-36410	ACTUATOR	1							
8	1	198200-36421	HOLDER, BEARING	2							
8-1	1	198200-36422	HOLDER, BEARING	2							S 1
(A=FZZZZZ)											
9	1	22242-000260	RING, 26	2							
10	1	24190-170001	BALL, STEEL 17/32	6							
11	1	26106-080252	BOLT, M8X 25 PLATED	12							
12	1	26376-120002	NUT, M12	2							



Remarks
(1) D=Ref.No.8 118.5mm, 8-1 120.4mm.
Refer to Fig.97 for the repair part.

Fig.57. PEDAL



(A)=EF352-AU-PQ

(B)=

(C)=

(D)=

(E)=

(F)=

No.	Lev.	Parts No.	Description	Q'ty						I	R
				(A)	(B)	(C)	(D)	(E)	(F)		
1	1	194990-22140	NUT, M8	2							
2	1	198200-22510	SPRING, RETURN	1							
2-1	1	1A8115-22510	SPRING, RETURN	1							N
(A=FZZZZZ)											
3	1	198200-22650	ROD ASSY, CLUTCH	1							
4	2	194300-22260	TURNBUCKLE, M10	1							
4-1	3	24550-025200	BUSH, 25X20	2							R
(A=FZZZZZ)											
5	2	198200-22690	ROD, CLUTCH	1							
6	2	198448-37450	BOOT, ROD	1							
7	2	194130-37750	JOINT, 2-WAY	1							
8	2	26716-100002	NUT, M10	1							
9	1	194312-27780	PIN, 8.9	2							
9-1	1	24550-025200	BUSH, 25X20	2							R
(A=FZZZZZ)											
10	1	198282-37200	PEDAL	1							
11	2	198200-22380	PEDAL, CLUTCH	1							
12	3	198200-22400	PEDAL ASSY, CLUTCH	1							
13	4	198448-37360	BUSH, 25X28X20	2							
13-1	4	24550-025200	BUSH, 25X20	2							R
(A=FZZZZZ)											
14	3	198133-22510	RIVET, PEDAL HEAD	1							
15	3	198133-22530	WASHER, RIVET	1							
16	3	198071-37510	COVER, HEAD	1							
17	2	198200-37270	BRACKET, PEDAL	1							
18	3	198448-37360	BUSH, 25X28X20	2							
18-1	3	24550-025200	BUSH, 25X20	2							R
(A=FZZZZZ)											
19	2	198200-37290	PEDAL, BRAKE L	1							
20	3	194990-22140	NUT, M8	1							
21	3	198133-22510	RIVET, PEDAL HEAD	1							
22	3	198133-22530	WASHER, RIVET	1							
23	3	198200-37240	CONNECTOR	1							
24	3	198071-37510	COVER, HEAD	1							
25	3	22157-080000	WASHER, 8	1							
26	3	26716-080002	NUT, M8	1							
27	2	198282-37490	PEDAL, BRAKE R	1							
28	3	198133-22510	RIVET, PEDAL HEAD	1							
29	3	198133-22530	WASHER, RIVET	1							
30	3	198282-37400	PEDAL ASSY, BRAKE R	1							
31	4	198448-37360	BUSH, 25X28X20	2							
31-1	4	24550-025200	BUSH, 25X20	2							R
(A=FZZZZZ)											
32	3	198071-37510	COVER, HEAD	1							
33	2	198282-37550	SHAFT ASSY, BRAKE	1							
34	2	22272-000190	RING, E-19	1							
35	2	22351-050045	PIN, SPRING 5.0X45	1							
36	2	22351-080045	PIN, SPRING 8.0X45	1							
37	1	198200-37610	ROD ASSY, BRAKE F	2							
38	2	198310-27370	JOINT, 2-WAY	2							
39	2	194312-27770	JOINT, 2-WAY	2							

N:Old $\xrightarrow{\text{Yes}}$ New, Q:Old $\xrightarrow{\text{No}}$ New, R:Old $\xrightarrow{\text{Yes}}$ New, S:Old $\xrightarrow{\text{No}}$ New, W:Add, Z:Discontinued, F:Interchangeable by set, K:Q'ty Change

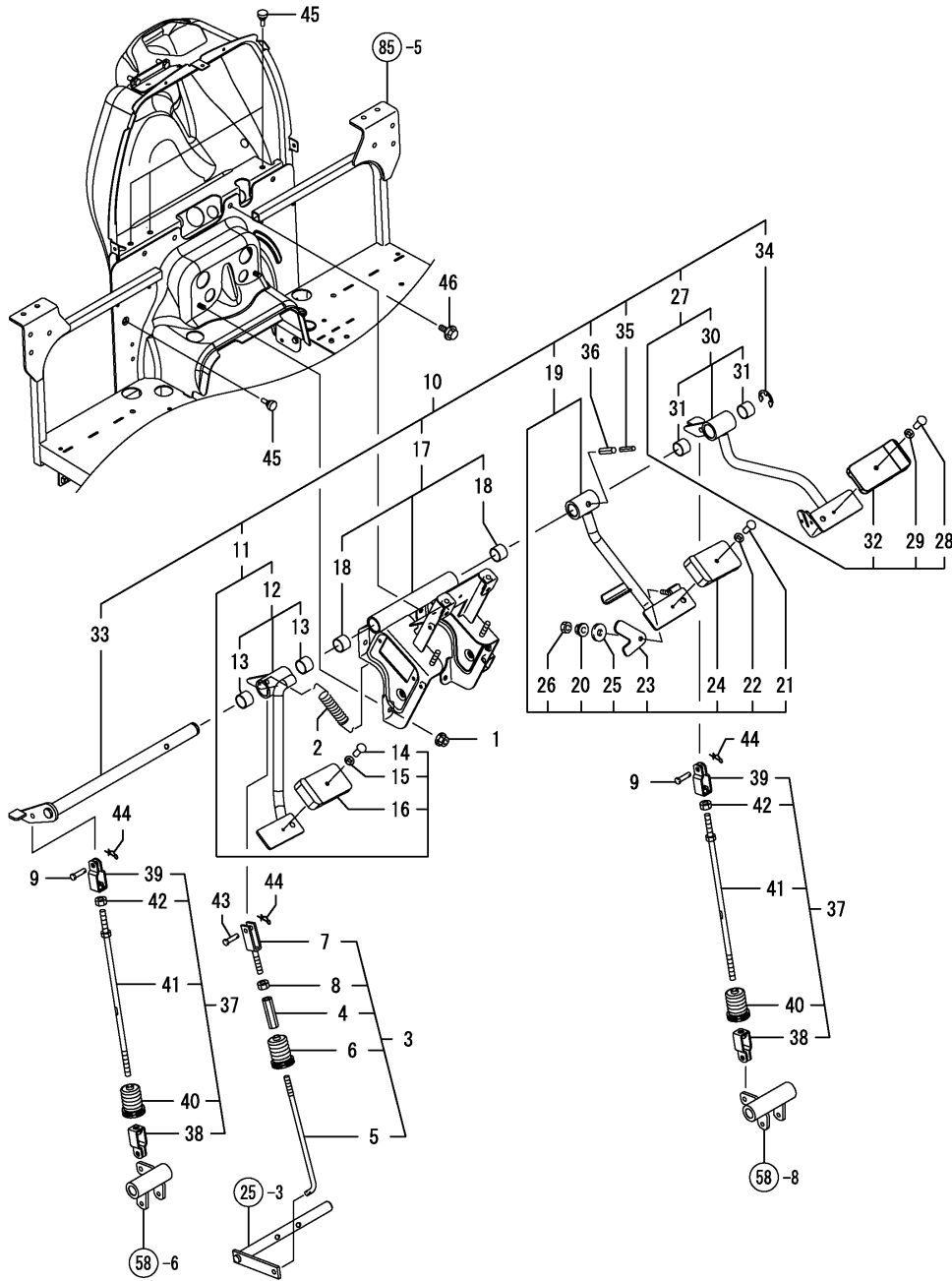
++ CONTINUE ++

Copyright (C) YANMAR CO., LTD. All Rights Reserved.

Fig.57. PEDAL

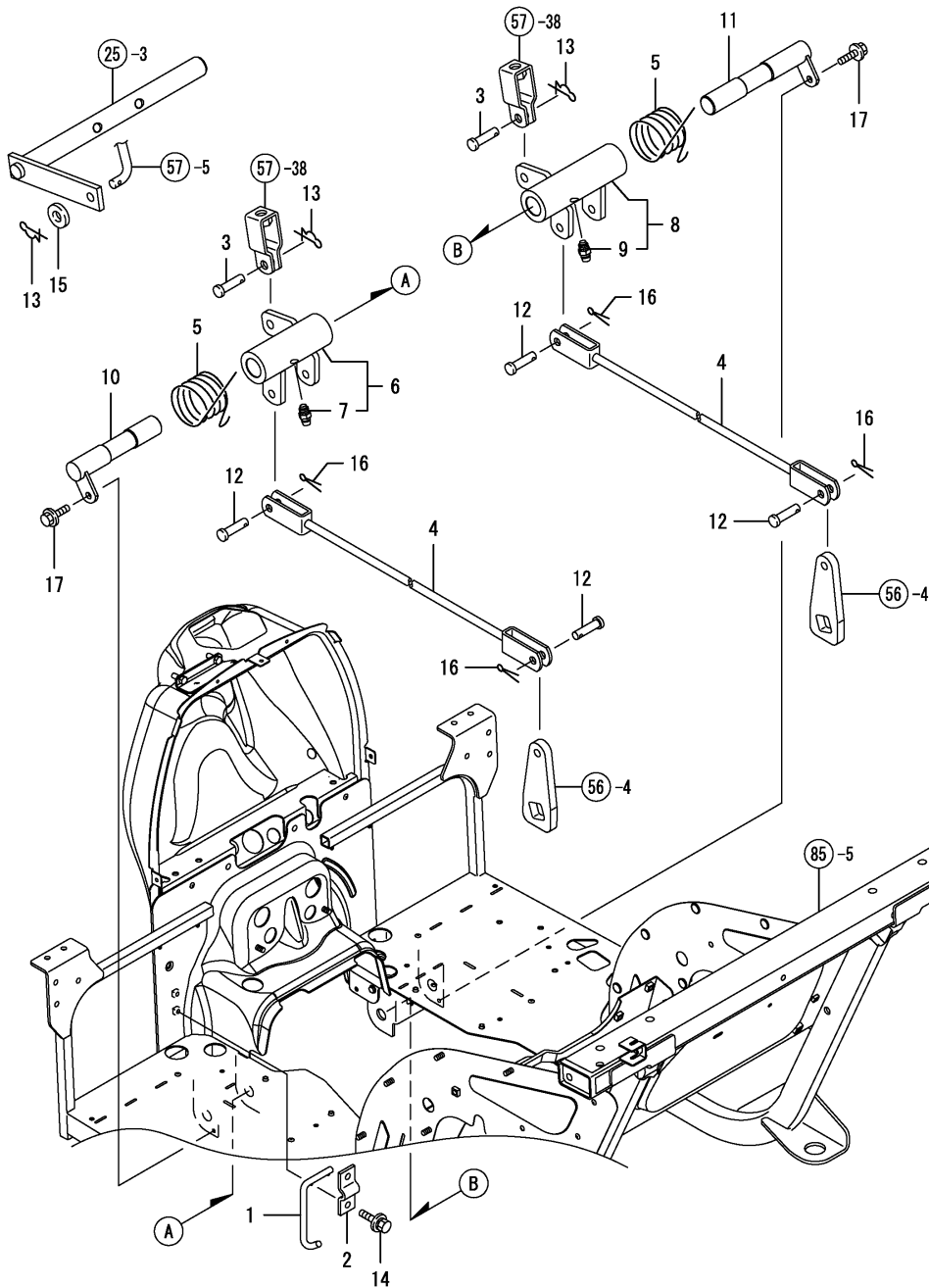
(A)=EF352-AU-PQ
(B)=
(C)=

(D)=
(E)=
(F)=



No.	Lev.	Parts No.	Description	Q'ty						I	R
				(A)	(B)	(C)	(D)	(E)	(F)		
40	2	198448-37450	BOOT, ROD	2							
41	2	198200-37660	ROD ASSY, BRAKE	2							
42	2	26716-100002	NUT, M10	2							
43	1	198220-37900	PIN, 8X24	1							
44	1	1C6281-52320	PIN, SNAP 8	3							
45	1	194330-62530	STOPPER, PEDAL	4							
46	1	26106-080162	BOLT, M8X 16 PLATED	2							

Fig.58. BRAKE LINK



(A)=EF352-AU-PQ
(B)=
(C)=

(D)=
(E)=
(F)=

No.	Lev.	Parts No.	Description	Q'ty						I	R
				(A)	(B)	(C)	(D)	(E)	(F)		
1	1	198200-22460	LEVER, PEDAL LOCK	1							
2	1	198200-22470	HINGE, LEVER	1							
3	1	194312-27780	PIN, 8.9	2							
4	1	198200-37370	ROD ASSY, BRAKE	2							
5	1	198200-37460	SPRING, BRAKE PEDAL	2							
6	1	198200-37700	ARM ASSY, BRAKE L	1							
7	2	24761-010000	NIPPLE, GREASE M6F	1							
8	1	198200-37710	ARM ASSY, BRAKE R	1							
9	2	24761-010000	NIPPLE, GREASE M6F	1							
10	1	198200-37740	SHAFT ASSY, L	1							
11	1	198200-37840	SHAFT ASSY	1							
12	1	198220-37900	PIN, 8X24	4							
13	1	1C6281-52320	PIN, SNAP 8	3							
14	1	198093-85650	BOLT, M6X16	2							
15	1	22137-100000	WASHER, 10	1							
16	1	22417-250300	PIN, COTTER 2.5X30	4							
17	1	26106-060122	BOLT, M6X 12 PLATED	2							

Fig.59. PARKING BRAKE

(A)=EF352-AU-PQ
(B)=
(C)=

(D)=
(E)=
(F)=

No.	Lev.	Parts No.	Description	Q'ty						I	R
				(A)	(B)	(C)	(D)	(E)	(F)		
1	1	198200-37640	COLLAR	1							
2	1	198200-37650	LEVER, BRAKE LOCK	1							
3	1	198475-37690	SPRING, LOCK	1							
4	1	22157-080000	WASHER, 8	2							
5	1	26106-080202	BOLT, M8X 20 PLATED	1							

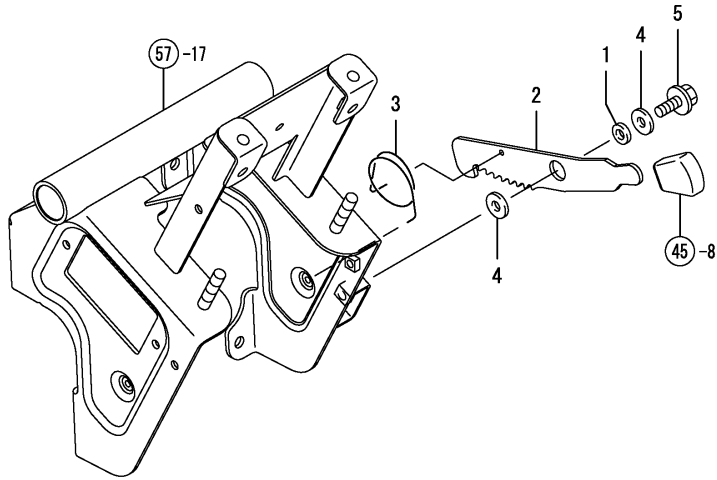
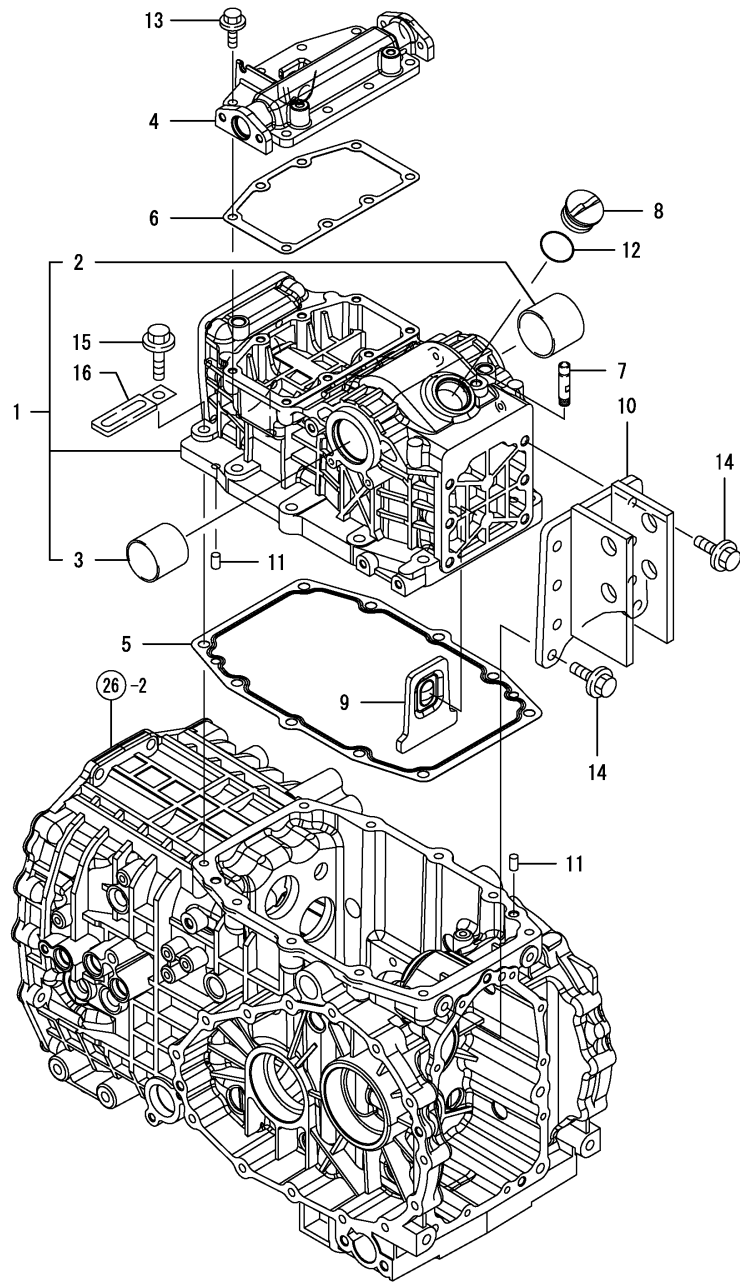


Fig.60. HYD.CYLINDER CASE



(A)=EF352-AU-PQ

(B)=

(C)=

(D)=

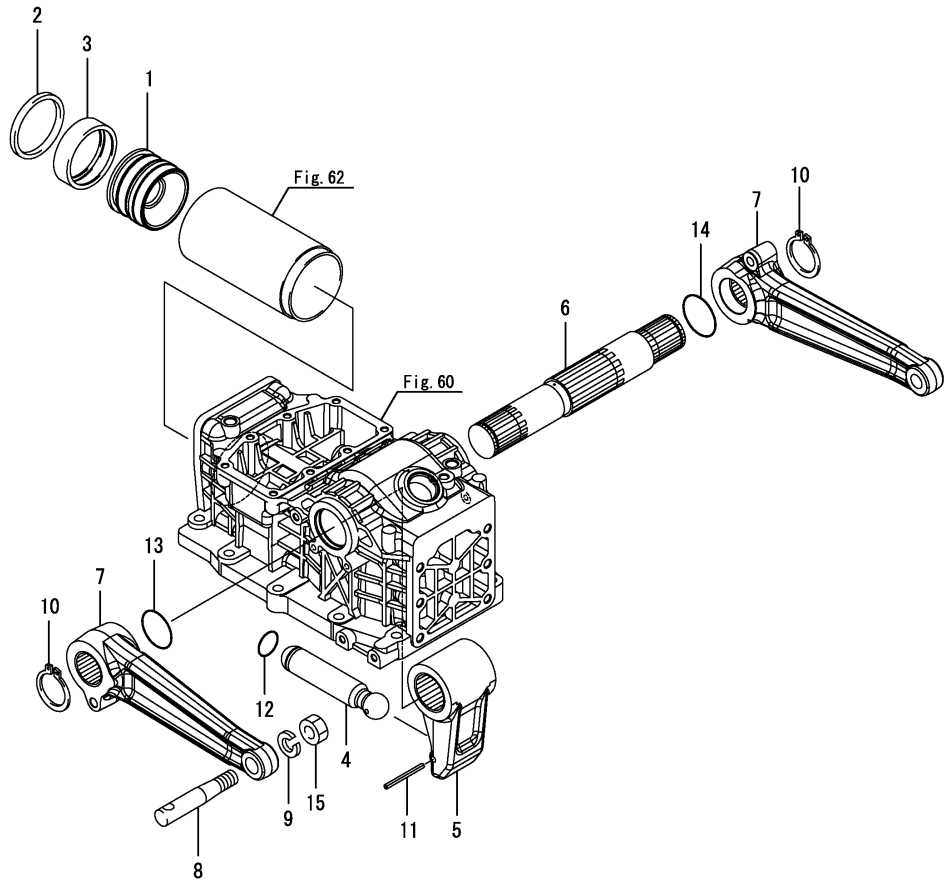
(E)=

(F)=

No.	Lev.	Parts No.	Description	Q'ty						I	R
				(A)	(B)	(C)	(D)	(E)	(F)		
1	1	198200-42101	HOUSING ASSY, LIFT	1							
2	2	198200-42130	BUSH, 45X40	1							
3	2	198200-42140	BUSH, 40X40	1							
4	1	198200-42150	CASE, LINK	1							
5	1	198200-42180	GASKET, HOUSING	1							
6	1	198200-42190	GASKET, HOUSING	1							
7	1	194555-42280	BREATHER, AIR	1							
8	1	194850-42500	CAP, OIL M33	1							
9	1	198200-42710	PLATE, STOPPER	1							
10	1	198280-42810	HINGE ASSY, TOP LINK	1							
11	1	22312-080140	PIN, PARALLEL M8X14	2							
12	1	24351-020300	O-RING 1A 2030	1							
13	1	26106-080252	BOLT, M8X 25 PLATED	8							
14	1	26106-100252	BOLT, M10X 25 PLATED	8							
15	1	26106-100402	BOLT, M10X 40 PLATED	10							
16	1	194180-51640	CLAMP, HARNESS	1							W

(A=FXXXXXX)

Fig.61. PISTON

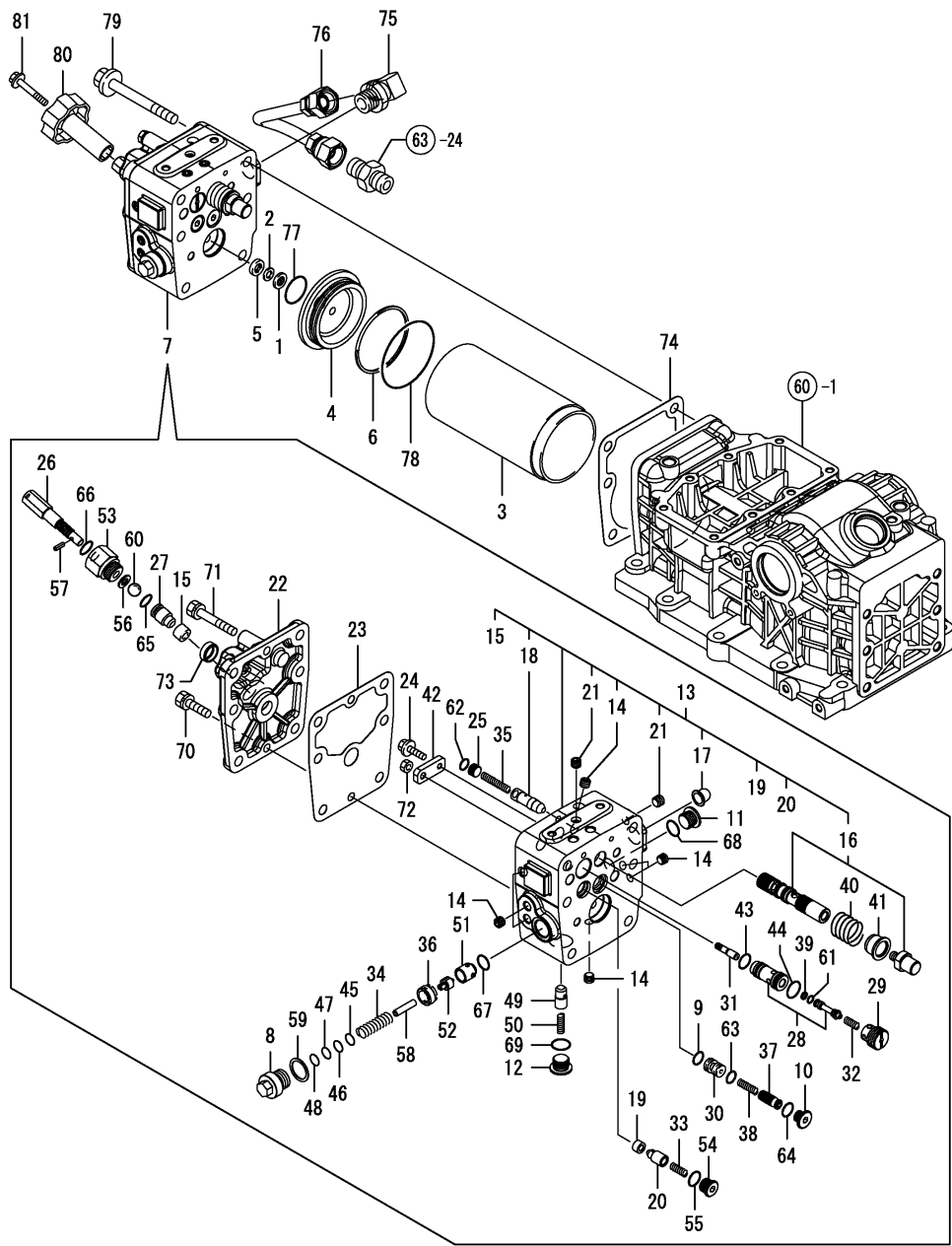


(A)=EF352-AU-PQ
(B)=
(C)=

(D)=
(E)=
(F)=

No.	Lev.	Parts No.	Description	Q'ty						I	R
				(A)	(B)	(C)	(D)	(E)	(F)		
1	1	198200-43310	PISTON, HYDRAULIC 75	1							
2	1	198071-43320	PACKING, 75	1							
3	1	198071-43330	WEARING	1							
4	1	198200-43410	ROD, PISTON	1							
5	1	198200-44110	CRANK, LIFT	1							
6	1	198200-44210	SHAFT, LIFTING	1							
7	1	198200-44420	ARM, LIFT	2							
8	1	194130-44480	PIN, LIFT ARM	2							
9	1	22217-160000	WASHER, SPRING 16	2							
10	1	22242-000400	RING, 40	2							
11	1	22351-050056	PIN, SPRING 5.0X56	1							
12	1	24311-000260	O-RING, 1AP26.0	1							
13	1	24311-000400	O-RING, 1AP40.0	1							
14	1	24311-000440	O-RING, 1AP44.0	1							
15	1	26736-160002	NUT, M16	2							

Fig.62. CONTROL VALVE



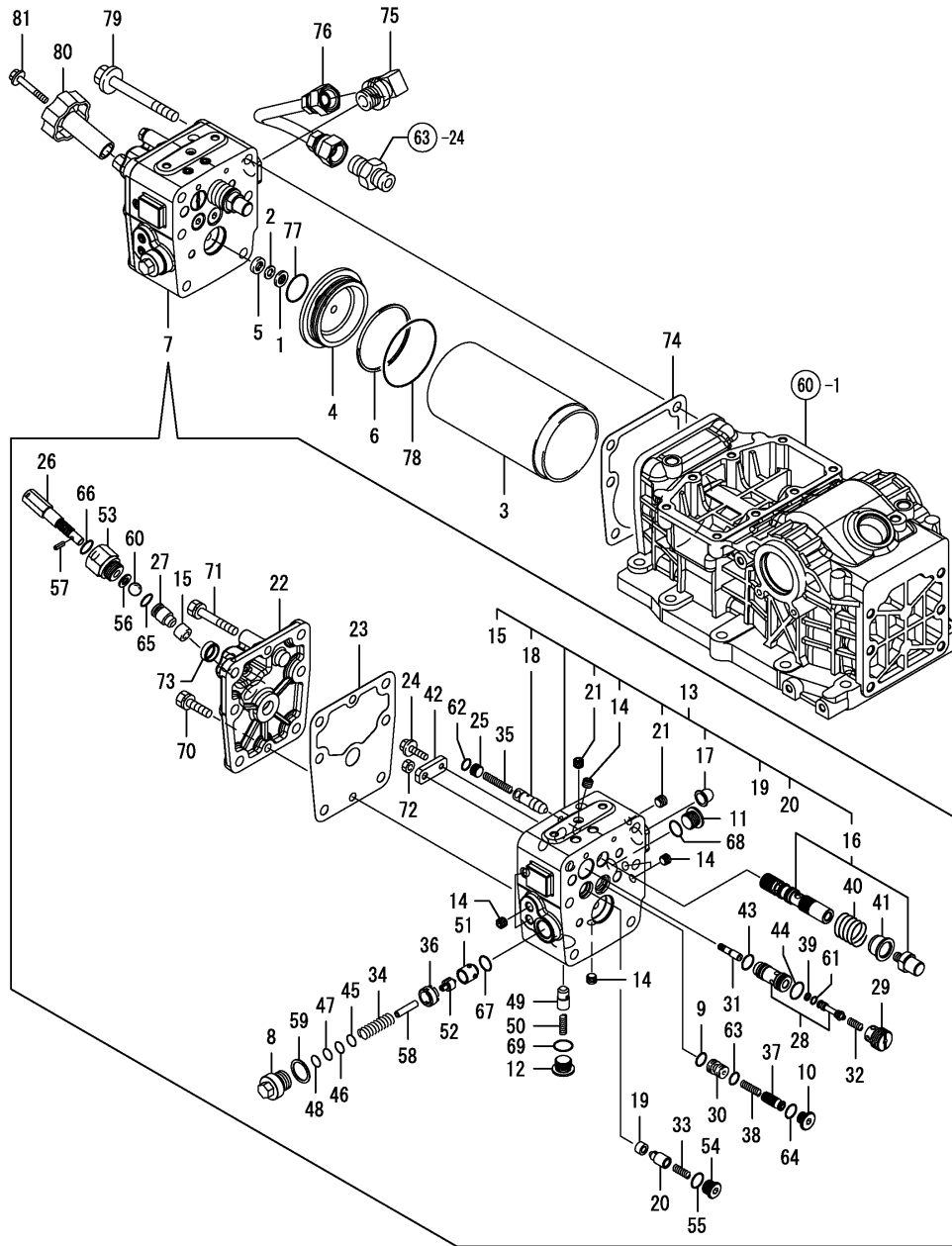
(A)=EF352-AU-PQ
(B)=
(C)=

(D)=
(E)=
(F)=

No.	Lev.	Parts No.	Description	Q'ty						I	R
				(A)	(B)	(C)	(D)	(E)	(F)		
1	1	194850-42180	STRAINER	1							
2	1	194850-42190	SPACER	1							
3	1	198200-43110	LINER, CYLINDER	1							
4	1	198200-43211	HEAD, CYLINDER	1							
5	1	194630-43230	PACKING	1							
6	1	198200-43250	RING, BACK UP G70	1							
7	1	198200-45102	VALVE ASSY, LIFT	1							
8	2	178076-02230	PLUG, RELIEF VALVE	1							
9	2	178076-04610	PACKING, 1B	1							
10	2	178076-12400	PLUG, G1/4	1							
11	2	1A6750-29850	PLUG, G3/8	1							
12	2	1A6750-29850	PLUG, G3/8	1							
13	2	178076-40011	VALVEBODY CMP	1							
14	3	178073-01200	PLUG PT 1/8	7							
15	3	178076-40030	SEAT(STOP	1							
16	3	178076-40200	SPOOL ASSY, MAIN	1							
17	3	194556-42220	STRAINER, A	1							
18	3	194170-45310	POPPET	1							
19	3	198435-45410	SEAT, CHECK	1							
20	3	194170-45420	POPPET, L CHECK	1							
21	3	194555-77120	PLUG, 1/16	2							
22	2	178076-40100	COVER,	1							
23	2	178076-40110	GASKET, COVER	1							
24	2	178076-40250	BOLT, 6 X 16	1							
25	2	178076-40300	PLUG, 12	1							
26	2	178076-40400	BOLT, STOP	1							
27	2	178076-40410	STOP VALVE	1							
28	2	178076-40501	VALVE ASSY, CHECK	1							
29	2	178076-40531	RETAINER, SEAT	1							
30	2	178076-40600	PLUG,	1							
31	2	194170-45220	BAR, PUSH	1							
32	2	194170-45230	SPRING	1							
33	2	1A6640-45230	SPRING, VALVE	1							
34	2	194150-45320	SPRING, RELIEF VALVE	1							
35	2	194170-45321	SPRING	1							
36	2	194275-45340	SCREW, VALVE SEAT	1							
37	2	194170-45350	SPOOL	1							
38	2	194170-45360	SPRING	1							
39	2	194170-45430	RING, BACK UP	1							
40	2	194170-45520	SPRING, SPOOL	1							
41	2	194170-45530	STOPPER, SPOOL	1							
42	2	194170-45550	BAR, SPOOL	1							
43	2	194327-45640	O-RING, 1AS14.0	1							
44	2	194327-45650	O-RING, 1BS16.0	1							
45	2	194170-45710	SHIM, T=0.2	1							
46	2	194170-45720	SHIM, T=0.3	1							
47	2	194170-45730	SHIM, T=0.5	1							
48	2	194170-45740	SHIM, T=1.0	1							
49	2	194310-46350	POPPET, CHECK	1							
50	2	194310-46380	SPRING	1							
51	2	194640-46410	SEAT, SAFETY VALVE	1							

N:Old $\xrightarrow{\text{Yes}}$ New, Q:Old $\xrightarrow{\text{No}}$ New, R:Old $\xrightarrow{\text{Yes}}$ New, S:Old $\xrightarrow{\text{No}}$ New, W:Add, Z:Discontinued, F:Interchangeable by set, K:Q'ty Change
 ++ CONTINUE ++
 Copyright (C) YANMAR CO., LTD. All Rights Reserved.

Fig.62. CONTROL VALVE

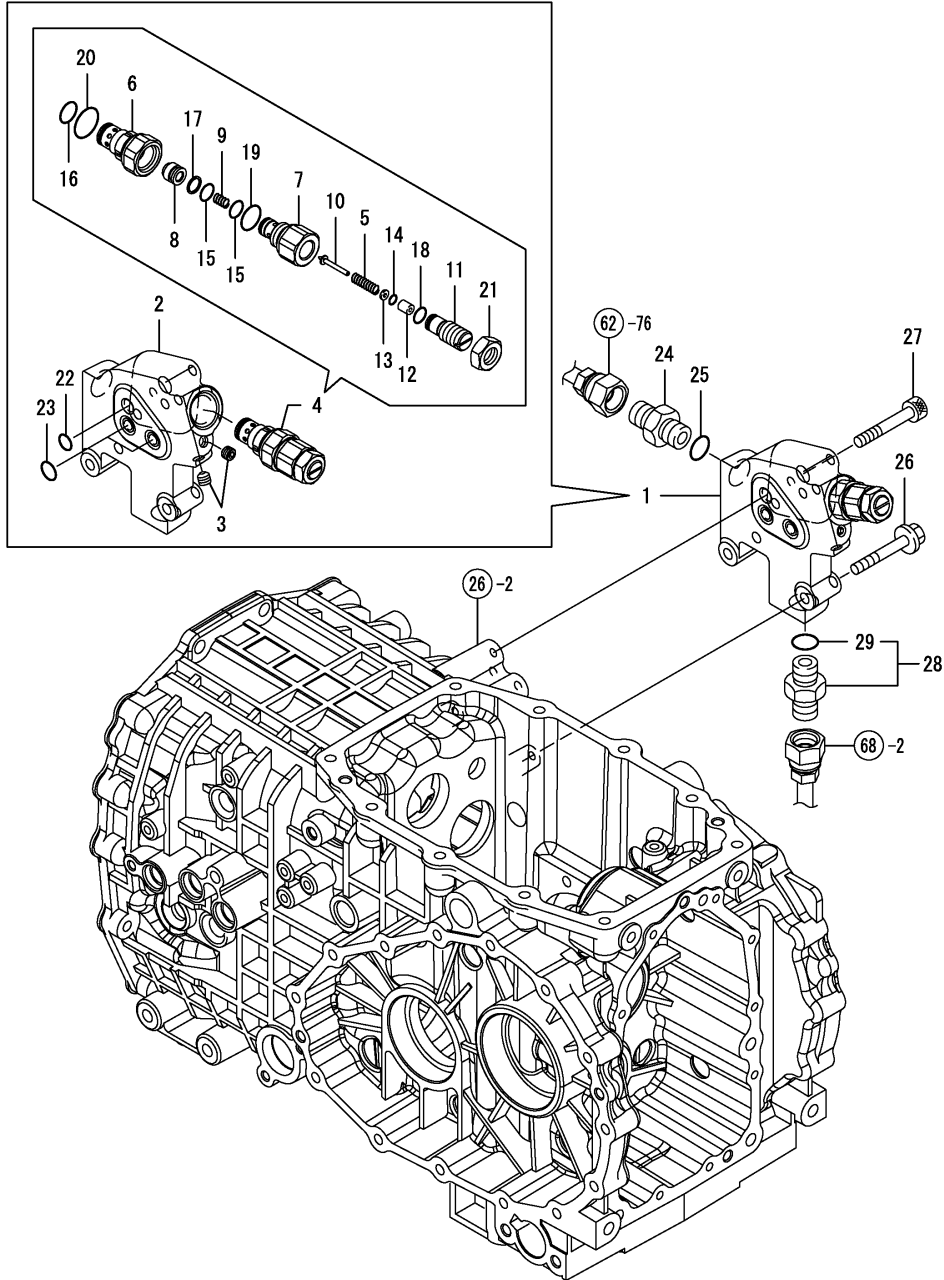


(A)=EF352-AU-PQ
(B)=
(C)=

(D)=
(E)=
(F)=

No.	Lev.	Parts No.	Description	Q'ty						I	R
				(A)	(B)	(C)	(D)	(E)	(F)		
52	2	194640-46420	POPPET	1							
53	2	194312-46630	HOLDER, VALVE	1							
54	2	198165-48560	PLUG, 9/16	1							
55	2	194850-49290	PACKING, 6-1	1							
56	2	22117-080000	WASHER, 8	1							
57	2	22351-040012	PIN, SPRING 4.0X12	1							
58	2	22351-060028	PIN, SPRING 6.0X28	1							
59	2	23414-200026	GASKET, 20X1.0	1							
60	2	24190-160001	BALL, STEEL 1/2	1							
61	2	24311-000050	O-RING, 1AP5.0	1							
62	2	24315-000090	O-RING, 1BP9.0	1							
63	2	24315-000090	O-RING, 1BP9.0	1							
64	2	24315-000110	O-RING, 1BP11.0	1							
65	2	24315-000110	O-RING, 1BP11.0	1							
66	2	24315-000120	O-RING, 1BP12.0	1							
67	2	24315-000120	O-RING, 1BP12.0	1							
68	2	24315-000140	O-RING, 1BP14.0	1							
69	2	24315-000140	O-RING, 1BP14.0	1							
70	2	26016-080252	BOLT, M8X 25	1							
71	2	26016-080502	BOLT M 8X 50	1							
72	2	26756-060002	NUT, LOCK M6	1							
73	2	27260-200000	PLUG, 20	1							
74	1	198200-45150	GASKET, LIFT VALVE	1							
75	1	194765-46980	ELBOW, PF1/2	1							
76	1	198200-48140	PIPE, PRESSURE	1							
77	1	24325-000250	O-RING, 1BG25.0	1							
78	1	24325-000700	O-RING, 1BG70.0	1							
79	1	26106-100902	BOLT, M10X 90 PLATED	6							
80	1	1A7260-46640	KNOB, VALVE	1							
81	1	1A7260-46650	BOLT, M6X40	1							

Fig.63. RELIEF VALVE

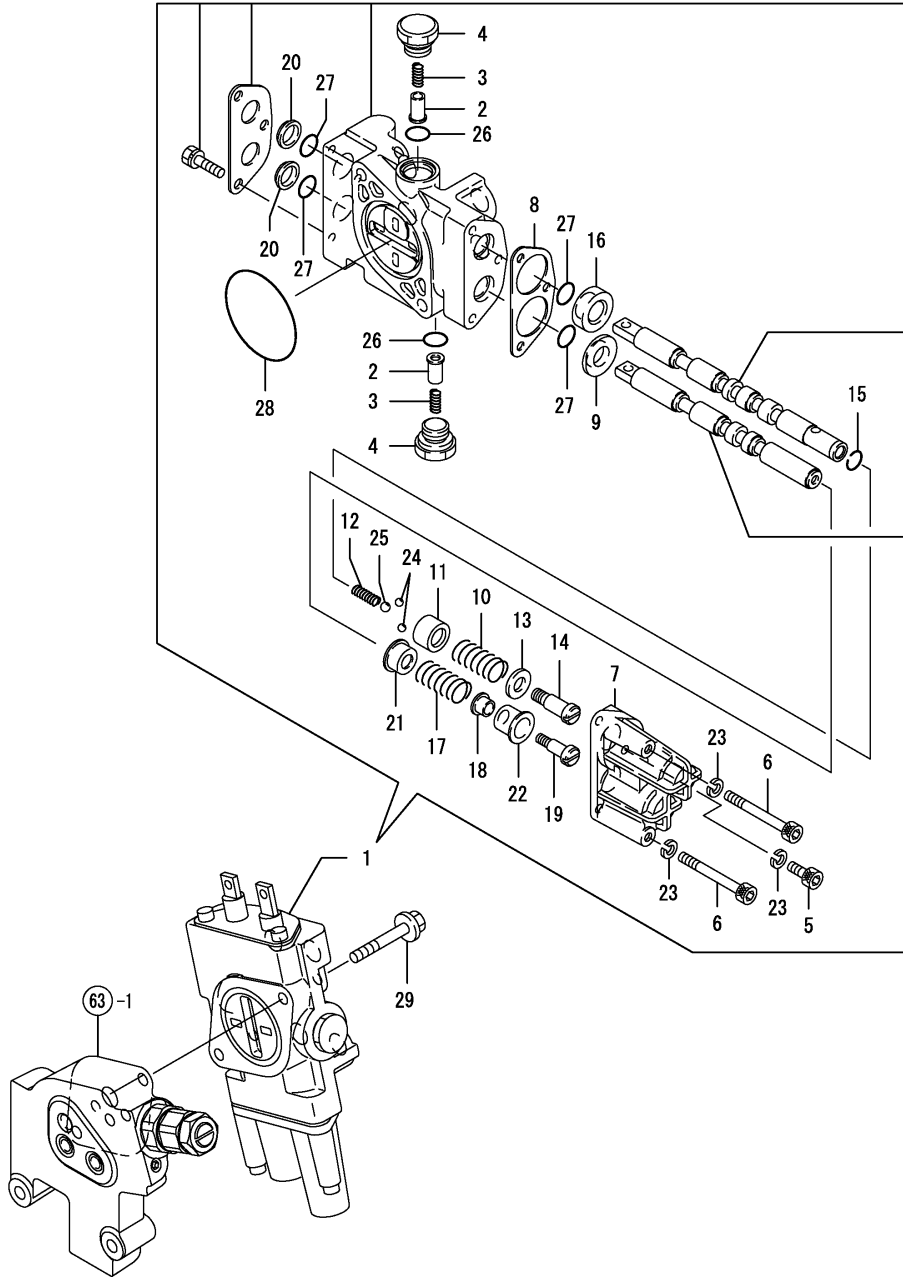


(A)=EF352-AU-PQ
(B)=
(C)=

(D)=
(E)=
(F)=

No.	Lev.	Parts No.	Description	Q'ty						I	R
				(A)	(B)	(C)	(D)	(E)	(F)		
1	1	198280-48500	HOUSING ASSY, VALVE	1							
2	2	1682B4-01020	CASE(RELIEFVALVE	1							
3	2	178073-01200	PLUG PT 1/8	2							
4	2	198200-45510	VALVE ASSY, RELIEF	1							
5	3	178073-04310	SP(PILOT	1							
6	3	178076-26100	HOLDER, RELIEF	1							
7	3	178076-26110	HOLDER, RELIEF PILOT	1							
8	3	178076-26120	VALVE, RELIEF	1							
9	3	178076-26130	SPRING	1							
10	3	178076-26140	VALVE, PILOT	1							
11	3	178076-26160	SCREW, ADJUSTMENT	1							
12	3	178076-26170	GUIDE, RELIEF VALVE	1							
13	3	178076-26180	SPACER,	1							
14	3	178076-26190	PACKING, P 3	1							
15	3	194327-45630	O-RING, 1BS12.0	2							
16	3	194327-45650	O-RING, 1BS16.0	1							
17	3	172510-74530	RING, BACK UP	1							
18	3	24315-000100	O-RING, 1BP10.0	1							
19	3	24315-000180	O-RING, 1BP18.0	1							
20	3	24315-000220	O-RING, 1BP22.0	1							
21	3	26776-160002	NUT, LOCK M16	1							
22	2	24311-000110	O-RING, 1AP11.0	1							
23	2	24311-000140	O-RING, 1AP14.0	2							
24	1	172112-77360	CONNECTOR,PF1/2PF1/2	1							
25	1	24311-000180	O-RING, 1AP18.0	1							
26	1	26106-080452	BOLT, M8X 45 PLATED	2							
27	1	26450-080402	BOLT, M8X 40	1							
28	1	198265-48200	ADAPTER ASSY	1							
29	2	24311-000180	O-RING, 1AP18.0	1							

Fig.64. SUB VALVE

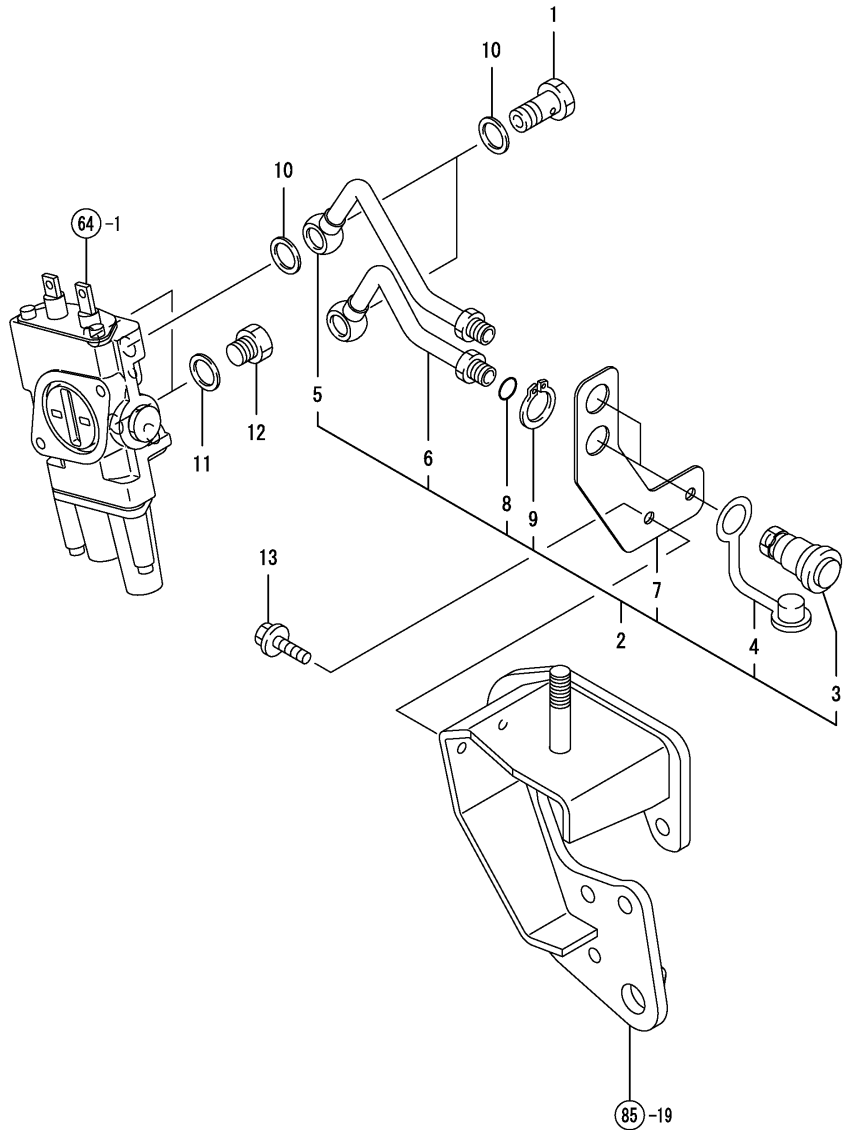


(A)=EF352-AU-PQ
(B)=
(C)=

(D)=
(E)=
(F)=

No.	Lev.	Parts No.	Description	Q'ty						I	R
				(A)	(B)	(C)	(D)	(E)	(F)		
1	1	198280-46110	CONTROL ASSY, SUB	1							
2	2	198165-46130	VALVE, CHECK	2							
3	2	198165-46140	SPRING	2							
4	2	198165-46150	PLUG, CHECK	2							
5	2	1A6780-46160	BOLT, M6X25	1							
6	2	1A6780-46170	BOLT, M6X55	2							
7	2	198165-46200	COVER, SPOOL	1							
8	2	198165-46210	GASKET	1							
9	2	198165-46220	ADAPTER	1							
10	2	198165-46310	SPRING	1							
11	2	198165-46320	HOLDER	1							
12	2	198165-46330	SPRING	1							
13	2	198165-46340	HOLDER, SPRING	1							
14	2	198165-46350	BOLT	1							
15	2	198165-46360	RING, 12.2	1							
16	2	198165-46370	DETENT	1							
17	2	198165-46410	SPRING	1							
18	2	198165-46420	STOPPER, RG	1							
19	2	198165-46450	BOLT	1							
20	2	172510-74410	SEAL, DUST	2							
21	2	172510-74440	RETAINER, SPRING	1							
22	2	172510-74450	RETAINER, SPRING	1							
23	2	22287-060000	WASHER 6	3							
24	2	24190-070001	BALL, STEEL 7/32	2							
25	2	24190-080001	BALL, STEEL 1/4	1							
26	2	24311-000140	O-RING, 1AP14.0	2							
27	2	24311-000140	O-RING, 1AP14.0	4							
28	2	24321-000500	O-RING, 1AG50.0	1							
29	1	26106-080402	BOLT, M8X 40 PLATED	2							

Fig.65. S.C.V PIPING

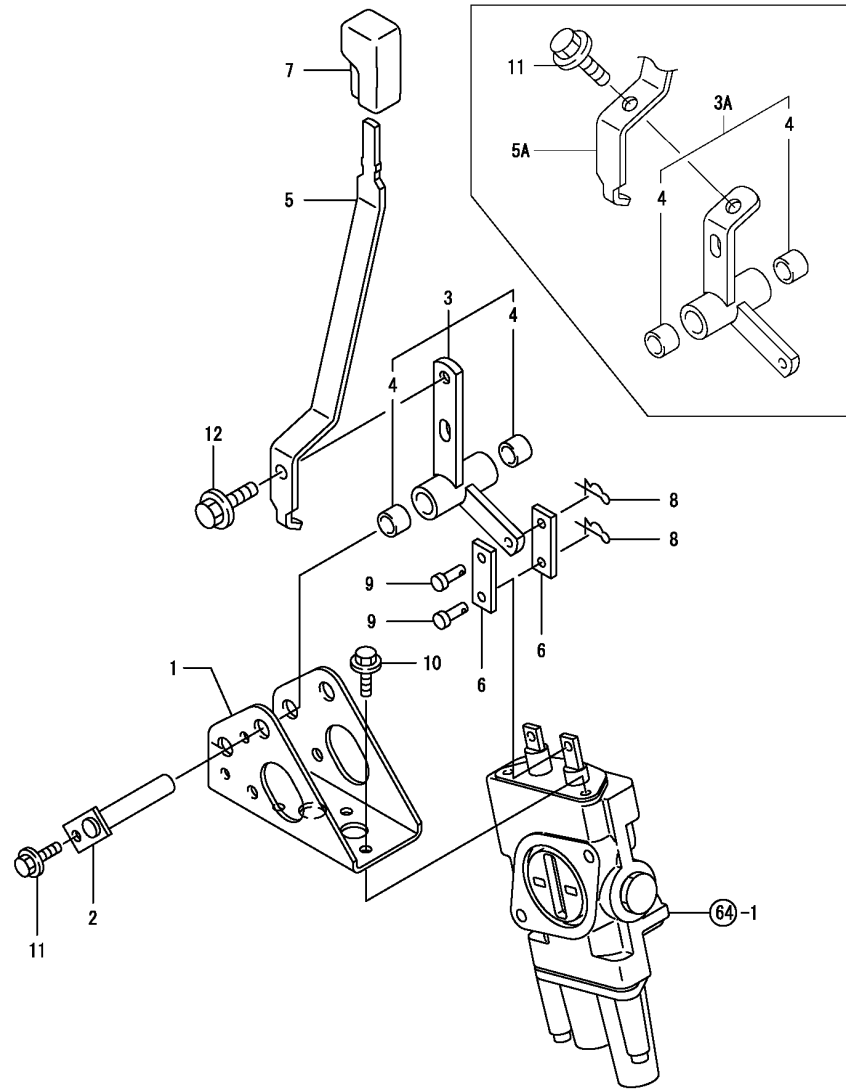


(A)=EF352-AU-PQ
(B)=
(C)=

(D)=
(E)=
(F)=

No.	Lev.	Parts No.	Description	Q'ty						I	R
				(A)	(B)	(C)	(D)	(E)	(F)		
1	1	194321-17870	BOLT, JOINT M10	2							
2	1	198287-46500	PIPE, SCV	1							
2-1	1	198287-46501	PIPE, SCV	1							N
(A=*2010.05.)											
3	2	198223-46250	COUPLER, QUICK	2							
4	2	198223-46280	DUST PLUG	2							
4-1	2	1A7336-47590	PLUG, DUST BLACK	2							N
(A=*2010.05.)											
5	2	198287-46510	PIPE, PRESSURE A1	1							
6	2	198287-46610	PIPE, PRESSURE B1	1							
7	2	198280-46750	STAY	1							
8	2	194850-49290	PACKING, 6-1	2							
9	2	22242-000220	RING, 22	2							
10	1	23414-160021	GASKET, 16X1.0	4							
11	1	23414-160021	GASKET, 16X1.0	2							
12	1	23887-160002	PLUG, 16	2							
13	1	26106-080122	BOLT, M8X 12 PLATED	2							

Fig.66. S.C.V CONTROL



(A)=EF352-AU-PQ
(B)=
(C)=

(D)=
(E)=
(F)=

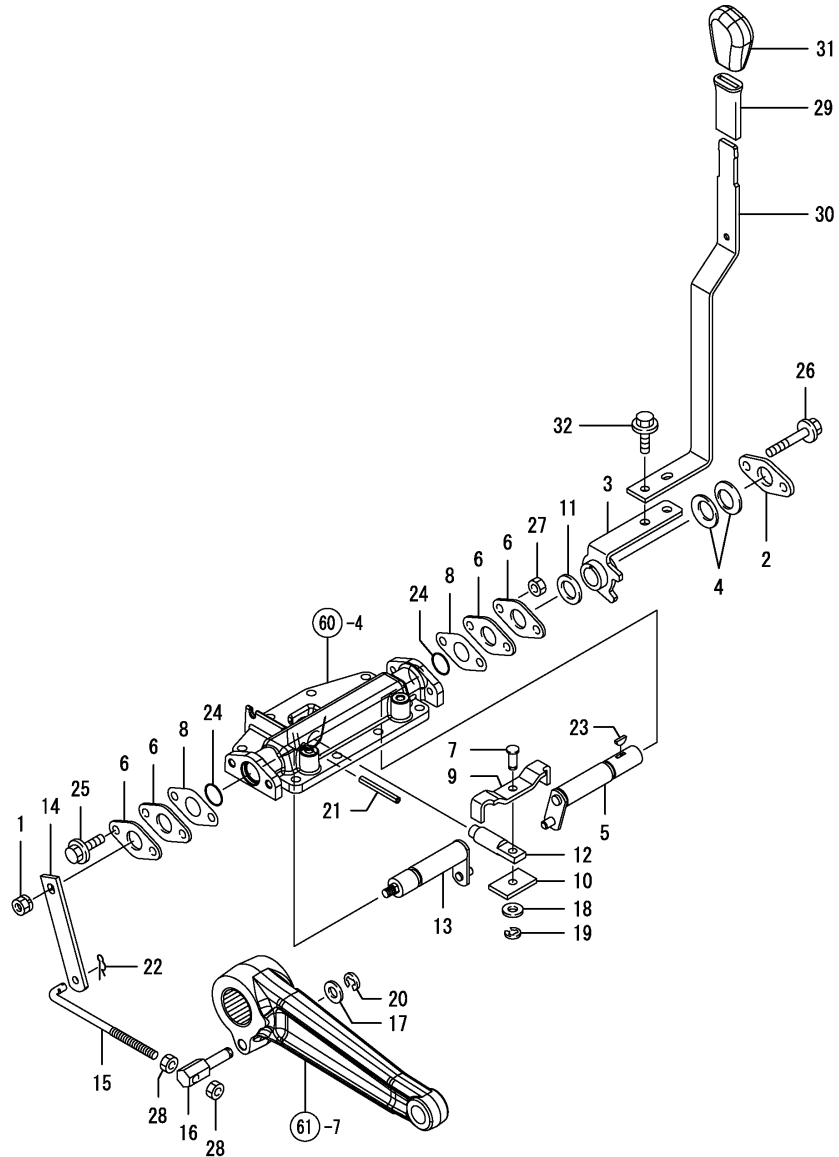
No.	Lev.	Parts No.	Description	Q'ty						I	R
				(A)	(B)	(C)	(D)	(E)	(F)		
1	1	198280-46810	BRACKET, SCV LEVER	1							
2	1	198280-46870	PIN ASSY, HINGE	1							
3	1	198287-46910	LINK, LEVER	1							
3A	1	198284-46910 (A=FZZZZZ)	LINK ASSY, LEVER	1						S	1
4	2	24550-012100	BUSH 12X10	2							
5	1	198287-46950	LEVER, SCV	1							
5A	1	198284-46950 (A=FZZZZZ)	LEVER,SCV	1						S	1
6	1	198280-46990	PLATE, LINK	2							
7	1	194940-47341	KNOB, LEVER	1							
8	1	1C6281-52310	PIN, SNAP 6	2							
9	1	22487-060160	PIN, H 6X 16	2							
10	1	26106-060122	BOLT, M6X 12 PLATED	3							
11	1	26106-060122	BOLT, M6X 12 PLATED	1							
12	1	26106-080162	BOLT, M8X 16 PLATED	1							

Remarks

(1) Interchangeable by simultaneous replacement with Fig.86 Ref.5-1.

N:Old $\xrightarrow{\text{Yes}}$ New, Q:Old $\xrightarrow{\text{No}}$ New, R:Old $\xrightarrow{\text{Yes}}$ New, S:Old $\xrightarrow{\text{No}}$ New, W:Add, Z:Discontinued, F:Interchangeable by set, K:Q'ty Change

Fig.67. HYDRAULIC CONTROL



(A)=EF352-AU-PQ

(B)=

(C)=

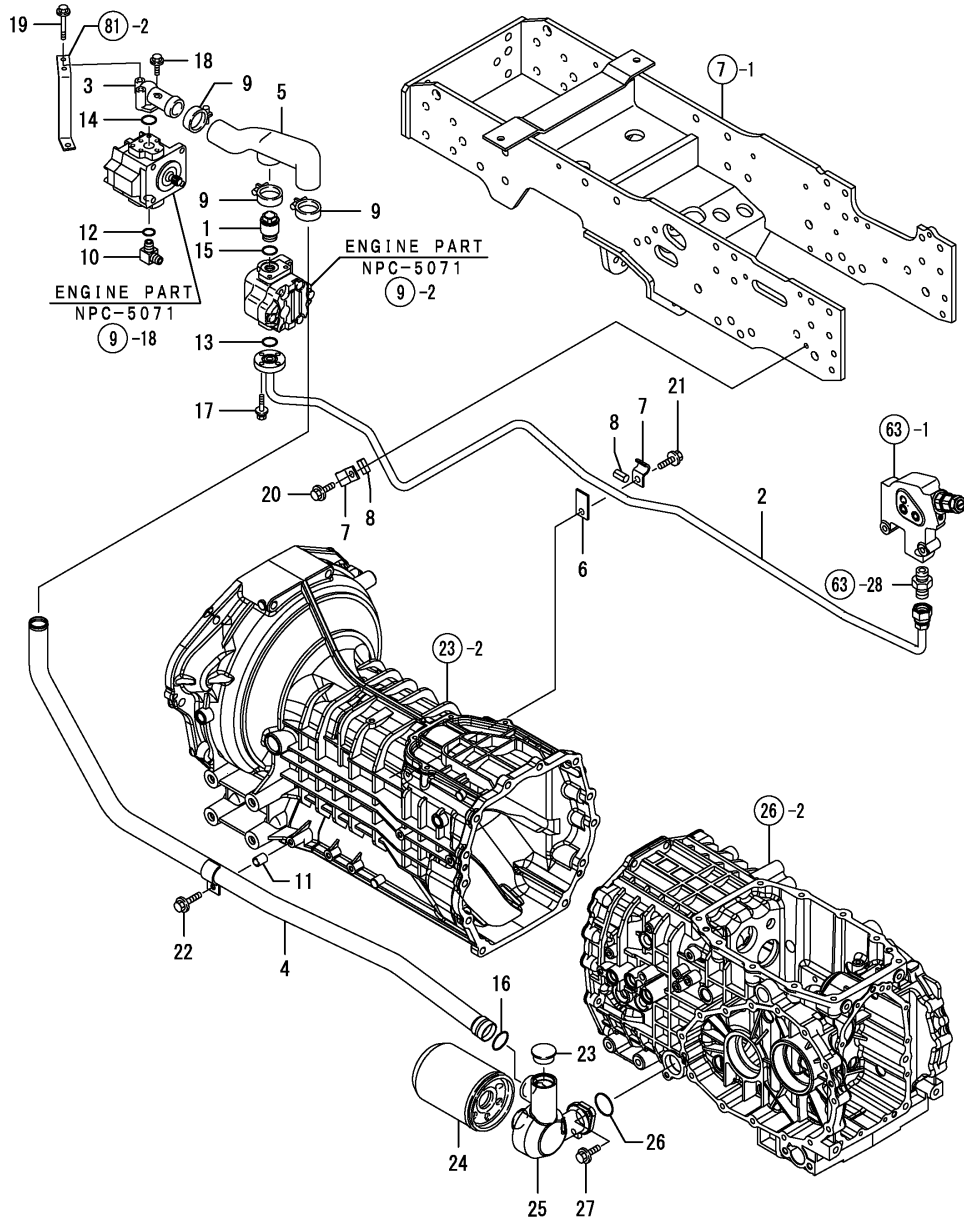
(D)=

(E)=

(F)=

No.	Lev.	Parts No.	Description	Q'ty						I	R
				(A)	(B)	(C)	(D)	(E)	(F)		
1	1	194990-22050	NUT, M8	1							
2	1	194940-47210	PLATE	1							
3	1	198280-47210	ARM, LEVER	1							
3-1	1	198280-47710 (A=F110486)	ARM, P LEVER	1							N
4	1	194940-47220	WASHER, 20	2							
5	1	198280-47310	SHAFT, P LEVER	1							
6	1	194555-47340	PLATE, A	4							
7	1	198431-47340	PIN, CONTROL	1							
8	1	194555-47350	PLATE, B	2							
9	1	198200-47411	LINK, CONTROL	1							
10	1	198280-47430	PLATE	1							
11	1	194170-47440	PLATE, FRICTION	1							
12	1	198200-47460	ROD, CONTROL	1							
13	1	198280-47500	SHAFT, FEEDBACK	1							
14	1	198200-47510	ARM, FEEDBACK	1							
15	1	198200-47540	ROD, FEEDBACK	1							
16	1	198200-47650	PIN, ADJUST	1							
17	1	22117-100000	WASHER, 10	1							
18	1	22137-080000	WASHER, 8	1							
19	1	22272-000060	RING, E- 6	1							
20	1	22272-000080	RING, E- 8	1							
21	1	22351-060050	PIN, SPRING 6.0X50	1							
22	1	22372-080000	PIN, SNAP 8	1							
23	1	22522-030130	KEY, WOODRUFF 3X13	1							
24	1	24311-000200	O-RING, 1AP20.0	2							
25	1	26106-080162	BOLT, M8X 16 PLATED	2							
26	1	26106-080502	BOLT, M8X 50 PLATED	2							
27	1	26716-080002	NUT, M8	2							
28	1	26716-080002	NUT, M8	2							
29	1	198072-27880	BOOT, SHAFT	1							
30	1	198200-47110	LEVER, POSITION	1							
31	1	198200-47810	KNOB, BLACK	1							
32	1	26106-080162	BOLT, M8X 16 PLATED	2							

Fig.68. HYDRAULIC PIPING



(A)=EF352-AU-PQ

(B)=

(C)=

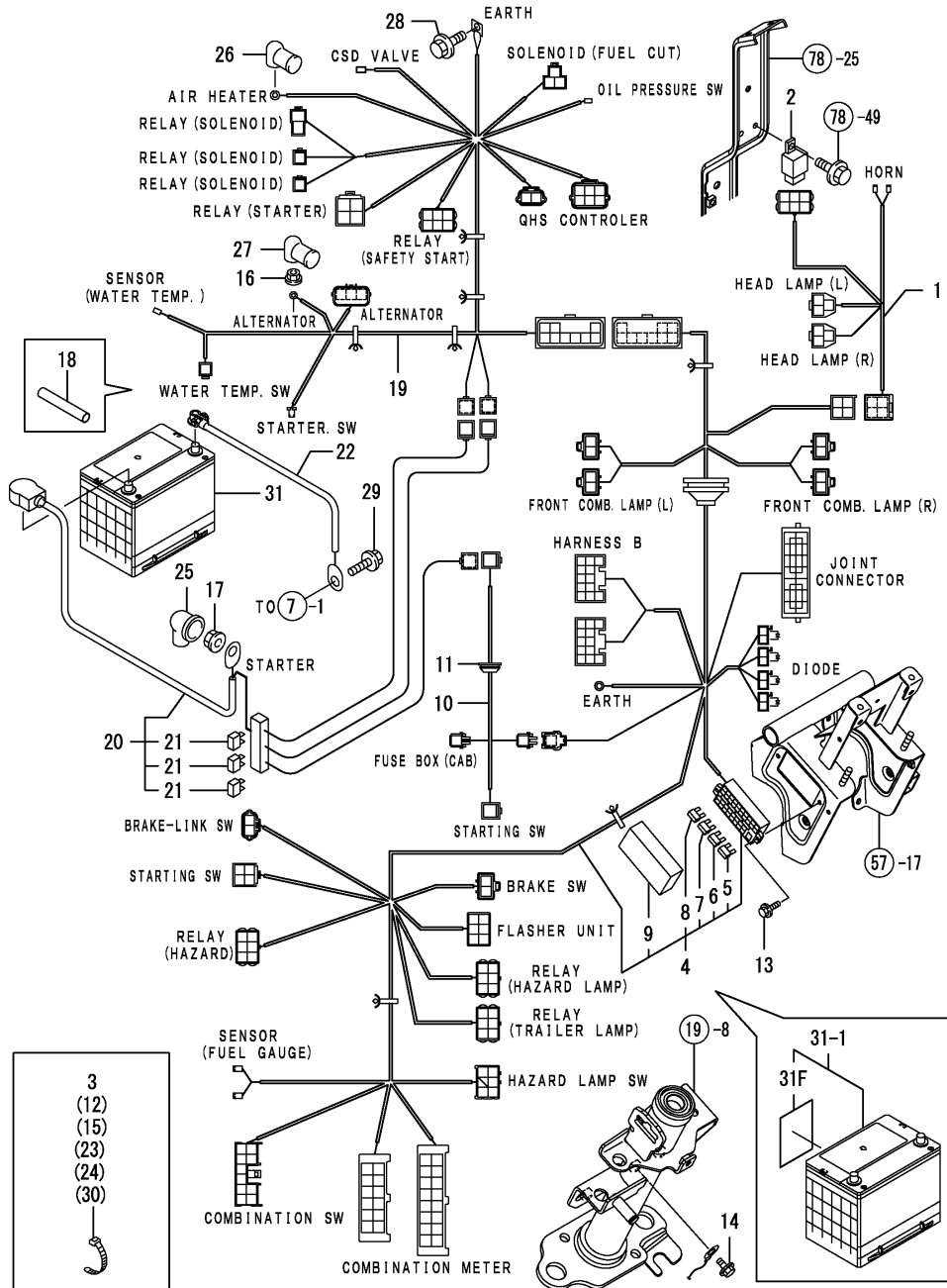
(D)=

(E)=

(F)=

No.	Lev.	Parts No.	Description	Q'ty						I	R
				(A)	(B)	(C)	(D)	(E)	(F)		
1	1	198010-41211	JOINT, M22	1							
2	1	198208-48110	PIPE, PRESSURE	1							
2-1	1	198208-48111	LINE ASSY,PRESSURE	1							N
(A=FZZZZZ)											
3	1	198220-48140	FLANGE, PIPE P	1							
4	1	198208-48160	PIPE, PRESSURE	1							
5	1	198072-48340	TUBE, PRESSURE	1							
6	1	198330-48410	CLAMP	1							
7	1	198200-48810	CLAMP, PIPE	2							
8	1	198240-48850	CLAMP, ABSORBER	2							
9	1	175022-49730	CRIP 31, HOSE	3							
10	1	1E6680-66470	ELBOW, 3/8	1							
11	1	198360-86840	COLLAR, 8.4X12X15	1							
12	1	24311-000140	O-RING, 1AP14.0	1							
13	1	24311-000200	O-RING, 1AP20.0	1							
14	1	24311-000200	O-RING, 1AP20.0	1							
15	1	24311-000200	O-RING, 1AP20.0	1							
16	1	24311-000260	O-RING, 1AP26.0	1							
17	1	26018-060252	BOLT, M6X 25	4							
18	1	26106-060202	BOLT, M6X 20 PLATED	1							
19	1	26106-060452	BOLT, M6X 45 PLATED	2							
20	1	26106-080162	BOLT, M8X 16 PLATED	1							
21	1	26106-080202	BOLT, M8X 20 PLATED	1							
22	1	26106-080302	BOLT, M8X 30 PLATED	1							
23	1	1A6660-24250	PLUG, BORE 32	1							
24	1	198119-48310	FILTER	1							
25	1	198200-48350	COVER, FILTER	1							
26	1	24311-000340	O-RING, 1AP34.0	1							
27	1	26106-080252	BOLT, M8X 25 PLATED	2							

Fig.69. WIRE HARNESS



(A)=EF352-AU-PQ

(B)=

(C)=

(D)=

(E)=

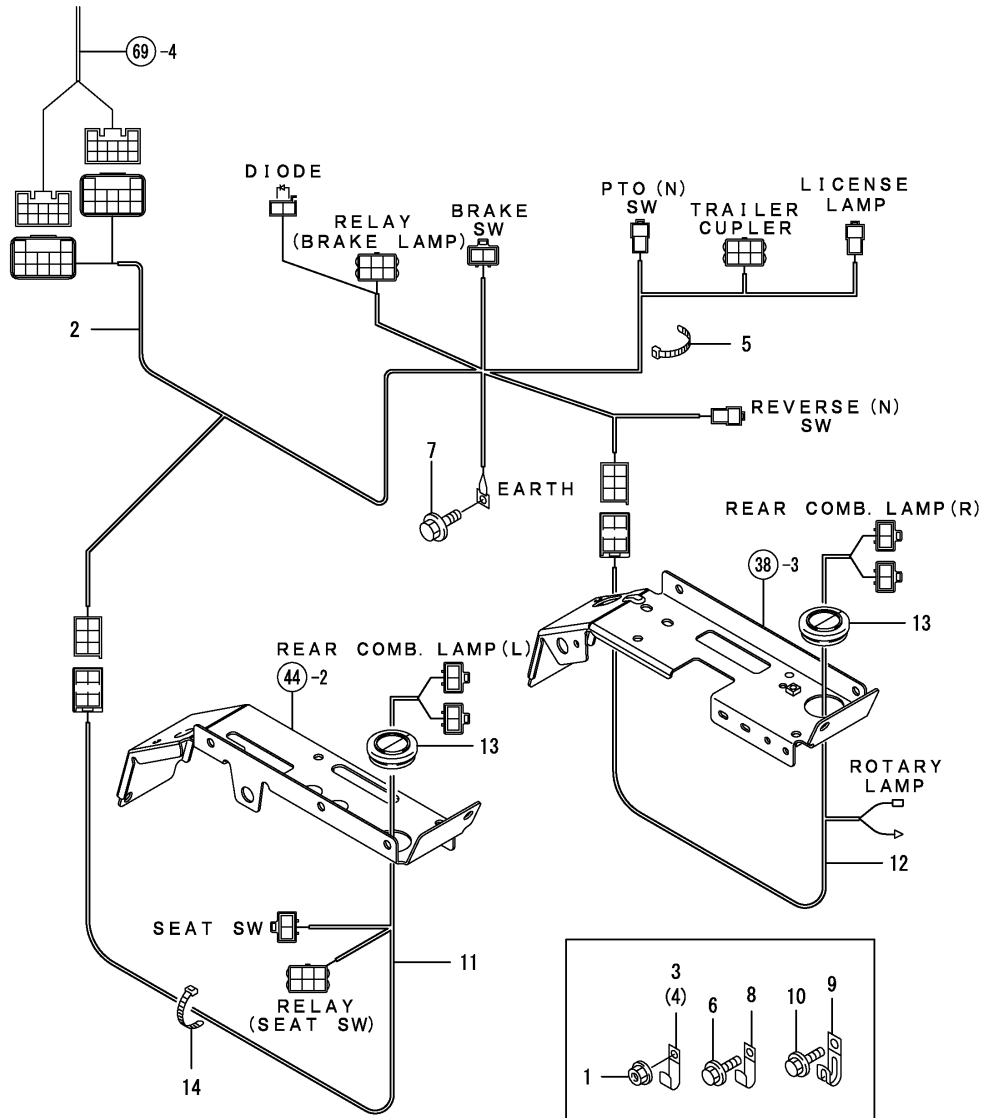
(F)=

No.	Lev.	Parts No.	Description	Q'ty						I	R
				(A)	(B)	(C)	(D)	(E)	(F)		
1	1	198280-51170	HARNESS, WIRE	1							
2	1	198461-52950	RELAY, CA TYPE C	1							
3	1	29622-250001	BAND, RF250	1							
4	1	198282-51151	HARNESS ASSY, WIRE F	1							
5	2	198535-52110	FUSE, 5A	3							
6	2	198535-52120	FUSE, 10A	4							
7	2	198535-52130	FUSE, 15A	3							
8	2	198535-52140	FUSE, 20A	3							
9	2	198200-52520	COVER, FUSE BOX	1							
10	1	198280-51200	CABLE, STARTER	1							
11	1	194170-51210	GROMMET 25	1							
12	1	194242-51660	CLAMP, WIRE HARNESS	1							
13	1	26106-060122	BOLT, M6X 12 PLATED	2							
14	1	26106-060122	BOLT, M6X 12 PLATED	1							
15	1	29622-250001	BAND, RF250	1							
16	1	194990-22130	NUT, M6	1							
17	1	194990-22140	NUT, M8	1							
18	1	198200-51100	TUBE	1							
19	1	198282-51111	HARNESS, WIRE	1							
20	1	198280-51410	CABLE, BATTERY	1							
21	2	1A7000-52820	FUSE, SLOW BLOW 60A	3							
22	1	194250-51420	CABLE, BATTERY EARTH	1							
23	1	198220-51870	BAND, NYLON 200	3							
24	1	198220-51870	BAND, NYLON 200	1							
25	1	124550-77030	COVER, TERMINAL	1							
26	1	124756-77040	COVER, TERMINAL	1							
27	1	124756-77040	COVER, TERMINAL	1							
28	1	26106-080122	BOLT, M8X 12 PLATED	1							
29	1	26106-080162	BOLT, M8X 16 PLATED	1							
30	1	29622-140001	BAND, RF140	1							
31	1	198280-51540	BATTERY,	1							
31-1	1	198280-51900	BATTERY KIT, 80D26R	1							N
		(A="2009.03.)									
31F	2	1A7550-91900	LABEL,CROSSED OUT PB	1							W
		(A="2009.03.)									

Fig.70. WIRE HARNESS

(A)=EF352-AU-PQ
(B)=
(C)=

(D)=
(E)=
(F)=



No.	Lev.	Parts No.	Description	Q'ty						I	R
				(A)	(B)	(C)	(D)	(E)	(F)		
1	1	194990-22130	NUT, M6	1							
2	1	198282-51131	HARNESS, WIRE	1							
3	1	194440-51620	CLAMP	1							
4	1	194440-51630	CLAMP, HARNESS	1							
5	1	198220-51870	BAND, NYLON 200	1							
6	1	26106-080122	BOLT, M8X 12 PLATED	1							
7	1	26106-080122	BOLT, M8X 12 PLATED	1							
8	1	194180-51640	CLAMP, HARNESS	1							
9	1	1E6102-83230	CLAMP, CABLE	4							
10	1	26106-080122	BOLT, M8X 12 PLATED	4							
11	1	198280-51182	HARNESS, WIRE	1							
12	1	198280-51191	HARNESS, WIRE	1							
13	1	198133-51350	GROMMET, 38A	2							
14	1	29622-250001	BAND, RF250	1							

Fig.71. SWITCH

(A)=EF352-AU-PQ

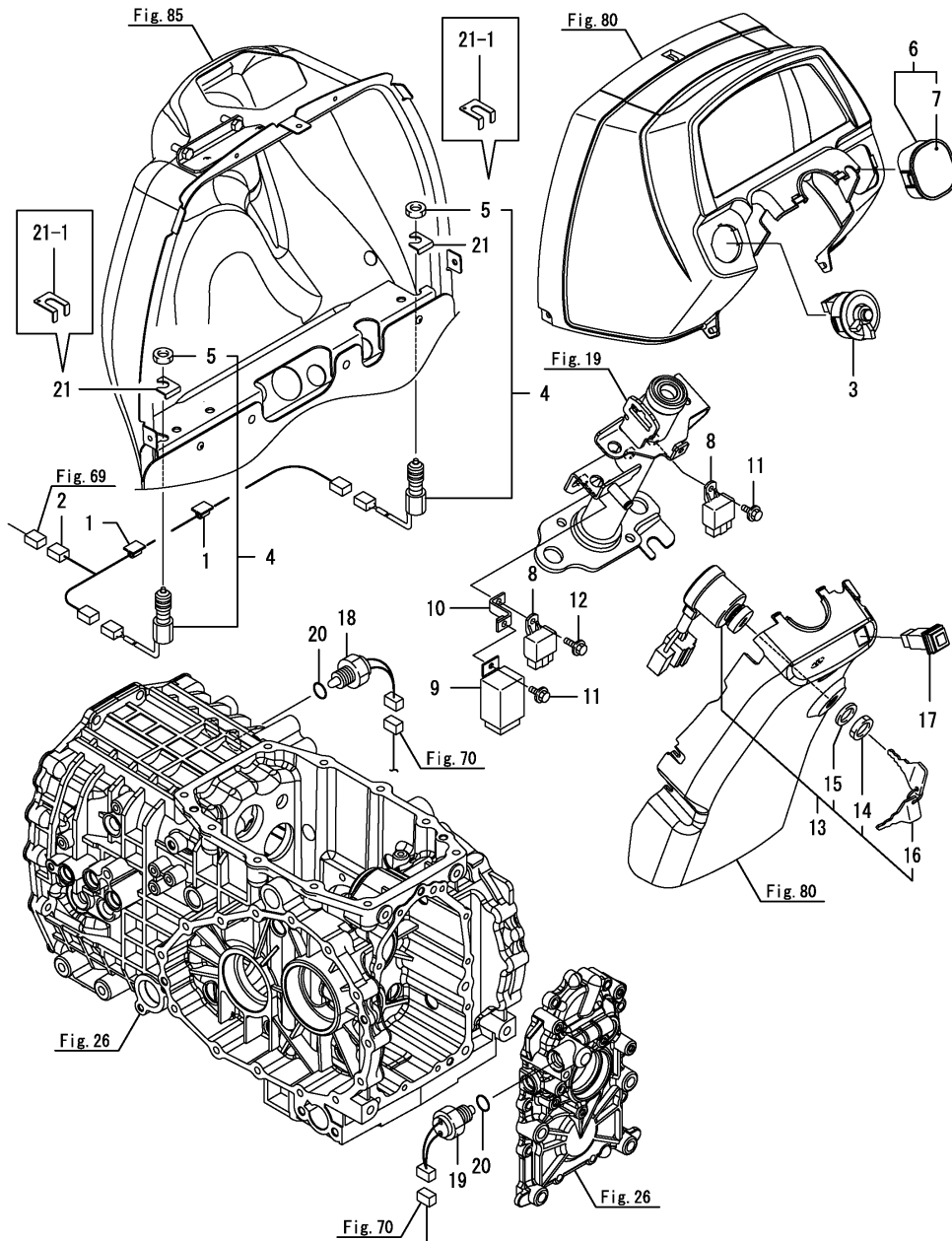
(B)=

(C)=

(D)=

(E)=

(F)=

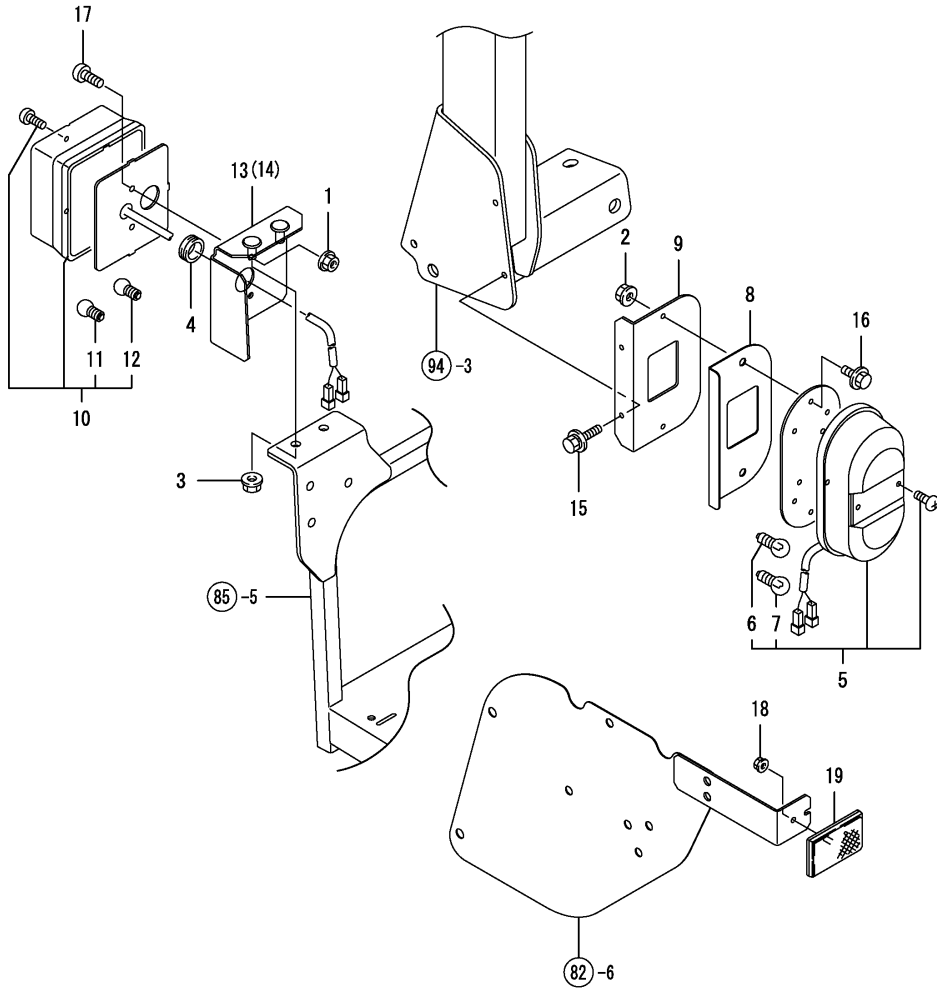


No.	Lev.	Parts No.	Description	Q'ty						I	R
				(A)	(B)	(C)	(D)	(E)	(F)		
1	1	172010-07810	STICKER, WIRE	2							
2	1	198282-51270	HARNESS, WIRE	1							
3	1	198200-52140	SWITCH, COMBINATION	1							
4	1	198223-52150	SWITCH, STOP LAMP	2							
5	2	26776-120002	NUT, LOCK M12	2							
6	1	198280-52450	COVER, BOX	1							
7	2	198280-52460	LABEL,	1							
8	1	198461-52950	RELAY, CA TYPE C	2							
9	1	198282-57200	FLASHER RELAY	1							
10	1	198282-57250	STAY, RELAY	1							
11	1	26106-060122	BOLT, M6X 12 PLATED	2							
12	1	26106-060162	BOLT, M6X 16 PLATED	2							
13	1	194940-52110	SWITCH, STARTING	1							
14	2	198360-52320	NUT, RING	1							
15	2	198360-52330	WASHER	1							
16	2	198360-52160	KEY ASSY	1							
17	1	1A7335-52120	SWITCH, HAZARD	1							
18	1	198269-52190	SWITCH, SAFETY	1							
19	1	198269-52190	SWITCH, SAFETY	1							
20	1	24311-000180	O-RING, 1AP18.0	2							
21	1	198280-52090	STAY, BRAKE SWITCH	2							W
21-1	1	198280-52091	STAY, BRAKE SWITCH	2							N

Fig.72. LAMPS

(A)=EF352-AU-PQ
(B)=
(C)=

(D)=
(E)=
(F)=



No.	Lev.	Parts No.	Description	Q'ty						I	R
				(A)	(B)	(C)	(D)	(E)	(F)		
1	1	194990-22120	NUT, M5	4							
2	1	194990-22130	NUT, M6	4							
3	1	194990-22140	NUT, M8	4							
4	1	198448-33390	GROMMET, CABLE	2							
5	1	198280-53300	LAMP ASSY	2							
6	2	1A7100-53220	BULB, 12VP21W	2							
7	2	198280-53330	BULB, 12VP21/5W	2							
8	1	198280-53350	PLATE, REAR LAMP	2							
9	1	198280-53360	STAY, REAR LAMP	2							
10	1	198280-53400	LAMP ASSY	2							
11	2	1A7100-53220	BULB, 12VP21W	2							
12	2	1A7100-53230	BULB, 12VR5W	2							
13	1	198280-53510	BRACKET	1							
14	1	198280-53520	BRACKET	1							
15	1	198461-60590	BOLT, M6X20	4							
16	1	26106-060162	BOLT, M6X 16 PLATED	4							
17	1	26557-050122	SCREW, M5X12	4							
18	1	194990-22120	NUT, M5	2							
19	1	198280-62250	REFLECTOR	2							

Fig.73. LICENCE BRACKET

(A)=EF352-AU-PQ
(B)=
(C)=

(D)=
(E)=
(F)=

No.	Lev.	Parts No.	Description	Q'ty						I	R
				(A)	(B)	(C)	(D)	(E)	(F)		
1	1	198280-53700	BRACKET ASSY	1							
2	1	198093-85650	BOLT, M6X16	2							

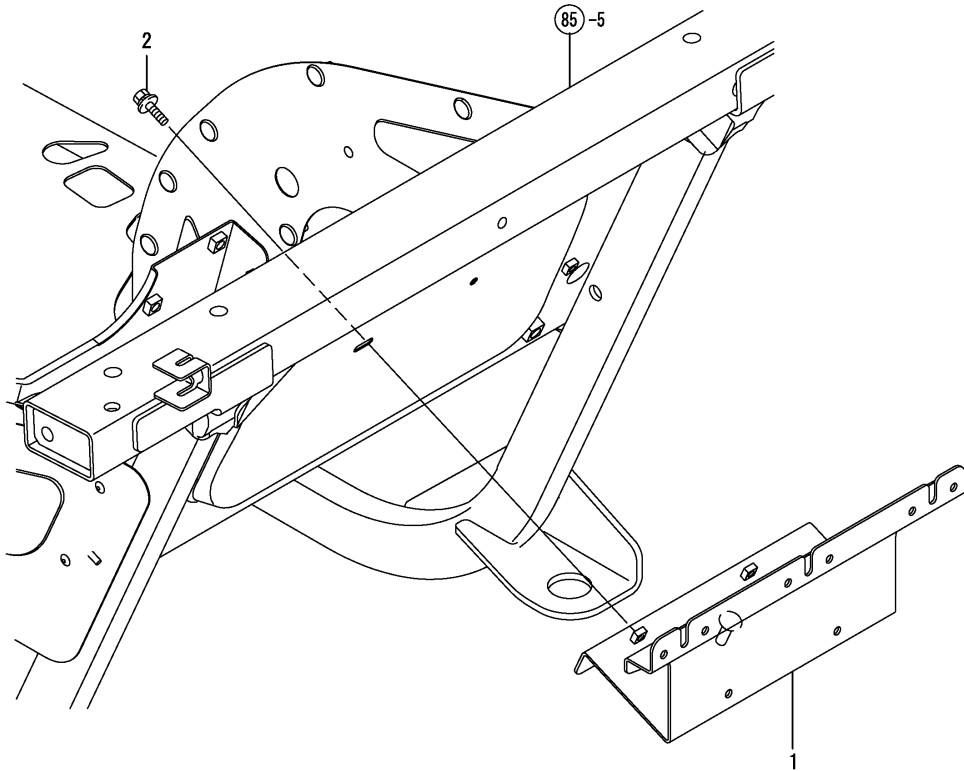


Fig.74. METER

(A)=EF352-AU-PQ
(B)=
(C)=

(D)=
(E)=
(F)=

No.	Lev.	Parts No.	Description	Q'ty						I	R
				(A)	(B)	(C)	(D)	(E)	(F)		
1	1	198280-56012	METER ASSY	1							
1-1	1	198280-56013	METER ASSY	1							R
(A=*2008.11.)											
2	2	1C6920-36260	LAMP ASSY, SOCKET	1							
3	2	198200-56050	BULB, 14V-1.7W	10							
4	2	198448-56150	BULB, 14V-1.4W	5							
5	2	198200-56060	GLASS	1							
6	1	194940-61790	SCREW, TAPPING M5X16	4							

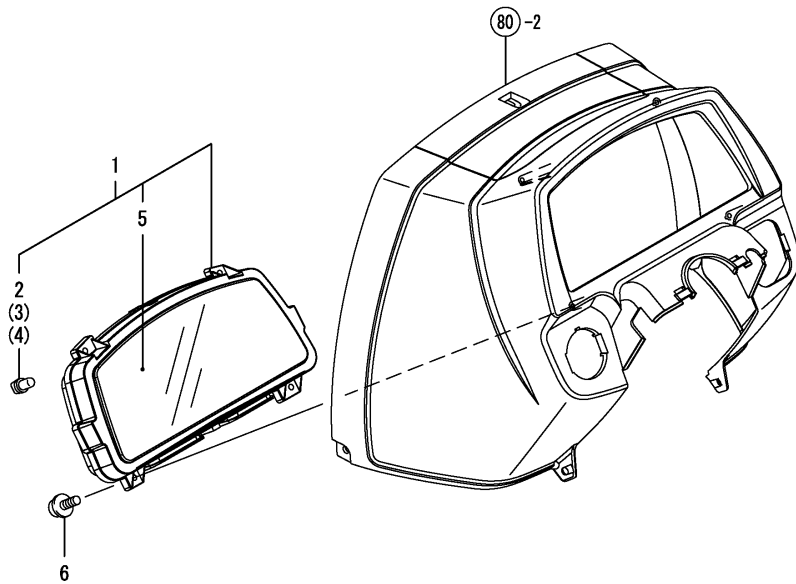


Fig.75. HORN

(A)=EF352-AU-PQ
(B)=
(C)=

(D)=
(E)=
(F)=

No.	Lev.	Parts No.	Description	Q'ty						I	R
				(A)	(B)	(C)	(D)	(E)	(F)		
1	1	1C7100-08150	HORN ASSY	1							
2	1	26106-060082	BOLT, M6X 8 PLATED	1							

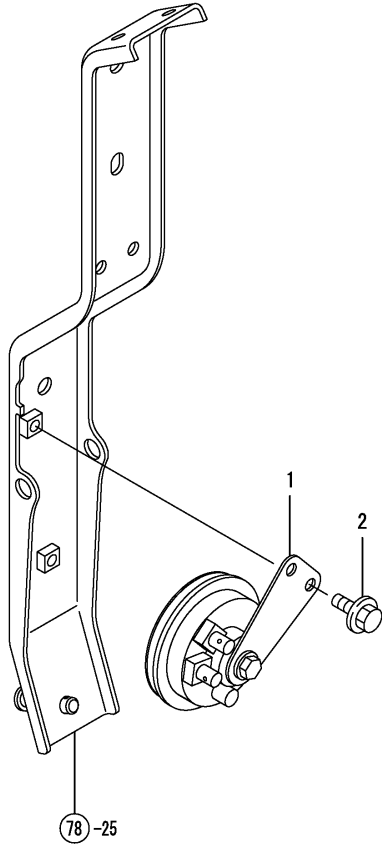


Fig.76. RELAY

(A)=EF352-AU-PQ
 (B)=
 (C)=

(D)=
 (E)=
 (F)=

No.	Lev.	Parts No.	Description	Q'ty						I	R
				(A)	(B)	(C)	(D)	(E)	(F)		
1	1	198461-52950	RELAY, CA TYPE C	1							
2	1	26106-060122	BOLT, M6X 12 PLATED	1							

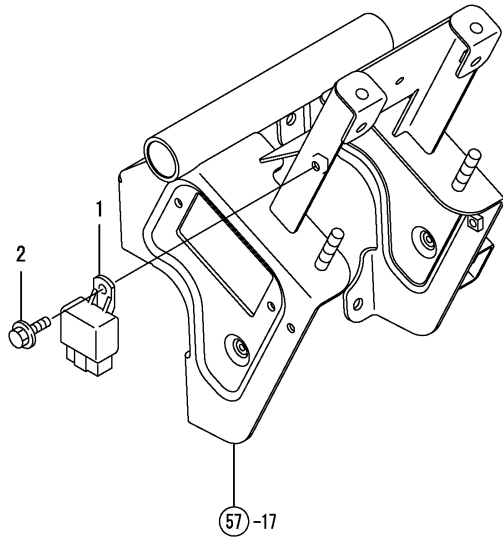


Fig.77. WATERPROOFING STOPPER

(A)=EF352-AU-PQ
(B)=
(C)=

(D)=
(E)=
(F)=

No.	Lev.	Parts No.	Description	Qty						I	R
				(A)	(B)	(C)	(D)	(E)	(F)		
1	1	198284-51230	PLUG, WATERPROOF 6P	1							
2	1	198284-51240	PLUG, WATERPROOF 2P	1							

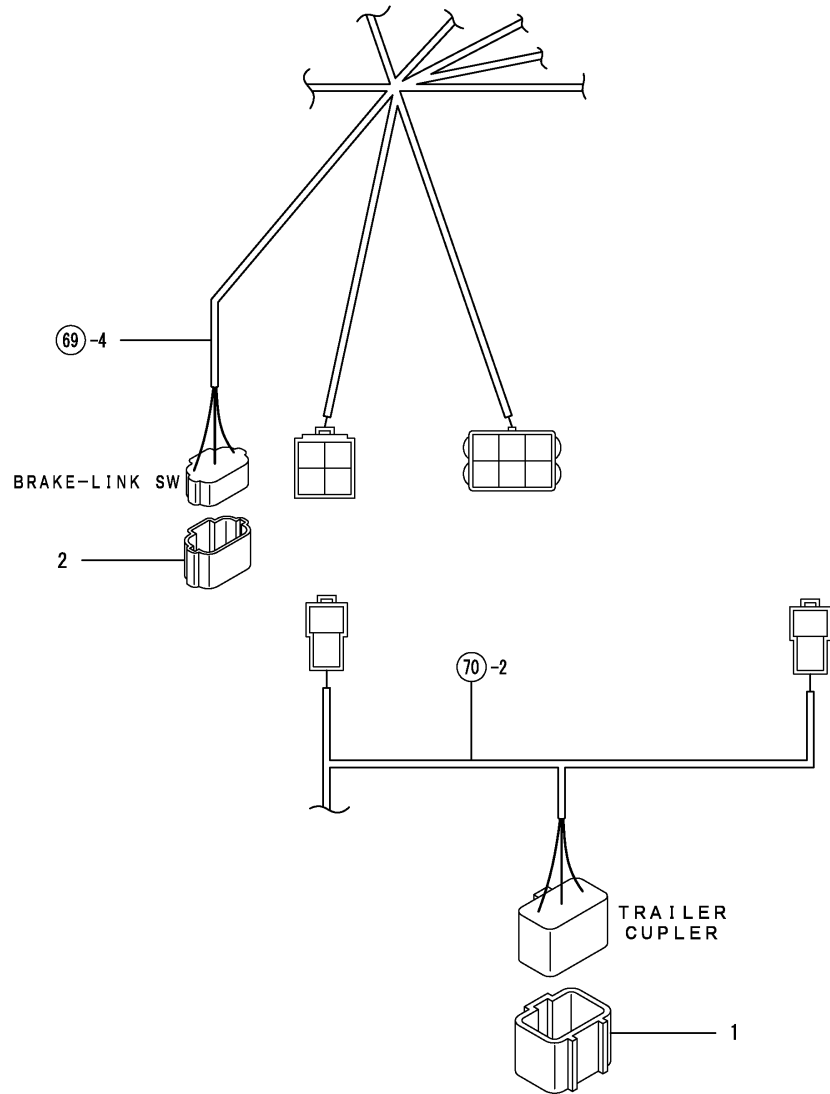
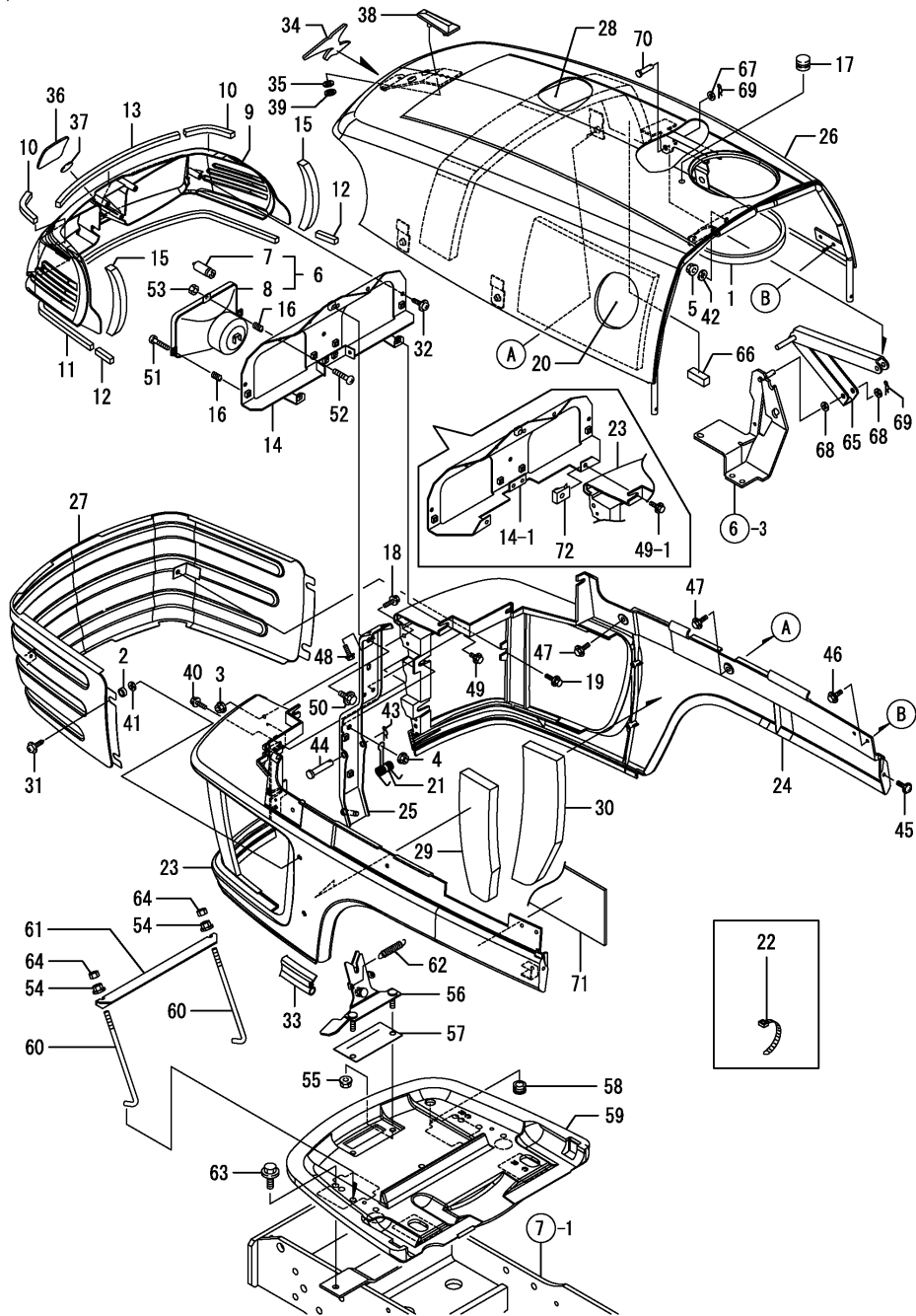


Fig.78. HOOD



(A)=EF352-AU-PQ

(B)=

(C)=

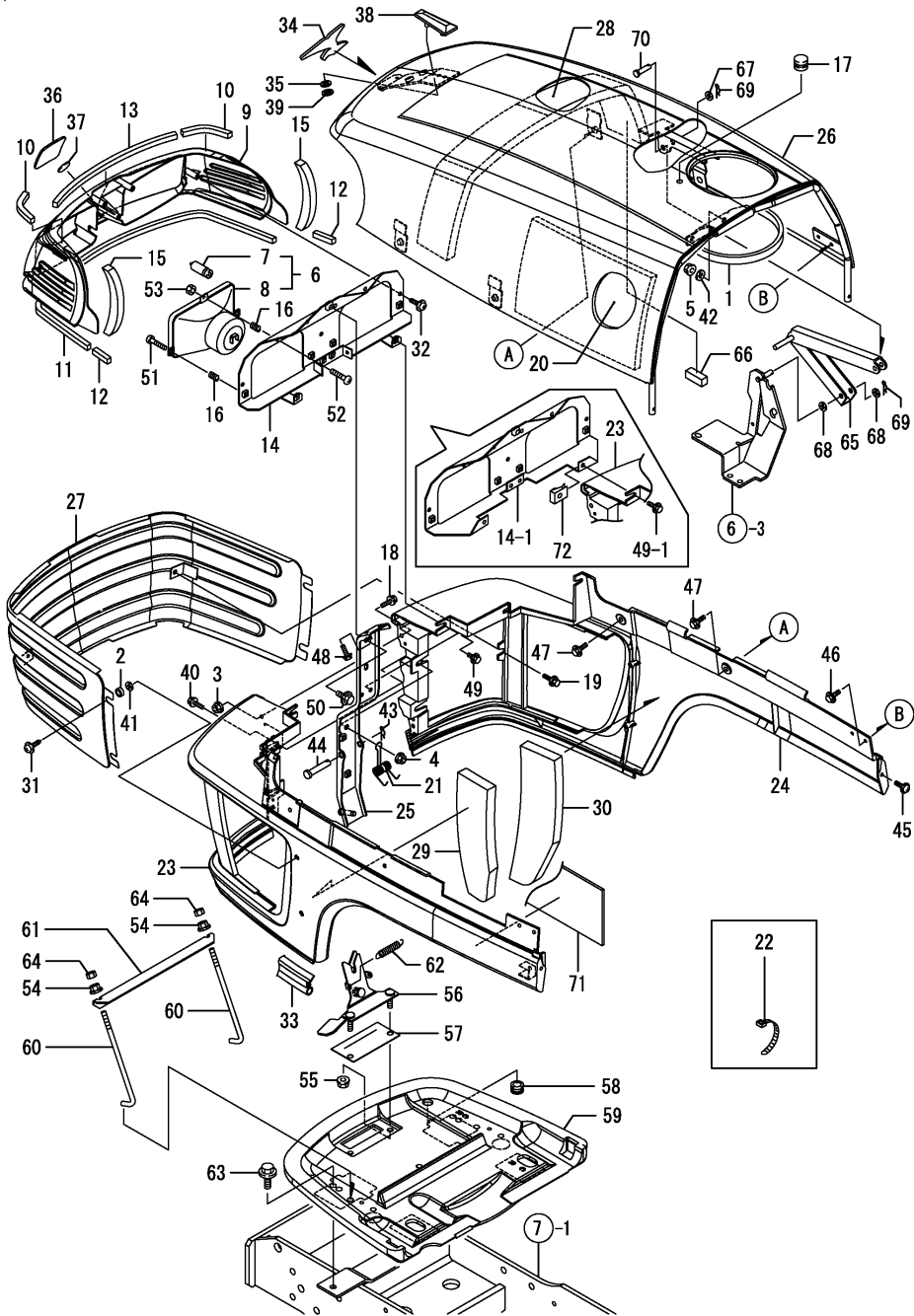
(D)=

(E)=

(F)=

No.	Lev.	Parts No.	Description	Q'ty						I	R
				(A)	(B)	(C)	(D)	(E)	(F)		
1	1	1A8070-04250	GASKET, SUMP UPPER	1							
2	1	174501-07060	COLLAR, 10X15X6	4							
3	1	194990-22130	NUT, M6	1							
4	1	194990-22140	NUT, M8	1							
5	1	194990-22140	NUT, M8	2							
6	1	1A7100-53100	LAMP ASSY, HEAD	2							
7	2	1A7100-53130	BULB, H4-12V60/55W	2							
8	2	1A7100-53140	COVER	2							
9	1	198280-53150	COVER, LAMP	1							
10	1	198280-53170	SEAL, COVER A	2							
11	1	198280-53180	SEAL, COVER B	1							
12	1	198280-53190	SEAL, COVER C	2							
13	1	198200-53210	SEAL, HEAD LAMP	1							
14	1	198280-53210	BRACKET ASSY, LAMP	1							
14-1	1	198280-53211	BRACKET ASSY, LAMP	4							S
(A=FXXXXX)											
15	1	198200-53230	SEAL, HEAD LAMP	2							
16	1	198327-53280	SPRING, 1.2	6							
17	1	194197-56350	GROMMET	1							
18	1	198461-60590	BOLT, M6X20	2							
19	1	198461-60590	BOLT, M6X20	2							
20	1	1A7260-60890	URETHANE, BONNET UL	1							
21	1	198200-60910	SPRING	1							
22	1	1C6280-61100	BAND 70	1							
23	1	198200-61153	BONNET, LOWER L	1							
24	1	198200-61163	BONNET, LOWER R	1							
25	1	198280-61210	STAY ASSY, BONNET	1							
26	1	198280-61260	BONNET ASSY, UPPER M	1							
27	1	198200-61340	NET ASSY, BONNET	1							
28	1	198200-61410	URETHANE, BONNET U	1							
29	1	198200-61420	URETHANE, BONNET LL	1							
30	1	198200-61430	URETHANE, BONNET LR	1							
31	1	194420-61640	SCREW, TAPPING M5X16	4							
32	1	194420-61640	SCREW, TAPPING M5X16	4							
33	1	198133-61950	WEATHER-STRIP, 950	1							
34	1	198200-65010	MARK, BRAN 63-R400	1							
35	1	194555-65130	CUSHION	2							
36	1	198208-65250	LABEL, YANMAR 50	1							
37	1	198208-65260	SEAT, PROTECTOR	1							
38	1	194940-65590	MARK, TOP	1							
39	1	198071-65610	NUT, SPEED M5	2							
40	1	198093-82510	BOLT, M8X25	1							
41	1	22137-060000	WASHER, 6	4							
42	1	22137-080000	WASHER, 8	2							
43	1	22372-100000	PIN, SNAP 10	1							
44	1	22487-100550	PIN 10X 55	1							
45	1	26021-050122	SCREW, M5X12	2							
46	1	26106-060082	BOLT, M6X 8 PLATED	2							
47	1	26106-060122	BOLT, M6X 12 PLATED	4							
48	1	26106-060122	BOLT, M6X 12 PLATED	2							
49	1	26106-060162	BOLT, M6X 16 PLATED	4							

Fig.78. HOOD

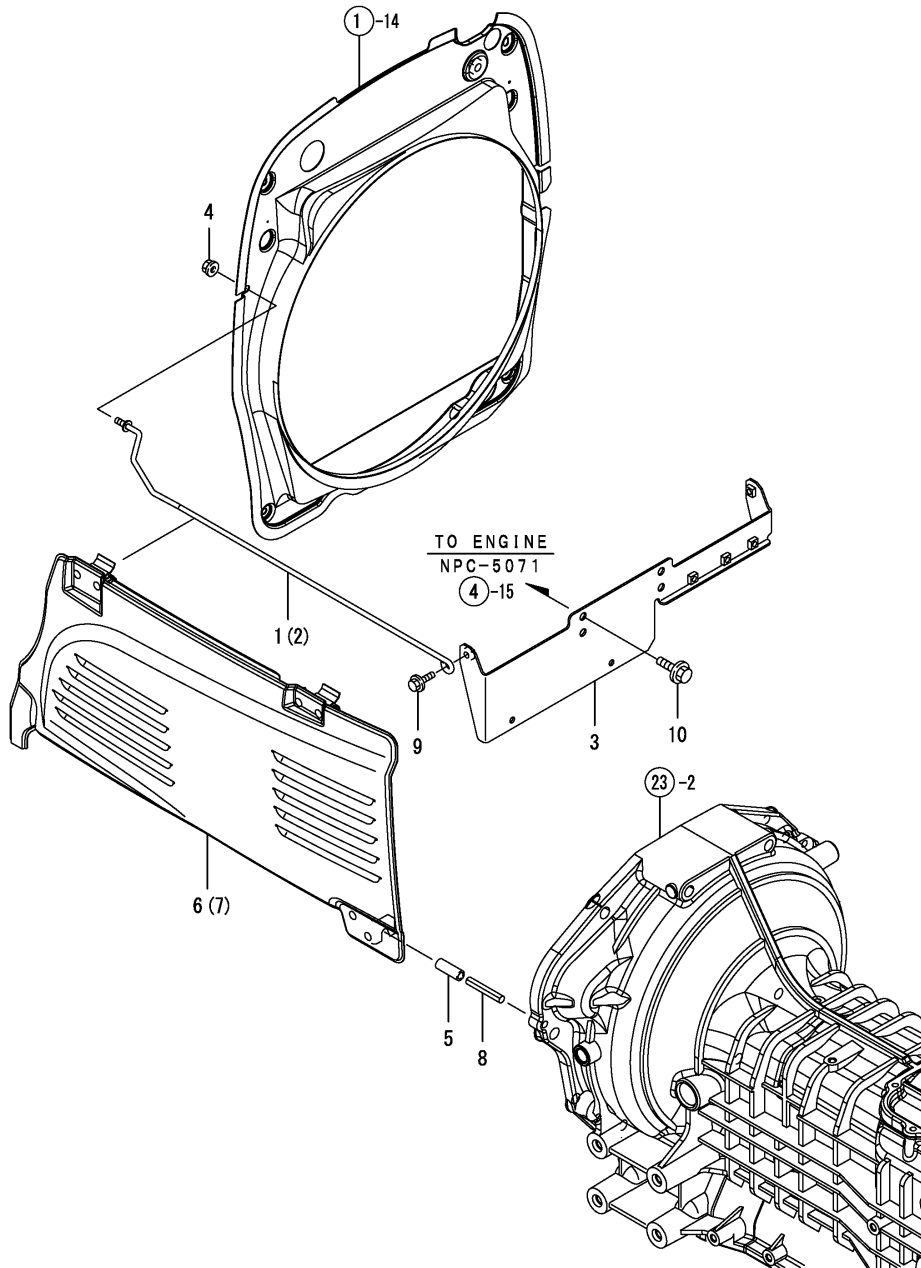


(A)=EF352-AU-PQ
(B)=
(C)=

(D)=
(E)=
(F)=

No.	Lev.	Parts No.	Description	Q'ty						I	R
				(A)	(B)	(C)	(D)	(E)	(F)		
49-1	1	26106-060202 (A=FXXXXX)	BOLT, M6X 20 PLATED	4							S
50	1	26106-080162	BOLT, M8X 16 PLATED	1							
51	1	26557-060302	SCREW, M6X30	4							
52	1	26587-040202	SCREW, M4X20	2							
53	1	26716-040002	NUT, M4	2							
54	1	194990-22140	NUT, M8	2							
55	1	194990-22140	NUT, M8	2							
56	1	198200-61251	LOCK ASSY, BONNET	1							
57	1	198200-61320	GASKET, BONNET LOCK	1							
58	1	198200-61490	GROMMET, 8	1							
59	1	198280-61500	SUPPORT, BATTERY	1							
60	1	198200-61530	ROD, BATTERY CLAMP	2							
60-1	1	198220-51570 (A=FXXXXX)	ROD, BATTERY	2							N
61	1	198200-61580	CLAMP, BATTERY	1							
62	1	198230-61960	SPRING	1							
63	1	26106-100302	BOLT, M10X 30 PLATED	2							
64	1	26716-080002	NUT, M8	2							
65	1	198200-61400	STAND ASSY	1							
66	1	198200-61550	STOPPER, STAND	3							
67	1	22137-080000	WASHER, 8	1							
67-1	1	22190-080000 (A=FXXXXXXX)	WASHER, SEAL 8	1							N
68	1	22190-080000	WASHER, SEAL 8	2							
69	1	22372-080000	PIN, SNAP 8	2							
70	1	22487-080300	PIN, H 8X 30	1							
71	1	198283-60100 (A=*2008.08.)	URETHANE, BONNET LL	1							W
72	1	198071-61890 (A=FXXXXX)	NUT, SPEED M6	4							W

Fig.79. SIDE COVER



(A)=EF352-AU-PQ
(B)=
(C)=

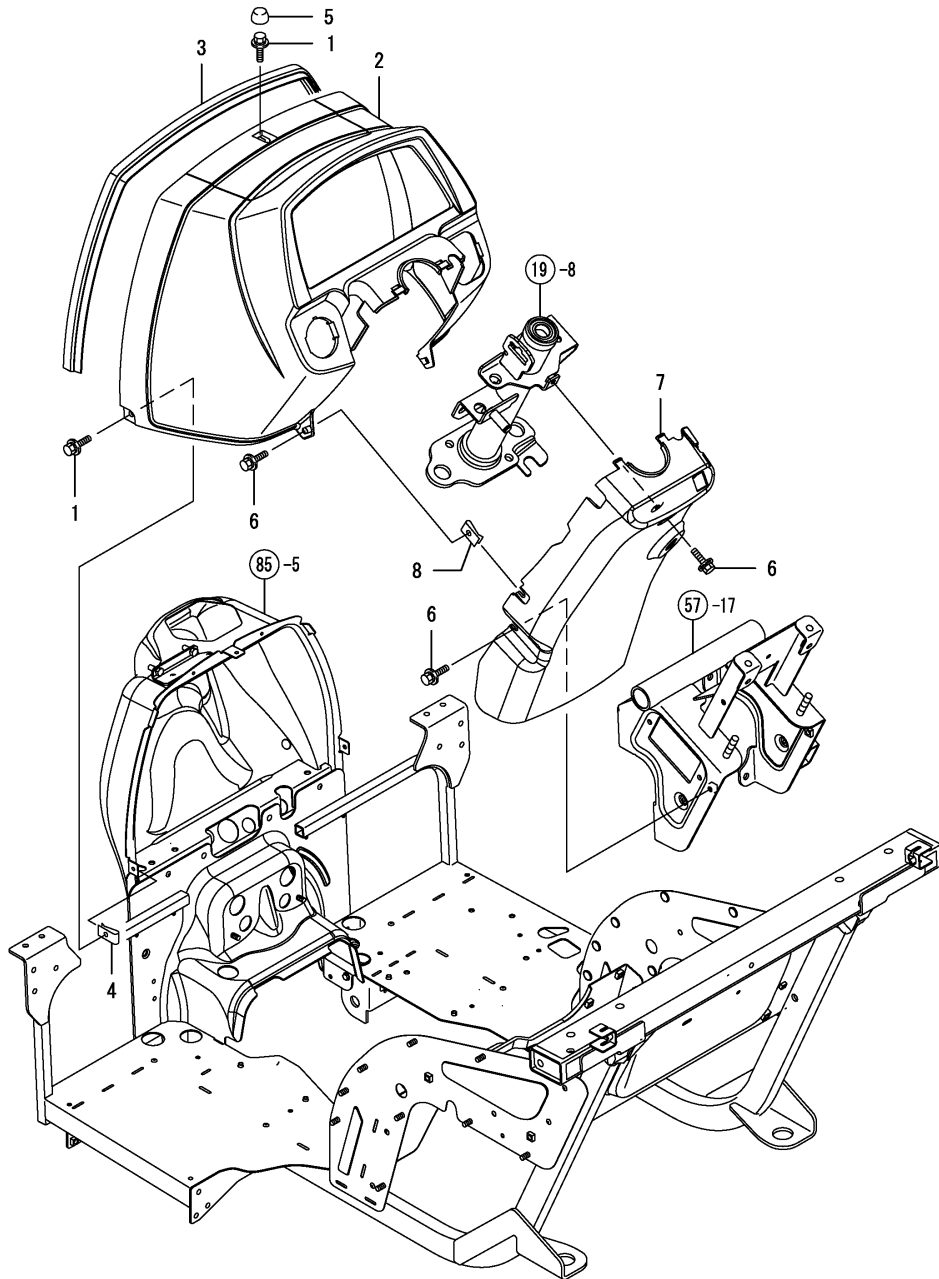
(D)=
(E)=
(F)=

No.	Lev.	Parts No.	Description	Q'ty						I	R
				(A)	(B)	(C)	(D)	(E)	(F)		
1	1	198200-01570	STAY ASSY, COVER L	1							
2	1	198200-01580	STAY ASSY, COVER R	1							
3	1	198200-01600	STAY ASSY, REAR	1							
4	1	194990-22130	NUT, M6	2							
5	1	198200-60990	PIPE, GUARD	2							
6	1	198280-61000	COVER ASSY, SIDE L M	1							
7	1	198280-61010	COVER ASSY, SIDE R M	1							
8	1	22351-080050	PIN, SPRING 8.0X50	2							
9	1	26106-060162	BOLT, M6X 16 PLATED	2							
10	1	26106-080122	BOLT, M8X 12 PLATED	2							

Fig.80. DASHBOARD

(A)=EF352-AU-PQ
(B)=
(C)=

(D)=
(E)=
(F)=



No.	Lev.	Parts No.	Description	Q'ty						I	R
				(A)	(B)	(C)	(D)	(E)	(F)		
1	1	198072-60590	BOLT, M6X20	3							
2	1	198282-61590	COVER, DASHBOARD M	1							
3	1	198200-61620	TRIM, 920	1							
3-1	1	1A8115-61620 (A=*2009.02.)	WEATHER-STRIP, 920	1							N
4	1	198071-61890	NUT, SPEED M6	3							
5	1	198200-63620	CAP, BOLT 6	1							
6	1	198461-60590	BOLT, M6X20	5							
7	1	198200-61670	COVER, COLUMN R	1							
8	1	198071-61890	NUT, SPEED M6	2							

Fig.81. CURRENT PLATE

(A)=EF352-AU-PQ
(B)=
(C)=

(D)=
(E)=
(F)=

No.	Lev.	Parts No.	Description	Q'ty						I	R
				(A)	(B)	(C)	(D)	(E)	(F)		
1	1	198280-61912	PLATE, CURRENT	1							
2	1	198208-61930	BRACKET	1							
3	1	198093-85650	BOLT, M6X16	1							
4	1	26106-080102	BOLT, M8X 10 PLATED	1							

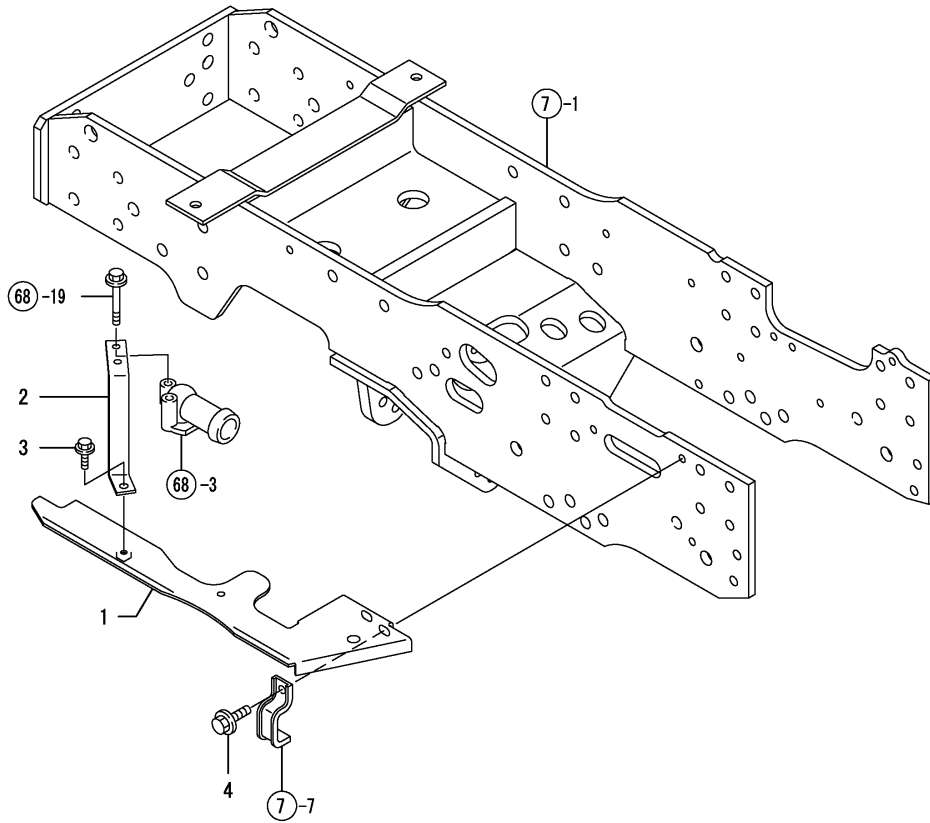
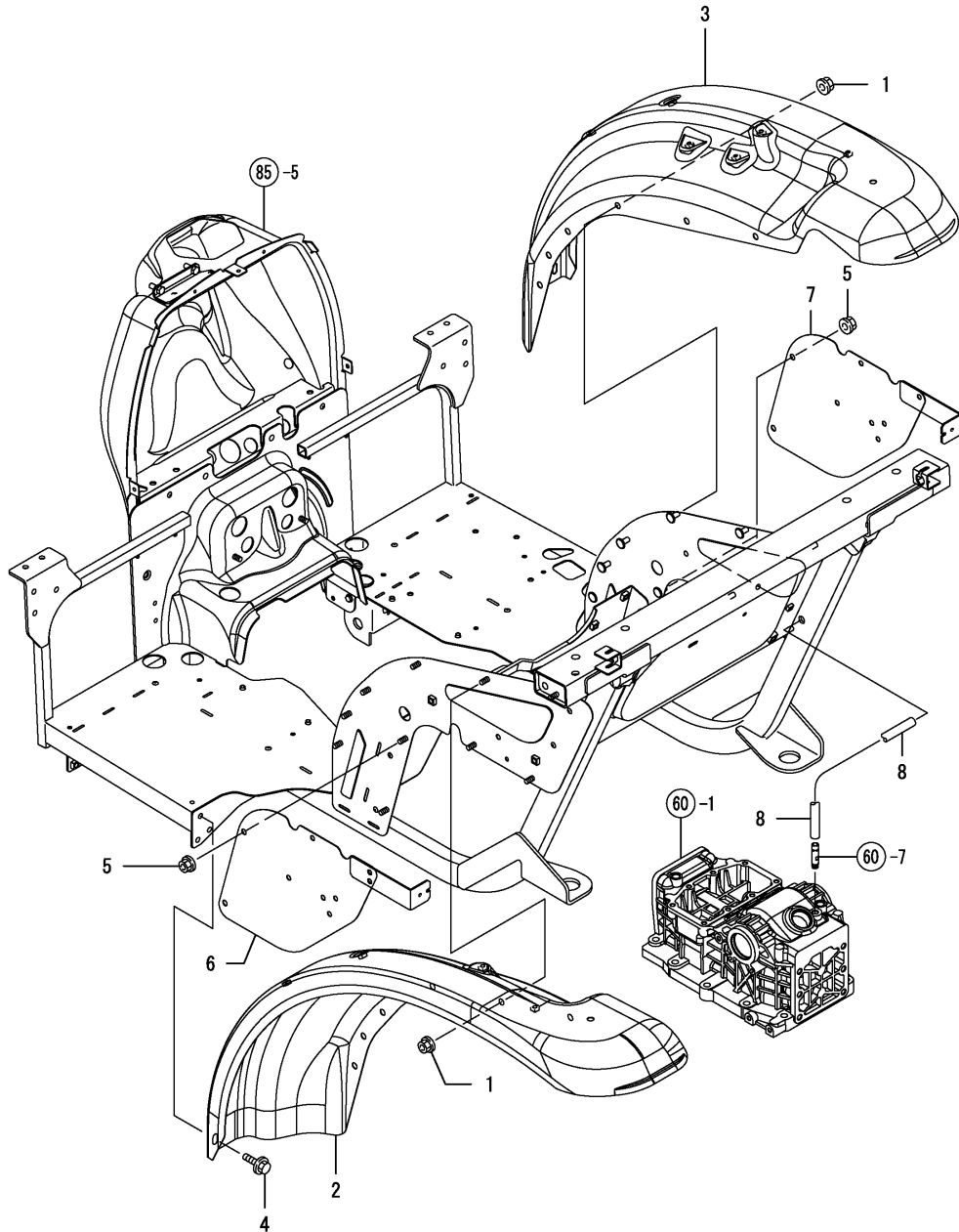


Fig.82. FENDER

(A)=EF352-AU-PQ
(B)=
(C)=

(D)=
(E)=
(F)=

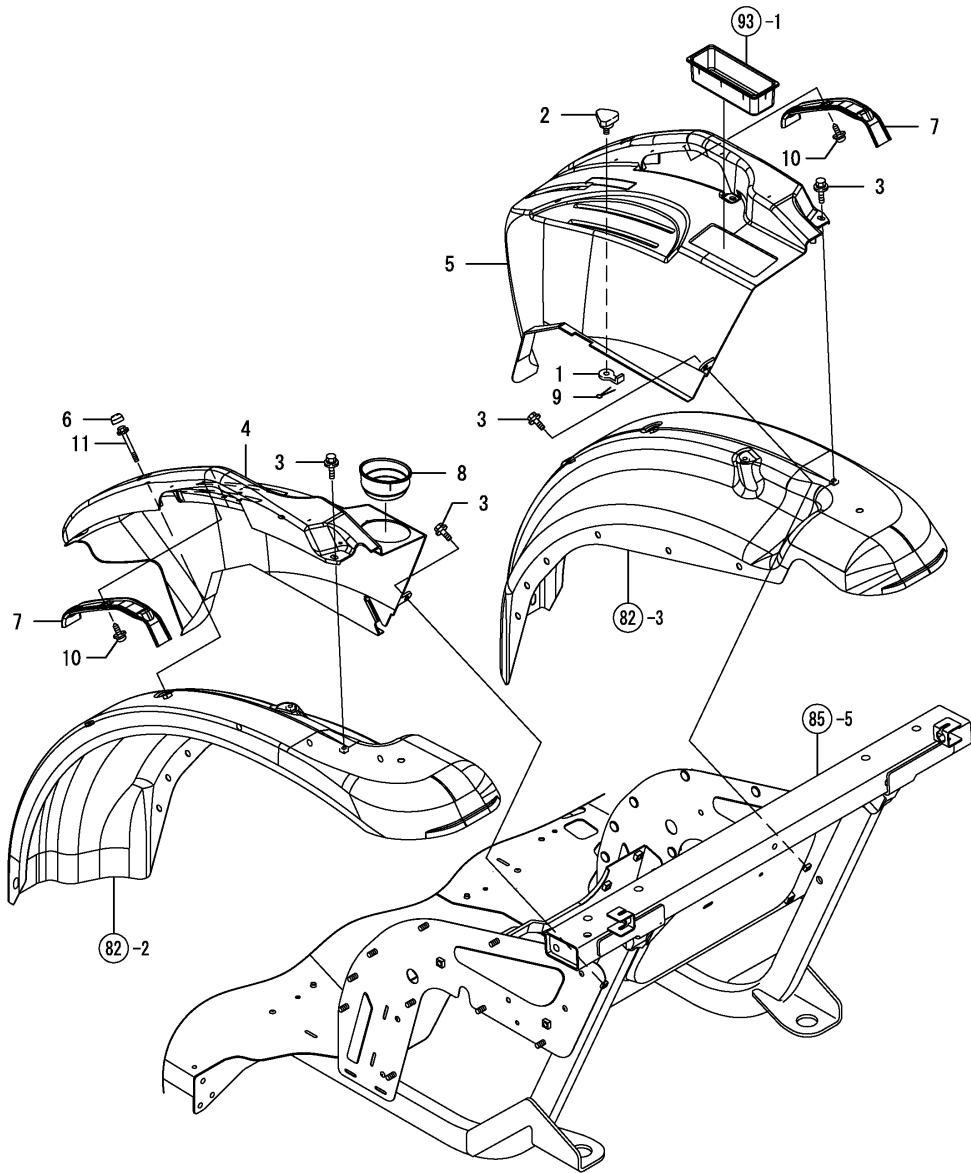


No.	Lev.	Parts No.	Description	Q'ty						I	R
				(A)	(B)	(C)	(D)	(E)	(F)		
1	1	194990-22140	NUT, M8	12							
2	1	198206-62101	FENDER ASSYL L	1							
3	1	1A8090-62110	FENDER ASSYL R	1							
4	1	26106-080162	BOLT, M8X 16 PLATED	2							
5	1	194990-22140	NUT, M8	8							
6	1	198280-62211	COVER, FENDER LOWER	1							
7	1	198280-62220	COVER, R LOWER	1							
8	1	198121-63560	PIPE, BREATHER 320	1							

Fig.83. LEVER GUIDE

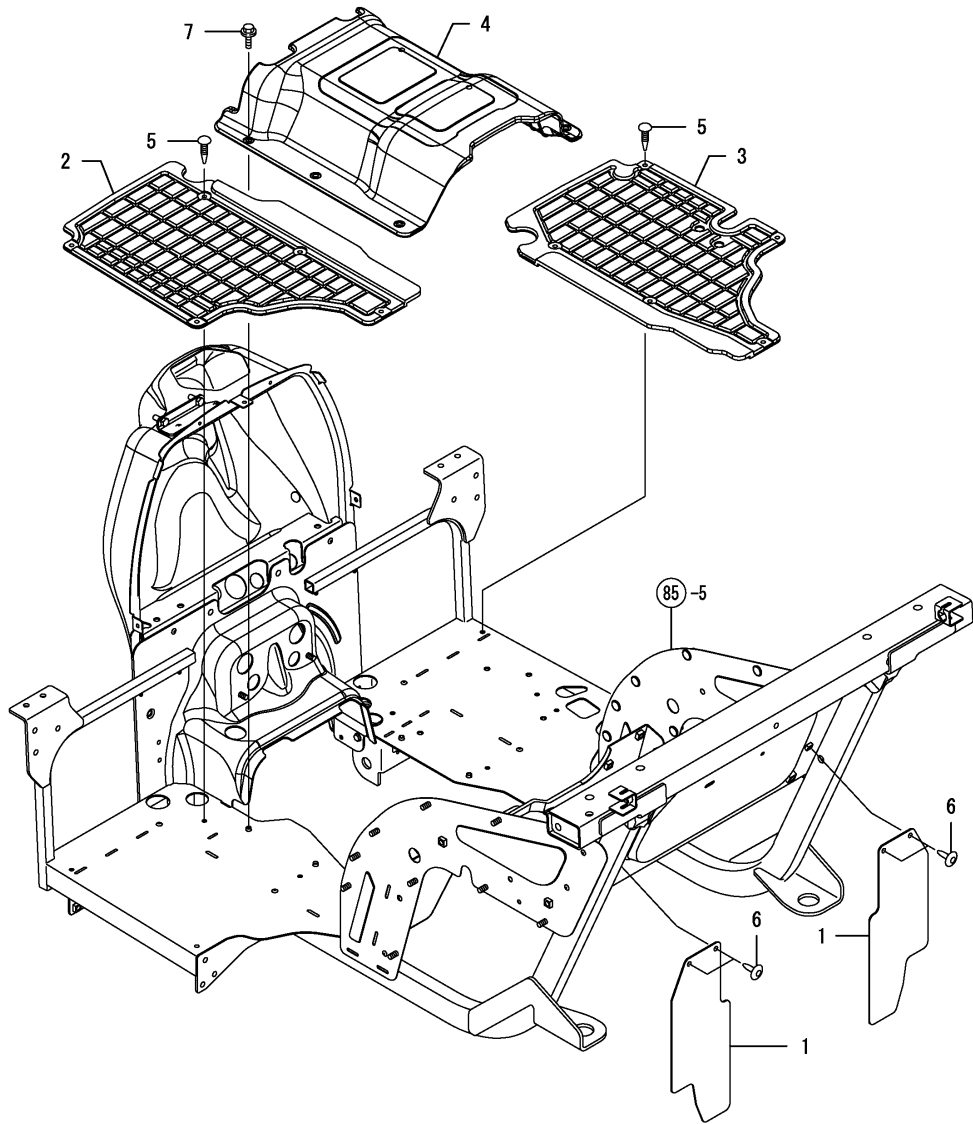
(A)=EF352-AU-PQ
(B)=
(C)=

(D)=
(E)=
(F)=



No.	Lev.	Parts No.	Description	Q'ty						I	R
				(A)	(B)	(C)	(D)	(E)	(F)		
1	1	198121-47110	STOPPER, LEVER	1							
1-1	1	198121-47111	STOPPER, LEVER	1							N
(A=FZZZZZ)											
2	1	194130-47851	BOLT, M6X15	1							
3	1	198461-60590	BOLT, M6X20	8							
4	1	198200-63500	GUIDE, LEVER L	1							
5	1	198200-63600	GUIDE, LEVER R	1							
6	1	198200-63620	CAP, BOLT 6	2							
7	1	198200-63640	COVER, GRIP	2							
8	1	198200-63660	HOLDER, CUP	1							
9	1	22417-200200	PIN, COTTER 2.0X20	1							
10	1	22857-600160	SCREW, 6X16	6							
11	1	26106-060552	BOLT, M6X 55 PLATED	2							

Fig.84. FLOOR COVER

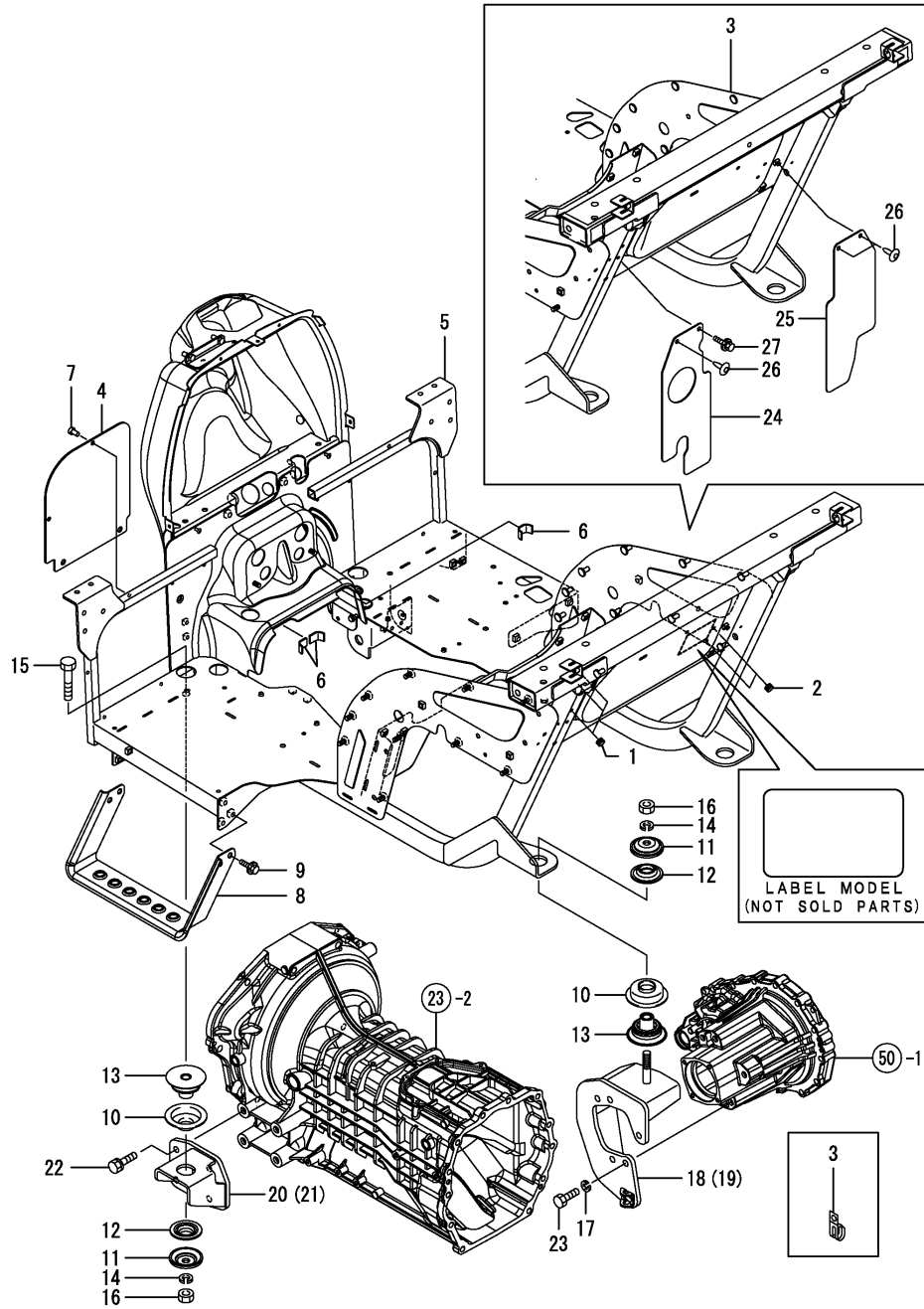


(A)=EF352-AU-PQ
(B)=
(C)=

(D)=
(E)=
(F)=

No.	Lev.	Parts No.	Description	Q'ty						I	R
				(A)	(B)	(C)	(D)	(E)	(F)		
1	1	198200-62310	COVER, DUST REAR	2							
2	1	198200-62320	MAT, FLOOR L	1							
3	1	198200-62330	MAT, FLOOR R	1							
4	1	198200-62350	COVER, FLOOR	1							
5	1	194697-62560	CAP, HOLE	10							
6	1	1E6760-74150	CAP, HOLE 8	4							
7	1	26106-060122	BOLT, M6X 12 PLATED	6							

Fig.85. FLOOR



(A)=EF352-AU-PQ
(B)=
(C)=

(D)=
(E)=
(F)=

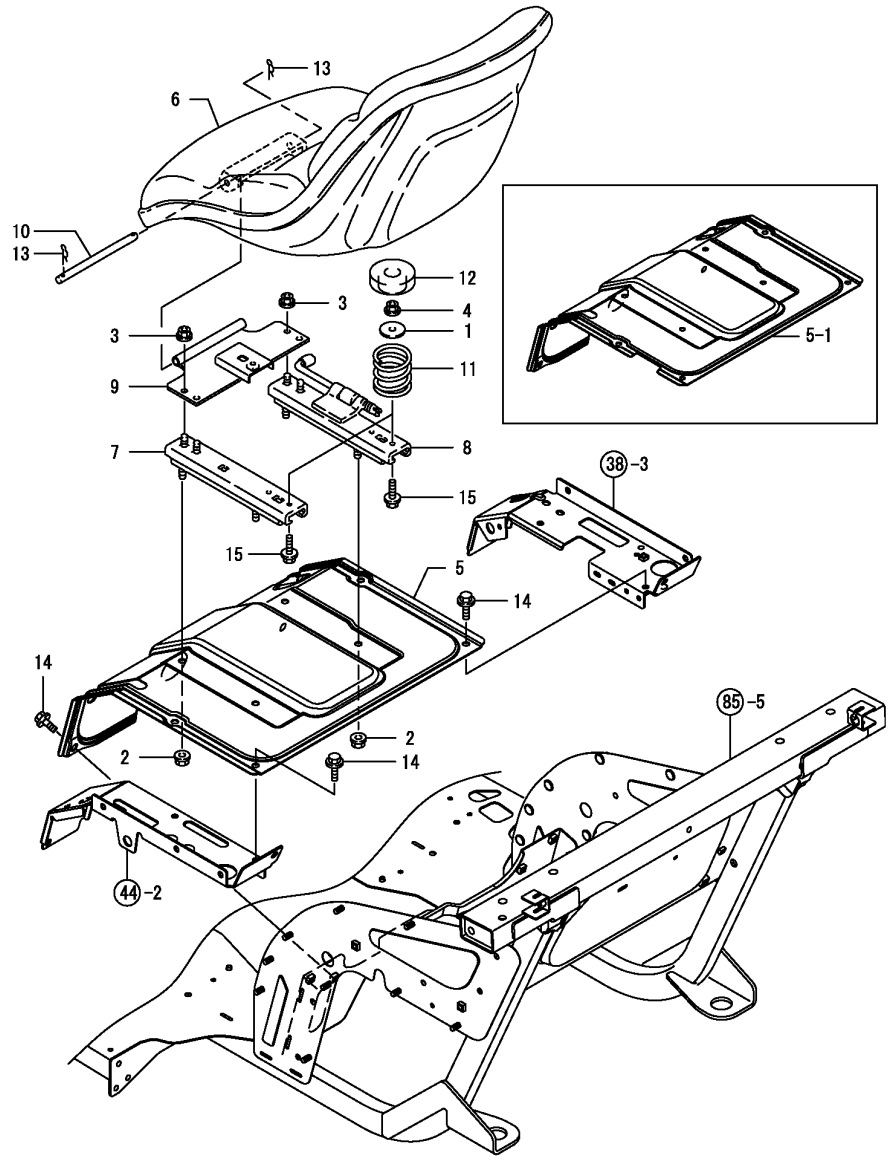
No.	Lev.	Parts No.	Description	Q'ty						I	R
				(A)	(B)	(C)	(D)	(E)	(F)		
1	1	1C6053-26020	CAP, RUBBER 8X3	2							
2	1	1C6053-26020	CAP, RUBBER 8X3	2							
3	1	194440-51620	CLAMP	6							
4	1	198200-62300	GUARD, DUST	2							
5	1	198284-62490	FLOOR ASSY, M	1							
6	1	198093-84810	SEAL, FENDER	3							
7	1	197810-84840	RIVET, NYLON	8							
8	1	198200-62560	STEP, SUB	1							
9	1	26106-080162	BOLT, M8X 16 PLATED	4							
10	1	198071-62900	STOPPER, MOUNT	4							
11	1	198200-62910	STOPPER, U	4							
12	1	198200-62970	MOUNT, UPPER	4							
13	1	198200-62990	MOUNT, LOWER	4							
14	1	22217-140000	WASHER, SPRING 14	4							
15	1	26116-140752	BOLT, M14X 75 PLATED	2							
16	1	26716-140002	NUT, M14	4							
17	1	194274-13580	WASHER, SPRING 12	10							
18	1	198200-62632	MOUNT ASSY, REAR L	1							
19	1	198280-62641	MOUNT ASSY, REAR R	1							
20	1	198280-62850	MOUNT ASSY, FRONT L	1							
21	1	198280-62860	MOUNT ASSY, FRONT R	1							
22	1	26013-120402	BOLT, M12X 40	8							
23	1	26116-120402	BOLT, M12X 40 PLATED	10							
24	1	198280-62300	COVER, DUST REAR L	1							W
		(A=FZZZZZ)									
25	1	198200-62310	COVER, DUST REAR	1							W
		(A=FZZZZZ)									
26	1	1E6760-74150	CAP, HOLE 8	3							W
		(A=FZZZZZ)									
27	1	198093-85650	BOLT, M6X16	1							W
		(A=FZZZZZ)									

Fig.86. DRIVER SEAT

(A)=EF352-AU-PQ
(B)=
(C)=

(D)=
(E)=
(F)=

No.	Lev.	Parts No.	Description	Qty						I	R
				(A)	(B)	(C)	(D)	(E)	(F)		
1	1	1C6140-12060	SPACER, 9X36X3.2	2							
1-1	1	1C6140-47210-1	WASHER, 9X32X3.2	2							N
(A=FXXXXX)											
2	1	194990-22140	NUT, M8	4							
3	1	194990-22140	NUT, M8	4							
4	1	194990-22140	NUT, M8	2							
5	1	198284-62960	COVER, DUCT B	1							
5-1	1	198284-62961	COVER, DUST B	1							N 1
(A=FZZZZZ)											
6	1	198200-63110	SEAT ASSY, OPERATOR	1							
7	1	198360-63150	RAIL, L	1							
8	1	198360-63160	RAIL, R	1							
9	1	1A7000-63210	BRACKET, SEAT	1							
10	1	194151-63222	PIN, HINGE	1							
11	1	198176-63260	SPRING	2							
12	1	198284-63270	STOPPER, SEAT	2							
13	1	22372-080000	PIN, SNAP 8	2							
14	1	26106-080122	BOLT, M8X 12 PLATED	6							
15	1	26106-080202	BOLT, M8X 20 PLATED	2							



Remarks
(1) Interchangeable by simultaneous replacement with Fig.66 Ref.3A and Ref.5A.

Fig.87. SEAT BELT

(A)=EF352-AU-PQ
(B)=
(C)=

(D)=
(E)=
(F)=

No.	Lev.	Parts No.	Description	Q'ty						I	R
				(A)	(B)	(C)	(D)	(E)	(F)		
1	1	194990-22150	NUT, M10	1							
2	1	194180-63150	BELT ASSY, SEAT	1							
3	1	26106-100202	BOLT, M10X 20 PLATED	2							

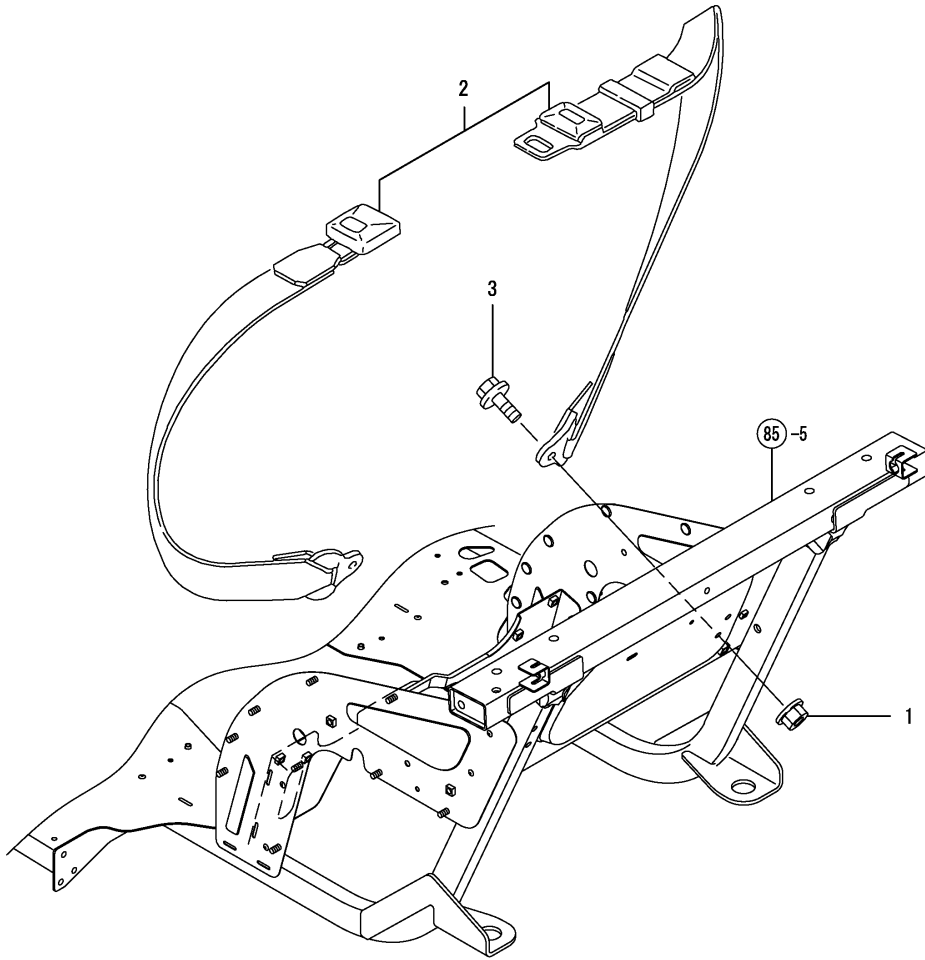
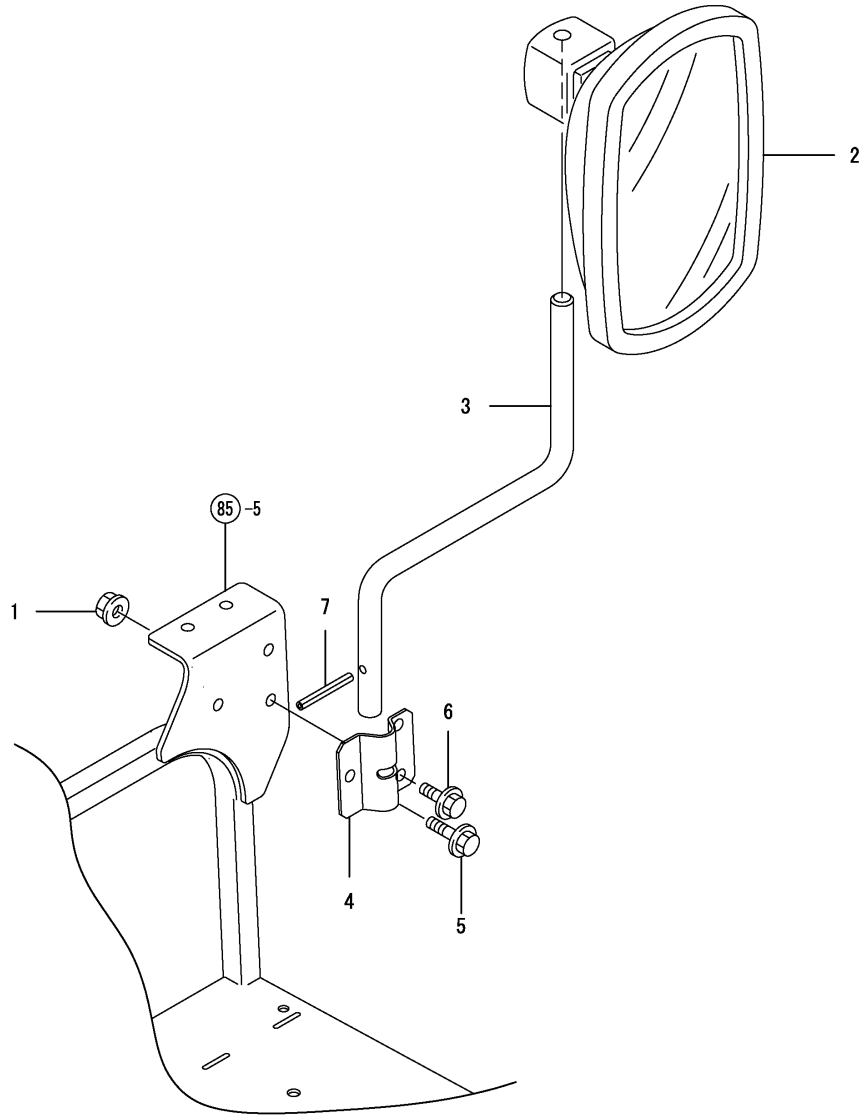


Fig.88. BACK MIRROR

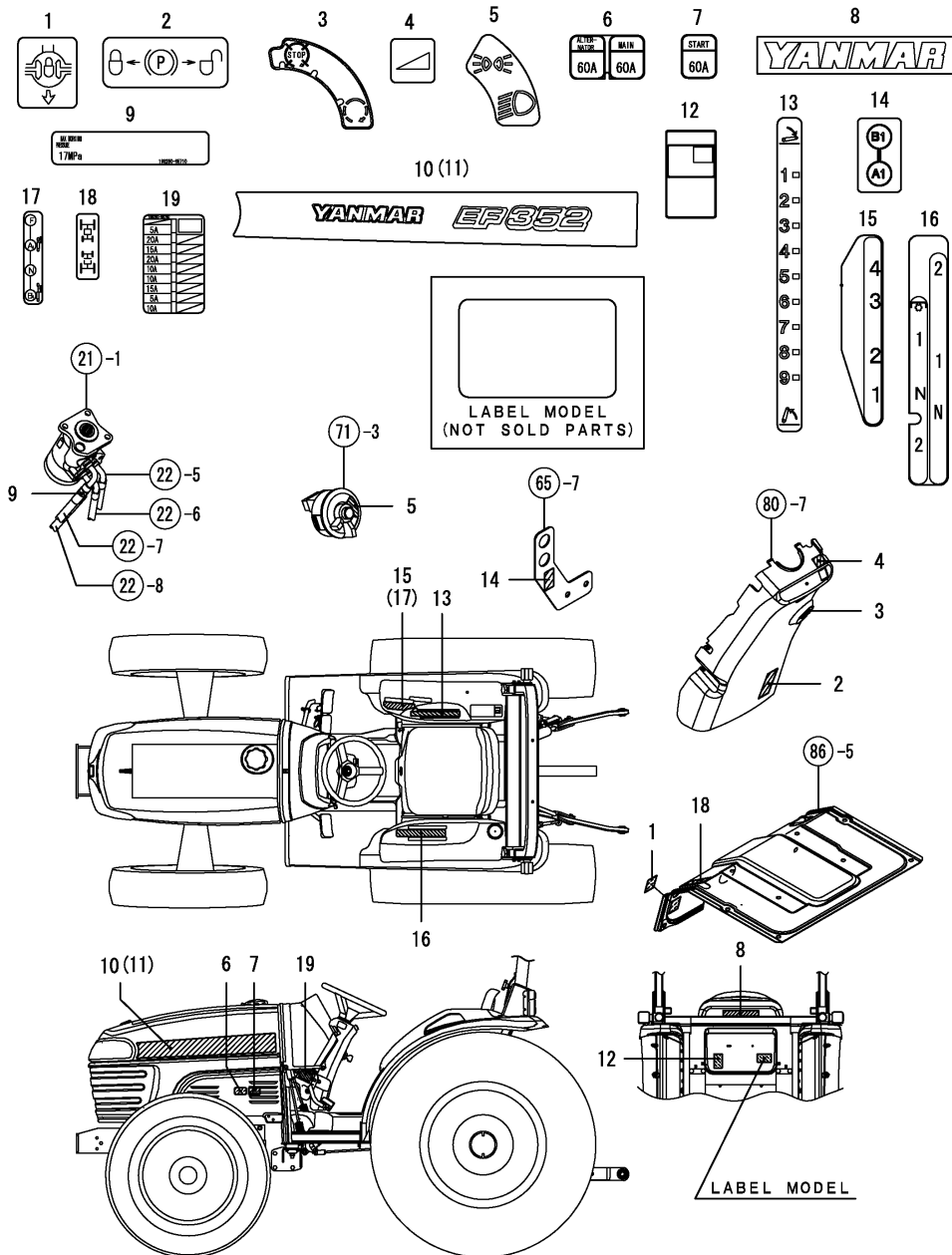


(A)=EF352-AU-PQ
(B)=
(C)=

(D)=
(E)=
(F)=

No.	Lev.	Parts No.	Description	Q'ty						I	R
				(A)	(B)	(C)	(D)	(E)	(F)		
1	1	194990-22140	NUT, M8	1							
2	1	1A7100-64110	MIRROR ASSY, BACK	1							
3	1	198280-64120	SHAFT, MIRROR	1							
4	1	198280-64150	STAY, MIRROR	1							
5	1	198093-82510	BOLT, M8X25	1							
6	1	198460-83350	BOLT, M8X16	2							
7	1	22351-060020	PIN, SPRING 6.0X20	1							

Fig.89. LABELS

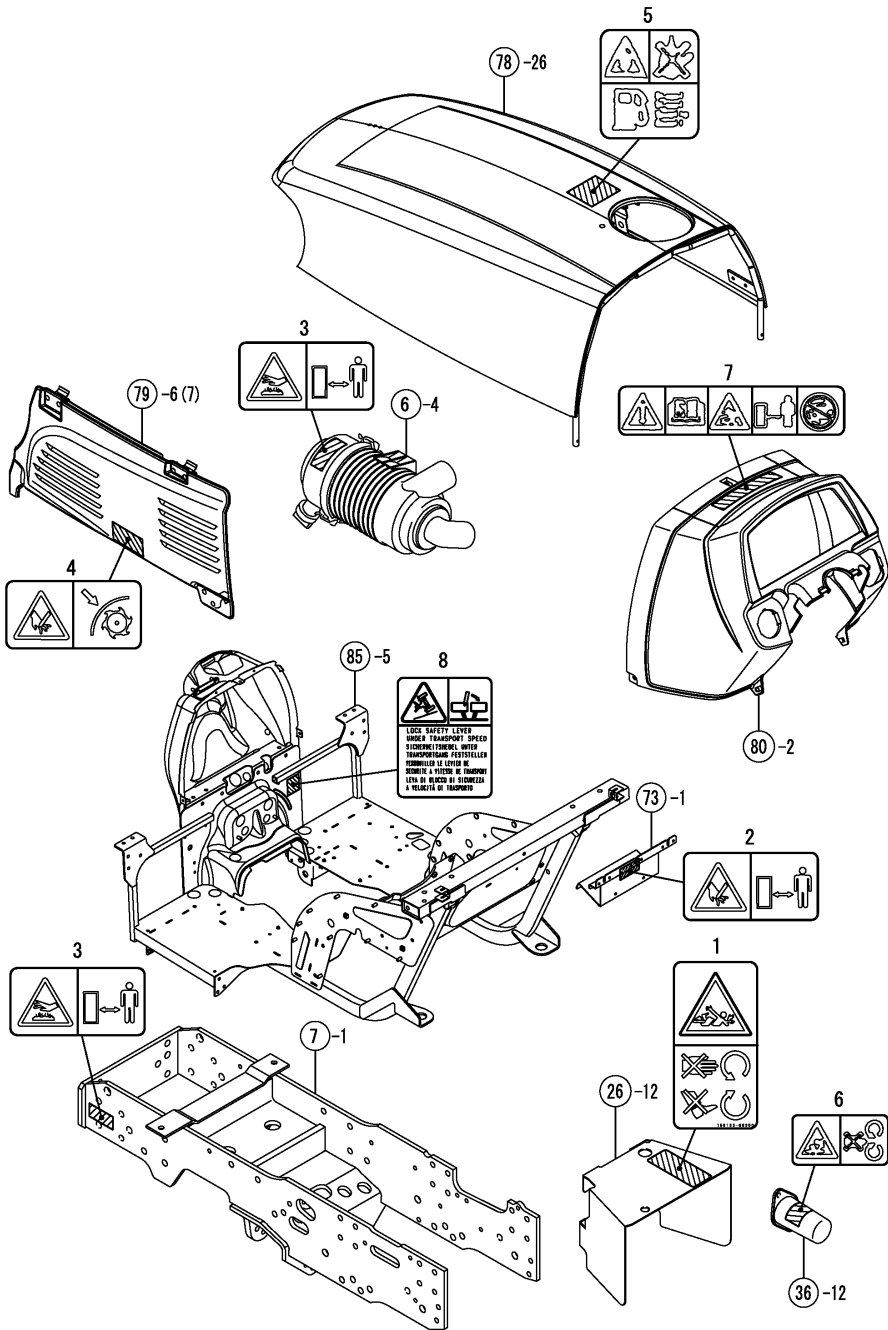


(A)=EF352-AU-PQ
(B)=
(C)=

(D)=
(E)=
(F)=

No.	Lev.	Parts No.	Description	Q'ty						I	R
				(A)	(B)	(C)	(D)	(E)	(F)		
1	1	194240-65441	LABEL, DIFF. LOCK	1							
2	1	198036-65470	LABEL, BRAKE LOCK	1							
3	1	1A6640-65510	LABEL,KEY SWITCH	1							
3-1	1	1A6640-65511	LABEL, KEY SWITCH	1							N
		(A=FZZZZZ)									
4	1	1A6640-65530	LABEL,THROTTLE	1							
5	1	198280-65580	LABEL,	1							
6	1	198280-65770	LABEL,	1							
7	1	198280-65790	LABEL,	1							
8	1	198208-65890	LABEL, ROOF	1							
9	1	198280-65710	LABEL, H.P. HOSE	4							
10	1	198284-65210	LABEL, NAME	1							
11	1	198284-65220	LABEL, NAME	1							
12	1	198280-85980	LABEL, FRAME	1							
13	1	198280-65510	LABEL, POSITION	1							
14	1	198280-65640	LABEL,SCV COUPLER	1							
15	1	198282-65650	LABEL, NAIN SHIFT	1							
16	1	198282-65671	LABEL, RANGE-PTO	1							
17	1	198282-65690	LABEL,	1							
18	1	198221-65740	LABEL, MFWD	1							
19	1	198280-65780	LABEL,	1							

Fig.90. LABEL(SAFETY

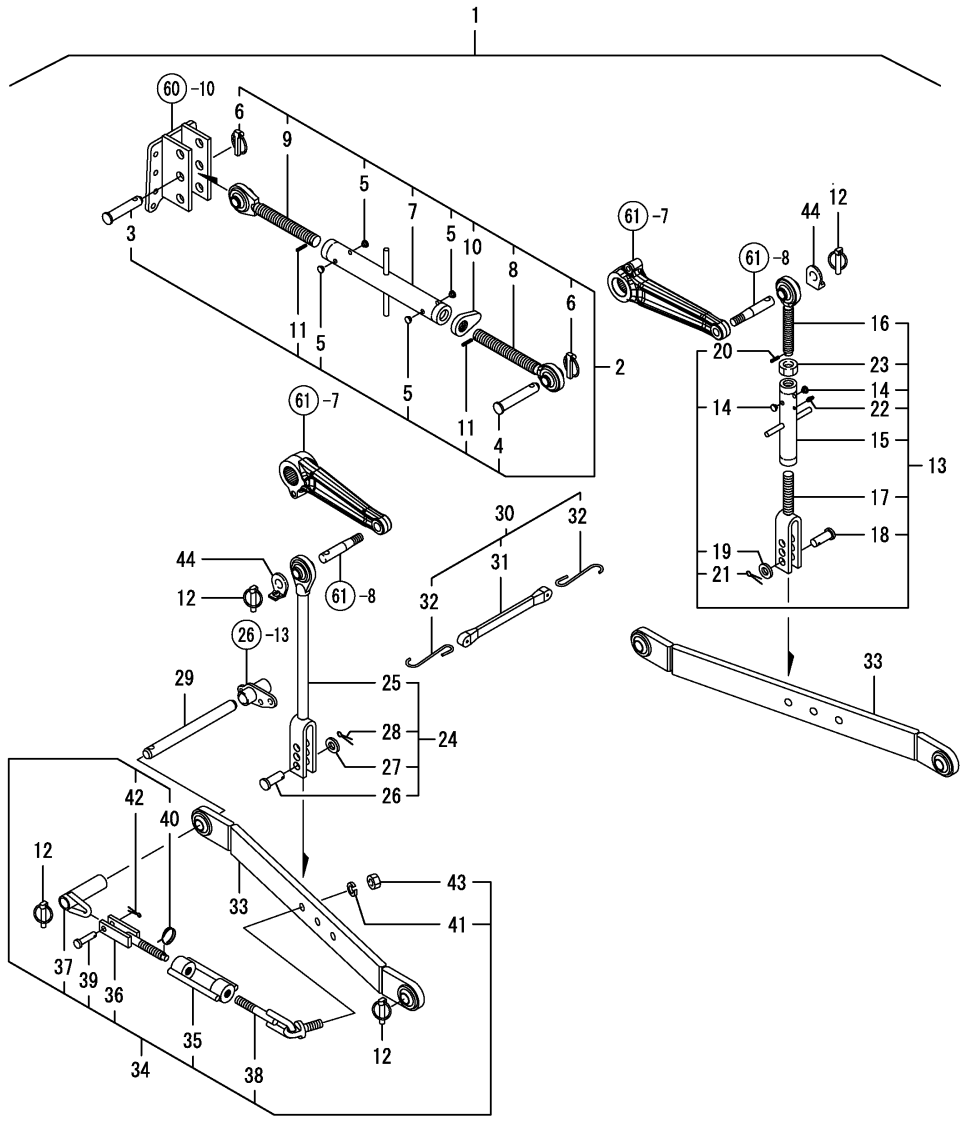


(A)=EF352-AU-PQ
(B)=
(C)=

(D)=
(E)=
(F)=

No.	Lev.	Parts No.	Description	Q'ty						I	R
				(A)	(B)	(C)	(D)	(E)	(F)		
1	1	198163-65350	DANGER,ROTAT.SHAFT	1							
2	1	198280-65610	LABEL,3P	1							
3	1	198163-65930	CAUTION,MUFFLER	2							
4	1	198163-65940	CAUTION,SAFETY COVER	2							
5	1	1A6150-91251	LABEL,RAKE CAUTION	1							
6	1	1A6150-93151	LABEL,COVER	1							
7	1	198163-65310	LABEL, SAFETY	1							
8	1	198163-65780	LABEL,BRAKE COUPLING	1							

Fig.91. THREE POINT LINK



(A)=EF352-AU-PQ

(B)=

(C)=

(D)=

(E)=

(F)=

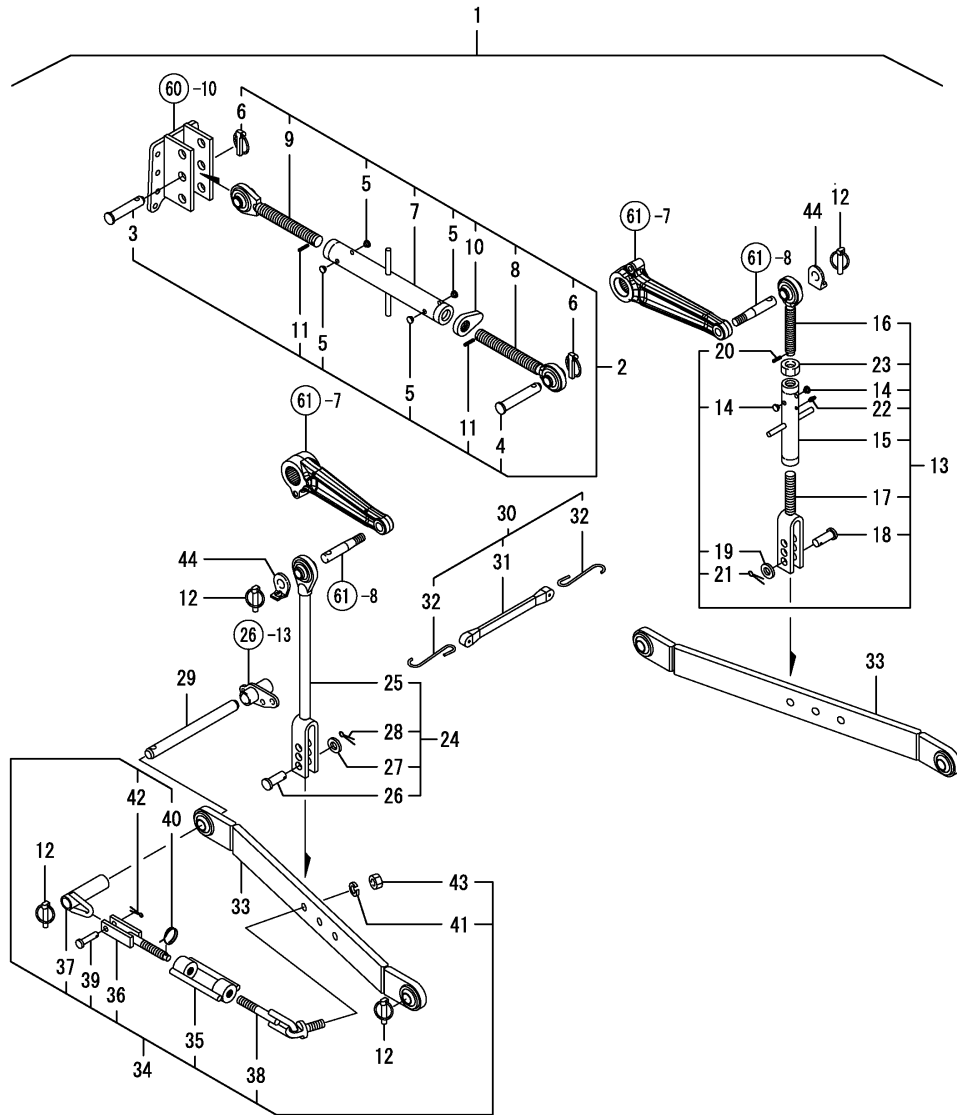
No.	Lev.	Parts No.	Description	Qty						I	R
				(A)	(B)	(C)	(D)	(E)	(F)		
1	1	198283-71002	HITCH KIT, 3 POINT	1							
1-1	1	198283-71003	HITCH KIT, 3 POINT	1							R
(A=FZZZZZ)											
2	2	198254-71100	LINK KIT, TOP	1							
3	3	1A7335-71230	PIN, LINK	1							
4	3	1A7335-71240	PIN, HITCH	1							
5	3	1A7335-71250	CAP	4							
6	3	1A7335-71410	PIN ASSY, BALL	2							
7	3	198254-71500	TURNBUCKLE ASSY	1							
8	3	198254-71600	LINK ASSY, TOP R	1							
9	3	198254-71700	LINK ASSY, TOP L	1							
10	3	1A7335-71750	NUT, LOCK M24	1							
11	3	22351-050025	PIN, SPRING 5.0X25	2							
12	2	1A7335-71410	PIN ASSY, BALL	6							
13	2	198283-72100	LINK KIT, LIFT R	1							
13-1	2	198283-72101	LINK KIT, LIFT R	1							R
(A=FZZZZZ)											
14	3	1A7335-71250	CAP	2							
15	3	198283-72150	TURNBUCKLE ASSY	1							
15-1	3	198283-72151	ADJ.TUBE ASSY	1							R
(A=FZZZZZ)											
16	3	198283-72200	BOLT, EYE	1							
16-1	3	198283-72201	EYEBOLT ASSY,	1							R
(A=FZZZZZ)											
17	3	198283-72250	YOKE ASSY, LINK R	1							
17-1	3	198283-72251	YORK ASSY, LIFT LINK	1							R
(A=FZZZZZ)											
18	3	198234-72550	PIN, 16X44	1							
19	3	22137-160000	WASHER, 16	1							
20	3	22351-050020	PIN, SPRING 5.0X20	1							
21	3	22417-320320	PIN, COTTER 3.2X32	1							
21-1	3	1A8275-72180	SNAP PIN 13-19	1							R
(A=FZZZZZ)											
22	3	24761-060000	NIPPLE, GREASE MT6X1	1							
23	3	26757-200002	NUT, LOCK M20	1							
24	2	198283-72300	LINK KIT, LIFT L	1							
24-1	2	198283-72301	LINK KIT,LIFT L.H.	1							R
(A=FZZZZZ)											
25	3	198283-72310	LINK ASSY, LIFT L	1							
25-1	3	198283-72311	LINK ASSY,LIFT L.H.	1							R
(A=FZZZZZ)											
26	3	198234-72550	PIN, 16X44	1							
27	3	22137-160000	WASHER, 16	1							
28	3	22417-320320	PIN, COTTER 3.2X32	1							
28-1	3	1A8275-72180	SNAP PIN 13-19	1							R
(A=FZZZZZ)											
29	2	1A7530-73120	PIN, HINGE	2							
30	2	198283-73310	STRAP, LINK	1							
31	3	1A7500-73320	STRAP	1							
32	3	198283-73330	HOOK, S	2							
33	2	198283-73500	LINK ASSY, LOWER	2							

N:Old \xrightarrow{Yes} New, Q:Old \xrightarrow{No} New, R:Old \xrightarrow{Yes} New, S:Old \xrightarrow{No} New, W:Add, Z:Discontinued, F:Interchangeable by set, K:Q'ty Change

++ CONTINUE ++

Copyright (C) YANMAR CO., LTD. All Rights Reserved.

Fig.91. THREE POINT LINK

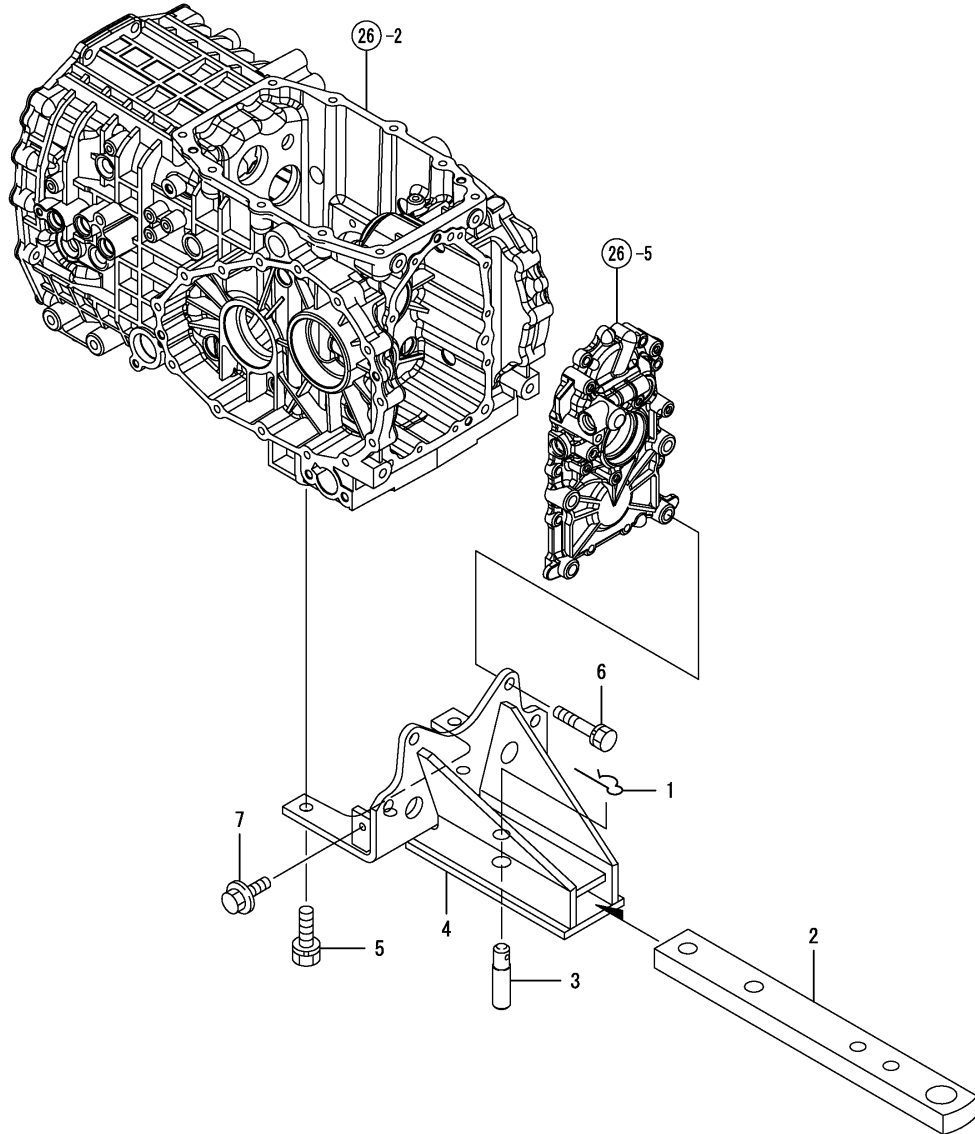


(A)=EF352-AU-PQ
(B)=
(C)=

(D)=
(E)=
(F)=

No.	Lev.	Parts No.	Description	Q'ty						I	R
				(A)	(B)	(C)	(D)	(E)	(F)		
34	2	198283-74100	CHAIN KIT, CHECK	2							
35	3	198283-74150	TURNBUCKLE, M16	2							
36	3	198283-74200	CHAIN ASSY, CHECK F	2							
37	3	198283-74250	HOOK ASSY, V	2							
38	3	198283-74300	CHAIN ASSY, CHECK R	2							
39	3	198283-74350	PIN, 11	2							
40	3	198283-74370	RING	2							
41	3	22217-160000	WASHER, SPRING 16	2							
42	3	22417-400250	PIN, COTTER 4.0X25	2							
43	3	26736-160002	NUT, M16	2							
44	1	198071-74970	COLLAR, BALL SOCKET	2							

Fig.92. DRAWBAR HITCH



(A)=EF352-AU-PQ
(B)=
(C)=

(D)=
(E)=
(F)=

No.	Lev.	Parts No.	Description	Q'ty						I	R
				(A)	(B)	(C)	(D)	(E)	(F)		
1	1	195230-17260	PIN, SNAP 22S	1							
2	1	198280-75210	DRAWBAR	1							
3	1	198253-75430	PIN, HITCH	1							
4	1	198280-75750	BRACKET, HITCH	1							
5	1	26013-120352	BOLT, M12X 35	5							
6	1	26013-120652	BOLT, M12X 65	2							
7	1	26106-100202	BOLT, M10X 20 PLATED	2							

Fig.93. COVER(LEVER GUIDE

(A)=EF352-AU-PQ
(B)=
(C)=

(D)=
(E)=
(F)=

No.	Lev.	Parts No.	Description	Q'ty						I	R
				(A)	(B)	(C)	(D)	(E)	(F)		
1	1	198200-63671	COVER, LEVER GUIDE	1							

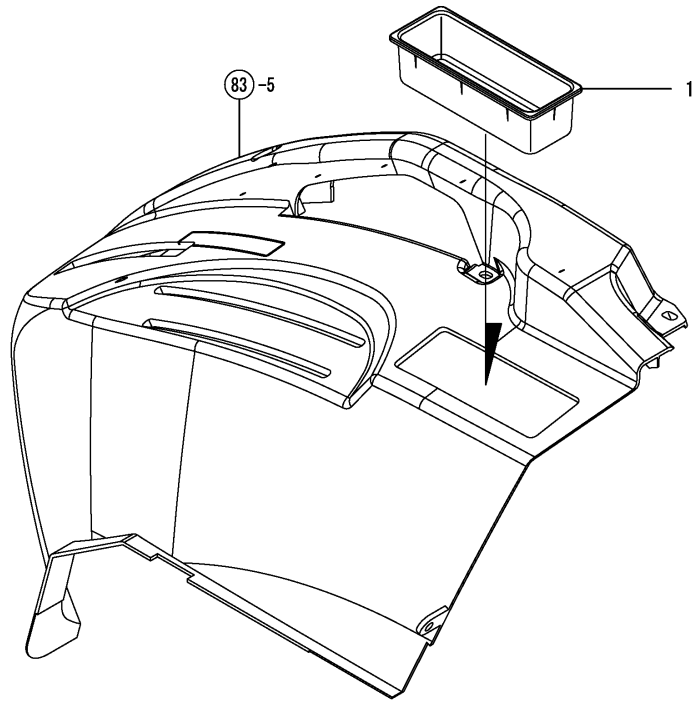
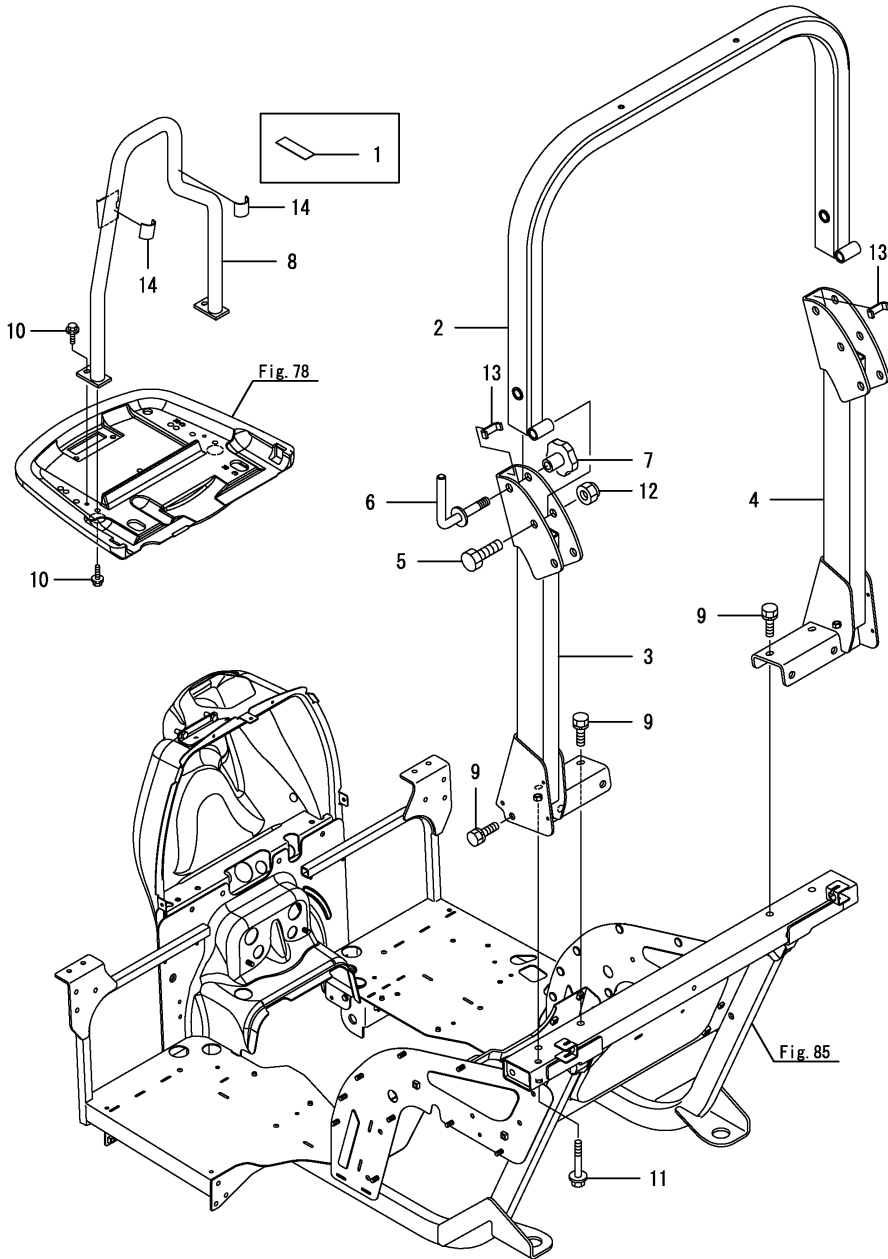


Fig.94. SAFETY FRAME



(A)=EF352-AU-PQ
(B)=
(C)=

(D)=
(E)=
(F)=

No.	Lev.	Parts No.	Description	Q'ty						I	R
				(A)	(B)	(C)	(D)	(E)	(F)		
1	1	198360-51271	RUBBER, EDGE	1							
2	1	198280-85100	FRAME ASSY, UPPER	1							
3	1	198280-85150	FRAME ASSY, LOWER L								
4	1	198280-85160	FRAME ASSY, LOWER R	1							
5	1	198200-85400	BOLT, M16X80	2							
6	1	198280-85410	HANDLE ASSY	2							
7	1	198163-85630	KNOB, M16	2							
8	1	198280-85710	FRAME ASSY, FRONT	1							
9	1	26013-120352	BOLT, M12X 35	10							
10	1	26106-080202	BOLT, M8X 20 PLATED	4							
11	1	26106-100652	BOLT, M10X 65 PLATED	2							
12	1	26356-160002	NUT, M16	2							
13	1	198162-61370	SEAL, RADIATOR E	2							W
			(A=*2008.06.)								
14	1	198093-84810	SEAL, FENDER	2							W
			(A=FXXXXX)								

Fig.95. ACCESSORIES

(A)=EF352-AU-PQ
(B)=
(C)=

(D)=
(E)=
(F)=

No.	Lev.	Parts No.	Description	Q'ty						I	R
				(A)	(B)	(C)	(D)	(E)	(F)		
1	1	0A041-G00300	OPERATION MANUAL	1							
1-1	1	0A041-G00301	OPERATION MANUAL	1							N
(A=*2008.09)											

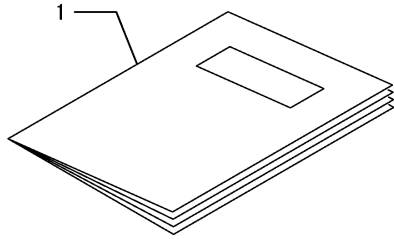


Fig.96. KARTE(CENTER PLATE)

(A)=EF352-AU-PQ
(B)=
(C)=

(D)=
(E)=
(F)=

No.	Lev.	Parts No.	Description	Q'ty						I	R
				(A)	(B)	(C)	(D)	(E)	(F)		
1	1	198283-24330	PLATE KIT, CENTER	1							
2	2	198282-24301	PLATE ASSY, CENTER	1							
3	3	198200-24311	PLATE, CENTER	1							
4	3	198282-24330	PLUG, BORE 19	1							
5	2	26106-080502	BOLT, M8X 50 PLATED	3							

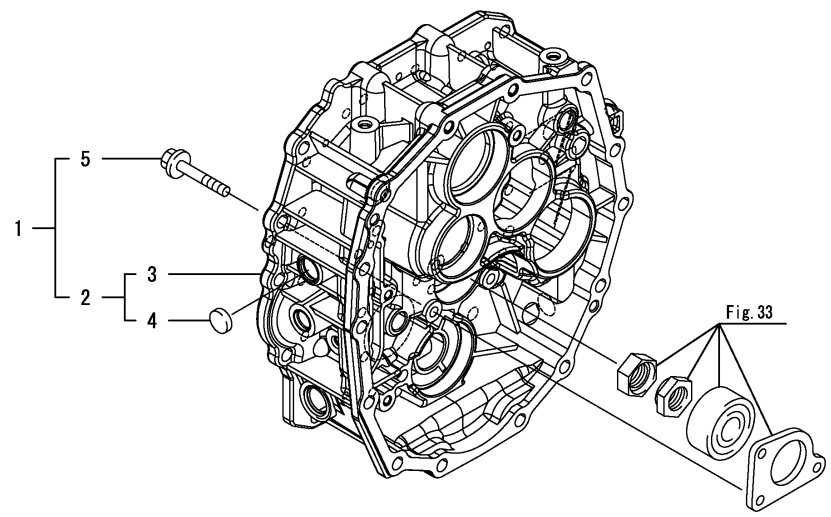


Fig.97. REAR HOUSING(REPAIR PART)

(A)=EF352-AU-PQ
(B)=
(C)=

(D)=
(E)=
(F)=

No.	Lev.	Parts No.	Description	Q'ty						I	R
				(A)	(B)	(C)	(D)	(E)	(F)		
1	1	198200-32590	HOUSING KIT, AXLE	2							
2	2	198200-32601	HOUSING ASSY, AXLE	2							
3	3	198290-32750	SEAL, OIL TC253506	2							
4	2	198200-36422	HOLDER, BEARING	2							

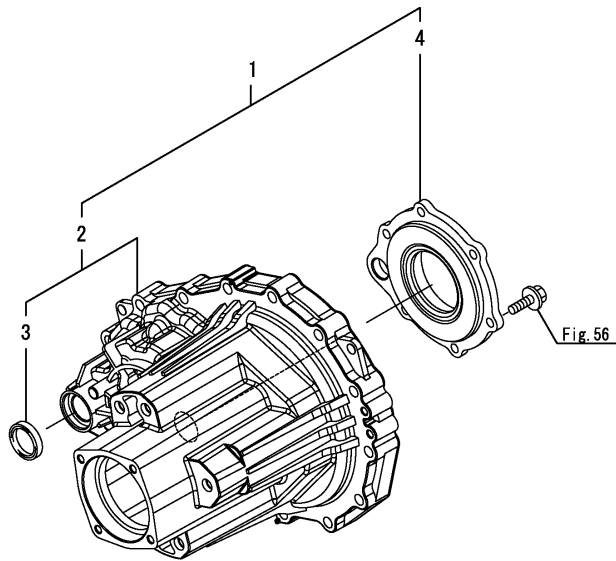
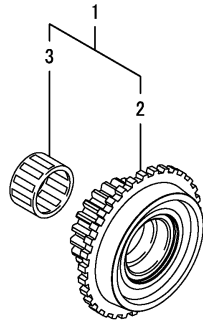


Fig.98. GEAR KIT, DRIVEN 20

(A)=EF352-AU-PQ
(B)=
(C)=

(D)=
(E)=
(F)=

No.	Lev.	Parts No.	Description	Q'ty						I	R
				(A)	(B)	(C)	(D)	(E)	(F)		
1	1	1A8070-25460	GEAR KIT, DRIVEN 20	1							
2	2	198200-25461	GEAR, DRIVEN	1							
3	2	24161-253017	BEARING, 253017	1							



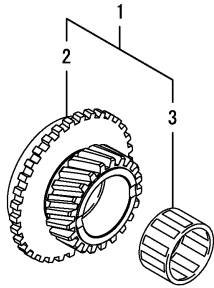
Remarks
* Refer to Fig.100 for this item by change.

Fig.99. GEAR KIT, DRIVEN 21

(A)=EF352-AU-PQ
(B)=
(C)=

(D)=
(E)=
(F)=

No.	Lev.	Parts No.	Description	Q'ty						I	R
				(A)	(B)	(C)	(D)	(E)	(F)		
1	1	1A8070-25470	GEAR KIT, DRIVEN 21	1							
2	2	198200-25471	GEAR, DRIVEN21	1							
3	2	24161-303520	BEARING, 303520	1							



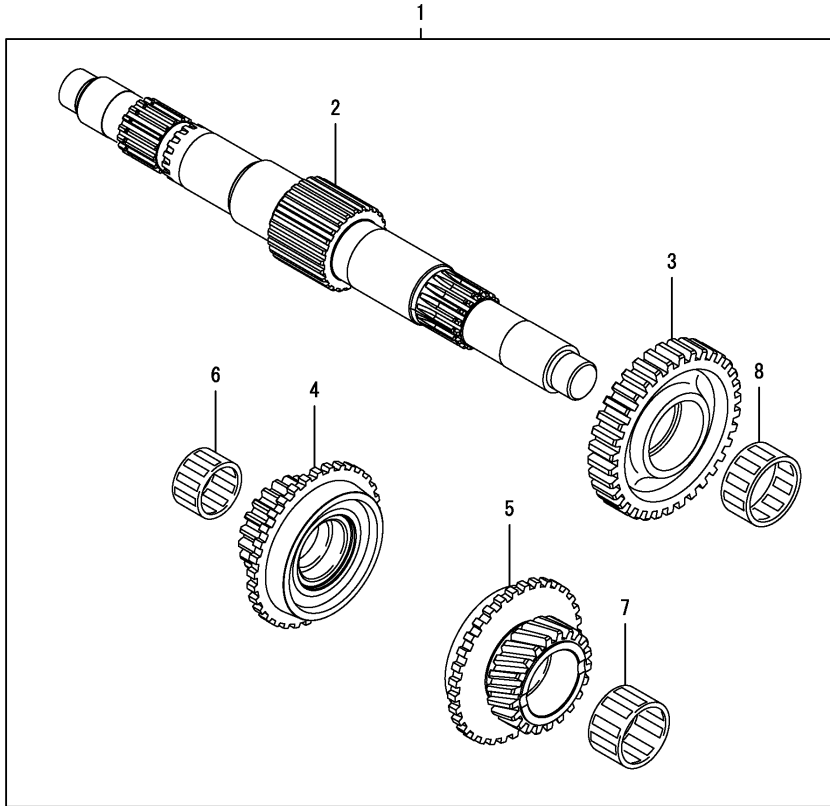
Remarks
* Refer to Fig.100 for this item by change.

Fig.100. GEAR KIT, REVERSER

(A)=EF352-AU-PQ
(B)=
(C)=

(D)=
(E)=
(F)=

No.	Lev.	Parts No.	Description	Q'ty						I	R
				(A)	(B)	(C)	(D)	(E)	(F)		
1	1	1A8070-25410	GEAR KIT, REVERSER	1							
2	2	198200-25411	SHAFT, REVERSER	1							
3	2	198200-25431	GEAR, MAIN SHIFT	1							
4	2	198200-25461	GEAR, DRIVEN	1							
5	2	198200-25471	GEAR, DRIVEN21	1							
6	2	24161-253017	BEARING, 253017	1							
7	2	24161-303520	BEARING, 303520	1							
8	2	24161-323717	BEARING, 323717	1							



Parts No. Index

Parts No.	Fig. No.	Ref. No.
0A041-G00300	95	1
0A041-G00301	95	1 -1
114270-59010	5	5 -2
119629-59910	5	6
119650-77910	1	3
119650-77930	1	5
119802-55700	5	20
119802-55710	5	22
119802-55730	5	23
119802-55810	5	26
119808-12520	6	5
119808-12540	6	9
119852-55611	5	19
119852-77910	1	6
119866-12530	6	6
121450-44531	1	18
121470-44581	1	21
124450-44560	1	19
124550-77030	69	25
124756-77040	69	26
		27
124766-59050	1	25
		26
	4	19
	5	5
		5 -1
		31
		31 -1
		31 -2
129051-12530	6	7
129052-13550	3	3
129052-77920	1	4
129055-44501	1	16
129100-55690	5	21
129150-49081	1	23
129150-49101	1	22
129259-12570	6	10
129263-44510	1	17
129418-12530	6	8
129461-59580	5	32
		32 -1
129612-12650	6	11
1682B4-01020	63	2
172010-07810	4	18
	71	1
172112-77360	63	24
172510-74410	64	20
172510-74440	64	21
172510-74450	64	22
172510-74530	63	17

Parts No.	Fig. No.	Ref. No.
174501-07060	78	2
174845-27700	45	4
175022-49730	1	24
	68	9
177432-03450	15	1
178073-01200	62	14
	63	3
178073-04310	63	5
178076-02230	62	8
178076-04610	62	9
178076-12400	62	10
178076-26100	63	6
178076-26110	63	7
178076-26120	63	8
178076-26130	63	9
178076-26140	63	10
178076-26160	63	11
178076-26170	63	12
178076-26180	63	13
178076-26190	63	14
178076-40011	62	13
178076-40030	62	15
178076-40100	62	22
178076-40110	62	23
178076-40200	62	16
178076-40250	62	24
178076-40300	62	25
178076-40400	62	26
178076-40410	62	27
178076-40501	62	28
178076-40531	62	29
178076-40600	62	30
192167-24600	27	3
192180-26380	14	3
194130-37750	57	7
194130-44480	61	8
194130-47851	83	2
194145-27450	37	6
	39	7
	41	2
	47	2
194150-21910	26	1
194150-22480	42	2
		8
		34
194150-45320	62	34
194151-36670	15	8
194151-63222	86	10
194166-14810	17	3
		7
194166-14820	17	4

Parts No.	Fig. No.	Ref. No.
194166-14820	17	8
194170-45220	62	31
194170-45230	62	32
194170-45310	62	18
194170-45321	62	35
194170-45350	62	37
194170-45360	62	38
194170-45420	62	20
194170-45430	62	39
194170-45520	62	40
194170-45530	62	41
194170-45550	62	42
194170-45710	62	45
194170-45720	62	46
194170-45730	62	47
194170-45740	62	48
194170-47440	67	11
194170-51210	5	3
	22	10
	69	11
194180-12471	20	1
194180-25550	36	2
194180-51640	60	16
	70	8
194180-61980	1	32
194180-63150	87	2
194181-11560	8	6
194197-56350	78	17
194201-11230	23	1
194240-65441	89	1
194242-51660	69	12
194250-47490	42	5
		11
194250-51420	69	22
194274-13580	56	1
	85	17
194275-45340	62	36
194279-14220	54	10
	55	5
194300-22260	57	4
194300-31550	11	4
194300-31560	11	5
194300-31610	11	6
194300-31620	11	7
194300-33200	51	4
194310-46350	62	49
194310-46380	62	50
194312-27770	57	39
194312-27780	57	9
	58	3

Parts No.	Fig. No.	Ref. No.
194312-46630	62	53
194321-17870	65	1
194327-45630	63	15
194327-45640	62	43
194327-45650	62	44
	63	16
194330-62530	57	45
194370-26350	36	8
194420-33150	51	2
194420-61640	78	31
		32
194421-13640	11	10
194440-32580	53	1
194440-51620	5	4
	70	3
	85	3
194440-51630	2	2
	70	4
194447-13860	46	1
194515-25180	31	2
194515-31610	49	4
194515-31850	49	7
194525-31520	49	3
194555-26520	24	7
194555-42280	60	7
194555-47340	67	6
194555-47350	67	8
194555-65130	78	35
194555-77120	62	21
194556-13790	16	1
194556-42220	62	17
194630-43230	62	5
194640-25390	35	2
194640-26440	10	4
	32	4
194640-46410	62	51
194640-46420	62	52
194641-11630	8	7
194680-22280	23	3
194680-22290	23	4
194680-25940	36	4
194680-27540	43	1
194697-62560	84	5
194730-57220	9	4
		10
194740-00160	19	5
194765-46980	62	75
194800-22480	25	6
194800-25250	31	3
194820-27370	42	15

Parts No. Index

Parts No.	Fig. No.	Ref. No.
194850-32340	49	14
194850-42180	62	1
194850-42190	62	2
194850-42500	60	8
194850-49290	62	55
	65	8
194881-12650	17	9
	18	4
	54	9
	55	4
194940-47210	67	2
194940-47220	67	4
194940-47341	66	7
194940-52110	71	13
194940-61790	74	6
194940-65590	78	38
194990-20170	42	14
194990-22050	67	1
194990-22120	72	1
		18
194990-22130	2	12
	69	16
	70	1
	72	2
	78	3
	79	4
194990-22140	3	4
	19	29
	57	1
		20
	69	17
	72	3
	78	4
		5
		54
		55
	82	1
		5
	86	2
		3
		4
	88	1
194990-22150	87	1
194990-22831	9	3
194990-22841	9	9
195230-17260	92	1
197810-84840	85	7
198010-41211	68	1
198031-14700	17	1
198031-14710	17	2

Parts No.	Fig. No.	Ref. No.
198031-14710	17	6
198031-14800	17	5
198031-34910	54	3
		7
198031-34920	54	4
		8
198036-65470	89	2
198071-01160	2	7
198071-01390	2	10
198071-13760	15	3
198071-14650	12	5
198071-22310	25	1
198071-22311	25	1 -1
198071-22320	25	2
198071-24350	26	6
198071-37510	57	16
		24
		32
198071-43320	61	2
198071-43330	61	3
198071-58810	2	3
198071-61890	78	72
	80	4
		8
198071-62900	85	10
198071-65610	78	39
198071-74970	91	44
198072-17550	21	1 A
198072-27650	41	8
198072-27880	67	29
198072-48340	68	5
198072-60590	80	1
198082-17880	5	2
198093-82510	78	40
	88	5
198093-84810	7	11
	19	30
		31
	85	6
	94	14
198093-85650	58	14
	73	2
	81	3
	85	27
198119-27150	37	3
	39	1
	41	1
	47	1
198119-27570	41	4
198119-48310	68	24

Parts No.	Fig. No.	Ref. No.
198121-25800	31	13
198121-25820	31	14
198121-25830	31	15
198121-25840	31	16
198121-25850	31	17
198121-25870	31	18
198121-28160	42	4
198121-28380	43	7
198121-47110	83	1
198121-47111	83	1 -1
198121-63560	82	8
198127-12310	9	1
198133-15700	19	35
198133-15740	19	36
198133-15780	19	37
198133-22510	57	14
		21
		28
198133-22530	57	15
		22
		29
198133-51350	70	13
198133-61950	78	33
198149-25890	36	3
198162-61370	94	13
198163-65310	90	7
198163-65350	90	1
198163-65780	90	8
198163-65930	90	3
198163-65940	90	4
198163-85630	94	7
198165-46130	64	2
198165-46140	64	3
198165-46150	64	4
198165-46200	64	7
198165-46210	64	8
198165-46220	64	9
198165-46310	64	10
198165-46320	64	11
198165-46330	64	12
198165-46340	64	13
198165-46350	64	14
198165-46360	64	15
198165-46370	64	16
198165-46410	64	17
198165-46420	64	18
198165-46450	64	19
198165-48560	62	54
198172-11640	8	2
198172-25630	34	2

Parts No.	Fig. No.	Ref. No.
198172-25640	34	3
198176-63260	86	11
198196-34140	53	3
198200-00610	1	8
198200-01110	19	6
198200-01150	2	1
198200-01170	19	1
198200-01210	2	8
198200-01260	19	7
198200-01300	2	9
198200-01440	1	10
198200-01570	79	1
198200-01580	79	2
198200-01600	79	3
198200-04020	4	1
198200-04030	4	2
198200-04040	4	3
198200-04061	4	4
198200-04070	4	5
198200-04080	4	6
198200-04090	4	7
198200-04101	4	8
198200-04120	4	13
198200-04130	4	14
198200-04210	4	15
198200-04260	4	16
198200-04270	4	17
198200-06150	6	2
198200-11250	5	17
198200-11351	1	15
198200-13060	8	5
198200-13061	8	5 -1
198200-13170	10	1
198200-13200	11	1
198200-13210	11	2
198200-13220	11	3
198200-13250	11	9
198200-13280	12	1
198200-13320	8	10
198200-13350	8	12
198200-13520	13	2
198200-13611	14	1
198200-13780	15	4
198200-13791	15	5
198200-13810	15	19
198200-13821	15	20
198200-13830	15	21
198200-14110	16	2
198200-14120	16	3
198200-14130	16	4

Parts No. Index

Parts No.	Fig. No.	Ref. No.
198200-14210	16	5
198200-14670	12	6
198200-14741	18	2
198200-14910	12	7
198200-15091	19	4
198200-15101	19	8
198200-15180	19	9
198200-15250	19	28
198200-17010	20	2
198200-17050	20	3
198200-17070	20	5
198200-17140	20	10
198200-17150	20	11
198200-17160	20	12
198200-17170	20	13
198200-17240	20	14
198200-17250	20	19
198200-17500	21	1
198200-17750	22	4
198200-17830	22	7
198200-17840	22	8
198200-17910	22	9
198200-17950	7	7
198200-18350	45	2
198200-21100	23	2
198200-21140	23	5
198200-22111	24	5
198200-22330	25	3
198200-22380	57	11
198200-22400	57	12
198200-22460	58	1
198200-22470	58	2
198200-22510	57	2
198200-22531	24	6
198200-22650	57	3
198200-22690	57	5
198200-24120	26	4
198200-24170	26	8
198200-24190	26	10
198200-24311	96	3
198200-24320	28	1
198200-24410	28	2
198200-24420	28	3
198200-25120	30	1
198200-25150	31	1
198200-25210	30	2
198200-25410	31	4
198200-25411	31	4 -1
	100	2
198200-25420	31	5

Parts No.	Fig. No.	Ref. No.
198200-25430	31	6
198200-25431	31	6 -1
	100	3
198200-25440	31	7
198200-25450	31	8
198200-25460	31	9
198200-25461	31	9 -1
	98	2
	100	4
198200-25470	31	10
198200-25471	31	10 -1
	99	2
	100	5
198200-25480	31	11
198200-25490	31	12
	33	1
	34	1
	36	1
198200-25510	32	1
198200-25520	33	2
198200-25530	33	3
198200-25550	33	5
198200-25560	33	6
198200-25590	33	7
198200-25650	32	2
198200-25660	32	3
198200-25910	34	4
198200-25930	34	5
198200-27000	19	10
198200-27030	19	11
198200-27090	19	12
198200-27110	37	1
198200-27141	37	2
198200-27170	37	4
198200-27180	37	5
198200-27240	19	13
198200-27250	19	14
198200-27310	39	2
198200-27340	39	3
198200-27360	39	4
198200-27370	39	5
198200-27380	39	6
198200-27400	19	16
198200-27460	19	17
198200-27530	40	1
198200-27641	44	2
198200-27730	47	3
198200-27740	37	7
198200-27810	45	5
198200-27811	45	5 -1

Parts No.	Fig. No.	Ref. No.
198200-27910	45	6
198200-27911	45	6 -1
198200-28051	42	13
198200-28061	42	16
198200-28080	42	17
198200-28101	38	1
198200-28251	33	8 -1
198200-28650	38	5
198200-28660	44	7
198200-31400	49	1
198200-31401	49	1 -1
198200-31402	49	1 -2
198200-31510	49	2
198200-31810	49	5
198200-31820	49	6
198200-32110	49	8
198200-32320	49	13
198200-32590	97	1
198200-32600-1	50	1
198200-32601	50	1 -1
	97	2
198200-32630	50	3
198200-32660	50	4
198200-32731	50	6
198200-33111	51	1
198200-33150	51	3
198200-33250-1	51	10
198200-33410	52	1
198200-33420	52	2
198200-33511	52	4
198200-34130	54	11
	55	6
198200-34190	54	12
	55	7
198200-34650	54	2
	6	
198200-34741	55	2
198200-36310	56	2
198200-36341	56	3
198200-36350	56	4
198200-36380	56	5
198200-36390	56	6
198200-36410	56	7
198200-36421	56	8
198200-36422	56	8 -1
	97	4
198200-37240	57	23
198200-37270	57	17
198200-37290	57	19
198200-37370	58	4

Parts No.	Fig. No.	Ref. No.
198200-37460	58	5
198200-37610	57	37
198200-37640	59	1
198200-37650	59	2
198200-37660	57	41
198200-37700	58	6
198200-37710	58	8
198200-37740	58	10
198200-37840	58	11
198200-42101	60	1
198200-42130	60	2
198200-42140	60	3
198200-42150	60	4
198200-42180	60	5
198200-42190	60	6
198200-42710	60	9
198200-43110	62	3
198200-43211	62	4
198200-43250	62	6
198200-43310	61	1
198200-43410	61	4
198200-44110	61	5
198200-44210	61	6
198200-44420	61	7
198200-45102	62	7
198200-45150	62	74
198200-45510	63	4
198200-47110	67	30
198200-47411	67	9
198200-47460	67	12
198200-47510	67	14
198200-47540	67	15
198200-47650	67	16
198200-47810	67	31
198200-48140	62	76
198200-48350	68	25
198200-48810	68	7
198200-51100	69	18
198200-52140	71	3
198200-52520	69	9
198200-53210	78	13
198200-53230	78	15
198200-56050	74	3
198200-56060	74	5
198200-56600	4	10
198200-56630	4	11
198200-60910	78	21
198200-60990	79	5
198200-61153	78	23
198200-61163	78	24

Parts No. Index

Parts No.	Fig. No.	Ref. No.
198200-61251	78	56
198200-61320	78	57
198200-61340	78	27
198200-61400	78	65
198200-61410	78	28
198200-61420	78	29
198200-61430	78	30
198200-61490	78	58
198200-61530	78	60
198200-61550	78	66
198200-61580	78	61
198200-61620	80	3
198200-61670	80	7
198200-61950	1	31
198200-61980	1	33
198200-62300	85	4
198200-62310	84	1
	85	25
198200-62320	84	2
198200-62330	84	3
198200-62350	84	4
198200-62560	85	8
198200-62632	85	18
198200-62910	85	11
198200-62970	85	12
198200-62990	85	13
198200-63110	86	6
198200-63500	83	4
198200-63600	83	5
198200-63620	80	5
	83	6
198200-63640	83	7
198200-63660	83	8
198200-63671	93	1
198200-65010	78	34
198200-85400	94	5
198206-21220	23	8
198206-21230	23	9
198206-60710	1	27
198206-60720	1	27 -1
198206-60760	1	28
198206-60950	1	29
198206-62101	82	2
198208-01410	1	9
198208-01451	1	11
198208-01480	1	13
198208-01510	1	14
198208-03112	3	1
198208-06010	6	1
198208-11210	7	2

Parts No.	Fig. No.	Ref. No.
198208-11220	7	4
198208-11310	7	6
	8	16
198208-13510	13	1
198208-13530	13	3
198208-13720	15	2
198208-17210	14	2
198208-48110	68	2
198208-48111	68	2 -1
198208-48160	68	4
198208-61930	81	2
198208-65250	78	36
198208-65260	78	37
198208-65890	89	8
198212-25150	35	1
198220-37900	57	43
	58	12
198220-48140	68	3
198220-51570	78	60 -1
198220-51870	69	23
		24
	70	5
198220-52180	1	1
198221-28450	38	4
198221-65740	89	18
198223-46250	65	3
198223-46280	65	4
198223-52150	71	4
198230-61960	78	62
198234-72550	91	18
		26
198240-12590	9	6
		12
198240-18120	9	2
198240-18130	9	8
198240-48850	68	8
198245-51210	5	3 -1
	22	11
198253-01190	45	1
198253-75430	92	3
198254-71100	91	2
198254-71500	91	7
198254-71600	91	8
198254-71700	91	9
198255-24460	26	11
198265-48200	63	28
198269-52190	71	18
		19
198273-28520	45	7
		8

Parts No.	Fig. No.	Ref. No.
198273-28521	45	7 -1
		8 -1
198280-01470	1	12
198280-04450	22	1
198280-05510	3	2
198280-06450	6	12
198280-11370	5	18
198280-13310	12	2
198280-14630	12	4
198280-14740	18	1
198280-14760	18	3
198280-17810	22	5
198280-17820	22	6
198280-21170	23	7
198280-24152	26	5
198280-24180	26	9
198280-26902	26	12
198280-27650	42	1
198280-27660	42	3
198280-27711	43	2
198280-27771	43	4
198280-27790	43	6
198280-28000	42	10
198280-33210	51	5
198280-34510	54	1
198280-34610	54	5
198280-34720	55	1
198280-34760	55	3
198280-42810	60	10
198280-46110	64	1
198280-46750	65	7
198280-46810	66	1
198280-46870	66	2
198280-46990	66	6
198280-47210	67	3
198280-47310	67	5
198280-47430	67	10
198280-47500	67	13
198280-47710	67	3 -1
198280-48500	63	1
198280-51170	69	1
198280-51182	70	11
198280-51191	70	12
198280-51200	69	10
198280-51410	69	20
198280-51540	69	31
198280-51900	69	31 -1
198280-52090	71	21
198280-52091	71	21 -1
198280-52450	71	6

Parts No.	Fig. No.	Ref. No.
198280-52460	71	7
198280-53150	78	9
198280-53170	78	10
198280-53180	78	11
198280-53190	78	12
198280-53210	78	14
198280-53211	78	14 -1
198280-53300	72	5
198280-53330	72	7
198280-53350	72	8
198280-53360	72	9
198280-53400	72	10
198280-53510	72	13
198280-53520	72	14
198280-53700	73	1
198280-56012	74	1
198280-56013	74	1 -1
198280-61000	79	6
198280-61010	79	7
198280-61210	78	25
198280-61260	78	26
198280-61500	78	59
198280-61912	81	1
198280-62211	82	6
198280-62220	82	7
198280-62250	72	19
198280-62300	85	24
198280-62641	85	19
198280-62850	85	20
198280-62860	85	21
198280-64120	88	3
198280-64150	88	4
198280-65510	89	13
198280-65580	89	5
198280-65610	90	2
198280-65640	89	14
198280-65710	89	9
198280-65770	89	6
198280-65780	89	19
198280-65790	89	7
198280-73170	26	13
198280-73250	26	14
198280-75210	92	2
198280-75750	92	4
198280-85100	94	2
198280-85150	94	3
198280-85160	94	4
198280-85410	94	6
198280-85710	94	8
198280-85980	89	12

Parts No. Index

Parts No.	Fig. No.	Ref. No.
198282-24010	26	2
198282-24300	27	1
198282-24301	27	1 -1
	96	2
198282-24330	27	2
	96	4
198282-25110	29	2
198282-25130	29	3
198282-25540	33	4
198282-26250	35	3
198282-26310	36	5
198282-26320	36	6
198282-26330	36	7
198282-27520	41	3
198282-27570	41	5
198282-27580	41	6
198282-27590	41	7
198282-27742	43	3
198282-27780	43	5
198282-27802	44	1
198282-27820	44	3
198282-27881	44	5
198282-27960	42	7
198282-27970	42	9
198282-28180	46	2
198282-28250	33	8
198282-28340	46	3
198282-28360	46	4
198282-28410	47	4
198282-28430	47	5
198282-28440	47	6
198282-28460	48	1
198282-37200	57	10
198282-37400	57	30
198282-37490	57	27
198282-37550	57	33
198282-51111	69	19
198282-51131	70	2
198282-51151	69	4
198282-51270	71	2
198282-57200	71	9
198282-57250	71	10
198282-61590	80	2
198282-65650	89	15
198282-65671	89	16
198282-65690	89	17
198283-11100	7	1
198283-13050	8	1
198283-13051	8	1 -1
198283-13330	8	11

Parts No.	Fig. No.	Ref. No.
198283-13380	8	3
198283-24330	96	1
198283-34110	53	2
198283-60100	78	71
198283-71002	91	1
198283-71003	91	1 -1
198283-72100	91	13
198283-72101	91	13 -1
198283-72150	91	15
198283-72151	91	15 -1
198283-72200	91	16
198283-72201	91	16 -1
198283-72250	91	17
198283-72251	91	17 -1
198283-72300	91	24
198283-72301	91	24 -1
198283-72310	91	25
198283-72311	91	25 -1
198283-73310	91	30
198283-73330	91	32
198283-73500	91	33
198283-74100	91	34
198283-74150	91	35
198283-74200	91	36
198283-74250	91	37
198283-74300	91	38
198283-74350	91	39
198283-74370	91	40
198284-46910	66	3 A
198284-46950	66	5 A
198284-51230	77	1
198284-51240	77	2
198284-62490	85	5
198284-62960	86	5
198284-62961	86	5 -1
198284-63270	86	12
198284-65210	89	10
198284-65220	89	11
198287-06200	6	3
198287-06300	6	4
198287-11210	7	3
198287-11230	7	5
198287-21510	24	1
198287-21700	24	2
198287-46500	65	2
198287-46501	65	2 -1
198287-46510	65	5
198287-46610	65	6
198287-46910	66	3
198287-46950	66	5

Parts No.	Fig. No.	Ref. No.
198290-32750	50	2
	97	3
198310-27370	57	38
198327-53280	78	16
198330-48410	68	6
198360-03260	19	2
198360-03270	19	3
198360-22210	25	4
198360-22250	25	5
198360-51271	94	1
198360-52160	71	16
198360-52320	71	14
198360-52330	71	15
198360-55630	2	13
198360-63150	86	7
198360-63160	86	8
198360-86840	68	11
198431-47340	67	7
198435-45410	62	19
198448-33390	72	4
198448-37360	57	13
		18
		31
198448-37450	57	6
		40
198448-56150	74	4
198448-61620	1	30
198460-83350	88	6
198461-52950	1	2
	69	2
	71	8
	76	1
198461-60590	72	15
	78	18
		19
	80	6
	83	3
198475-32660	16	6
	50	5
198475-37690	59	3
198535-52110	69	5
198535-52120	69	6
198535-52130	69	7
198535-52140	69	8
1A1040-28470	26	7
1A6150-91251	90	5
1A6150-93151	90	6
1A6640-45230	62	33
1A6640-65510	89	3
1A6640-65511	89	3 -1

Parts No.	Fig. No.	Ref. No.
1A6640-65530	89	4
1A6660-24250	68	23
1A6750-29850	62	11
		12
1A6780-46160	64	5
1A6780-46170	64	6
1A7000-15720	19	38
1A7000-52820	69	21
1A7000-63210	86	9
1A7100-26850	36	12
1A7100-53100	78	6
1A7100-53130	78	7
1A7100-53140	78	8
1A7100-53220	72	6
		11
1A7100-53230	72	12
1A7100-64110	88	2
1A7260-46640	62	80
1A7260-46650	62	81
1A7260-60890	78	20
1A7335-52120	71	17
1A7335-71230	91	3
1A7335-71240	91	4
1A7335-71250	91	5
		14
1A7335-71410	91	6
		12
1A7335-71750	91	10
1A7336-47590	65	4 -1
1A7500-73320	91	31
1A7530-73120	91	29
1A7550-35570	44	9
1A7550-91900	69	31 F
1A7600-27310	45	3
1A8070-04250	78	1
1A8070-25410	100	1
1A8070-25460	98	1
1A8070-25470	99	1
1A8070-28160	38	3
1A8071-04100	4	8 -1
1A8090-62110	82	3
1A8100-24180	26	9 -1
1A8115-11210	7	2 -1
1A8115-11220	7	4 -1
1A8115-22510	57	2 -1
1A8115-61620	80	3 -1
1A8275-72180	91	21 -1
		28 -1
1A8310-22480	25	6 -1
1C6053-26020	85	1

Parts No. Index

Parts No.	Fig. No.	Ref. No.
1C6053-26020	85	2
1C6140-12060	86	1
1C6140-43442	42	18
1C6140-47210-1	86	1 -1
1C6280-61100	2	16
	78	22
1C6281-52310	40	2
	66	8
1C6281-52320	42	20
	57	44
	58	13
1C6360-65700	42	21
		22
1C6900-23020	14	7
1C6900-23120	15	6
1C6900-23150	15	7
1C6920-36260	74	2
1C7100-08150	75	1
1D2180-22130	29	1
1E6102-83230	70	9
1E6190-54080	10	5
	29	4
1E6213-83410	5	7
1E6680-66470	27	13
	68	10
1E6760-74150	84	6
	85	26
1E8050-05510	5	1
1E8660-53100	14	8
1S6489-63330	44	4
		6
1W3981-14050	2	11
22117-080000	62	56
22117-100000	67	17
22117-140000	19	18
22137-060000	2	4
	40	3
	78	41
22137-080000	19	19
	67	18
	78	42
		67
22137-100000	19	20
	42	23
		24
	58	15
22137-120000	34	6
22137-160000	19	39
	91	19
		27

Parts No.	Fig. No.	Ref. No.
22157-080000	3	5
	4	20
	19	32
		33
	44	10
	57	25
	59	4
22190-060000	4	21
22190-080000	43	8
	78	67 -1
		68
22190-100000	27	4
	37	8
	39	8
	41	9
	43	9
22217-080000	5	27
22217-120000	23	10
22217-140000	85	14
22217-160000	44	11
	61	9
	91	41
22242-000200	19	21
22242-000220	12	3
	65	9
22242-000260	56	9
22242-000290	31	19
	32	5
22242-000300	10	6
22242-000340	29	5
	33	9
22242-000400	61	10
22252-000190	35	4
22252-000220	24	8
22252-000620	14	4
22252-000720	15	9
22252-000800	15	10
22272-000060	67	19
22272-000080	67	20
22272-000090	19	22
22272-000120	19	23
22272-000190	57	34
22287-060000	64	23
22292-000250	20	4
22292-000280	31	20
22312-080140	26	15
	27	5
		6
	28	4
		7

Parts No.	Fig. No.	Ref. No.
22312-080140	60	11
22312-100180	15	11
22351-035025	43	10
22351-040012	62	57
22351-040032	19	24
22351-040040	11	8
	49	9
22351-050020	91	20
22351-050025	91	11
22351-050040	51	6
22351-050045	57	35
22351-050056	61	11
22351-060020	88	7
22351-060025	39	9
	43	11
		12
22351-060028	62	58
22351-060032	37	9
	41	10
22351-060050	67	21
22351-080018	23	11
	24	3
22351-080032	51	7
22351-080040	51	8
22351-080045	57	36
22351-080050	79	8
22372-080000	67	22
	78	69
	86	13
22372-100000	78	43
22417-160180	2	5
22417-200200	83	9
22417-250300	58	16
22417-300250	9	7
		13
22417-320320	91	21
		28
22417-400250	20	22
	91	42
22487-060160	40	4
	66	9
22487-080300	78	70
22487-100550	78	44
22522-030130	67	23
22857-600160	83	10
23000-019000	4	22
23000-035000	1	34
23000-060000	6	13
23000-070000	6	14
23010-055000	12	8

Parts No.	Fig. No.	Ref. No.
23065-070180	1	20
23065-160650	4	23
23414-160021	65	10
		11
23414-200026	62	59
23414-220000	27	7
23491-140002	26	16
23871-010000	26	17
23887-160002	65	12
23887-180002	26	18
23887-220002	27	8
23980-730060	5	8
23980-730180	5	9
23980-730250	1	35
23980-730310	5	10
23980-730400	5	11
23980-730500	5	12
23980-730510	1	36
	5	11 -1
		12 -1
23980-730730	5	13
24101-060044	31	2 -1
24101-060054	29	6
24101-060074	49	10
24101-060084	15	12
	16	7
24101-060104	15	13
24101-060114	11	11
24101-062034	32	6
24101-062044	32	7
24101-062064	15	22
	29	7
	31	21
	46	5
24101-062074	13	4
	49	11
24101-062094	16	8
	53	4
24101-063044	15	23
	30	3
	31	22
	36	9
24101-063054	10	7
	35	5
24101-063064	52	3
24101-063074	33	10
	53	5
24104-060054	24	9
24161-253013	31	23
24161-253017	31	23 -1

Parts No. Index

Parts No.	Fig. No.	Ref. No.
24161-253017	34	7
	98	3
	100	6
24161-253020	36	10
24161-303513	31	24
24161-303520	31	24 -1
	99	3
	100	7
24161-323717	31	3 -1
	100	8
24161-404517	36	11
24190-070001	64	24
24190-080001	43	13
	64	25
24190-100001	37	10
	39	10
	41	11
	47	7
24190-160001	62	60
24190-170001	56	10
24311-000050	62	61
24311-000110	63	22
24311-000140	27	9
		14
	63	23
	64	26
		27
	68	12
24311-000150	43	14
24311-000160	5	24
	26	19
	34	8
	37	11
	39	11
	41	12
	47	8
24311-000180	14	9
	26	20
	63	25
		29
	71	20
24311-000200	51	9
	67	24
	68	13
		14
		15
24311-000260	61	12
	68	16
24311-000340	68	26
24311-000400	61	13

Parts No.	Fig. No.	Ref. No.
24311-000440	61	14
24311-000850	4	24
24315-000090	62	62
		63
24315-000100	63	18
24315-000110	62	64
		65
24315-000120	22	12
	62	66
		67
24315-000140	62	68
		69
24315-000180	63	19
24315-000220	63	20
24315-000350	20	21
24321-000450	12	9
24321-000500	64	28
24321-000650	5	25
24321-000750	8	8
24321-000950	15	14
24325-000250	62	77
24325-000700	62	78
24351-020300	60	12
24421-305011	27	10
24421-306210	14	5
24512-053044	33	11
24550-012100	19	15
	66	4
24550-016100	38	2
24550-025150	20	18
		20
24550-025200	57	4 -1
		9 -1
		13 -1
		18 -1
		31 -1
24761-010000	8	4
		9
	58	7
		9
24761-060000	9	5
		11
	20	9
		17
	91	22
26013-120252	7	8
26013-120302	14	6
26013-120352	23	12
	92	5
	94	9

Parts No.	Fig. No.	Ref. No.
26013-120402	85	22
26013-120552	26	21
26013-120652	92	6
26013-120702	23	13
26016-080252	62	70
26016-080502	62	71
26018-060252	68	17
26021-050122	78	45
26022-050102	4	12
26106-060082	75	2
	78	46
26106-060122	1	37
		38
	2	6
		14
	22	13
	38	6
	58	17
	66	10
		11
	69	13
		14
	71	11
	76	2
	78	47
		48
	84	7
26106-060162	1	7
	71	12
	72	16
	78	49
	79	9
26106-060202	68	18
	78	49 -1
26106-060252	4	25
26106-060452	68	19
26106-060552	83	11
26106-080102	81	4
26106-080122	5	14
		15
	23	14
		15
	36	13
	65	13
	69	28
	70	6
		7
		10
	79	10
	86	14

Parts No.	Fig. No.	Ref. No.
26106-080162	1	39
		40
	3	6
	4	26
	5	28
	6	15
	12	10
	24	4
	26	22
		23
		24 -1
	38	7
	41	13
	44	12
		13
	57	46
	66	12
	67	25
		32
	68	20
	69	29
	78	50
	82	4
	85	9
26106-080202	24	10
	26	24
	48	2
	59	5
	68	21
	86	15
	94	10
26106-080252	3	7
	5	29
	19	34
	26	25
	28	5
	56	11
	60	13
	68	27
26106-080302	68	22
26106-080352	19	25
26106-080402	33	12
	37	12
	47	9
	50	8
	64	29
26106-080452	26	26
	63	26
26106-080502	33	12 -1
		12 -2

Parts No. Index

Parts No.	Fig. No.	Ref. No.	
26106-080502	67	26	
	96	5	
26106-080802	26	27	
26106-100162	27	11	
	37	13	
26106-100202	51	11	
	87	3	
	92	7	
26106-100252	8	13	
		14	
		15	
	16	9	
	26	28	
	49	15	
	60	14	
	26106-100302	15	15
		27	12
		43	15
	78	63	
26106-100352	23	6	
26106-100402	60	15	
26106-100452	7	9	
26106-100502	26	29	
	50	9	
26106-100552	7	10	
26106-100652	94	11	
26106-100902	62	79	
26116-060122	44	8	
26116-060404	2	15	
26116-080162	49	12	
26116-081302	5	30	
26116-100352	15	16	
26116-120402	85	23	
26116-140752	85	15	
26136-100162	21	2	
	22	14	
26346-080002	19	26	
	42	25	
26356-160002	19	40	
	94	12	
26366-080002	37	14	
	39	12	
	47	10	
26376-120002	56	12	
26450-080122	15	17	
26450-080402	25	2 -1	
	63	27	
26557-050122	72	17	
26557-060302	78	51	
26587-040202	78	52	

Parts No.	Fig. No.	Ref. No.
26657-060002	4	27
26716-040002	78	53
26716-080002	42	19
	57	26
	67	27
		28
	78	64
26716-100002	15	18
	19	27
	42	6
		12
	57	8
	42	
26716-120002	23	16
26716-140002	85	16
26736-160002	61	15
	91	43
26756-060002	62	72
26757-200002	91	23
26776-120002	71	5
26776-160002	63	21
27260-200000	62	73
27260-220000	26	3
29622-140001	5	16
	22	2
	69	30
29622-250001	22	3
	69	3
		15
	70	14

Parts No.	Fig. No.	Ref. No.
-----------	----------	----------

Parts No.	Fig. No.	Ref. No.
-----------	----------	----------