

0CNP5-M06900EN

Contents

OCNP5-M06900

Fig. No. Fig. Name

ENGINE CONTROL SECTION

1. ENGINE ACCESSORIES
2. ACCEL LEVER
3. FOOT ACCELERATOR
4. FUEL TANK
5. TANK BRACKET
6. SIDE COVER

FRONT AXLE SECTION

7. FRONT BRACKET
8. CENTER PIN
9. TIE-ROD
10. DRIVE PINION
11. DIFFERENTIAL GEAR
12. PROPELLER SHAFT
13. FRONT SHAFT(1
14. FRONT AXLE HOUSING
15. FRONT GEAR HOUSING
16. FRONT SHAFT(2
17. INPUT SHAFT
18. FRONT SPINDLE
19. SHAFT COVER
20. FRONT WHEEL TIRE
21. FRONT WHEEL TIRE(TURF
22. HUB BOLT

Fig. No. Fig. Name

23. STEERING WHEEL
24. PST VALVE
25. STEERING CYLINDER
26. PST PIPING(A
27. FLOW DIVIDER
28. PST PIPING(B

TRANSMISSION SECTION

29. CLUTCH HOUSING
30. CLUTCH DISC
31. PRESSURE PLATE
32. CLUTCH SHAFT
33. CLUTCH RELEASE
34. CLUTCH PEDAL
35. TRANSMISSION CASE
36. CENTER PLATE
37. OIL GGAUGE
38. OIL STRAINER
39. INPUT SHAFT
40. MAIN SHAFT
41. COUNTER SHAFT
42. PTO DRIVE SHAFT
43. PTO SHAFT
44. MAIN SHIFT
45. MAIN CHANGE LEVER

Contents

0CNP5-M06900

Fig. No. Fig. Name

- 46. RANGE SHIFT
- 47. SUB CHANGE LEVER
- 48. PTO SHIFT
- 49. PTO CHANGE LEVER

REAR AXLE SECTION

- 50. RING GEAR
- 51. DIFFERENTIAL GEAR
- 52. DIFF.CARRIER
- 53. REAR HOUSING
- 54. DIFFERENTIAL LOCK
- 55. FINAL PINION
- 56. FINAL GEAR
- 57. REAR AXLE SHAFT
- 58. REAR WHEEL TIRE
- 59. REAR WHEEL TIRE(TURF)
- 60. HUB BOLT
- 61. DISC BRAKE
- 62. BRAKE PEDAL

HYDRAULIC CONTROL SECTION

- 63. HYD.CYLINDER CASE
- 64. SIDE COVER
- 65. PISTON
- 66. LIFT CRANK

Fig. No. Fig. Name

- 67. CONTROL VALVE
- 68. RELIEF VALVE
- 69. STOP VALVE
- 70. SAFETY VALVE
- 71. HYDRAULIC CONTROL
- 72. HYDRAULIC CONTROL(KNOB)
- 73. HYDRAULIC LINE

ELECTRICAL PARTS SECTION

- 74. WIRE HARNESS
- 75. BATTERY
- 76. SWITCHES
- 77. LAMPS
- 78. METER
- 79. HORN

FITTINGS SECTION

- 80. HOOD
- 81. DASHBOARD
- 82. FENDER
- 83. FOOTREST
- 84. DRIVER SEAT
- 85. LABEL
- 86. LABELS(SAFETY)

Contents

0CNP5-M06900

Fig. No. Fig. Name

HITCH SECTION

87. PTO GUARD

88. 3-POINT HITCH

89. REAR HITCH

SAFETY FRAME SECTION

90. ROPS

91. LOWER FRAME

ACCESSORIES SECTION

92. DOCUMENT

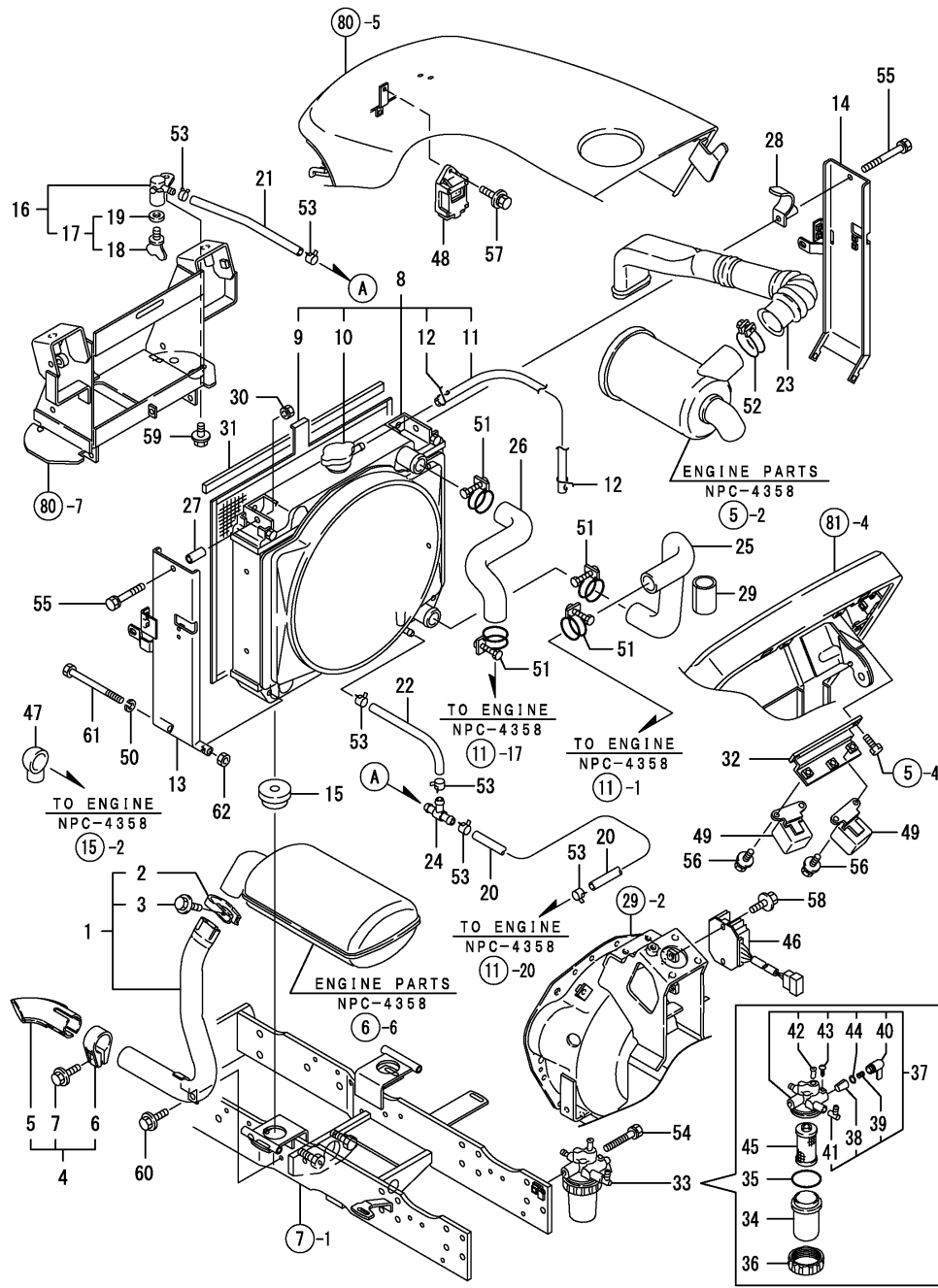
OPTION SECTION

93. BACK MIRROR

94. OPTION

Fig. No. Fig. Name

Fig.1. ENGINE ACCESSORIES



(A)=KE-20T-AU-PQ

(B)=

(C)=

(D)=

(E)=

(F)=

No.	Lev.	Parts No.	Description	(A)	(B)	(C)	(D)	(E)	(F)	Qty	I	R
1	1	198162-00510	PIPE, EXHAUST							1		
2	2	119650-13620	CLAMP, EXHAUST PIPE							1		
3	2	26106-080252	BOLT, M8X 25 PLATED							1		
4	1	198162-00520	EXTENSION, END							1		
5	2	198162-00530	EXTENSION, END							1		
6	2	119650-13620	CLAMP, EXHAUST PIPE							1		
7	2	26106-080252	BOLT, M8X 25 PLATED							1		
8	1	1A7740-00601	RADIATOR ASSY							1		
9	2	198162-00860	SCREEN, DUSTPROOF							1		
10	2	129107-44590	CAP, RADIATOR							1		
11	2	119462-44550	HOSE,RUBBER							1		
12	2	121250-44590	CLAMP							2		
13	1	198164-00620	SUPPORT ASSY, L							1		
14	1	198164-00630	SUPPORT ASSY, R							1		
15	1	198162-00640	SUPPORT, RADIATOR							2		
16	1	198421-00640	COCK ASSY, 2-WAY							1		
17	2	129150-49080	COCK, DRAIN							1		
18	3	119629-49070	COCK, DRAIN							1		
19	3	119629-49080	GASKET							1		
20	1	198162-00660	PIPE, DRAIN 350							1		
21	1	198162-00670	PIPE, DRAIN 250							1		
22	1	198421-00670	PIPE, DRAIN B							1		
23	1	198421-00681	PIPE, EXTENSION							1		
24	1	198162-00710	PIPE, 3-WAY							1		
25	1	198164-00720	PIPE, WATER L 72							1		
26	1	198164-00730	PIPE, WATER U 72							1		
27	1	198162-00770	PIPE, 30							1		
28	1	198163-00770	STAY, EXTENSION PIPE							1		
29	1	1C6860-06980	GUARD, HARNESS							1		
30	1	194990-22050	NUT, M8							2		
31	1	121454-44590	PAD, URETHANE							1		
32	1	198163-51310	STAY, RELAY							1		
33	1	119462-55620	STRAINER, FUEL							1		
34	2	124064-55510	COVER							1		
35	2	102103-55520	O-RING							1		
36	2	110250-55610	RING, RETAINING							1		
37	2	119626-55690	BODY,FO FILTER							1		
38	3	104200-55321	VALVE, TAPER							1		
39	3	104200-55330	SPRING, VALVE							1		
40	3	119810-55340	LEVER							1		
41	3	171125-55730	L JOINT							1		
42	3	129155-55740	JOINT							1		
43	3	104200-55750	SCREW, M4							1		
44	3	24311-240100	O-RING, 1AP10A							1		
45	2	104500-55710	ELEMENT							1		
46	1	198162-58800	REGULATOR							1		
47	1	124160-77020	COVER, TERMINAL							1		
48	1	119650-77902	CONTROLLER							1		
49	1	119650-77910	RELAY ASSY, GLOW							2		
50	1	22287-080000	WASHER, 8							2		
51	1	23010-038000	CLAMP, 38							4		

N:Old $\xrightarrow{\text{Yes}}$ New, Q:Old $\xrightarrow{\text{No}}$ New, R:Old $\xrightarrow{\text{Yes}}$ New, S:Old $\xrightarrow{\text{No}}$ New, W:Add, Z:Discontinued, F:Interchangeable by set, K:Q'ty Change

++ CONTINUE ++

Copyright (C) YANMAR CO., LTD. All Rights Reserved.

Fig.1. ENGINE ACCESSORIES

(A)=KE-20T-AU-PQ

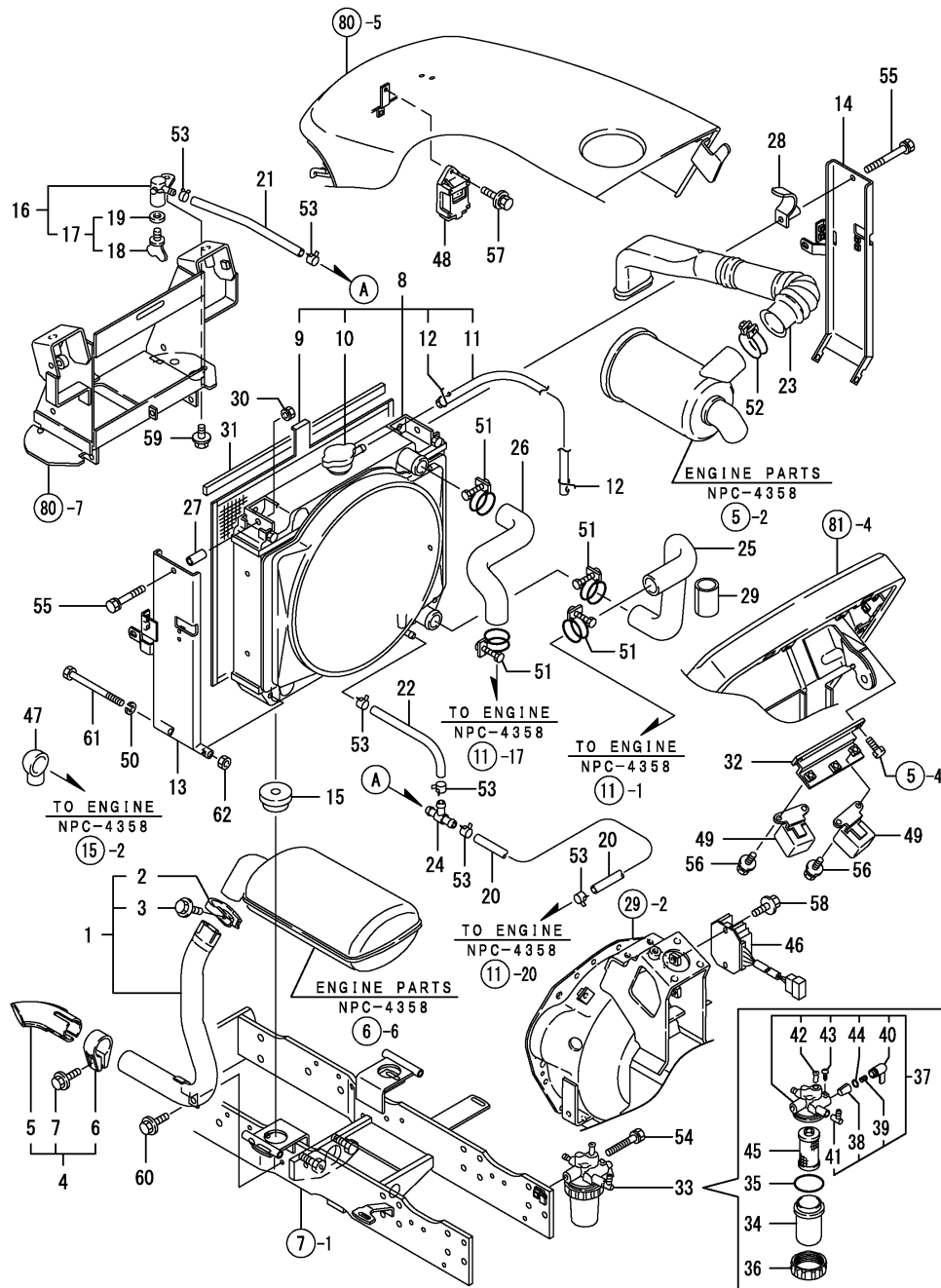
(B)=

(C)=

(D)=

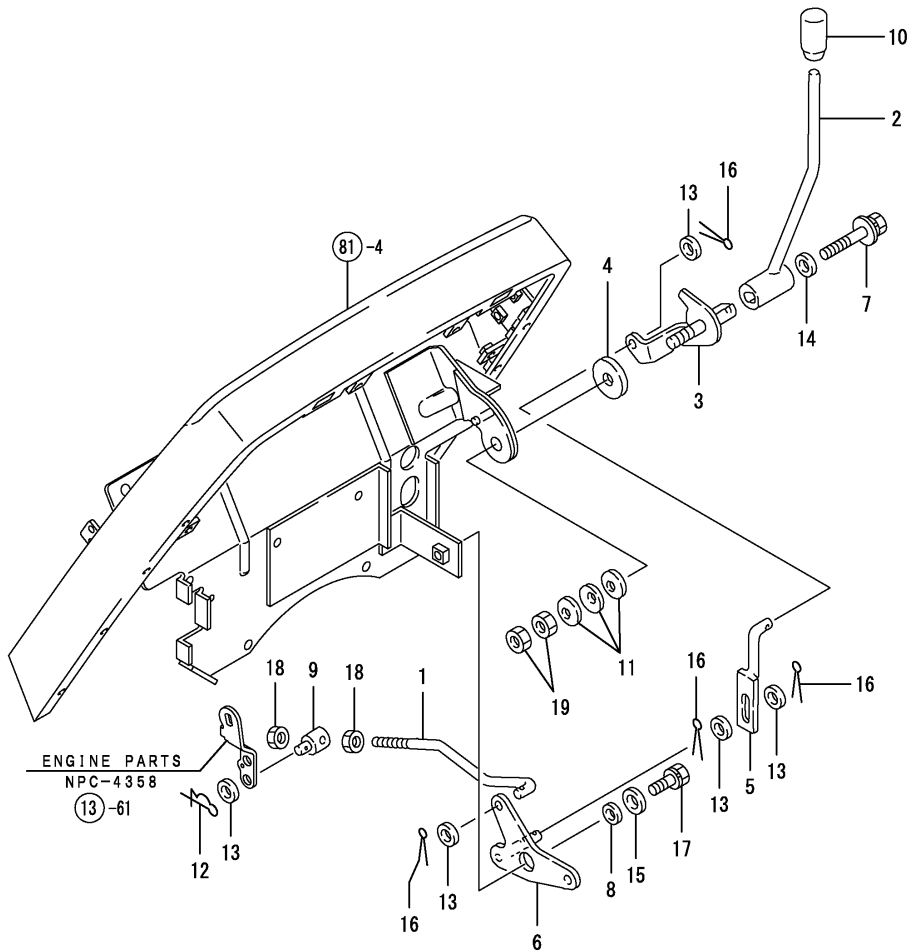
(E)=

(F)=



No.	Lev.	Parts No.	Description	(A)	(B)	(C)	(D)	(E)	(F)	Qty	I	R
52	1	23010-050000	CLAMP, 50	1								
53	1	23080-012000	CLAMP, 12	6								
54	1	26013-080652	BOLT, M8X 65	1								
55	1	26016-080502	BOLT M 8X 50	2								
56	1	26018-060162	BOLT, M6X 16	3								
57	1	26018-060252	BOLT, M6X 25	1								
58	1	26018-060252	BOLT, M6X 25	2								
59	1	26018-080162	BOLT, M8X 16	1								
60	1	26018-080202	BOLT, M8X 20	1								
61	1	26116-081052	BOLT, M8X105 PLATED	2								
62	1	26716-080002	NUT, M8	2								

Fig.2. ACCEL LEVER



(A)=KE-20T-AU-PQ
(B)=
(C)=

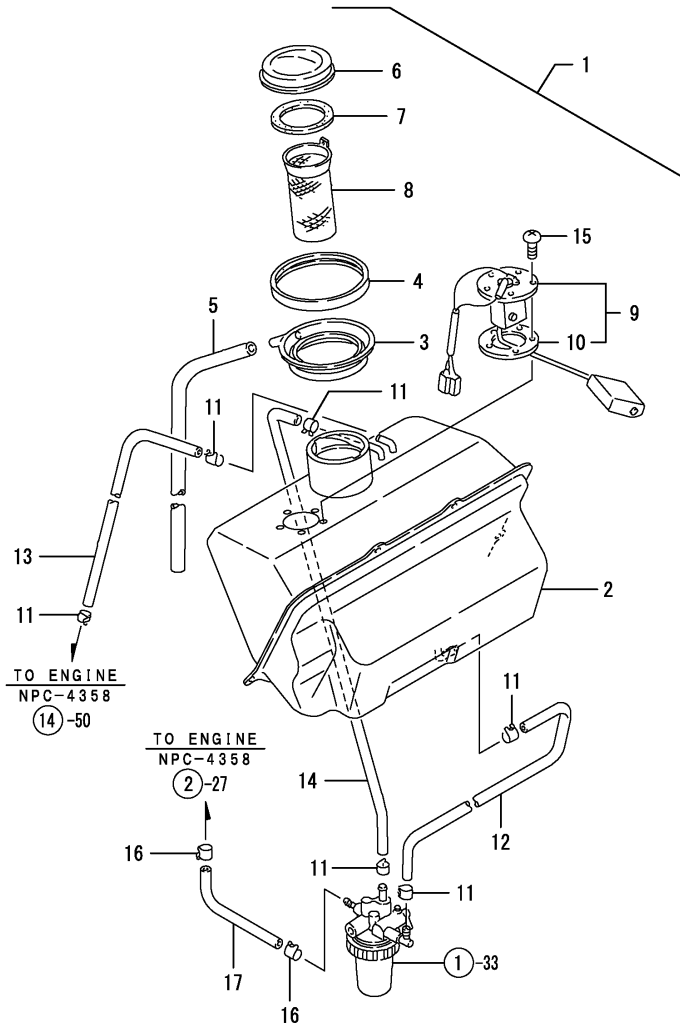
(D)=
(E)=
(F)=

No.	Lev.	Parts No.	Description	Q'ty						I	R
				(A)	(B)	(C)	(D)	(E)	(F)		
1	1	198163-00850	LINK, ACCELERATOR	1							
2	1	198421-01110	LEVER, ACCELERATOR	1							
3	1	198421-01120	SHAFT, ACCELERATOR	1							
4	1	198165-01130	PLATE, FRICTION	1							
5	1	198421-01130	LINK, LEVER	1							
6	1	198421-01140	PLATE, LOCK	1							
7	1	198421-01250	BOLT, M6X40	1							
8	1	194150-01270	SPACER, 20	1							
9	1	194150-01370	ADJUSTER	1							
10	1	1A6750-37200	KNOB, PARKING BRAKE	1							
11	1	194151-47760	WASHER, 12	3							
12	1	1C6281-52320	PIN, SNAP 8	1							
13	1	22117-080000	WASHER, 8	5							
14	1	22157-060000	WASHER, 6	1							
15	1	22157-100000	WASHER, 10	1							
16	1	22417-160160	PIN, COTTER 1.6X16	4							
17	1	26016-100202	BOLT	1							
18	1	26716-080002	NUT, M8	2							
19	1	26716-120002	NUT, M12	2							

Fig.4. FUEL TANK

(A)=KE-20T-AU-PQ
(B)=
(C)=

(D)=
(E)=
(F)=



No.	Lev.	Parts No.	Description	Q'ty						I	R
				(A)	(B)	(C)	(D)	(E)	(F)		
1	1	1A7720-04100	TANK KIT, FUEL	1							
2	2	198162-04111	TANK, FUEL 13	1							
3	2	194940-04240	SUMP, TANK	1							
4	2	194940-04250	PACKING, FUEL SUMP	1							
5	2	198421-04430	PIPE, FUEL SUMP	1							
6	2	105015-55040	CAP, FUEL TANK	1							
7	2	101504-55051	GASKET	1							
8	2	101504-55101	STRAINER, FUEL	1							
9	2	198421-56601	GAUGE ASSY, FUEL	1							
10	3	194420-56620	GASKET	1							
11	2	23080-012000	CLAMP, 12	6							
12	2	23980-730450	HOSE, 7.3X 450	1							
13	2	23980-730500	HOSE, 7.3X 500	1							
14	2	23980-730600	HOSE, 7.3X 600	1							
15	2	26022-050122	SCREW, M5X12	5							
16	1	23080-012000	CLAMP, 12	2							
17	1	23980-730220	HOSE, 7.3X 220	1							

Fig.5. TANK BRACKET

(A)=KE-20T-AU-PQ
(B)=
(C)=

(D)=
(E)=
(F)=

No.	Lev.	Parts No.	Description	Q'ty						I	R
				(A)	(B)	(C)	(D)	(E)	(F)		
1	1	194215-04220	SPACER, 8X10X10	4							
2	1	194420-62260	RUBBER, CUSHION	8							
3	1	22157-060000	WASHER, 6	4							
4	1	26116-060252	BOLT, M6X 25 PLATED	4							

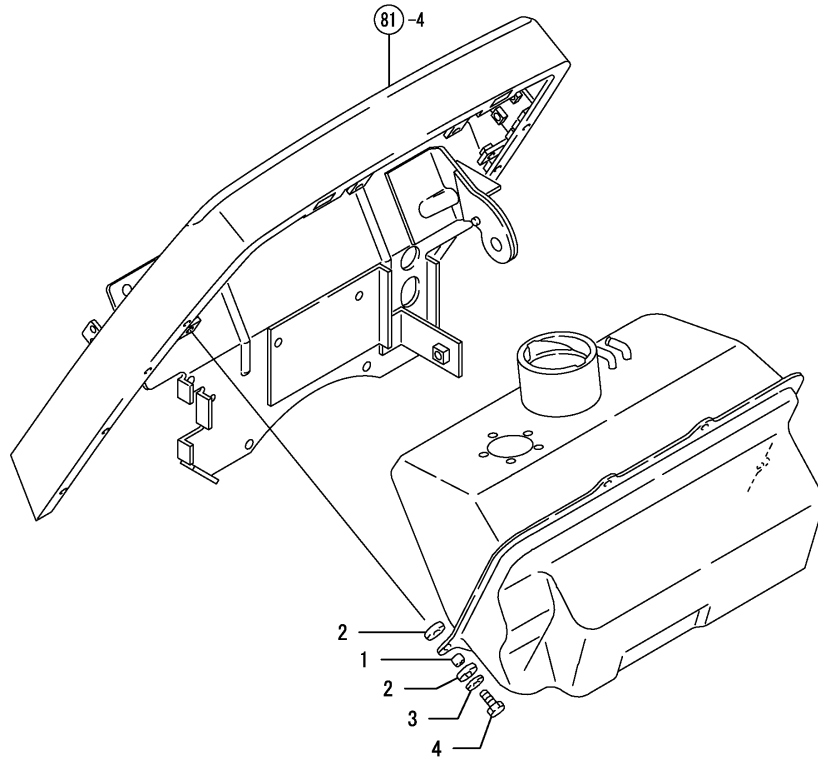
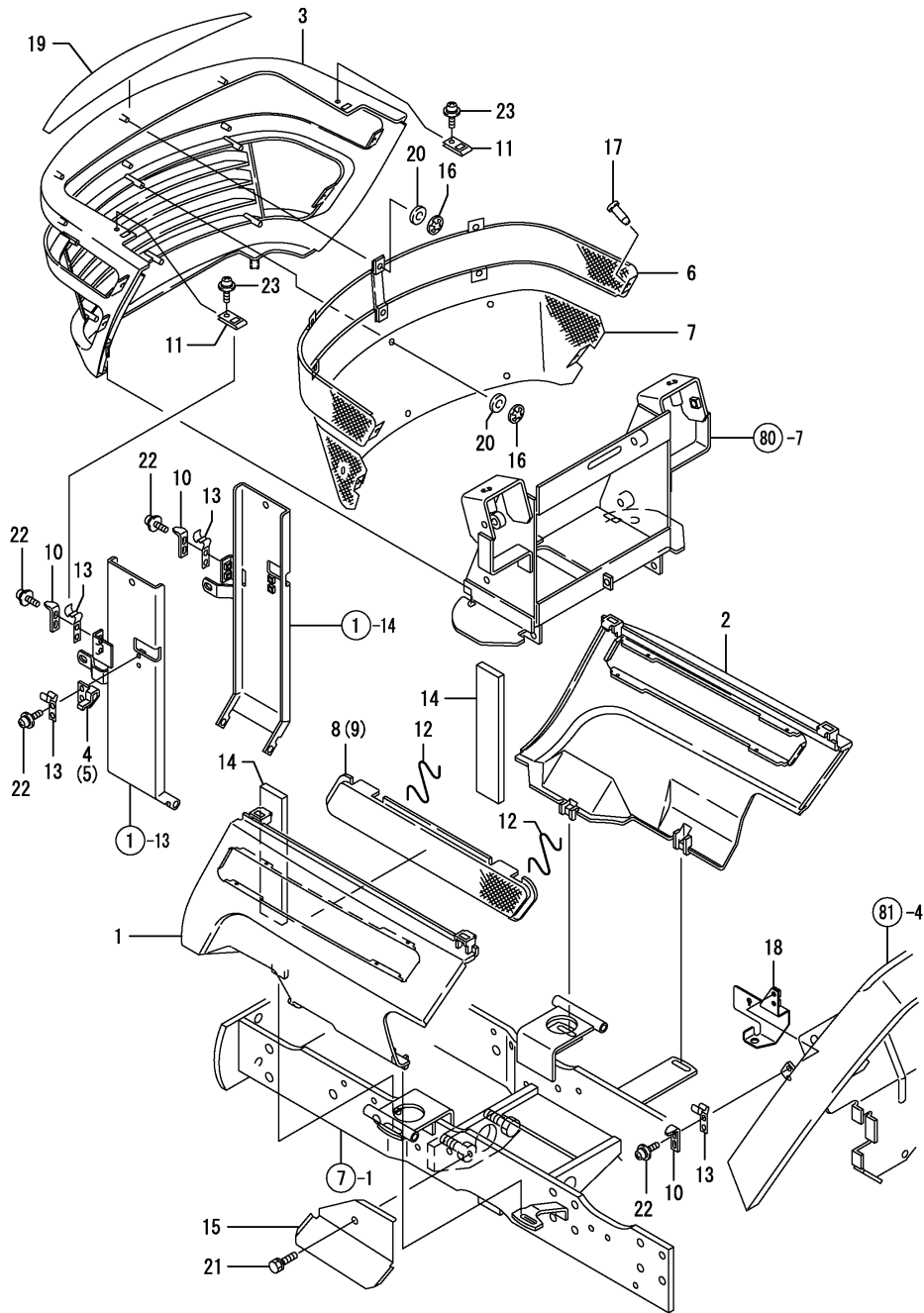


Fig.6. SIDE COVER



(A)=KE-20T-AU-PQ
(B)=
(C)=

(D)=
(E)=
(F)=

No.	Lev.	Parts No.	Description	Q'ty						I	R
				(A)	(B)	(C)	(D)	(E)	(F)		
1	1	1A7740-05330	COVER ASSY, LOWER LM	1							
2	1	1A7740-05340	COVER ASSY, LOWER RM	1							
3	1	1A7720-05350	COVER, LOWER F	1							
4	1	198162-05381	HOLDER, COVER L	1							
5	1	198162-05391	HOLDER, COVER R	1							
6	1	198162-05410	NET, LCF UPPER	1							
7	1	1A7720-05420	NET, LCF LOWER	1							
8	1	198162-05430	NET ASSY, LCL	1							
9	1	198162-05440	NET ASSY, LCR	1							
10	1	198162-05462	STAY, LCF	4							
11	1	198162-05470	COVER, LCF	2							
12	1	198162-05480	CLIP, NET	4							
13	1	198162-05491	SPRING, HOOK	6							
14	1	1A7720-05510	SEAL, LOWER COVER	2							
15	1	1A7720-05580	PLATE, SHUTTER	1							
16	1	1C6460-38240	NUT 5,PUSH	16							
17	1	198421-61280	PIN, FIXED	4							
18	1	1A7720-61531	STAY ASSY, FUSE BOX	1							
19	1	1A7720-65050	LABEL,COVER F	1							
20	1	194555-65130	CUSHION	16							
21	1	26016-080202	BOLT, M8X 20	1							
22	1	26023-050162	SCREW, M5X16	12							
23	1	26023-050162	SCREW, M5X16	2							

Fig.7. FRONT BRACKET

(A)=KE-20T-AU-PQ
(B)=
(C)=

(D)=
(E)=
(F)=

No.	Lev.	Parts No.	Description	Q'ty						I	R
				(A)	(B)	(C)	(D)	(E)	(F)		
1	1	198164-11200	BRACKET ASSY, AXLE	1							
2	1	26013-100252	BOLT, M10X 25	16							

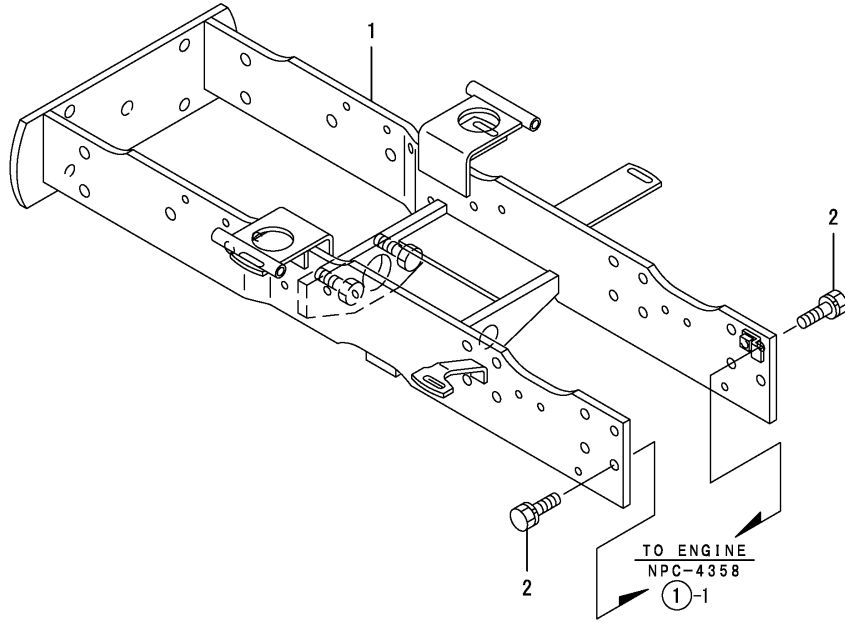


Fig.8. CENTER PIN

(A)=KE-20T-AU-PQ
(B)=
(C)=

(D)=
(E)=
(F)=

No.	Lev.	Parts No.	Description	Q'ty						I	R
				(A)	(B)	(C)	(D)	(E)	(F)		
1	1	198165-11500	SHIM SET, CENTER PIN	1							
2	1	198165-11510	PIN, CENTER	1							
3	1	198165-11540	BUSH, PIN	1							
4	1	198164-11550	PLATE	1							
5	1	198164-11570	NIPPLE, GRESAE 6	1							
6	1	22217-120000	WASHER, SPRING 12	2							
7	1	26716-120002	NUT, M12	2							

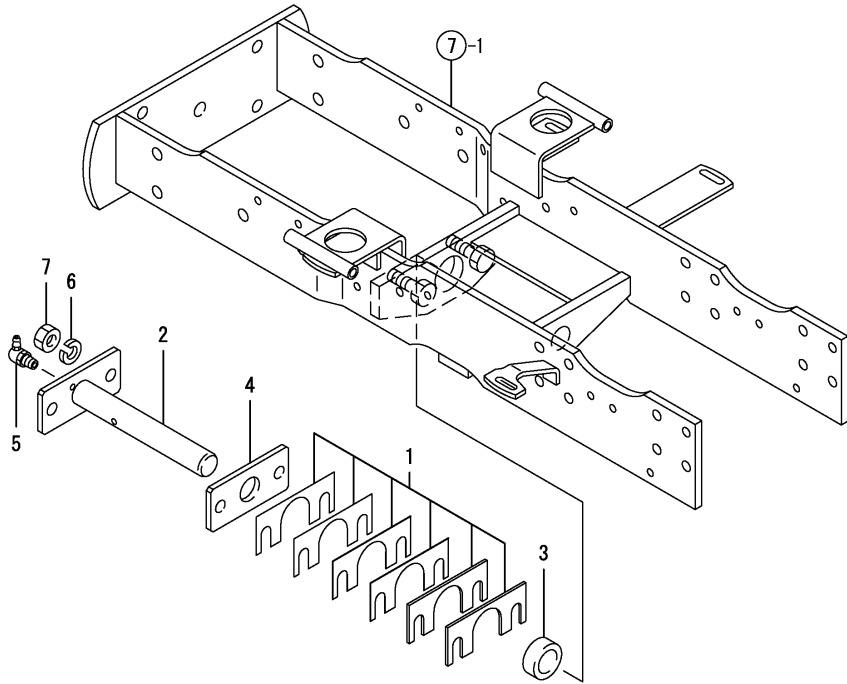


Fig.9. TIE-ROD

(A)=KE-20T-AU-PQ
(B)=
(C)=

(D)=
(E)=
(F)=

No.	Lev.	Parts No.	Description	Q'ty						I	R
				(A)	(B)	(C)	(D)	(E)	(F)		
1	1	1A6641-12400	TIE-ROD ASSY	1							
1A	2	1A6641-12430	NUT, M22	1							
1B	2	1A6641-12440	TURNBUCKLE	1							
1C	2	1A6641-12450	NUT	1							
3	2	24761-060000	NIPPLE, GREASE MT6X1	2							
4	1	194215-12340	NUT, CASTLE M10	2							
5	1	22417-250250	PIN, COTTER 2.5X25	2							

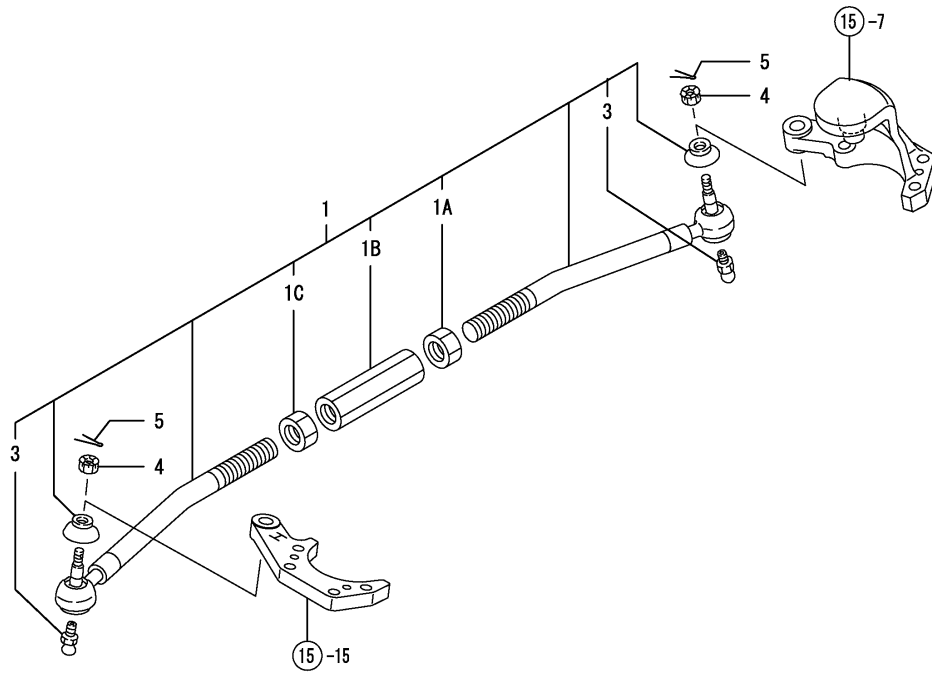


Fig.12. PROPELLER SHAFT

(A)=KE-20T-AU-PQ
(B)=
(C)=

(D)=
(E)=
(F)=

No.	Lev.	Parts No.	Description	Q'ty						I	R
				(A)	(B)	(C)	(D)	(E)	(F)		
1	1	198164-13310	SHAFT ASSY,PROPELLER	1							
2	1	22242-000360	RING, 36	1							
3	1	22351-035032	PIN, SPRING 3.5X32	1							
4	1	22351-060032	PIN, SPRING 6.0X32	1							

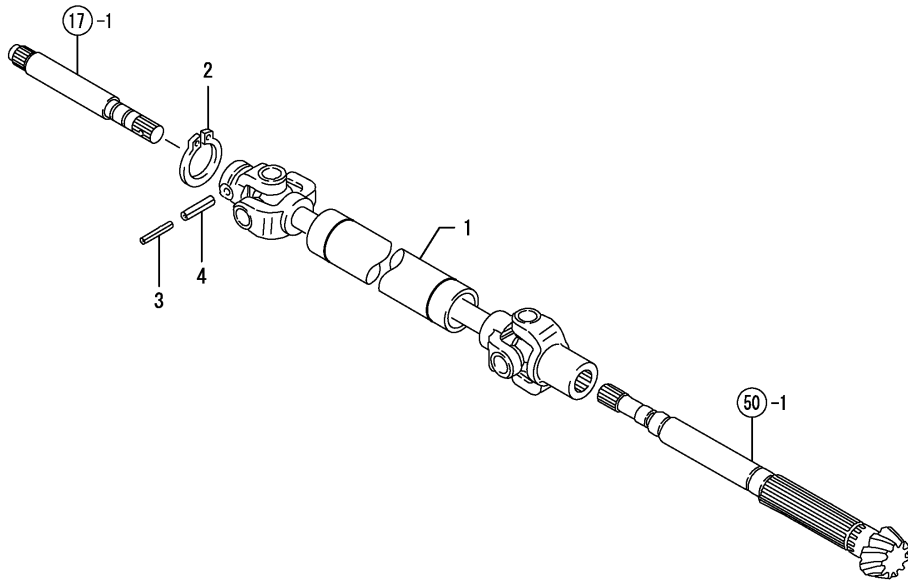
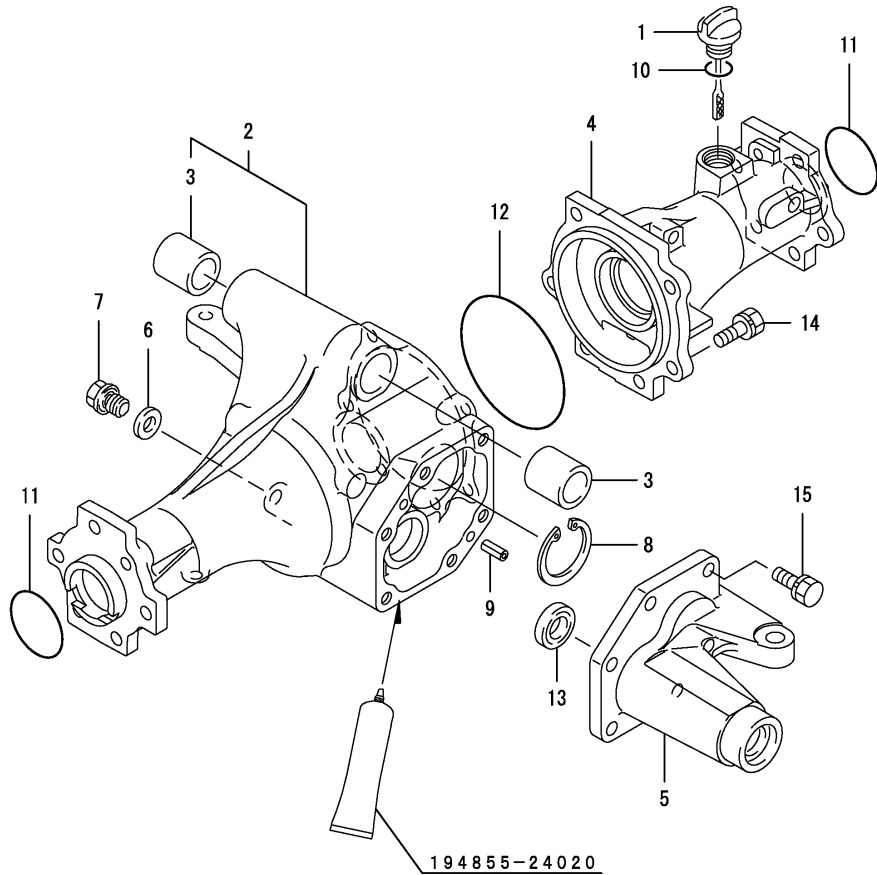
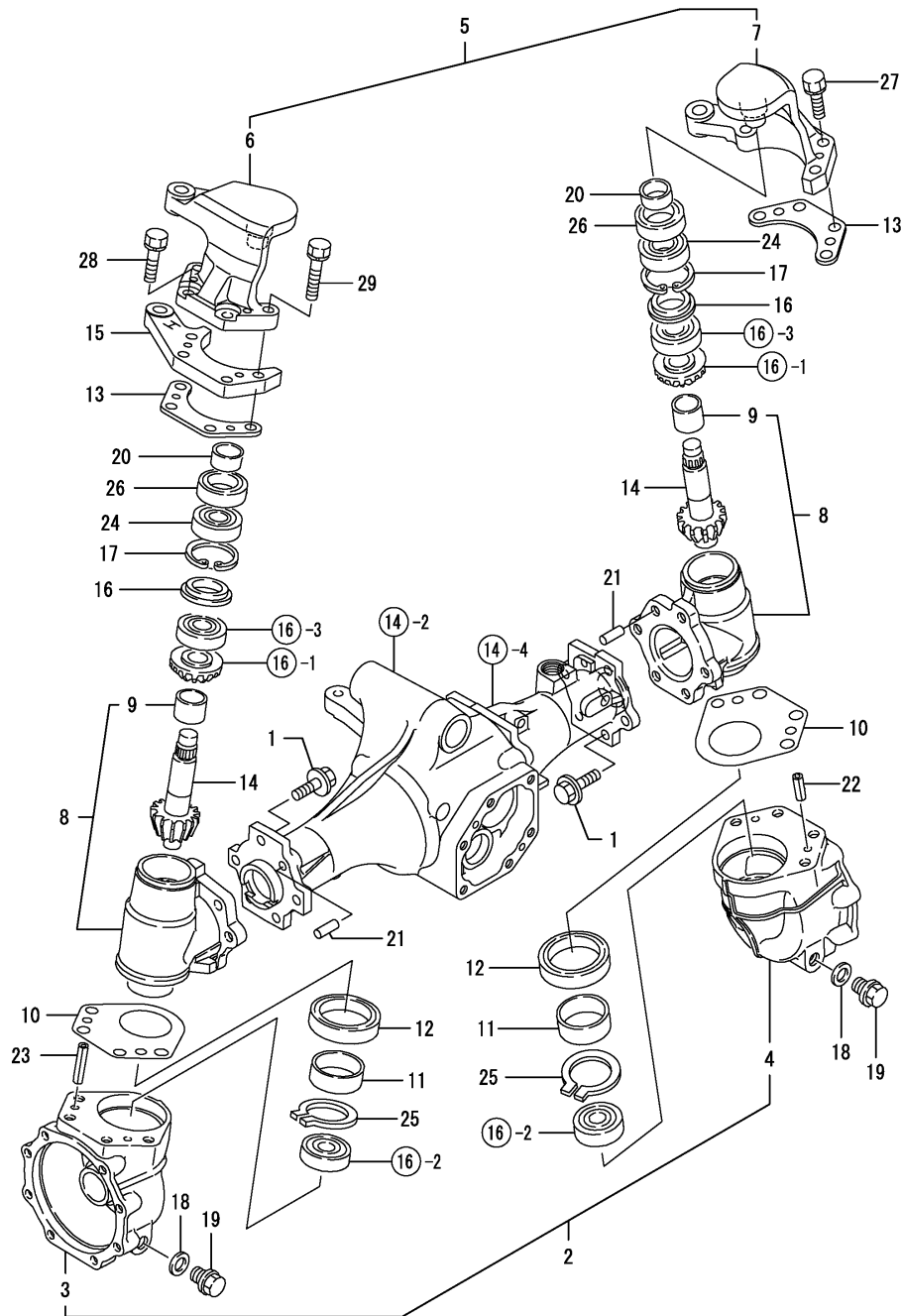


Fig.14. FRONT AXLE HOUSING



No.	Lev.	Parts No.	Description	Q'ty						I	R
				(A)	(B)	(C)	(D)	(E)	(F)		
1	1	194447-13490	GAUGE, OIL LEVEL	1							
2	1	1A6641-13600	HOUSING ASSY, AXLE L	1							
3	2	194850-13660	BUSH, 25X32X35	2							
4	1	198165-13620-1	HOUSING, AXLE R	1							
5	1	198165-13631	COVER, AXLE CASE	1							
6	1	198165-24440	GASKET, 20X12X2	1							
7	1	198165-24490	BOLT, M12X12	1							
8	1	22252-000520	RING, 52	1							
9	1	22351-080020	PIN, SPRING 8.0X20	2							
10	1	24311-000180	O-RING, 1AP18.0	1							
11	1	24321-000500	O-RING, 1AG50.0	2							
12	1	24321-001150	O-RING, 1AG115.0	1							
13	1	24421-173007	SEAL, OIL TC173007	1							
14	1	26013-100302	BOLT, M10X 30	6							
14-1	1	26106-100302	BOLT, M10X 30 PLATED	6							R
		(A=FZZZZZ)									
14-2	1	26106-100252	BOLT, M10X 25 PLATED	6							N
		(A=FXXXXX)									
15	1	26016-100302	BOLT, M10X 30	6							
15-1	1	26106-100252	BOLT, M10X 25 PLATED	6							R
		(A=FXXXXX)									

Fig.15. FRONT GEAR HOUSING



(A)=KE-20T-AU-PQ
(B)=
(C)=

(D)=
(E)=
(F)=

No.	Lev.	Parts No.	Description	Q'ty						I	R
				(A)	(B)	(C)	(D)	(E)	(F)		
1	1	1A7531-11350	BOLT, M10X25	10							
2	1	198165-13060-1	CASE SET, FRONT GEAR	1							
3	2	198165-13730-1	BOX, GEAR L	1							
4	2	198165-13740-1	BOX, GEAR R	1							
5	1	1A6641-13080-1	SUPPORT SET, PIN 200	1							
6	2	1A6641-13760-1	SUPPORT, KING PIN L	1							
7	2	198164-13770-1	SUPPORT, KING PIN R	1							
8	1	1A6780-13700	CASE ASSY, GEAR	2							
9	2	198165-13841	BUSH, 27X1.5	2							
10	1	198165-13750	SHIM, T=0.1	2							
11	1	194516-13770	SLEEVE, SI 45X50X16	2							
12	1	194516-13780	SEAL TC6Y 506812.5	2							
13	1	1A6641-13780	SPACER, 4.5	2							
14	1	198165-13815	PINION, FRONT FINAL	2							
15	1	1A6641-13830	ARM, TIE-ROD	1							
16	1	1D4110-13870	WASHER	2							
17	1	1A6780-13890	RING, 47H	2							
18	1	198165-24440	GASKET, 20X12X2	2							
19	1	198165-24490	BOLT, M12X12	2							
20	1	1E6190-54080	SLEEVE SI25X30X13	2							
21	1	22312-100200	PIN, PARALLEL M10X20	2							
22	1	22351-080020	PIN, SPRING 8.0X20	2							
23	1	22351-080045	PIN, SPRING 8.0X45	2							
24	1	24104-062044	BEARING, BALL 6204UU	2							
25	1	24164-000452	CIRCLIP, 45	2							
26	1	24421-304708	SEAL, OIL TC304708	2							
27	1	26013-100352	BOLT, M10X 35	4							
27-1	1	26106-100352	BOLT, M10X 35 PLATED	4							R
		(A=FXXXXX)									
28	1	26013-100452	BOLT, M10X 45	2							
28-1	1	26106-100452	BOLT, M10X 45 PLATED	2							R
		(A=FXXXXX)									
29	1	26013-100502	BOLT, M10X 50	2							
29-1	1	26106-100502	BOLT, M10X 50 PLATED	2							R
		(A=FXXXXX)									

Fig.16. FRONT SHAFT(2)

(A)=KE-20T-AU-PQ
(B)=
(C)=

(D)=
(E)=
(F)=

No.	Lev.	Parts No.	Description	Q'ty						I	R
				(A)	(B)	(C)	(D)	(E)	(F)		
1	1	198165-13532	GEAR, FRONT SHAFT	2							
2	1	194670-25370	BEARING, BALL TMB303	2							
3	1	24104-063034	BEARING, BALL 6303UU	2							

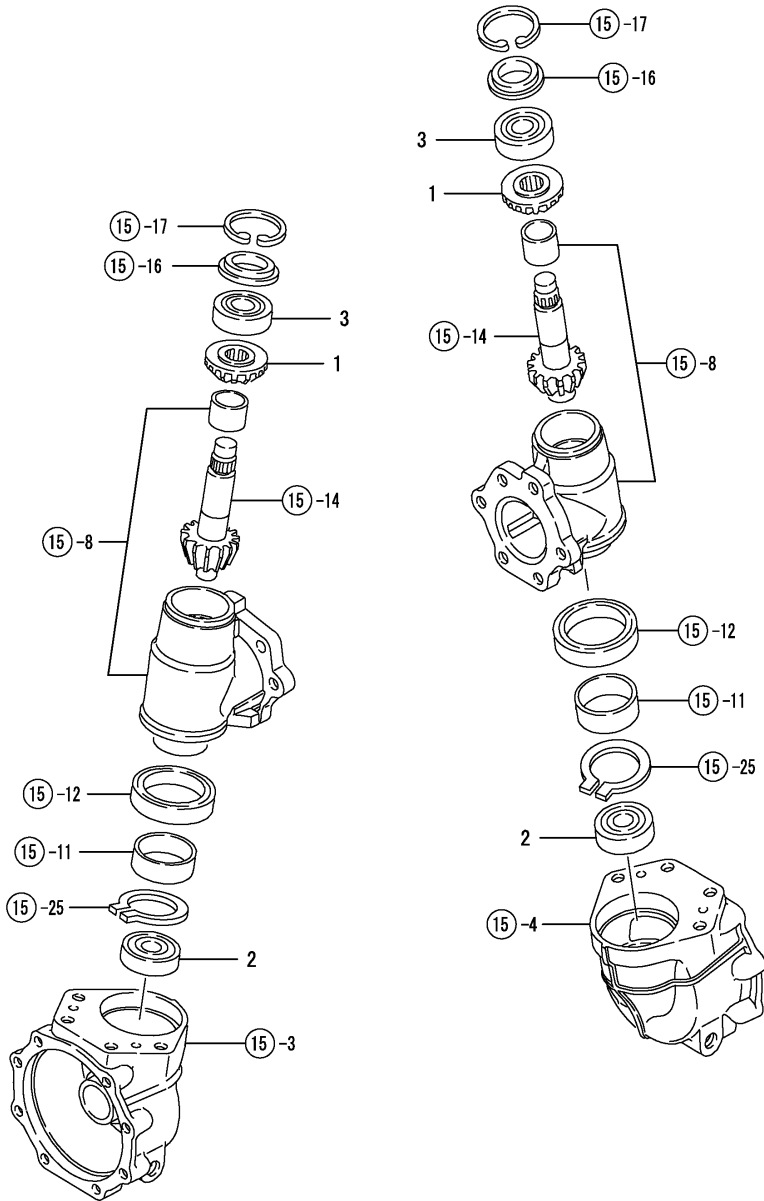


Fig.18. FRONT SPINDLE

(A)=KE-20T-AU-PQ
(B)=
(C)=

(D)=
(E)=
(F)=

No.	Lev.	Parts No.	Description	Q'ty						I	R
				(A)	(B)	(C)	(D)	(E)	(F)		
1	1	1A6780-14110-1	SPINDLE, FRONT	2							
2	1	198165-14120	GEAR, FRONT SHAFT	2							
3	1	1A6780-14131-1	CASE, FRONT BEARING	2							
4	1	198165-14140	GASKET, BEARING CASE	2							
5	1	194151-36670	PLUG, PF02	2							
6	1	1E8420-55430	SEAL, QLFY40X62X14	2							
7	1	22242-000350	RING, 35	2							
8	1	24101-060084	BEARING, BALL 6008	2							
9	1	24101-062074	BEARING, BALL 6207	2							
10	1	26016-080252	BOLT, M8X 25	16							

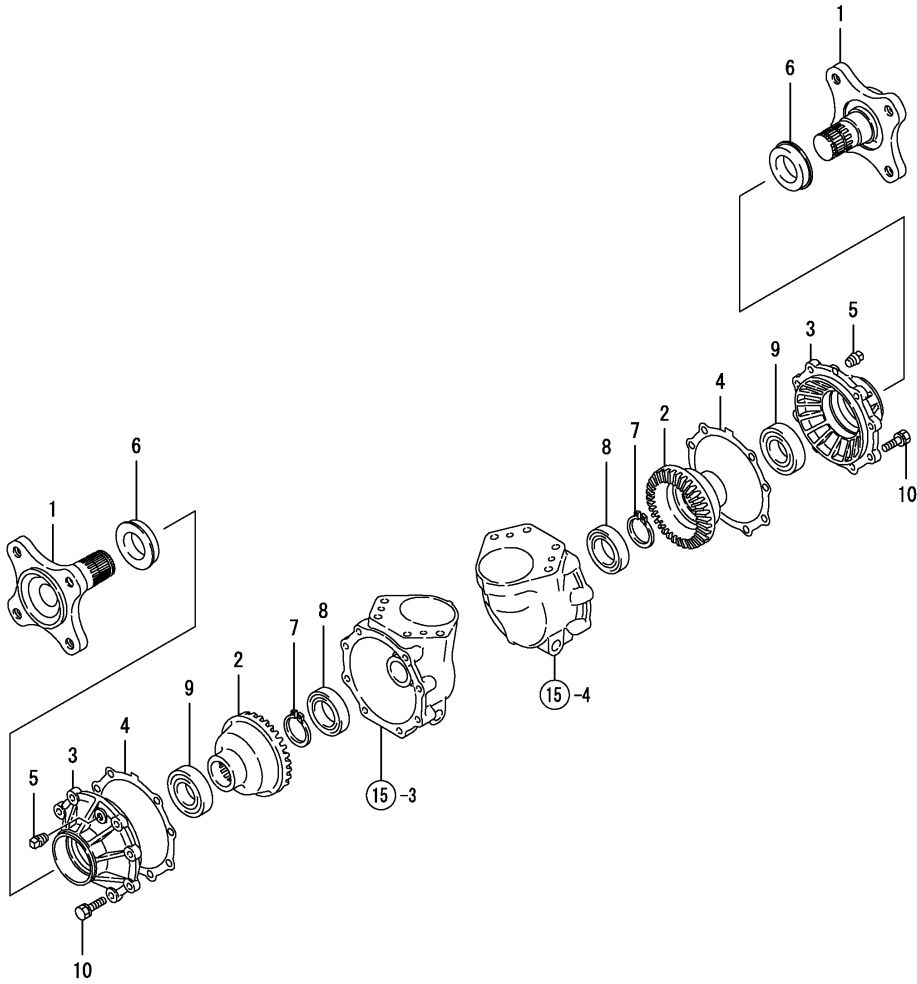


Fig.19. SHAFT COVER

(A)=KE-20T-AU-PQ
(B)=
(C)=

(D)=
(E)=
(F)=

No.	Lev.	Parts No.	Description	Qty						I	R
				(A)	(B)	(C)	(D)	(E)	(F)		
1	1	198164-14620	BOOT, RUBBER	1							
2	1	198165-14620	BOOT, RUBBER	1							
3	1	198165-14630	COLLAR, BOOT	2							
4	1	198421-14630	COLLAR, BOOT	1							
5	1	23000-070000	CLAMP, 70	2							
6	1	23000-070000	CLAMP, 70	2							

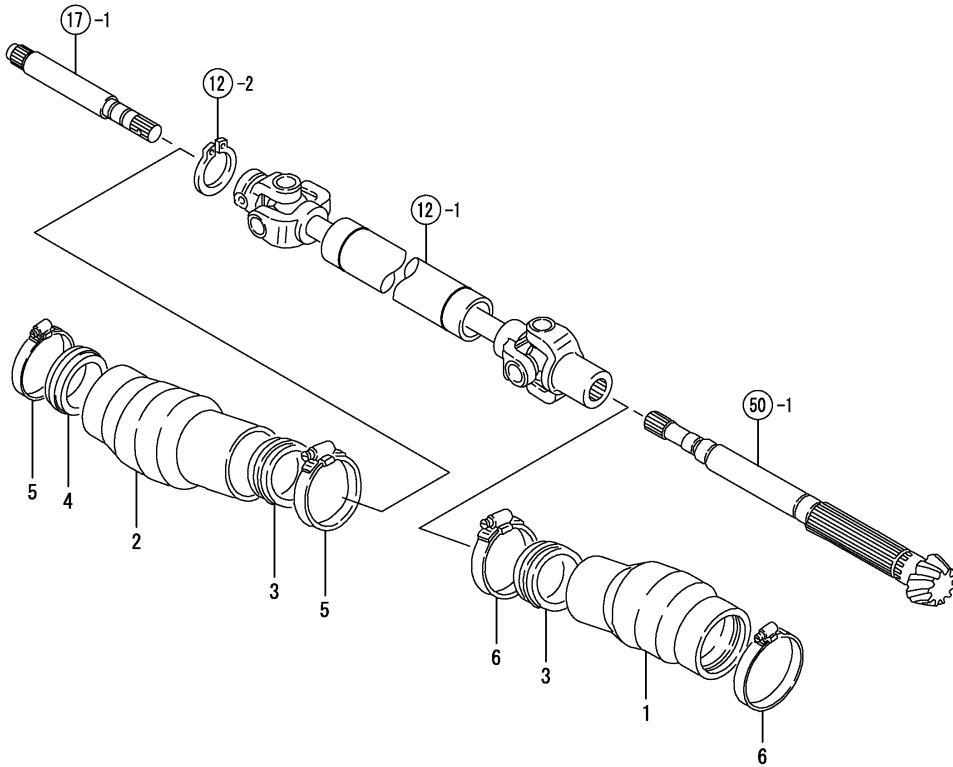


Fig.20. FRONT WHEEL TIRE

(A)=KE-20T-AU-PQ
(B)=
(C)=

(D)=
(E)=
(F)=

No.	Lev.	Parts No.	Description	Q'ty						I	R
				(A)	(B)	(C)	(D)	(E)	(F)		
1	1	798531-14710	TIRE KIT, FRONT L	1							
2	2	198531-14720	WHEEL, DC3.00DX12	1							
3	2	198531-14740	TIRE, FRONT 5.00-12	1							
4	2	198531-14750	TUBE	1							
5	1	798531-14810	TIRE KIT, FRONT R	1							
6	2	198531-14720	WHEEL, DC3.00DX12	1							
7	2	198531-14740	TIRE, FRONT 5.00-12	1							
8	2	198531-14750	TUBE	1							

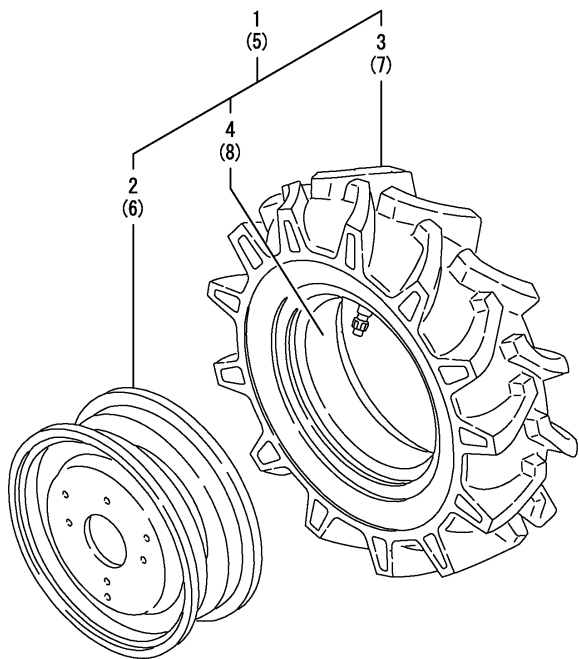


Fig.21. FRONT WHEEL TIRE(TURF)

(A)=KE-20T-AU-PQ
(B)=
(C)=

(D)=
(E)=
(F)=

No.	Lev.	Parts No.	Description	Q'ty						I	R
				(A)	(B)	(C)	(D)	(E)	(F)		
1	1	1A7740-14800	TIRE ASSY, FRONT L	1							
2	2	194305-12810	TIRE, 20.5X8-10	1							
3	2	1A7740-14810	WHEEL, 6.00IX10DC	1							
4	1	1A7740-14850	TIRE ASSY, FRONT R	1							
5	2	194305-12810	TIRE, 20.5X8-10	1							
6	2	1A7740-14810	WHEEL, 6.00IX10DC	1							

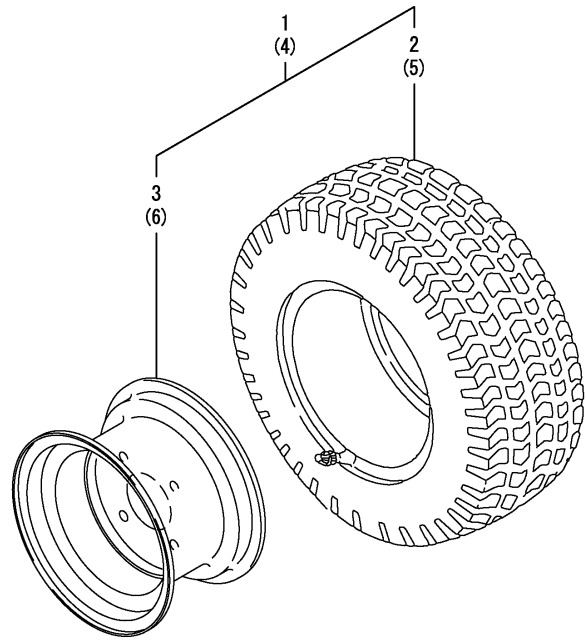


Fig.22. HUB BOLT

(A)=KE-20T-AU-PQ
(B)=
(C)=

(D)=
(E)=
(F)=

No.	Lev.	Parts No.	Description	Q'ty						I	R
				(A)	(B)	(C)	(D)	(E)	(F)		
1	1	22217-140000	WASHER, SPRING 14	8							
2	1	26086-140252	BOLT, 10.914X 25	8							

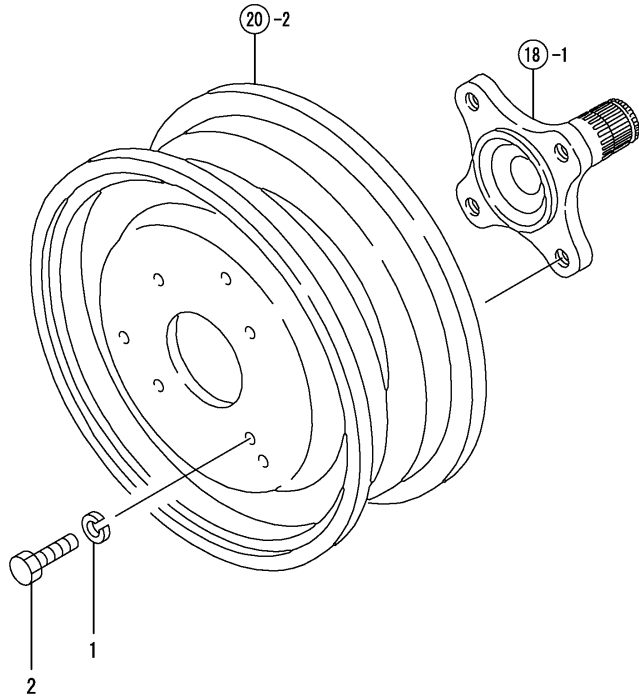
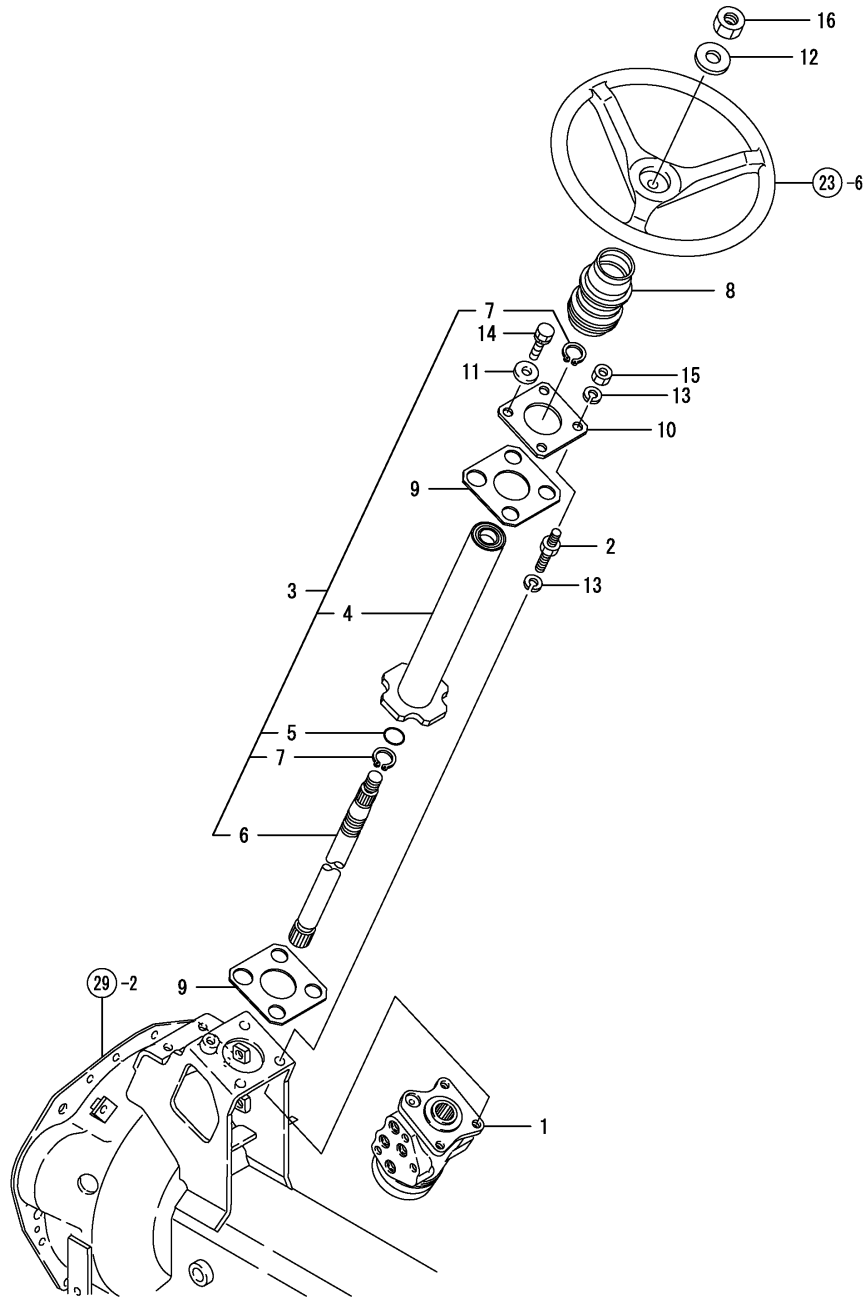


Fig.24. PST VALVE



(A)=KE-20T-AU-PQ
(B)=
(C)=

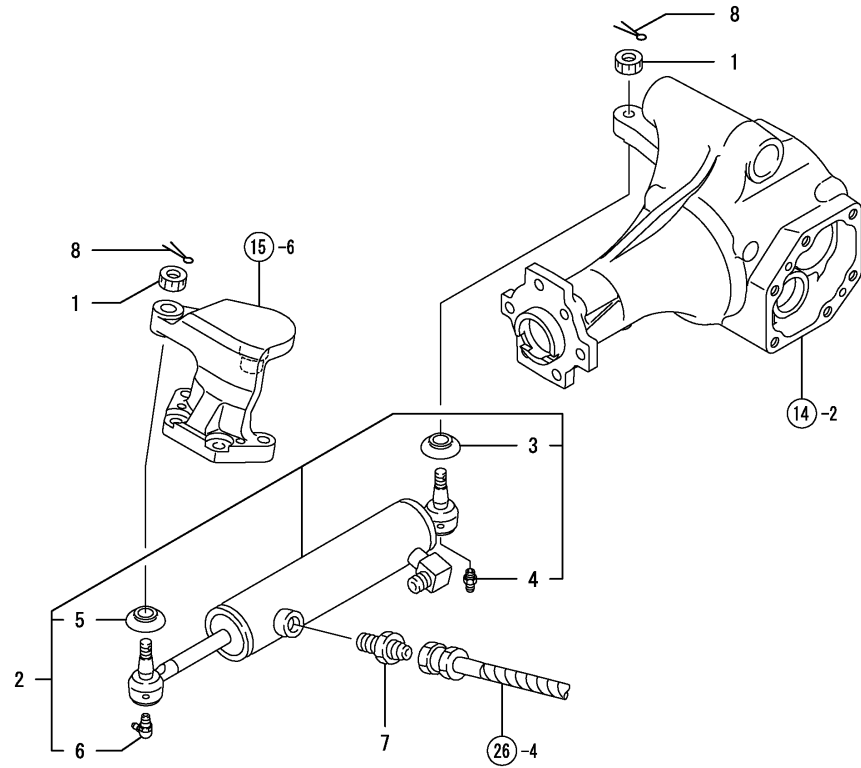
(D)=
(E)=
(F)=

No.	Lev.	Parts No.	Description	Q'ty						I	R
				(A)	(B)	(C)	(D)	(E)	(F)		
1	1	1A7720-17300	VALVE ASSY, STEERING	1							
2	1	198165-17310	BOLT, COLUMN M10	3							
3	1	198164-17410	COLUMN SET, STEERING	1							
4	2	198164-17420	COLUMN ASSY,STEERING	1							
5	2	198164-17450	PACKING	1							
6	2	198164-17461	SHAFT, STEERING	1							
7	2	22242-000200	RING, 20	2							
8	1	198164-17470	BOOT ASSY, STEERING	1							
9	1	198165-17481	RUBBER, COLUMN	2							
10	1	198164-17500	PLATE, KEEP	1							
11	1	22137-100000	WASHER, 10	1							
12	1	22137-160000	WASHER, 16	1							
13	1	22217-100000	WASHER, SPRING 10	6							
14	1	26016-100162	BOLT, M10X 16	1							
15	1	26736-100002	NUT, M10	3							
16	1	26776-160002	NUT, LOCK M16	1							

Fig.25. STEERING CYLINDER

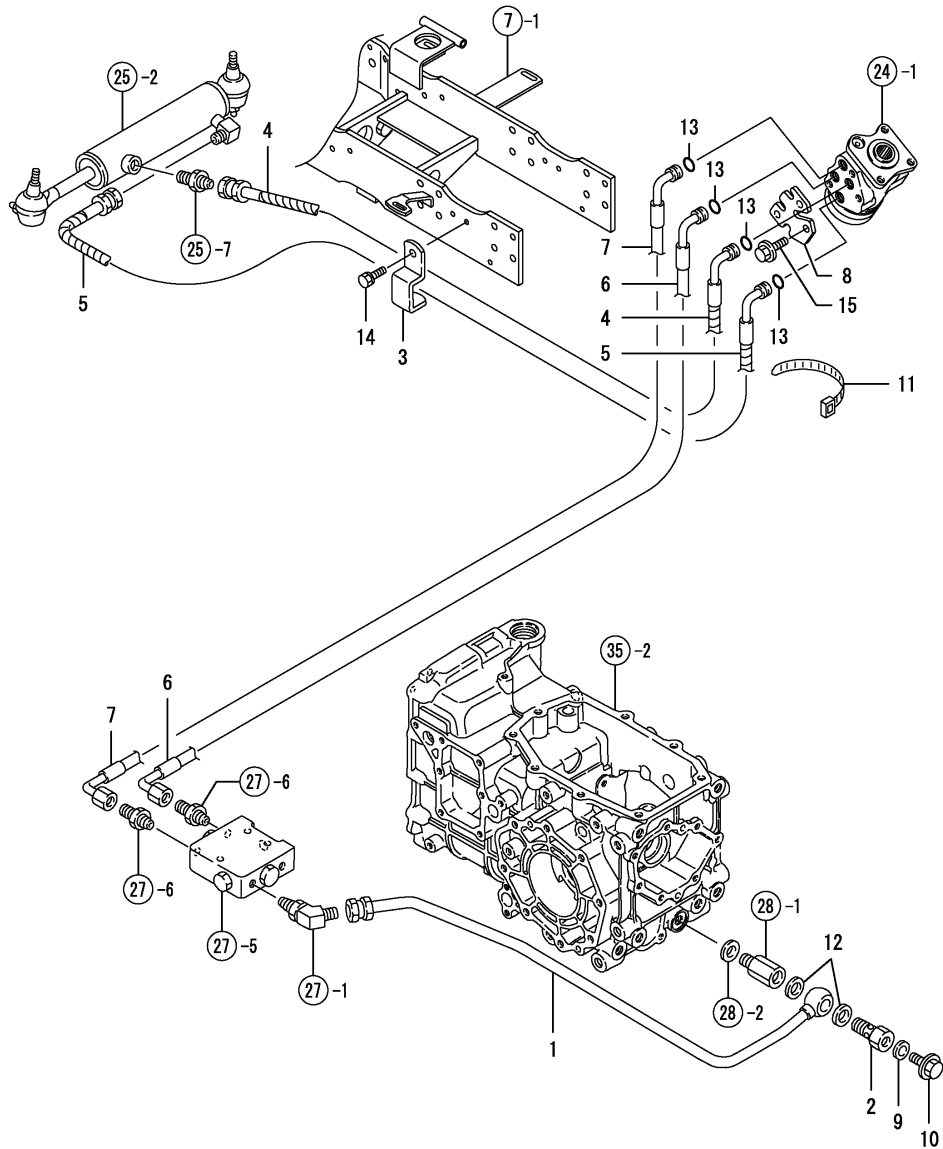
(A)=KE-20T-AU-PQ
(B)=
(C)=

(D)=
(E)=
(F)=



No.	Lev.	Parts No.	Description	Q'ty						I	R
				(A)	(B)	(C)	(D)	(E)	(F)		
1	1	194215-12340	NUT, CASTLE M10	2							
2	1	198164-17540	CYLINDER ASSY	1							
3	2	194300-13340	COVER, DUCT	1							
4	2	24761-060000	NIPPLE, GREASE MT6X1	1							
5	2	194300-13340	COVER, DUCT	1							
6	2	198435-16230	NIPPLE, GRESAE 6	1							
7	1	172520-76210	FITTING 1/4	1							
8	1	22417-250250	PIN, COTTER 2.5X25	2							

Fig.26. PST PIPING(A)



(A)=KE-20T-AU-PQ
(B)=
(C)=

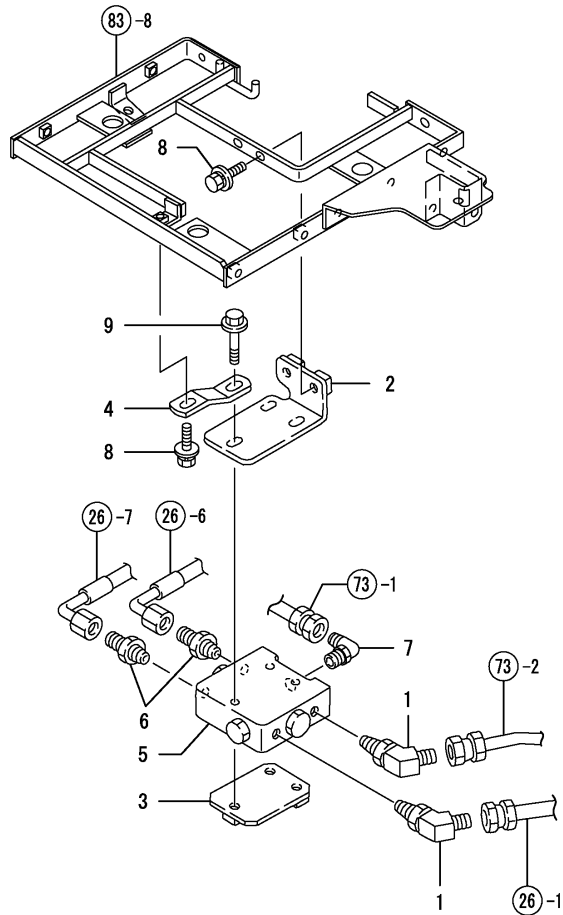
(D)=
(E)=
(F)=

No.	Lev.	Parts No.	Description	Q'ty						I	R
				(A)	(B)	(C)	(D)	(E)	(F)		
1	1	198163-17752	PIPE, DRAIN PS	1							
2	1	198163-17771	BOLT, JOINT M18	1							
3	1	198164-17780	CLAMP, HOSE	1							
4	1	1A7720-17811	HOSE, PRESSURE L	1							
5	1	1A7720-17821	HOSE, PRESSURE R	1							
6	1	1A7720-17830	HOSE, PRESSURE	1							
7	1	1A7720-17840	HOSE, PRESSURE	1							
8	1	198200-17910	PLATE, RETAINER	1							
9	1	198165-24440	GASKET, 20X12X2	1							
10	1	198165-24490	BOLT, M12X12	1							
11	1	194250-51660	BAND 250	2							
12	1	23414-180023	GASKET, 18X1.0	2							
13	1	24311-000120	O-RING, 1AP12.0	4							
14	1	26016-080122	BOLT, M8X 12	1							
15	1	26136-100162	BOLT, M10X 16 PLATED	3							

Fig.27. FLOW DIVIDER

(A)=KE-20T-AU-PQ
(B)=
(C)=

(D)=
(E)=
(F)=



No.	Lev.	Parts No.	Description	Q'ty						I	R
				(A)	(B)	(C)	(D)	(E)	(F)		
1	1	198165-17711	ELBOW, 45	2							
2	1	198164-17830	BRACKET ASSY	1							
3	1	198164-17850	PLATE ASS, FD	1							
4	1	198163-17870	STAY, FD	1							
5	1	198164-17900	DIVIDER ASSY, FLOW	1							
6	1	172520-76210	FITTING 1/4	2							
7	1	172510-76310	ELBOW	1							
8	1	26018-080252	BOLT, M8X 25	3							
9	1	26106-080502	BOLT, M8X 50 PLATED	3							

Fig.28. PST PIPING(B)

(A)=KE-20T-AU-PQ
 (B)=
 (C)=

(D)=
 (E)=
 (F)=

No.	Lev.	Parts No.	Description	Q'ty						I	R
				(A)	(B)	(C)	(D)	(E)	(F)		
1	1	198163-17760	ADAPTER	1							
2	1	23414-140018	GASKET, 14X1.0	1							

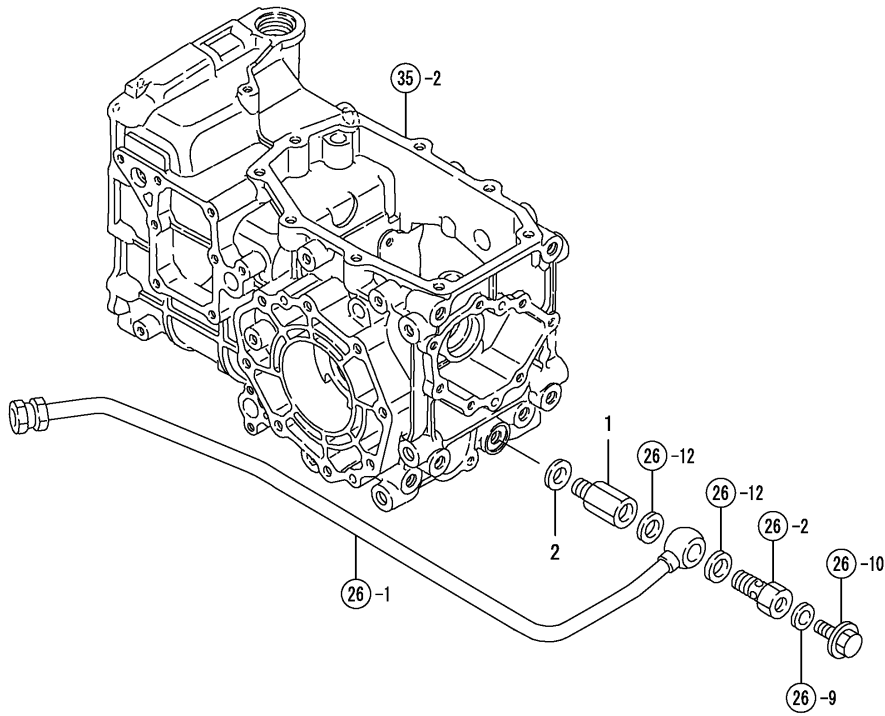


Fig.29. CLUTCH HOUSING

(A)=KE-20T-AU-PQ
(B)=
(C)=

(D)=
(E)=
(F)=

No.	Lev.	Parts No.	Description	Q'ty						I	R
				(A)	(B)	(C)	(D)	(E)	(F)		
1	1	194201-11230	CAP. SCREW 12.0	4							
2	1	198163-21100	HOUSING ASSY, CLUTCH	1							
3	1	194300-21460	CAP, RUBBER 25	1							
4	1	194151-36670	PLUG, PF02	1							
5	1	22217-100000	WASHER, SPRING 10	2							
6	1	22351-080016	PIN, SPRING 8.0X16	2							
7	1	24761-040000	NIPPLE, GREASE B	1							
8	1	26013-080122	BOLT, M8X 12	2							
9	1	26013-080202	BOLT, M8X 20	9							
10	1	26116-100352	BOLT, M10X 35 PLATED	1							
11	1	26716-100002	NUT, M10	1							
12	1	26716-100002	NUT, M10	2							

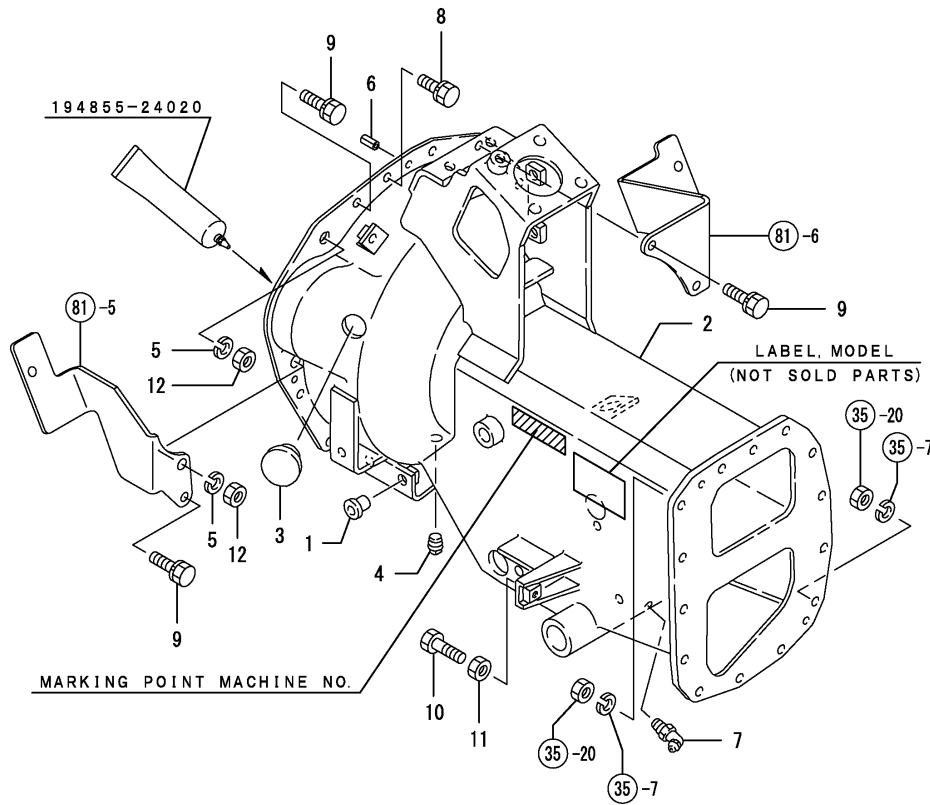
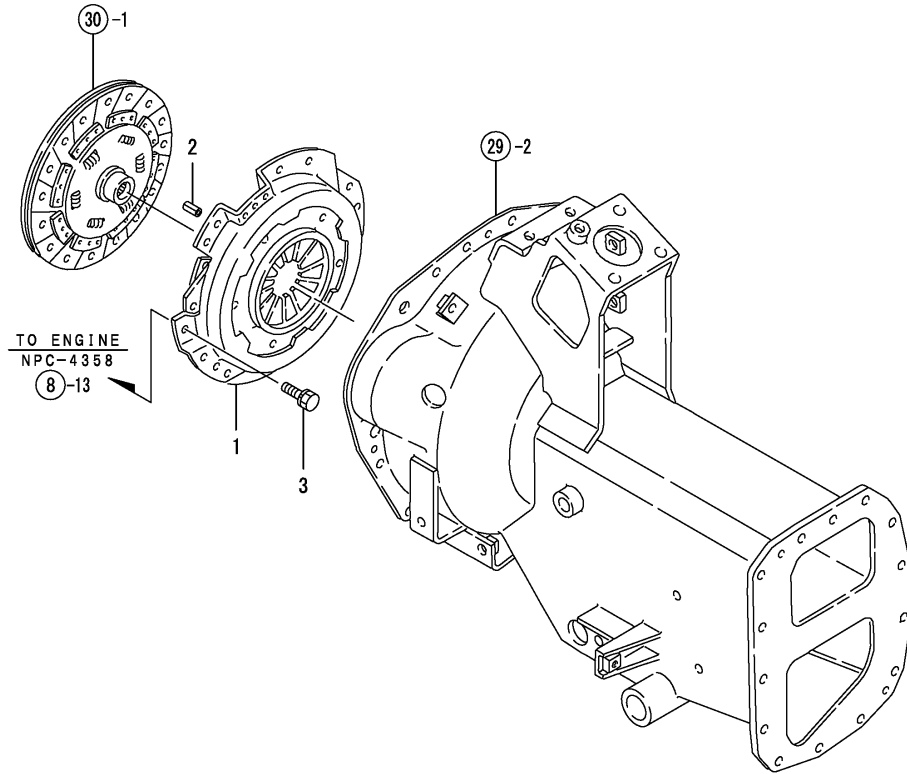


Fig.31. PRESSURE PLATE



(A)=KE-20T-AU-PQ
(B)=
(C)=

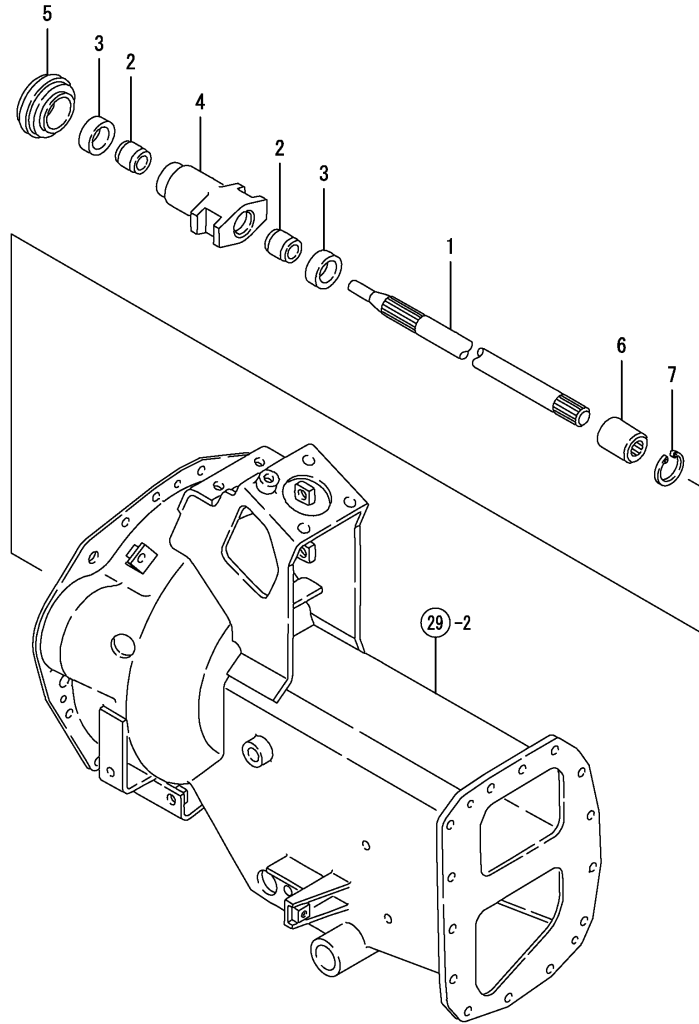
(D)=
(E)=
(F)=

No.	Lev.	Parts No.	Description	Q'ty						I	R
				(A)	(B)	(C)	(D)	(E)	(F)		
1	1	194215-21701	PLATE, PRESSURE	1							
2	1	22351-080016	PIN, SPRING 8.0X16	3							
3	1	26013-080162	BOLT, M8X 16	6							

Fig.32. CLUTCH SHAFT

(A)=KE-20T-AU-PQ
(B)=
(C)=

(D)=
(E)=
(F)=



No.	Lev.	Parts No.	Description	Q'ty						I	R
				(A)	(B)	(C)	(D)	(E)	(F)		
1	1	198421-22110	SHAFT, MAIN DRIVE	1							
2	1	194215-22210	BUSH, 20.4X25X20	2							
3	1	194215-22220	FELT, 9X3.5X90	2							
4	1	194215-22230	SLEEVE, BEARING	1							
5	1	194300-22240	BEARING, RCT3558ARUS	1							
6	1	194310-25100	JOINT	1							
7	1	22252-000170	RING, 17	1							

Fig.33. CLUTCH RELEASE

(A)=KE-20T-AU-PQ
(B)=
(C)=

(D)=
(E)=
(F)=

No.	Lev.	Parts No.	Description	Q'ty						I	R
				(A)	(B)	(C)	(D)	(E)	(F)		
1	1	1C6560-13470	COLLAR, 17X26X9	1							
2	1	198421-22151	SHAFT, RELEASE	1							
3	1	194300-22160	YOKE, CLUTCH SHIFT	1							
4	1	194300-22910	SPRING	1							
5	1	22351-035040	PIN, SPRING 3.5X40	1							
6	1	22351-060040	PIN, SPRING 6.0X40	1							

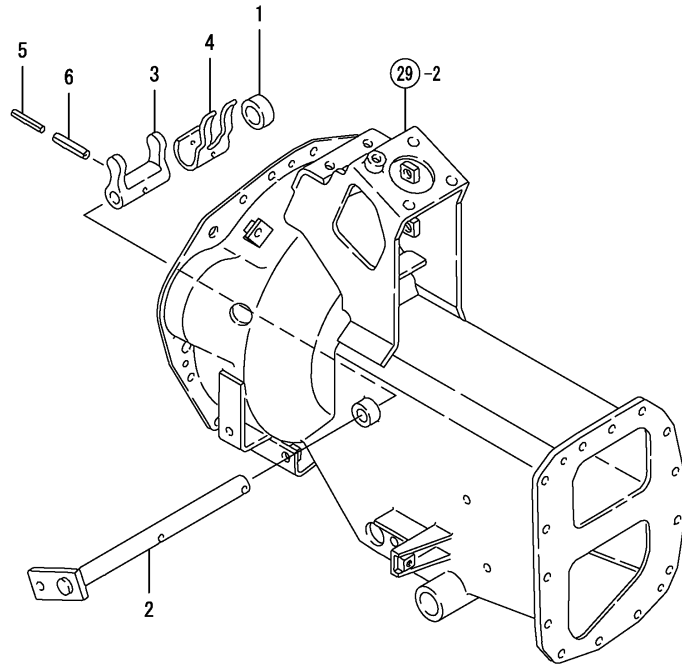
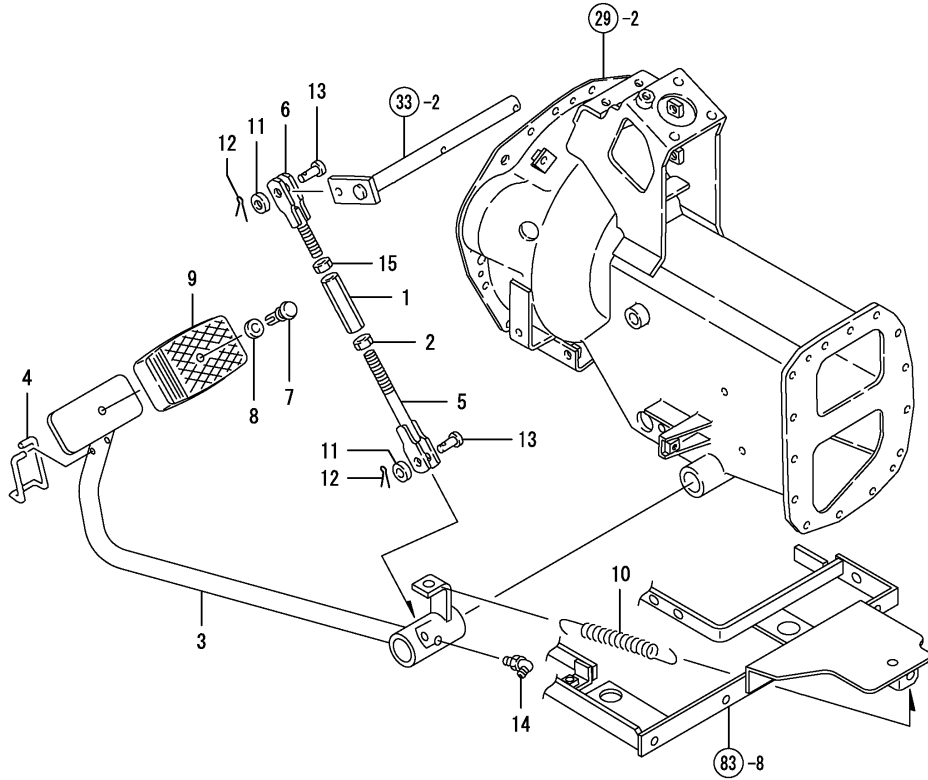


Fig.34. CLUTCH PEDAL

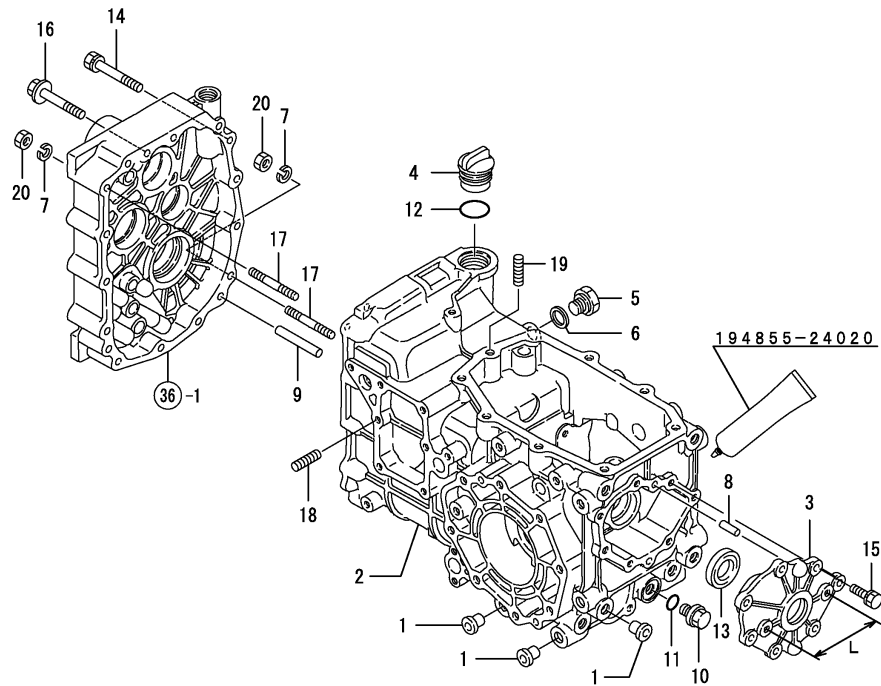


(A)=KE-20T-AU-PQ
(B)=
(C)=

(D)=
(E)=
(F)=

No.	Lev.	Parts No.	Description	Q'ty						I	R
				(A)	(B)	(C)	(D)	(E)	(F)		
1	1	194740-00322	ADJUSTER	1							
2	1	194990-20170	NUT, M8	1							
3	1	198162-22410-1	PEDAL ASSY, CLUTCH	1							
4	1	198421-22440	LEVER, CLUTCH LOCK	1							
5	1	198425-22450	ROD ASSY, CLUTCH L	1							
6	1	198425-22480	ROD ASSY, CLUTCH R	1							
7	1	198133-22510	RIVET, PEDAL HEAD	1							
8	1	198133-22530	WASHER, RIVET	1							
9	1	198071-37510	COVER, HEAD	1							
10	1	198421-37511	SPRING, RETURN	1							
11	1	22137-080000	WASHER, 8	2							
12	1	22417-200200	PIN, COTTER 2.0X20	2							
13	1	22487-080160	PIN, H 8X 16	2							
14	1	24761-040000	NIPPLE, GREASE B	1							
15	1	26716-080002	NUT, M8	1							

Fig.35. TRANSMISSION CASE



(A)=KE-20T-AU-PQ
(B)=
(C)=

(D)=
(E)=
(F)=

No.	Lev.	Parts No.	Description	Q'ty						I	R
				(A)	(B)	(C)	(D)	(E)	(F)		
1	1	194201-11230	CAP, SCREW 12.0	6							
2	1	198425-24110-1	HOUSING, MISSION	1							
3	1	198165-24120-2	COVER, MISSION CASE	1							
3-1	1	198165-24121-1 (A=FZZZZZ)	REAR COVER,T.MISSION	1						S	1
4	1	198435-24280	PLUG, OIL 33	1							
4-1	1	194855-24290 (A=*2008.09.)	CAP, OIL M20	1							N
5	1	194312-46750	PLUG, PF3/8	1							
6	1	194555-77910	GASKET, 17	1							
7	1	22217-080000	WASHER, SPRING 8	2							
8	1	22312-080160	PIN, PARALLEL M8X16	2							
9	1	22312-080630	PIN, PARALLEL M8X63	2							
10	1	23491-140002	PLUG, 14	1							
11	1	24311-000160	O-RING, 1AP16.0	1							
12	1	24351-020300	O-RING 1A 2030	1							
12-1	1	24311-000180 (A=*2008.09.)	O-RING, 1AP18.0	1							N
13	1	24421-284008	SEAL, OIL TC284008	1							
14	1	26013-080702	BOLT, M8X 70	9							
15	1	26016-080252	BOLT, M8X 25	7							
16	1	26106-080702	BOLT, M8X 70 PLATED	3							
17	1	26226-080652	STUD, M8X 65	2							
18	1	26228-080252	STUD, M8X 25	1							
19	1	26228-100252	STUD, M10X 25	1							
20	1	26716-080002	NUT, M8	2							

Remarks

(1) L= Ref.No.3 92M/M,3-1 90M/M.

N:Old $\xrightarrow{\text{Yes}}$ New, Q:Old $\xrightarrow{\text{No}}$ New, R:Old $\xrightarrow{\text{Yes}}$ New, S:Old $\xrightarrow{\text{No}}$ New, W:Add, Z:Discontinued, F:Interchangeable by set, K:Q'ty Change

Fig.36. CENTER PLATE

(A)=KE-20T-AU-PQ
(B)=
(C)=

(D)=
(E)=
(F)=

No.	Lev.	Parts No.	Description	Q'ty						I	R
				(A)	(B)	(C)	(D)	(E)	(F)		
1	1	198163-24321	PLATE, CENTER	1							
2	1	198165-24330	SEAL, OIL TC254208	1							
3	1	198164-24510	PACKING, MISSION	1							
4	1	22252-000420	RING, 42	1							
5	1	24421-173508	SEAL, OIL TC173508	1							
6	1	24430-305005	SEAL, OIL VC305005	1							

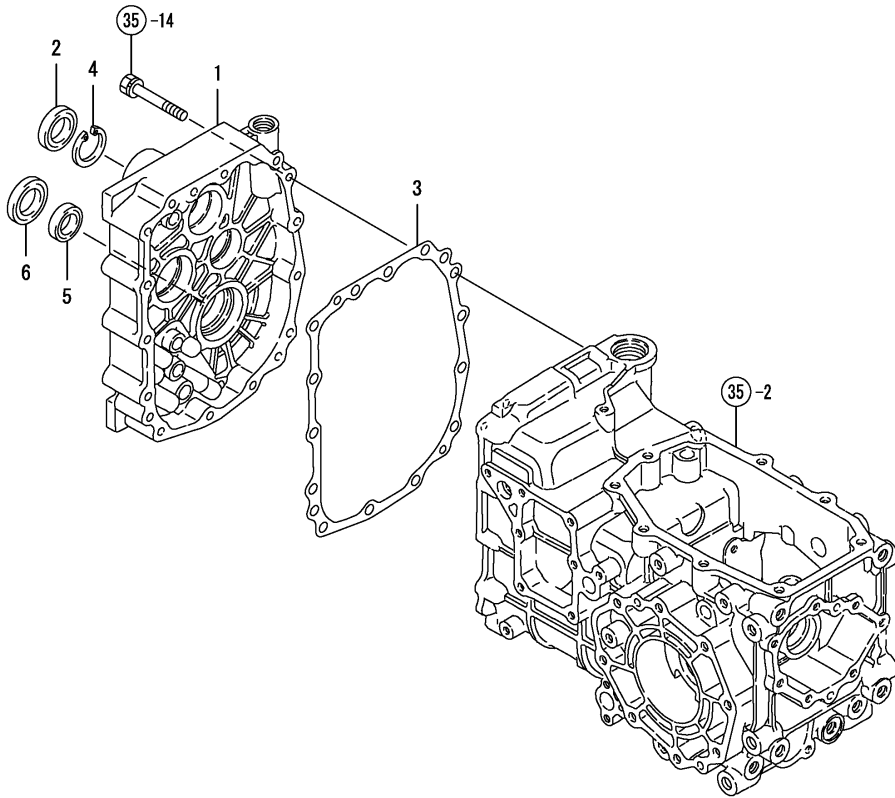


Fig.37. OIL GGAUGE

(A)=KE-20T-AU-PQ
 (B)=
 (C)=

(D)=
 (E)=
 (F)=

No.	Lev.	Parts No.	Description	Q'ty						I	R
				(A)	(B)	(C)	(D)	(E)	(F)		
1	1	198435-24290	GAUGE, OIL LEVEL	1							
2	1	24311-000180	O-RING, 1AP18.0	1							

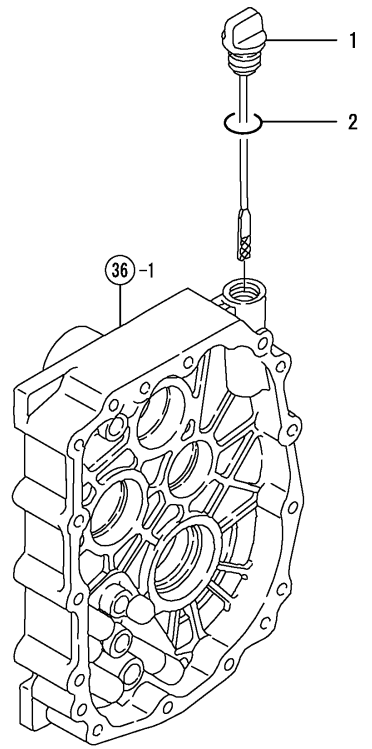


Fig.38. OIL STRAINER

(A)=KE-20T-AU-PQ
(B)=
(C)=

(D)=
(E)=
(F)=

No.	Lev.	Parts No.	Description	Q'ty						I	R
				(A)	(B)	(C)	(D)	(E)	(F)		
1	1	198421-24910	STRAINER, OIL	1							
2	1	194215-24970-1	COVER, OIL STRAINER	1							
3	1	24341-000500	O-RING, 1AS50.0	1							
3-1	1	1A7542-24980 (A=*2013.06.)	O-RING,SACTION	1							N
4	1	26013-080252	BOLT, SPRING M8X 25	2							

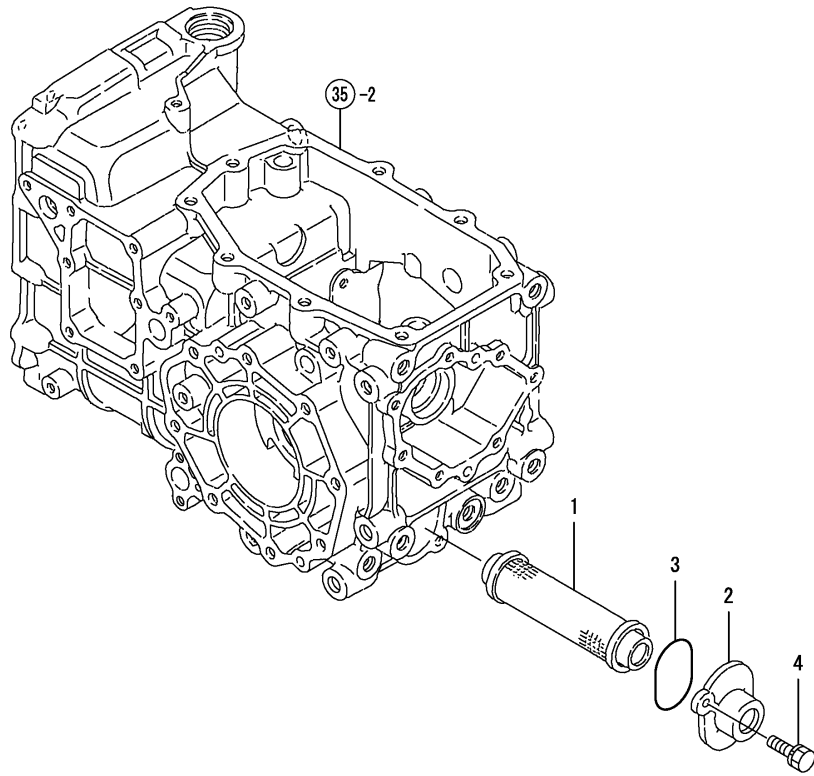
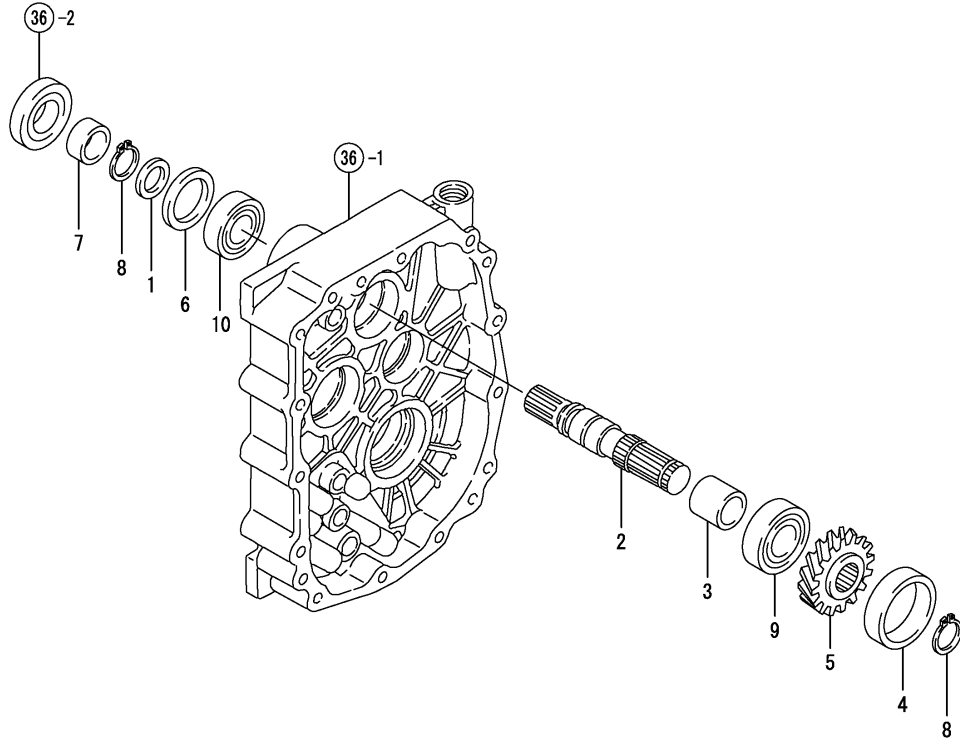


Fig.39. INPUT SHAFT

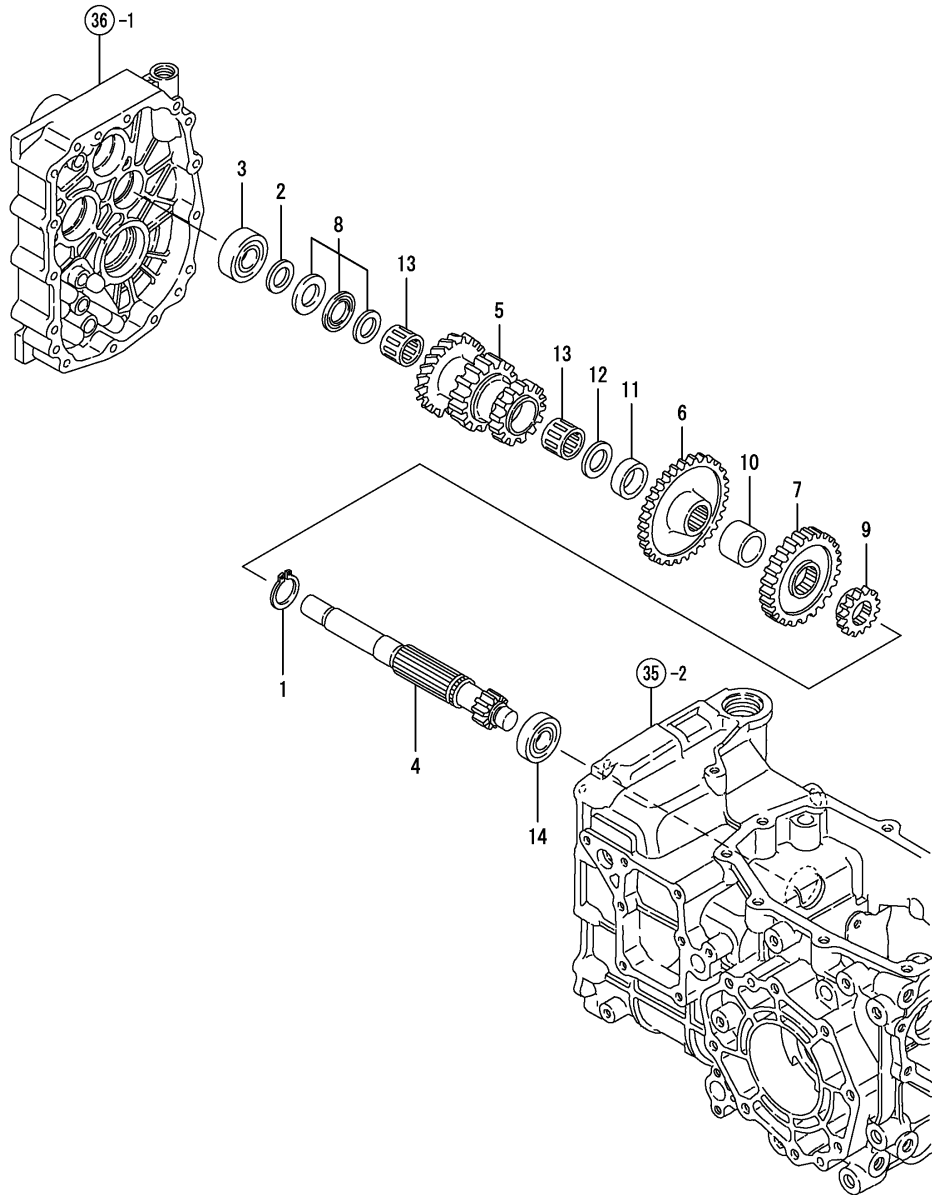
(A)=KE-20T-AU-PQ
(B)=
(C)=

(D)=
(E)=
(F)=



No.	Lev.	Parts No.	Description	Q'ty						I	R
				(A)	(B)	(C)	(D)	(E)	(F)		
1	1	194305-24310	COLLAR, 20X25X2	1							
2	1	198163-25111	SHAFT, INPUT	1							
3	1	198435-25130	COLLAR, 20.8X25.4X19	1							
4	1	1A7740-25130	COLLAR	1							
5	1	198164-25150	GEAR, MAIN DRIVE 17	1							
6	1	198163-25280	COLLAR, 31X42X5	1							
7	1	194855-25290	SLEEVE, SI 202513	1							
8	1	194859-34150	RING, C20	2							
9	1	24101-062044	BEARING, BALL 6204	1							
10	1	24104-060044	BEARING, BALL 6004UU	1							

Fig.40. MAIN SHAFT

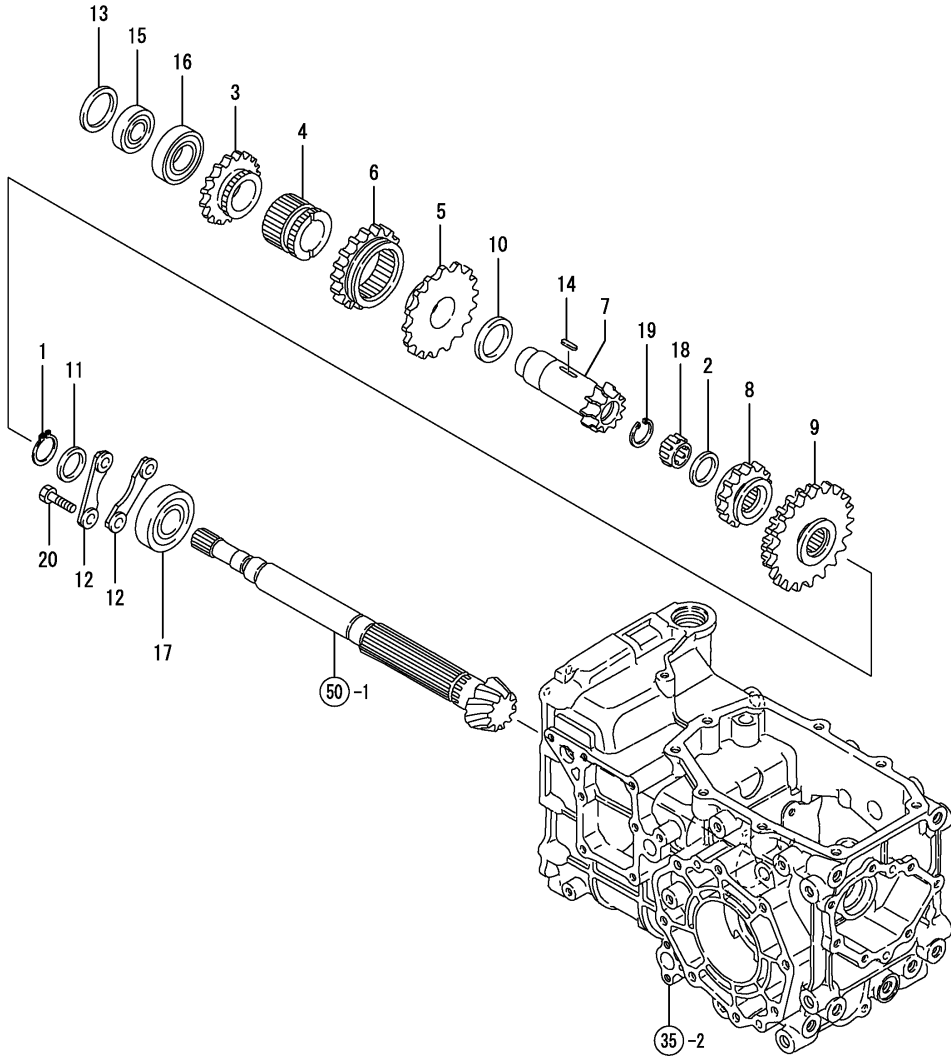


(A)=KE-20T-AU-PQ
(B)=
(C)=

(D)=
(E)=
(F)=

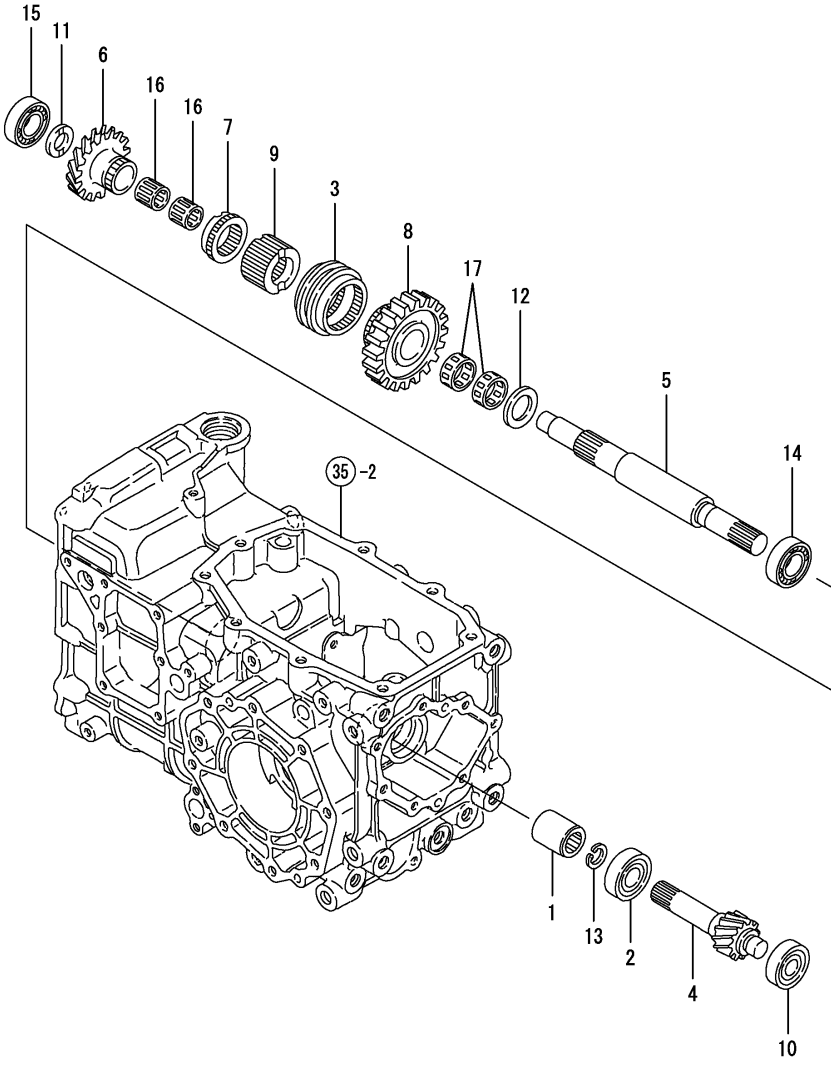
No.	Lev.	Parts No.	Description	Qty						I	R
				(A)	(B)	(C)	(D)	(E)	(F)		
1	1	194306-13140	CIRCLIP, C24-S	1							
2	1	1E4070-14040	LINER, 17.1X25X1	1							
3	1	194305-25160	BEARING, BALL TMB203	1							
4	1	198164-25210	SHAFT, MAIN	1							
5	1	198163-25221	GEAR, MAIN 25-19-18	1							
6	1	198164-25230	GEAR, MAIN 44	1							
7	1	198435-25240	GEAR, MAIN 31	1							
8	1	198163-25250	BEARING ASSY, THRUST	1							
9	1	198421-25250	GEAR, MAIN 16	1							
10	1	198435-25280	SPACER, 30X20.2	1							
11	1	198435-25310	SPACER, 30X7.75	1							
12	1	194856-25330	WASHER, 22X32X2.5	1							
13	1	194856-25340	BEARING, 222817	2							
14	1	24101-062034	BEARING, BALL 6203	1							

Fig.41. COUNTER SHAFT



No.	Lev.	Parts No.	Description	Q'ty						I	R
				(A)	(B)	(C)	(D)	(E)	(F)		
1	1	194306-13140	CIRCLIP, C24-S	1							
2	1	194856-25330	WASHER, 22X32X2.5	1							
3	1	198435-25720	GEAR, COUNTER 26								
4	1	198435-25730	COLLAR, SPLINE	1							
5	1	198163-25740	GEAR, COUNTER 36	1							
6	1	198163-25750	GEAR, COUNTER 30	1							
7	1	198164-25770	GEAR, COUNTER 16	1							
8	1	198164-25790	GEAR, SLIDE 24	1							
9	1	198164-25800	GEAR, SLIDE 38-58	1							
10	1	198421-25800	WASHER, 35X47X2.5	1							
11	1	198421-25810	COLLAR, 25X36X4.5	1							
12	1	198435-25810	HOLDER, BEARING	2							
13	1	198421-25820	COLLAR, 32X41.5X1	1							
14	1	22551-050180	KEY, 5X 18	1							
15	1	24101-060044	BEARING, BALL 6004	1							
16	1	24101-060064	BEARING, BALL 6006	1							
17	1	24101-063054	BEARING, BALL 6305	1							
18	1	24161-222610	BEARING, 222610	1							
19	1	24165-000262	CIRCLIP 26	1							
20	1	26116-080202	BOLT, M8X 20 PLATED	4							

Fig.42. PTO DRIVE SHAFT



(A)=KE-20T-AU-PQ
(B)=
(C)=

(D)=
(E)=
(F)=

No.	Lev.	Parts No.	Description	Q'ty						I	R
				(A)	(B)	(C)	(D)	(E)	(F)		
1	1	194310-25100	JOINT	1							
2	1	194515-25180	BEARING, BALL TMB004	1							
3	1	198163-26121	GEAR, PTO SLIDE	1							
4	1	198162-26130	GEAR, PTO 11	1							
5	1	198164-26140	SHAFT, PTO DRIVE	1							
6	1	198163-26153	GEAR, PTO DRIVE 24	1							
7	1	198163-26162	GEAR, SPLINE COLLAR	1							
8	1	1A7720-26180	GEAR, PTO DRIVE 29	1							
9	1	198163-26190	COLLAR, PTO SPLINE	1							
10	1	198165-26270	BEARING, TMB302	1							
11	1	198163-26410	WASHER, THRUST	1							
12	1	194191-28540	WASHER, 25X38X2.5	1							
13	1	22252-000170	RING, 17	1							
14	1	24104-060044	BEARING, BALL 6004UU	1							
15	1	24104-063034	BEARING, BALL 6303UU	1							
16	1	24161-202417	BEARING, 202417	2							
17	1	24161-252910	BEARING, 252910	2							

Fig.44. MAIN SHIFT

(A)=KE-20T-AU-PQ

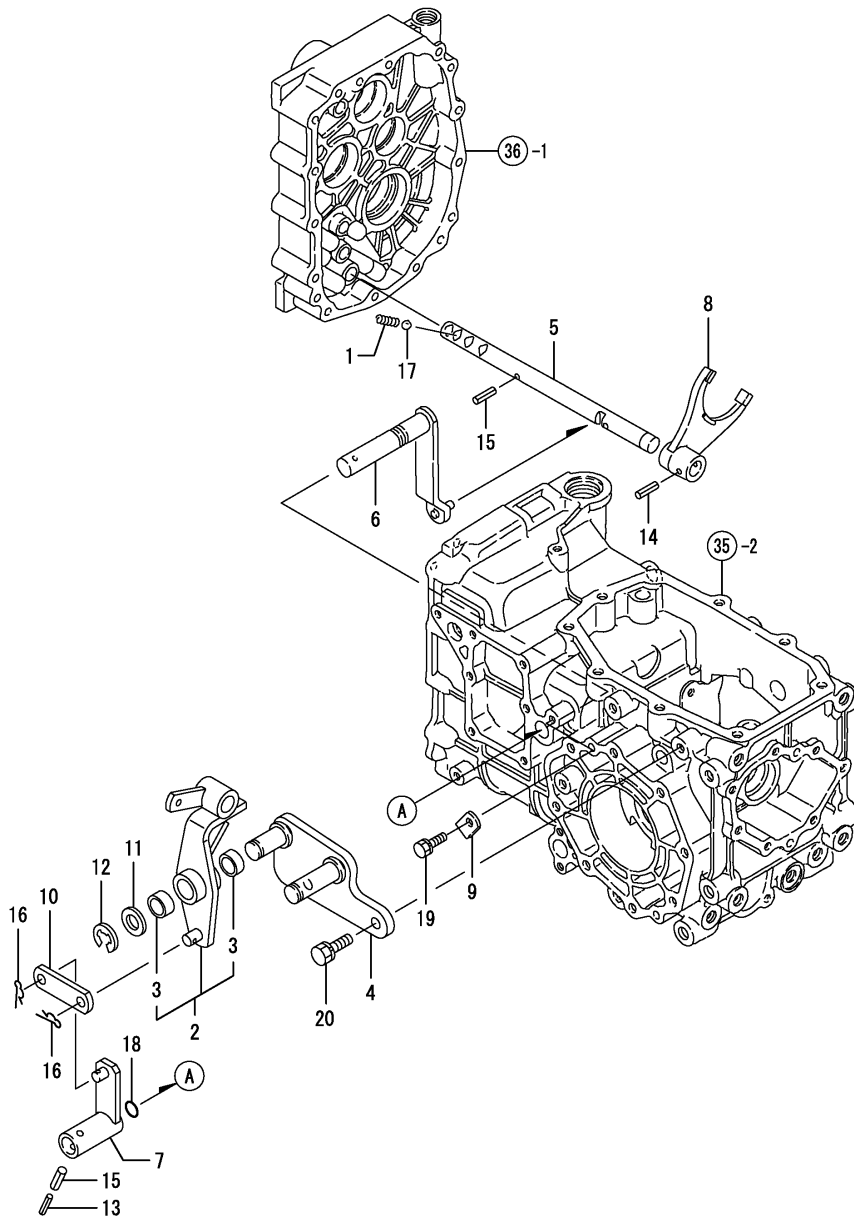
(B)=

(C)=

(D)=

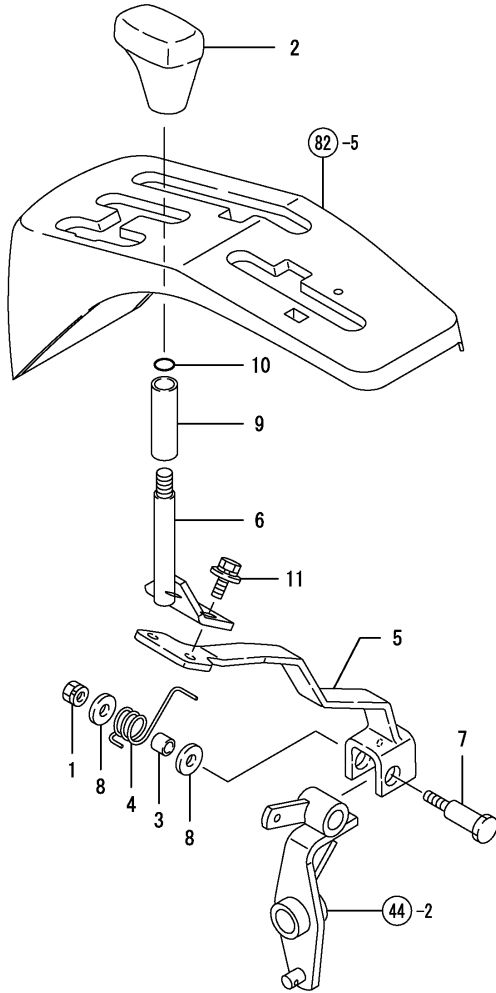
(E)=

(F)=



No.	Lev.	Parts No.	Description	Q'ty						I	R
				(A)	(B)	(C)	(D)	(E)	(F)		
1	1	198421-27110	SPRING, 38.4	1							
2	1	198163-27200	LEVER KIT, SHIFT	1							
3	2	24550-018100	BUSH, 18X10	2							
4	1	198163-27510	BRACKET, LEVER	1							
5	1	198163-27520	SHAFT, CHANGE FORK	1							
6	1	198421-27521	ARM, SHIFT	1							
7	1	198163-27531	LEVER, MAIN CHANGE A	1							
8	1	198435-27551	FORK, SHIFT	1							
9	1	194197-27681	PLATE, KEEP	1							
10	1	198327-47930	PLATE, LINK	1							
11	1	22137-180000	WASHER, 18	1							
12	1	22272-000150	RING, E-15	1							
13	1	22351-035025	PIN, SPRING 3.5X25	1							
14	1	22351-060020	PIN, SPRING 6.0X20	1							
15	1	22351-060025	PIN, SPRING 6.0X25	2							
16	1	22360-100000	PIN, SNAP 10	2							
17	1	24190-100001	BALL, STEEL 5/16	1							
18	1	24311-000125	O-RING, 1AP12.5	1							
19	1	26013-080202	BOLT, M8X 20	1							
20	1	26013-100252	BOLT, M10X 25	2							

Fig.45. MAIN CHANGE LEVER

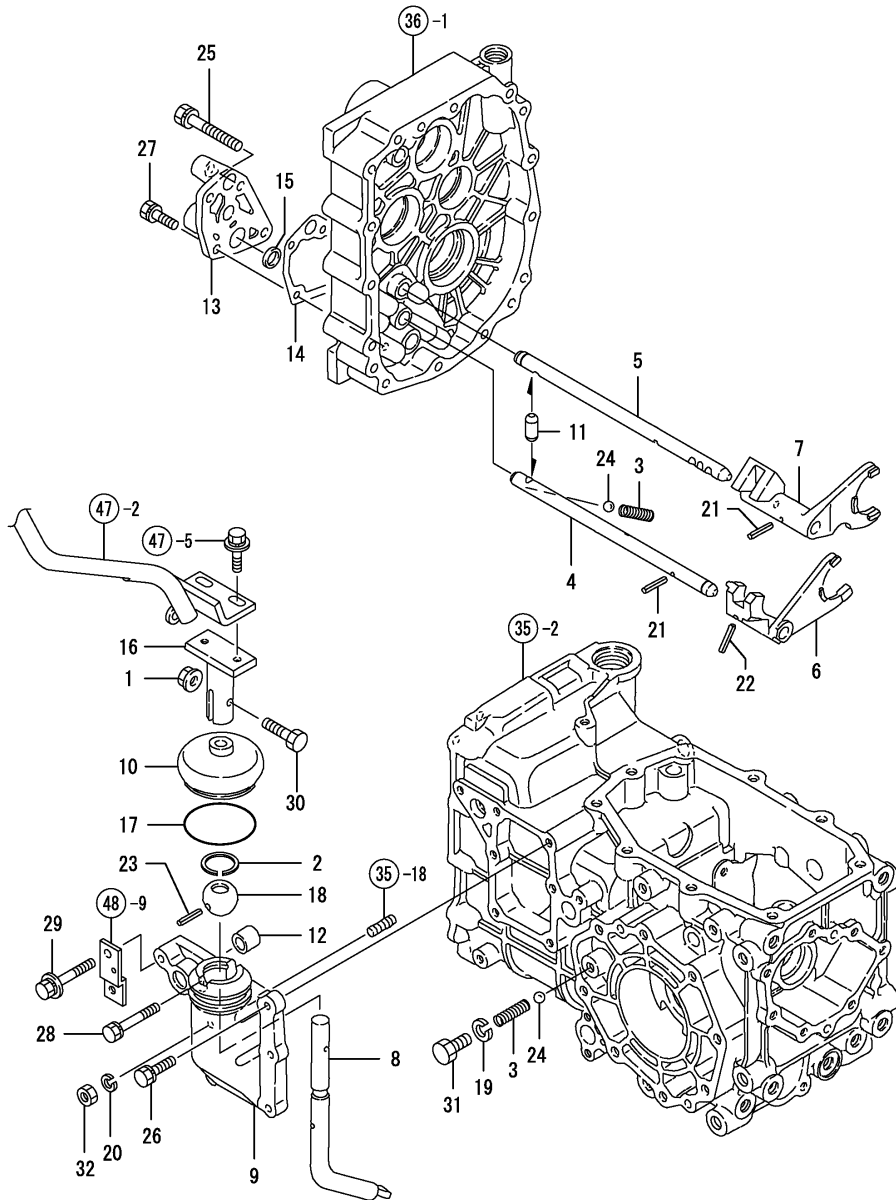


(A)=KE-20T-AU-PQ
(B)=
(C)=

(D)=
(E)=
(F)=

No.	Lev.	Parts No.	Description	Q'ty						I	R
				(A)	(B)	(C)	(D)	(E)	(F)		
1	1	194990-22050	NUT, M8	1							
2	1	1A7720-27240	KNOB	1							
3	1	198163-27540	COLLAR, 9.2X13.8X12	1							
4	1	198163-27560	SPRING, LEVER	1							
5	1	198163-27572	LEVER, MAIN CHANGE	1							
6	1	198163-27630	LEVER, MAIN CHANGE	1							
7	1	198163-27910	PIN, SHIFT	1							
8	1	22157-080000	WASHER, 8	2							
9	1	23061-150065	PIPE, 15X 65	1							
10	1	24311-000110	O-RING, 1AP11.0	1							
11	1	26018-080202	BOLT, M8X 20	2							

Fig.46. RANGE SHIFT



(A)=KE-20T-AU-PQ
(B)=
(C)=

(D)=
(E)=
(F)=

No.	Lev.	Parts No.	Description	Qty						I	R
				(A)	(B)	(C)	(D)	(E)	(F)		
1	1	194990-22140	NUT, M8	1							
2	1	1A1040-26320	CIRCLIP, 30-H	1							
3	1	198421-27110	SPRING, 38.4	2							
4	1	198163-27120	SHAFT, FORK H	1							
5	1	198163-27130	SHAFT, FORK L	1							
6	1	198435-27142	FORK, SHIFT H	1							
7	1	198164-27150	FORK, SHIFT L	1							
8	1	198421-27160	ARM, MAIN SHIFT	1							
9	1	198421-27170-1	CASE, MAIN CHANGE	1							
10	1	198421-27180	BOOT, RUBBER	1							
11	1	1A7720-27190	SPINDLE, S 8X19	1							
12	1	198421-27200	BUSH, 17X19X15	1							
13	1	198425-27213	CASE, FORK SHAFT	1							
14	1	198421-27221	GASKET, CASE	1							
15	1	198425-27230	COLLAR, CASE	1							
16	1	198435-27260-1	LEVER, CHANGE LOWER	1							
17	1	198425-27290	O-RING, 35	1							
18	1	1E6140-56230	BALL, SHIFTER	1							
19	1	22217-100000	WASHER, SPRING 10	1							
20	1	22287-080000	WASHER, 8	1							
21	1	22351-050020	PIN, SPRING 5.0X20	2							
22	1	22351-050025	PIN, SPRING 5.0X25	1							
23	1	22351-060040	PIN, SPRING 6.0X40	1							
24	1	24190-100001	BALL, STEEL 5/16	2							
25	1	26013-080552	BOLT, M8X 55	1							
26	1	26016-080252	BOLT, M8X 25	4							
27	1	26016-080252	BOLT, M8X 25	3							
28	1	26016-080402	BOLT, M8X 40	1							
29	1	26018-080452	BOLT, M8X 45	1							
30	1	26116-080304	BOLT, M8X 30 PLATED	1							
31	1	26116-100122	BOLT, M10X 12 PLATED	1							
32	1	26716-080002	NUT, M8	1							

Fig.47. SUB CHANGE LEVER

(A)=KE-20T-AU-PQ
(B)=
(C)=

(D)=
(E)=
(F)=

No.	Lev.	Parts No.	Description	Q'ty						I	R
				(A)	(B)	(C)	(D)	(E)	(F)		
1	1	1A7720-27240	KNOB	1							
2	1	198163-27270	LEVER, CHANGE UPPER	1							
3	1	198165-27360	TUBE, LEVER 17X130	1							
4	1	24311-000110	O-RING, 1AP11.0	1							
5	1	26018-080202	BOLT, M8X 20	2							

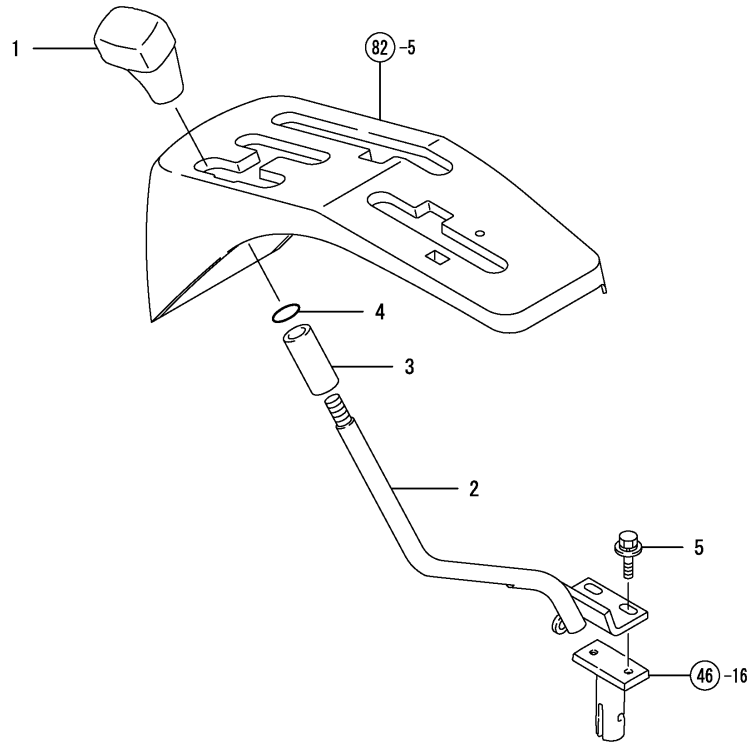
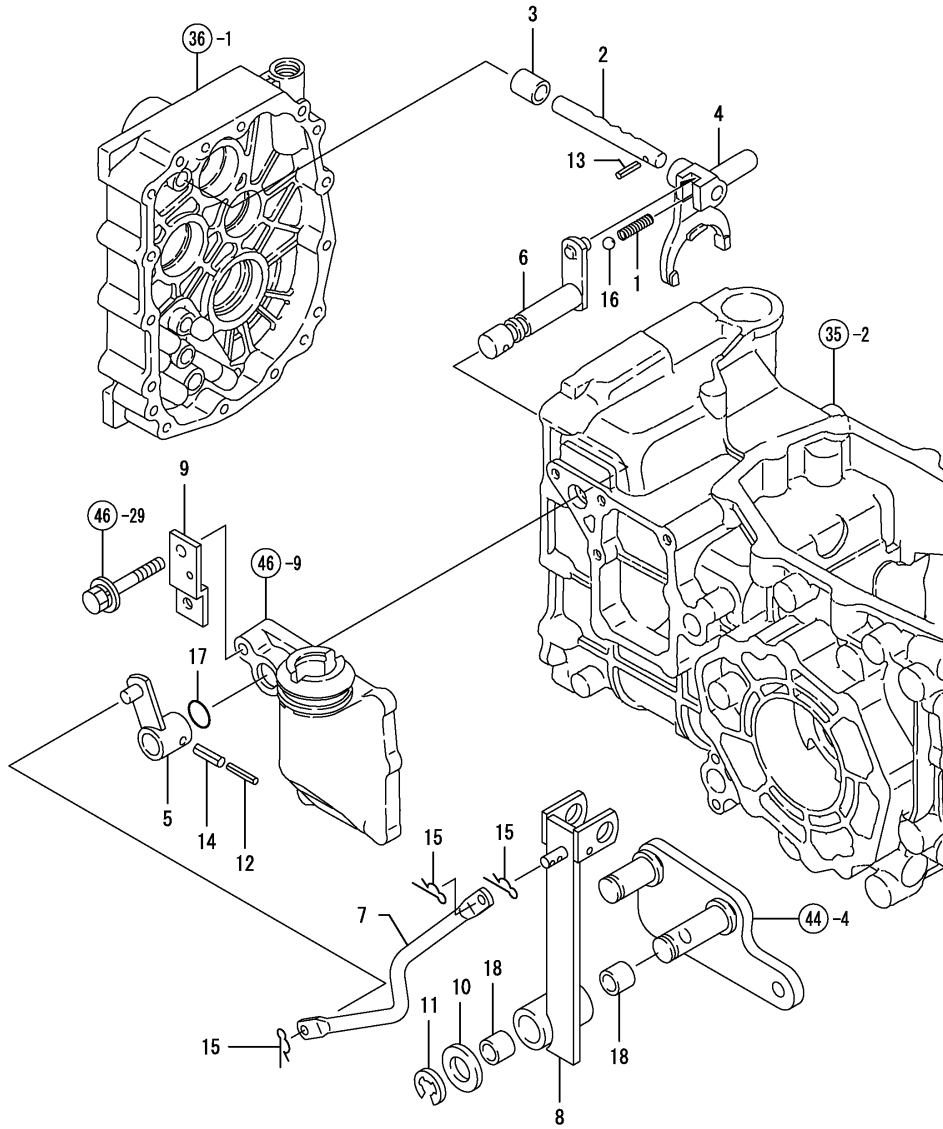


Fig.48. PTO SHIFT

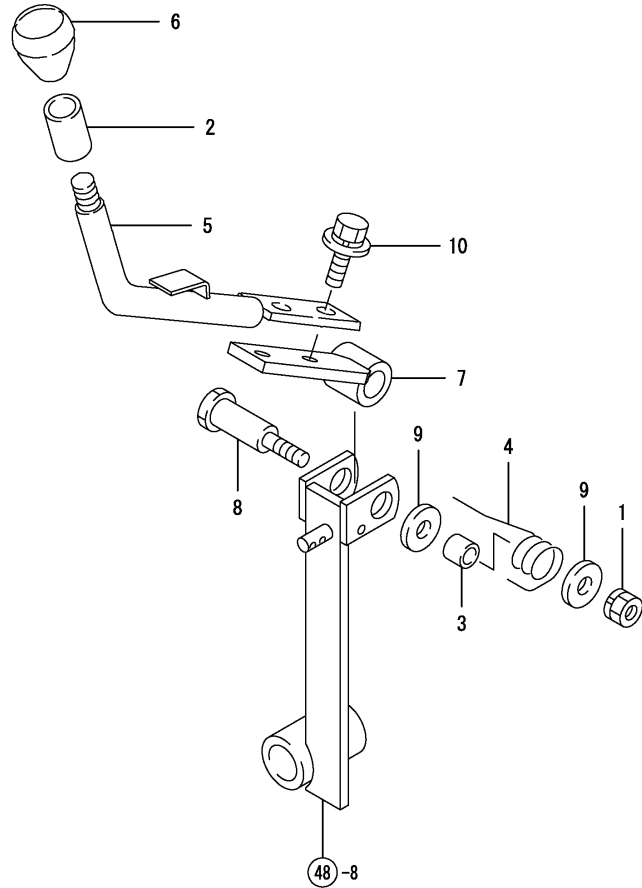
(A)=KE-20T-AU-PQ
(B)=
(C)=

(D)=
(E)=
(F)=



No.	Lev.	Parts No.	Description	Q'ty						I	R
				(A)	(B)	(C)	(D)	(E)	(F)		
1	1	198421-27110	SPRING, 38.4	1							
2	1	198163-27711	SHAFT, FORK	1							
3	1	1A7740-27710	COLLAR, STOPPER	1							
4	1	198163-27720	FORK, PTO SHIFT	1							
5	1	198163-27730	ARM, SHIFT	1							
6	1	198435-27740	ARM, PTO	1							
7	1	198163-27760	LINK, PTO SHIFT	1							
8	1	198163-27790	LEVER, PTO LOWER	1							
8-1	1	198163-27791-1	LEVER, PTO LOWER	1							N
(A=*2009.02.)											
9	1	198163-27870	PLATE ASSY, KEEP	1							
10	1	22137-180000	WASHER, 18	1							
11	1	22272-000150	RING, E-15	1							
12	1	22351-035025	PIN, SPRING 3.5X25	1							
13	1	22351-050020	PIN, SPRING 5.0X20	1							
14	1	22351-060025	PIN, SPRING 6.0X25	1							
15	1	22372-080000	PIN, SNAP 8	3							
15-1	1	1C6281-52320	PIN, SNAP 8	3							R
(A=*2009.02.)											
16	1	24190-100001	BALL, STEEL 5/16	1							
17	1	24311-000125	O-RING, 1AP12.5	1							
18	1	24550-018100	BUSH, 18X10	2							

Fig.49. PTO CHANGE LEVER



(A)=KE-20T-AU-PQ
(B)=
(C)=

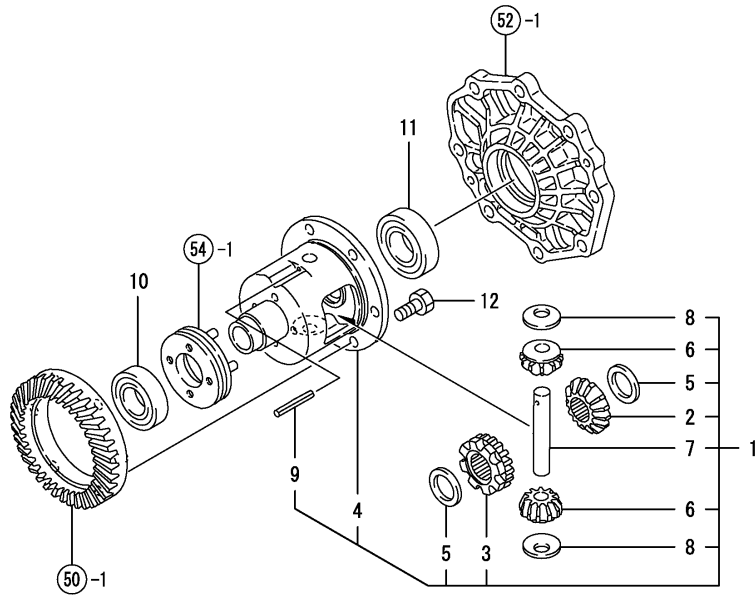
(D)=
(E)=
(F)=

No.	Lev.	Parts No.	Description	Q'ty						I	R
				(A)	(B)	(C)	(D)	(E)	(F)		
1	1	194990-22050	NUT, M8	1							
2	1	198165-27350	TUBE, LEVER 17X70	1							
3	1	198163-27540	COLLAR, 9.2X13.8X12	1							
4	1	198163-27560	SPRING, LEVER	1							
5	1	1A7720-27750	LEVER ASSY, PTO	1							
6	1	1A7720-27810	KNOB, PTO	1							
7	1	198163-27840	LEVER, PTO INNER	1							
8	1	198163-27910	PIN, SHIFT	1							
9	1	22157-080000	WASHER, 8	2							
10	1	26018-080202	BOLT, M8X 20	2							

Fig.51. DIFFERENTIAL GEAR

(A)=KE-20T-AU-PQ
(B)=
(C)=

(D)=
(E)=
(F)=



No.	Lev.	Parts No.	Description	Q'ty						I	R
				(A)	(B)	(C)	(D)	(E)	(F)		
1	1	1A6780-31500	HOUSING ASSY, B	1							
2	2	198421-31510	GEAR, DIFFERENTIAL	1							
3	2	1A6780-31520	GEAR, DIFFERENTIAL	1							
4	2	198421-31530	CASE, DIFFERENTIAL	1							
5	2	198421-31550	WASHER, DIFFERENTIAL	2							
6	2	194300-31560	GEAR, PINION	2							
7	2	194300-31570	SHAFT, DIFFERENTIAL	1							
8	2	194300-31620	WASHER, DIFFERENTIAL	2							
9	2	22351-040040	PIN, SPRING 4.0X40	1							
10	1	24101-060064	BEARING, BALL 6006	1							
11	1	24101-060074	BEARING, BALL 6007	1							
12	1	26156-100162	BOLT, M10X 16 PLATED	6							

Fig.52. DIFF.CARRIER

(A)=KE-20T-AU-PQ
(B)=
(C)=

(D)=
(E)=
(F)=

No.	Lev.	Parts No.	Description	Q'ty						I	R
				(A)	(B)	(C)	(D)	(E)	(F)		
1	1	198165-32311-1	CARRIER	1							
2	1	198421-32320	SHIM, T=0.1	2							
3	1	198421-32330	SHIM, T=0.3	1							
4	1	198421-32340	SHIM, T=0.5	1							

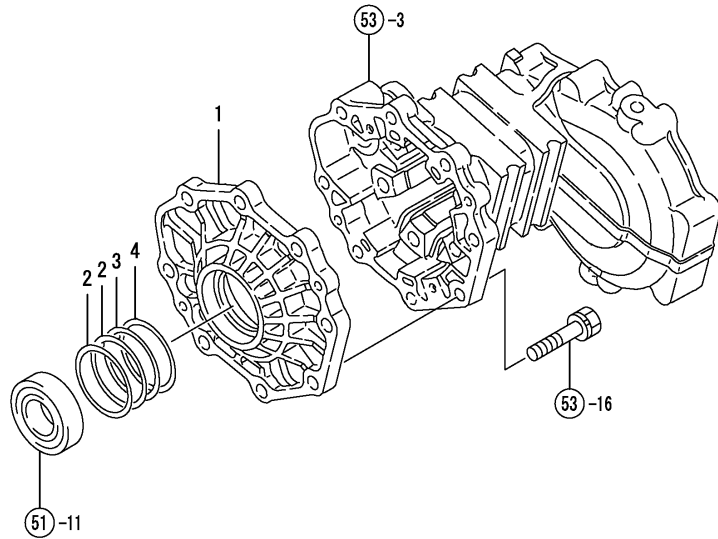


Fig.53. REAR HOUSING

(A)=KE-20T-AU-PQ
(B)=
(C)=

(D)=
(E)=
(F)=

No.	Lev.	Parts No.	Description	Q'ty						I	R
				(A)	(B)	(C)	(D)	(E)	(F)		
1	1	194447-13650	SEAL, TC6Y445711.5	2							
2	1	198165-32610-2	HOUSING, REAR AXLE L	1							
3	1	198165-32620-2	HOUSING, REAR AXLE R	1							
4	1	198421-32630	GASKET, HOUSING	1							
5	1	198425-32640	COVER, REAR AXLE	2							
6	1	198421-32660-1	STOPPER, PLATE	4							
7	1	198290-32750	SEAL, OIL TC253506	2							
8	1	22312-080180	PIN, PARALLEL M8X18	2							
9	1	22312-080200	PIN, PARALLEL M8X20	4							
10	1	22312-080320	PIN, PARALLEL M8X32	2							
11	1	23491-140002	PLUG, 14	2							
12	1	24311-000160	O-RING, 1AP16.0	2							
13	1	26013-080202	BOLT, M8X 20	4							
14	1	26013-100402	BOLT, M10X 40	6							
15	1	26013-100402	BOLT, M10X 40	16							
16	1	26013-100502	BOLT, M10X 50	6							
17	1	26013-100552	BOLT, M10X 55	2							
18	1	26013-100652	BOLT, M10X 65	2							

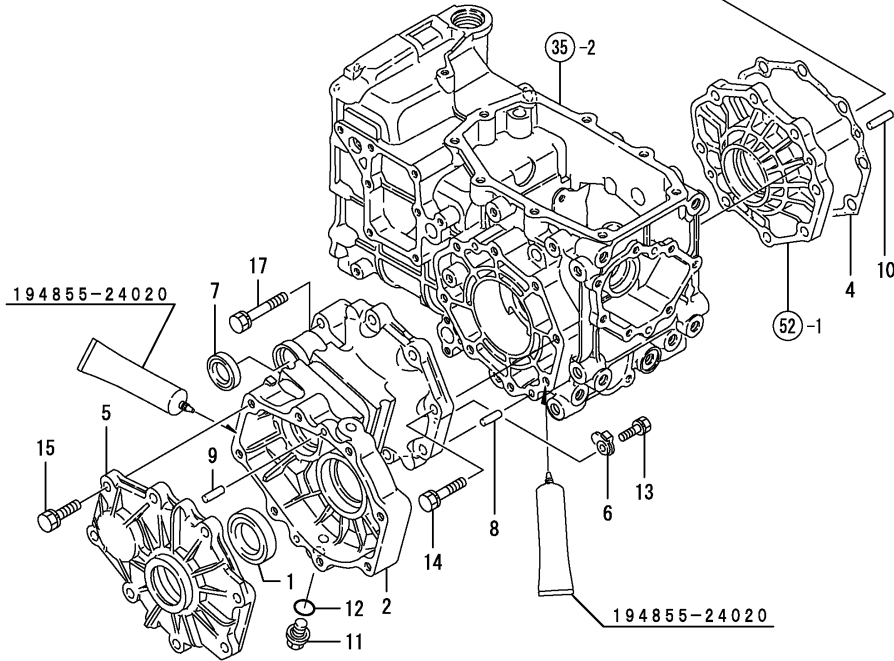
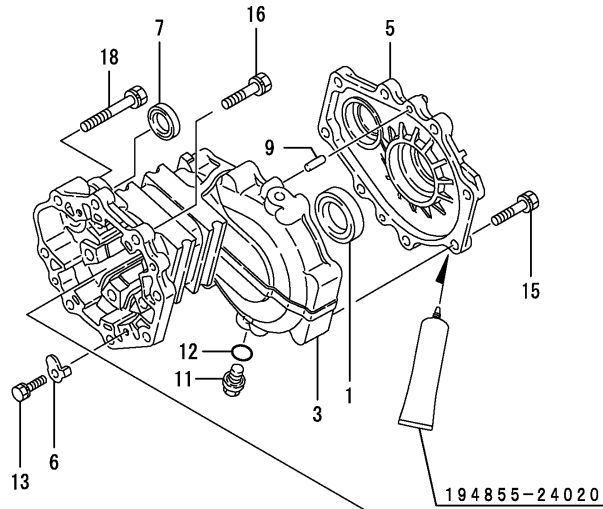
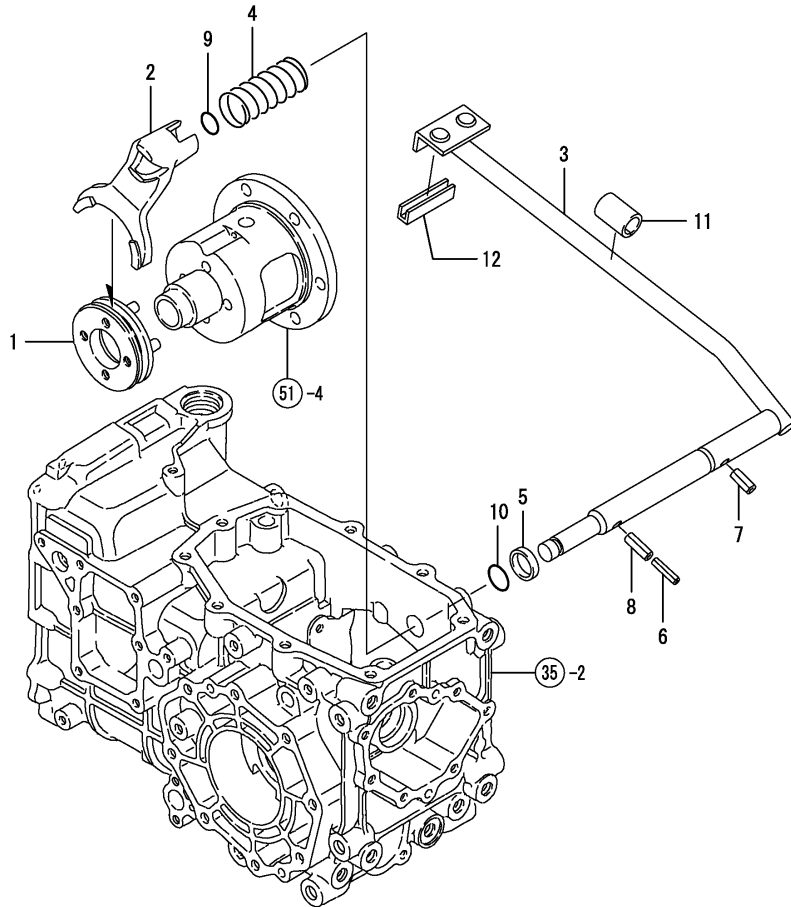


Fig.54. DIFFERENTIAL LOCK

(A)=KE-20T-AU-PQ
(B)=
(C)=

(D)=
(E)=
(F)=



No.	Lev.	Parts No.	Description	Qty						I	R
				(A)	(B)	(C)	(D)	(E)	(F)		
1	1	198421-33110	SLIDER, LOCK	1							
2	1	198421-33120	FORK, SHIFT	1							
3	1	198162-33130	PEDAL, LOCK	1							
4	1	198421-33140	SPRING	1							
5	1	198421-33170	SPACER, 20X25X3.2	1							
6	1	22351-050040	PIN, SPRING 5.0X40	1							
7	1	22351-080032	PIN, SPRING 8.0X32	1							
8	1	22351-080040	PIN, SPRING 8.0X40	1							
9	1	24311-000110	O-RING, 1AP11.0	1							
10	1	24311-000160	O-RING, 1AP16.0	1							
11	1	198421-33150	HOSE, VINYL 15X35	1							
12	1	1A6750-61830	RUBBER, EDGE	1							

Fig.55. FINAL PINION

(A)=KE-20T-AU-PQ
(B)=
(C)=

(D)=
(E)=
(F)=

No.	Lev.	Parts No.	Description	Q'ty						I	R
				(A)	(B)	(C)	(D)	(E)	(F)		
1	1	198164-33410	PINION, FINAL L S	1							
2	1	198164-33420	PINION, FINAL R S	1							
3	1	24101-060060	BEARING, BALL 6006C3	2							
4	1	24101-062040	BEARING, BALL 6204C3	2							

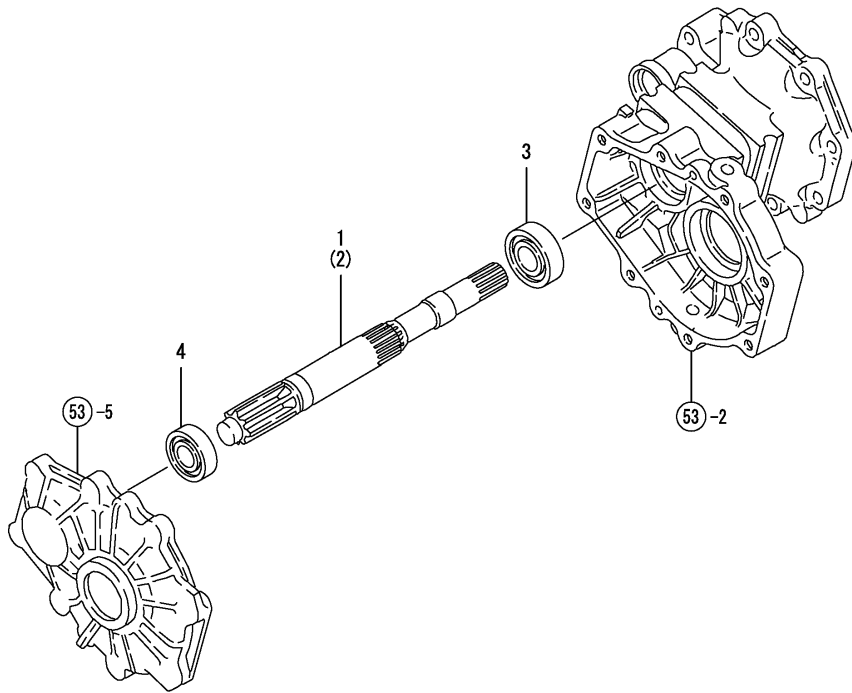


Fig.57. REAR AXLE SHAFT

(A)=KE-20T-AU-PQ
(B)=
(C)=

(D)=
(E)=
(F)=

No.	Lev.	Parts No.	Description	Q'ty						I	R
				(A)	(B)	(C)	(D)	(E)	(F)		
1	1	194447-13640	SLEEVE, SI 40X44X15	2							
2	1	198421-34110	SHAFT, REAR AXLE	2							
3	1	22242-000400	RING, 40	2							
4	1	24101-060080	BEARING, BALL 6008C3	2							
5	1	24101-062060	BEARING, BALL 6206C3	2							

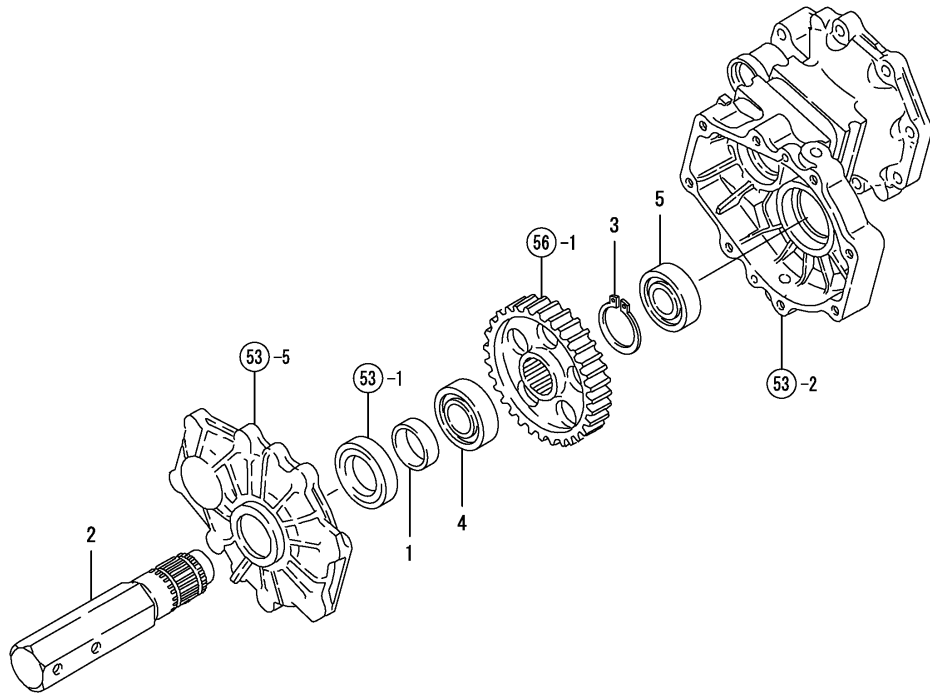


Fig.58. REAR WHEEL TIRE

(A)=KE-20T-AU-PQ
(B)=
(C)=

(D)=
(E)=
(F)=

No.	Lev.	Parts No.	Description	Q'ty						I	R
				(A)	(B)	(C)	(D)	(E)	(F)		
1	1	198164-34700	TIRE KIT, T13H L	1							
2	2	198164-34710	TIRE ASSY, REAR T13H	1							
3	2	198531-34730	WHEEL, W6X18	1							
4	1	198164-34750	TIRE KIT, T13H R	1							
5	2	198164-34710	TIRE ASSY, REAR T13H	1							
6	2	198531-34730	WHEEL, W6X18	1							

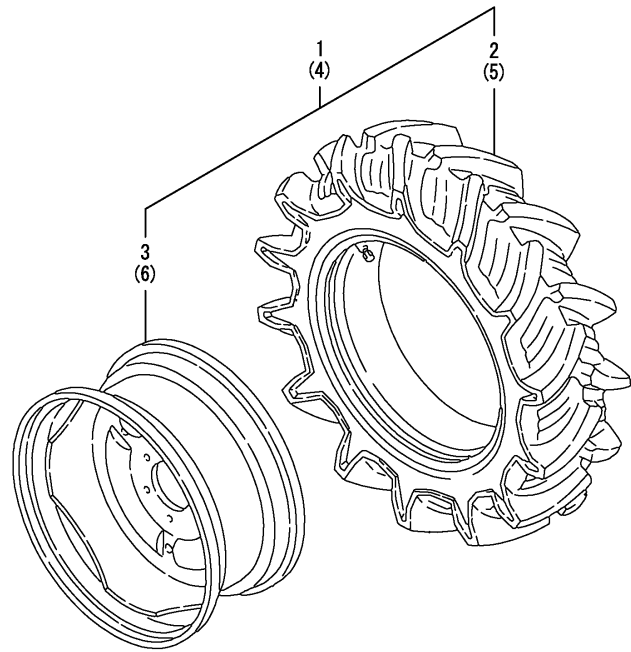


Fig.59. REAR WHEEL TIRE(TURF)

(A)=KE-20T-AU-PQ
(B)=
(C)=

(D)=
(E)=
(F)=

No.	Lev.	Parts No.	Description	Q'ty						I	R
				(A)	(B)	(C)	(D)	(E)	(F)		
1	1	198435-34860	TIRE ASSY, REAR L	1							
2	2	194305-34810	TIRE, 29X12.00-15	1							
3	2	198435-34880	WHEEL, 10LBX15	1							
4	1	198435-34870	TIRE ASSY, REAR R	1							
5	2	194305-34810	TIRE, 29X12.00-15	1							
6	2	198435-34880	WHEEL, 10LBX15	1							

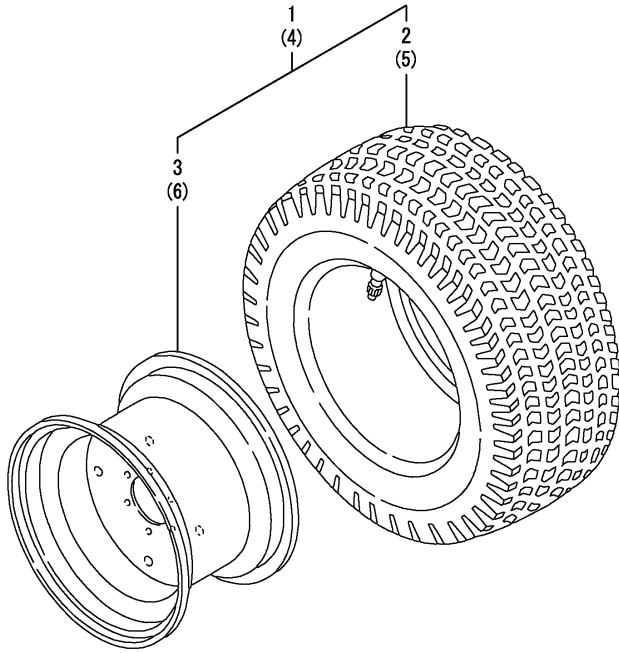


Fig.60. HUB BOLT

(A)=KE-20T-AU-PQ
(B)=
(C)=

(D)=
(E)=
(F)=

No.	Lev.	Parts No.	Description	Q'ty						I	R
				(A)	(B)	(C)	(D)	(E)	(F)		
1	1	198425-34730	HUB, REAR WHEEL	2							
2	1	194200-34750	PIN, 10X78	2							
3	1	1A1040-36010	BOLT, FLANGE	4							
4	1	1A1040-36040	SPRING, FLANGE BOLT	4							
5	1	22137-160000	WASHER, 16	4							
6	1	22217-120000	WASHER, SPRING 12	12							
7	1	22372-100000	PIN, SNAP 10	2							
8	1	26156-120252	BOLT, M12X 25 PLATED	12							

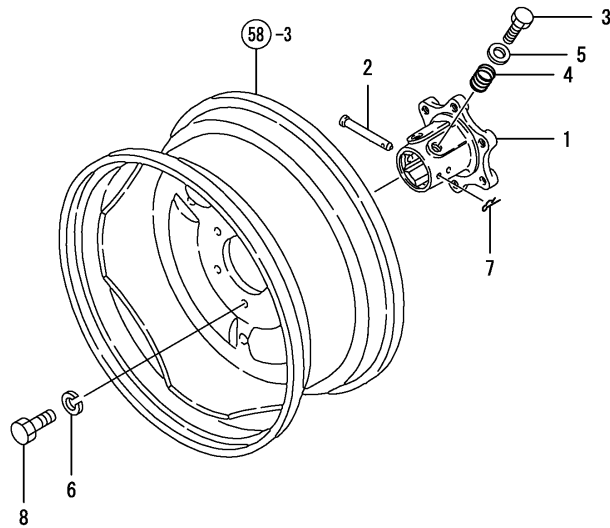
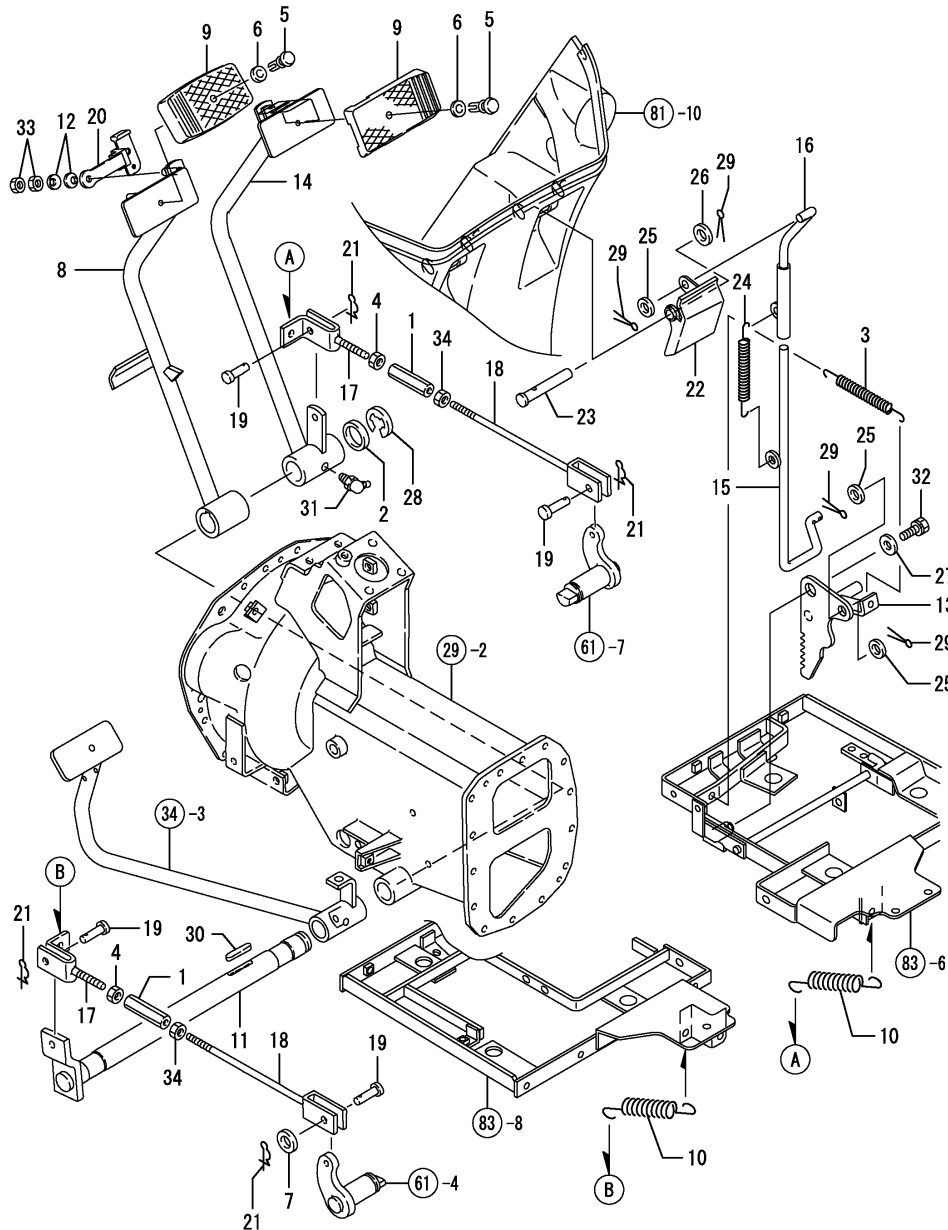


Fig.62. BRAKE PEDAL

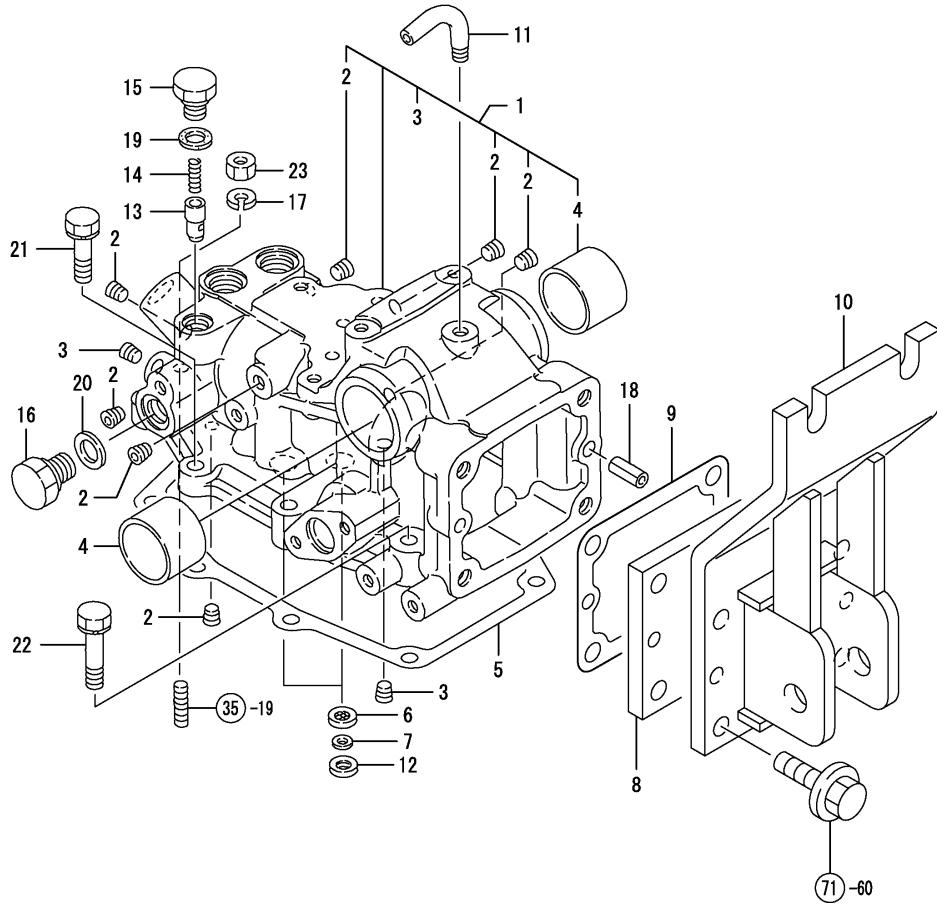


(A)=KE-20T-AU-PQ
(B)=
(C)=

(D)=
(E)=
(F)=

No.	Lev.	Parts No.	Description	Q'ty						I	R
				(A)	(B)	(C)	(D)	(E)	(F)		
1	1	194740-00322	ADJUSTER	2							
2	1	1C6140-14050	SPACER, 25.2X34X2	1							
3	1	1C6320-16440	SPRING, 11X55.5	1							
4	1	194990-20170	NUT, M8	2							
5	1	198133-22510	RIVET, PEDAL HEAD	2							
6	1	198133-22530	WASHER, RIVET	2							
7	1	1C6053-32020	WASHER, 8.5X20X3.2	1							
8	1	198162-37302	PEDAL ASSY, BRAKE L	1							
9	1	198071-37510	COVER, HEAD	2							
10	1	198421-37511	SPRING, RETURN	2							
11	1	198421-37550	SHAFT, BRAKE PEDAL	1							
12	1	194300-37570	SPRING	2							
13	1	198162-37641	LEVER, BRAKE LOCK	1							
14	1	198164-37651	PEDAL ASSY, BRAKE R	1							
15	1	198162-37670	ROD, BRAKE	1							
16	1	198162-37681	ROD, PARKING BRAKE B	1							
17	1	198421-37750	ROD, BRAKE L	2							
18	1	198425-37760	ROD, BRAKE R	2							
19	1	194080-37781	PIN, 8X25	4							
20	1	1C6950-45410	CONNECTOR, BRAKE	1							
21	1	1C6281-52320	PIN, SNAP 8	4							
22	1	198162-61661	LEVER, BRAKE	1							
23	1	198162-61670	PIN, LEVER	1							
24	1	1C6360-82210	SPRING, MARKER LOCK	1							
25	1	22117-100000	WASHER, 10	3							
26	1	22137-120000	WASHER, 12	1							
27	1	22157-080000	WASHER, 8	1							
28	1	22272-000190	RING, E-19	1							
29	1	22417-200320	PIN, COTTER 2.0X32	4							
30	1	22512-070400	KEY, 7X 40	1							
31	1	24761-040000	NIPPLE, GREASE B	1							
32	1	26013-080202	BOLT, M8X 20	1							
33	1	26716-080002	NUT, M8	2							
34	1	26716-080002	NUT, M8	2							

Fig.63. HYD.CYLINDER CASE



(A)=KE-20T-AU-PQ
(B)=
(C)=

(D)=
(E)=
(F)=

No.	Lev.	Parts No.	Description	Q'ty						I	R
				(A)	(B)	(C)	(D)	(E)	(F)		
1	1	198421-42102-1	HOUSING ASSY	1							
2	2	23871-010000	PLUG, R01	7							
3	2	23871-020000	PLUG, R02	2							
4	2	24550-040300	BUSH, 40X30	2							
5	1	198165-42120	GASKET, HOUSING	1							
6	1	194850-42180	STRAINER	2							
7	1	194850-42190	SPACER	2							
8	1	198163-42810-1	PLATE ASSY, KEEP	1							
9	1	194151-42832	GASKET, HINGE	1							
10	1	198163-42850-1	HINGE ASSY, TOP LINK	1							
11	1	194205-42280	PIPE, AIR BREATHER	1							
12	1	194630-43230	PACKING	2							
13	1	194310-46350	POPPET, CHECK	1							
14	1	194310-46380	SPRING	1							
15	1	194310-46730	PLUG, 14	1							
16	1	194312-46750	PLUG, PF3/8	1							
17	1	22217-100000	WASHER, SPRING 10	1							
18	1	22351-100025	PIN, SPRING 10.0X25	2							
19	1	23414-140018	GASKET, 14X1.0	1							
20	1	23414-170022	GASKET, 17X1.0	1							
21	1	26016-100352	BOLT, M10X 35	4							
22	1	26016-100452	BOLT, M10X 45	4							
23	1	26716-100002	NUT, M10	1							

Fig.64. SIDE COVER

(A)=KE-20T-AU-PQ
(B)=
(C)=

(D)=
(E)=
(F)=

No.	Lev.	Parts No.	Description	Q'ty						I	R
				(A)	(B)	(C)	(D)	(E)	(F)		
1	1	198425-42220-1	COVER, CASE	1							
2	1	23871-010000	PLUG, R01	1							
3	1	24315-000110	O-RING, 1BP11.0	3							
4	1	26013-080252	BOLT, M8X 25	3							

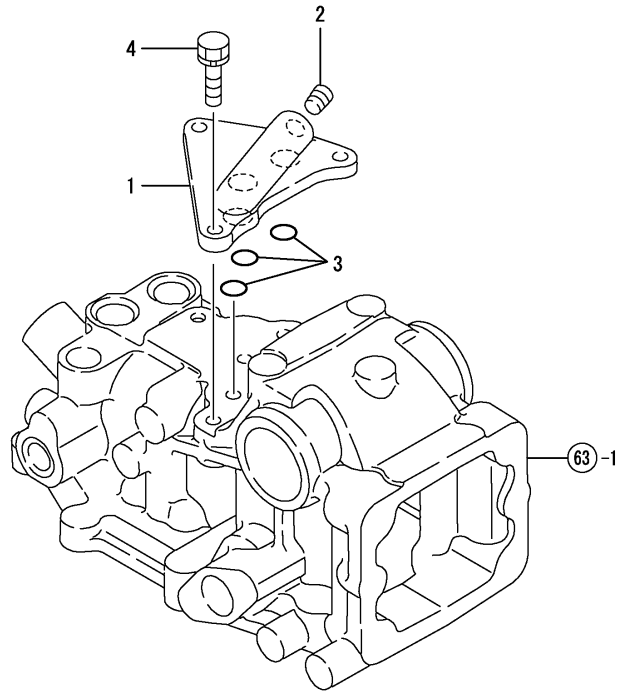


Fig.65. PISTON

(A)=KE-20T-AU-PQ
(B)=
(C)=

(D)=
(E)=
(F)=

No.	Lev.	Parts No.	Description	Q'ty						I	R
				(A)	(B)	(C)	(D)	(E)	(F)		
1	1	198163-43310	PISTON, HYDRAULIC	1							
2	1	24315-000460	O-RING, 1BP46.0	1							
3	1	24372-000460	RING, BACK UP T2P46	1							

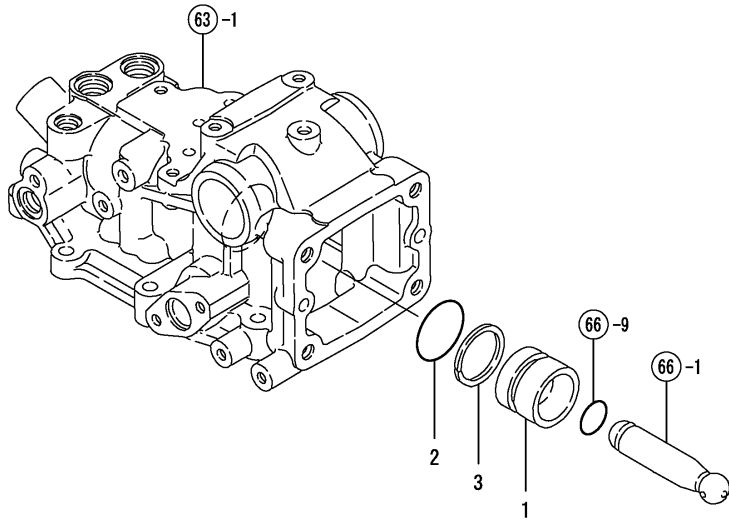


Fig.66. LIFT CRANK

(A)=KE-20T-AU-PQ
(B)=
(C)=

(D)=
(E)=
(F)=

No.	Lev.	Parts No.	Description	Q'ty						I	R
				(A)	(B)	(C)	(D)	(E)	(F)		
1	1	198421-43410	ROD, PISTON	1							
2	1	198421-44110	CRANK, LIFT	1							
3	1	198421-44211	SHAFT, LIFT	1							
4	1	198421-44230	LINER, 30X55X3	2							
5	1	198421-44250	SLEEVE, LIFT SHAFT	2							
6	1	198421-44410-1	ARM, LIFT	2							
7	1	194197-44610-2	WASHER, 10X50X6	1							
8	1	22351-050040	PIN, SPRING 5.0X40	1							
9	1	24311-000224	O-RING, 1AP22.4	1							
10	1	24341-000315	O-RING, 1AS31.5	2							
11	1	24351-020400	O-RING 1A 2040	4							
12	1	26013-100252	BOLT, M10X 25	2							

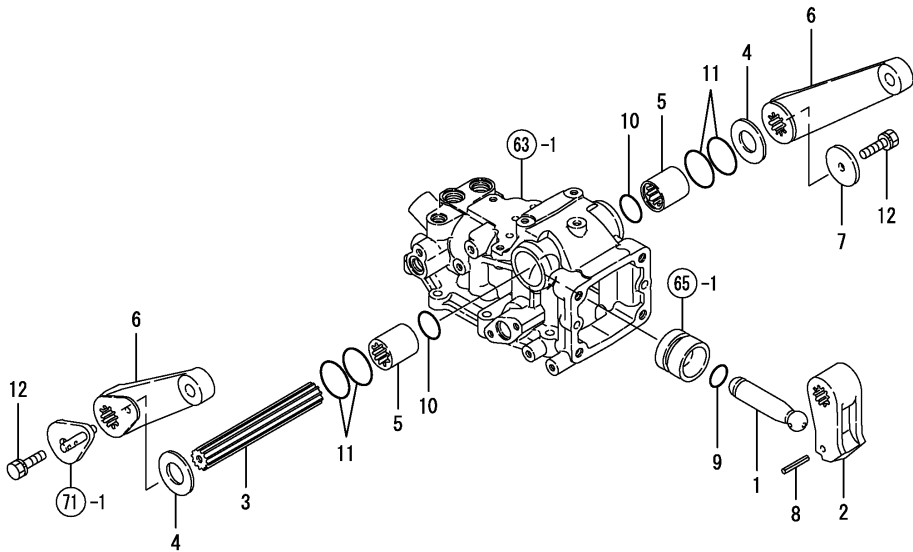


Fig.67. CONTROL VALVE

(A)=KE-20T-AU-PQ
(B)=
(C)=

(D)=
(E)=
(F)=

No.	Lev.	Parts No.	Description	Q'ty						I	R
				(A)	(B)	(C)	(D)	(E)	(F)		
1	1	198435-45201	VALVE ASSY, CONTROL	1							
2	1	26450-080252	BOLT, M8X 25	3							

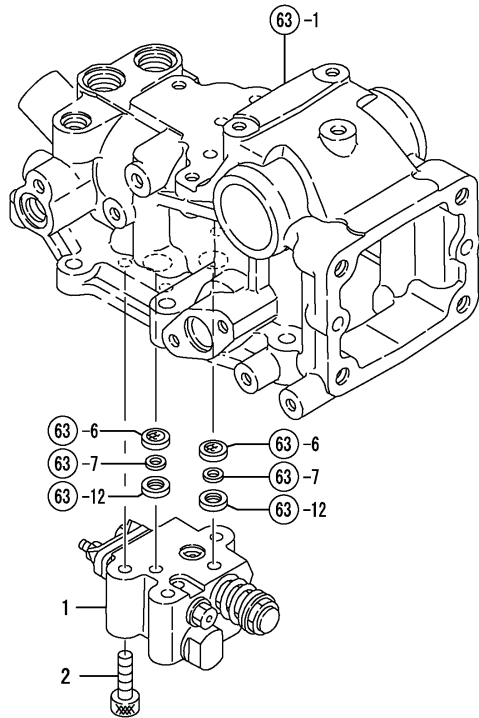
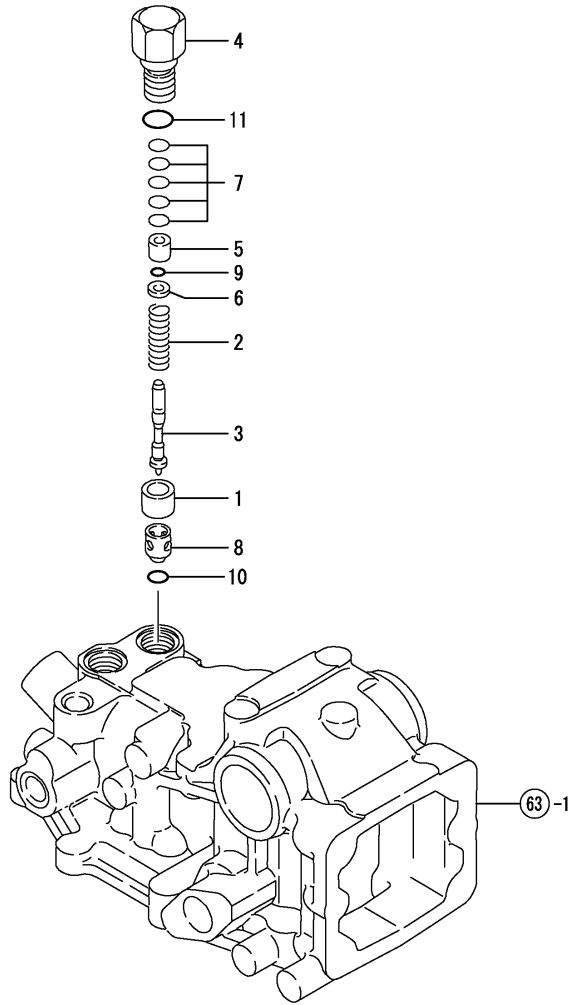


Fig.68. RELIEF VALVE

(A)=KE-20T-AU-PQ
(B)=
(C)=

(D)=
(E)=
(F)=



No.	Lev.	Parts No.	Description	Q'ty						I	R
				(A)	(B)	(C)	(D)	(E)	(F)		
1	1	198220-45340	COLLAR, VALVE	1							
2	1	198163-45610	SPRING, RELIEF VALVE	1							
3	1	194195-45620	POPPET	1							
4	1	198220-45630	PLUG, RELIEF VALVE	1							
5	1	194195-45640	SEAT, 6.6X13X12.5	1							
6	1	194195-45650	WASHER, 6.6X13X3,2	1							
7	1	194850-45700	SHIM SET	1							
8	1	194195-46260	SEAT, RELIEF VALVE	1							
9	1	194850-49230	O-RING, 6X1.8 70	1							
10	1	24311-000120	O-RING, 1AP12.0	1							
11	1	24311-000180	O-RING, 1AP18.0	1							

Fig.69. STOP VALVE

(A)=KE-20T-AU-PQ
(B)=
(C)=

(D)=
(E)=
(F)=

No.	Lev.	Parts No.	Description	Q'ty						I	R
				(A)	(B)	(C)	(D)	(E)	(F)		
1	1	198421-46302	VALVE, STOP	1							
2	1	194180-46320	RING, BACK UP	1							
3	1	194640-46620-1	BOLT, STOP	1							
4	1	194312-46630-2	HOLDER, VALVE	1							
5	1	22117-080000	WASHER, 8	1							
6	1	22351-040012	PIN, SPRING 4.0X12	1							
7	1	24311-000120	O-RING, 1AP12.0	1							
8	1	24315-000100	O-RING, 1BP10.0	1							
9	1	26716-100002	NUT, M10	1							

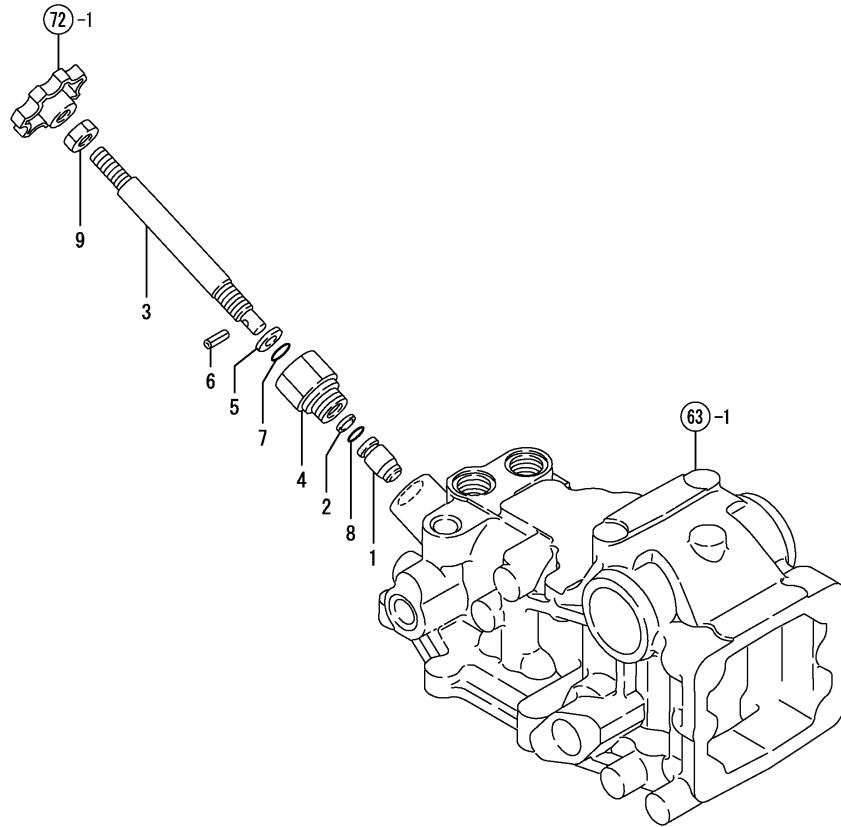
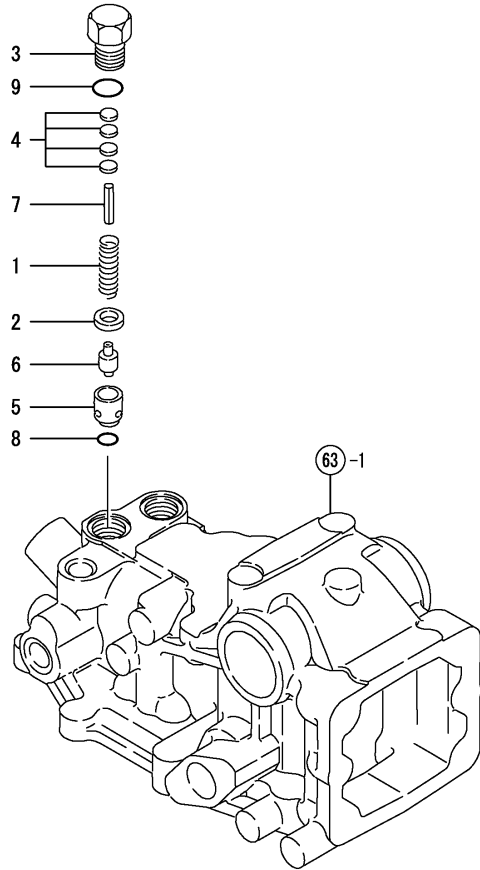


Fig.70. SAFETY VALVE

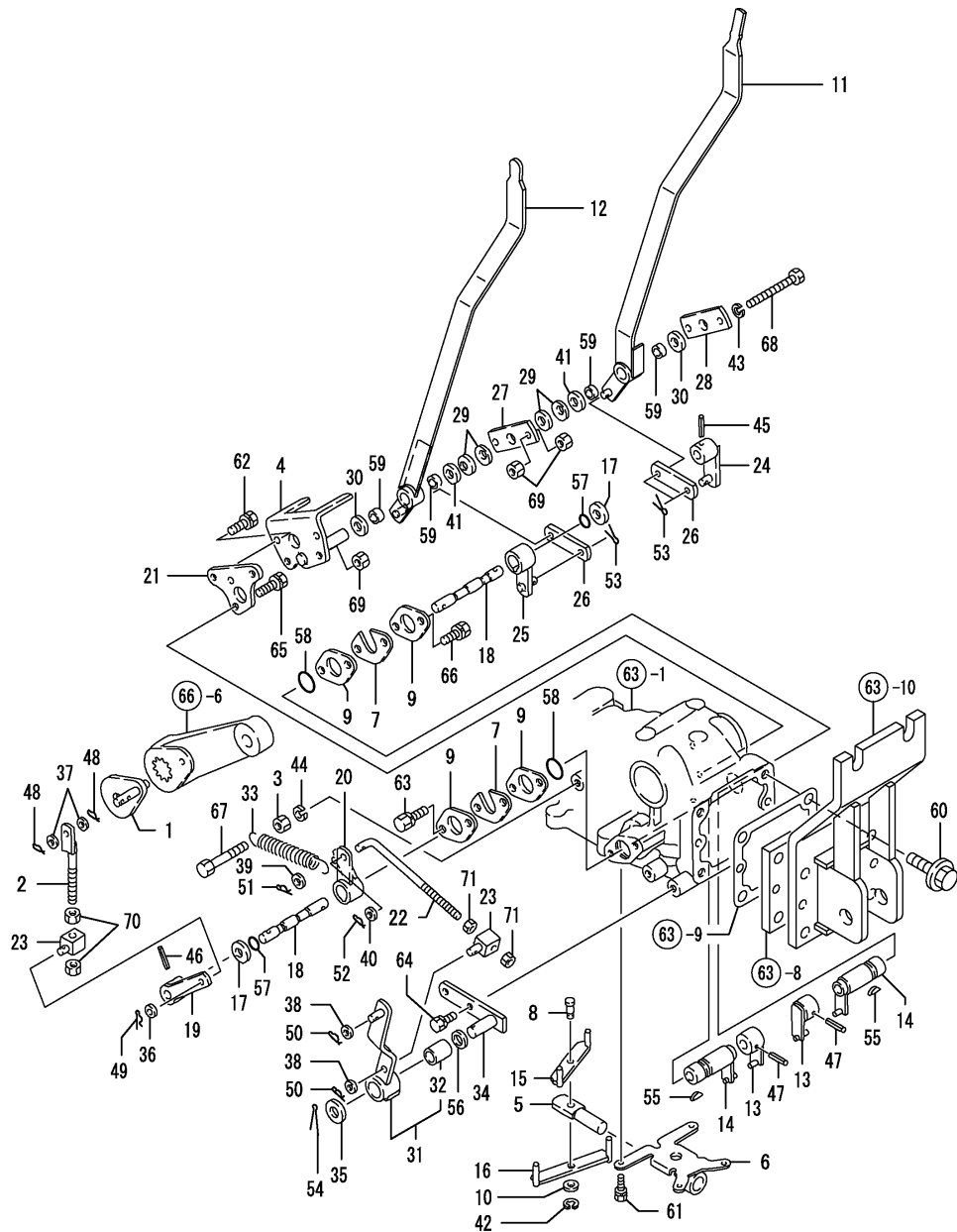
(A)=KE-20T-AU-PQ
(B)=
(C)=

(D)=
(E)=
(F)=



No.	Lev.	Parts No.	Description	Q'ty						I	R
				(A)	(B)	(C)	(D)	(E)	(F)		
1	1	194150-45320	SPRING, RELIEF VALVE	1							
2	1	198220-45350	COLLAR, VALVE	1							
3	1	198220-45370-1	PLUG, SAFETY VALVE	1							
4	1	198220-46400	SHIM SET	1							
5	1	194640-46410	SEAT, SAFETY VALVE	1							
6	1	194640-46420	POPPET	1							
7	1	22351-060028	PIN, SPRING 6.0X28	1							
8	1	24311-000120	O-RING, 1AP12.0	1							
9	1	24311-000180	O-RING, 1AP18.0	1							

Fig.71. HYDRAULIC CONTROL



(A)=KE-20T-AU-PQ

(B)=

(C)=

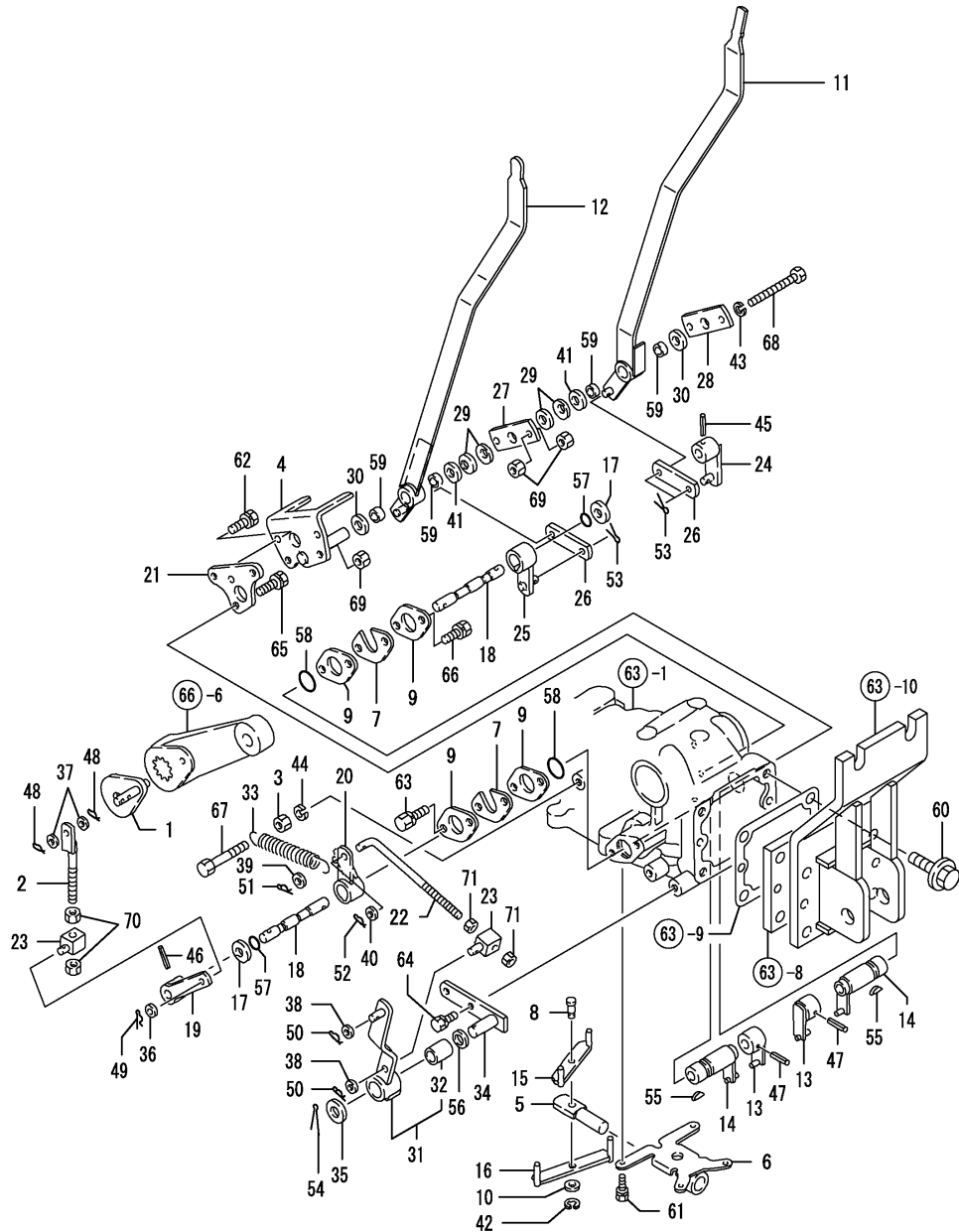
(D)=

(E)=

(F)=

No.	Lev.	Parts No.	Description	Q'ty						I	R
				(A)	(B)	(C)	(D)	(E)	(F)		
1	1	198431-44510-1	ARM, FEEDBACK	1							
2	1	194208-47510	ROD, FEEDBACK	1							
3	1	26716-080002	NUT, M8	1							
4	1	198435-47310	STOPPER, CONTROL	1							
5	1	198431-47320	ROD, CONTROL	1							
6	1	198431-47330	PLATE, CONTROL	1							
7	1	194555-47340	PLATE, A	2							
8	1	198431-47340	PIN, CONTROL	1							
9	1	194555-47350	PLATE, B	4							
10	1	198431-47350	WASHER, 8.4X17X1.6	1							
11	1	198163-47360	LEVER, CONTROL	1							
12	1	198163-47370	LEVER, CONTROL	1							
13	1	198431-47390	ARM SET, POSITION	2							
14	1	198431-47400	ARM, DRAFT SET	2							
15	1	198431-47420	BAR, CONTROL	1							
16	1	198431-47430	BAR, CONTROL	1							
17	1	194180-47440	GASKET, 12	2							
18	1	194208-47450	SHAFT, FEEDBACK	2							
19	1	198431-47470-1	ARM, FEEDBACK	1							
20	1	198431-47480-1	ARM, FEEDBACK	1							
21	1	198435-47490	BASE, STOPPER	1							
22	1	198431-47520-1	ROD, FEEDBACK	1							
23	1	194208-47530	ADJUSTER	2							
24	1	198435-47530	ARM, CONTROL	1							
25	1	198435-47540	ARM, CONTROL	1							
26	1	198435-47550	LINK, CONTROL	2							
27	1	198435-47560	PLATE	1							
28	1	198435-47580	PLATE	1							
29	1	194151-47760	WASHER, 12	4							
30	1	194310-47790	PLATE, FRICTION	2							
31	1	198163-47800	ARM ASSY, FEEDBACK	1							
32	2	194310-21210	BUSH, 15X20X25	1							
33	1	194215-47840	SPRING, RETURN	1							
34	1	198431-47870	PLATE, FEEDBACK	1							
35	1	194550-47910	SPACER, 15X28X2	1							
36	1	22137-080000	WASHER, 8	1							
37	1	22137-080000	WASHER, 8	2							
38	1	22137-080000	WASHER, 8	2							
39	1	22137-080000	WASHER, 8	1							
40	1	22137-080000	WASHER, 8	1							
41	1	22137-120000	WASHER, 12	2							
42	1	22272-000060	RING, E-6	1							
43	1	22287-080000	WASHER, 8	2							
44	1	22287-080000	WASHER, 8	1							
45	1	22351-050025	PIN, SPRING 5.0X25	1							
46	1	22351-050025	PIN, SPRING 5.0X25	1							
47	1	22351-050025	PIN, SPRING 5.0X25	2							
48	1	22372-080000	PIN, SNAP 8	2							
49	1	22372-080000	PIN, SNAP 8	1							
50	1	22372-080000	PIN, SNAP 8	2							
51	1	22372-080000	PIN, SNAP 8	1							

Fig.71. HYDRAULIC CONTROL



(A)=KE-20T-AU-PQ
(B)=
(C)=

(D)=
(E)=
(F)=

No.	Lev.	Parts No.	Description	Q'ty						I	R
				(A)	(B)	(C)	(D)	(E)	(F)		
52	1	22372-080000	PIN, SNAP 8	1							
53	1	22417-200160	PIN, COTTER 2.0X16	4							
54	1	22417-250320	PIN, COTTER 2.5X32	1							
55	1	22522-030130	KEY, WOODRUFF 3X13	2							
56	1	23414-150000	GASKET, 15X1.0	1							
57	1	24311-000090	O-RING, 1AP9.0	2							
58	1	24311-000200	O-RING, 1AP20.0	2							
59	1	24550-012060	BUSH, 12X 6	4							
60	1	198165-85960	BOLT, M12X45	4							
61	1	26016-060162	BOLT, M6X 16	4							
62	1	26016-080122	BOLT, M8X 12	2							
63	1	26016-080202	BOLT, M8X 20	2							
64	1	26016-080202	BOLT, M8X 20	2							
65	1	26016-080202	BOLT, M8X 20	2							
66	1	26016-080202	BOLT, M8X 20	2							
67	1	26116-080552	BOLT, M8X 55 PLATED	1							
68	1	26116-080804	BOLT, M8X 80 PLATED	2							
69	1	26716-080002	NUT, M8	6							
70	1	26716-080002	NUT, M8	2							
71	1	26716-080002	NUT, M8	2							

Fig.72. HYDRAULIC CONTROL(KNOB

(A)=KE-20T-AU-PQ
(B)=
(C)=

(D)=
(E)=
(F)=

No.	Lev.	Parts No.	Description	Q'ty						I	R
				(A)	(B)	(C)	(D)	(E)	(F)		
1	1	194555-46640	KNOB, STOP	1							
2	1	194420-47370	KNOB, LEVER	1							
3	1	198162-47630	TUBE, PROTECT 60	2							
4	1	194273-47910	KNOB, LEVER	1							

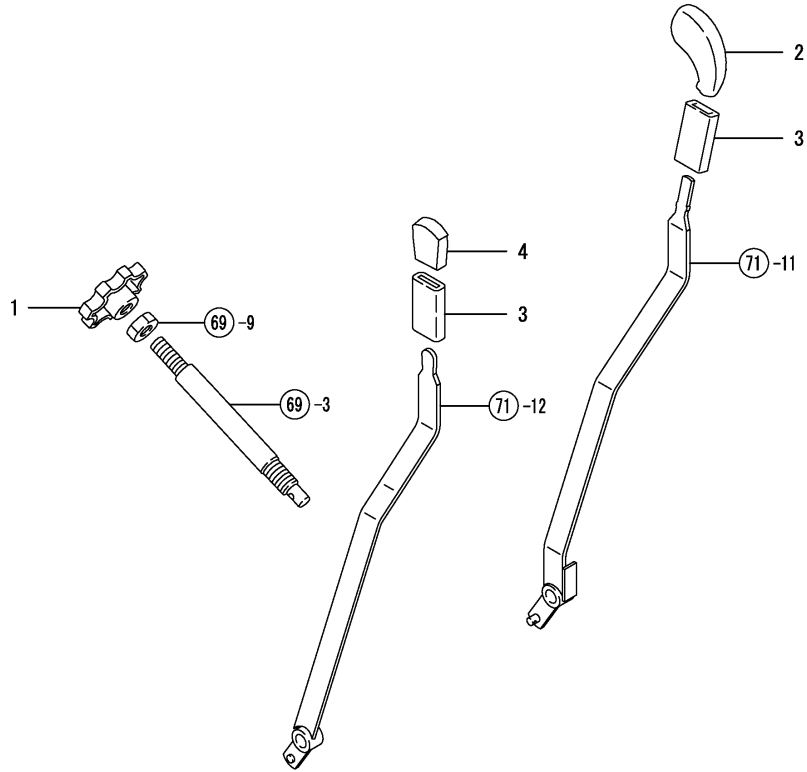
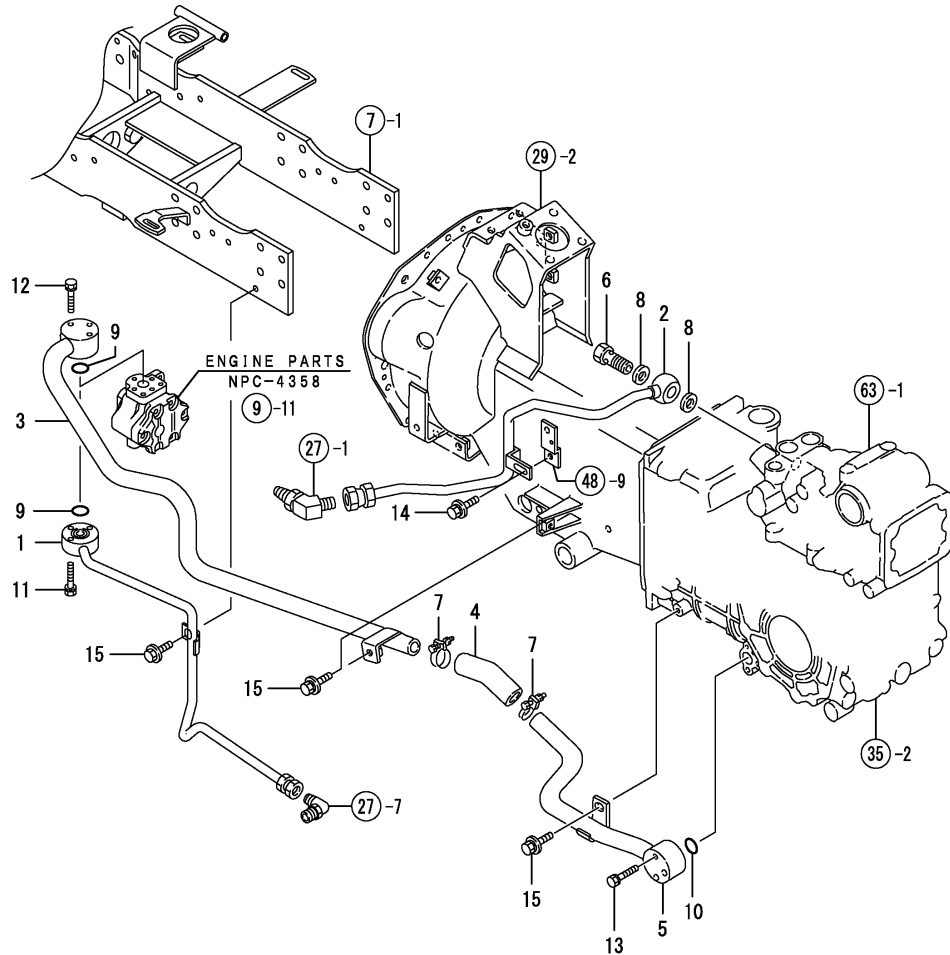


Fig.73. HYDRAULIC LINE

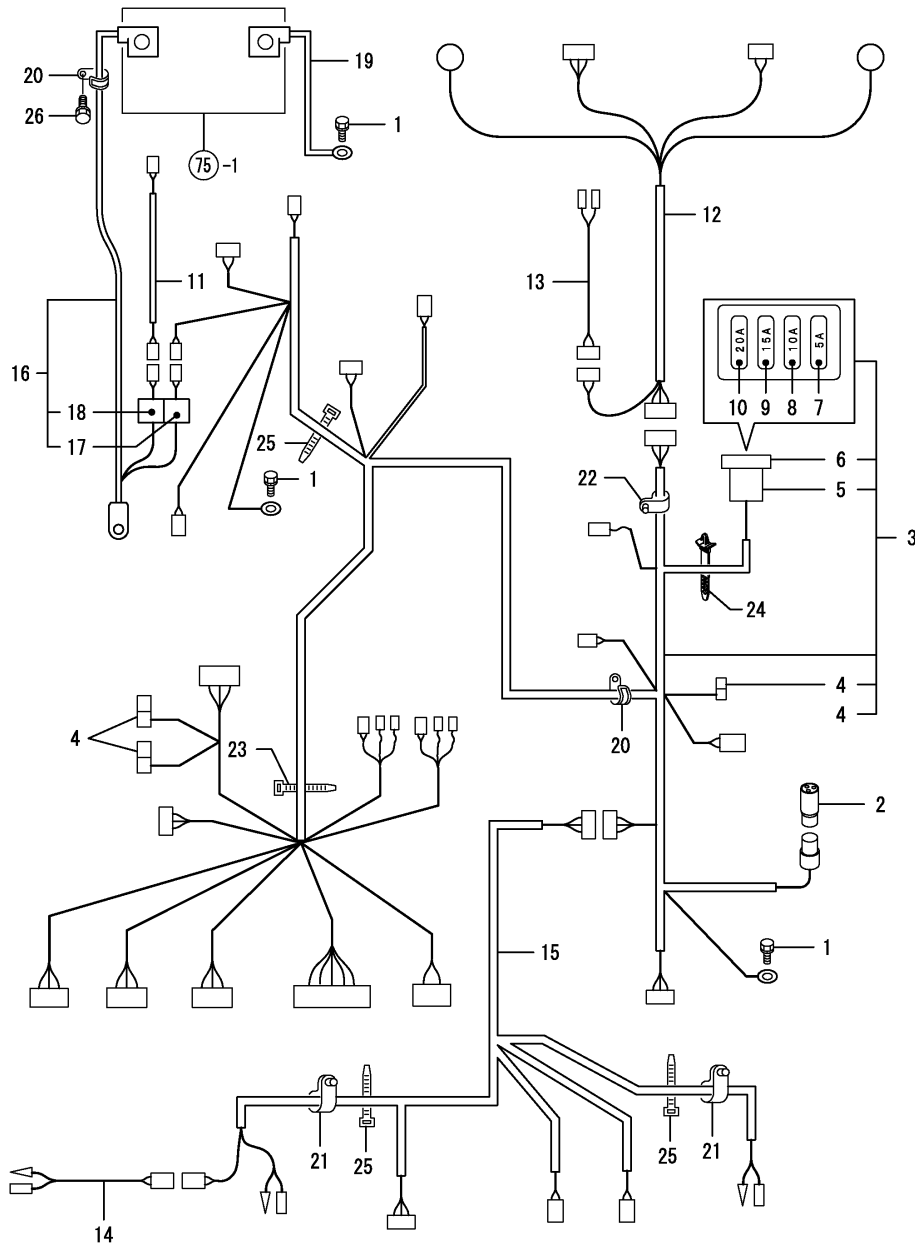


(A)=KE-20T-AU-PQ
(B)=
(C)=

(D)=
(E)=
(F)=

No.	Lev.	Parts No.	Description	Qty						I	R
				(A)	(B)	(C)	(D)	(E)	(F)		
1	1	1A7730-48161	PIPE, PRESSURE F	1							
2	1	198163-48170	PIPE, PRESSURE R	1							
3	1	198431-48220	PIPE, PRESSURE F	1							
4	1	198421-48240	HOSE, PRESSURE	1							
5	1	198163-48280	PIPE ASSY, PRESSURE	1							
6	1	198220-48750	BOLT ASSY, JOINT	1							
7	1	23010-030000	CLAMP, 30	2							
8	1	23414-180023	GASKET, 18X1.0	2							
9	1	24311-000200	O-RING, 1AP20.0	2							
10	1	24311-000220	O-RING, 1AP22.0	1							
11	1	26013-060322	BOLT, M6X 32	3							
12	1	26013-060402	BOLT, M6X 40	3							
13	1	26013-060452	BOLT, M6X 45	3							
14	1	26018-080162	BOLT, M8X 16	1							
15	1	26018-080202	BOLT, M8X 20	3							

Fig.74. WIRE HARNESS



(A)=KE-20T-AU-PQ

(B)=

(C)=

(D)=

(E)=

(F)=

No.	Lev.	Parts No.	Description	Q'ty						I	R
				(A)	(B)	(C)	(D)	(E)	(F)		
1	1	1C6560-06300	BOLT, EARTH M8X16	3							
1-1	1	26106-080162	BOLT, M8X 16 PLATED	3							R
(A=*2008.11.)											
2	1	1A7740-51100	SEAL ASSY	1							
3	1	1A7720-51113	HARNESS, WIRE	1							
4	2	198165-51130	DIODE, 3A	3							
5	2	198162-52430	FUSE, 4P	1							
6	2	198162-52440	COVER, FUSE 4P	1							
7	2	29420-050000	FUSE, B 5A	1							
8	2	29420-100000	FUSE, B 10A	1							
9	2	29420-150000	FUSE, B 15A	1							
10	2	29420-200000	FUSE, B 20A	1							
11	1	1A7720-51151	HARNESS, WIRE	1							
12	1	1A7720-51172	HARNESS, WIRE	1							
13	1	1A7720-51180	HARNESS, WIRE	1							
14	1	1A7720-51250	HARNESS, WIRE	1							
15	1	1A7740-51270	HARNESS, WIRE 3	1							
16	1	1A7720-51411	CABLE, BATTERY	1							
17	2	1A6750-51170	FUSE, SLOW BLOW 20A	1							
18	2	1E8450-83120	FUSE, SLOW BLOW 40A	1							
19	1	1A7720-51420	CABLE, BATTERY EARTH	1							
20	1	194440-51620	CLAMP	2							
21	1	194197-51630	CLAMP, SPEED 43	3							
22	1	194250-51650	CLAMP, SPEED 63	1							
23	1	194250-51660	BAND 250	3							
24	1	194680-51670	BAND, CLIP	3							
25	1	121750-59890	BAND, 140	7							
26	1	26013-080122	BOLT, M8X 12	1							

Fig.76. SWITCHES

(A)=KE-20T-AU-PQ
(B)=
(C)=

(D)=
(E)=
(F)=

No.	Lev.	Parts No.	Description	Qty						I	R
				(A)	(B)	(C)	(D)	(E)	(F)		
1	1	1C6900-07200	SWITCH, COUPLING	1							
2	1	198164-51310	COVER, HARNESS	1							
3	1	194940-52110	SWITCH, STARTING	1							
4	2	198360-52320	NUT, RING	1							
5	2	198360-52330	WASHER	1							
6	2	198360-52160	KEY ASSY	1							
7	1	1A7450-52210	SWITCH ASSY	1							
8	2	1A7450-52230	BULB, WITH SOCKET	1							
9	1	1A7720-52240	SWITCH, NEUTRAL	2							
10	1	1A7720-52260	FITTING, RETAIN L	1							
11	1	1A7720-52270	FITTING, RETAIN R	1							
12	1	119247-77100	RELAY, SAFETY	2							
13	1	1E6460-84220	NUT, SWITCH 2-M3	2							
14	1	26018-060162	BOLT, M6X 16	2							
15	1	26023-030202	SCREW, M3X20	4							
16	1	26023-050202	SCREW, M5X20	2							
17	1	26716-050002	NUT, M5	2							
18	1	29621-150000	BAND, TR150	1							

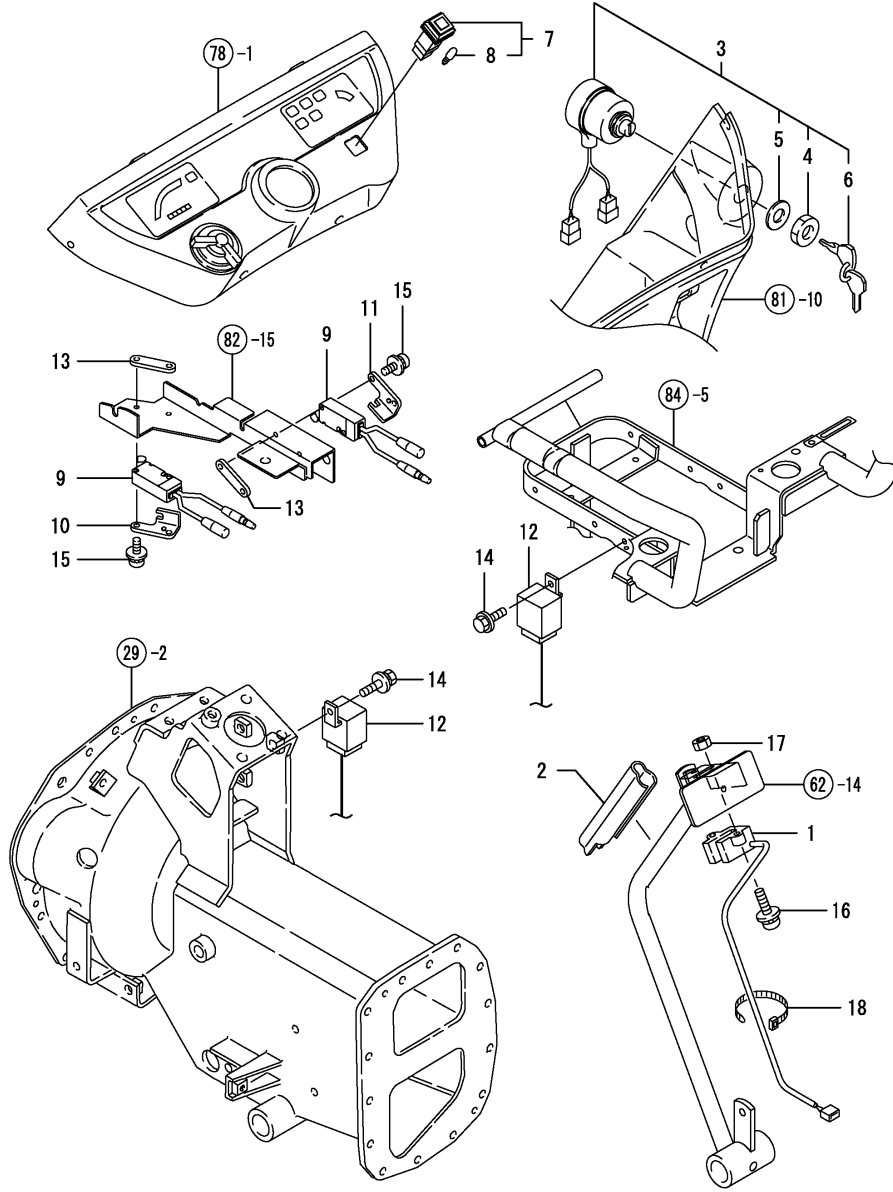
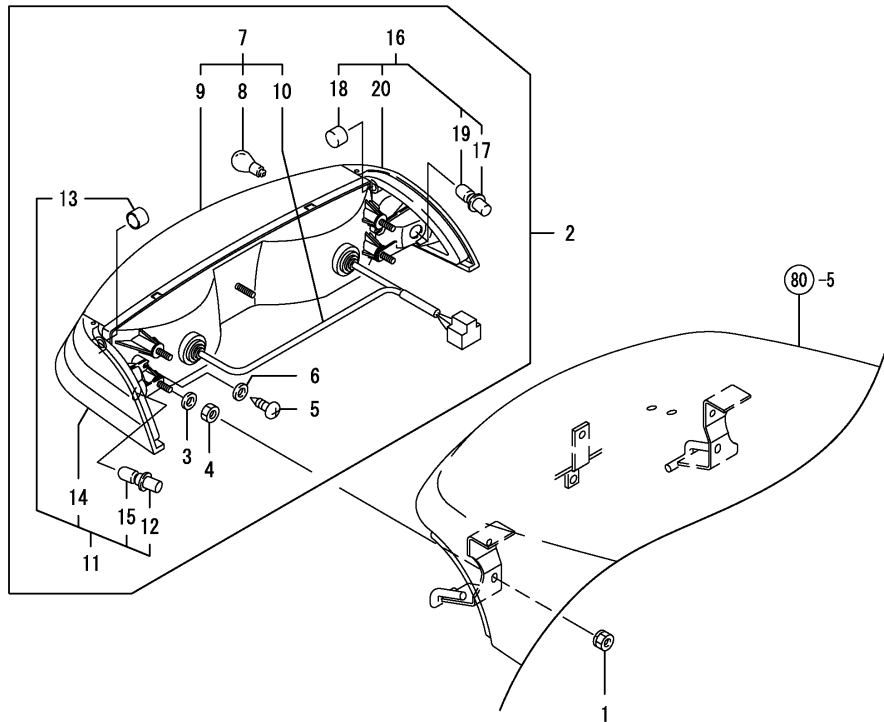


Fig.77. LAMPS

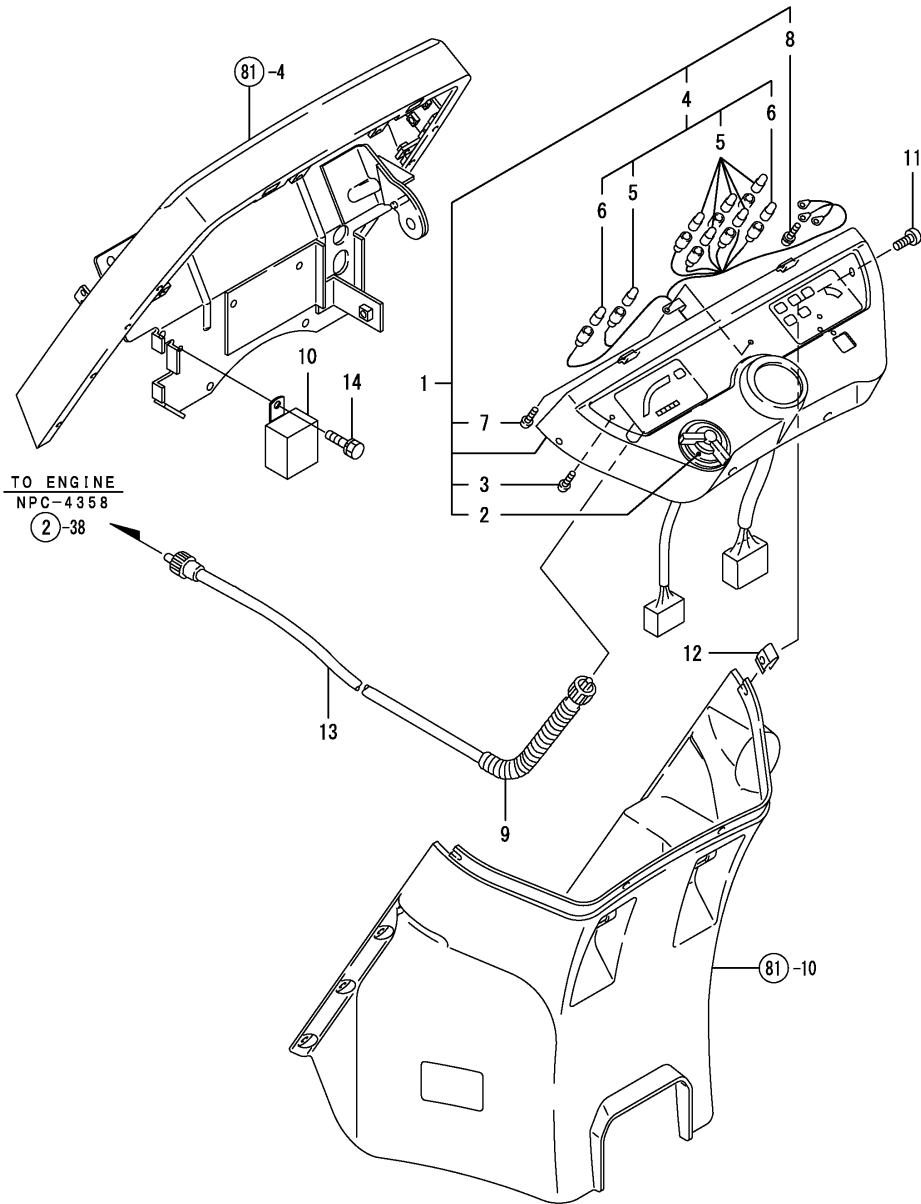
(A)=KE-20T-AU-PQ
(B)=
(C)=

(D)=
(E)=
(F)=



No.	Lev.	Parts No.	Description	Q'ty						I	R
				(A)	(B)	(C)	(D)	(E)	(F)		
1	1	194990-22130	NUT, M6	5							
2	1	1A7720-53050	LAMP ASSY, HEAD	1							
3	2	1A7720-53060	WASHER, 6	2							
4	2	1A7720-53070	NUT, M6	2							
5	2	1A7720-53080	SCREW, TAPPING M4X12	2							
6	2	1A7720-53090	WASHER	2							
7	2	1A7720-53100	LAMP ASSY, HEAD	1							
8	3	1W3851-20700	BULB 23W	2							
9	3	1A7720-53110	CASE ASSY, HEAD LAMP	1							
10	3	1A7720-53140	HARNES, LAMP	1							
11	2	1A7720-53300	LAMP ASSY, SIDE L	1							
12	3	1C6860-08160	SOCKET ASSY	1							
13	3	1A7260-53220	CAP	1							
14	3	1A7720-53310	CASE ASSY, LAMP L	1							
15	3	1A7720-53340	BULB, 12V/18W	1							
16	2	1A7720-53350	LAMP ASSY, SIDE R	1							
17	3	1C6860-08160	SOCKET ASSY	1							
18	3	1A7260-53220	CAP	1							
19	3	1A7720-53340	BULB, 12V/18W	1							
20	3	1A7720-53360	CASE ASSY, LAMP R	1							

Fig.78. METER



(A)=KE-20T-AU-PQ
(B)=
(C)=

(D)=
(E)=
(F)=

No.	Lev.	Parts No.	Description	Q'ty						I	R
				(A)	(B)	(C)	(D)	(E)	(F)		
1	1	1A7740-56110	PANEL ASSY	1							
2	2	1W3852-00940	SWITCH	1							
3	2	1C6460-36151	SCREW, M4X16	8							
4	2	198164-56140	CORD ASSY	1							
5	3	194555-55820	BULB, 12V1.7W	6							
6	3	198421-56150	BULB, 12V-3.4WHD	2							
7	2	198421-56200	SCREW, M4X10	1							
8	2	26022-030222	SCREW, M3X22	3							
9	1	198421-56910	TUBE, PROTECT	1							
10	1	198200-57200	RELAY,FLASHER	1							
11	1	194145-61640	SCREW, TAPPING M5X16	4							
12	1	194167-61650	NUT 5008	4							
13	1	123440-91140	CABLE	1							
14	1	26016-060122	BOLT, M6X 12	1							

Fig.79. HORN

(A)=KE-20T-AU-PQ
(B)=
(C)=

(D)=
(E)=
(F)=

No.	Lev.	Parts No.	Description	Q'ty						I	R
				(A)	(B)	(C)	(D)	(E)	(F)		
1	1	1C7100-08150	HORN ASSY	1							
2	1	26018-060162	BOLT, M6X 16	2							

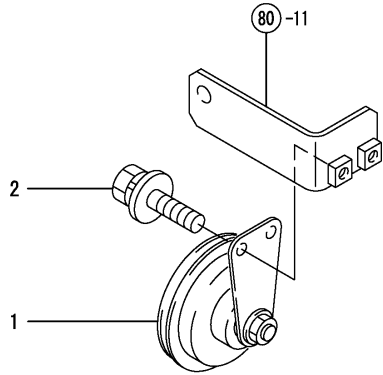
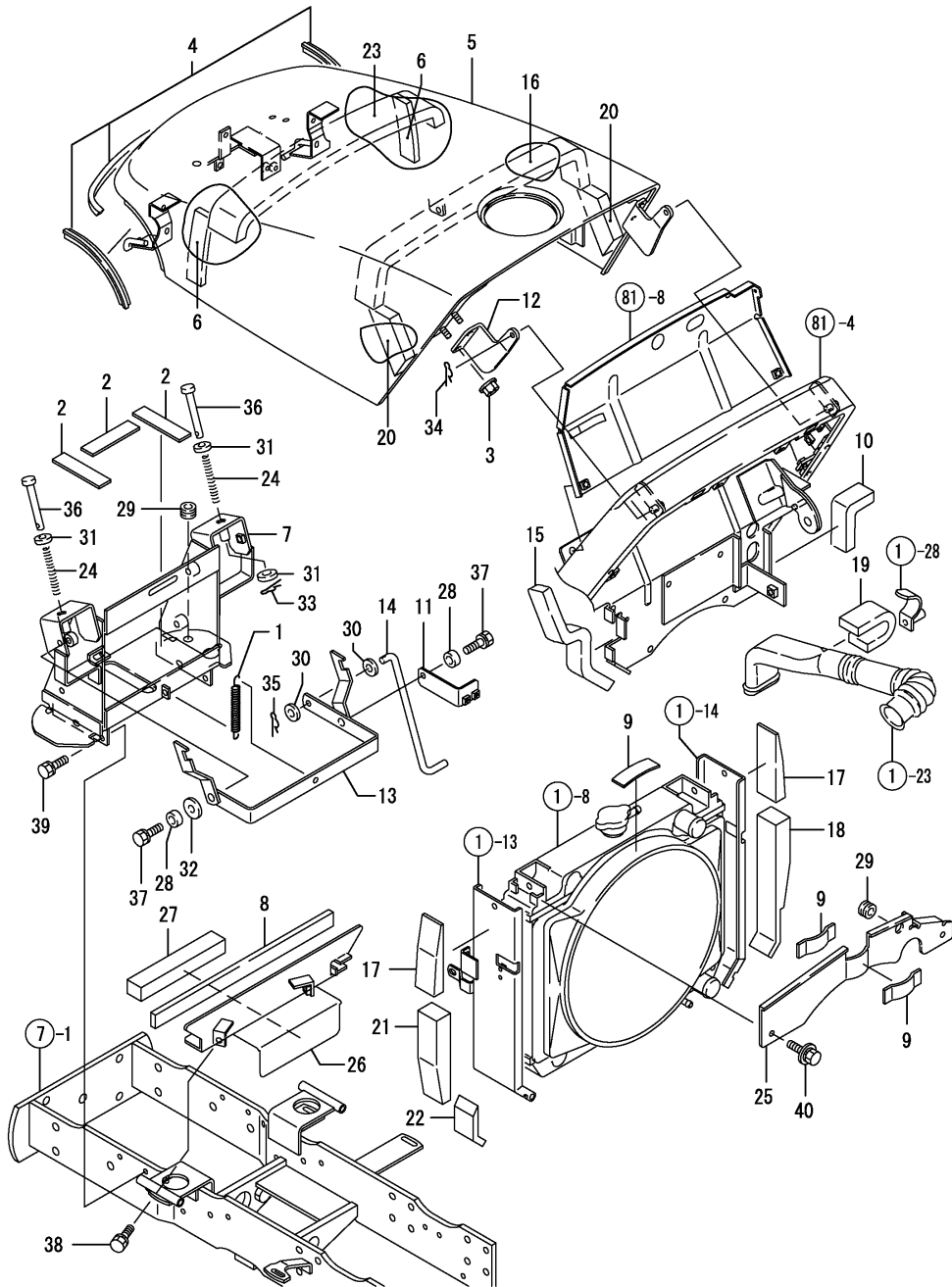


Fig.80. HOOD

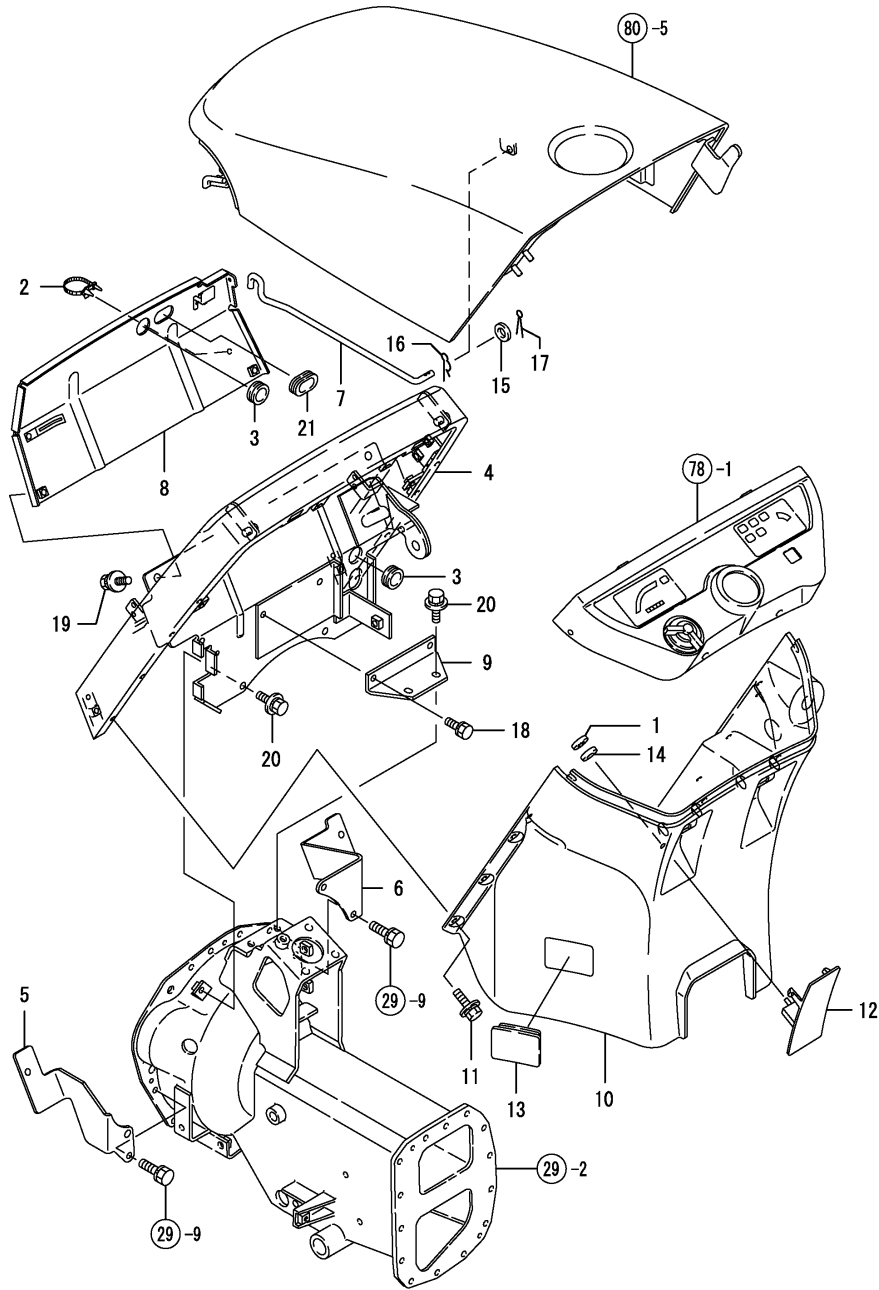


(A)=KE-20T-AU-PQ
(B)=
(C)=

(D)=
(E)=
(F)=

No.	Lev.	Parts No.	Description	Qty						I	R
				(A)	(B)	(C)	(D)	(E)	(F)		
1	1	194200-01680	SPRING	1							
2	1	198165-04380	RUBBER, 100X25X3	3							
3	1	194990-22130	NUT, M6	2							
4	1	1A7720-53200	SEAL KIT, HEAD LAMP	1							
5	1	1A7740-61100	BONNET ASSY, M	1							
6	1	198162-61250	SEAL, BONNET SA	2							
7	1	198162-61310	STAY, BONNET	1							
8	1	198162-61340	SEAL, RADIATOR LOWER	1							
9	1	198162-61370	SEAL, RADIATOR E	3							
10	1	198421-61380	URETHANE,CS20X25X200	1							
11	1	1A7720-61400	STAY, HORN	1							
12	1	198162-61410	HINGE, BONNET L	1							
13	1	198162-61430	HOOK, BONNET	1							
14	1	198162-61440	LINK, HOOK	1							
15	1	198421-61460	FOAM, CS20X25X300	1							
16	1	198421-61470	FOAM, CS40X20X630	1							
17	1	198162-61480	FOAM, URETHANE	2							
18	1	198162-61490	FOAM, URETHANE	1							
19	1	198421-61510	FOAM, URETHANE	1							
20	1	198421-61540	PAD	2							
21	1	198163-61680	URETHANE	1							
22	1	198163-61690	URETHANE	1							
23	1	1A7720-61810	SEAL, BONNET UPPER	1							
24	1	198165-61850	SPRING, BONNET	2							
25	1	198162-61910	PLATE, PROTECT UPPER	1							
26	1	198162-61930	PLATE, PROTECT LOWER	1							
27	1	198164-61950	SEAL, PLATE	1							
28	1	1C6560-75311	COLLAR, 8.8X12X8	2							
29	1	172026-81740	GROMMET, 16X22X8	2							
30	1	22137-080000	WASHER, 8	2							
31	1	22157-060000	WASHER, 6	4							
32	1	22157-080000	WASHER, 8	1							
33	1	22372-060000	PIN, SNAP 6	2							
34	1	22372-080000	PIN, SNAP 8	1							
35	1	22372-080000	PIN, SNAP 8	1							
36	1	22487-060800	PIN, H 6X 80	2							
37	1	26013-080202	BOLT, M8X 20	2							
38	1	26016-080202	BOLT, M8X 20	2							
39	1	26016-080202	BOLT, M8X 20	4							
40	1	26018-080202	BOLT, M8X 20	2							

Fig.81. DASHBOARD



(A)=KE-20T-AU-PQ
(B)=
(C)=

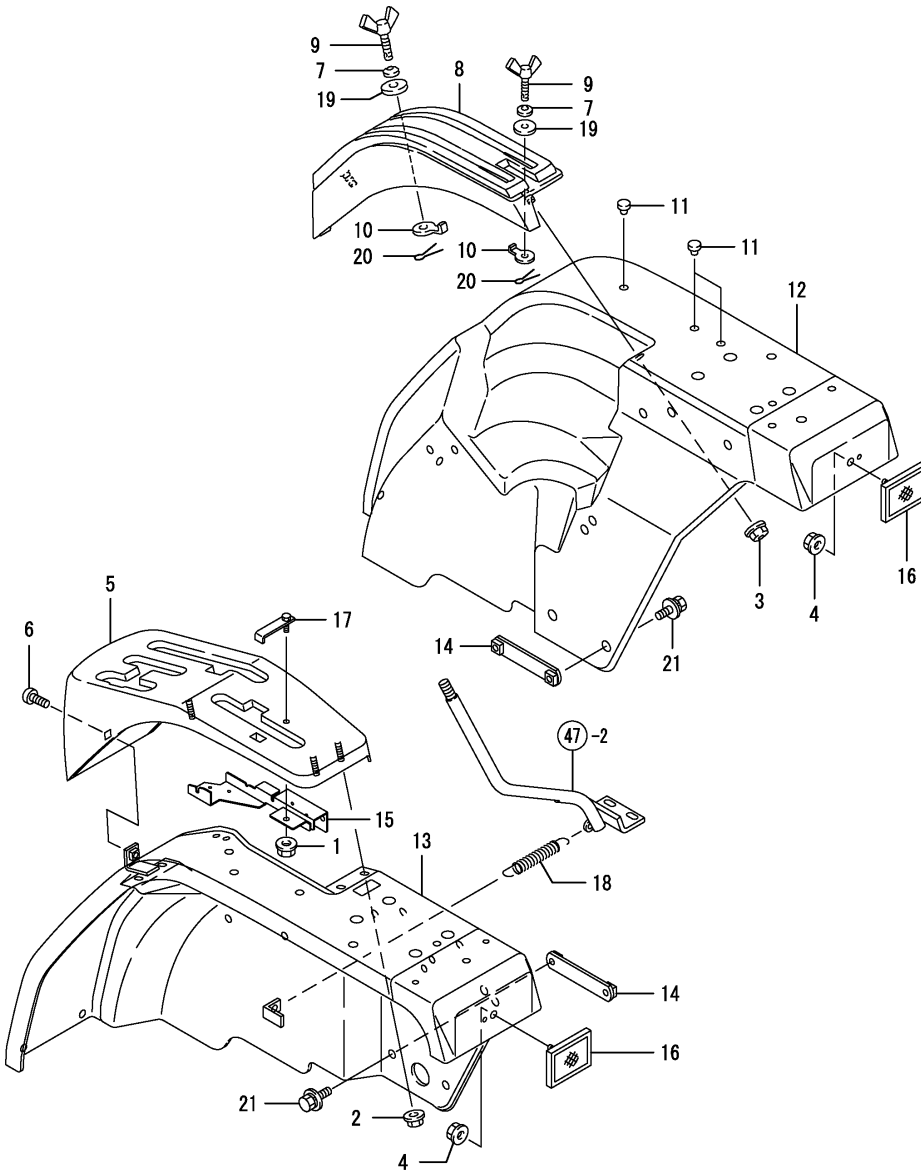
(D)=
(E)=
(F)=

No.	Lev.	Parts No.	Description	Q'ty						I	R
				(A)	(B)	(C)	(D)	(E)	(F)		
1	1	1C6460-38240	NUT 5,PUSH	1							
2	1	194680-51670	BAND, CLIP	1							
3	1	194162-58830	GROMMET, 20	2							
4	1	1A7740-61500	STAY ASSY, DASHBOARD	1							
5	1	198162-61530	BRACKET, L	1							
6	1	198162-61540	BRACKET, R	1							
7	1	198162-61551	ROD, BONNET	1							
8	1	198162-61570	PLATE, AIR SHIELD	1							
9	1	198164-61580	STAY, AIR CUT PLATE	1							
10	1	198162-61611	DASHBOARD	1							
11	1	198421-61620	BOLT, M6X20	8							
12	1	198162-61630	COVER, DASHBOARD	1							
13	1	194802-62310	CAP, RUBBER	1							
14	1	194555-65130	CUSHION	1							
15	1	22117-080000	WASHER, 8	1							
16	1	22372-080000	PIN, SNAP 8	1							
17	1	22417-200160	PIN, COTTER 2.0X16	1							
18	1	26016-080202	BOLT, M8X 20	2							
19	1	26018-080162	BOLT, M8X 16	2							
20	1	26018-080202	BOLT, M8X 20	4							
21	1	29311-252000	GROMMET, 25.0X2	1							

Fig.82. FENDER

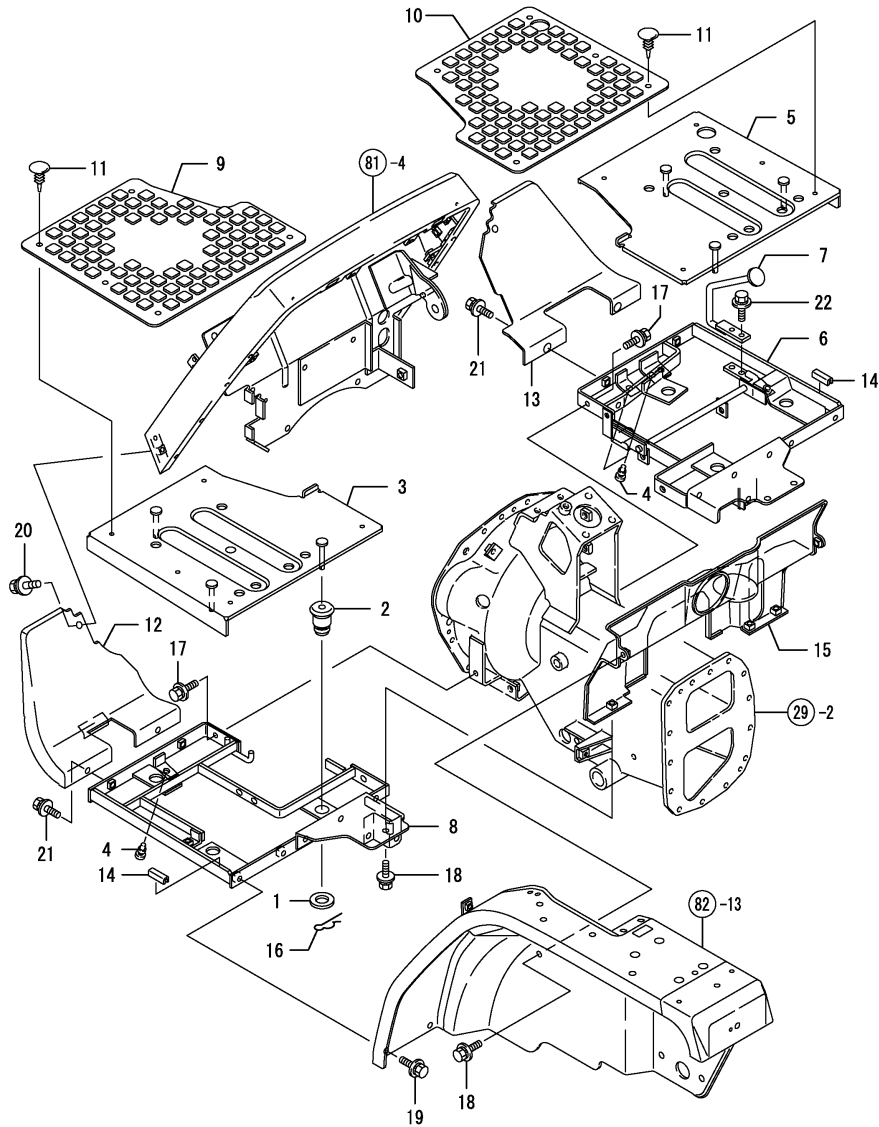
(A)=KE-20T-AU-PQ
(B)=
(C)=

(D)=
(E)=
(F)=



No.	Lev.	Parts No.	Description	Q'ty						I	R
				(A)	(B)	(C)	(D)	(E)	(F)		
1	1	194990-22130	NUT, M6	1							
2	1	194990-22130	NUT, M6	3							
3	1	194990-22130	NUT, M6	2							
4	1	194990-22130	NUT, M6	2							
5	1	198163-27480	GUIDE, CHANGE LEVER	1							
6	1	1C6650-35150	SCREW, M6X16	1							
7	1	194300-37570	SPRING	2							
8	1	198435-47710	GUIDE, LEVER	1							
9	1	198431-47750	BOLT, WING	2							
10	1	198431-47760	STOPPER, LEVER	2							
11	1	194310-61610	GROMMET, 9	3							
12	1	1A7740-62100	FENDER ASSY, R M	1							
13	1	198163-62110	FENDER (L)	1							
14	1	198162-62210	CLAMP, FENDER	2							
15	1	1A7720-62250	BRACKET, SWITCH ASSY	1							
15-1	1	1C1280-62250	BRACKET, SWITCH ASSY	1							N
		(A="2008.06.)									
16	1	1A7720-62300	REFLECTOR	2							
17	1	1A7740-62300	STOPPER, LEVER	1							
18	1	198421-62410	SPRING, 14X81.4	1							
19	1	22157-080000	WASHER, 8	2							
20	1	22417-200160	PIN, COTTER 2.0X16	2							
21	1	26018-080252	BOLT, M8X 25	4							

Fig.83. FOOTREST



(A)=KE-20T-AU-PQ
(B)=
(C)=

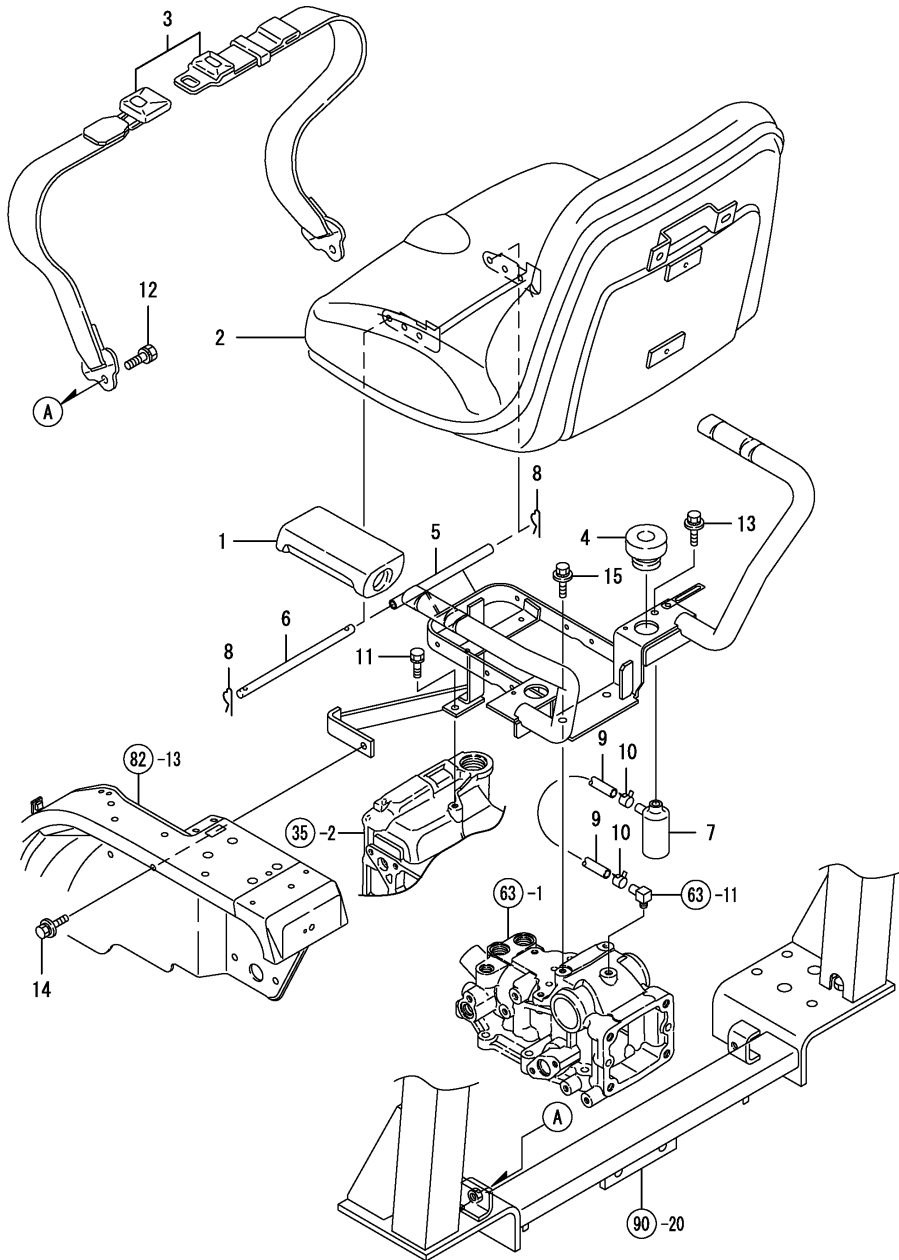
(D)=
(E)=
(F)=

No.	Lev.	Parts No.	Description	Q'ty						I	R
				(A)	(B)	(C)	(D)	(E)	(F)		
1	1	198220-62150	WASHER	6							
2	1	198240-62451	ABSORBER, STEP	6							
3	1	198162-62510	STEP ASSY, L	1							
4	1	194330-62530	STOPPER, PEDAL	3							
5	1	198162-62560	STEP ASSY, R	1							
6	1	198162-62580	FRAME, STEP R	1							
7	1	198162-62590	PEDAL, ACCELERATOR	1							
8	1	1A7720-62600	FRAME ASSY, STEP L	1							
9	1	198162-62610	RUBBER, STEP L	1							
10	1	198162-62620	RUBBER, STEP R	1							
11	1	198162-62630	FASNER	10							
12	1	198162-62650	COVER, FOOT L	1							
13	1	198162-62660	COVER, FOOT R	1							1
14	1	198220-62890	RUBBER, STOPPER	8							
15	1	198162-62950	COVER, MISSION	1							
16	1	22372-080000	PIN, SNAP 8	6							
17	1	26018-080202	BOLT, M8X 20	4							
18	1	26018-080202	BOLT, M8X 20	5							
19	1	26018-080202	BOLT, M8X 20	4							
20	1	26018-080202	BOLT, M8X 20	2							
21	1	26018-080202	BOLT, M8X 20	4							
22	1	26018-080202	BOLT, M8X 20	2							

Remarks

(1) REPLACE WITH A LABEL
(198163-65780).

Fig.84. DRIVER SEAT

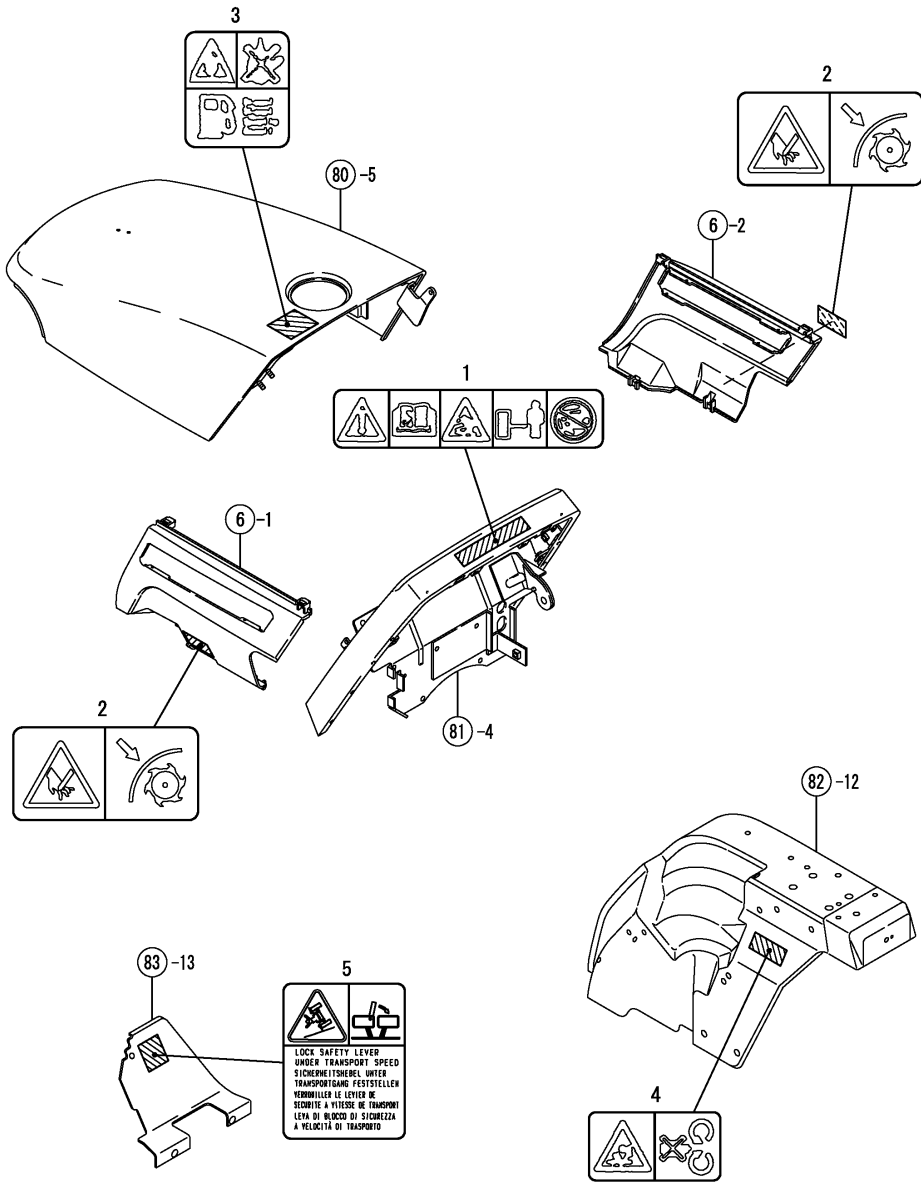


(A)=KE-20T-AU-PQ
(B)=
(C)=

(D)=
(E)=
(F)=

No.	Lev.	Parts No.	Description	Q'ty						I	R
				(A)	(B)	(C)	(D)	(E)	(F)		
1	1	198435-62410	GRIP, ASSIST BAR	2							
2	1	1A7720-63010	SEAT ASSY, OPERATOR	1							
3	1	1A6750-63050	BELT, SEAT	1							
4	1	198421-63140	RUBBER, CUSHION	2							
5	1	198163-63213	BRACKET ASSY, SEAT	1							
6	1	198425-63270	PIN, 8X190	1							
7	1	194205-63550	BREATHER, AIR	1							
8	1	22372-080000	PIN, SNAP 8	2							
9	1	23065-090400	PIPE, 9X 400	1							
10	1	23080-012000	CLAMP, 12	2							
11	1	26013-080202	BOLT, M8X 20	1							
12	1	26013-100202	BOLT, M10X 20	2							
13	1	26018-080162	BOLT, M8X 16	1							
14	1	26018-080202	BOLT, M8X 20	2							
15	1	26018-080252	BOLT, M8X 25	2							

Fig.86. LABELS(SAFETY)



(A)=KE-20T-AU-PQ
(B)=
(C)=

(D)=
(E)=
(F)=

No.	Lev.	Parts No.	Description	Q'ty						I	R
				(A)	(B)	(C)	(D)	(E)	(F)		
1	1	198163-65310	LABEL, SAFETY	1							
2	1	198163-65940	CAUTION, SAFETY COVER	2							
3	1	1A6150-91251	LABEL, RAKE CAUTION	1							
4	1	1A6150-93151	LABEL, COVER	1							
5	1	198163-65780	LABEL, BRAKE COUPLING	1							

Fig.87. PTO GUARD

(A)=KE-20T-AU-PQ
(B)=
(C)=

(D)=
(E)=
(F)=

No.	Lev.	Parts No.	Description	Q'ty						I	R
				(A)	(B)	(C)	(D)	(E)	(F)		
1	1	198163-75510	COVER, GUARD	1							
2	1	26018-060162	BOLT, M6X 16	4							

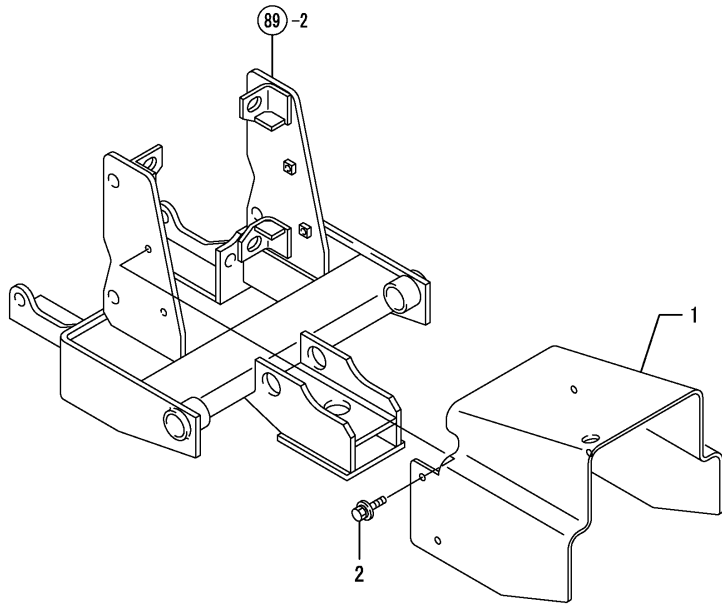
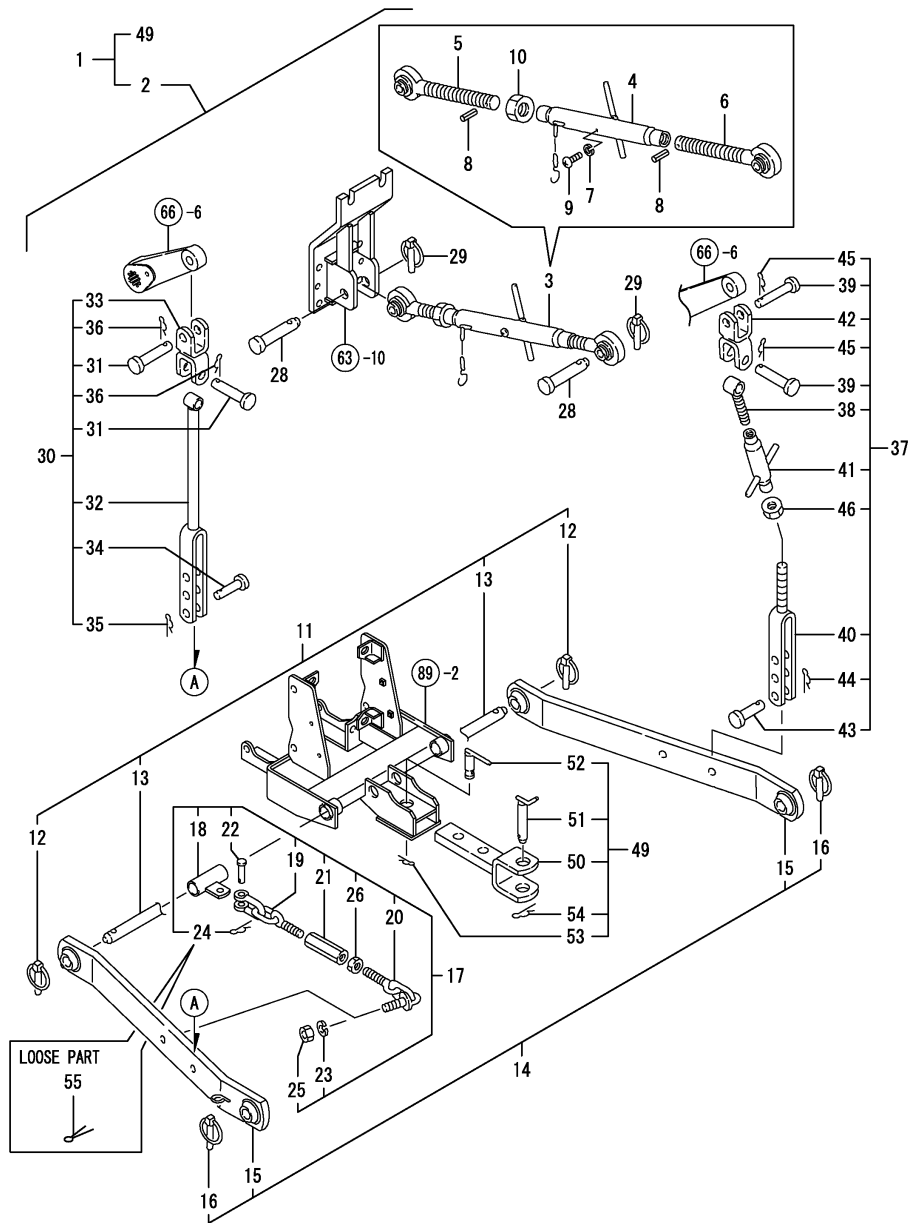


Fig.88. 3-POINT HITCH



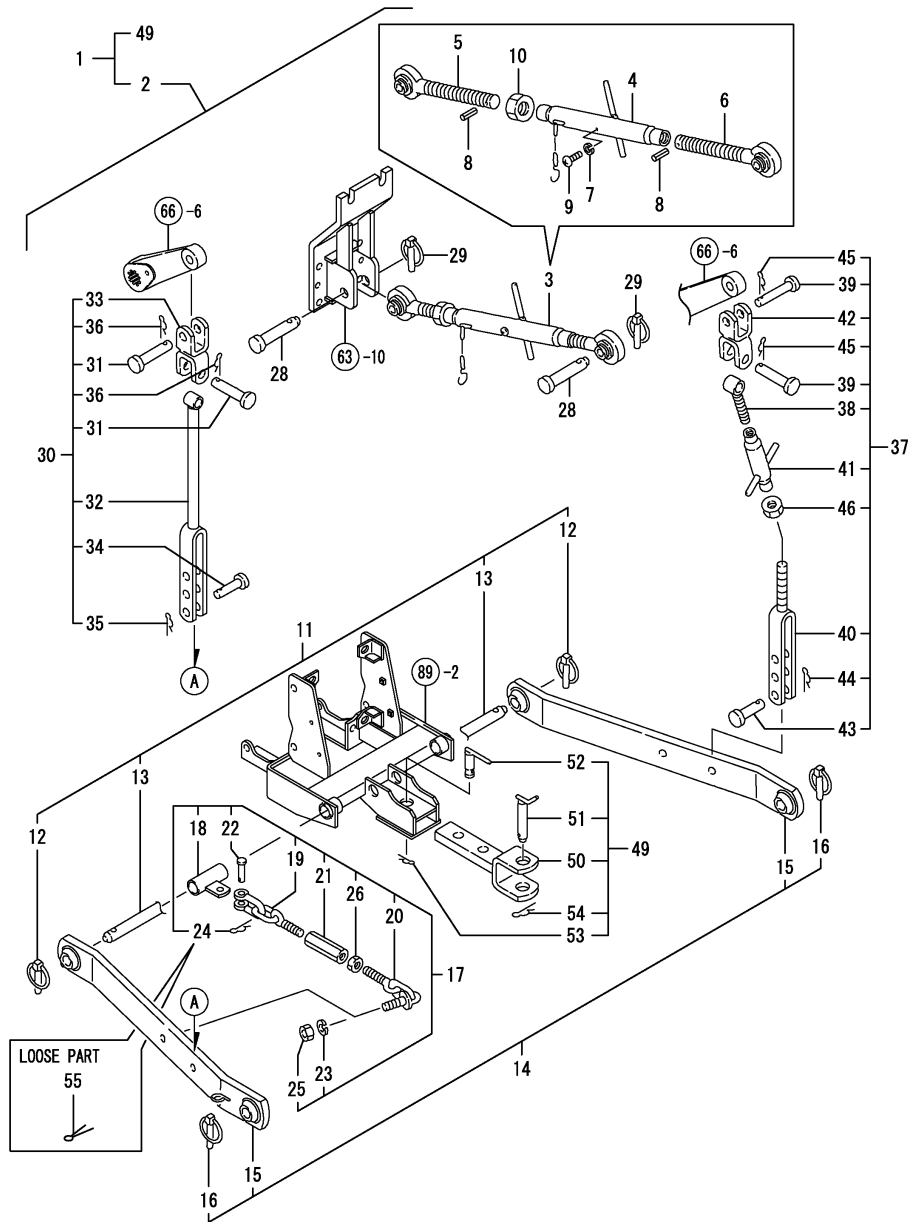
(A)=KE-20T-AU-PQ
(B)=
(C)=

(D)=
(E)=
(F)=

No.	Lev.	Parts No.	Description	Q'ty						I	R
				(A)	(B)	(C)	(D)	(E)	(F)		
1	1	7A7740-71000	DRAWBAR KIT, 3P	1							
2	2	7A7740-71100	HITCH KIT, 3-POINT	1							
3	3	7T6963-01100	LIK-ASSY, TOP T-710	1							
4	4	194555-71500	TURNBUCKLE	1							
5	4	194145-71600	LINK ASSY, TOP R	1							
6	4	194145-71700	LINK ASSY, TOP L	1							
7	4	22217-060000	WASHER, SPRING 6	1							
8	4	22351-040024	PIN, SPRING 4.0X24	2							
9	4	26557-060102	SCREW, M6X10	1							
10	4	26756-240002	NUT, LOCK M24	1							
11	3	7T6962-10000	HINGE F13, LOWER LINK	1							
12	4	794130-71410	PIN ASSY, BALL	2							
13	4	194193-73160	PIN, HINGE	1							
14	3	7T6964-18600	LINK ASSY., LOWER	1							
15	4	1T6964-18610	LINK ASSY, LOWER	2							
16	4	794130-71410	PIN ASSY, BALL	2							
17	3	7T6964-18700	CHECK CHAIN ASY	1							
18	4	1T6962-10250	SUPPORTER,CHK.CHAIN	2							
19	4	1T6964-18710	CHAIN COMP.,FRNT.CHK	2							
20	4	1T6964-18760	CHAIN COMP.,REAR CHK	2							
21	4	1T6964-18790	NUT 10	2							
22	4	194150-74630	PIN, SHACKLE	2							
23	4	22217-160000	WASHER, SPRING 16	2							
24	4	22360-140000	PIN, SNAP 14	2							
25	4	26716-160002	NUT, M16	2							
26	4	26756-140002	NUT, LOCK M14	2							
28	3	194150-71230	PIN, LINK	2							
29	3	794130-71410	PIN ASSY, BALL	2							
30	3	1A7740-72000	LINK ASSY, LIFT L	1							
31	4	195165-17390	PIN, 16X48	2							
32	4	1A7740-72100	LINK ASSY, LIFT L	1							
33	4	194193-72410	JOINT ASSY, LINK	1							
34	4	194150-72460	PIN, LIFT YOKE	1							
35	4	22360-140000	PIN, SNAP 14	1							
36	4	22360-160000	PIN, SNAP 16	2							
37	3	1A7740-72200	LINK ASSY, LIFT R	1							
38	4	1T6961-10300	LINK R, LIFT UPPER	1							
39	4	195165-17390	PIN, 16X48	2							
40	4	1A7740-72210	LINK ASSY, LIFT R	1							
41	4	194190-72231	TURNBUCKLE, LIFT LINK	1							
42	4	194193-72410	JOINT ASSY, LINK	1							
43	4	194150-72460	PIN, LIFT YOKE	1							
44	4	22360-140000	PIN, SNAP 14	1							
45	4	22360-160000	PIN, SNAP 16	2							
46	4	26756-180002	NUT, LOCK M18	1							
49	2	7A7740-75100	HITCH KIT, DRAWBAR	1							
50	3	1T6964-18810	HITCH, DRAWBER	1							
51	3	194145-75240	PIN, HITCH 22	1							
52	3	194340-75530	PIN, HITCH	1							
53	3	22360-200000	PIN, SNAP 20	1							
54	3	22360-200000	PIN, SNAP 20	1							

Remarks
(1) LOOSE PART

Fig.88. 3-POINT HITCH



(A)=KE-20T-AU-PQ
(B)=
(C)=

(D)=
(E)=
(F)=

No.	Lev.	Parts No.	Description	Q'ty						I	R
				(A)	(B)	(C)	(D)	(E)	(F)		
55	1	22417-320250	PIN, COTTER 3.2X25	2							1

Remarks
(1) LOOSE PART

Fig.89. REAR HITCH

(A)=KE-20T-AU-PQ
(B)=
(C)=

(D)=
(E)=
(F)=

No.	Lev.	Parts No.	Description	Q'ty						I	R
				(A)	(B)	(C)	(D)	(E)	(F)		
1	1	7A7740-75200	HITCH KIT, REAR	1							
2	2	1A7740-75211	HITCH ASSY, REAR	1							
3	2	26013-120302	BOLT, M12X 30	14							

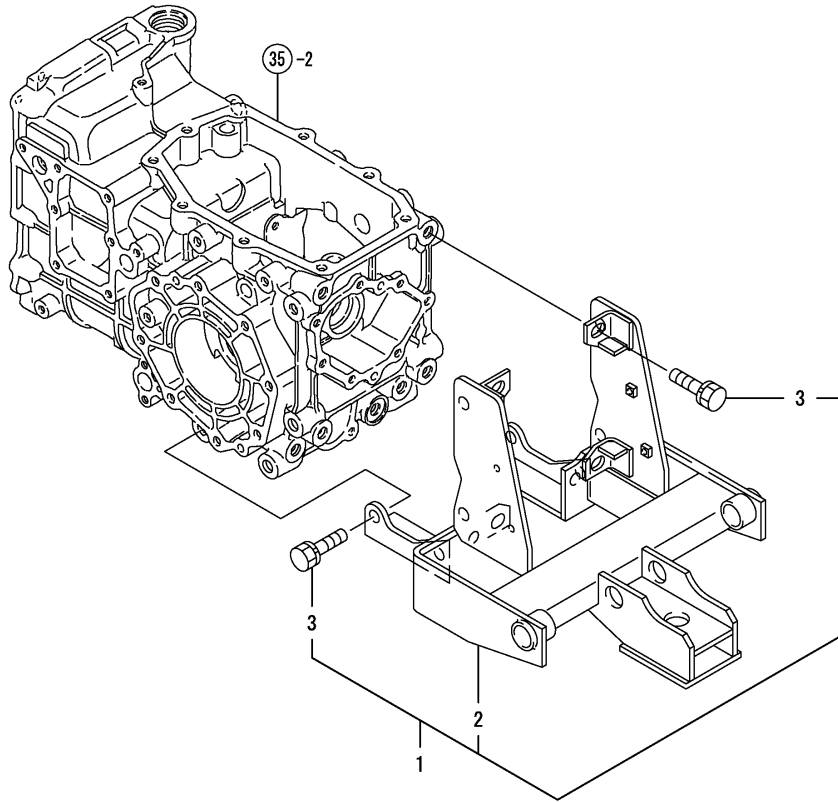
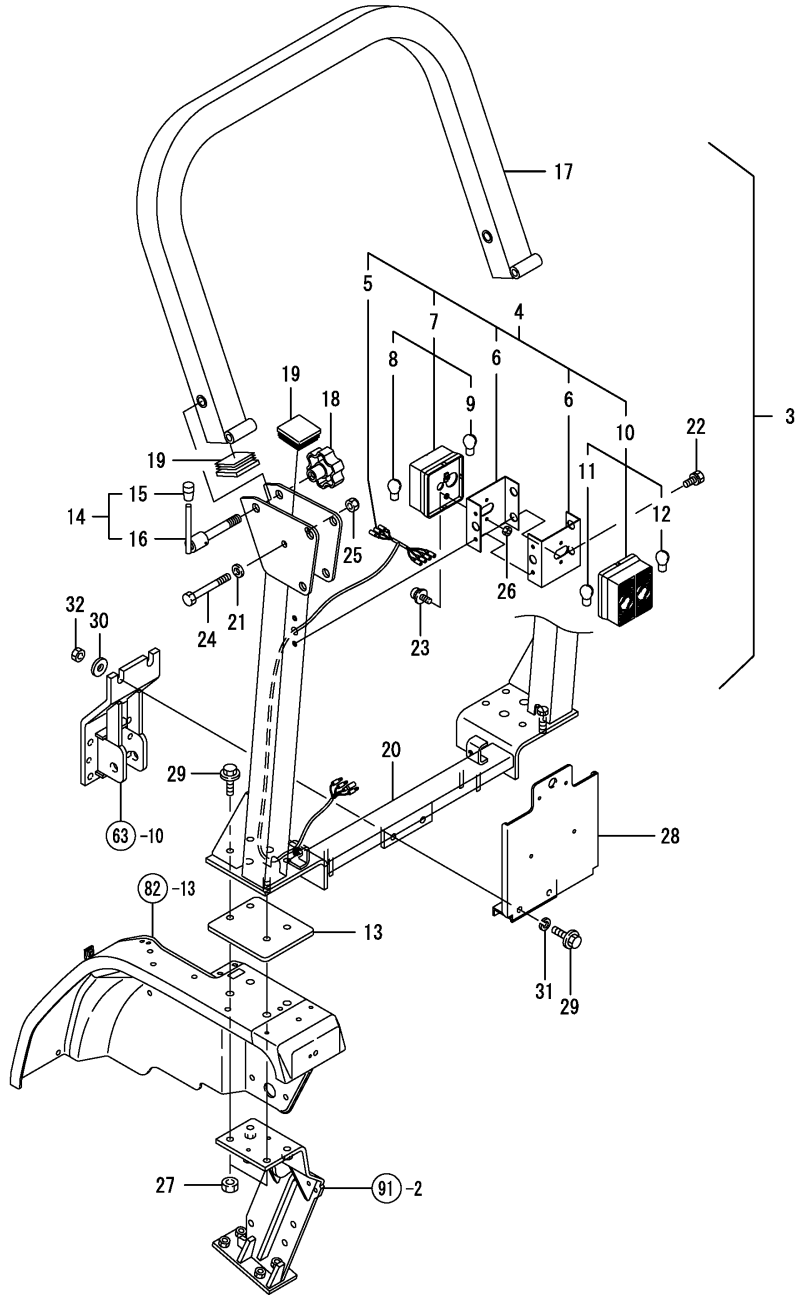


Fig.90. ROPS

(A)=KE-20T-AU-PQ
(B)=
(C)=

(D)=
(E)=
(F)=



No.	Lev.	Parts No.	Description	Q'ty						I	R
				(A)	(B)	(C)	(D)	(E)	(F)		
3	1	1A7740-85050	ROPS KIT, 20	1							
4	2	198163-53300	LAMP ASSY	2							
5	3	198163-51520	HARNESS, WIRE	2							
6	3	198163-53230	BRACKET, LAMP	4							
7	3	198163-53310	LAMP, COMBINATION F	2							
8	4	1A7100-53220	BULB, 12VP21W	2							
9	4	1A7100-53230	BULB, 12VR5W	2							
10	3	198163-53330	LAMP ASSY, R	2							
11	4	1A7100-53220	BULB, 12VP21W	2							
12	4	198163-53350	BULB, 12V5W21W	2							
13	2	198163-85290	BASE, PLATE	2							
14	2	198163-85410	HANDLE SET, ROPS	2							
15	3	194150-01190	KNOB, LEVER	2							
16	3	198163-85620	HANDLE ASSY, ROPS	2							
17	2	198163-85560	FRAME ASSY, UPPER U	1							
18	2	198163-85630	KNOB, M16	2							
19	2	198163-85640	CAP, ROPS	4							
20	2	1A7740-85850	FRAME ASSY, UPPER D	1							
21	2	22137-120000	WASHER, 12	2							
22	2	26013-060162	BOLT, M6X 16	4							
23	2	26023-050122	SCREW, M5X12	4							
24	2	26076-121002	BOLT, 10.912X100	2							
25	2	26346-120002	NUT, M12	2							
26	2	26716-050002	NUT, M5	4							
27	2	26716-120002	NUT, M12	6							
28	1	198163-85670	PLATE ASSY, N.P	1							
29	1	198165-85960	BOLT, M12X45	8							
30	1	22157-120000	WASHER, 12	2							
31	1	22217-120000	WASHER, SPRING 12	2							
32	1	26716-120002	NUT, M12	2							

Fig.93. BACK MIRROR

(A)=KE-20T-AU-PQ
 (B)=
 (C)=

(D)=
 (E)=
 (F)=

No.	Lev.	Parts No.	Description	Q'ty						I	R
				(A)	(B)	(C)	(D)	(E)	(F)		
1	1	198425-64101	MIRROR ASSY, BACK	1							
2	1	198421-64150	BOLT, M8X20	2							

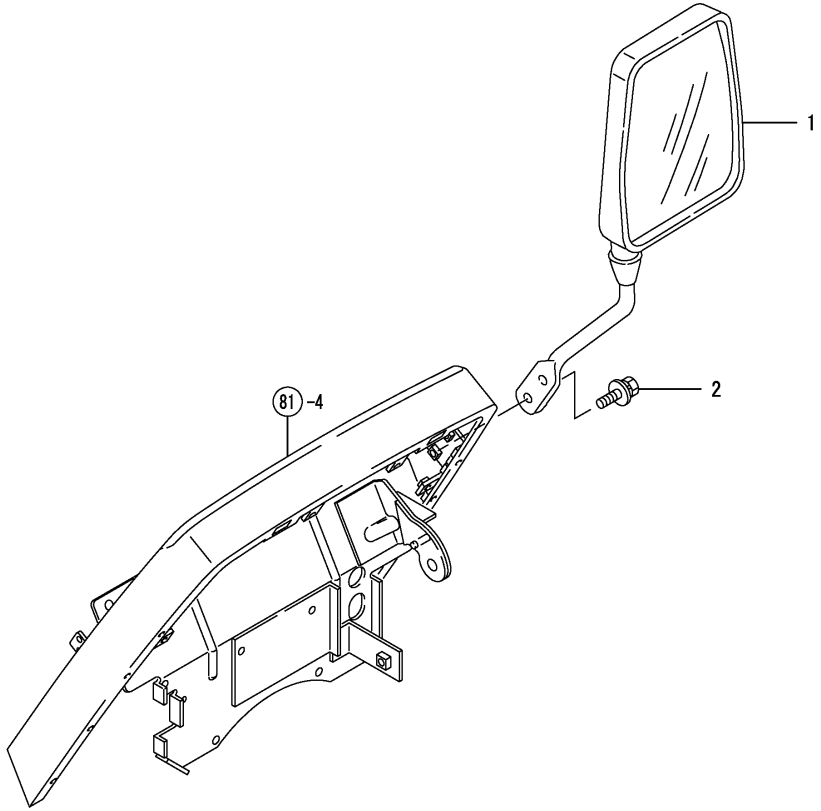
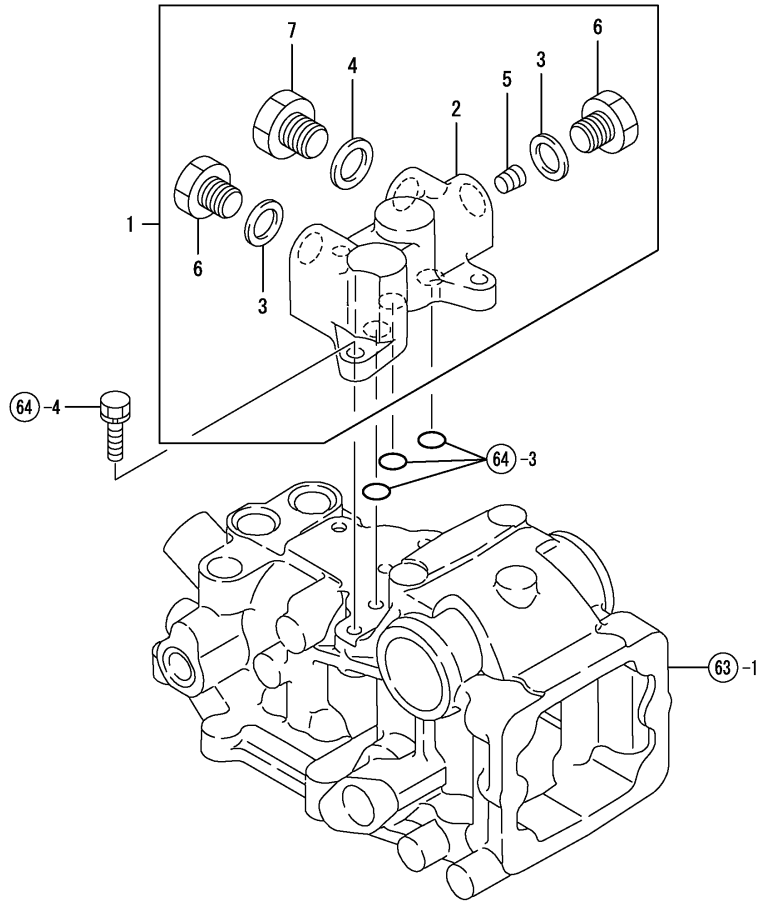


Fig.94. OPTION

(A)=KE-20T-AU-PQ
(B)=
(C)=

(D)=
(E)=
(F)=

No.	Lev.	Parts No.	Description	Q'ty						I	R
				(A)	(B)	(C)	(D)	(E)	(F)		
1	1	198421-42200	COVER ASSY	1							
2	2	198421-42220	COVER, TAKE OFF	1							
3	2	23414-180023	GASKET, 18X1.0	2							
4	2	23414-200026	GASKET, 20X1.0	1							
5	2	23875-020000	PLUG, R02	1							
6	2	23887-180002	PLUG, 18	2							
7	2	23887-200002	PLUG, 20	1							



Parts No. Index

Parts No.	Fig. No.	Ref. No.
0A041-G00400	92	1
101504-55051	4	7
101504-55101	4	8
102103-55520	1	35
104200-55321	1	38
104200-55330	1	39
104200-55750	1	43
104500-55710	1	45
105015-55040	4	6
110250-55610	1	36
119247-77100	76	12
119462-44550	1	11
119462-55620	1	33
119626-55690	1	37
119629-49070	1	18
119629-49080	1	19
119650-13620	1	2
		6
119650-77902	1	48
119650-77910	1	49
119810-55340	1	40
121250-44590	1	12
121454-44590	1	31
121750-59890	74	25
123440-91140	78	13
124064-55510	1	34
124160-77020	1	47
129107-44590	1	10
129150-49080	1	17
129155-55740	1	42
171125-55730	1	41
172026-81740	80	29
172510-76310	27	7
172520-76210	25	7
	27	6
194080-37781	62	19
194145-61640	78	11
194145-71600	88	5
194145-71700	88	6
194145-75240	88	51
194150-01190	90	15
194150-01270	2	8
194150-01370	2	9
194150-45320	70	1
194150-71230	88	28
194150-72460	88	34
		43
194150-74630	88	22
194151-36670	18	5
	29	4

Parts No.	Fig. No.	Ref. No.
194151-42832	63	9
194151-47760	2	11
	71	29
194162-58830	81	3
194167-61650	78	12
194180-46320	69	2
194180-47440	71	17
194190-72231	88	41
194191-28540	42	12
194193-72410	88	33
		42
194193-73160	88	13
194195-45620	68	3
194195-45640	68	5
194195-45650	68	6
194195-46260	68	8
194197-27681	44	9
194197-44610-2	66	7
194197-51630	74	21
194200-01680	80	1
194200-34750	60	2
194200-65611	85	16
194201-11230	29	1
	35	1
194205-42280	63	11
194205-63550	84	7
194208-47450	71	18
194208-47510	71	2
194208-47530	71	23
194215-04220	5	1
194215-12340	9	4
	25	1
194215-21701	31	1
194215-22210	32	2
194215-22220	32	3
194215-22230	32	4
194215-24970-1	38	2
194215-47840	71	33
194240-65441	85	13
194250-51650	74	22
194250-51660	26	11
	74	23
194273-47910	72	4
194300-13340	25	3
		5
194300-21460	29	3
194300-22160	33	3
194300-22240	32	5
194300-22910	33	4
194300-31560	51	6

Parts No.	Fig. No.	Ref. No.
194300-31570	51	7
194300-31620	51	8
194300-37570	62	12
	82	7
194305-12810	21	2
		5
194305-24310	39	1
194305-25160	40	3
194305-34810	59	2
		5
194306-13140	40	1
	41	1
	43	1
194310-21210	71	32
194310-25100	32	6
	42	1
194310-46350	63	13
194310-46380	63	14
194310-46730	63	15
194310-47790	71	30
194310-61610	82	11
194312-46630-2	69	4
194312-46750	35	5
	63	16
194330-62530	83	4
194340-75530	88	52
194420-47370	72	2
194420-56620	4	10
194420-62260	5	2
194440-51620	74	20
194447-13490	14	1
194447-13640	57	1
194447-13650	53	1
194447-13860	10	2
194515-25180	42	2
194516-13770	15	11
194516-13780	15	12
194550-47910	71	35
194555-46640	72	1
194555-47340	71	7
194555-47350	71	9
194555-55820	78	5
194555-65130	6	20
	81	14
	85	2
194555-71500	88	4
194555-77910	35	6
194630-43230	63	12
194640-46410	70	5
194640-46420	70	6

Parts No.	Fig. No.	Ref. No.
194640-46620-1	69	3
194670-25370	16	2
194680-51670	74	24
	81	2
194740-00322	34	1
	62	1
194802-62310	81	13
194850-13660	14	3
194850-42180	63	6
194850-42190	63	7
194850-45700	68	7
194850-49230	68	9
194855-24150	43	3
194855-24290	35	4 -1
194855-25290	39	7
194856-25330	40	12
	41	2
194856-25340	40	13
194859-34150	39	8
194940-04240	4	3
194940-04250	4	4
194940-52110	76	3
194990-20170	34	2
	62	4
194990-22050	1	30
	45	1
	49	1
194990-22130	77	1
	80	3
	82	1
		2
		3
		4
194990-22140	46	1
195165-17390	88	31
		39
198010-65720	85	8
198036-65420	85	11
198071-37510	34	9
	62	9
198133-22510	34	7
	62	5
198133-22530	34	8
	62	6
198162-00510	1	1
198162-00520	1	4
198162-00530	1	5
198162-00640	1	15
198162-00660	1	20
198162-00670	1	21

Parts No. Index

Parts No.	Fig. No.	Ref. No.
198162-00710	1	24
198162-00770	1	27
198162-00860	1	9
198162-01210	3	1
198162-04111	4	2
198162-05381	6	4
198162-05391	6	5
198162-05410	6	6
198162-05430	6	8
198162-05440	6	9
198162-05462	6	10
198162-05470	6	11
198162-05480	6	12
198162-05491	6	13
198162-22410-1	34	3
198162-26130	42	4
198162-33130	54	3
198162-36080	61	1
198162-36380	61	5
198162-37302	62	8
198162-37641	62	13
198162-37670	62	15
198162-37681	62	16
198162-47630	72	3
198162-52430	74	5
198162-52440	74	6
198162-58110	75	3
198162-58140	75	4
198162-58800	1	46
198162-61250	80	6
198162-61310	80	7
198162-61340	80	8
198162-61370	80	9
198162-61410	80	12
198162-61430	80	13
198162-61440	80	14
198162-61480	80	17
198162-61490	80	18
198162-61530	81	5
198162-61540	81	6
198162-61551	81	7
198162-61570	81	8
198162-61611	81	10
198162-61630	81	12
198162-61661	62	22
198162-61670	62	23
198162-61910	80	25
198162-61930	80	26
198162-62210	82	14
198162-62510	83	3

Parts No.	Fig. No.	Ref. No.
198162-62560	83	5
198162-62580	83	6
198162-62590	83	7
198162-62610	83	9
198162-62620	83	10
198162-62630	83	11
198162-62650	83	12
198162-62660	83	13
198162-62950	83	15
198162-65890	85	20
198162-85360-1	91	4
198163-00770	1	28
198163-00850	2	1
198163-17752	26	1
198163-17760	28	1
198163-17771	26	2
198163-17870	27	4
198163-21100	29	2
198163-24321	36	1
198163-25111	39	2
198163-25221	40	5
198163-25250	40	8
198163-25280	39	6
198163-25740	41	5
198163-25750	41	6
198163-26121	42	3
198163-26153	42	6
198163-26162	42	7
198163-26190	42	9
198163-26230	43	4
198163-26410	42	11
198163-27120	46	4
198163-27130	46	5
198163-27200	44	2
198163-27270	47	2
198163-27420	85	1
198163-27480	82	5
198163-27510	44	4
198163-27520	44	5
198163-27531	44	7
198163-27540	45	3
	49	3
198163-27560	45	4
	49	4
198163-27572	45	5
198163-27630	45	6
198163-27711	48	2
198163-27720	48	4
198163-27730	48	5
198163-27760	48	7

Parts No.	Fig. No.	Ref. No.
198163-27790	48	8
198163-27791-1	48	8 -1
198163-27840	49	7
198163-27870	48	9
198163-27910	45	7
	49	8
198163-42810-1	63	8
198163-42850-1	63	10
198163-43310	65	1
198163-45610	68	2
198163-47360	71	11
198163-47370	71	12
198163-47800	71	31
198163-48170	73	2
198163-48280	73	5
198163-51310	1	32
198163-51520	90	5
198163-53230	90	6
198163-53300	90	4
198163-53310	90	7
198163-53330	90	10
198163-53350	90	12
198163-61680	80	21
198163-61690	80	22
198163-62110	82	13
198163-63213	84	5
198163-65270	85	10
198163-65310	86	1
198163-65780	86	5
198163-65940	86	2
198163-75510	87	1
198163-85081-1	91	1
198163-85150-1	91	2
198163-85250-1	91	3
198163-85290	90	13
198163-85410	90	14
198163-85560	90	17
198163-85620	90	16
198163-85630	90	18
198163-85640	90	19
198163-85670	90	28
198164-00620	1	13
198164-00630	1	14
198164-00720	1	25
198164-00730	1	26
198164-11200	7	1
198164-11550	8	4
198164-11570	8	5
198164-13310	12	1
198164-13770-1	15	7

Parts No.	Fig. No.	Ref. No.
198164-14620	19	1
198164-15750	23	1
198164-15760	23	4
198164-15770	23	5
198164-15780	23	2
198164-15790	23	3
198164-17410	24	3
198164-17420	24	4
198164-17450	24	5
198164-17461	24	6
198164-17470	24	8
198164-17500	24	10
198164-17540	25	2
198164-17780	26	3
198164-17830	27	2
198164-17850	27	3
198164-17900	27	5
198164-24510	36	3
198164-25150	39	5
198164-25210	40	4
198164-25230	40	6
198164-25770	41	7
198164-25790	41	8
198164-25800	41	9
198164-26140	42	5
198164-27150	46	7
198164-31340	50	1
198164-33410	55	1
198164-33420	55	2
198164-33510	56	1
198164-34700	58	1
198164-34710	58	2
		5
198164-34750	58	4
198164-37651	62	14
198164-51310	76	2
198164-51500	75	1
198164-56140	78	4
198164-61580	81	9
198164-61950	80	27
198165-01130	2	4
198165-04380	80	2
198165-11500	8	1
198165-11510	8	2
198165-11540	8	3
198165-13060-1	15	2
198165-13101	11	1
198165-13111	11	2
198165-13120	10	1
198165-13212	11	3

Parts No. Index

Parts No.	Fig. No.	Ref. No.
198165-13511	13	1
198165-13521	13	2
198165-13532	13	3
	16	1
198165-13620-1	14	4
198165-13631	14	5
198165-13730-1	15	3
198165-13740-1	15	4
198165-13750	15	10
198165-13815	15	14
198165-13841	15	9
198165-13910	17	1
198165-13920	17	2
198165-14120	18	2
198165-14140	18	4
198165-14620	19	2
198165-14630	19	3
198165-17310	24	2
198165-17481	24	9
198165-17711	27	1
198165-21450	30	1
198165-24120-2	35	3
198165-24121-1	35	3 -1
198165-24330	36	2
198165-24440	14	6
	15	18
	26	9
198165-24490	14	7
	15	19
	26	10
198165-26270	42	10
198165-27350	49	2
198165-27360	47	3
198165-32311-1	52	1
198165-32610-2	53	2
198165-32620-2	53	3
198165-42120	63	5
198165-51130	74	4
198165-61850	80	24
198165-85960	71	60
	90	29
198200-17910	26	8
198200-57200	78	10
198220-45340	68	1
198220-45350	70	2
198220-45370-1	70	3
198220-45630	68	4
198220-46400	70	4
198220-48750	73	6
198220-62150	83	1

Parts No.	Fig. No.	Ref. No.
198220-62890	83	14
198240-62451	83	2
198290-32750	53	7
198327-47930	44	10
198360-52160	76	6
198360-52320	76	4
198360-52330	76	5
198421-00640	1	16
198421-00670	1	22
198421-00681	1	23
198421-01110	2	2
198421-01120	2	3
198421-01130	2	5
198421-01140	2	6
198421-01220	3	2
198421-01250	2	7
198421-04430	4	5
198421-13221	11	4
198421-13240	11	6
198421-13650	43	2
198421-14630	19	4
198421-22110	32	1
198421-22151	33	2
198421-22440	34	4
198421-24910	38	1
198421-25250	40	9
198421-25800	41	10
198421-25810	41	11
198421-25820	41	13
198421-27110	44	1
	46	3
	48	1
198421-27160	46	8
198421-27170-1	46	9
198421-27180	46	10
198421-27200	46	12
198421-27221	46	14
198421-27521	44	6
198421-31510	51	2
198421-31530	51	4
198421-31550	51	5
198421-32320	52	2
198421-32330	52	3
198421-32340	52	4
198421-32630	53	4
198421-32660-1	53	6
198421-33110	54	1
198421-33120	54	2
198421-33140	54	4
198421-33150	54	11

Parts No.	Fig. No.	Ref. No.
198421-33170	54	5
198421-34110	57	2
198421-36310	61	2
198421-36321	61	3
198421-36330-1	61	4
198421-36410	61	6
198421-36430-1	61	7
198421-37511	34	10
	62	10
198421-37550	62	11
198421-37750	62	17
198421-42102-1	63	1
198421-42200	94	1
198421-42220	94	2
198421-43410	66	1
198421-44110	66	2
198421-44211	66	3
198421-44230	66	4
198421-44250	66	5
198421-44410-1	66	6
198421-46302	69	1
198421-48240	73	4
198421-56150	78	6
198421-56200	78	7
198421-56601	4	9
198421-56910	78	9
198421-61280	6	17
198421-61380	80	10
198421-61460	80	15
198421-61470	80	16
198421-61510	80	19
198421-61540	80	20
198421-61620	81	11
198421-62410	82	18
198421-63140	84	4
198421-64150	93	2
198421-65030	85	18
198421-65430	85	12
198425-22450	34	5
198425-22480	34	6
198425-24110-1	35	2
198425-27213	46	13
198425-27230	46	15
198425-27290	46	17
198425-32640	53	5
198425-34730	60	1
198425-37760	62	18
198425-42220-1	64	1
198425-63270	84	6
198425-64101	93	1

Parts No.	Fig. No.	Ref. No.
198431-44510-1	71	1
198431-47320	71	5
198431-47330	71	6
198431-47340	71	8
198431-47350	71	10
198431-47390	71	13
198431-47400	71	14
198431-47420	71	15
198431-47430	71	16
198431-47470-1	71	19
198431-47480-1	71	20
198431-47520-1	71	22
198431-47750	82	9
198431-47760	82	10
198431-47870	71	34
198431-48220	73	3
198435-16230	25	6
198435-24280	35	4
198435-24290	37	1
198435-25130	39	3
198435-25240	40	7
198435-25280	40	10
198435-25310	40	11
198435-25720	41	3
198435-25730	41	4
198435-25810	41	12
198435-27142	46	6
198435-27260-1	46	16
198435-27551	44	8
198435-27740	48	6
198435-34860	59	1
198435-34870	59	4
198435-34880	59	3
		6
198435-45201	67	1
198435-47310	71	4
198435-47490	71	21
198435-47530	71	24
198435-47540	71	25
198435-47550	71	26
198435-47560	71	27
198435-47580	71	28
198435-47710	82	8
198435-62410	84	1
198435-65220	85	7
198435-65240	85	9
198531-14720	20	2
		6
198531-14740	20	3
		7

Parts No. Index

Parts No.	Fig. No.	Ref. No.
198531-14750	20	4
		8
198531-26310-1	43	5
198531-34730	58	3
		6
1A1040-26320	46	2
1A1040-36010	60	3
1A1040-36040	60	4
1A6150-91251	86	3
1A6150-93151	86	4
1A6640-65530	85	14
1A6641-12400	9	1
1A6641-12430	9	1 A
1A6641-12440	9	1 B
1A6641-12450	9	1 C
1A6641-13080-1	15	5
1A6641-13600	14	2
1A6641-13760-1	15	6
1A6641-13780	15	13
1A6641-13830	15	15
1A6750-37200	2	10
1A6750-51170	74	17
1A6750-61830	54	12
1A6750-63050	84	3
1A6750-65590	85	15
1A6770-65630	85	17
1A6780-13700	15	8
1A6780-13890	15	17
1A6780-14110-1	18	1
1A6780-14131-1	18	3
1A6780-31500	51	1
1A6780-31520	51	3
1A7050-13230	11	5
1A7100-53220	90	8
		11
1A7100-53230	90	9
1A7260-53220	77	13
		18
1A7450-52210	76	7
1A7450-52230	76	8
1A7531-11350	15	1
1A7542-24980	38	3 -1
1A7720-04100	4	1
1A7720-05350	6	3
1A7720-05420	6	7
1A7720-05510	6	14
1A7720-05580	6	15
1A7720-17300	24	1
1A7720-17811	26	4
1A7720-17821	26	5

Parts No.	Fig. No.	Ref. No.
1A7720-17830	26	6
1A7720-17840	26	7
1A7720-26180	42	8
1A7720-27190	46	11
1A7720-27240	45	2
	47	1
1A7720-27750	49	5
1A7720-27810	49	6
1A7720-51113	74	3
1A7720-51151	74	11
1A7720-51172	74	12
1A7720-51180	74	13
1A7720-51250	74	14
1A7720-51411	74	16
1A7720-51420	74	19
1A7720-52240	76	9
1A7720-52260	76	10
1A7720-52270	76	11
1A7720-53050	77	2
1A7720-53060	77	3
1A7720-53070	77	4
1A7720-53080	77	5
1A7720-53090	77	6
1A7720-53100	77	7
1A7720-53110	77	9
1A7720-53140	77	10
1A7720-53200	80	4
1A7720-53300	77	11
1A7720-53310	77	14
1A7720-53340	77	15
	19	
1A7720-53350	77	16
1A7720-53360	77	20
1A7720-61400	80	11
1A7720-61531	6	18
1A7720-61810	80	23
1A7720-62250	82	15
1A7720-62300	82	16
1A7720-62600	83	8
1A7720-63010	84	2
1A7720-65050	6	19
1A7720-65770	85	19
1A7730-48161	73	1
1A7740-00601	1	8
1A7740-05330	6	1
1A7740-05340	6	2
1A7740-14800	21	1
1A7740-14810	21	3
		6
1A7740-14850	21	4

Parts No.	Fig. No.	Ref. No.
1A7740-25130	39	4
1A7740-27710	48	3
1A7740-51100	74	2
1A7740-51270	74	15
1A7740-51550	75	2
1A7740-56110	78	1
1A7740-61100	80	5
1A7740-61500	81	4
1A7740-62100	82	12
1A7740-62300	82	17
1A7740-65131	85	3
1A7740-65141	85	4
1A7740-65200	85	5
1A7740-65210	85	6
1A7740-72000	88	30
1A7740-72100	88	32
1A7740-72200	88	37
1A7740-72210	88	40
1A7740-75211	89	2
1A7740-85050	90	3
1A7740-85850	90	20
1C1100-21010	23	6
1C1280-62250	82	15 -1
1C6053-32020	62	7
1C6140-14050	62	2
1C6281-52320	2	12
	48	15 -1
	62	21
1C6320-16440	62	3
1C6360-82210	62	24
1C6460-36151	78	3
1C6460-38240	6	16
	81	1
1C6560-06300	74	1
1C6560-13470	33	1
1C6560-75311	80	28
1C6650-35150	82	6
1C6860-06980	1	29
1C6860-08160	77	12
		17
1C6900-07200	76	1
1C6950-45410	62	20
1C7100-08150	79	1
1D4110-13870	15	16
1E4070-14040	40	2
1E6140-56230	46	18
1E6190-54080	15	20
1E6190-54160	43	6
1E6210-82580	75	5
1E6460-84220	76	13

Parts No.	Fig. No.	Ref. No.
1E8420-55430	18	6
1E8450-83120	74	18
1T6961-10300	88	38
1T6962-10250	88	18
1T6964-18610	88	15
1T6964-18710	88	19
1T6964-18760	88	20
1T6964-18790	88	21
1T6964-18810	88	50
1W3851-20700	77	8
1W3852-00940	78	2
22117-080000		2 13
	3	3
	69	5
	81	15
22117-100000	62	25
22137-080000	34	11
	71	36
		37
		38
		39
		40
	80	30
22137-100000	24	11
22137-120000	62	26
	71	41
	90	21
22137-160000	24	12
	60	5
22137-180000	44	11
	48	10
22157-060000	2	14
	5	3
	80	31
22157-080000	45	8
	49	9
	62	27
	80	32
	82	19
22157-100000	2	15
22157-120000	90	30
22217-060000	88	7
22217-080000	35	7
22217-100000	24	13
	29	5
	46	19
	63	17
22217-120000	8	6
	60	6
	90	31

Parts No. Index

Parts No.	Fig. No.	Ref. No.
22217-120000	91	5
22217-140000	22	1
22217-160000	88	23
22242-000200	10	3
	24	7
22242-000250	61	8
22242-000350	18	7
22242-000360	12	2
22242-000400	57	3
22252-000170	32	7
	42	13
22252-000420	36	4
22252-000520	14	8
22272-000060	71	42
22272-000150	44	12
	48	11
22272-000190	62	28
22287-080000	1	50
	46	20
	71	43
		44
22312-080160	35	8
22312-080180	53	8
22312-080200	53	9
22312-080320	53	10
22312-080630	35	9
22312-100200	15	21
22351-035025	44	13
	48	12
22351-035032	12	3
22351-035040	33	5
22351-040012	69	6
22351-040024	88	8
22351-040040	51	9
22351-050020	46	21
	48	13
22351-050025	46	22
	71	45
		46
		47
22351-050040	54	6
	66	8
22351-060020	44	14
22351-060025	44	15
	48	14
22351-060028	70	7
22351-060032	12	4
22351-060040	33	6
	46	23
22351-080016	29	6

Parts No.	Fig. No.	Ref. No.
22351-080016	31	2
22351-080020	14	9
	15	22
22351-080032	54	7
22351-080040	54	8
22351-080045	15	23
22351-100025	63	18
22360-100000	44	16
22360-140000	88	24
		35
		44
22360-160000	88	36
		45
22360-200000	88	53
		54
22372-060000	80	33
22372-080000	48	15
	71	48
		49
		50
		51
		52
	80	34
		35
	81	16
	83	16
	84	8
22372-100000	60	7
22417-160160	2	16
	3	4
22417-200160	71	53
	81	17
	82	20
22417-200200	34	12
22417-200320	62	29
22417-250250	9	5
	25	8
22417-250320	71	54
22417-320250	88	55
22487-060800	80	36
22487-080160	34	13
22512-070400	62	30
22522-030130	71	55
22551-050180	41	14
23000-070000	19	5
		6
23010-030000	73	7
23010-038000	1	51
23010-050000	1	52
23061-150065	45	9

Parts No.	Fig. No.	Ref. No.
23065-090400	84	9
23080-012000	1	53
	4	11
		16
	84	10
23414-140018	28	2
	63	19
23414-150000	71	56
23414-170022	63	20
23414-180023	26	12
	73	8
	94	3
23414-200026	94	4
23491-140002	35	10
	53	11
23871-010000	63	2
	64	2
23871-020000	63	3
23875-020000	94	5
23887-180002	94	6
23887-200002	94	7
23980-730220	4	17
23980-730450	4	12
23980-730500	4	13
23980-730600	4	14
24101-060034	17	3
24101-060044	41	15
24101-060054	11	7
	43	7
24101-060060	55	3
24101-060064	41	16
	51	10
24101-060074	11	8
	51	11
24101-060080	57	4
24101-060084	18	8
24101-062024	10	4
	17	4
24101-062034	40	14
	43	8
24101-062040	55	4
24101-062044	39	9
24101-062054	13	4
24101-062060	57	5
24101-062074	18	9
24101-063054	41	17
24104-060044	39	10
	42	14
24104-062044	15	24
24104-063034	16	3

Parts No.	Fig. No.	Ref. No.
24104-063034	42	15
24161-202417	42	16
24161-222610	41	18
24161-252910	42	17
24164-000452	15	25
24165-000262	41	19
24190-100001	44	17
	46	24
	48	16
24190-160001	61	9
24311-000090	71	57
24311-000110	45	10
	47	4
	54	9
24311-000120	26	13
	68	10
	69	7
	70	8
24311-000125	44	18
	48	17
24311-000160	35	11
	53	12
	54	10
24311-000180	14	10
	35	12
	37	2
	68	11
	70	9
24311-000200	71	58
	73	9
24311-000220	73	10
24311-000224	66	9
24311-240100	1	44
24315-000100	69	8
24315-000110	64	3
24315-000460	65	2
24321-000500	14	11
24321-001150	14	12
24341-000315	66	10
24341-000500	38	3
24351-020300	35	12
24351-020400	66	11
24372-000460	65	3
24421-173007	14	13
24421-173508	36	5
24421-284008	35	13
24421-304708	15	26
24430-305005	36	6
24550-012060	71	59
24550-018100	44	3

Parts No. Index

Parts No.	Fig. No.	Ref. No.
24550-018100	48	18
24550-040300	63	4
24761-040000	29	7
	34	14
	62	31
24761-060000	9	3
	25	4
26013-060162	90	22
26013-060322	73	11
26013-060402	73	12
26013-060452	73	13
26013-080122	29	8
	74	26
26013-080162	31	3
26013-080202	29	9
	44	19
	53	13
	62	32
	80	37
	84	11
26013-080252	38	4
	64	4
26013-080552	46	25
26013-080652	1	54
26013-080702	35	14
26013-100202	84	12
26013-100252	7	2
	44	20
	66	12
26013-100302	14	14
26013-100352	15	27
26013-100402	53	14
		15
26013-100452	15	28
26013-100502	15	29
	53	16
26013-100552	53	17
26013-100652	53	18
26013-120302	89	3
26016-060122	78	14
26016-060162	71	61
26016-080122	26	14
	71	62
26016-080202	6	21
	71	63
		64
		65
		66
	80	38
		39

Parts No.	Fig. No.	Ref. No.
26016-080202	81	18
26016-080252	18	10
	35	15
	46	26
		27
26016-080402	46	28
26016-080502	1	55
26016-100162	24	14
26016-100202	2	17
26016-100302	14	15
26016-100352	63	21
26016-100452	63	22
26018-060162	1	56
	76	14
	79	2
	87	2
26018-060252	1	57
		58
26018-080162	1	59
	73	14
	81	19
	84	13
26018-080202	1	60
	45	11
	47	5
	49	10
	73	15
	80	40
	81	20
	83	17
		18
		19
		20
		21
		22
	84	14
26018-080252	27	8
	82	21
	84	15
26018-080452	46	29
26022-030222	78	8
26022-050122	4	15
26023-030202	76	15
26023-050122	75	6
	90	23
26023-050162	6	22
		23
26023-050202	76	16
26076-121002	90	24
26076-121252	91	6

Parts No.	Fig. No.	Ref. No.
26086-140252	22	2
26106-080162	74	1 -1
26106-080252	1	3
		7
26106-080502	27	9
26106-080702	35	16
26106-100252	14	14 -2
		15 -1
26106-100302	14	14 -1
26106-100352	15	27 -1
26106-100452	15	28 -1
26106-100502	15	29 -1
26116-060252	5	4
26116-080202	41	20
26116-080304	46	30
26116-080402	3	5
26116-080552	71	67
26116-080804	71	68
26116-081052	1	61
26116-100122	46	31
26116-100352	29	10
26136-100162	26	15
26156-100162	51	12
26156-120252	60	8
26226-080652	35	17
26228-080252	35	18
26228-100252	35	19
26346-120002	90	25
26450-080252	67	2
26557-060102	88	9
26716-050002	76	17
	90	26
26716-080002	1	62
	2	18
	3	6
	34	15
	35	20
	46	32
	62	33
		34
	71	3
		69
		70
		71
26716-100002	29	11
		12
	63	23
	69	9
26716-120002	2	19
	8	7

Parts No.	Fig. No.	Ref. No.
26716-120002	90	27
		32
26716-160002	88	25
26736-100002	24	15
26756-140002	88	26
26756-180002	88	46
26756-240002	88	10
26776-160002	24	16
29311-252000	81	21
29420-050000	74	7
29420-100000	74	8
29420-150000	74	9
29420-200000	74	10
29621-150000	76	18
794130-71410	88	12
		16
		29
798531-14710	20	1
798531-14810	20	5
7A7740-71000	88	1
7A7740-71100	88	2
7A7740-75100	88	49
7A7740-75200	89	1
7T6962-10000	88	11
7T6963-01100	88	3
7T6964-18600	88	14
7T6964-18700	88	17