

0CNP5-M04800EN

## Directions for the Parts Catalog.

1. This Parts Catalog shows both standard and optional parts.
2. Parts may change without prior notice.
3. The following is an example of the Parts Catalog format.

REF.	LEV.	PARTS NO.	DESCRIPTION	Q'TY						I	R
				(A)	(B)	(C)	(D)	(E)	(F)		
1	1	729595-51390	FUEL INJECTION PUMP	1	1	1	1	1			1
1-1	1	729595-51391	FUEL INJECTION PUMP	1	1	1	1	1		N	1
		(A=E00185) (B=E00200)									
3	2	26022-060162	SCREW M 6X 16	9	9	9	9	9			
3-1	2	26022-060162	SCREW M 6X 16	4	4	4	4	4		K	
		(A=E00156) (B=E00156) (C=E00156) (D=E00156) (E=E00156)									
4	2	129470-51040	CAMSHAFT	1	1	1	1	1			
5	2	122710-51050	BEARING, ROLLER	2	2	2	2	2			
6	2	129470-51060	RETAINER	1	1	1	1	1			

Remarks
(1) BOOST COMPEMSATOR TYPE. OPTIONAL PART, TO E00155,(4JH-DT, 4JH-DTZ

### ① Ref. No.

The Ref. No. listed may not be in accordance with the illustration Ref. No.

(Ex.) Illustration No.

List Ref No.

1

1

(Before change)

1-1

(After change)

For interchangeable symbols N, R and K, illustrations for new parts may be abbreviated.

### ② Lev. (Level)

Level indication

The numbers below indicate the level of relativity towards the main part.

1 ----- Main parts (Assembly parts)

2 ----- Sub component included in " 1 ".

3 ----- Sub component included in " 2 ".

Note) Parts that are not for sale are partially illustrated but not listed.

### ③ Interchangeability Symbol

When a part change takes place, one of the following interchangeability symbols is indicated beside the part.

Symbol	Interchangeability	Contents note
N	Old $\begin{matrix} \leftarrow \text{Yes} \\ \text{No} \rightarrow \end{matrix}$ New	New Part is interchangeable for Old Part but Old Part is not interchangeable for New Part.
Q	Old $\begin{matrix} \leftarrow \text{No} \\ \text{Yes} \rightarrow \end{matrix}$ New	New Part is not interchangeable for Old Part but Old Part is interchangeable for New Part.
R	Old $\begin{matrix} \leftarrow \text{Yes} \\ \text{Yes} \rightarrow \end{matrix}$ New	New/ Old Parts are both interchangeable.
S	Old $\begin{matrix} \leftarrow \text{No} \\ \text{No} \rightarrow \end{matrix}$ New	New/ Old Parts are both not interchangeable.
W		Part newly added.
Z		Part discontinued.
F		Not interchangeable by a single part but interchangeable together with related parts.
K		Changes only for used parts quantities.

### ④ Effective Machine No.

When a part changes, the effective Machine No. will be indicated in the (A)-(F) column.

Product Symbol	Product No.	Product Symbol	Product No.
C	Clutch No. Compressor No.	F	Machine No. (Agricultural Equip.)
D	Drive No.	M	Machine No.
E	Engine No.		

Note 1) A date may follow the symbol. (Ex.) 1996.01

Note 2) "XXXXX" and "ZZZZZ" are for parts that could not be predicted or for engine models that could not be identified.

Note 3) (A=E00185) is the E (Engine Serial Number) for the column (A) model (in this case 4JH-DT) after the parts design change.

### ⑤ Remarks

Figures or alphabets (symbols) are entered in the remarks column.

The comments (remarks) on parts that are indicated at the bottom of the illustration are the same symbols as those stated above.

# Contents

0CNP5-M04800

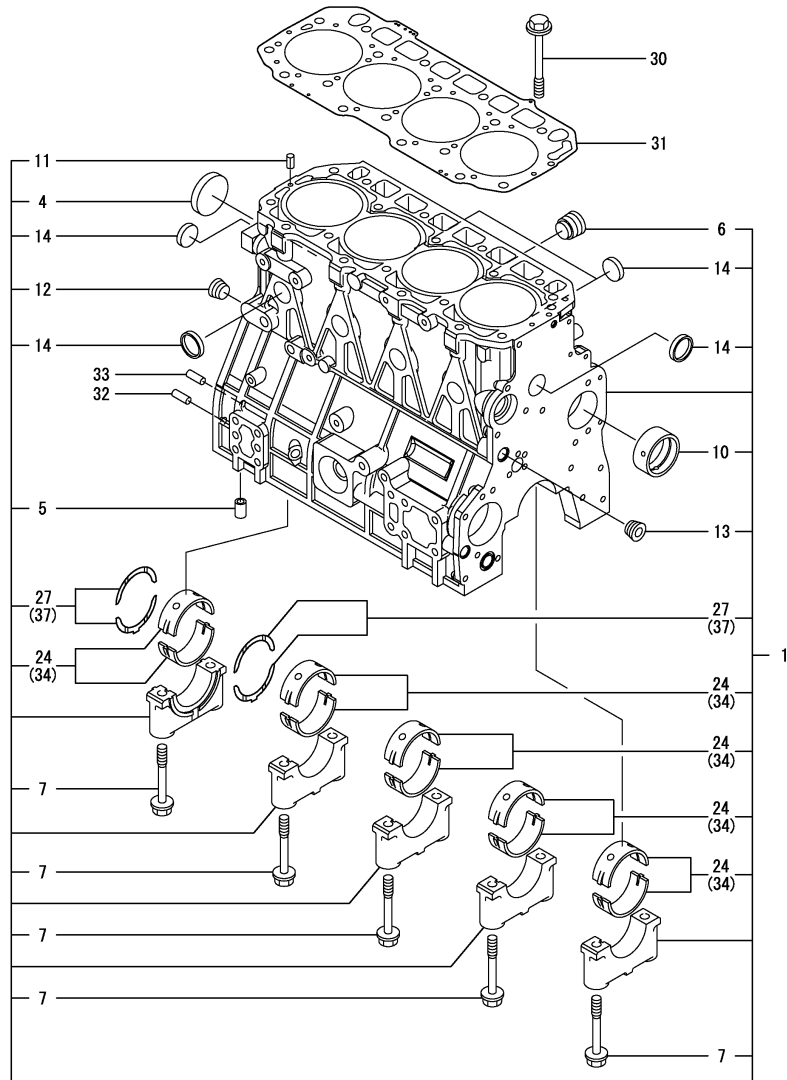
Fig. No.	Fig. Name
4	4TNP98T-RN, 4TNP98T-RNQH
1.	CYLINDER BLOCK
2.	GEAR HOUSING
3.	MOUNTING FLANGE & OIL SUMP
4.	CYLINDER HEAD & BONNET
5.	SUCTION MANIFOLD
6.	EXHAUST MANIFOLD & SILENCER
7.	TURBINE
8.	CAMSHAFT & DRIVING GEAR
9.	CRANKSHAFT & PISTON
10.	HYDRAULIC PUMP
11.	BALANCER
12.	LUB. OIL SYSTEM
13.	LUB. OIL PIPE
14.	COOLING WATER SYSTEM
15.	FUEL INJECTION PUMP
23.	FUEL INJECTION PUMP(INNER PARTS)
16.	GOVERNOR
17.	FUEL INJECTION VALVE
18.	FUEL PIPE
19.	STARTING MOTOR
20.	GENERATOR
21.	GENERATOR
22.	COMPRESSOR MOUNTING

Fig. No.	Fig. Name
----------	-----------

Fig.1. CYLINDER BLOCK

(A)=4TNV98T-RN  
(B)=4TNV98T-RNQH  
(C)=

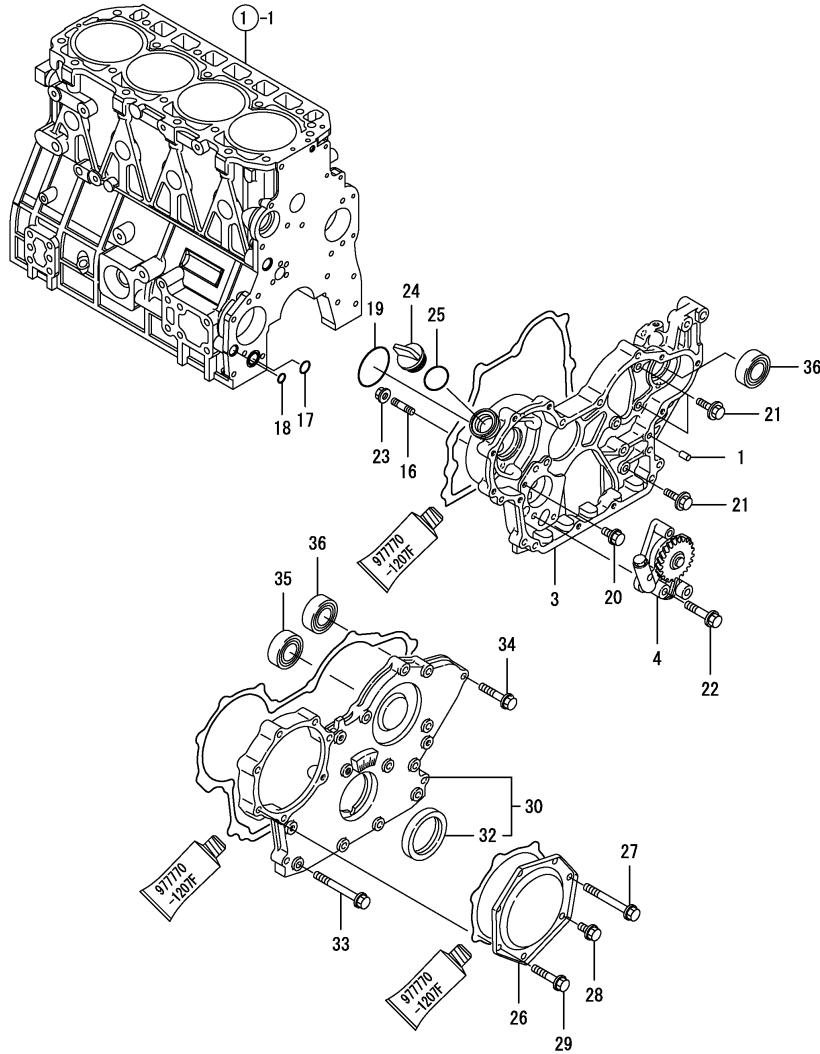
(D)=  
(E)=  
(F)=



No.	Lev.	Parts No.	Description	Q'ty						I	R
				(A)	(B)	(C)	(D)	(E)	(F)		
1	1	729972-01560	BLOCK ASSY, CYLINDER	1	1						
4	2	129900-01250	PLUG, 55	1	1						
5	2	129956-01710	PIPE, KNOCK L=25	1	1						
6	2	171051-01921	PLUG, NPTF1	1	1						
7	2	129900-02020	BOLT, METAL CAP	10	10						
10	2	129900-02410	BUSH, CAMSHAFT	1	1						
11	2	22351-060012	PIN, SPRING 6.0X12	2	2						
12	2	23876-030000	PLUG, R03	1	1						
13	2	23876-030000	PLUG, R03	1	1						
14	2	27241-300000	PLUG 30	8	8						
24	2	729900-02801	BEARING, MAIN	5	5						3
27	2	129900-02931	BEARING, THRUST	2	2						
30	1	129900-01200	BOLT, HEAD	18	18						
31	1	129907-01331	GASKET, HEAD	1	1						
32	1	129100-01580	PIN, 8X16	2	2						
33	1	129100-01580	PIN, 8X16	2	2						
34	1	129900-02341	BEARING, 0.25 US	5	5						1
37	1	129900-02941	BEARING, THRUST 0.25	2	2						2

Remarks  
 (1) UNDER-SIZE(U.S=0.25)PART.  
 (2) OVER-SIZE(O.S=0.25)PART.  
 (3) REPAIR PART.  
 (REMARKS)"EFFECTIVE MACHINE NO." OF  
 ENGINE IS INDICATED ON THE  
 ENGINE LABEL WHICH IS SHOWN  
 IN FIG.4.

Fig.2. GEAR HOUSING



(A)=4TNV98T-RN  
(B)=4TNV98T-RNQH  
(C)=

(D)=  
(E)=  
(F)=

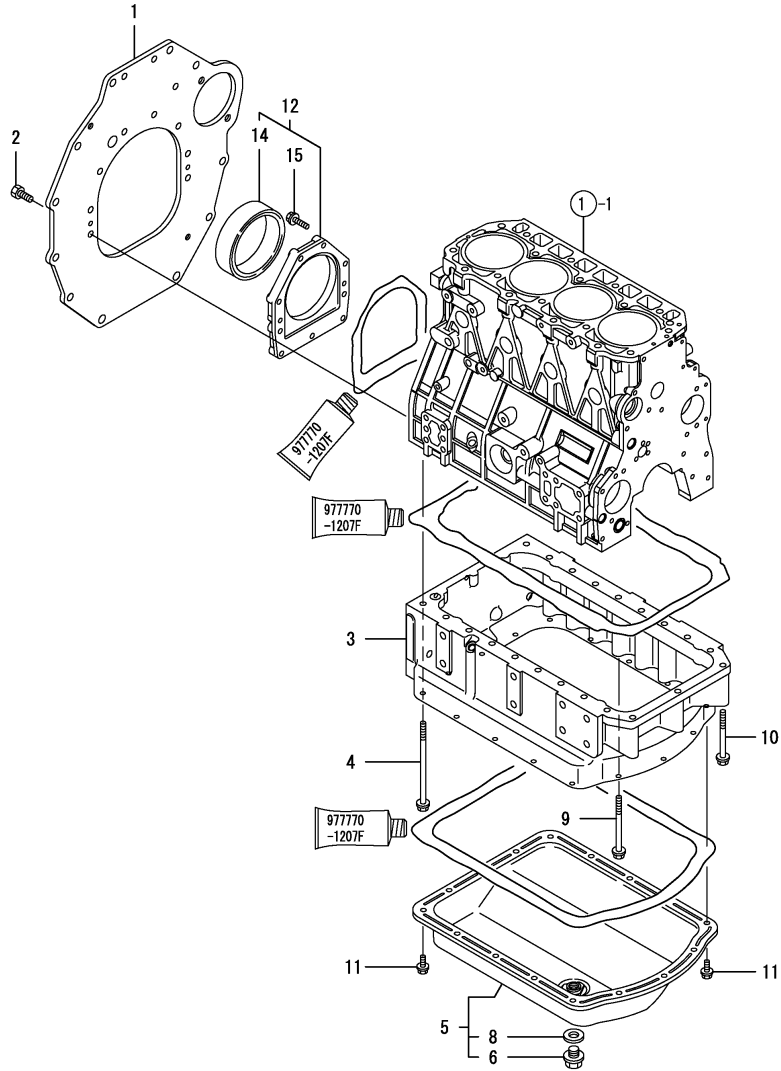
No.	Lev.	Parts No.	Description	Q'ty						I	R
				(A)	(B)	(C)	(D)	(E)	(F)		
1	1	129100-01580	PIN, 8X16	4	4						
3	1	129908-01520	CASE, GEAR	1	1						
4	1	129908-32060	PUMP ASSY, OIL	1	1						
16	1	26216-100302	STUD, M10X 30	4	4						
17	1	129900-32030	O-RING, P20	1	1						
18	1	129900-32040	O-RING, P14	1	1						
19	1	24351-030750	O-RING, 1A3075	1	1						
20	1	26106-080162	BOLT, M8X 16 PLATED	1	1						
21	1	26106-080202	BOLT, M8X 20 PLATED	3	3						
22	1	26106-080452	BOLT, M8X 45 PLATED	3	3						
23	1	26306-100002	NUT, M10	4	4						
24	1	124160-01751	COVER, FILLER	1	1						
25	1	24311-000320	O-RING, 1AP32.0	1	1						
26	1	129900-01740	COVER	1	1						
27	1	129001-91810	BOLT, M8X70	1	1						
28	1	26106-080162	BOLT, M8X 16 PLATED	1	1						
29	1	26106-080402	BOLT, M8X 40 PLATED	5	5						
30	1	729906-01550	COVER ASSY, GEAR CASE	1	1						
32	2	129916-01800	SEAL, OIL	1	1						
33	1	129001-91810	BOLT, M8X70	6	6						
34	1	26106-080402	BOLT, M8X 40 PLATED	5	5						
35	1	129900-14140	BEARING, BALL 6205	1	1						
36	1	129900-26250	BEARING, BALL 6206C3	2	2						

Remarks  
(REMARKS)"EFFECTIVE MACHINE NO." OF  
ENGINE IS INDICATED ON THE  
ENGINE LABEL WHICH IS SHOWN  
IN FIG.4.

Fig.3. MOUNTING FLANGE & OIL SUMP

(A)=4TNV98T-RN  
(B)=4TNV98T-RNQH  
(C)=

(D)=  
(E)=  
(F)=



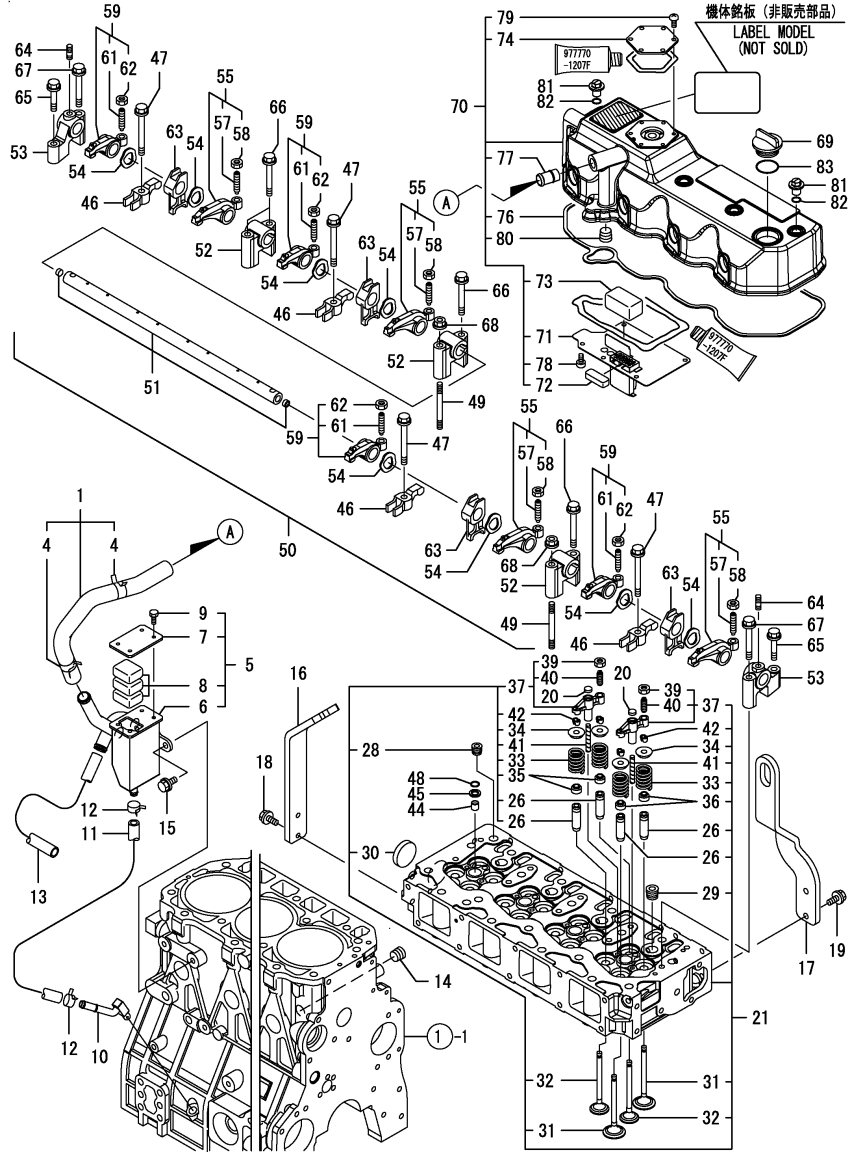
No.	Lev.	Parts No.	Description	Q'ty						I	R
				(A)	(B)	(C)	(D)	(E)	(F)		
1	1	129972-01600	FLANGE, MOUNTING	1	1						
2	1	26116-100202	BOLT, M10X 20 PLATED	9	9						
3	1	129972-01700	SUMP, OIL	1	1						
4	1	129972-01731	BOLT, M8X150	2	2						
5	1	129956-01740	COVER ASSY, OIL SUMP	1	1						
6	2	105425-01690	PLUG, 16	1	1						
8	2	22190-160002	WASHER, SEAL 16	1	1						
9	1	129693-44310	BOLT	16	16						
10	1	129001-91841	BOLT, M8X85	3	3						
11	1	26106-080122	BOLT, M8X 12 PLATED	16	16						
12	1	129956-01640	CASE ASSY, OIL SEAL	1	1						
14	2	124411-01780	SEAL, HTC95X115X12	1	1						
15	1	26106-080302	BOLT, M8X 30 PLATED	9	9						

Remarks  
(REMARKS)"EFFECTIVE MACHINE NO." OF  
ENGINE IS INDICATED ON THE  
ENGINE LABEL WHICH IS SHOWN  
IN FIG.4.

Fig.4. CYLINDER HEAD & BONNET

(A)=4TNV98T-RN  
(B)=4TNV98T-RNQH  
(C)=

(D)=  
(E)=  
(F)=



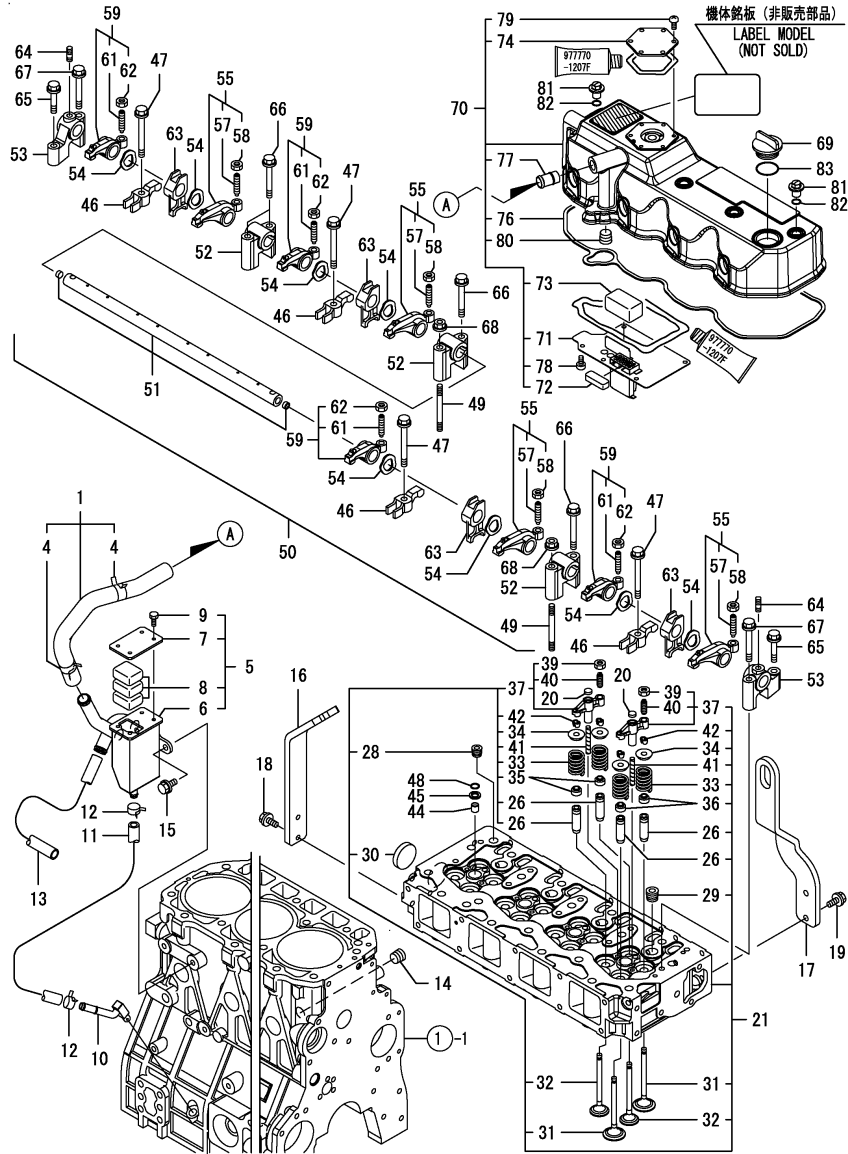
No.	Lev.	Parts No.	Description	Q'ty						I	R
				(A)	(B)	(C)	(D)	(E)	(F)		
1	1	129972-03010	HOSE ASSY, BREATHER	1	1						
4	2	129410-03990	CLIP,HOSE 21.5	2	2						
5	1	129972-03200	SEPARATOR ASSY, MIST	1	1						
6	2	129972-03210	SEPARATOR, MIST	1	1						
7	2	129972-03220	COVER, SEPARATOR	1	1						
8	2	123901-03240	FILTER	3	3						
9	2	26116-050102	BOLT, M5X 10 PLATED	4	4						
10	1	129972-03280	JOINT, BREATHER	1	1						
11	1	129972-03310	HOSE	1	1						
12	1	23000-022000	CLAMP, 22	2	2						
13	1	23065-160500	PIPE, 16X 500	1	1						
14	1	23876-030000	PLUG, R03	1	1						
15	1	26106-080142	BOLT, M8X 14 PLATED	2	2						
16	1	129956-07911	LIFTER	1	1						
17	1	129972-07920	LIFTER	1	1						
18	1	26106-080202	BOLT, M8X 20 PLATED	2	2						
19	1	26106-080202	BOLT, M8X 20 PLATED	2	2						
20	1	123907-11550	SEAT, VALVE BRIDGE	8	8						
21	1	129908-11700	HEAD ASSY, CYLINDER	1	1						
26	2	129907-11800	GUIDE, VALVE	16	16						1
28	2	23876-020000	PLUG, R02	1	1						
29	2	23876-030000	PLUG, R03	4	4						
30	2	27241-400000	PLUG, 40	1	1						
31	2	129907-11100	VALVE, INTAKE	8	8						
32	2	129907-11110	VALVE, EXHAUST	8	8						
33	2	129907-11120	SPRING, VALVE	16	16						
34	2	119620-11180	RETAINER, SPRING	16	16						
35	2	119803-11340	SEAL, VALVE STEM	8	8						
36	2	124160-11340	SEAL, VALVE STEM	8	8						
37	2	129907-11510	BRIDGE ASSY, VALVE	8	8						
39	3	129150-11750	NUT, M8	8	8						
40	3	123907-11830	ADJUSTER	8	8						
41	2	123907-11820	GUIDE	8	8						
42	2	27310-070001	COTTER, 7	16	16						
44	1	119802-11870	PROTECTOR, NOZZLE	4	4						
45	1	119625-11880	SEAT, NOZZLE	4	4						
46	1	129907-11910	RETAINER, NOZZLE	4	4						
47	1	129907-11950	BOLT, M8X75	4	4						
48	1	24311-000120	O-RING, 1AP12.0	4	4						
49	1	119593-11301	STUD, M8X80	2	2						
50	1	129907-11341	SHAFT ASSY, ROCKER	1	1						
51	2	129907-11250	SHAFT, ROCKER ARM	1	1						
52	2	129907-11260	SUPPORT, ROCKER ARM	3	3						
53	2	129907-11270	SUPPORT, ROCKER ARM	2	2						
54	2	123907-11280	WASHER	8	8						
55	2	129907-11650	ARM, ROCKER	4	4						
57	3	129150-11230	SCREW, VALVE ADJUST	4	4						
58	3	129150-11750	NUT, M8	4	4						
59	2	129907-11660	ARM, ROCKER	4	4						
61	3	129150-11230	SCREW, VALVE ADJUST	4	4						
62	3	129150-11750	NUT, M8	4	4						

Remarks  
(1) REPAIR PART.  
(REMARKS)"EFFECTIVE MACHINE NO." OF  
ENGINE IS INDICATED ON THE  
ENGINE LABEL WHICH IS SHOWN  
IN FIG.4.

Fig.4. CYLINDER HEAD & BONNET

(A)=4TNV98T-RN  
(B)=4TNV98T-RNQH  
(C)=

(D)=  
(E)=  
(F)=

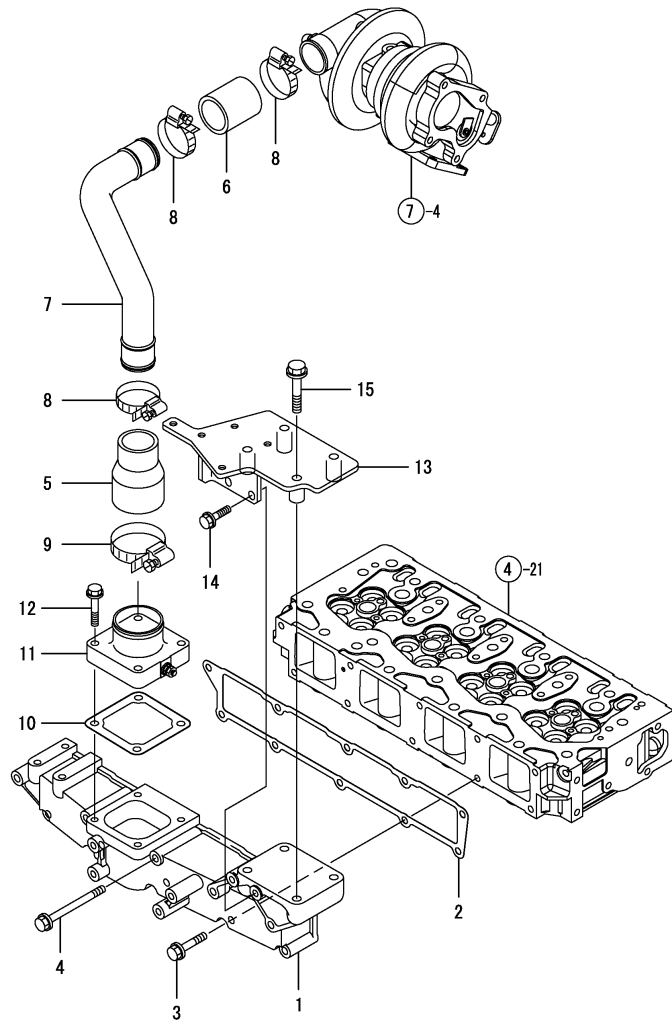


No.	Lev.	Parts No.	Description	Q'ty						I	R
				(A)	(B)	(C)	(D)	(E)	(F)		
63	2	129907-11920	RETAINER	4	4						
64	2	26226-080222	STUD, M8X 22	2	2						
65	1	26106-080402	BOLT, M8X 40 PLATED	2	2						
66	1	26106-080602	BOLT, M8X 60 PLATED	4	4						
67	1	26106-080602	BOLT, M8X 60 PLATED	2	2						
68	1	26306-080002	NUT, M8	2	2						
69	1	124160-01751	COVER, FILLER	1	1						
70	1	129972-11321	BONNET ASSY, HEAD	1	1						
71	2	129907-03011	PLATE	1	1						
72	2	129907-03061	BAFFLE, BREATHER	1	1						
73	2	129907-03070	BAFFLE, BREATHER	1	1						
74	2	123908-03199	PLATE, BREATHER	1	1						
76	2	129933-11310	GASKET, BONNET	1	1						
77	2	129001-11340	PIPE, BREATHER	1	1						
78	2	22857-500100	SCREW, 5X10	6	6						
79	2	22857-500120	SCREW, 5X12	6	6						
80	2	23876-030000	PLUG, R03	1	1						
81	1	124160-11360	KNOB	4	4						
82	1	24311-000120	O-RING, 1AP12.0	4	4						
83	1	24311-000320	O-RING, 1AP32.0	1	1						

Remarks  
(1) REPAIR PART.  
(REMARKS)"EFFECTIVE MACHINE NO." OF  
ENGINE IS INDICATED ON THE  
ENGINE LABEL WHICH IS SHOWN  
IN FIG.4.



Fig.5. SUCTION MANIFOLD



(A)=4TNV98T-RN  
(B)=4TNV98T-RNQH  
(C)=

(D)=  
(E)=  
(F)=

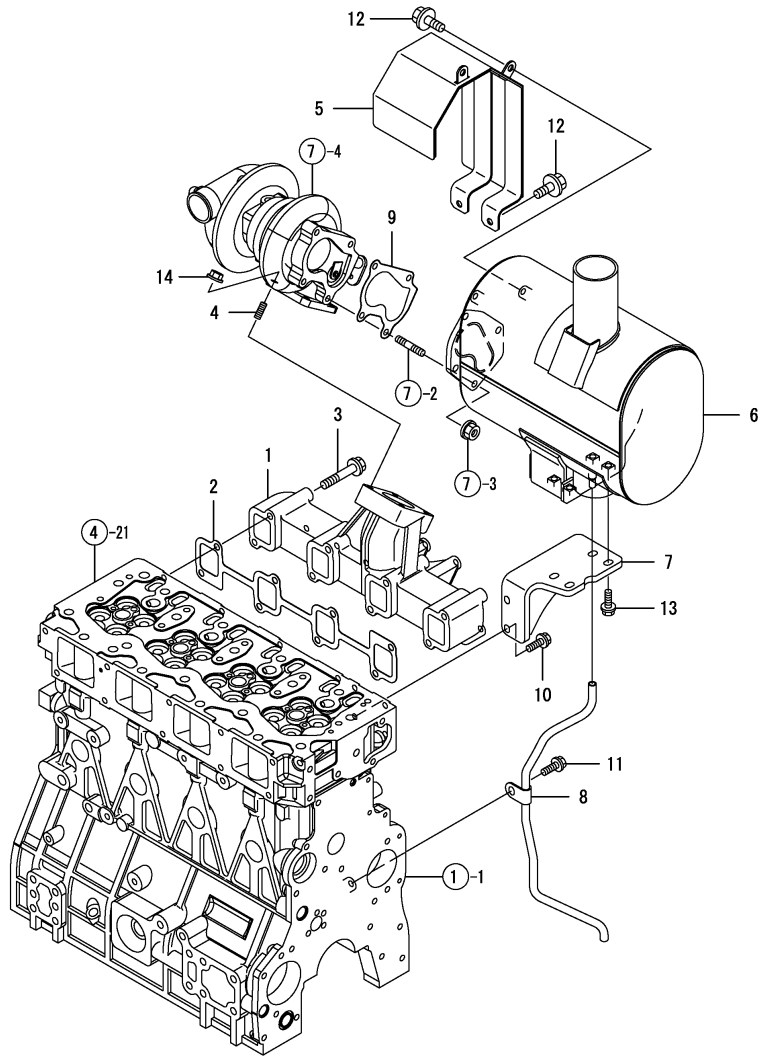
No.	Lev.	Parts No.	Description	Qty						I	R
				(A)	(B)	(C)	(D)	(E)	(F)		
1	1	129906-12100	MANIFOLD, AIR INTAKE	1	1						
2	1	129907-12110	GASKET, MANIFOLD	1	1						
3	1	26106-080552	BOLT, M8X 55 PLATED	5	5						
4	1	26106-080852	BOLT, M8X 85 PLATED	5	5						
5	1	129972-18210	JOINT, RUBBER	1	1						
6	1	123951-18220	JOINT, RUBBER	1	1						
7	1	129972-18250	DUCT, AIR	1	1						
8	1	23000-054000	CLAMP, 54	3	3						
9	1	23000-070000	CLAMP, 70	1	1						
10	1	121850-77021	GASKET	1	1						
11	1	129915-77051	HEATER	1	1						
12	1	26106-080352	BOLT, M8X 35 PLATED	4	4						
13	1	129972-96921	STAY	1							
14	1	26106-080222	BOLT, M8X 22 PLATED	2							
15	1	26106-100452	BOLT, M10X 45 PLATED	4							

Remarks  
(REMARKS)"EFFECTIVE MACHINE NO." OF  
ENGINE IS INDICATED ON THE  
ENGINE LABEL WHICH IS SHOWN  
IN FIG.4.

Fig.6. EXHAUST MANIFOLD & SILENCER

(A)=4TNV98T-RN  
 (B)=4TNV98T-RNQH  
 (C)=

(D)=  
 (E)=  
 (F)=



No.	Lev.	Parts No.	Description	Q'ty						I	R
				(A)	(B)	(C)	(D)	(E)	(F)		
1	1	129972-13100	MANIFOLD, EXHAUST	1	1						
2	1	129900-13251	GASKET	1	1						
3	1	123900-13630	BOLT, M8X80	8	8						
4	1	129418-18320	STUD, M8X20	4	4						
5	1	129972-13420	COVER, TURBINE	1	1						
6	1	129972-13501	SILENCER	1	1						
7	1	129972-13651	STAY, SILENCER	1	1						
8	1	129972-13951	PIPE, WATER DRAIN	1	1						
9	1	123901-18080	GASKET	1	1						
10	1	26014-080222	BOLT, M8X 22	2	2						
11	1	26106-080102	BOLT, M8X 10 PLATED	1	1						
12	1	26106-080102	BOLT, M8X 10 PLATED	4	4						
13	1	26106-080252	BOLT, M8X 25 PLATED	4	4						
14	1	26306-080002	NUT, M8	4	4						

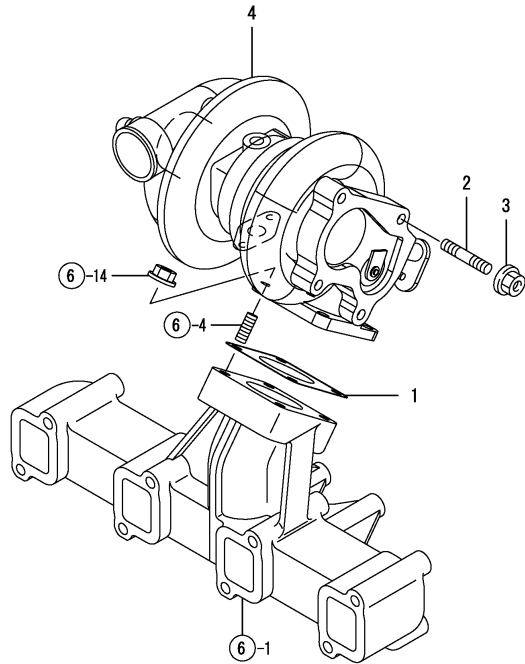
Remarks  
 (REMARKS)"EFFECTIVE MACHINE NO." OF  
 ENGINE IS INDICATED ON THE  
 ENGINE LABEL WHICH IS SHOWN  
 IN FIG.4.

Fig.7. TURBINE

(A)=4TNV98T-RN  
 (B)=4TNV98T-RNQH  
 (C)=

(D)=  
 (E)=  
 (F)=

No.	Lev.	Parts No.	Description	Q'ty						I	R
				(A)	(B)	(C)	(D)	(E)	(F)		
1	1	129472-18090	GASKET	1	1						
2	1	119131-18320	STUD, M8X22	4	4						
3	1	26306-080002	NUT, M8	4	4						
4	1	129935-18010	TURBINE, RHF5	1	1						

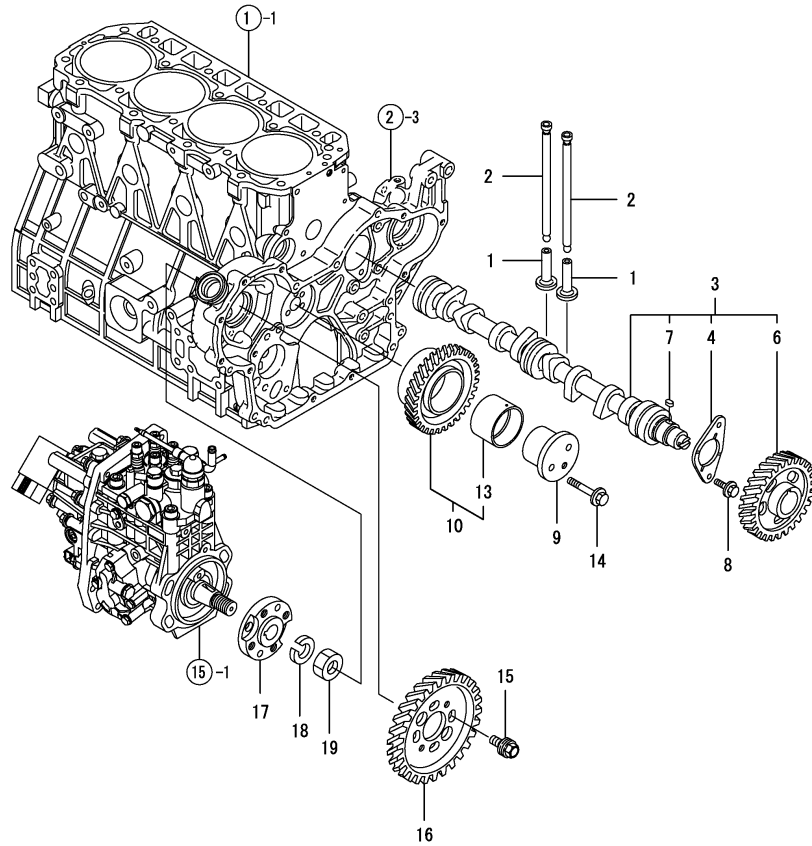


Remarks  
 (REMARKS)"EFFECTIVE MACHINE NO." OF  
 ENGINE IS INDICATED ON THE  
 ENGINE LABEL WHICH IS SHOWN  
 IN FIG.4.

Fig.8. CAMSHAFT & DRIVING GEAR

(A)=4TNV98T-RN  
 (B)=4TNV98T-RNQH  
 (C)=

(D)=  
 (E)=  
 (F)=



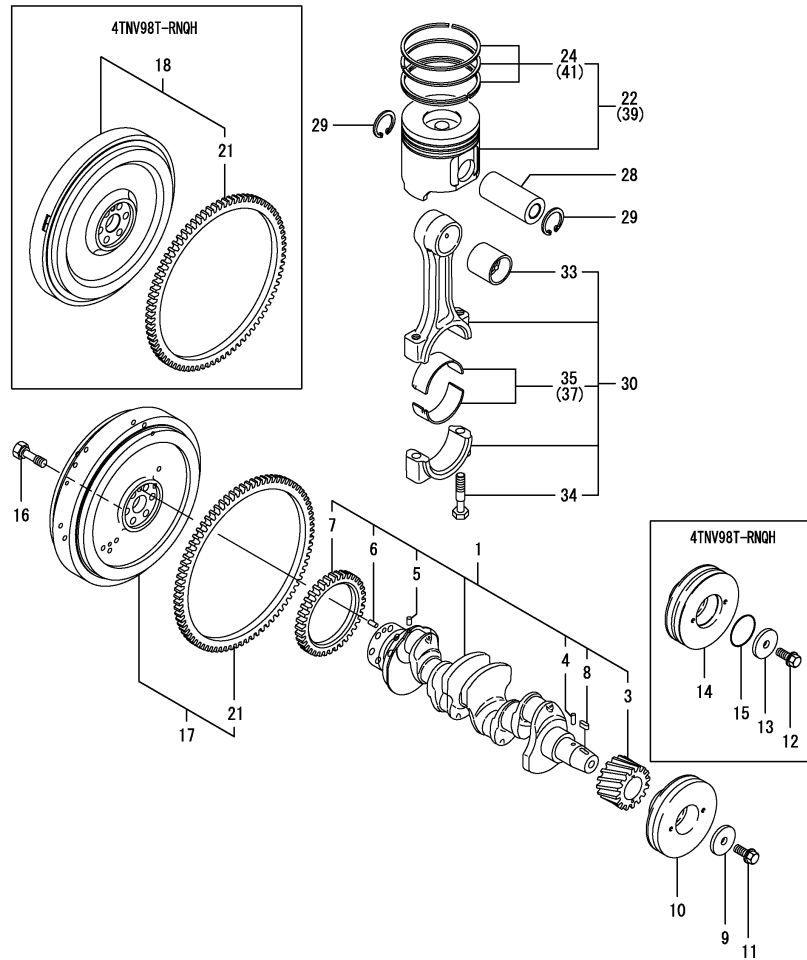
No.	Lev.	Parts No.	Description	Q'ty						I	R
				(A)	(B)	(C)	(D)	(E)	(F)		
1	1	129150-14200	TAPPET	8	8						
2	1	129907-14400	ROD, PUSH	8	8						
3	1	129908-14581	CAMSHAFT ASSY	1	1						
4	2	129150-02450	BEARING, THRUST	1	1						
6	2	129900-14100	GEAR, CAMSHAFT	1	1						
7	2	22512-070140	KEY, 7X 14	1	1						
8	1	26106-080162	BOLT, M8X 16 PLATED	2	2						
9	1	123900-25060	SHAFT, IDLE GEAR	1	1						
10	1	129900-25100	GEAR ASSY, IDLE	1	1						
13	2	129150-25920	BUSH, IDLE GEAR	1	1						1
14	1	26106-080552	BOLT, M8X 55 PLATED	3	3						
15	1	129953-25300	BOLT	4	4						
16	1	129907-25900	GEAR, PUMP	1	1						
17	1	158563-51150	FLANGE	1	1						
18	1	22217-180000	WASHER, SPRING 18	1	1						
19	1	26776-180002	NUT, LOCK M18	1	1						

Remarks  
 (1) REPAIR PART.  
 (REMARKS)"EFFECTIVE MACHINE NO." OF  
 ENGINE IS INDICATED ON THE  
 ENGINE LABEL WHICH IS SHOWN  
 IN FIG.4.

Fig.9. CRANKSHAFT & PISTON

(A)=4TNV98T-RN  
(B)=4TNV98T-RNQH  
(C)=

(D)=  
(E)=  
(F)=



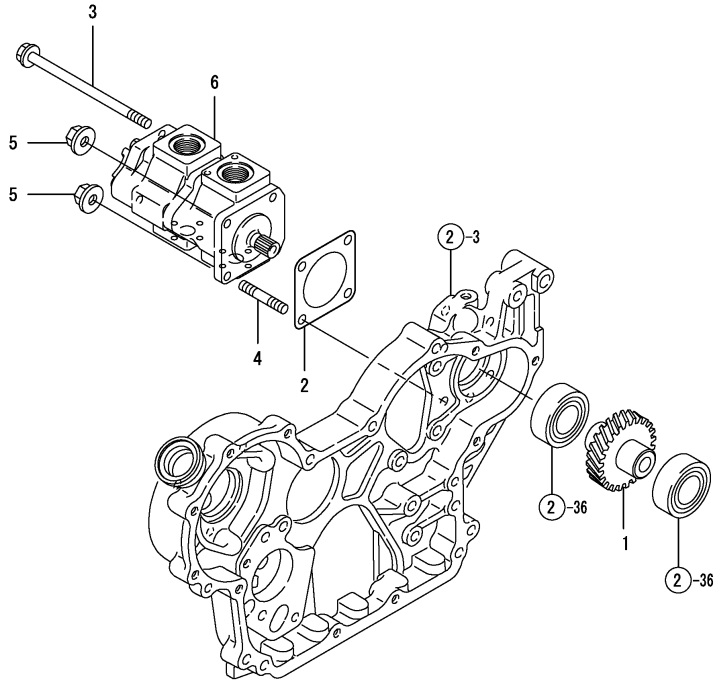
No.	Lev.	Parts No.	Description	Q'ty						I	R
				(A)	(B)	(C)	(D)	(E)	(F)		
1	1	129956-21000	CRANKSHAFT ASSY	1	1						
3	2	129900-21200	GEAR, CRANKSHAFT	1	1						
4	2	121850-21290	PIN	1	1						
5	2	121850-21290	PIN	1	1						
6	2	121850-21920	PIN, PARALLEL 10X22	1	1						
7	2	129956-28321	GEAR, BALANCER	1	1						
8	2	22512-070140	KEY, 7X 14	1	1						
9	1	129900-21640	WASHER	1							
10	1	129972-21650	V-PULLEY, 150	1							
11	1	121850-21680	BOLT	1							
12	1	129916-21610	BOLT		1						
13	1	129960-21640	WASHER		1						
14	1	129972-21660	V-PULLEY		1						
15	1	24341-000530	O-RING, 1AS53.0		1						
16	1	121850-21130	BOLT, FLYWHEEL	6	6						
17	1	129972-21590	FLYWHEEL ASSY	1							
18	1	129972-21580	FLYWHEEL ASSY		1						
21	2	129900-21600	GEAR, RING	1	1						
22	1	129908-22080	PISTON ASSY	4	4						
24	2	129907-22050	RING SET, PISTON	4	4						
28	1	120130-22301	PIN, PISTON	4	4						
29	1	22252-000300	RING, 30	8	8						
30	1	129900-23001	ROD ASSY, CONNECTING	4	4						
33	2	129900-23911	BEARING, PISTON PIN	4	4						1
34	2	129900-23200	BOLT, CONNECTING ROD	8	8						
35	2	129900-23601	BEARING, CRANK PIN	4	4						
37	1	129900-23611	BEARING, 0.25 US	4	4						2
39	1	729908-22900	PISTON ASSY, 0.25 OS	4	4						3
41	2	729907-22950	RING SET, 0.25 OS	4	4						3

Remarks  
 (1) REPAIR PART.  
 (2) UNDER-SIZE(U.S=0.25)PART.  
 (3) OVER-SIZE(O.S=0.25)PART.  
 (REMARKS)"EFFECTIVE MACHINE NO." OF ENGINE IS INDICATED ON THE ENGINE LABEL WHICH IS SHOWN IN FIG.4.

Fig.10. HYDRAULIC PUMP

(A)=4TNV98T-RN  
(B)=4TNV98T-RNQH  
(C)=

(D)=  
(E)=  
(F)=



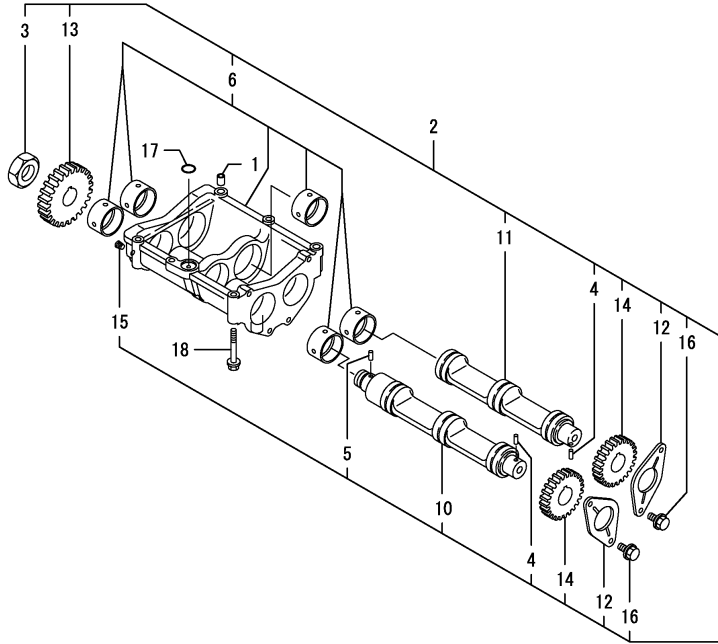
No.	Lev.	Parts No.	Description	Q'ty						I	R
				(A)	(B)	(C)	(D)	(E)	(F)		
1	1	129956-26010	GEAR, PUMP	1	1						
2	1	124240-01883	GASKET	1	1						
3	1	129956-26220	BOLT, M8X170	2	2						
4	1	26216-080202	STUD, M8X 20	2	2						
4-1	1	121450-01560	STUD, M8X22	2	2						N
		(A=*2009.06.) (B=*2009.06.)									
5	1	26306-080002	NUT, M8	2	2						
6	1	1A7450-41110	PUMP ASSY, HYDRAULIC	1	1						
6-1	1	1A7450-41111	PUMP ASSY, HYDRAULIC	1	1						N
		(A=EXXXXX) (B=EXXXXX)									

Remarks  
(REMARKS)"EFFECTIVE MACHINE NO." OF  
ENGINE IS INDICATED ON THE  
ENGINE LABEL WHICH IS SHOWN  
IN FIG.4.

Fig.11. BALANCER

(A)=4TNV98T-RN  
 (B)=4TNV98T-RNQH  
 (C)=

(D)=  
 (E)=  
 (F)=



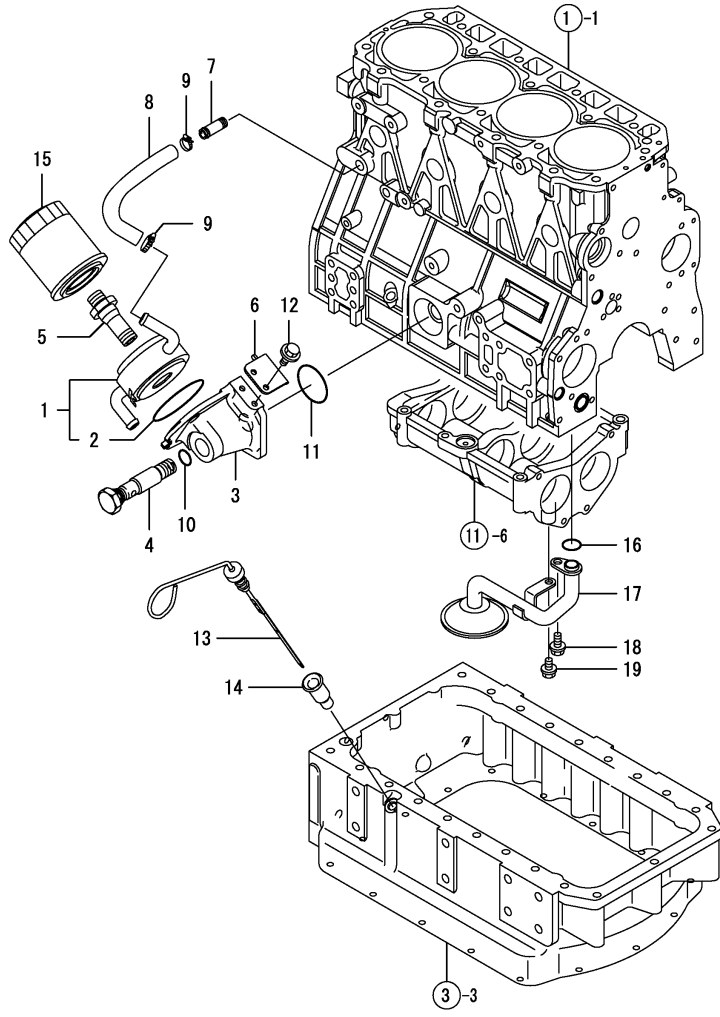
No.	Lev.	Parts No.	Description	Q'ty						I	R
				(A)	(B)	(C)	(D)	(E)	(F)		
1	1	129795-01960	PIPE, KNOCK	2	2						
2	1	129956-28009	BALANCER ASSY	1	1						
3	2	128610-14120	NUT, END	1	1						
4	2	121850-21290	PIN	2	2						
5	2	121850-21290	PIN	1	1						
6	2	129956-28019	CASE ASSY, BALANCER	1	1						
10	2	129956-28101	SHAFT, BALANCER	1	1						
11	2	129956-28111	SHAFT, BALANCER	1	1						
12	2	129956-28180	PLATE, THRUST	2	2						
13	2	129956-28332	GEAR, BALANCER	1	1						
14	2	129956-28341	GEAR, BALANCER	2	2						
15	2	23876-005000	PLUG, R005	1	1						
16	2	26106-080162	BOLT, M8X 16 PLATED	4	4						
17	1	24311-000200	O-RING, 1AP20.0	1	1						
18	1	26106-080602	BOLT, M8X 60 PLATED	6	6						

Remarks  
 (REMARKS)"EFFECTIVE MACHINE NO." OF  
 ENGINE IS INDICATED ON THE  
 ENGINE LABEL WHICH IS SHOWN  
 IN FIG.4.

Fig.12. LUB. OIL SYSTEM

(A)=4TNV98T-RN  
(B)=4TNV98T-RNQH  
(C)=

(D)=  
(E)=  
(F)=

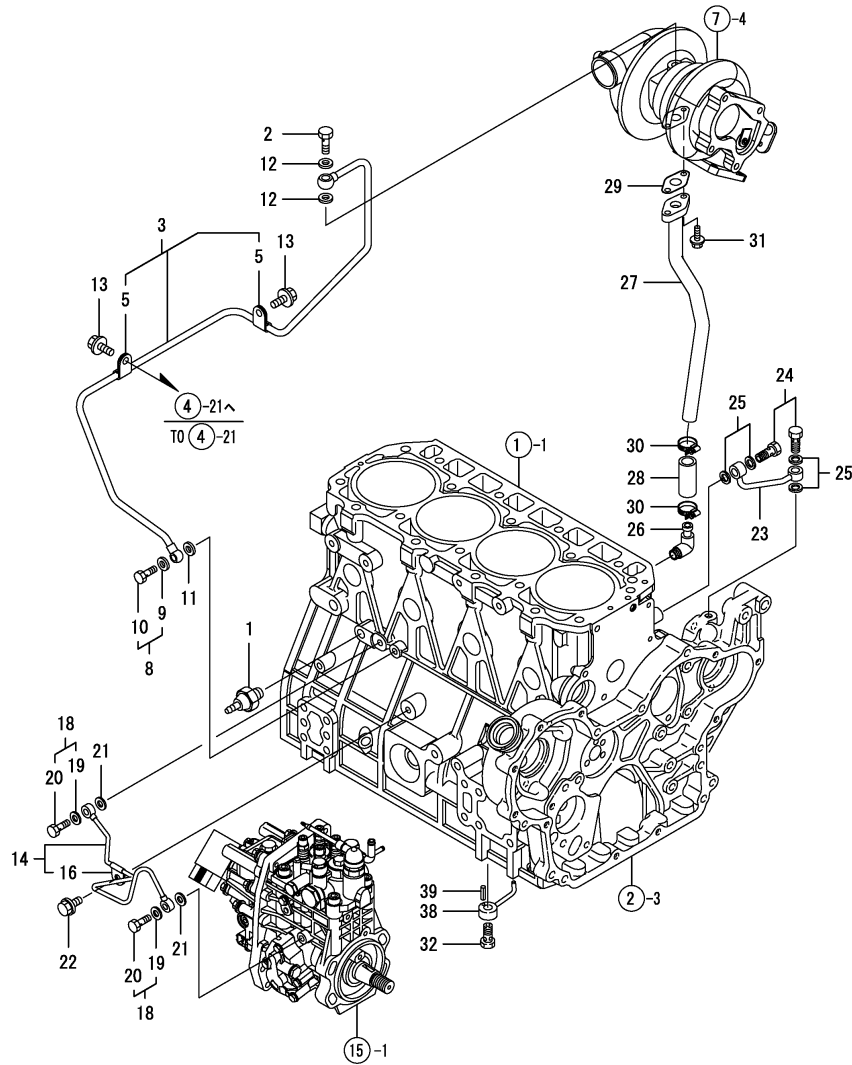


No.	Lev.	Parts No.	Description	Q'ty						I	R
				(A)	(B)	(C)	(D)	(E)	(F)		
1	1	129956-33011	COOLER ASSY, OIL	1	1						
2	2	129957-33050	O-RING	1	1						
3	1	129956-33101	BRACKET, COOLER	1	1						
4	1	129956-33110	BOLT	1	1						
5	1	129956-33120	BOLT, COOLER	1	1						
6	1	129972-33140	STOPPER	1	1						
7	1	129122-44480	JOINT	1	1						
8	1	129956-49172	PIPE, WATER	1	1						
9	1	23000-022000	CLAMP, 22	2	2						
10	1	24314-000200	O-RING, 4CP20.0	1	1						
11	1	24321-000600	O-RING, 1AG60.0	1	1						
12	1	26106-060142	BOLT, M6X 14 PLATED	2	2						
13	1	129972-34800	DIPSTICK, OIL	1	1						
14	1	119860-34810	GUIDE, DIPSTICK	1	1						
15	1	119005-35170	FILTER, D80X100	1	1						1
16	1	129900-32030	O-RING, P20	1	1						
17	1	129956-35000	PIPE ASSY, OIL INLET	1	1						
18	1	26106-080142	BOLT, M8X 14 PLATED	1	1						
19	1	26106-080202	BOLT, M8X 20 PLATED	1	1						

Remarks  
(1) REPAIR PART.



Fig.13. LUB. OIL PIPE



(A)=4TNV98T-RN  
(B)=4TNV98T-RNQH  
(C)=

(D)=  
(E)=  
(F)=

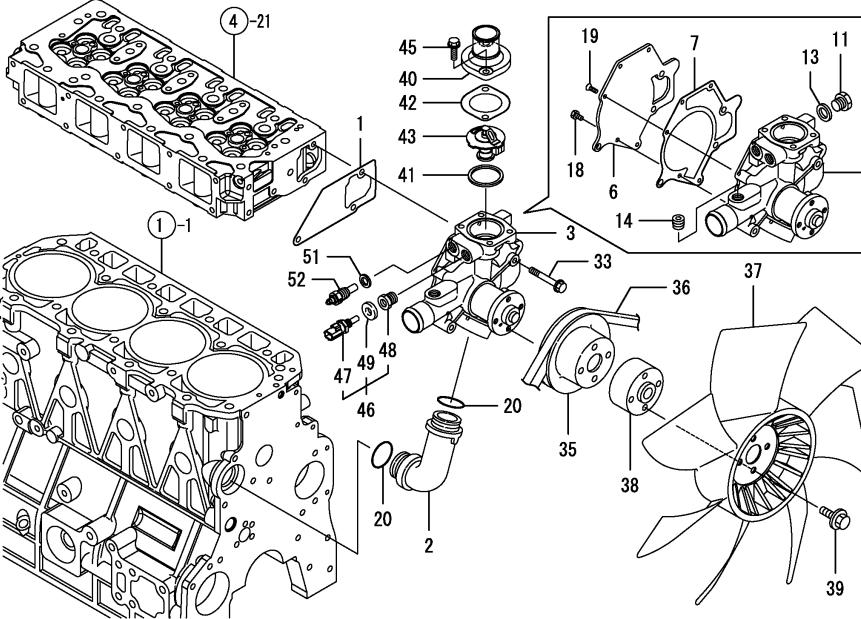
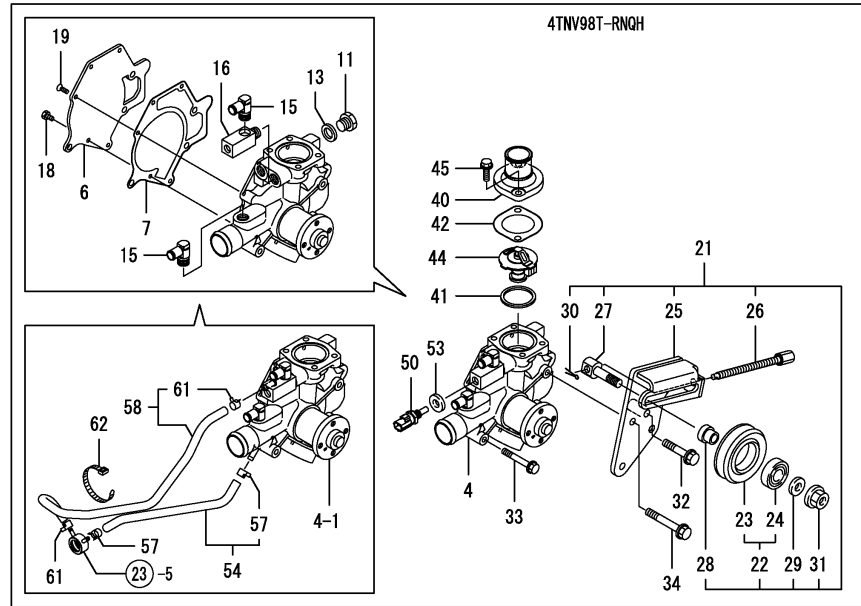
No.	Lev.	Parts No.	Description	Q'ty						I	R
				(A)	(B)	(C)	(D)	(E)	(F)		
1	1	114250-39450	SWITCH, 0.5KG	1	1						
2	1	121252-39150	BOLT, JOINT M10X1.5	1	1						
3	1	129972-39450	PIPE ASSY, OIL	1	1						
5	2	124223-39900	RETAINER	2	2						
8	1	129005-59830	BOLT ASSY, JOINT M8	1	1						
9	2	22190-080002	WASHER, SEAL 8	1	1						
10	2	23857-030000	BOLT, JOINT 3	1	1						
11	1	22190-080002	WASHER, SEAL 8	1	1						
12	1	23414-100000	GASKET, 10X1.0	2	2						
13	1	26106-080122	BOLT, M8X 12 PLATED	2	2						
14	1	129963-39060	PIPE ASSY, OIL	1	1						
16	2	123907-39500	RETAINER	1	1						
18	1	129005-59830	BOLT ASSY, JOINT M8	2	2						
19	2	22190-080002	WASHER, SEAL 8	2	2						
20	2	23857-030000	BOLT, JOINT 3	2	2						
21	1	22190-080002	WASHER, SEAL 8	2	2						
22	1	26106-080122	BOLT, M8X 12 PLATED	1	1						
23	1	129930-39050	PIPE, OIL	1	1						
24	1	105010-39140	BOLT, PIPE JOINT	2	2						
25	1	22190-080002	WASHER, SEAL 8	4	4						
26	1	124070-13300	ELBOW, PT3/8	1	1						
27	1	129972-39610	PIPE, OIL	1	1						
28	1	123957-39671	JOINT, PIPE	1	1						
29	1	129908-39690	GASKET	1	1						
30	1	23000-025000	CLAMP, 25	2	2						
31	1	26106-060162	BOLT, M6X 16 PLATED	2	2						
32	1	129908-39410	VALVE ASSY, CHECK	4	4						
38	1	119000-39650	NOZZLE	4	4						
39	1	22351-030010	PIN, SPRING 3.0X10	4	4						

Remarks  
(REMARKS)"EFFECTIVE MACHINE NO." OF  
ENGINE IS INDICATED ON THE  
ENGINE LABEL WHICH IS SHOWN  
IN FIG.4.

Fig.14. COOLING WATER SYSTEM

(A)=4TNV98T-RN  
(B)=4TNV98T-RNQH  
(C)=

(D)=  
(E)=  
(F)=



No.	Lev.	Parts No.	Description	Q'ty						I	R
				(A)	(B)	(C)	(D)	(E)	(F)		
1	1	129900-42061	GASKET, WATER PUMP	1	1						
2	1	129900-42070	PIPE, WATER	1	1						
3	1	129972-42110	PUMP ASSY, WATER			1					
4	1	129972-42100	PUMP ASSY, WATER		1						
4-1	1	129972-42010	PUMP ASSY,CW HIGH (B=EP3092)		1					F	1
6	2	129900-42161	COVER	1	1						
7	2	129900-42170	GASKET	1	1						
11	2	121450-42450	PLUG, M16	1	1						
13	2	124465-44950	GASKET, 16	1	1						
14	2	23876-030000	PLUG, R03	1							
15	2	119852-49300	ELBOW, R3/8		2						
16	2	129972-49350	JOINT		1						
18	2	26116-060162	BOLT, M6X 16 PLATED	2	2						
19	2	26577-060142	SCREW M 6X 14	3	3						
20	1	129900-42140	O-RING, P36	2	2						
21	1	129972-96951	TENSION ASSY, DRIVE		1						
22	2	129457-96200	PULLEY ASSY, TENSION		1						
23	3	129457-96230	PULLEY, TENSION		1						
24	3	24104-062024	BEARING, BALL 6202UU		1						
25	2	129972-96961	BRACKET, PULLEY		1						
26	2	129972-96971	BOLT, ADJUSTER		1						
27	2	129972-96980	BOLT		1						
28	2	129054-96990	SPACER		1						
29	2	22137-100000	WASHER, 10		1						
30	2	22411-160120	COTTER PIN 1.6X12		1						
31	2	26306-100002	NUT, M10		1						
32	1	26106-080402	BOLT, M8X 40 PLATED		1						
33	1	26106-080552	BOLT, M8X 55 PLATED	3	1						
34	1	26106-080602	BOLT, M8X 60 PLATED		2						
35	1	129900-42461	V-PULLEY	1	1						
36	1	129972-42280	V-BELT, A47.0	1	1						
37	1	129907-44740	FAN, COOLING D430X7	1	1						
38	1	119005-44761	SPACER, FAN	1	1						
39	1	26106-080452	BOLT, M8X 45 PLATED	4	4						
40	1	129981-49531	COVER, THERMOSTAT	1	1						
41	1	121850-49550	GASKET, THERMOSTAT	1	1						
42	1	129900-49560	GASKET	1	1						
43	1	121850-49810	THERMOSTAT, 71		1						
44	1	121850-49800	THERMOSTAT, 82		1						
45	1	26106-080252	BOLT, M8X 25 PLATED	2	2						
46	1	129972-44900	SENSOR ASSY	1							
47	2	119254-44910	SENSOR ASSY		1						
48	2	129263-49350	JOINT		1						
49	2	22190-120002	WASHER, SEAL 12		1						
50	1	119254-44910	SENSOR ASSY		1						
51	1	129150-49360	GASKET	1	1						
52	1	129242-49450	SENSOR	1	1						
53	1	22190-120002	WASHER, SEAL 12		1						
54	1	129963-49060	PIPE ASSY, CW		1						W 1

(B=EP3092)

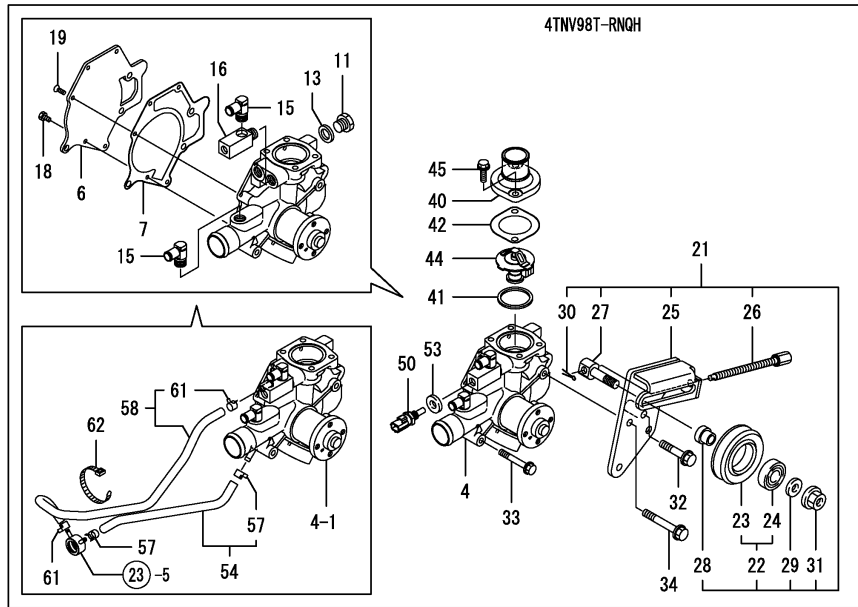
Remarks

(1)4TNV98T-RNQH No.4-1, 54, 58, 62 & Fig.15 No.1-1 interchangeable by set.

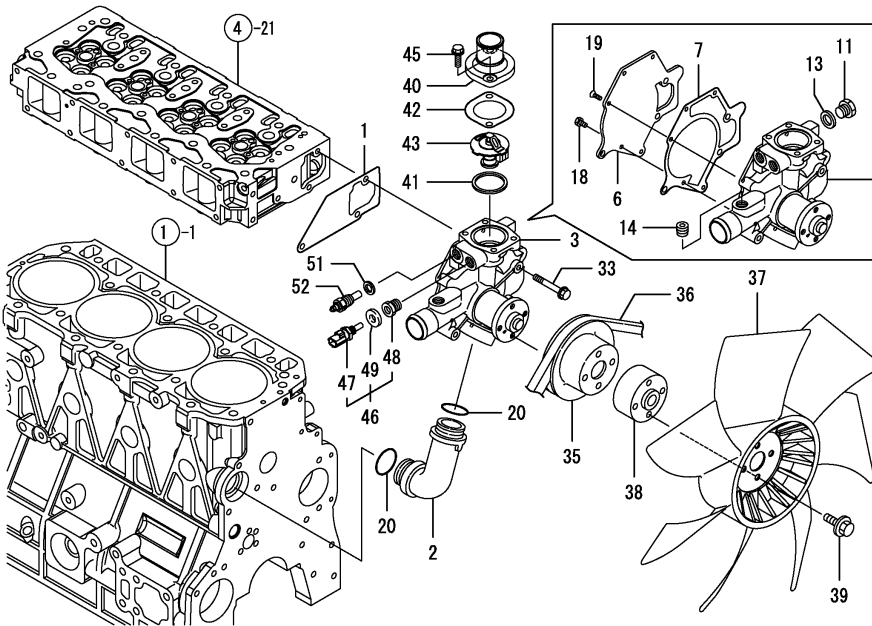
Fig.14. COOLING WATER SYSTEM

(A)=4TNV98T-RN  
(B)=4TNV98T-RNQH  
(C)=

(D)=  
(E)=  
(F)=



No.	Lev.	Parts No.	Description	Q'ty						I	R
				(A)	(B)	(C)	(D)	(E)	(F)		
57	2	23080-012000 (B=EP3092)	CLAMP, 12		2					W	1
58	1	129963-49070 (B=EP3092)	PIPE ASSY,CW		1					W	1
61	2	23080-012000 (B=EP3092)	CLAMP, 12		2					W	1
62	1	121750-59890 (B=EP3092)	BAND, 140		1					W	1



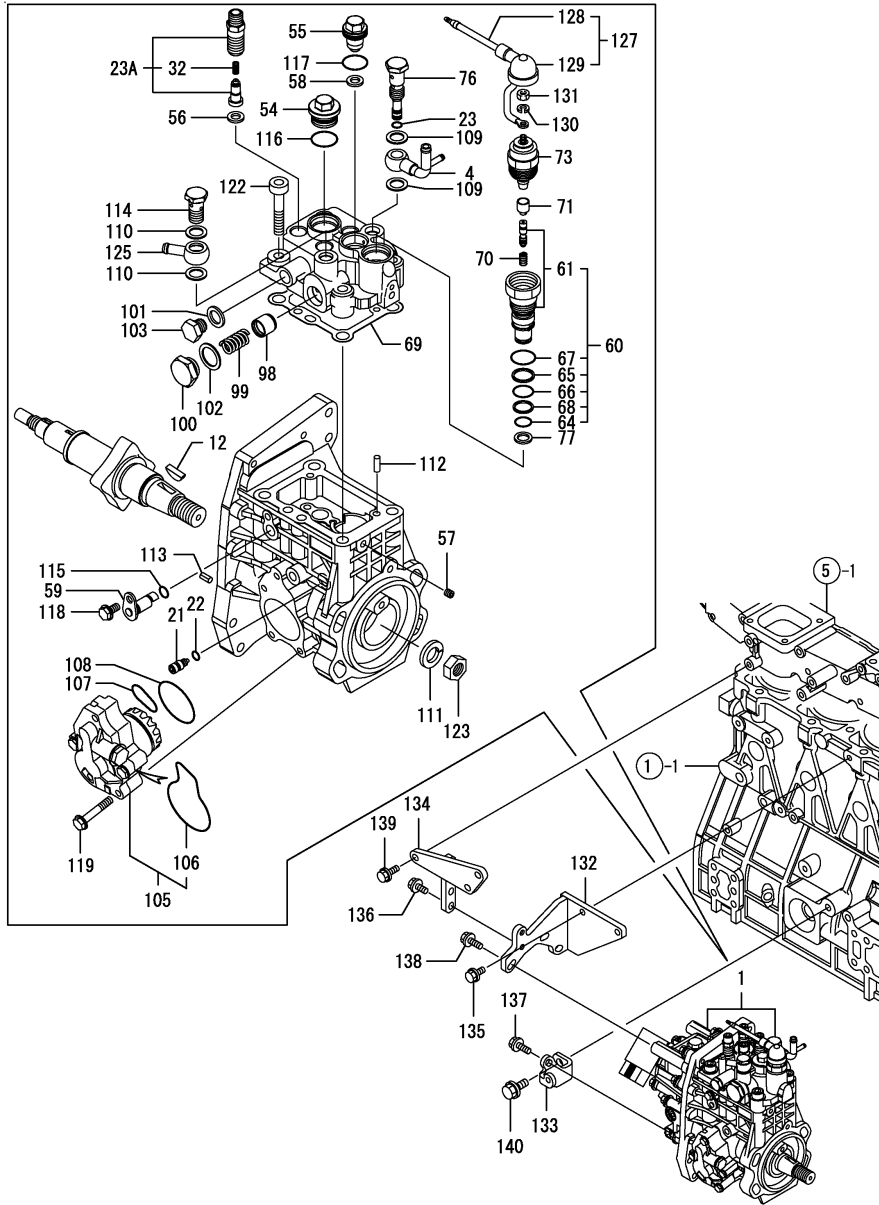
Remarks

(1)4TNV98T-RNQH No.4-1, 54, 58, 62 & Fig.15 No.1-1 interchangeable by set.

Fig.15. FUEL INJECTION PUMP

(A)=4TNV98T-RN  
(B)=4TNV98T-RNQH  
(C)=

(D)=  
(E)=  
(F)=



No.	Lev.	Parts No.	Description	Qty						I	R
				(A)	(B)	(C)	(D)	(E)	(F)		
1	1	729972-51310	PUMP ASSY, INJECTION	1	1						1
1-1	1	729972-51380	FIE ASSY (B=EP3092)		1						F 2
4	2	158552-51670	JOINT, OVER FLOW	1	1						
12	2	144626-51090	KEY, 5X19	1	1						
21	2	158600-51270	STOPPER, TAPPET	1	1						
22	2	158563-51281	O-RING, 4D S6	1	1						
23	2	158563-51281	O-RING, 4D S6	1	1						
23A	2	129509-51390	VALVE ASSY, DELIVERY	4	4						W
		(A=*2008.04.) (B=*2008.04.)									
32	3	158563-51330	SPRING, DELIVERY	4	4						
54	2	158601-51550	PLUG	1	1						
55	2	129907-51560	PLUG, BARREL	1	1						
56	2	158552-51570	GASKET	4	4						
57	2	158557-51570	PLUG	1	1						
58	2	129906-51580	GASKET	1	1						
59	2	158552-51580	LIFTER	1	1						
60	2	129657-51590	TIMER SET	1	1						
61	3	129657-51600	TIMER ASSY	1	1						
64	3	158553-51670	O-RING, 1011	1	1						
65	3	119802-51680	RING, BACK UP	1	1						
66	3	119802-51690	O-RING	1	1						
67	3	24356-010200	O-RING, 4D1020	1	1						
68	3	24372-000150	RING, BACK UP T2P15	1	1						
69	2	158560-51600	GASKET	1	1						
70	2	119852-51630	SPRING, TIMER	1	1						
71	2	119852-51640	CAP	1	1						
73	2	119852-51650	VALVE ASSY	1	1						
76	2	158601-51650	JOINT, OVER FLOW	1	1						
77	2	158553-51680	GASKET	1	1						
98	2	158601-51770	PISTON	1	1						
99	2	158552-51781	SPRING	1	1						
100	2	158601-51790	PLUG	1	1						
101	2	22190-120002	WASHER, SEAL 12	1	1						
102	2	22190-180002	WASHER, SEAL 18	1	1						
103	2	23887-120002	PLUG, 12	1	1						
105	2	158552-52100	PUMP ASSY, FUEL FEED	1	1						
106	3	158552-52500	O-RING	1	1						
107	2	158552-52310	O-RING	1	1						
108	2	158552-52400	O-RING, 4E S42	1	1						
109	2	22190-120002	WASHER, SEAL 12	2	2						
110	2	22190-120002	WASHER, SEAL 12	2	2						
111	2	22217-180000	WASHER, SPRING 18	1	1						
112	2	22312-050140	PIN, PARALLEL 5X14	2	2						
113	2	22351-050010	PIN, SPRING 5.0X10	2	2						
114	2	23857-060000	BOLT, JOINT 6	1	1						
115	2	24311-000070	O-RING, 1AP7.0	1	1						
116	2	24356-010200	O-RING, 4D1020	1	1						
117	2	24356-020210	O-RING, 4D2021	1	1						
118	2	26106-060102	BOLT, M6X 10 PLATED	1	1						
119	2	26106-060352	BOLT, M6X 35 PLATED	4	4						

Remarks

(1)Governor(Fig.16) is incorporated in this Fuel Injection Pump(No.1).

(2)Inner parts are shown in Fig.23 & 16.

No.1-1 & Fig.14 No.4-1, 54, 58, 62 interchangeable by set.

N:Old  $\xrightarrow{\text{Yes}}$  New, Q:Old  $\xrightarrow{\text{No}}$  New, R:Old  $\xrightarrow{\text{Yes}}$  New, S:Old  $\xrightarrow{\text{No}}$  New, W:Add, Z:Discontinued, F:Interchangeable by set, K:Q'ty Change

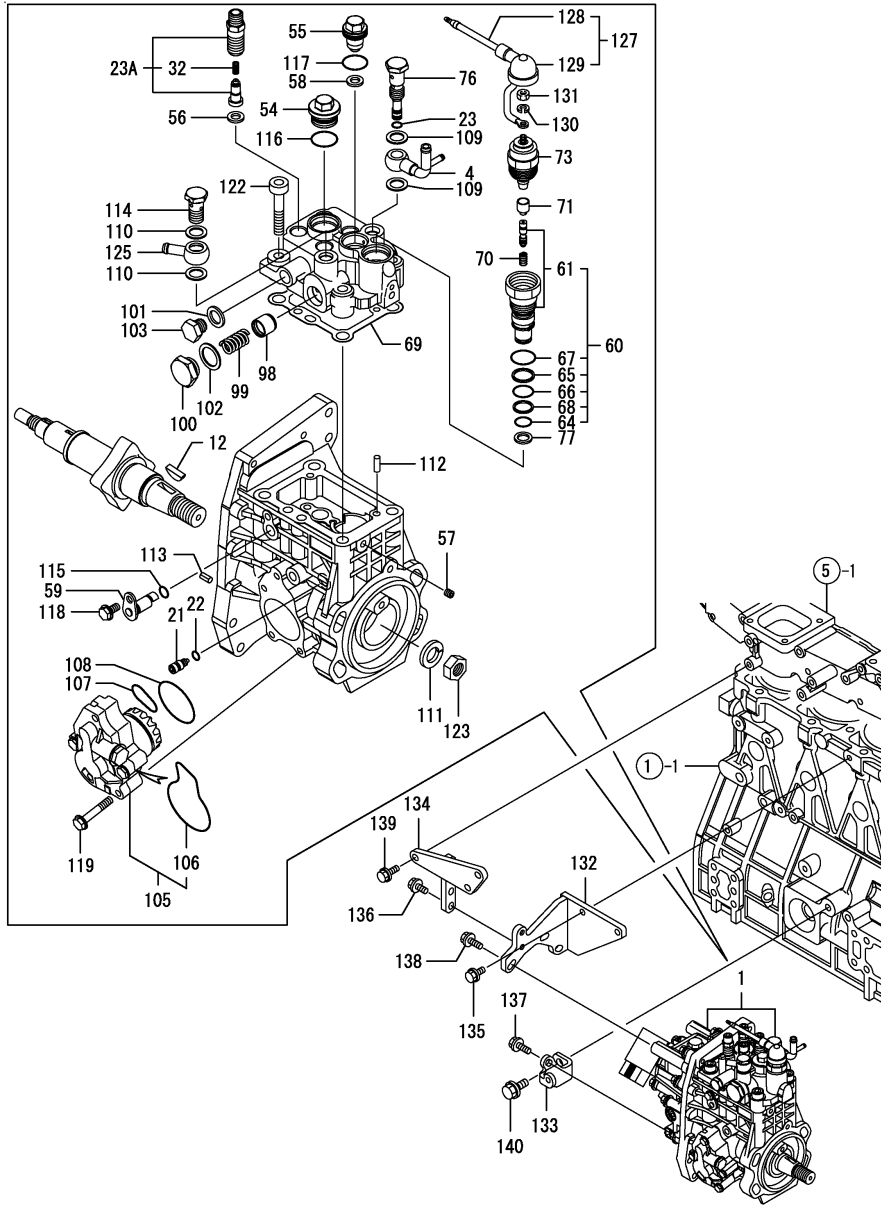
++ CONTINUE ++

Copyright (C) YANMAR CO., LTD. All Rights Reserved.

Fig.15. FUEL INJECTION PUMP

(A)=4TNV98T-RN  
 (B)=4TNV98T-RNQH  
 (C)=

(D)=  
 (E)=  
 (F)=



No.	Lev.	Parts No.	Description	Q'ty						I	R
				(A)	(B)	(C)	(D)	(E)	(F)		
122	2	26450-100452	BOLT, M10X 45	4	4						
123	2	26776-180002	NUT, LOCK M18	1	1						
125	2	129916-59020	JOINT, PIPE 12	1	1						
127	2	129263-77951	HARNESS ASSY, WIRE	1	1						
128	3	129263-77930	HARNESS,(CSD	1	1						
129	3	129263-77941	CAP, RUBBER	1	1						
130	2	22217-050000	WASHER, SPRING 5	1	1						
131	2	26716-050002	NUT, M5	1	1						
132	1	129974-01950	RETAINER,MP4	1	1						
133	1	129906-01960	RETAINER	1	1						
134	1	129974-01970	SUPPORT	1	1						
135	1	26106-080202	BOLT, M8X 20 PLATED	2	2						
136	1	26106-080202	BOLT, M8X 20 PLATED	2	2						
137	1	26106-080222	BOLT, M8X 22 PLATED	1	1						
138	1	26106-080252	BOLT, M8X 25 PLATED	3	3						
139	1	26106-080252	BOLT, M8X 25 PLATED	3	3						
140	1	26106-100202	BOLT, M10X 20 PLATED	1	1						

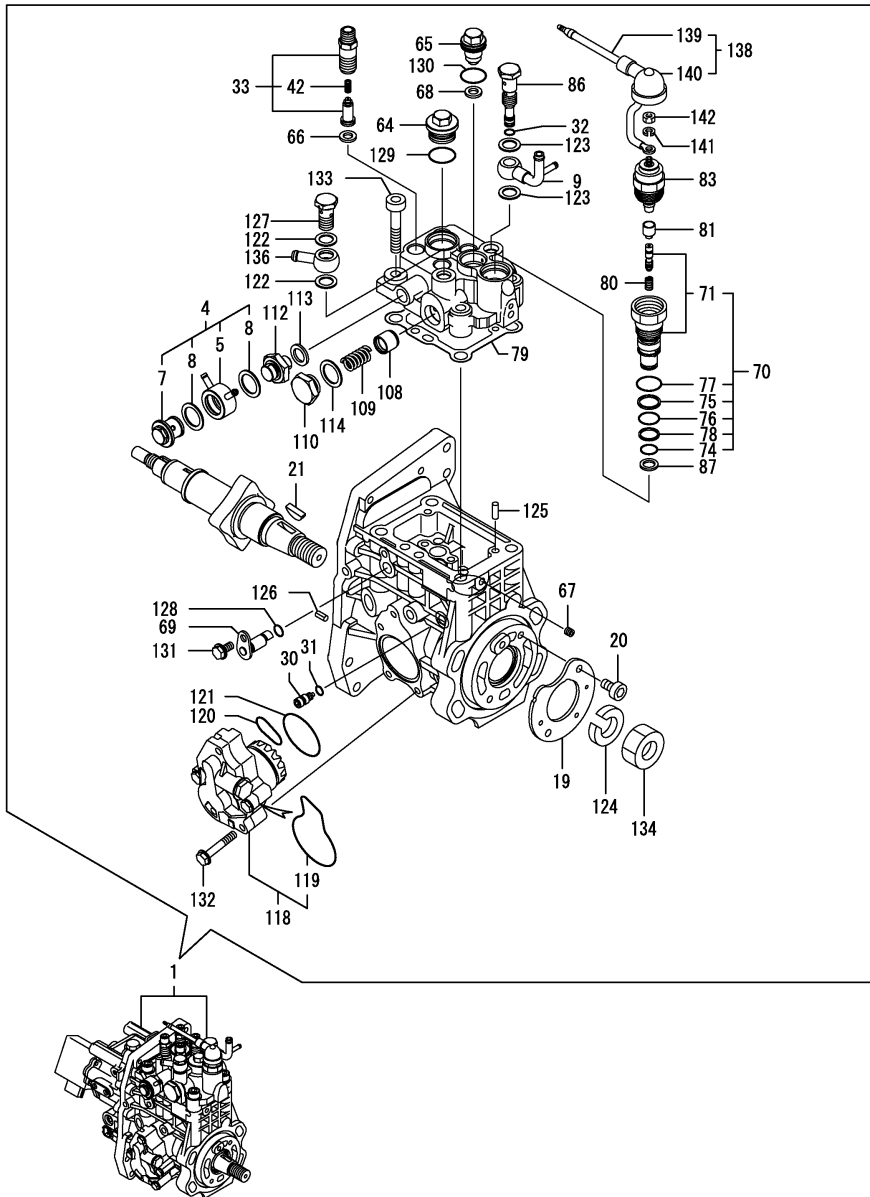
Remarks

- (1)Governor(Fig.16) is incorporated in this Fuel Injection Pump(No.1).
  - (2)Inner parts are shown in Fig.23 & 16.
- No.1-1 & Fig.14 No.4-1, 54, 58, 62 interchangeable by set.

Fig.23. FUEL INJECTION PUMP(INNER PARTS)

(A)=4TNV98T-RN  
(B)=4TNV98T-RNQH  
(C)=

(D)=  
(E)=  
(F)=



No.	Lev.	Parts No.	Description	Q'ty						I	R
				(A)	(B)	(C)	(D)	(E)	(F)		
1	1	729972-51380	FIE ASSY	1						1	
4	2	129927-51500	JOINT ASSY	1							
5	3	129927-51550	JOINT, COOLING WATER	1							
7	3	158601-51570	PLUG	1							
8	3	22190-180002	WASHER, SEAL 18	2							
9	2	158552-51670	JOINT, OVER FLOW	1							
19	2	129928-51900	COVER	1							
20	2	129008-51920	BOLT, M6X10	2							
21	2	144626-51090	KEY, 5X19	1							
30	2	158600-51270	STOPPER, TAPPET	1							
31	2	158563-51281	O-RING, 4D S6	1							
32	2	158563-51281	O-RING, 4D S6	1							
33	2	129509-51390	VALVE ASSY, DELIVERY	4							
42	3	158563-51330	SPRING, DELIVERY	4							
64	2	158601-51550	PLUG	1							
65	2	129907-51560	PLUG, BARREL	1							
66	2	158552-51571	GASKET	4							
67	2	158557-51570	PLUG	1							
68	2	129906-51580	GASKET	1							
69	2	158552-51580	LIFTER	1							
70	2	129657-51590	TIMER SET	1							
71	3	129657-51600	TIMER ASSY	1							
74	3	158553-51670	O-RING, 1011	1							
75	3	119802-51680	RING, BACK UP	1							
76	3	119802-51690	O-RING	1							
77	3	24356-190200	O-RING, 4D19020	1							
78	3	24372-000150	RING, BACK UP T2P15	1							
79	2	158560-51600	GASKET	1							
80	2	119852-51630	SPRING, TIMER	1							
81	2	119852-51640	CAP	1							
83	2	119852-51650	VALVE ASSY	1							
86	2	158601-51650	JOINT, OVER FLOW	1							
87	2	158553-51680	GASKET	1							
108	2	158601-51770	PISTON	1							
109	2	158552-51781	SPRING	1							
110	2	158601-51790	PLUG	1							
112	2	129927-51930	PLUG, ACCUMLATOR	1							
113	2	22190-120002	WASHER, SEAL 12	1							
114	2	22190-180002	WASHER, SEAL 18	1							
118	2	158552-52100	PUMP ASSY, FUEL FEED	1							
119	3	158552-52500	O-RING	1							
120	2	158552-52311	O-RING	1							
121	2	158552-52400	O-RING, 4E S42	1							
122	2	22190-120002	WASHER, SEAL 12	2							
123	2	22190-120002	WASHER, SEAL 12	2							
124	2	22217-180000	WASHER, SPRING 18	1							
125	2	22312-050140	PIN, PARALLEL 5X14	2							
126	2	22351-050010	PIN, SPRING 5.0X10	2							
127	2	23857-060000	BOLT, JOINT 6	1							
128	2	24311-000070	O-RING, 1AP7.0	1							
129	2	24356-190200	O-RING, 4D19020	1							

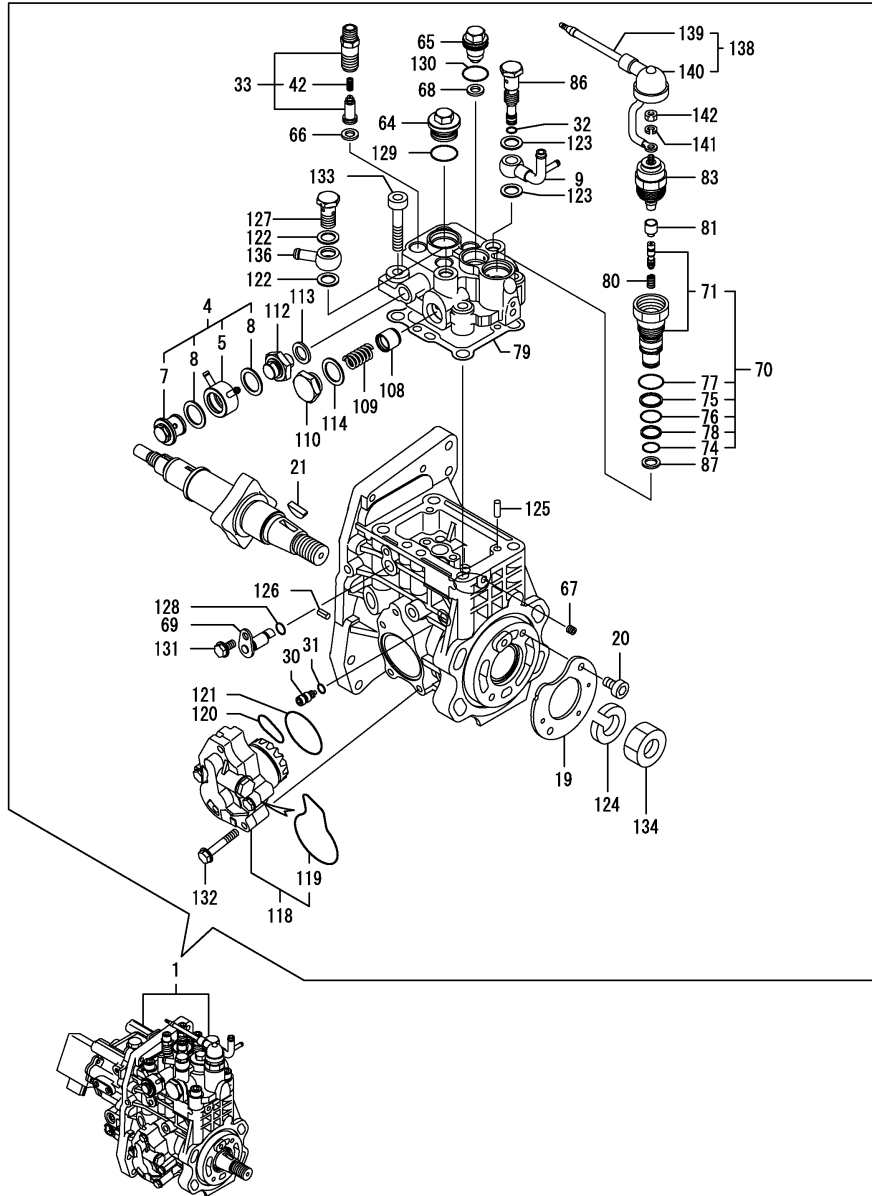
Remarks

(1)Governor(Fig.16) is incorporated in this Fuel Injection Pump(No.1).  
No.1 & Fig.14 No.4-1, 54, 58, 62 interchangeable by set.

Fig.23. FUEL INJECTION PUMP(INNER PARTS)

(A)=4TNV98T-RN  
 (B)=4TNV98T-RNQH  
 (C)=

(D)=  
 (E)=  
 (F)=



No.	Lev.	Parts No.	Description	Q'ty						I	R
				(A)	(B)	(C)	(D)	(E)	(F)		
130	2	24356-240210	O-RING, 4D24021		1						
131	2	26106-060102	BOLT, M6X 10 PLATED		1						
132	2	26106-060352	BOLT, M6X 35 PLATED		4						
133	2	26450-100452	BOLT, M10X 45		4						
134	2	26776-180002	NUT, LOCK M18		1						
136	2	129916-59020	JOINT, PIPE 12		1						
138	2	129263-77951	HARNESS ASSY, WIRE		1						
139	3	129263-77930	HARNESS,(CSD		1						
140	3	129263-77941	CAP, RUBBER		1						
141	2	22217-050000	WASHER, SPRING 5		1						
142	2	26716-050002	NUT, M5		1						

Remarks

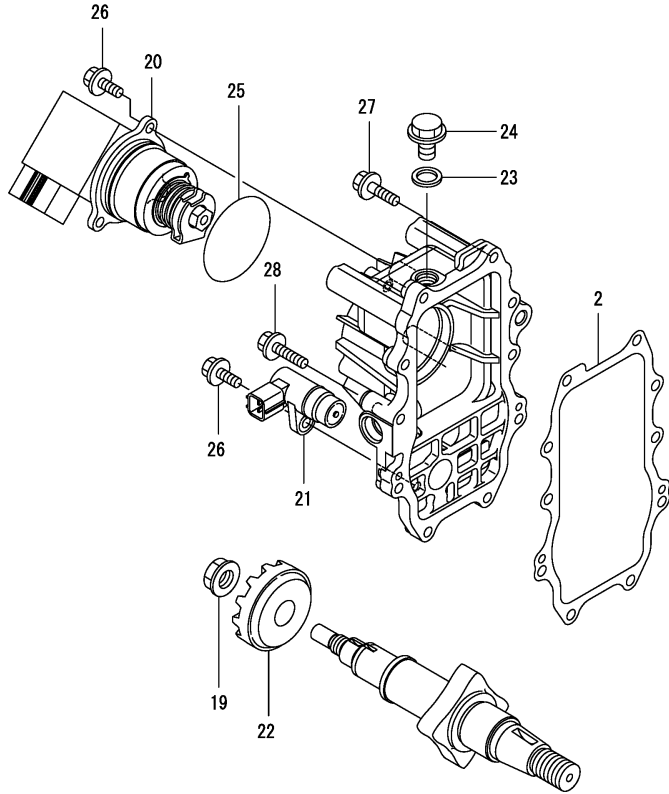
(1)Governor(Fig.16) is incorporated in this Fuel Injection Pump(No.1).  
 No.1 & Fig.14 No.4-1, 54, 58, 62 interchangeable by set.

N:Old  $\xrightarrow{\text{Yes}}$  New, Q:Old  $\xrightarrow{\text{No}}$  New, R:Old  $\xrightarrow{\text{Yes}}$  New, S:Old  $\xrightarrow{\text{No}}$  New, W:Add, Z:Discontinued, F:Interchangeable by set, K:Q'ty Change

Fig.16. GOVERNOR

(A)=4TNV98T-RN  
 (B)=4TNV98T-RNQH  
 (C)=

(D)=  
 (E)=  
 (F)=



No.	Lev.	Parts No.	Description	Q'ty						I	R
				(A)	(B)	(C)	(D)	(E)	(F)		
2	2	158560-61050	GASKET	1	1						
19	2	129008-61301	NUT	1	1						
20	2	158557-61600	ACTUATOR	1	1						
21	2	158557-61720	SENSOR	1	1						
22	2	158553-61780	GEAR, SENSOR	1	1						
23	2	23414-120000	GASKET, 12X1.0	1	1						
24	2	23887-120002	PLUG, 12	1	1						
25	2	24341-000480	O-RING, 1AS48.0	1	1						
26	2	26106-060162	BOLT, M6X 16 PLATED	4	4						
27	2	26106-060252	BOLT, M6X 25 PLATED	9	9						
28	2	26106-060402	BOLT, M6X 40 PLATED	1	1						

Remarks

\* This figure(Governor) is incorporated in the Fuel Injection Pump(Fig.15, 23).

Note : "Effective Machine No." of the Engine Section is indicated on the Model Label which is shown in Fig.4.

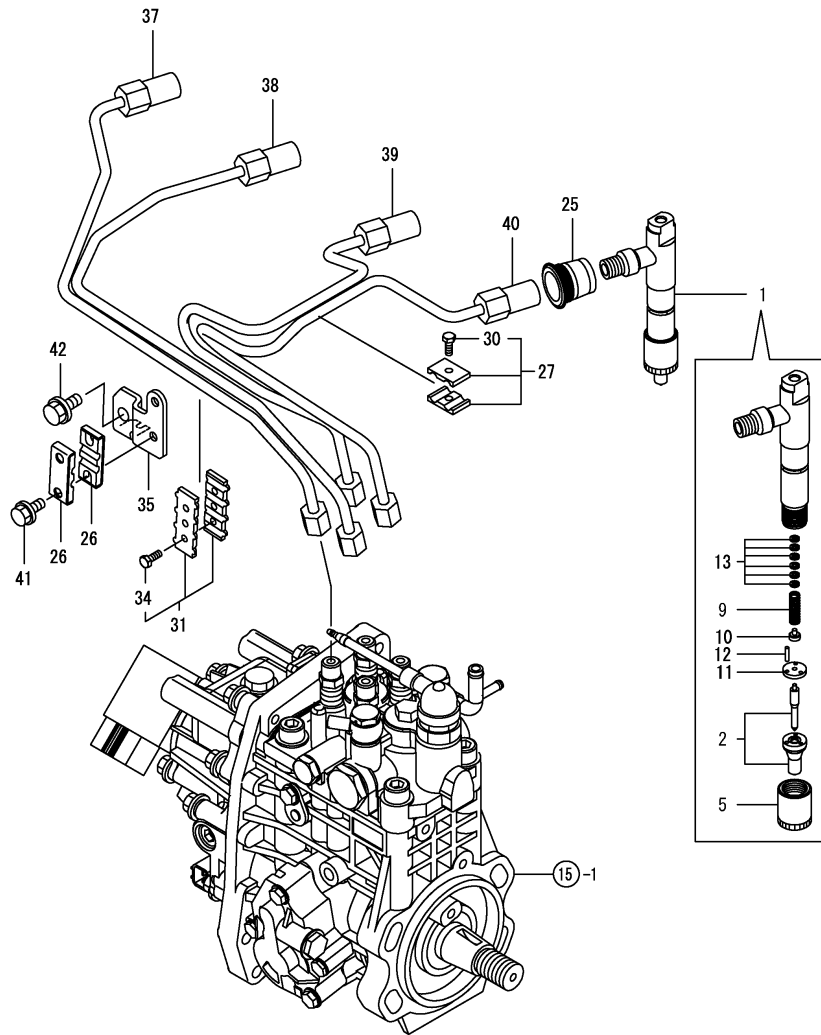
N:Old  $\xrightarrow{\text{Yes}}$  New, Q:Old  $\xrightarrow{\text{No}}$  New, R:Old  $\xrightarrow{\text{Yes}}$  New, S:Old  $\xrightarrow{\text{No}}$  New, W:Add, Z:Discontinued, F:Interchangeable by set, K:Q'ty Change



Fig.17. FUEL INJECTION VALVE

(A)=4TNV98T-RN  
(B)=4TNV98T-RNQH  
(C)=

(D)=  
(E)=  
(F)=



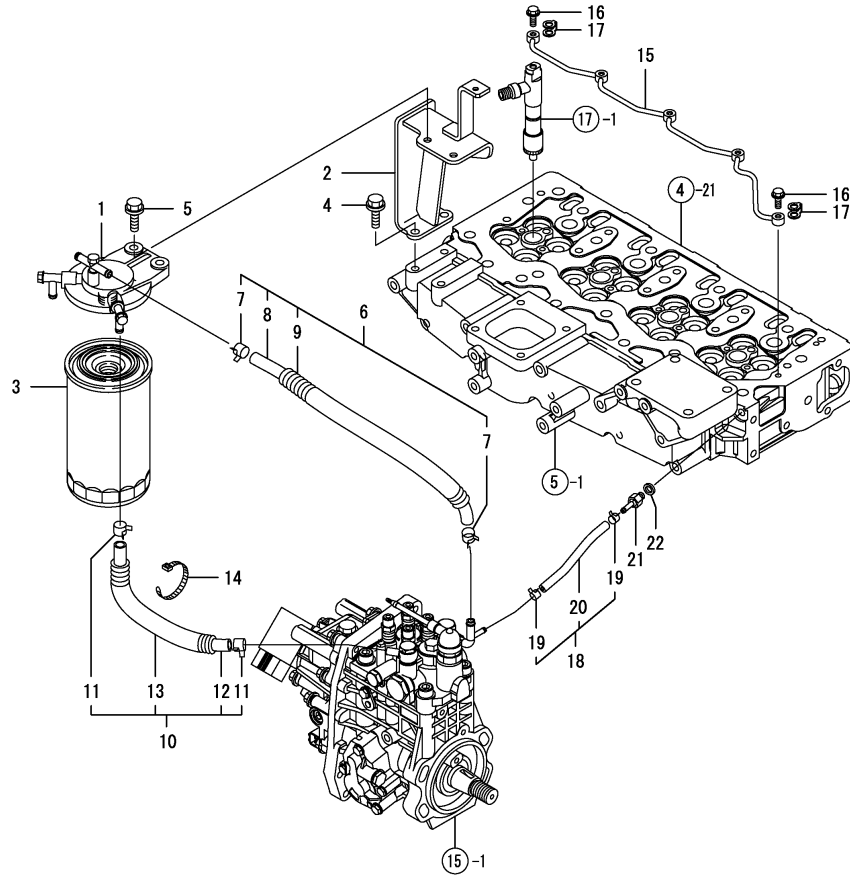
No.	Lev.	Parts No.	Description	Q'ty						I	R
				(A)	(B)	(C)	(D)	(E)	(F)		
1	1	729908-53100	VALVE ASSY,INJECTION	4	4						
2	2	129908-53000	VALVE ASSY,INJECTION	4	4						
5	2	114250-53080	NUT, NOZZLE D16.95	4	4						
9	2	114250-53120	SPRING, NOZZLE	4	4						
10	2	114250-53130	SEAT, SPRING	4	4						
11	2	114250-53140	PLATE	4	4						
12	2	114250-53210	PIN	8	8						
13	2	114250-53400	SHIM SET	4	4						
25	1	123907-11601	SEAL	4	4						
26	1	122780-59100	RETAINER	2	2						
27	1	119305-59120	RETAINER, PIPE	1	1						
30	2	129150-59131	BOLT, M4X14	1	1						
31	1	129550-59120	RETAINER, PIPE	1	1						
34	2	129150-59131	BOLT, M4X14	2	2						
35	1	129972-59710	SUPPORT	1	1						
37	1	129908-59810	PIPE ASSY, INJECTION	1	1						
38	1	129908-59820	PIPE ASSY, INJECTION	1	1						
39	1	129908-59830	PIPE ASSY, INJECTION	1	1						
40	1	129908-59840	PIPE ASSY, INJECTION	1	1						
41	1	26106-060162	BOLT, M6X 16 PLATED	2	2						
42	1	26106-080182	BOLT, M8X 18 PLATED	1	1						

Remarks  
(REMARKS)"EFFECTIVE MACHINE NO." OF  
ENGINE IS INDICATED ON THE  
ENGINE LABEL WHICH IS SHOWN  
IN FIG.4.

Fig.18. FUEL PIPE

(A)=4TNV98T-RN  
(B)=4TNV98T-RNQH  
(C)=

(D)=  
(E)=  
(F)=



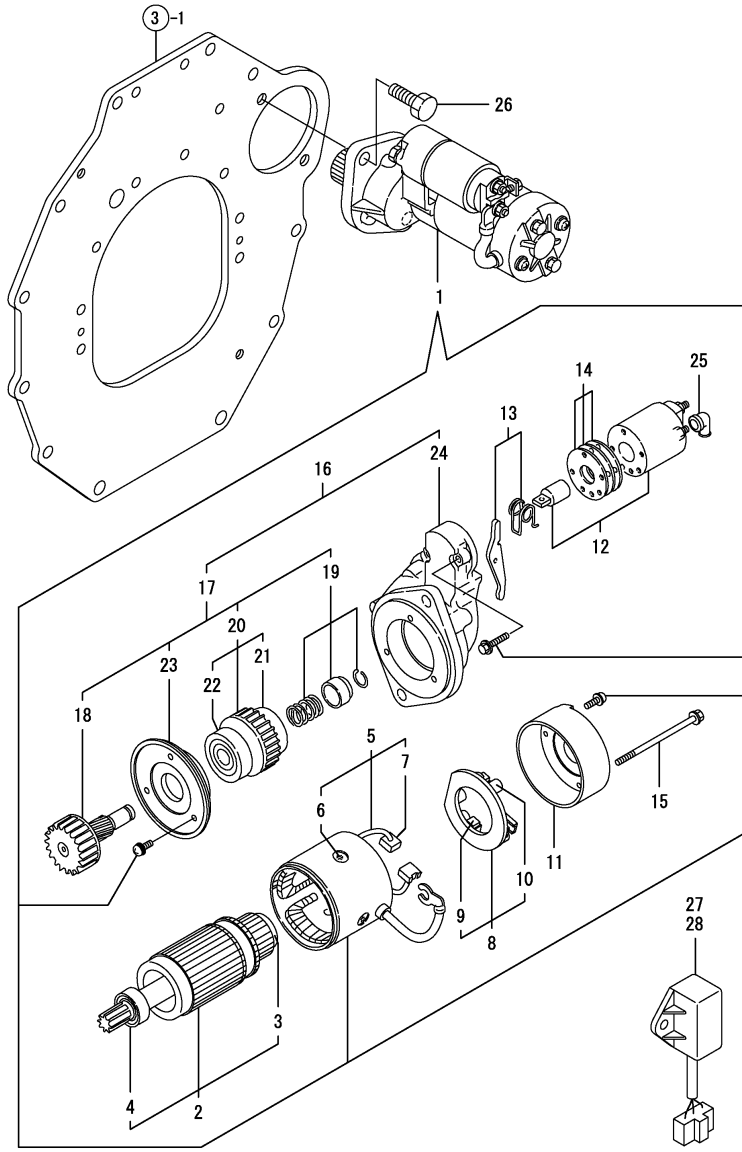
No.	Lev.	Parts No.	Description	Q'ty						I	R
				(A)	(B)	(C)	(D)	(E)	(F)		
1	1	119934-55611	BRACKET, FILTER	1	1						
2	1	129972-55620	STAY, FILTER	1	1						
3	1	123907-55810	FILTER, FUEL	1	1						
4	1	26106-080202	BOLT, M8X 20 PLATED	2	2						
5	1	26106-080302	BOLT, M8X 30 PLATED	2	2						
6	1	129467-59010	PIPE ASSY, FUEL	1	1						
7	2	124766-59050	CLIP, HOSE 11.5	2	2						
8	2	129335-59090	PIPE, FUEL D13X500	1	1						
9	2	119560-59110	TUBE, CORRUGATED	1	1						
10	1	129972-59010	PIPE ASSY, FUEL L420	1	1						
11	2	124766-59050	CLIP, HOSE 11.5	2	2						
12	2	129972-59090	PIPE, FUEL D13X420	1	1						
13	2	129950-59221	TUBE, CORRUGATED	1	1						
14	1	121750-59890	BAND, 140	1	1						
15	1	129907-59140	PIPE ASSY, RETURN	1	1						
16	1	123907-59540	BOLT, PIPE JOINT M6	5	5						
17	1	123907-59550	GASKET	5	5						
18	1	129486-59551	PIPE ASSY, RETURN	1	1						
19	2	124722-59050	CLIP, HOSE 9	2	2						
20	2	129486-59510	PIPE, FUEL RETURN	1	1						
21	1	123907-59560	JOINT	1	1						
22	1	22190-080002	WASHER, SEAL 8	1	1						

Remarks  
(REMARKS)"EFFECTIVE MACHINE NO." OF  
ENGINE IS INDICATED ON THE  
ENGINE LABEL WHICH IS SHOWN  
IN FIG.4.

Fig.19. STARTING MOTOR

(A)=4TNV98T-RN  
(B)=4TNV98T-RNQH  
(C)=

(D)=  
(E)=  
(F)=



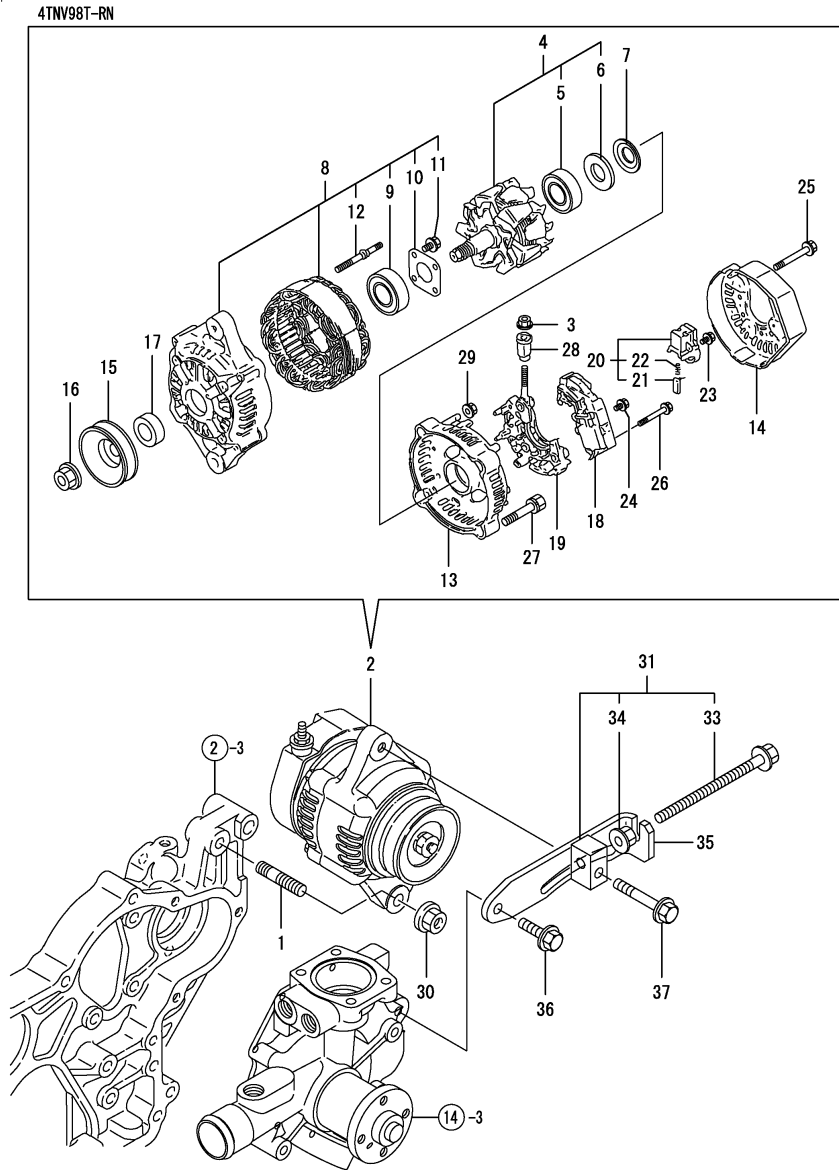
No.	Lev.	Parts No.	Description	Q'ty						I	R
				(A)	(B)	(C)	(D)	(E)	(F)		
1	1	129900-77010	STARTER	1	1						
2	2	129900-77400	ARMATURE ASSY	1	1						
3	3	X2114155110	BEARING, BALL	1	1						
4	3	X2114255110	BEARING, BALL	1	1						
5	2	129900-77440	COIL ASSY, FIELD	1	1						
6	3	171008-77450	SCREW	4	4						
7	3	129900-77450	BRUSH	2	2						
8	2	129900-77480	HOLDER ASSY, BRUSH	1	1						
9	3	129900-77450	BRUSH	2	2						
10	3	X2130631300	SPRING, BRUSH	4	4						
11	2	129900-77460	COVER	1	1						
12	2	129900-77591	SWITCH ASSY	1	1						
13	2	129900-77620	LEVER SET	1	1						
14	2	129900-77650	COVER ASSY, DUST	1	1						
15	2	129900-77640	BOLT, THROUGH	2	2						
16	2	129900-77700	CASE ASSY	1	1						
17	3	129900-77510	PINION ASSY	1	1						
18	4	129900-77540	SHAFT	1	1						
19	4	129900-77550	STOPPER SET	1	1						
20	4	129900-77520	CLUTCH ASSY	1	1						
21	5	171008-77730	BEARING, BALL	1	1						
22	5	171008-77740	BALL BEARING	1	1						
23	4	129900-77610	RETAINER	1	1						
24	3	129900-77710	CASE, GEAR	1	1						
25	2	171008-77750	COVER	1	1						
26	1	26116-120252	BOLT, M12X 25 PLATED	2	2						
27	1	185109-00030	CHANGEOVER, MODEL	1							
28	1	185109-00080	CHANGEOVER, MODEL			1					

Remarks  
(REMARKS)"EFFECTIVE MACHINE NO." OF  
ENGINE IS INDICATED ON THE  
ENGINE LABEL WHICH IS SHOWN  
IN FIG.4.

Fig.20. GENERATOR

(A)=4TNV98T-RN  
(B)=4TNV98T-RNQH  
(C)=

(D)=  
(E)=  
(F)=



No.	Lev.	Parts No.	Description	Q'ty						I	R
				(A)	(B)	(C)	(D)	(E)	(F)		
1	1	129795-01900	STUD	1							
2	1	119620-77201	GENERATOR, 40A	1							
3	2	X9490561001	NUT	1							
4	2	119620-77380	ROTOR ASSY	1							
5	3	123501-79240	BEARING, BALL	1							
6	3	119620-79250	COVER	1							
7	2	119620-79360	WASHER, THRUST	1							
8	2	119620-77421	FRAME ASSY, DRIVE	1							
9	3	119620-79200	BEARING, BALL	1							
10	3	119620-79210	PLATE, RETAINER	1							
11	3	119620-79220	SCREW	4							
12	3	119620-79230	STUD	2							
13	2	119620-77440	FRAME ASSY	1							
14	2	119620-77450	COVER	1							
15	2	119620-77461	PULLEY	1							
16	2	119620-77471	NUT	1							
17	2	119620-77490	COLLAR	1							
18	2	119620-77710	REGULATOR ASSY	1							
19	2	119620-79260	HOLDER	1							
20	2	119620-79270	HOLDER, BRUSH	1							
21	3	119620-77480	BRUSH ASSY	2							
22	3	119620-79280	SPRING	2							
23	2	119620-79290	SCREW	6							
24	2	119620-79300	SCREW	1							
25	2	119620-79310	BOLT	3							
26	2	119620-79320	SCREW	2							
27	2	119620-79330	BOLT	2							
28	2	119620-79340	BUSH, INSULATION	1							
29	2	119620-79350	NUT	2							
30	1	26306-100002	NUT, M10	1							
31	1	119624-77351	BLOCK ASSY, ADJUSTER	1							
33	2	26106-081004	BOLT, M8X100 PLATED	1							
34	2	26306-080002	NUT, M8	1							
35	1	129972-77360	ADJUSTER	1							
36	1	26014-080252	BOLT, M8X 25	1							
37	1	26106-080452	BOLT, M8X 45 PLATED	1							

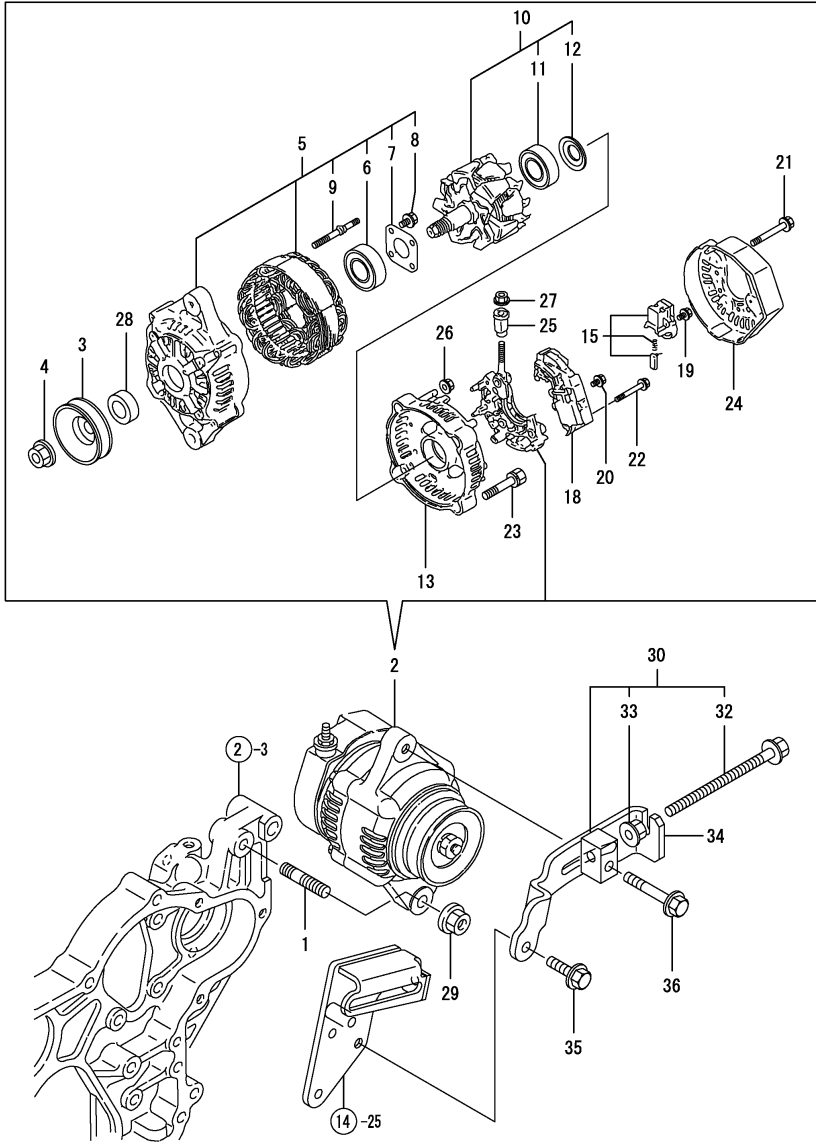
Remarks  
(REMARKS)"EFFECTIVE MACHINE NO." OF  
ENGINE IS INDICATED ON THE  
ENGINE LABEL WHICH IS SHOWN  
IN FIG.4.

Fig.21. GENERATOR

(A)=4TNV98T-RN  
(B)=4TNV98T-RNQH  
(C)=

(D)=  
(E)=  
(F)=

4TNV98T-RNQH



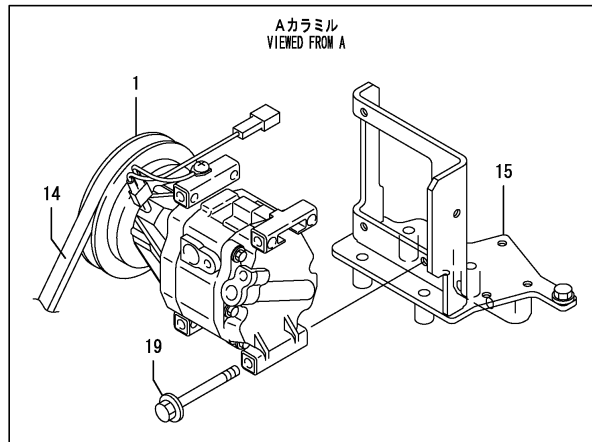
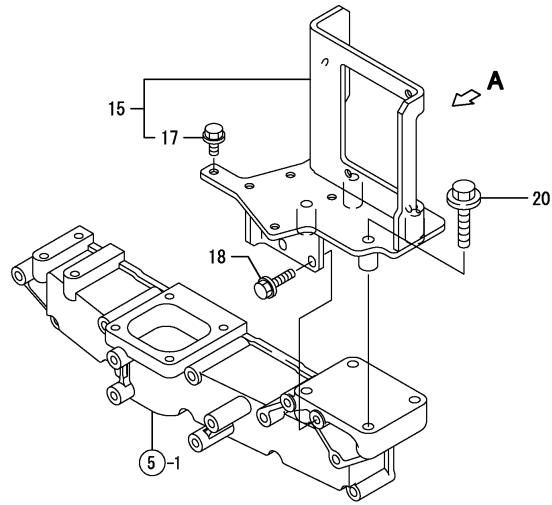
No.	Lev.	Parts No.	Description	Q'ty						I	R
				(A)	(B)	(C)	(D)	(E)	(F)		
1	1	129795-01900	STUD		1						
2	1	129961-77200	GENERATOR, 12V-55A		1						
3	2	119620-77461	PULLEY		1						
4	2	119620-77471	NUT		1						
5	2	129961-77421	FRAME ASSY		1						
6	3	119620-79200	BEARING, BALL		1						
7	3	119620-79210	PLATE, RETAINER		1						
8	3	119620-79220	SCREW		4						
9	3	119620-79230	STUD		2						
10	2	129052-77380	ROTOR ASSY		1						
11	3	123501-79240	BEARING, BALL		1						
12	3	119620-79250	COVER		1						
13	2	128401-77440	FRAME		1						
15	2	129052-79270	HOLDER, BRUSH		1						
18	2	119620-77710	REGULATOR ASSY		1						
19	2	119620-79290	SCREW		6						
20	2	119620-79300	SCREW		1						
21	2	119620-79310	BOLT		3						
22	2	119620-79320	SCREW		2						
23	2	119620-79330	BOLT		2						
24	2	128401-77450	COVER		1						
25	2	119620-79340	BUSH, INSULATION		1						
26	2	119620-79350	NUT		2						
27	2	X9490561001	NUT		1						
28	2	119620-77490	COLLAR		1						
29	1	26306-100002	NUT, M10		1						
30	1	119624-77351	BLOCK ASSY, ADJUSTER		1						
32	2	26106-081004	BOLT, M8X100 PLATED		1						
33	2	26306-080002	NUT, M8		1						
34	1	129972-77370	ADJUSTER		1						
35	1	26014-080252	BOLT, M8X 25		1						
36	1	26106-080452	BOLT, M8X 45 PLATED		1						

Remarks  
(REMARKS)"EFFECTIVE MACHINE NO." OF  
ENGINE IS INDICATED ON THE  
ENGINE LABEL WHICH IS SHOWN  
IN FIG.4.

Fig.22. COMPRESSOR MOUNTING

(A)=4TNV98T-RN  
(B)=4TNV98T-RNQH  
(C)=

(D)=  
(E)=  
(F)=



No.	Lev.	Parts No.	Description	Q'ty						I	R
				(A)	(B)	(C)	(D)	(E)	(F)		
1	1	1A7320-87902	COMPRESSOR ASSY		1						
1-1	1	1A7471-87900 (B=EXXXXX)	COMPRESSOR ASSY,		1						N
14	1	129972-96150	V-BELT, A60.0		1						
15	1	129972-96901	STAY ASSY		1						
17	2	26106-080122	BOLT, M8X 12 PLATED		1						
18	1	26106-080222	BOLT, M8X 22 PLATED		2						
19	1	26106-080702	BOLT, M8X 70 PLATED		3						
20	1	26106-100452	BOLT, M10X 45 PLATED		4						

Remarks  
(REMARKS)"EFFECTIVE MACHINE NO." OF  
ENGINE IS INDICATED ON THE  
ENGINE LABEL WHICH IS SHOWN  
IN FIG.4.

## Parts No. Index

Parts No.	Fig. No.	Ref. No.
105010-39140	13	24
105425-01690	3	6
114250-39450	13	1
114250-53080	17	5
114250-53120	17	9
114250-53130	17	10
114250-53140	17	11
114250-53210	17	12
114250-53400	17	13
119000-39650	13	38
119005-35170	12	15
119005-44761	14	38
119131-18320	7	2
119254-44910	14	47
		50
119305-59120	17	27
119560-59110	18	9
119593-11301	4	49
119620-11180	4	34
119620-77201	20	2
119620-77380	20	4
119620-77421	20	8
119620-77440	20	13
119620-77450	20	14
119620-77461	20	15
	21	3
119620-77471	20	16
	21	4
119620-77480	20	21
119620-77490	20	17
	21	28
119620-77710	20	18
	21	18
119620-79200	20	9
	21	6
119620-79210	20	10
	21	7
119620-79220	20	11
	21	8
119620-79230	20	12
	21	9
119620-79250	20	6
	21	12
119620-79260	20	19
119620-79270	20	20
119620-79280	20	22
119620-79290	20	23
	21	19
119620-79300	20	24
	21	20

Parts No.	Fig. No.	Ref. No.
119620-79310	20	25
	21	21
119620-79320	20	26
	21	22
119620-79330	20	27
	21	23
119620-79340	20	28
	21	25
119620-79350	20	29
	21	26
119620-79360	20	7
119624-77351	20	31
	21	30
119625-11880	4	45
119802-11870	4	44
119802-51680	15	65
	23	75
119802-51690	15	66
	23	76
119803-11340	4	35
119852-49300	14	15
119852-51630	15	70
	23	80
119852-51640	15	71
	23	81
119852-51650	15	73
	23	83
119860-34810	12	14
119934-55611	18	1
120130-22301	9	28
121252-39150	13	2
121450-01560	10	4 -1
121450-42450	14	11
121750-59890	14	62
	18	14
121850-21130	9	16
121850-21290	9	4
		5
	11	4
		5
121850-21680	9	11
121850-21920	9	6
121850-49550	14	41
121850-49800	14	44
121850-49810	14	43
121850-77021	5	10
122780-59100	17	26
123501-79240	20	5
	21	11
123900-13630	6	3

Parts No.	Fig. No.	Ref. No.
123900-25060	8	9
123901-03240	4	8
123901-18080	6	9
123907-11280	4	54
123907-11550	4	20
123907-11601	17	25
123907-11820	4	41
123907-11830	4	40
123907-39500	13	16
123907-55810	18	3
123907-59540	18	16
123907-59550	18	17
123907-59560	18	21
123908-03199	4	74
123951-18220	5	6
123957-39671	13	28
124070-13300	13	26
124160-01751	2	24
	4	69
124160-11340	4	36
124160-11360	4	81
124223-39900	13	5
124240-01883	10	2
124411-01780	3	14
124465-44950	14	13
124722-59050	18	19
124766-59050	18	7
		11
128401-77440	21	13
128401-77450	21	24
128610-14120	11	3
129001-11340	4	77
129001-91810	2	27
		33
129001-91841	3	10
129005-59830	13	8
		18
129008-51920	23	20
129008-61301	16	19
129052-77380	21	10
129052-79270	21	15
129054-96990	14	28
129100-01580	1	32
		33
	2	1
129122-44480	12	7
129150-02450	8	4
129150-11230	4	57
		61
129150-11750	4	39

Parts No.	Fig. No.	Ref. No.
129150-11750	4	58
		62
129150-14200	8	1
129150-25920	8	13
129150-49360	14	51
129150-59131	17	30
		34
129242-49450	14	52
129263-49350	14	48
129263-77930	15	128
	23	139
129263-77941	15	129
	23	140
129263-77951	15	127
	23	138
129335-59090	18	8
129410-03990	4	4
129418-18320	6	4
129457-96200	14	22
129457-96230	14	23
129467-59010	18	6
129472-18090	7	1
129486-59510	18	20
129486-59551	18	18
129509-51390	15	23 A
	23	33
129550-59120	17	31
129657-51590	15	60
	23	70
129657-51600	15	61
	23	71
129693-44310	3	9
129795-01900	20	1
	21	1
129795-01960	11	1
129900-01200	1	30
129900-01250	1	4
129900-01740	2	26
129900-02020	1	7
129900-02341	1	34
129900-02410	1	10
129900-02931	1	27
129900-02941	1	37
129900-13251	6	2
129900-14100	8	6
129900-14140	2	35
129900-21200	9	3
129900-21600	9	21
129900-21640	9	9
129900-23001	9	30

## Parts No. Index

Parts No.	Fig. No.	Ref. No.
129900-23200	9	34
129900-23601	9	35
129900-23611	9	37
129900-23911	9	33
129900-25100	8	10
129900-26250	2	36
129900-32030	2	17
	12	16
129900-32040	2	18
129900-42061	14	1
129900-42070	14	2
129900-42140	14	20
129900-42161	14	6
129900-42170	14	7
129900-42461	14	35
129900-49560	14	42
129900-77010	19	1
129900-77400	19	2
129900-77440	19	5
129900-77450	19	7
		9
129900-77460	19	11
129900-77480	19	8
129900-77510	19	17
129900-77520	19	20
129900-77540	19	18
129900-77550	19	19
129900-77591	19	12
129900-77610	19	23
129900-77620	19	13
129900-77640	19	15
129900-77650	19	14
129900-77700	19	16
129900-77710	19	24
129906-01960	15	133
129906-12100	5	1
129906-51580	15	58
	23	68
129907-01331	1	31
129907-03011	4	71
129907-03061	4	72
129907-03070	4	73
129907-11100	4	31
129907-11110	4	32
129907-11120	4	33
129907-11250	4	51
129907-11260	4	52
129907-11270	4	53
129907-11341	4	50
129907-11510	4	37

Parts No.	Fig. No.	Ref. No.
129907-11650	4	55
129907-11660	4	59
129907-11800	4	26
129907-11910	4	46
129907-11920	4	63
129907-11950	4	47
129907-12110	5	2
129907-14400	8	2
129907-22050	9	24
129907-25900	8	16
129907-44740	14	37
129907-51560	15	55
	23	65
129907-59140	18	15
129908-01520	2	3
129908-11700	4	21
129908-14581	8	3
129908-22080	9	22
129908-32060	2	4
129908-39410	13	32
129908-39690	13	29
129908-53000	17	2
129908-59810	17	37
129908-59820	17	38
129908-59830	17	39
129908-59840	17	40
129915-77051	5	11
129916-01800	2	32
129916-21610	9	12
129916-59020	15	125
	23	136
129927-51500	23	4
129927-51550	23	5
129927-51930	23	112
129928-51900	23	19
129930-39050	13	23
129933-11310	4	76
129935-18010	7	4
129950-59221	18	13
129953-25300	8	15
129956-01640	3	12
129956-01710	1	5
129956-01740	3	5
129956-07911	4	16
129956-21000	9	1
129956-26010	10	1
129956-26220	10	3
129956-28009	11	2
129956-28019	11	6
129956-28101	11	10

Parts No.	Fig. No.	Ref. No.
129956-28111	11	11
129956-28180	11	12
129956-28321	9	7
129956-28332	11	13
129956-28341	11	14
129956-33011	12	1
129956-33101	12	3
129956-33110	12	4
129956-33120	12	5
129956-35000	12	17
129956-49172	12	8
129957-33050	12	2
129960-21640	9	13
129961-77200	21	2
129961-77421	21	5
129963-39060	13	14
129963-49060	14	54
129963-49070	14	58
129972-01600	3	1
129972-01700	3	3
129972-01731	3	4
129972-03010	4	1
129972-03200	4	5
129972-03210	4	6
129972-03220	4	7
129972-03280	4	10
129972-03310	4	11
129972-07920	4	17
129972-11321	4	70
129972-13100	6	1
129972-13420	6	5
129972-13501	6	6
129972-13651	6	7
129972-13951	6	8
129972-18210	5	5
129972-18250	5	7
129972-21580	9	18
129972-21590	9	17
129972-21650	9	10
129972-21660	9	14
129972-33140	12	6
129972-34800	12	13
129972-39450	13	3
129972-39610	13	27
129972-42010	14	4 -1
129972-42100	14	4
129972-42110	14	3
129972-42280	14	36
129972-44900	14	46
129972-49350	14	16

Parts No.	Fig. No.	Ref. No.
129972-55620	18	2
129972-59010	18	10
129972-59090	18	12
129972-59710	17	35
129972-77360	20	35
129972-77370	21	34
129972-96150	22	14
129972-96901	22	15
129972-96921	5	13
129972-96951	14	21
129972-96961	14	25
129972-96971	14	26
129972-96980	14	27
129974-01950	15	132
129974-01970	15	134
129981-49531	14	40
144626-51090	15	12
	23	21
158552-51570	15	56
158552-51571	23	66
158552-51580	15	59
	23	69
158552-51670	15	4
	23	9
158552-51781	15	99
	23	109
158552-52100	15	105
	23	118
158552-52310	15	107
158552-52311	23	120
158552-52400	15	108
	23	121
158552-52500	15	106
	23	119
158553-51670	15	64
	23	74
158553-51680	15	77
	23	87
158553-61780	16	22
158557-51570	15	57
	23	67
158557-61600	16	20
158557-61720	16	21
158560-51600	15	69
	23	79
158560-61050	16	2
158563-51150	8	17
158563-51281	15	22
		23
	23	31



## Parts No. Index

Parts No.	Fig. No.	Ref. No.
158563-51281	23	32
158563-51330	15	32
	23	42
158600-51270	15	21
	23	30
158601-51550	15	54
	23	64
158601-51570	23	7
158601-51650	15	76
	23	86
158601-51770	15	98
	23	108
158601-51790	15	100
	23	110
171008-77450	19	6
171008-77730	19	21
171008-77740	19	22
171008-77750	19	25
171051-01921	1	6
185109-00030	19	27
185109-00080	19	28
1A7320-87902	22	1
1A7450-41110	10	6
1A7450-41111	10	6 -1
1A7471-87900	22	1 -1
22137-100000	14	29
22190-080002	13	9
		11
		19
		21
		25
	18	22
22190-120002	14	49
		53
	15	101
		109
		110
	23	113
		122
		123
22190-160002	3	8
22190-180002	15	102
	23	8
		114
22217-050000	15	130
	23	141
22217-180000	8	18
	15	111
	23	124
22252-000300	9	29

Parts No.	Fig. No.	Ref. No.
22312-050140	15	112
	23	125
22351-030010	13	39
22351-050010	15	113
	23	126
22351-060012	1	11
22411-160120	14	30
22512-070140	8	7
	9	8
22857-500100	4	78
22857-500120	4	79
23000-022000	4	12
	12	9
23000-025000	13	30
23000-054000	5	8
23000-070000	5	9
23065-160500	4	13
23080-012000	14	57
		61
23414-100000	13	12
23414-120000	16	23
23857-030000	13	10
		20
23857-060000	15	114
	23	127
23876-005000	11	15
23876-020000	4	28
23876-030000	1	12
		13
	4	14
		29
		80
	14	14
23887-120002	15	103
	16	24
24104-062024	14	24
24311-000070	15	115
	23	128
24311-000120	4	48
		82
24311-000200	11	17
24311-000320	2	25
	4	83
24314-000200	12	10
24321-000600	12	11
24341-000480	16	25
24341-000530	9	15
24351-030750	2	19
24356-010200	15	67
		116

Parts No.	Fig. No.	Ref. No.
24356-020210	15	117
24356-190200	23	77
		129
24356-240210	23	130
24372-000150	15	68
	23	78
26014-080222	6	10
26014-080252	20	36
	21	35
26106-060102	15	118
	23	131
26106-060142	12	12
26106-060162	13	31
	16	26
	17	41
26106-060252	16	27
26106-060352	15	119
	23	132
26106-060402	16	28
26106-080102	6	11
		12
26106-080122	3	11
	13	13
		22
	22	17
26106-080142	4	15
	12	18
26106-080162	2	20
		28
	8	8
	11	16
26106-080182	17	42
26106-080202	2	21
	4	18
		19
	12	19
	15	135
		136
	18	4
26106-080222	5	14
	15	137
	22	18
26106-080252	6	13
	14	45
	15	138
		139
26106-080302	3	15
	18	5
26106-080352	5	12
26106-080402	2	29

Parts No.	Fig. No.	Ref. No.
26106-080402	2	34
	4	65
	14	32
26106-080452	2	22
	14	39
	20	37
	21	36
26106-080552	5	3
	8	14
	14	33
26106-080602	4	66
		67
	11	18
	14	34
26106-080702	22	19
26106-080852	5	4
26106-081004	20	33
	21	32
26106-100202	15	140
26106-100452	5	15
	22	20
26116-050102	4	9
26116-060162	14	18
26116-100202	3	2
26116-120252	19	26
26216-080202	10	4
26216-100302	2	16
26226-080222	4	64
26306-080002	4	68
	6	14
	7	3
	10	5
	20	34
	21	33
26306-100002	2	23
	14	31
	20	30
	21	29
26450-100452	15	122
	23	133
26577-060142	14	19
26716-050002	15	131
	23	142
26776-180002	8	19
	15	123
	23	134
27241-300000	1	14
27241-400000	4	30
27310-070001	4	42
729900-02801	1	24

# Parts No. Index

Parts No.	Fig. No.	Ref. No.
729906-01550	2	30
729907-22950	9	41
729908-22900	9	39
729908-53100	17	1
729972-01560	1	1
729972-51310	15	1
729972-51380	15	1 -1
	23	1
X2114155110	19	3
X2114255110	19	4
X2130631300	19	10
X9490561001	20	3
	21	27

Parts No.	Fig. No.	Ref. No.
-----------	----------	----------

Parts No.	Fig. No.	Ref. No.
-----------	----------	----------

Parts No.	Fig. No.	Ref. No.
-----------	----------	----------