

0CNP5-M04700EN

Contents

OCNP5-M04700

Fig. No.	Fig. Name	Fig. No.	Fig. Name
ENGINE CONTROL SEC.		23.	FRONT AXLE HOUSING
1.	ENGINE RELATED	24.	BREATHER(FRONT
2.	ENGINE PARTS	25.	FRONT GEAR HOUSING
3.	ACCEL SENSOR	26.	FRONT SHAFT
4.	FOOT AXLE,CABFLR	27.	FRONT SPINDLE
5.	FOOT AXLE,CABFLR	28.	SHAFT COVER
6.	FOOT AXLE,MAIN	29.	FRONT WHEEL TIRE
7.	EXHAUST	30.	HUB BOLT
8.	FUEL OIL TANK	31.	STEERING COLUMN
9.	TANK FRAME	32.	STEERING COLUMN
10.	BREATHER(MAIN	33.	STEERING COLUMN
11.	BREATHER(FLOOR	34.	WHEEL , STEERING
12.	BREATHER(CAB	35.	CYLINDER, STEERING
13.	PRE-CLEANER	36.	POWER STEERING VALVE
FRONT AXLE SECTION		37.	POWER STEERING LINE
14.	FRONT BRACKET	38.	POWER STEERING HOSE
15.	FRONT WEIGHT	TRANSMISSION SECTION	
16.	CENTER PIN	39.	HOUSING , CLUTCH
17.	ARM	40.	HOUSING , CLUTCH
18.	TIE-ROD	41.	DOCKING BOLT
19.	DIFF. RING GEAR	42.	DAMPER DISC
20.	DIFFERENTIAL GEAR	43.	CLUTCH LINK,MAIN
21.	PROPELLER SHAFT	44.	CLUTCH LINK,MAIN
22.	FRONT SHAFT	45.	CLUTCH LINK

Contents

OCNP5-M04700

Fig. No. Fig. Name

- 46. CLUTCH LINK
- 47. TRANSMISSION CASE
- 48. TRANSMISSION CASE
- 49. CENTER PLATE
- 50. CENTER PLATE
- 51. MAIN VALVE
- 52. MAIN VALVE
- 53. REVERSE VALVE
- 54. PTO. VALVE
- 55. FRONT COVER
- 56. SUPPORT PLATE
- 57. MAIN SHAFT
- 58. MAIN SHAFT
- 59. CLUTCH SHAFT
- 60. CLUTCH SHAFT
- 61. MORTOR SHAFT
- 62. DRIVEN SHAFT
- 63. COUNTERSHAFT
- 64. COUNTERSHAFT
- 65. REDUCTION SHAFT
- 66. REDUCTION SHAFT
- 67. POWER REVERSE
- 68. CREEP GEAR
- 69. PTO. CLUTCH
- 70. PTO. DRIVE SHAFT

Fig. No. Fig. Name

- 71. PTO. SHAFT
- 72. PTO SHAFT COVER
- 73. PTO. SHAFT GUARD
- 74. MAIN SHIFT
- 75. SHIFT LEVER,FLOR
- 76. SHIFT LEVER
- 77. SHIFT LEVER,MAIN
- 78. SHIFT LEVER,MAIN AS
- 79. REVERSE LEVER
- 80. REVERSE LEVER
- 81. REVERSE LEVER
- 82. REVERSE LEVER,MAIN A
- 83. RANGE SHIFT
- 84. RANGE SHIFT
- 85. RANGE SHIFT LEVER
- 86. RANGE SHIFT LEVER
- 87. RANGE SHIFT LEVER
- 88. RANGE SHIFT LEVER
- 89. PTO. SHIFT
- 90. GROUND PTO. LEVER
- 91. CREEP SHIFT
- 92. FRONT DRIVE
- 93. HST
- 94. H.S.T. CONTROL

Contents

OCNP5-M04700

Fig. No.	Fig. Name
REAR AXLE SECTION	
95.	DIFF. RING CEAR
96.	DIFFERENTIAL GEAR
97.	DIFF. CARRIER
98.	REAR AXLE HOUSING
99.	DIFF. LOCK
100.	DIFF. LOCK PEDAL
101.	FINAL PINION
102.	FINAL GEAR
103.	REAR AXLE SHAFT
104.	REAR WHEEL TIRE
105.	REAR HUB BOLT
106.	BRAKE
107.	PEDAL
108.	BRAKE LINK,MAIN
109.	BRAKE LINK,CAB,FL00R

HYD. CONTROL SECTION	
110.	PUMP , HYDRAULIC
111.	HYD. VALVE HOUSING
112.	HYD. CYLINDER
113.	LIFT CRANK
114.	CONTROL
115.	BOLT,STOP
116.	HEAD,HYD.VALVE

Fig. No.	Fig. Name
117.	SAFETY VALVE
118.	SCV. DOUBLE
119.	SCV. DOUBLE(CP
120.	SCV. CONTROL
121.	SCV. CONTROL
122.	SCV. CONTROL
123.	HYDRAULIC CONTROL
124.	HYDRAULIC CONTROL
125.	HYDRAULIC CONTROL
126.	DRAFT AND AUTO
127.	HYDRAULIC LINE
128.	HYDRAULIC LINE
129.	HYDRAULIC LINE
130.	HYDRAULIC FILTER
131.	OIL COOLER
132.	OIL COOLER

ELECTRO. PARTS SEC.	
133.	WIRE HARNESS
134.	WIRE HARNESS
135.	WIRE HARNESS
136.	WIRE HARNESS
137.	WIRE HARNESS
138.	WIRE HARNESS
139.	WIRE HARNESS

Contents

OCNP5-M04700

Fig. No.	Fig. Name
140.	WIRE HARNESS
141.	WIRE HARNESS
142.	WIRE HARNESS
143.	WIRE HARNESS
144.	WIRE HARNESS
145.	BATTERY
146.	SWITCH
147.	SWITCH
148.	SWITCH
149.	SWITCH
150.	SWITCH
151.	SWITCH
152.	SWITCH
153.	LAMP(MAIN
154.	LAMP(CABFLOOR
155.	METER
156.	METER
157.	HORN
158.	BACKBUZZER

FITTINGS SECTION

159.	FRONT FRAME
160.	FRONT FRAME
161.	HOOD
162.	HOOD

Fig. No.	Fig. Name
163.	HOOD SEAL
164.	HOOD SEAL
165.	GRILLE,FRONT
166.	DASHBOARD
167.	DASHBOARD
168.	LEVER GUIDE
169.	LEVER GUIDE CAB
170.	INTERIOR
171.	INTERIOR
172.	OVER FENDER
173.	FLOOR FRAME
174.	FLOOR FRAME
175.	FLOOR SUPPORT
176.	FLOOR SUPPORT
177.	DUST GUARD
178.	DRIVER SEAT
179.	DRIVER SEAT
180.	BACK MIRROR
181.	BACK MIRROR BKT
182.	LABELS
183.	LABELS
184.	LABELS
185.	LABELS
186.	LABELS(SAFETY
187.	LABELS(SAFETY

Contents

OCNP5-M04700

Fig. No. Fig. Name

HITCH SECTION

- 188. TOP LINK
- 189. LIFT LINK L.H.
- 190. LIFT CYLINDER
- 191. LOWER LINK
- 192. DRAWBAR PLATE
- 193. DRAWBAR HITCH
- 194. SWING
- 195. HYDRAULIC HOSE
- 196. SWING SENSOR
- 197. CONTROL BOX
- 198. CONTROL BOX
- 199. SENSOR
- 200. ROPS

CABIN SECTION

- 201. CABIN FRAME
- 202. CABIN FRAME
- 203. DOOR
- 204. DOOR WINDOW
- 205. FRONT WINDOW
- 206. SIDE WINDOW
- 207. REAR WINDOW
- 208. INTERIOR

Fig. No. Fig. Name

- 209. CABIN SEAL
- 210. CABIN SEAL
- 211. ROOF
- 212. BACK MIRROR
- 213. LAMP
- 214. CABIN SWITCH
- 215. FRONT WIPER
- 216. FRONT WIPER
- 217. REAR WIPER
- 218. AUDIO LESS
- 219. AIR CONDITIONER
- 220. AIR CONDITIONER
- 221. AIR CONDITIONER
- 222. AIR CONDITIONER UNIT
- 223. AIR CONDITIONER DUCT
- 224. LABELS

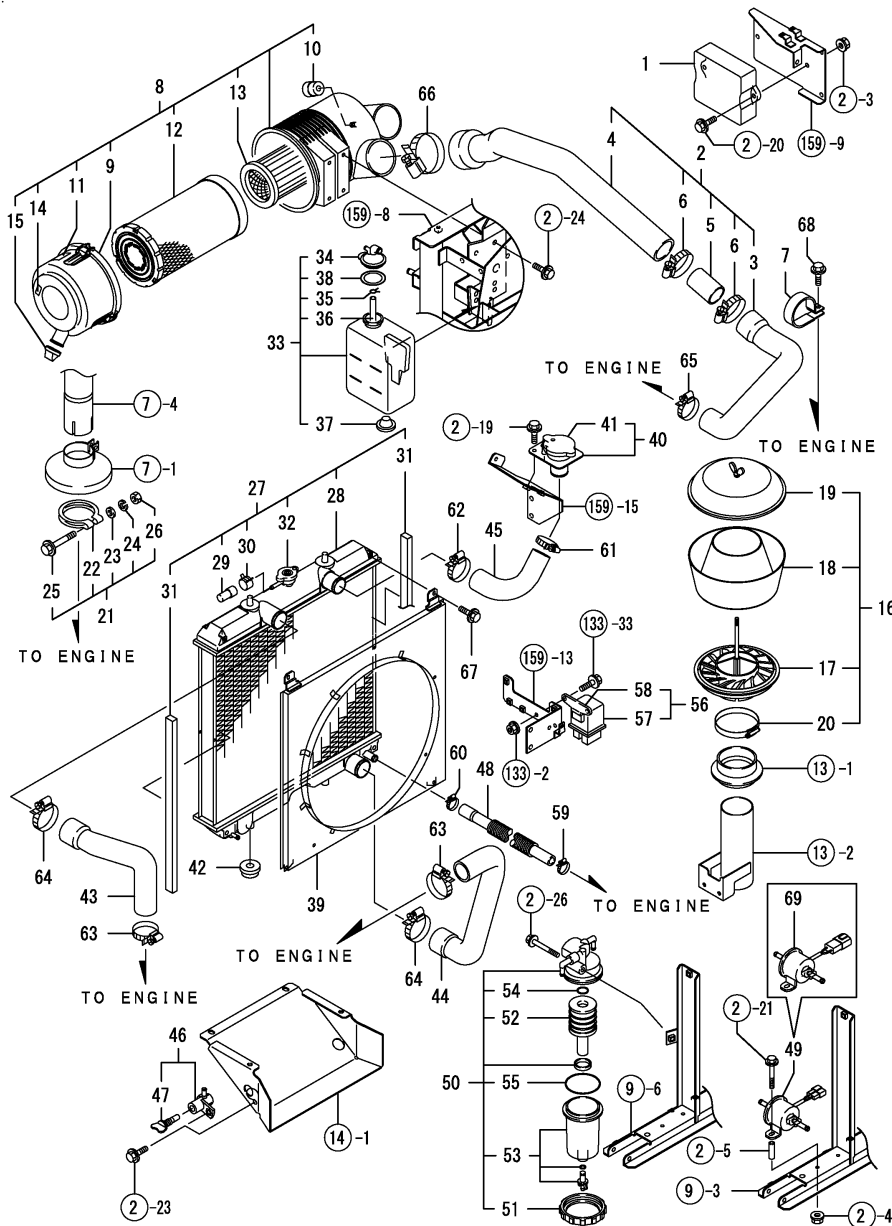
ACCESSORIES SECTION

- 225. DOCUMENT

OPTIONAL SECTION

- 226. SCV SERIES. ,TH
- 227. GUARD (DRIVE SHF
- 228. REPAIR PARTS(FUEL PUMP
- 229. UFO NOISE KIT

Fig.1. ENGINE RELATED



(A)=EG907-AU-PQ
(B)=EG907(CAB-AU-PQ)
(C)=

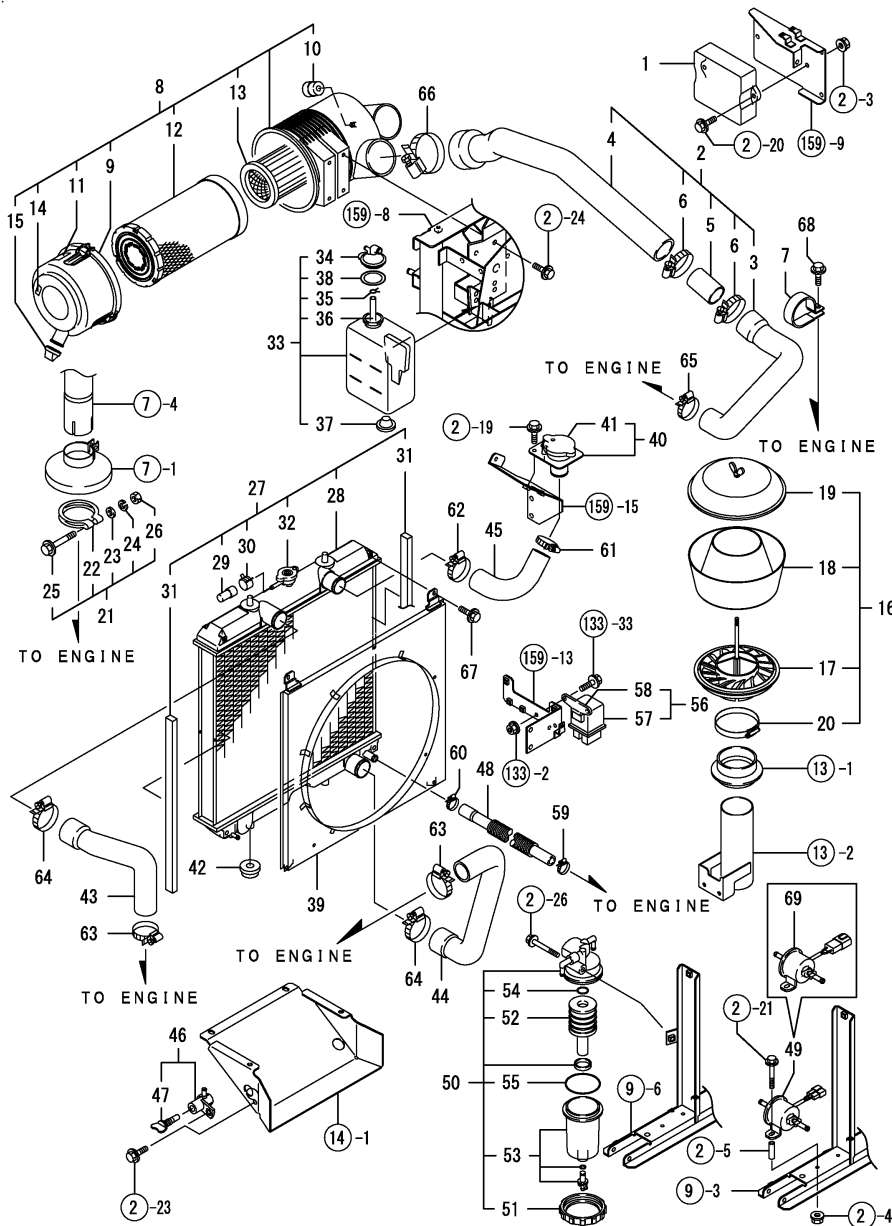
(D)=
(E)=
(F)=

No.	Lev.	Parts No.	Description	Q'ty						I	R
				(A)	(B)	(C)	(D)	(E)	(F)		
1	1	1R1002-00311	ECO-GOVER CAN ASSY	1	1						
2	1	129972-12010	PIPE ASSY,INTAKE	1	1						
3	2	129972-12060	PIPE, INTAKE	1	1						
4	2	129972-12070	PIPE, INTAKE	1	1						
5	2	129972-12080	PIPE	1	1						
6	2	23000-075000	CLAMP, 75	2	2						
7	1	119017-12100	RETAINER, PIPE	1	1						
8	1	129972-12501	CLEANER ASSY, AIR	1	1						
9	2	123950-12520	COVER	1	1						
10	2	119160-12540	VALVE	1	1						
11	2	123950-12550	LABEL, CAUTION	1	1						
12	2	119117-12560	ELEMENT	1	1						
13	2	119117-12570	ELEMENT	1	1						
14	2	129612-12650	LABEL, MARKING	1	1						
15	2	126650-12680	INDICATOR	1	1						
16	1	121975-12601	CLEANER ASSY, PRE	1	1						
17	2	121975-12911	SLEEVE, PRE-CLEANER	1	1						
18	2	121975-12920	BODY, AIR CLEANER	1	1						
19	2	121975-12930	COVER ASSY	1	1						
20	2	121975-12940	CLAMP	1	1						
21	1	129972-13590	CLAMP,PIPE.EXH	1	1						
22	2	129972-13580	CLAMP,PIPE.EXH	1	1						
23	2	22117-100000	WASHER, 10	1	1						
24	2	22217-100000	WASHER, SPRING 10	1	1						
25	2	26106-100652	BOLT, M10X 65 PLATED	1	1						
26	2	26711-100002	NUT, M10	1	1						
27	1	129972-44500	RADIATOR ASSY	1	1						
28	2	129972-44510	SUB ASSY,RADIATOR	1	1						
29	2	129457-44520	CAP	1	1						
30	2	129457-44530	CLAMP	1	1						
31	2	129972-44550	SEAL,RADIATOR	2	2						
32	2	129972-44600	CAP, RADIATOR	1	1						
33	1	129466-44510	TANK ASSY, SUB	1	1						
34	2	121450-44531	CAP	1	1						
35	2	124450-44560	RETAINER	1	1						
36	2	121267-44590	PIPE	1	1						
37	2	121468-44540	PLUG, SUB-TANK	1	1						
38	2	121470-44581	GASKET	1	1						
39	1	129972-44580	SHLAUD	1	1						
40	1	171090-44600	TUBE ASSY, FILLER	1	1						
41	2	119259-44570	CAP, RADIATOR	1	1						
42	1	119255-44660	ABSORBER	2	2						
43	1	129972-49010	PIPE,COOLING WATER	1	1						
44	1	129972-49020	PIPE,COOLING WATER	1	1						
45	1	129972-49030	PIPE,COOLING WATER	1	1						
46	1	129550-49101	COCK ASSY, 2-WAY	1	1						
47	2	129150-49081	COCK, DRAIN	1	1						
48	1	129972-49150	PIPE,COOLING WATER	1	1						
49	1	119225-52102	PUMP ASSY, FUEL FEED	1	1						Z 1
50	1	129906-55700	SEPARATOR ASSY	1	1						

(A)="2008.08.) (B)="2008.08.)

Remarks
(1) THERE IS AN ASSISTANT ARTICLE
AND REFERS TO FIG.228

Fig.1. ENGINE RELATED



(A)=EG907-AU-PQ
 (B)=EG907(CAB-AU-PQ)
 (C)=

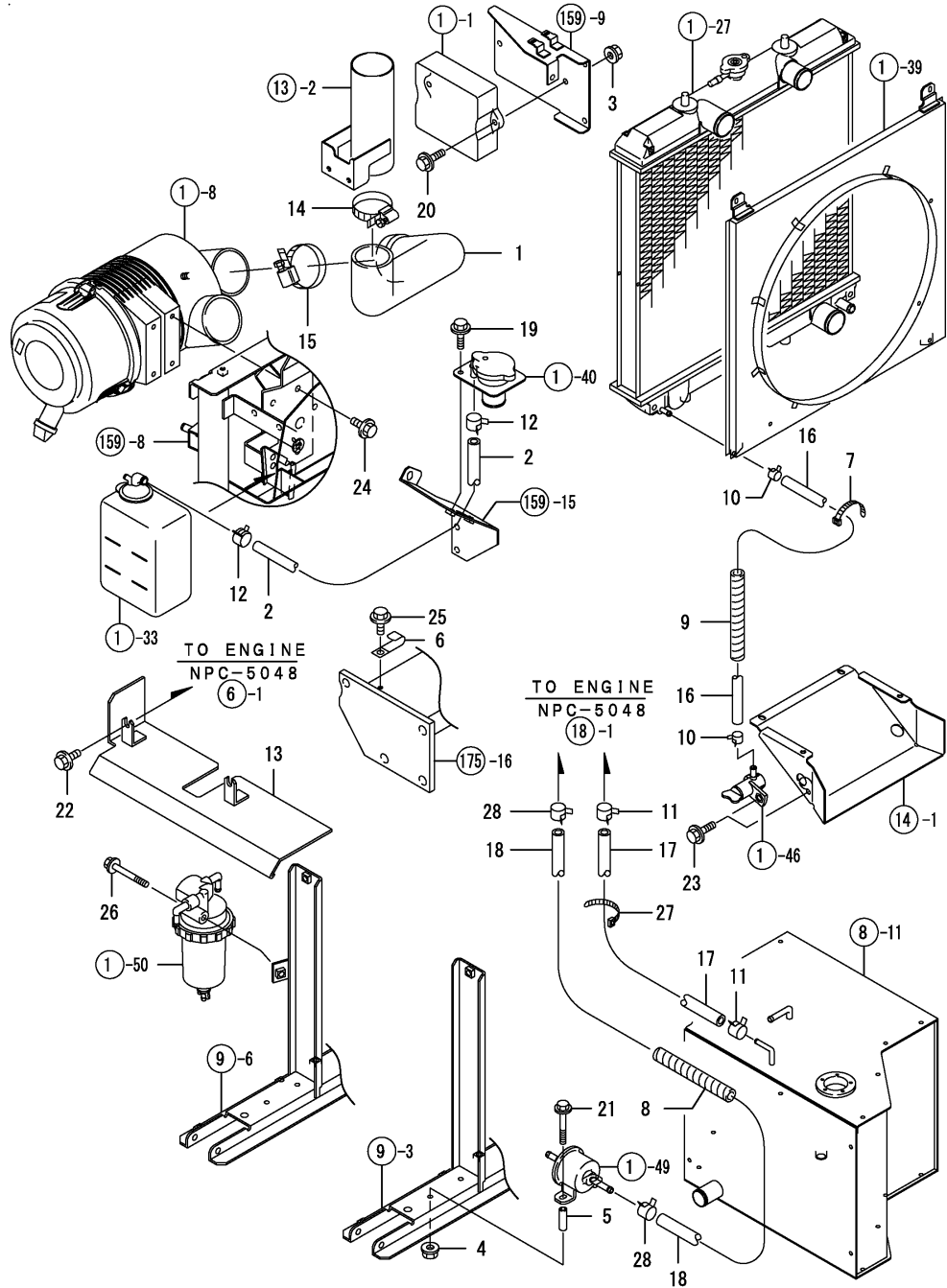
(D)=
 (E)=
 (F)=

No.	Lev.	Parts No.	Description	Q'ty						I	R
				(A)	(B)	(C)	(D)	(E)	(F)		
51	2	129100-55690	RING, RETAINING	1	1						
52	2	119802-55710	ELEMENT	1	1						
53	2	119802-55730	CUP ASSY	1	1						
54	2	24311-000160	O-RING, 1AP16.0	1	1						
55	2	24321-000650	O-RING, 1AG65.0	1	1						
56	1	119650-77910	RELAY ASSY, GLOW	1	1						
57	2	129052-77920	BODY, RELAY	1	1						
58	2	119650-77930	BRACKET, RELAY	1	1						
59	1	23000-022000	CLAMP, 22	1	1						
60	1	23000-025000	CLAMP, 25	1	1						
61	1	23000-041000	CLAMP, 41	1	1						
62	1	23000-048000	CLAMP, 48	1	1						
63	1	23000-048000	CLAMP, 48	2	2						
64	1	23000-054000	CLAMP, 54	2	2						
65	1	23000-060000	CLAMP, 60	1	1						
66	1	23000-102000	CLAMP, 102	1	1						
67	1	26106-060122	BOLT, M6X 12 PLATED	4	4						
68	1	26106-060122	BOLT, M6X 12 PLATED	1	1						
69	1	129612-52100	PUMP ASSY, FUEL FEED	1	1						W 1

(A)=2008.09. (B)=2008.09.

Remarks
 (1) THERE IS AN ASSISTANT ARTICLE
 AND REFERS TO FIG.228

Fig.2. ENGINE PARTS



(A)=EG907-AU-PQ
(B)=EG907(CAB-AU-PQ)
(C)=

(D)=
(E)=
(F)=

No.	Lev.	Parts No.	Description	Q'ty						I	R
				(A)	(B)	(C)	(D)	(E)	(F)		
1	1	1A7460-06100	PIPE, PRE-CLEANER	1	1						
2	1	1A7450-06150	PIPE, OVERFLOW	1	1						
3	1	194990-22130	NUT, M6	2	2						
4	1	194990-22130	NUT, M6	2	2						
5	1	195715-22590	COLLAR, STAY	2	2						
6	1	198448-51460	CLAMP, HARNESS	1	1						
7	1	198448-51910	CLIP, BAND	1	1						
8	1	198133-52170	TUBE, CORRUGATED 13	1	1						
9	1	198133-52170	TUBE, CORRUGATED 13	1	1						
10	1	124766-59050	CLIP, HOSE 12	2	2						
11	1	124766-59050	CLIP, HOSE 12	2	2						
12	1	124766-59050	CLIP, HOSE 12	2	2						
13	1	1A7460-60960	COVER, MOTOR	1	1						
14	1	23000-102000	CLAMP, 102	1	1						
15	1	23000-115000	CLAMP, 115	1	1						
16	1	23980-730400	HOSE, 7.3X 400	1	1						
17	1	23980-730900	HOSE, 7.3X 900	1	1						
18	1	23980-731300	HOSE, 7.3X1300	1	1						
19	1	26106-060122	BOLT, M6X 12 PLATED	2	2						
20	1	26106-060202	BOLT, M6X 20 PLATED	2	2						
21	1	26106-060452	BOLT, M6X 45 PLATED	2	2						
22	1	26106-080122	BOLT, M8X 12 PLATED	2	2						
23	1	26106-080162	BOLT, M8X 16 PLATED	1	1						
24	1	26106-080162	BOLT, M8X 16 PLATED	4	4						
25	1	26106-080162	BOLT, M8X 16 PLATED	1	1						
26	1	26106-080652	BOLT, M8X 65 PLATED	1	1						
27	1	29622-250001	BAND, RF250	1	1						
28	1	124766-59050	CLIP, HOSE 12	2	2						

Fig.3. ACCEL SENSOR

(A)=EG907-AU-PQ
 (B)=EG907(CAB-AU-PQ
 (C)=

(D)=
 (E)=
 (F)=

No.	Lev.	Parts No.	Description	Q'ty						I	R
				(A)	(B)	(C)	(D)	(E)	(F)		
1	1	198448-01390	SENSOR ASSY	1	1						
2	2	198448-04810	ARM, SENSOR	1	1						
3	2	198448-04840	BRACKET, SENSOR	1	1						
4	2	194990-22130	NUT, M6	1	1						
5	2	119060-61990	SPRING, RETURN	1	1						
6	2	129054-77800	SENSOR ASSY	1	1						
7	3	185100-50070	BODY	1	1						
8	3	129054-77811	SUPPORT	1	1						
9	3	129054-77820	GASKET, SUPPORT	1	1						
10	3	129054-77830	SHAFT ASY	1	1						
11	3	24311-000070	O-RING, 1AP7.0	1	1						
12	3	26023-040202	SCREW, M4X20	2	2						
13	2	26106-060122	BOLT, M6X 12 PLATED	2	2						
14	1	26106-060122	BOLT, M6X 12 PLATED	2	2						

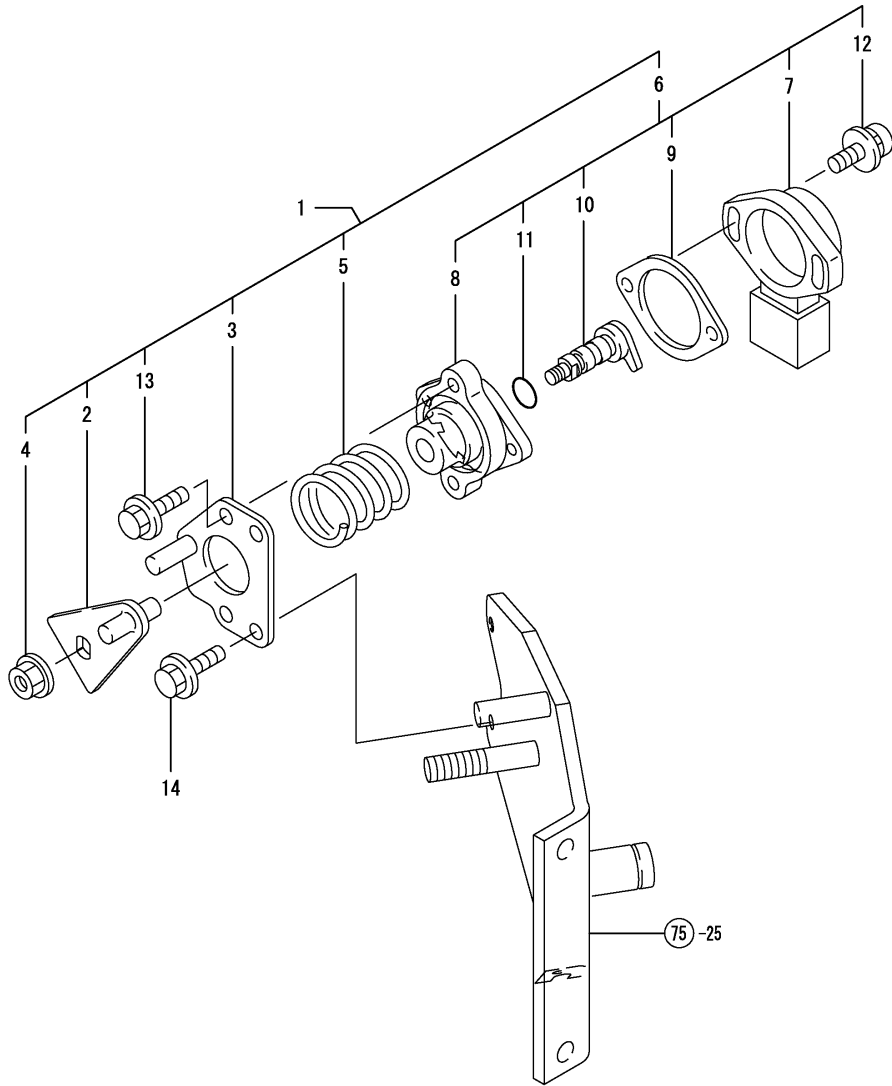
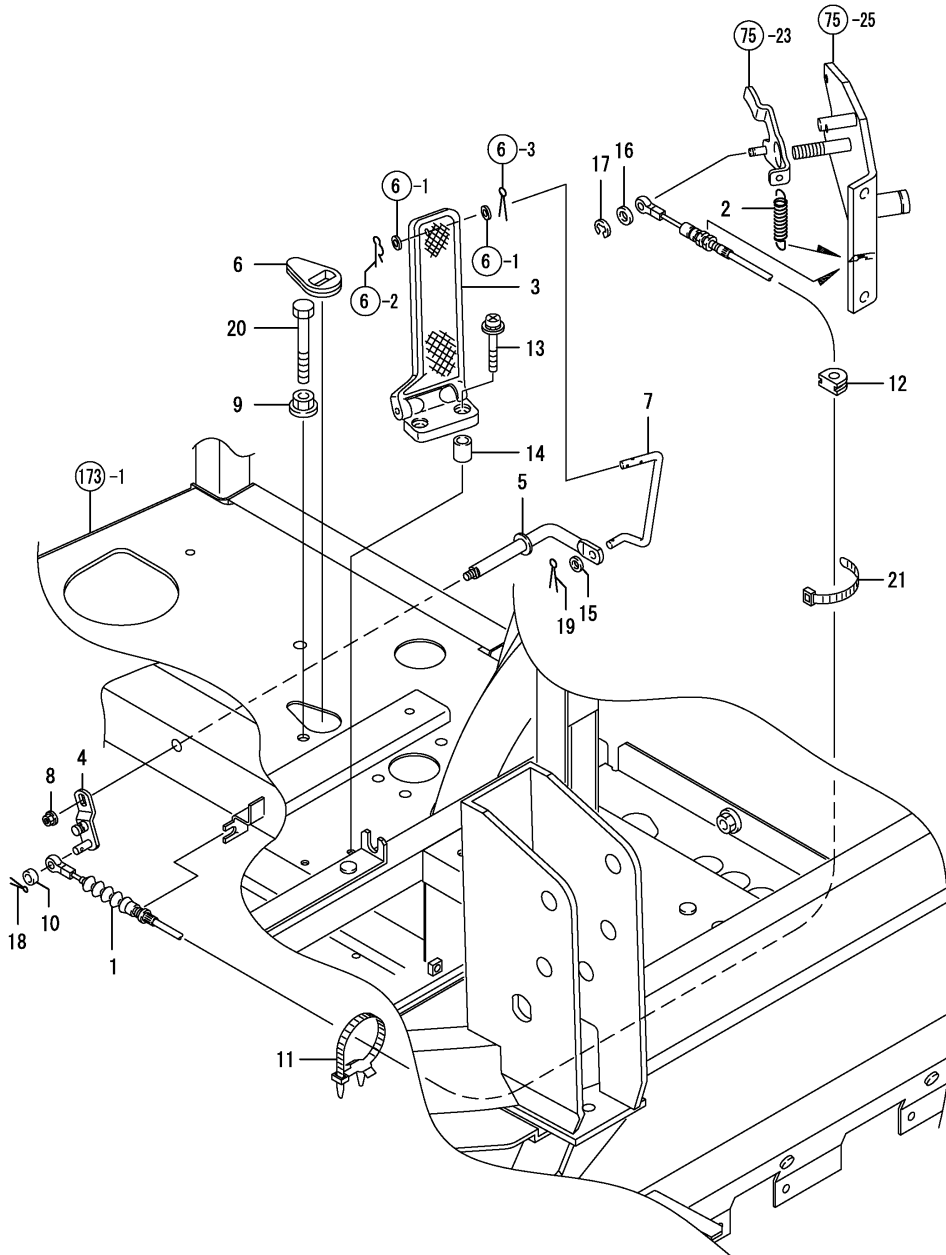


Fig.4. FOOT AXLE,CABFLR

(A)=EG907-AU-PQ
 (B)=EG907(CAB-AU-PQ)
 (C)=

(D)=
 (E)=
 (F)=

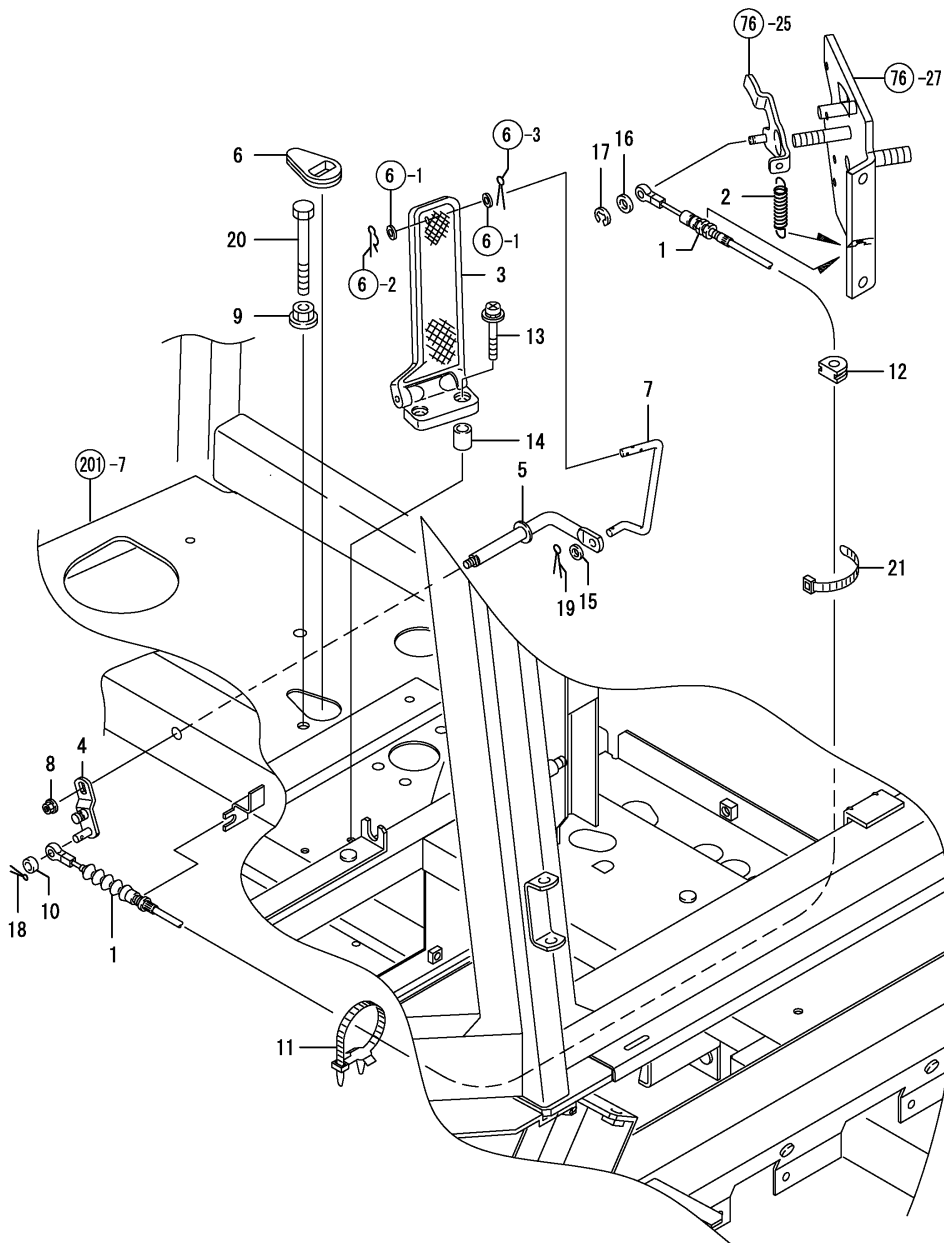


No.	Lev.	Parts No.	Description	Q'ty						I	R
				(A)	(B)	(C)	(D)	(E)	(F)		
1	1	198268-01151	CABLE ASSY	1							
2	1	1A7790-01160	SPRING, RETURN	1							
3	1	1A7640-01200	PEDAL, FOOT THROTTLE	1							
4	1	198071-01340	ARM ASSY	1							
5	1	1A7450-01340	ROD, ACCELERATOR	1							
6	1	198071-01390	GROMMET	1							
7	1	1A7480-01410	ROD, ACCELERATOR	1							
8	1	194990-22130	NUT, M6	1							
9	1	194990-22140	NUT, M8	1							
10	1	1C6215-48870	COLLAR, 6.5X10.5X4.2	1							
11	1	194680-51670	BAND, CLIP	1							
12	1	198071-56290	GROMMET, A	1							
13	1	194065-60570	SCREW M 6X 40	2							
14	1	194151-63250	COLLAR, CUSHION	2							
15	1	22137-060000	WASHER, 6	1							
16	1	22137-060000	WASHER, 6	1							
17	1	22272-000040	RING, E- 4	1							
18	1	22417-160180	PIN, COTTER 1.6X18	1							
19	1	22417-160180	PIN, COTTER 1.6X18	1							
20	1	26116-080754	BOLT, M8X 75 PLATED	1							
21	1	29622-100001	BAND, RF100	1							

Fig.5. FOOT AXLE,CABFLR

(A)=EG907-AU-PQ
 (B)=EG907(CAB-AU-PQ
 (C)=

(D)=
 (E)=
 (F)=



No.	Lev.	Parts No.	Description	Q'ty						I	R
				(A)	(B)	(C)	(D)	(E)	(F)		
1	1	198268-01151	CABLE ASSY		1						
2	1	1A7790-01160	SPRING, RETURN		1						
3	1	1A7480-01200	FEDAL, FOOT THROTTLE		1						
4	1	198071-01340	ARM ASSY		1						
5	1	1A7450-01340	ROD, ACCELERATOR		1						
6	1	198071-01390	GROMMET		1						
7	1	1A7480-01410	ROD, ACCELERATOR		1						
8	1	194990-22130	NUT, M6		1						
9	1	194990-22140	NUT, M8		1						
10	1	1C6215-48870	COLLAR, 6.5X10.5X4.2		1						
11	1	194680-51670	BAND, CLIP		1						
12	1	198071-56290	GROMMET, A		1						
13	1	194065-60570	SCREW M 6X 40		2						
14	1	194151-63250	COLLAR, CUSHION		2						
15	1	22137-060000	WASHER, 6		1						
16	1	22137-060000	WASHER, 6		1						
17	1	22272-000040	RING, E- 4		1						
18	1	22417-160180	PIN, COTTER 1.6X18		1						
19	1	22417-160180	PIN, COTTER 1.6X18		1						
20	1	26116-080754	BOLT, M8X 75 PLATED		1						
21	1	29622-100001	BAND, RF100		1						

Fig.6. FOOT AXLE,MAIN

(A)=EG907-AU-PQ
 (B)=EG907(CAB-AU-PQ
 (C)=

(D)=
 (E)=
 (F)=

No.	Lev.	Parts No.	Description	Q'ty						I	R
				(A)	(B)	(C)	(D)	(E)	(F)		
1	1	22137-060000	WASHER, 6	2	2						
2	1	22372-060000	PIN, SNAP 6	1	1						
3	1	22417-160180	PIN, COTTER 1.6X18	1	1						

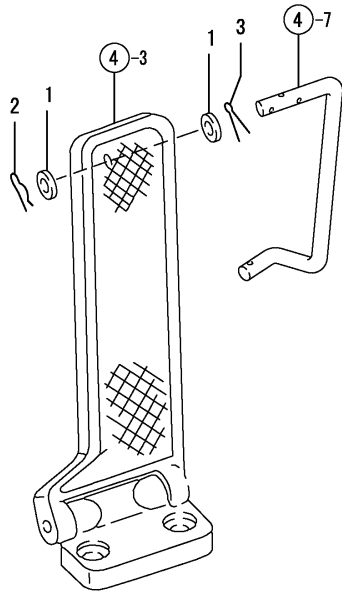
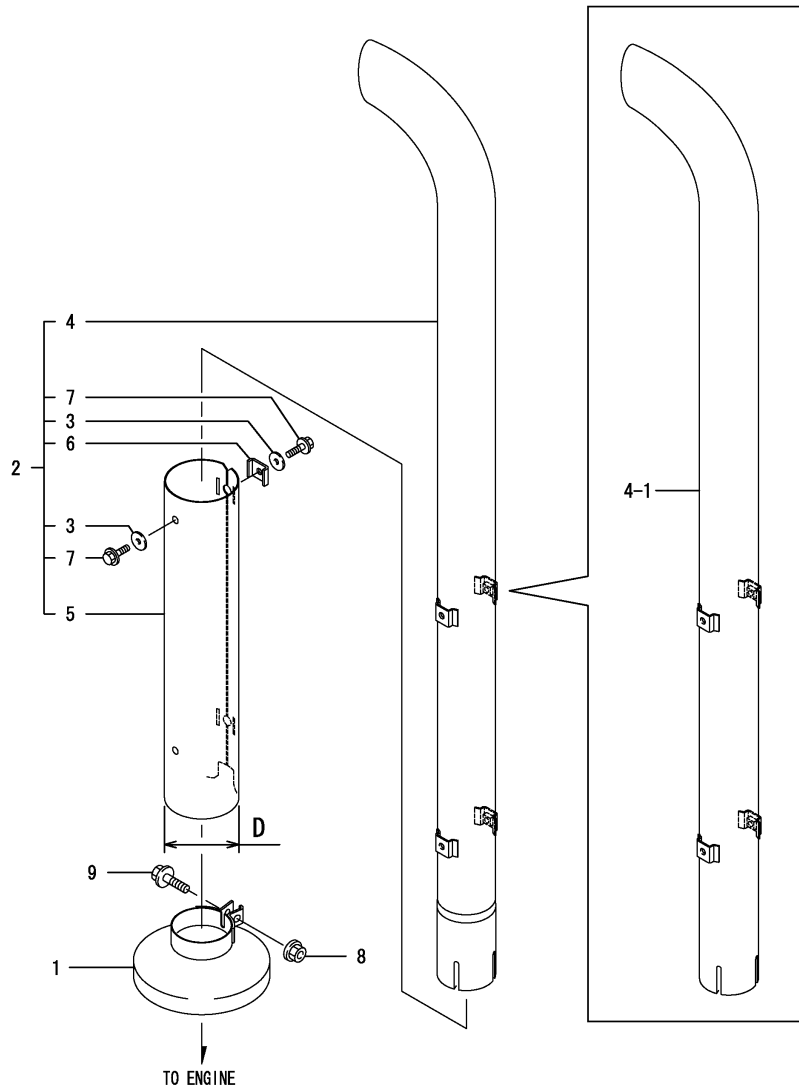


Fig.7. EXHAUST

(A)=EG907-AU-PQ
 (B)=EG907(CAB-AU-PQ)
 (C)=

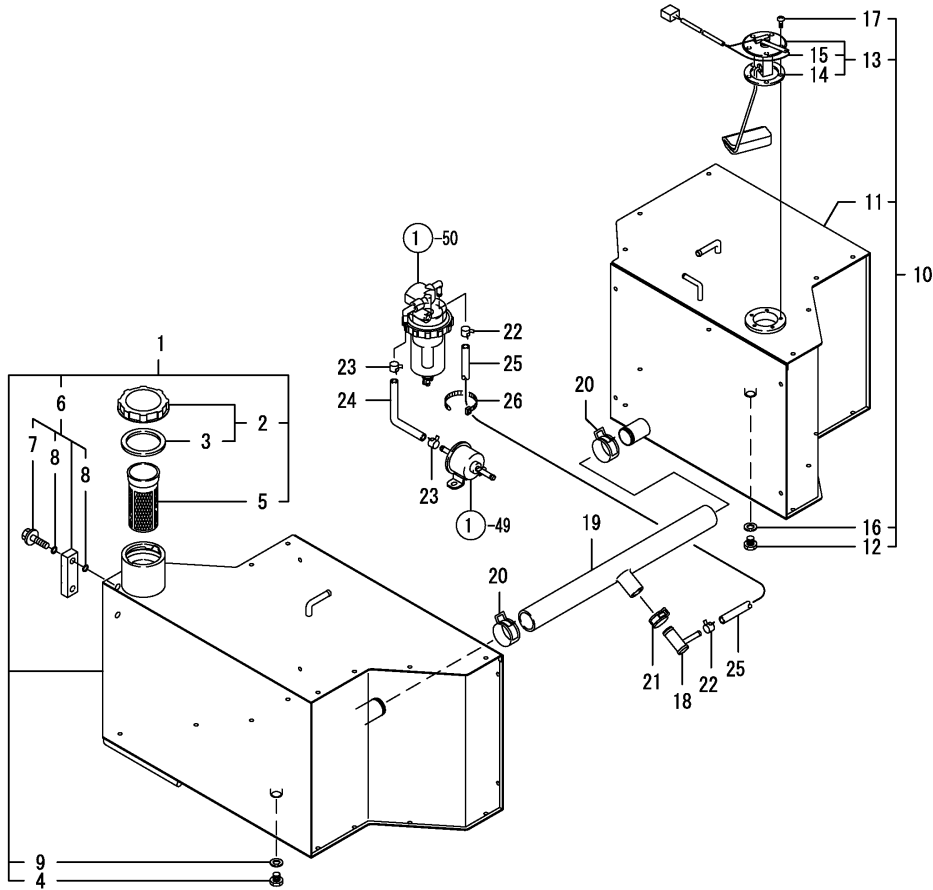
(D)=
 (E)=
 (F)=



No.	Lev.	Parts No.	Description	Q'ty						I	R
				(A)	(B)	(C)	(D)	(E)	(F)		
1	1	1A7450-03110	COVER, TAIL PIPE	1	1						
2	1	1A7450-03200	PIPE ASSY, TAIL	1	1						
2-1	1	1A7450-03201	PIPE ASSY, TAIL	1	1						N
		(A=FZZZZZ) (B=FZZZZZ)									
3	2	194515-01190	WASHER, 6	4	4						
4	2	1A7450-03100	PIPE, TAIL	1	1						
4-1	2	1A7450-03101	PIPE, TAIL	1	1						S
		(A=FZZZZZ) (B=FZZZZZ)									
5	2	1A7450-03130	COVER, MUFFLER PIPE	1	1						
5-1	2	1A7450-03131	COVER, MUFFLER PIPE	1	1						S 1
		(A=FZZZZZ) (B=FZZZZZ)									
6	2	198463-03140	STAY, COVER	2	2						
7	2	1A7450-03170	BOLT, M6X10	4	4						
8	1	194990-22140	NUT, M8	1	1						
9	1	26106-080302	BOLT, M8X 30 PLATED	1	1						

Remarks
 (1) D= Ref.No.5 73.5M/M,5-1 77.3M/M.

Fig.8. FUEL OIL TANK



(A)=EG907-AU-PQ
(B)=EG907(CAB-AU-PQ)
(C)=

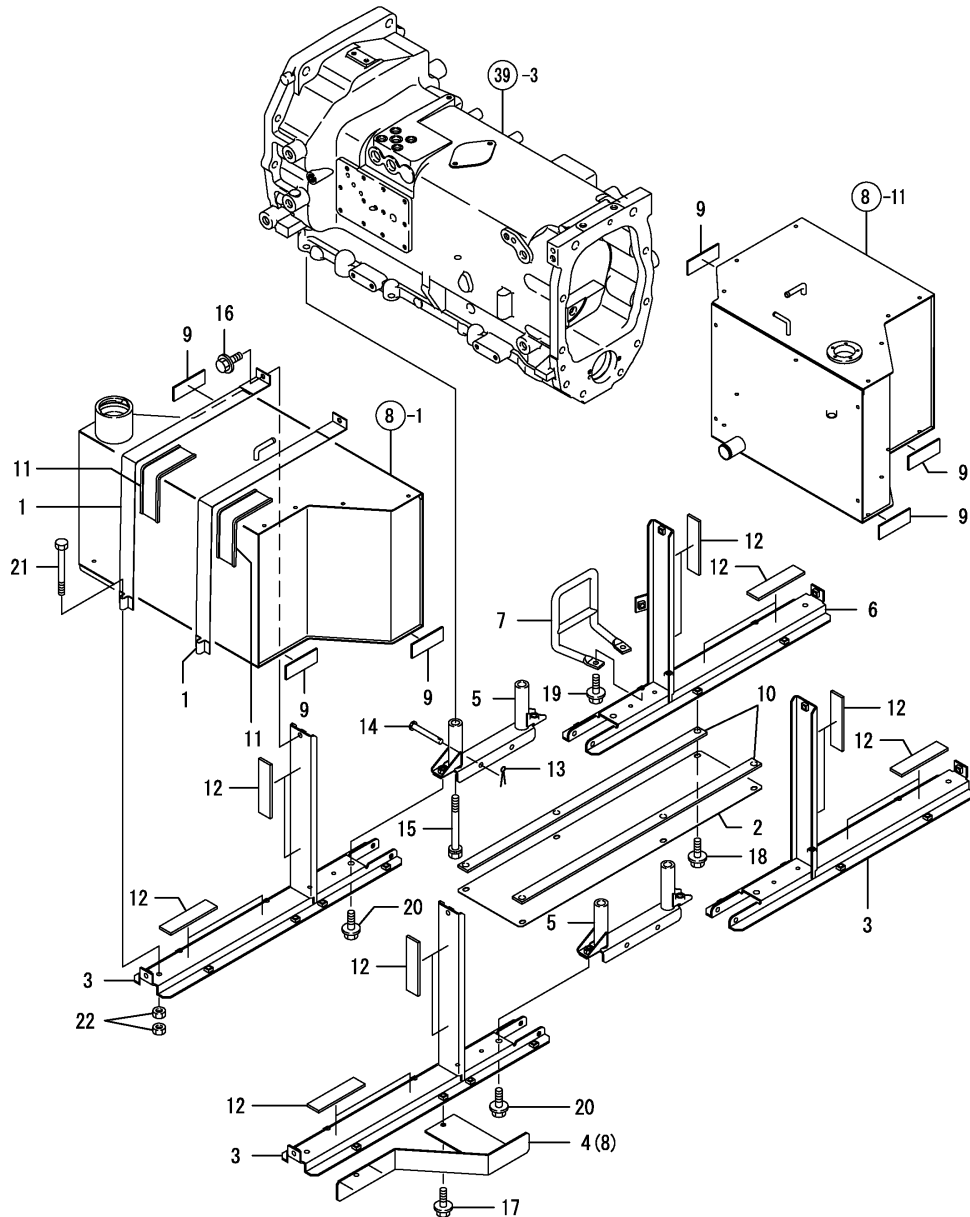
(D)=
(E)=
(F)=

No.	Lev.	Parts No.	Description	Q'ty						I	R
				(A)	(B)	(C)	(D)	(E)	(F)		
1	1	1A7480-04020	TANK ASSY, FUEL L M	1	1						
2	2	1A7450-04400	CAP ASSY, TANK	1	1						
3	3	198153-04290	GASKET	1	1						
4	2	104200-55080	PLUG, DRAIN	1	1						
5	2	101504-55101	STRAINER, FUEL	1	1						
6	2	172447-75600	GAUGE ASSY	1	1						
7	3	172455-75290	BOLT M10	2	2						
8	3	172455-75300	O-RING	4	4						
9	2	23414-120000	GASKET, 12X1.0	1	1						
10	1	1A7450-04150	TANK ASSY, FUEL R	1	1						
11	2	1A7450-04210	TANK ASSY, FUEL R	1	1						
12	2	104200-55080	PLUG, DRAIN	1	1						
13	2	198268-56600	GAUGE ASSY, FUEL	1	1						
14	3	194420-56620	GASKET	1	1						
15	3	198240-56630	WIRE, LEAD	1	1						
16	2	23414-120000	GASKET, 12X1.0	1	1						
17	2	26557-050122	SCREW, M5X12	5	5						
18	1	198071-04331	PIPE ASSY, SUCTION	1	1						
19	1	1A7450-04490	HOSE, FUEL	1	1						
20	1	1A7890-04740	CLIP, HOSE 34	2	2						
21	1	175022-49700	CRIP 23, HOSE	1	1						
22	1	124766-59050	CLIP, HOSE 12	2	2						
23	1	124766-59050	CLIP, HOSE 12	2	2						
24	1	23980-730370	HOSE, 7.3X 370	1	1						
25	1	23980-730600	HOSE, 7.3X 600	1	1						
26	1	29622-140001	BAND, RF140	1	1						

Fig.9. TANK FRAME

(A)=EG907-AU-PQ
 (B)=EG907(CAB-AU-PQ
 (C)=

(D)=
 (E)=
 (F)=

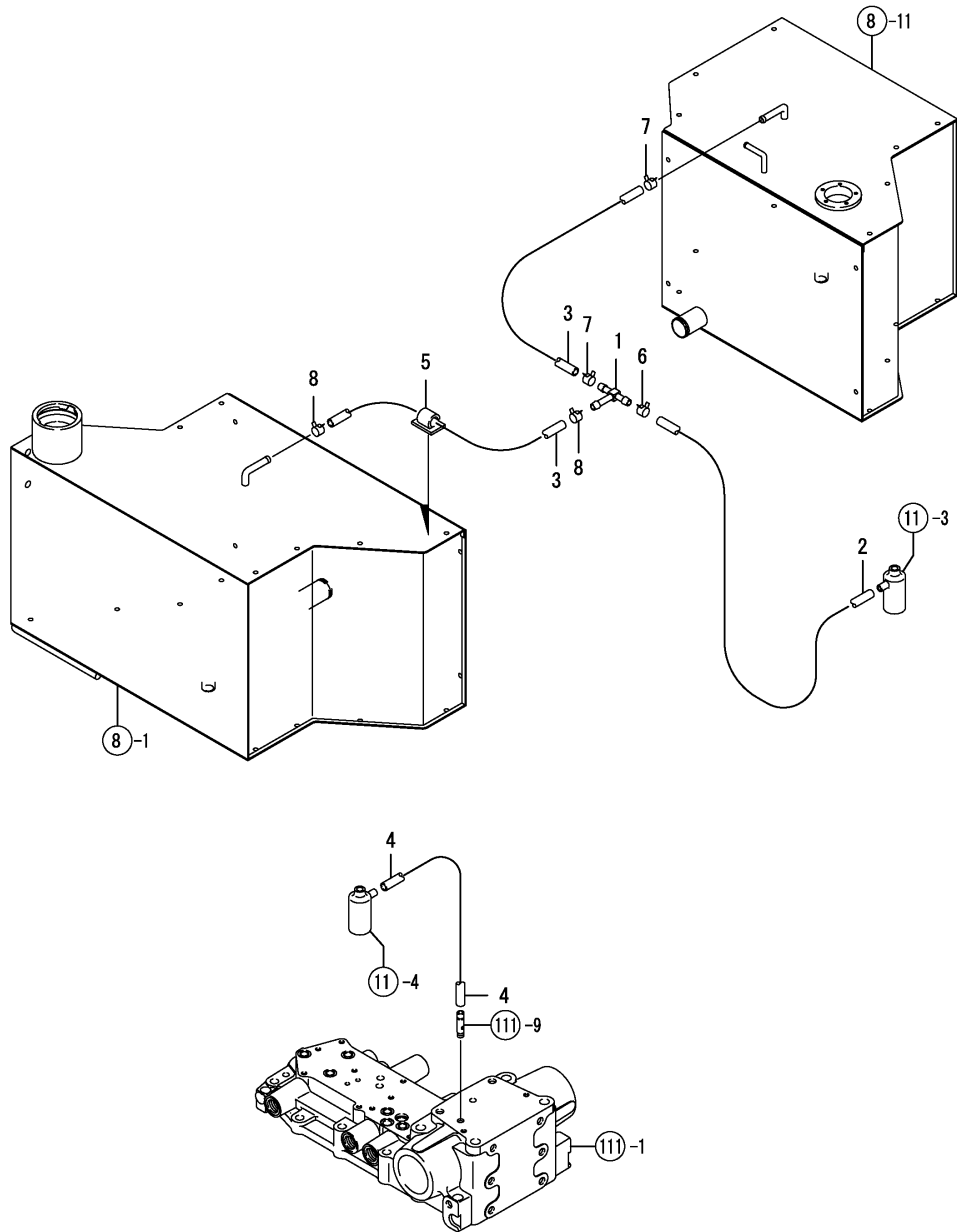


No.	Lev.	Parts No.	Description	Q'ty						I	R
				(A)	(B)	(C)	(D)	(E)	(F)		
1	1	174845-04320	BAND, TANK	4	4						
2	1	1A7450-04480	COVER, UNDER	1	1						
3	1	1A7450-04500	FRAME ASSY, TANK A	3	3						
4	1	1A7450-04530	STOPPER, TANK REAR L	1	1						
5	1	1A7450-04560	STAY, TANK	2	2						
6	1	1A7450-04590	FRAME ASSY, TANK B	1	1						
7	1	1A7450-04600	GUARD, SEPARATOR	1	1						
8	1	1A7450-04630	STOPPER, TANK REAR R	1	1						
9	1	1A7450-04650	RUBBER, CUSHION	6	6						
10	1	1A7450-04660	SEAL, UNDER COVER	2	2						
11	1	198153-04670	RETAINER, BAND	4	4						
12	1	198153-51510	RUBBER, SPACER	16	16						
13	1	22417-200300	PIN, COTTER 2.0X30	4	4						
14	1	22487-080550	PIN 8X 55	4	4						
15	1	26013-121202	BOLT, M12X120	4	4						
16	1	26106-080162	BOLT, M8X 16 PLATED	4	4						
17	1	26106-080162	BOLT, M8X 16 PLATED	4	4						
18	1	26106-080162	BOLT, M8X 16 PLATED	6	6						
19	1	26106-080162	BOLT, M8X 16 PLATED	2	2						
20	1	26106-100202	BOLT, M10X 20 PLATED	4	4						
21	1	26116-080654	BOLT, M8X 65 PLATED	4	4						
22	1	26716-080002	NUT, M8	8	8						

Fig.10. BREATHER(MAIN)

(A)=EG907-AU-PQ
 (B)=EG907(CAB-AU-PQ)
 (C)=

(D)=
 (E)=
 (F)=

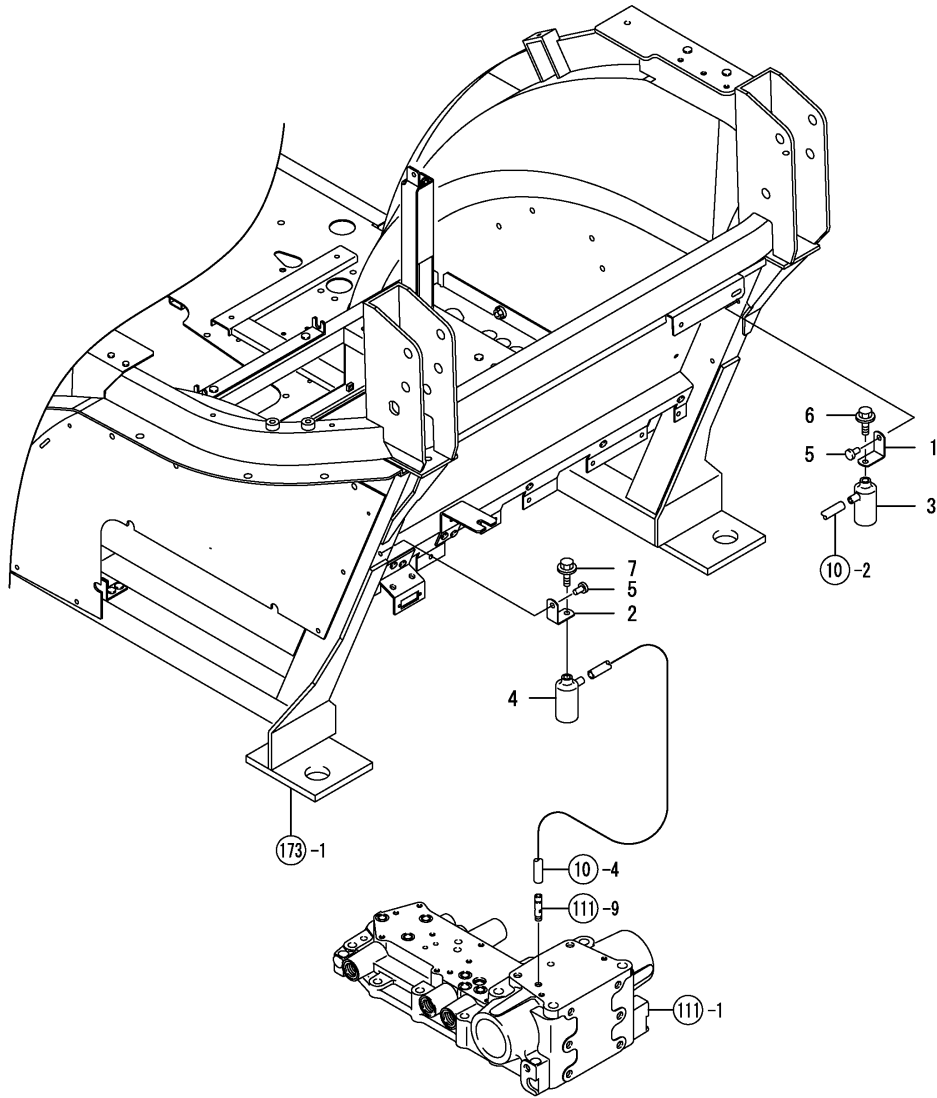


No.	Lev.	Parts No.	Description	Q'ty						I	R
				(A)	(B)	(C)	(D)	(E)	(F)		
1	1	198448-04930	JOINT, HOSE	1	1						
2	1	1A7640-04940	HOSE, TANK	1	1						
3	1	198265-04950	PIPE, OVERFLOW 650	2	2						
4	1	198448-04950	PIPE, OVERFLOW B	1	1						
5	1	172010-07810	STICKER, WIRE	1	1						
6	1	106990-44660	CLIP, HOSE 12.5	1	1						
7	1	106990-44660	CLIP, HOSE 12.5	2	2						
8	1	106990-44660	CLIP, HOSE 12.5	2	2						

Fig.11. BREATHER(FLOOR

(A)=EG907-AU-PQ
 (B)=EG907(CAB-AU-PQ
 (C)=

(D)=
 (E)=
 (F)=

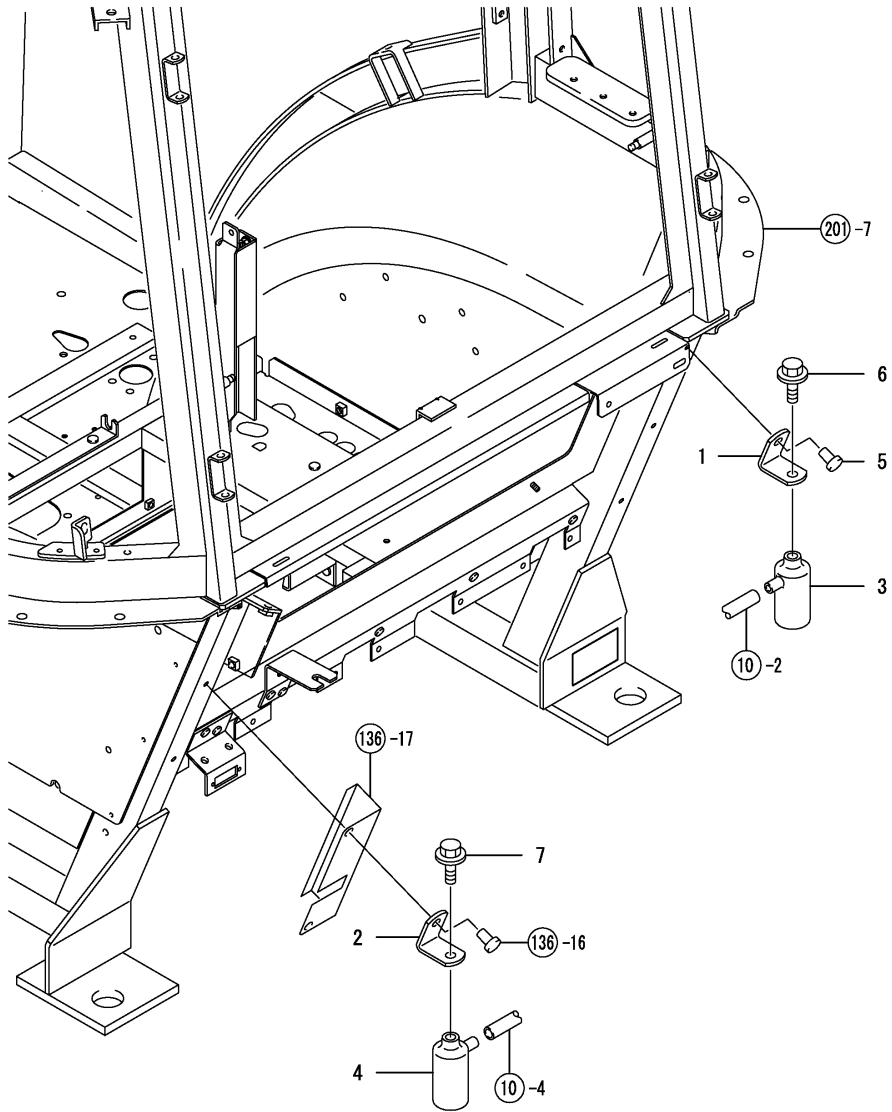


No.	Lev.	Parts No.	Description	Q'ty						I	R
				(A)	(B)	(C)	(D)	(E)	(F)		
1	1	174841-42920	STAY, BREATHER	1							
2	1	174841-42920	STAY, BREATHER	1							
3	1	194205-63550	BREATHER, AIR	1							
4	1	194205-63550	BREATHER, AIR	1							
5	1	198010-85810	RIVET, NYLON	2							
6	1	26106-080122	BOLT, M8X 12 PLATED	1							
7	1	26106-080122	BOLT, M8X 12 PLATED	1							

Fig.12. BREATHER(CAB

(A)=EG907-AU-PQ
 (B)=EG907(CAB-AU-PQ
 (C)=

(D)=
 (E)=
 (F)=



No.	Lev.	Parts No.	Description	Q'ty						I	R
				(A)	(B)	(C)	(D)	(E)	(F)		
1	1	198268-42922	STAY, BREATHER		1						
2	1	198268-42922	STAY, BREATHER		1						
3	1	194205-63550	BREATHER, AIR		1						
4	1	194205-63550	BREATHER, AIR		1						
5	1	198010-85810	RIVET, NYLON		1						
6	1	26106-080122	BOLT, M8X 12 PLATED		1						
7	1	26106-080122	BOLT, M8X 12 PLATED		1						

Fig.13. PRE-CLEANER

(A)=EG907-AU-PQ
 (B)=EG907(CAB-AU-PQ
 (C)=

(D)=
 (E)=
 (F)=

No.	Lev.	Parts No.	Description	Q'ty						I	R
				(A)	(B)	(C)	(D)	(E)	(F)		
1	1	194185-06150	GROMMET, AIR CLEANER	1	1						
2	1	1A7450-06201	BRACKET, PRE-CLEANER	1	1						
3	1	26106-080162	BOLT, M8X 16 PLATED	2	2						

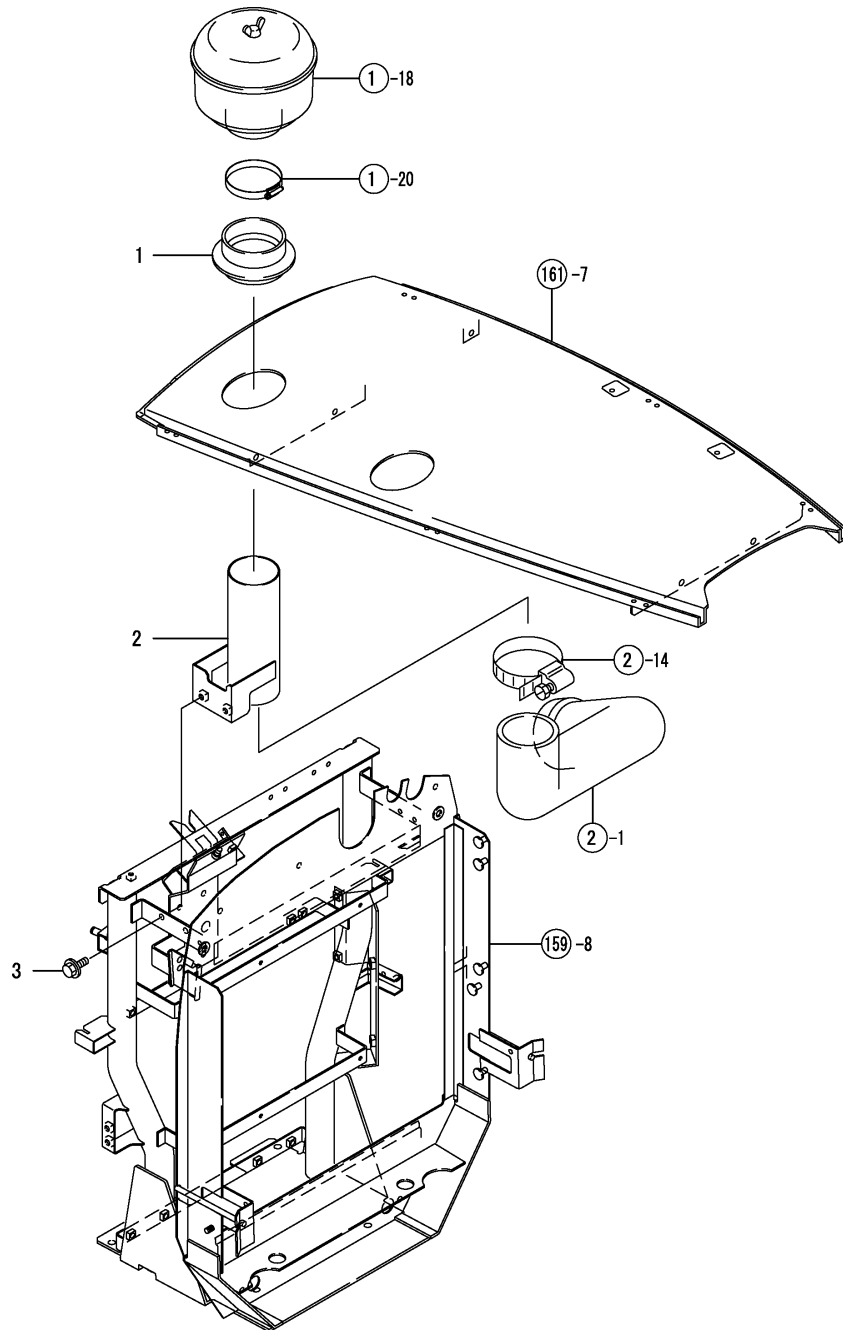
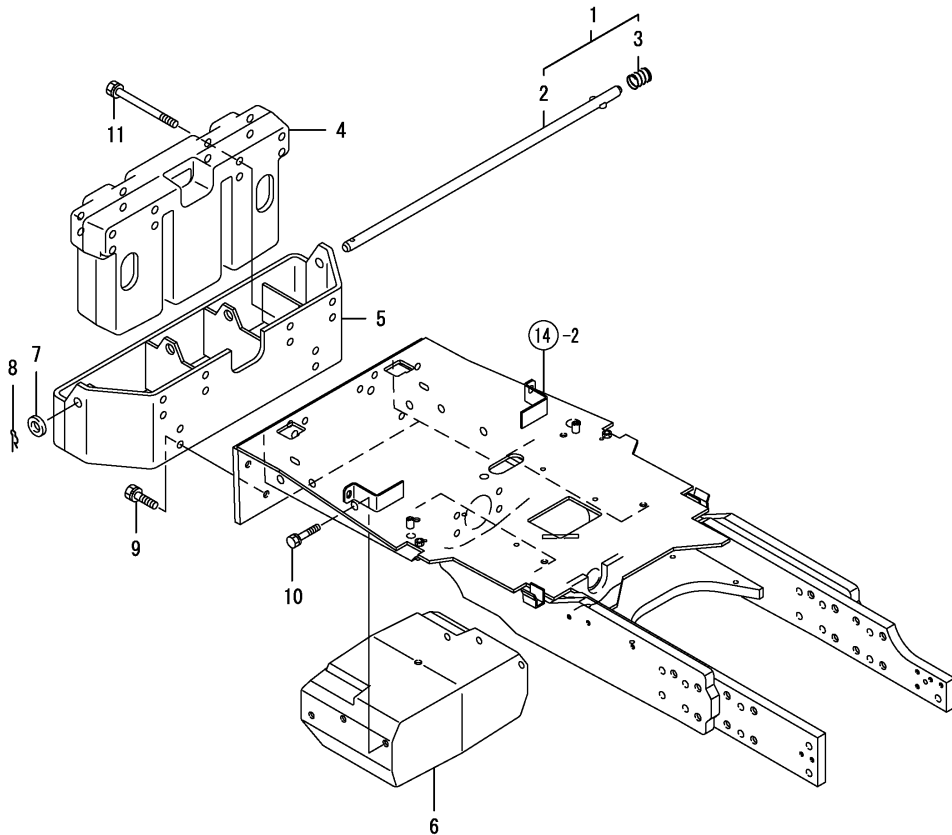


Fig.15. FRONT WEIGHT

(A)=EG907-AU-PQ
 (B)=EG907(CAB-AU-PQ)
 (C)=

(D)=
 (E)=
 (F)=



No.	Lev.	Parts No.	Description	Q'ty						I	R
				(A)	(B)	(C)	(D)	(E)	(F)		
1	1	198440-11090	PIN ASSY, LOCK	1	1						
2	2	198440-11080	PIN	1	1						
3	2	194250-11140	SPRING	1	1						
4	1	198141-11111	WEIGHT, FRONT 50KG	1	1						
5	1	198133-11132	HITCH ASSY, FRONT	1	1						
6	1	1A7450-11311	WEIGHT, FRONT 80KG	1	1						
7	1	22137-160000	WASHER, 16	1	1						
7-1	1	194197-25930	WASHER, 17X24X1.6	1	1						N
		(A=FZZZZZ) (B=FZZZZZ)									
8	1	22360-200000	PIN, SNAP 20	1	1						
9	1	26013-120302	BOLT, M12X 30	2	2						
10	1	26013-120502	BOLT, M12X 50	6	6						
11	1	26013-121052	BOLT, M12X105	4	4						

Fig.16. CENTER PIN

(A)=EG907-AU-PQ
 (B)=EG907(CAB-AU-PQ)
 (C)=

(D)=
 (E)=
 (F)=

No.	Lev.	Parts No.	Description	Q'ty						I	R
				(A)	(B)	(C)	(D)	(E)	(F)		
1	1	1A7450-11501	PIN ASSY, CENTER	1	1						
2	2	24761-050000	NIPPLE, GREASE C	1	1						
3	1	198220-11520	BOLT, M12X38	4	4						
4	1	198220-11520	BOLT, M12X38	1	1						
5	1	198240-11550	SPACER, 36X62X27	1	1						
6	1	1A7450-11550	PLATE, PIN	1	1						
7	1	1A7450-13220	SHIM SET, CENTER PIN	1	1						

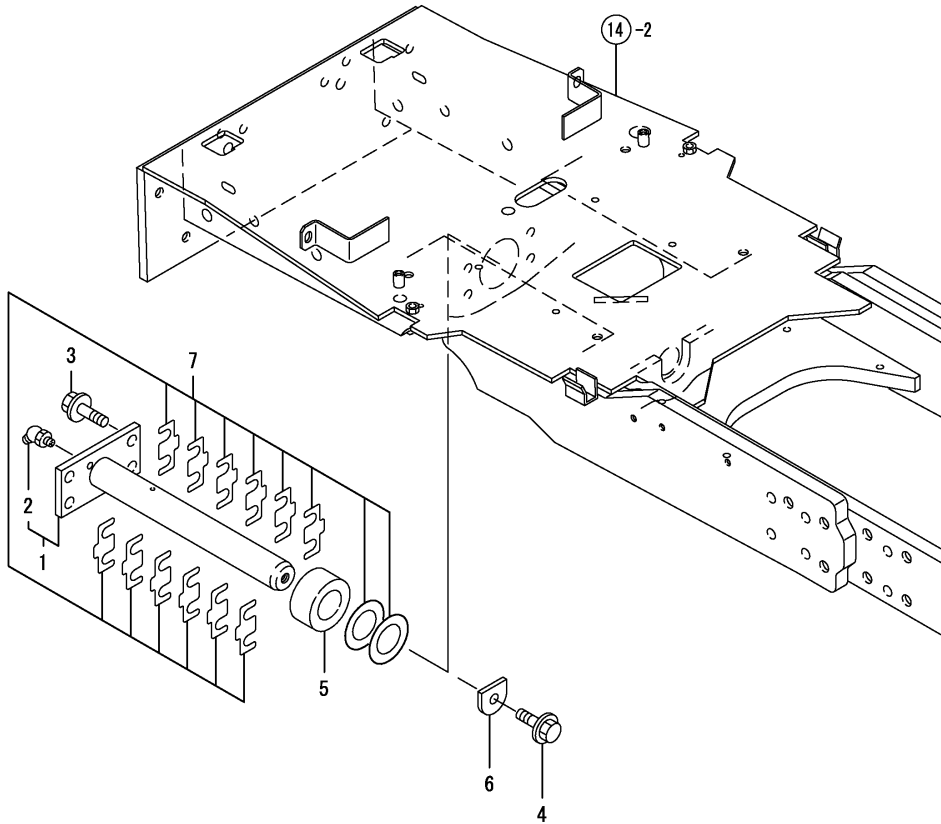
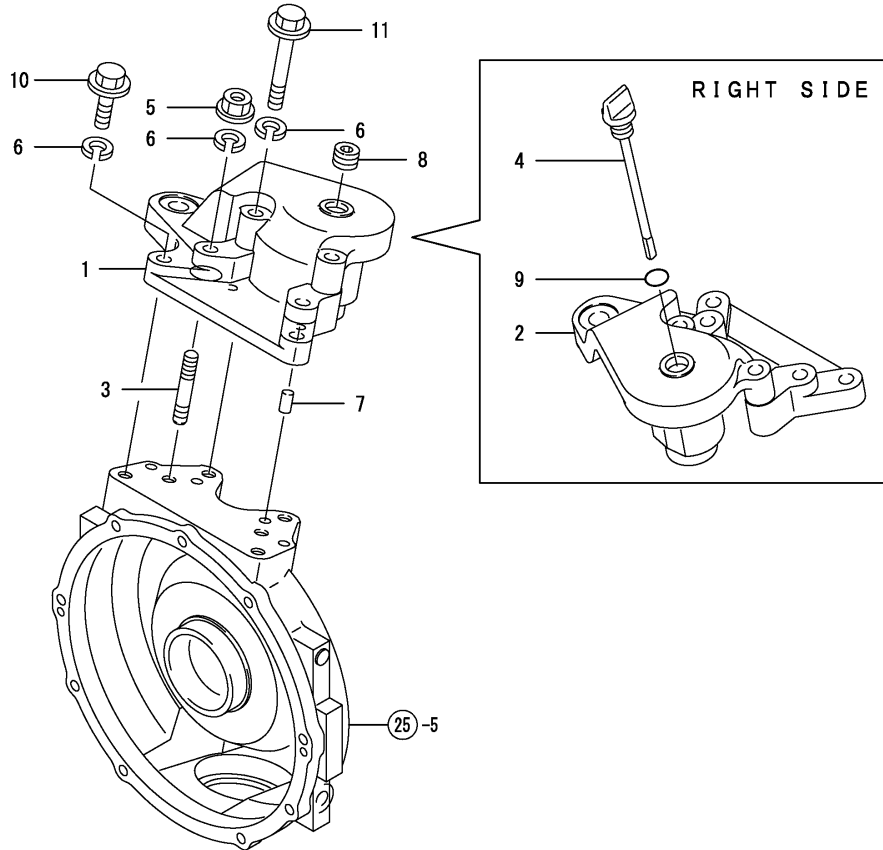


Fig.17. ARM

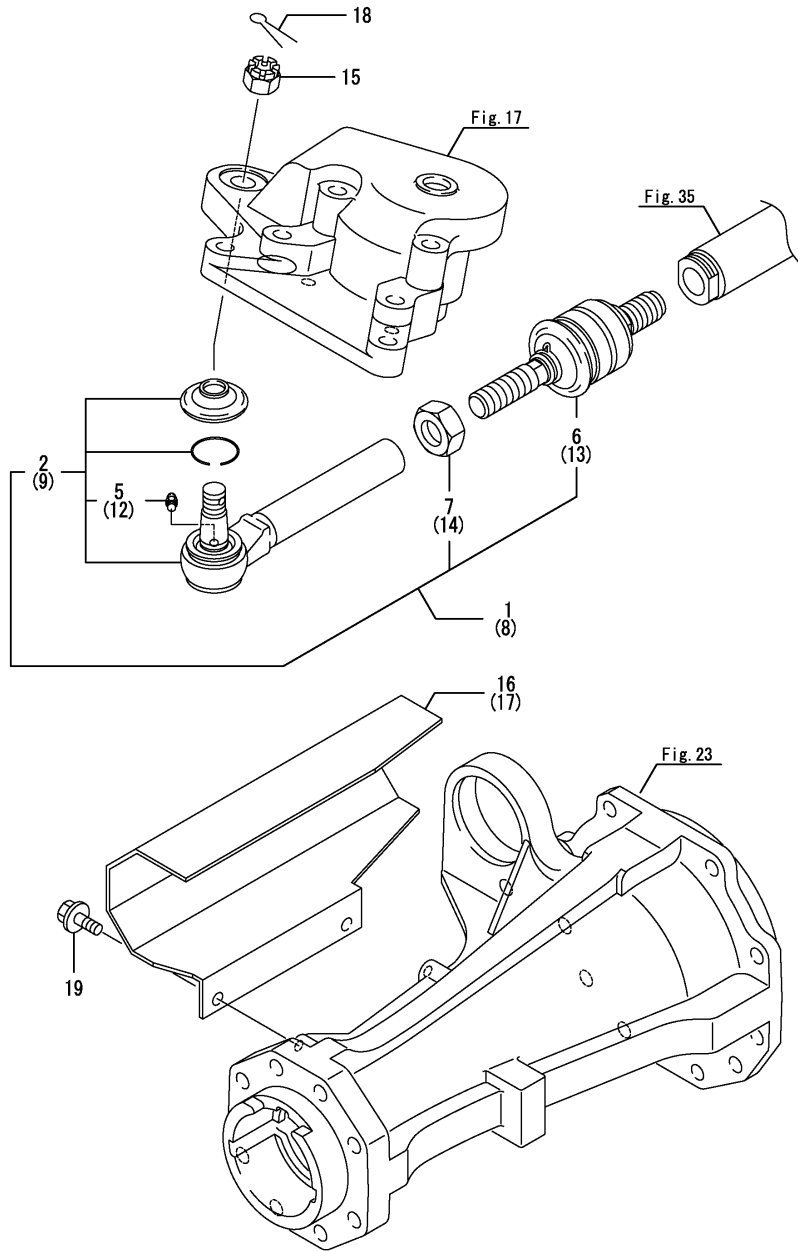
(A)=EG907-AU-PQ
 (B)=EG907(CAB-AU-PQ
 (C)=

(D)=
 (E)=
 (F)=



No.	Lev.	Parts No.	Description	Q'ty						I	R
				(A)	(B)	(C)	(D)	(E)	(F)		
1	1	1A7450-11901	ARM, KNUCKLE L	1	1						
2	1	1A7450-11921	ARM, KNUCKLE R	1	1						
3	1	1A7450-11950	STUD, M12X50	4	4						
4	1	198133-13680	PLUG	1	1						
5	1	198133-13790	NUT, M12	4	4						
6	1	22217-120000	WASHER, SPRING 12	12	12						
7	1	22312-100180	PIN, PARALLEL M10X18	4	4						
8	1	23876-040000	PLUG, R04	1	1						
9	1	24311-000180	O-RING, 1AP18.0	1	1						
10	1	26108-120402	BOLT, M12X 40 PLATED	4	4						
11	1	26108-120852	BOLT, M12X 85 PLATED	4	4						

Fig.18. TIE-ROD



(A)=EG907-AU-PQ
 (B)=EG907(CAB-AU-PQ)
 (C)=

(D)=
 (E)=
 (F)=

No.	Lev.	Parts No.	Description	Qty						I	R
				(A)	(B)	(C)	(D)	(E)	(F)		
1	1	1A7450-12311	TIE-ROD ASSY, L	1	1						
2	2	1A7450-12331	END ASSY, ROD L	1	1						
5	3	24761-060000	NIPPLE, GREASE MT6X1	1	1						
6	2	1A7450-12351	END ASSY, RACK L	1	1						
7	2	26776-200002	NUT, LOCK M20	1	1						
8	1	1A7450-12321	TIE-ROD ASSY, R	1	1						
9	2	1A7450-12341	END ASSY, ROD R	1	1						
12	3	24761-060000	NIPPLE, GREASE MT6X1	1	1						
13	2	1A7450-12361	END ASSY, RACK R	1	1						
14	2	26776-200002	NUT, LOCK M20	1	1						
15	1	194180-12471	NUT, CASTLE M16	2	2						
16	1	1A7450-17410	COVER, CYLINDER L	1	1						
17	1	1A7450-17420	COVER, CYLINDER R	1	1						
18	1	22417-400400	PIN, COTTER 4.0X40	2	2						
19	1	26106-080122	BOLT, M8X 12 PLATED	4	4						

Fig.19. DIFF. RING GEAR

(A)=EG907-AU-PQ
 (B)=EG907(CAB-AU-PQ
 (C)=

(D)=
 (E)=
 (F)=

No.	Lev.	Parts No.	Description	Q'ty						I	R
				(A)	(B)	(C)	(D)	(E)	(F)		
1	1	1A7450-13100	GEAR ASSY, RING	1	1						
2	1	198251-13670	COLLAR, SEAL	1	1						
3	1	198133-13810	BEARING, ET-32007XST	1	1						
4	1	1A7450-13820	BEARING, ET-30207	1	1						
5	1	24101-060124	BEARING, BALL 6012	1	1						
6	1	24341-000315	O-RING, 1AS31.5	1	1						

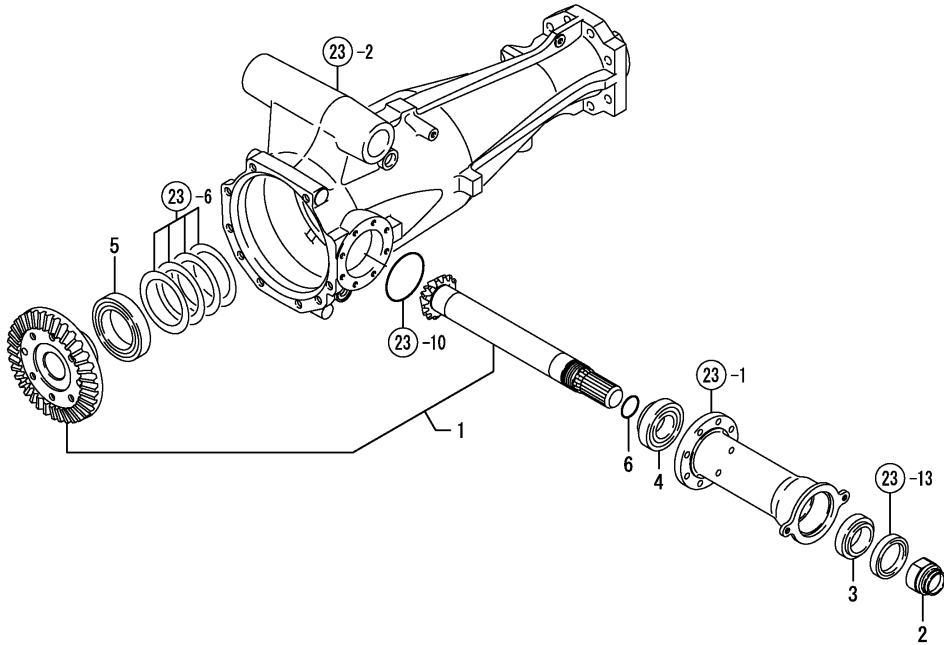
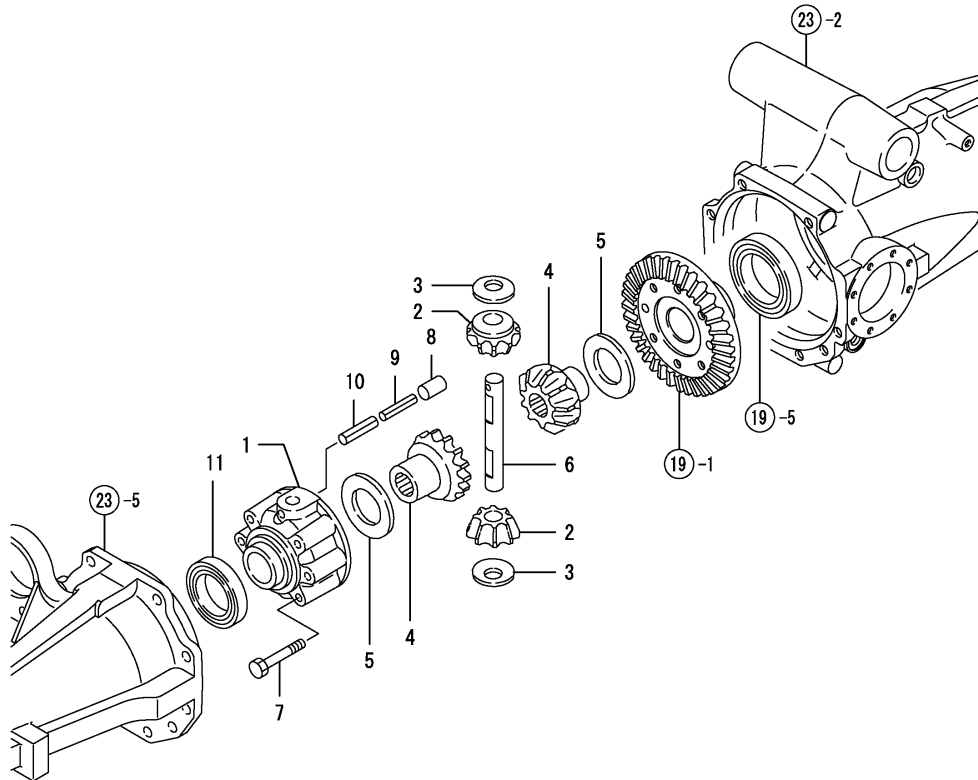


Fig.20. DIFFERENTIAL GEAR

(A)=EG907-AU-PQ
 (B)=EG907(CAB-AU-PQ)
 (C)=

(D)=
 (E)=
 (F)=

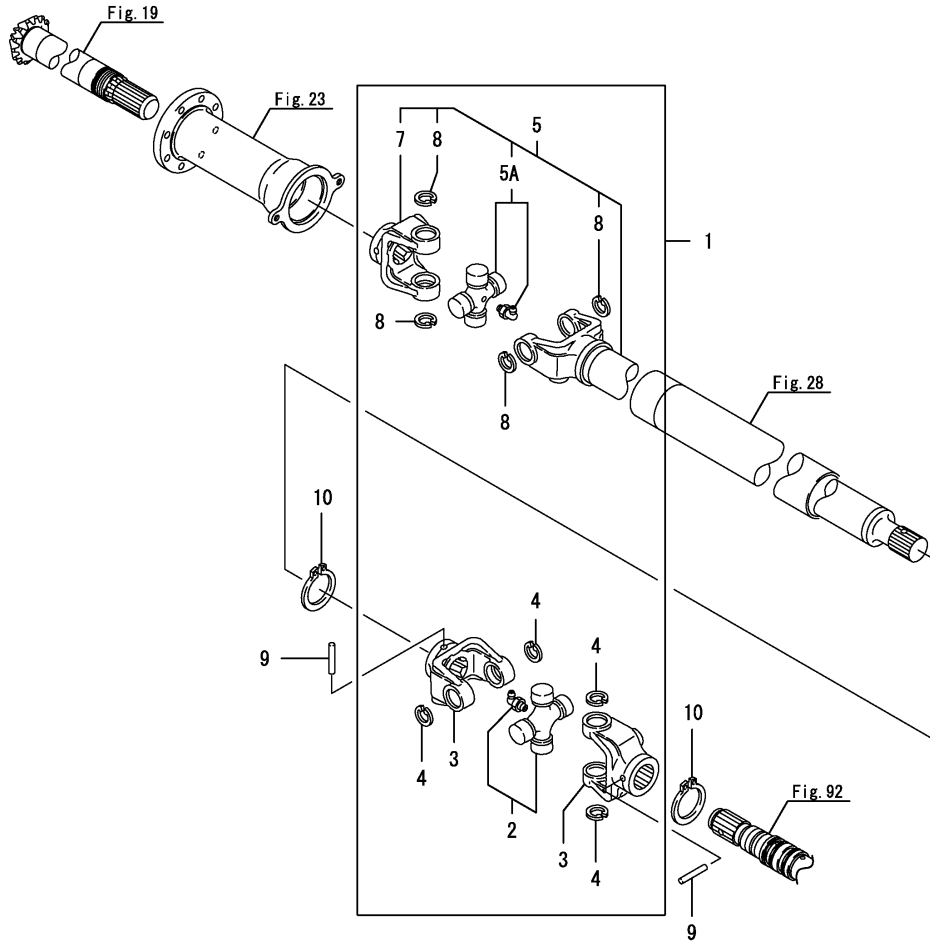


No.	Lev.	Parts No.	Description	Q'ty						I	R
				(A)	(B)	(C)	(D)	(E)	(F)		
1	1	194641-13210	CASE, DIFFERENTIAL	1	1						
2	1	194321-13230	PINION, DIFFERENTIAL	2	2						
3	1	194465-13240	LINER, DIFFERENTIAL	2	2						
4	1	194321-13250	GEAR, DIFFERENTIAL	2	2						
5	1	194465-13260	WASHER, DIFFERENTIAL	2	2						
6	1	194321-13270	SHAFT, DIFFERENTIAL	1	1						
7	1	194323-13290	BOLT, M10X70	6	6						
8	1	22312-100180	PIN, PARALLEL M10X18	2	2						
9	1	22351-035032	PIN, SPRING 3.5X32	1	1						
10	1	22351-060032	PIN, SPRING 6.0X32	1	1						
11	1	24101-060104	BEARING, BALL 6010	1	1						

Fig.21. PROPELLER SHAFT

(A)=EG907-AU-PQ
 (B)=EG907(CAB-AU-PQ
 (C)=

(D)=
 (E)=
 (F)=



No.	Lev.	Parts No.	Description	Q'ty						I	R
				(A)	(B)	(C)	(D)	(E)	(F)		
1	1	1A7450-13300	SHAFT ASSY,PROPELLER	1	1						
2	2	195188-11210	SPIDER	1	1						
3	2	198448-13420	YOKE, SPLINE	2	2						
4	2	22252-000250	RING, 25	4	4						
5	2	1A7450-13350	SHAFT ASSY	1	1						
5A	3	195188-11210	SPIDER	1	1						
7	3	198448-13410	YOKE, SPLINE	1	1						
8	3	22252-000250	RING, 25	4	4						
9	1	174810-22130	NEEDLE, 6.35X4.45	2	2						
10	1	22242-000480	RING, 48	2	2						

Fig.22. FRONT SHAFT

(A)=EG907-AU-PQ
 (B)=EG907(CAB-AU-PQ
 (C)=

(D)=
 (E)=
 (F)=

No.	Lev.	Parts No.	Description	Q'ty						I	R
				(A)	(B)	(C)	(D)	(E)	(F)		
1	1	1A7450-13510	SHAFT, FRONT 1ST L	1	1						
2	1	1A7450-13520	SHAFT, FRONT 1ST R	1	1						
3	1	1A7480-13530	PINION, SHAFT	2	2						
4	1	194641-13840	BEARING, BALL TMB208	4	4						

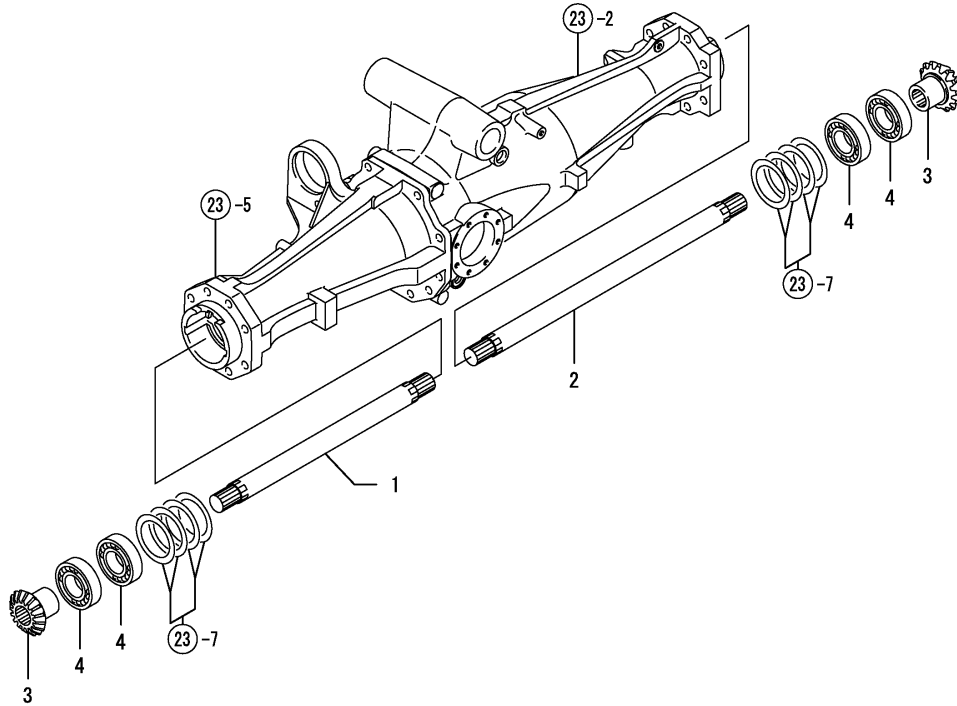
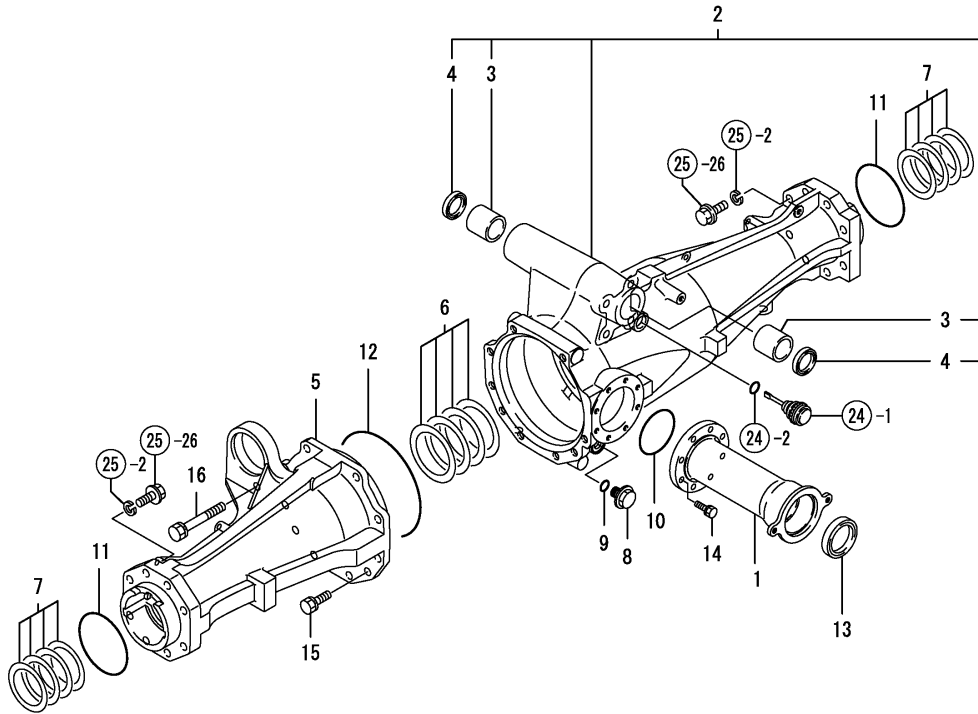


Fig.23. FRONT AXLE HOUSING

(A)=EG907-AU-PQ
 (B)=EG907(CAB-AU-PQ)
 (C)=

(D)=
 (E)=
 (F)=



No.	Lev.	Parts No.	Description	Q'ty						I	R
				(A)	(B)	(C)	(D)	(E)	(F)		
1	1	1A7450-13451	RETAINER, BEARING	1	1						
2	1	1A7450-13600	HOUSING ASSY, AXLE R	1	1						
3	2	198251-11220	BUSH, 35X41X40	2	2						
4	2	194321-11940	SEAL, OIL VB354105	2	2						
5	1	1A7450-13610	HOUSING, FRONT AXLE	1	1						
6	1	794321-13660	SHIM SET	1	1						
7	1	194641-13670	SHIM SET, PINION	1	1						
8	1	23491-140002	PLUG, 14	1	1						
9	1	24311-000160	O-RING, 1AP16.0	1	1						
10	1	24321-000700	O-RING, 1AG70.0	1	1						
11	1	24321-001000	O-RING, 1AG100.0	2	2						
12	1	24321-001700	O-RING, 1AG170.0	1	1						
13	1	24421-456209	SEAL, OIL TC456209	1	1						
14	1	26013-080252	BOLT, M8X 25	8	8						
15	1	26013-120302	BOLT, M12X 30	9	9						
16	1	26013-120852	BOLT, M12X 85	1	1						

Fig.24. BREATHER(FRONT

(A)=EG907-AU-PQ
 (B)=EG907(CAB-AU-PQ
 (C)=

(D)=
 (E)=
 (F)=

No.	Lev.	Parts No.	Description	Q'ty						I	R
				(A)	(B)	(C)	(D)	(E)	(F)		
1	1	1C6900-23020	BREATHER	1	1						
2	1	24311-000180	O-RING, 1AP18.0	1	1						

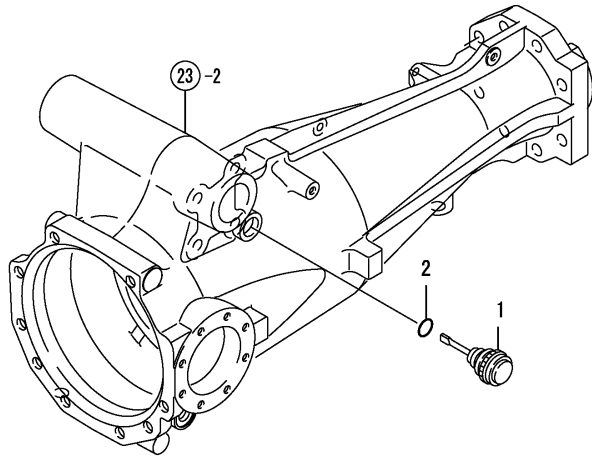
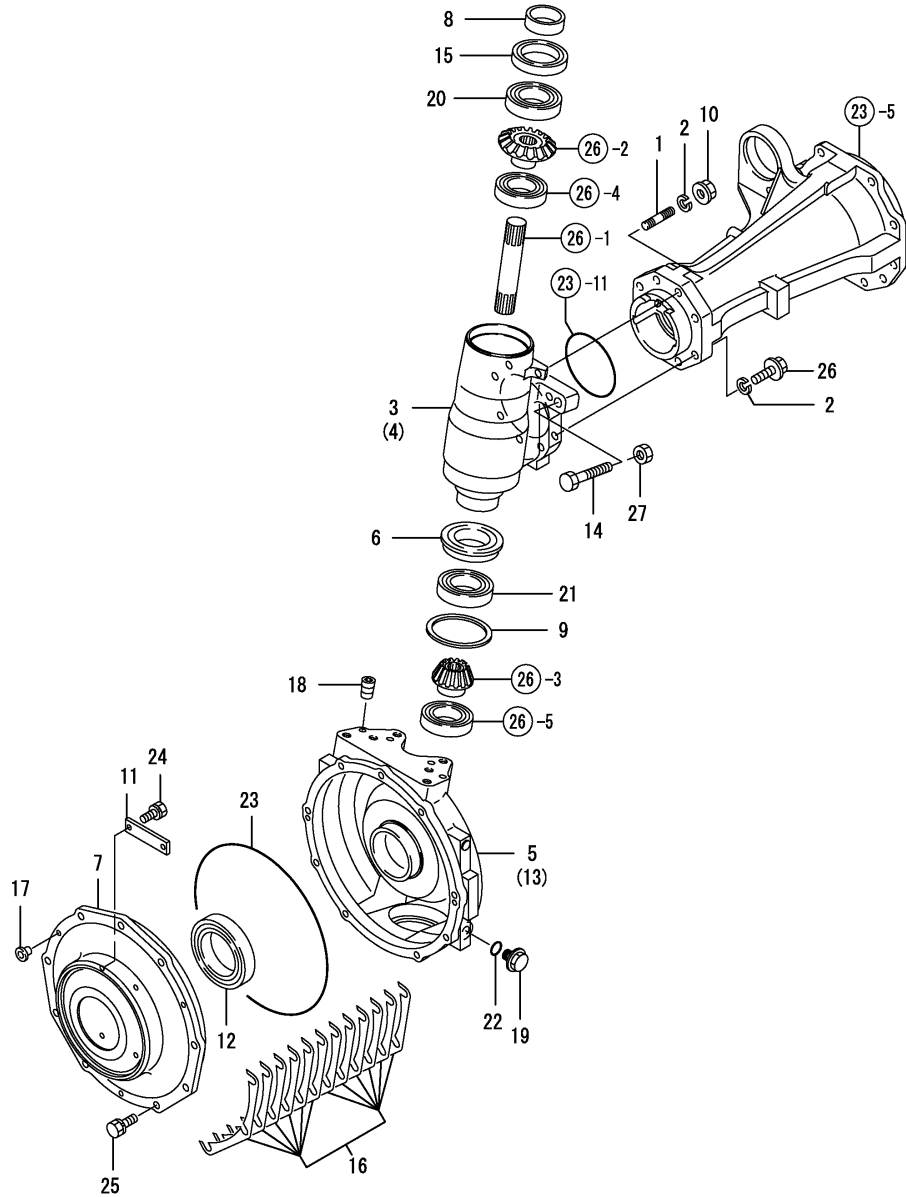


Fig.25. FRONT GEAR HOUSING



(A)=EG907-AU-PQ
(B)=EG907(CAB-AU-PQ
(C)=

(D)=
(E)=
(F)=

No.	Lev.	Parts No.	Description	Q'ty						I	R
				(A)	(B)	(C)	(D)	(E)	(F)		
1	1	1A7450-13540	STUD, M12X40	2	2						
2	1	194274-13580	WASHER, SPRING 12	16	16						
3	1	1A7480-13710	HOUSING, FRONT GEAR	1	1						
4	1	1A7480-13720	HOUSING, FRONT GEAR	1	1						
5	1	1A7480-13750	BOX, GEAR L	1	1						
6	1	198072-13760	SEAL, QLF709521.5	2	2						
7	1	1A7480-13770	CASE, FRONT BEARING	2	2						
8	1	198071-13780	SLEEVE, SI 63X68X17	2	2						
9	1	1A7480-13780	SPACER, 80X95X4.5	2	2						
10	1	198133-13790	NUT, M12	2	2						
11	1	198401-13790	RETAINER, BEARING	4	4						
12	1	198535-13790	SEAL, QLNY7810516	2	2						
13	1	1A7480-13850	BOX, GEAR R	1	1						
14	1	198153-13860	BOLT, M14X50	2	2						
15	1	194171-13870	SEAL, OIL TC6Y689013	2	2						
16	1	1A7480-13920	SHIM SET	1	1						
17	1	194275-27750	PLUG, 7.8	6	6						
18	1	194151-36670	PLUG, PF02	2	2						
19	1	23491-140002	PLUG, 14	2	2						
20	1	24101-062094	BEARING, BALL 6209	2	2						
21	1	24141-320120	BEARING, 32012	2	2						
22	1	24311-000160	O-RING, 1AP16.0	2	2						
23	1	24321-002700	O-RING, 1AG270.0	2	2						
24	1	26013-080252	BOLT, M8X 25	8	8						
25	1	26013-100252	BOLT, M10X 25	18	18						
26	1	26108-120402	BOLT, M12X 40 PLATED	14	14						
27	1	26776-140002	NUT, LOCK M14	2	2						

Fig.26. FRONT SHAFT

(A)=EG907-AU-PQ
 (B)=EG907(CAB-AU-PQ
 (C)=

(D)=
 (E)=
 (F)=

No.	Lev.	Parts No.	Description	Q'ty						I	R
				(A)	(B)	(C)	(D)	(E)	(F)		
1	1	1A7480-13810	SHAFT, FRONT 2ND	2	2						
2	1	1A7480-13820	GEAR, FRONT SHAFT	2	2						
3	1	1A7480-13830	PINION, FRONT FINAL	2	2						
4	1	198266-26390	BEARING, 6208RSH2	2	2						
5	1	192180-26430	BEARING	2	2						

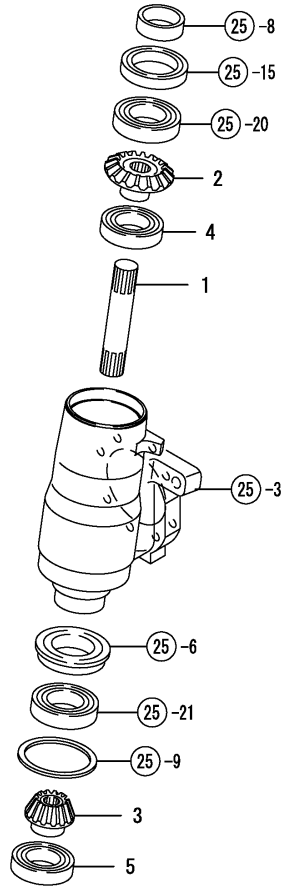
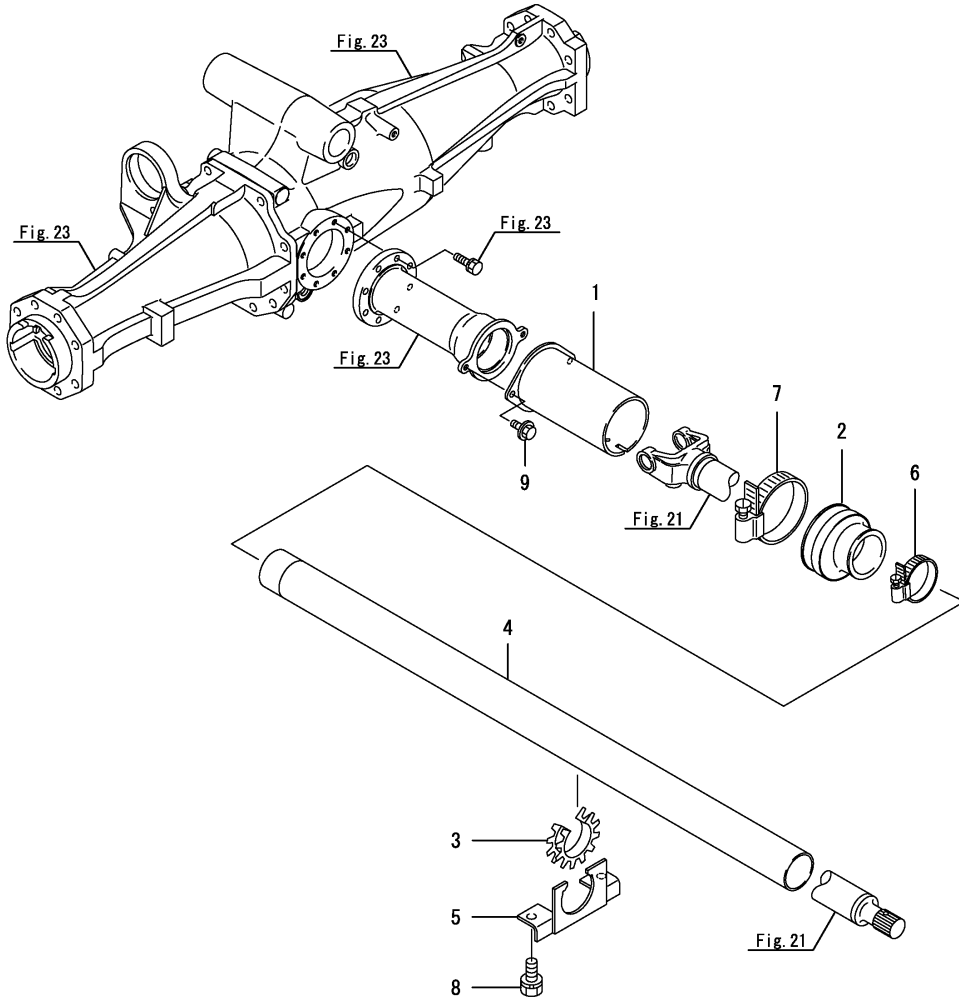


Fig.28. SHAFT COVER

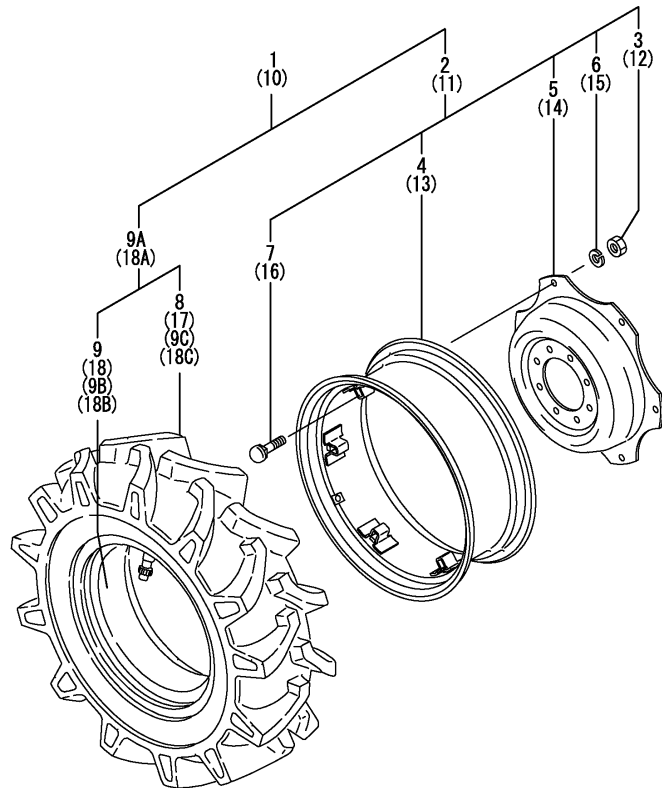
(A)=EG907-AU-PQ
 (B)=EG907(CAB-AU-PQ
 (C)=

(D)=
 (E)=
 (F)=



No.	Lev.	Parts No.	Description	Q'ty						I	R
				(A)	(B)	(C)	(D)	(E)	(F)		
1	1	198448-14610	COVER, SHAFT FRONT	1	1						
2	1	1A7450-14640	BOOT, SHAFT COVER	1	1						
3	1	198448-14670	BUSH, UNIVERSAL	1	1						
4	1	1A7450-14710	COVER, SHAFT REAR	1	1						
5	1	1A7450-14750	BRACKET, COVER	1	1						
6	1	23000-070000	CLAMP, 70	1	1						
7	1	23000-102000	CLAMP, 102	1	1						
8	1	26013-120252	BOLT, M12X 25	2	2						
9	1	26106-080162	BOLT, M8X 16 PLATED	2	2						

Fig.29. FRONT WHEEL TIRE



(A)=EG907-AU-PQ
(B)=EG907(CAB-AU-PQ
(C)=

(D)=
(E)=
(F)=

No.	Lev.	Parts No.	Description	Qty						I	R
				(A)	(B)	(C)	(D)	(E)	(F)		
1	1	1A7470-14700	TIRE KIT, 9.5-24 L	1	1						
1-1	1	1A7480-14790	TIRE&WHEEL L KIT, (A=FZZZZZ)	1	1						N
2	2	194186-14701	WHEEL W7X24	1	1						
2-1	2	1A7480-14720	WHEEL ASSY, W9X20 (A=FZZZZZ)	1	1						S
3	3	194181-14180	NUT, M16	6	6						
3-1	3	194181-14180	NUT, M16 (A=FZZZZZ)	5	5						K
4	3	194186-14711	RIM W7X24	1	1						
4-1	3	1A7480-14730	RIM, W9X20 (A=FZZZZZ)	1	1						S
5	3	194066-14720	DISC W7X24	1	1						
5-1	3	1A7480-14760	DISK, W9X20 (A=FZZZZZ)	1	1						S
6	3	194065-34170	WASHER, 16	6	6						
6-1	3	194065-34170	WASHER, 16 (A=FZZZZZ)	5	5						K
7	3	198268-34850	BOLT, M16X70	6	6						
7-1	3	198268-34850	BOLT, M16X70 (A=FZZZZZ)	5	5						K
8	2	1A6503-14810	TIRE, FRONT 9.5-24 (A=FZZZZZ)	1	1						Z
9	2	1A6503-14820	TUBE 9.5-24 (A=FZZZZZ)	1	1						Z
9A	2	1A7480-14830	TIRE ASSY, 11.2-20 (A=FZZZZZ)	1	1						W
9B	3	1A7480-14820	TUBE, 11.2-20 (A=FZZZZZ)	1	1						W
9C	3	1A7480-14840	TIRE, 11.2X20(6)FL17 (A=FZZZZZ)	1	1						W
10	1	1A7470-14800	TIRE KIT, 9.5-24 R	1	1						
10-1	1	1A7480-14890	TIRE&WHEEL R KIT, (A=FZZZZZ)	1	1						N
11	2	194186-14701	WHEEL W7X24	1	1						
11-1	2	1A7480-14720	WHEEL ASSY, W9X20 (A=FZZZZZ)	1	1						S
12	3	194181-14180	NUT, M16	6	6						
12-1	3	194181-14180	NUT, M16 (A=FZZZZZ)	5	5						K
13	3	194186-14711	RIM W7X24	1	1						
13-1	3	1A7480-14730	RIM, W9X20 (A=FZZZZZ)	1	1						S
14	3	194066-14720	DISC W7X24	1	1						
14-1	3	1A7480-14760	DISK, W9X20 (A=FZZZZZ)	1	1						S
15	3	194065-34170	WASHER, 16	6	6						
15-1	3	194065-34170	WASHER, 16 (A=FZZZZZ)	5	5						K
16	3	198268-34850	BOLT, M16X70	6	6						
16-1	3	198268-34850	BOLT, M16X70 (A=FZZZZZ)	5	5						K

Fig.29. FRONT WHEEL TIRE

(A)=EG907-AU-PQ
 (B)=EG907(CAB-AU-PQ
 (C)=

(D)=
 (E)=
 (F)=

No.	Lev.	Parts No.	Description	Q'ty						I	R	
				(A)	(B)	(C)	(D)	(E)	(F)			
		(A=FZZZZZ)										
17	2	1A6503-14810	TIRE, FRONT 9.5-24	1	1							Z
		(A=FZZZZZ)										
18	2	1A6503-14820	TUBE 9.5-24	1	1							Z
		(A=FZZZZZ)										
18A	2	1A7480-14830	TIRE ASSY, 11.2-20	1	1							W
		(A=FZZZZZ)										
18B	3	1A7480-14820	TUBE, 11.2-20	1	1							W
		(A=FZZZZZ)										
18C	3	1A7480-14840	TIRE, 11.2X20(6)FL17	1	1							W
		(A=FZZZZZ)										

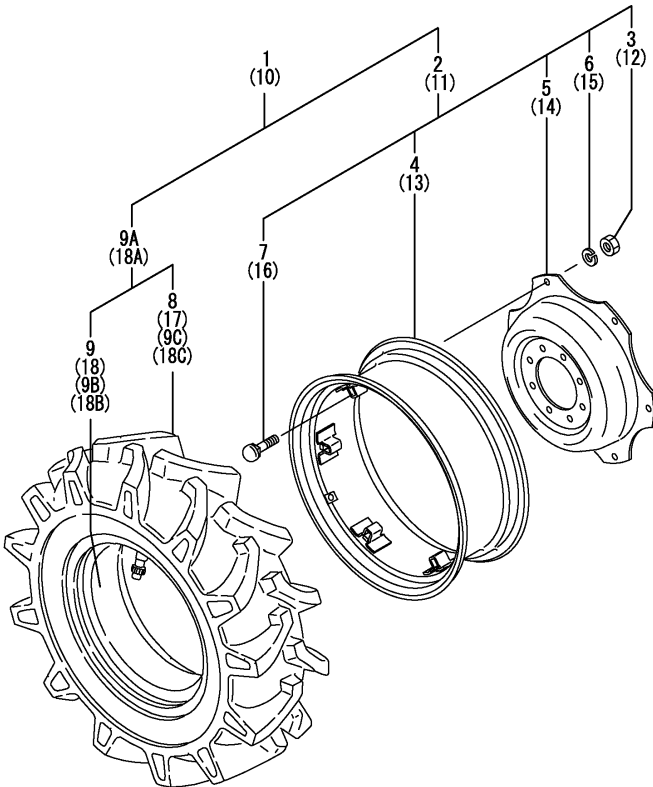


Fig.30. HUB BOLT

(A)=EG907-AU-PQ
 (B)=EG907(CAB-AU-PQ
 (C)=

(D)=
 (E)=
 (F)=

No.	Lev.	Parts No.	Description	Q'ty						I	R
				(A)	(B)	(C)	(D)	(E)	(F)		
1	1	194181-14160	STUD, M16X30	4	4						
2	1	194181-14180	NUT, M16	4	4						
3	1	194181-14250	BOLT, M16X35	12	12						
4	1	194065-34170	WASHER, 16	16	16						

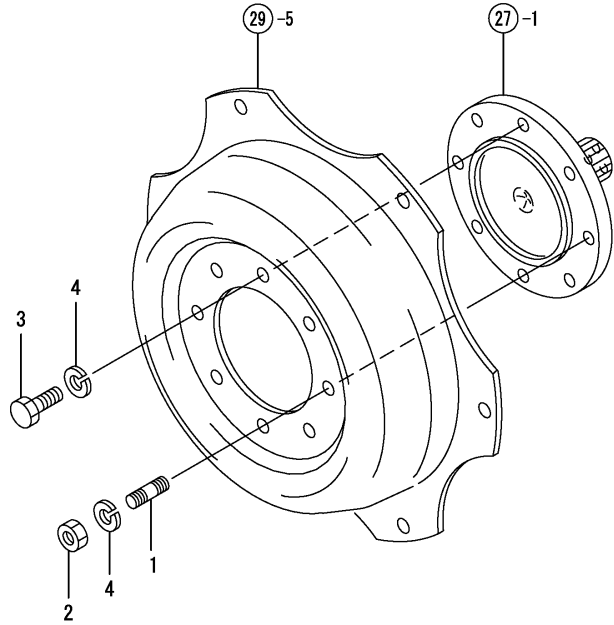
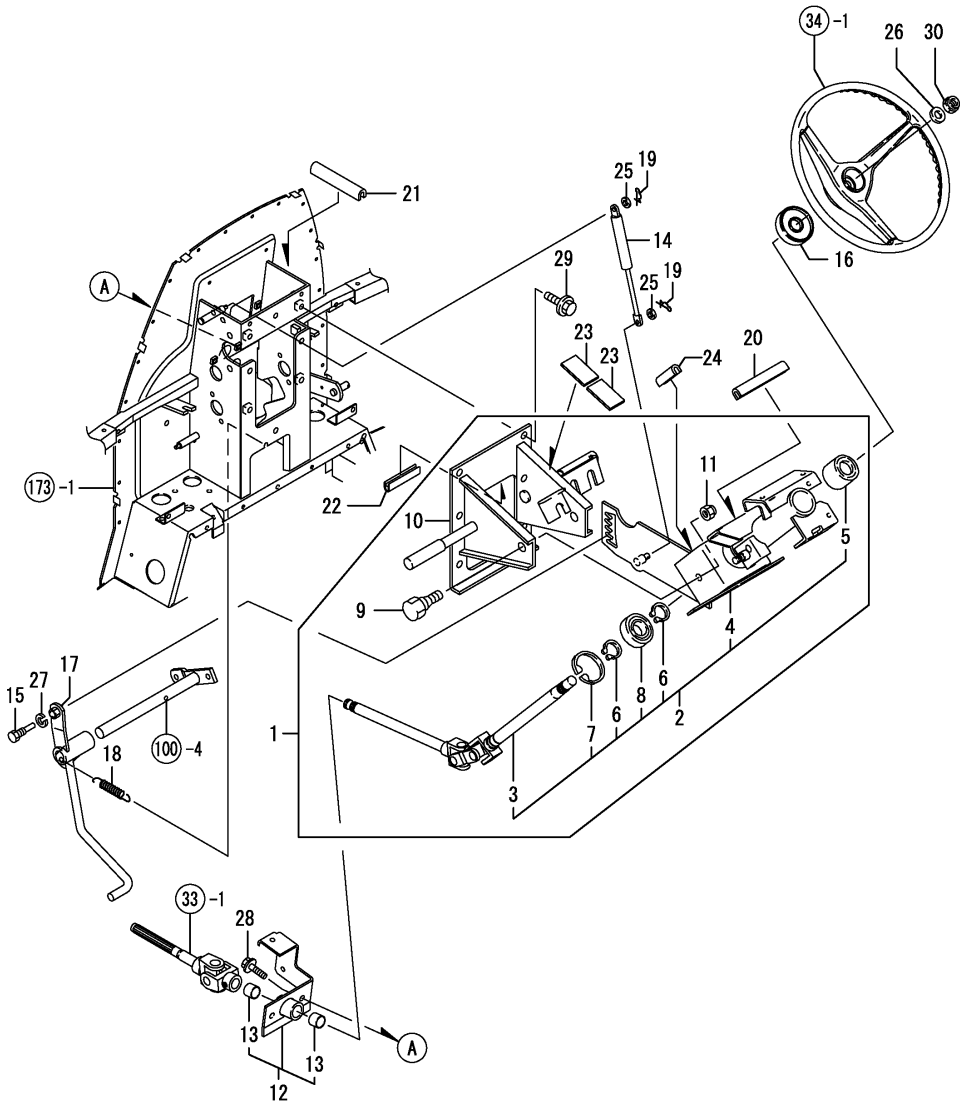


Fig.31. STEERING COLUMN

(A)=EG907-AU-PQ
 (B)=EG907(CAB-AU-PQ)
 (C)=

(D)=
 (E)=
 (F)=

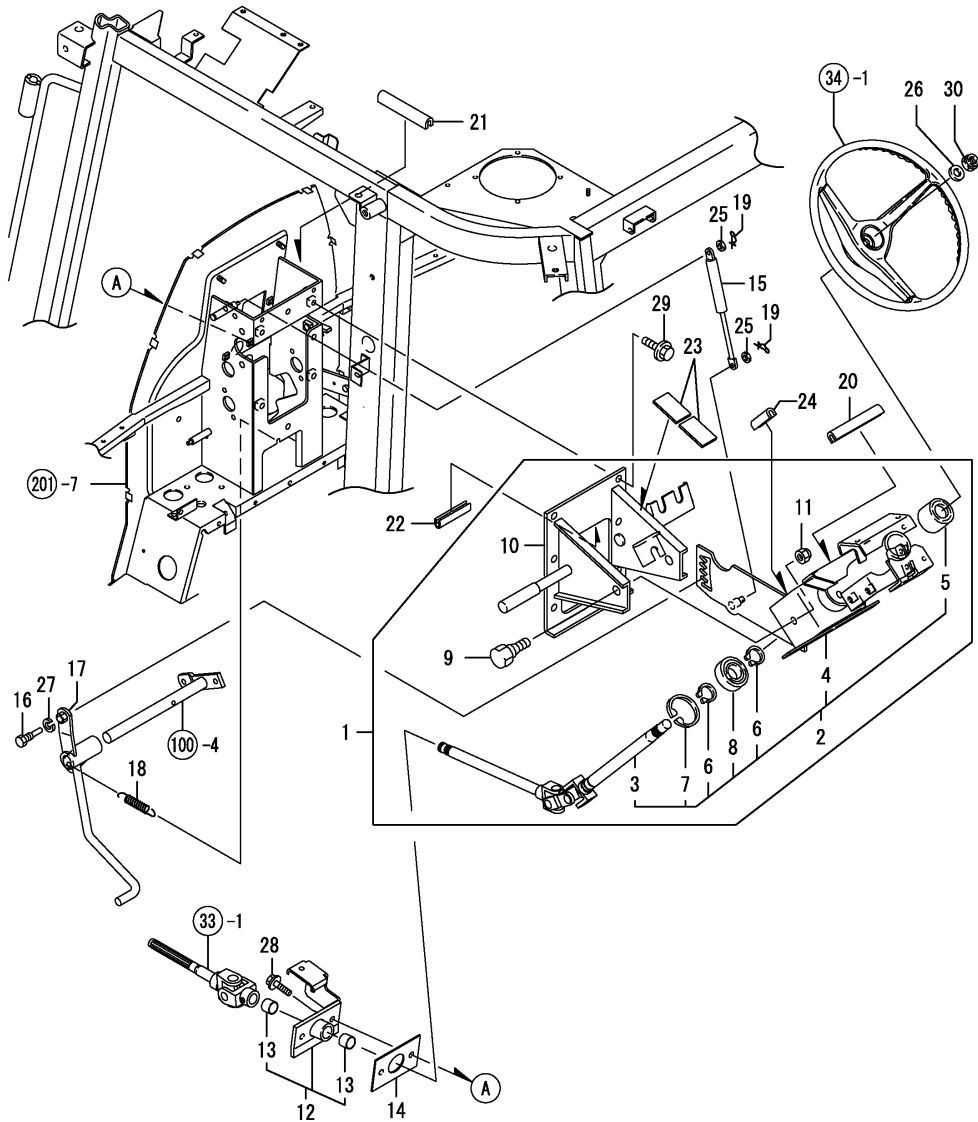


No.	Lev.	Parts No.	Description	Q'ty						I	R
				(A)	(B)	(C)	(D)	(E)	(F)		
1	1	1A7450-15100	COLUMN, STEERING	1							
2	2	1A7450-15200	COLUMN ASSY,STEERING	1							
3	3	1A7450-15310	SHAFT ASSY, JOINT	1							
4	3	198448-15601	COLUMN ASSY,STEERING	1							
5	3	198071-15612	BUSH, COLUMN	1							
6	3	22242-000200	RING, 20	2							
7	3	22252-000420	RING, 42	1							
8	3	24104-060040	BEARING, 6004UUC3	1							
9	2	198448-15280	PIN, BOLT	2							
10	2	198535-15301	BRACKET, STEERING	1							
11	2	26346-100002	NUT, M10	1							
12	1	1A7450-15401	SUPPORT ASSY, SHAFT	1							
13	2	24550-017150	BUSH, 17X15	2							
14	1	198448-15450	DAMPER	1							
15	1	198448-15650	PIN, TILT LOCK	1							
16	1	198535-15720	COVER, COLUMN	1							
17	1	198448-15750	PEDAL, TILT	1							
18	1	198290-37510	SPRING, RETURN	1							
19	1	1C6281-52310	PIN, SNAP 6	2							
20	1	198230-61560	GUIDE, HOSE	1							
21	1	198230-61560	GUIDE, HOSE	1							
22	1	198230-61560	GUIDE, HOSE	1							
23	1	198093-84810	SEAL, FENDER	2							
24	1	198093-84810	SEAL, FENDER	1							
25	1	22137-060000	WASHER, 6	2							
26	1	22137-160000	WASHER, 16	1							
27	1	22217-100000	WASHER, SPRING 10	1							
28	1	26106-080202	BOLT, M8X 20 PLATED	1							
29	1	26106-100202	BOLT, M10X 20 PLATED	4							
30	1	26356-160002	NUT, M16	1							

Fig.32. STEERING COLUMN

(A)=EG907-AU-PQ
 (B)=EG907(CAB-AU-PQ
 (C)=

(D)=
 (E)=
 (F)=

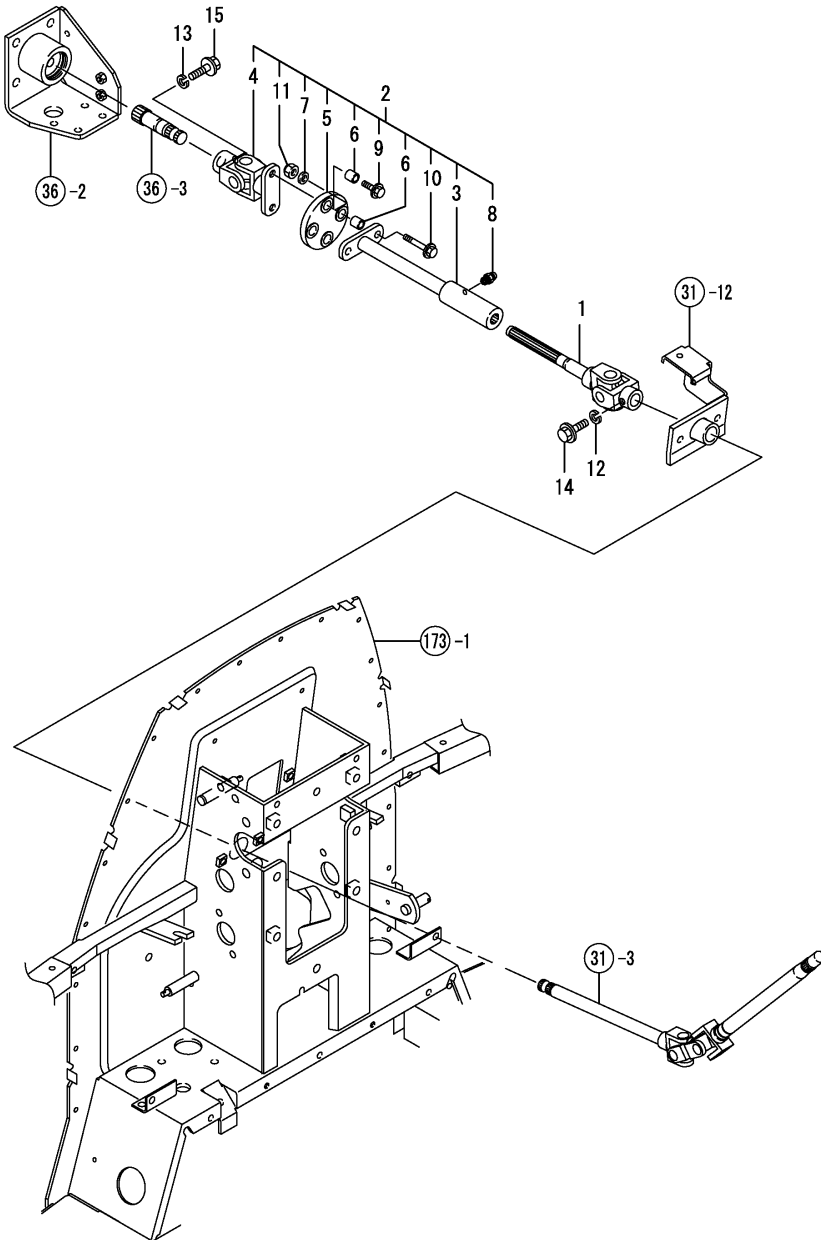


No.	Lev.	Parts No.	Description	Q'ty						I	R
				(A)	(B)	(C)	(D)	(E)	(F)		
1	1	1A7480-15100	COLUMN, STEERING	1							
2	2	1A7480-15200	COLUMN ASSY,STEERING	1							
3	3	1A7450-15310	SHAFT ASSY, JOINT	1							
4	3	1A7480-15600	COLUMN, STEERING	1							
5	3	198071-15612	BUSH, COLUMN	1							
6	3	22242-000200	RING, 20	2							
7	3	22252-000420	RING, 42	1							
8	3	24104-060040	BEARING, 6004UUC3	1							
9	2	198448-15280	PIN, BOLT	2							
10	2	1A7480-15300	BRACKET, STEERING	1							
11	2	26346-100002	NUT, M10	2							
12	1	1A7450-15401	SUPPORT ASSY, SHAFT	1							
13	2	24550-017150	BUSH, 17X15	2							
14	1	1A7470-15410	SEAL, SUPPORT	1							
15	1	198448-15450	DAMPER	1							
16	1	198448-15650	PIN, TILT LOCK	1							
17	1	198448-15750	PEDAL, TILT	1							
18	1	198290-37510	SPRING, RETURN	1							
19	1	1C6281-52310	PIN, SNAP 6	2							
20	1	198230-61560	GUIDE, HOSE	1							
21	1	198230-61560	GUIDE, HOSE	1							
22	1	198230-61560	GUIDE, HOSE	1							
23	1	198093-84810	SEAL, FENDER	2							
24	1	198093-84810	SEAL, FENDER	1							
25	1	22137-060000	WASHER, 6	2							
26	1	22137-160000	WASHER, 16	1							
27	1	22217-100000	WASHER, SPRING 10	1							
28	1	26106-080202	BOLT, M8X 20 PLATED	2							
29	1	26106-100202	BOLT, M10X 20 PLATED	4							
30	1	26356-160002	NUT, M16	1							

Fig.33. STEERING COLUMN

(A)=EG907-AU-PQ
 (B)=EG907(CAB-AU-PQ
 (C)=

(D)=
 (E)=
 (F)=



No.	Lev.	Parts No.	Description	Q'ty						I	R
				(A)	(B)	(C)	(D)	(E)	(F)		
1	1	1A7450-15510	SHAFT ASSY, JOINT A	1	1						
2	1	1A7450-15580	JOINT ASSY	1	1						
3	2	1A7450-15530	SHAFT ASSY, JOINT B	1	1						
4	2	1A7450-15570	JOINT ASSY	1	1						
5	2	198535-15580	COUPLING, RUBBER	1	1						
6	2	198535-15590	COLLAR, D12XL7	2	2						
7	2	22117-080000	WASHER, 8	2	2						
8	2	24761-010000	NIPPLE, GREASE M6F	1	1						
9	2	26106-080202	BOLT, M8X 20 PLATED	2	2						
10	2	26106-080402	BOLT, M8X 40 PLATED	2	2						
11	2	26346-080002	NUT, M8	2	2						
12	1	22217-080000	WASHER, SPRING 8	1	1						
13	1	22217-080000	WASHER, SPRING 8	1	1						
14	1	26106-080252	BOLT, M8X 25 PLATED	1	1						
15	1	26106-080252	BOLT, M8X 25 PLATED	1	1						

Fig.34. WHEEL , STEERING

(A)=EG907-AU-PQ
 (B)=EG907(CAB-AU-PQ)
 (C)=

(D)=
 (E)=
 (F)=

No.	Lev.	Parts No.	Description	Q'ty						I	R
				(A)	(B)	(C)	(D)	(E)	(F)		
1	1	198448-15700	WHEEL ASSY, STEERING	1	1						
2	2	198071-15720	CAP ASSY	1	1						
3	3	198071-15740	EMBLEM	1	1						

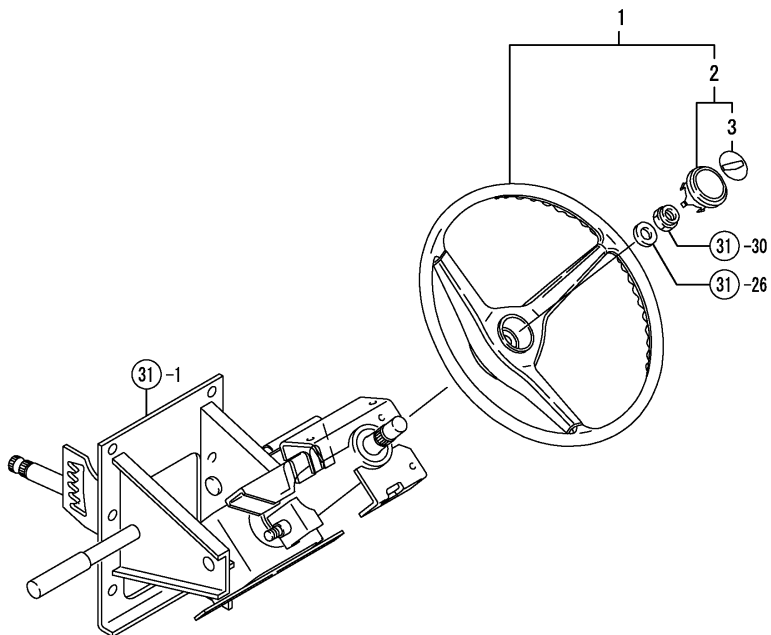
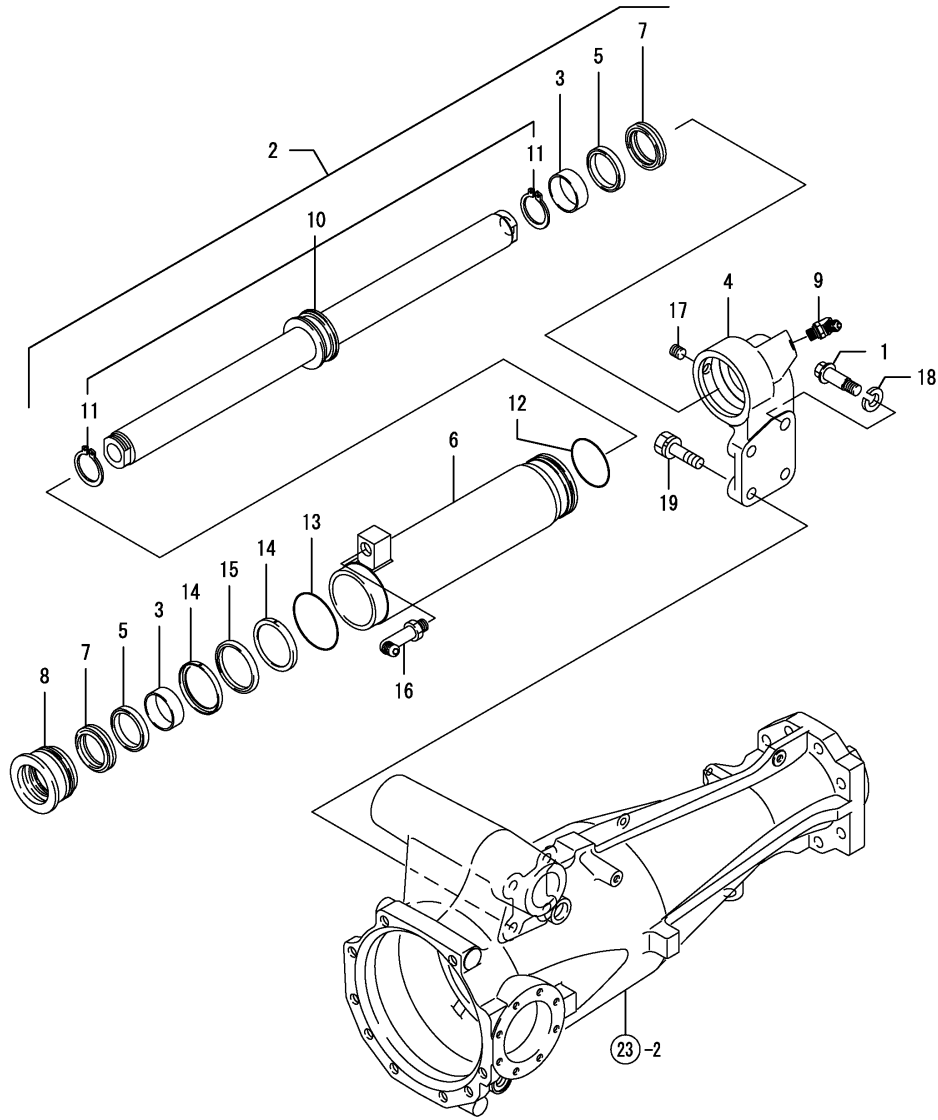


Fig.35. CYLINDER, STEERING



(A)=EG907-AU-PQ
 (B)=EG907(CAB-AU-PQ
 (C)=

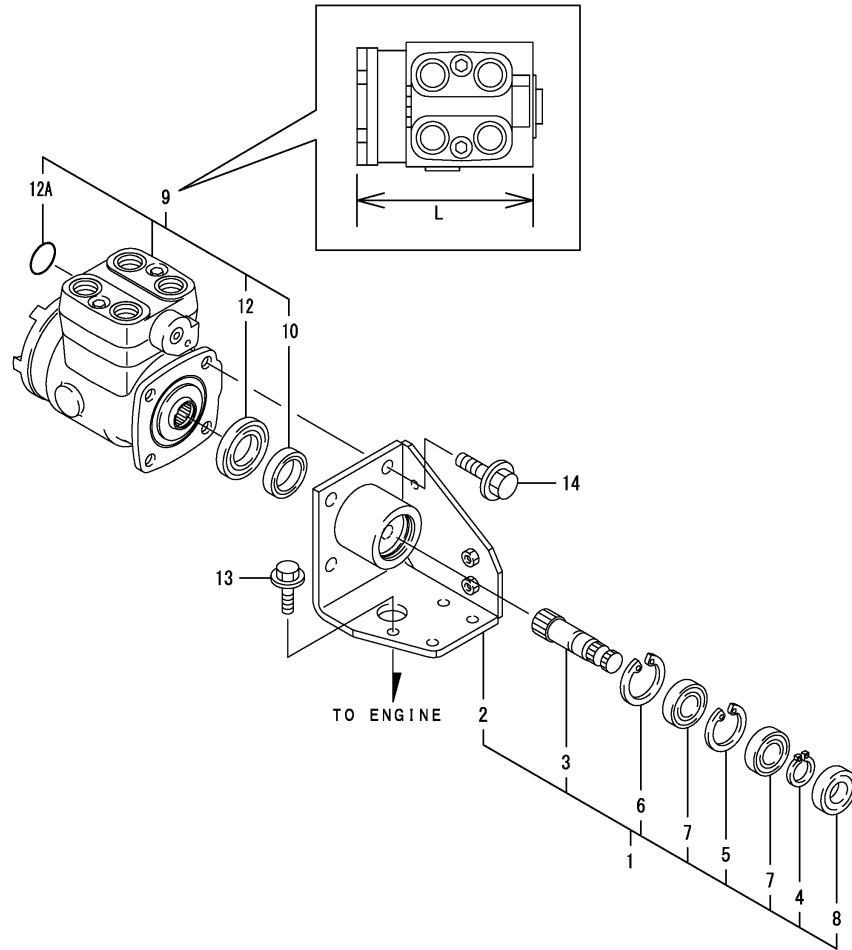
(D)=
 (E)=
 (F)=

No.	Lev.	Parts No.	Description	Q'ty						I	R
				(A)	(B)	(C)	(D)	(E)	(F)		
1	1	1A7450-17150	BOLT, REAMER 12X44.5	1	1						
2	1	1A7450-17302	CYLINDER ASSY	1	1						
3	2	198266-17260	BUSH, 40X44X15	2	2						
4	2	1A7450-17310	CAP, CYLINDER R	1	1						
5	2	198266-17330	PACKING, 40	2	2						
6	2	1A7450-17350	TUBE ASSY, CYLINDER	1	1						
7	2	198266-17360	SCRAPER, 40	2	2						
8	2	1A7450-17380	CAP, CYLINDER L	1	1						
9	2	1A7450-17390	ELBOW, G1/4-45	1	1						
10	2	198266-17402	ROD ASSY, CYLINDER	1	1						
11	3	22242-000400	RING, 40	2	2						
12	2	198072-17440	O-RING, 55.0	1	1						
13	2	198266-17440	O-RING, 65	1	1						
14	2	198266-17481	BEARING, PWL60	2	2						
15	2	198266-17492	PACKING, RGU 60	1	1						
16	2	198072-17840	ELBOW, 105	1	1						
17	2	26979-120122	SCREW, M12X12	1	1						
18	1	22217-140000	WASHER, SPRING 14	1	1						
19	1	26013-120402	BOLT, M12X 40	3	3						

Fig.36. POWER STEERING VALVE

(A)=EG907-AU-PQ
 (B)=EG907(CAB-AU-PQ
 (C)=

(D)=
 (E)=
 (F)=



No.	Lev.	Parts No.	Description	Q'ty						I	R
				(A)	(B)	(C)	(D)	(E)	(F)		
1	1	1A7450-17100	SHAFT ASSY, STEERING	1	1						
2	2	1A7450-17110	BRACKET, VALVE	1	1						
3	2	198448-17190	SHAFT, STEERING	1	1						
4	2	22242-000170	RING, 17	1	1						
5	2	22252-000370	RING, 37	1	1						
6	2	22252-000400	RING, 40	1	1						
7	2	24104-062030	BEARING, 6203UUC3	2	2						
8	2	24421-173507	SEAL, OIL TC173507	1	1						
9	1	1A7450-17501	VALVE ASSY, STEERING	1	1						
9-1	1	1A7450-17502	VALVE ASSY, STEERING	1	1						N
		(A=F051207) (B=F051207)									
9-2	1	1A7450-17503	VALVE ASSY, STEERING	1	1						S 1
		(A=F051314) (B=F051314)									
10	2	1A7450-17550	SEAL KIT, BODY	1	1						
10-1	2	1A7450-17551	SEAL KIT, BODY	1	1						N
		(A=*2009.06.) (B=*2009.06.)									
12	2	1A7450-17570	BEARING KIT, NEEDLE	1	1						
12A	2	1A7450-17540	SEAL KIT	1	1						
13	1	26106-080162	BOLT, M8X 16 PLATED	4	4						
14	1	26106-100202	BOLT, M10X 20 PLATED	4	4						

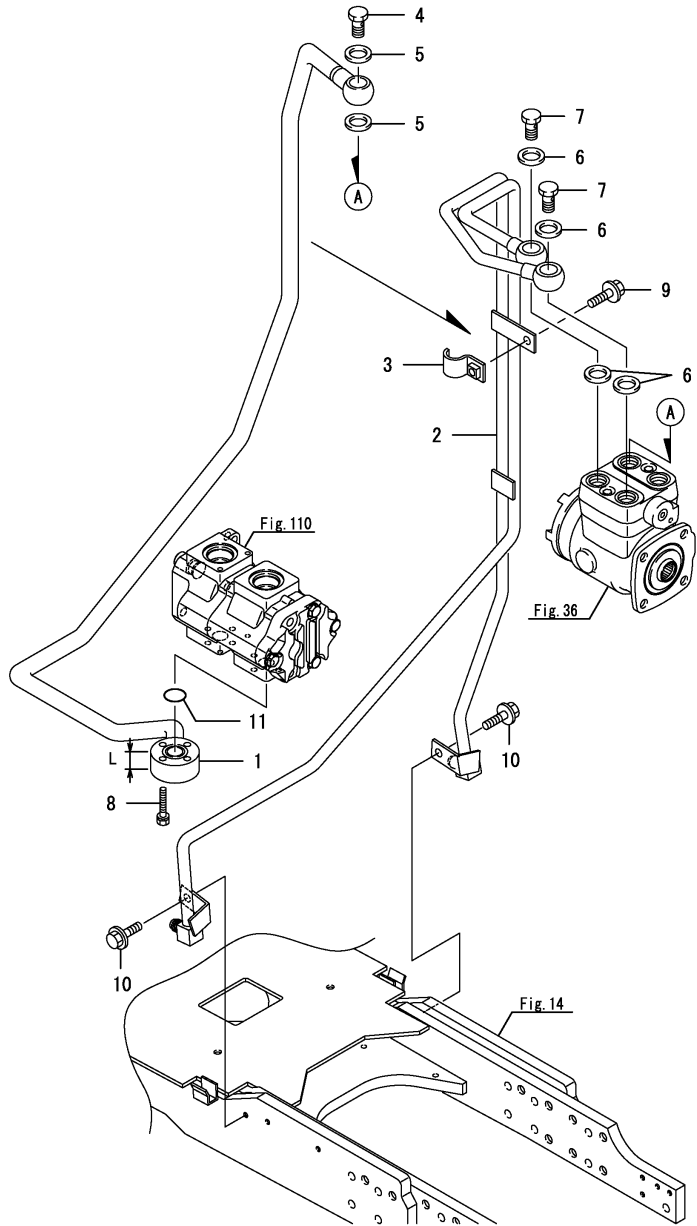
Remarks

(1)L=No.9,9-1 129.1mm, 9-2 131.8mm.

Fig.37. POWER STEERING LINE

(A)=EG907-AU-PQ
 (B)=EG907(CAB-AU-PQ)
 (C)=

(D)=
 (E)=
 (F)=



No.	Lev.	Parts No.	Description	Q'ty						I	R
				(A)	(B)	(C)	(D)	(E)	(F)		
1	1	1A7450-17711	PIPE, PRESSURE	1	1						
1-1	1	1A7450-17712	LINE ASSY, PRESSURE	1	1						S 1
		(A=FZZZZZ) (B=FZZZZZ)									
2	1	1A7450-17750	PIPE ASSY, STEERING	1	1						
3	1	1A7450-17810	CLAMP, 17.3	1	1						
4	1	198220-48750	BOLT ASSY, JOINT	1	1						
5	1	23414-180023	GASKET, 18X1.0	2	2						
6	1	23414-180023	GASKET, 18X1.0	4	4						
7	1	23857-120000	BOLT, JOINT 12	2	2						
8	1	26013-060402	BOLT, M6X 40	4	4						
8-1	1	26013-060452	BOLT, M6X 45	4	4						S
		(A=FZZZZZ) (B=FZZZZZ)									
9	1	26106-080162	BOLT, M8X 16 PLATED	1	1						
10	1	26106-080162	BOLT, M8X 16 PLATED	2	2						
11	1	41850-000220	PACKING, 22.0	1	1						

Remarks

(1)L=Ref.No.1 27mm, 1-1 30mm.

Fig.38. POWER STEERING HOSE

(A)=EG907-AU-PQ
 (B)=EG907(CAB-AU-PQ)
 (C)=

(D)=
 (E)=
 (F)=

No.	Lev.	Parts No.	Description	Q'ty						I	R
				(A)	(B)	(C)	(D)	(E)	(F)		
1	1	1A7450-17910	HOSE, PRESSURE	2	2						

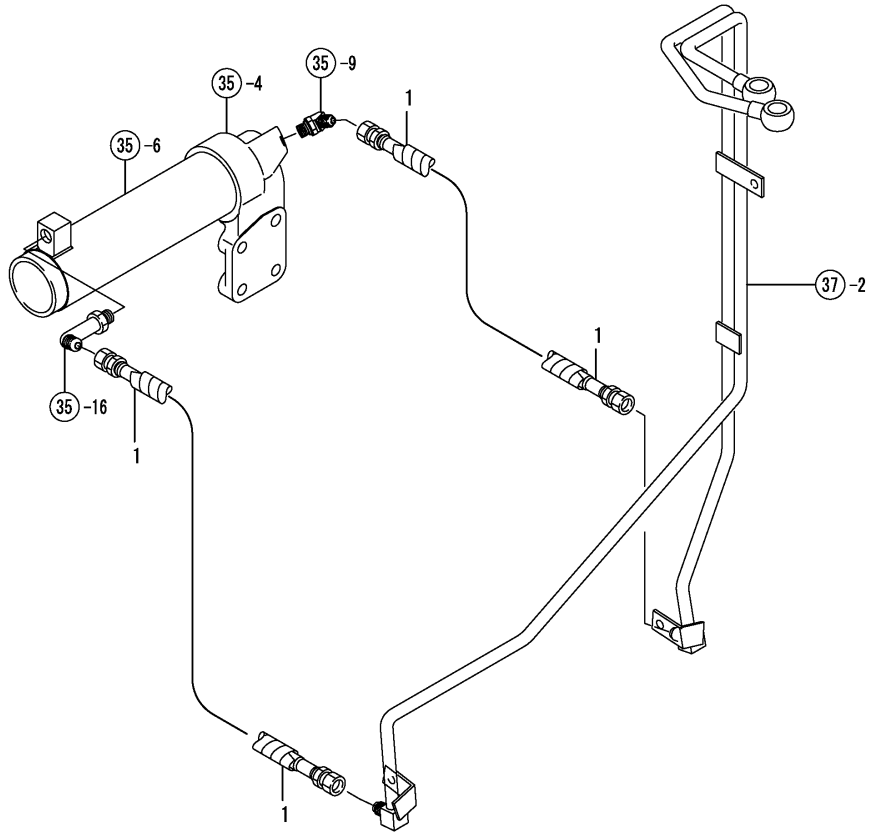
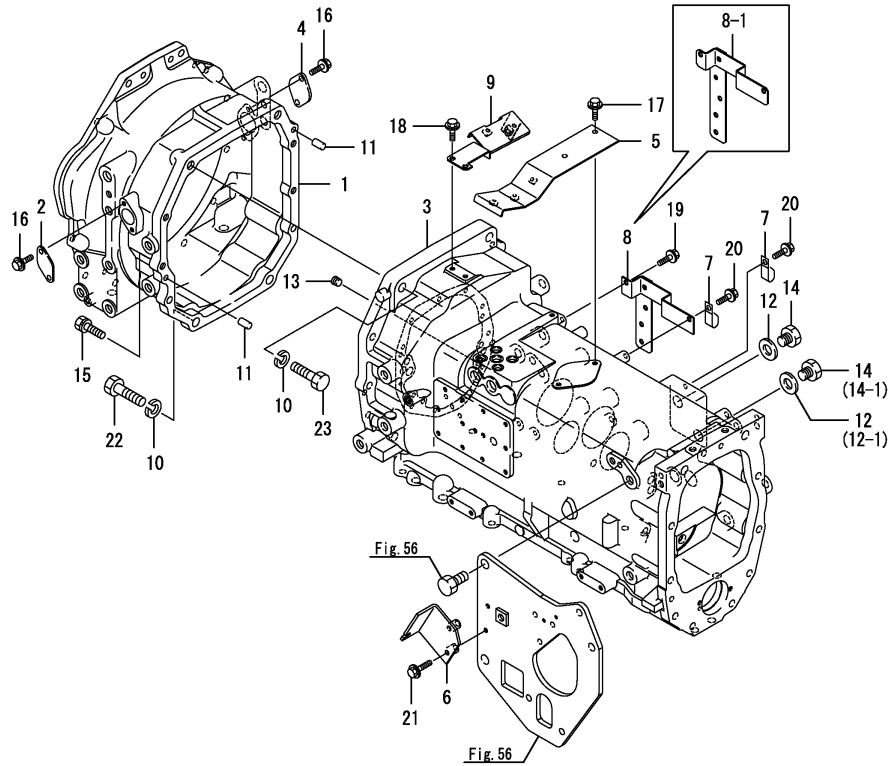


Fig.39. HOUSING , CLUTCH



(A)=EG907-AU-PQ
(B)=EG907(CAB-AU-PQ
(C)=

(D)=
(E)=
(F)=

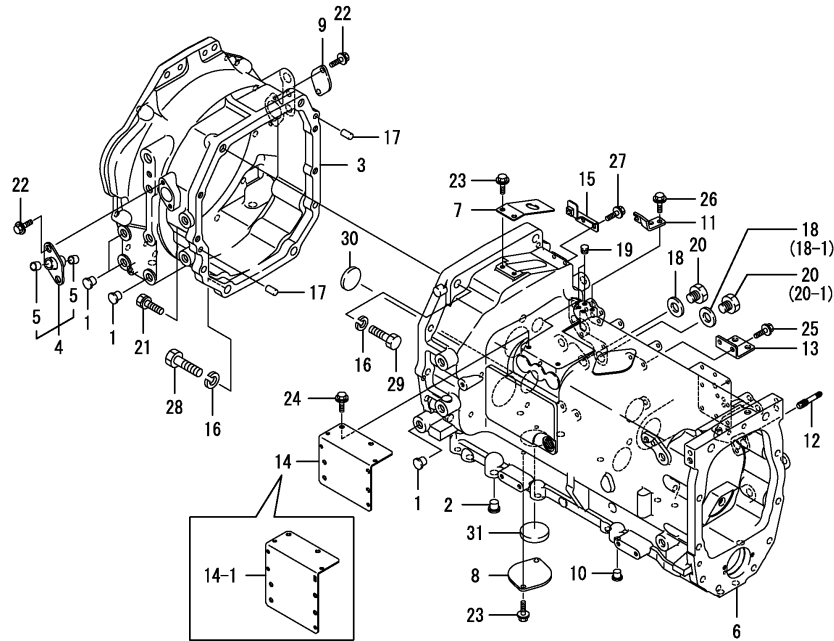
No.	Lev.	Parts No.	Description	Q'ty						I	R
				(A)	(B)	(C)	(D)	(E)	(F)		
1	1	1A7450-21060	HOUSING, FLYWHEEL	1							
2	1	1A7450-21070	COVER, SIDE	1							
3	1	1A7450-21121	HOUSING, CLUTCH	1							
4	1	194146-21150	COVER, SIDE	1							
5	1	1A7450-21181	STAY, HOSE	1							
6	1	1A7450-22480	SUPPORT ASSY, CABLE	1							
7	1	198448-51460	CLAMP, HARNESS	2							
8	1	1A7450-58320	PLATE, CLAMP	1							
8-1	1	1A7450-58321	PLATE,HERNESS	1							S 1
(A=FXXXXX)											
9	1	1A7470-88673	STAY, HOSE CLAMP	1							
10	1	22217-160000	WASHER, SPRING 16	4							
11	1	22312-100180	PIN, PARALLEL M10X18	2							
12	1	23414-220000	GASKET, 22X1.0	2							
12-1	1	23414-220029	GASKET, 22X1.0	1							N
(A=FXXXXX)											
13	1	23871-010000	PLUG, R01	1							
14	1	23887-220002	PLUG M22,HEX.	2							
14-1	1	23887-220002	PLUG M22,HEX.	1							K
(A=FXXXXX)											
15	1	26013-120402	BOLT, M12X 40	6							
16	1	26106-080162	BOLT, M8X 16 PLATED	4							
17	1	26106-080162	BOLT, M8X 16 PLATED	2							
18	1	26106-080162	BOLT, M8X 16 PLATED	2							
19	1	26106-080162	BOLT, M8X 16 PLATED	1							
20	1	26106-080162	BOLT, M8X 16 PLATED	2							
21	1	26106-080302	BOLT, M8X 30 PLATED	2							
22	1	26116-160502	BOLT, M16X 50 PLATED	2							
23	1	26116-160602	BOLT, M16X 60 PLATED	2							

Remarks
(1)Fig.137 ref.No.2-3 & Fig.139 ref.
No.2-2 Interchangeable by set.

Fig.40. HOUSING , CLUTCH

(A)=EG907-AU-PQ
 (B)=EG907(CAB-AU-PQ
 (C)=

(D)=
 (E)=
 (F)=



No.	Lev.	Parts No.	Description	Q'ty						I	R
				(A)	(B)	(C)	(D)	(E)	(F)		
1	1	194450-11190	PLUG, 15.0		8						
2	1	194450-11190	PLUG, 15.0		2						
3	1	1A7450-21060	HOUSING, FLYWHEEL		1						
4	1	1A7480-21080	COVER ASSY, SIDE		1						
5	2	24550-010100	BUSH, 10X10		2						
6	1	1A7480-21111	HOUSING, CLUTCH		1						
6-1	1	1A7480-21112-1 (B=FZZZZZ)	HOUSING, CLUTCH		1						S
6-2	1	1A7480-21113-1 (B=FXXXXX)	HOUSING, CLUTCH		1						N
7	1	1A7480-21130	COVER, UPPER		1						
8	1	198071-21140	COVER, HOUSING		1						
9	1	194146-21150	COVER, SIDE		1						
10	1	194150-21910	PLUG, 11.2		2						
11	1	1A7480-22450	SUPPORT, CLUTCH CABLE		1						
12	1	1A7450-24180 (B=FZZZZZ)	STUD, M8-M6		2						Z
13	1	1A7480-48310	STAY, FILTER		1						
14	1	1A7480-58220	PLATE, CLAMP		1						
14-1	1	1A7480-58230 (B=FXXXXX)	PLATE, CLAMP		1						S 1
15	1	1A7480-88180	STAY, HEATR PIPE		1						
16	1	22217-160000	WASHER, SPRING 16		4						
17	1	22312-100180	PIN, PARALLEL M10X18		2						
18	1	23414-220000	GASKET, 22X1.0		2						
18-1	1	23414-220029 (B=FXXXXX)	GASKET, 22X1.0		1						N
19	1	23871-010000	PLUG, R01		2						
20	1	23887-220002	PLUG M22, HEX.		2						
20-1	1	23887-220002 (B=FXXXXX)	PLUG M22, HEX.		1						K
21	1	26013-120402	BOLT, M12X 40		6						
22	1	26106-080162	BOLT, M8X 16 PLATED		4						
23	1	26106-080162	BOLT, M8X 16 PLATED		4						
24	1	26106-080162	BOLT, M8X 16 PLATED		2						
25	1	26106-080162	BOLT, M8X 16 PLATED		2						
26	1	26106-080162	BOLT, M8X 16 PLATED		2						
27	1	26106-080162	BOLT, M8X 16 PLATED		2						
28	1	26116-160502	BOLT, M16X 50 PLATED		2						
29	1	26116-160602	BOLT, M16X 60 PLATED		2						
30	1	27260-470000	PLUG, 47		1						
31	1	27260-550000	PLUG, 55		1						

Remarks

(1)Fig.138 ref.No.2-2, Fig.140 ref.
 No.3-1 & Fig.144 ref.No.4-2
 Interchangeable by set.

Fig.41. DOCKING BOLT

(A)=EG907-AU-PQ
 (B)=EG907(CAB-AU-PQ
 (C)=

(D)=
 (E)=
 (F)=

No.	Lev.	Parts No.	Description	Q'ty						I	R
				(A)	(B)	(C)	(D)	(E)	(F)		
1	1	198240-21270	BOLT, M12X30	7	7						
2	1	198448-21280	BOLT, M12X50	2	2						
3	1	22217-140000	WASHER, SPRING 14	2	2						
4	1	22312-100180	PIN, PARALLEL M10X18	2	2						
5	1	26013-100452	BOLT, M10X 45	2	2						
6	1	26116-140452	BOLT, M14X 45 PLATED	2	2						

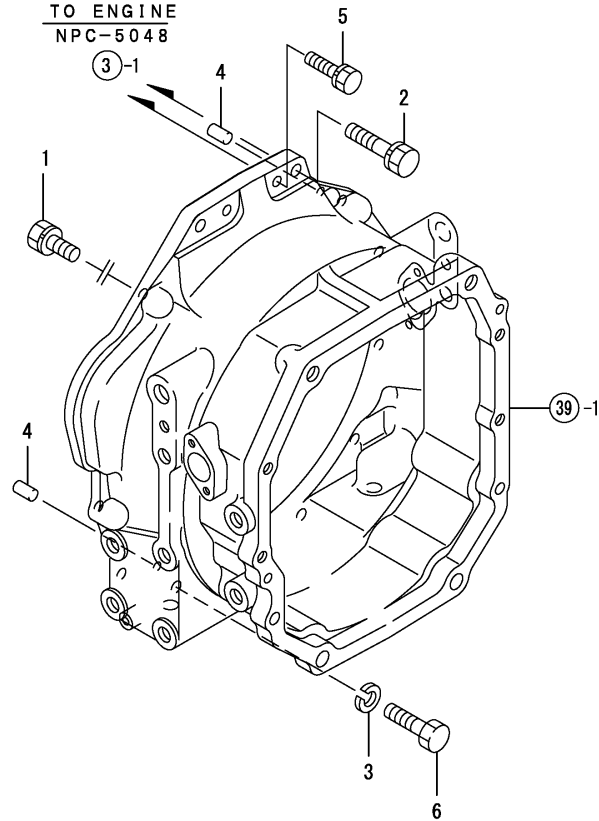
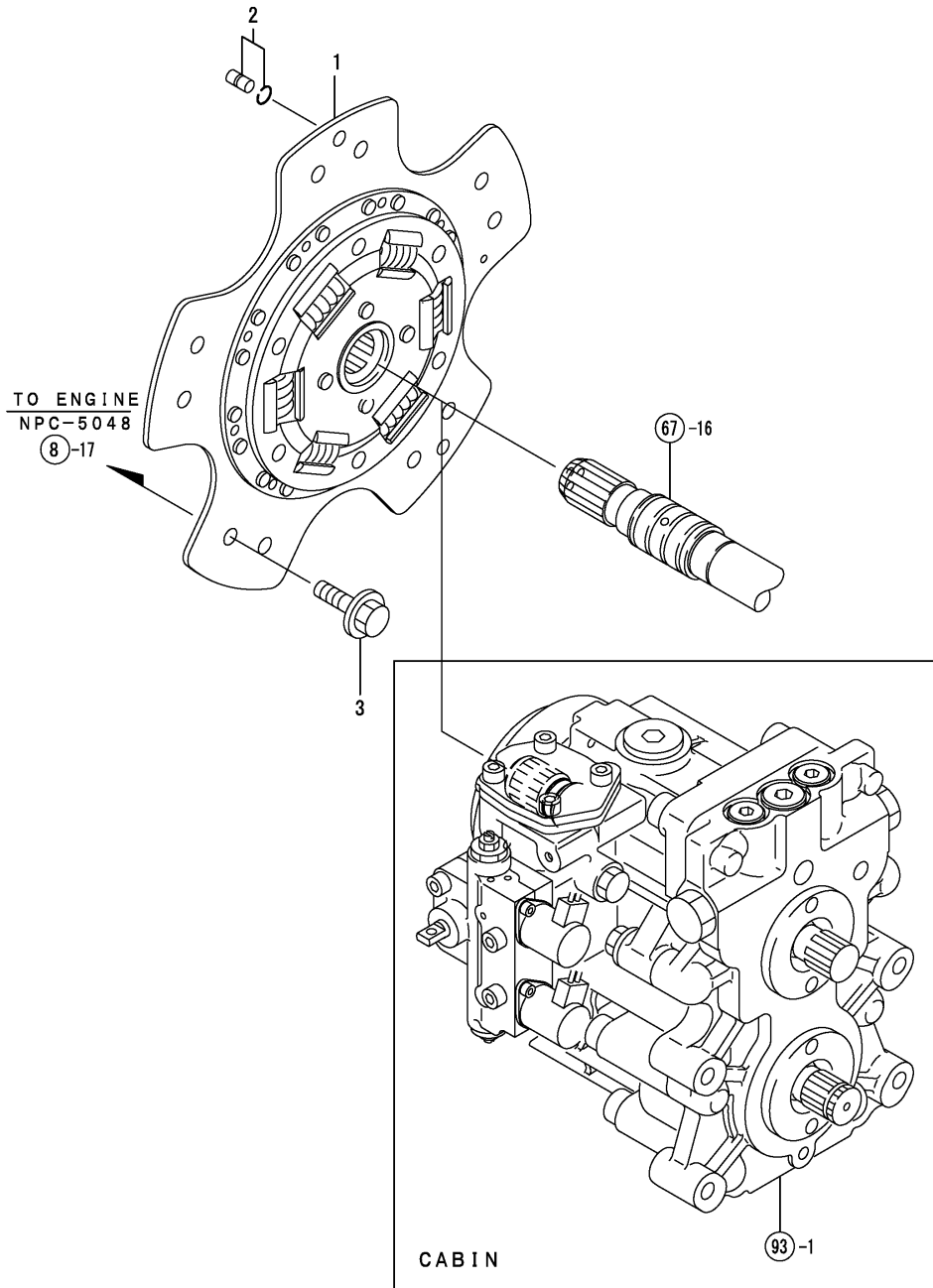


Fig.42. DAMPER DISC



(A)=EG907-AU-PQ
(B)=EG907(CAB-AU-PQ)
(C)=

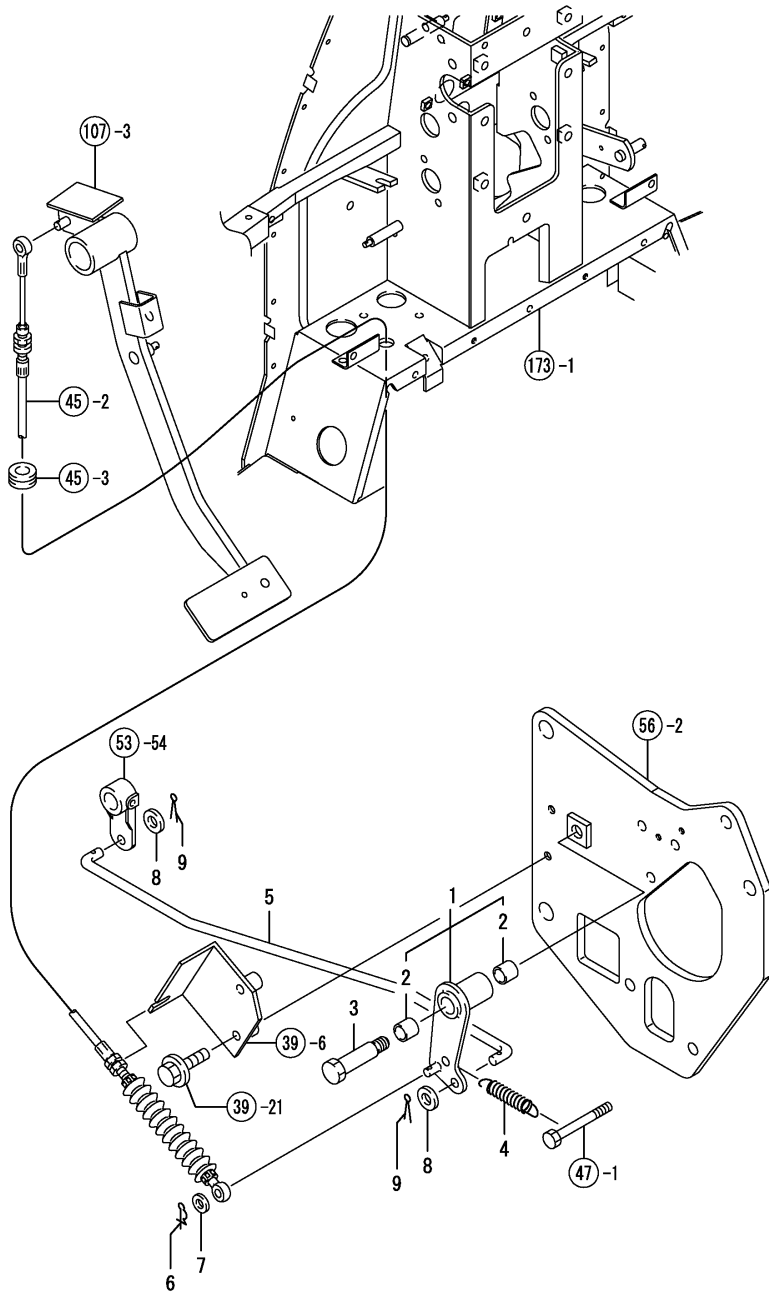
(D)=
(E)=
(F)=

No.	Lev.	Parts No.	Description	Q'ty						I	R
				(A)	(B)	(C)	(D)	(E)	(F)		
1	1	1A7460-22151	DISK, DAMPER	1	1						
2	1	198448-22190	PIN, PARALLEL 10X18	2	2						
3	1	26106-100162	BOLT, M10X 16 PLATED	10	10						

Fig.43. CLUTCH LINK,MAIN

(A)=EG907-AU-PQ
 (B)=EG907(CAB-AU-PQ
 (C)=

(D)=
 (E)=
 (F)=

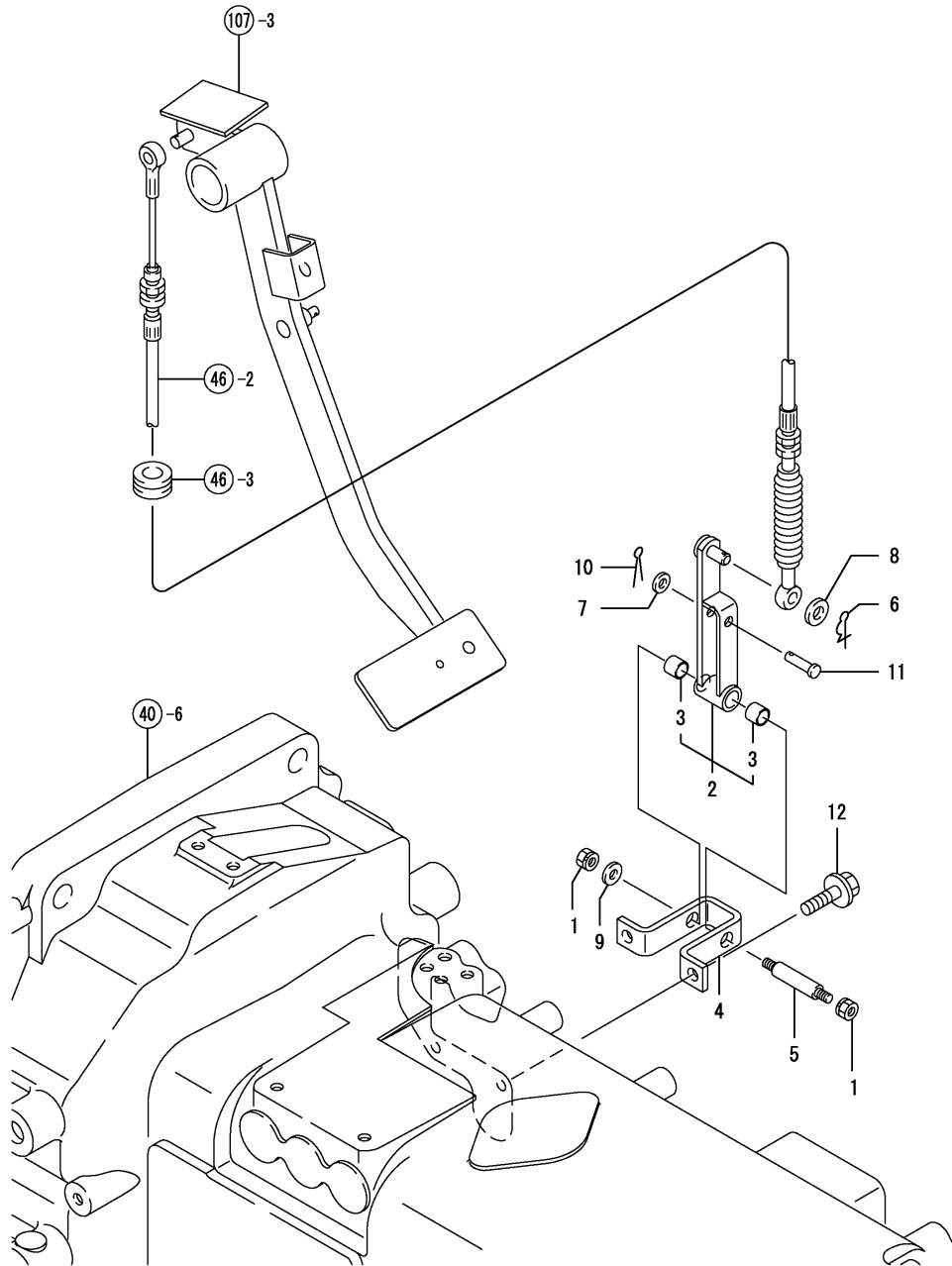


No.	Lev.	Parts No.	Description	Q'ty						I	R
				(A)	(B)	(C)	(D)	(E)	(F)		
1	1	198448-22301	ARM ASSY, CLUTCH	1							
2	2	24550-015150	BUSH, 15X15	2							
3	1	198448-22350	BOLT, STEPPED M12	1							
4	1	198220-22520	SPRING, CLUTCH	1							
5	1	1A7450-22550	ROD, CLUTCH	1							
6	1	1C6281-52320	PIN, SNAP 8	1							
7	1	22137-080000	WASHER, 8	1							
8	1	22137-100000	WASHER, 10	2							
9	1	22417-200300	PIN, COTTER 2.0X30	2							
9-1	1	22417-250300	PIN, COTTER 2.5X30	2							R
(A=*2009.05.)											

Fig.44. CLUTCH LINK,MAIN

(A)=EG907-AU-PQ
 (B)=EG907(CAB-AU-PQ
 (C)=

(D)=
 (E)=
 (F)=

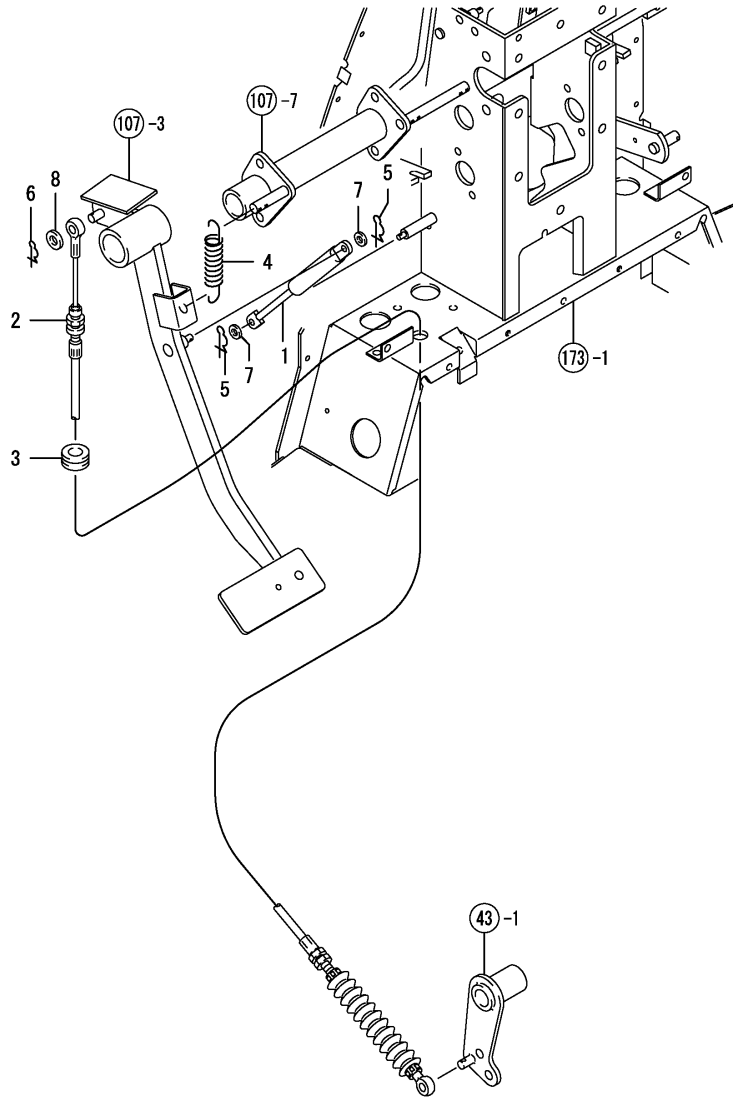


No.	Lev.	Parts No.	Description	Q'ty						I	R
				(A)	(B)	(C)	(D)	(E)	(F)		
1	1	194990-22040	NUT, M6		2						
2	1	1A7480-22430	ARM ASSY, CLUTCH		1						
3	2	24550-010100	BUSH, 10X10		2						
4	1	1A7480-22440	STAY, ARM		1						
5	1	1A7480-22460	SHAFT, CLUTCH ARM		1						
6	1	1C6281-52320	PIN, SNAP 8		1						
7	1	22137-060000	WASHER, 6		1						
8	1	22137-080000	WASHER, 8		1						
9	1	22157-060000	WASHER, 6		2						
10	1	22417-160180	PIN, COTTER 1.6X18		1						
11	1	22487-060220	PIN, H 6X 22		1						
12	1	26106-080162	BOLT, M8X 16 PLATED		2						

Fig.45. CLUTCH LINK

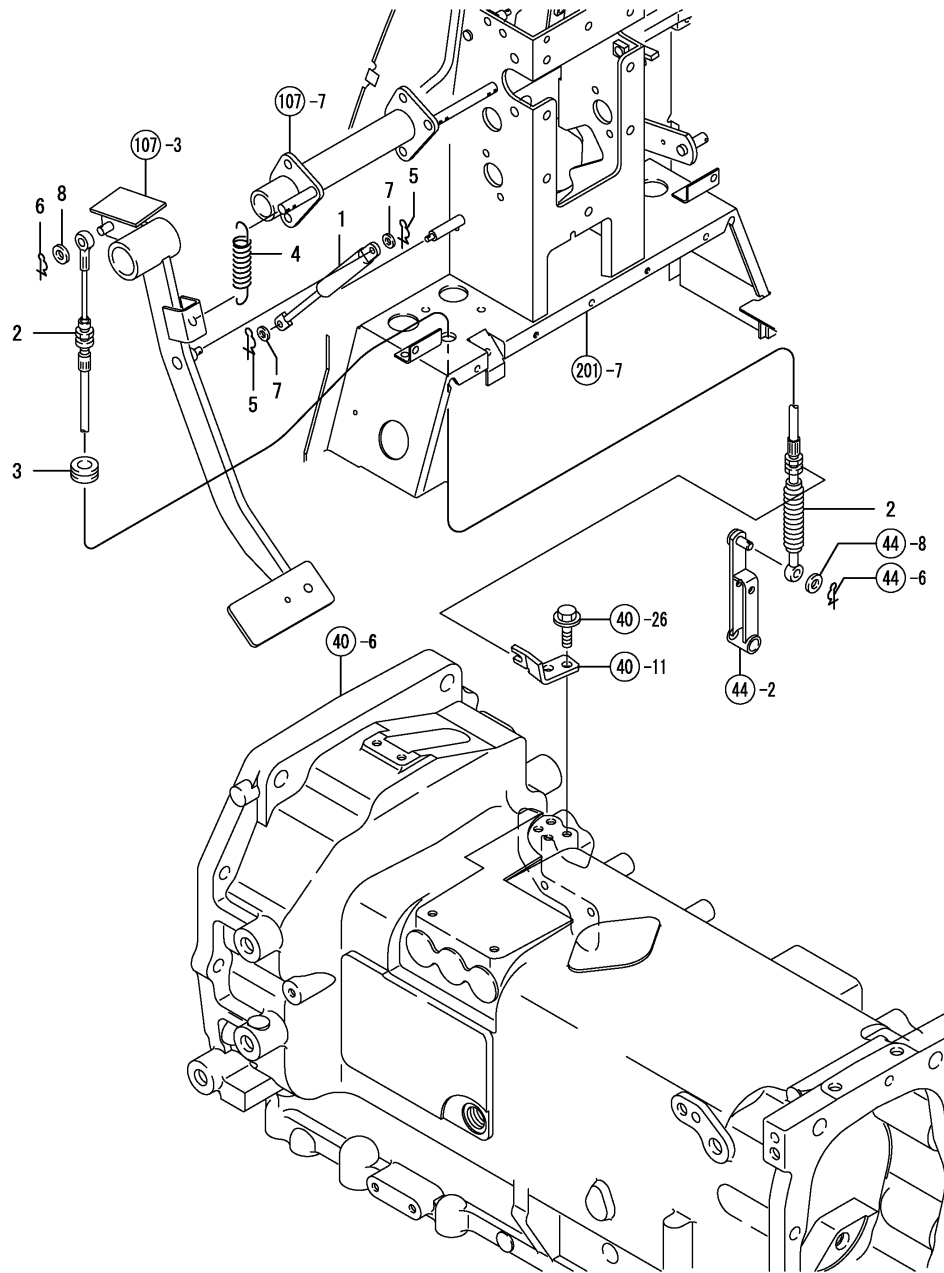
(A)=EG907-AU-PQ
 (B)=EG907(CAB-AU-PQ)
 (C)=

(D)=
 (E)=
 (F)=



No.	Lev.	Parts No.	Description	Q'ty						I	R
				(A)	(B)	(C)	(D)	(E)	(F)		
1	1	198448-15450	DAMPER	1							
2	1	1A7450-22510	CABLE ASSY, CLUTCH	1							
3	1	198448-22520	GROMMET, CABLE	1							
4	1	198290-37510	SPRING, RETURN	1							
5	1	1C6281-52310	PIN, SNAP 6	2							
6	1	1C6281-52320	PIN, SNAP 8	1							
7	1	22137-060000	WASHER, 6	2							
8	1	22137-080000	WASHER, 8	1							

Fig.46. CLUTCH LINK



(A)=EG907-AU-PQ
 (B)=EG907(CAB-AU-PQ
 (C)=

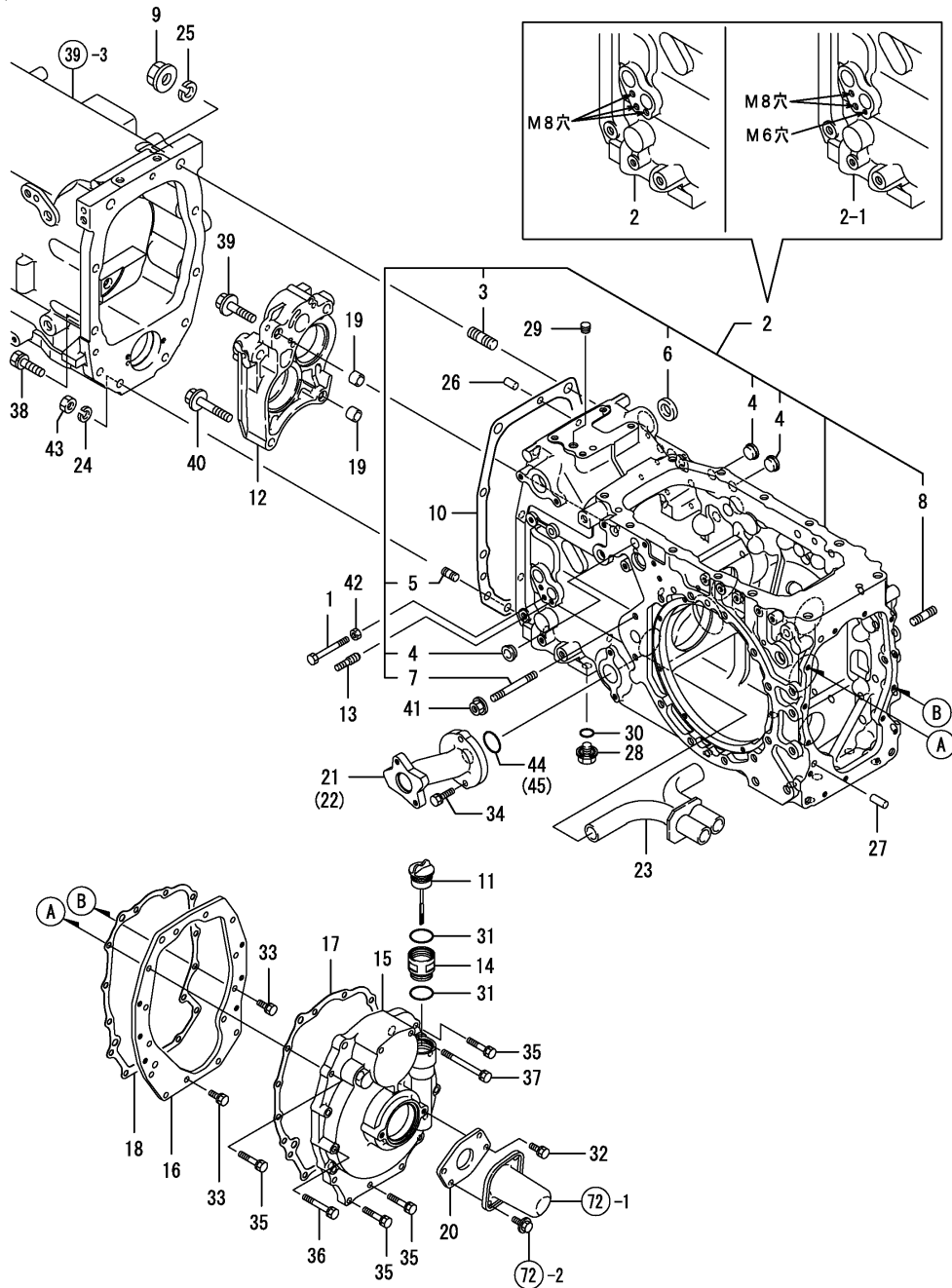
(D)=
 (E)=
 (F)=

No.	Lev.	Parts No.	Description	Q'ty						I	R
				(A)	(B)	(C)	(D)	(E)	(F)		
1	1	198448-15450	DAMPER		1						
2	1	1A7480-22510	CABLE, CLUTCH		1						
3	1	198448-22520	GROMMET, CABLE		1						
4	1	198290-37510	SPRING, RETURN		1						
5	1	1C6281-52310	PIN, SNAP 6		2						
6	1	1C6281-52320	PIN, SNAP 8		1						
7	1	22137-060000	WASHER, 6		2						
8	1	22137-080000	WASHER, 8		1						

Fig.47. TRANSMISSION CASE

(A)=EG907-AU-PQ
 (B)=EG907(CAB-AU-PQ)
 (C)=

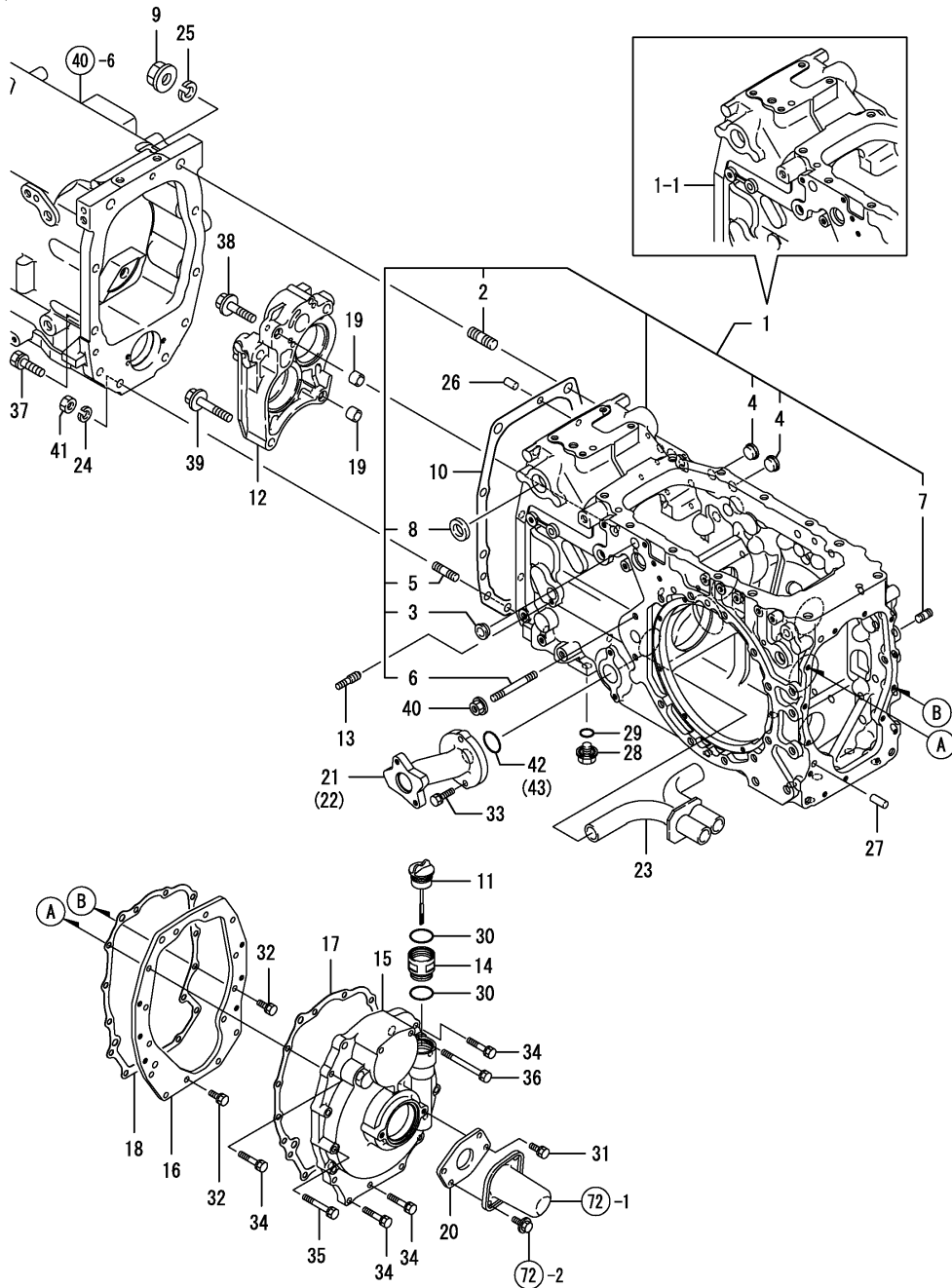
(D)=
 (E)=
 (F)=



No.	Lev.	Parts No.	Description	(A)	(B)	(C)	(D)	(E)	(F)	Q'ty	I	R
1	1	198448-22360	BOLT, M8X70	1								
2	1	1A7450-24102	HOUSING ASSY,TMSN.	1								
2-1	1	1A7450-24103	HOUSING ASSY	1								S
(A=FZZZZZ)												
3	2	1A7450-24140	STUD, M16X55	2								
4	2	1A7450-24170	PLUG, BORE 17	3								
5	2	198240-24530	STUD, M12X45	2								
6	2	198212-27350	SEAL, OIL TC4 203507	1								
7	2	26218-100902	STUD, M10X 90	2								
8	2	26218-120252	STUD, M12X 25	2								Z
(A=*2008.10.)												
9	1	198535-24120	NUT, M16	2								
10	1	198212-24140	GASKET, MISSION CASE	1								
11	1	1A7450-24150	PLUG, OIL M33X75	1								
12	1	1A7450-24160	RETAINER, BEARING	1								
13	1	1A7450-24180	STUD, M8-M6	1								Z
(A=FZZZZZ)												
14	1	1A7450-24190	PIPE, FILLER	1								
15	1	1A7450-24230	COVER, REAR	1								
16	1	1A7450-24240	SPACER, REAR COVER	1								
17	1	1A7450-24250	GASKET, REAR COVER	1								
18	1	1A7450-24270	GASKET, REAR COVER	1								
19	1	198071-24340	COLLAR, 13X17X14	2								
20	1	198255-24460	PLATE, OIL SEAL	1								
21	1	1A7450-24920	PIPE, FENDER L	1								
22	1	1A7450-24930	PIPE, FENDER R	1								
23	1	198448-24940	PIPE, SUCTION INNER	1								
24	1	22217-120000	WASHER, SPRING 12	2								
25	1	22217-160000	WASHER, SPRING 16	2								
26	1	22312-100180	PIN, PARALLEL M10X18	2								
27	1	22312-100250	PIN, PARALLEL M10X25	2								
28	1	23491-140002	PLUG, 14	2								
29	1	23871-020000	PLUG, R02	1								
30	1	24311-000160	O-RING, 1AP16.0	2								
31	1	24351-020300	O-RING 1A 2030	2								
32	1	26013-080122	BOLT, M8X 12	2								
33	1	26013-080202	BOLT, M8X 20	5								
34	1	26013-080252	BOLT, M8X 25	4								
34-1	1	26106-080252	BOLT, M8X 25 PLATED	4								R
(A=FXXXXXX)												
35	1	26013-080402	BOLT, M8X 40	11								
36	1	26013-080552	BOLT, M8X 55	2								
37	1	26013-080852	BOLT, M8X 85	2								
38	1	26013-120402	BOLT, M12X 40	6								
39	1	26108-120502	BOLT, M12X 50 PLATED	2								
40	1	26108-120652	BOLT, M12X 65 PLATED	2								
41	1	26366-100002	NUT, M10	2								
42	1	26716-080002	NUT, M8	1								
43	1	26716-120002	NUT, M12	2								
44	1	41852-000300	PACKING, 30.0	1								
45	1	41852-000650	PACKING, 65.0	1								

N:Old $\frac{Yes}{No}$ New, Q:Old $\frac{No}{Yes}$ New, R:Old $\frac{Yes}{Yes}$ New, S:Old $\frac{No}{No}$ New, W:Add, Z:Discontinued, F:Interchangeable by set, K:Q'ty Change
 Copyright (C) YANMAR CO., LTD. All Rights Reserved.

Fig.48. TRANSMISSION CASE



(A)=EG907-AU-PQ
(B)=EG907(CAB-AU-PQ)
(C)=

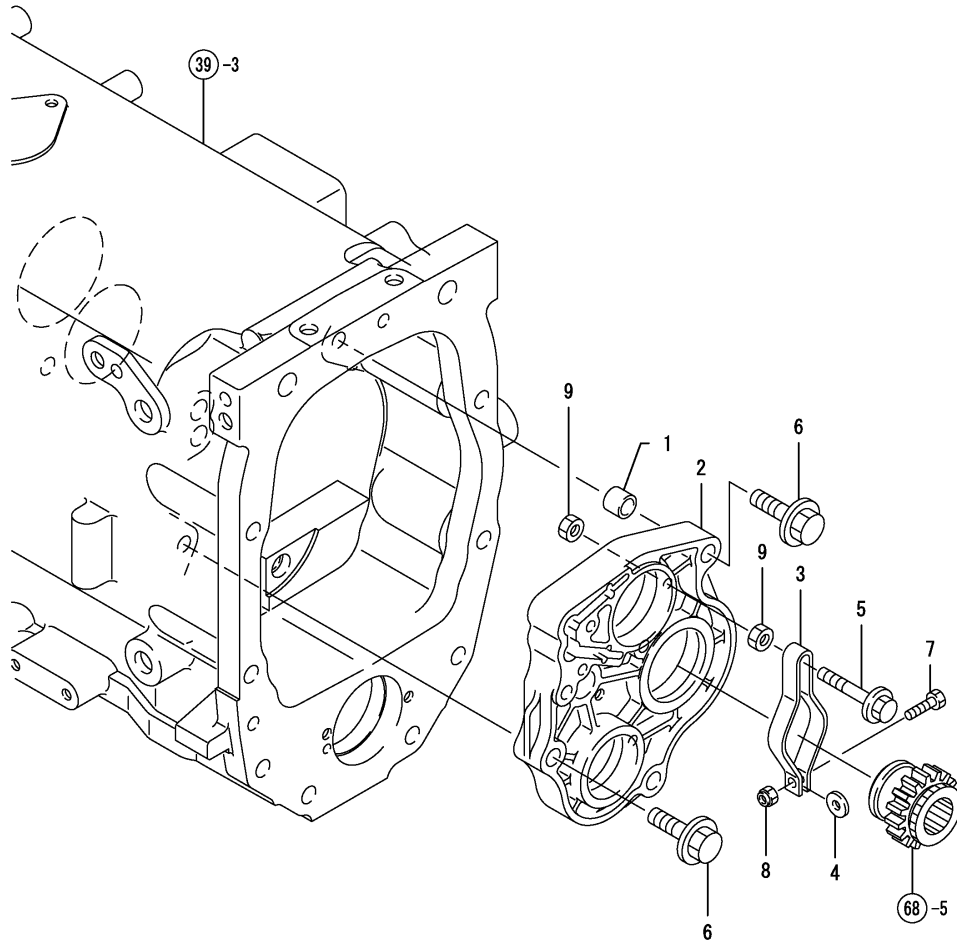
(D)=
(E)=
(F)=

No.	Lev.	Parts No.	Description	Q'ty						I	R
				(A)	(B)	(C)	(D)	(E)	(F)		
1	1	1A7480-24100	HOUSING ,T/M		1						
1-1	1	1A7480-24101	HOUSING ASSY (B=FZZZZZ)		1						S
2	2	1A7450-24140	STUD, M16X55		2						
3	2	1A7450-24170	PLUG, BORE 17		1						
4	2	1A7450-24170	PLUG, BORE 17 (B=FZZZZZ)		2						Z
5	2	198240-24530	STUD, M12X45		2						
6	2	26218-100902	STUD, M10X 90		2						
7	2	26218-120252	STUD, M12X 25 (B="2008.10.)		2						Z
8	2	41868-300000	PLUG 30 ACM BORE		1						
9	1	198535-24120	NUT, M16		2						
10	1	198212-24140	GASKET, MISSION CASE		1						
11	1	1A7450-24150	PLUG, OIL M33X75		1						
12	1	1A7450-24160	RETAINER, BEARING		1						
13	1	1A7450-24180	STUD, M8-M6 (B=FZZZZZ)		1						Z
14	1	1A7450-24190	PIPE, FILLER		1						
15	1	1A7450-24230	COVER, REAR		1						
16	1	1A7450-24240	SPACER, REAR COVER		1						
17	1	1A7450-24250	GASKET, REAR COVER		1						
18	1	1A7450-24270	GASKET, REAR COVER		1						
19	1	198071-24340	COLLAR, 13X17X14		2						
20	1	198255-24460	PLATE, OIL SEAL		1						
21	1	1A7450-24920	PIPE, FENDER L		1						
22	1	1A7450-24930	PIPE, FENDER R		1						
23	1	198448-24940	PIPE, SUCTION INNER		1						
24	1	22217-120000	WASHER, SPRING 12		2						
25	1	22217-160000	WASHER, SPRING 16		2						
26	1	22312-100180	PIN, PARALLEL M10X18		2						
27	1	22312-100250	PIN, PARALLEL M10X25		2						
28	1	23491-140002	PLUG, 14		1						
29	1	24311-000160	O-RING, 1AP16.0		1						
30	1	24351-020300	O-RING 1A 2030		2						
31	1	26013-080122	BOLT, M8X 12		2						
32	1	26013-080202	BOLT, M8X 20		5						
33	1	26013-080252	BOLT, M8X 25		4						
33-1	1	26106-080252	BOLT, M8X 25 PLATED		4						R
34	1	26013-080402	BOLT, M8X 40		11						
35	1	26013-080552	BOLT, M8X 55		2						
36	1	26013-080852	BOLT, M8X 85		2						
37	1	26013-120402	BOLT, M12X 40		6						
38	1	26108-120502	BOLT, M12X 50 PLATED		2						
39	1	26108-120652	BOLT, M12X 65 PLATED		2						
40	1	26366-100002	NUT, M10		2						
41	1	26716-120002	NUT, M12		2						
42	1	41852-000300	PACKING, 30.0		1						
43	1	41852-000650	PACKING, 65.0		1						

Fig.49. CENTER PLATE

(A)=EG907-AU-PQ
 (B)=EG907(CAB-AU-PQ
 (C)=

(D)=
 (E)=
 (F)=



No.	Lev.	Parts No.	Description	Q'ty						I	R
				(A)	(B)	(C)	(D)	(E)	(F)		
1	1	198071-24340	COLLAR, 13X17X14	2							
2	1	1A7450-24350	PLATE, CENTER	1							
3	1	198071-27890	SPRING	1							
4	1	22157-060000	WASHER, 6	1							
5	1	26106-080452	BOLT, M8X 45 PLATED	1							
6	1	26108-120502	BOLT, M12X 50 PLATED	3							
7	1	26116-060122	BOLT, M6X 12 PLATED	1							
8	1	26346-060002	NUT, M6	1							
9	1	26716-080002	NUT, M8	2							

Fig.50. CENTER PLATE

(A)=EG907-AU-PQ
 (B)=EG907(CAB-AU-PQ)
 (C)=

(D)=
 (E)=
 (F)=

No.	Lev.	Parts No.	Description	Q'ty						I	R
				(A)	(B)	(C)	(D)	(E)	(F)		
1	1	1A7480-24300	PLATE ASSY, CENTER		1						
2	2	23871-010000	PLUG, R01		2						
3	1	198071-24340	COLLAR, 13X17X14		2						
4	1	26108-120502	BOLT, M12X 50 PLATED		3						

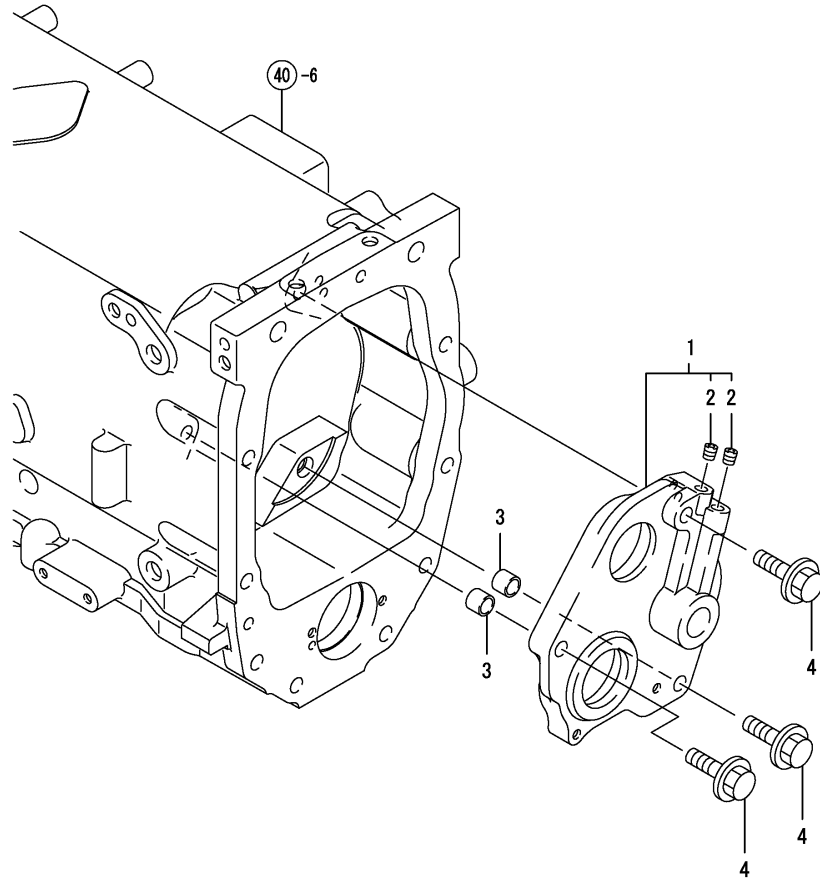
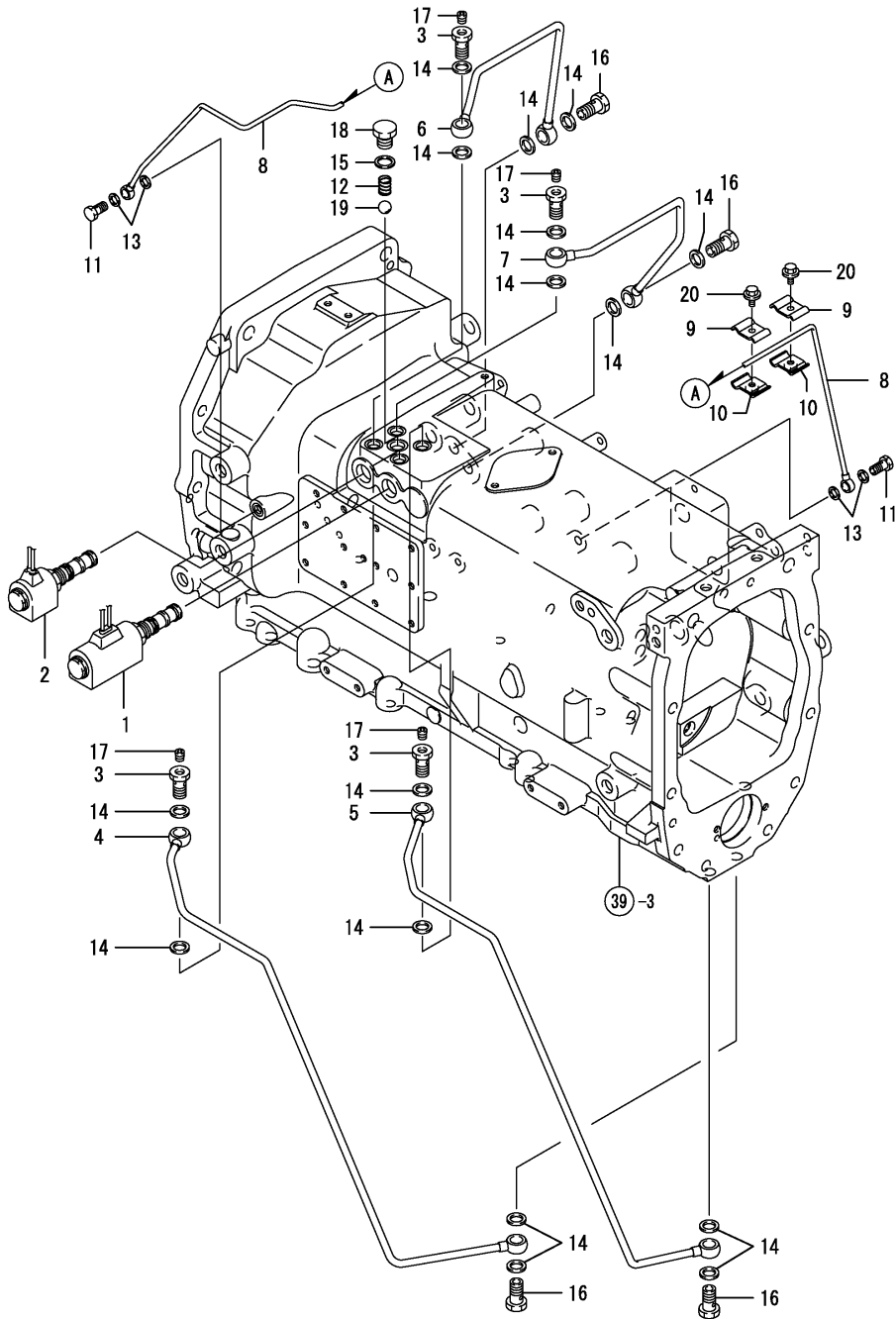


Fig.51. MAIN VALVE



(A)=EG907-AU-PQ
 (B)=EG907(CAB-AU-PQ)
 (C)=

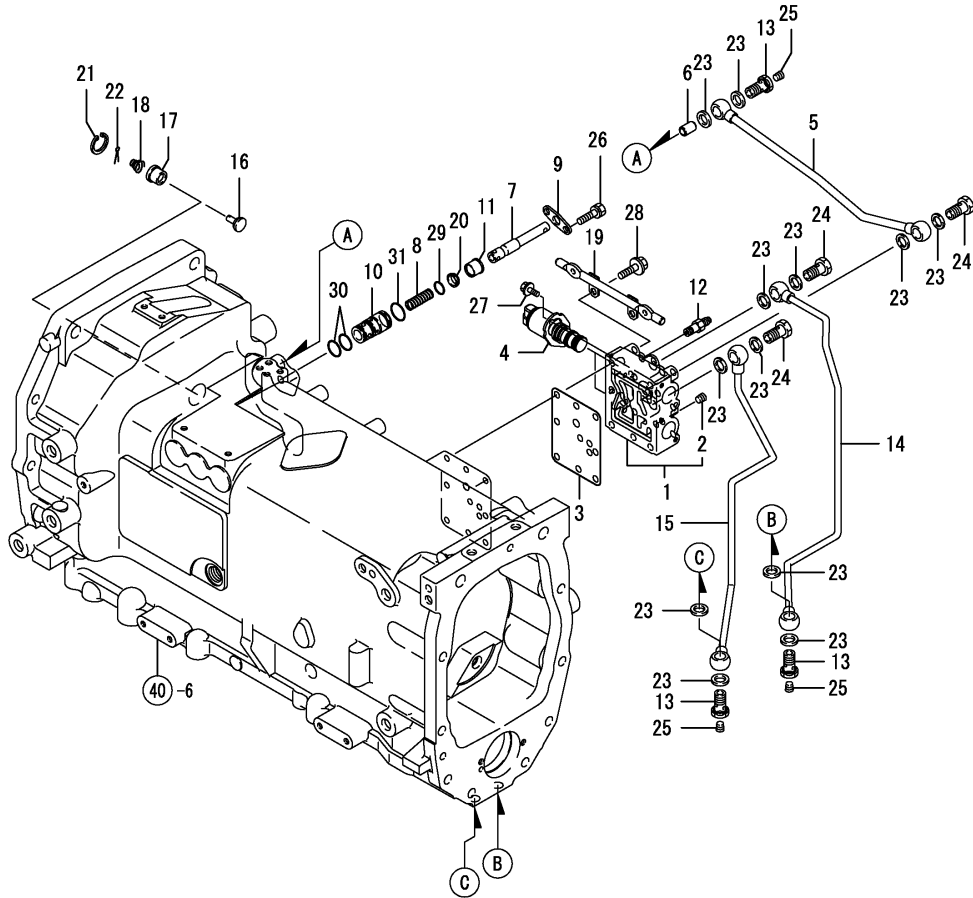
(D)=
 (E)=
 (F)=

No.	Lev.	Parts No.	Description	Q'ty						I	R
				(A)	(B)	(C)	(D)	(E)	(F)		
1	1	178076-07200	SOLENOID	1							
2	1	178076-12521	SOLENOID, CSV1-05	1							
3	1	198448-28430	BOLT, JOINT M14	4							
4	1	1A7450-28441	PIPE, 4WD	1							
5	1	1A7450-28451	PIPE, HG	1							
6	1	1A7450-28461	PIPE, HIGH-LOW	1							
7	1	1A7450-28471	PIPE, HIGH-LOW	1							
8	1	1A7450-28481	PIPE, OIL	1							
9	1	1A7450-28500	CLAMP	2							
10	1	1A7450-28510	CLAMP ASSY	2							
11	1	121252-39150	BOLT, JOINT M10X1.5	2							
12	1	1C6900-87970	SPRING, COIL 1X13X20	1							
13	1	23414-100014	GASKET, 10X1.0	4							
14	1	23414-140000	GASKET, 14X1.0	16							
15	1	23414-160021	GASKET, 16X1.0	1							
16	1	23857-080000	BOLT, JOINT 8	4							
17	1	23871-010000	PLUG, R01	4							
18	1	23887-160002	PLUG, 16	1							
19	1	24190-180001	BALL, STEEL 9/16	1							
20	1	26106-060122	BOLT, M6X 12 PLATED	2							

Fig.52. MAIN VALVE

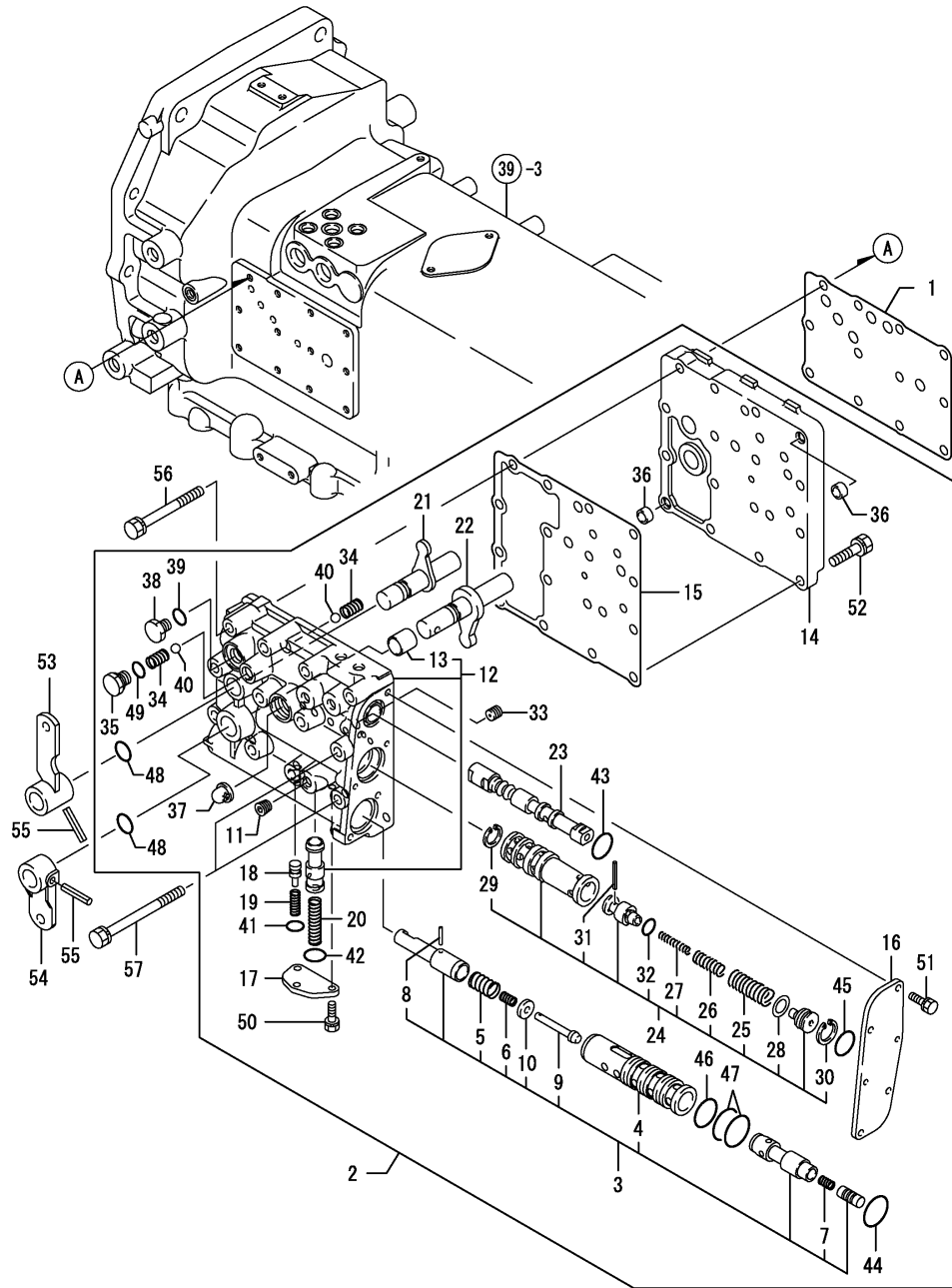
(A)=EG907-AU-PQ
 (B)=EG907(CAB-AU-PQ)
 (C)=

(D)=
 (E)=
 (F)=



No.	Lev.	Parts No.	Description	Q'ty						I	R
				(A)	(B)	(C)	(D)	(E)	(F)		
1	1	1A7480-24401	BODY ASSY, VALVE		1						
2	2	23871-010000	PLUG, R01		2						
3	1	1A7480-24420	GASKET, VALVE		1						
4	1	1A7090-24430	VALVE, SOLENOID		4						
5	1	1A7480-24430	PIPE, MAIN		1						
6	1	1A7480-24440	BUSH		1						
7	1	1A7480-24451	SPOOL		1						
8	1	1A7480-24460	SPRING		1						
9	1	1A7480-24470	PLATE		1						
10	1	1A7480-24481	SLEEVE		1						
11	1	1A7480-24490	SLEEVE, SEAL		1						
12	1	1A7480-24510	JOINT, 1/8		1						
13	1	198448-28430	BOLT, JOINT M14		3						
14	1	1A7480-28440	PIPE, 4WD		1						
15	1	1A7480-28450	PIPE, HG		1						
16	1	1E6190-55660	VALVE, 2ND RELIEF		1						
17	1	1E6190-55710	SEAT, 2ND RELIEF		1						
18	1	1E6480-56410	VALVE, 2ND RELIEF		1						
19	1	1A7480-58210	ROD, HARNESS		1						
20	1	172510-74410	SEAL, DUST		1						
21	1	22252-000240	RING, 24		1						
22	1	22417-200100	COTTER PIN 2.0X10		1						
23	1	23414-140018	GASKET, 14X1.0		12						
24	1	23857-080000	BOLT, JOINT 8		3						
25	1	23871-010000	PLUG, R01		3						
26	1	26013-080162	BOLT, M8X 16		2						
27	1	26106-060082	BOLT, M6X 8 PLATED		8						
28	1	26106-080502	BOLT, M8X 50 PLATED		9						
29	1	41850-000140	O RING 14.0 ACM		1						
30	1	41850-000180	PACKING, 18.0		2						
31	1	41850-000200	PACKING, 20.0		1						

Fig.53. REVERSE VALVE

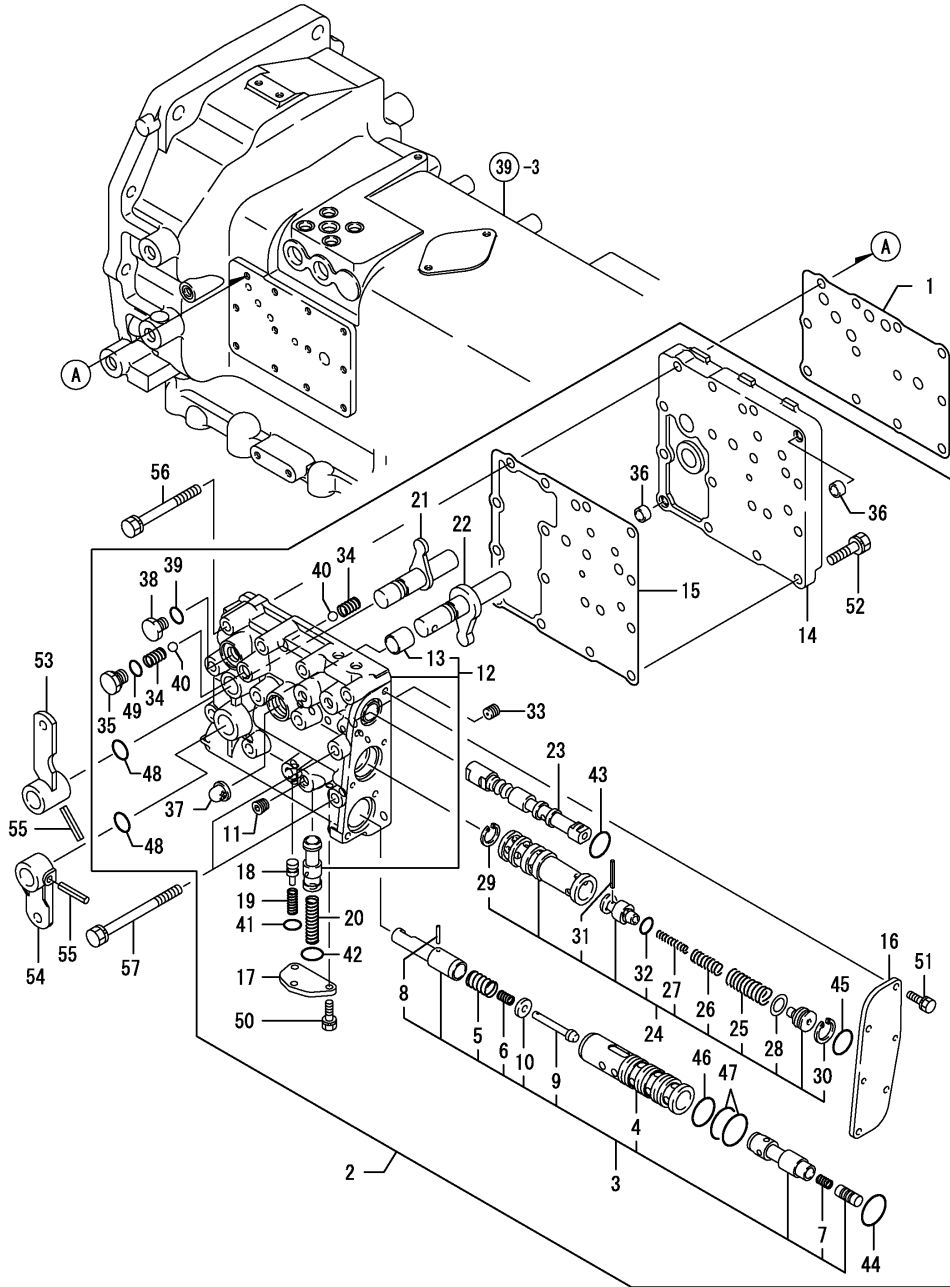


(A)=EG907-AU-PQ
 (B)=EG907(CAB-AU-PQ
 (C)=

(D)=
 (E)=
 (F)=

No.	Lev.	Parts No.	Description	Q'ty						I	R
				(A)	(B)	(C)	(D)	(E)	(F)		
1	1	198212-24280	GASKET, PR VALVE	1							
2	1	1A7450-24300	VALVE ASSY, REVERSE	1							
3	2	178076-00201	CLUTCH VALVE CMP	1							
4	3	198213-24380	SLEEVE, I/C	1							
5	3	192180-24770	SPRING,CV OUT	1							
6	3	192180-24780	SPRING,CV INN	1							
7	3	192180-24790	SPRING,CV RET	1							
8	3	192180-24800	PIN 2*18	1							
9	3	192180-24810	PIN,GUIDE	1							
10	3	192180-24850	WASHER 1.6	1							
11	2	178073-01200	PLUG PT 1/8	3							
12	2	198213-24322	CASE ASSY, VALVE	1							
13	3	24550-017150	BUSH, 17X15	1							
14	2	198213-24341	PLATE, VALVE	1							
15	2	198213-24350	GASKET, CASE	1							
16	2	198213-24360	COVER, SPOOL	1							
17	2	198213-24370	COVER, RELIEF	1							
18	2	198213-24390	VALVE, RELIEF	1							
19	2	198213-24400	SPRING, RELIEF	1							
20	2	198213-24420	SPRING, CUT-OFF	1							
21	2	198213-24441	ARM ASSY, SHIFT	1							
22	2	198213-24470	ARM ASSY, CLUTCH	1							
23	2	198213-24510	SPOOL, P/R	1							
24	2	192180-24641	DRV CMP	1							
25	3	192180-24680	SPRING (DRV OUT	1							
26	3	192180-24690	SPRING(DRV CEN	1							
27	3	192180-24700	SPRING(DRV INN	1							
28	3	192180-24910	SHIM	2							
29	3	22252-000200	RING, 20	1							
30	3	22252-000220	RING, 22	1							
31	3	22351-030028	PIN, SPRING 3.0X28	1							
32	3	24321-000250	O-RING, 1AG25.0	1							
33	2	192180-24730	ORIFICE	1							
34	2	192180-24740	SPRING	2							
35	2	192157-26460	PLUG 1/2-20 UNF	1							
36	2	194521-41570	PIN, 11X7	2							
37	2	194556-42220	STRAINER, A	1							
38	2	194850-49240	PLUG, 9/16-18	1							
39	2	194850-49290	PACKING, 6-1	1							
40	2	24190-100001	BALL, STEEL 5/16	2							
41	2	24311-000125	O-RING, 1AP12.5	1							
42	2	24311-000180	O-RING, 1AP18.0	1							
43	2	24311-000220	O-RING, 1AP22.0	1							
44	2	24311-000290	O-RING, 1AP29.0	1							
45	2	24311-000320	O-RING, 1AP32.0	1							
46	2	24341-000220	O-RING, 1AS22.0	1							
47	2	24341-000224	O-RING, 1AS22.4	2							
48	2	24351-010140	PACKING 1A 1014	2							
49	2	24361-090500	O-RING, 1AAS905	1							
50	2	26016-060162	BOLT, M6X 16	3							
51	2	26016-060162	BOLT, M6X 16	6							

Fig.53. REVERSE VALVE

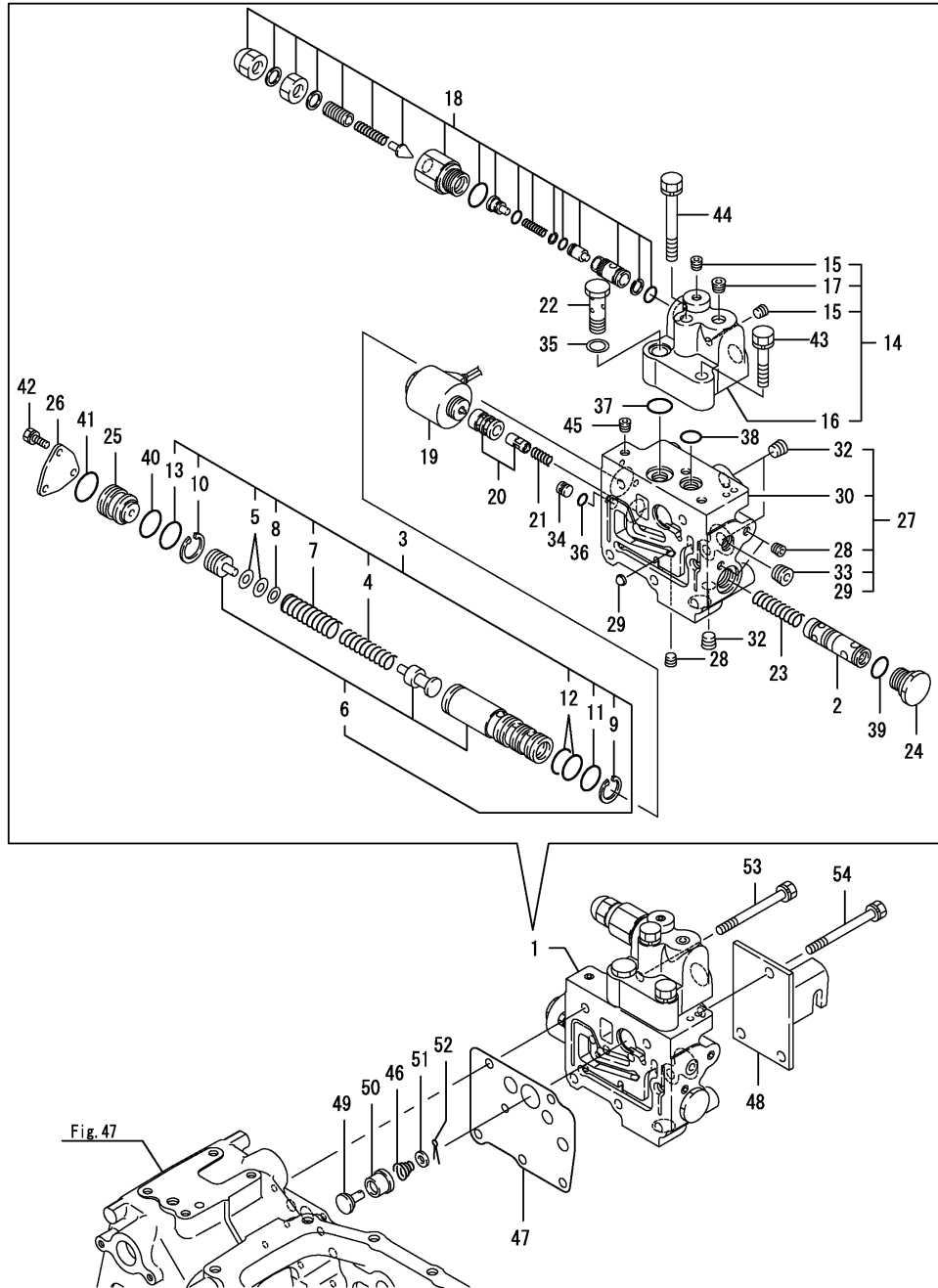


(A)=EG907-AU-PQ
 (B)=EG907(CAB-AU-PQ)
 (C)=

(D)=
 (E)=
 (F)=

No.	Lev.	Parts No.	Description	Q'ty						I	R
				(A)	(B)	(C)	(D)	(E)	(F)		
52	2	26016-080302	BOLT, M8X 30	4							
53	1	1A7450-24411	ARM, CHANGE	1							
54	1	198072-27650	ARM, CHANGE	1							
55	1	22351-060032	PIN, SPRING 6.0X32	2							
56	1	26013-080802	BOLT, M8X 80	10							
56-1	1	26106-080802	BOLT, M8X 80 PLATED	10							R
(A=FXXXXXX)											
57	1	26013-080952	BOLT, M8X 95	2							
57-1	1	26106-080952	BOLT, M8X 95 PLATED	2							R
(A=FXXXXXX)											

Fig.54. PTO. VALVE

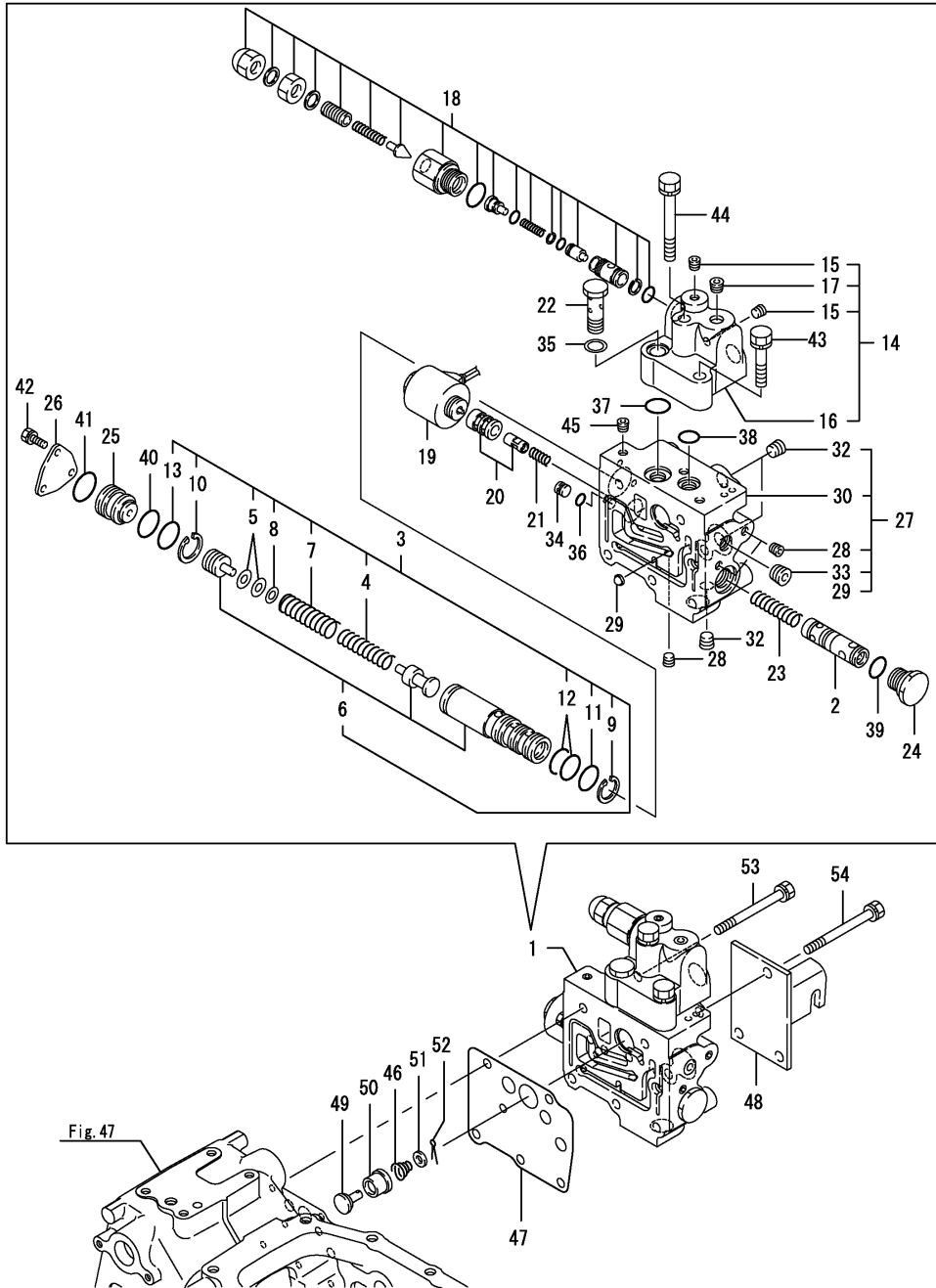


(A)=EG907-AU-PQ
(B)=EG907(CAB-AU-PQ)
(C)=

(D)=
(E)=
(F)=

No.	Lev.	Parts No.	Description	Qty						I	R
				(A)	(B)	(C)	(D)	(E)	(F)		
1	1	1A7450-24600	VALVE ASSY, PTO	1	1						
1-1	1	1A7450-24610	VALVE KIT, PTO	1	1						N
		(A=FZZZZZ) (B=FZZZZZ)									
2	2	168227-01050	SPOOL FLOW CONT. 7A	1	1						
3	2	168227-01200	DRV CMP	1	1						
4	3	178076-02300	SPRING, DRV INNER	1	1						
5	3	194800-24620	SHIM, T=0.5	2	2						
6	3	194850-24630	VALVE ASSY, DRV	1	1						
7	3	198213-24720	SPRING, DRV OUTER	1	1						
8	3	119620-51350	GASKET	2	2						
9	3	22252-000180	RING, 18	1	1						
10	3	22252-000200	RING, 20	1	1						
11	3	24341-000220	O-RING, 1AS22.0	1	1						
12	3	24341-000224	O-RING, 1AS22.4	2	2						
13	3	24341-000240	O-RING, 1AS24.0	1	1						
14	2	168227-02010	RELIEF CASE CMP	1	1						
15	3	178073-01200	PLUG PT 1/8	2	2						
16	3	168227-02020	RELIEF CASE	1	1						
17	3	23871-020000	PLUG, R02	1	1						
18	2	168227-02050	RELIEF VALVE CMP	1	1						
19	2	178076-02400	SOLENOID ASSY	1	1						
20	2	178076-02430	VALVE ASSY, SOLENOID	1	1						
21	2	178076-02460	SPRING, SPOOL	1	1						
22	2	198266-24330	BOLT, JOINT M14	1	1						
23	2	198213-24700	SPRING, FLOW CONTROL	1	1						
24	2	198213-24710	PLUG	1	1						
25	2	198213-24740	PLUG, DRV	1	1						
26	2	198213-24750	COVER, DRV	1	1						
27	2	178076-32100	VALVEBODY CMP	1	1						
28	3	178073-01200	PLUG PT 1/8	3	3						
29	3	192157-24801	STRAINER	1	1						
30	3	178076-32110	VALVEBODY	1	1						
32	3	23871-020000	PLUG, R02	3	3						
33	3	23871-030000	PLUG, R03	1	1						
34	2	194170-45370	PLUG	1	1						
35	2	23414-140000	GASKET, 14X1.0	1	1						
36	2	24311-000070	O-RING, 1AP7.0	1	1						
37	2	24311-000200	O-RING, 1AP20.0	1	1						
38	2	24315-000160	O-RING, 1BP16.0	1	1						
39	2	24315-000180	O-RING, 1BP18.0	1	1						
40	2	24341-000240	O-RING, 1AS24.0	1	1						
41	2	24341-000250	O-RING, 1AS25.0	1	1						
42	2	26016-060162	BOLT, M6X 16	3	3						
43	2	26016-100452	BOLT, M10X 45	1	1						
44	2	26016-100802	BOLT, M10X 80	1	1						
45	2	23871-010000	PLUG, R01	1	1						
46	1	194310-24770	SPRING	1	1						
47	1	198212-24910	GASKET, PTO VALVE	1	1						
48	1	198448-33280	BRACKET, WIRE	1	1						
49	1	1E6190-55660	VALVE, 2ND RELIEF	1	1						
50	1	1E6190-55710	SEAT, 2ND RELIEF	1	1						

Fig.54. PTO. VALVE

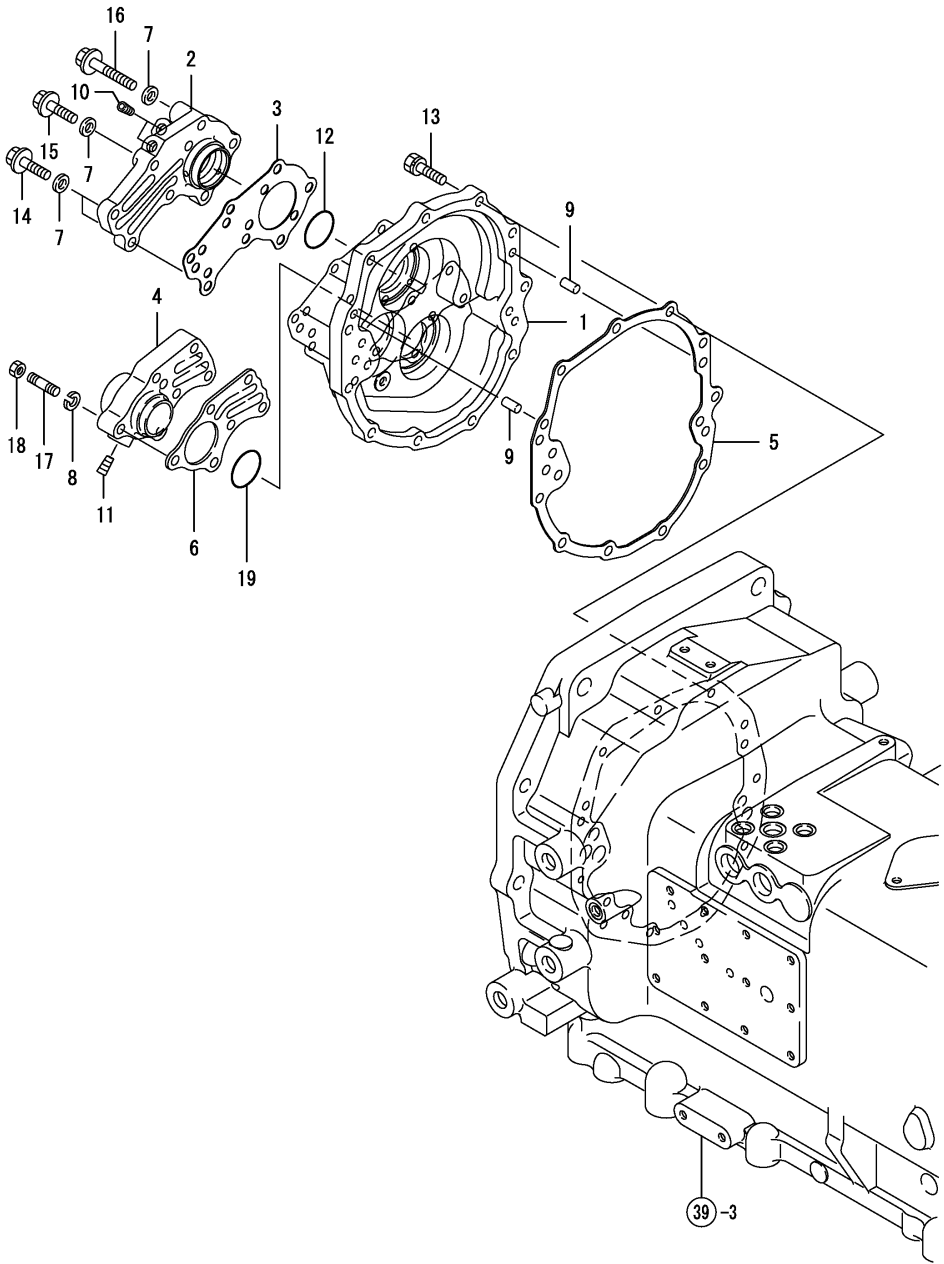


(A)=EG907-AU-PQ
 (B)=EG907(CAB-AU-PQ)
 (C)=

(D)=
 (E)=
 (F)=

No.	Lev.	Parts No.	Description	Q'ty						I	R
				(A)	(B)	(C)	(D)	(E)	(F)		
51	1	22117-060000	WASHER, 6	1	1						
52	1	22417-200100	COTTER PIN 2.0X10	1	1						
53	1	26013-080802	BOLT, M8X 80	2	2						
53-1	1	26106-080802	BOLT, M8X 80 PLATED	2	2						
		(A=FXXXXXX)	(B=FXXXXXX)								
54	1	26013-080852	BOLT, M8X 85	3	3						
54-1	1	26106-080852	BOLT, M8X 85 PLATED	2	2						
		(A=FXXXXXX)	(B=FXXXXXX)								

Fig.55. FRONT COVER



(A)=EG907-AU-PQ
 (B)=EG907(CAB-AU-PQ)
 (C)=

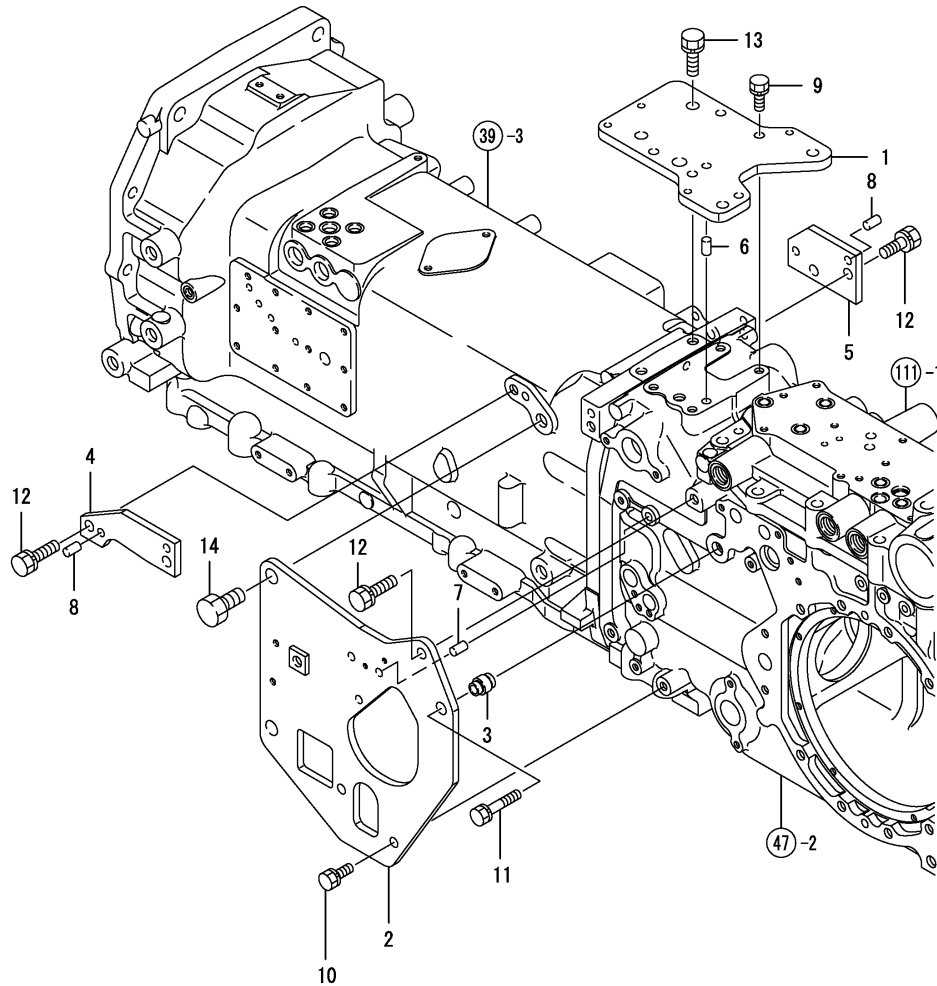
(D)=
 (E)=
 (F)=

No.	Lev.	Parts No.	Description	Q'ty						I	R
				(A)	(B)	(C)	(D)	(E)	(F)		
1	1	1A7450-24722	COVER, FRONT	1							
2	1	1A7450-24742	CASE, REVERSE SEAL	1							
3	1	1A7450-24751	GASKET, REVERSER	1							
4	1	198448-24761	CASE, SEAL	1							
5	1	1A7450-24760	GASKET, COVER	1							
6	1	198448-24771	GASKET, HOUSING	1							
7	1	22190-080000	WASHER, SEAL 8	7							
8	1	22217-080000	WASHER, SPRING 8	6							
9	1	22312-080180	PIN, PARALLEL M8X18	2							
10	1	23876-010000	PLUG, R01	2							
11	1	23876-010000	PLUG, R01	1							
12	1	24341-000400	O-RING, 1AS40.0	1							
13	1	26013-080302	BOLT, M8X 30	11							
14	1	26106-080252	BOLT, M8X 25 PLATED	2							
15	1	26106-080302	BOLT, M8X 30 PLATED	1							
16	1	26106-080452	BOLT, M8X 45 PLATED	4							
17	1	26218-080302	STUD, M8X 30	6							
18	1	26716-080002	NUT, M8	6							
19	1	41854-000350	PACKING, 35.0	1							

Fig.56. SUPPORT PLATE

(A)=EG907-AU-PQ
 (B)=EG907(CAB-AU-PQ)
 (C)=

(D)=
 (E)=
 (F)=

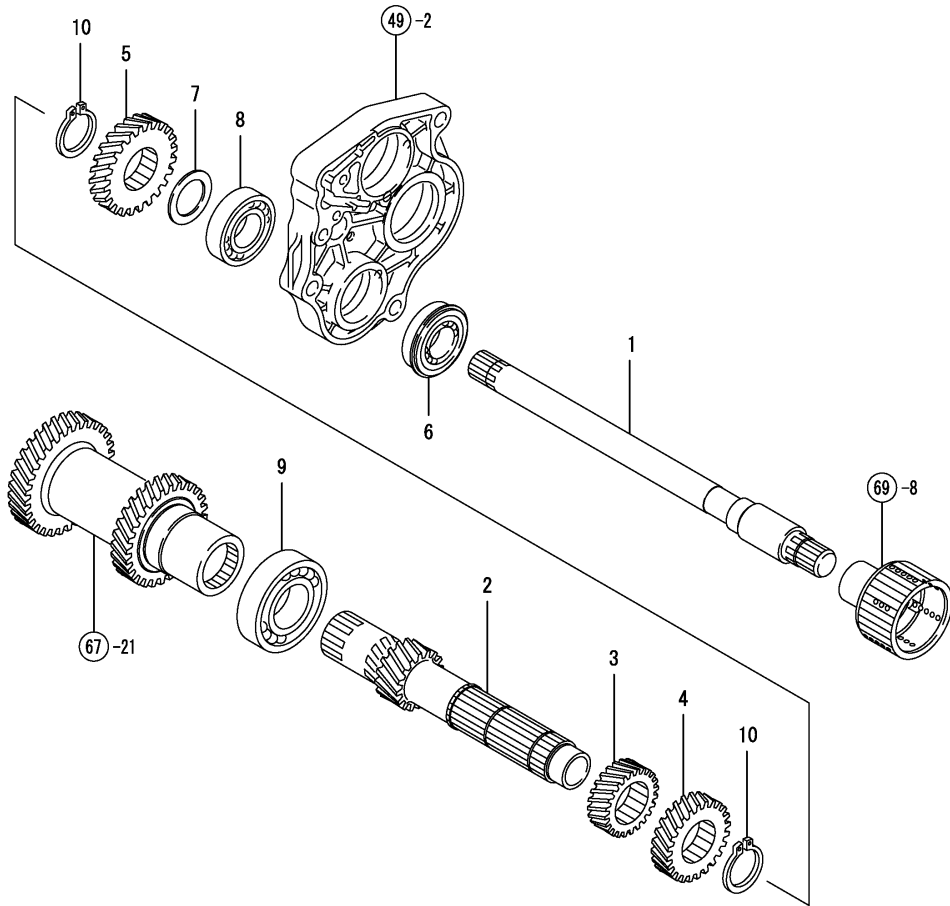


No.	Lev.	Parts No.	Description	Q'ty						I	R
				(A)	(B)	(C)	(D)	(E)	(F)		
1	1	1A7450-24810	PLATE, SUPPORT UPPER	1	1						
2	1	1A7450-24821	PLATE, SUPPORT L	1	1						
3	1	1A7450-24860	COLLAR, 10X17X25	1	1						
4	1	1A7450-24870	PLATE, SUPPORT L	1	1						
5	1	1A7450-24880	PLATE, SUPPORT R	1	1						
6	1	22312-100180	PIN, PARALLEL M10X18	2	2						
7	1	22312-100180	PIN, PARALLEL M10X18	1	1						
8	1	22312-100180	PIN, PARALLEL M10X18	4	4						
9	1	26013-100252	BOLT, M10X 25	4	4						
10	1	26013-100252	BOLT, M10X 25	2	2						
11	1	26013-100452	BOLT, M10X 45	1	1						
12	1	26013-120302	BOLT, M12X 30	4	4						
13	1	26013-120352	BOLT, M12X 35	2	2						
14	1	26116-160352	BOLT, M16X 35 PLATED	2	2						

Fig.57. MAIN SHAFT

(A)=EG907-AU-PQ
 (B)=EG907(CAB-AU-PQ
 (C)=

(D)=
 (E)=
 (F)=



No.	Lev.	Parts No.	Description	Q'ty						I	R
				(A)	(B)	(C)	(D)	(E)	(F)		
1	1	1A7450-25110	SHAFT, PTO DRIVE	1							
2	1	1A7450-25130	SHAFT, MAIN	1							
3	1	1A7450-25140	GEAR, MAIN 18								
4	1	1A7450-25150	GEAR, MAIN 22	1							
5	1	1A7450-25160	GEAR, MAIN 26	1							
6	1	1A7450-25190	BEARING, 62/28NR	1							
7	1	1A7340-25260	SPACER, 47X32X2	1							
8	1	198390-25610	BEARING, 62/32 SH2	1							
9	1	198266-26390	BEARING, 6208RSH2	1							
10	1	22242-000360	RING, 36	2							

Fig.58. MAIN SHAFT

(A)=EG907-AU-PQ
 (B)=EG907(CAB-AU-PQ)
 (C)=

(D)=
 (E)=
 (F)=

No.	Lev.	Parts No.	Description	Q'ty						I	R
				(A)	(B)	(C)	(D)	(E)	(F)		
1	1	1A7480-25110	SHAFT, PTO DRIVE		1						
2	1	1A7480-25120	GEAR, MAIN 25		1						
3	1	194312-25470	SPACER, 30X40X2		1						
4	1	194640-26440	BEARING, BALL TMB206		1						
5	1	194850-31380	BEARING, 6305RSH2		1						

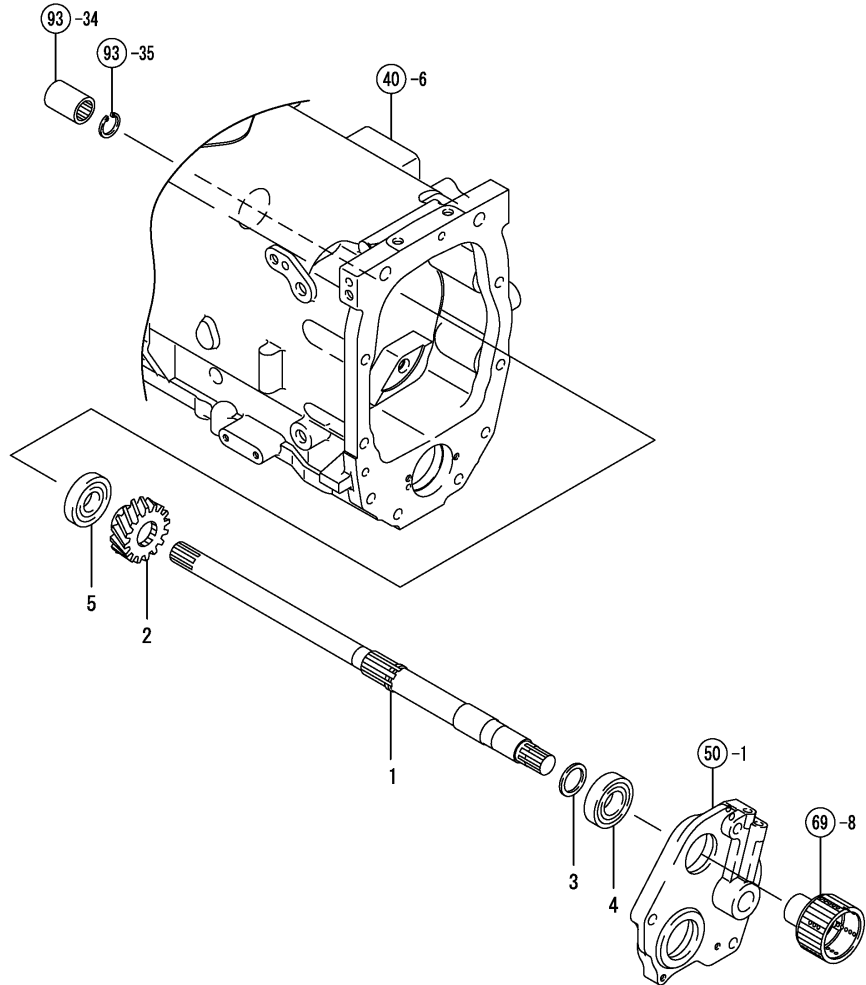
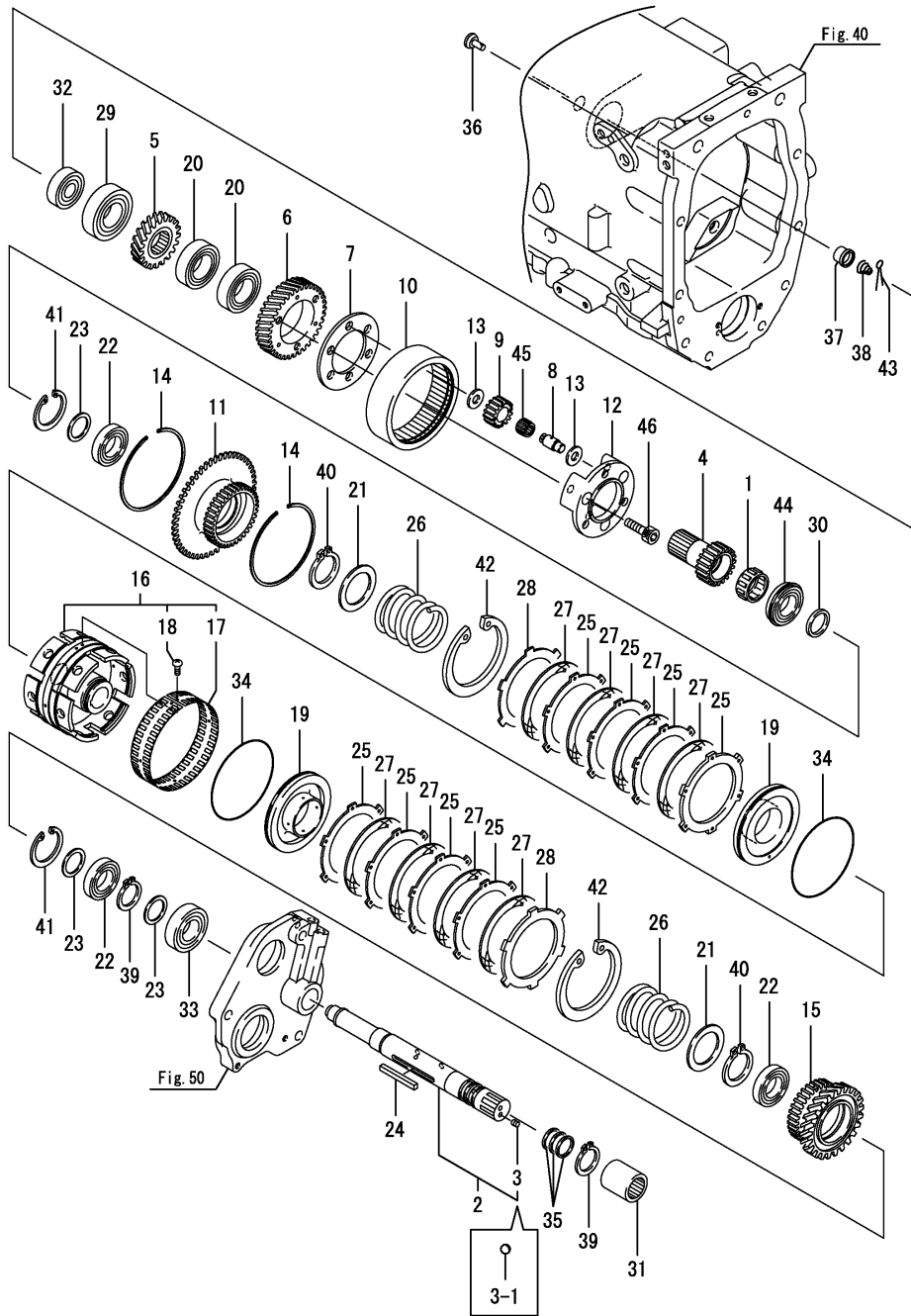


Fig.59. CLUTCH SHAFT



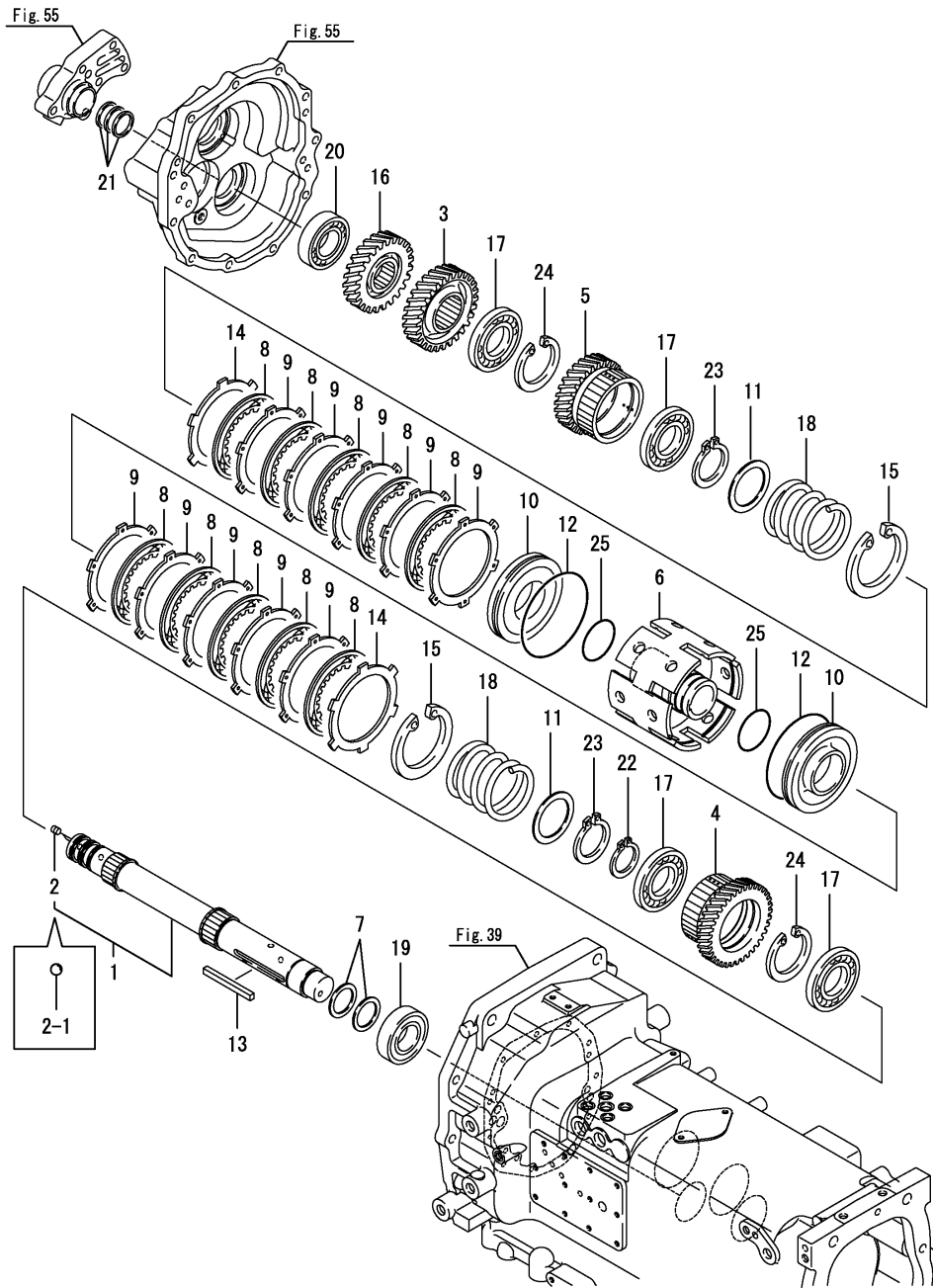
(A)=EG907-AU-PQ
 (B)=EG907(CAB-AU-PQ)
 (C)=

(D)=
 (E)=
 (F)=

No.	Lev.	Parts No.	Description	Q'ty						I	R
				(A)	(B)	(C)	(D)	(E)	(F)		
1	1	194311-13880	BEARING, 283518	1							
2	1	1A7480-25201	SHAFT ASSY, CLUTCH	1							
3	2	1E6191-54330	SCREW 7X8	2							
3-1	2	24190-080001 (B=*2010.05.)	BALL, STEEL 1/4	2							S
4	1	1A7480-25220	GEAR, SUN 12	1							
5	1	1A7480-25230	GEAR, CHANGE 20	1							
6	1	1A7480-25240	GEAR, CARRIER 39	1							
7	1	1A7480-25250	PLATE, CARRIER	1							
8	1	1A7480-25260	SHAFT, PLANETARY	3							
9	1	1A7480-25271	PINION, PLANETARY 14	3							
10	1	1A7480-25280	GEAR, INTERNAL 50	1							
11	1	1A7480-25290	HUB, CLUTCH	1							
12	1	1A7480-25300	CARRIER, PLANETARY	1							
13	1	1A7480-25310	WASHER, 13X3	6							
14	1	1A7480-25320	RING, 114	2							
15	1	1A7480-25340	GEAR, CLUTCH 37	1							
16	1	1A7480-25400	CYLINDER ASSY,CLUTCH	1							
17	2	1A7480-25430	RING, PULSE	1							
18	2	26557-030062	SCREW, M3X 6	5							
19	1	1A7480-25410	PISTON, CLUTCH 110	2							
20	1	198440-25430	BEARING, TMB007C	2							
21	1	1A7480-25440	WASHER, 46X65X2.6	2							
22	1	194430-25460	BEARING, BALL 16006	3							
23	1	194312-25470	SPACER, 30X40X2	3							
24	1	198071-25590	KEY, 7X5.8X68	1							
25	1	194335-25640	PLATE, STEEL 1.2	8							
26	1	194320-25650	SPRING, RETURN	2							
27	1	194335-25650	PLATE, 110X2.0	8							
28	1	194327-25660	PLATE, STEEL 4.0	2							
29	1	194430-25810	BEARING, BALL TMB207	1							
30	1	198165-25840	COLLAR, 30X38X4.5	1							
31	1	194640-26130	COUPLING, PTO	1							
32	1	194680-26150	BEARING, TM304	1							
33	1	194640-26440	BEARING, BALL TMB206	1							
34	1	194066-28260	RING	2							
35	1	198451-28750	RING, 26.27X30.07X3	3							
36	1	1E6190-55660	VALVE, 2ND RELIEF	1							
37	1	1E6190-55710	SEAT, 2ND RELIEF	1							
38	1	1E6480-56410	VALVE,2ND RELIEF	1							
39	1	22242-000300	RING, 30	2							
40	1	22242-000450	RING, 45	2							
41	1	22252-000550	RING, 55	2							
42	1	22252-001100	RING, 110	2							
43	1	22417-200100	COTTER PIN 2.0X10	1							
44	1	24121-060064	BEARING, BALL 6006NR	1							
45	1	24161-152117	BEARING, 152117	3							
46	1	26450-100452	BOLT, M10X 45	3							

N:Old $\xrightarrow{\text{Yes}}$ New, Q:Old $\xrightarrow{\text{No}}$ New, R:Old $\xrightarrow{\text{Yes}}$ New, S:Old $\xrightarrow{\text{No}}$ New, W:Add, Z:Discontinued, F:Interchangeable by set, K:Q'ty Change
 Copyright (C) YANMAR CO., LTD. All Rights Reserved.

Fig.60. CLUTCH SHAFT



(A)=EG907-AU-PQ
(B)=EG907(CAB-AU-PQ
(C)=

(D)=
(E)=
(F)=

No.	Lev.	Parts No.	Description	Q'ty						I	R
				(A)	(B)	(C)	(D)	(E)	(F)		
1	1	1A7450-25200	SHAFT ASSY, CLUTCH	1							
2	2	1E6191-54330	SCREW 7X8	2							
2-1	2	24190-080001	BALL, STEEL 1/4	2							S
(A=*2010.05.)											
3	1	1A7450-25230	GEAR, DRIVEN 37F	1							
4	1	1A7450-25240	GEAR, CLUTCH 37 H	1							
5	1	1A7450-25250	GEAR, CLUTCH 34L	1							
6	1	1A7450-25260	CYLINDER, CLUTCH 5X5	1							
7	1	194312-25470	SPACER, 30X40X2	2							
8	1	198119-25510	PLATE, 105X2.0	10							
9	1	198119-25520	PLATE, STEEL 105X1.2	10							
10	1	198118-25550	PISTON, CLUTCH	2							
11	1	194555-25560	SPACER, 46X61X2	2							
12	1	198091-25570	PACKING, 105	2							
13	1	198071-25590	KEY, 7X5.8X68	1							
14	1	198119-25620	PLATE, STEEL 105X3.5	2							
15	1	198091-25640	CIRCLIP, C105H	2							
16	1	198212-25750	GEAR, DRIVEN 34	1							
17	1	194454-25770	BEARING, BALL 16007	4							
18	1	194555-25790	SPRING, RETURN	2							
19	1	194327-26430	BEARING, TM206	1							
20	1	194640-26440	BEARING, BALL TMB206	1							
21	1	198451-28750	RING, 26.27X30.07X3	3							
22	1	22242-000350	RING, 35	1							
23	1	22242-000450	RING, 45	2							
24	1	22252-000620	RING, 62	2							
25	1	41856-020420	ROLLER, SWITCHING	2							

Fig.61. MORTOR SHAFT

(A)=EG907-AU-PQ
 (B)=EG907(CAB-AU-PQ
 (C)=

(D)=
 (E)=
 (F)=

No.	Lev.	Parts No.	Description	Q'ty						I	R
				(A)	(B)	(C)	(D)	(E)	(F)		
1	1	1A7480-25350	SHAFT, MOTOR		1						
2	1	1A7480-25360	GEAR, MOTOR 31		1						
3	1	1A7480-25370	GEAR, MOTOR 25		1						
4	1	194190-26840	SPACER, 25X35X1.6		2						
5	1	24101-063054	BEARING, BALL 6305		2						

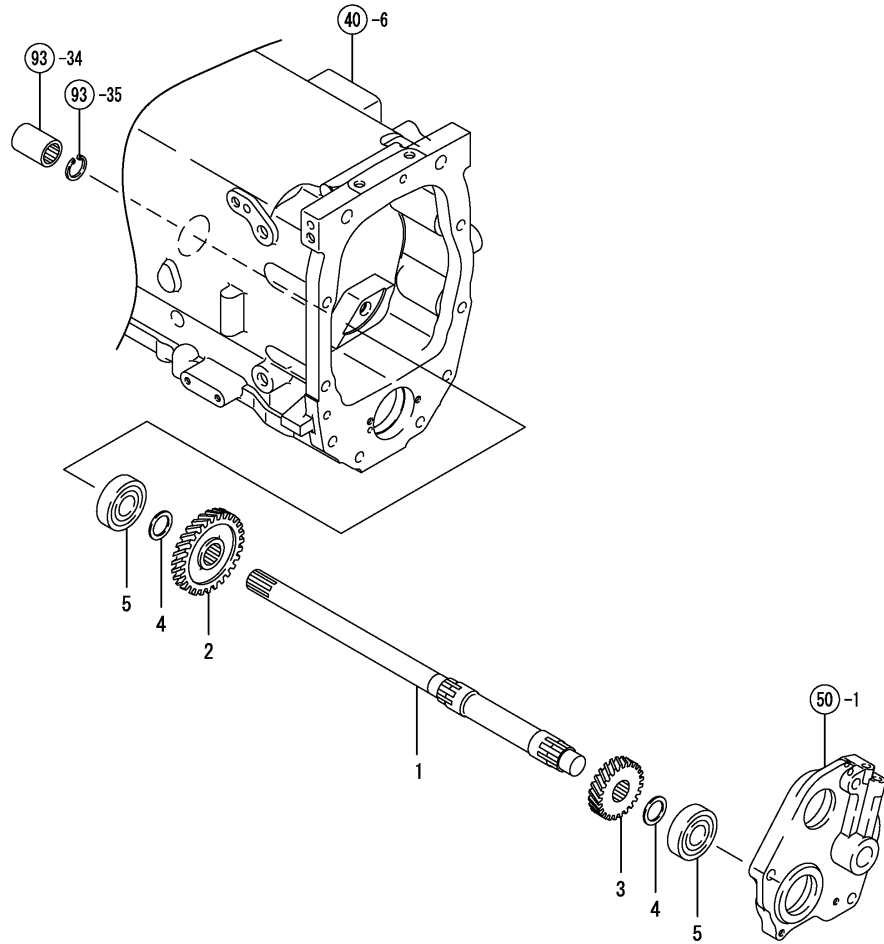
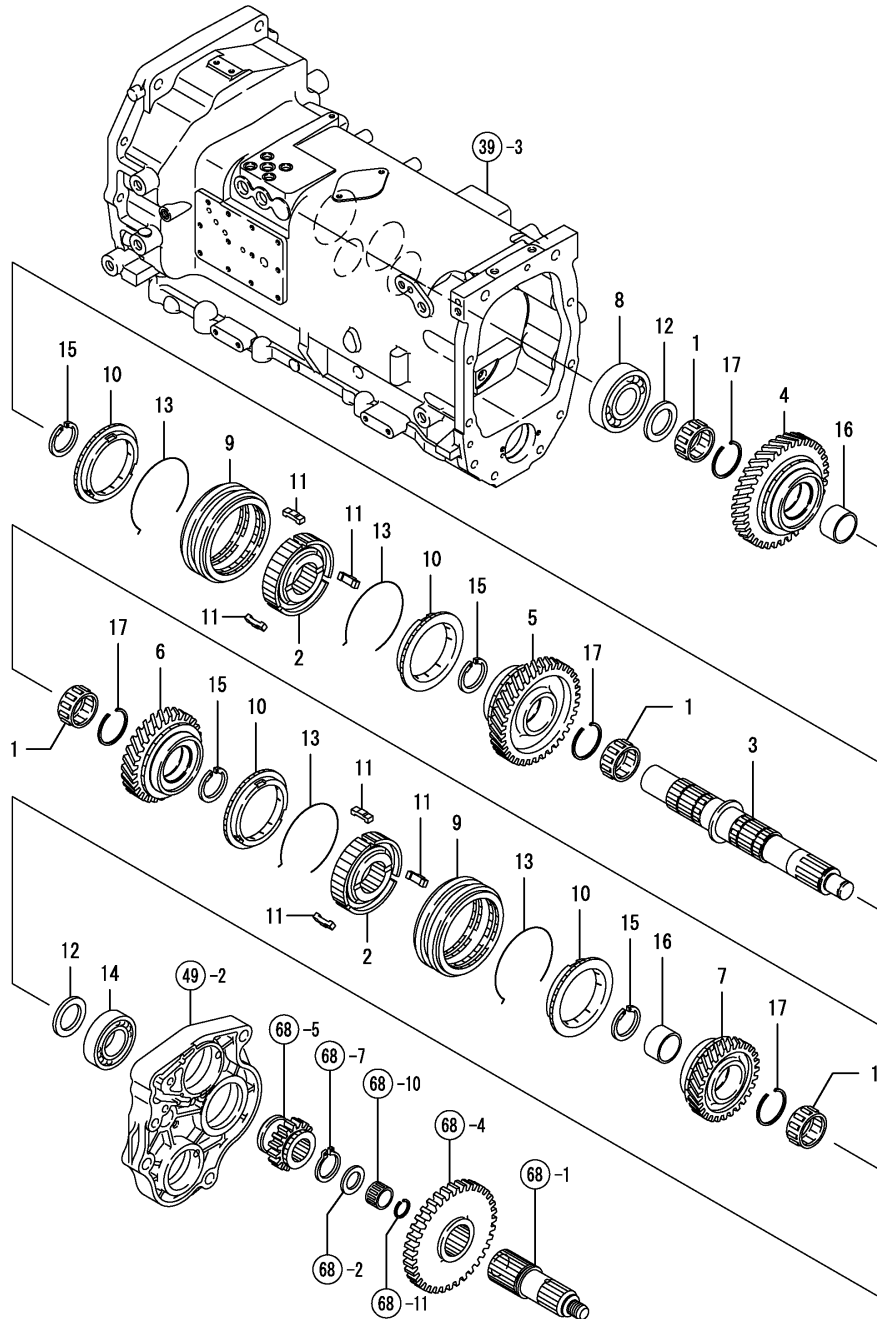


Fig.62. DRIVEN SHAFT



(A)=EG907-AU-PQ
 (B)=EG907(CAB-AU-PQ)
 (C)=

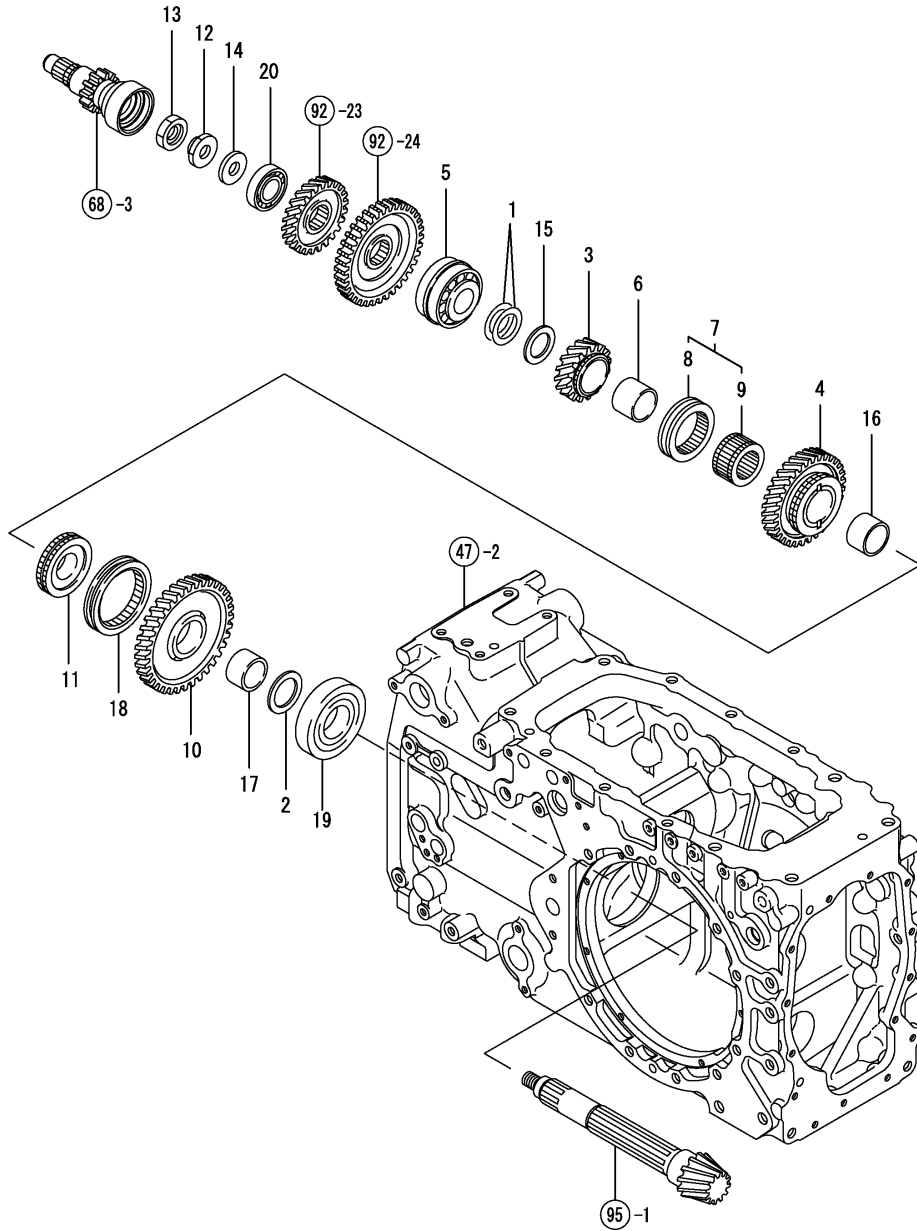
(D)=
 (E)=
 (F)=

No.	Lev.	Parts No.	Description	Qty						I	R
				(A)	(B)	(C)	(D)	(E)	(F)		
1	1	194250-25240	BEARING, 354019	4							
2	1	198212-25460	HUB, SYNCHRO	2							
3	1	1A7450-25490	SHAFT, DRIVEN	1							
4	1	1A7450-25510	GEAR, DRIVEN 40	1							
5	1	1A7450-25520	GEAR, DRIVEN 37	1							
6	1	1A7450-25530	GEAR, DRIVEN 34	1							
7	1	1A7450-25540	GEAR, DRIVEN 30	1							
8	1	198220-25810	BEARING, TMB306CC3	1							
9	1	198121-25830	SLIDER	2							
10	1	198121-25840	RING, SYNCHRONIZER	4							
11	1	198121-25850	KEY, SYNCHRONIZER	6							
12	1	194640-25860	WASHER, 30X45X3	2							
13	1	198121-25870	SPRING, SYNCHRO	4							
14	1	194640-26440	BEARING, BALL TMB206	1							
15	1	22292-000340	RING, S-34	4							
16	1	24163-305200	RING, INNER 303520	2							
17	1	24165-000402	CIRCLIP, 40	4							

Fig.63. COUNTERSHAFT

(A)=EG907-AU-PQ
 (B)=EG907(CAB-AU-PQ
 (C)=

(D)=
 (E)=
 (F)=

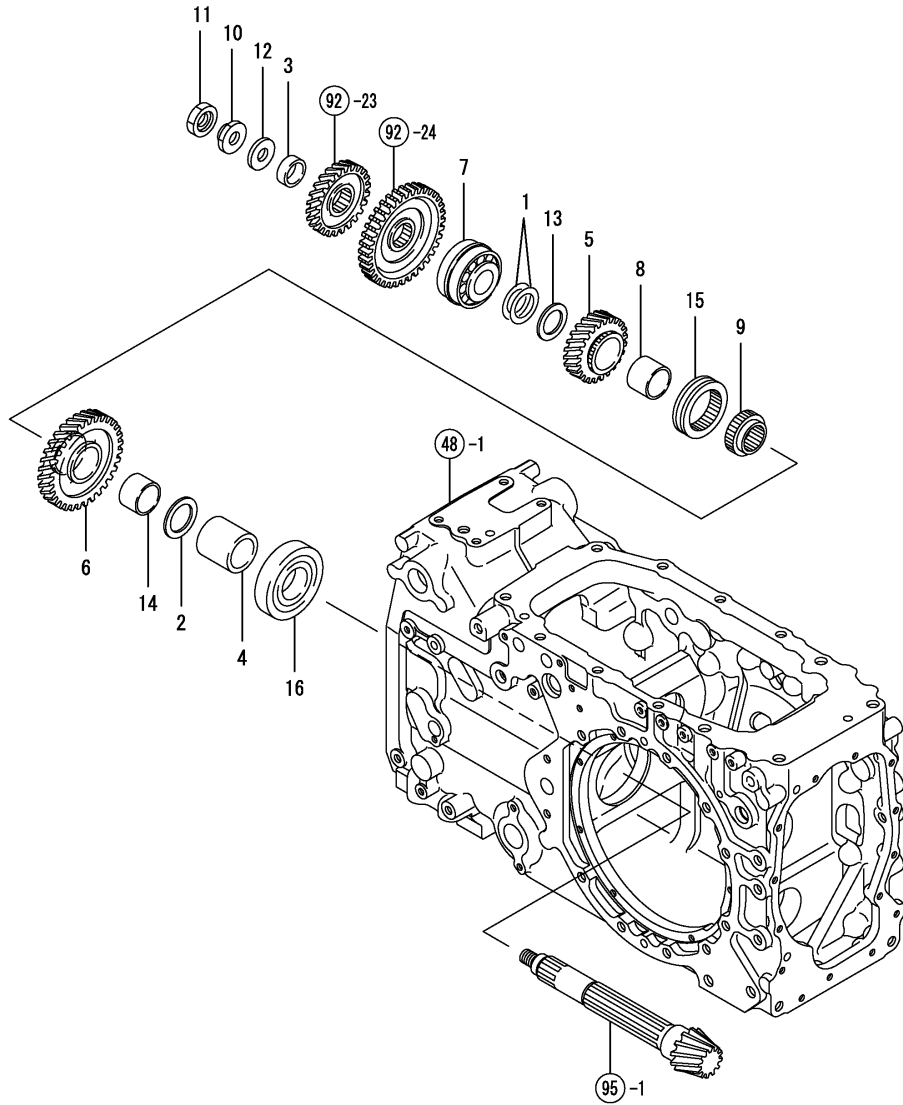


No.	Lev.	Parts No.	Description	Q'ty						I	R
				(A)	(B)	(C)	(D)	(E)	(F)		
1	1	194301-12730	SHIM, 30X45X0.1	2							
2	1	194180-25550	WASHER, 35X50X3	1							
3	1	1A7450-25570	GEAR, COUNTER 19	1							
4	1	1A7450-25590	GEAR, COUNTER 37	1							
5	1	194464-25600	BEARING, 4T-30306DDB	1							
6	1	198212-25680	BUSH, 34X40X30	1							
7	1	198149-25700	COLLAR ASSY, SPLINE	1							
8	2	198149-25780	COLLAR, SPLINE A	1							
9	2	198149-25890	SHIFTER	1							
10	1	1A7450-25761	GEAR, COUNTER 52	1							
11	1	198448-25782	COLLAR, SPLINE B	1							
12	1	198220-25830	NUT, LOCK M16	1							
13	1	198220-25840	NUT, LOCK M16	1							
14	1	198415-25840	SPACER, 16X38X4.5	1							
15	1	194640-25860	WASHER, 30X45X3	1							
16	1	198133-25860	BUSH, 34X40X26	1							
17	1	198149-25880	BUSH, 35X40X19	1							
18	1	198448-25891	SHIFTER, 72	1							
19	1	1E8450-55230	BEARING, NJ308E	1							
20	1	24101-060054	BEARING, BALL 6005	1							

Fig.64. COUNTERSHAFT

(A)=EG907-AU-PQ
 (B)=EG907(CAB-AU-PQ
 (C)=

(D)=
 (E)=
 (F)=

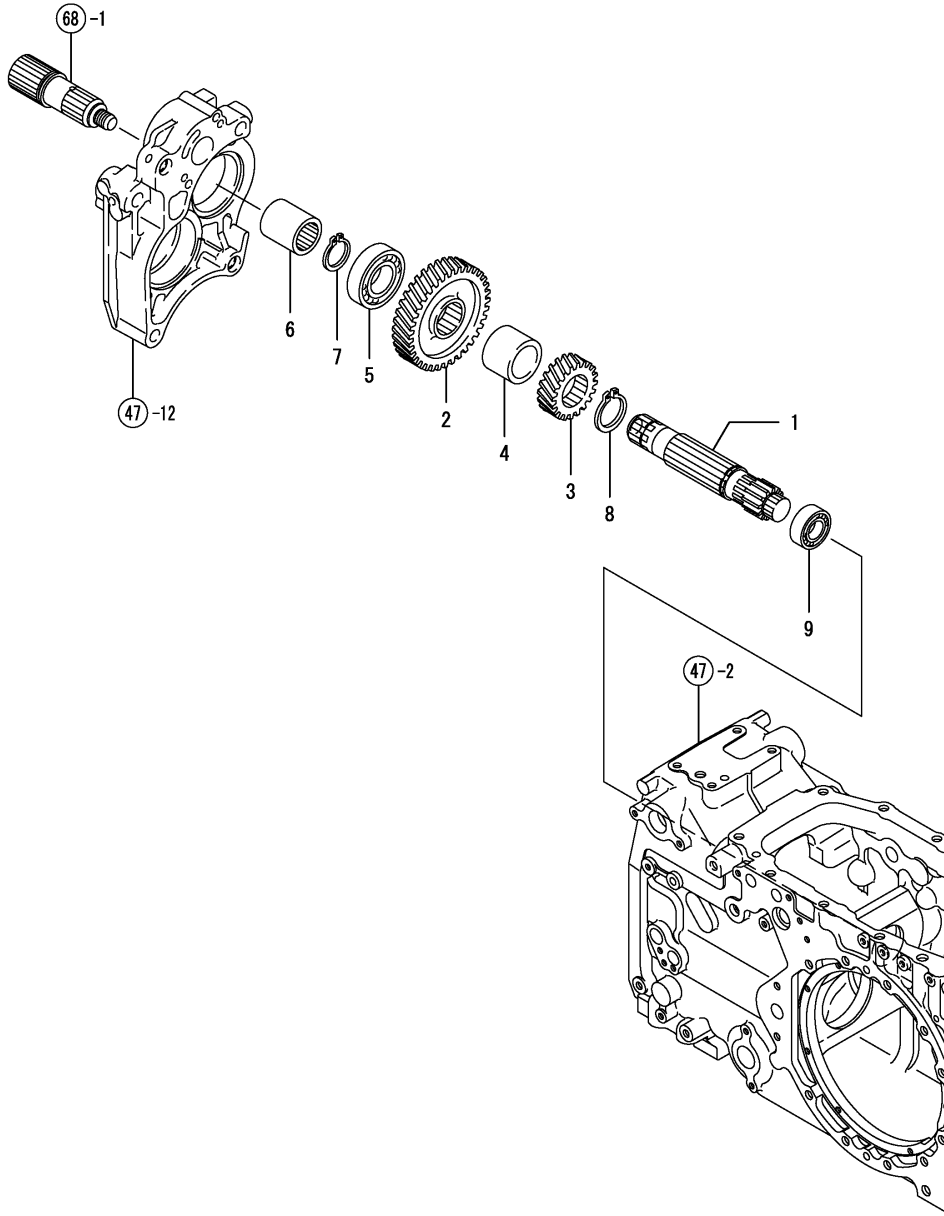


No.	Lev.	Parts No.	Description	Q'ty						I	R
				(A)	(B)	(C)	(D)	(E)	(F)		
1	1	194301-12730	SHIM, 30X45X0.1		2						
2	1	194180-25550	WASHER, 35X50X3		1						
3	1	1A7480-25550	COLLAR, 25X12		1						
4	1	1A7480-25560	COLLAR, 35X49		1						
5	1	1A7480-25570	GEAR, COUNTER 26		1						
6	1	1A7480-25590	GEAR, COUNTER 35		1						
7	1	194464-25600	BEARING, 4T-30306DDB		1						
8	1	198212-25680	BUSH, 34X40X30		1						
9	1	198149-25790	COLLAR, SPLINE B		1						
10	1	198220-25830	NUT, LOCK M16		1						
11	1	198220-25840	NUT, LOCK M16		1						
12	1	198415-25840	SPACER, 16X38X4.5		1						
13	1	194640-25860	WASHER, 30X45X3		1						
14	1	198133-25860	BUSH, 34X40X26		1						
15	1	198149-25890	SHIFTER		1						
16	1	1E8450-55230	BEARING, NJ308E		1						

Fig.65. REDUCTION SHAFT

(A)=EG907-AU-PQ
 (B)=EG907(CAB-AU-PQ)
 (C)=

(D)=
 (E)=
 (F)=

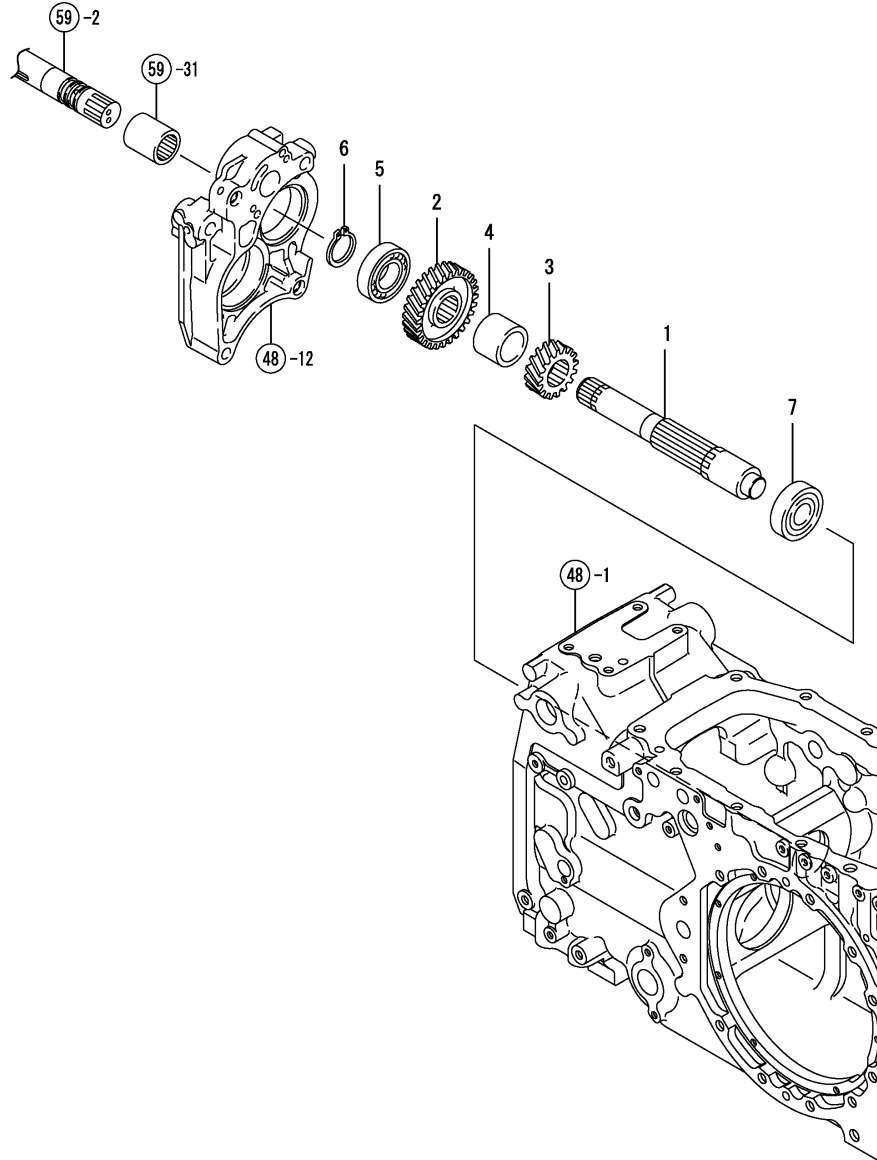


No.	Lev.	Parts No.	Description	Q'ty						I	R
				(A)	(B)	(C)	(D)	(E)	(F)		
1	1	1A7450-25712	SHAFT, REDUCTION	1							
2	1	1A7450-25740	GEAR, REDUCTION 36	1							
3	1	1A7450-25750	GEAR, REDUCTION 20	1							
4	1	1A7450-25790	COLLAR, 35X47X35	1							
5	1	194197-25810	BEARING, BALL TMB306	1							
6	1	194640-26130	COUPLING, PTO	1							
7	1	22242-000300	RING, 30	1							
8	1	22242-000350	RING, 35	1							
9	1	24101-063054	BEARING, BALL 6305	1							

Fig.66. REDUCTION SHAFT

(A)=EG907-AU-PQ
 (B)=EG907(CAB-AU-PQ)
 (C)=

(D)=
 (E)=
 (F)=

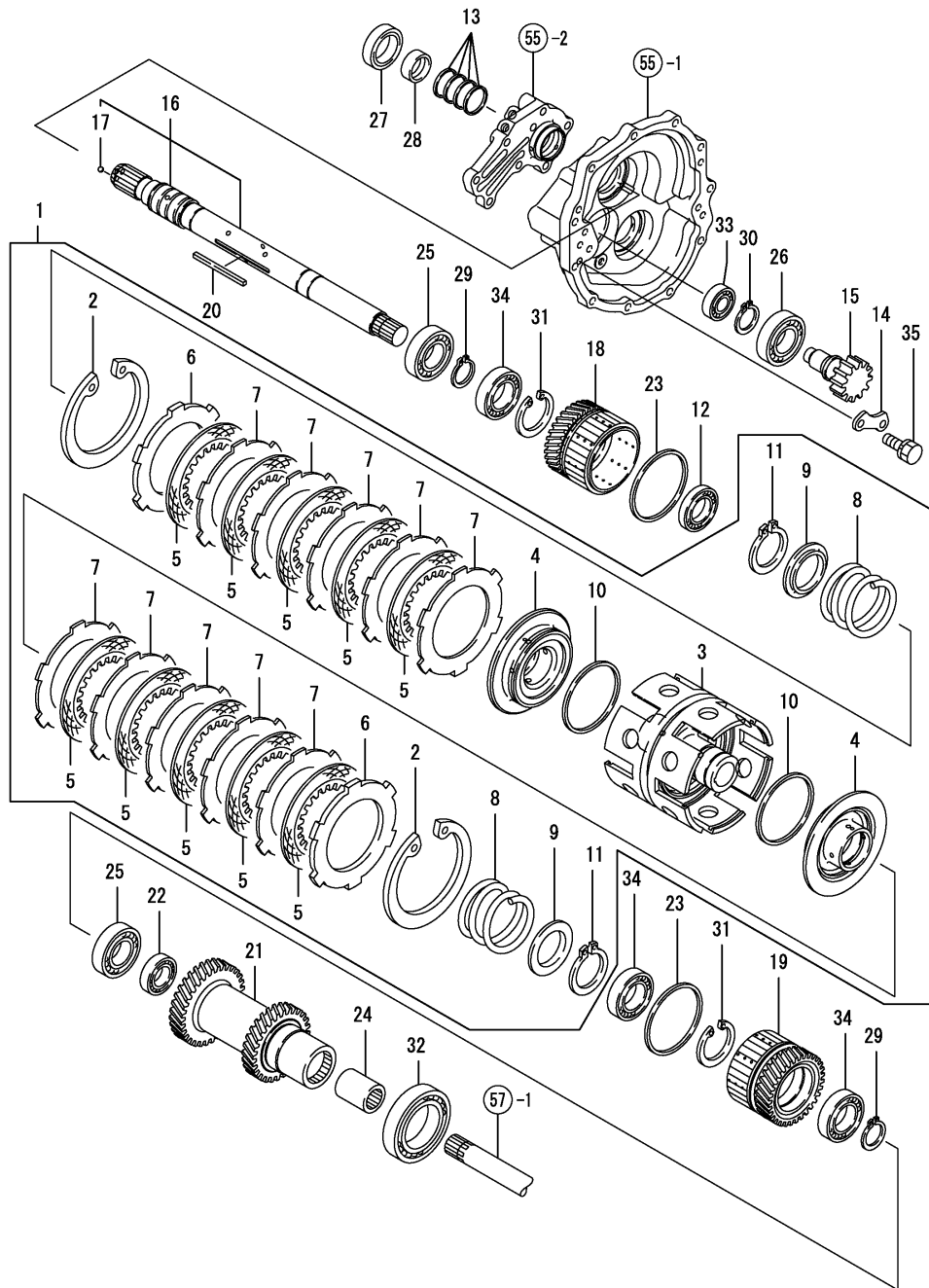


No.	Lev.	Parts No.	Description	Q'ty						I	R
				(A)	(B)	(C)	(D)	(E)	(F)		
1	1	1A7480-25710	SHAFT, REDUCTION		1						
2	1	1A7480-25740	GEAR, REDUCTION 31		1						
3	1	1A7480-25750	GEAR, REDUCTION 16		1						
4	1	1A7450-25790	COLLAR, 35X47X35		1						
5	1	194197-25810	BEARING, BALL TMB306		1						
6	1	22242-000300	RING, 30		1						
7	1	24101-063054	BEARING, BALL 6305		1						

Fig.67. POWER REVERSE

(A)=EG907-AU-PQ
 (B)=EG907(CAB-AU-PQ
 (C)=

(D)=
 (E)=
 (F)=

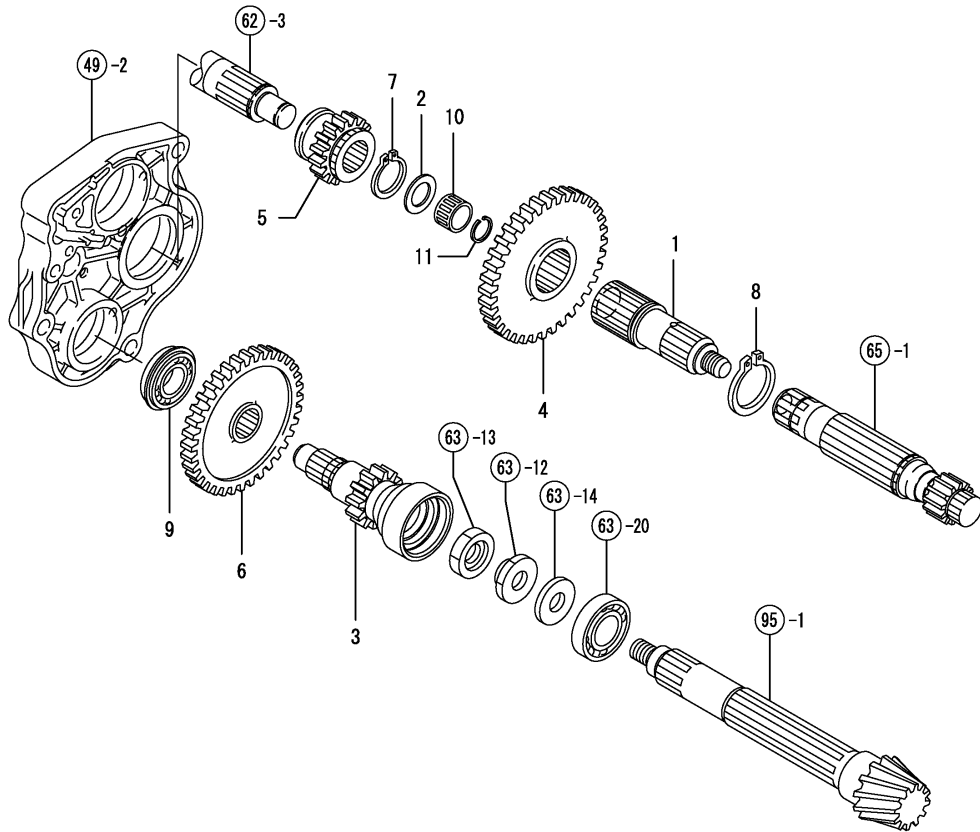


No.	Lev.	Parts No.	Description	Q'ty						I	R
				(A)	(B)	(C)	(D)	(E)	(F)		
1	1	1A7450-25320	CLUTCH ASSY	1							
2	2	198212-25790	RING, C130	2							
3	2	1A7450-25800	CYLINDER, CLUTCH	1							
4	2	198212-25810	PISTON, CLUTCH	2							
5	2	198212-25820	PLATE, FRICTION 130	10							
6	2	198212-25830	PLATE, STEEL 5.0	2							
7	2	198212-25840	PLATE, STEEL 0.3	10							
8	2	198212-25850	SPRING, RETURN	2							
9	2	198212-25870	HOOK, SPRING	2							
10	2	198212-25880	RING, 95	2							
11	2	22242-000450	RING, 45	2							
12	1	194430-25460	BEARING, BALL 16006	1							
13	1	198071-25610	RING, SEAL 35	4							
14	1	198212-25690	PLATE, KEEP	1							
15	1	198212-25770	GEAR, IDLE 17	1							
16	1	1A7450-25820	SHAFT ASSY, INPUT	1							
17	2	24190-080001	BALL, STEEL 1/4	3							
18	1	1A7450-25840	GEAR, CLUTCH 33	1							
19	1	1A7450-25850	GEAR, CLUTCH 36	1							
20	1	198212-25860	KEY, 5X5X80	1							
21	1	1A7450-25860	GEAR, HIGH-LOW	1							
22	1	1A7450-25870	BEARING, TMB005UU	1							
23	1	198212-25890	RING 90	2							
24	1	1A7090-26050	COUPLING	1							
25	1	194640-26440	BEARING, BALL TMB206	2							
26	1	194640-26440	BEARING, BALL TMB206	1							
27	1	194305-32650	SEAL, OIL TC35529	1							
28	1	194420-39370	SLEEVE, SI 30X35X13A	1							
29	1	22242-000300	RING, 30	2							
30	1	22242-000300	RING, 30	1							
31	1	22252-000550	RING, 55	2							
32	1	24101-060114	BEARING, BALL 6011	1							
33	1	24101-062034	BEARING, BALL 6203	1							
34	1	24107-060064	BEARING, BALL 6006ZZ	3							
35	1	26013-080202	BOLT, M8X 20	2							

Fig.68. CREEP GEAR

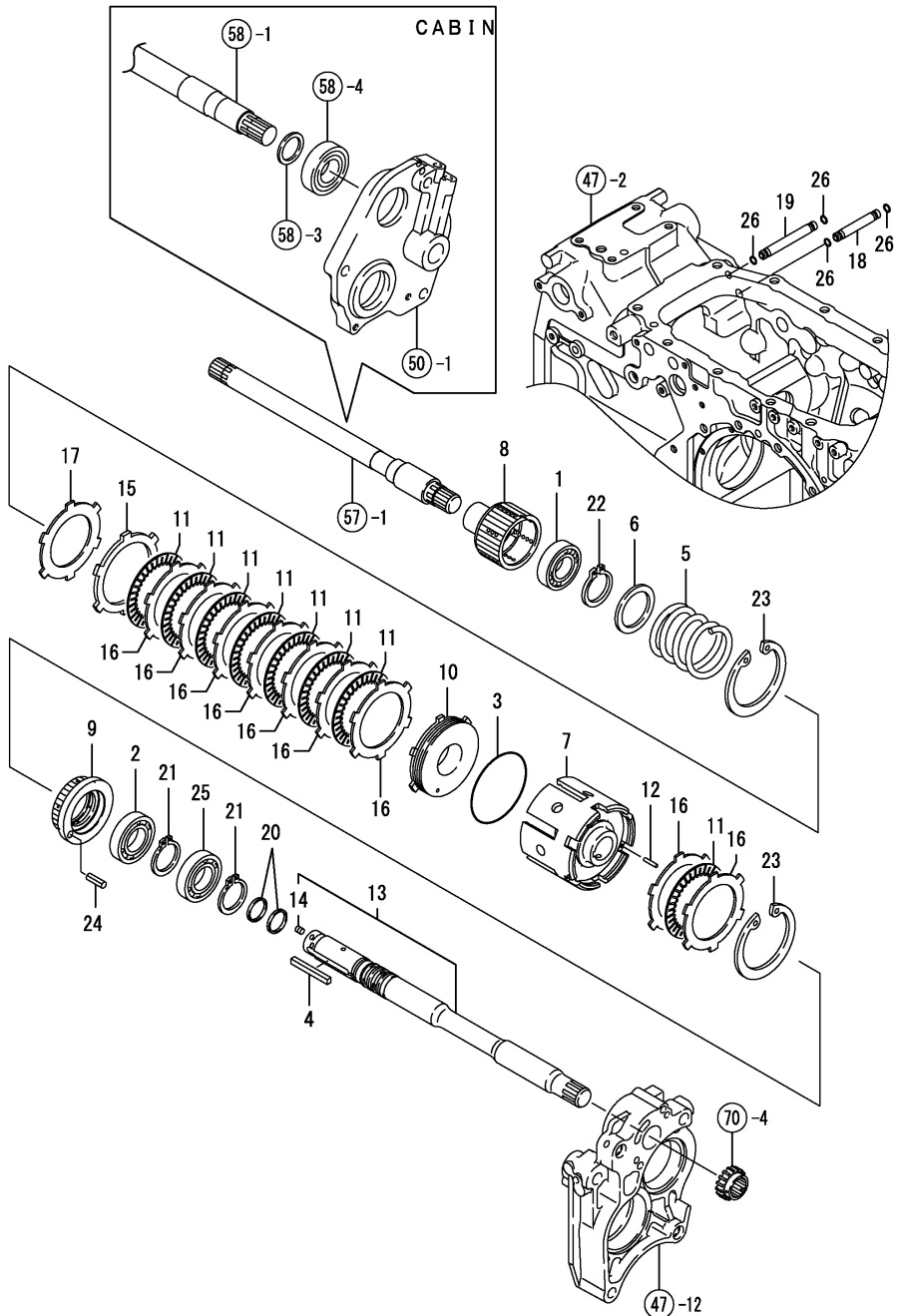
(A)=EG907-AU-PQ
 (B)=EG907(CAB-AU-PQ
 (C)=

(D)=
 (E)=
 (F)=



No.	Lev.	Parts No.	Description	Q'ty						I	R
				(A)	(B)	(C)	(D)	(E)	(F)		
1	1	198212-25560	SHAFT, CONNECTING	1							
2	1	198133-25890	WASHER, 20X32X2	1							
3	1	1A7450-25920	SHAFT, CREEP	1							
4	1	1A7450-25930	GEAR, SLIDING 41	1							
5	1	1A7450-25950	PINION, CREEP	1							
6	1	1A7450-25960	GEAR, CREEP 42	1							
7	1	22242-000300	RING, 30	2							
8	1	22242-000400	RING, 40	1							
9	1	24121-062044	BEARING, BALL 6204NR	1							
10	1	24161-202617	BEARING, 202617	1							
11	1	24164-000202	CIRCLIP, 20	1							

Fig.69. PTO. CLUTCH



(A)=EG907-AU-PQ
(B)=EG907(CAB-AU-PQ)
(C)=

(D)=
(E)=
(F)=

No.	Lev.	Parts No.	Description	Q'ty						I	R
				(A)	(B)	(C)	(D)	(E)	(F)		
1	1	1C6460-14340	BEARING, BALL 60/28	1	1						
2	1	194430-25460	BEARING, BALL 16006	1	1						
3	1	194515-25530	RING, 95	1	1						
4	1	194515-25690	KEY, 7X5.8X60	1	1						
5	1	194300-25790	SPRING	1	1						
6	1	194440-25810	RETAINER, 40X54X2.3	1	1						
7	1	1A7450-26190	CYLINDER, CLUTCH	1	1						
8	1	1A7450-26210	HUB, SPLINE	1	1						
9	1	1A7450-26220	SPLINE, BRAKE	1	1						
10	1	198212-26240	PISTON, PTO CLUTCH	1	1						
11	1	1A7450-26240	PLATE, 95X2.2	8	8						
12	1	198212-26260	PIN, 2.6X19.5	3	3						
13	1	1A7350-26360	SHAFT ASSY, CLUTCH	1	1						
14	2	1E6191-54330	SCREW 7X8	2	2						Z
(A=FXXXXX) (B=FXXXXX)											
15	1	194850-26370	PLATE, STEEL 3.2P	1	1						
16	1	198212-26380	PLATE, STEEL 2.3	9	9						
17	1	198212-26440	PLATE, STOPPER	1	1						
18	1	198212-26580	PIPE, OIL	1	1						
19	1	198212-26590	PIPE, OIL	1	1						
20	1	198451-28750	RING, 26.27X30.07X3	2	2						
21	1	22242-000300	RING, 30	2	2						
22	1	22242-000400	RING, 40	1	1						
23	1	22252-000950	RING, 95	2	2						
24	1	22351-080025	PIN, SPRING 8.0X25	1	1						
25	1	24107-060064	BEARING, BALL 6006ZZ	1	1						
26	1	41854-000080	PACKING, 8.0	4	4						

Fig.70. PTO. DRIVE SHAFT

(A)=EG907-AU-PQ
 (B)=EG907(CAB-AU-PQ)
 (C)=

(D)=
 (E)=
 (F)=

No.	Lev.	Parts No.	Description	Q'ty						I	R
				(A)	(B)	(C)	(D)	(E)	(F)		
1	1	174842-13740	BEARING, 6306RSH2	1	1						
2	1	1A7450-26050	COUPLING ASSY	1	1						
3	2	1A7450-26010	COUPLING, OUTER	1	1						
4	2	1A7450-26020	COUPLING, INNER	2	2						
5	2	1A7450-26030	DAMPER	1	1						
6	2	22351-030008	PIN, SPRING 3.0X 8	4	4						
7	2	22351-050050	PIN, SPRING 5.0X50	1	1						
8	1	1A7450-26120	SHAFT, PTO PINION	1	1						
9	1	1A7450-26130	PINION, PTO Z=20	1	1						
10	1	1A7450-26140	PINION, PTO Z=27	1	1						
11	1	194850-31380	BEARING, 6305RSH2	1	1						
12	1	22242-000320	RING, 32	1	1						

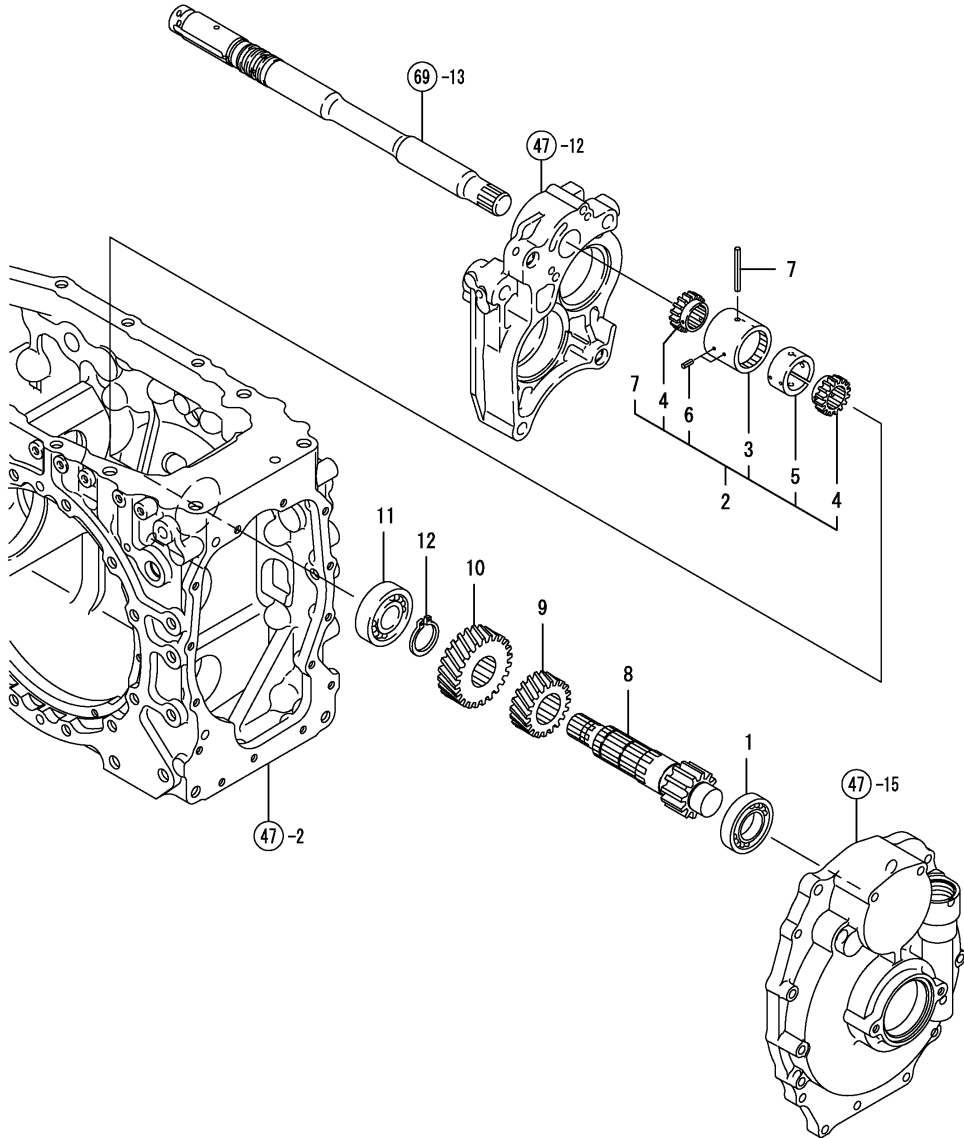
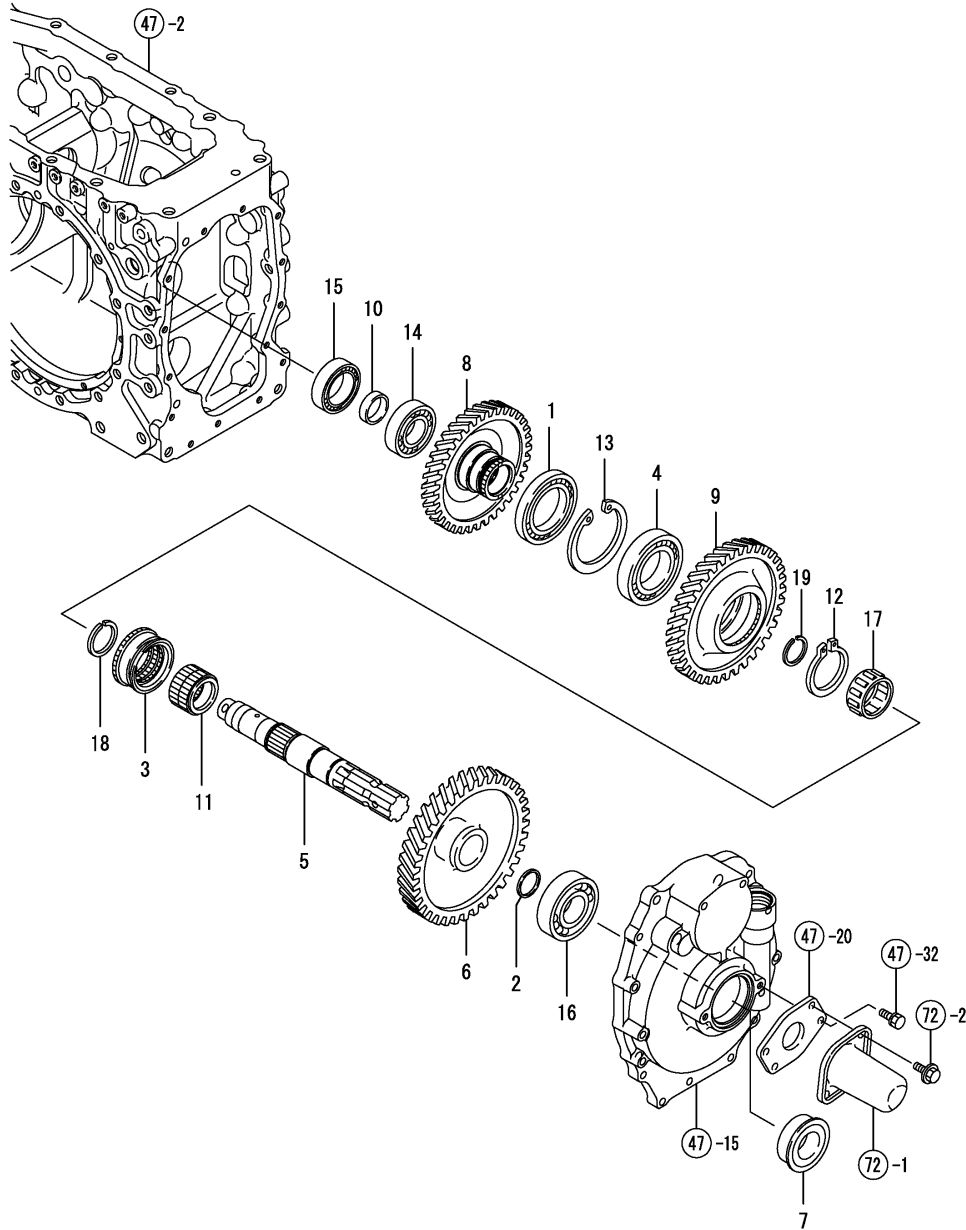


Fig.71. PTO. SHAFT

(A)=EG907-AU-PQ
 (B)=EG907(CAB-AU-PQ
 (C)=

(D)=
 (E)=
 (F)=



No.	Lev.	Parts No.	Description	Q'ty						I	R
				(A)	(B)	(C)	(D)	(E)	(F)		
1	1	198133-13240	BEARING, 16011	1	1						
2	1	194180-25550	WASHER, 35X50X3	1	1						
3	1	1A7450-26070	SHIFTER, PTO	1	1						
4	1	1A7450-26310	BEARING, TMB210	1	1						
5	1	1A7450-26321	SHAFT, PTO	1	1						
6	1	1A7450-26340	GEAR, PTO 58	1	1						
7	1	194370-26350	SEAL, OIL QLF356019	1	1						
8	1	1A7450-26362	GEAR, PTO 58	1	1						
9	1	1A7450-26370	GEAR, PTO 61	1	1						
10	1	1A7450-26381	COLLAR, 30X38X10	1	1						
11	1	1A7450-26431	COLLAR, PTO SPLINE	1	1						
12	1	22242-000501	RING, 50	1	1						
13	1	22252-000900	RING, 90	1	1						
14	1	24101-062064	BEARING, BALL 6206	1	1						
15	1	24101-063054	BEARING, BALL 6305	1	1						
16	1	24101-063074	BEARING, BALL 6307	1	1						
17	1	24161-303720	BEARING, 303720	1	1						
18	1	24164-000352	CIRCLIP, 35	1	1						
19	1	24165-000372	CIRCLIP, 37	1	1						

Fig.72. PTO SHAFT COVER

(A)=EG907-AU-PQ
 (B)=EG907(CAB-AU-PQ)
 (C)=

(D)=
 (E)=
 (F)=

No.	Lev.	Parts No.	Description	Q'ty						I	R
				(A)	(B)	(C)	(D)	(E)	(F)		
1	1	1A7100-26850	COVER ASSY, SHAFT M	1	1						
2	1	26106-080122	BOLT, M8X 12 PLATED	2	2						

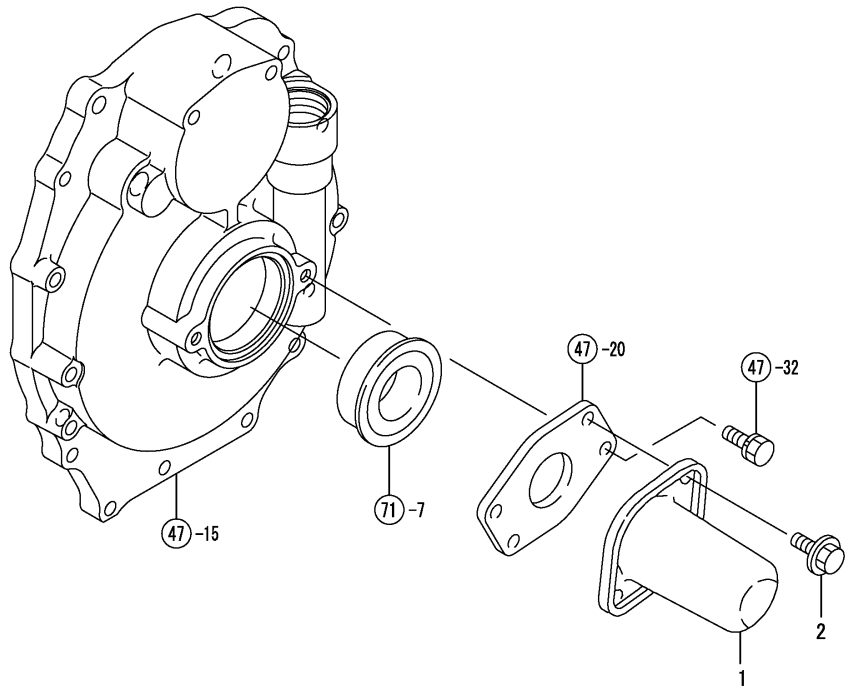
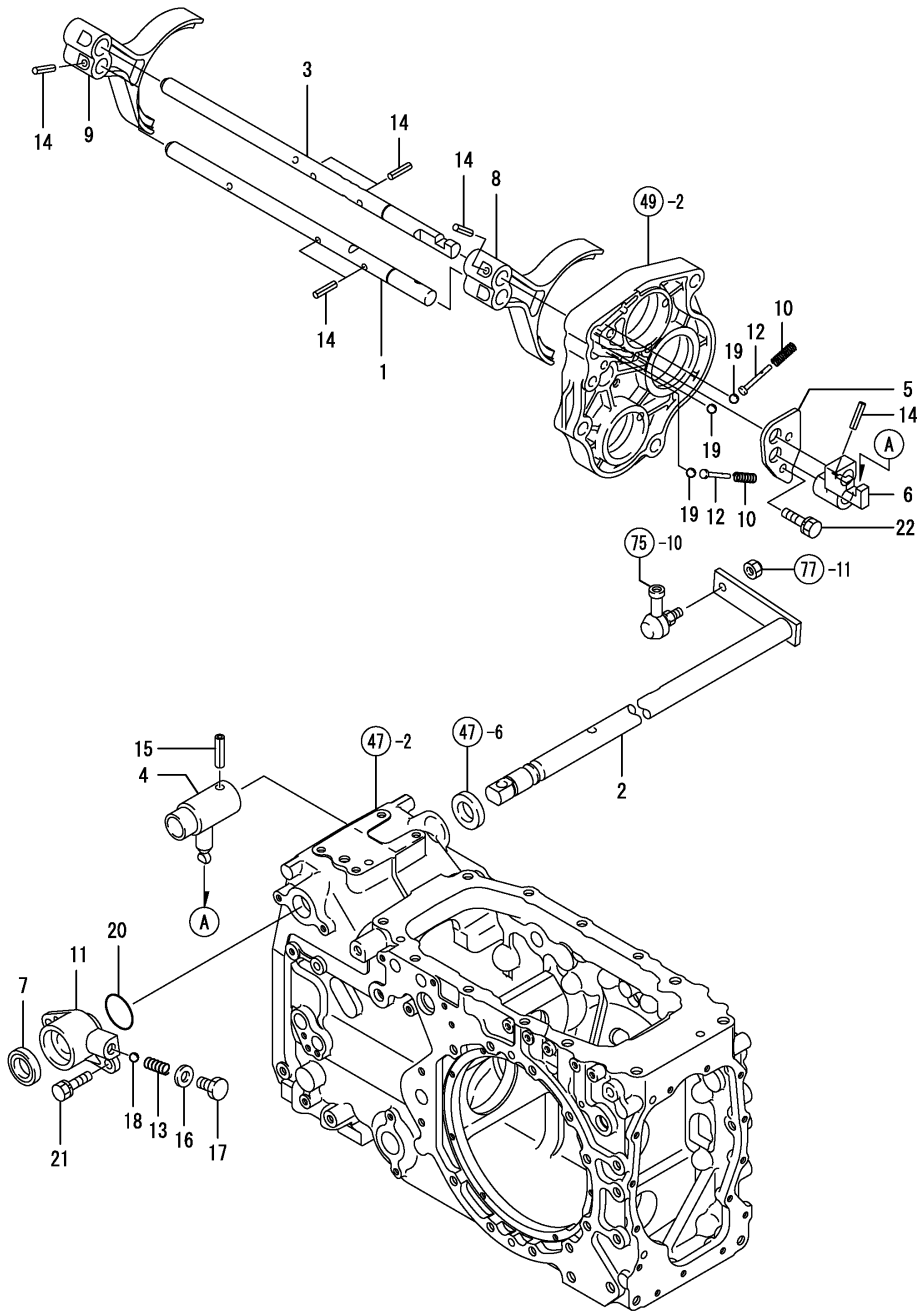


Fig.74. MAIN SHIFT



(A)=EG907-AU-PQ
 (B)=EG907(CAB-AU-PQ)
 (C)=

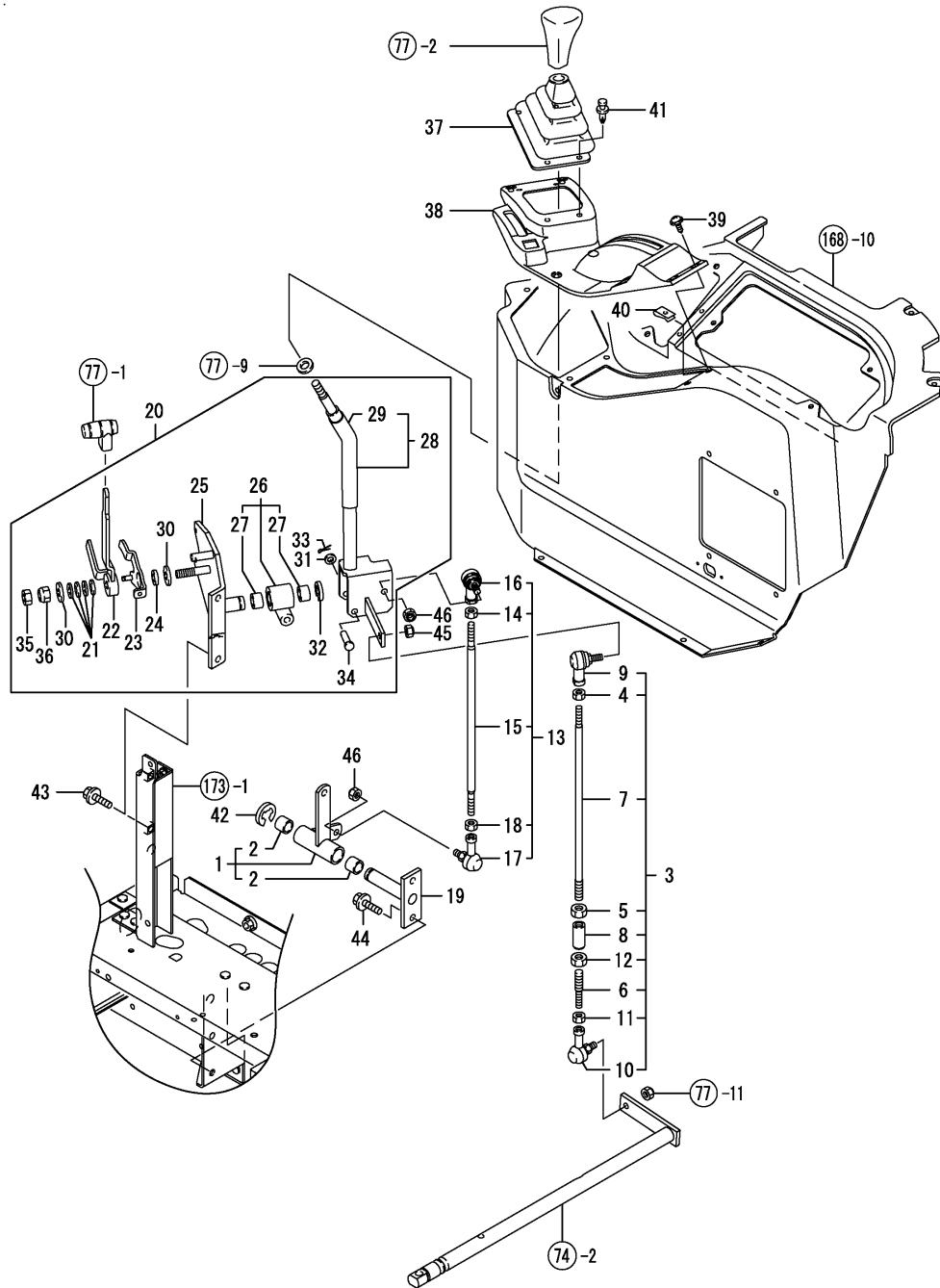
(D)=
 (E)=
 (F)=

No.	Lev.	Parts No.	Description	Q'ty						I	R
				(A)	(B)	(C)	(D)	(E)	(F)		
1	1	1A7450-27041	SHAFT, FORK 1-2	1							
2	1	1A7450-27050	ARM, CHANGE	1							
3	1	1A7450-27071	SHAFT, FORK 3-4	1							
4	1	198535-27260	ARM, SHIFT	1							
5	1	198212-27280	PLATE, FORK LOCK	1							
6	1	198212-27330	SHIFTER, MAIN SHIFT	1							
7	1	198212-27350	SEAL, OIL TC4 203507	1							
8	1	198212-27371	FORK, SHIFT	1							
9	1	198218-27381	FORK, SHIFT	1							
10	1	194145-27450	SPRING	2							
11	1	198212-27470	HOLDER, SHIFT ARM	1							
12	1	198071-27860	PIN, 4X35	2							
13	1	1E6210-54920	SPRING 23	1							
14	1	22351-060025	PIN, SPRING 6.0X25	7							
15	1	22351-080032	PIN, SPRING 8.0X32	1							
16	1	23414-100000	GASKET, 10X1.0	1							
17	1	23887-100002	PLUG, 10	1							
18	1	24190-100001	BALL, STEEL 5/16	1							
19	1	24190-100001	BALL, STEEL 5/16	3							
20	1	24321-000300	O-RING, 1AG30.0	1							
21	1	26013-080202	BOLT, M8X 20	2							
21-1	1	26106-080202	BOLT, M8X 20 PLATED	1							R
		(A=FXXXXXX)									
22	1	26013-080202	BOLT, M8X 20	2							
22-1	1	26106-080162	BOLT, M8X 16 PLATED	1							R
		(A=FXXXXXX)									

Fig.75. SHIFT LEVER,FLOR

(A)=EG907-AU-PQ
(B)=EG907(CAB-AU-PQ)
(C)=

(D)=
(E)=
(F)=

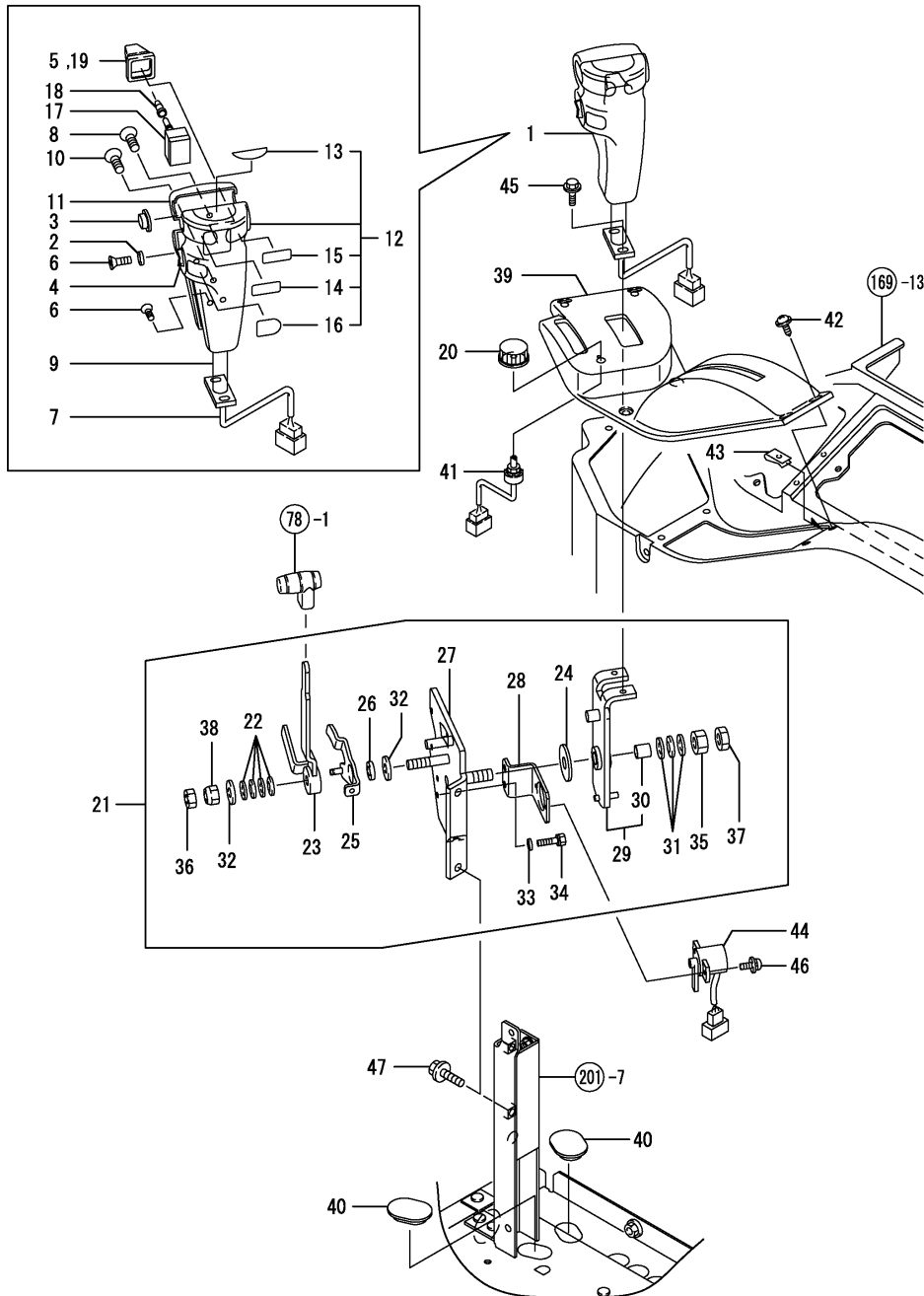


No.	Lev.	Parts No.	Description	Q'ty						I	R
				(A)	(B)	(C)	(D)	(E)	(F)		
1	1	1A7450-27120	CRANK ASSY, BELL B	1							
2	2	194630-24230	BUSH, 17X19X15	2							
3	1	1A7450-27130	ROD, SHIFT A	1							
4	2	194990-20170	NUT, M8	1							
5	2	194150-22480	NUT, M10 L	1							
6	2	198535-26140	ROD, D	1							
7	2	1A7450-27140	ROD, A	1							
8	2	194215-27260	TURNBUCKLE, M10X31	1							
9	2	194820-27370	END, ROD L	1							
10	2	172112-41980	BEARING, ROD-END	1							
11	2	26716-080002	NUT, M8	1							
12	2	26716-100002	NUT, M10	1							
13	1	1A7450-27200	ROD, SHIFT B	1							
14	2	194990-20170	NUT, M8	1							
15	2	1A7450-27210	ROD, B	1							
16	2	194820-27370	END, ROD L	1							
17	2	172112-41980	BEARING, ROD-END	1							
18	2	26716-080002	NUT, M8	1							
19	1	1A7450-27230	BRACKET, BELL CRANK	1							
20	1	1A7450-27300	LEVER ASSY, SHIFT	1							
21	2	194740-00160	SPRING, 10	4							
22	2	198448-01110	LEVER, ACCELERATOR	1							
23	2	198448-01172	LEVER, LINK	1							
24	2	194150-01270	SPACER, 20	1							
25	2	1A7450-27311	PLATE ASSY, SHIFT	1							
26	2	198535-27390	BOSS ASSY, LEVER	1							
27	3	24550-018120	BUSH, 18X12	2							
28	2	1A7450-27430	LEVER, MAIN SHIFT	1							
29	3	1A7450-28050	TUBE	1							
30	2	194145-61570	WASHER, 10	2							
31	2	22137-080000	WASHER, 8	1							
32	2	22272-000150	RING, E-15	1							
33	2	22417-200200	PIN, COTTER 2.0X20	1							
34	2	22487-080500	PIN, H 8X 50	1							
35	2	26756-100002	NUT, LOCK M10	1							
36	2	26986-100002	NUT, LOCK M10	1							
36-1	2	26716-100002	NUT, M10	1							R
(A=FZZZZZ)											
37	1	198535-27350	BOOT, MAIN SHIFT	1							
38	1	1A7450-27470	COVER, MAIN SHIFT	1							
39	1	194940-61790	SCREW, TAPPING M5X16	6							
40	1	198220-63850	NUT, M5	6							
41	1	197810-84840	RIVET, NYLON	4							
42	1	22272-000150	RING, E-15	1							
43	1	26106-080162	BOLT, M8X 16 PLATED	2							
44	1	26106-080162	BOLT, M8X 16 PLATED	2							
45	1	26346-080002	NUT, M8	1							
46	1	26346-080002	NUT, M8	2							

Fig.76. SHIFT LEVER

(A)=EG907-AU-PQ
 (B)=EG907(CAB-AU-PQ
 (C)=

(D)=
 (E)=
 (F)=

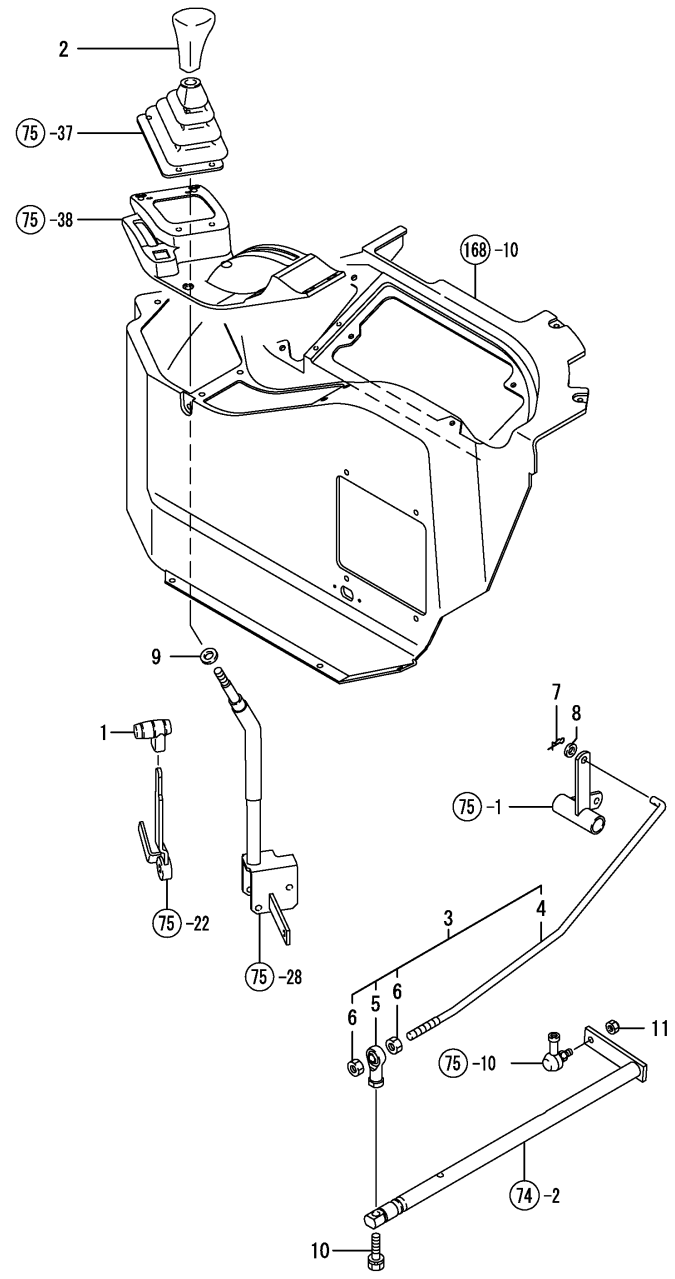


No.	Lev.	Parts No.	Description	Q'ty						I	R
				(A)	(B)	(C)	(D)	(E)	(F)		
1	1	1A7480-27060	LEVER ASSY, CONTROL		1						
2	2	1A7480-27090	WASHER, FLAT		2						
3	2	1A7480-27120	SWITCH, PUSH		2						
4	2	1A7480-27130	SWITCH,PADDLE LOCKER		1						
5	2	1A7480-27140	COVER, DIP		1						
6	2	198190-27170	SCREW, 3X12		6						
7	2	1A7480-27170	HARNESS ASSY, WIRE		1						
8	2	198190-27180	SCREW, 5X20		1						
9	2	1A7480-27180	LEVER ASSY		1						
10	2	198190-27230	SCREW, M5X12		1						
11	2	1A7480-27260	SHELL, HST F		1						
12	2	1A7480-27420	COVER ASSY		1						
13	3	1A7480-27430	LABEL,		1						
14	3	1A7480-27440	LABEL,		1						
15	3	1A7480-27450	LABEL,		1						
16	3	1A7480-27460	LABEL,		1						
17	2	1A7805-27180	SWITCH, TOGGLE		1						
18	2	198451-78570	KNOB, SWITCH 1		1						
19	2	198451-78640	KNOB, SWITCH 2		1						
20	1	1A7480-27110	KNOB		1						
21	1	1A7480-27301	LEVER, SHIFT		1						
22	2	194740-00160	SPRING, 10		4						
23	2	198448-01110	LEVER, ACCELERATOR		1						
24	2	198165-01130	PLATE, FRICTION		1						
25	2	198448-01172	LEVER, LINK		1						
26	2	194150-01270	SPACER, 20		1						
27	2	1A7480-27310	BRACKET ASSY, LEVER		1						
28	2	1A7480-27400	STAY, SENSOR		1						
29	2	1A7480-27601	ARM ASSY, LEVER		1						
30	3	24550-012150	BUSH, 12X15		1						
31	2	194151-47760	WASHER, 12		3						
32	2	194145-61570	WASHER, 10		2						
33	2	22137-060000	WASHER, 6		2						
34	2	26013-060129	BOLT, M6X 12		2						
35	2	26716-120002	NUT, M12		1						
36	2	26756-100002	NUT, LOCK M10		1						
37	2	26756-120002	NUT, LOCK M12		1						
38	2	26986-100002	NUT, LOCK M10		1						
38-1	2	26716-100002	NUT, M10		1						R
				(B=*2010.09)							
39	1	1A7480-27470	COVER, MAIN SHIFT		1						
40	1	1A7450-27990	GROMMET, 38X25		2						
41	1	1A7480-52340	VOLUME, 1.14K		1						
42	1	194940-61790	SCREW, TAPPING M5X16		6						
43	1	198220-63850	NUT, M5		6						
44	1	198290-78550	SENSOR, POSITION		1						
45	1	198196-83170	BOLT, M6X16		2						
46	1	26023-040162	SCREW, M4X16		2						
47	1	26106-080162	BOLT, M8X 16 PLATED		2						

Fig.77. SHIFT LEVER,MAIN

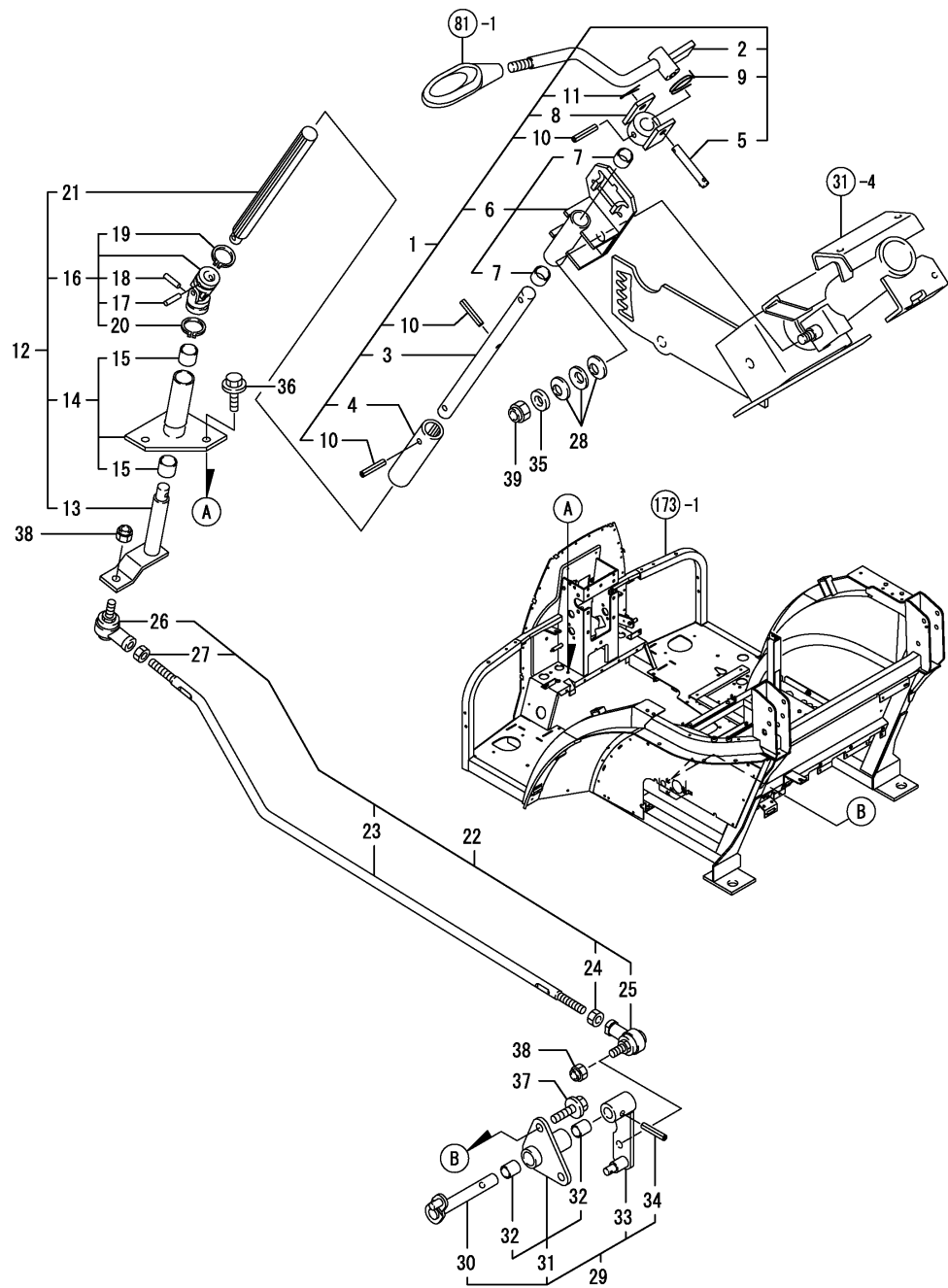
(A)=EG907-AU-PQ
 (B)=EG907(CAB-AU-PQ
 (C)=

(D)=
 (E)=
 (F)=



No.	Lev.	Parts No.	Description	Q'ty						I	R
				(A)	(B)	(C)	(D)	(E)	(F)		
1	1	198273-01230	KNOB, LEVER	1							
2	1	198273-27290	KNOB, MAIN SHIFT	1							
3	1	1A7450-27340	ROD ASSY, SHIFT C	1							
4	2	1A7450-27370	ROD, C	1							
5	2	194235-29440	BALL, PILLOW 10	1							
6	2	26716-100002	NUT, M10	2							
7	1	1C6281-52320	PIN, SNAP 8	1							
8	1	22137-100000	WASHER, 10	1							
9	1	22137-120000	WASHER, 12	1							
10	1	26013-100352	BOLT, M10X 35	1							
11	1	26346-080002	NUT, M8	1							

Fig.79. REVERSE LEVER

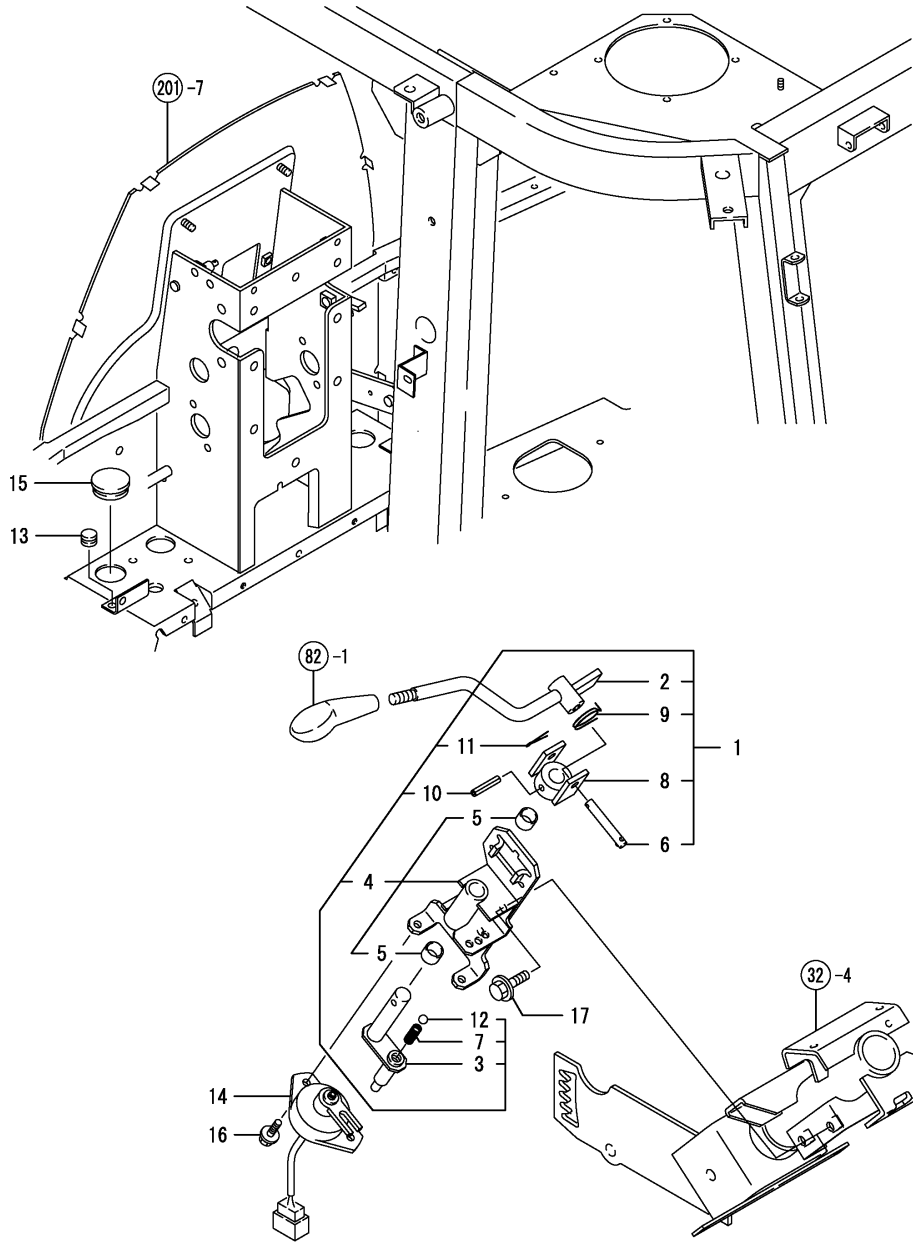


(A)=EG907-AU-PQ
 (B)=EG907(CAB-AU-PQ)
 (C)=

(D)=
 (E)=
 (F)=

No.	Lev.	Parts No.	Description	Qty						I	R
				(A)	(B)	(C)	(D)	(E)	(F)		
1	1	198448-18100	LEVER ASSY, REVERSER	1							
2	2	198448-18110	LEVER, REVERSER	1							
3	2	198448-18200	SHAFT, COUPLING	1							
4	2	198448-18220	COUPLING	1							
5	2	198075-18311	PIN, 8X52	1							
6	2	198448-18540	BRACKET ASSY	1							
7	3	24550-015120	BUSH, 15X12	2							
8	2	198133-27781	HOLDER, REVERSER	1							
9	2	198133-27820	SPRING, RETURN	1							
10	2	22351-060032	PIN, SPRING 6.0X32	3							
11	2	22417-200300	PIN, COTTER 2.0X30	1							
12	1	198448-18150	SHAFT ASSY, REVERSER	1							
13	2	198448-18170	SHAFT, REVERSER	1							
14	2	198448-18250	BRACKET ASSY, SHAFT	1							
15	3	24550-016150	BUSH, 16X15	2							
16	2	198071-18401	JOINT ASSY	1							
17	3	198071-18520	PIN	1							
18	3	198071-18520	PIN	1							
19	3	198071-18530	CIRCLIP, 23	1							
20	3	198071-18530	CIRCLIP, 23	1							
21	2	198448-18460	SHAFT, INNER	1							
22	1	198448-18310	ROD ASSY, REVERSER	1							
23	2	198448-18320	ROD, REVERSER	1							
24	2	194990-20170	NUT, M8	1							
25	2	194820-27370	END, ROD L	1							
26	2	172112-41980	BEARING, ROD-END	1							
27	2	26716-080002	NUT, M8	1							
28	1	198072-18320	SPRING, 12	3							
29	1	1A7450-18350	ARM ASSY, REVERSER	1							
30	2	1A7450-18360	ARM, REVERSER	1							
31	2	198448-18400	BRACKET ASSY, ARM	1							
32	3	24550-012150	BUSH, 12X15	2							
33	2	1A7450-18440	ARM, REVERSER	1							
34	2	22351-060032	PIN, SPRING 6.0X32	1							
35	1	22137-100000	WASHER, 10	1							
36	1	26106-080122	BOLT, M8X 12 PLATED	2							
37	1	26106-080162	BOLT, M8X 16 PLATED	2							
38	1	26346-080002	NUT, M8	2							
39	1	26346-100002	NUT, M10	1							

Fig.80. REVERSE LEVER



(A)=EG907-AU-PQ
 (B)=EG907(CAB-AU-PQ
 (C)=

(D)=
 (E)=
 (F)=

No.	Lev.	Parts No.	Description	Q'ty						I	R
				(A)	(B)	(C)	(D)	(E)	(F)		
1	1	1A7480-18100	LEVER ASSY, REVERSER		1						
2	2	198448-18110	LEVER, REVERSER		1						
3	2	1A7480-18210	SHAFT, REVERSER		1						
4	2	1A7480-18250	BRACKET, SHAFT		1						
5	3	24550-015120	BUSH, 15X12		2						
6	2	198075-18311	PIN, 8X52		1						
7	2	194310-27180	SPRING, 22.2		1						
8	2	198133-27781	HOLDER, REVERSER		1						
9	2	198133-27820	SPRING, RETURN		1						
10	2	22351-060032	PIN, SPRING 6.0X32		1						
11	2	22417-200300	PIN, COTTER 2.0X30		1						
12	2	24190-110001	BALL, STEEL 11/32		1						
13	1	1C6053-26020	CAP, RUBBER 8X3		1						
14	1	1A7480-52180	SWITCH, REVERSER		1						
15	1	197810-83230	GROMMET, 30		1						
16	1	26106-060162	BOLT, M6X 16 PLATED		2						
17	1	26106-080202	BOLT, M8X 20 PLATED		2						

Fig.82. REVERSE LEVER,MAIN A

(A)=EG907-AU-PQ
 (B)=EG907(CAB-AU-PQ
 (C)=

(D)=
 (E)=
 (F)=

No.	Lev.	Parts No.	Description	Q'ty						I	R
				(A)	(B)	(C)	(D)	(E)	(F)		
1	1	198200-18350	KNOB, LEVER		1						

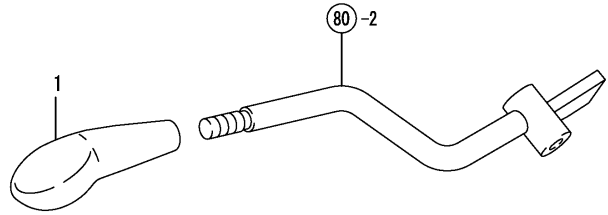
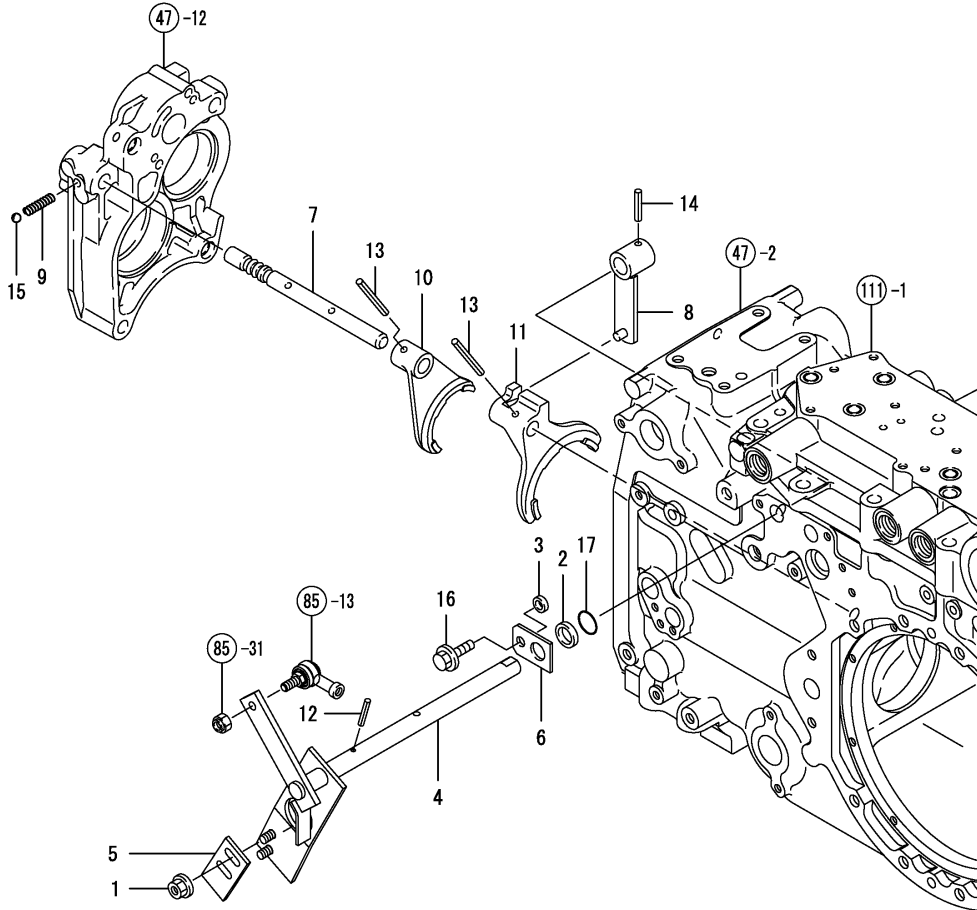


Fig.83. RANGE SHIFT

(A)=EG907-AU-PQ
 (B)=EG907(CAB-AU-PQ)
 (C)=

(D)=
 (E)=
 (F)=

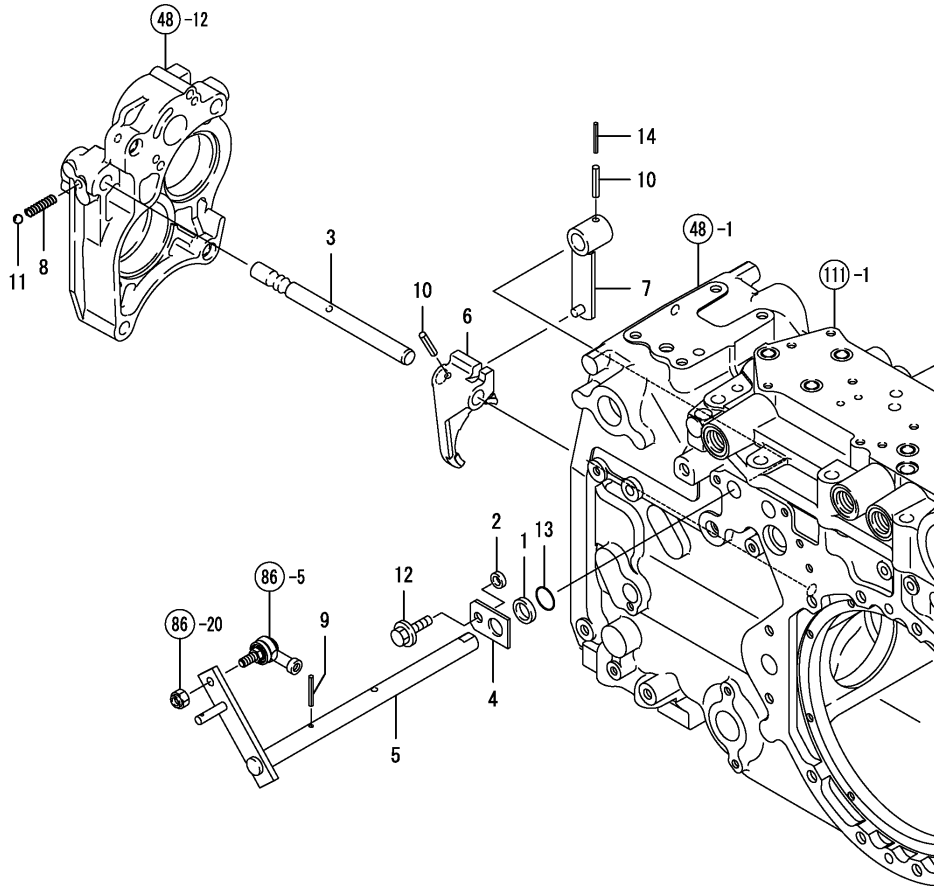


No.	Lev.	Parts No.	Description	Q'ty						I	R
				(A)	(B)	(C)	(D)	(E)	(F)		
1	1	194990-22140	NUT, M8	2							
2	1	198119-27150	COLLAR, ARM	1							
3	1	1A7450-27290	COLLAR, SHIFT	1							
4	1	1A7450-27411	SHAFT, RANGE SHIFT	1							
5	1	198535-27420	PLATE, INTERLOCK	1							
6	1	198535-27490	SHAFT, FORK	1							
7	1	1A7450-27490	PLATE, KEEP RANGE	1							
8	1	1A7450-27531	ARM, SHIFT	1							
9	1	194680-27540	SPRING, FORK LOCK	1							
10	1	1A7450-27580	FORK, SHIFT	1							
11	1	198448-27590	FORK, SHIFT B	1							
12	1	22351-040032	PIN, SPRING 4.0X32	1							
13	1	22351-060032	PIN, SPRING 6.0X32	2							
14	1	22351-060032	PIN, SPRING 6.0X32	1							
15	1	24190-080001	BALL, STEEL 1/4	1							
16	1	26106-080162	BOLT, M8X 16 PLATED	1							
17	1	41851-000160	PACKING, 16.0	1							

Fig.84. RANGE SHIFT

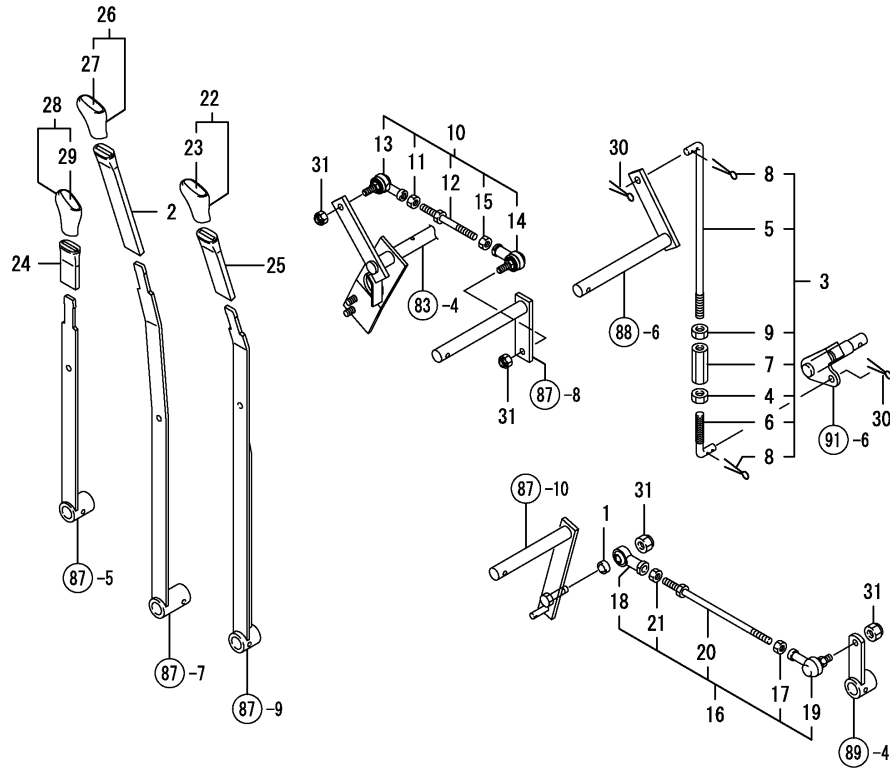
(A)=EG907-AU-PQ
 (B)=EG907(CAB-AU-PQ
 (C)=

(D)=
 (E)=
 (F)=



No.	Lev.	Parts No.	Description	Q'ty						I	R
				(A)	(B)	(C)	(D)	(E)	(F)		
1	1	198119-27150	COLLAR, ARM		1						
2	1	1A7450-27290	COLLAR, SHIFT		1						
3	1	1A7480-27410	SHAFT, FORK		1						
4	1	1A7450-27490	PLATE, KEEP RANGE		1						
5	1	1A7480-27511	SHAFT, RANGE SHIFT		1						
6	1	1A7480-27520	FORK, SHIFT		1						
7	1	1A7450-27531	ARM, SHIFT		1						
8	1	194680-27540	SPRING, FORK LOCK		1						
9	1	22351-040032	PIN, SPRING 4.0X32		1						
10	1	22351-060032	PIN, SPRING 6.0X32		2						
11	1	24190-080001	BALL, STEEL 1/4		1						
12	1	26106-080162	BOLT, M8X 16 PLATED		1						
13	1	41851-000160	PACKING, 16.0		1						
14	1	22351-035032	PIN, SPRING 3.5X32		1						W
(B=FXXXXX)											

Fig.85. RANGE SHIFT LEVER



(A)=EG907-AU-PQ
(B)=EG907(CAB-AU-PQ)
(C)=

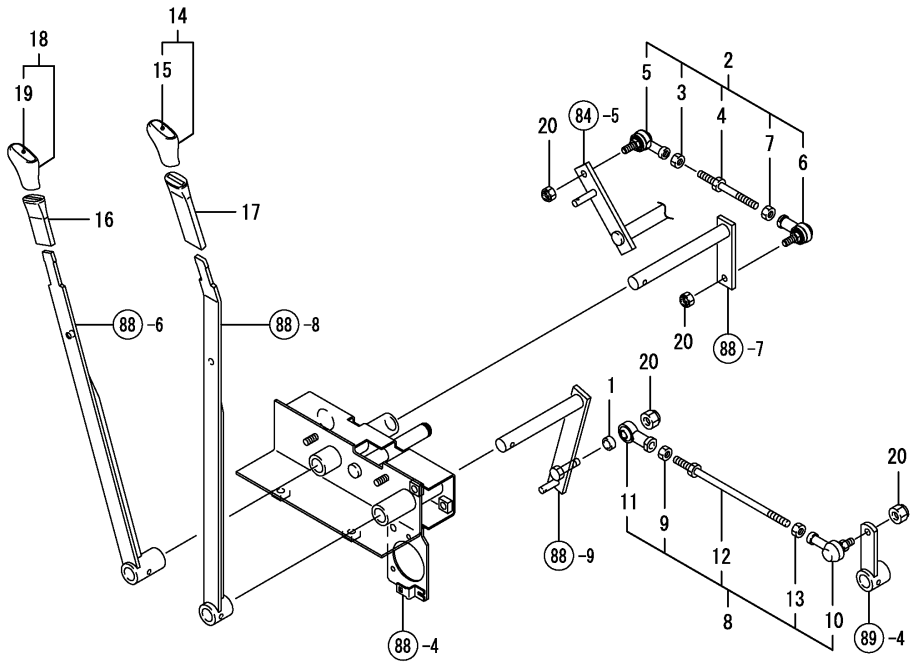
(D)=
(E)=
(F)=

No.	Lev.	Parts No.	Description	Q'ty						I	R
				(A)	(B)	(C)	(D)	(E)	(F)		
1	1	174840-17190	COLLAR, 8X3	1							
2	1	1A7450-27001	BOOT, SHAFT	1							
3	1	1A7450-27170	ROD ASSY, CREEP	1							
4	2	194150-22480	NUT, M10 L	1							
5	2	1A7450-27220	ROD, CREEP	1							
6	2	194555-27450	ROD ASSY	1							
7	2	194250-47490	TURNBUCKLE 10X50	1							
8	2	22417-200300	PIN, COTTER 2.0X30	2							
9	2	26716-100002	NUT, M10	1							
10	1	1A7450-27180	ROD ASSY	1							
11	2	194990-20170-1	NUT, M8	1							
12	2	1A7450-27250	ROD, SHIFT	1							
13	2	194820-27370	END, ROD L	1							
14	2	172112-41980	BEARING, ROD-END	1							
15	2	26716-080002	NUT, M8	1							
16	1	1A7450-27731	ROD ASSY, PTO	1							
17	2	194990-20170-1	NUT, M8	1							
18	2	198129-27290	END, ROD 8	1							
19	2	194820-27370	END, ROD L	1							
20	2	1A7450-27720	ROD, PTO	1							
21	2	26716-080002	NUT, M8	1							
22	1	1A7450-27850	KNOB, PTO	1							
23	2	1A7450-27910	LABEL,	1							
24	1	198273-27860	BOOT, SHAFT	1							
25	1	198273-27890	BOOT, SHAFT	1							
26	1	1A7680-27920	KNOB, LOW SPEED	1							
27	2	1A7680-27930	LABEL,	1							
28	1	1A7680-27920	KNOB, LOW SPEED	1							
29	2	1A7680-27930	LABEL,	1							
30	1	1C6281-52320	PIN, SNAP 8	2							
31	1	26346-080002	NUT, M8	4							

Fig.86. RANGE SHIFT LEVER

(A)=EG907-AU-PQ
 (B)=EG907(CAB-AU-PQ
 (C)=

(D)=
 (E)=
 (F)=

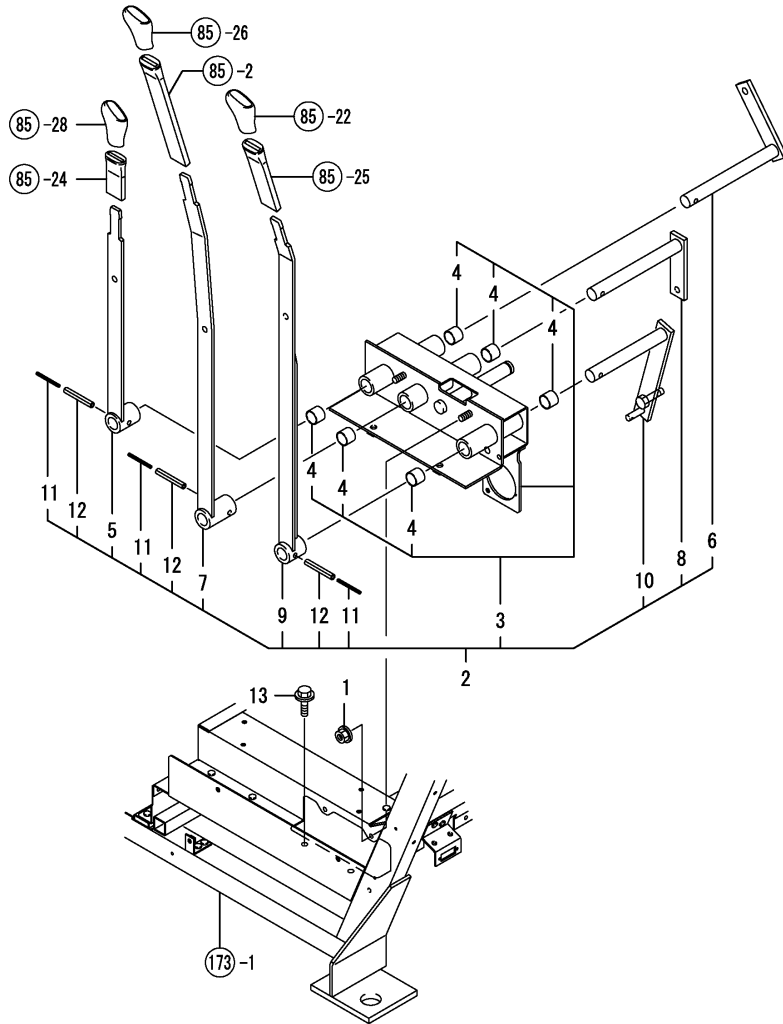


No.	Lev.	Parts No.	Description	Q'ty						I	R
				(A)	(B)	(C)	(D)	(E)	(F)		
1	1	174840-17190	COLLAR, 8X3		1						
2	1	1A7450-27180	ROD ASSY		1						
3	2	194990-20170	NUT, M8								
4	2	1A7450-27250	ROD, SHIFT		1						
5	2	194820-27370	END, ROD L		1						
6	2	172112-41980	BEARING, ROD-END		1						
7	2	26716-080002	NUT, M8					1			
8	1	1A7450-27731	ROD ASSY, PTO		1						
9	2	194990-20170	NUT, M8					1			
10	2	198129-27290	END, ROD 8		1						
11	2	194820-27370	END, ROD L		1						
12	2	1A7450-27720	ROD, PTO		1						
13	2	26716-080002	NUT, M8					1			
14	1	1A7450-27850	KNOB, PTO		1						
15	2	1A7450-27910	LABEL,					1			
16	1	198273-27860	BOOT, SHAFT					1			
17	1	198273-27890	BOOT, SHAFT					1			
18	1	1A7680-27920	KNOB, LOW SPEED					1			
19	2	1A7680-27930	LABEL,					1			
20	1	26346-080002	NUT, M8					4			

Fig.87. RANGE SHIFT LEVER

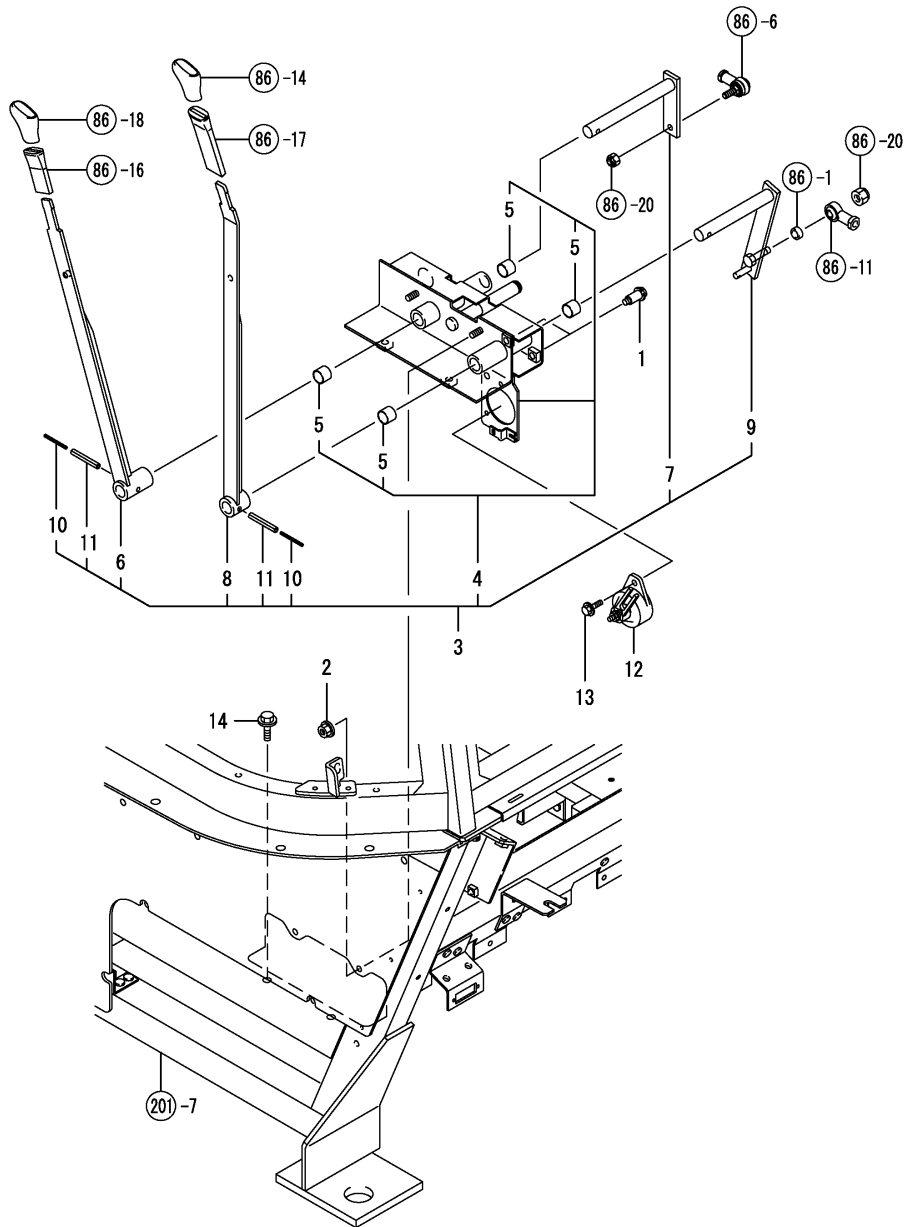
(A)=EG907-AU-PQ
 (B)=EG907(CAB-AU-PQ
 (C)=

(D)=
 (E)=
 (F)=



No.	Lev.	Parts No.	Description	Q'ty						I	R
				(A)	(B)	(C)	(D)	(E)	(F)		
1	1	194990-22140	NUT, M8	2							
2	1	1A7450-27011	LEVER, SUB	1							
3	2	1A7450-27020	BRACKET ASSY, LEVER	1							
4	3	24550-017150	BUSH, 17X15	6							
5	2	1A7450-27152	LEVER, CHANGE	1							
6	2	1A7450-27160	ARM, SHIFT	1							
7	2	1A7450-27512	LEVER, CHANGE	1							
8	2	1A7450-27550	ARM, SHIFT	1							
9	2	1A7450-27613	LEVER, PTO CHANGE	1							
10	2	1A7450-27652	ARM, SHIFT	1							
11	2	22351-035040	PIN, SPRING 3.5X40	3							
12	2	22351-060040	PIN, SPRING 6.0X40	3							
13	1	26106-080162	BOLT, M8X 16 PLATED	2							

Fig.88. RANGE SHIFT LEVER



(A)=EG907-AU-PQ
 (B)=EG907(CAB-AU-PQ
 (C)=

(D)=
 (E)=
 (F)=

No.	Lev.	Parts No.	Description	Q'ty						I	R
				(A)	(B)	(C)	(D)	(E)	(F)		
1	1	194555-04280	BOLT, M8X26		2						
2	1	194990-22140	NUT, M8		2						
3	1	1A7480-27012	LEVER, SUB		1						
4	2	1A7480-27021	BRACKET ASSY, LEVER		1						
5	3	24550-017150	BUSH, 17X15		4						
6	2	1A7480-27150	LEVER, CHANGE		1						
7	2	1A7450-27550	ARM, SHIFT		1						
8	2	1A7450-27613	LEVER, PTO CHANGE		1						
9	2	1A7450-27652	ARM, SHIFT		1						
10	2	22351-035040	PIN, SPRING 3.5X40		2						
11	2	22351-060040	PIN, SPRING 6.0X40		2						
12	1	198448-52250	SWITCH, PTO LEVER		1						
13	1	26106-060162	BOLT, M6X 16 PLATED		2						
14	1	26106-080162	BOLT, M8X 16 PLATED		2						

Fig.89. PTO. SHIFT

(A)=EG907-AU-PQ
 (B)=EG907(CAB-AU-PQ
 (C)=

(D)=
 (E)=
 (F)=

No.	Lev.	Parts No.	Description	Q'ty						I	R
				(A)	(B)	(C)	(D)	(E)	(F)		
1	1	1A7450-26090	SHAFT, PTO FORK	1	1						
2	1	198119-27150	COLLAR, ARM	1	1						
3	1	194680-27540	SPRING, FORK LOCK	1	1						
4	1	1A7450-27790	ARM, CHANGE	1	1						
5	1	1A7450-27881	ARM, SHIFT	1	1						
6	1	1A7450-27950	FORK, PTO SHIFT	1	1						
7	1	198212-27990	PLATE, KEEP	1	1						
8	1	22351-035032	PIN, SPRING 3.5X32	1	1						
9	1	22351-060032	PIN, SPRING 6.0X32	1	1						
10	1	24190-080001	BALL, STEEL 1/4	1	1						
11	1	26106-080162	BOLT, M8X 16 PLATED	1	1						
12	1	41851-000160	PACKING, 16.0	1	1						

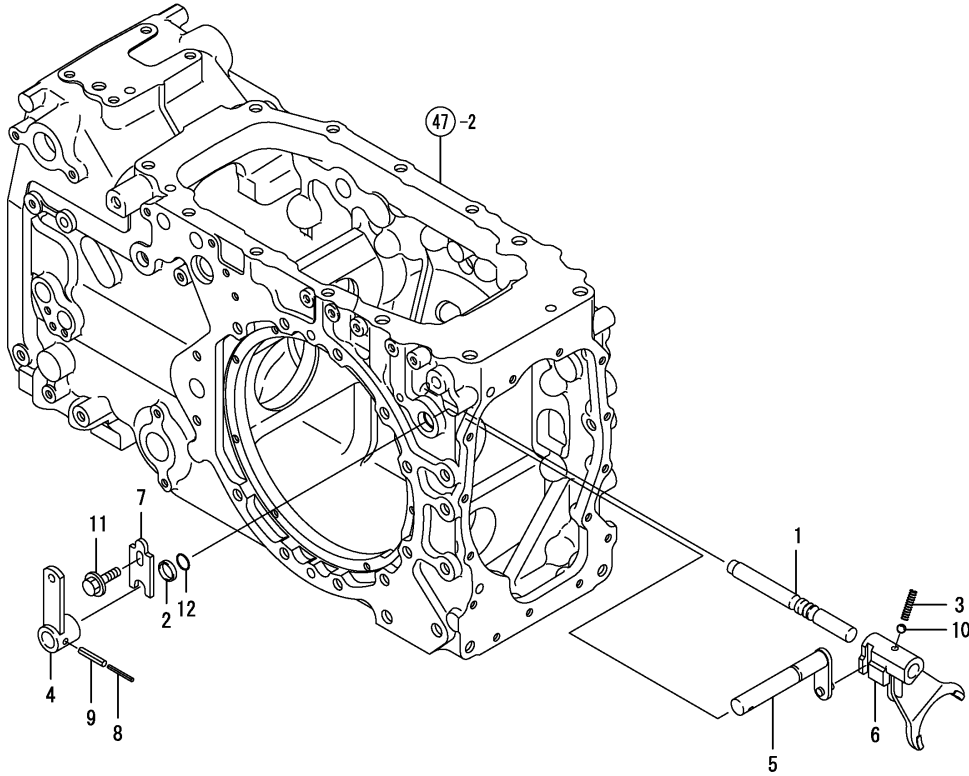
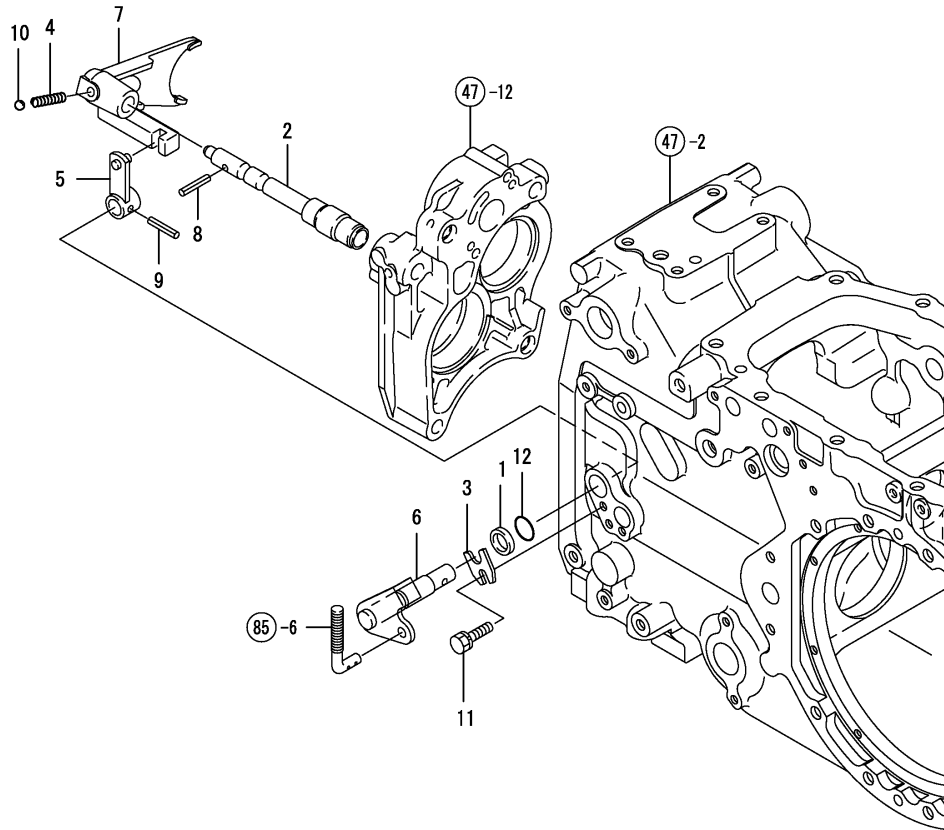


Fig.91. CREEP SHIFT

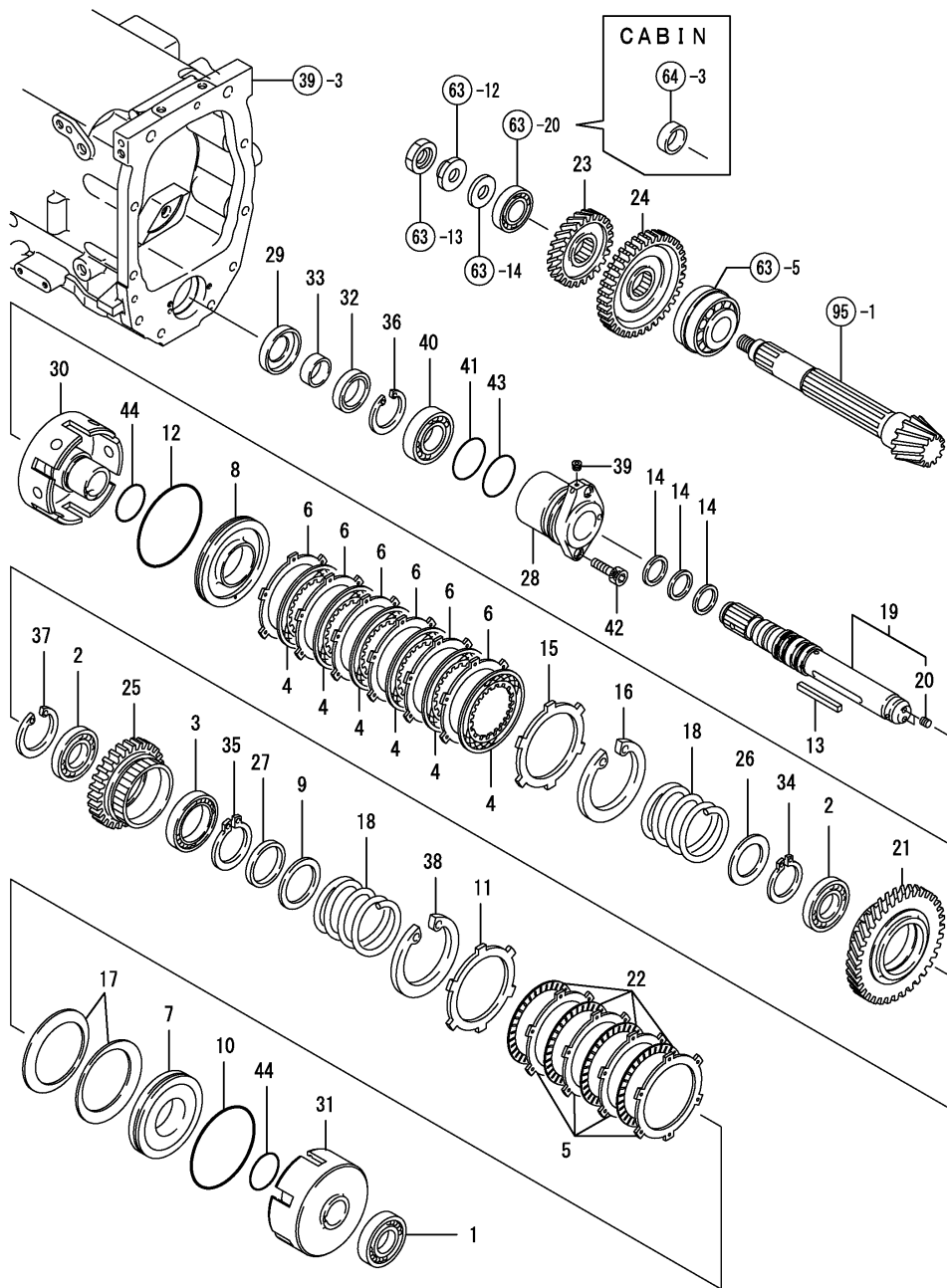


(A)=EG907-AU-PQ
 (B)=EG907(CAB-AU-PQ
 (C)=

(D)=
 (E)=
 (F)=

No.	Lev.	Parts No.	Description	Qty						I	R
				(A)	(B)	(C)	(D)	(E)	(F)		
1	1	198119-27150	COLLAR, ARM	1							
2	1	1A7450-27260	SHAFT, CREEP FORK	1							
3	1	1A7450-27280	PLATE, KEEP CREEPE	1							
4	1	194145-27450	SPRING	1							
5	1	1A7450-27630	ARM, SHIFT	1							
6	1	1A7450-27690	ARM, CHANGE	1							
7	1	198212-27710	FORK, SHIFT	1							
8	1	22351-060032	PIN, SPRING 6.0X32	1							
9	1	22351-060032	PIN, SPRING 6.0X32	1							
10	1	24190-100001	BALL, STEEL 5/16	1							
11	1	26013-080162	BOLT, M8X 16	1							
12	1	41851-000160	PACKING, 16.0	1							

Fig.92. FRONT DRIVE



(A)=EG907-AU-PQ
(B)=EG907(CAB-AU-PQ)
(C)=

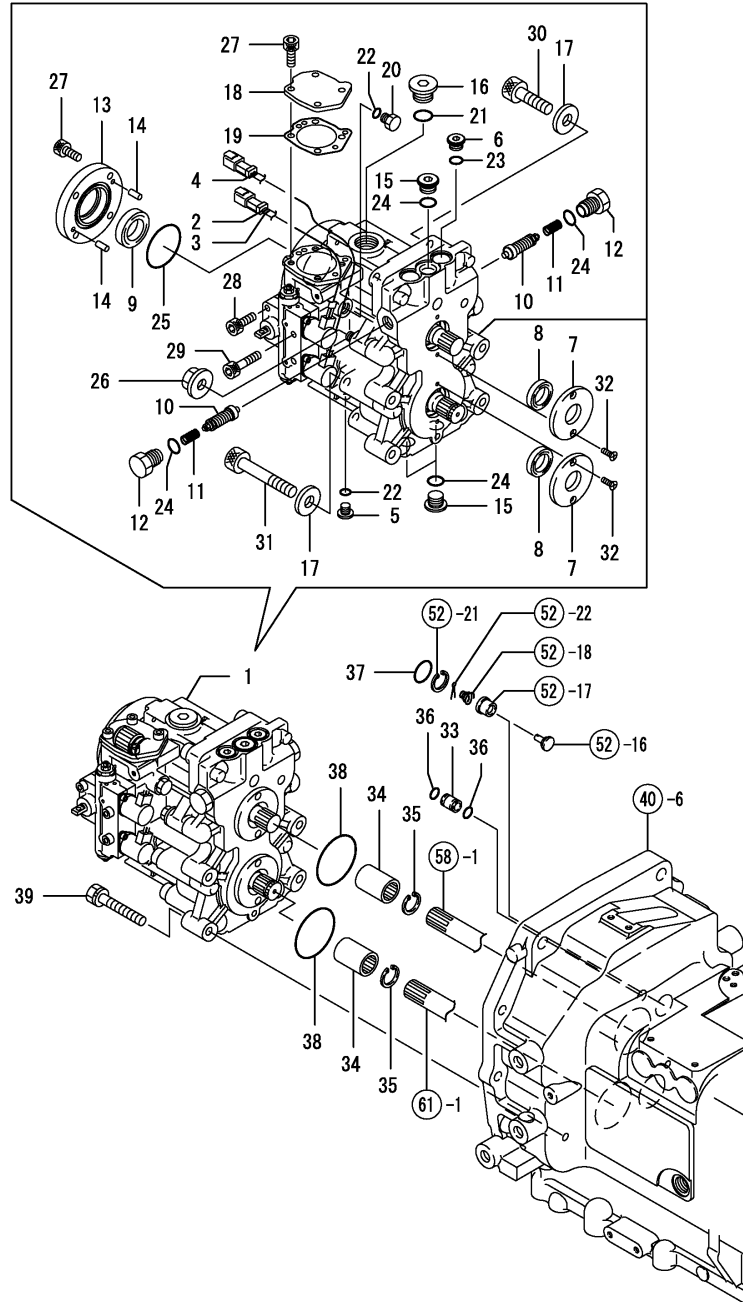
(D)=
(E)=
(F)=

No.	Lev.	Parts No.	Description	Q'ty						I	R
				(A)	(B)	(C)	(D)	(E)	(F)		
1	1	1C6460-14340	BEARING, BALL 60/28	1	1						
2	1	194951-14430	BEARING, 6908	2	2						
3	1	194951-14440	BEARING, 6909	1	1						
4	1	198119-25510	PLATE, 105X2.0	6	6						
5	1	198072-25520	PLATE, STEEL 100X1.2	4	4						
6	1	198119-25520	PLATE, STEEL 105X1.2	6	6						
7	1	194555-25550	PISTON, CLUTCH	1	1						
8	1	198487-25550	PISTON, CLUTCH	1	1						
9	1	194555-25560	SPACER, 46X61X2	1	1						
10	1	194555-25570	RING, 100	1	1						
11	1	198072-25570	PLATE, STEEL 100X3.5	1	1						
12	1	198091-25570	PACKING, 105	1	1						
13	1	198071-25590	KEY, 7X5.8X68	1	1						
14	1	198071-25610	RING, SEAL 35	3	3						
15	1	198119-25620	PLATE, STEEL 105X3.5	1	1						
16	1	198091-25640	CIRCLIP, C105H	1	1						
17	1	194555-25760	SPRING	2	2						
18	1	194555-25790	SPRING, RETURN	2	2						
19	1	1A7450-28100	SHAFT ASSY, DRIVE	1	1						
20	2	1E6191-54330	SCREW 7X8	2	2						
21	1	1A7450-28140	GEAR, CLUTCH 54	1	1						
22	1	1A7450-28190	PLATE, 100X2.0	4	4						
23	1	198448-28220	PINION, DRIVE Z=33	1	1						
24	1	198535-28241	PINION, DRIVE Z=39	1	1						
25	1	1A7450-28250	GEAR, CLUTCH 33	1	1						
26	1	198448-28330	WASHER, 40X60X2	1	1						
27	1	198448-28340	COLLAR, 45X55X5	1	1						
28	1	1A7450-28360	HOUSING, FRONT SEAL	1	1						
29	1	198448-28370	COVER, OIL SEAL	1	1						
30	1	1A7450-28710	CYLINDER, CLUTCH	1	1						
31	1	1A7450-28720	CYLINDER, CLUTCH	1	1						
32	1	194420-39360	SEAL, OIL TC355508	1	1						
33	1	194420-39370	SLEEVE, SI 30X35X13A	1	1						
34	1	22242-000400	RING, 40	1	1						
35	1	22242-000450	RING, 45	1	1						
36	1	22252-000550	RING, 55	1	1						
37	1	22252-000620	RING, 62	1	1						
38	1	22252-001000	RING, 100	1	1						
39	1	23871-005000	PLUG, R005	1	1						
40	1	24101-060064	BEARING, BALL 6006	1	1						
41	1	24357-310550	O-RING, 4E31055	1	1						
42	1	26450-080252	BOLT, M8X 25	2	2						
43	1	41854-000500	PACKING, 50.0	1	1						
44	1	41856-020400	PACKING, 2040	2	2						

Fig.93. HST

(A)=EG907-AU-PQ
 (B)=EG907(CAB-AU-PQ)
 (C)=

(D)=
 (E)=
 (F)=

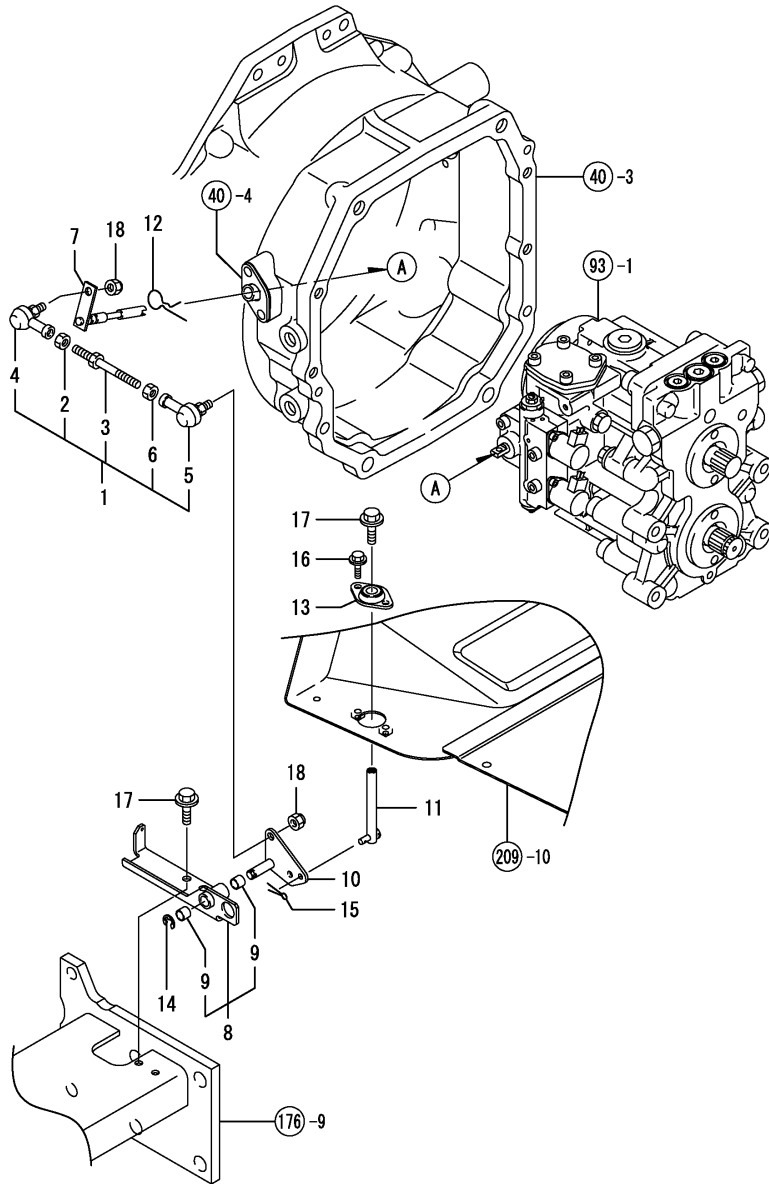


No.	Lev.	Parts No.	Description	Qty						I	R
				(A)	(B)	(C)	(D)	(E)	(F)		
1	1	1A7610-29101	HST ASSY, 42	1							
2	2	178076-05550	BINDER,REFERENCE		1						
3	2	178076-05560	BINDER,REFERENCE		1						
4	2	178076-05570	BINDER,REFERENCE		1						
5	2	178076-12400	PLUG, G1/4		1						
6	2	1A6750-29850	PLUG, G3/8		2						
7	2	158830-85090	COVER, SEAL		2						
8	2	158836-85420	SEAL, 25.4X40X8		2						
9	2	158835-85440	SEAL, 30X50X11		1						
10	2	158856-85501	VALVE ASSY, RELIFE		2						
11	2	168HP1-85570	SPRING(CHECK VALVE		2						
12	2	158856-85580	PLUG PE1/2A		2						
13	2	168HQ0-85820	COVER(OIL SEAL B		1						
14	2	158802-85880	PIN,PARALLEL(6X12		6						
15	2	158830-85960	PLUG		3						
16	2	158835-85980	PLUG		1						
17	2	158835-85990	WASHER		7						
18	2	158833-87050	COVER, PISTON		1						
19	2	158830-87061	PACKING		1						
20	2	158830-87450	BOLT		1						
21	2	24311-000224	O-RING, 1AP22.4		1						
22	2	24315-000110	O-RING, 1BP11.0		2						
23	2	24315-000140	O-RING, 1BP14.0		2						
24	2	24315-000180	O-RING, 1BP18.0		5						
25	2	24321-000600	O-RING, 1AG60.0		1						
26	2	26366-120002	NUT, M12		1						
27	2	26450-080202	BOLT, M8X 20		8						
28	2	26450-080252	BOLT, M8X 25		2						
29	2	26450-080352	BOLT, M8X 35		2						
30	2	26450-120452	BOLT, M12X 45		2						
31	2	26450-120752	BOLT, M12X 75		5						
32	2	26577-050142	SCREW, M5X14		4						
33	1	1A7480-29110	PIPE, 16X22		1						
34	1	1A7480-29120	COUPLING, 25X47		2						
35	1	22252-000220	RING, 22		2						
36	1	24311-000120	O-RING, 1AP12.0		2						
37	1	24321-000300	O-RING, 1AG30.0		1						
38	1	24321-000700	O-RING, 1AG70.0		2						
39	1	26013-100602	BOLT, M10X 60		4						

Fig.94. H.S.T. CONTROL

(A)=EG907-AU-PQ
 (B)=EG907(CAB-AU-PQ
 (C)=

(D)=
 (E)=
 (F)=



No.	Lev.	Parts No.	Description	Q'ty						I	R
				(A)	(B)	(C)	(D)	(E)	(F)		
1	1	1A7450-27180	ROD ASSY		1						
2	2	194990-20170	NUT, M8		1						
3	2	1A7450-27250	ROD, SHIFT		1						
4	2	194820-27370	END, ROD L		1						
5	2	172112-41980	BEARING, ROD-END		1						
6	2	26716-080002	NUT, M8		1						
7	1	1A7480-29130	ARM, HST		1						
8	1	1A7480-29140	STAY ASSY, CRANK		1						
9	2	24550-010100	BUSH, 10X10		2						
10	1	1A7480-29160	ARM, CRANK		1						
11	1	1A7480-29170	ROD, HST		1						
12	1	1A7480-29181	PIN, LOCK		1						
13	1	198448-46610	FLANGE ASSY		1						
14	1	22272-000080	RING, E- 8		1						
15	1	22417-160180	PIN, COTTER 1.6X18		1						
16	1	26106-060162	BOLT, M6X 16 PLATED		2						
17	1	26106-080122	BOLT, M8X 12 PLATED		3						
18	1	26346-080002	NUT, M8		2						

Fig.95. DIFF. RING CEAR

(A)=EG907-AU-PQ
 (B)=EG907(CAB-AU-PQ
 (C)=

(D)=
 (E)=
 (F)=

No.	Lev.	Parts No.	Description	Q'ty						I	R
				(A)	(B)	(C)	(D)	(E)	(F)		
1	1	1A7450-31401	GEAR ASSY, RING	1	1						
1A	2	1E8450-55230	BEARING, NJ308E	1	1						W
		(A=*2009.06.) (B=*2009.06.)									

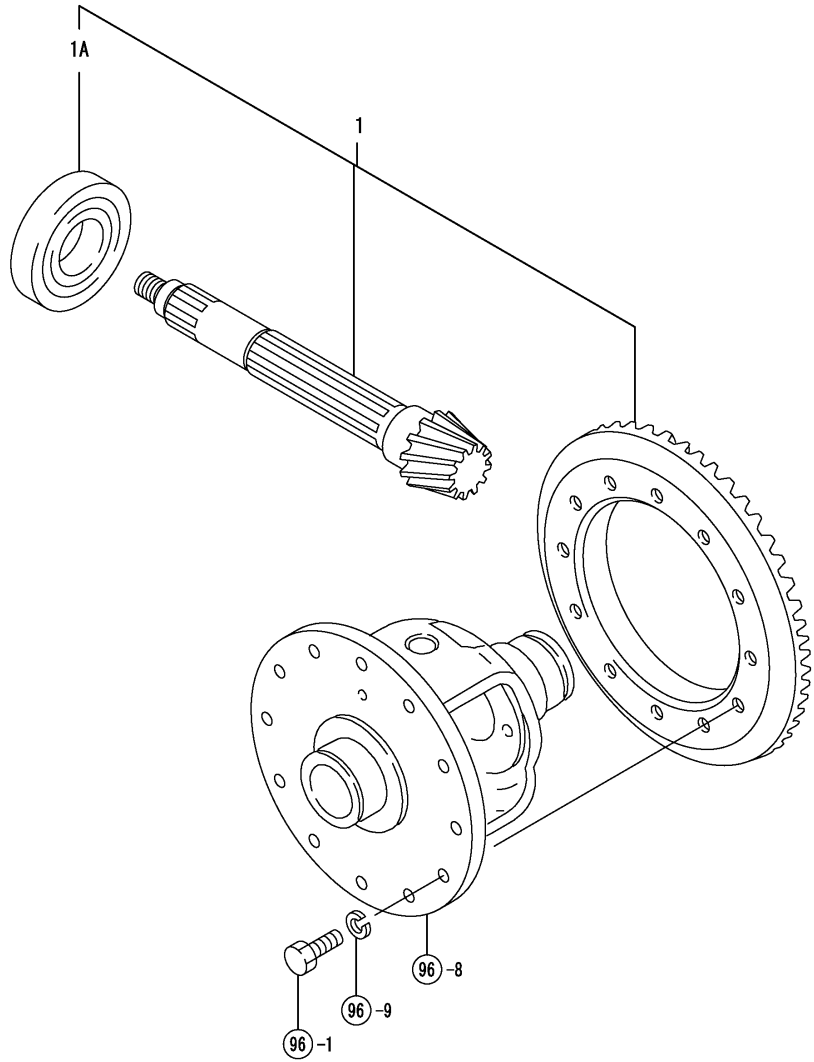
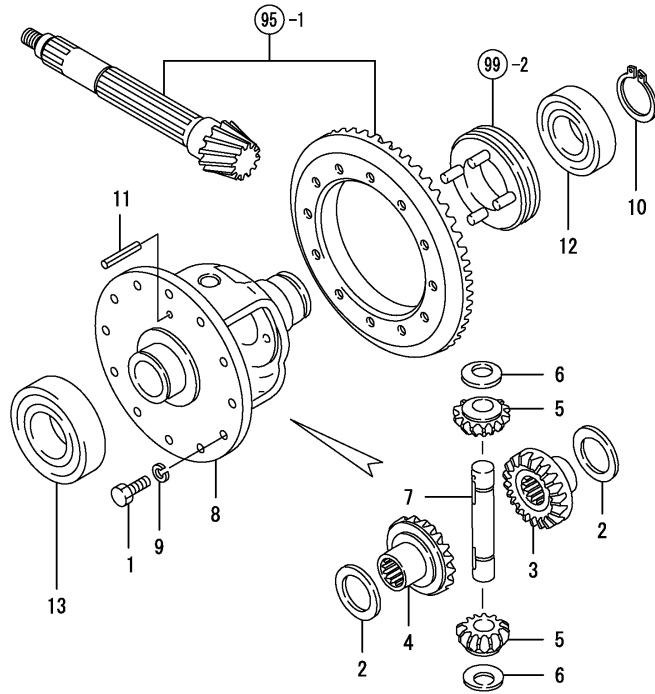


Fig.96. DIFFERENTIAL GEAR

(A)=EG907-AU-PQ
 (B)=EG907(CAB-AU-PQ
 (C)=

(D)=
 (E)=
 (F)=

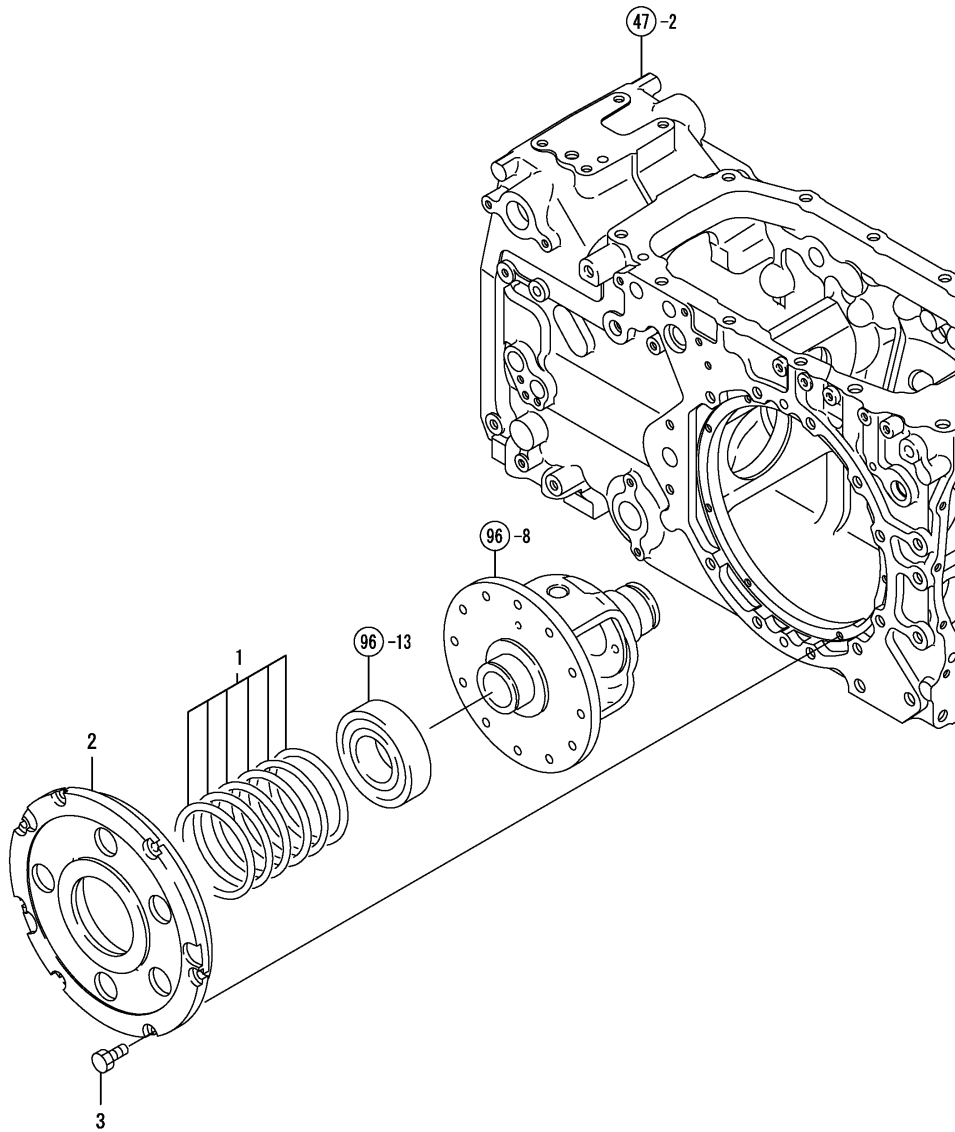


No.	Lev.	Parts No.	Description	Q'ty						I	R
				(A)	(B)	(C)	(D)	(E)	(F)		
1	1	194066-13130	BOLT, M10X25	12	12						
2	1	198320-31530	WASHER, DIFFERENTIAL	2	2						
3	1	198320-31550	GEAR, DIFFERENTIAL	1	1						
4	1	194320-31560	GEAR, DIFFERENTIAL	1	1						
5	1	198320-31570	PINION, DIFFERENTIAL	2	2						
6	1	198320-31630	WASHER, DIFFERENTIAL	2	2						
7	1	198320-31820	SHAFT, DIFFERENTIAL	1	1						
8	1	198320-32111	CASE, DIFFERENTIAL	1	1						
9	1	22217-100000	WASHER, SPRING 10	12	12						
10	1	22242-000500	RING, 50	1	1						
11	1	22351-060050	PIN, SPRING 6.0X50	1	1						
12	1	24101-060104	BEARING, BALL 6010	1	1						
13	1	24101-062114	BEARING, BALL 6211	1	1						

Fig.97. DIFF. CARRIER

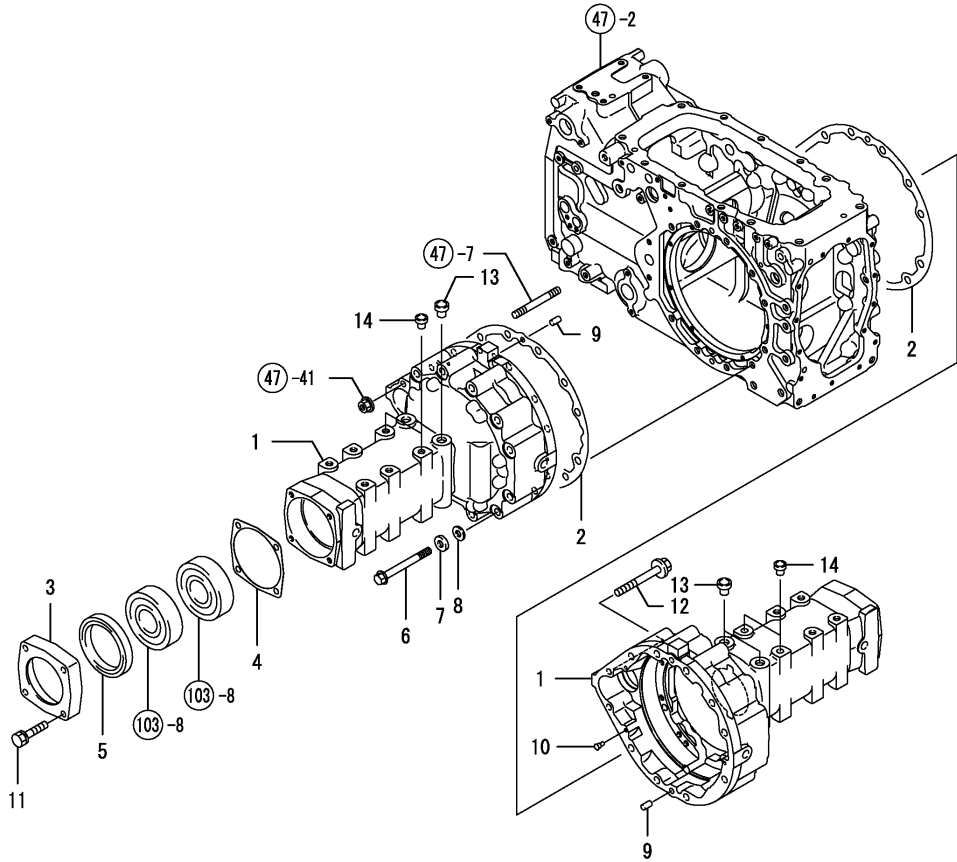
(A)=EG907-AU-PQ
 (B)=EG907(CAB-AU-PQ
 (C)=

(D)=
 (E)=
 (F)=



No.	Lev.	Parts No.	Description	Q'ty						I	R
				(A)	(B)	(C)	(D)	(E)	(F)		
1	1	794251-13910	SHIM SET	1	1						
2	1	1A7450-32311	CARRIER	1	1						
2-1	1	1A7450-32312	CARRIER	1	1						R
		(A=FXXXXXX) (B=FXXXXXX)									
3	1	26116-080202	BOLT, M8X 20 PLATED	1	1						

Fig.98. REAR AXLE HOUSING

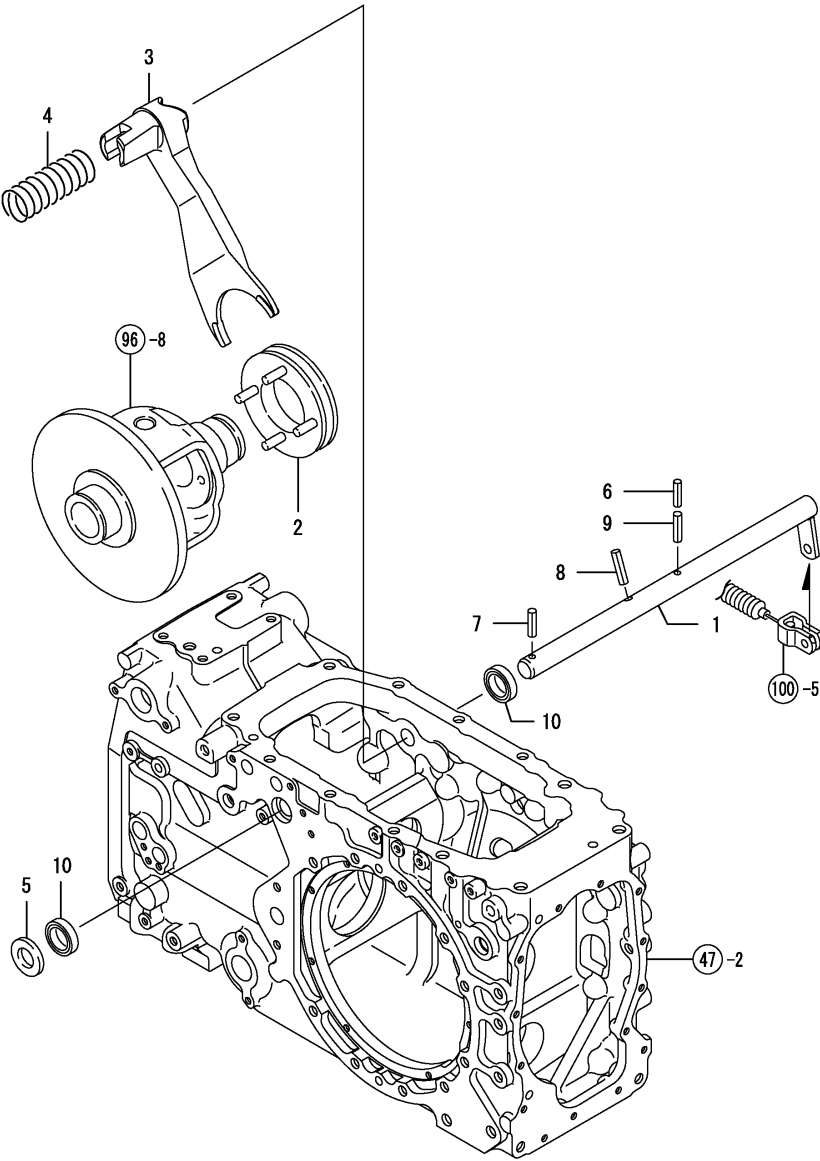


(A)=EG907-AU-PQ
 (B)=EG907(CAB-AU-PQ
 (C)=

(D)=
 (E)=
 (F)=

No.	Lev.	Parts No.	Description	Q'ty						I	R
				(A)	(B)	(C)	(D)	(E)	(F)		
1	1	1A7450-32610	HOUSING, REAR AXLE	2	2						
2	1	1A7450-32640	GASKET, REAR AXLE	2	2						
3	1	1A7450-32650	CASE, OIL SEAL	2	2						
4	1	1A7450-32660	GASKET, SEAL CASE	2	2						
5	1	198266-32670	SEAL, QLNY8811516	2	2						
6	1	1A7450-32810	BOLT, M12X115	20	20						
7	1	1A7450-32820	WASHER, 12	20	20						
8	1	22190-120000	WASHER, SEAL 12	20	20						
9	1	22312-100180	PIN, PARALLEL M10X18	4	4						
10	1	22635-600120	RIVET, 6.0X12	6	6						
11	1	26013-100452	BOLT, M10X 45	8	8						
12	1	26108-100852	BOLT, M10X 85 PLATED	2	2						
13	1	194450-11190	PLUG, 15.0	3	3						W
		(A=FXXXXX)	(B=FXXXXX)								
14	1	194150-24270	CAP, SCREW 13.0	4	4						W
		(A=FXXXXX)	(B=FXXXXX)								

Fig.99. DIFF. LOCK



(A)=EG907-AU-PQ
 (B)=EG907(CAB-AU-PQ)
 (C)=

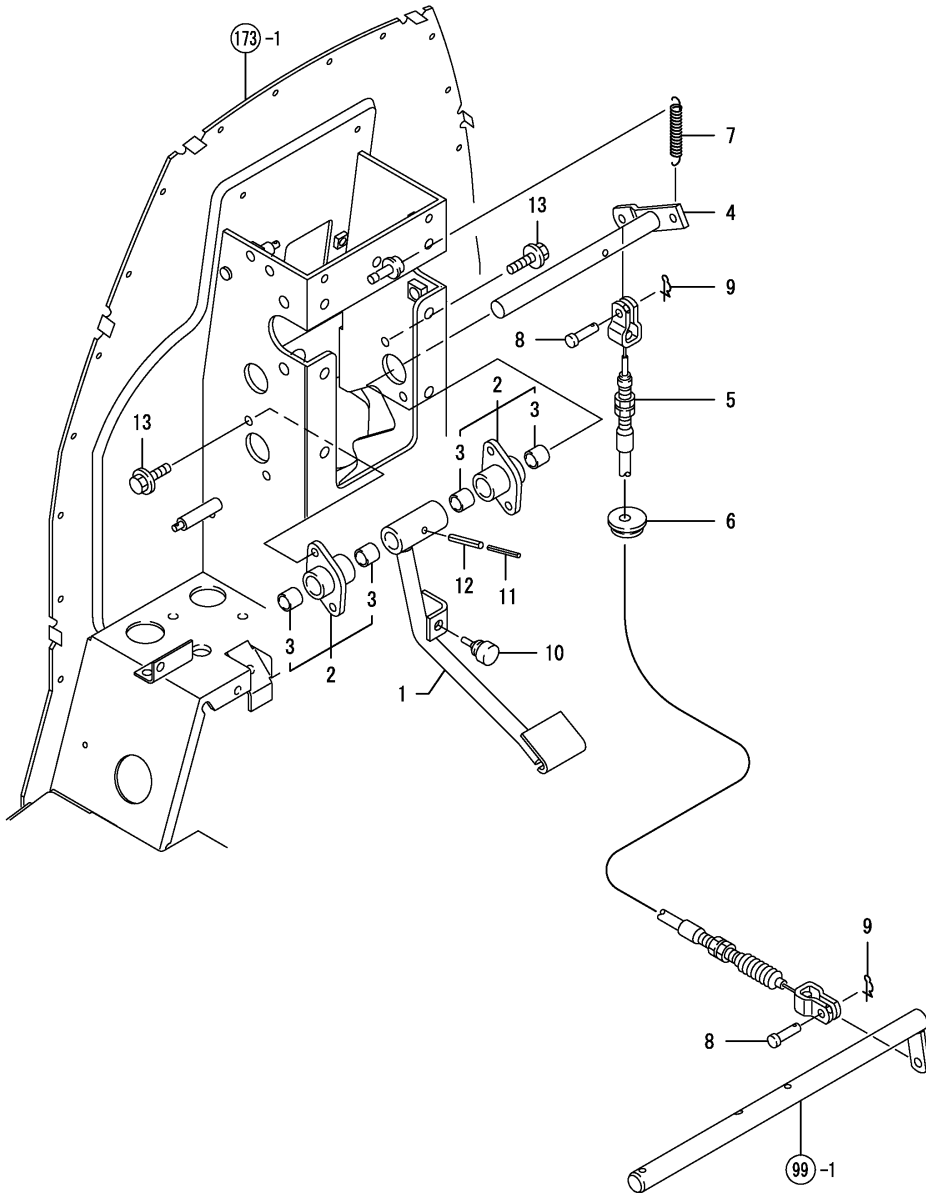
(D)=
 (E)=
 (F)=

No.	Lev.	Parts No.	Description	Q'ty						I	R
				(A)	(B)	(C)	(D)	(E)	(F)		
1	1	198448-33120	SHAFT, LOCK	1	1						
2	1	194464-33130	SLIDER, DIFFERENTIAL	1	1						
3	1	1A7350-33140	FORK, SHIFT	1	1						
4	1	198212-33150	SPRING, RETURN	1	1						
5	1	22137-200000	WASHER, 20	1	1						
6	1	22351-050040	PIN, SPRING 5.0X40	1	1						
7	1	22351-060032	PIN, SPRING 6.0X32	1	1						
8	1	22351-080032	PIN, SPRING 8.0X32	1	1						
9	1	22351-080040	PIN, SPRING 8.0X40	1	1						
10	1	41861-203007	SEAL, TC203007 ACM	2	2						

Fig.100. DIFF. LOCK PEDAL

(A)=EG907-AU-PQ
 (B)=EG907(CAB-AU-PQ)
 (C)=

(D)=
 (E)=
 (F)=



No.	Lev.	Parts No.	Description	Q'ty						I	R
				(A)	(B)	(C)	(D)	(E)	(F)		
1	1	198448-33220	PEDAL ASSY, LOCK	1	1						
2	1	198448-33310	RETAINER, PEDAL	2	2						
3	2	24550-017150	BUSH, 17X15	4	4						
4	1	198448-33340	SHAFT, PEDAL	1	1						
5	1	1A7450-33380	CABLE ASSY	1	1						
6	1	198448-33390	GROMMET, CABLE	1	1						
7	1	198290-37510	SPRING, RETURN	1	1						
8	1	198220-37900	PIN, 8X24	2	2						
9	1	1C6281-52320	PIN, SNAP 8	2	2						
10	1	194330-62530	STOPPER, PEDAL	1	1						
11	1	22351-035040	PIN, SPRING 3.5X40	1	1						
12	1	22351-060040	PIN, SPRING 6.0X40	1	1						
13	1	26106-080162	BOLT, M8X 16 PLATED	4	4						

Fig.101. FINAL PINION

(A)=EG907-AU-PQ
 (B)=EG907(CAB-AU-PQ)
 (C)=

(D)=
 (E)=
 (F)=

No.	Lev.	Parts No.	Description	Q'ty						I	R
				(A)	(B)	(C)	(D)	(E)	(F)		
1	1	1A7450-33410	PINION, FINAL L	1	1						
2	1	1A7450-33420	PINION, FINAL R	1	1						

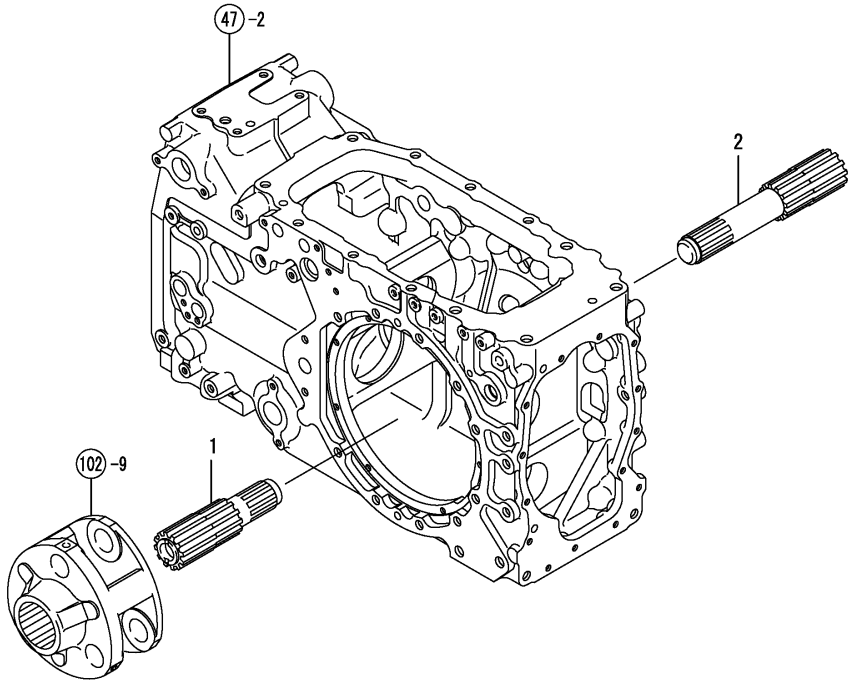


Fig.102. FINAL GEAR

(A)=EG907-AU-PQ
 (B)=EG907(CAB-AU-PQ
 (C)=

(D)=
 (E)=
 (F)=

No.	Lev.	Parts No.	Description	Q'ty						I	R
				(A)	(B)	(C)	(D)	(E)	(F)		
1	1	1A7450-33510	PINION, PLANETARY	6	6						
2	1	1A7450-33520	SHAFT, PLANETARY	6	6						
3	1	1A7450-33530	NEEDLE, 5X19.8	99	99						
4	1	1A7450-33530	NEEDLE, 5X19.8	99	99						
5	1	1A7450-33530	NEEDLE, 5X19.8	54	54						
6	1	1A7450-33540	COLLAR, 28X37X6	6	6						
7	1	1A7450-33550	WASHER, 27X52X1	12	12						
8	1	1A7450-33560	BUSH, 37X44.5X45	6	6						
9	1	1A7450-33570	CARRIER, PLANETARY	2	2						
10	1	1A7450-33580	GEAR, INTERNAL	2	2						
11	1	198217-33650	BOLT, M10X55	24	24						
12	1	22312-120180	PIN, PARALLEL M12X18	4	4						
13	1	22351-080040	PIN, SPRING 8.0X40	6	6						

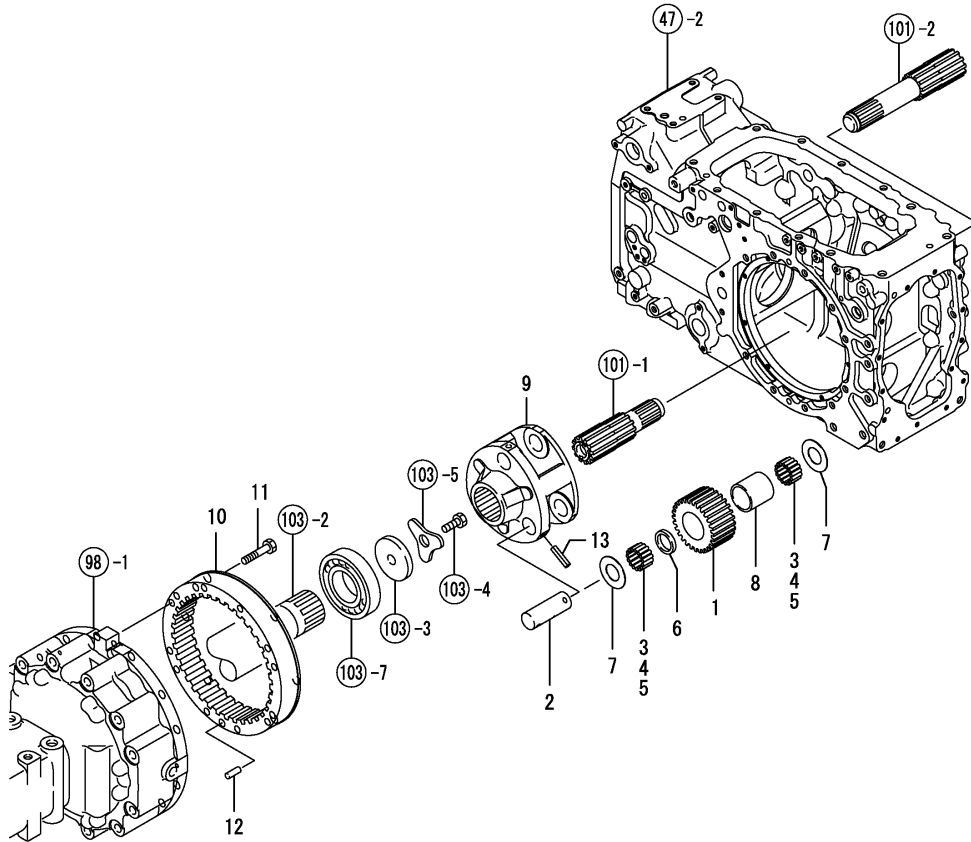
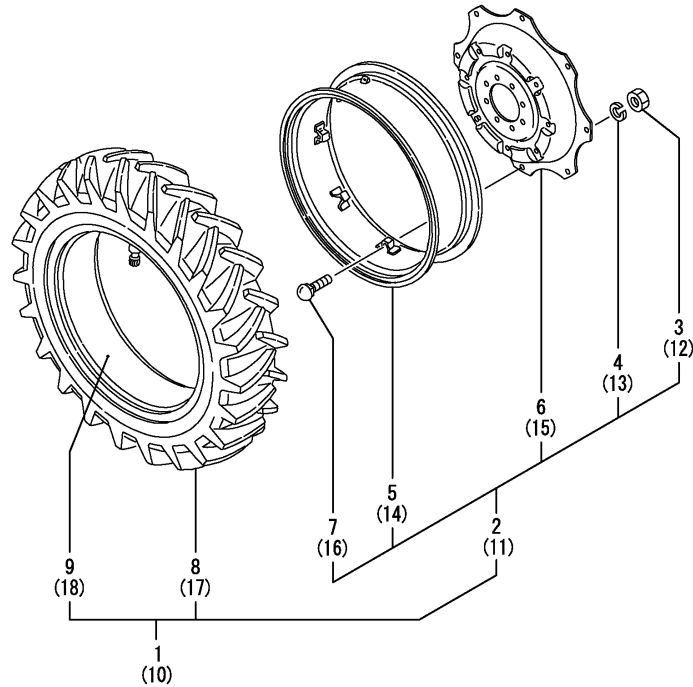


Fig.104. REAR WHEEL TIRE

(A)=EG907-AU-PQ
 (B)=EG907(CAB-AU-PQ
 (C)=

(D)=
 (E)=
 (F)=



No.	Lev.	Parts No.	Description	Q'ty						I	R
				(A)	(B)	(C)	(D)	(E)	(F)		
1	1	794660-34720	TIRE KIT, 16.9-30CL	1	1						
2	2	194660-34701	WHEEL ASSY, W14X30W	1	1						
3	3	194181-14180	NUT, M16	8	8						
4	3	194065-34170	WASHER, 16	8	8						
5	3	194120-34511	RIM, W14X30	1	1						
6	3	194065-34720	DISC 30	1	1						
7	3	198268-34850	BOLT, M16X70	8	8						
8	2	1A6502-34910	TIRE, 16.9-30 6 FSL	1	1						
9	2	1A6502-34920	TUBE, 16.9-30	1	1						
10	1	794660-34820	TIRE KIT, 16.9-30CR	1	1						
11	2	194660-34701	WHEEL ASSY, W14X30W	1	1						
12	3	194181-14180	NUT, M16	8	8						
13	3	194065-34170	WASHER, 16	8	8						
14	3	194120-34511	RIM, W14X30	1	1						
15	3	194065-34720	DISC 30	1	1						
16	3	198268-34850	BOLT, M16X70	8	8						
17	2	1A6502-34910	TIRE, 16.9-30 6 FSL	1	1						
18	2	1A6502-34920	TUBE, 16.9-30	1	1						

Fig.105. REAR HUB BOLT

(A)=EG907-AU-PQ
 (B)=EG907(CAB-AU-PQ
 (C)=

(D)=
 (E)=
 (F)=

No.	Lev.	Parts No.	Description	Q'ty						I	R
				(A)	(B)	(C)	(D)	(E)	(F)		
1	1	198269-34140	STUD, M18X35	16	16						
2	1	194180-34951	NUT, M8	8	8						
3	1	194180-34951	NUT, M8	8	8						
4	1	194180-34960	WASHER 16	16	16						

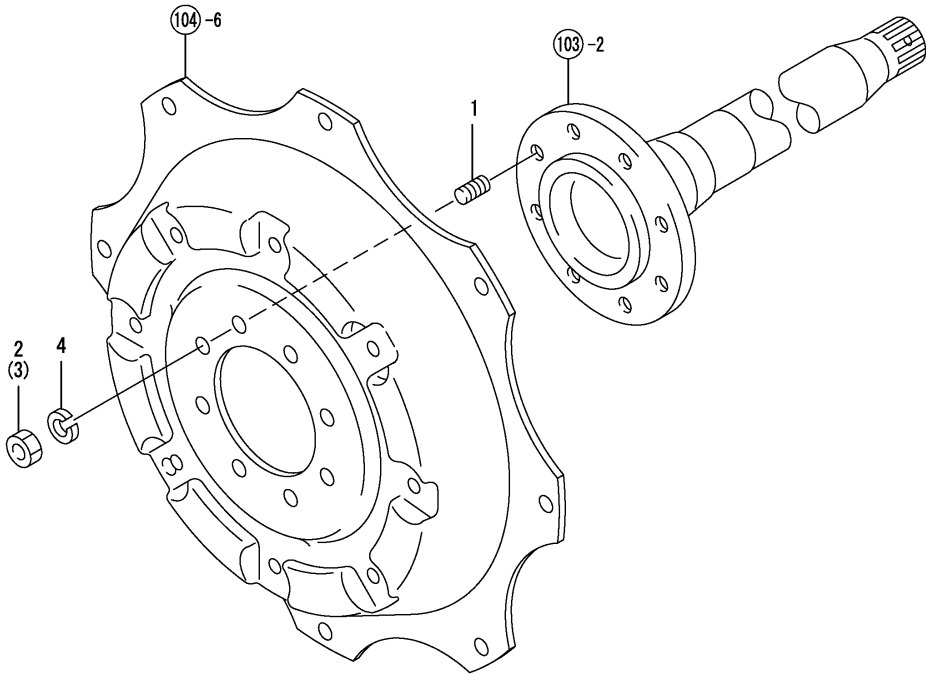
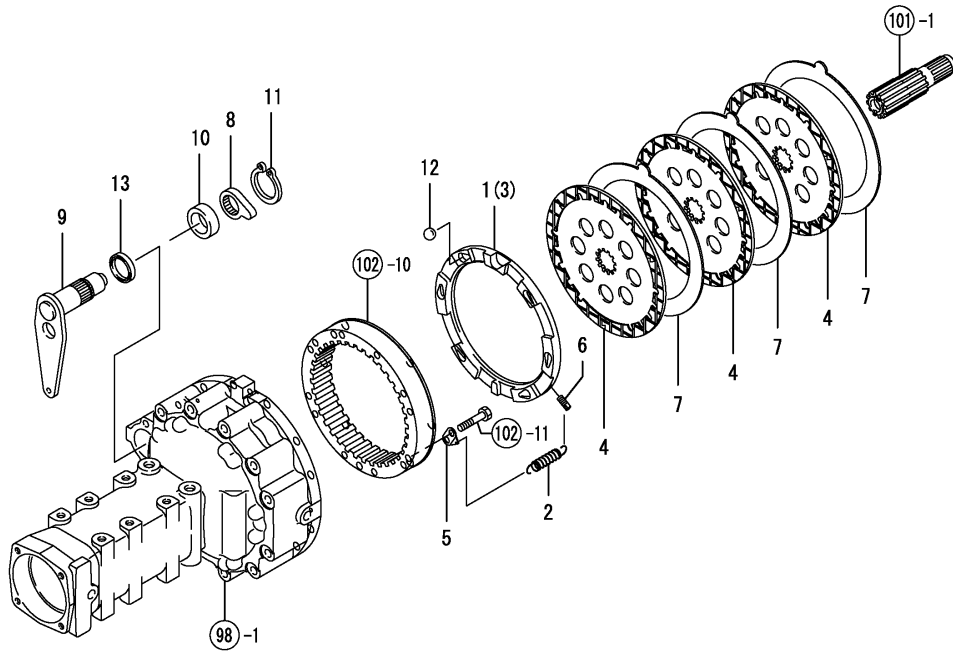


Fig.106. BRAKE

(A)=EG907-AU-PQ
 (B)=EG907(CAB-AU-PQ
 (C)=

(D)=
 (E)=
 (F)=



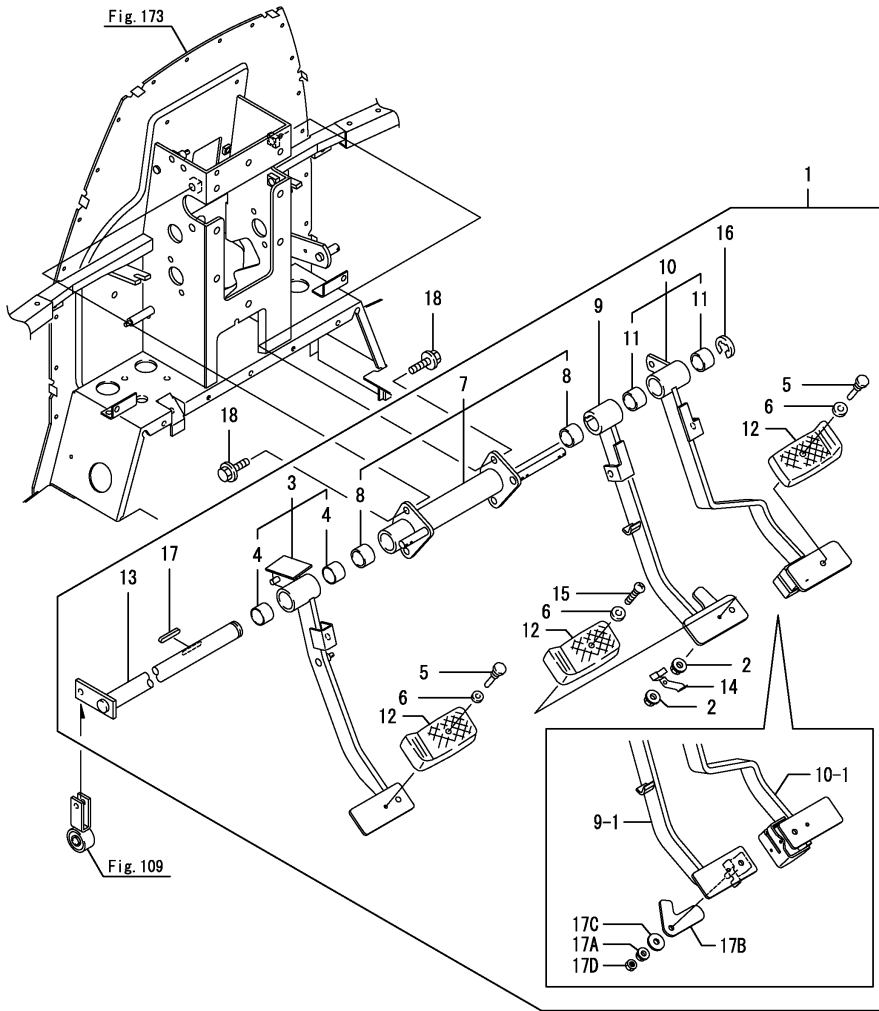
No.	Lev.	Parts No.	Description	Q'ty						I	R
				(A)	(B)	(C)	(D)	(E)	(F)		
1	1	1A7450-36311	ACTUATOR, BRAKE L.H.	1	1						
2	1	194205-36320	SPRING, ACTUATOR	4	4						
3	1	1A7450-36321	ACTUATOR, BRAKE R.H.	1	1						
4	1	1A7450-36351	PLATE, FRICTION	6	6						
5	1	1A7450-36380	HOOK, SPRING	4	4						
6	1	1A7450-36390	BOLT, SPRING	4	4						
7	1	1A7450-36520	PLATE, STEEL 3.2	6	6						
8	1	1A7450-36710	LEVER, CAM	2	2						
9	1	1A7450-36730	SHAFT, CAM LEVER	2	2						
10	1	1A7450-36790	SLEEVE, CAM LEVER	2	2						
11	1	22242-000350	RING, 35	2	2						
12	1	24190-180001	BALL, STEEL 9/16	12	12						
13	1	24423-355008	SEAL, OIL TC355008	2	2						
13-1	1	24421-355008	SEAL, OIL TC355008	2	2						R

(A=FXXXXX) (B=FXXXXX)

Fig.107. PEDAL

(A)=EG907-AU-PQ
 (B)=EG907(CAB-AU-PQ
 (C)=

(D)=
 (E)=
 (F)=



No.	Lev.	Parts No.	Description	Q'ty						I	R
				(A)	(B)	(C)	(D)	(E)	(F)		
1	1	1A7450-37202	PEDAL	1	1						
1-1	1	1A7450-37203	PEDAL ASSY	1	1						N
		(A=*2013.11.) (B=*2013.11.)									
2	2	194990-22120	NUT, M5	2	2						
3	2	1A7450-22401	PEDAL ASSY, CLUTCH	1	1						
4	3	198448-37360	BUSH, 25X28X20	2	2						
4-1	3	24550-025200	BUSH, 25X20	2	2						R
		(A=*2010.07.) (B=*2010.07.)									
5	2	198133-22510	RIVET, PEDAL HEAD	2	2						
6	2	198133-22530	WASHER, RIVET	3	3						
7	2	198448-37250	RETAINER ASSY, SHAFT	1	1						
8	3	198448-37360	BUSH, 25X28X20	2	2						
8-1	3	24550-025200	BUSH, 25X20	2	2						R
		(A=*2010.07.) (B=*2010.07.)									
9	2	198535-37301	PEDAL ASSY, BRAKE L	1	1						
9-1	2	198535-37302	PEDAL ASSY, BRAKE L	1	1						F 1
		(A=*2013.11.) (B=*2013.11.)									
10	2	1A7450-37401	PEDAL ASSY, BRAKE R	1	1						
10-1	2	1A7450-37402	PEDAL ASSY, BRAKE	1	1						F 1
		(A=*2013.11.) (B=*2013.11.)									
11	3	198448-37360	BUSH, 25X28X20	2	2						
11-1	3	24550-025200	BUSH, 25X20	2	2						R
		(A=*2010.07.) (B=*2010.07.)									
12	2	198071-37510	COVER, HEAD	3	3						
13	2	1A7450-37550	SHAFT, BRAKE	1	1						
14	2	198475-37770	SPRING, LOCK	1	1						
15	2	198475-37780	SCREW, M5X25	1	1						
16	2	22272-000190	RING, E-19	1	1						
17	2	22512-070400	KEY, 7X 40	1	1						
17A	2	194990-22140	NUT, M8	1	1						W 1
		(A=*2013.11.) (B=*2013.11.)									
17B	2	198200-37240	CONNECTOR	1	1						W 1
		(A=*2013.11.) (B=*2013.11.)									
17C	2	22157-080000	WASHER, 8	1	1						W 1
		(A=*2013.11.) (B=*2013.11.)									
17D	2	26716-080002	NUT, M8	1	1						W 1
		(A=*2013.11.) (B=*2013.11.)									
18	1	26106-100202	BOLT, M10X 20 PLATED	4	4						

Remarks

(1)No.9-1, 10-1, 17A, 17B, 17C & 17D interchangeable by set.

N:Old $\begin{matrix} \leftarrow \text{Yes} \\ \text{No} \end{matrix}$ New, Q:Old $\begin{matrix} \leftarrow \text{No} \\ \text{Yes} \end{matrix}$ New, R:Old $\begin{matrix} \leftarrow \text{Yes} \\ \text{Yes} \end{matrix}$ New, S:Old $\begin{matrix} \leftarrow \text{No} \\ \text{No} \end{matrix}$ New, W:Add, Z:Discontinued, F:Interchangeable by set, K:Q'ty Change

Fig.108. BRAKE LINK,MAIN

(A)=EG907-AU-PQ
 (B)=EG907(CAB-AU-PQ)
 (C)=

(D)=
 (E)=
 (F)=

No.	Lev.	Parts No.	Description	Q'ty						I	R
				(A)	(B)	(C)	(D)	(E)	(F)		
1	1	198273-28520	KNOB, PARKING BRAKE	1	1						
1-1	1	198273-28521	KNOB, PARKING BRAKE	1	1						N
				(A=FZZZZZ)	(B=FZZZZZ)						
2	1	1A7450-37370	ROD, BRAKE	2	2						
3	1	1A7450-37461	ARM ASSY, BRAKE L	1	1						
4	2	1A7450-37540	NIPPLE, GRESAE PT1/8	1	1						
5	1	1A7450-37471	ARM ASSY, BRAKE R	1	1						
6	2	1A7450-37540	NIPPLE, GRESAE PT1/8	1	1						
7	1	198071-37781	BOLT, M20	1	1						
8	1	198071-37791	BOLT, M20	1	1						
9	1	198071-37820	SPACER, 20/29	2	2						
10	1	198220-37900	PIN, 8X24	4	4						
11	1	198220-37900	PIN, 8X24	2	2						
12	1	1C6281-52320	PIN, SNAP 8	2	2						
13	1	22137-080000	WASHER, 8	4	4						
14	1	22137-120000	WASHER, 12	1	1						
15	1	22417-250300	PIN, COTTER 2.5X30	1	1						
16	1	22417-250300	PIN, COTTER 2.5X30	4	4						

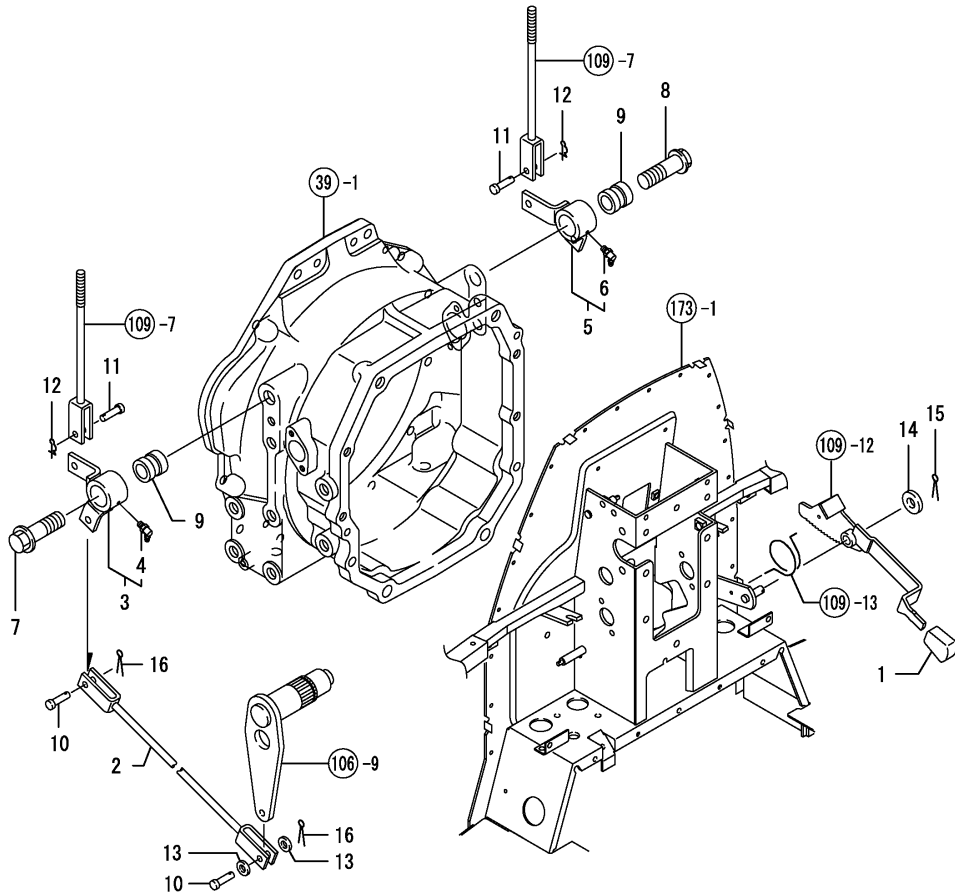
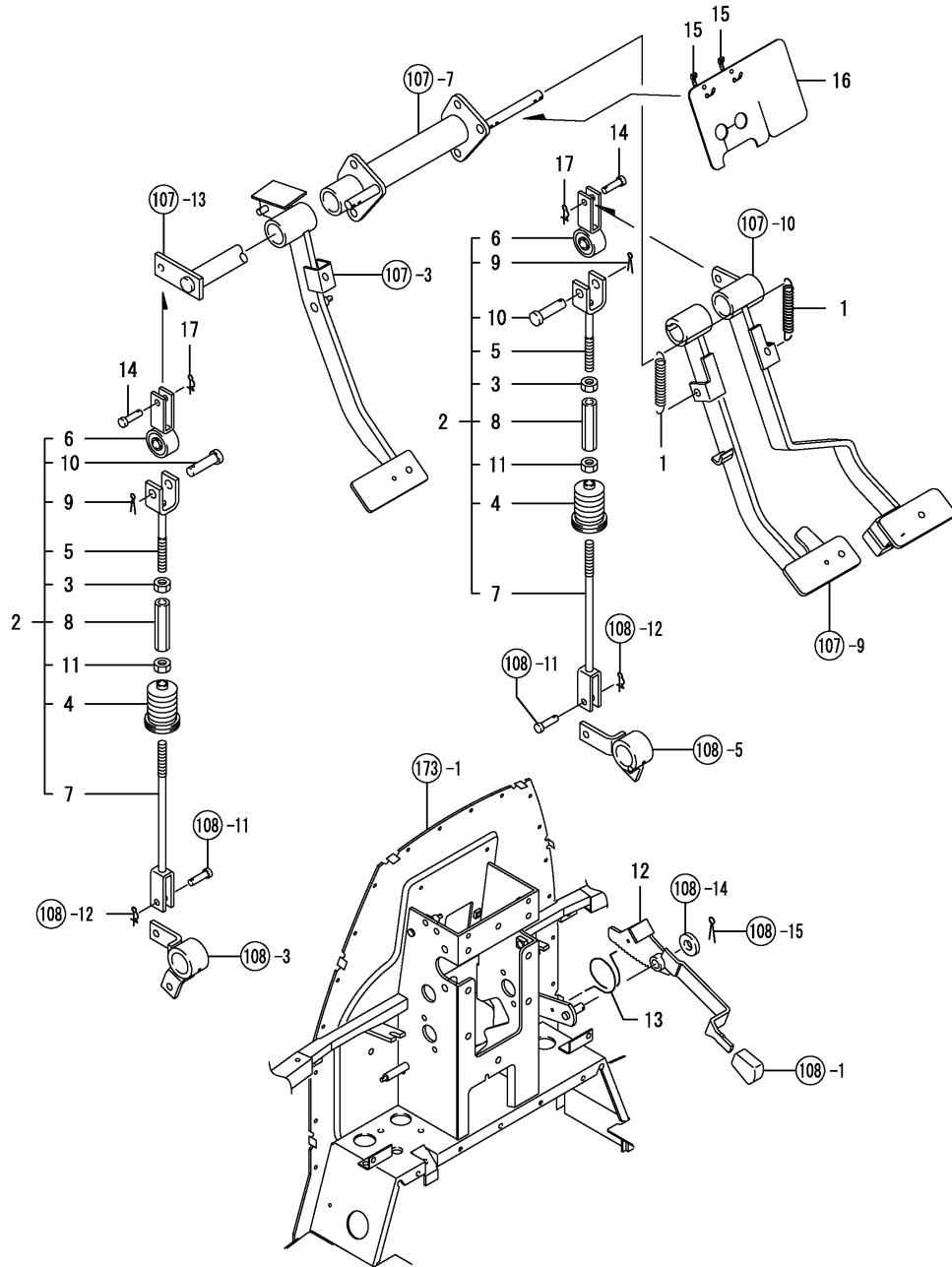


Fig.109. BRAKE LINK,CAB,FL00R

(A)=EG907-AU-PQ
(B)=EG907(CAB-AU-PQ)
(C)=

(D)=
(E)=
(F)=



No.	Lev.	Parts No.	Description	Q'ty						I	R
				(A)	(B)	(C)	(D)	(E)	(F)		
1	1	198290-37510	SPRING, RETURN	2	2						
2	1	1A7450-37610	ROD ASSY, BRAKE	2	2						
3	2	194150-22480	NUT, M10 L	2	2						
4	2	198448-37450	BOOT, ROD	2	2						
5	2	198448-37530	ROD, BRAKE L	2	2						
6	2	198448-37600	ROD ASSY, BRAKE A	2	2						
7	2	1A7450-37620	ROD, BRAKE R	2	2						
8	2	194130-37730	TURNBUCKLE M10X70	2	2						
9	2	22417-200300	PIN, COTTER 2.0X30	2	2						
10	2	22487-120400	PIN, H12X40	2	2						
11	2	26716-100002	NUT, M10	2	2						
12	1	1A7450-37650	LEVER, BRAKE LOCK	1	1						
13	1	198475-37690	SPRING, LOCK	1	1						
14	1	198220-37900	PIN, 8X24	2	2						
15	1	198153-51810	BAND, NYLON 150	2	2						
16	1	1A7450-51820	COVER, HARNESS	1	1						
17	1	1C6281-52320	PIN, SNAP 8	2	2						

Fig.110. PUMP , HYDRAULIC

(A)=EG907-AU-PQ
 (B)=EG907(CAB-AU-PQ
 (C)=

(D)=
 (E)=
 (F)=

No.	Lev.	Parts No.	Description	Q'ty						I	R
				(A)	(B)	(C)	(D)	(E)	(F)		
1	1	194990-22140	NUT, M8	2	2						
2	1	1A7450-41110	PUMP ASSY, HYDRAULIC	1	1						
2-1	1	1A7450-41111	PUMP ASSY, HYDRAULIC	1	1						N
		(A=FXXXXX) (B=FXXXXX)									
3	1	22217-080000	WASHER, SPRING 8	2	2						
4	1	26116-081702	BOLT, M8X170 PLATED	2	2						

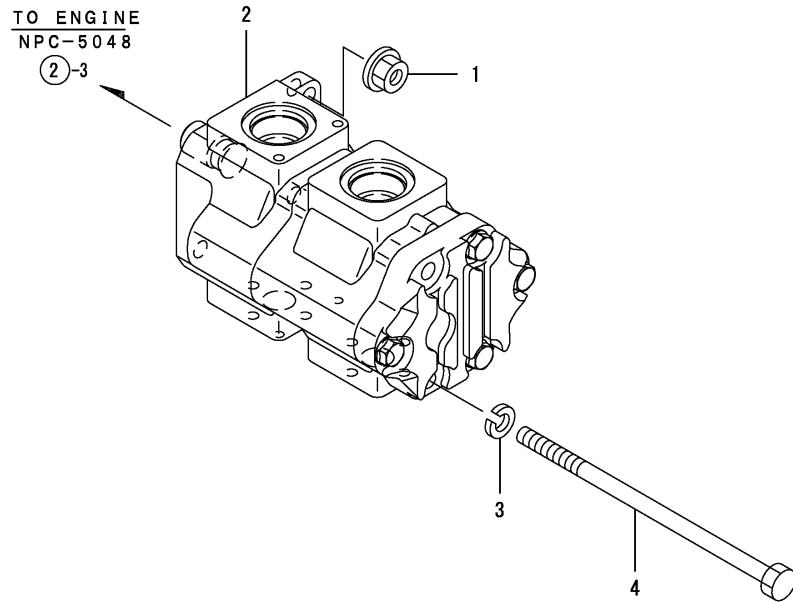
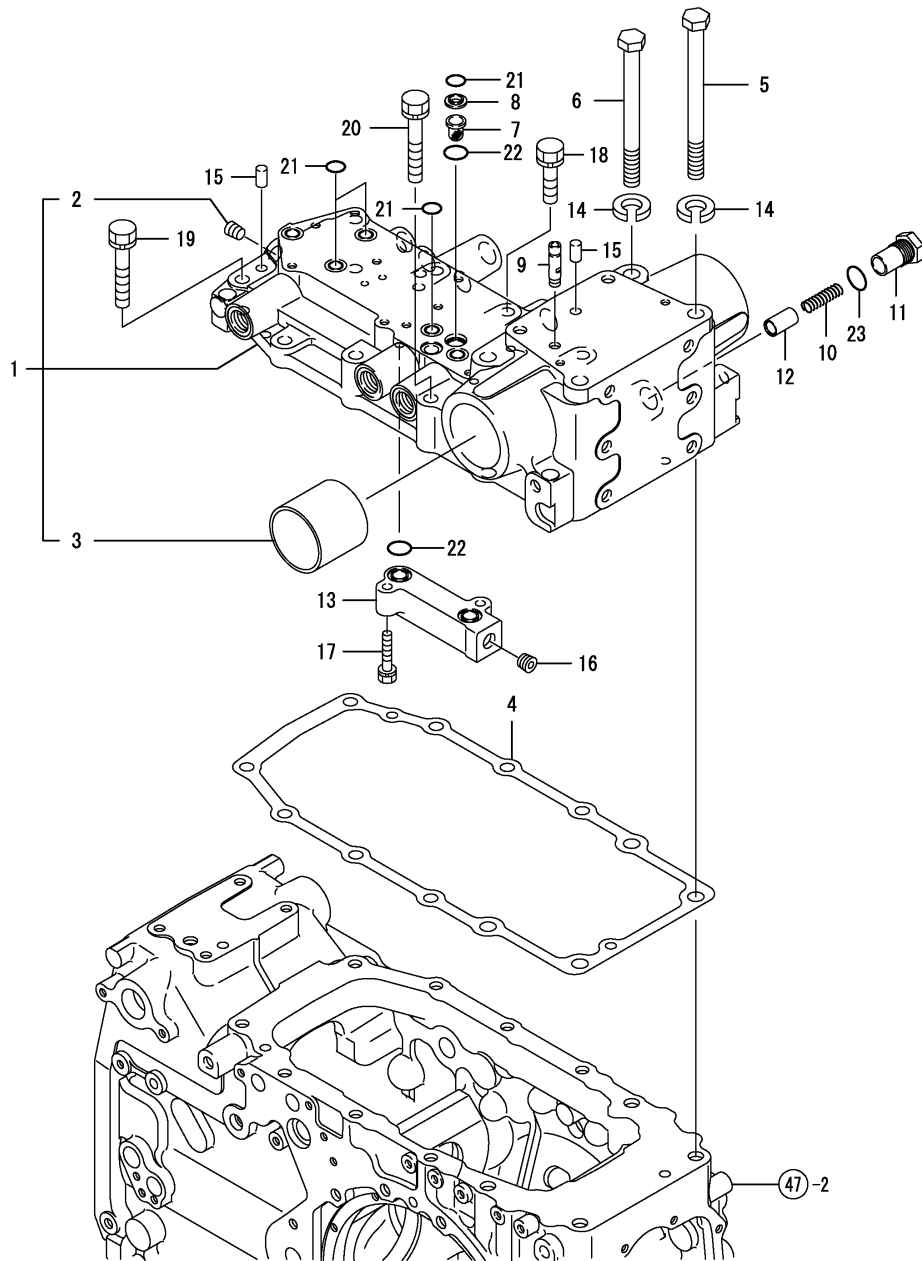


Fig.111. HYD. VALVE HOUSING



(A)=EG907-AU-PQ
 (B)=EG907(CAB-AU-PQ
 (C)=

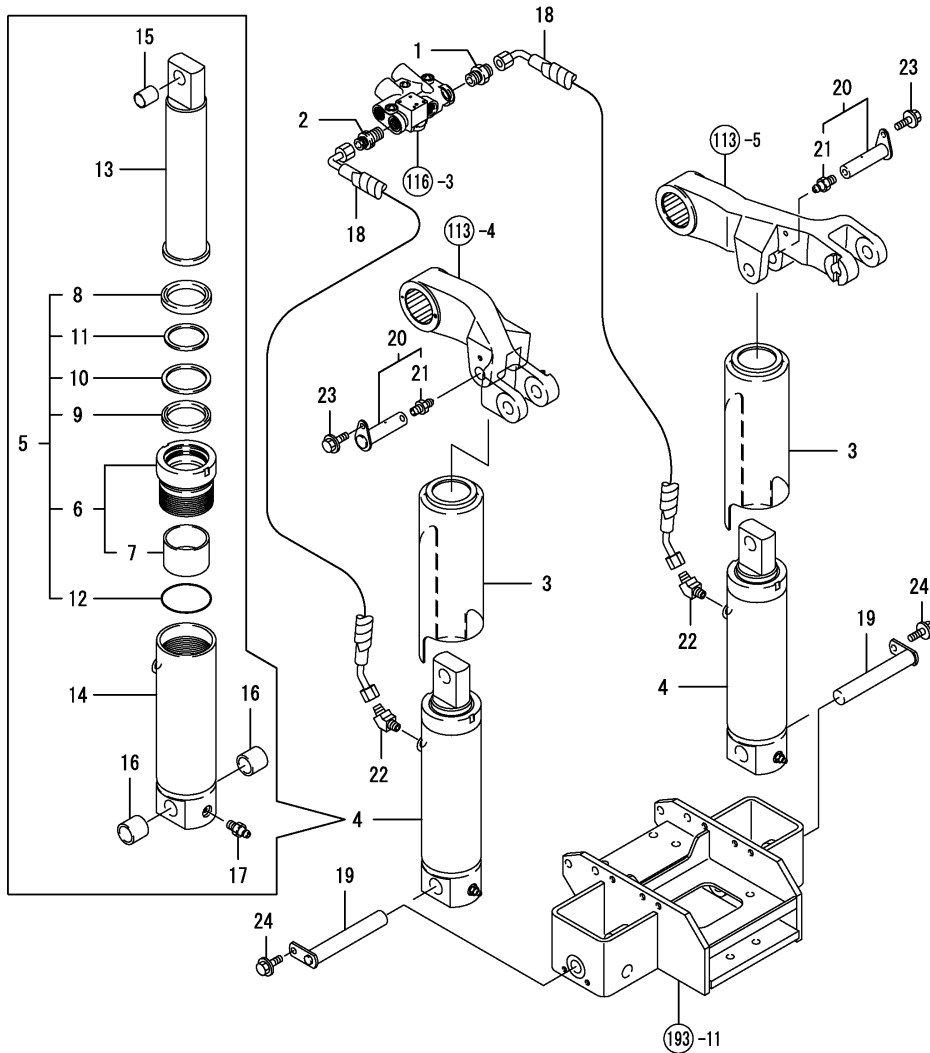
(D)=
 (E)=
 (F)=

No.	Lev.	Parts No.	Description	Q'ty						I	R
				(A)	(B)	(C)	(D)	(E)	(F)		
1	1	1A7450-42101	HOUSING ASSY, VALVE	1	1						
2	2	23871-030000	PLUG, R03	1	1						
3	2	24550-060600	BUSH, 60X60	2	2						
4	1	1A7450-42150	GASKET, HOUSING	1	1						
5	1	1A7450-42181	BOLT, M14X170	2	2						
6	1	1A7450-42191	BOLT, M14X155	2	2						
7	1	194556-42220	STRAINER, A	1	1						
8	1	1A7450-42260	SUPPORT, STRAINER	1	1						
9	1	194555-42280	BREATHER, AIR	1	1						
10	1	1A7450-43320	SPRING	1	1						
11	1	1A7450-43380	PLUG	1	1						
12	1	1A7450-43390	VALVE, RELIEF	1	1						
13	1	1A7450-48590	BLOCK, BY-PASS	1	1						
14	1	22217-140000	WASHER, SPRING 14	4	4						
15	1	22312-100180	PIN, PARALLEL M10X18	2	2						
16	1	23871-030000	PLUG, R03	1	1						
17	1	26013-080402	BOLT, M8X 40	2	2						
18	1	26013-120402	BOLT, M12X 40	4	4						
19	1	26013-120702	BOLT, M12X 70	2	2						
20	1	26013-120752	BOLT, M12X 75	2	2						
21	1	41850-000160	PACKING, 16.0	4	4						
22	1	41850-000180	PACKING, 18.0	2	2						
23	1	41850-000200	PACKING, 20.0	1	1						

Fig.112. HYD. CYLINDER

(A)=EG907-AU-PQ
 (B)=EG907(CAB-AU-PQ
 (C)=

(D)=
 (E)=
 (F)=



No.	Lev.	Parts No.	Description	Q'ty						I	R
				(A)	(B)	(C)	(D)	(E)	(F)		
1	1	198266-24980	FITTING, 3/8	1	1						
2	1	1A7450-24980	FITTING, 3/8	1	1						
3	1	1A7450-42510	COVER, CYLINDER	2	2						
4	1	1A7450-43100	CYLINDER ASSY, 65	2	2						
5	2	1A7450-43280	CAP ASSY, CYLINDER	2	2						
6	3	1A7450-43270	CAP ASSY	2	2						
7	4	24550-065500	BUSH, 65X50	2	2						
8	3	198266-43391	SCRAPER, 65	2	2						
9	3	198266-43400	PACKING, 65	2	2						
10	3	198266-43421	RING, BACK UP 65	2	2						
11	3	198266-43480	WIPER, SOFT 65	2	2						
12	3	41853-000800	PACKING, 80.0	2	2						
13	2	1A7450-43310	ROD ASSY	2	2						
14	2	1A7450-43330	TUBE ASSY, SUB	2	2						
15	2	1A7450-43370	BUSH, DRY 22X25X30	2	2						
16	2	24550-025300	BUSH, 25X30	4	4						
17	2	24761-020000	NIPPLE, GREASE PT1/8	2	2						
18	1	1A7450-43461	HOSE, HYDRAULIC	2	2						
19	1	1A7450-43611	PIN ASSY, CYLINDER	2	2						
20	1	1A7450-43641	PIN ASSY,CYLINDER H	2	2						
21	2	1A7450-43680	NIPPLE, GRESAE M6	2	2						
22	1	23394-030000	JOINT, 45RGI-3/8	2	2						
23	1	26106-080122	BOLT, M8X 12 PLATED	2	2						
23-1	1	26106-080162	BOLT, M8X 16 PLATED	2	2						R
		(A=FXXXXXX) (B=FXXXXXX)									
24	1	26106-100162	BOLT, M10X 16 PLATED	2	2						

Fig.113. LIFT CRANK

(A)=EG907-AU-PQ
 (B)=EG907(CAB-AU-PQ
 (C)=

(D)=
 (E)=
 (F)=

No.	Lev.	Parts No.	Description	Q'ty						I	R
				(A)	(B)	(C)	(D)	(E)	(F)		
1	1	1A7450-44210	SHAFT, LIFTING	1	1						
2	1	194450-44230	WASHER 60X85X2	2	2						
3	1	1A7450-44260	COLLAR, SHAFT	2	2						
4	1	1A7450-44410	ARM, LIFT L	1	1						
5	1	1A7450-44420	ARM, LIFT R	1	1						
6	1	1A7450-44510	ARM ASSY, FEEDBACK	1	1						
7	1	1A7450-44540	RETAINER, SHAFT	1	1						
8	1	22351-060016	PIN, SPRING 6.0X16	1	1						
9	1	24321-000600	O-RING, 1AG60.0	2	2						
10	1	26013-120352	BOLT, M12X 35	2	2						
10-1	1	26106-120352	BOLT, M12X 35 PLATED	2	2						R
				(A=FXXXXXXX)	(B=FXXXXXXX)						

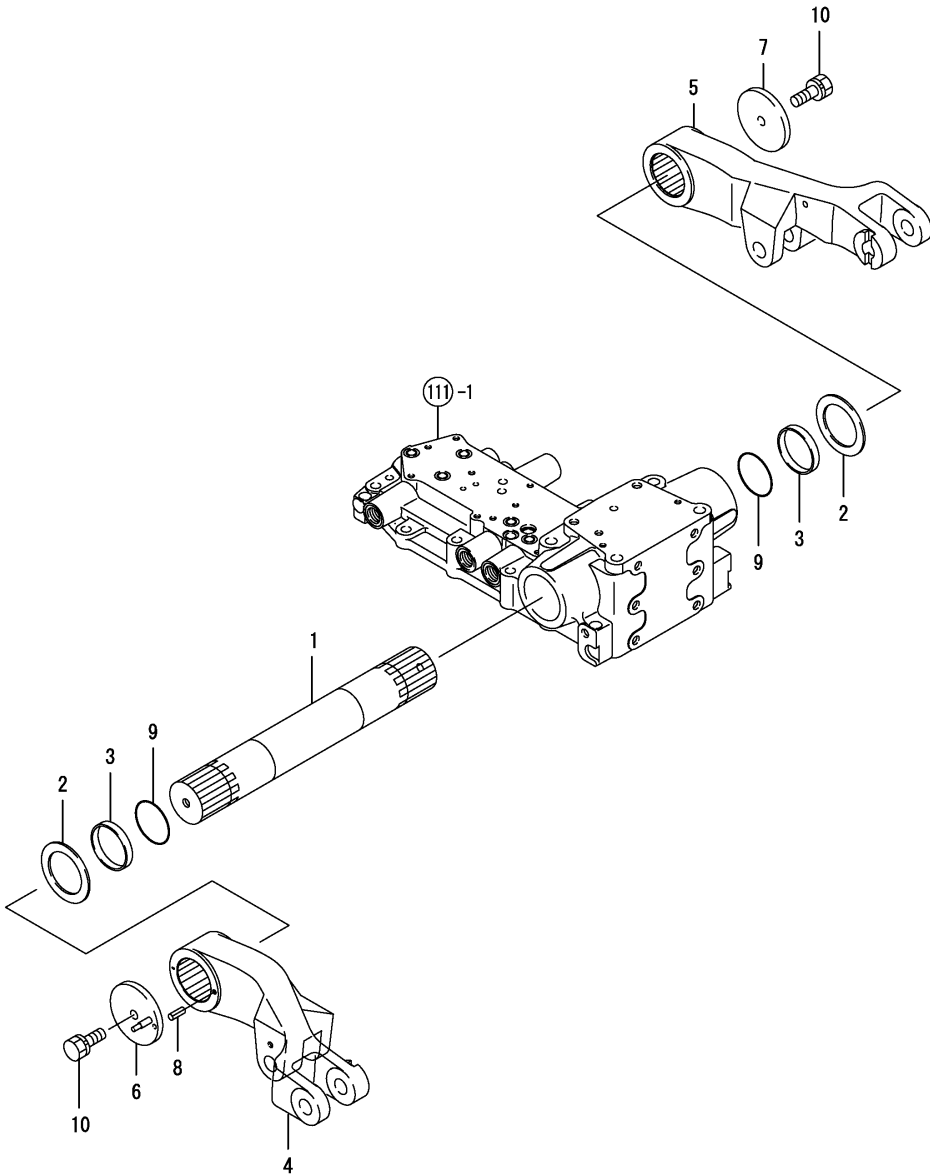


Fig.114. CONTROL

(A)=EG907-AU-PQ
 (B)=EG907(CAB-AU-PQ
 (C)=

(D)=
 (E)=
 (F)=

No.	Lev.	Parts No.	Description	Q'ty						I	R
				(A)	(B)	(C)	(D)	(E)	(F)		
1	1	1A7450-45102	VALVE ASSY, SOLENOID	1	1						
2	1	198448-45150	VALVE ASSY, SOLENOID	1	1						
3	2	22217-040000	WASHER, SPRING 4	2	2						
4	2	24341-000080	O-RING, 1AS8.0	2	2						
5	2	26450-040402	BOLT, M4X 40	2	2						
6	1	26450-080352	BOLT, M8X 35	4	4						

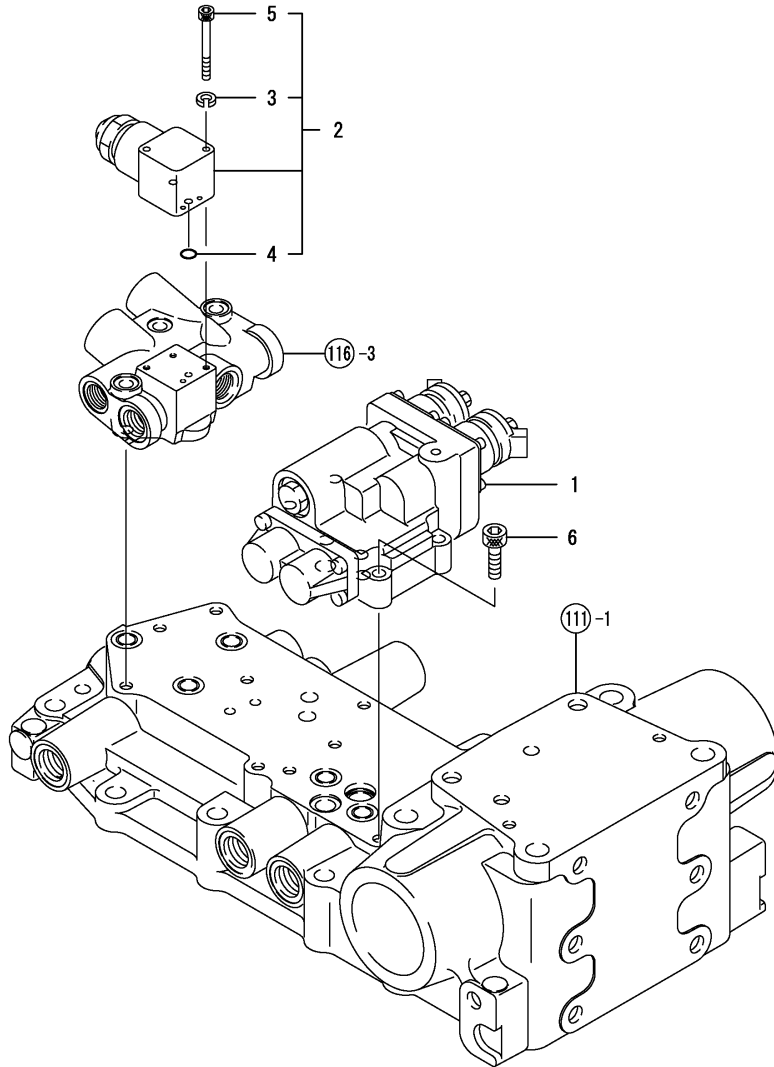


Fig.115. BOLT,STOP

(A)=EG907-AU-PQ
 (B)=EG907(CAB-AU-PQ
 (C)=

(D)=
 (E)=
 (F)=

No.	Lev.	Parts No.	Description	Q'ty						I	R
				(A)	(B)	(C)	(D)	(E)	(F)		
1	1	1A7450-46580	BOLT, STOP	1	1						
2	1	198448-46610	FLANGE ASSY	1	1						
3	1	1A8160-46670	KNOB, VALVE	1	1						
4	1	22242-000110	RING, 11	1	1						
5	1	24311-000090	O-RING, 1AP9.0	2	2						
6	1	26106-060162	BOLT, M6X 16 PLATED	2	2						
7	1	26716-100002	NUT, M10	1	1						

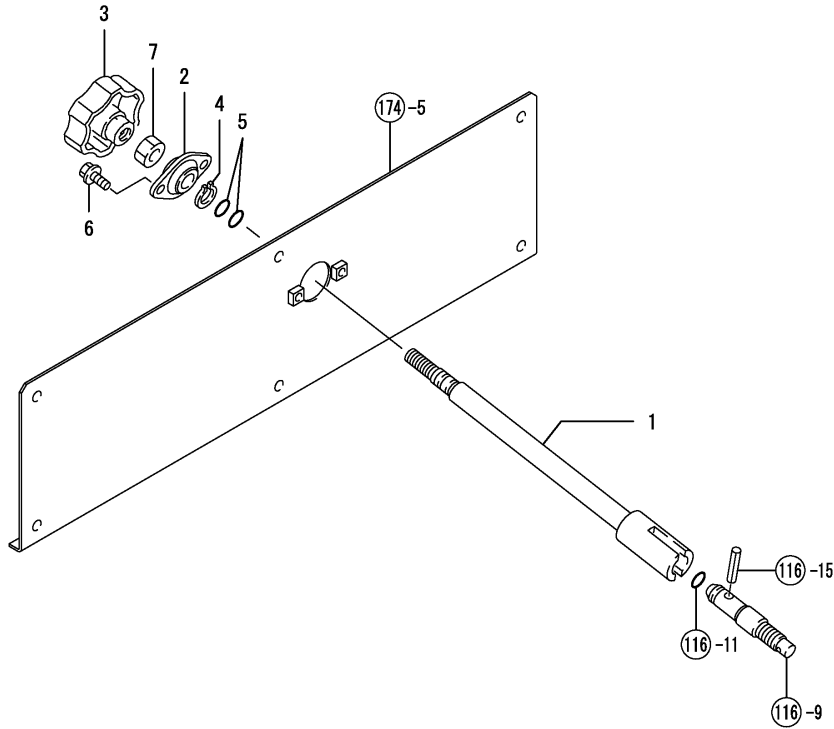
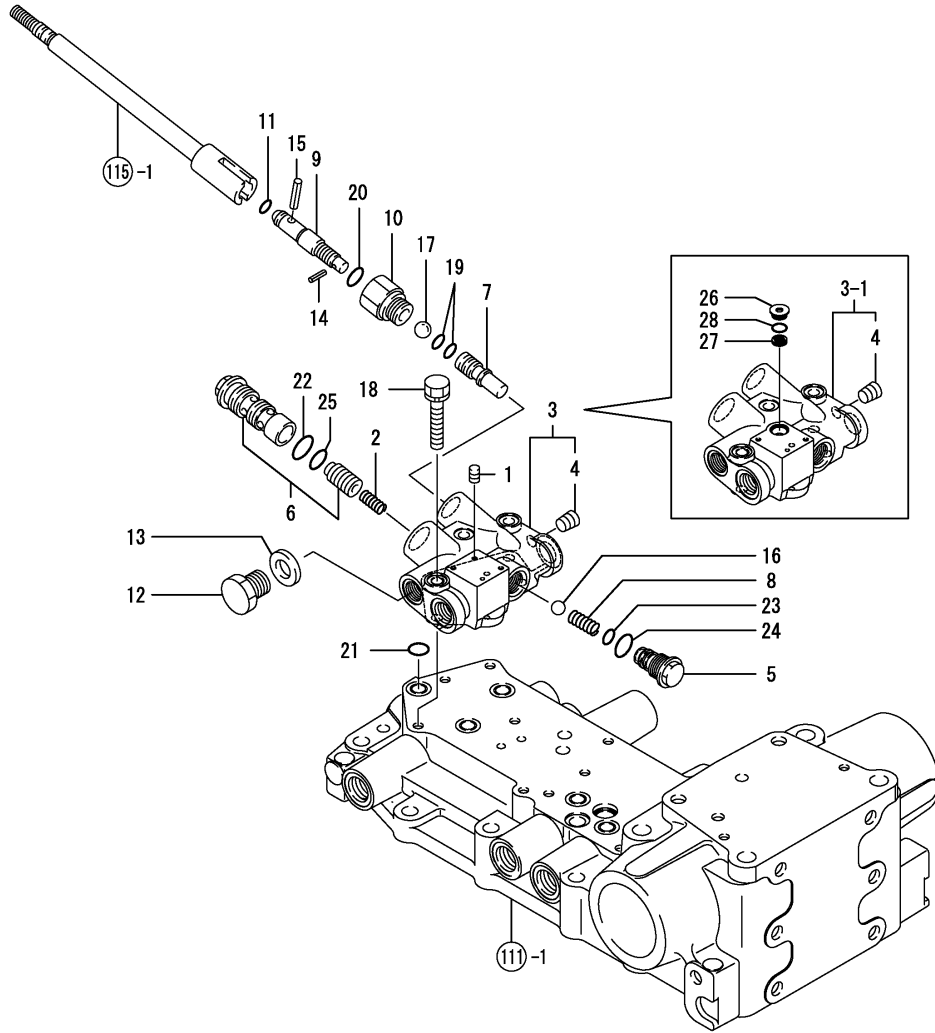


Fig.116. HEAD, HYD. VALVE



(A)=EG907-AU-PQ
(B)=EG907(CAB-AU-PQ)
(C)=

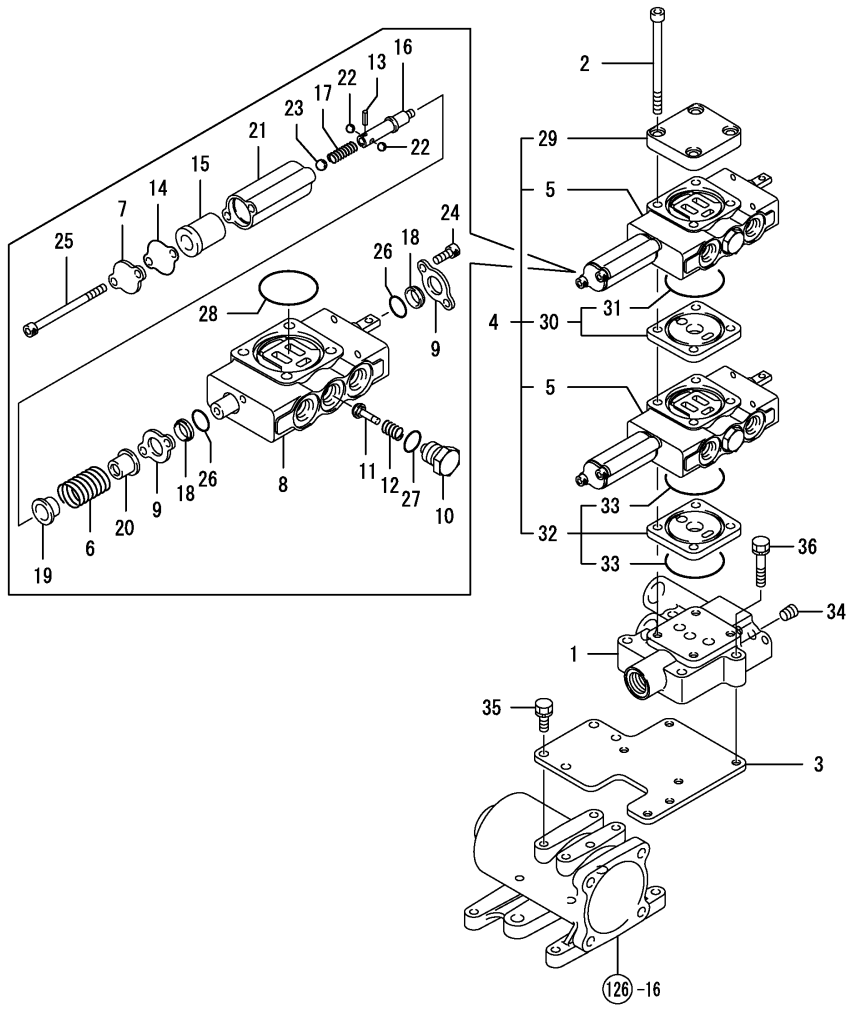
(D)=
(E)=
(F)=

No.	Lev.	Parts No.	Description	Q'ty						I	R
				(A)	(B)	(C)	(D)	(E)	(F)		
1	1	198448-43331 (A=FZZZZZ) (B=FZZZZZ)	ORIFICE, VALVE	1	1						Z
2	1	198448-43340	SPRING, CHECK VALVE	1	1						
3	1	1A7450-43410	HEAD, HYD. VALVE	1	1						
3-1	1	1A7450-43411 (A=FZZZZZ) (B=FZZZZZ)	HEAD ASSY, VALVE	1	1						S
4	2	23876-010000	PLUG, R01	1	1						
5	1	1A7260-43450	PLUG, CHECK VALVE	1	1						
6	1	198268-43500	VALVE ASSY, CHECK	1	1						
7	1	198448-46300	VALVE, STOP	1	1						
8	1	194555-46380	SPRING	1	1						
9	1	198448-46621	BOLT, STOP	1	1						
10	1	198448-46630	HOLDER, VALVE	1	1						
11	1	198448-46660	PACKING, 10	1	1						
12	1	194312-46750	PLUG, PF3/8	1	1						
13	1	194555-77910	GASKET, 17	1	1						
14	1	22351-030016	PIN, SPRING 3.0X16	1	1						
15	1	22351-060028	PIN, SPRING 6.0X28	1	1						
16	1	24190-130003	BALL, STEEL 13/32	1	1						
17	1	24190-150002	BALL, STEEL 15/32	1	1						
18	1	26013-080502	BOLT, M8X 50	3	3						
19	1	41850-000110	PACKING, 11.0	2	2						
20	1	41850-000150	PACKING, 15.0	1	1						
21	1	41850-000160	PACKING, 16.0	3	3						
22	1	41850-000220	PACKING, 22.0	1	1						
23	1	41851-000120	O-RING P 12.0 HNBR	1	1						
24	1	41851-000180	O RING	1	1						
25	1	41856-010180	PACKING, 1018	1	1						
26	1	1A7891-43450 (A=FZZZZZ) (B=FZZZZZ)	ORIFICE	1	1						W
27	1	1A7891-43480 (A=FZZZZZ) (B=FZZZZZ)	STRAINER	1	1						W
28	1	24311-000090 (A=FZZZZZ) (B=FZZZZZ)	O-RING, 1AP9.0	1	1						W

Fig.118. SCV. DOUBLE

(A)=EG907-AU-PQ
 (B)=EG907(CAB-AU-PQ
 (C)=

(D)=
 (E)=
 (F)=



No.	Lev.	Parts No.	Description	Q'ty						I	R
				(A)	(B)	(C)	(D)	(E)	(F)		
1	1	1A7450-46810	PLATE, SCV VALVE	1	1						
2	1	198268-46850	BOLT, M8X110	4	4						
2-1	1	198268-46851	BOLT, M8X110	4	4						N
				(A)*2008.06.)	(B)*2008.06.)						
3	1	1A7450-46880	PLATE, SCV	1	1						
4	1	198267-46911	CONTROL ASSY, SUB	1	1						
5	2	178076-04300	SCV CMP	2	2						
6	3	178076-04140	SPRING(4P	2	2						
7	3	178076-04150	COVER	2	2						
8	3	178076-04210	BODY ASSY, A-2	2	2						
9	3	194850-49340	PLATE, SEAL	4	4						
10	3	194850-49380	PLUG, CHECK	2	2						
11	3	194850-49400	VALVE, CHECK	2	2						
12	3	194850-49410	SPRING	2	2						
13	3	194850-49440	PIN, SPRING 2X9	2	2						
14	3	194850-49450	PACKING	2	2						
15	3	194850-49460	HOLDER, DETENT	2	2						
16	3	194850-49480	SLIDER	2	2						
17	3	194850-49490	SPRING	2	2						
18	3	172510-74410	SEAL, DUST	4	4						
19	3	172510-74440	RETAINER, SPRING	2	2						
20	3	172510-74450	RETAINER, SPRING	2	2						
21	3	172510-74471	COVER ASSY	2	2						
22	3	24190-050001	BALL, STEEL 5/32	4	4						
23	3	24190-070001	BALL, STEEL 7/32	2	2						
24	3	26450-060102	BOLT, M6X 10	4	4						
25	3	26450-060802	BOLT, M6X 80	4	4						
26	3	41850-000140	O RING 14.0 ACM	4	4						
27	3	41851-000140	O RING P 14.0 HNBR	2	2						
28	3	41856-020530	PACKING,2053	2	2						
29	2	198268-46820	COVER, VALVE	1	1						
30	2	198268-46831	SPACER ASSY, SCV	1	1						
31	3	41856-020530	PACKING,2053	1	1						
32	2	198268-46871	SPACER ASSY, SCV L	1	1						
33	3	41856-020530	PACKING,2053	2	2						
34	1	23875-020000	PLUG, R02	1	1						
35	1	26013-080202	BOLT, M8X 20	4	4						
36	1	26013-080402	BOLT, M8X 40	4	4						

Fig.119. SCV. DOUBLE(CP)

(A)=EG907-AU-PQ
 (B)=EG907(CAB-AU-PQ
 (C)=

(D)=
 (E)=
 (F)=

No.	Lev.	Parts No.	Description	Q'ty						I	R
				(A)	(B)	(C)	(D)	(E)	(F)		
1	1	198153-46920	JOINT ASSY	4	4						
2	1	198268-46980	ADAPTER, COUPLER	4	4						

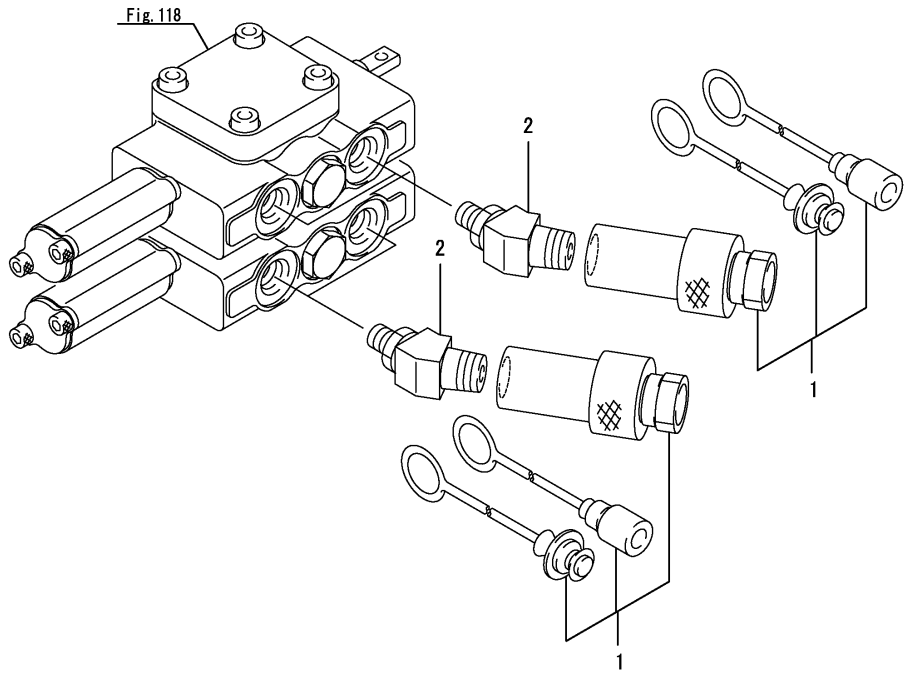
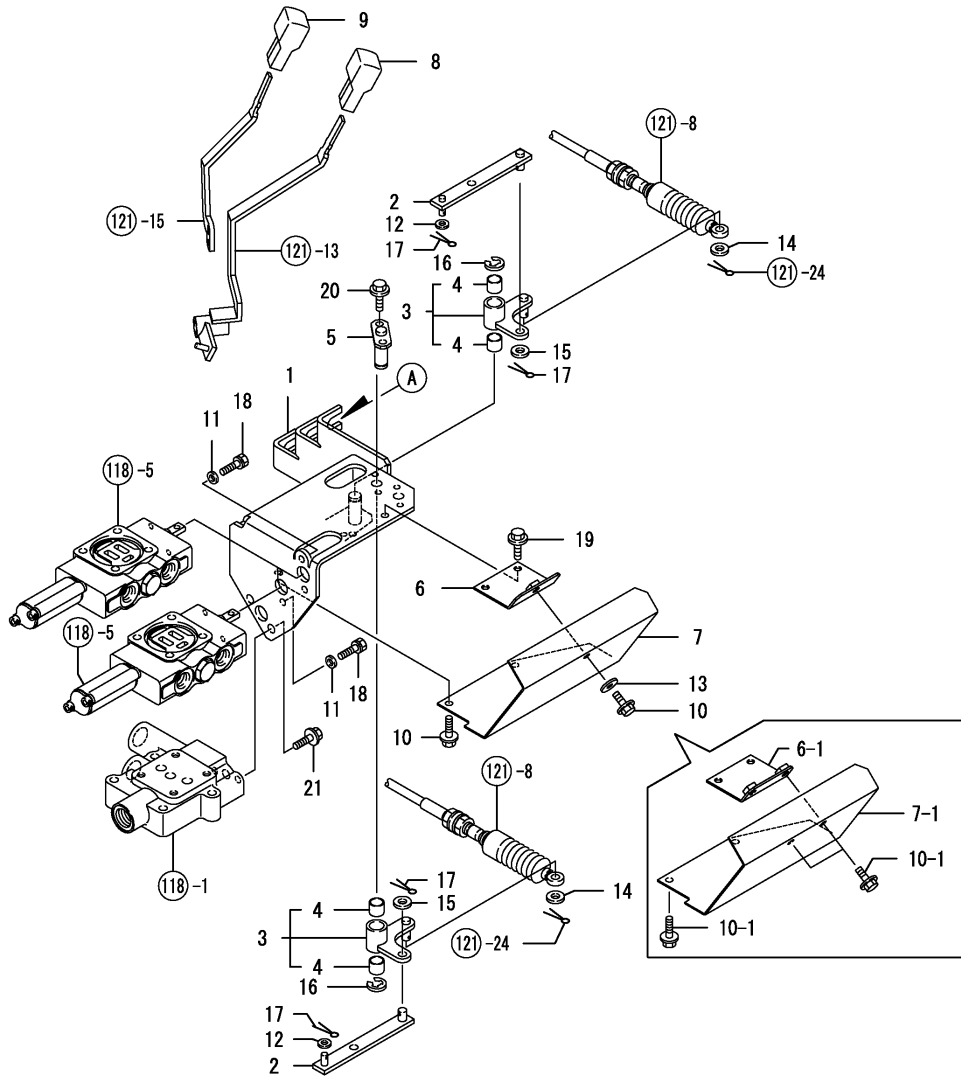


Fig.120. SCV. CONTROL

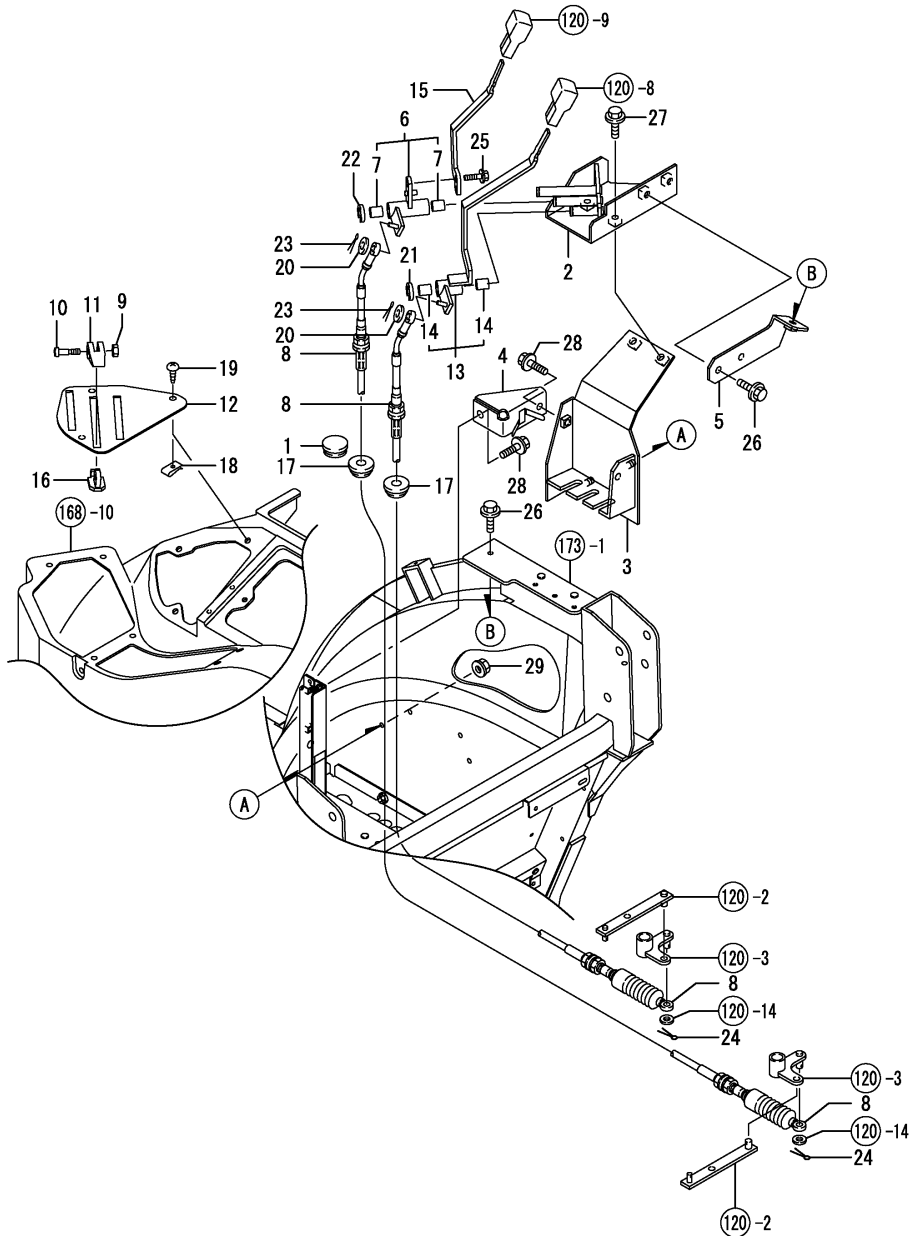


(A)=EG907-AU-PQ
(B)=EG907(CAB-AU-PQ
(C)=

(D)=
(E)=
(F)=

No.	Lev.	Parts No.	Description	Qty						I	R
				(A)	(B)	(C)	(D)	(E)	(F)		
1	1	1A7450-46230	STAY ASSY, SCV LINK	1	1						
2	1	1A7450-46280	PLATE, LINK	2	2						
3	1	1A7450-46450	LINK ASSY, SCV	2	2						
4	2	24550-012120	BUSH, 12X12	4	4						
5	1	1A7450-46470	PIN ASSY, SCV	1	1						
6	1	1A7450-46620	BRACKET ASSY	1	1						
6-1	1	1A7450-46621	BRACKET ASSY	1	1						S
		(A=FXXXXX) (B=FXXXXX)									
7	1	1A7480-46660	COVER, SCV M	1	1						
7-1	1	1A7480-46661	COVER, SCV (M)	1	1						S
		(A=FXXXXX) (B=FXXXXX)									
8	1	1A7480-47410	KNOB, LEVER	1	1						
9	1	1A7480-47420	KNOB, LEVER	1	1						
10	1	198196-83170	BOLT, M6X16	3	3						
10-1	1	198196-83170	BOLT, M6X16	4	4						K
		(A=FXXXXX) (B=FXXXXX)									
11	1	22137-060000	WASHER, 6	4	4						Z
		(A=FXXXXX) (B=FXXXXX)									
12	1	22190-060003	SEAL WASER 6	2	2						
12-1	1	22190-060002	WASHER, SEAL 6	2	2						R
		(A=*2009.05.) (B=*2009.05.)									
13	1	22190-060003	SEAL WASER 6	1	1						Z
		(A=FXXXXX) (B=FXXXXX)									
14	1	22190-080003	WASHER, SEAL 8	2	2						
14-1	1	22190-080002	WASHER, SEAL 6	2	2						R
		(A=FZZZZZ) (B=FZZZZZ)									
15	1	22190-080003	WASHER, SEAL 8	2	2						
15-1	1	22190-080002	WASHER, SEAL 6	2	2						R
		(A=FZZZZZ) (B=FZZZZZ)									
16	1	22272-000090	RING, E- 9	2	2						
17	1	22417-250200	PIN, COTTER 2.5X20	4	4						
18	1	26013-060162	BOLT, M6X 16	4	4						
18-1	1	26106-060122	BOLT, M6X 12 PLATED	4	4						S
		(A=FXXXXX) (B=FXXXXX)									
19	1	26106-060102	BOLT, M6X 10 PLATED	2	2						
19-1	1	26106-060122	BOLT, M6X 12 PLATED	2	2						R
		(A=*2009.05.) (B=*2009.05.)									
20	1	26106-060122	BOLT, M6X 12 PLATED	2	2						
21	1	26106-080162	BOLT, M8X 16 PLATED	2	2						

Fig.121. SCV. CONTROL



(A)=EG907-AU-PQ
 (B)=EG907(CAB-AU-PQ
 (C)=

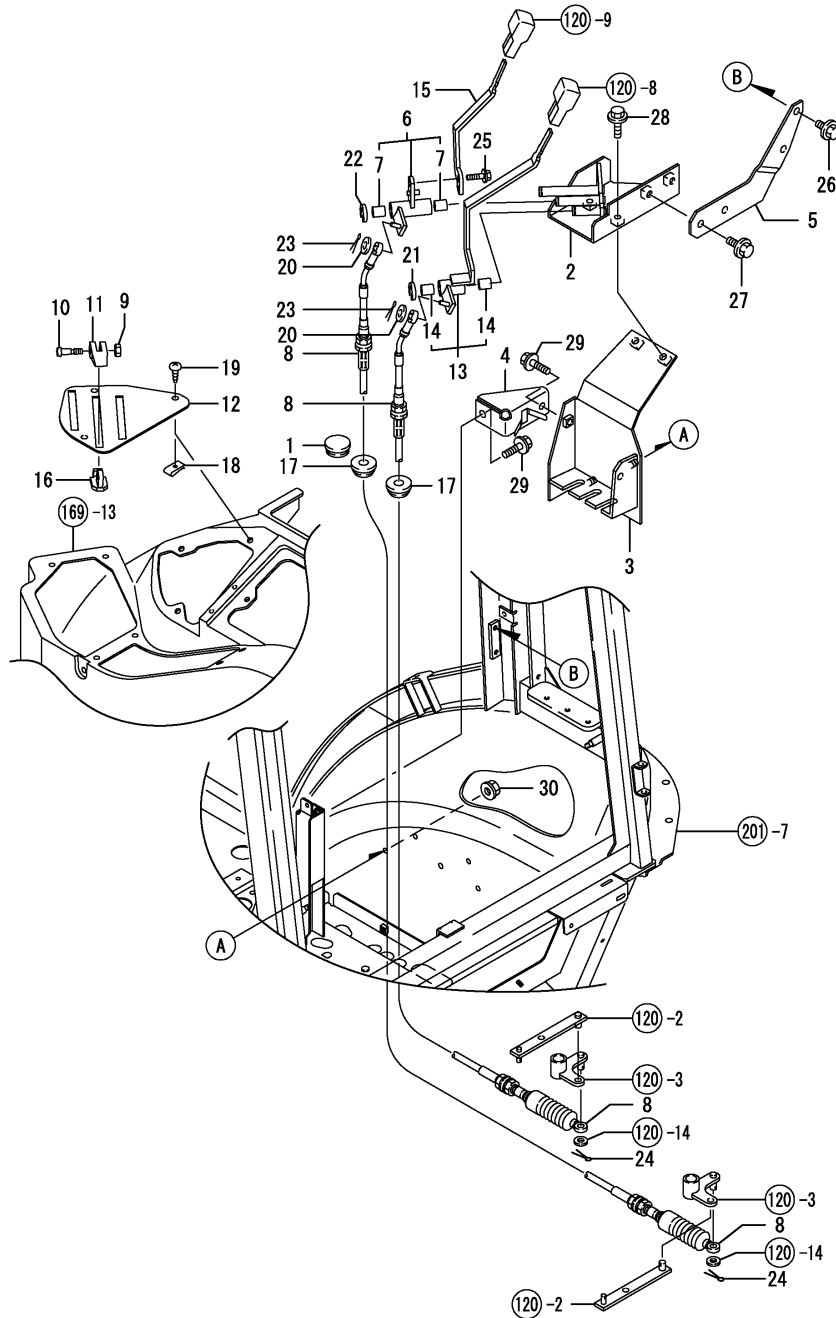
(D)=
 (E)=
 (F)=

No.	Lev.	Parts No.	Description	Q'ty						I	R
				(A)	(B)	(C)	(D)	(E)	(F)		
1	1	194300-21460	CAP, RUBBER 25	1							
2	1	1A7450-46110	BRACKET, BASE	1							
3	1	1A7450-46171	BRACKET, SUPPORT	1							
4	1	1A7450-46201	STAY, BRACKET	1							
5	1	1A7450-46350	STAY, SUPPORT	1							
6	1	1A7450-46390	LINK ASSY, LEVER B	1							
7	2	24550-012150	BUSH, 12X15	2							
8	1	1A7450-46510	CABLE, SCV	2							
9	1	198268-46580	NUT, CAM LOCK	1							
10	1	198268-46600	BOLT, LOCK	1							
11	1	198268-46610	LOCK, CAM	1							
12	1	1A7450-46690	PLATE, GUIDE	1							
13	1	1A7450-46700	LEVER ASSY, SCV A	1							
14	2	24550-012150	BUSH, 12X15	2							
15	1	1A7450-46750	LEVER ASSY, SCV B	1							
16	1	1A7450-47400	BASE, CAM LOCK	1							
17	1	194275-51210	GROMMET 25	2							
18	1	194167-61650	NUT 5008	3							
19	1	194940-61790	SCREW, TAPPING M5X16	3							
20	1	22137-050000	WASHER, 5	2							
21	1	22272-000090	RING, E- 9	1							
22	1	22272-000090	RING, E- 9	1							
23	1	22417-120120	PIN, COTTER 1.2X12	2							
24	1	22417-250200	PIN, COTTER 2.5X20	2							
25	1	26106-080122	BOLT, M8X 12 PLATED	1							
26	1	26106-080162	BOLT, M8X 16 PLATED	3							
27	1	26106-080162	BOLT, M8X 16 PLATED	2							
28	1	26106-080162	BOLT, M8X 16 PLATED	2							
29	1	26366-080002	NUT, M8	2							

Fig.122. SCV. CONTROL

(A)=EG907-AU-PQ
 (B)=EG907(CAB-AU-PQ)
 (C)=

(D)=
 (E)=
 (F)=

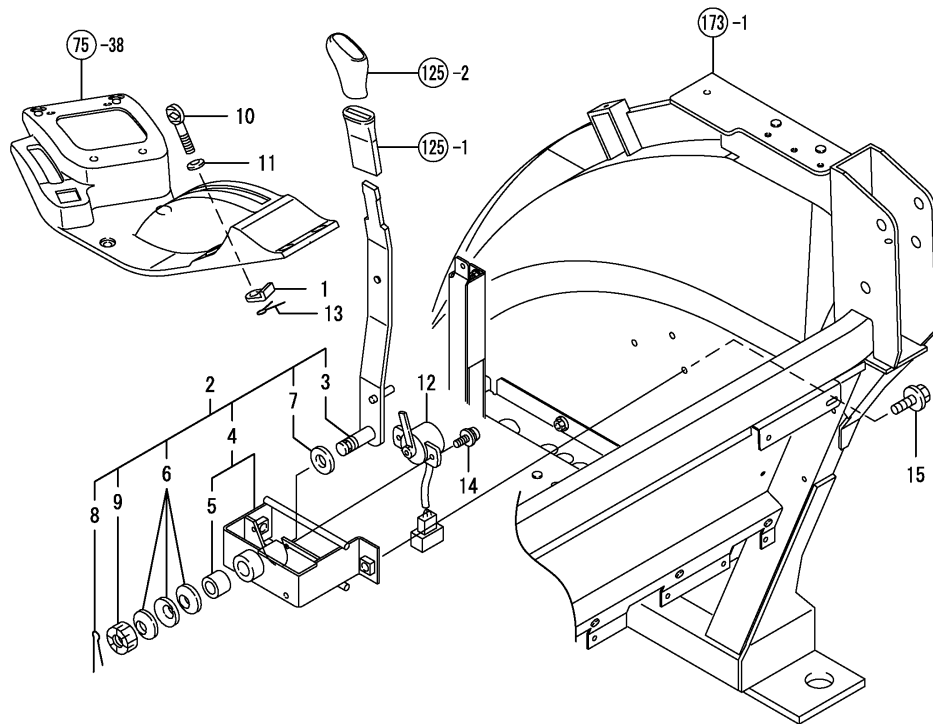


No.	Lev.	Parts No.	Description	Q'ty						I	R
				(A)	(B)	(C)	(D)	(E)	(F)		
1	1	194300-21460	CAP, RUBBER 25		1						
2	1	1A7450-46110	BRACKET, BASE		1						
3	1	1A7450-46171	BRACKET, SUPPORT		1						
4	1	1A7450-46201	STAY, BRACKET		1						
5	1	1A7470-46330	STAY, SUPPORT		1						
6	1	1A7450-46390	LINK ASSY, LEVER B		1						
7	2	24550-012150	BUSH, 12X15		2						
8	1	1A7450-46510	CABLE, SCV		2						
9	1	198268-46580	NUT, CAM LOCK		1						
10	1	198268-46600	BOLT, LOCK		1						
11	1	198268-46610	LOCK, CAM		1						
12	1	1A7450-46690	PLATE, GUIDE		1						
13	1	1A7450-46700	LEVER ASSY, SCV A		1						
14	2	24550-012150	BUSH, 12X15		2						
15	1	1A7450-46750	LEVER ASSY, SCV B		1						
16	1	1A7450-47400	BASE, CAM LOCK		1						
17	1	194275-51210	GROMMET 25		2						
18	1	194167-61650	NUT 5008		3						
19	1	194940-61790	SCREW, TAPPING M5X16		3						
20	1	22137-050000	WASHER, 5		2						
21	1	22272-000090	RING, E- 9		1						
22	1	22272-000090	RING, E- 9		1						
23	1	22417-120120	PIN, COTTER 1.2X12		2						
24	1	22417-250200	PIN, COTTER 2.5X20		2						
25	1	26106-080122	BOLT, M8X 12 PLATED		1						
26	1	26106-080122	BOLT, M8X 12 PLATED		2						
27	1	26106-080162	BOLT, M8X 16 PLATED		2						
28	1	26106-080162	BOLT, M8X 16 PLATED		2						
29	1	26106-080162	BOLT, M8X 16 PLATED		2						
30	1	26366-080002	NUT, M8		2						

0CNP5-M04700 HYD. CONTROL SECTION
Fig.123. HYDRAULIC CONTROL

(A)=EG907-AU-PQ
 (B)=EG907(CAB-AU-PQ
 (C)=

(D)=
 (E)=
 (F)=

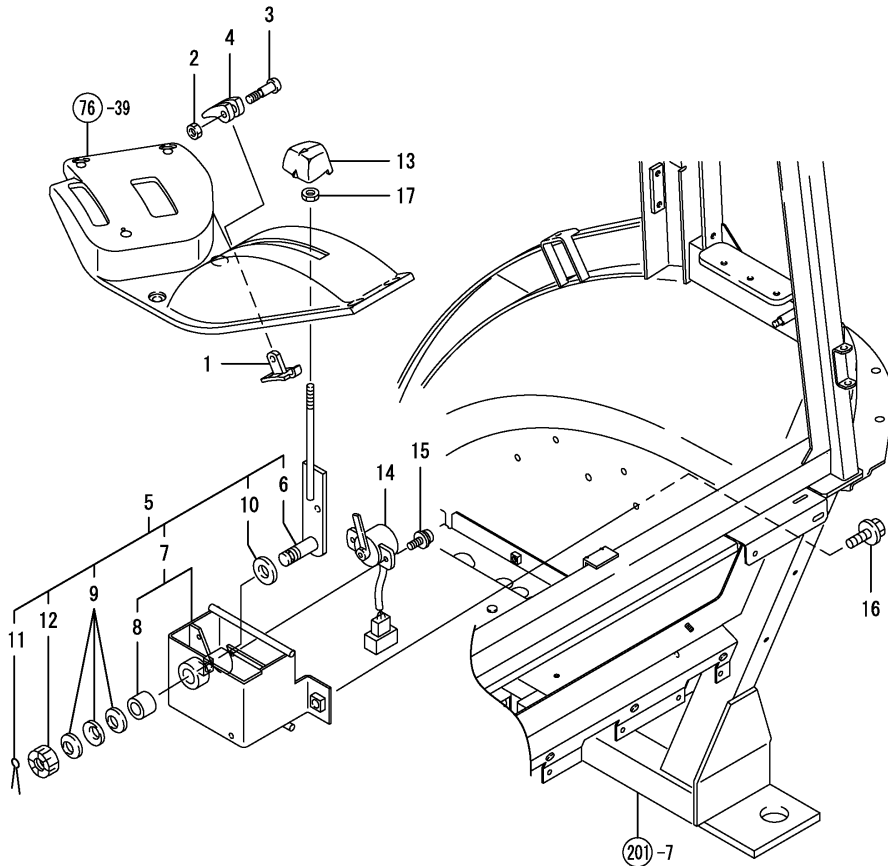


No.	Lev.	Parts No.	Description	Q'ty						I	R
				(A)	(B)	(C)	(D)	(E)	(F)		
1	1	194550-47110	STOPPER	1							
2	1	1A7450-47301	LEVER ASSY, POSITION	1							
3	2	1A7450-47310	LEVER, POSITION	1							
4	2	1A7450-47391	SUPPORT ASSY, LEVER	1							
5	3	24550-012150	BUSH, 12X15	1							
6	2	194151-47760	WASHER, 12	3							
7	2	194310-47790	PLATE, FRICTION	1							
8	2	22417-250250	PIN, COTTER 2.5X25	1							
9	2	26877-120002	NUT, CASTLE M12	1							
10	1	198071-47840	BOLT, WING M8X30	1							
11	1	194740-55430	WASHER, 8	1							
12	1	198290-78550	SENSOR, POSITION	1							
13	1	22417-200200	PIN, COTTER 2.0X20	1							
14	1	26023-040162	SCREW, M4X16	2							
15	1	26106-080162	BOLT, M8X 16 PLATED	2							

Fig.124. HYDRAULIC CONTROL

(A)=EG907-AU-PQ
 (B)=EG907(CAB-AU-PQ
 (C)=

(D)=
 (E)=
 (F)=



No.	Lev.	Parts No.	Description	Q'ty						I	R
				(A)	(B)	(C)	(D)	(E)	(F)		
1	1	198268-46552	BASE, CAM LOCK		1						
2	1	198268-46580	NUT, CAM LOCK		1						
3	1	198268-46600	BOLT, LOCK		1						
4	1	198268-46610	LOCK, CAM		1						
5	1	1A7480-47300	LEVER ASSY, POSITION		1						
6	2	1A7480-47310	LEVER, POSITION		1						
7	2	1A7480-47390	SUPPORT ASSY, LEVER		1						
8	3	24550-012150	BUSH, 12X15		1						
9	2	194151-47760	WASHER, 12		3						
10	2	194310-47790	PLATE, FRICTION		1						
11	2	22417-250250	PIN, COTTER 2.5X25		1						
12	2	26877-120002	NUT, CASTLE M12		1						
13	1	198268-47451	KNOB, CONTROL		1						
14	1	198290-78550	SENSOR, POSITION		1						
15	1	26023-040162	SCREW, M4X16		2						
16	1	26106-080162	BOLT, M8X 16 PLATED		2						
17	1	26756-060002	NUT, LOCK M6		1						

0CNP5-M04700 HYD. CONTROL SECTION
Fig.125. HYDRAULIC CONTROL

(A)=EG907-AU-PQ
 (B)=EG907(CAB-AU-PQ
 (C)=

(D)=
 (E)=
 (F)=

No.	Lev.	Parts No.	Description	Q'ty						I	R
				(A)	(B)	(C)	(D)	(E)	(F)		
1	1	198273-27880	BOOT, SHAFT	1							
2	1	1A7480-47450	KNOB, CONTROL	1							

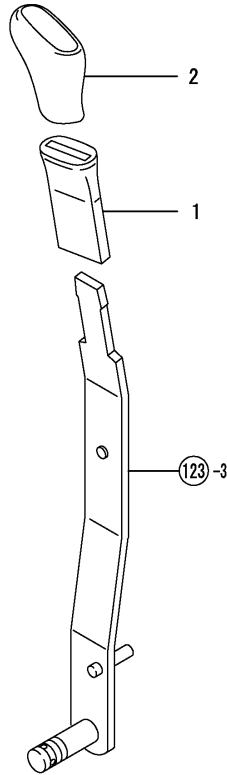
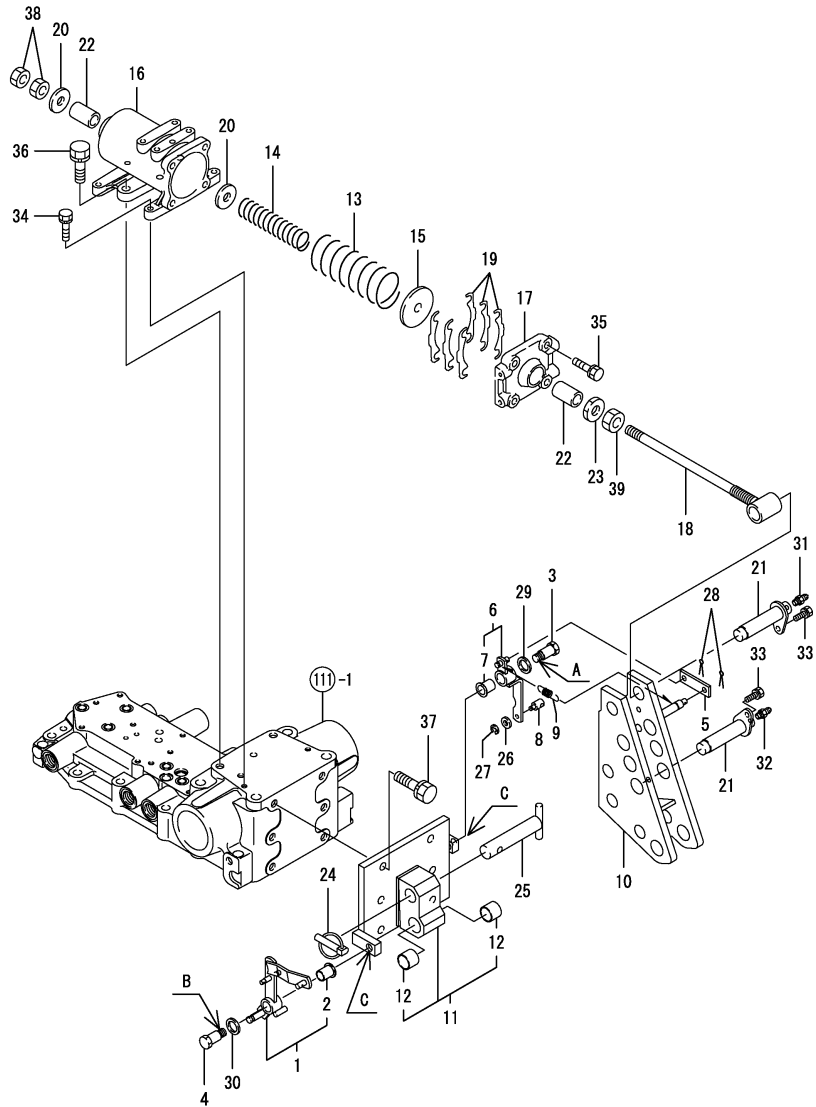


Fig.126. DRAFT AND AUTO



(A)=EG907-AU-PQ
 (B)=EG907(CAB-AU-PQ
 (C)=

(D)=
 (E)=
 (F)=

No.	Lev.	Parts No.	Description	Q'ty						I	R
				(A)	(B)	(C)	(D)	(E)	(F)		
1	1	1A7450-47101	LINK ASSY,FEEDBACK	1	1						
2	2	1A7450-47970	BUSH, DRY 17X15X21	1	1						
3	1	198448-47170	BOLT, STEPPED M12	1	1						
3-1	1	1A7640-47170 (A=*2009.06.) (B=*2009.06.)	BOLT, STEPPED M12	1	1						S 1
4	1	198448-47170	BOLT, STEPPED M12	1	1						
4-1	1	1A7640-47170 (A=*2009.06.) (B=*2009.06.)	BOLT, STEPPED M12	1	1						S 2
5	1	1A7450-47190	PLATE, S	1	1						
6	1	1A7450-47200	LINK ASSY, FEEDBACK	1	1						
7	2	1A7450-47970	BUSH, DRY 17X15X21	1	1						
8	1	1A7450-47530	PIN, D	1	1						
9	1	1A7450-47540	SPRING, D	1	1						
10	1	1A7450-47610	HINGE, TOP LINK	1	1						
11	1	1A7450-47700	SUPPORT ASSY, HINGE	1	1						
11-1	1	1A7450-47701 (A=*2009.06.) (B=*2009.06.)	SUPPORT ASSY, HINGE	1	1						S 3
12	2	24550-022200	BUSH, 22X20	2	2						
13	1	1A7450-47710	SPRING, SENSOR OUTER	1	1						
14	1	1A7450-47720	SPRING, SENSOR INNER	1	1						
15	1	1A7450-47770	SPACER, SPRING	1	1						
16	1	1A7450-47791	HOLDER, SPRING	1	1						
17	1	1A7450-47800	COVER, SRING HOLDER	1	1						
18	1	1A7450-47810	SHAFT, D	1	1						
19	1	194065-47830	SHIM, SPRING	6	6						
20	1	1A7450-47840	SPACER, SPRING	2	2						
21	1	198448-47850	PIN, HINGE	2	2						
22	1	1A7450-47850	COLLAR, SPRING 40	2	2						
23	1	1A7450-47890	NUT, SHAFT	1	1						
24	1	794130-71410	PIN ASSY, BALL	1	1						
25	1	1A7450-72411	PIN ASSY,LIFT LINK	1	1						
26	1	22137-060000	WASHER, 6	1	1						
27	1	22272-000050	RING, E- 5	1	1						
28	1	22417-200200	PIN, COTTER 2.0X20	2	2						
29	1	23414-150019	GASKET, 15X1.0	1	1						
30	1	23414-150019	GASKET, 15X1.0	1	1						
31	1	24761-010000	NIPPLE, GREASE M6F	1	1						
32	1	24761-010000	NIPPLE, GREASE M6F	1	1						
33	1	26013-080162	BOLT, M8X 16	2	2						
34	1	26013-080302	BOLT, M8X 30	2	2						
35	1	26013-100352	BOLT, M10X 35	4	4						
36	1	26013-120352	BOLT, M12X 35	2	2						
37	1	26013-120402	BOLT, M12X 40	6	6						
38	1	26776-140002	NUT, LOCK M14	2	2						
39	1	26776-160002	NUT, LOCK M16	1	1						

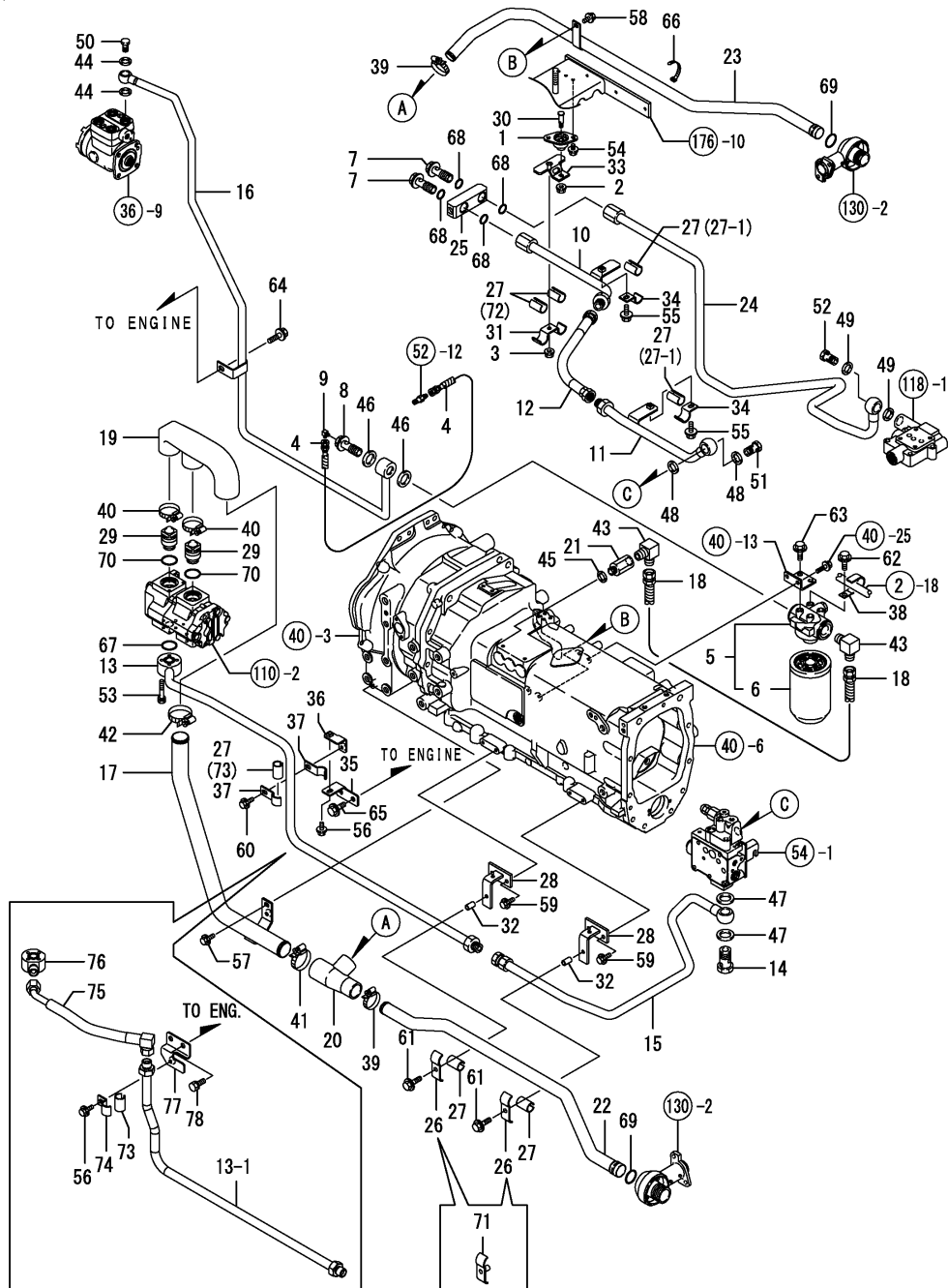
Remarks

- (1) A= REF.NO.3 M12 P1.5
- A= REF.NO.3-1 M12 P1.25
- (1) B= REF.NO.4 M12 P1.5
- B= REF.NO.4-1 M12 P1.25
- (1) C= REF.NO.11 M12 P1.5
- C= REF.NO.11-1 M12 P1.25

Fig.127. HYDRAULIC LINE

(A)=EG907-AU-PQ
(B)=EG907(CAB-AU-PQ)
(C)=

(D)=
(E)=
(F)=

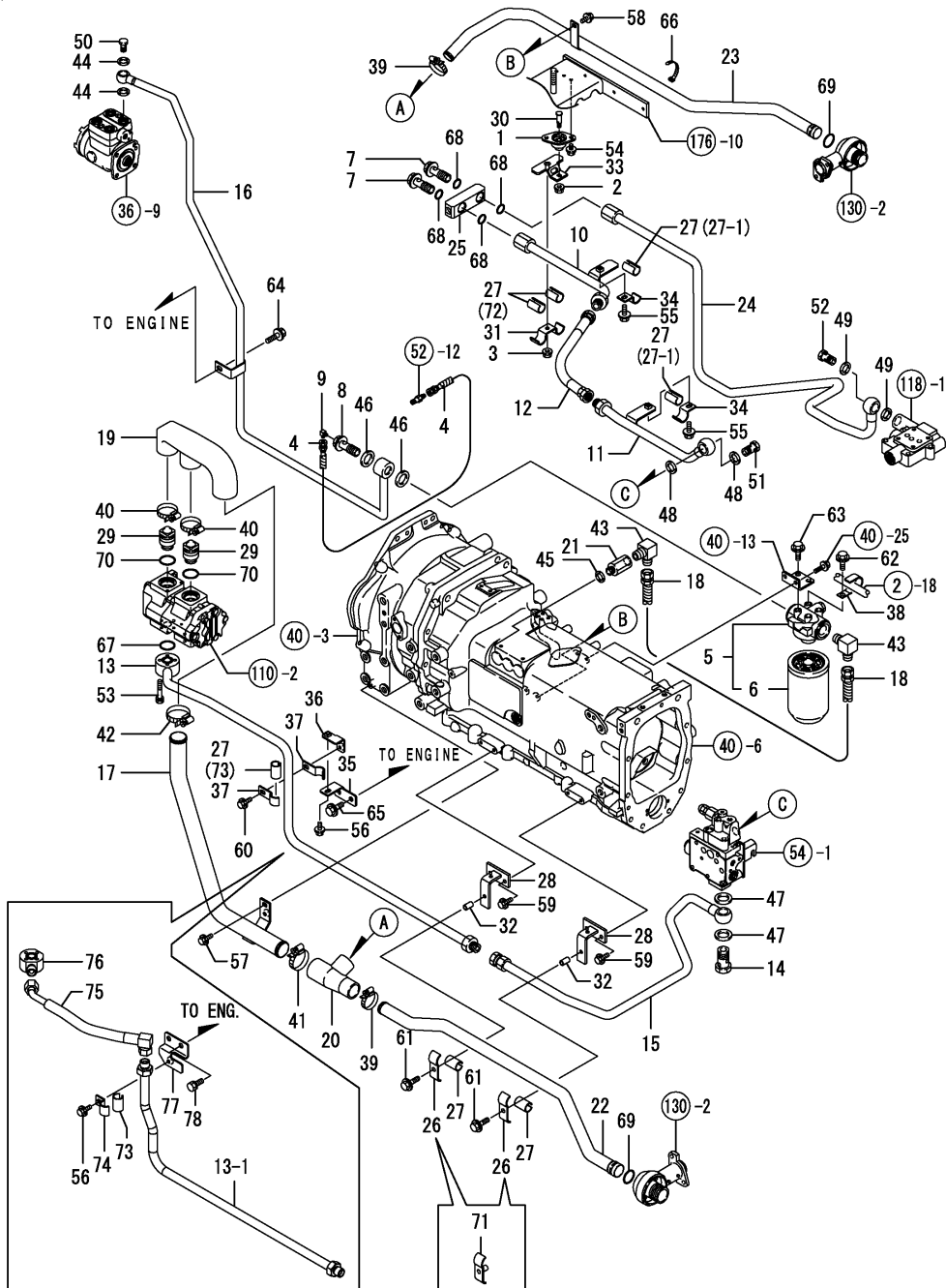


No.	Lev.	Parts No.	Description	Q'ty						I	R
				(A)	(B)	(C)	(D)	(E)	(F)		
1	1	174501-11150	DAMPER	1							
2	1	194990-22140	NUT, M8	1							
3	1	194990-22140	NUT, M8	1							
4	1	1A7480-24530	HOSE, HYDRAULIC 800	1							
5	1	174841-29350	FILTER ASSY, OIL	1							
6	2	198129-29310	FILTER, 10	1							
7	1	198138-29990	BOLT, JOINT PF1/2	2							
8	1	1A7480-29990	BOLT, JOINT PF1/2	1							
9	1	194065-38350	ADAPTER, 1/8	1							
10	1	1A7450-48040	PIPE, PRESSURE F	1							
11	1	1A7450-48070	PIPE, PRESSURE R	1							
12	1	1A7450-48100	HOSE, HYDRAULIC 370	1							
13	1	1A7450-48111	PIPE, PRESSURE F	1							
13-1	1	1A7450-49150	PIPE, PRESSURE F	1							S
				(B=FZZZZ)							
14	1	198448-48140	BOLT ASSY, JOINT	1							
15	1	1A7450-48150	PIPE, PRESSURE R	1							
16	1	1A7480-48250	PIPE ASSY, STEERING	1							
17	1	1A7450-48300	PIPE, PRESSURE F	1							
18	1	1A7480-48330	HOSE, CHARGE	1							
19	1	198448-48340	HOSE, PRESSURE	1							
20	1	1A7450-48340	HOSE, PRESSURE	1							
21	1	1A7480-48340	BOLT, M18XPT1/2	1							
22	1	1A7450-48350	PIPE, PRESSURE R-L	1							
23	1	1A7450-48380	PIPE, PRESSURE R-R	1							
24	1	1A7450-48440	PIPE, PRESSURE	1							
25	1	1A7450-48471	BLOCK ASSY, LOADER	1							
26	1	1A7450-48530	CLAMP	2							Z
				(B=*2009.04.)							
27	1	1A7450-48540	ABSORBER, CLAMP	7							
27-1	1	1A7450-48540	ABSORBER, CLAMP	2							K
				(B=*2009.04.)							
28	1	1A7450-48551	STAY, CLAMP	2							
29	1	198448-48570	JOINT,LOW-PRESS.PIPE	2							
30	1	1A7480-48610	BOLT	1							
31	1	1A7450-48630	CLAMP, PIPE	1							
32	1	1A7450-48660	SPACER	2							Z
				(B=*2009.04.)							
33	1	1A7480-48670	STAY ASSY, PIPE	1							
34	1	1A7450-48730	CLAMP, PIPE	2							
35	1	1A7450-49010	STAY, CLAMP A	1							Z
				(B=FZZZZ)							
36	1	1A7450-49020	STAY, CLAMP B	1							Z
				(B=FZZZZ)							
37	1	1A7450-49040	CLAMP, PIPE	2							Z
				(B=FZZZZ)							
38	1	198448-51450	CLAMP, HARNESS	1							
39	1	23000-041000	CLAMP, 41	2							
40	1	23000-041000	CLAMP, 41	2							
41	1	23000-048000	CLAMP, 48	1							
42	1	23000-048000	CLAMP, 48	1							

Fig.127. HYDRAULIC LINE

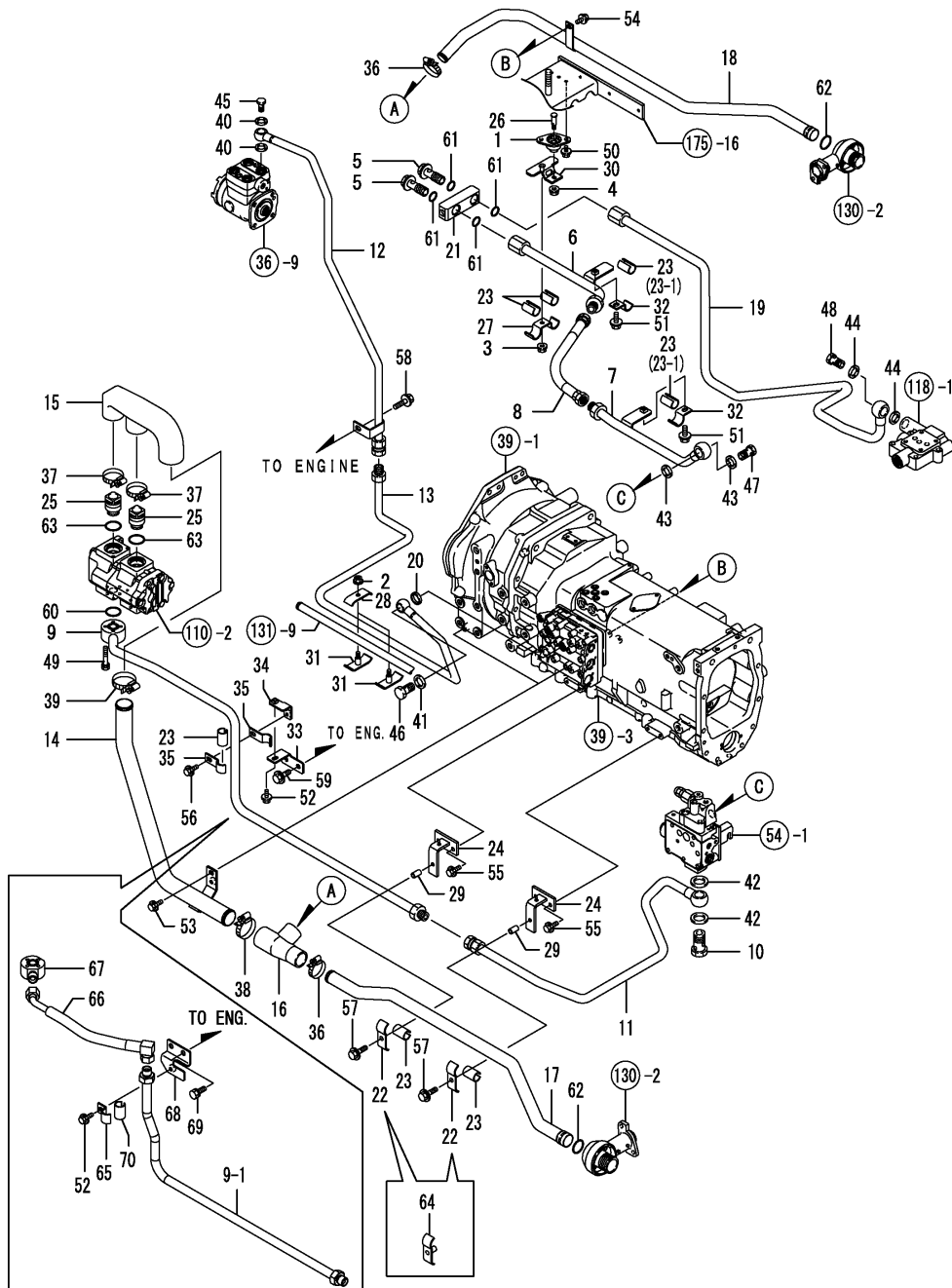
(A)=EG907-AU-PQ
(B)=EG907(CAB-AU-PQ)
(C)=

(D)=
(E)=
(F)=



No.	Lev.	Parts No.	Description	Q'ty						I	R
				(A)	(B)	(C)	(D)	(E)	(F)		
43	1	23393-040000	JOINT, 90RG1-1/2		2						
44	1	23414-180023	GASKET, 18X1.0		2						
45	1	23414-180023	GASKET, 18X1.0		1						
46	1	23414-210000	GASKET, 21X1.0		2						
47	1	23414-220029	GASKET, 22X1.0		2						
48	1	23414-220029	GASKET, 22X1.0		2						
49	1	23414-220029	GASKET, 22X1.0		2						
50	1	23857-120000	BOLT, JOINT 12		1						
51	1	23857-180000	BOLT, JOINT 18		1						
52	1	23857-180000	BOLT, JOINT 18		1						
53	1	26013-060452	BOLT, M6X 45		4						
54	1	26106-080122	BOLT, M8X 12 PLATED		2						
55	1	26106-080162	BOLT, M8X 16 PLATED		2						
56	1	26106-080162	BOLT, M8X 16 PLATED		1						
57	1	26106-080162	BOLT, M8X 16 PLATED		1						
58	1	26106-080162	BOLT, M8X 16 PLATED		1						
59	1	26106-080162	BOLT, M8X 16 PLATED		4						
60	1	26106-080202	BOLT, M8X 20 PLATED		1						Z
(B=FZZZZZ)											
61	1	26106-080352	BOLT, M8X 35 PLATED		2						
62	1	26106-100162	BOLT, M10X 16 PLATED		1						
63	1	26106-100202	BOLT, M10X 20 PLATED		2						
64	1	26106-100202	BOLT, M10X 20 PLATED		1						
65	1	26106-100202	BOLT, M10X 20 PLATED		2						Z
(B=FZZZZZ)											
66	1	29622-140001	BAND, RF140		1						
67	1	41850-000220	PACKING, 22.0		1						
68	1	41850-000220	PACKING, 22.0		4						
69	1	41850-000260	PACKING, 26.0		2						
70	1	41856-020230	PACKING, 2023		2						
71	1	1A7450-48510	CLAMP ASSY		2						W
(B="2009.04.)											
72	1	1A7450-48540	ABSORBER, CLAMP		2						
73	1	1A7450-48540	ABSORBER, CLAMP		1						
74	1	1A7450-48730	CLAMP, PIPE		1						W
(B=FZZZZZ)											
75	1	1A7450-49110	HOSE, PRESSURE		1						W
(B=FZZZZZ)											
76	1	1A7450-49120	JOINT ASSY		1						W
(B=FZZZZZ)											
77	1	1A7450-49180	STAY ASSY, PIPE		1						W
(B=FZZZZZ)											
78	1	26013-100202	BOLT, M10X 20		2						W
(B=FZZZZZ)											

Fig.128. HYDRAULIC LINE

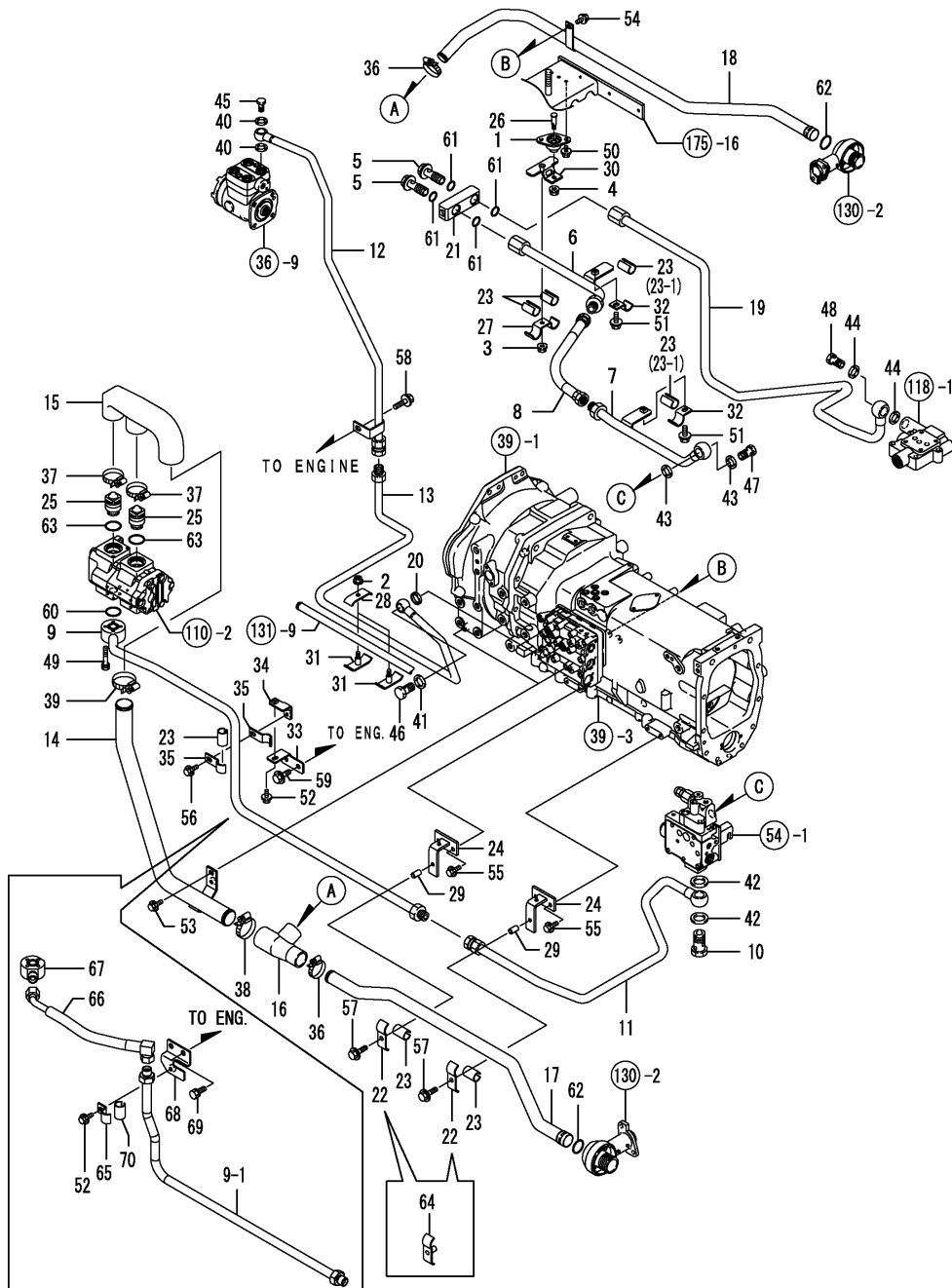


(A)=EG907-AU-PQ
(B)=EG907(CAB-AU-PQ
(C)=

(D)=
(E)=
(F)=

No.	Lev.	Parts No.	Description	Q'ty						I	R
				(A)	(B)	(C)	(D)	(E)	(F)		
1	1	174501-11150	DAMPER	1							
2	1	194990-22140	NUT, M8	2							
3	1	194990-22140	NUT, M8	1							
4	1	194990-22140	NUT, M8	1							
5	1	198138-29990	BOLT, JOINT PF1/2	2							
6	1	1A7450-48040	PIPE, PRESSURE F	1							
7	1	1A7450-48070	PIPE, PRESSURE R	1							
8	1	1A7450-48100	HOSE, HYDRAULIC 370	1							
9	1	1A7450-48111	PIPE, PRESSURE F	1							
9-1	1	1A7450-49150	PIPE, PRESSURE F	1							S
		(A=FZZZZZ)									
10	1	198448-48140	BOLT ASSY, JOINT	1							
11	1	1A7450-48150	PIPE, PRESSURE R	1							
12	1	1A7450-48210	PIPE ASSY, PRESSURE	1							
13	1	1A7450-48251	PIPE ASSY, PRESSURE	1							
14	1	1A7450-48300	PIPE, PRESSURE F	1							
15	1	198448-48340	HOSE, PRESSURE	1							
16	1	1A7450-48340	HOSE, PRESSURE	1							
17	1	1A7450-48350	PIPE, PRESSURE R-L	1							
18	1	1A7450-48380	PIPE, PRESSURE R-R	1							
19	1	1A7450-48440	PIPE, PRESSURE	1							
20	1	1A7450-48461	GASKET, 22-29 4T	1							
21	1	1A7450-48471	BLOCK ASSY, LOADER	1							
22	1	1A7450-48530	CLAMP	2							Z
		(A=*2009.04.)									
23	1	1A7450-48540	ABSORBER, CLAMP	7							
23-1	1	1A7450-48540	ABSORBER, CLAMP	2							K
		(A=*2009.04.)									
24	1	1A7450-48551	STAY, CLAMP	2							
25	1	198448-48570	JOINT, LOW-PRESS. PIPE	2							
26	1	1A7480-48610	BOLT	1							
27	1	1A7450-48630	CLAMP, PIPE	1							
28	1	1A7450-48640	CLAMP, PIPE	2							
29	1	1A7450-48660	SPACER	2							Z
		(A=*2009.04.)									
30	1	1A7480-48670	STAY ASSY, PIPE	1							
31	1	1A7450-48710	CLAMP ASSY	2							
32	1	1A7450-48730	CLAMP, PIPE	2							
33	1	1A7450-49010	STAY, CLAMP A	1							Z
		(A=FZZZZZ)									
34	1	1A7450-49020	STAY, CLAMP B	1							Z
		(A=FZZZZZ)									
35	1	1A7450-49040	CLAMP, PIPE	2							Z
		(A=FZZZZZ)									
36	1	23000-041000	CLAMP, 41	2							
37	1	23000-041000	CLAMP, 41	2							
38	1	23000-048000	CLAMP, 48	1							
39	1	23000-048000	CLAMP, 48	1							
40	1	23414-180023	GASKET, 18X1.0	2							
41	1	23414-220029	GASKET, 22X1.0	1							
42	1	23414-220029	GASKET, 22X1.0	2							

Fig.128. HYDRAULIC LINE



(A)=EG907-AU-PQ
 (B)=EG907(CAB-AU-PQ)
 (C)=

(D)=
 (E)=
 (F)=

No.	Lev.	Parts No.	Description	Q'ty						I	R
				(A)	(B)	(C)	(D)	(E)	(F)		
43	1	23414-220029	GASKET, 22X1.0	2							
44	1	23414-220029	GASKET, 22X1.0	2							
45	1	23857-120000	BOLT, JOINT 12	1							
46	1	23857-180000	BOLT, JOINT 18	1							
47	1	23857-180000	BOLT, JOINT 18	1							
48	1	23857-180000	BOLT, JOINT 18	1							
49	1	26013-060452	BOLT, M6X 45	4							
50	1	26106-080122	BOLT, M8X 12 PLATED	2							
51	1	26106-080162	BOLT, M8X 16 PLATED	2							
52	1	26106-080162	BOLT, M8X 16 PLATED	1							
53	1	26106-080162	BOLT, M8X 16 PLATED	1							
54	1	26106-080162	BOLT, M8X 16 PLATED	1							
55	1	26106-080162	BOLT, M8X 16 PLATED	4							
56	1	26106-080202	BOLT, M8X 20 PLATED	1							Z
(A=FZZZZZ)											
57	1	26106-080352	BOLT, M8X 35 PLATED	2							
58	1	26106-100202	BOLT, M10X 20 PLATED	1							
59	1	26106-100202	BOLT, M10X 20 PLATED	2							Z
(A=FZZZZZ)											
60	1	41850-000220	PACKING, 22.0	1							
61	1	41850-000220	PACKING, 22.0	4							
62	1	41850-000260	PACKING, 26.0	2							
63	1	41856-020230	PACKING, 2023	2							
64	1	1A7450-48510	CLAMP ASSY	2							W
(A=*2009.04.)											
65	1	1A7450-48730	CLAMP, PIPE	1							W
(A=FZZZZZ)											
66	1	1A7450-49110	HOSE, PRESSURE	1							W
(A=FZZZZZ)											
67	1	1A7450-49120	JOINT ASSY	1							W
(A=FZZZZZ)											
68	1	1A7450-49180	STAY ASSY, PIPE	1							W
(A=FZZZZZ)											
69	1	26013-100202	BOLT, M10X 20	2							W
(A=FZZZZZ)											
70	1	1A7450-48540	ABSORBER, CLAMP	1							

Fig.129. HYDRAULIC LINE

(A)=EG907-AU-PQ
 (B)=EG907(CAB-AU-PQ
 (C)=

(D)=
 (E)=
 (F)=

No.	Lev.	Parts No.	Description	Q'ty						I	R
				(A)	(B)	(C)	(D)	(E)	(F)		
1	1	198448-48140	BOLT ASSY, JOINT	1	1						
2	1	1A7450-48180	PIPE, PRESSURE	1	1						
3	1	1A7450-48490	PIPE, SCV-T	1	1						
4	1	1A7450-48571	PIPE, PRESSURE	1	1						
5	1	23414-220029	GASKET, 22X1.0	4	4						
6	1	23414-220029	GASKET, 22X1.0	4	4						
7	1	23414-220029	GASKET, 22X1.0	4	4						
8	1	23857-180000	BOLT, JOINT 18	1	1						
9	1	23857-180000	BOLT, JOINT 18	2	2						
10	1	23857-180000	BOLT, JOINT 18	2	2						

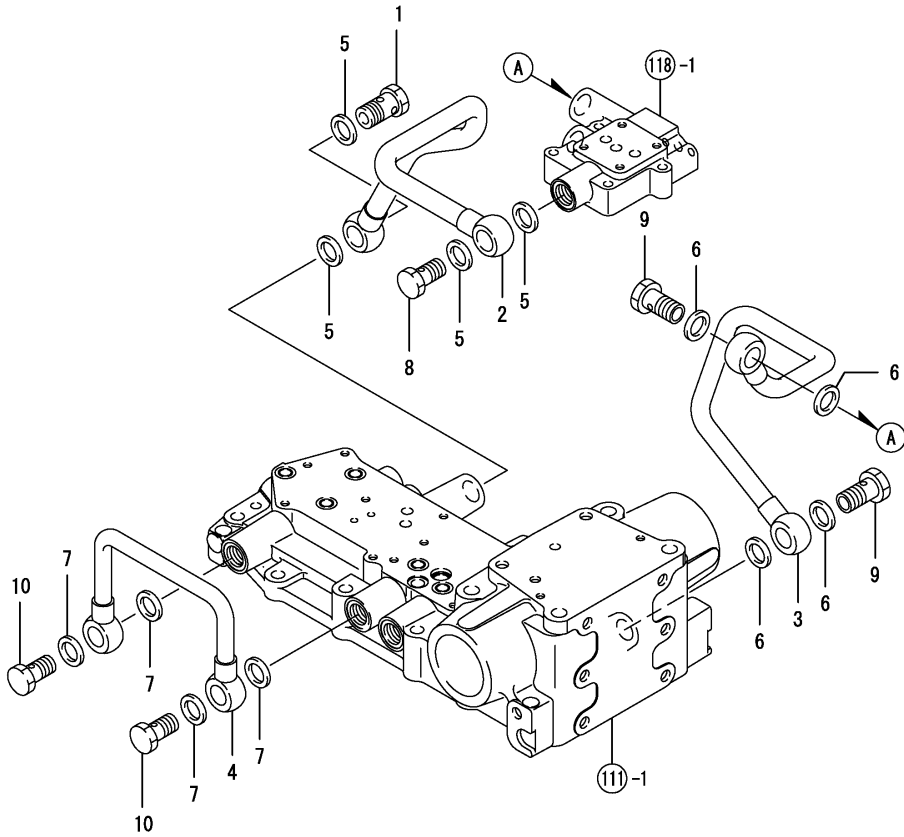


Fig.130. HYDRAULIC FILTER

(A)=EG907-AU-PQ
 (B)=EG907(CAB-AU-PQ
 (C)=

(D)=
 (E)=
 (F)=

No.	Lev.	Parts No.	Description	Q'ty						I	R
				(A)	(B)	(C)	(D)	(E)	(F)		
1	1	198535-48080	FILTER, HYDRAULIC	2	2						
2	1	198071-48350	COVER, FILTER	2	2						
3	1	198448-48980	COVER, FILTER	2	2						
4	1	26106-080122	BOLT, M8X 12 PLATED	4	4						
5	1	26106-080202	BOLT, M8X 20 PLATED	4	4						
6	1	41850-000340	PACKING, 34.0	2	2						

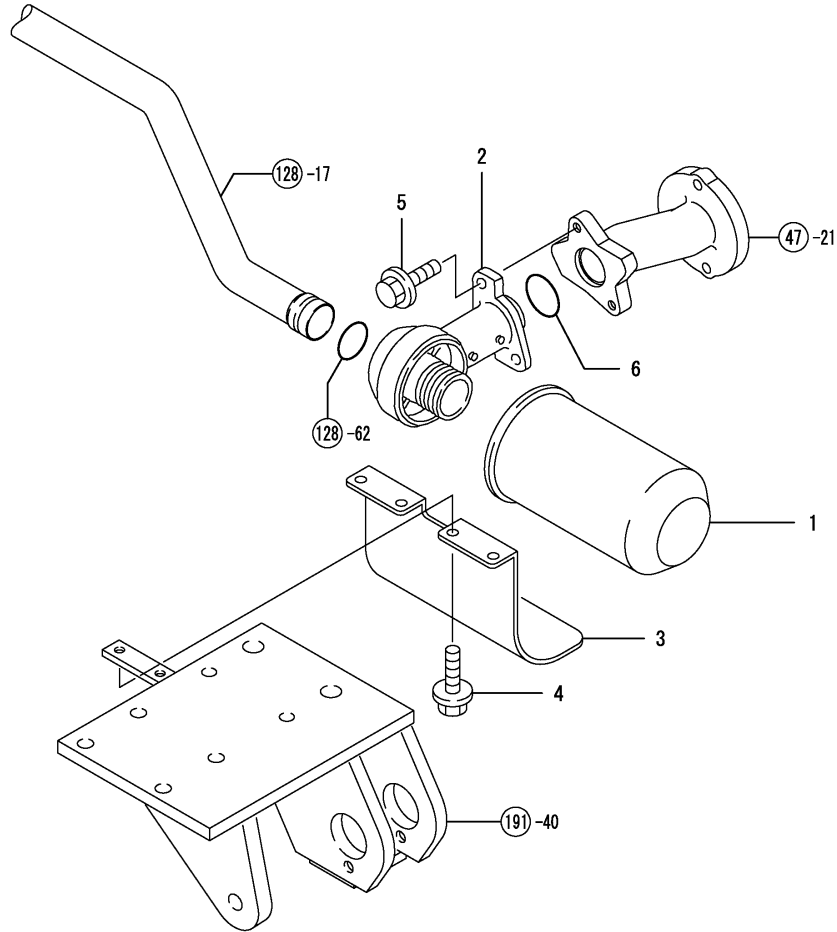
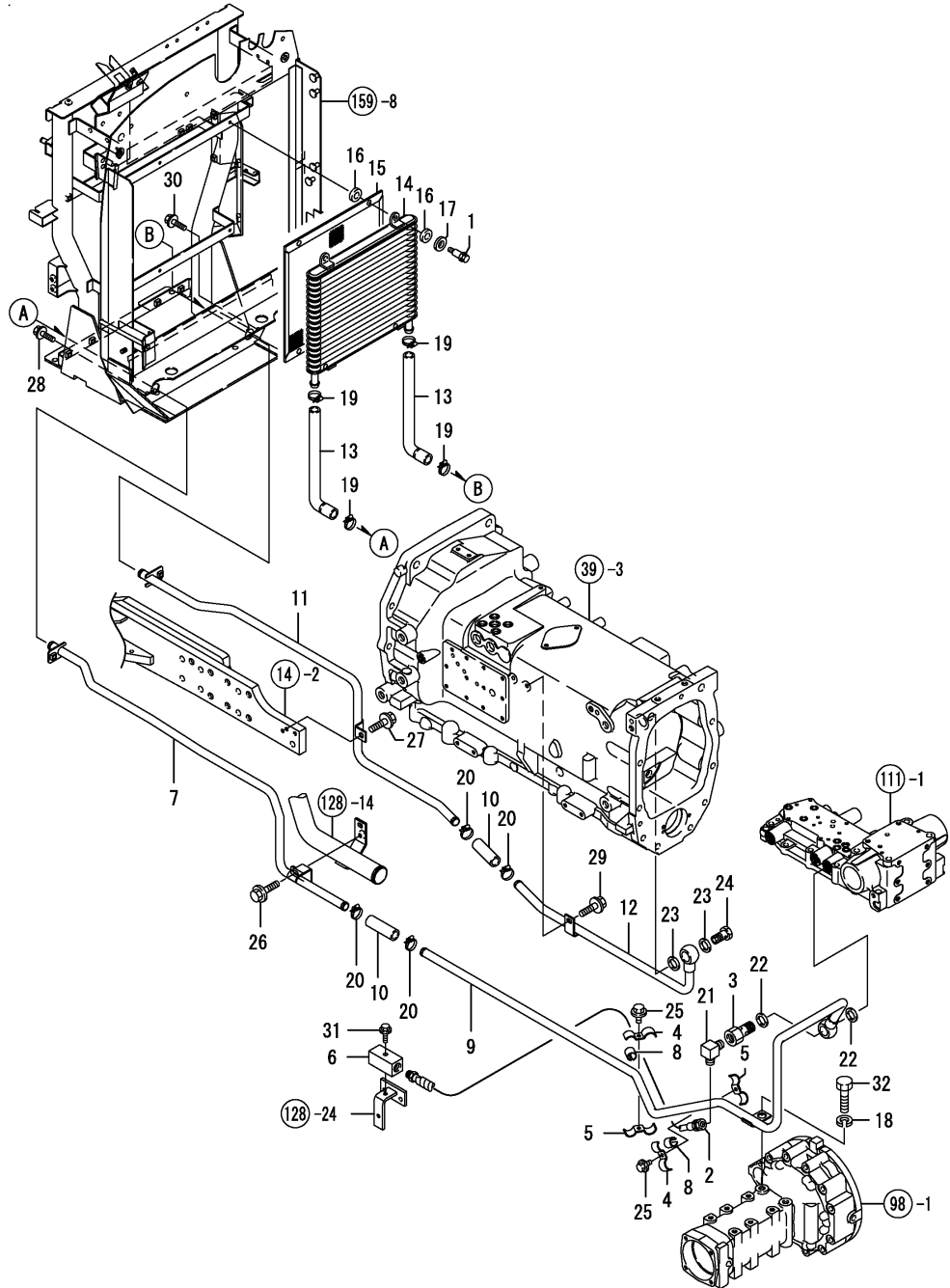


Fig.131. OIL COOLER

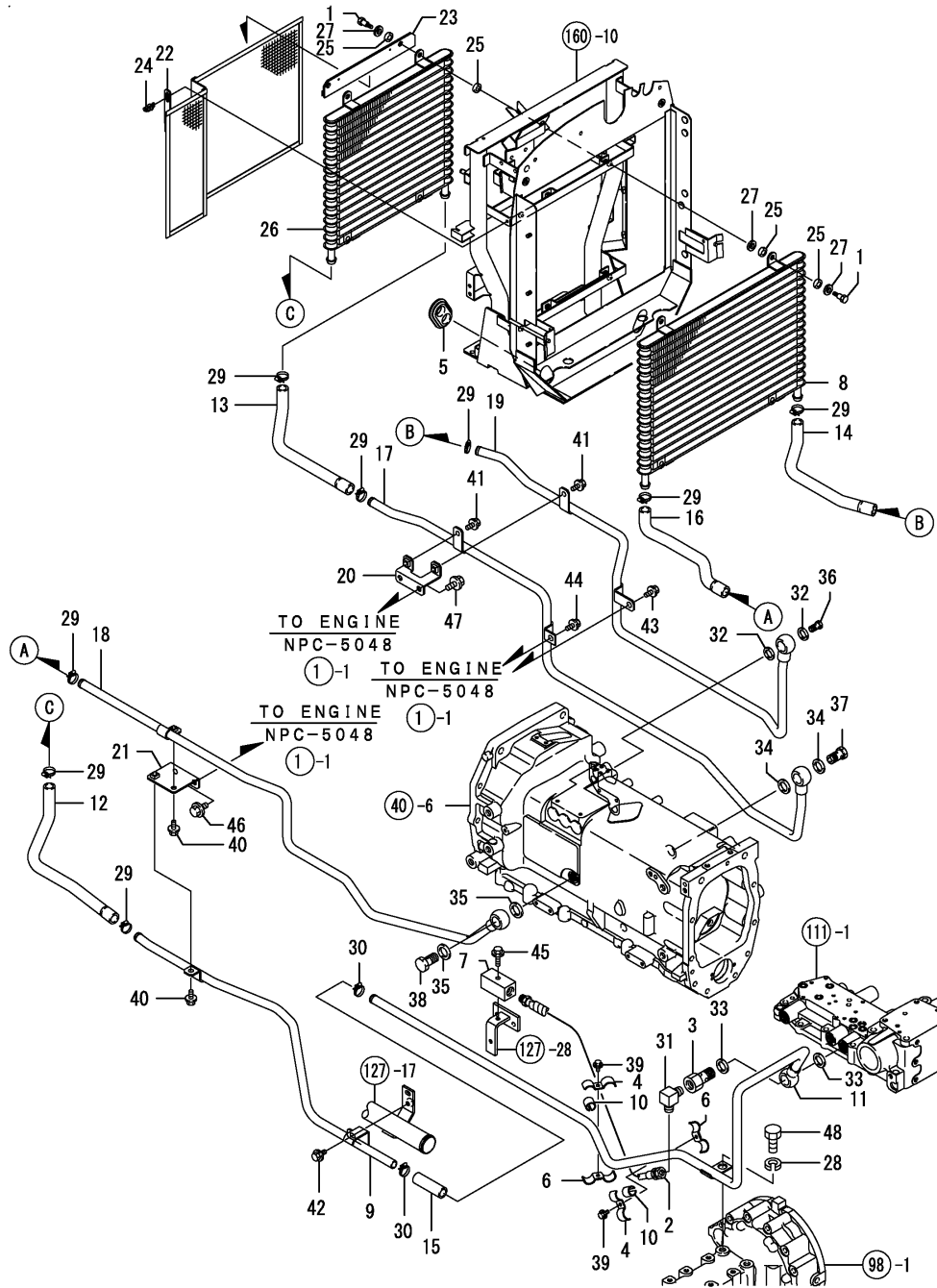


(A)=EG907-AU-PQ
 (B)=EG907(CAB-AU-PQ)
 (C)=

(D)=
 (E)=
 (F)=

No.	Lev.	Parts No.	Description	Q'ty						I	R
				(A)	(B)	(C)	(D)	(E)	(F)		
1	1	198133-02120	BOLT, STEPPED M6	4							
2	1	1A7450-48751	HOSE, HYDRAULIC	1							
3	1	1A7450-48760	BOLT, JOINT M22	1							
4	1	1A7450-48770	CLAMP	2							
5	1	1A7450-48780	CLAMP ASSY	2							
6	1	1A7450-48790	BLOCK, CAP	1							
7	1	1A7450-48810	PIPE ASSY, PRESSURE	1							
8	1	198240-48850	CLAMP, ABSORBER	2							
9	1	1A7450-48850	PIPE ASSY, PRESSURE	1							
10	1	1A7450-48891	HOSE, OIL COOLER	2							
11	1	1A7450-48910	PIPE ASSY, PRESSURE	1							
12	1	1A7450-48940	PIPE ASSY, PRESSURE	1							
13	1	1A7450-48970	HOSE, OIL COOLER	2							
14	1	198138-49100	COOLER ASSY, OIL	1							
15	1	198454-60830	SCREEN, OIL COOLER	1							
16	1	194420-62260	RUBBER, CUSHION	8							
17	1	22137-100000	WASHER, 10	4							
18	1	22217-160000	WASHER, SPRING 16	1							
19	1	23000-022000	CLAMP, 22	4							
20	1	23000-022000	CLAMP, 22	4							
21	1	23393-040000	JOINT, 90RGI-1/2	1							
22	1	23414-220029	GASKET, 22X1.0	2							
23	1	23414-220029	GASKET, 22X1.0	2							
24	1	23857-180000	BOLT, JOINT 18	1							
25	1	26106-060122	BOLT, M6X 12 PLATED	2							
26	1	26106-080162	BOLT, M8X 16 PLATED	1							
27	1	26106-080162	BOLT, M8X 16 PLATED	1							
28	1	26106-080162	BOLT, M8X 16 PLATED	1							
29	1	26106-080162	BOLT, M8X 16 PLATED	1							
30	1	26106-080162	BOLT, M8X 16 PLATED	1							
31	1	26106-080402	BOLT, M8X 40 PLATED	1							
32	1	26116-160302	BOLT, M16X 30 PLATED	1							

Fig.132. OIL COOLER

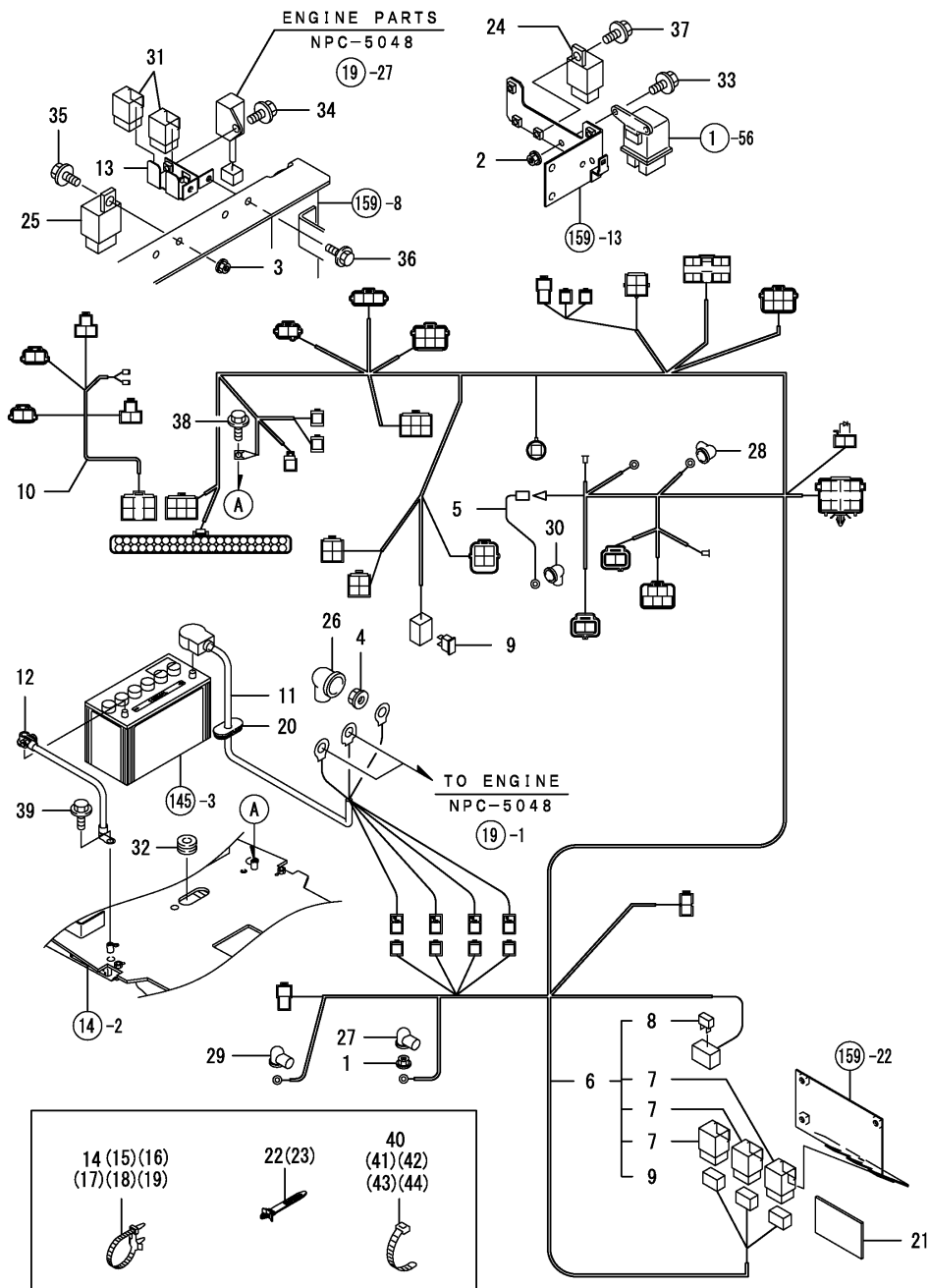


(A)=EG907-AU-PQ
(B)=EG907(CAB-AU-PQ
(C)=

(D)=
(E)=
(F)=

No.	Lev.	Parts No.	Description	Q'ty						I	R
				(A)	(B)	(C)	(D)	(E)	(F)		
1	1	198133-02120	BOLT, STEPPED M6		8						
2	1	1A7450-48751	HOSE, HYDRAULIC		1						
3	1	1A7450-48760	BOLT, JOINT M22		1						
4	1	1A7450-48770	CLAMP		2						
5	1	1A7480-48770	GROMMET, HOSE		2						
6	1	1A7450-48780	CLAMP ASSY		2						
7	1	1A7450-48790	BLOCK, CAP		1						
8	1	198265-48810	COOLER ASSY, OIL		1						
9	1	1A7480-48810	PIPE, OIL COOLER		1						
10	1	198240-48850	CLAMP, ABSORBER		2						
11	1	1A7450-48850	PIPE ASSY, PRESSURE		1						
12	1	1A7480-48850	HOSE, LIFT		1						
13	1	1A7480-48870	HOSE, LIFT		1						
14	1	1A7480-48880	HOSE, HST		1						
15	1	1A7450-48891	HOSE, OIL COOLER		1						
16	1	1A7480-48890	HOSE, HST		1						
17	1	1A7480-48920	PIPE, OIL COOLER		1						
18	1	1A7480-48950	PIPE, OIL COOLER		1						
19	1	1A7480-48960	PIPE, OIL COOLER		1						
20	1	1A7480-49050	STAY, R		1						
21	1	1A7480-49070	STAY, L		1						
22	1	1A7480-60830	SCREEN, OIL COOLER		1						
23	1	1A7480-60930	RAIL, SCREEN		2						
24	1	198220-61351	LOCK ASSY, CAM		1						
25	1	194420-62260	RUBBER, CUSHION		16						
26	1	172460-74820	COOLER ASSY, OIL		1						
27	1	22137-100000	WASHER, 10		12						
28	1	22217-160000	WASHER, SPRING 16		1						
29	1	23000-022000	CLAMP, 22		8						
30	1	23000-022000	CLAMP, 22		2						
31	1	23393-040000	JOINT, 90RGI-1/2		1						
32	1	23414-180023	GASKET, 18X1.0		2						
33	1	23414-220029	GASKET, 22X1.0		2						
34	1	23414-220029	GASKET, 22X1.0		2						
35	1	23414-220029	GASKET, 22X1.0		2						
36	1	23857-120000	BOLT, JOINT 12		1						
37	1	23857-180000	BOLT, JOINT 18		1						
38	1	23857-180000	BOLT, JOINT 18		1						
39	1	26106-060122	BOLT, M6X 12 PLATED		2						
40	1	26106-080162	BOLT, M8X 16 PLATED		2						
41	1	26106-080162	BOLT, M8X 16 PLATED		2						
42	1	26106-080162	BOLT, M8X 16 PLATED		1						
43	1	26106-080162	BOLT, M8X 16 PLATED		1						
44	1	26106-080162	BOLT, M8X 16 PLATED		1						
45	1	26106-080402	BOLT, M8X 40 PLATED		1						
46	1	26106-100202	BOLT, M10X 20 PLATED		2						
47	1	26106-100202	BOLT, M10X 20 PLATED		2						
48	1	26116-160302	BOLT, M16X 30 PLATED		1						

Fig.133. WIRE HARNESS

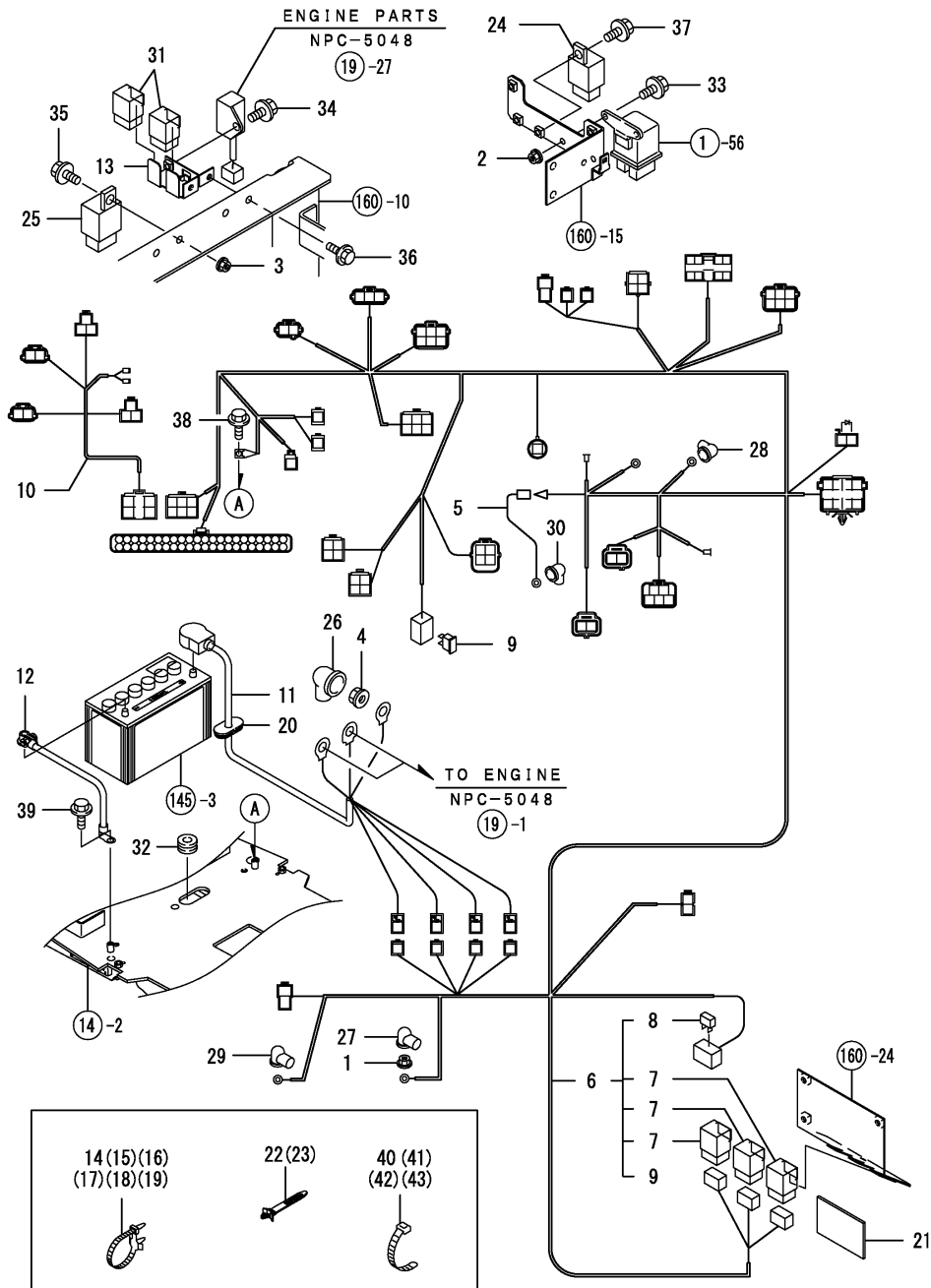


(A)=EG907-AU-PQ
 (B)=EG907(CAB-AU-PQ)
 (C)=

(D)=
 (E)=
 (F)=

No.	Lev.	Parts No.	Description	Q'ty						I	R
				(A)	(B)	(C)	(D)	(E)	(F)		
1	1	194990-22130	NUT, M6	1							
2	1	194990-22130	NUT, M6	2							
3	1	194990-22130	NUT, M6	1							
4	1	194990-22140	NUT, M8	1							
5	1	1A7450-51090	CABLE	1							
6	1	1A7450-51115	HARNESS ASSY, WIRE A	1							
7	2	198153-51700	FUSE, SLOW BLOW 80A	3							
8	2	1A7000-52820	FUSE, SLOW BLOW 60A	1							
9	2	29420-150000	FUSE, B 15A	1							
10	1	1A7450-51271	CABLE, HEAD LIGHT	1							
11	1	1A7450-51350	CABLE ASSY, BATTERY	1							
12	1	1A7450-51421	CABLE, BATTERY EARTH	1							
13	1	1A7690-51550	STAY ASSY, RELAY	1							
14	1	194680-51670	BAND, CLIP	2							
15	1	194680-51670	BAND, CLIP	1							
16	1	194680-51670	BAND, CLIP	2							
16-1	1	29622-250001	BAND, RF250	1							N
(A=*2008.06.)											
17	1	194680-51670	BAND, CLIP	1							
18	1	194680-51670	BAND, CLIP	2							
19	1	194680-51670	BAND, CLIP	2							
20	1	1A7450-51710	GROMMET, CABLE	1							
21	1	1A7500-51810	SEAL, HARNESS	1							
22	1	198448-51910	CLIP, BAND	2							
23	1	198448-51910	CLIP, BAND	1							
24	1	198220-52180	RELAY, STARTER	1							
25	1	198461-52950	RELAY, CA TYPE C	1							
26	1	124550-77030	COVER, TERMINAL	1							
27	1	124756-77040	COVER, TERMINAL	1							
28	1	124756-77040	COVER, TERMINAL	1							
29	1	124756-77040	COVER, TERMINAL	1							
30	1	124756-77040	COVER, TERMINAL	1							
31	1	1E6910-82500	RELAY, CA-1A	2							
32	1	197830-85490	GROMMET	1							
33	1	26106-060162	BOLT, M6X 16 PLATED	2							
34	1	26106-060162	BOLT, M6X 16 PLATED	1							
35	1	26106-060162	BOLT, M6X 16 PLATED	1							
36	1	26106-060162	BOLT, M6X 16 PLATED	2							
37	1	26106-060162	BOLT, M6X 16 PLATED	1							
38	1	26106-080122	BOLT, M8X 12 PLATED	1							
39	1	26106-080162	BOLT, M8X 16 PLATED	1							
40	1	29622-140001	BAND, RF140	1							
41	1	29622-140001	BAND, RF140	3							
42	1	29622-140001	BAND, RF140	1							
43	1	29622-250001	BAND, RF250	1							
44	1	29622-250001	BAND, RF250	1							W
(A=*2008.06.)											

Fig.134. WIRE HARNESS



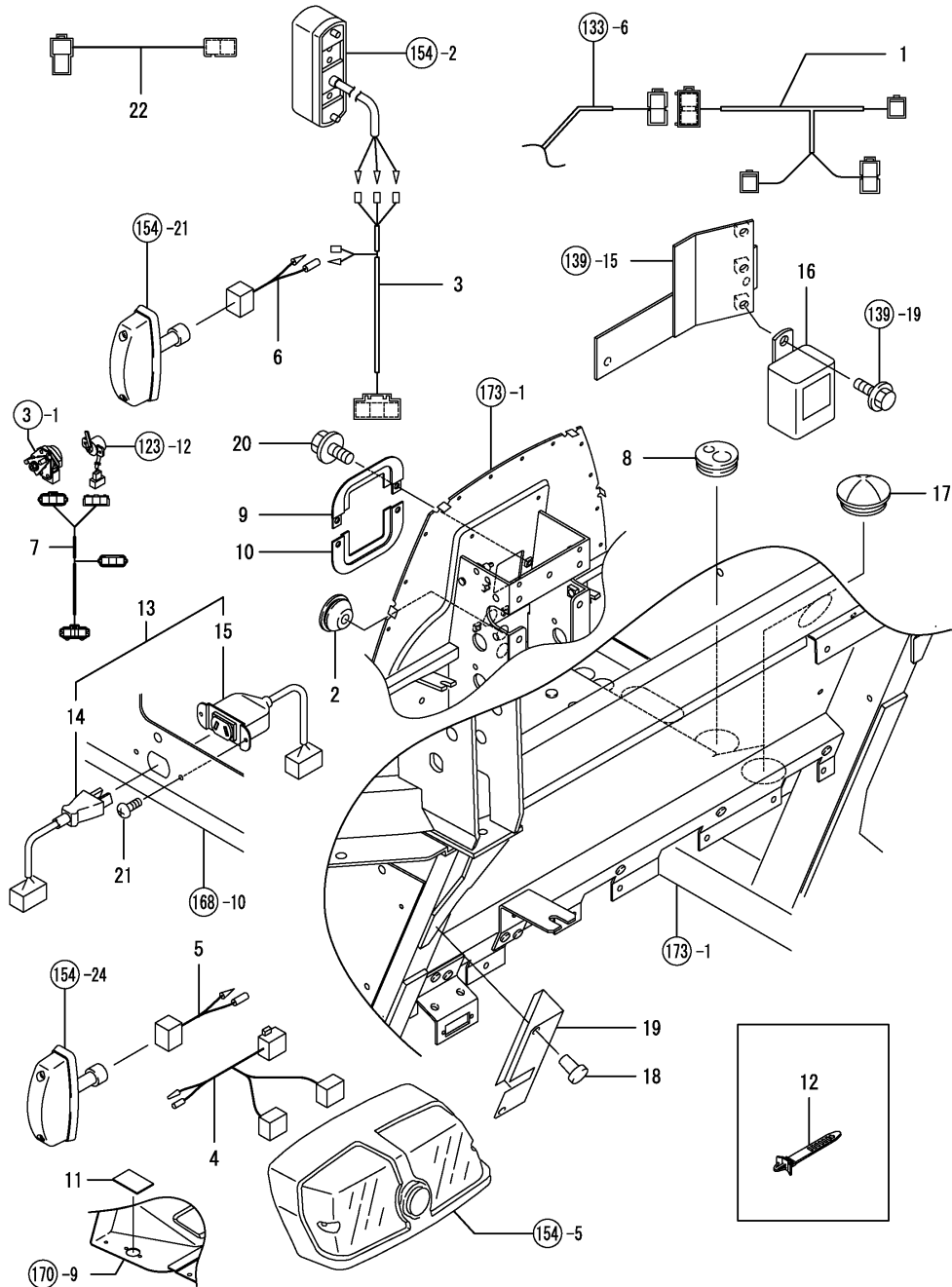
(A)=EG907-AU-PQ
(B)=EG907(CAB-AU-PQ)
(C)=

(D)=
(E)=
(F)=

No.	Lev.	Parts No.	Description	Q'ty						I	R
				(A)	(B)	(C)	(D)	(E)	(F)		
1	1	194990-22130	NUT, M6		1						
2	1	194990-22130	NUT, M6		2						
3	1	194990-22130	NUT, M6		1						
4	1	194990-22140	NUT, M8		1						
5	1	1A7450-51090	CABLE		1						
6	1	1A7450-51115	HARNESS ASSY, WIRE A		1						
7	2	198153-51700	FUSE, SLOW BLOW 80A		3						
8	2	1A7000-52820	FUSE, SLOW BLOW 60A		1						
9	2	29420-150000	FUSE, B 15A		1						
10	1	1A7450-51271	CABLE, HEAD LIGHT		1						
11	1	1A7450-51350	CABLE ASSY, BATTERY		1						
12	1	1A7450-51421	CABLE, BATTERY EARTH		1						
13	1	1A7690-51550	STAY ASSY, RELAY		1						
14	1	194680-51670	BAND, CLIP		2						
15	1	194680-51670	BAND, CLIP		1						
16	1	194680-51670	BAND, CLIP		2						
16-1	1	29622-250001	BAND, RF250		1						N
(B="2008.06.)											
17	1	194680-51670	BAND, CLIP		1						
18	1	194680-51670	BAND, CLIP		2						
19	1	194680-51670	BAND, CLIP		2						
20	1	1A7450-51710	GROMMET, CABLE		1						
21	1	1A7500-51810	SEAL, HARNESS		1						
22	1	198448-51910	CLIP, BAND		2						
23	1	198448-51910	CLIP, BAND		1						
24	1	198220-52180	RELAY, STARTER		1						
25	1	198461-52950	RELAY, CA TYPE C		1						
26	1	124550-77030	COVER, TERMINAL		1						
27	1	124756-77040	COVER, TERMINAL		1						
28	1	124756-77040	COVER, TERMINAL		1						
29	1	124756-77040	COVER, TERMINAL		1						
30	1	124756-77040	COVER, TERMINAL		1						
31	1	1E6910-82500	RELAY, CA-1A		2						
32	1	197830-85490	GROMMET		1						
33	1	26106-060162	BOLT, M6X 16 PLATED		2						
34	1	26106-060162	BOLT, M6X 16 PLATED		1						
35	1	26106-060162	BOLT, M6X 16 PLATED		1						
36	1	26106-060162	BOLT, M6X 16 PLATED		2						
37	1	26106-060162	BOLT, M6X 16 PLATED		1						
38	1	26106-080122	BOLT, M8X 12 PLATED		1						
39	1	26106-080162	BOLT, M8X 16 PLATED		1						
40	1	29622-140001	BAND, RF140		1						
41	1	29622-140001	BAND, RF140		3						
42	1	29622-250001	BAND, RF250		1						
43	1	29622-250001	BAND, RF250		1						W

(B="2008.06.)

Fig.135. WIRE HARNESS

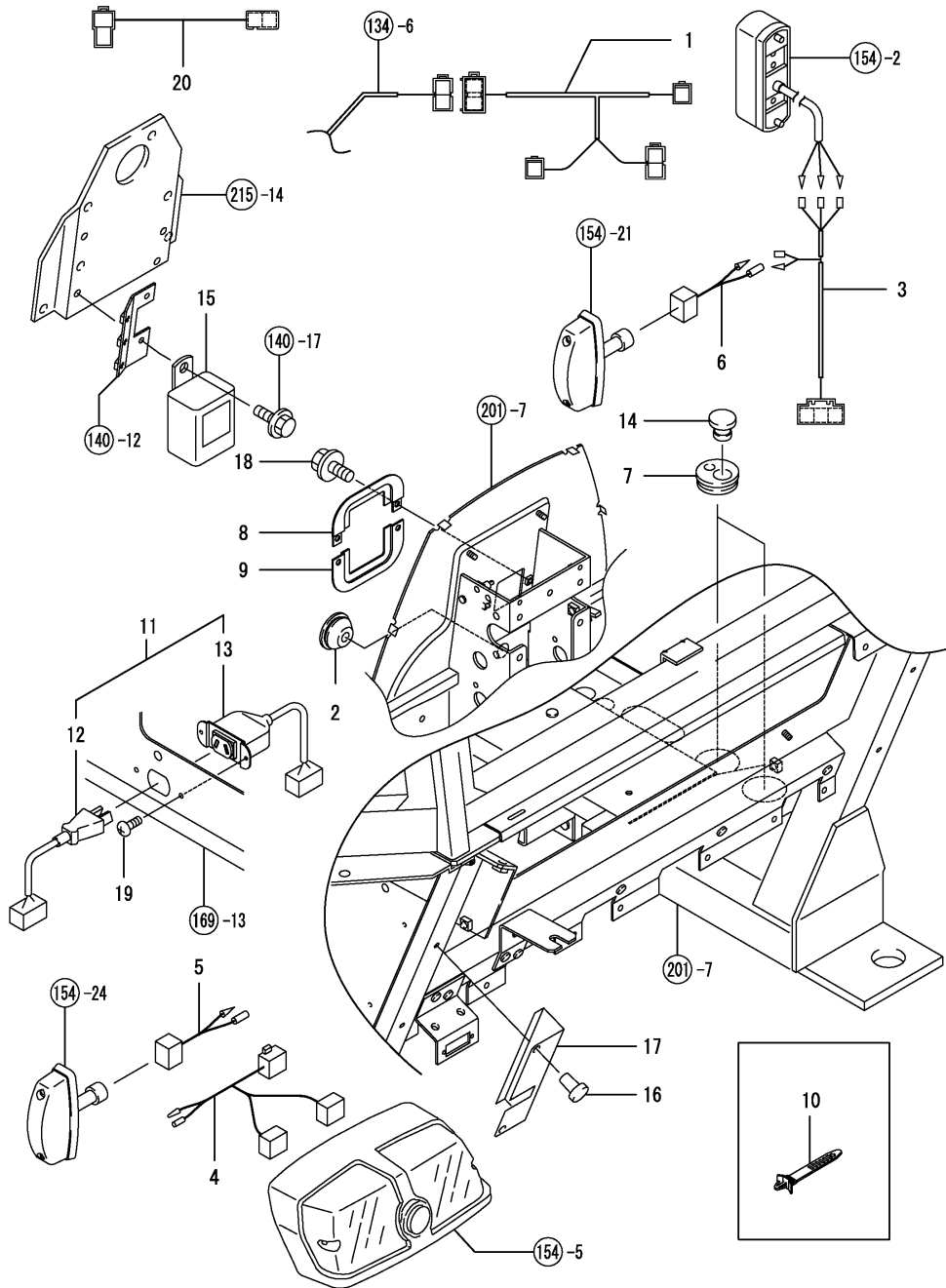


(A)=EG907-AU-PQ
 (B)=EG907(CAB-AU-PQ)
 (C)=

(D)=
 (E)=
 (F)=

No.	Lev.	Parts No.	Description	Q'ty						I	R
				(A)	(B)	(C)	(D)	(E)	(F)		
1	1	1A7450-51200	HARNESS, WIRE	1							
2	1	194275-51210	GROMMET 25	1							
3	1	1A7470-51221	CABLE, FLASHER	2							
4	1	1A7950-51220	CABLE, FLASHER	2							
5	1	1A7890-51230	CABLE, SIDE FLASHER	2							
6	1	1A7890-51230	CABLE, SIDE FLASHER	2							
7	1	1A7450-51260	HARNESS, WIRE	1							
8	1	198448-51320	GROMMET, 50-W	1							
9	1	1A7000-51430	RETAINER, GROMMET FA	1							
10	1	1A7000-51440	RETAINER, GROMMET FB	1							
11	1	1A7500-51810	SEAL, HARNESS	1							
12	1	198448-51910	CLIP, BAND	4							
13	1	198153-52150	CONSENT ASSY	1							Z
		(A=FZZZZZ)									
14	2	198153-51020	PLUG ASSY	1							Z
		(A=FZZZZZ)									
15	2	198153-51040	CONSENT ASSY	1							Z
		(A=FZZZZZ)									
16	1	1A7890-57200	LAMP ASSY, FLASHER	1							
17	1	198153-83870	BOOT, RUBBER	1							
18	1	198010-85810	RIVET, NYLON	4							
19	1	198463-86651	STAY, HARNESS REAR	2							
20	1	26106-060122	BOLT, M6X 12 PLATED	2							
21	1	26557-030162	SCREW, M3X16	2							Z
		(A=FZZZZZ)									
22	1	1A7450-51980	CABLE, POWER SUPPLY	1							W
		(A=FZZZZZ)									

Fig.136. WIRE HARNESS



(A)=EG907-AU-PQ
 (B)=EG907(CAB-AU-PQ
 (C)=

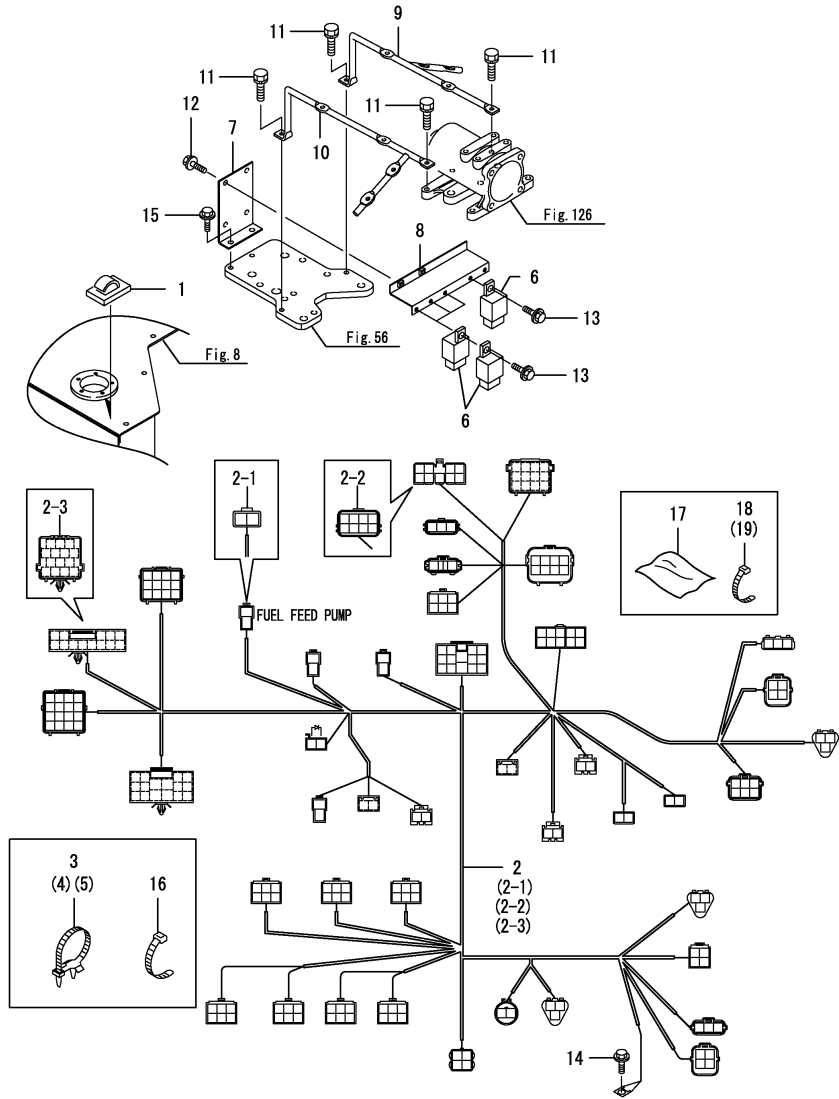
(D)=
 (E)=
 (F)=

No.	Lev.	Parts No.	Description	Q'ty						I	R
				(A)	(B)	(C)	(D)	(E)	(F)		
1	1	1A7450-51200	HARNES, WIRE		1						
2	1	194275-51210	GROMMET 25		1						
3	1	1A7470-51221	CABLE, FLASHER		2						
4	1	1A7950-51220	CABLE, FLASHER		2						
5	1	1A7890-51230	CABLE, SIDE FLASHER		2						
6	1	1A7890-51230	CABLE, SIDE FLASHER		2						
7	1	198448-51320	GROMMET, 50-W		2						
8	1	1A7000-51430	RETAINER, GROMMET FA		1						
9	1	1A7000-51440	RETAINER, GROMMET FB		1						
10	1	198448-51910	CLIP, BAND		4						
11	1	198153-52150	CONSENT ASSY (B=FZZZZZ)		1						Z
12	2	198153-51020	PLUG ASSY (B=FZZZZZ)		1						Z
13	2	198153-51040	CONSENT ASSY (B=FZZZZZ)		1						Z
14	1	194555-56890	GROMMET, 15		2						
15	1	1A7890-57200	LAMP ASSY, FLASHER		1						
16	1	198010-85810	RIVET, NYLON		4						
17	1	198463-86651	STAY, HARNESS REAR		2						
18	1	26106-060122	BOLT, M6X 12 PLATED		2						
19	1	26557-030162	SCREW, M3X16 (B=FZZZZZ)		2						Z
20	1	1A7450-51980	CABLE, POWER SUPPLY (B=FZZZZZ)		1						W

Fig.137. WIRE HARNESS

(A)=EG907-AU-PQ
 (B)=EG907(CAB-AU-PQ
 (C)=

(D)=
 (E)=
 (F)=



No.	Lev.	Parts No.	Description	Q'ty						I	R
				(A)	(B)	(C)	(D)	(E)	(F)		
1	1	172010-07810	STICKER, WIRE	1							
2	1	1A7450-51126	HARNESS ASSY, WIRE B	1							1
2-1	1	1A7450-51127	HARNESS ASSY, WIRE B	1							S
(A=*2008.08.)											
2-2	1	1A7450-51128	HARNESS ASSY, WIRE B	1							S
(A=FZZZZZ)											
2-3	1	1A7450-51129	WIRING HARENSS, B	1							S 2
(A=FXXXXX)											
3	1	194680-51670	BAND, CLIP	1							
4	1	194680-51670	BAND, CLIP	8							
5	1	194680-51670	BAND, CLIP	1							
6	1	198461-52950	RELAY, CA TYPE C	7							
7	1	1A7450-58160	BRACKET, RELAY	1							
8	1	1A7450-58170	STAY, RELAY	1							
9	1	1A7480-58200	STAY, HARNESS	1							
10	1	1A7450-58211	STAY, HARNESS L	1							
11	1	26013-080162	BOLT, M8X 16	4							
12	1	26106-060122	BOLT, M6X 12 PLATED	2							
13	1	26106-060162	BOLT, M6X 16 PLATED	4							
14	1	26106-080122	BOLT, M8X 12 PLATED	1							
15	1	26106-080162	BOLT, M8X 16 PLATED	2							
16	1	29622-140001	BAND, RF140	1							
17	1	1A7480-51910	VS 150X200	2							W
(A=FZZZZZ)											
17-1	1	1A7480-51911	VS 200X200	2							N
(A=FXXXXX)											
17-2	1	1A7480-51911	VS 200X200	2							Z
(A=FXXXXX)											
18	1	29622-140001	BAND, RF140	4							W
(A=FZZZZZ)											
18-1	1	29622-140001	BAND, RF140	4							Z
(A=FXXXXX)											
19	1	29622-250001	BAND, RF250	2							W
(A=FZZZZZ)											
19-1	1	29622-250001	BAND, RF250	2							Z
(A=FXXXXX)											

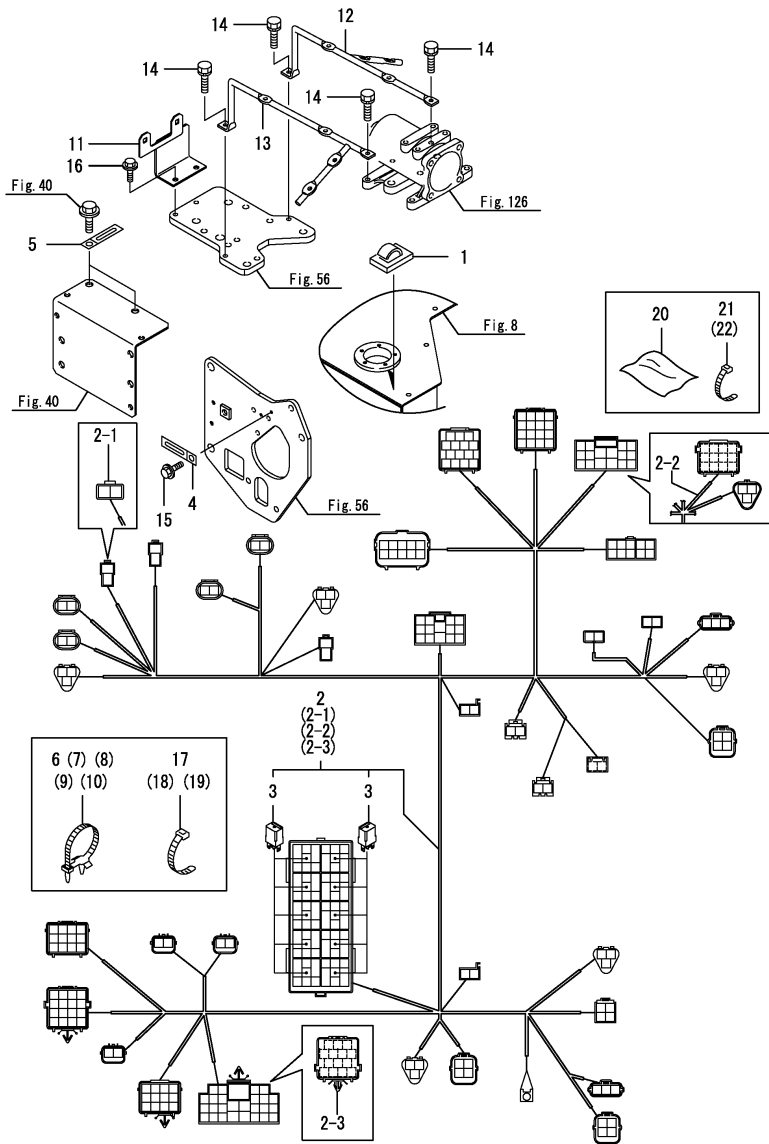
Remarks

- (1) There is an assistant article and refers to Fig.228.
- (2) Fig.39 ref.No.8-1 & Fig.139 ref. No.2-2 Interchangeable by set.

Fig.138. WIRE HARNESS

(A)=EG907-AU-PQ
 (B)=EG907(CAB-AU-PQ)
 (C)=

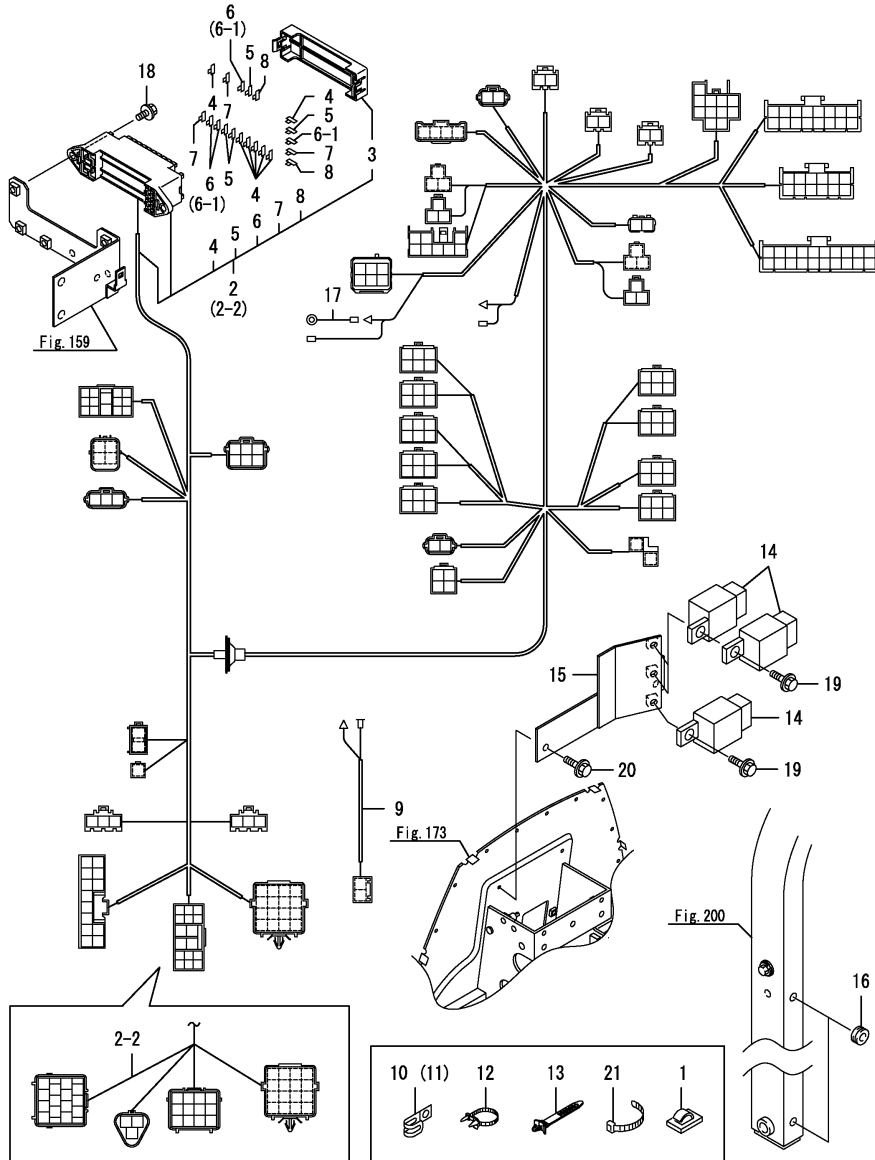
(D)=
 (E)=
 (F)=



No.	Lev.	Parts No.	Description	Q'ty						I	R
				(A)	(B)	(C)	(D)	(E)	(F)		
1	1	172010-07810	STICKER, WIRE		1						
2	1	1A7480-51121	WIRING HERNESS,B		1						1
2-1	1	1A7480-51122	HARNESS ASSY, WIRE B		1						S
		(B=*2008.08.)									
2-2	1	1A7480-51123	HARNESS ASSY, WIRE B (B=FZZZZZ)		1						S
		(B=FXXXXX)									
2-3	1	1A7480-51124	WIRING HERNESS,B (B=FXXXXX)		1						S 2
3	2	1K1140-82500	RELAY(ACM13211M01		10						
4	1	194440-51620	CLAMP		1						
5	1	194440-51620	CLAMP		2						
6	1	194680-51670	BAND, CLIP		4						
7	1	194680-51670	BAND, CLIP		4						
8	1	194680-51670	BAND, CLIP		2						
9	1	194680-51670	BAND, CLIP		3						
9-1	1	194680-51670	BAND, CLIP (B=FXXXXX)		4						K
10	1	194680-51670	BAND, CLIP		1						
11	1	1A7480-58160	BRACKET,RELAY		1						
12	1	1A7480-58200	STAY, HARNESS		1						
13	1	1A7450-58211	STAY, HARNESS L		1						
14	1	26013-080162	BOLT, M8X 16		4						
15	1	26106-060122	BOLT, M6X 12 PLATED		1						
16	1	26106-080162	BOLT, M8X 16 PLATED		2						
17	1	29622-140001	BAND, RF140		1						
18	1	29622-140001	BAND, RF140		1						
19	1	29622-250001	BAND, RF250		3						
20	1	1A7480-51910	VS 150X200 (B=FZZZZZ)		2						W
20-1	1	1A7480-51911	VS 200X200 (B=FXXXXX)		2						N
		(B=FXXXXX)									
20-2	1	1A7480-51911	VS 200X200 (B=FXXXXX)		2						Z
21	1	29622-140001	BAND, RF140 (B=FZZZZZ)		4						W
21-1	1	29622-140001	BAND, RF140 (B=FXXXXX)		4						Z
22	1	29622-250001	BAND, RF250 (B=FZZZZZ)		2						W
22-1	1	29622-250001	BAND, RF250 (B=FXXXXX)		2						Z

Remarks
 (1) There is an assistant article and refers to Fig.228.
 (2) Fig.40 ref.No.14-1, Fig.140 ref. No.3-1 & Fig.144 ref.No.4-2 Interchangeable by set.

Fig.139. WIRE HARNESS



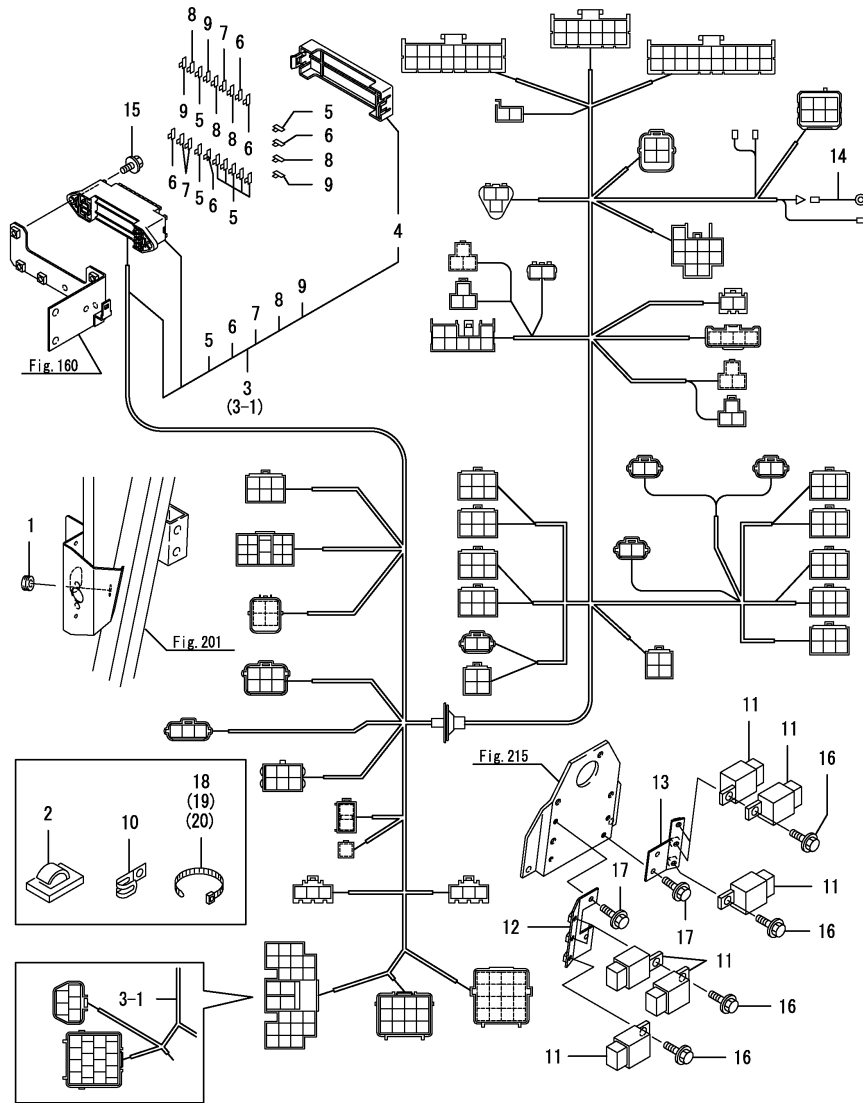
(A)=EG907-AU-PQ
 (B)=EG907(CAB-AU-PQ)
 (C)=

(D)=
 (E)=
 (F)=

No.	Lev.	Parts No.	Description	Q'ty						I	R
				(A)	(B)	(C)	(D)	(E)	(F)		
1	1	172010-07810	STICKER, WIRE	1							
2	1	1A7450-51163	HARNESS ASSY, WIRE F	1							
2-1	1	1A7450-51164	HARNESS ASSY, WIRE F	1							R
(A=FXXXXX)											
2-2	1	1A7450-51165	WIRING HARNESS, FROPS	1							S 1
(A=FXXXXX)											
3	2	198535-52410	COVER, FUSE BOX	1							
4	2	198535-52110	FUSE, 5A	7							
5	2	198535-52120	FUSE, 10A	4							
6	2	198535-52130	FUSE, 15A	3							
6-1	2	198535-52130	FUSE, 15A	4							K
(A=FXXXXX)											
7	2	198535-52140	FUSE, 20A	3							
8	2	1A7450-52180	FUSE, 25A	2							Z
(A=FXXXXX)											
9	1	1A7450-51310	CABLE, TURN SIGNAL	2							
10	1	194180-51640	CLAMP, HARNESS	1							
11	1	194242-51660	CLAMP, WIRE HARNESS	1							
12	1	194680-51670	BAND, CLIP	2							
13	1	198448-51910	CLIP, BAND	4							
14	1	198461-52950	RELAY, CA TYPE C	5							
15	1	1A7450-58250	STAY, RELAY	1							
16	1	197830-85490	GROMMET	4							
17	1	198093-86180	WIRE, WASHER LEAD	1							
18	1	26106-060162	BOLT, M6X 16 PLATED	2							
19	1	26106-060162	BOLT, M6X 16 PLATED	3							
20	1	26106-060162	BOLT, M6X 16 PLATED	2							
21	1	29622-250001	BAND, RF250	1							

Remarks
 (1) Fig.39 ref.No.8-1 & Fig.137 ref.
 No.2-3 Interchangeable by set.

Fig.140. WIRE HARNESS



(A)=EG907-AU-PQ
(B)=EG907(CAB-AU-PQ)
(C)=

(D)=
(E)=
(F)=

No.	Lev.	Parts No.	Description	Qty						I	R
				(A)	(B)	(C)	(D)	(E)	(F)		
1	1	1E8050-05510	GROMMET, SLIT 16X3		2						
2	1	172010-07810	STICKER, WIRE		1						
3	1	1A7480-51161	HARNESS ASSY, WIRE F		1						
3-1	1	1A7480-51162 (B=FXXXXX)	WIRING HERNESS,F		1					S	1
4	2	198535-52410	COVER, FUSE BOX		1						
5	2	198535-52110	FUSE, 5A		8						
6	2	198535-52120	FUSE, 10A		5						
7	2	198535-52130	FUSE, 15A		3						
8	2	198535-52140	FUSE, 20A		4						
9	2	1A7450-52180	FUSE, 25A		3						
10	1	194180-51640	CLAMP, HARNESS		3						
11	1	198461-52950	RELAY, CA TYPE C		10						
12	1	1A7470-58110	STAY, RELAY L		1						
13	1	1A7470-58150	STAY, RELAY R		1						
14	1	198093-86180	WIRE, WASHER LEAD		1						
15	1	26106-060162	BOLT, M6X 16 PLATED		2						
16	1	26106-060162	BOLT, M6X 16 PLATED		7						
17	1	26106-060162	BOLT, M6X 16 PLATED		4						
18	1	29622-250001	BAND, RF250		1						
19	1	29622-250001	BAND, RF250		1						
20	1	29622-250001	BAND, RF250		1						

Remarks

(1)Fig.40 ref.No.14-1, Fig.138 ref.
No.2-2 & Fig.144 ref.No.4-2
Interchangeable by set.

Fig.141. WIRE HARNESS

(A)=EG907-AU-PQ
 (B)=EG907(CAB-AU-PQ
 (C)=

(D)=
 (E)=
 (F)=

No.	Lev.	Parts No.	Description	Q'ty						I	R
				(A)	(B)	(C)	(D)	(E)	(F)		
1	1	1A7450-51220	CABLE, NO PTO	1	1						

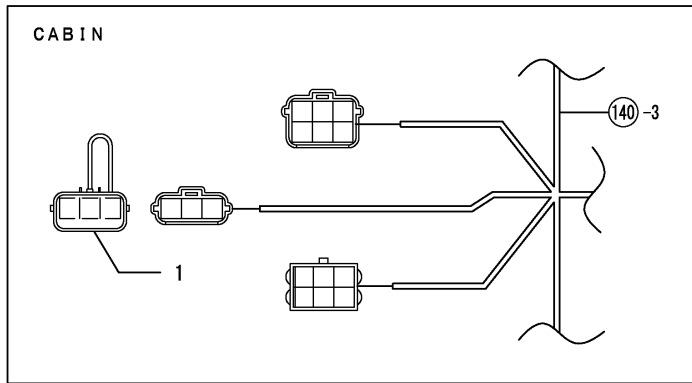
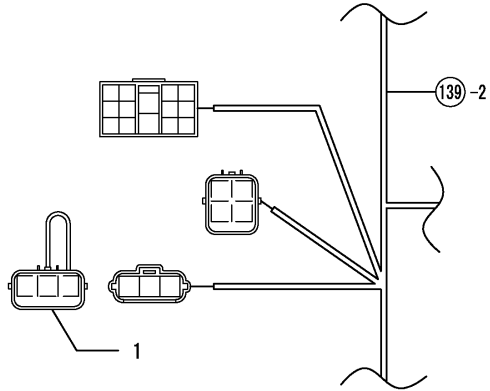


Fig.142. WIRE HARNESS

(A)=EG907-AU-PQ
 (B)=EG907(CAB-AU-PQ
 (C)=

(D)=
 (E)=
 (F)=

No.	Lev.	Parts No.	Description	Q'ty						I	R
				(A)	(B)	(C)	(D)	(E)	(F)		
1	1	1A7450-51230	CABLE, PTO	1	1						

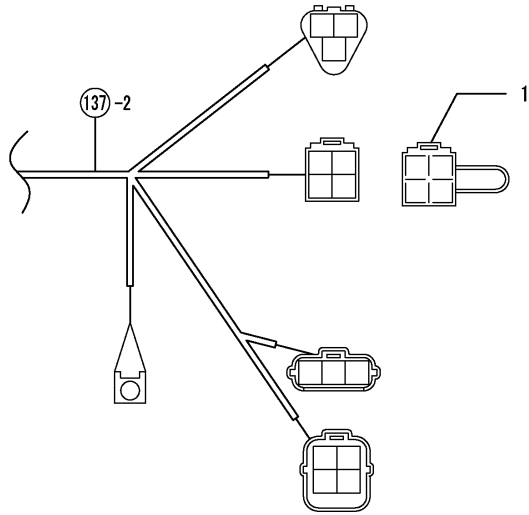
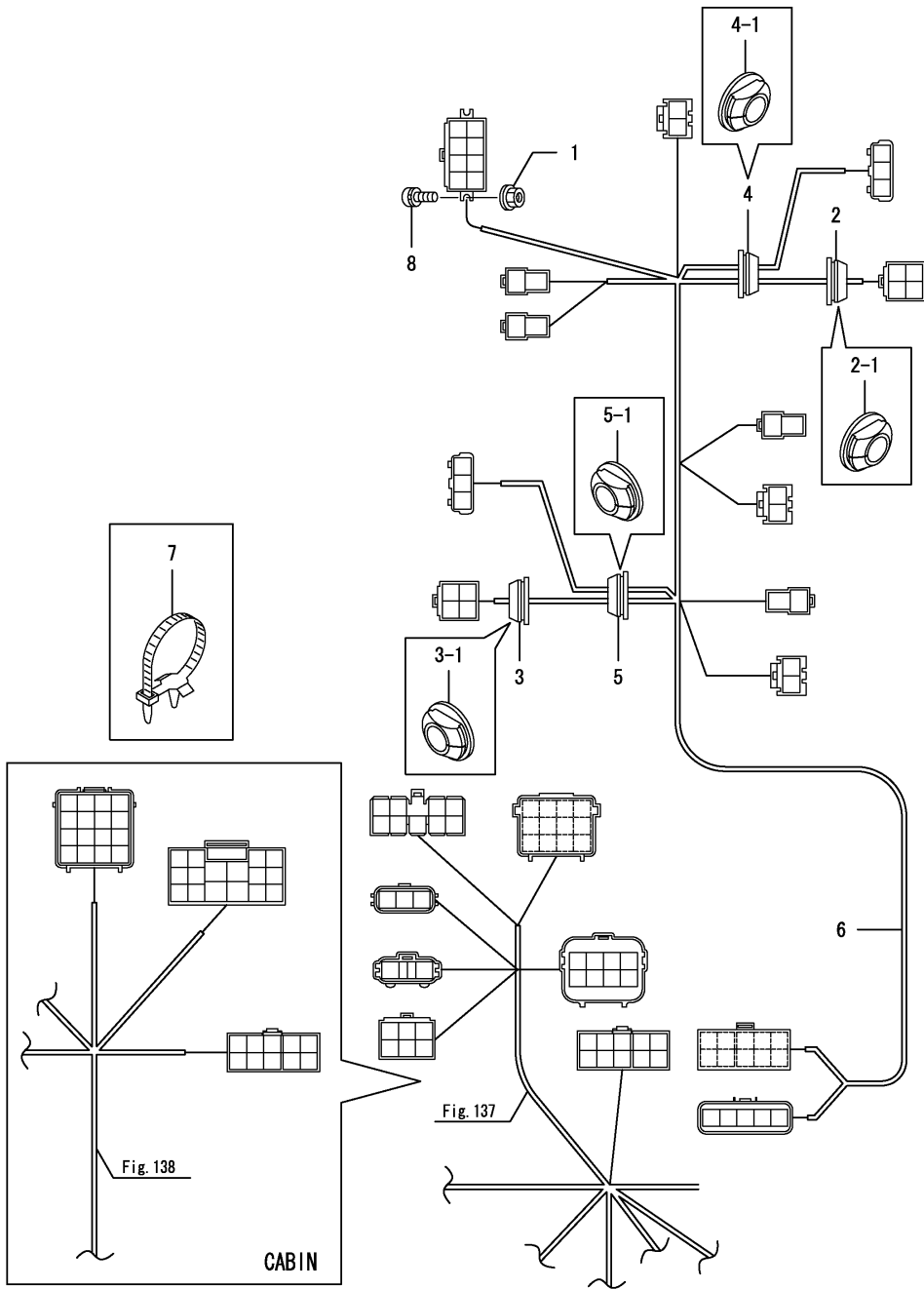


Fig.143. WIRE HARNESS

(A)=EG907-AU-PQ
 (B)=EG907(CAB-AU-PQ
 (C)=

(D)=
 (E)=
 (F)=



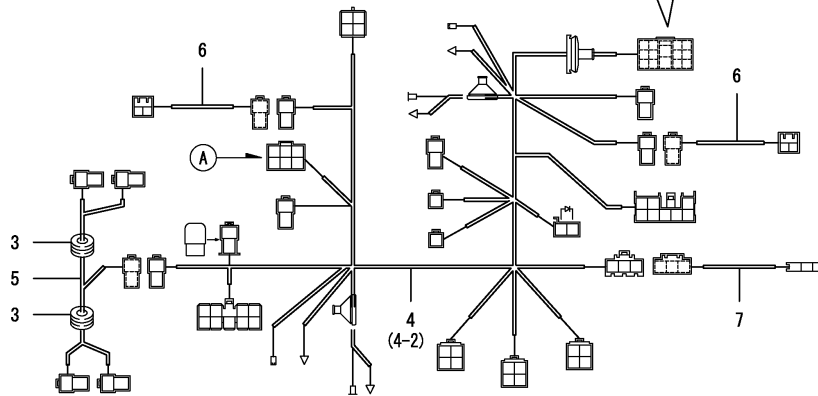
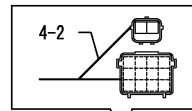
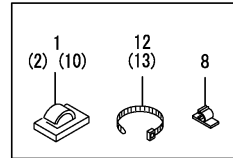
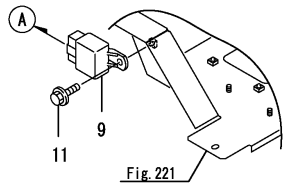
No.	Lev.	Parts No.	Description	Q'ty						I	R
				(A)	(B)	(C)	(D)	(E)	(F)		
1	1	194990-22110	NUT, M4	2	2						
2	1	198245-51210	GROMMET, 25/18	1	1						
2-1	1	1A7641-51410	GROMMET, 35	1	1						S
(A=FZZZZZ) (B=FZZZZZ)											
3	1	198245-51210	GROMMET, 25/18	1	1						
3-1	1	1A7641-51410	GROMMET, 35	1	1						S
(A=FZZZZZ) (B=FZZZZZ)											
4	1	198245-51210	GROMMET, 25/18	1	1						
4-1	1	1A7641-51410	GROMMET, 35	1	1						S
(A=FZZZZZ) (B=FZZZZZ)											
5	1	198245-51210	GROMMET, 25/18	1	1						
5-1	1	1A7641-51410	GROMMET, 35	1	1						S
(A=FZZZZZ) (B=FZZZZZ)											
6	1	1A7450-51241	HARNESS, WIRE	1	1						
7	1	194680-51670	BAND, CLIP	4	4						
8	1	26022-040122	SCREW, M4X12	2	2						

Fig.144. WIRE HARNESS

(A)=EG907-AU-PQ
 (B)=EG907(CAB-AU-PQ
 (C)=

(D)=
 (E)=
 (F)=

No.	Lev.	Parts No.	Description	Q'ty						I	R
				(A)	(B)	(C)	(D)	(E)	(F)		
1	1	172010-07810	STICKER, WIRE		2						
2	1	172010-07810	STICKER, WIRE		2						
3	1	194170-51210	GROMMET 25		2						
4	1	1A7470-51211	HARNESS ASSY, WIRE		1						
4-1	1	1A7470-51212 (B=FXXXXX)	HARNESS ASSY, WIRE		1						N
4-2	1	1A7470-51213 (B=FXXXXX)	WIRING HARNESS, CAB		1						S 1
5	1	1A7470-51281	CABLE, WORK LAMP F		1						
6	1	198268-51290	CABLE, WORK LAMP R		2						
7	1	1A7470-51380	CABLE, ROOM LAMP		1						
8	1	194242-51660	CLAMP, WIRE HARNESS		2						
9	1	198461-52950	RELAY, CA TYPE C		1						
10	1	194680-78350	STICKER, WIRE 18		1						
11	1	26106-060162	BOLT, M6X 16 PLATED		1						
12	1	29622-140001	BAND, RF140		2						
13	1	29622-250001	BAND, RF250		2						



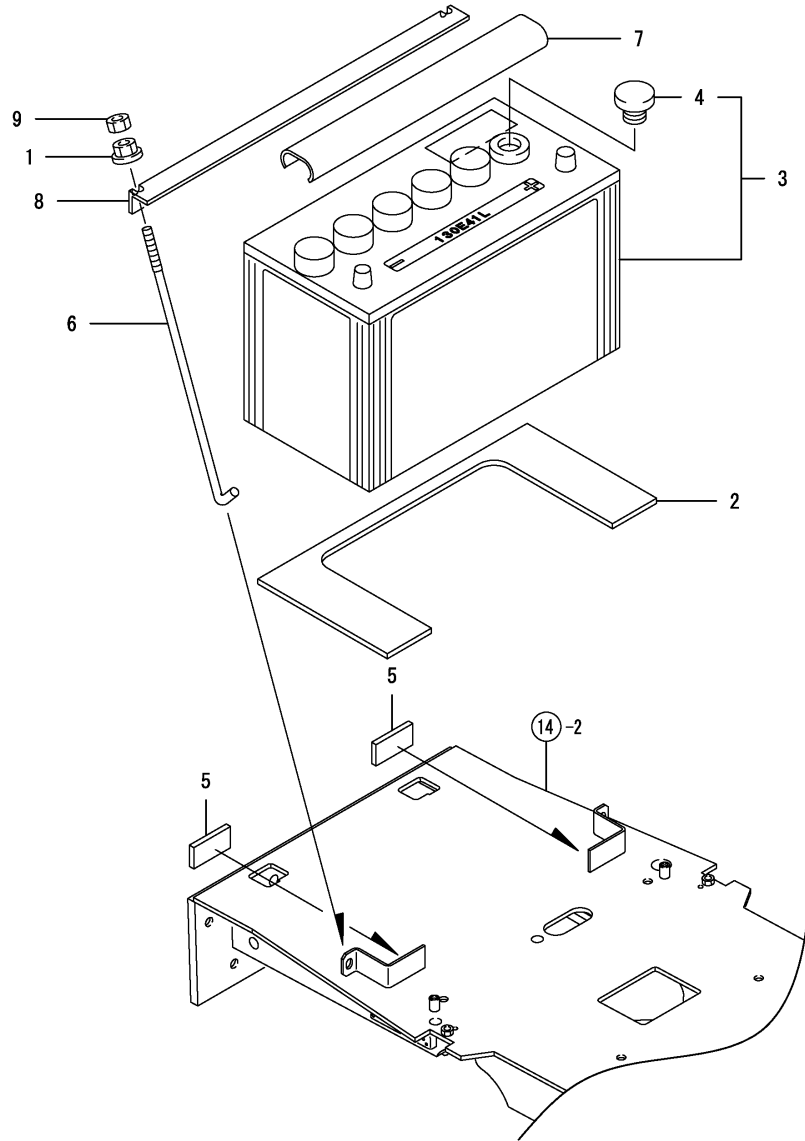
Remarks

(1)Fig.40 ref.No.14-1, Fig.138 ref.
 No.2-2 & Fig.140 ref.No.3-1
 Interchangeable by set.

Fig.145. BATTERY

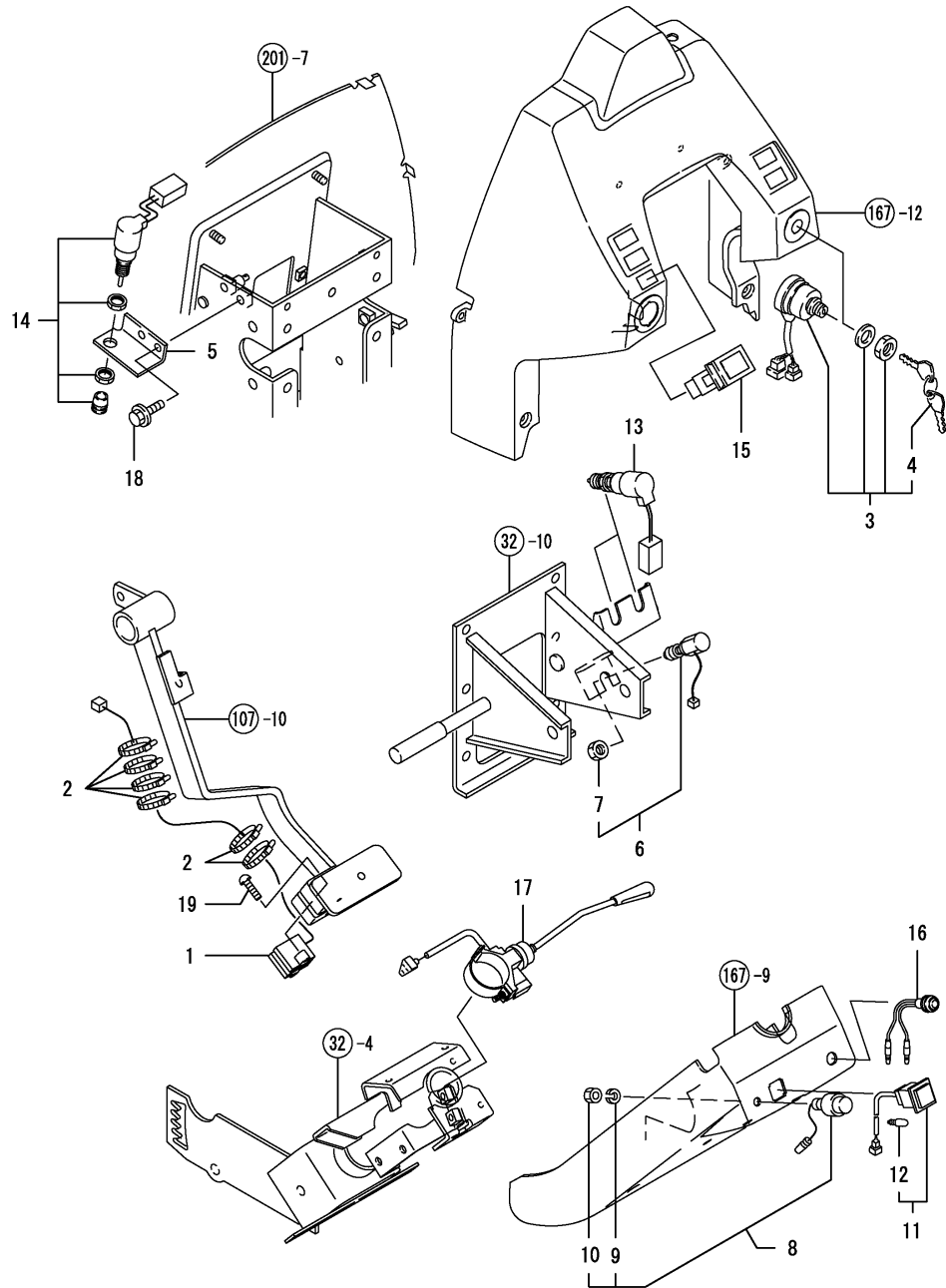
(A)=EG907-AU-PQ
 (B)=EG907(CAB-AU-PQ)
 (C)=

(D)=
 (E)=
 (F)=



No.	Lev.	Parts No.	Description	Q'ty						I	R
				(A)	(B)	(C)	(D)	(E)	(F)		
1	1	194990-22140	NUT, M8	2	2						
2	1	198448-51510	RUBBER, SPACER	1	1						
3	1	198450-51510	BATTERY SY210-10L	1	1						
4	2	198327-51530	CAP, BATTERY	6	6						
5	1	1A7450-51510	RUBBER, BATTERY	2	2						
6	1	1A7450-51541	ROD, BATTERY CLAMP	2	2						
7	1	194145-51550	COVER, BATTERY	1	1						
8	1	194680-51560	CLAMP, BATTERY	1	1						
9	1	26716-080002	NUT, M8	2	2						

Fig.146. SWITCH



(A)=EG907-AU-PQ
(B)=EG907(CAB-AU-PQ
(C)=

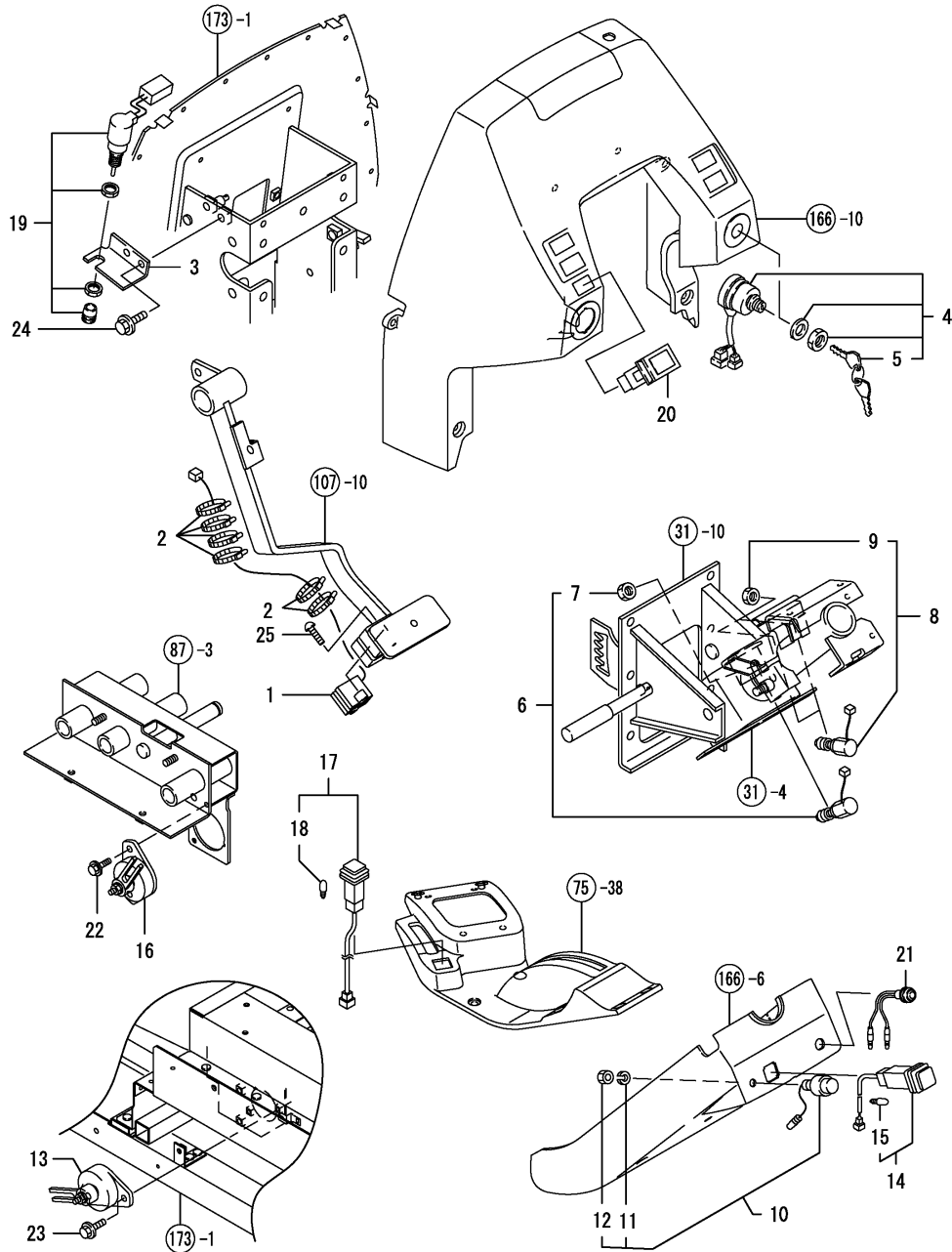
(D)=
(E)=
(F)=

No.	Lev.	Parts No.	Description	Q'ty						I	R
				(A)	(B)	(C)	(D)	(E)	(F)		
1	1	1C6900-07200	SWITCH, COUPLING		1						
2	1	198153-51810	BAND, NYLON 150		6						
3	1	1A7450-52110	SWITCH ASSY, STARTER		1						
4	2	1A7450-52130	KEY ASSY		1						
5	1	1A7480-52110	STAY, CLUTCH SWITCH		1						
6	1	198223-52150	SWITCH, STOP LAMP		1						
7	2	26776-120002	NUT, LOCK M12		1						
8	1	194150-52160	SWITCH, HORN		1						
9	2	22217-080000	WASHER, SPRING 8		1						
10	2	26736-080002	NUT, M8		1						
11	1	1A7450-52210	SWITCH ASSY		1						
12	2	1A7450-52230	BULB, WITH SOCKET		1						
13	1	1A7600-52222	SWITCH, RANGE SHIFT		2						
13-1	1	1A7600-52223	SWITCH, RANGE SHIFT		2						N
(B=*2009.01.)											
14	1	1A7480-52250	SWITCH, CLUTCH		1						
15	1	1A7450-52450	SWITCH, HAZARD		1						
16	1	1A7450-52580	SWITCH, PUSH		1						
17	1	1A7480-78650	SWITCH ASSY		1						
18	1	26106-080162	BOLT, M8X 16 PLATED		2						
19	1	26557-050162	SCREW, M5X16		2						

Fig.147. SWITCH

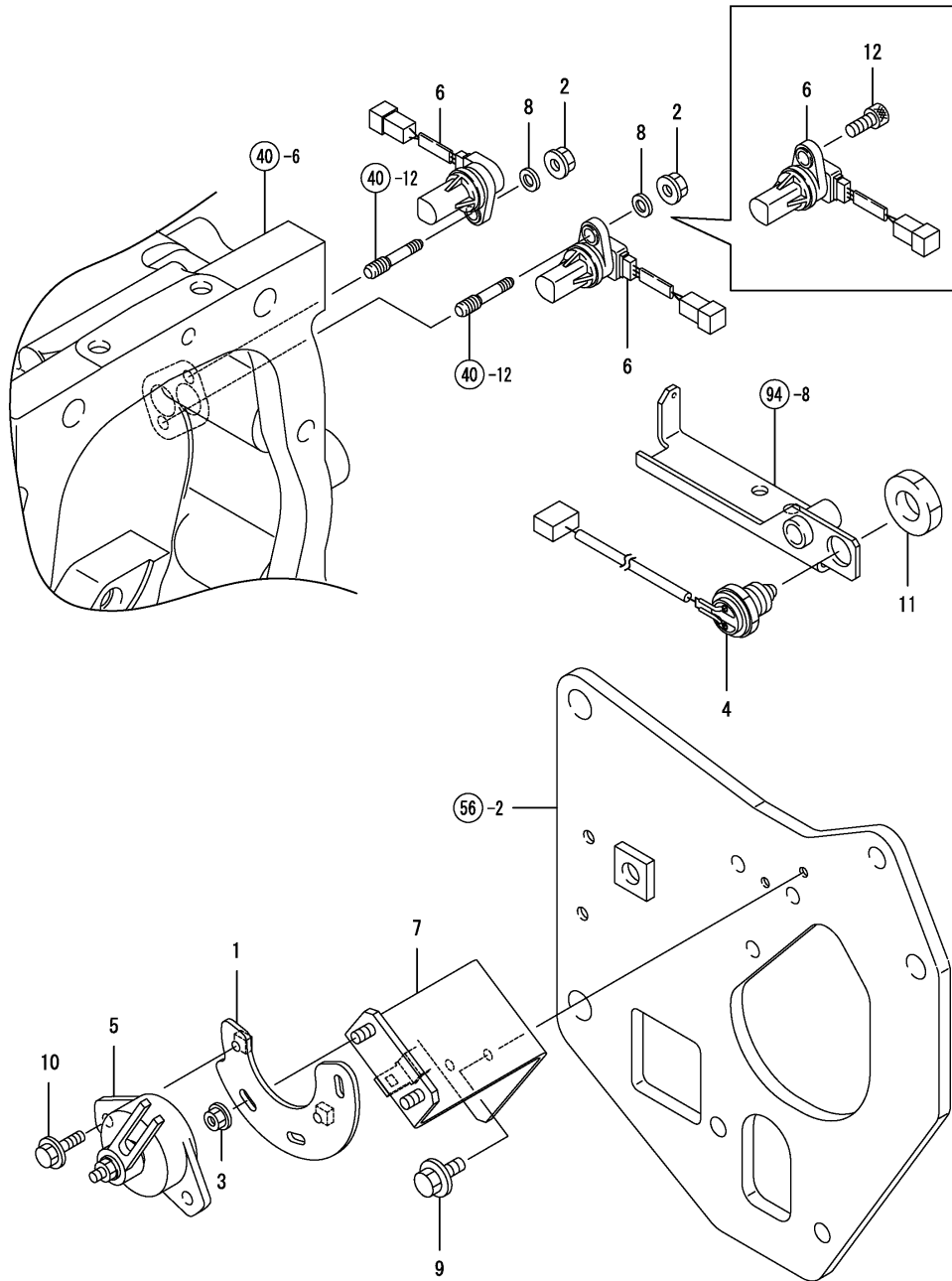
(A)=EG907-AU-PQ
 (B)=EG907(CAB-AU-PQ
 (C)=

(D)=
 (E)=
 (F)=



No.	Lev.	Parts No.	Description	Q'ty						I	R
				(A)	(B)	(C)	(D)	(E)	(F)		
1	1	1C6900-07200	SWITCH, COUPLING	1							
2	1	198153-51810	BAND, NYLON 150	6							
3	1	198448-52111	STAY, SWITCH	1							
4	1	1A7450-52110	SWITCH ASSY, STARTER	1							
5	2	1A7450-52130	KEY ASSY	1							
6	1	198223-52150	SWITCH, STOP LAMP	1							
7	2	26776-120002	NUT, LOCK M12	1							
8	1	198223-52150	SWITCH, STOP LAMP	2							
9	2	26776-120002	NUT, LOCK M12	2							
10	1	194150-52160	SWITCH, HORN	1							
11	2	22217-080000	WASHER, SPRING 8	1							
12	2	26736-080002	NUT, M8	1							
13	1	198072-52180	SWITCH, NR	1							
14	1	1A7450-52210	SWITCH ASSY	1							
15	2	1A7450-52230	BULB, WITH SOCKET	1							
16	1	198448-52250	SWITCH, PTO LEVER	1							
17	1	1A7450-52250	SWITCH ASSY	1							
18	2	198133-78840	LAMP ASSY	1							
19	1	1A7480-52250	SWITCH, CLUTCH	1							
20	1	1A7450-52450	SWITCH, HAZARD	1							
21	1	1A7450-52580	SWITCH, PUSH	1							
22	1	26106-060162	BOLT, M6X 16 PLATED	2							
23	1	26106-060162	BOLT, M6X 16 PLATED	2							
24	1	26106-080162	BOLT, M8X 16 PLATED	2							
25	1	26557-050162	SCREW, M5X16	2							

Fig.149. SWITCH



(A)=EG907-AU-PQ
 (B)=EG907(CAB-AU-PQ
 (C)=

(D)=
 (E)=
 (F)=

No.	Lev.	Parts No.	Description	Q'ty						I	R
				(A)	(B)	(C)	(D)	(E)	(F)		
1	1	1A7260-18540	PLATE, SWITCH		1						
2	1	194990-22130 (B=FZZZZZ)	NUT, M6		2						Z
3	1	194990-22130	NUT, M6		2						
4	1	198269-52190	SWITCH, SAFETY		1						
5	1	198448-52250	SWITCH, PTO LEVER		1						
6	1	1A7480-52510	SENSOR, ROTATION		2						
7	1	1A7480-58110	STAY, SWITCH		1						
8	1	198129-78710 (B=FZZZZZ)	SPACER, 6-10		2						Z
9	1	26106-060122	BOLT, M6X 12 PLATED		2						
10	1	26106-060162	BOLT, M6X 16 PLATED		2						
11	1	26776-180002	NUT, LOCK M18		1						
12	1	26450-060122 (B=FZZZZZ)	BOLT, M6X 12		2						W

Fig.150. SWITCH

(A)=EG907-AU-PQ
 (B)=EG907(CAB-AU-PQ
 (C)=

(D)=
 (E)=
 (F)=

No.	Lev.	Parts No.	Description	Q'ty						I	R
				(A)	(B)	(C)	(D)	(E)	(F)		
1	1	1A7450-19100	COVER, SWITCH	1	1						
2	1	198133-52170	TUBE, CORRUGATED 13	1	1						
3	1	1A7260-52190	SWITCH, HIGH GRIP	1	1						
4	1	24311-000180	O-RING, 1AP18.0	1	1						
5	1	26106-080162	BOLT, M8X 16 PLATED	2	2						

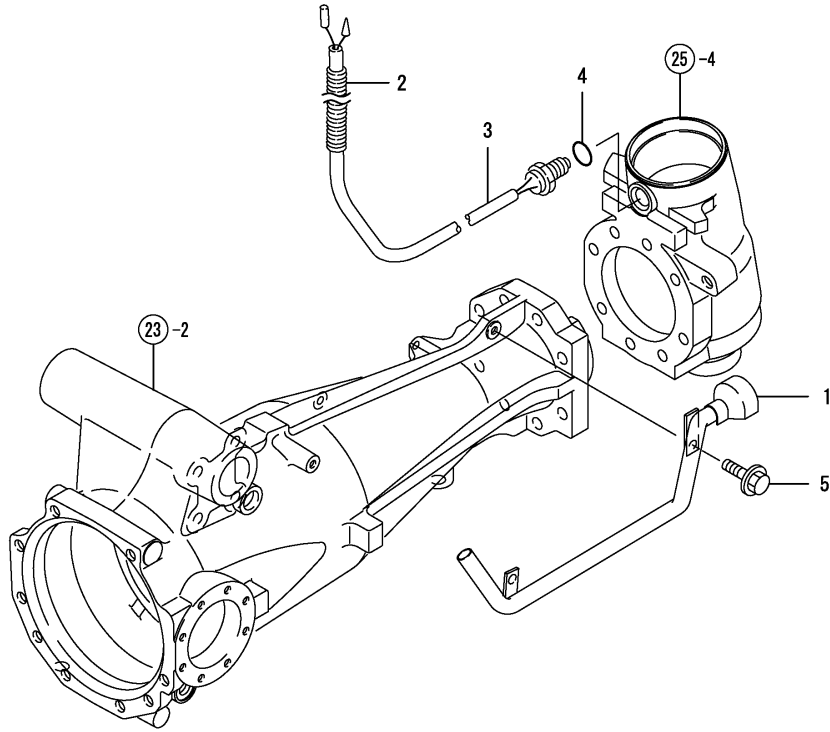


Fig.151. SWITCH

(A)=EG907-AU-PQ
 (B)=EG907(CAB-AU-PQ
 (C)=

(D)=
 (E)=
 (F)=

No.	Lev.	Parts No.	Description	Q'ty						I	R
				(A)	(B)	(C)	(D)	(E)	(F)		
1	1	194150-52170	CAP. SWITCH	1							
2	1	198448-52220	SWITCH ASSY, LIGHT	1							
3	1	26023-040102	SCREW, M4X10	2							

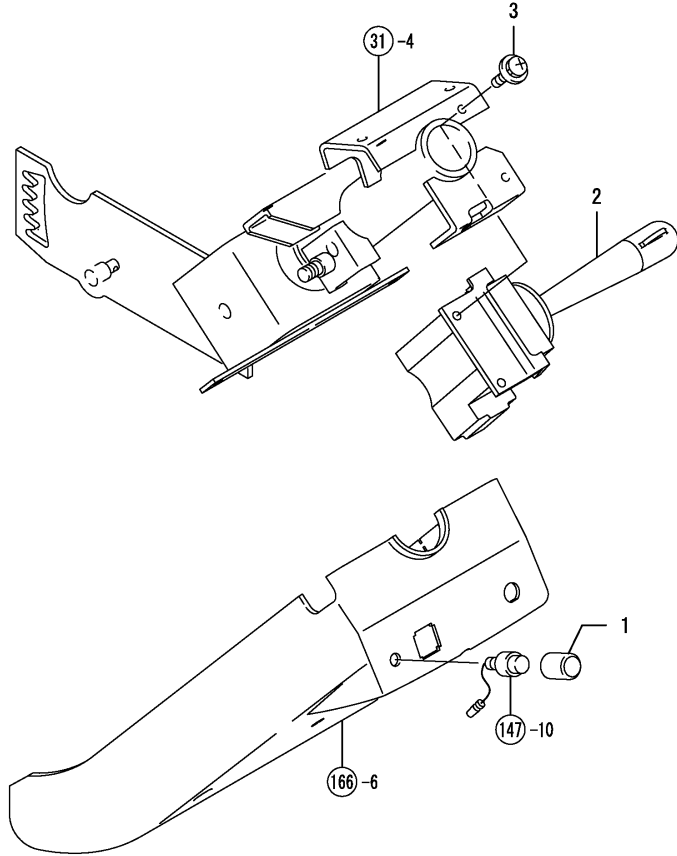


Fig.152. SWITCH

(A)=EG907-AU-PQ
 (B)=EG907(CAB-AU-PQ
 (C)=

(D)=
 (E)=
 (F)=

No.	Lev.	Parts No.	Description	Q'ty						I	R
				(A)	(B)	(C)	(D)	(E)	(F)		
1	1	1A7480-52130	STAY, SWITCH		1						
2	1	198448-52210	SWITCH ASSY, LIGHT		1						
3	1	26023-040102	SCREW, M4X10		2						
4	1	26106-060122	BOLT, M6X 12 PLATED		2						

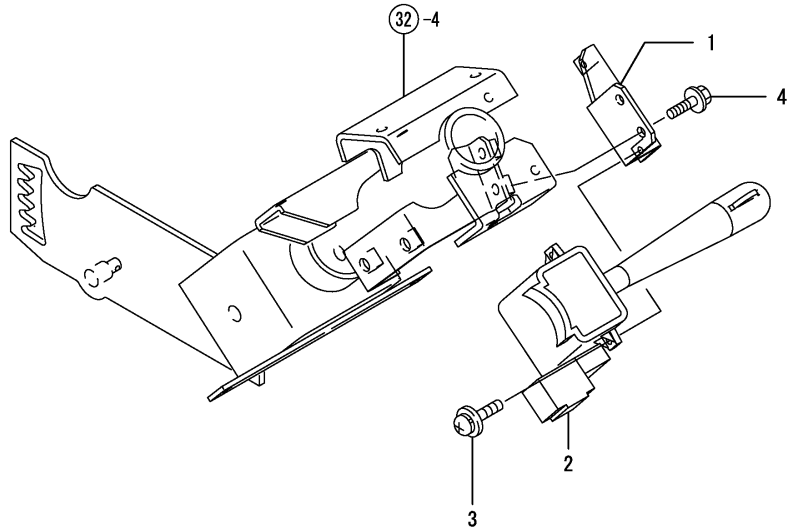
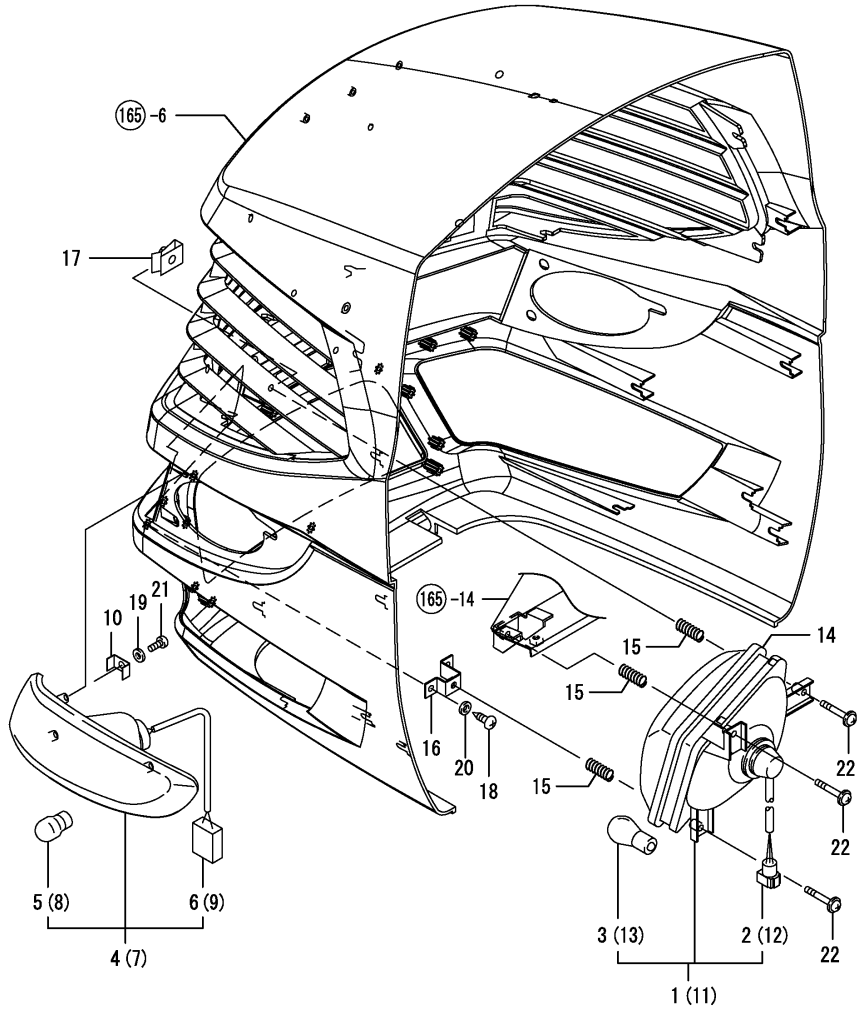


Fig.153. LAMP(MAIN)

(A)=EG907-AU-PQ
 (B)=EG907(CAB-AU-PQ
 (C)=

(D)=
 (E)=
 (F)=



No.	Lev.	Parts No.	Description	Q'ty						I	R
				(A)	(B)	(C)	(D)	(E)	(F)		
1	1	1A7450-53200	LAMP ASSY, HEAD L	1	1						
2	2	1A7450-53230	WIRE ASSY, LEAD	1	1						
3	2	198448-53320	BULB, 12V45/45W	1	1						
4	1	1A7450-53252	LAMP ASSY, SIDE L	1	1						
5	2	1A7450-53370	BULB, 12V21W	1	1						
6	2	1A7450-53380	WIRE ASSY, LEAD	1	1						
7	1	1A7450-53262	LAMP ASSY, SIDE R	1	1						
8	2	1A7450-53370	BULB, 12V21W	1	1						
9	2	1A7450-53380	WIRE ASSY, LEAD	1	1						
10	1	1A7450-53290	BRACKET, SIDE LAMP	6	6						
11	1	1A7450-53300	LAMP ASSY, HEAD R	1	1						
12	2	1A7450-53230	WIRE ASSY, LEAD	1	1						
13	2	198448-53320	BULB, 12V45/45W	1	1						
14	1	1A7260-53350	SEAL, HEAD LAMP	2	2						
15	1	198153-53410	SPRING, ADJUST	6	6						
16	1	1A7450-61400	BRACKET ASSY, LAMP R	2	2						
17	1	198071-61890	NUT, SPEED M6	2	2						
18	1	198071-78420	SCREW, TAPPING M5X10	4	4						
18-1	1	22857-500101	SCREW 5X10,TAPPING	4	4						N
		(A=FXXXXX) (B=FXXXXX)									
19	1	22137-060000	WASHER, 6	6	6						
20	1	22137-060000	WASHER, 6	4	4						
21	1	22857-600101	SCREW, 6X10	6	6						
22	1	26557-060402	SCREW, M6X40	6	6						

Fig.154. LAMP(CABFLOOR)

(A)=EG907-AU-PQ
 (B)=EG907(CAB-AU-PQ)
 (C)=

(D)=
 (E)=
 (F)=

No.	Lev.	Parts No.	Description	Q'ty						I	R
				(A)	(B)	(C)	(D)	(E)	(F)		
1	1	194990-22120	NUT, M5	4	4						
2	1	1A7890-53400	LAMP ASSY	2	2						
3	2	198360-53630	BULB 12V-10W	2	2						
4	2	1E9170-81270	VALVE, 12V 21W	2	2						
5	1	1A7890-53600	LAMP ASSY, L	1	1						
6	2	198071-53610	LENS, L	1	1						
7	2	1A7890-53630	BULB, 12V21W	1	1						
8	2	198071-53660	SCREW, TAPPING M5X25	2	2						
9	2	198071-53670	LENS, RED L	1	1						
10	2	1A7890-53680	BULB, 12V21/5W	1	1						
11	2	1A7890-53710	SOCKET	1	1						
12	2	1A7890-53720	SOCKET	1	1						
13	1	1A7890-53700	LAMP ASSY, R	1	1						
14	2	1A7890-53630	BULB, 12V21W	1	1						
15	2	198071-53660	SCREW, TAPPING M5X25	2	2						
16	2	1A7890-53680	BULB, 12V21/5W	1	1						
17	2	198071-53710	LENS, R	1	1						
18	2	1A7890-53710	SOCKET	1	1						
19	2	1A7890-53720	SOCKET	1	1						
20	2	198071-53770	LENS, RED R	1	1						
21	1	1A7890-53810	LAMP, TURN SIGNAL	2	2						
22	2	1A7890-53820	BULB, 12V/3W	2	2						
23	2	1A7890-53840	PACKING	2	2						
24	1	1A7890-53810	LAMP, TURN SIGNAL	2	2						
25	2	1A7890-53820	BULB, 12V/3W	2	2						
26	2	1A7890-53840	PACKING	2	2						
27	1	198535-54500	LAMP ASSY, BACK	1	1						
28	2	1A7020-54510	LENS	1	1						
29	2	1A7020-54540	SCREW	2	2						
30	2	1A7020-54560	BULB, 12V15W	1	1						
31	1	194990-22140	NUT, M8	4	4						

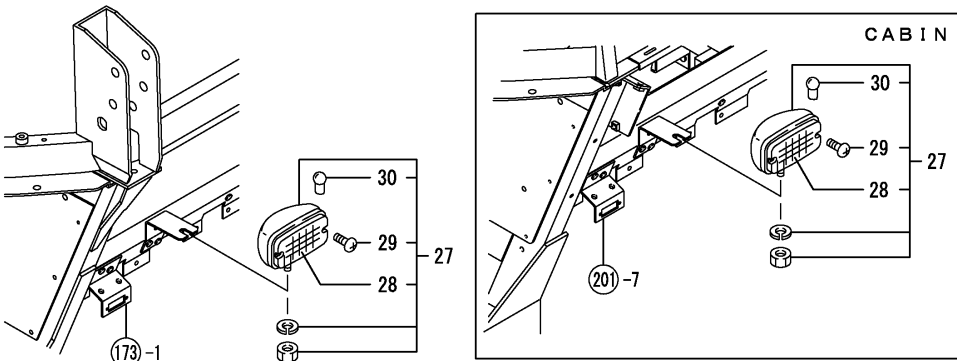
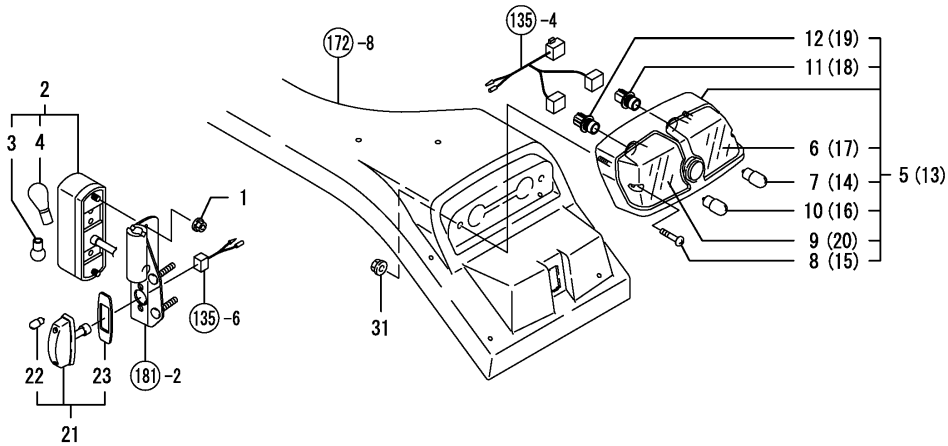
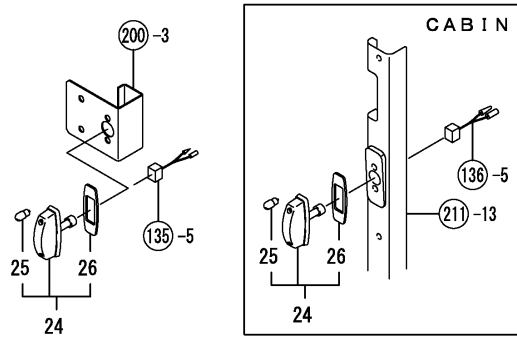
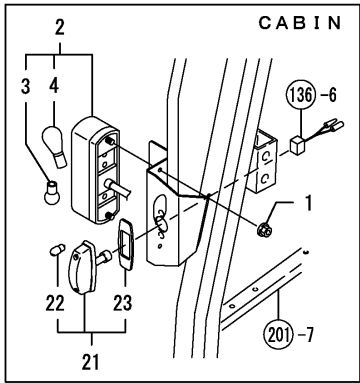
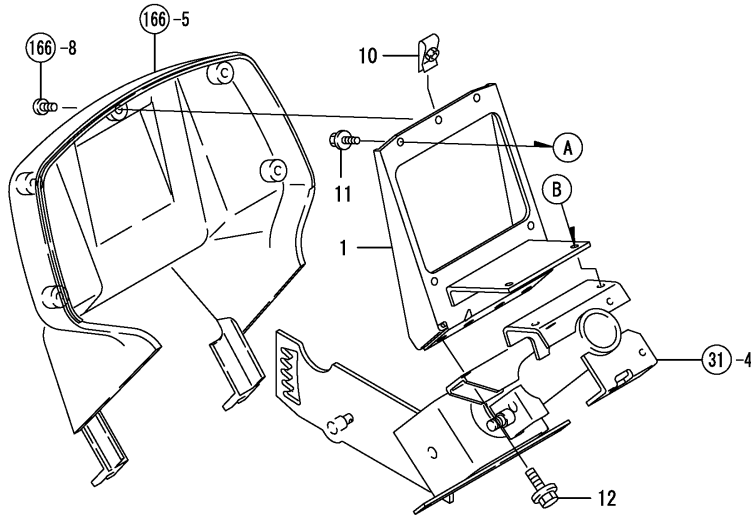
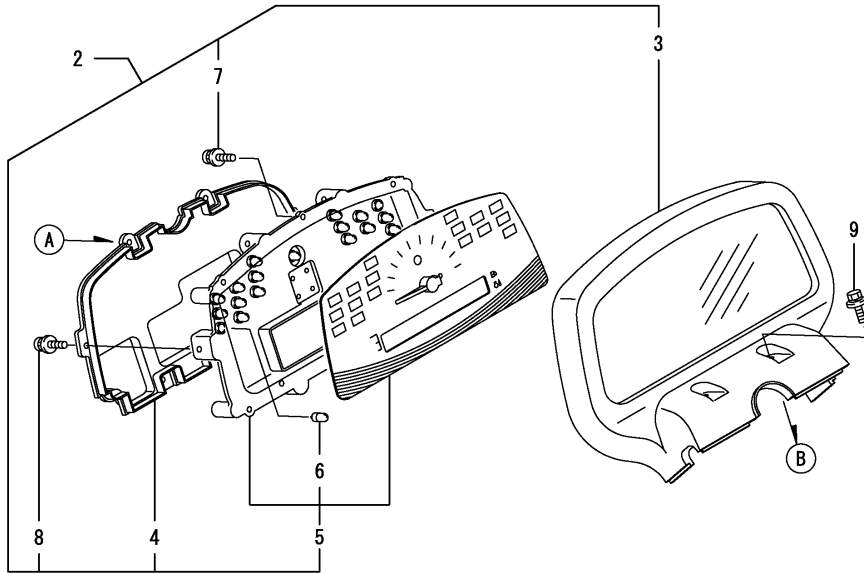


Fig.155. METER

(A)=EG907-AU-PQ
 (B)=EG907(CAB-AU-PQ)
 (C)=

(D)=
 (E)=
 (F)=

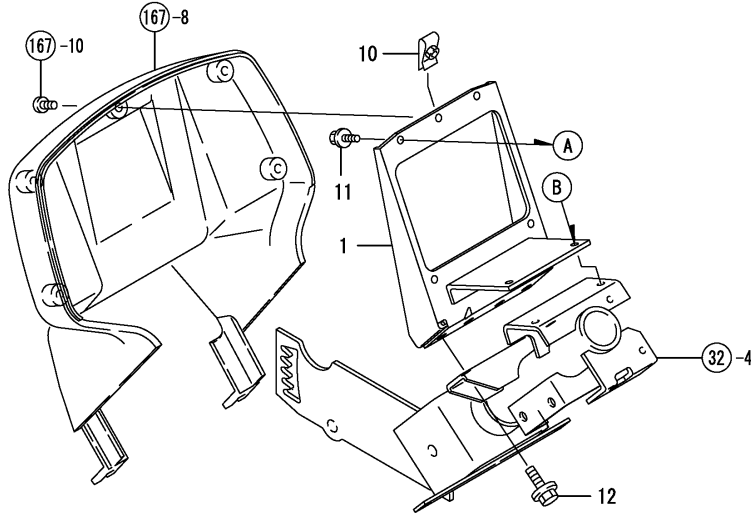
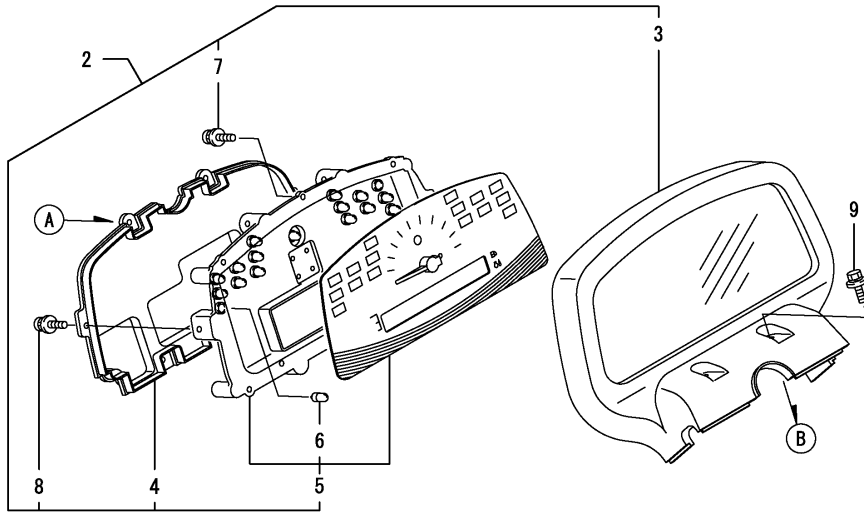


No.	Lev.	Parts No.	Description	Q'ty						I	R
				(A)	(B)	(C)	(D)	(E)	(F)		
1	1	198448-56050	BRACKET, COMBINAT.M.	1							
1-1	1	198448-56051	BRACKET, METER	1							N
(A=FXXXXX)											
1-2	1	1A6380-56050	BRACKET ASSY, METER	1							R
(A=FXXXXX)											
2	1	1A7480-56050	METER ASSY	1							
3	2	1A7450-56170	CASE, UPPER	1							
4	2	1A7450-56180	COVER	1							
5	2	1A7480-56300	TACHOMETER ASSY	1							
6	3	198448-56150	BULB, 14V-1.4W	18							
7	2	129574-91580	SCREW 4X16	6							
8	2	129574-91580	SCREW 4X16	2							
9	1	198461-60590	BOLT, M6X20	2							
10	1	194167-61650	NUT 5008	1							
11	1	26106-060122	BOLT, M6X 12 PLATED	4							
12	1	26106-080162	BOLT, M8X 16 PLATED	2							

Fig.156. METER

(A)=EG907-AU-PQ
 (B)=EG907(CAB-AU-PQ
 (C)=

(D)=
 (E)=
 (F)=



No.	Lev.	Parts No.	Description	Q'ty						I	R
				(A)	(B)	(C)	(D)	(E)	(F)		
1	1	198448-56050	BRACKET, COMBINAT.M.		1						
1-1	1	198448-56051 (B=FXXXXX)	BRACKET, METER		1						N
1-2	1	1A6380-56050 (B=FXXXXX)	BRACKET ASSY, METER		1						R
2	1	1A7480-56070	METER ASSY		1						
3	2	1A7450-56170	CASE, UPPER		1						
4	2	1A7450-56180	COVER		1						
5	2	1A7480-56350	TACHOMETER ASSY		1						
6	3	198448-56150	BULB, 14V-1.4W		18						
7	2	129574-91580	SCREW 4X16		6						
8	2	129574-91580	SCREW 4X16		2						
9	1	198461-60590	BOLT, M6X20		2						
10	1	194167-61650	NUT 5008		1						
11	1	26106-060122	BOLT, M6X 12 PLATED		4						
12	1	26106-080162	BOLT, M8X 16 PLATED		2						

Fig.157. HORN

(A)=EG907-AU-PQ
 (B)=EG907(CAB-AU-PQ
 (C)=

(D)=
 (E)=
 (F)=

No.	Lev.	Parts No.	Description	Q'ty						I	R
				(A)	(B)	(C)	(D)	(E)	(F)		
1	1	1C7100-08150	HORN ASSY	1	1						
2	1	194990-22130	NUT, M6	2	2						
3	1	129467-44580	MOUNT, RUBBER	2	2						
4	1	1A7000-57210	COLLAR, 7X11X14	2	2						
5	1	22157-060000	WASHER, 6	2	2						
6	1	26106-060252	BOLT, M6X 25 PLATED	2	2						

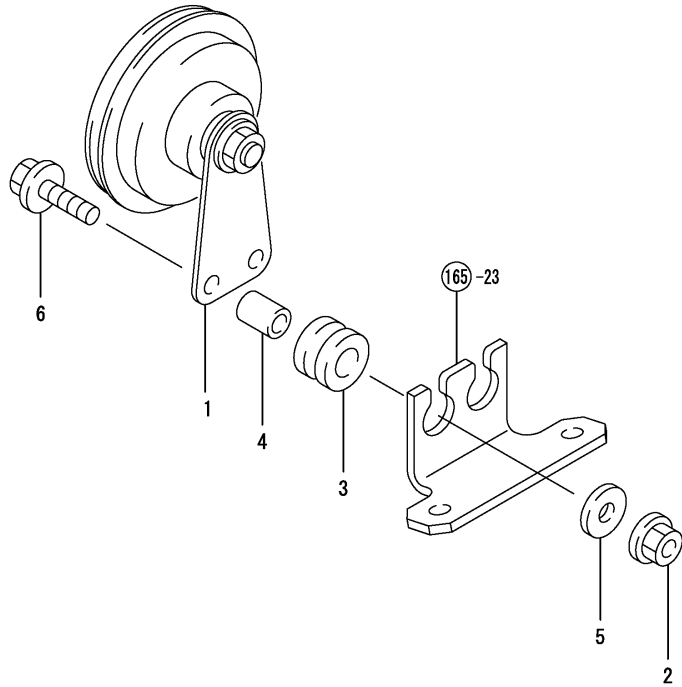


Fig.158. BACKBUZZER

(A)=EG907-AU-PQ
 (B)=EG907(CAB-AU-PQ
 (C)=

(D)=
 (E)=
 (F)=

No.	Lev.	Parts No.	Description	Q'ty						I	R
				(A)	(B)	(C)	(D)	(E)	(F)		
1	1	198071-57110	BUZZER, BACK	1	1						
2	1	198093-85650	BOLT, M6X16	1	1						

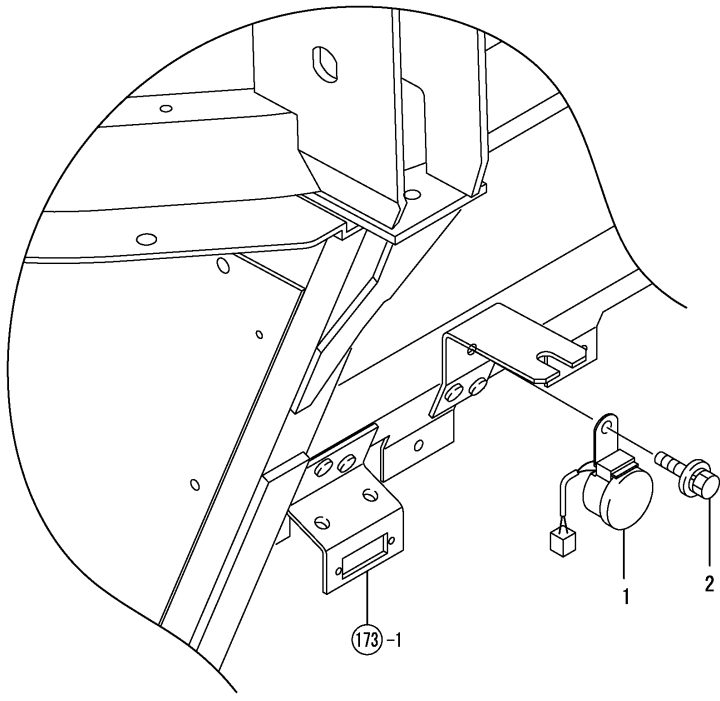
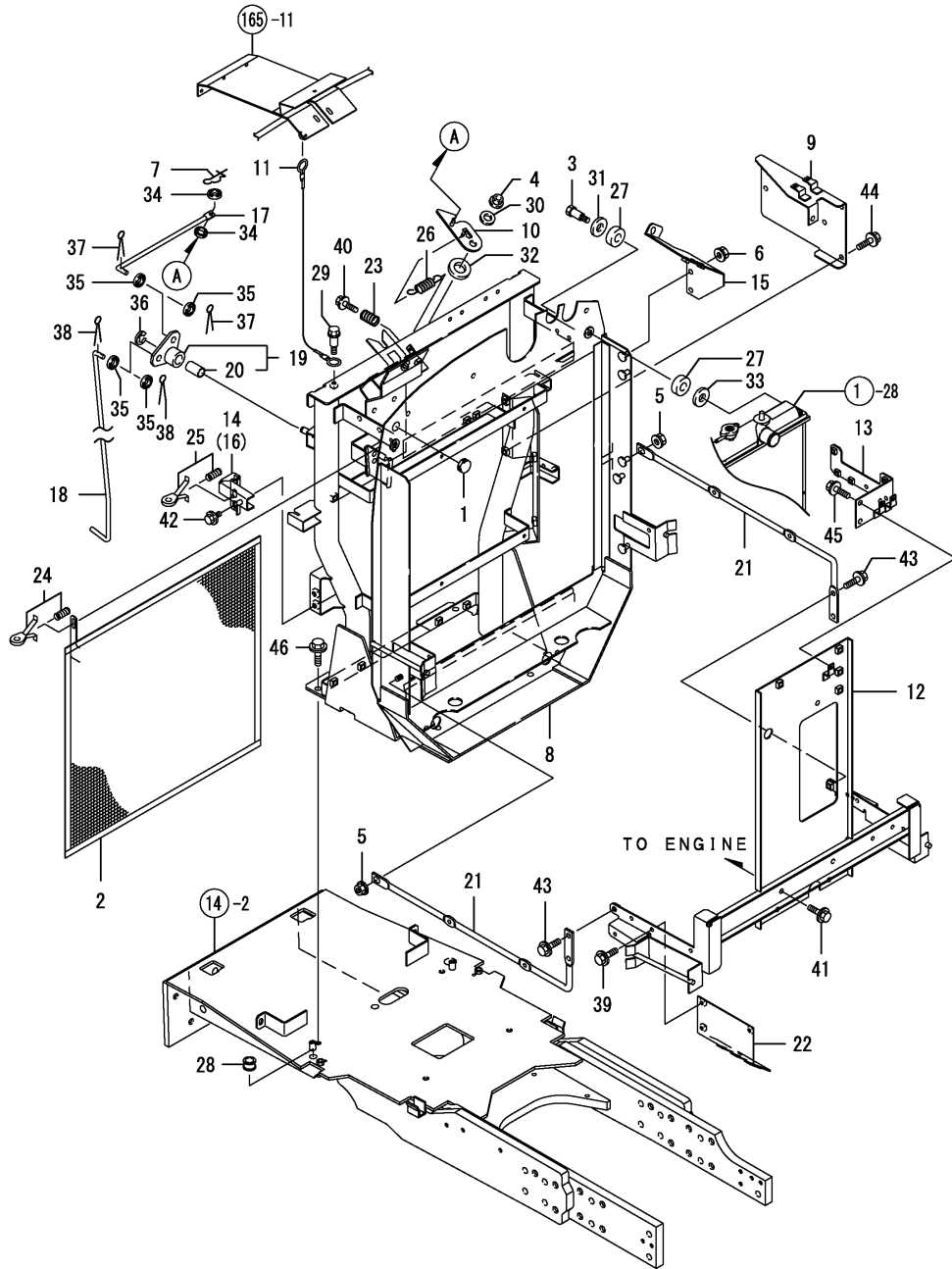


Fig.159. FRONT FRAME

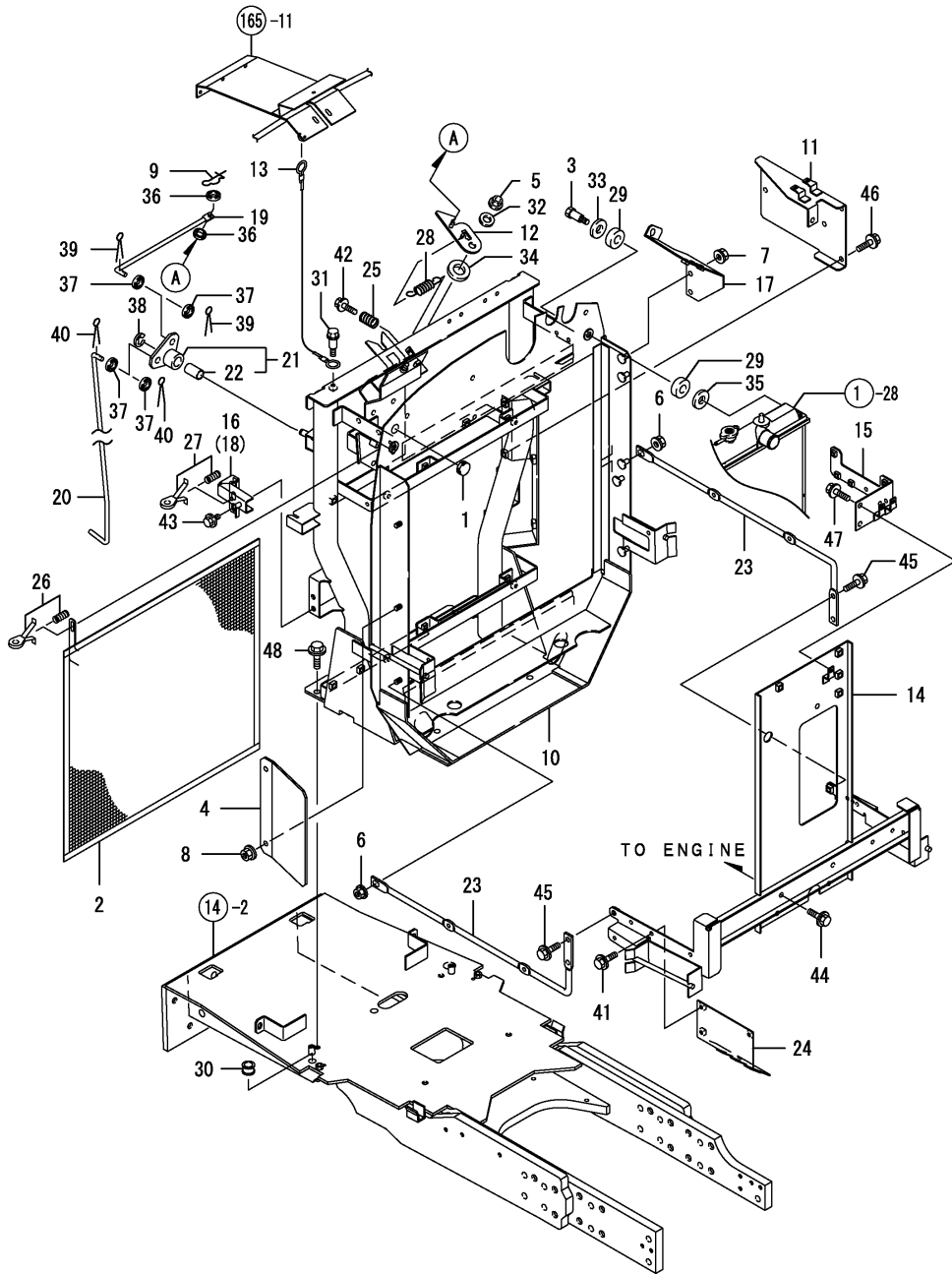


(A)=EG907-AU-PQ
 (B)=EG907(CAB-AU-PQ)
 (C)=

(D)=
 (E)=
 (F)=

No.	Lev.	Parts No.	Description	Q'ty						I	R
				(A)	(B)	(C)	(D)	(E)	(F)		
1	1	194180-01240	GROMMET, 13	1							
2	1	1A7450-01250	SCREEN, RADIATOR	1							
3	1	198133-02120	BOLT, STEPPED M6	2							
4	1	194990-22140	NUT, M8	1							
5	1	194990-22140	NUT, M8	2							
6	1	194990-22140	NUT, M8	2							
7	1	1C6281-52310	PIN, SNAP 6	1							
8	1	1A7450-60101	FRAME ASSY, FRONT	1							
9	1	1A7450-60231	BRACKET, CONTROLLER	1							
10	1	198535-60330	LOCK, GRILLE	1							
11	1	1A7450-60372	WIRE, GRILLE	1							
12	1	1A7450-60501	FRAME ASSY, REAR	1							
13	1	1A7450-60551	BRACKET, FUSE BOX	1							
14	1	1A7450-60680	BRACKET ASSY	1							
15	1	1A7480-60680	STAY, FILLER CAP M	1							
16	1	1A7450-60690	BRACKET ASSY	1							
17	1	1A7450-60700	ROD, GRILLE LOCK A	1							
18	1	1A7450-60710	ROD, GRILLE LOCK B	1							
19	1	1A7450-60720	ARM ASSY, LOCK	1							
20	2	24550-010200	BUSH, 10X20	1							
21	1	1A7450-60910	STAY, HARNESS	2							
22	1	1A7450-60920	PLATE ASSY, FUSE	1							
23	1	198220-61340	SPRING	1							
24	1	198220-61351	LOCK ASSY, CAM	4							
25	1	198220-61351	LOCK ASSY, CAM	1							
26	1	198230-61960	SPRING	1							
27	1	194420-62260	RUBBER, CUSHION	4							
28	1	197830-85490	GROMMET	1							
29	1	1A2320-91320	BOLT 6X10, STEPPED	1							
30	1	22137-080000	WASHER, 8	1							
31	1	22137-100000	WASHER, 10	2							
32	1	22137-120000	WASHER, 12	1							
33	1	22157-060000	WASHER, 6	2							
34	1	22190-060002	WASHER, SEAL 6	2							
35	1	22190-080002	WASHER, SEAL 6	4							
36	1	22272-000080	RING, E- 8	1							
37	1	22417-160180	PIN, COTTER 1.6X18	2							
38	1	22417-160180	PIN, COTTER 1.6X18	2							
39	1	26106-060122	BOLT, M6X 12 PLATED	2							
40	1	26106-060162	BOLT, M6X 16 PLATED	1							
41	1	26106-080122	BOLT, M8X 12 PLATED	4							
42	1	26106-080122	BOLT, M8X 12 PLATED	4							
43	1	26106-080162	BOLT, M8X 16 PLATED	2							
44	1	26106-080162	BOLT, M8X 16 PLATED	3							
45	1	26106-080162	BOLT, M8X 16 PLATED	2							
46	1	26106-100202	BOLT, M10X 20 PLATED	4							

Fig.160. FRONT FRAME

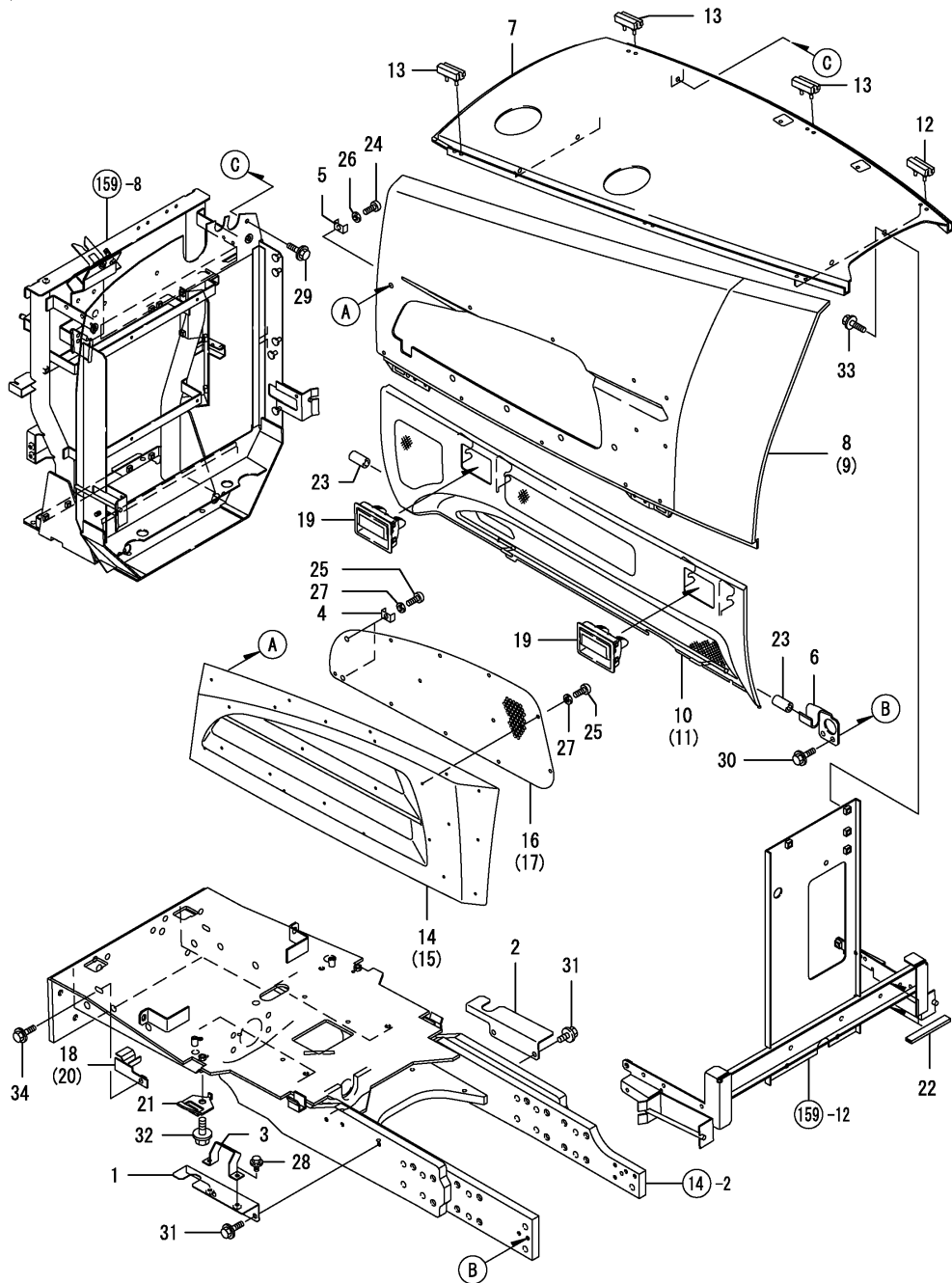


(A)=EG907-AU-PQ
 (B)=EG907(CAB-AU-PQ
 (C)=

(D)=
 (E)=
 (F)=

No.	Lev.	Parts No.	Description	Q'ty						I	R
				(A)	(B)	(C)	(D)	(E)	(F)		
1	1	194180-01240	GROMMET, 13		1						
2	1	1A7450-01250	SCREEN, RADIATOR		1						
3	1	198133-02120	BOLT, STEPPED M6		2						
4	1	1A7790-05570	PLATE, SHUTTER UPPER		1						
5	1	194990-22140	NUT, M8		1						
6	1	194990-22140	NUT, M8		2						
7	1	194990-22140	NUT, M8		2						
8	1	194990-22140	NUT, M8		2						
9	1	1C6281-52310	PIN, SNAP 6		1						
10	1	1A7480-60100	FRAME ASSY, FRONT		1						
11	1	1A7450-60231	BRACKET, CONTROLLER		1						
12	1	198535-60330	LOCK, GRILLE		1						
13	1	1A7450-60372	WIRE, GRILLE		1						
14	1	1A7450-60501	FRAME ASSY, REAR		1						
15	1	1A7450-60551	BRACKET, FUSE BOX		1						
16	1	1A7450-60680	BRACKET ASSY		1						
17	1	1A7480-60680	STAY, FILLER CAP M		1						
18	1	1A7450-60690	BRACKET ASSY		1						
19	1	1A7450-60700	ROD, GRILLE LOCK A		1						
20	1	1A7450-60710	ROD, GRILLE LOCK B		1						
21	1	1A7450-60720	ARM ASSY, LOCK		1						
22	2	24550-010200	BUSH, 10X20		1						
23	1	1A7450-60910	STAY, HARNESS		2						
24	1	1A7450-60920	PLATE ASSY, FUSE		1						
25	1	198220-61340	SPRING		1						
26	1	198220-61351	LOCK ASSY, CAM		4						
27	1	198220-61351	LOCK ASSY, CAM		1						
28	1	198230-61960	SPRING		1						
29	1	194420-62260	RUBBER, CUSHION		4						
30	1	197830-85490	GROMMET		1						
31	1	1A2320-91320	BOLT 6X10, STEPPED		1						
32	1	22137-080000	WASHER, 8		1						
33	1	22137-100000	WASHER, 10		2						
34	1	22137-120000	WASHER, 12		1						
35	1	22157-060000	WASHER, 6		2						
36	1	22190-060002	WASHER, SEAL 6		2						
37	1	22190-080002	WASHER, SEAL 6		4						
38	1	22272-000080	RING, E- 8		1						
39	1	22417-160180	PIN, COTTER 1.6X18		2						
40	1	22417-160180	PIN, COTTER 1.6X18		2						
41	1	26106-060122	BOLT, M6X 12 PLATED		2						
42	1	26106-060162	BOLT, M6X 16 PLATED		1						
43	1	26106-080122	BOLT, M8X 12 PLATED		4						
44	1	26106-080122	BOLT, M8X 12 PLATED		4						
45	1	26106-080162	BOLT, M8X 16 PLATED		2						
46	1	26106-080162	BOLT, M8X 16 PLATED		3						
47	1	26106-080162	BOLT, M8X 16 PLATED		2						
48	1	26106-100202	BOLT, M10X 20 PLATED		4						

Fig.161. HOOD

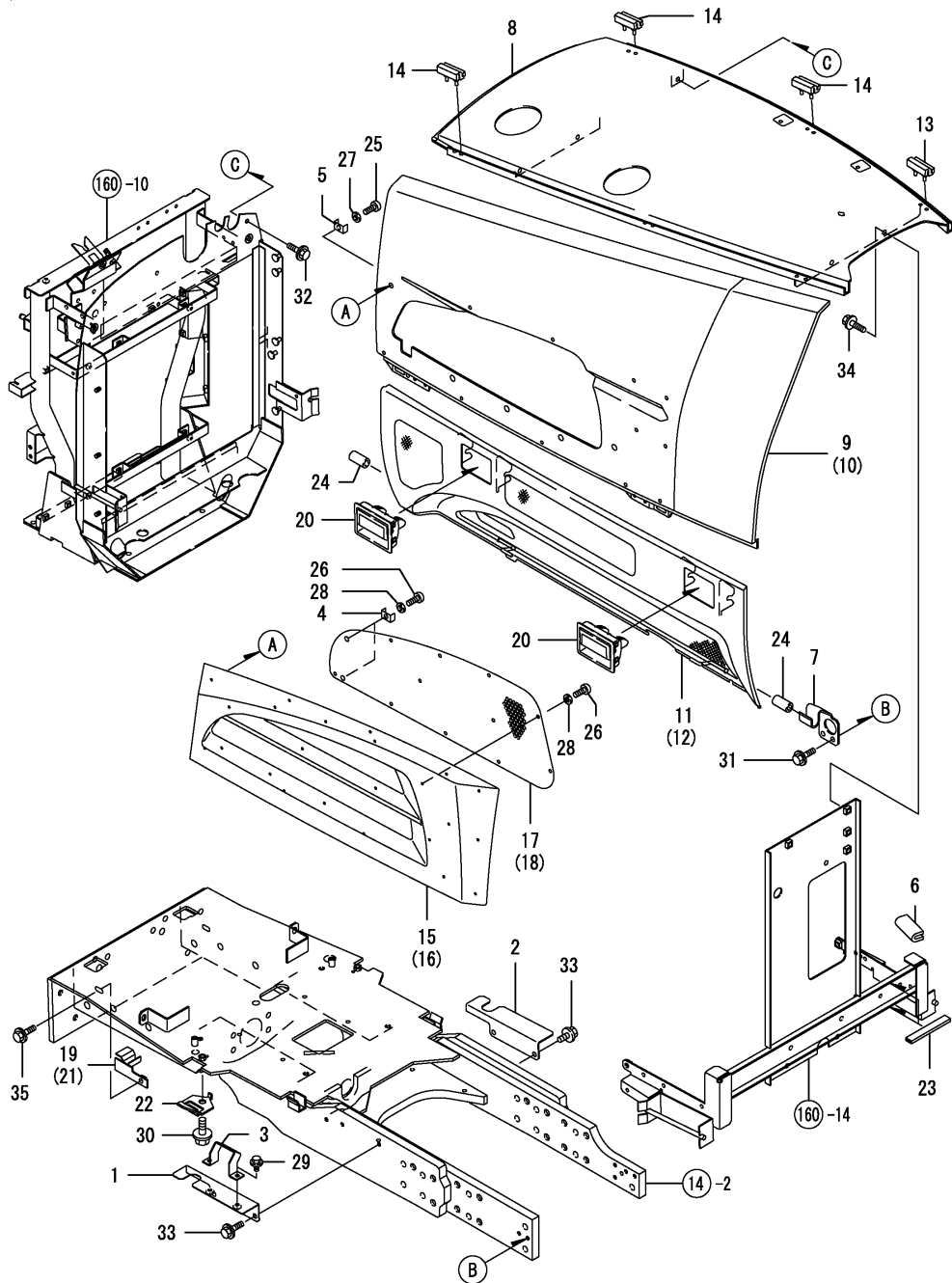


(A)=EG907-AU-PQ
 (B)=EG907(CAB-AU-PQ
 (C)=

(D)=
 (E)=
 (F)=

No.	Lev.	Parts No.	Description	Q'ty						I	R
				(A)	(B)	(C)	(D)	(E)	(F)		
1	1	1A7450-11401	PLATE, SEAL L	1							
2	1	1A7450-11410	PLATE, SEAL R	1							
3	1	1A7450-11431	BRACKET, CABLE	1							
4	1	1A7450-53290	BRACKET, SIDE LAMP	4							
5	1	1A7450-53290	BRACKET, SIDE LAMP	2							
6	1	1A7450-60980	STAY, LOWER B SIDE	2							
7	1	1A7450-61010	BONNET ASSY, UPPER	1							
8	1	1A7450-61020	BONNET, SIDE UPPER L	1							
9	1	1A7450-61030	BONNET, SIDE UPPER R	1							
10	1	1A7480-61080	BONNET ASSY, LOWER L	1							
11	1	1A7480-61090	BONNET ASSY, LOWER R	1							
12	1	1A7790-61070	RUBBER, BONNET UPPER	2							
13	1	198151-61080	RUBBER, BONNET UPPER	4							
14	1	1A7450-61190	GRILLE, SIDE L	1							
15	1	1A7450-61200	GRILLE, SIDE R	1							
16	1	1A7450-61240	SCREEN, GRILLE L	1							
17	1	1A7450-61250	SCREEN, GRILLE R	1							
18	1	1A7450-61410	HOOK, LOWER L	1							
19	1	172187-61421	HANDLE, LOCK	4							
20	1	1A7450-61420	HOOK, LOWER R	1							
21	1	198268-61490	GUIDE, GRILLE	2							
22	1	198230-61560	GUIDE, HOSE	2							
23	1	198220-61800	RUBBER, CUSHION	4							
24	1	198071-78420	SCREW, TAPPING M5X10	16							
24-1	1	22857-500101	SCREW 5X10,TAPPING	16							N
		(A=FXXXXX)									
25	1	198071-78420	SCREW, TAPPING M5X10	24							
25-1	1	22857-500101	SCREW 5X10,TAPPING	24							N
		(A=FXXXXX)									
26	1	22137-050000	WASHER, 5	16							
26-1	1	22137-060000	WASHER, 6	16							N
		(A=FXXXXX)									
27	1	22137-060000	WASHER, 6	24							
28	1	26106-060122	BOLT, M6X 12 PLATED	2							
29	1	26106-080162	BOLT, M8X 16 PLATED	3							
30	1	26106-080162	BOLT, M8X 16 PLATED	4							
31	1	26106-080162	BOLT, M8X 16 PLATED	4							
32	1	26106-080162	BOLT, M8X 16 PLATED	2							
33	1	26106-080162	BOLT, M8X 16 PLATED	2							
34	1	26106-080302	BOLT, M8X 30 PLATED	2							

Fig.162. HOOD



(A)=EG907-AU-PQ
 (B)=EG907(CAB-AU-PQ
 (C)=

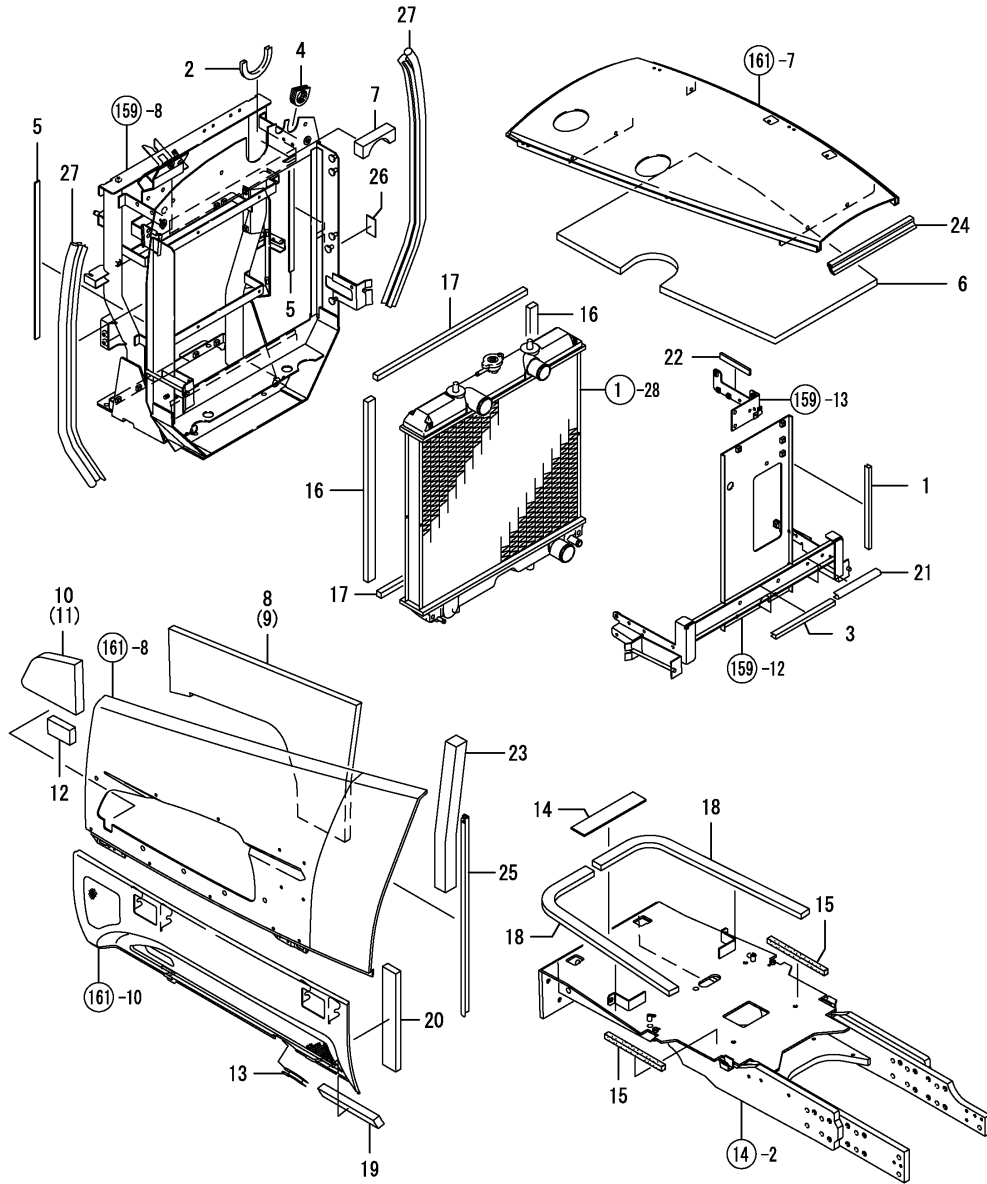
(D)=
 (E)=
 (F)=

No.	Lev.	Parts No.	Description	Qty						I	R
				(A)	(B)	(C)	(D)	(E)	(F)		
1	1	1A7450-11401	PLATE, SEAL L		1						
2	1	1A7450-11410	PLATE, SEAL R		1						
3	1	1A7450-11431	BRACKET, CABLE		1						
4	1	1A7450-53290	BRACKET, SIDE LAMP		4						
5	1	1A7450-53290	BRACKET, SIDE LAMP		2						
6	1	198448-60080	TRIM, 40		1						
7	1	1A7450-60980	STAY, LOWER B SIDE		2						
8	1	1A7470-61010	BONNET ASSY, UPPER		1						
9	1	1A7450-61020	BONNET, SIDE UPPER L		1						
10	1	1A7450-61030	BONNET, SIDE UPPER R		1						
11	1	1A7480-61080	BONNET ASSY, LOWER L		1						
12	1	1A7480-61090	BONNET ASSY, LOWER R		1						
13	1	1A7790-61070	RUBBER, BONNET UPPER		2						
14	1	198151-61080	RUBBER, BONNET UPPER		4						
15	1	1A7450-61190	GRILLE, SIDE L		1						
16	1	1A7450-61200	GRILLE, SIDE R		1						
17	1	1A7450-61240	SCREEN, GRILLE L		1						
18	1	1A7450-61250	SCREEN, GRILLE R		1						
19	1	1A7450-61410	HOOK, LOWER L		1						
20	1	172187-61421	HANDLE, LOCK		4						
21	1	1A7450-61420	HOOK, LOWER R		1						
22	1	198268-61490	GUIDE, GRILLE		2						
23	1	198230-61560	GUIDE, HOSE		2						
24	1	198220-61800	RUBBER, CUSHION		4						
25	1	198071-78420	SCREW, TAPPING M5X10		16						
25-1	1	22857-500101 (B=FXXXXX)	SCREW 5X10,TAPPING		16						N
26	1	198071-78420	SCREW, TAPPING M5X10		24						
26-1	1	22857-500101 (B=FXXXXX)	SCREW 5X10,TAPPING		24						N
27	1	22137-050000	WASHER, 5		16						
27-1	1	22137-060000 (B=FXXXXX)	WASHER, 6		16						N
28	1	22137-060000	WASHER, 6		24						
29	1	26106-060122	BOLT, M6X 12 PLATED		2						
30	1	26106-080122	BOLT, M8X 12 PLATED		2						
31	1	26106-080162	BOLT, M8X 16 PLATED		4						
32	1	26106-080162	BOLT, M8X 16 PLATED		3						
33	1	26106-080162	BOLT, M8X 16 PLATED		4						
34	1	26106-080162	BOLT, M8X 16 PLATED		2						
35	1	26106-080302	BOLT, M8X 30 PLATED		2						

Fig.163. HOOD SEAL

(A)=EG907-AU-PQ
 (B)=EG907(CAB-AU-PQ)
 (C)=

(D)=
 (E)=
 (F)=

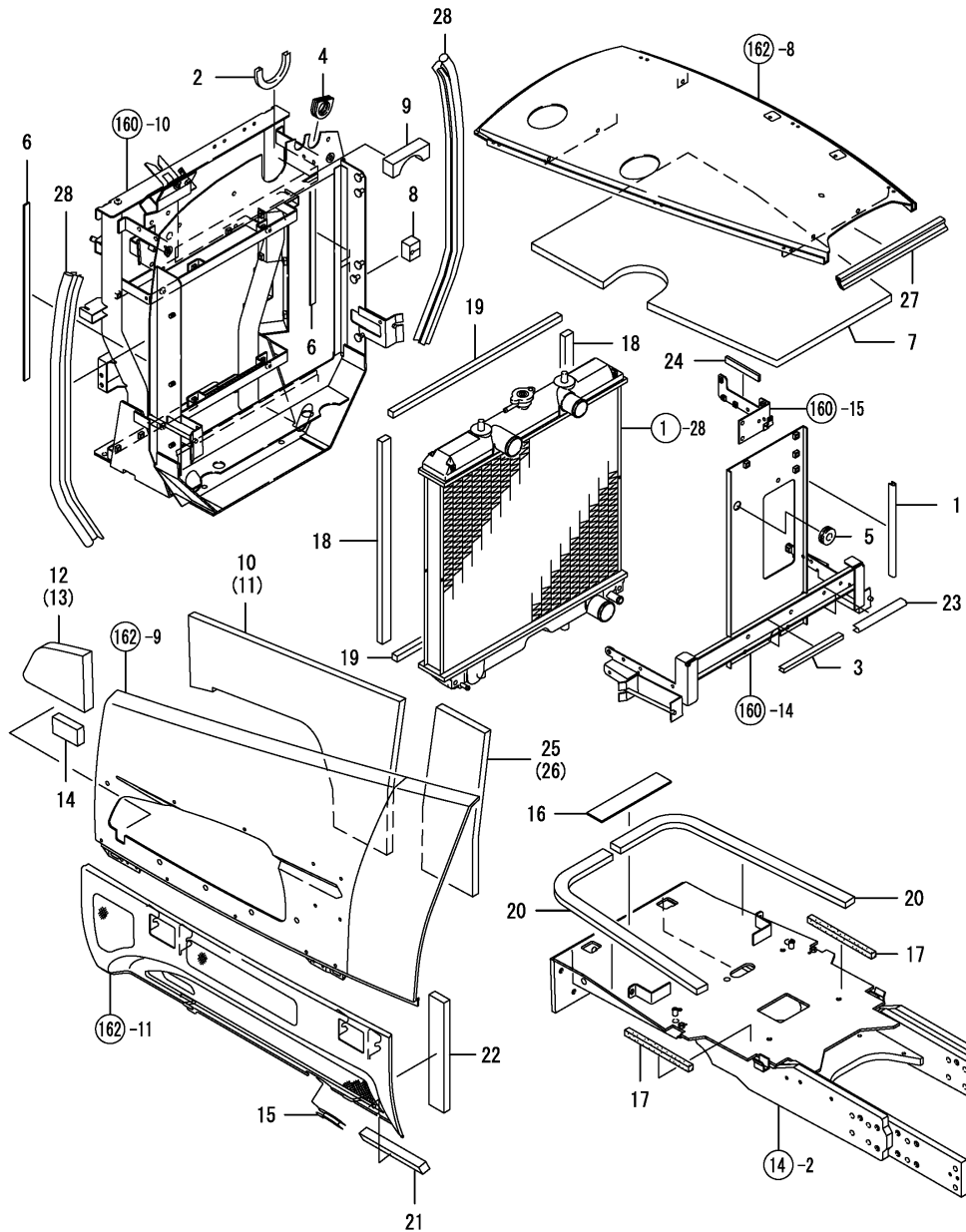


No.	Lev.	Parts No.	Description	Q'ty						I	R
				(A)	(B)	(C)	(D)	(E)	(F)		
1	1	198071-04490	TRIM, TANK 240	2							
2	1	198461-04490	TRIM, SUB TANK	1							
3	1	198461-04490	TRIM, SUB TANK	2							
4	1	198155-51290	GROMMET, D25	1							
5	1	1A7450-60470	SEAL, RUBBER	2							
6	1	1A7450-60610	URETHANE, BONNET U	1							
7	1	1A7450-60630	URETHANE, PIPE	1							
8	1	1A7450-60850	URETHANE, SIDE UPPER	1							
9	1	1A7450-60860	URETHANE, SIDE UPPER	1							
10	1	1A7450-60870	URETHANE, SIDE UPPER	1							
11	1	1A7450-60880	URETHANE, SIDE UPPER	1							
12	1	1A7450-60890	URETHANE, 75X50X20	2							
13	1	198535-61250	TRIM, BONNET LOWER	1							
14	1	1A7450-61290	RUBBER, MASK	1							
15	1	198121-61420	SEAL, FRAME SIDE	2							
16	1	1A7450-61460	URETHANE, RADIATOR	2							
17	1	198268-61470	URETHANE, GRILLE 150	2							
18	1	1A7450-61471	URETHANE, BONNET L	2							
19	1	198268-61501	URETHANE, 200	2							
20	1	1A7450-61501	URETHANE, SIDE LOWER	2							
21	1	198230-61560	GUIDE, HOSE	2							
22	1	198230-61560	GUIDE, HOSE	1							
23	1	1A7450-61730	URETHANE, SIDE UPPER	2							
24	1	1A7450-61800	SEAL, BONNET UPPER	1							
25	1	1A7450-61830	SEAL, BONNET SIDE	2							
26	1	198093-84810	SEAL, FENDER	2							
27	1	194775-92760	STRIP E, WEATHER	2							

Fig.164. HOOD SEAL

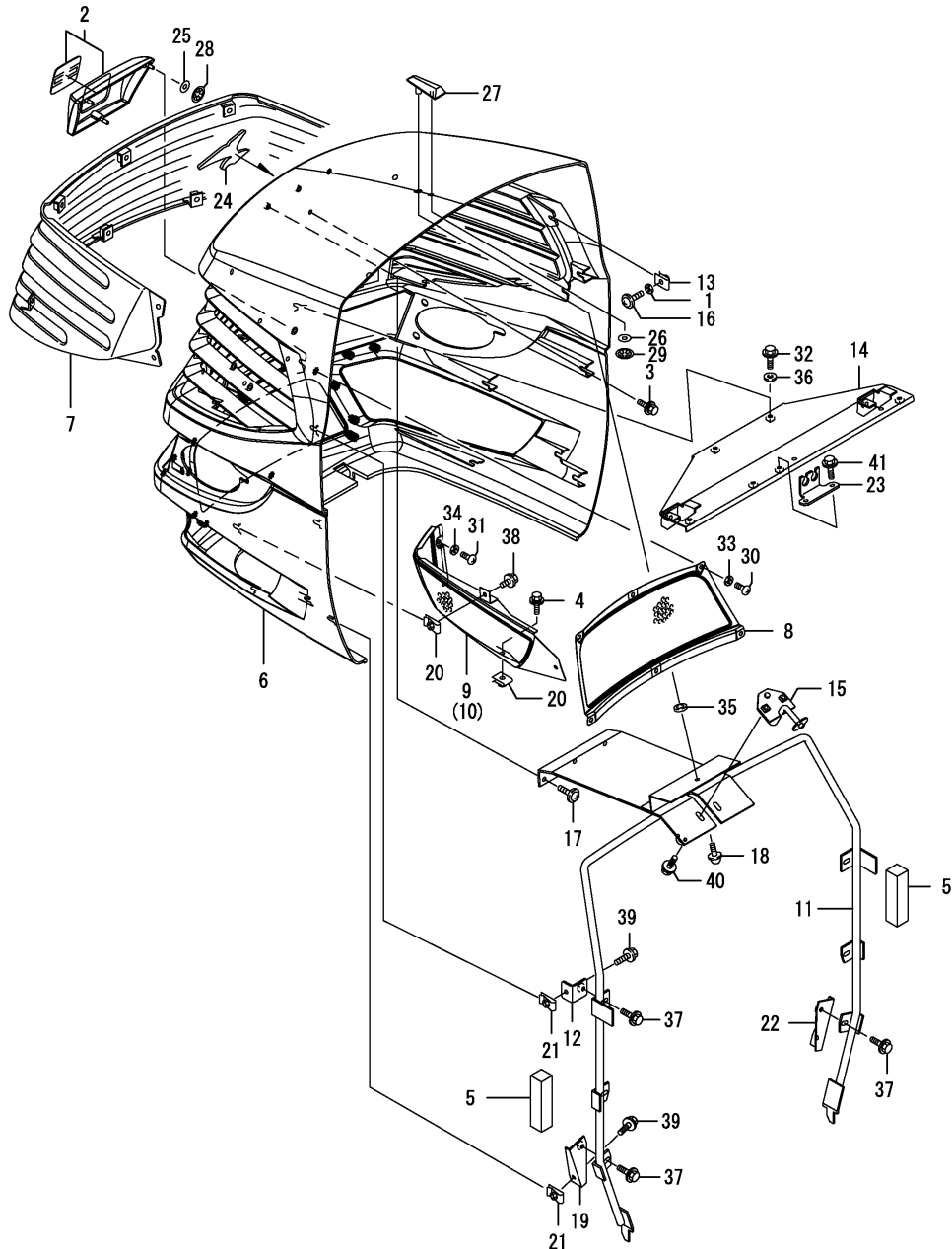
(A)=EG907-AU-PQ
 (B)=EG907(CAB-AU-PQ
 (C)=

(D)=
 (E)=
 (F)=



No.	Lev.	Parts No.	Description	Q'ty						I	R
				(A)	(B)	(C)	(D)	(E)	(F)		
1	1	198071-04490	TRIM, TANK 240		2						
2	1	198461-04490	TRIM, SUB TANK		1						
3	1	198461-04490	TRIM, SUB TANK		2						
4	1	198155-51290	GROMMET, D25		1						
5	1	194080-58820	GROMMET, 15		1						
6	1	1A7450-60470	SEAL, RUBBER		2						
7	1	1A7450-60610	URETHANE, BONNET U		1						
8	1	1A7450-60620	URETHANE, SEAL		1						
9	1	1A7450-60630	URETHANE, PIPE		1						
10	1	1A7450-60850	URETHANE, SIDE UPPER		1						
11	1	1A7450-60860	URETHANE, SIDE UPPER		1						
12	1	1A7450-60870	URETHANE, SIDE UPPER		1						
13	1	1A7450-60880	URETHANE, SIDE UPPER		1						
14	1	1A7450-60890	URETHANE, 75X50X20		2						
15	1	198535-61250	TRIM, BONNET LOWER		1						
16	1	1A7450-61290	RUBBER, MASK		1						
17	1	198121-61420	SEAL, FRAME SIDE		2						
18	1	1A7450-61460	URETHANE, RADIATOR		2						
19	1	198268-61470	URETHANE, GRILLE 150		2						
20	1	1A7450-61471	URETHANE, BONNET L		2						
21	1	198268-61501	URETHANE, 200		2						
22	1	1A7450-61501	URETHANE, SIDE LOWER		2						
23	1	198230-61560	GUIDE, HOSE		2						
24	1	198230-61560	GUIDE, HOSE		1						
25	1	1A7450-61620	URETHANE, SIDE UPPER		1						
26	1	1A7450-61630	URETHANE, SIDE UPPER		1						
27	1	174841-61880	PAD, RUBBER		1						
28	1	194775-92760	STRIP E, WEATHER		2						

Fig.165. GRILLE,FRONT

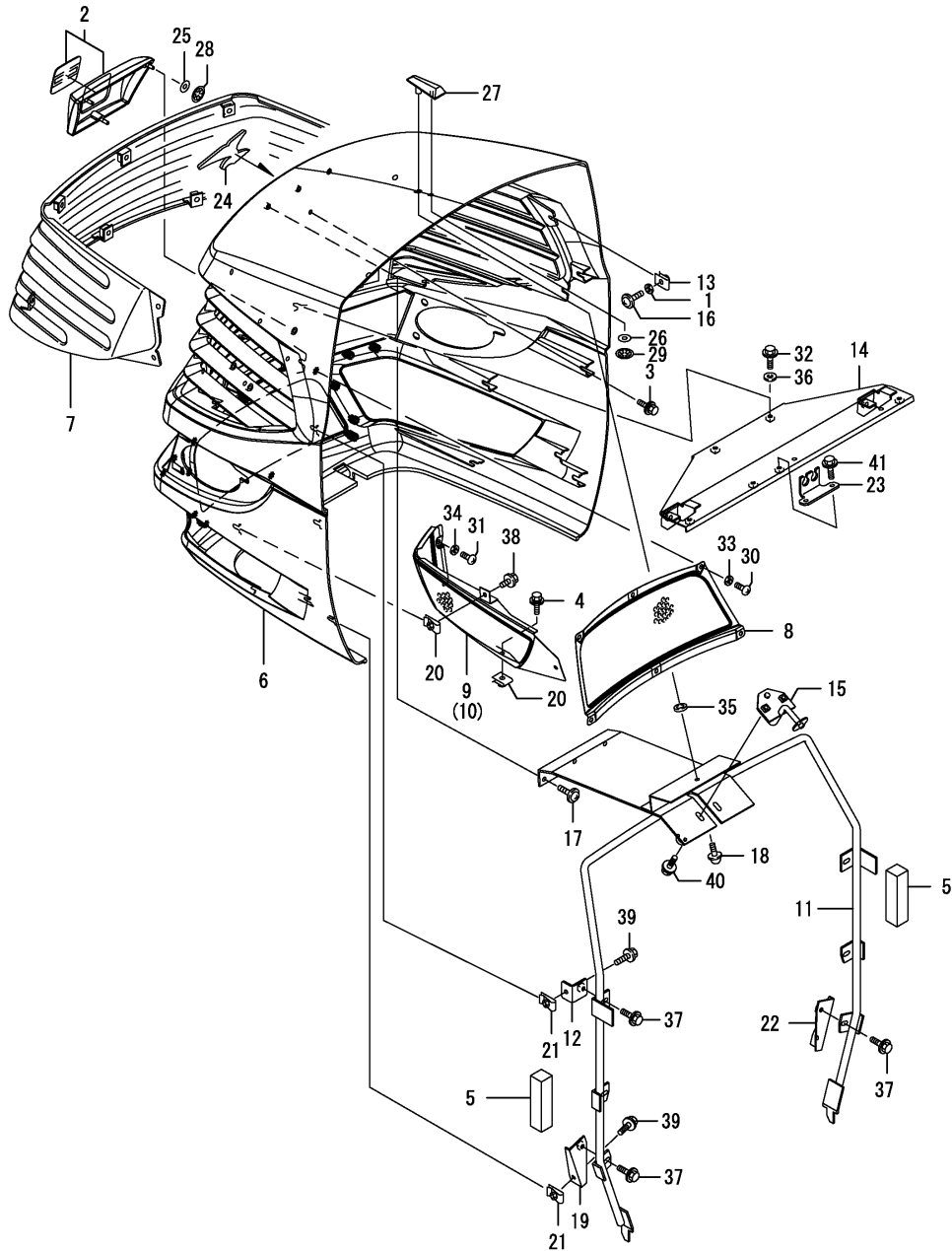


(A)=EG907-AU-PQ
(B)=EG907(CAB-AU-PQ
(C)=

(D)=
(E)=
(F)=

No.	Lev.	Parts No.	Description	(A)	(B)	(C)	(D)	(E)	(F)	I	R
1	1	194515-01190	WASHER, 6	4	4						
1-1	1	22157-060000	WASHER, 6	4	4						N
		(A=FXXXXX) (B=FXXXXX)									
2	1	1A7450-53243	LENS ASSY, CENTER	1	1						
3	1	198072-60590	BOLT, M6X20	6	6						
4	1	198072-60590	BOLT, M6X20	2	2						
5	1	198550-60650	URETHANE, SIDE LOWER	2	2						
6	1	1A7450-61311	GRILLE, FRONT	1	1						
7	1	1A7450-61330	SCREEN ASSY, UPPER	1	1						
8	1	1A7450-61350	SCREEN, LOWER CENTER	1	1						
9	1	1A7450-61360	SCREEN ASSY, LOWER L	1	1						
10	1	1A7450-61370	SCREEN ASSY, LOWER R	1	1						
11	1	1A7450-61510	FRAME ASSY, GRILLE	1	1						
12	1	1A7450-61600	BRACKET, FRAME	4	4						
13	1	194145-61651	NUT, SPEED M5	4	4						
14	1	1A7450-61650	BRACKET, GRILLE	1	1						
15	1	1A7450-61750	CATCH, LOCK	1	1						
16	1	194940-61790	SCREW, TAPPING M5X16	4	4						
17	1	194940-61790	SCREW, TAPPING M5X16	3	3						
17-1	1	194420-61640	SCREW, TAPPING M5X16	3	3						N
		(A=FXXXXX) (B=FXXXXX)									
18	1	194940-61790	SCREW, TAPPING M5X16	1	1						
18-1	1	194420-61640	SCREW, TAPPING M5X16	1	1						N
		(A=FXXXXX) (B=FXXXXX)									
19	1	1A7450-61880	BRACKET, FRAME L	1	1						
20	1	198071-61890	NUT, SPEED M6	6	6						
21	1	198071-61890	NUT, SPEED M6	6	6						
22	1	1A7450-61890	BRACKET, FRAME R	1	1						
23	1	1A7450-61960	BRACKET, HORN	1	1						
24	1	1A7480-65010	MARK, BRAN 80-R680	1	1						
25	1	198475-65030	CUSHION	3	3						
26	1	198475-65030	CUSHION	1	1						
27	1	198448-65590	MARK	1	1						
28	1	198071-65610	NUT, SPEED M5	3	3						
29	1	198071-65610	NUT, SPEED M5	1	1						
30	1	198071-78420	SCREW, TAPPING M5X10	6	6						
30-1	1	22857-500101	SCREW 5X10,TAPPING	6	6						N
		(A=FXXXXX) (B=FXXXXX)									
31	1	198071-78420	SCREW, TAPPING M5X10	4	4						
31-1	1	22857-500101	SCREW 5X10,TAPPING	4	4						N
		(A=FXXXXX) (B=FXXXXX)									
32	1	198196-83170	BOLT, M6X16	4	4						
32-1	1	26106-060162	BOLT, M6X 16 PLATED	4	4						N
		(A=FXXXXX) (B=FXXXXX)									
33	1	22137-060000	WASHER, 6	6	6						
34	1	22137-060000	WASHER, 6	4	4						
35	1	22137-060000	WASHER, 6	1	1						
36	1	22157-060000	WASHER, 6	4	4						
37	1	26106-060122	BOLT, M6X 12 PLATED	6	6						
38	1	26106-060122	BOLT, M6X 12 PLATED	4	4						
39	1	26106-060122	BOLT, M6X 12 PLATED	6	6						

Fig.165. GRILLE,FRONT



(A)=EG907-AU-PQ
 (B)=EG907(CAB-AU-PQ)
 (C)=

(D)=
 (E)=
 (F)=

No.	Lev.	Parts No.	Description	Q'ty						I	R
				(A)	(B)	(C)	(D)	(E)	(F)		
40	1	26106-060162	BOLT, M6X 16 PLATED	2	2						
41	1	26106-060162	BOLT, M6X 16 PLATED	2	2						

Fig.166. DASHBOARD

(A)=EG907-AU-PQ
 (B)=EG907(CAB-AU-PQ
 (C)=

(D)=
 (E)=
 (F)=

No.	Lev.	Parts No.	Description	Qty						I	R
				(A)	(B)	(C)	(D)	(E)	(F)		
1	1	1A1040-41610	PLUG, RUBBER	1							
2	1	198461-60590	BOLT, M6X20	6							
3	1	194555-61640	SCREW, TAPPING M5X25	3							
4	1	194167-61650	NUT 5008	3							
5	1	198448-61661	COVER, COLUMN F	1							
6	1	1A7450-61670	COVER, COLUMN R	1							
7	1	198448-61680	COVER, SWITCH HOLE	4							
8	1	194940-61790	SCREW, TAPPING M5X16	5							
9	1	1A7450-61790	GROMMET, 40	1							
10	1	1A7480-61810	DASHBOARD ASSY, M	1							
11	1	198071-61890	NUT, SPEED M6	6							

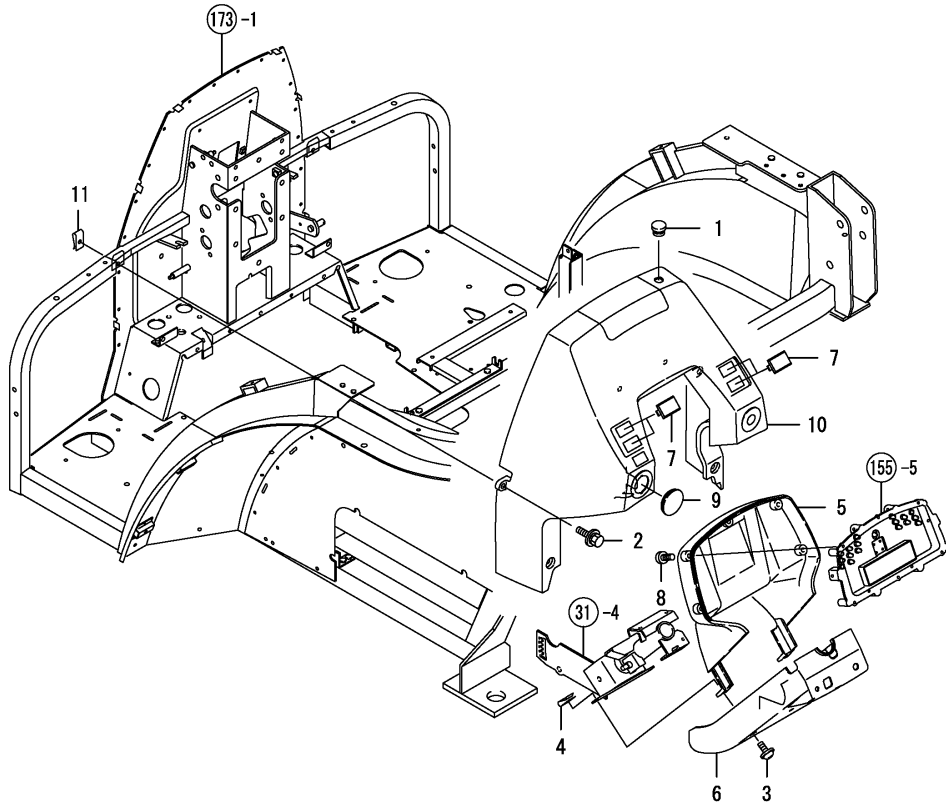
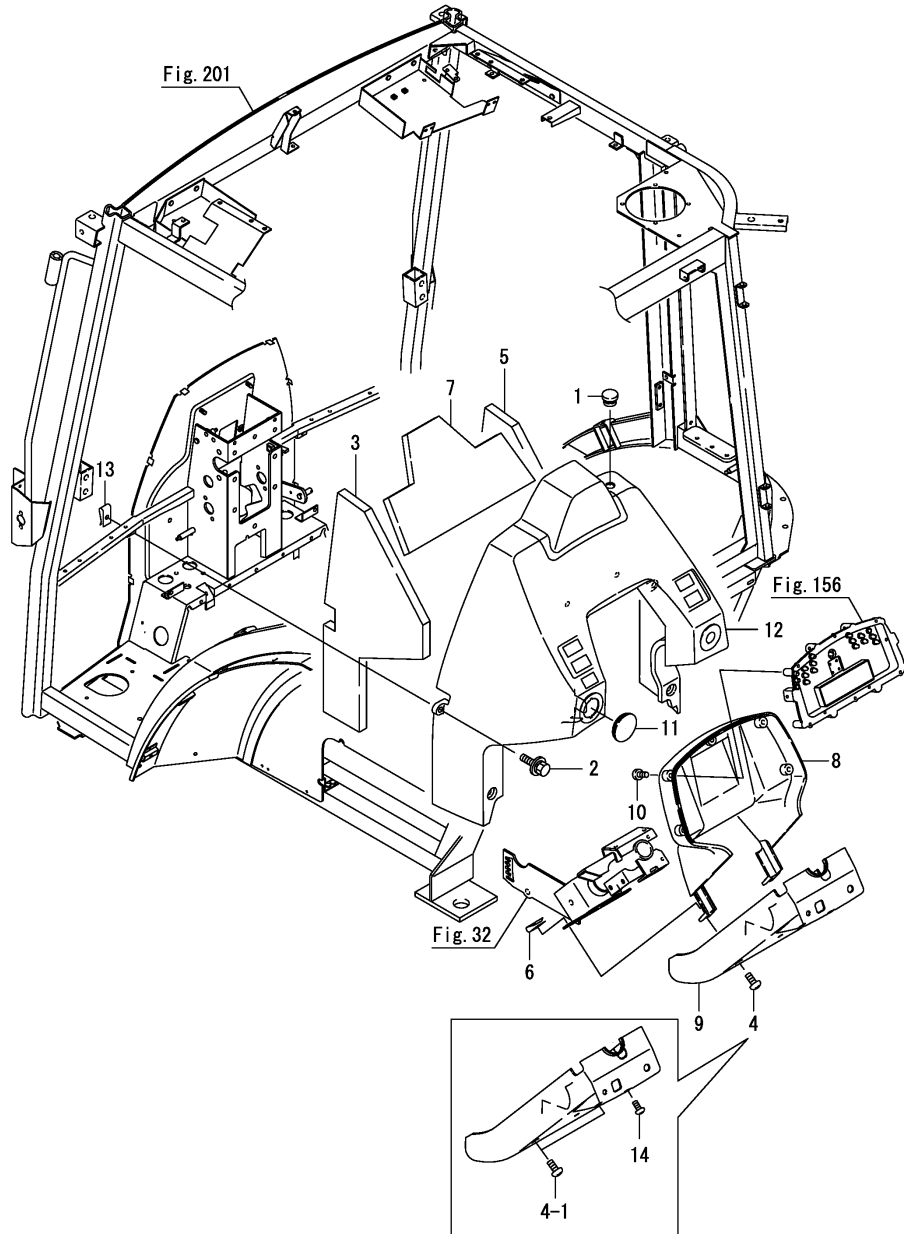


Fig.167. DASHBOARD

(A)=EG907-AU-PQ
 (B)=EG907(CAB-AU-PQ
 (C)=

(D)=
 (E)=
 (F)=



No.	Lev.	Parts No.	Description	Q'ty						I	R
				(A)	(B)	(C)	(D)	(E)	(F)		
1	1	1A1040-41610	PLUG, RUBBER		1						
2	1	198461-60590	BOLT, M6X20		6						
3	1	198463-61630	URETHANE, DASHBOARD		1						
4	1	194555-61640	SCREW, TAPPING M5X25		3						
4-1	1	194555-61640 (B=FXXXXX)	SCREW, TAPPING M5X25		2						K
5	1	198463-61640	URETHANE, DASHBOARD		1						
6	1	194167-61650	NUT 5008		3						
7	1	198463-61650	URETHANE, DASHBOARD		1						
8	1	198448-61661	COVER, COLUMN F		1						
9	1	1A7480-61670	COVER, COLUMN R		1						
10	1	194940-61790	SCREW, TAPPING M5X16		5						
11	1	1A7450-61790	GROMMET, 40		1						
12	1	1A7480-61800	DASHBOARD ASSY, M		1						
13	1	198071-61890	NUT, SPEED M6		6						
14	1	194940-61790 (B=FXXXXX)	SCREW, TAPPING M5X16		1						W

Fig.168. LEVER GUIDE

(A)=EG907-AU-PQ
 (B)=EG907(CAB-AU-PQ
 (C)=

(D)=
 (E)=
 (F)=

No.	Lev.	Parts No.	Description	Q'ty						I	R
				(A)	(B)	(C)	(D)	(E)	(F)		
1	1	198461-60590	BOLT, M6X20	7							
2	1	198461-60590	BOLT, M6X20	4							
3	1	198448-60690	URETHANE, 120	2							
4	1	198071-61890	NUT, SPEED M6	1							
5	1	198071-61890	NUT, SPEED M6	4							
6	1	1A7450-62240	PLATE	2							
7	1	1A7450-62271	GUIDE, LEVER L	1							
7-1	1	1A7450-62272	GUIDE, LEVER L	1							S
(A=FZZZZZ)											
8	1	1A7450-62300	COVER, LEVER GUIDE R	1							
9	1	1A7450-62320	RIVET, NYLON	13							
10	1	1A7480-62370	GUIDE ASSY, LEVER RM	1							
11	1	198448-62390	COVER, LEVER GUIDE	1							
12	1	1A7400-63630	GUARD, SWITCH	1							
13	1	198083-88810	URETHANE, GRILLE	1							
14	1	26716-050002	NUT, M5	2							
15	1	197810-83230	GROMMET, 30	1							W
(A=FZZZZZ)											

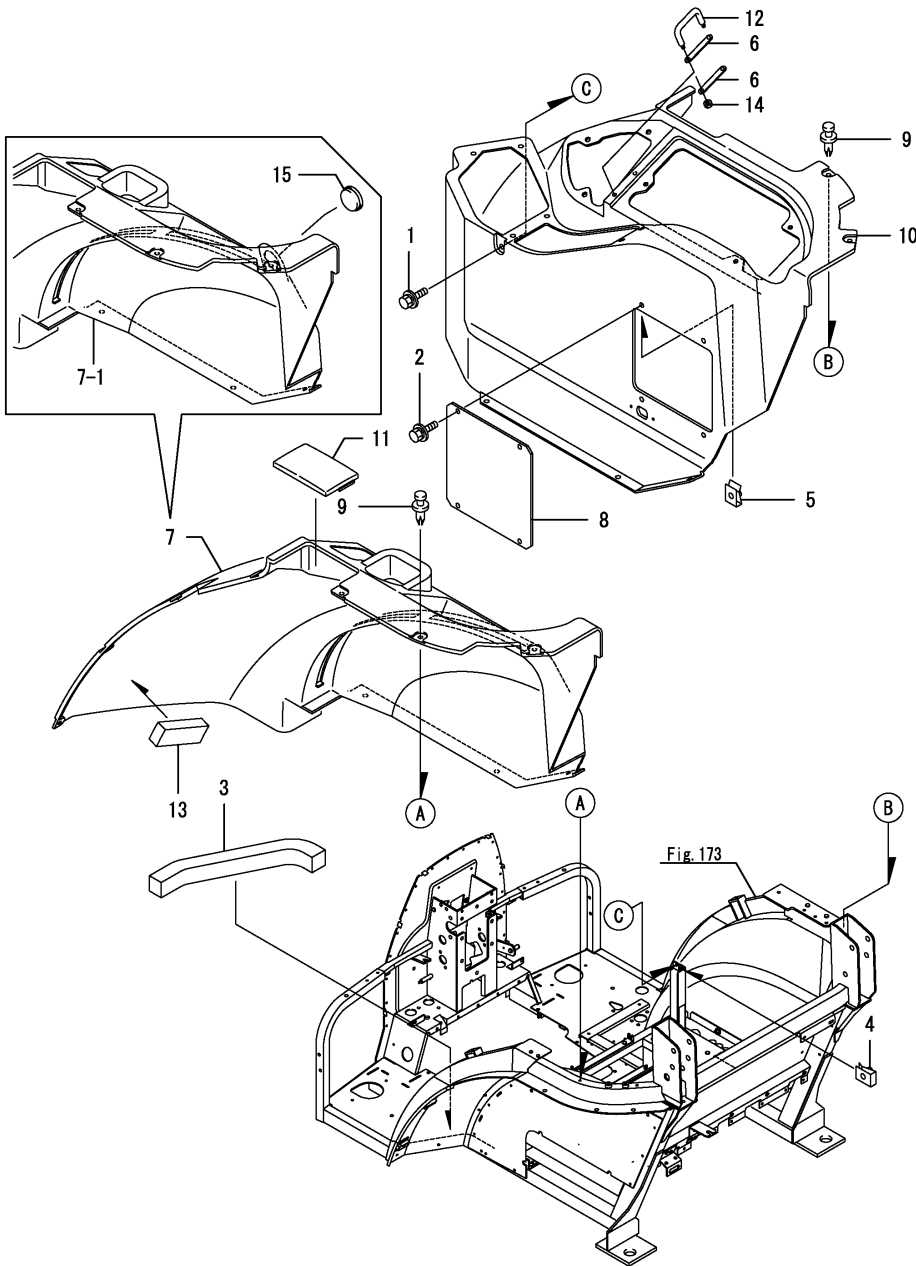
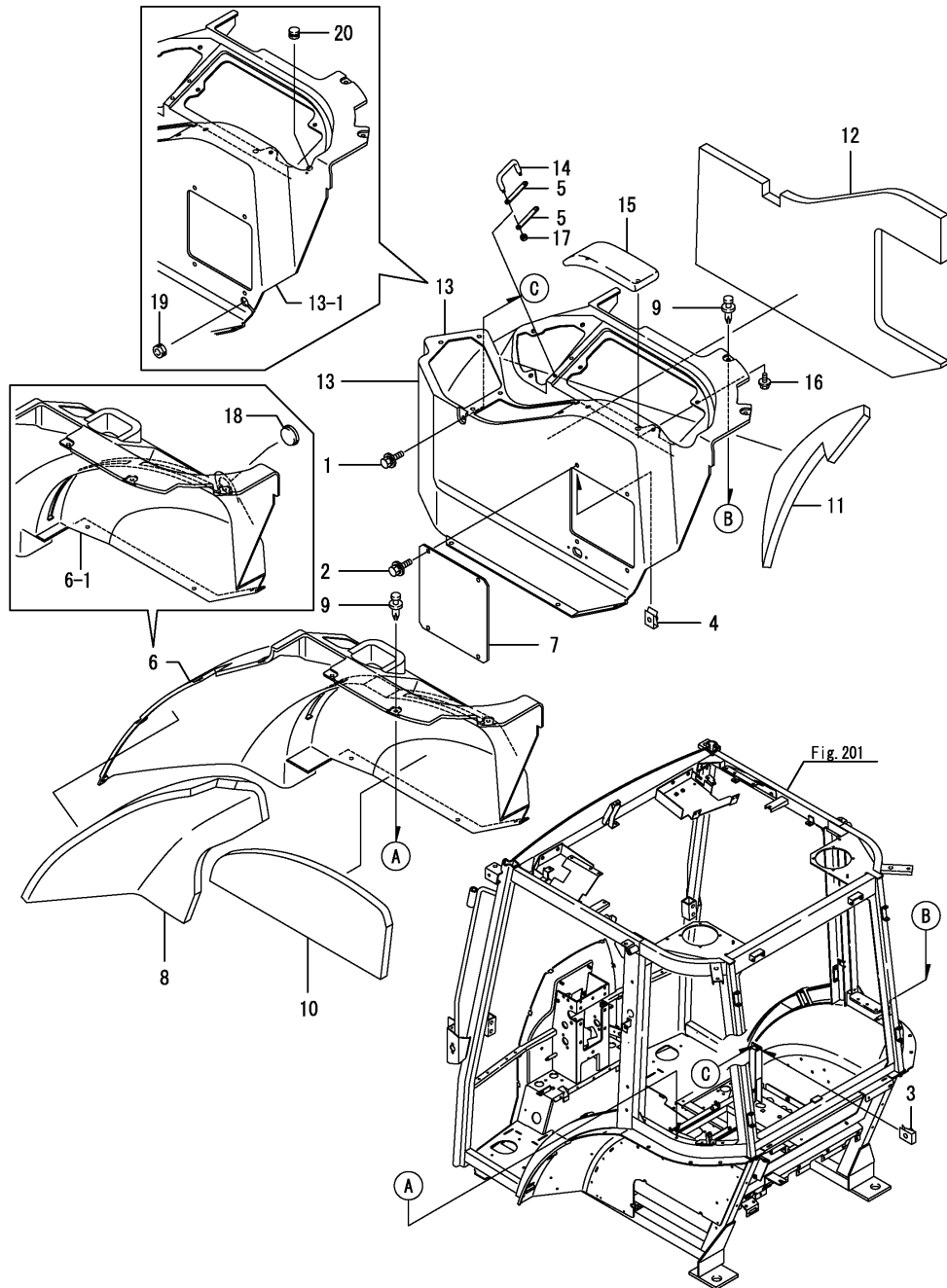


Fig.169. LEVER GUIDE CAB

(A)=EG907-AU-PQ
 (B)=EG907(CAB-AU-PQ)
 (C)=

(D)=
 (E)=
 (F)=

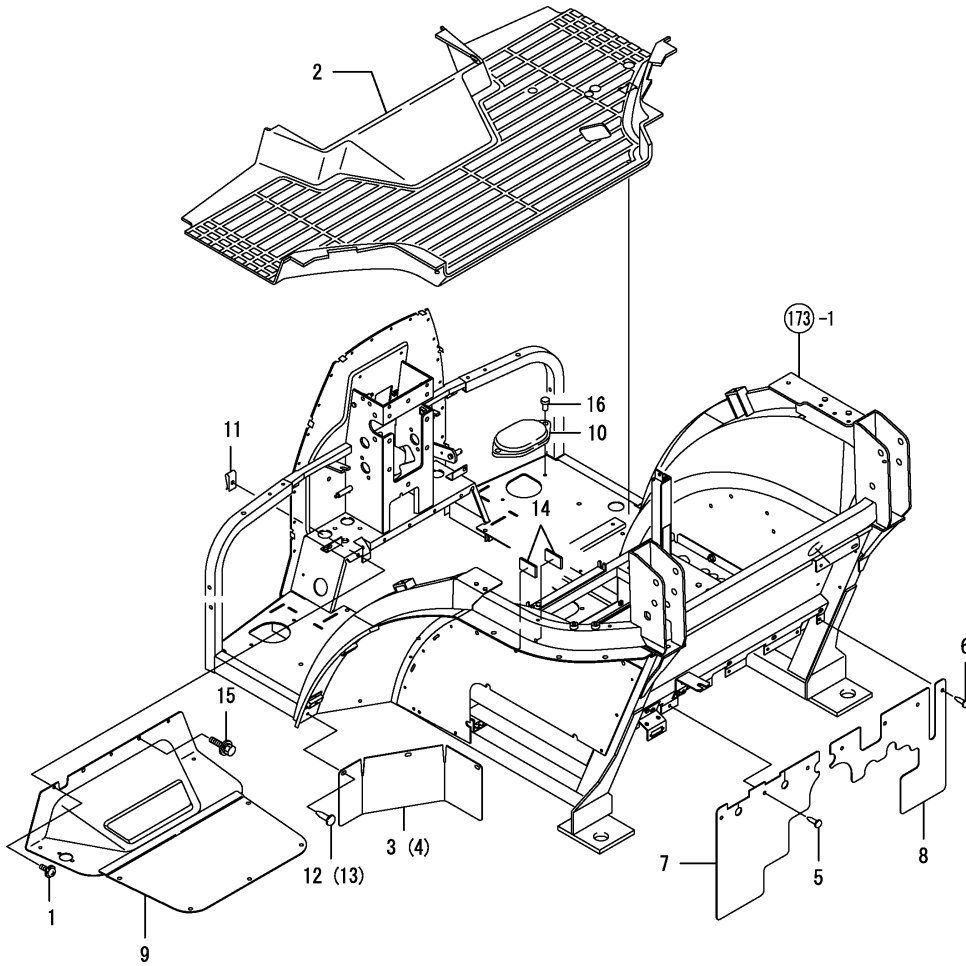


No.	Lev.	Parts No.	Description	Q'ty						I	R
				(A)	(B)	(C)	(D)	(E)	(F)		
1	1	198461-60590	BOLT, M6X20		7						
2	1	198461-60590	BOLT, M6X20		4						
3	1	198071-61890	NUT, SPEED M6		1						
4	1	198071-61890	NUT, SPEED M6		4						
5	1	1A7450-62240	PLATE		2						
6	1	1A7480-62270	GUIDE, LEVER L		1						
6-1	1	1A7480-62271	GUIDE, LEVER L (B=FZZZZZ)		1						S
7	1	1A7450-62300	COVER, LEVER GUIDE R		1						
8	1	198463-62320	URETHANE,LEVER GUIDE		1						
9	1	1A7450-62320	RIVET, NYLON		13						
10	1	198463-62330	URETHANE,LEVER GUIDE		1						
11	1	1A7470-62340	URETHANE,LEVER GUIDE		1						
12	1	1A7470-62350	URETHANE,LEVER GUIDE		1						
13	1	1A7480-62360	GUIDE ASSY, LEVER RM		1						
13-1	1	1A7480-62361	GUIDE,LEVER R(M CMP) (B=FZZZZZ)		1						S
14	1	1A7400-63630	GUARD, SWITCH		1						
15	1	1A7480-84520	ARMREST		1						
16	1	26106-080122	BOLT, M8X 12 PLATED		2						
17	1	26716-050002	NUT, M5		2						
18	1	197810-83230	GROMMET, 30 (B=FZZZZZ)		1						W
19	1	198448-22520	GROMMET, CABLE (B=FZZZZZ)		1						W
20	1	194197-56350	GROMMET (B=FZZZZZ)		1						W

Fig.170. INTERIOR

(A)=EG907-AU-PQ
 (B)=EG907(CAB-AU-PQ
 (C)=

(D)=
 (E)=
 (F)=

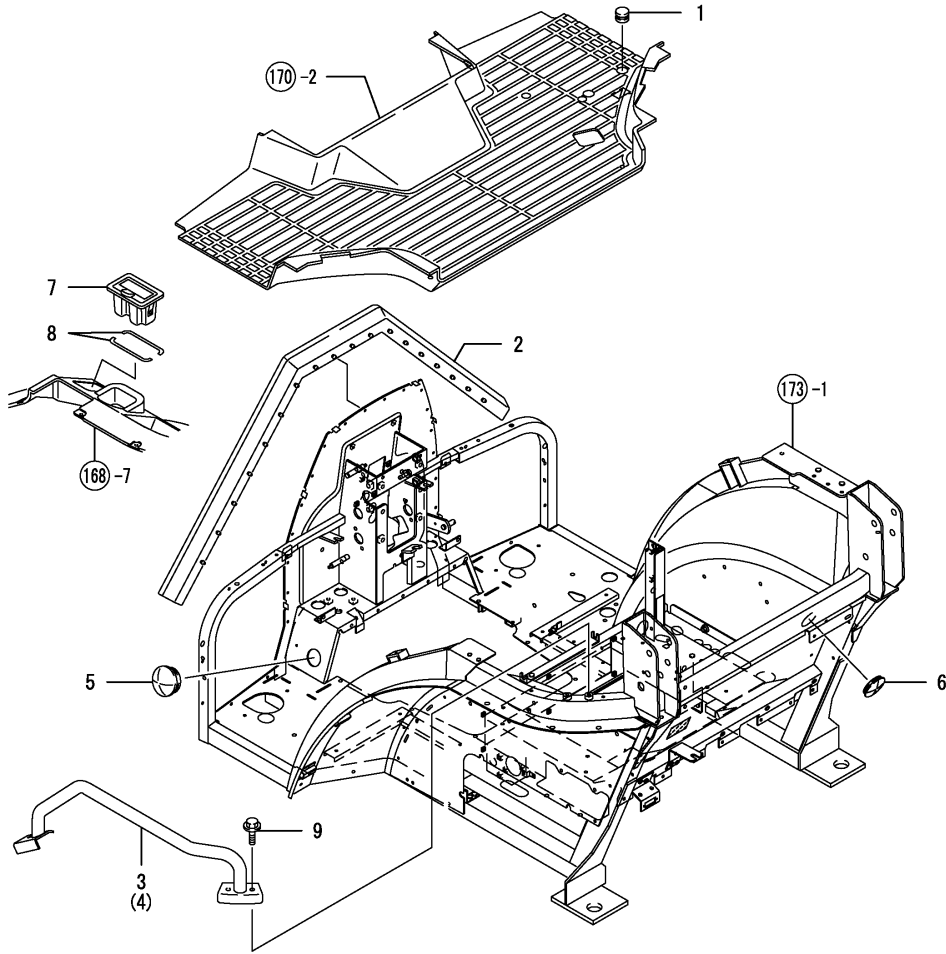


No.	Lev.	Parts No.	Description	Q'ty						I	R
				(A)	(B)	(C)	(D)	(E)	(F)		
1	1	194940-61790	SCREW, TAPPING M5X16	10							
2	1	1A7450-62100	MAT ASSY, FLOOR	1							
3	1	1A7450-62330	COVER, FENDER DUST L	1							
4	1	1A7450-62340	COVER, FENDER DUST R	1							
5	1	194697-62560	CAP, HOLE	3							
6	1	194697-62560	CAP, HOLE	4							
7	1	1A7450-62580	PLATE, RUBBER L	1							
8	1	1A7450-62590	PLATE, RUBBER R	1							
9	1	1A7450-62761	COVER ASSY, FLOOR	1							
10	1	198071-62791	COVER, FLOOR	2							
11	1	198220-63850	NUT, M5	10							
12	1	1E6760-74150	CAP, HOLE 8	3							
13	1	1E6760-74150	CAP, HOLE 8	3							
14	1	198093-84810	SEAL, FENDER	2							
15	1	198093-85650	BOLT, M6X16	2							
16	1	198010-85810	RIVET, NYLON	4							

Fig.171. INTERIOR

(A)=EG907-AU-PQ
 (B)=EG907(CAB-AU-PQ
 (C)=

(D)=
 (E)=
 (F)=

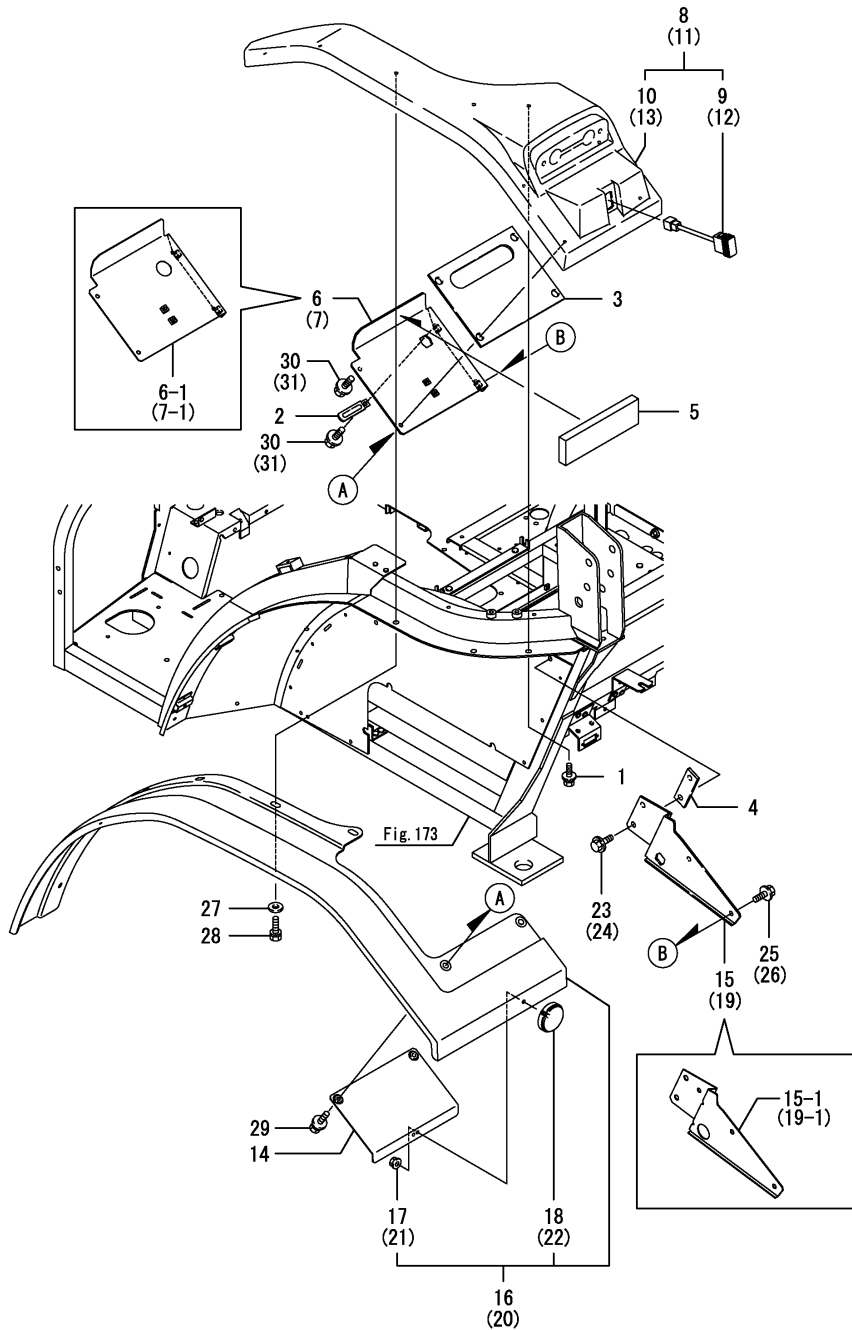


No.	Lev.	Parts No.	Description	Q'ty						I	R
				(A)	(B)	(C)	(D)	(E)	(F)		
1	1	194464-12190	CAP, RUBBER	2							
2	1	1A7450-61811	SEAL, BONNET	1							
3	1	198448-62410	BAR ASSY, ASSIST L	1							
4	1	198448-62420	BAR ASSY, ASSIST R	1							
5	1	198153-83870	BOOT, RUBBER	1							
6	1	198153-83870	BOOT, RUBBER	1							
7	1	1A7640-84710	ASHTRAY	1							
8	1	198492-84720	PACKING, ASHTRAY	2							
9	1	26106-080162	BOLT, M8X 16 PLATED	6							

Fig.172. OVER FENDER

(A)=EG907-AU-PQ
 (B)=EG907(CAB-AU-PQ
 (C)=

(D)=
 (E)=
 (F)=



No.	Lev.	Parts No.	Description	Q'ty						I	R
				(A)	(B)	(C)	(D)	(E)	(F)		
1	1	194420-05210	BOLT, M6X16	6	6						
2	1	194440-51630	CLAMP, HARNESS	2	2						
3	1	1A7470-62030	SEAL, MUDGUARD	2	2						
4	1	198463-62040	SEAL, GUARD	2	2						
5	1	1A7470-62040	URETHANE, 220X65X20	2	2						
6	1	1A7470-62053	BRACKET, MUDGUARD L	1	1						
6-1	1	1A7470-62054	BRACKET, MUDGUARD L	1	1						S
		(A=FZZZZZ) (B=FZZZZZ)									
7	1	1A7470-62063	BRACKET, MUDGUARD R	1	1						
7-1	1	1A7470-62064	BRACKET, MUDGUARD R	1	1						S
		(A=FZZZZZ) (B=FZZZZZ)									
8	1	1A7450-62201	FENDER, OVER L	1	1						
9	2	1A6381-52520	SWITCH, SEESAW 3P	1	1						
10	2	1A7450-62211	FENDER ASSY, OVER L	1	1						
11	1	1A7450-62221	FENDER, OVER R	1	1						
12	2	1A6381-52520	SWITCH, SEESAW 3P	1	1						
13	2	1A7450-62231	FENDER ASSY, OVER R	1	1						
14	1	1A7450-62390	PLATE, FENDER	2	2						
15	1	198463-62430	MUDGUARD, L	1	1						
15-1	1	198463-62431	MUDGUARD, L	1	1						S
		(A=FZZZZZ) (B=FZZZZZ)									
16	1	1A7450-62431	FENDER ASSY, REAR L	1	1						
17	2	194990-22120	NUT, M5	1	1						
18	2	1A6481-62650	REFLECTOR	1	1						
19	1	198463-62440	MUDGUARD, R	1	1						
19-1	1	198463-62441	MUDGUARD, R	1	1						S
		(A=FZZZZZ) (B=FZZZZZ)									
20	1	1A7450-62441	FENDER ASSY, REAR R	1	1						
21	2	194990-22120	NUT, M5	1	1						
22	2	1A6481-62650	REFLECTOR	1	1						
23	1	198127-83150	BOLT, M8X30	2	2						
24	1	198127-83150	BOLT, M8X30	2	2						
25	1	198460-83350	BOLT, M8X16	2	2						
26	1	198460-83350	BOLT, M8X16	2	2						
27	1	22157-060000	WASHER, 6	8	8						
28	1	26013-060202	BOLT, M6X 20	8	8						
29	1	26018-060202	BOLT, M6X 20	4	4						
30	1	26106-060162	BOLT, M6X 16 PLATED	2	2						
31	1	26106-060162	BOLT, M6X 16 PLATED	2	2						

Fig.173. FLOOR FRAME

(A)=EG907-AU-PQ
 (B)=EG907(CAB-AU-PQ
 (C)=

(D)=
 (E)=
 (F)=

No.	Lev.	Parts No.	Description	Q'ty						I	R
				(A)	(B)	(C)	(D)	(E)	(F)		
1	1	1A7480-62520	FRAME ASSY, FLOOR M	1							
2	1	1A7470-63660	COVER, DUST R	1							
3	1	198460-83350	BOLT, M8X16	4							
4	1	194197-56350	GROMMET	2							W
			(A=*2009.04.)								

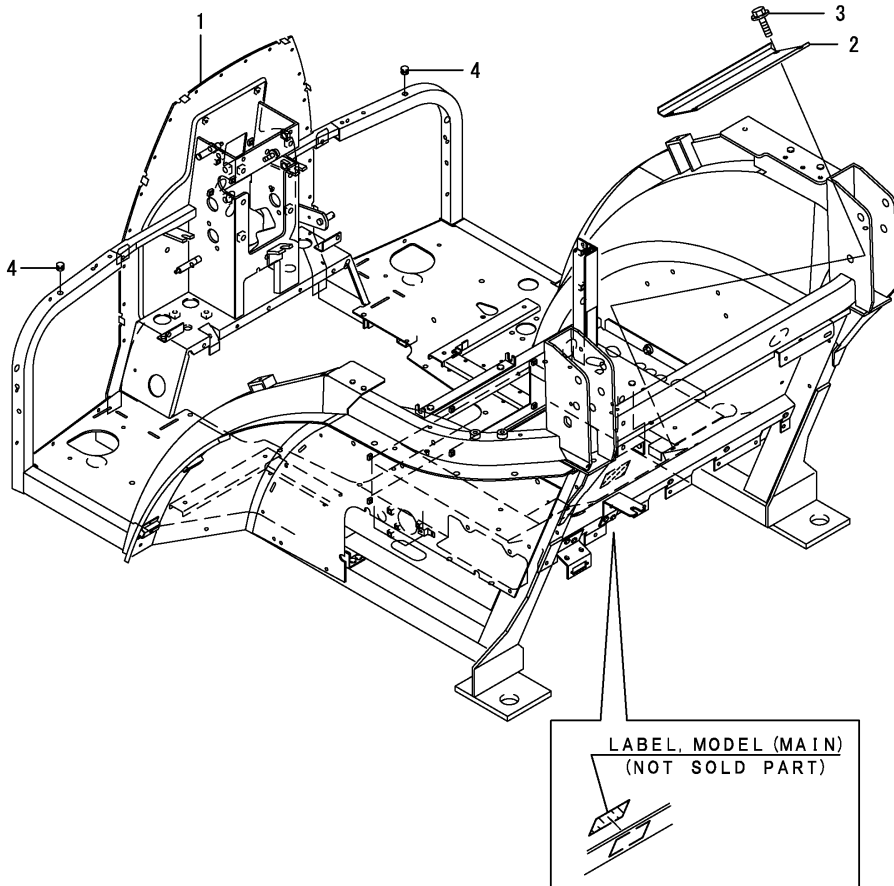
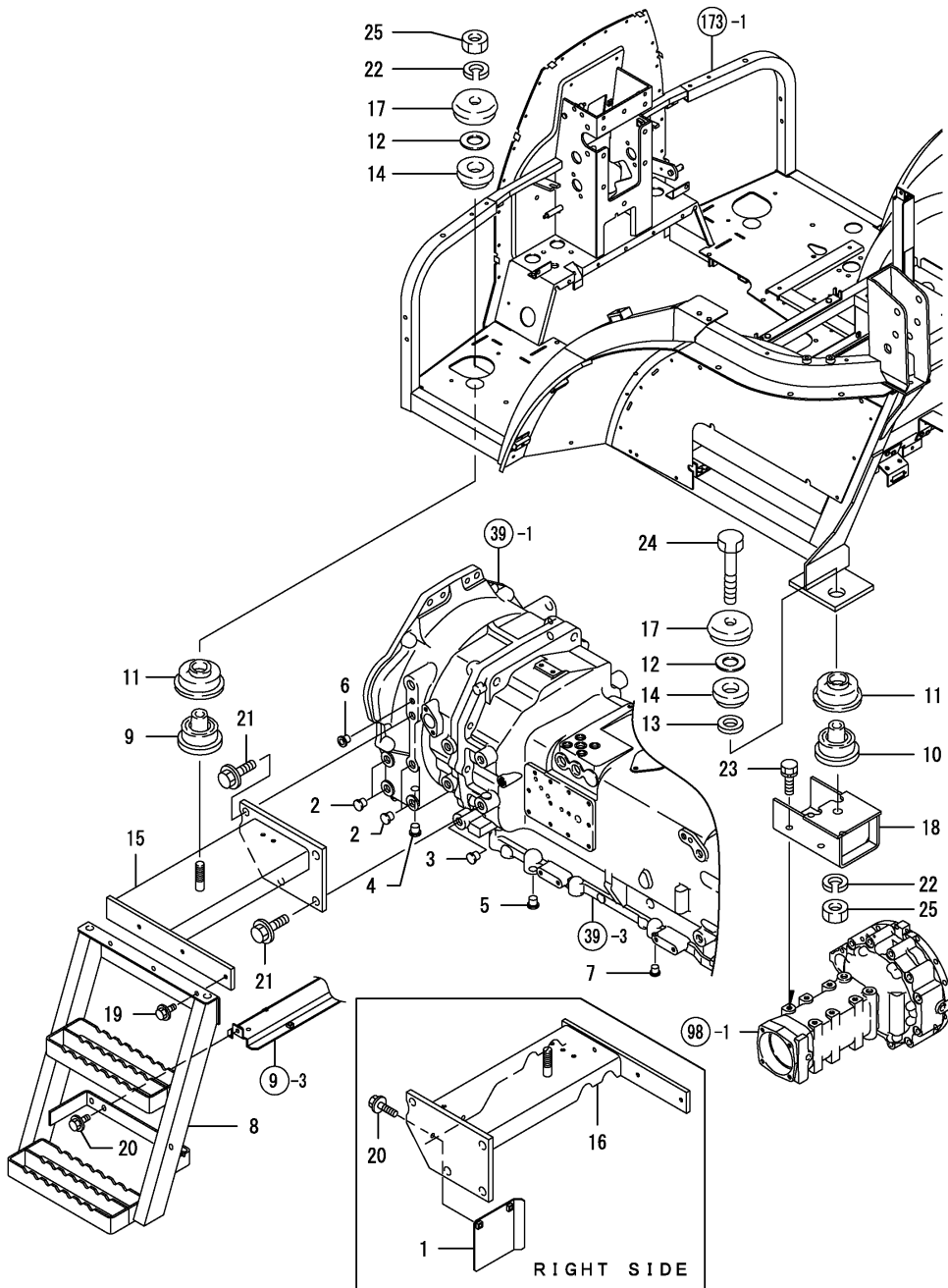


Fig.175. FLOOR SUPPORT

(A)=EG907-AU-PQ
 (B)=EG907(CAB-AU-PQ
 (C)=

(D)=
 (E)=
 (F)=



No.	Lev.	Parts No.	Description	Q'ty						I	R
				(A)	(B)	(C)	(D)	(E)	(F)		
1	1	1A7450-04270	COVER ASSY, TANK	1							
2	1	194450-11190	PLUG, 15.0	8							
3	1	194450-11190	PLUG, 15.0	2							
4	1	194450-11190	PLUG, 15.0	2							
5	1	194450-11190	PLUG, 15.0	2							
6	1	194150-21910	PLUG, 11.2	2							
7	1	194150-21910	PLUG, 11.2	2							
8	1	1A7450-62600	STEP ASSY, SUB	2							
9	1	198094-62720	MOUNT, LOWER F	2							
10	1	198094-62750	MOUNT, LOWER R	2							
11	1	198094-62770	STOPPER, MOUNT	4							
12	1	198535-62780	SPACER	4							
13	1	198094-62790	RUBBER, STOPPER	2							
14	1	198071-62800	MOUNT, UPPER	4							
15	1	1A7450-62851	SUPPORT, FRONT L	1							
16	1	1A7450-62861	SUPPORT, FRONT R	1							
17	1	198071-62890	STOPPER, U	4							
18	1	1A7450-80610	SUPPORT	2							
19	1	198460-83350	BOLT, M8X16	10							
20	1	198460-83350	BOLT, M8X16	2							
21	1	198220-85290	BOLT, M16X40	8							
22	1	22217-160000	WASHER, SPRING 16	4							
23	1	26013-120302	BOLT, M12X 30	8							
24	1	26116-161002	BOLT, M16X100 PLATED	2							
25	1	26716-160002	NUT, M16	4							

Fig.177. DUST GUARD

(A)=EG907-AU-PQ
 (B)=EG907(CAB-AU-PQ
 (C)=

(D)=
 (E)=
 (F)=

No.	Lev.	Parts No.	Description	Qty						I	R
				(A)	(B)	(C)	(D)	(E)	(F)		
1	1	198448-62060	GUARD, DUST	2							
2	1	197810-84840	RIVET, NYLON	12							

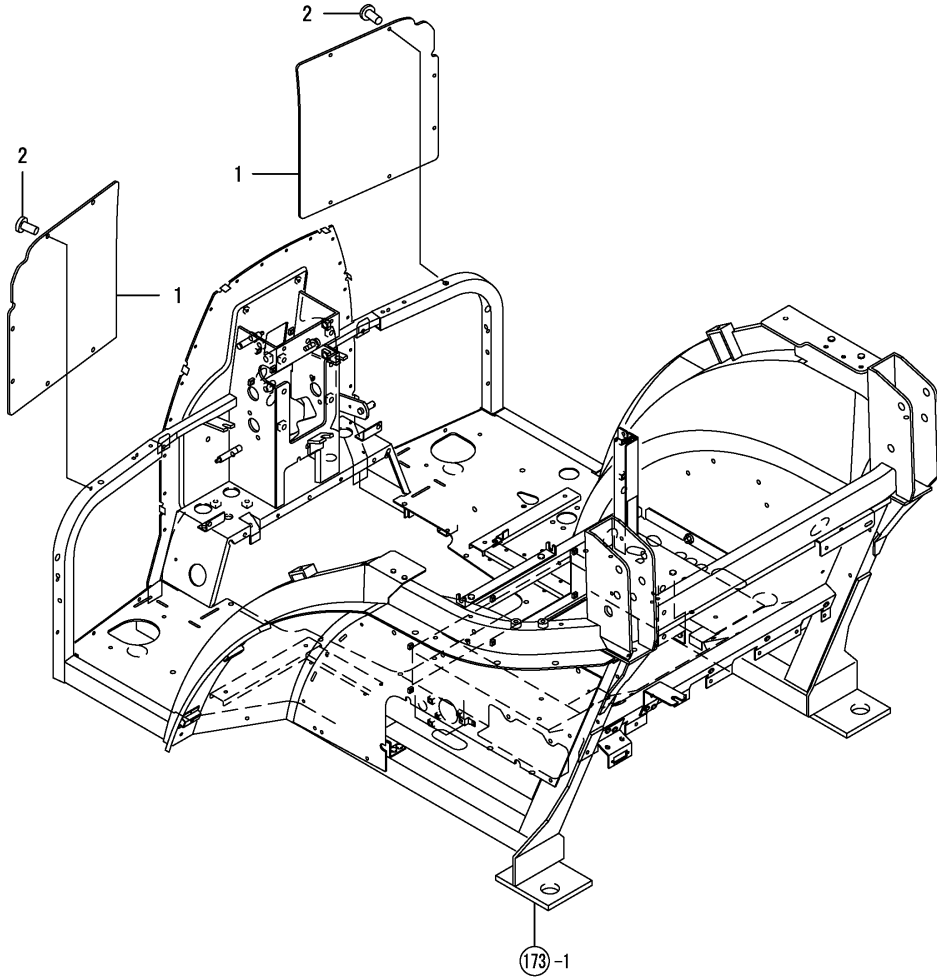
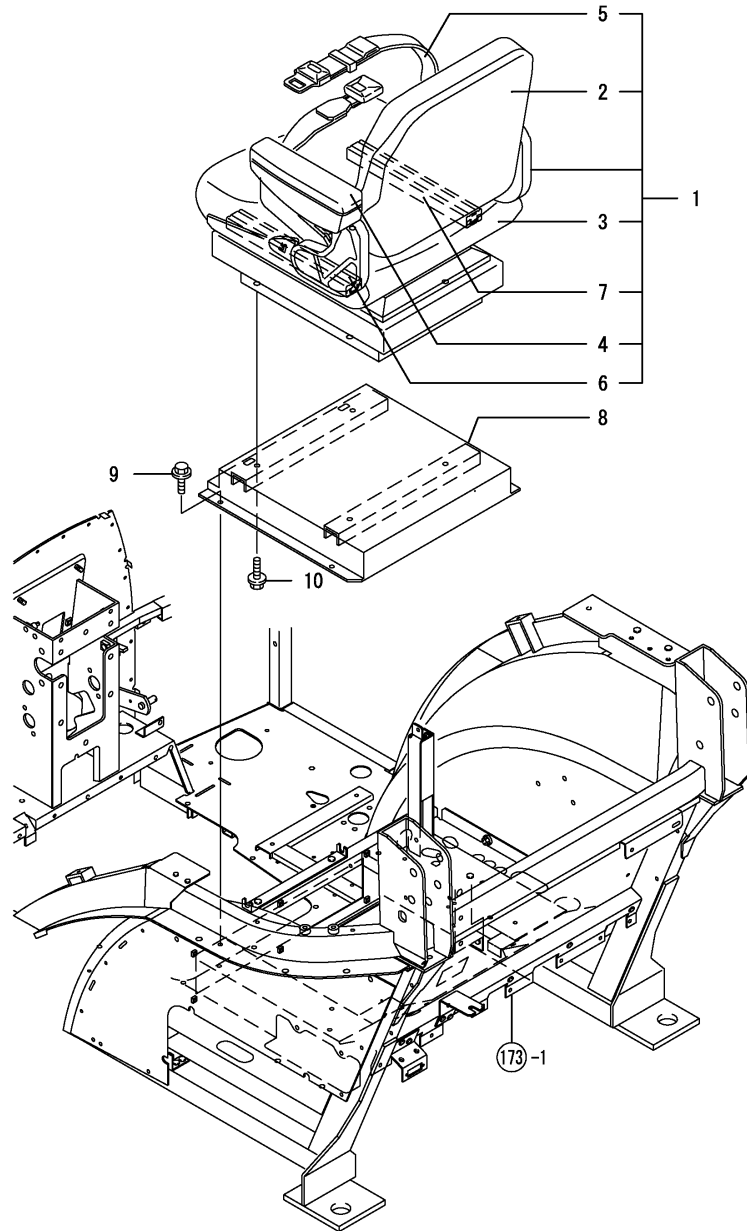


Fig.178. DRIVER SEAT

(A)=EG907-AU-PQ
 (B)=EG907(CAB-AU-PQ
 (C)=

(D)=
 (E)=
 (F)=

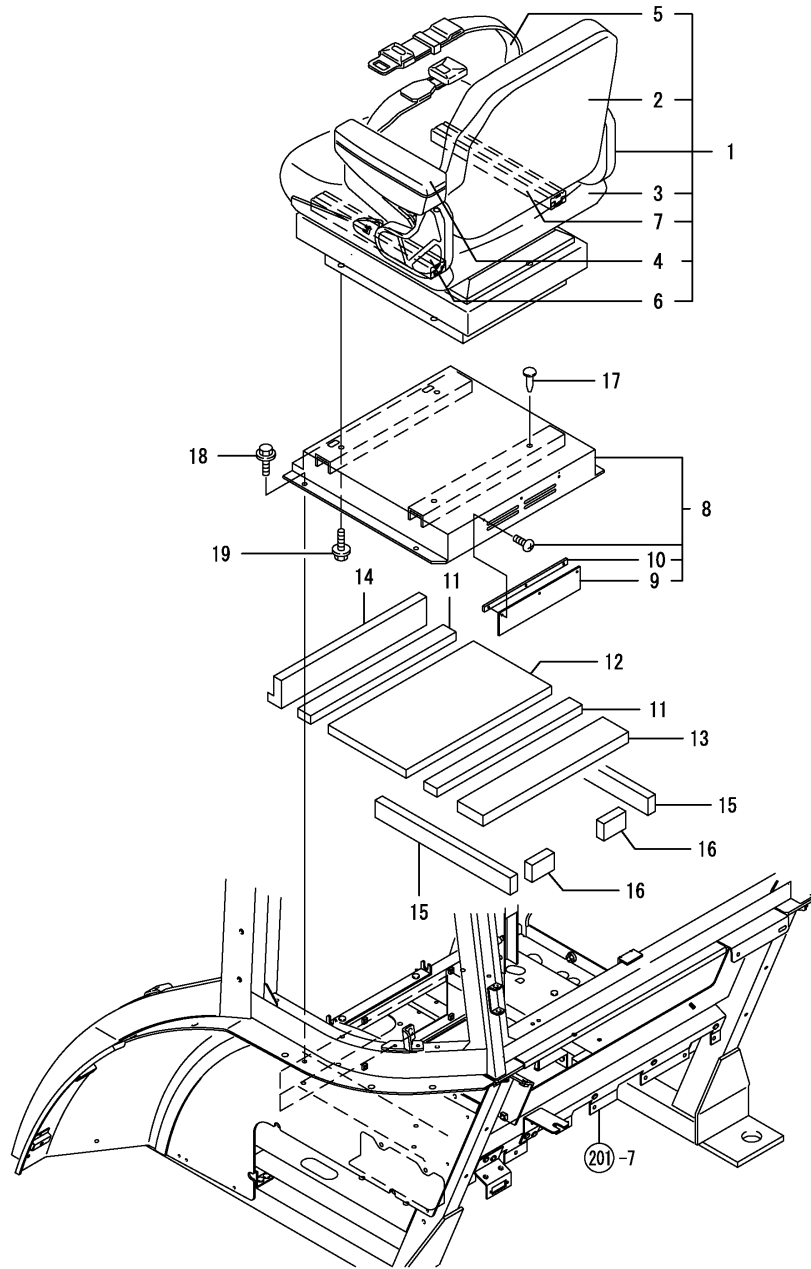


No.	Lev.	Parts No.	Description	Q'ty						I	R
				(A)	(B)	(C)	(D)	(E)	(F)		
1	1	1A7450-63101	SEAT ASSY, OPERATOR	1							
2	2	1A7450-63120	CUSHION, BACK REST	1							
3	2	1A7450-63130	CUSHION, SEAT	1							
4	2	1A7450-63140	ARMREST	1							
5	2	1A7450-63160	BELT, SEAT	1							
6	2	1A7450-63171	RAIL, SEAT	1							
7	2	1A7450-63181	RAIL, SEAT	1							
8	1	1A7450-63252-1	COVER, SEAT	1							
9	1	198093-82510	BOLT, M8X25	4							
10	1	26106-080202	BOLT, M8X 20 PLATED	4							

Fig.179. DRIVER SEAT

(A)=EG907-AU-PQ
 (B)=EG907(CAB-AU-PQ
 (C)=

(D)=
 (E)=
 (F)=



No.	Lev.	Parts No.	Description	Q'ty						I	R
				(A)	(B)	(C)	(D)	(E)	(F)		
1	1	1A7470-63101	SEAT ASSY, OPERATOR		1						
2	2	1A7470-63120	CUSHION, BACK REST		1						
3	2	1A7470-63130	CUSHION, SEAT		1						
4	2	1A7450-63140	ARMREST		1						
5	2	1A7450-63160	BELT, SEAT		1						
6	2	1A7450-63171	RAIL, SEAT		1						
7	2	1A7450-63181	RAIL, SEAT		1						
8	1	1A7470-63242	COVER ASSY, SEAT		1						
9	2	1A7470-63280	SHUTTER		1						
10	2	1A7470-63290	PLATE, SHUTTER		1						
11	1	198268-63350	SEAL, SEAT BRACKET A		2						
12	1	198268-63360	SEAL, SEAT BRACKET B		1						
13	1	1A7470-63370	SEAL, SEAT BRACKET C		1						
14	1	1A7470-63380	SEAL, SEAT BRACKET D		1						
15	1	1A7470-63390	SEAL, SEAT BRACKET E		2						
16	1	1A7470-63410	SEAL, SEAT BRACKET F		2						
17	1	1E6760-74150	CAP, HOLE 8		4						
18	1	198093-82510	BOLT, M8X25		4						
19	1	26106-080202	BOLT, M8X 20 PLATED		4						

Fig.180. BACK MIRROR

(A)=EG907-AU-PQ
 (B)=EG907(CAB-AU-PQ
 (C)=

(D)=
 (E)=
 (F)=

No.	Lev.	Parts No.	Description	Q'ty						I	R
				(A)	(B)	(C)	(D)	(E)	(F)		
1	1	198220-63340	SPRING, FRICTION	2							
2	1	198440-64100	HEAD, MIRROR	2							
3	1	1A7450-64310	STAY, BACK MIRROR L	1							
4	1	1A7450-64350	STAY, BACK MIRROR R	1							
5	1	198133-64400	GROMMET	2							
6	1	22137-120000	WASHER, 12	2							
7	1	22351-060036	PIN, SPRING 6.0X36	2							
8	1	26346-100002	NUT, M10	2							

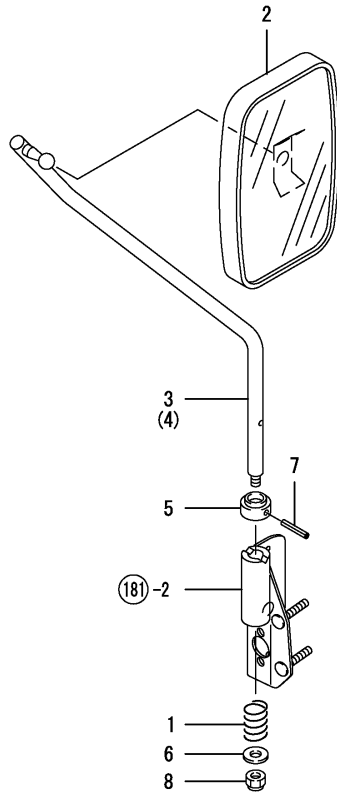


Fig.181. BACK MIRROR BKT

(A)=EG907-AU-PQ
 (B)=EG907(CAB-AU-PQ
 (C)=

(D)=
 (E)=
 (F)=

No.	Lev.	Parts No.	Description	Q'ty						I	R
				(A)	(B)	(C)	(D)	(E)	(F)		
1	1	194990-22140	NUT, M8	4							
2	1	1A7920-63860	BRACKET ASSY, LAMP L	1							
3	1	1A7920-63870	BRACKET ASSY, LAMP R	1							

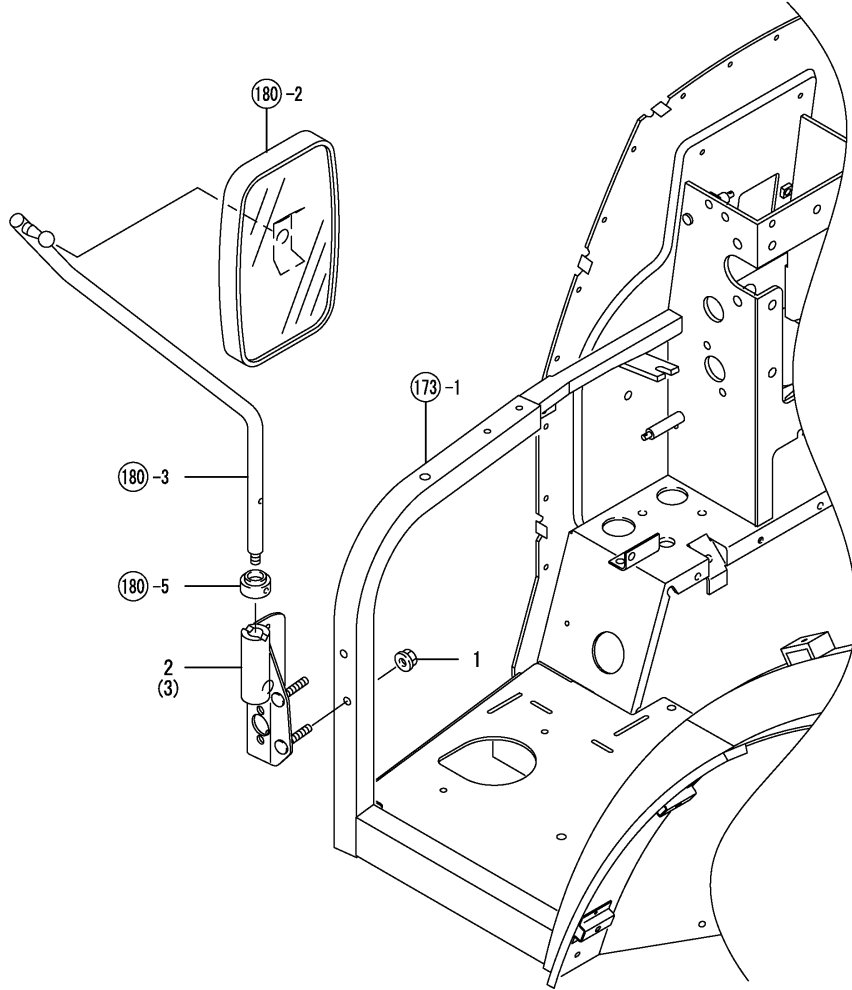


Fig.182. LABELS

(A)=EG907-AU-PQ
 (B)=EG907(CAB-AU-PQ)
 (C)=

(D)=
 (E)=
 (F)=

No.	Lev.	Parts No.	Description	Q'ty						I	R
				(A)	(B)	(C)	(D)	(E)	(F)		
1	1	1A7480-64780	LABEL,	1							
2	1	1A7480-64860	LABEL,	1							
3	1	1A7480-64880	LABEL,	1							
4	1	1A7347-65050	LABEL,KEY SW.	1							
5	1	198153-65351	LABEL,HORN	1							
6	1	1A7480-65470	LABEL,	1							
7	1	1A7480-65510	LABEL,	1							
8	1	1A7680-65520	LABEL,	1							
9	1	1A7450-65661	LABEL,	1							
10	1	1A7480-65710	LABEL,	1							
11	1	1A7480-65840	LABEL,	1							
12	1	1A7480-65890	LABEL,SIDE LAMP	1							
13	1	1A7480-65920	LABEL,	1							
14	1	124764-44810	LABEL,SUB-TANK	1							
15	1	1A7680-65440	LABEL,	1							
16	1	1A7480-65720	LABEL,ECU FUSE	1							
17	1	194640-65730	LABEL	1							
18	1	1A7640-65790	LABEL,	1							
19	1	1A7480-65810	LABEL, FUSE	1							

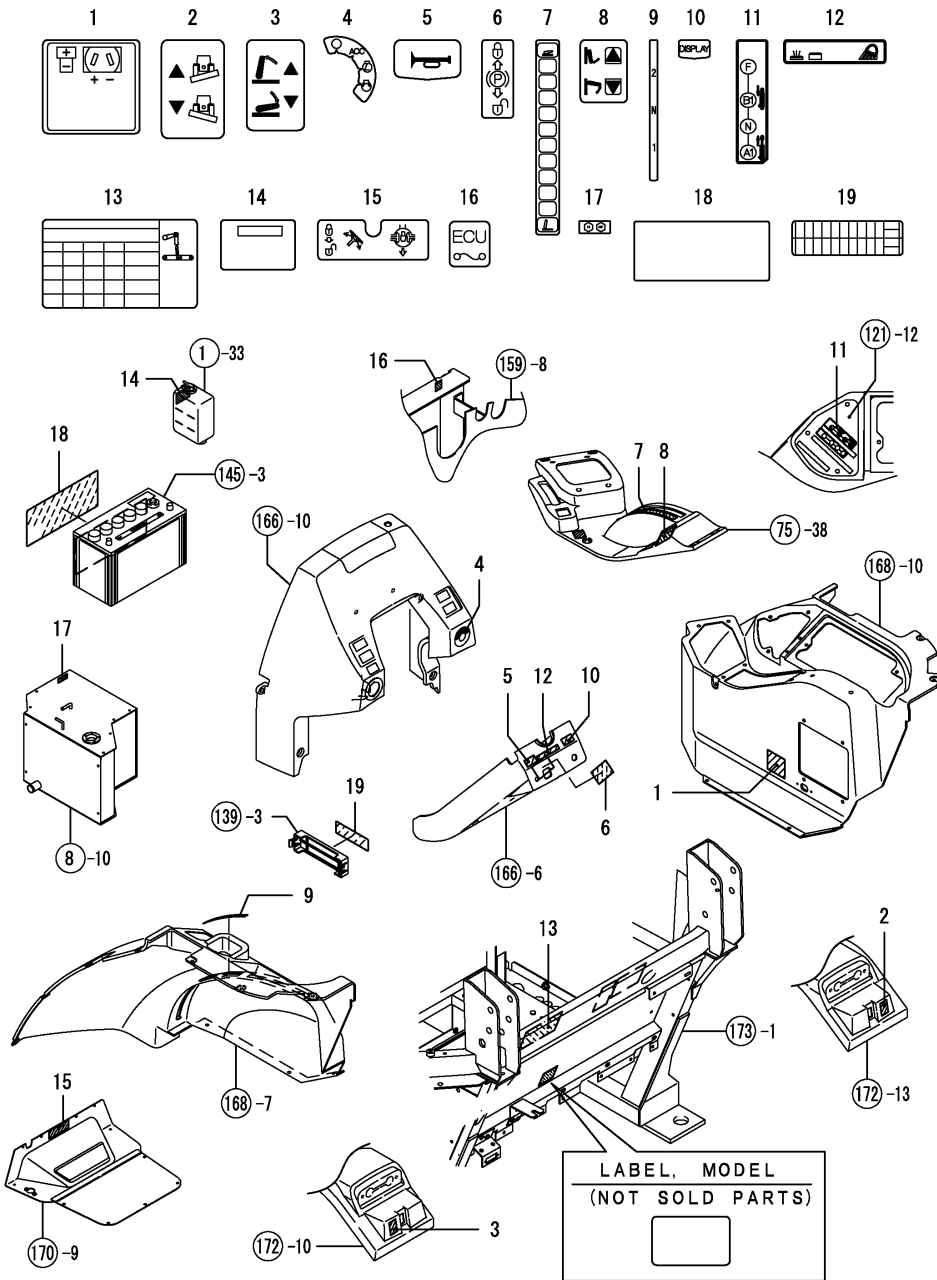
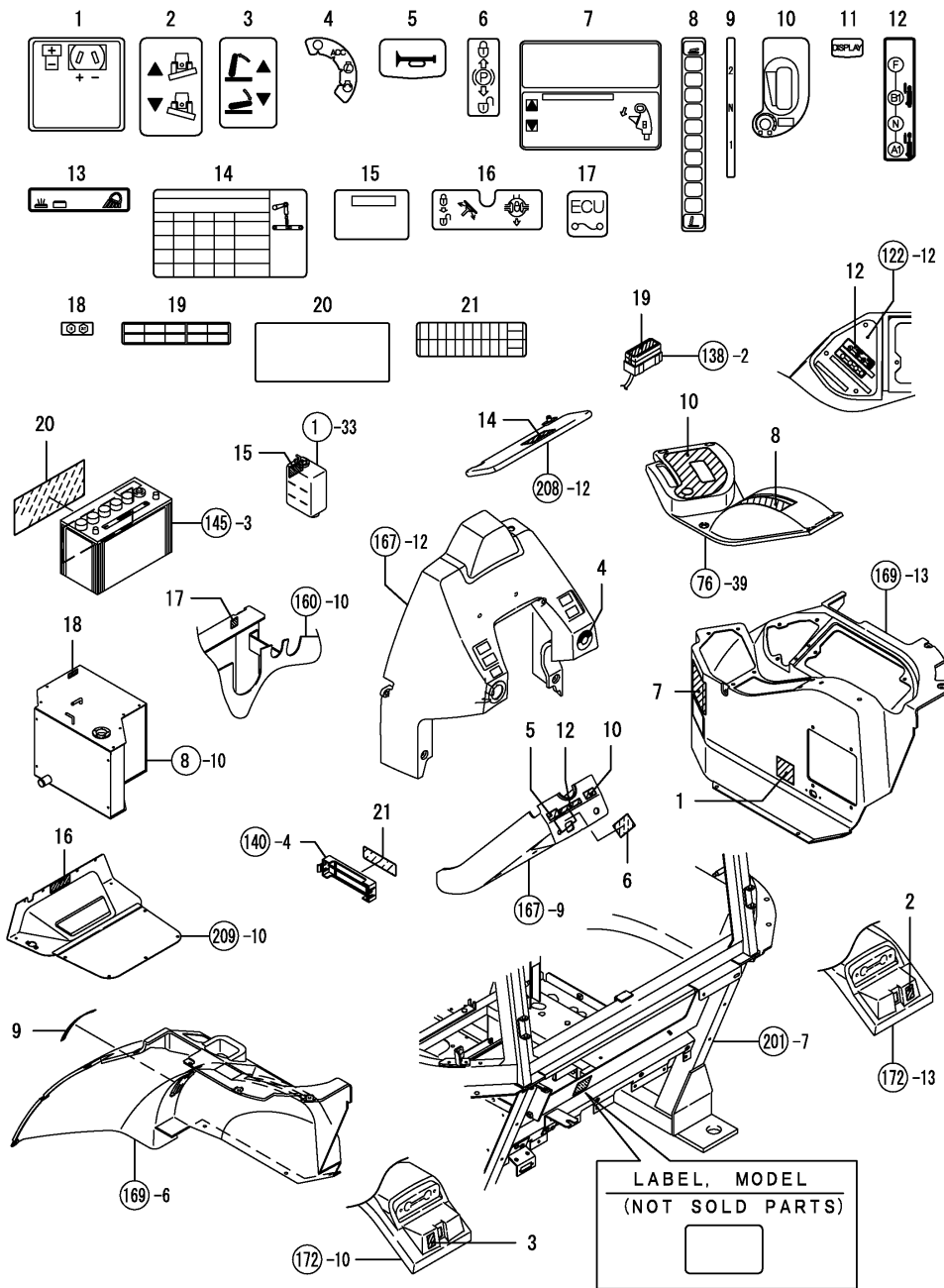


Fig.183. LABELS



(A)=EG907-AU-PQ
 (B)=EG907(CAB-AU-PQ
 (C)=

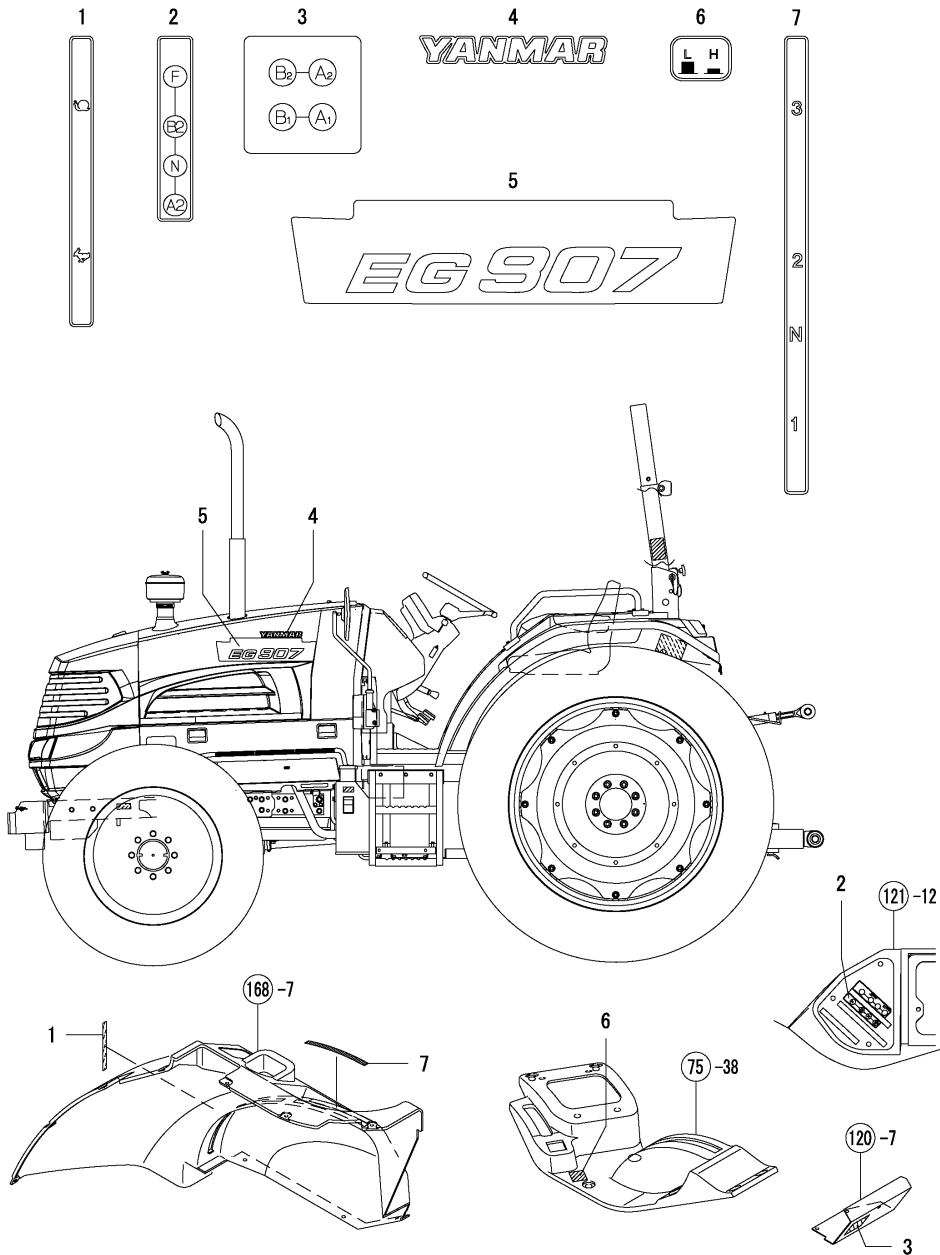
(D)=
 (E)=
 (F)=

No.	Lev.	Parts No.	Description	Q'ty						I	R
				(A)	(B)	(C)	(D)	(E)	(F)		
1	1	1A7480-64780	LABEL,		1						
2	1	1A7480-64860	LABEL,		1						
3	1	1A7480-64880	LABEL,		1						
4	1	1A7347-65050	LABEL,KEY SW.		1						
5	1	198153-65351	LABEL,HORN		1						
6	1	1A7480-65470	LABEL,		1						
7	1	1A7480-65490	CAUTION, UP DOWN		1						
8	1	1A7480-65520	LABEL,		1						
9	1	1A7480-65660	LABEL,		1						
10	1	1A7480-65700	LABEL,		1						
11	1	1A7480-65710	LABEL,		1						
12	1	1A7480-65840	LABEL,		1						
13	1	1A7480-65890	LABEL,SIDE LAMP		1						
14	1	1A7480-65920	LABEL,		1						
15	1	124764-44810	LABEL,SUB-TANK		1						
16	1	1A7680-65440	LABEL,		1						
17	1	1A7480-65720	LABEL,ECU FUSE		1						
18	1	194640-65730	LABEL		1						
19	1	1A7480-65730	LABEL,RELAY UNIT		1						
20	1	1A7640-65790	LABEL,		1						
21	1	1A7480-65800	LABEL, FUSE		1						

Fig.184. LABELS

(A)=EG907-AU-PQ
 (B)=EG907(CAB-AU-PQ
 (C)=

(D)=
 (E)=
 (F)=

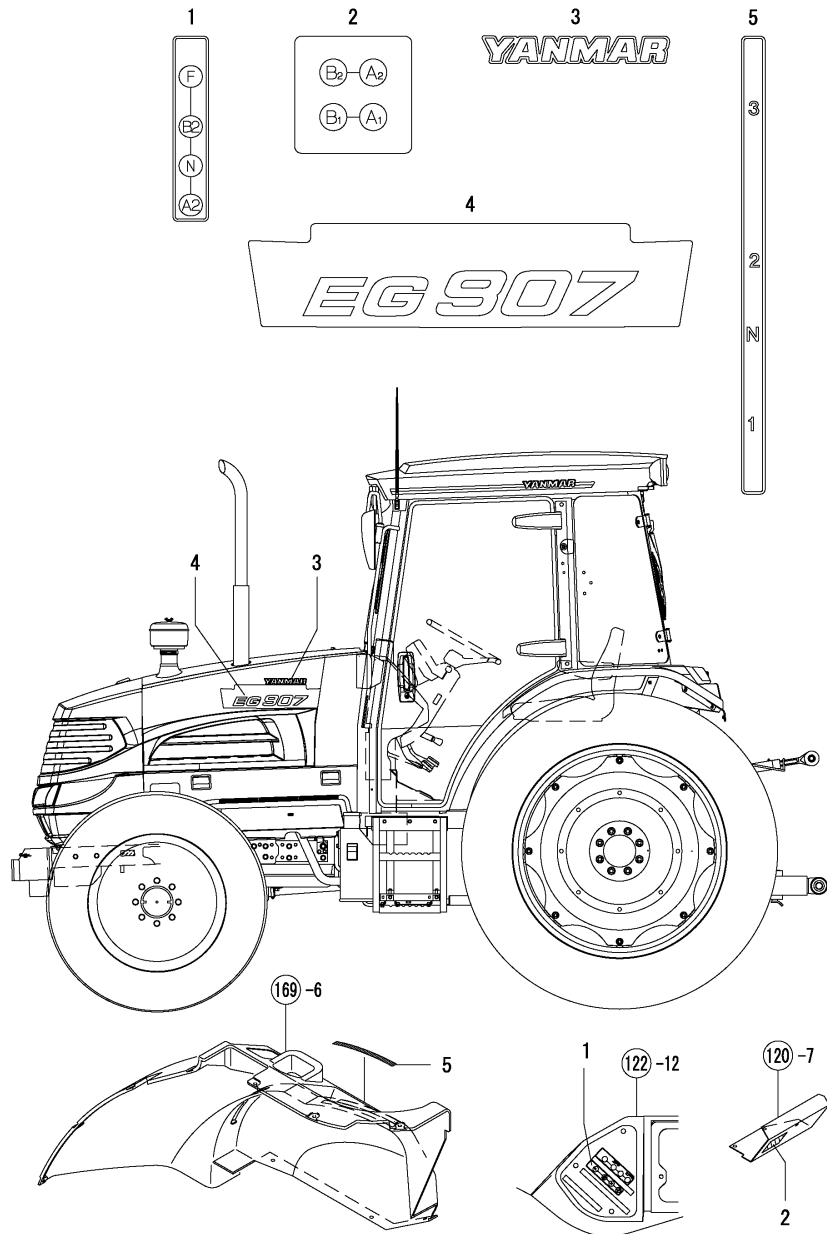


No.	Lev.	Parts No.	Description	Q'ty						I	R
				(A)	(B)	(C)	(D)	(E)	(F)		
1	1	1A7480-65880	LABEL,	1							
2	1	1A7480-65850	LABEL,	1							
3	1	1A7480-65870	LABEL,	1							
4	1	1A8070-65251	LABEL, YANMAR	2							
5	1	1A7480-65530	LABEL, NAME	2							
6	1	1A7480-65820	LABEL,	1							
7	1	198535-65670	LABEL, P.T.O.	1							

Fig.185. LABELS

(A)=EG907-AU-PQ
 (B)=EG907(CAB-AU-PQ
 (C)=

(D)=
 (E)=
 (F)=

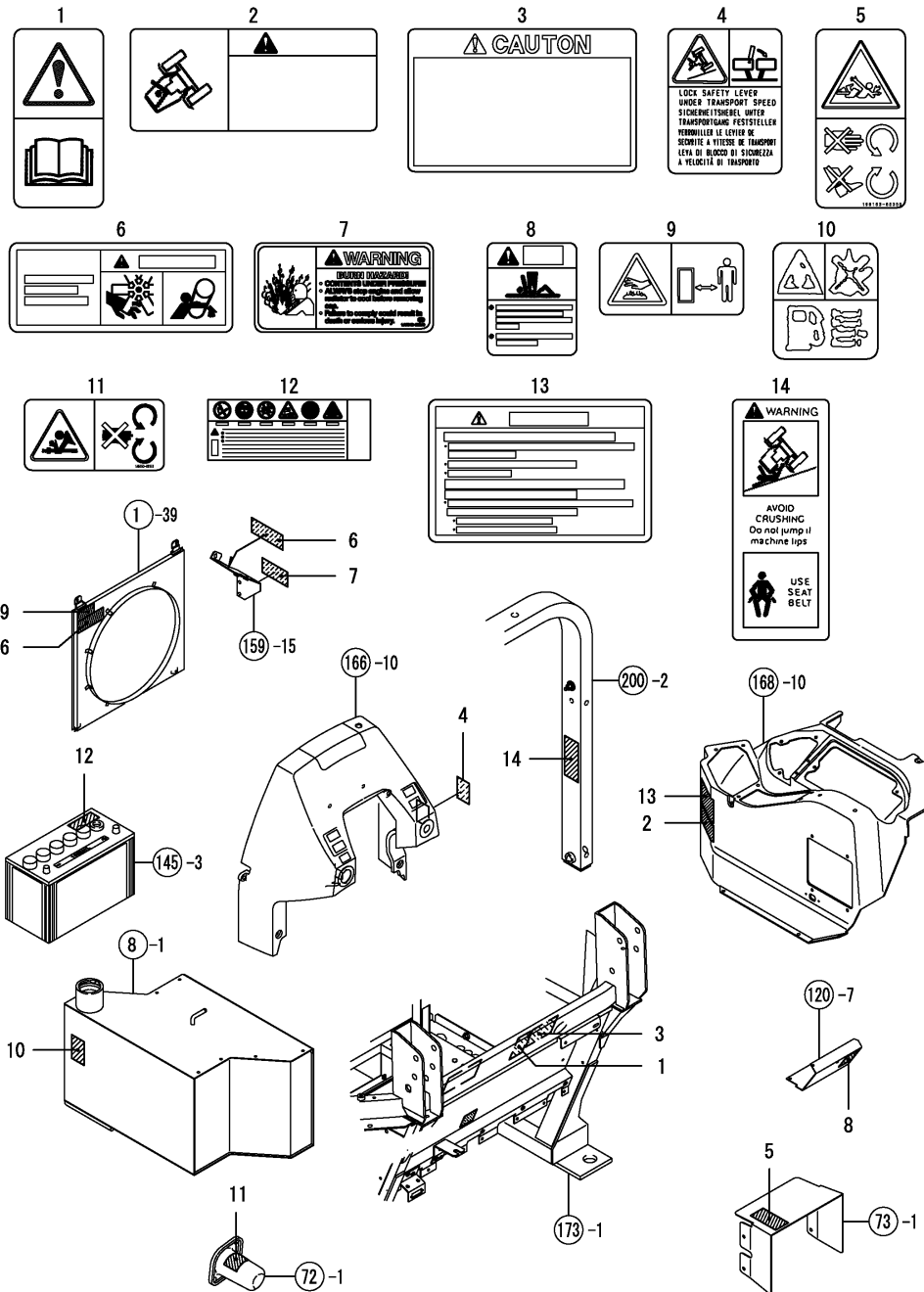


No.	Lev.	Parts No.	Description	Q'ty						I	R
				(A)	(B)	(C)	(D)	(E)	(F)		
1	1	1A7480-65850	LABEL,		1						
2	1	1A7480-65870	LABEL,		1						
3	1	1A8070-65251	LABEL, YANMAR		2						
4	1	1A7480-65530	LABEL, NAME		2						
5	1	198535-65670	LABEL, P.T.O.		1						

Fig.186. LABELS(SAFETY)

(A)=EG907-AU-PQ
(B)=EG907(CAB-AU-PQ
(C)=

(D)=
(E)=
(F)=

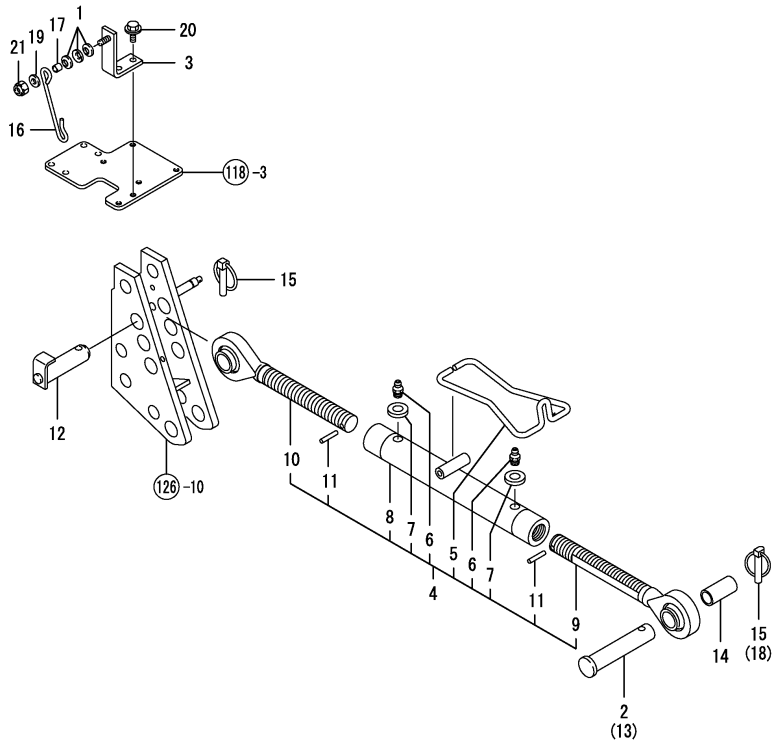


No.	Lev.	Parts No.	Description	Q'ty						I	R
				(A)	(B)	(C)	(D)	(E)	(F)		
1	1	1A7480-65310	LABEL, CAUTION	1							
2	1	1A7480-65450	LABEL,	1							
3	1	198122-65730	LABEL, CAUTION	1							
4	1	198163-65780	LABEL, BRAKE COUPLING	1							
5	1	198163-65350	DANGER, ROTAT. SHAFT	1							
6	1	1A7880-65620	LABEL, WARNING, FAN	2							
7	1	1A7340-65810	DECAL, RADIATOR	1							
8	1	1A7480-65900	LABEL,	1							
9	1	198163-65930	CAUTION, MUFFLER	2							
10	1	1A6150-91251	LABEL, RAKE CAUTION	1							
11	1	1A6150-93151	LABEL, COVER	1							
12	1	1A7480-95950	LABEL, BATTERY	1							
13	1	1A8160-65350	LABEL, WARNING, ROPS	1							
14	1	1A7130-65910	LABEL (ROPS CAUTION)	1							

Fig.188. TOP LINK

(A)=EG907-AU-PQ
 (B)=EG907(CAB-AU-PQ
 (C)=

(D)=
 (E)=
 (F)=



No.	Lev.	Parts No.	Description	Q'ty						I	R
				(A)	(B)	(C)	(D)	(E)	(F)		
1	1	198072-18320	SPRING, 12	3	3						1
2	1	195397-27810	PIN, 19X92	1	1						
3	1	1A7450-47870	STAY	1	1						
4	1	198153-71121	LINK ASSY, TOP	1	1						
5	2	198153-71131	HANDLE, LINK	1	1						
6	2	198153-71140	NIPPLE, GRESAE PT1/8	2	2						
7	2	198153-71150	GASKET	2	2						
8	2	198153-71501	TURNBUCKLE	1	1						
9	2	198153-71601	LINK, TOP R	1	1						
10	2	198153-71701	LINK, TOP L	1	1						
11	2	198153-71810	PIN, KNOCK	2	2						
12	1	1A7450-71241	PIN, TOP LINK	1	1						
13	1	194180-71260	PIN, LINK 25	1	1						2
14	1	194180-71271	COLLAR, 19X25X44	1	1						1
15	1	794130-71410	PIN ASSY, BALL	2	2						3
16	1	198268-71710	HOLDER, LINK	1	1						
17	1	198092-71720	COLLAR, 8.1X10.5X9.3	1	1						
18	1	194180-72950	PIN ASSY, LOCK	1	1						1
19	1	22137-080000	WASHER, 8	1	1						
20	1	26106-080162	BOLT, M8X 16 PLATED	2	2						
21	1	26346-080002	NUT, M8	1	1						

Remarks
 (1) FOR CATEGORY1
 (2) FOR CATEGORY2
 (3) QTY. IS 1 FOR CATEGORY1
 USED ON TOP LINK HINGE SIDE
 USE NO.18 FOR THE OTHER SIDE.

Fig.189. LIFT LINK L.H.

(A)=EG907-AU-PQ
 (B)=EG907(CAB-AU-PQ
 (C)=

(D)=
 (E)=
 (F)=

No.	Lev.	Parts No.	Description	Q'ty						I	R
				(A)	(B)	(C)	(D)	(E)	(F)		
1	1	794130-71410	PIN ASSY, BALL	1	1						
2	1	1A7450-72301	LINK ASSY, LIFT L	1	1						
3	1	1A7450-72411	PIN ASSY,LIFT LINK	1	1						
4	1	1A7450-72451	PIN,LIFT LOWER	1	1						
5	1	1A7450-72480	PLATE, LINK	1	1						
6	1	194180-72950	PIN ASSY, LOCK	1	1						

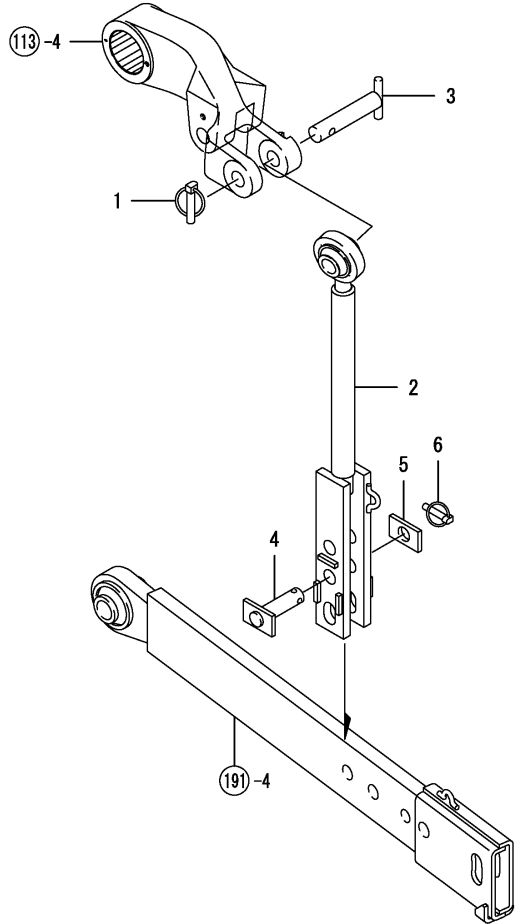
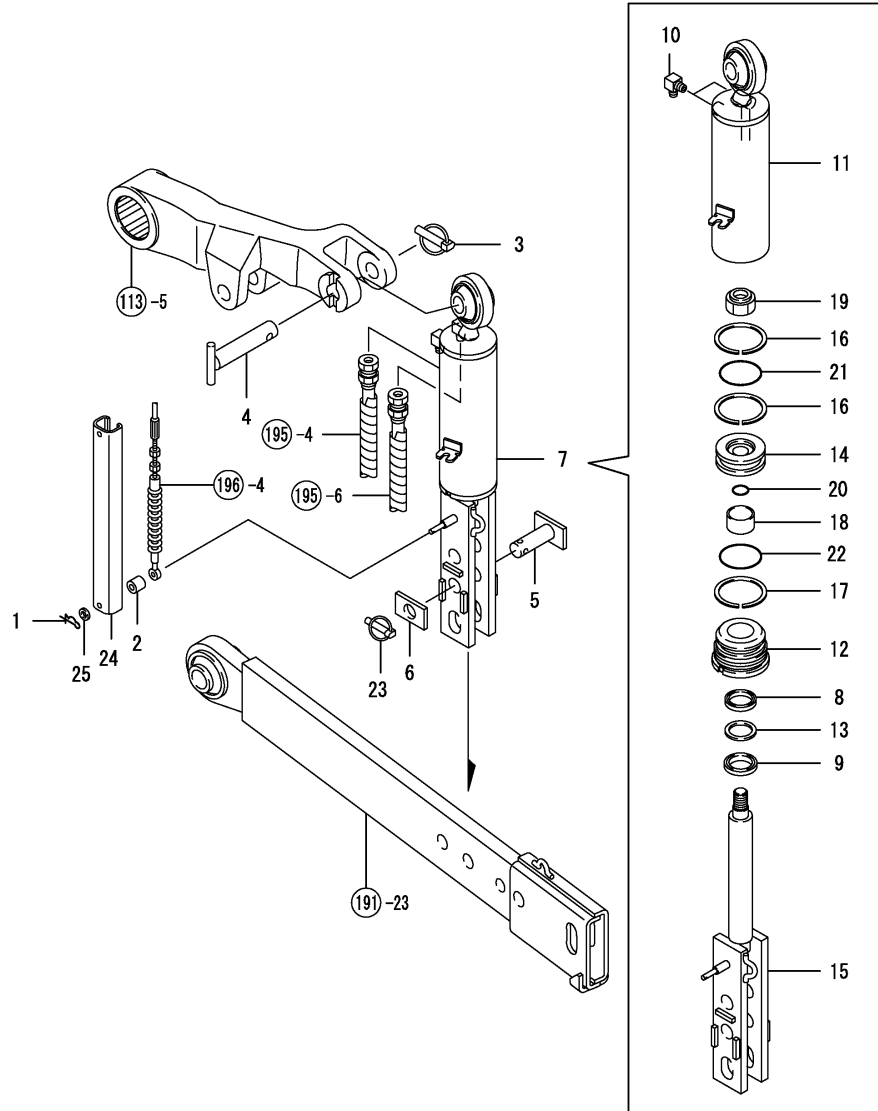


Fig.190. LIFT CYLINDER

(A)=EG907-AU-PQ
 (B)=EG907(CAB-AU-PQ)
 (C)=

(D)=
 (E)=
 (F)=

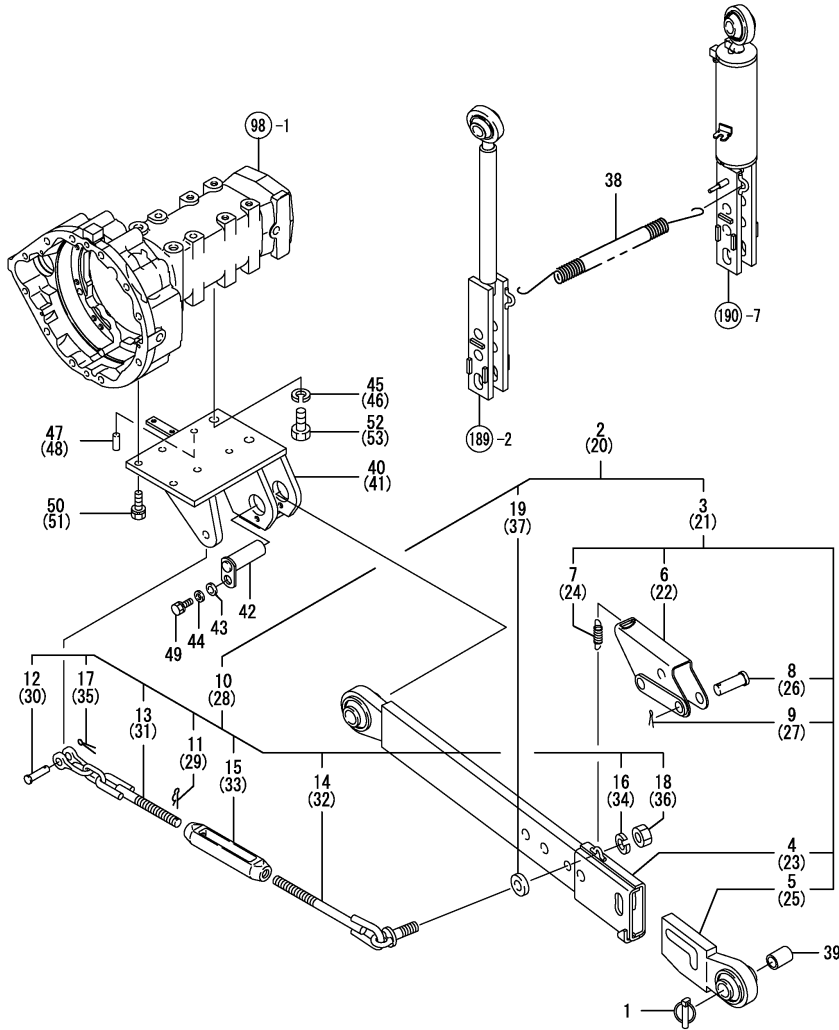


No.	Lev.	Parts No.	Description	Q'ty						I	R
				(A)	(B)	(C)	(D)	(E)	(F)		
1	1	1C6281-52310	PIN, SNAP 6	1	1						
2	1	198220-62220	COLLAR	1	1						
3	1	794130-71410	PIN ASSY, BALL	1	1						
4	1	1A7450-72411	PIN ASSY,LIFT LINK	1	1						
5	1	1A7450-72451	PIN,LIFT LOWER	1	1						
6	1	1A7450-72480	PLATE, LINK	1	1						
7	1	1A7450-72611	CYLINDER ASSY, LIFT	1	1						
8	2	198071-17330	PACKING, 30	1	1						
9	2	198133-17370	SCRAPER, SCK-30	1	1						
10	2	194065-38350	ADAPTER, 1/8	2	2						
11	2	1A7450-72620	TUBE ASSY, CYLINDER	1	1						
12	2	198268-72711	CAP, CYLINDER	1	1						
13	2	198268-72720	RING, BACK UP	1	1						
14	2	198268-72740	PISTON, CYLINDER	1	1						
15	2	1A7450-72761	ROD ASSY	1	1						
16	2	1A7790-72790	RING, BACK UP P53	2	2						
17	2	1A7790-72790	RING, BACK UP P53	1	1						
18	2	24550-030200	BUSH, 30X20	1	1						
19	2	26356-180002	NUT, M18	1	1						
20	2	41850-000200	PACKING, 20.0	1	1						
21	2	41850-000530	PACKING, 53.0	1	1						
22	2	41850-000530	PACKING, 53.0	1	1						
23	1	194180-72950	PIN ASSY, LOCK	1	1						
24	1	198268-78610	COVER, WIRE	1	1						
25	1	22137-060000	WASHER, 6	1	1						

Fig.191. LOWER LINK

(A)=EG907-AU-PQ
 (B)=EG907(CAB-AU-PQ
 (C)=

(D)=
 (E)=
 (F)=



No.	Lev.	Parts No.	Description	Q'ty						I	R
				(A)	(B)	(C)	(D)	(E)	(F)		
1	1	794130-71410	PIN ASSY, BALL	2	2						
2	1	1A7450-73020	LINK ASSY, LOWER TL	1	1						
3	2	1A7450-73500	LINK ASSY, LOWER L	1	1						
4	3	1A7450-73510	LINK, LOWER L FRONT	1	1						
5	3	1A7450-73520	LINK, LOWER L REAR	1	1						
6	3	1A7450-73570	LEVER, TELESCOPIC	1	1						
7	3	198155-73620	SPRING	1	1						
8	3	198268-73630	PIN	2	2						
9	3	22417-400300	PIN, COTTER 4.0X30	2	2						
10	2	1A7450-74010	CHAIN ASSY, CHECK	1	1						
11	3	1A6150-73700	PIN, SNAP 16	1	1						
12	3	198153-74100	PIN, SHACKLE	1	1						
13	3	1A7450-74500	CHAIN ASSY, CHECK F	1	1						
14	3	1A7450-74600	CHAIN ASSY, CHECK R	1	1						
15	3	198475-74700	TURNBUCKLE, M16	1	1						
16	3	22217-180000	WASHER, SPRING 18	1	1						
17	3	22417-500250	PIN, COTTER 5.0X25	1	1						
18	3	26737-180002	NUT, M18	1	1						
19	2	1A7450-74540	COLLAR, 19X42X9	1	1						
20	1	1A7450-73030	LINK ASSY, LOWER TR	1	1						
21	2	1A7450-73600	LINK ASSY, LOWER R	1	1						
22	3	1A7450-73570	LEVER, TELESCOPIC	1	1						
23	3	1A7450-73610	LINK, LOWER R FRONT	1	1						
24	3	198155-73620	SPRING	1	1						
25	3	1A7450-73620	LINK, LOWER R REAR	1	1						
26	3	198268-73630	PIN	2	2						
27	3	22417-400300	PIN, COTTER 4.0X30	2	2						
28	2	1A7450-74010	CHAIN ASSY, CHECK	1	1						
29	3	1A6150-73700	PIN, SNAP 16	1	1						
30	3	198153-74100	PIN, SHACKLE	1	1						
31	3	1A7450-74500	CHAIN ASSY, CHECK F	1	1						
32	3	1A7450-74600	CHAIN ASSY, CHECK R	1	1						
33	3	198475-74700	TURNBUCKLE, M16	1	1						
34	3	22217-180000	WASHER, SPRING 18	1	1						
35	3	22417-500250	PIN, COTTER 5.0X25	1	1						
36	3	26737-180002	NUT, M18	1	1						
37	2	1A7450-74540	COLLAR, 19X42X9	1	1						
38	1	194145-73150	SPRING, LOCK	1	1						
39	1	198151-73230	COLLAR, 22X28X35	2	2						1
40	1	1A7450-73410	BRACKET, LINK L	1	1						
41	1	1A7450-73420	BRACKET, LINK R	1	1						
42	1	1A7450-73701	ARM ASSY, LINK	2	2						
43	1	1A7450-73730	COLLAR, D17.3X3.2X5.	2	2						
44	1	22157-100000	WASHER, 10	2	2						
45	1	22217-160000	WASHER, SPRING 16	2	2						
46	1	22217-160000	WASHER, SPRING 16	2	2						
47	1	22312-120220	PIN, PARALLEL M12X22	2	2						
48	1	22312-120220	PIN, PARALLEL M12X22	2	2						
49	1	26013-100202	BOLT, M10X 20	2	2						
50	1	26013-120352	BOLT, M12X 35	4	4						
51	1	26013-120352	BOLT, M12X 35	4	4						

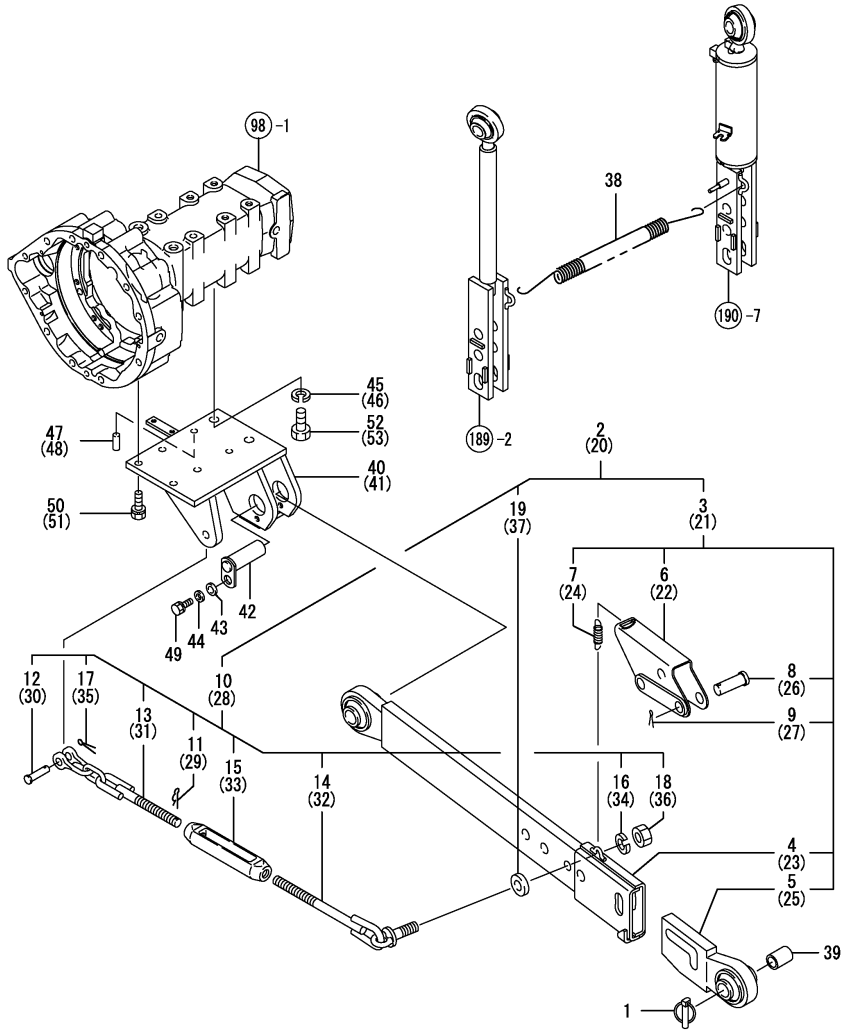
Remarks
 * THIS FIG. IS FOR TELESCOPIC LOWER LINK TYPE.
 (1) FOR CATEGORY1

Fig.191. LOWER LINK

(A)=EG907-AU-PQ
 (B)=EG907(CAB-AU-PQ
 (C)=

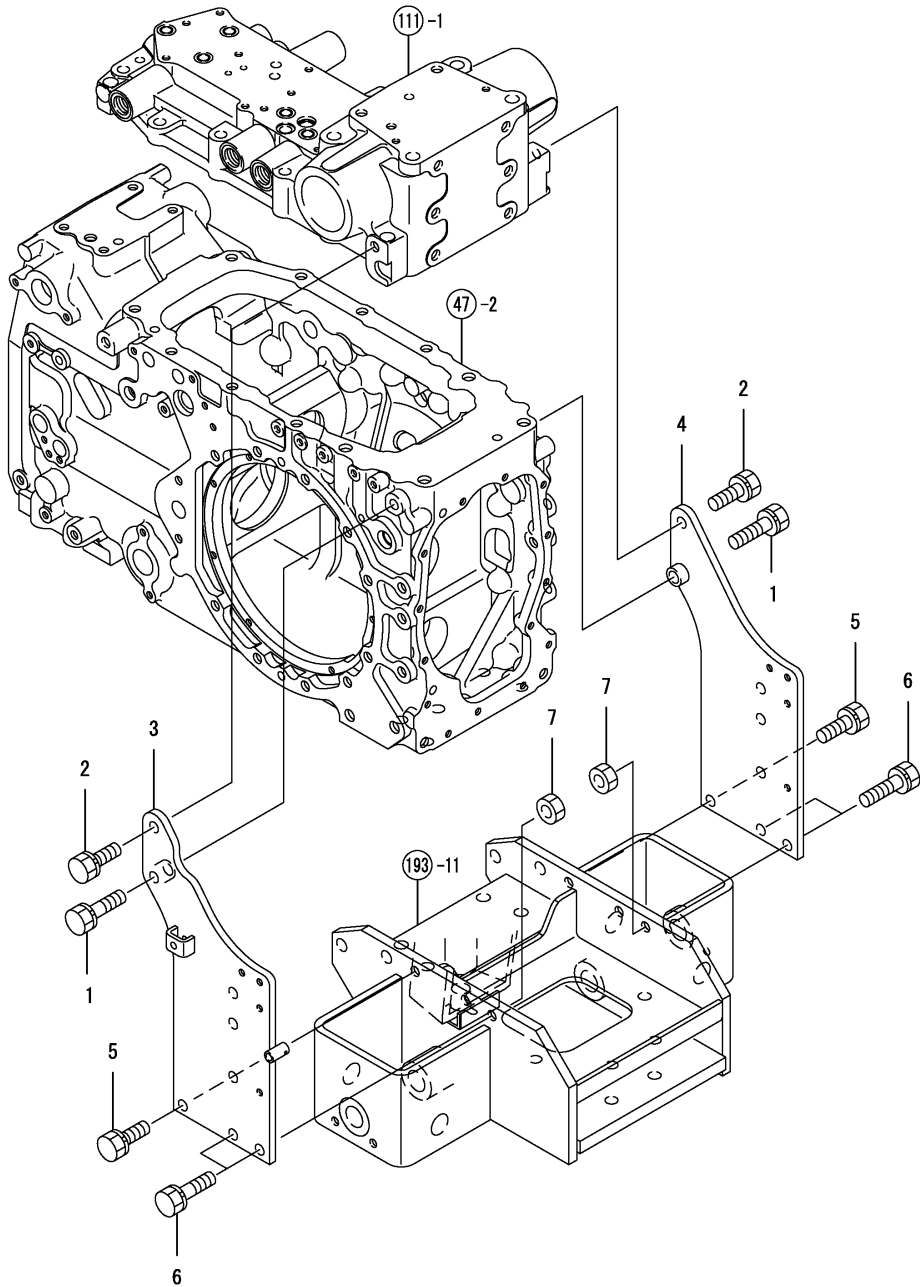
(D)=
 (E)=
 (F)=

No.	Lev.	Parts No.	Description	Q'ty						I	R
				(A)	(B)	(C)	(D)	(E)	(F)		
52	1	26116-160402	BOLT, M16X 40 PLATED	2	2						
53	1	26116-160402	BOLT, M16X 40 PLATED	2	2						



Remarks
 * THIS FIG. IS FOR TELESCOPIC
 LOWER LINK TYPE.
 (1) FOR CATEGORY1

Fig.192. DRAWBAR PLATE



(A)=EG907-AU-PQ
 (B)=EG907(CAB-AU-PQ
 (C)=

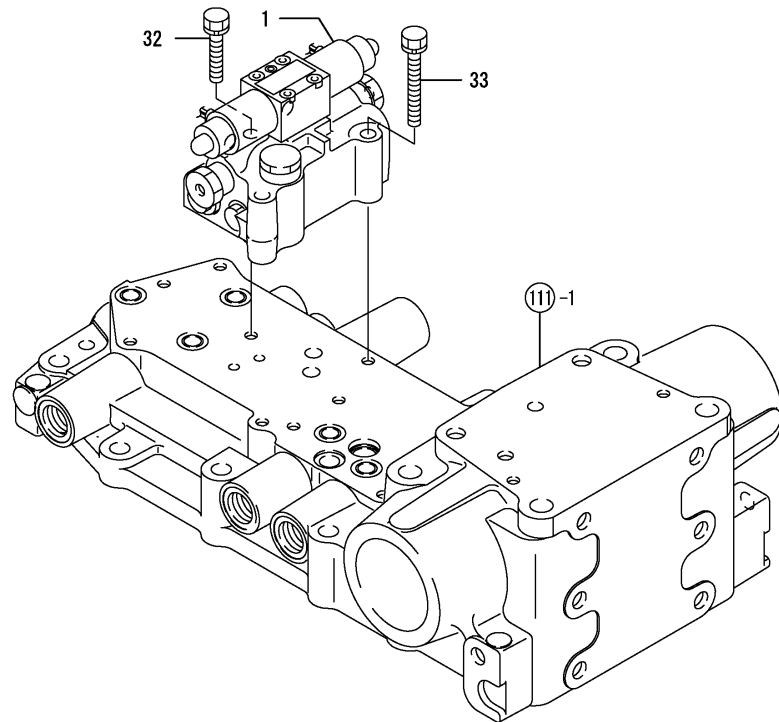
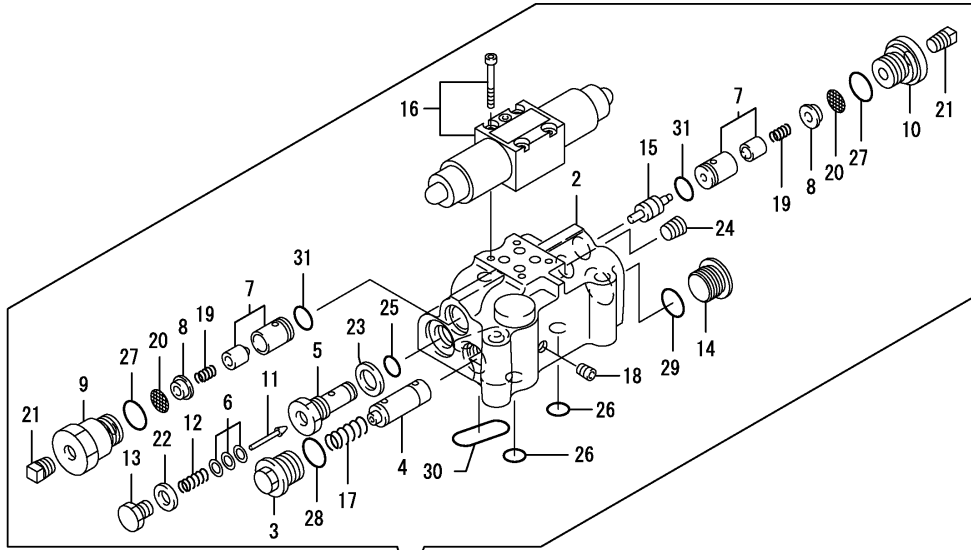
(D)=
 (E)=
 (F)=

No.	Lev.	Parts No.	Description	Q'ty						I	R
				(A)	(B)	(C)	(D)	(E)	(F)		
1	1	198220-11520	BOLT, M12X38	2	2						
2	1	198240-21270	BOLT, M12X30	2	2						
3	1	1A7450-75141	PLATE, DRAWBAR L	1	1						
4	1	1A7450-75151	PLATE, DRAWBAR R	1	1						
5	1	26013-120252	BOLT, M12X 25	2	2						
6	1	26013-120402	BOLT, M12X 40	4	4						
7	1	26716-120002	NUT, M12	4	4						

Fig.194. SWING

(A)=EG907-AU-PQ
 (B)=EG907(CAB-AU-PQ
 (C)=

(D)=
 (E)=
 (F)=

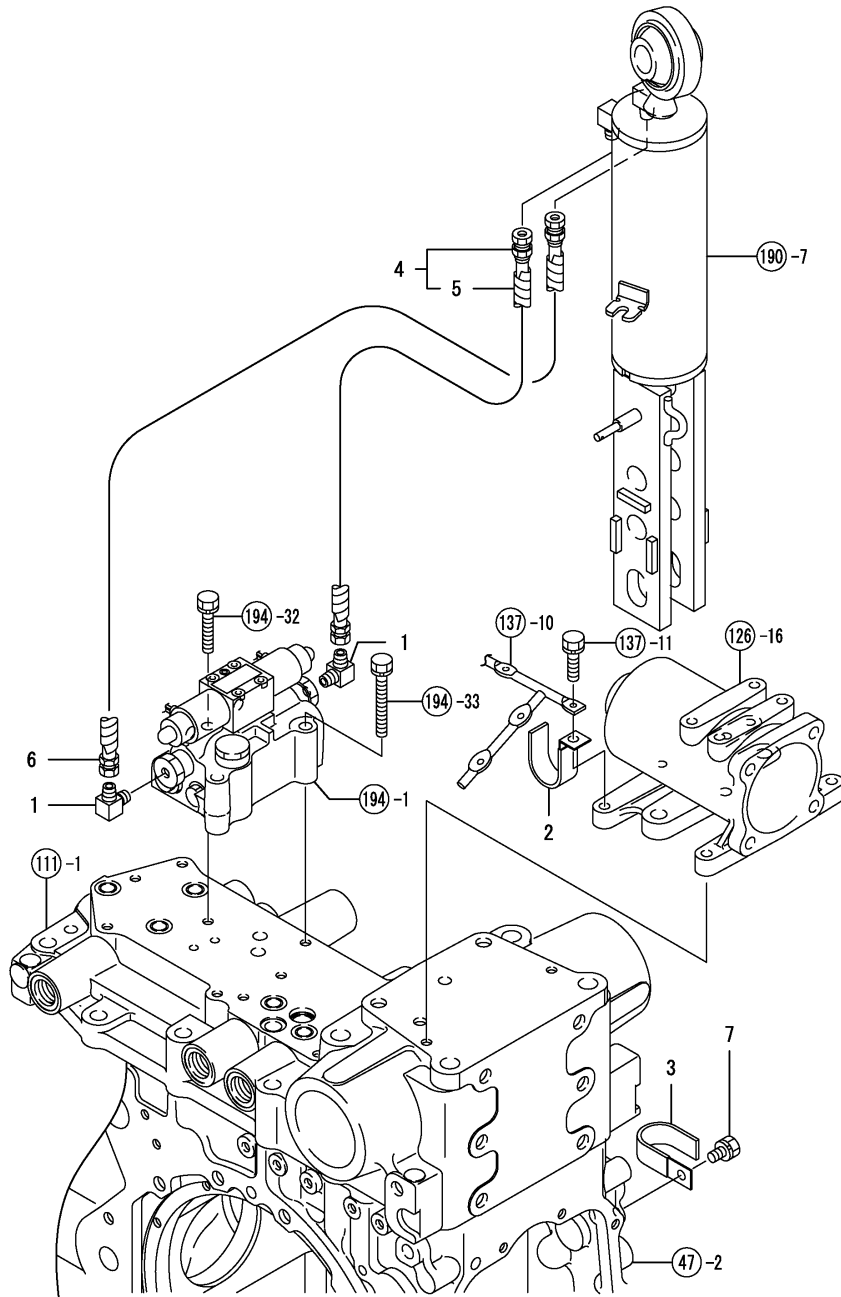


No.	Lev.	Parts No.	Description	Q'ty						I	R
				(A)	(B)	(C)	(D)	(E)	(F)		
1	1	1A7450-77201	VALVE ASSY, SWING	1	1						
2	2	16826C-01020	VALVE BODY(12A	1	1						
3	2	16826C-02050	PLUG(FLOW CONT.	1	1						
4	2	16826C-02100	SPOOL(FLOW CONT. 12A	1	1						
5	2	178073-02320	CASE, RELIEF	1	1						
6	2	178073-02340	SHIM	1	1						
7	2	16826C-03010	CHECKVALVE CMP	2	2						
8	2	16826C-03050	RETANER(FILTER	2	2						
9	2	16826C-03100	PLUG(3.0	1	1						
10	2	16826C-03110	PLUG(1.1	1	1						
11	2	16826C-04060	PILOT VALVE	1	1						
12	2	178073-04310	SP(PILOT	1	1						
13	2	178073-04320	PLUG	1	1						
14	2	178076-05420	PLUG, G,1/2	1	1						
15	2	178076-23300	PISTON,PILOT	1	1						
16	2	178076-23400	VALVE, SOLENOID	1	1						
17	2	198213-24700	SPRING, FLOW CONTROL	1	1						
18	2	194555-77120	PLUG, 1/16	1	1						
19	2	198121-77280	SPRING, CHECK	2	2						
20	2	194680-77770	STRAINER	2	2						
21	2	23171-010000	PLUG, R1/8	2	2						
22	2	23414-100000	GASKET, 10X1.0	1	1						
23	2	23414-160000	GASKET, 16X1.0	1	1						
24	2	23871-020000	PLUG, R02	1	1						
25	2	24315-000090	O-RING, 1BP9.0	1	1						
26	2	24315-000160	O-RING, 1BP16.0	2	2						
27	2	24315-000180	O-RING, 1BP18.0	2	2						
28	2	24315-000180	O-RING, 1BP18.0	1	1						
29	2	24315-000180	O-RING, 1BP18.0	1	1						
30	2	24315-000240	O-RING, 1BP24.0	1	1						
31	2	24341-000140	O-RING, 1AS14.0	2	2						
32	1	26013-080402	BOLT, M8X 40	1	1						
33	1	26013-080602	BOLT, M8X 60	2	2						

Fig.195. HYDRAULIC HOSE

(A)=EG907-AU-PQ
 (B)=EG907(CAB-AU-PQ
 (C)=

(D)=
 (E)=
 (F)=

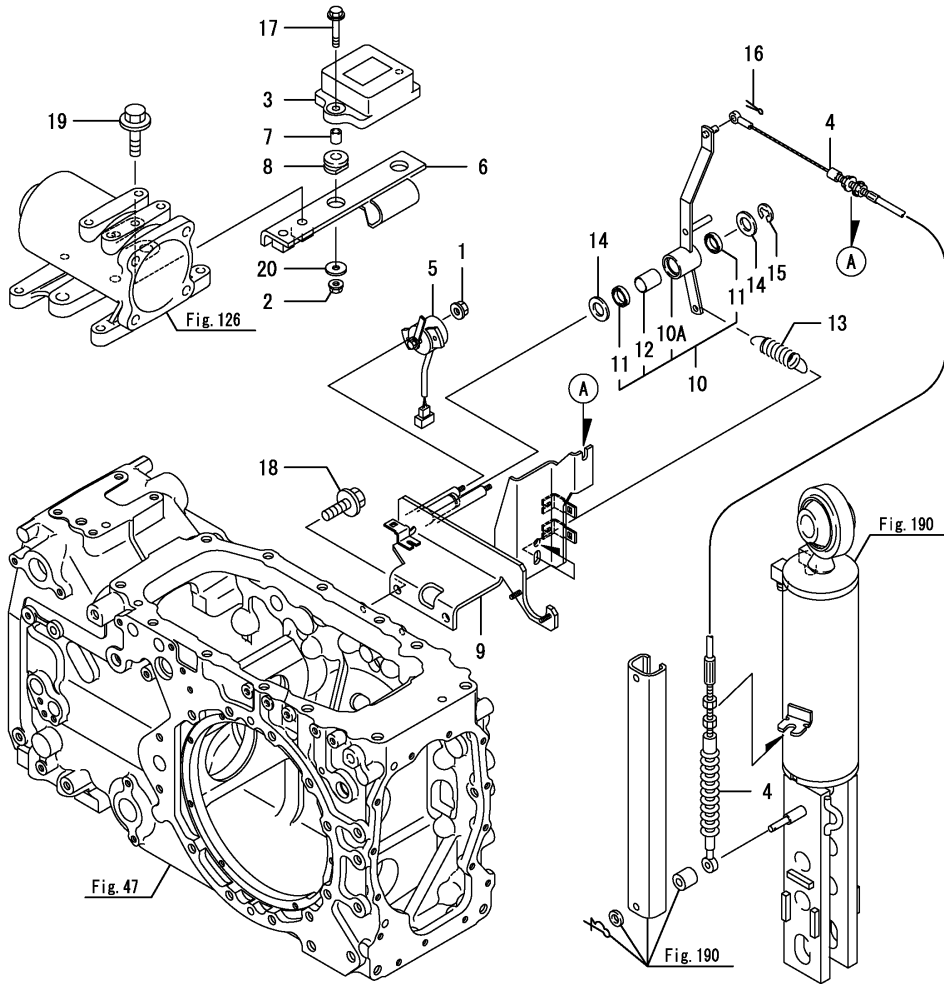


No.	Lev.	Parts No.	Description	Q'ty						I	R
				(A)	(B)	(C)	(D)	(E)	(F)		
1	1	194065-38350	ADAPTER, 1/8	2	2						
2	1	198448-51460	CLAMP, HARNESS	1	1						
3	1	198448-51460	CLAMP, HARNESS	1	1						
4	1	198361-77380	HOSE ASSY, HYDRAULIC	1	1						
5	2	198361-77371	TUBE, PROTECT	1	1						
6	1	1A7640-77380	HOSE ASSY, HYDRAULIC	1	1						
7	1	26013-080122	BOLT, M8X 12	1	1						

Fig.196. SWING SENSOR

(A)=EG907-AU-PQ
 (B)=EG907(CAB-AU-PQ
 (C)=

(D)=
 (E)=
 (F)=

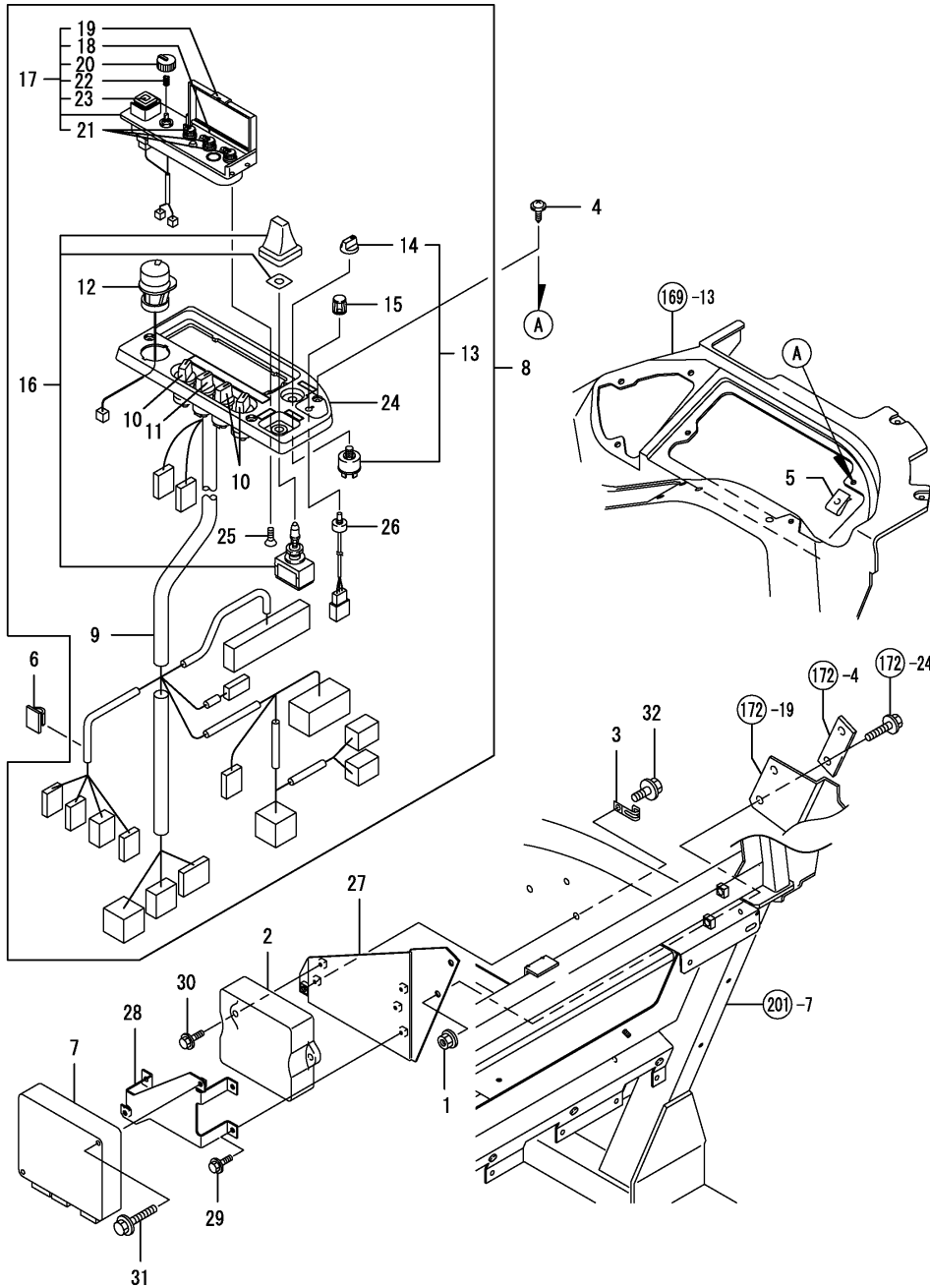


No.	Lev.	Parts No.	Description	Q'ty						I	R
				(A)	(B)	(C)	(D)	(E)	(F)		
1	1	194990-22110	NUT, M4	2	2						
2	1	194990-22130	NUT, M6	2	2						
3	1	1A7260-78150	SENSOR, SLOPE	1	1						
4	1	1A7450-78480	WIRE, FEEDBACK	1	1						
5	1	198448-78560	SENSOR, LIFT ANGLE	1	1						
6	1	1A7480-78610	PLATE, SENSOR	1	1						
6-1	1	1A7480-78611	PLATE, SENSOR	1	1						N
		(A=FXXXXX) (B=FXXXXX)									
6-2	1	1A7451-78610	BRACKET ASSY, SENSOR	1	1						N
		(A=FXXXXX) (B=FXXXXX)									
7	1	1A7260-78700	SPACER, 11.3	2	2						
7-1	1	198200-78710	COLLAR, 6.5X21X2	2	2						N
		(A=FXXXXX) (B=FXXXXX)									
8	1	198129-78720	GROMMET, 10-16	2	2						
8-1	1	198200-78730	MOUNT, SENSOR 45	2	2						N
		(A=FXXXXX) (B=FXXXXX)									
9	1	1A7480-78811	SUPPORT, SENSOR ARM	1	1						
10	1	1A7640-78900	ARM, FEEDBACK	1	1						
10A	2	1A7640-78910	ARM, FEEDBACK	1	1						
11	2	198071-78790	SEAL, OIL G142003	2	2						
12	2	24550-014200	BUSH, 14X20	1	1						
13	1	1A7640-78980	SPRING	1	1						
14	1	22117-140000	WASHER, 14	2	2						
15	1	22272-000120	RING, E-12	1	1						
16	1	22417-160180	PIN, COTTER 1.6X18	1	1						
17	1	26106-060352	BOLT, M6X 35 PLATED	2	2						
17-1	1	26106-060452	BOLT, M6X 45 PLATED	2	2						N
		(A=FXXXXX) (B=FXXXXX)									
18	1	26106-080162	BOLT, M8X 16 PLATED	2	2						
19	1	26106-080302	BOLT, M8X 30 PLATED	2	2						
20	1	22157-060000	WASHER, 6	2	2						W
		(A=FXXXXX) (B=FXXXXX)									

Fig.197. CONTROL BOX

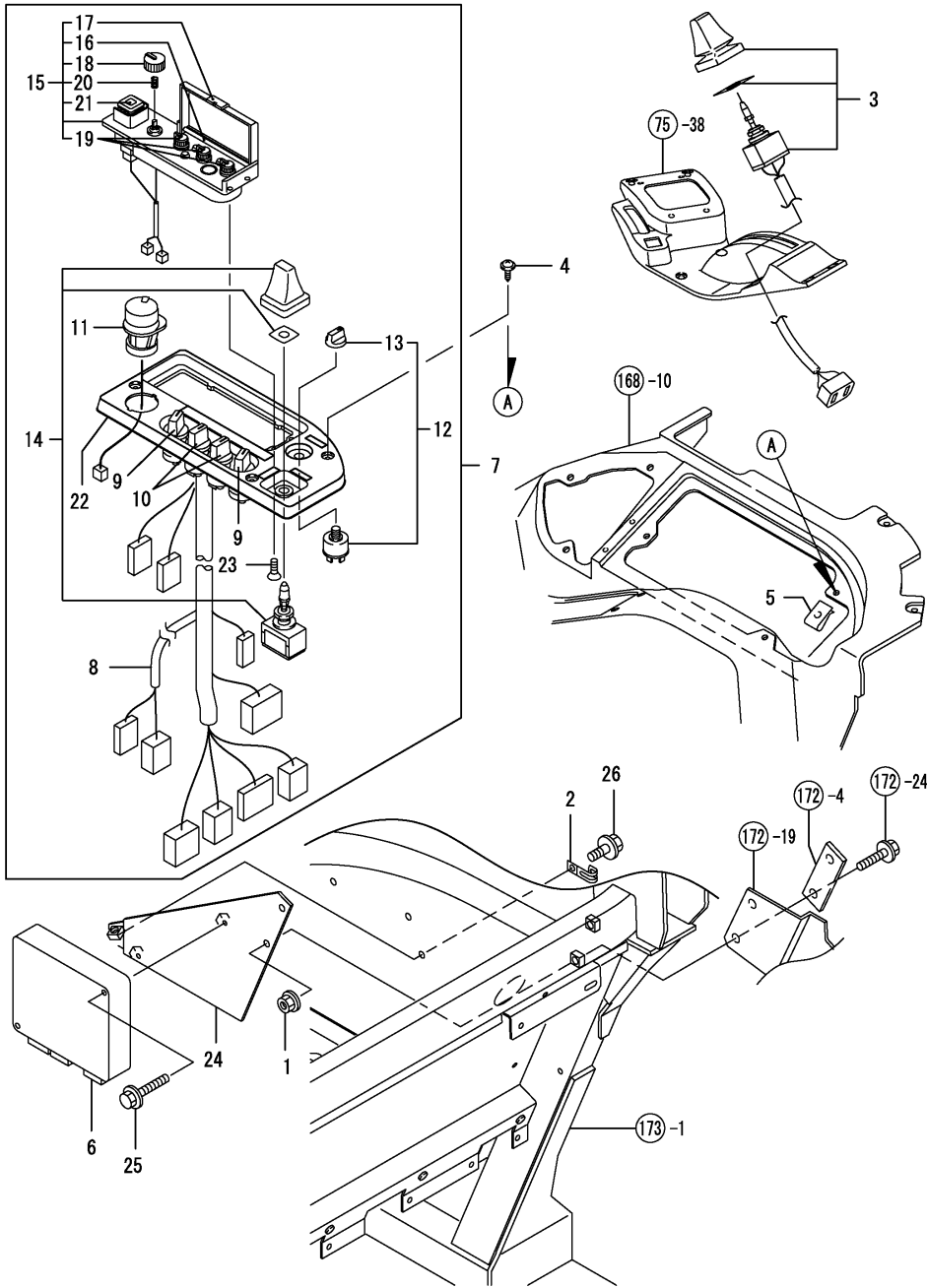
(A)=EG907-AU-PQ
 (B)=EG907(CAB-AU-PQ)
 (C)=

(D)=
 (E)=
 (F)=



No.	Lev.	Parts No.	Description	Q'ty						I	R
				(A)	(B)	(C)	(D)	(E)	(F)		
1	1	194990-22140	NUT, M8		2						
2	1	1A7480-25954	CONTROLLER, HMT		1						
3	1	194440-51620	CLAMP		1						
4	1	194940-61790	SCREW, TAPPING M5X16		3						
4-1	1	194555-61640	SCREW, TAPPING M5X25 (B="2008.05.)		3						N
5	1	198220-63850	NUT, M5		3						
6	1	194680-78350	STICKER, WIRE 18		1						
7	1	1A7450-78353	CONTROL UNIT, UFO.		1						
8	1	1A7480-78350	CONTROLLER ASSY		1						
9	2	1A7480-51290	HARNESS, WIRE		1						
10	2	198448-52260	SWITCH, SELECTOR 2		3						
11	2	198448-52280	SWITCH, SELECTOR 3		1						
12	2	1A7340-52290	SWITCH, PTO ON-OFF		1						
13	2	1A7450-52310	SWITCH ASSY, SELECT		1						
14	3	1A7450-52330	KNOB		1						
15	2	1A7480-52350	KNOB ASSY		1						
16	2	198121-55510	SWITCH ASSY		1						
17	2	1A7480-78310	BOX ASSY, CONTROL		1						
18	3	198535-78420	SHAFT		1						
19	3	198535-78430	COVER		1						
20	3	198535-78440	KNOB ASSY, SWITCH 1		1						
21	3	198535-78450	KNOB ASSY, SWITCH 2		3						
22	3	198535-78460	SPRING		4						
23	3	198535-78470	SWITCH		1						
24	2	1A7480-78390	PANEL, OPERATION		1						
25	2	198071-78420	SCREW, TAPPING M5X10		1						
26	2	1E8540-82050	VOLUME		1						
27	1	1A7480-78410	BRACKET, CONTROL		1						
28	1	1A7480-78430	BRACKET, CONTROL		1						
29	1	26106-060122	BOLT, M6X 12 PLATED		3						
30	1	26106-060202	BOLT, M6X 20 PLATED		2						
31	1	26106-060452	BOLT, M6X 45 PLATED		2						
32	1	26106-080162	BOLT, M8X 16 PLATED		1						

Fig.198. CONTROL BOX

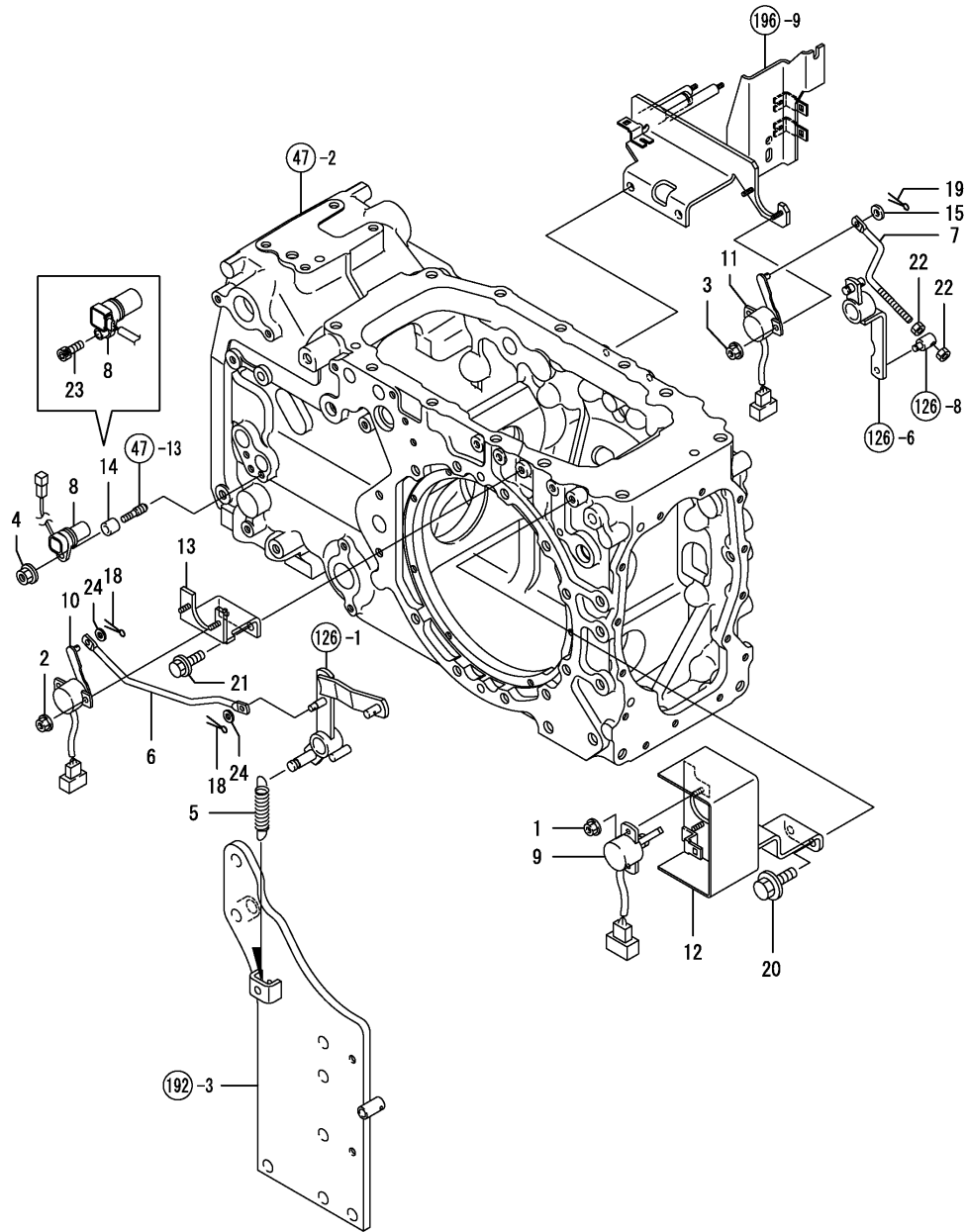


(A)=EG907-AU-PQ
 (B)=EG907(CAB-AU-PQ)
 (C)=

(D)=
 (E)=
 (F)=

No.	Lev.	Parts No.	Description	Q'ty						I	R
				(A)	(B)	(C)	(D)	(E)	(F)		
1	1	194990-22140	NUT, M8	2							
2	1	194440-51620	CLAMP	1							
3	1	198121-55510	SWITCH ASSY	1							
4	1	194940-61790	SCREW, TAPPING M5X16	3							
4-1	1	194555-61640	SCREW, TAPPING M5X25	3							N
(A=*2008.05.)											
5	1	198220-63850	NUT, M5	3							
6	1	1A7450-78353	CONTROL UNIT, UFO.	1							
7	1	1A7480-78360	CONTROLLER ASSY	1							
8	2	1A7450-51294	HARNESS, WIRE	1							
9	2	198448-52260	SWITCH, SELECTOR 2	2							
10	2	198448-52280	SWITCH, SELECTOR 3	2							
11	2	1A7340-52290	SWITCH, PTO ON-OFF	1							
12	2	1A7450-52310	SWITCH ASSY, SELECT	1							
13	3	1A7450-52330	KNOB	1							
14	2	198121-55510	SWITCH ASSY	1							
15	2	1A7480-78310	BOX ASSY, CONTROL	1							
16	3	198535-78420	SHAFT	1							
17	3	198535-78430	COVER	1							
18	3	198535-78440	KNOB ASSY, SWITCH 1	1							
19	3	198535-78450	KNOB ASSY, SWITCH 2	3							
20	3	198535-78460	SPRING	4							
21	3	198535-78470	SWITCH	1							
22	2	1A7480-78400	PANEL, OPERATION	1							
23	2	198071-78420	SCREW, TAPPING M5X10	2							
24	1	1A7450-78410	BRACKET, CONTROL	1							
25	1	26106-060452	BOLT, M6X 45 PLATED	2							
26	1	26106-080162	BOLT, M8X 16 PLATED	1							

Fig.199. SENSOR



(A)=EG907-AU-PQ
 (B)=EG907(CAB-AU-PQ
 (C)=

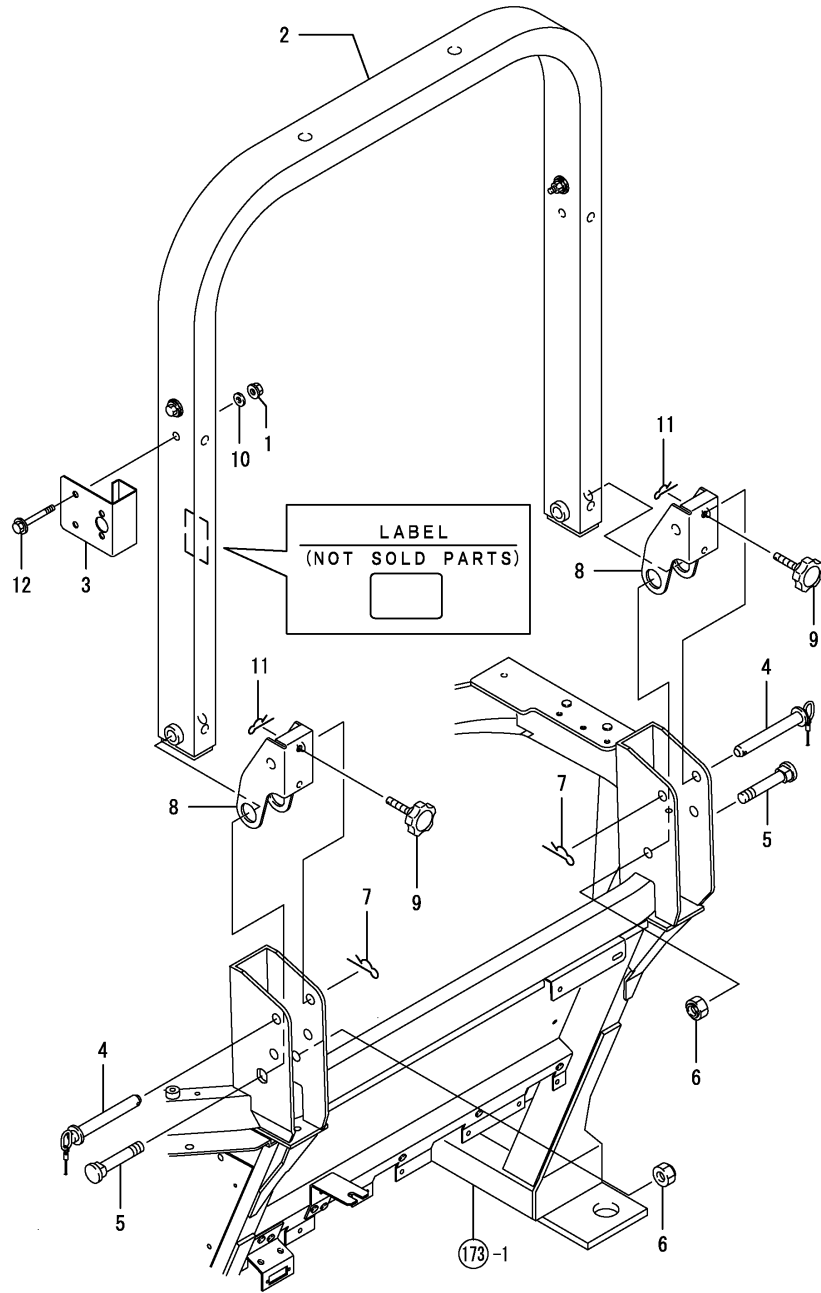
(D)=
 (E)=
 (F)=

No.	Lev.	Parts No.	Description	Q'ty						I	R
				(A)	(B)	(C)	(D)	(E)	(F)		
1	1	194990-22110	NUT, M4	2	2						
2	1	194990-22110	NUT, M4	2	2						
3	1	194990-22110	NUT, M4	2	2						
4	1	194990-22130	NUT, M6	1	1						Z
		(A=FZZZZZ)	(B=FZZZZZ)								
5	1	198220-22520	SPRING, CLUTCH	1	1						
6	1	1A7450-47510	ROD, FEEDBACK	1	1						
7	1	1A7450-47520	ROD, FEEDBACK	1	1						
8	1	1A7450-52510	SENSOR, ROTATION	1	1						
9	1	198448-78560	SENSOR, LIFT ANGLE	1	1						
10	1	198360-78571	SENSOR, COVER F	1	1						
11	1	198360-78571	SENSOR, COVER F	1	1						
12	1	1A7450-78571	BRACKET, SENSOR	1	1						
13	1	1A7450-78691	BRACKET, SENSOR	1	1						
14	1	198129-78710	SPACER, 6-10	1	1						Z
		(A=FZZZZZ)	(B=FZZZZZ)								
15	1	22137-050000	WASHER, 5	1	1						
18	1	22417-160180	PIN, COTTER 1.6X18	2	2						
19	1	22417-160180	PIN, COTTER 1.6X18	1	1						
20	1	26106-080162	BOLT, M8X 16 PLATED	2	2						
21	1	26106-080162	BOLT, M8X 16 PLATED	2	2						
22	1	26756-060002	NUT, LOCK M6	2	2						
23	1	26450-060122	BOLT, M6X 12	1	1						W
		(A=FZZZZZ)	(B=FZZZZZ)								
24	1	22137-050000	WASHER, 5	2	2						W
		(A=FXXXXX)	(B=FXXXXX)								

Fig.200. ROPS

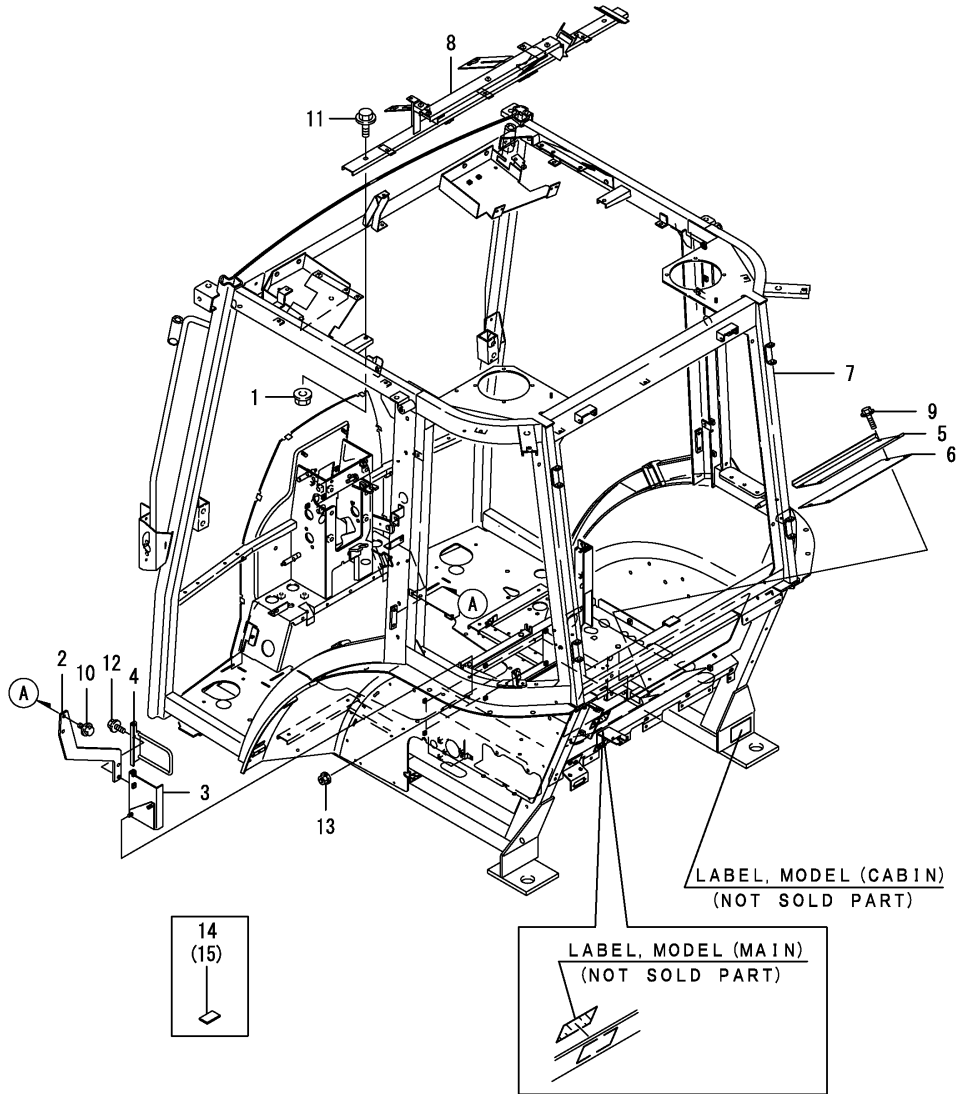
(A)=EG907-AU-PQ
 (B)=EG907(CAB-AU-PQ
 (C)=

(D)=
 (E)=
 (F)=



No.	Lev.	Parts No.	Description	Q'ty						I	R
				(A)	(B)	(C)	(D)	(E)	(F)		
1	1	194990-22140	NUT, M8	2							
2	1	1A7480-85200	ROPS ASSY, UPPER M	1							
3	1	1A7450-85281	STAY, LAMP	2							
4	1	198448-85290	PIN ASSY, STOPPER	2							
5	1	198101-85411	PIN, 16	2							
6	1	1A7260-85510	NUT, M16	2							
7	1	198133-85850	PIN, SNAP 16	2							
8	1	198448-85900	PLATE ASSY, BACK	2							
9	1	198133-85920	BOLT, M10X50	2							
10	1	22157-080000	WASHER, 8	2							
11	1	22372-080000	PIN, SNAP 8	2							
11-1	1	22417-200200	PIN, COTTER 2.0X20	2							N
(A=*2008.05.)											
12	1	26106-080652	BOLT, M8X 65 PLATED	2							

Fig.201. CABIN FRAME

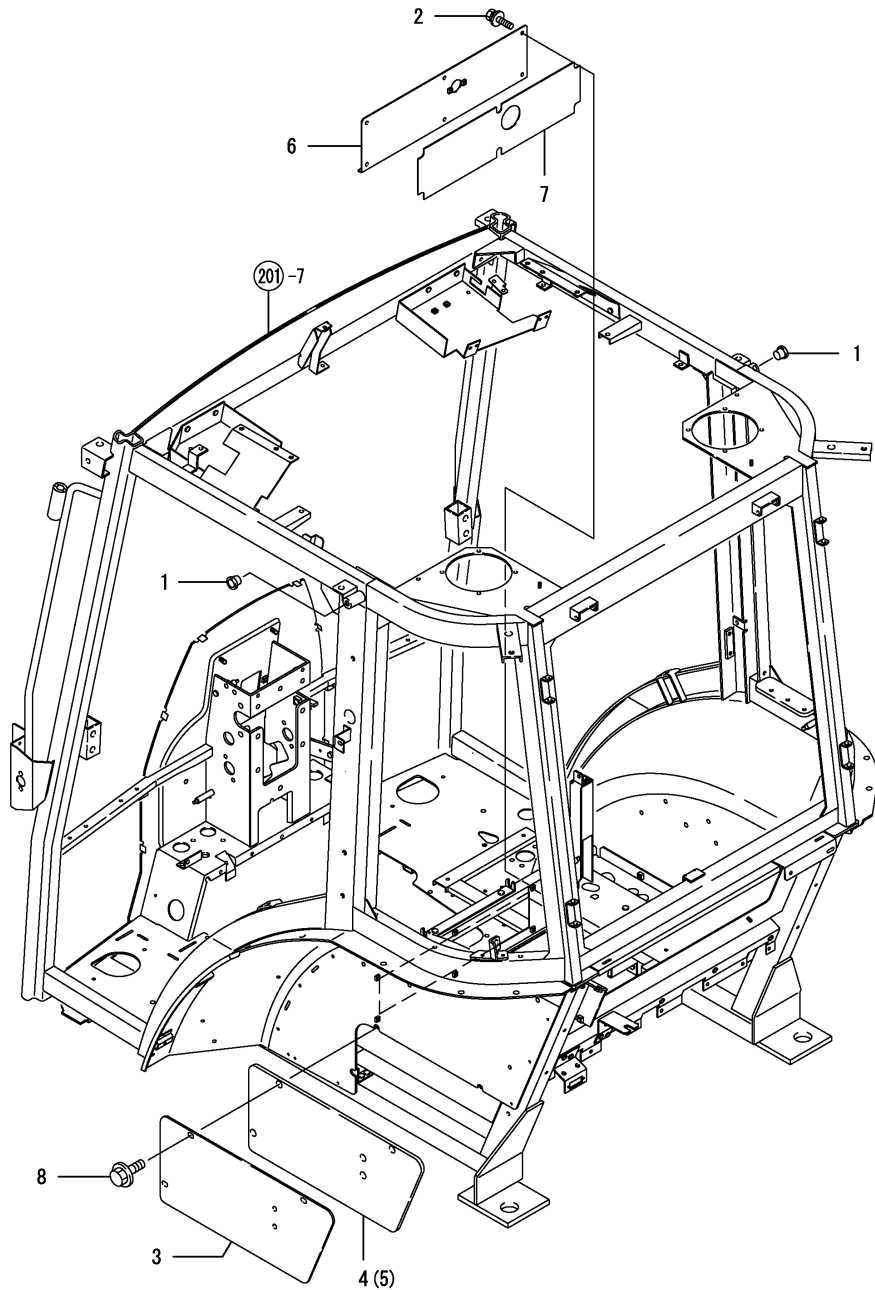


(A)=EG907-AU-PQ
 (B)=EG907(CAB-AU-PQ
 (C)=

(D)=
 (E)=
 (F)=

No.	Lev.	Parts No.	Description	Q'ty						I	R
				(A)	(B)	(C)	(D)	(E)	(F)		
1	1	194990-22140	NUT, M8		2						
2	1	1A7470-62410	SUPPORT, FENDER		1						
3	1	1A7470-62420	BRACKET, SUPPORT		1						
4	1	1A7470-62450	GUIDE, HOSE		1						
5	1	1A7470-63660	COVER, DUST R		1						
6	1	1A7470-63680	SEAL, DUST COVER R		1						
7	1	1A7470-81012	FRAME ASSY, CABIN M		1						
8	1	1A7470-81190	FRAME ASSY, ROOF		1						
9	1	198460-83350	BOLT, M8X16		4						
10	1	26106-080122	BOLT, M8X 12 PLATED		2						
11	1	26106-080162	BOLT, M8X 16 PLATED		2						
12	1	26106-080202	BOLT, M8X 20 PLATED		2						
13	1	26366-080002	NUT, M8		2						
14	1	198093-84810	SEAL, FENDER (B="2009.04.)		2						W
15	1	198093-84810	SEAL, FENDER (B="2009.04.)		2						W

Fig.202. CABIN FRAME



(A)=EG907-AU-PQ
 (B)=EG907(CAB-AU-PQ)
 (C)=

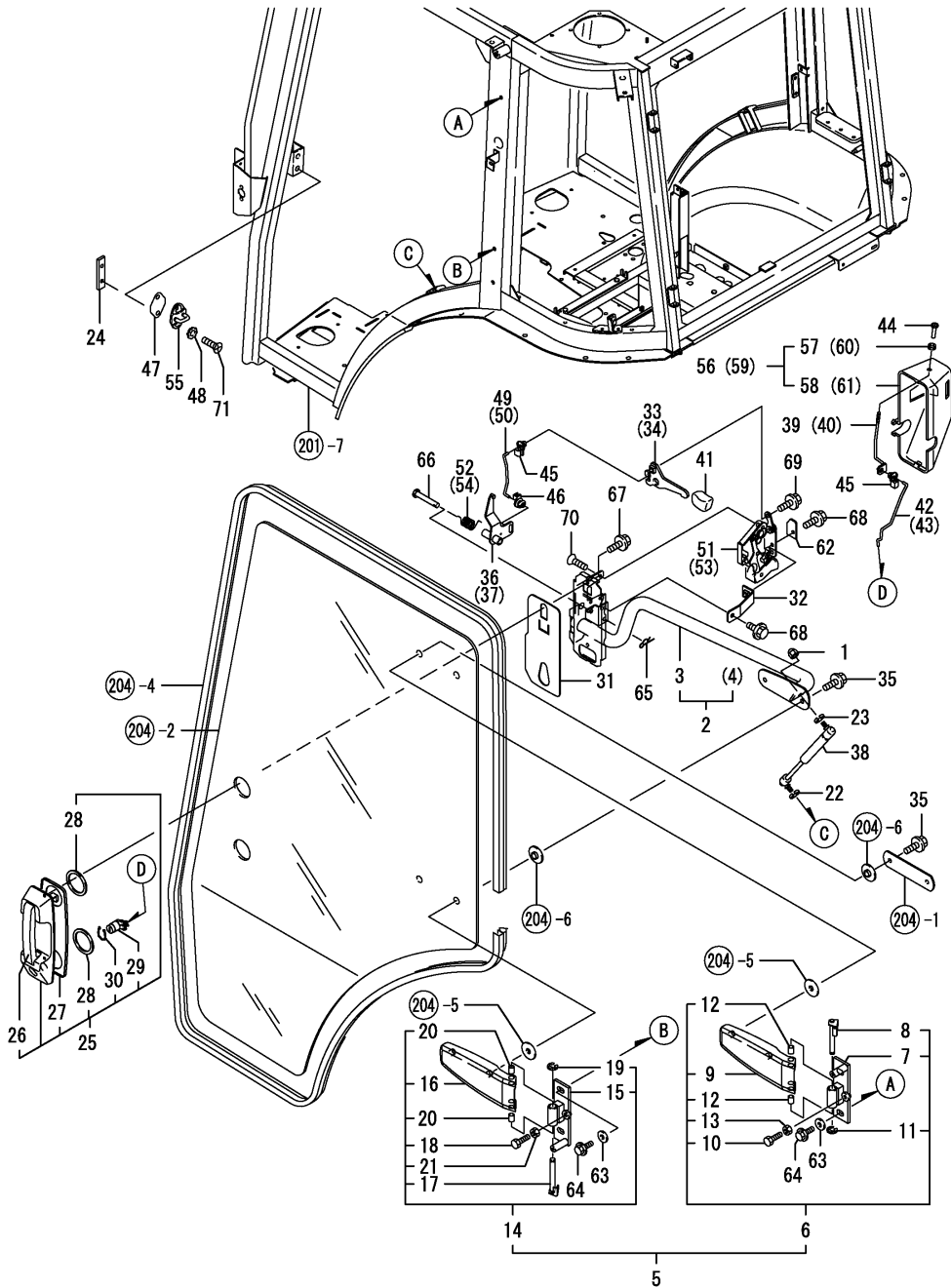
(D)=
 (E)=
 (F)=

No.	Lev.	Parts No.	Description	Q'ty						I	R
				(A)	(B)	(C)	(D)	(E)	(F)		
1	1	194150-21910	PLUG, 11.2		2						
2	1	198461-60590	BOLT, M6X20		6						
3	1	198463-62170	COVER, FENDER		2						
4	1	198463-62460	SEAL, FENDER COVER L		1						
5	1	198463-62470	SEAL, FENDER COVER R		1						
6	1	1A7470-63620	COVER, DUST F		1						
7	1	1A7470-63640	SEAL, DUST COVER F		1						
8	1	26106-080162	BOLT, M8X 16 PLATED		6						

Fig.203. DOOR

(A)=EG907-AU-PQ
(B)=EG907(CAB-AU-PQ)
(C)=

(D)=
(E)=
(F)=

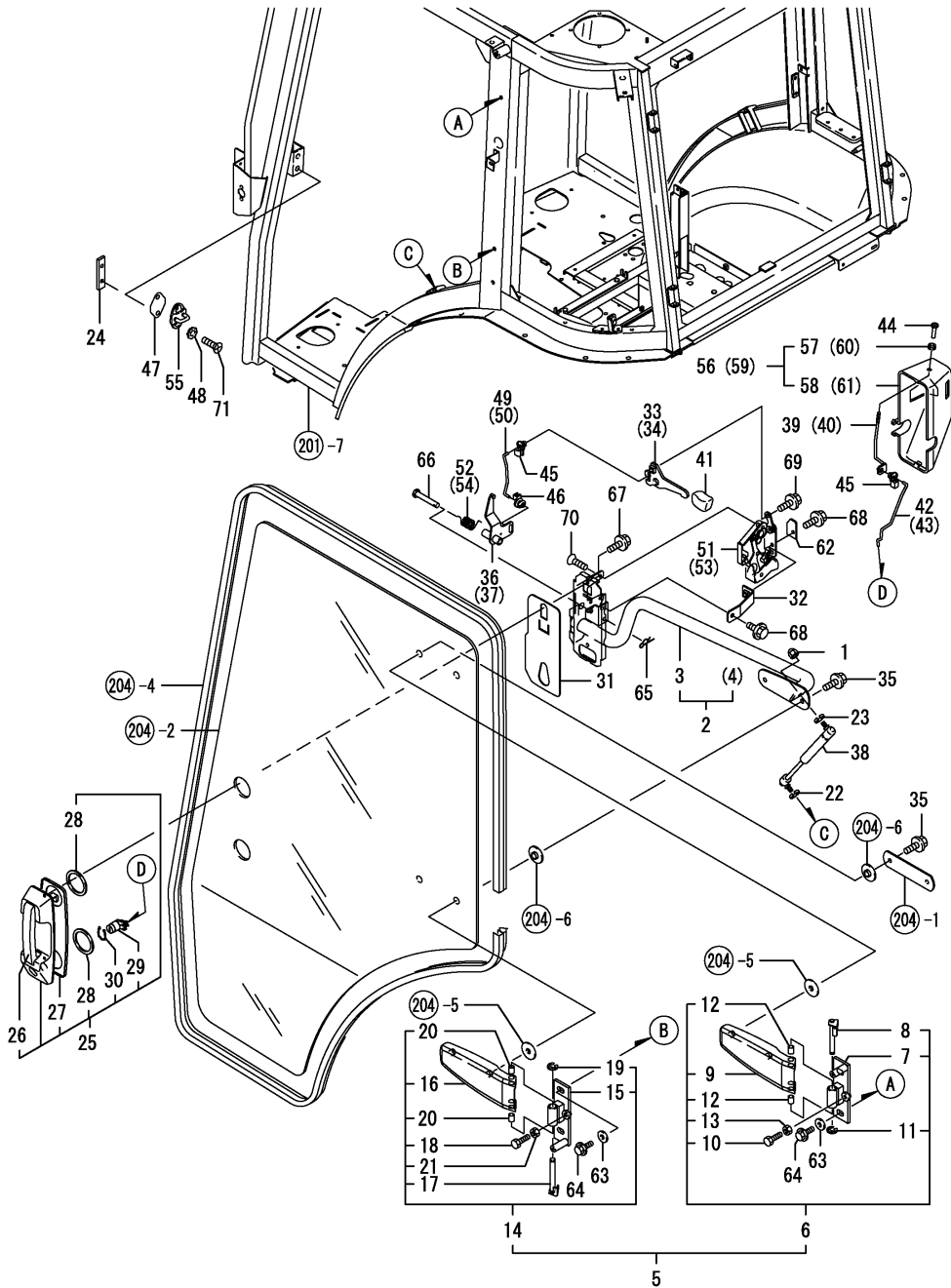


No.	Lev.	Parts No.	Description	Q'ty						I	R
				(A)	(B)	(C)	(D)	(E)	(F)		
1	1	194697-47150	NUT, CAP M8		2						
2	1	1A7470-82070	FRAME KIT, DOOR		1						
3	2	1A7470-82100	FRAME ASSY, DOOR L		1						
4	2	1A7470-82110	FRAME ASSY, DOOR R		1						
5	1	1A7470-82200	HINGE KIT		2						
6	2	1A7470-82270	HINGE ASSY, 1		2						
7	3	1A7470-82250	HINGE, B1		2						
8	3	1A7470-82370	PIN, HINGE A		2						
9	3	1A7320-82380	HINGE, DOOR A		2						
10	3	1A7320-82460	BOLT, M8X16		2						
11	3	22272-000100	RING, E-10		2						
12	3	24550-012150	BUSH, 12X15		4						
13	3	26756-080002	NUT, LOCK M8		2						
14	2	1A7470-82280	HINGE ASSY, 2		2						
15	3	1A7470-82260	HINGE, B2		2						
16	3	1A7320-82380	HINGE, DOOR A		2						
17	3	1A7470-82380	PIN, HINGE B		2						
18	3	1A7320-82460	BOLT, M8X16		2						
19	3	22272-000100	RING, E-10		2						
20	3	24550-012150	BUSH, 12X15		4						
21	3	26756-080002	NUT, LOCK M8		2						
22	1	198268-82270	WASHER, SPRING 8		2						
23	1	198268-82270	WASHER, SPRING 8		2						
24	1	198463-82350	PLATE, DOOR LOCK		2						
25	1	1A7470-82400	HANDLE ASSY, OUTER		2						
26	2	1A7470-82410	BODY, HANDLE		2						
27	2	1A7470-82420	SEAT, OUTER HANDLE		2						
28	2	1A7470-82580	SEAL, DOOR HANDLE		4						
29	2	1A7470-82880	KEY CYLINDER		2						
30	2	1A7470-82890	PIN, CYLINDER		2						
31	1	1A7470-82440	PACKING, LATCH COVER		2						
32	1	1A7470-82450	STAY, DOOR LOCK		2						
33	1	1A7470-82471	LEVER, DOOR INSIDE L		1						
34	1	1A7470-82481	LEVER, DOOR INSIDE R		1						
35	1	198093-82510	BOLT, M8X25		8						
36	1	1A7470-82510	LEVER, OPEN L		1						
37	1	1A7470-82520	LEVER, OPEN R		1						
38	1	198463-82550	DAMPER, GAS		2						
39	1	1A7470-82560	ROD, INSIDE LOCK L		1						
40	1	1A7470-82570	ROD, INSIDE LOCK R		1						
41	1	198492-82590	KNOB, HANDLE		2						
42	1	1A7470-82640	ROD, CYLINDER L		1						
43	1	1A7470-82650	ROD, CYLINDER R		1						
44	1	1A7470-82660	KNOB, LOCK		2						
45	1	1A7470-82670	BUSH, LINKAGE		4						
46	1	1A7470-82680	BUSH, LINKAGE		2						
47	1	198255-82690	SPACER, STRIKER		2						
48	1	198255-82701	WASHER, 8		4						
49	1	1A7470-82720	ROD, OPEN LEVER L		1						
50	1	1A7470-82730	ROD, OPEN LEVER R		1						
51	1	1A7320-82750	LOCK ASSY, DOOR L		1						

Fig.203. DOOR

(A)=EG907-AU-PQ
 (B)=EG907(CAB-AU-PQ
 (C)=

(D)=
 (E)=
 (F)=

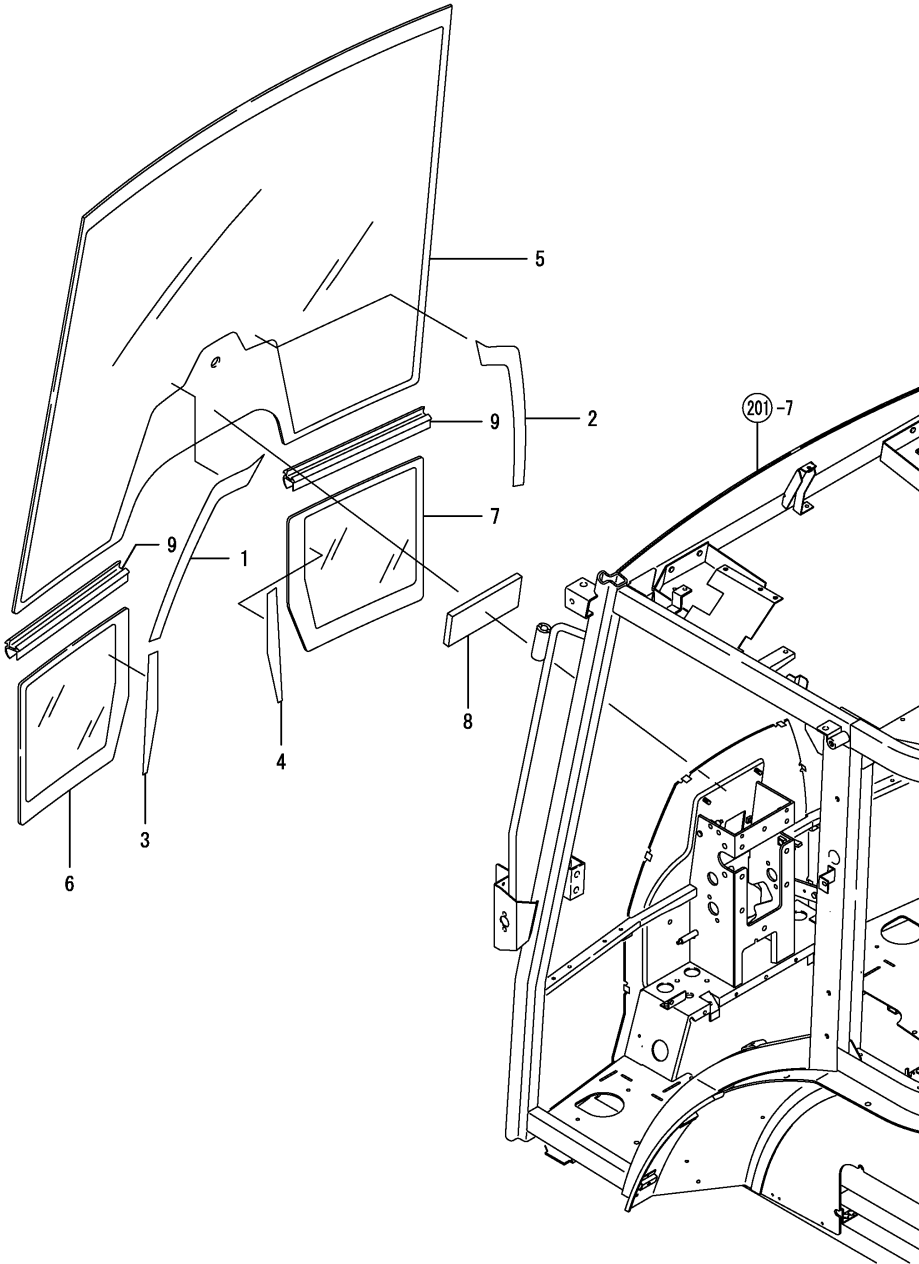


No.	Lev.	Parts No.	Description	Q'ty						I	R
				(A)	(B)	(C)	(D)	(E)	(F)		
52	1	1A7470-82750	SPRING, DOOR LOCK L		1						
53	1	1A7320-82760	LOCK ASSY, DOOR R		1						
54	1	1A7470-82760	SPRING, DOOR LOCK R		1						
55	1	1A7320-82770	STRIKER, DOOR LOCK		2						
56	1	1A7470-82800	COVER, LATCH L		1						
57	2	198071-58810	GROMMET, 8		1						
58	2	1A7470-82810	COVER, LATCH L.H.		1						
59	1	1A7470-82900	COVER, LATCH R		1						
60	2	198071-58810	GROMMET, 8		1						
61	2	1A7470-82820	COVER, LATCH R.H.		1						
62	1	1A7470-82950	PLATE, SUPPORT		2						
63	1	198255-83550	WASHER, 8		8						
64	1	1A6280-85540	BOLT, M8X20		8						
65	1	22372-080000	PIN, SNAP 8		2						
66	1	22487-080450	PIN 8X 45		2						
67	1	26106-060122	BOLT, M6X 12 PLATED		4						
68	1	26106-060122	BOLT, M6X 12 PLATED		4						
69	1	26106-060122	BOLT, M6X 12 PLATED		2						
70	1	26577-060202	SCREW, M6X20		6						
71	1	26577-080252	SCREW, M8X25		4						

Fig.205. FRONT WINDOW

(A)=EG907-AU-PQ
 (B)=EG907(CAB-AU-PQ
 (C)=

(D)=
 (E)=
 (F)=

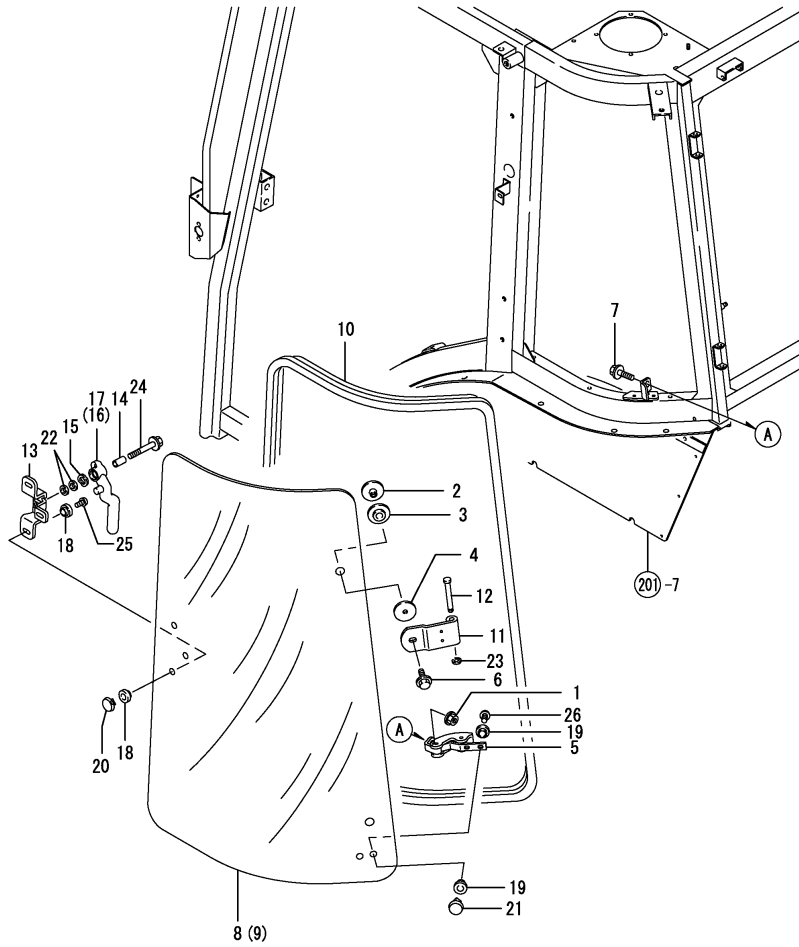


No.	Lev.	Parts No.	Description	Q'ty						I	R
				(A)	(B)	(C)	(D)	(E)	(F)		
1	1	1A7470-60700	FILM, FRONT GLASS UL		1						
2	1	1A7470-60710	FILM, FRONT GLASS UR		1						
3	1	174841-60720	FILM, FRONT GLASS DL		1						
4	1	174841-60730	FILM, FRONT GLASS DR		1						
5	1	198463-83110	GLASS, FRONT		1						
6	1	198463-83150	GLASS, FRONT LOWER L		1						
7	1	198463-83160	GLASS, FRONT LOWER R		1						
8	1	198463-83230	SEAL, FRONT GLASS		1						
9	1	198463-83250	MOLDINGS, GLASS 350		2						

Fig.206. SIDE WINDOW

(A)=EG907-AU-PQ
 (B)=EG907(CAB-AU-PQ
 (C)=

(D)=
 (E)=
 (F)=



No.	Lev.	Parts No.	Description	(A)	(B)	(C)	(D)	(E)	(F)	I	R
1	1	194990-22140	NUT, M8		2						
2	1	198094-82550	SCREW, M8		4						
3	1	198255-82650	RUBBER, CUSHION A		4						
4	1	198255-82660	RUBBER, CUSHION B		4						
5	1	198255-82850	LOCK ASSY		2						
6	1	198460-83350	BOLT, M8X16		4						
7	1	198460-83350	BOLT, M8X16		2						
8	1	198463-83411	GLASS, SIDE L		1						
9	1	198463-83421	GLASS, SIDE R		1						
10	1	198463-83432	WEATHER-STRIP, 2370		2						
11	1	198463-83451	HINGE, SIDE GLASS		4						
12	1	198463-83540	PIN, HINGE		4						
13	1	198463-83571	BRACKET, GLASS		2						
14	1	198153-83710	COLLAR, 8.4X12X22.5		2						
15	1	198153-83720	WASHER, 12		2						
16	1	198153-83730	HANDLE, REAR GLASS		1						
17	1	198463-83760	HANDLE, SIDE GLASS L		1						
18	1	197820-84740	LINER		12						
19	1	197820-84740	LINER		8						
20	1	197820-84750	FITTING		6						
20-1	1	1A8110-62250	BOLT, M6		6					F	1
			(B=FXXXXX)								
21	1	197820-84750	FITTING		4						
21-1	1	1A8110-62250	BOLT, M6		4					F	2
			(B=FXXXXX)								
22	1	22137-080000	WASHER, 8		6						
23	1	22272-000060	RING, E- 6		4						
24	1	26106-080452	BOLT, M8X 45 PLATED		2						
25	1	26589-060102	SCREW, M6		6						
25-1	1	194990-22130	NUT, M6		6					F	1
			(B=FXXXXX)								
26	1	26589-060102	SCREW, M6		4						
26-1	1	194990-22130	NUT, M6		4					F	2
			(B=FXXXXX)								

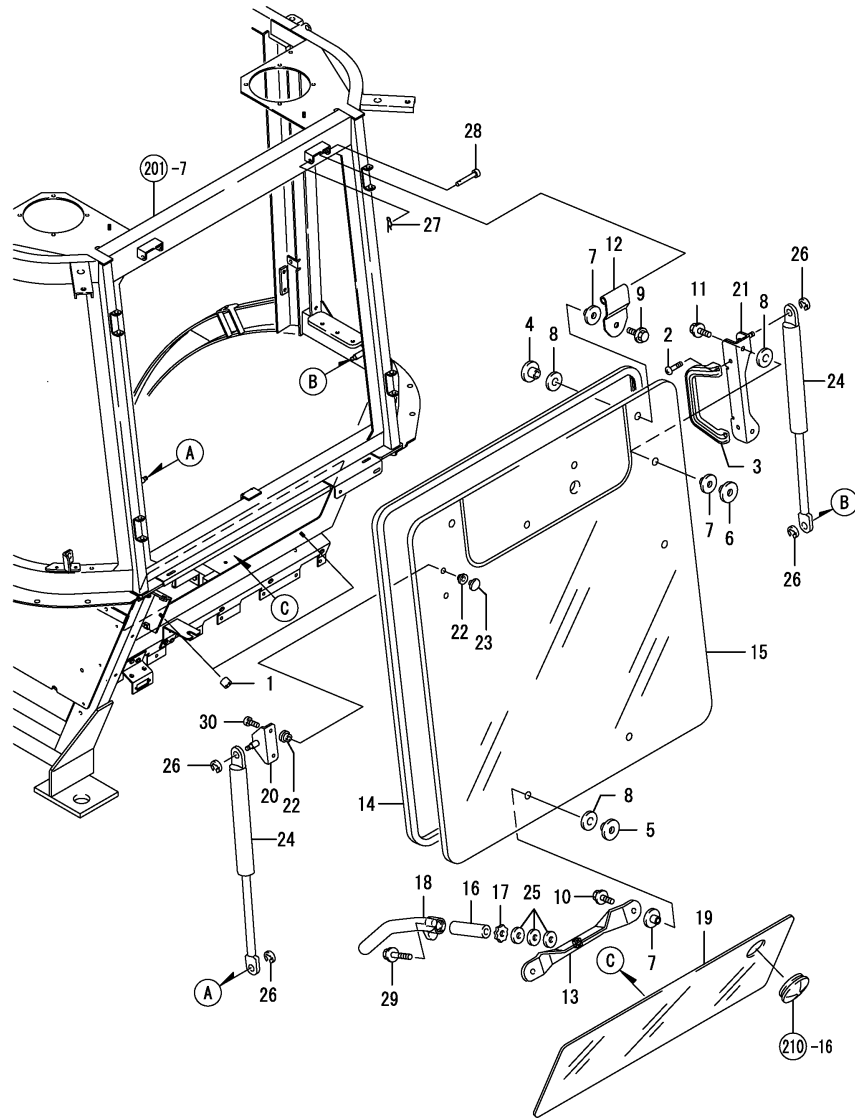
Remarks

- (1)Ref.No.20-1 & 25-1 Interchangeable by set.
- (2)Ref.No.21-1 & 26-1 Interchangeable by set.

Fig.207. REAR WINDOW

(A)=EG907-AU-PQ
 (B)=EG907(CAB-AU-PQ
 (C)=

(D)=
 (E)=
 (F)=



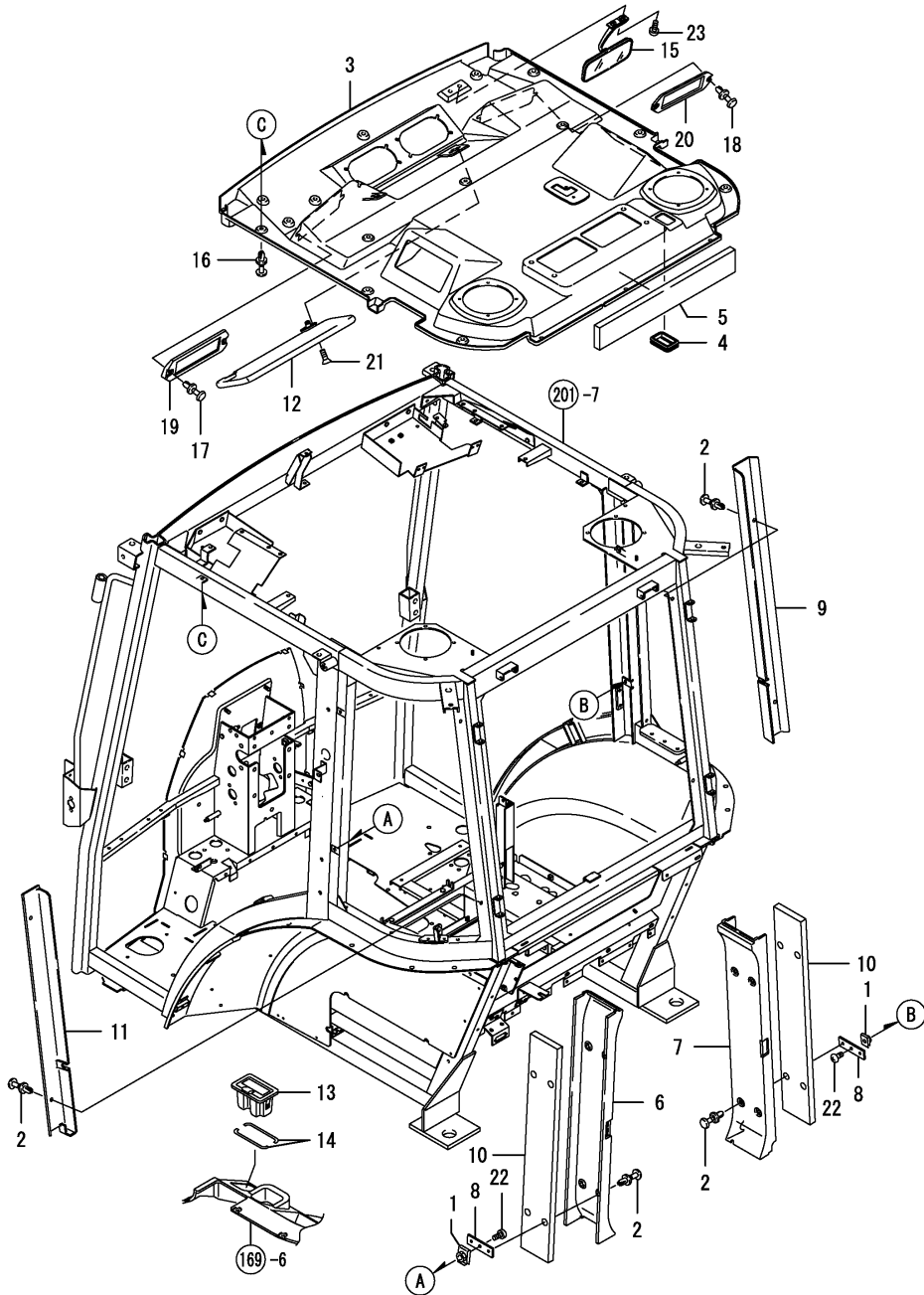
No.	Lev.	Parts No.	Description	Q'ty						I	R
				(A)	(B)	(C)	(D)	(E)	(F)		
1	1	194151-57210	SPACER		2						
2	1	194065-60580	SCREW, M6X25		2						
3	1	198094-82540	GRIP		1						
4	1	198094-82550	SCREW, M8		2						
5	1	198094-82550	SCREW, M8		2						
6	1	198094-82550	SCREW, M8		2						
7	1	198255-82650	RUBBER, CUSHION A		6						
8	1	198255-82660	RUBBER, CUSHION B		6						
9	1	198460-83350	BOLT, M8X16		2						
10	1	198460-83350	BOLT, M8X16		2						
11	1	198460-83350	BOLT, M8X16		2						
12	1	198463-83610	HINGE, REAR		2						
13	1	198094-83640	BRACKET, LOCK REAR		1						
14	1	1A7270-83640	WEATHER-STRIP, 3030		1						
15	1	198535-83650	GLASS, REAR		1						
16	1	198153-83710	COLLAR, 8.4X12X22.5		1						
17	1	198153-83720	WASHER, 12		1						
18	1	198153-83730	HANDLE, REAR GLASS		1						
19	1	198463-83740	GLASS, LOWER		1						
20	1	198463-83780	STAY, REAR GLASS L		1						
21	1	198463-83790	STAY, REAR GLASS R		1						
22	1	197820-84740	LINER		4						
23	1	197820-84750	FITTING		2						
23-1	1	1A8110-62250	BOLT, M6		2						F 1
(B=FXXXXX)											
24	1	198463-84750	SPRING, GAS		2						
25	1	22137-080000	WASHER, 8		3						
26	1	22272-000060	RING, E- 6		4						
27	1	22372-080000	PIN, SNAP 8		2						
28	1	22487-080600	PIN 8X 60		2						
29	1	26106-080452	BOLT, M8X 45 PLATED		1						
30	1	26589-060102	SCREW, M6		2						
30-1	1	194990-22130	NUT, M6		2						F 1
(B=FXXXXX)											

Remarks
 (1)Ref.No.23-1 & 30-1 Interchangeable
 by set.

Fig.208. INTERIOR

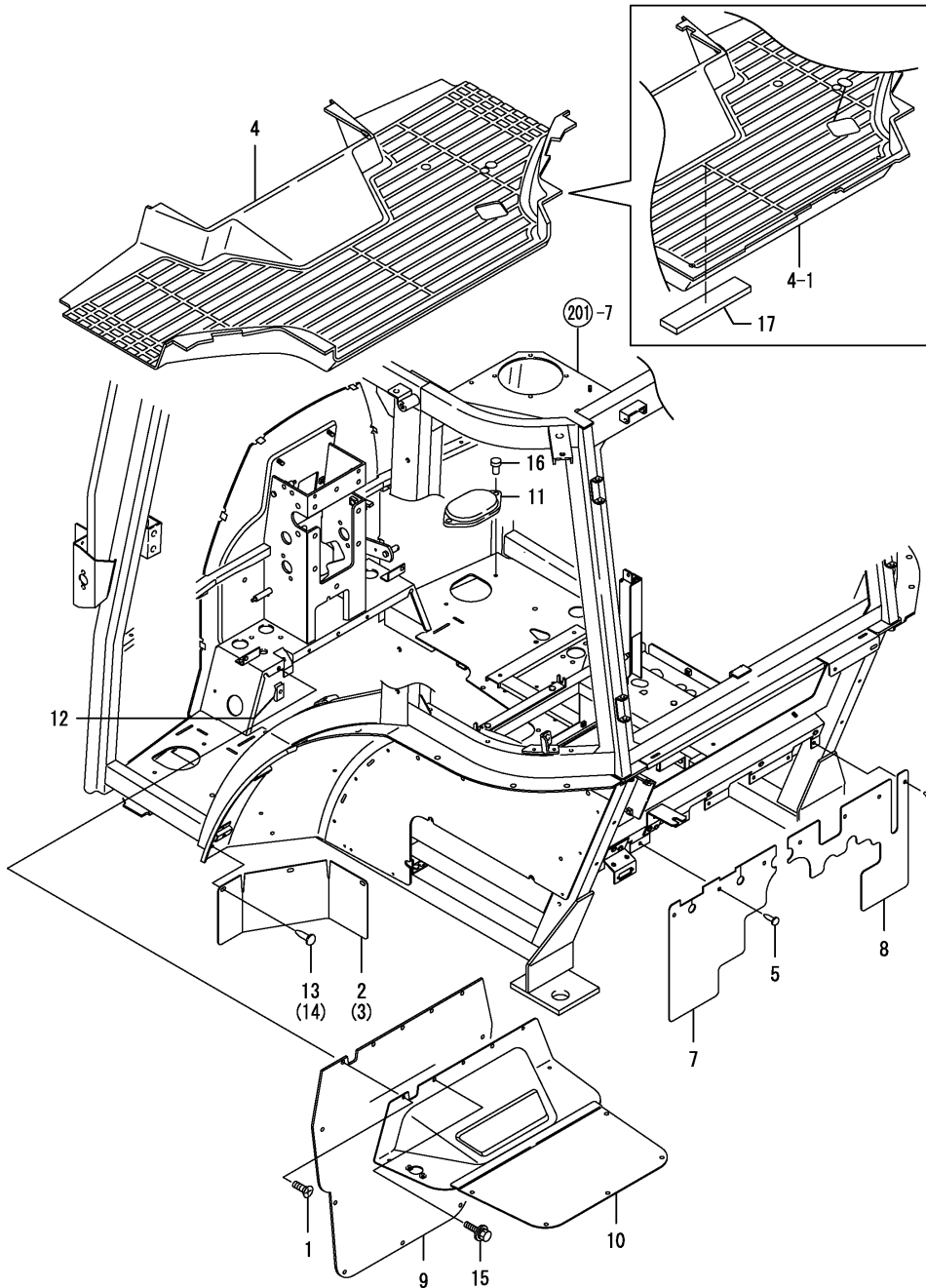
(A)=EG907-AU-PQ
 (B)=EG907(CAB-AU-PQ
 (C)=

(D)=
 (E)=
 (F)=



No.	Lev.	Parts No.	Description	Q'ty						I	R
				(A)	(B)	(C)	(D)	(E)	(F)		
1	1	198071-61890	NUT, SPEED M6		4						
2	1	1A7450-62320	RIVET, NYLON		12						
3	1	1A7470-84100	ROOF, INNER		1						
4	1	1A7030-84141	GROMMET, SWITCHING		1						
5	1	198463-84150	SEAL, INNER ROOF		1						
6	1	1A7470-84210	COVER, FRAME SIDE L		1						
7	1	1A7470-84220	COVER, FRAME SIDE R		1						
8	1	198463-84250	STAY, SIDE COVER		4						
9	1	198268-84320	COVER, FRAME REAR R		1						
10	1	198463-84330	ACOUSTIC ABSORBENT		2						
11	1	1A7480-84350	COVER ASSY, FRAME		1						
12	1	1A7480-84700	VISOR ASSY, SUN M		1						
13	1	1A7640-84710	ASHTRAY		1						
14	1	198492-84720	PACKING, ASHTRAY		2						
15	1	198463-84760	MIRROR, ROOM		1						
16	1	198010-85810	RIVET, NYLON		15						
17	1	198010-85810	RIVET, NYLON		2						
18	1	198010-85810	RIVET, NYLON		2						
19	1	198463-86851	COVER, RADIO		1						
20	1	1A7030-86870	COVER, PANEL		1						
21	1	26577-050302	SCREW, M5X30		3						
22	1	26589-060102	SCREW, M6		4						
23	1	26589-060162	SCREW, M6		2						

Fig.209. CABIN SEAL

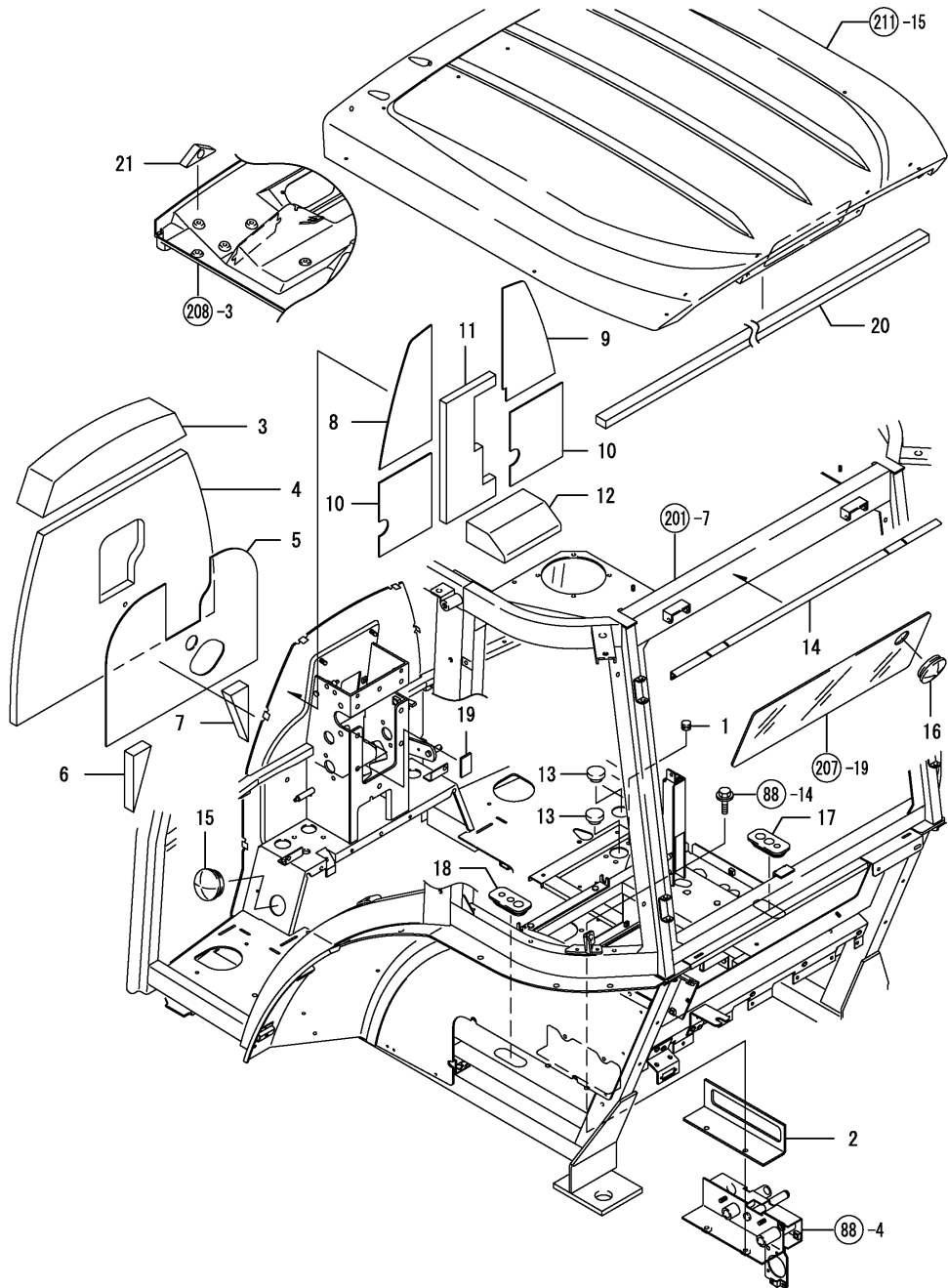


(A)=EG907-AU-PQ
 (B)=EG907(CAB-AU-PQ
 (C)=

(D)=
 (E)=
 (F)=

No.	Lev.	Parts No.	Description	Q'ty						I	R
				(A)	(B)	(C)	(D)	(E)	(F)		
1	1	194940-61790	SCREW, TAPPING M5X16		10						
2	1	1A7450-62330	COVER, FENDER DUST L		1						
3	1	1A7450-62340	COVER, FENDER DUST R		1						
4	1	1A7470-62361	MAT ASSY, FLOOR		1						
4-1	1	1A7470-62362	MAT ASSY, FLOOR (B="2009.04.)		1						S
5	1	194697-62560	CAP, HOLE		3						
6	1	194697-62560	CAP, HOLE		4						
7	1	1A7450-62580	PLATE, RUBBER L		1						
8	1	1A7450-62590	PLATE, RUBBER R		1						
9	1	1A7470-62660	SEAL, FLOOR COVER		1						
10	1	1A7450-62761	COVER ASSY, FLOOR		1						
11	1	198071-62791	COVER, FLOOR		2						
12	1	198220-63850	NUT, M5		10						
13	1	1E6760-74150	CAP, HOLE 8		3						
14	1	1E6760-74150	CAP, HOLE 8		3						
15	1	198093-85650	BOLT, M6X16		2						
16	1	198010-85810	RIVET, NYLON		4						
17	1	1A7651-62120	URETAN (B="2009.04.)		1						W

Fig.210. CABIN SEAL



(A)=EG907-AU-PQ
 (B)=EG907(CAB-AU-PQ
 (C)=

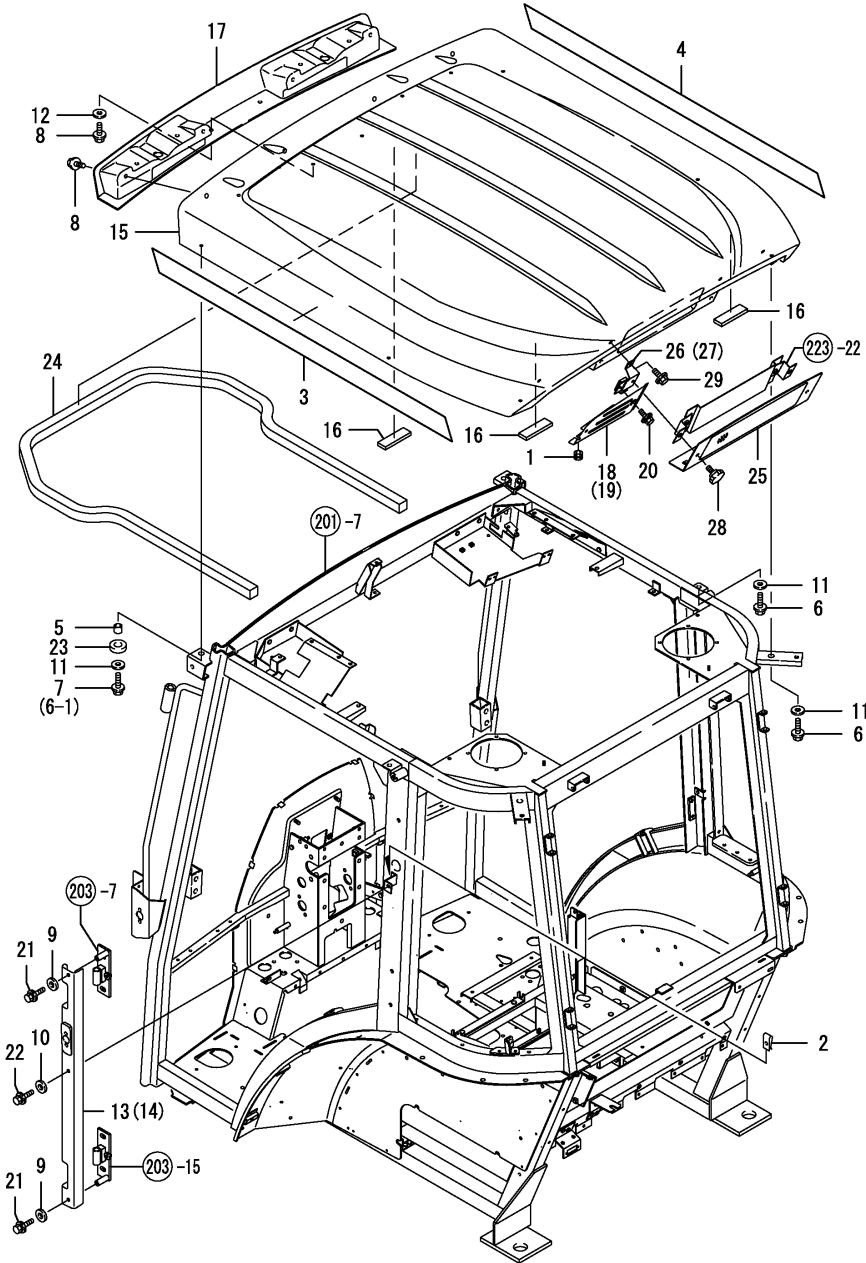
(D)=
 (E)=
 (F)=

No.	Lev.	Parts No.	Description	Q'ty						I	R
				(A)	(B)	(C)	(D)	(E)	(F)		
1	1	1C6053-26020	CAP, RUBBER 8X3		3						
2	1	1A7470-27080	SEAL, LEVER		1						
3	1	1A7470-60660	URETHANE, AIR CUT		1						
4	1	1A7470-60671	URETHANE, PLATE		1						
5	1	1A7470-60680	MATERIAL, DAMPING		1						
6	1	1A7470-60730	URETHANE, PLATE L		1						
7	1	1A7470-60740	URETHANE, PLATE R		1						
8	1	1A7680-61810	MATERIAL, DAMPING L		1						
9	1	1A7680-61820	MATERIAL, DAMPING R		1						
10	1	1A7680-61840	MATERIAL, DAMPING		2						
11	1	1A7680-61850	ACOUSTIC ABSORBENT		1						
12	1	1A7680-61860	ACOUSTIC ABSORBENT		1						
13	1	194640-62960	CAP, RUBBER 39X2		2						
14	1	1A7680-83720	SEAL, REAR GLASS		1						
15	1	198153-83870	BOOT, RUBBER		1						
16	1	198153-83870	BOOT, RUBBER		1						
17	1	1A7470-84770	GROMMET, HOSE		1						
18	1	1A7470-84780	GROMMET, HOSE		1						
19	1	198093-84810	SEAL, FENDER		2						
20	1	198463-85740	SEAL, ROOF		1						
21	1	198153-86920	PAD, LEAD WIRE		1						

Fig.211. ROOF

(A)=EG907-AU-PQ
 (B)=EG907(CAB-AU-PQ
 (C)=

(D)=
 (E)=
 (F)=

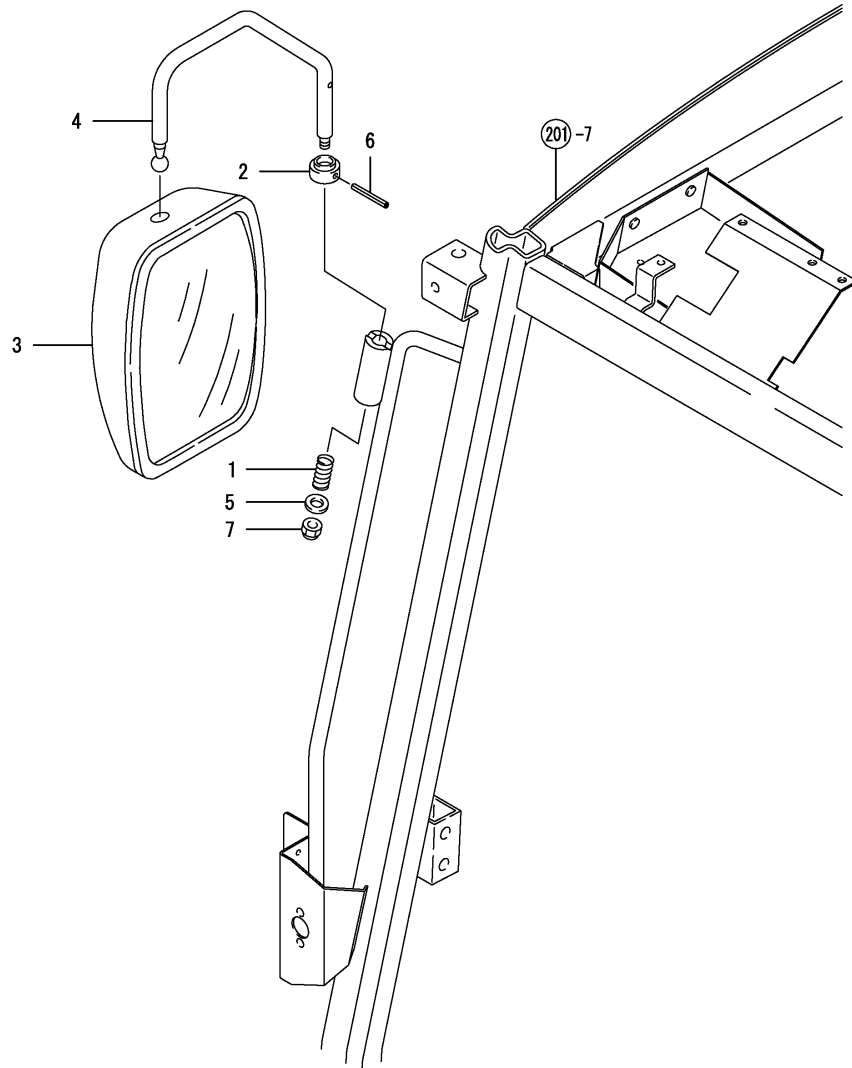


No.	Lev.	Parts No.	Description	Q'ty						I	R
				(A)	(B)	(C)	(D)	(E)	(F)		
1	1	198071-58810	GROMMET, 8		2						
2	1	198071-61890	NUT, SPEED M6		2						
3	1	1A7480-65611	LABEL, YANMAR		1						
4	1	1A7480-65621	LABEL, YANMAR		1						
5	1	198463-82230	SPACER		2						
6	1	198093-82510	BOLT, M8X25		4						
6-1	1	198093-82510	BOLT, M8X25		6						K
		(B=*2008.09.)									
7	1	198127-83150	BOLT, M8X30		2						Z
		(B=*2008.09.)									
8	1	198460-83350	BOLT, M8X16		6						
9	1	198255-83510	WASHER, 6		4						
10	1	198255-83510	WASHER, 6		2						
11	1	198255-83550	WASHER, 8		6						
12	1	198255-83550	WASHER, 8		2						
13	1	1A7750-85450	COVER, FRAME OUTER L		1						
14	1	1A7750-85460	COVER, FRAME OUTER R		1						
15	1	1A7470-85500	ROOF ASSY, OUTER		1						
16	1	198094-85570	SEAL, ROOF UPPER		3						
17	1	1A7470-85620	COVER, LAMP FRONT		1						
18	1	1A7470-85630-1	COVER, ROOF REAR		1						
19	1	1A7470-85640-1	COVER, ROOF REAR		1						
20	1	198093-85650	BOLT, M6X16		4						
21	1	198093-85650	BOLT, M6X16		4						
22	1	198093-85650	BOLT, M6X16		2						
23	1	198463-85870	RUBBER, CUSHION		2						
24	1	1A7470-87460	SEAL, ROOF		1						
25	1	1A7470-87770	COVER, FILTER		1						
26	1	1A7470-87810	STAY, FILTER COVER L		1						
27	1	1A7470-87830	STAY, FILTER COVER R		1						
28	1	26064-080151	BOLT, 8X 15		2						
29	1	26106-080162	BOLT, M8X 16 PLATED		4						

Fig.212. BACK MIRROR

(A)=EG907-AU-PQ
 (B)=EG907(CAB-AU-PQ
 (C)=

(D)=
 (E)=
 (F)=



No.	Lev.	Parts No.	Description	Q'ty						I	R
				(A)	(B)	(C)	(D)	(E)	(F)		
1	1	198220-63340	SPRING, FRICTION		2						
2	1	198133-64400	GROMMET		2						
3	1	1A7320-64510	HEAD, MIRROR		2						
4	1	1A7320-85810	STAY, BACK MIRROR		2						
5	1	22137-120000	WASHER, 12		2						
6	1	22351-060060	PIN, SPRING 6.0X60		2						
7	1	26346-100002	NUT, M10		2						

Fig.213. LAMP

(A)=EG907-AU-PQ
 (B)=EG907(CAB-AU-PQ
 (C)=

(D)=
 (E)=
 (F)=

No.	Lev.	Parts No.	Description	Q'ty						I	R
				(A)	(B)	(C)	(D)	(E)	(F)		
1	1	194990-22120	NUT, M5		2						
2	1	198071-85440	BOLT, M10X20		4						
3	1	198071-85440	BOLT, M10X20		2						
4	1	1A7470-86250	LAMP ASSY, WORKING F		4						
5	2	1A7470-86270	BULB, 12V-35W		4						
6	1	1A7470-86350	LAMP ASSY, WORKING R		2						
7	2	1A7470-86270	BULB, 12V-35W		2						
8	1	1A7470-86750	LAMP ASSY, ROOM		1						
9	2	1A7470-86770	BULB, 12V/5W		1						
10	1	26557-050252	SCREW, M5X25		2						

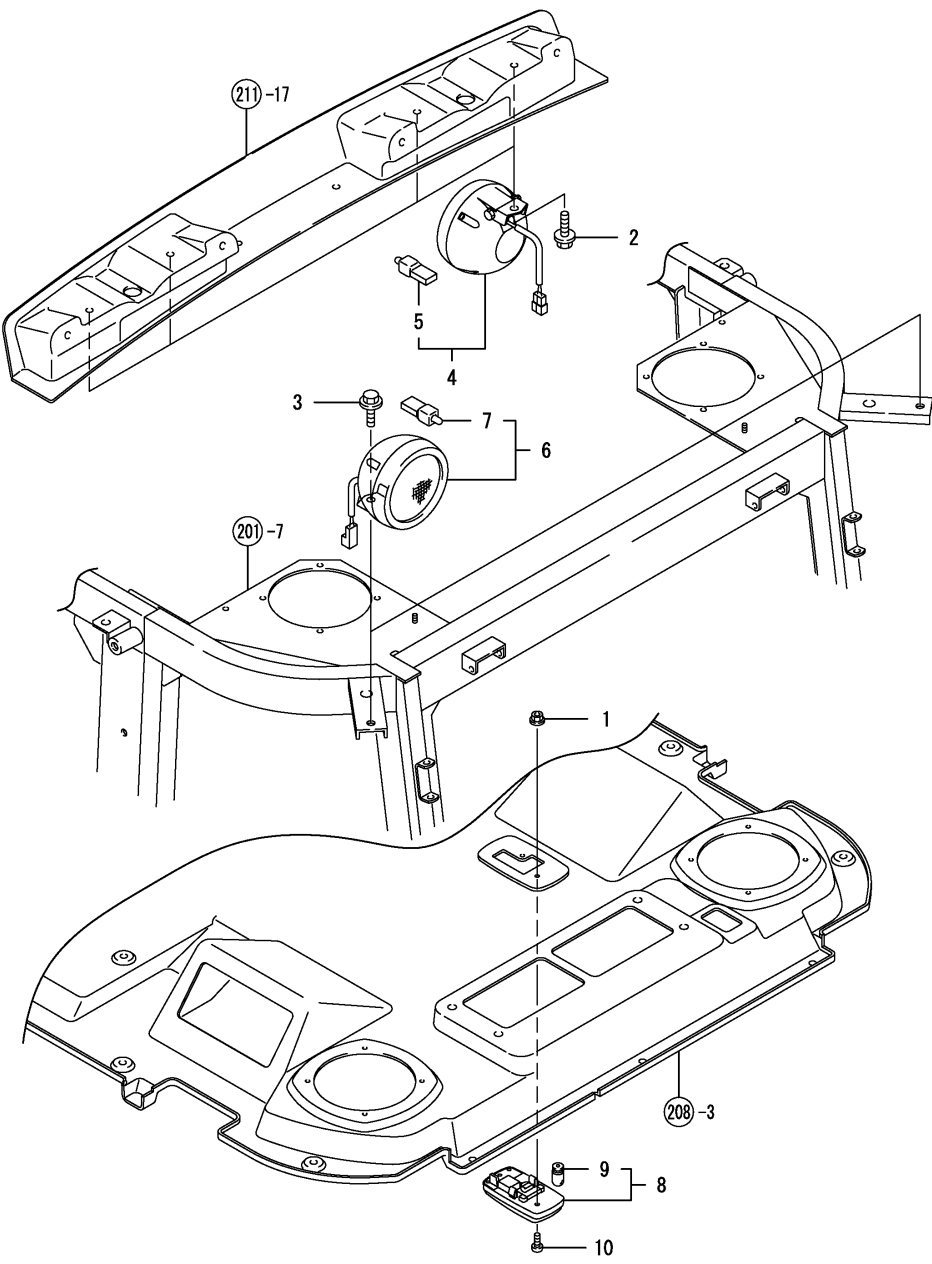


Fig.214. CABIN SWITCH

(A)=EG907-AU-PQ
 (B)=EG907(CAB-AU-PQ)
 (C)=

(D)=
 (E)=
 (F)=

No.	Lev.	Parts No.	Description	Q'ty						I	R
				(A)	(B)	(C)	(D)	(E)	(F)		
1	1	197821-85430	SWITCH, WIPER		1						
2	1	198094-86410	SWITCH, LAMP		2						
3	1	198280-86430	SWITCH, FRONT WIPER		1						

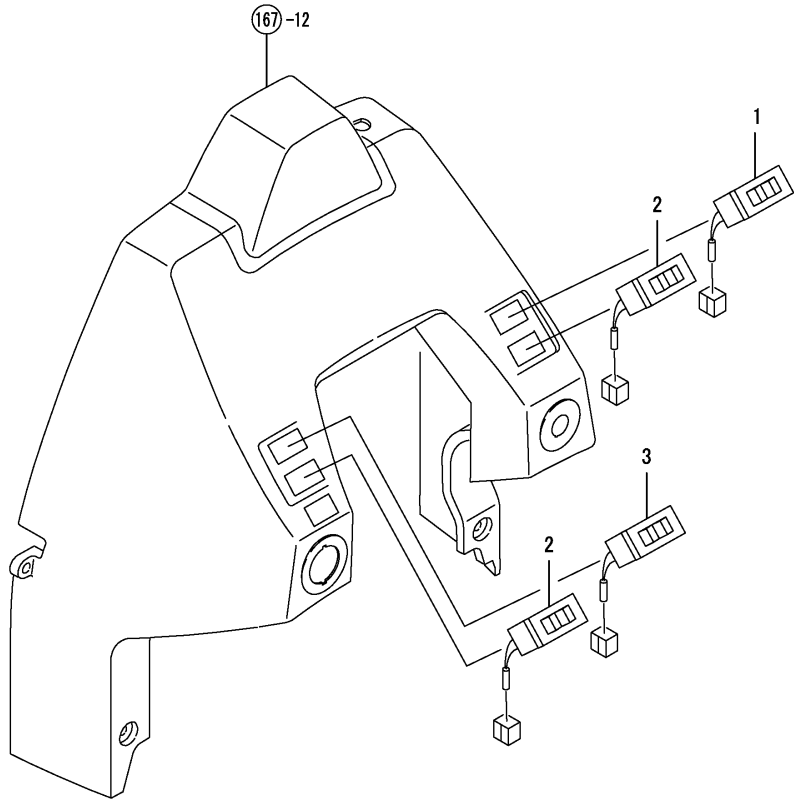
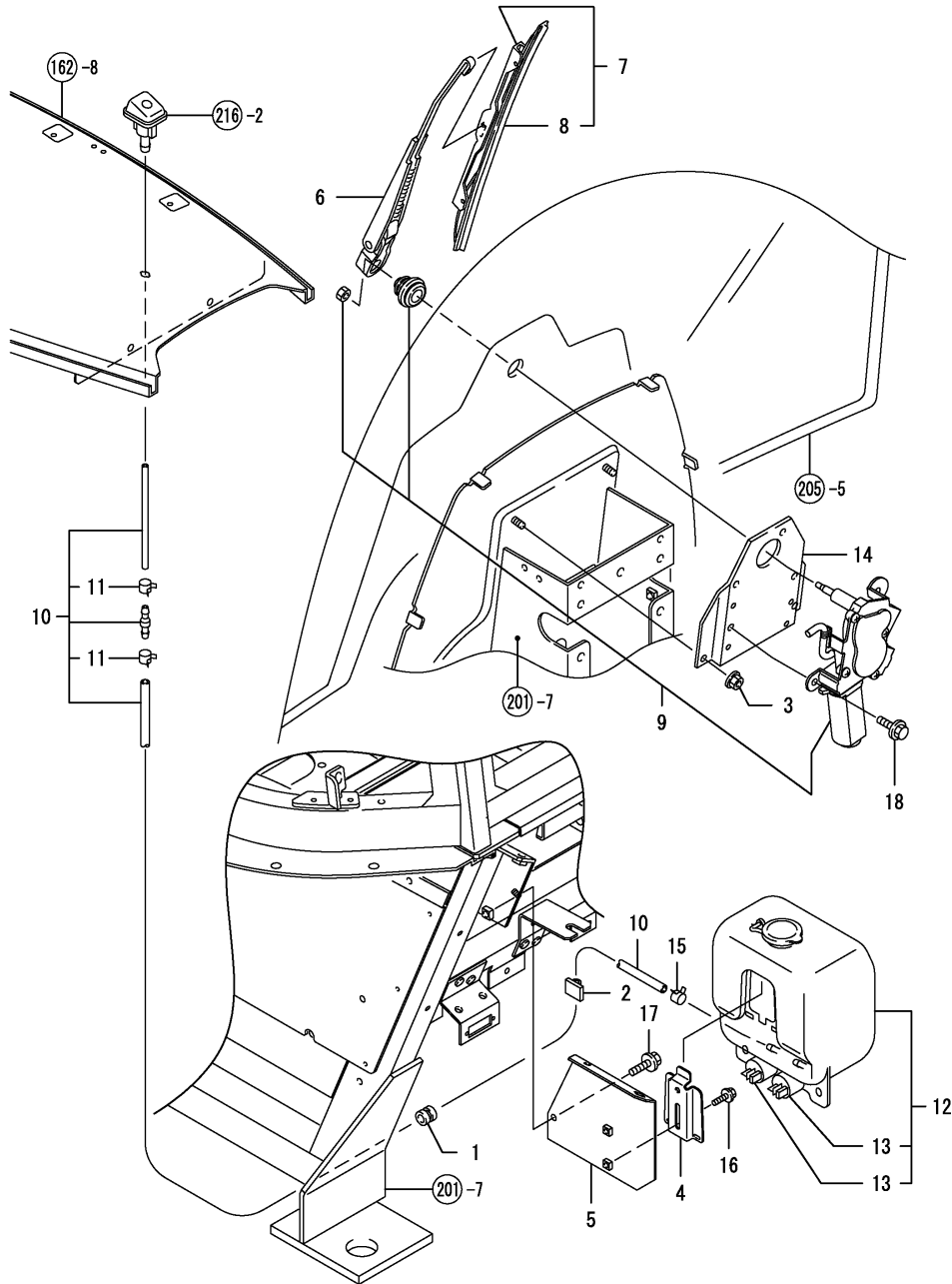


Fig.215. FRONT WIPER

(A)=EG907-AU-PQ
 (B)=EG907(CAB-AU-PQ
 (C)=

(D)=
 (E)=
 (F)=

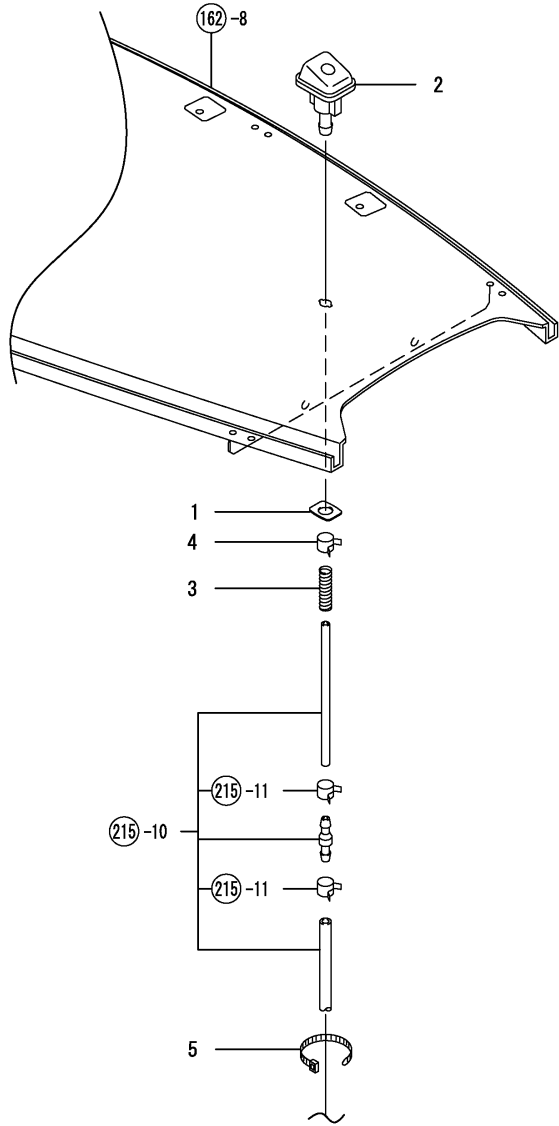


No.	Lev.	Parts No.	Description	Q'ty						I	R
				(A)	(B)	(C)	(D)	(E)	(F)		
1	1	198360-03260	GROMMET, 12		1						
2	1	172010-07810	STICKER, WIRE		1						
3	1	194990-22140	NUT, M8		2						
4	1	120147-44810	BRACKET		1						
5	1	1A7470-86080	BRACKET, TANK		1						
6	1	198550-86540	ARM, WIPER		1						
7	1	198550-86590	BLADE, WIPER		1						
8	2	198550-86570	RUBBER		1						
9	1	198550-86610	MOTOR, WIPER		1						
10	1	198550-86640	HOSE ASSY, VINYL		1						
11	2	23080-007000	CLAMP, 7		2						
12	1	1A7320-86650	TANK ASSY, WASHER		1						
13	2	1A7320-86640	PUMP ASSY, WASHER		2						
14	1	198550-86680	BRACKET, WIPER MOTOR		1						
15	1	23080-007000	CLAMP, 7		1						
16	1	26106-060162	BOLT, M6X 16 PLATED		2						
17	1	26106-080162	BOLT, M8X 16 PLATED		2						
18	1	26106-080162	BOLT, M8X 16 PLATED		3						

Fig.216. FRONT WIPER

(A)=EG907-AU-PQ
 (B)=EG907(CAB-AU-PQ)
 (C)=

(D)=
 (E)=
 (F)=

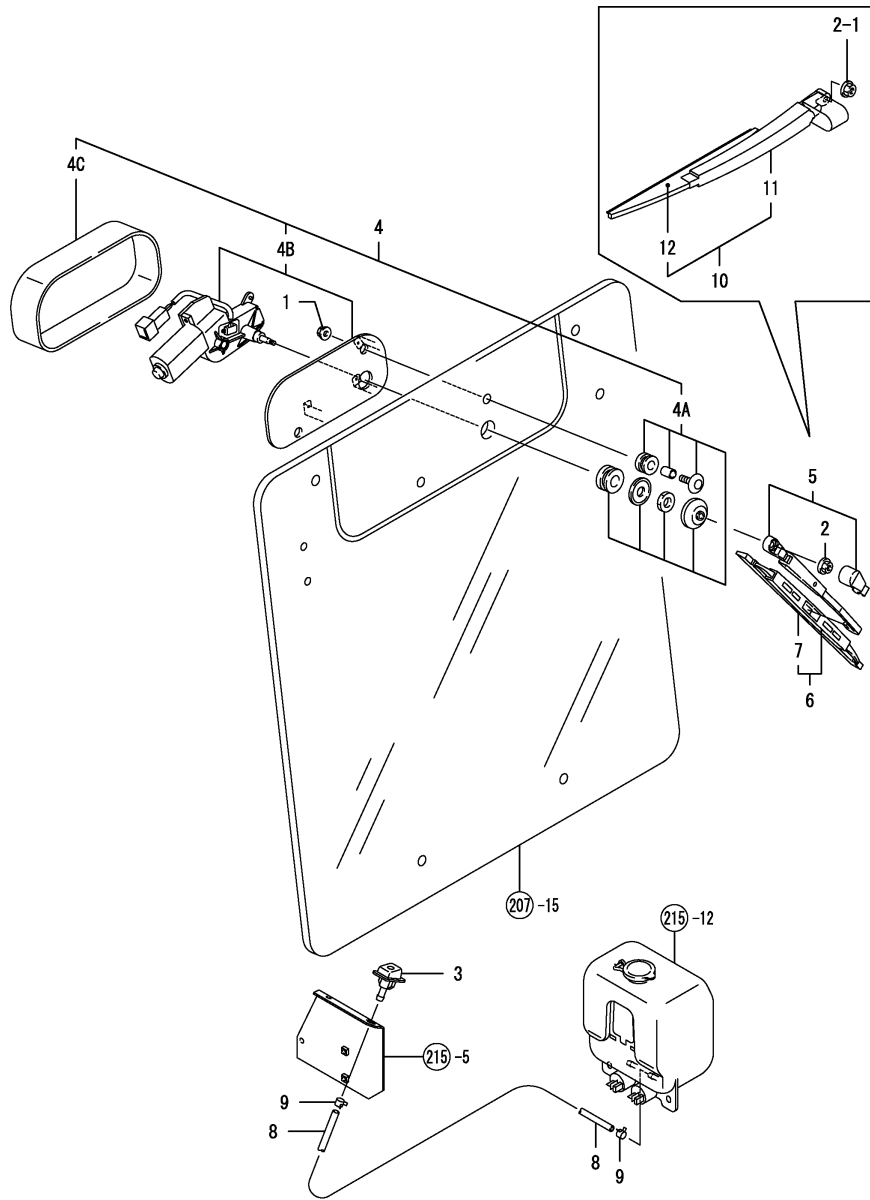


No.	Lev.	Parts No.	Description	Q'ty						I	R
				(A)	(B)	(C)	(D)	(E)	(F)		
1	1	1A7320-61140	SPACER, NOZZLE		1						
2	1	198094-86060	NOZZLE, WASHER		1						
3	1	198094-86560	SPRING, NOZZLE		1						
4	1	23080-007000	CLAMP, 7		1						
5	1	29622-140001	BAND, RF140		1						

Fig.217. REAR WIPER

(A)=EG907-AU-PQ
 (B)=EG907(CAB-AU-PQ
 (C)=

(D)=
 (E)=
 (F)=



No.	Lev.	Parts No.	Description	Qty						I	R
				(A)	(B)	(C)	(D)	(E)	(F)		
1	1	194990-22130	NUT, M6		2						
2	1	194990-22140	NUT, M8		1						
2-1	1	194990-22130	NUT, M6		1						N
		(B=FXXXXX)									
3	1	198094-86060	NOZZLE, WASHER		1						
4	1	198535-86300	MOTOR ASSY, WIPER		1						
4A	2	198535-86450	COVER KIT, MOTOR		1						
4B	2	198535-86470	MOTOR KIT, B		1						
4C	2	198535-86340	COVER, MOTOR		1						
5	1	198550-86410	ARM, WIPER		1						Z
		(B=FXXXXX)									
6	1	198550-86420	BLADE, WIPER		1						Z
		(B=FXXXXX)									
7	2	198550-86430	RUBBER		1						Z
		(B=FXXXXX)									
8	1	198094-86580	HOSE, WASHER 400		1						
9	1	23080-007000	CLAMP, 7		2						
10	1	1A8110-86400	ARM KIT, WIPER		1						W 1
		(B=FXXXXX)									
11	2	1A8110-86410	ARM, WIPER		1						W
		(B=FXXXXX)									
12	2	1A8110-86420	BLADE, WIPER		1						W
		(B=FXXXXX)									

Remarks
 (1)Ref.No.5 & 6 is interchangeable
 with a set of 10.

Fig.218. AUDIO LESS

(A)=EG907-AU-PQ
 (B)=EG907(CAB-AU-PQ
 (C)=

(D)=
 (E)=
 (F)=

No.	Lev.	Parts No.	Description	Q'ty						I	R
				(A)	(B)	(C)	(D)	(E)	(F)		
1	1	194515-01190	WASHER, 6		2						
2	1	194990-22120	NUT, M5		8						
3	1	198220-63850	NUT, M5		8						
4	1	1A7470-86510	BRACKET, CASSETTE		1						
5	1	198463-86771	ANTENNA ASSY		1						
7	1	198463-86820	SPEAKER ASSY		2						
8	1	22859-500202	SCREW, 5X20		8						
9	1	26557-050162	SCREW, M5X16		8						
10	1	26589-060162	SCREW, M6		2						

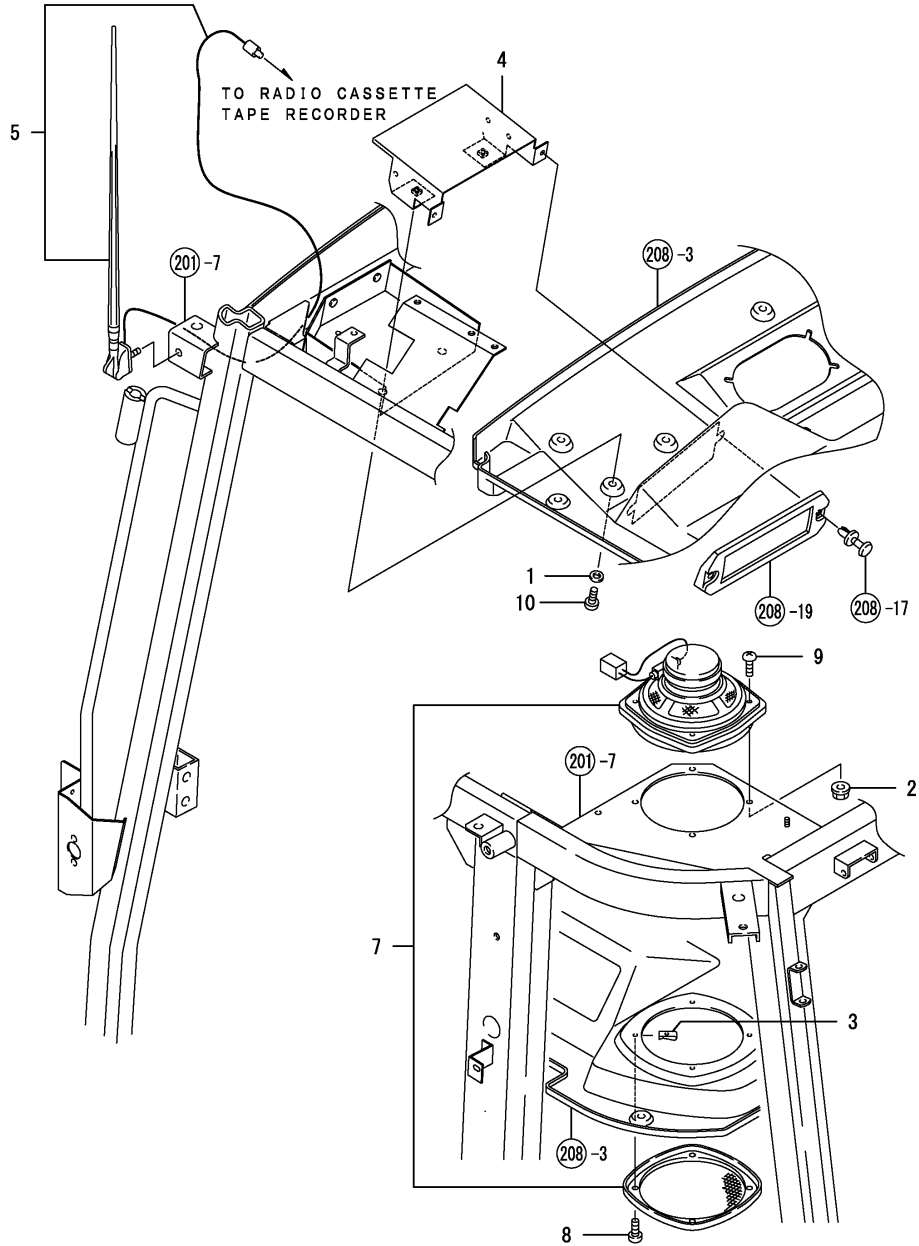
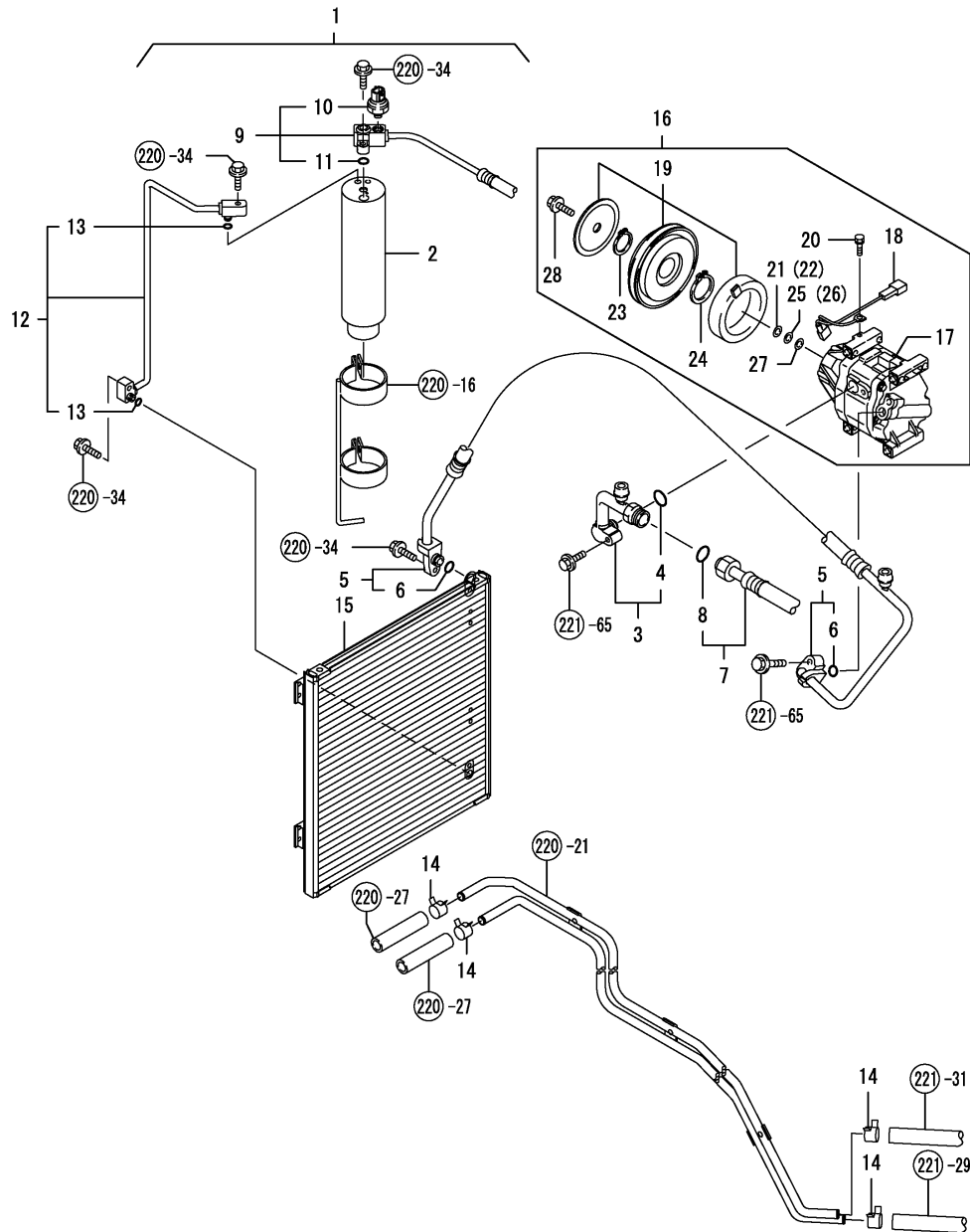


Fig.219. AIR CONDITIONER

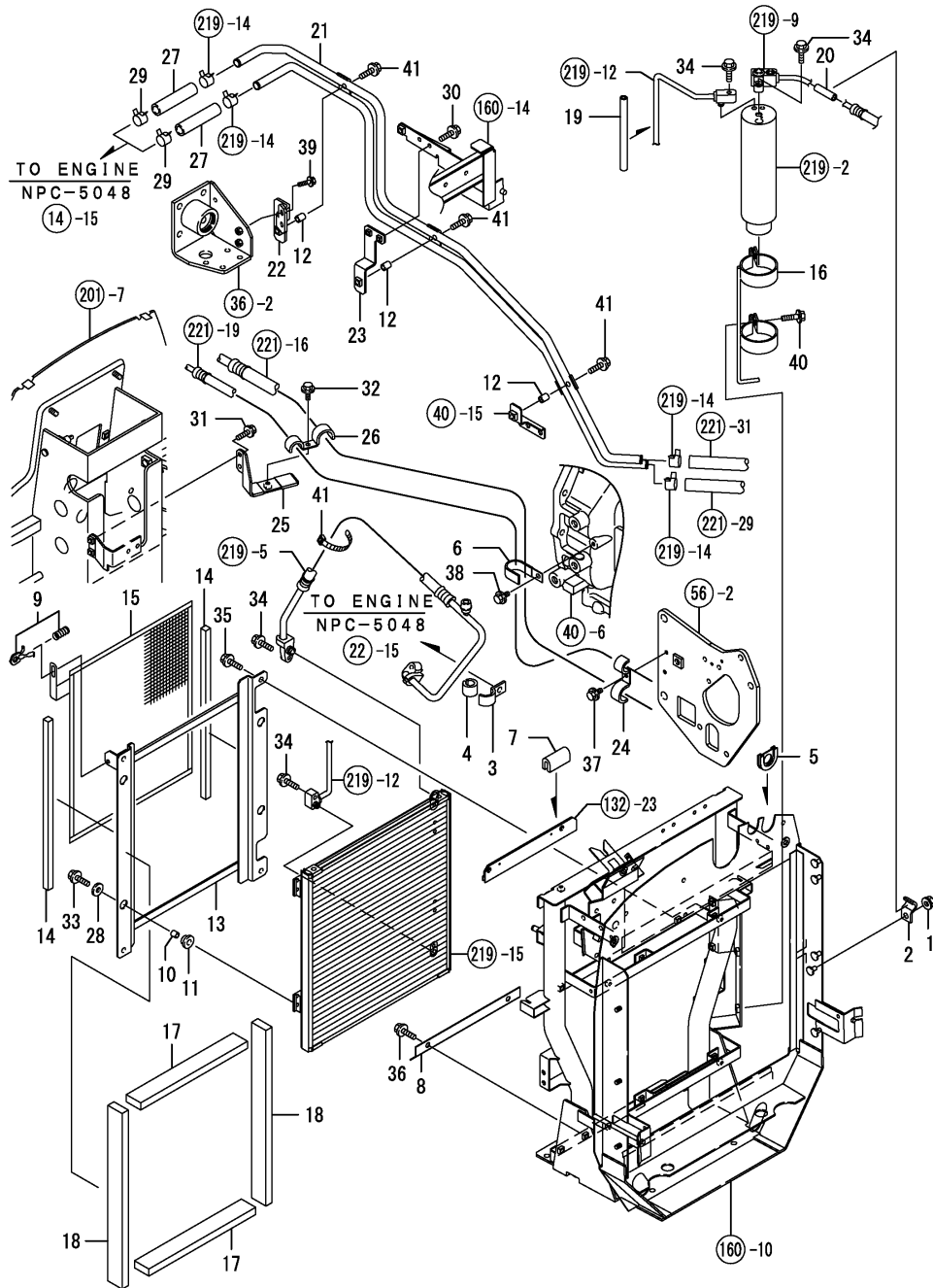


(A)=EG907-AU-PQ
(B)=EG907(CAB-AU-PQ
(C)=

(D)=
(E)=
(F)=

No.	Lev.	Parts No.	Description	Q'ty						I	R
				(A)	(B)	(C)	(D)	(E)	(F)		
1	1	1A7470-87020	CONDITIONER KIT, AIR		1						
2	2	1E8545-80210	DRIER, RECEIVER		1						
3	2	1A7030-87881	PIPE ASSY		1						
4	3	1A7030-88840	O-RING		1						
5	2	1A7470-87930	HOSE ASSY		1						
6	3	1A7030-88820	O-RING		2						
7	2	1A7470-87940	HOSE ASSY		1						
8	3	1A7030-88840	O-RING		2						
9	2	1A7470-87960	HOSE ASSY		1						
10	3	1A7030-87120	SWITCH, PRESSURE		1						
11	3	1A7030-88760	O-RING		2						
12	2	1A7470-87980	PIPE ASSY		1						
13	3	1A7030-88760	O-RING		2						
14	2	1A7030-88710	CLIP, HOSE		4						
15	1	1A7470-87120	CONDENSER ASSY		1						
16	1	1A7320-87902	COMPRESSOR ASSY		1						
17	2	1A7320-87892	COMPRESSOR		1						
18	2	1A7030-87911	HARNES, WIRE		1						
19	2	1A7320-87922	CLUTCH ASSY, MAGNET		1						
20	2	1A7320-87990	BOLT, M5X8		1						
21	2	1A7030-89860	WASHER, 0.6		1						
22	2	1A7030-89870	WASHER, 1.0		1						
23	2	1A7030-89930	RING, SNAP		1						
24	2	1A7030-89940	RING, SNAP		1						
25	2	1A7030-89950	WASHER, 0.1		1						
26	2	1A7030-89960	WASHER, 0.15		1						
27	2	1A7030-89970	WASHER, 0.4		1						
28	2	1A7030-89980	BOLT, M6X16		1						

Fig.220. AIR CONDITIONER

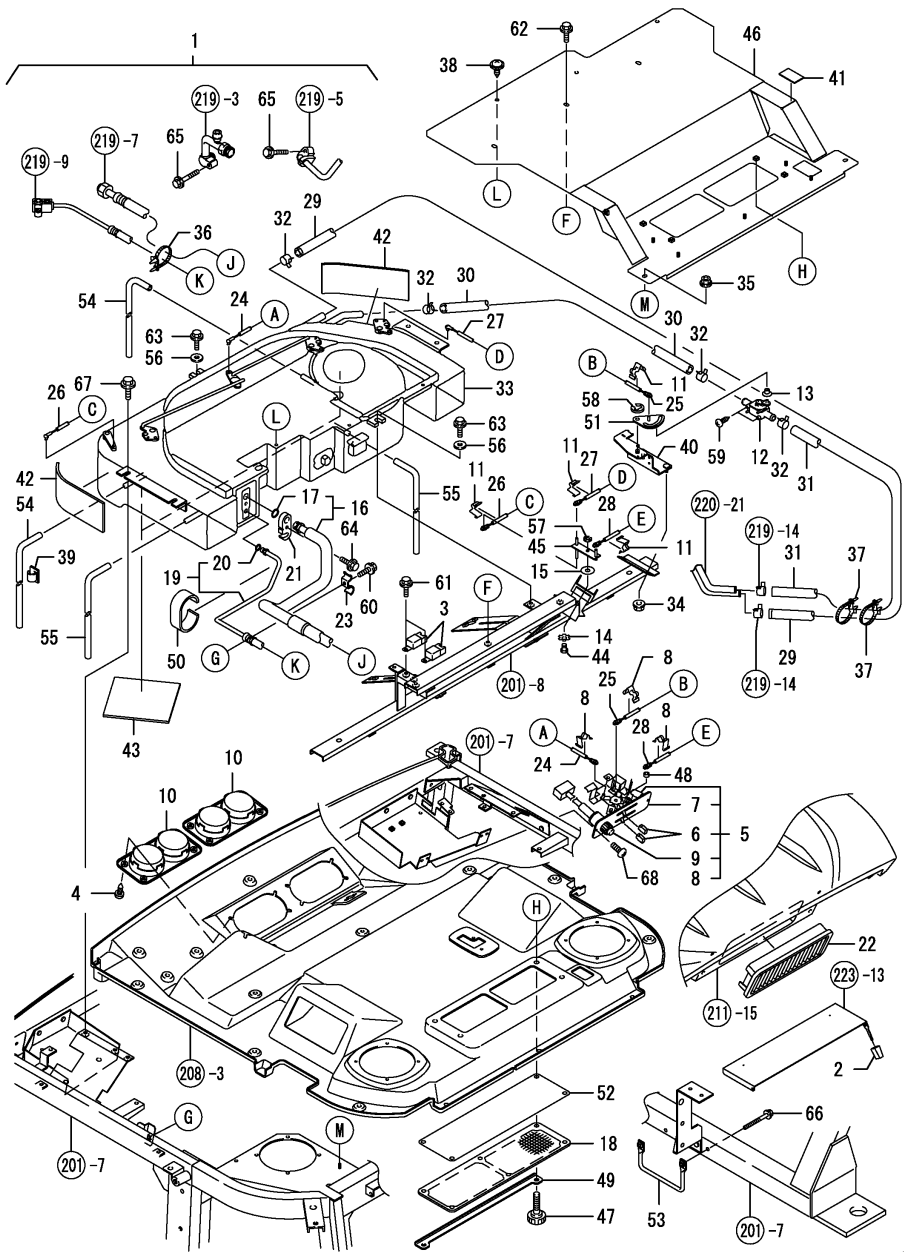


(A)=EG907-AU-PQ
(B)=EG907(CAB-AU-PQ)
(C)=

(D)=
(E)=
(F)=

No.	Lev.	Parts No.	Description	Qty						I	R
				(A)	(B)	(C)	(D)	(E)	(F)		
1	1	194990-22140	NUT, M8		1						
2	1	198071-48390	CLAMP, 12M		1						
3	1	194450-48830	CLAMP		1						
4	1	194464-48850	RUBBER, ABSORBER		1						
5	1	198220-51340	GROMMET, 30		1						
6	1	198448-51460	CLAMP, HARNESS		1						
7	1	198448-60080	TRIM, 40		1						
8	1	1A7470-60600	PLATE, CONDENSER		1						
9	1	198220-61351	LOCK ASSY, CAM		1						
10	1	198129-78710	SPACER, 6-10		4						
11	1	198129-78720	GROMMET, 10-16		4						
12	1	198127-83210	SPACER		3						
13	1	1A7470-87050	FRAME, CONDENSER		1						
14	1	1A7470-87110	SEAL, RUBBER		2						
15	1	1A7470-87130	SCREEN, CONDENSER		1						
16	1	1A7030-87140	BRACKET ASSY		1						
16-1	1	1A7210-87140	BRACKET ASSY		1						N
(B="2009.12.)											
17	1	1A7470-87180	URETHANE, CONDENSER		2						
18	1	1A7470-87190	URETHANE, CONDENSER		2						
19	1	1A7470-87250	COVER, RUBBER		1						
20	1	1A7030-88050	TUBE, CLAMP		1						
21	1	1A7470-88101	PIPE ASSY, HEATER		1						
22	1	1A7470-88140	STAY ASSY, PIPE F		1						
23	1	1A7470-88160	STAY ASSY, PIPE R		1						
24	1	1A7470-88210	CLAMP, HOSE		1						
25	1	1A7470-88222	STAY, AC HOSE F		1						
26	1	1A7470-88242	CLAMP, HOSE		1						
27	1	198208-89530	HOSE, HEATER		2						
28	1	22157-060000	WASHER, 6		4						
29	1	23000-019000	CLAMP, 19		2						
30	1	26106-060122	BOLT, M6X 12 PLATED		2						
31	1	26106-060162	BOLT, M6X 16 PLATED		2						
32	1	26106-060162	BOLT, M6X 16 PLATED		1						
33	1	26106-060202	BOLT, M6X 20 PLATED		4						
34	1	26106-060252	BOLT, M6X 25 PLATED		4						
35	1	26106-080162	BOLT, M8X 16 PLATED		4						
36	1	26106-080162	BOLT, M8X 16 PLATED		2						
37	1	26106-080162	BOLT, M8X 16 PLATED		1						
38	1	26106-080162	BOLT, M8X 16 PLATED		1						
39	1	26106-080202	BOLT, M8X 20 PLATED		2						
40	1	26106-080252	BOLT, M8X 25 PLATED		2						
41	1	26106-080302	BOLT, M8X 30 PLATED		3						
42	1	29622-250001	BAND, RF250		1						

Fig.221. AIR CONDITIONER



(A)=EG907-AU-PQ
(B)=EG907(CAB-AU-PQ)
(C)=

(D)=
(E)=
(F)=

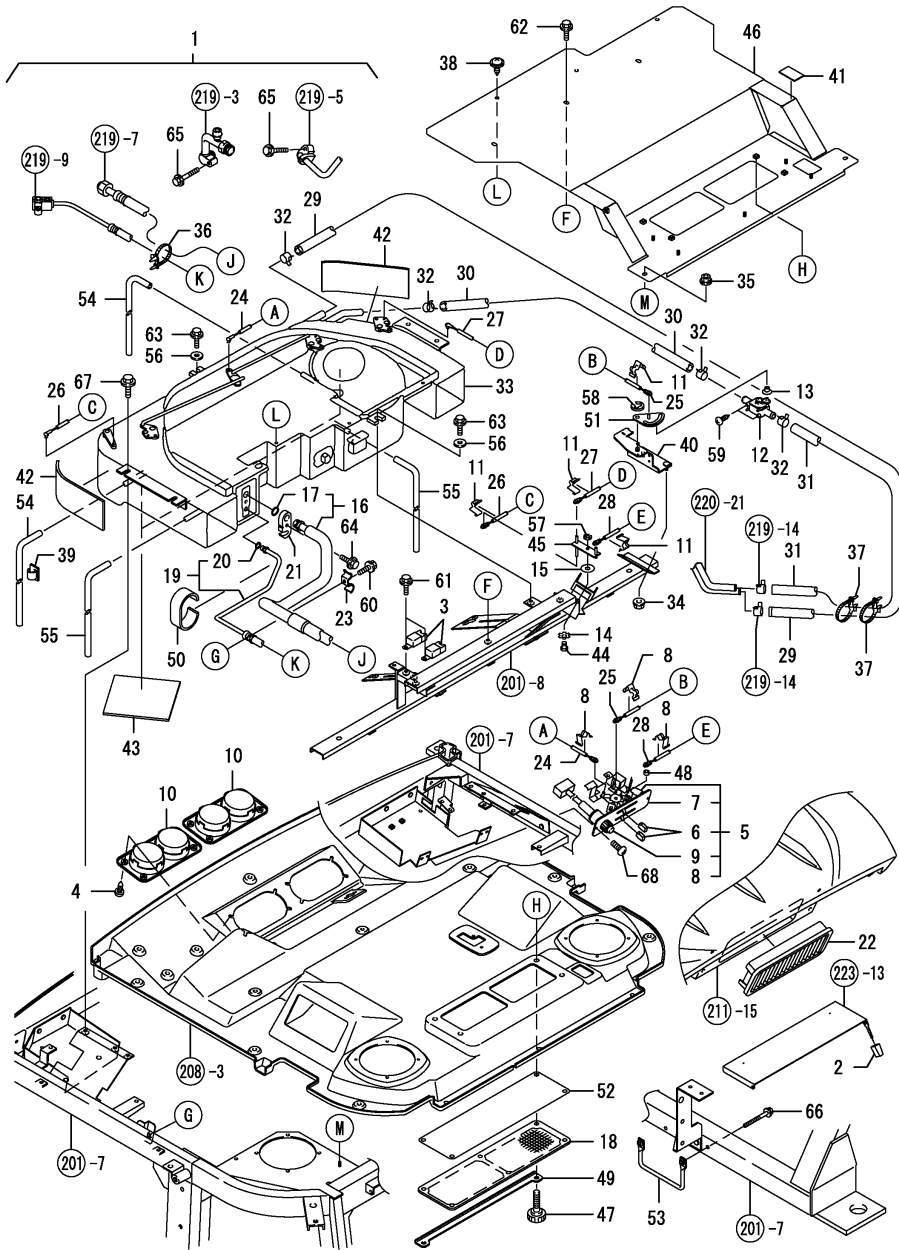
No.	Lev.	Parts No.	Description	Q'ty						I	R
				(A)	(B)	(C)	(D)	(E)	(F)		
1	1	1A7470-87030	CONDITIONER KIT, AIR	1							
2	2	1E8545-80080	KNOB, CONTROL		1						
3	2	1A7030-86980	RELAY		2						
4	2	1A7030-87040	SCREW, TAPPING M5X20		8						
5	2	1A7030-87151	CONTROLLER ASSY		1						
6	3	1E8545-80080	KNOB, CONTROL		2						
7	3	1A7030-87190	PANEL		1						
8	3	1A7030-87790	CLAMP, CABLE		4						
9	3	1A7030-88210	SWITCH ASSY		1						
10	2	198208-87410	GRILLE ASSY		2						
11	2	1A7030-87790	CLAMP, CABLE		4						
12	2	1A7030-87810	VALVE ASSY, WATER		1						
13	2	1A7030-87850	BUSH, VALVE		1						
14	2	1A7470-87910	WASHER		1						
15	2	1A7470-87920	WASHER		1						
16	2	1A7470-87950	HOSE ASSY		1						
17	3	1A7030-88840	O-RING		1						
18	2	1A7030-87970	FILTER		1						
19	2	1A7470-87970	HOSE ASSY		1						
20	3	1A7030-88760	O-RING		1						
21	2	198208-87980	CONNECTOR, HORSE		1						
22	2	1A7030-87990	FILTER		1						
23	2	1A7030-88060	CLAMP, HOSE		1						
24	2	1A7470-88410	CABLE, MIX		1						
25	2	1A7470-88420	CABLE, W/V		1						
26	2	1A7470-88430	CABLE, FACE		1						
27	2	1A7470-88440	CABLE, FACE		1						
28	2	1A7470-88450	CABLE, FACE		1						
29	2	1A7470-88630	HOSE, HEATER OUT A		1						
30	2	1A7470-88640	HOSE, HEATER IN B		1						
31	2	1A7470-88650	HOSE, HEATER IN A		1						
32	2	1A7030-88710	CLIP, HOSE		4						
33	1	1A7470-87200	CONDITIONER ASSY,AIR		1						1
34	1	194990-22130	NUT, M6		2						
35	1	194990-22130	NUT, M6		2						
36	1	194680-51670	BAND, CLIP		4						
37	1	194680-51670	BAND, CLIP		2						
38	1	194940-61790	SCREW, TAPPING M5X16		3						
39	1	194680-78350	STICKER, WIRE 18		1						
40	1	1A7030-80940	BRACKET, VALVE		1						
41	1	198093-84810	SEAL, FENDER		1						
42	1	1A7470-87220	PAD		2						
43	1	1A7470-87230	PAD		2						
44	1	1A7470-87350	PIN, LINK		1						
45	1	1A7470-87360	LINK		1						
46	1	1A7470-87600	PLATE ASSY, SEAL		1						
47	1	198463-87630	KNOB, FILTER		4						
48	1	1A7680-87650	SPACER		1						
49	1	1A7030-87720	STAY, FILTER		1						
50	1	1A7030-87730	PAD, HOSE		1						
51	1	1A7030-87820	LINK, VALVE		1						

Remarks
(1) INNER PARTS IS REFER TO FIG.222.

Fig.221. AIR CONDITIONER

(A)=EG907-AU-PQ
 (B)=EG907(CAB-AU-PQ)
 (C)=

(D)=
 (E)=
 (F)=



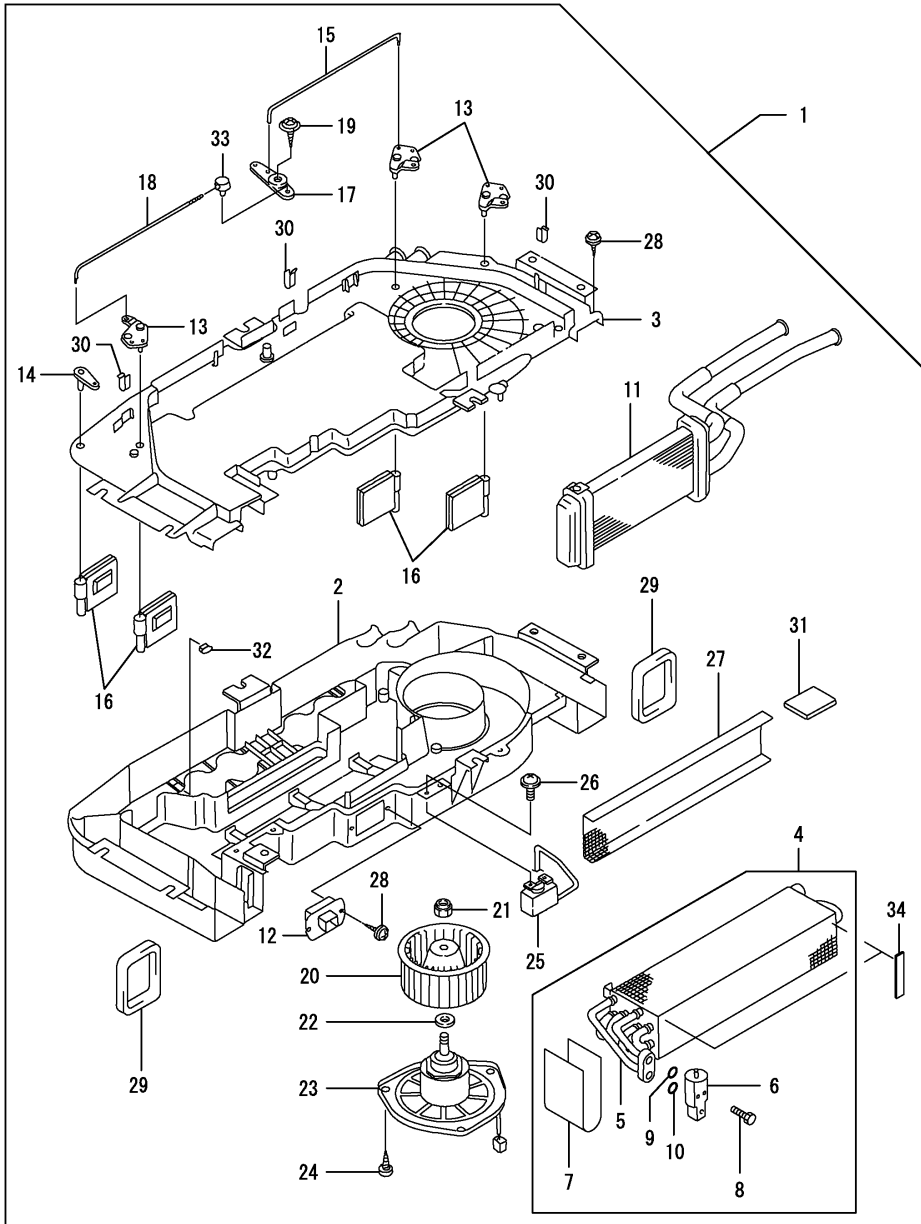
No.	Lev.	Parts No.	Description	Q'ty						I	R
				(A)	(B)	(C)	(D)	(E)	(F)		
52	1	1A7030-88680	FILTER		1						
53	1	1A7470-88750	ROD, HOSE		1						
54	1	1A7470-88950	HOSE, DRAIN F		2						
55	1	1A7680-88950	HOSE, DRAIN		2						
56	1	22157-060000	WASHER, 6		3						
57	1	22272-000050	RING, E- 5		1						
58	1	22272-000060	RING, E- 6		1						
59	1	22857-400100	SCREW, 4X10		2						
60	1	26106-060082	BOLT, M6X 8 PLATED		1						
61	1	26106-060122	BOLT, M6X 12 PLATED		2						
62	1	26106-060122	BOLT, M6X 12 PLATED		3						
63	1	26106-060162	BOLT, M6X 16 PLATED		3						
64	1	26106-060202	BOLT, M6X 20 PLATED		1						
65	1	26106-060402	BOLT, M6X 40 PLATED		2						
66	1	26106-060602	BOLT, M6X 60 PLATED		2						
67	1	26106-080162	BOLT, M8X 16 PLATED		4						
68	1	26559-050162	SCREW, M5X16		2						

Remarks

(1) INNER PARTS IS REFER TO FIG.222.

N:Old $\begin{matrix} \text{Yes} \\ \text{No} \end{matrix}$ New, Q:Old $\begin{matrix} \text{No} \\ \text{Yes} \end{matrix}$ New, R:Old $\begin{matrix} \text{Yes} \\ \text{Yes} \end{matrix}$ New, S:Old $\begin{matrix} \text{No} \\ \text{No} \end{matrix}$ New, W:Add, Z:Discontinued, F:Interchangeable by set, K:Q'ty Change

Fig.222. AIR CONDITIONER UNIT



(A)=EG907-AU-PQ
 (B)=EG907(CAB-AU-PQ
 (C)=

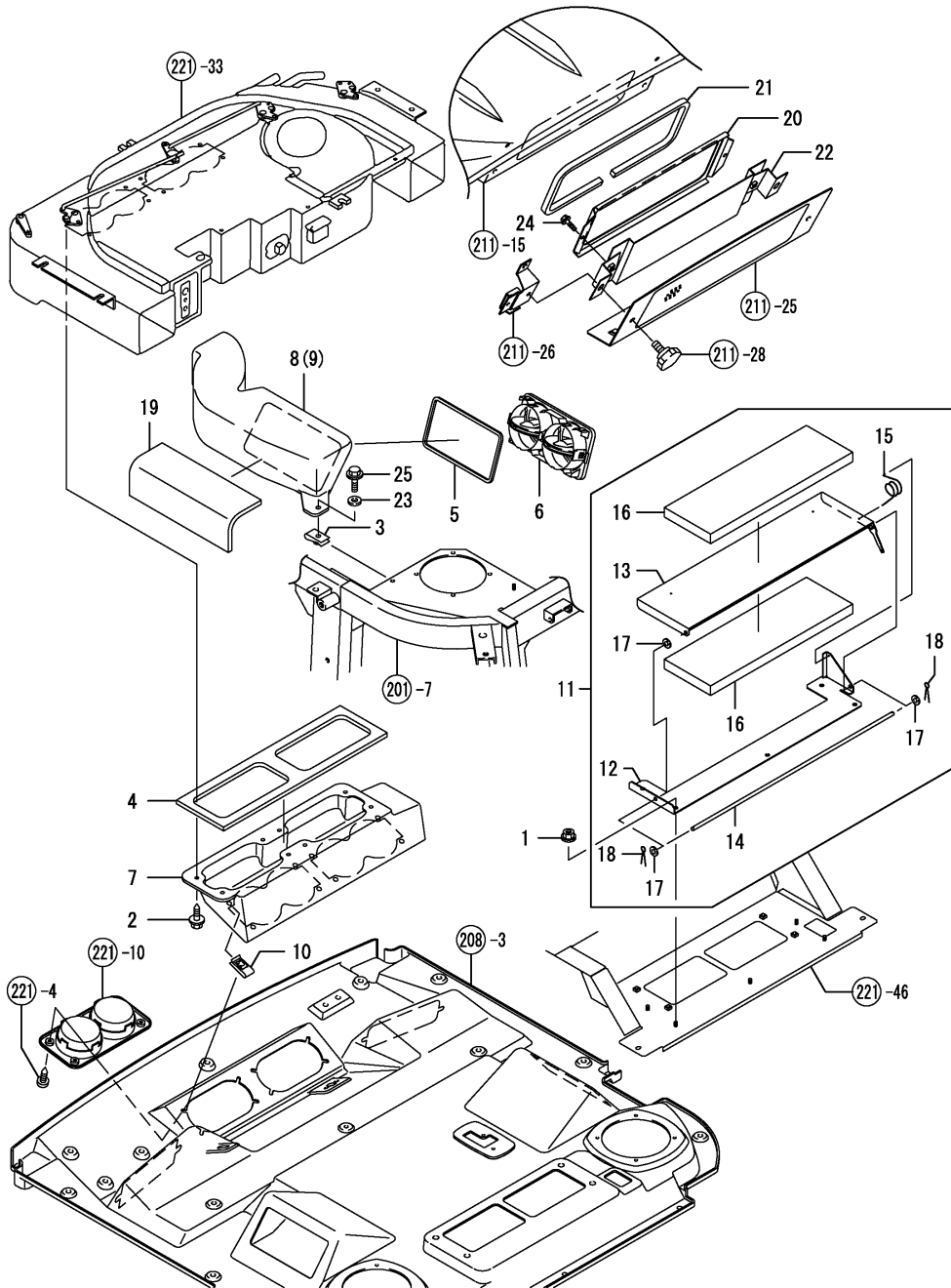
(D)=
 (E)=
 (F)=

No.	Lev.	Parts No.	Description	Qty						I	R
				(A)	(B)	(C)	(D)	(E)	(F)		
1	1	1A7470-87200	CONDITIONER ASSY,AIR		1						
2	2	1A7030-87211	CASE, LOWER		1						
3	2	1A7030-87220	CASE		1						
4	2	1A7030-87230	EVAPORATOR ASSY		1						
5	3	1A7030-88180	EVAPORATOR ASSY		1						
6	3	1A7030-88190	VALVE, EXPANSION		1						
7	3	1A7030-88200	GASKET		1						
8	3	1A7030-88230	BOLT, M5X50		2						
9	3	1A7030-88820	O-RING		1						
10	3	1A7030-88840	O-RING		1						
11	2	1A7030-87240	CORE ASSY, HEATER		1						
12	2	1A7030-87251	REGISTER, BLOWER		1						
13	2	1A7030-87270	LEVER ASSY, MIX DOOR		3						
14	2	1A7030-87280	LEVER ASSY, DOOR		1						
15	2	1A7030-87290	SHAFT, MIX DOOR R		1						
16	2	1A7030-87300	DOOR ASSY, S/A		4						
17	2	1A7030-87310	LEVER ASSY, MIX LINK		1						
18	2	1A7030-87330	SHAFT, MIX DOOR L		1						
19	2	1A7030-87340	SCREW, TAPPING		1						
20	2	1A7030-87350	FAN, BLOWER		1						
21	2	1A7030-87360	NUT		1						
22	2	1A7030-88070	WASHER		1						
23	2	1A7470-88080	MOTOR ASSY, BLOWER		1						
24	2	1A7030-88090	SCREW, TAPPING		3						
25	2	1A7030-88100	THERMOSTAT ASSY		1						
26	2	1A7030-88110	SCREW		2						
27	2	1A7030-88120	SCREEN		1						
28	2	1A7030-88130	SCREW, TAPPING		22						
29	2	1A7030-88140	GASKET		2						
30	2	1A7030-88150	CLAMP, LOCK D6		3						
31	2	1A7030-88160	INSULATOR		2						
32	2	1A7030-88170	NUT, SPEED		8						
33	2	1A7030-88250	CLAMP		1						
34	2	1A7470-88280	PACKING, B		2						

Fig.223. AIR CONDITIONER DUCT

(A)=EG907-AU-PQ
 (B)=EG907(CAB-AU-PQ
 (C)=

(D)=
 (E)=
 (F)=



No.	Lev.	Parts No.	Description	Q'ty						I	R
				(A)	(B)	(C)	(D)	(E)	(F)		
1	1	194990-22130	NUT, M6		5						
2	1	198093-61560	SCREW, TAPPING M5X16		8						
3	1	198071-61890	NUT, SPEED M6		2						
4	1	1A7030-87260	SEAL, FRONT GRILLE		2						
5	1	1A7470-87320	SEAL, DUCT SIDE		2						
6	1	1A7030-87411	GRILLE ASSY		2						
7	1	1A7470-87420	DUCT, F		1						
8	1	1A7470-87430	DUCT, SIDE L		1						
9	1	1A7470-87440	DUCT, SIDE R		1						
10	1	1A7470-87450	NUT, SPEED M5		8						
11	1	1A7470-87500	SHUTTER		1						
12	2	1A7470-87511	BRACKET, SHUTTER		1						
13	2	1A7470-87561	SHUTTER ASSY		1						
14	2	1A7030-87590	SHAFT		1						
15	2	1A7470-87660	SPRING, TORSION 2.0		1						
16	2	1A7470-87860	SEAL, SHUTTER		2						
17	2	22190-060003	SEAL WASER 6		3						
18	2	22417-160160	PIN, COTTER 1.6X16		2						
19	1	198248-87651	FOAM, DUCT SIDE		2						
20	1	1A7470-87680	BRACKET, FILTER		1						
21	1	1A7470-87690	SEAL, BRACKET B		1						
22	1	1A7470-87710	BRACKET ASSY, FILTER		1						
23	1	22157-060000	WASHER, 6		2						
24	1	26106-060122	BOLT, M6X 12 PLATED		2						
25	1	26106-060202	BOLT, M6X 20 PLATED		2						

Fig.224. LABELS

(A)=EG907-AU-PQ
 (B)=EG907(CAB-AU-PQ
 (C)=

(D)=
 (E)=
 (F)=

No.	Lev.	Parts No.	Description	Q'ty						I	R
				(A)	(B)	(C)	(D)	(E)	(F)		
1	1	1A7690-65630	LABEL,YANMAR		1						
2	1	1A7130-65910	LABEL (ROPS CAUTION		1						
3	1	1A7480-89530	LABEL,		1						
4	1	1A7480-89540	LABEL,		1						

1
YANMAR

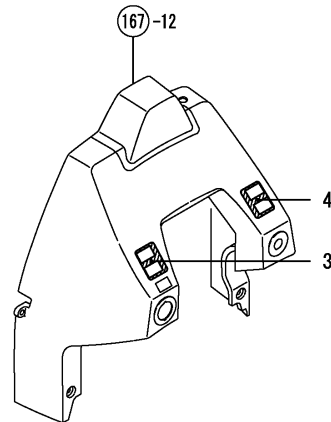
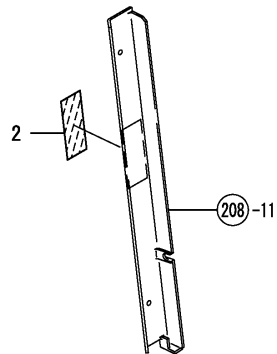
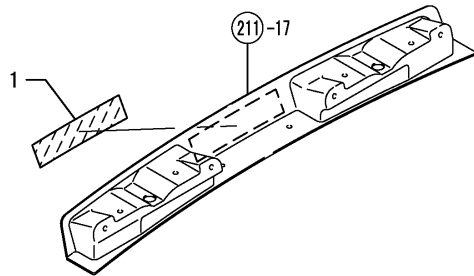
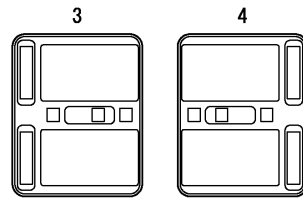
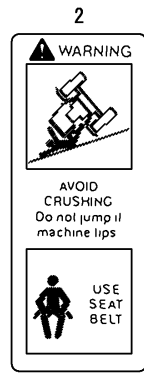


Fig.225. DOCUMENT

(A)=EG907-AU-PQ
 (B)=EG907(CAB-AU-PQ
 (C)=

(D)=
 (E)=
 (F)=

No.	Lev.	Parts No.	Description	Q'ty						I	R
				(A)	(B)	(C)	(D)	(E)	(F)		
1	1	0A043-G00100	OPERATION MANUAL	1	1						
1-1	1	0A043-G00101	OPERATION MANUAL	1	1						N
		(A="2008.03.) (B="2008.03.)									
1-2	1	0A043-G00102	OPERATION MANUAL	1	1						N
		(A=FXXXXXX) (B=FXXXXXX)									
1-3	1	0A043-G00103	OPERATION MANUAL	1	1						N
		(A=FXXXXXX) (B=FXXXXXX)									

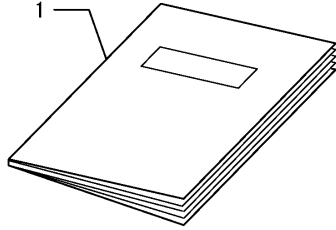
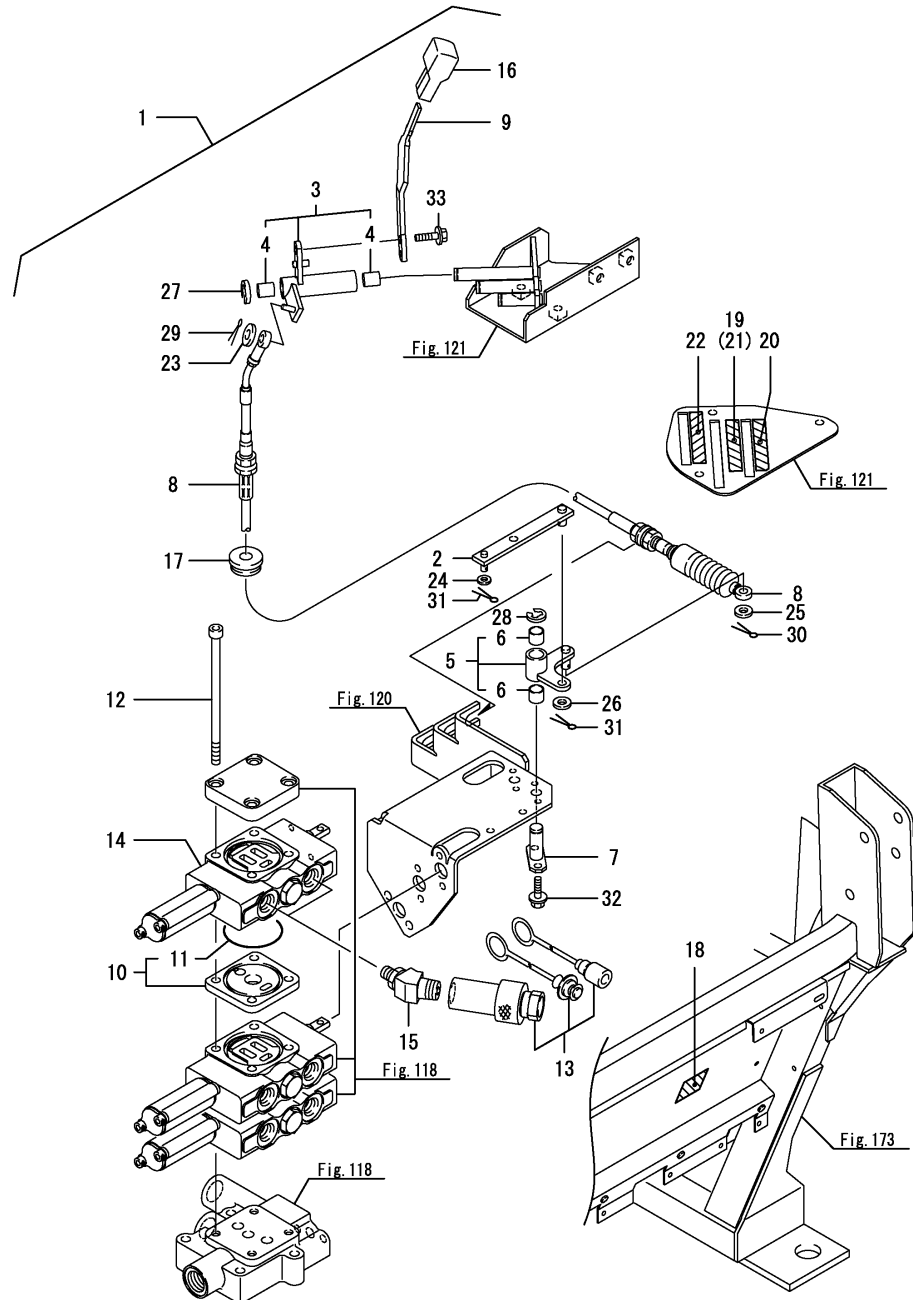


Fig.226. SCV SERIES. ,TH

(A)=EG907-AU-PQ
 (B)=EG907(CAB-AU-PQ
 (C)=

(D)=
 (E)=
 (F)=



No.	Lev.	Parts No.	Description	Q'ty						I	R
				(A)	(B)	(C)	(D)	(E)	(F)		
1	1	1A7450-46981	SCV SERIES.KIT,TH	1	1						
2	2	1A7450-46280	PLATE, LINK	1	1						
3	2	1A7450-46400	LINK ASSY, LEVER C	1	1						
4	3	24550-012150	BUSH, 12X15	2	2						
5	2	1A7450-46450	LINK ASSY, SCV	1	1						
6	3	24550-012120	BUSH, 12X12	2	2						
7	2	1A7450-46470	PIN ASSY, SCV	1	1						
8	2	1A7450-46510	CABLE, SCV	1	1						
9	2	1A7450-46760	LEVER ASSY, SCV C	1	1						
10	2	198268-46831	SPACER ASSY, SCV	1	1						
11	3	41856-020530	PACKING,2053	1	1						
12	2	198268-46860	BOLT, M8X150	4	4						
12-1	2	198268-46861	BOLT, M8X150	4	4						N
		(A=*2008.06.) (B=*2008.06.)									
13	2	198153-46920	JOINT ASSY	2	2						
14	2	1A7450-46920	CONTROL ASSY, SUB	1	1						
15	2	198268-46980	ADAPTER, COUPLER	2	2						
16	2	194940-47341	KNOB, LEVER	1	1						
17	2	194275-51210	GROMMET 25	1	1						
18	2	198268-65700	LABEL,	1	1						
19	2	1A7450-65710	LABEL,	1	1						
20	2	1A7450-65851	LABEL	1	1						
21	2	1A7450-65861	LABEL	1	1						
22	2	1A7450-65871	LABEL	1	1						
23	2	22137-050000	WASHER, 5	1	1						
24	2	22190-060003	SEAL WASER 6	1	1						
24-1	2	22190-060002	WASHER, SEAL 6	1	1						R
		(A=*2009.05.) (B=*2009.05.)									
25	2	22190-080003	WASHER, SEAL 8	1	1						
25-1	2	22190-080002	WASHER, SEAL 6	1	1						R
		(A=FZZZZZ) (B=FZZZZZ)									
26	2	22190-080003	WASHER, SEAL 8	1	1						
26-1	2	22190-080002	WASHER, SEAL 6	1	1						R
		(A=FZZZZZ) (B=FZZZZZ)									
27	2	22272-000090	RING, E- 9	1	1						
28	2	22272-000090	RING, E- 9	1	1						
29	2	22417-120120	PIN, COTTER 1.2X12	1	1						
30	2	22417-250200	PIN, COTTER 2.5X20	1	1						
31	2	22417-250200	PIN, COTTER 2.5X20	2	2						
32	2	26106-060122	BOLT, M6X 12 PLATED	2	2						
32-1	2	26106-060102	BOLT, M6X 10 PLATED	2	2						N
		(A=*2009.05.) (B=*2009.05.)									
33	2	26106-080122	BOLT, M8X 12 PLATED	1	1						

Fig.228. REPAIR PARTS(FUEL PUMP)

(A)=EG907-AU-PQ
 (B)=EG907(CAB-AU-PQ)
 (C)=

(D)=
 (E)=
 (F)=

No.	Lev.	Parts No.	Description	Q'ty						I	R
				(A)	(B)	(C)	(D)	(E)	(F)		
1	1	1A7450-51900	PUMP KIT, FUEL FEED	1	1						
2	2	1A7450-51190	CABLE, FUEL PUMP	1	1						
3	2	129612-52100	PUMP ASSY, FUEL FEED	1	1						
4	2	29622-140001	BAND, RF140	1	1						

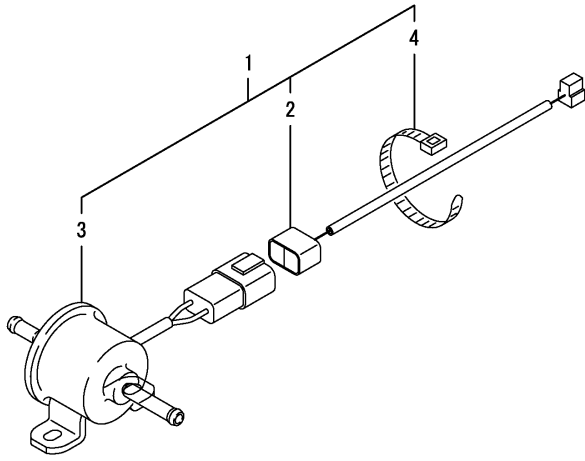
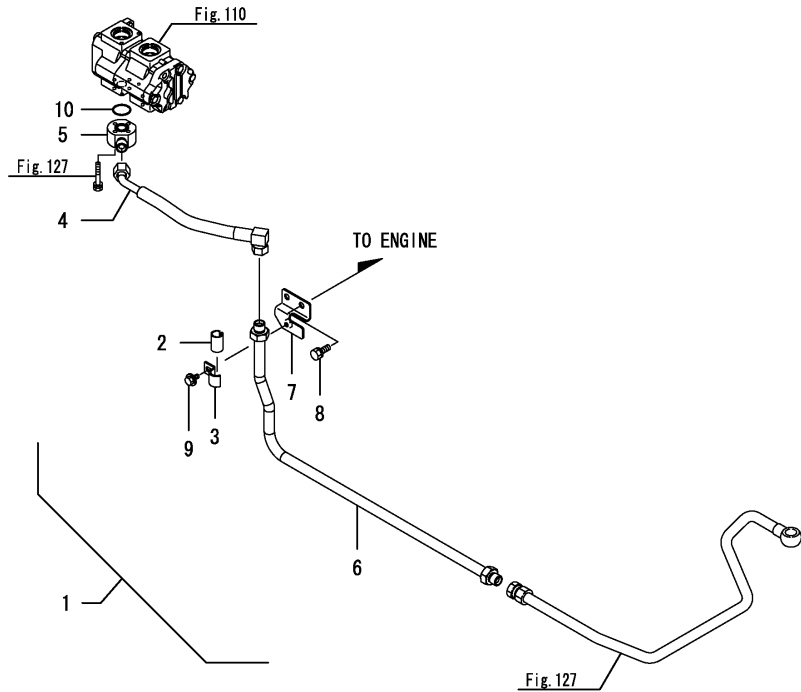


Fig.229. UFO NOISE KIT

(A)=EG907-AU-PQ
 (B)=EG907(CAB-AU-PQ
 (C)=

(D)=
 (E)=
 (F)=

No.	Lev.	Parts No.	Description	Q'ty						I	R
				(A)	(B)	(C)	(D)	(E)	(F)		
1	1	1A7450-49100	UFO NOISE KIT	1	1						
2	2	1A7450-48540	ABSORBER, CLAMP	1	1						
3	2	1A7450-48730	CLAMP, PIPE	1	1						
4	2	1A7450-49110	HOSE, PRESSURE	1	1						
5	2	1A7450-49120	JOINT ASSY	1	1						
6	2	1A7450-49150	PIPE, PRESSURE F	1	1						
7	2	1A7450-49180	STAY ASSY, PIPE	1	1						
8	2	26013-100202	BOLT, M10X 20	2	2						
9	2	26106-080162	BOLT, M8X 16 PLATED	1	1						
10	2	41850-000220	PACKING, 22.0	1	1						



Parts No. Index

Parts No.	Fig. No.	Ref. No.
0A043-G00100	225	1
0A043-G00101	225	1 -1
0A043-G00102	225	1 -2
0A043-G00103	225	1 -3
101504-55101	8	5
104200-55080	8	4
		12
106990-44660	10	6
		7
		8
119017-12100	1	7
119060-61990	3	5
119117-12560	1	12
119117-12570	1	13
119160-12540	1	10
119225-52102	1	49
119255-44660	1	42
119259-44570	1	41
119620-51350	54	8
119650-77910	1	56
119650-77930	1	58
119802-55710	1	52
119802-55730	1	53
120147-44810	215	4
121252-39150	51	11
121267-44590	1	36
121450-44531	1	34
121468-44540	1	37
121470-44581	1	38
121975-12601	1	16
121975-12911	1	17
121975-12920	1	18
121975-12930	1	19
121975-12940	1	20
123950-12520	1	9
123950-12550	1	11
124450-44560	1	35
124550-77030	133	26
	134	26
124756-77040	133	27
		28
		29
		30
	134	27
		28
		29
		30
124764-44810	182	14
	183	15
124766-59050	2	10

Parts No.	Fig. No.	Ref. No.
124766-59050	2	11
		12
		28
	8	22
		23
126650-12680	1	15
129052-77920	1	57
129054-77800	3	6
129054-77811	3	8
129054-77820	3	9
129054-77830	3	10
129100-55690	1	51
129150-49081	1	47
129457-44520	1	29
129457-44530	1	30
129466-44510	1	33
129467-44580	157	3
129550-49101	1	46
129574-91580	155	7
		8
	156	7
		8
129612-12650	1	14
129612-52100	1	69
	228	3
129906-55700	1	50
129972-12010	1	2
129972-12060	1	3
129972-12070	1	4
129972-12080	1	5
129972-12501	1	8
129972-13580	1	22
129972-13590	1	21
129972-44500	1	27
129972-44510	1	28
129972-44550	1	31
129972-44580	1	39
129972-44600	1	32
129972-49010	1	43
129972-49020	1	44
129972-49030	1	45
129972-49150	1	48
158802-85880	93	14
158830-85090	93	7
158830-85960	93	15
158830-87061	93	19
158830-87450	93	20
158833-87050	93	18
158835-85440	93	9
158835-85980	93	16

Parts No.	Fig. No.	Ref. No.
158835-85990	93	17
158836-85420	93	8
158856-85501	93	10
158856-85580	93	12
168227-01050	54	2
168227-01200	54	3
168227-02010	54	14
168227-02020	54	16
168227-02050	54	18
16826C-01020	194	2
16826C-02050	194	3
16826C-02100	194	4
16826C-03010	194	7
16826C-03050	194	8
16826C-03100	194	9
16826C-03110	194	10
16826C-04060	194	11
168HP1-85570	93	11
168HQ0-85820	93	13
171090-44600	1	40
172010-07810	10	5
	137	1
	138	1
	139	1
	140	2
	144	1
	215	2
172112-41980	75	10
		17
	79	26
	85	14
	86	6
	94	5
172187-61421	161	19
	162	20
172447-75600	8	6
172455-75290	8	7
172455-75300	8	8
172460-74820	132	26
172510-74410	52	20
	118	18
172510-74440	118	19
172510-74450	118	20
172510-74471	118	21
174501-11150	127	1
	128	1
174810-22130	21	9
174840-17190	85	1
	86	1

Parts No.	Fig. No.	Ref. No.
174841-29350	127	5
174841-42920	11	1
		2
174841-60720	205	3
174841-60730	205	4
174841-61880	164	27
174842-13740	70	1
174845-04320	9	1
175022-49700	8	21
178073-01200	53	11
	54	15
		28
178073-02320	194	5
178073-02340	194	6
178073-04310	194	12
178073-04320	194	13
178076-00201	53	3
178076-02300	54	4
178076-02400	54	19
178076-02430	54	20
178076-02460	54	21
178076-04140	118	6
178076-04150	118	7
178076-04210	118	8
178076-04300	118	5
178076-05420	194	14
178076-05550	93	2
178076-05560	93	3
178076-05570	93	4
178076-07200	51	1
178076-12400	93	5
178076-12521	51	2
178076-23300	194	15
178076-23400	194	16
178076-32100	54	27
178076-32110	54	30
185100-50070	3	7
192157-24801	54	29
192157-26460	53	35
192180-24641	53	24
192180-24680	53	25
192180-24690	53	26
192180-24700	53	27
192180-24730	53	33
192180-24740	53	34
192180-24770	53	5
192180-24780	53	6
192180-24790	53	7
192180-24800	53	8
192180-24810	53	9

Parts No. Index

Parts No.	Fig. No.	Ref. No.
192180-24850	53	10
192180-24910	53	28
192180-26430	26	5
194065-34170	29	6
		6 -1
		15
		15 -1
	30	4
	104	4
		13
194065-34720	104	6
		15
194065-38350	127	9
	190	10
	195	1
194065-47830	126	19
194065-60570	4	13
	5	13
194065-60580	207	2
194066-13130	96	1
194066-14720	29	5
		14
194066-28260	59	34
194080-58820	164	5
194080-75790	193	13
194120-34180	103	6
194120-34511	104	5
		14
194130-37730	109	8
194145-27450	74	10
	91	4
194145-51550	145	7
194145-61570	75	30
	76	32
194145-61651	165	13
194145-73150	191	38
194146-21150	39	4
	40	9
194150-01270	75	24
	76	26
194150-21910	40	10
	175	6
		7
	176	6
	202	1
194150-22480	75	5
	85	4
	109	3
194150-24270	14	11
	98	14

Parts No.	Fig. No.	Ref. No.
194150-45320	117	1
194150-52160	146	8
	147	10
194150-52170	151	1
194151-36670	25	18
194151-47760	76	31
	123	6
	124	9
194151-57210	207	1
194151-63250	4	14
	5	14
194167-61650	121	18
	122	18
	155	10
	156	10
	166	4
	167	6
194170-45370	54	34
194170-51210	144	3
194171-13870	25	15
194180-01240	159	1
	160	1
194180-12471	18	15
194180-25550	63	2
	64	2
	71	2
194180-34951	105	2
		3
194180-34960	105	4
194180-51640	139	10
	140	10
194180-61980	14	12
194180-71260	188	13
194180-71271	188	14
194180-72950	188	18
	189	6
	190	23
194181-14160	30	1
194181-14180	29	3
		3 -1
		12
		12 -1
	30	2
	104	3
		12
194181-14250	30	3
194185-06150	13	1
194186-14701	29	2
		11
194186-14711	29	4

Parts No.	Fig. No.	Ref. No.
194186-14711	29	13
194190-26840	61	4
194197-25810	65	5
	66	5
194197-25930	15	7 -1
194197-56350	169	20
	173	4
194205-36320	106	2
194205-63550	11	3
		4
	12	3
		4
194215-27260	75	8
194235-29440	77	5
194242-51660	139	11
	144	8
194250-11140	15	3
194250-25240	62	1
194250-47490	85	7
194274-13580	25	2
194275-27750	25	17
194275-51210	121	17
	122	17
	135	2
	136	2
	226	17
194300-21460	121	1
	122	1
194300-25790	69	5
194301-12730	63	1
	64	1
194305-32650	67	27
194310-24770	54	46
194310-27180	80	7
194310-47790	123	7
	124	10
194311-13880	59	1
194312-25470	58	3
	59	23
	60	7
194312-46750	116	12
194320-25650	59	26
194320-31560	96	4
194321-11940	23	4
194321-13230	20	2
194321-13250	20	4
194321-13270	20	6
194323-13290	20	7
194327-25660	59	28
194327-26430	60	19

Parts No.	Fig. No.	Ref. No.
194330-62530	100	10
194335-25640	59	25
194335-25650	59	27
194370-26350	71	7
194420-05210	172	1
194420-39360	92	32
194420-39370	67	28
	92	33
194420-56620	8	14
194420-61640	165	17 -1
		18 -1
194420-62260	131	16
	132	25
	159	27
	160	29
194430-25460	59	22
	67	12
	69	2
194430-25810	59	29
194440-25810	69	6
194440-51620	138	4
		5
	197	3
	198	2
194440-51630	172	2
194450-11190	40	1
		2
	98	13
	175	2
		3
		4
		5
	176	2
		3
		4
		5
194450-44230	113	2
194450-48830	220	3
194454-25770	60	17
194464-12190	171	1
194464-25600	63	5
	64	7
194464-33130	99	2
194464-48850	220	4
194465-13240	20	3
194465-13260	20	5
194515-01190	7	3
	165	1
	218	1
194515-25530	69	3

Parts No. Index

Parts No.	Fig. No.	Ref. No.
194515-25690	69	4
194521-41570	53	36
194550-47110	123	1
194555-04280	88	1
194555-25550	92	7
194555-25560	60	11
	92	9
194555-25570	92	10
194555-25760	92	17
194555-25790	60	18
	92	18
194555-27450	85	6
194555-42280	111	9
194555-46380	116	8
194555-56890	136	14
194555-61640	166	3
	167	4
		4 -1
	197	4 -1
	198	4 -1
194555-77120	194	18
194555-77910	116	13
194556-42220	53	37
	111	7
194630-24230	75	2
194640-25860	62	12
	63	15
	64	13
194640-26130	59	31
	65	6
194640-26440	58	4
	59	33
	60	20
	62	14
	67	25
		26
194640-34140	103	4
194640-34150	103	5
194640-46410	117	5
194640-46420	117	6
194640-62960	210	13
194640-65730	182	17
	183	18
194641-13210	20	1
194641-13670	23	7
194641-13840	22	4
194660-34701	104	2
		11
194680-26150	59	32
194680-27540	83	9

Parts No.	Fig. No.	Ref. No.
194680-27540	84	8
	89	3
194680-34130	103	3 -1
194680-51560	145	8
194680-51670	4	11
	5	11
	133	14
		15
		16
		17
		18
		19
	134	14
		15
		16
		17
		18
		19
	137	3
		4
		5
	138	6
		7
		8
		9
		9 -1
		10
	139	12
	143	7
	221	36
		37
194680-77770	194	20
194680-78350	144	10
	197	6
	221	39
194697-47150	203	1
194697-62560	170	5
		6
	209	5
		6
194740-00160	75	21
	76	22
194740-55430	123	11
194775-92760	163	27
	164	28
194800-24620	54	5
194820-27370	75	9
		16
	79	25
	85	13

Parts No.	Fig. No.	Ref. No.
194820-27370	85	19
	86	5
		11
	94	4
194850-24630	54	6
194850-26370	69	15
194850-31380	58	5
	70	11
194850-49240	53	38
194850-49290	53	39
194850-49340	118	9
194850-49380	118	10
194850-49400	118	11
194850-49410	118	12
194850-49440	118	13
194850-49450	118	14
194850-49460	118	15
194850-49480	118	16
194850-49490	118	17
194940-47341	226	16
194940-61790	75	39
	76	42
	121	19
	122	19
	165	16
		17
		18
	166	8
	167	10
		14
	170	1
	197	4
	198	4
	209	1
	221	38
194951-14430	92	2
194951-14440	92	3
194990-20170	75	4
		14
	79	24
	86	3
		9
	94	2
194990-20170-1	85	11
		17
194990-22040	44	1
194990-22110	143	1
	196	1
	199	1
		2

Parts No.	Fig. No.	Ref. No.
194990-22110	199	3
194990-22120	107	2
	154	1
	172	17
		21
	213	1
	218	2
194990-22130	2	3
		4
	3	4
	4	8
	5	8
	133	1
		2
		3
	134	1
		2
		3
	149	2
		3
	157	2
	196	2
	199	4
	206	25 -1
		26 -1
	207	30 -1
	217	1
		2 -1
	221	34
		35
	223	1
194990-22140	4	9
	5	9
	7	8
	81	5
	83	1
	87	1
	88	2
	107	17 A
	110	1
	127	2
		3
	128	2
		3
		4
	133	4
	134	4
	145	1
	154	31
	159	4

Parts No. Index

Parts No.	Fig. No.	Ref. No.	
194990-22140	159	5	
		6	
		160	5
			6
			7
			8
		181	1
			197
	198		
	200		
	201		
	206		
	215		
	217		
	220		
	195188-11210	21	2
			5 A
	195397-27810	188	2
	195715-22590	2	5
	197810-83230	80	15
168			
169			
175			
197810-84840	75	41	
		177	
		2	
197820-84740	206	18	
		19	
		207	
197820-84750	206	20	
		21	
197821-85430	207	23	
		214	
197830-85490	133	32	
		134	
		139	
		159	
		160	
198010-85810	11	5	
		12	
		135	
		136	
		170	
		208	
198071-01340	4	4	
		5	
198071-01390	4	6	
		5	
		6	
198071-04331	8	18	

Parts No.	Fig. No.	Ref. No.	
198071-04490	163	1	
		164	
198071-13780	25	8	
		198071-15612	31
			32
198071-15720	34	2	
		198071-15740	34
198071-17330	190	8	
198071-18401	79	16	
198071-18520	79	17	
		18	
		19	
198071-18530	79	19	
		20	
198071-21140	40	8	
198071-24340	47	19	
		48	
		19	
		49	
		1	
		50	
198071-25590	59	24	
		60	
		13	
		92	
198071-25610	67	13	
		92	
198071-27860	74	12	
198071-27890	49	3	
198071-37510	107	12	
198071-37781	108	7	
198071-37791	108	8	
198071-37820	108	9	
198071-47840	123	10	
198071-48350	130	2	
198071-48390	220	2	
198071-53610	154	6	
198071-53660	154	8	
		15	
198071-53670	154	9	
198071-53710	154	17	
198071-53770	154	20	
198071-56290	4	12	
	5	12	
198071-57110	158	1	
198071-58810	203	57	
		60	
		60	
		211	
		1	
198071-61890	153	17	
		165	
		20	
		21	
		11	
		166	
		167	
		13	
		168	
		4	

Parts No.	Fig. No.	Ref. No.
198071-61890	168	5
		169
		3
		4
		208
		1
		211
		2
		223
		3
198071-62791	170	10
		209
198071-62800	175	14
		14
		176
		14
198071-62890	175	17
		176
		15
198071-65610	165	28
		29
198071-78420	153	18
		161
		24
		25
		25
		162
		25
		26
		165
		30
		31
		197
		25
		198
		23
198071-78790	196	11
198071-85440	213	2
		3
198072-13760	25	6
198072-17440	35	12
198072-17840	35	16
198072-18320	79	28
		188
		1
198072-25520	92	5
198072-25570	92	11
198072-27650	53	54
198072-52180	147	13
198072-60590	165	3
		4
		79
198075-18311	79	5
		80
		6
198083-88810	168	13
198091-25570	60	12
		92
		12
198091-25640	60	15
		92
		16
198092-71720	188	17
198093-61560	223	2
198093-82510	178	9
		179
		18
		203
		35
		211
		6

Parts No.	Fig. No.	Ref. No.
198093-82510	211	6 -1
198093-84810	31	23
		24
		32
		23
		24
		163
		26
		170
		14
		201
		14
		15
		210
		19
		221
		41
198093-85650		158
		2
		170
		15
		209
		15
		211
		20
		21
		22
		17
198093-86180	139	17
		140
		14
198094-62720	175	9
		8
198094-62750	175	10
		176
		11
198094-62770	175	11
		176
		12
198094-62790	175	13
		176
		13
198094-82540	207	3
198094-82550	206	2
		207
		4
		5
		6
198094-83640	207	13
198094-85570	211	16
198094-86060	216	2
		217
		3
198094-86410	214	2
198094-86560	216	3
198094-86580	217	8
198101-85411	200	5
198118-25550	60	10
198119-25510	60	8
		92
		4
198119-25520	60	9
		92
		6
198119-25620	60	14
		92
		15
198119-27150	83	2
		84
		1
		89
		2

Parts No. Index

Parts No.	Fig. No.	Ref. No.
198119-27150	91	1
198121-25830	62	9
198121-25840	62	10
198121-25850	62	11
198121-25870	62	13
198121-55510	197	16
	198	3
		14
198121-61420	163	15
	164	17
198121-77280	194	19
198122-65730	186	3
	187	3
198127-83150	172	23
		24
	211	7
198127-83210	220	12
198129-27290	85	18
	86	10
198129-29310	127	6
198129-78710	149	8
	199	14
	220	10
198129-78720	196	8
	220	11
198133-02120	131	1
	132	1
	159	3
	160	3
198133-11132	15	5
198133-13240	71	1
198133-13680	17	4
198133-13790	17	5
	25	10
198133-13810	19	3
198133-17370	190	9
198133-22510	107	5
198133-22530	107	6
198133-25860	63	16
	64	14
198133-25890	68	2
198133-27781	79	8
	80	8
198133-27820	79	9
	80	9
198133-52170	2	8
		9
	150	2
198133-64400	180	5
	212	2

Parts No.	Fig. No.	Ref. No.
198133-78840	147	18
198133-85850	200	7
198133-85920	200	9
198138-29990	127	7
	128	5
198138-49100	131	14
198141-11111	15	4
198149-25700	63	7
198149-25780	63	8
198149-25790	64	9
198149-25880	63	17
198149-25890	63	9
	64	15
198151-61080	161	13
	162	14
198151-73230	191	39
198153-04290	8	3
198153-04670	9	11
198153-13860	25	14
198153-14110	27	1
198153-46920	119	1
	226	13
198153-51020	135	14
	136	12
198153-51040	135	15
	136	13
198153-51510	9	12
198153-51700	133	7
	134	7
198153-51810	109	15
	146	2
	147	2
198153-52150	135	13
	136	11
198153-53410	153	15
198153-65351	182	5
	183	5
198153-71121	188	4
198153-71131	188	5
198153-71140	188	6
198153-71150	188	7
198153-71501	188	8
198153-71601	188	9
198153-71701	188	10
198153-71810	188	11
198153-74100	191	12
		30
198153-83710	206	14
	207	16
198153-83720	206	15

Parts No.	Fig. No.	Ref. No.
198153-83720	207	17
198153-83730	206	16
	207	18
198153-83870	135	17
	171	5
		6
	210	15
		16
198153-86920	210	21
198155-51290	163	4
	164	4
198155-73620	191	7
		24
198163-65350	186	5
	187	5
198163-65780	186	4
	187	4
198163-65930	186	9
	187	9
198165-01130	76	24
198165-25840	59	30
198190-27170	76	6
198190-27180	76	8
198190-27230	76	10
198196-83170	76	45
	120	10
		10 -1
	165	32
198200-18350	81	1
	82	1
198200-37240	107	17 B
198200-78710	196	7 -1
198200-78730	196	8 -1
198208-11310	27	8 -1
198208-87410	221	10
198208-87980	221	21
198208-89530	220	27
198212-24140	47	10
	48	10
198212-24280	53	1
198212-24910	54	47
198212-25460	62	2
198212-25560	68	1
198212-25680	63	6
	64	8
198212-25690	67	14
198212-25750	60	16
198212-25770	67	15
198212-25790	67	2
198212-25810	67	4

Parts No.	Fig. No.	Ref. No.
198212-25820	67	5
198212-25830	67	6
198212-25840	67	7
198212-25850	67	8
198212-25860	67	20
198212-25870	67	9
198212-25880	67	10
198212-25890	67	23
198212-26240	69	10
198212-26260	69	12
198212-26380	69	16
198212-26440	69	17
198212-26580	69	18
198212-26590	69	19
198212-27280	74	5
198212-27330	74	6
198212-27350	47	6
	74	7
198212-27371	74	8
198212-27470	74	11
198212-27710	91	7
198212-27990	89	7
198212-33150	99	4
198213-24322	53	12
198213-24341	53	14
198213-24350	53	15
198213-24360	53	16
198213-24370	53	17
198213-24380	53	4
198213-24390	53	18
198213-24400	53	19
198213-24420	53	20
198213-24441	53	21
198213-24470	53	22
198213-24510	53	23
198213-24700	54	23
	194	17
198213-24710	54	24
198213-24720	54	7
198213-24740	54	25
198213-24750	54	26
198217-33650	102	11
198218-27381	74	9
198220-11520	14	6
	16	3
		4
	192	1
198220-11530	14	8
198220-22520	43	4
	199	5

Parts No. Index

Parts No.	Fig. No.	Ref. No.
198220-25810	62	8
198220-25830	63	12
	64	10
198220-25840	63	13
	64	11
198220-37900	100	8
	108	10
		11
	109	14
198220-45350	117	2
198220-45370	117	3
198220-46400	117	4
198220-48750	37	4
198220-51340	220	5
198220-52180	133	24
	134	24
198220-61340	159	23
	160	25
198220-61351	132	24
	159	24
		25
	160	26
		27
	220	9
198220-61800	161	23
	162	24
198220-62220	190	2
198220-63340	180	1
	212	1
198220-63850	75	40
	76	43
	170	11
	197	5
	198	5
	209	12
	218	3
198220-85290	175	21
	176	19
198223-52150	146	6
	147	6
		8
198230-61560	31	20
		21
		22
	32	20
		21
		22
	161	22
	162	23
	163	21

Parts No.	Fig. No.	Ref. No.
198230-61560	163	22
	164	23
		24
198230-61960	159	26
	160	28
198240-11550	16	5
198240-21270	41	1
	192	2
198240-24530	47	5
	48	5
198240-48850	131	8
	132	10
198240-56630	8	15
198245-51210	143	2
		3
		4
		5
198248-87651	223	19
198251-11220	23	3
198251-13670	19	2
198255-24460	47	20
	48	20
198255-82650	204	6
	206	3
	207	7
198255-82660	206	4
	207	8
198255-82690	203	47
198255-82701	203	48
198255-82850	206	5
198255-83510	211	9
		10
198255-83550	203	63
	211	11
		12
198265-04950	10	3
198265-48810	132	8
198266-17260	35	3
198266-17330	35	5
198266-17360	35	7
198266-17402	35	10
198266-17440	35	13
198266-17481	35	14
198266-17492	35	15
198266-24330	54	22
198266-24980	112	1
198266-26390	26	4
	57	9
198266-32670	98	5
198266-32680	103	1

Parts No.	Fig. No.	Ref. No.
198266-43391	112	8
198266-43400	112	9
198266-43421	112	10
198266-43480	112	11
198267-46911	118	4
198268-01151	4	1
	5	1
198268-34850	29	7
		7 -1
		16
		16 -1
	104	7
		16
198268-42922	12	1
		2
198268-43500	116	6
198268-46552	124	1
198268-46580	121	9
	122	9
	124	2
198268-46600	121	10
	122	10
	124	3
198268-46610	121	11
	122	11
	124	4
198268-46820	118	29
198268-46831	118	30
	226	10
198268-46850	118	2
198268-46851	118	2 -1
198268-46860	226	12
198268-46861	226	12 -1
198268-46871	118	32
198268-46980	119	2
	226	15
198268-47451	124	13
198268-51290	144	6
198268-56600	8	13
198268-61470	163	17
	164	19
198268-61490	161	21
	162	22
198268-61501	163	19
	164	21
198268-63350	179	11
198268-63360	179	12
198268-65700	226	18
198268-71710	188	16
198268-72711	190	12

Parts No.	Fig. No.	Ref. No.
198268-72720	190	13
198268-72740	190	14
198268-73630	191	8
		26
198268-75750	193	12
198268-75810	193	3
198268-75820	193	4
198268-78610	190	24
198268-82270	203	22
		23
198268-84320	208	9
198269-34140	105	1
198269-52190	149	4
198273-01230	77	1
	78	1
198273-27290	77	2
198273-27860	85	24
	86	16
198273-27880	125	1
198273-27890	85	25
	86	17
198273-28520	108	1
198273-28521	108	1 -1
198280-86430	214	3
198290-37510	31	18
	32	18
	45	4
	46	4
	100	7
	109	1
198290-78550	76	44
	123	12
	124	14
198320-31530	96	2
198320-31550	96	3
198320-31570	96	5
198320-31630	96	6
198320-31820	96	7
198320-32111	96	8
198327-51530	145	4
198360-03260	215	1
198360-53630	154	3
198360-78571	199	10
		11
198361-77371	195	5
198361-77380	195	4
198390-25610	57	8
198401-13790	25	11
198401-14150	27	4
198415-25840	63	14

Parts No. Index

Parts No.	Fig. No.	Ref. No.
198415-25840	64	12
198440-11080	15	2
198440-11090	15	1
198440-25430	59	20
198440-34130	103	3
198440-52221	148	1
198440-64100	180	2
198448-01110	75	22
	76	23
198448-01172	75	23
	76	25
198448-01390	3	1
198448-04810	3	2
198448-04840	3	3
198448-04930	10	1
198448-04950	10	4
198448-13410	21	7
198448-13420	21	3
198448-14610	28	1
198448-14670	28	3
198448-15280	31	9
	32	9
198448-15450	31	14
	32	15
	45	1
	46	1
198448-15601	31	4
198448-15650	31	15
	32	16
198448-15700	34	1
198448-15750	31	17
	32	17
198448-17190	36	3
198448-18100	79	1
198448-18110	79	2
	80	2
198448-18150	79	12
198448-18170	79	13
198448-18200	79	3
198448-18220	79	4
198448-18250	79	14
198448-18310	79	22
198448-18320	79	23
198448-18400	79	31
198448-18460	79	21
198448-18540	79	6
198448-18580	81	4
198448-21280	41	2
198448-22190	42	2
198448-22301	43	1

Parts No.	Fig. No.	Ref. No.
198448-22350	43	3
198448-22360	47	1
198448-22520	45	3
	46	3
	169	19
198448-24761	55	4
198448-24771	55	6
198448-24940	47	23
	48	23
198448-25782	63	11
198448-25891	63	18
198448-27590	83	11
198448-28220	92	23
198448-28330	92	26
198448-28340	92	27
198448-28370	92	29
198448-28430	51	3
	52	13
198448-33120	99	1
198448-33220	100	1
198448-33280	54	48
198448-33310	100	2
198448-33340	100	4
198448-33390	100	6
198448-37250	107	7
198448-37360	107	4
		8
		11
198448-37450	109	4
198448-37530	109	5
198448-37600	109	6
198448-43331	116	1
198448-43340	116	2
198448-45150	114	2
198448-46300	116	7
198448-46610	94	13
	115	2
198448-46621	116	9
198448-46630	116	10
198448-46660	116	11
198448-47170	126	3
		4
198448-47850	126	21
198448-48140	127	14
	128	10
	129	1
198448-48340	127	19
	128	15
198448-48570	127	29
	128	25

Parts No.	Fig. No.	Ref. No.
198448-48980	130	3
198448-51320	135	8
	136	7
198448-51450	127	38
198448-51460	2	6
	39	7
	195	2
		3
	220	6
198448-51510	145	2
198448-51910	2	7
	133	22
		23
	134	22
		23
	135	12
	136	10
	139	13
198448-52111	147	3
198448-52210	152	2
198448-52220	151	2
198448-52250	88	12
	147	16
	149	5
198448-52260	197	10
	198	9
198448-52280	197	11
	198	10
198448-53320	153	3
		13
198448-56050	155	1
	156	1
198448-56051	155	1 -1
	156	1 -1
198448-56150	155	6
	156	6
198448-60080	162	6
	220	7
198448-60690	168	3
198448-61661	166	5
	167	8
198448-61680	166	7
198448-62060	177	1
198448-62390	168	11
198448-62410	171	3
198448-62420	171	4
198448-65590	165	27
198448-75320	193	8
198448-75440	193	10
198448-78560	196	5

Parts No.	Fig. No.	Ref. No.
198448-78560	199	9
198448-85290	200	4
198448-85900	200	8
198450-51510	145	3
198451-28750	59	35
	60	21
	69	20
198451-78570	76	18
198451-78640	76	19
198454-60830	131	15
198460-83350	172	25
		26
	173	3
	175	19
		20
	176	17
		18
	201	9
	206	6
		7
	207	9
		10
		11
	211	8
198461-04490	163	2
		3
	164	2
		3
198461-52950	133	25
	134	25
	137	6
	139	14
	140	11
	144	9
198461-60590	155	9
	156	9
	166	2
	167	2
	168	1
	169	1
		2
	174	1
	202	2
198463-03140	7	6
198463-61630	167	3
198463-61640	167	5
198463-61650	167	7
198463-62040	172	4
198463-62170	174	2

Parts No. Index

Parts No.	Fig. No.	Ref. No.
198463-62170	202	3
198463-62320	169	8
198463-62330	169	10
198463-62430	172	15
198463-62431	172	15 -1
198463-62440	172	19
198463-62441	172	19 -1
198463-62460	174	3
	202	4
198463-62470	174	4
	202	5
198463-82230	211	5
198463-82350	203	24
198463-82550	203	38
198463-82632	204	4
198463-82640	204	5
198463-83110	205	5
198463-83150	205	6
198463-83160	205	7
198463-83230	205	8
198463-83250	205	9
198463-83411	206	8
198463-83421	206	9
198463-83432	206	10
198463-83451	206	11
198463-83540	206	12
198463-83571	206	13
198463-83610	207	12
198463-83740	207	19
198463-83760	206	17
198463-83780	207	20
198463-83790	207	21
198463-84150	208	5
198463-84250	208	8
198463-84330	208	10
198463-84750	207	24
198463-84760	208	15
198463-85740	210	20
198463-85870	211	23
198463-86651	135	19
	136	17
198463-86771	218	5
198463-86820	218	7
198463-86851	208	19
198463-87630	221	47
198475-37690	109	13
198475-37770	107	14
198475-37780	107	15
198475-65030	165	25
		26

Parts No.	Fig. No.	Ref. No.
198475-74700	191	15
		33
198487-25550	92	8
198492-82590	203	41
198492-84720	171	8
	208	14
198535-13790	25	12
198535-14130	27	3
198535-15301	31	10
198535-15580	33	5
198535-15590	33	6
198535-15720	31	16
198535-24120	47	9
	48	9
198535-26140	75	6
198535-27260	74	4
198535-27350	75	37
198535-27390	75	26
198535-27420	83	5
198535-27490	83	6
198535-28241	92	24
198535-37301	107	9
198535-37302	107	9 -1
198535-48080	130	1
198535-52110	139	4
	140	5
198535-52120	139	5
	140	6
198535-52130	139	6
		6 -1
	140	7
198535-52140	139	7
	140	8
198535-52410	139	3
	140	4
198535-54500	154	27
198535-60330	159	10
	160	12
198535-61250	163	13
	164	15
198535-62780	175	12
198535-65670	184	7
	185	5
198535-78420	197	18
	198	16
198535-78430	197	19
	198	17
198535-78440	197	20
	198	18
198535-78450	197	21

Parts No.	Fig. No.	Ref. No.
198535-78450	198	19
198535-78460	197	22
	198	20
198535-78470	197	23
	198	21
	207	15
198535-83650	217	4
198535-86300	217	4 C
198535-86340	217	4 A
198535-86450	217	4 B
198535-86470	217	4 B
198550-60650	165	5
198550-86410	217	5
198550-86420	217	6
198550-86430	217	7
198550-86540	215	6
198550-86570	215	8
198550-86590	215	7
198550-86610	215	9
198550-86640	215	10
198550-86680	215	14
1A1040-41610	166	1
	167	1
1A2320-91320	159	29
	160	31
1A6150-73700	191	11
		29
1A6150-91251	186	10
	187	10
1A6150-93151	186	11
	187	11
1A6280-85540	203	64
1A6380-56050	155	1 -2
	156	1 -2
1A6381-52520	172	9
		12
1A6481-62650	172	18
		22
1A6502-34910	104	8
		17
1A6502-34920	104	9
		18
1A6503-14810	29	8
		17
1A6503-14820	29	9
		18
1A6680-21460	14	10
1A6750-29850	93	6
1A7000-51430	135	9
	136	8
1A7000-51440	135	10

Parts No.	Fig. No.	Ref. No.
1A7000-51440	136	9
1A7000-52820	133	8
	134	8
1A7000-57210	157	4
1A7020-54510	154	28
1A7020-54540	154	29
1A7020-54560	154	30
1A7030-80940	221	40
1A7030-84141	208	4
1A7030-86870	208	20
1A7030-86980	221	3
1A7030-87040	221	4
1A7030-87120	219	10
1A7030-87140	220	16
1A7030-87151	221	5
1A7030-87190	221	7
1A7030-87211	222	2
1A7030-87220	222	3
1A7030-87230	222	4
1A7030-87240	222	11
1A7030-87251	222	12
1A7030-87260	223	4
1A7030-87270	222	13
1A7030-87280	222	14
1A7030-87290	222	15
1A7030-87300	222	16
1A7030-87310	222	17
1A7030-87330	222	18
1A7030-87340	222	19
1A7030-87350	222	20
1A7030-87360	222	21
1A7030-87411	223	6
1A7030-87590	223	14
1A7030-87720	221	49
1A7030-87730	221	50
1A7030-87790	221	8
		11
1A7030-87810	221	12
1A7030-87820	221	51
1A7030-87850	221	13
1A7030-87881	219	3
1A7030-87911	219	18
1A7030-87970	221	18
1A7030-87990	221	22
1A7030-88050	220	20
1A7030-88060	221	23
1A7030-88070	222	22
1A7030-88090	222	24
1A7030-88100	222	25
1A7030-88110	222	26

Parts No. Index

Parts No.	Fig. No.	Ref. No.
1A7030-88120	222	27
1A7030-88130	222	28
1A7030-88140	222	29
1A7030-88150	222	30
1A7030-88160	222	31
1A7030-88170	222	32
1A7030-88180	222	5
1A7030-88190	222	6
1A7030-88200	222	7
1A7030-88210	221	9
1A7030-88230	222	8
1A7030-88250	222	33
1A7030-88680	221	52
1A7030-88710	219	14
	221	32
1A7030-88760	219	11
		13
	221	20
1A7030-88820	219	6
	222	9
1A7030-88840	219	4
		8
	221	17
	222	10
1A7030-89860	219	21
1A7030-89870	219	22
1A7030-89930	219	23
1A7030-89940	219	24
1A7030-89950	219	25
1A7030-89960	219	26
1A7030-89970	219	27
1A7030-89980	219	28
1A7090-24430	52	4
1A7090-26050	67	24
1A7100-26850	72	1
1A7130-65910	186	14
	224	2
1A7210-87140	220	16 -1
1A7260-18540	149	1
1A7260-43450	116	5
1A7260-52190	150	3
1A7260-53350	153	14
1A7260-78150	196	3
1A7260-78700	196	7
1A7260-85510	200	6
1A7270-83640	207	14
1A7320-61140	216	1
1A7320-64510	212	3
1A7320-82150	204	1
1A7320-82380	203	9

Parts No.	Fig. No.	Ref. No.
1A7320-82380	203	16
1A7320-82460	203	10
		18
1A7320-82750	203	51
1A7320-82760	203	53
1A7320-82770	203	55
1A7320-85810	212	4
1A7320-86640	215	13
1A7320-86650	215	12
1A7320-87892	219	17
1A7320-87902	219	16
1A7320-87922	219	19
1A7320-87990	219	20
1A7340-25260	57	7
1A7340-52290	197	12
	198	11
1A7340-65810	186	7
	187	7
1A7347-65050	182	4
	183	4
1A7350-26360	69	13
1A7350-33140	99	3
1A7400-63630	168	12
	169	14
1A7450-01250	159	2
	160	2
1A7450-01340	4	5
	5	5
1A7450-03100	7	4
1A7450-03101	7	4 -1
1A7450-03110	7	1
1A7450-03130	7	5
1A7450-03131	7	5 -1
1A7450-03170	7	7
1A7450-03200	7	2
1A7450-03201	7	2 -1
1A7450-04150	8	10
1A7450-04210	8	11
1A7450-04270	175	1
	176	1
1A7450-04400	8	2
1A7450-04480	9	2
1A7450-04490	8	19
1A7450-04500	9	3
1A7450-04530	9	4
1A7450-04560	9	5
1A7450-04590	9	6
1A7450-04600	9	7
1A7450-04630	9	8
1A7450-04650	9	9

Parts No.	Fig. No.	Ref. No.
1A7450-04660	9	10
1A7450-06150	2	2
1A7450-06201	13	2
1A7450-11102	14	2
1A7450-11311	15	6
1A7450-11330	14	3
1A7450-11340	14	4
1A7450-11350	14	5
1A7450-11401	161	1
	162	1
1A7450-11410	161	2
	162	2
1A7450-11431	161	3
	162	3
1A7450-11501	16	1
1A7450-11520	14	7
1A7450-11530	14	9
1A7450-11550	16	6
1A7450-11901	17	1
1A7450-11921	17	2
1A7450-11950	17	3
1A7450-12311	18	1
1A7450-12321	18	8
1A7450-12331	18	2
1A7450-12341	18	9
1A7450-12351	18	6
1A7450-12361	18	13
1A7450-13100	19	1
1A7450-13220	16	7
1A7450-13300	21	1
1A7450-13350	21	5
1A7450-13451	23	1
1A7450-13510	22	1
1A7450-13520	22	2
1A7450-13540	25	1
1A7450-13600	23	2
1A7450-13610	23	5
1A7450-13820	19	4
1A7450-14640	28	2
1A7450-14710	28	4
1A7450-14750	28	5
1A7450-14910	227	2
1A7450-14930	227	1
1A7450-15100	31	1
1A7450-15200	31	2
1A7450-15310	31	3
	32	3
1A7450-15401	31	12
	32	12
1A7450-15510	33	1

Parts No.	Fig. No.	Ref. No.
1A7450-15530	33	3
1A7450-15570	33	4
1A7450-15580	33	2
1A7450-17100	36	1
1A7450-17110	36	2
1A7450-17150	35	1
1A7450-17302	35	2
1A7450-17310	35	4
1A7450-17350	35	6
1A7450-17380	35	8
1A7450-17390	35	9
1A7450-17410	18	16
1A7450-17420	18	17
1A7450-17501	36	9
1A7450-17502	36	9 -1
1A7450-17503	36	9 -2
1A7450-17540	36	12 A
1A7450-17550	36	10
1A7450-17551	36	10 -1
1A7450-17570	36	12
1A7450-17711	37	1
1A7450-17712	37	1 -1
1A7450-17750	37	2
1A7450-17810	37	3
1A7450-17910	38	1
1A7450-18350	79	29
1A7450-18360	79	30
1A7450-18440	79	33
1A7450-18491	81	3
1A7450-18501	81	2
1A7450-19100	150	1
1A7450-21060	39	1
	40	3
1A7450-21070	39	2
1A7450-21121	39	3
1A7450-21181	39	5
1A7450-22401	107	3
1A7450-22480	39	6
1A7450-22510	45	2
1A7450-22550	43	5
1A7450-24102	47	2
1A7450-24103	47	2 -1
1A7450-24140	47	3
	48	2
1A7450-24150	47	11
	48	11
1A7450-24160	47	12
	48	12
1A7450-24170	47	4
	48	3

Parts No. Index

Parts No.	Fig. No.	Ref. No.
1A7450-24170	48	4
1A7450-24180	40	12
	47	13
	48	13
1A7450-24190	47	14
	48	14
1A7450-24230	47	15
	48	15
1A7450-24240	47	16
	48	16
1A7450-24250	47	17
	48	17
1A7450-24270	47	18
	48	18
1A7450-24300	53	2
1A7450-24350	49	2
1A7450-24411	53	53
1A7450-24600	54	1
1A7450-24610	54	1 -1
1A7450-24722	55	1
1A7450-24742	55	2
1A7450-24751	55	3
1A7450-24760	55	5
1A7450-24810	56	1
1A7450-24821	56	2
1A7450-24860	56	3
1A7450-24870	56	4
1A7450-24880	56	5
1A7450-24920	47	21
	48	21
1A7450-24930	47	22
	48	22
1A7450-24980	112	2
1A7450-25110	57	1
1A7450-25130	57	2
1A7450-25140	57	3
1A7450-25150	57	4
1A7450-25160	57	5
1A7450-25190	57	6
1A7450-25200	60	1
1A7450-25230	60	3
1A7450-25240	60	4
1A7450-25250	60	5
1A7450-25260	60	6
1A7450-25320	67	1
1A7450-25490	62	3
1A7450-25510	62	4
1A7450-25520	62	5
1A7450-25530	62	6
1A7450-25540	62	7

Parts No.	Fig. No.	Ref. No.
1A7450-25570	63	3
1A7450-25590	63	4
1A7450-25712	65	1
1A7450-25740	65	2
1A7450-25750	65	3
1A7450-25761	63	10
1A7450-25790	65	4
	66	4
1A7450-25800	67	3
1A7450-25820	67	16
1A7450-25840	67	18
1A7450-25850	67	19
1A7450-25860	67	21
1A7450-25870	67	22
1A7450-25920	68	3
1A7450-25930	68	4
1A7450-25950	68	5
1A7450-25960	68	6
1A7450-26010	70	3
1A7450-26020	70	4
1A7450-26030	70	5
1A7450-26050	70	2
1A7450-26070	71	3
1A7450-26090	89	1
1A7450-26120	70	8
1A7450-26130	70	9
1A7450-26140	70	10
1A7450-26190	69	7
1A7450-26210	69	8
1A7450-26220	69	9
1A7450-26240	69	11
1A7450-26310	71	4
1A7450-26321	71	5
1A7450-26340	71	6
1A7450-26362	71	8
1A7450-26370	71	9
1A7450-26381	71	10
1A7450-26431	71	11
1A7450-27001	85	2
1A7450-27011	87	2
1A7450-27020	87	3
1A7450-27041	74	1
1A7450-27050	74	2
1A7450-27071	74	3
1A7450-27120	75	1
1A7450-27130	75	3
1A7450-27140	75	7
1A7450-27152	87	5
1A7450-27160	87	6
1A7450-27170	85	3

Parts No.	Fig. No.	Ref. No.
1A7450-27180	85	10
	86	2
	94	1
1A7450-27200	75	13
1A7450-27210	75	15
1A7450-27220	85	5
1A7450-27230	75	19
1A7450-27250	85	12
	86	4
	94	3
1A7450-27260	91	2
1A7450-27280	91	3
1A7450-27290	83	3
	84	2
1A7450-27300	75	20
1A7450-27311	75	25
1A7450-27340	77	3
1A7450-27370	77	4
1A7450-27411	83	4
1A7450-27430	75	28
1A7450-27470	75	38
1A7450-27490	83	7
	84	4
1A7450-27512	87	7
1A7450-27531	83	8
	84	7
1A7450-27550	87	8
	88	7
1A7450-27580	83	10
1A7450-27613	87	9
	88	8
1A7450-27630	91	5
1A7450-27652	87	10
	88	9
1A7450-27690	91	6
1A7450-27720	85	20
	86	12
1A7450-27731	85	16
	86	8
1A7450-27790	89	4
1A7450-27850	85	22
	86	14
1A7450-27881	89	5
1A7450-27910	85	23
	86	15
1A7450-27950	89	6
1A7450-27990	76	40
	90	1
1A7450-28050	75	29
1A7450-28100	92	19

Parts No.	Fig. No.	Ref. No.
1A7450-28140	92	21
1A7450-28190	92	22
1A7450-28250	92	25
1A7450-28360	92	28
1A7450-28441	51	4
1A7450-28451	51	5
1A7450-28461	51	6
1A7450-28471	51	7
1A7450-28481	51	8
1A7450-28500	51	9
1A7450-28510	51	10
1A7450-28710	92	30
1A7450-28720	92	31
1A7450-31401	95	1
1A7450-32311	97	2
1A7450-32312	97	2 -1
1A7450-32610	98	1
1A7450-32640	98	2
1A7450-32650	98	3
1A7450-32660	98	4
1A7450-32810	98	6
1A7450-32820	98	7
1A7450-33380	100	5
1A7450-33410	101	1
1A7450-33420	101	2
1A7450-33510	102	1
1A7450-33520	102	2
1A7450-33530	102	3
		4
		5
1A7450-33540	102	6
1A7450-33550	102	7
1A7450-33560	102	8
1A7450-33570	102	9
1A7450-33580	102	10
1A7450-34110	103	2
1A7450-36311	106	1
1A7450-36321	106	3
1A7450-36351	106	4
1A7450-36380	106	5
1A7450-36390	106	6
1A7450-36520	106	7
1A7450-36710	106	8
1A7450-36730	106	9
1A7450-36790	106	10
1A7450-37202	107	1
1A7450-37203	107	1 -1
1A7450-37370	108	2
1A7450-37401	107	10
1A7450-37402	107	10 -1

Parts No. Index

Parts No.	Fig. No.	Ref. No.
1A7450-37461	108	3
1A7450-37471	108	5
1A7450-37540	108	4
		6
1A7450-37550	107	13
1A7450-37610	109	2
1A7450-37620	109	7
1A7450-37650	109	12
1A7450-41110	110	2
1A7450-41111	110	2 -1
1A7450-42101	111	1
1A7450-42150	111	4
1A7450-42181	111	5
1A7450-42191	111	6
1A7450-42260	111	8
1A7450-42510	112	3
1A7450-43100	112	4
1A7450-43270	112	6
1A7450-43280	112	5
1A7450-43310	112	13
1A7450-43320	111	10
1A7450-43330	112	14
1A7450-43370	112	15
1A7450-43380	111	11
1A7450-43390	111	12
1A7450-43410	116	3
1A7450-43411	116	3 -1
1A7450-43461	112	18
1A7450-43611	112	19
1A7450-43641	112	20
1A7450-43680	112	21
1A7450-44210	113	1
1A7450-44260	113	3
1A7450-44410	113	4
1A7450-44420	113	5
1A7450-44510	113	6
1A7450-44540	113	7
1A7450-45102	114	1
1A7450-46110	121	2
	122	2
1A7450-46171	121	3
	122	3
1A7450-46201	121	4
	122	4
1A7450-46230	120	1
1A7450-46280	120	2
	226	2
1A7450-46350	121	5
1A7450-46390	121	6
	122	6

Parts No.	Fig. No.	Ref. No.
1A7450-46400	226	3
1A7450-46450	120	3
	226	5
1A7450-46470	120	5
	226	7
1A7450-46510	121	8
	122	8
	226	8
1A7450-46580	115	1
1A7450-46620	120	6
1A7450-46621	120	6 -1
1A7450-46690	121	12
	122	12
1A7450-46700	121	13
	122	13
1A7450-46750	121	15
	122	15
1A7450-46760	226	9
1A7450-46810	118	1
1A7450-46880	118	3
1A7450-46920	226	14
1A7450-46981	226	1
1A7450-47101	126	1
1A7450-47190	126	5
1A7450-47200	126	6
1A7450-47301	123	2
1A7450-47310	123	3
1A7450-47391	123	4
1A7450-47400	121	16
	122	16
1A7450-47510	199	6
1A7450-47520	199	7
1A7450-47530	126	8
1A7450-47540	126	9
1A7450-47610	126	10
1A7450-47700	126	11
1A7450-47701	126	11 -1
1A7450-47710	126	13
1A7450-47720	126	14
1A7450-47770	126	15
1A7450-47791	126	16
1A7450-47800	126	17
1A7450-47810	126	18
1A7450-47840	126	20
1A7450-47850	126	22
1A7450-47870	188	3
1A7450-47890	126	23
1A7450-47970	126	2
		7
1A7450-48040	127	10

Parts No.	Fig. No.	Ref. No.
1A7450-48040	128	6
1A7450-48070	127	11
	128	7
1A7450-48100	127	12
	128	8
1A7450-48111	127	13
	128	9
1A7450-48150	127	15
	128	11
1A7450-48180	129	2
1A7450-48210	128	12
1A7450-48251	128	13
1A7450-48300	127	17
	128	14
1A7450-48340	127	20
	128	16
1A7450-48350	127	22
	128	17
1A7450-48380	127	23
	128	18
1A7450-48440	127	24
	128	19
1A7450-48461	128	20
1A7450-48471	127	25
	128	21
1A7450-48490	129	3
1A7450-48510	127	71
	128	64
1A7450-48530	127	26
	128	22
1A7450-48540	127	27
		27 -1
		72
		73
	128	23
		23 -1
		70
	229	2
1A7450-48551	127	28
	128	24
1A7450-48571	129	4
1A7450-48590	111	13
1A7450-48630	127	31
	128	27
1A7450-48640	128	28
1A7450-48660	127	32
	128	29
1A7450-48710	128	31
1A7450-48730	127	34
		74

Parts No.	Fig. No.	Ref. No.
1A7450-48730	128	32
		65
	229	3
1A7450-48751	131	2
	132	2
1A7450-48760	131	3
	132	3
1A7450-48770	131	4
	132	4
1A7450-48780	131	5
	132	6
1A7450-48790	131	6
	132	7
1A7450-48810	131	7
1A7450-48850	131	9
	132	11
1A7450-48891	131	10
	132	15
1A7450-48910	131	11
1A7450-48940	131	12
1A7450-48970	131	13
1A7450-49010	127	35
	128	33
1A7450-49020	127	36
	128	34
1A7450-49040	127	37
	128	35
1A7450-49100	229	1
1A7450-49110	127	75
	128	66
	229	4
1A7450-49120	127	76
	128	67
	229	5
1A7450-49150	127	13 -1
	128	9 -1
	229	6
1A7450-49180	127	77
	128	68
	229	7
1A7450-51090	133	5
	134	5
1A7450-51115	133	6
	134	6
1A7450-51126	137	2
1A7450-51127	137	2 -1
1A7450-51128	137	2 -2
1A7450-51129	137	2 -3
1A7450-51163	139	2
1A7450-51164	139	2 -1

Parts No. Index

Parts No.	Fig. No.	Ref. No.
1A7450-51165	139	2 -2
1A7450-51190	228	2
1A7450-51200	135	1
	136	1
1A7450-51220	141	1
1A7450-51230	142	1
1A7450-51241	143	6
1A7450-51260	135	7
1A7450-51271	133	10
	134	10
1A7450-51294	198	8
1A7450-51310	139	9
1A7450-51350	133	11
	134	11
1A7450-51421	133	12
	134	12
1A7450-51510	145	5
1A7450-51541	145	6
1A7450-51710	133	20
	134	20
1A7450-51820	109	16
1A7450-51900	228	1
1A7450-51980	135	22
	136	20
1A7450-52110	146	3
	147	4
1A7450-52130	146	4
	147	5
1A7450-52180	139	8
	140	9
1A7450-52210	146	11
	147	14
1A7450-52230	146	12
	147	15
1A7450-52250	147	17
1A7450-52310	197	13
	198	12
1A7450-52330	197	14
	198	13
1A7450-52450	146	15
	147	20
1A7450-52510	199	8
1A7450-52580	146	16
	147	21
1A7450-53200	153	1
1A7450-53230	153	2
		12
1A7450-53243	165	2
1A7450-53252	153	4
1A7450-53262	153	7

Parts No.	Fig. No.	Ref. No.
1A7450-53290	153	10
	161	4
		5
	162	4
		5
1A7450-53300	153	11
1A7450-53370	153	5
		8
1A7450-53380	153	6
		9
1A7450-56170	155	3
	156	3
1A7450-56180	155	4
	156	4
1A7450-58110	148	2
1A7450-58160	137	7
1A7450-58170	137	8
1A7450-58211	137	10
	138	13
1A7450-58250	139	15
1A7450-58320	39	8
1A7450-58321	39	8 -1
1A7450-60101	159	8
1A7450-60231	159	9
	160	11
1A7450-60372	159	11
	160	13
1A7450-60470	163	5
	164	6
1A7450-60501	159	12
	160	14
1A7450-60551	159	13
	160	15
1A7450-60610	163	6
	164	7
1A7450-60620	164	8
1A7450-60630	163	7
	164	9
1A7450-60680	159	14
	160	16
1A7450-60690	159	16
	160	18
1A7450-60700	159	17
	160	19
1A7450-60710	159	18
	160	20
1A7450-60720	159	19
	160	21
1A7450-60850	163	8
	164	10

Parts No.	Fig. No.	Ref. No.
1A7450-60860	163	9
	164	11
1A7450-60870	163	10
	164	12
1A7450-60880	163	11
	164	13
1A7450-60890	163	12
	164	14
1A7450-60910	159	21
	160	23
1A7450-60920	159	22
	160	24
1A7450-60980	161	6
	162	7
1A7450-61010	161	7
1A7450-61020	161	8
	162	9
1A7450-61030	161	9
	162	10
1A7450-61190	161	14
	162	15
1A7450-61200	161	15
	162	16
1A7450-61240	161	16
	162	17
1A7450-61250	161	17
	162	18
1A7450-61290	163	14
	164	16
1A7450-61311	165	6
1A7450-61330	165	7
1A7450-61350	165	8
1A7450-61360	165	9
1A7450-61370	165	10
1A7450-61400	153	16
1A7450-61410	161	18
	162	19
1A7450-61420	161	20
	162	21
1A7450-61460	163	16
	164	18
1A7450-61471	163	18
	164	20
1A7450-61501	163	20
	164	22
1A7450-61510	165	11
1A7450-61600	165	12
1A7450-61620	164	25
1A7450-61630	164	26
1A7450-61650	165	14

Parts No.	Fig. No.	Ref. No.
1A7450-61670	166	6
1A7450-61730	163	23
1A7450-61750	165	15
1A7450-61790	166	9
	167	11
1A7450-61800	163	24
1A7450-61811	171	2
1A7450-61830	163	25
1A7450-61880	165	19
1A7450-61890	165	22
1A7450-61960	165	23
1A7450-62100	170	2
1A7450-62201	172	8
1A7450-62211	172	10
1A7450-62221	172	11
1A7450-62231	172	13
1A7450-62240	168	6
	169	5
1A7450-62271	168	7
1A7450-62272	168	7 -1
1A7450-62300	168	8
	169	7
1A7450-62320	168	9
	169	9
	208	2
1A7450-62330	170	3
	209	2
1A7450-62340	170	4
	209	3
1A7450-62390	172	14
1A7450-62431	172	16
1A7450-62441	172	20
1A7450-62580	170	7
	209	7
1A7450-62590	170	8
	209	8
1A7450-62600	175	8
	176	7
1A7450-62761	170	9
	209	10
1A7450-62851	175	15
1A7450-62861	175	16
1A7450-63101	178	1
1A7450-63120	178	2
1A7450-63130	178	3
1A7450-63140	178	4
	179	4
1A7450-63160	178	5
	179	5
1A7450-63171	178	6

Parts No. Index

Parts No.	Fig. No.	Ref. No.
1A7450-63171	179	6
1A7450-63181	178	7
	179	7
1A7450-63252-1	178	8
1A7450-64310	180	3
1A7450-64350	180	4
1A7450-65661	182	9
1A7450-65710	226	19
1A7450-65851	226	20
1A7450-65861	226	21
1A7450-65871	226	22
1A7450-71241	188	12
1A7450-72301	189	2
1A7450-72411	126	25
	189	3
	190	4
1A7450-72451	189	4
	190	5
1A7450-72480	189	5
	190	6
1A7450-72611	190	7
1A7450-72620	190	11
1A7450-72761	190	15
1A7450-73020	191	2
1A7450-73030	191	20
1A7450-73410	191	40
1A7450-73420	191	41
1A7450-73500	191	3
1A7450-73510	191	4
1A7450-73520	191	5
1A7450-73570	191	6
		22
1A7450-73600	191	21
1A7450-73610	191	23
1A7450-73620	191	25
1A7450-73701	191	42
1A7450-73730	191	43
1A7450-74010	191	10
		28
1A7450-74500	191	13
		31
1A7450-74540	191	19
		37
1A7450-74600	191	14
		32
1A7450-75100	193	1
1A7450-75110	193	2
1A7450-75141	192	3
1A7450-75151	192	4
1A7450-75700	193	11

Parts No.	Fig. No.	Ref. No.
1A7450-77201	194	1
1A7450-78353	197	7
	198	6
1A7450-78410	198	24
1A7450-78480	196	4
1A7450-78571	199	12
1A7450-78691	199	13
1A7450-80610	175	18
	176	16
1A7450-85281	200	3
1A7451-78610	196	6 -2
1A7460-06100	2	1
1A7460-22151	42	1
1A7460-60960	2	13
1A7470-14700	29	1
1A7470-14800	29	10
1A7470-15410	32	14
1A7470-27080	210	2
1A7470-46330	122	5
1A7470-51211	144	4
1A7470-51212	144	4 -1
1A7470-51213	144	4 -2
1A7470-51221	135	3
	136	3
1A7470-51281	144	5
1A7470-51380	144	7
1A7470-58110	140	12
1A7470-58150	140	13
1A7470-60600	220	8
1A7470-60660	210	3
1A7470-60671	210	4
1A7470-60680	210	5
1A7470-60700	205	1
1A7470-60710	205	2
1A7470-60730	210	6
1A7470-60740	210	7
1A7470-61010	162	8
1A7470-62030	172	3
1A7470-62040	172	5
1A7470-62053	172	6
1A7470-62054	172	6 -1
1A7470-62063	172	7
1A7470-62064	172	7 -1
1A7470-62340	169	11
1A7470-62350	169	12
1A7470-62361	209	4
1A7470-62362	209	4 -1
1A7470-62410	201	2
1A7470-62420	201	3
1A7470-62450	201	4

Parts No.	Fig. No.	Ref. No.
1A7470-62660	209	9
1A7470-62731	176	9
1A7470-62741	176	10
1A7470-63101	179	1
1A7470-63120	179	2
1A7470-63130	179	3
1A7470-63242	179	8
1A7470-63280	179	9
1A7470-63290	179	10
1A7470-63370	179	13
1A7470-63380	179	14
1A7470-63390	179	15
1A7470-63410	179	16
1A7470-63620	174	5
	202	6
1A7470-63640	202	7
1A7470-63660	173	2
	201	5
1A7470-63680	201	6
1A7470-81012	201	7
1A7470-81190	201	8
1A7470-82070	203	2
1A7470-82100	203	3
1A7470-82110	203	4
1A7470-82200	203	5
1A7470-82250	203	7
1A7470-82260	203	15
1A7470-82270	203	6
1A7470-82280	203	14
1A7470-82370	203	8
1A7470-82380	203	17
1A7470-82400	203	25
1A7470-82410	203	26
1A7470-82420	203	27
1A7470-82440	203	31
1A7470-82450	203	32
1A7470-82471	203	33
1A7470-82481	203	34
1A7470-82510	203	36
1A7470-82520	203	37
1A7470-82560	203	39
1A7470-82570	203	40
1A7470-82580	203	28
1A7470-82610	204	2
1A7470-82620	204	3
1A7470-82640	203	42
1A7470-82650	203	43
1A7470-82660	203	44
1A7470-82670	203	45
1A7470-82680	203	46

Parts No.	Fig. No.	Ref. No.
1A7470-82720	203	49
1A7470-82730	203	50
1A7470-82750	203	52
1A7470-82760	203	54
1A7470-82800	203	56
1A7470-82810	203	58
1A7470-82820	203	61
1A7470-82880	203	29
1A7470-82890	203	30
1A7470-82900	203	59
1A7470-82950	203	62
1A7470-84100	208	3
1A7470-84210	208	6
1A7470-84220	208	7
1A7470-84770	210	17
1A7470-84780	210	18
1A7470-85500	211	15
1A7470-85620	211	17
1A7470-85630-1	211	18
1A7470-85640-1	211	19
1A7470-86080	215	5
1A7470-86250	213	4
1A7470-86270	213	5
		7
1A7470-86350	213	6
1A7470-86510	218	4
1A7470-86750	213	8
1A7470-86770	213	9
1A7470-87020	219	1
1A7470-87030	221	1
1A7470-87050	220	13
1A7470-87110	220	14
1A7470-87120	219	15
1A7470-87130	220	15
1A7470-87180	220	17
1A7470-87190	220	18
1A7470-87200	221	33
	222	1
1A7470-87220	221	42
1A7470-87230	221	43
1A7470-87250	220	19
1A7470-87320	223	5
1A7470-87350	221	44
1A7470-87360	221	45
1A7470-87420	223	7
1A7470-87430	223	8
1A7470-87440	223	9
1A7470-87450	223	10
1A7470-87460	211	24
1A7470-87500	223	11

Parts No. Index

Parts No.	Fig. No.	Ref. No.
1A7470-87511	223	12
1A7470-87561	223	13
1A7470-87600	221	46
1A7470-87660	223	15
1A7470-87680	223	20
1A7470-87690	223	21
1A7470-87710	223	22
1A7470-87770	211	25
1A7470-87810	211	26
1A7470-87830	211	27
1A7470-87860	223	16
1A7470-87910	221	14
1A7470-87920	221	15
1A7470-87930	219	5
1A7470-87940	219	7
1A7470-87950	221	16
1A7470-87960	219	9
1A7470-87970	221	19
1A7470-87980	219	12
1A7470-88080	222	23
1A7470-88101	220	21
1A7470-88140	220	22
1A7470-88160	220	23
1A7470-88210	220	24
1A7470-88222	220	25
1A7470-88242	220	26
1A7470-88280	222	34
1A7470-88410	221	24
1A7470-88420	221	25
1A7470-88430	221	26
1A7470-88440	221	27
1A7470-88450	221	28
1A7470-88630	221	29
1A7470-88640	221	30
1A7470-88650	221	31
1A7470-88673	39	9
1A7470-88750	221	53
1A7470-88950	221	54
1A7480-01200	5	3
1A7480-01410	4	7
	5	7
1A7480-04020	8	1
1A7480-05550	14	1
1A7480-13530	22	3
1A7480-13710	25	3
1A7480-13720	25	4
1A7480-13750	25	5
1A7480-13770	25	7
1A7480-13780	25	9
1A7480-13810	26	1

Parts No.	Fig. No.	Ref. No.
1A7480-13820	26	2
1A7480-13830	26	3
1A7480-13850	25	13
1A7480-13920	25	16
1A7480-14120	27	2
1A7480-14720	29	2 -1
		11 -1
1A7480-14730	29	4 -1
		13 -1
1A7480-14760	29	5 -1
		14 -1
1A7480-14790	29	1 -1
1A7480-14820	29	9 B
		18 B
1A7480-14830	29	9 A
		18 A
1A7480-14840	29	9 C
		18 C
1A7480-14890	29	10 -1
1A7480-15100	32	1
1A7480-15200	32	2
1A7480-15300	32	10
1A7480-15600	32	4
1A7480-18100	80	1
1A7480-18210	80	3
1A7480-18250	80	4
1A7480-21080	40	4
1A7480-21111	40	6
1A7480-21112-1	40	6 -1
1A7480-21113-1	40	6 -2
1A7480-21130	40	7
1A7480-22430	44	2
1A7480-22440	44	4
1A7480-22450	40	11
1A7480-22460	44	5
1A7480-22510	46	2
1A7480-24100	48	1
1A7480-24101	48	1 -1
1A7480-24300	50	1
1A7480-24401	52	1
1A7480-24420	52	3
1A7480-24430	52	5
1A7480-24440	52	6
1A7480-24451	52	7
1A7480-24460	52	8
1A7480-24470	52	9
1A7480-24481	52	10
1A7480-24490	52	11
1A7480-24510	52	12
1A7480-24530	127	4

Parts No.	Fig. No.	Ref. No.
1A7480-25110	58	1
1A7480-25120	58	2
1A7480-25201	59	2
1A7480-25220	59	4
1A7480-25230	59	5
1A7480-25240	59	6
1A7480-25250	59	7
1A7480-25260	59	8
1A7480-25271	59	9
1A7480-25280	59	10
1A7480-25290	59	11
1A7480-25300	59	12
1A7480-25310	59	13
1A7480-25320	59	14
1A7480-25340	59	15
1A7480-25350	61	1
1A7480-25360	61	2
1A7480-25370	61	3
1A7480-25400	59	16
1A7480-25410	59	19
1A7480-25430	59	17
1A7480-25440	59	21
1A7480-25550	64	3
1A7480-25560	64	4
1A7480-25570	64	5
1A7480-25590	64	6
1A7480-25710	66	1
1A7480-25740	66	2
1A7480-25750	66	3
1A7480-25954	197	2
1A7480-26910	73	1
1A7480-27012	88	3
1A7480-27021	88	4
1A7480-27060	76	1
1A7480-27090	76	2
1A7480-27110	76	20
1A7480-27120	76	3
1A7480-27130	76	4
1A7480-27140	76	5
1A7480-27150	88	6
1A7480-27170	76	7
1A7480-27180	76	9
1A7480-27260	76	11
1A7480-27301	76	21
1A7480-27310	76	27
1A7480-27400	76	28
1A7480-27410	84	3
1A7480-27420	76	12
1A7480-27430	76	13
1A7480-27440	76	14

Parts No.	Fig. No.	Ref. No.
1A7480-27450	76	15
1A7480-27460	76	16
1A7480-27470	76	39
1A7480-27511	84	5
1A7480-27520	84	6
1A7480-27601	76	29
1A7480-28440	52	14
1A7480-28450	52	15
1A7480-29110	93	33
1A7480-29120	93	34
1A7480-29130	94	7
1A7480-29140	94	8
1A7480-29160	94	10
1A7480-29170	94	11
1A7480-29181	94	12
1A7480-29990	127	8
1A7480-46660	120	7
1A7480-46661	120	7 -1
1A7480-47300	124	5
1A7480-47310	124	6
1A7480-47390	124	7
1A7480-47410	120	8
1A7480-47420	120	9
1A7480-47450	125	2
1A7480-48250	127	16
1A7480-48310	40	13
1A7480-48330	127	18
1A7480-48340	127	21
1A7480-48610	127	30
	128	26
1A7480-48670	127	33
	128	30
1A7480-48770	132	5
1A7480-48810	132	9
1A7480-48850	132	12
1A7480-48870	132	13
1A7480-48880	132	14
1A7480-48890	132	16
1A7480-48920	132	17
1A7480-48950	132	18
1A7480-48960	132	19
1A7480-49050	132	20
1A7480-49070	132	21
1A7480-51121	138	2
1A7480-51122	138	2 -1
1A7480-51123	138	2 -2
1A7480-51124	138	2 -3
1A7480-51161	140	3
1A7480-51162	140	3 -1
1A7480-51290	197	9

Parts No. Index

Parts No.	Fig. No.	Ref. No.
1A7480-51910	137	17
	138	20
1A7480-51911	137	17 -1
		17 -2
	138	20 -1
		20 -2
1A7480-52110	146	5
1A7480-52130	152	1
1A7480-52180	80	14
1A7480-52250	146	14
	147	19
1A7480-52340	76	41
1A7480-52350	197	15
1A7480-52510	149	6
1A7480-56050	155	2
1A7480-56070	156	2
1A7480-56300	155	5
1A7480-56350	156	5
1A7480-58110	149	7
1A7480-58160	138	11
1A7480-58200	137	9
	138	12
1A7480-58210	52	19
1A7480-58220	40	14
1A7480-58230	40	14 -1
1A7480-60100	160	10
1A7480-60680	159	15
	160	17
1A7480-60830	132	22
1A7480-60930	132	23
1A7480-61080	161	10
	162	11
1A7480-61090	161	11
	162	12
1A7480-61670	167	9
1A7480-61800	167	12
1A7480-61810	166	10
1A7480-62270	169	6
1A7480-62271	169	6 -1
1A7480-62360	169	13
1A7480-62361	169	13 -1
1A7480-62370	168	10
1A7480-62520	173	1
1A7480-64780	182	1
	183	1
1A7480-64860	182	2
	183	2
1A7480-64880	182	3
	183	3
1A7480-65010	165	24

Parts No.	Fig. No.	Ref. No.
1A7480-65310	186	1
	187	1
1A7480-65450	186	2
	187	2
1A7480-65470	182	6
	183	6
1A7480-65490	183	7
1A7480-65510	182	7
1A7480-65520	183	8
1A7480-65530	184	5
	185	4
1A7480-65611	211	3
1A7480-65621	211	4
1A7480-65660	183	9
1A7480-65700	183	10
1A7480-65710	182	10
	183	11
1A7480-65720	182	16
	183	17
1A7480-65730	183	19
1A7480-65800	183	21
1A7480-65810	182	19
1A7480-65820	184	6
1A7480-65840	182	11
	183	12
1A7480-65850	184	2
	185	1
1A7480-65870	184	3
	185	2
1A7480-65880	184	1
1A7480-65890	182	12
	183	13
1A7480-65900	186	8
	187	8
1A7480-65920	182	13
	183	14
1A7480-78310	197	17
	198	15
1A7480-78350	197	8
1A7480-78360	198	7
1A7480-78390	197	24
1A7480-78400	198	22
1A7480-78410	197	27
1A7480-78430	197	28
1A7480-78610	196	6
1A7480-78611	196	6 -1
1A7480-78650	146	17
1A7480-78811	196	9
1A7480-84350	208	11
1A7480-84520	169	15

Parts No.	Fig. No.	Ref. No.
1A7480-84700	208	12
1A7480-85200	200	2
1A7480-88180	40	15
1A7480-89530	224	3
1A7480-89540	224	4
1A7480-95950	186	12
	187	12
1A7500-51810	133	21
	134	21
	135	11
1A7600-52222	146	13
1A7600-52223	146	13 -1
1A7610-29101	93	1
1A7640-01200	4	3
1A7640-04940	10	2
1A7640-47170	126	3 -1
		4 -1
1A7640-65790	182	18
	183	20
1A7640-77380	195	6
1A7640-78900	196	10
1A7640-78910	196	10 A
1A7640-78980	196	13
1A7640-84710	171	7
	208	13
1A7641-51410	143	2 -1
		3 -1
		4 -1
		5 -1
1A7651-62120	209	17
1A7680-27920	85	26
		28
	86	18
1A7680-27930	85	27
		29
	86	19
1A7680-61810	210	8
1A7680-61820	210	9
1A7680-61840	210	10
1A7680-61850	210	11
1A7680-61860	210	12
1A7680-65440	182	15
	183	16
1A7680-65520	182	8
1A7680-83720	210	14
1A7680-87650	221	48
1A7680-88950	221	55
1A7690-51550	133	13
	134	13
1A7690-65630	224	1

Parts No.	Fig. No.	Ref. No.
1A7750-85450	211	13
1A7750-85460	211	14
1A7790-01160	4	2
	5	2
1A7790-05570	160	4
1A7790-61070	161	12
	162	13
1A7790-72790	190	16
		17
1A7805-27180	76	17
1A7880-65620	186	6
	187	6
1A7890-04740	8	20
1A7890-51230	135	5
		6
	136	5
		6
1A7890-53400	154	2
1A7890-53600	154	5
1A7890-53630	154	7
		14
1A7890-53680	154	10
		16
1A7890-53700	154	13
1A7890-53710	154	11
		18
1A7890-53720	154	12
		19
1A7890-53810	154	21
		24
1A7890-53820	154	22
		25
1A7890-53840	154	23
		26
1A7890-57200	135	16
	136	15
1A7891-43450	116	26
1A7891-43480	116	27
1A7920-63860	181	2
1A7920-63870	181	3
1A7950-51220	135	4
	136	4
1A8070-65251	184	4
	185	3
1A8110-62250	206	20 -1
		21 -1
	207	23 -1
1A8110-86400	217	10
1A8110-86410	217	11
1A8110-86420	217	12

Parts No. Index

Parts No.	Fig. No.	Ref. No.
1A8160-46670	115	3
1A8160-65350	186	13
1C6053-26020	80	13
	210	1
1C6215-48870	4	10
	5	10
1C6281-52310	31	19
	32	19
	45	5
	46	5
	159	7
	160	9
	190	1
1C6281-52320	43	6
	44	6
	45	6
	46	6
	77	7
	85	30
	100	9
	108	12
	109	17
1C6460-14340	69	1
	92	1
1C6900-07200	146	1
	147	1
1C6900-23020	24	1
1C6900-87970	51	12
1C7100-08150	157	1
1E6190-55660	52	16
	54	49
	59	36
1E6190-55710	52	17
	54	50
	59	37
1E6191-54330	59	3
	60	2
	69	14
	92	20
1E6210-54920	74	13
1E6480-56410	52	18
	59	38
1E6760-74150	170	12
		13
	179	17
	209	13
		14
1E6910-82500	133	31
	134	31
1E8050-05510	140	1

Parts No.	Fig. No.	Ref. No.
1E8450-55230	63	19
	64	16
	95	1 A
1E8540-82050	197	26
1E8545-80080	221	2
		6
1E8545-80210	219	2
1E9170-81270	154	4
1K1140-82500	138	3
1R1002-00311	1	1
22117-060000	54	51
22117-080000	33	7
22117-100000	1	23
22117-140000	196	14
22137-050000	121	20
	122	20
	161	26
	162	27
	199	15
		24
	226	23
22137-060000	4	15
		16
	5	15
		16
	6	1
	31	25
	32	25
	44	7
	45	7
	46	7
	76	33
	120	11
	126	26
	153	19
		20
	161	26 -1
		27
	162	27 -1
		28
	165	33
		34
		35
	190	25
22137-080000	43	7
	44	8
	45	8
	46	8
	75	31
	81	6

Parts No.	Fig. No.	Ref. No.
22137-080000	108	13
	159	30
	160	32
	188	19
	206	22
	207	25
22137-100000	43	8
	77	8
	79	35
	131	17
	132	27
	159	31
	160	33
22137-120000	77	9
	108	14
	159	32
	160	34
	180	6
	212	5
22137-160000	15	7
	31	26
	32	26
22137-200000	99	5
22157-060000	44	9
	49	4
	157	5
	159	33
	160	35
	165	1 -1
		36
	172	27
	196	20
	220	28
	221	56
	223	23
22157-080000	107	17 C
	200	10
22157-100000	191	44
22190-060002	120	12 -1
	159	34
	160	36
	226	24 -1
22190-060003	120	12
		13
	223	17
	226	24
22190-080000	55	7
22190-080002	120	14 -1
		15 -1
	159	35

Parts No.	Fig. No.	Ref. No.
22190-080002	160	37
	226	25 -1
		26 -1
22190-080003	120	14
		15
	226	25
		26
22190-120000	98	8
22217-040000	114	3
22217-080000	33	12
		13
	55	8
	110	3
	146	9
	147	11
22217-100000	1	24
	31	27
	32	27
	96	9
22217-120000	17	6
	47	24
	48	24
22217-140000	35	18
	41	3
	111	14
22217-160000	39	10
	40	16
	47	25
	48	25
	131	18
	132	28
	175	22
	176	20
	191	45
		46
	193	5
22217-180000	191	16
		34
22242-000110	115	4
22242-000170	36	4
22242-000200	31	6
	32	6
22242-000300	59	39
	65	7
	66	6
	67	29
		30
	68	7
	69	21
22242-000320	70	12

Parts No. Index

Parts No.	Fig. No.	Ref. No.
22242-000350	60	22
	65	8
	106	11
22242-000360	57	10
22242-000400	35	11
	68	8
	69	22
	92	34
22242-000450	59	40
	60	23
	67	11
	92	35
22242-000480	21	10
22242-000500	96	10
22242-000501	71	12
22252-000180	54	9
22252-000200	53	29
	54	10
22252-000220	53	30
	93	35
22252-000240	52	21
22252-000250	21	4
		8
22252-000370	36	5
22252-000400	36	6
22252-000420	31	7
	32	7
22252-000550	59	41
	67	31
	92	36
22252-000620	60	24
	92	37
22252-000900	71	13
22252-000950	69	23
22252-001000	92	38
22252-001100	59	42
22272-000040	4	17
	5	17
22272-000050	126	27
	221	57
22272-000060	206	23
	207	26
	221	58
22272-000080	94	14
	159	36
	160	38
22272-000090	120	16
	121	21
		22
	122	21

Parts No.	Fig. No.	Ref. No.
22272-000090	122	22
	226	27
		28
22272-000100	203	11
		19
22272-000120	196	15
22272-000150	75	32
		42
22272-000190	107	16
22292-000340	62	15
22312-080180	55	9
22312-100180	17	7
	20	8
	39	11
	40	17
	41	4
	47	26
	48	26
	56	6
		7
		8
	98	9
	111	15
22312-100250	47	27
	48	27
22312-120180	102	12
22312-120220	191	47
		48
22351-030008	70	6
22351-030016	116	14
22351-030028	53	31
22351-035032	20	9
	84	14
	89	8
22351-035040	87	11
	88	10
	100	11
22351-040032	83	12
	84	9
22351-050040	99	6
22351-050050	70	7
22351-060016	113	8
22351-060025	74	14
22351-060028	116	15
	117	7
22351-060032	20	10
	53	55
	79	10
		34
		10

Parts No.	Fig. No.	Ref. No.
22351-060032	83	13
		14
	84	10
	89	9
	91	8
		9
	99	7
22351-060036	180	7
22351-060040	87	12
	88	11
	100	12
	193	9
22351-060050	96	11
22351-060060	212	6
22351-080025	69	24
22351-080032	74	15
	99	8
22351-080040	99	9
	102	13
22360-200000	15	8
	193	14
22372-060000	6	2
22372-080000	200	11
	203	65
	207	27
22372-120000	193	15
22417-120120	121	23
	122	23
	226	29
22417-160160	223	18
22417-160180	4	18
		19
	5	18
		19
	6	3
	44	10
	94	15
	159	37
		38
	160	39
		40
	196	16
	199	18
		19
22417-200100	52	22
	54	52
	59	43
22417-200200	75	33
	123	13
	126	28

Parts No.	Fig. No.	Ref. No.
22417-200200	200	11 -1
22417-200300	9	13
	43	9
	79	11
	80	11
	85	8
	109	9
22417-250200	120	17
	121	24
	122	24
	226	30
		31
22417-250250	123	8
	124	11
22417-250300	43	9 -1
	81	7
	108	15
		16
22417-400300	191	9
		27
22417-400400	18	18
22417-500250	191	17
		35
22487-060220	44	11
22487-080450	203	66
22487-080500	75	34
22487-080550	9	14
22487-080600	207	28
22487-120400	109	10
22512-070400	107	17
22635-600120	98	10
22857-400100	221	59
22857-500101	153	18 -1
	161	24 -1
		25 -1
	162	25 -1
		26 -1
	165	30 -1
		31 -1
22857-600101	153	21
22859-500202	218	8
23000-019000	220	29
23000-022000	1	59
	131	19
		20
	132	29
		30
23000-025000	1	60
23000-041000	1	61
	127	39

Parts No. Index

Parts No.	Fig. No.	Ref. No.
23000-041000	127	40
	128	36
		37
23000-048000	1	62
		63
	127	41
		42
	128	38
	39	
23000-054000	1	64
23000-060000	1	65
23000-070000	28	6
23000-075000	1	6
23000-102000	1	66
	2	14
	28	7
23000-115000	2	15
23080-007000	215	11
		15
	216	4
	217	9
23171-010000	194	21
23393-040000	127	43
	131	21
	132	31
23394-030000	112	22
23414-100000	74	16
	194	22
23414-100014	51	13
23414-120000	8	9
		16
23414-140000	51	14
	54	35
	52	23
23414-140018	52	23
23414-150019	126	29
		30
23414-160000	194	23
23414-160021	51	15
23414-180023	37	5
		6
	127	44
		45
	128	40
	132	32
23414-210000	127	46
23414-220000	39	12
	40	18
23414-220029	39	12 -1
	40	18 -1
	127	47

Parts No.	Fig. No.	Ref. No.
23414-220029	127	48
		49
	128	41
		42
		43
		44
	129	5
		6
		7
	131	22
		23
	132	33
		34
		35
23491-140002	23	8
	25	19
	47	28
	48	28
23857-080000	51	16
	52	24
23857-120000	37	7
	127	50
	128	45
	132	36
23857-180000	127	51
		52
	128	46
		47
		48
	129	8
		9
		10
	131	24
	132	37
		38
23871-005000	92	39
23871-010000	39	13
	40	19
	50	2
	51	17
	52	2
		25
	54	45
	47	29
23871-020000	47	29
	54	17
		32
	194	24
23871-030000	54	33
	111	2
		16

Parts No.	Fig. No.	Ref. No.
23875-020000	118	34
23876-010000	55	10
		11
	116	4
23876-040000	17	8
23887-100002	74	17
23887-160002	51	18
23887-220002	39	14
		14 -1
	40	20
		20 -1
23980-730370	8	24
23980-730400	2	16
23980-730600	8	25
23980-730900	2	17
23980-731300	2	18
24101-060054	63	20
24101-060064	92	40
24101-060104	20	11
	96	12
24101-060114	67	32
	103	7
24101-060124	19	5
24101-060154	103	8
24101-060174	27	5
24101-062034	67	33
24101-062064	71	14
24101-062094	25	20
24101-062114	96	13
24101-062134	27	6
24101-063054	61	5
	65	9
	66	7
	71	15
24101-063074	71	16
24104-060040	31	8
	32	8
24104-062030	36	7
24107-060064	67	34
	69	25
24121-060064	59	44
24121-062044	68	9
24141-320120	25	21
24161-152117	59	45
24161-202617	68	10
24161-303720	71	17
24163-305200	62	16
24164-000202	68	11
24164-000352	71	18
24165-000372	71	19

Parts No.	Fig. No.	Ref. No.
24165-000402	62	17
24190-050001	118	22
24190-070001	118	23
24190-080001	59	3 -1
	60	2 -1
	67	17
	83	15
	84	11
	89	10
24190-100001	53	40
	74	18
		19
	91	10
24190-110001	80	12
24190-130003	116	16
24190-150002	116	17
24190-180001	51	19
	106	12
24311-000070	3	11
	54	36
24311-000090	115	5
	116	28
24311-000120	93	36
24311-000125	53	41
24311-000160	1	54
	23	9
	25	22
	47	30
	48	29
24311-000180	17	9
	24	2
	53	42
	150	4
24311-000200	54	37
24311-000220	53	43
	193	16
24311-000224	93	21
24311-000290	53	44
24311-000320	53	45
24315-000090	194	25
24315-000110	93	22
24315-000140	93	23
24315-000160	54	38
	194	26
24315-000180	54	39
	93	24
	194	27
		28
		29
24315-000240	194	30

Parts No. Index

Parts No.	Fig. No.	Ref. No.
24321-000250	53	32
24321-000300	74	20
	93	37
24321-000600	93	25
	113	9
24321-000650	1	55
24321-000700	23	10
	93	38
24321-001000	23	11
24321-001700	23	12
24321-002700	25	23
24325-000650	27	7
24341-000080	114	4
24341-000140	194	31
24341-000220	53	46
	54	11
24341-000224	53	47
	54	12
24341-000240	54	13
		40
24341-000250	54	41
24341-000315	19	6
24341-000400	55	12
24351-010140	53	48
24351-020300	47	31
	48	30
24357-310550	92	41
24361-090500	53	49
24421-173507	36	8
24421-355008	106	13 -1
24421-456209	23	13
24423-355008	106	13
24550-010100	40	5
	44	3
	94	9
24550-010200	159	20
	160	22
24550-012120	120	4
	226	6
24550-012150	76	30
	79	32
	121	7
		14
	122	7
		14
	123	5
	124	8
	203	12
		20
	226	4

Parts No.	Fig. No.	Ref. No.
24550-014200	196	12
24550-015120	79	7
	80	5
24550-015150	43	2
24550-016150	79	15
24550-017150	31	13
	32	13
	53	13
	87	4
	88	5
	100	3
24550-018120	75	27
24550-022200	126	12
24550-025200	107	4 -1
		8 -1
		11 -1
24550-025300	112	16
24550-030200	190	18
24550-060600	111	3
24550-065500	112	7
24761-010000	33	8
	126	31
		32
24761-020000	112	17
24761-050000	16	2
24761-060000	18	5
		12
26013-060129	76	34
26013-060162	120	18
26013-060202	172	28
26013-060402	37	8
26013-060452	37	8 -1
	127	53
	128	49
26013-080122	47	32
	48	31
	195	7
26013-080162	52	26
	91	11
	126	33
	137	11
	138	14
26013-080202	47	33
	48	32
	67	35
	74	21
		22
	118	35
26013-080252	23	14
	25	24

Parts No.	Fig. No.	Ref. No.
26013-080252	47	34
	48	33
26013-080302	55	13
	126	34
26013-080402	47	35
	48	34
	111	17
	118	36
	194	32
26013-080502	116	18
26013-080552	47	36
	48	35
26013-080602	194	33
26013-080802	53	56
	54	53
26013-080852	47	37
	48	36
	54	54
26013-080952	53	57
26013-100202	127	78
	128	69
	191	49
	229	8
26013-100252	25	25
	56	9
		10
26013-100352	77	10
	126	35
26013-100452	41	5
	56	11
	98	11
26013-100602	93	39
26013-120252	28	8
	192	5
	227	3
26013-120302	15	9
	23	15
	56	12
	175	23
	176	21
26013-120352	56	13
	113	10
	126	36
	176	22
	191	50
		51
26013-120402	35	19
	39	15
	40	21
	47	38

Parts No.	Fig. No.	Ref. No.
26013-120402	48	37
	111	18
	126	37
	192	6
26013-120502	15	10
26013-120702	111	19
26013-120752	111	20
26013-120852	23	16
26013-121052	15	11
26013-121202	9	15
26013-140352	193	17
26016-060162	53	50
		51
	54	42
26016-080302	53	52
26016-100452	54	43
26016-100802	54	44
26018-060202	172	29
26022-040122	143	8
26023-040102	151	3
	152	3
26023-040162	76	46
	123	14
	124	15
26023-040202	3	12
26064-080151	211	28
26076-100252	27	8
26106-060082	52	27
	221	60
26106-060102	120	19
	226	32 -1
26106-060122	1	67
		68
	2	19
	3	13
		14
	51	20
	120	18 -1
		19 -1
		20
	131	25
	132	39
	135	20
	136	18
	137	12
	138	15
	149	9
	152	4
	155	11
	156	11

Parts No. Index

Parts No.	Fig. No.	Ref. No.
26106-060122	159	39
	160	41
	161	28
	162	29
	165	37
		38
		39
	197	29
	203	67
		68
		69
	220	30
	221	61
		62
	223	24
	226	32
	26106-060162	80
88		13
94		16
115		6
133		33
		34
		35
		36
		37
134		33
		34
		35
		36
		37
137		13
139		18
		19
		20
140		15
		16
		17
144		11
147		22
	23	
148	3	
149	10	
159	40	
160	42	
165	32 -1	
	40	
	41	
172	30	
	31	
215	16	

Parts No.	Fig. No.	Ref. No.
26106-060162	220	31
		32
	221	63
26106-060202	2	20
	197	30
	220	33
	221	64
	223	25
26106-060252	157	6
	220	34
26106-060352	196	17
26106-060402	221	65
26106-060452	2	21
	196	17 -1
	197	31
	198	25
26106-060602	221	66
	2	22
26106-080122	11	6
		7
	12	6
		7
	18	19
	72	2
	79	36
	94	17
	112	23
	121	25
	122	25
		26
	127	54
	128	50
130	4	
133	38	
134	38	
137	14	
159	41	
	42	
	43	
	44	
	44	
	30	
	16	
	10	
	10	
	10	
	33	
26106-080162	2	23
		24
		25
		16
	9	16
		17
		18

Parts No.	Fig. No.	Ref. No.
26106-080162	9	19
	13	3
	14	13
	28	9
	36	13
	37	9
	39	10
		16
		17
		18
		19
		20
	40	22
		23
		24
		25
		26
		27
	44	12
	73	2
	74	22 -1
	75	43
		44
	76	47
	79	37
	83	16
	84	12
	87	13
	88	14
	89	11
	100	13
	112	23 -1
	120	21
	121	26
		27
		28
	122	27
		28
		29
	123	15
	124	16
	127	55
		56
		57
		58
		59
	128	51
		52
		53
		54

Parts No.	Fig. No.	Ref. No.
26106-080162	128	55
	131	26
		27
		28
		29
		30
	132	40
		41
		42
		43
		44
	133	39
	134	39
	137	15
	138	16
	146	18
	147	24
	150	5
	155	12
	156	12
	159	43
		44
		45
	160	45
		46
		47
	161	29
		30
		31
		32
		33
	162	31
		32
		33
		34
	171	9
	174	6
	188	20
	196	18
	197	32
	198	26
	199	20
		21
	201	11
	202	8
	211	29
	215	17
		18
	220	35
		36

Parts No. Index

Parts No.	Fig. No.	Ref. No.					
26106-080162	220	37					
		38					
	221	67					
	229	9					
	26106-080202	31	28				
		32	28				
		33	9				
		74	21 -1				
		80	17				
		127	60				
128		56					
130		5					
178		10					
179		19					
26106-080252	201	12					
	220	39					
	33	14					
		15					
	47	34 -1					
	48	33 -1					
	55	14					
	220	40					
	26106-080302	7	9				
		39	21				
55		15					
161		34					
162		35					
196		19					
220		41					
26106-080352		127	61				
		128	57				
		26106-080402	33	10			
	131		31				
	132		45				
	26106-080452		49	5			
			55	16			
			206	24			
			207	29			
			26106-080502	52	28		
2				26			
26106-080652				200	12		
		26106-080802		53	56 -1		
				54	53 -1		
				26106-080852	54	54 -1	
	26106-080952				53	57 -1	
					26106-100162	42	3
						112	24
						127	62
			26106-100202			9	20
						31	29

Parts No.	Fig. No.	Ref. No.		
26106-100202	32	29		
	36	14		
	107	18		
	127	63		
		64		
		65		
	128	58		
		59		
	132	46		
		47		
	159	46		
	160	48		
26106-100652	1	25		
26106-120352	113	10 -1		
26108-100852	98	12		
26108-120402	17	10		
	25	26		
26108-120502	47	39		
	48	38		
	49	6		
	50	4		
	26108-120652	47	40	
		48	39	
		26108-120852	17	11
		26116-060122	49	7
		26116-080202	97	3
		26116-080654	9	21
26116-080754		4	20	
		5	20	
26116-081702		110	4	
26116-140452		41	6	
26116-160302	131	32		
	132	48		
26116-160352	56	14		
26116-160402	191	52		
	53			
26116-160502	39	22		
	40	28		
26116-160602	39	23		
	40	29		
26116-161002	175	24		
	176	23		
	26116-161552	193	6	
	26218-080302	55	17	
	26218-100902	47	7	
		48	6	
	26218-120252	47	8	
		48	7	
		26346-060002	49	8
		26346-080002	33	11

Parts No.	Fig. No.	Ref. No.		
26346-080002	75	45		
		46		
	77	11		
	79	38		
	85	31		
	86	20		
	94	18		
	188	21		
	26346-100002	31	11	
		32	11	
79		39		
180		8		
212		7		
26356-160002		31	30	
		32	30	
		26356-180002	190	19
		26366-080002	121	29
			122	30
		201	13	
	26366-100002	47	41	
		48	40	
		26366-120002	93	26
		26450-040402	114	5
26450-060102		118	24	
26450-060122		149	12	
		199	23	
26450-060802		118	25	
26450-080202		93	27	
26450-080252		92	42	
	93	28		
26450-080352	93	29		
	114	6		
	26450-100452	59	46	
	26450-120452	93	30	
	26450-120752	93	31	
	26557-030062	59	18	
	26557-030162	135	21	
		136	19	
	26557-050122	8	17	
	26557-050162	146	19	
	147	25		
	218	9		
26557-050252	213	10		
26557-060402	153	22		
26559-050162	221	68		
26577-050142	93	32		
26577-050302	208	21		
26577-060202	203	70		
26577-080252	203	71		
26589-060102	206	25		

Parts No.	Fig. No.	Ref. No.			
26589-060102	206	26			
	207	30			
	208	22			
	26589-060162	208	23		
		218	10		
		26711-100002	1	26	
		26716-050002	168	14	
			169	17	
		26716-080002	9	22	
			47	42	
49			9		
55			18		
75			11		
	18				
	79		27		
	85		15		
	21		21		
	86		7		
	94	6			
	107	17 D			
	145	9			
26716-100002	75	12			
		36 -1			
	76	38 -1			
	77	6			
	85	9			
	109	11			
	115	7			
	26716-120002	47	43		
		48	41		
		76	35		
192		7			
26716-160002		175	25		
		176	24		
		193	7		
		26736-080002	146	10	
			147	12	
		26737-180002	191	18	
		36			
	26756-060002	124	17		
		199	22		
		26756-080002	203	13	
		21			
26756-100002		75	35		
		76	36		
		26756-120002	76	37	
			26776-120002	146	7
				147	7
					9

Parts No. Index

Parts No.	Fig. No.	Ref. No.
26776-140002	25	27
	126	38
26776-160002	126	39
26776-180002	149	11
26776-200002	18	7
		14
26877-120002	123	9
	124	12
26979-120122	35	17
26986-100002	75	36
	76	38
27260-470000	40	30
27260-550000	40	31
29420-150000	133	9
	134	9
29622-100001	4	21
	5	21
29622-140001	8	26
	127	66
	133	40
		41
		42
	134	40
		41
	137	16
		18
		18 -1
	138	17
		18
		21
		21 -1
	144	12
	216	5
	228	4
29622-250001	2	27
	133	16 -1
		43
		44
	134	16 -1
		42
		43
	137	19
		19 -1
	138	19
		22
		22 -1
	139	21
	140	18
		19
		20

Parts No.	Fig. No.	Ref. No.
29622-250001	144	13
	220	42
41850-000110	116	19
41850-000140	52	29
	118	26
41850-000150	116	20
41850-000160	111	21
	116	21
41850-000180	52	30
	111	22
	117	8
41850-000200	52	31
	111	23
	190	20
41850-000220	37	11
	116	22
	127	67
		68
	128	60
		61
	229	10
41850-000260	127	69
	128	62
41850-000340	130	6
41850-000530	190	21
		22
41851-000120	116	23
	117	9
41851-000140	118	27
41851-000160	83	17
	84	13
	89	12
	91	12
41851-000180	116	24
41852-000300	47	44
	48	42
41852-000650	47	45
	48	43
41852-000750	103	9
41853-000800	112	12
41854-000080	69	26
41854-000350	55	19
41854-000500	92	43
41856-010180	116	25
41856-020230	127	70
	128	63
41856-020400	92	44
41856-020420	60	25
41856-020530	118	28
		31

Parts No.	Fig. No.	Ref. No.
41856-020530	118	33
	226	11
41861-203007	99	10
41868-300000	48	8
794130-71410	126	24
	188	15
	189	1
	190	3
	191	1
794251-13910	97	1
794321-13660	23	6
794660-34720	104	1
794660-34820	104	10

Parts No.	Fig. No.	Ref. No.
-----------	----------	----------