

0CNP5-M02400EN

## Directions for the Parts Catalog.

1. The parts stipulated in this Parts Catalog are not necessarily standard equipped parts.
2. Parts may change without prior notice.
3. The following is an example of the Parts Catalog format.

OCF10-G21601		29. FUEL INJECTION PUMP(W/BOOST)									
REF.	LEV.	PARTS NO.	DESCRIPTION	(A)	(B)	(C)	(D)	(E)	(F)	I	R
1	1	729595-51390	FUEL INJECTION PUMP	1	1	1	1	1			1
1-1	1	729595-51391	FUEL INJECTION PUMP	1	1	1	1	1		N	1
		(A=E00185)	(B=E00200)								
3	2	26022-060162	SCREW M 6X 16	9	9	9	9	9			
3-1	2	26022-060162	SCREW M 6X 16	4	4	4	4	4		K	
		(A=E00156)	(B=E00156)	(C=E00156)	(D=E00156)	(E=E00156)					
4	2	129470-51040	CAMSHAFT	1	1	1	1	1			
5	2	122710-51050	BEARING, ROLLER	2	2	2	2	2			
6	2	129470-51060	RETAINER	1	1	1	1	1			

Remarks
(1) BOOST COMPEMSATOR TYPE. OPTIONAL PART, TO E00155,(4JH-DT, 4JH-DTZ

### ① Ref. No.

The Ref. No. listed may not be in accordance with the illustration Ref. No.

(Ex.) Illustration No.

List Ref No.

1 1 (Before change) → 1-1 (After change)

For interchangeable symbols N, R and K, illustrations for new parts may be abbreviated.

### ② Lev. (Level)

Level indication

The numbers below indicate the level of relativity towards the main part.

1 ----- Main parts (Assembly parts)

2 ----- Sub component included in " 1 ".

3 ----- Sub component included in " 2 ".

Note) Parts that are not for sale are partially illustrated but not listed.

### ③ Interchangeability Mark

When a part change takes place, one of the following interchangeability symbols is indicated beside the part.

Symbol	Interchangeability	Contents note
N	Old $\begin{matrix} \leftarrow \text{Yes} \\ \text{No} \rightarrow \end{matrix}$ New	New Part is interchangeable for Old Part but Old Part is not interchangeable for New Part.
Q	Old $\begin{matrix} \leftarrow \text{No} \\ \text{Yes} \rightarrow \end{matrix}$ New	New Part is not interchangeable for Old Part but Old Part is interchangeable for New Part.
R	Old $\begin{matrix} \leftarrow \text{Yes} \\ \text{Yes} \rightarrow \end{matrix}$ New	New/ Old Parts are both interchangeable.
S	Old $\begin{matrix} \leftarrow \text{No} \\ \text{No} \rightarrow \end{matrix}$ New	New/ Old Parts are both not interchangeable.
W		Part newly added.
Z		Part discontinued.
F		Not interchangeable by a single part but interchangeable together with related parts.
K		Changes only for used parts quantities.

### ④ Effective Machine No.

When a part changes, the effective Machine No. will be indicated in the (A)-(F) column.

Product Symbol	Product No.	Product Symbol	Product No.
C	Clutch No. Compressor No.	F	Machine No. (Agricultural Equip.)
D	Drive No.	M	Machine No.
E	Engine No.		

Note 1) A date may follow the symbol. (Ex.) 1996.01

Note 2) "XXXXX" and "ZZZZZ" are for parts that could not be predicted or for engine models that could not be identified.

Note 3) (A=E00185) is the E (Engine Serial Number) for the column (A) model (in this case 4JH-DT) after the parts design change.

### ⑤ Remarks Mark

Figures or alphabets (symbols) are entered in the remarks column.

The comments (remarks) on parts that are indicated at the bottom of the illustration are the same symbols as those stated above.

# Contents

OCNP5-M02400

Fig. No.	Fig. Name	Fig. No.	Fig. Name
4	TNV98T-ZMRFQ		
1.	CYLINDER BLOCK		
2.	GEAR HOUSING		
3.	MOUNTING FLANGE & OIL SUMP		
4.	CYLINDER HEAD & BONNET		
5.	SUCTION MANIFOLD		
6.	EXHAUST MANIFOLD & SILENCER		
7.	TURBINE		
8.	CAMSHAFT & DRIVING GEAR		
9.	CRANKSHAFT & PISTON		
10.	HYDRAULIC PUMP		
11.	BALANCER		
12.	LUB. OIL SYSTEM		
13.	LUB. OIL LINE		
14.	COOLING WATER SYSTEM		
15.	FUEL INJECTION PUMP		
16.	GOVERNOR		
17.	FUEL INJECTION VALVE		
18.	FUEL LINE		
19.	STARTING MOTOR		
20.	GENERATOR		
21.	ELECTRIC PARTS		

Fig.1. CYLINDER BLOCK

(A)=4TNV98T-ZMRFQ

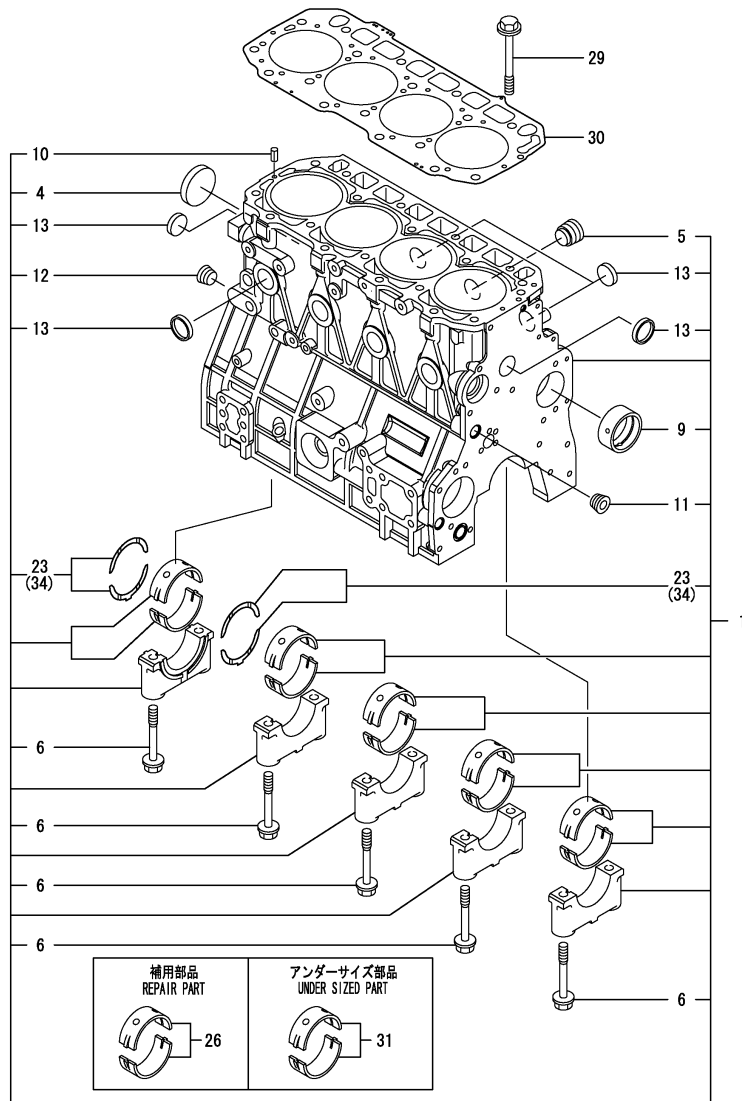
(B)=

(C)=

(D)=

(E)=

(F)=



No.	Lev.	Parts No.	Description	Q'ty						I	R
				(A)	(B)	(C)	(D)	(E)	(F)		
1	1	729973-01560	BLOCK ASSY, CYLINDER	1							
4	2	129900-01250	PLUG, 55	1							
5	2	171051-01921	PLUG, NPTF1	1							
6	2	129900-02020	BOLT, METAL CAP	10							
9	2	129900-02410	BUSH, CAMSHAFT	1							
10	2	22351-060012	PIN, SPRING 6.0X12	2							
11	2	23876-030000	PLUG, R03	1							
12	2	23876-030000	PLUG, R03	1							
13	2	27241-300000	PLUG 30	8							
23	2	129900-02931	BEARING, THRUST	2							
26	1	729900-02801	BEARING, MAIN	5							3
29	1	129900-01200	BOLT, HEAD	18							
30	1	129907-01331	GASKET, HEAD	1							
31	1	129900-02341	BEARING, 0.25 US	5							1
34	1	129900-02941	BEARING, THRUST 0.25	2							2

Remarks

(1) UNDER-SIZE(U.S=0.25)PART.

(2) OVER-SIZE(O.S=0.25)PART.

(3) REPAIR PART.

(REMARKS)"EFFECTIVE MACHINE NO." OF ENGINE IS INDICATED ON THE ENGINE LABEL WHICH IS SHOWN IN FIG.4.

Fig.2. GEAR HOUSING

(A)=4TNV98T-ZMRFQ

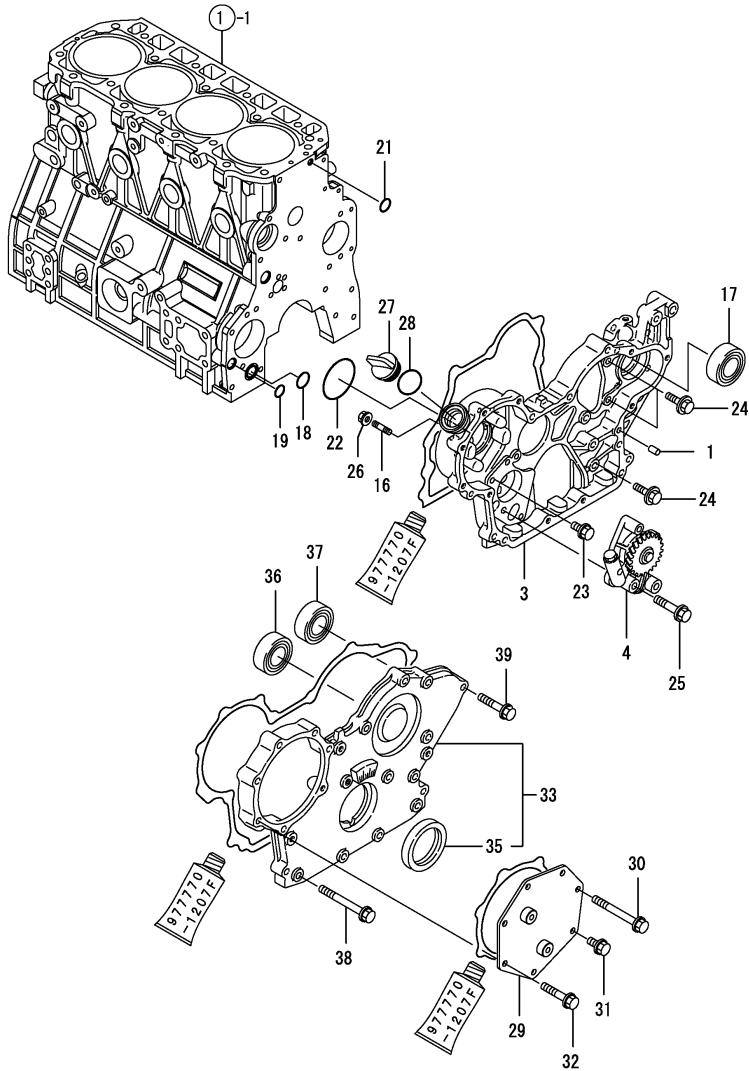
(B)=

(C)=

(D)=

(E)=

(F)=



No.	Lev.	Parts No.	Description	Q'ty						I	R
				(A)	(B)	(C)	(D)	(E)	(F)		
1	1	129100-01580	PIN, M8X16	4							
3	1	129908-01520	CASE, GEAR	1							
4	1	129908-32060	PUMP ASSY, OIL	1							
16	1	26216-100302	STUD, M10X 30	4							
17	1	129900-26250	BEARING, BALL 6206C3	1							
18	1	129900-32030	O-RING, P20	1							
19	1	129900-32040	O-RING, P14	1							
21	1	24311-000070	O-RING, 1AP7.0	1							
22	1	24351-030750	O-RING, 1A3075	1							
23	1	26106-080162	BOLT, M8X 16 PLATED	1							
24	1	26106-080202	BOLT, M8X 20 PLATED	3							
25	1	26106-080452	BOLT, M8X 45 PLATED	3							
26	1	26306-100002	NUT, M10	4							
27	1	124160-01751	COVER, FILLER	1							
28	1	24311-000320	O-RING, 1AP32.0	1							
29	1	129973-42361	SUPPORT, PULLEY	1							
30	1	129001-91820	BOLT, M8X75	1							
31	1	26106-080202	BOLT, M8X 20 PLATED	1							
32	1	26106-080452	BOLT, M8X 45 PLATED	5							
33	1	729906-01550	COVER ASSY,GEAR CASE	1							
35	2	129916-01800	SEAL, OIL	1							
36	1	129900-14140	BEARING, BALL 6205	1							
37	1	129900-26250	BEARING, BALL 6206C3	1							
38	1	129001-91810	BOLT, M8X70	6							
39	1	26106-080402	BOLT, M8X 40 PLATED	5							

Remarks  
 (REMARKS)"EFFECTIVE MACHINE NO." OF  
 ENGINE IS INDICATED ON THE  
 ENGINE LABEL WHICH IS SHOWN  
 IN FIG.4.

Fig.3. MOUNTING FLANGE & OIL SUMP

(A)=4TNV98T-ZMRFQ

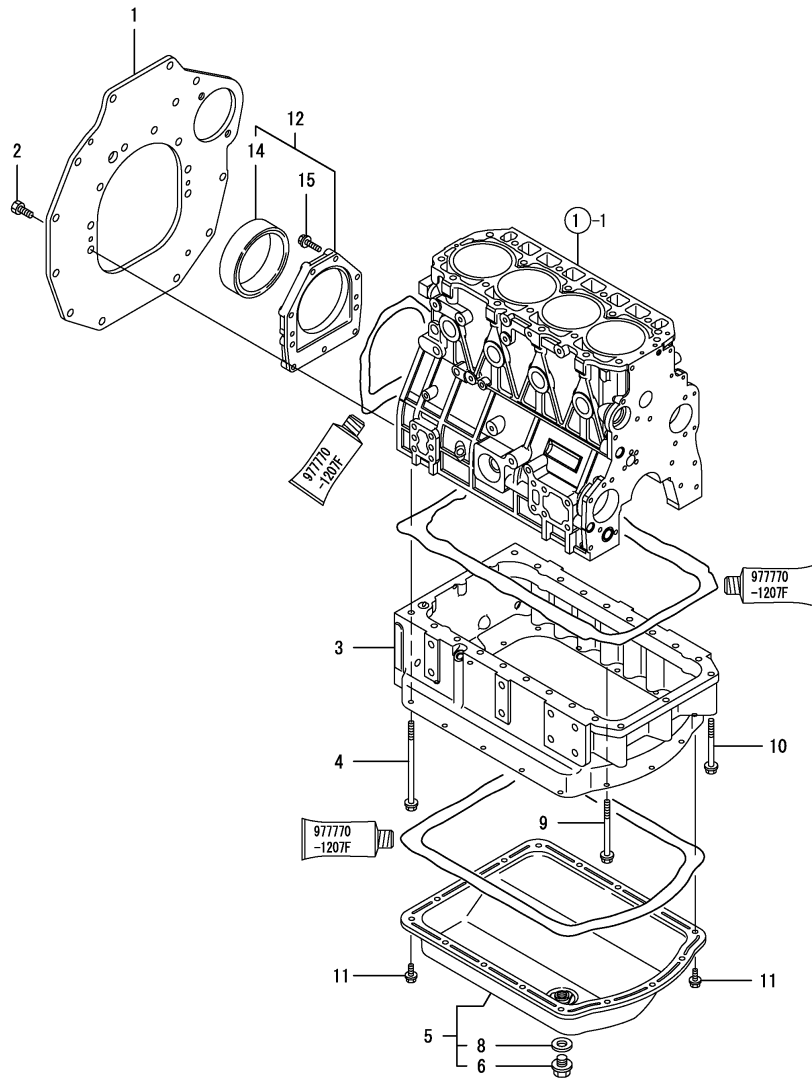
(B)=

(C)=

(D)=

(E)=

(F)=



No.	Lev.	Parts No.	Description	Qty						I	R
				(A)	(B)	(C)	(D)	(E)	(F)		
1	1	129956-01602	FLANGE, MOUNTING	1							
2	1	26116-100202	BOLT, M10X 20 PLATED	9							
3	1	129956-01700	SUMP, OIL	1							
4	1	129972-01731	BOLT, M8X150	2							
5	1	129956-01740	COVER ASSY, OIL SUMP	1							
6	2	105425-01690	PLUG, 16	1							
8	2	22190-160002	WASHER, SEAL 16	1							
9	1	129693-44310	BOLT	16							
10	1	129001-91841	BOLT, M8X85	3							
11	1	26106-080122	BOLT, M8X 12 PLATED	16							
12	1	129956-01640	CASE ASSY, OIL SEAL	1							
14	2	124411-01780	SEAL, HTC95X115X12	1							
15	1	26106-080302	BOLT, M8X 30 PLATED	9							

Remarks  
 (REMARKS)"EFFECTIVE MACHINE NO." OF  
 ENGINE IS INDICATED ON THE  
 ENGINE LABEL WHICH IS SHOWN  
 IN FIG.4.

Fig.4. CYLINDER HEAD & BONNET

(A)=4TNV98T-ZMRFQ

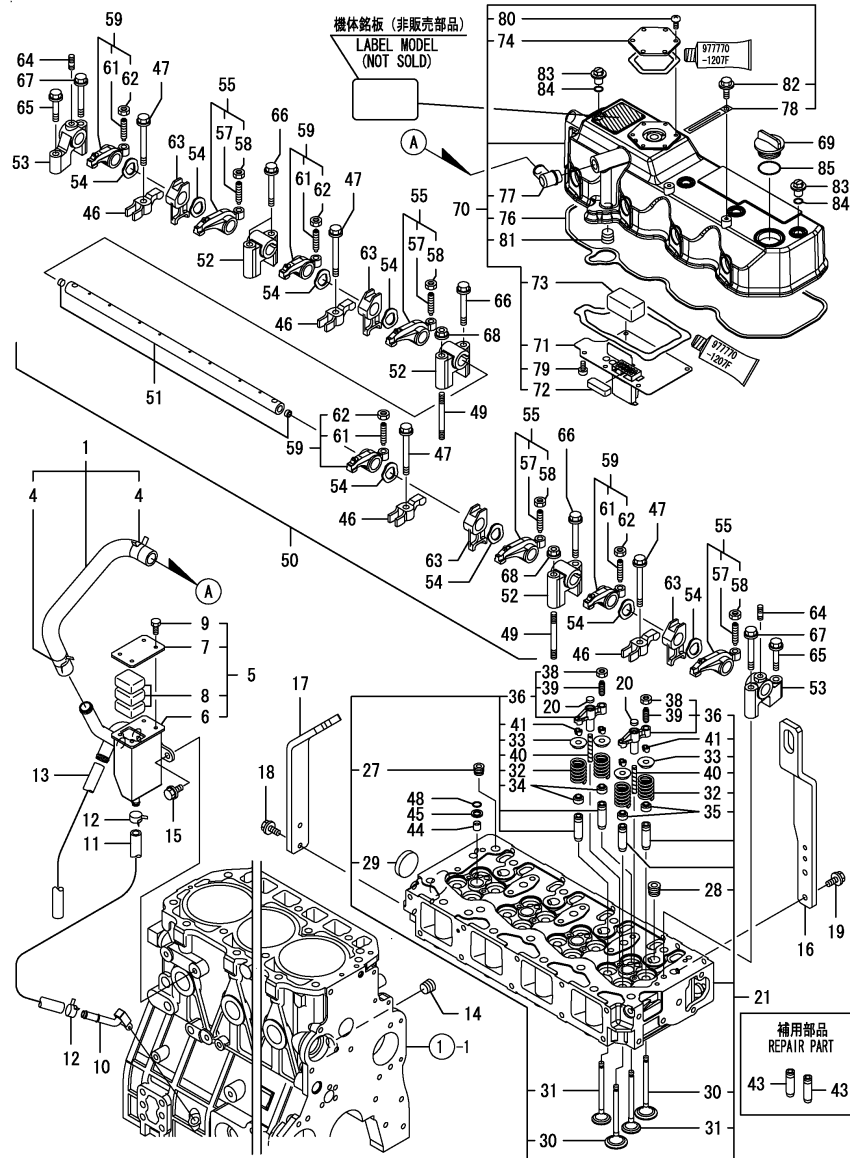
(B)=

(C)=

(D)=

(E)=

(F)=



No.	Lev.	Parts No.	Description	Q'ty						I	R
				(A)	(B)	(C)	(D)	(E)	(F)		
1	1	129973-03010	HOSE ASSY, BREATHER	1							
4	2	129410-03990	CLIP	2							
5	1	129972-03200	SEPARATOR ASSY, MIST	1							
6	2	129972-03210	SEPARATOR, MIST	1							
7	2	129972-03220	COVER, SEPARATOR	1							
8	2	123901-03240	FILTER	3							
9	2	26116-050102	BOLT, M5X 10 PLATED	4							
10	1	129972-03280	JOINT, BREATHER	1							
11	1	129972-03310	HOSE	1							
12	1	23000-022000	CLAMP, 22	2							
13	1	23065-160500	PIPE, 16X 500	1							
14	1	23876-030000	PLUG, R03	1							
15	1	26106-080142	BOLT, M8X 14 PLATED	2							
16	1	129973-07900	LIFTER	1							
17	1	129956-07911	LIFTER	1							
18	1	26106-080202	BOLT, M8X 20 PLATED	2							
19	1	26106-080202	BOLT, M8X 20 PLATED	2							
20	1	123907-11550	SEAT, VALVE BRIDGE	8							
21	1	129928-11700	HEAD ASSY, CYLINDER	1							
27	2	23876-020000	PLUG, R02	1							
28	2	23876-030000	PLUG, R03	4							
29	2	27241-400000	PLUG, 40	1							
30	2	129907-11100	VALVE, INTAKE	8							
31	2	129907-11110	VALVE, EXHAUST	8							
32	2	129907-11120	SPRING, VALVE	16							
33	2	119620-11180	RETAINER, SPRING	16							
34	2	119803-11340	SEAL, VALVE STEM	8							
35	2	124160-11340	SEAL, VALVE STEM	8							
36	2	129907-11510	BRIDGE ASSY, VALVE	8							
38	3	129150-11750	NUT, M8	8							
39	3	123907-11830	ADJUSTER	8							
40	2	123907-11820	GUIDE	8							
41	2	27310-070001	COTTER, 7	16							
43	1	129907-11800	GUIDE, VALVE	16							1
44	1	119802-11870	PROTECTOR, NOZZLE	4							
45	1	119625-11880	SEAT, NOZZLE	4							
46	1	129907-11910	RETAINER, NOZZLE	4							
47	1	129907-11950	BOLT, M8X75	4							
48	1	24311-000120	O-RING, 1AP12.0	4							
49	1	119593-11301	STUD, M8X80	2							
50	1	129907-11341	SHAFT ASSY, ROCKER	1							
51	2	129907-11250	SHAFT, ROCKER ARM	1							
52	2	129907-11260	SUPPORT, ROCKER ARM	3							
53	2	129907-11270	SUPPORT, ROCKER ARM	2							
54	2	123907-11280	WASHER	8							
55	2	129907-11650	ARM, ROCKER	4							
57	3	129150-11230	SCREW, VALVE ADJUST	4							
58	3	129150-11750	NUT, M8	4							
59	2	129907-11660	ARM, ROCKER	4							
61	3	129150-11230	SCREW, VALVE ADJUST	4							
62	3	129150-11750	NUT, M8	4							

Remarks  
 (1) REPAIR PART.  
 (REMARKS)"EFFECTIVE MACHINE NO." OF  
 ENGINE IS INDICATED ON THE  
 ENGINE LABEL WHICH IS SHOWN  
 IN FIG.4.

Fig.4. CYLINDER HEAD & BONNET

(A)=4TNV98T-ZMRFQ

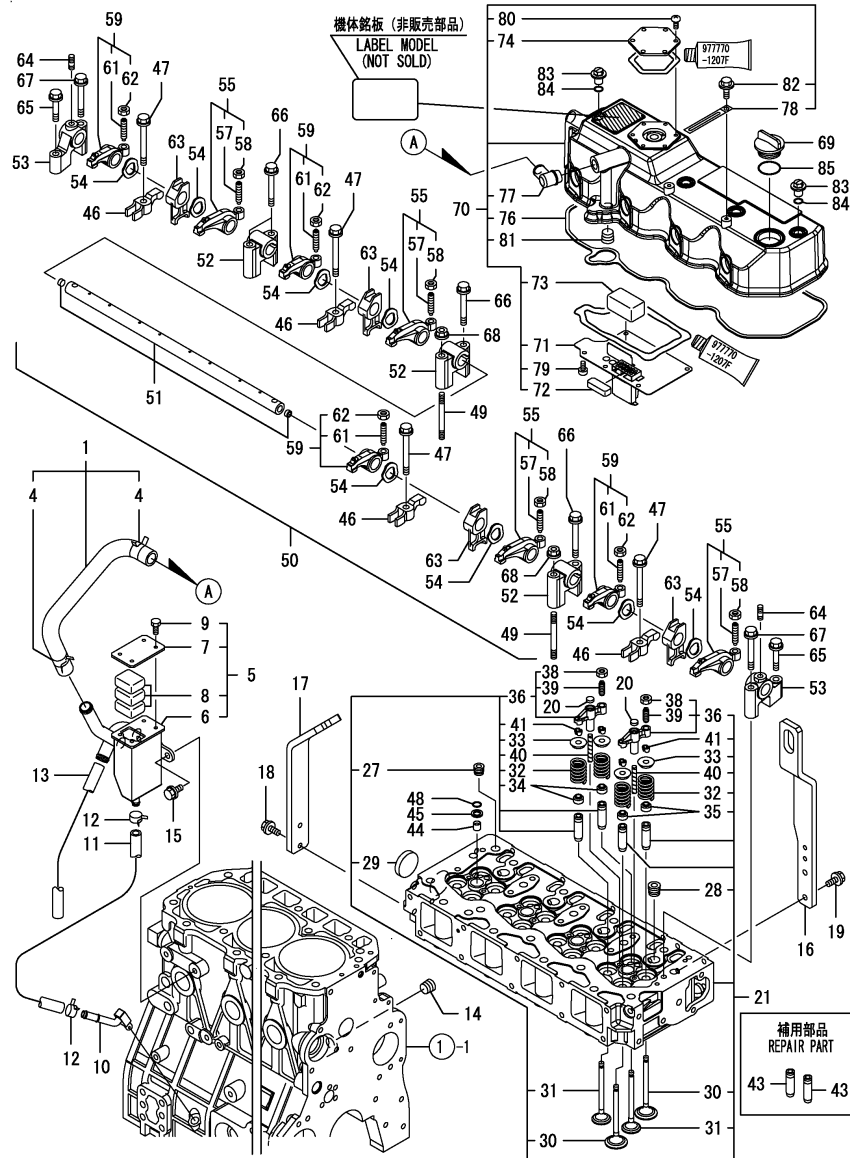
(B)=

(C)=

(D)=

(E)=

(F)=



No.	Lev.	Parts No.	Description	Q'ty						I	R
				(A)	(B)	(C)	(D)	(E)	(F)		
63	2	129907-11920	RETAINER	4							
64	2	26226-080222	STUD, M8X 22	2							
65	1	26106-080402	BOLT, M8X 40 PLATED	2							
66	1	26106-080602	BOLT, M8X 60 PLATED	4							
67	1	26106-080602	BOLT, M8X 60 PLATED	2							
68	1	26306-080002	NUT, M8	2							
69	1	124160-01751	COVER, FILLER	1							
70	1	129973-11320	BONNET ASSY, HEAD	1							
71	2	129907-03011	PLATE	1							
72	2	129907-03061	BAFFLE, BREATHER	1							
73	2	129907-03070	BAFFLE, BREATHER	1							
74	2	123908-03199	PLATE, BREATHER	1							
76	2	129933-11310	GASKET, BONNET	1							
77	2	119100-11330	ELBOW	1							
78	2	129509-79700	CLIP	1							
79	2	22857-500100	SCREW, 5X10	6							
80	2	22857-500120	SCREW, 5X12	6							
81	2	23876-030000	PLUG, R03	1							
82	2	26106-060122	BOLT, M6X 12 PLATED	1							
83	1	124160-11360	KNOB	4							
84	1	24311-000120	O-RING, 1AP12.0	4							
85	1	24311-000320	O-RING, 1AP32.0	1							

Remarks

(1) REPAIR PART.  
 (REMARKS)"EFFECTIVE MACHINE NO." OF  
 ENGINE IS INDICATED ON THE  
 ENGINE LABEL WHICH IS SHOWN  
 IN FIG.4.



Fig.5. SUCTION MANIFOLD

(A)=4TNV98T-ZMRFQ

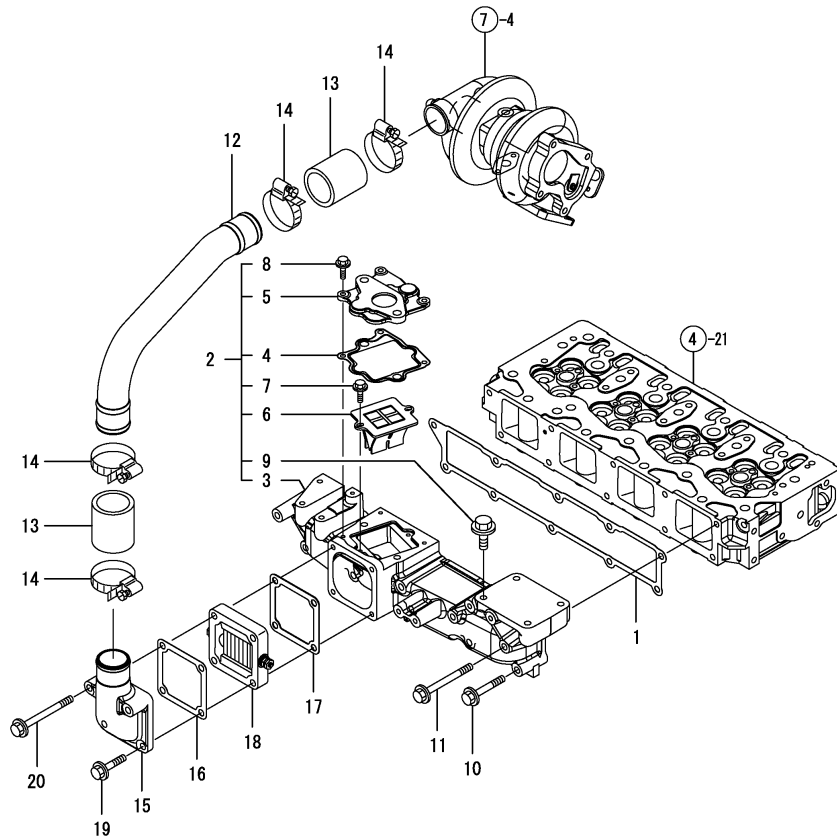
(B)=

(C)=

(D)=

(E)=

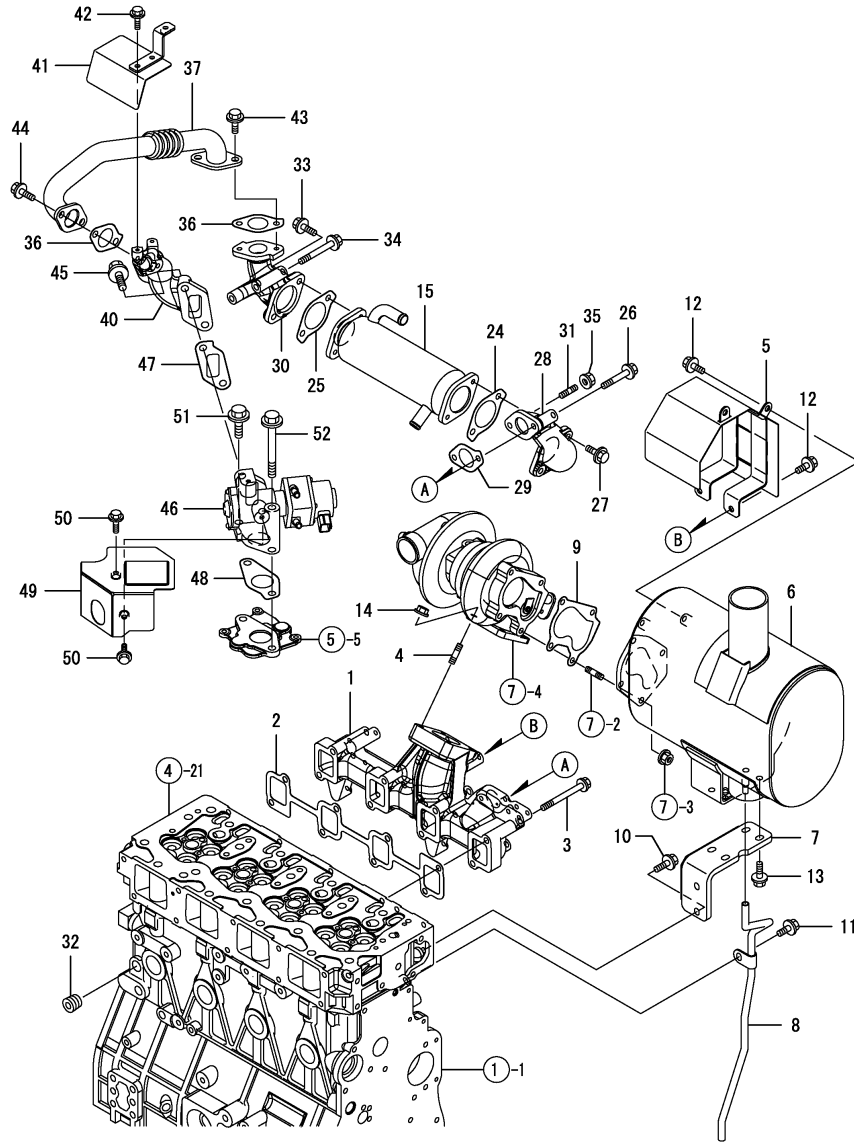
(F)=



No.	Lev.	Parts No.	Description	Q'ty						I	R
				(A)	(B)	(C)	(D)	(E)	(F)		
1	1	129907-12110	GASKET, MANIFOLD	1							
2	1	129973-12160	MANIFOLD ASSY,INTAKE	1							
3	2	129973-12100	MANIFOLD, AIR INTAKE	1							
4	2	129973-12110	GASKET	1							
5	2	129973-12200	SPACER	1							
6	2	129928-13700	VALVE	1							
7	2	26106-060142	BOLT, M6X 14 PLATED	2							
8	2	26106-060182	BOLT, M6X 18 PLATED	3							
9	2	26106-100162	BOLT, M10X 16 PLATED	1							
10	1	26106-080552	BOLT, M8X 55 PLATED	5							
11	1	26106-080852	BOLT, M8X 85 PLATED	5							
12	1	129973-18200	DUCT, AIR	1							
13	1	123951-18220	JOINT, RUBBER	2							
14	1	23000-054000	CLAMP, 54	4							
15	1	129973-12850	BEND, INTAKE	1							
16	1	119129-77020	GASKET	1							
17	1	121850-77021	GASKET	1							
18	1	119005-77051	HEATER	1							
19	1	26106-080402	BOLT, M8X 40 PLATED	2							
20	1	26106-080702	BOLT, M8X 70 PLATED	2							

Remarks  
 (REMARKS)"EFFECTIVE MACHINE NO." OF  
 ENGINE IS INDICATED ON THE  
 ENGINE LABEL WHICH IS SHOWN  
 IN FIG.4.

Fig.6. EXHAUST MANIFOLD & SILENCER



(A)=4TNV98T-ZMRFQ  
(B)=  
(C)=

(D)=  
(E)=  
(F)=

No.	Lev.	Parts No.	Description	Q'ty						I	R
				(A)	(B)	(C)	(D)	(E)	(F)		
1	1	129973-13100	MANIFOLD, EXHAUST	1							
2	1	129900-13251	GASKET	1							
3	1	123900-13630	BOLT, M8X80	8							
4	1	129418-18320	STUD, M8X20	4							
5	1	129973-13420	COVER, TURBINE	1							
6	1	129972-13501	SILENCER	1							
7	1	129973-13650	STAY, SILENCER	1							
8	1	129973-13950	PIPE, WATER DRAIN	1							
9	1	123901-18080	GASKET	1							
10	1	26014-080222	BOLT, M8X 22	2							
11	1	26106-080102	BOLT, M8X 10 PLATED	1							
12	1	26106-080102	BOLT, M8X 10 PLATED	4							
13	1	26106-080252	BOLT, M8X 25 PLATED	4							
14	1	26306-080002	NUT, M8	4							
15	1	129973-13400	COOLER, EGR	1							
24	1	129928-13410	GASKET	1							
25	1	129928-13410	GASKET	1							
26	1	119802-13620	BOLT, M8X50	1							
27	1	119802-13790	BOLT, M8X25 10.9T	2							
28	1	129973-13800	BEND	1							
28-1	1	129973-13801	BEND,EGR COOLER IN	1							N
(A=EZZZZZ)											
29	1	129927-13810	GASKET	1							
30	1	129973-13810	BEND	1							
30-1	1	129973-13811	BEND,EGR COOLER OUT	1							N
(A=EZZZZZ)											
31	1	129418-18320	STUD, M8X20	1							
32	1	23876-030000	PLUG, R03	1							
33	1	26106-080222	BOLT, M8X 22 PLATED	2							
34	1	26106-080652	BOLT, M8X 65 PLATED	2							
35	1	26306-080002	NUT, M8	1							
36	1	129927-13810	GASKET	2							
37	1	129973-13820	PIPE ASSY	1							
40	1	129973-13840	PIPE	1							
41	1	129973-13850	COVER	1							
42	1	26106-060102	BOLT, M6X 10 PLATED	2							
43	1	26106-080162	BOLT, M8X 16 PLATED	2							
44	1	26106-080162	BOLT, M8X 16 PLATED	2							
45	1	26106-100302	BOLT, M10X 30 PLATED	2							
46	1	129927-13900	VALVE	1							
47	1	129927-13910	GASKET	1							
48	1	129927-13920	GASKET	1							
49	1	129973-13960	COVER	1							
50	1	26106-060162	BOLT, M6X 16 PLATED	2							
51	1	26106-100402	BOLT, M10X 40 PLATED	1							
52	1	26106-101052	BOLT, M10X105 PLATED	1							

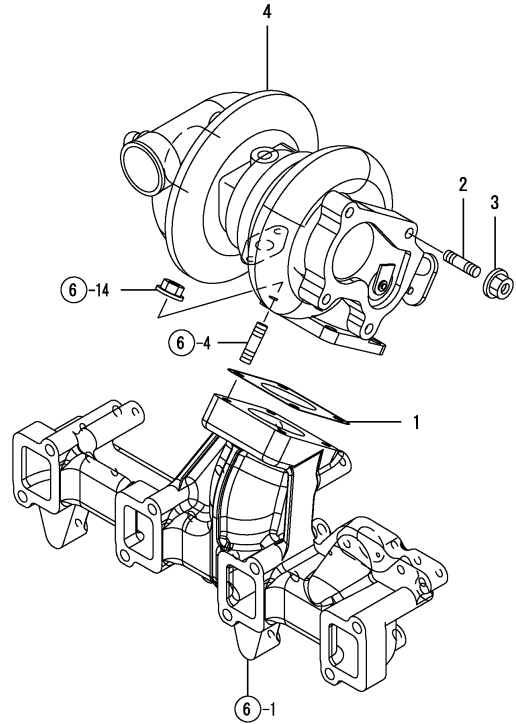
Remarks  
(REMARKS)"EFFECTIVE MACHINE NO." OF  
ENGINE IS INDICATED ON THE  
ENGINE LABEL WHICH IS SHOWN  
IN FIG.4.

Fig.7. TURBINE

(A)=4TNV98T-ZMRFQ  
(B)=  
(C)=

(D)=  
(E)=  
(F)=

No.	Lev.	Parts No.	Description	Q'ty						I	R
				(A)	(B)	(C)	(D)	(E)	(F)		
1	1	129472-18090	GASKET	1							
2	1	119131-18320	STUD, M8X22	4							
3	1	26306-080002	NUT, M8	4							
4	1	129935-18010	TURBINE, RHF5	1							

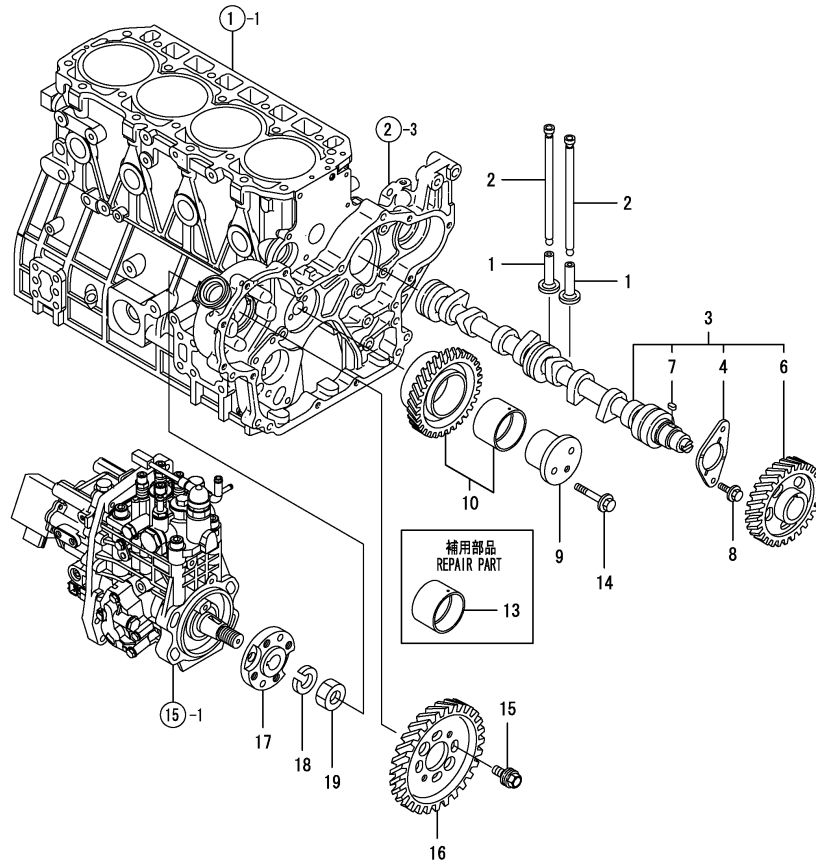


Remarks  
(REMARKS)"EFFECTIVE MACHINE NO." OF  
ENGINE IS INDICATED ON THE  
ENGINE LABEL WHICH IS SHOWN  
IN FIG.4.

Fig.8. CAMSHAFT & DRIVING GEAR

(A)=4TNV98T-ZMRFQ  
(B)=  
(C)=

(D)=  
(E)=  
(F)=



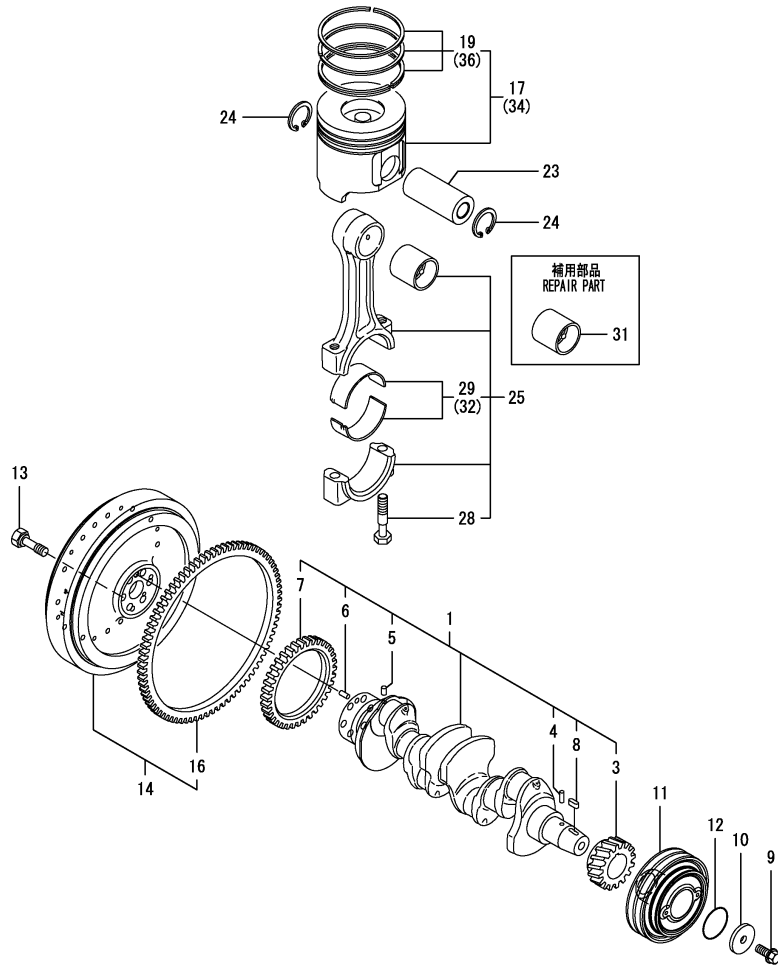
No.	Lev.	Parts No.	Description	Q'ty						I	R
				(A)	(B)	(C)	(D)	(E)	(F)		
1	1	129150-14200	TAPPET	8							
2	1	129907-14400	ROD, PUSH	8							
3	1	129908-14581	CAMSHAFT ASSY	1							
4	2	129150-02450	BEARING, THRUST	1							
6	2	129900-14100	GEAR, CAMSHAFT	1							
7	2	22512-070140	KEY, 7X 14	1							
8	1	26106-080162	BOLT, M8X 16 PLATED	2							
9	1	123900-25060	SHAFT, IDLE GEAR	1							
10	1	129900-25100	GEAR ASSY, IDLE	1							
13	1	129150-25920	BUSH, IDLE GEAR	1							1
14	1	26106-080552	BOLT, M8X 55 PLATED	3							
15	1	129953-25300	BOLT	4							
16	1	129907-25900	GEAR, PUMP	1							
17	1	158563-51150	FLANGE	1							
18	1	22217-180000	WASHER, SPRING 18	1							
19	1	26776-180002	NUT, LOCK M18	1							

Remarks  
(1) REPAIR PART.  
(REMARKS)"EFFECTIVE MACHINE NO." OF ENGINE IS INDICATED ON THE ENGINE LABEL WHICH IS SHOWN IN FIG.4.

Fig.9. CRANKSHAFT & PISTON

(A)=4TNV98T-ZMRFQ  
(B)=  
(C)=

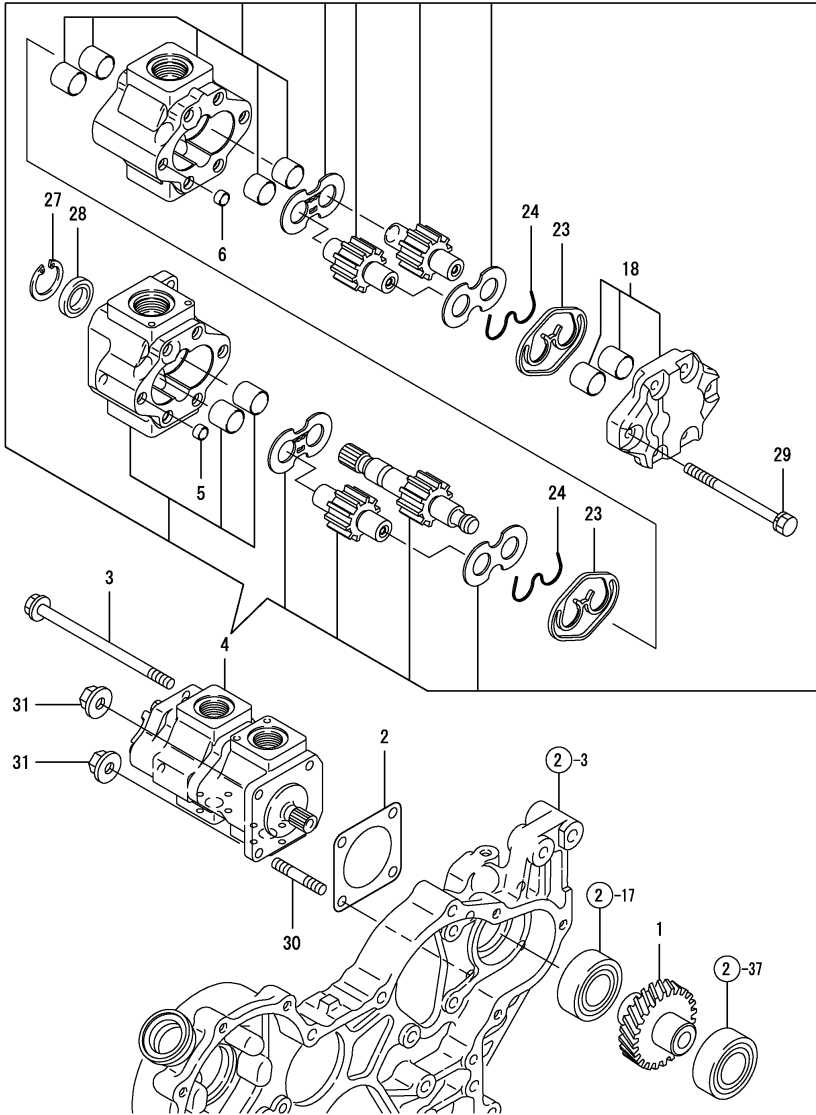
(D)=  
(E)=  
(F)=



No.	Lev.	Parts No.	Description	Q'ty						I	R
				(A)	(B)	(C)	(D)	(E)	(F)		
1	1	129956-21000	CRANKSHAFT ASSY	1							
3	2	129900-21200	GEAR, CRANKSHAFT	1							
4	2	121850-21290	PIN	1							
5	2	121850-21290	PIN	1							
6	2	121850-21920	PIN, M10X22	1							
7	2	129956-28321	GEAR, BALANCER	1							
8	2	22512-070140	KEY, 7X 14	1							
9	1	129916-21610	BOLT	1							
10	1	129960-21640	WASHER	1							
11	1	129973-21660	V-PULLEY	1							
12	1	24341-000530	O-RING, 1AS53.0	1							
13	1	121850-21130	BOLT, FLYWHEEL	6							
14	1	129972-21570	FLYWHEEL ASSY	1							
16	2	129900-21600	GEAR, RING	1							
17	1	129928-22080	PISTON ASSY	4							
19	2	129927-22050	RING SET, PISTON	4							
23	1	120130-22301	PIN, PISTON	4							
24	1	22252-000300	RING, 30	8							
25	1	129900-23001	ROD ASSY, CONNECTING	4							
28	2	129900-23200	BOLT, CONNECTING ROD	8							
29	2	129900-23601	BEARING, CRANK PIN	4							
31	1	129900-23911	BEARING, PISTON PIN	4							1
32	1	129900-23611	BEARING, 0.25 US	4							2
34	1	729928-22900	PISTON ASSY, 0.25 OS	4							3
36	2	729927-22950	RING SET, 0.25 OS	4							3

Remarks  
 (1) REPAIR PART.  
 (2) UNDER-SIZE(U.S=0.25)PART.  
 (3) OVER-SIZE(O.S=0.25)PART.  
 (REMARKS)"EFFECTIVE MACHINE NO." OF ENGINE IS INDICATED ON THE ENGINE LABEL WHICH IS SHOWN IN FIG.4.

Fig.10. HYDRAULIC PUMP



(A)=4TNV98T-ZMRFQ

(B)=

(C)=

(D)=

(E)=

(F)=

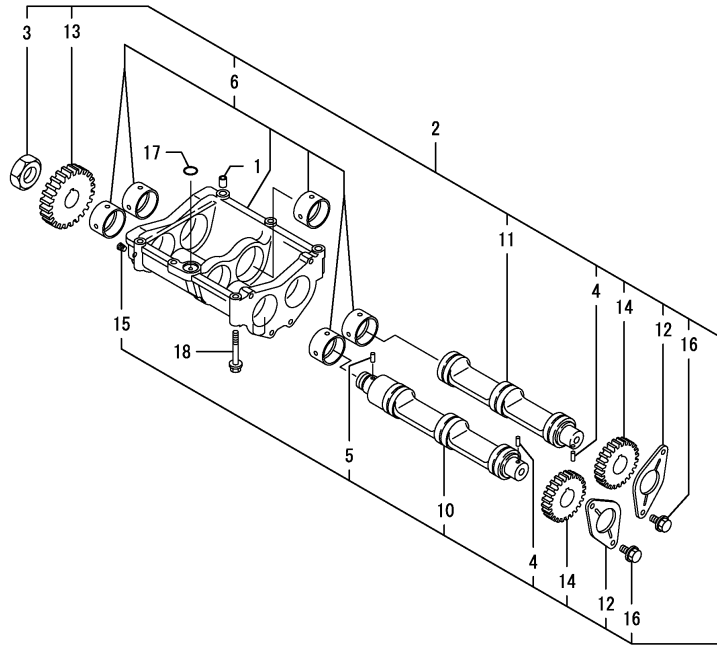
No.	Lev.	Parts No.	Description	Q'ty						I	R
				(A)	(B)	(C)	(D)	(E)	(F)		
1	1	129956-26010	GEAR, PUMP	1							
2	1	124240-01883	GASKET	1							
3	1	129956-26220	BOLT, M8X170	2							
4	1	1A7340-41110	PUMP ASSY, HYDRAULIC	1							
4-1	1	1A7340-41111	HO-P(PWF2-D-16X14AK	1							R
(A=EXXXXX)											
5	2	178077-00500	PIN 11X7	4							
6	2	178077-00500	PIN 11X7	4							
18	2	1680GR-02200	COVER(16X14AK CMP	1							
23	2	178077-15400	SEAL RING	2							
24	2	178077-15410	BACKUP RING	2							
27	2	22252-000320	RING, 32	1							
28	2	24421-183207	SEAL, OIL TC183207	1							
28-1	2	168000-01180	SEAL TCV183207	1							R
(A=EXXXXX)											
29	2	26016-081052	BOLT, M8X105	4							
30	1	26216-080202	STUD, M8X 20	2							
30-1	1	121450-01560	STUD, M8X22	2							N
(A=*2009.06.)											
31	1	26306-080002	NUT, M8	2							

Remarks  
 (REMARKS)"EFFECTIVE MACHINE NO." OF  
 ENGINE IS INDICATED ON THE  
 ENGINE LABEL WHICH IS SHOWN  
 IN FIG.4.

Fig.11. BALANCER

(A)=4TNV98T-ZMRFQ  
(B)=  
(C)=

(D)=  
(E)=  
(F)=



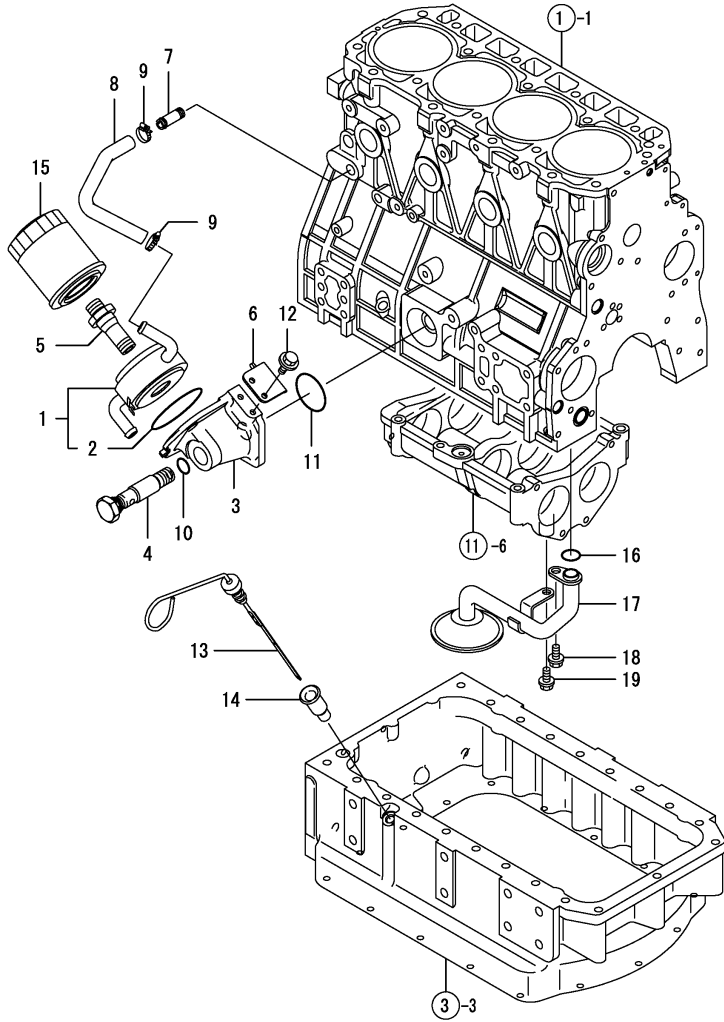
No.	Lev.	Parts No.	Description	Q'ty						I	R
				(A)	(B)	(C)	(D)	(E)	(F)		
1	1	129795-01960	PIPE, KNOCK	2							
2	1	129956-28009	BALANCER ASSY	1							
3	2	128610-14120	NUT, END	1							
4	2	121850-21290	PIN	2							
5	2	121850-21290	PIN	1							
6	2	129956-28019	CASE ASSY, BALANCER	1							
10	2	129956-28101	SHAFT, BALANCER	1							
11	2	129956-28111	SHAFT, BALANCER	1							
12	2	129956-28180	PLATE, THRUST	2							
13	2	129956-28332	GEAR, BALANCER	1							
14	2	129956-28341	GEAR, BALANCER	2							
15	2	23876-005000	PLUG, R005	1							
16	2	26106-080162	BOLT, M8X 16 PLATED	4							
17	1	24311-000200	O-RING, 1AP20.0	1							
18	1	26106-080602	BOLT, M8X 60 PLATED	6							

Remarks  
(REMARKS)"EFFECTIVE MACHINE NO." OF  
ENGINE IS INDICATED ON THE  
ENGINE LABEL WHICH IS SHOWN  
IN FIG.4.

Fig.12. LUB. OIL SYSTEM

(A)=4TNV98T-ZMRFQ  
(B)=  
(C)=

(D)=  
(E)=  
(F)=



No.	Lev.	Parts No.	Description	Q'ty						I	R
				(A)	(B)	(C)	(D)	(E)	(F)		
1	1	129956-33050	COOLER ASSY, OIL	1							
2	2	129957-33050	O-RING	1							
3	1	129956-33101	BRACKET, COOLER	1							
4	1	129956-33110	BOLT	1							
5	1	129956-33120	BOLT, COOLER	1							
6	1	129972-33140	STOPPER	1							
7	1	129122-44480	JOINT	1							
8	1	129956-49172	PIPE, WATER	1							
9	1	23000-022000	CLAMP, 22	2							
10	1	24314-000200	O-RING, 4CP20.0	1							
11	1	24321-000600	O-RING, 1AG60.0	1							
12	1	26106-060142	BOLT, M6X 14 PLATED	2							
13	1	129972-34800	DIPSTICK, OIL	1							
14	1	119860-34810	GUIDE, DIPSTICK	1							
15	1	119005-35170	FILTER, D80X100	1							1
16	1	129900-32030	O-RING, P20	1							
17	1	129956-35000	PIPE ASSY, OIL INLET	1							
18	1	26106-080142	BOLT, M8X 14 PLATED	1							
19	1	26106-080202	BOLT, M8X 20 PLATED	1							

Remarks  
(1) REPAIR PART.



Fig.13. LUB. OIL LINE

(A)=4TNV98T-ZMRFQ

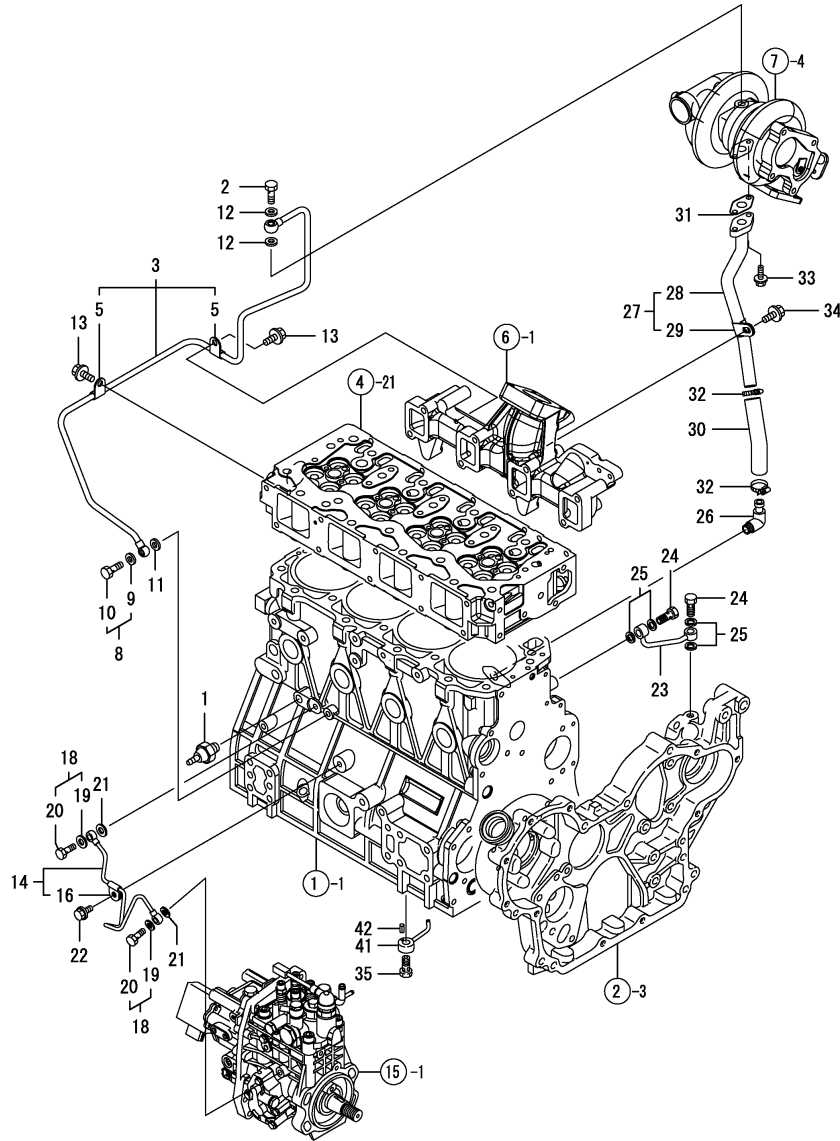
(B)=

(C)=

(D)=

(E)=

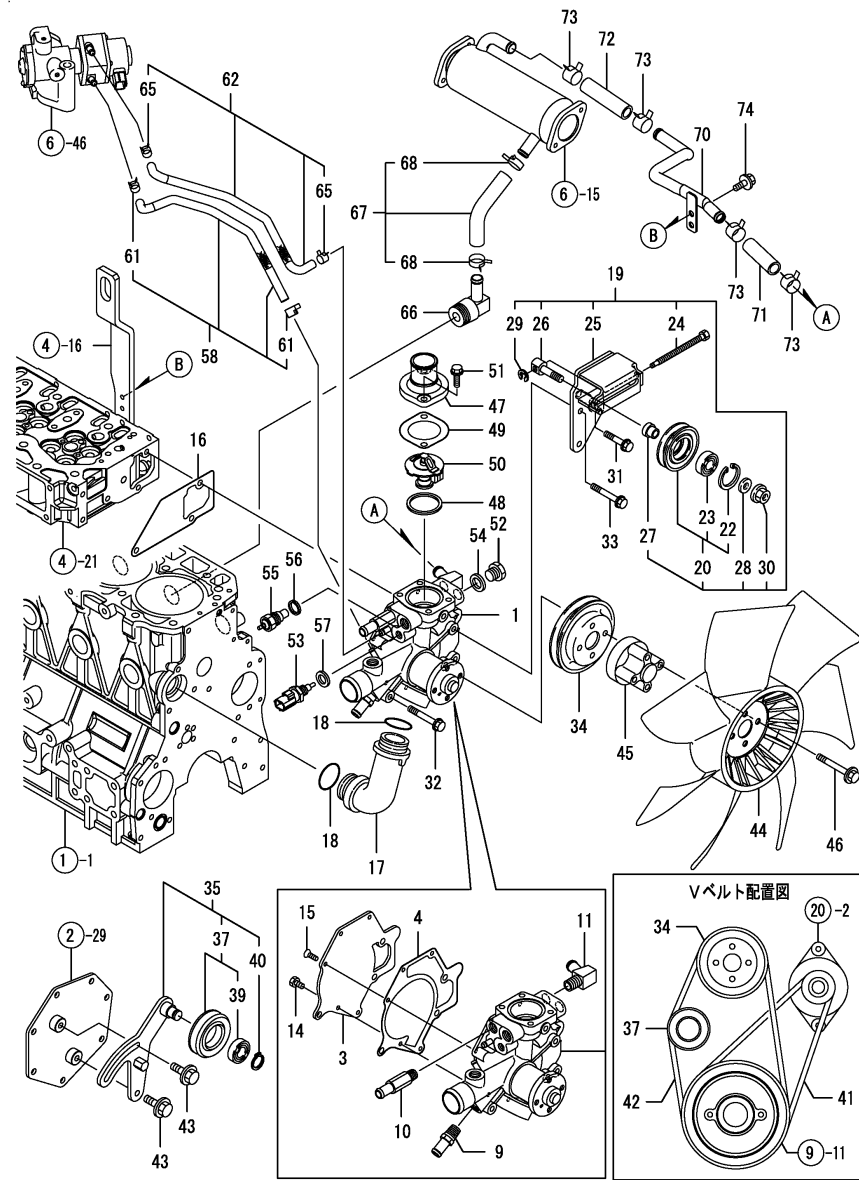
(F)=



No.	Lev.	Parts No.	Description	Q'ty						I	R
				(A)	(B)	(C)	(D)	(E)	(F)		
1	1	114250-39450	SWITCH, 0.5KG	1							
2	1	121252-39150	BOLT, JOINT M10X1.5	1							
3	1	129973-39450	PIPE ASSY, OIL	1							
5	2	124223-39900	RETAINER	2							
8	1	129005-59830	BOLT ASSY, JOINT M8	1							
9	2	22190-080002	WASHER, SEAL 6	1							
10	2	23857-030000	BOLT, JOINT 3	1							
11	1	22190-080002	WASHER, SEAL 6	1							
12	1	23414-100000	GASKET, 10X1.0	2							
13	1	26106-080122	BOLT, M8X 12 PLATED	2							
14	1	129927-39060	PIPE ASSY, OIL	1							
16	2	123907-39500	RETAINER	1							
18	1	129005-59830	BOLT ASSY, JOINT M8	2							
19	2	22190-080002	WASHER, SEAL 6	2							
20	2	23857-030000	BOLT, JOINT 3	2							
21	1	22190-080002	WASHER, SEAL 6	2							
22	1	26106-080122	BOLT, M8X 12 PLATED	1							
23	1	129930-39050	PIPE, OIL	1							
24	1	105010-39140	BOLT, PIPE JOINT	2							
25	1	22190-080002	WASHER, SEAL 6	4							
26	1	124070-13300	ELBOW, PT3/8	1							
27	1	129973-39610	PIPE ASSY, OIL	1							
28	2	129973-39650	PIPE, OIL	1							
29	2	123910-39850	RETAINER	1							
30	1	129973-39640	JOINT	1							
31	1	129908-39690	GASKET	1							
32	1	23000-025000	CLAMP, 25	2							
33	1	26106-060162	BOLT, M6X 16 PLATED	2							
34	1	26106-080122	BOLT, M8X 12 PLATED	1							
35	1	129908-39410	VALVE ASSY, CHECK	4							
41	1	119000-39650	NOZZLE	4							
42	1	22351-030010	PIN, SPRING 3.0X10	4							

Remarks  
 (REMARKS)"EFFECTIVE MACHINE NO." OF  
 ENGINE IS INDICATED ON THE  
 ENGINE LABEL WHICH IS SHOWN  
 IN FIG.4.

Fig.14. COOLING WATER SYSTEM



(A)=4TNV98T-ZMRFQ

(B)=

(C)=

(D)=

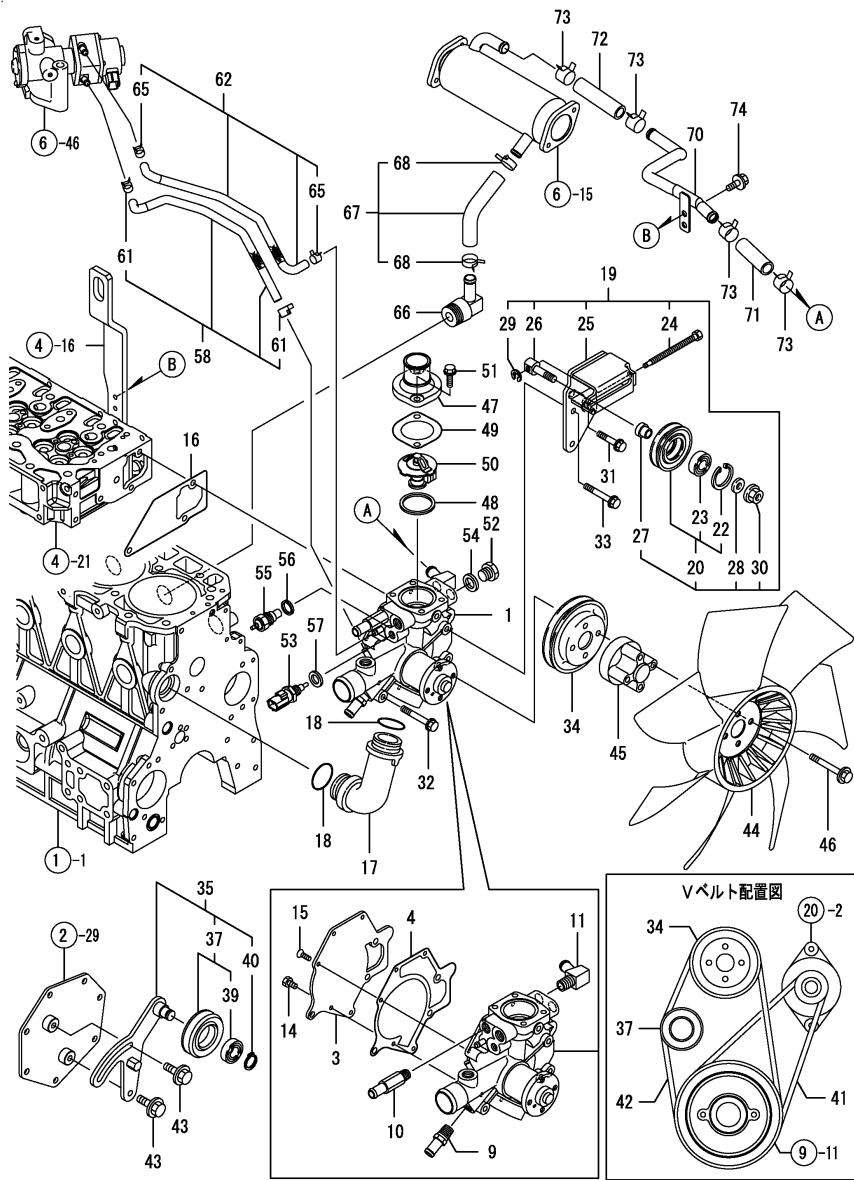
(E)=

(F)=

No.	Lev.	Parts No.	Description	Q'ty						I	R
				(A)	(B)	(C)	(D)	(E)	(F)		
1	1	129973-42010	PUMP ASSY, WATER	1							
3	2	129900-42161	COVER	1							
4	2	129900-42170	GASKET	1							
9	2	129963-49300	JOINT, D14	1							
10	2	129973-49300	JOINT	1							
11	2	129973-49410	ELBOW, R3/8	1							
14	2	26116-060162	BOLT, M6X 16 PLATED	2							
15	2	26577-060162	SCREW, M6X16	3							
16	1	129900-42061	GASKET, WATER PUMP	1							
17	1	129900-42070	PIPE, WATER	1							
18	1	129900-42140	O-RING, P36	2							
19	1	129973-96900	TENSION ASSY, DRIVE	1							
20	2	129973-96200	PULLEY ASSY, TENSION	1							
22	3	22252-000350	RING, 35	1							
23	3	24104-062024	BEARING, BALL 6202UU	1							
24	2	129973-96910	BOLT, ADJUSTING	1							
25	2	129973-96920	BRACKET, PULLEY	1							
26	2	129972-96980	BOLT	1							
27	2	129054-96990	SPACER	1							
28	2	22137-100000	WASHER, 10	1							
29	2	22272-000050	RING, E- 5	1							
30	2	26306-100002	NUT, M10	1							
31	1	26106-080402	BOLT, M8X 40 PLATED	1							
32	1	26106-080552	BOLT, M8X 55 PLATED	1							
33	1	26106-080602	BOLT, M8X 60 PLATED	2							
34	1	129973-42350	V-PULLEY, D=115	1							
35	1	129973-42400	PULLEY ASSY, TENSION	1							
37	2	129457-96200	PULLEY ASSY, TENSION	1							
39	3	24104-062024	BEARING, BALL 6202UU	1							
40	2	22242-000150	RING, 15	1							
41	1	25152-004100	V-BELT, A41	1							
42	1	25152-004300	V-BELT, A43	1							
43	1	26106-100162	BOLT, M10X 16 PLATED	2							
44	1	129907-44740	FAN, COOLING D430X7	1							
45	1	129973-44760	SPACER, FAN 50	1							
46	1	26106-080652	BOLT, M8X 65 PLATED	4							
47	1	129981-49531	COVER, THERMOSTAT	1							
48	1	121850-49550	GASKET, THERMOSTAT	1							
49	1	129900-49560	GASKET	1							
50	1	121850-49800	THERMOSTAT, 82	1							
51	1	26106-080252	BOLT, M8X 25 PLATED	2							
52	1	121450-42450	PLUG, M16	1							
53	1	129927-44900	SENSOR	1							
54	1	124465-44950	GASKET, 16	1							
55	1	124250-49351	SENSOR	1							
56	1	129150-49360	GASKET	1							
57	1	22190-120002	WASHER, SEAL 12	1							
58	1	129973-49610	PIPE ASSY, WATER	1							
61	2	23080-012000	CLAMP, 12	2							
62	1	129973-49620	PIPE ASSY, WATER	1							
65	2	23080-012000	CLAMP, 12	2							

Remarks  
 (REMARKS)"EFFECTIVE MACHINE NO." OF  
 ENGINE IS INDICATED ON THE  
 ENGINE LABEL WHICH IS SHOWN  
 IN FIG.4.

Fig.14. COOLING WATER SYSTEM



(A)=4TNV98T-ZMRFQ

(B)=

(C)=

(D)=

(E)=

(F)=

No.	Lev.	Parts No.	Description	Q'ty						I	R
				(A)	(B)	(C)	(D)	(E)	(F)		
66	1	129973-49100	ELBOW	1							
67	1	129973-49740	PIPE ASSY, WATER	1							
68	2	129960-03990	CLIP, HOSE 22	2							
70	1	129973-49760	PIPE, WATER	1							
71	1	129973-49770	JOINT	1							
72	1	129973-49780	JOINT	1							
73	1	23000-022000	CLAMP, 22	4							
74	1	26106-080122	BOLT, M8X 12 PLATED	2							

Remarks  
 (REMARKS)"EFFECTIVE MACHINE NO." OF  
 ENGINE IS INDICATED ON THE  
 ENGINE LABEL WHICH IS SHOWN  
 IN FIG.4.

Fig.15. FUEL INJECTION PUMP

(A)=4TNV98T-ZMRFQ

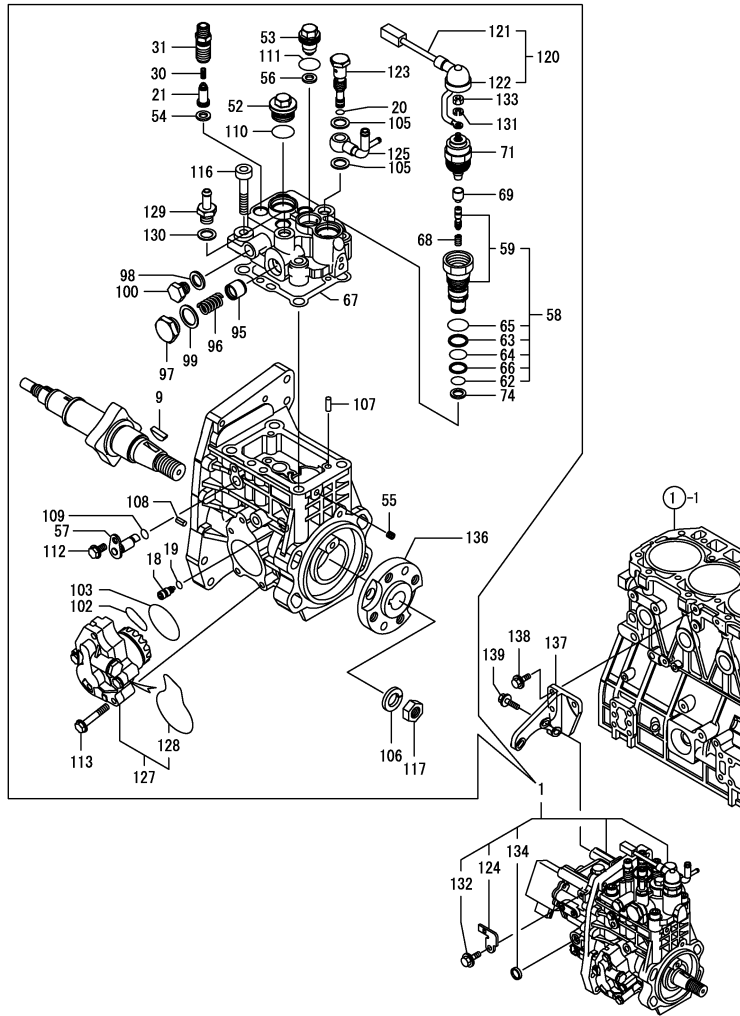
(B)=

(C)=

(D)=

(E)=

(F)=



No.	Lev.	Parts No.	Description	Qty						I	R
				(A)	(B)	(C)	(D)	(E)	(F)		
1	1	729973-51300	PUMP ASSY, INJECTION	1							1
9	2	144626-51090	KEY, 5X19	1							
18	2	158600-51270	STOPPER, TAPPET	1							
19	2	158563-51281	O-RING, 4D S6	1							
20	2	158563-51281	O-RING, 4D S6	1							
21	2	129927-51300	HOLDER ASSY, DELIVERY	4							
30	2	158563-51330	SPRING, DELIVERY	4							
31	2	129928-51340	HOLDER, DELIVERY	4							
52	2	158601-51550	PLUG	1							
53	2	129907-51560	PLUG, BARREL	1							
54	2	158552-51570	GASKET	4							
55	2	158557-51570	PLUG	1							
56	2	129906-51580	GASKET	1							
57	2	158552-51580	LIFTER	1							
58	2	129657-51590	TIMER SET	1							
59	3	129657-51600	TIMER ASSY	1							
62	3	158553-51670	O-RING, 1011	1							
63	3	119802-51680	RING, BACK UP	1							
64	3	119802-51690	O-RING	1							
65	3	24356-010200	O-RING, 4D1020	1							
66	3	24372-000150	RING, BACK UP T2P15	1							
67	2	158560-51600	GASKET	1							
68	2	119852-51630	SPRING, TIMER	1							
69	2	119852-51640	CAP	1							
71	2	119852-51650	VALVE ASSY	1							
74	2	158553-51680	GASKET	1							
95	2	158601-51770	PISTON	1							
96	2	158552-51781	SPRING	1							
97	2	158601-51790	PLUG	1							
98	2	22190-120002	WASHER, SEAL 12	1							
99	2	22190-180002	WASHER, SEAL 18	1							
100	2	23887-120002	PLUG, 12	1							
102	2	158552-52310	O-RING	1							
103	2	158552-52400	O-RING, 4E S42	1							
105	2	22190-120002	WASHER, SEAL 12	2							
106	2	22217-180000	WASHER, SPRING 18	1							
107	2	22312-050140	PIN, PARALLEL M5X14	2							
108	2	22351-050010	PIN, SPRING 5.0X10	2							
109	2	24311-000070	O-RING, 1AP7.0	1							
110	2	24356-010200	O-RING, 4D1020	1							
111	2	24356-020210	O-RING, 4D2021	1							
112	2	26106-060102	BOLT, M6X 10 PLATED	1							
113	2	26106-060352	BOLT, M6X 35 PLATED	4							
116	2	26450-100452	BOLT, M10X 45	4							
117	2	26776-180002	NUT, LOCK M18	1							
120	2	129927-51650	HARNES ASSY, WIRE	1							
121	3	129927-51660	HARNES, WIRE	1							
122	3	129263-77941	CAP, RUBBER	1							
123	2	158601-51650	JOINT, OVER FLOW	1							
124	2	129927-51670	BRACKET	1							
125	2	158552-51670	JOINT, OVER FLOW	1							

Remarks

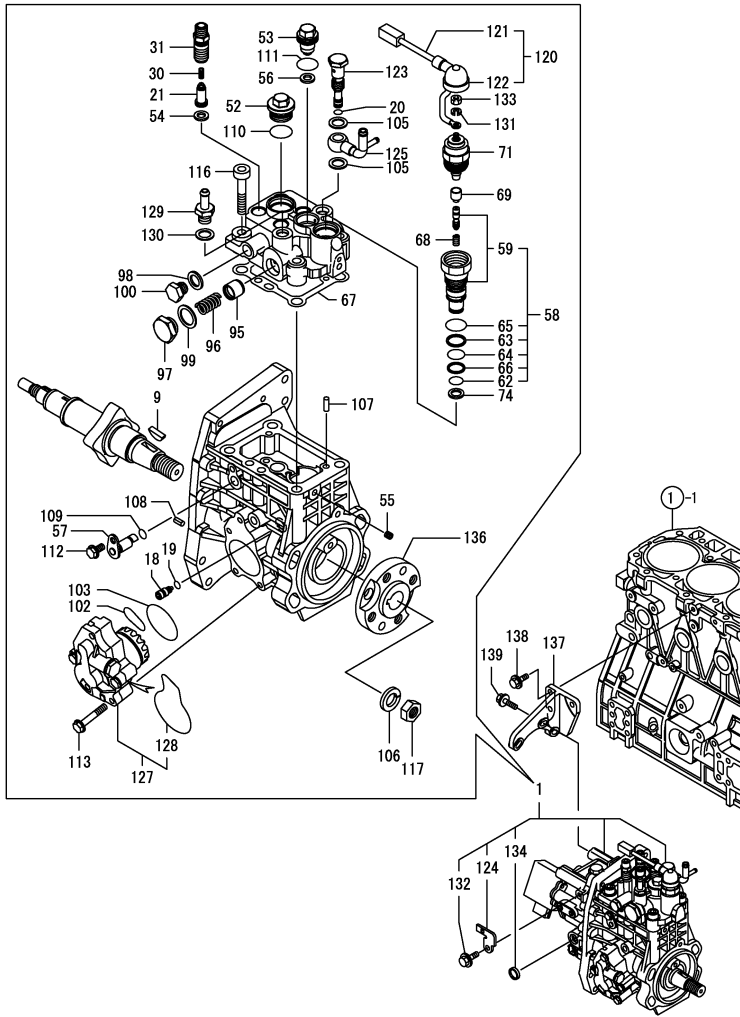
(1) GOVERNOR ASSY(FIG.16) IS INCORPORATED IN THIS FUEL INJECTION PUMP.(REF.NO.1). (REMARKS)"EFFECTIVE MACHINE NO." OF ENGINE IS INDICATED ON THE ENGINE LABEL WHICH IS SHOWN IN FIG.4.

\* ECO PUMP  
MAKE SURE TO UPDATE THE ENGINES ECU INFORMATION WHEN REPLACING THE ECO PUMP.

Fig.15. FUEL INJECTION PUMP

(A)=4TNV98T-ZMRFQ  
(B)=  
(C)=

(D)=  
(E)=  
(F)=



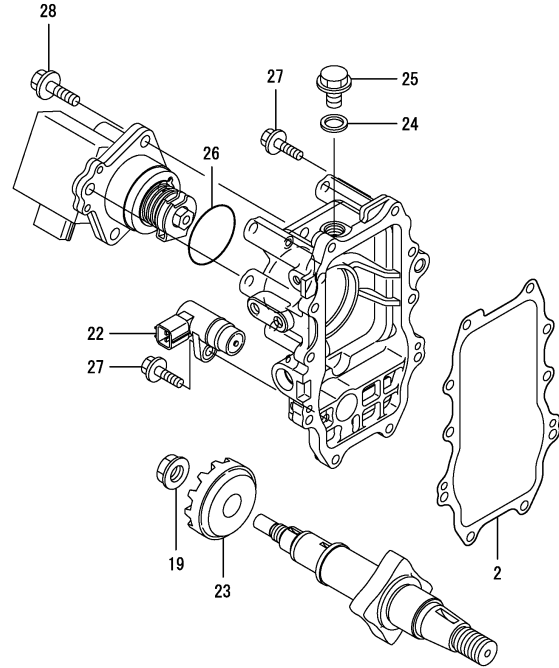
No.	Lev.	Parts No.	Description	Q'ty						I	R
				(A)	(B)	(C)	(D)	(E)	(F)		
127	2	158552-52100	PUMP ASSY, FUEL FEED	1							
128	3	158552-52500	O-RING	1							
129	2	119934-59910	JOINT, PIPE	1							
130	2	22190-120002	WASHER, SEAL 12	1							
131	2	22217-050000	WASHER, SPRING 5	1							
132	2	26106-060122	BOLT, M6X 12 PLATED	1							
133	2	26716-050002	NUT, M5	1							
134	2	27241-160000	PLUG, 16	1							
136	2	158563-51150	FLANGE	1							
137	1	129927-51250	RETAINER, PUMP	1							
138	1	26106-080202	BOLT, M8X 20 PLATED	3							
139	1	26106-080302	BOLT, M8X 30 PLATED	3							

Remarks  
 (1) GOVERNOR ASSY(FIG.16) IS INCORPORATED IN THIS FUEL INJECTION PUMP.(REF.NO.1).  
 (REMARKS)"EFFECTIVE MACHINE NO." OF ENGINE IS INDICATED ON THE ENGINE LABEL WHICH IS SHOWN IN FIG.4.  
 \* ECO PUMP  
 MAKE SURE TO UPDATE THE ENGINES ECU INFORMATION WHEN REPLACING THE ECO PUMP.

Fig.16. GOVERNOR

(A)=4TNV98T-ZMRFQ  
(B)=  
(C)=

(D)=  
(E)=  
(F)=



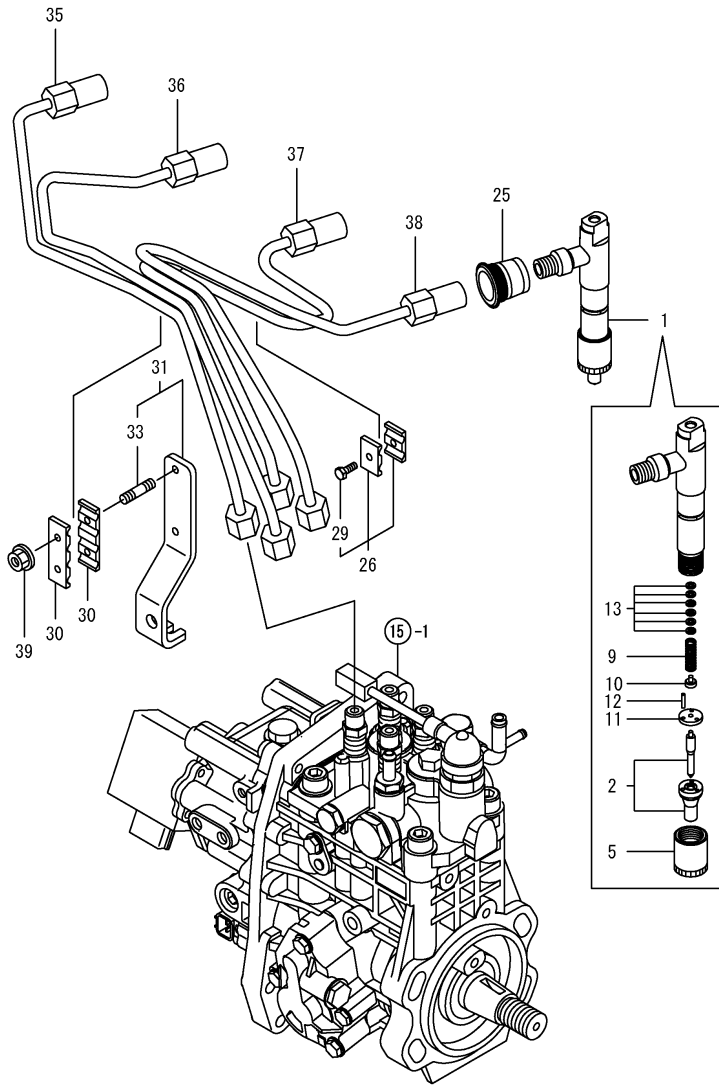
No.	Lev.	Parts No.	Description	Q'ty						I	R
				(A)	(B)	(C)	(D)	(E)	(F)		
2	2	158560-61050	GASKET	1							
19	2	129008-61301	NUT	1							
22	2	158557-61720	SENSOR	1							
23	2	158553-61780	GEAR, SENSOR	1							
24	2	23414-120000	GASKET, 12X1.0	1							
25	2	23887-120002	PLUG, 12	1							
26	2	24341-000480	O-RING, 1AS48.0	1							
27	2	26106-060252	BOLT, M6X 25 PLATED	10							
28	2	26106-080252	BOLT, M8X 25 PLATED	3							

Remarks  
 \* THIS FIGURE(GOVERNOR ASSY)IS  
 INCORPORATED IN THE FUEL INJECTION  
 PUMP ASSY(FIG.15).  
 (REMARKS)"EFFECTIVE MACHINE NO." OF  
 ENGINE IS INDICATED ON THE  
 ENGINE LABEL WHICH IS SHOWN  
 IN FIG.4.

Fig.17. FUEL INJECTION VALVE

(A)=4TNV98T-ZMRFQ  
(B)=  
(C)=

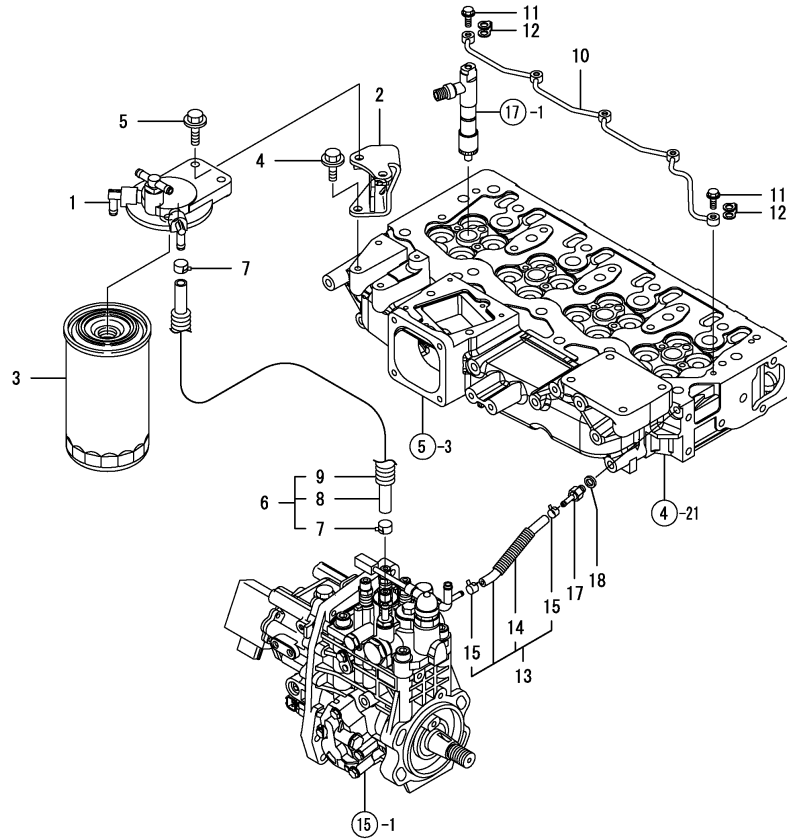
(D)=  
(E)=  
(F)=



No.	Lev.	Parts No.	Description	Qty						I	R
				(A)	(B)	(C)	(D)	(E)	(F)		
1	1	729928-53100	VALVE ASSY,INJECTION	4							
2	2	129928-53000	VALVE ASSY,INJECTION	4							
5	2	114250-53080	NUT, NOZZLE D16.95	4							
9	2	114250-53120	SPRING, NOZZLE	4							
10	2	114250-53130	SEAT, SPRING	4							
11	2	114250-53140	PLATE	4							
12	2	114250-53210	PIN	8							
13	2	114250-53400	SHIM SET	4							
25	1	123907-11601	SEAL	4							
26	1	119305-59120	RETAINER, PIPE	1							
29	2	129150-59131	BOLT, M4X14	1							
30	1	123472-59120	RETAINER, PIPE	2							
31	1	129973-59700	SUPPORT ASSY	1							
33	2	26216-060202	STUD, M6X 20	2							
35	1	129973-59810	PIPE ASSY, INJECTION	1							
36	1	129973-59820	PIPE ASSY, INJECTION	1							
37	1	129973-59830	PIPE ASSY, INJECTION	1							
38	1	129973-59840	PIPE ASSY, INJECTION	1							
39	1	26366-060002	NUT, M6	2							

Remarks  
(REMARKS)"EFFECTIVE MACHINE NO." OF  
ENGINE IS INDICATED ON THE  
ENGINE LABEL WHICH IS SHOWN  
IN FIG.4.

Fig.18. FUEL LINE



(A)=4TNV98T-ZMRFQ  
(B)=  
(C)=

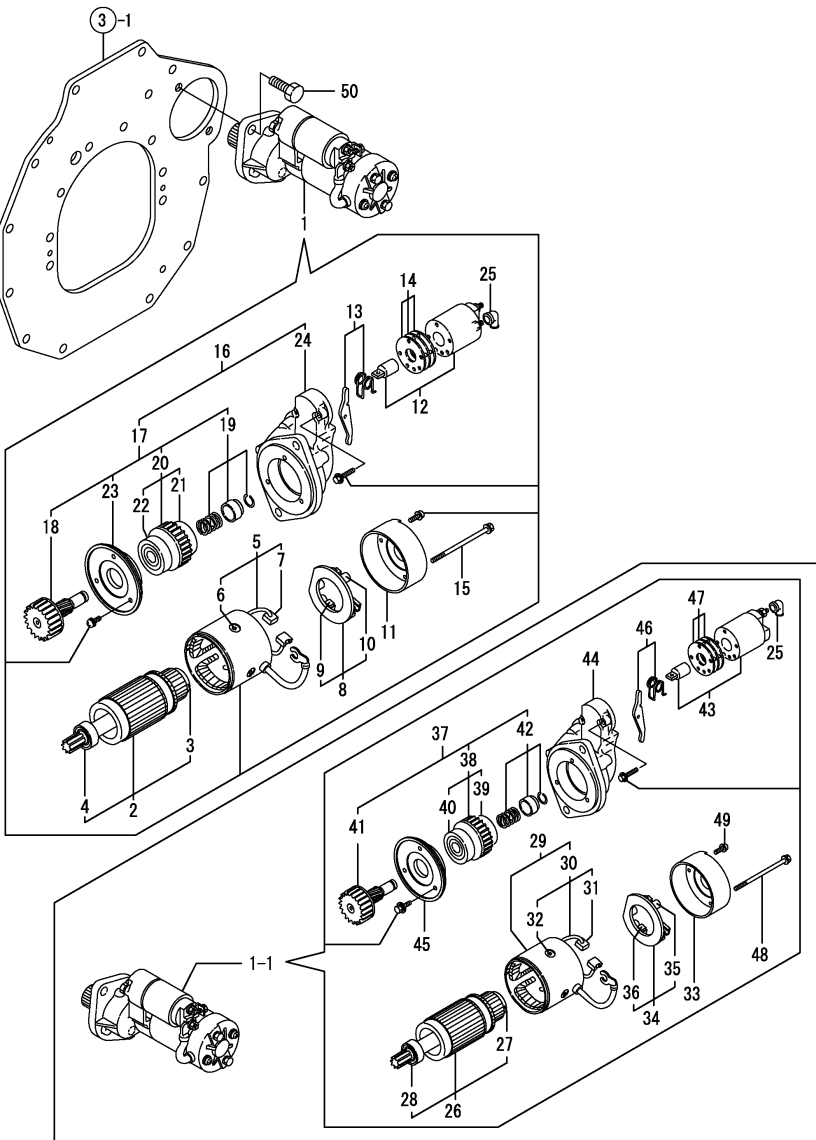
(D)=  
(E)=  
(F)=

No.	Lev.	Parts No.	Description	Q'ty						I	R
				(A)	(B)	(C)	(D)	(E)	(F)		
1	1	119934-55610	BRACKET, FILTER	1							
1-1	1	119934-55611	BRACKET, FILTER	1							N
(A=E67818)											
2	1	129973-55650	STAY, FILTER	1							
3	1	123907-55810	FILTER, FUEL	1							
4	1	26106-080202	BOLT, M8X 20 PLATED	2							
5	1	26106-080302	BOLT, M8X 30 PLATED	2							
6	1	129972-59010	PIPE ASSY, FUEL L420	1							
7	2	124766-59050	CLIP, HOSE 12	2							
8	2	129972-59090	PIPE, FUEL D13X420	1							
9	2	129950-59221	TUBE, CORRUGATED	1							
10	1	129907-59140	PIPE ASSY, RETURN	1							
11	1	123907-59540	BOLT, PIPE JOINT M6	5							
12	1	123907-59550	GASKET	5							
13	1	129927-59550	PIPE ASSY, RETURN	1							
14	2	129263-49750	TUBE, CORRUGATED	1							
15	2	124722-59050	CLIP, HOSE 9	2							
17	1	123907-59560	JOINT	1							
18	1	22190-080002	WASHER, SEAL 6	1							

Remarks  
(REMARKS)"EFFECTIVE MACHINE NO." OF  
ENGINE IS INDICATED ON THE  
ENGINE LABEL WHICH IS SHOWN  
IN FIG.4.



Fig.19. STARTING MOTOR



(A)=4TNV98T-ZMRFQ  
(B)=  
(C)=

(D)=  
(E)=  
(F)=

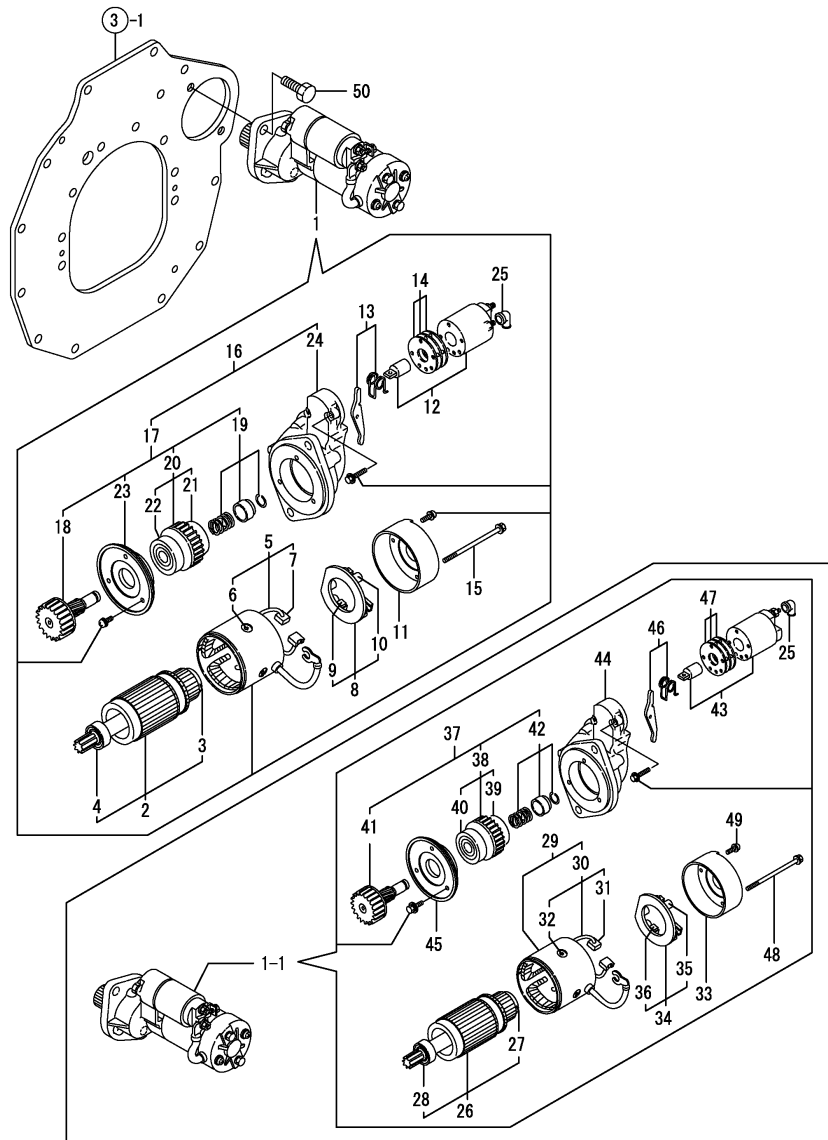
No.	Lev.	Parts No.	Description	Q'ty						I	R
				(A)	(B)	(C)	(D)	(E)	(F)		
1	1	129900-77010	STARTER(2.3KW	1							
1-1	1	129900-77040	STARTER, 12V 2.3KW	1							N
		(A=*2009.08)									
2	2	129900-77400	ARMATURE ASSY	1							Z
		(A=*2009.08)									
3	3	X2114155110	BEARING, BALL	1							Z
		(A=*2009.08)									
4	3	X2114255110	BEARING, BALL	1							Z
		(A=*2009.08)									
5	2	129900-77440	COIL ASSY, FIELD	1							Z
		(A=*2009.08)									
6	3	171008-77450	SCREW	4							Z
		(A=*2009.08)									
7	3	129900-77450	BRUSH (+)	2							Z
		(A=*2009.08)									
8	2	129900-77480	HOLDER ASSY, BRASH	1							Z
		(A=*2009.08)									
9	3	129900-77450	BRUSH (+)	2							Z
		(A=*2009.08)									
10	3	X2130631300	SPRING, BRUSH	4							Z
		(A=*2009.08)									
11	2	129900-77460	COVER, REAR	1							Z
		(A=*2009.08)									
12	2	129900-77591	SWITCH ASSY,MAGNETIC	1							Z
		(A=*2009.08)									
13	2	129900-77620	SHIFT LEVER SET	1							Z
		(A=*2009.08)									
14	2	129900-77650	COVER ASSY, DUST	1							Z
		(A=*2009.08)									
15	2	129900-77640	BOLT, THROUGH	2							Z
		(A=*2009.08)									
16	2	129900-77700	GEAR CASE ASY	1							Z
		(A=*2009.08)									
17	3	129900-77510	PINION ASSY	1							Z
		(A=*2009.08)									
18	4	129900-77540	SHAFT, PINION	1							Z
		(A=*2009.08)									
19	4	129900-77550	STOPPER SET	1							Z
		(A=*2009.08)									
20	4	129900-77520	CLUTCH ASSY	1							Z
		(A=*2009.08)									
21	5	171008-77730	BALL BEARING (3)	1							Z
		(A=*2009.08)									
22	5	171008-77740	BEARING	1							Z
		(A=*2009.08)									
23	4	129900-77610	RETAINER, BEARING	1							Z
		(A=*2009.08)									
24	3	129900-77710	HOUSING, GEARS	1							Z
		(A=*2009.08)									
25	2	171008-77750	COVER, M TERMINAL	1							
26	2	129900-77120	ARMATURE ASSY	1							W

Remarks  
(REMARKS)"EFFECTIVE MACHINE NO." OF  
ENGINE IS INDICATED ON THE  
ENGINE LABEL WHICH IS SHOWN  
IN FIG.4.

Fig.19. STARTING MOTOR

(A)=4TNV98T-ZMRFQ  
(B)=  
(C)=

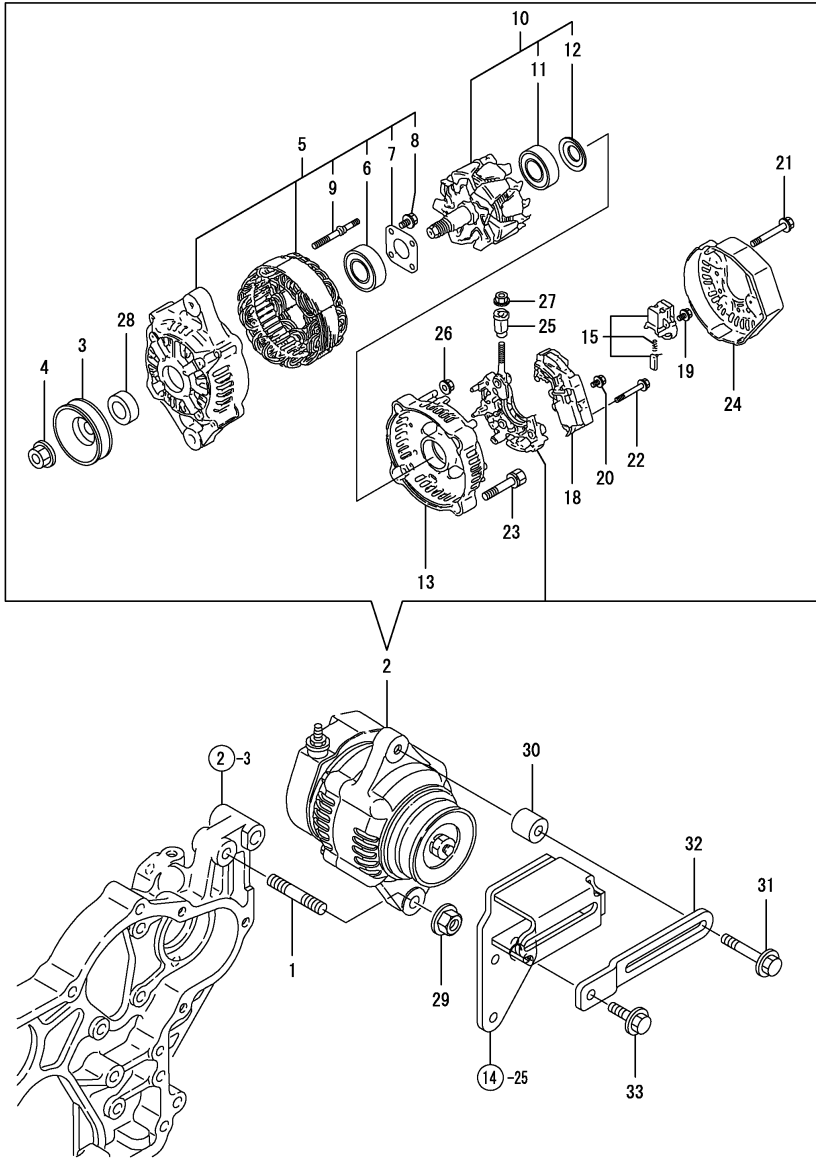
(D)=  
(E)=  
(F)=



No.	Lev.	Parts No.	Description	Q'ty						I	R
				(A)	(B)	(C)	(D)	(E)	(F)		
27	3	171008-77410	BEARING	1							W
28	3	171008-77420	BEARING	1							W
29	2	129900-77130	YOKE ASSY	1							W
30	3	129900-77140	COIL ASSY, FIELD	1							W
31	4	129900-77450	BRUSH (+)	2							W
32	4	171008-77450	SCREW	4							W
33	2	129900-77150	COVER	1							W
34	2	129900-77160	HOLDER ASSY, BRUSH	1							W
35	3	X2130631300	SPRING, BRUSH	4							W
36	3	129900-77450	BRUSH (+)	2							W
37	2	129900-77170	CLUTCH	1							W
38	3	129900-77180	CLUTCH ASSY	1							W
39	4	X2114955020	BALL BEARING	1							W
40	4	129900-77190	BEARING, BALL	1							W
41	3	129900-77270	SHAFT, PINION	1							W
42	3	171008-77670	STOPPER SET, PINION	1							W
43	2	129900-77280	SWITCH ASSY	1							W
44	2	129900-77290	CASE, GEAR	1							W
45	2	129900-77380	RETAINER, BEARING	1							W
46	2	129900-77390	LEVER ASSY, SHIFT	1							W
47	2	129900-77420	COVER KIT	1							W
48	2	129685-77640	BOLT, THROUGH	2							W
49	2	129900-77430	SCREW, M4X10	2							W
50	1	26116-120202	BOLT, M12X 20 PLATED	2							W

Remarks  
(REMARKS)"EFFECTIVE MACHINE NO." OF  
ENGINE IS INDICATED ON THE  
ENGINE LABEL WHICH IS SHOWN  
IN FIG.4.

Fig.20. GENERATOR



(A)=4TNV98T-ZMRFQ  
(B)=  
(C)=

(D)=  
(E)=  
(F)=

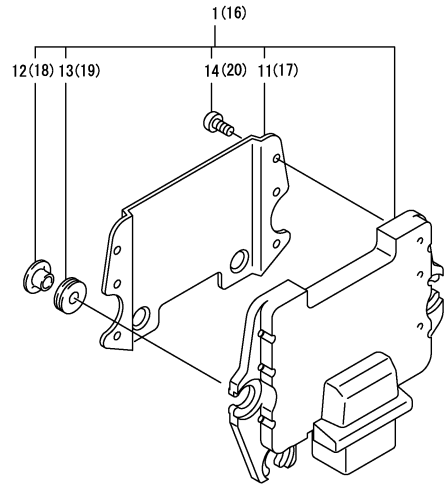
No.	Lev.	Parts No.	Description	Q'ty						I	R
				(A)	(B)	(C)	(D)	(E)	(F)		
1	1	129795-01900	STUD	1							
2	1	129961-77200	GENERATOR, 12V-55A	1							
3	2	119620-77461	PULLEY	1							
4	2	119620-77471	NUT	1							
5	2	129961-77421	FRAME ASSY	1							
6	3	119620-79200	BALL BEARING	1							
7	3	119620-79210	PLATE, RETAINER	1							
8	3	119620-79220	SCREW	4							
9	3	119620-79230	STUD	2							
10	2	129052-77380	ROTOR ASSY	1							
11	3	123501-79240	BEARING, BALL	1							
12	3	119620-79250	COVER, BEARING	1							
13	2	128401-77440	FRAME	1							
15	2	129052-79270	HOLDER, BRUSH	1							
18	2	119620-77710	REGULATOR ASSY	1							
19	2	119620-79290	SCREW	6							
20	2	119620-79300	SCREW	1							
21	2	119620-79310	BOLT	3							
22	2	119620-79320	SCREW	2							
23	2	119620-79330	BOLT	2							
24	2	128401-77450	COVER	1							
25	2	119620-79340	BUSH, INSULATION	1							
26	2	119620-79350	NUT	2							
27	2	X9490561001	NUT	1							
28	2	119620-77490	COLLAR	1							
29	1	26306-100002	NUT, M10	1							
30	1	124732-77340	SPACER	1							
31	1	129972-77341	BOLT, ADJUSTER L=50	1							
32	1	129972-77351	ADJUSTER	1							
33	1	26106-080252	BOLT, M8X 25 PLATED	1							

Remarks  
(REMARKS)"EFFECTIVE MACHINE NO." OF  
ENGINE IS INDICATED ON THE  
ENGINE LABEL WHICH IS SHOWN  
IN FIG.4.

Fig.21. ELECTRIC PARTS

(A)=4TNV98T-ZMRFQ  
(B)=  
(C)=

(D)=  
(E)=  
(F)=



No.	Lev.	Parts No.	Description	Q'ty						I	R
				(A)	(B)	(C)	(D)	(E)	(F)		
1	1	129973-75040	CONTROLLER ASSY, EUC	1							1
11	2	129927-77600	SHIELD	1							
12	2	129927-77680	COLLAR	3							
13	2	119578-91351	ABSORBER	3							
14	2	22877-500080	SCREW, 5X 8	6							
16	1	129927-75900	CONTROLLER ASSY, EUC	1							2
17	2	129927-77600	SHIELD	1							
18	2	129927-77680	COLLAR	3							
19	2	119578-91351	ABSORBER	3							
20	2	22877-500080	SCREW, 5X 8	6							

Remarks  
 (1)ECO ECU  
 THIS PART CANNOT BE ORDERED.  
 REPLACE THE PART USING A SERVICE  
 ECU WITH THE PROPER ENGINE  
 INFORMATION INSTALLED.  
 (2)SERVICE ECU  
 IF THE PROPER INFORMATION IS NOT  
 INSTALLED, THE ENGINE WILL NOT  
 OPERATE.  
 TO INSTALL PROPER INFORMATION,  
 GO TO AN AUTHORIZED DISTRIBUTOR.

## Parts No. Index

Parts No.	Fig. No.	Ref. No.
105010-39140	13	24
105425-01690	3	6
114250-39450	13	1
114250-53080	17	5
114250-53120	17	9
114250-53130	17	10
114250-53140	17	11
114250-53210	17	12
114250-53400	17	13
119000-39650	13	41
119005-35170	12	15
119005-77051	5	18
119100-11330	4	77
119129-77020	5	16
119131-18320	7	2
119305-59120	17	26
119578-91351	21	13
		19
119593-11301	4	49
119620-11180	4	33
119620-77461	20	3
119620-77471	20	4
119620-77490	20	28
119620-77710	20	18
119620-79200	20	6
119620-79210	20	7
119620-79220	20	8
119620-79230	20	9
119620-79250	20	12
119620-79290	20	19
119620-79300	20	20
119620-79310	20	21
119620-79320	20	22
119620-79330	20	23
119620-79340	20	25
119620-79350	20	26
119625-11880	4	45
119802-11870	4	44
119802-13620	6	26
119802-13790	6	27
119802-51680	15	63
119802-51690	15	64
119803-11340	4	34
119852-51630	15	68
119852-51640	15	69
119852-51650	15	71
119860-34810	12	14
119934-55610	18	1
119934-55611	18	1 -1
119934-59910	15	129

Parts No.	Fig. No.	Ref. No.
120130-22301	9	23
121252-39150	13	2
121450-01560	10	30 -1
121450-42450	14	52
121850-21130	9	13
121850-21290	9	4
		5
	11	4
		5
121850-21920	9	6
121850-49550	14	48
121850-49800	14	50
121850-77021	5	17
123472-59120	17	30
123501-79240	20	11
123900-13630	6	3
123900-25060	8	9
123901-03240	4	8
123901-18080	6	9
123907-11280	4	54
123907-11550	4	20
123907-11601	17	25
123907-11820	4	40
123907-11830	4	39
123907-39500	13	16
123907-55810	18	3
123907-59540	18	11
123907-59550	18	12
123907-59560	18	17
123908-03199	4	74
123910-39850	13	29
123951-18220	5	13
124070-13300	13	26
124160-01751	2	27
	4	69
124160-11340	4	35
124160-11360	4	83
124223-39900	13	5
124240-01883	10	2
124250-49351	14	55
124411-01780	3	14
124465-44950	14	54
124722-59050	18	15
124732-77340	20	30
124766-59050	18	7
128401-77440	20	13
128401-77450	20	24
128610-14120	11	3
129001-91810	2	38
129001-91820	2	30

Parts No.	Fig. No.	Ref. No.
129001-91841	3	10
129005-59830	13	8
		18
129008-61301	16	19
129052-77380	20	10
129052-79270	20	15
129054-96990	14	27
129100-01580	2	1
129122-44480	12	7
129150-02450	8	4
129150-11230	4	57
		61
129150-11750	4	38
		58
		62
129150-14200	8	1
129150-25920	8	13
129150-49360	14	56
129150-59131	17	29
129263-49750	18	14
129263-77941	15	122
129410-03990	4	4
129418-18320	6	4
		31
129457-96200	14	37
129472-18090	7	1
129509-79700	4	78
129657-51590	15	58
129657-51600	15	59
129685-77640	19	48
129693-44310	3	9
129795-01900	20	1
129795-01960	11	1
129900-01200	1	29
129900-01250	1	4
129900-02020	1	6
129900-02341	1	31
129900-02410	1	9
129900-02931	1	23
129900-02941	1	34
129900-13251	6	2
129900-14100	8	6
129900-14140	2	36
129900-21200	9	3
129900-21600	9	16
129900-23001	9	25
129900-23200	9	28
129900-23601	9	29
129900-23611	9	32
129900-23911	9	31

Parts No.	Fig. No.	Ref. No.
129900-25100	8	10
129900-26250	2	17
		37
129900-32030	2	18
	12	16
129900-32040	2	19
129900-42061	14	16
129900-42070	14	17
129900-42140	14	18
129900-42161	14	3
129900-42170	14	4
129900-49560	14	49
129900-77010	19	1
129900-77040	19	1 -1
129900-77120	19	26
129900-77130	19	29
129900-77140	19	30
129900-77150	19	33
129900-77160	19	34
129900-77170	19	37
129900-77180	19	38
129900-77190	19	40
129900-77270	19	41
129900-77280	19	43
129900-77290	19	44
129900-77380	19	45
129900-77390	19	46
129900-77400	19	2
129900-77420	19	47
129900-77430	19	49
129900-77440	19	5
129900-77450	19	7
		9
		31
		36
129900-77460	19	11
129900-77480	19	8
129900-77510	19	17
129900-77520	19	20
129900-77540	19	18
129900-77550	19	19
129900-77591	19	12
129900-77610	19	23
129900-77620	19	13
129900-77640	19	15
129900-77650	19	14
129900-77700	19	16
129900-77710	19	24
129906-51580	15	56
129907-01331	1	30

## Parts No. Index

Parts No.	Fig. No.	Ref. No.
129907-03011	4	71
129907-03061	4	72
129907-03070	4	73
129907-11100	4	30
129907-11110	4	31
129907-11120	4	32
129907-11250	4	51
129907-11260	4	52
129907-11270	4	53
129907-11341	4	50
129907-11510	4	36
129907-11650	4	55
129907-11660	4	59
129907-11800	4	43
129907-11910	4	46
129907-11920	4	63
129907-11950	4	47
129907-12110	5	1
129907-14400	8	2
129907-25900	8	16
129907-44740	14	44
129907-51560	15	53
129907-59140	18	10
129908-01520	2	3
129908-14581	8	3
129908-32060	2	4
129908-39410	13	35
129908-39690	13	31
129916-01800	2	35
129916-21610	9	9
129927-13810	6	29
		36
129927-13900	6	46
129927-13910	6	47
129927-13920	6	48
129927-22050	9	19
129927-39060	13	14
129927-44900	14	53
129927-51250	15	137
129927-51300	15	21
129927-51650	15	120
129927-51660	15	121
129927-51670	15	124
129927-59550	18	13
129927-75900	21	16
129927-77600	21	11
		17
129927-77680	21	12
		18
129928-11700	4	21

Parts No.	Fig. No.	Ref. No.
129928-13410	6	24
		25
129928-13700	5	6
129928-22080	9	17
129928-51340	15	31
129928-53000	17	2
129930-39050	13	23
129933-11310	4	76
129935-18010	7	4
129950-59221	18	9
129953-25300	8	15
129956-01602	3	1
129956-01640	3	12
129956-01700	3	3
129956-01740	3	5
129956-07911	4	17
129956-21000	9	1
129956-26010	10	1
129956-26220	10	3
129956-28009	11	2
129956-28019	11	6
129956-28101	11	10
129956-28111	11	11
129956-28180	11	12
129956-28321	9	7
129956-28332	11	13
129956-28341	11	14
129956-33050	12	1
129956-33101	12	3
129956-33110	12	4
129956-33120	12	5
129956-35000	12	17
129956-49172	12	8
129957-33050	12	2
129960-03990	14	68
129960-21640	9	10
129961-77200	20	2
129961-77421	20	5
129963-49300	14	9
129972-01731	3	4
129972-03200	4	5
129972-03210	4	6
129972-03220	4	7
129972-03280	4	10
129972-03310	4	11
129972-13501	6	6
129972-21570	9	14
129972-33140	12	6
129972-34800	12	13
129972-59010	18	6

Parts No.	Fig. No.	Ref. No.
129972-59090	18	8
129972-77341	20	31
129972-77351	20	32
129972-96980	14	26
129973-03010	4	1
129973-07900	4	16
129973-11320	4	70
129973-12100	5	3
129973-12110	5	4
129973-12160	5	2
129973-12200	5	5
129973-12850	5	15
129973-13100	6	1
129973-13400	6	15
129973-13420	6	5
129973-13650	6	7
129973-13800	6	28
129973-13801	6	28 -1
129973-13810	6	30
129973-13811	6	30 -1
129973-13820	6	37
129973-13840	6	40
129973-13850	6	41
129973-13950	6	8
129973-13960	6	49
129973-18200	5	12
129973-21660	9	11
129973-39450	13	3
129973-39610	13	27
129973-39640	13	30
129973-39650	13	28
129973-42010	14	1
129973-42350	14	34
129973-42361	2	29
129973-42400	14	35
129973-44760	14	45
129973-49100	14	66
129973-49300	14	10
129973-49410	14	11
129973-49610	14	58
129973-49620	14	62
129973-49740	14	67
129973-49760	14	70
129973-49770	14	71
129973-49780	14	72
129973-55650	18	2
129973-59700	17	31
129973-59810	17	35
129973-59820	17	36
129973-59830	17	37

Parts No.	Fig. No.	Ref. No.
129973-59840	17	38
129973-75040	21	1
129973-96200	14	20
129973-96900	14	19
129973-96910	14	24
129973-96920	14	25
129981-49531	14	47
144626-51090	15	9
158552-51570	15	54
158552-51580	15	57
158552-51670	15	125
158552-51781	15	96
158552-52100	15	127
158552-52310	15	102
158552-52400	15	103
158552-52500	15	128
158553-51670	15	62
158553-51680	15	74
158553-61780	16	23
158557-51570	15	55
158557-61720	16	22
158560-51600	15	67
158560-61050	16	2
158563-51150	8	17
	15	136
158563-51281	15	19
		20
158563-51330	15	30
158600-51270	15	18
158601-51550	15	52
158601-51650	15	123
158601-51770	15	95
158601-51790	15	97
168000-01180	10	28 -1
1680GR-02200	10	18
171008-77410	19	27
171008-77420	19	28
171008-77450	19	6
		32
171008-77670	19	42
171008-77730	19	21
171008-77740	19	22
171008-77750	19	25
171051-01921	1	5
178077-00500	10	5
		6
178077-15400	10	23
178077-15410	10	24
1A7340-41110	10	4
1A7340-41111	10	4 -1

## Parts No. Index

Parts No.	Fig. No.	Ref. No.
22137-100000	14	28
22190-080002	13	9
		11
		19
		21
		25
	18	18
22190-120002	14	57
	15	98
		105
		130
22190-160002	3	8
22190-180002	15	99
22217-050000	15	131
22217-180000	8	18
	15	106
22242-000150	14	40
22252-000300	9	24
22252-000320	10	27
22252-000350	14	22
22272-000050	14	29
22312-050140	15	107
22351-030010	13	42
22351-050010	15	108
22351-060012	1	10
22512-070140	8	7
	9	8
22857-500100	4	79
22857-500120	4	80
22877-500080	21	14
		20
23000-022000	4	12
	12	9
	14	73
23000-025000	13	32
23000-054000	5	14
23065-160500	4	13
23080-012000	14	61
		65
23414-100000	13	12
23414-120000	16	24
23857-030000	13	10
		20
23876-005000	11	15
23876-020000	4	27
23876-030000	1	11
		12
	4	14
		28
		81

Parts No.	Fig. No.	Ref. No.
23876-030000	6	32
23887-120002	15	100
	16	25
24104-062024	14	23
		39
24311-000070	2	21
	15	109
24311-000120	4	48
		84
24311-000200	11	17
24311-000320	2	28
	4	85
24314-000200	12	10
24321-000600	12	11
24341-000480	16	26
24341-000530	9	12
24351-030750	2	22
24356-010200	15	65
		110
24356-020210	15	111
24372-000150	15	66
24421-183207	10	28
25152-004100	14	41
25152-004300	14	42
26014-080222	6	10
26016-081052	10	29
26106-060102	6	42
	15	112
26106-060122	4	82
	15	132
26106-060142	5	7
	12	12
26106-060162	6	50
	13	33
26106-060182	5	8
26106-060252	16	27
26106-060352	15	113
26106-080102	6	11
		12
26106-080122	3	11
	13	13
		22
		34
	14	74
26106-080142	4	15
	12	18
26106-080162	2	23
	6	43
		44
	8	8

Parts No.	Fig. No.	Ref. No.
26106-080162	11	16
26106-080202	2	24
		31
	4	18
		19
	12	19
	15	138
	18	4
26106-080222	6	33
26106-080252	6	13
	14	51
	16	28
	20	33
26106-080302	3	15
	15	139
	18	5
26106-080402	2	39
	4	65
	5	19
	14	31
26106-080452	2	25
		32
26106-080552	5	10
	8	14
	14	32
26106-080602	4	66
		67
	11	18
	14	33
26106-080652	6	34
	14	46
26106-080702	5	20
26106-080852	5	11
26106-100162	5	9
	14	43
26106-100302	6	45
26106-100402	6	51
26106-101052	6	52
26116-050102	4	9
26116-060162	14	14
26116-100202	3	2
26116-120202	19	50
26216-060202	17	33
26216-080202	10	30
26216-100302	2	16
26226-080222	4	64
26306-080002	4	68
	6	14
		35
	7	3

Parts No.	Fig. No.	Ref. No.
26306-080002	10	31
26306-100002	2	26
	14	30
	20	29
26366-060002	17	39
26450-100452	15	116
26577-060162	14	15
26716-050002	15	133
26776-180002	8	19
	15	117
27241-160000	15	134
27241-300000	1	13
27241-400000	4	29
27310-070001	4	41
729900-02801	1	26
729906-01550	2	33
729927-22950	9	36
729928-22900	9	34
729928-53100	17	1
729973-01560	1	1
729973-51300	15	1
X2114155110	19	3
X2114255110	19	4
X2114955020	19	39
X2130631300	19	10
		35
X9490561001	20	27