

0CNP4-M95000EN

Directions for the Parts Catalog.

1. This Parts Catalog shows both standard and optional parts.
2. Parts may change without prior notice.
3. The following is an example of the Parts Catalog format.

REF.	LEV.	PARTS NO.	DESCRIPTION	Q'TY						I	R
				(A)	(B)	(C)	(D)	(E)	(F)		
1	1	729595-51390	FUEL INJECTION PUMP	1	1	1	1	1			1
1-1	1	729595-51391	FUEL INJECTION PUMP	1	1	1	1	1		N	1
		(A=E00185) (B=E00200)									
3	2	26022-060162	SCREW M 6X 16	9	9	9	9	9			
3-1	2	26022-060162	SCREW M 6X 16	4	4	4	4	4		K	
		(A=E00156) (B=E00156) (C=E00156) (D=E00156) (E=E00156)									
4	2	129470-51040	CAMSHAFT	1	1	1	1	1			
5	2	122710-51050	BEARING, ROLLER	2	2	2	2	2			
6	2	129470-51060	RETAINER	1	1	1	1	1			

Remarks
(1) BOOST COMPEMSATOR TYPE. OPTIONAL PART, TO E00155,(4JH-DT, 4JH-DTZ

① Ref. No.

The Ref. No. listed may not be in accordance with the illustration Ref. No.

(Ex.) Illustration No.

List Ref No.

1

1

(Before change)

1-1

(After change)

For interchangeable symbols N, R and K, illustrations for new parts may be abbreviated.

② Lev. (Level)

Level indication

The numbers below indicate the level of relativity towards the main part.

1 ----- Main parts (Assembly parts)

2 ----- Sub component included in " 1 ".

3 ----- Sub component included in " 2 ".

Note) Parts that are not for sale are partially illustrated but not listed.

③ Interchangeability Symbol

When a part change takes place, one of the following interchangeability symbols is indicated beside the part.

Symbol	Interchangeability	Contents note
N	Old $\begin{matrix} \leftarrow \text{Yes} \\ \text{No} \rightarrow \end{matrix}$ New	New Part is interchangeable for Old Part but Old Part is not interchangeable for New Part.
Q	Old $\begin{matrix} \leftarrow \text{No} \\ \text{Yes} \rightarrow \end{matrix}$ New	New Part is not interchangeable for Old Part but Old Part is interchangeable for New Part.
R	Old $\begin{matrix} \leftarrow \text{Yes} \\ \text{Yes} \rightarrow \end{matrix}$ New	New/ Old Parts are both interchangeable.
S	Old $\begin{matrix} \leftarrow \text{No} \\ \text{No} \rightarrow \end{matrix}$ New	New/ Old Parts are both not interchangeable.
W		Part newly added.
Z		Part discontinued.
F		Not interchangeable by a single part but interchangeable together with related parts.
K		Changes only for used parts quantities.

④ Effective Machine No.

When a part changes, the effective Machine No. will be indicated in the (A)-(F) column.

Product Symbol	Product No.	Product Symbol	Product No.
C	Clutch No. Compressor No.	F	Machine No. (Agricultural Equip.)
D	Drive No.	M	Machine No.
E	Engine No.		

Note 1) A date may follow the symbol. (Ex.) 1996.01

Note 2) "XXXXX" and "ZZZZZ" are for parts that could not be predicted or for engine models that could not be identified.

Note 3) (A=E00185) is the E (Engine Serial Number) for the column (A) model (in this case 4JH-DT) after the parts design change.

⑤ Remarks

Figures or alphabets (symbols) are entered in the remarks column.

The comments (remarks) on parts that are indicated at the bottom of the illustration are the same symbols as those stated above.

Contents

OCNP4-M95000

Fig. No. Fig. Name

Fig. No. Fig. Name

ENGINE SECTION

1. CYLINDER BLOCK
2. GEAR HOUSING
3. MOUNTING FLANGE & OIL SUMP
4. CYLINDER HEAD & BONNET
5. AIR CLEANER
6. EXHAUST MANIFOLD & SILENCER
7. CAMSHAFT & DRIVING GEAR
8. CRANKSHAFT & PISTON
9. LUB.OIL SYSTEM
10. COOLING WATER SYSTEM
11. FUEL INJECTION PUMP
12. GOVERNOR
13. FUEL INJECTION VALVE
14. STARTING MOTOR
15. GENERATOR

Fig.1. CYLINDER BLOCK

(A)=3TNV72-YUKS

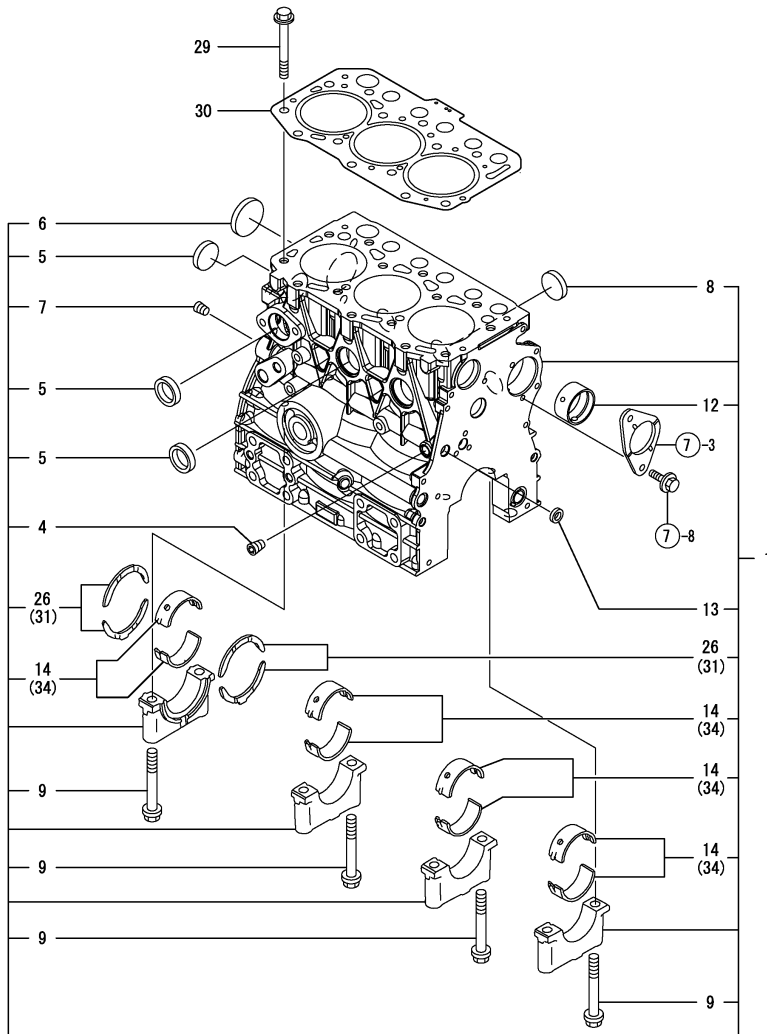
(B)=

(C)=

(D)=

(E)=

(F)=



No.	Lev.	Parts No.	Description	Q'ty						I	R
				(A)	(B)	(C)	(D)	(E)	(F)		
1	1	719517-01560	BLOCK ASSY, CYLINDER	1							
4	2	124060-01050	PLUG, PT1/8	1							
5	2	105311-01090	PLUG, 30	4							
6	2	119623-01250	PLUG, 45	1							
7	2	124160-01910	PLUG, PT1/4	1							
8	2	119285-01990	PLUG, 25	3							
9	2	119620-02020	BOLT, METAL CAP	8							
12	2	119717-02411	BUSH, CAMSHAFT	1							
13	2	27241-120000	PLUG, 12	1							
14	2	719717-02901	BEARING, MAIN	4							2
26	2	119717-02930	BEARING, THRUST	2							
29	1	119515-01200	BOLT, HEAD	14							
30	1	119517-01330	GASKET, HEAD	1							
31	1	119810-02941	BEARING, THRUST 0.25	2							1
34	1	719717-02911	BEARING, 0.25 US	4							3

Remarks

(1) OVER-SIZE(O.S=0.25)PART.

(2) REPAIR PART.

(3) UNDER-SIZE(U.S=0.25)PART

(REMARKS)"EFFECTIVE MACHINE NO." OF ENGINE IS INDICATED ON THE ENGINE LABEL WHICH IS SHOWN IN FIG.4.

Fig.2. GEAR HOUSING

(A)=3TNV72-YUKS

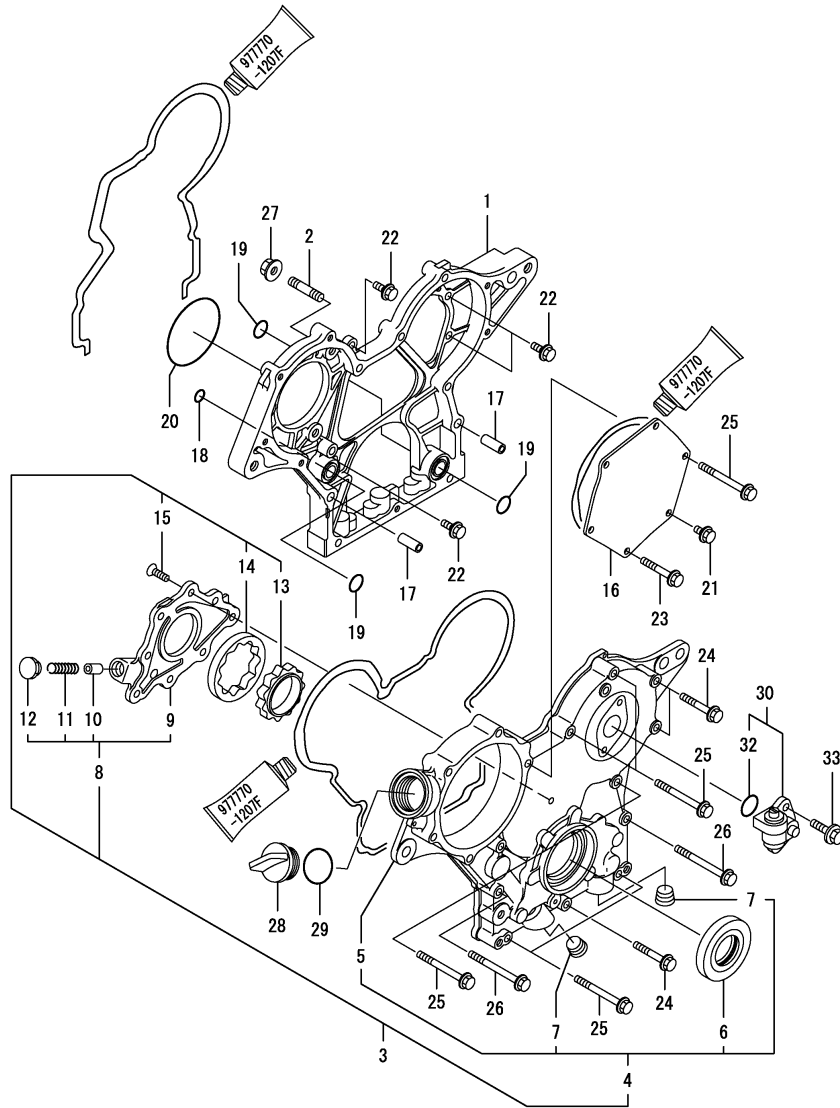
(B)=

(C)=

(D)=

(E)=

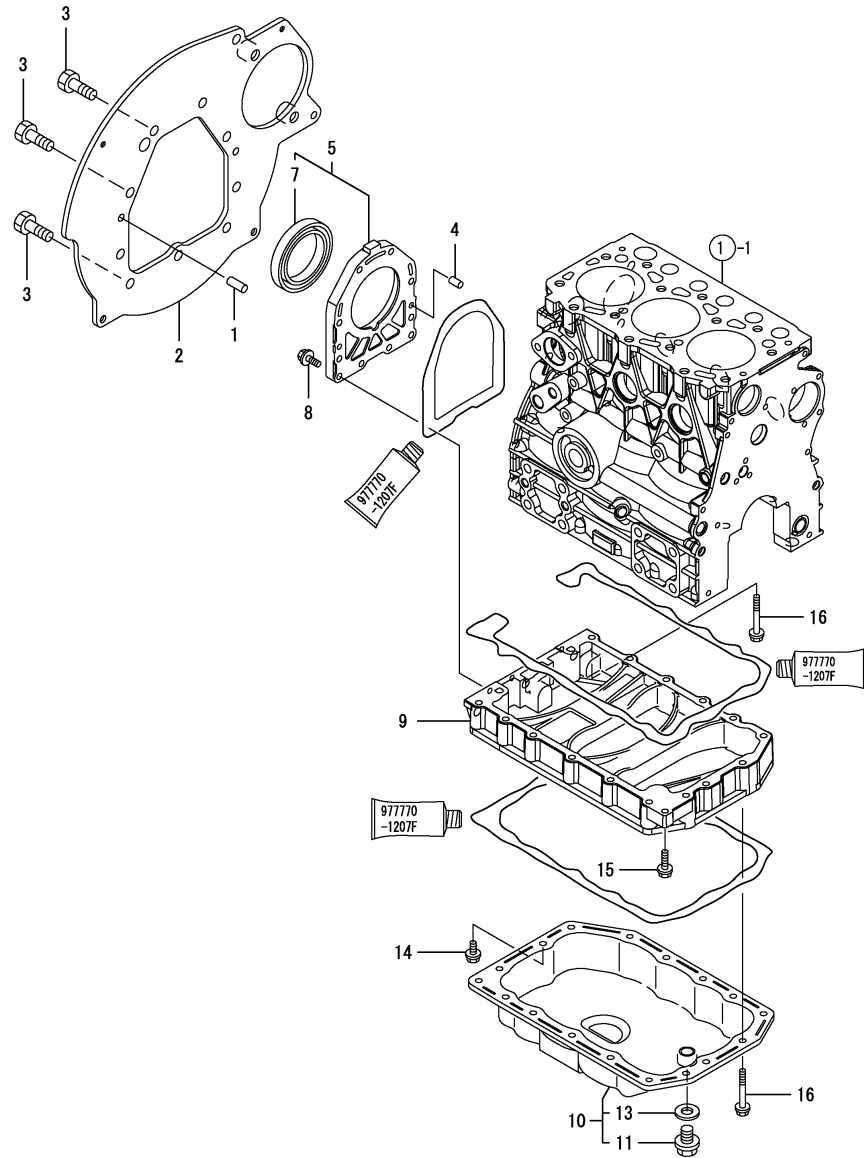
(F)=



No.	Lev.	Parts No.	Description	Q'ty						I	R
				(A)	(B)	(C)	(D)	(E)	(F)		
1	1	119717-01501	CASE, GEAR	1							
2	1	119717-01570	STUD	3							
3	1	119734-01580	CASE ASSY, GEAR	1							
4	2	719734-01510	CASE ASSY, GEAR	1							
5	3	119744-01521	COVER, GEAR CASE	1							
6	3	119717-01800	SEAL, OIL	1							
7	3	23876-030000	PLUG, R03	2							
8	2	119717-32100	COVER ASSY	1							
9	3	119717-32080	COVER	1							
10	3	129900-32130	VALVE, RELIEF	1							
11	3	129001-32320	SPRING	1							
12	3	129001-32330	PLUG	1							
13	2	119717-32110	ROTOR, INNER	1							
14	2	119717-32120	ROTOR, OUTER	1							
15	2	119802-32130	SCREW, M6X16	8							
16	1	119717-01750	COVER	1							
17	1	119660-01911	PIPE, KNOCK	4							
18	1	119624-32040	O-RING, P12.0	1							
19	1	119717-32050	O-RING, P17.0	3							
20	1	121850-51960	O-RING	1							
21	1	26106-060122	BOLT, M6X 12 PLATED	1							
22	1	26106-060162	BOLT, M6X 16 PLATED	4							
23	1	26106-060402	BOLT, M6X 40 PLATED	4							
24	1	26106-060402	BOLT, M6X 40 PLATED	3							
25	1	26106-060602	BOLT, M6X 60 PLATED	7							
26	1	26106-060652	BOLT, M6X 65 PLATED	2							
27	1	26306-080002	NUT, M8	3							
28	1	124160-01751	COVER, FILLER	1							
29	1	24311-000320	O-RING, 1AP32.0	1							
30	1	129150-91400	GEAR	1							
32	2	24341-000240	O-RING, 1AS24.0	1							
33	1	26106-060162	BOLT, M6X 16 PLATED	2							

Remarks
 (REMARKS)"EFFECTIVE MACHINE NO." OF
 ENGINE IS INDICATED ON THE
 ENGINE LABEL WHICH IS SHOWN
 IN FIG.4.

Fig.3. MOUNTING FLANGE & OIL SUMP



(A)=3TNV72-YUKS
(B)=
(C)=

(D)=
(E)=
(F)=

No.	Lev.	Parts No.	Description	Q'ty						I	R
				(A)	(B)	(C)	(D)	(E)	(F)		
1	1	129100-01580	PIN, M8X16	2							
2	1	119517-01600	FLANGE, MOUNTING	1							
3	1	26206-100202	BOLT, M10X 20 PLATED	10							
4	1	119620-01620	PIN, M6X10	2							
5	1	119527-01640	CASE ASSY, OIL SEAL	1							
7	2	124085-02220	SEAL, OIL	1							
8	1	26106-060222	BOLT, M6X 22 PLATED	10							
9	1	119515-01720	SPACER, OIL SUMP	1							
10	1	119517-01750	SUMP ASSY, OIL	1							
11	2	129054-01640	PLUG, DRAIN 12	1							
13	2	22190-120002	WASHER, SEAL 12	1							
14	1	26106-060122	BOLT, M6X 12 PLATED	1							
15	1	26106-060252	BOLT, M6X 25 PLATED	1							
16	1	26106-060452	BOLT, M6X 45 PLATED	17							

Remarks
(REMARKS)"EFFECTIVE MACHINE NO." OF
ENGINE IS INDICATED ON THE
ENGINE LABEL WHICH IS SHOWN
IN FIG.4.

Fig.4. CYLINDER HEAD & BONNET

(A)=3TNV72-YUKS

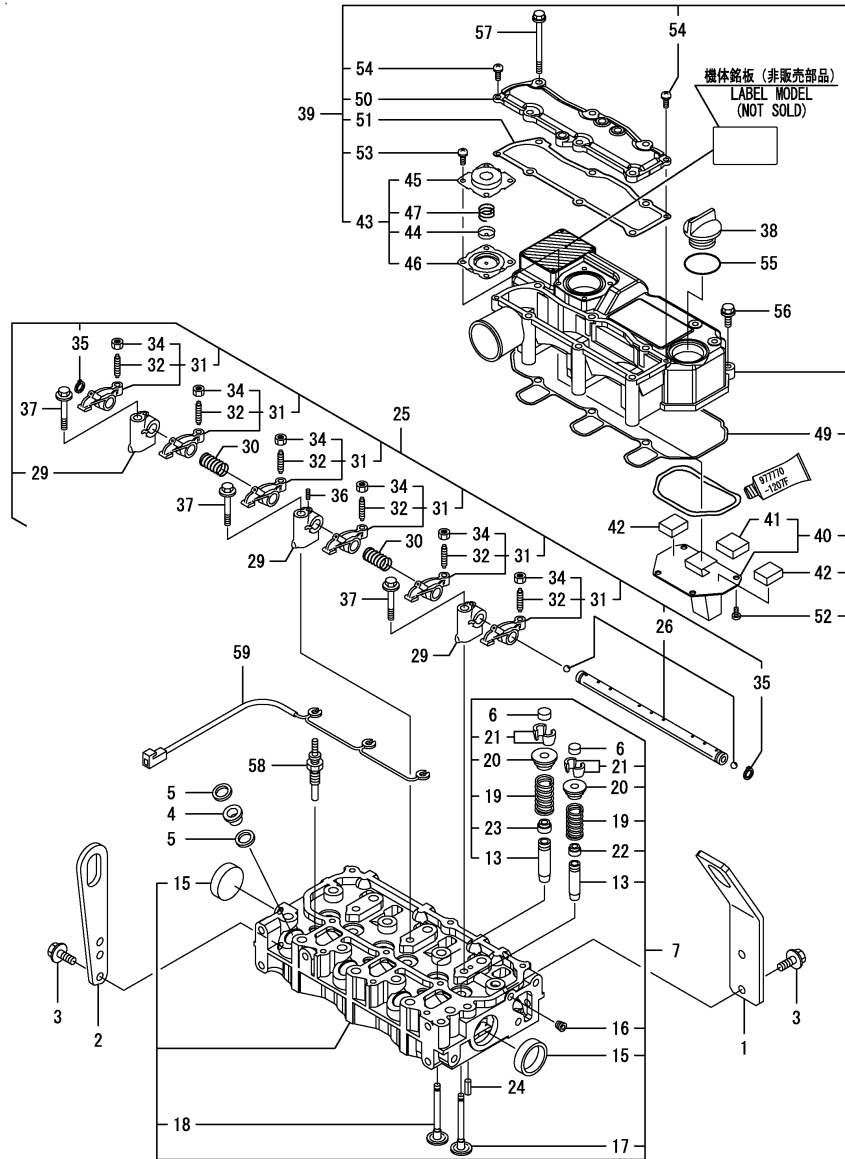
(B)=

(C)=

(D)=

(E)=

(F)=



No.	Lev.	Parts No.	Description	Q'ty						I	R
				(A)	(B)	(C)	(D)	(E)	(F)		
1	1	119517-07900	LIFTER	1							
2	1	129900-07900	LIFTER	1							
3	1	26106-080162	BOLT, M8X 16 PLATED	4							
4	1	129901-11450	PROTECTOR, NOZZLE	3							
5	1	119600-11460	GASKET, NOZZLE	6							
6	1	105010-11490	CAP, VALVE	6							
7	1	119517-11740	HEAD ASSY, CYLINDER	1							
13	2	119515-11800	GUIDE, VALVE	6							1
15	2	119285-11990	PLUG, 35	2							
16	2	23876-005000	PLUG, R005	1							
17	2	119515-11101	VALVE, INTAKE	3							
18	2	119515-11110	VALVE, EXHAUST	3							
19	2	119717-11131	SPRING, VALVE	6							
20	2	129508-11180	RETAINER, SPRING	6							
21	2	119717-11190	COTTER	12							
22	2	119717-11340	SEAL, VALVE STEM	3							
23	2	119717-11350	SEAL, VALVE STEM	3							
24	1	22351-060012	PIN, SPRING 6.0X12	2							
25	1	119515-11200	SUPPORT ASSY, ARM	1							
26	2	119515-11240	SHAFT ASSY, ROCKER	1							
29	2	119717-11260	SUPPORT, ROCKER ARM	3							
30	2	119515-11280	SPRING	2							
31	2	119717-11650	ARM, ROCKER	6							
32	3	129150-11230	SCREW, VALVE ADJUST	6							
34	3	129150-11750	NUT, M8	6							
35	2	22242-000120	RING, 12	2							
36	2	26979-050162	SCREW, M5X16	1							
37	1	26106-080402	BOLT, M8X 40 PLATED	3							
38	1	124160-01751	COVER, FILLER	1							
39	1	119515-11380	BONNET ASSY, HEAD	1							
40	2	119717-03031	PLATE	1							
41	3	119717-03070	BAFFLE, BREATHER	1							
42	2	119717-03070	BAFFLE, BREATHER	2							
43	2	119802-03100	DIAPHRAGM ASSY	1							
44	3	119802-03110	PLATE	1							
45	3	119802-03121	COVER, DIAPHRAGM	1							
46	3	119802-03131	DIAPHRAGM	1							
47	3	119802-03141	SPRING, DIAPHRAGM	1							
49	2	119515-11310	GASKET, BONNET	1							
50	2	119515-11320	COVER, BONNET	1							
51	2	119515-11330	GASKET	1							
52	2	22857-500100	SCREW, 5X10	4							
53	2	22857-500100	SCREW, 5X10	4							
54	2	22857-500160	SCREW, 5X16	2							
55	1	24311-000320	O-RING, 1AP32.0	1							
56	1	26106-060202	BOLT, M6X 20 PLATED	3							
57	1	26106-060752	BOLT, M6X 75 PLATED	6							
58	1	119717-77800	PLUG, GLOW	3							
59	1	119717-77820	CONNECTOR, GLOW PLUG	1							

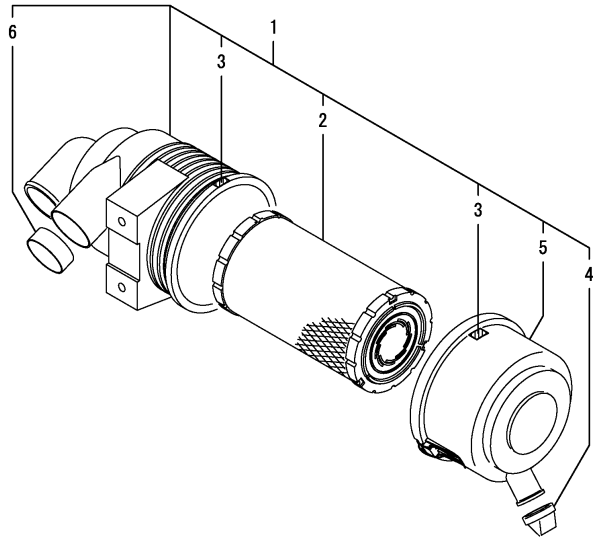
Remarks
 (1) REPAIR PART.
 (REMARKS)"EFFECTIVE MACHINE NO." OF
 ENGINE IS INDICATED ON THE
 ENGINE LABEL WHICH IS SHOWN
 IN FIG.4.

Fig.5. AIR CLEANER

(A)=3TNV72-YUKS
(B)=
(C)=

(D)=
(E)=
(F)=

No.	Lev.	Parts No.	Description	Q'ty						I	R
				(A)	(B)	(C)	(D)	(E)	(F)		
1	1	119517-12510	CLEANER ASSY, AIR	1							
2	2	119515-12520	ELEMENT	1							
3	2	129418-12530	MARK	2							
4	2	119808-12540	VALVE, UNLOADER	1							
5	2	119686-12570	COVER ASSY	1							
6	2	105027-12580	RING	1							

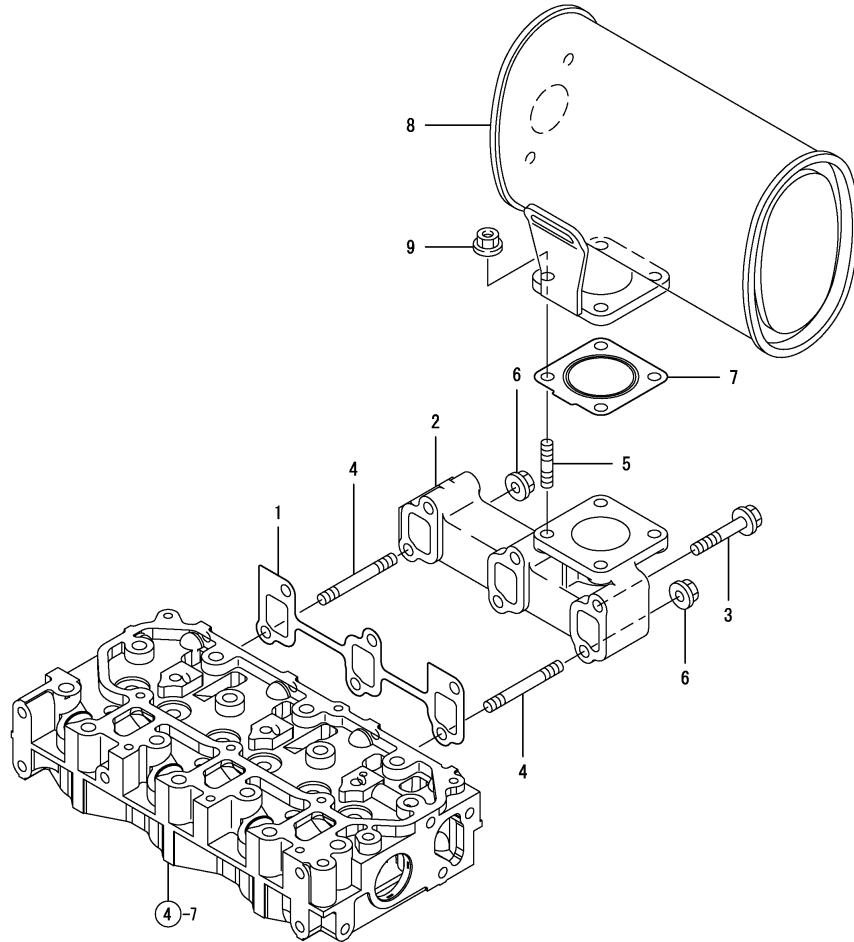


Remarks
(REMARKS)"EFFECTIVE MACHINE NO." OF
ENGINE IS INDICATED ON THE
ENGINE LABEL WHICH IS SHOWN
IN FIG.4.

Fig.6. EXHAUST MANIFOLD & SILENCER

(A)=3TNV72-YUKS
(B)=
(C)=

(D)=
(E)=
(F)=



No.	Lev.	Parts No.	Description	Q'ty						I	R
				(A)	(B)	(C)	(D)	(E)	(F)		
1	1	119717-13110	GASKET	1							
2	1	119734-13110	MANIFOLD, EXHAUST	1							
3	1	119802-13620	BOLT, M8X50	4							
4	1	119802-13750	STUD, M8X65	2							
5	1	119131-18320	STUD, M8X22	4							
6	1	26306-080002	NUT, M8	2							
7	1	119515-13200	GASKET, SILENCER	1							
8	1	119517-13500	SILENCER	1							
9	1	26306-080002	NUT, M8	4							

Remarks
(REMARKS)"EFFECTIVE MACHINE NO." OF
ENGINE IS INDICATED ON THE
ENGINE LABEL WHICH IS SHOWN
IN FIG.4.

Fig.7. CAMSHAFT & DRIVING GEAR

(A)=3TNV72-YUKS

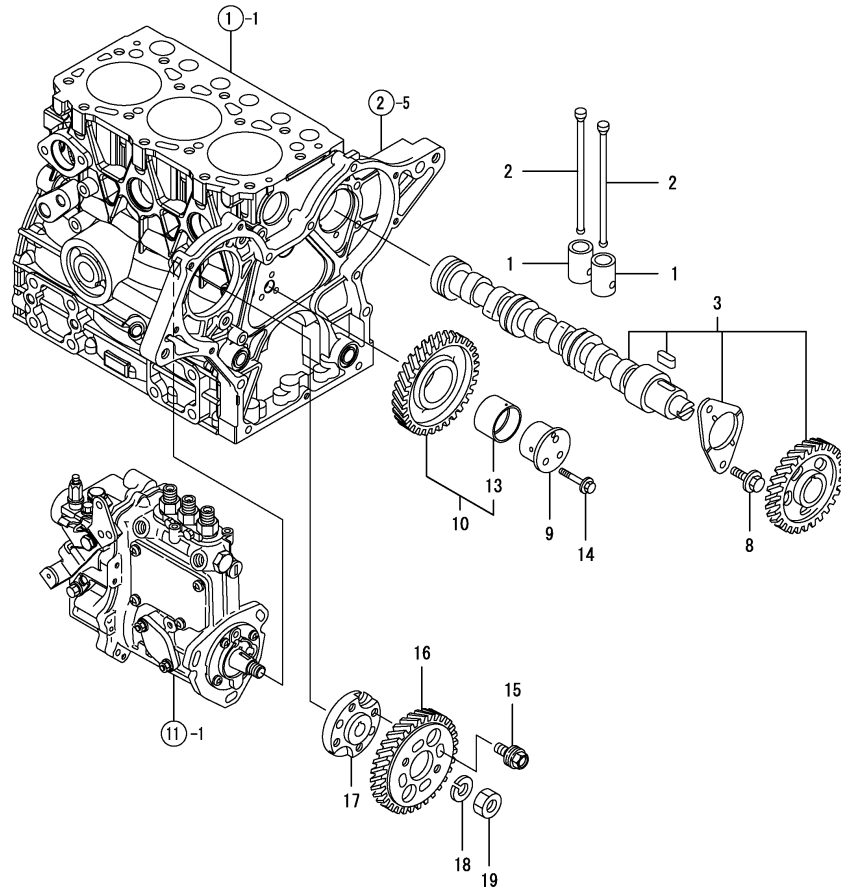
(B)=

(C)=

(D)=

(E)=

(F)=



No.	Lev.	Parts No.	Description	Q'ty						I	R
				(A)	(B)	(C)	(D)	(E)	(F)		
1	1	119620-14200	TAPPET	6							
2	1	119515-14400	ROD, PUSH	6							
3	1	119515-14581	CAMSHAFT ASSY	1							
8	1	26106-060122	BOLT, M6X 12 PLATED	2							
9	1	119717-25050	SHAFT, IDLE	1							
10	1	119717-25101	GEAR ASSY, IDLE	1							
13	2	119717-25911	BUSH, IDLE GEAR	1							1
14	1	26106-060352	BOLT, M6X 35 PLATED	3							
15	1	129150-25301	BOLT	4							
16	1	119717-25930	GEAR, PUMP	1							
17	1	119717-51150	FLANGE	1							
18	1	22217-120000	WASHER, SPRING 12	1							
19	1	26716-120002	NUT, M12	1							

Remarks

(1) REPAIR PART.
 (REMARKS)"EFFECTIVE MACHINE NO." OF
 ENGINE IS INDICATED ON THE
 ENGINE LABEL WHICH IS SHOWN
 IN FIG.4.

Fig.8. CRANKSHAFT & PISTON

(A)=3TNV72-YUKS

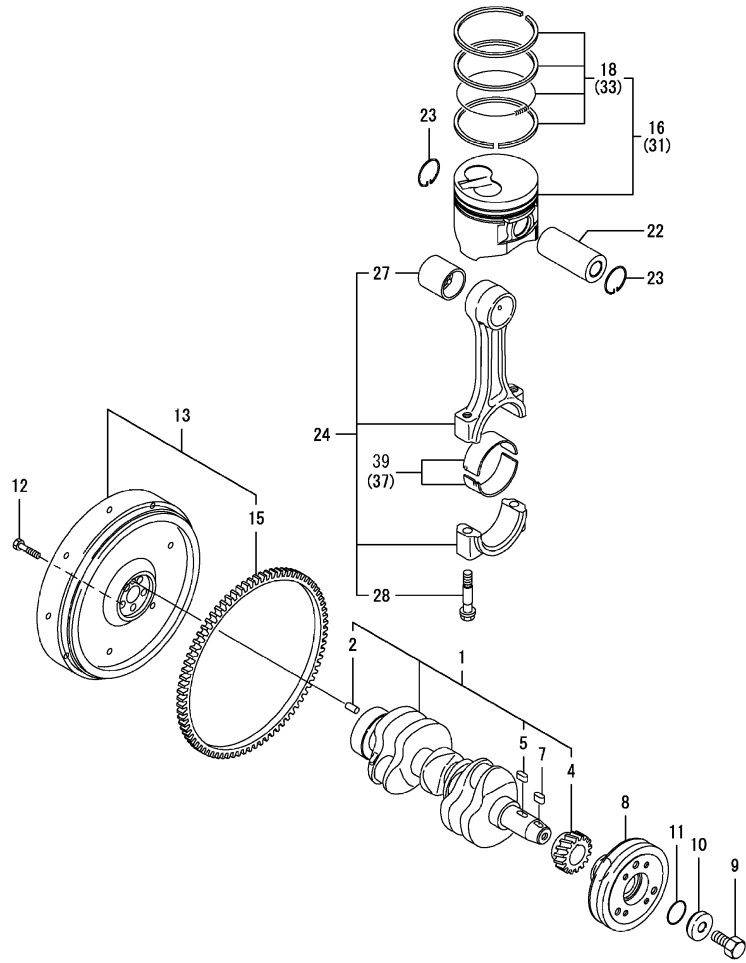
(B)=

(C)=

(D)=

(E)=

(F)=



No.	Lev.	Parts No.	Description	Q'ty						I	R
				(A)	(B)	(C)	(D)	(E)	(F)		
1	1	119515-21700	CRANKSHAFT ASSY	1							
2	2	129100-01580	PIN, M8X16	1							
4	2	119717-21200	GEAR, CRANKSHAFT	1							
5	2	22512-040120	KEY, 4X 12	1							
7	1	22512-040120	KEY, 4X 12	1							
8	1	119517-21650	V-PULLEY	1							
9	1	119621-21680	BOLT, FLANGE 12X1.25	1							
10	1	119717-21940	WASHER, 12	1							
11	1	24341-000340	O-RING, 1AS34.0	1							
11-1	1	119C10-21930	PACKING, WASHER	1							R
(A=EXXXXX)											
12	1	121111-21501	BOLT, FLYWHEEL	5							
13	1	119517-21590	FLYWHEEL ASSY	1							
15	2	124060-21600	GEAR, RING	1							
16	1	119517-22080	PISTON ASSY	3							
18	2	119517-22500	RING SET, PISTON	3							
22	1	119515-22300	PIN, PISTON	3							
23	1	22252-000220	RING, 22	6							
24	1	119515-23000	ROD ASSY, CONNECTING	3							
27	2	119717-23910	BEARING, PISTON PIN	3							2
28	2	119717-23200	BOLT, CONNECTING ROD	6							
31	1	719517-22900	PISTON ASSY	3							1
33	2	719517-22550	RING SET, PISTON	3							1
37	1	119515-23611	METAL ASSY, 0.25	3							3
39	1	119515-23601	BEARING, CRANK PIN	3							

Remarks

(1) OVER-SIZE(O.S=0.25)PART.

(2) REPAIR PART.

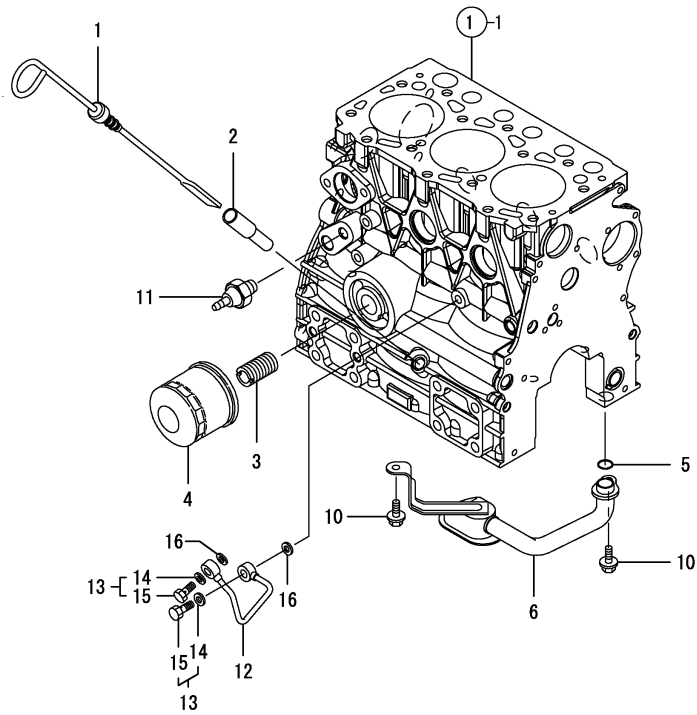
(3) UNDER-SIZE(U.S=0.25)PART.

(REMARKS)"EFFECTIVE MACHINE NO." OF ENGINE IS INDICATED ON THE ENGINE LABEL WHICH IS SHOWN IN FIG.4.

Fig.9. LUB.OIL SYSTEM

(A)=3TNV72-YUKS
(B)=
(C)=

(D)=
(E)=
(F)=



No.	Lev.	Parts No.	Description	Q'ty						I	R
				(A)	(B)	(C)	(D)	(E)	(F)		
1	1	119517-34800	DIPSTICK, OIL	1							
2	1	121520-34810	GUIDE, DIPSTICK	1							
3	1	129100-35140	STUD	1							
4	1	119305-35170	FILTER ASSY, D68XL65	1							1
5	1	119717-32060	O-RING, P15.0	1							
6	1	119534-35090	PIPE ASSY, OIL INLET	1							
10	1	26106-060102	BOLT, M6X 10 PLATED	2							
11	1	114250-39450	SWITCH, 0.5KG	1							
12	1	119717-39210	PIPE, OIL	1							
13	1	129005-59830	BOLT ASSY, JOINT M8	2							
14	2	22190-080002	WASHER, SEAL 6	2							
15	2	23857-030000	BOLT, JOINT 3	2							
16	1	22190-080002	WASHER, SEAL 6	2							

Remarks

(1) REPAIR PART.

Fig.10. COOLING WATER SYSTEM

(A)=3TNV72-YUKS

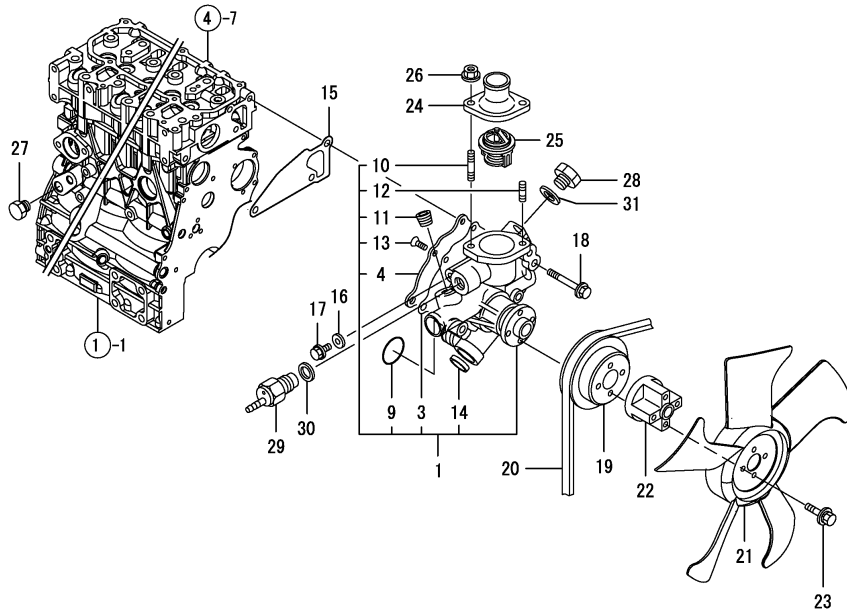
(B)=

(C)=

(D)=

(E)=

(F)=



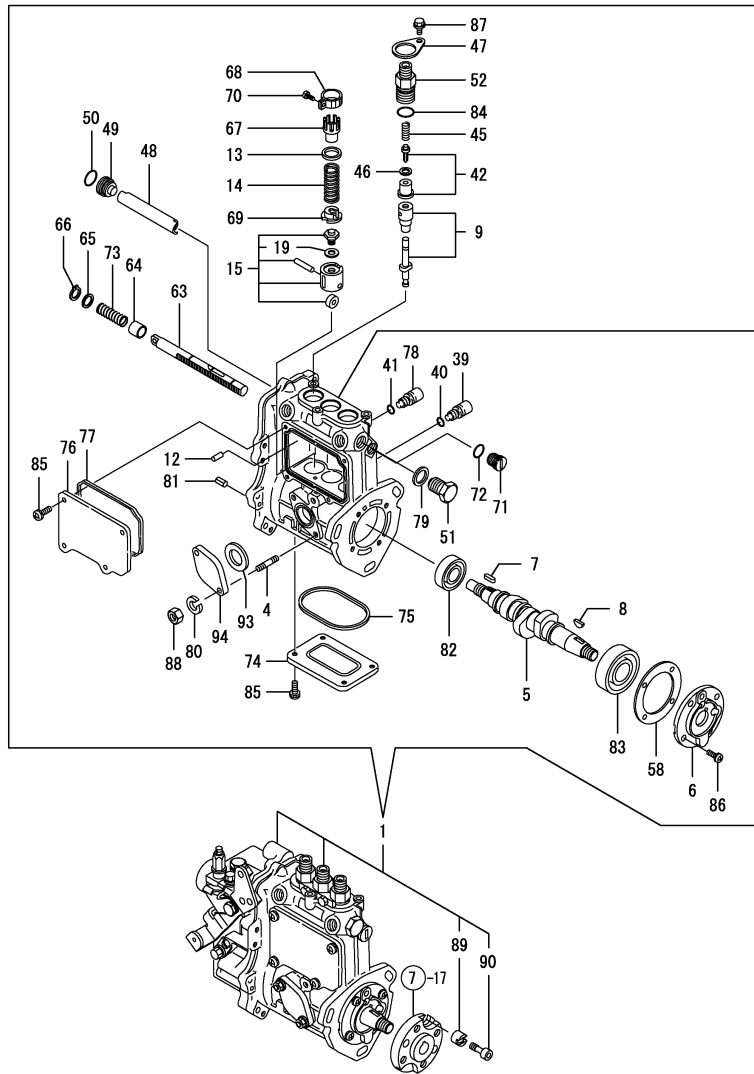
No.	Lev.	Parts No.	Description	Q'ty						I	R
				(A)	(B)	(C)	(D)	(E)	(F)		
1	1	119517-42000	PUMP ASSY, WATER	1							
3	2	119751-42030	GASKET	1							
4	2	119533-42040	COVER	1							
9	2	119717-42320	O-RING, P26	1							
10	2	129555-44750	STUD, M8X30	1							
11	2	129916-49740	PLUG, R03	1							
12	2	26216-080202	STUD, M8X 20	1							
13	2	26577-060122	SCREW, M6X12	5							
14	2	27241-250000	PLUG, 25	1							
15	1	119515-42020	GASKET, WATER PUMP	1							
16	1	23414-080000	GASKET, 8X1.0	1							
17	1	26106-080122	BOLT, M8X 12 PLATED	1							
18	1	26106-080502	BOLT, M8X 50 PLATED	3							
19	1	119740-42350	V-PULLEY, D=90	1							
20	1	119865-42290	V-BELT, A36.5	1							
21	1	119258-44740	FAN, COOLING D300	1							
22	1	119256-44760	SPACER, FAN	1							
23	1	26106-060552	BOLT, M6X 55 PLATED	4							
24	1	129350-49530	COVER, THERMOSTAT	1							
25	1	119717-49800	THERMOSTAT, 71	1							
26	1	26306-080002	NUT, M8	2							
27	1	171056-49120	PLUG, DRAIN	1							
28	1	121450-42450	PLUG, M16	1							
29	1	121250-44901	SWITCH, 110	1							
30	1	124465-44950	GASKET, 16	1							
31	1	124465-44950	GASKET, 16	1							

Remarks
 (REMARKS)"EFFECTIVE MACHINE NO." OF
 ENGINE IS INDICATED ON THE
 ENGINE LABEL WHICH IS SHOWN
 IN FIG.4.

Fig.11. FUEL INJECTION PUMP

(A)=3TNV72-YUKS
(B)=
(C)=

(D)=
(E)=
(F)=



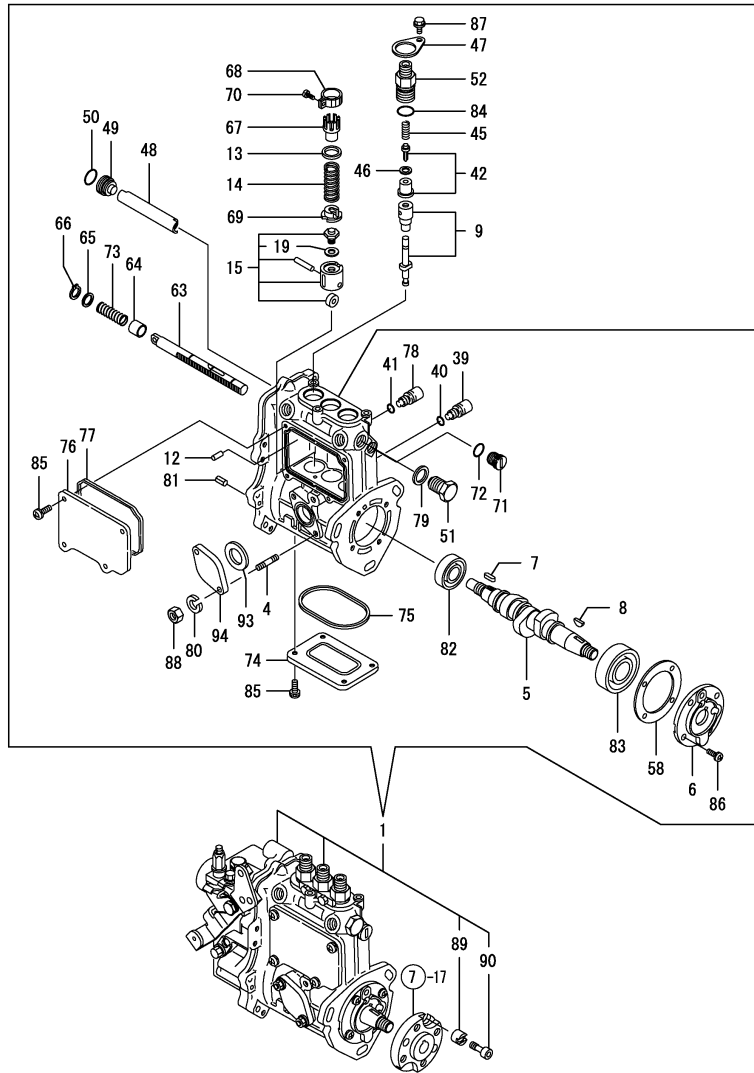
No.	Lev.	Parts No.	Description	Q'ty						I	R
				(A)	(B)	(C)	(D)	(E)	(F)		
1	1	719517-51350	PUMP ASSY, INJECTION	1							1
4	2	129155-51020	STUD	2							
5	2	119717-51030	CAMSHAFT	1							
6	2	119717-51060	SUPPORT, CAMSHAFT	1							
7	2	119717-51070	KEY	1							
8	2	122710-51090	KEY	1							
9	2	119515-51100	PLUNGER ASSY	3							
12	2	129155-51140	PIN	3							
13	2	158600-51170	RETAINER, SPRING	3							
14	2	119717-51190	SPRING, PLUNGER	3							
15	2	119717-51200	TAPPET ASSY	3							
19	3	129155-51600	SHIM SET, ADJUSTING	3							
39	2	158600-51270	STOPPER, TAPPET	3							
40	2	129155-51280	O-RING, S6	3							
41	2	129155-51280	O-RING, S6	1							
42	2	119717-51300	VALVE ASSY, DELIVERY	3							
45	2	119717-51330	SPRING, DELIVERY	3							
46	2	124550-51350	GASKET, DELIVERY	3							
47	2	118400-51370	LOCKING	3							
48	2	129155-51400	DEFLECTOR	1							
49	2	158600-51410	PLUG, DEFLECTOR	1							
50	2	119717-51420	O-RING	1							
51	2	158600-51420	PLUG, DEFLECTOR	1							
52	2	158600-51442	VALVE ASSY, DELIVERY	3							
58	2	129155-51450	SHIM SET, ADJUSTING	1							
63	2	119717-51500	RACK, CONTROL	1							
64	2	129155-51521	BUSH, RACK	1							
65	2	129155-51530	SPACER	1							
66	2	129155-51540	CIRCLIP	1							
67	2	129155-51550	PINION, CONTROL	3							
68	2	129100-51560	PINION	3							
69	2	119717-51570	RETAINER, SPRING	3							
70	2	129100-51570	SCREW	3							
71	2	158600-51570	PLUG	1							
72	2	129155-51580	O-RING	1							
73	2	129155-51591	SPRING, RACK	1							
74	2	129155-51701	COVER	1							
75	2	119717-51711	GASKET	1							
76	2	119717-51750	COVER	1							
77	2	119717-51761	GASKET	1							
78	2	158600-51790	STOOPER, RACK	1							
79	2	22190-160002	WASHER, SEAL 16	1							
80	2	22217-060000	WASHER, SPRING 6	2							
81	2	22351-050010	PIN, SPRING 5.0X10	2							
82	2	24101-060034	BEARING, BALL 6003	1							
83	2	24101-063034	BEARING, BALL 6303	1							
84	2	24316-000150	O-RING, 4DP15.0	3							
85	2	26022-050122	SCREW, M5X12	8							
86	2	26022-060162	SCREW, M6X16	4							
87	2	26106-050102	BOLT, M5X 10 PLATED	3							
88	2	26716-060002	NUT, M6	2							

Remarks
(1) GOVERNOR ASSY(FIG.11) IS INCORPORATED IN THIS FOP.CMP (REF.NO.1).
(REMARKS)"EFFECTIVE MACHINE NO." OF ENGINE IS INDICATED ON THE ENGINE LABEL WHICH IS SHOWN IN FIG.4.

Fig.11. FUEL INJECTION PUMP

(A)=3TNV72-YUKS
(B)=
(C)=

(D)=
(E)=
(F)=



No.	Lev.	Parts No.	Description	Q'ty						I	R
				(A)	(B)	(C)	(D)	(E)	(F)		
89	2	119717-51480	COLLAR	1							
90	2	119717-51490	BOLT	1							
93	2	129155-52051	GASKET	1							
94	2	129100-52200	COVER	1							

Remarks
 (1) GOVERNOR ASSY(FIG.11) IS INCORPORATED IN THIS FOP.CMP (REF.NO.1).
 (REMARKS)"EFFECTIVE MACHINE NO." OF ENGINE IS INDICATED ON THE ENGINE LABEL WHICH IS SHOWN IN FIG.4.

Fig.12. GOVERNOR

(A)=3TNV72-YUKS

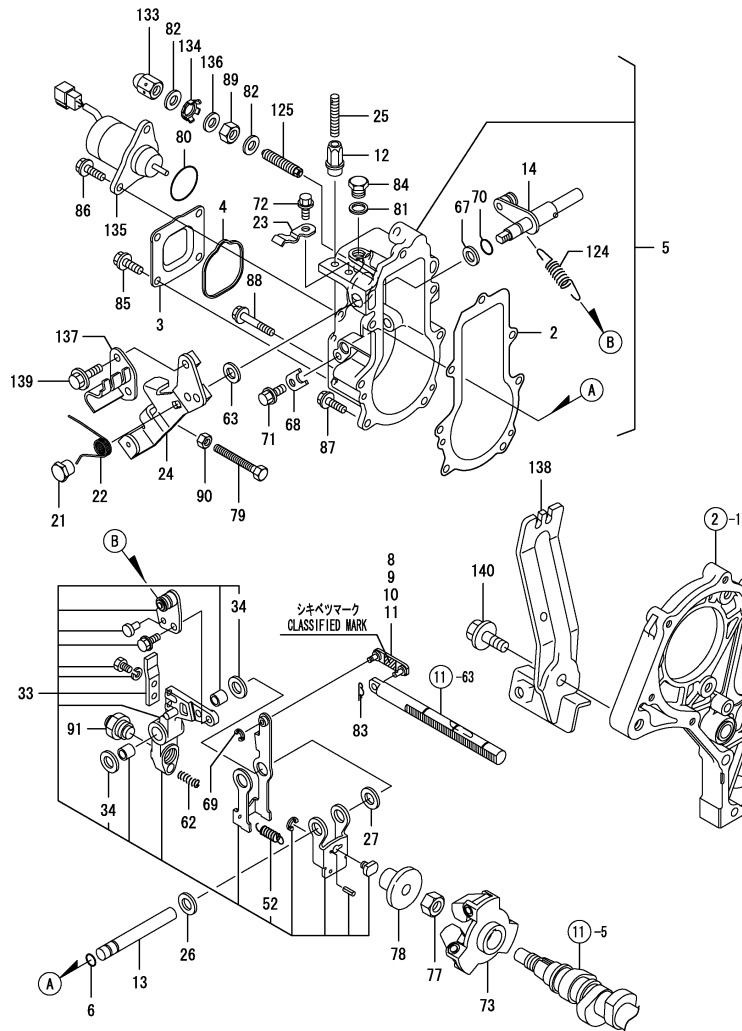
(B)=

(C)=

(D)=

(E)=

(F)=



No.	Lev.	Parts No.	Description	Qty						I	R
				(A)	(B)	(C)	(D)	(E)	(F)		
2	2	119717-61050	GASKET	1							
3	2	119717-61060	COVER, GOVERNOR CASE	1							
4	2	119717-61070	GASKET	1							
5	2	119517-61100	CASE ASSY, GOVERNOR	1							
6	3	129155-51280	O-RING, S6	1							
8	3	119717-61120	LINK, MARK :3	1							1
9	3	119717-61130	LINK, MARK 98	1							1
10	3	119717-61140	LINK, MARK 88	1							1
11	3	119717-61150	LINK, MARK 03	1							1
12	3	129209-61370	NUT, M6	1							
13	3	129052-61390	SHAFT	1							
14	3	119717-61400	SHAFT ASSY	1							
21	3	129255-61410	NUT, LOCK	1							
22	3	119534-61420	SPRING	1							
23	3	119534-61430	RETAINER	1							
24	3	119517-61440	LEVER, CONTROL	1							
25	3	129155-61450	BOLT, LIMITER	1							
26	3	129156-61460	SHIM, T=0.6	1							
27	3	129155-61480	SPACER ASSY	1							
33	3	119761-61500	LEVER ASSY, GOVERNOR	1							
34	4	174307-51700	SHIM SET	2							
52	4	129486-61540	SPRING, SET	1							
62	3	129100-61650	SPRING, CONTROLLER	1							
63	3	158552-61700	SHIM SET	1							
67	3	158552-61710	SHIM, T=1.0	1							
68	3	119660-61901	RETAINER, SHAFT	1							
69	3	22272-000030	RING, E-3	1							
70	3	24341-000070	O-RING, 1AS7.0	1							
71	3	26106-060102	BOLT, M6X 10 PLATED	1							
72	3	26106-060102	BOLT, M6X 10 PLATED	1							
73	2	119717-61200	WEIGHT ASSY,GOVERNOR	1							
77	2	119660-61300	NUT	1							
78	2	129155-61341	SLEEVE	1							
79	2	129155-61460	BOLT, IDLE	1							
80	2	158552-61900	O-RING	1							
81	2	22190-100002	WASHER, SEAL 10	1							
82	2	22190-120002	WASHER, SEAL 12	2							
83	2	22372-040000	PIN, SNAP 4	1							
84	2	23887-100002	PLUG, 10	1							
85	2	26106-060102	BOLT, M6X 10 PLATED	4							
86	2	26106-060142	BOLT, M6X 14 PLATED	2							
87	2	26106-060202	BOLT, M6X 20 PLATED	4							
88	2	26106-060452	BOLT, M6X 45 PLATED	3							
89	2	26736-120002	NUT, M12	1							
90	2	26756-060002	NUT, LOCK M6	1							
91	2	119527-61550	ANGLEICH ASSY	1							
124	2	129573-61700	SPRING, GOVERNOR	1							
125	2	158601-61700	LIMITER ASSY, FUEL	1							
133	2	129209-61930	NUT, CAP	1							
134	2	129209-61970	PLATE	1							
135	2	119653-77950	SOLENOID, STOP	1							

Remarks

(1) SELECTIVE PARTS: CERTAIN THE CLASSIFICATION MARK, THEN PLACE YOUR ORDER.(REF. TO ILLUSTRATION)
 * THIS FIGURE(GOVERNOR ASSY)IS INCORPORATED IN THE FUEL INJECTION PUMP ASSY(FIG.10).
 (REMARKS)"EFFECTIVE MACHINE NO." OF ENGINE IS INDICATED ON THE ENGINE LABEL WHICH IS SHOWN IN FIG.4.

Fig.12. GOVERNOR

(A)=3TNV72-YUKS

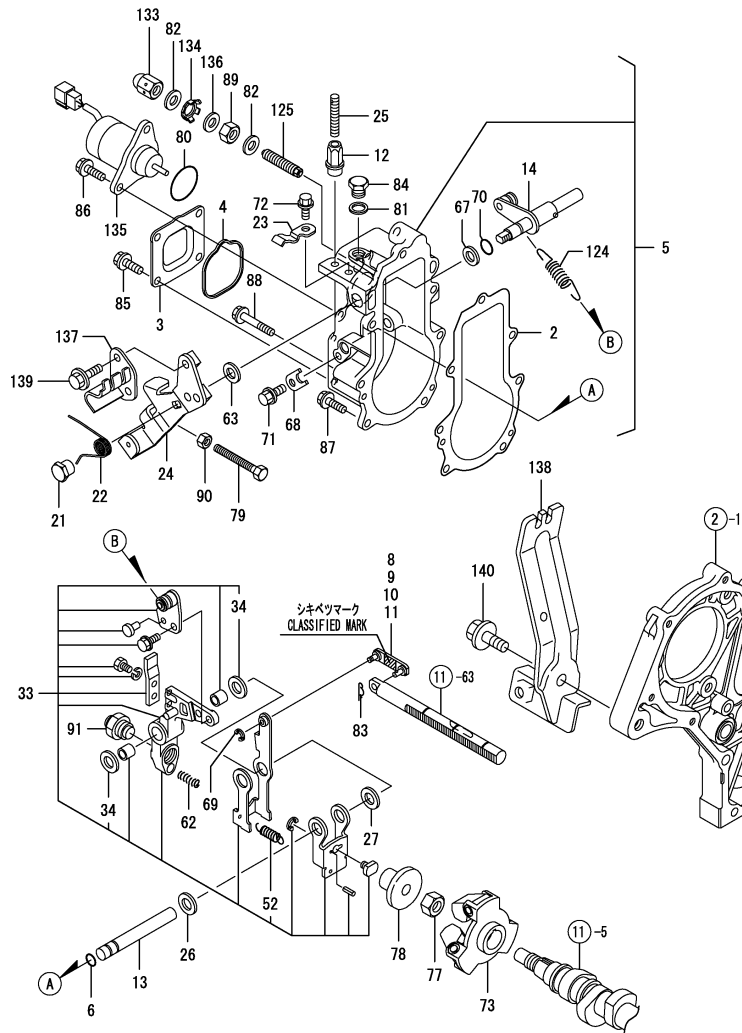
(B)=

(C)=

(D)=

(E)=

(F)=

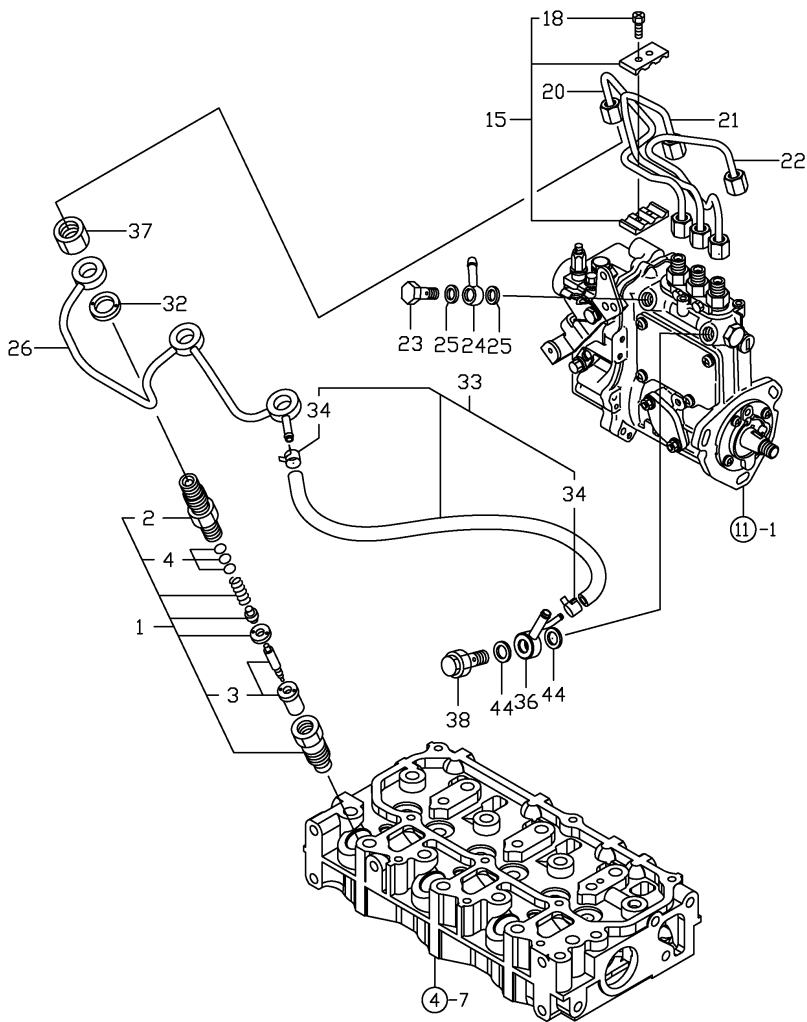


No.	Lev.	Parts No.	Description	Q'ty						I	R
				(A)	(B)	(C)	(D)	(E)	(F)		
136	2	23414-120016	GASKET, 12X1.0	1							
137	1	119517-66470	HOOK ASSY	1							
138	1	119517-67080	SUPPORT, WIRE	1							
138-1	1	119517-67081 (A=F000562)	SUPPORT, WIRE	1							N
139	1	26106-060122	BOLT, M6X 12 PLATED	2							
140	1	26106-100202	BOLT, M10X 20 PLATED	1							

Remarks

(1) SELECTIVE PARTS: CERTAIN THE CLASSIFICATION MARK, THEN PLACE YOUR ORDER.(REF. TO ILLUSTRATION)
 * THIS FIGURE(GOVERNOR ASSY)IS INCORPORATED IN THE FUEL INJECTION PUMP ASSY(FIG.10).
 (REMARKS)"EFFECTIVE MACHINE NO." OF ENGINE IS INDICATED ON THE ENGINE LABEL WHICH IS SHOWN IN FIG.4.

Fig.13. FUEL INJECTION VALVE



(A)=3TNV72-YUKS
(B)=
(C)=

(D)=
(E)=
(F)=

No.	Lev.	Parts No.	Description	Q'ty						I	R
				(A)	(B)	(C)	(D)	(E)	(F)		
1	1	119515-53001	VALVE ASSY,INJECTION	3							
2	2	118200-53010	HOLDER, NOZZLE	3							
3	2	119515-53010	VALVE ASSY,INJECTION	3							
4	2	129901-53800	SHIM SET, ADJUSTING	3							1
15	1	129150-59120	RETAINER, PIPE	1							
18	2	129150-59131	BOLT, M4X14	2							
20	1	119546-59810	PIPE ASSY, INJECTION	1							
21	1	119546-59820	PIPE ASSY, INJECTION	1							
22	1	119546-59830	PIPE ASSY, INJECTION	1							
23	1	103854-39140	BOLT, PIPE JOINT	1							
24	1	101304-59020	JOINT, PIPE 12	1							
25	1	22190-120002	WASHER, SEAL 12	2							
26	1	119515-59540	PIPE ASSY, RETURN	1							
32	1	129901-59560	GASKET	3							
33	1	119540-59570	PIPE ASSY, RETURN	1							
34	2	124066-59100	CLIP, HOSE 8	2							
36	1	119840-59570	JOINT	1							
37	1	119620-59700	NUT, NOZZLE	3							
38	1	119813-59950	VALVE ASSY, CHECK	1							
44	1	22190-120002	WASHER, SEAL 12	2							

Remarks
(1) REPAIR PART.
(REMARKS)"EFFECTIVE MACHINE NO." OF
ENGINE IS INDICATED ON THE
ENGINE LABEL WHICH IS SHOWN
IN FIG.4.

Fig.14. STARTING MOTOR

(A)=3TNV72-YUKS

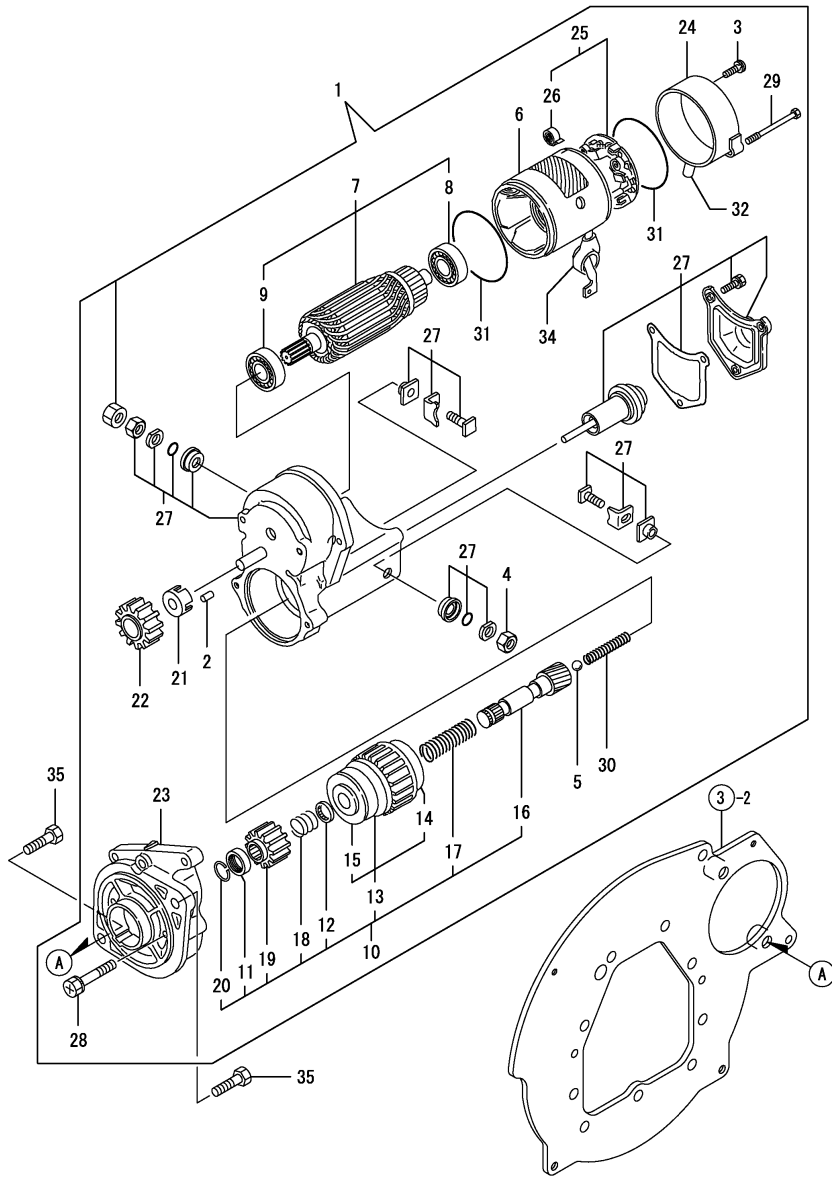
(B)=

(C)=

(D)=

(E)=

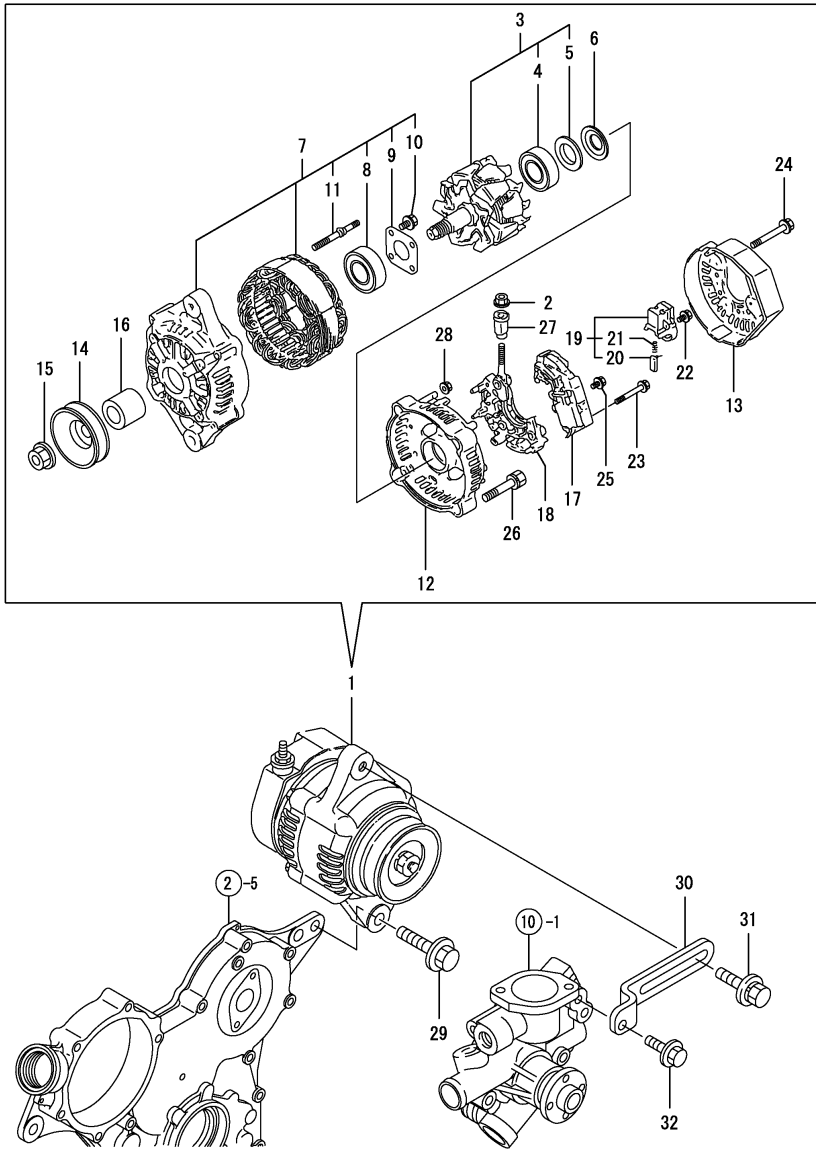
(F)=



No.	Lev.	Parts No.	Description	Q'ty						I	R
				(A)	(B)	(C)	(D)	(E)	(F)		
1	1	119626-77020	STARTER, RA1.2	1							
2	2	X0283060061	ROLLER		5						
3	2	129129-77460	SCREW			2					
4	2	X9490561370	NUT		1						
5	2	X9491200240	BALL		1						
6	2	129129-77210	YOKE ASSY		1						
7	2	129129-77220	ARMATURE ASSY		1						
8	3	129129-77230	BEARING		1						
9	3	129129-77240	BEARING		1						
10	2	X0283006990	CLUTCH SUB-ASSY		1						
11	3	X0280210230	NUT		1						
12	3	X0283270140	RETAINER		1						
13	3	129129-77390	CLUTCH ASSY, STARTER		1						
14	4	129129-77440	BEARING		1						
15	4	129129-77450	BEARING		1						
16	3	129129-77400	SHAFT		1						
17	3	129129-77410	SPRING, COIL		1						
18	3	X9491703371	SPRING, COIL		1						
19	3	X0283711660	PINION		1						
20	3	129129-77430	RING		1						
21	2	129129-77260	RETAINER		1						
22	2	129129-77270	PINION		1						
23	2	X4284000870	HOUSING		1						
24	2	129129-77290	FRAME		1						
25	2	129129-77300	HOLDER ASSY		1						
26	3	X9491730461	SPRING		4						
27	2	129407-77310	SWITCH ASSY		1						
28	2	129129-77320	BOLT		2						
29	2	129129-77330	BOLT		2						
30	2	129129-77340	SPRING		1						
31	2	129129-77350	O-RING		2						
32	2	129129-77362	COVER		1						
34	2	129129-77380	CAP		1						
35	1	26116-120302	BOLT, M12X 30 PLATED		2						

Remarks
 (REMARKS)"EFFECTIVE MACHINE NO." OF
 ENGINE IS INDICATED ON THE
 ENGINE LABEL WHICH IS SHOWN
 IN FIG.4.

Fig.15. GENERATOR



(A)=3TNV72-YUKS
(B)=
(C)=

(D)=
(E)=
(F)=

No.	Lev.	Parts No.	Description	Q'ty						I	R
				(A)	(B)	(C)	(D)	(E)	(F)		
1	1	119620-77201	GENERATOR, 40A	1							
2	2	X9490561001	NUT	1							
3	2	119620-77380	ROTOR ASSY	1							
4	3	123501-79240	BEARING, BALL	1							
5	3	119620-79250	COVER, BEARING	1							
6	2	119620-79360	WASHER, THRUST	1							
7	2	119620-77421	FRAME ASSY, DRIVE	1							
8	3	119620-79200	BALL BEARING	1							
9	3	119620-79210	PLATE	1							
10	3	119620-79220	SCREW	4							
11	3	119620-79230	BOLT, STUD	2							
12	2	119620-77440	FLAME ASSY, REAR	1							
13	2	119620-77450	COVER	1							
14	2	119620-77461	PULLEY	1							
15	2	119620-77471	NUT	1							
16	2	119620-77490	COLLAR	1							
17	2	119620-77710	REGULATOR ASSY	1							
18	2	119620-79260	HOLDER	1							
19	2	119620-79270	HOLDER, BRUSH	1							
20	3	119620-77480	BRUSH ASSY	2							
21	3	119620-79280	SPRING	2							
22	2	119620-79290	SCREW	6							
23	2	119620-79300	SCREW	1							
24	2	119620-79310	BOLT	3							
25	2	119620-79320	SCREW W/WASHER	2							
26	2	119620-79330	BOLT	2							
27	2	119620-79340	INSULATION BUSH	1							
28	2	119620-79350	NUT	2							
29	1	26106-100452	BOLT, M10X 45 PLATED	1							
30	1	119517-77330	ADJUSTER	1							
31	1	119810-77340	BOLT, ADJUSTER	1							
32	1	26106-080202	BOLT, M8X 20 PLATED	1							

Remarks
(REMARKS)"EFFECTIVE MACHINE NO." OF
ENGINE IS INDICATED ON THE
ENGINE LABEL WHICH IS SHOWN
IN FIG.4.

Parts No. Index

Parts No.	Fig. No.	Ref. No.
101304-59020	13	24
103854-39140	13	23
105010-11490	4	6
105027-12580	5	6
105311-01090	1	5
114250-39450	9	11
118200-53010	13	2
118400-51370	11	47
119131-18320	6	5
119256-44760	10	22
119258-44740	10	21
119285-01990	1	8
119285-11990	4	15
119305-35170	9	4
119515-01200	1	29
119515-01720	3	9
119515-11101	4	17
119515-11110	4	18
119515-11200	4	25
119515-11240	4	26
119515-11280	4	30
119515-11310	4	49
119515-11320	4	50
119515-11330	4	51
119515-11380	4	39
119515-11800	4	13
119515-12520	5	2
119515-13200	6	7
119515-14400	7	2
119515-14581	7	3
119515-21700	8	1
119515-22300	8	22
119515-23000	8	24
119515-23601	8	39
119515-23611	8	37
119515-42020	10	15
119515-51100	11	9
119515-53001	13	1
119515-53010	13	3
119515-59540	13	26
119517-01330	1	30
119517-01600	3	2
119517-01750	3	10
119517-07900	4	1
119517-11740	4	7
119517-12510	5	1
119517-13500	6	8
119517-21590	8	13
119517-21650	8	8
119517-22080	8	16

Parts No.	Fig. No.	Ref. No.
119517-22500	8	18
119517-34800	9	1
119517-42000	10	1
119517-61100	12	5
119517-61440	12	24
119517-66470	12	137
119517-67080	12	138
119517-67081	12	138 -1
119517-77330	15	30
119527-01640	3	5
119527-61550	12	91
119533-42040	10	4
119534-35090	9	6
119534-61420	12	22
119534-61430	12	23
119540-59570	13	33
119546-59810	13	20
119546-59820	13	21
119546-59830	13	22
119600-11460	4	5
119620-01620	3	4
119620-02020	1	9
119620-14200	7	1
119620-59700	13	37
119620-77201	15	1
119620-77380	15	3
119620-77421	15	7
119620-77440	15	12
119620-77450	15	13
119620-77461	15	14
119620-77471	15	15
119620-77480	15	20
119620-77490	15	16
119620-77710	15	17
119620-79200	15	8
119620-79210	15	9
119620-79220	15	10
119620-79230	15	11
119620-79250	15	5
119620-79260	15	18
119620-79270	15	19
119620-79280	15	21
119620-79290	15	22
119620-79300	15	23
119620-79310	15	24
119620-79320	15	25
119620-79330	15	26
119620-79340	15	27
119620-79350	15	28
119620-79360	15	6

Parts No.	Fig. No.	Ref. No.
119621-21680	8	9
119623-01250	1	6
119624-32040	2	18
119626-77020	14	1
119653-77950	12	135
119660-01911	2	17
119660-61300	12	77
119660-61901	12	68
119686-12570	5	5
119717-01501	2	1
119717-01570	2	2
119717-01750	2	16
119717-01800	2	6
119717-02411	1	12
119717-02930	1	26
119717-03031	4	40
119717-03070	4	41
		42
119717-11131	4	19
119717-11190	4	21
119717-11260	4	29
119717-11340	4	22
119717-11350	4	23
119717-11650	4	31
119717-13110	6	1
119717-21200	8	4
119717-21940	8	10
119717-23200	8	28
119717-23910	8	27
119717-25050	7	9
119717-25101	7	10
119717-25911	7	13
119717-25930	7	16
119717-32050	2	19
119717-32060	9	5
119717-32080	2	9
119717-32100	2	8
119717-32110	2	13
119717-32120	2	14
119717-39210	9	12
119717-42320	10	9
119717-49800	10	25
119717-51030	11	5
119717-51060	11	6
119717-51070	11	7
119717-51150	7	17
119717-51190	11	14
119717-51200	11	15
119717-51300	11	42
119717-51330	11	45

Parts No.	Fig. No.	Ref. No.
119717-51420	11	50
119717-51480	11	89
119717-51490	11	90
119717-51500	11	63
119717-51570	11	69
119717-51711	11	75
119717-51750	11	76
119717-51761	11	77
119717-61050	12	2
119717-61060	12	3
119717-61070	12	4
119717-61120	12	8
119717-61130	12	9
119717-61140	12	10
119717-61150	12	11
119717-61200	12	73
119717-61400	12	14
119717-77800	4	58
119717-77820	4	59
119734-01580	2	3
119734-13110	6	2
119740-42350	10	19
119744-01521	2	5
119751-42030	10	3
119761-61500	12	33
119802-03100	4	43
119802-03110	4	44
119802-03121	4	45
119802-03131	4	46
119802-03141	4	47
119802-13620	6	3
119802-13750	6	4
119802-32130	2	15
119808-12540	5	4
119810-02941	1	31
119810-77340	15	31
119813-59950	13	38
119840-59570	13	36
119865-42290	10	20
119C10-21930	8	11 -1
121111-21501	8	12
121250-44901	10	29
121450-42450	10	28
121520-34810	9	2
121850-51960	2	20
122710-51090	11	8
123501-79240	15	4
124060-01050	1	4
124060-21600	8	15
124066-59100	13	34

Parts No. Index

Parts No.	Fig. No.	Ref. No.
124085-02220	3	7
124160-01751	2	28
	4	38
124160-01910	1	7
124465-44950	10	30
		31
124550-51350	11	46
129001-32320	2	11
129001-32330	2	12
129005-59830	9	13
129052-61390	12	13
129054-01640	3	11
129100-01580	3	1
	8	2
129100-35140	9	3
129100-51560	11	68
129100-51570	11	70
129100-52200	11	94
129100-61650	12	62
129129-77210	14	6
129129-77220	14	7
129129-77230	14	8
129129-77240	14	9
129129-77260	14	21
129129-77270	14	22
129129-77290	14	24
129129-77300	14	25
129129-77320	14	28
129129-77330	14	29
129129-77340	14	30
129129-77350	14	31
129129-77362	14	32
129129-77380	14	34
129129-77390	14	13
129129-77400	14	16
129129-77410	14	17
129129-77430	14	20
129129-77440	14	14
129129-77450	14	15
129129-77460	14	3
129150-11230	4	32
129150-11750	4	34
129150-25301	7	15
129150-59120	13	15
129150-59131	13	18
129150-91400	2	30
129155-51020	11	4
129155-51140	11	12
129155-51280	11	40
		41

Parts No.	Fig. No.	Ref. No.
129155-51280	12	6
129155-51400	11	48
129155-51450	11	58
129155-51521	11	64
129155-51530	11	65
129155-51540	11	66
129155-51550	11	67
129155-51580	11	72
129155-51591	11	73
129155-51600	11	19
129155-51701	11	74
129155-52051	11	93
129155-61341	12	78
129155-61450	12	25
129155-61460	12	79
129155-61480	12	27
129156-61460	12	26
129209-61370	12	12
129209-61930	12	133
129209-61970	12	134
129255-61410	12	21
129350-49530	10	24
129407-77310	14	27
129418-12530	5	3
129486-61540	12	52
129508-11180	4	20
129555-44750	10	10
129573-61700	12	124
129900-07900	4	2
129900-32130	2	10
129901-11450	4	4
129901-53800	13	4
129901-59560	13	32
129916-49740	10	11
158552-61700	12	63
158552-61710	12	67
158552-61900	12	80
158600-51170	11	13
158600-51270	11	39
158600-51410	11	49
158600-51420	11	51
158600-51442	11	52
158600-51570	11	71
158600-51790	11	78
158601-61700	12	125
171056-49120	10	27
174307-51700	12	34
22190-080002	9	14
		16
22190-100002	12	81

Parts No.	Fig. No.	Ref. No.
22190-120002	3	13
	12	82
	13	25
		44
22190-160002	11	79
22217-060000	11	80
22217-120000	7	18
22242-000120	4	35
22252-000220	8	23
22272-000030	12	69
22351-050010	11	81
22351-060012	4	24
22372-040000	12	83
22512-040120	8	5
		7
22857-500100	4	52
		53
22857-500160	4	54
23414-080000	10	16
23414-120016	12	136
23857-030000	9	15
23876-005000	4	16
23876-030000	2	7
23887-100002	12	84
24101-060034	11	82
24101-063034	11	83
24311-000320	2	29
	4	55
24316-000150	11	84
24341-000070	12	70
24341-000240	2	32
24341-000340	8	11
26022-050122	11	85
26022-060162	11	86
26106-050102	11	87
26106-060102	9	10
	12	71
		72
		85
26106-060122	2	21
	3	14
	7	8
	12	139
26106-060142	12	86
26106-060162	2	22
		33
26106-060202	4	56
	12	87
26106-060222	3	8
26106-060252	3	15

Parts No.	Fig. No.	Ref. No.
26106-060352	7	14
26106-060402	2	23
		24
26106-060452	3	16
	12	88
26106-060552	10	23
26106-060602	2	25
26106-060652	2	26
26106-060752	4	57
26106-080122	10	17
26106-080162	4	3
26106-080202	15	32
26106-080402	4	37
26106-080502	10	18
26106-100202	12	140
26106-100452	15	29
26116-120302	14	35
26206-100202	3	3
26216-080202	10	12
26306-080002	2	27
	6	6
		9
	10	26
26577-060122	10	13
26716-060002	11	88
26716-120002	7	19
26736-120002	12	89
26756-060002	12	90
26979-050162	4	36
27241-120000	1	13
27241-250000	10	14
719517-01560	1	1
719517-22550	8	33
719517-22900	8	31
719517-51350	11	1
719717-02901	1	14
719717-02911	1	34
719734-01510	2	4
X0280210230	14	11
X0283006990	14	10
X0283060061	14	2
X0283270140	14	12
X0283711660	14	19
X4284000870	14	23
X9490561001	15	2
X9490561370	14	4
X9491200240	14	5
X9491703371	14	18
X9491730461	14	26