

0CNP4-M83300EN

Directions for the Parts Catalog.

1. This Parts Catalog shows both standard and optional parts.
2. Parts may change without prior notice.
3. The following is an example of the Parts Catalog format.

REF.	LEV.	PARTS NO.	DESCRIPTION	Q'TY						I	R
				(A)	(B)	(C)	(D)	(E)	(F)		
1	1	729595-51390	FUEL INJECTION PUMP	1	1	1	1	1			1
1-1	1	729595-51391	FUEL INJECTION PUMP	1	1	1	1	1		N	1
		(A=E00185) (B=E00200)									
3	2	26022-060162	SCREW M 6X 16	9	9	9	9	9			
3-1	2	26022-060162	SCREW M 6X 16	4	4	4	4	4		K	
		(A=E00156) (B=E00156) (C=E00156) (D=E00156) (E=E00156)									
4	2	129470-51040	CAMSHAFT	1	1	1	1	1			
5	2	122710-51050	BEARING, ROLLER	2	2	2	2	2			
6	2	129470-51060	RETAINER	1	1	1	1	1			

Remarks
(1) BOOST COMPEMSATOR TYPE. OPTIONAL PART, TO E00155,(4JH-DT, 4JH-DTZ

① Ref. No.

The Ref. No. listed may not be in accordance with the illustration Ref. No.

(Ex.) Illustration No.

List Ref No.

1

1

(Before change) → 1-1 (After change)

For interchangeable symbols N, R and K, illustrations for new parts may be abbreviated.

② Lev. (Level)

Level indication

The numbers below indicate the level of relativity towards the main part.

1 ----- Main parts (Assembly parts)

2 ----- Sub component included in " 1 ".

3 ----- Sub component included in " 2 ".

Note) Parts that are not for sale are partially illustrated but not listed.

③ Interchangeability Symbol

When a part change takes place, one of the following interchangeability symbols is indicated beside the part.

Symbol	Interchangeability	Contents note
N	Old $\begin{matrix} \leftarrow \text{Yes} \\ \text{No} \rightarrow \end{matrix}$ New	New Part is interchangeable for Old Part but Old Part is not interchangeable for New Part.
Q	Old $\begin{matrix} \leftarrow \text{No} \\ \text{Yes} \rightarrow \end{matrix}$ New	New Part is not interchangeable for Old Part but Old Part is interchangeable for New Part.
R	Old $\begin{matrix} \leftarrow \text{Yes} \\ \text{Yes} \rightarrow \end{matrix}$ New	New/ Old Parts are both interchangeable.
S	Old $\begin{matrix} \leftarrow \text{No} \\ \text{No} \rightarrow \end{matrix}$ New	New/ Old Parts are both not interchangeable.
W		Part newly added.
Z		Part discontinued.
F		Not interchangeable by a single part but interchangeable together with related parts.
K		Changes only for used parts quantities.

④ Effective Machine No.

When a part changes, the effective Machine No. will be indicated in the (A)-(F) column.

Product Symbol	Product No.	Product Symbol	Product No.
C	Clutch No. Compressor No.	F	Machine No. (Agricultural Equip.)
D	Drive No.	M	Machine No.
E	Engine No.		

Note 1) A date may follow the symbol. (Ex.) 1996.01

Note 2) "XXXXX" and "ZZZZZ" are for parts that could not be predicted or for engine models that could not be identified.

Note 3) (A=E00185) is the E (Engine Serial Number) for the column (A) model (in this case 4JH-DT) after the parts design change.

⑤ Remarks

Figures or alphabets (symbols) are entered in the remarks column.

The comments (remarks) on parts that are indicated at the bottom of the illustration are the same symbols as those stated above.

Contents

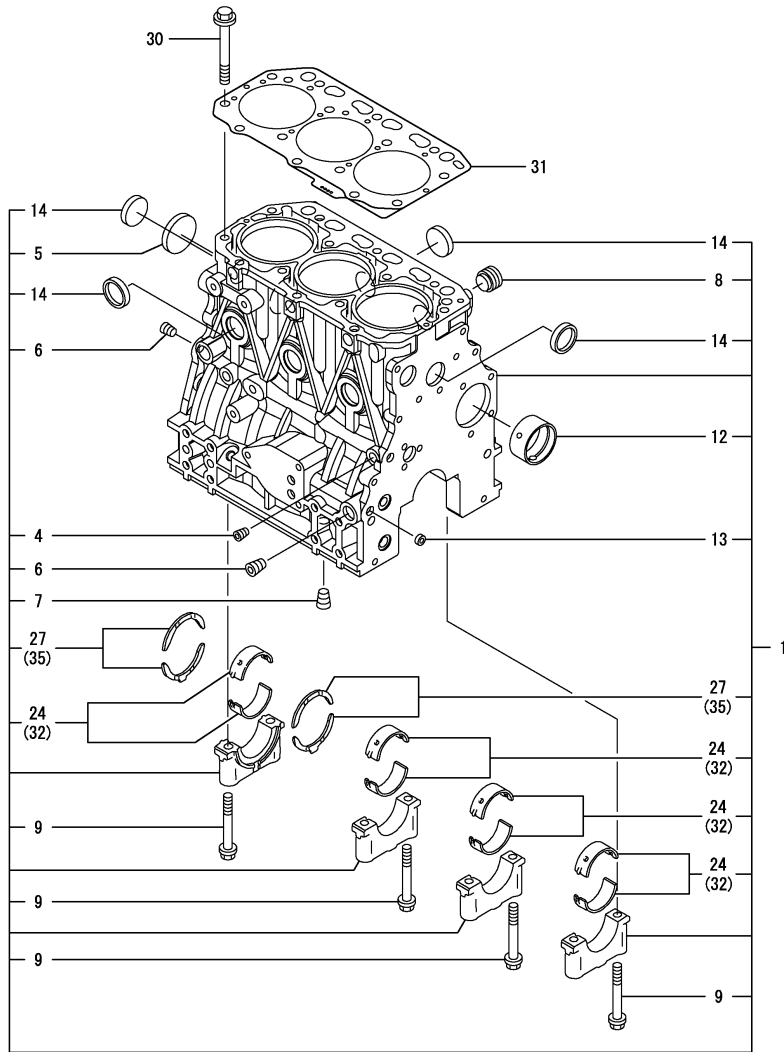
OCNP4-M83300

Fig. No.	Fig. Name	Fig. No.	Fig. Name
ENGINE SECTION (3TNV88-BMRGH)			
1.	CYLINDER BLOCK		
2.	GEAR HOUSING		
3.	MOUNTING FLANGE & OIL SUMP		
4.	CYLINDER HEAD & BONNET		
5.	SUCTION MANIFOLD		
6.	EXHAUST MANIFOLD & SILENCER		
7.	CAMSHAFT & DRIVING GEAR		
8.	CRANKSHAFT & PISTON		
9.	HYDRAULIC PUMP		
10.	LUB.OIL SYSTEM		
11.	COOLING WATER SYSTEM		
12.	FUEL INJECTION PUMP		
13.	GOVERNOR		
14.	FUEL INJECTION VALVE		
15.	STARTING MOTOR		
16.	GENERATOR		

Fig.1. CYLINDER BLOCK

(A)=3TNV88-BMRGH
 (B)=3TNV88-UMRGH
 (C)=

(D)=
 (E)=
 (F)=



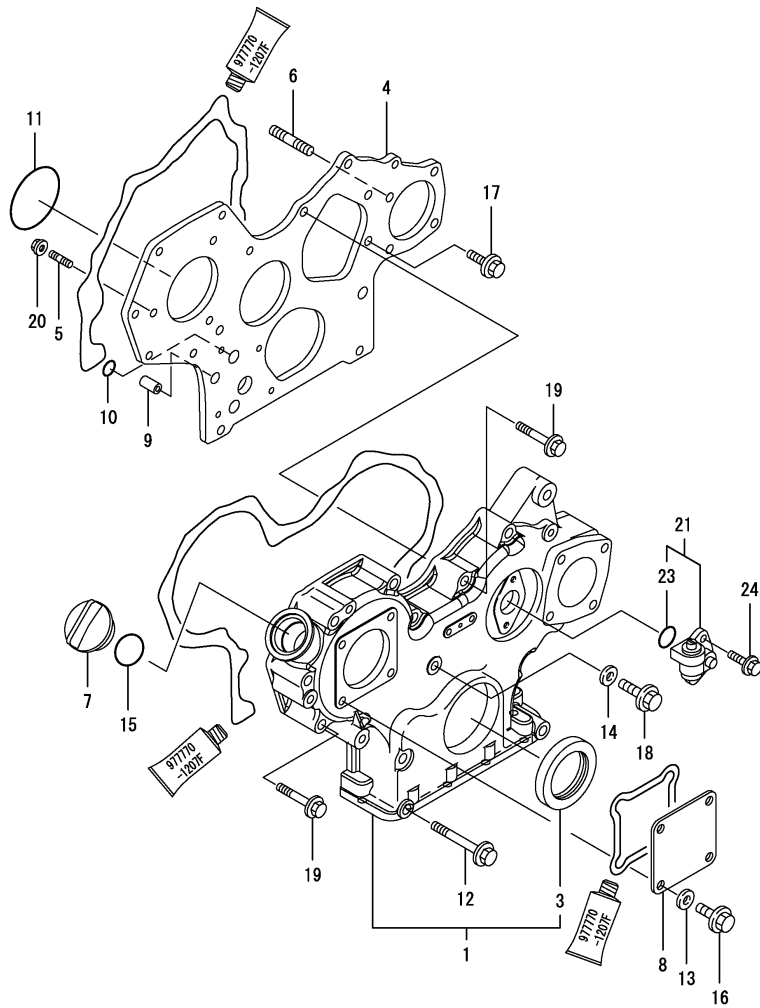
No.	Lev.	Parts No.	Description	Q'ty						I	R
				(A)	(B)	(C)	(D)	(E)	(F)		
1	1	729005-01562	BLOCK ASSY, CYLINDER	1	1						
4	2	124060-01050	PLUG, PT1/8	1	1						
5	2	129001-01250	PLUG, 50	1	1						
6	2	124160-01910	PLUG, PT1/4	2	2						
7	2	124160-01910	PLUG, PT1/4	1	1						
8	2	171051-01921	PLUG, NPTF1	1	1						
9	2	129150-02020	BOLT, METAL CAP	8	8						
12	2	129795-02412	BUSH, CAMSHAFT	1	1						
13	2	27241-120000	PLUG, 12	2	2						
14	2	27241-300000	PLUG 30	6	6						
24	2	129001-02931	BEARING, MAIN	4	4						3
27	2	129150-02931	BEARING, THRUST	2	2						
30	1	129150-01200	BOLT, HEAD	14	14						
31	1	129001-01340	GASKET, HEAD	1	1						
32	1	129150-02871	BEARING, 0.25 US	4	4						1
35	1	129150-02941	BEARING, THRUST 0.25	1	1						2

Remarks
 (1) UNDER-SIZE(U.S=0.25)PART.
 (2) OVER-SIZE(O.S=0.25)PART.
 (3) REPAIR PART.
 (REMARKS)"EFFECTIVE MACHINE NO." OF
 ENGINE IS INDICATED ON THE
 ENGINE LABEL WHICH IS SHOWN
 IN FIG.4.

Fig.2. GEAR HOUSING

(A)=3TNV88-BMRGH
 (B)=3TNV88-UMRGH
 (C)=

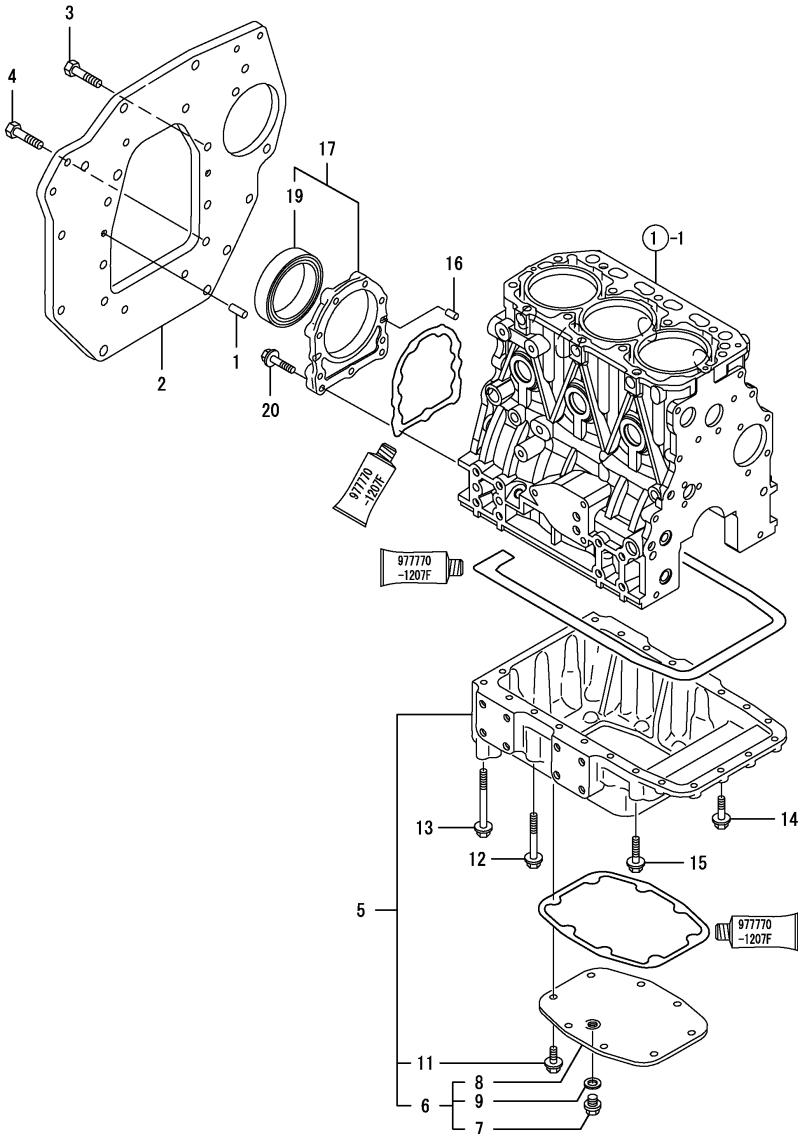
(D)=
 (E)=
 (F)=



No.	Lev.	Parts No.	Description	Q'ty						I	R
				(A)	(B)	(C)	(D)	(E)	(F)		
1	1	729008-01500	CASE ASSY, GEAR	1	1						
3	2	119934-01800	SEAL, OIL	1	1						
4	1	129008-01520	FLANGE, GEAR CASE	1	1						
5	1	119802-01561	STUD, M8X25	3	3						
6	1	129150-01580	STUD, M8X30	1	1						
7	1	124160-01751	COVER, FILLER	1	1						
8	1	124240-01871	COVER	1	1						
9	1	129795-01950	PIPE, KNOCK L=18	2	2						
10	1	119609-32040	O-RING, P16	2	2						
11	1	121850-51960	O-RING	1	1						
12	1	129001-91841	BOLT, M8X85	3	3						
13	1	22190-080002	WASHER, SEAL 6	4	4						
14	1	22190-080002	WASHER, SEAL 6	1	1						
15	1	24311-000320	O-RING, 1AP32.0	1	1						
16	1	26106-080162	BOLT, M8X 16 PLATED	4	4						
17	1	26106-080162	BOLT, M8X 16 PLATED	3	3						
18	1	26106-080302	BOLT, M8X 30 PLATED	1	1						
19	1	26106-080552	BOLT, M8X 55 PLATED	10	10						
20	1	26306-080002	NUT, M8	3	3						
21	1	129150-91400	GEAR	1	1						
23	2	24341-000240	O-RING, 1AS24.0	1	1						
24	1	26106-060162	BOLT, M6X 16 PLATED	2	2						

Remarks
 (REMARKS)"EFFECTIVE MACHINE NO." OF
 ENGINE IS INDICATED ON THE
 ENGINE LABEL WHICH IS SHOWN
 IN FIG.4.

Fig.3. MOUNTING FLANGE & OIL SUMP



(A)=3TNV88-BMRGH
(B)=3TNV88-UMRGH
(C)=

(D)=
(E)=
(F)=

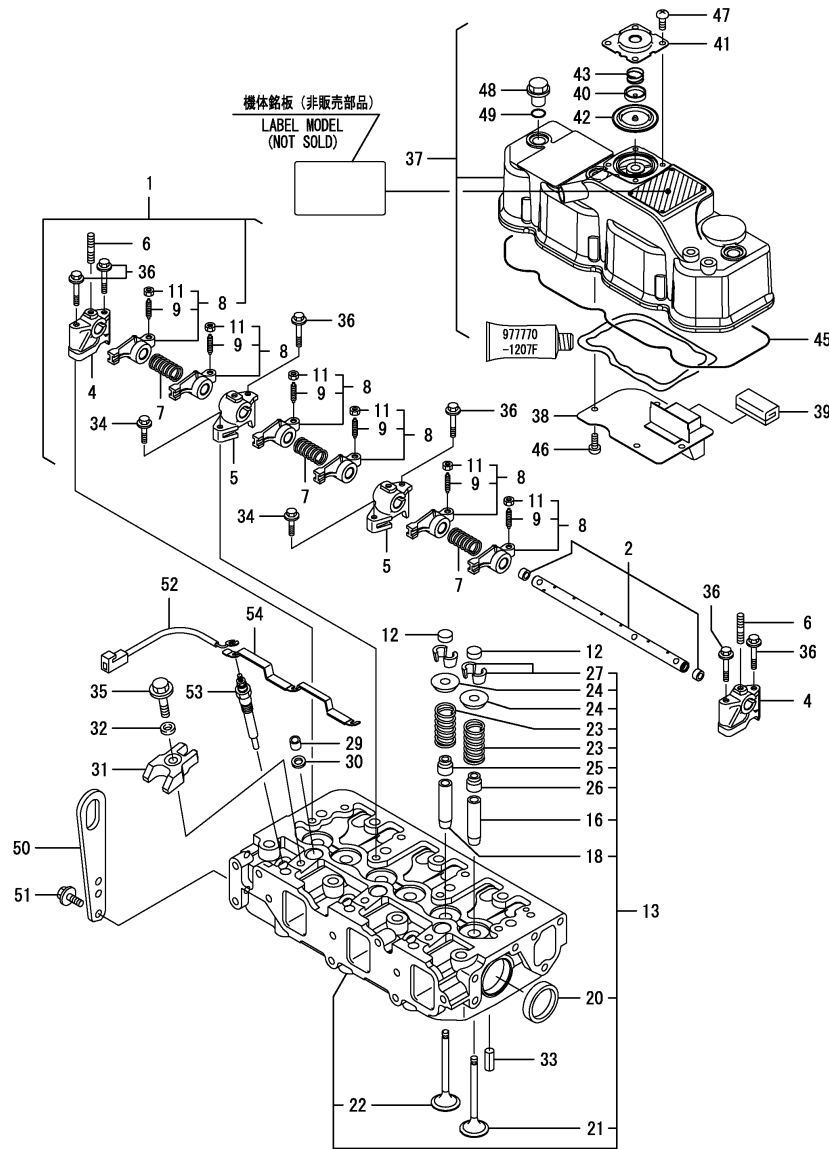
No.	Lev.	Parts No.	Description	Qty						I	R
				(A)	(B)	(C)	(D)	(E)	(F)		
1	1	129100-01580	PIN, M8X16	2	2						
2	1	129129-01600	FLANGE, MOUNTING	1	1						
3	1	26206-100202	BOLT, M10X 20 PLATED	6	6						
4	1	26206-100202	BOLT, M10X 20 PLATED	4	4						
5	1	129129-01550	SUMP ASSY, OIL	1	1						
6	2	129129-01540	COVER ASSY, OIL SUMP	1	1						
7	3	105425-01690	PLUG, 16	1	1						
8	3	129150-01721	COVER, OIL SUMP	1	1						
9	3	22190-160002	WASHER, SEAL 16	1	1						
11	2	26106-080122	BOLT, M8X 12 PLATED	8	8						
12	1	129001-91841	BOLT, M8X85	8	8						
13	1	129001-91910	BOLT, M8X120	4	4						
14	1	26106-080252	BOLT, M8X 25 PLATED	6	6						
15	1	26106-080502	BOLT, M8X 50 PLATED	4	4						
16	1	129100-01580	PIN, M8X16	2	2						
17	1	729402-01650	CASE ASSY, OIL SEAL	1	1						
19	2	129120-01780	SEAL, OIL	1	1						
20	1	129486-01670	BOLT, M8X30	9	9						

Remarks
(REMARKS)"EFFECTIVE MACHINE NO." OF
ENGINE IS INDICATED ON THE
ENGINE LABEL WHICH IS SHOWN
IN FIG.4.

Fig.4. CYLINDER HEAD & BONNET

(A)=3TNV88-BMRGH
(B)=3TNV88-UMRGH
(C)=

(D)=
(E)=
(F)=



No.	Lev.	Parts No.	Description	Q'ty						I	R
				(A)	(B)	(C)	(D)	(E)	(F)		
1	1	129004-11241	SHAFT ASSY, ROCKER	1	1						
2	2	129004-11251	SHAFT, ROCKER ARM	1	1						
4	2	119802-11260	SUPPORT, ROCKER ARM	2	2						
5	2	119802-11270	SUPPORT, ROCKER ARM	2	2						
6	2	119802-11280	STUD	3	3						
7	2	129150-11280	SPRING	3	3						
8	2	129004-11650	ARM, ROCKER	6	6						
9	3	129150-11230	SCREW, VALVE ADJUST	6	6						
11	3	129150-11750	NUT, M8	6	6						
12	1	129150-11370	CAP, VALVE	6	6						
13	1	129008-11700	HEAD ASSY, CYLINDER	1	1						
16	2	120130-11860	GUIDE, VALVE	3	3						1
18	2	129150-11810	GUIDE, VALVE	3	3						1
20	2	27241-400000	PLUG, 40	2	2						
21	2	129005-11100	VALVE, INTAKE	3	3						
22	2	129100-11112	VALVE, EXHAUST	3	3						
23	2	129795-11120	SPRING, VALVE	6	6						
24	2	129795-11180	RETAINER, SPRING	6	6						
25	2	121400-11340	SEAL, VALVE STEM	3	3						
26	2	124460-11340	SEAL, VALVE STEM	3	3						
27	2	27310-080001	COTTER, 8	6	6						
29	1	119802-11870	PROTECTOR, NOZZLE	3	3						
30	1	119625-11880	SEAT, NOZZLE	3	3						
31	1	129004-11900	RETAINER, NOZZLE	3	3						
32	1	120270-54410	WASHER, INJECTOR	3	3						
33	1	22351-060012	PIN, SPRING 6.0X12	2	2						
34	1	26106-080252	BOLT, M8X 25 PLATED	2	2						
35	1	26106-080352	BOLT, M8X 35 PLATED	3	3						
36	1	26106-080502	BOLT, M8X 50 PLATED	6	6						
37	1	129055-11350	BONNET ASSY, HEAD	1	1						
38	2	129004-03010	PLATE	1	1						
39	2	129150-03070	BAFFLE, BREATHER	1	1						
40	2	119802-03110	PLATE	1	1						
41	2	119802-03121	COVER, DIAPHRAGM	1	1						
42	2	119802-03130	DIAPHRAGM	1	1						
43	2	119802-03141	SPRING, DIAPHRAGM	1	1						
45	2	129004-11310	GASKET, BONNET	1	1						
46	2	22857-500100	SCREW, 5X10	4	4						
47	2	22857-500100	SCREW, 5X10	4	4						
48	1	124160-11360	KNOB	3	3						
49	1	24311-000120	O-RING, 1AP12.0	3	3						
50	1	129900-07900	LIFTER	1	1						
51	1	26106-080162	BOLT, M8X 16 PLATED	2	2						
52	1	119803-77830	HARNES, WIRE	1	1						
53	1	129008-77800	PLUG, GLOW	3	3						
54	1	129008-77820	CONNECTOR, GLOW PLUG	1	1						

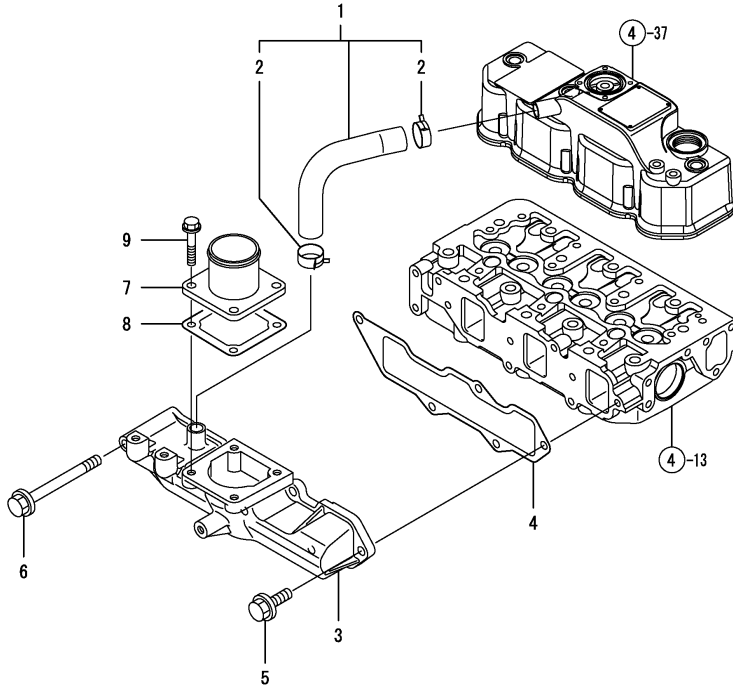
Remarks
(1) REPAIR PART.
(REMARKS)"EFFECTIVE MACHINE NO." OF
ENGINE IS INDICATED ON THE
ENGINE LABEL WHICH IS SHOWN
IN FIG.4.

Fig.5. SUCTION MANIFOLD

(A)=3TNV88-BMRGH
 (B)=3TNV88-UMRGH
 (C)=

(D)=
 (E)=
 (F)=

No.	Lev.	Parts No.	Description	Q'ty						I	R
				(A)	(B)	(C)	(D)	(E)	(F)		
1	1	129005-03080	PIPE , BREATHER	1	1						
2	2	129410-03990	CLIP	2	2						
3	1	129005-12100	MANIFOLD, AIR INTAKE	1	1						
4	1	129001-12110	GASKET, MANIFOLD	1	1						
5	1	26106-080202	BOLT, M8X 20 PLATED	4	4						
6	1	26106-080802	BOLT, M8X 80 PLATED	1	1						
7	1	129486-12581	JOINT, MANIFOLD	1	1						
8	1	129150-77511	GASKET	1	1						
9	1	26106-080202	BOLT, M8X 20 PLATED	4	4						

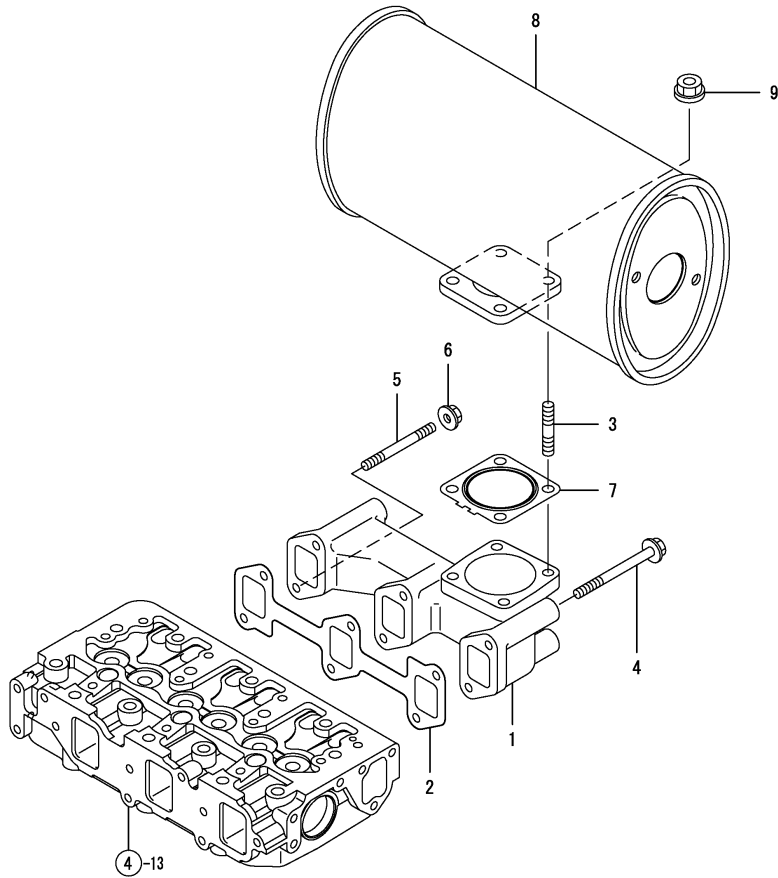


Remarks
 (REMARKS)"EFFECTIVE MACHINE NO." OF
 ENGINE IS INDICATED ON THE
 ENGINE LABEL WHICH IS SHOWN
 IN FIG.4.

Fig.6. EXHAUST MANIFOLD & SILENCER

(A)=3TNV88-BMRGH
 (B)=3TNV88-UMRGH
 (C)=

(D)=
 (E)=
 (F)=



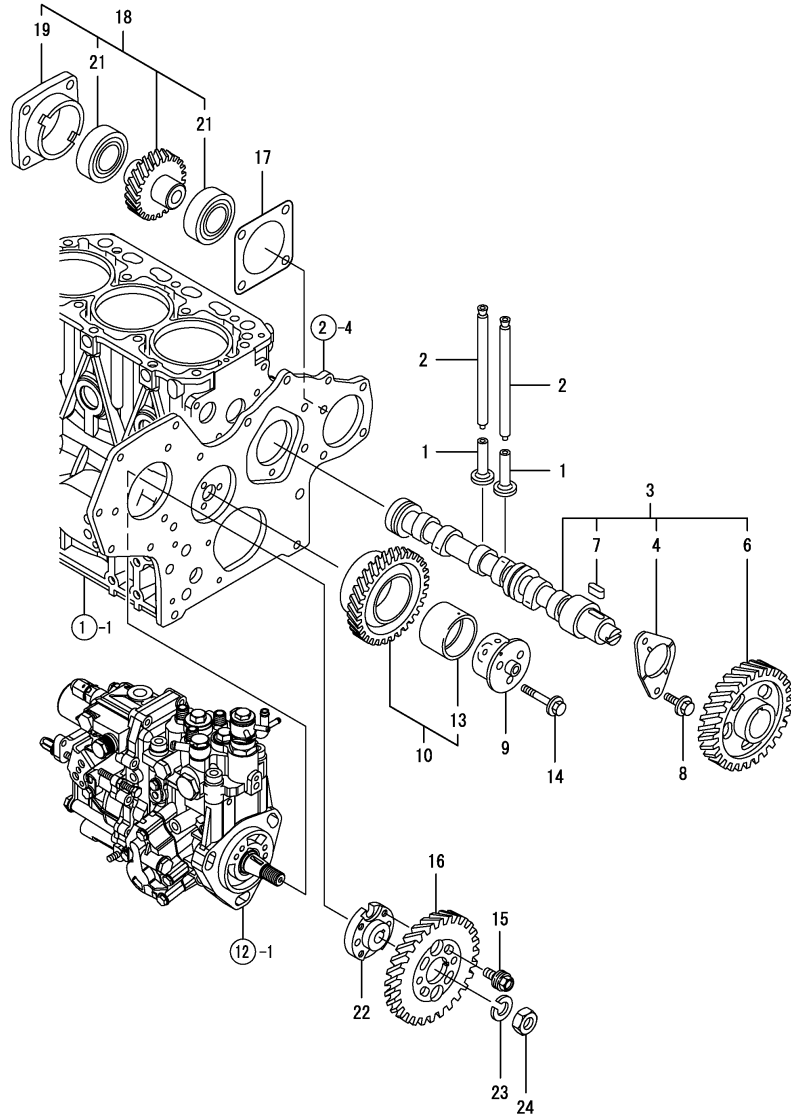
No.	Lev.	Parts No.	Description	Q'ty						I	R
				(A)	(B)	(C)	(D)	(E)	(F)		
1	1	129269-13100	MANIFOLD, EXHAUST	1	1						
2	1	129150-13110	GASKET	1	1						
3	1	119131-18320	STUD, M8X22	4	4						
4	1	123900-13630	BOLT, M8X80	4	4						
5	1	129263-13220	STUD, M8X95	2	2						
6	1	26306-080002	NUT, M8	2	2						
7	1	129004-13200	GASKET, SILENCER	1	1						
8	1	129055-13521	SILENCER	1	1						
9	1	26306-080002	NUT, M8	4	4						

Remarks
 (REMARKS)"EFFECTIVE MACHINE NO." OF
 ENGINE IS INDICATED ON THE
 ENGINE LABEL WHICH IS SHOWN
 IN FIG.4.

Fig.7. CAMSHAFT & DRIVING GEAR

(A)=3TNV88-BMRGH
(B)=3TNV88-UMRGH
(C)=

(D)=
(E)=
(F)=



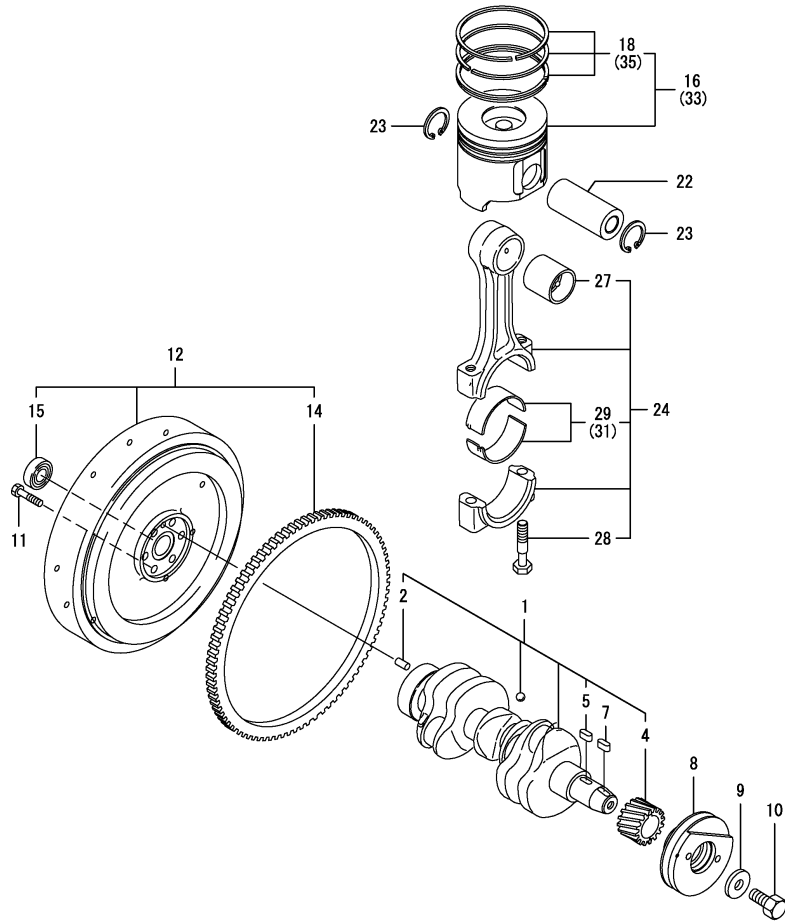
No.	Lev.	Parts No.	Description	Q'ty						I	R
				(A)	(B)	(C)	(D)	(E)	(F)		
1	1	129150-14200	TAPPET	6	6						
2	1	129150-14400	ROD, PUSH L=178	6	6						
3	1	129129-14580	CAMSHAFT ASSY	1	1						
4	2	129150-02450	BEARING, THRUST	1	1						
6	2	129150-14101	GEAR, CAMSHAFT	1	1						
7	2	22512-070140	KEY, 7X 14	1	1						
8	1	26106-080142	BOLT, M8X 14 PLATED	2	2						
9	1	119803-25050	SHAFT, IDLE	1	1						
10	1	119802-25101	GEAR ASSY, IDLE	1	1						
13	2	119802-25071	BUSH, IDLE GEAR	1	1						1
14	1	26106-080402	BOLT, M8X 40 PLATED	3	3						
15	1	129150-25301	BOLT	4	4						
16	1	119802-25901	GEAR, PUMP	1	1						
17	1	129150-01881	GASKET	1	1						
18	1	129150-26000	DRIVE ASSY, PUMP	1	1						
19	2	129150-26050	BRACKET, PUMP	1	1						
21	2	24105-060064	BEARING, BALL 6006Z	2	2						
22	1	158552-51151	FLANGE	1	1						
23	1	22217-140000	WASHER, SPRING 14	1	1						
24	1	26776-140002	NUT, LOCK M14	1	1						

Remarks
(1) REPAIR PART.
(REMARKS)"EFFECTIVE MACHINE NO." OF
ENGINE IS INDICATED ON THE
ENGINE LABEL WHICH IS SHOWN
IN FIG.4.

Fig.8. CRANKSHAFT & PISTON

(A)=3TNV88-BMRGH
(B)=3TNV88-UMRGH
(C)=

(D)=
(E)=
(F)=



No.	Lev.	Parts No.	Description	Q'ty						I	R
				(A)	(B)	(C)	(D)	(E)	(F)		
1	1	129008-21000	CRANKSHAFT ASSY	1	1						
2	2	129100-01580	PIN, M8X16	1	1						
4	2	119803-21200	GEAR, CRANKSHAFT	1	1						
5	2	22512-070140	KEY, 7X 14	1	1						
7	1	22512-070140	KEY, 7X 14	1	1						
8	1	129055-21650	V-PULLEY, 120	1	1						
9	1	129795-21661	WASHER	1	1						
10	1	121850-21680	BOLT	1	1						
11	1	124160-21501	BOLT, FLYWHEEL	6	6						
12	1	129269-21590	FLYWHEEL ASSY	1	1						
14	2	119865-21600	GEAR, RING	1	1						
15	2	121820-21690	BEARING, 6203DDUC4	1	1						
16	1	129005-22080	PISTON ASSY	3	3						
18	2	129005-22500	RING SET, PISTON	3	3						
22	1	129202-22300	PIN, PISTON D26 L70	3	3						
23	1	22252-000260	RING, 26	6	6						
24	1	729402-23100	ROD ASSY, CONNECTING	3	3						
27	2	129100-23910	BEARING, PISTON PIN	3	3						1
28	2	121550-23200	BOLT, CONNECTING ROD	6	6						
29	2	129150-23601	BEARING, CRANK PIN	3	3						
31	1	129150-23611	BEARING, 0.25 US	3	3						2
33	1	129005-22900	PISTON ASSY, 0.25 OS	3	3						3
35	2	129005-22950	RING SET, 0.25 OS	3	3						3

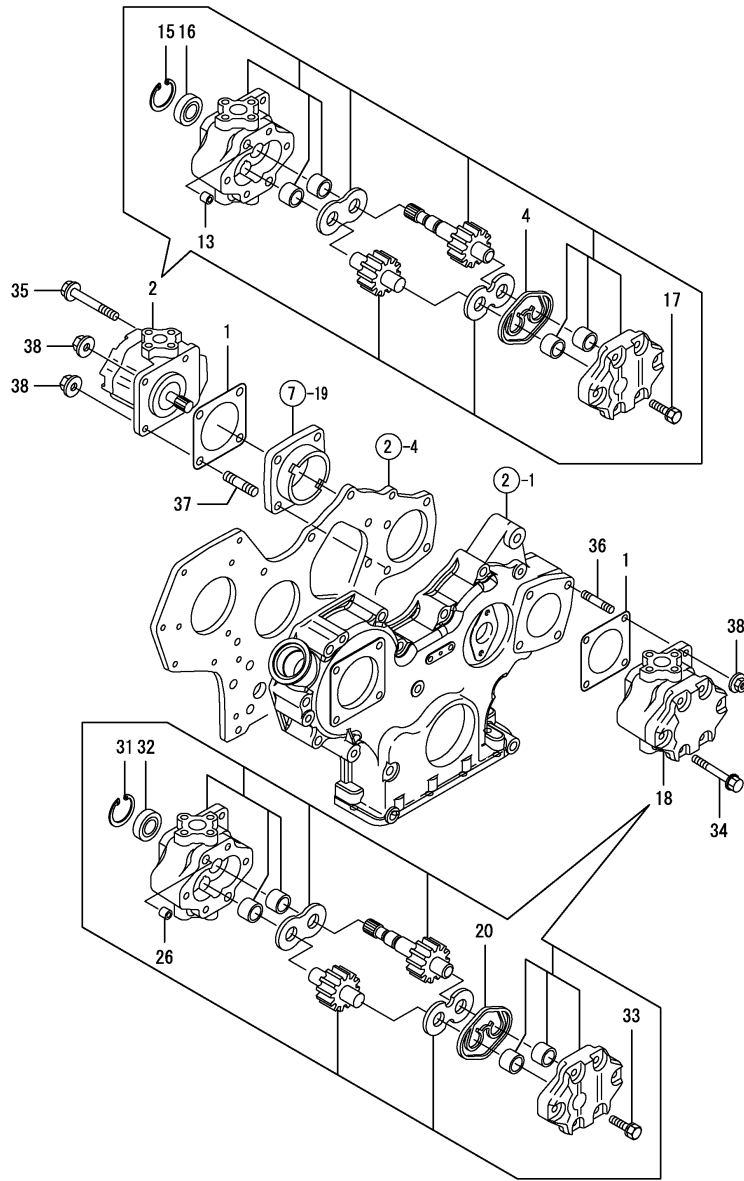
Remarks

- (1) REPAIR PART.
 - (2) UNDER-SIZE(U.S=0.25)PART.
 - (3) OVER-SIZE(O.S=0.25)PART.
- (REMARKS)"EFFECTIVE MACHINE NO." OF ENGINE IS INDICATED ON THE ENGINE LABEL WHICH IS SHOWN IN FIG.4.

Fig.9. HYDRAULIC PUMP

(A)=3TNV88-BMRGH
(B)=3TNV88-UMRGH
(C)=

(D)=
(E)=
(F)=



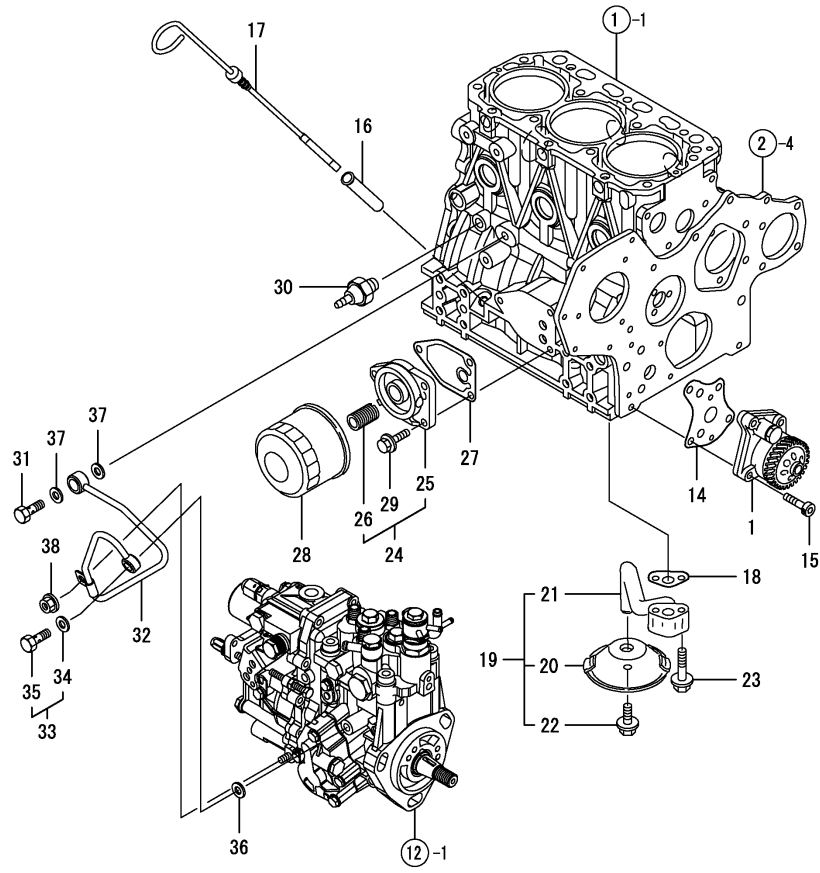
No.	Lev.	Parts No.	Description	Q'ty						I	R
				(A)	(B)	(C)	(D)	(E)	(F)		
1	1	124240-01883	GASKET	2	2						
2	1	178070-16000	PUMP ASSY, HYDRAULIC	1	1						
4	2	178070-10401	RING	1	1						
13	2	194521-41570	PIN, 11X7	2	2						
15	2	22252-000320	RING, 32	1	1						
16	2	24421-153207	SEAL, OIL TC153207	1	1						
17	2	26016-080352	BOLT, M8X 35	4	4						
18	1	178070-44000	PUMP ASSY, HYDRAULIC	1	1						
20	2	178070-10401	RING	1	1						
26	2	194521-41570	PIN, 11X7	2	2						
31	2	22252-000320	RING, 32	1	1						
32	2	24421-153207	SEAL, OIL TC153207	1	1						
33	2	26016-080352	BOLT, M8X 35	4	4						
34	1	26106-080802	BOLT, M8X 80 PLATED	2	2						
35	1	26106-080952	BOLT, M8X 95 PLATED	2	2						
36	1	26216-080222	STUD, M8X 22	2	2						
37	1	26216-080402	STUD, M8X 40	1	1						
38	1	26306-080002	NUT, M8	4	4						

Remarks
(REMARKS)"EFFECTIVE MACHINE NO." OF
ENGINE IS INDICATED ON THE
ENGINE LABEL WHICH IS SHOWN
IN FIG.4.

Fig.10. LUB.OIL SYSTEM

(A)=3TNV88-BMRGH
(B)=3TNV88-UMRGH
(C)=

(D)=
(E)=
(F)=



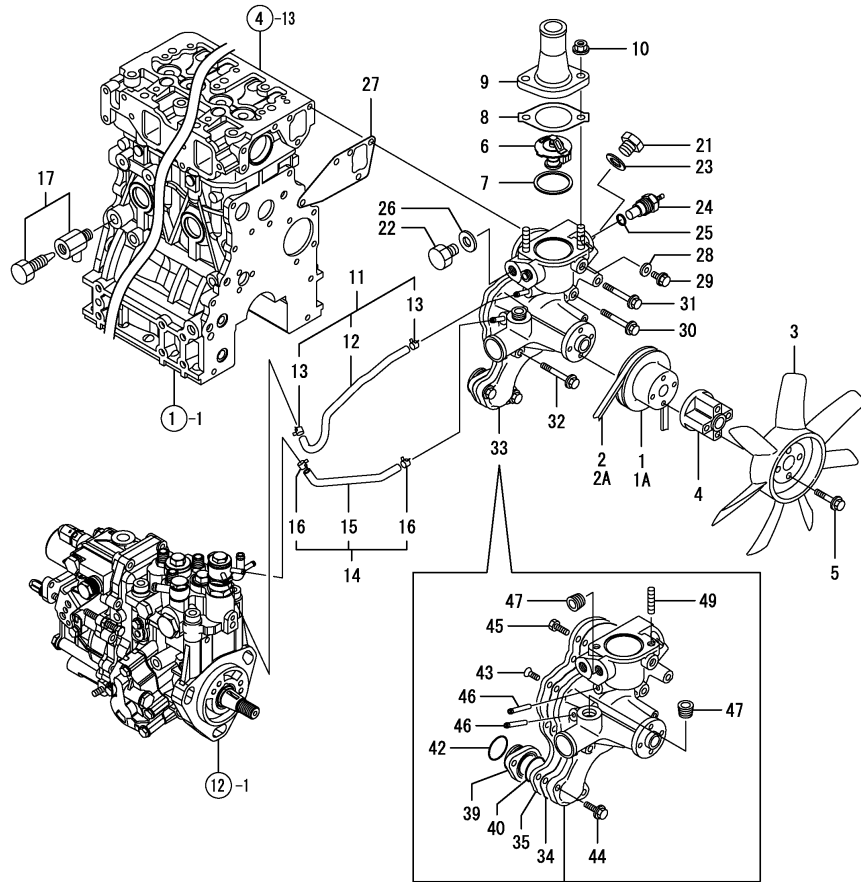
No.	Lev.	Parts No.	Description	Q'ty						I	R
				(A)	(B)	(C)	(D)	(E)	(F)		
1	1	129001-32001	PUMP ASSY, OIL	1	1						
14	1	129150-32020	GASKET, PUMP	1	1						
15	1	26450-060252	BOLT, M6X 25	4	4						
16	1	121520-34810	GUIDE, DIPSTICK	1	1						
17	1	119265-34830	DIPSTICK, OIL	1	1						
18	1	129150-35042	GASKET	1	1						
19	1	129129-35090	PIPE ASSY, OIL INLET	1	1						
20	2	129129-35010	PIPE, OIL INLET	1	1						
21	2	129129-35080	PIPE, OIL INLET	1	1						
22	2	26106-080122	BOLT, M8X 12 PLATED	1	1						
23	1	26106-080352	BOLT, M8X 35 PLATED	2	2						
24	1	119802-35100	BRACKET ASSY, FILTER	1	1						
25	2	119802-35110	BRACKET, FILTER	1	1						
26	2	129100-35140	STUD	1	1						
27	1	129150-35111	GASKET	1	1						
28	1	129150-35170	FILTER, LO	1	1						1
29	1	26106-080202	BOLT, M8X 20 PLATED	3	3						
30	1	114250-39450	SWITCH, 0.5KG	1	1						
31	1	124160-39140	BOLT, PIPE JOINT M10	1	1						
32	1	119802-39450	PIPE ASSY, OIL	1	1						
33	1	129005-59830	BOLT ASSY, JOINT M8	1	1						
34	2	22190-080002	WASHER, SEAL 6	1	1						
35	2	23857-030000	BOLT, JOINT 3	1	1						
36	1	22190-080002	WASHER, SEAL 6	1	1						
37	1	22190-100002	WASHER, SEAL 10	2	2						
38	1	26366-060002	NUT, M6	1	1						

Remarks
(1) REPAIR PART.

Fig.11. COOLING WATER SYSTEM

(A)=3TNV88-BMRGH
(B)=3TNV88-UMRGH
(C)=

(D)=
(E)=
(F)=



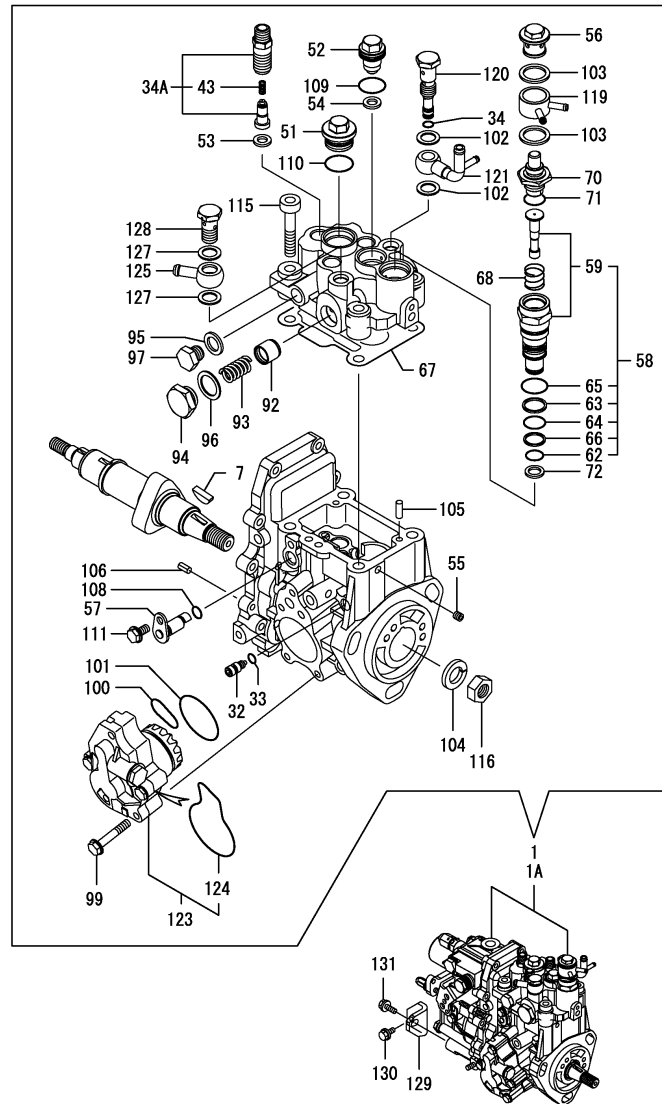
No.	Lev.	Parts No.	Description	Q'ty						I	R
				(A)	(B)	(C)	(D)	(E)	(F)		
1	1	129403-42380	V-PULLEY, D=110	1							
1A	1	129550-42350	V-PULLEY, D=120		1						
2	1	129211-42290	V-BELT, A38.5	1							
2A	1	25132-003900	V-BELT, A39		1						
3	1	129120-44741	FAN, COOLING 360	1	1						
4	1	129030-44760	SPACER, FAN L38.5	1	1						
5	1	26106-060502	BOLT, M6X 50 PLATED	4	4						
6	1	129155-49801	THERMOSTAT, 71	1	1						
7	1	129150-49811	GASKET, THERMOSTAT	1	1						
8	1	129795-49551	GASKET	1	1						
9	1	129350-49560	COVER, THERMOSTAT	1	1						
10	1	26306-080002	NUT, M8	2	2						
11	1	129263-49610	PIPE, WATER	1	1						
12	2	129263-49710	PIPE, WATER	1	1						
13	2	124722-59050	CLIP, HOSE 9	2	2						
14	1	129263-49620	PIPE, WATER	1	1						
15	2	129263-49720	PIPE, WATER	1	1						
16	2	124722-59050	CLIP, HOSE 9	2	2						
17	1	119620-49290	COCK ASSY, 1/4	1	1						
21	1	121450-42450	PLUG, M16	1	1						
22	1	129054-42450	PLUG, M12X1.5	1	1						
23	1	124465-44950	GASKET, 16	1	1						
24	1	124250-49351	SENSOR	1	1						
25	1	129150-49360	GASKET	1	1						
26	1	22190-120002	WASHER, SEAL 12	1	1						
27	1	129486-42050	GASKET, WATER PUMP	1	1						
28	1	23414-080000	GASKET, 8X1.0	1	1						
29	1	26106-080122	BOLT, M8X 12 PLATED	1	1						
30	1	26106-080552	BOLT, M8X 55 PLATED	2	2						
31	1	26106-080602	BOLT, M8X 60 PLATED	1	1						
32	1	26106-080702	BOLT, M8X 70 PLATED	1	1						
33	1	129269-42000	PUMP ASSY, WATER	1	1						
34	2	129457-42050	GASKET	1	1						
35	2	129457-42121	PLATE	1	1						
39	2	129150-42301	FLANGE	1	1						
40	2	24358-240310	O-RING, 524031	1	1						
42	2	129054-42320	O-RING	1	1						
43	2	26577-060152	SCREW, M6X15	3	3						
44	2	26106-060202	BOLT, M6X 20 PLATED	2	2						
45	2	26116-060162	BOLT, M6X 16 PLATED	5	5						
46	2	119802-49113	JOINT, PIPE	2	2						
47	2	23875-030000	PLUG, R03	2	2						
49	2	129555-44750	STUD, M8X30	2	2						

Remarks
(REMARKS)"EFFECTIVE MACHINE NO." OF
ENGINE IS INDICATED ON THE
ENGINE LABEL WHICH IS SHOWN
IN FIG.4.

Fig.12. FUEL INJECTION PUMP

(A)=3TNV88-BMRGH
(B)=3TNV88-UMRGH
(C)=

(D)=
(E)=
(F)=



No.	Lev.	Parts No.	Description	Q'ty						I	R
				(A)	(B)	(C)	(D)	(E)	(F)		
1	1	729269-51300	PUMP ASSY, INJECTION	1							1
1-1	1	729269-51301 (A=E,XXX)	PUMP ASSY, INJECTION	1							N 1
1-2	1	729269-51370 (A=E,B1301)	PUMP ASSY, INJECTION	1							S 2
1A	1	729269-51310	PUMP ASSY, INJECTION		1						1
7	2	119802-51090	KEY, 4X16	1	1						
32	2	158600-51270	STOPPER, TAPPET	1	1						
33	2	158563-51281	O-RING, 4D S6	1	1						
34	2	158563-51281	O-RING, 4D S6	1	1						
34A	2	129008-51390 (A="2008.04.) (B="2008.04.)	VALVE ASSY, DELIVERY	3	3						W
43	3	158563-51330	SPRING, DELIVERY	3	3						
51	2	158601-51550	PLUG	1	1						
52	2	119802-51560	PLUG, BARREL	1	1						
53	2	158552-51570	GASKET	3	3						
54	2	158552-51570	GASKET	1	1						
55	2	158557-51570	PLUG	1	1						
56	2	158601-51570	PLUG	1	1						
57	2	158552-51580	LIFTER	1	1						
58	2	119802-51590	TIMER SET	1	1						
59	3	119802-51600	TIMER ASSY	1	1						
62	3	158553-51670	O-RING, 1011	1	1						
63	3	119802-51680	RING, BACK UP	1	1						
64	3	119802-51690	O-RING	1	1						
65	3	24356-010200	O-RING, 4D1020	1	1						
66	3	24372-000150	RING, BACK UP T2P15	1	1						
67	2	158552-51600	GASKET	1	1						
68	2	158553-51630	SPRING, TIMER	1	1						
70	2	158553-51640	ELEMENT	1	1						
71	2	158553-51660	O-RING, P14	1	1						
72	2	158553-51680	GASKET	1	1						
92	2	158601-51770	PISTON	1	1						
93	2	158552-51781	SPRING	1	1						
94	2	158601-51790	PLUG	1	1						
95	2	22190-120002	WASHER, SEAL 12	1	1						
96	2	22190-180002	WASHER, SEAL 18	1	1						
97	2	23887-120002	PLUG, 12	1	1						
99	2	158553-51770	BOLT	4	4						
100	2	158552-52310	O-RING	1	1						
101	2	158552-52400	O-RING, 4E S42	1	1						
102	2	22190-120002	WASHER, SEAL 12	2	2						
103	2	22190-180002	WASHER, SEAL 18	2	2						
104	2	22217-140000	WASHER, SPRING 14	1	1						
105	2	22312-050140	PIN, PARALLEL M5X14	2	2						
106	2	22351-050010	PIN, SPRING 5.0X10	2	2						
108	2	24311-000070	O-RING, 1AP7.0	1	1						
109	2	24356-010180	O-RING, 4D1018	1	1						
110	2	24356-010200	O-RING, 4D1020	1	1						
111	2	26106-060102	BOLT, M6X 10 PLATED	1	1						
115	2	26450-080452	BOLT, M8X 45	4	4						

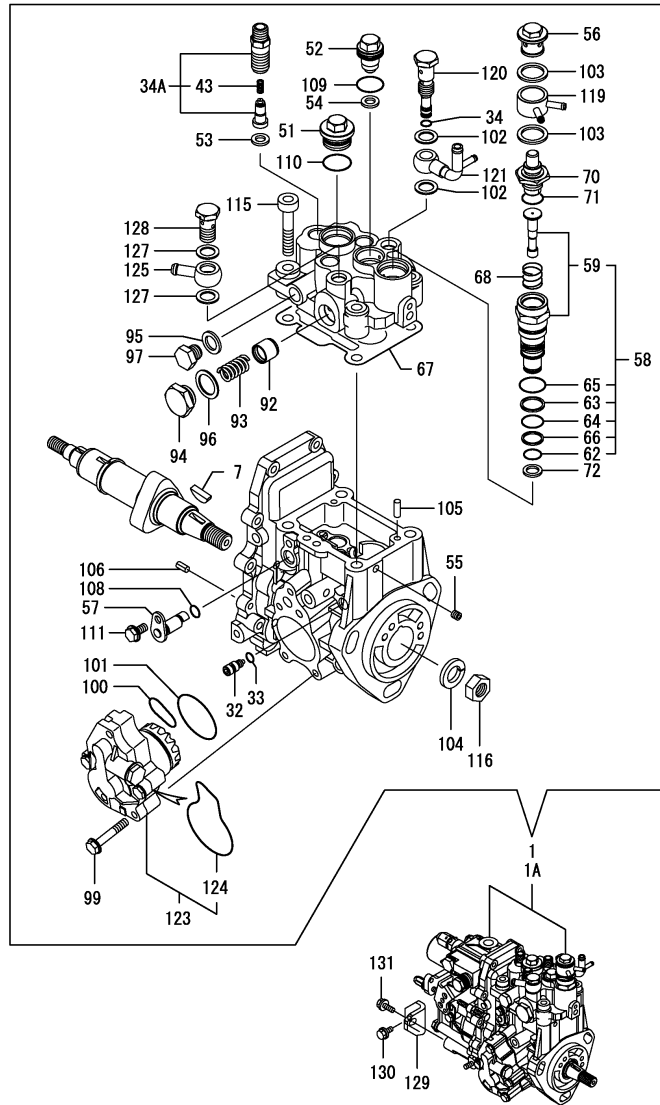
Remarks

(1) GOVERNOR ASSY(FIG.13) IS INCORPORATED IN THIS FOP.CMP (REF.NO.1,1A).
(2) REF.NO.1-2 & FIG.NO.14 REF.NO.1-1 INTERCHANGEABLE BY SET.

Fig.12. FUEL INJECTION PUMP

(A)=3TNV88-BMRGH
(B)=3TNV88-UMRGH
(C)=

(D)=
(E)=
(F)=



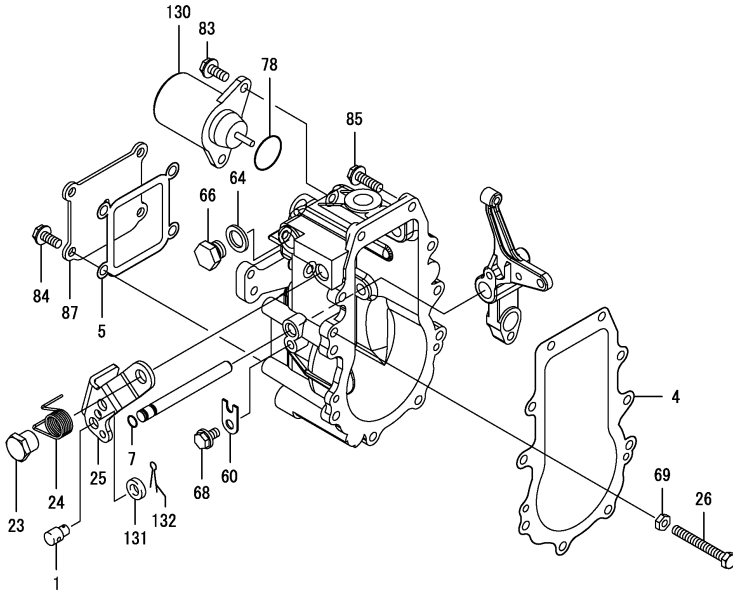
No.	Lev.	Parts No.	Description	Q'ty						I	R
				(A)	(B)	(C)	(D)	(E)	(F)		
116	2	26776-140002	NUT, LOCK M14	1	1						
119	2	158553-51551	JOINT	1	1						
120	2	158601-51650	JOINT, OVER FLOW	1	1						
121	2	158552-51670	JOINT, OVER FLOW	1	1						
123	2	158552-52100	PUMP ASSY, FUEL FEED	1	1						
124	3	158552-52500	O-RING	1	1						
125	2	129916-59020	JOINT, PIPE 12	1	1						
127	2	22190-120002	WASHER, SEAL 12	2	2						
128	2	23857-060000	BOLT, JOINT 6	1	1						
129	1	119802-51250	RETAINER, PUMP	1	1						
130	1	26106-080162	BOLT, M8X 16 PLATED	1	1						
131	1	26106-080202	BOLT, M8X 20 PLATED	1	1						

Remarks
 (1) GOVERNOR ASSY(FIG.13) IS INCORPORATED IN THIS FOP.CMP (REF.NO.1,1A).
 (2) REF.NO.1-2 & FIG.NO.14 REF.NO.1-1 INTERCHANGEABLE BY SET.

Fig.13. GOVERNOR

(A)=3TNV88-BMRGH
(B)=3TNV88-UMRGH
(C)=

(D)=
(E)=
(F)=



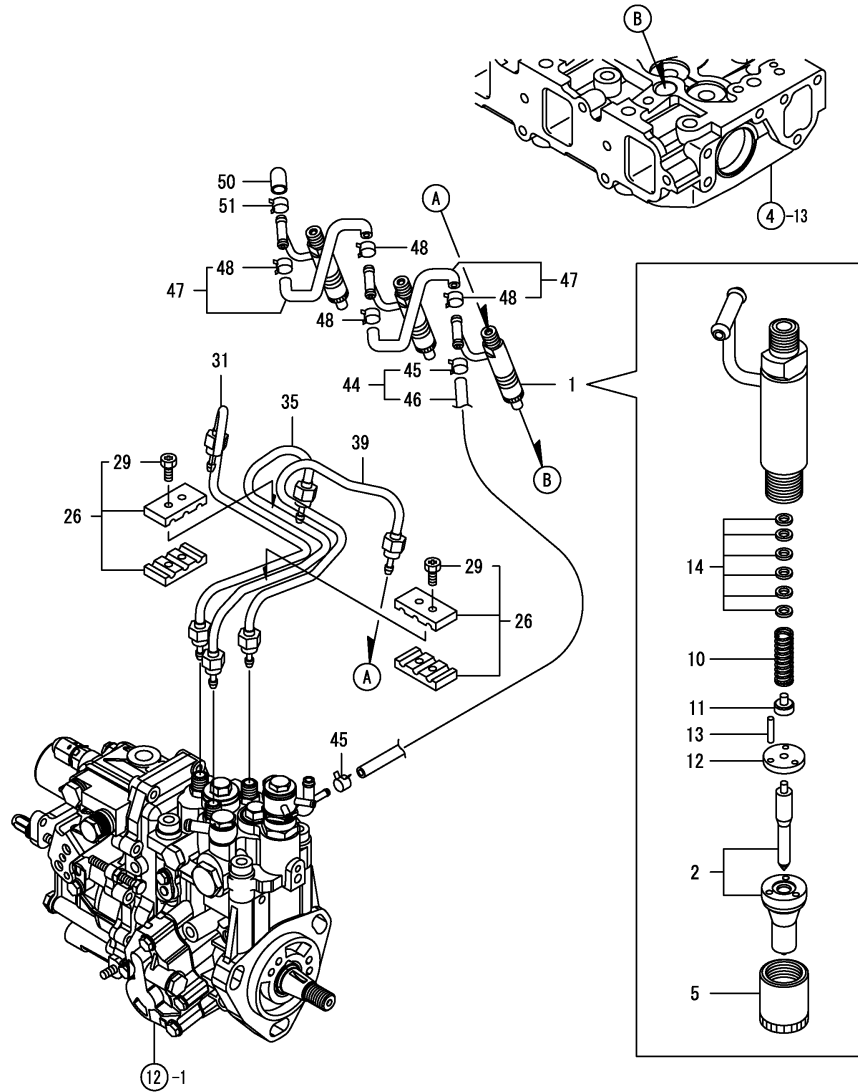
No.	Lev.	Parts No.	Description	Q'ty						I	R
				(A)	(B)	(C)	(D)	(E)	(F)		
1	2	194150-01370	ADJUSTER	1	1						
4	2	158553-61050	GASKET	1	1						
5	2	158553-61070	GASKET	1	1						
7	2	129155-51280	O-RING, S6	1	1						
23	2	129255-61410	NUT, LOCK	1	1						
24	2	119807-61420	SPRING, RETURN	1	1						
25	2	158552-61441	LEVER, REGULATOR	1	1						
26	2	129155-61460	BOLT, IDLE	1	1						
60	2	119660-61901	RETAINER, SHAFT	1	1						
64	2	22190-120000	WASHER, SEAL 12	1	1						
66	2	23887-120002	PLUG, 12	1	1						
68	2	26106-060102	BOLT, M6X 10 PLATED	1	1						
69	2	26756-060002	NUT, LOCK M6	1	1						
78	2	158552-61900	O-RING	1	1						
83	2	26106-060142	BOLT, M6X 14 PLATED	2	2						
84	2	26106-060142	BOLT, M6X 14 PLATED	4	4						
85	2	26106-060202	BOLT, M6X 20 PLATED	10	10						
87	2	129642-61060	COVER, GOVERNOR CASE	1	1						
130	2	119653-77950	SOLENOID, STOP	1	1						
131	2	22137-080000	WASHER, 8	1	1						
132	2	22417-160180	PIN, COTTER 1.6X18	1	1						

Remarks
 * THIS FIGURE(GOVERNOR ASSY)IS
 INCORPORATED IN THE FUEL INJECTION
 PUMP ASSY(FIG.12).
 (REMARKS)"EFFECTIVE MACHINE NO." OF
 ENGINE IS INDICATED ON THE
 ENGINE LABEL WHICH IS SHOWN
 IN FIG.4.

Fig.14. FUEL INJECTION VALVE

(A)=3TNV88-BMRGH
(B)=3TNV88-UMRGH
(C)=

(D)=
(E)=
(F)=



No.	Lev.	Parts No.	Description	Q'ty						I	R
				(A)	(B)	(C)	(D)	(E)	(F)		
1	1	729008-53100	VALVE ASSY,INJECTION	3	3						
1-1	1	729008-53200	VALVE ASSY,INJECTION	3							S 1
(A=E_B1301)											
2	2	129008-53000	VALVE ASSY,INJECTION	3	3						
2-1	2	129008-53200	VALVE ASSY,INJECTION	3							S
(A=E_B1301)											
5	2	114250-53080	NUT, NOZZLE D16.95	3	3						
10	2	114250-53120	SPRING, NOZZLE	3	3						
11	2	114250-53130	SEAT, SPRING	3	3						
12	2	114250-53140	PLATE	3	3						
13	2	114250-53210	PIN	6	6						
14	2	114250-53400	SHIM SET	3							
14-1	2	119803-53400	SHIM SET	3	3						R
(A=E_XXXX)											
26	1	129150-59120	RETAINER, PIPE	2	2						
29	2	129150-59131	BOLT, M4X14	4	4						
31	1	129004-59811	PIPE ASSY, INJECTION	1	1						
35	1	129004-59821	PIPE ASSY, INJECTION	1	1						
39	1	129004-59831	PIPE ASSY, INJECTION	1	1						
44	1	119802-59550	PIPE ASSY, RETURN	1	1						
45	2	124722-59050	CLIP, HOSE 9	2	2						
46	2	119802-59560	PIPE, FUEL RETURN	1	1						
47	1	129486-59551	PIPE ASSY, RETURN	2	2						
48	2	124722-59050	CLIP, HOSE 9	4	4						
50	1	119593-59581	CAP	1	1						
51	1	124060-77680	CLIP, HOSE 10	1	1						

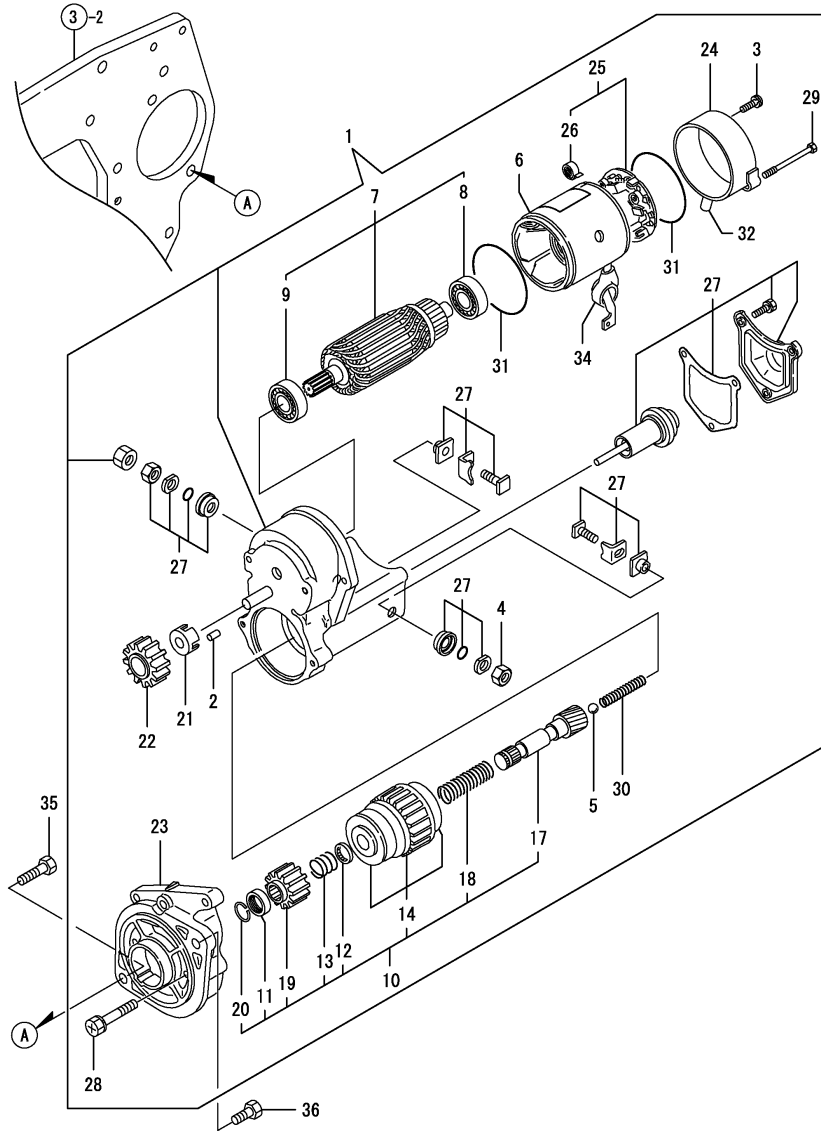
Remarks

(1) REF.NO.1-1 & FIG.NO.12 REF.NO.1-2
INTERCHANGEABLE BY SET.

Fig.15. STARTING MOTOR

(A)=3TNV88-BMRGH
(B)=3TNV88-UMRGH
(C)=

(D)=
(E)=
(F)=



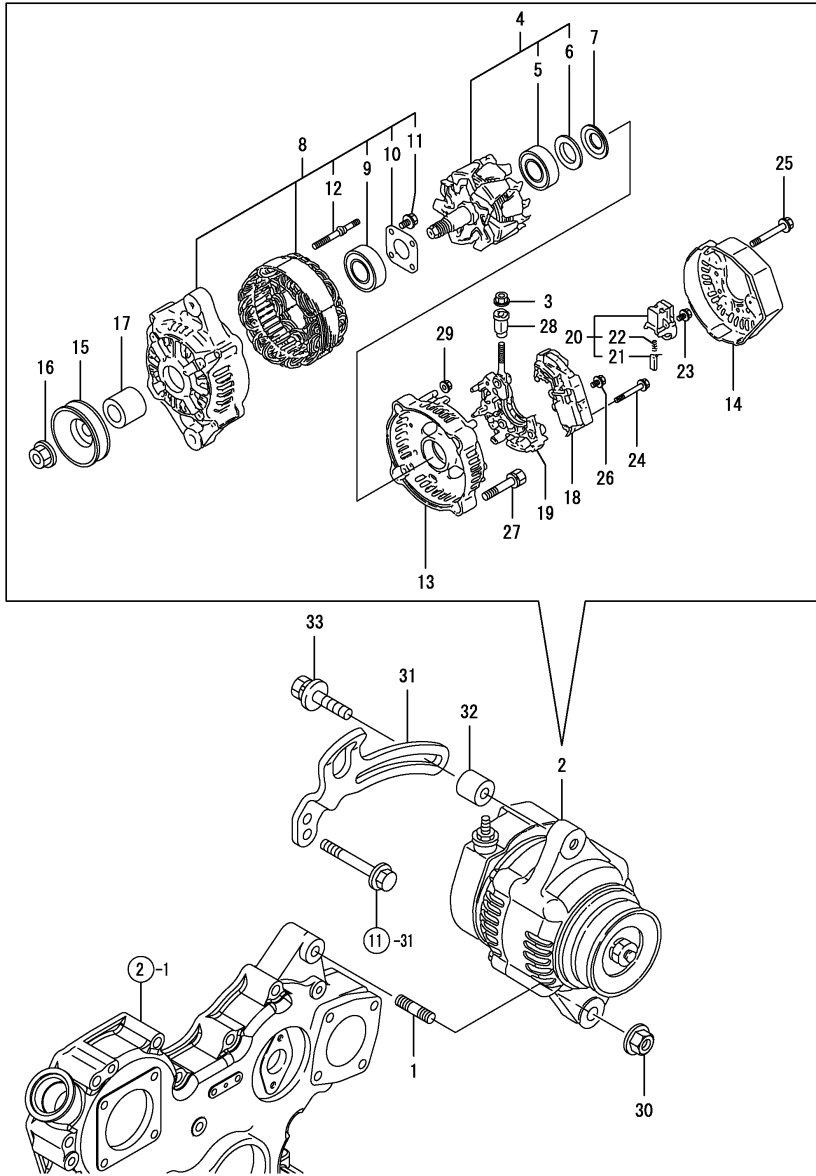
No.	Lev.	Parts No.	Description	Qty						I	R
				(A)	(B)	(C)	(D)	(E)	(F)		
1	1	129129-77010	STARTER ASSY	1	1						
2	2	X0283060061	ROLLER	5	5						
3	2	129129-77460	SCREW	2	2						
4	2	X9490561370	NUT	1	1						
5	2	X9491200240	BALL	1	1						
6	2	129129-77210	YOKE ASSY	1	1						
7	2	129129-77220	ARMATURE ASSY	1	1						
8	3	129129-77230	BEARING	1	1						
9	3	129129-77240	BEARING	1	1						
10	2	129129-77250	STARTER	1	1						
11	3	X0280210230	NUT	1	1						
12	3	X0283270140	RETAINER	1	1						
13	3	X9491703371	SPRING, COIL	1	1						
14	3	129129-77390	CLUTCH ASSY	1	1						
17	3	129129-77400	SHAFT	1	1						
18	3	129129-77410	SPRING, COIL	1	1						
19	3	129129-77420	PINION, STARTER	1	1						
20	3	129129-77430	RING	1	1						
21	2	129129-77260	RETAINER	1	1						
22	2	129129-77270	PINION	1	1						
23	2	129129-77280	HOUSING	1	1						
24	2	129129-77290	FRAME	1	1						
25	2	129129-77300	HOLDER ASSY	1	1						
26	3	X9491730461	SPRING	4	4						
27	2	129129-77310	SWITCH ASSY	1	1						
28	2	129129-77320	BOLT	2	2						
29	2	129129-77330	BOLT	2	2						
30	2	129129-77340	SPRING	1	1						
31	2	129129-77350	O-RING	2	2						
32	2	129129-77362	COVER	1	1						
34	2	129129-77380	CAP	1	1						
35	1	129155-77060	BOLT	1	1						
36	1	26116-120202	BOLT, M12X 20 PLATED	1	1						

Remarks
(REMARKS)"EFFECTIVE MACHINE NO." OF
ENGINE IS INDICATED ON THE
ENGINE LABEL WHICH IS SHOWN
IN FIG.4.

Fig.16. GENERATOR

(A)=3TNV88-BMRGH
(B)=3TNV88-UMRGH
(C)=

(D)=
(E)=
(F)=



No.	Lev.	Parts No.	Description	Q'ty						I	R
				(A)	(B)	(C)	(D)	(E)	(F)		
1	1	129795-01900	STUD	1	1						
2	1	119620-77201	GENERATOR, 40A	1	1						
3	2	X9490561001	NUT	1	1						
4	2	119620-77380	ROTOR ASSY	1	1						
5	3	123501-79240	BEARING, BALL	1	1						
6	3	119620-79250	COVER	1	1						
7	2	119620-79360	WASHER, THRUST	1	1						
8	2	119620-77421	FRAME ASSY, DRIVE	1	1						
9	3	119620-79200	BEARING, BALL	1	1						
10	3	119620-79210	PLATE, RETAINER	1	1						
11	3	119620-79220	SCREW	4	4						
12	3	119620-79230	STUD	2	2						
13	2	119620-77440	FRAME ASSY	1	1						
14	2	119620-77450	COVER	1	1						
15	2	119620-77461	PULLEY	1	1						
16	2	119620-77471	NUT	1	1						
17	2	119620-77490	COLLAR	1	1						
18	2	119620-77710	REGULATOR ASSY	1	1						
19	2	119620-79260	HOLDER	1	1						
20	2	119620-79270	HOLDER, BRUSH	1	1						
21	3	119620-77480	BRUSH ASSY	2	2						
22	3	119620-79280	SPRING	2	2						
23	2	119620-79290	SCREW	6	6						
24	2	119620-79300	SCREW	1	1						
25	2	119620-79310	BOLT	3	3						
26	2	119620-79320	SCREW	2	2						
27	2	119620-79330	BOLT	2	2						
28	2	119620-79340	BUSH, INSULATION	1	1						
29	2	119620-79350	NUT	2	2						
30	1	26306-100002	NUT, M10	1	1						
31	1	129107-77330	ADJUSTER	1	1						
32	1	124732-77340	SPACER	1	1						
33	1	129972-77341	BOLT, ADJUSTER L=50	1	1						

Remarks
(REMARKS)"EFFECTIVE MACHINE NO." OF
ENGINE IS INDICATED ON THE
ENGINE LABEL WHICH IS SHOWN
IN FIG.4.

Parts No. Index

Parts No.	Fig. No.	Ref. No.
105425-01690	3	7
114250-39450	10	30
114250-53080	14	5
114250-53120	14	10
114250-53130	14	11
114250-53140	14	12
114250-53210	14	13
114250-53400	14	14
119131-18320	6	3
119265-34830	10	17
119593-59581	14	50
119609-32040	2	10
119620-49290	11	17
119620-77201	16	2
119620-77380	16	4
119620-77421	16	8
119620-77440	16	13
119620-77450	16	14
119620-77461	16	15
119620-77471	16	16
119620-77480	16	21
119620-77490	16	17
119620-77710	16	18
119620-79200	16	9
119620-79210	16	10
119620-79220	16	11
119620-79230	16	12
119620-79250	16	6
119620-79260	16	19
119620-79270	16	20
119620-79280	16	22
119620-79290	16	23
119620-79300	16	24
119620-79310	16	25
119620-79320	16	26
119620-79330	16	27
119620-79340	16	28
119620-79350	16	29
119620-79360	16	7
119625-11880	4	30
119653-77950	13	130
119660-61901	13	60
119802-01561	2	5
119802-03110	4	40
119802-03121	4	41
119802-03130	4	42
119802-03141	4	43
119802-11260	4	4
119802-11270	4	5
119802-11280	4	6

Parts No.	Fig. No.	Ref. No.
119802-11870	4	29
119802-25071	7	13
119802-25101	7	10
119802-25901	7	16
119802-35100	10	24
119802-35110	10	25
119802-39450	10	32
119802-49113	11	46
119802-51090	12	7
119802-51250	12	129
119802-51560	12	52
119802-51590	12	58
119802-51600	12	59
119802-51680	12	63
119802-51690	12	64
119802-59550	14	44
119802-59560	14	46
119803-21200	8	4
119803-25050	7	9
119803-53400	14	14 -1
119803-77830	4	52
119807-61420	13	24
119865-21600	8	14
119934-01800	2	3
120130-11860	4	16
120270-54410	4	32
121400-11340	4	25
121450-42450	11	21
121520-34810	10	16
121550-23200	8	28
121820-21690	8	15
121850-21680	8	10
121850-51960	2	11
123501-79240	16	5
123900-13630	6	4
124060-01050	1	4
124060-77680	14	51
124160-01751	2	7
124160-01910	1	6
		7
124160-11360	4	48
124160-21501	8	11
124160-39140	10	31
124240-01871	2	8
124240-01883	9	1
124250-49351	11	24
124460-11340	4	26
124465-44950	11	23
124722-59050	11	13
		16

Parts No.	Fig. No.	Ref. No.
124722-59050	14	45
		48
124732-77340	16	32
129001-01250	1	5
129001-01340	1	31
129001-02931	1	24
129001-12110	5	4
129001-32001	10	1
129001-91841	2	12
	3	12
129001-91910	3	13
129004-03010	4	38
129004-11241	4	1
129004-11251	4	2
129004-11310	4	45
129004-11650	4	8
129004-11900	4	31
129004-13200	6	7
129004-59811	14	31
129004-59821	14	35
129004-59831	14	39
129005-03080	5	1
129005-11100	4	21
129005-12100	5	3
129005-22080	8	16
129005-22500	8	18
129005-22900	8	33
129005-22950	8	35
129005-59830	10	33
129008-01520	2	4
129008-11700	4	13
129008-21000	8	1
129008-51390	12	34 A
129008-53000	14	2
129008-53200	14	2 -1
129008-77800	4	53
129008-77820	4	54
129030-44760	11	4
129054-42320	11	42
129054-42450	11	22
129055-11350	4	37
129055-13521	6	8
129055-21650	8	8
129100-01580	3	1
		16
	8	2
129100-11112	4	22
129100-23910	8	27
129100-35140	10	26
129107-77330	16	31

Parts No.	Fig. No.	Ref. No.
129120-01780	3	19
129120-44741	11	3
129129-01540	3	6
129129-01550	3	5
129129-01600	3	2
129129-14580	7	3
129129-35010	10	20
129129-35080	10	21
129129-35090	10	19
129129-77010	15	1
129129-77210	15	6
129129-77220	15	7
129129-77230	15	8
129129-77240	15	9
129129-77250	15	10
129129-77260	15	21
129129-77270	15	22
129129-77280	15	23
129129-77290	15	24
129129-77300	15	25
129129-77310	15	27
129129-77320	15	28
129129-77330	15	29
129129-77340	15	30
129129-77350	15	31
129129-77362	15	32
129129-77380	15	34
129129-77390	15	14
129129-77400	15	17
129129-77410	15	18
129129-77420	15	19
129129-77430	15	20
129129-77460	15	3
129150-01200	1	30
129150-01580	2	6
129150-01721	3	8
129150-01881	7	17
129150-02020	1	9
129150-02450	7	4
129150-02871	1	32
129150-02931	1	27
129150-02941	1	35
129150-03070	4	39
129150-11230	4	9
129150-11280	4	7
129150-11370	4	12
129150-11750	4	11
129150-11810	4	18
129150-13110	6	2
129150-14101	7	6

Parts No. Index

Parts No.	Fig. No.	Ref. No.
129150-14200	7	1
129150-14400	7	2
129150-23601	8	29
129150-23611	8	31
129150-25301	7	15
129150-26000	7	18
129150-26050	7	19
129150-32020	10	14
129150-35042	10	18
129150-35111	10	27
129150-35170	10	28
129150-42301	11	39
129150-49360	11	25
129150-49811	11	7
129150-59120	14	26
129150-59131	14	29
129150-77511	5	8
129150-91400	2	21
129155-49801	11	6
129155-51280	13	7
129155-61460	13	26
129155-77060	15	35
129202-22300	8	22
129211-42290	11	2
129255-61410	13	23
129263-13220	6	5
129263-49610	11	11
129263-49620	11	14
129263-49710	11	12
129263-49720	11	15
129269-13100	6	1
129269-21590	8	12
129269-42000	11	33
129350-49560	11	9
129403-42380	11	1
129410-03990	5	2
129457-42050	11	34
129457-42121	11	35
129486-01670	3	20
129486-12581	5	7
129486-42050	11	27
129486-59551	14	47
129550-42350	11	1 A
129555-44750	11	49
129642-61060	13	87
129795-01900	16	1
129795-01950	2	9
129795-02412	1	12
129795-11120	4	23
129795-11180	4	24

Parts No.	Fig. No.	Ref. No.
129795-21661	8	9
129795-49551	11	8
129900-07900	4	50
129916-59020	12	125
129972-77341	16	33
158552-51151	7	22
158552-51570	12	53
		54
158552-51580	12	57
158552-51600	12	67
158552-51670	12	121
158552-51781	12	93
158552-52100	12	123
158552-52310	12	100
158552-52400	12	101
158552-52500	12	124
158552-61441	13	25
158552-61900	13	78
158553-51551	12	119
158553-51630	12	68
158553-51640	12	70
158553-51660	12	71
158553-51670	12	62
158553-51680	12	72
158553-51770	12	99
158553-61050	13	4
158553-61070	13	5
158557-51570	12	55
158563-51281	12	33
		34
158563-51330	12	43
158600-51270	12	32
158601-51550	12	51
158601-51570	12	56
158601-51650	12	120
158601-51770	12	92
158601-51790	12	94
171051-01921	1	8
178070-10401	9	4
		20
178070-16000	9	2
178070-44000	9	18
194150-01370	13	1
194521-41570	9	13
		26
22137-080000	13	131
22190-080002	2	13
		14
	10	34
		36

Parts No.	Fig. No.	Ref. No.
22190-100002	10	37
22190-120000	13	64
22190-120002	11	26
	12	95
		102
		127
22190-160002	3	9
22190-180002	12	96
		103
22217-140000	7	23
	12	104
22252-000260	8	23
22252-000320	9	15
		31
22312-050140	12	105
22351-050010	12	106
22351-060012	4	33
22417-160180	13	132
22512-070140	7	7
	8	5
		7
22857-500100	4	46
		47
23414-080000	11	28
23857-030000	10	35
23857-060000	12	128
23875-030000	11	47
23887-120002	12	97
	13	66
24105-060064	7	21
24311-000070	12	108
24311-000120	4	49
24311-000320	2	15
24341-000240	2	23
24356-010180	12	109
24356-010200	12	65
		110
24358-240310	11	40
24372-000150	12	66
24421-153207	9	16
		32
25132-003900	11	2 A
26016-080352	9	17
		33
26106-060102	12	111
	13	68
26106-060142	13	83
		84
26106-060162	2	24
26106-060202	11	44

Parts No.	Fig. No.	Ref. No.
26106-060202	13	85
26106-060502	11	5
26106-080122	3	11
	10	22
	11	29
26106-080142	7	8
26106-080162	2	16
		17
	4	51
	12	130
26106-080202	5	5
		9
	10	29
	12	131
26106-080252	3	14
	4	34
26106-080302	2	18
26106-080352	4	35
	10	23
26106-080402	7	14
26106-080502	3	15
	4	36
26106-080552	2	19
	11	30
26106-080602	11	31
26106-080702	11	32
26106-080802	5	6
	9	34
26106-080952	9	35
26116-060162	11	45
26116-120202	15	36
26206-100202	3	3
		4
26216-080222	9	36
26216-080402	9	37
26306-080002	2	20
	6	6
		9
	9	38
	11	10
26306-100002	16	30
26366-060002	10	38
26450-060252	10	15
26450-080452	12	115
26577-060152	11	43
26756-060002	13	69
26776-140002	7	24
	12	116
27241-120000	1	13
27241-300000	1	14

Parts No. Index

Parts No.	Fig. No.	Ref. No.
27241-40000	4	20
27310-080001	4	27
729005-01562	1	1
729008-01500	2	1
729008-53100	14	1
729008-53200	14	1 -1
729269-51300	12	1
729269-51301	12	1 -1
729269-51310	12	1 A
729269-51370	12	1 -2
729402-01650	3	17
729402-23100	8	24
X0280210230	15	11
X0283060061	15	2
X0283270140	15	12
X9490561001	16	3
X9490561370	15	4
X9491200240	15	5
X9491703371	15	13
X9491730461	15	26

Parts No.	Fig. No.	Ref. No.
-----------	----------	----------

Parts No.	Fig. No.	Ref. No.
-----------	----------	----------

Parts No.	Fig. No.	Ref. No.
-----------	----------	----------