

0CNP4-M80200EN

# Contents

Fig. No.    Fig. Name

Fig. No.    Fig. Name

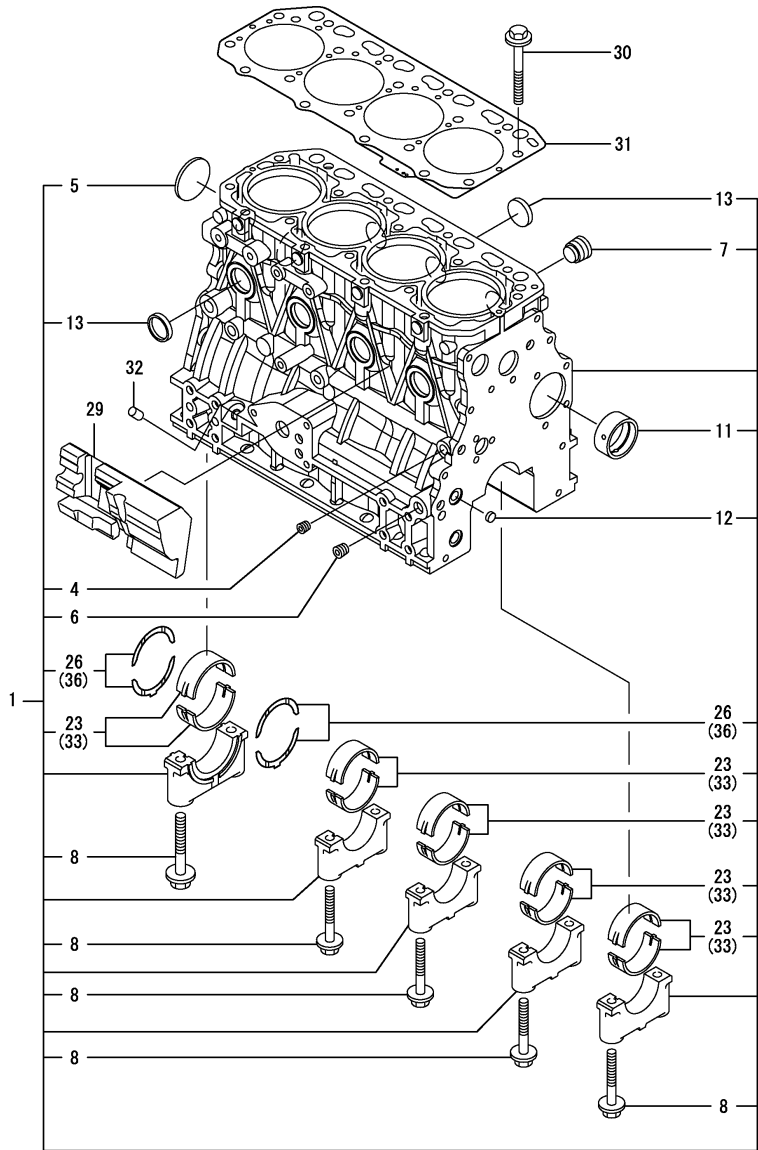
## ENGINE

1. CYLINDER BLOCK
2. GEAR HOUSING
3. MOUNTING FLANGE & OIL SUMP
4. CYLINDER HEAD & BONNET
5. SUCTION MANIFOLD
6. EXHAUST MANIFOLD & SILENCER
7. CAMSHAFT & DRIVING GEAR
8. CRANKSHAFT & PISTON
9. HYDRAULIC PUMP
10. BALANCER
11. LUB. OIL SYSTEM
12. COOLING WATER SYSTEM
13. FUEL INJECTION PUMP
14. GOVERNOR
15. FUEL INJECTION VALVE
16. STARTING MOTOR
17. GENERATOR

# Fig.1. CYLINDER BLOCK

(A)=4TNV88-XRY  
(B)=  
(C)=

(D)=  
(E)=  
(F)=



No.	Lev.	Parts No.	Description	Q'ty						I	R
				(A)	(B)	(C)	(D)	(E)	(F)		
1	1	729659-01570	BLOCK ASSY, CYLINDER	1							
4	2	124060-01050	PLUG, PT1/8	1							
5	2	129001-01250	PLUG, 50	1							
6	2	124160-01910	PLUG, PT1/4	2							
7	2	171051-01921	PLUG, NPTF1	1							
8	2	129150-02020	BOLT, METAL CAP	10							
11	2	129795-02412	BUSH, CAMSHAFT	1							
12	2	27241-120000	PLUG, 12	2							
13	2	27241-300000	PLUG 30	8							
23	2	129001-02931	BEARING, MAIN	5							3
26	2	129150-02931	BEARING, THRUST	2							
29	1	129004-01190	SPACER	1							
30	1	129150-01200	BOLT, HEAD	18							
31	1	129407-01340	GASKET, HEAD	1							
32	1	119309-01810	PLUG	1							
33	1	129150-02871	BEARING, 0.25 US	5							1
36	1	129150-02941	BEARING, THRUST 0.25	1							2

**Remarks**

(1) Under-sized (U.S.=0.25) parts.

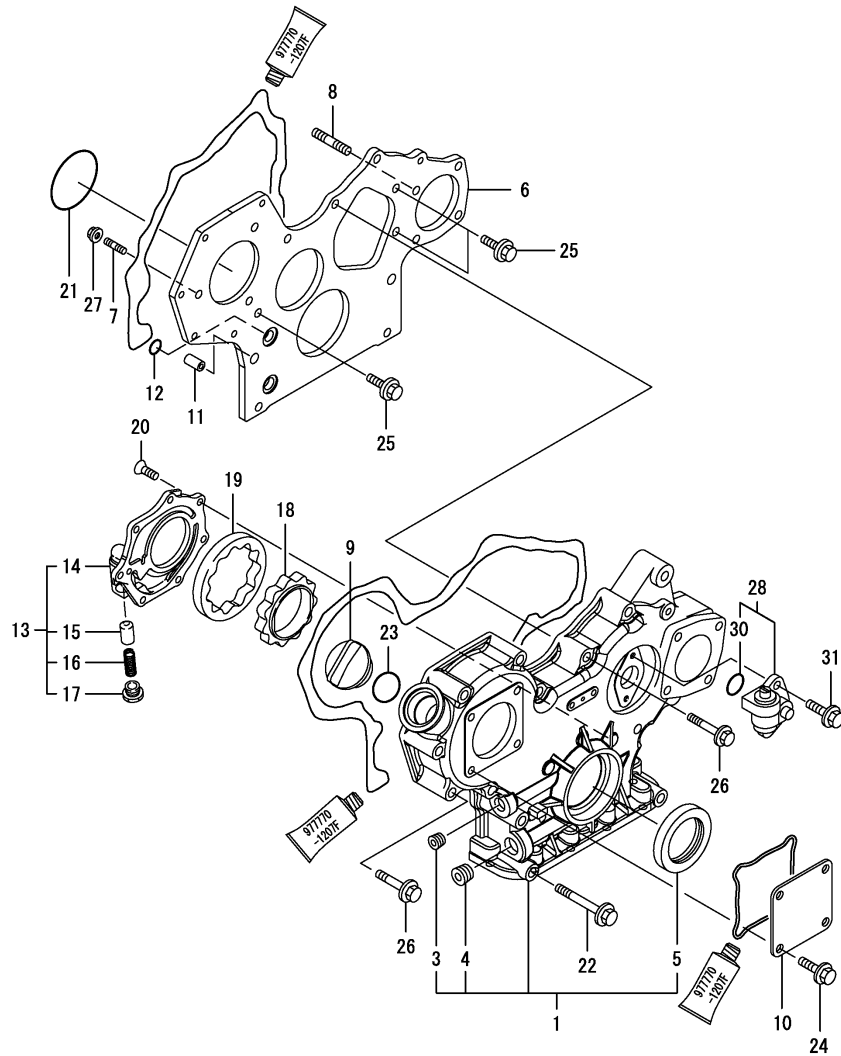
(2) Over-sized (O.S.=0.25) parts.

(3) Repair parts.

Note : "Effective Machine No." of the Engine Section is indicated on the Model Label which is shown in Fig.4.

N:Old  $\xrightarrow{\text{Yes}}$  New, Q:Old  $\xrightarrow{\text{No}}$  New, R:Old  $\xrightarrow{\text{Yes}}$  New, S:Old  $\xrightarrow{\text{No}}$  New, W:Add, Z:Discontinued, F:Interchangeable by set, K:Q'ty Change

Fig.2. GEAR HOUSING



(A)=4TNV88-XRY  
(B)=  
(C)=

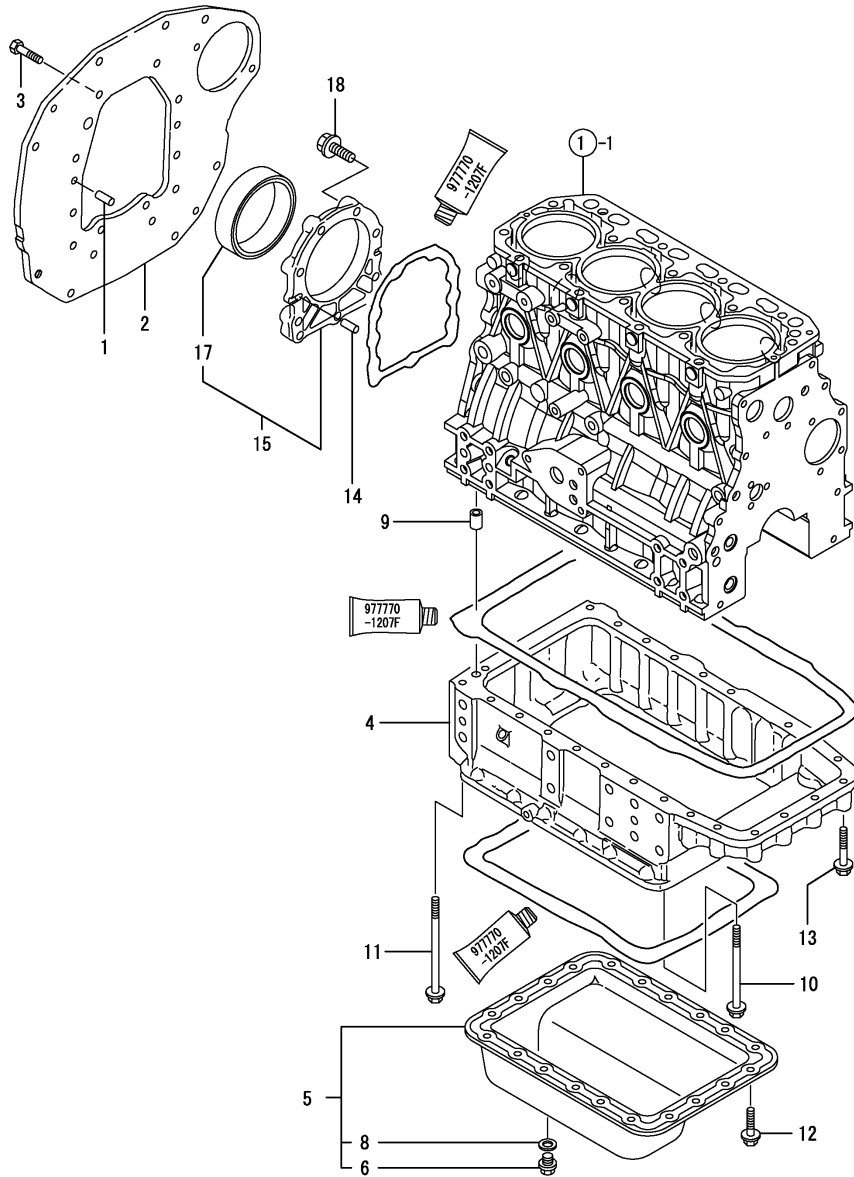
(D)=  
(E)=  
(F)=

No.	Lev.	Parts No.	Description	Q'ty						I	R
				(A)	(B)	(C)	(D)	(E)	(F)		
1	1	729235-01500	CASE ASSY, GEAR	1							
3	2	23876-030000	PLUG, R03	1							
4	2	23876-040000	PLUG, R04	1							
5	2	119934-01800	SEAL, OIL	1							
6	1	129004-01520	FLANGE, GEAR CASE	1							
7	1	119802-01561	STUD, M8X25	3							
8	1	129150-01580	STUD, M8X30	1							
9	1	124160-01751	COVER, FILLER	1							
10	1	124240-01871	COVER	1							
11	1	129795-01950	PIPE, KNOCK L=18	2							
12	1	119609-32040	O-RING, P16	4							
13	1	119802-32100	COVER ASSY	1							
14	2	119802-32070	COVER	1							
15	2	129900-32130	VALVE, RELIEF	1							
16	2	129418-32320	SPRING	1							
17	2	129001-32330	PLUG	1							
18	1	119802-32111	ROTOR, INNER	1							
19	1	119802-32120	ROTOR, OUTER	1							
20	1	119802-32130	SCREW, M6X16	7							
21	1	121850-51960	O-RING	1							
22	1	129001-91841	BOLT, M8X85	3							
23	1	24311-000320	O-RING, 1AP32.0	1							
24	1	26106-080162	BOLT, M8X 16 PLATED	4							
25	1	26106-080162	BOLT, M8X 16 PLATED	3							
26	1	26106-080552	BOLT, M8X 55 PLATED	11							
27	1	26306-080002	NUT, M8	3							
28	1	129150-91400	GEAR	1							
30	2	24341-000240	O-RING, 1AS24.0	1							
31	1	26106-060162	BOLT, M6X 16 PLATED	2							

Remarks

Note : "Effective Machine No." of the Engine Section is indicated on the Model Label which is shown in Fig.4.

Fig.3. MOUNTING FLANGE & OIL SUMP



(A)=4TNV88-XRY  
(B)=  
(C)=

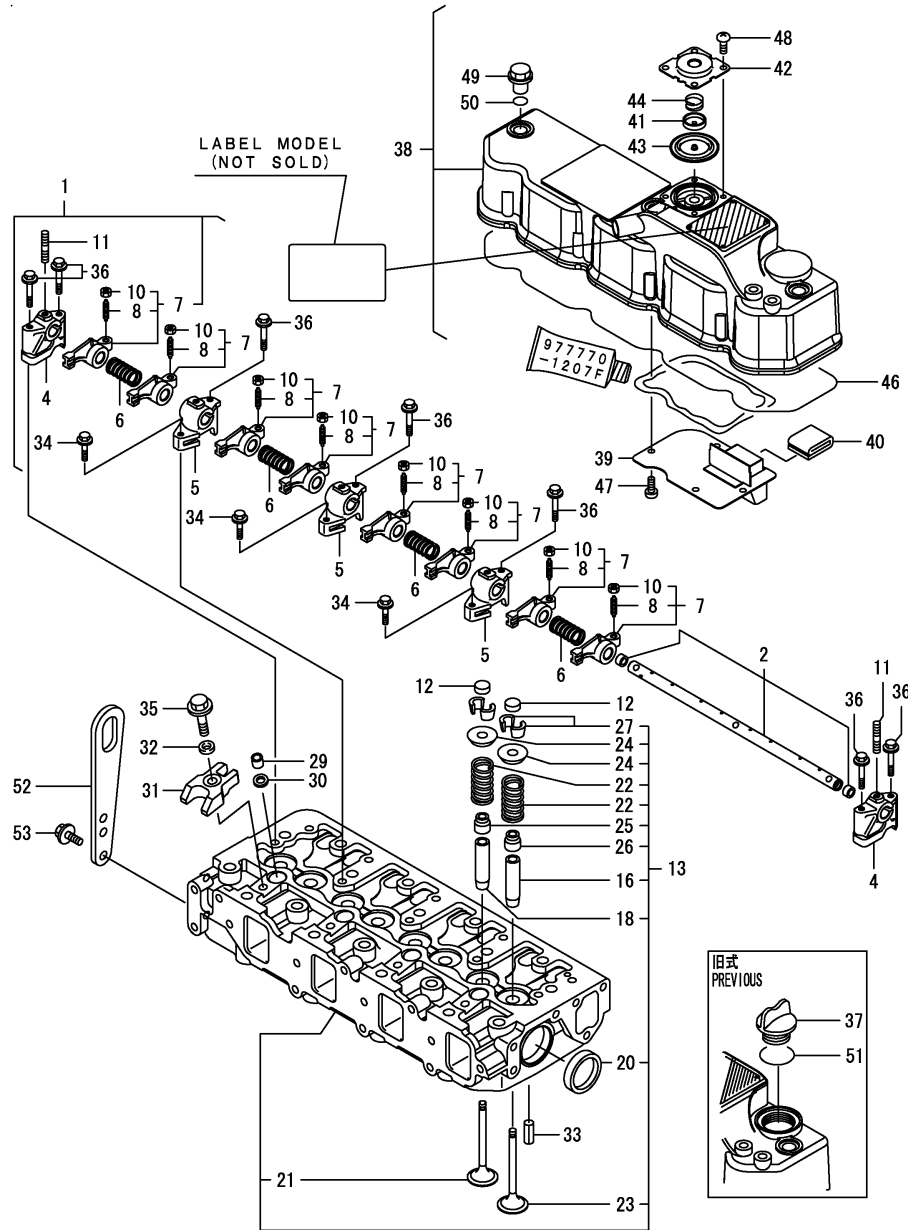
(D)=  
(E)=  
(F)=

No.	Lev.	Parts No.	Description	Q'ty						I	R
				(A)	(B)	(C)	(D)	(E)	(F)		
1	1	129100-01580	PIN, M8X16	2							
2	1	129126-01600	FLANGE, MOUNTING	1							
3	1	26206-100202	BOLT, M10X 20 PLATED	8							
4	1	129550-01702	SUMP, OIL	1							
5	1	729429-01721	SUMP ASSY, OIL	1							
5-1	1	129659-01740	SUMP ASSY, OIL	1							N
(A=EA5183)											
6	2	105425-01690	PLUG, 16	1							
8	2	22190-160002	WASHER, SEAL 16	1							
9	1	129555-01750	PIPE, KNOCK 14X18	1							
10	1	129001-91870	BOLT, M8X100	14							
11	1	129001-91910	BOLT, M8X120	4							
12	1	26106-080122	BOLT, M8X 12 PLATED	20							
12-1	1	26106-080252	BOLT, M8X 25 PLATED	20							N
(A=EA5183)											
13	1	26106-080502	BOLT, M8X 50 PLATED	8							
14	1	129100-01580	PIN, M8X16	2							
15	1	129648-01600	CASE ASSY, OIL SEAL	1							
17	2	129648-01780	SEAL, OIL	1							
18	1	129486-01670	BOLT, M8X30	9							

Remarks

Note : "Effective Machine No." of the Engine Section is indicated on the Model Label which is shown in Fig.4.

Fig.4. CYLINDER HEAD & BONNET



(A)=4TNV88-XRY  
(B)=  
(C)=

(D)=  
(E)=  
(F)=

No.	Lev.	Parts No.	Description	Q'ty						I	R
				(A)	(B)	(C)	(D)	(E)	(F)		
1	1	129601-11241	SHAFT ASSY, ROCKER	1							
2	2	129601-11251	SHAFT, ROCKER ARM	1							
4	2	119802-11260	SUPPORT, ROCKER ARM	2							
5	2	119802-11270	SUPPORT, ROCKER ARM	3							
6	2	129150-11280	SPRING	4							
7	2	129004-11650	ARM, ROCKER	8							
8	3	129150-11230	SCREW, VALVE ADJUST	8							
10	3	129150-11750	NUT, M8	8							
11	2	26226-080182	STUD, M8X 18	3							
12	1	129150-11370	CAP, VALVE	8							
13	1	129601-11700	HEAD ASSY, CYLINDER	1							
16	2	120130-11860	GUIDE, VALVE	4							1
18	2	129150-11810	GUIDE, VALVE	4							1
20	2	27241-400000	PLUG, 40	2							
21	2	129100-11112	VALVE, EXHAUST	4							
22	2	129795-11120	SPRING, VALVE	8							
23	2	129004-11130	VALVE, INTAKE	4							
24	2	129795-11180	RETAINER, SPRING	8							
25	2	121400-11340	SEAL, VALVE STEM	4							
26	2	124460-11340	SEAL, VALVE STEM	4							
27	2	27310-080001	COTTER, 8	8							
29	1	119802-11870	PROTECTOR, NOZZLE	4							
30	1	119625-11880	SEAT, NOZZLE	4							
31	1	129004-11900	RETAINER, NOZZLE	4							
32	1	120270-54410	WASHER, INJECTOR	4							
33	1	22351-060012	PIN, SPRING 6.0X12	2							
34	1	26106-080252	BOLT, M8X 25 PLATED	3							
35	1	26106-080352	BOLT, M8X 35 PLATED	4							
36	1	26106-080502	BOLT, M8X 50 PLATED	7							
37	1	124160-01751	COVER, FILLER	1							Z
(A=FXXXXXX)											
38	1	129601-11350	BONNET ASSY, HEAD	1							
38-1	1	129652-11350	BONNET ASSY, HEAD	1							S
(A=FXXXXXX)											
39	2	129004-03010	PLATE	1							
40	2	129150-03070	BAFFLE, BREATHER	1							
41	2	119802-03110	PLATE	1							
42	2	119802-03121	COVER, DIAPHRAGM	1							
43	2	119802-03130	DIAPHRAGM	1							
44	2	119802-03141	SPRING, DIAPHRAGM	1							
46	2	129601-11310	GASKET, BONNET	1							
47	2	22857-500100	SCREW, 5X10	4							
48	2	22857-500100	SCREW, 5X10	4							
49	1	124160-11360	KNOB	3							
50	1	24311-000120	O-RING, 1AP12.0	3							
51	1	24311-000320	O-RING, 1AP32.0	1							Z
(A=FXXXXXX)											
52	1	129900-07900	LIFTER	1							
53	1	26106-080142	BOLT, M8X 14 PLATED	2							

Remarks

(1)Repair parts.

Note : "Effective Machine No." of the Engine Section is indicated on the Model Label which is shown in Fig.4.

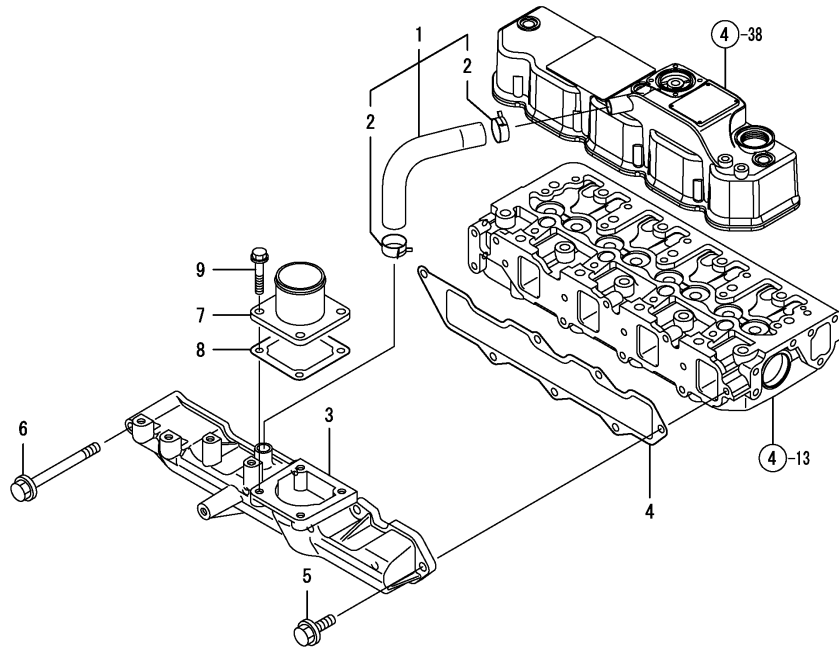
N:Old  $\begin{matrix} \leftarrow \text{Yes} \\ \text{No} \end{matrix}$  New, Q:Old  $\begin{matrix} \leftarrow \text{No} \\ \text{Yes} \end{matrix}$  New, R:Old  $\begin{matrix} \leftarrow \text{Yes} \\ \text{Yes} \end{matrix}$  New, S:Old  $\begin{matrix} \leftarrow \text{No} \\ \text{No} \end{matrix}$  New, W:Add, Z:Discontinued, F:Interchangeable by set, K:Q'ty Change

# Fig.5. SUCTION MANIFOLD

(A)=4TNV88-XRY  
(B)=  
(C)=

(D)=  
(E)=  
(F)=

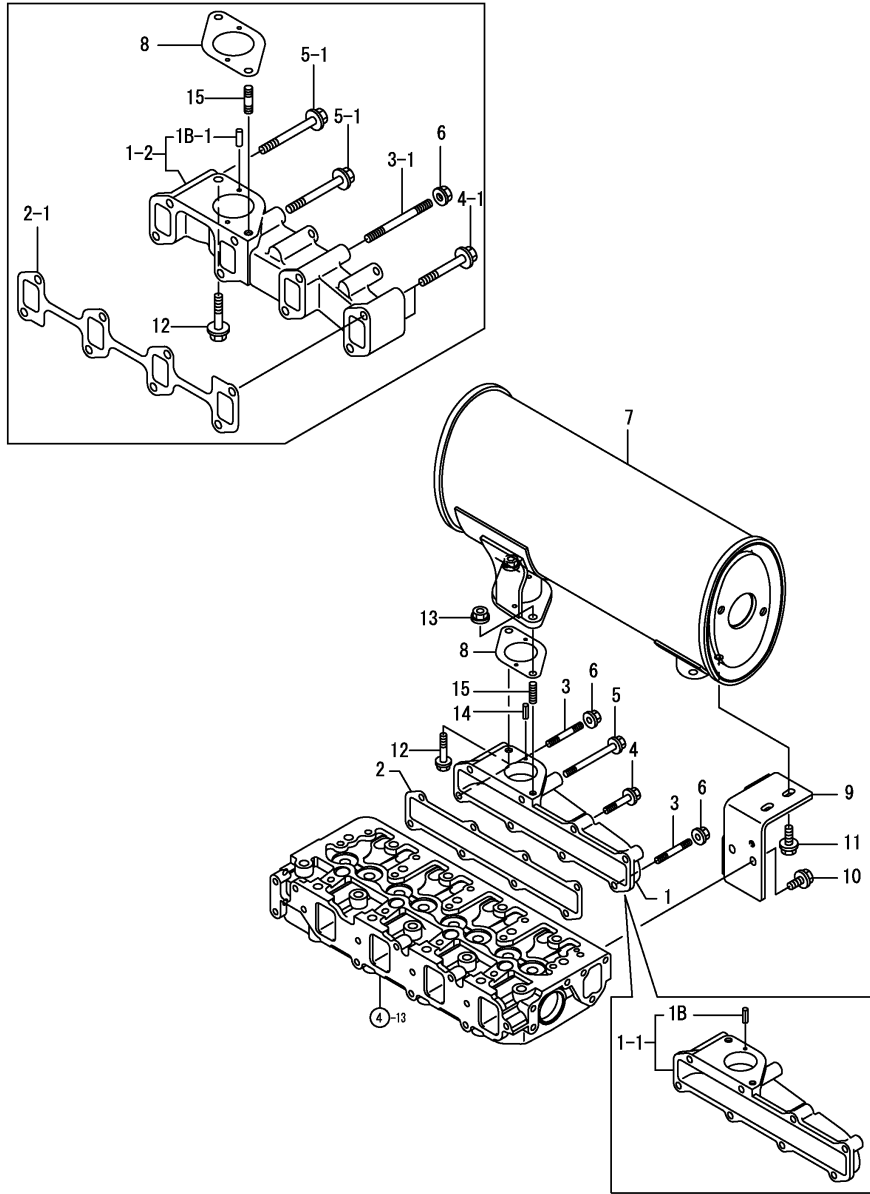
No.	Lev.	Parts No.	Description	Q'ty						I	R
				(A)	(B)	(C)	(D)	(E)	(F)		
1	1	129005-03080	PIPE , BREATHER	1							
2	2	129410-03990	CLIP	2							
3	1	129602-12100	MANIFOLD, AIR INTAKE	1							
4	1	129407-12110	GASKET, MANIFOLD	1							
5	1	26106-080202	BOLT, M8X 20 PLATED	6							
6	1	26106-080802	BOLT, M8X 80 PLATED	1							
7	1	129486-12581	JOINT, MANIFOLD	1							
8	1	129150-77511	GASKET	1							
9	1	26106-080202	BOLT, M8X 20 PLATED	4							



Remarks

Note : "Effective Machine No." of the Engine Section is indicated on the Model Label which is shown in Fig.4.

Fig.6. EXHAUST MANIFOLD & SILENCER



(A)=4TNV88-XRY  
(B)=  
(C)=

(D)=  
(E)=  
(F)=

No.	Lev.	Parts No.	Description	Q'ty						I	R
				(A)	(B)	(C)	(D)	(E)	(F)		
1	1	129659-13100	MANIFOLD, EXHAUST	1							
1-1	1	129659-13110	MANIFOLD ASSY	1							N
(A=E53865)											
1-2	1	129659-13130	MANIFOLD ASSY	1							N
(A=EZZZZZ)											
1B	2	22351-040012	PIN, SPRING 4.0X12	1							W
(A=E53865)											
1B-1	2	22351-040012	PIN, SPRING 4.0X12	2							K
(A=EZZZZZ)											
2	1	129407-13110	GASKET	1							
2-1	1	129550-13110	GASKET	1							N
(A=EZZZZZ)											
3	1	129054-13210	STUD, M8X55	2							
3-1	1	129263-13210	STUD, M8X90	2							S
(A=EZZZZZ)											
4	1	119802-13600	BOLT, M8X40	4							
4-1	1	119802-13640	BOLT, M8X60 10.9T	2							S
(A=EZZZZZ)											
5	1	119802-13660	BOLT, M8X75 10.9T	2							
5-1	1	119802-13660	BOLT, M8X75 10.9T	4							K
(A=EZZZZZ)											
6	1	26306-080002	NUT, M8	2							
7	1	129426-13500	SILENCER	1							
8	1	129107-13540	GASKET, SILENCER	1							
9	1	129659-13670	STAY	1							
10	1	26106-080162	BOLT, M8X 16 PLATED	2							
11	1	26106-080202	BOLT, M8X 20 PLATED	2							
12	1	26106-080402	BOLT, M8X 40 PLATED	1							
13	1	26306-080002	NUT, M8	1							
14	1	22351-040012	PIN, SPRING 4.0X12	1							Z
(A=E53865)											
15	1	119131-18320	STUD, M8X22	1							

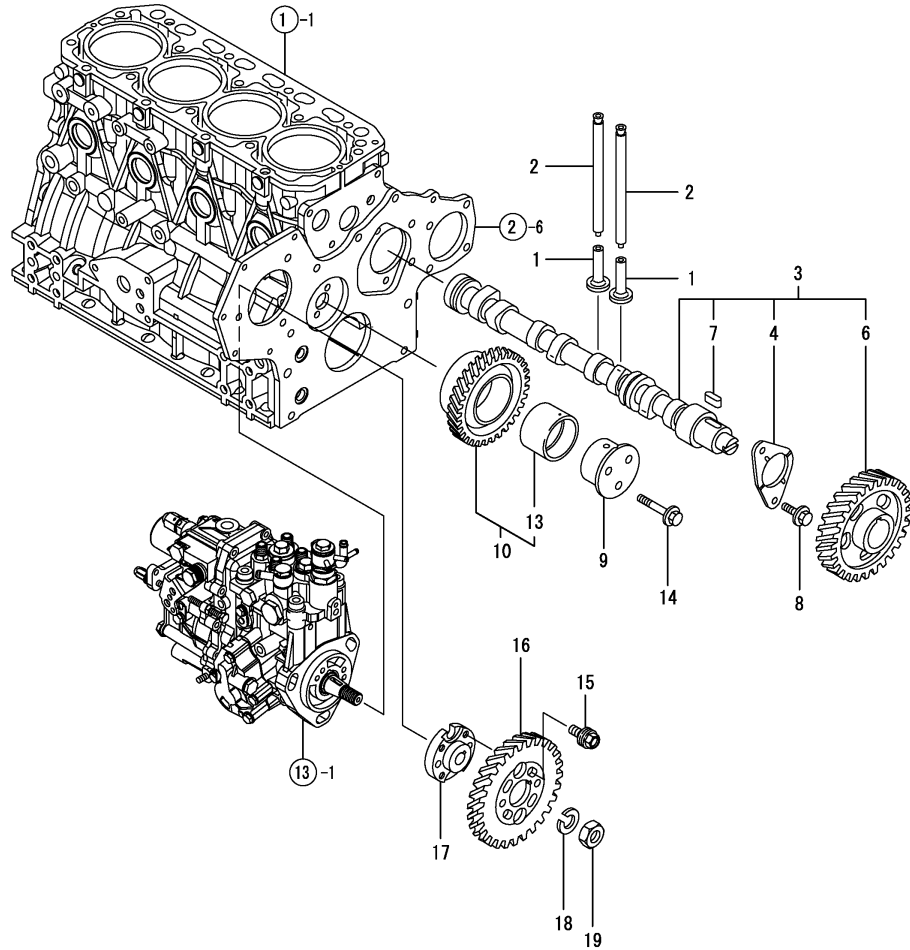
Remarks

Note : "Effective Machine No." of the Engine Section is indicated on the Model Label which is shown in Fig.4.

N:Old  $\xrightarrow{\text{Yes}}$  New, Q:Old  $\xrightarrow{\text{No}}$  New, R:Old  $\xrightarrow{\text{Yes}}$  New, S:Old  $\xrightarrow{\text{No}}$  New, W:Add, Z:Discontinued, F:Interchangeable by set, K:Q'ty Change



Fig.7. CAMSHAFT & DRIVING GEAR



(A)=4TNV88-XRY  
(B)=  
(C)=

(D)=  
(E)=  
(F)=

No.	Lev.	Parts No.	Description	Q'ty						I	R
				(A)	(B)	(C)	(D)	(E)	(F)		
1	1	129150-14200	TAPPET	8							
2	1	129150-14400	ROD, PUSH L=178	8							
3	1	729402-14580	CAMSHAFT ASSY	1							
4	2	129150-02450	BEARING, THRUST	1							
6	2	129150-14101	GEAR, CAMSHAFT	1							
7	2	22512-070140	KEY, 7X 14	1							
8	1	26106-080142	BOLT, M8X 14 PLATED	2							
9	1	119802-25051	SHAFT, IDLE	1							
10	1	119802-25101	GEAR ASSY, IDLE	1							
13	2	119802-25071	BUSH, IDLE GEAR	1							1
14	1	26106-080402	BOLT, M8X 40 PLATED	3							
15	1	129150-25301	BOLT	4							
16	1	119802-25901	GEAR, PUMP	1							
17	1	158552-51151	FLANGE	1							
18	1	22217-140000	WASHER, SPRING 14	1							
19	1	26776-140002	NUT, LOCK M14	1							

Remarks

(1)Repair parts.

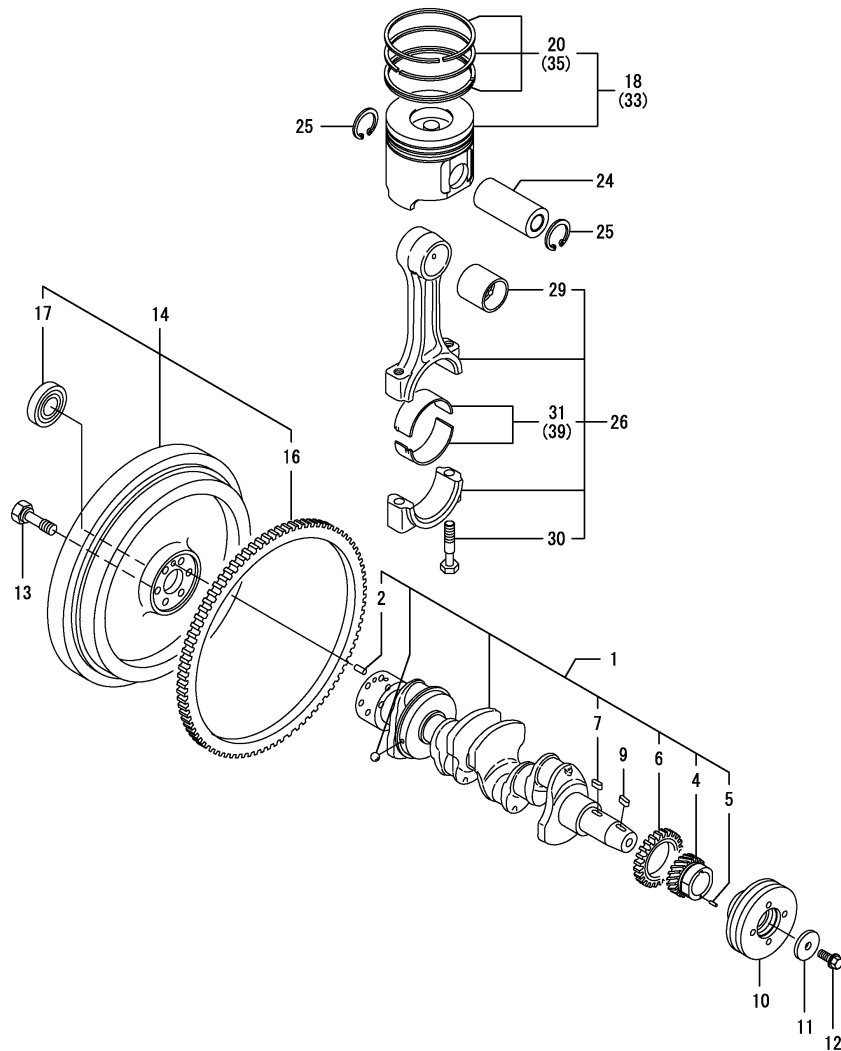
Note : "Effective Machine No." of the Engine Section is indicated on the Model Label which is shown in Fig.4.

N:Old  $\xrightarrow{\text{Yes}}$  New, Q:Old  $\xrightarrow{\text{No}}$  New, R:Old  $\xrightarrow{\text{Yes}}$  New, S:Old  $\xrightarrow{\text{No}}$  New, W:Add, Z:Discontinued, F:Interchangeable by set, K:Q'ty Change

Fig.8. CRANKSHAFT & PISTON

(A)=4TNV88-XRY  
(B)=  
(C)=

(D)=  
(E)=  
(F)=



No.	Lev.	Parts No.	Description	Q'ty						I	R
				(A)	(B)	(C)	(D)	(E)	(F)		
1	1	129657-21002	CRANKSHAFT ASSY	1							
2	2	129100-01580	PIN, M8X16	1							
4	2	119802-21202	GEAR, CRANKSHAFT	1							
5	2	121850-21290	PIN	1							
6	2	129400-28121	GEAR, BALANCER	1							
7	2	22512-070140	KEY, 7X 14	1							
9	1	22512-070140	KEY, 7X 14	1							
10	1	119852-21650	V-PULLEY, 120	1							
11	1	129795-21661	WASHER	1							
12	1	121850-21680	BOLT	1							
13	1	124160-21501	BOLT, FLYWHEEL	6							
14	1	129659-21580	FLYWHEEL ASSY	1							
14-1	1	129659-21581	FLYWHEEL ASSY	1							N
(A=E82637)											
16	2	124550-21600	GEAR, RING	1							
17	2	24104-063020	BEARING, 6302UUC3	1							
18	1	129005-22080	PISTON ASSY	4							
20	2	129005-22500	RING SET, PISTON	4							
24	1	129202-22300	PIN, PISTON D26 L70	4							
25	1	22252-000260	RING, 26	8							
26	1	729402-23100	ROD ASSY, CONNECTING	4							
29	2	129100-23910	BEARING, PISTON PIN	4							1
30	2	121550-23200	BOLT, CONNECTING ROD	8							
31	2	129150-23601	BEARING, CRANK PIN	4							
33	1	129005-22900	PISTON ASSY, 0.25 OS	4							2
35	2	129005-22950	RING SET, 0.25 OS	4							2
39	1	129150-23611	BEARING, 0.25 US	4							3

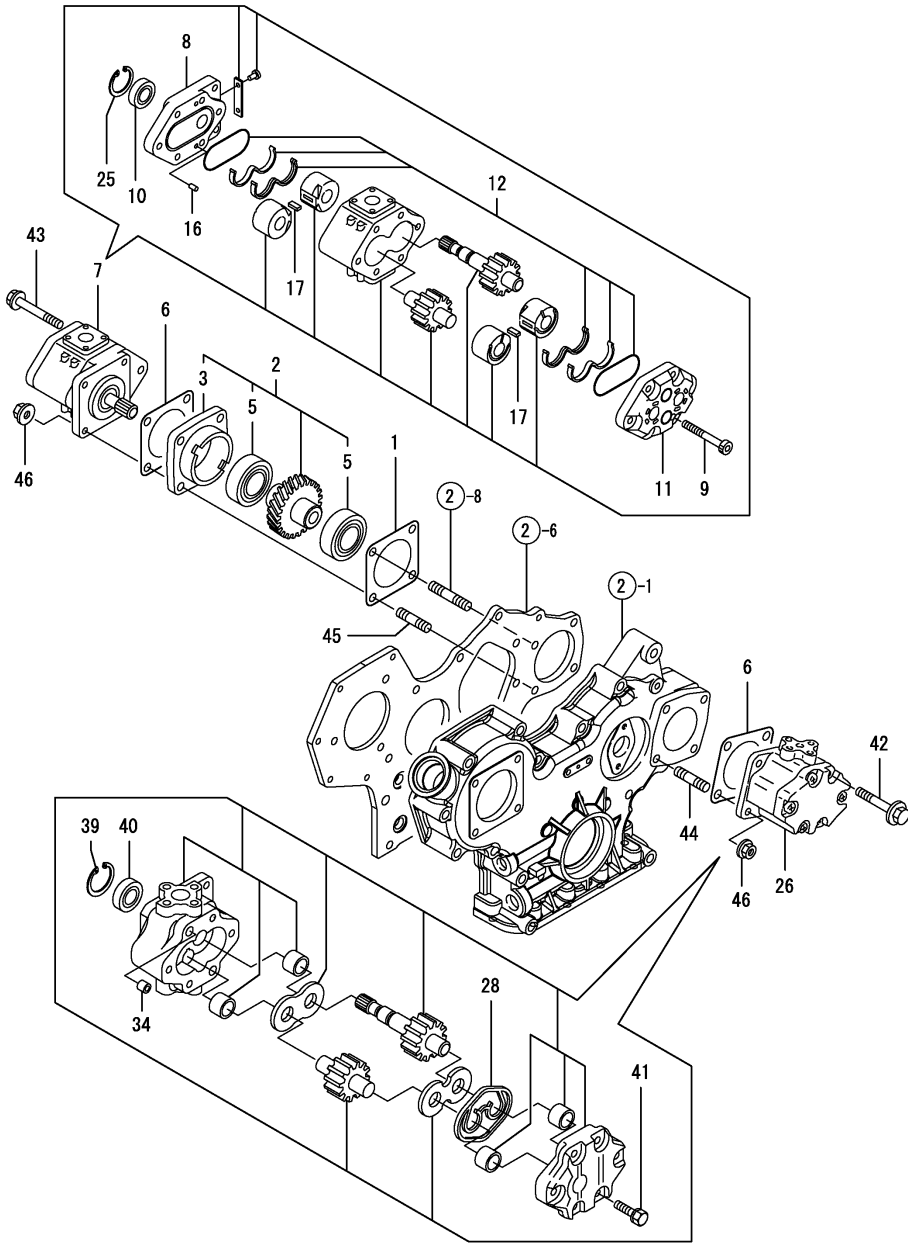
Remarks

- (1)Repair parts.
- (2)Over-sized(O.S.=0.25) parts.
- (3)Under-sized(U.S.=0.25) parts.

Note : "Effective Machine No." of the Engine Section is indicated on the Model Label which is shown in Fig.4.

N:Old  $\xrightarrow{\text{Yes}}$  New, Q:Old  $\xrightarrow{\text{No}}$  New, R:Old  $\xrightarrow{\text{Yes}}$  New, S:Old  $\xrightarrow{\text{No}}$  New, W:Add, Z:Discontinued, F:Interchangeable by set, K:Q'ty Change

Fig.9. HYDRAULIC PUMP



(A)=4TNV88-XRY  
(B)=  
(C)=

(D)=  
(E)=  
(F)=

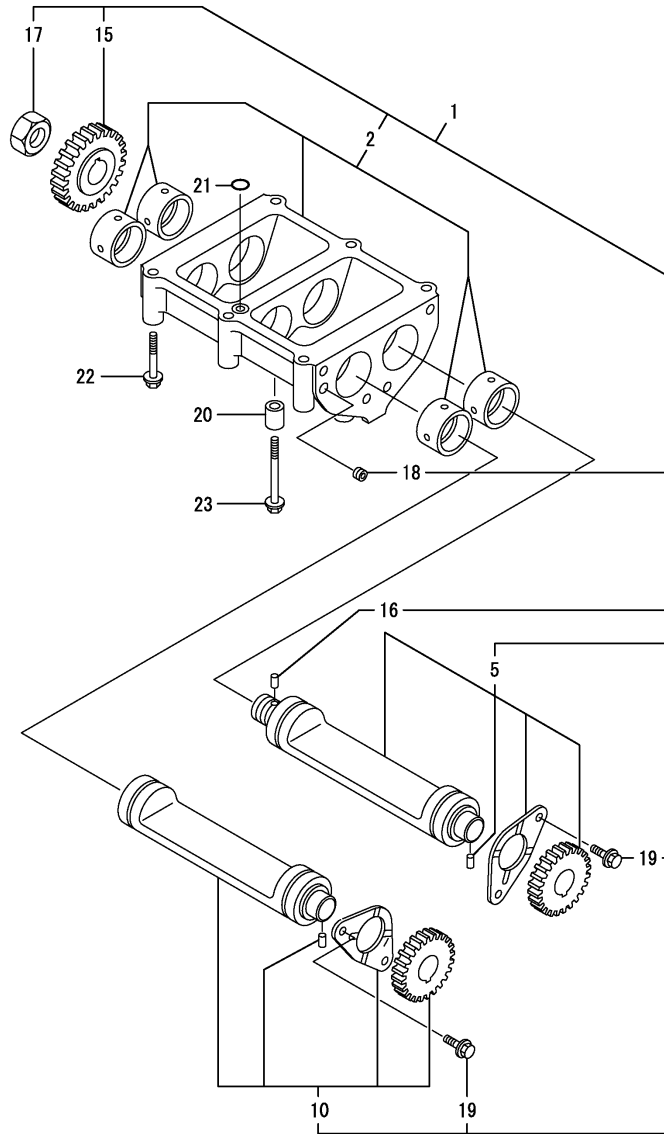
No.	Lev.	Parts No.	Description	Q'ty						I	R
				(A)	(B)	(C)	(D)	(E)	(F)		
1	1	129150-01881	GASKET	1							
2	1	129150-26000	DRIVE ASSY, PUMP	1							
3	2	129150-26050	BRACKET, PUMP	1							
5	2	24105-060064	BEARING, BALL 6006Z	2							
6	1	124240-01883	GASKET	2							
7	1	198240-41110	PUMP, HY/ZFD100/13L	1							
8	2	194278-41151	FLANGE	1							
9	2	198240-41150	BOLT, M8X83.5	4							
10	2	194278-41160	SEAL, OIL TC173008	1							
11	2	194278-41190	COVER	1							
12	2	794275-41200	SEAL KIT	1							
16	2	194065-41210	PIN, PARALLEL 6X12	2							
17	2	194278-41210	KEY	2							
25	2	22252-000300	RING, 30	1							
26	1	178070-44000	PUMP ASSY, HYDRAULIC	1							
28	2	178070-10401	RING	1							
34	2	194521-41570	PIN, 11X7	2							
39	2	22252-000320	RING, 32	1							
40	2	24421-153207	SEAL, OIL TC153207	1							
41	2	26016-080352	BOLT, M8X 35	4							
42	1	26106-080802	BOLT, M8X 80 PLATED	2							
43	1	26106-081202	BOLT, M8X120 PLATED	2							
44	1	26216-080222	STUD, M8X 22	2							
45	1	26216-080402	STUD, M8X 40	1							
46	1	26306-080002	NUT, M8	4							

Remarks

Note : "Effective Machine No." of the Engine Section is indicated on the Model Label which is shown in Fig.4.

N:Old  $\xrightarrow{\text{Yes}}$  New, Q:Old  $\xrightarrow{\text{No}}$  New, R:Old  $\xrightarrow{\text{Yes}}$  New, S:Old  $\xrightarrow{\text{No}}$  New, W:Add, Z:Discontinued, F:Interchangeable by set, K:Q'ty Change

Fig.10. BALANCER



(A)=4TNV88-XRY  
(B)=  
(C)=

(D)=  
(E)=  
(F)=

No.	Lev.	Parts No.	Description	Q'ty						I	R
				(A)	(B)	(C)	(D)	(E)	(F)		
1	1	129457-28000	BALANCER ASSY	1							
2	2	129457-28011	CASE ASSY, BALANCER	1							
5	2	729490-28510	SHAFT ASSY, BALANCER	1							
10	2	729490-28520	SHAFT ASSY, BALANCER	1							
15	2	129400-28150	GEAR, BALANCER	1							
16	2	121850-21290	PIN	1							
17	2	128170-14150	NUT	1							
18	2	23876-005000	PLUG, R005	1							
19	2	26106-080142	BOLT, M8X 14 PLATED	4							
20	1	129795-01960	PIPE, KNOCK	2							
21	1	24311-000140	O-RING, 1AP14.0	1							
22	1	26106-080602	BOLT, M8X 60 PLATED	4							
23	1	26106-080802	BOLT, M8X 80 PLATED	2							

Remarks

Note : "Effective Machine No." of the Engine Section is indicated on the Model Label which is shown in Fig.4.

Fig.11. LUB. OIL SYSTEM

(A)=4TNV88-XRY

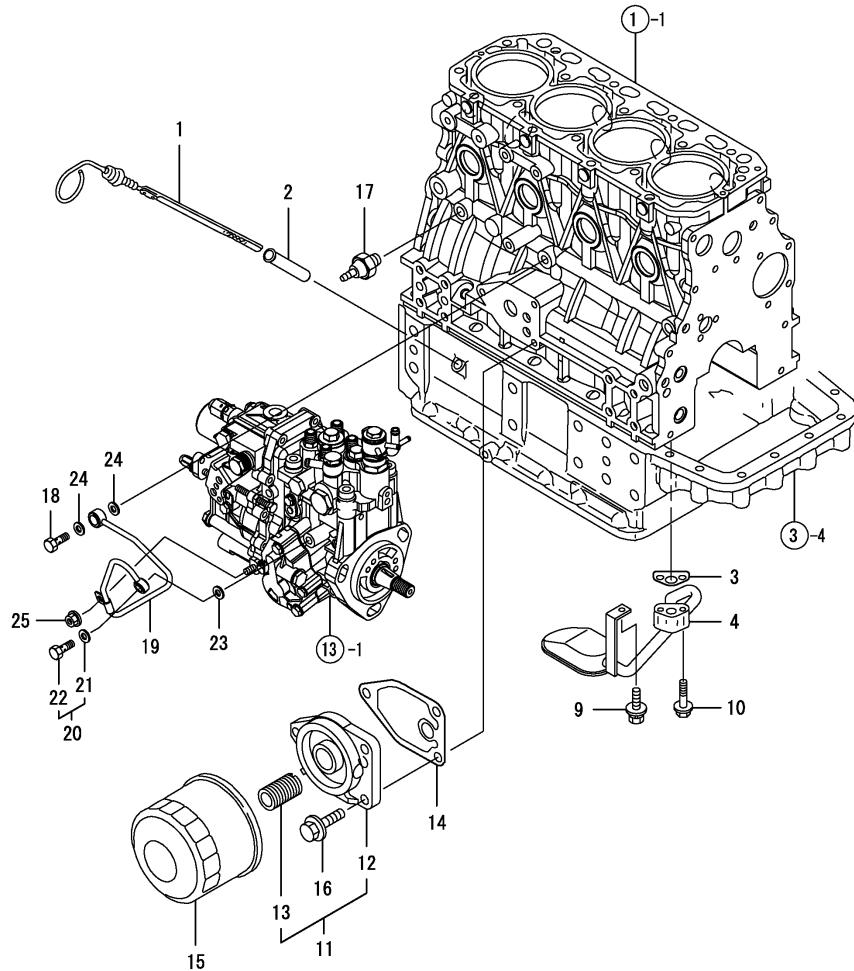
(B)=

(C)=

(D)=

(E)=

(F)=



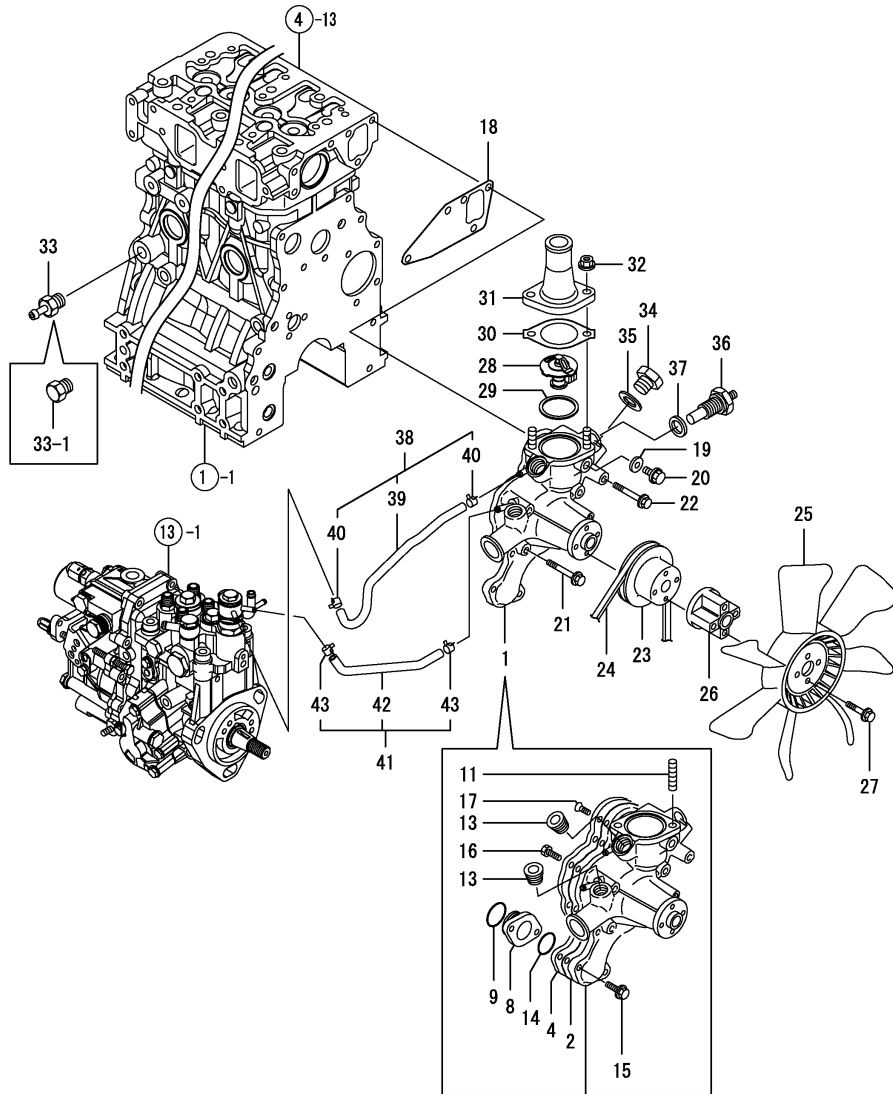
No.	Lev.	Parts No.	Description	Q'ty						I	R
				(A)	(B)	(C)	(D)	(E)	(F)		
1	1	129457-34800	DIPSTICK, OIL	1							
2	1	121520-34810	GUIDE, DIPSTICK	1							
3	1	129150-35042	GASKET	1							
4	1	129550-35090	PIPE ASSY, OIL INLET	1							
9	1	26014-080162	BOLT, M8X 16	1							
10	1	26106-080352	BOLT, M8X 35 PLATED	2							
11	1	119802-35100	BRACKET ASSY, FILTER	1							
12	2	119802-35110	BRACKET, FILTER	1							
13	2	129100-35140	STUD	1							
14	1	129150-35111	GASKET	1							
15	1	129150-35153	FILTER	1							1
16	1	26106-080202	BOLT, M8X 20 PLATED	3							
17	1	114250-39450	SWITCH, 0.5KG	1							
18	1	124160-39140	BOLT, PIPE JOINT M10	1							
19	1	119802-39450	PIPE ASSY, OIL	1							
20	1	129005-59830	BOLT ASSY, JOINT M8	1							
21	2	22190-080002	WASHER, SEAL 6	1							
22	2	23857-030000	BOLT, JOINT 3	1							
23	1	22190-080002	WASHER, SEAL 6	1							
24	1	22190-100002	WASHER, SEAL 10	2							
25	1	26366-060002	NUT, M6	1							

Remarks

(1)Repair parts.

N:Old  $\xrightarrow{\text{Yes}}$  New, Q:Old  $\xrightarrow{\text{No}}$  New, R:Old  $\xrightarrow{\text{Yes}}$  New, S:Old  $\xrightarrow{\text{No}}$  New, W:Add, Z:Discontinued, F:Interchangeable by set, K:Q'ty Change

Fig.12. COOLING WATER SYSTEM



(A)=4TNV88-XRY  
(B)=  
(C)=

(D)=  
(E)=  
(F)=

No.	Lev.	Parts No.	Description	Q'ty						I	R
				(A)	(B)	(C)	(D)	(E)	(F)		
1	1	129659-42040	PUMP ASSY, WATER	1							
2	2	129150-42059	GASKET	1							
4	2	129263-42120	PLATE	1							
8	2	129150-42301	FLANGE	1							
9	2	129054-42320	O-RING	1							
11	2	129555-44750	STUD, M8X30	2							
13	2	129916-49740	PLUG, R03	2							
14	2	24358-240310	O-RING, 524031	1							
15	2	26106-060202	BOLT, M6X 20 PLATED	2							
16	2	26116-060162	BOLT, M6X 16 PLATED	3							
17	2	26577-060142	SCREW M 6X 14	3							
18	1	129486-42050	GASKET, WATER PUMP	1							
19	1	23414-080000	GASKET, 8X1.0	1							
20	1	26106-080122	BOLT, M8X 12 PLATED	1							
21	1	26106-080552	BOLT, M8X 55 PLATED	3							
22	1	26106-080602	BOLT, M8X 60 PLATED	1							
23	1	129403-42380	V-PULLEY, D=110	1							
24	1	129052-42290	V-BELT, A40.5	1							
25	1	129655-44740	FAN, COOLING D380	1							
26	1	129030-44760	SPACER, FAN L38.5	1							
27	1	26106-060502	BOLT, M6X 50 PLATED	4							
28	1	129155-49801	THERMOSTAT, 71	1							
29	1	129150-49811	GASKET, THERMOSTAT	1							
30	1	129795-49551	GASKET	1							
31	1	129350-49560	COVER, THERMOSTAT	1							
32	1	26306-080002	NUT, M8	2							
33	1	121550-49111	JOINT, PT1/4	1							
33-1	1	171056-49120	PLUG, DRAIN	1							S
		(A=E53865)									
34	1	121450-42450	PLUG, M16	1							
35	1	124465-44950	GASKET, 16	1							
36	1	124250-49351	SENSOR	1							
37	1	129150-49360	GASKET	1							
38	1	129263-49610	PIPE, WATER	1							
39	2	129263-49710	PIPE, WATER	1							
40	2	124722-59050	CLIP, HOSE 9	2							
41	1	129263-49620	PIPE, WATER	1							
42	2	129263-49720	PIPE, WATER	1							
43	2	124722-59050	CLIP, HOSE 9	4							

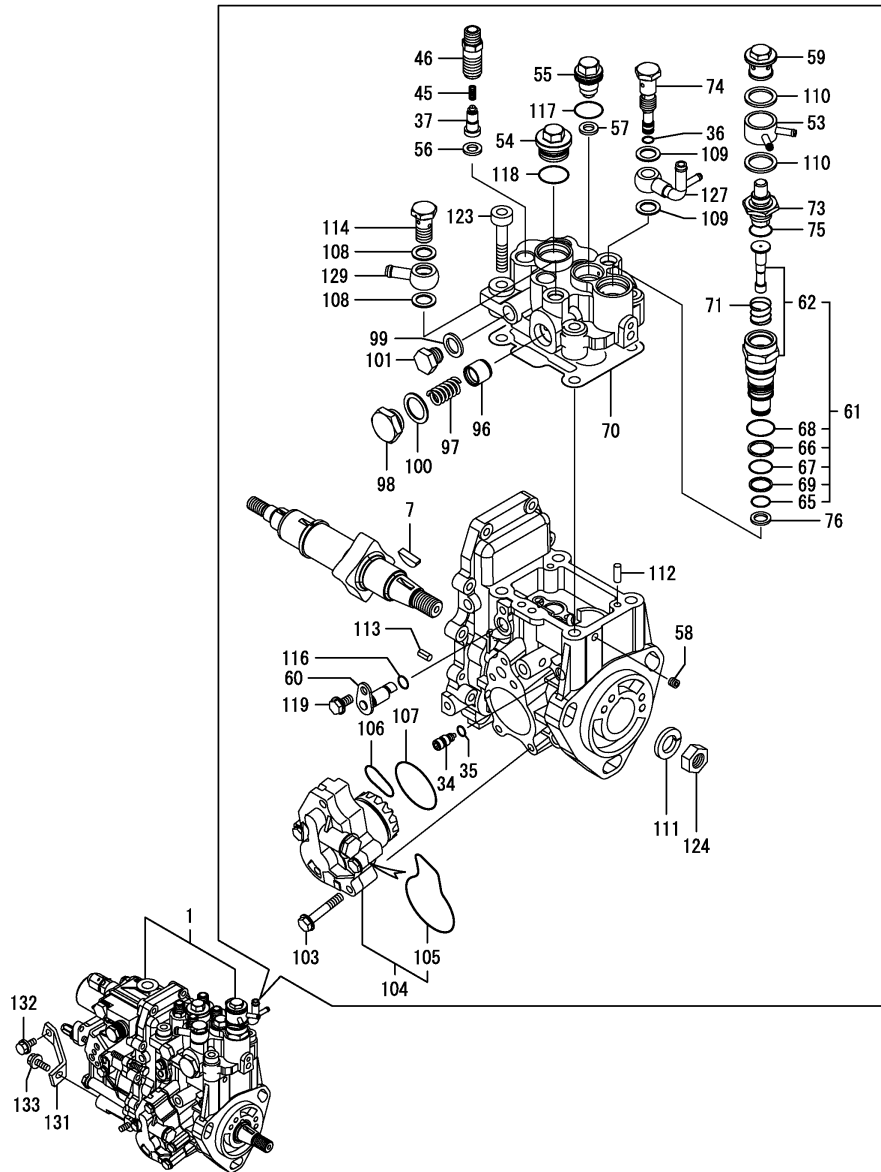
Remarks

Note : "Effective Machine No." of the Engine Section is indicated on the Model Label which is shown in Fig.4.

Fig.13. FUEL INJECTION PUMP

(A)=4TNV88-XRY  
(B)=  
(C)=

(D)=  
(E)=  
(F)=



No.	Lev.	Parts No.	Description	Q'ty						I	R
				(A)	(B)	(C)	(D)	(E)	(F)		
1	1	729659-51350	PUMP ASSY, INJECTION	1							1
1-1	1	729659-51351	PUMP ASSY, INJECTION	1							N 1
(A=E73666)											
7	2	119802-51090	KEY, 4X16	1							
34	2	158600-51270	STOPPER, TAPPET	1							
35	2	158563-51281	O-RING, 4D S6	1							
36	2	158563-51281	O-RING, 4D S6	1							
36A	2	129509-51390	VALVE ASSY, DELIVERY	4							W
(A=*2008.04.)											
45	3	158563-51330	SPRING, DELIVERY	4							
53	2	158553-51551	JOINT	1							
54	2	158601-51550	PLUG	1							
55	2	119802-51560	PLUG, BARREL	1							
56	2	158552-51570	GASKET	4							
57	2	158552-51570	GASKET	1							
58	2	158557-51570	PLUG	1							
59	2	158601-51570	PLUG	1							
60	2	158552-51580	LIFTER	1							
61	2	119802-51590	TIMER SET	1							
62	3	119802-51600	TIMER ASSY	1							
65	3	158553-51670	O-RING, 1011	1							
66	3	119802-51680	RING, BACK UP	1							
67	3	119802-51690	O-RING	1							
68	3	24356-010200	O-RING, 4D1020	1							
69	3	24372-000150	RING, BACK UP T2P15	1							
70	2	158552-51600	GASKET	1							
71	2	158553-51630	SPRING, TIMER	1							
73	2	158553-51640	ELEMENT	1							
74	2	158601-51650	JOINT, OVER FLOW	1							
75	2	158553-51660	O-RING, P14	1							
76	2	158553-51680	GASKET	1							
96	2	158601-51770	PISTON	1							
97	2	158552-51781	SPRING	1							
98	2	158601-51790	PLUG	1							
99	2	22190-120002	WASHER, SEAL 12	1							
100	2	22190-180002	WASHER, SEAL 18	1							
101	2	23887-120002	PLUG, 12	1							
103	2	158553-51770	BOLT	4							
104	2	158552-52100	PUMP ASSY, FUEL FEED	1							
105	3	158552-52500	O-RING	1							
106	2	158552-52310	O-RING	1							
107	2	158552-52400	O-RING, 4E S42	1							
108	2	22190-120002	WASHER, SEAL 12	2							
109	2	22190-120002	WASHER, SEAL 12	2							
110	2	22190-180002	WASHER, SEAL 18	2							
111	2	22217-140000	WASHER, SPRING 14	1							
112	2	22312-050140	PIN, PARALLEL M5X14	2							
113	2	22351-050010	PIN, SPRING 5.0X10	2							
114	2	23857-060000	BOLT, JOINT 6	1							
116	2	24311-000070	O-RING, 1AP7.0	1							
117	2	24356-010180	O-RING, 4D1018	1							

Remarks

(1)Governor(Fig.14) is incorporated in this Fuel Injection Pump(No.1).

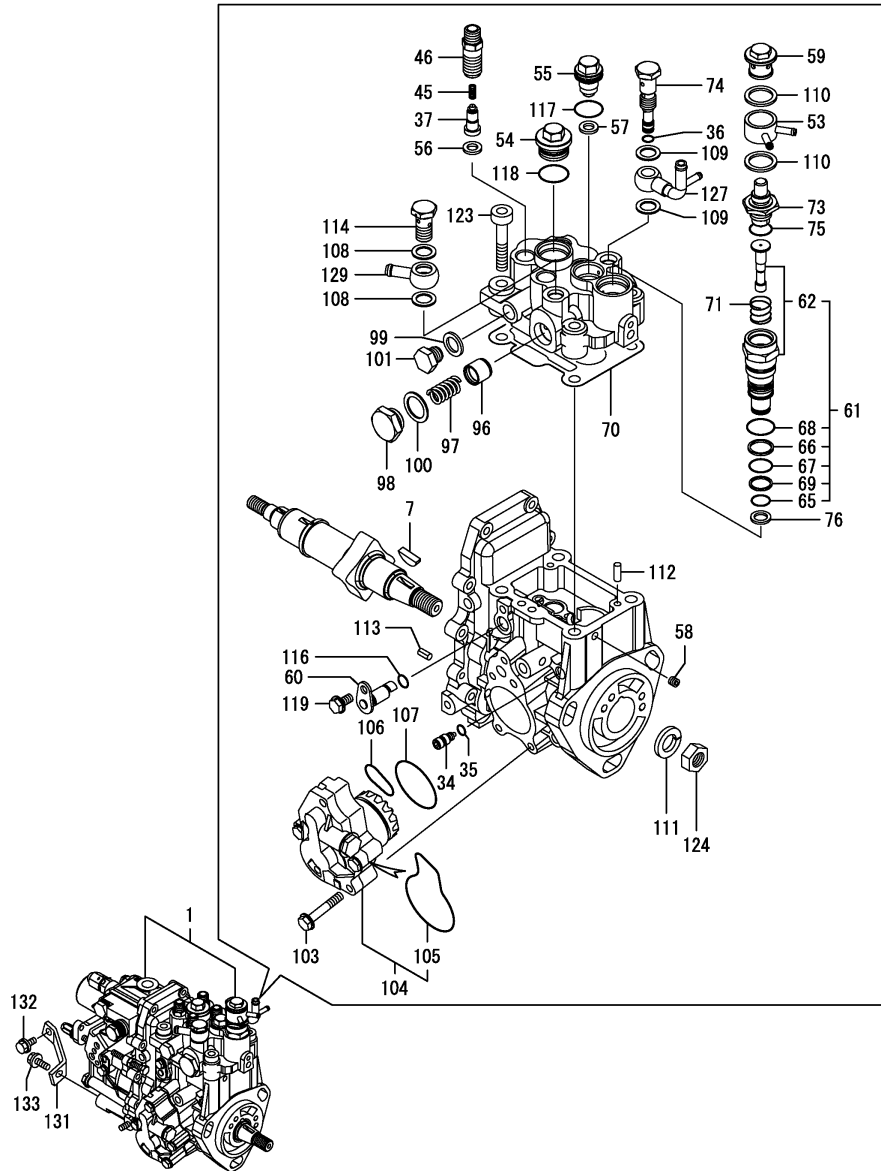
Note : "Effective Machine No." of the Engine Section is indicated on the Model Label which is shown in Fig.4.

N:Old  $\xrightarrow{\text{Yes}}$  New, Q:Old  $\xrightarrow{\text{No}}$  New, R:Old  $\xrightarrow{\text{Yes}}$  New, S:Old  $\xrightarrow{\text{No}}$  New, W:Add, Z:Discontinued, F:Interchangeable by set, K:Q'ty Change  
 ++ CONTINUE ++  
 Copyright (C) YANMAR CO., LTD. All Rights Reserved.

Fig.13. FUEL INJECTION PUMP

(A)=4TNV88-XRY  
(B)=  
(C)=

(D)=  
(E)=  
(F)=



No.	Lev.	Parts No.	Description	Qty						I	R
				(A)	(B)	(C)	(D)	(E)	(F)		
118	2	24356-010200	O-RING, 4D1020	1							
119	2	26106-060102	BOLT, M6X 10 PLATED	1							
123	2	26450-080452	BOLT, M8X 45	4							
124	2	26776-140002	NUT, LOCK M14	1							
127	2	158552-51670	JOINT, OVER FLOW	1							
129	2	129916-59020	JOINT, PIPE 12	1							
131	1	129601-51250	RETAINER, PUMP	1							
132	1	26106-080162	BOLT, M8X 16 PLATED	1							
133	1	26106-080202	BOLT, M8X 20 PLATED	1							

Remarks

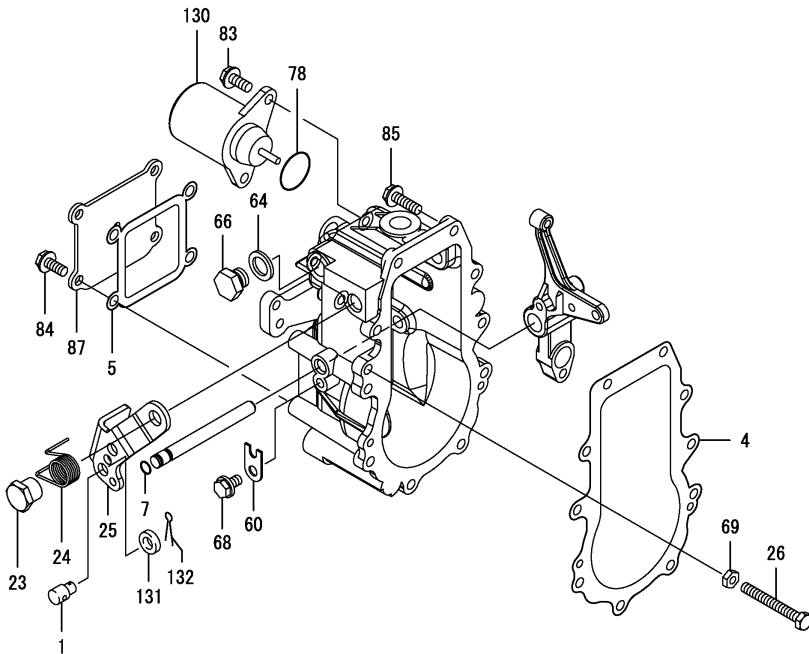
(1)Governor(Fig.14) is incorporated in this Fuel Injection Pump(No.1).

Note : "Effective Machine No." of the Engine Section is indicated on the Model Label which is shown in Fig.4.

N:Old  $\xrightarrow{\text{Yes}}$  New, Q:Old  $\xrightarrow{\text{No}}$  New, R:Old  $\xrightarrow{\text{Yes}}$  New, S:Old  $\xrightarrow{\text{No}}$  New, W:Add, Z:Discontinued, F:Interchangeable by set, K:Qty Change



Fig.14. GOVERNOR



(A)=4TNV88-XRY  
(B)=  
(C)=

(D)=  
(E)=  
(F)=

No.	Lev.	Parts No.	Description	Q'ty						I	R
				(A)	(B)	(C)	(D)	(E)	(F)		
1	2	194150-01370	ADJUSTER	1							
4	2	158553-61050	GASKET	1							
5	2	158553-61070	GASKET	1							
7	2	129155-51280	O-RING, S6	1							
23	2	129255-61410	NUT, LOCK	1							
24	2	119807-61420	SPRING, RETURN	1							
25	2	158552-61441	LEVER, REGULATOR	1							
26	2	129155-61460	BOLT, IDLE	1							
60	2	119660-61901	RETAINER, SHAFT	1							
64	2	22190-120000	WASHER, SEAL 12	1							
66	2	23887-120002	PLUG, 12	1							
68	2	26106-060102	BOLT, M6X 10 PLATED	1							
69	2	26756-060002	NUT, LOCK M6	1							
78	2	158552-61900	O-RING	1							
83	2	26106-060142	BOLT, M6X 14 PLATED	2							
84	2	26106-060142	BOLT, M6X 14 PLATED	4							
85	2	26106-060202	BOLT, M6X 20 PLATED	10							
87	2	129642-61060	COVER, GOVERNOR CASE	1							
130	2	119653-77950	SOLENOID, STOP	1							
131	2	22137-080000	WASHER, 8	1							
132	2	22417-160180	PIN, COTTER 1.6X18	1							

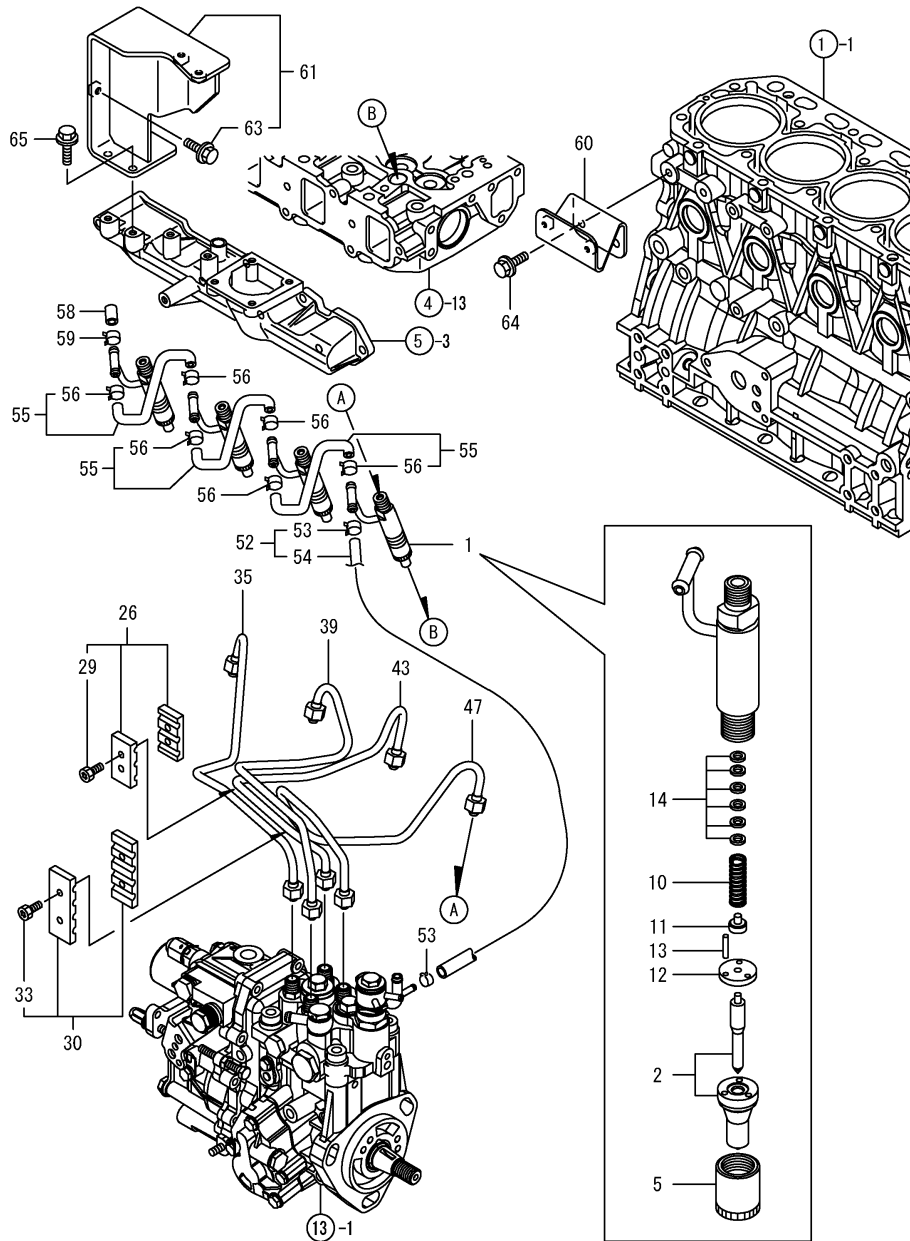
Remarks

\* This figure(Governor) is incorporated in the Fuel Injection Pump(Fig.13).

Note : "Effective Machine No." of the Engine Section is indicated on the Model Label which is shown in Fig.4.

N:Old  $\xrightarrow{\text{Yes}}$  New, Q:Old  $\xrightarrow{\text{No}}$  New, R:Old  $\xrightarrow{\text{Yes}}$  New, S:Old  $\xrightarrow{\text{No}}$  New, W:Add, Z:Discontinued, F:Interchangeable by set, K:Q'ty Change

Fig.15. FUEL INJECTION VALVE



(A)=4TNV88-XRY

(B)=

(C)=

(D)=

(E)=

(F)=

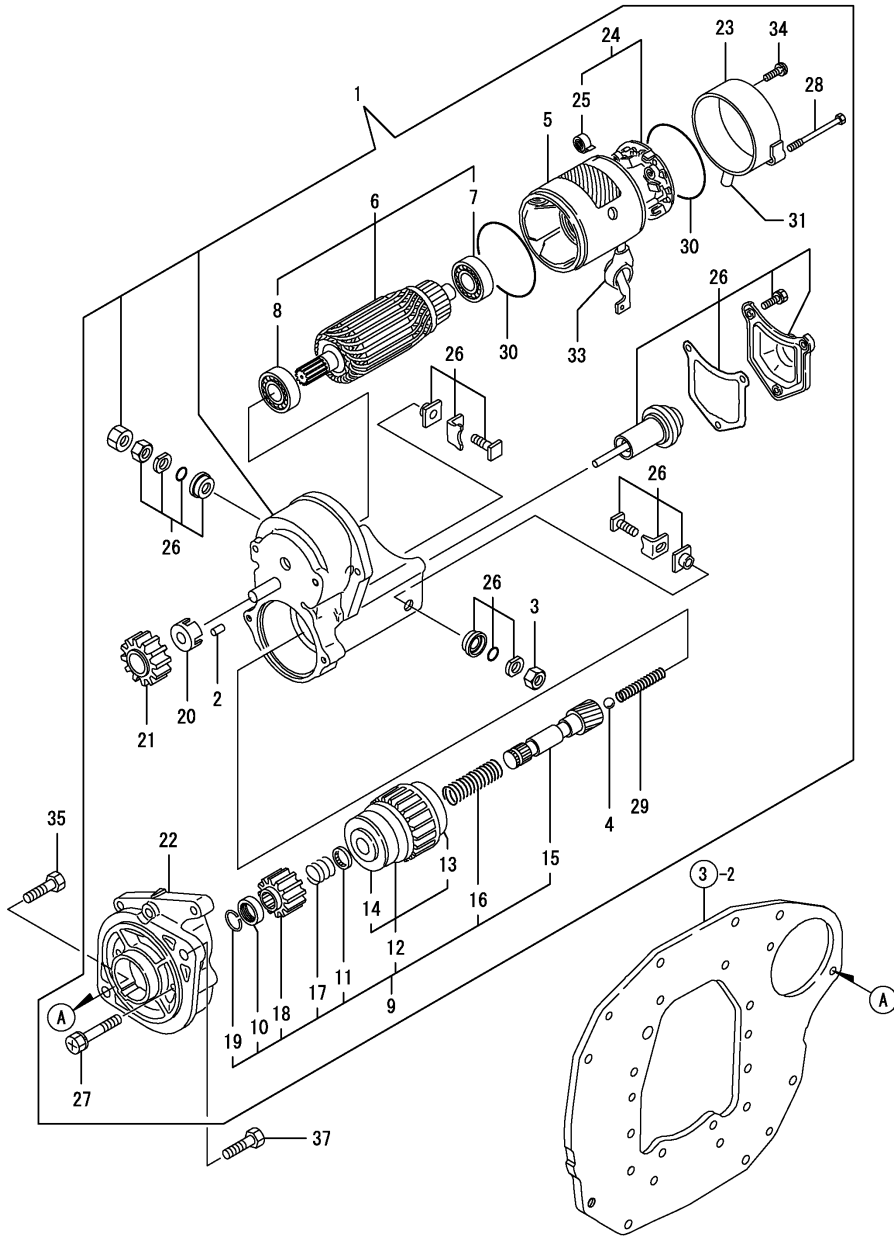
No.	Lev.	Parts No.	Description	Q'ty						I	R
				(A)	(B)	(C)	(D)	(E)	(F)		
1	1	729602-53101	VALVE ASSY,INJECTION	4							
2	2	129602-53001	VALVE ASSY,INJECTION	4							
5	2	114250-53080	NUT, NOZZLE D16.95	4							
10	2	114250-53120	SPRING, NOZZLE	4							
11	2	114250-53130	SEAT, SPRING	4							
12	2	114250-53140	PLATE	4							
13	2	114250-53210	PIN	8							
14	2	114250-53400	SHIM SET	4							
14-1	2	119803-53400	SHIM SET	4							R
(A=E73666)											
26	1	129150-59120	RETAINER, PIPE	1							
29	2	129150-59131	BOLT, M4X14	2							
30	1	129550-59120	RETAINER, PIPE	1							
33	2	129150-59131	BOLT, M4X14	2							
35	1	129601-59810	PIPE ASSY, INJECTION	1							
39	1	129601-59820	PIPE ASSY, INJECTION	1							
43	1	129601-59830	PIPE ASSY, INJECTION	1							
47	1	129601-59840	PIPE ASSY, INJECTION	1							
52	1	119802-59550	PIPE ASSY, RETURN	1							
53	2	124722-59050	CLIP, HOSE 9	2							
54	2	119802-59560	PIPE, FUEL RETURN	1							
55	1	129486-59551	PIPE ASSY, RETURN	3							
56	2	124722-59050	CLIP, HOSE 9	6							
58	1	119593-59581	CAP	1							
59	1	124060-77680	CLIP, HOSE 10	1							
60	1	129633-52110	BRACKET, PUMP	1							
61	1	129659-55650	STAY, FILTER	1							
61-1	1	129659-55651	STAY ASSY	1							N
(A=E53865)											
63	2	26106-080162	BOLT, M8X 16 PLATED	1							
64	1	26106-080142	BOLT, M8X 14 PLATED	2							
65	1	26106-080182	BOLT, M8X 18 PLATED	2							

Remarks

Note : "Effective Machine No." of the Engine Section is indicated on the Model Label which is shown in Fig.4.

N:Old  $\xrightarrow{\text{Yes}}$  New, Q:Old  $\xrightarrow{\text{No}}$  New, R:Old  $\xrightarrow{\text{Yes}}$  New, S:Old  $\xrightarrow{\text{No}}$  New, W:Add, Z:Discontinued, F:Interchangeable by set, K:Q'ty Change

Fig.16. STARTING MOTOR



(A)=4TNV88-XRY

(B)=

(C)=

(D)=

(E)=

(F)=

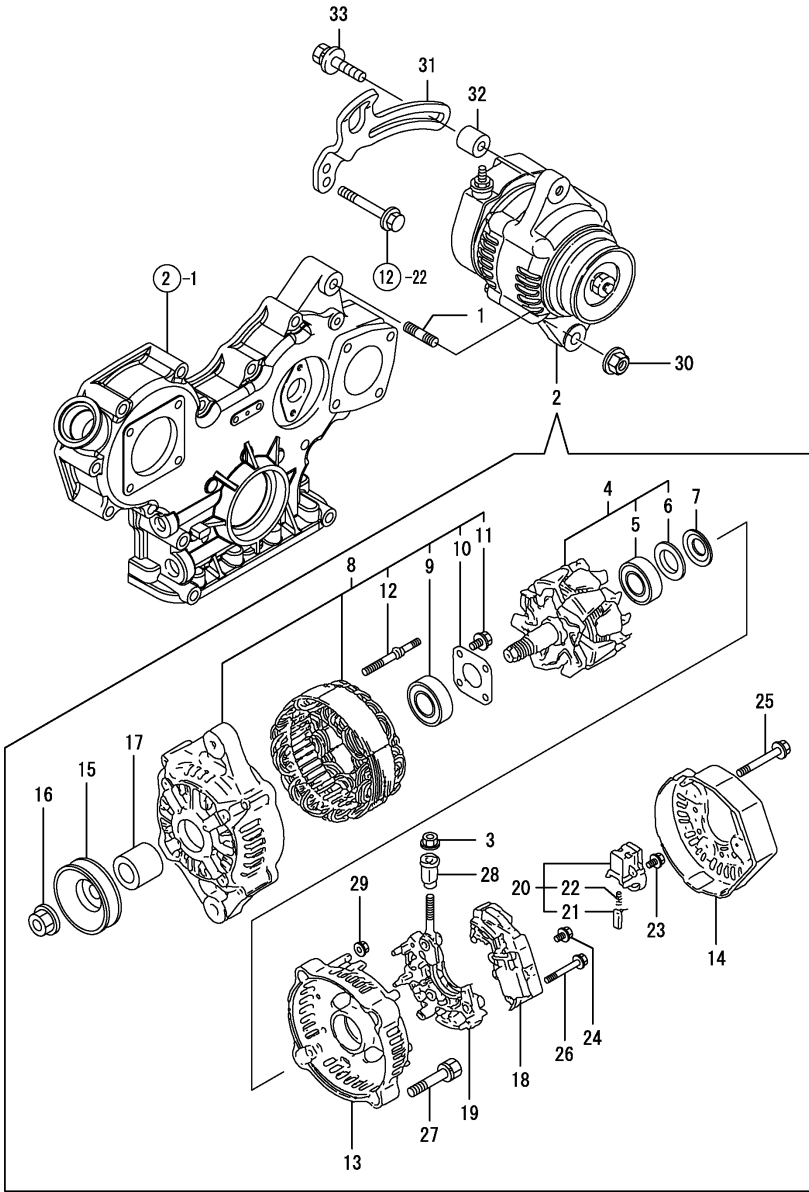
No.	Lev.	Parts No.	Description	Q'ty						I	R
				(A)	(B)	(C)	(D)	(E)	(F)		
1	1	129407-77010	STARTER, RA1.4	1							
2	2	X0283060061	ROLLER	5							
3	2	X9490561370	NUT	1							
4	2	X9491200240	BALL	1							
5	2	129407-77210	YOKE ASSY	1							
6	2	129407-77220	ARMATURE ASSY	1							
7	3	129129-77230	BEARING	1							
8	3	129129-77240	BEARING	1							
9	2	129407-77250	STARTER	1							
10	3	X0280210230	NUT	1							
11	3	X0283270140	RETAINER	1							
12	3	129407-77390	CLUTCH ASSY	1							
13	4	129129-77440	BEARING, BALL	1							
14	4	129129-77450	BEARING, BALL	1							
15	3	129129-77400	SHAFT	1							
16	3	129129-77410	SPRING, COIL	1							
17	3	129407-77410	SPRING	1							
18	3	129129-77420	PINION, STARTER	1							
19	3	129129-77430	RING	1							
20	2	129129-77260	RETAINER	1							
21	2	129129-77270	PINION	1							
22	2	129407-77280	HOUSING	1							
23	2	129129-77290	FRAME	1							
24	2	129407-77300	HOLDER ASSY	1							
25	3	X9491730461	SPRING	4							
26	2	129407-77310	SWITCH ASSY	1							
27	2	129129-77320	BOLT	2							
28	2	129407-77330	BOLT	2							
29	2	129129-77340	SPRING	1							
30	2	129129-77350	O-RING	2							
31	2	129129-77362	COVER	1							
33	2	129129-77380	CAP	1							
34	2	129129-77460	SCREW	2							
35	1	129155-77060	BOLT	1							
37	1	26116-120202	BOLT, M12X 20 PLATED	1							

Remarks

Note : "Effective Machine No." of the Engine Section is indicated on the Model Label which is shown in Fig.4.

N:Old  $\xrightarrow{\text{Yes}}$  New, Q:Old  $\xrightarrow{\text{No}}$  New, R:Old  $\xrightarrow{\text{Yes}}$  New, S:Old  $\xrightarrow{\text{No}}$  New, W:Add, Z:Discontinued, F:Interchangeable by set, K:Q'ty Change

Fig.17. GENERATOR



(A)=4TNV88-XRY  
(B)=  
(C)=

(D)=  
(E)=  
(F)=

No.	Lev.	Parts No.	Description	Q'ty						I	R
				(A)	(B)	(C)	(D)	(E)	(F)		
1	1	129795-01900	STUD	1							
2	1	119620-77201	GENERATOR, 40A	1							
3	2	X9490561001	NUT	1							
4	2	119620-77380	ROTOR ASSY	1							
5	3	123501-79240	BEARING, BALL	1							
6	3	119620-79250	COVER	1							
7	2	119620-79360	WASHER, THRUST	1							
8	2	119620-77421	FRAME ASSY, DRIVE	1							
9	3	119620-79200	BEARING, BALL	1							
10	3	119620-79210	PLATE, RETAINER	1							
11	3	119620-79220	SCREW	4							
12	3	119620-79230	STUD	2							
13	2	119620-77440	FRAME ASSY	1							
14	2	119620-77450	COVER	1							
15	2	119620-77461	PULLEY	1							
16	2	119620-77471	NUT	1							
17	2	119620-77490	COLLAR	1							
18	2	119620-77710	REGULATOR ASSY	1							
19	2	119620-79260	HOLDER	1							
20	2	119620-79270	HOLDER, BRUSH	1							
21	3	119620-77480	BRUSH ASSY	2							
22	3	119620-79280	SPRING	2							
23	2	119620-79290	SCREW	6							
24	2	119620-79300	SCREW	1							
25	2	119620-79310	BOLT	3							
26	2	119620-79320	SCREW	2							
27	2	119620-79330	BOLT	2							
28	2	119620-79340	BUSH, INSULATION	1							
29	2	119620-79350	NUT	2							
30	1	26306-100002	NUT, M10	1							
31	1	129107-77330	ADJUSTER	1							
32	1	124732-77340	SPACER	1							
33	1	129972-77341	BOLT, ADJUSTER L=50	1							

Remarks

Note : "Effective Machine No." of the Engine Section is indicated on the Model Label which is shown in Fig.4.

N:Old  $\xrightarrow{\text{Yes}}$  New, Q:Old  $\xrightarrow{\text{No}}$  New, R:Old  $\xrightarrow{\text{Yes}}$  New, S:Old  $\xrightarrow{\text{No}}$  New, W:Add, Z:Discontinued, F:Interchangeable by set, K:Q'ty Change

## Parts No. Index

Parts No.	Fig. No.	Ref. No.
105425-01690	3	6
114250-39450	11	17
114250-53080	15	5
114250-53120	15	10
114250-53130	15	11
114250-53140	15	12
114250-53210	15	13
114250-53400	15	14
119131-18320	6	15
119309-01810	1	32
119593-59581	15	58
119609-32040	2	12
119620-77201	17	2
119620-77380	17	4
119620-77421	17	8
119620-77440	17	13
119620-77450	17	14
119620-77461	17	15
119620-77471	17	16
119620-77480	17	21
119620-77490	17	17
119620-77710	17	18
119620-79200	17	9
119620-79210	17	10
119620-79220	17	11
119620-79230	17	12
119620-79250	17	6
119620-79260	17	19
119620-79270	17	20
119620-79280	17	22
119620-79290	17	23
119620-79300	17	24
119620-79310	17	25
119620-79320	17	26
119620-79330	17	27
119620-79340	17	28
119620-79350	17	29
119620-79360	17	7
119625-11880	4	30
119653-77950	14	130
119660-61901	14	60
119802-01561	2	7
119802-03110	4	41
119802-03121	4	42
119802-03130	4	43
119802-03141	4	44
119802-11260	4	4
119802-11270	4	5
119802-11870	4	29
119802-13600	6	4

Parts No.	Fig. No.	Ref. No.
119802-13640	6	4 -1
119802-13660	6	5
		5 -1
119802-21202	8	4
119802-25051	7	9
119802-25071	7	13
119802-25101	7	10
119802-25901	7	16
119802-32070	2	14
119802-32100	2	13
119802-32111	2	18
119802-32120	2	19
119802-32130	2	20
119802-35100	11	11
119802-35110	11	12
119802-39450	11	19
119802-51090	13	7
119802-51560	13	55
119802-51590	13	61
119802-51600	13	62
119802-51680	13	66
119802-51690	13	67
119802-59550	15	52
119802-59560	15	54
119803-53400	15	14 -1
119807-61420	14	24
119852-21650	8	10
119934-01800	2	5
120130-11860	4	16
120270-54410	4	32
121400-11340	4	25
121450-42450	12	34
121520-34810	11	2
121550-23200	8	30
121550-49111	12	33
121850-21290	8	5
	10	16
121850-21680	8	12
121850-51960	2	21
123501-79240	17	5
124060-01050	1	4
124060-77680	15	59
124160-01751	2	9
	4	37
124160-01910	1	6
124160-11360	4	49
124160-21501	8	13
124160-39140	11	18
124240-01871	2	10
124240-01883	9	6

Parts No.	Fig. No.	Ref. No.
124250-49351	12	36
124460-11340	4	26
124465-44950	12	35
124550-21600	8	16
124722-59050	12	40
		43
	15	53
		56
124732-77340	17	32
128170-14150	10	17
129001-01250	1	5
129001-02931	1	23
129001-32330	2	17
129001-91841	2	22
129001-91870	3	10
129001-91910	3	11
129004-01190	1	29
129004-01520	2	6
129004-03010	4	39
129004-11130	4	23
129004-11650	4	7
129004-11900	4	31
129005-03080	5	1
129005-22080	8	18
129005-22500	8	20
129005-22900	8	33
129005-22950	8	35
129005-59830	11	20
129030-44760	12	26
129052-42290	12	24
129054-13210	6	3
129054-42320	12	9
129100-01580	3	1
		14
	8	2
129100-11112	4	21
129100-23910	8	29
129100-35140	11	13
129107-13540	6	8
129107-77330	17	31
129126-01600	3	2
129129-77230	16	7
129129-77240	16	8
129129-77260	16	20
129129-77270	16	21
129129-77290	16	23
129129-77320	16	27
129129-77340	16	29
129129-77350	16	30
129129-77362	16	31

Parts No.	Fig. No.	Ref. No.
129129-77380	16	33
129129-77400	16	15
129129-77410	16	16
129129-77420	16	18
129129-77430	16	19
129129-77440	16	13
129129-77450	16	14
129129-77460	16	34
129150-01200	1	30
129150-01580	2	8
129150-01881	9	1
129150-02020	1	8
129150-02450	7	4
129150-02871	1	33
129150-02931	1	26
129150-02941	1	36
129150-03070	4	40
129150-11230	4	8
129150-11280	4	6
129150-11370	4	12
129150-11750	4	10
129150-11810	4	18
129150-14101	7	6
129150-14200	7	1
129150-14400	7	2
129150-23601	8	31
129150-23611	8	39
129150-25301	7	15
129150-26000	9	2
129150-26050	9	3
129150-35042	11	3
129150-35111	11	14
129150-35153	11	15
129150-42059	12	2
129150-42301	12	8
129150-49360	12	37
129150-49811	12	29
129150-59120	15	26
129150-59131	15	29
		33
129150-77511	5	8
129150-91400	2	28
129155-49801	12	28
129155-51280	14	7
129155-61460	14	26
129155-77060	16	35
129202-22300	8	24
129255-61410	14	23
129263-13210	6	3 -1
129263-42120	12	4

## Parts No. Index

Parts No.	Fig. No.	Ref. No.
129263-49610	12	38
129263-49620	12	41
129263-49710	12	39
129263-49720	12	42
129350-49560	12	31
129400-28121	8	6
129400-28150	10	15
129403-42380	12	23
129407-01340	1	31
129407-12110	5	4
129407-13110	6	2
129407-77010	16	1
129407-77210	16	5
129407-77220	16	6
129407-77250	16	9
129407-77280	16	22
129407-77300	16	24
129407-77310	16	26
129407-77330	16	28
129407-77390	16	12
129407-77410	16	17
129410-03990	5	2
129418-32320	2	16
129426-13500	6	7
129457-28000	10	1
129457-28011	10	2
129457-34800	11	1
129486-01670	3	18
129486-12581	5	7
129486-42050	12	18
129486-59551	15	55
129509-51390	13	36 A
129550-01702	3	4
129550-13110	6	2 -1
129550-35090	11	4
129550-59120	15	30
129555-01750	3	9
129555-44750	12	11
129601-11241	4	1
129601-11251	4	2
129601-11310	4	46
129601-11350	4	38
129601-11700	4	13
129601-51250	13	131
129601-59810	15	35
129601-59820	15	39
129601-59830	15	43
129601-59840	15	47
129602-12100	5	3
129602-53001	15	2

Parts No.	Fig. No.	Ref. No.
129633-52110	15	60
129642-61060	14	87
129648-01600	3	15
129648-01780	3	17
129652-11350	4	38 -1
129655-44740	12	25
129657-21002	8	1
129659-01740	3	5 -1
129659-13100	6	1
129659-13110	6	1 -1
129659-13130	6	1 -2
129659-13670	6	9
129659-21580	8	14
129659-21581	8	14 -1
129659-42040	12	1
129659-55650	15	61
129659-55651	15	61 -1
129795-01900	17	1
129795-01950	2	11
129795-01960	10	20
129795-02412	1	11
129795-11120	4	22
129795-11180	4	24
129795-21661	8	11
129795-49551	12	30
129900-07900	4	52
129900-32130	2	15
129916-49740	12	13
129916-59020	13	129
129972-77341	17	33
158552-51151	7	17
158552-51570	13	56
		57
158552-51580	13	60
158552-51600	13	70
158552-51670	13	127
158552-51781	13	97
158552-52100	13	104
158552-52310	13	106
158552-52400	13	107
158552-52500	13	105
158552-61441	14	25
158552-61900	14	78
158553-51551	13	53
158553-51630	13	71
158553-51640	13	73
158553-51660	13	75
158553-51670	13	65
158553-51680	13	76
158553-51770	13	103

Parts No.	Fig. No.	Ref. No.
158553-61050	14	4
158553-61070	14	5
158557-51570	13	58
158563-51281	13	35
		36
158563-51330	13	45
158600-51270	13	34
158601-51550	13	54
158601-51570	13	59
158601-51650	13	74
158601-51770	13	96
158601-51790	13	98
171051-01921	1	7
171056-49120	12	33 -1
178070-10401	9	28
178070-44000	9	26
194065-41210	9	16
194150-01370	14	1
194278-41151	9	8
194278-41160	9	10
194278-41190	9	11
194278-41210	9	17
194521-41570	9	34
198240-41110	9	7
198240-41150	9	9
22137-080000	14	131
22190-080002	11	21
		23
22190-100002	11	24
22190-120000	14	64
22190-120002	13	99
		108
		109
22190-160002	3	8
22190-180002	13	100
		110
22217-140000	7	18
		13
		111
22252-000260	8	25
22252-000300	9	25
22252-000320	9	39
22312-050140	13	112
22351-040012	6	1 B
		1 B-1
		14
22351-050010	13	113
22351-060012	4	33
22417-160180	14	132
22512-070140	7	7
		8
		7

Parts No.	Fig. No.	Ref. No.
22512-070140	8	9
22857-500100	4	47
		48
23414-080000	12	19
23857-030000	11	22
23857-060000	13	114
23876-005000	10	18
23876-030000	2	3
23876-040000	2	4
23887-120002	13	101
		14
		66
24104-063020	8	17
24105-060064	9	5
24311-000070	13	116
24311-000120	4	50
24311-000140	10	21
24311-000320	2	23
		4
		51
24341-000240	2	30
24356-010180	13	117
24356-010200	13	68
		118
24358-240310	12	14
24372-000150	13	69
24421-153207	9	40
26014-080162	11	9
26016-080352	9	41
26106-060102	13	119
		14
		68
26106-060142	14	83
		84
26106-060162	2	31
26106-060202	12	15
		14
		85
26106-060502	12	27
26106-080122	3	12
		12
		20
26106-080142	4	53
		7
		8
		10
		19
		15
		64
26106-080162	2	24
		25
		6
		10
		13
		132
		15
		63
26106-080182	15	65
26106-080202	5	5
		9
		6
		11

## Parts No. Index

Parts No.	Fig. No.	Ref. No.
26106-080202	11	16
	13	133
26106-080252	3	12 -1
	4	34
26106-080352	4	35
	11	10
26106-080402	6	12
	7	14
26106-080502	3	13
	4	36
26106-080552	2	26
	12	21
26106-080602	10	22
	12	22
26106-080802	5	6
	9	42
	10	23
26106-081202	9	43
26116-060162	12	16
26116-120202	16	37
26206-100202	3	3
26216-080222	9	44
26216-080402	9	45
26226-080182	4	11
26306-080002	2	27
	6	6
		13
	9	46
	12	32
26306-100002	17	30
26366-060002	11	25
26450-080452	13	123
26577-060142	12	17
26756-060002	14	69
26776-140002	7	19
	13	124
27241-120000	1	12
27241-300000	1	13
27241-400000	4	20
27310-080001	4	27
729235-01500	2	1
729402-14580	7	3
729402-23100	8	26
729429-01721	3	5
729490-28510	10	5
729490-28520	10	10
729602-53101	15	1
729659-01570	1	1
729659-51350	13	1
729659-51351	13	1 -1

Parts No.	Fig. No.	Ref. No.
794275-41200	9	12
X0280210230	16	10
X0283060061	16	2
X0283270140	16	11
X9490561001	17	3
X9490561370	16	3
X9491200240	16	4
X9491730461	16	25

Parts No.	Fig. No.	Ref. No.
-----------	----------	----------

Parts No.	Fig. No.	Ref. No.
-----------	----------	----------