

0CNP4-M80101EN

Contents

OCNP4-M80101

Fig. No.	Fig. Name
ENGINE CONTROL	
1.	ENGINE RELATED
2.	ENGINE ACCESSORIES
3.	ACCEL LEVER
4.	EXHAUST PORT
5.	FUEL TANK
6.	TANK BRACKET
7.	FUEL PIPE
8.	SHUTTER PLATE
FRONT AXLE	
9.	FRONT BRACKET
10.	CENTER PIN
11.	KNUCKLE ARM
12.	TIE ROD
13.	RING GEAR
14.	DIFFERENTIAL GEAR
15.	PROPELLER SHAFT
16.	FRONT SHAFT(1)
17.	FRONT AXLE CASE
18.	FRONT GEAR CASE
19.	FRONT SHAFT(2)
20.	FRONT SPINDLE
21.	SHAFT COVER
22.	FRONT WHEEL TIRE

Fig. No.	Fig. Name
23.	STEERING WHEEL
24.	P.S.T. CYLINDER
25.	P.S.T. VALVE
26.	P.S.T. PIPING
TRANSMISSION	
27.	CLUTCH HOUSING
28.	DOCKING BOLT
29.	SINGLE CLUTCH
30.	CLUTCH RELEASE
31.	CLUTCH PEDAL
32.	TRANSMISSION CASE
33.	CENTER PLATE
34.	OIL STRAINER
35.	MAIN SHAFT
36.	DRIVE SHAFT
37.	COUNTER SHAFT
38.	REDUCTION SHAFT
39.	REVERSE GEAR
40.	CONNECTING SHAFT
41.	P.T.O. DRIVE SHAFT
42.	P.T.O. SHAFT
43.	P.T.O. SHAFT COVER
44.	MAIN SHIFT LEVER
45.	MAIN SHIFT

Contents

OCNP4-M80101

Fig. No. Fig. Name

- 46. REVERSER SHIFT
- 47. REVERSER LEVER
- 48. SUB SHIFT LEVER
- 49. P.T.O. SHIFT
- 50. FRONT DRIVE
- 51. FRONT SHIFT

REAR AXLE

- 52. RING GEAR & DIFFERENTIAL GEAR
- 53. REAR HOUSING
- 54. DIFFERENTIAL LOCK
- 55. FINAL PINION & FINAL GEAR
- 56. REAR AXLE SHAFT
- 57. FLANGE
- 58. REAR WHEEL TIRE
- 59. BRAKE
- 60. BRAKE PEDAL

HYDRAULIC CONTROL

- 61. HYDRAULIC PUMP
- 62. HYDRAULIC PUMP(POWER STEERING)
- 63. HYDRAULIC CYLINDER CASE
- 64. PISTON & LIFT CRANK
- 65. CONTROL VALVE
- 66. RELIEF VALVE

Fig. No. Fig. Name

- 67. STOP VALVE
- 68. SAFETY VALVE
- 69. HYDRAULIC CONTROL
- 70. HYDRAULIC PIPING
- 71. HYDRAULIC FILTER
- 72. SEAL
- 101. PLUG

ELECTRICAL PARTS

- 73. WIRE HARNESS
- 74. BATTERY
- 75. SWITCH
- 76. LAMP
- 77. FRONT LAMP
- 78. METER
- 79. HORN
- 80. RELAY

FITTINGS

- 81. FRONT FRAME
- 82. HOOD FRAME
- 83. HOOD
- 84. FRONT GRILLE
- 85. SIDE COVER
- 86. DASHBOARD

Contents

OCNP4-M80101

Fig. No. Fig. Name

87. FENDER

88. STEP

89. SEAT

90. LABEL

91. LABEL(SAFETY)

HITCH

92. TOP LINK

93. LIFT LINK(RIGHT)

94. LIFT LINK(LEFT)

95. LOWER LINK & CHECK CHAIN

96. DRAWBAR HITCH

ACCESSORIES

97. ACCESSORY

OPTIONAL

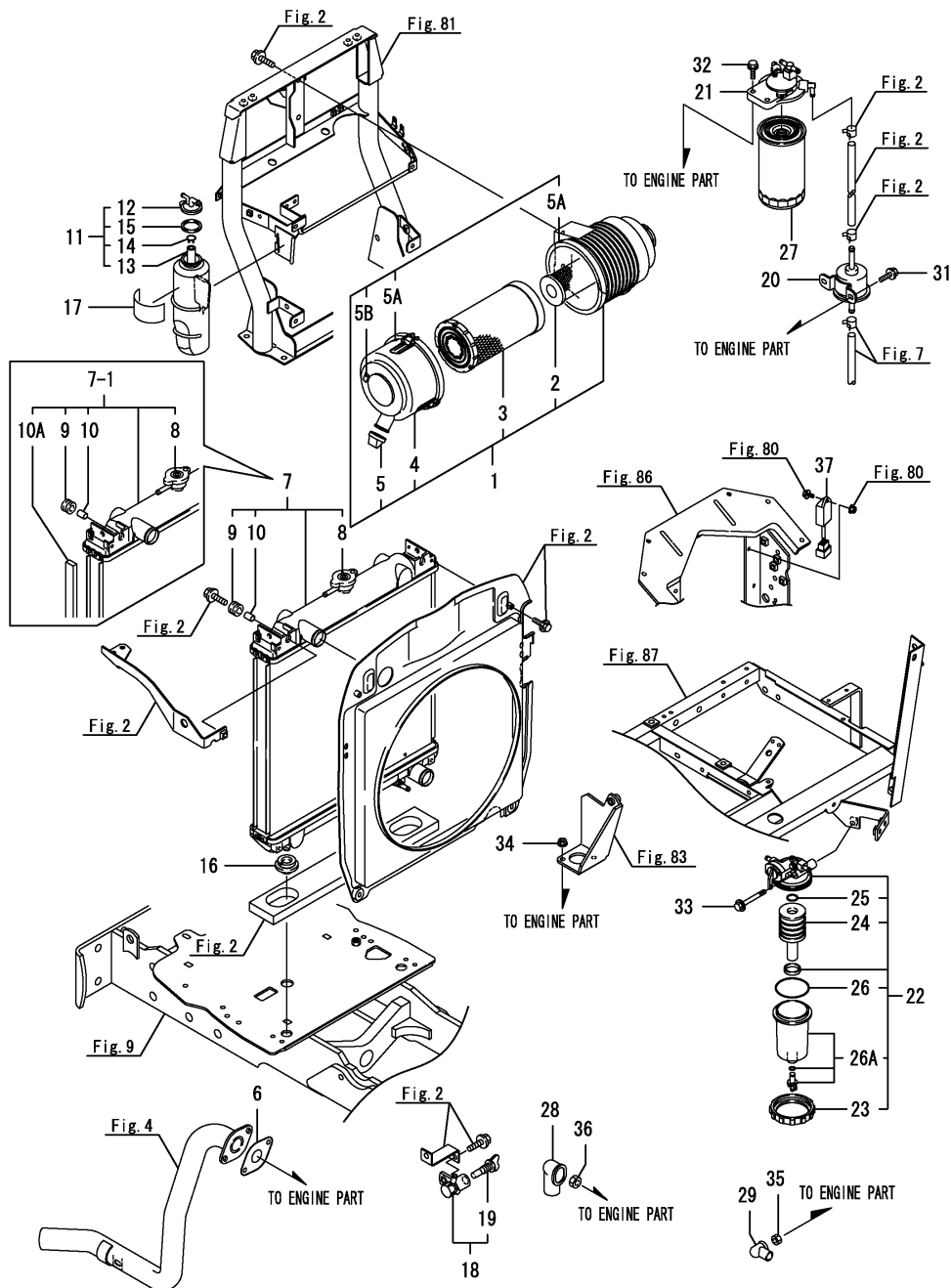
98. SAFETY FRAME

99. EXTEND EXHAUST

100. CYLINDER CAP(ADD.ITEM)

Fig. No. Fig. Name

Fig.1. ENGINE RELATED



(A)=EF453T

(B)=

(C)=

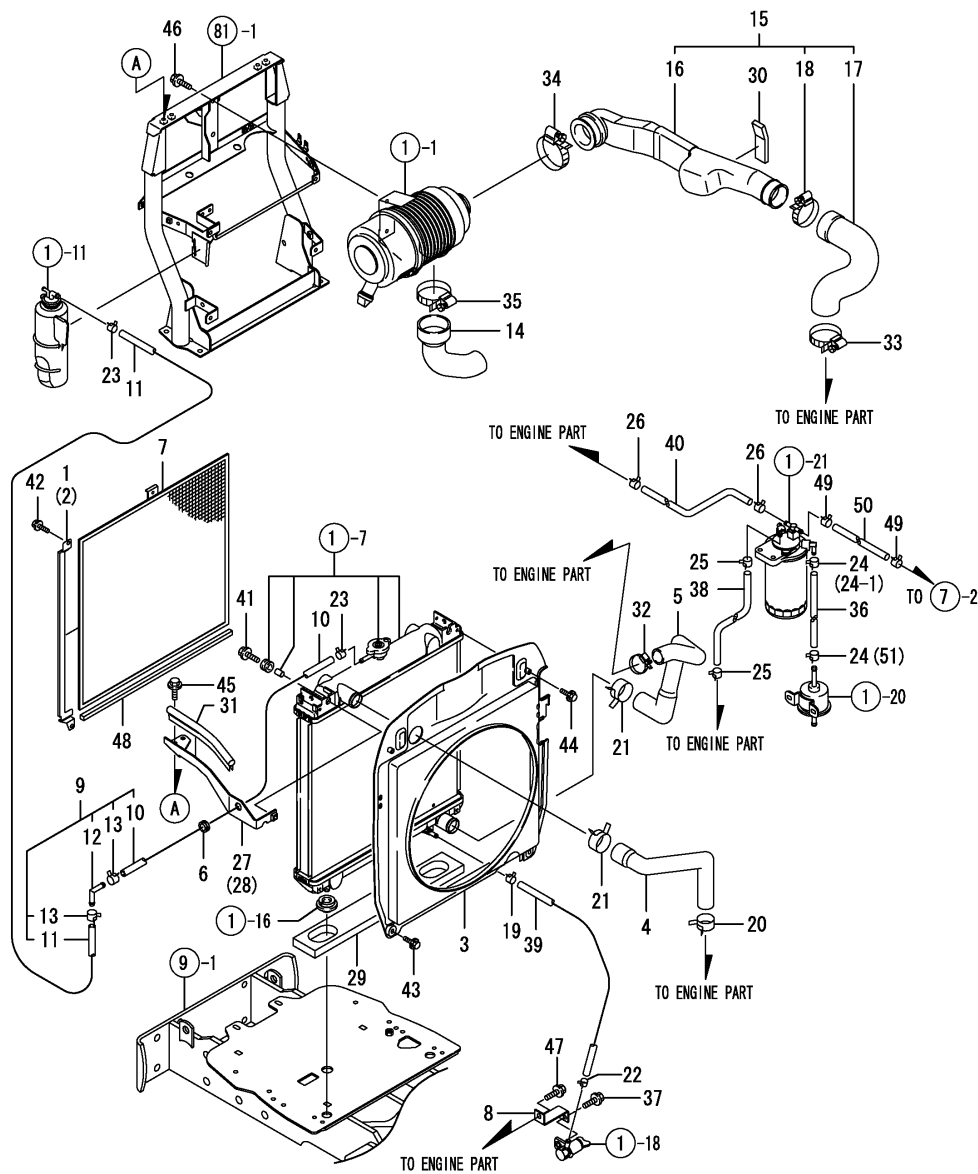
(D)=

(E)=

(F)=

No.	Lev.	Parts No.	Description	Qty						I	R
				(A)	(B)	(C)	(D)	(E)	(F)		
1	1	129659-12520	CLEANER ASSY, AIR	1							
2	2	119005-12571	ELEMENT	1							
3	2	129906-12520	ELEMENT	1							
4	2	129900-12530	COVER ASSY	1							
5	2	119808-12540	VALVE, UNLOADER	1							
5A	2	129418-12530	LABEL, MARK	2							
5B	2	129612-12650	LABEL, MARKING	1							
6	1	129052-13550	GASKET	1							
7	1	129657-44500	RADIATOR T=48 CMP	1							
7-1	1	129659-44510	RADIATOR ASSY	1						S	1
		(A=F01988)									
8	2	129107-44590	CAP, RADIATOR	1							
9	2	129467-44580	MOUNT, RUBBER	2							
10	2	129467-44590	COLLAR	2							
10A	2	129956-44730	SEAL, RADIATOR	4							W
		(A=F01988)									
11	1	129263-44510	TANK ASSY, SUB	1							
12	2	121450-44531	CAP	1							
13	2	23065-070180	PIPE, 7X 180	1							
14	2	124450-44560	RETAINER	1							
15	2	121470-44581	GASKET	1							
16	1	119255-44660	ABSORBER	2							
17	1	124764-44810	LABEL, SUB TANK	1							
18	1	129550-49101	COCK ASSY, 2-WAY	1							
19	2	129150-49081	COCK, DRAIN	1							
20	1	119225-52102	PUMP ASSY, FUEL FEED	1							
21	1	119934-55610	BRACKET, FILTER	1							
21-1	1	119934-55611	BRACKET, FILTER	1							N
		(A=FXXXXX)									
22	1	119802-55700	SEPARATOR ASSY	1							
23	2	129100-55690	RING, RETAINING	1							
24	2	119802-55710	ELEMENT	1							
25	2	24311-000160	O-RING, 1AP16.0	1							
26	2	24321-000650	O-RING, 1AG65.0	1							
26A	2	119802-55730	CUP ASSY	1							W
		(A=FXXXXX)									
27	1	129907-55810	FILTER, FUEL	1							
28	1	124550-77030	COVER, TERMINAL	1							
29	1	124756-77040	COVER, TERMINAL	1							
31	1	26106-060122	BOLT, M6X 12 PLATED	2							
32	1	26106-080302	BOLT, M8X 30 PLATED	2							
33	1	26106-080702	BOLT, M8X 70 PLATED	1							
34	1	26306-080002	NUT, M8	2							
35	1	26756-060002	NUT, LOCK M6	1							
36	1	26756-080002	NUT, LOCK M8	1							
37	1	129211-77920	TIMER	1							W
		(A=F02060)									

Fig.2. ENGINE ACCESSORIES



(A)=EF453T
(B)=
(C)=

(D)=
(E)=
(F)=

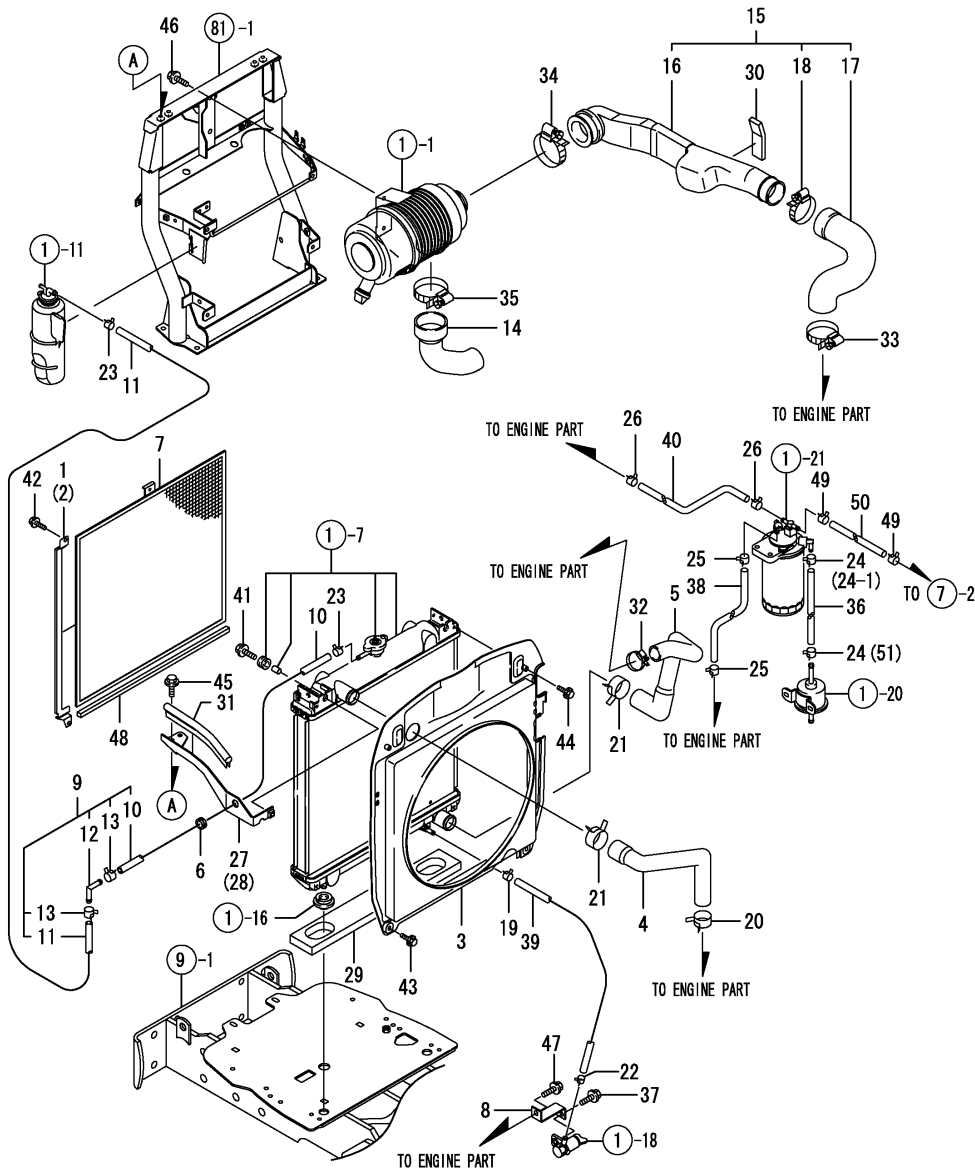
No.	Lev.	Parts No.	Description	Q'ty						I	R
				(A)	(B)	(C)	(D)	(E)	(F)		
1	1	1A7260-01030	RAIL, RADIATOR L	1							
2	1	1A7260-01040	RAIL, RADIATOR R	1							
3	1	1A7260-01200	SHROUD, FAN	1							
4	1	1A7260-01210	PIPE, WATER A	1							
5	1	1A7260-01220	PIPE, WATER B	1							
6	1	194180-01240	GROMMET, 13	1							
7	1	1A7260-01250	SCREEN, RADIATOR	1							
7-1	1	1A7780-01250 (A=F00660)	SCREEN, RADIATOR	1							N
8	1	198242-02310	STAY, DRAIN	1							
9	1	1A7260-03151	HOSE ASSY, OVERFLOW	1							
10	2	1A7260-03160	PIPE, OVERFLOW A	1							
11	2	1A7260-03170	PIPE, OVERFLOW B	1							
12	2	1A7260-03180	ELBOW	1							
13	2	124766-59050	CLIP, HOSE 12	2							
14	1	1A7300-06100	HOSE, INTAKE	1							
15	1	1A7310-06200	PIPE ASSY, INTAKE	1							
16	2	1A7300-06210	PIPE, AIR INTAKE A	1							
17	2	1A7270-06220	PIPE, AIR INTAKE B	1							
18	2	129956-12160	CLAMP, HOSE	1							
19	1	106990-44660	CLIP, HOSE 12.5	1							
20	1	175022-49730	CRIP 31, HOSE	1							
21	1	175022-49750	CLIP 37, HOSE	2							
22	1	124766-59050	CLIP, HOSE 12	1							
23	1	124766-59050	CLIP, HOSE 12	2							
24	1	124766-59050	CLIP, HOSE 12	2							
24-1	1	124766-59050	CLIP, HOSE 12	1							K
(A=F006611)											
25	1	124766-59050	CLIP, HOSE 12	2							
26	1	124766-59050	CLIP, HOSE 12	2							
27	1	1A7270-60211	STAY ASSY, RADIATOR	1							
28	1	1A7270-60221	STAY ASSY, RADIATOR	1							
29	1	1A7260-60860	PAD, RADIATOR	1							
30	1	1A7260-60880	URETHANE, HOSE	1							
31	1	198146-63660	WEATHER-STRIP, 250	2							
32	1	23000-035000	CLAMP, 35	1							
33	1	23000-070000	CLAMP, 70	1							
34	1	23000-080000	CLAMP, 80	1							
35	1	23010-075000	CLAMP, 75	1							
36	1	23980-730250	HOSE, 7.3X 250	1							
37	1	26106-080252	BOLT, M8X 25 PLATED	1							
38	1	23980-730400	HOSE, 7.3X 400	1							
39	1	23980-730400	HOSE, 7.3X 400	1							
40	1	23980-730420	HOSE, 7.3X 420	1							
41	1	26106-080252	BOLT, M8X 25 PLATED	2							
42	1	26106-060122	BOLT, M6X 12 PLATED	4							
43	1	26106-060122	BOLT, M6X 12 PLATED	2							
44	1	26106-060252	BOLT, M6X 25 PLATED	2							
45	1	26106-080162	BOLT, M8X 16 PLATED	4							
46	1	26106-080162	BOLT, M8X 16 PLATED	2							
47	1	26106-100162	BOLT, M10X 16 PLATED	1							

N:Old $\begin{matrix} \leftarrow \text{Yes} \\ \text{No} \end{matrix}$ New, Q:Old $\begin{matrix} \leftarrow \text{No} \\ \text{Yes} \end{matrix}$ New, R:Old $\begin{matrix} \leftarrow \text{Yes} \\ \text{Yes} \end{matrix}$ New, S:Old $\begin{matrix} \leftarrow \text{No} \\ \text{No} \end{matrix}$ New, W:Add, Z:Discontinued, F:Interchangeable by set, K:Q'ty Change
++ CONTINUE ++

Fig.2. ENGINE ACCESSORIES

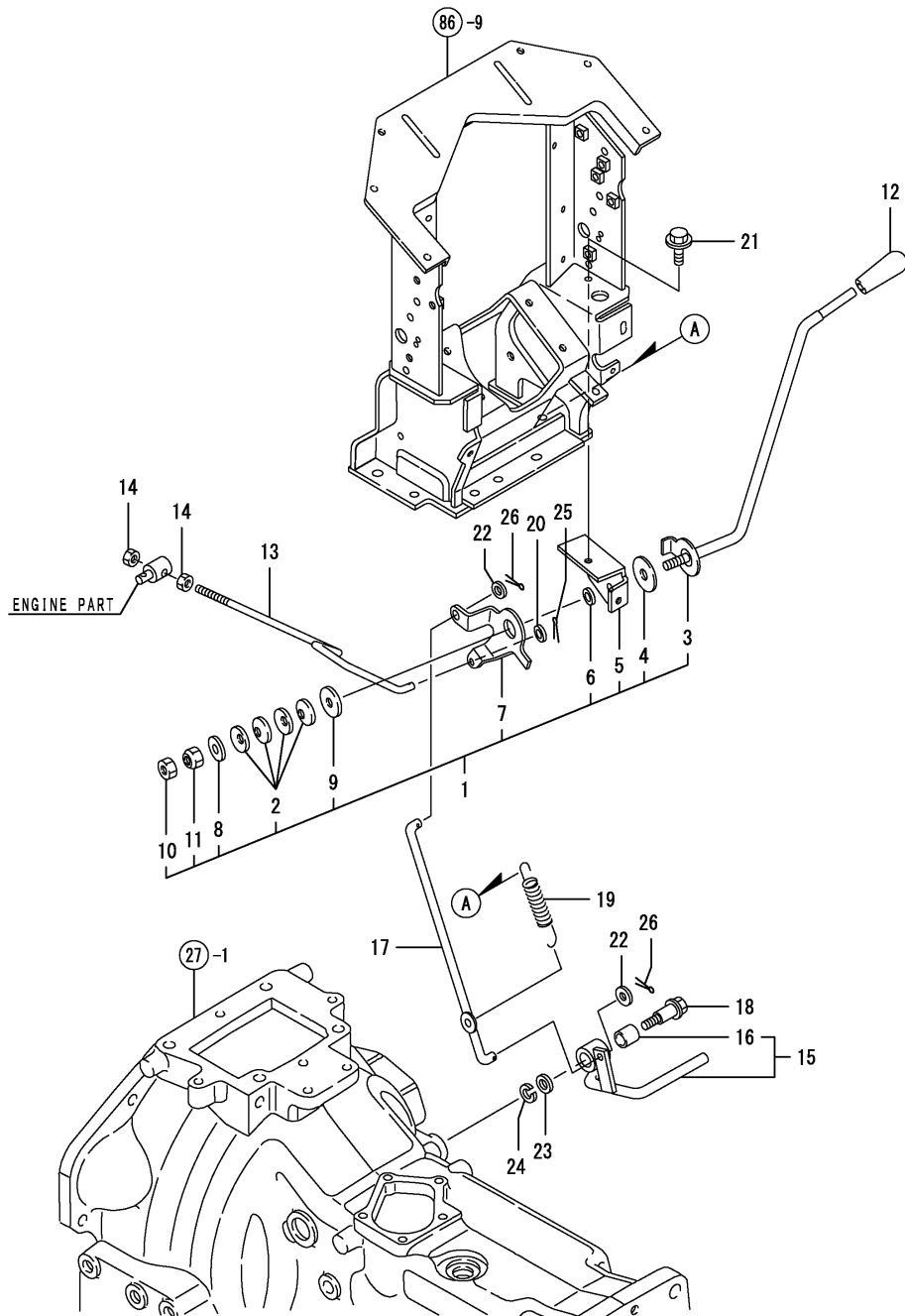
(A)=EF453T
(B)=
(C)=

(D)=
(E)=
(F)=



No.	Lev.	Parts No.	Description	Q'ty						I	R
				(A)	(B)	(C)	(D)	(E)	(F)		
48	1	198071-61990 (A=F00660)	URETHANE, RADIATOR	2							W
49	1	124766-59050	CLIP, HOSE 12		2						
50	1	23980-730760	HOSE, 7.3X 760	1							
51	1	114270-59010 (A=F006611)	CLIP, HOSE 12	1							W

Fig.3. ACCEL LEVER



(A)=EF453T

(B)=

(C)=

(D)=

(E)=

(F)=

No.	Lev.	Parts No.	Description	Q'ty						I	R
				(A)	(B)	(C)	(D)	(E)	(F)		
1	1	7A7780-01110	LEVER KIT	1							
2	2	194740-00160	SPRING, 10	4							
3	2	1A7780-01110	LEVER ASSY	1							
4	2	198165-01130	PLATE, FRICTION	1							
5	2	198220-01140	BRACKET, LEVER	1							
6	2	194150-01270	SPACER, 20	1							
7	2	198242-01350	LEVER, LINK	1							
8	2	194145-61570	WASHER, 10	1							
9	2	22157-100000	WASHER, 10	1							
10	2	26756-100002	NUT, LOCK M10	1							
11	2	26986-100002	NUT, LOCK M10	1							
11-1	2	26716-100002	NUT, M10	1							R
(A=FZZZZZ)											
12	1	198253-01190	KNOB, LEVER	1							
13	1	1A7780-01320	ROD, LINK	1							
14	1	26716-080002	NUT, M8	2							
15	1	198240-01400	PEDAL ASSY, THROTTLE	1							
16	2	24550-014200	BUSH, 14X20	1							
17	1	198240-01450	ROD, ACCELERATOR	1							
18	1	198240-01470	BOLT, M10	1							
19	1	194750-04400	SPRING, RETURN	1							
20	1	22137-080000	WASHER, 8	1							
21	1	26106-080162	BOLT, M8X 16 PLATED	2							
22	1	22137-080000	WASHER, 8	2							
23	1	22137-100000	WASHER, 10	1							
24	1	22217-100000	WASHER, SPRING 10	1							
25	1	22417-250300	PIN, COTTER 2.5X30	1							
26	1	22417-250300	PIN, COTTER 2.5X30	2							

Fig.4. EXHAUST PORT

(A)=EF453T
(B)=
(C)=

(D)=
(E)=
(F)=

No.	Lev.	Parts No.	Description	Q'ty						I	R
				(A)	(B)	(C)	(D)	(E)	(F)		
1	1	1A7780-03110	PIPE, EXHAUST	1							
2	1	26106-080202	BOLT, M8X 20 PLATED	1							
3	1	26106-080202	BOLT, M8X 20 PLATED	2							

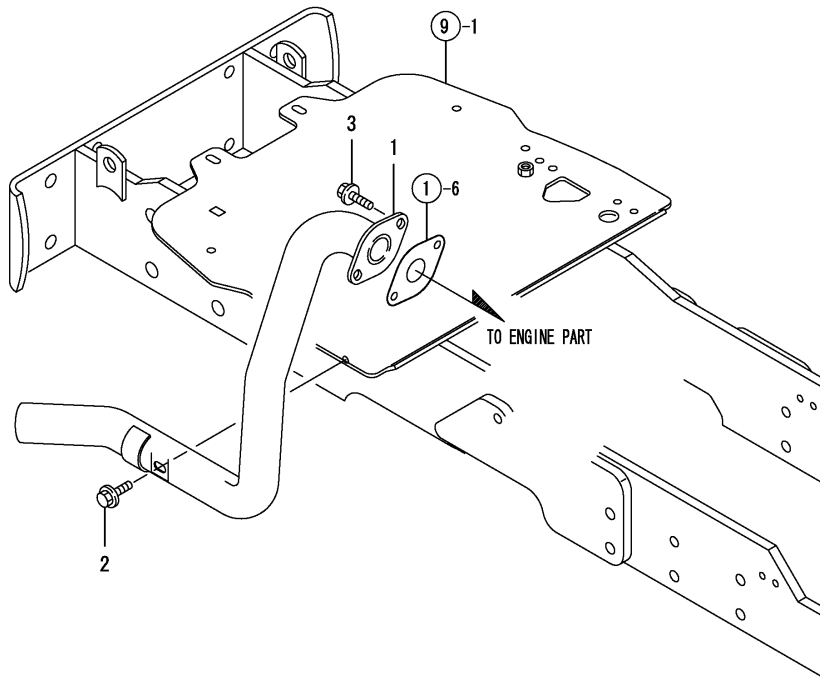
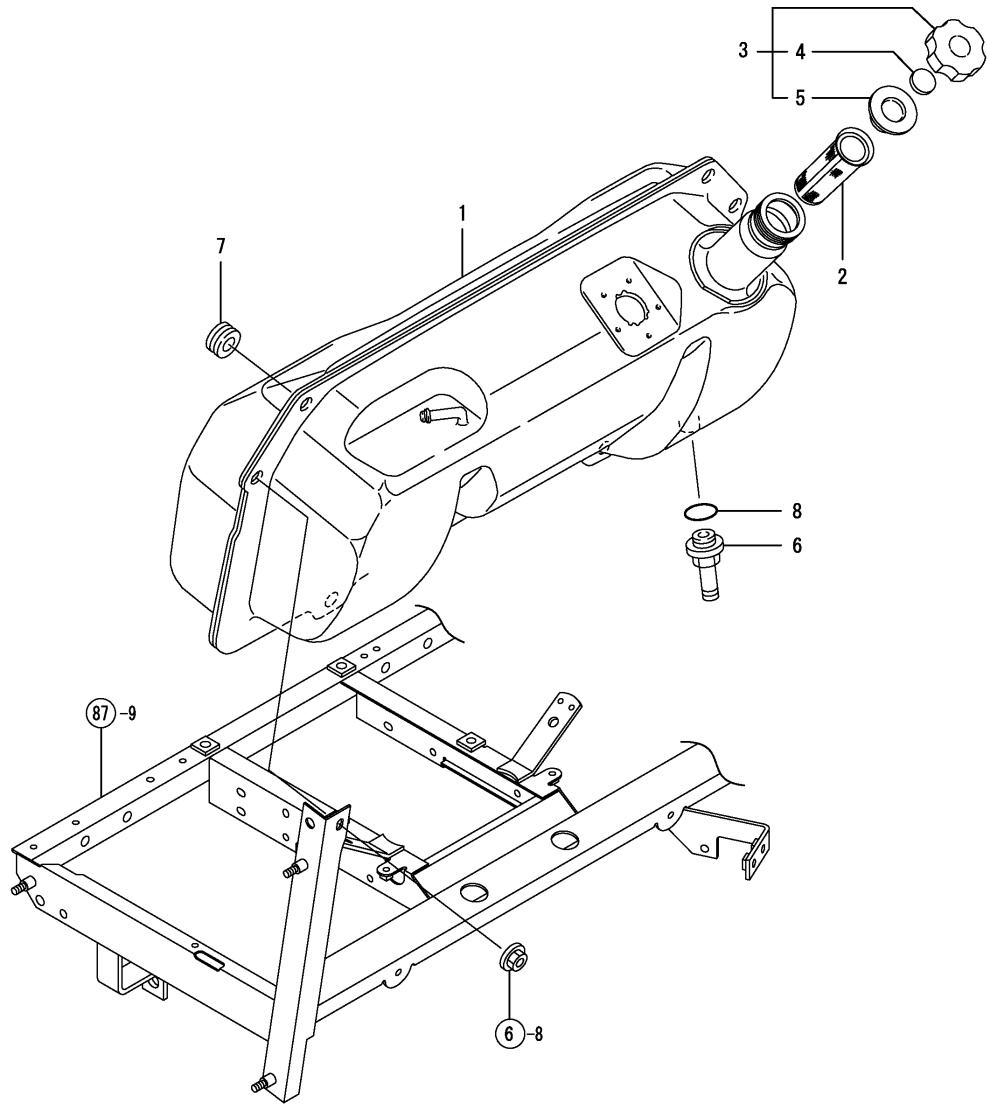


Fig.5. FUEL TANK

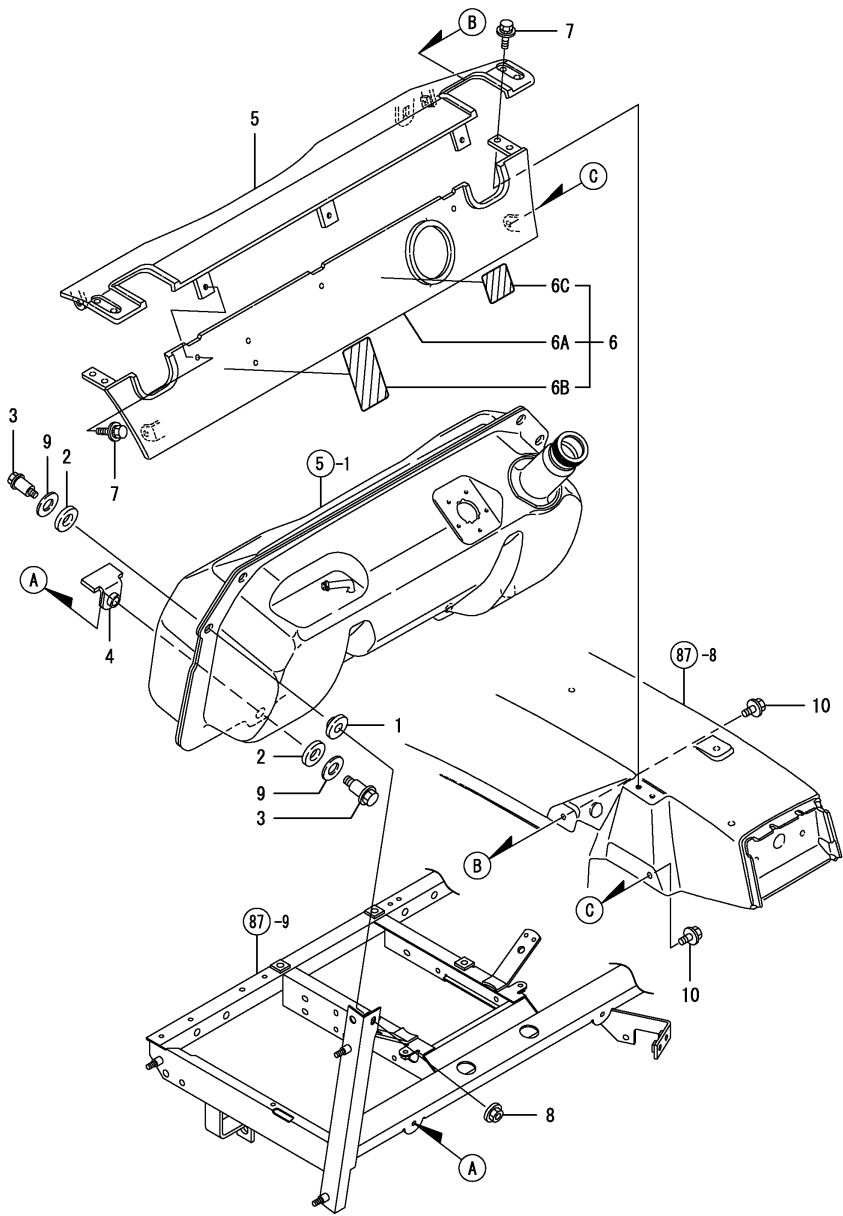


(A)=EF453T
(B)=
(C)=

(D)=
(E)=
(F)=

No.	Lev.	Parts No.	Description	Qty						I	R
				(A)	(B)	(C)	(D)	(E)	(F)		
1	1	1A7780-04110	TANK ASSY, FUEL	1							
1-1	1	1A7780-04111	TANK ASSY, FUEL	1							N
(A=F006728)											
1-2	1	1A7780-04111-1	TANK ASSY, FUEL	1							R
(A=F007815)											
2	1	198072-04510	FILTER	1							
3	1	198071-04500	CAP ASSY, FILLER	1							
4	2	1A1120-61531	PACKING, FUEL CAP	1							
5	2	1A1120-61541	SEAL, RUBBER	1							
6	1	198230-04750	JOINT, PIPE	1							
7	1	194170-51210	GROMMET	1							
8	1	24311-000150	O-RING, 1AP15.0	1							

Fig.6. TANK BRACKET



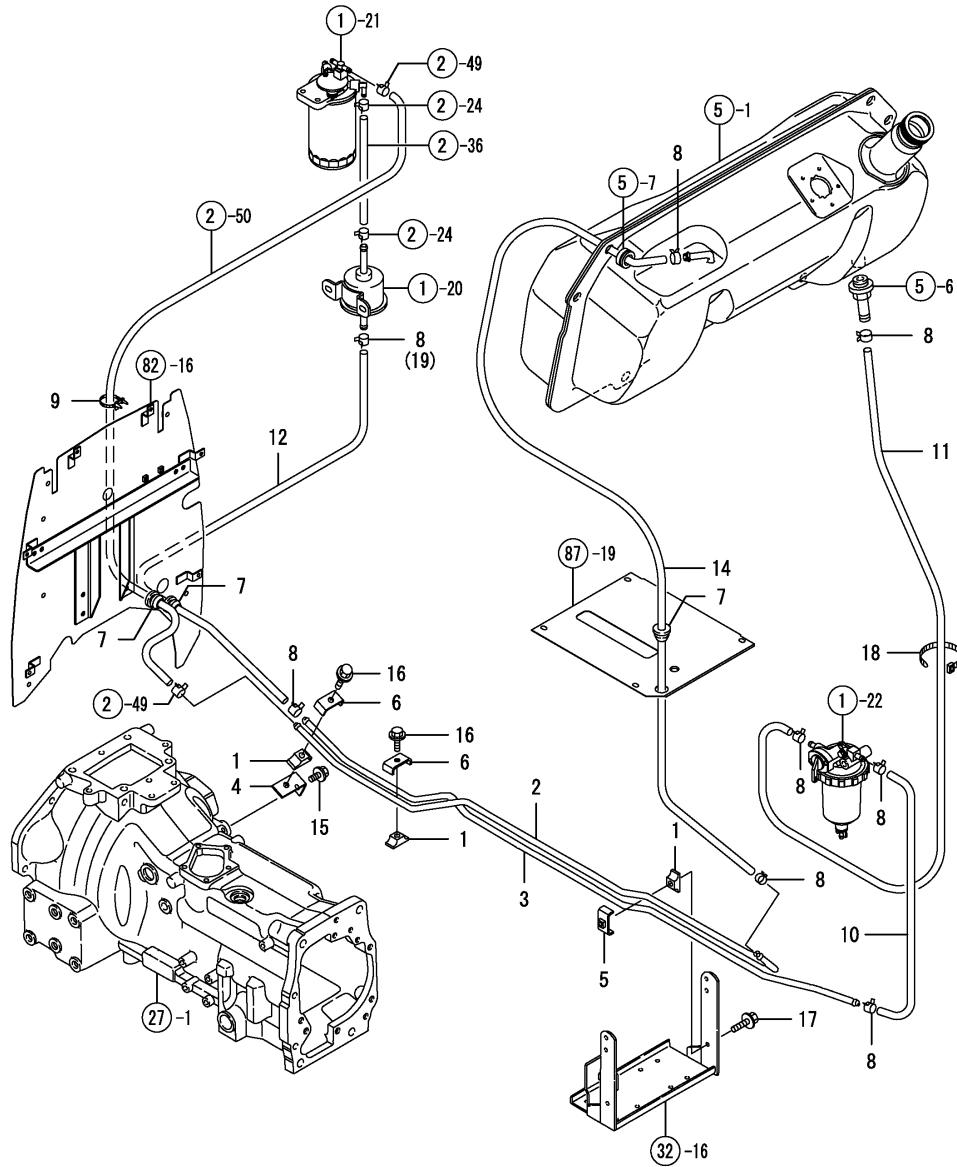
(A)=EF453T
(B)=
(C)=

(D)=
(E)=
(F)=

No.	Lev.	Parts No.	Description	Q'ty						I	R
				(A)	(B)	(C)	(D)	(E)	(F)		
1	1	194555-04260	PACKING, TANK A	2							
2	1	194555-04270	PACKING, TANK B	4							
3	1	194555-04280	BOLT, M8X26	4							
4	1	198220-04290	GASKET, TANK	2							
5	1	198320-04300	COVER, TANK FRONT	1							
6	1	1A7780-04350	COVER, TANK REAR M	1							1
6A	2	198320-04350	COVER, TANK REAR	1							2
6B	2	198163-65350	DANGER,ROTAT.SHAFT	1							
6C	2	198283-65250	LABEL,RAKE CAUTION	1							
7	1	194155-05210	BOLT, M6X16	7							
7-1	1	26018-060162	BOLT, M6X 16	7							R
(A=FXXXXX)											
8	1	194990-22140	NUT, M8	2							
9	1	22157-120000	WASHER, 12	4							
10	1	26106-080162	BOLT, M8X 16 PLATED	4							

Remarks
(1)Order No.6A, 6B & 6C.
(2)Order with No.6B & 6C(SAFETY LABEL).

Fig.7. FUEL PIPE



(A)=EF453T
(B)=
(C)=

(D)=
(E)=
(F)=

No.	Lev.	Parts No.	Description	Qty						I	R
				(A)	(B)	(C)	(D)	(E)	(F)		
1	1	198240-04710	BASE, CLAMP	3							
2	1	198240-04750	PIPE, FUEL	1							
3	1	198240-04760	PIPE, FUEL	1							
4	1	198240-04770	BRACKET, PIPE	1							
5	1	198327-04840	CLAMP	1							
6	1	194180-17770	CLAMP, PIPE	2							
7	1	194170-51210	GROMMET	3							
8	1	124766-59050	CLIP, HOSE 12	8							
8-1	1	124766-59050	CLIP, HOSE 12	7							K
(A=F006611)											
9	1	198448-51910	CLIP, BAND	1							
10	1	23980-730300	HOSE, 7.3X 300	1							
11	1	23980-730420	HOSE, 7.3X 420	1							
11-1	1	23980-730300	HOSE, 7.3X 300	1							N
(A=F005423)											
12	1	23980-730450	HOSE, 7.3X 450	1							
14	1	23980-731120	HOSE, 7.3X1120	1							
15	1	26106-080162	BOLT, M8X 16 PLATED	1							
16	1	26106-080252	BOLT, M8X 25 PLATED	2							
17	1	26106-080302	BOLT, M8X 30 PLATED	1							
18	1	29622-140001	BAND, RF140	1							W
(A=F005423)											
19	1	114270-59010	CLIP, HOSE 12	1							W
(A=F006611)											

Fig.8. SHUTTER PLATE

(A)=EF453T
(B)=
(C)=

(D)=
(E)=
(F)=

No.	Lev.	Parts No.	Description	Q'ty						I	R
				(A)	(B)	(C)	(D)	(E)	(F)		
1	1	1A7940-05510	PLATE, SHUTTER	1							
1-1	1	1A8205-05510 (A=F102046)	PLATE, SHUTTER	1							S
2	1	194990-22140	NUT, M8	2							

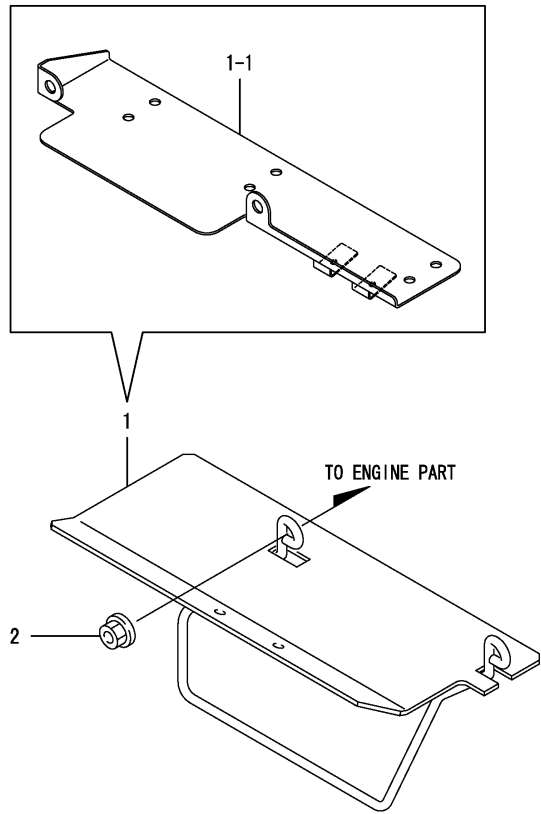


Fig.9. FRONT BRACKET

(A)=EF453T
(B)=
(C)=

(D)=
(E)=
(F)=

No.	Lev.	Parts No.	Description	Q'ty						I	R
				(A)	(B)	(C)	(D)	(E)	(F)		
1	1	1A7780-11090-2	BRACKET, FRONT AXLE	1							
1-1	1	1A7780-11090-1	BRACKET, FRONT AXLE	1							R
(A=F007815)											
2	1	198220-11510	BOLT, M12X27	10							
2-1	1	1A7780-11510	BOLT, M12X30	10							N
(A=F00599)											
3	1	198240-11620	BOLT, M12X34	1							
4	1	198240-11640	BOLT, M12X46	1							
5	1	198240-11650	BOLT, M12X45	3							
6	1	194180-61980	GROMMET, 24	1							

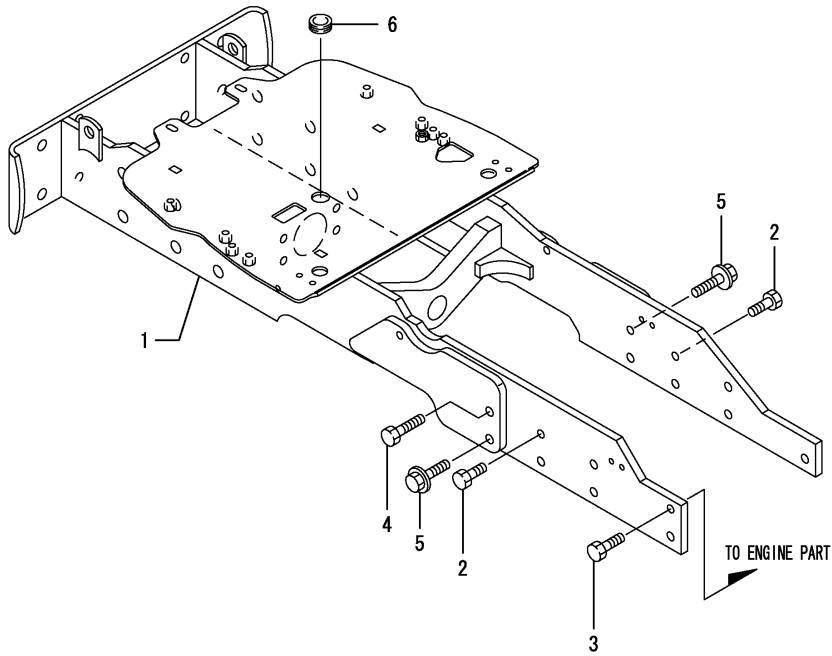
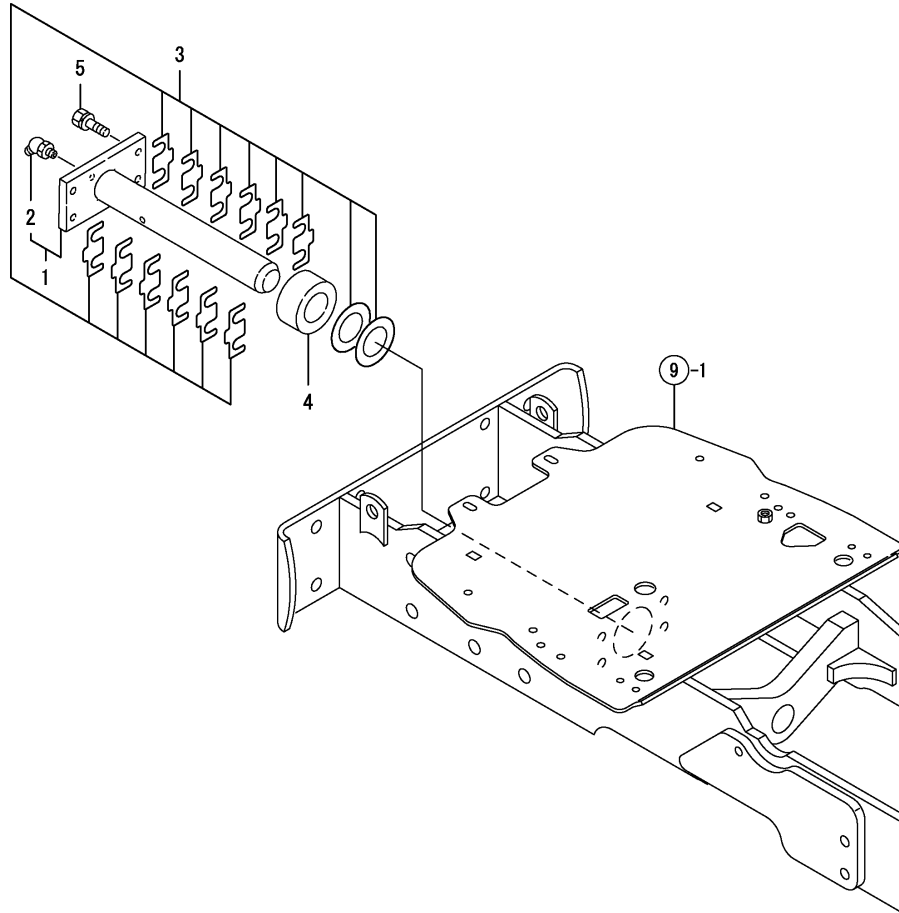


Fig.10. CENTER PIN

(A)=EF453T
(B)=
(C)=

(D)=
(E)=
(F)=



No.	Lev.	Parts No.	Description	Q'ty						I	R
				(A)	(B)	(C)	(D)	(E)	(F)		
1	1	198240-11500	PIN ASSY, CENTER	1							
2	2	24761-040000	NIPPLE, GREASE B	1							
3	1	198240-11540	SHIM SET	1							
4	1	198240-11550	SPACER, 36X62X27	1							
5	1	26013-120352	BOLT, M12X 35	4							
5-1	1	26106-120352	BOLT, M12X 35 PLATED	4							N
		(A=F00737)									
5-2	1	1A6770-85920	BOLT, M12X30	4							N
		(A=FXXXXX)									

(A)=EF453T
 (B)=
 (C)=

(D)=
 (E)=
 (F)=

No.	Lev.	Parts No.	Description	Q'ty						I	R
				(A)	(B)	(C)	(D)	(E)	(F)		
1	1	198251-11800	ARM ASSY, KNUCKLE L	1							
1-1	1	198251-11800-1	ARM ASSY, KNUCKLE L	1							R
(A=F007815)											
2	2	23876-040000	PLUG, R04	1							
3	1	198251-11820	ARM ASSY, KNUCKLE R	1							
3-1	1	198251-11820-1	ARM ASSY, KNUCKLE R	1							R
(A=F007815)											
4	2	198251-13630	GAUGE, OIL LEVEL	1							
5	2	24311-000180	O-RING, 1AP18.0	1							
6	1	22217-120000	WASHER, SPRING 12	4							
7	1	22312-100180	PIN, PARALLEL M10X18	4							
8	1	26013-120802	BOLT, M12X 80	4							
9	1	26216-120352	STUD, M12X 35	4							
10	1	26716-120002	NUT, M12	4							

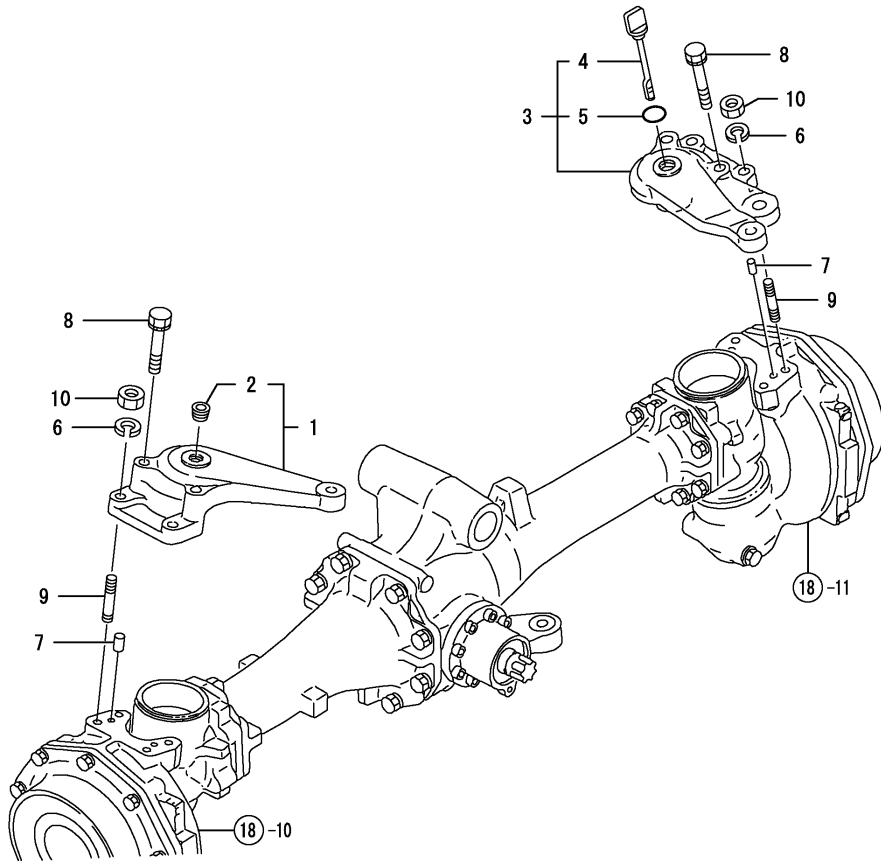
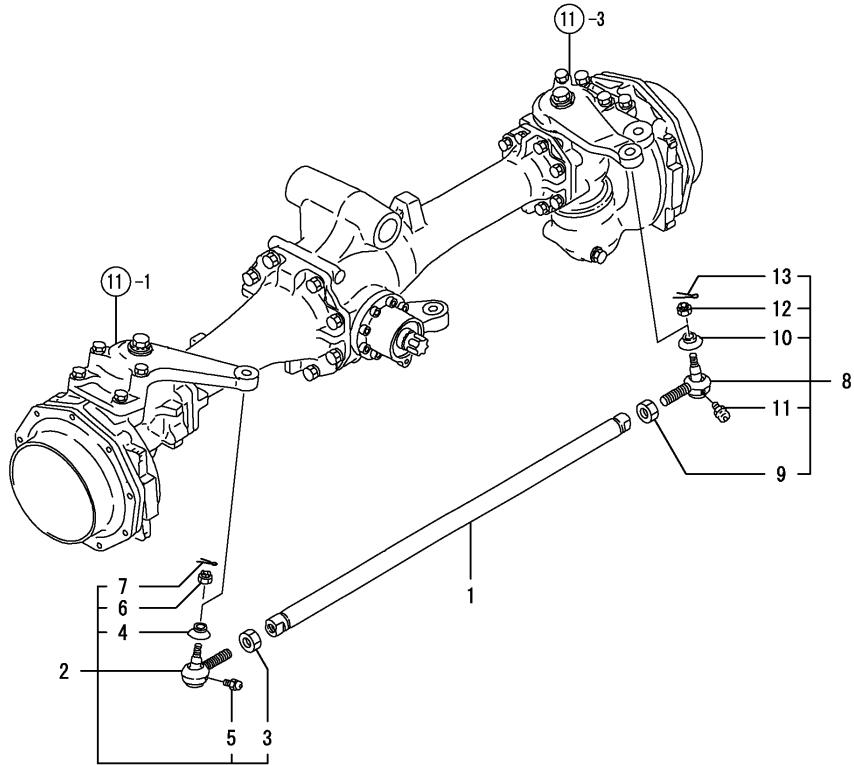


Fig.12. TIE ROD

(A)=EF453T
(B)=
(C)=

(D)=
(E)=
(F)=



No.	Lev.	Parts No.	Description	Q'ty						I	R
				(A)	(B)	(C)	(D)	(E)	(F)		
1	1	198251-12310	TIE-ROD	1							
1-1	1	198251-12310-1	TIE-ROD	1							R
(A=F007815)											
2	1	198240-18120	END KIT, TIE-ROD LR	1							
2-1	1	198240-18120-2	TIRE-ROD END KIT(LR)	1							R
(A=F007815)											
3	2	194990-22831	NUT, LOCK M17 L	1							
4	2	194730-57220	COVER, DUCT	1							
5	2	24761-060000	NIPPLE, GREASE MT6X1	1							
6	2	198240-12590	NUT, M12	1							
7	2	22417-300250	PIN, COTTER 3.0X25	1							
8	1	198240-18130	END KIT, TIE-ROD RL	1							
8-1	1	198240-18130-2	END KIT, TIE ROD	1							R
(A=F007815)											
9	2	194990-22841	NUT, M17	1							
10	2	194730-57220	COVER, DUCT	1							
11	2	24761-060000	NIPPLE, GREASE MT6X1	1							
12	2	198240-12590	NUT, M12	1							
13	2	22417-300250	PIN, COTTER 3.0X25	1							

Fig.13. RING GEAR

(A)=EF453T
(B)=
(C)=

(D)=
(E)=
(F)=

No.	Lev.	Parts No.	Description	Q'ty						I	R
				(A)	(B)	(C)	(D)	(E)	(F)		
1	1	198251-13100	GEAR ASSY, RING	1							
2	1	198251-13670	COLLAR, SEAL	1							
2-1	1	1A7780-13670	COLLAR, SEAL	1							N
			(A=F00123)								
3	1	24101-060124	BEARING, BALL 6012	1							
4	1	24141-320070	BEARING, 32007	2							
5	1	24341-000315	O-RING, 1AS31.5	1							

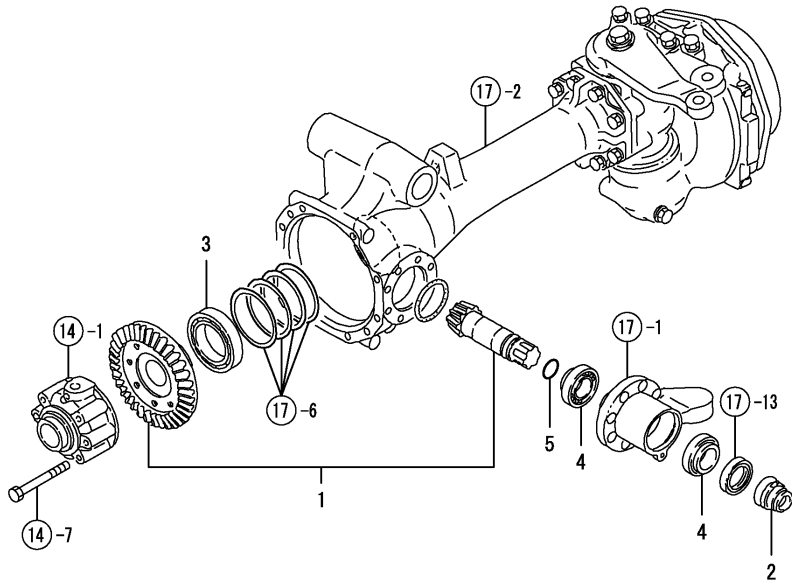


Fig.14. DIFFERENTIAL GEAR

(A)=EF453T
(B)=
(C)=

(D)=
(E)=
(F)=

No.	Lev.	Parts No.	Description	Q'ty						I	R
				(A)	(B)	(C)	(D)	(E)	(F)		
1	1	194641-13210	CASE, DIFFERENTIAL	1							
2	1	194321-13230	PINION, DIFFERENTIAL	2							
3	1	194465-13240	LINER, DIFFERENTIAL	2							
4	1	194321-13250	GEAR, DIFFERENTIAL	2							
5	1	194465-13260	WASHER, DIFFERENTIAL	2							
6	1	194321-13270	SHAFT, DIFFERENTIAL	1							
7	1	194323-13290	BOLT, M10X70	6							
8	1	22312-100180	PIN, PARALLEL M10X18	2							
9	1	22351-035032	PIN, SPRING 3.5X32	1							
10	1	22351-060032	PIN, SPRING 6.0X32	1							
11	1	24101-060104	BEARING, BALL 6010	1							

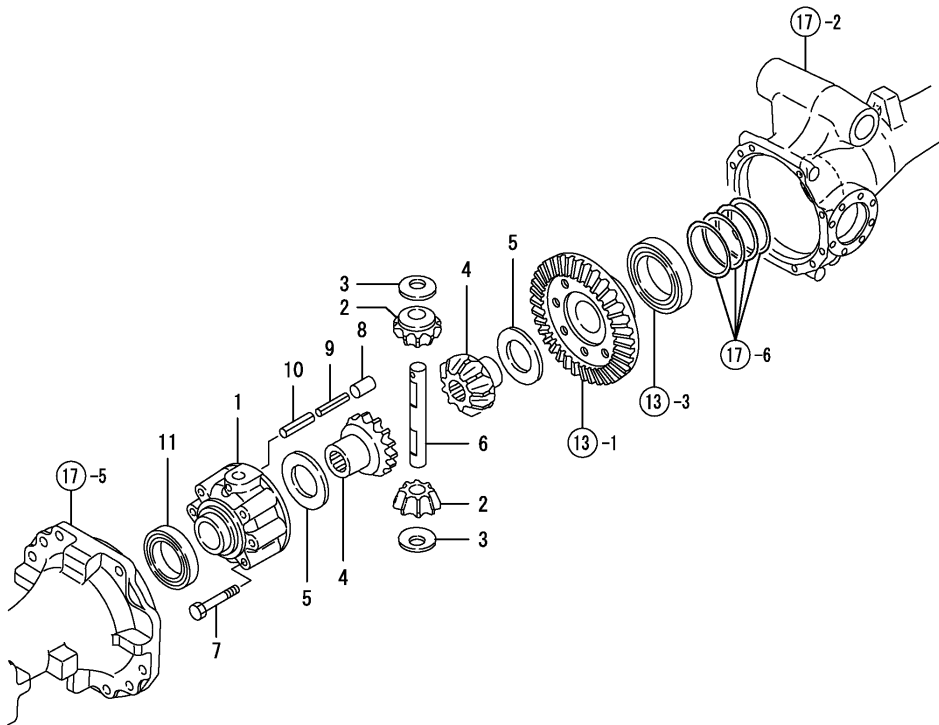
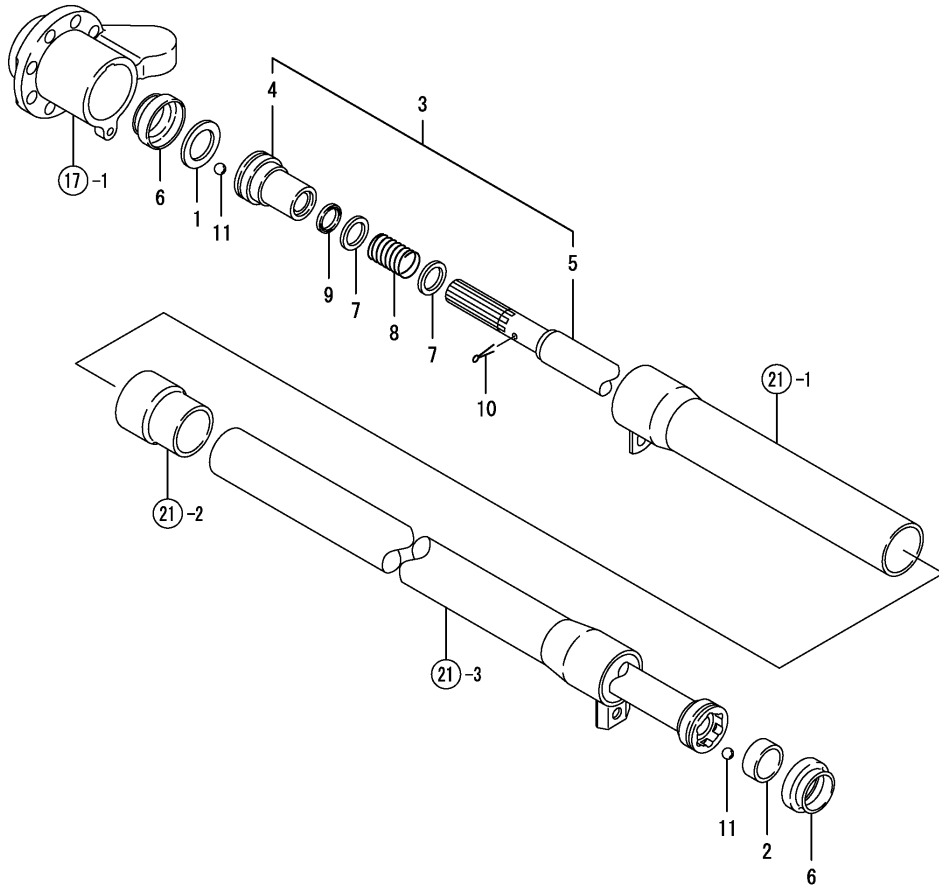


Fig.15. PROPELLER SHAFT

(A)=EF453T
(B)=
(C)=

(D)=
(E)=
(F)=



No.	Lev.	Parts No.	Description	Q'ty						I	R
				(A)	(B)	(C)	(D)	(E)	(F)		
1	1	198251-13270	SPACER, 33X48X 2	1							
2	1	198241-13280	SPACER, 33X40X15.5	1							
3	1	198137-13300	SHAFT ASSY,PROPELLER	1							
4	2	198133-13340	COUPLING, B	1							
5	2	198137-13350	SHAFT, PROPELLER	1							
6	1	194274-13350	BOOT, RUBBER	2							
7	1	194321-13360	WASHER, 25	2							
7-1	1	1A7260-43650	SPACER	2							R
(A=FZZZZZ)											
8	1	198441-13370	SPRING, RETAINER	1							
9	1	194321-13380	SEAL, SPLINE SHAFT	1							
10	1	22417-400500	PIN, COTTER 4.0X50	1							
11	1	24190-110001	BALL, STEEL 11/32	12							

Fig.16. FRONT SHAFT(1)

(A)=EF453T
(B)=
(C)=

(D)=
(E)=
(F)=

No.	Lev.	Parts No.	Description	Q'ty						I	R
				(A)	(B)	(C)	(D)	(E)	(F)		
1	1	198251-13510	SHAFT, FRONT 1ST L	1							
2	1	198153-13521	PINION, SHAFT	2							
3	1	198251-13520	SHAFT, FRONT 1ST R	1							
4	1	24101-062084	BEARING, BALL 6208	2							
4-1	1	194641-13840	BEARING, BALL TMB208	2							R

(A=FXXXXX)

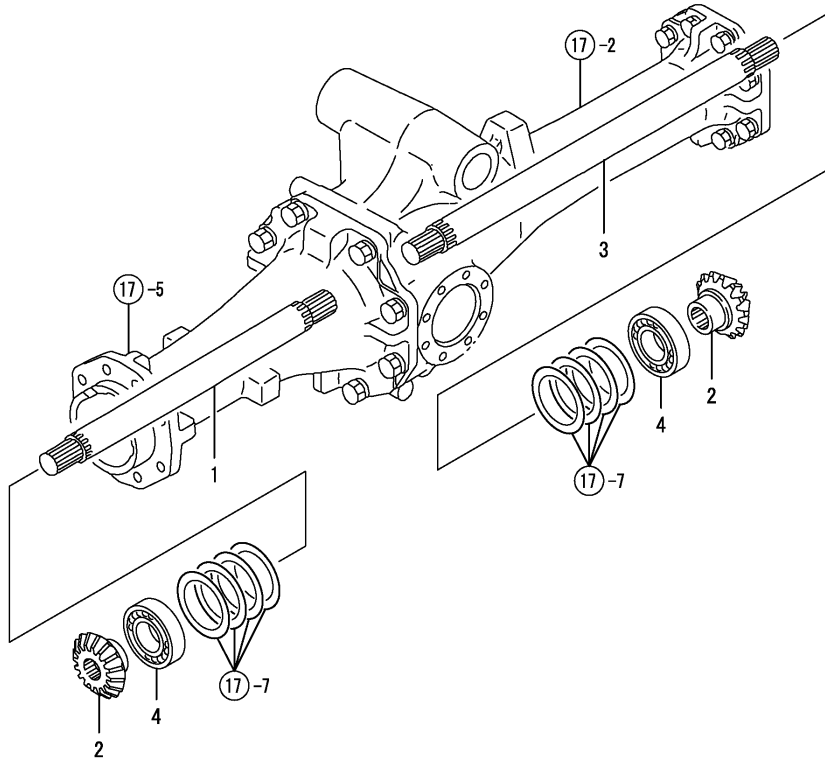
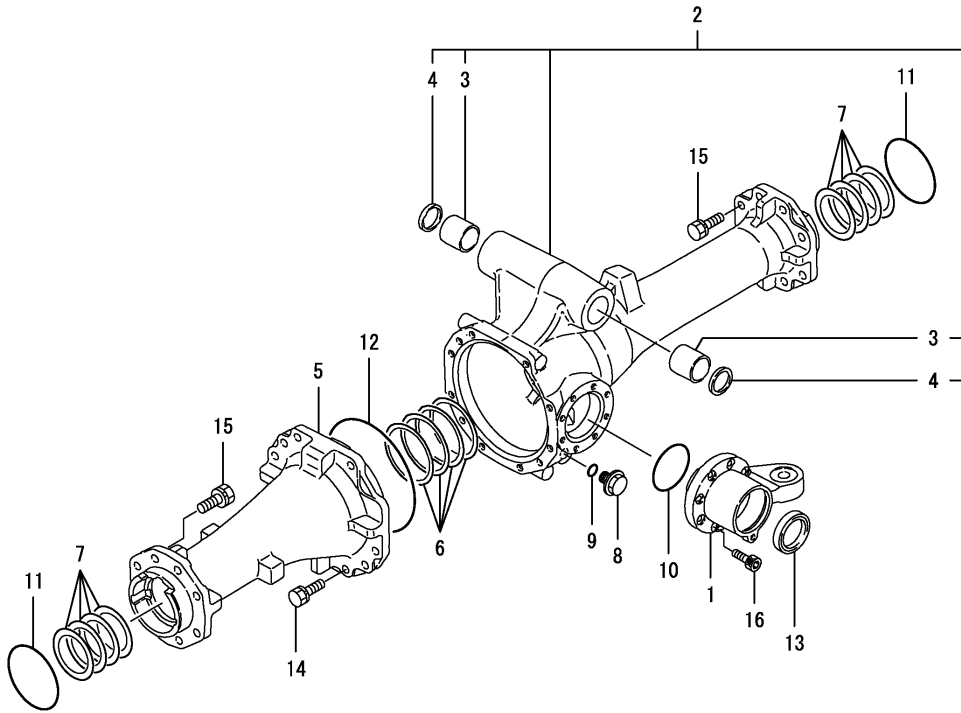


Fig.17. FRONT AXLE CASE

(A)=EF453T
(B)=
(C)=

(D)=
(E)=
(F)=

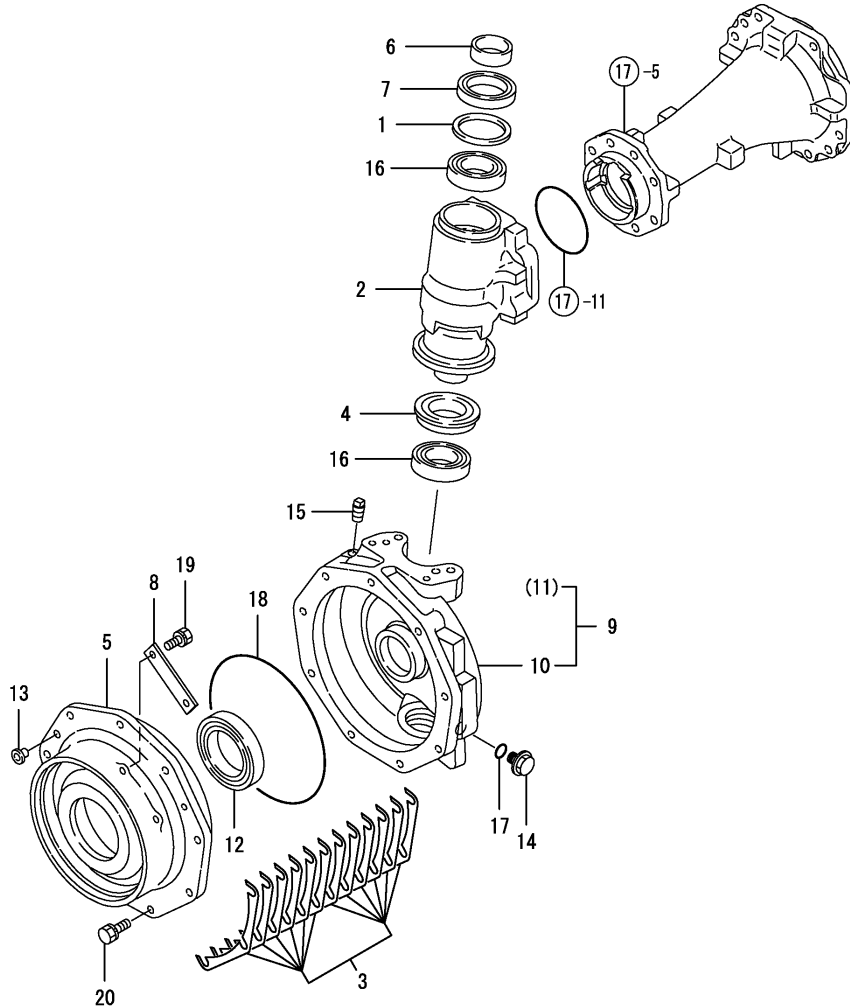


No.	Lev.	Parts No.	Description	Q'ty						I	R
				(A)	(B)	(C)	(D)	(E)	(F)		
1	1	198251-13450	RETAINER, BEARING	1							
1-1	1	198251-13450-1	RETAINER, BEARING	1							R
(A=F007815)											
2	1	198251-13600	HOUSING ASSY, AXLE R	1							
2-1	1	198251-13600-1	HOUSING ASSY, AXLE R	1							R
(A=F007815)											
3	2	198251-11220	BUSH, 35X41X40	2							
4	2	194321-11940	SEAL, OIL VB354105	2							
5	1	198251-13610	HOUSING, FRONT AXLE	1							
5-1	1	198251-13610-1	HOUSING, FRONT AXLE	1							R
(A=F007815)											
6	1	794321-13660	SHIM SET	1							
7	1	194641-13670	SHIM SET, PINION	1							
8	1	23491-140002	PLUG, 14	1							
9	1	24311-000160	O-RING, 1AP16.0	1							
10	1	24321-000700	O-RING, 1AG70.0	1							
11	1	24321-001000	O-RING, 1AG100.0	2							
12	1	24321-001700	O-RING, 1AG170.0	1							
13	1	24421-456209	SEAL, OIL TC456209	1							
14	1	26013-120302	BOLT, M12X 30	11							
15	1	26013-120302	BOLT, M12X 30	16							
16	1	26450-080252	BOLT, M8X 25	8							

Fig.18. FRONT GEAR CASE

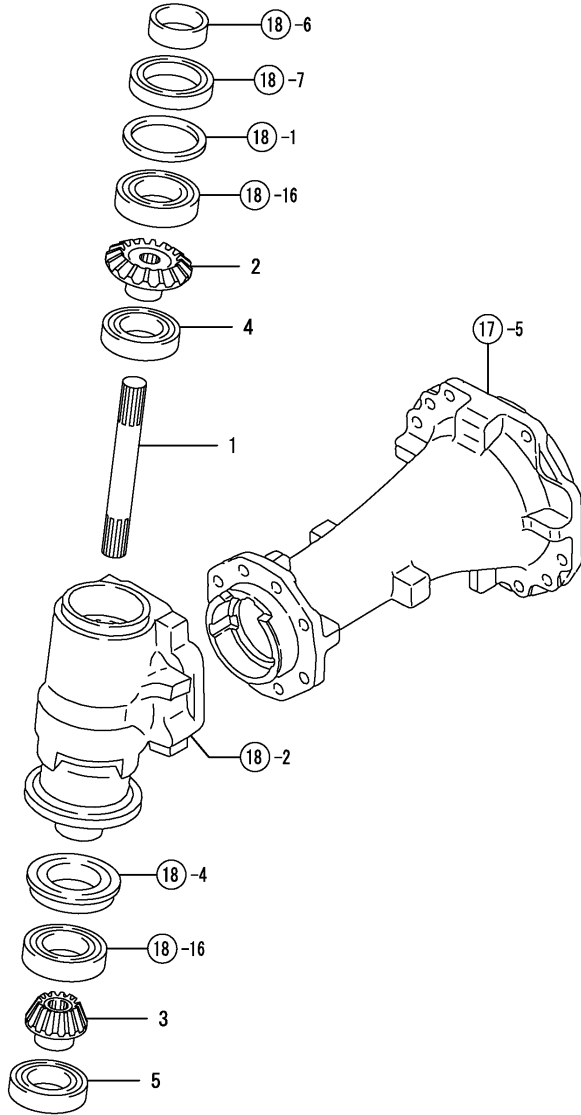
(A)=EF453T
(B)=
(C)=

(D)=
(E)=
(F)=



No.	Lev.	Parts No.	Description	Q'ty						I	R
				(A)	(B)	(C)	(D)	(E)	(F)		
1	1	194321-13680	SPACER, 85X1	2							
2	1	198251-13710	CASE, FRONT GEAR	2							
2-1	1	198251-13710-1	CASE, FRONT GEAR	2							R
(A=F007815)											
3	1	198401-13720	SHIM SET	1							
4	1	194641-13760	SEAL, OIL 55X85	2							
5	1	198401-13770-2	CASE, FRONT BEARING	2							
5-1	1	198401-13770	CASE, FRONT BEARING	2							R
(A=F007815)											
6	1	194641-13780	SLEEVE, SI 50X55X18	2							
7	1	194641-13790	SEAL, OIL TC6Y558514	2							
8	1	198401-13790	RETAINER, BEARING	4							
9	1	198401-13800	BOX ASSY, GEAR	1							
9-1	1	198401-13800-1	BOX ASSY, GEAR	1							R
(A=F007815)											
10	2	198401-13750-2	BOX, GEAR L	1							
10-1	2	198401-13750	BOX, GEAR L	1							R
(A=F007815)											
11	2	198401-13850-2	BOX, GEAR R	1							
11-1	2	198401-13850	BOX, GEAR R	1							R
(A=F007815)											
12	1	194180-32670	SEAL, TC6Y8010515	2							
13	1	1A1120-68070	CAP, SCREW 6.8	6							
14	1	23491-140002	PLUG, 14	2							
15	1	23876-010000	PLUG, R01	2							
16	1	24101-062094	BEARING, BALL 6209	4							
17	1	24311-000160	O-RING, 1AP16.0	2							
18	1	24321-002200	O-RING, 1AG220.0	2							
19	1	26013-080252	BOLT, M8X 25	8							
20	1	26013-100252	BOLT, M10X 25	18							

Fig.19. FRONT SHAFT(2)



(A)=EF453T
(B)=
(C)=

(D)=
(E)=
(F)=

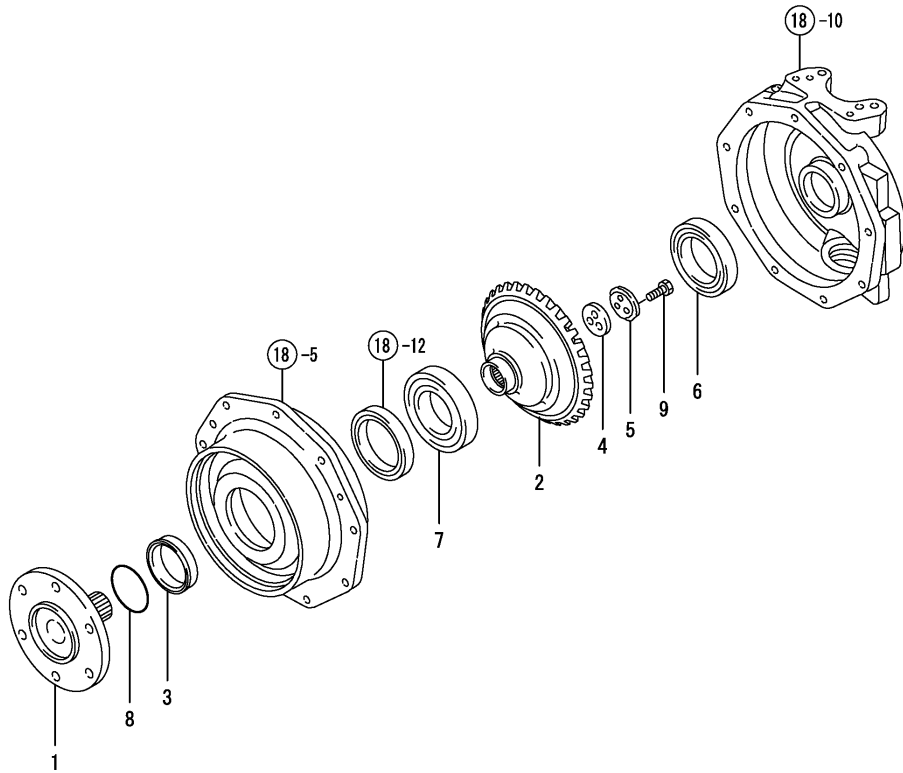
No.	Lev.	Parts No.	Description	Q'ty						I	R
				(A)	(B)	(C)	(D)	(E)	(F)		
1	1	198251-13810	SHAFT, FRONT 2ND	2							
2	1	198251-13820	GEAR, 2ND SHAFT	2							
3	1	194641-13830	PINION, FRONT FINAL	2							
4	1	194641-13840	BEARING, BALL TMB208	2							
5	1	24101-060094	BEARING, BALL 6009	2							

Fig.20. FRONT SPINDLE

(A)=EF453T
(B)=
(C)=

(D)=
(E)=
(F)=

No.	Lev.	Parts No.	Description	Q'ty						I	R
				(A)	(B)	(C)	(D)	(E)	(F)		
1	1	198401-14110-2	SPINDLE, FRONT	2							
1-1	1	198401-14110	SPINDLE, FRONT	2							R
(A=F007815)											
2	1	198401-14120	GEAR, FRONT SHAFT	2							
3	1	198401-14130	COLLAR, SEAL	2							
4	1	198401-14150	WASHER	2							
5	1	198401-14160	WASHER	2							
6	1	24101-060144	BEARING, BALL 6014	2							
7	1	24101-062134	BEARING, BALL 6213	2							
8	1	24325-000650	O-RING, 1BG65.0	2							
9	1	26116-100252	BOLT, M10X 25 PLATED	6							



(A)=EF453T
 (B)=
 (C)=

(D)=
 (E)=
 (F)=

No.	Lev.	Parts No.	Description	Q'ty						I	R
				(A)	(B)	(C)	(D)	(E)	(F)		
1	1	198251-14600	COVER, SHAFT FRONT	1							
1-1	1	1A7780-14600	COVER, SHAFT FRONT	1							N
(A=F02153)											
1-2	1	1A7780-14600-1	COVER, SHAFT FRONT	1							R
(A=F007815)											
2	1	198241-14650	BOOT, SHAFT COVER	1							
3	1	1A7780-14700	COVER, SHAFT	1							
3-1	1	1A7780-14700-1	COVER, SHAFT	1							R
(A=F007815)											
4	1	198255-14740	SEAL, COVER 62	1							
5	1	198255-14750	COLLAR, 8.5X10.5X2.8	1							
5-1	1	1A7780-14740	COLLAR, 8.1X10.5X4	2							N
(A=F02153)											
6	1	198255-14760	SEAL, COVER 65	1							
7	1	23010-060000	CLAMP, 60	1							
7-1	1	23000-070000	CLAMP, 70	2							N
(A=F02153)											
8	1	23010-065000	CLAMP, 65	1							Z
(A=F02153)											
9	1	26106-080122	BOLT, M8X 12 PLATED	2							

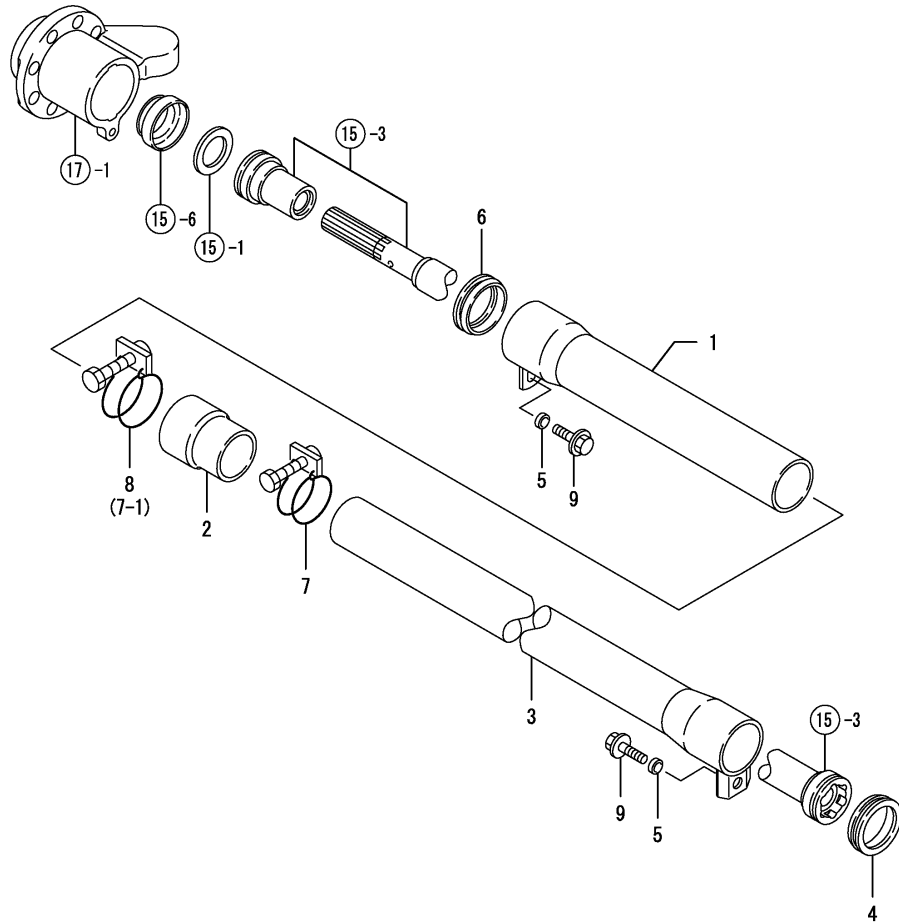
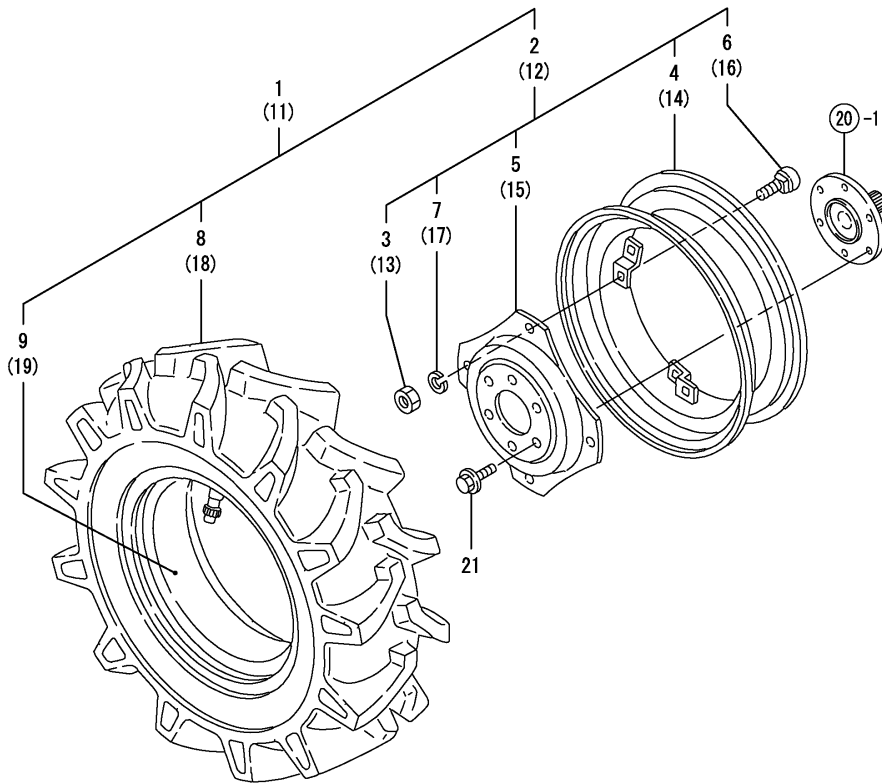


Fig.22. FRONT WHEEL TIRE



(A)=EF453T
(B)=
(C)=

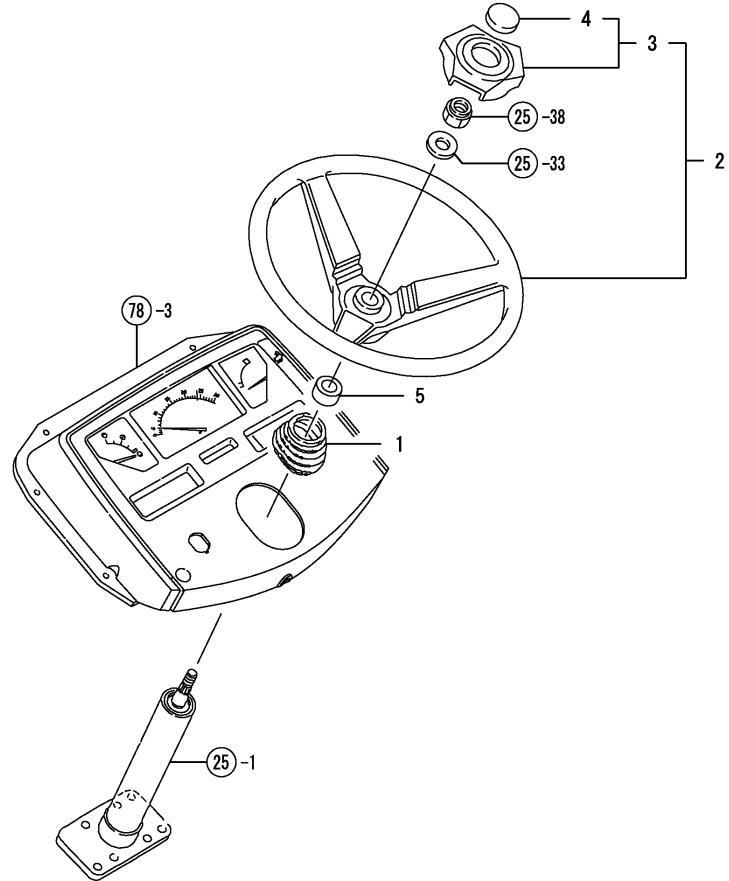
(D)=
(E)=
(F)=

No.	Lev.	Parts No.	Description	Q'ty						I	R
				(A)	(B)	(C)	(D)	(E)	(F)		
1	1	198442-14700	TIRE KIT, 8-18-6 L	1							
1-1	1	1A7780-14300	TIRE KIT, 8-18-6 L	1							R
(A=FXXXXX)											
2	2	194338-14740	WHEEL ASSY, W6X18	1							
2-1	2	1A7780-14140	WHEEL ASSY, W6X18	1							R
(A=FXXXXX)											
3	3	194181-14180	NUT, M16	4							
3-1	3	1A7780-14770	NUT, M16	4							R
(A=FXXXXX)											
4	3	194338-14711	RIM, W6X18	1							
4-1	3	1A7780-14110	RIM, W6X18	1							R
(A=FXXXXX)											
5	3	194338-14720	DISK, WHEEL	1							
5-1	3	1A7780-14120	DISK	1							R
(A=FXXXXX)											
6	3	194681-14790	BOLT, M16X35	4							
6-1	3	1A7780-14790	BOLT, M16X37	4							R
(A=FXXXXX)											
7	3	194065-34170	WASHER, 16	4							
8	2	198442-14820	TIRE, 8-18 6 FSLM	1							
9	2	194336-14830	TUBE, 8-18	1							
11	1	198442-14800	TIRE KIT, 8-18-6 R	1							
11-1	1	1A7780-14350	TIRE KIT, 8-18-6 R	1							R
(A=FXXXXX)											
12	2	194338-14740	WHEEL ASSY, W6X18	1							
12-1	2	1A7780-14140	WHEEL ASSY, W6X18	1							R
(A=FXXXXX)											
13	3	194181-14180	NUT, M16	4							
13-1	3	1A7780-14770	NUT, M16	4							R
(A=FXXXXX)											
14	3	194338-14711	RIM, W6X18	1							
14-1	3	1A7780-14110	RIM, W6X18	1							R
(A=FXXXXX)											
15	3	194338-14720	DISK, WHEEL	1							
15-1	3	1A7780-14120	DISK	1							R
(A=FXXXXX)											
16	3	194681-14790	BOLT, M16X35	4							
16-1	3	1A7780-14790	BOLT, M16X37	4							R
(A=FXXXXX)											
17	3	194065-34170	WASHER, 16	4							
18	2	198442-14820	TIRE, 8-18 6 FSLM	1							
19	2	194336-14830	TUBE, 8-18	1							
21	1	194881-12650	BOLT, M14X24	12							

Fig.23. STEERING WHEEL

(A)=EF453T
(B)=
(C)=

(D)=
(E)=
(F)=

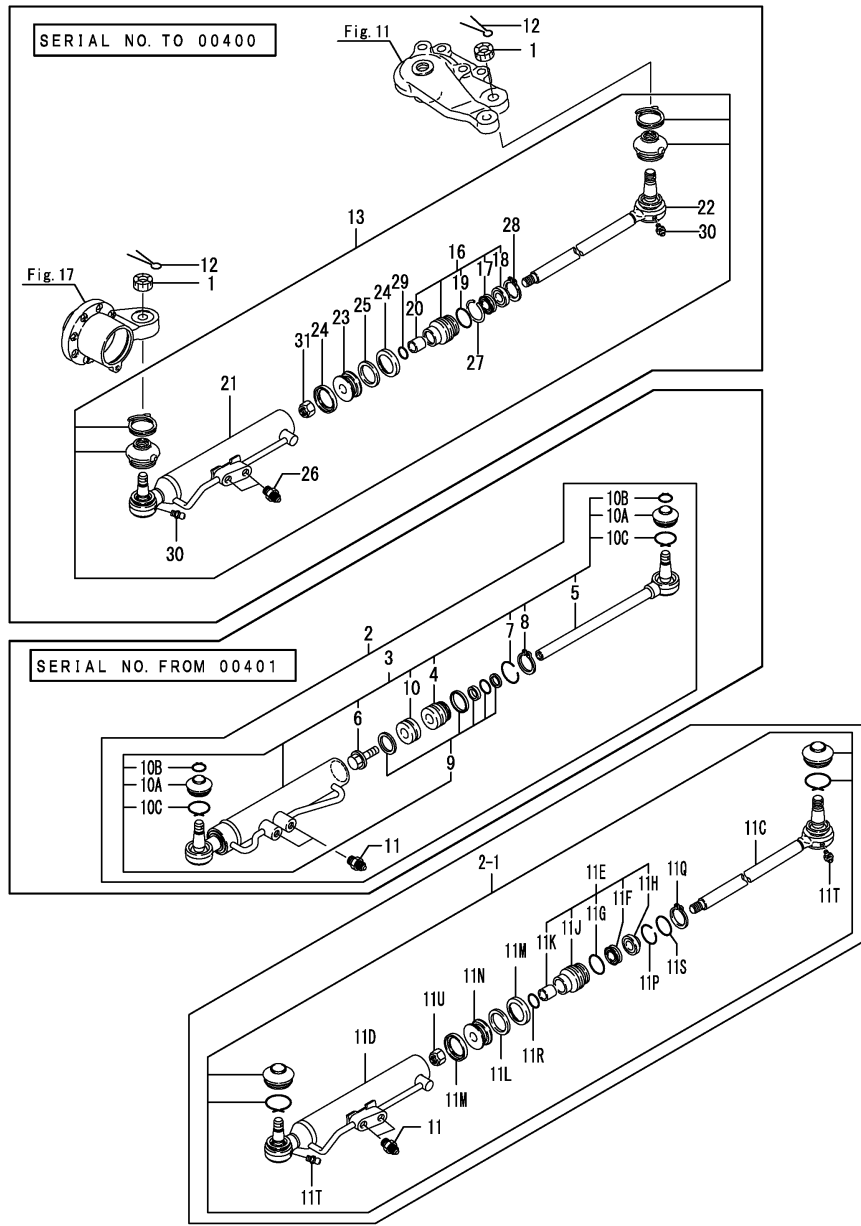


No.	Lev.	Parts No.	Description	Q'ty						I	R
				(A)	(B)	(C)	(D)	(E)	(F)		
1	1	198220-15650	COVER, COLUMN	1							
2	1	198133-15700	WHEEL ASSY, STEERING	1							
3	2	198133-15740	CAP ASSY, STEERING	1							
4	3	198133-15780	NAMEPLATE, HANDLE	1							
5	1	1A7000-15720	COVER, STEERING	1							

Fig.24. P.S.T. CYLINDER

(A)=EF453T
(B)=
(C)=

(D)=
(E)=
(F)=



No.	Lev.	Parts No.	Description	Qty						I	R
				(A)	(B)	(C)	(D)	(E)	(F)		
1	1	194180-12471	NUT, CASTLE M16	2							
2	1	798254-17500	CYLINDER ASSY	1							1
2-1	1	7A7780-17500	CYLINDER ASSY, ST.	1							N
(A=F004027)											
2-2	1	7A7780-17501	CYLINDER ASSY	1							N
(A=F006324)											
3	2	198254-17510	CYLINDER ASSY, ST.	1							Z
(A=F004027)											
4	3	1A7335-17310	CAP, CYLINDER	1							Z
(A=F004027)											
5	3	1A7335-17410	ROD ASSY, STEERING	1							Z
(A=F004027)											
6	3	1A7335-17500	BOLT, M12X1.25	1							Z
(A=F004027)											
7	3	1A7335-17520	CIRCLIP	1							Z
(A=F004027)											
8	3	1A7335-17530	CIRCLIP	1							Z
(A=F004027)											
9	3	1A7335-17550	SEAL KIT	1							Z
(A=F004027)											
10	3	1A7335-17750	PISTON	1							Z
(A=F004027)											
10A	3	1A7780-17450	BOOT, RUBBER	2							Z
(A=F004027)											
10B	3	1A7780-17460	STOPPER	2							Z
(A=F004027)											
10C	3	1A7780-17470	STOPPER	2							Z
(A=F004027)											
11	2	194065-38380	ADAPTER, 1/4	2							
11C	2	1A7780-17510	ROD ASSY, STEERING	1							W
(A=F004027)											
11D	2	1A7780-17530	TUBE ASSY, CYLINDER	1							W
(A=F004027)											
11E	2	1A7780-17550	CAP ASSY, CYLINDER	1							W
(A=F004027)											
11E-1	2	1A7780-17551	CAP ASSY, CYLINDER	1							N
(A=F006324)											
11F	3	1A7780-17560	PACKING, 22	1							W
(A=F004027)											
11G	3	1A7780-17570	PACKING, 34	1							W
(A=F004027)											
11H	3	1A7780-17580	SCRAPER	1							W
(A=F004027)											
11H-1	3	1A7780-17581	SCRAPER, 22	1							N
(A=F006324)											
11J	3	1A7780-17590	CAP, CYLINDER	1							W
(A=F004027)											
11J-1	3	1A7780-17591	CAP, CYLINDER	1							N
(A=F006324)											
11K	3	24550-022250	BUSH, 22X25	1							W
(A=F004027)											

Remarks
(1)No.13 : Serial No. to 00400, No.2 : Serial No. from 00401.
No.13 is interchangeable with No.2.

Fig.24. P.S.T. CYLINDER

(A)=EF453T

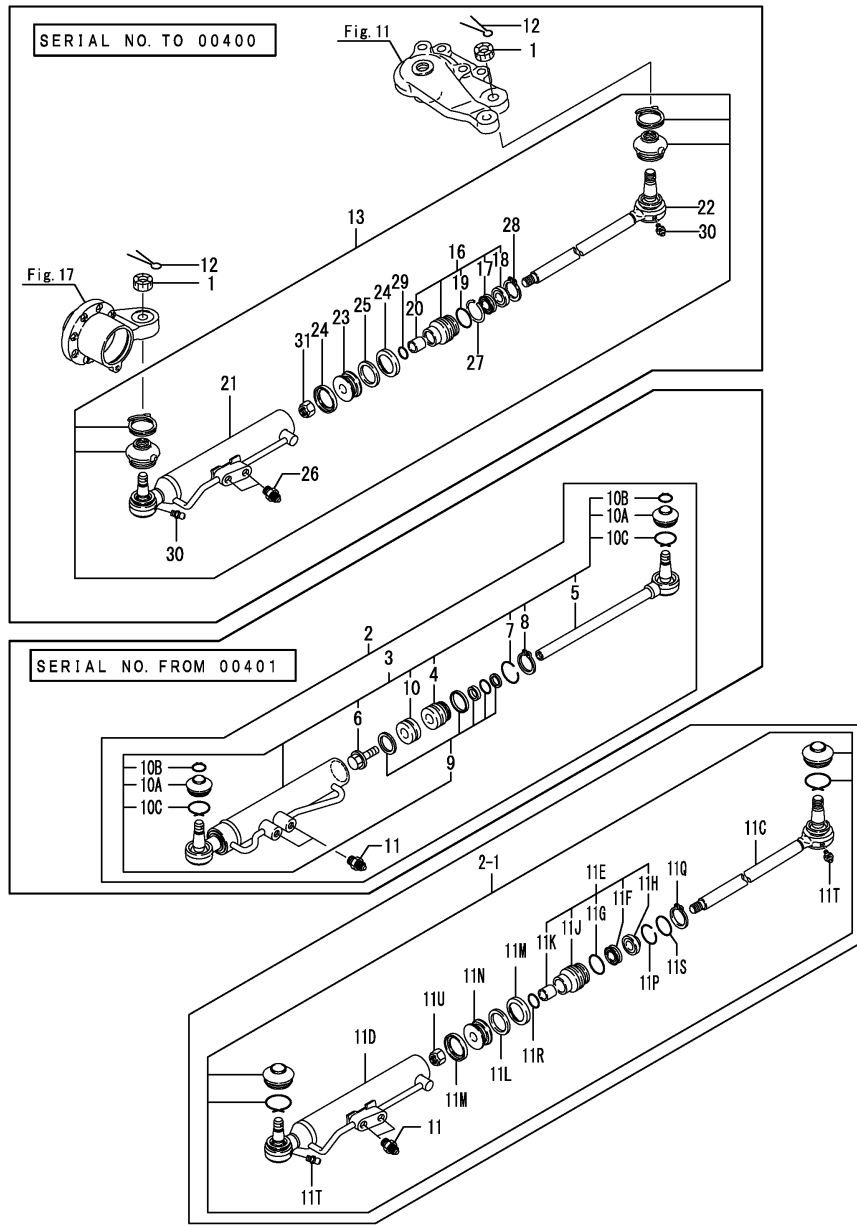
(B)=

(C)=

(D)=

(E)=

(F)=



No.	Lev.	Parts No.	Description	Qty						I	R
				(A)	(B)	(C)	(D)	(E)	(F)		
11K-1	3	24550-022200 (A=F006324)	BUSH, 22X20	1							N
11L	2	172156-72330 (A=F004027)	PACKING	1							W
11M	2	172156-72340 (A=F004027)	BEARING	2							W
11N	2	198071-72750 (A=F004027)	PISTON, CYLINDER	1							W
11P	2	22207-040320 (A=F004027)	RING, 40X3.2	1							W
11Q	2	22242-000360 (A=F004027)	RING, 36	1							W
11R	2	24315-000180 (A=F004027)	O-RING, 1BP18.0	1							W
11S	2	24351-240350 (A=F004027)	O-RING, 1A24035	1							W
11T	2	24761-060000 (A=F004027)	NIPPLE, GREASE MT6X1	2							W
11U	2	26996-140002 (A=F004027)	NUT, LOCK M14	1							W
12	1	22417-400250	PIN, COTTER 4.0X25	2							
13	1	798251-17402	CYLINDER KIT	1							1
16	2	198220-17280	CAP ASSY, CYLINDER	1							
17	3	198220-17330	GASKET, 18	1							
18	3	198071-72670	SEAL, DUST 18	1							
19	3	24315-000340	O-RING, 1BP34.0	1							
20	3	24550-018200	BUSH, 18X20	1							
21	2	198251-17351	TUBE ASSY, CYLINDER	1							
22	2	198220-17410	ROD ASSY	1							
23	2	198071-72750	PISTON, CYLINDER	1							
24	2	172156-72340	BEARING	2							
25	2	172156-72330	PACKING	1							
26	2	194065-38380	ADAPTER, 1/4	2							
27	2	22207-040320	RING, 40X3.2	1							
28	2	22242-000360	RING, 36	1							
29	2	24315-000180	O-RING, 1BP18.0	1							
30	2	24761-060000	NIPPLE, GREASE MT6X1	1							
31	2	26996-140002	NUT, LOCK M14	1							

Remarks

(1)No.13 : Serial No. to 00400, No.2 : Serial No. from 00401.
No.13 is interchangeable with No.2.

N:Old $\xrightarrow{\text{Yes}}$ New, Q:Old $\xrightarrow{\text{No}}$ New, R:Old $\xrightarrow{\text{Yes}}$ New, S:Old $\xrightarrow{\text{No}}$ New, W:Add, Z:Discontinued, F:Interchangeable by set, K:Qty Change

Fig.25. P.S.T. VALVE

(A)=EF453T

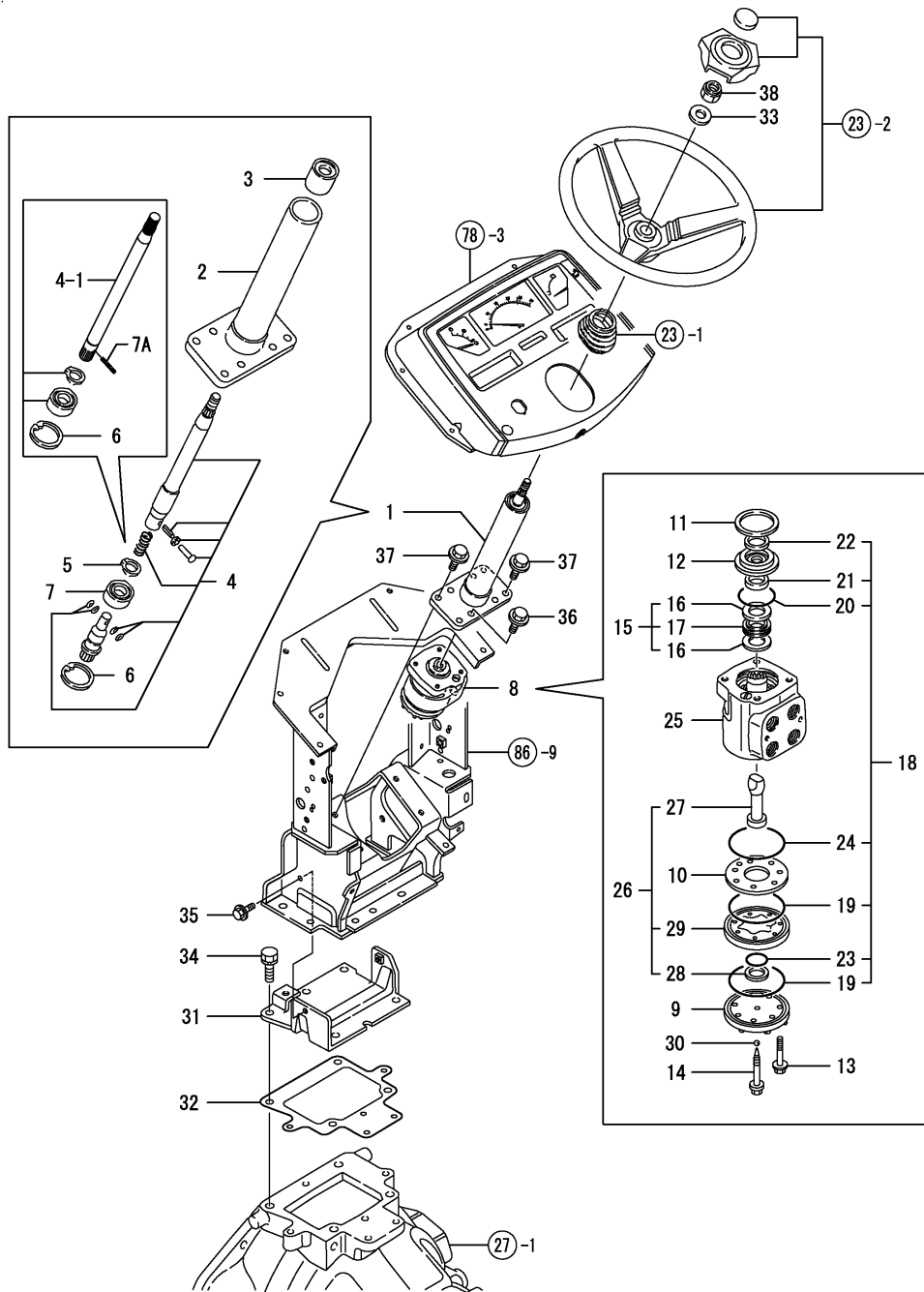
(B)=

(C)=

(D)=

(E)=

(F)=



No.	Lev.	Parts No.	Description	Qty						I	R
				(A)	(B)	(C)	(D)	(E)	(F)		
1	1	198230-17301	COLUMN ASSY,STEERING	1							
1-1	1	1A7780-17300	COLUMN ASSY,STEERING	1							R
(A=F005927)											
2	2	198230-17311	COLUMN ASSY,STEERING	1							
3	2	194640-17340	BUSH, COLUMN	1							
4	2	198230-17340	SHAFT ASSY	1							
4-1	2	1A7780-17370	SHAFT, STEERING 1	1							R
(A=F005927)											
5	2	22242-000200	RING, 20	1							Z
(A=FZZZZZ)											
6	2	22252-000420	RING, 42	1							
7	2	24104-060040	BEARING, 6004UUC3	1							Z
(A=FZZZZZ)											
7A	2	22351-040025	PIN, SPRING 4.0X25	1							W
(A=F005927)											
8	1	198251-17500	VALVE ASSY, STEERING	1							
9	2	194337-17220	CAP, END	1							
10	2	194337-17251	PLATE, SPACER	1							
11	2	194337-17390	RING, RETAINING	1							
12	2	194337-17400	BUSH, SEAL GRAND	1							
13	2	198220-17610	SCREW	6							
14	2	198220-17620	SCREW ASSY, RETAINER	1							
15	2	198153-17630	BEARING ASSY, NEEDLE	1							
16	3	194337-17340	BEARING, RACE	2							
17	3	194337-17350	NEEDLE, THRUST	1							
18	2	198220-17642	SEAL KIT	1							
19	3	194337-17330	O-RING	2							
20	3	194337-17360	O-RING	1							
21	3	194337-17370	SEAL, OIL	1							
22	3	194337-17380	SEAL, DUST	1							
23	3	198390-17670	O-RING	1							
24	3	198220-17680	O-RING	1							
25	2	198220-17651	VALVE ASSY, CONTROL	1							
26	2	198220-17660	DRIVE ASSY, GIROTOR	1							
27	3	198220-17631	GEROTOR	1							
28	3	198390-17660	PLUG	1							
29	3	198220-17670	DRIVE	1							
30	2	24190-070001	BALL, STEEL 7/32	1							
31	1	198240-17870	COVER, HOUSING	1							
32	1	198327-21150	PACKING, CLUTCH	1							
33	1	22137-160000	WASHER, 16	1							
34	1	26013-120202	BOLT, M12X 20	4							
35	1	26106-080162	BOLT, M8X 16 PLATED	2							
36	1	26106-100202	BOLT, M10X 20 PLATED	4							
37	1	26106-100202	BOLT, M10X 20 PLATED	4							
38	1	26356-160002	NUT, M16	1							
38-1	1	1A7260-85510	NUT, M16	1							R
(A=FXXXXX)											

Fig.26. P.S.T. PIPING

(A)=EF453T

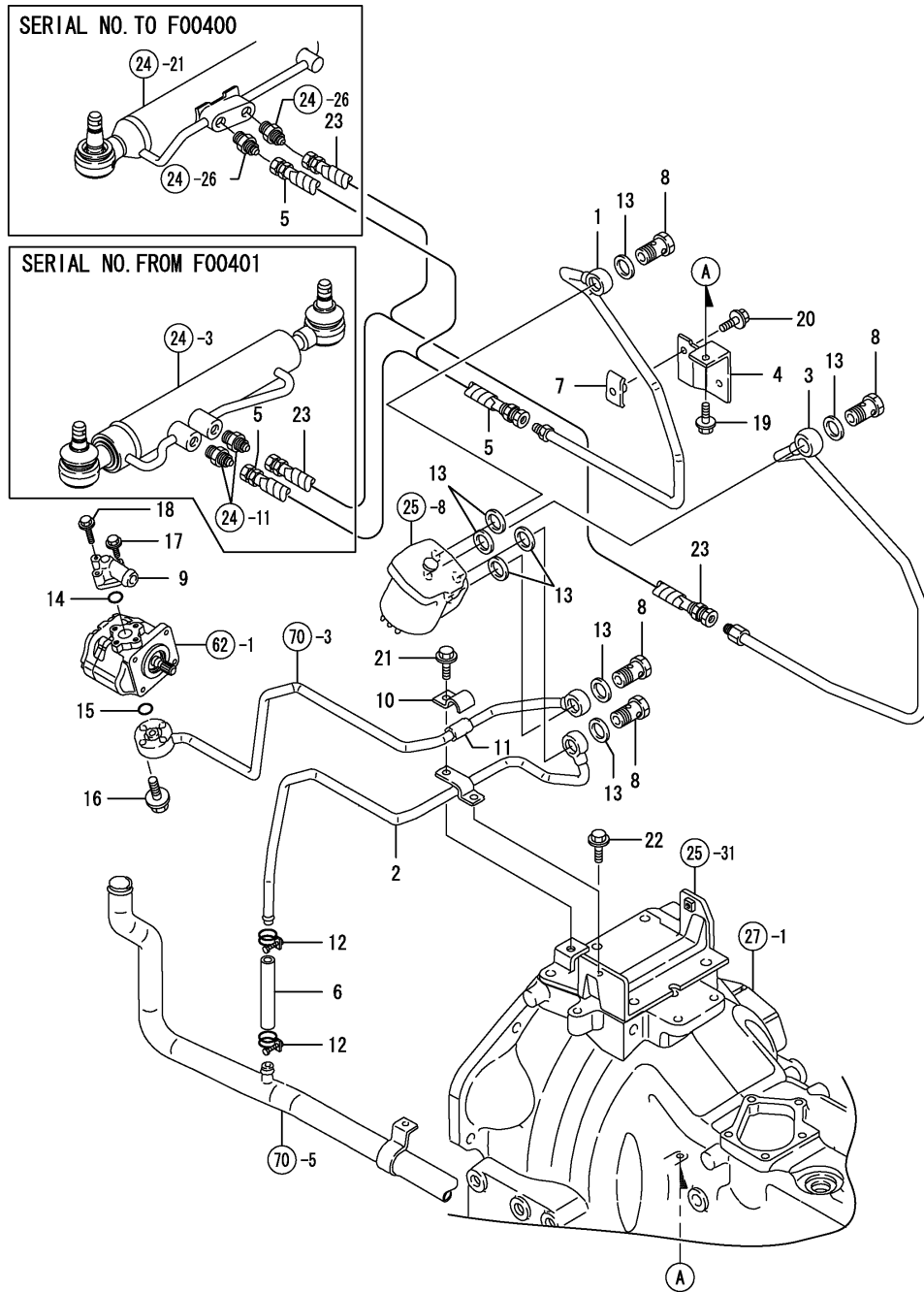
(B)=

(C)=

(D)=

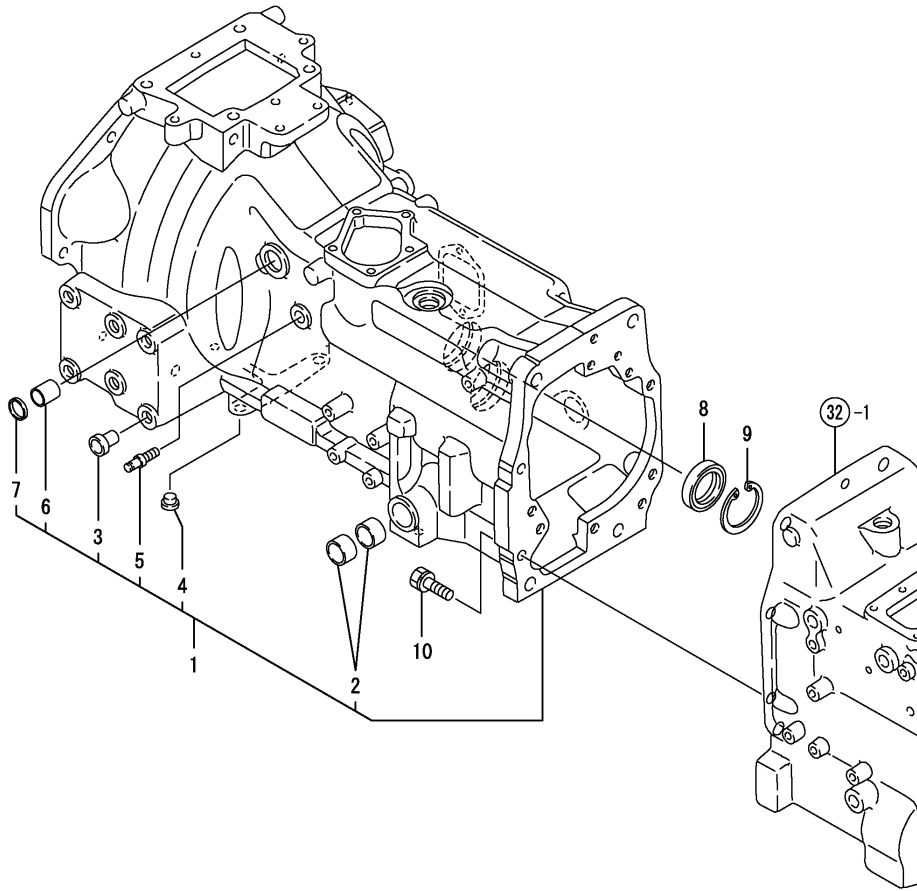
(E)=

(F)=



No.	Lev.	Parts No.	Description	Q'ty						I	R
				(A)	(B)	(C)	(D)	(E)	(F)		
1	1	198253-17700	PIPE, PRESSURE L	1							
1-1	1	198253-17700-1	PIPE, PRESSURE L	1							R
(A=F007815)											
2	1	198253-17750	PIPE, PRESSURE T	1							
2-1	1	198253-17750-1	PIPE, PRESSURE T	1							R
(A=F007815)											
3	1	1A7780-17780	PIPE, PRESSURE R	1							
3-1	1	1A7780-17780-1	PIPE, PRESSURE R	1							R
(A=F007815)											
4	1	198240-17840	BRACKET	1							
5	1	198250-17850	HOSE, 450	1							
6	1	194556-17870	HOSE, RETURN RUBBER	1							
7	1	198220-46560	CLAMP, PIPE 12	1							
8	1	198245-46680	BOLT, M3/4-16	4							
9	1	198220-48140	FLANGE, PIPE P	1							
10	1	194450-48830	CLAMP	1							
11	1	194464-48850	RUBBER, ABSORBER	1							
12	1	23010-018000	CLAMP, 18	2							
13	1	23414-190000	GASKET, 19X1.0	8							
14	1	24311-000200	O-RING, 1AP20.0	1							
15	1	24311-000200	O-RING, 1AP20.0	1							
16	1	26018-060352	BOLT, M6X 35	4							
17	1	26106-060202	BOLT, M6X 20 PLATED	1							
18	1	26106-060402	BOLT, M6X 40 PLATED	2							
19	1	26106-080162	BOLT, M8X 16 PLATED	1							
20	1	26106-080162	BOLT, M8X 16 PLATED	1							
21	1	26106-080202	BOLT, M8X 20 PLATED	1							
22	1	26106-080202	BOLT, M8X 20 PLATED	1							
23	1	198251-17850	HOSE, 350	1							

Fig.27. CLUTCH HOUSING



(A)=EF453T
(B)=
(C)=

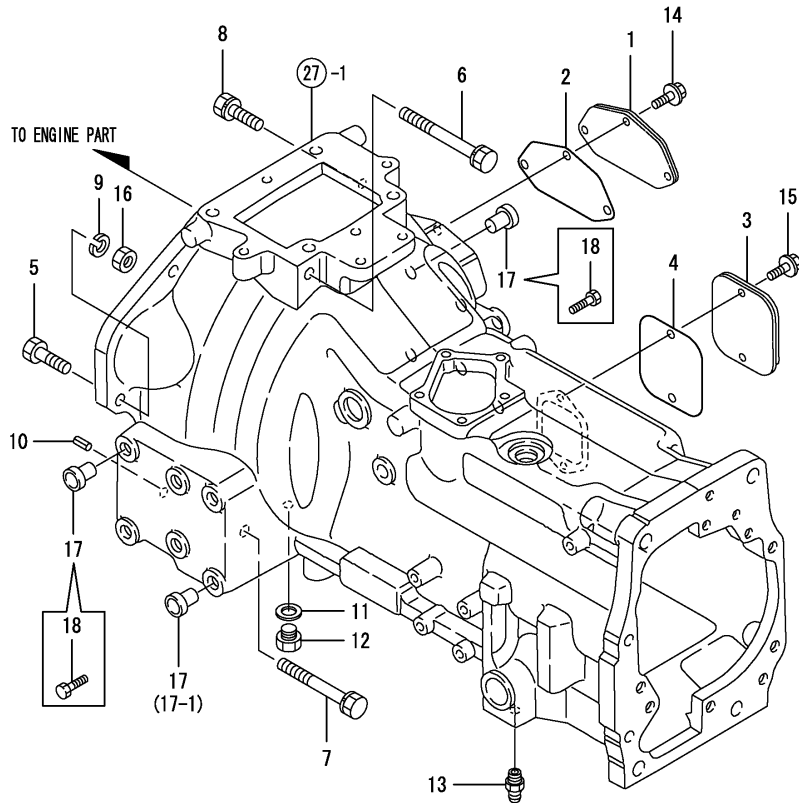
(D)=
(E)=
(F)=

No.	Lev.	Parts No.	Description	Q'ty						I	R
				(A)	(B)	(C)	(D)	(E)	(F)		
1	1	1A7780-21100	HOUSING ASSY, CLUTCH	1							
1-1	1	1A7780-21100-2	HOUSING ASSY, CLUTCH	1							R
(A=F007815)											
2	2	194740-06080	BUSH, 25X30X18	4							
3	2	194450-11190	PLUG, 15.0	11							
4	2	194150-21910	PLUG, 11.2	4							
5	2	194150-22250	PIN, HOOK	2							
5-1	1	194150-22250-1	PIN, HOOK	2							R
(A=F007815)											
6	2	194680-22280	BUSH, 20X26X22	2							
7	2	194680-22290	SEAL, OIL G202604	2							
8	1	198240-25180	SEAL, OIL TC4 05812	1							
9	1	22252-000620	RING, 62	1							
10	1	26013-120402	BOLT, M12X 40	2							

Fig.28. DOCKING BOLT

(A)=EF453T
(B)=
(C)=

(D)=
(E)=
(F)=



No.	Lev.	Parts No.	Description	Q'ty						I	R
				(A)	(B)	(C)	(D)	(E)	(F)		
1	1	198327-21130	COVER, HOUSING A	1							
2	1	198327-21140	PACKING, COVER A	1							
3	1	198327-21180	COVER, HOUSING B	1							
4	1	198327-21190	PACKING, COVER B	1							
5	1	198240-21220	BOLT, M12X40	1							
6	1	198240-21250	BOLT, M12X170	2							
7	1	198240-21260	BOLT, M12X100	2							
8	1	198240-21270	BOLT, M12X30	3							
9	1	22217-120000	WASHER, SPRING 12	2							
10	1	22351-080018	PIN, SPRING 8.0X18	2							
11	1	23414-100000	GASKET, 10X1.0	1							
12	1	23887-100002	PLUG, 10	1							
13	1	24761-020000	NIPPLE, GREASE PT1/8	2							
14	1	26106-080162	BOLT, M8X 16 PLATED	3							
15	1	26106-080162	BOLT, M8X 16 PLATED	2							
16	1	26716-120002	NUT, M12	2							
17	1	194450-11190	PLUG, 15.0	11							
17-1	1	194450-11190	PLUG, 15.0	9							K
(A=F003008)											
18	1	26116-160302	BOLT, M16X 30 PLATED	2							W
(A=F003008)											

Fig.29. SINGLE CLUTCH

(A)=EF453T
(B)=
(C)=

(D)=
(E)=
(F)=

No.	Lev.	Parts No.	Description	Q'ty						I	R
				(A)	(B)	(C)	(D)	(E)	(F)		
1	1	198440-21401	DISK, CLUTCH	1							
2	1	198440-21700	PLATE, PRESSURE	1							
3	1	22351-080018	PIN, SPRING 8.0X18	3							
4	1	26106-080162	BOLT, M8X 16 PLATED	9							

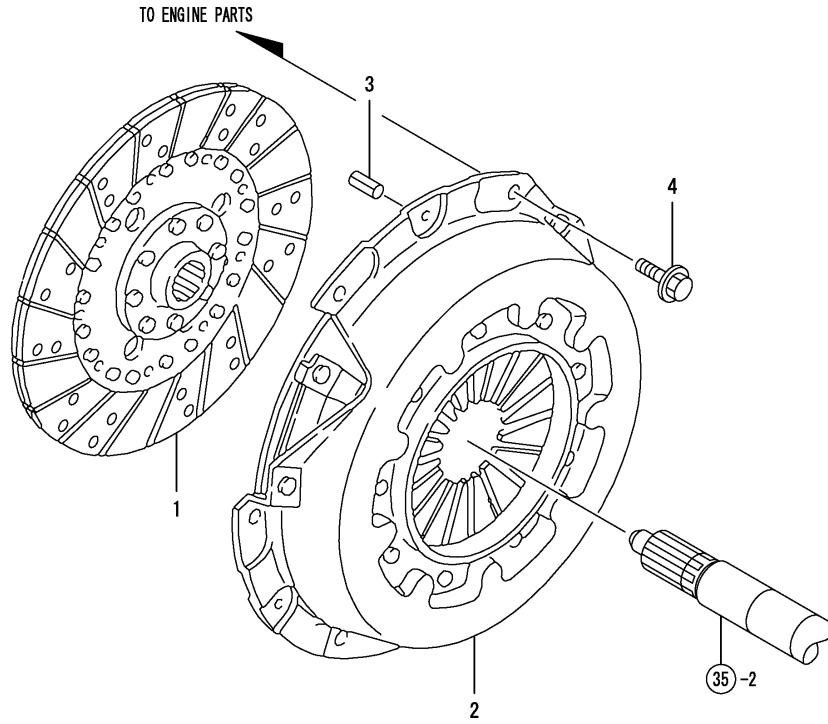
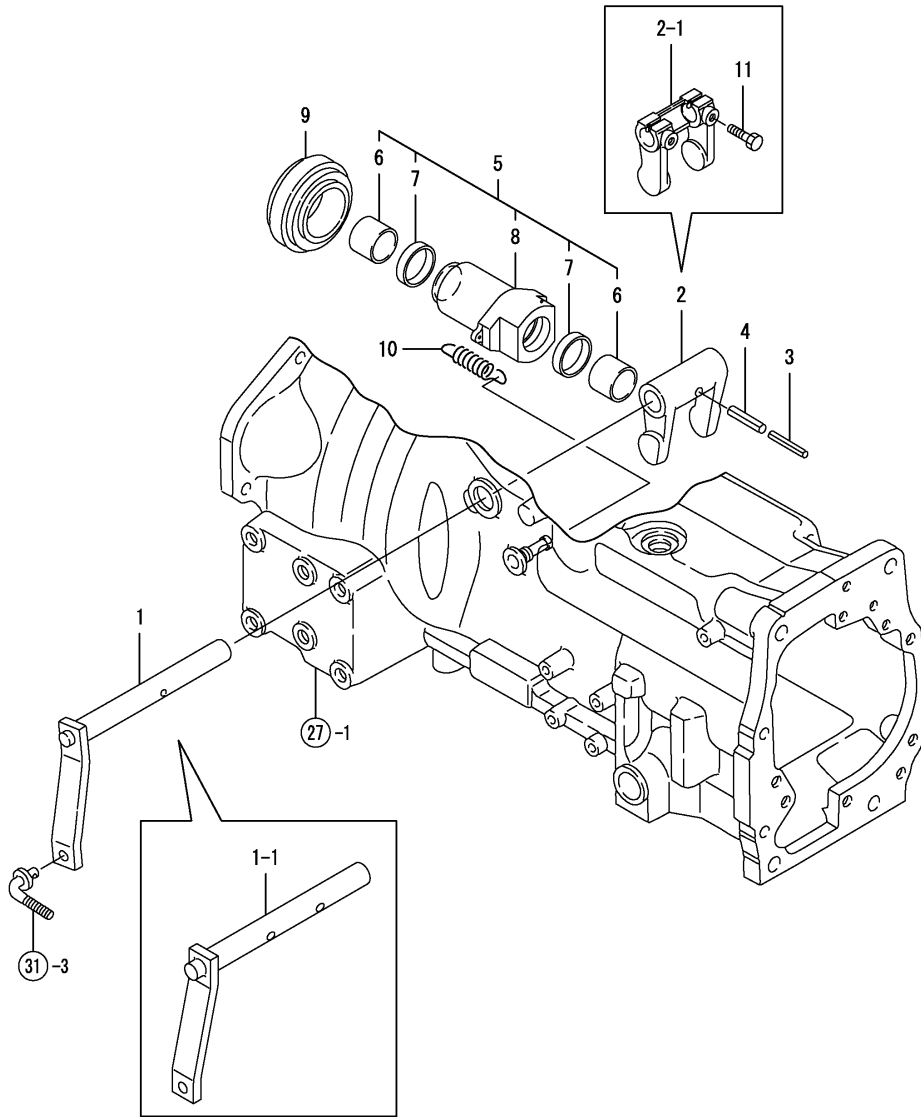


Fig.30. CLUTCH RELEASE

(A)=EF453T
(B)=
(C)=

(D)=
(E)=
(F)=

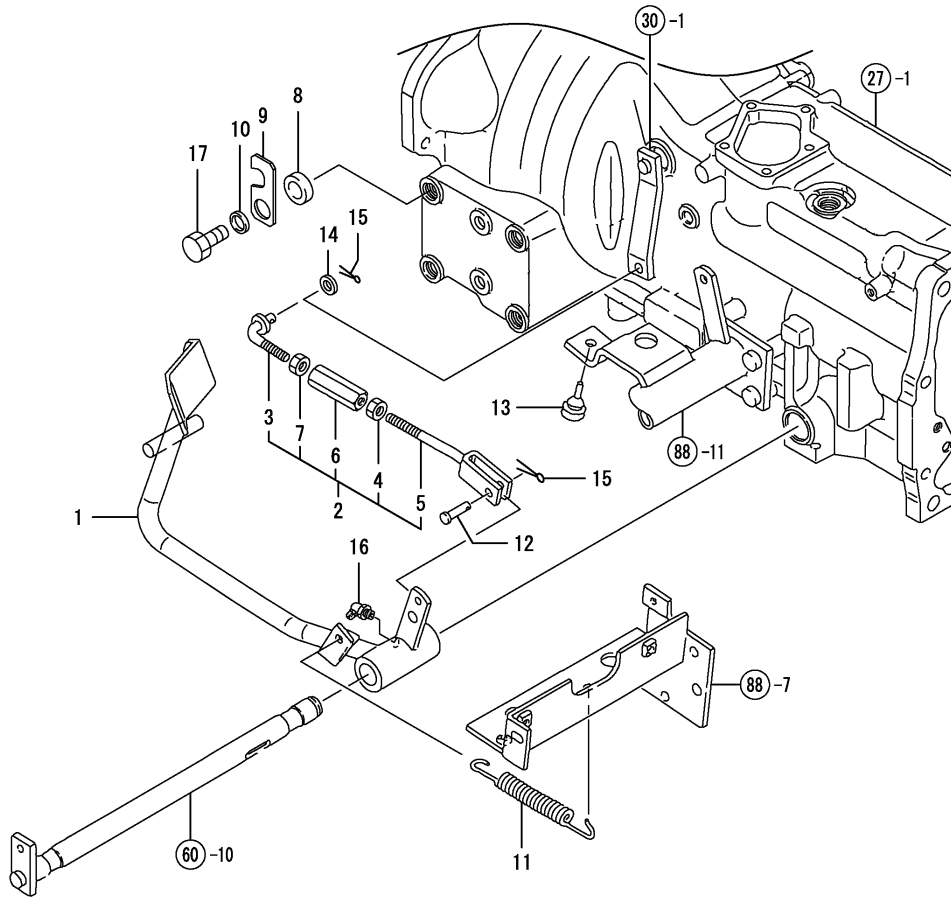


No.	Lev.	Parts No.	Description	Q'ty						I	R
				(A)	(B)	(C)	(D)	(E)	(F)		
1	1	198240-22251	SHAFT, RELEASE	1							
1-1	1	1A7780-22251	SHAFT,CLUTCH RELEASE	1							S
(A=F002322)											
1-2	1	1A7780-22251-1	SHAFT,CLUTCH RELEASE	1							R
(A=F007815)											
2	1	198240-22280	YOKE, CLUTCH SHIFT	1							
2-1	1	198149-22280	YOKE, CLUTCH SHIFT	1							S
(A=F002322)											
3	1	22351-050040	PIN, SPRING 5.0X40	1							Z
(A=F002322)											
4	1	22351-080040	PIN, SPRING 8.0X40	1							Z
(A=F002322)											
5	1	1A7780-22210	SLEEVE ASSY, BEARING	1							
6	2	194145-21121	BUSH, 32X38X30	2							
7	2	1A7780-22170	FELT, 10X132	2							
8	2	1A7780-22220	SLEEVE, BEARING	1							
9	1	194680-22230	BEARING, TK45-4BU3	1							
10	1	198327-22230	SPRING, RETURN	2							
11	1	198071-22320	BOLT, M8X40	2							W
(A=F002322)											

Fig.31. CLUTCH PEDAL

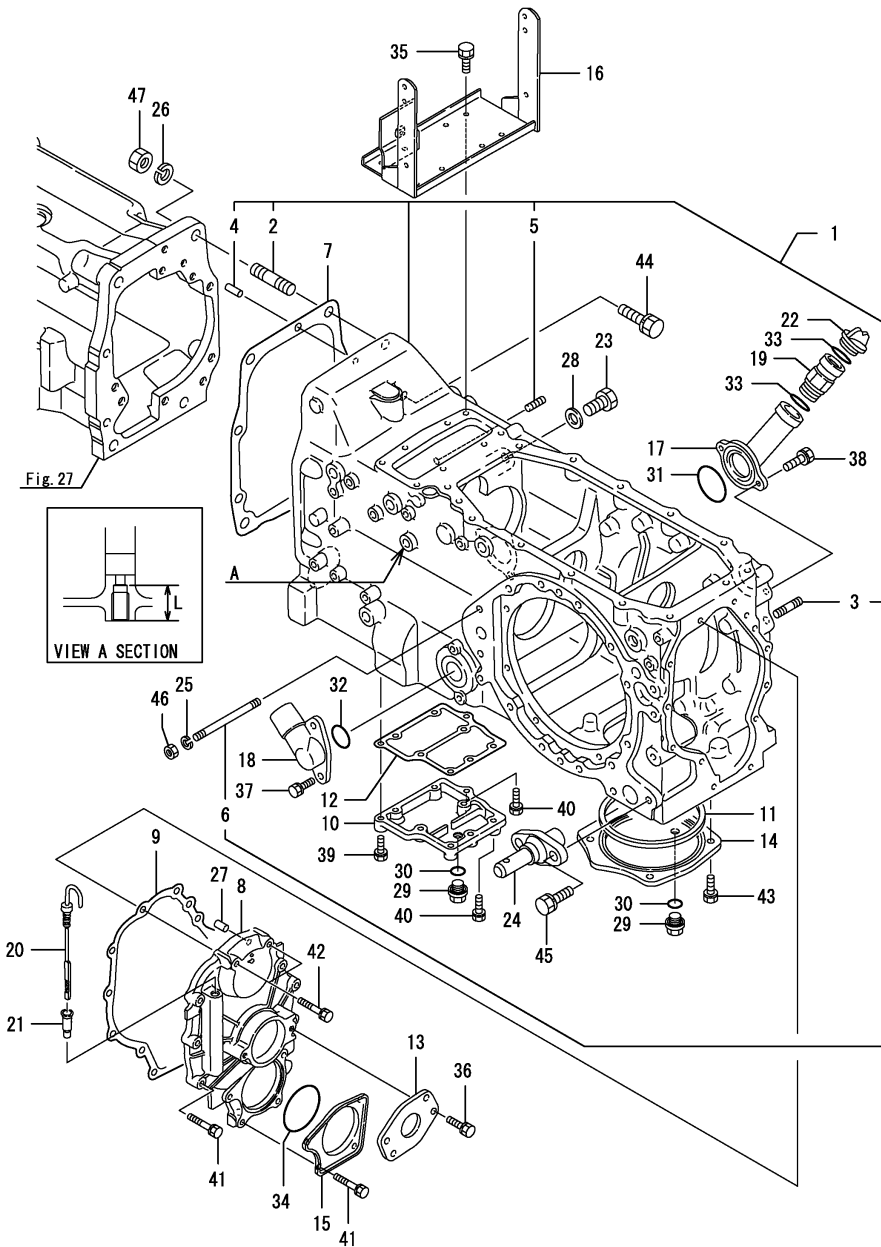
(A)=EF453T
(B)=
(C)=

(D)=
(E)=
(F)=



No.	Lev.	Parts No.	Description	Q'ty						I	R
				(A)	(B)	(C)	(D)	(E)	(F)		
1	1	1A7780-22410	PEDAL, CLUTCH	1							
1-1	1	1A7780-22410-1	PEDAL, CLUTCH	1							R
(A=F007815)											
2	1	1A7780-22470	ROD KIT, CLUTCH	1							
2-1	1	798240-22470	ROD KIT, CLUTCH	1							R
(A=F006676)											
3	2	198240-22470	ROD, CLUTCH	1							
4	2	194150-22480	NUT, M10 L	1							
5	2	198240-22550	ROD, CLUTCH	1							
6	2	194130-37730	TURNBUCKLE	1							
6-1	2	194300-22260	TURNBUCKLE, M10	1							R
(A=F006676)											
7	2	26716-100002	NUT, M10	1							
8	1	198327-22910	COLLAR, 18X30X9	1							
9	1	1A7100-22920	LOCK, CLUTCH PEDAL	1							
10	1	198327-22930	COLLAR, 16.1X21.7X4	1							
11	1	198240-37510	SPRING, RETURN	1							
12	1	198220-37900	PIN, 8X24	1							
13	1	194330-62530	STOPPER, PEDAL	1							
14	1	22137-100000	WASHER, 10	1							
15	1	22417-250300	PIN, COTTER 2.5X30	2							
16	1	24761-040000	NIPPLE, GREASE B	1							
17	1	26116-160302	BOLT, M16X 30 PLATED	1							

Fig.32. TRANSMISSION CASE



(A)=EF453T
(B)=
(C)=

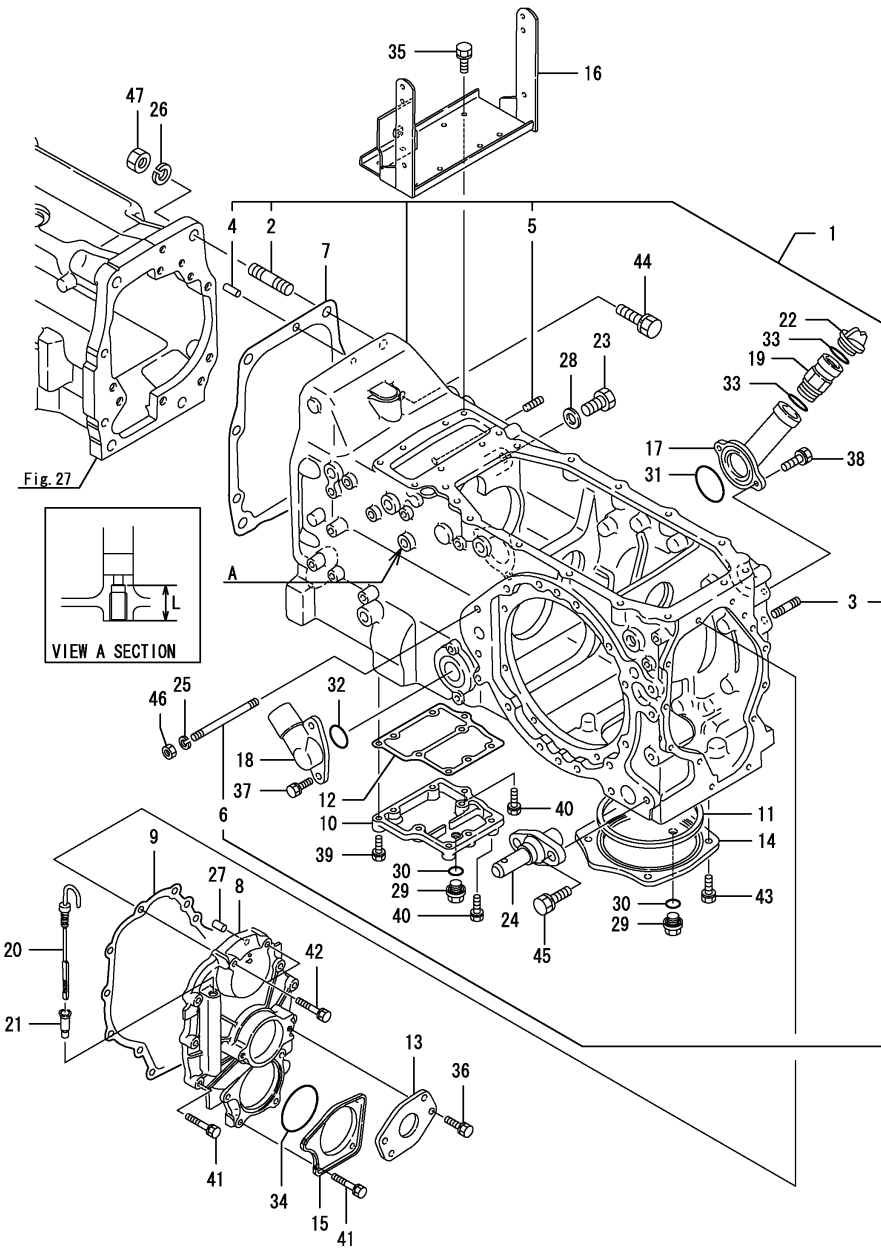
(D)=
(E)=
(F)=

No.	Lev.	Parts No.	Description	Q'ty						I	R
				(A)	(B)	(C)	(D)	(E)	(F)		
1	1	198149-24101	CASE ASSY, TRANSMISS	1							
1-1	1	198149-24101-1	HOUSING ASSY	1							R
(A=F007815)											
1-2	1	198149-24102-1	HOUSING ASSY	1							S 1
(A=FZZZZZ)											
1-3	1	1A7780-24100	HOUSING ASSY, XMSN.	1							N
(A=FZZZZZ)											
2	2	198240-24120	STUD, M16X45	4							
3	2	198240-24530	STUD, M12X45	2							
4	2	22312-100180	PIN, PARALLEL M10X18	2							
5	2	26218-080202	STUD, M8X 20	2							
6	2	26218-100902	STUD, M10X 90	2							
7	1	198240-24140	PACKING, MISSION	1							
8	1	198327-24240	COVER, REAR	1							
8-1	1	198327-24240-1	COVER, REAR	1							R
(A=F007815)											
9	1	198240-24320	PACKING	1							
10	1	198133-24370	COVER, FRONT DRIVE	1							
10-1	1	198133-24370-1	COVER, FRONT DRIVE	1							R
(A=F007815)											
11	1	198133-24380	PACKING, 140X3	1							
12	1	198138-24390	PACKING	1							
13	1	198255-24460-2	PLATE, OIL SEAL	1							
13-1	1	198255-24460	PLATE, OIL SEAL	1							R
(A=F007815)											
14	1	198240-24480	COVER, PTO	1							
14-1	1	198240-24480-1	COVER, PTO	1							R
(A=F007815)											
15	1	198240-24510	COVER, REAR COVER	1							
15-1	1	198240-24510-1	COVER, REAR COVER	1							R
(A=F007815)											
16	1	198240-24682	COVER, MISSION CASE	1							
16-1	1	198240-24682-1	COVER, MISSION CASE	1							R
(A=F007815)											
16-2	1	1A7781-24680	COVER, MISSION CASE	1							R
(A=FXXXXX)											
17	1	198240-24690	NECK, FILLER	1							
17-1	1	198240-24690-2	CAP ASSY	1							R
(A=F007815)											
18	1	198240-24920	FLANGE, PIPE S	1							
18-1	1	198240-24920-1	FLANGE, PIPE S	1							R
(A=F007815)											
19	1	194215-24960	PIPE	1							
20	1	194850-24960	GAUGE ASSY, LEVEL	1							
21	1	119860-34810	GUIDE, DIPSTICK	1							
22	1	194850-42500	CAP, OIL M33	1							
23	1	198220-45920	PLUG, 3/4-16UNF	1							
24	1	194640-73180	PIN, LOWER LINK	2							
25	1	22217-100000	WASHER, SPRING 10	2							Z
(A=F006495)											
26	1	22217-160000	WASHER, SPRING 16	4							

Remarks

(1)L=No.1 & 1-1 : 25mm, 1-2 : 20mm.

Fig.32. TRANSMISSION CASE



(A)=EF453T

(B)=

(C)=

(D)=

(E)=

(F)=

No.	Lev.	Parts No.	Description	Q'ty						I	R
				(A)	(B)	(C)	(D)	(E)	(F)		
27	1	22312-100180	PIN, PARALLEL M10X18	2							
28	1	23414-190000	GASKET, 19X1.0	1							
29	1	23491-140002	PLUG, 14	2							
30	1	24311-000160	O-RING, 1AP16.0	2							
31	1	24311-000500	O-RING, 1AP50.0	1							
32	1	24321-000300	O-RING, 1AG30.0	1							
33	1	24321-000300	O-RING, 1AG30.0	2							
34	1	24321-000750	O-RING, 1AG75.0	1							
35	1	26013-080162	BOLT, M8X 16	8							
36	1	26013-080162	BOLT, M8X 16	2							
36-1	1	26106-080162	BOLT, M8X 16 PLATED	2							R
(A=F006495)											
37	1	26013-080202	BOLT, M8X 20	2							
38	1	26013-080202	BOLT, M8X 20	2							
39	1	26013-080252	BOLT, M8X 25	5							
40	1	26013-080302	BOLT, M8X 30	4							
41	1	26013-080352	BOLT, M8X 35	10							
41-1	1	26106-080352	BOLT, M8X 35 PLATED	10							R
(A=F006495)											
42	1	26013-080502	BOLT, M8X 50	2							
43	1	26013-100252	BOLT, M10X 25	4							
43-1	1	26106-100252	BOLT, M10X 25 PLATED	4							R
(A=F006495)											
44	1	26013-120402	BOLT, M12X 40	2							
45	1	26013-140352	BOLT, M14X 35	4							
46	1	26716-100002	NUT, M10	2							
46-1	1	26366-100002	NUT, M10	2							N
(A=F006495)											
47	1	26716-160002	NUT, M16	4							

Remarks

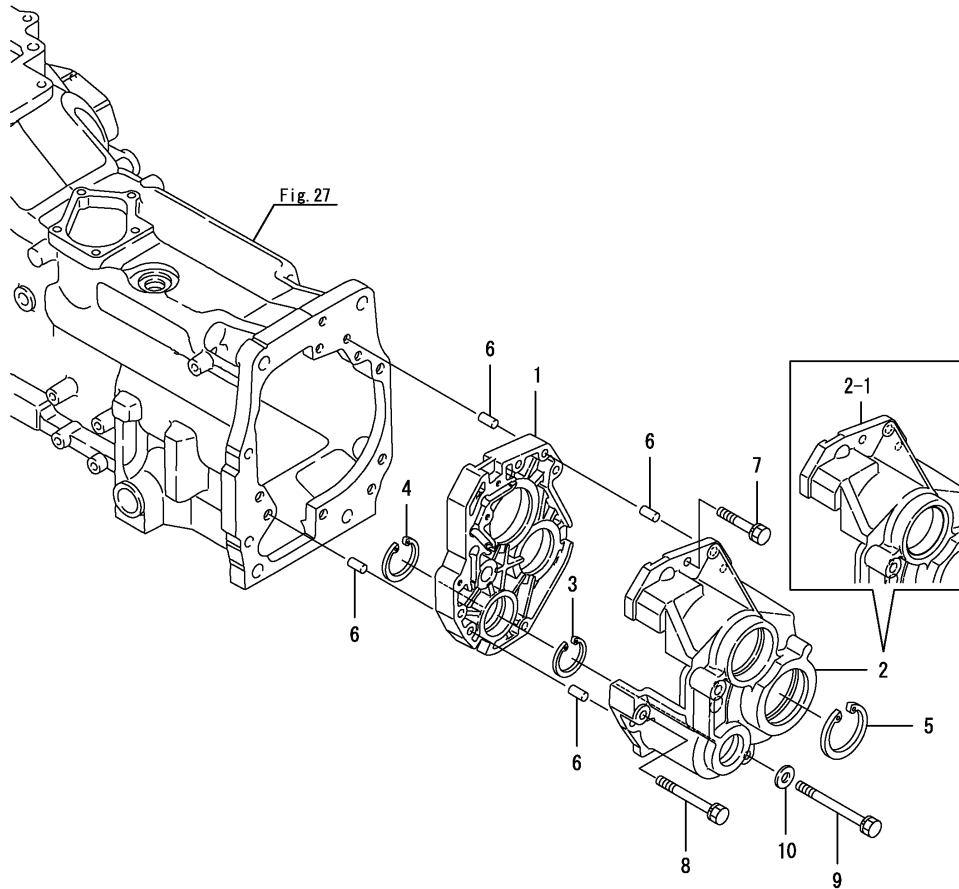
(1)L=No.1 & 1-1 : 25mm, 1-2 : 20mm.

N:Old $\begin{matrix} \leftarrow \text{Yes} \\ \text{No} \end{matrix}$ New, Q:Old $\begin{matrix} \leftarrow \text{No} \\ \text{Yes} \end{matrix}$ New, R:Old $\begin{matrix} \leftarrow \text{Yes} \\ \text{Yes} \end{matrix}$ New, S:Old $\begin{matrix} \leftarrow \text{No} \\ \text{No} \end{matrix}$ New, W:Add, Z:Discontinued, F:Interchangeable by set, K:Q'ty Change

Fig.33. CENTER PLATE

(A)=EF453T
(B)=
(C)=

(D)=
(E)=
(F)=



No.	Lev.	Parts No.	Description	Q'ty						I	R
				(A)	(B)	(C)	(D)	(E)	(F)		
1	1	198133-24361	PLATE, CENTER	1							
2	1	198133-25310	RETAINER, BEARING	1							
2-1	1	198133-25311	RETAINER, BEARING	1							S
(A=F006676)											
3	1	22252-000470	RING, 47	1							
4	1	22252-000620	RING, 62	1							
5	1	22252-000800	RING, 80	1							
6	1	22312-100200	PIN, PARALLEL M10X20	4							
7	1	26013-100552	BOLT, M10X 55	2							
7-1	1	26106-100502	BOLT, M10X 50 PLATED	2							R
(A=F006495)											
8	1	26013-100852	BOLT, M10X 85	1							
8-1	1	26106-100802	BOLT, M10X 80 PLATED	1							R
(A=FXXXXXX)											
9	1	26013-101502	BOLT, M10X150	1							
10	1	22117-100000	WASHER, 10	1							W
(A=FXXXXXX)											

Fig.34. OIL STRAINER

(A)=EF453T
(B)=
(C)=

(D)=
(E)=
(F)=

No.	Lev.	Parts No.	Description	Q'ty						I	R
				(A)	(B)	(C)	(D)	(E)	(F)		
1	1	198240-24900	COVER, STRAINER	1							
1-1	1	198240-24900-1	COVER, STRAINER	1							R
(A=F007815)											
2	1	194322-24980	PLUG, 1-2NPT	1							
3	1	194275-48400	STRAINER, OIL	1							
4	1	24321-000650	O-RING, 1AG65.0	1							
5	1	26013-080202	BOLT, M8X 20	2							

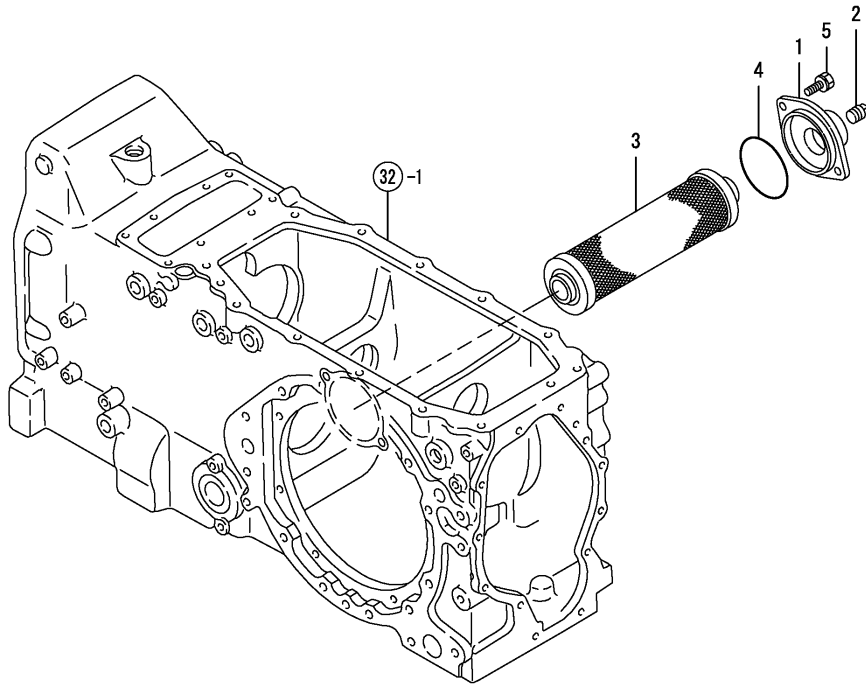


Fig.35. MAIN SHAFT

(A)=EF453T
(B)=
(C)=

(D)=
(E)=
(F)=

No.	Lev.	Parts No.	Description	Q'ty						I	R
				(A)	(B)	(C)	(D)	(E)	(F)		
1	1	194274-22090	SLEEVE, SI 35X40X17	1							
2	1	1A7780-22120	SHAFT, DRIVE	1							
2-1	1	1A7780-22121	SHAFT, MAIN DRIVE	1							N
(A=F003081)											
3	1	198240-25220	GEAR, MAIN 21	1							
4	1	198133-25230	GEAR, MAIN 27	1							
5	1	198133-25240	GEAR, MAIN 33	1							
6	1	1A7780-25270	HOLDER, BEARING	1							
7	1	194312-25470	SPACER, 30X40X2	1							
8	1	22242-000340	RING, 34	2							
9	1	24101-060074	BEARING, BALL 6007	1							
10	1	24101-062064	BEARING, BALL 6206	1							

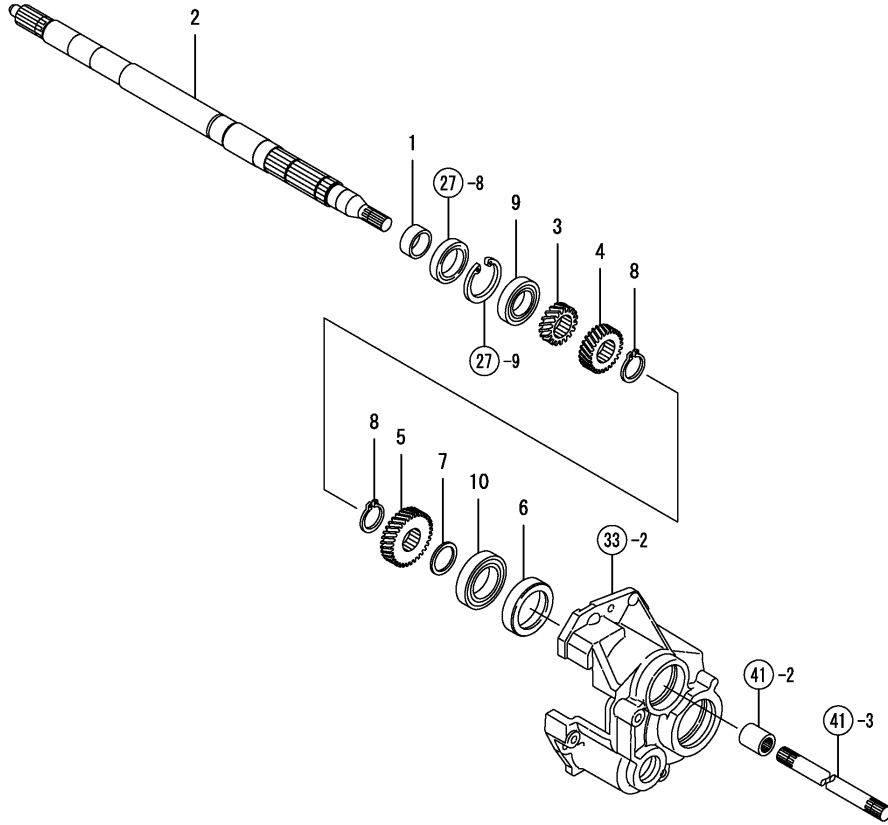


Fig.36. DRIVE SHAFT

(A)=EF453T

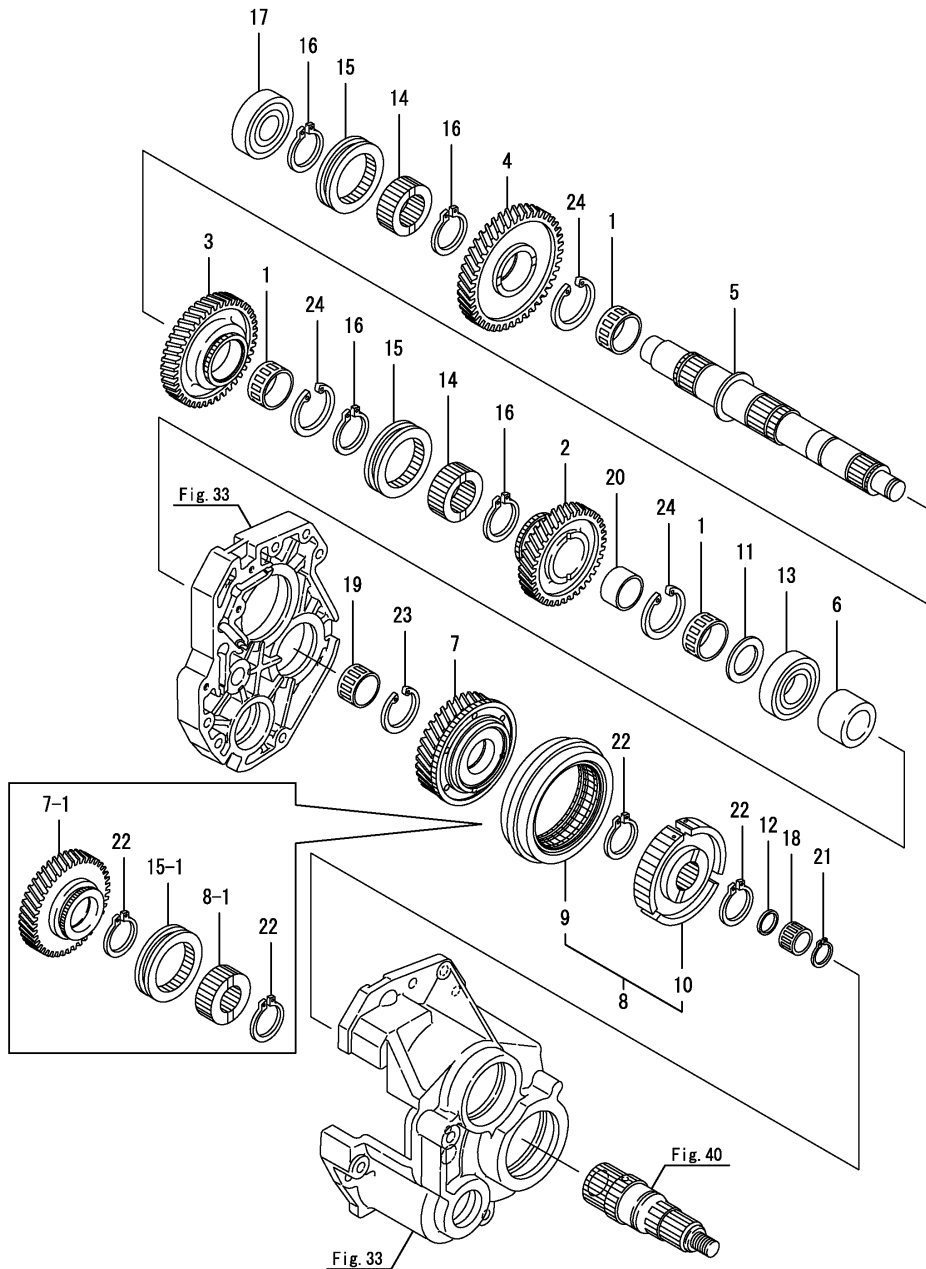
(B)=

(C)=

(D)=

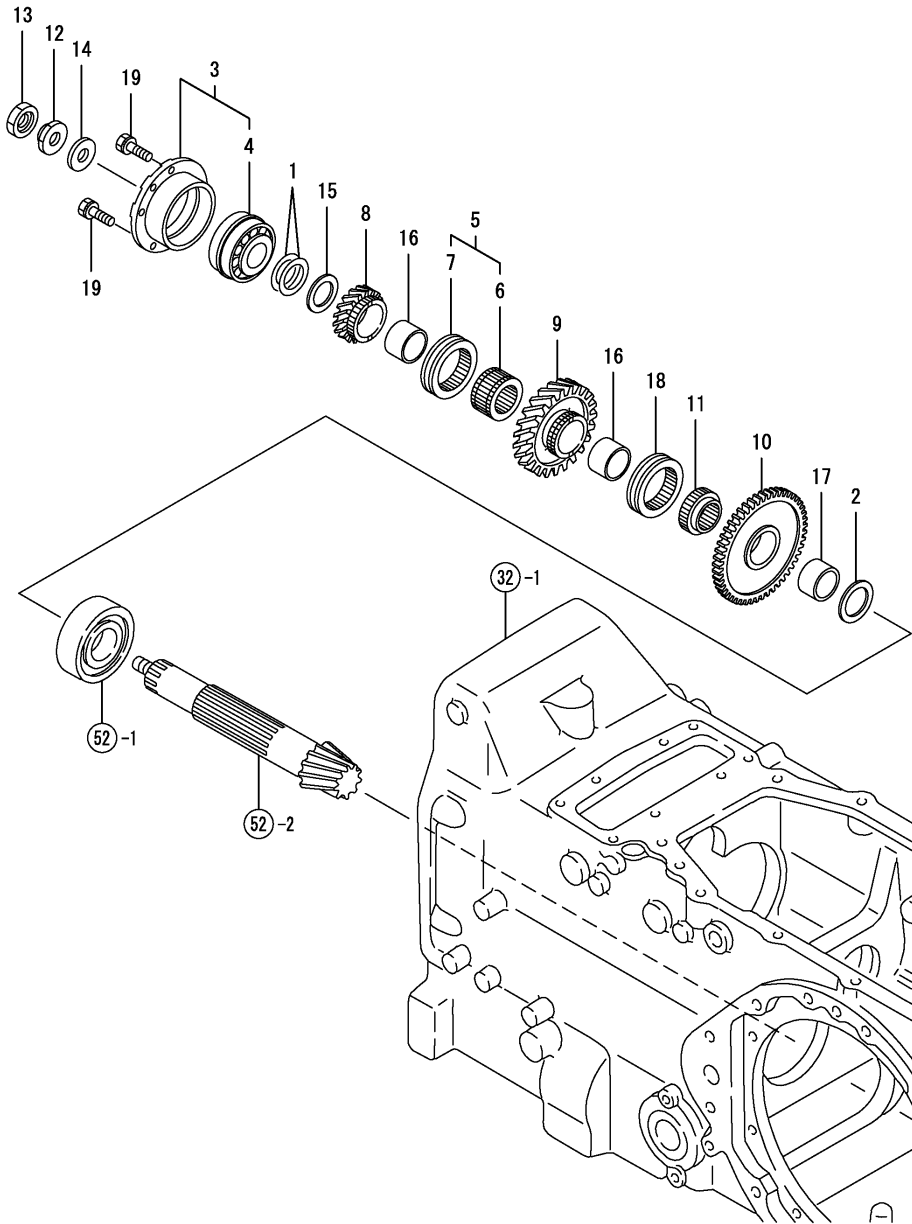
(E)=

(F)=



No.	Lev.	Parts No.	Description	Q'ty						I	R
				(A)	(B)	(C)	(D)	(E)	(F)		
1	1	194250-25240	BEARING, 354019	3							
2	1	1A7780-25460	GEAR, DRIVEN 41	1							
3	1	1A7780-25480	GEAR, DRIVE 49	1							
4	1	198240-25440	GEAR, DRIVEN 53	1							
5	1	198133-25451	SHAFT, DRIVEN	1							
6	1	198133-25761	COLLAR, 30X45X20	1							
7	1	198133-25822	GEAR ASSY, 44T	1							
7-1	1	1A7780-25820	GEAR, DRIVE 44	1							S
(A=FZZZZZ)											
8	1	198242-25830	SLIDER ASSY, SYNCHRO	1							
8-1	1	1A7780-26610	COLLAR, SPLINE	1							S
(A=FZZZZZ)											
9	2	198133-25841	SLIDER, SYNCHRO	1							Z
(A=FZZZZZ)											
10	2	198242-25950	HUB, SYNCHRO	1							Z
(A=FZZZZZ)											
11	1	194640-25860	WASHER, 30X45X3	1							
12	1	198133-25870	COLLAR, 20X24X3.5	1							
13	1	194640-26440	BEARING, BALL TMB206	1							
14	1	198360-26610	COLLAR, SPLINE	2							
15	1	194555-26620	SHIFTER	2							
15-1	1	194555-26620	SHIFTER	3							K
(A=FZZZZZ)											
16	1	22292-000340	RING, S-34	4							
17	1	24101-063054	BEARING, BALL 6305	1							
17-1	1	24107-063054	BEARING, BALL 6305ZZ	1							R
(A=FXXXXXX)											
18	1	24161-202617	BEARING, 202617	1							
19	1	24161-303520	BEARING, 303520	1							
20	1	24163-305200	RING, INNER 303520	1							
21	1	24164-000202	CIRCLIP, 20	1							
22	1	24164-000302	CIRCLIP, 30	2							
23	1	24165-000352	C-CIRCLIP 35H	1							
24	1	24165-000402	CIRCLIP, 40	3							

Fig.37. COUNTER SHAFT



(A)=EF453T
(B)=
(C)=

(D)=
(E)=
(F)=

No.	Lev.	Parts No.	Description	Q'ty						I	R
				(A)	(B)	(C)	(D)	(E)	(F)		
1	1	194301-12730	SHIM, 30X45X0.1	2							
2	1	194180-25550	WASHER, 35X50X3	1							
3	1	198149-25600	BEARING ASSY	1							
4	2	194464-25600	BEARING, 4T-30306DDB	1							
5	1	198149-25700	COLLAR ASSY, SPLINE	1							
6	2	198149-25780	COLLAR, SPLINE A	1							
7	2	198149-25890	SHIFTER	1							
8	1	198149-25740	GEAR, COUNTER 21	1							
9	1	198149-25750	GEAR, COUNTER 45	1							
10	1	198149-25760	GEAR, COUNTER 53	1							
11	1	198149-25790	COLLAR, SPLINE B	1							
12	1	198220-25830	NUT, LOCK M16	1							
13	1	198220-25840	NUT, LOCK M16	1							
14	1	198415-25840	SPACER, 16X38X4.5	1							
15	1	194640-25860	WASHER, 30X45X3	1							
16	1	198133-25860	BUSH, 34X40X26	2							
17	1	198149-25880	BUSH, 35X40X19	1							
18	1	198149-25890	SHIFTER	1							
19	1	26013-080252	BOLT, M8X 25	4							

Fig.38. REDUCTION SHAFT

(A)=EF453T
(B)=
(C)=

(D)=
(E)=
(F)=

No.	Lev.	Parts No.	Description	Q'ty						I	R
				(A)	(B)	(C)	(D)	(E)	(F)		
1	1	198149-25690	GEAR ASSY, REDUCTION	1							
2	2	24550-016150	BUSH, 16X15	1							
3	1	198133-25701	COLLAR, BEARING	1							
4	1	22242-000290	RING, 29	1							
5	1	24101-063044	BEARING, BALL 6304	1							
6	1	24101-063064	BEARING, BALL 6306	1							

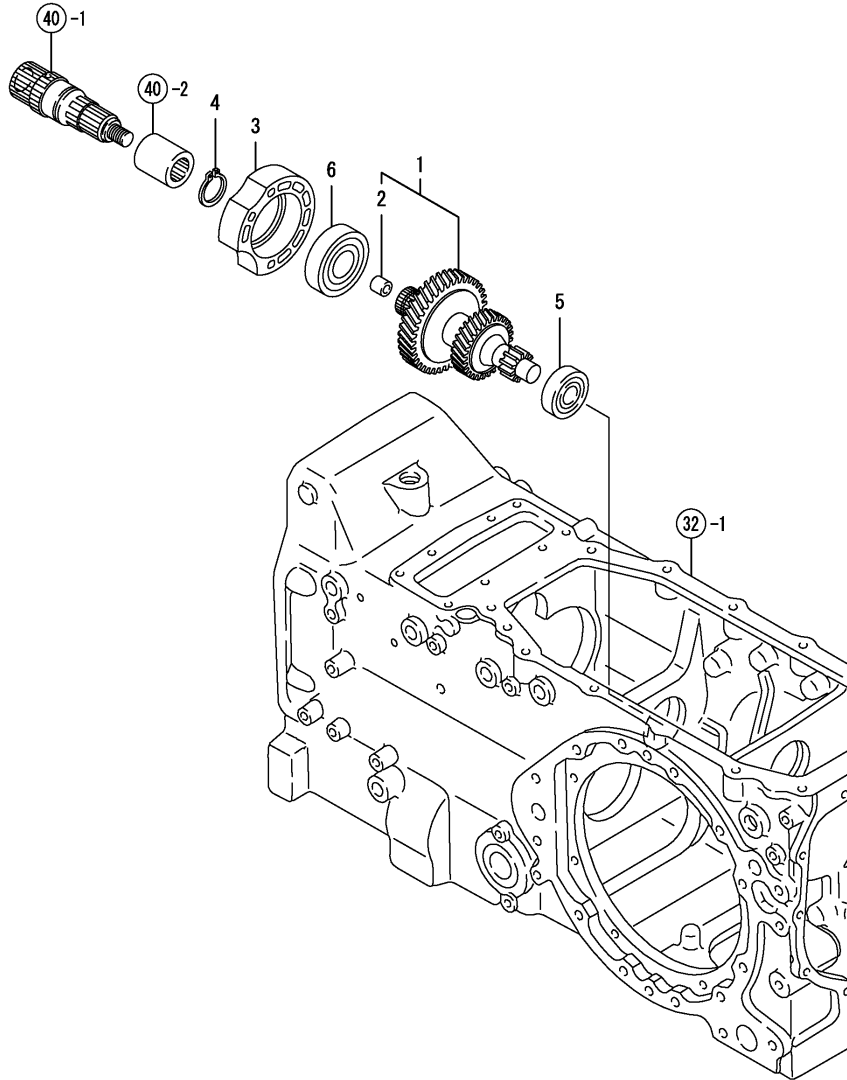


Fig.39. REVERSE GEAR

(A)=EF453T
(B)=
(C)=

(D)=
(E)=
(F)=

No.	Lev.	Parts No.	Description	Q'ty						I	R
				(A)	(B)	(C)	(D)	(E)	(F)		
1	1	198133-25832	GEAR ASSY, 48L	1							
1-1	1	1A7780-25830	GEAR, DRIVEN	1							S
(A=FZZZZZ)											
2	1	198133-25850	NEEDLE, 202615	2							
3	1	198133-25890	WASHER, 20X32X2	1							
4	1	198133-25911	GEAR, REVERSE IDLE	1							
5	1	198240-25930	WASHER, 17X32	1							
6	1	198133-25941	GEAR, REVERSE IDLE	1							
7	1	198133-25960	SHAFT, REVERSE IDLE	1							
8	1	198133-25970	PLATE, KEEP	1							
9	1	24101-062044	BEARING, BALL 6204	2							
10	1	26013-080202	BOLT, M8X 20	1							
10-1	1	26106-080162	BOLT, M8X 16 PLATED	1							R
(A=F006495)											

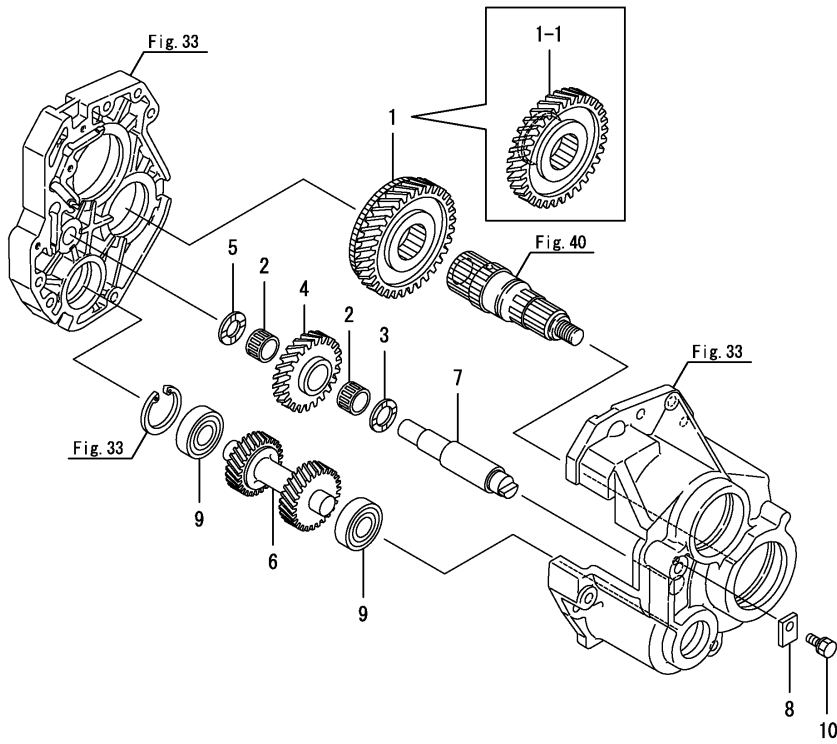


Fig.40. CONNECTING SHAFT

(A)=EF453T
(B)=
(C)=

(D)=
(E)=
(F)=

No.	Lev.	Parts No.	Description	Q'ty						I	R
				(A)	(B)	(C)	(D)	(E)	(F)		
1	1	198242-25350	SHAFT, CONNECTING	1							
2	1	194640-26130	COUPLING, PTO	1							
3	1	22242-000400	RING, 40	1							
4	1	24101-062084	BEARING, BALL 6208	1							

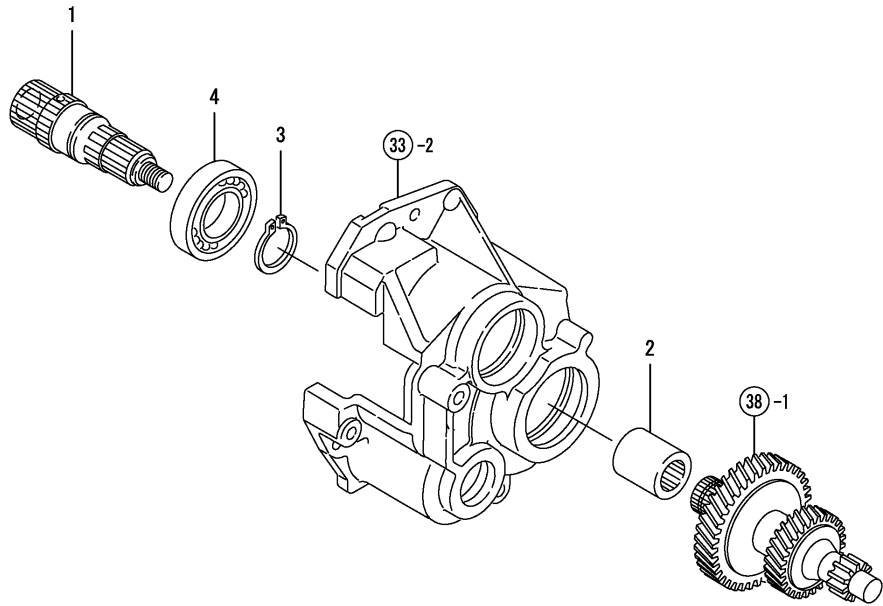


Fig.41. P.T.O. DRIVE SHAFT

(A)=EF453T
(B)=
(C)=

(D)=
(E)=
(F)=

No.	Lev.	Parts No.	Description	Q'ty						I	R
				(A)	(B)	(C)	(D)	(E)	(F)		
1	1	194447-13860	BEARING, TMB304CX1	1							
2	1	194310-25100	JOINT	2							
3	1	198240-25292	SHAFT, CONNECTING	1							
4	1	194197-25810	BEARING, BALL TMB306	1							
5	1	1A7780-26110	SHAFT, PTO PINION	1							
6	1	22252-000170	RING, 17	2							

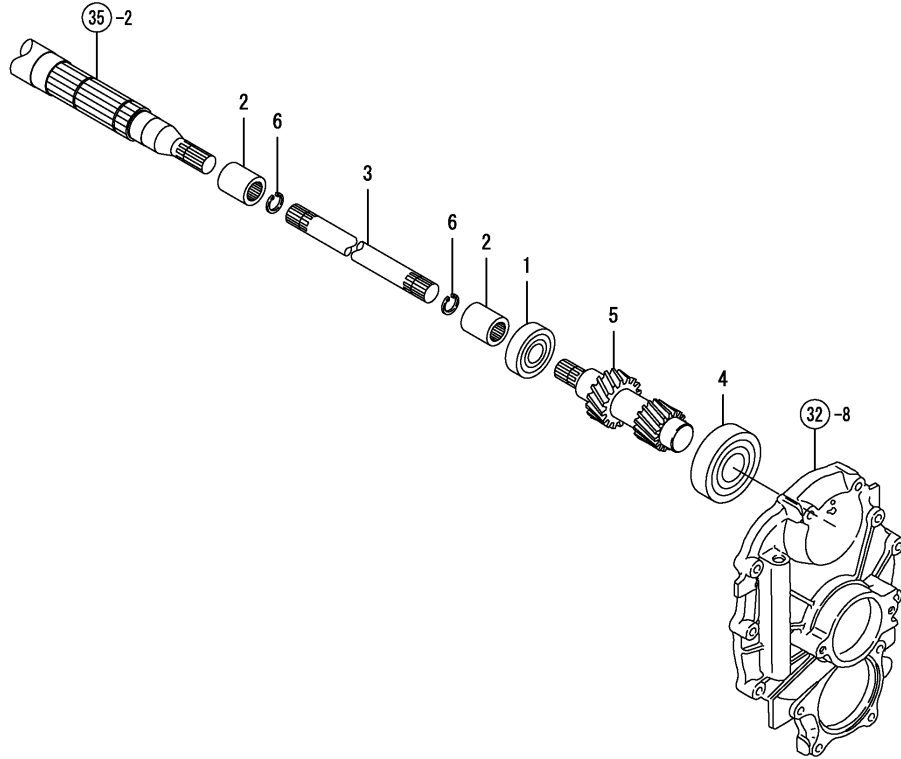
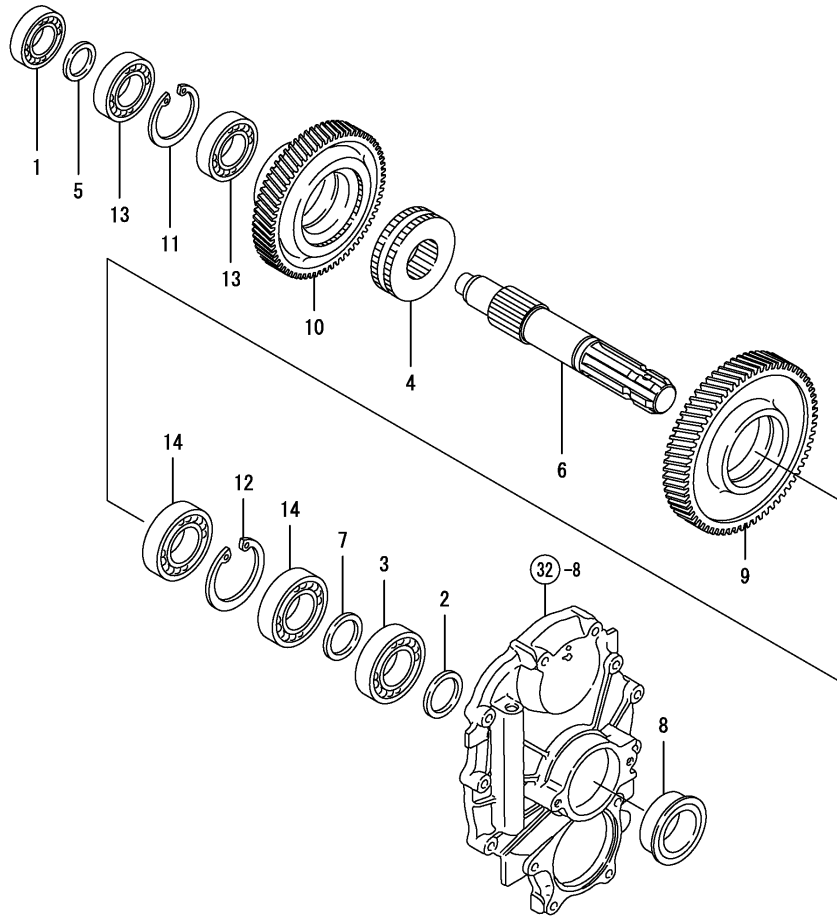


Fig.42. P.T.O. SHAFT

(A)=EF453T
(B)=
(C)=

(D)=
(E)=
(F)=



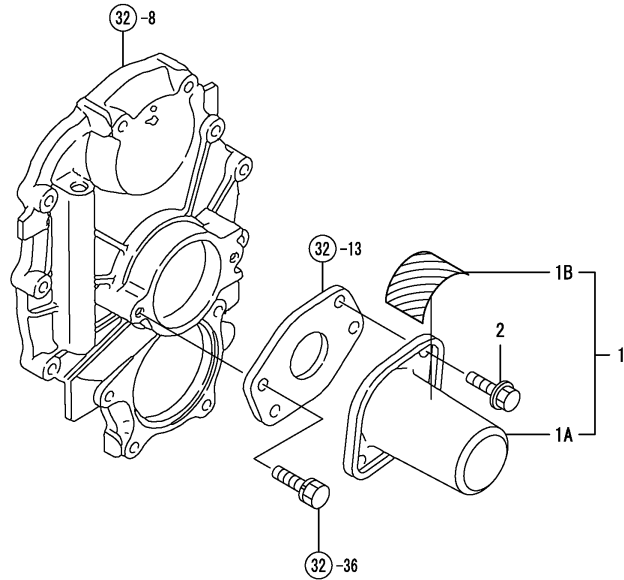
No.	Lev.	Parts No.	Description	Q'ty						I	R
				(A)	(B)	(C)	(D)	(E)	(F)		
1	1	194447-13860	BEARING, TMB304CX1	1							
2	1	194310-25660	COLLAR, 35X45X5	1							
3	1	194430-25810	BEARING, BALL TMB207	1							
4	1	1A7780-26120	SLIDER, PTO	1							
4-1	1	1A7780-26121	SLIDER, PTO	1							N
				(A=F003122)							
5	1	1A7780-26160	COLLAR	1							
6	1	1A7780-26310	SHAFT, PTO	1							
7	1	194640-26330	WASHER, 35X46X32	1							
8	1	194370-26350	SEAL, OIL QLF356019	1							
9	1	198240-26520	GEAR, PTO	1							
10	1	1A7780-26530	GEAR, PTO 51	1							
11	1	22252-000620	RING, 62	1							
12	1	22252-000720	RING, 72	1							
13	1	24101-062064	BEARING, BALL 6206	2							
14	1	24101-062074	BEARING, BALL 6207	2							

Fig.43. P.T.O. SHAFT COVER

(A)=EF453T
(B)=
(C)=

(D)=
(E)=
(F)=

No.	Lev.	Parts No.	Description	Q'ty						I	R
				(A)	(B)	(C)	(D)	(E)	(F)		
1	1	1A7100-26850	COVER ASSY, SHAFT M	1							1
1A	2	198290-26860	COVER, SHAFT	1							2
1B	2	1A6150-93151	LABEL, COVER	1							
2	1	26106-080122	BOLT, M8X 12 PLATED	2							



Remarks

(1)Order No.1A & 1B.

(2)Order with No.1B(SAFETY LABEL).

Fig.44. MAIN SHIFT LEVER

(A)=EF453T

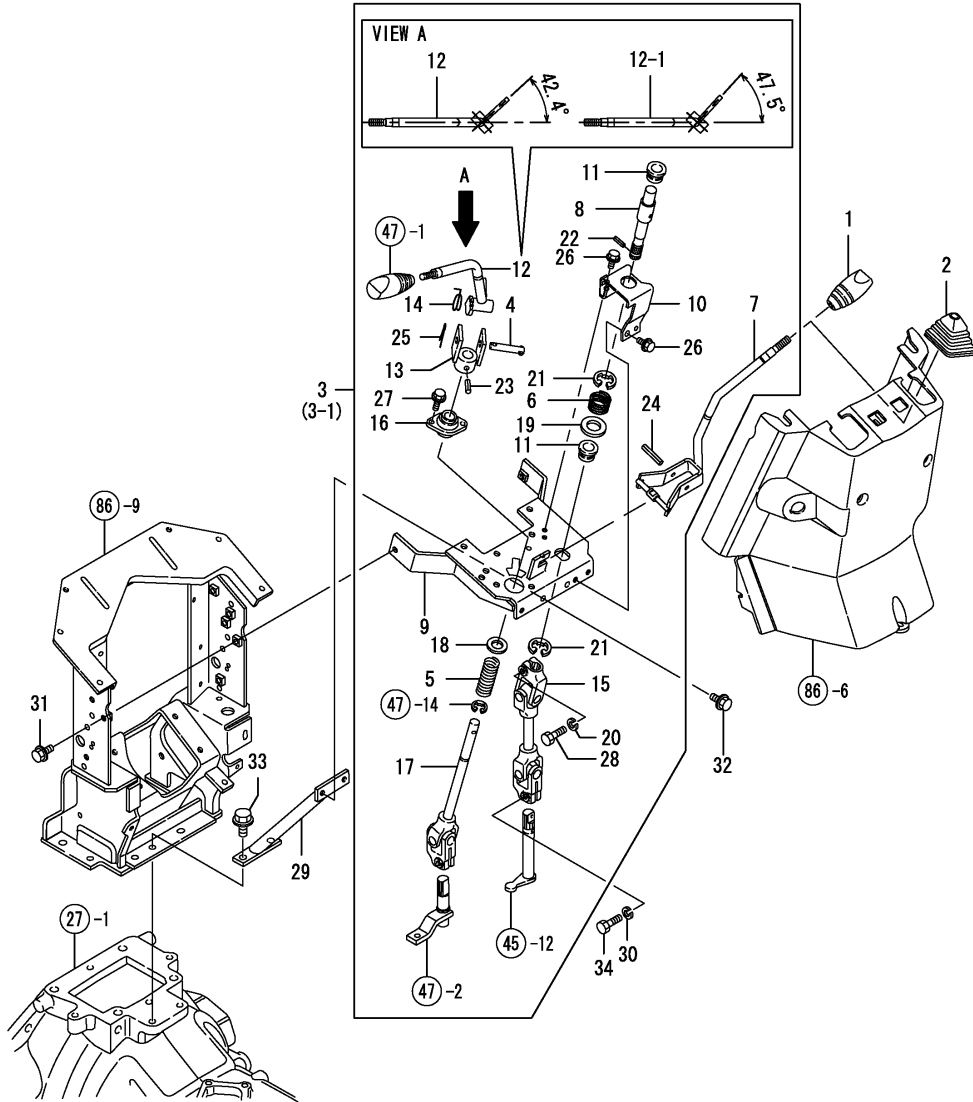
(B)=

(C)=

(D)=

(E)=

(F)=



No.	Lev.	Parts No.	Description	Qty						I	R
				(A)	(B)	(C)	(D)	(E)	(F)		
1	1	198133-27100	KNOB, MAIN SHIFT	1							
2	1	198133-27350	BOOT	1							
3	1	1A7780-27800	SHIFT ASSY, COLUMN	1							
3-1	1	1A7780-27801	SHIFT ASSY, COLUMN	1							S
		(A=FXXXXXX)									
4	2	198075-18311	PIN, 8X52	1							
5	2	198133-27060	SPRING, REVERSER	1							
6	2	198133-27070	SPRING	1							
7	2	1A7780-27360	LEVER, MAIN SHIFT	1							
8	2	198133-27401	SHAFT ASSY	1							
9	2	198133-27652	BRACKET, SHIFT	1							
10	2	198133-27711	STAY, MAIN SHIFT	1							
11	2	198133-27720	BUSH, MAIN SHIFT	2							
12	2	1A7780-27750	LEVER, REVERSER	1							
12-1	2	1A7780-27751	LEVER, REVERSER	1							S
		(A=FXXXXXX)									
13	2	198133-27781	HOLDER, REVERSER	1							
14	2	198133-27820	SPRING, RETURN	1							
15	2	198133-27850	JOINT ASSY, SHIFT	1							
16	2	198133-27881	FLANGE, REVERSER	1							
17	2	198133-27940	SHAFT ASSY, REVERSER	1							
18	2	22137-140000	WASHER, 14	1							
19	2	22137-220000	WASHER, 22	1							
20	2	22217-080000	WASHER, SPRING 8	1							
21	2	22272-000190	RING, E-19	2							
22	2	22351-020012	PIN, SPRING 2.0X12	1							
23	2	22351-060032	PIN, SPRING 6.0X32	1							
24	2	22351-080040	PIN, SPRING 8.0X40	1							
25	2	22417-200300	PIN, COTTER 2.0X30	1							
26	2	26106-060162	BOLT, M6X 16 PLATED	3							
27	2	26106-060162	BOLT, M6X 16 PLATED	2							
28	2	26116-080252	BOLT, M8X 25 PLATED	1							
29	1	198133-27950	STAY ASSY, SHIFT	1							
30	1	22217-080000	WASHER, SPRING 8	1							
31	1	26106-080162	BOLT, M8X 16 PLATED	2							
32	1	26106-080162	BOLT, M8X 16 PLATED	2							
33	1	26106-100202	BOLT, M10X 20 PLATED	2							
34	1	26116-080252	BOLT, M8X 25 PLATED	1							

Fig.45. MAIN SHIFT

(A)=EF453T

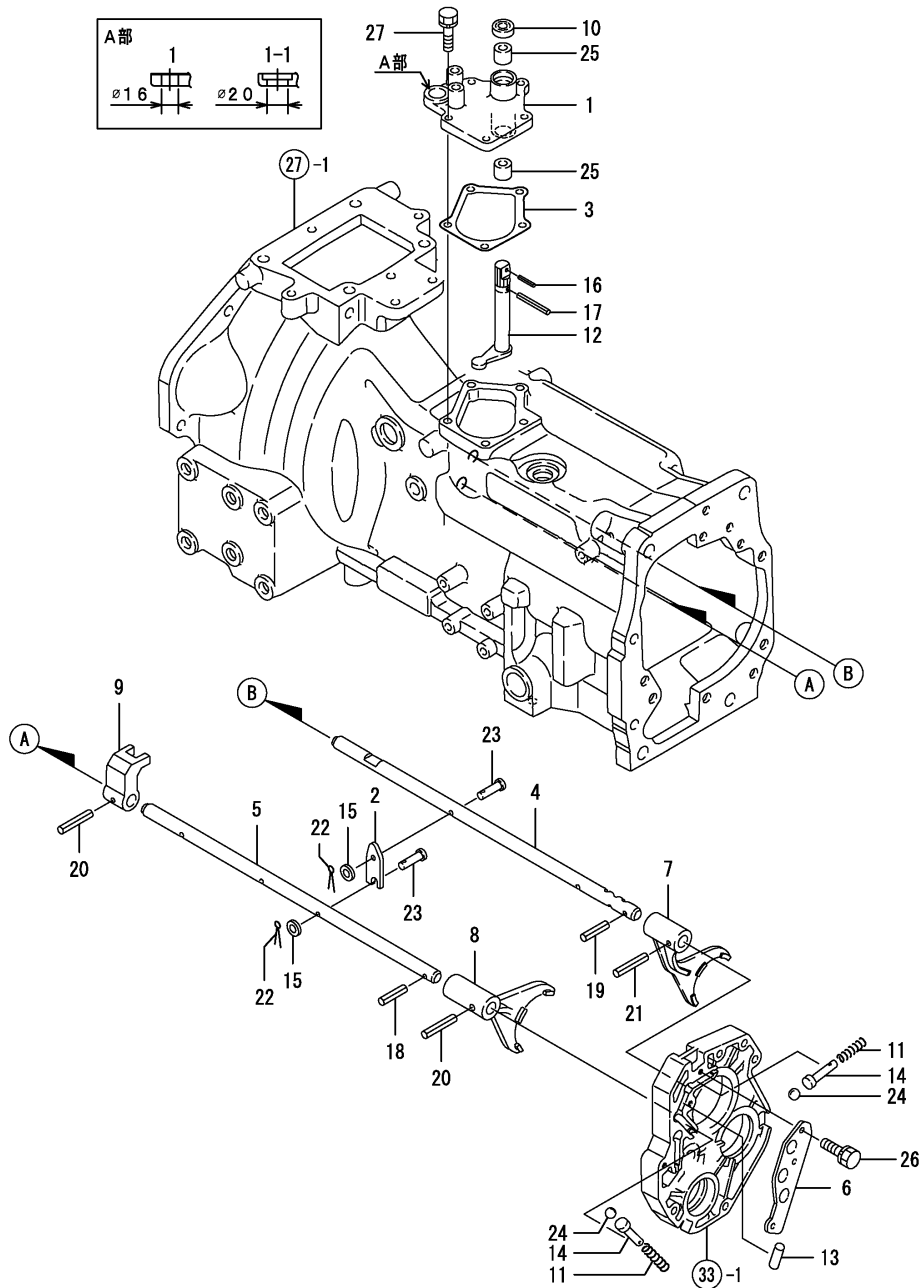
(B)=

(C)=

(D)=

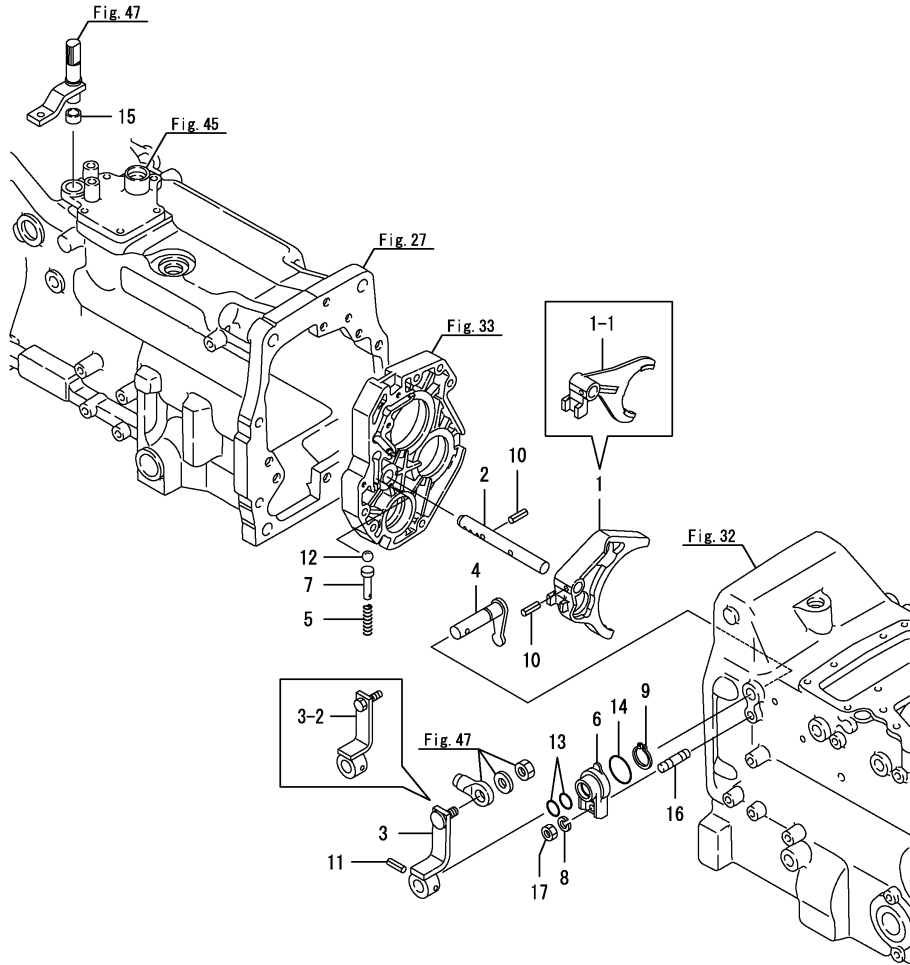
(E)=

(F)=



No.	Lev.	Parts No.	Description	Q'ty						I	R
				(A)	(B)	(C)	(D)	(E)	(F)		
1	1	198133-27150	RETAINER, LEVER	1							
1-1	1	1A7780-27150	RETAINER, LEVER	1							S
(A=F01234)											
1-2	1	1A7780-27150-1	RETAINER, LEVER	1							R
(A=F007815)											
2	1	194250-27160	ARM, SWITCH	1							
3	1	198133-27170	GASKET, RETAINER	1							
4	1	198137-27180	SHAFT, FORK 2-3	1							
5	1	198137-27190	SHAFT, FORK 1	1							
6	1	198133-27280	HOLDER, INTERLOCK	1							
7	1	1A7780-27310	FORK, SHIFT 2-3	1							
8	1	198240-27320	FORK, SHIFT 2-3	1							
9	1	198133-27330	SHIFTER	1							
10	1	198133-27340	SEAL, OIL KBY172406	1							
11	1	194145-27450	SPRING	2							
12	1	198133-27450	ARM, SHIFT	1							
13	1	194130-27490	SPINDLE	1							
14	1	198071-27860	PIN, 4X35	2							
15	1	1C6460-84420	SPACER, 6.4X12.5X1	2							
16	1	22351-020012	PIN, SPRING 2.0X12	1							
17	1	22351-040032	PIN, SPRING 4.0X32	1							
18	1	22351-060025	PIN, SPRING 6.0X25	1							
19	1	22351-060025	PIN, SPRING 6.0X25	1							
20	1	22351-060032	PIN, SPRING 6.0X32	2							
21	1	22351-060032	PIN, SPRING 6.0X32	1							
22	1	22417-160180	PIN, COTTER 1.6X18	2							
23	1	22487-060200	PIN, H 6X 20	2							
24	1	24190-100001	BALL, STEEL 5/16	2							
25	1	24550-017150	BUSH, 17X15	2							
26	1	26013-080202	BOLT, M8X 20	3							
26-1	1	26106-080162	BOLT, M8X 16 PLATED	3							R
(A=F006495)											
27	1	26013-080252	BOLT, M8X 25	5							

Fig.46. REVERSER SHIFT



(A)=EF453T
(B)=
(C)=

(D)=
(E)=
(F)=

No.	Lev.	Parts No.	Description	Q'ty						I	R
				(A)	(B)	(C)	(D)	(E)	(F)		
1	1	198133-27110	FORK, REVERSER SHIFT	1							
1-1	1	1A7780-27110	FORK, SHIFT REVERSER	1							S
(A=FZZZZZ)											
2	1	198133-27120	SHAFT, REVERSER FORK	1							
3	1	198133-27180	ARM, CHANGE	1							
3-1	1	198133-27180-1	ARM, CHANGE	1							R
(A=F007815)											
3-2	1	1A7780-27180-1	ARM, SHIFT	1							F 1
(A=FXXXXX)											
4	1	198133-27300	ARM, SHIFT	1							
5	1	194145-27450	SPRING	1							
6	1	198071-27470-2	HOLDER, SHIFT ARM	1							
6-1	1	198071-27470	HOLDER, SHIFT ARM	1							R
(A=F007815)											
7	1	198071-27860	PIN, 4X35	1							
8	1	22217-080000	WASHER, SPRING 8	1							Z
(A=F006495)											
9	1	22242-000170	RING, 17	1							
10	1	22351-060025	PIN, SPRING 6.0X25	2							
11	1	22351-060032	PIN, SPRING 6.0X32	1							
12	1	24190-100001	BALL, STEEL 5/16	1							
13	1	24311-000160	O-RING, 1AP16.0	2							
14	1	24321-000250	O-RING, 1AG25.0	1							
15	1	24550-014100	BUSH, 14X10	1							Z
(A=F004668)											
16	1	26218-080202	STUD, M8X 20	1							
17	1	26716-080002	NUT, M8	1							
17-1	1	26366-080002	NUT, M8	1							N
(A=F006495)											

Remarks

(1)Fig.47 No.6-2, 12-1 & 17-1 interchangeable by set.

Fig.47. REVERSER LEVER

(A)=EF453T

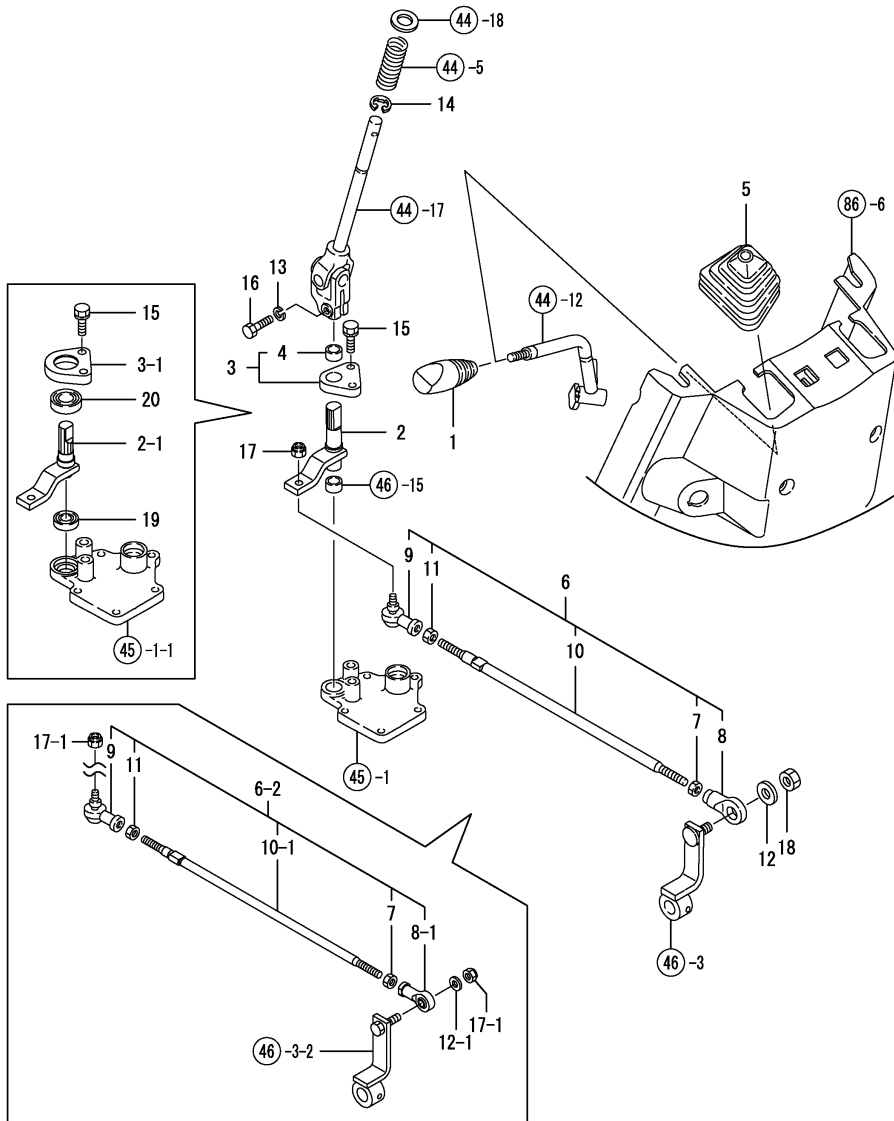
(B)=

(C)=

(D)=

(E)=

(F)=



No.	Lev.	Parts No.	Description	Q'ty						I	R
				(A)	(B)	(C)	(D)	(E)	(F)		
1	1	198071-18350	KNOB, LEVER	1							
2	1	198133-27210	ARM, LINK	1							
2-1	1	1A7780-27210	ARM, LINK	1							S
(A=F01234)											
2-2	1	1A7780-27210-1	ARM, LINK	1							R
(A=F007815)											
3	1	198133-27270	HOLDER ASSY	1							
3-1	1	1A7780-27160	HOLDER, REVERSER ARM	1							S
(A=F01234)											
3-2	1	1A7780-27160-1	HOLDER, REVERSER ARM	1							R
(A=F007815)											
4	2	24550-016100	BUSH, 16X10	1							Z
(A=F01234)											
5	1	198133-27350	BOOT	1							
6	1	198133-27900	ROD ASSY, REVERSER	1							
6-1	1	198133-27900-2	ROD COMP.,REVERSER	1							R
(A=F007815)											
6-2	1	1A7780-27900-1	ROD ASSY, REVERSER	1							F 1
(A=FXXXXX)											
7	2	194990-20170	NUT, M8	1							
8	2	194170-27180	END, ROD R	1							
8-1	2	172122-46571	END, ROD	1							S
(A=FXXXXX)											
9	2	194820-27370	END, ROD L	1							
10	2	198133-27910	ROD, SHIFT	1							
10-1	2	1A7780-27910	ROD, SHIFT	1							S
(A=FXXXXX)											
11	2	26716-080002	NUT, M8	1							
12	1	22137-100000	WASHER, 10	1							
12-1	1	22137-080000	WASHER, 8	1							F 1
(A=FXXXXX)											
13	1	22217-080000	WASHER, SPRING 8	1							
14	1	22272-000120	RING, E-12	1							
15	1	26013-080252	BOLT, M8X 25	2							
16	1	26116-080252	BOLT, M8X 25 PLATED	1							
17	1	26346-080002	NUT, M8	1							
17-1	1	26346-080002	NUT, M8	2							K 1
(A=FXXXXX)											
18	1	26756-100002	NUT, LOCK M10	1							Z
(A=FXXXXX)											
19	1	24104-060014	BEARING, BALL 6001UU	1							W
(A=F01234)											
20	1	24104-060034	BEARING, BALL 6003UU	1							W
(A=F01234)											

Remarks
 (1)No.6-2, 12-1, 17-1 & Fig.46 No.3-2 interchangeable by set.

Fig.48. SUB SHIFT LEVER

(A)=EF453T

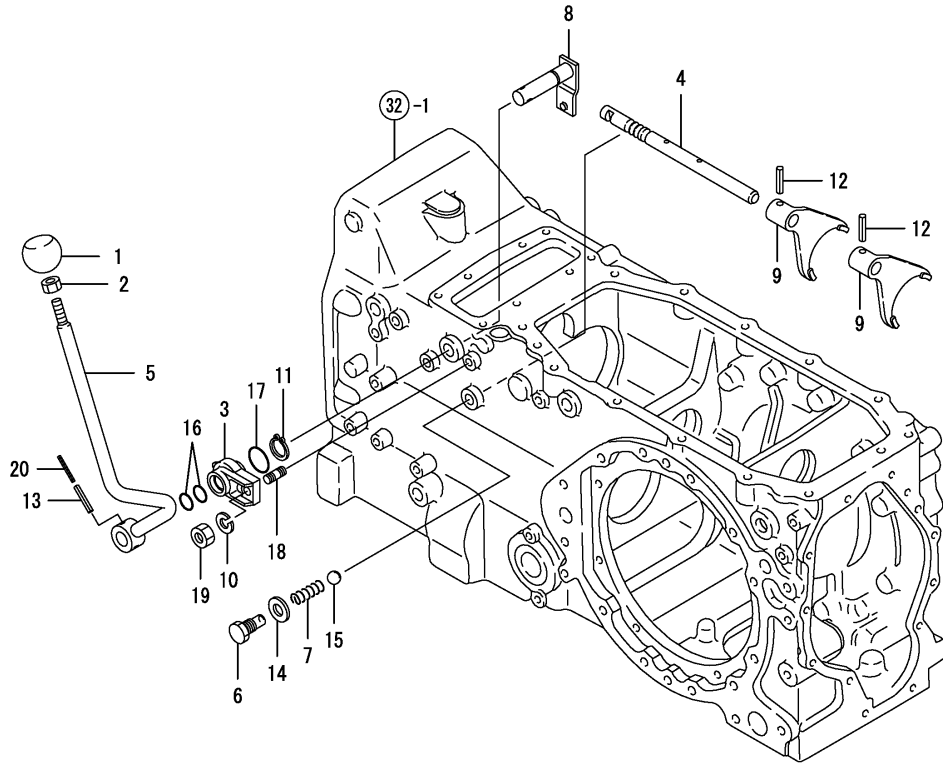
(B)=

(C)=

(D)=

(E)=

(F)=



No.	Lev.	Parts No.	Description	Q'ty						I	R
				(A)	(B)	(C)	(D)	(E)	(F)		
1	1	198253-27510	KNOB, LEVER	1							
2	1	26716-100002	NUT, M10	1							
2-1	1	194990-22150	NUT, M10	1							N
(A=F01383)											
3	1	198071-27470-2	HOLDER, SHIFT ARM	1							
3-1	1	198071-27470	HOLDER, SHIFT ARM	1							R
(A=F007815)											
4	1	198149-27490	SHAFT, FORK	1							
5	1	198253-27520	LEVER, RANGE SHIFT	1							
5-1	1	198253-27520-1	LEVER, RANGE SHIFT	1							R
(A=F007815)											
6	1	198149-27530	PLUG, M12	1							
7	1	194680-27540	SPRING, FORK LOCK	1							
8	1	198149-27560	ARM, SHIFT	1							
9	1	198149-27570	FORK, SHIFT	2							
10	1	22217-080000	WASHER, SPRING 8	1							Z
(A=F006495)											
11	1	22242-000170	RING, 17	1							
12	1	22351-060032	PIN, SPRING 6.0X32	2							
13	1	22351-060032	PIN, SPRING 6.0X32	1							
14	1	23414-120016	GASKET, 12X1.0	1							
15	1	24190-080001	BALL, STEEL 1/4	1							
16	1	24311-000160	O-RING, 1AP16.0	2							
17	1	24321-000250	O-RING, 1AG25.0	1							
18	1	26218-080252	STUD, M8X 25	1							
18-1	1	26218-080202	STUD, M8X 20	1							R
(A=F006495)											
19	1	26716-080002	NUT, M8	1							
19-1	1	26366-080002	NUT, M8	1							N
(A=F006495)											
20	1	22351-035032	PIN, SPRING 3.5X32	1							

Fig.49. P.T.O. SHIFT

(A)=EF453T

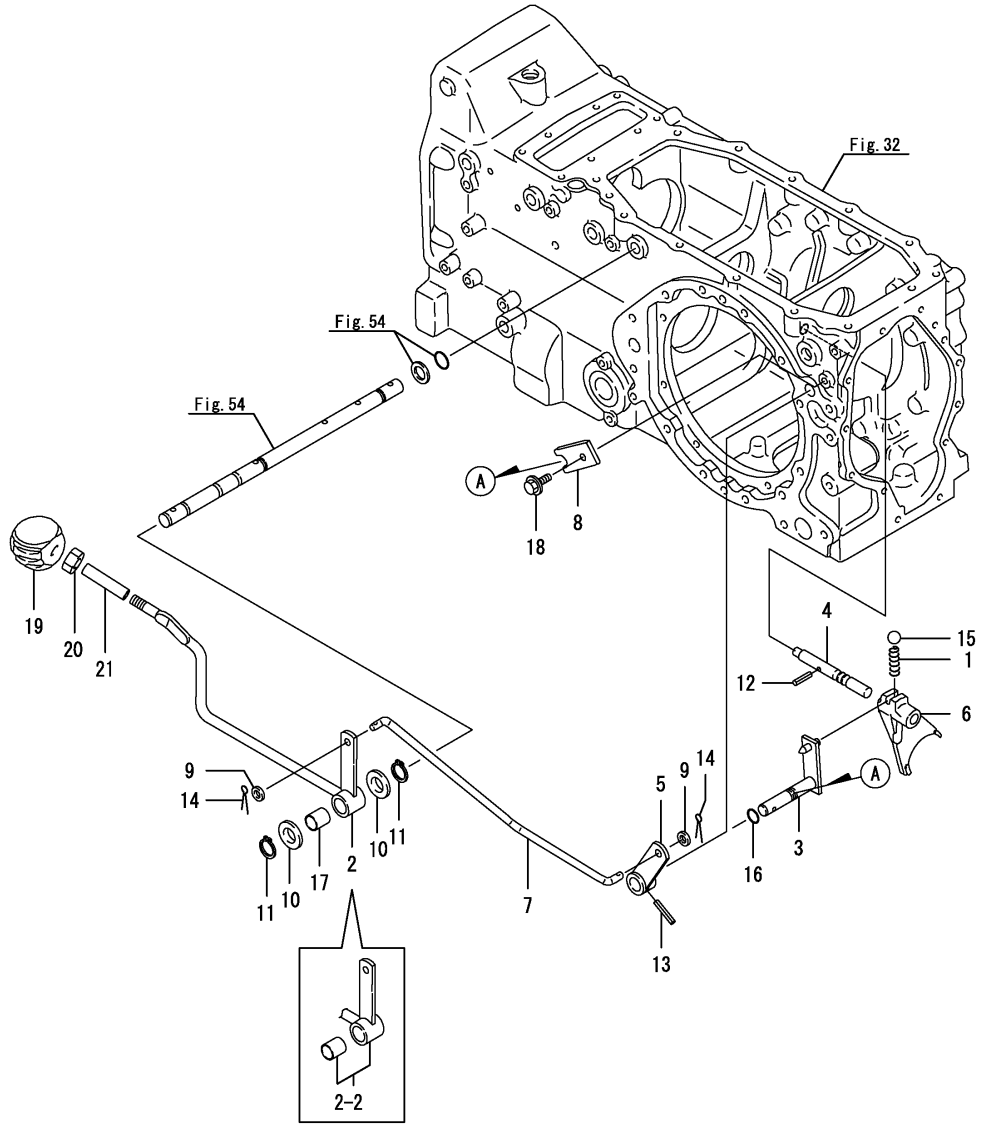
(B)=

(C)=

(D)=

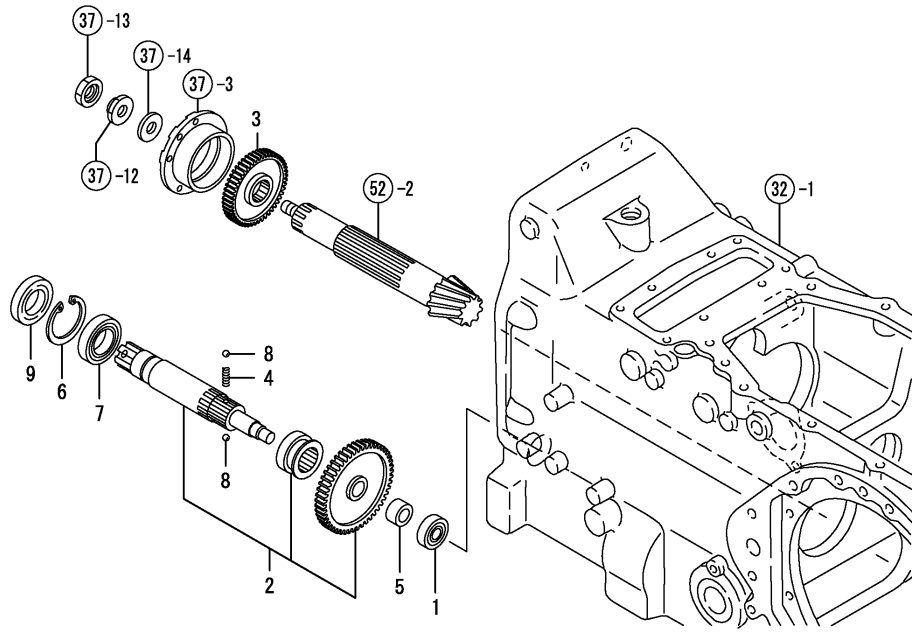
(E)=

(F)=



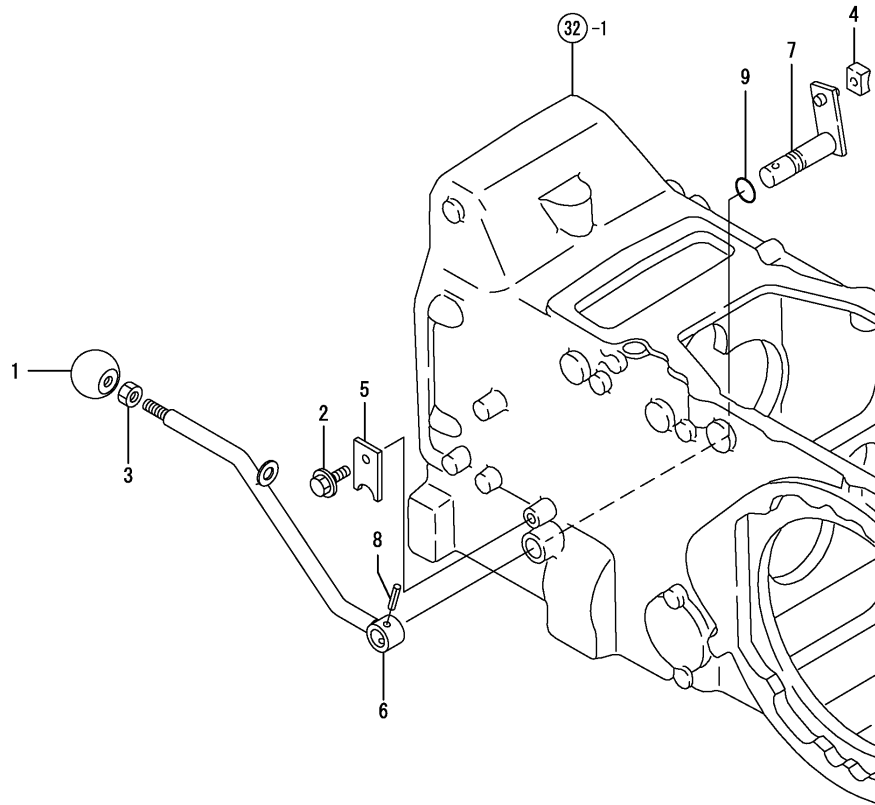
No.	Lev.	Parts No.	Description	Q'ty						I	R
				(A)	(B)	(C)	(D)	(E)	(F)		
1	1	194680-27540	SPRING, FORK LOCK	1							
2	1	198242-27830	LEVER, PTO	1							
2-1	1	198242-27831	LEVER, PTO	1							N
(A=FZZZZZ)											
2-2	1	1A7780-27820	LEVER ASSY, PTO	1							S
(A=F006495)											
2-3	1	1A7780-27820-2	LEVER ASSY, PTO	1							R
(A=F007815)											
3	1	198240-27841	ARM, SHIFT	1							
4	1	1A7780-27880	SHAFT, FORK	1							
4-1	1	1A7780-27881	SHAFT, PTO FORK	1							N
(A=F003122)											
5	1	198240-27890-2	ARM, CHANGE	1							
5-1	1	198240-27890-1	ARM, CHANGE	1							R
(A=F007815)											
6	1	198325-27950	FORK, SHIFT	1							
6-1	1	198325-27951	FORK, PTO SHIFT	1							N
(A=F003122)											
7	1	198240-27961	ROD, PTO	1							
7-1	1	198240-27961-1	ROD, PTO	1							R
(A=F007815)											
8	1	198220-27990	PLATE, KEEP	1							
9	1	22137-100000	WASHER, 10	2							
10	1	22137-200000	WASHER, 20	2							
11	1	22242-000200	RING, 20	2							
12	1	22351-060025	PIN, SPRING 6.0X25	1							
13	1	22351-060032	PIN, SPRING 6.0X32	1							
14	1	22417-250200	PIN, COTTER 2.5X20	2							
15	1	24190-080001	BALL, STEEL 1/4	1							
16	1	24311-000125	O-RING, 1AP12.5	1							
17	1	24550-020250	BUSH, 20X25	1							Z
(A=F006495)											
18	1	26106-080162	BOLT, M8X 16 PLATED	1							
19	1	198220-27290	KNOB, LEVER	1							
20	1	26716-100002	NUT, M10	1							
20-1	1	194990-22150	NUT, M10	1							N
(A=F01383)											
21	1	23065-160080	PIPE, 16X 80	1							

Fig.50. FRONT DRIVE



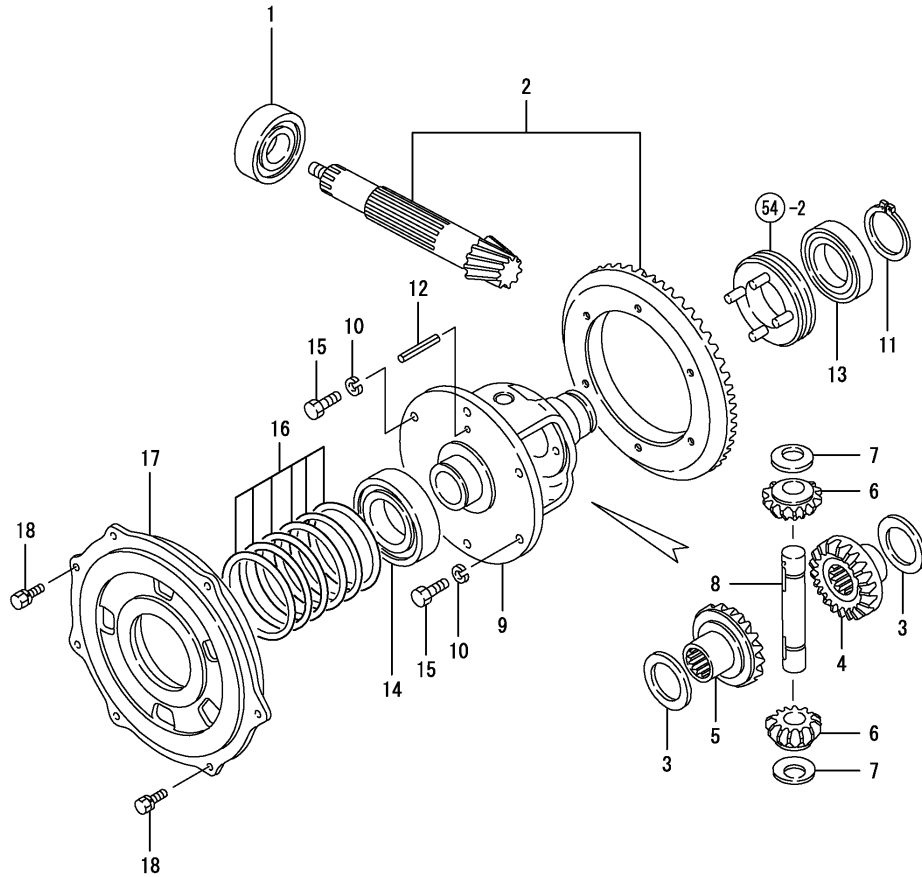
No.	Lev.	Parts No.	Description	Q'ty						I	R
				(A)	(B)	(C)	(D)	(E)	(F)		
1	1	194446-25450	BEARING, BALL TM302	1							
2	1	1A7780-28100	GEAR ASSY, DRIVE	1							
3	1	1A7780-28220	PINION, DRIVE Z=43	1							
4	1	194321-28230	SPRING, 26.2	1							
5	1	198241-28240	COLLAR, 18X30X15	1							
6	1	22252-000620	RING, 62	1							
7	1	24101-060074	BEARING, BALL 6007	1							
8	1	24190-080001	BALL, STEEL 1/4	2							
9	1	24421-356212	SEAL, OIL TC356212	1							

Fig.51. FRONT SHIFT



No.	Lev.	Parts No.	Description	Q'ty						I	R
				(A)	(B)	(C)	(D)	(E)	(F)		
1	1	198253-27510	KNOB, LEVER	1							
2	1	26106-080162	BOLT, M8X 16 PLATED	1							
3	1	26716-100002	NUT, M10	1							
3-1	1	194990-22150 (A=F01383)	NUT, M10	1							N
4	1	198220-26790	BLOCK, SHIFT	1							
5	1	198220-27990	PLATE, KEEP	1							
6	1	198254-28270	ARM, CHANGE	1							
6-1	1	198254-28270-1	ARM, CHANGE	1							R
		(A=F007815)									
7	1	198241-28310	ARM, SHIFT	1							
8	1	22351-060032	PIN, SPRING 6.0X32	1							
9	1	24311-000125	O-RING, 1AP12.5	1							

Fig.52. RING GEAR & DIFFERENTIAL GEAR



(A)=EF453T
(B)=
(C)=

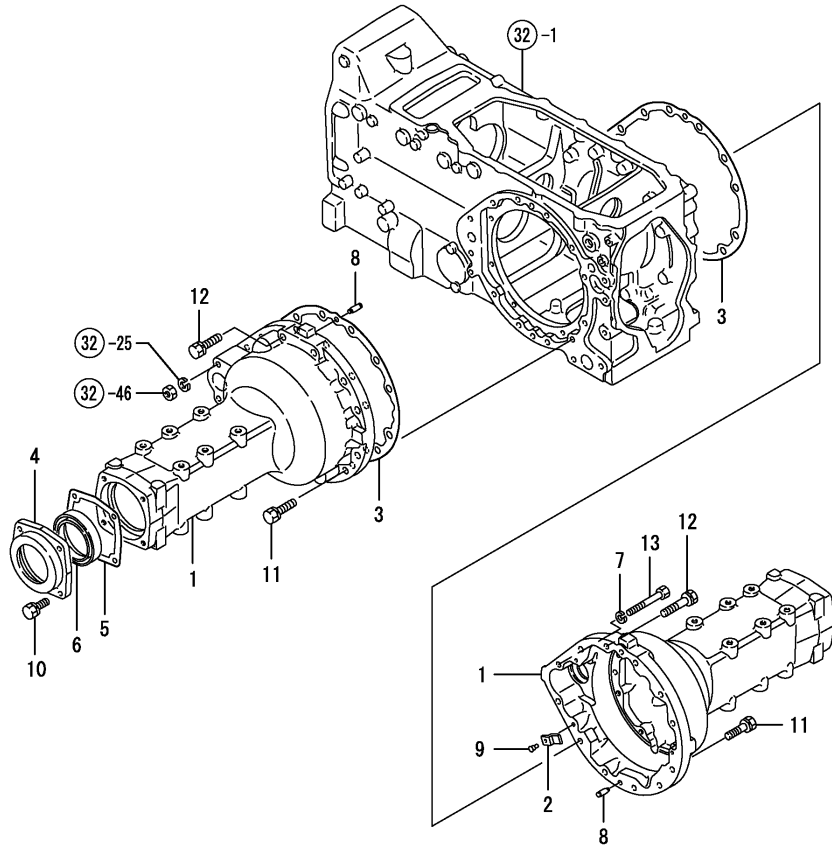
(D)=
(E)=
(F)=

No.	Lev.	Parts No.	Description	Q'ty						I	R
				(A)	(B)	(C)	(D)	(E)	(F)		
1	1	198390-25790	BEARING, 6307R SH2	1							
2	1	198149-31400	GEAR ASSY, RING	1							
3	1	198320-31530	WASHER, DIFFERENTIAL	2							
4	1	198320-31550	GEAR, DIFFERENTIAL	1							
5	1	194320-31560	GEAR, DIFFERENTIAL	1							
6	1	198320-31570	PINION, DIFFERENTIAL	2							
7	1	198320-31630	WASHER, DIFFERENTIAL	2							
8	1	198320-31820	SHAFT, DIFFERENTIAL	1							
9	1	198320-32110	CASE, DIFFERENTIAL	1							
9-1	1	198320-32111	CASE, DIFFERENTIAL	1							R
		(A=F00973)									
10	1	22217-100000	WASHER, SPRING 10	6							
11	1	22242-000500	RING, 50	1							
12	1	22351-060050	PIN, SPRING 6.0X50	1							
13	1	24101-060104	BEARING, BALL 6010	1							
14	1	24101-062114	BEARING, BALL 6211	1							
15	1	26156-100252	BOLT, M10X 25 PLATED	6							
15-1	1	194066-13130	BOLT, M10X25	6							N
		(A=F00973)									
16	1	794251-13910	SHIM SET	1							
17	1	198250-32310	CARRIER	1							
17-1	1	1A7601-32310	CARRIER, DIFF.	1							R
		(A=FZZZZZ)									
18	1	26013-080252	BOLT, M8X 25	7							
18-1	1	26106-080252	BOLT, M8X 25 PLATED	7							R
		(A=F006495)									

Fig.53. REAR HOUSING

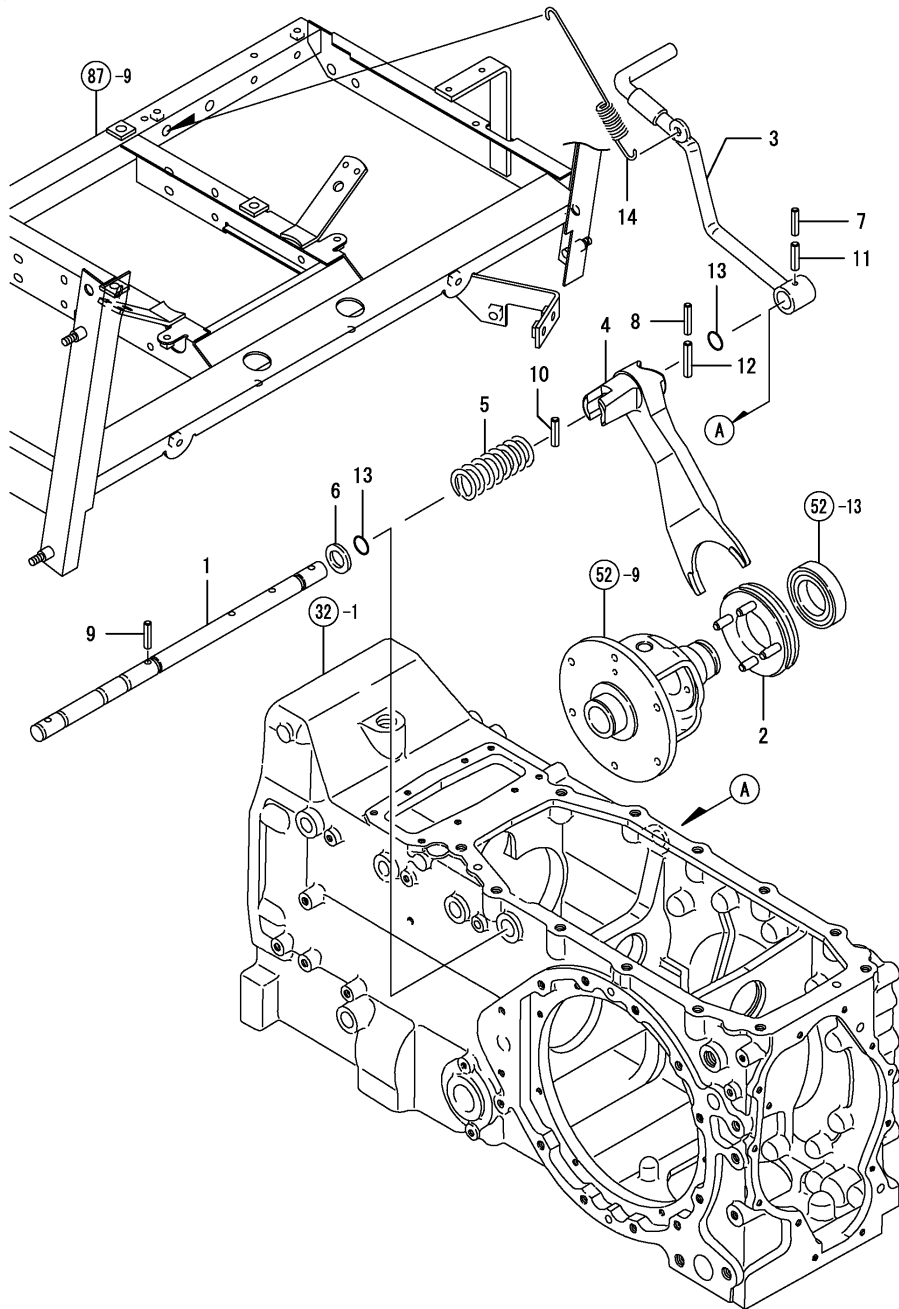
(A)=EF453T
(B)=
(C)=

(D)=
(E)=
(F)=



No.	Lev.	Parts No.	Description	Q'ty						I	R
				(A)	(B)	(C)	(D)	(E)	(F)		
1	1	198212-32611	HOUSING, REAR AXLE	2							
1-1	1	198212-32611-1	HOUSING, REAR AXLE	2							R
(A=F007815)											
2	1	194180-32640	PLATE, PUSH	3							
3	1	198240-32640	PACKING, AXLE	2							
4	1	194640-32650-2	CASE, OIL SEAL	2							
4-1	1	194640-32650	CASE, OIL SEAL	2							R
(A=F007815)											
5	1	198320-32660	GASKET, SEAL CASE	2							
6	1	198535-32660	SEAL, QLN7210016	2							
7	1	22217-100000	WASHER, SPRING 10	2							Z
(A=F006495)											
8	1	22312-100180	PIN, PARALLEL M10X18	4							
9	1	22635-600120	RIVET, 6.0X12	3							
10	1	26013-100302	BOLT, M10X 30	8							
10-1	1	26106-100302	BOLT, M10X 30 PLATED	8							R
(A=F006495)											
11	1	26013-120402	BOLT, M12X 40	16							
12	1	26013-120502	BOLT, M12X 50	4							
13	1	26116-100852	BOLT, M10X 85 PLATED	2							
13-1	1	26106-100852	BOLT, M10X 85 PLATED	2							N
(A=F006495)											

Fig.54. DIFFERENTIAL LOCK

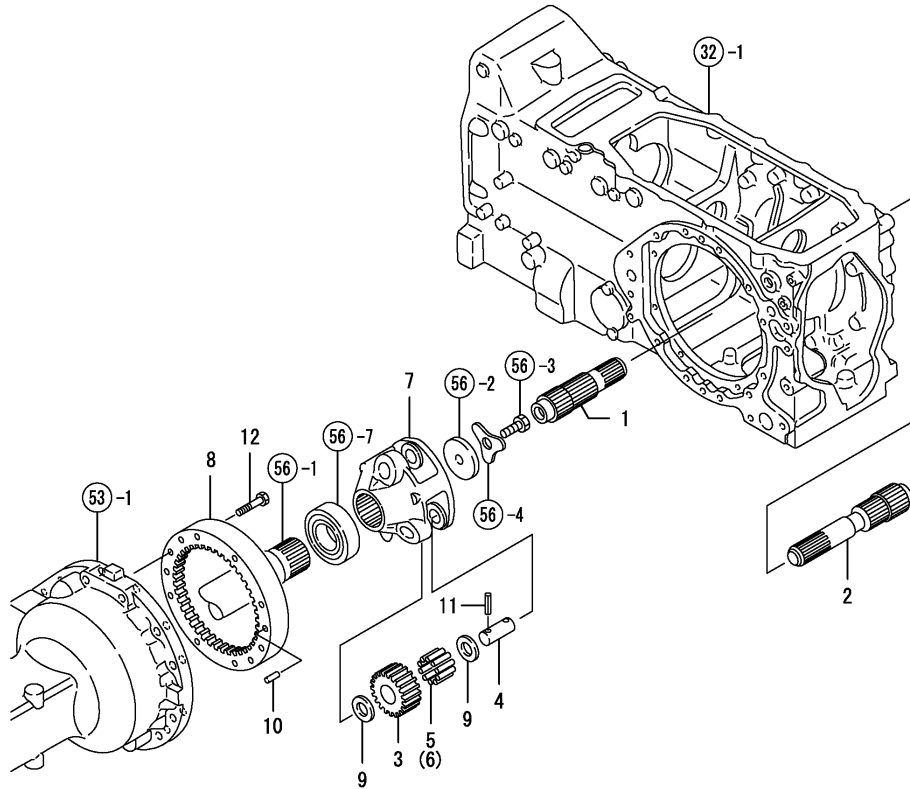


(A)=EF453T
(B)=
(C)=

(D)=
(E)=
(F)=

No.	Lev.	Parts No.	Description	Q'ty						I	R
				(A)	(B)	(C)	(D)	(E)	(F)		
1	1	198250-33110	SHAFT, LOCK	1							
1-1	1	198254-33110	SHAFT, LOCK	1							R
(A=F006495)											
2	1	194464-33130	SLIDER, DIFFERENTIAL	1							
3	1	198240-33130	PEDAL ASSY, LOCK	1							
3-1	1	198240-33130-1	PEDAL ASSY, LOCK	1							R
(A=F007815)											
4	1	1A7350-33140	FORK, SHIFT	1							
5	1	194150-33150	SPRING, RETURN	1							
6	1	194300-33200	SPACER, 20X32X3.2	1							
7	1	22351-050032	PIN, SPRING 5.0X32	1							
8	1	22351-050040	PIN, SPRING 5.0X40	1							
9	1	22351-060032	PIN, SPRING 6.0X32	1							
10	1	22351-080032	PIN, SPRING 8.0X32	1							
11	1	22351-080032	PIN, SPRING 8.0X32	1							
12	1	22351-080040	PIN, SPRING 8.0X40	1							
13	1	24311-000150	O-RING, 1AP15.0	2							
14	1	198240-33170	SPRING	1							

Fig.55. FINAL PINION & FINAL GEAR



(A)=EF453T
(B)=
(C)=

(D)=
(E)=
(F)=

No.	Lev.	Parts No.	Description	Q'ty						I	R
				(A)	(B)	(C)	(D)	(E)	(F)		
1	1	198320-33412	PINION, FINAL L	1							
2	1	198320-33422	PINION, FINAL R	1							
3	1	198320-33540	PINION, PLANETARY	6							
4	1	198320-33550	SHAFT, PLANETARY	6							
5	1	198320-33560	NEEDLE, 4.5X31.8	63							
6	1	198320-33560	NEEDLE, 4.5X31.8	63							
7	1	198320-33570	CARRIER, PLANETARY	2							
8	1	198320-33610	GEAR, INTERNAL	2							
9	1	198320-33620	WASHER, 26X42X1	12							
10	1	22312-100180	PIN, PARALLEL M10X18	4							
11	1	22351-080040	PIN, SPRING 8.0X40	6							
12	1	26116-100552	BOLT, M10X 55 PLATED	16							
12-1	1	198217-33650	BOLT, M10X55	16							N

(A=F01988)

Fig.56. REAR AXLE SHAFT

(A)=EF453T
(B)=
(C)=

(D)=
(E)=
(F)=

No.	Lev.	Parts No.	Description	Q'ty						I	R
				(A)	(B)	(C)	(D)	(E)	(F)		
1	1	198320-34110-1	SHAFT, REAR AXLE	2							
1-1	1	1A7780-34110	SHAFT, REAR AXLE	2							N
(A=F01938)											
1-2	1	1A7780-34110-2	SHAFT, REAR AXLE	2							R
(A=F007815)											
2	1	194640-34130	WASHER, 13X64X9	2							
3	1	194640-34140	BOLT, M12X30	2							
4	1	194640-34150	WASHER, THRUST	2							
5	1	198535-34360	COLLAR, 60X72X26	2							
6	1	194145-34390	SPACER, O-RING	2							
7	1	24101-060114	BEARING, BALL 6011	2							
8	1	24101-062124	BEARING, BALL 6212	2							
9	1	24321-000600	O-RING, 1AG60.0	2							

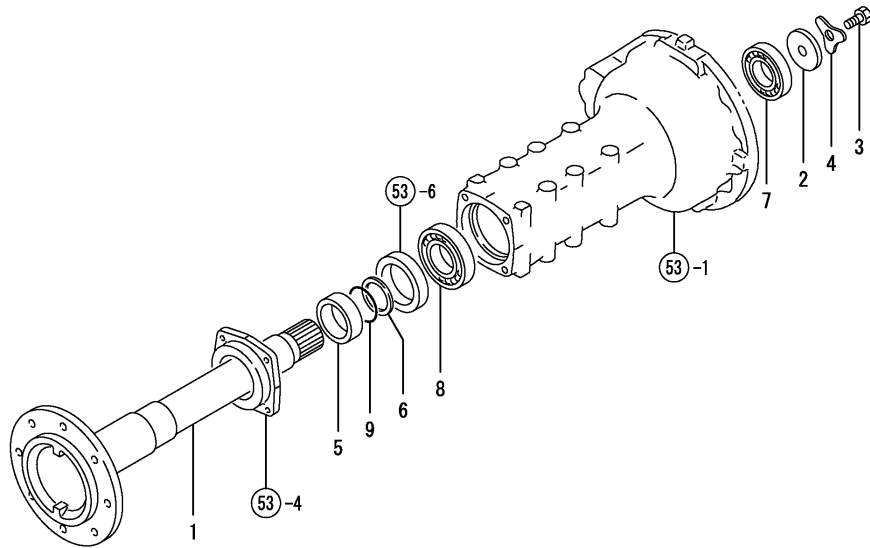


Fig.57. FLANGE

(A)=EF453T
(B)=
(C)=

(D)=
(E)=
(F)=

No.	Lev.	Parts No.	Description	Q'ty						I	R
				(A)	(B)	(C)	(D)	(E)	(F)		
1	1	198146-34200	FLANGE KIT	1							
2	2	198146-34110	FLANGE	2							
3	2	198146-34120	BOLT, M14X45	12							
4	2	22217-160000	WASHER, SPRING 16	12							
5	2	26116-160452	BOLT, M16X 45 PLATED	12							
6	2	26716-160002	NUT, M16	12							

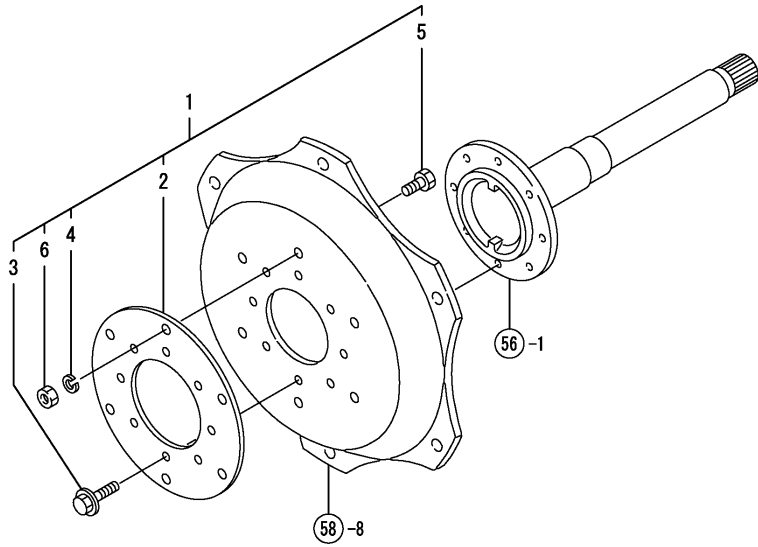
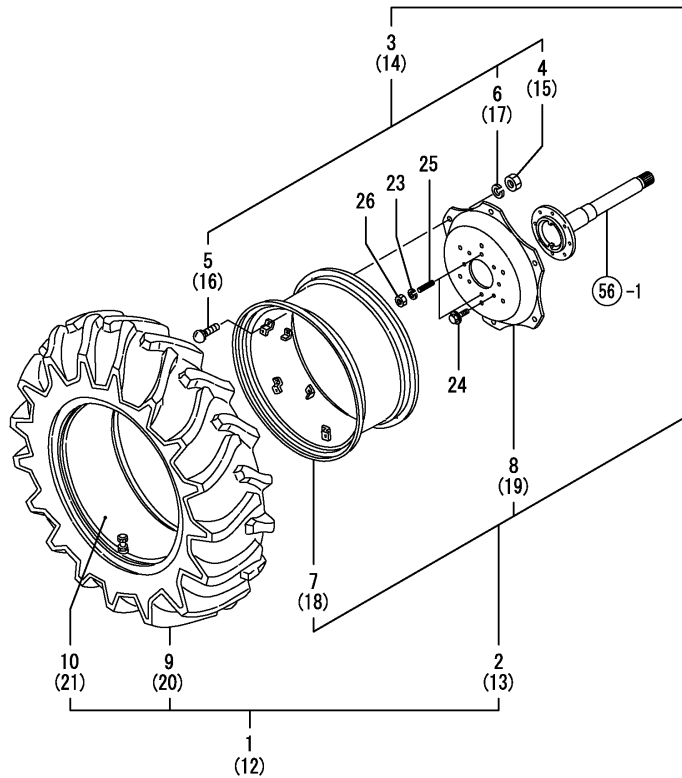


Fig.58. REAR WHEEL TIRE



No.	Lev.	Parts No.	Description	Q'ty						I	R
				(A)	(B)	(C)	(D)	(E)	(F)		
1	1	198178-34710	TIRE KIT, 13.6-26L	1							
1-1	1	1A7780-34550	TIRE KIT, 13.6-26 L	1							R
(A=F006258)											
2	2	198141-34710	WHEEL ASSY, W11X26W	1							
2-1	2	1A7780-34750-1	WHEEL ASSY, W11X26W	1							R
(A=F006258)											
3	3	198460-34100	BOLT KIT	1							
3-1	3	1A7780-34100	BOLT KIT	1							R
(A=F006258)											
4	4	194181-14180	NUT, M16	6							
4-1	4	1A7780-14770	NUT, M16	6							R
(A=F006258)											
5	4	194681-14790	BOLT, M16X35	6							
5-1	4	1A7780-14790	BOLT, M16X37	6							R
(A=F006258)											
6	4	194065-34170	WASHER, 16	6							
7	3	198141-34540	RIM, W11X26R	1							
7-1	3	1A7780-34760-1	RIM, W11X26R	1							R
(A=F006258)											
8	3	194335-34770-1	DISK, WHEEL	1							
8-1	3	1A7780-34770-1	DISK	1							R
(A=F006258)											
9	2	194335-34730	TIRE, 13.6-26 4	1							
10	2	198093-34940	TUBE	1							
12	1	198178-34810	TIRE KIT, 13.6-26R	1							
12-1	1	1A7780-34560	TIRE KIT, 13.6-26 R	1							R
(A=F006258)											
13	2	198141-34710	WHEEL ASSY, W11X26W	1							
13-1	2	1A7780-34750-1	WHEEL ASSY, W11X26W	1							R
(A=F006258)											
14	3	198460-34100	BOLT KIT	1							
14-1	3	1A7780-34100	BOLT KIT	1							R
(A=F006258)											
15	4	194181-14180	NUT, M16	6							
15-1	4	1A7780-14770	NUT, M16	6							R
(A=F006258)											
16	4	194681-14790	BOLT, M16X35	6							
16-1	4	1A7780-14790	BOLT, M16X37	6							R
(A=F006258)											
17	4	194065-34170	WASHER, 16	6							
18	2	198141-34540	RIM, W11X26R	1							
18-1	2	1A7780-34760-1	RIM, W11X26R	1							R
(A=F006258)											
19	2	194335-34770-1	DISK, WHEEL	1							
19-1	2	1A7780-34770-1	DISK	1							R
(A=F006258)											
20	2	194335-34730	TIRE, 13.6-26 4	1							
21	2	198093-34940	TUBE	1							
23	1	194279-14220	WASHER, 14	4							
24	1	198133-34130	BOLT, M14X30	12							
25	1	198282-34160	STUD, M14X40	4							

Fig.58. REAR WHEEL TIRE

(A)=EF453T
(B)=
(C)=

(D)=
(E)=
(F)=

No.	Lev.	Parts No.	Description	Q'ty						I	R
				(A)	(B)	(C)	(D)	(E)	(F)		
26	1	198200-34190	NUT, M14	4							

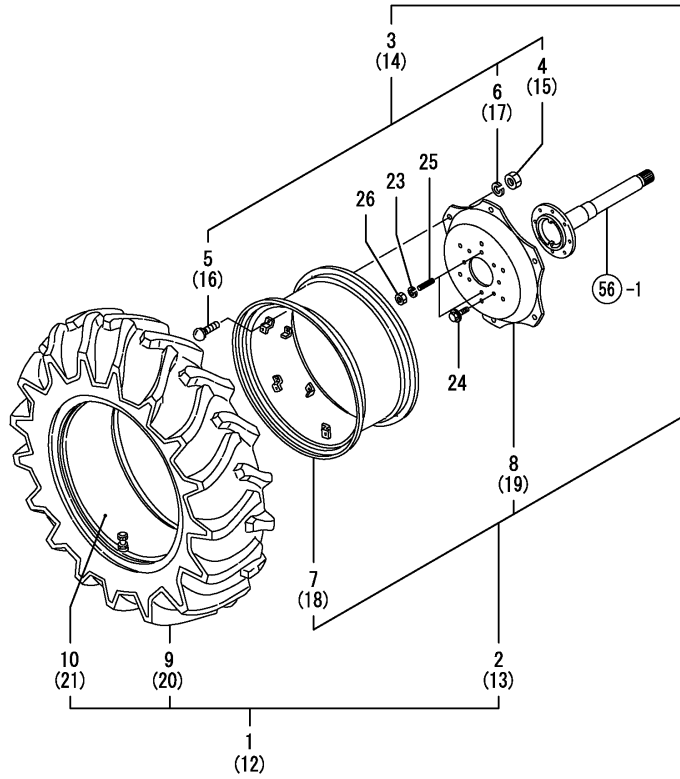
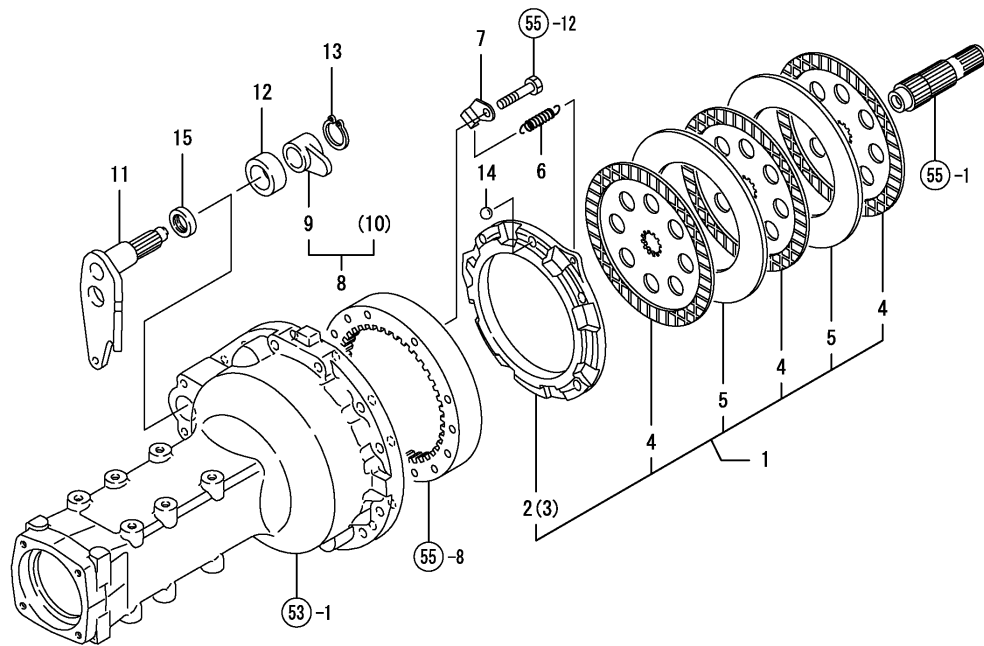


Fig.59. BRAKE

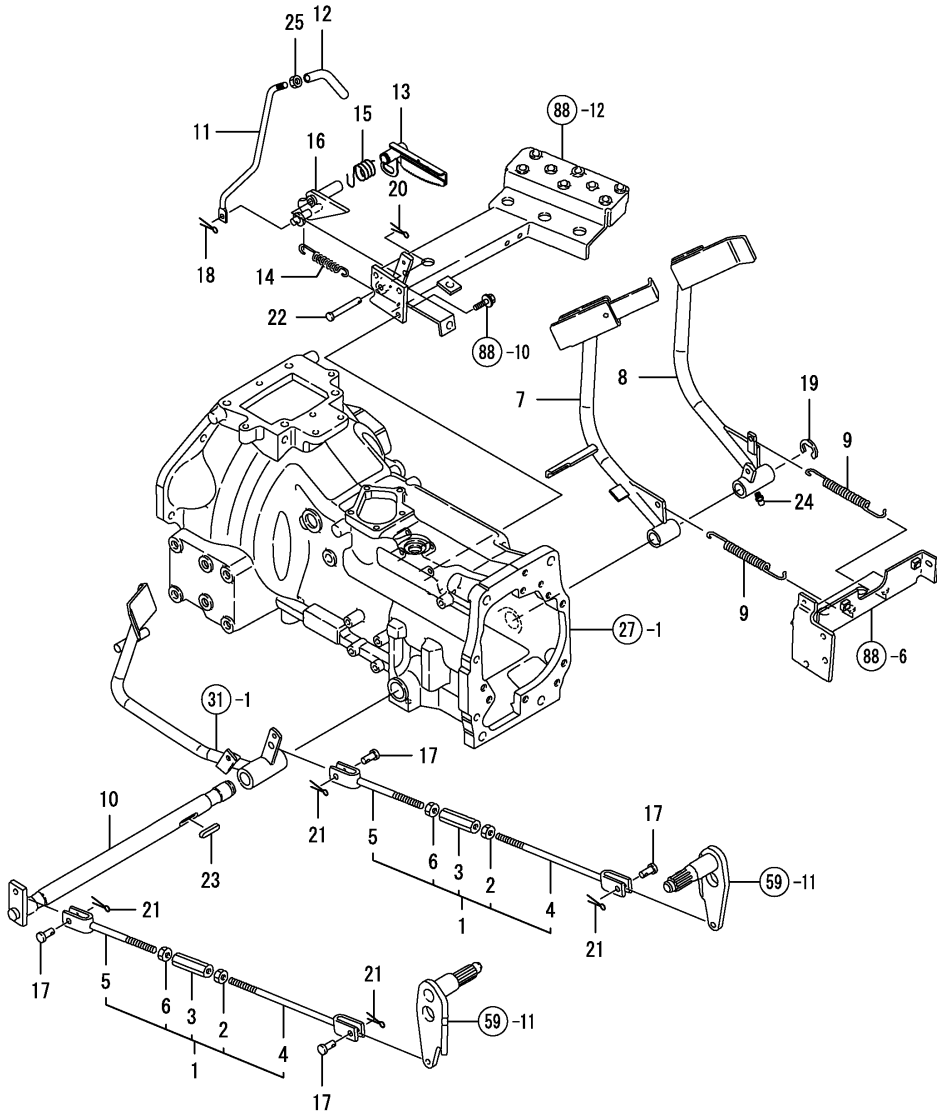
(A)=EF453T
(B)=
(C)=

(D)=
(E)=
(F)=



No.	Lev.	Parts No.	Description	Q'ty						I	R
				(A)	(B)	(C)	(D)	(E)	(F)		
1	1	198320-36200	BRAKE ASSY	1							
1-1	1	1A7601-36200	BRAKE ASSY	1							R
(A=FZZZZZ)											
2	2	198240-36310	ACTUATOR	1							
2-1	2	1A7601-36310	ACTUATOR, L	1							R
(A=FZZZZZ)											
3	2	198240-36320	ACTUATOR	1							
3-1	2	1A7601-36320	ACTUATOR, R	1							R
(A=FZZZZZ)											
4	2	198240-36351	PLATE, FRICTION 226	6							
4-1	2	1A7601-36350	PLATE, FRICTION 226	6							R
(A=FZZZZZ)											
5	2	198240-36520	PLATE, STEEL 3.2	5							
5-1	2	1A8275-36520	PLATE, STEEL 3.2	5							R
(A=FZZZZZ)											
6	1	194205-36320	SPRING, ACTUATOR	4							
7	1	198240-36380	HOOK, RETURN SPRING	4							
8	1	198240-36700	LEVER ASSY, CAM	1							
9	2	198240-36710	CAMSHAFT, BRAKE L	1							
10	2	198240-36720	CAMSHAFT, BRAKE R	1							
11	1	198240-36730	SHAFT, CAM LEVER	2							
11-1	1	198240-36730-1	SHAFT, CAM LEVER	2							R
(A=F007815)											
12	1	198320-36790	SLEEVE, CAM LEVER	2							
13	1	22242-000290	RING, 29	2							
14	1	24190-180001	BALL, STEEL 9/16	12							
15	1	24421-304208	SEAL, OIL TC304208	2							

Fig.60. BRAKE PEDAL



(A)=EF453T

(B)=

(C)=

(D)=

(E)=

(F)=

No.	Lev.	Parts No.	Description	Q'ty						I	R
				(A)	(B)	(C)	(D)	(E)	(F)		
1	1	794525-37000	ROD ASSY, BRAKE	2							
2	2	194150-22480	NUT, M10 L	2							
3	2	194130-37730	TURNBUCKLE	2							
4	2	194310-37741	ROD, BRAKE L	2							
5	2	194134-37771	ROD, BRAKE R	2							
6	2	26716-100002	NUT, M10	2							
7	1	198175-37420	PEDAL ASSY, BRAKE	1							
7-1	1	198175-37421-2 (A=F002362)	PEDAL ASSY, BRAKE L	1							N
7-2	1	198175-37421-1 (A=F007815)	PEDAL ASSY, BRAKE L	1							R
8	1	198240-37470-1	PEDAL, BRAKE R	1							
8-1	1	198240-37470-2 (A=F007815)	PEDAL, BRAKE R	1							R
9	1	198240-37510	SPRING, RETURN	2							
10	1	198240-37550	SHAFT, BRAKE PEDAL	1							
10-1	1	198240-37550-1 (A=F007815)	SHAFT, BRAKE PEDAL	1							R
11	1	1A7780-37610	LEVER, PARKING	1							
12	1	198138-37610	LEVER, PARKING B	1							
13	1	198254-37660	LEVER, BRAKE LOCK	1							
14	1	198220-37700	SPRING, RETURN	1							
15	1	198220-37720	SPRING	1							
16	1	198240-37850	LEVER, PARKING B	1							
17	1	198220-37900	PIN, 8X24	4							
18	1	22417-250300	PIN, COTTER 2.5X30	1							
19	1	22272-000190	RING, E-19	1							
20	1	22417-200300	PIN, COTTER 2.0X30	1							
21	1	22417-250300	PIN, COTTER 2.5X30	4							
22	1	22487-100700	PIN, H10X 70	1							
23	1	22512-070400	KEY, 7X 40	1							
24	1	24761-010000	NIPPLE, GREASE M6F	1							
25	1	26716-100002	NUT, M10	1							

Fig.61. HYDRAULIC PUMP

(A)=EF453T
(B)=
(C)=

(D)=
(E)=
(F)=

No.	Lev.	Parts No.	Description	Q'ty						I	R	
				(A)	(B)	(C)	(D)	(E)	(F)			
1	1	198240-41110	PUMP, HY/ZFD100/13L	1								
2	2	194278-41151	FLANGE	1								
3	2	198240-41150	BOLT, M8X83.5	4								
4	2	194278-41160	SEAL, OIL TC173008	1								
5	2	194278-41190	COVER	1								
6	2	794275-41200	SEAL KIT	1								
7	2	194065-41210	PIN, PARALLEL 6X12	2								
8	2	194278-41210	KEY	2								
9	2	22252-000300	RING, 30	1								

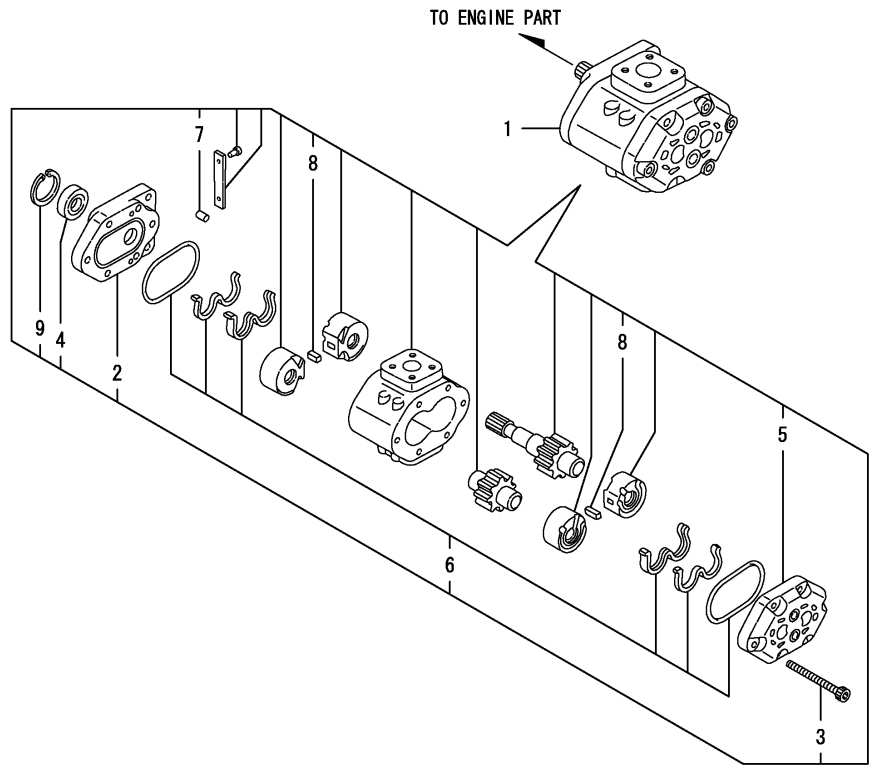


Fig.62. HYDRAULIC PUMP(POWER STEERING)

(A)=EF453T
(B)=
(C)=

(D)=
(E)=
(F)=

No.	Lev.	Parts No.	Description	Q'ty						I	R
				(A)	(B)	(C)	(D)	(E)	(F)		
1	1	178070-44000	PUMP ASSY, HYDRAULIC	1							
2	2	178070-10401	RING	1							
3	2	194521-41570	PIN, 11X7	2							
4	2	22252-000320	RING, 32	1							
5	2	24421-153207	SEAL, OIL TC153207	1							
6	2	26016-080352	BOLT, M8X 35	4							

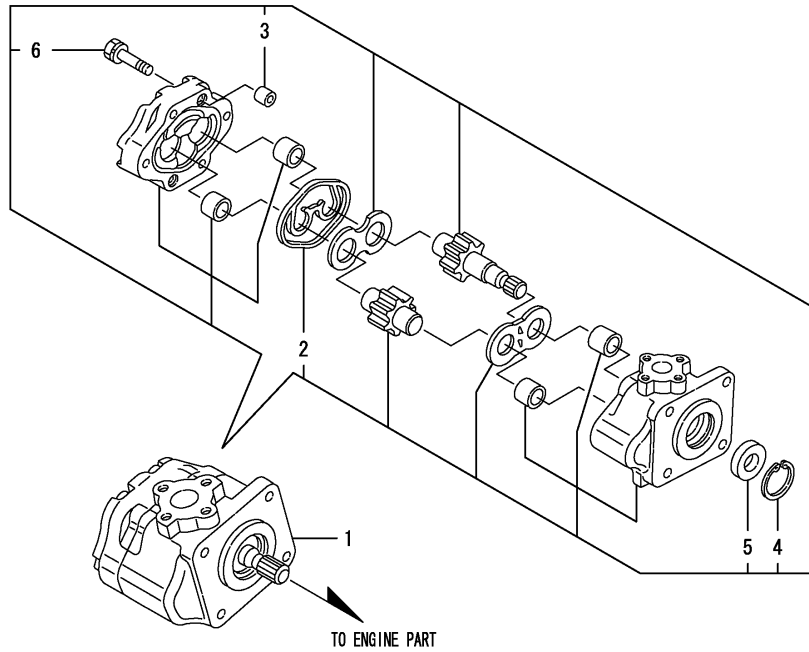
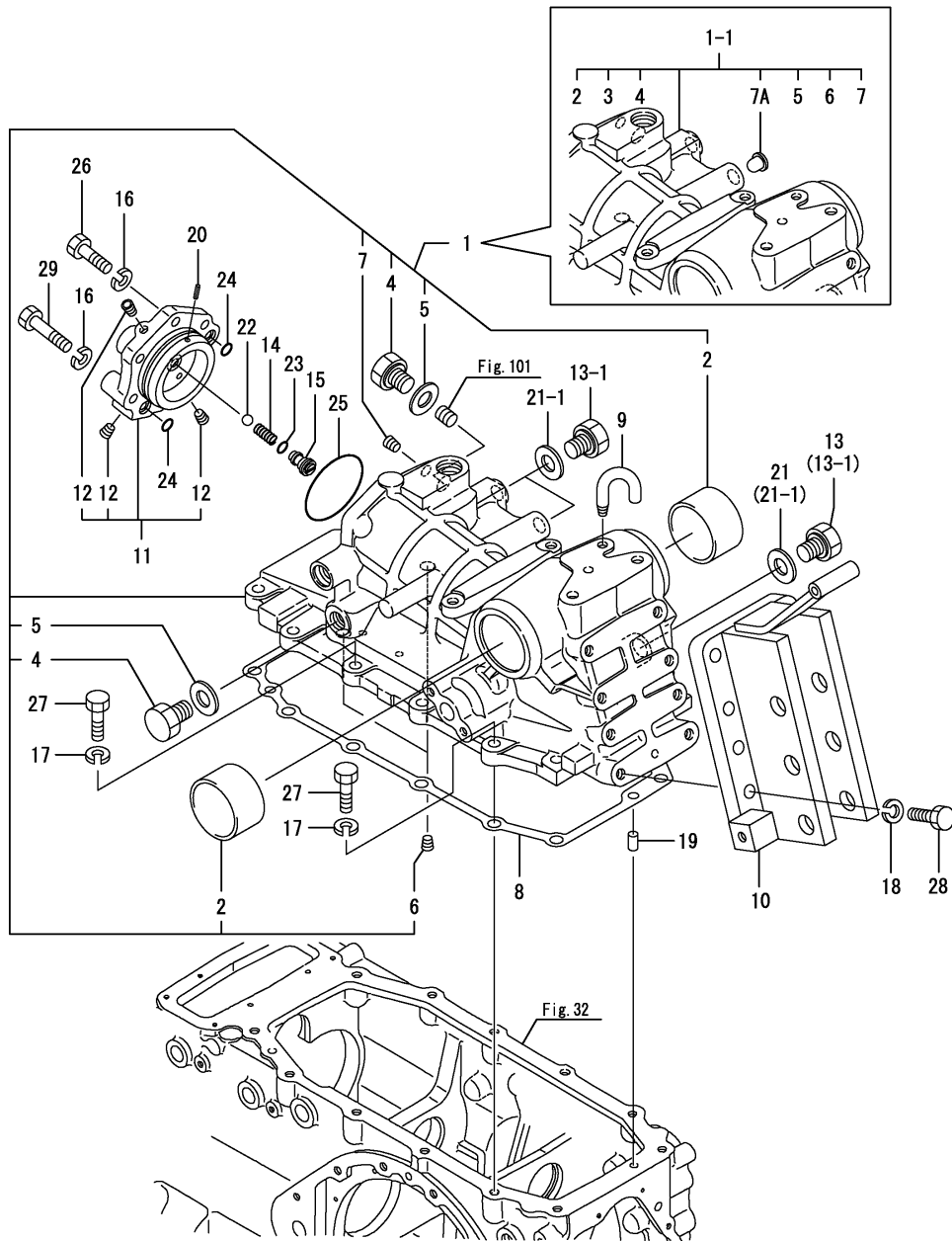
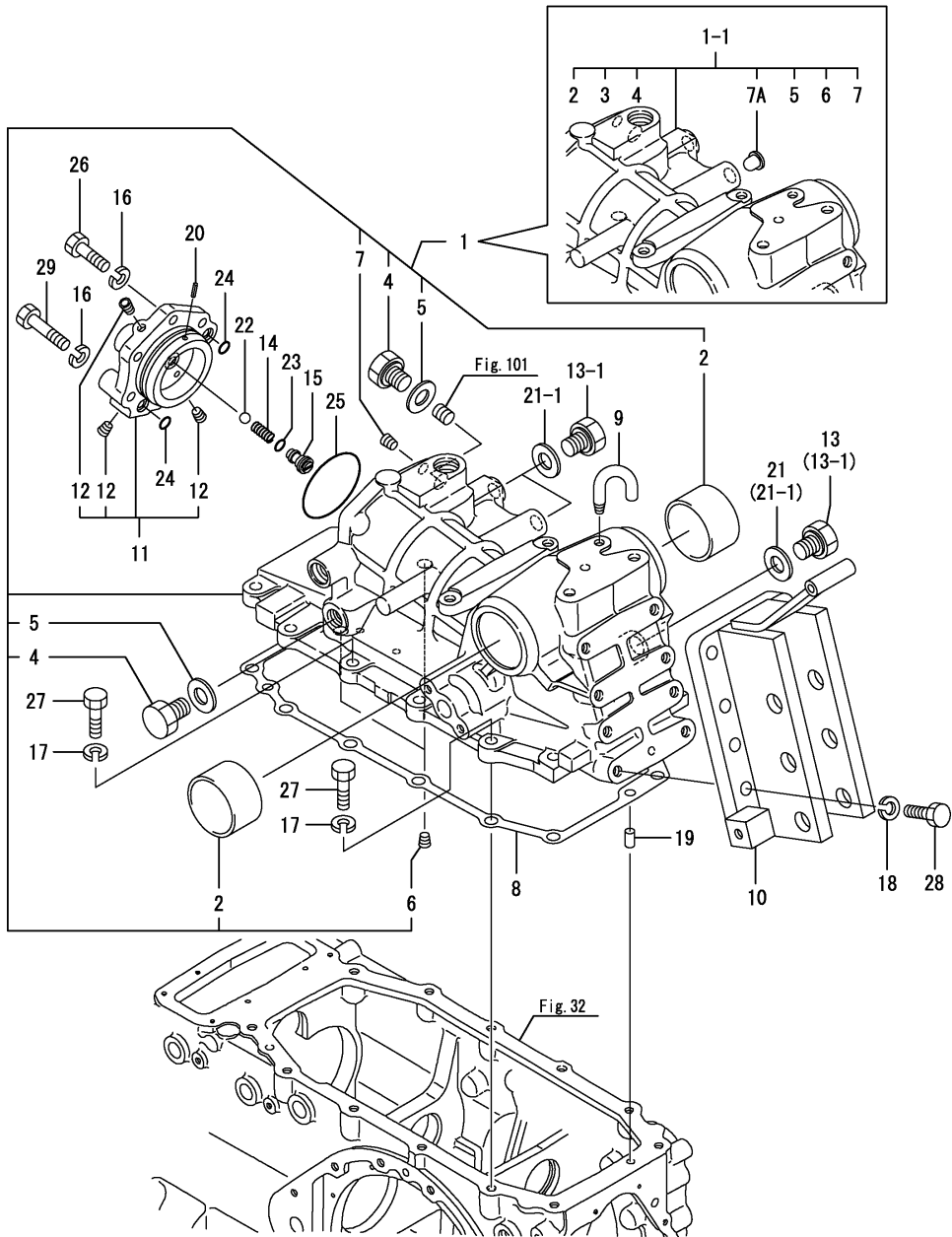


Fig.63. HYDRAULIC CYLINDER CASE



No.	Lev.	Parts No.	Description	Qty						I	R
				(A)	(B)	(C)	(D)	(E)	(F)		
1	1	198133-42101	CASE ASSY, CYLINDER	1							
1-1	1	198133-42102	HOUSING ASSY	1							S
		(A=F001586)									
1-2	1	198133-42102-2	HOUSING, HYDRAULIC	1							R
		(A=F007815)									
2	2	198133-42130	BUSH, 65X70X40	2							
4	2	198220-45920	PLUG, 3/4-16UNF	2							
5	2	23414-190000	GASKET, 19X1.0	2							
6	2	23876-010000	PLUG, R01	2							
7	2	23876-020000	PLUG, R02	1							
7A	2	194556-42220	STRAINER, A	1							W
		(A=F001586)									
7A-1	2	194556-42220	STRAINER, A	1							Z
		(A=F004668)									
8	1	198240-42130	PACKING, HOUSING	1							
9	1	194150-42280	BREATHER, AIR	1							
9-1	1	194150-42280-1	BREATHER, AIR	1							R
		(A=F007815)									
10	1	198255-42810	HINGE, TOP LINK P	1							
10-1	1	1A7780-42810	HINGE, TOP LINK	1							R
		(A=F004395)									
10-2	1	1A7780-42810-2	HINGE, TOP LINK	1							R
		(A=F007815)									
11	1	194640-43201	HEAD ASSY, CYLINDER	1							
11-1	1	194640-43201-1	HEAD ASSY, CYLINDER	1							R
		(A=F007815)									
12	2	23876-010000	PLUG, R01	3							
13	1	198220-45920	PLUG, 3/4-16UNF	1							
13-1	1	198220-45920	PLUG, 3/4-16UNF	3							K
		(A=F00102)									
14	1	194555-46380	SPRING	1							
15	1	194555-46730	PLUG, CHECK VALVE	1							
16	1	22217-120000	WASHER, SPRING 12	6							Z
		(A=FXXXXXX)									
17	1	22217-120000	WASHER, SPRING 12	12							Z
		(A=FXXXXXX)									
18	1	22217-120000	WASHER, SPRING 12	8							Z
		(A=FXXXXXX)									
19	1	22312-100180	PIN, PARALLEL M10X18	2							
20	1	22351-040016	PIN, SPRING 4.0X16	1							
21	1	23414-190000	GASKET, 19X1.0	1							
21-1	1	23414-190000	GASKET, 19X1.0	3							K
		(A=FXXXXXX)									
22	1	24190-130003	BALL, STEEL 13/32	1							
23	1	24315-000120	O-RING, 1BP12.0	1							
24	1	24315-000140	O-RING, 1BP14.0	2							
25	1	24325-000800	O-RING, 1BG80.0	1							
26	1	26116-120352	BOLT, M12X 35 PLATED	5							
26-1	1	26013-120352	BOLT, M12X 35	5							N
		(A=FXXXXXX)									
27	1	26116-120352	BOLT, M12X 35 PLATED	12							

Fig.63. HYDRAULIC CYLINDER CASE

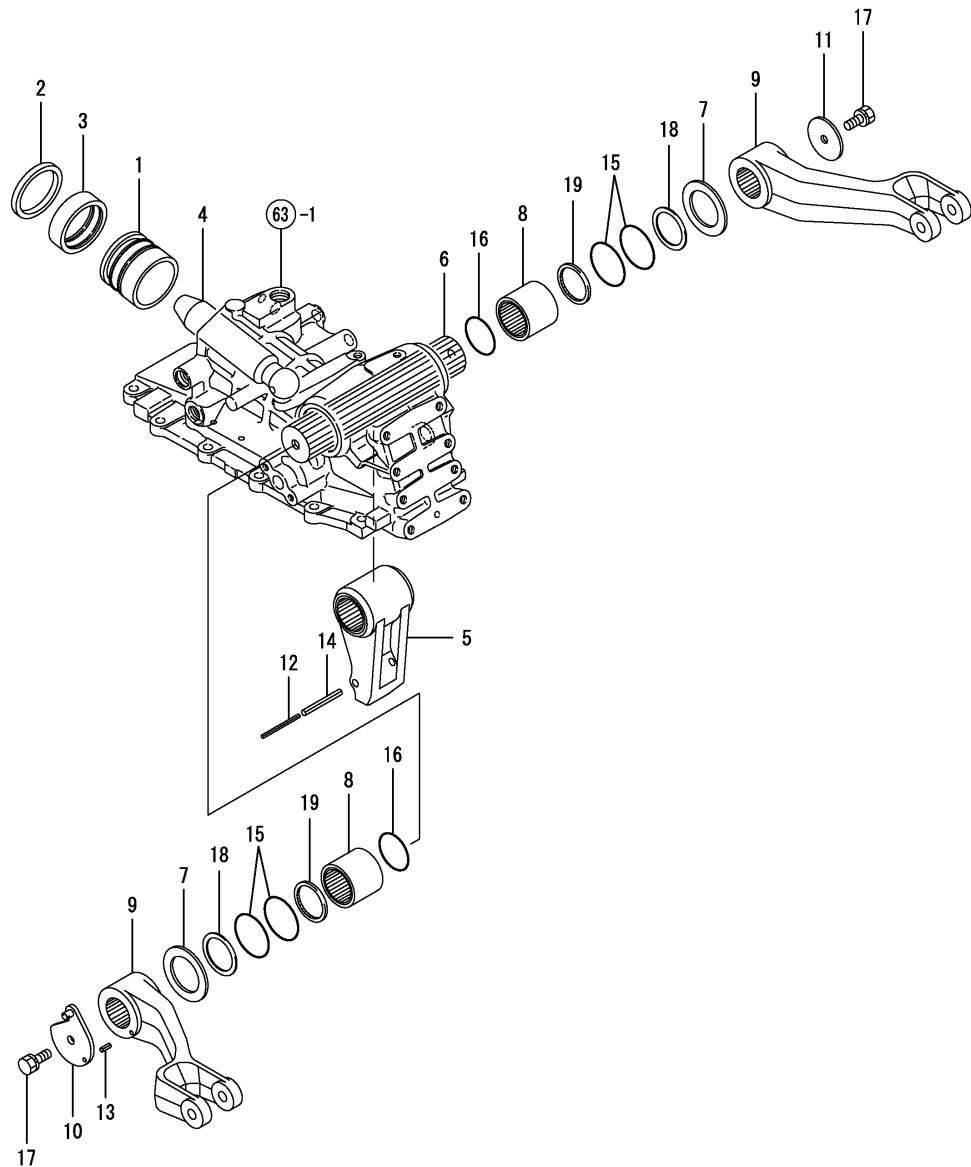


(A)=EF453T
(B)=
(C)=

(D)=
(E)=
(F)=

No.	Lev.	Parts No.	Description	Qty						I	R
				(A)	(B)	(C)	(D)	(E)	(F)		
27-1	1	26013-120352 (A=FXXXXXX)	BOLT, M12X 35	12							N
28	1	26116-120352	BOLT, M12X 35 PLATED	8							N
28-1	1	26013-120352 (A=FXXXXXX)	BOLT, M12X 35	8							N
29	1	26116-120552	BOLT, M12X 55 PLATED	1							N
29-1	1	26013-120552 (A=FXXXXXX)	BOLT, M12X 55	1							N

Fig.64. PISTON & LIFT CRANK



(A)=EF453T

(B)=

(C)=

(D)=

(E)=

(F)=

No.	Lev.	Parts No.	Description	Q'ty						I	R
				(A)	(B)	(C)	(D)	(E)	(F)		
1	1	198133-43310	PISTON, HYDRAULIC	1							
2	1	198133-43330	PACKING	1							
3	1	198133-43360	SLEEVE	1							
4	1	194180-43410	ROD, PISTON	1							
5	1	198215-44110	CRANK, LIFT	1							
5-1	1	198215-44110-1	CRANK,LIFT	1							R
(A=F007815)											
6	1	198133-44210	SHAFT, LIFTING	1							
7	1	194640-44230	WASHER, 55X82X2	2							
7-1	1	1A7640-44230	WASHER, 65X82X2	2							N
(A=F01061)											
8	1	198133-44250	SLEEVE, LIFT SHAFT	2							
8-1	1	1A7780-44250	SLEEVE, LIFT SHAFT	2							N
(A=F01061)											
9	1	198133-44410	ARM, LIFT	2							
9-1	1	198133-44410-1	ARM, LIFT	2							R
(A=F007815)											
9-2	1	198133-44411-1	ARM, LIFT	2							N
(A=FZZZZZ)											
10	1	198133-44510	PLATE, FEEDBACK	1							
10-1	1	1A7780-44510	PLATE, FEEDBACK	1							N
(A=F01061)											
10-2	1	1A7780-44510-1	PLATE, FEEDBACK	1							R
(A=F007815)											
11	1	194130-44520-1	RETAINER, SHAFT	1							
11-1	1	194640-44540-2	RETAINER, SHAFT	1							N
(A=F01061)											
11-2	1	194640-44540	RETAINER, SHAFT	1							R
(A=F007815)											
12	1	22351-050070	PIN, SPRING 5.0X70	1							
13	1	22351-060016	PIN, SPRING 6.0X16	1							
14	1	22351-080070	PIN, SPRING 8.0X70	1							
15	1	24321-000650	O-RING, 1AG65.0	4							
16	1	24341-000560	O-RING, 1AS56.0	2							Z
(A=F01061)											
17	1	26013-120252	BOLT, M12X 25	2							
17-1	1	26013-120352	BOLT, M12X 35	2							N
(A=F01061)											
18	1	1A7640-44240	PLATE, 50X64X2	2							W
(A=F01061)											
19	1	194640-44260	SEAL, SPLINE	2							W
(A=F01061)											

Fig.65. CONTROL VALVE

(A)=EF453T
(B)=
(C)=

(D)=
(E)=
(F)=

No.	Lev.	Parts No.	Description	Q'ty						I	R
				(A)	(B)	(C)	(D)	(E)	(F)		
1	1	178071-03010	VALVE ASSY, CONTROL	1							
1-1	1	168246-00110	CONTROL VALVE(6F-11)	1							N
(A=FZZZZZ)											
2	2	194327-45120	O-RING, 1BP14.0	2							
3	2	194327-45130	O-RING, 1BP7.0	1							
4	2	26450-080142	BOLT, M8X 14	3							
5	1	26450-080202	BOLT, M8X 20	3							

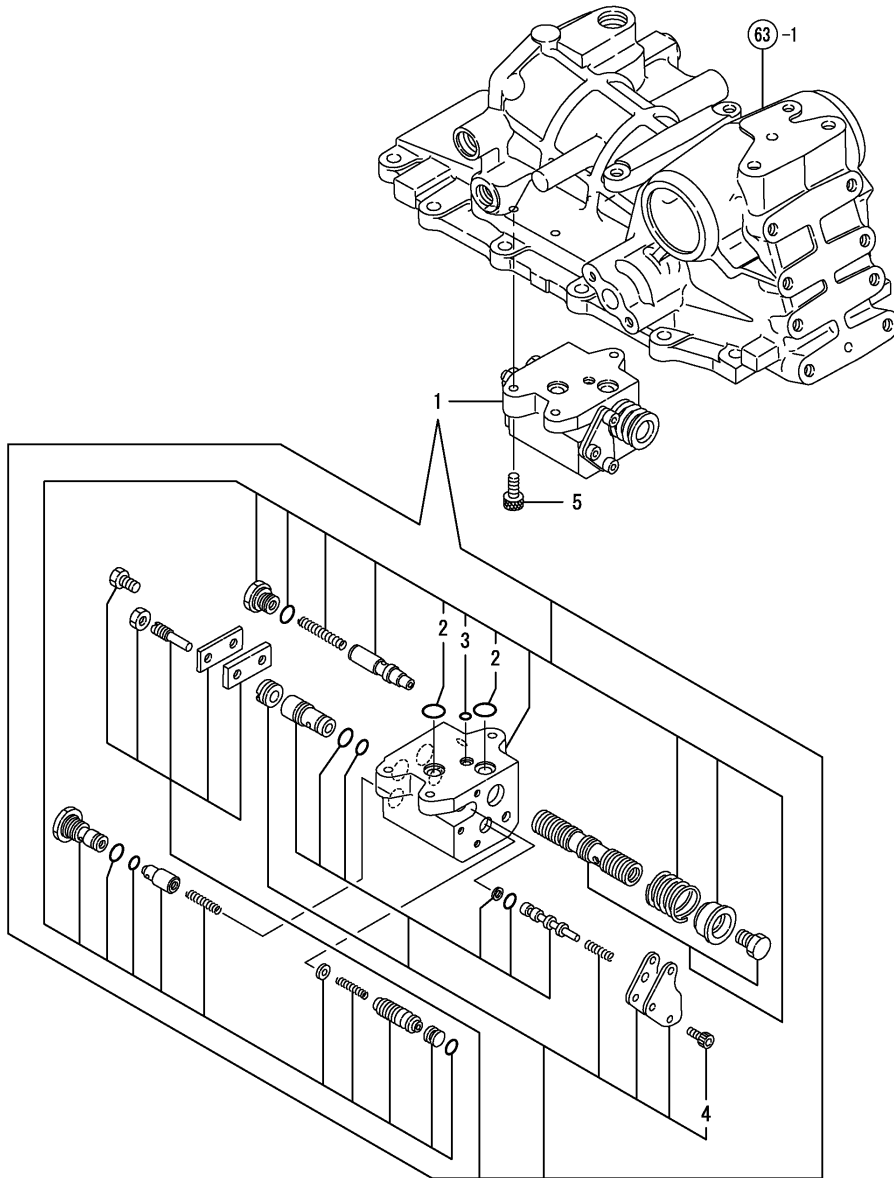


Fig.66. RELIEF VALVE

(A)=EF453T
(B)=
(C)=

(D)=
(E)=
(F)=

No.	Lev.	Parts No.	Description	Q'ty						I	R
				(A)	(B)	(C)	(D)	(E)	(F)		
1	1	198133-45600	VALVE ASSY, RELIEF	1							
2	2	194180-45620	SPRING	1							
3	2	194450-45630	O-RING, 2.5X23	1							
4	2	194450-45640	PLUG, RELIEF VALVE	1							
4-1	2	194450-45640-1	PLUG, RELIEF VALVE	1							R
(A=F007815)											
5	2	194450-45650	GASKET, 20X27.8X2	1							
6	2	794464-45660	SHIM SET	1							

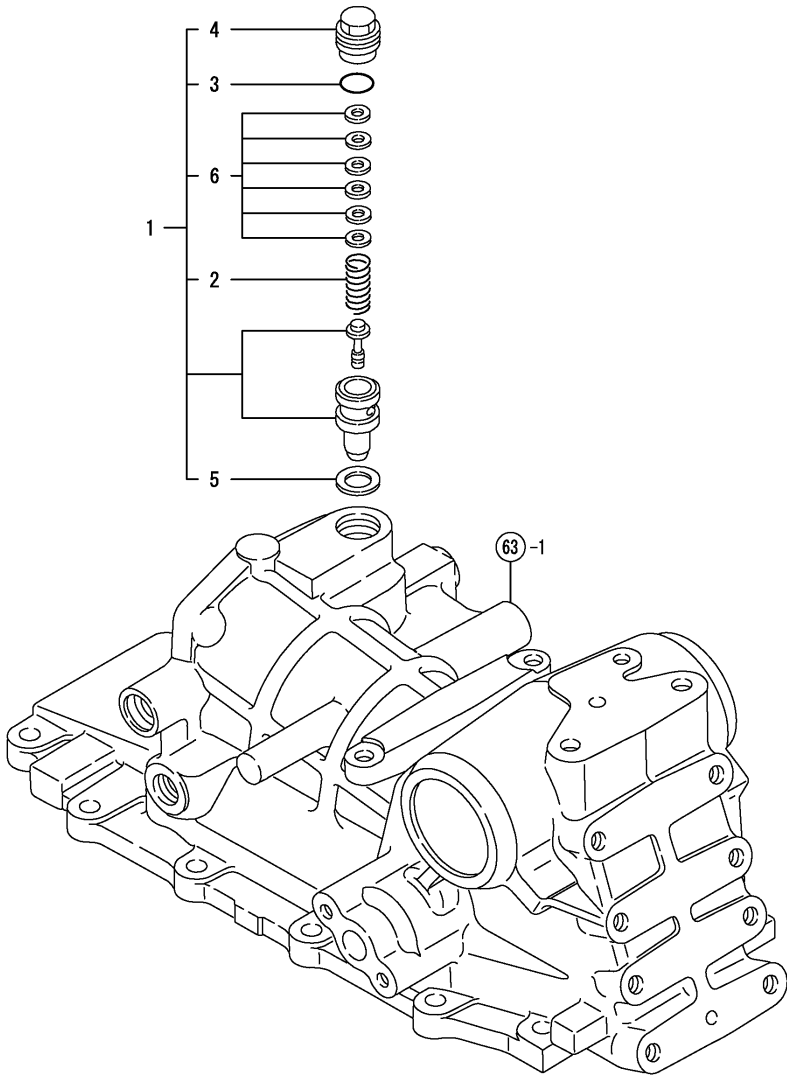
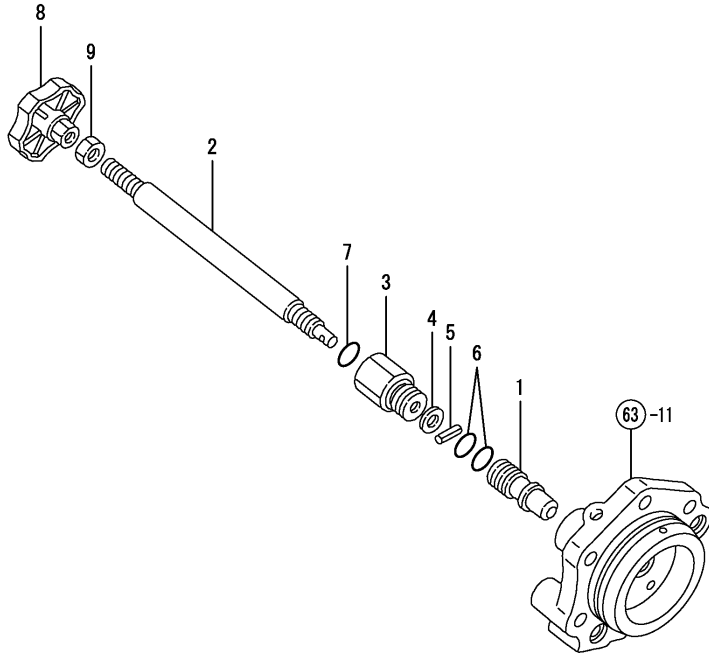


Fig.67. STOP VALVE

(A)=EF453T
(B)=
(C)=

(D)=
(E)=
(F)=



No.	Lev.	Parts No.	Description	Q'ty						I	R
				(A)	(B)	(C)	(D)	(E)	(F)		
1	1	194555-46300	VALVE, STOP	1							
2	1	198240-46620	BOLT, STOP	1							
3	1	194312-46630-2	HOLDER, VALVE	1							
3-1	1	194312-46630-1 (A=F007815)	HOLDER, VALVE	1							R
4	1	22117-080000	WASHER, 8	1							
5	1	22351-040012	PIN, SPRING 4.0X12	1							
6	1	24311-000110	O-RING, 1AP11.0	2							
7	1	24311-000120	O-RING, 1AP12.0	1							
8	1	198220-46670	KNOB, SHAFT	1							
9	1	26716-100002	NUT, M10	1							

Fig.68. SAFETY VALVE

(A)=EF453T
(B)=
(C)=

(D)=
(E)=
(F)=

No.	Lev.	Parts No.	Description	Qty						I	R
				(A)	(B)	(C)	(D)	(E)	(F)		
1	1	194150-45320	SPRING, RELIEF VALVE	1							
2	1	198220-45350	COLLAR, VALVE	1							
3	1	198220-45370	PLUG, SAFETY VALVE	1							
4	1	198220-46400	SHIM SET	1							
5	1	194640-46410	SEAT, SAFETY VALVE	1							
6	1	194640-46420	POPPET	1							
7	1	22351-060028	PIN, SPRING 6.0X28	1							
8	1	24311-000120	O-RING, 1AP12.0	1							
9	1	24311-000180	O-RING, 1AP18.0	1							

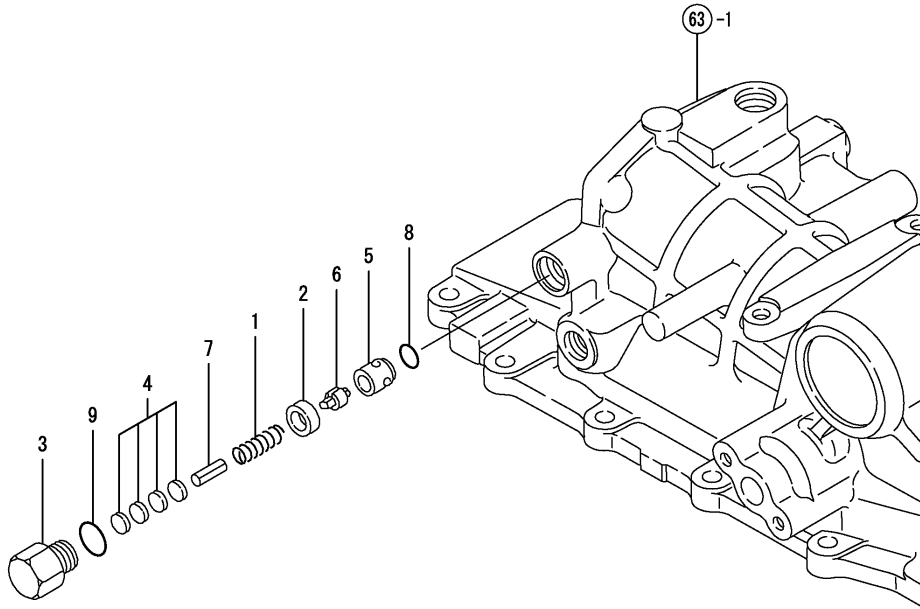
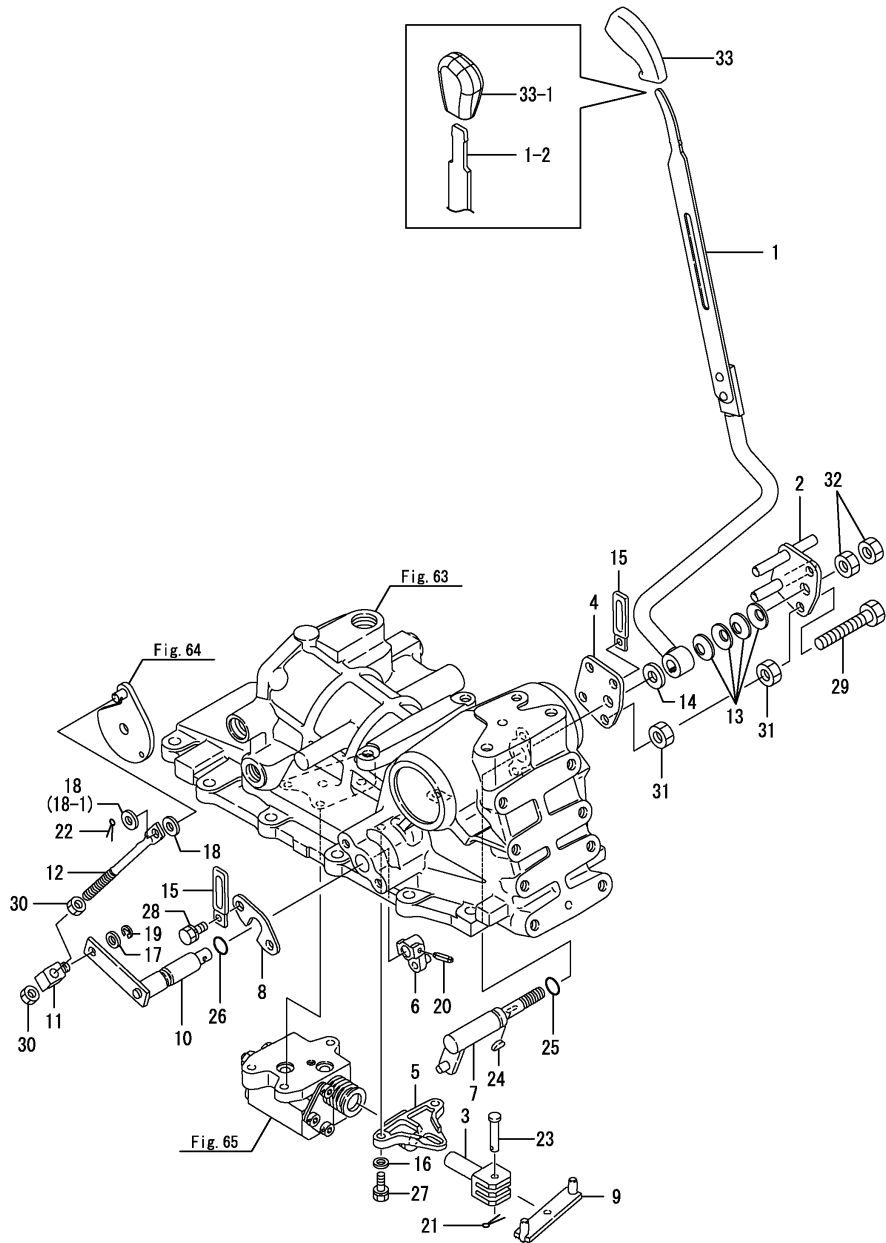


Fig.69. HYDRAULIC CONTROL



(A)=EF453T
(B)=
(C)=

(D)=
(E)=
(F)=

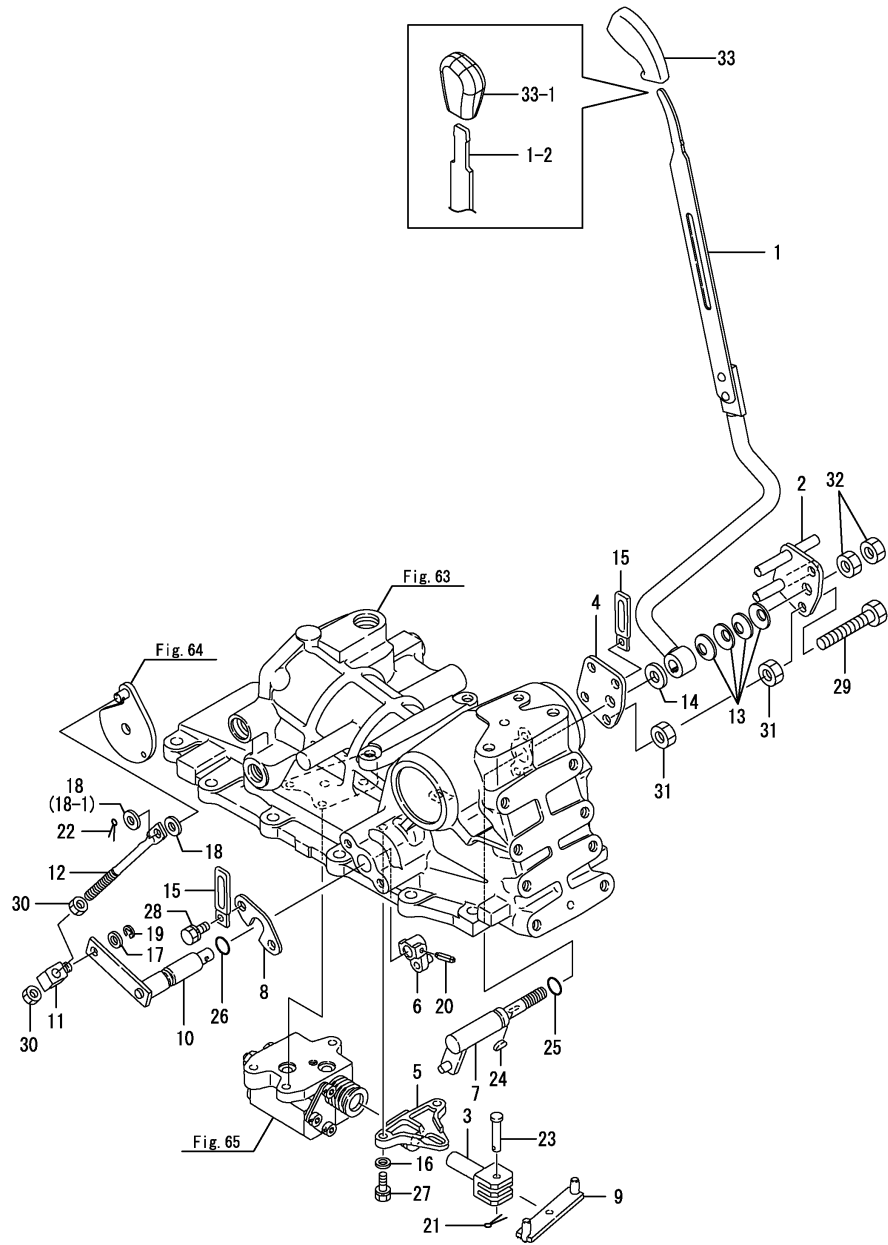
No.	Lev.	Parts No.	Description	Q'ty						I	R
				(A)	(B)	(C)	(D)	(E)	(F)		
1	1	198178-47300	LEVER, CONTROL	1							
1-1	1	198178-47300-1	LEVER, CONTROL	1							R
(A=F007815)											
1-2	1	1A7780-47300-2	LEVER, P CONTROL	1							F 1
(A=FZZZZZ)											
2	1	198320-47321	PLATE, FRICTION	1							
2-1	1	198320-47321-1	PLATE, FRICTION	1							R
(A=F007815)											
3	1	198360-47320	ROD, CONTROL	1							
4	1	198320-47330	PLATE	1							
4-1	1	198320-47330-1	PLATE	1							R
(A=F007815)											
5	1	198360-47330	PLATE, CONTROL	1							
6	1	198320-47370	ARM, FEEDBACK	1							
6-1	1	198254-47370	ARM, CONTROL	1							R
(A=F00508)											
7	1	198240-47380	SHAFT, CONTROL	1							
8	1	198320-47410	PLATE, A	1							
8-1	1	198320-47410-1	PLATE, A	1							R
(A=F007815)											
9	1	194555-47420	BAR, CONTROL	1							
9-1	1	1A7780-47420	ROD, CONTROL	1							R
(A=FXXXXX)											
10	1	198240-47430-2	ARM	1							
10-1	1	198240-47430-1	ARM	1							R
(A=F007815)											
11	1	194550-47530	ADJUSTER	1							
12	1	194640-47560	ROD, FEEDBACK	1							
13	1	194151-47760	WASHER, 12	4							
14	1	194310-47790	PLATE, FRICTION	1							
15	1	194180-51640	CLAMP, HARNESS	2							
16	1	22137-080000	WASHER, 8	2							
17	1	22137-100000	WASHER, 10	1							
18	1	22137-100000	WASHER, 10	2							
18-1	1	22137-100000	WASHER, 10	1							K
(A=F01061)											
19	1	22272-000070	RING, E-7	1							
20	1	22351-050025	PIN, SPRING 5.0X25	1							
21	1	22417-200160	PIN, COTTER 2.0X16	1							
22	1	22417-300200	PIN, COTTER 3.0X20	2							
23	1	22487-080350	PIN, H 8X 35	1							
24	1	22522-030130	KEY, WOODRUFF 3X13	1							
25	1	24311-000150	O-RING, 1AP15.0	1							
26	1	24311-000150	O-RING, 1AP15.0	1							
27	1	26013-080202	BOLT, M8X 20	2							
28	1	26013-100162	BOLT, M10X 16	2							
29	1	26116-100504	BOLT, M10X 50 PLATED	2							
30	1	26716-100002	NUT, M10	2							
31	1	26716-100002	NUT, M10	4							
32	1	26716-120002	NUT, M12	2							
33	1	198220-47370	KNOB, LEVER	1							

Remarks

(1)No.1-1 & 33 is interchangeable with a set of No.1-2 & 33-1.

N:Old $\xrightarrow{\text{Yes}}$ New, Q:Old $\xrightarrow{\text{No}}$ New, R:Old $\xrightarrow{\text{Yes}}$ New, S:Old $\xrightarrow{\text{No}}$ New, W:Add, Z:Discontinued, F:Interchangeable by set, K:Q'ty Change
 ++ CONTINUE ++

OCNP4-M80101 HYDRAULIC CONTROL
Fig.69. HYDRAULIC CONTROL



(A)=EF453T
 (B)=
 (C)=

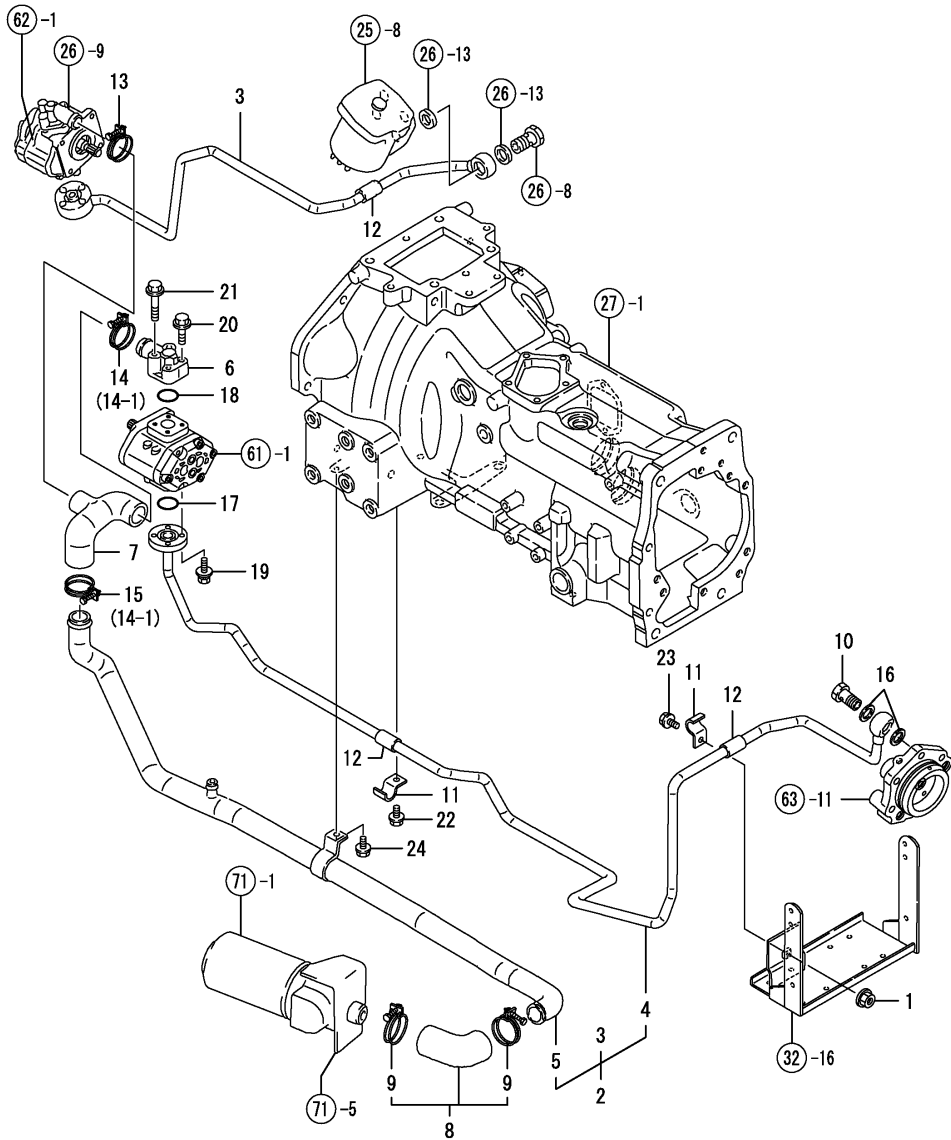
(D)=
 (E)=
 (F)=

No.	Lev.	Parts No.	Description	Qty						I	R
				(A)	(B)	(C)	(D)	(E)	(F)		
33-1	1	198200-47810 (A=FZZZZZ)	KNOB, BLACK	1						F	1

Remarks

(1)No.1-1 & 33 is interchangeable with a set of No.1-2 & 33-1.

Fig.70. HYDRAULIC PIPING

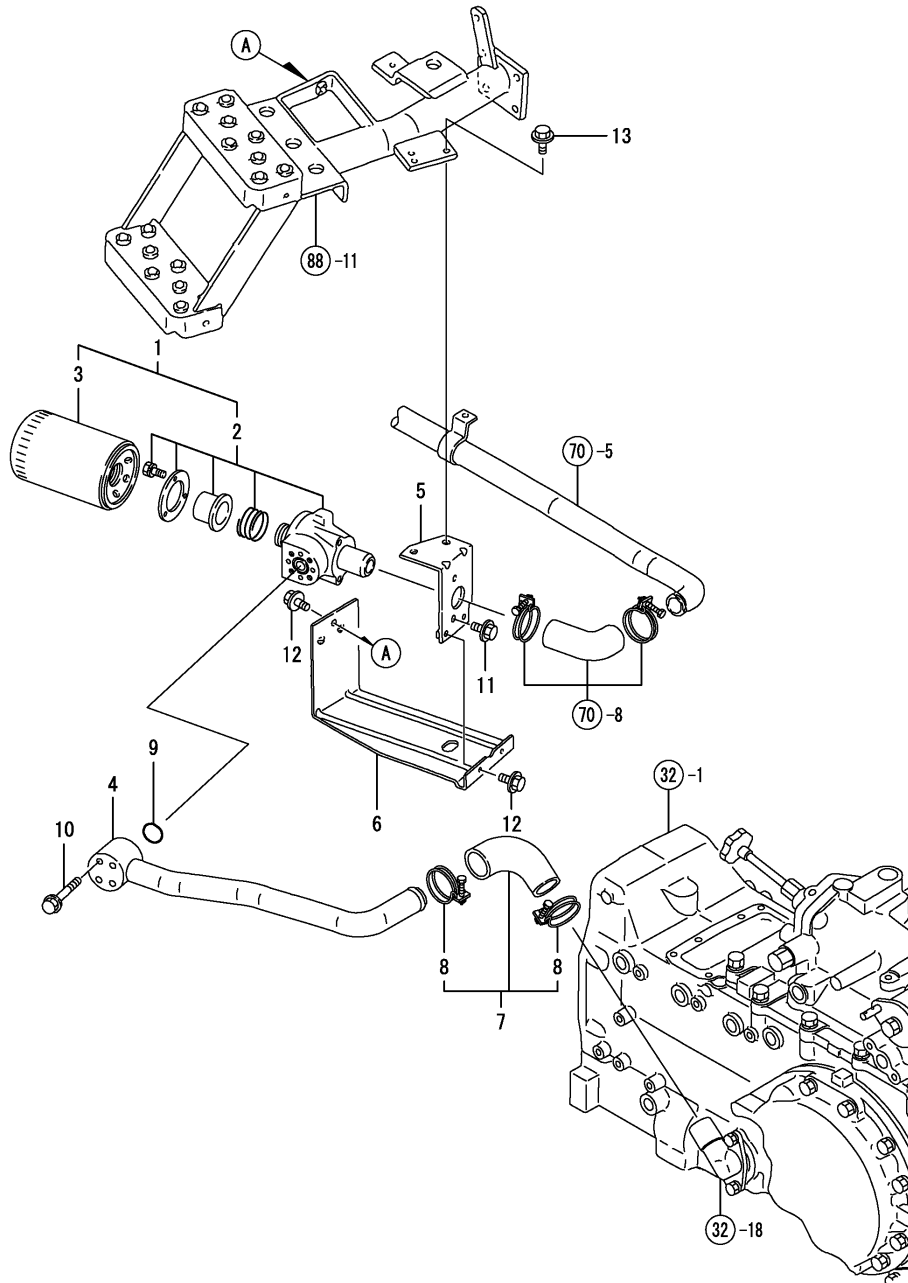


(A)=EF453T
(B)=
(C)=

(D)=
(E)=
(F)=

No.	Lev.	Parts No.	Description	Q'ty						I	R
				(A)	(B)	(C)	(D)	(E)	(F)		
1	1	194990-22140	NUT, M8	1							
2	1	798253-48080	PIPE KIT	1							
2-1	1	798253-48080-1	PIPE KIT	1							R
(A=F007815)											
3	2	198320-17720	PIPE, PRESSURE P	1							
3-1	2	198320-17720-1	PIPE, PRESSURE P	1							R
(A=F007815)											
4	2	198250-48100	PIPE, PRESSURE	1							
4-1	2	198250-48100-1	PIPE, PRESSURE	1							R
(A=F007815)											
5	2	198320-48150	PIPE, PRESSURE	1							
5-1	2	198320-48150-1	PIPE, PRESSURE	1							R
(A=F007815)											
6	1	198240-48140	FLANGE, PIPE P	1							
7	1	198320-48220	HOSE, PRESSURE	1							
8	1	198240-48500	HOSE, PRESSURE S	1							
9	2	23010-048000	CLAMP, 48	2							
9-1	2	23000-048000	CLAMP, 48	2							N
(A=F006177)											
10	1	198361-48750	BOLT ASSY, JOINT	1							
11	1	198240-48830	CLAMP	2							
12	1	198240-48850	CLAMP, ABSORBER	3							
13	1	23010-035000	CLAMP, 35	1							
13-1	1	23000-035000	CLAMP, 35	1							N
(A=F006177)											
14	1	23010-040000	CLAMP, 40	1							
14-1	1	23000-048000	CLAMP, 48	2							N
(A=F006177)											
15	1	23010-046000	CLAMP, 46	1							Z
(A=F006177)											
16	1	23414-200026	GASKET, 20X1.0	2							
17	1	24321-000250	O-RING, 1AG25.0	1							
18	1	24341-000250	O-RING, 1AS25.0	1							
19	1	26018-060252	BOLT, M6X 25	4							
20	1	26106-060402	BOLT, M6X 40 PLATED	2							
21	1	26106-060502	BOLT, M6X 50 PLATED	2							
22	1	26106-080162	BOLT, M8X 16 PLATED	1							
23	1	26106-080162	BOLT, M8X 16 PLATED	1							
24	1	26106-080162	BOLT, M8X 16 PLATED	1							

Fig.71. HYDRAULIC FILTER



(A)=EF453T

(B)=

(C)=

(D)=

(E)=

(F)=

No.	Lev.	Parts No.	Description	Q'ty						I	R
				(A)	(B)	(C)	(D)	(E)	(F)		
1	1	194278-48300	FILTER ASSY	1							
2	2	194555-48350	COVER ASSY, FILTER	1							
3	2	194327-48450	FILTER, HYDRAULIC	1							
4	1	198240-48300	PIPE, PRESSURE	1							
4-1	1	198240-48300-1	PIPE, PRESSURE	1							R
(A=F007815)											
5	1	198240-48380	BRACKET, FILTER	1							
6	1	198240-48410-1	PROTECTOR, FILTER	1							
6-1	1	198240-48410-2	PROTECTOR, FILTER	1							R
(A=F007815)											
7	1	198240-48500	HOSE, PRESSURE S	1							
8	2	23010-048000	CLAMP, 48	2							
8-1	2	23000-048000	CLAMP, 48	2							N
(A=F006177)											
9	1	24321-000250	O-RING, 1AG25.0	1							
10	1	26106-060602	BOLT, M6X 60 PLATED	4							
11	1	26106-080162	BOLT, M8X 16 PLATED	2							
12	1	26106-080162	BOLT, M8X 16 PLATED	3							
13	1	26106-080202	BOLT, M8X 20 PLATED	2							

Fig.72. SEAL

(A)=EF453T
(B)=
(C)=

(D)=
(E)=
(F)=

No.	Lev.	Parts No.	Description	Q'ty						I	R
				(A)	(B)	(C)	(D)	(E)	(F)		
1	1	1A7270-49221	SEAL, COOLER	1							
2	1	194697-62560	CAP, HOLE	4							

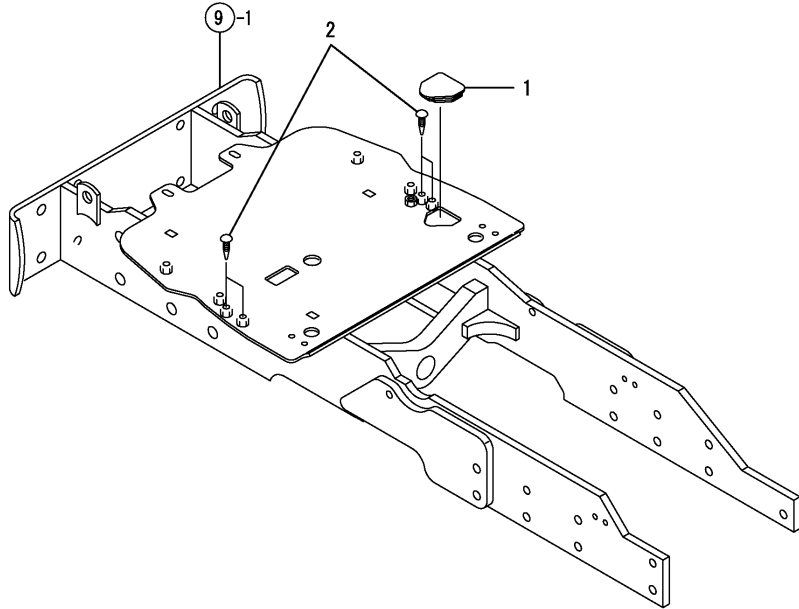


Fig.101. PLUG

(A)=EF453T
(B)=
(C)=

(D)=
(E)=
(F)=

No.	Lev.	Parts No.	Description	Q'ty						I	R
				(A)	(B)	(C)	(D)	(E)	(F)		
1	1	198245-42160	PLUG, 1/4	1							

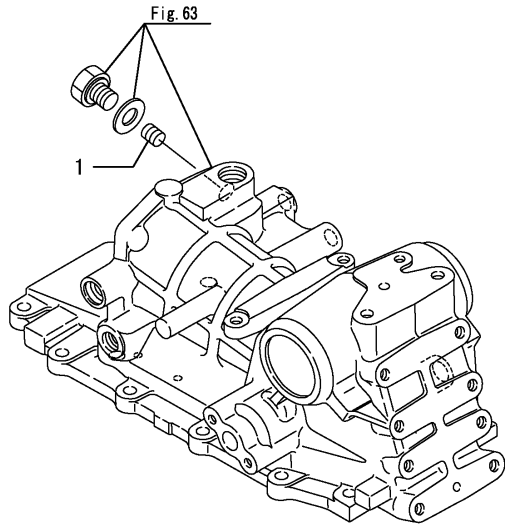


Fig.73. WIRE HARNESS

(A)=EF453T

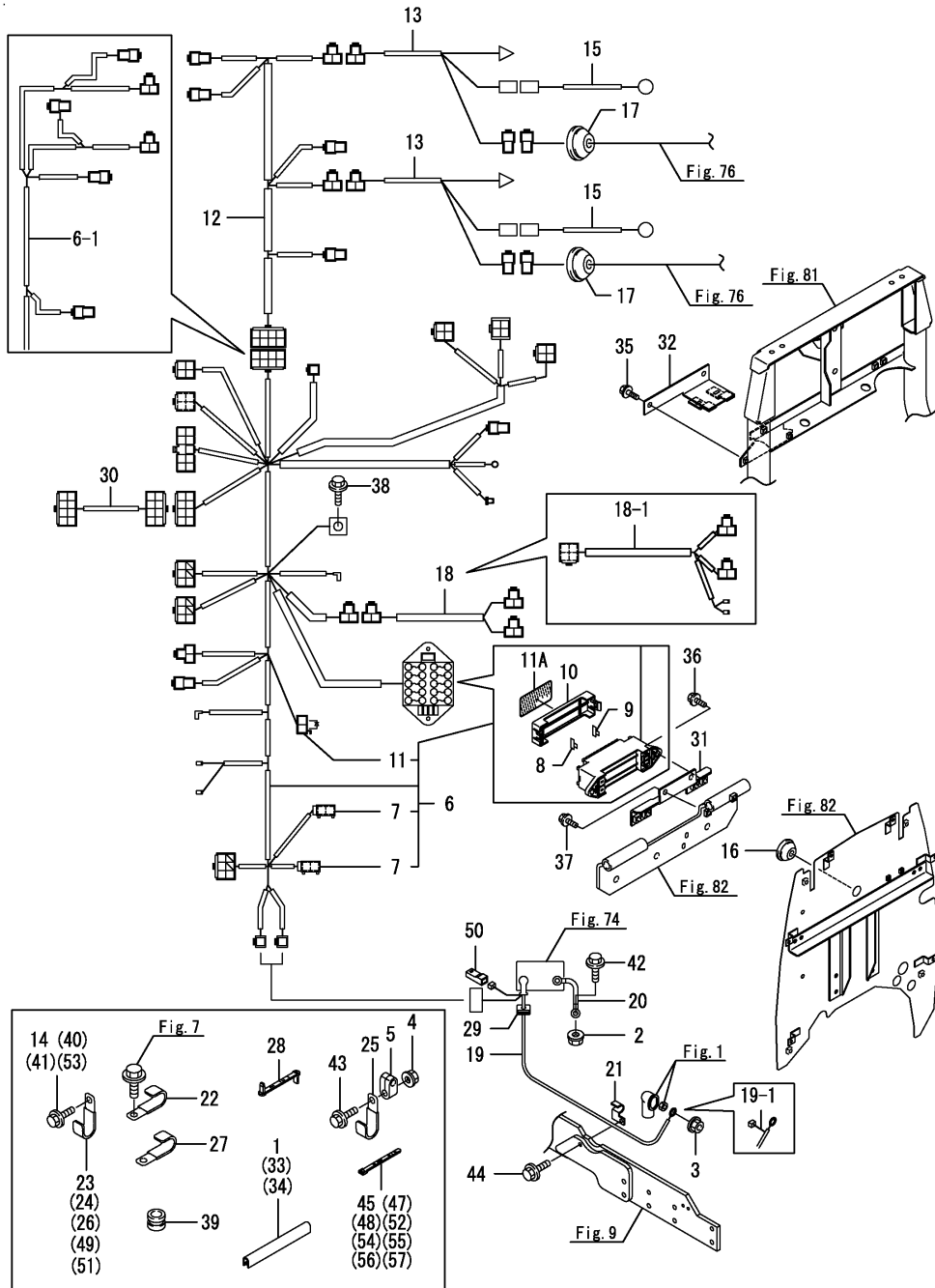
(B)=

(C)=

(D)=

(E)=

(F)=



No.	Lev.	Parts No.	Description	Q'ty						I	R
				(A)	(B)	(C)	(D)	(E)	(F)		
1	1	1A7000-61490	TRIM, 120	1							
2	1	194990-22140	NUT, M8	1							Z
(A=F002117)											
3	1	194990-22140	NUT, M8	1							
4	1	194990-22140	NUT, M8	2							
5	1	1E8080-43850	CLAMP, WIRE	2							
6	1	1A7780-51110	HARNESS ASSY, WIRE A	1							
6-1	1	1A7780-51200	WIRING HARNESS, A	1							S
(A=F102046)											
6-2	1	1A7780-51201	WIRING HARNESS, A	1							N
(A=*2010.11)											
7	2	198153-51700	FUSE, SLOW BLOW 80A	2							
7-1	2	1A6380-52700	FUSE, SLOW BLOW 60A	2							N
(A=*2010.11)											
8	2	198535-52110	FUSE, 5A	8							
9	2	198535-52130	FUSE, 15A	2							
10	2	1A7260-52410	COVER, FUSE BOX	1							
11	2	1E8235-84910	DIODE, 090 3A	1							
11A	2	1A7780-65470	LABEL, FUSE	1							W
(A=F102046)											
12	1	1A7780-51130	HARNESS, WIRE	1							Z
(A=F102046)											
13	1	198242-51130	HARNESS, WIRE	2							
14	1	26106-080122	BOLT, M8X 12 PLATED	1							
15	1	198121-51190	HARNESS, WIRE	2							
16	1	194275-51210	GROMMET	1							
17	1	194275-51210	GROMMET	2							
18	1	1A7780-51310	HARNESS, WIRE	1							
18-1	1	1A7780-51320	WIRING HARNESS,	1							S
(A=F102046)											
19	1	1A7890-51350	CABLE ASSY, BATTERY	1							
19-1	1	198071-51411	CABLE, BATTERY 1150	1							S
(A=F102046)											
20	1	194250-51420	CABLE, BATTERY EARTH	1							
21	1	198121-51430	CLAMP, CABLE B	1							
22	1	194440-51620	CLAMP	2							
23	1	194440-51620	CLAMP	2							
23-1	1	1E6102-83230	CLAMP, CABLE	2							N
(A=F002465)											
24	1	194440-51620	CLAMP	2							
25	1	194440-51620	CLAMP	1							
26	1	194440-51620	CLAMP	1							
27	1	194440-51630	CLAMP, HARNESS	1							
28	1	194250-51650	CLAMP, SPEED 63	4							
29	1	1A7260-51710	GROMMET, CABLE	1							
30	1	1A7780-51140	HARNESS, WIRE	1							
31	1	1A7260-52510	STAY, FUSE BOX	1							
31-1	1	1A7780-52510	STAY, FUSE BOX	1							N
(A=F102046)											
32	1	1A7780-58100-1	STAY, SLOW BROW	1							Z
(A=F102046)											

Fig.73. WIRE HARNESS

(A)=EF453T

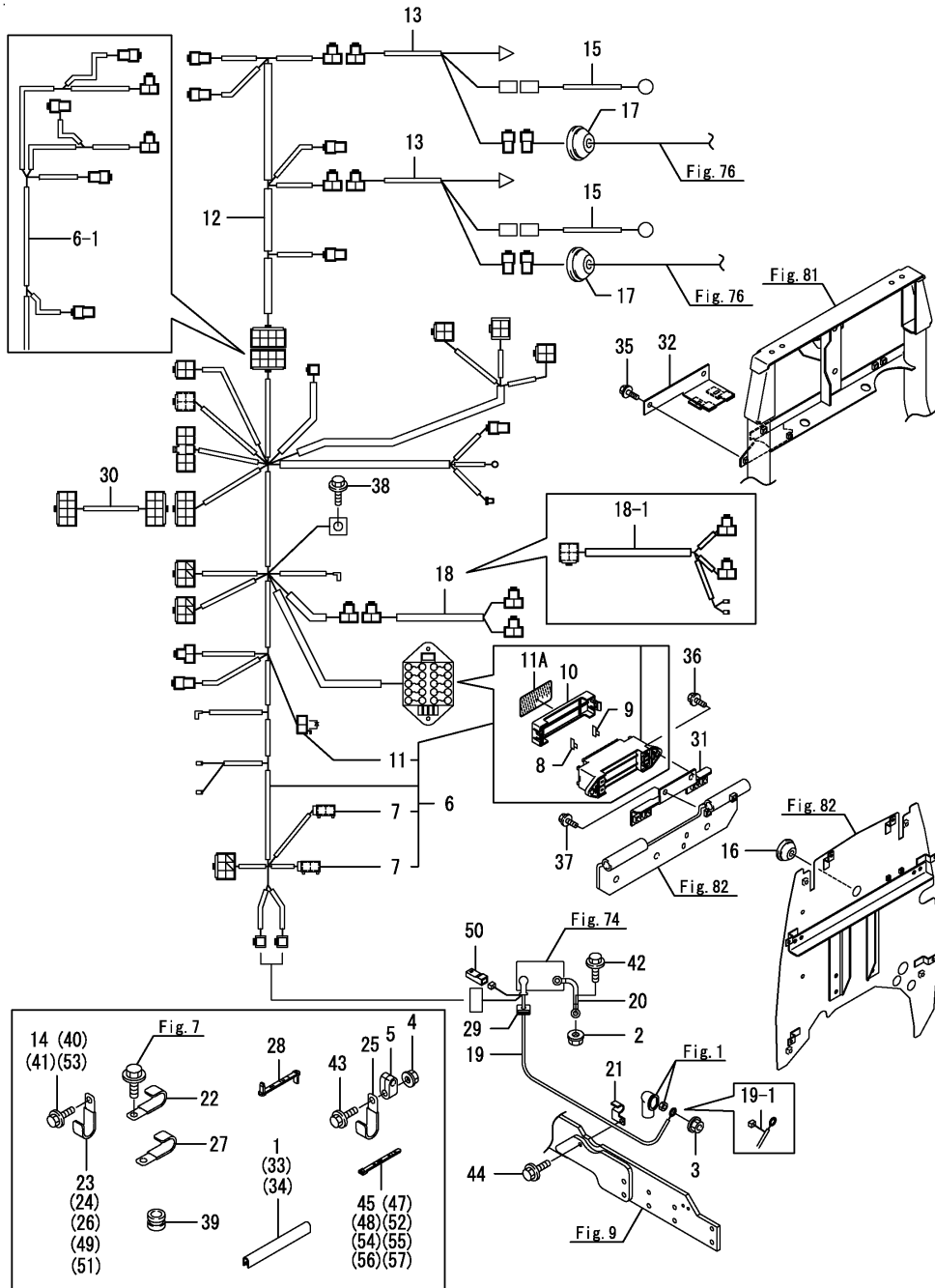
(B)=

(C)=

(D)=

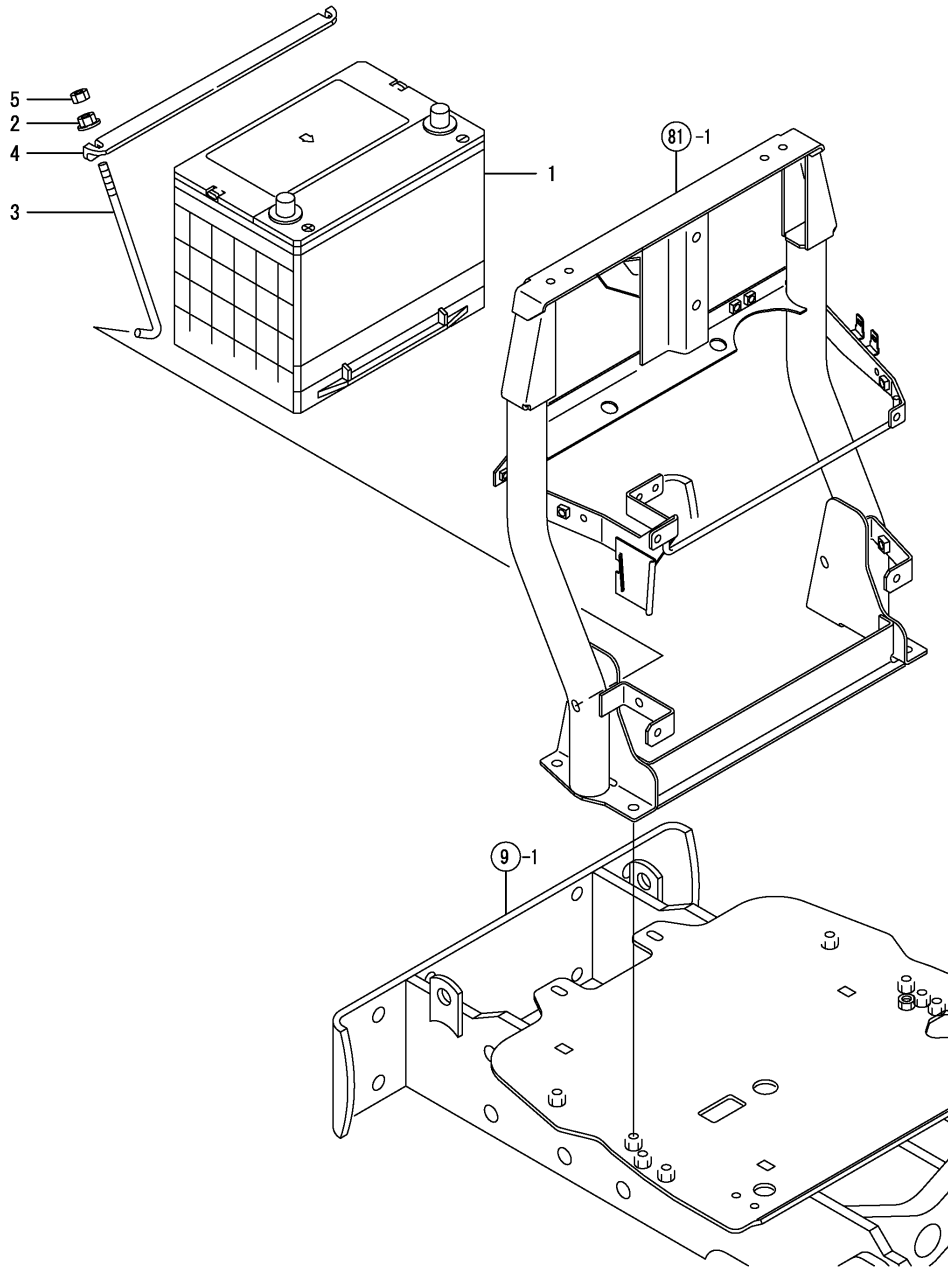
(E)=

(F)=



No.	Lev.	Parts No.	Description	Q'ty						I	R
				(A)	(B)	(C)	(D)	(E)	(F)		
33	1	1A7320-61980	TRIM, SHROUD	1							
33-1	1	1A7000-61490	TRIM, 120	1							R
(A=F002117)											
34	1	198291-77870	COVER, GUARD	1							
35	1	26106-060122	BOLT, M6X 12 PLATED	2							Z
(A=F102046)											
36	1	26106-060122	BOLT, M6X 12 PLATED	2							
37	1	26106-060162	BOLT, M6X 16 PLATED	2							
38	1	26106-080122	BOLT, M8X 12 PLATED	1							
39	1	194170-51210	GROMMET	2							
40	1	26106-080122	BOLT, M8X 12 PLATED	1							
41	1	26106-080162	BOLT, M8X 16 PLATED	2							
42	1	26106-080162	BOLT, M8X 16 PLATED	1							
43	1	26106-080252	BOLT, M8X 25 PLATED	2							
44	1	26106-080352	BOLT, M8X 35 PLATED	1							
45	1	29622-140001	BAND, RF140	1							
45-1	1	29622-140001	BAND, RF140	2							K
(A=F102046)											
47	1	29622-140001	BAND, RF140	2							
47-1	1	29622-140001	BAND, RF140	1							K
(A=F102046)											
48	1	29622-250001	BAND, RF250	1							
49	1	194440-51620	CLAMP	1							
50	1	1A7000-51370	CONNECTOR, 1F	1							Z
(A=F102046)											
51	1	194180-51640	CLAMP, HARNESS	1							
52	1	198153-51810	BAND, NYLON 150	1							
53	1	26013-100162	BOLT, M10X 16	1							
54	1	29622-140001	BAND, RF140	2							
55	1	29622-140001	BAND, RF140	4							
56	1	29622-250001	BAND, RF250	2							
57	1	29622-140001	BAND, RF140	1							W
(A=F006611)											

Fig.74. BATTERY



(A)=EF453T
(B)=
(C)=

(D)=
(E)=
(F)=

No.	Lev.	Parts No.	Description	Q'ty						I	R
				(A)	(B)	(C)	(D)	(E)	(F)		
1	1	1A7780-51500	BATTERY	1							
1-1	1	198280-51540	BATTERY	1							R
(A=F102046)											
2	1	194990-22140	NUT, M8		2						
3	1	1A7260-51540	ROD, BATTERY CLAMP		2						
4	1	198240-51561	CLAMP, BATTERY		1						
5	1	26716-080002	NUT, M8		2						

Fig.75. SWITCH

(A)=EF453T
(B)=
(C)=

(D)=
(E)=
(F)=

No.	Lev.	Parts No.	Description	Q'ty						I	R
				(A)	(B)	(C)	(D)	(E)	(F)		
1	1	194940-52110	SWITCH, STARTING	1							
2	2	198360-52160	KEY ASSY	1							
3	1	194555-52140	SWITCH, COMBINATION	1							
3-1	1	198200-52140 (A=F102046)	SWITCH, COMBINATION	1							S
4	1	194464-52190	SWITCH, SAFETY START	2							
5	1	24311-000180	O-RING, 1AP18.0	2							
6	1	1E8560-61290 (A=F102046)	CAP, 20X20	1							W

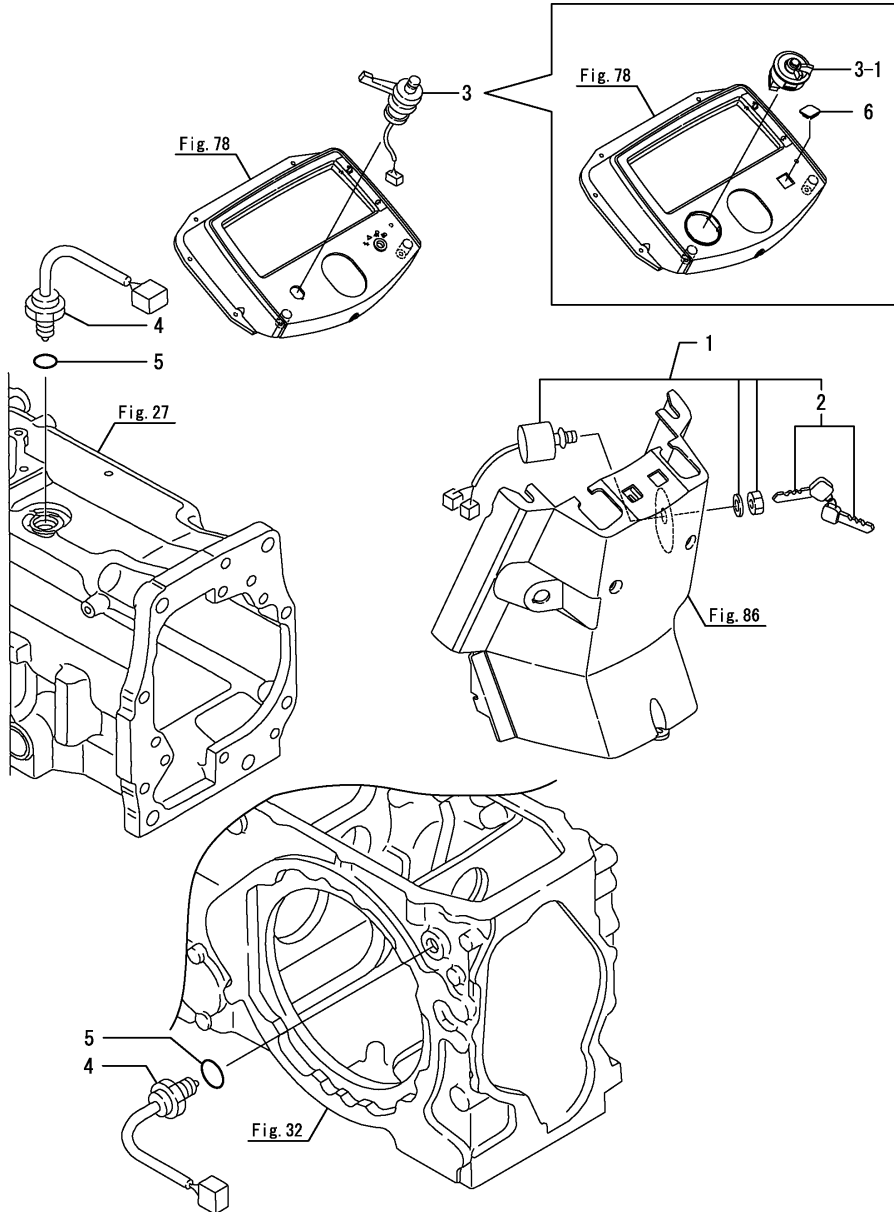


Fig.76. LAMP

(A)=EF453T
(B)=
(C)=

(D)=
(E)=
(F)=

No.	Lev.	Parts No.	Description	Q'ty						I	R
				(A)	(B)	(C)	(D)	(E)	(F)		
1	1	194990-22130	NUT, M6	4							
3	1	198010-53420	LAMP, FLASHER	2							
4	2	194200-53400	BULB, 12V-20W	2							
5	2	198010-53410	BODY ASSY	2							
6	2	198511-53430	LENS	4							
7	2	198511-53450	GASKET	2							
8	1	22217-100000	WASHER, SPRING 10	2							
9	1	26776-100002	NUT, LOCK M10	2							
10	1	198254-53600	LAMP, TAIL	2							
11	2	198254-53610	BULB, 12V-8W	2							
12	2	198254-53620	LENS ASSY	2							
13	2	198254-53630	HOUSING ASSY, SEMI	2							
14	2	1A7335-53640	GASKET	2							
15	2	198254-53650	SCREW, TAPPING M6X16	4							

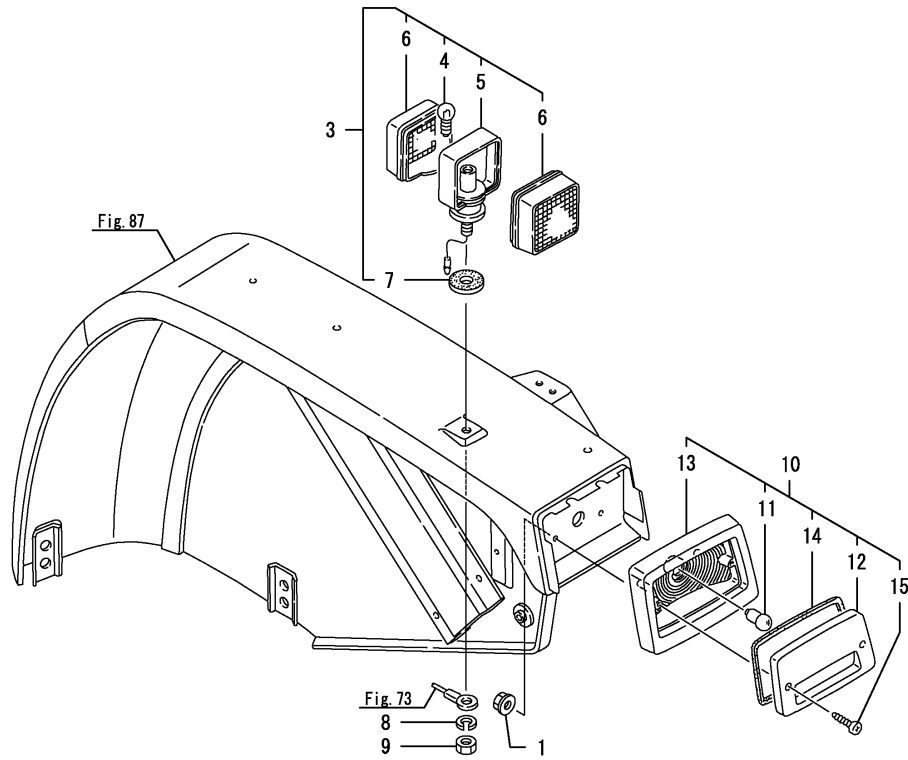
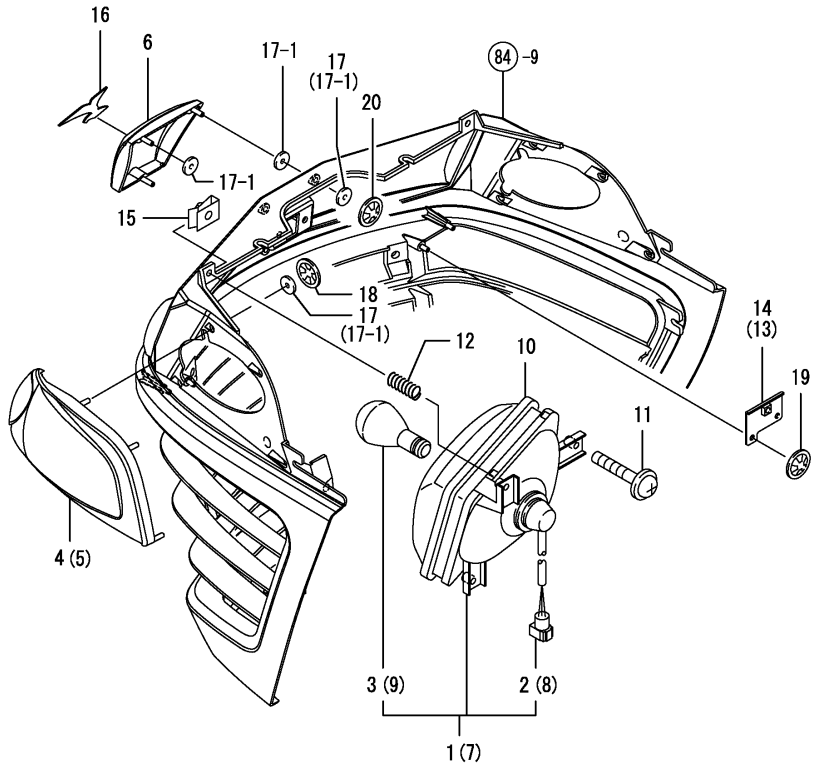
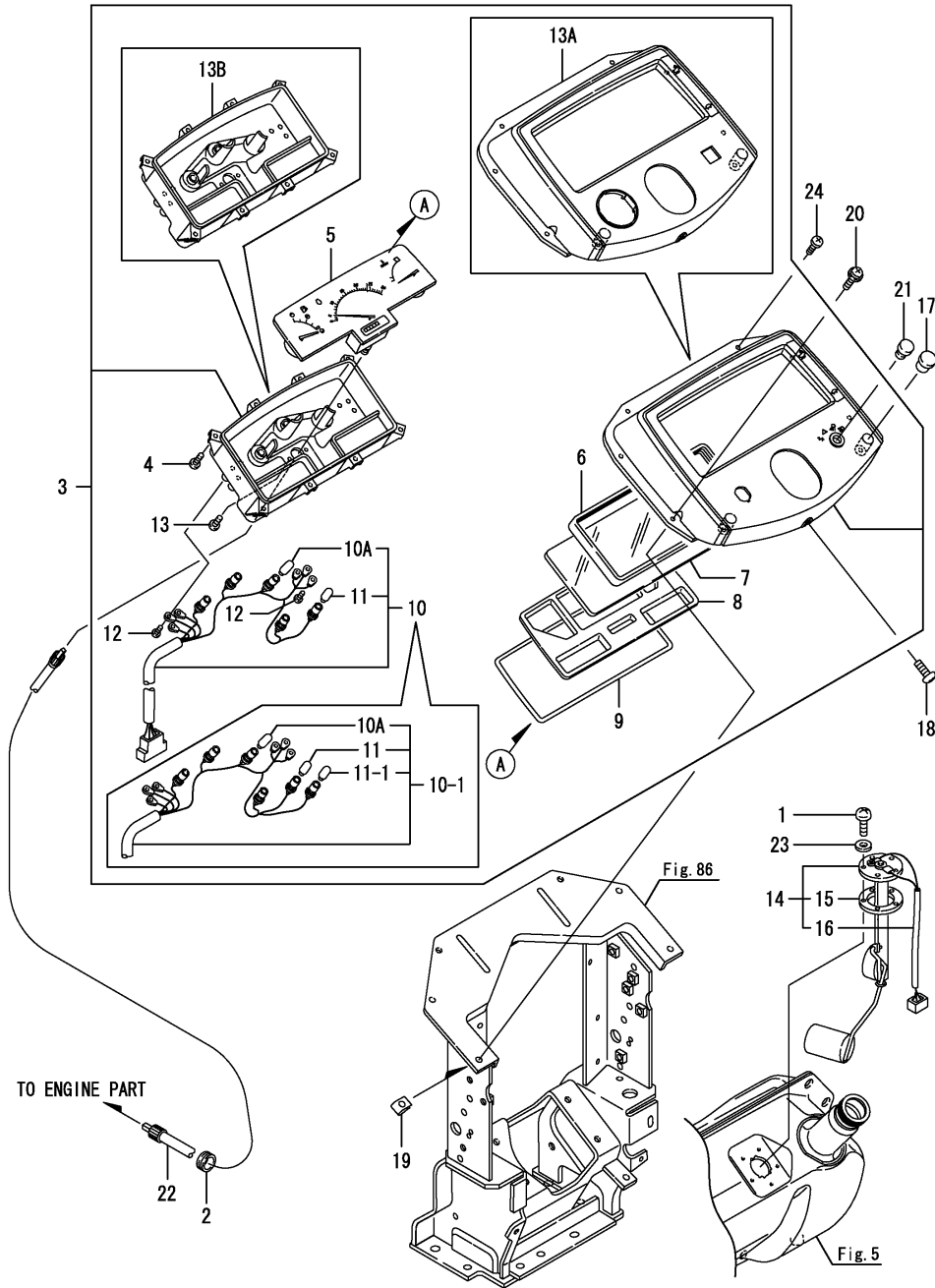


Fig.77. FRONT LAMP



No.	Lev.	Parts No.	Description	Q'ty						I	R
				(A)	(B)	(C)	(D)	(E)	(F)		
1	1	1A7780-53200	LAMP ASSY, HEAD L	1							
2	2	1A7000-53230	WIRE ASSY, LEAD	1							
3	2	198448-53320	BULB, 12V45/45W	1							
4	1	1A7780-53250	LENS, SIDE L	1							
5	1	1A7780-53260	LENS, SIDE R	1							
6	1	1A7890-53270	LENS, CENTER	1							
7	1	1A7780-53300	LAMP ASSY, HEAD R	1							
8	2	1A7000-53230	WIRE ASSY, LEAD	1							
9	2	198448-53320	BULB, 12V45/45W	1							
10	1	1A7260-53350	SEAL, HEAD LAMP	2							
11	1	26557-060352	SCREW, M6X35	6							
12	1	198153-53410	SPRING, ADJUST	6							
13	1	1A7260-61250	BRACKET ASSY, GRILLE	1							
14	1	1A7260-61260	BRACKET ASSY, GRILLE	1							
15	1	198071-61890	NUT, SPEED M6	4							
16	1	1A7890-65010	MARK, BRAN 63-R600	1							
17	1	198475-65030	CUSHION	11							
17-1	1	198475-65030	CUSHION	13							K
(A=F00336)											
18	1	198071-65610	NUT, SPEED M5	8							
19	1	198071-65610	NUT, SPEED M5	4							
20	1	198071-65610	NUT, SPEED M5	3							

Fig.78. METER



(A)=EF453T

(B)=

(C)=

(D)=

(E)=

(F)=

No.	Lev.	Parts No.	Description	Q'ty						I	R
				(A)	(B)	(C)	(D)	(E)	(F)		
1	1	198240-04550	SCREW, M5X12	5							
2	1	194275-51210	GROMMET	1							
3	1	1A7780-56100	PANEL ASSY	1							
3-1	1	1A7780-56101 (A=F002810)	PANEL ASSY	1							N
3-2	1	1A7780-56501 (A=F102046)	PANEL, INSTRUMENT	1							S
3-3	1	1A7780-56502 (A=FZZZZZ)	PANEL, INSTRUMENT	1							N
4	2	198220-53170	SCREW	8							
5	2	198220-56111	METER ASSY	1							
6	2	198220-56130	PACKING	1							
7	2	198220-56140	GLASS	1							
8	2	198220-56150	REFLECTOR	1							
9	2	198220-56160	PACKING	1							
10	2	1A7780-56210	HARNESS, WIRE	1							
10-1	2	1A8160-56211 (A=F102046)	HARNESS, WIRE	1							S
10A	3	198220-56220	BULB, 12V-3.4W	3							
11	3	124617-91920	BULB, 12V-3W	2							
11-1	3	124617-91920 (A=F102046)	BULB, 12V-3W	3							K
12	2	198220-56230	SCREW, M3X22	6							
13	2	26022-030062	SCREW, M3X 6	2							
13A	2	1A7335-56120 (A=F102046)	VISOR	1							W
13B	2	1A7780-56300 (A=F102046)	CASE ASSY	1							W
14	1	198240-56600	GAUGE ASSY, FUEL	1							
15	2	194420-56620	GASKET	1							
16	2	198240-56630	WIRE, LEAD	1							
17	1	194555-56890	GROMMET, 15	2							
18	1	194065-60580	SCREW, M6X25	1							
19	1	194145-61651	NUT, SPEED M5	4							
20	1	194940-61790	SCREW, TAPPING M5X16	4							
21	1	194275-62310 (A=F102046)	CAP, RUBBER 10	1							Z
22	1	124701-91140	CABLE, L=985	1							
23	1	22190-050000	WASHER, SEAL 5	5							
24	1	26589-060162	SCREW, M6	2							

Fig.79. HORN

(A)=EF453T
(B)=
(C)=

(D)=
(E)=
(F)=

No.	Lev.	Parts No.	Description	Q'ty						I	R
				(A)	(B)	(C)	(D)	(E)	(F)		
1	1	1C7100-08150	HORN ASSY	1							
2	1	26106-060122	BOLT, M6X 12 PLATED	2							

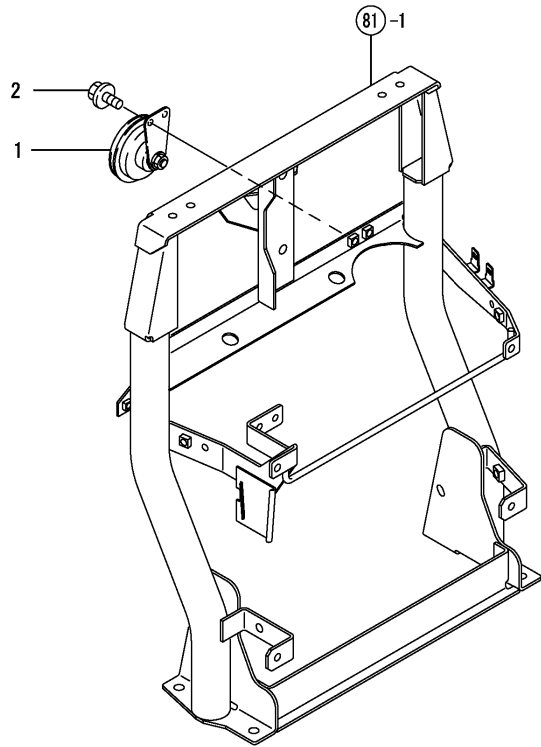


Fig.80. RELAY

(A)=EF453T

(B)=

(C)=

(D)=

(E)=

(F)=

No.	Lev.	Parts No.	Description	Q'ty						I	R
				(A)	(B)	(C)	(D)	(E)	(F)		
1	1	194990-22130	NUT, M6	2							
2	1	194990-22130	NUT, M6	1							
3	1	198220-52180	RELAY, STARTER	1							
3-1	1	1A7870-52950 (A=F102046)	RELAY, CB	1							S
4	1	198461-52950 (A=F102046)	RELAY, CA TYPE C	1							Z
5	1	198461-52950	RELAY, CA TYPE C	2							
5-1	1	1K1140-82500 (A=F102046)	RELAY(ACM13211M01	2							S
6	1	198200-57200	RELAY, FLASHER	1							
6-1	1	1E6650-82400 (A=F002117)	RELAY	1							R
7	1	129211-77920 (A=F02060)	TIMER	1							Z
8	1	26106-060122	BOLT, M6X 12 PLATED	2							
9	1	26106-060122	BOLT, M6X 12 PLATED	1							
10	1	26106-060122	BOLT, M6X 12 PLATED	2							
10-1	1	26106-060122 (A=F102046)	BOLT, M6X 12 PLATED	1							K
11	1	198220-52180	RELAY, STARTER	1							
11-1	1	1A7870-52950 (A=F102046)	RELAY, CB	1							S
12	1	26106-060162 (A=F102046)	BOLT, M6X 16 PLATED	1							Z
13	1	26367-060002 (A=F102046)	NUT, M6	1							Z
14	1	194990-22130 (A=F102046)	NUT, M6	1							W

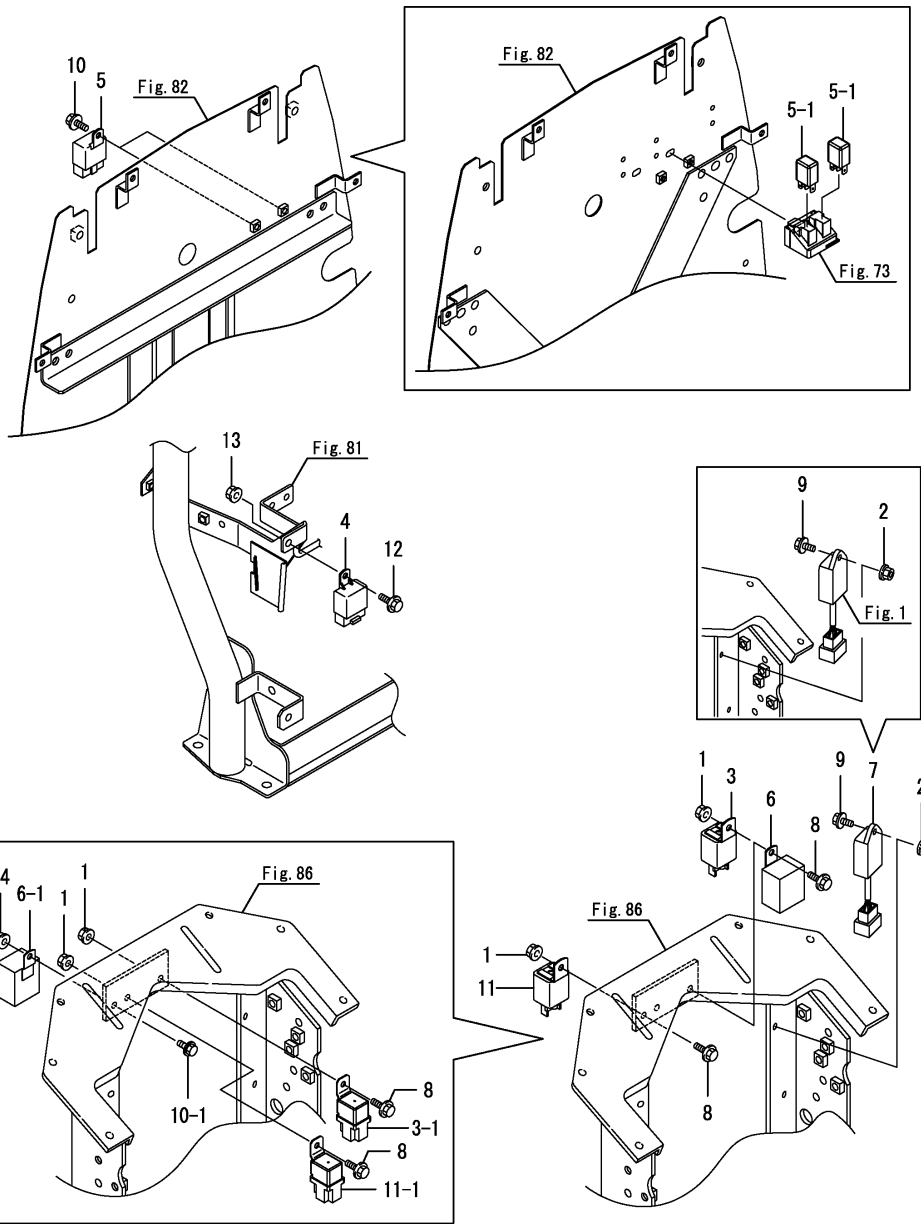
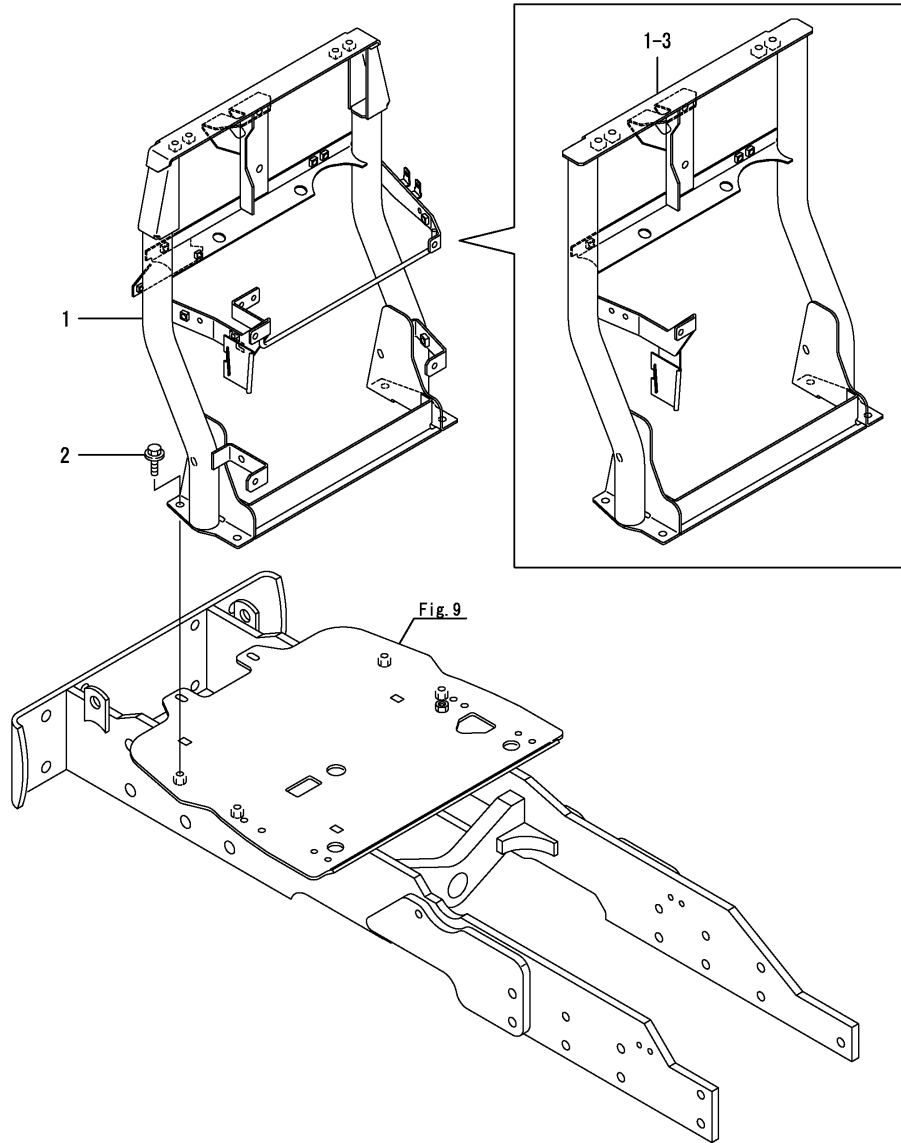


Fig.81. FRONT FRAME

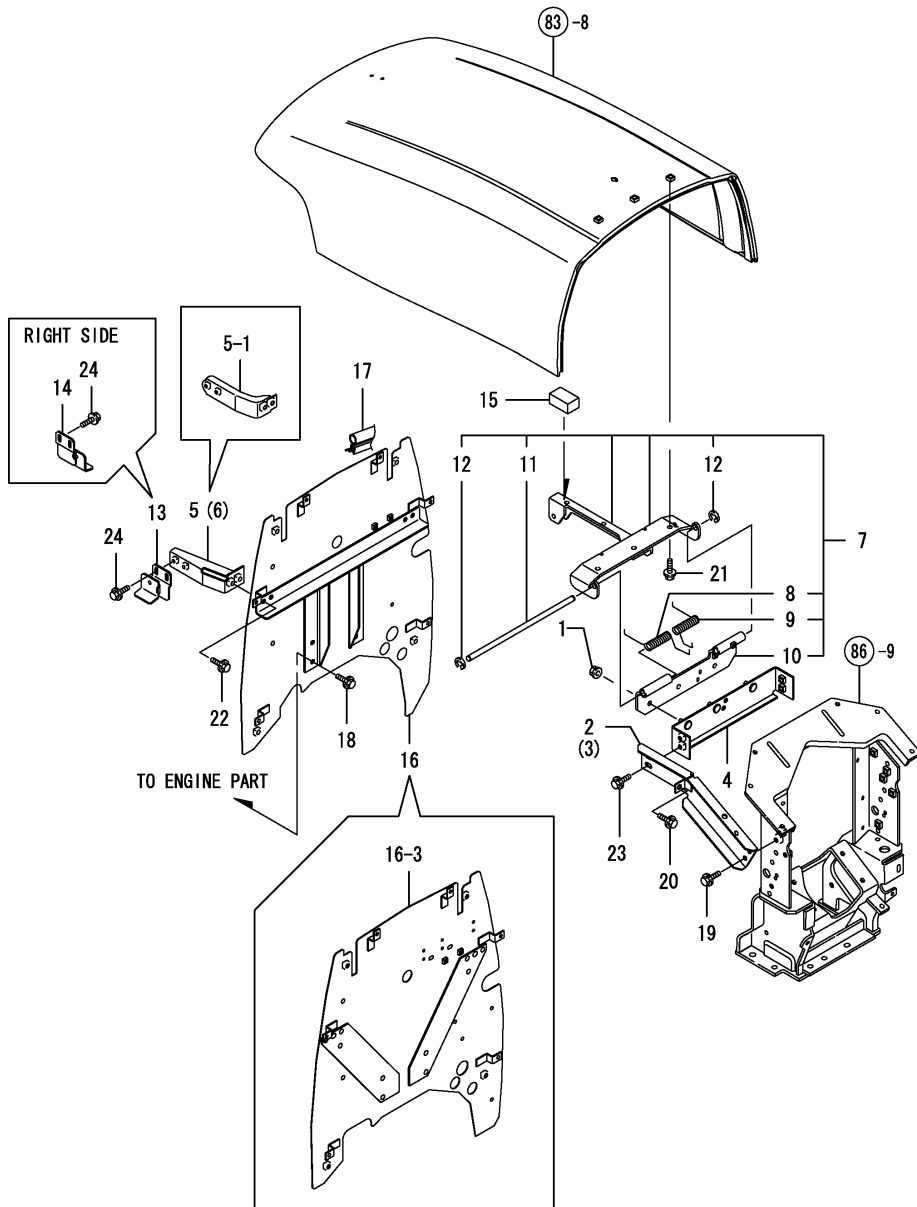
(A)=EF453T
(B)=
(C)=

(D)=
(E)=
(F)=



No.	Lev.	Parts No.	Description	Qty						I	R
				(A)	(B)	(C)	(D)	(E)	(F)		
1	1	1A7940-60100	FRAME ASSY	1							
1-1	1	1A7940-60101	FRAME ASSY, FRONT	1							N
(A=F00690)											
1-2	1	1A7780-60100	FRAME ASSY, FRONT	1							N
(A=FXXXXX)											
1-3	1	1A7780-60200	FRAME ASSY, FRONT	1							Q
(A=F102046)											
2	1	26106-080162	BOLT, M8X 16 PLATED	4							

Fig.82. HOOD FRAME



(A)=EF453T
(B)=
(C)=

(D)=
(E)=
(F)=

No.	Lev.	Parts No.	Description	Qty						I	R
				(A)	(B)	(C)	(D)	(E)	(F)		
1	1	194990-22140	NUT, M8	3							
2	1	1A7780-60340	FRAME ASSY, SIDE L	1							
2-1	1	1A7780-60580	FRAME, SIDE L	1							R
(A=F006599)											
3	1	1A7780-60350	FRAME ASSY	1							
3-1	1	1A7780-60590	FRAME, SIDE R	1							R
(A=F006599)											
4	1	1A7780-60370	PLATE ASSY, UPPER	1							
5	1	1A7780-60480	STAY, SIDE COVER L	1							
5-1	1	1A7780-60450	SUPPORT, SIDE COVER	2							S
(A=F006599)											
6	1	1A7780-60490	SUPPORT, COVER R	1							Z
(A=F006599)											
7	1	1A7260-60911	HINGE ASSY, BONNET	1							
7-1	1	1A7891-60910	HINGE ASSY, BONNET	1							R
(A=F006117)											
8	2	1A7260-60580	SPRING, L	1							Z
(A=F006117)											
9	2	1A7260-60590	SPRING, R	1							
10	2	1A7260-61080	PLATE, LOWER	1							
11	2	1A7260-61190	PIN, 10X286	1							
12	2	22272-000080	RING, E- 8	2							
13	1	1A7260-60920	BRACKET, COVER	1							
14	1	1A7260-60930	BRACKET, COVER	1							
15	1	1A7890-60980	RUBBER, CUSHION	1							
16	1	1A7780-61670	PLATE ASSY, AIR CUT	1							
16-1	1	1A7780-61671	PLATE ASSY, AIR CUT	1							N
(A=F02309)											
16-2	1	1A7780-61672-1	PLATE ASSY, AIR CUT	1							N
(A=F004094)											
16-3	1	1A7780-61673-1	PLATE ASSY, AIR CUT	1							S
(A=F006599)											
17	1	198153-89730	WEATHER-STRIP, 1520	1							
18	1	26106-080122	BOLT, M8X 12 PLATED	4							
19	1	26106-080162	BOLT, M8X 16 PLATED	6							
20	1	26106-080162	BOLT, M8X 16 PLATED	2							
21	1	26106-080162	BOLT, M8X 16 PLATED	3							
22	1	26106-080162	BOLT, M8X 16 PLATED	4							
23	1	26106-080162	BOLT, M8X 16 PLATED	4							
24	1	26106-060122	BOLT, M6X 12 PLATED	4							

Fig.83. HOOD

(A)=EF453T

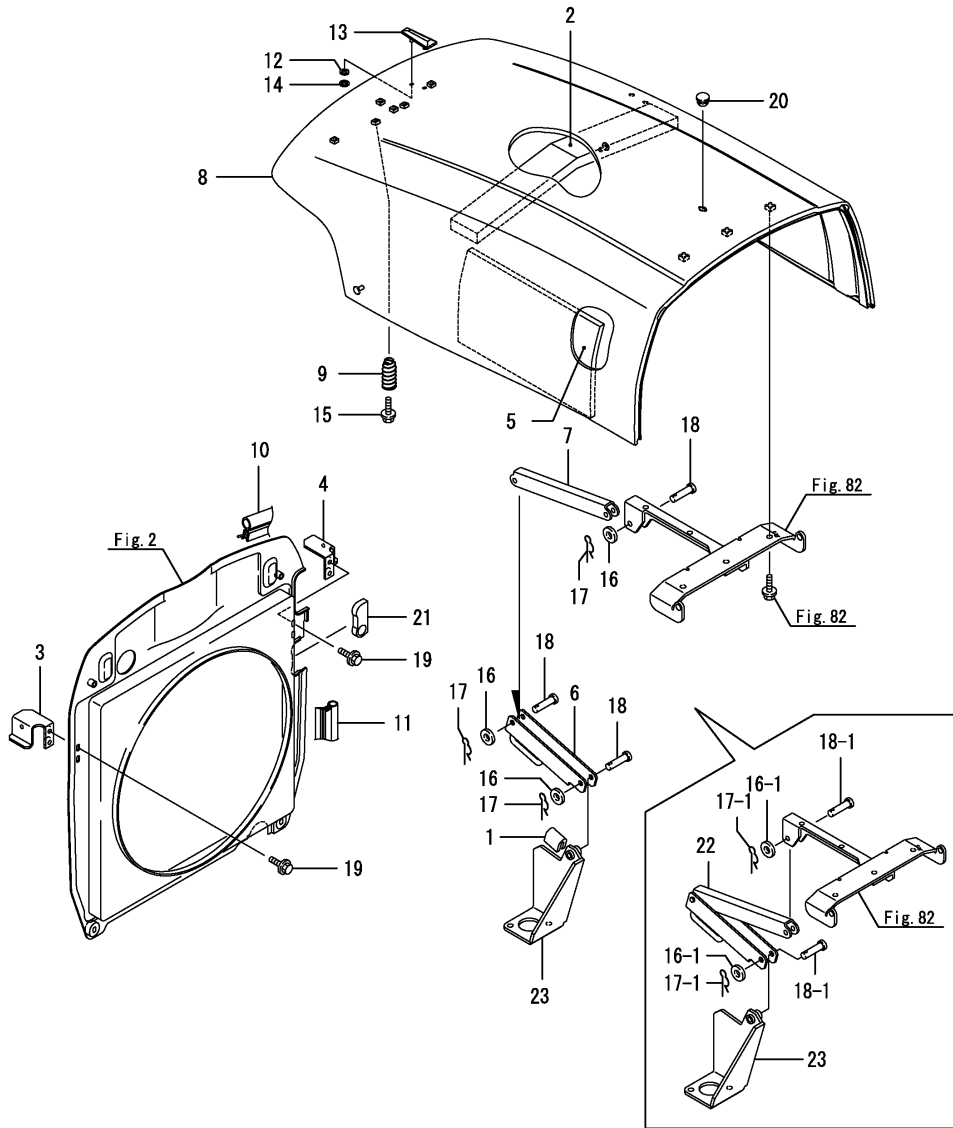
(B)=

(C)=

(D)=

(E)=

(F)=



No.	Lev.	Parts No.	Description	Q'ty						I	R
				(A)	(B)	(C)	(D)	(E)	(F)		
1	1	198448-60080	TRIM, 40	1							
2	1	1A7270-60610	URETHANE, BONNET U	1							
3	1	1A7260-60780	BRACKET, GUIDE	1							
4	1	1A7260-60790	BRACKET, GUIDE	1							
5	1	1A7260-60890	URETHANE, BONNET UL	1							
6	1	1A7260-60950	STAND, BONNET A	1							Z
(A=F006117)											
7	1	1A7260-60960	STAND, BONNET B	1							Z
(A=F006117)											
8	1	1A7270-61100	BONNET ASSY, UPPER	1							
8-1	1	1A7780-61100	HOOD ASSY,	1							N
(A=FZZZZZ)											
9	1	198220-61340	SPRING	2							
10	1	1A7260-61860	WEATHER-STRIP, 1130	1							
11	1	1A7260-61970	WEATHER-STRIP, 390	1							
12	1	198475-65030	CUSHION	2							
13	1	194940-65590	MARK, TOP	1							
14	1	198071-65610	NUT, SPEED M5	2							
15	1	198196-83170	BOLT, M6X16	2							
16	1	22137-080000	WASHER, 8	3							
16-1	1	22137-080000	WASHER, 8	2							K
(A=F006117)											
17	1	22372-080000	PIN, SNAP 8	3							
17-1	1	22372-080000	PIN, SNAP 8	2							K
(A=F006117)											
18	1	22487-080300	PIN, H 8X 30	3							
18-1	1	22487-080300	PIN, H 8X 30	2							K
(A=F006117)											
19	1	26106-060122	BOLT, M6X 12 PLATED	4							
20	1	194197-56350	GROMMET	1							Z
(A=FZZZZZ)											
21	1	1A7260-60720	GROMMET, HOSE	1							
21-1	1	1A8160-60720	GROMMET	1							R
(A=FZZZZZ)											
22	1	1A7780-60550	STAND ASSY, HOOD	1							W
(A=F006117)											
23	1	1A7780-61650	STAY ASSY, HOOD STAND	1							

Fig.84. FRONT GRILLE

(A)=EF453T

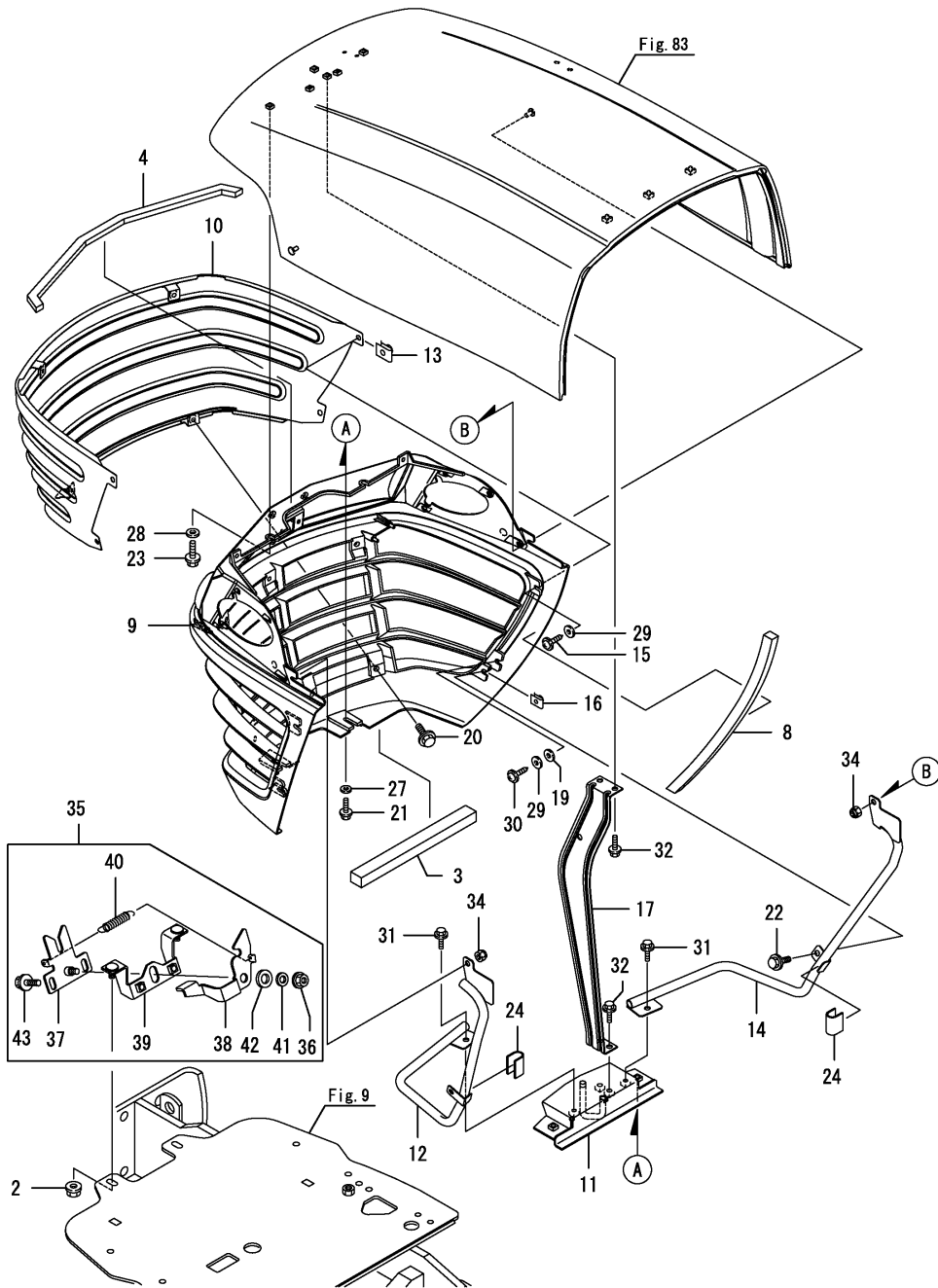
(B)=

(C)=

(D)=

(E)=

(F)=

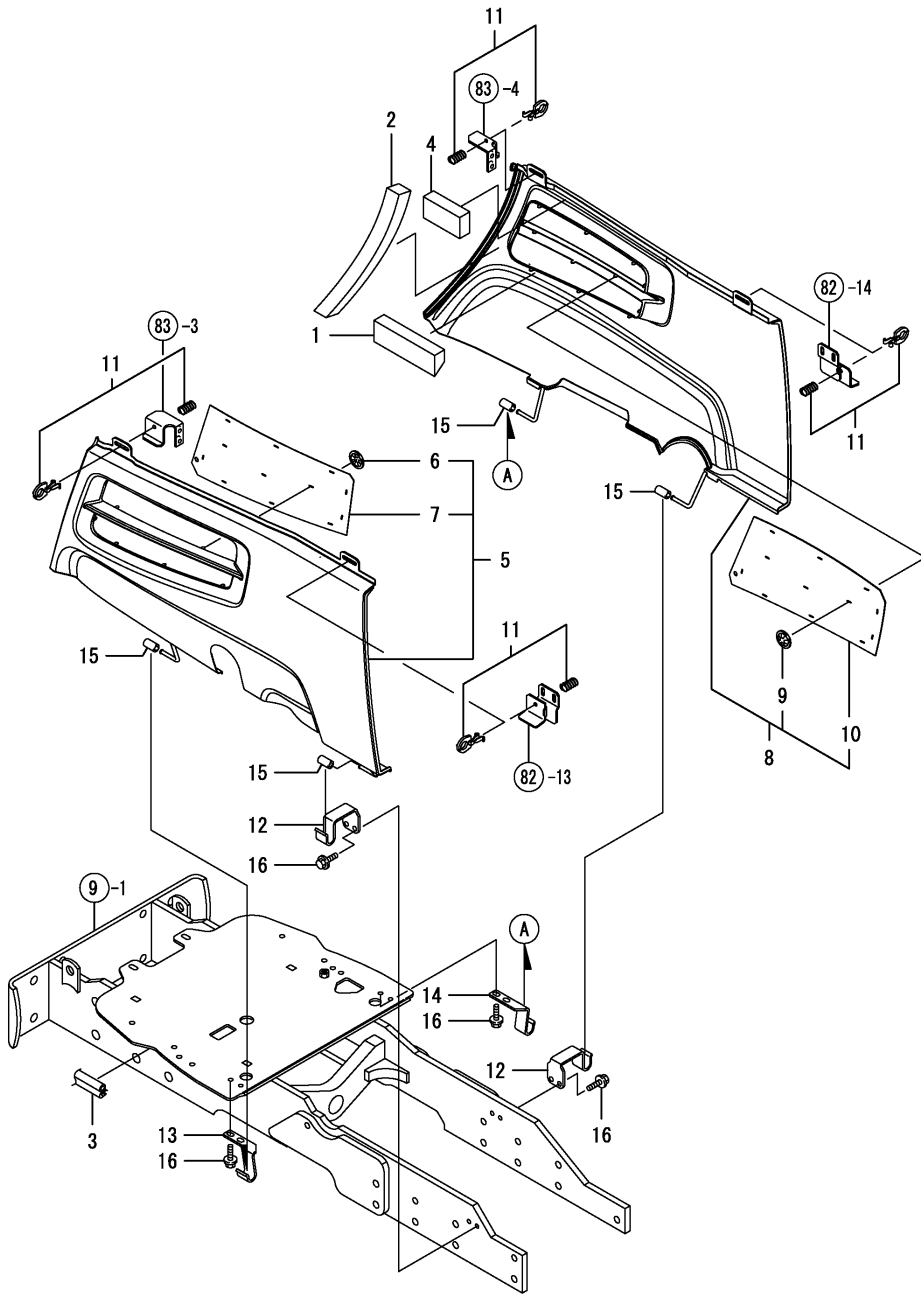


No.	Lev.	Parts No.	Description	Q'ty						I	R
				(A)	(B)	(C)	(D)	(E)	(F)		
2	1	194990-22140	NUT, M8	2							
3	1	1A7260-60661	GASKET	1							
4	1	1A7260-60680	URETHANE, GRILLE	1							
8	1	1A7260-60870	SEAL, GRILLE SIDE	2							
9	1	1A7890-61300	GRILLE, FRONT	1							
9-1	1	1A7890-61301	GRILLE, FRONT	1							N
(A=FZZZZZ)											
10	1	1A7260-61310	NET ASSY, GRILLE	1							
10-1	1	1A7260-61310-1	NET ASSY, GRILLE	1							R
(A=F007815)											
11	1	1A7260-61550	STAY ASSY, LOCK	1							
12	1	1A7260-61650	FRAME ASSY, GRILLE L	1							
13	1	194145-61651	NUT, SPEED M5	4							
14	1	1A7260-61660	FRAME ASSY, GRILLE R	1							
15	1	194940-61790	SCREW, TAPPING M5X16	2							
16	1	198071-61890	NUT, SPEED M6	2							
17	1	1A7260-61920	STAY, FRONT GRILLE	1							
17-1	1	1A7780-61750	STAY ASSY, GRILL	1							N
(A=F102046)											
19	1	198220-62150	WASHER	2							
20	1	198196-83170	BOLT, M6X16	4							
21	1	198196-83170	BOLT, M6X16	2							
22	1	198196-83170	BOLT, M6X16	2							
23	1	198196-83170	BOLT, M6X16	2							
24	1	198093-84810	SEAL, FENDER	2							
27	1	22157-060000	WASHER, 6	2							
28	1	22157-060000	WASHER, 6	2							
29	1	22157-060000	WASHER, 6	4							
30	1	22859-500202	SCREW, 5X20	2							
31	1	26106-060122	BOLT, M6X 12 PLATED	2							
32	1	26106-060122	BOLT, M6X 12 PLATED	4							
34	1	26346-060002	NUT, M6	2							
35	1	1A7780-60800	CATCH ASSY, LOCK	1							
36	2	194990-22140	NUT, M8	1							
37	2	1A7260-60800	CATCH, LOCK	1							
38	2	1A7260-60810	LEVER, LOCK	1							
39	2	1A7260-60820	PLATE, BASE	1							
40	2	198230-61960	SPRING	1							
41	2	22137-080000	WASHER, 8	1							
42	2	22137-120000	WASHER, 12	1							
43	2	26106-080122	BOLT, M8X 12 PLATED	2							

Fig.85. SIDE COVER

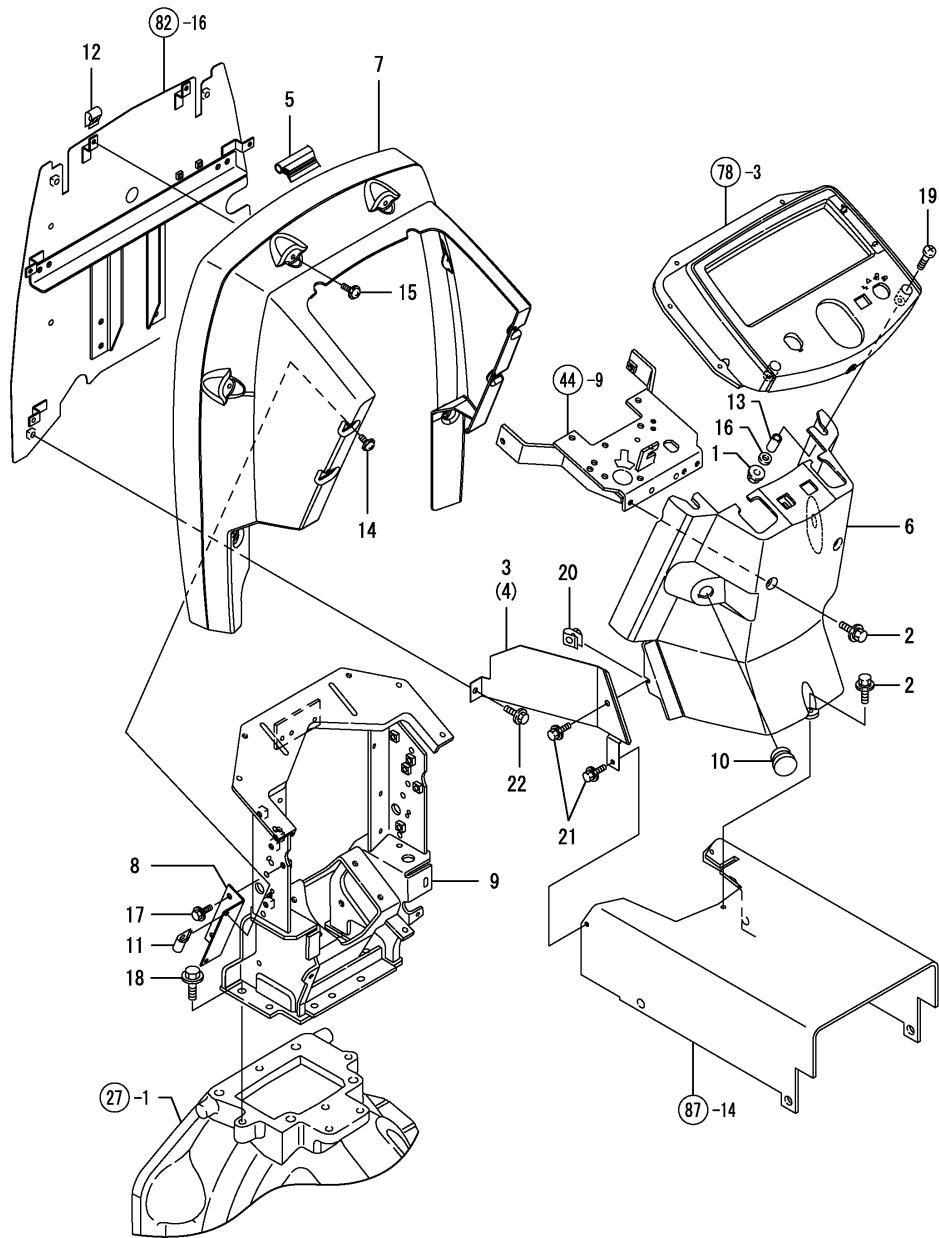
(A)=EF453T
(B)=
(C)=

(D)=
(E)=
(F)=



No.	Lev.	Parts No.	Description	Q'ty						I	R
				(A)	(B)	(C)	(D)	(E)	(F)		
1	1	1A7260-60640	URETHANE, COVER A	2							
2	1	1A7260-60670	URETHANE, COVER B	2							
3	1	1A7270-60750	WEATHER-STRIP, 440	2							
4	1	1A7260-60900	URETHANE, COVER C	2							
5	1	1A7780-61000-2	COVER ASSY, SIDE L M	1							
6	2	198129-05190	NUT, PUSH M6	12							
7	2	1A7260-61060	NET, SIDE COVER L	1							
7-1	2	1A7260-61150-2	NET, SIDE COVER	1							R
(A=F006495)											
7-2	2	1A7260-61150-1	NET, SIDE COVER	1							R
(A=F007815)											
8	1	1A7780-61010-2	COVER ASSY, SIDE R M	1							
9	2	198129-05190	NUT, PUSH M6	12							
10	2	1A7260-61070	NET, SIDE COVER R	1							
10-1	2	1A7260-61150-2	NET, SIDE COVER	1							R
(A=F006495)											
10-2	2	1A7260-61150-1	NET, SIDE COVER	1							R
(A=F007815)											
11	1	198220-61351	LOCK ASSY, CAM	4							
12	1	1A7260-61400	STAY, SIDE COVER R	2							
13	1	1A7260-61450	STAY, SIDE COVER FL	1							
14	1	1A7260-61460	STAY, SIDE COVER FR	1							
15	1	198220-61800	RUBBER, CUSHION	4							
16	1	26106-080102	BOLT, M8X 10 PLATED	8							

Fig.86. DASHBOARD



(A)=EF453T

(B)=

(C)=

(D)=

(E)=

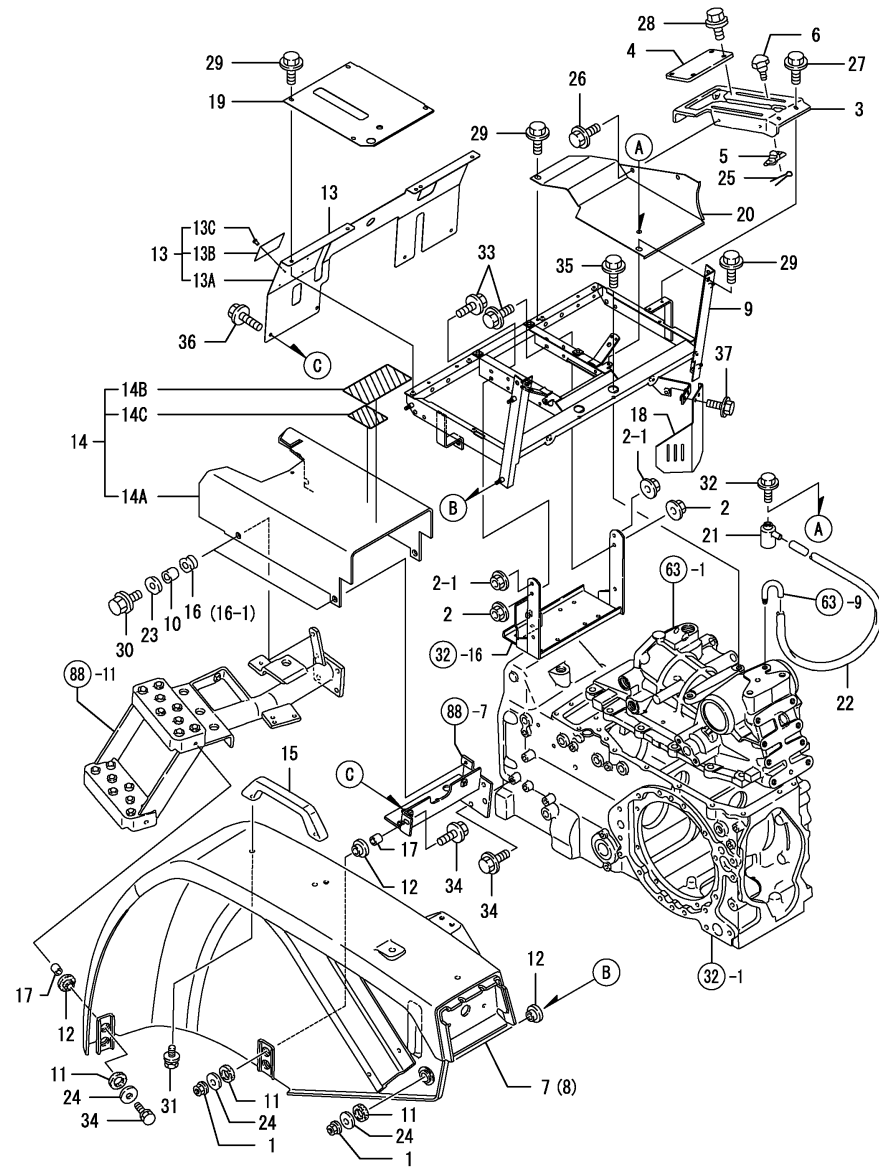
(F)=

No.	Lev.	Parts No.	Description	Q'ty						I	R
				(A)	(B)	(C)	(D)	(E)	(F)		
1	1	194990-22130	NUT, M6	2							
2	1	198461-60590	BOLT, M6X20	3							
3	1	1A7780-61410	COVER ASSY, LOWER L	1							
3-1	1	1A7780-61410-1 (A=F007815)	COVER ASSY, LOWER L	1							R
4	1	1A7780-61420	COVER ASSY, LOWER R	1							
4-1	1	1A7780-61420-1 (A=F007815)	COVER ASSY, LOWER R	1							R
5	1	1A7780-61510	STRIP, WEATHER	1							
5-1	1	1A7780-61511 (A=*2010.05.)	WEATHER-STRIP, 1670	1							N
6	1	198138-61530	COVER, DASHBOARD	1							
6-1	1	198138-61531 (A=F004626)	COVER, DASHBOARD	1							N
7	1	1A7780-61540	COVER, DASHBOARD	1							
8	1	1A7780-61550	STAY, DASHBOARD	2							
9	1	1A7780-61600	STAY ASSY, DASHBOARD	1							
10	1	194448-61620	GROMMET, 20.5	1							
11	1	194167-61650	NUT, SPEED	4							
12	1	194167-61650	NUT, SPEED	6							
13	1	198133-61690	COLLAR, 10.5X17	2							
14	1	194940-61790	SCREW, TAPPING M5X16	4							
15	1	194940-61790	SCREW, TAPPING M5X16	6							
16	1	22117-060000	WASHER, 6	2							
17	1	26106-080162	BOLT, M8X 16 PLATED	4							
18	1	26106-100202	BOLT, M10X 20 PLATED	4							
19	1	26587-060352	SCREW, M6X35	2							
20	1	198071-61890	NUT, SPEED M6	2							
21	1	198461-60590	BOLT, M6X20	4							
22	1	26106-080122	BOLT, M8X 12 PLATED	2							

Fig.87. FENDER

(A)=EF453T
(B)=
(C)=

(D)=
(E)=
(F)=



No.	Lev.	Parts No.	Description	(A)	(B)	(C)	(D)	(E)	(F)	Qty	I	R
1	1	194990-22140	NUT, M8		8							
2	1	194990-22140	NUT, M8		2							
2-1	1	194990-22140	NUT, M8		4							K
(A=FXXXXX)												
3	1	198240-47710-1	GUIDE, LEVER		1							
3-1	1	198240-47710-2	GUIDE, LEVER		1							R
(A=F007815)												
4	1	198240-47730-1	COVER, LEVER GUIDE		1							
4-2	1	198240-47730-2	COVER, LEVER GUIDE		1							R
(A=F007815)												
5	1	198220-47750	STOPPER, LEVER		1							
6	1	194130-47851	BOLT, M6X15		1							
7	1	198240-62110	FENDER		1							
8	1	198240-62120	FENDER		1							
9	1	1A7780-62150	BRACKET, FENDER		1							
9-1	1	1A7780-62150-1	BRACKET, FENDER		1							R
(A=F007815)												
10	1	198220-62220	COLLAR		4							
11	1	198220-62260	CUSHION, RUBBER		10							
12	1	198220-62270	CUSHION, RUBBER		10							
13	1	1A7780-62270	COVER, CASE M		1							
13-1	1	1A7780-62270-1	COVER, CASE M		1							R
(A=F007815)												
13A	2	1A7780-62280	COVER, CASE		1							
13A-1	2	1A7780-62280-1	COVER, CASE		1							R
(A=F007815)												
13B	2	198283-65651	LABEL,TAI ONLY		1							
13C	2	22695-320321	RIVET, 3.2X 3.2		4							
14	1	1A7780-62310	COVER ASSY, CLUTCH M		1							1
14-1	1	1A7780-62310-1	COVER ASSY, CLUTCH M		1							R
(A=F007815)												
14A	2	198175-62311	COVER, HOUSING		1							2
14A-1	2	198175-62311-1	COVER, HOUSING		1							R
(A=F007815)												
14B	2	198283-65310	LABEL, CAUTION		1							
14C	2	198283-65360	LABEL,BREAKE PEDAL		1							
15	1	198220-62410	BAR, ASSIST		2							
16	1	198220-62440	GROMMET		12							
16-1	1	198220-62440	GROMMET		4							K
(A=FXXXXX)												
17	1	198220-62920	COLLAR, ABSORBER		4							
18	1	1A7780-63060	COVER, SEPARATOR		1							
19	1	1A7780-63090	COVER, DUST L		1							
19-1	1	1A7780-63090-1	COVER, DUST L		1							R
(A=F007815)												
20	1	1A7780-63100	COVER, DUST R		1							
20-1	1	1A7780-63100-1	COVER, DUST R		1							R
(A=F007815)												
21	1	194205-63550	BREATHER, AIR		1							
22	1	194640-63560	PIPE, AIR BREATHER		1							
23	1	22157-060000	WASHER, 6		4							

Remarks
(1)Order No14A, 14B & 14C.
(2)Order with No.14B & 14C(SAFETY LABEL).

Fig.87. FENDER

(A)=EF453T

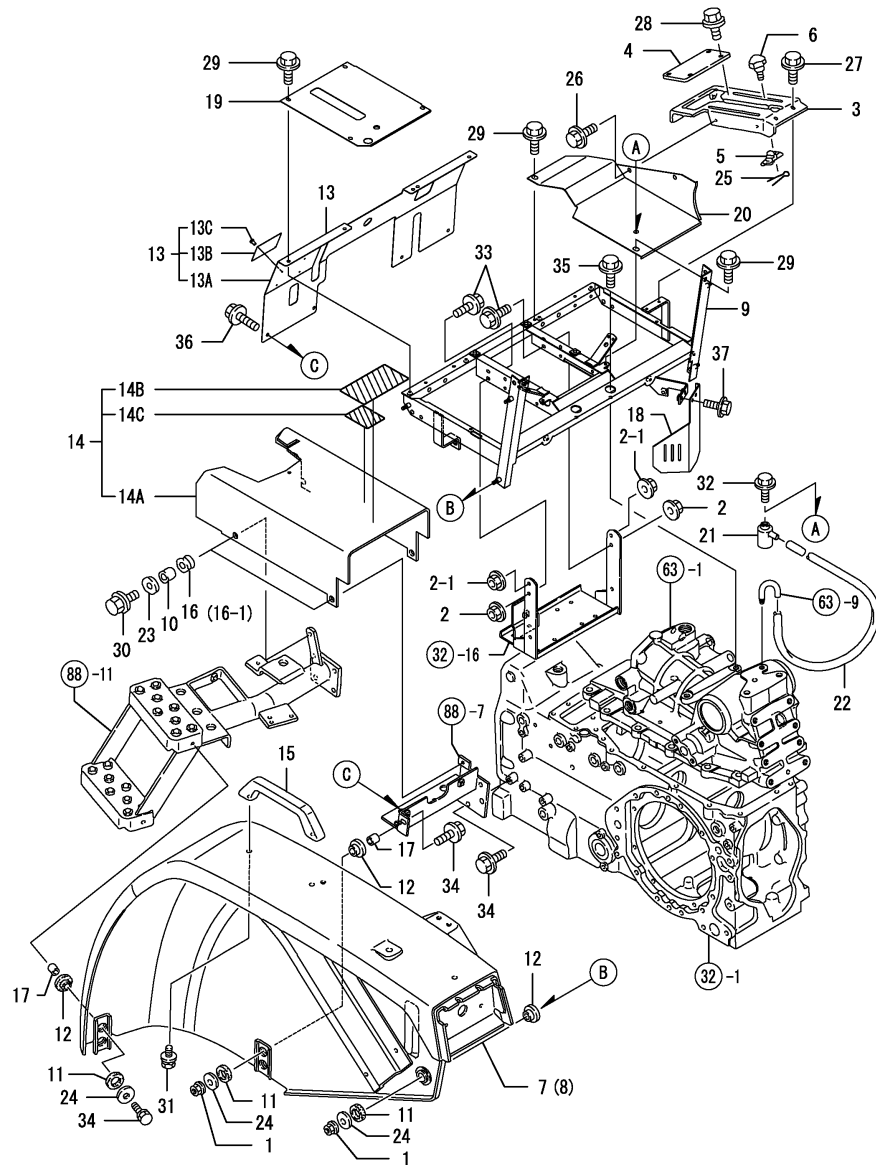
(B)=

(C)=

(D)=

(E)=

(F)=



No.	Lev.	Parts No.	Description	Q'ty						I	R
				(A)	(B)	(C)	(D)	(E)	(F)		
24	1	22157-080000	WASHER, 8	10							
25	1	22417-200160	PIN, COTTER 2.0X16	1							
26	1	26106-060122	BOLT, M6X 12 PLATED	2							
27	1	26106-060122	BOLT, M6X 12 PLATED	4							
28	1	26106-060122	BOLT, M6X 12 PLATED	4							
29	1	26106-060122	BOLT, M6X 12 PLATED	6							
30	1	26106-060202	BOLT, M6X 20 PLATED	4							
31	1	26106-080122	BOLT, M8X 12 PLATED	4							
32	1	26106-080162	BOLT, M8X 16 PLATED	1							
33	1	26106-080162	BOLT, M8X 16 PLATED	4							
34	1	26106-080302	BOLT, M8X 30 PLATED	4							
35	1	26106-100252	BOLT, M10X 25 PLATED	2							
36	1	26106-060162	BOLT, M6X 16 PLATED	4							
37	1	26106-080162	BOLT, M8X 16 PLATED	2							

Remarks

(1)Order No14A, 14B & 14C.

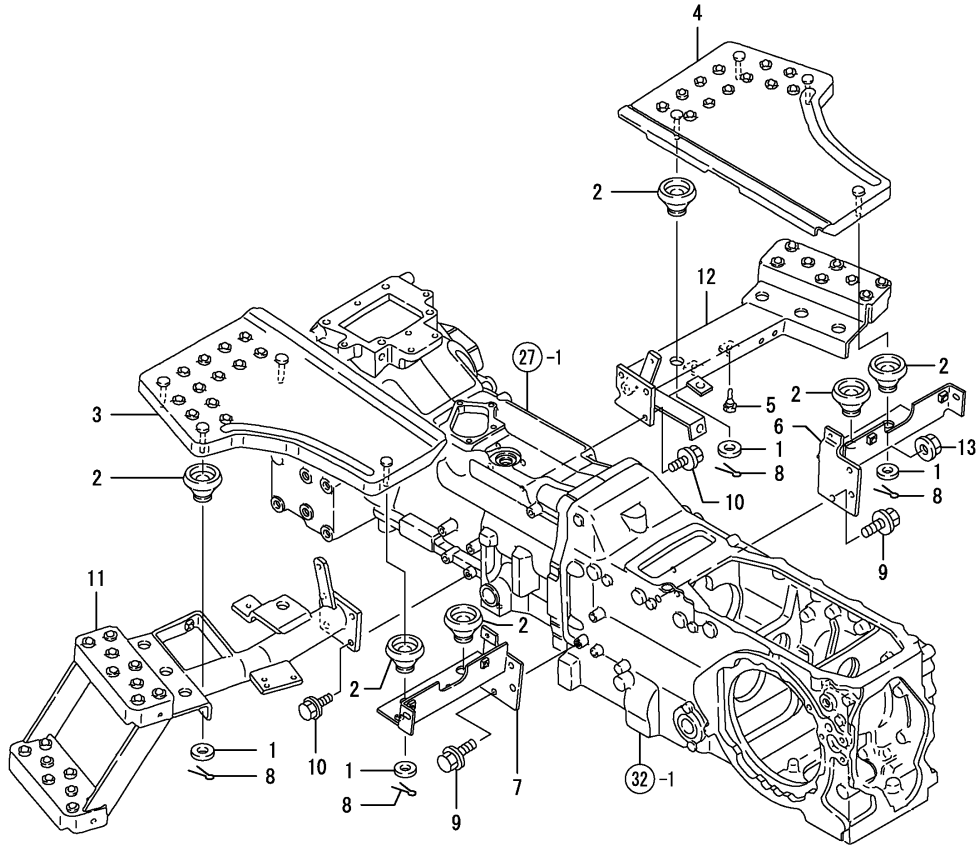
(2)Order with No.14B & 14C(SAFETY LABEL).

N:Old $\xrightarrow{\text{Yes}}$ New, Q:Old $\xrightarrow{\text{No}}$ New, R:Old $\xrightarrow{\text{Yes}}$ New, S:Old $\xrightarrow{\text{No}}$ New, W:Add, Z:Discontinued, F:Interchangeable by set, K:Q'ty Change

Fig.88. STEP

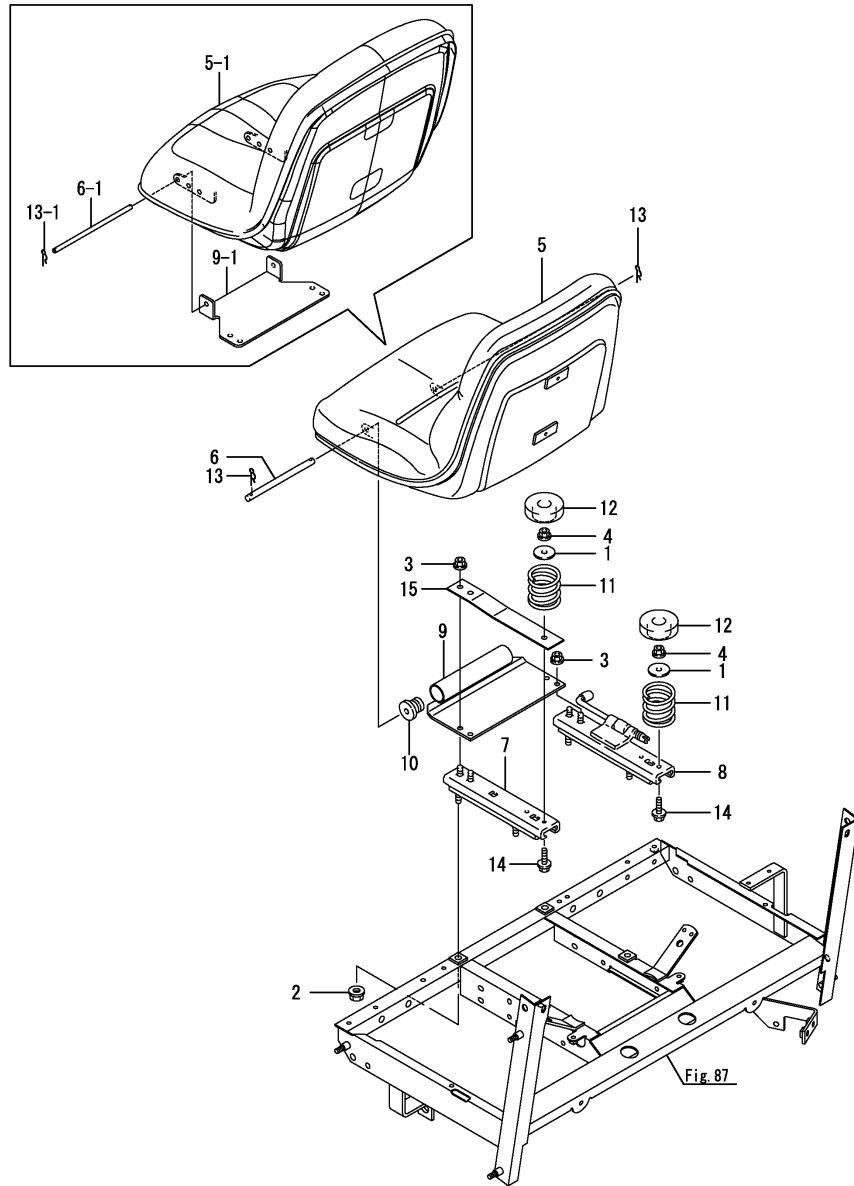
(A)=EF453T
(B)=
(C)=

(D)=
(E)=
(F)=



No.	Lev.	Parts No.	Description	Q'ty						I	R
				(A)	(B)	(C)	(D)	(E)	(F)		
1	1	198220-62150	WASHER	8							
2	1	198240-62451	ABSORBER, STEP	10							
3	1	198320-62510	STEP ASSY, L	1							
4	1	198320-62520	STEP ASSY, R	1							
5	1	194330-62530	STOPPER, PEDAL	2							
6	1	198320-62580	STAY, ABSORBER R	1							
6-1	1	198320-62580-1	STAY, ABSORBER R	1							R
(A=F007815)											
7	1	198320-62610	STAY, ABSORBER L	1							
7-1	1	198320-62610-1	STAY, ABSORBER L	1							R
(A=F007815)											
8	1	22417-250300	PIN, COTTER 2.5X30	8							
9	1	26106-080162	BOLT, M8X 16 PLATED	3							
10	1	26106-080202	BOLT, M8X 20 PLATED	7							
11	1	198320-62530-1	STAY, STEP L	1							
11-1	1	198320-62531	STAY, STEP L	1							N
(A=F02309)											
12	1	198178-62540	STAY, STEP	1							
12-1	1	198178-62541	STAY, STEP R	1							N
(A=F02309)											
13	1	194990-22140	NUT, M8	1							

Fig.89. SEAT



(A)=EF453T
(B)=
(C)=

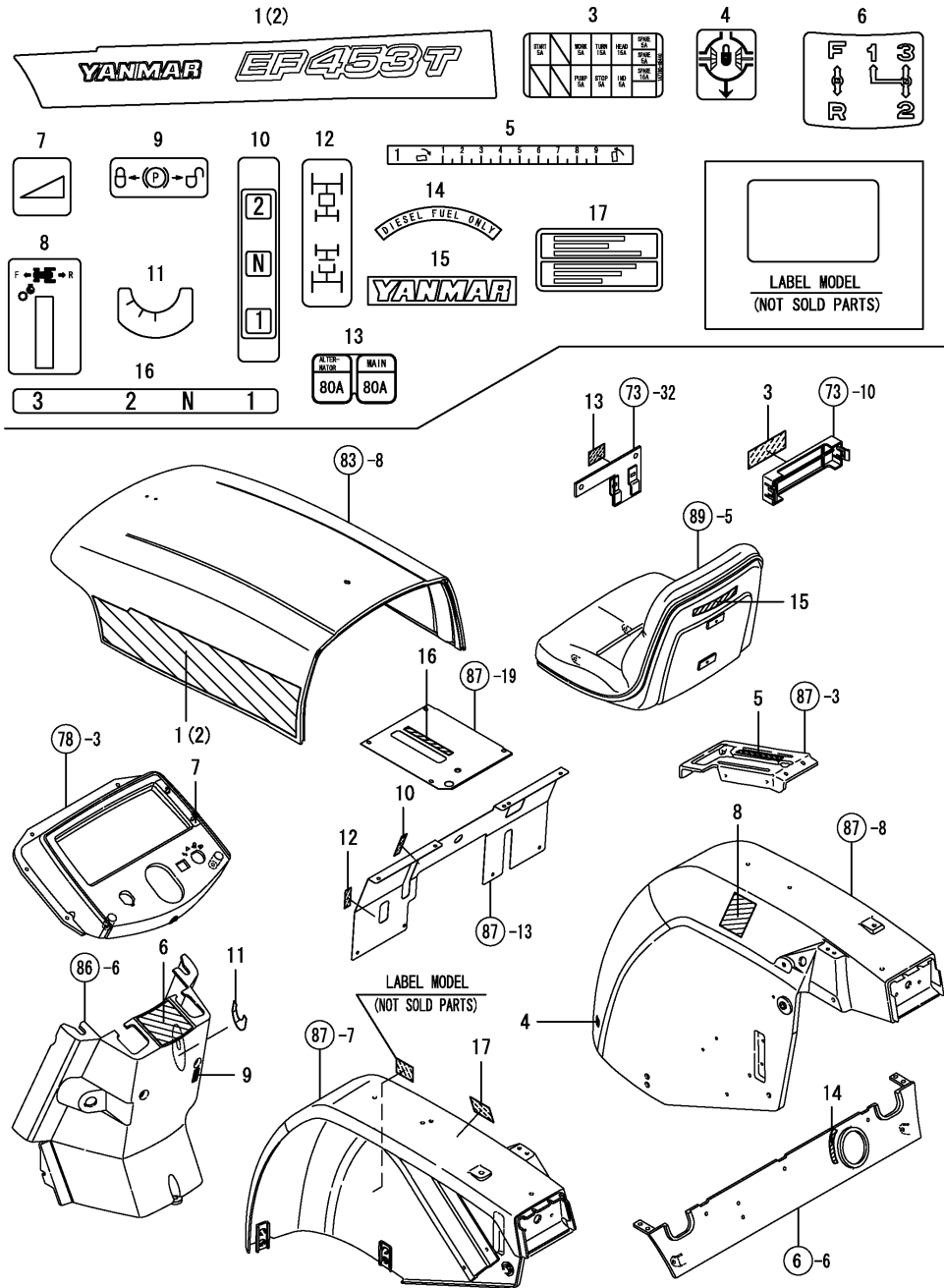
(D)=
(E)=
(F)=

No.	Lev.	Parts No.	Description	Q'ty						I	R
				(A)	(B)	(C)	(D)	(E)	(F)		
1	1	1C6140-12060	SPACER, 9X36X3.2	2							
1-1	1	1C6140-47210-1	WASHER, 9X32X3.2	2							N
(A=FXXXXX)											
2	1	194990-22140	NUT, M8	4							
3	1	194990-22140	NUT, M8	4							
4	1	194990-22140	NUT, M8	2							
5	1	198240-63110	SEAT ASSY	1							
5-1	1	1A7780-63120	SEAT ASSY	1							F 1
(A=FZZZZZ)											
6	1	198220-63120	PIN, HINGE	1							
6-1	1	198425-63270	PIN, 8X190	1							F 1
(A=FZZZZZ)											
7	1	198071-63150	RAIL, L	1							
8	1	198071-63160	RAIL, R	1							
9	1	1A7780-63210	BRACKET, SEAT	1							
9-1	1	1A7780-63260	BRACKET, SEAT	1							F 1
(A=FZZZZZ)											
10	1	198220-63240	DAMPER	2							Z
(A=FZZZZZ)											
11	1	198176-63260	SPRING, CUSHION	2							
12	1	198284-63270	STOPPER, SEAT	2							
13	1	22372-120000	PIN, SNAP 12	2							
13-1	1	22372-080000	PIN, SNAP 8	2							F 1
(A=FZZZZZ)											
14	1	26106-080202	BOLT, M8X 20 PLATED	2							
14-1	1	26106-080252	BOLT, M8X 25 PLATED	2							N
(A=FXXXXX)											
15	1	1A7780-63270	STAY, SEAT RAIL	1							W
(A=FXXXXX)											

Remarks

(1)No.5, 6, 9, 10 & 13 is interchangeable with a set of No.5-1, 6-1, 9-1 & 13-1.

Fig.90. LABEL

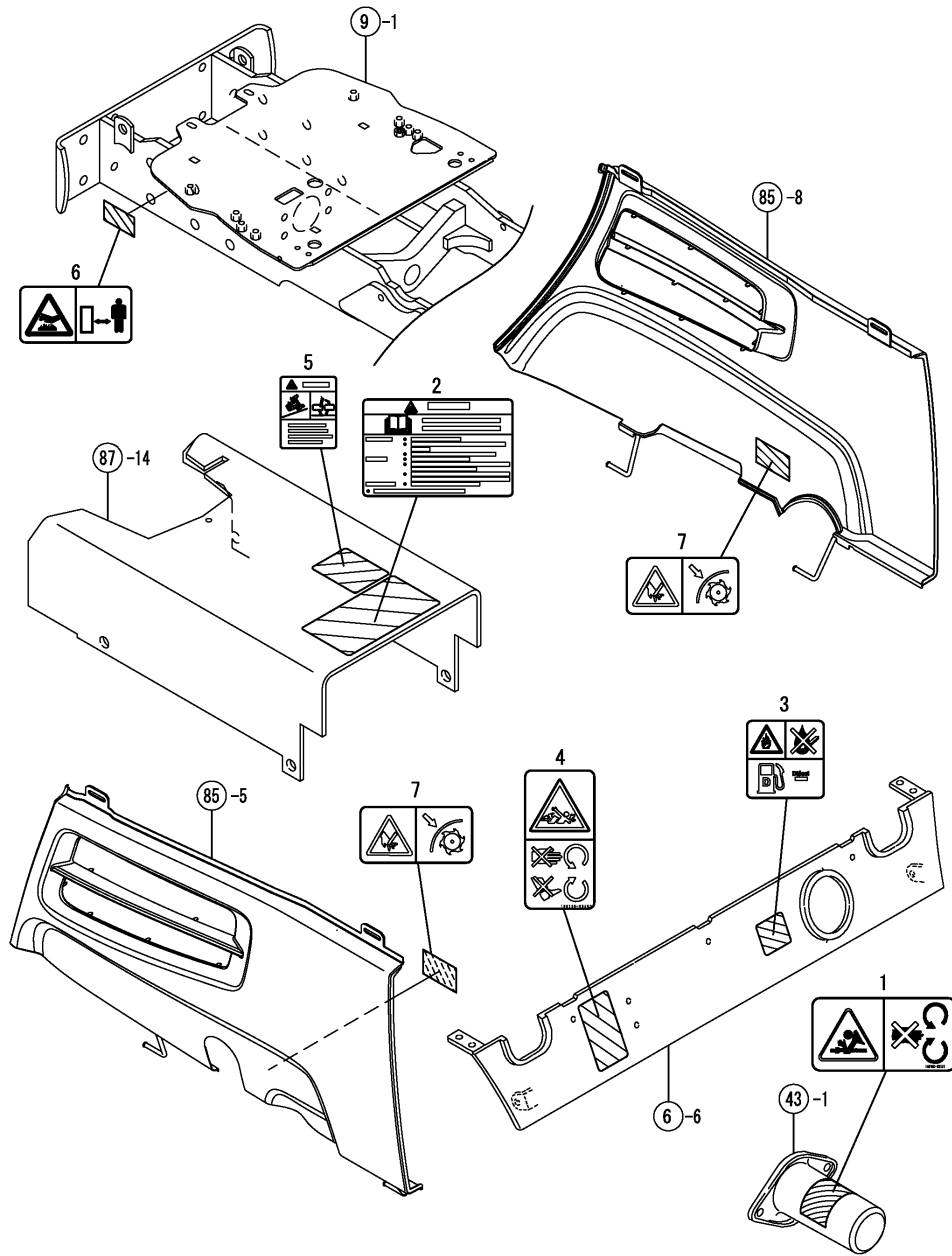


(A)=EF453T
(B)=
(C)=

(D)=
(E)=
(F)=

No.	Lev.	Parts No.	Description	Q'ty						I	R
				(A)	(B)	(C)	(D)	(E)	(F)		
1	1	1A7780-64750	LABEL,	1							
2	1	1A7780-64760	LABEL,	1							
3	1	1A7780-65440	LABEL,FUSE	1							Z
(A=F102046)											
4	1	194240-65441	LABEL, DIFF. LOCK	1							
5	1	198220-65470	LABEL, LEVER	1							
6	1	198175-65500	LABEL,MAIN CHANGE	1							
7	1	1A6640-65530	LABEL,THROTTLE	1							
8	1	198178-65560	LABEL,SPEED	1							
9	1	198036-65470	LABEL, BRAKE LOCK	1							
10	1	198327-65620	LABEL, P.T.O	1							
11	1	198327-65720	LABEL, KEY SWITCH	1							
12	1	198221-65740	LABEL, MFWD	1							
13	1	1A7780-65770	LABEL,	1							Z
(A=F102046)											
14	1	194275-65790	LABEL, FUEL CAUTION	1							Z
(A=FXXXXXX)											
15	1	198208-65890	LABEL, ROOF	1							
16	1	198242-65940	LABEL,SUB CHANGE	1							
17	1	198283-65651	LABEL,TAI ONLY	1							

Fig.91. LABEL(SAFETY)



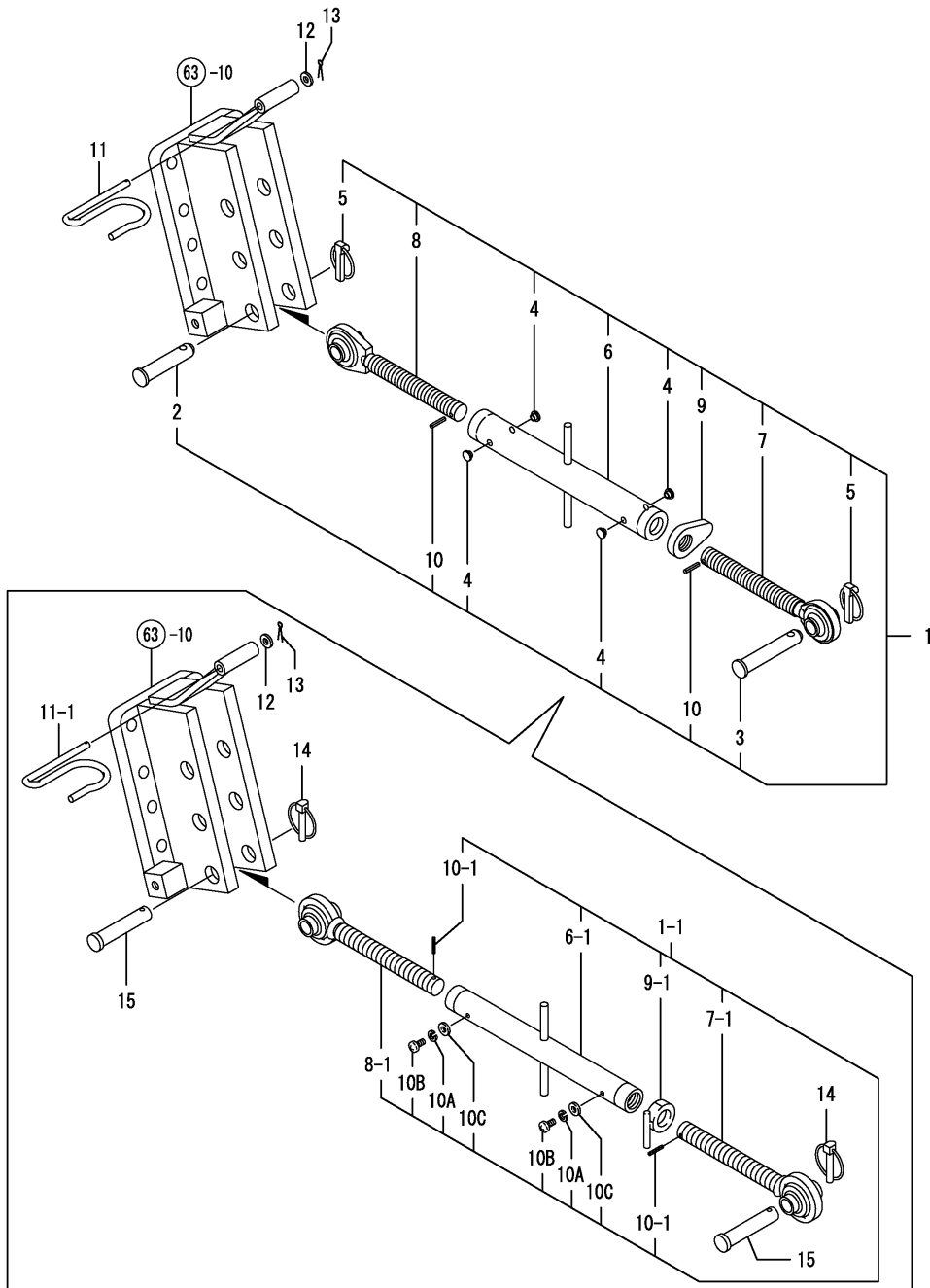
(A)=EF453T
(B)=
(C)=

(D)=
(E)=
(F)=

No.	Lev.	Parts No.	Description	Q'ty						I	R
				(A)	(B)	(C)	(D)	(E)	(F)		
1	1	1A6150-93151	LABEL,COVER	1							
2	1	198283-65310	LABEL, CAUTION	1							
3	1	198283-65250	LABEL,RAKE CAUTION	1							
4	1	198163-65350	DANGER,ROTAT.SHAFT	1							
5	1	198283-65360	LABEL,BREAKE PEDAL	1							
6	1	198163-65930	CAUTION,MUFFLER	1							
7	1	198163-65940	CAUTION,SAFETY COVER	2							

(A)=EF453T
 (B)=
 (C)=

(D)=
 (E)=
 (F)=

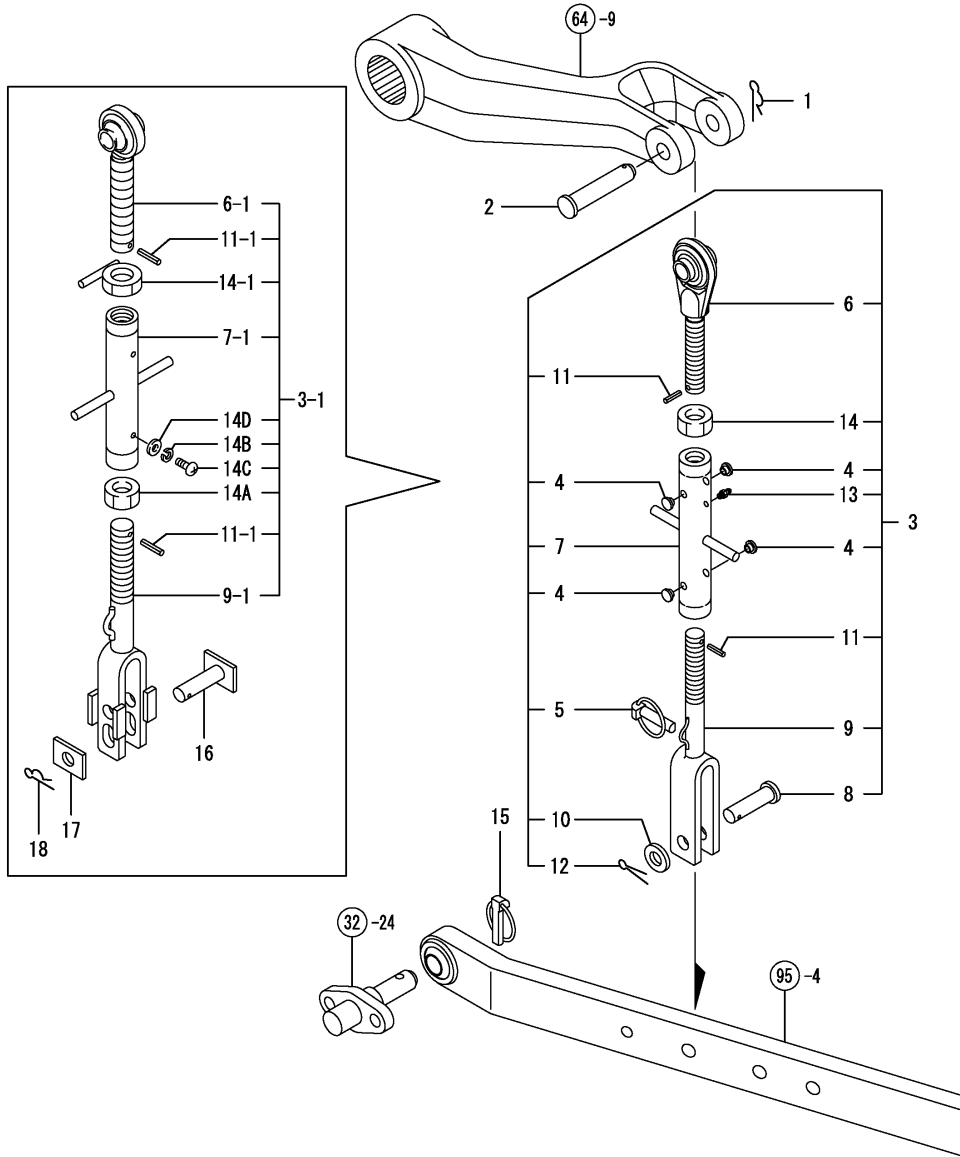


No.	Lev.	Parts No.	Description	Q'ty						I	R
				(A)	(B)	(C)	(D)	(E)	(F)		
1	1	198254-71100	LINK KIT, TOP	1							
1-1	1	1A7780-71100	LINK KIT, TOP	1							N
		(A=F00748)									
2	2	1A7335-71230	PIN, LINK	1							Z
		(A=F00748)									
3	2	1A7335-71240	PIN, HITCH	1							Z
		(A=F00748)									
4	2	1A7335-71250	CAP	4							Z
		(A=F00748)									
5	2	1A7335-71410	PIN ASSY, BALL	2							Z
		(A=F00748)									
6	2	198254-71500	TURNBUCKLE ASSY	1							
6-1	2	1A7780-71500	TURNBUCKLE ASSY	1							S
		(A=F00748)									
7	2	198254-71600	LINK ASSY, TOP R	1							
7-1	2	198133-71600	LINK ASSY, TOP R	1							S
		(A=F00748)									
8	2	198254-71700	LINK ASSY, TOP L	1							
8-1	2	198133-71700	LINK ASSY, TOP L	1							S
		(A=F00748)									
9	2	1A7335-71750	NUT, LOCK M24	1							
9-1	2	198092-71750	NUT ASSY, M24	1							S
		(A=F00748)									
10	2	22351-050025	PIN, SPRING 5.0X25	2							
10-1	2	22351-040024	PIN, SPRING 4.0X24	2							S
		(A=F00748)									
10A	2	22217-060000	WASHER, SPRING 6	2							W
		(A=F00748)									
10B	2	26557-060062	SCREW, M6X 6	2							W
		(A=F00748)									
10C	2	22137-060000	WASHER, 6	2							W
		(A=F002425)									
11	1	1A7335-71550	SPRING, RETAINER	1							
11-1	1	194275-71550	SPRING, RETAINER	1							S
		(A=F00748)									
11-2	1	1A7780-71600	SPRING	1							R
		(A=FZZZZZ)									
12	1	22137-080000	WASHER, 8	1							
13	1	22417-300250	PIN, COTTER 3.0X25	1							
14	1	194180-72950	PIN ASSY, LOCK	2							W
		(A=F00748)									
15	1	195397-27810	PIN, 19X92	2							W
		(A=F00748)									

Fig.93. LIFT LINK(RIGHT)

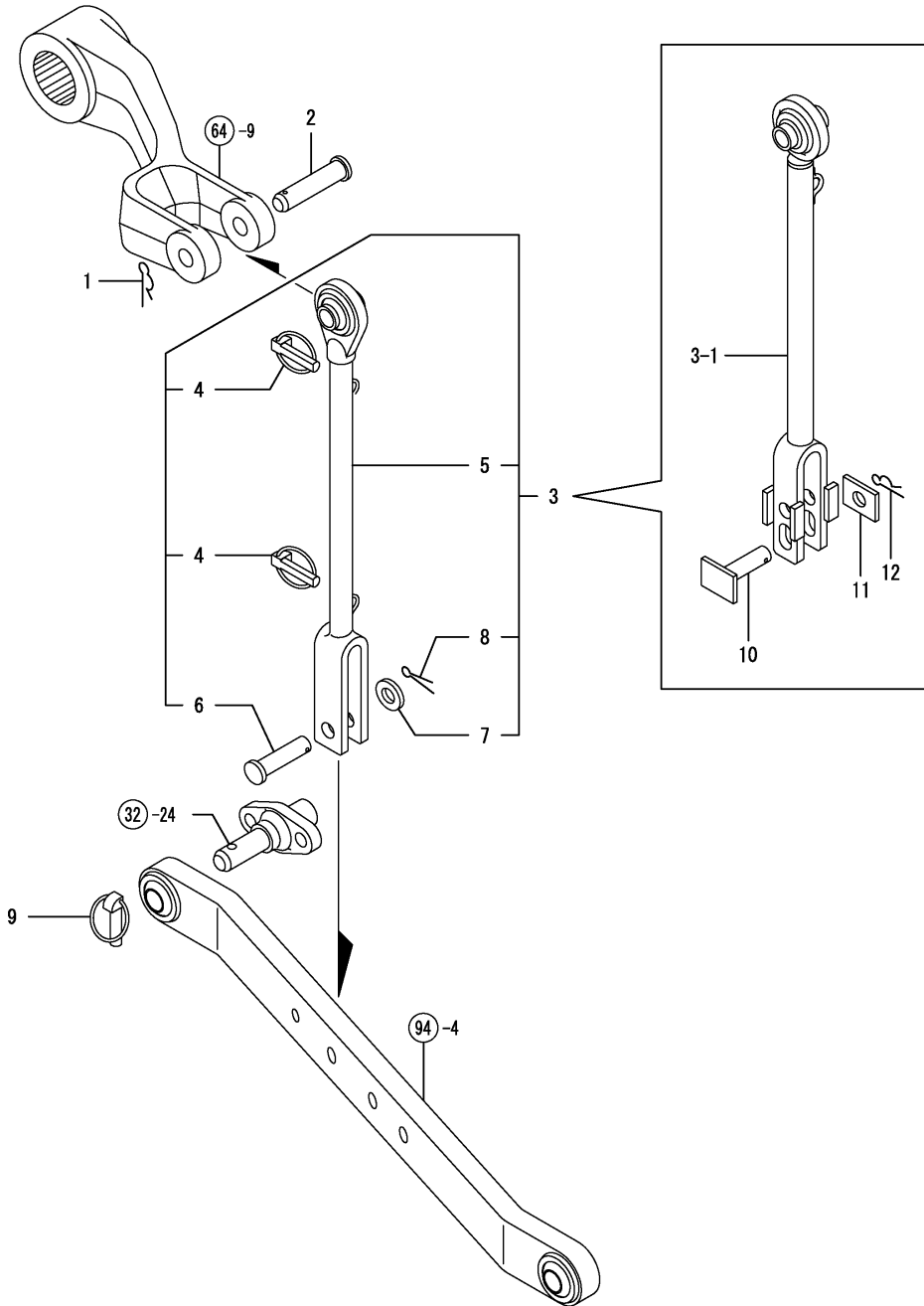
(A)=EF453T
(B)=
(C)=

(D)=
(E)=
(F)=



No.	Lev.	Parts No.	Description	Q'ty						I	R
				(A)	(B)	(C)	(D)	(E)	(F)		
1	1	195184-15360	PIN, SNAP 19	1							
2	1	194640-72410	PIN, LIFT ARM	1							
3	1	1A7335-72100	LINK KIT, LIFT R	1							
3-1	1	1A7780-72100 (A=F00748)	LINK KIT, LIFT R	1							N
4	2	1A7335-71250 (A=F00748)	CAP	4							Z
5	2	1A7335-71410 (A=F00748)	PIN ASSY, BALL	1							Z
6	2	1A7335-72200	BOLT ASSY, EYE	1							
6-1	2	198242-72200 (A=F00748)	BOLT, EYE	1							S
7	2	1A7335-72230	TURNBUCKLE	1							
7-1	2	1A7780-72150 (A=F00748)	TURNBUCKLE ASSY	1							S
8	2	198234-72550 (A=F00748)	PIN, 16X44	1							Z
9	2	1A7335-72800	YOKE ASSY, LINK R	1							
9-1	2	198175-72250 (A=F00748)	YOKE ASSY, LINK R	1							S
10	2	22137-160000 (A=F00748)	WASHER, 16	1							Z
11	2	22351-050022	PIN, SPRING 5.0X22	2							
11-1	2	22351-040024 (A=F00748)	PIN, SPRING 4.0X24	2							S
12	2	22417-320320 (A=F00748)	PIN, COTTER 3.2X32	1							Z
13	2	24761-060000 (A=F00748)	NIPPLE, GREASE MT6X1	1							Z
14	2	26756-200002	NUT, LOCK M20	1							
14-1	2	198092-71750 (A=F00748)	NUT ASSY, M24	1							S
14A	2	194700-71410 (A=F00748)	NUT, LOCK	1							W
14B	2	22217-060000 (A=F00748)	WASHER, SPRING 6	2							W
14C	2	26557-060062 (A=F00748)	SCREW, M6X 6	2							W
14D	2	22137-060000 (A=F002425)	WASHER, 6	2							W
15	1	1A7335-71410 (A=F00748)	PIN ASSY, BALL	1							Z
16	1	194640-72550 (A=F00748)	PIN, LIFT YOKE	1							W
17	1	194330-72560 (A=F00748)	STOPPER	1							W
18	1	22372-160000 (A=F00748)	PIN, SNAP 16	1							W

Fig.94. LIFT LINK(LEFT)



(A)=EF453T
(B)=
(C)=

(D)=
(E)=
(F)=

No.	Lev.	Parts No.	Description	Qty						I	R
				(A)	(B)	(C)	(D)	(E)	(F)		
1	1	195184-15360	PIN, SNAP 19	1							
2	1	194640-72410	PIN, LIFT ARM	1							
3	1	1A7335-72500	LINK KIT, LIFT L	1							
3-1	1	198133-72530 (A=F00748)	LINK ASSY, LIFT L	1							N
4	2	1A7335-71410 (A=F00748)	PIN ASSY, BALL	2							Z
5	2	1A7335-72530 (A=F00748)	LINK ASSY, LIFT L	1							Z
6	2	198234-72550 (A=F00748)	PIN, 16X44	1							Z
7	2	22137-160000 (A=F00748)	WASHER, 16	1							Z
8	2	22417-320320 (A=F00748)	PIN, COTTER 3.2X32	1							Z
9	1	1A7335-71410	PIN ASSY, BALL	1							
10	1	194640-72550 (A=F00748)	PIN, LIFT YOKE	1							W
11	1	194330-72560 (A=F00748)	STOPPER	1							W
12	1	22372-160000 (A=F00748)	PIN, SNAP 16	1							W

Fig.95. LOWER LINK & CHECK CHAIN

(A)=EF453T

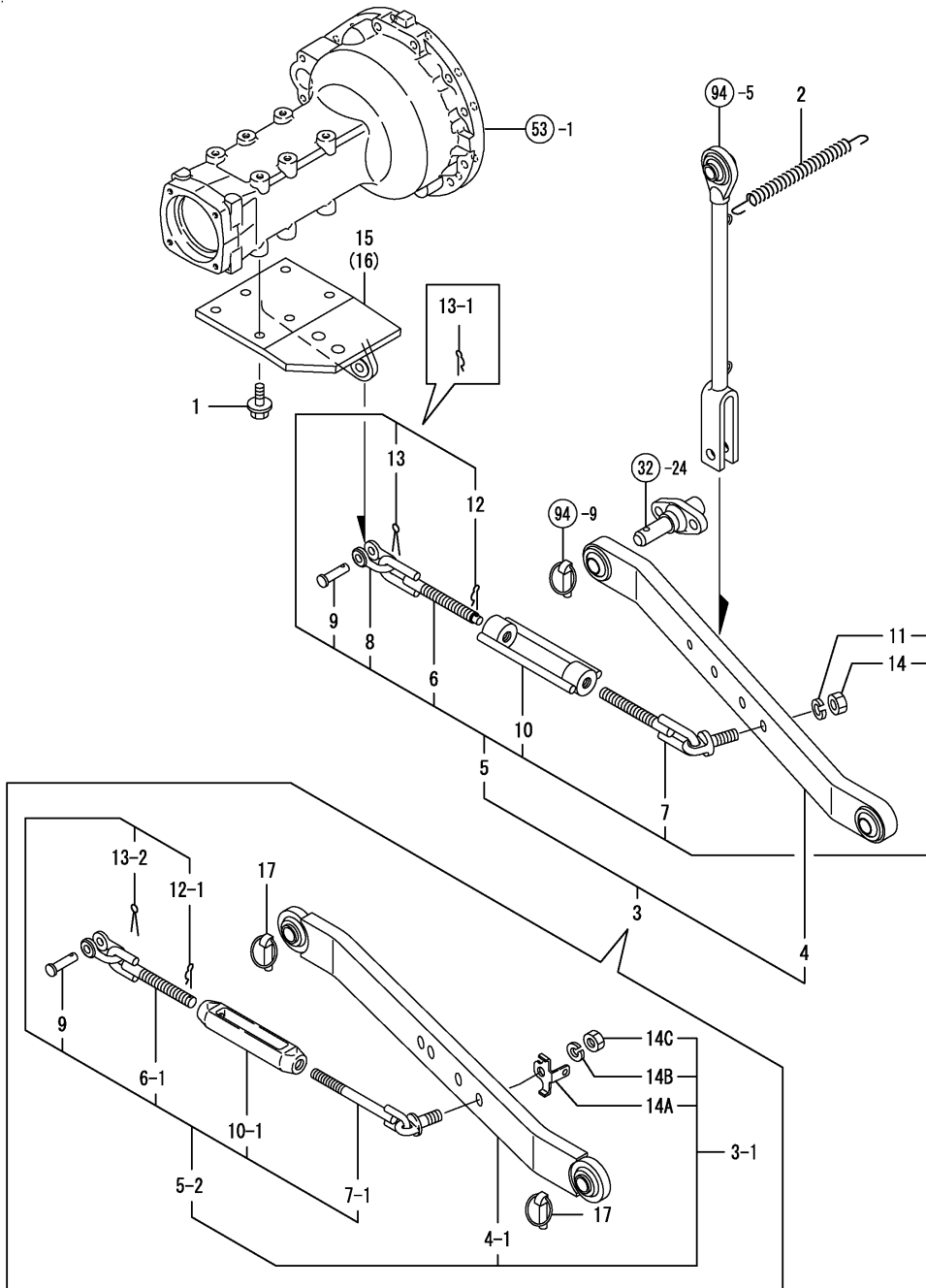
(B)=

(C)=

(D)=

(E)=

(F)=



No.	Lev.	Parts No.	Description	Q'ty						I	R
				(A)	(B)	(C)	(D)	(E)	(F)		
1	1	198220-11510	BOLT, M12X27	12							
2	1	194145-73150	SPRING, LOCK	1							
3	1	1A7780-73400	LINK KIT, LOWER	2							
3-1	1	1A7780-73410 (A=F00748)	LINK KIT, LOWER	2							N
4	2	1A7780-73100	LINK ASSY, LOWER	2							
4-1	2	198133-73100 (A=F00748)	LINK ASSY, LOWER	2							S
5	2	198254-74500	CHAIN KIT, CHECK	2							
5-1	2	198254-74501 (A=F01736)	CHAIN KIT, CHECK	2							R
5-2	2	1A7780-74200 (A=F00748)	CHAIN ASSY, CHECK	2							S
6	3	198254-74510	CHAIN ASSY, CHECK F	2							
6-1	3	1A7780-74210 (A=F00748)	CHAIN ASSY, CHECK F	2							S
7	3	198254-74550	CHAIN ASSY, CHECK R	2							
7-1	3	1A7270-74250 (A=F00748)	CHAIN ASSY, CHECK R	2							S
8	3	198254-74620 (A=F00748)	SHACKLE	2							Z
9	3	198181-74630	PIN, CHAIN	2							
10	3	198254-74700	TURNBUCKLE, M16	2							
10-1	3	198475-74700 (A=F00748)	TURNBUCKLE, M16	2							S
11	3	22217-160000 (A=F00748)	WASHER, SPRING 16	2							Z
12	3	22360-180000	PIN, SNAP 18	2							
12-1	3	1A6150-73700 (A=F00748)	PIN, SNAP 16	2							S
13	3	22417-400320	PIN, COTTER 4.0X32	2							
13-1	3	22360-180000 (A=F01736)	PIN, SNAP 18	2							S
13-2	3	22417-400320 (A=F00748)	PIN, COTTER 4.0X32	2							S
14	3	26736-160002 (A=F00748)	NUT, M16	2							Z
14A	2	198071-73550 (A=F00748)	PLATE, HOOK	2							W
14A-1	2	198071-73550 (A=FZZZZZ)	PLATE, HOOK	2							Z
14B	2	22217-160000 (A=F00748)	WASHER, SPRING 16	2							W
14C	2	26736-160002 (A=F00748)	NUT, M16	2							W
15	1	1A7780-85300	PLATE ASSY, BASE L	1							
15-1	1	1A7780-85300-1 (A=F007815)	PLATE ASSY, BASE L	1							R
16	1	1A7780-85350	PLATE ASSY, BASE R	1							
16-1	1	1A7780-85350-1 (A=F007815)	PLATE ASSY, BASE R	1							R

Fig.95. LOWER LINK & CHECK CHAIN

(A)=EF453T
(B)=
(C)=

(D)=
(E)=
(F)=

No.	Lev.	Parts No.	Description	Q'ty						I	R
				(A)	(B)	(C)	(D)	(E)	(F)		
17	1	794130-71410 (A=F00748)	PIN ASSY, BALL	4							W

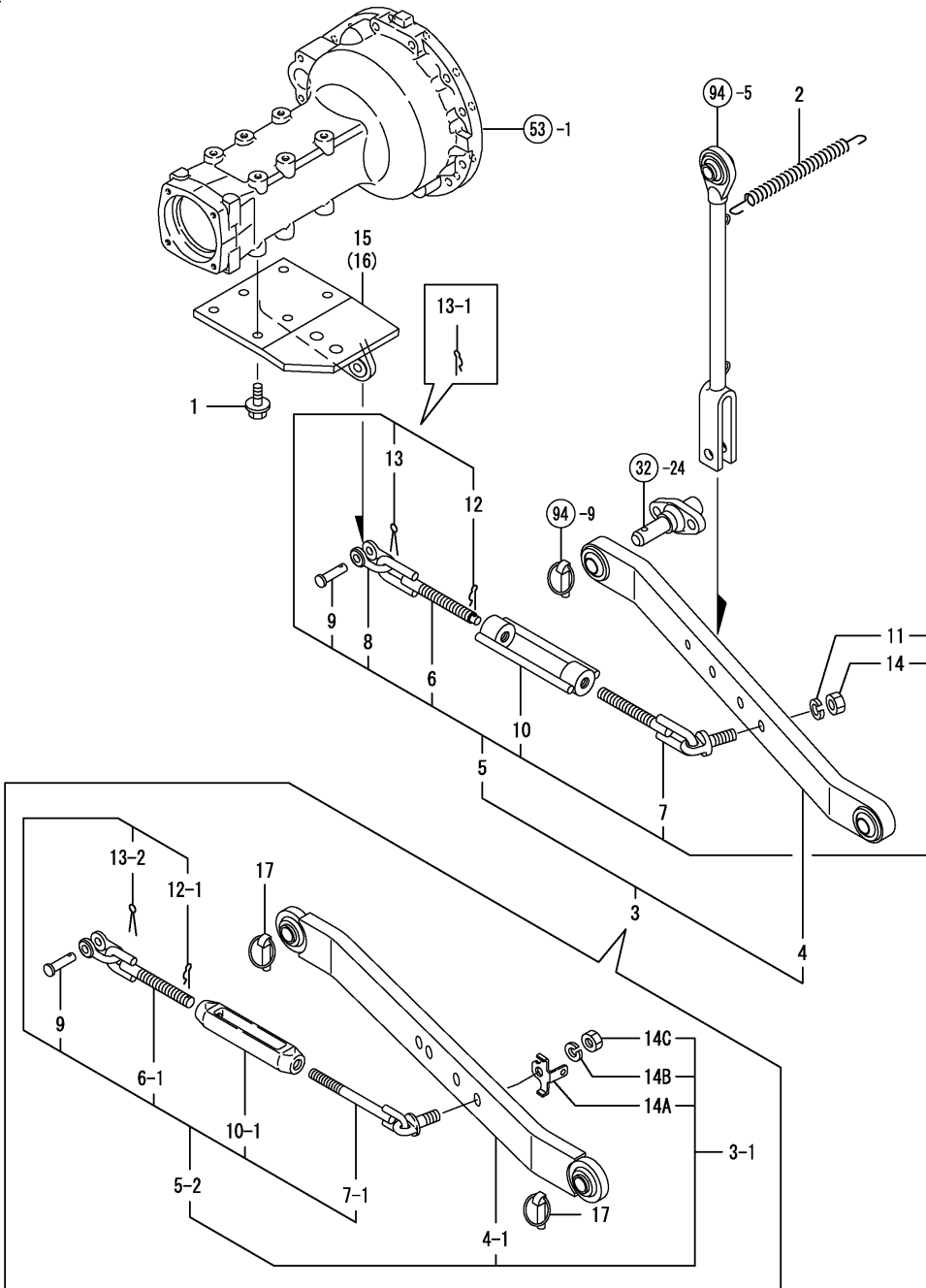
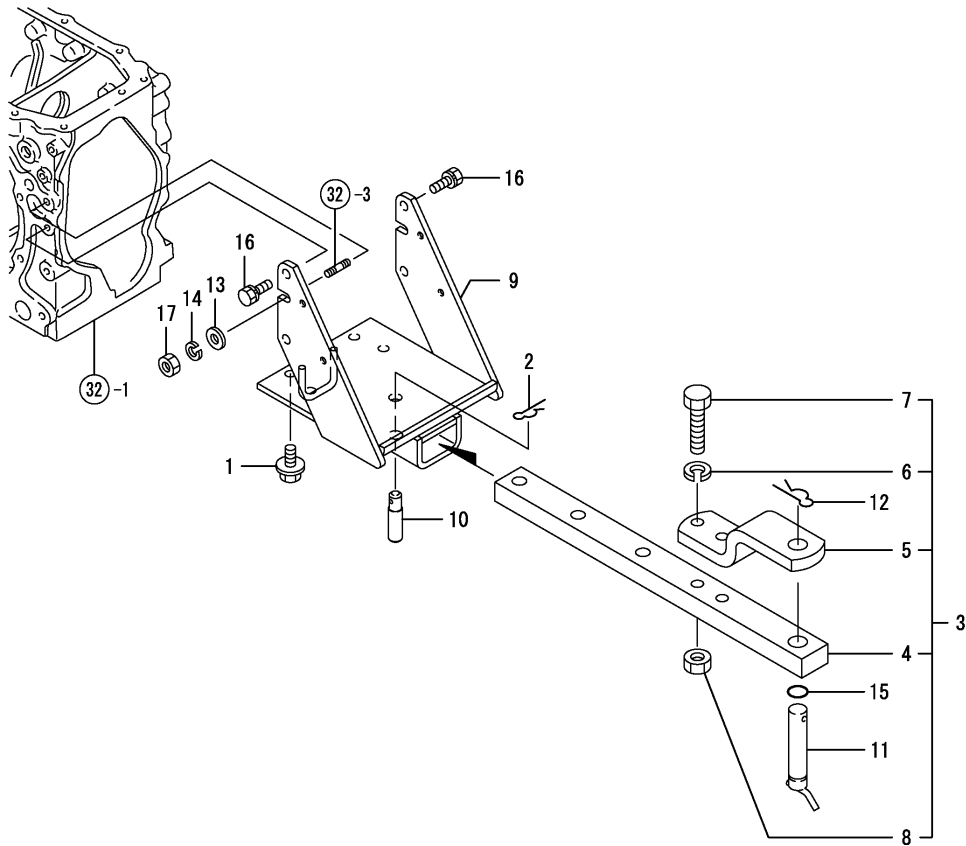


Fig.96. DRAWBAR HITCH

(A)=EF453T
(B)=
(C)=

(D)=
(E)=
(F)=



No.	Lev.	Parts No.	Description	Q'ty						I	R
				(A)	(B)	(C)	(D)	(E)	(F)		
1	1	198240-12650	BOLT, M14X28	4							
2	1	195230-17260	PIN, SNAP 22S	1							
3	1	1A7780-75710	HITCH KIT, DRAWBAR	1							
3-1	1	1A7780-75711 (A=F00411)	HITCH KIT, DRAWBAR	1							N
3-2	1	1A7780-75711-2 (A=F007815)	HITCH KIT, DRAWBAR	1							R
4	2	1A7780-75110	HITCH, DRAWBAR	1							
4-1	2	1A7780-75111-1 (A=F00411)	HITCH, DRAWBAR	1							N
4-2	2	1A7780-75111-2 (A=F007815)	HITCH, DRAWBAR	1							R
5	2	194180-75810-1	BRACKET, CLEVIS	1							
5-1	2	194180-75810-2 (A=F007815)	BRACKET	1							R
6	2	22217-160000	WASHER, SPRING 16	2							
7	2	26116-160702	BOLT M16X 70 PLATED	2							
8	2	26716-160002	NUT, M16	2							
9	1	198253-75131	BRACKET, DRAWBAR	1							
9-1	1	198253-75131-1 (A=F007815)	BRACKET, DRAWBAR	1							R
10	1	198253-75430	PIN, HITCH	1							
11	1	198133-75750	PIN ASSY, HITCH 25	1							
12	1	194080-75790	PIN, SNAP 28	1							
13	1	22137-120000	WASHER, 12	2							
14	1	22217-120000	WASHER, SPRING 12	2							
15	1	24311-000220	O-RING, 1AP22.0	1							
16	1	26013-120302	BOLT, M12X 30	4							
17	1	26716-120002	NUT, M12	2							

Fig.97. ACCESSORY

(A)=EF453T
(B)=
(C)=

(D)=
(E)=
(F)=

No.	Lev.	Parts No.	Description	Q'ty						I	R
				(A)	(B)	(C)	(D)	(E)	(F)		
1	1	0ATA7-G00100	OPERATION MANUAL	1							
1-1	1	0ATA7-G00101	OPERATION MANUAL	1							N
(A=F004027)											

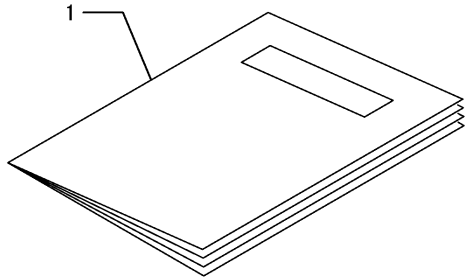


Fig.98. SAFETY FRAME

(A)=EF453T

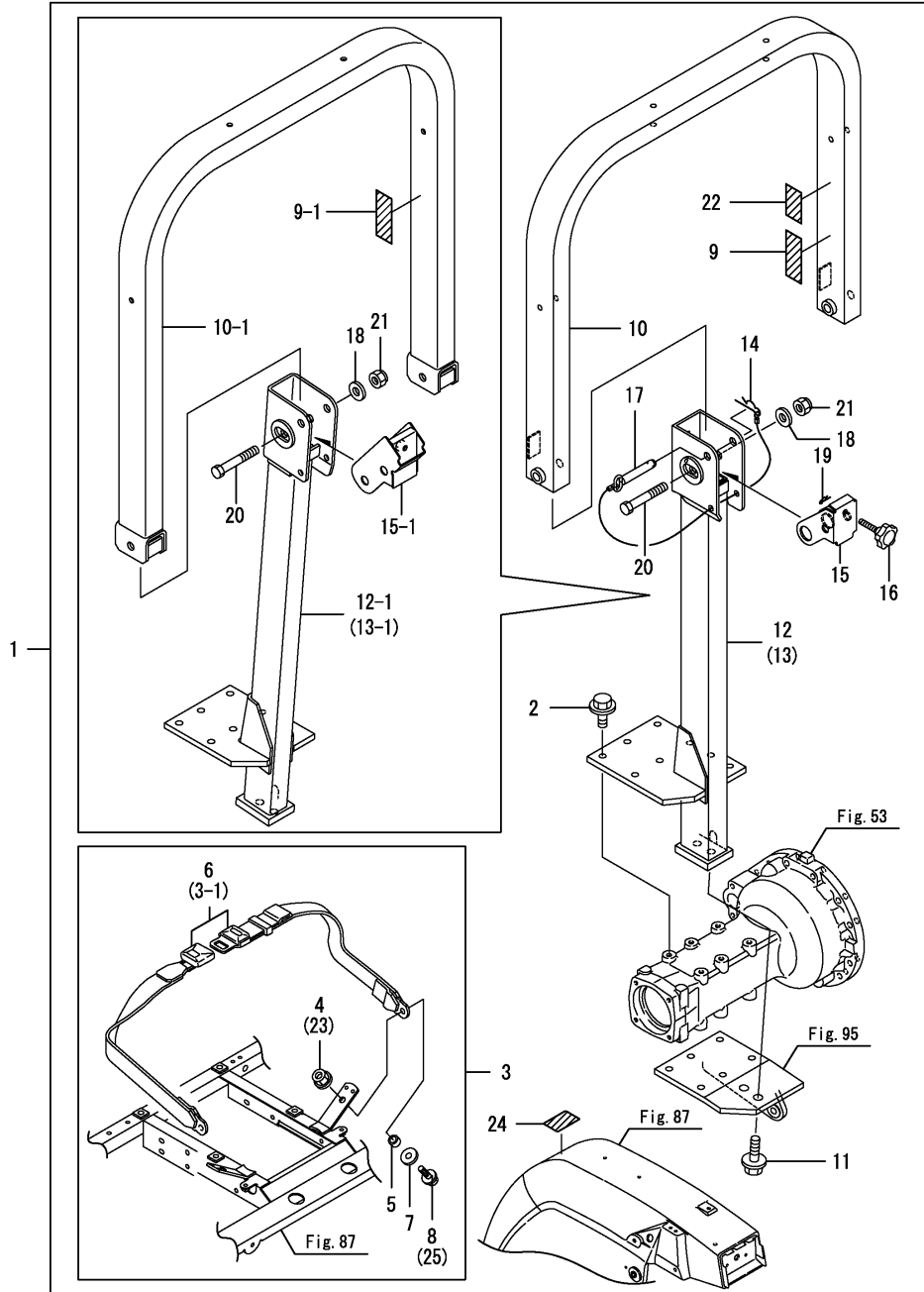
(B)=

(C)=

(D)=

(E)=

(F)=



No.	Lev.	Parts No.	Description	Q'ty						I	R
				(A)	(B)	(C)	(D)	(E)	(F)		
1	1	1A7780-85000	ROPS KIT	1							
1-1	1	1A7780-85710	ROPS KIT,	1							R
		(A=FZZZZZ)									
2	2	198220-11510	BOLT, M12X27	12							
3	2	198268-63110	BELT KIT, SEAT	1							
3-1	2	194180-63150	BELT ASSY, SEAT	1							S
		(A=FZZZZZ)									
4	3	194990-22150	NUT, M10	2							Z
		(A=FZZZZZ)									
5	3	195747-22360	COLLAR, EXTENSION	2							Z
		(A=FZZZZZ)									
6	3	198268-63120	BELT, SEAT	1							Z
		(A=FZZZZZ)									
7	3	22137-100000	WASHER, 10	2							Z
		(A=FZZZZZ)									
8	3	26106-100302	BOLT, M10X 30 PLATED	2							Z
		(A=FZZZZZ)									
9	2	1A7130-65910	LABEL (ROPS CAUTION	1							
9-1	2	1A7680-65910	LABEL,ROPS WARNING	1							S
		(A=FZZZZZ)									
10	2	198133-85210	ROPS	1							
10-1	2	1A7780-85720	ROPS, UPPER	1							S
		(A=FZZZZZ)									
11	2	198220-85290	BOLT, M16X40	4							
12	2	198178-85110	ROPS, LOWER L 42EX	1							
12-1	2	1A7780-85770	ROPS ASSY, LOWER L	1							S
		(A=FZZZZZ)									
13	2	198141-85210	ROPS, LOWER R46	1							
13-1	2	1A7780-85780	ROPS ASSY, LOWER R	1							S
		(A=FZZZZZ)									
14	2	198133-85850	PIN, SNAP 16	2							
15	2	198133-85900	PLATE ASSY, BACK	2							
15-1	2	1A7780-85900	PLATE ASSY, BACK	2							S
		(A=FZZZZZ)									
15-2	2	1A7780-85900-1	PLATE ASSY, BACK	2							R
		(A=F007815)									
16	2	198133-85920	BOLT, M10X50	2							
17	2	198133-85980	PIN ASSY, STOPPER	2							
18	2	22157-160000	WASHER, 16	2							
19	2	22372-080000	PIN, SNAP 8	2							
20	2	26156-161002	BOLT, M16X100 PLATED	2							
21	2	26356-160002	NUT, M16	2							
22	2	198440-65860	LABEL,ROPS	1							Z
		(A=FZZZZZ)									
23	2	194990-22150	NUT, M10	2							W
		(A=FZZZZZ)									
24	2	1A7680-65350	LABEL,WARNING,ROPS	1							W
		(A=FZZZZZ)									
25	2	26106-100252	BOLT, M10X 25 PLATED	2							W
		(A=FZZZZZ)									

Fig.99. EXTEND EXHAUST

(A)=EF453T
(B)=
(C)=

(D)=
(E)=
(F)=

No.	Lev.	Parts No.	Description	Q'ty						I	R
				(A)	(B)	(C)	(D)	(E)	(F)		
1	1	1A7780-03300	PIPE KIT, EXTENSION	1							
2	2	1A7780-03350	PIPE, EXTENSION 453T	1							
3	2	194990-22140	NUT, M8	1							
4	2	26106-080202	BOLT, M8X 20 PLATED	1							

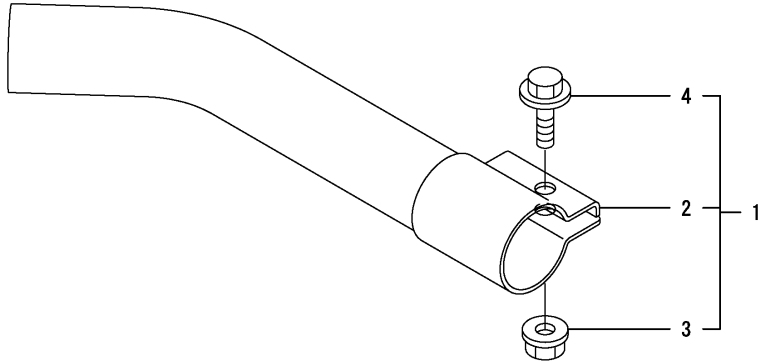
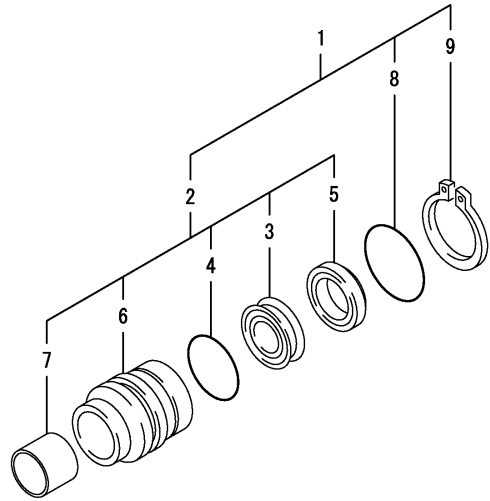


Fig.100. CYLINDER CAP(ADD.ITEM)

(A)=EF453T
(B)=
(C)=

(D)=
(E)=
(F)=

No.	Lev.	Parts No.	Description	Q'ty						I	R
				(A)	(B)	(C)	(D)	(E)	(F)		
1	1	7A7780-17640	CAP KIT, CYLINDER	1							
2	2	1A7780-17650	CAP ASSY, CYLINDER	1							
3	3	1A7780-17560	PACKING, 22	1							
4	3	1A7780-17570	PACKING, 34	1							
5	3	1A7780-17581	SCRAPER, 22	1							
6	3	1A7780-17660	CAP, CYLINDER	1							
7	3	24550-022200	BUSH, 22X20	1							
8	2	194180-26690	O-RING, 2035	1							
9	2	22242-000360	RING, 36	1							



Parts No. Index

Parts No.	Fig. No.	Ref. No.
0ATA7-G00100	97	1
0ATA7-G00101	97	1 -1
106990-44660	2	19
114270-59010	2	51
	7	19
119005-12571	1	2
119225-52102	1	20
119255-44660	1	16
119802-55700	1	22
119802-55710	1	24
119802-55730	1	26 A
119808-12540	1	5
119860-34810	32	21
119934-55610	1	21
119934-55611	1	21 -1
121450-44531	1	12
121470-44581	1	15
124450-44560	1	14
124550-77030	1	28
124617-91920	78	11
		11 -1
124701-91140	78	22
124756-77040	1	29
124764-44810	1	17
124766-59050	2	13
		22
		23
		24
		24 -1
		25
		26
		49
	7	8
		8 -1
129052-13550	1	6
129100-55690	1	23
129107-44590	1	8
129150-49081	1	19
129211-77920	1	37
	80	7
129263-44510	1	11
129418-12530	1	5 A
129467-44580	1	9
129467-44590	1	10
129550-49101	1	18
129612-12650	1	5 B
129657-44500	1	7
129659-12520	1	1
129659-44510	1	7 -1
129900-12530	1	4

Parts No.	Fig. No.	Ref. No.
129906-12520	1	3
129907-55810	1	27
129956-12160	2	18
129956-44730	1	10 A
168246-00110	65	1 -1
172122-46571	47	8 -1
172156-72330	24	11 L
		25
172156-72340	24	11 M
		24
175022-49730	2	20
175022-49750	2	21
178070-10401	62	2
178070-44000	62	1
178071-03010	65	1
194065-34170	22	7
		17
		58
		17
194065-38380	24	11
		26
194065-41210	61	7
194065-60580	78	18
194066-13130	52	15 -1
194080-75790	96	12
194130-27490	45	13
194130-37730	31	6
		60
		60
194130-44520-1	64	11
194130-47851	87	6
194134-37771	60	5
194145-21121	30	6
194145-27450	45	11
		46
		5
194145-34390	56	6
194145-61570	3	8
194145-61651	78	19
		84
		13
194145-73150	95	2
194150-01270	3	6
194150-21910	27	4
194150-22250	27	5
194150-22250-1	27	5 -1
194150-22480	31	4
		60
		2
194150-33150	54	5
194150-42280	63	9
194150-42280-1	63	9 -1
194150-45320	68	1
194151-47760	69	13

Parts No.	Fig. No.	Ref. No.
194155-05210	6	7
194167-61650	86	11
		12
194170-27180	47	8
194170-51210	5	7
	7	7
	73	39
194180-01240	2	6
194180-12471	24	1
194180-17770	7	6
194180-25550	37	2
194180-26690	100	8
194180-32640	53	2
194180-32670	18	12
194180-43410	64	4
194180-45620	66	2
194180-51640	69	15
	73	51
194180-61980	9	6
194180-63150	98	3 -1
194180-72950	92	14
194180-75810-1	96	5
194180-75810-2	96	5 -1
194181-14180	22	3
		13
		58
		4
		15
194197-25810	41	4
194197-56350	83	20
194200-53400	76	4
194205-36320	59	6
194205-63550	87	21
194215-24960	32	19
194240-65441	90	4
194250-25240	36	1
194250-27160	45	2
194250-51420	73	20
194250-51650	73	28
194274-13350	15	6
194274-22090	35	1
194275-48400	34	3
194275-51210	73	16
		17
		78
		2
194275-62310	78	21
194275-65790	90	14
194275-71550	92	11 -1
194278-41151	61	2
194278-41160	61	4
194278-41190	61	5

Parts No.	Fig. No.	Ref. No.
194278-41210	61	8
194278-48300	71	1
194279-14220	58	23
194300-22260	31	6 -1
194300-33200	54	6
194301-12730	37	1
194310-25100	41	2
194310-25660	42	2
194310-37741	60	4
194310-47790	69	14
194312-25470	35	7
194312-46630-1	67	3 -1
194312-46630-2	67	3
194320-31560	52	5
194321-11940	17	4
194321-13230	14	2
194321-13250	14	4
194321-13270	14	6
194321-13360	15	7
194321-13380	15	9
194321-13680	18	1
194321-28230	50	4
194322-24980	34	2
194323-13290	14	7
194327-45120	65	2
194327-45130	65	3
194327-48450	71	3
194330-62530	31	13
		88
		5
194330-72560	93	17
		94
		11
194335-34730	58	9
		20
194335-34770-1	58	8
		19
194336-14830	22	9
		19
194337-17220	25	9
194337-17251	25	10
194337-17330	25	19
194337-17340	25	16
194337-17350	25	17
194337-17360	25	20
194337-17370	25	21
194337-17380	25	22
194337-17390	25	11
194337-17400	25	12
194338-14711	22	4
		14
194338-14720	22	5

Parts No. Index

Parts No.	Fig. No.	Ref. No.
194338-14720	22	15
194338-14740	22	2
		12
194370-26350	42	8
194420-56620	78	15
194430-25810	42	3
194440-51620	73	22
		23
		24
		25
		26
		49
194440-51630	73	27
194446-25450	50	1
194447-13860	41	1
	42	1
194448-61620	86	10
194450-11190	27	3
	28	17
		17 -1
194450-45630	66	3
194450-45640	66	4
194450-45640-1	66	4 -1
194450-45650	66	5
194450-48830	26	10
194464-25600	37	4
194464-33130	54	2
194464-48850	26	11
194464-52190	75	4
194465-13240	14	3
194465-13260	14	5
194521-41570	62	3
194550-47530	69	11
194555-04260	6	1
194555-04270	6	2
194555-04280	6	3
194555-26620	36	15
		15 -1
194555-46300	67	1
194555-46380	63	14
194555-46730	63	15
194555-47420	69	9
194555-48350	71	2
194555-52140	75	3
194555-56890	78	17
194556-17870	26	6
194556-42220	63	7 A
		7 A-1
194640-17340	25	3
194640-25860	36	11

Parts No.	Fig. No.	Ref. No.
194640-25860	37	15
194640-26130	40	2
194640-26330	42	7
194640-26440	36	13
194640-32650	53	4 -1
194640-32650-2	53	4
194640-34130	56	2
194640-34140	56	3
194640-34150	56	4
194640-43201	63	11
194640-43201-1	63	11 -1
194640-44230	64	7
194640-44260	64	19
194640-44540	64	11 -2
194640-44540-2	64	11 -1
194640-46410	68	5
194640-46420	68	6
194640-47560	69	12
194640-63560	87	22
194640-72410	93	2
	94	2
194640-72550	93	16
	94	10
194640-73180	32	24
194641-13210	14	1
194641-13670	17	7
194641-13760	18	4
194641-13780	18	6
194641-13790	18	7
194641-13830	19	3
194641-13840	16	4 -1
	19	4
194680-22230	30	9
194680-22280	27	6
194680-22290	27	7
194680-27540	48	7
	49	1
194681-14790	22	6
		16
	58	5
		16
194697-62560	72	2
194700-71410	93	14 A
194730-57220	12	4
		10
194740-00160	3	2
194740-06080	27	2
194750-04400	3	19
194820-27370	47	9
194850-24960	32	20

Parts No.	Fig. No.	Ref. No.
194850-42500	32	22
194881-12650	22	21
194940-52110	75	1
194940-61790	78	20
	84	15
	86	14
		15
194940-65590	83	13
194990-20170	47	7
194990-22130	76	1
	80	1
		2
		14
	86	1
194990-22140	6	8
	8	2
	70	1
	73	2
		3
		4
	74	2
	82	1
	84	2
		36
	87	1
		2
		2 -1
	88	13
	89	2
		3
		4
	99	3
194990-22150	48	2 -1
	49	20 -1
	51	3 -1
	98	4
		23
194990-22831	12	3
194990-22841	12	9
195184-15360	93	1
	94	1
195230-17260	96	2
195397-27810	92	15
195747-22360	98	5
198010-53410	76	5
198010-53420	76	3
198036-65470	90	9
198071-04500	5	3
198071-18350	47	1
198071-22320	30	11

Parts No.	Fig. No.	Ref. No.
198071-27470	46	6 -1
	48	3 -1
198071-27470-2	46	6
	48	3
198071-27860	45	14
	46	7
198071-51411	73	19 -1
198071-61890	77	15
	84	16
	86	20
198071-61990	2	48
198071-63150	89	7
198071-63160	89	8
198071-65610	77	18
		19
		20
	83	14
198071-72670	24	18
198071-72750	24	11 N
		23
198071-73550	95	14 A
		14 A-1
198072-04510	5	2
198075-18311	44	4
198092-71750	92	9 -1
	93	14 -1
198093-34940	58	10
		21
198093-84810	84	24
198121-51190	73	15
198121-51430	73	21
198129-05190	85	6
		9
198133-13340	15	4
198133-15700	23	2
198133-15740	23	3
198133-15780	23	4
198133-24361	33	1
198133-24370	32	10
198133-24370-1	32	10 -1
198133-24380	32	11
198133-25230	35	4
198133-25240	35	5
198133-25310	33	2
198133-25311	33	2 -1
198133-25451	36	5
198133-25701	38	3
198133-25761	36	6
198133-25822	36	7
198133-25832	39	1

Parts No. Index

Parts No.	Fig. No.	Ref. No.
198133-25841	36	9
198133-25850	39	2
198133-25860	37	16
198133-25870	36	12
198133-25890	39	3
198133-25911	39	4
198133-25941	39	6
198133-25960	39	7
198133-25970	39	8
198133-27060	44	5
198133-27070	44	6
198133-27100	44	1
198133-27110	46	1
198133-27120	46	2
198133-27150	45	1
198133-27170	45	3
198133-27180	46	3
198133-27180-1	46	3 -1
198133-27210	47	2
198133-27270	47	3
198133-27280	45	6
198133-27300	46	4
198133-27330	45	9
198133-27340	45	10
198133-27350	44	2
	47	5
198133-27401	44	8
198133-27450	45	12
198133-27652	44	9
198133-27711	44	10
198133-27720	44	11
198133-27781	44	13
198133-27820	44	14
198133-27850	44	15
198133-27881	44	16
198133-27900	47	6
198133-27900-2	47	6 -1
198133-27910	47	10
198133-27940	44	17
198133-27950	44	29
198133-34130	58	24
198133-42101	63	1
198133-42102	63	1 -1
198133-42102-2	63	1 -2
198133-42130	63	2
198133-43310	64	1
198133-43330	64	2
198133-43360	64	3
198133-44210	64	6
198133-44250	64	8

Parts No.	Fig. No.	Ref. No.
198133-44410	64	9
198133-44410-1	64	9 -1
198133-44411-1	64	9 -2
198133-44510	64	10
198133-45600	66	1
198133-61690	86	13
198133-71600	92	7 -1
198133-71700	92	8 -1
198133-72530	94	3 -1
198133-73100	95	4 -1
198133-75750	96	11
198133-85210	98	10
198133-85850	98	14
198133-85900	98	15
198133-85920	98	16
198133-85980	98	17
198137-13300	15	3
198137-13350	15	5
198137-27180	45	4
198137-27190	45	5
198138-24390	32	12
198138-37610	60	12
198138-61530	86	6
198138-61531	86	6 -1
198141-34540	58	7
		18
198141-34710	58	2
		13
198141-85210	98	13
198146-34110	57	2
198146-34120	57	3
198146-34200	57	1
198146-63660	2	31
198149-22280	30	2 -1
198149-24101	32	1
198149-24101-1	32	1 -1
198149-24102-1	32	1 -2
198149-25600	37	3
198149-25690	38	1
198149-25700	37	5
198149-25740	37	8
198149-25750	37	9
198149-25760	37	10
198149-25780	37	6
198149-25790	37	11
198149-25880	37	17
198149-25890	37	7
		18
198149-27490	48	4
198149-27530	48	6

Parts No.	Fig. No.	Ref. No.
198149-27560	48	8
198149-27570	48	9
198149-31400	52	2
198153-13521	16	2
198153-17630	25	15
198153-51700	73	7
198153-51810	73	52
198153-53410	77	12
198153-89730	82	17
198163-65350	6	6 B
	91	4
198163-65930	91	6
198163-65940	91	7
198165-01130	3	4
198175-37420	60	7
198175-37421-1	60	7 -2
198175-37421-2	60	7 -1
198175-62311	87	14 A
198175-62311-1	87	14 A-1
198175-65500	90	6
198175-72250	93	9 -1
198176-63260	89	11
198178-34710	58	1
198178-34810	58	12
198178-47300	69	1
198178-47300-1	69	1 -1
198178-62540	88	12
198178-62541	88	12 -1
198178-65560	90	8
198178-85110	98	12
198181-74630	95	9
198196-83170	83	15
	84	20
		21
		22
		23
198200-34190	58	26
198200-47810	69	33 -1
198200-52140	75	3 -1
198200-57200	80	6
198208-65890	90	15
198212-32611	53	1
198212-32611-1	53	1 -1
198215-44110	64	5
198215-44110-1	64	5 -1
198217-33650	55	12 -1
198220-01140	3	5
198220-04290	6	4
198220-11510	9	2
	95	1

Parts No.	Fig. No.	Ref. No.
198220-11510	98	2
198220-15650	23	1
198220-17280	24	16
198220-17330	24	17
198220-17410	24	22
198220-17610	25	13
198220-17620	25	14
198220-17631	25	27
198220-17642	25	18
198220-17651	25	25
198220-17660	25	26
198220-17670	25	29
198220-17680	25	24
198220-25830	37	12
198220-25840	37	13
198220-26790	51	4
198220-27290	49	19
198220-27990	49	8
	51	5
198220-37700	60	14
198220-37720	60	15
198220-37900	31	12
	60	17
198220-45350	68	2
198220-45370	68	3
198220-45920	32	23
	63	4
		13
		13 -1
198220-46400	68	4
198220-46560	26	7
198220-46670	67	8
198220-47370	69	33
198220-47750	87	5
198220-48140	26	9
198220-52180	80	3
		11
198220-53170	78	4
198220-56111	78	5
198220-56130	78	6
198220-56140	78	7
198220-56150	78	8
198220-56160	78	9
198220-56220	78	10 A
198220-56230	78	12
198220-61340	83	9
198220-61351	85	11
198220-61800	85	15
198220-62150	84	19
	88	1

Parts No. Index

Parts No.	Fig. No.	Ref. No.
198220-62220	87	10
198220-62260	87	11
198220-62270	87	12
198220-62410	87	15
198220-62440	87	16
		16 -1
198220-62920	87	17
198220-63120	89	6
198220-63240	89	10
198220-65470	90	5
198220-85290	98	11
198221-65740	90	12
198230-04750	5	6
198230-17301	25	1
198230-17311	25	2
198230-17340	25	4
198230-61960	84	40
198234-72550	93	8
	94	6
198240-01400	3	15
198240-01450	3	17
198240-01470	3	18
198240-04550	78	1
198240-04710	7	1
198240-04750	7	2
198240-04760	7	3
198240-04770	7	4
198240-11500	10	1
198240-11540	10	3
198240-11550	10	4
198240-11620	9	3
198240-11640	9	4
198240-11650	9	5
198240-12590	12	6
		12
198240-12650	96	1
198240-17840	26	4
198240-17870	25	31
198240-18120	12	2
198240-18120-2	12	2 -1
198240-18130	12	8
198240-18130-2	12	8 -1
198240-21220	28	5
198240-21250	28	6
198240-21260	28	7
198240-21270	28	8
198240-22251	30	1
198240-22280	30	2
198240-22470	31	3
198240-22550	31	5

Parts No.	Fig. No.	Ref. No.
198240-24120	32	2
198240-24140	32	7
198240-24320	32	9
198240-24480	32	14
198240-24480-1	32	14 -1
198240-24510	32	15
198240-24510-1	32	15 -1
198240-24530	32	3
198240-24682	32	16
198240-24682-1	32	16 -1
198240-24690	32	17
198240-24690-2	32	17 -1
198240-24900	34	1
198240-24900-1	34	1 -1
198240-24920	32	18
198240-24920-1	32	18 -1
198240-25180	27	8
198240-25220	35	3
198240-25292	41	3
198240-25440	36	4
198240-25930	39	5
198240-26520	42	9
198240-27320	45	8
198240-27841	49	3
198240-27890-1	49	5 -1
198240-27890-2	49	5
198240-27961	49	7
198240-27961-1	49	7 -1
198240-32640	53	3
198240-33130	54	3
198240-33130-1	54	3 -1
198240-33170	54	14
198240-36310	59	2
198240-36320	59	3
198240-36351	59	4
198240-36380	59	7
198240-36520	59	5
198240-36700	59	8
198240-36710	59	9
198240-36720	59	10
198240-36730	59	11
198240-36730-1	59	11 -1
198240-37470-1	60	8
198240-37470-2	60	8 -1
198240-37510	31	11
	60	9
198240-37550	60	10
198240-37550-1	60	10 -1
198240-37850	60	16
198240-41110	61	1

Parts No.	Fig. No.	Ref. No.
198240-41150	61	3
198240-42130	63	8
198240-46620	67	2
198240-47380	69	7
198240-47430-1	69	10 -1
198240-47430-2	69	10
198240-47710-1	87	3
198240-47710-2	87	3 -1
198240-47730-1	87	4
198240-47730-2	87	4 -2
198240-48140	70	6
198240-48300	71	4
198240-48300-1	71	4 -1
198240-48380	71	5
198240-48410-1	71	6
198240-48410-2	71	6 -1
198240-48500	70	8
	71	7
198240-48830	70	11
198240-48850	70	12
198240-51561	74	4
198240-56600	78	14
198240-56630	78	16
198240-62110	87	7
198240-62120	87	8
198240-62451	88	2
198240-63110	89	5
198241-13280	15	2
198241-14650	21	2
198241-28240	50	5
198241-28310	51	7
198242-01350	3	7
198242-02310	2	8
198242-25350	40	1
198242-25830	36	8
198242-25950	36	10
198242-27830	49	2
198242-27831	49	2 -1
198242-51130	73	13
198242-65940	90	16
198242-72200	93	6 -1
198245-42160	101	1
198245-46680	26	8
198250-17850	26	5
198250-32310	52	17
198250-33110	54	1
198250-48100	70	4
198250-48100-1	70	4 -1
198251-11220	17	3
198251-11800	11	1

Parts No.	Fig. No.	Ref. No.
198251-11800-1	11	1 -1
198251-11820	11	3
198251-11820-1	11	3 -1
198251-12310	12	1
198251-12310-1	12	1 -1
198251-13100	13	1
198251-13270	15	1
198251-13450	17	1
198251-13450-1	17	1 -1
198251-13510	16	1
198251-13520	16	3
198251-13600	17	2
198251-13600-1	17	2 -1
198251-13610	17	5
198251-13610-1	17	5 -1
198251-13630	11	4
198251-13670	13	2
198251-13710	18	2
198251-13710-1	18	2 -1
198251-13810	19	1
198251-13820	19	2
198251-14600	21	1
198251-17351	24	21
198251-17500	25	8
198251-17850	26	23
198253-01190	3	12
198253-17700	26	1
198253-17700-1	26	1 -1
198253-17750	26	2
198253-17750-1	26	2 -1
198253-27510	48	1
	51	1
198253-27520	48	5
198253-27520-1	48	5 -1
198253-75131	96	9
198253-75131-1	96	9 -1
198253-75430	96	10
198254-17510	24	3
198254-28270	51	6
198254-28270-1	51	6 -1
198254-33110	54	1 -1
198254-37660	60	13
198254-47370	69	6 -1
198254-53600	76	10
198254-53610	76	11
198254-53620	76	12
198254-53630	76	13
198254-53650	76	15
198254-71100	92	1
198254-71500	92	6

Parts No. Index

Parts No.	Fig. No.	Ref. No.
198254-71600	92	7
198254-71700	92	8
198254-74500	95	5
198254-74501	95	5 -1
198254-74510	95	6
198254-74550	95	7
198254-74620	95	8
198254-74700	95	10
198255-14740	21	4
198255-14750	21	5
198255-14760	21	6
198255-24460	32	13 -1
198255-24460-2	32	13
198255-42810	63	10
198268-63110	98	3
198268-63120	98	6
198280-51540	74	1 -1
198282-34160	58	25
198283-65250	6	6 C
	91	3
198283-65310	87	14 B
	91	2
198283-65360	87	14 C
	91	5
198283-65651	87	13 B
	90	17
198284-63270	89	12
198290-26860	43	1 A
198291-77870	73	34
198320-04300	6	5
198320-04350	6	6 A
198320-17720	70	3
198320-17720-1	70	3 -1
198320-31530	52	3
198320-31550	52	4
198320-31570	52	6
198320-31630	52	7
198320-31820	52	8
198320-32110	52	9
198320-32111	52	9 -1
198320-32660	53	5
198320-33412	55	1
198320-33422	55	2
198320-33540	55	3
198320-33550	55	4
198320-33560	55	5
		6
198320-33570	55	7
198320-33610	55	8
198320-33620	55	9

Parts No.	Fig. No.	Ref. No.
198320-34110-1	56	1
198320-36200	59	1
198320-36790	59	12
198320-47321	69	2
198320-47321-1	69	2 -1
198320-47330	69	4
198320-47330-1	69	4 -1
198320-47370	69	6
198320-47410	69	8
198320-47410-1	69	8 -1
198320-48150	70	5
198320-48150-1	70	5 -1
198320-48220	70	7
198320-62510	88	3
198320-62520	88	4
198320-62530-1	88	11
198320-62531	88	11 -1
198320-62580	88	6
198320-62580-1	88	6 -1
198320-62610	88	7
198320-62610-1	88	7 -1
198325-27950	49	6
198325-27951	49	6 -1
198327-04840	7	5
198327-21130	28	1
198327-21140	28	2
198327-21150	25	32
198327-21180	28	3
198327-21190	28	4
198327-22230	30	10
198327-22910	31	8
198327-22930	31	10
198327-24240	32	8
198327-24240-1	32	8 -1
198327-65620	90	10
198327-65720	90	11
198360-26610	36	14
198360-47320	69	3
198360-47330	69	5
198360-52160	75	2
198361-48750	70	10
198390-17660	25	28
198390-17670	25	23
198390-25790	52	1
198401-13720	18	3
198401-13750	18	10 -1
198401-13750-2	18	10
198401-13770	18	5 -1
198401-13770-2	18	5
198401-13790	18	8

Parts No.	Fig. No.	Ref. No.
198401-13800	18	9
198401-13800-1	18	9 -1
198401-13850	18	11 -1
198401-13850-2	18	11
198401-14110	20	1 -1
198401-14110-2	20	1
198401-14120	20	2
198401-14130	20	3
198401-14150	20	4
198401-14160	20	5
198415-25840	37	14
198425-63270	89	6 -1
198440-21401	29	1
198440-21700	29	2
198440-65860	98	22
198441-13370	15	8
198442-14700	22	1
198442-14800	22	11
198442-14820	22	8
		18
198448-51910	7	9
198448-53320	77	3
		9
198448-60080	83	1
198460-34100	58	3
		14
198461-52950	80	4
		5
198461-60590	86	2
		21
198475-65030	77	17
		17 -1
		83
198475-74700	95	10 -1
198511-53430	76	6
198511-53450	76	7
198535-32660	53	6
198535-34360	56	5
198535-52110	73	8
198535-52130	73	9
1A1120-61531	5	4
1A1120-61541	5	5
1A1120-68070	18	13
1A6150-73700	95	12 -1
1A6150-93151	43	1 B
	91	1
1A6380-52700	73	7 -1
1A6640-65530	90	7
1A6770-85920	10	5 -2
1A7000-15720	23	5

Parts No.	Fig. No.	Ref. No.
1A7000-51370	73	50
1A7000-53230	77	2
		8
1A7000-61490	73	1
		33 -1
1A7100-22920	31	9
1A7100-26850	43	1
1A7130-65910	98	9
1A7260-01030	2	1
1A7260-01040	2	2
1A7260-01200	2	3
1A7260-01210	2	4
1A7260-01220	2	5
1A7260-01250	2	7
1A7260-03151	2	9
1A7260-03160	2	10
1A7260-03170	2	11
1A7260-03180	2	12
1A7260-43650	15	7 -1
1A7260-51540	74	3
1A7260-51710	73	29
1A7260-52410	73	10
1A7260-52510	73	31
1A7260-53350	77	10
1A7260-60580	82	8
1A7260-60590	82	9
1A7260-60640	85	1
1A7260-60661	84	3
1A7260-60670	85	2
1A7260-60680	84	4
1A7260-60720	83	21
1A7260-60780	83	3
1A7260-60790	83	4
1A7260-60800	84	37
1A7260-60810	84	38
1A7260-60820	84	39
1A7260-60860	2	29
1A7260-60870	84	8
1A7260-60880	2	30
1A7260-60890	83	5
1A7260-60900	85	4
1A7260-60911	82	7
1A7260-60920	82	13
1A7260-60930	82	14
1A7260-60950	83	6
1A7260-60960	83	7
1A7260-61060	85	7
1A7260-61070	85	10
1A7260-61080	82	10
1A7260-61150-1	85	7 -2

Parts No. Index

Parts No.	Fig. No.	Ref. No.
1A7260-61150-1	85	10 -2
1A7260-61150-2	85	7 -1
		10 -1
1A7260-61190	82	11
1A7260-61250	77	13
1A7260-61260	77	14
1A7260-61310	84	10
1A7260-61310-1	84	10 -1
1A7260-61400	85	12
1A7260-61450	85	13
1A7260-61460	85	14
1A7260-61550	84	11
1A7260-61650	84	12
1A7260-61660	84	14
1A7260-61860	83	10
1A7260-61920	84	17
1A7260-61970	83	11
1A7260-85510	25	38 -1
1A7270-06220	2	17
1A7270-49221	72	1
1A7270-60211	2	27
1A7270-60221	2	28
1A7270-60610	83	2
1A7270-60750	85	3
1A7270-61100	83	8
1A7270-74250	95	7 -1
1A7300-06100	2	14
1A7300-06210	2	16
1A7310-06200	2	15
1A7320-61980	73	33
1A7335-17310	24	4
1A7335-17410	24	5
1A7335-17500	24	6
1A7335-17520	24	7
1A7335-17530	24	8
1A7335-17550	24	9
1A7335-17750	24	10
1A7335-53640	76	14
1A7335-56120	78	13 A
1A7335-71230	92	2
1A7335-71240	92	3
1A7335-71250	92	4
	93	4
1A7335-71410	92	5
	93	5
		15
	94	4
		9
1A7335-71550	92	11
1A7335-71750	92	9

Parts No.	Fig. No.	Ref. No.
1A7335-72100	93	3
1A7335-72200	93	6
1A7335-72230	93	7
1A7335-72500	94	3
1A7335-72530	94	5
1A7335-72800	93	9
1A7350-33140	54	4
1A7601-32310	52	17 -1
1A7601-36200	59	1 -1
1A7601-36310	59	2 -1
1A7601-36320	59	3 -1
1A7601-36350	59	4 -1
1A7640-44230	64	7 -1
1A7640-44240	64	18
1A7680-65350	98	24
1A7680-65910	98	9 -1
1A7780-01110	3	3
1A7780-01250	2	7 -1
1A7780-01320	3	13
1A7780-03110	4	1
1A7780-03300	99	1
1A7780-03350	99	2
1A7780-04110	5	1
1A7780-04111	5	1 -1
1A7780-04111-1	5	1 -2
1A7780-04350	6	6
1A7780-11090-1	9	1 -1
1A7780-11090-2	9	1
1A7780-11510	9	2 -1
1A7780-13670	13	2 -1
1A7780-14110	22	4 -1
		14 -1
1A7780-14120	22	5 -1
		15 -1
1A7780-14140	22	2 -1
		12 -1
1A7780-14300	22	1 -1
1A7780-14350	22	11 -1
1A7780-14600	21	1 -1
1A7780-14600-1	21	1 -2
1A7780-14700	21	3
1A7780-14700-1	21	3 -1
1A7780-14740	21	5 -1
1A7780-14770	22	3 -1
		13 -1
		4 -1
		15 -1
1A7780-14790	22	6 -1
		16 -1
		5 -1

Parts No.	Fig. No.	Ref. No.
1A7780-14790	58	16 -1
1A7780-17300	25	1 -1
1A7780-17370	25	4 -1
1A7780-17450	24	10 A
1A7780-17460	24	10 B
1A7780-17470	24	10 C
1A7780-17510	24	11 C
1A7780-17530	24	11 D
1A7780-17550	24	11 E
1A7780-17551	24	11 E-1
1A7780-17560	24	11 F
	100	3
1A7780-17570	24	11 G
	100	4
1A7780-17580	24	11 H
1A7780-17581	24	11 H-1
	100	5
1A7780-17590	24	11 J
1A7780-17591	24	11 J-1
1A7780-17650	100	2
1A7780-17660	100	6
1A7780-17780	26	3
1A7780-17780-1	26	3 -1
1A7780-21100	27	1
1A7780-21100-2	27	1 -1
1A7780-22120	35	2
1A7780-22121	35	2 -1
1A7780-22170	30	7
1A7780-22210	30	5
1A7780-22220	30	8
1A7780-22251	30	1 -1
1A7780-22251-1	30	1 -2
1A7780-22410	31	1
1A7780-22410-1	31	1 -1
1A7780-22470	31	2
1A7780-24100	32	1 -3
1A7780-25270	35	6
1A7780-25460	36	2
1A7780-25480	36	3
1A7780-25820	36	7 -1
1A7780-25830	39	1 -1
1A7780-26110	41	5
1A7780-26120	42	4
1A7780-26121	42	4 -1
1A7780-26160	42	5
1A7780-26310	42	6
1A7780-26530	42	10
1A7780-26610	36	8 -1
1A7780-27110	46	1 -1
1A7780-27150	45	1 -1

Parts No.	Fig. No.	Ref. No.
1A7780-27150-1	45	1 -2
1A7780-27160	47	3 -1
1A7780-27160-1	47	3 -2
1A7780-27180-1	46	3 -2
1A7780-27210	47	2 -1
1A7780-27210-1	47	2 -2
1A7780-27310	45	7
1A7780-27360	44	7
1A7780-27750	44	12
1A7780-27751	44	12 -1
1A7780-27800	44	3
1A7780-27801	44	3 -1
1A7780-27820	49	2 -2
1A7780-27820-2	49	2 -3
1A7780-27880	49	4
1A7780-27881	49	4 -1
1A7780-27900-1	47	6 -2
1A7780-27910	47	10 -1
1A7780-28100	50	2
1A7780-28220	50	3
1A7780-34100	58	3 -1
		14 -1
1A7780-34110	56	1 -1
1A7780-34110-2	56	1 -2
1A7780-34550	58	1 -1
1A7780-34560	58	12 -1
1A7780-34750-1	58	2 -1
		13 -1
1A7780-34760-1	58	7 -1
		18 -1
1A7780-34770-1	58	8 -1
		19 -1
1A7780-37610	60	11
1A7780-42810	63	10 -1
1A7780-42810-2	63	10 -2
1A7780-44250	64	8 -1
1A7780-44510	64	10 -1
1A7780-44510-1	64	10 -2
1A7780-47300-2	69	1 -2
1A7780-47420	69	9 -1
1A7780-51110	73	6
1A7780-51130	73	12
1A7780-51140	73	30
1A7780-51200	73	6 -1
1A7780-51201	73	6 -2
1A7780-51310	73	18
1A7780-51320	73	18 -1
1A7780-51500	74	1
1A7780-52510	73	31 -1
1A7780-53200	77	1

Parts No. Index

Parts No.	Fig. No.	Ref. No.
1A7780-53250	77	4
1A7780-53260	77	5
1A7780-53300	77	7
1A7780-56100	78	3
1A7780-56101	78	3 -1
1A7780-56210	78	10
1A7780-56300	78	13 B
1A7780-56501	78	3 -2
1A7780-56502	78	3 -3
1A7780-58100-1	73	32
1A7780-60100	81	1 -2
1A7780-60200	81	1 -3
1A7780-60340	82	2
1A7780-60350	82	3
1A7780-60370	82	4
1A7780-60450	82	5 -1
1A7780-60480	82	5
1A7780-60490	82	6
1A7780-60550	83	22
1A7780-60580	82	2 -1
1A7780-60590	82	3 -1
1A7780-60800	84	35
1A7780-61000-2	85	5
1A7780-61010-2	85	8
1A7780-61100	83	8 -1
1A7780-61410	86	3
1A7780-61410-1	86	3 -1
1A7780-61420	86	4
1A7780-61420-1	86	4 -1
1A7780-61510	86	5
1A7780-61511	86	5 -1
1A7780-61540	86	7
1A7780-61550	86	8
1A7780-61600	86	9
1A7780-61650	83	23
1A7780-61670	82	16
1A7780-61671	82	16 -1
1A7780-61672-1	82	16 -2
1A7780-61673-1	82	16 -3
1A7780-61750	84	17 -1
1A7780-62150	87	9
1A7780-62150-1	87	9 -1
1A7780-62270	87	13
1A7780-62270-1	87	13 -1
1A7780-62280	87	13 A
1A7780-62280-1	87	13 A-1
1A7780-62310	87	14
1A7780-62310-1	87	14 -1
1A7780-63060	87	18
1A7780-63090	87	19

Parts No.	Fig. No.	Ref. No.
1A7780-63090-1	87	19 -1
1A7780-63100	87	20
1A7780-63100-1	87	20 -1
1A7780-63120	89	5 -1
1A7780-63210	89	9
1A7780-63260	89	9 -1
1A7780-63270	89	15
1A7780-64750	90	1
1A7780-64760	90	2
1A7780-65440	90	3
1A7780-65470	73	11 A
1A7780-65770	90	13
1A7780-71100	92	1 -1
1A7780-71500	92	6 -1
1A7780-71600	92	11 -2
1A7780-72100	93	3 -1
1A7780-72150	93	7 -1
1A7780-73100	95	4
1A7780-73400	95	3
1A7780-73410	95	3 -1
1A7780-74200	95	5 -2
1A7780-74210	95	6 -1
1A7780-75110	96	4
1A7780-75111-1	96	4 -1
1A7780-75111-2	96	4 -2
1A7780-75710	96	3
1A7780-75711	96	3 -1
1A7780-75711-2	96	3 -2
1A7780-85000	98	1
1A7780-85300	95	15
1A7780-85300-1	95	15 -1
1A7780-85350	95	16
1A7780-85350-1	95	16 -1
1A7780-85710	98	1 -1
1A7780-85720	98	10 -1
1A7780-85770	98	12 -1
1A7780-85780	98	13 -1
1A7780-85900	98	15 -1
1A7780-85900-1	98	15 -2
1A7781-24680	32	16 -2
1A7870-52950	80	3 -1
		11 -1
1A7890-51350	73	19
1A7890-53270	77	6
1A7890-60980	82	15
1A7890-61300	84	9
1A7890-61301	84	9 -1
1A7890-65010	77	16
1A7891-60910	82	7 -1
1A7940-05510	8	1

Parts No.	Fig. No.	Ref. No.
1A7940-60100	81	1
1A7940-60101	81	1 -1
1A8160-56211	78	10 -1
1A8160-60720	83	21 -1
1A8205-05510	8	1 -1
1A8275-36520	59	5 -1
1C6140-12060	89	1
1C6140-47210-1	89	1 -1
1C6460-84420	45	15
1C7100-08150	79	1
1E6102-83230	73	23 -1
1E6650-82400	80	6 -1
1E8080-43850	73	5
1E8235-84910	73	11
1E8560-61290	75	6
1K1140-82500	80	5 -1
22117-060000	86	16
22117-080000	67	4
22117-100000	33	10
22137-060000	92	10 C
	93	14 D
22137-080000	3	20
		22
	47	12 -1
	69	16
	83	16
		16 -1
	84	41
	92	12
22137-100000	3	23
	31	14
	47	12
	49	9
	69	17
		18
		18 -1
	98	7
22137-120000	84	42
	96	13
22137-140000	44	18
22137-160000	25	33
	93	10
	94	7
22137-200000	49	10
22137-220000	44	19
22157-060000	84	27
		28
		29
	87	23
22157-080000	87	24

Parts No.	Fig. No.	Ref. No.
22157-100000	3	9
22157-120000	6	9
22157-160000	98	18
22190-050000	78	23
22207-040320	24	11 P
		27
22217-060000	92	10 A
	93	14 B
22217-080000	44	20
		30
		46
		47
		48
22217-100000	3	24
	32	25
	52	10
	53	7
	76	8
22217-120000	11	6
	28	9
	63	16
		17
		18
	96	14
22217-160000	32	26
	57	4
	95	11
		14 B
	96	6
22242-000170	46	9
	48	11
22242-000200	25	5
	49	11
22242-000290	38	4
	59	13
22242-000340	35	8
22242-000360	24	11 Q
		28
	100	9
22242-000400	40	3
22242-000500	52	11
22252-000170	41	6
22252-000300	61	9
22252-000320	62	4
22252-000420	25	6
22252-000470	33	3
22252-000620	27	9
	33	4
	42	11
	50	6

Parts No. Index

Parts No.	Fig. No.	Ref. No.
22252-000720	42	12
22252-000800	33	5
22272-000070	69	19
22272-000080	82	12
22272-000120	47	14
22272-000190	44	21
	60	19
22292-000340	36	16
22312-100180	11	7
	14	8
	32	4
		27
	53	8
	55	10
	63	19
22312-100200	33	6
22351-020012	44	22
	45	16
22351-035032	14	9
	48	20
22351-040012	67	5
22351-040016	63	20
22351-040024	92	10 -1
	93	11 -1
22351-040025	25	7 A
22351-040032	45	17
22351-050022	93	11
22351-050025	69	20
	92	10
22351-050032	54	7
22351-050040	30	3
	54	8
22351-050070	64	12
22351-060016	64	13
22351-060025	45	18
		19
	46	10
	49	12
22351-060028	68	7
22351-060032	14	10
	44	23
	45	20
		21
	46	11
	48	12
		13
	49	13
	51	8
	54	9
22351-060050	52	12

Parts No.	Fig. No.	Ref. No.
22351-080018	28	10
	29	3
22351-080032	54	10
		11
22351-080040	30	4
	44	24
	54	12
	55	11
22351-080070	64	14
22360-180000	95	12
		13 -1
22372-080000	83	17
		17 -1
	89	13 -1
	98	19
22372-120000	89	13
22372-160000	93	18
	94	12
22417-160180	45	22
22417-200160	69	21
	87	25
22417-200300	44	25
	60	20
22417-250200	49	14
22417-250300	3	25
		26
		31
	60	18
		21
	88	8
22417-300200	69	22
22417-300250	12	7
		13
	92	13
22417-320320	93	12
	94	8
22417-400250	24	12
22417-400320	95	13
		13 -2
22417-400500	15	10
22487-060200	45	23
22487-080300	83	18
		18 -1
22487-080350	69	23
22487-100700	60	22
22512-070400	60	23
22522-030130	69	24
22635-600120	53	9
22695-320321	87	13 C
22859-500202	84	30

Parts No.	Fig. No.	Ref. No.
23000-035000	2	32
	70	13 -1
23000-048000	70	9 -1
		14 -1
	71	8 -1
23000-070000	2	33
	21	7 -1
23000-080000	2	34
23010-018000	26	12
23010-035000	70	13
23010-040000	70	14
23010-046000	70	15
23010-048000	70	9
	71	8
23010-060000	21	7
23010-065000	21	8
23010-075000	2	35
23065-070180	1	13
23065-160080	49	21
23414-100000	28	11
23414-120016	48	14
23414-190000	26	13
	32	28
	63	5
		21
		21 -1
23414-200026	70	16
23491-140002	17	8
	18	14
	32	29
23876-010000	18	15
	63	6
		12
23876-020000	63	7
23876-040000	11	2
23887-100002	28	12
23980-730250	2	36
23980-730300	7	10
		11 -1
23980-730400	2	38
		39
23980-730420	2	40
	7	11
23980-730450	7	12
23980-730760	2	50
23980-731120	7	14
24101-060074	35	9
	50	7
24101-060094	19	5
24101-060104	14	11

Parts No.	Fig. No.	Ref. No.
24101-060104	52	13
24101-060114	56	7
24101-060124	13	3
24101-060144	20	6
24101-062044	39	9
24101-062064	35	10
	42	13
24101-062074	42	14
24101-062084	16	4
	40	4
24101-062094	18	16
24101-062114	52	14
24101-062124	56	8
24101-062134	20	7
24101-063044	38	5
24101-063054	36	17
24101-063064	38	6
24104-060014	47	19
24104-060034	47	20
24104-060040	25	7
24107-063054	36	17 -1
24141-320070	13	4
24161-202617	36	18
24161-303520	36	19
24163-305200	36	20
24164-000202	36	21
24164-000302	36	22
24165-000352	36	23
24165-000402	36	24
24190-070001	25	30
24190-080001	48	15
	49	15
	50	8
24190-100001	45	24
	46	12
24190-110001	15	11
24190-130003	63	22
24190-180001	59	14
24311-000110	67	6
24311-000120	67	7
	68	8
24311-000125	49	16
	51	9
24311-000150	5	8
	54	13
	69	25
		26
24311-000160	1	25
	17	9
	18	17

Parts No. Index

Parts No.	Fig. No.	Ref. No.
24311-000160	32	30
	46	13
	48	16
24311-000180	11	5
	68	9
	75	5
24311-000200	26	14
		15
24311-000220	96	15
24311-000500	32	31
24315-000120	63	23
24315-000140	63	24
24315-000180	24	11 R
		29
24315-000340	24	19
24321-000250	46	14
	48	17
	70	17
	71	9
24321-000300	32	32
		33
24321-000600	56	9
24321-000650	1	26
	34	4
	64	15
24321-000700	17	10
24321-000750	32	34
24321-001000	17	11
24321-001700	17	12
24321-002200	18	18
24325-000650	20	8
24325-000800	63	25
24341-000250	70	18
24341-000315	13	5
24341-000560	64	16
24351-240350	24	11 S
24421-153207	62	5
24421-304208	59	15
24421-356212	50	9
24421-456209	17	13
24550-014100	46	15
24550-014200	3	16
24550-016100	47	4
24550-016150	38	2
24550-017150	45	25
24550-018200	24	20
24550-020250	49	17
24550-022200	24	11 K-1
	100	7
24550-022250	24	11 K

Parts No.	Fig. No.	Ref. No.
24761-010000	60	24
24761-020000	28	13
24761-040000	10	2
	31	16
24761-060000	12	5
		11
	24	11 T
		30
	93	13
26013-080162	32	35
		36
26013-080202	32	37
		38
	34	5
	39	10
	45	26
	69	27
26013-080252	18	19
	32	39
	37	19
	45	27
	47	15
	52	18
26013-080302	32	40
26013-080352	32	41
26013-080502	32	42
26013-100162	69	28
	73	53
26013-100252	18	20
	32	43
26013-100302	53	10
26013-100552	33	7
26013-100852	33	8
26013-101502	33	9
26013-120202	25	34
26013-120252	64	17
26013-120302	17	14
		15
	96	16
26013-120352	10	5
	63	26 -1
		27 -1
		28 -1
	64	17 -1
26013-120402	27	10
	32	44
	53	11
26013-120502	53	12
26013-120552	63	29 -1
26013-120802	11	8

Parts No.	Fig. No.	Ref. No.
26013-140352	32	45
26016-080352	62	6
26018-060162	6	7 -1
26018-060252	70	19
26018-060352	26	16
26022-030062	78	13
26106-060122	1	31
	2	42
		43
	73	35
		36
	79	2
	80	8
		9
		10
		10 -1
	82	24
	83	19
	84	31
		32
	87	26
		27
		28
		29
26106-060162	44	26
		27
	73	37
	80	12
	87	36
26106-060202	26	17
	87	30
26106-060252	2	44
26106-060402	26	18
	70	20
26106-060502	70	21
26106-060602	71	10
26106-080102	85	16
26106-080122	21	9
	43	2
	73	14
		38
		40
	82	18
	84	43
	86	22
	87	31
26106-080162	2	45
		46
	3	21
	6	10

Parts No.	Fig. No.	Ref. No.
26106-080162	7	15
	25	35
	26	19
		20
	28	14
		15
	29	4
	32	36 -1
	39	10 -1
	44	31
		32
	45	26 -1
	49	18
	51	2
	70	22
		23
		24
	71	11
		12
	73	41
		42
	81	2
	82	19
		20
		21
		22
		23
	86	17
	87	32
		33
		37
	88	9
26106-080202	4	2
		3
	26	21
		22
	71	13
	88	10
	89	14
	99	4
26106-080252	2	37
		41
	7	16
	52	18 -1
	73	43
	89	14 -1
26106-080302	1	32
	7	17
	87	34
26106-080352	32	41 -1

Parts No. Index

Parts No.	Fig. No.	Ref. No.
26106-080352	73	44
26106-080702	1	33
26106-100162	2	47
26106-100202	25	36
		37
	44	33
	86	18
26106-100252	32	43 -1
	87	35
	98	25
26106-100302	53	10 -1
	98	8
26106-100502	33	7 -1
26106-100802	33	8 -1
26106-100852	53	13 -1
26106-120352	10	5 -1
26116-080252	44	28
		34
	47	16
26116-100252	20	9
26116-100504	69	29
26116-100552	55	12
26116-100852	53	13
26116-120352	63	26
		27
		28
26116-120552	63	29
26116-160302	28	18
	31	17
26116-160452	57	5
26116-160702	96	7
26156-100252	52	15
26156-161002	98	20
26216-120352	11	9
26218-080202	32	5
	46	16
	48	18 -1
26218-080252	48	18
26218-100902	32	6
26306-080002	1	34
26346-060002	84	34
26346-080002	47	17
		17 -1
26356-160002	25	38
	98	21
26366-080002	46	17 -1
	48	19 -1
26366-100002	32	46 -1
26367-060002	80	13
26450-080142	65	4

Parts No.	Fig. No.	Ref. No.
26450-080202	65	5
26450-080252	17	16
26557-060062	92	10 B
	93	14 C
26557-060352	77	11
26587-060352	86	19
26589-060162	78	24
26716-080002	3	14
	46	17
	47	11
	48	19
	74	5
26716-100002	3	11 -1
	31	7
	32	46
	48	2
	49	20
	51	3
	60	6
		25
	67	9
	69	30
		31
26716-120002	11	10
	28	16
	69	32
	96	17
26716-160002	32	47
	57	6
	96	8
26736-160002	95	14
		14 C
26756-060002	1	35
26756-080002	1	36
26756-100002	3	10
	47	18
26756-200002	93	14
26776-100002	76	9
26986-100002	3	11
26996-140002	24	11 U
		31
29622-140001	7	18
	73	45
		45 -1
		47
		47 -1
		54
		55
		57
29622-250001	73	48

Parts No.	Fig. No.	Ref. No.
29622-250001	73	56
794130-71410	95	17
794251-13910	52	16
794275-41200	61	6
794321-13660	17	6
794464-45660	66	6
794525-37000	60	1
798240-22470	31	2 -1
798251-17402	24	13
798253-48080	70	2
798253-48080-1	70	2 -1
798254-17500	24	2
7A7780-01110	3	1
7A7780-17500	24	2 -1
7A7780-17501	24	2 -2
7A7780-17640	100	1

Parts No.	Fig. No.	Ref. No.
-----------	----------	----------