

0CNP4-M59400EN

■機能別目次

FUNCTIONAL CONTENTS

1. エンジンコントロール部 (NPC-4594) 1. ENGINE CONTROL SECTION (NPC-4594) ・アクセルセンサー・・・・・・・・・・1~7項 ・ACCEL SENSOR・・・・・・・・・・Fig 1~7	9. キャビン部 (NPC-4594) 9. CABIN SECTION (NPC-4594) ・ルーフ・・・・・・・・・・113~132項 ・ROOF・・・・・・・・・・Fig 113~132
1. エンジン部 (NPC-4593) 1. ENGINE UNIT (NPC-4593) ・4TNV98-RZA, N. 1Q・・・・1~18項 ・4TNV98-RZA, N. 1Q・・・・Fig 1~18	6. 電装品部 (NPC-4594) 6. ELECTRICAL PARTS SECTION (NPC-4594) ・リヤコンビランプ・・・・・・・・・・79~88項 ・REAR COMB LAMP・・・・・・・・・・Fig. 79~88
7. 機装品部 (NPC-4594) 7. FITTINGS SECTION (NPC-4594) ・ボンネット・・・・・・・・・・89~101項 ・HOOD・・・・・・・・・・Fig. 89~101	8. ヒッチ部 (NPC-4594) 8. HITCH SECTION (NPC-4594) ・トップリンク・・・・・・・・・・102~112項 ・TOP LINK・・・・・・・・・・Fig. 102~112
3. トランスミッション部 (NPC-4594) 3. TRANSMISSION SECTION (NPC-4594) ・クラッチハウジング・・・・・・・・・・27~53項 ・CLUTCH HOUSING・・・・・・・・・・Fig. 27~53	5. 油圧コントロール部 (NPC-4594) 5. HYDRAULIC CONTROL SECTION (NPC-4594) ・油圧シリンダーケース・・・・・・・・・・64~78項 ・HYDRAULIC CYLINDER CASE・・・・Fig. 64~78
2. フロントアクスル部 (NPC-4594) 2. FRONT AXLE SECTION (NPC-4594) ・フロントブラケット・・・・・・・・・・8~26項 ・FRONT BRACKET・・・・・・・・・・Fig. 8~26	4. リヤアクスル部 (NPC-4594) 4. REAR AXLE SECTION (NPC-4594) ・リヤハウジング・・・・・・・・・・54~63項 ・REAR HOUSING・・・・・・・・・・Fig. 54~63
	10. 付属品部 (NPC-4594) 10. ACCESSORIES SECTION (NPC-4594) ・付属品・・・・・・・・・・133, 134項 ・MANUAL・・・・・・・・・・Fig. 133, 134

Contents

OCNP4-M59400

Fig. No. Fig. Name

ENGINE CONTROL

1. ENGINE RELATED
2. ENGINE ACCESSORIES
3. ACCEL SENSOR
4. FOOT ACCEL
5. EXHAUST PORT
6. FUEL TANK
7. TANK COVER

FRONT AXLE

8. FRONT BRACKET
9. CENTER PIN
10. KNUCKLE ARM
11. TIE ROD
12. RING GEAR
13. DIFFERENTIAL GEAR
14. PROPELLER SHAFT
15. FRONT SHAFT
16. FRONT AXLE CASE
17. FRONT GEAR CASE
18. FRONT SPINDLE
19. SHAFT COVER
20. FRONT WHEEL TIRE
21. STEERING
22. STEERING SHAFT

Fig. No. Fig. Name

23. STEERING WHEEL
24. P.S.T. CYLINDER
25. P.S.T. VALVE
26. P.S.T. PIPING

TRANSMISSION

27. CLUTCH HOUSING
28. CLUTCH LINK
29. TRANSMISSION CASE
30. CENTER PLATE
31. MAIN VALVE
32. REVERSER VALVE
33. P.T.O. VALVE
34. FRONT COVER
35. MAIN SHAFT
36. CLUTCH SHAFT
37. COUNTER SHAFT
38. REDUCTION SHAFT
39. POWER REVERSER
40. HI-LO SHAFT
41. CREEP GEAR
42. P.T.O. CLUTCH
43. P.T.O. DRIVE SHAFT
44. P.T.O. DRIVEN SHAFT
45. P.T.O. SHAFT

Contents

OCNP4-M59400

Fig. No. Fig. Name

- 46. SHIFT LEVER
- 47. REVERSER LEVER
- 48. SUB SHIFT
- 49. SUB LEVER
- 50. P.T.O. SHIFT
- 51. CONTROLLER
- 52. SHIFT KNOB
- 53. FRONT DRIVE

REAR AXLE

- 54. RING GEAR & DIFFERENTIAL GEAR
- 55. REAR HOUSING
- 56. DIFFERENTIAL LOCK
- 57. DIFFERENTIAL LOCK PEDAL
- 58. FINAL PINION & FINAL GEAR
- 59. REAR AXLE SHAFT
- 60. REAR WHEEL TIRE
- 61. BRAKE
- 62. PEDAL
- 63. BRAKE LINK

HYDRAULIC CONTROL

- 64. HYDRAULIC PUMP
- 65. HYDRAULIC CYLINDER CASE
- 66. PISTON & LIFT CRANK

Fig. No. Fig. Name

- 67. CONTROL VALVE
- 68. STOP VALVE
- 69. SAFETY VALVE
- 70. SUB CONTROL VALVE
- 71. S.C.V. CONTROL
- 72. HYDRAULIC CONTROL
- 73. HYDRAULIC CONTROL
- 74. DRAFT CONTROL
- 75. HYDRAULIC PIPING
- 76. HYDRAULIC PIPING
- 77. HYDRAULIC FILTER
- 78. OIL COOLER

ELECTRICAL PARTS

- 79. WIRE HARNESS
- 80. WIRE HARNESS
- 81. WIRE HARNESS
- 82. BATTERY
- 83. SWITCH
- 84. SWITCH
- 85. LAMP
- 86. FRONT LAMP
- 87. METER
- 88. HORN & BUZZER

Contents

OCNP4-M59400

Fig. No. Fig. Name

FITTINGS

- 89. FRONT FRAME
- 90. HOOD
- 91. HOOD SEAL
- 92. FRONT GRILLE
- 93. DASHBOARD
- 94. LEVER GUIDE
- 95. OVER FENDER
- 96. FLOOR SUPPORT
- 97. DRIVER SEAT
- 98. SEAT BELT
- 99. LABEL
- 100. LABEL
- 101. LABEL(SAFETY)

HITCH

- 102. TOP LINK
- 103. LIFT LINK
- 104. LIFTING CYLINDER
- 105. LOWER LINK & CHECK CHAIN
- 106. DRAWBAR PLATE
- 107. DRAWBAR HITCH
- 108. SWING VALVE
- 109. SWING SENSOR
- 110. CONTROL BOX

Fig. No. Fig. Name

- 111. CONTROLLER
- 112. SENSOR

CABIN

- 113. CABIN FRAME
- 114. DOOR
- 115. DOOR(WINDOW)
- 116. FRONT WINDOW
- 117. SIDE WINDOW
- 118. REAR WINDOW
- 119. INTERIORS
- 120. CABIN SEAL
- 121. ROOF
- 122. REARVIEW MIRROR
- 123. LAMP
- 124. SWITCH
- 125. FRONT WIPER
- 126. REAR WIPER
- 127. RADIO CASSETTE(WITHOUT)
- 128. AIR CONDITIONER(1)
- 129. AIR CONDITIONER(2)
- 130. AIR CONDITIONER(UNIT)
- 131. AIR CONDITIONER DUCT
- 132. LABEL

Contents

0CNP4-M59400

Fig. No. Fig. Name

ACCESSORIES

133. ACCESSORY

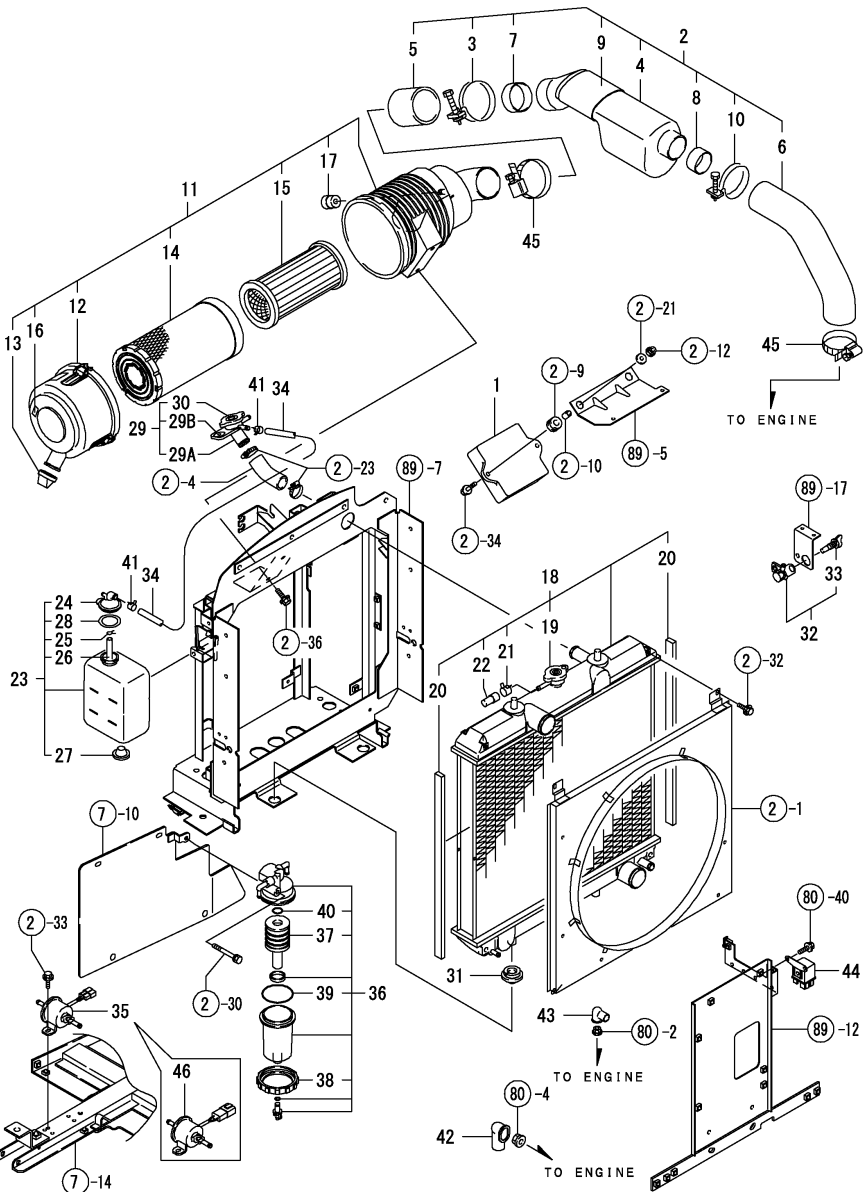
134. EXTENSION FENDER REAR

OPTIONAL

135. REPAIR PARTS(FUEL INJECTION PUMP)

Fig. No. Fig. Name

Fig.1. ENGINE RELATED



(A)=FK657
(B)=FK663
(C)=

(D)=
(E)=
(F)=

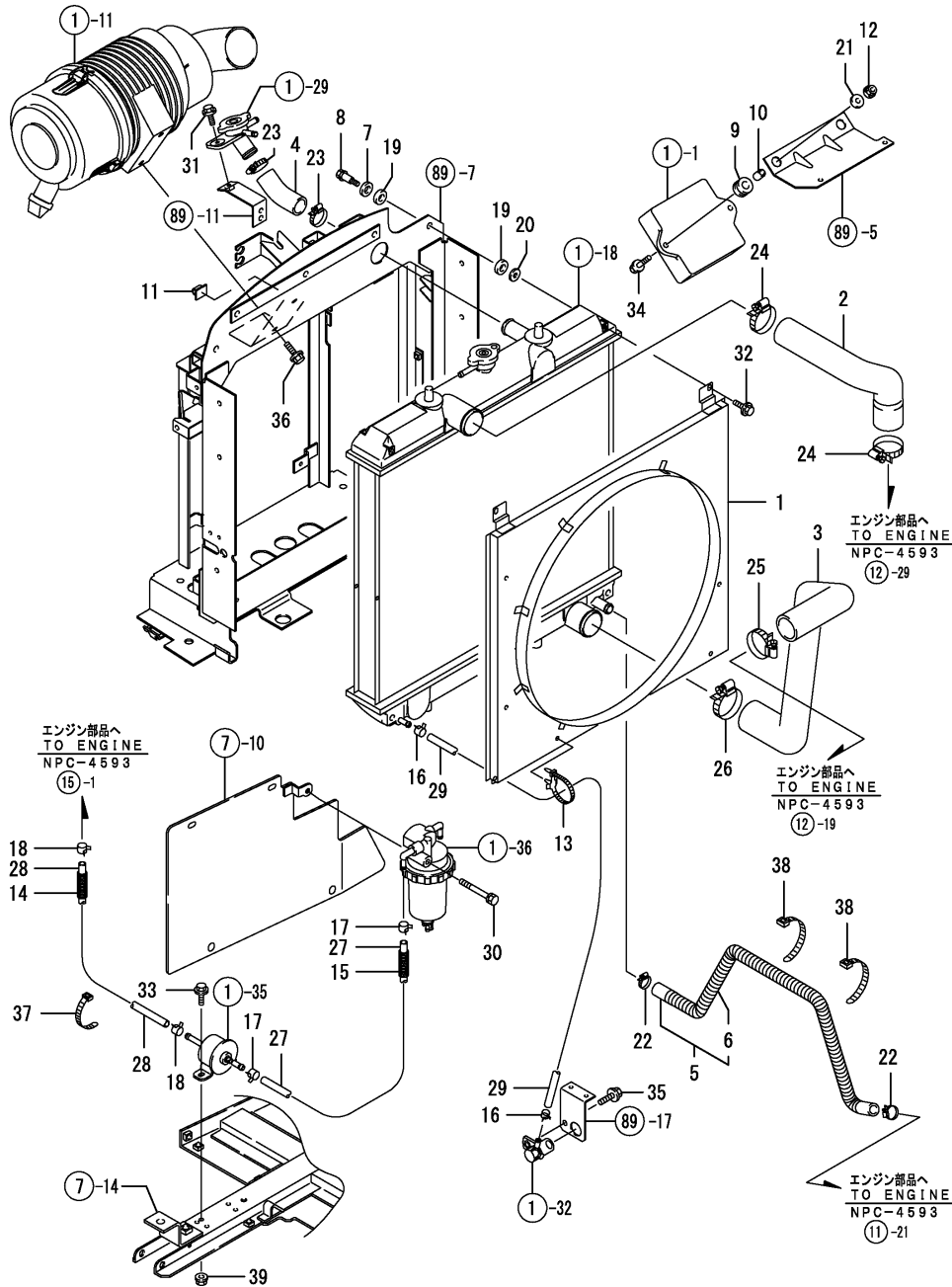
No.	Lev.	Parts No.	Description	Q'ty						I	R
				(A)	(B)	(C)	(D)	(E)	(F)		
1	1	1R1012-00024	ECO-GOVER CAN ASSY	1	1						
2	1	129956-12040	PIPE, AIR INTAKE	1	1						
3	2	129005-12080	CLAMP, HOSE	1	1						
4	2	129956-12100	RESONATOR	1	1						
5	2	129956-12110	PIPE, AIR INTAKE	1	1						
6	2	129956-12120	PIPE, AIR INTAKE	1	1						
7	2	129956-12130	PIPE	1	1						
8	2	129956-12140	PIPE	1	1						
9	2	129956-12150	PROTECTOR	1	1						
10	2	129956-12160	CLAMP, HOSE	1	1						
11	1	129963-12511	CLEANER ASSY, AIR	1	1						
12	2	129457-12530	COVER	1	1						
13	2	119808-12540	VALVE, UNLOADER	1	1						
14	2	129062-12560	ELEMENT	1	1						
15	2	119005-12571	ELEMENT	1	1						
16	2	129612-12650	LABEL, MARKING	1	1						
17	2	126650-12680	INDICATOR	1	1						
18	1	129963-44500	RADIATOR ASSY	1	1						
19	2	129972-44600	CAP, RADIATOR	1	1						
20	2	129963-44550	GASKET	2	2						
21	2	129457-44530	CLAMP	1	1						
22	2	129457-44520	CAP	1	1						
23	1	129466-44510	TANK ASSY, SUB	1	1						
24	2	121450-44531	CAP	1	1						
25	2	124450-44560	RETAINER	1	1						
26	2	121267-44590	PIPE	1	1						
27	2	121468-44540	PLUG	1	1						
28	2	121470-44581	GASKET	1	1						
29	1	129963-44600	TUBE ASSY, FILLER	1	1						
29A	2	119527-44610	BODY	1	1						W
		(A=*2009.08) (B=*2009.08)									
29B	2	119527-44630	COLLAR	1	1						W
		(A=*2009.08) (B=*2009.08)									
30	2	129963-44640	CAP	1	1						
31	1	119255-44660	ABSORBER	2	2						
32	1	129550-49101	COCK ASSY, 2-WAY	1	1						
33	2	129150-49081	COCK, DRAIN	1	1						
34	1	129963-49150	PIPE, WATER DRAIN	1	1						
35	1	119225-52102	PUMP ASSY, FUEL FEED	1	1						Z 1
		(A=*2008.08.) (B=*2008.08.)									
36	1	129906-55700	SEPARATOR ASSY	1	1						
37	2	119802-55710	ELEMENT	1	1						
38	2	129100-55690	RING, RETAINING	1	1						
39	2	24321-000650	O-RING, 1AG65.0	1	1						
40	2	24311-000160	O-RING, 1AP16.0	1	1						
41	1	124766-59050	CLIP, HOSE 12	2	2						
42	1	124550-77030	COVER, TERMINAL	1	1						
43	1	124756-77040	COVER, TERMINAL	1	1						
44	1	119650-77910	RELAY ASSY, GLOW	1	1						
45	1	23000-080000	CLAMP, 80	2	2						
46	1	129612-52100	PUMP ASSY, FUEL FEED	1	1						W 1

Remarks
(1)Repair parts is shown in Fig.135.

Fig.2. ENGINE ACCESSORIES

(A)=FK657
(B)=FK663
(C)=

(D)=
(E)=
(F)=

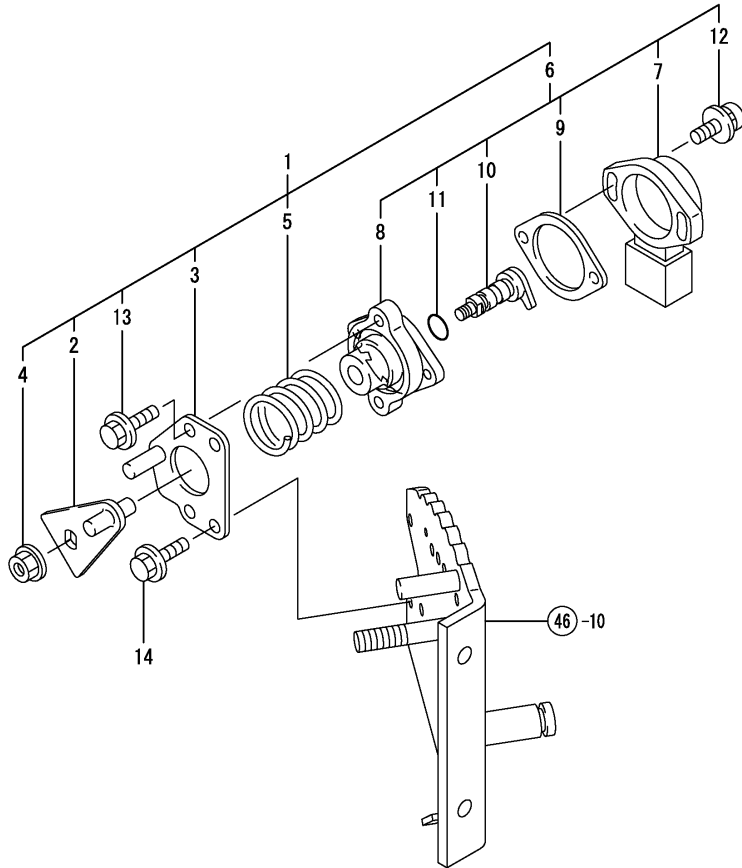


No.	Lev.	Parts No.	Description	Qty						I	R
				(A)	(B)	(C)	(D)	(E)	(F)		
1	1	1A7620-01050	SHROUD ASSY, FAN M	1	1						
2	1	1A7650-01210	TUBE, WATER A	1	1						
3	1	1A7650-01220	TUBE, WATER B	1	1						
4	1	1A7650-01230	TUBE, WATER	1	1						
5	1	1A7670-01230	TUBE, WATER	1	1						
6	2	1A7670-01310	TUBE, CORRUGATED 22	1	1						
7	1	194150-01270	SPACER, 20	2	2						
8	1	198133-02120	BOLT, STEPPED M6	2	2						
9	1	198360-03260	GROMMET, 12	2	2						
10	1	198360-03270	SPACER	2	2						
11	1	172010-07810	STICKER, WIRE	1	1						
12	1	194990-22130	NUT, M6	2	2						
13	1	194680-51670	BAND, CLIP	1	1						
14	1	198133-52170	TUBE, CORRUGATED 13	1	1						
15	1	198133-52170	TUBE, CORRUGATED 13	1	1						
16	1	124766-59050	CLIP, HOSE 12	2	2						
17	1	124766-59050	CLIP, HOSE 12	2	2						
18	1	124766-59050	CLIP, HOSE 12	2	2						
19	1	194420-62260	ABSORBER	4	4						
20	1	22137-100000	WASHER, 10	2	2						
21	1	22157-060000	WASHER, 6	2	2						
22	1	23000-025000	CLAMP, 25	2	2						
23	1	23000-035000	CLAMP, 35	2	2						
24	1	23000-054000	CLAMP, 54	2	2						
25	1	23000-054000	CLAMP, 54	1	1						
26	1	23000-060000	CLAMP, 60	1	1						
27	1	23980-730850	HOSE, 7.3X 850	1	1						
28	1	23980-730850	HOSE, 7.3X 850	1	1						
29	1	23980-730850	HOSE, 7.3X 850	1	1						
30	1	26016-080652	BOLT, M8X 65	1	1						
31	1	26106-060122	BOLT, M6X 12 PLATED	1	1						
32	1	26106-060122	BOLT, M6X 12 PLATED	4	4						
33	1	26106-060162	BOLT, M6X 16 PLATED	2	2						
34	1	26106-060302	BOLT, M6X 30 PLATED	2	2						
35	1	26106-080162	BOLT, M8X 16 PLATED	1	1						
36	1	26106-080162	BOLT, M8X 16 PLATED	2	2						
37	1	29621-100000	BAND, TR100	1	1						
38	1	29622-140001	BAND, RF140	2	2						
39	1	194990-22130	NUT, M6	2	2						

Fig.3. ACCEL SENSOR

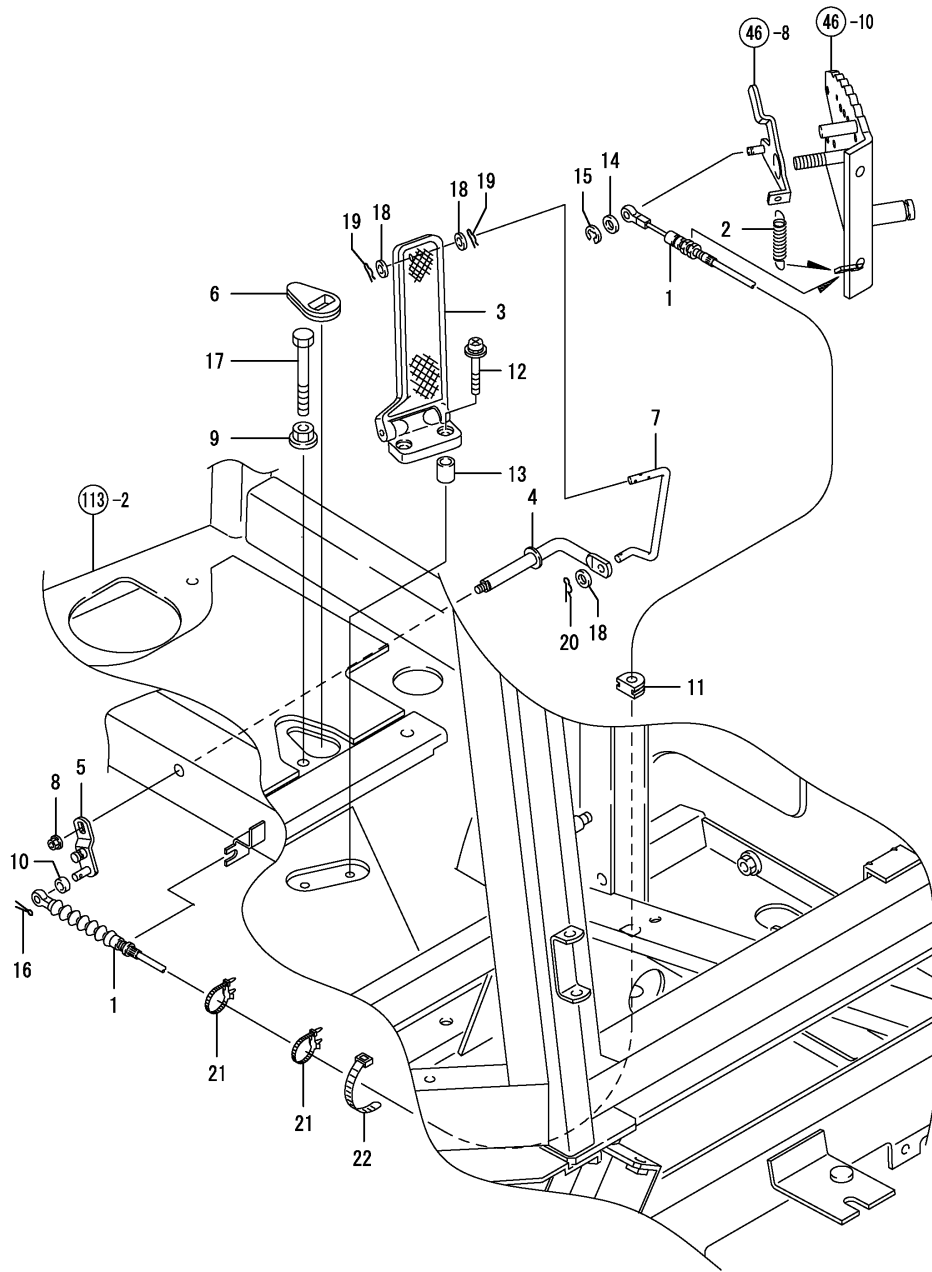
(A)=FK657
(B)=FK663
(C)=

(D)=
(E)=
(F)=



No.	Lev.	Parts No.	Description	Q'ty						I	R
				(A)	(B)	(C)	(D)	(E)	(F)		
1	1	198448-01390	SENSOR ASSY	1	1						
2	2	198448-04810	ARM, SENSOR	1	1						
3	2	198448-04840	BRACKET, SENSOR	1	1						
4	2	194990-22130	NUT, M6	1	1						
5	2	119060-61990	SPRING, RETURN	1	1						
6	2	129054-77800	SENSOR ASSY	1	1						
7	3	185100-50070	BODY	1	1						
8	3	129054-77811	SUPPORT	1	1						
9	3	129054-77820	GASKET	1	1						
10	3	129054-77830	SHAFT ASY	1	1						
11	3	24311-000070	O-RING, 1AP7.0	1	1						
12	3	26023-040202	SCREW, M4X20	2	2						
13	2	26106-060122	BOLT, M6X 12 PLATED	2	2						
14	1	26106-060122	BOLT, M6X 12 PLATED	2	2						

Fig.4. FOOT ACCEL



(A)=FK657
(B)=FK663
(C)=

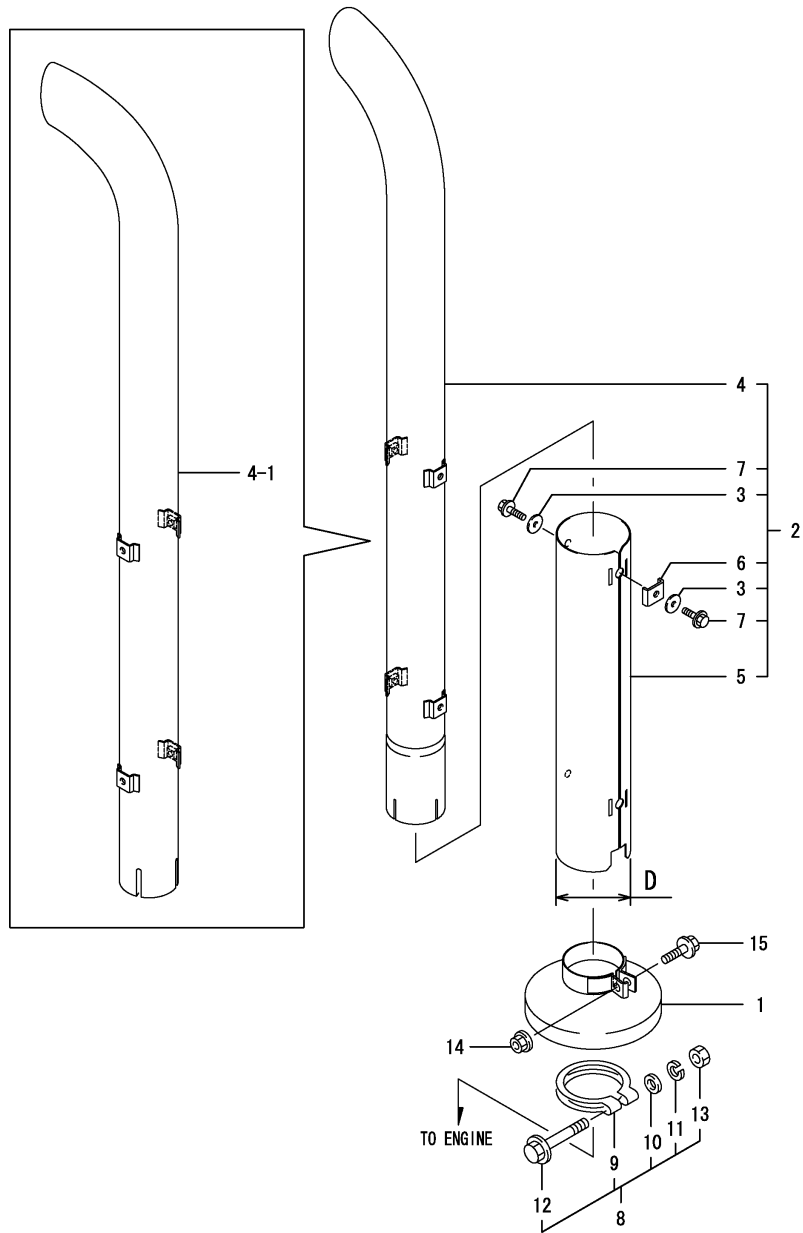
(D)=
(E)=
(F)=

No.	Lev.	Parts No.	Description	Q'ty						I	R
				(A)	(B)	(C)	(D)	(E)	(F)		
1	1	1A7640-01151	CABLE ASSY	1	1						
2	1	1A7790-01160	SPRING, RETURN	1	1						
3	1	1A7640-01200	PEDAL	1	1						
4	1	1A7450-01340	ROD, ACCELERATOR	1	1						
5	1	198071-01340	ARM ASSY	1	1						
6	1	198071-01390	GROMMET	1	1						
7	1	1A7450-01410	ROD, ACCELERATOR	1	1						
8	1	194990-22130	NUT, M6	1	1						
9	1	194990-22140	NUT, M8	1	1						
10	1	1C6215-48870	COLLAR, 6.5X10.5X4.2	1	1						
11	1	198071-56290	GROMMET, A	1	1						
12	1	194065-60570	SCREW	2	2						
13	1	194151-63250	COLLAR, CUSHION	2	2						
14	1	22137-060000	WASHER, 6	1	1						
15	1	22272-000040	RING, E- 4	1	1						
16	1	22417-160180	PIN, COTTER 1.6X18	1	1						
17	1	26116-080654	BOLT, M8X 65 PLATED	1	1						
18	1	22137-060000	WASHER, 6	3	3						
19	1	22372-060000	PIN, SNAP 6	2	2						
20	1	22372-060000	PIN, SNAP 6	1	1						
21	1	194680-51670	BAND, CLIP	2	2						W
		(A=*2008.05.) (B=*2008.05.)									
22	1	29622-250001	BAND, RF250	1	1						W
		(A=*2008.05.) (B=*2008.05.)									

Fig.5. EXHAUST PORT

(A)=FK657
(B)=FK663
(C)=

(D)=
(E)=
(F)=



No.	Lev.	Parts No.	Description	Q'ty						I	R
				(A)	(B)	(C)	(D)	(E)	(F)		
1	1	1A7450-03110	COVER, TAIL PIPE	1	1						
2	1	1A7640-03200	PIPE ASSY, TAIL	1	1						
2-1	1	1A7640-03201	PIPE ASSY, TAIL	1	1						N
3	2	194515-01190	WASHER, 6	4	4						
4	2	1A7640-03100	PIPE, TAIL	1	1						
4-1	2	1A7640-03101	PIPE, TAIL	1	1						S
5	2	1A7450-03130	COVER, MUFFLER PIPE	1	1						
5-1	2	1A7450-03131	COVER, MUFFLER PIPE	1	1						S 1
6	2	198463-03140	STAY, COVER	2	2						
7	2	1A7450-03170	BOLT, M6X10	4	4						
8	1	129972-13590	CLAMP,PIPE,EXH	1	1						
9	2	129972-13580	CLAMP,PIPE,EXH	1	1						
10	2	22117-100000	WASHER, 10	1	1						
11	2	22217-100000	WASHER, SPRING 10	1	1						
12	2	26106-100652	BOLT, M10X 65 PLATED	1	1						
13	2	26711-100002	NUT, M10	1	1						
14	1	194990-22140	NUT, M8	1	1						
15	1	26106-080302	BOLT, M8X 30 PLATED	1	1						

Remarks

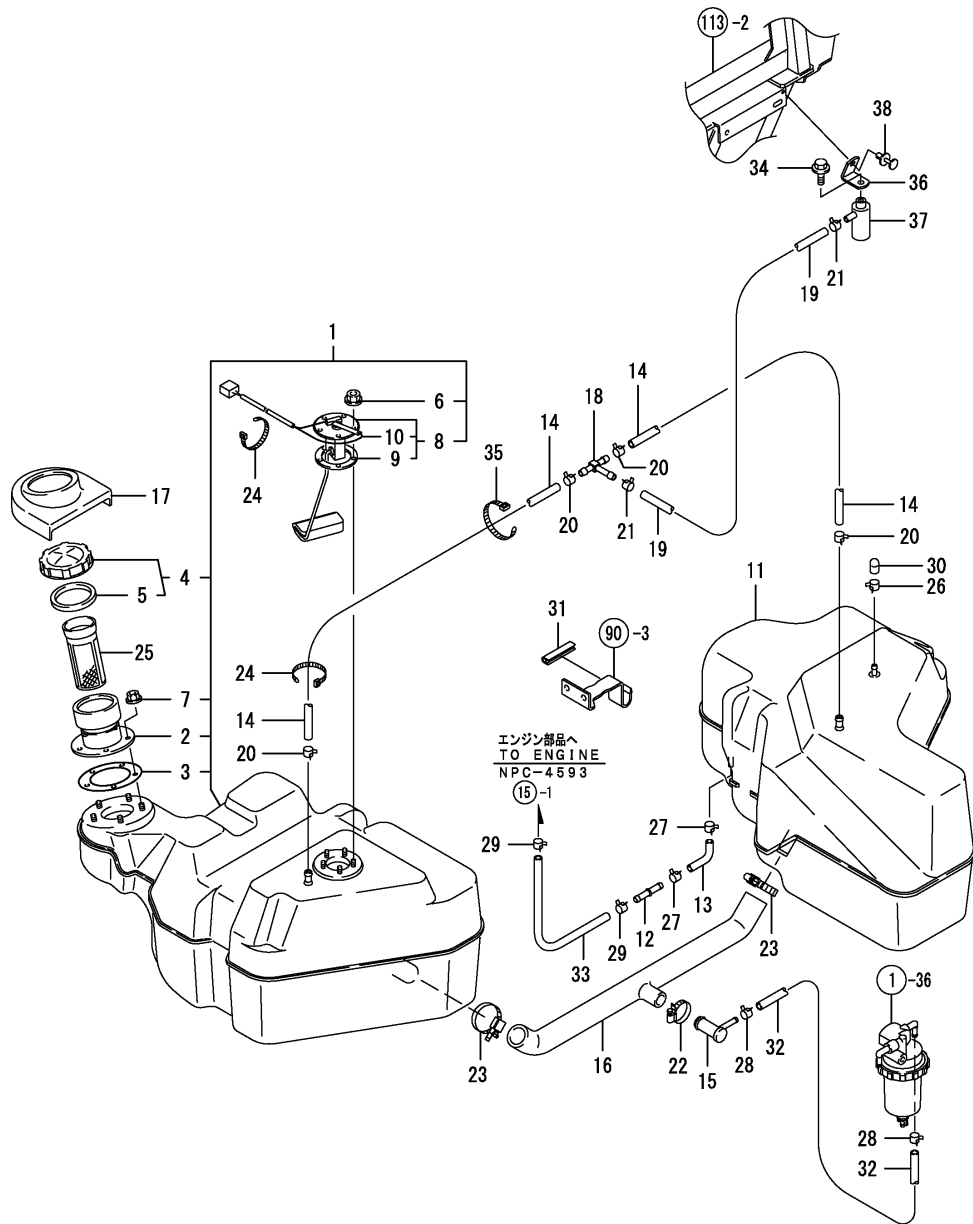
(1)D=No.5 : 73.5mm, No.5-1 : 77.3mm.

N:Old $\xrightarrow{\text{Yes}}$ New, Q:Old $\xrightarrow{\text{No}}$ New, R:Old $\xrightarrow{\text{Yes}}$ New, S:Old $\xrightarrow{\text{No}}$ New, W:Add, Z:Discontinued, F:Interchangeable by set, K:Q'ty Change

Fig.6. FUEL TANK

(A)=FK657
(B)=FK663
(C)=

(D)=
(E)=
(F)=

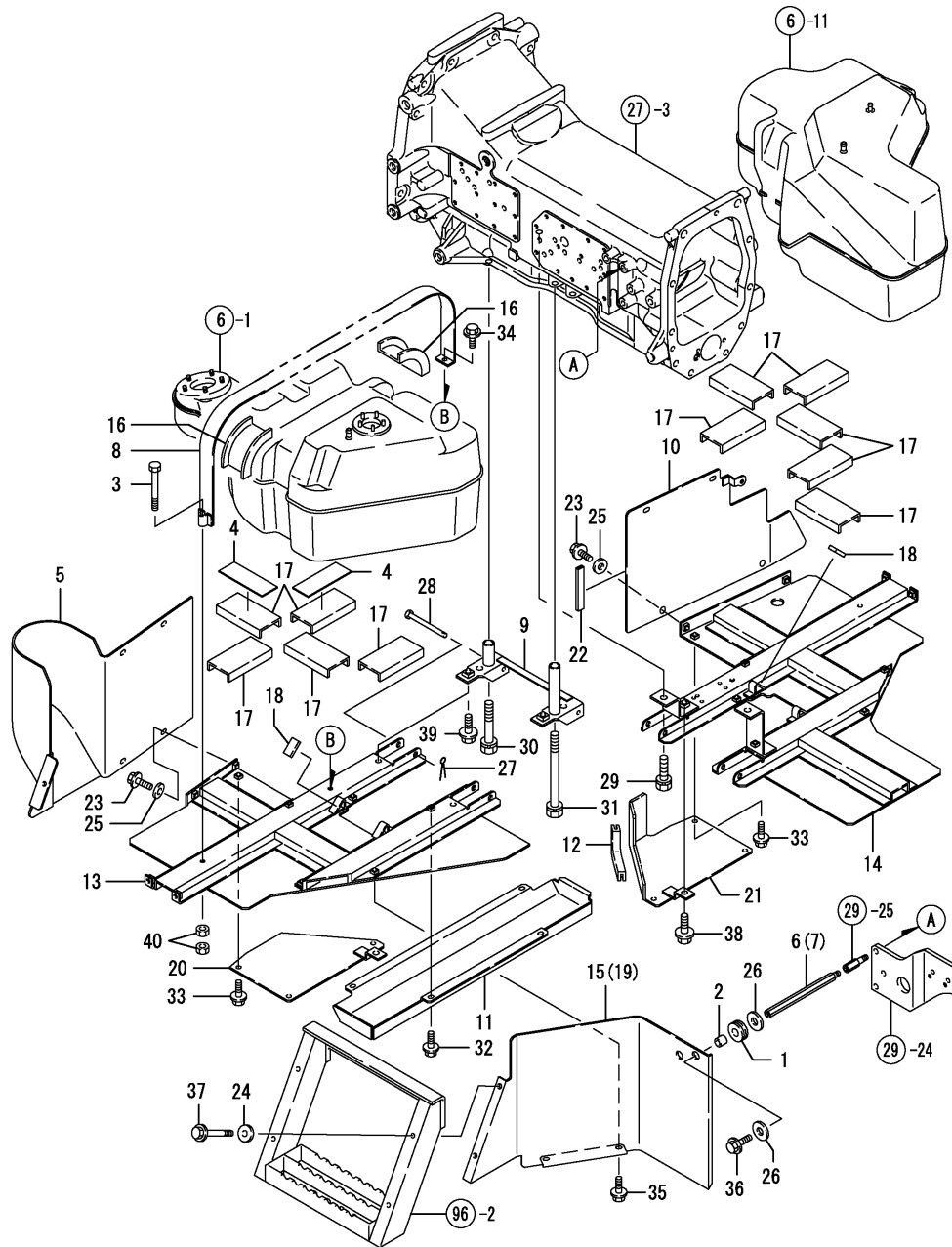


No.	Lev.	Parts No.	Description	Q'ty						I	R
				(A)	(B)	(C)	(D)	(E)	(F)		
1	1	1A7640-04100	TANK ASSY, FUEL L	1	1						
2	2	1A7640-04300	NECK, FILLER	1	1						
3	2	198448-04340	GASKET, FILLER NECK	1	1						
4	2	1A7450-04400	CAP ASSY, TANK	1	1						
5	3	198153-04290	GASKET	1	1						
6	2	194990-22120	NUT, M5	5	5						
7	2	194990-22130	NUT, M6	5	5						
8	2	198448-56600	GAUGE ASSY, FUEL	1	1						
9	3	194420-56620	GASKET	1	1						
10	3	198240-56630	WIRE, LEAD	1	1						
11	1	198448-04211	TANK ASSY, FUEL R	1	1						
12	1	198448-04250	JOINT	1	1						
13	1	198448-04270	HOSE, RETURN	1	1						
14	1	198448-04280	PIPE, OVERFLOW	2	2						
15	1	198071-04331	PIPE ASSY, SUCTION	1	1						
16	1	198448-04490	HOSE, FUEL	1	1						
17	1	198448-04710	COVER, FILLER NECK	1	1						
18	1	198448-04930	JOINT, HOSE	1	1						
19	1	1A7640-04940	HOSE, TANK	1	1						
20	1	106990-44660	CLIP, HOSE 12.5	4	4						
21	1	106990-44660	CLIP, HOSE 12.5	2	2						
22	1	175022-49700	CRIP 23, HOSE	1	1						
23	1	175022-49740	CLIP 33.6, HOSE	2	2						
24	1	198220-51860	BAND, NYLON	2	2						
25	1	101504-55101	STRAINER, FUEL	1	1						
26	1	124766-59050	CLIP, HOSE 12	1	1						
27	1	124766-59050	CLIP, HOSE 12	2	2						
28	1	124766-59050	CLIP, HOSE 12	2	2						
29	1	124766-59050	CLIP, HOSE 12	2	2						
30	1	129461-59580	CAP, FUEL OIL	1	1						
31	1	198291-77870	COVER, GUARD	1	1						
32	1	23980-730900	HOSE, 7.3X 900	1	1						
33	1	23980-731000	HOSE, 7.3X1000	1	1						
34	1	26106-080162	BOLT, M8X 16 PLATED	1	1						
35	1	29622-250001	BAND, RF250	1	1						
36	1	198268-42922	STAY, BREATHER	1	1						
37	1	194205-63550	BREATHER, AIR	1	1						
38	1	198010-85810	RIVET, NYLON	1	1						

Fig.7. TANK COVER

(A)=FK657
(B)=FK663
(C)=

(D)=
(E)=
(F)=

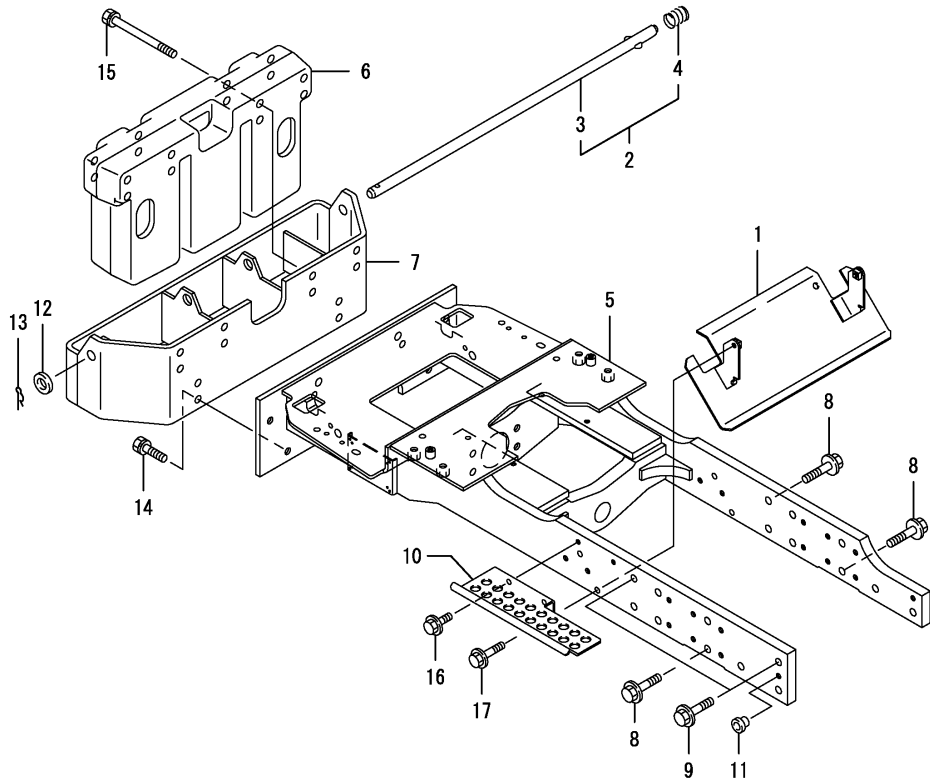


No.	Lev.	Parts No.	Description	Qty						I	R
				(A)	(B)	(C)	(D)	(E)	(F)		
1	1	198360-03260	GROMMET, 12	2	2						
2	1	198360-03270	SPACER	2	2						
3	1	198535-04050	BOLT, M8X115	2	2						
4	1	194151-04260	GASKET, FUEL TANK	2	2						
5	1	1A7620-04010	COVER ASSY, TANK LM	1	1						
6	1	1A7640-04370	STAY, M10-M8	1	1						
7	1	198448-04370	STAY, M10-M8	1	1						
8	1	198448-04380	BAND ASSY	2	2						
9	1	1A7640-04400	STAY ASSY, TANK L	1	1						
10	1	1A7640-04450	COVER ASSY, TANK R	1	1						
11	1	198448-04480	COVER, UNDER	1	1						
12	1	198071-04490	TRIM, TANK 240	1	1						
13	1	198448-04503	COVER ASSY, TANK L	1	1						
14	1	1A7640-04600	COVER ASSY, TANK	1	1						
15	1	198448-04650	COVER ASSY, TANK	1	1						
16	1	198153-04670	RETAINER, BAND	4	4						
17	1	198448-04720	SEAT, TANK	11	11						
18	1	198448-04730	PAD	4	4						
19	1	198448-04750	COVER ASSY, TANK R	1	1						
20	1	1A7640-04770	COVER ASSY, TANK L	1	1						
21	1	1A7640-04780	COVER ASSY, TANK R	1	1						
22	1	198230-61560	GUIDE, HOSE	1	1						
23	1	198460-83350	BOLT, M8X16	8	8						
24	1	198255-83550	WASHER, 8	5	5						
25	1	198255-83550	WASHER, 8	8	8						
26	1	22157-080000	WASHER, 8	4	4						
27	1	22417-200300	PIN, COTTER 2.0X30	2	2						
28	1	22487-080550	PIN 8X 55	2	2						
29	1	26013-120252	BOLT, M12X 25	2	2						
30	1	26013-120702	BOLT, M12X 70	1	1						
31	1	26013-121302	BOLT, M12X130	1	1						
32	1	26106-080162	BOLT, M8X 16 PLATED	4	4						
33	1	26106-080162	BOLT, M8X 16 PLATED	4	4						
34	1	26106-080162	BOLT, M8X 16 PLATED	2	2						
35	1	26106-080162	BOLT, M8X 16 PLATED	4	4						
36	1	26106-080252	BOLT, M8X 25 PLATED	2	2						
37	1	26106-080752	BOLT, M8X 75 PLATED	5	5						
38	1	26106-100202	BOLT, M10X 20 PLATED	1	1						
39	1	26106-100202	BOLT, M10X 20 PLATED	2	2						
40	1	26716-080002	NUT, M8	4	4						

Fig.8. FRONT BRACKET

(A)=FK657
(B)=FK663
(C)=

(D)=
(E)=
(F)=

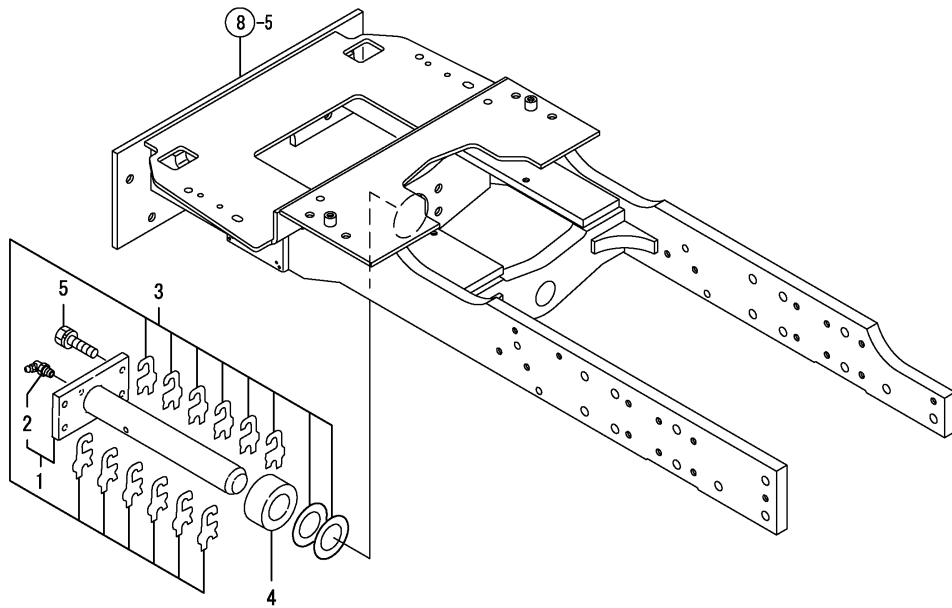


No.	Lev.	Parts No.	Description	Q'ty						I	R
				(A)	(B)	(C)	(D)	(E)	(F)		
1	1	198463-05551	PLATE ASSY, SHUTTER	1	1						
2	1	198440-11090	PIN ASSY, LOCK	1	1						
3	2	198440-11080	PIN, LOCK	1	1						
4	2	194250-11140	SPRING	1	1						
5	1	1A7620-11100	BRACKET ASSY, AXLE	1	1						
6	1	198141-11111	WEIGHT, FRONT 50KG	1	1						
7	1	198133-11132	HITCH ASSY, FRONT	1	1						
8	1	198220-11520	BOLT, M12X38	13	13						
9	1	198220-11530	BOLT, M12X38	2	2						
10	1	1A7650-11640	PLATE, SHUTTER L	1	1						
11	1	194150-21910	PLUG, 11.2	18	18						
12	1	22137-160000	WASHER, 16	1	1						
13	1	22360-200000	PIN, SNAP 20	1	1						
14	1	26013-120302	BOLT, M12X 30	2	2						
15	1	26013-121052	BOLT, M12X105	4	4						
16	1	26106-080162	BOLT, M8X 16 PLATED	2	2						
17	1	26106-080302	BOLT, M8X 30 PLATED	2	2						

Fig.9. CENTER PIN

(A)=FK657
(B)=FK663
(C)=

(D)=
(E)=
(F)=

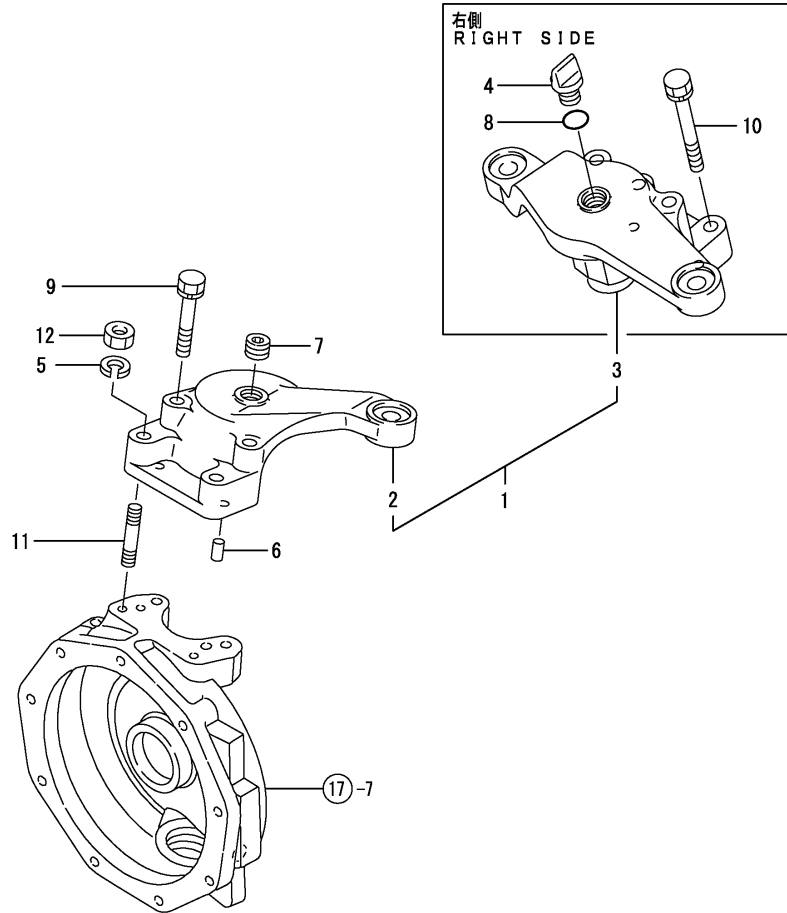


No.	Lev.	Parts No.	Description	Q'ty						I	R
				(A)	(B)	(C)	(D)	(E)	(F)		
1	1	198133-11500	PIN ASSY, CENTER	1	1						
2	2	24761-050000	NIPPLE, GREASE C	1	1						
3	1	198240-11540	SHIM SET	1	1						
4	1	198240-11550	SPACER, 36X62X27	1	1						
5	1	26013-120352	BOLT, M12X 35	4	4						

Fig.10. KNUCKLE ARM

(A)=FK657
(B)=FK663
(C)=

(D)=
(E)=
(F)=



No.	Lev.	Parts No.	Description	Q'ty						I	R
				(A)	(B)	(C)	(D)	(E)	(F)		
1	1	198535-11890	ARM ASSY, KNUCKLE	1	1						
2	2	198448-11900	ARM, KNUCKLE L	1	1						
3	2	198535-11920	ARM, KNUCKLE R	1	1						
4	1	194855-24290	CAP, OIL M20	1	1						
5	1	22217-120000	WASHER, SPRING 12	4	4						
6	1	22312-100180	PIN, PARALLEL M10X18	4	4						
7	1	23876-040000	PLUG, R04	1	1						
8	1	24311-000180	O-RING, 1AP18.0	1	1						
9	1	26013-120802	BOLT, M12X 80	2	2						
10	1	26013-121202	BOLT, M12X120	2	2						
11	1	26216-120502	STUD, M12X 50	4	4						
12	1	26716-120002	NUT, M12	4	4						

Fig.11. TIE ROD

(A)=FK657
(B)=FK663
(C)=

(D)=
(E)=
(F)=

No.	Lev.	Parts No.	Description	Q'ty						I	R
				(A)	(B)	(C)	(D)	(E)	(F)		
1	1	198448-12310	TIE-ROD	1	1						
2	1	198448-12320	END ASSY, TIE-ROD	1	1						
3	2	194450-12552	COVER, DUCT	1	1						
4	2	194450-12561	RING, SETTING	1	1						
5	2	194450-12590	NUT, LOCK	1	1						
6	2	24761-060000	NIPPLE, GREASE MT6X1	1	1						
7	1	194180-12470	NUT, CASTLE	2	2						
8	1	198133-17210	END ASSY, ROD	1	1						
9	2	194450-12552	COVER, DUCT	1	1						
10	2	194450-12561	RING, SETTING	1	1						
11	2	24761-060000	NIPPLE, GREASE MT6X1	1	1						
12	2	26776-200002	NUT, LOCK M20	1	1						
13	1	22417-400400	PIN, COTTER 4.0X40	2	2						

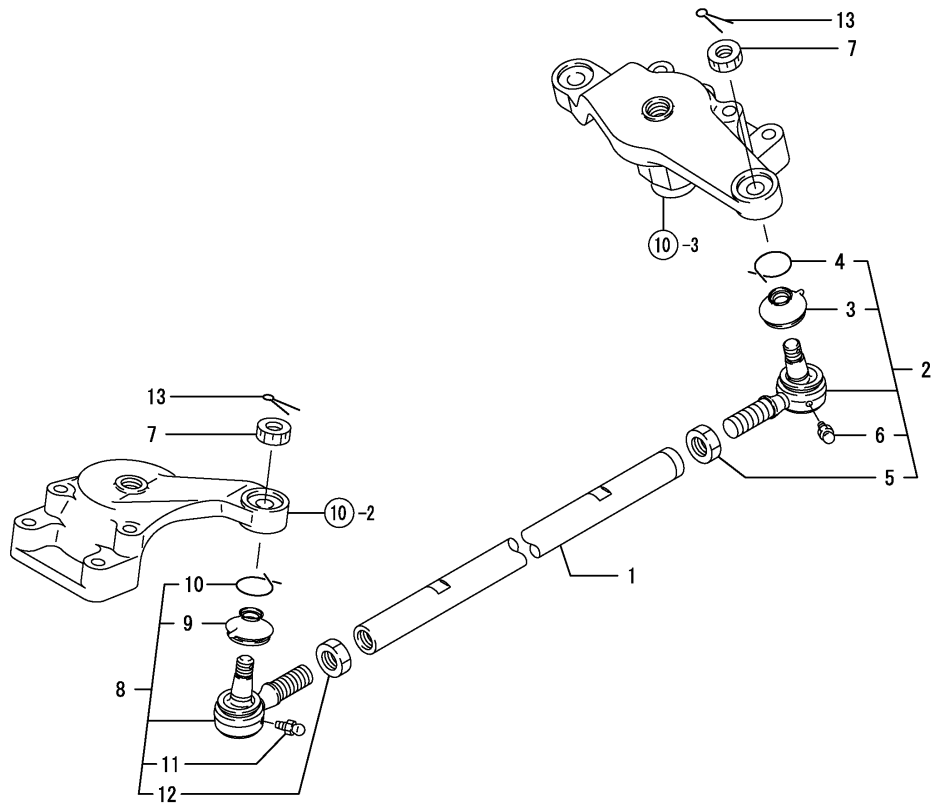


Fig.12. RING GEAR

(A)=FK657
(B)=FK663
(C)=

(D)=
(E)=
(F)=

No.	Lev.	Parts No.	Description	Q'ty						I	R
				(A)	(B)	(C)	(D)	(E)	(F)		
1	1	198463-13100	GEAR ASSY, RING	1	1						
2	1	198251-13670	COLLAR, SEAL	1	1						
3	1	198133-13810	BEARING, ET-32007XST	2	2						
4	1	24101-060124	BEARING, BALL 6012	1	1						
5	1	24341-000315	O-RING, 1AS31.5	1	1						

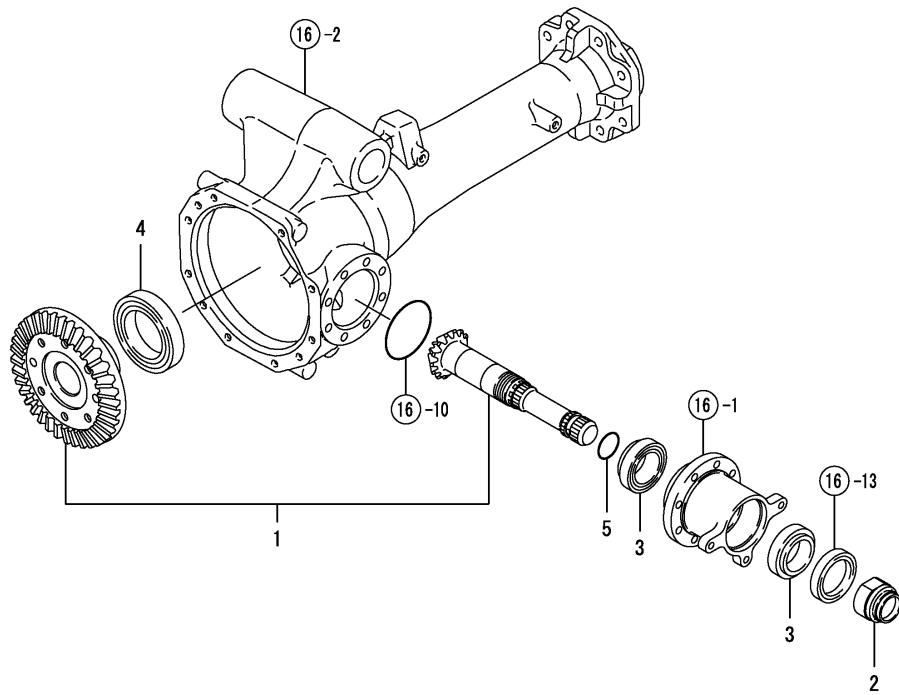
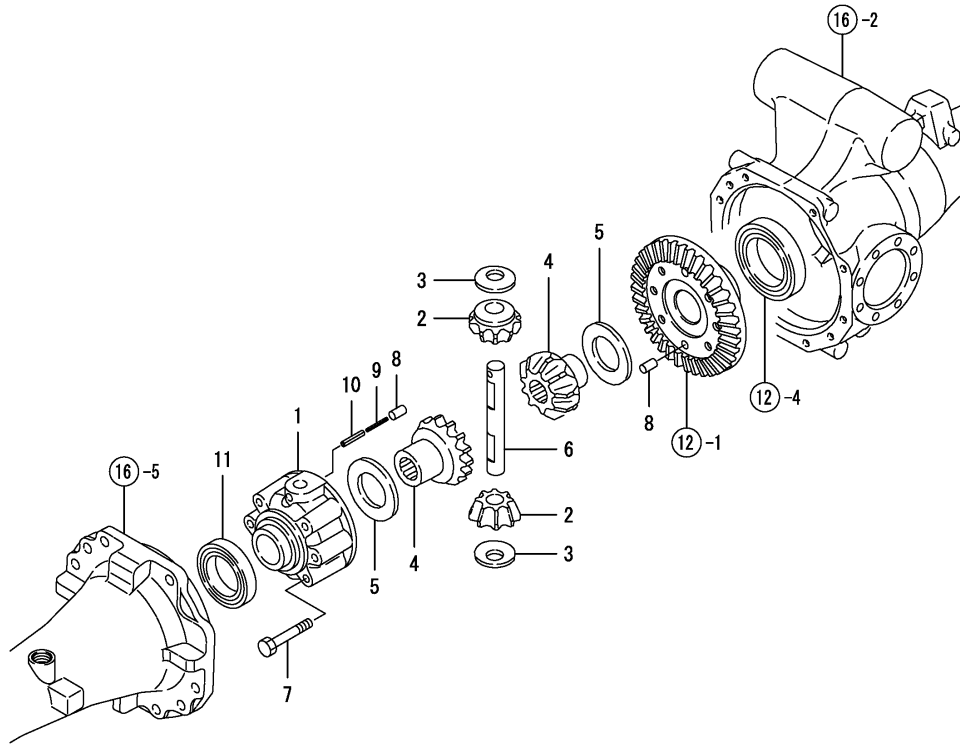


Fig.13. DIFFERENTIAL GEAR

(A)=FK657
(B)=FK663
(C)=

(D)=
(E)=
(F)=



No.	Lev.	Parts No.	Description	Q'ty						I	R
				(A)	(B)	(C)	(D)	(E)	(F)		
1	1	194641-13210	CASE, DIFFERENTIAL	1	1						
2	1	194321-13230	PINION, DIFFERENTIAL	2	2						
3	1	194465-13240	LINER, DIFFERENTIAL	2	2						
4	1	194321-13250	GEAR, DIFFERENTIAL	2	2						
5	1	194465-13260	WASHER, DIFFERENTIAL	2	2						
6	1	194321-13270	SHAFT, DIFFERENTIAL	1	1						
7	1	194323-13290	BOLT, M10X70	6	6						
8	1	22312-100180	PIN, PARALLEL M10X18	2	2						
9	1	22351-035032	PIN, SPRING 3.5X32	1	1						
10	1	22351-060032	PIN, SPRING 6.0X32	1	1						
11	1	24101-060104	BEARING, BALL 6010	1	1						

Fig.15. FRONT SHAFT

(A)=FK657
(B)=FK663
(C)=

(D)=
(E)=
(F)=

No.	Lev.	Parts No.	Description	Q'ty						I	R
				(A)	(B)	(C)	(D)	(E)	(F)		
1	1	198251-13510	SHAFT, FRONT 1ST L	1	1						
2	1	198153-13521	PINION, SHAFT	2	2						
3	1	198251-13520	SHAFT, FRONT 1ST R	1	1						
4	1	194641-13840	BEARING, BALL TMB208	2	2						

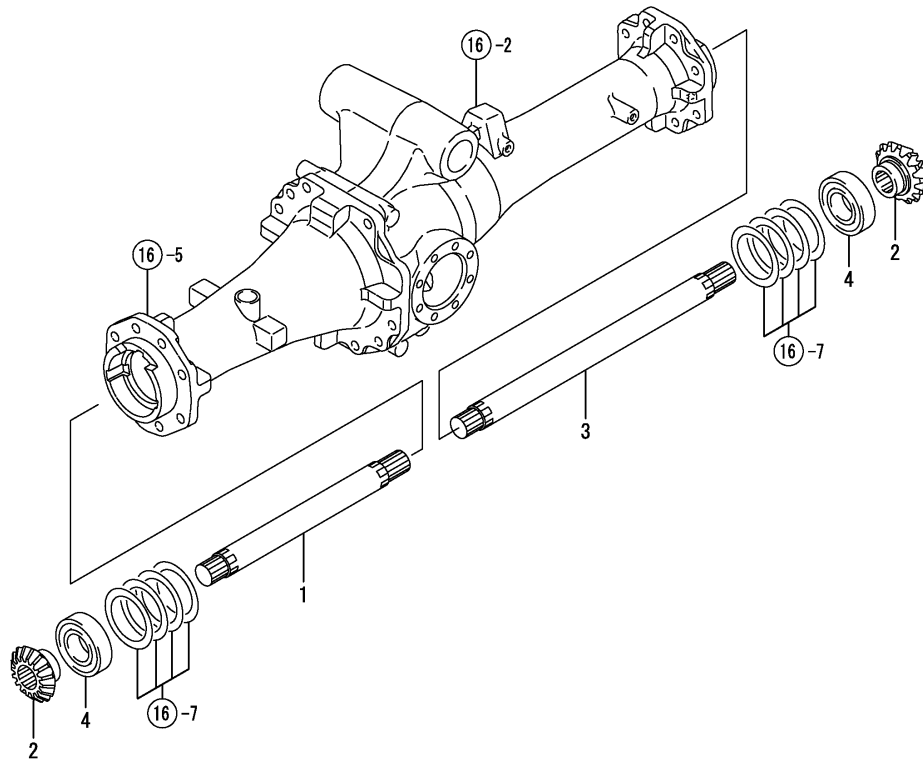
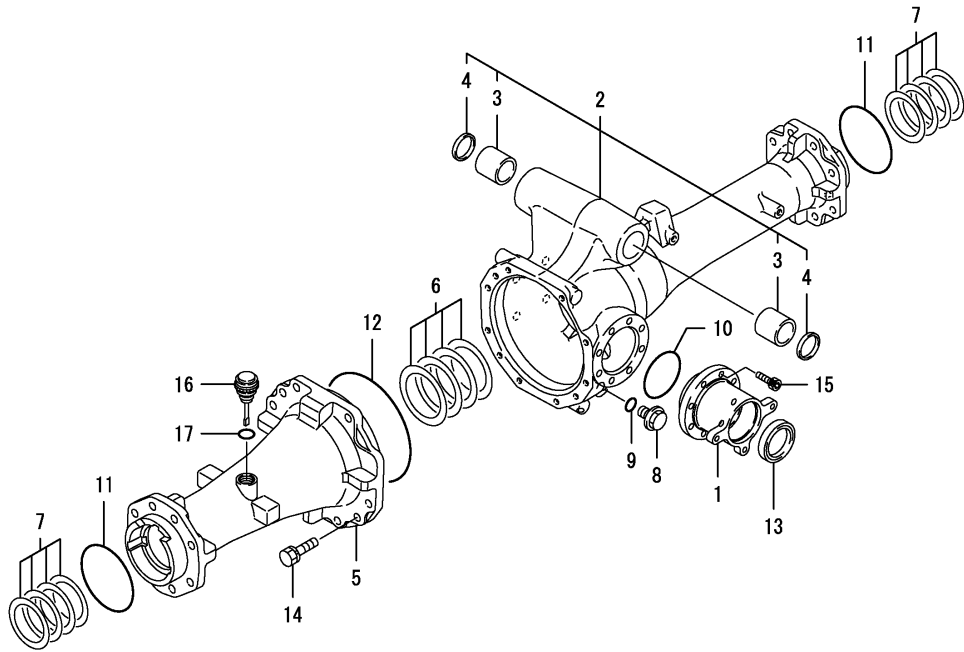


Fig.16. FRONT AXLE CASE

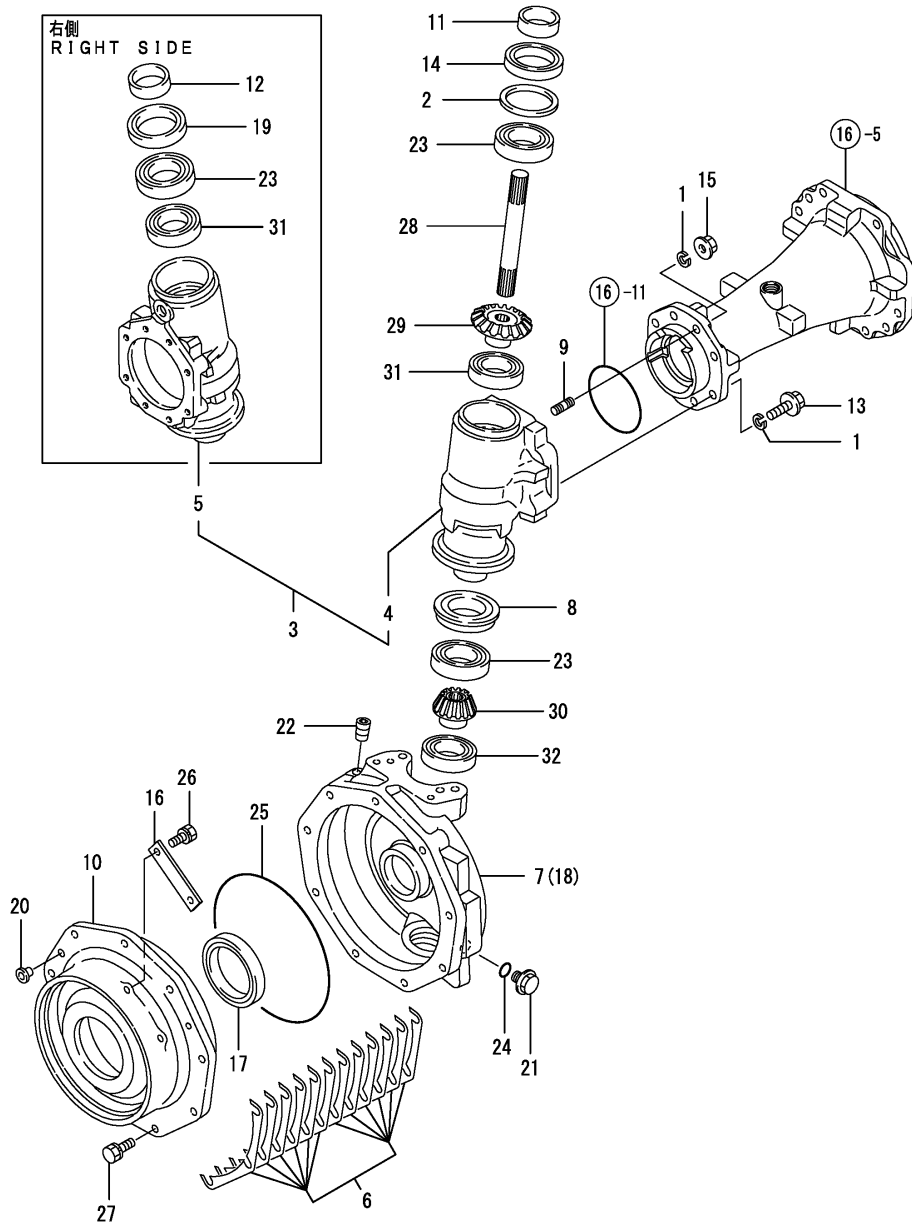


(A)=FK657
(B)=FK663
(C)=

(D)=
(E)=
(F)=

No.	Lev.	Parts No.	Description	Q'ty						I	R
				(A)	(B)	(C)	(D)	(E)	(F)		
1	1	198448-13450	RETAINER, BEARING	1	1						
2	1	198141-13600	HOUSING ASSY, AXLE R	1	1						
3	2	198251-11220	BUSH, 35X41X40	2	2						
4	2	194321-11940	SEAL, OIL VB354105	2	2						
5	1	1A7640-13610	HOUSING, FRONT AXLE	1	1						
6	1	794321-13660	SHIM SET	1	1						
7	1	194641-13670	SHIM SET, PINION	1	1						
8	1	23491-140002	PLUG, 14	1	1						
9	1	24311-000160	O-RING, 1AP16.0	1	1						
10	1	24321-000700	O-RING, 1AG70.0	1	1						
11	1	24321-001000	O-RING, 1AG100.0	2	2						
12	1	24321-001700	O-RING, 1AG170.0	1	1						
13	1	24421-456209	SEAL, OIL TC456209	1	1						
14	1	26013-120302	BOLT, M12X 30	11	11						
15	1	26450-080252	BOLT, M8X 25	8	8						
16	1	1C6900-23020	BREATHER	1	1						
17	1	24311-000180	O-RING, 1AP18.0	1	1						

Fig.17. FRONT GEAR CASE

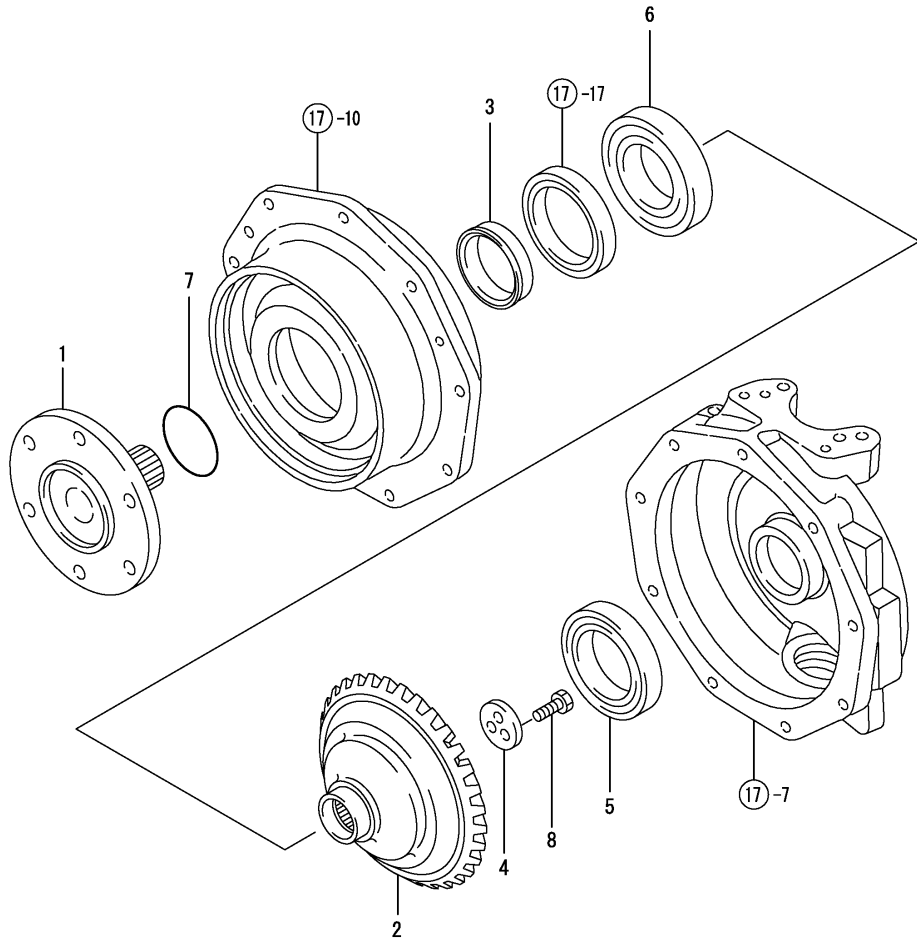


(A)=FK657
(B)=FK663
(C)=

(D)=
(E)=
(F)=

No.	Lev.	Parts No.	Description	Q'ty						I	R
				(A)	(B)	(C)	(D)	(E)	(F)		
1	1	194274-13580	WASHER, SPRING 12	16	16						
2	1	194321-13680	SPACER, 85X1	1	1						
3	1	198448-13690	HOUSING ASSY, GEAR	1	1						
4	2	198448-13710	CASE, FRONT GEAR L	1	1						
5	2	198448-13720	CASE, FRONT GEAR R	1	1						
6	1	198401-13720	SHIM SET	1	1						
7	1	198401-13750	BOX, GEAR L	1	1						
8	1	194641-13760	SEAL, OIL 55X85	2	2						
9	1	198133-13760	STUD, M12X30	2	2						
10	1	198401-13770	CASE, FRONT BEARING	2	2						
11	1	194641-13780	SLEEVE, SI 50X55X18	1	1						
12	1	198071-13780	SLEEVE, SI 63X68X17	1	1						
13	1	198133-13780	BOLT, M12X30	14	14						
14	1	194641-13790	SEAL, OIL TC6Y558514	1	1						
15	1	198133-13790	NUT, M12	2	2						
16	1	198401-13790	RETAINER, BEARING	4	4						
17	1	198535-13790	SEAL, QLNY7810516	2	2						
18	1	198401-13850	BOX, GEAR R	1	1						
19	1	194171-13870	SEAL, OIL TC6Y689013	1	1						
20	1	194275-27750	PLUG, 7.8	6	6						
21	1	23491-140002	PLUG, 14	2	2						
22	1	23876-010000	PLUG, R01	2	2						
23	1	24101-062094	BEARING, BALL 6209	4	4						
24	1	24311-000160	O-RING, 1AP16.0	2	2						
25	1	24321-002200	O-RING, 1AG220.0	2	2						
26	1	26013-080252	BOLT, M8X 25	8	8						
27	1	26013-100252	BOLT, M10X 25	18	18						
28	1	198251-13810	SHAFT, FRONT 2ND	2	2						
29	1	198251-13820	GEAR, 2ND SHAFT	2	2						
30	1	194641-13830	PINION, FRONT FINAL	2	2						
31	1	194641-13840	BEARING, BALL TMB208	2	2						
32	1	192160-34150	BALL BEARING	2	2						

Fig.18. FRONT SPINDLE



(A)=FK657
(B)=FK663
(C)=

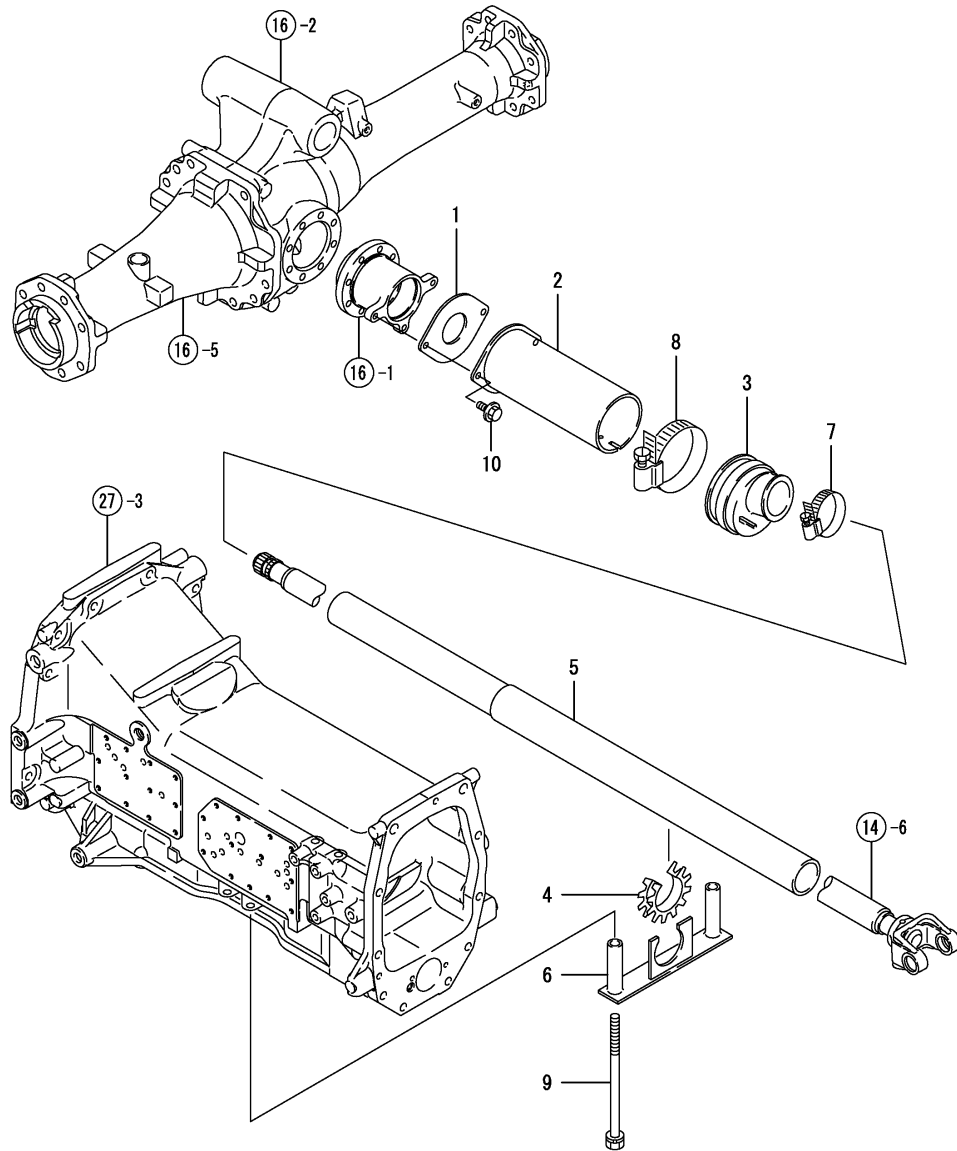
(D)=
(E)=
(F)=

No.	Lev.	Parts No.	Description	Q'ty						I	R
				(A)	(B)	(C)	(D)	(E)	(F)		
1	1	198401-14110	SPINDLE, FRONT	2	2						
2	1	198401-14120	GEAR, FRONT SHAFT	2	2						
3	1	198535-14130	COLLAR, 65X78X19.5	2	2						
4	1	198401-14150	WASHER	2	2						
5	1	24101-060144	BEARING, BALL 6014	2	2						
6	1	24101-062134	BEARING, BALL 6213	2	2						
7	1	24325-000650	O-RING, 1BG65.0	2	2						
8	1	26116-100252	BOLT, M10X 25 PLATED	6	6						
8-1	1	26106-100252	BOLT, M10X 25 PLATED	6	6						R
		(A=FXXXXX) (B=FXXXXX)									
8-2	1	198208-11310	BOLT, M10X 25	6	6						N
		(A=FXXXXX) (B=FXXXXX)									

Fig.19. SHAFT COVER

(A)=FK657
(B)=FK663
(C)=

(D)=
(E)=
(F)=

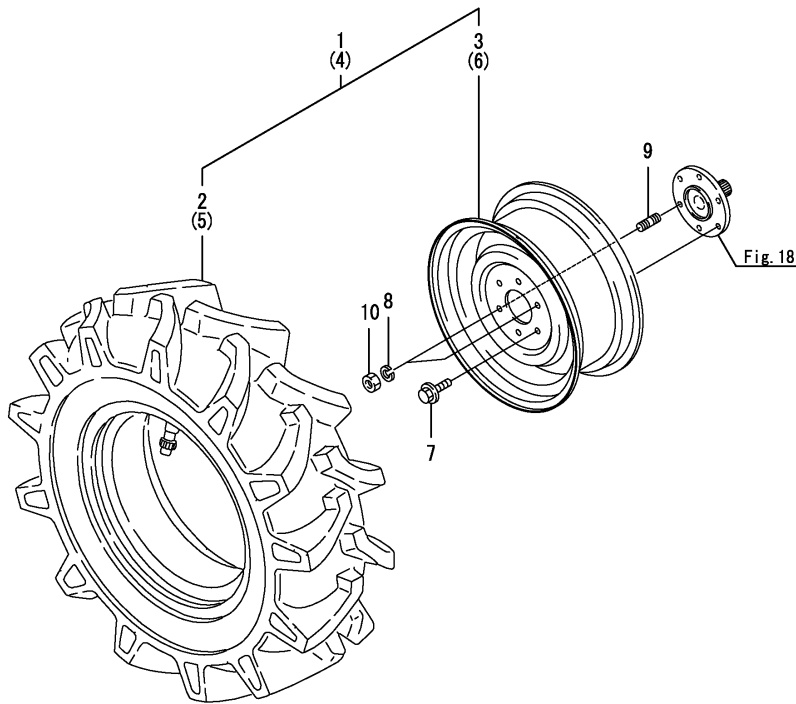


No.	Lev.	Parts No.	Description	Q'ty						I	R
				(A)	(B)	(C)	(D)	(E)	(F)		
1	1	198448-14590	COVER, FRONT SEAL	1	1						
2	1	198463-14610	COVER, SHAFT FRONT	1	1						
3	1	198448-14640	BOOT, SHAFT COVER	1	1						
4	1	198448-14670	BUSH, UNIVERSAL	1	1						
5	1	198448-14711	COVER ASSY, SHAFT	1	1						
6	1	198448-14750	BRACKET, COVER	1	1						
7	1	23000-060000	CLAMP, 60	1	1						
8	1	23000-102000	CLAMP, 102	1	1						
9	1	26013-121052	BOLT, M12X105	2	2						
10	1	26106-080162	BOLT, M8X 16 PLATED	2	2						

Fig.20. FRONT WHEEL TIRE

(A)=FK657
(B)=FK663
(C)=

(D)=
(E)=
(F)=



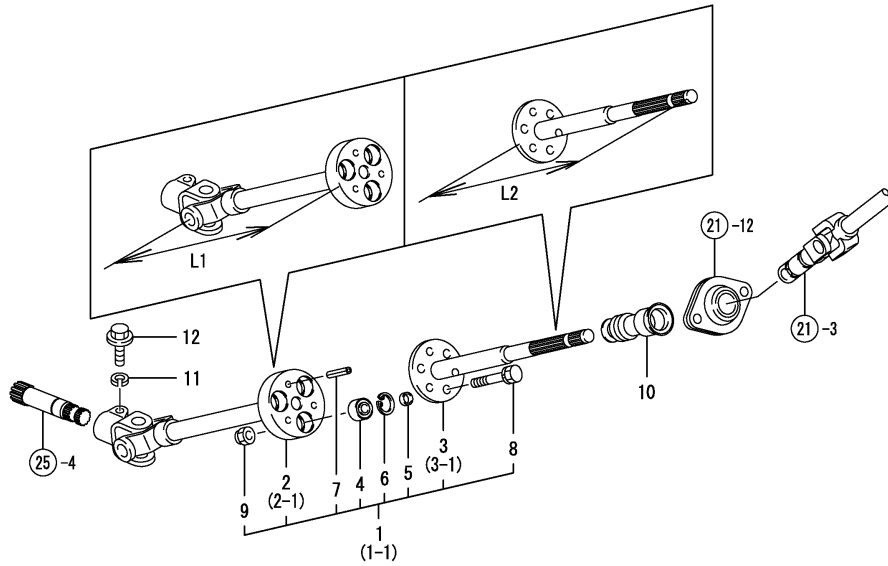
No.	Lev.	Parts No.	Description	Q'ty						I	R
				(A)	(B)	(C)	(D)	(E)	(F)		
1	1	1A7620-14750	TIRE KIT, 9.5-18-8 L	1	1						
2	2	1A7620-14770	TIRE ASSY, 9.5-18-8	1	1						
3	2	1A7620-14780	WHEEL, FRONT W8-18	1	1						
4	1	1A7620-14850	TIRE KIT, 9.5-18-8 R	1	1						
5	2	1A7620-14770	TIRE ASSY, 9.5-18-8	1	1						
6	2	1A7620-14780	WHEEL, FRONT W8-18	1	1						
7	1	194881-12650	BOLT, M14X24	12	12						
7-1	1	194881-12650	BOLT, M14X24	8	8						K
		(A=FXXXXX) (B=FXXXXX)									
8	1	194279-14220	WASHER, 14	4	4						W
		(A=FXXXXX) (B=FXXXXX)									
9	1	198200-34130	STUD, M14X31	4	4						W
		(A=FXXXXX) (B=FXXXXX)									
10	1	198200-34190	NUT, M14	4	4						W
		(A=FXXXXX) (B=FXXXXX)									

Fig.22. STEERING SHAFT

(A)=FK657
(B)=FK663
(C)=

(D)=
(E)=
(F)=

No.	Lev.	Parts No.	Description	Q'ty						I	R
				(A)	(B)	(C)	(D)	(E)	(F)		
1	1	1A7650-15510	SHAFT ASSY, JOINT	1	1						
1-1	1	1A7650-15511	SHAFT ASSY, JOINT	1	1						S
		(A="2009.06.) (B="2009.06.)									
2	2	1A7640-15520	SHAFT ASSY, JOINT A	1	1						
2-1	2	1A7640-15521	SHAFT ASSY, JOINT A	1	1						S 1
		(A="2009.06.) (B="2009.06.)									
3	2	1A7650-15560	SHAFT, JOINT B	1	1						
3-1	2	1A7640-15521	SHAFT ASSY, JOINT A	1	1						S 2
		(A="2009.06.) (B="2009.06.)									
4	2	198448-15581	BUSH, 8X20X14	3	3						
5	2	198448-15590	COLLAR, D12XL5	3	3						
6	2	22252-000200	RING, 20	3	3						
7	2	22351-060032	PIN, SPRING 6.0X32	3	3						
8	2	26013-080352	BOLT, M8X 35	3	3						
9	2	26346-080002	NUT, M8	3	3						
10	1	198448-15690	BOOT, SHAFT	1	1						
11	1	22217-080000	WASHER, SPRING 8	1	1						
12	1	26106-080252	BOLT, M8X 25 PLATED	1	1						



Remarks

- (1)L1=No.2 : 253mm, No.2-1 : 303mm.
- (2)L2=No.3 : 242mm, No.3-1 : 193mm.

Fig.23. STEERING WHEEL

(A)=FK657
(B)=FK663
(C)=

(D)=
(E)=
(F)=

No.	Lev.	Parts No.	Description	Q'ty						I	R
				(A)	(B)	(C)	(D)	(E)	(F)		
1	1	198448-15700	WHEEL ASSY, STEERING	1	1						
2	2	198071-15720	CAP ASSY	1	1						
3	3	198071-15740	EMBLEM	1	1						

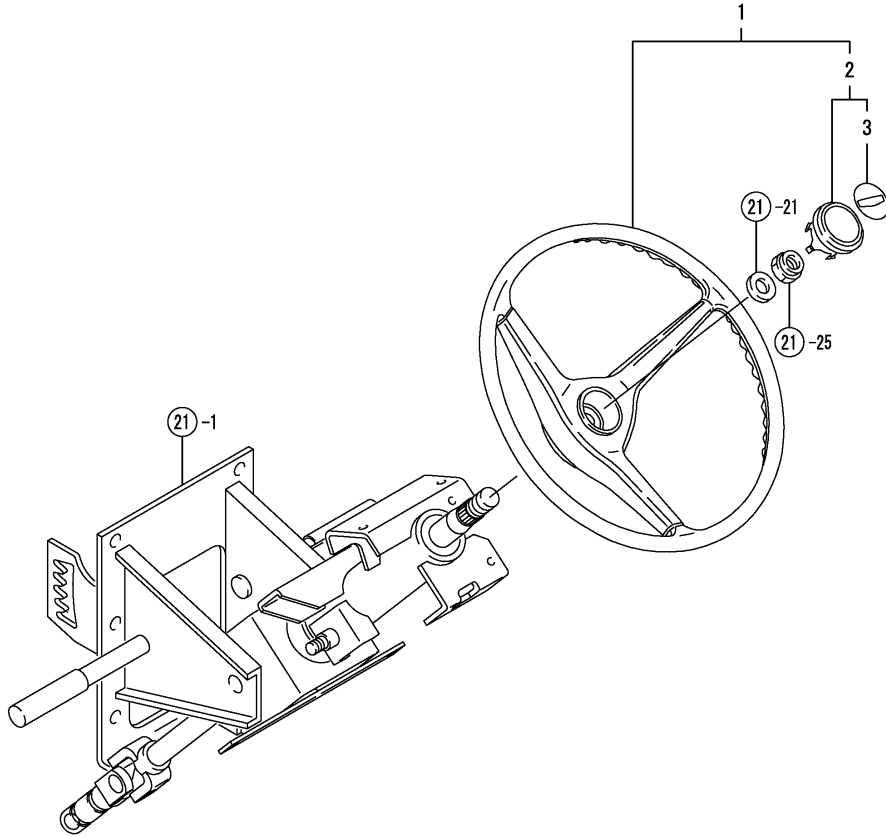
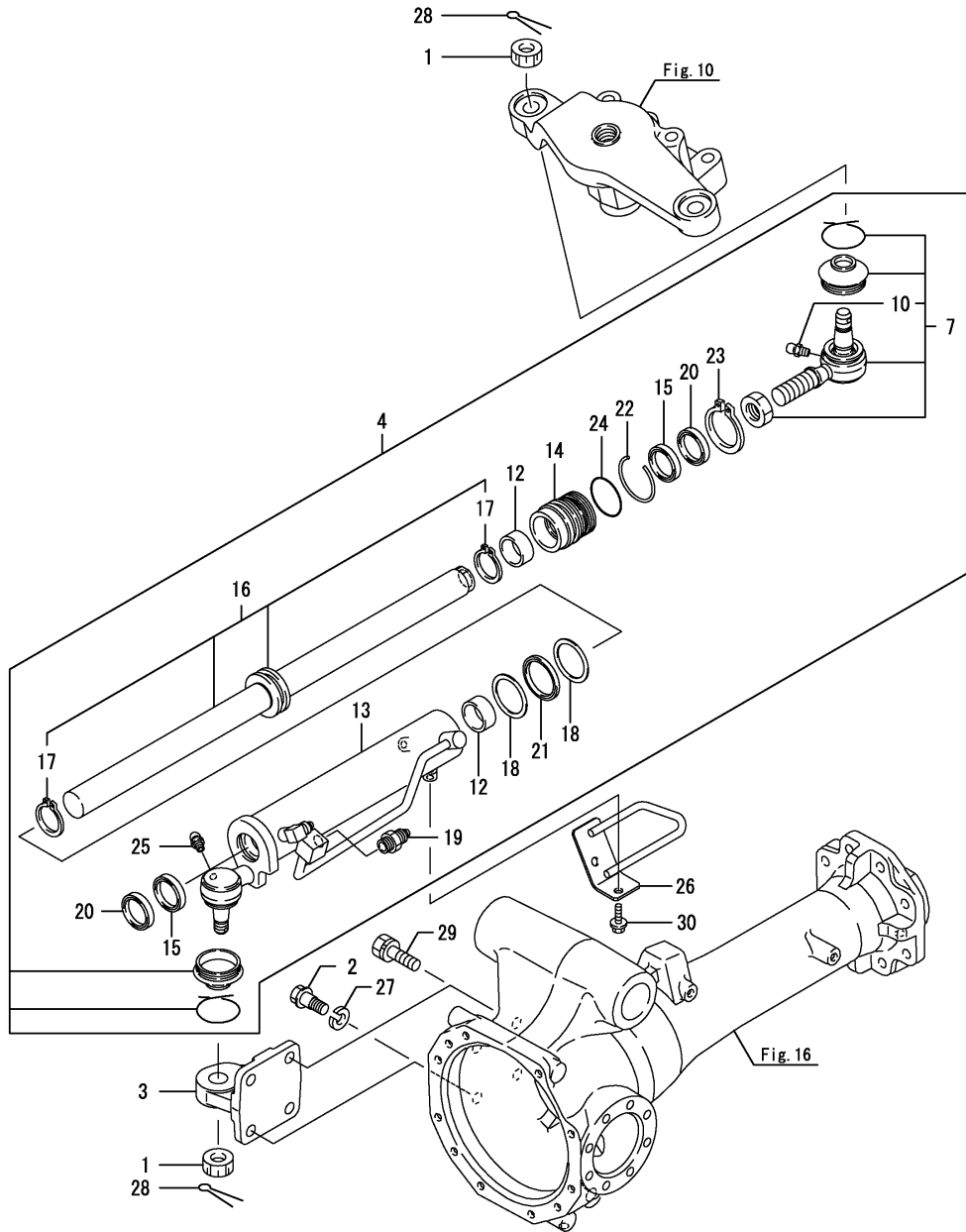


Fig.24. P.S.T. CYLINDER

(A)=FK657
(B)=FK663
(C)=

(D)=
(E)=
(F)=

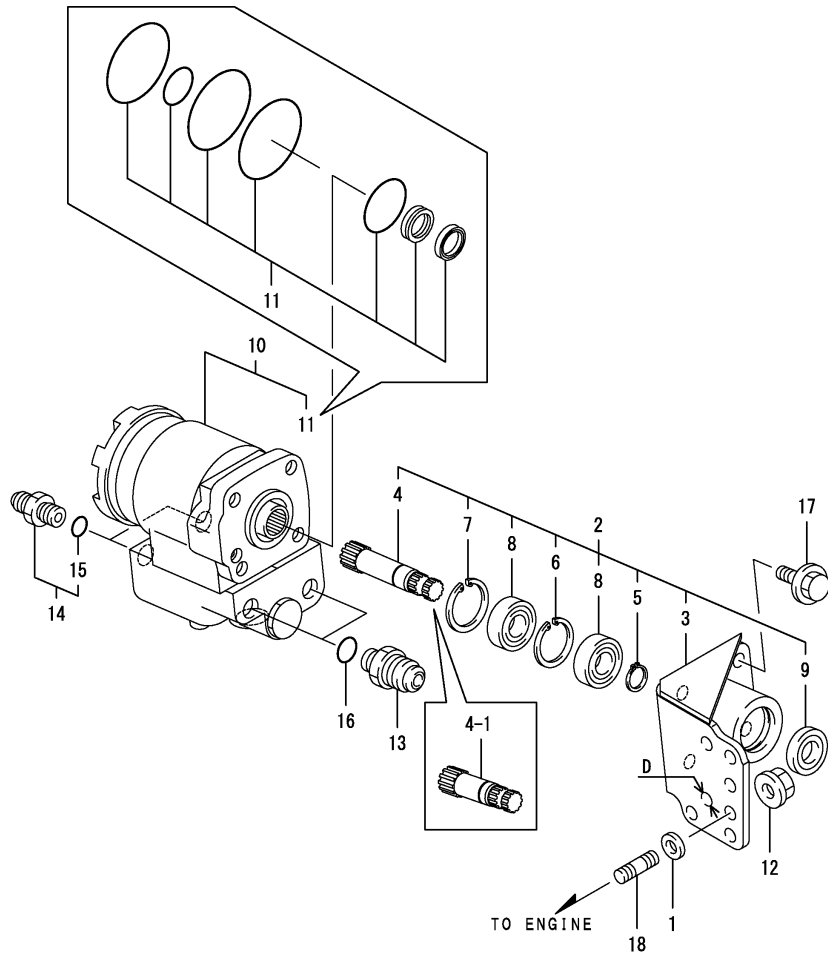


No.	Lev.	Parts No.	Description	Q'ty						I	R
				(A)	(B)	(C)	(D)	(E)	(F)		
1	1	194180-12470	NUT, CASTLE	2	2						
2	1	198071-17150	BOLT, REAMER M12X30	2	2						
3	1	198535-17270	BOSS, CYLINDER	1	1						
4	1	1A7640-17300	CYLINDER ASSY	1	1						
7	2	198133-17210	END ASSY, ROD	1	1						
10	3	24761-060000	NIPPLE, GREASE MT6X1	1	1						
12	2	198133-17260	BUSH, 30X15	2	2						
13	2	1A7640-17310	TUBE ASSY, CYLINDER	1	1						
14	2	198133-17310	CAP, CYLINDER	1	1						
15	2	198071-17330	PACKING, 30	2	2						
16	2	198535-17401	ROD ASSY, CYLINDER	1	1						
17	3	22242-000300	RING, 30	2	2						
18	2	198071-17481	RING, BACK UP 50	2	2						
19	2	194065-38380	ADAPTER, 1/4	1	1						
20	2	172447-72130	SEAL, DUST SCK3042	2	2						
21	2	172157-72710	PACKING 50,HSD	1	1						
22	2	22207-050320	RING, 50X3.2	1	1						
23	2	22242-000480	RING, 48	1	1						
24	2	24315-000440	O-RING 1B P-44.0	1	1						
25	2	24761-060000	NIPPLE, GREASE MT6X1	1	1						
26	1	1A7640-17431	COVER, CYLINDER	1	1						
27	1	22217-140000	WASHER, SPRING 14	2	2						
28	1	22417-400400	PIN, COTTER 4.0X40	2	2						
29	1	26013-120302	BOLT, M12X 30	2	2						
30	1	26106-080122	BOLT, M8X 12 PLATED	2	2						

Fig.25. P.S.T. VALVE

(A)=FK657
(B)=FK663
(C)=

(D)=
(E)=
(F)=



No.	Lev.	Parts No.	Description	Q'ty						I	R
				(A)	(B)	(C)	(D)	(E)	(F)		
1	1	194150-01270	SPACER, 20	4	4						
2	1	198448-17101	SHAFT, STEERING	1	1						
2-1	1	198448-17102	SHAFT, STEERING	1	1						N
2-2	1	(A=FZZZZZ)	(B=FZZZZZ)								
		198448-17103	SHAFT, STEERING	1	1						N
3	2	198448-17112	BRACKET, VALVE	1	1						
3-1	2	198448-17113	BRACKET, VALVE	1	1						N
3-2	2	(A=FZZZZZ)	(B=FZZZZZ)								
		198448-17114	BRACKET, VALVE	1	1						S 1
4	2	198448-17190	SHAFT, STEERING	1	1						
4-1	2	1A7601-17190	SHAFT, STEERING	1	1						S
5	2	(A=FZZZZZ)	(B=FZZZZZ)								
		22242-000170	RING, 17	1	1						
6	2	22252-000370	RING, 37	1	1						
7	2	22252-000400	RING, 40	1	1						
8	2	24104-062030	BEARING, 6203UUC3	2	2						
9	2	24421-173507	SEAL, OIL TC173507	1	1						
10	1	1A7670-17501	VALVE ASSY, STEERING	1	1						
11	2	198133-17550	SEAL KIT	1	1						
12	1	194990-22150	NUT, M10	4	4						
13	1	198448-48620	JOINT, 3/8-M24	2	2						
14	1	198448-48630	JOINT ASSY, 1/4	2	2						
15	2	24311-000110	O-RING, 1AP11.0	2	2						
16	1	24311-000140	O-RING, 1AP14.0	2	2						
17	1	26106-100202	BOLT, M10X 20 PLATED	4	4						
18	1	26216-100252	STUD, M10X 25	4	4						

Remarks

(1)D=No.3-1 : 11mm, No.3-2 : 10.5mm.

N:Old $\begin{matrix} \leftarrow \text{Yes} \\ \text{No} \end{matrix}$ New, Q:Old $\begin{matrix} \leftarrow \text{No} \\ \text{Yes} \end{matrix}$ New, R:Old $\begin{matrix} \leftarrow \text{Yes} \\ \text{Yes} \end{matrix}$ New, S:Old $\begin{matrix} \leftarrow \text{No} \\ \text{No} \end{matrix}$ New, W:Add, Z:Discontinued, F:Interchangeable by set, K:Q'ty Change

Fig.26. P.S.T. PIPING

(A)=FK657
(B)=FK663
(C)=

(D)=
(E)=
(F)=

No.	Lev.	Parts No.	Description	Q'ty						I	R
				(A)	(B)	(C)	(D)	(E)	(F)		
1	1	1A7670-17710	PIPE, PRESSURE	1	1						
2	1	198220-48750	BOLT ASSY, JOINT	1	1						
3	1	23414-180023	GASKET, 18X1.0	2	2						
4	1	24311-000220	O-RING, 1AP22.0	1	1						
5	1	26013-060352	BOLT, M6X 35	4	4						
6	1	198463-17911	HOSE, STEERING	2	2						
7	1	198220-51870	BAND, NYLON 200	1	1						

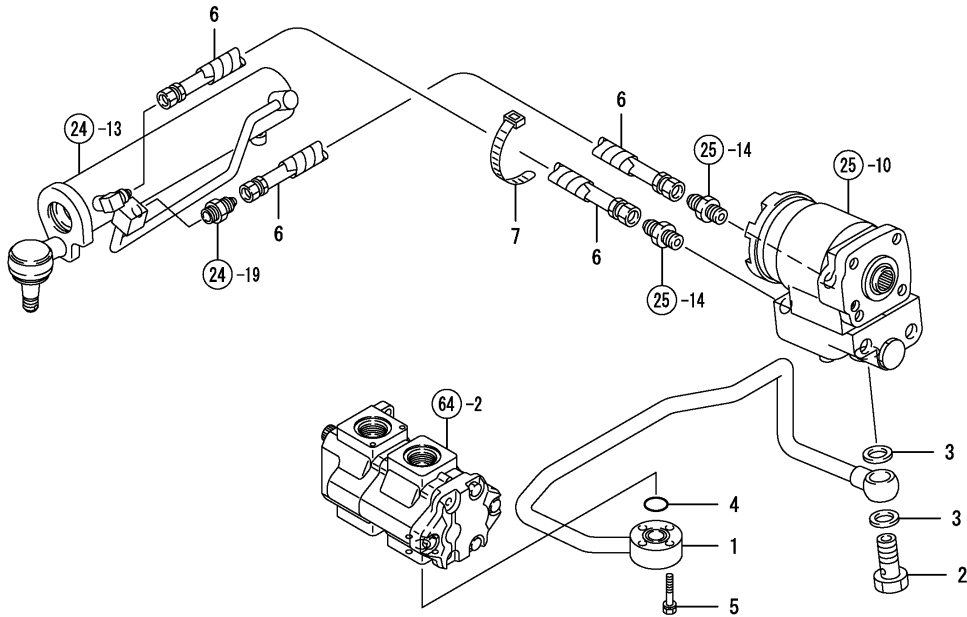
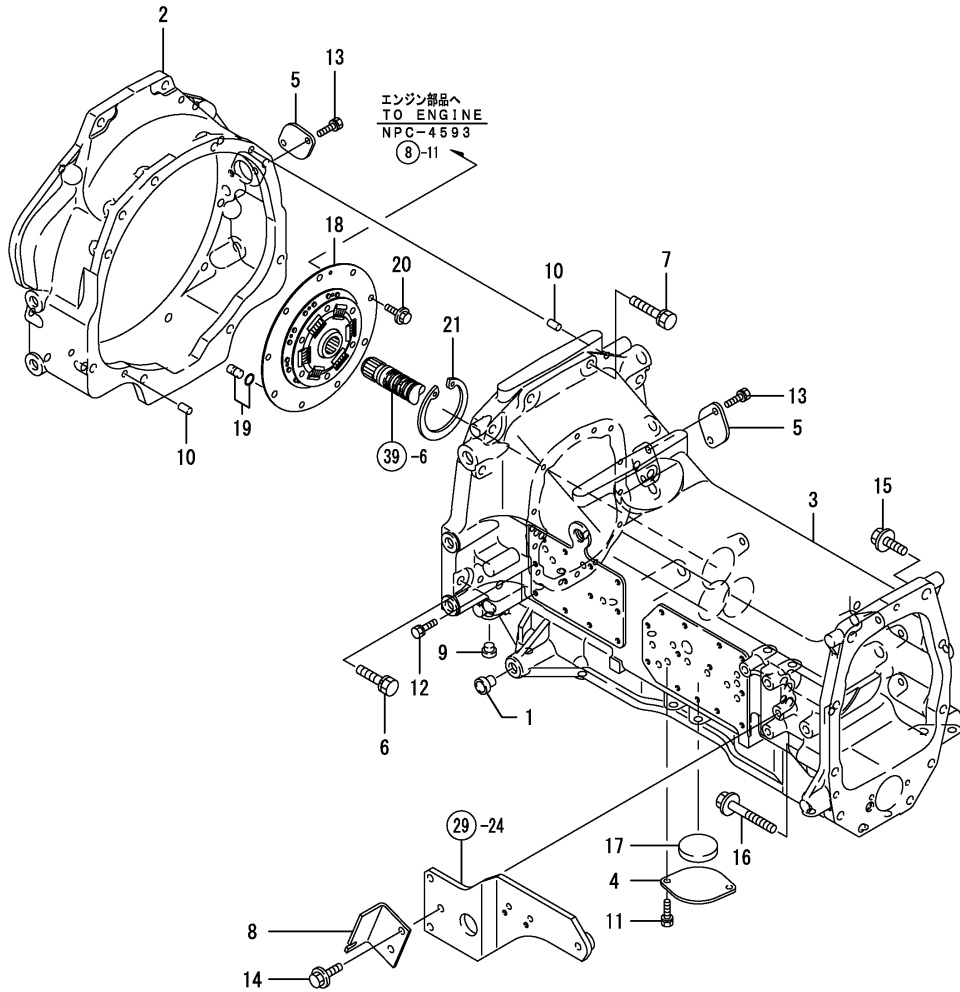


Fig.27. CLUTCH HOUSING

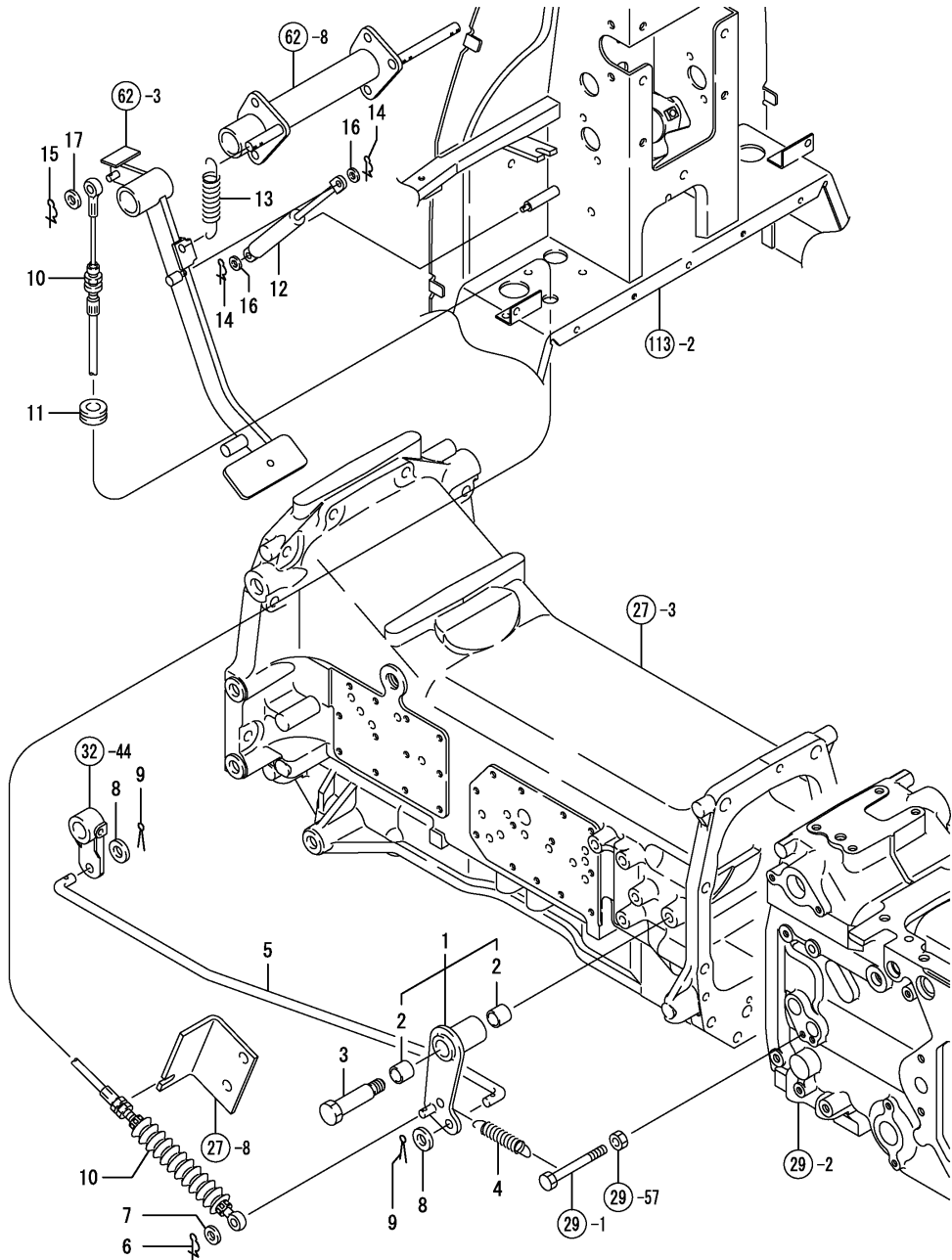


(A)=FK657
(B)=FK663
(C)=

(D)=
(E)=
(F)=

No.	Lev.	Parts No.	Description	Q'ty						I	R
				(A)	(B)	(C)	(D)	(E)	(F)		
1	1	194450-11190	PLUG, 15.0	4	4						
2	1	198448-21061	HOUSING, FLYWHEEL	1	1						
3	1	1A7600-21110	HOUSING, CLUTCH	1	1						
4	1	198071-21140	COVER, HOUSING	1	1						
5	1	194146-21150	COVER, SIDE	2	2						
6	1	198448-21280	BOLT, M12X50	1	1						
7	1	198448-21320	BOLT, M12X60	8	8						
8	1	1A7670-22480	SUPPORT, CLUTCH CABLE	1	1						
9	1	194150-24270	CAP, SCREW 13.0	2	2						
10	1	22312-100180	PIN, PARALLEL M10X18	2	2						
11	1	26013-080122	BOLT, M8X 12	2	2						
12	1	26013-080122	BOLT, M8X 12	2	2						
13	1	26013-080162	BOLT, M8X 16	4	4						
14	1	26106-100252	BOLT, M10X 25 PLATED	2	2						
15	1	26108-120402	BOLT, M12X 40 PLATED	5	5						
16	1	26108-120852	BOLT, M12X 85 PLATED	1	1						
17	1	27260-550000	PLUG, 55	1	1						
18	1	198448-22150	DISK, DAMPER	1	1						
19	1	198448-22190	PIN, PARALLEL 10X18	3	3						
20	1	26106-080162	BOLT, M8X 16 PLATED	6	6						
21	1	22252-000800	RING, 80	1	1						

Fig.28. CLUTCH LINK

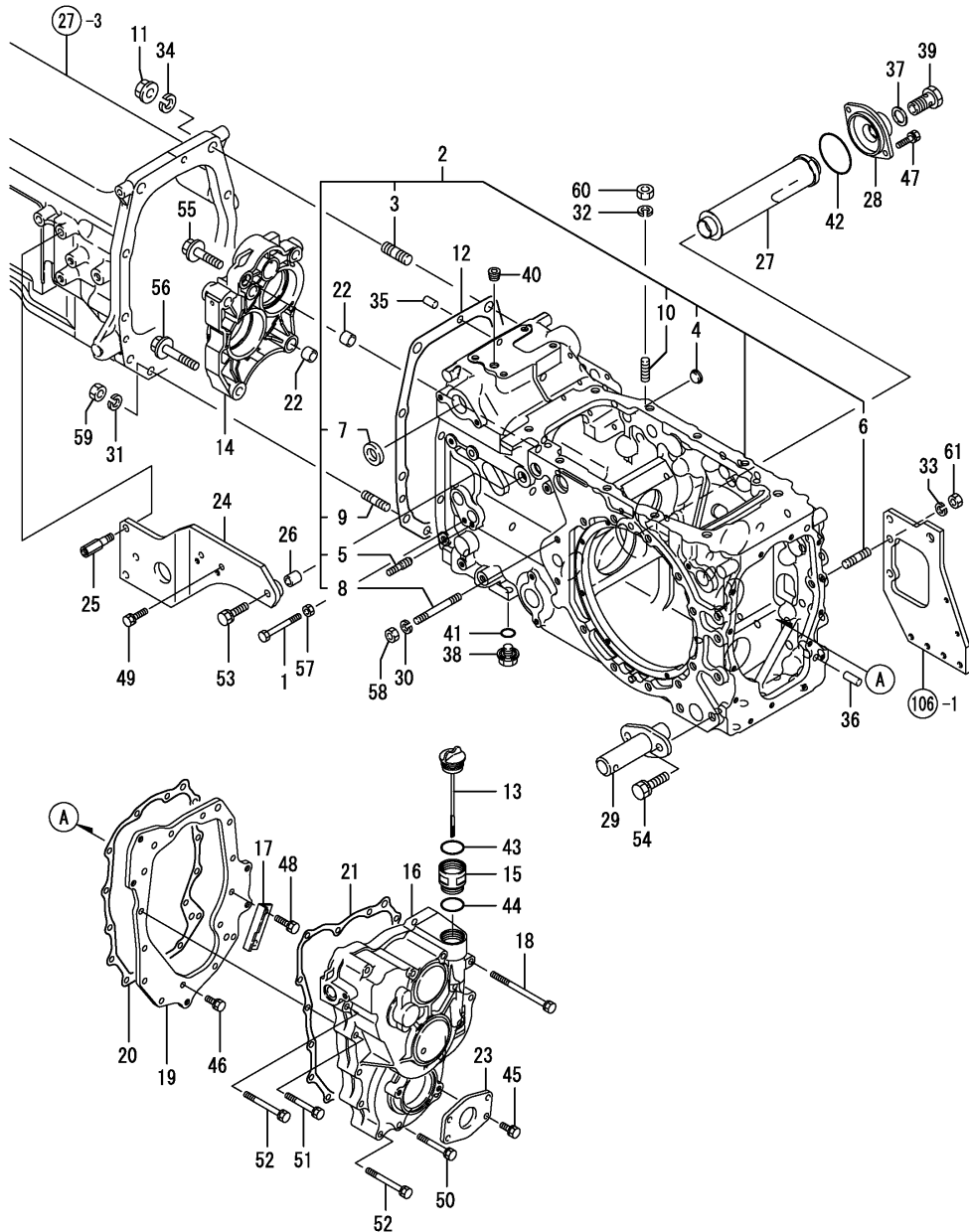


(A)=FK657
(B)=FK663
(C)=

(D)=
(E)=
(F)=

No.	Lev.	Parts No.	Description	Q'ty						I	R
				(A)	(B)	(C)	(D)	(E)	(F)		
1	1	198448-22301	ARM ASSY, CLUTCH	1	1						
2	2	24550-015150	BUSH, 15X15	2	2						
3	1	198448-22350	BOLT, STEPPED M12	1	1						
4	1	198220-22520	SPRING, CLUTCH	1	1						
5	1	198448-22550	ROD, CLUTCH	1	1						
6	1	1C6281-52320	PIN, SNAP 8	1	1						
7	1	22137-080000	WASHER, 8	1	1						
8	1	22137-100000	WASHER, 10	2	2						
9	1	22417-200300	PIN, COTTER 2.0X30	2	2						
10	1	198448-22510	CABLE ASSY, CLUTCH	1	1						
11	1	198448-22520	GROMMET, CABLE	1	1						
12	1	198448-22610	DAMPER, CLUTCH	1	1						
13	1	198290-37510	SPRING, RETURN	1	1						
14	1	1C6281-52310	PIN, SNAP 6	2	2						
15	1	1C6281-52320	PIN, SNAP 8	1	1						
16	1	22137-060000	WASHER, 6	2	2						
17	1	22137-080000	WASHER, 8	1	1						

Fig.29. TRANSMISSION CASE

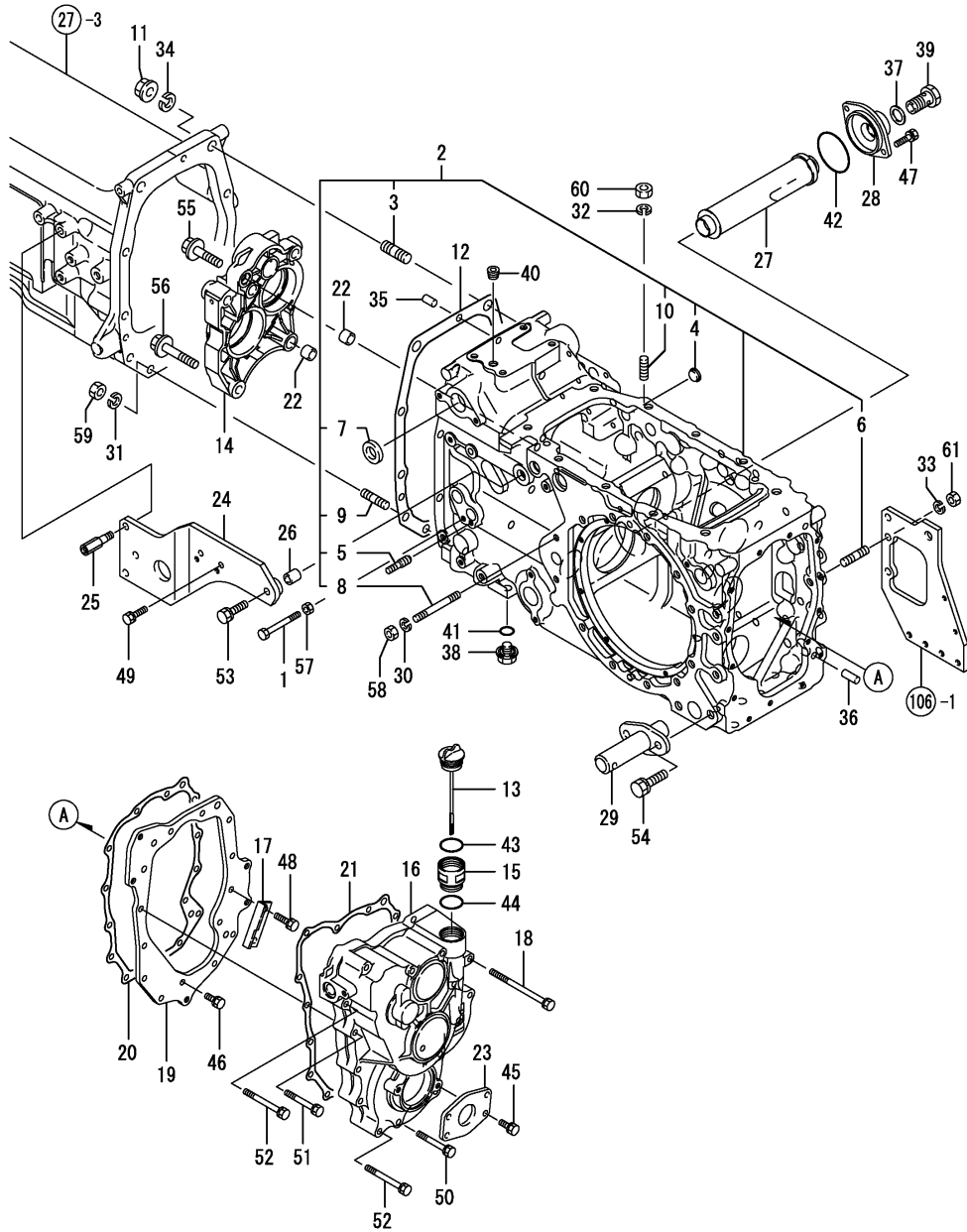


(A)=FK657
(B)=FK663
(C)=

(D)=
(E)=
(F)=

No.	Lev.	Parts No.	Description	Q'ty						I	R
				(A)	(B)	(C)	(D)	(E)	(F)		
1	1	198448-22360	BOLT, M8X70	1	1						
2	1	1A7600-24100	HOUSING ASSY	1	1						
3	2	198240-24120	STUD, M16X45	2	2						
4	2	1A7450-24170	PLUG, BORE 17	1	1						
5	2	1A7450-24180	STUD, M8-M6	1	1						
6	2	198240-24530	STUD, M12X45	2	2						
7	2	198212-27350	SEAL, OIL TC4 203507	1	1						
8	2	26216-100902	STUD, M10X 90	2	2						
9	2	26216-120252	STUD, M12X 25	2	2						
10	2	26216-120352	STUD, M12X 35	2	2						
11	1	198535-24120	NUT, M16	2	2						
12	1	198212-24140	GASKET, MISSION CASE	1	1						
13	1	1A7640-24150	PLUG, OIL M33X125	1	1						
14	1	1A7670-24160	RETAINER, BEARING	1	1						
15	1	1A7450-24190	PIPE, FILLER	1	1						
16	1	198535-24230	COVER, REAR	1	1						
17	1	198448-24290	STAY, GEAR	1	1						
18	1	198535-24290	BOLT, M8X115	3	3						
19	1	198535-24310	SPACER, REAR COVER	1	1						
20	1	198448-24320	PACKING REAR COVER F	1	1						
21	1	198535-24330	PACKING REAR COVER R	1	1						
22	1	198071-24340	COLLAR, 13X17X14	2	2						
23	1	198255-24460	PLATE, OIL SEAL	1	1						
24	1	1A7640-24820	PLATE, SUPPORT L	1	1						
25	1	1A7640-24860	BOLT, REAMER M10X28	1	1						
26	1	1A7640-24870	PIN, 17X19	1	1						
27	1	1A7640-24950	PIPE, INNER	1	1						
28	1	1A7640-24980	COVER, STRAINER	1	1						
29	1	194640-73180	PIN, LOWER LINK	2	2						
30	1	22217-100000	WASHER, SPRING 10	2	2						
31	1	22217-120000	WASHER, SPRING 12	2	2						
32	1	22217-120000	WASHER, SPRING 12	2	2						
33	1	22217-120000	WASHER, SPRING 12	2	2						
34	1	22217-160000	WASHER, SPRING 16	2	2						
35	1	22312-100180	PIN, PARALLEL M10X18	2	2						
36	1	22312-100250	PIN, PARALLEL M10X25	2	2						
37	1	23414-200026	GASKET, 20X1.0	1	1						
38	1	23491-140002	PLUG, 14	1	1						
39	1	23857-150000	BOLT, JOINT 15	1	1						
40	1	23871-020000	PLUG, R02	1	1						
41	1	24311-000160	O-RING, 1AP16.0	1	1						
42	1	24321-000650	O-RING, 1AG65.0	1	1						
43	1	24351-240300	O-RING, 1A24030	1	1						
44	1	24351-240300	O-RING, 1A24030	1	1						
45	1	26013-080122	BOLT, M8X 12	2	2						
46	1	26013-080202	BOLT, M8X 20	2	2						
47	1	26013-080202	BOLT, M8X 20	2	2						
48	1	26013-080252	BOLT, M8X 25	2	2						
49	1	26013-080252	BOLT, M8X 25	2	2						
50	1	26013-080452	BOLT, M8X 45	2	2						
51	1	26013-080602	BOLT, M8X 60	3	3						

Fig.29. TRANSMISSION CASE



(A)=FK657
(B)=FK663
(C)=

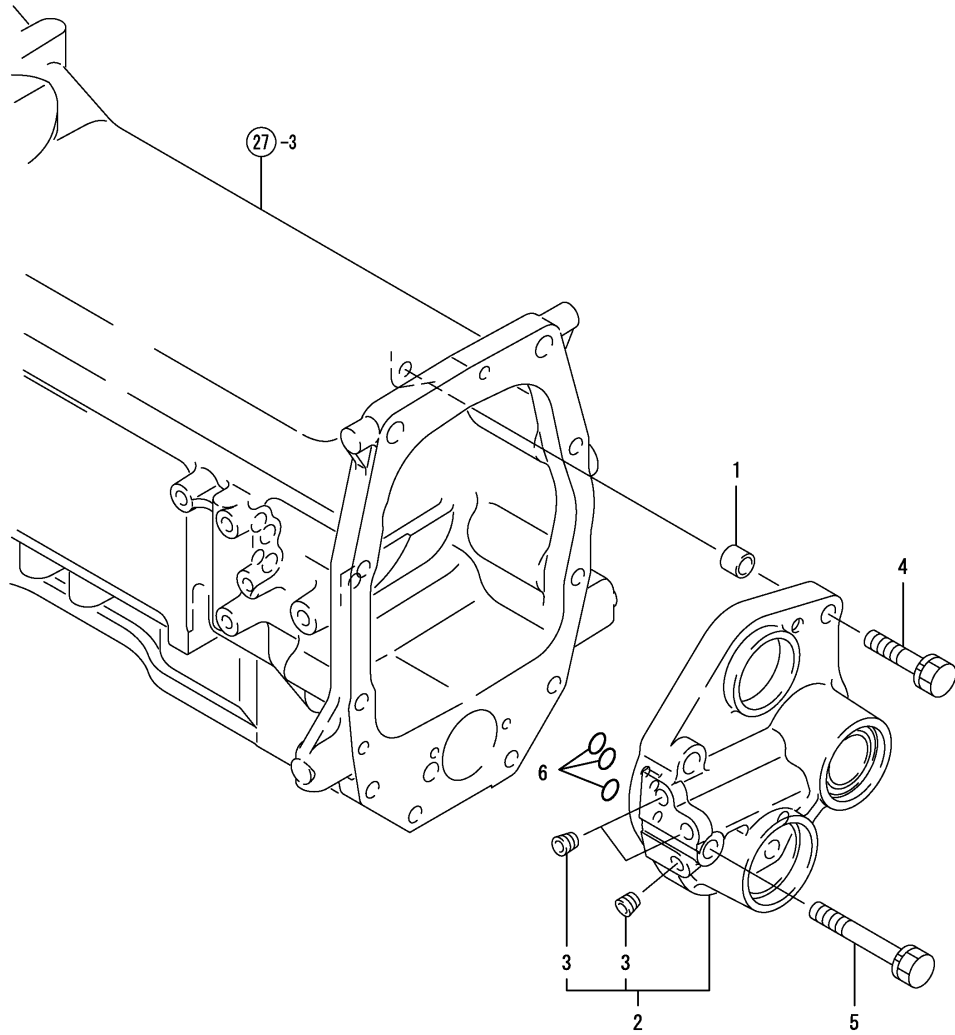
(D)=
(E)=
(F)=

No.	Lev.	Parts No.	Description	Q'ty						I	R
				(A)	(B)	(C)	(D)	(E)	(F)		
52	1	26013-080752	BOLT, M8X 75	5	5						
53	1	26013-100452	BOLT, M10X 45	1	1						
54	1	26013-140352	BOLT, M14X 35	4	4						
55	1	26108-120502	BOLT, M12X 50 PLATED	2	2						
56	1	26108-120652	BOLT, M12X 65 PLATED	2	2						
57	1	26716-080002	NUT, M8	1	1						
58	1	26716-100002	NUT, M10	2	2						
59	1	26716-120002	NUT, M12	2	2						
60	1	26716-120002	NUT, M12	2	2						
61	1	26716-120002	NUT, M12	2	2						

Fig.30. CENTER PLATE

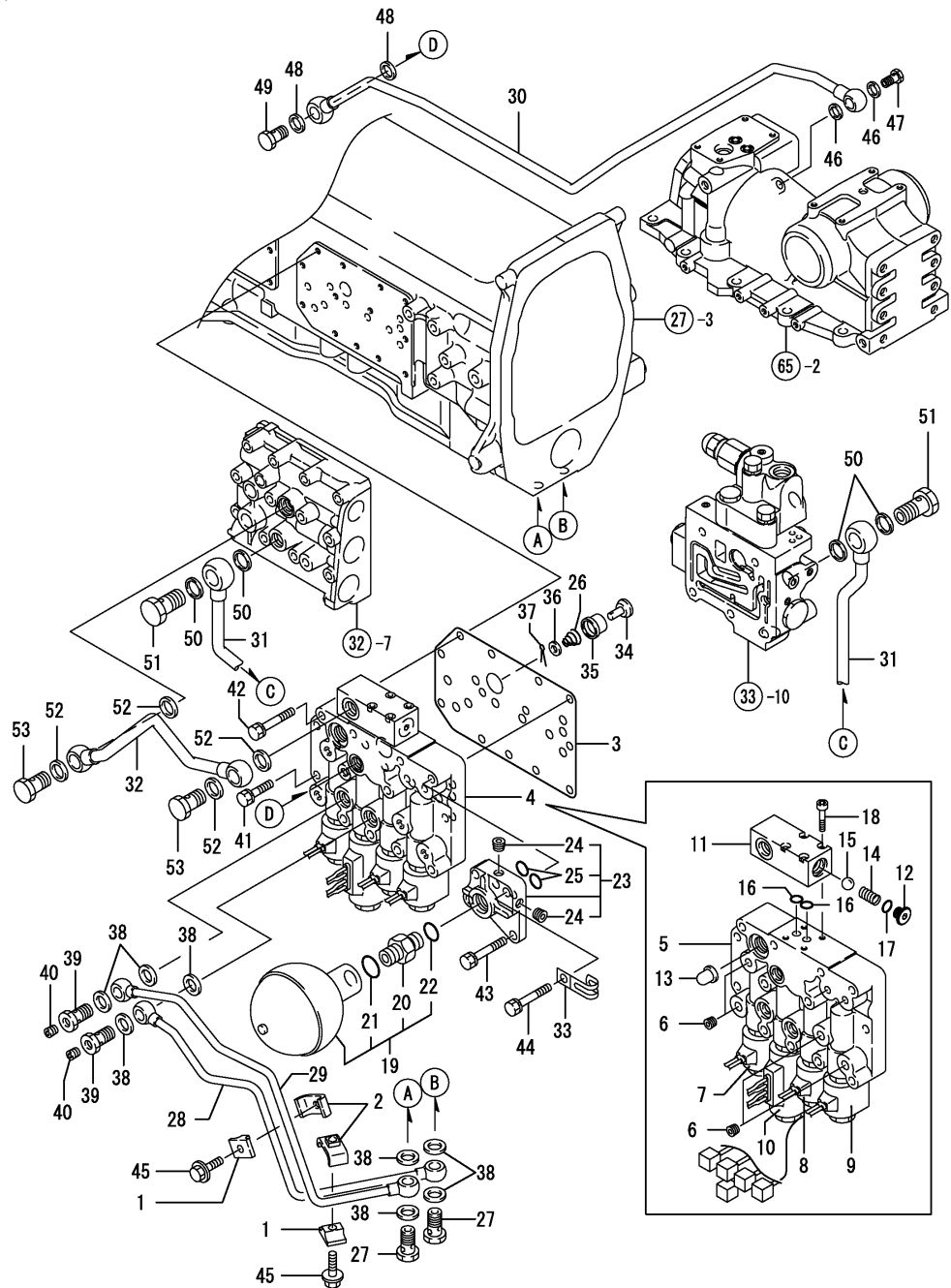
(A)=FK657
(B)=FK663
(C)=

(D)=
(E)=
(F)=



No.	Lev.	Parts No.	Description	Q'ty						I	R
				(A)	(B)	(C)	(D)	(E)	(F)		
1	1	198071-24340	COLLAR, 13X17X14	2	2						
2	1	198448-24350	PLATE ASSY, CENTER	1	1						
3	2	23876-010000	PLUG, R01	3	3						
4	1	26013-120502	BOLT, M12X 50	2	2						
5	1	26013-120802	BOLT, M12X 80	1	1						
6	1	41850-000110	PACKING, 11.0	3	3						

Fig.31. MAIN VALVE



(A)=FK657
(B)=FK663
(C)=

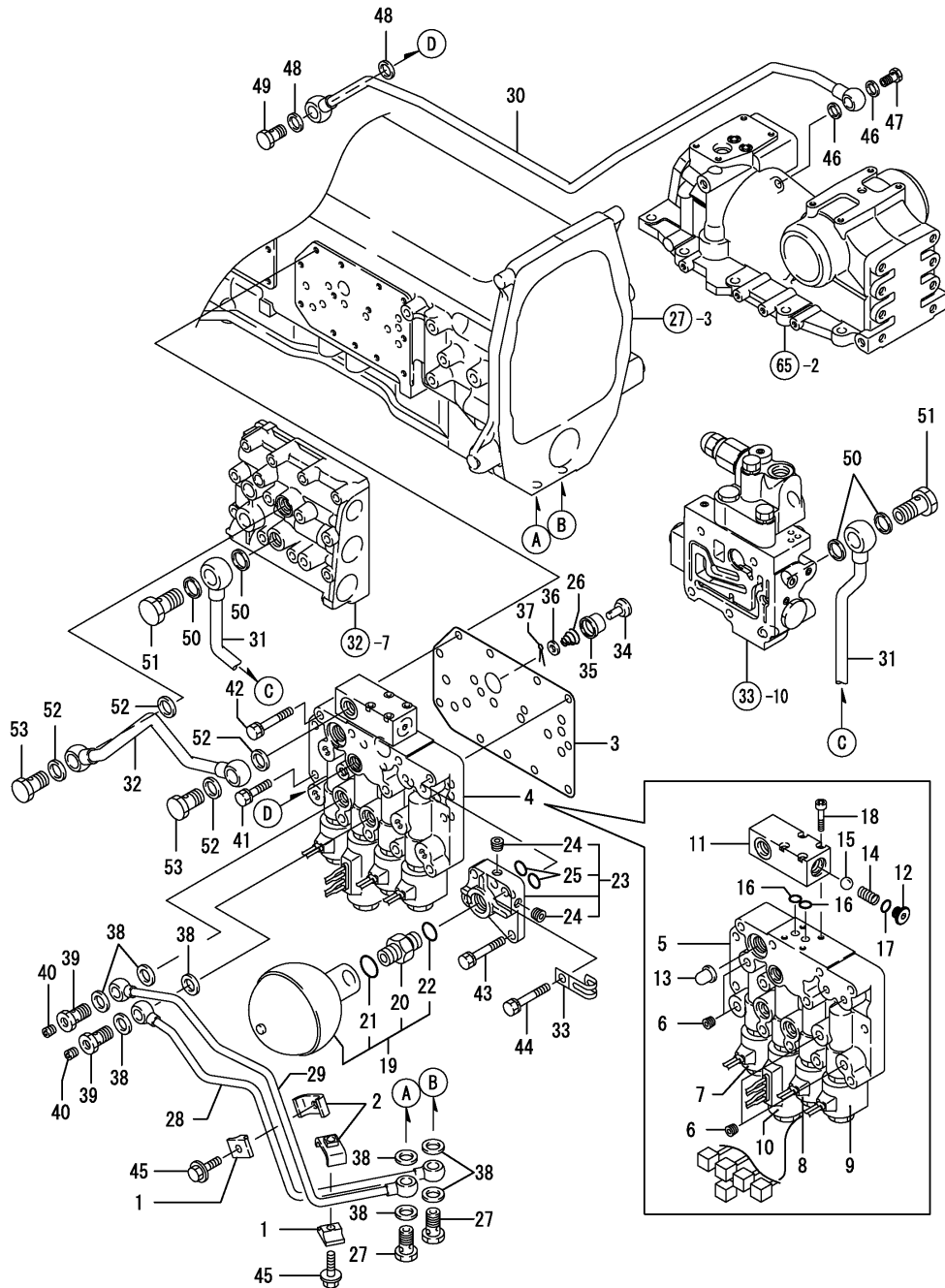
(D)=
(E)=
(F)=

No.	Lev.	Parts No.	Description	Q'ty						I	R
				(A)	(B)	(C)	(D)	(E)	(F)		
1	1	198240-04710	BASE, CLAMP	2	2						
2	1	198327-04840	CLAMP	2	2						
3	1	198448-24340	GASKET, VALVE	1	1						
4	1	1A7600-24400	VALVE ASSY, MAIN	1	1						
5	2	168211-01010	VALVECASE(A)	1	1						
6	2	178073-01200	PLUG PT 1/8	4	4						
7	2	178076-01211	SOLENOID	1	1						
8	2	178076-01311	SOLENOID	1	1						
9	2	178076-01411	SOLENOID	1	1						
10	2	178076-01511	SOLENOID	1	1						
11	2	168211-01700	BODY(CHECK	1	1						
12	2	178076-12400	PLUG, G1/4	1	1						
13	2	194556-42220	STRAINER, A	1	1						
14	2	1E6217-56170	SPRING,CHECK	1	1						
15	2	24190-120002	BALL, STEEL 3/8	1	1						
16	2	24311-000100	O-RING, 1AP10.0	2	2						
17	2	24311-000110	O-RING, 1AP11.0	1	1						
18	2	26450-050352	BOLT, M5X 35	4	4						
19	1	198448-24451	ACCUMULATOR ASSY	1	1						
20	2	198448-24470	ADAPTER	1	1						
21	2	198448-24521	PACKING, 1A16.7	1	1						
22	2	41850-000180	PACKING, 18.0	1	1						
23	1	198448-24481	FLANGE ASSY	1	1						
24	2	23871-010000	PLUG, R01	2	2						
25	2	41850-000120	PACKING, 12.0	2	2						
26	1	194310-24770	SPRING	1	1						
27	1	198448-28430	BOLT, JOINT M14	2	2						
28	1	198448-28452	PIPE, PRESSURE	1	1						
29	1	198448-28472	PIPE, PRESSURE HG	1	1						
30	1	1A7600-48580	LINE, LUBRICANT	1	1						
31	1	1A7600-48610	PIPE ASSY, PRESSURE	1	1						
32	1	1A7600-48650	PIPE	1	1						
33	1	194440-51620	CLAMP	1	1						
34	1	1E6190-55660	VALVE, 2ND RELIEF	1	1						
35	1	1E6190-55710	SEAT, 2ND RELIEF	1	1						
36	1	22117-060000	WASHER, 6	1	1						
37	1	22417-200100	COTTER PIN 2.0X10	1	1						
38	1	23414-140000	GASKET, 14X1.0	8	8						
39	1	23857-080000	BOLT, JOINT 8	2	2						
40	1	23876-010000	PLUG, R01	2	2						
41	1	26013-080352	BOLT, M8X 35	2	2						
42	1	26013-080552	BOLT, M8X 55	7	7						
43	1	26013-080652	BOLT, M8X 65	2	2						
44	1	26013-080752	BOLT, M8X 75	2	2						
45	1	26106-080252	BOLT, M8X 25 PLATED	2	2						
46	1	23414-120000	GASKET, 12X1.0	2	2						
47	1	23857-060000	BOLT, JOINT 6	1	1						
48	1	23414-140018	GASKET, 14X1.0	2	2						
49	1	23857-080000	BOLT, JOINT 8	1	1						
50	1	23414-180023	GASKET, 18X1.0	4	4						
51	1	23857-120000	BOLT, JOINT 12	2	2						

Fig.31. MAIN VALVE

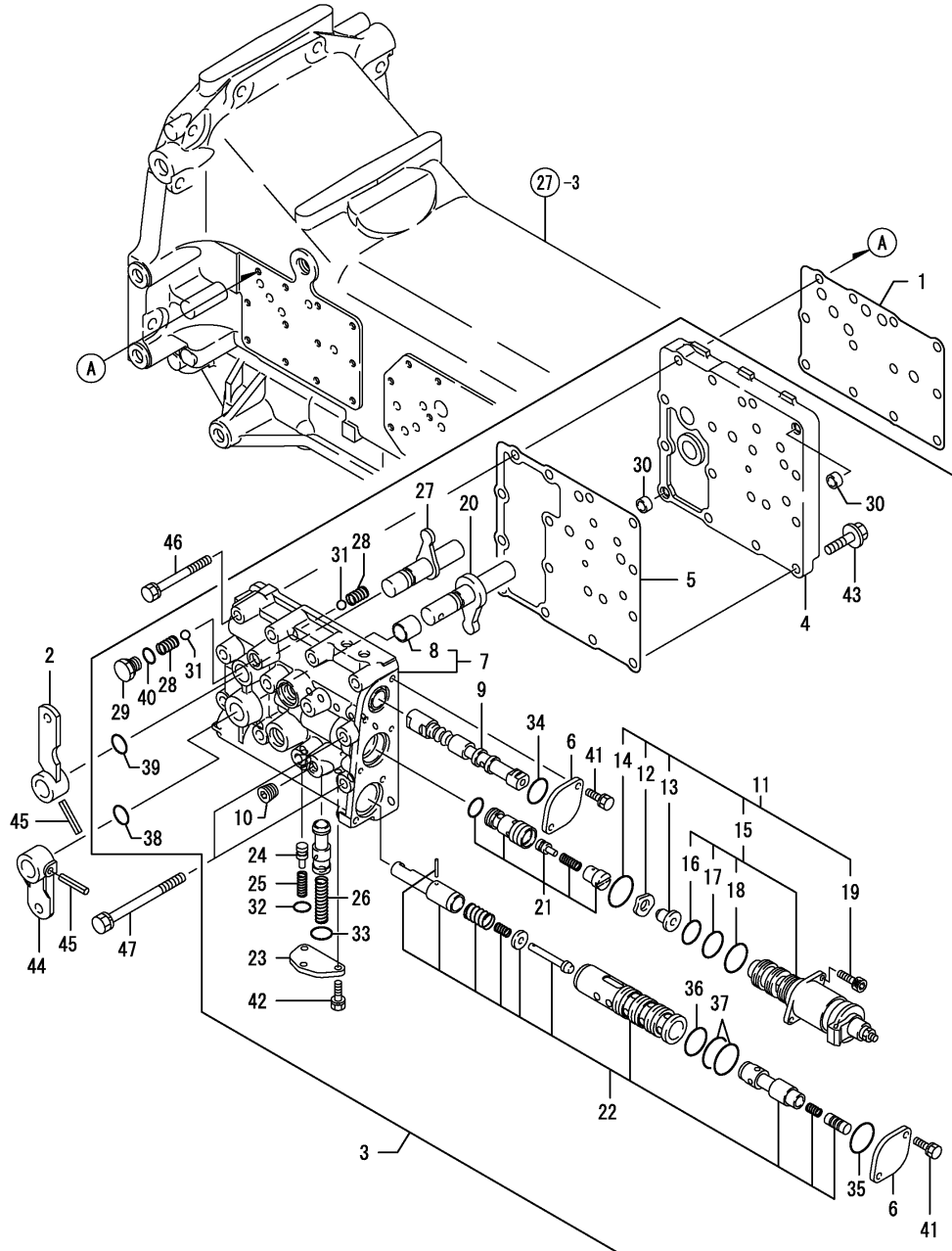
(A)=FK657
(B)=FK663
(C)=

(D)=
(E)=
(F)=



No.	Lev.	Parts No.	Description	Q'ty						I	R
				(A)	(B)	(C)	(D)	(E)	(F)		
52	1	23414-160021	GASKET, 16X1.0	4	4						
53	1	23857-100000	BOLT, JOINT 10	2	2						

Fig.32. REVERSER VALVE

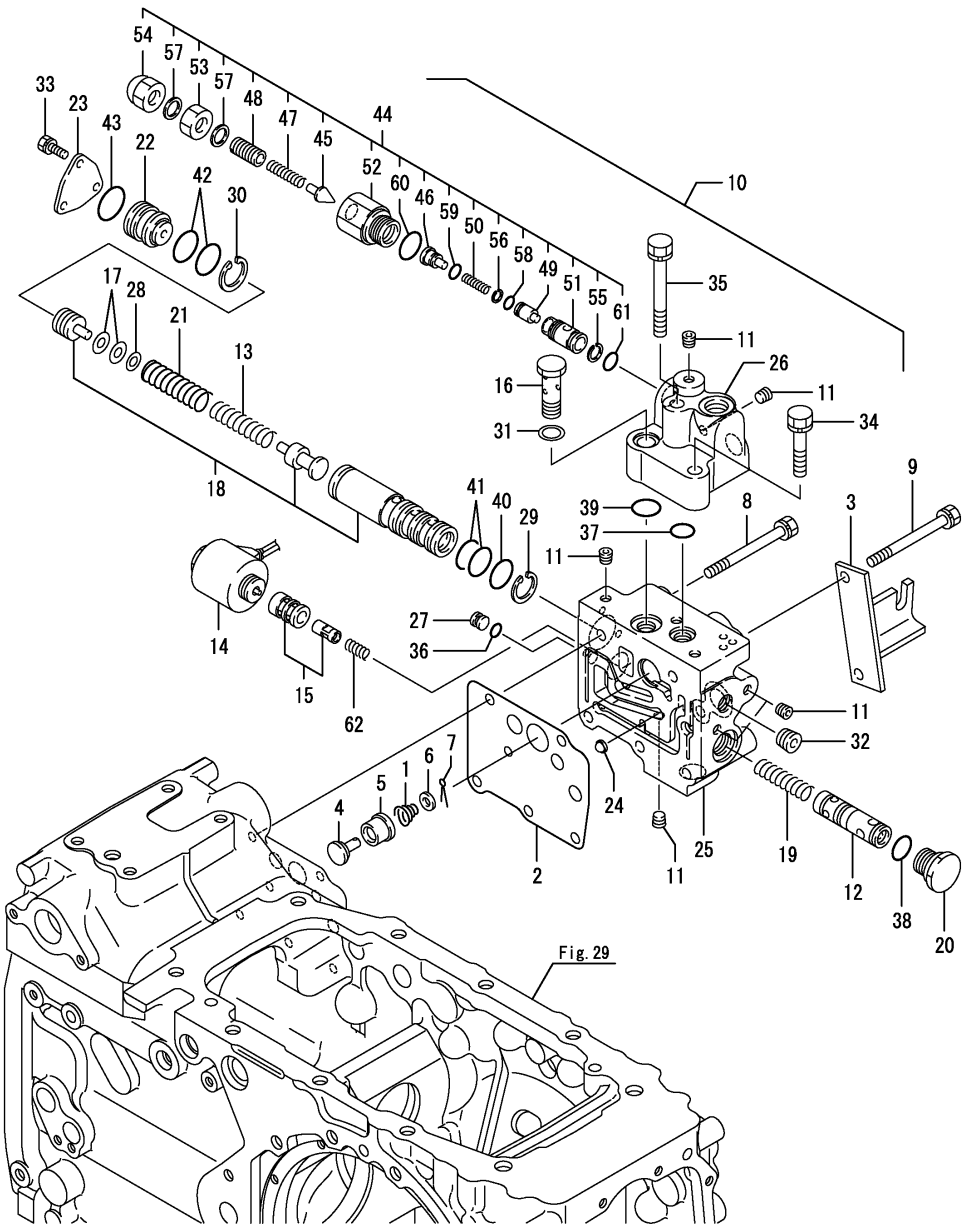


(A)=FK657
(B)=FK663
(C)=

(D)=
(E)=
(F)=

No.	Lev.	Parts No.	Description	Q'ty						I	R
				(A)	(B)	(C)	(D)	(E)	(F)		
1	1	198212-24281	GASKET, PR VALVE	1	1						
2	1	198448-24420	ARM, CHANGE	1	1						
3	1	1A7600-24500	VALVE ASSY, REVERSER	1	1						
4	2	178076-00122	PLATE, VALVE	1	1						
5	2	178076-00130	GASKET, VALVE CASE	1	1						
6	2	178076-00300	COVER	2	2						
7	2	168202-01010	VALVECASE(A CMP	1	1						
8	3	24550-017150	BUSH, 17X15	1	1						
9	2	168201-01070	SPOOL(P/R	1	1						
10	2	178073-01200	PLUG PT 1/8	3	3						
11	2	168202-01250	P.SOL VALVE CMP	1	1						
12	3	198463-24940	WASHER	1	1						
13	3	198463-24950	PLATE	1	1						
14	3	198463-24960	PACKING, 4ES30.0	1	1						
15	3	1A7260-24990	VALVE ASSY, SOLENOID	1	1						
16	4	24351-190180	O-RING, 1A19018	1	1						
17	4	24351-190200	O-RING, 1A19020	1	1						
18	4	24351-190220	O-RING, 1A19022	1	1						
19	3	26450-050122	BOLT, M5X 12	2	2						
20	2	168201-01350	ARM CLUTCH,CMP	1	1						
21	2	168202-01440	RELIEF VALVE CMP	1	1						
22	2	168201-01600	CLUTCH VALVE CMP	1	1						
23	2	198213-24370	COVER, RELIEF	1	1						
24	2	198213-24390	VALVE, RELIEF	1	1						
25	2	198213-24400	SPRING, RELIEF	1	1						
26	2	198213-24420	SPRING, CUT-OF	1	1						
27	2	198213-24441	ARM ASSY, SHIFT	1	1						
28	2	192180-24740	SPRING	2	2						
29	2	192157-26460	PLUG 1/2-20 UNF	1	1						
30	2	194521-41570	PIN, 11X7	2	2						
31	2	24190-100001	BALL, STEEL 5/16	2	2						
32	2	24311-000125	O-RING, 1AP12.5	1	1						
33	2	24311-000180	O-RING, 1AP18.0	1	1						
34	2	24311-000220	O-RING, 1AP22.0	1	1						
35	2	24311-000290	O-RING, 1AP29.0	1	1						
36	2	24341-000220	O-RING, 1AS22.0	1	1						
37	2	24341-000224	O-RING, 1AS22.4	2	2						
38	2	24351-010140	PACKING 1A 1014	1	1						
39	2	24351-010140	PACKING 1A 1014	1	1						
40	2	24361-090500	O-RING, 1AAS905	1	1						
41	2	26016-060162	BOLT, M6X 16	4	4						
42	2	26016-060162	BOLT, M6X 16	3	3						
43	2	26016-080302	BOLT, M8X 30	4	4						
44	1	198072-27650	ARM, CHANGE	1	1						
45	1	22351-060032	PIN, SPRING 6.0X32	2	2						
46	1	26013-080802	BOLT, M8X 80	10	10						
47	1	26013-080952	BOLT, M8X 95	2	2						

Fig.33. P.T.O. VALVE

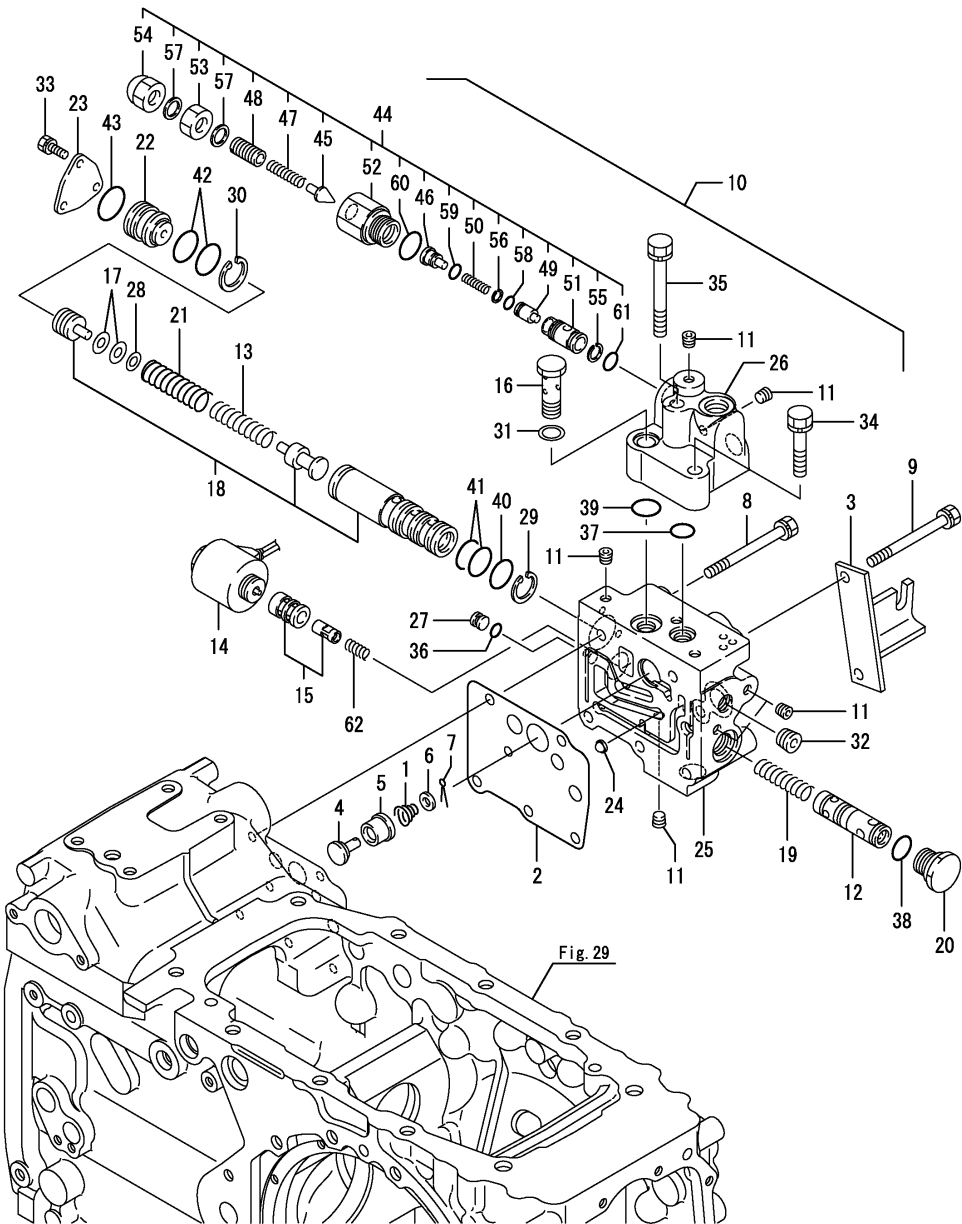


(A)=FK657
(B)=FK663
(C)=

(D)=
(E)=
(F)=

No.	Lev.	Parts No.	Description	Q'ty						I	R
				(A)	(B)	(C)	(D)	(E)	(F)		
1	1	194310-24770	SPRING, 2ND RELIEF A	1	1						
2	1	198212-24910	GASKET, PTO VALVE	1	1						
3	1	1A7640-33281	BRACKET, WIRE	1	1						
4	1	1E6190-55660	VALVE, 2ND RELIEF	1	1						
5	1	1E6190-55710	SEAT, 2ND RELIEF	1	1						
6	1	22117-060000	WASHER, 6	1	1						
7	1	22417-200100	COTTER PIN 2.0X10	1	1						
8	1	26013-080802	BOLT, M8X 80	3	3						
8-1	1	26106-080802	BOLT, M8X 80 PLATED	3	3						R
		(A=FXXXXXX) (B=FXXXXXX)									
9	1	26013-080852	BOLT, M8X 85	2	2						
9-1	1	26106-080852	BOLT, M8X 85 PLATED	2	2						R
		(A=FXXXXXX) (B=FXXXXXX)									
10	1	1A7640-24600	VALVE ASSY, PTO	1	1						
11	2	178073-01200	PLUG PT 1/8	6	6						
12	2	168227-01050	SPOOL FLOW CONT. 7A	1	1						
13	2	178076-02300	SPRING, DRV INNER	1	1						
14	2	178076-02400	SOLENOID ASSY	1	1						
15	2	178076-02430	VALVE ASSY, SOLENOID	1	1						
16	2	198266-24330	BOLT, PIPE JOINT M14	1	1						
17	2	194800-24620	SHIM, T=0.5	2	2						
18	2	194850-24630	VALVE ASSY, DRV	1	1						
19	2	198213-24700	SPRING, FLOW CONTROL	1	1						
20	2	198213-24710	PLUG	1	1						
21	2	198213-24720	SPRING, DRV OUTER	1	1						
22	2	198213-24740	PLUG, DRV	1	1						
23	2	198213-24750	COVER, DRV	1	1						
24	2	192157-24801	STRAINER	1	1						
25	2	168227-01020	VALVEBODY	1	1						
26	2	168227-02120	RELIEF CASE	1	1						
27	2	194170-45370	PLUG, FLOW CONTROL	1	1						
28	2	119620-51350	GASKET, DELIVERY	2	2						
29	2	22252-000180	RING, 18	1	1						
30	2	22252-000200	RING, 20	1	1						
31	2	23414-140000	GASKET, 14X1.0	1	1						
32	2	23871-030000	PLUG, R03	1	1						
33	2	26016-060162	BOLT, M6X 16	3	3						
34	2	26016-100452	BOLT, M10X 45	1	1						
35	2	26016-100802	BOLT, M10X 80	1	1						
36	2	24311-000070	O-RING, 1AP7.0	1	1						
37	2	24315-000160	O-RING, 1BP16.0	1	1						
38	2	24315-000180	O-RING, 1BP18.0	1	1						
39	2	24311-000200	O-RING, 1AP20.0	1	1						
40	2	24341-000220	O-RING, 1AS22.0	1	1						
41	2	24341-000224	O-RING, 1AS22.4	2	2						
42	2	24341-000240	O-RING, 1AS24.0	2	2						
43	2	24341-000250	O-RING, 1AS25.0	1	1						
44	2	198535-45600	VALVE ASSY, RELIEF	1	1						
45	3	194065-45610	POPPET, PILOT	1	1						
46	3	194065-45620	SEAT, VALVE	1	1						
47	3	194065-45630	SPRING, PILOT	1	1						

Fig.33. P.T.O. VALVE



(A)=FK657
(B)=FK663
(C)=

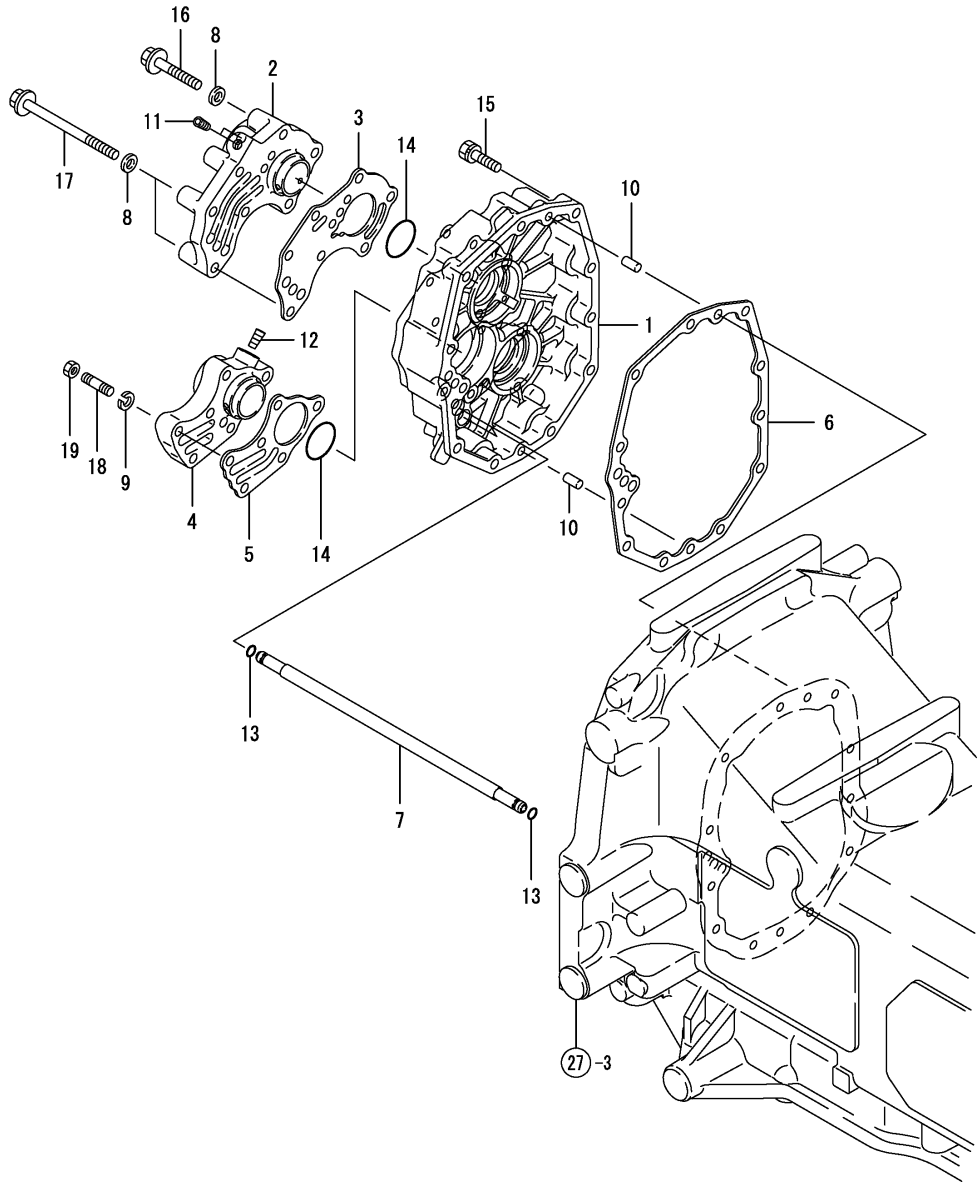
(D)=
(E)=
(F)=

No.	Lev.	Parts No.	Description	Q'ty						I	R
				(A)	(B)	(C)	(D)	(E)	(F)		
48	3	194065-45640	SCREW	1	1						
49	3	194065-45650	PISTON	1	1						
50	3	194065-45660	SPRING, PISTON	1	1						
51	3	194065-45670	SLEEVE	1	1						
52	3	194065-45680	PLUG	1	1						
53	3	194065-45690	NUT	1	1						
54	3	194065-45710	NUT, CAP	1	1						
55	3	194065-45730	RING, BACK UP	1	1						
56	3	194065-45740	RING, BACK UP P9	1	1						
57	3	194065-45750	PACKING, 12X18X1.5	2	2						
58	3	41850-000080	RING	1	1						
59	3	41851-000090	RING	1	1						
60	3	41851-000220	RING	1	1						
61	3	41856-010150	PACKING 1015	1	1						
62	2	178076-02460	SPRING, SPOOL	1	1						

Fig.34. FRONT COVER

(A)=FK657
(B)=FK663
(C)=

(D)=
(E)=
(F)=



No.	Lev.	Parts No.	Description	Q'ty						I	R
				(A)	(B)	(C)	(D)	(E)	(F)		
1	1	198448-24731	COVER, FRONT	1	1						
2	1	198448-24740	CASE, REVERSE SEAL	1	1						
3	1	198212-24750	GASKET, SEAL CASE	1	1						
4	1	198448-24761	CASE, SEAL	1	1						
5	1	198448-24771	GASKET, HOUSING	1	1						
6	1	198212-25720	GASKET, FRONT COVER	1	1						
7	1	198448-25850	PIPE, HIGH-LOW	2	2						
8	1	22190-080000	WASHER, SEAL 8	7	7						
9	1	22217-080000	WASHER, SPRING 8	6	6						
10	1	22312-080180	PIN, PARALLEL M8X18	2	2						
11	1	23876-010000	PLUG, R01	2	2						
12	1	23876-010000	PLUG, R01	1	1						
13	1	24341-000080	O-RING, 1AS8.0	4	4						
14	1	24341-000350	O-RING, 1AS35.0	2	2						
15	1	26013-080352	BOLT, M8X 35	9	9						
16	1	26106-080502	BOLT, M8X 50 PLATED	5	5						
17	1	26106-081102	BOLT, M8X110 PLATED	2	2						
18	1	26216-080302	STUD, M8X 30	6	6						
19	1	26716-080002	NUT, M8	6	6						

Fig.35. MAIN SHAFT

(A)=FK657
(B)=FK663
(C)=

(D)=
(E)=
(F)=

No.	Lev.	Parts No.	Description	Q'ty						I	R
				(A)	(B)	(C)	(D)	(E)	(F)		
1	1	198448-25130	SHAFT, PTO DRIVE	1	1						
2	1	198448-25250	GEAR, MAIN 34	1	1						
3	1	198448-25260	GEAR, MAIN 21	1	1						
4	1	198448-25270	SHAFT, MAIN	1	1						
5	1	194555-25870	BEARING, TMB206CC3	1	1						
6	1	198448-26080	BEARING, 62/22NR	1	1						
7	1	198448-26190	SPACER, 23X30X95	1	1						

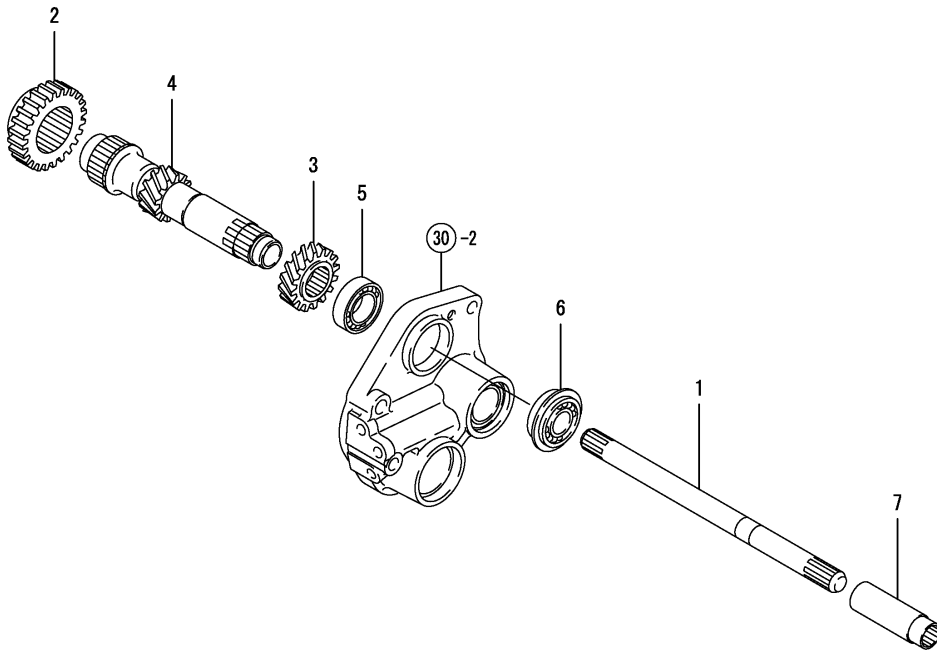
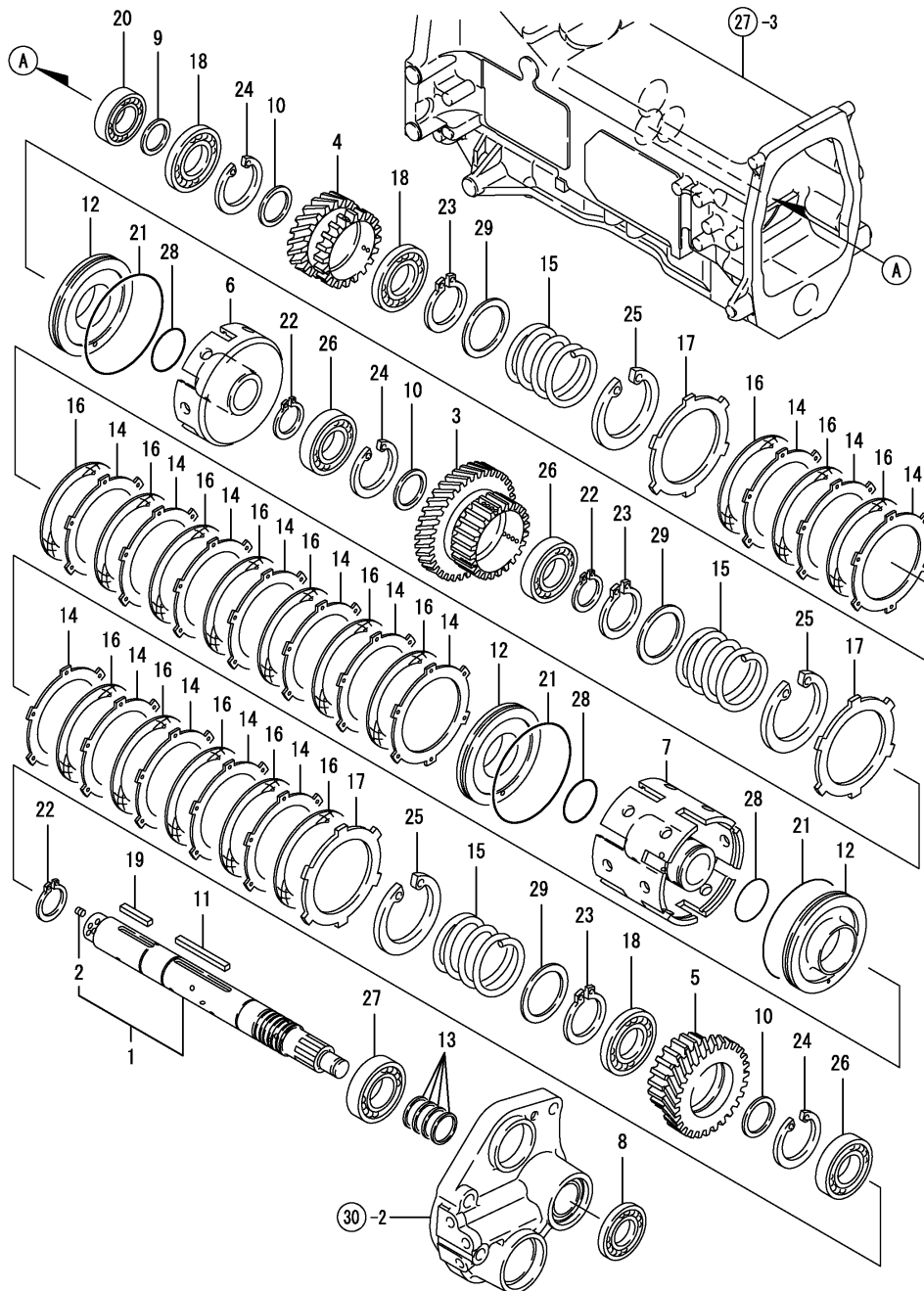


Fig.36. CLUTCH SHAFT

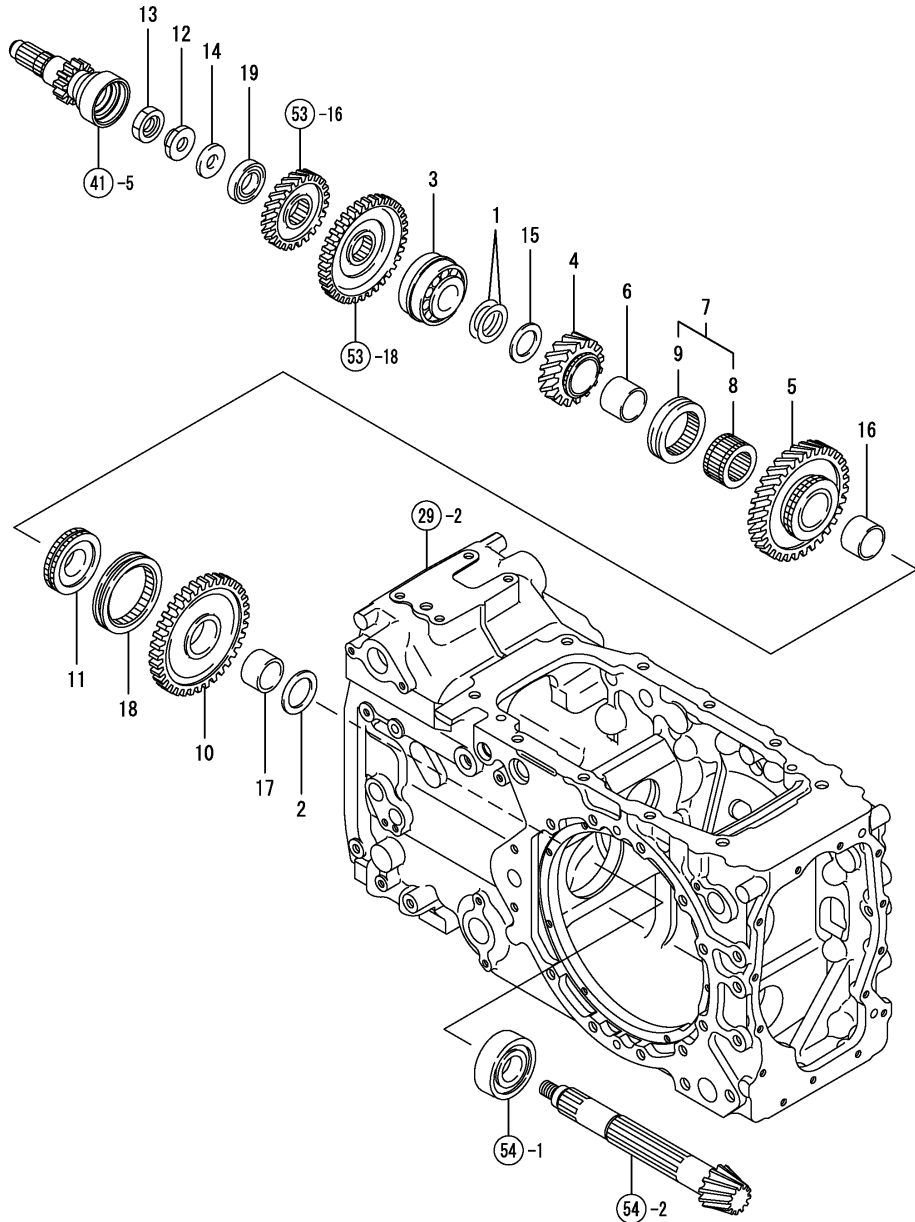


(A)=FK657
(B)=FK663
(C)=

(D)=
(E)=
(F)=

No.	Lev.	Parts No.	Description	Q'ty						I	R
				(A)	(B)	(C)	(D)	(E)	(F)		
1	1	198448-25200	SHAFT ASSY, CLUTCH	1	1						
2	2	1E6191-54330	SCREW 7X8	3	3						
3	1	198448-25220	GEAR, CLUTCH 41	1	1						
4	1	198448-25230	GEAR, CLUTCH 35	1	1						
5	1	198448-25240	GEAR, CLUTCH 37	1	1						
6	1	198448-25280	CYLINDER, CLUTCH	1	1						
7	1	198448-25290	CYLINDER, CLUTCH	1	1						
8	1	194430-25460	BEARING, BALL 16006	1	1						
9	1	194312-25470	SPACER, 30X40X2	1	1						
10	1	194250-25520	SPACER, 35X45X2	3	3						
11	1	194310-25530	KEY, 7X5.8X72	1	1						
12	1	194640-25550	PISTON, CLUTCH 110	3	3						
13	1	198071-25610	RING, SEAL 35	4	4						
14	1	194335-25640	PLATE, STEEL 1.2	15	15						
15	1	194320-25650	SPRING, RETURN	3	3						
16	1	194335-25650	PLATE, 110X2.0	15	15						
17	1	194327-25660	PLATE, STEEL 4.0	3	3						
18	1	194454-25770	BEARING, BALL 16007	3	3						
19	1	194850-26330	KEY, 7X5.8X40	1	1						
20	1	194327-26430	BEARING, TM206	1	1						
21	1	194066-28260	RING	3	3						
22	1	22242-000350	RING, 35	3	3						
23	1	22242-000500	RING, 50	3	3						
24	1	22252-000620	RING, 62	3	3						
25	1	22252-001100	RING, 110	3	3						
26	1	24101-060074	BEARING, BALL 6007	3	3						
27	1	24101-062074	BEARING, BALL 6207	1	1						
28	1	24351-240450	O-RING, 1A24045	3	3						
29	1	981083-20710	RETAINER, SPRING	3	3						

Fig.37. COUNTER SHAFT



(A)=FK657
(B)=FK663
(C)=

(D)=
(E)=
(F)=

No.	Lev.	Parts No.	Description	Q'ty						I	R
				(A)	(B)	(C)	(D)	(E)	(F)		
1	1	194301-12730	SHIM, 30X45X0.1	2	2						
2	1	194180-25550	WASHER, 35X50X3	1	1						
3	1	1A7350-25600	BEARING ASSY,4T30306	1	1						
4	1	198448-25640	GEAR, COUNTER 26	1	1						
5	1	198448-25661	GEAR, COUNTER 43	1	1						
6	1	198212-25680	BUSH, 34X40X30	1	1						
7	1	198149-25700	COLLAR ASSY, SPLINE	1	1						
8	2	198149-25780	COLLAR, SPLINE A	1	1						
9	2	198149-25890	SHIFTER	1	1						
10	1	198448-25760	GEAR, COUNTER 53	1	1						
11	1	198448-25782	COLLAR, SPLINE B	1	1						
12	1	198220-25830	NUT, LOCK M16	1	1						
13	1	198220-25840	NUT, LOCK M16	1	1						
14	1	198415-25840	SPACER, 16X38X4.5	1	1						
15	1	194640-25860	WASHER, 30X45X3	1	1						
16	1	198133-25860	BUSH, 34X40X26	1	1						
17	1	198149-25880	BUSH, 35X40X19	1	1						
18	1	198448-25891	SHIFTER, 72	1	1						
19	1	24101-060054	BEARING, BALL 6005	1	1						

Fig.38. REDUCTION SHAFT

(A)=FK657
(B)=FK663
(C)=

(D)=
(E)=
(F)=

No.	Lev.	Parts No.	Description	Q'ty						I	R
				(A)	(B)	(C)	(D)	(E)	(F)		
1	1	1A7600-25610	GEAR, REDUCTION	1	1						
2	1	24101-063054	BEARING, BALL 6305	1	1						
3	1	24101-063064	BEARING, BALL 6306	1	1						

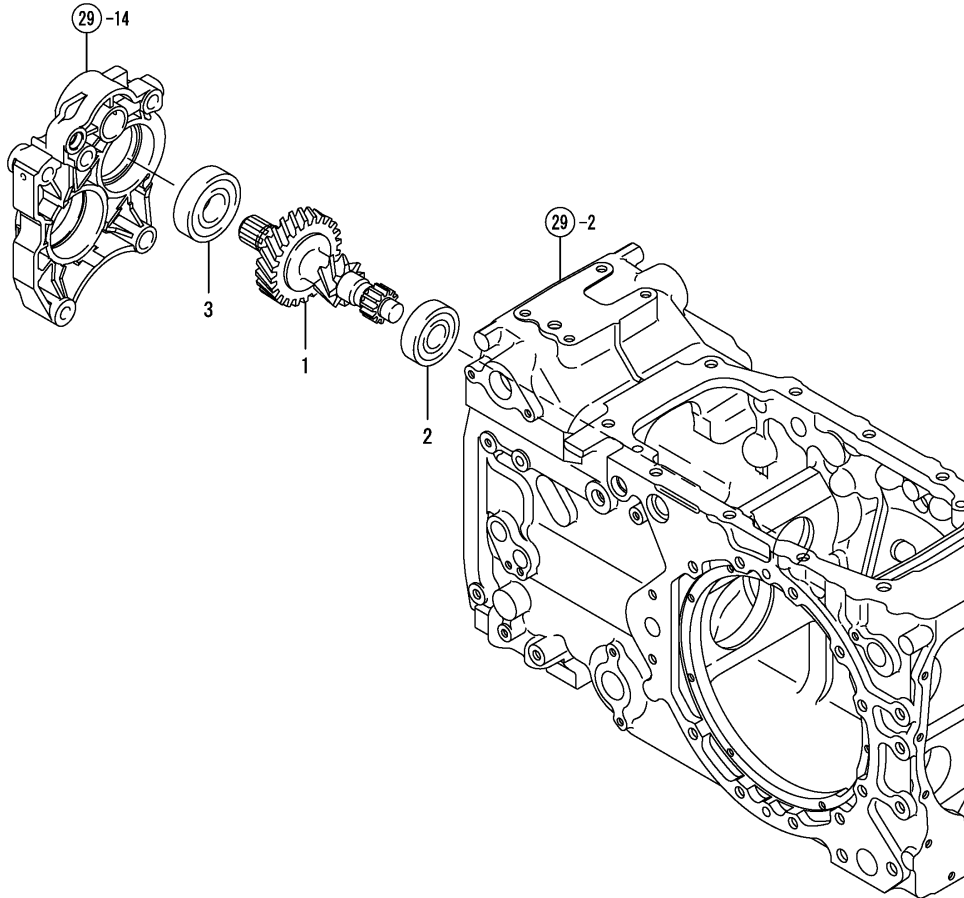
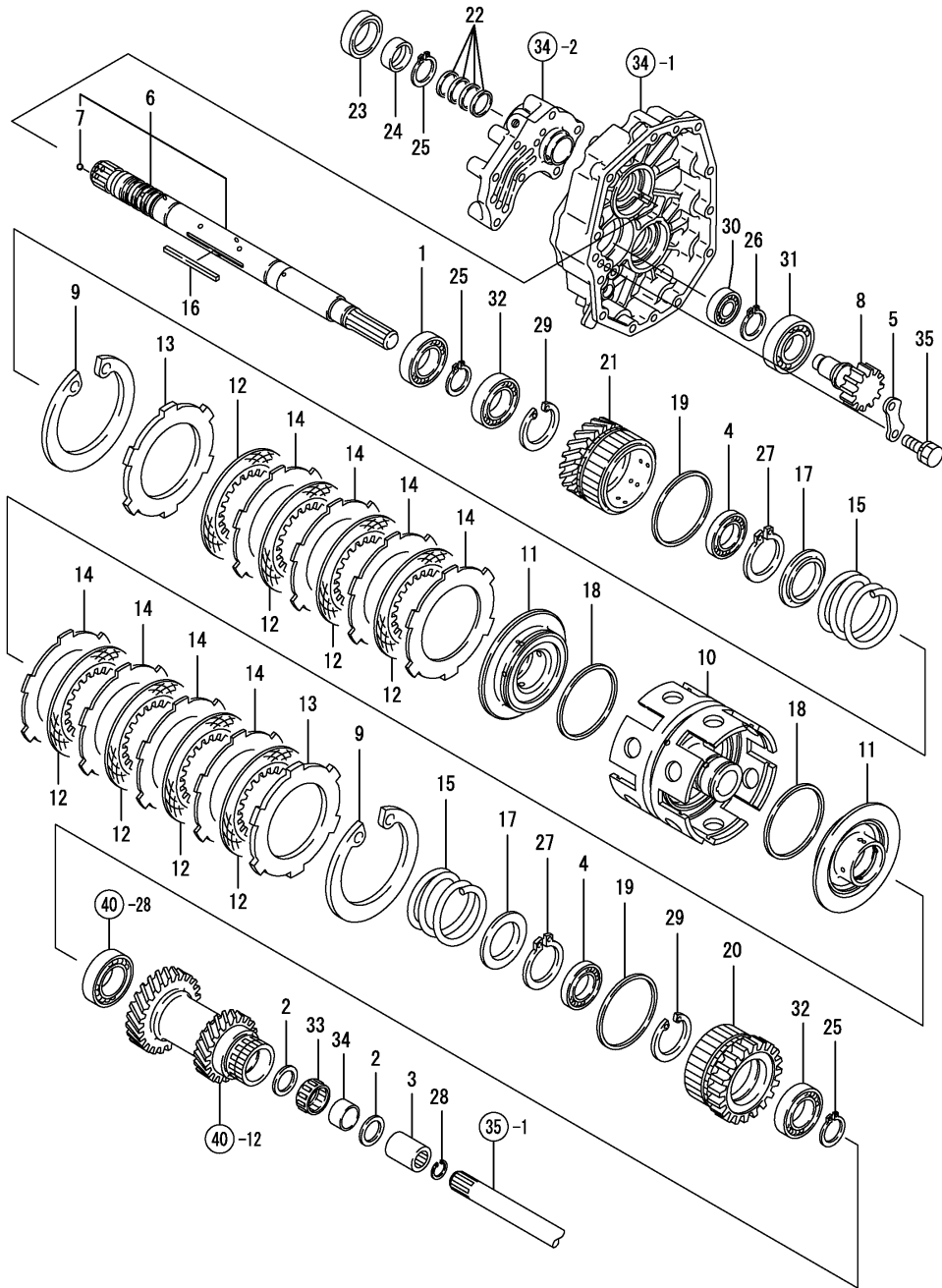


Fig.39. POWER REVERSER

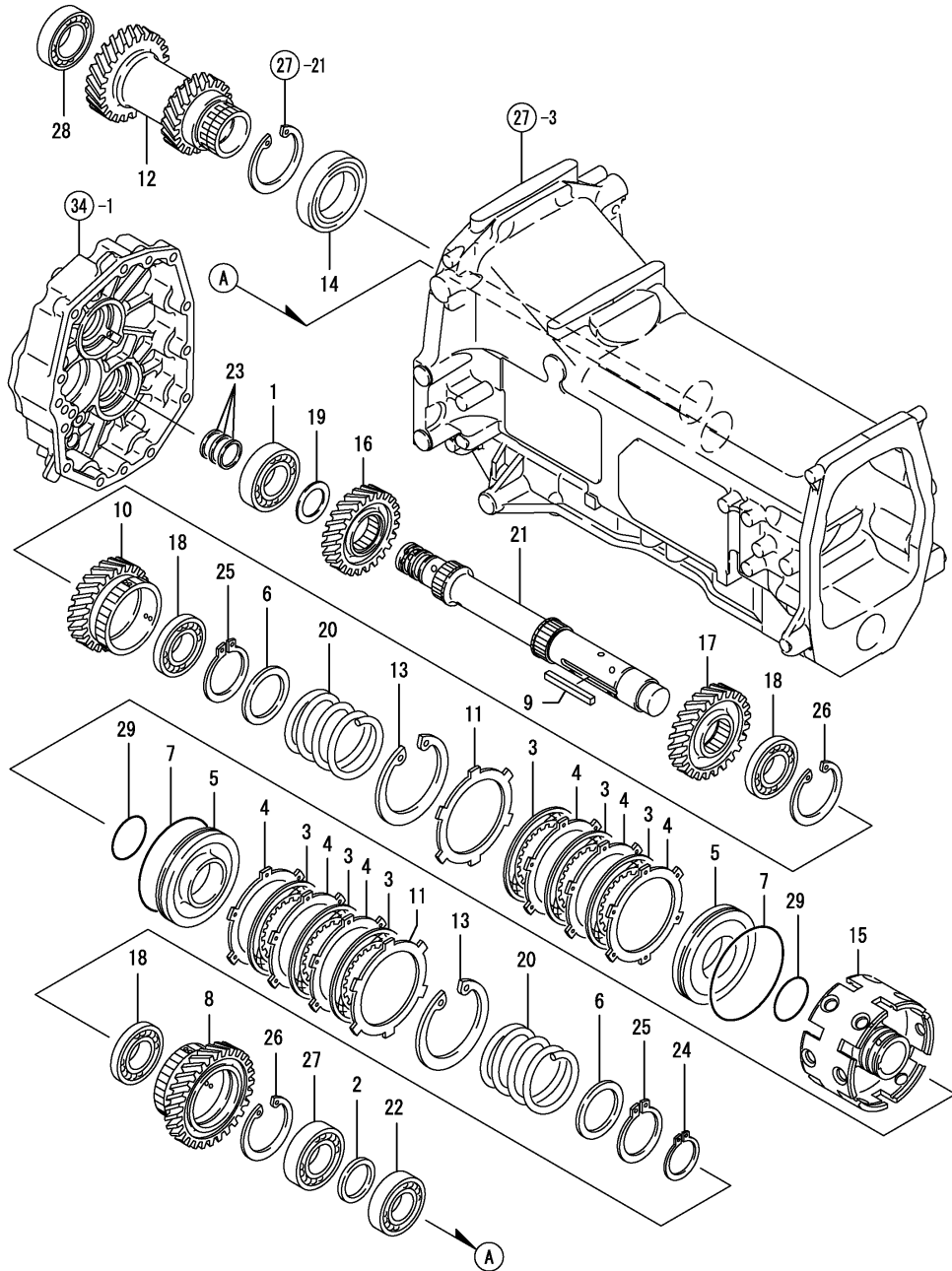


(A)=FK657
(B)=FK663
(C)=

(D)=
(E)=
(F)=

No.	Lev.	Parts No.	Description	Q'ty						I	R
				(A)	(B)	(C)	(D)	(E)	(F)		
1	1	198360-22550	BEARING, TMB006	1	1						
2	1	198220-25130	SPACER, 25X33X2	2	2						
3	1	198212-25150	COUPLING, 13X16/32	1	1						
4	1	194430-25460	BEARING, BALL 16006	2	2						
5	1	198212-25690	PLATE, KEEP	1	1						
6	1	198448-25731	SHAFT ASSY, INPUT	1	1						
7	2	24190-080001	BALL, STEEL 1/4	3	3						
8	1	198212-25770	GEAR, IDLE 17	1	1						
9	1	198212-25790	RING, C130	2	2						
10	1	198448-25801	CYLINDER, CLUTCH	1	1						
11	1	198212-25810	PISTON, CLUTCH	2	2						
12	1	198212-25820	PLATE, FRICTION 130	8	8						
13	1	198212-25830	PLATE, STEEL 5.0	2	2						
14	1	198212-25840	PLATE, STEEL 0.3	8	8						
15	1	198212-25850	SPRING, RETURN	2	2						
16	1	198212-25860	KEY, 5X5X80	1	1						
17	1	198212-25870	HOOK, SPRING	2	2						
18	1	198212-25880	RING, 95	2	2						
19	1	198212-25890	RING	2	2						
20	1	198448-25900	GEAR, CLUTCH 36F	1	1						
21	1	198448-25910	GEAR, CLUTCH 33	1	1						
22	1	198451-28750	RING, 26.27X30.07X3	4	4						
23	1	194305-32650	SEAL, OIL TC35529	1	1						
24	1	194420-39370	SLEEVE, SI 30X35X13A	1	1						
25	1	22242-000300	RING, 30	3	3						
26	1	22242-000300	RING, 30	1	1						
27	1	22242-000450	RING, 45	2	2						
28	1	22252-000190	RING, 19	1	1						
29	1	22252-000550	RING, 55	2	2						
30	1	24101-062034	BEARING, BALL 6203	1	1						
31	1	24101-062064	BEARING, BALL 6206	1	1						
32	1	24107-060064	BEARING, BALL 6006ZZ	2	2						
33	1	24161-303517	BEARING, 303517	1	1						
34	1	24163-250170	RING, INNER 253017	1	1						
35	1	26013-080202	BOLT, M8X 20	2	2						

Fig.40. HI-LO SHAFT

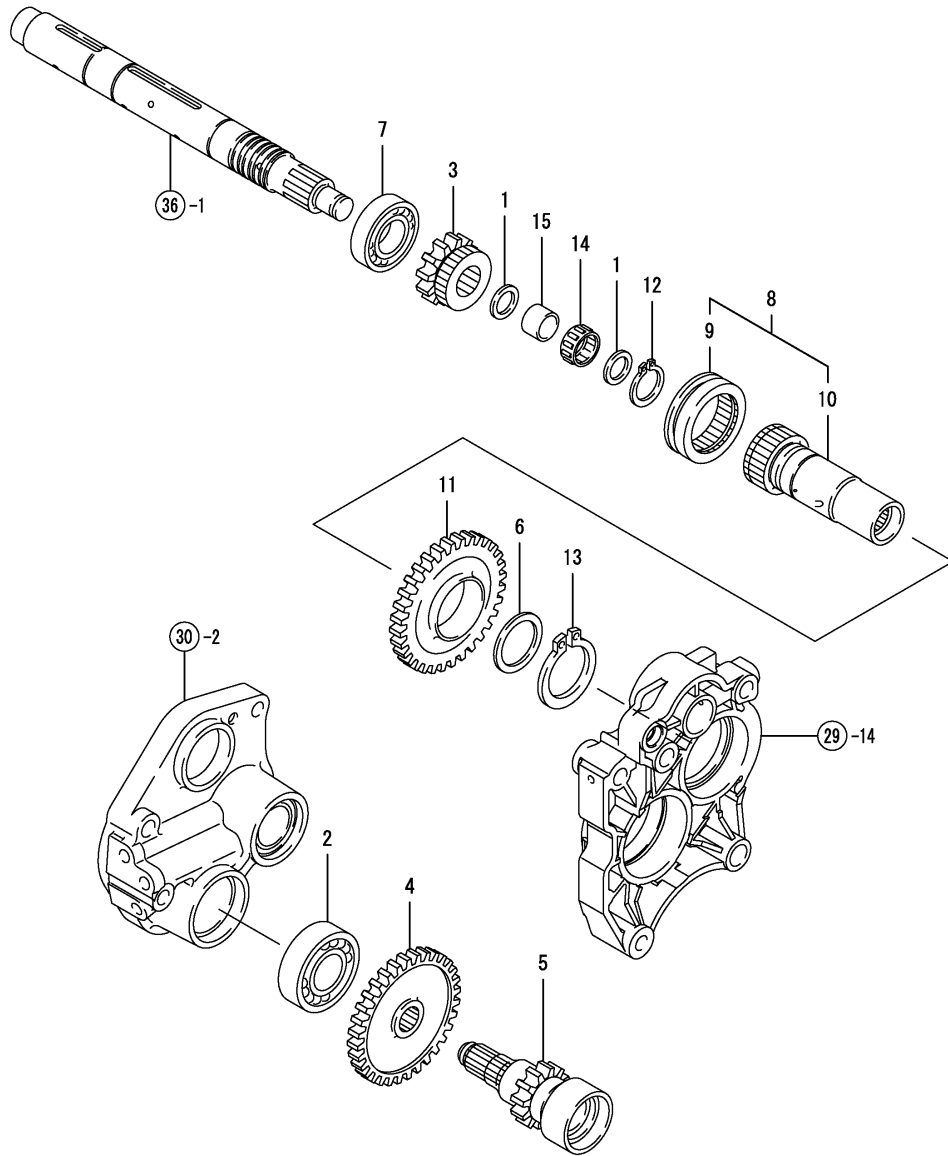


(A)=FK657
(B)=FK663
(C)=

(D)=
(E)=
(F)=

No.	Lev.	Parts No.	Description	Q'ty						I	R
				(A)	(B)	(C)	(D)	(E)	(F)		
1	1	198360-22550	BEARING, TMB006	1	1						
2	1	194312-25470	SPACER, 30X40X2	1	1						
3	1	198119-25510	PLATE, 105X2.0	6	6						
4	1	198119-25520	PLATE, STEEL 105X1.2	6	6						
5	1	198118-25550	PISTON, CLUTCH	2	2						
6	1	194555-25560	SPACER, 46X61X2	2	2						
7	1	198091-25570	PACKING, 105	2	2						
8	1	198448-25580	GEAR, CLUTCH 47HI	1	1						
9	1	198071-25590	KEY, 7X5.8X68	1	1						
10	1	198448-25590	GEAR, CLUTCH 40	1	1						
11	1	198119-25620	PLATE, STEEL 105X3.5	2	2						
12	1	198448-25630	GEAR, DRIVEN	1	1						
13	1	198091-25640	CIRCLIP, C105H	2	2						
14	1	1A7600-25650	BEARING, 6010 SH2	1	1						
15	1	198448-25650	CYLINDER, CLUTCH	1	1						
16	1	198463-25750	GEAR, DRIVEN 34	1	1						
17	1	198463-25760	GEAR, DRIVEN 37	1	1						
18	1	194454-25770	BEARING, BALL 16007	3	3						
19	1	198463-25770	SPACER	1	1						
20	1	194555-25790	SPRING, RETURN	2	2						
21	1	198448-25791	SHAFT, DRIVEN	1	1						
22	1	194327-26430	BEARING, TM206	1	1						
23	1	198451-28750	RING, 26.27X30.07X3	3	3						
24	1	22242-000350	RING, 35	1	1						
25	1	22242-000450	RING, 45	2	2						
26	1	22252-000620	RING, 62	2	2						
27	1	24101-060074	BEARING, BALL 6007	1	1						
28	1	24101-062064	BEARING, BALL 6206	1	1						
29	1	24351-240420	O-RING, 1A24042	2	2						

Fig.41. CREEP GEAR

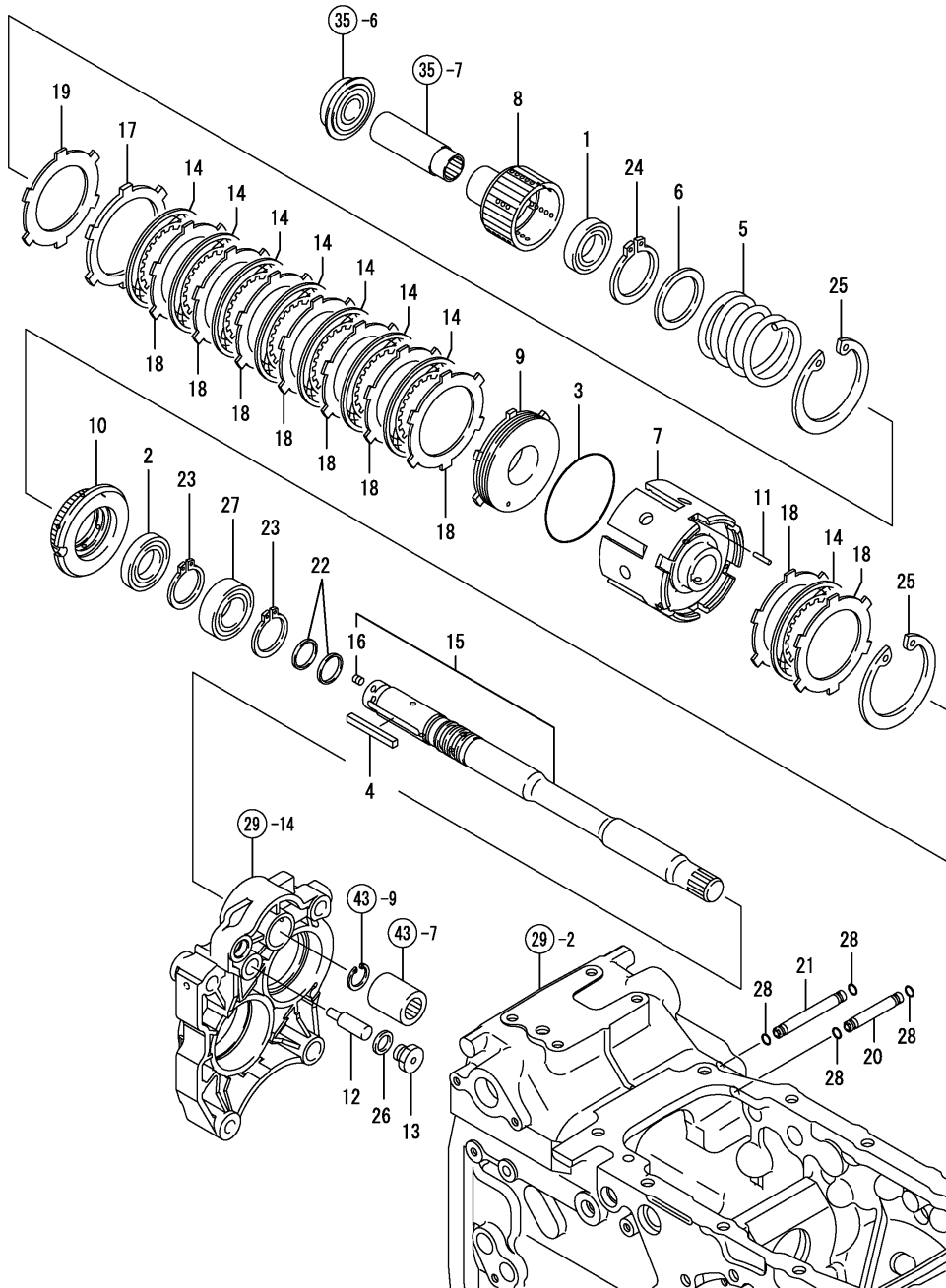


(A)=FK657
(B)=FK663
(C)=

(D)=
(E)=
(F)=

No.	Lev.	Parts No.	Description	Q'ty						I	R
				(A)	(B)	(C)	(D)	(E)	(F)		
1	1	198448-25190	COLLAR, 20X29X2.3	2	2						
2	1	194800-25250	BEARING, BALL 60/32	1	1						
3	1	198448-25330	GEAR, CREEP 18	1	1						
4	1	198448-25340	GEAR, CREEP 42	1	1						
5	1	198448-25350	GEAR, CREEP 16	1	1						
6	1	198448-25360	WASHER, 40X52X3	1	1						
7	1	194430-25460	BEARING, BALL 16006	1	1						
8	1	1A7600-25550	SHAFT ASSY	1	1						
9	2	198448-25440	SHIFTER	1	1						
10	2	1A7600-25560	SHAFT, CONNECTING	1	1						
11	1	198448-25550	GEAR, CREEP 39	1	1						
12	1	22242-000200	RING, 20	1	1						
13	1	22242-000400	RING, 40	1	1						
14	1	24161-253017	BEARING, 253017	1	1						
15	1	24163-205170	RING, INNER 202517	1	1						

Fig.42. P.T.O. CLUTCH

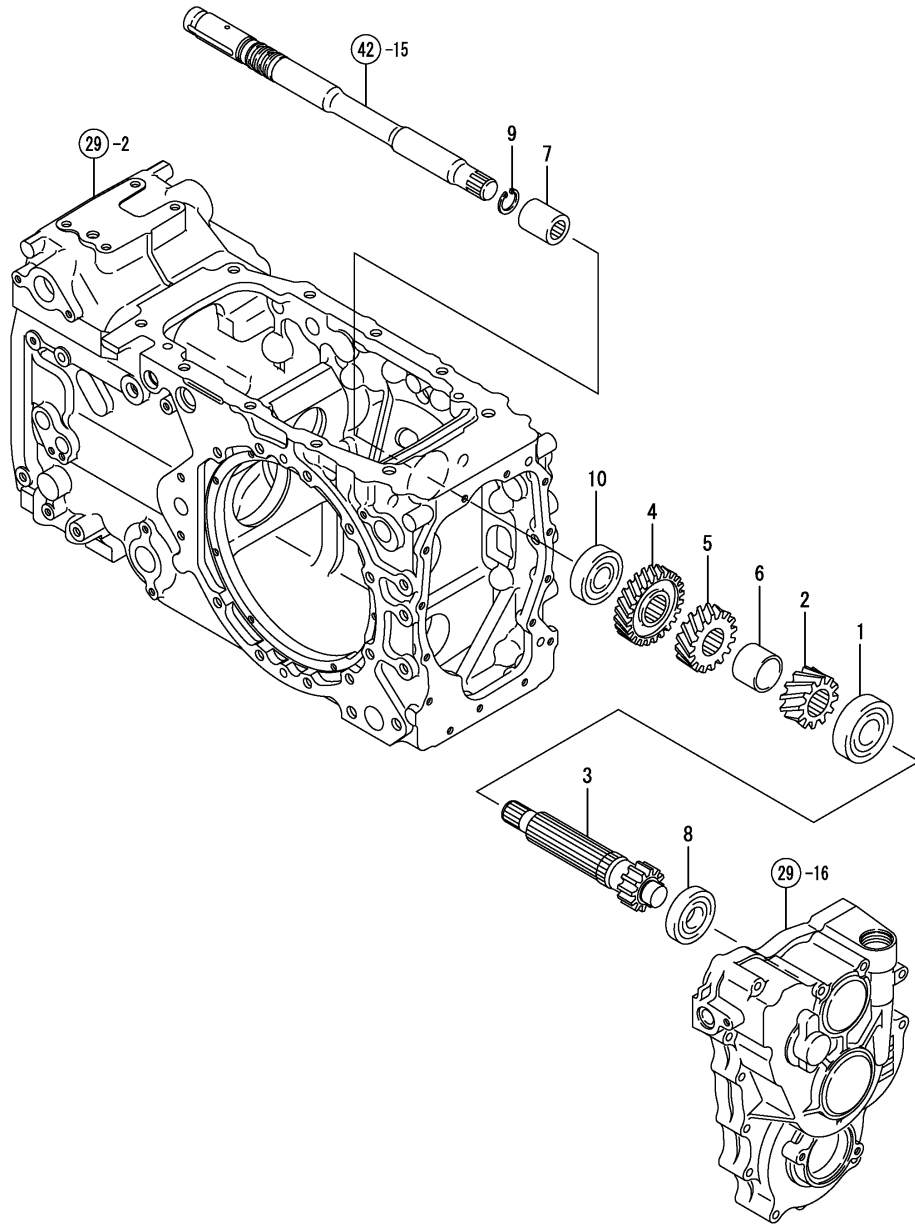


(A)=FK657
(B)=FK663
(C)=

(D)=
(E)=
(F)=

No.	Lev.	Parts No.	Description	Q'ty						I	R
				(A)	(B)	(C)	(D)	(E)	(F)		
1	1	1C6460-14340	BEARING, BALL 60/28	1	1						
2	1	194430-25460	BEARING, BALL 16006	1	1						
3	1	194515-25530	RING, 95	1	1						
4	1	194515-25690	KEY, 7X5.8X60	1	1						
5	1	194300-25790	SPRING	1	1						
6	1	194440-25810	RETAINER, 40X54X2.3	1	1						
7	1	1A7450-26190	CYLINDER, CLUTCH	1	1						
8	1	198448-26220	HUB, SPLINE	1	1						
9	1	198212-26240	PISTON, PTO CLUTCH	1	1						
10	1	1A7640-26250	SPLINE, BRAKE	1	1						
11	1	198212-26260	PIN, 2.6X19.5	3	3						
12	1	1A7640-26270	PIN, ANCHOR	1	1						
13	1	198212-26290	PLUG, ANCHOR PIN	1	1						
14	1	194850-26340	PLATE, FRICTION 95P	8	8						
15	1	1A7350-26360	SHAFT ASSY, CLUTCH	1	1						
16	2	1E6191-54330	SCREW 7X8	2	2						Z
		(A=FXXXXX) (B=FXXXXX)									
17	1	194850-26370	PLATE, STEEL 3.2P	1	1						
18	1	198212-26380	PLATE, STEEL 2.3	9	9						
19	1	198212-26440	PLATE, STOPPER	1	1						
20	1	198212-26580	PIPE, OIL	1	1						
21	1	198212-26590	PIPE, OIL	1	1						
22	1	198451-28750	RING, 26.27X30.07X3	2	2						
23	1	22242-000300	RING, 30	2	2						
24	1	22242-000400	RING, 40	1	1						
25	1	22252-000950	RING, 95	2	2						
26	1	23414-160000	GASKET, 16X1.0	1	1						
27	1	24107-060064	BEARING, BALL 6006ZZ	1	1						
28	1	24341-000080	O-RING, 1AS8.0	4	4						

Fig.43. P.T.O. DRIVE SHAFT

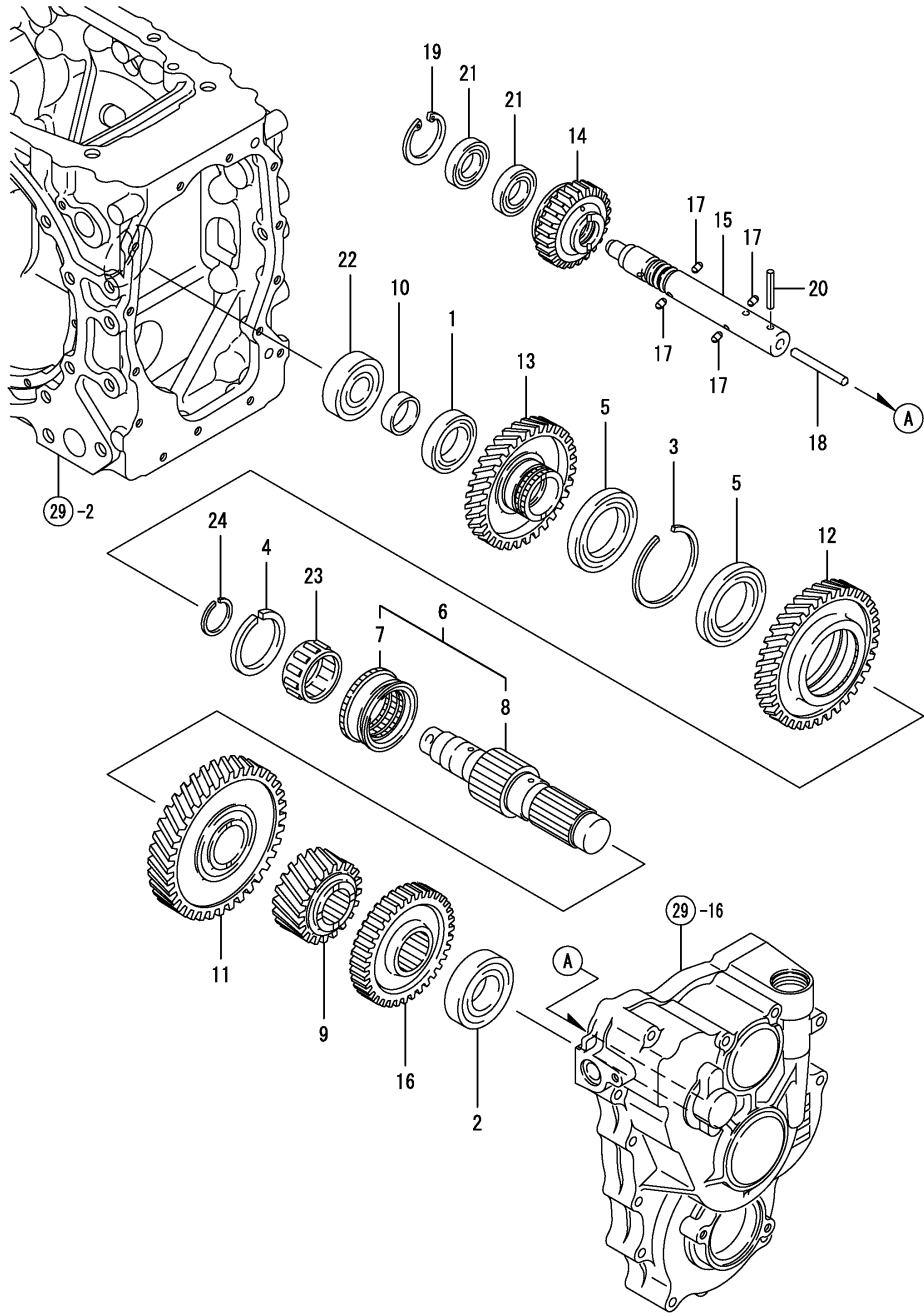


(A)=FK657
(B)=FK663
(C)=

(D)=
(E)=
(F)=

No.	Lev.	Parts No.	Description	Q'ty						I	R
				(A)	(B)	(C)	(D)	(E)	(F)		
1	1	198220-25810	BEARING, TMB306CC3	1	1						
2	1	198448-26090	PINION, PTO Z=17	1	1						
3	1	198535-26110	SHAFT, PTO PINION	1	1						
4	1	198448-26120	PINION, PTO Z=35	1	1						
5	1	198448-26130	PINION, PTO Z=28	1	1						
6	1	198535-26210	COLLAR, 36X43X32.2	1	1						
7	1	194555-26520	COUPLING, PTO	1	1						
8	1	194850-31380	BEARING, 6305RSH2	1	1						
9	1	22252-000220	RING, 22	1	1						
10	1	24101-063054	BEARING, BALL 6305	1	1						

Fig.44. P.T.O. DRIVEN SHAFT

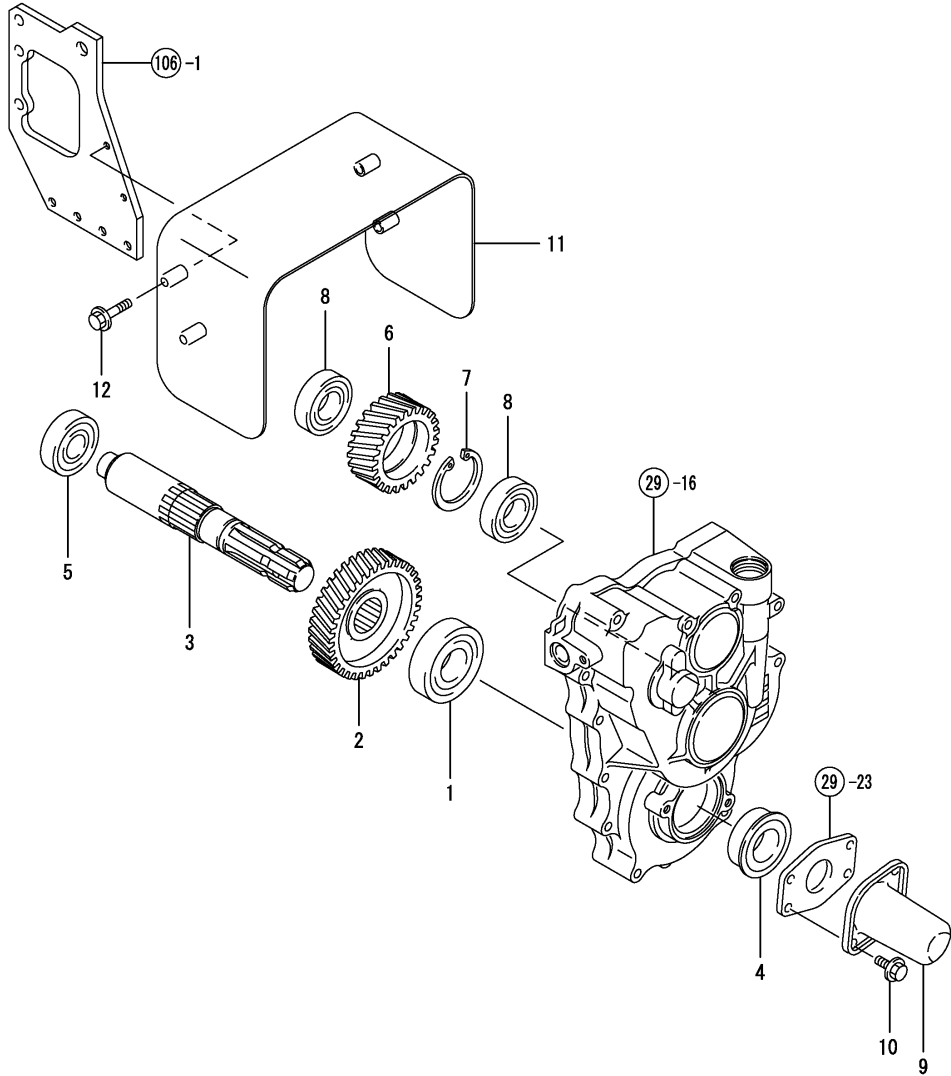


(A)=FK657
(B)=FK663
(C)=

(D)=
(E)=
(F)=

No.	Lev.	Parts No.	Description	Q'ty						I	R
				(A)	(B)	(C)	(D)	(E)	(F)		
1	1	194800-25250	BEARING, BALL 60/32	1	1						
2	1	194430-25810	BEARING, BALL TMB207	1	1						
3	1	194680-25820	CIRCLIP, NEEDLE 81	1	1						
4	1	194680-25840	CIRCLIP, NEEDLE 50	1	1						
5	1	194454-25870	BEARING, BALL 16010	2	2						
6	1	198535-26100	SHAFT ASSY, DRIVEN	1	1						
7	2	198448-26140	SHIFTER, PTO	1	1						
8	2	198535-26320	SHAFT, PTO DRIVEN R	1	1						
9	1	198448-26150	GEAR, DRIVE 20	1	1						
10	1	198448-26340	SPACER, 32X38X12	1	1						
11	1	198448-26510	GEAR, PTO 48	1	1						
12	1	198448-26520	GEAR, PTO 59	1	1						
13	1	198448-26530	GEAR, PTO 52	1	1						
14	1	198535-26580	GEAR, REVERSE IDLE	1	1						
15	1	198535-26591	SHAFT, PTO IDLE	1	1						
16	1	198535-26830	GEAR, DRIVEN 36	1	1						
17	1	198535-27930	SPINDLE, 6X12.4	4	4						
18	1	198535-27941	SPINDLE, 6X72.2	1	1						
19	1	22252-000470	RING, 47	1	1						
20	1	22351-060040	PIN, SPRING 6.0X40	1	1						
21	1	24101-060054	BEARING, BALL 6005	2	2						
22	1	24101-063054	BEARING, BALL 6305	1	1						
23	1	24161-323717	BEARING, 323717	1	1						
24	1	24165-000372	CIRCLIP, 37	1	1						

Fig.45. P.T.O. SHAFT

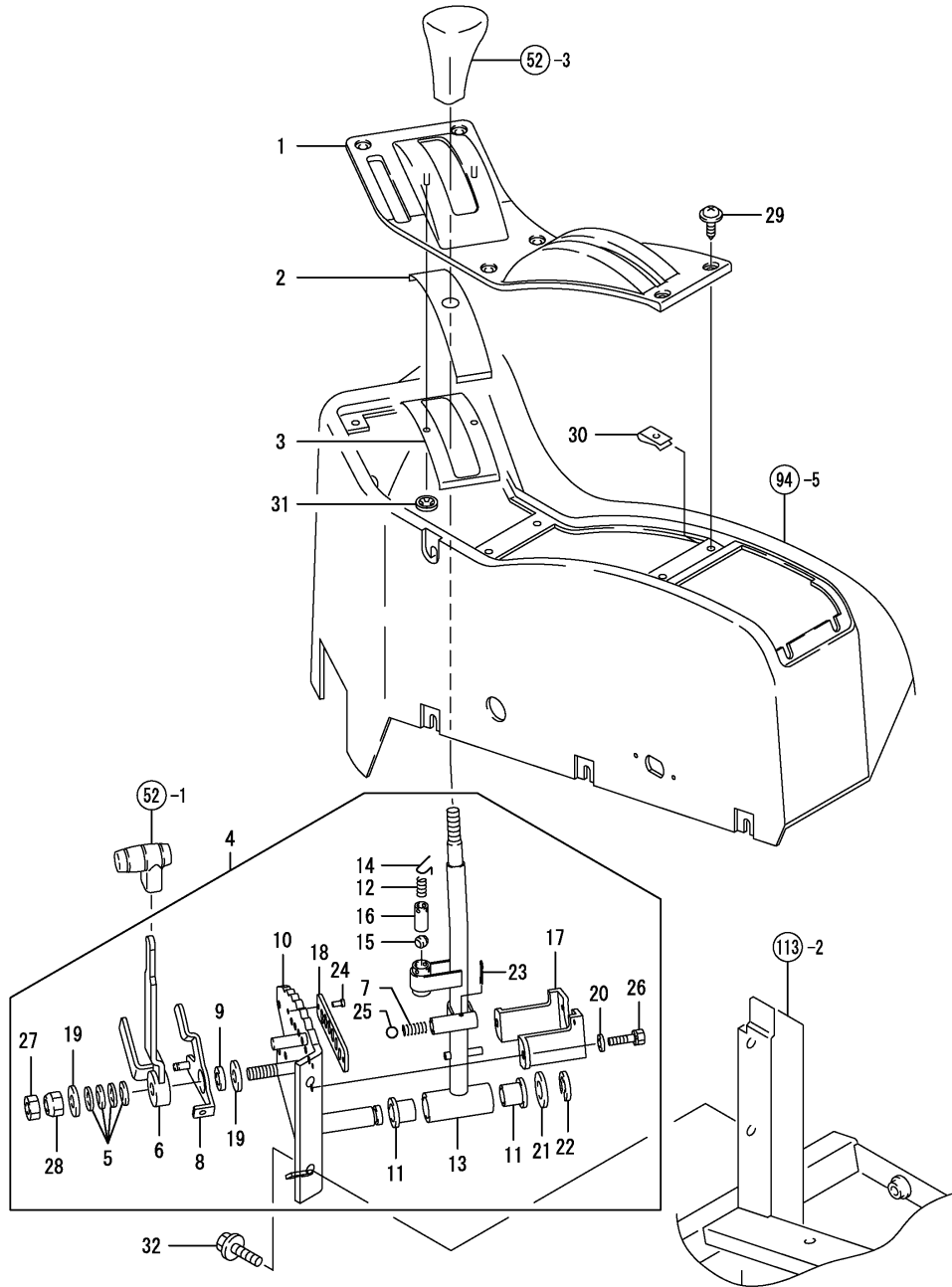


No.	Lev.	Parts No.	Description	Q'ty						I	R
				(A)	(B)	(C)	(D)	(E)	(F)		
1	1	198390-25790	BEARING, 6307R SH2	1	1						
2	1	198448-26170	GEAR, PTO DRIVEN 32	1	1						
3	1	198448-26310	SHAFT, PTO	1	1						
4	1	194370-26350	SEAL, OIL QLF356019	1	1						
5	1	24101-063054	BEARING, BALL 6305	1	1						
6	1	198448-26160	GEAR, IDLE 23	1	1						
7	1	22252-000620	RING, 62	1	1						
8	1	24101-062064	BEARING, BALL 6206	2	2						
9	1	1A7620-26850	COVER ASSY, SHAFT M	1	1						
10	1	26106-080122	BOLT, M8X 12 PLATED	2	2						
11	1	1A7620-26900	GUARD ASSY, PTO M	1	1						
12	1	26106-080352	BOLT, M8X 35 PLATED	4	4						

Fig.46. SHIFT LEVER

(A)=FK657
(B)=FK663
(C)=

(D)=
(E)=
(F)=

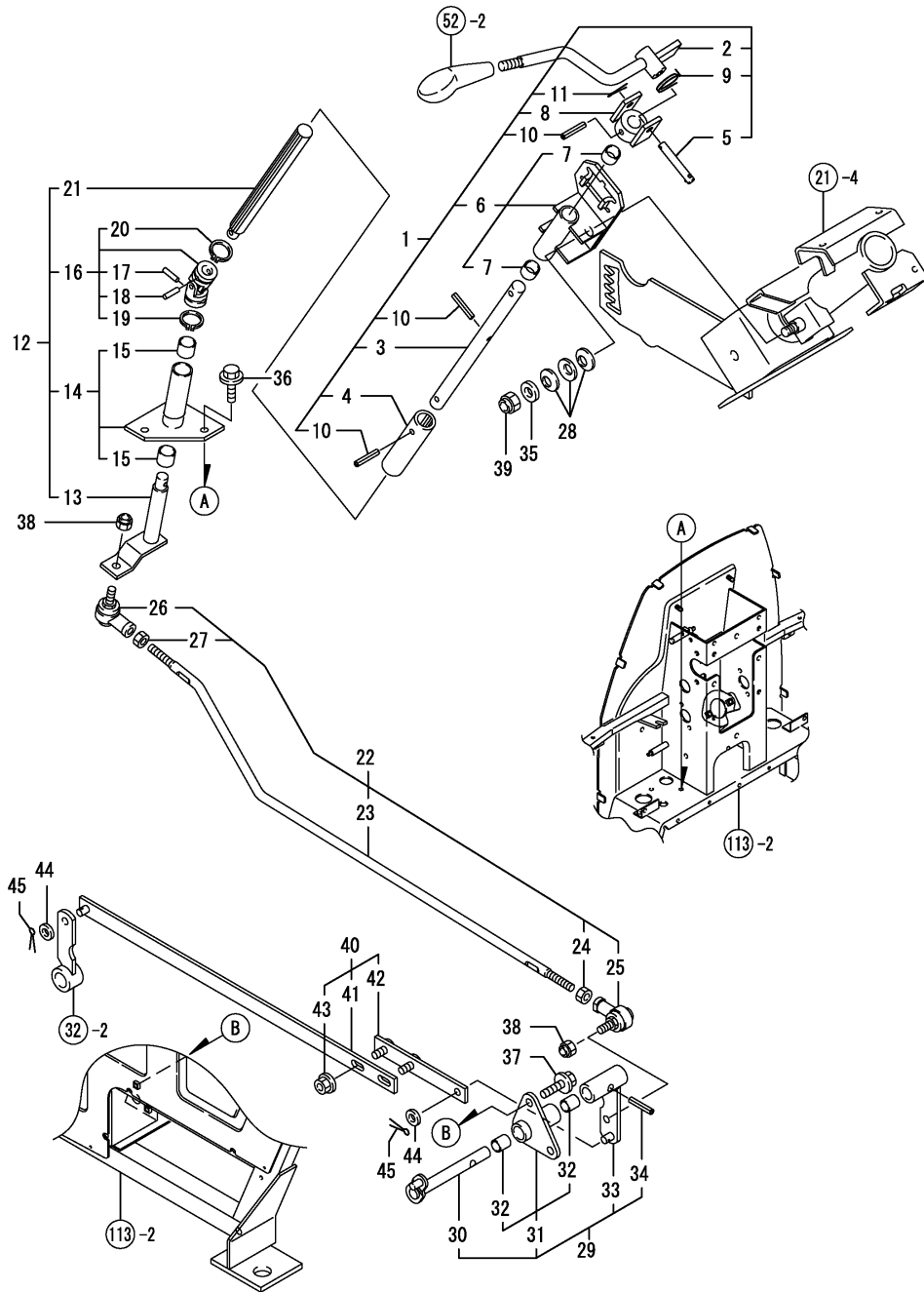


No.	Lev.	Parts No.	Description	Q'ty						I	R
				(A)	(B)	(C)	(D)	(E)	(F)		
1	1	1A7600-27110	COVER, MAIN SHIFT	1	1						
2	1	198448-27120	PLATE, SEAL	1	1						
3	1	198448-27130	RETAINER, SEAL PLATE	1	1						
4	1	1A7600-27300	LEVER, SHIFT	1	1						
5	2	194740-00160	SPRING, 10	4	4						
6	2	198448-01110	LEVER, ACCELERATOR	1	1						
7	2	194197-01160	SPRING	1	1						
8	2	198448-01172	LEVER, LINK	1	1						
9	2	194150-01270	SPACER, 20	1	1						
10	2	198448-27310	PLATE ASSY, SHIFT	1	1						
11	2	194556-27340	BUSH	2	2						
12	2	194556-27350	SPRING, PISTON	1	1						
13	2	1A7600-27360	LEVER ASSY, CHANGE	1	1						
14	2	194556-27360	PIN	1	1						
15	2	194556-27370	ROLLER	1	1						
16	2	194556-27380	PISTON	1	1						
17	2	198448-27400	STAY, SWITCH	1	1						
18	2	198448-27420	PLATE, DETENT	1	1						
19	2	194145-61570	WASHER, 10	2	2						
20	2	22137-060000	WASHER, 6	2	2						
21	2	22137-160000	WASHER, 16	1	1						
22	2	22272-000120	RING, E-12	1	1						
23	2	22417-160180	PIN, COTTER 1.6X18	1	1						
24	2	22685-320961	RIVET, 3.2X 9.6	2	2						
25	2	24190-110001	BALL, STEEL 11/32	1	1						
26	2	26013-060129	BOLT, M6X 12	2	2						
27	2	26756-100002	NUT, LOCK M10	1	1						
28	2	26986-100002	NUT, LOCK M10	1	1						
28-1	2	26716-100002	NUT, M10	1	1						R
		(A=FZZZZZ)	(B=FZZZZZ)								
29	1	194940-61790	SCREW, TAPPING M5X16	6	6						
30	1	198220-63850	NUT, M5	6	6						
31	1	198071-65610	NUT, SPEED M5	2	2						
32	1	26106-080162	BOLT, M8X 16 PLATED	2	2						

Fig.47. REVERSER LEVER

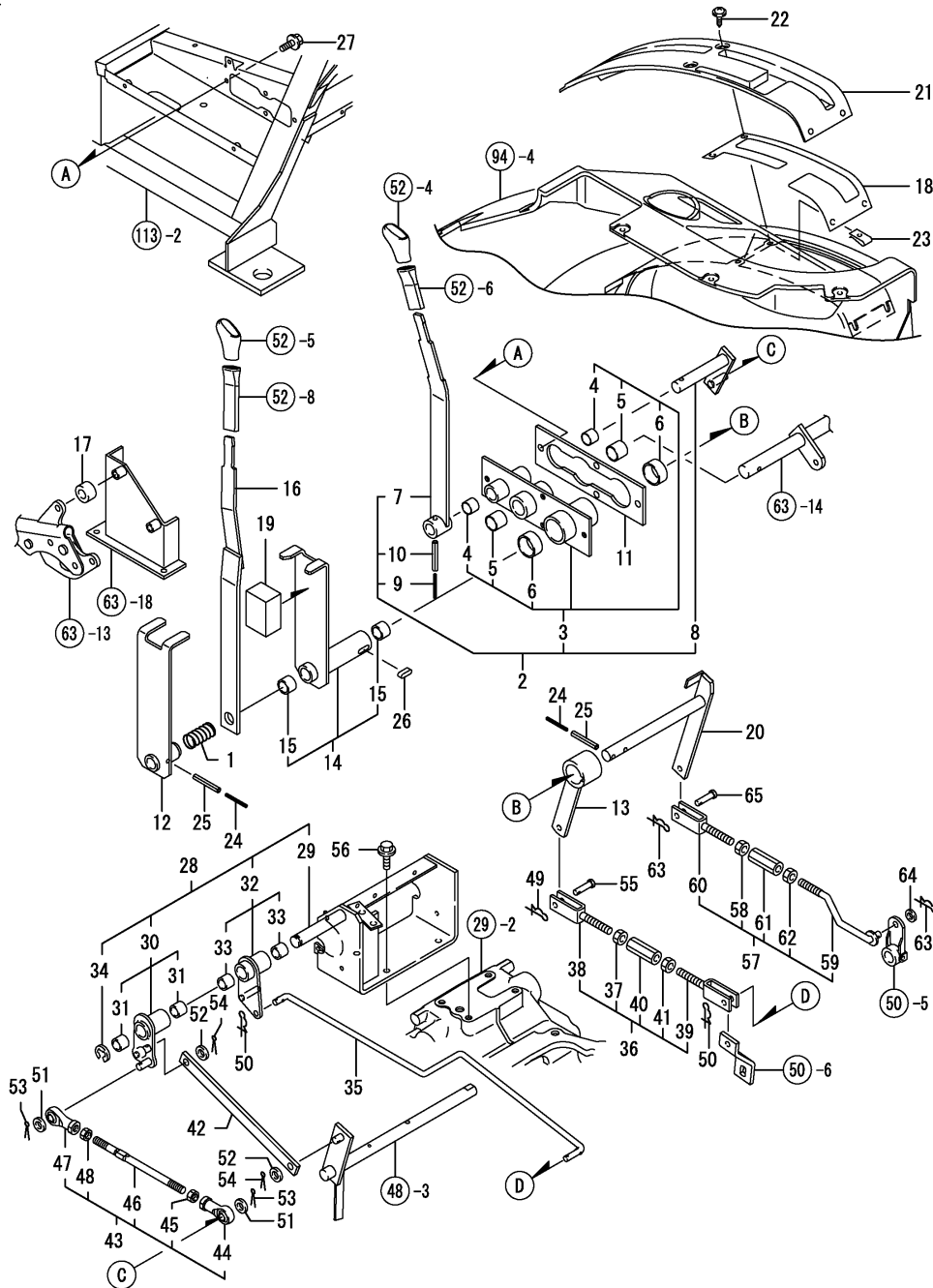
(A)=FK657
(B)=FK663
(C)=

(D)=
(E)=
(F)=



No.	Lev.	Parts No.	Description	Q'ty						I	R
				(A)	(B)	(C)	(D)	(E)	(F)		
1	1	198448-18100	LEVER ASSY, REVERSER	1	1						
2	2	198448-18110	LEVER, REVERSER	1	1						
3	2	198448-18200	SHAFT, COUPLING	1	1						
4	2	198448-18220	COUPLING	1	1						
5	2	198075-18311	PIN, 8X52	1	1						
6	2	198448-18540	BRACKET ASSY	1	1						
7	3	24550-015120	BUSH, 15X12	2	2						
8	2	198133-27781	HOLDER, REVERSER	1	1						
9	2	198133-27820	SPRING, RETURN	1	1						
10	2	22351-060032	PIN, SPRING 6.0X32	3	3						
11	2	22417-200300	PIN, COTTER 2.0X30	1	1						
12	1	198448-18150	SHAFT ASSY, REVERSER	1	1						
13	2	198448-18170	SHAFT, REVERSER	1	1						
14	2	198448-18250	BRACKET ASSY, SHAFT	1	1						
15	3	24550-016150	BUSH, 16X15	2	2						
16	2	198071-18401	JOINT ASSY	1	1						
17	3	198071-18520	PIN	1	1						
18	3	198071-18520	PIN	1	1						
19	3	198071-18530	CIRCLIP, 23	1	1						
20	3	198071-18530	CIRCLIP, 23	1	1						
21	2	198448-18460	SHAFT, INNER	1	1						
22	1	198448-18310	ROD ASSY, REVERSER	1	1						
23	2	198448-18320	ROD, REVERSER	1	1						
24	2	194990-20170	NUT, M8	1	1						
25	2	194820-27370	END, ROD L	1	1						
26	2	172112-41980	BEARING, ROD-END	1	1						
27	2	26716-080002	NUT, M8	1	1						
28	1	198072-18320	SPRING, 12	3	3						
29	1	198448-18350	ARM ASSY, REVERSER	1	1						
30	2	198448-18360	ARM, REVERSER	1	1						
31	2	198448-18400	BRACKET ASSY, ARM	1	1						
32	3	24550-012150	BUSH, 12X15	2	2						
33	2	198448-18440	ARM, REVERSER	1	1						
34	2	22351-060032	PIN, SPRING 6.0X32	1	1						
35	1	22137-100000	WASHER, 10	1	1						
36	1	26106-080122	BOLT, M8X 12 PLATED	2	2						
37	1	26106-080162	BOLT, M8X 16 PLATED	2	2						
38	1	26346-080002	NUT, M8	2	2						
39	1	26346-100002	NUT, M10	1	1						
40	1	198448-18500	ROD ASSY, REVERSER	1	1						
41	2	198448-18490	ROD, REVERSER B	1	1						
42	2	198448-18580	ROD, REVERSER A	1	1						
43	2	194990-22140	NUT, M8	2	2						
44	1	22137-080000	WASHER, 8	2	2						
45	1	22417-200300	PIN, COTTER 2.0X30	2	2						

Fig.49. SUB LEVER



(A)=FK657
(B)=FK663
(C)=

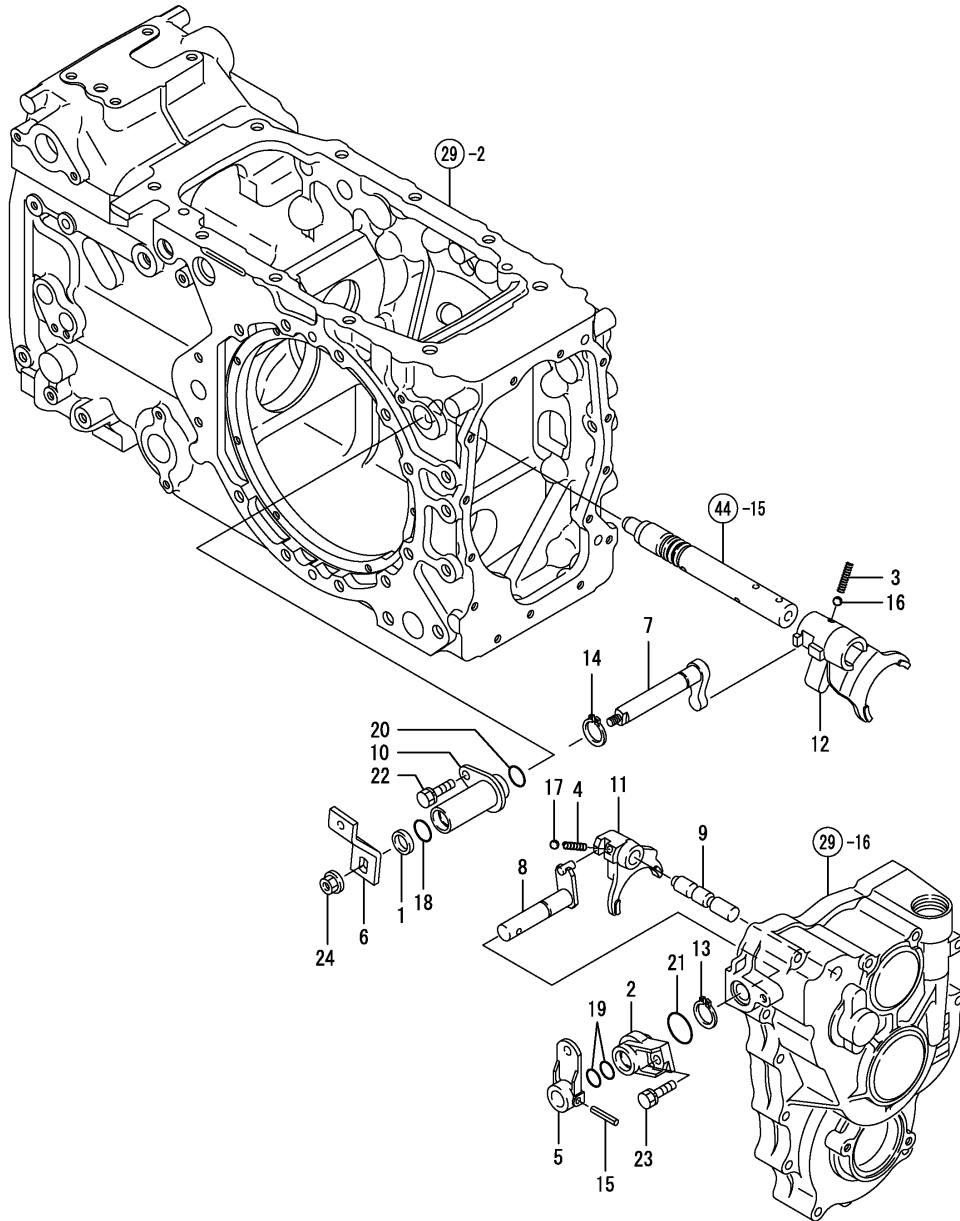
(D)=
(E)=
(F)=

No.	Lev.	Parts No.	Description	Q'ty						I	R
				(A)	(B)	(C)	(D)	(E)	(F)		
1	1	194320-24930	SPRING, RETAINER	1	1						
2	1	1A7600-27010	LEVER ASSY, SUB	1	1						
3	2	1A7600-27020	BRACKET ASSY, LEVER	1	1						
4	3	24550-017150	BUSH, 17X15	2	2						
5	3	24550-020200	BUSH, 20X20	2	2						
6	3	24550-030150	BUSH, 30X15	2	2						
7	2	1A7640-27510	LEVER, RANGE SHIFT	1	1						
8	2	198448-27550	ARM, SHIFT	1	1						
9	2	22351-035040	PIN, SPRING 3.5X40	1	1						
10	2	22351-060040	PIN, SPRING 6.0X40	1	1						
11	1	1A7600-27080	SEAL, LEVER	1	1						
12	1	198535-27460	LEVER, A	1	1						
13	1	198535-27590	ARM, SHIFT	1	1						
14	1	198535-27600	LEVER ASSY, B	1	1						
15	2	24550-017150	BUSH, 17X15	2	2						
16	1	1A7640-27611	LEVER, PTO	1	1						
17	1	198448-27640	STOPPER, RUBBER	1	1						
18	1	198535-27700	PLATE, LEVER	1	1						
19	1	1A7640-27710	URETHANE, PTO LEVER	1	1						
20	1	1A7600-27730	ARM, SHIFT	1	1						
21	1	1A7640-27800	COVER, SUB-LEVER	1	1						
22	1	194940-61790	SCREW, TAPPING M5X16	6	6						
23	1	198220-63850	NUT, M5	6	6						
24	1	22351-035040	PIN, SPRING 3.5X40	2	2						
25	1	22351-060040	PIN, SPRING 6.0X40	2	2						
26	1	22512-070200	KEY, 7X 20	1	1						
27	1	26106-080162	BOLT, M8X 16 PLATED	4	4						
28	1	1A7600-27150	BRACKET ASSY, ARM	1	1						
29	2	198448-27160	BRACKET, ARM	1	1						
30	2	198448-27500	ARM ASSY, LINK	1	1						
31	3	24550-017150	BUSH, 17X15	2	2						
32	2	1A7600-27600	ARM ASSY, LINK	1	1						
33	3	24550-017150	BUSH, 17X15	2	2						
34	2	22272-000120	RING, E-12	1	1						
35	1	1A7600-27720	ROD, PTO B	1	1						
36	1	198535-27740	ROD ASSY, PTO	1	1						
37	2	194150-22480	NUT, M10 L	1	1						
38	2	194130-37740	ROD, BRAKE L	1	1						
39	2	194130-37750	JOINT, 2-WAY	1	1						
40	2	194250-47490	TURNBUCKLE	1	1						
41	2	26716-100002	NUT, M10	1	1						
42	1	198448-27760	ROD, SHIFT B	1	1						
43	1	198448-27770	ROD ASSY, CHANGE	1	1						
44	2	198153-22250	BALL, PILLOW 10L	1	1						
45	2	194150-22480	NUT, M10 L	1	1						
46	2	198448-27780	ROD, SHIFT A	1	1						
47	2	194235-29440	BALL, PILLOW 10	1	1						
48	2	26716-100002	NUT, M10	1	1						
49	1	1C6281-52320	PIN, SNAP 8	1	1						
50	1	1C6281-52320	PIN, SNAP 8	2	2						
51	1	22137-100000	WASHER, 10	2	2						

Fig.50. P.T.O. SHIFT

(A)=FK657
(B)=FK663
(C)=

(D)=
(E)=
(F)=

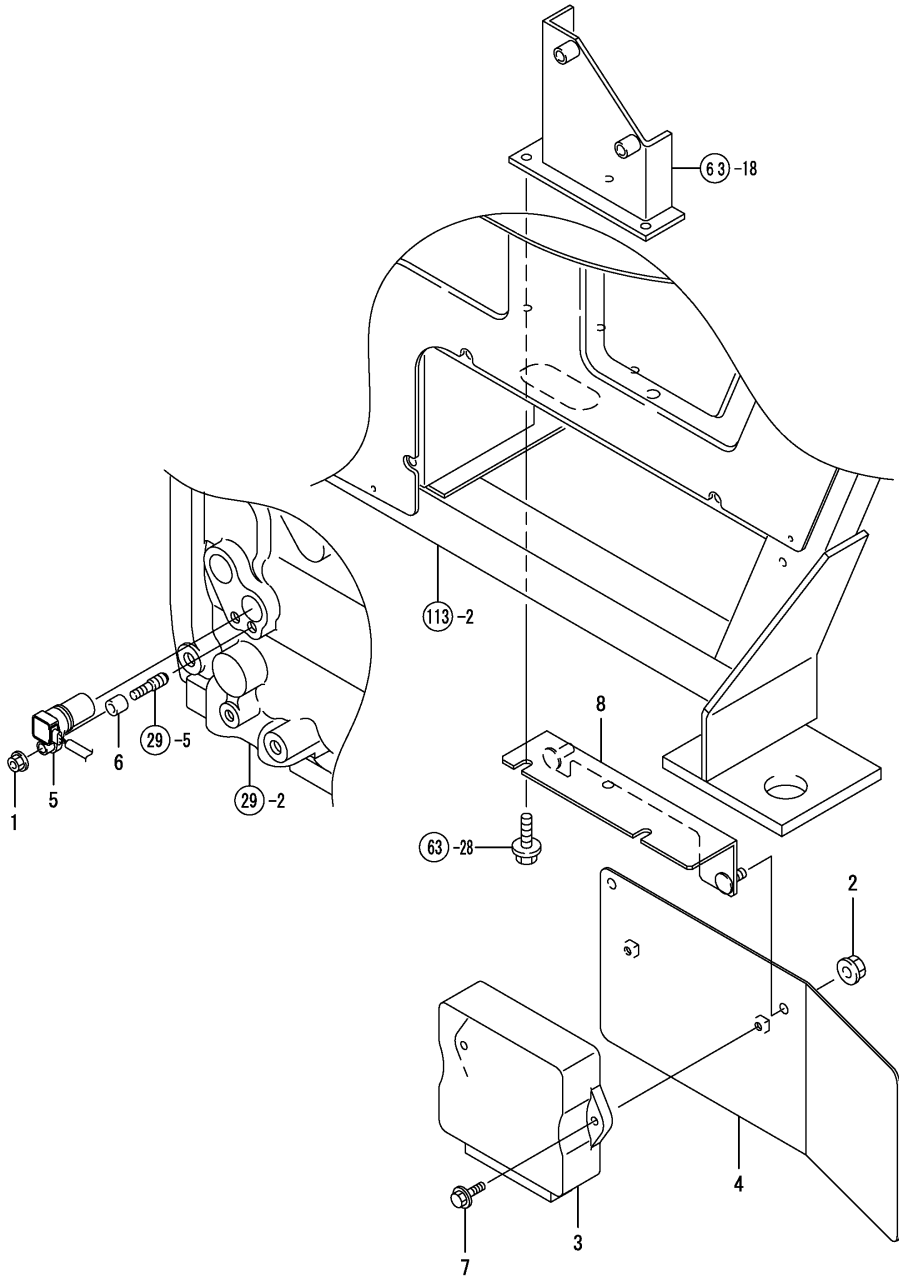


No.	Lev.	Parts No.	Description	Q'ty						I	R
				(A)	(B)	(C)	(D)	(E)	(F)		
1	1	198119-27150	COLLAR, ARM	1	1						
2	1	198071-27470	HOLDER, SHIFT ARM	1	1						
3	1	194680-27540	SPRING, FORK LOCK	1	1						
4	1	194680-27540	SPRING, FORK LOCK	1	1						
5	1	198072-27650	ARM, CHANGE	1	1						
6	1	1A7600-27790	ARM, CHANGE	1	1						
7	1	1A7600-27850	ARM, SHIFT	1	1						
8	1	198535-27890	ARM, SHIFT	1	1						
9	1	198535-27920	SHAFT, PTO FORK R	1	1						
10	1	1A7640-27950	HOLDER, SHIFT ARM	1	1						
11	1	198535-27950	FORK, PTO SHIFT	1	1						
12	1	198535-27990	FORK, PTO SHIFT	1	1						
13	1	22242-000170	RING, 17	1	1						
14	1	22242-000170	RING, 17	1	1						
15	1	22351-060032	PIN, SPRING 6.0X32	1	1						
16	1	24190-080001	BALL, STEEL 1/4	1	1						
17	1	24190-080001	BALL, STEEL 1/4	1	1						
18	1	24311-000160	O-RING, 1AP16.0	1	1						
19	1	24311-000160	O-RING, 1AP16.0	2	2						
20	1	24311-000210	O-RING, 1AP21.0	1	1						
21	1	24321-000250	O-RING, 1AG25.0	1	1						
22	1	26013-080162	BOLT, M8X 16	1	1						
22-1	1	26106-080162	BOLT, M8X 16 PLATED	1	1						R
		(A=FXXXXXXX) (B=FXXXXXXX)									
23	1	26013-080252	BOLT, M8X 25	1	1						
23-1	1	26106-080252	BOLT, M8X 25 PLATED	1	1						R
		(A=FXXXXXXX) (B=FXXXXXXX)									
24	1	26366-080002	NUT, M8	1	1						

Fig.51. CONTROLLER

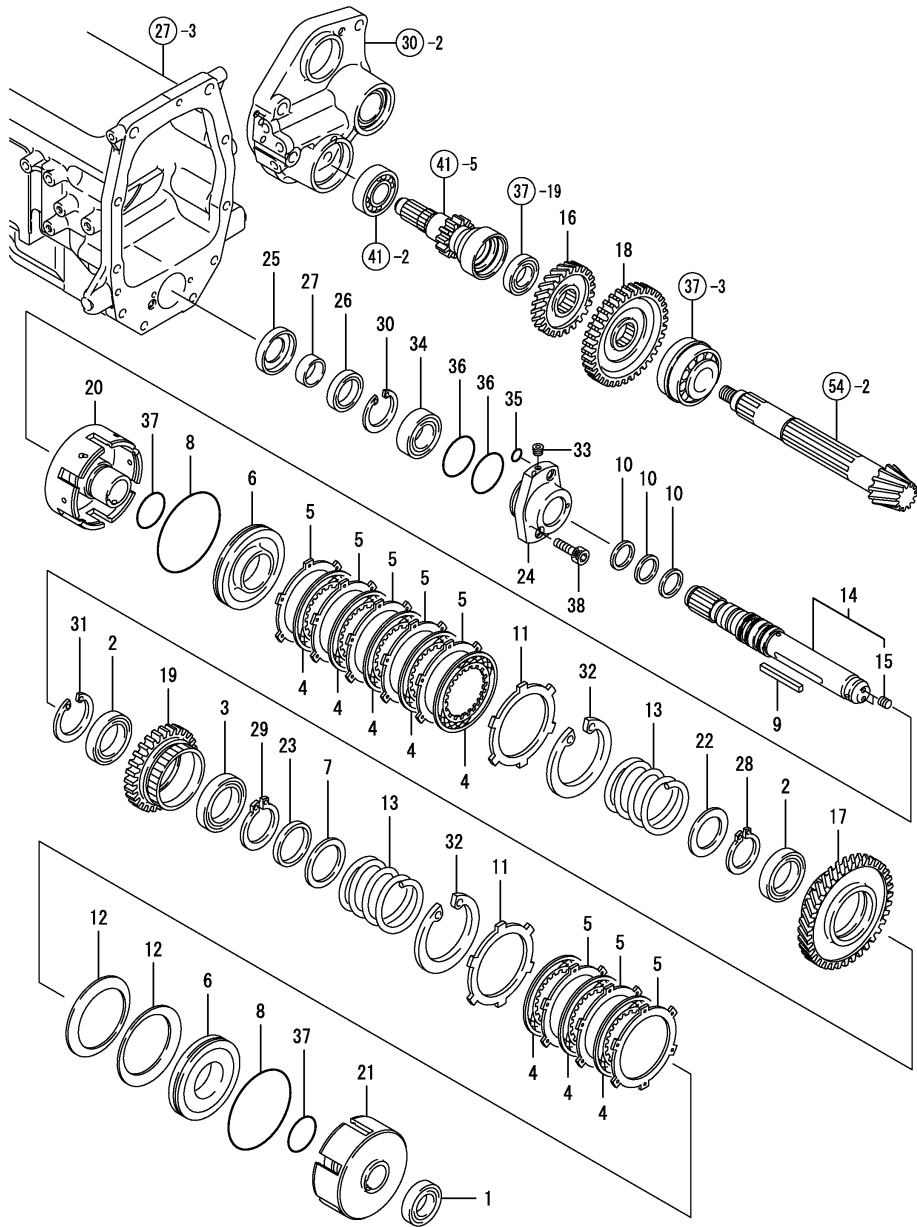
(A)=FK657
(B)=FK663
(C)=

(D)=
(E)=
(F)=



No.	Lev.	Parts No.	Description	Q'ty						I	R
				(A)	(B)	(C)	(D)	(E)	(F)		
1	1	194990-22130	NUT, M6	1	1						
2	1	194990-22140	NUT, M8	2	2						
3	1	1A7600-25950	CONTROLLER, MISSION	1	1						
4	1	1A7600-25980	BRACKET, CONTROLLER	1	1						
5	1	1A7450-52510	SENSOR, ROTATION	1	1						
6	1	198129-78710	SPACER, 6-10	1	1						
7	1	26106-060252	BOLT, M6X 25 PLATED	2	2						
8	1	1A7600-25850	STAY, BRACKET	1	1						

Fig.53. FRONT DRIVE



(A)=FK657
(B)=FK663
(C)=

(D)=
(E)=
(F)=

No.	Lev.	Parts No.	Description	Q'ty						I	R
				(A)	(B)	(C)	(D)	(E)	(F)		
1	1	1C6460-14340	BEARING, BALL 60/28	1	1						
2	1	194951-14430	BEARING, 6908	2	2						
3	1	194951-14440	BEARING, 6909	1	1						
4	1	194555-25510	PLATE, 100X2.0	8	8						
5	1	194555-25520	PLATE, STEEL 100X1.2	8	8						
5-1	1	198072-25520	PLATE, STEEL 100X1.2	8	8						N
(A=FXXXXX) (B=FXXXXX)											
6	1	194555-25550	PISTON, CLUTCH	2	2						
7	1	194555-25560	SPACER, 46X61X2	1	1						
8	1	194555-25570	RING, 100	2	2						
9	1	198071-25590	KEY, 7X5.8X68	1	1						
10	1	198071-25610	RING, SEAL 35	3	3						
11	1	194555-25620	PLATE, STEEL 100X3.5	2	2						
12	1	194555-25760	SPRING	2	2						
13	1	194555-25790	SPRING, RETURN	2	2						
14	1	198448-28100	SHAFT ASSY, DRIVE	1	1						
14-1	1	1A7450-28100	SHAFT ASSY, DRIVE	1	1						F 1
(A=FZZZZZ) (B=FZZZZZ)											
15	2	1E6191-54330	SCREW 7X8	2	2						
16	1	198448-28220	PINION, DRIVE Z=33	1	1						
17	1	198448-28230	GEAR, CLUTCH 54	1	1						
18	1	1A7450-28240	PINION, DRIVE Z=39	1	1						
19	1	198448-28250	GEAR, CLUTCH 33 HG	1	1						
20	1	198448-28310	CYLINDER, CLUTCH	1	1						
21	1	198448-28320	CYLINDER, CLUTCH	1	1						
22	1	198448-28330	WASHER, 40X60X2	1	1						
23	1	198448-28340	COLLAR, 45X55X5	1	1						
24	1	198448-28361	HOUSING, SEAL FRONT	1	1						
25	1	198448-28370	COVER, OIL SEAL	1	1						
26	1	194420-39360	SEAL, OIL TC355508	1	1						
27	1	194420-39370	SLEEVE, SI 30X35X13A	1	1						
28	1	22242-000400	RING, 40	1	1						
29	1	22242-000450	RING, 45	1	1						
30	1	22252-000550	RING, 55	1	1						
31	1	22252-000620	RING, 62	1	1						
32	1	22252-001000	RING, 100	2	2						
33	1	23871-005000	PLUG, R005	1	1						
34	1	24101-060064	BEARING, BALL 6006	1	1						
35	1	24311-000110	O-RING, 1AP11.0	1	1						
36	1	24341-000500	O-RING, 1AS50.0	2	2						
37	1	24351-020400	O-RING 1A 2040	2	2						
38	1	26450-080252	BOLT, M8X 25	2	2						

Remarks

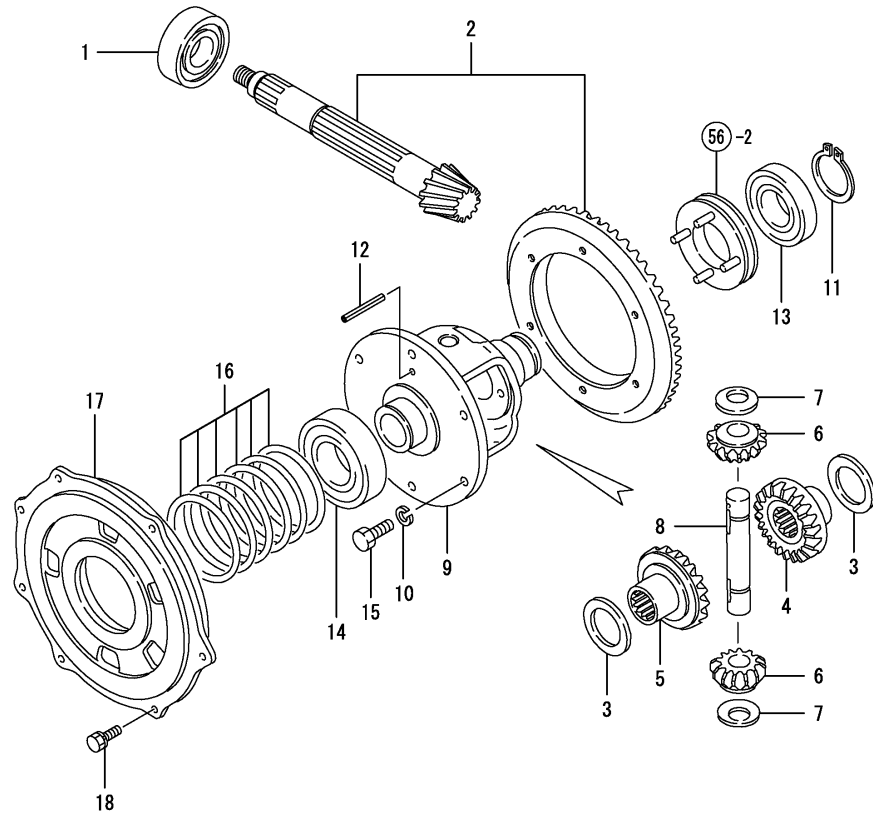
(1)Fig.14 No.1-1 interchangeable by set.

N:Old $\begin{matrix} \text{Yes} \\ \text{No} \end{matrix}$ New, Q:Old $\begin{matrix} \text{No} \\ \text{Yes} \end{matrix}$ New, R:Old $\begin{matrix} \text{Yes} \\ \text{No} \end{matrix}$ New, S:Old $\begin{matrix} \text{No} \\ \text{Yes} \end{matrix}$ New, W:Add, Z:Discontinued, F:Interchangeable by set, K:Q'ty Change

Fig.54. RING GEAR & DIFFERENTIAL GEAR

(A)=FK657
(B)=FK663
(C)=

(D)=
(E)=
(F)=

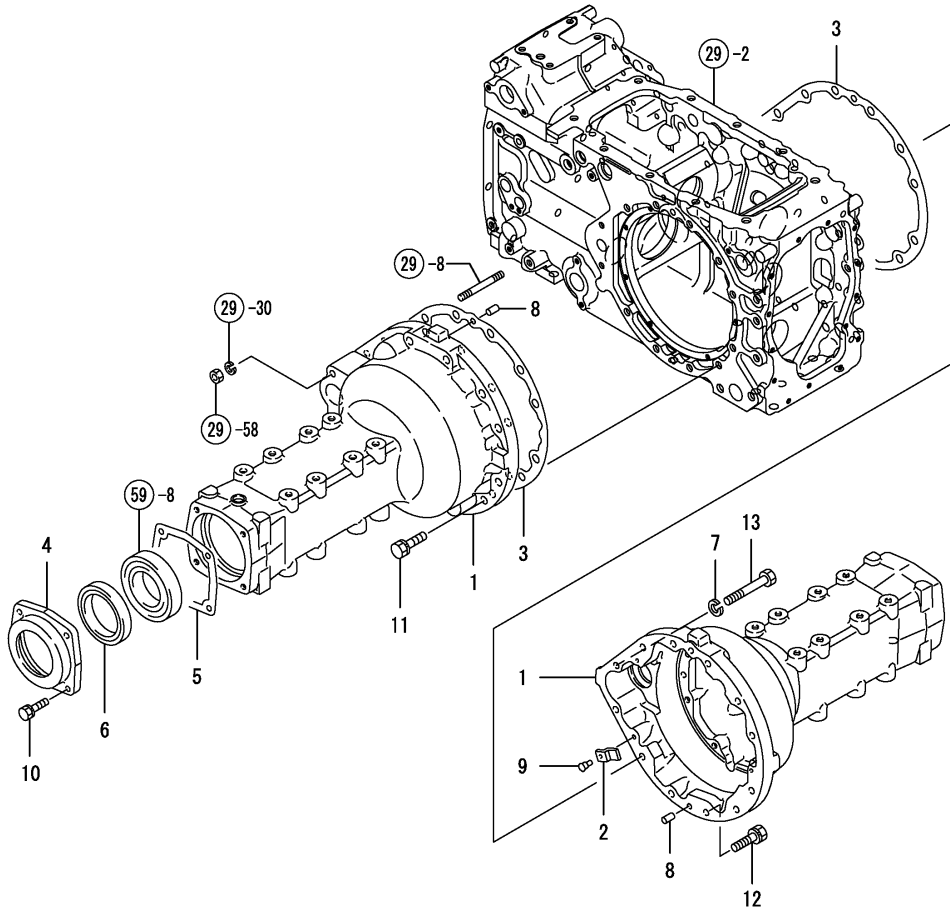


No.	Lev.	Parts No.	Description	Q'ty						I	R
				(A)	(B)	(C)	(D)	(E)	(F)		
1	1	198390-25790	BEARING, 6307R SH2	1	1						
2	1	198448-31400	GEAR ASSY, RING	1	1						
3	1	198320-31530	WASHER, DIFFERENTIAL	2	2						
4	1	198320-31550	GEAR, DIFFERENTIAL	1	1						
5	1	194320-31560	GEAR, DIFFERENTIAL	1	1						
6	1	198320-31570	PINION, DIFFERENTIAL	2	2						
7	1	198320-31630	WASHER, DIFFERENTIAL	2	2						
8	1	198320-31820	SHAFT, DIFFERENTIAL	1	1						
9	1	198320-32110	CASE, DIFFERENTIAL	1	1						
10	1	22217-100000	WASHER, SPRING 10	6	6						
11	1	22242-000500	RING, 50	1	1						
12	1	22351-060050	PIN, SPRING 6.0X50	1	1						
13	1	24101-060104	BEARING, BALL 6010	1	1						
14	1	24101-062114	BEARING, BALL 6211	1	1						
15	1	26156-100252	BOLT, M10X 25 PLATED	6	6						
16	1	794251-13910	SHIM SET	1	1						
17	1	198250-32310	CARRIER	1	1						
17-1	1	1A7601-32310	CARRIER, DIFF.	1	1						R
(A=FZZZZZ) (B=FZZZZZ)											
18	1	26013-080252	BOLT, M8X 25	7	7						
18-1	1	26106-080252	BOLT, M8X 25 PLATED	7	7						R
(A=*2009.05.) (B=*2009.05.)											

Fig.55. REAR HOUSING

(A)=FK657
(B)=FK663
(C)=

(D)=
(E)=
(F)=

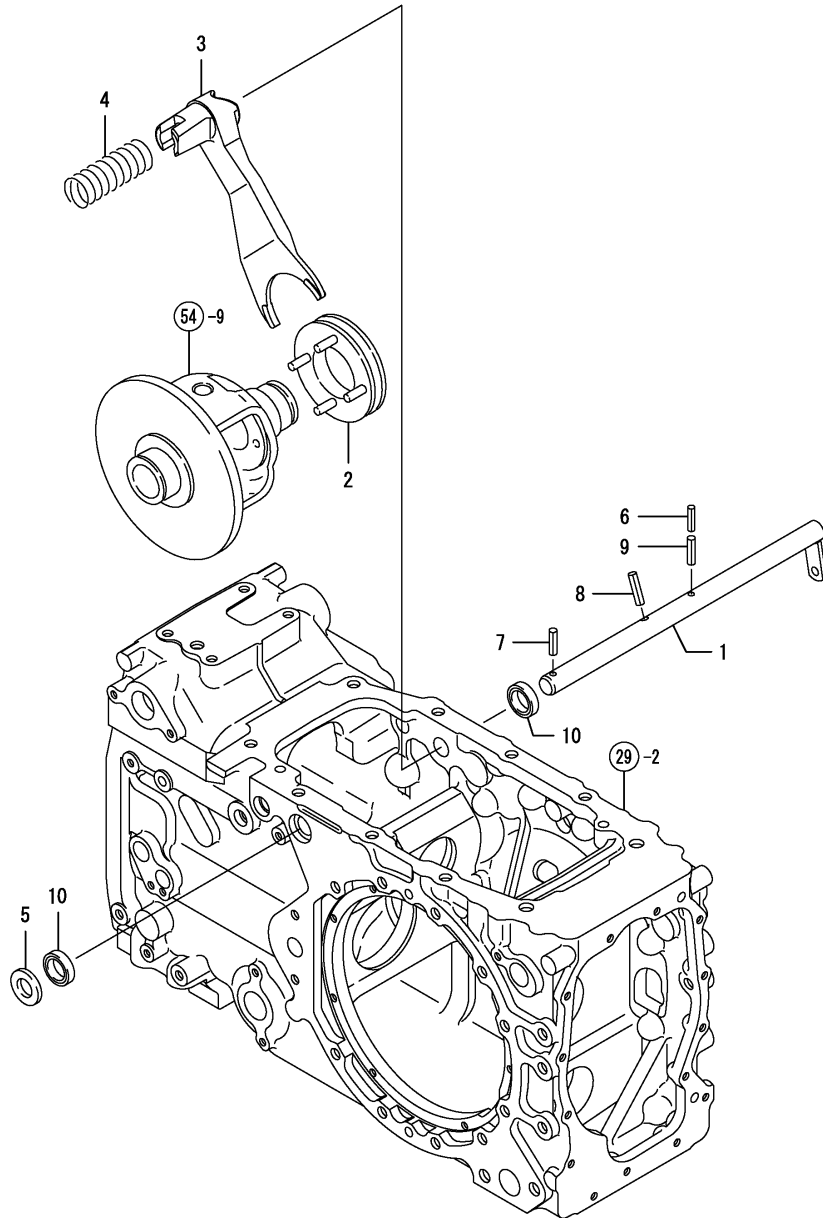


No.	Lev.	Parts No.	Description	Qty						I	R
				(A)	(B)	(C)	(D)	(E)	(F)		
1	1	198321-32612	HOUSING, REAR AXLE	2	2						
2	1	194180-32640	PLATE, PUSH	3	3						
3	1	198240-32640	PACKING, AXLE	2	2						
4	1	194640-32650	CASE, OIL SEAL	2	2						
5	1	198320-32660	GASKET, SEAL CASE	2	2						
6	1	198535-32660	SEAL, QLNY7210016	2	2						
7	1	22217-100000	WASHER, SPRING 10	2	2						Z
		(A=FXXXXXX) (B=FXXXXXX)									
8	1	22312-100180	PIN, PARALLEL M10X18	4	4						
9	1	22635-600120	RIVET, 6.0X12	3	3						
10	1	26013-100302	BOLT, M10X 30	8	8						
10-1	1	26106-100302	BOLT, M10X 30 PLATED	8	8						R
		(A=FXXXXXX) (B=FXXXXXX)									
11	1	26013-120402	BOLT, M12X 40	16	16						
11-1	1	26108-120402	BOLT, M12X 40 PLATED	16	16						R
		(A=FXXXXXX) (B=FXXXXXX)									
12	1	26013-120502	BOLT, M12X 50	4	4						
12-1	1	26108-120502	BOLT, M12X 50 PLATED	4	4						R
		(A=FXXXXXX) (B=FXXXXXX)									
13	1	26116-100852	BOLT, M10X 85 PLATED	2	2						
13-1	1	26108-100852	BOLT, M10X 85 PLATED	2	2						R
		(A=FXXXXXX) (B=FXXXXXX)									

Fig.56. DIFFERENTIAL LOCK

(A)=FK657
(B)=FK663
(C)=

(D)=
(E)=
(F)=

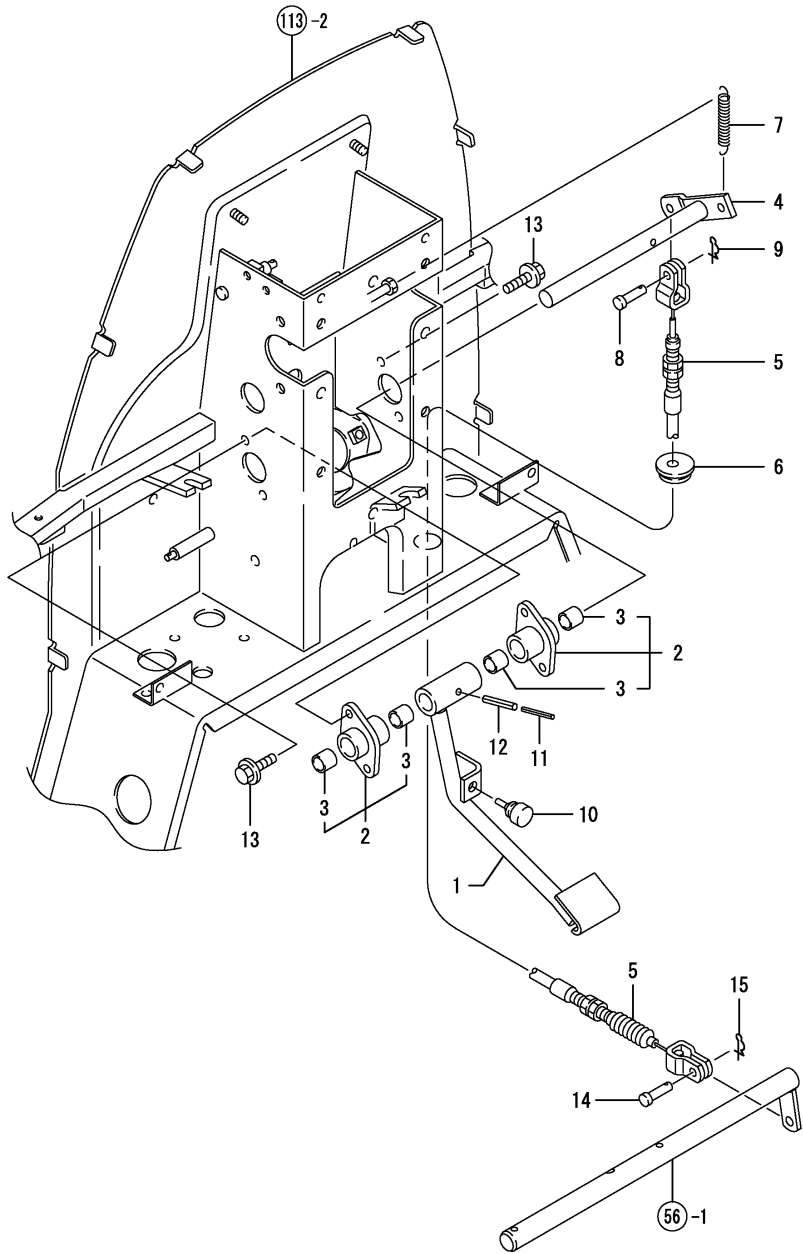


No.	Lev.	Parts No.	Description	Q'ty						I	R
				(A)	(B)	(C)	(D)	(E)	(F)		
1	1	198448-33120	SHAFT, LOCK	1	1						
2	1	194464-33130	SLIDER, DIFFERENTIAL	1	1						
3	1	1A7350-33140	FORK, SHIFT	1	1						
4	1	198212-33150	SPRING, RETURN	1	1						
5	1	22137-200000	WASHER, 20	1	1						
6	1	22351-050040	PIN, SPRING 5.0X40	1	1						
7	1	22351-060032	PIN, SPRING 6.0X32	1	1						
8	1	22351-080032	PIN, SPRING 8.0X32	1	1						
9	1	22351-080040	PIN, SPRING 8.0X40	1	1						
10	1	24421-203007	SEAL, OIL TC203007	2	2						

Fig.57. DIFFERENTIAL LOCK PEDAL

(A)=FK657
(B)=FK663
(C)=

(D)=
(E)=
(F)=

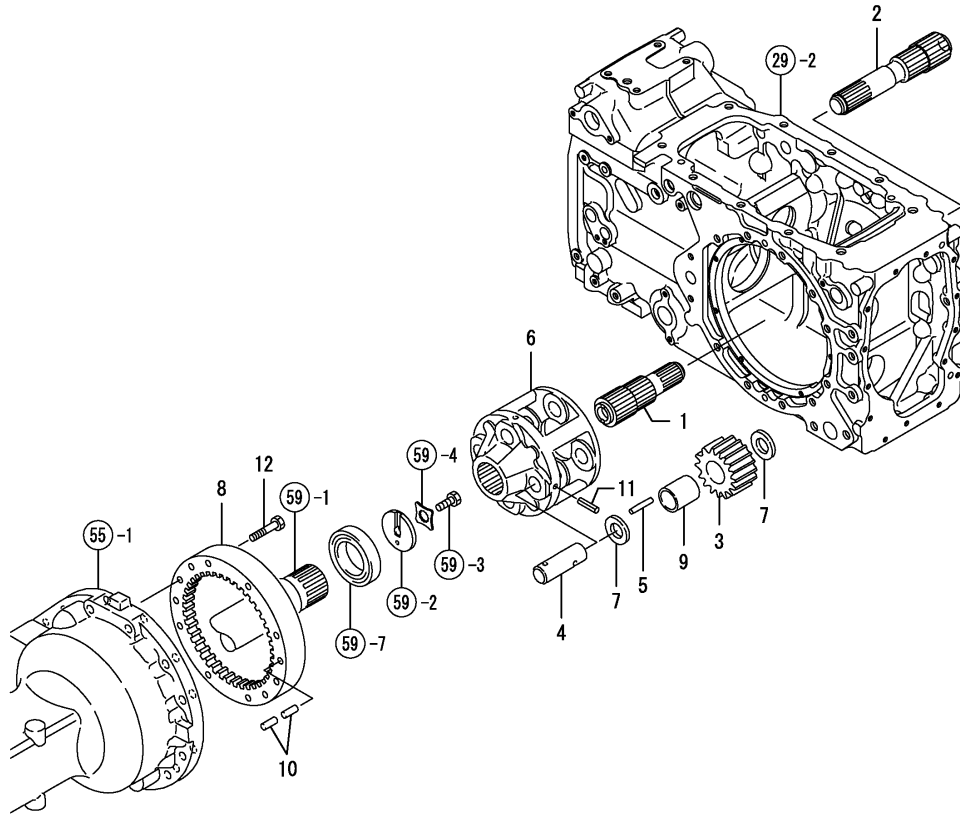


No.	Lev.	Parts No.	Description	Q'ty						I	R
				(A)	(B)	(C)	(D)	(E)	(F)		
1	1	198448-33220	PEDAL ASSY, LOCK	1	1						
2	1	198448-33310	RETAINER, PEDAL	2	2						
3	2	24550-017150	BUSH, 17X15	4	4						
4	1	198448-33340	SHAFT, PEDAL	1	1						
5	1	198448-33380	WIRE ASSY	1	1						
6	1	198448-33390	GROMMET, CABLE	1	1						
7	1	198290-37510	SPRING, RETURN	1	1						
8	1	198220-37900	PIN, 8X24	1	1						
9	1	1C6281-52320	PIN, SNAP 8	1	1						
10	1	194330-62530	STOPPER, PEDAL	1	1						
11	1	22351-035040	PIN, SPRING 3.5X40	1	1						
12	1	22351-060040	PIN, SPRING 6.0X40	1	1						
13	1	26106-080162	BOLT, M8X 16 PLATED	4	4						
14	1	198220-37900	PIN, 8X24	1	1						
15	1	1C6281-52320	PIN, SNAP 8	1	1						

Fig.58. FINAL PINION & FINAL GEAR

(A)=FK657
(B)=FK663
(C)=

(D)=
(E)=
(F)=



No.	Lev.	Parts No.	Description	Q'ty						I	R
				(A)	(B)	(C)	(D)	(E)	(F)		
1	1	198149-33410	PINION, FINAL L	1	1						
2	1	198149-33420	PINION, FINAL R	1	1						
3	1	198450-33540	PINION, PLANETARY	8	8						
4	1	198320-33550	SHAFT, PLANETARY	8	8						
5	1	198320-33560	NEEDLE, 4.5X31.8	168	168						
6	1	198450-33570	CARRIER, PLANETARY	2	2						
7	1	198450-33590	WASHER, 26X50X1	16	16						
8	1	198320-33610	GEAR, INTERNAL	2	2						
9	1	198450-33610	BUSH, 354232	8	8						
10	1	22312-100250	PIN, PARALLEL M10X25	8	8						
11	1	22351-080040	PIN, SPRING 8.0X40	8	8						
12	1	26116-100452	BOLT, M10X 45 PLATED	16	16						
12-1	1	26116-100552	BOLT, M10X 55 PLATED	16	16						N
		(A=FXXXXXX) (B=FXXXXXX)									
12-2	1	198217-33650	BOLT, M10X55	16	16						N
		(A=FXXXXXX) (B=FXXXXXX)									

Fig.59. REAR AXLE SHAFT

(A)=FK657
(B)=FK663
(C)=

(D)=
(E)=
(F)=

No.	Lev.	Parts No.	Description	Q'ty						I	R
				(A)	(B)	(C)	(D)	(E)	(F)		
1	1	198448-34110	SHAFT, REAR AXLE	2	2						
2	1	198440-34130	WASHER, 13X64X9	2	2						
3	1	194640-34140	BOLT, M12X30	2	2						
4	1	198450-34150	WASHER, THRUST	2	2						
5	1	198535-34360	COLLAR, 60X72X26	2	2						
6	1	194145-34390	SPACER, O-RING	2	2						
7	1	24101-060114	BEARING, BALL 6011	2	2						
8	1	24101-062124	BEARING, BALL 6212	2	2						
9	1	24321-000600	O-RING, 1AG60.0	2	2						

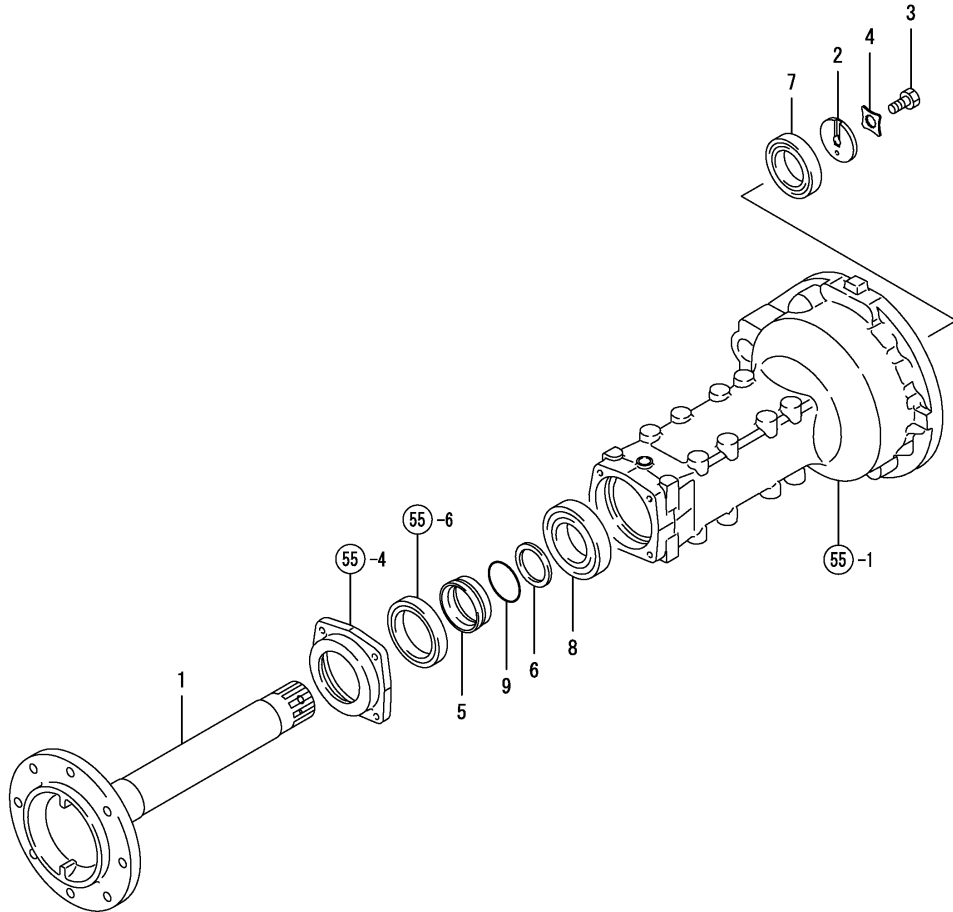
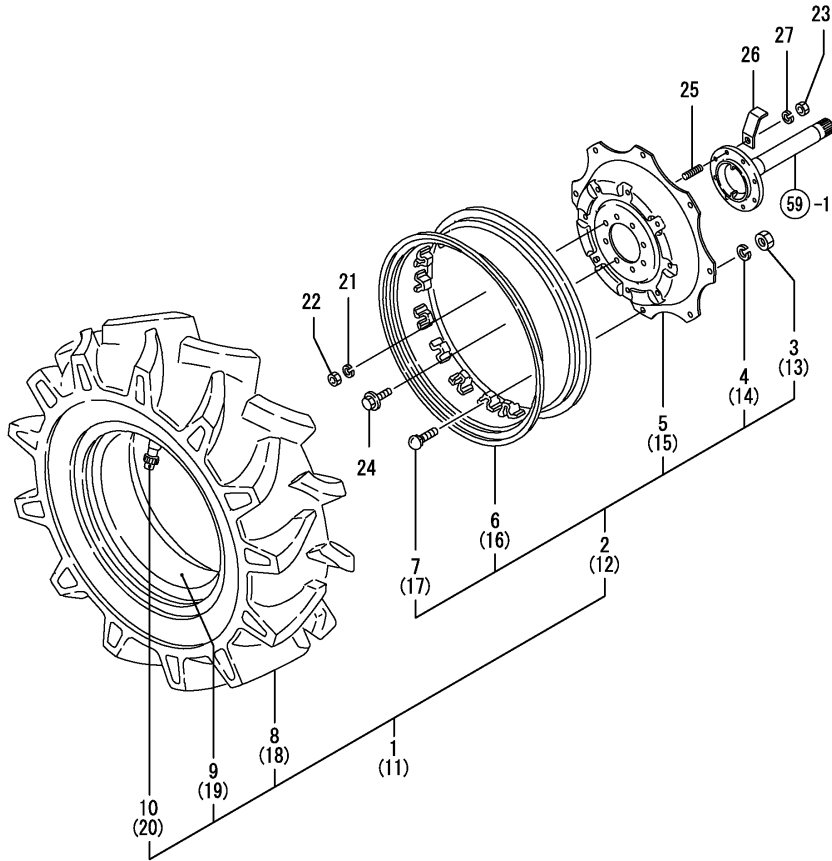


Fig.60. REAR WHEEL TIRE

(A)=FK657
(B)=FK663
(C)=

(D)=
(E)=
(F)=

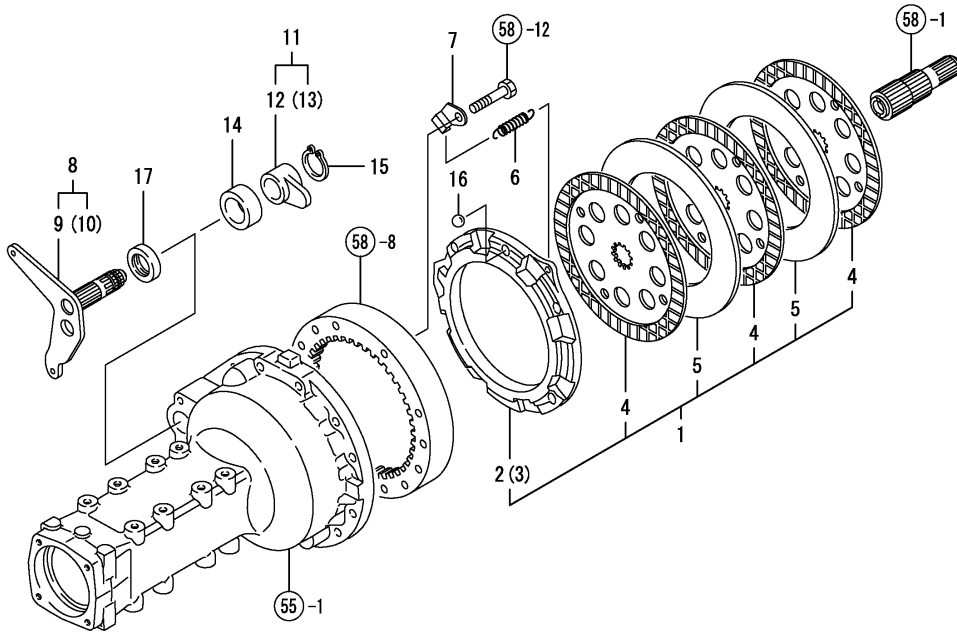


No.	Lev.	Parts No.	Description	Q'ty						I	R
				(A)	(B)	(C)	(D)	(E)	(F)		
1	1	198463-34700	TIRE KIT, 12.4-32HL	1	1						
2	2	194680-34850	WHEEL ASSY, W11X32W	1	1						
3	3	194181-14180	NUT, M16	8	8						
4	3	194065-34170	WASHER, 16	8	8						
5	3	194478-34720	DISK, W15LX28W	1	1						
6	3	194680-34730	RIM, W11X32W	1	1						
7	3	198268-34850	BOLT, M16X70	8	8						
8	2	194680-34890	TIRE, 12.4-32 4FSLSC	1	1						
9	2	198451-34940	TUBE, 12.4-32	1	1						
10	2	194190-34730	HOUSING, CORE	1	1						
11	1	198463-34800	TIRE KIT, 12.4-32HR	1	1						
12	2	194680-34850	WHEEL ASSY, W11X32W	1	1						
13	3	194181-14180	NUT, M16	8	8						
14	3	194065-34170	WASHER, 16	8	8						
15	3	194478-34720	DISK, W15LX28W	1	1						
16	3	194680-34730	RIM, W11X32W	1	1						
17	3	198268-34850	BOLT, M16X70	8	8						
18	2	194680-34890	TIRE, 12.4-32 4FSLSC	1	1						
19	2	198451-34940	TUBE, 12.4-32	1	1						
20	2	194190-34730	HOUSING, CORE	1	1						
21	1	194279-14220	WASHER, 14	4	4						
22	1	194450-21980	NUT, M14	4	4						
23	1	194450-21980	NUT, M14	4	4						
24	1	198133-34130	BOLT, M14X30	12	12						
25	1	194256-34160	STUD, M14X50	4	4						
26	1	198133-34190	SCRAPER	4	4						
27	1	22217-140000	WASHER, SPRING 14	4	4						

Fig.61. BRAKE

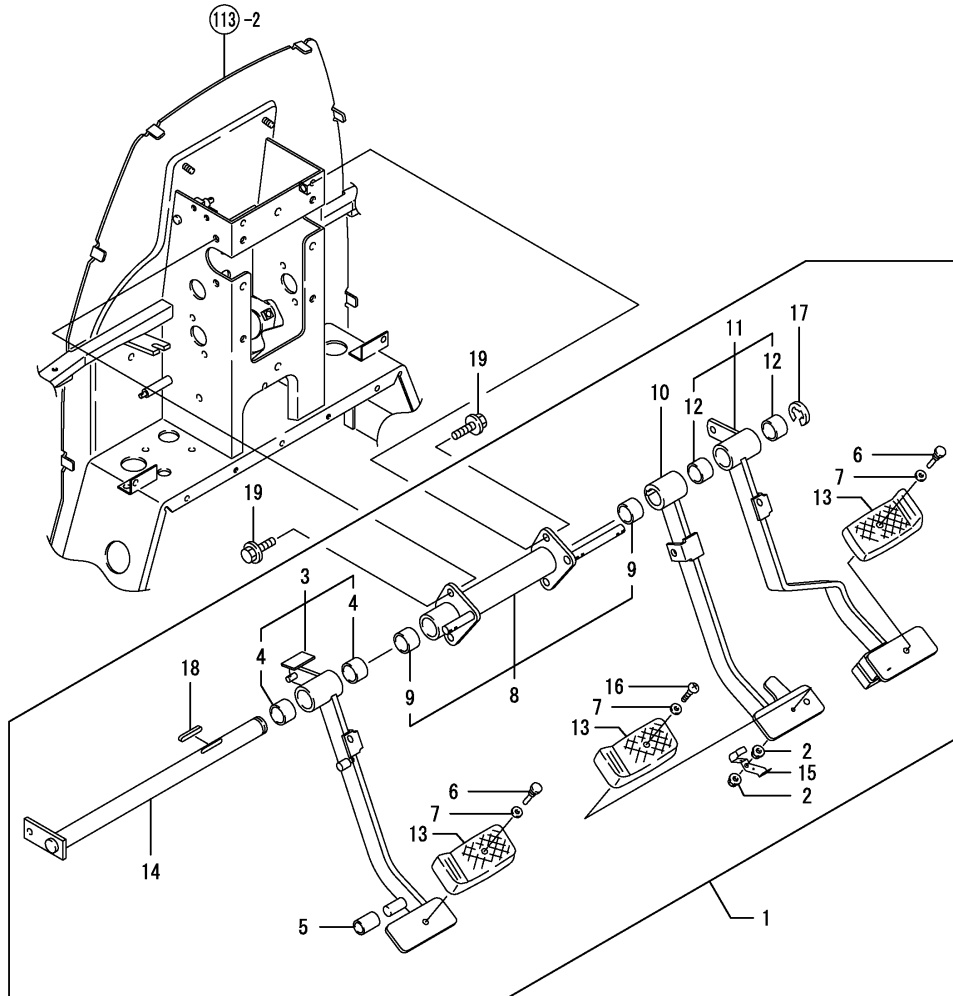
(A)=FK657
(B)=FK663
(C)=

(D)=
(E)=
(F)=



No.	Lev.	Parts No.	Description	Q'ty						I	R
				(A)	(B)	(C)	(D)	(E)	(F)		
1	1	198320-36200	BRAKE ASSY	1	1						
1-1	1	1A7601-36200	BRAKE ASSY	1	1						R
		(A=FZZZZZ) (B=FZZZZZ)									
2	2	198240-36310	ACTUATOR	1	1						
2-1	2	1A7601-36310	ACTUATOR, L	1	1						R
		(A=FZZZZZ) (B=FZZZZZ)									
3	2	198240-36320	ACTUATOR	1	1						
3-1	2	1A7601-36320	ACTUATOR, R	1	1						R
		(A=FZZZZZ) (B=FZZZZZ)									
4	2	198240-36351	PLATE, FRICTION 226	6	6						
4-1	2	1A7601-36350	PLATE, FRICTION 226	6	6						R
		(A=FZZZZZ) (B=FZZZZZ)									
5	2	198240-36520	PLATE, STEEL 3.2	5	5						
5-1	2	1A8275-36520	PLATE, STEEL 3.2	5	5						R
		(A=FZZZZZ) (B=FZZZZZ)									
6	1	194205-36320	SPRING, ACTUATOR	4	4						
7	1	198240-36380	HOOK, RETURN SPRING	4	4						
8	1	198448-36690	SHAFT ASSY, LEVER	1	1						
9	2	198448-36730	SHAFT, CAM LEVER L	1	1						
10	2	198448-36740	SHAFT, CAM LEVER R	1	1						
11	1	198240-36700	LEVER ASSY, CAM	1	1						
12	2	198240-36710	CAMSHAFT, BRAKE L	1	1						
13	2	198240-36720	CAMSHAFT, BRAKE R	1	1						
14	1	198320-36790	SLEEVE, CAM LEVER	2	2						
15	1	22242-000290	RING, 29	2	2						
16	1	24190-180001	BALL, STEEL 9/16	12	12						
17	1	24421-304208	SEAL, OIL TC304208	2	2						

Fig.62. PEDAL

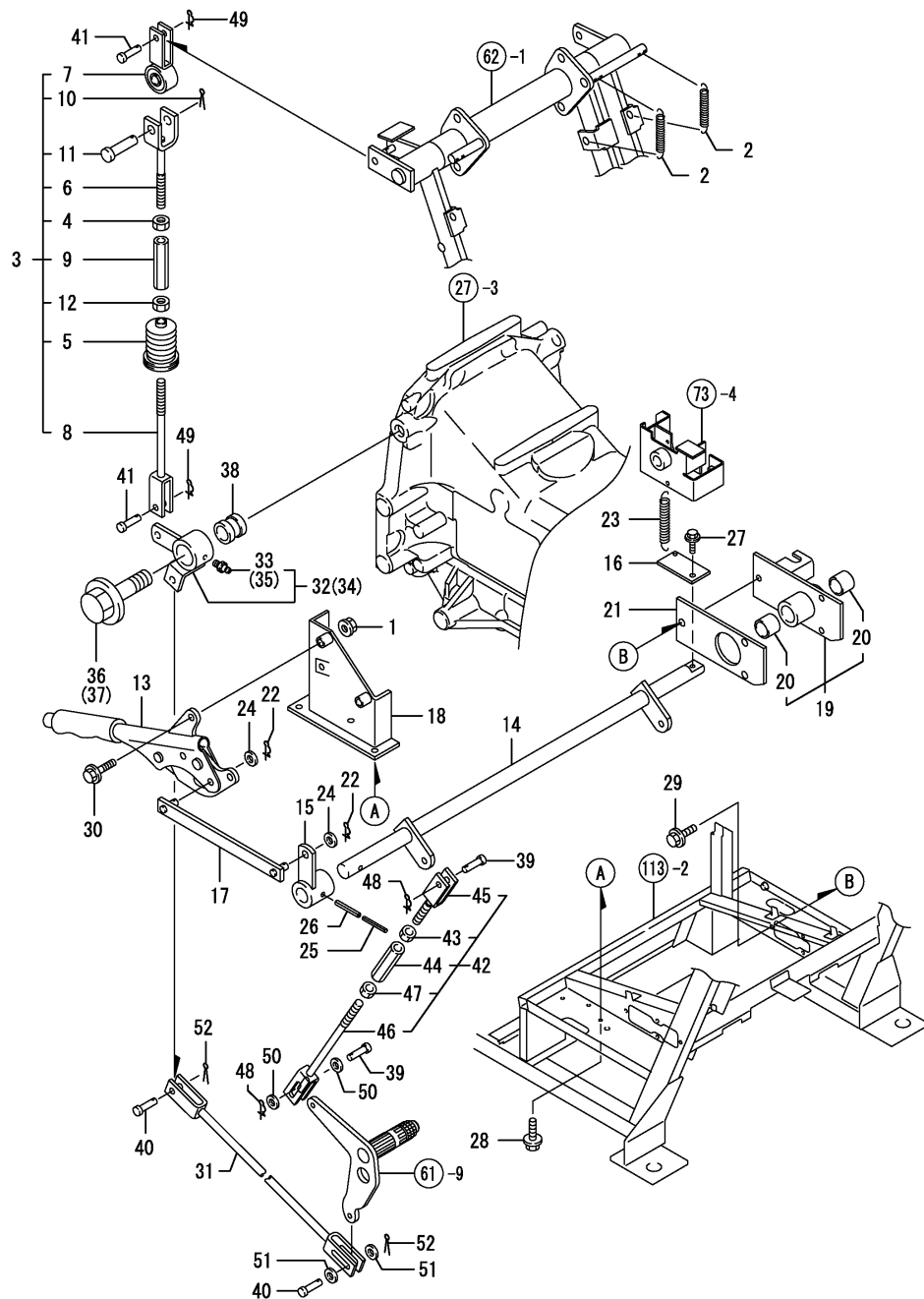


(A)=FK657
(B)=FK663
(C)=

(D)=
(E)=
(F)=

No.	Lev.	Parts No.	Description	Q'ty						I	R
				(A)	(B)	(C)	(D)	(E)	(F)		
1	1	198448-37201	PEDAL ASSY	1	1						
2	2	194990-22120	NUT, M5	2	2						
3	2	198448-22400	PEDAL ASSY, CLUTCH	1	1						
4	3	198448-37360	BUSH, 25X28X20	2	2						
4-1	3	24550-025200	BUSH, 25X20	2	2						R
		(A=FZZZZZ) (B=FZZZZZ)									
5	2	198448-22470	PIPE, CLUTCH STOPPER	1	1						
6	2	198133-22510	RIVET, PEDAL HEAD	2	2						
7	2	198133-22530	WASHER, RIVET	3	3						
8	2	198448-37250	RETAINER ASSY, SHAFT	1	1						
9	3	198448-37360	BUSH, 25X28X20	2	2						
9-1	3	24550-025200	BUSH, 25X20	2	2						R
		(A=FZZZZZ) (B=FZZZZZ)									
10	2	198448-37301	PEDAL ASSY, BRAKE L	1	1						
11	2	198448-37400	PEDAL ASSY, BRAKE R	1	1						
12	3	198448-37360	BUSH, 25X28X20	2	2						
12-1	3	24550-025200	BUSH, 25X20	2	2						R
		(A=FZZZZZ) (B=FZZZZZ)									
13	2	198071-37510	COVER, HEAD	3	3						
14	2	198448-37551	SHAFT, BRAKE	1	1						
15	2	198475-37770	SPRING, LOCK	1	1						
16	2	198475-37780	SCREW, M5X25	1	1						
17	2	22272-000190	RING, E-19	1	1						
18	2	22512-070400	KEY, 7X 40	1	1						
19	1	26106-100202	BOLT, M10X 20 PLATED	4	4						

Fig.63. BRAKE LINK

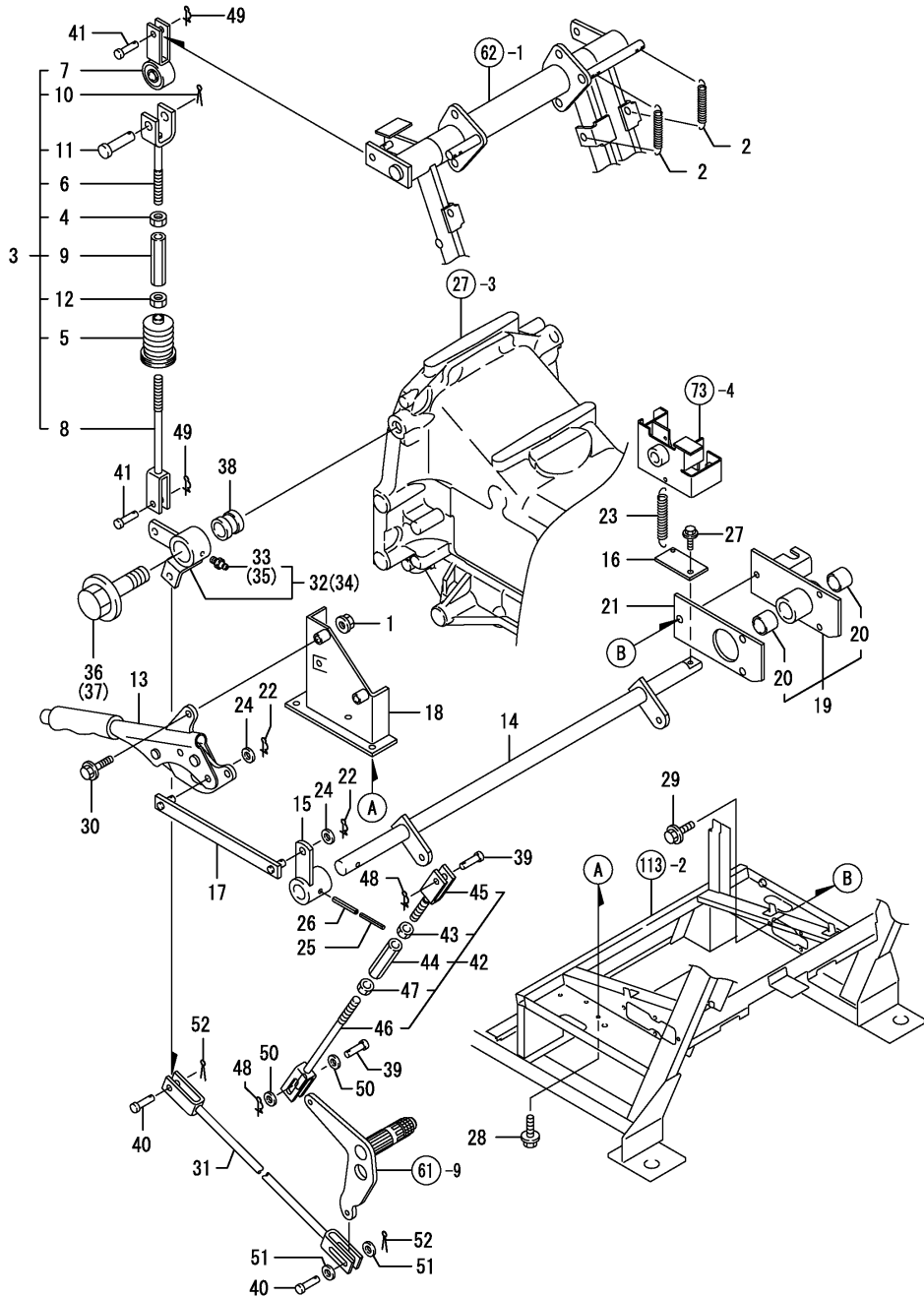


(A)=FK657
(B)=FK663
(C)=

(D)=
(E)=
(F)=

No.	Lev.	Parts No.	Description	(A)	(B)	Q'ty						I	R
						(C)	(D)	(E)	(F)				
1	1	194990-22140	NUT, M8	2	2								
2	1	198290-37510	SPRING, RETURN	2	2								
3	1	198448-37610	ROD ASSY, BRAKE	2	2								
4	2	194150-22480	NUT, M10 L	2	2								
5	2	198448-37450	BOOT, ROD	2	2								
6	2	198448-37530	ROD, BRAKE L	2	2								
7	2	198448-37600	ROD ASSY, BRAKE A	2	2								
8	2	198448-37620	ROD, BRAKE R	2	2								
9	2	194130-37730	TURNBUCKLE	2	2								
10	2	22417-200300	PIN, COTTER 2.0X30	2	2								
11	2	22487-120400	PIN, H12X40	2	2								
12	2	26716-100002	NUT, M10	2	2								
13	1	198448-38400	BRAKE ASSY, PARKING	1	1								
14	1	1A7600-38410	SHAFT, PARKING	1	1								
15	1	1A7600-38440	ARM, PARKING	1	1								
16	1	198448-38510	PLATE, SWITCH	1	1								
17	1	1A7600-38530	ROD, PARKING	1	1								
18	1	198448-38590	STAY, PARKING LEVER	1	1								
19	1	198448-38640	RETAINER ASSY, SHAFT	1	1								
20	2	24550-020200	BUSH, 20X20	2	2								
21	1	198448-38690	SEAL, RETAINER	1	1								
22	1	1C6281-52320	PIN, SNAP 8	2	2								
23	1	198121-78980	SPRING, ARM	1	1								
24	1	22137-100000	WASHER, 10	2	2								
25	1	22351-035040	PIN, SPRING 3.5X40	1	1								
26	1	22351-060040	PIN, SPRING 6.0X40	1	1								
27	1	26106-060162	BOLT, M6X 16 PLATED	1	1								
28	1	26106-080162	BOLT, M8X 16 PLATED	3	3								
29	1	26106-080162	BOLT, M8X 16 PLATED	3	3								
30	1	26106-080352	BOLT, M8X 35 PLATED	2	2								
31	1	198448-37370	ROD, BRAKE	2	2								
32	1	1A7600-37460	ARM ASSY, BRAKE L	1	1								
33	2	24761-010000	NIPPLE, GREASE M6F	1	1								
34	1	1A7600-37470	ARM ASSY, BRAKE R	1	1								
35	2	24761-010000	NIPPLE, GREASE M6F	1	1								
36	1	198071-37781	BOLT, M20	1	1								
37	1	198071-37791	BOLT, M20	1	1								
38	1	198071-37820	SPACER, 20/29	2	2								
39	1	198220-37900	PIN, 8X24	4	4								
40	1	198220-37900	PIN, 8X24	4	4								
41	1	198220-37900	PIN, 8X24	4	4								
42	1	198448-38311	ROD ASSY, PARKING	2	2								
43	2	194150-22480	NUT, M10 L	2	2								
44	2	194130-37730	TURNBUCKLE	2	2								
45	2	194130-37740	ROD, BRAKE L	2	2								
46	2	198448-38340	ROD, PARKING	2	2								
47	2	26716-100002	NUT, M10	2	2								
48	1	1C6281-52320	PIN, SNAP 8	4	4								
49	1	1C6281-52320	PIN, SNAP 8	4	4								
50	1	22137-080000	WASHER, 8	4	4								
51	1	22137-080000	WASHER, 8	4	4								

Fig.63. BRAKE LINK



(A)=FK657
(B)=FK663
(C)=

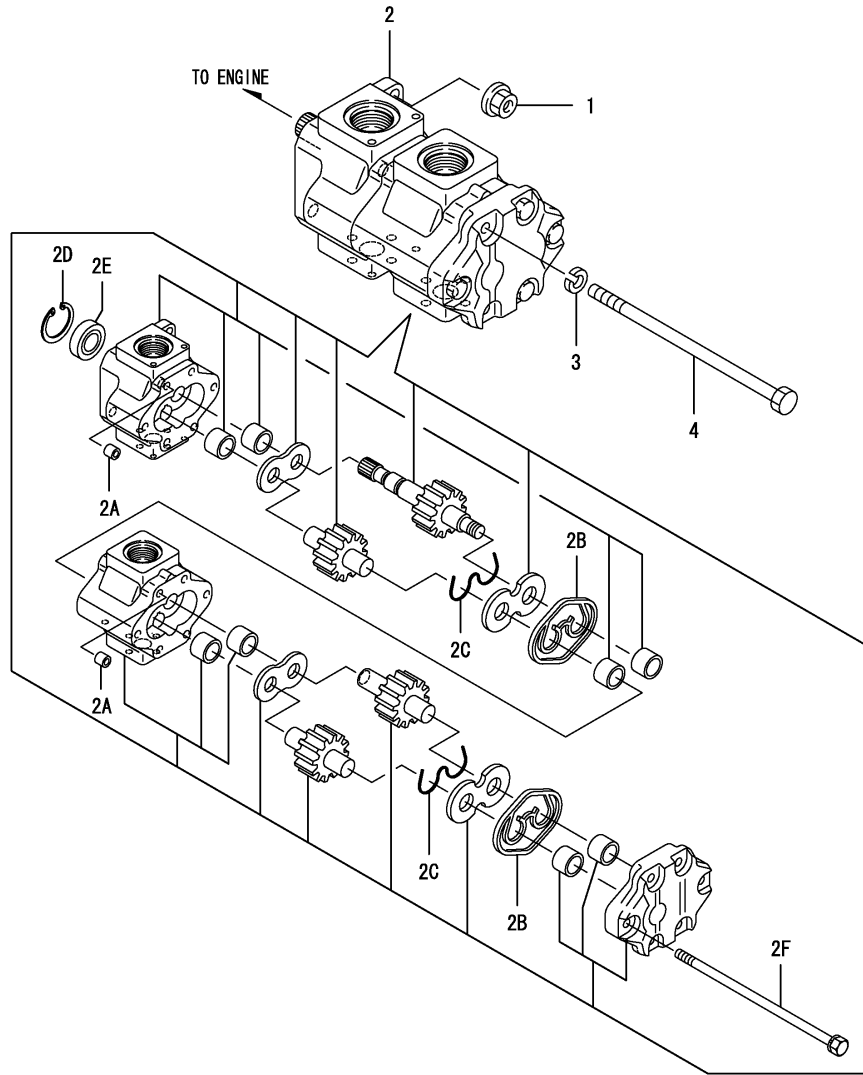
(D)=
(E)=
(F)=

No.	Lev.	Parts No.	Description	Qty						I	R
				(A)	(B)	(C)	(D)	(E)	(F)		
52	1	22417-250300	PIN, COTTER 2.5X30	4	4						

Fig.64. HYDRAULIC PUMP

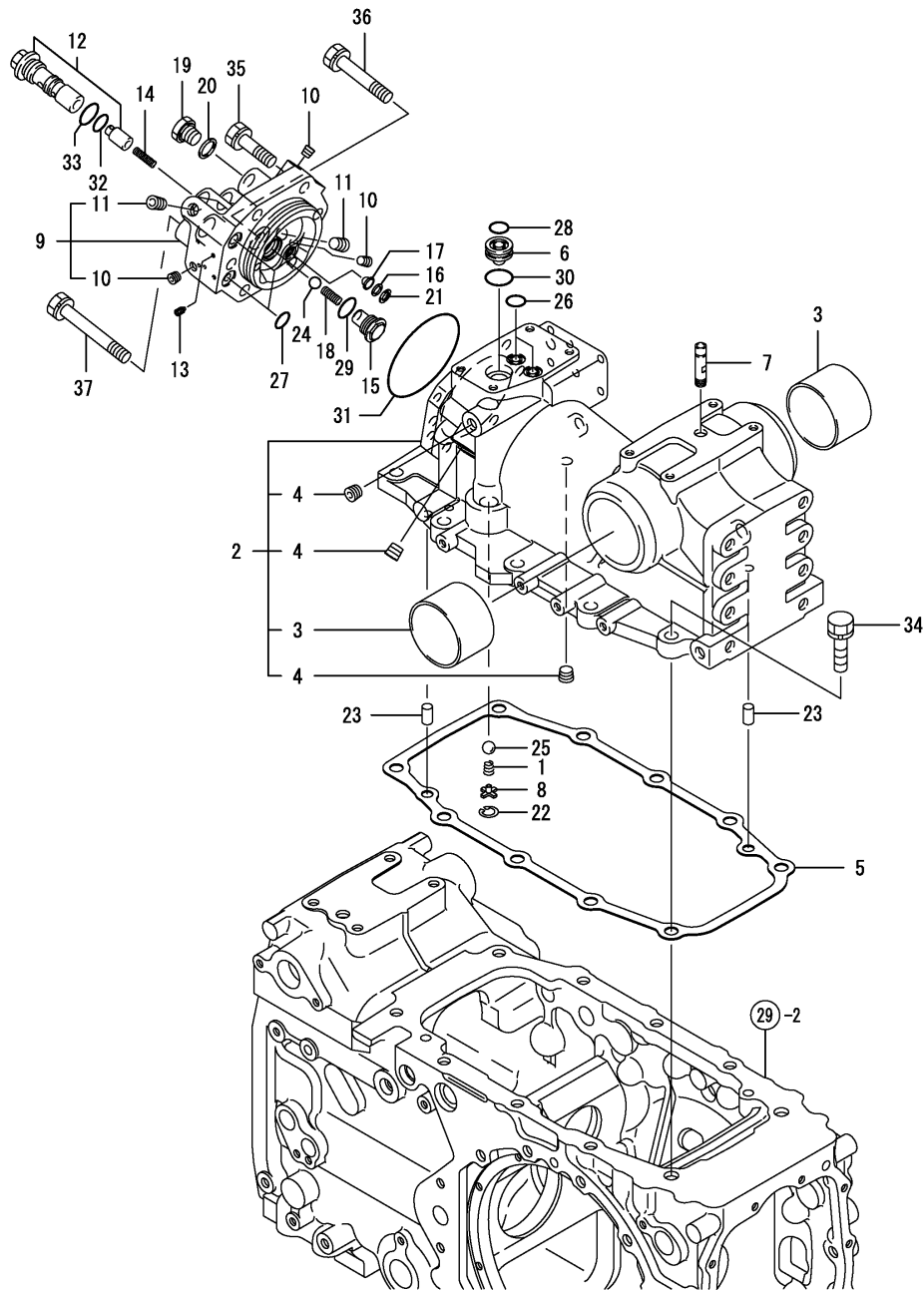
(A)=FK657
(B)=FK663
(C)=

(D)=
(E)=
(F)=



No.	Lev.	Parts No.	Description	Qty						I	R
				(A)	(B)	(C)	(D)	(E)	(F)		
1	1	194990-22140	NUT, M8	2	2						
2	1	1A7670-41110	PUMP ASSY, HYDRAULIC	1	1						
2-1	1	1A7670-41111	HO-P(PWF2-D-11X10AK)	1	1						R
				(A=FXXXXX)	(B=FXXXXX)						
2A	2	178077-00500	PIN 11X7	8	8						
2B	2	178077-15400	SEAL RING	2	2						
2C	2	178077-15410	BACKUP RING	2	2						
2D	2	22252-000320	RING, 32	1	1						
2E	2	24421-183207	SEAL, OIL TC183207	1	1						
2E-1	2	168000-01180	SEAL TCV183207	1	1						R
				(A=FXXXXX)	(B=FXXXXX)						
2F	2	26016-081052	BOLT, M8X105	4	4						
3	1	22217-080000	WASHER, SPRING 8	2	2						
4	1	26116-081702	BOLT, M8X170 PLATED	2	2						

Fig.65. HYDRAULIC CYLINDER CASE

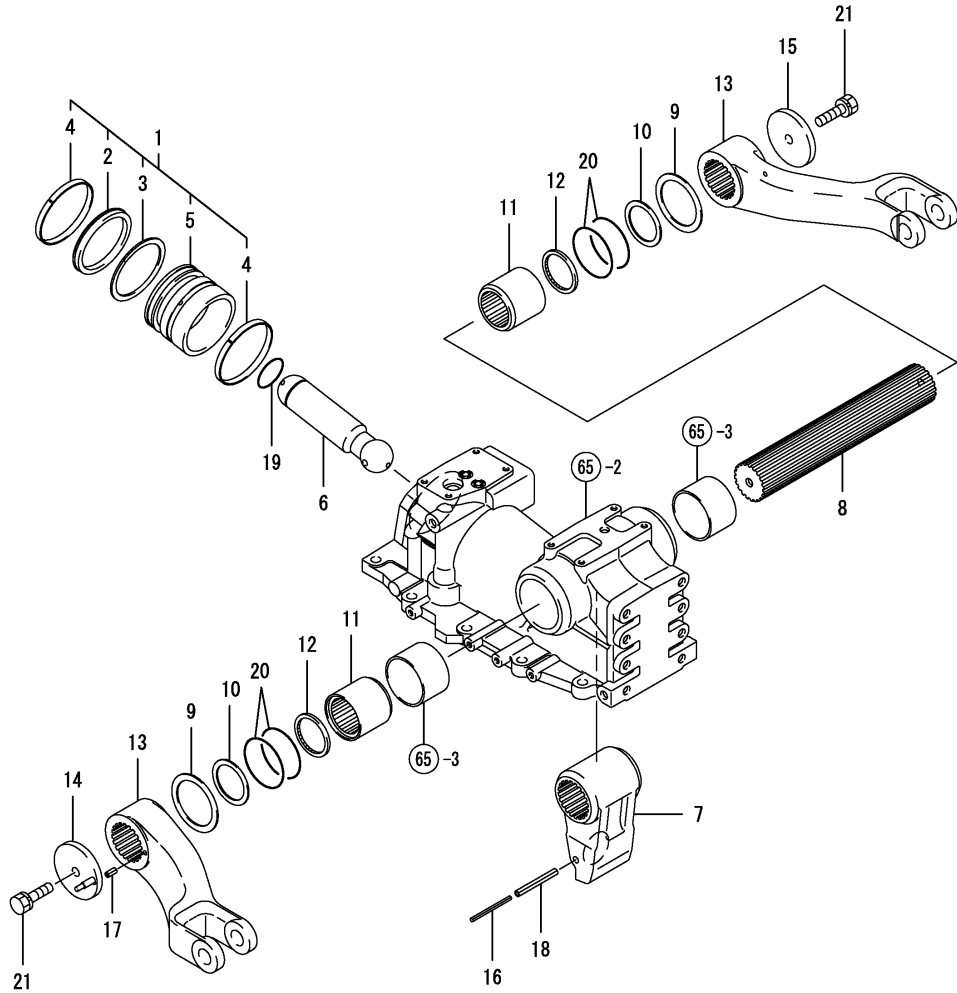


(A)=FK657
(B)=FK663
(C)=

(D)=
(E)=
(F)=

No.	Lev.	Parts No.	Description	Q'ty						I	R
				(A)	(B)	(C)	(D)	(E)	(F)		
1	1	194310-24770	SPRING	1	1						
2	1	1A7640-42101	HOUSING ASSY	1	1						
3	2	194640-42140	BUSH, 65X70X45	2	2						
4	2	23876-020000	PLUG, R02	3	3						
5	1	1A7640-42150	PACKING, HOUSING	1	1						
6	1	198475-42250	STRAINER ASSY	1	1						
7	1	194555-42280	BREATHER, AIR	1	1						
8	1	1A7260-42310	SUPPORT, SPRING	1	1						
9	1	1A7640-43200	HEAD ASSY, CYLINDER	1	1						
10	2	23876-010000	PLUG, R01	3	3						
11	2	23876-020000	PLUG, R02	2	2						
12	1	198448-43300	SEAT ASSY, VALVE	1	1						
13	1	198448-43331	ORIFICE, VALVE	1	1						
14	1	198448-43340	SPRING, CHECK VALVE	1	1						
15	1	1A7640-43450	PLUG, CHECK VALVE	1	1						
16	1	1A7640-43810	SPACER, 9X13X1	1	1						
17	1	1A7640-43850	STRAINER	1	1						
18	1	194555-46380	SPRING	1	1						
19	1	194312-46750	PLUG, PF3/8	1	1						
20	1	194555-77910	GASKET, 17	1	1						
21	1	22252-000140	RING, 14	1	1						
22	1	22252-000180	RING, 18	1	1						
23	1	22312-100180	PIN, PARALLEL M10X18	2	2						
24	1	24190-130003	BALL, STEEL 13/32	1	1						
25	1	24190-160001	BALL, STEEL 1/2	1	1						
26	1	24315-000140	O-RING, 1BP14.0	2	2						
27	1	24315-000140	O-RING, 1BP14.0	2	2						
28	1	24315-000140	O-RING, 1BP14.0	1	1						
29	1	24315-000180	O-RING, 1BP18.0	1	1						
30	1	24315-000220	O-RING, 1BP22.0	1	1						
31	1	24325-000900	O-RING, 1BG90.0	1	1						
32	1	24351-010160	O-RING 1A 1016	1	1						
33	1	24365-091000	O-RING, 1BAS910	1	1						
34	1	26013-120352	BOLT, M12X 35	8	8						
34-1	1	26106-120352	BOLT, M12X 35 PLATED	8	8						R
		(A=FXXXXXX) (B=FXXXXXX)									
35	1	26013-120402	BOLT, M12X 40	4	4						
36	1	26013-120652	BOLT, M12X 65	1	1						
37	1	26013-120852	BOLT, M12X 85	1	1						

Fig.66. PISTON & LIFT CRANK



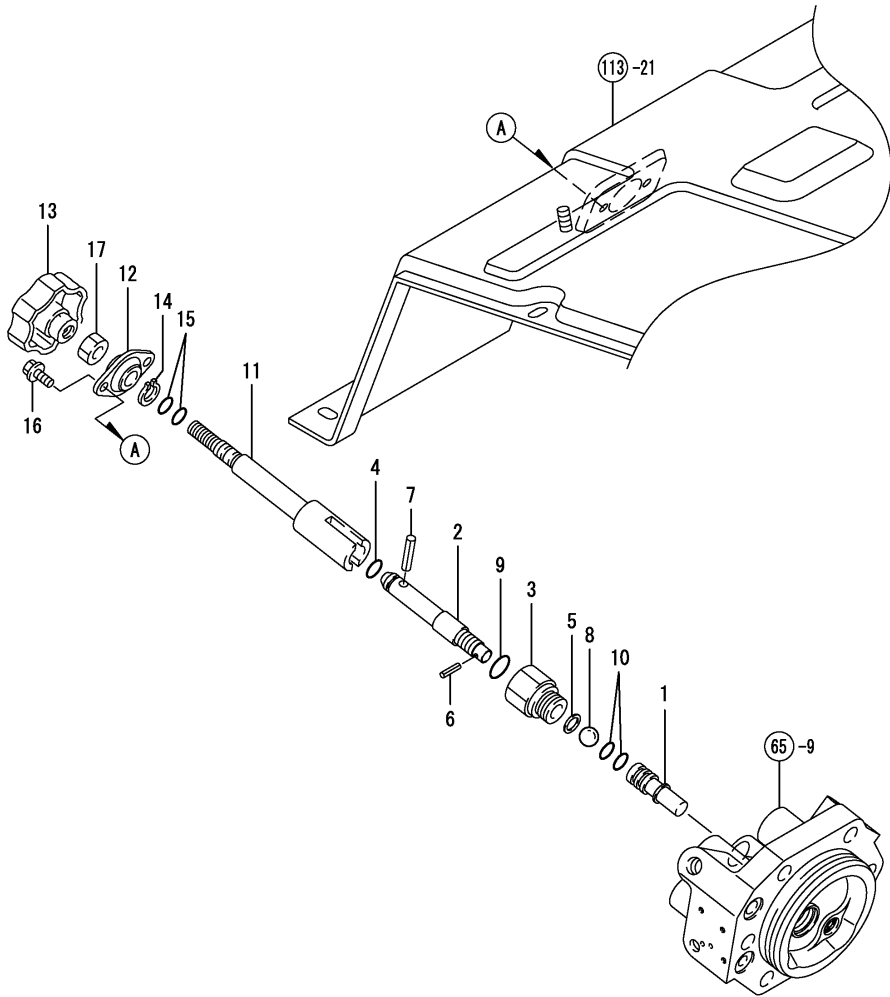
(A)=FK657
(B)=FK663
(C)=

(D)=
(E)=
(F)=

No.	Lev.	Parts No.	Description	Q'ty						I	R
				(A)	(B)	(C)	(D)	(E)	(F)		
1	1	1A7640-43250	PISTON ASSY	1	1						
2	2	1A7640-43260	PACKING, 95	1	1						
3	2	1A7640-43270	RING, BACK UP 95	1	1						
4	2	1A7640-43280	WEARING, 95	2	2						
5	2	1A7640-43290	PISTON, HYDRAULIC	1	1						
6	1	1A7640-43410	ROD, PISTON	1	1						
7	1	1A7640-44110	CRANK, LIFT	1	1						
8	1	1A7640-44210	SHAFT, LIFTING	1	1						
9	1	1A7640-44230	WASHER, 65X82X2	2	2						
10	1	1A7640-44240	PLATE, 50X64X2	2	2						
11	1	194640-44250	SLEEVE, LIFT SHAFT	2	2						
12	1	194640-44260	SEAL, SPLINE	2	2						
13	1	1A7640-44410	ARM, LIFT	2	2						
14	1	198448-44510	ARM, FEEDBACK	1	1						
15	1	194640-44540	RETAINER, SHAFT	1	1						
16	1	22351-050070	PIN, SPRING 5.0X70	1	1						
17	1	22351-060012	PIN, SPRING 6.0X12	1	1						
18	1	22351-080070	PIN, SPRING 8.0X70	1	1						
19	1	24311-000400	O-RING, 1AP40.0	1	1						
20	1	24321-000650	O-RING, 1AG65.0	4	4						
21	1	26013-120352	BOLT, M12X 35	2	2						
21-1	1	26106-120302	BOLT, M12X 30 PLATED	2	2						R

(A)=FXXXXXX (B)=FXXXXXX

Fig.68. STOP VALVE



(A)=FK657
(B)=FK663
(C)=

(D)=
(E)=
(F)=

No.	Lev.	Parts No.	Description	Q'ty						I	R
				(A)	(B)	(C)	(D)	(E)	(F)		
1	1	1A7640-46300	VALVE, STOP	1	1						
2	1	1A7640-46620	BOLT, STOP	1	1						
3	1	198448-46630	HOLDER, VALVE	1	1						
4	1	198448-46660	PACKING, 10	1	1						
5	1	1A7640-46670	WASHER, 10.5X15X1	1	1						
6	1	22351-030016	PIN, SPRING 3.0X16	1	1						
7	1	22351-060028	PIN, SPRING 6.0X28	1	1						
8	1	24190-160001	BALL, STEEL 1/2	1	1						
9	1	24311-000150	O-RING, 1AP15.0	1	1						
10	1	24315-000110	O-RING, 1BP11.0	2	2						
11	1	198448-46581	BOLT, STOP	1	1						
12	1	198448-46610	FLANGE ASSY	1	1						
13	1	194555-46640	KNOB, STOP	1	1						
14	1	22242-000110	RING, 11	1	1						
15	1	24311-000090	O-RING, 1AP9.0	2	2						
16	1	26106-060162	BOLT, M6X 16 PLATED	2	2						
17	1	26716-100002	NUT, M10	1	1						

Fig.69. SAFETY VALVE

(A)=FK657
(B)=FK663
(C)=

(D)=
(E)=
(F)=

No.	Lev.	Parts No.	Description	Q'ty						I	R
				(A)	(B)	(C)	(D)	(E)	(F)		
1	1	194150-45320	SPRING, RELIEF VALVE	1	1						
2	1	1A7640-45370	PLUG, SAFETY VALVE	1	1						
3	1	198220-46400	SHIM SET	1	1						
4	1	1A7640-46410	SEAT, SAFETY VALVE	1	1						
5	1	194640-46420	POPPET	1	1						
6	1	22351-060025	PIN, SPRING 6.0X25	1	1						
7	1	24315-000120	O-RING, 1BP12.0	1	1						
8	1	24315-000180	O-RING, 1BP18.0	1	1						

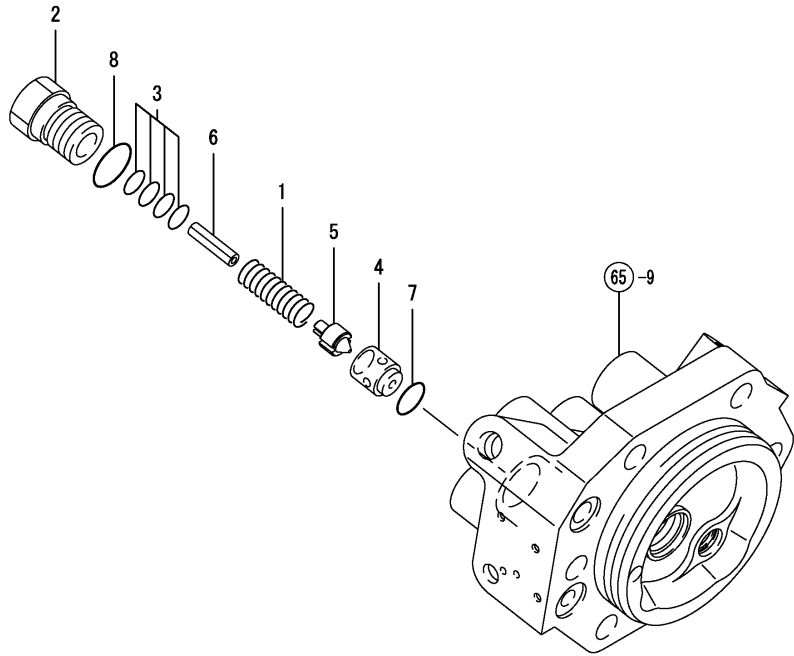
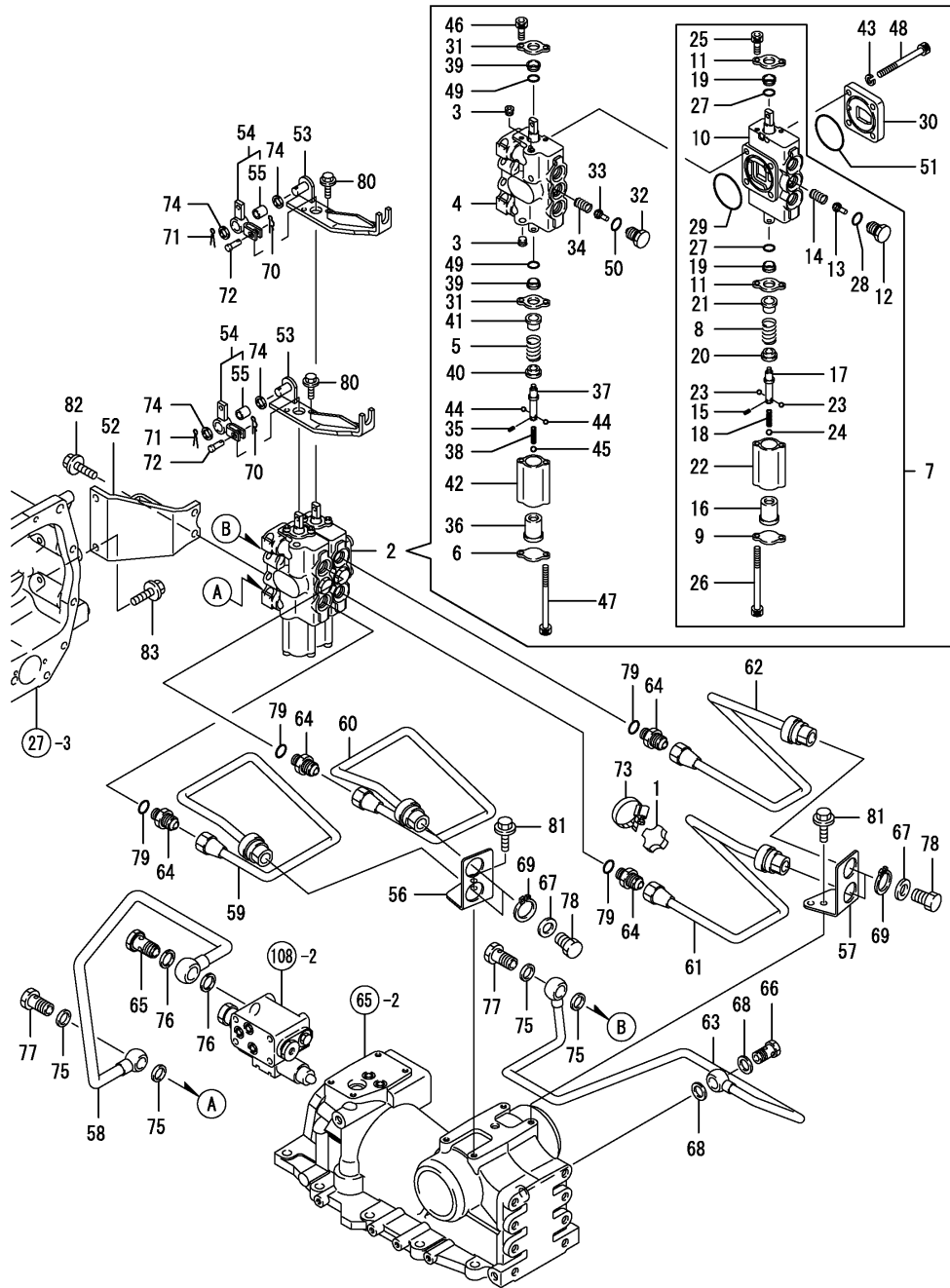


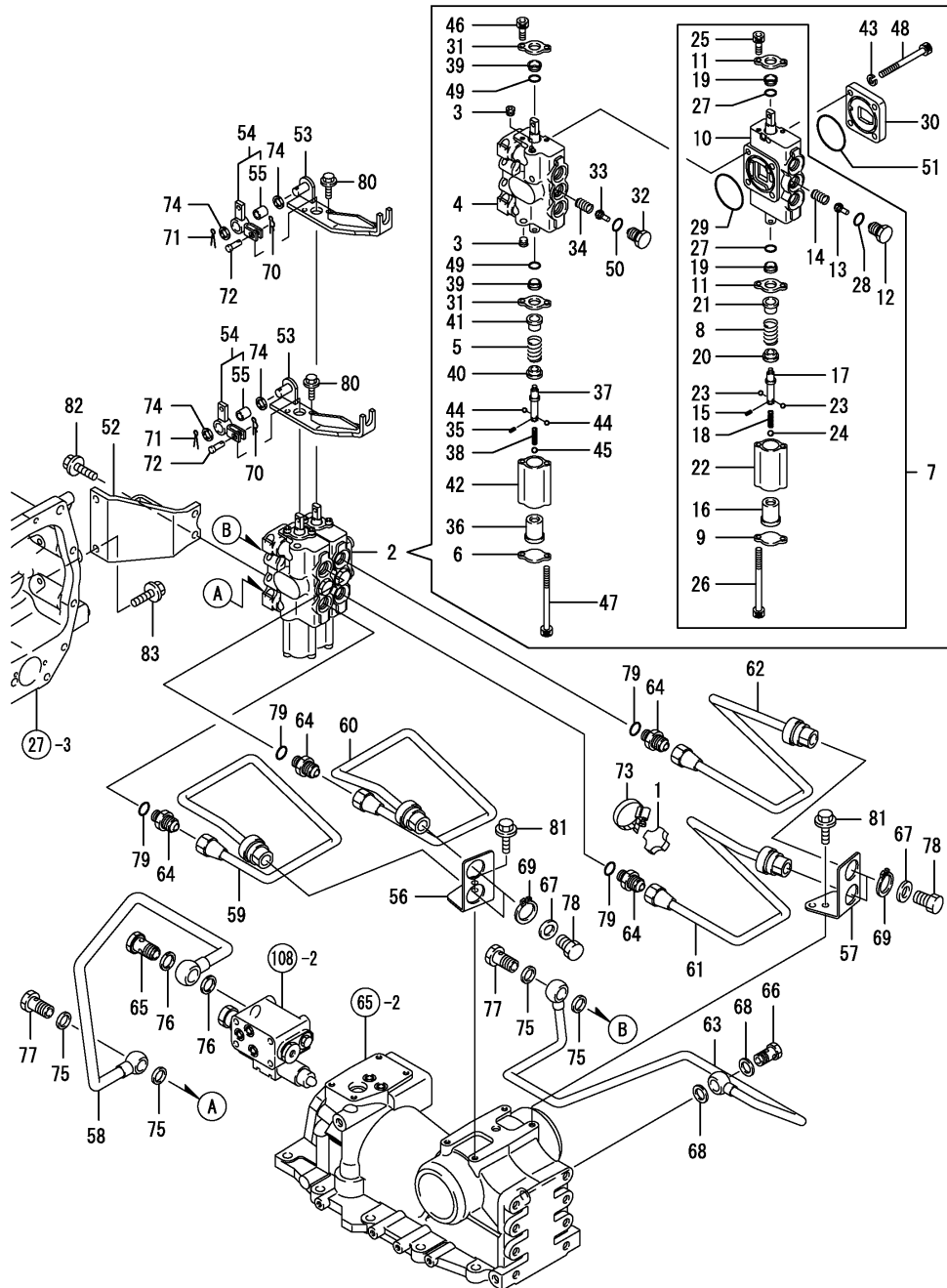
Fig.70. SUB CONTROL VALVE



(A)=FK657
(B)=FK663
(C)=

(D)=
(E)=
(F)=

No.	Lev.	Parts No.	Description	Q'ty						I	R
				(A)	(B)	(C)	(D)	(E)	(F)		
1	1	198220-46500	CLAMP	1	1						
2	1	198448-46701	VALVE ASSY, CONTROL	1	1						
3	2	178073-01200	PLUG PT 1/8	2	2						
4	2	178076-04110	BODY ASSY, A-1	1	1						
5	2	178076-04140	SPRING(4P)	1	1						
6	2	178076-04150	COVER	1	1						
7	2	178076-04300	SCV CMP	1	1						
8	3	178076-04140	SPRING(4P)	1	1						
9	3	178076-04150	COVER	1	1						
10	3	178076-04210	BODY ASSY, A-2	1	1						
11	3	194850-49340	PLATE, SEAL	2	2						
12	3	194850-49380	PLUG, CHECK	1	1						
13	3	194850-49400	VALVE, CHECK	1	1						
14	3	194850-49410	SPRING	1	1						
15	3	194850-49440	PIN, SPRING 2X9	1	1						
16	3	194850-49460	HOLDER, DETENT	1	1						
17	3	194850-49480	SLIDER	1	1						
18	3	194850-49490	SPRING	1	1						
19	3	172510-74410	SEAL, DUST	2	2						
20	3	172510-74440	RETAINER, SPRING	1	1						
21	3	172510-74450	RETAINER, SPRING	1	1						
22	3	172510-74471	COVER ASSY	1	1						
23	3	24190-050001	BALL, STEEL 5/32	2	2						
24	3	24190-070001	BALL, STEEL 7/32	1	1						
25	3	26450-060102	BOLT, M6X 10	2	2						
26	3	26450-060802	BOLT, M6X 80	2	2						
27	3	41850-000140	O RING 14.0 ACM	2	2						
28	3	41851-000140	O-RING	1	1						
29	3	41856-020530	PACKING,2053	1	1						
30	2	178076-04310	COVER	1	1						
31	2	194850-49340	PLATE, SEAL	2	2						
32	2	194850-49380	PLUG, CHECK	1	1						
33	2	194850-49400	VALVE, CHECK	1	1						
34	2	194850-49410	SPRING	1	1						
35	2	194850-49440	PIN, SPRING 2X9	1	1						
36	2	194850-49460	HOLDER, DETENT	1	1						
37	2	194850-49480	SLIDER	1	1						
38	2	194850-49490	SPRING	1	1						
39	2	172510-74410	SEAL, DUST	2	2						
40	2	172510-74440	RETAINER, SPRING	1	1						
41	2	172510-74450	RETAINER, SPRING	1	1						
42	2	172510-74471	COVER ASSY	1	1						
43	2	22287-080000	WASHER, 8	4	4						
44	2	24190-050001	BALL, STEEL 5/32	2	2						
45	2	24190-070001	BALL, STEEL 7/32	1	1						
46	2	26450-060102	BOLT, M6X 10	2	2						
47	2	26450-060802	BOLT, M6X 80	2	2						
48	2	26450-080652	BOLT, M8X 65	4	4						
49	2	41850-000140	O RING 14.0 ACM	2	2						
50	2	41851-000140	O-RING	1	1						
51	2	41856-020530	PACKING,2053	1	1						

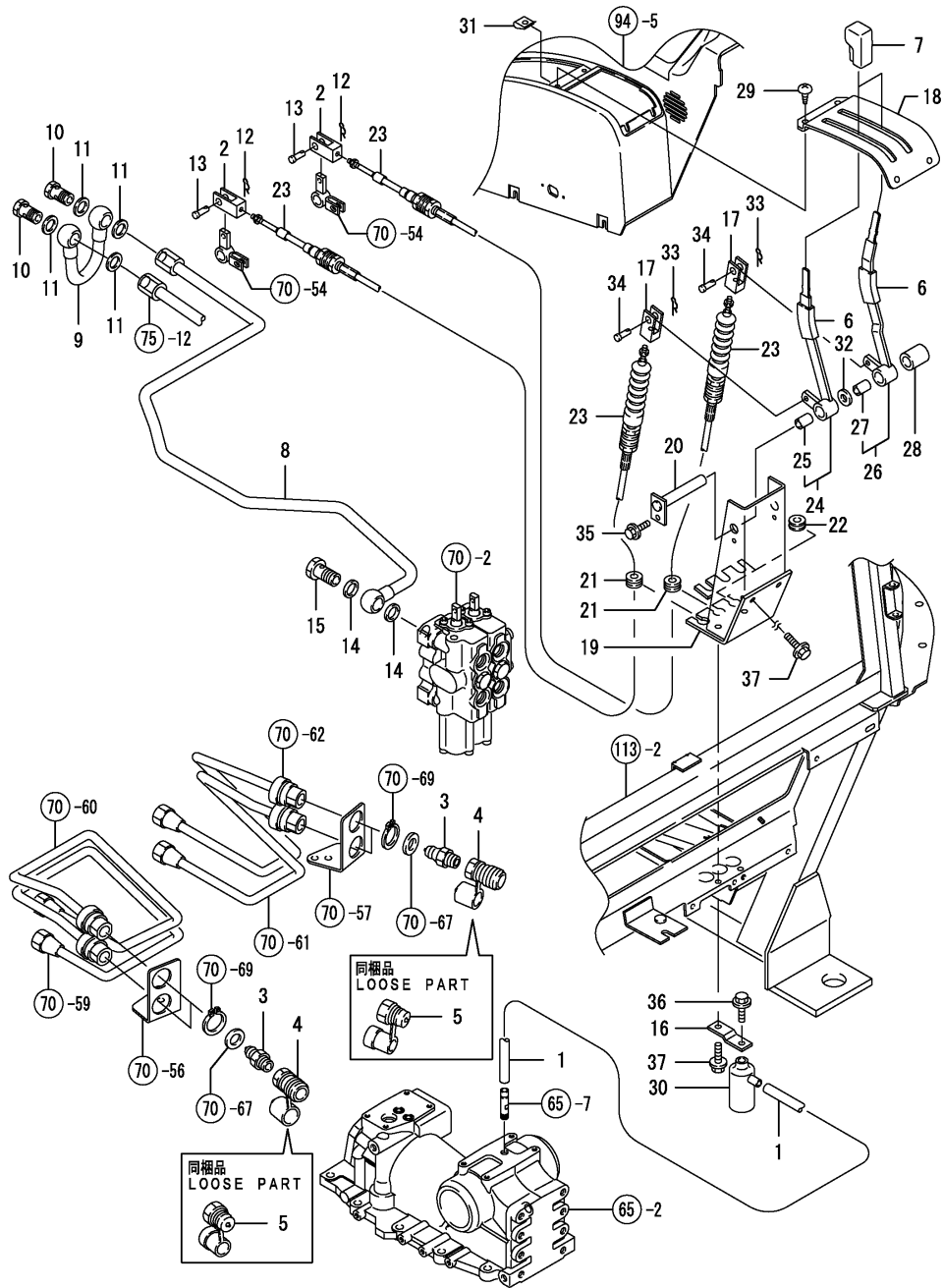


(A)=FK657
 (B)=FK663
 (C)=

(D)=
 (E)=
 (F)=

No.	Lev.	Parts No.	Description	Q'ty						I	R
				(A)	(B)	(C)	(D)	(E)	(F)		
52	1	198448-46750	BRACKET, SCV	1	1						
53	1	198448-46760	LINK, STAY	2	2						
54	1	198448-46800	LINK ASSY, SCV	2	2						
55	2	24550-012150	BUSH, 12X15	2	2						
56	1	198448-46970	BRACKET, L	1	1						
57	1	198448-46980	BRACKET, R	1	1						
58	1	1A7640-48230	PIPE, PRESSURE S-R	1	1						
59	1	198448-48410	PIPE, PRESSURE 1A	1	1						
60	1	198448-48430	PIPE, PRESSURE 1B	1	1						
61	1	198448-48450	PIPE, PRESSURE 2A	1	1						
62	1	198448-48470	PIPE, PRESSURE 2B	1	1						
63	1	1A7640-48490	PIPE, PRESSURE	1	1						
64	1	198448-48610	JOINT, 3/8-M20	4	4						
65	1	198361-48750	BOLT ASSY, JOINT	1	1						
66	1	198121-48870	JOINT, PF3/8	1	1						
67	1	194555-77910	GASKET, 17	4	4						
68	1	194555-77910	GASKET, 17	2	2						
69	1	22242-000300	RING, 30	4	4						
70	1	22372-050000	PIN, SNAP 5	2	2						
71	1	22417-200300	PIN, COTTER 2.0X30	2	2						
72	1	22486-060160	PIN, H 6X 16	2	2						
73	1	23000-035000	CLAMP, 35	1	1						
74	1	23414-120016	GASKET, 12X1.0	4	4						
75	1	23414-180023	GASKET, 18X1.0	4	4						
76	1	23414-200026	GASKET, 20X1.0	2	2						
77	1	23857-120000	BOLT, JOINT 12	2	2						
78	1	23897-030002	PLUG G3/8,HEX.	4	4						
79	1	24311-000140	O-RING, 1AP14.0	4	4						
80	1	26106-060162	BOLT, M6X 16 PLATED	4	4						
81	1	26106-080162	BOLT, M8X 16 PLATED	2	2						
81-1	1	26013-080162	BOLT, M8X 16	2	2						N
		(A)="2008.06.)	(B)="2008.06.)								
82	1	26106-100252	BOLT, M10X 25 PLATED	2	2						
83	1	26106-100252	BOLT, M10X 25 PLATED	2	2						

Fig.71. S.C.V. CONTROL



(A)=FK657
(B)=FK663
(C)=

(D)=
(E)=
(F)=

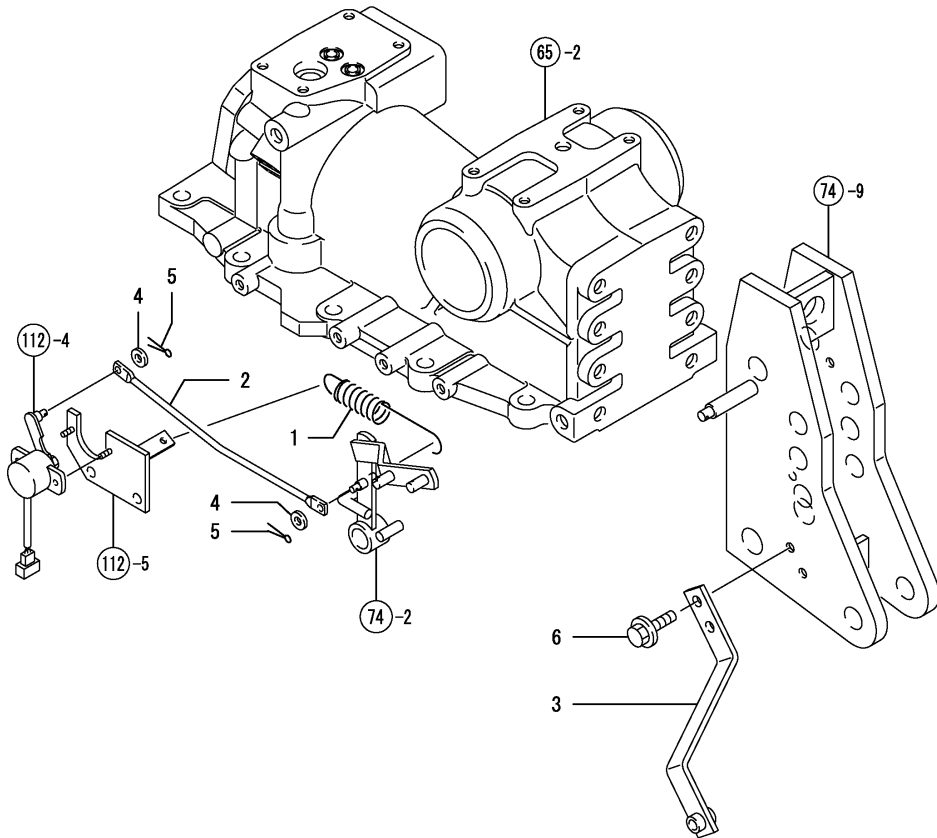
No.	Lev.	Parts No.	Description	Q'ty						I	R
				(A)	(B)	(C)	(D)	(E)	(F)		
1	1	198448-04280	PIPE, OVERFLOW	1	1						
2	1	198460-46110	CLEVIS	2	2						
3	1	174810-46270	JOINT, RRN-3/8	4	4						
4	1	174810-46410	COUPLER, 3/8	4	4						
5	1	174810-46420	COUPLER, 3/8	4	4						
6	1	198448-46960	PIPE, PROTECTOR	2	2						
7	1	194940-47341	KNOB, LEVER	2	2						
8	1	198535-48430	PIPE, PRESSURE	1	1						
9	1	1A7640-48640	JOINT, PIPE	1	1						
10	1	198121-48870	JOINT, PF3/8	2	2						
11	1	194555-77910	GASKET, 17	4	4						
12	1	22372-050000	PIN, SNAP 5	2	2						
13	1	22486-060160	PIN, H 6X 16	2	2						
14	1	23414-180023	GASKET, 18X1.0	2	2						
15	1	23857-120000	BOLT, JOINT 12	1	1						
16	1	194312-39480	SUPPORT, BREATHER	1	1						
17	1	198460-46110	CLEVIS	2	2						
18	1	198448-46350	GUIDE, LEVER	1	1						
19	1	198448-46410	BRACKET, SCV LEVER	1	1						
20	1	198448-46450	SHAFT, LEVER	1	1						
21	1	198448-46490	GROMMET, 16/8.5-4.5	2	2						
22	1	198448-46500	GROMMET, 16-4.5	1	1						
23	1	198448-46850	CABLE, SCV	2	2						
24	1	1A7640-46860	LEVER ASSY, SCV A	1	1						
25	2	24550-014200	BUSH, 14X20	1	1						
26	1	1A7640-46910	LEVER ASSY, SCV B	1	1						
27	2	24550-014200	BUSH, 14X20	1	1						
28	1	198448-46940	COLLAR, 15X25X25	1	1						
29	1	194940-61790	SCREW, TAPPING M5X16	4	4						
30	1	194205-63550	BREATHER, AIR	1	1						
31	1	198220-63850	NUT, M5	4	4						
32	1	22137-140000	WASHER, 14	1	1						
33	1	22372-050000	PIN, SNAP 5	2	2						
34	1	22486-060160	PIN, H 6X 16	2	2						
35	1	26106-060122	BOLT, M6X 12 PLATED	1	1						
36	1	26106-080162	BOLT, M8X 16 PLATED	1	1						
37	1	26106-080162	BOLT, M8X 16 PLATED	4	4						

Fig.72. HYDRAULIC CONTROL

(A)=FK657
(B)=FK663
(C)=

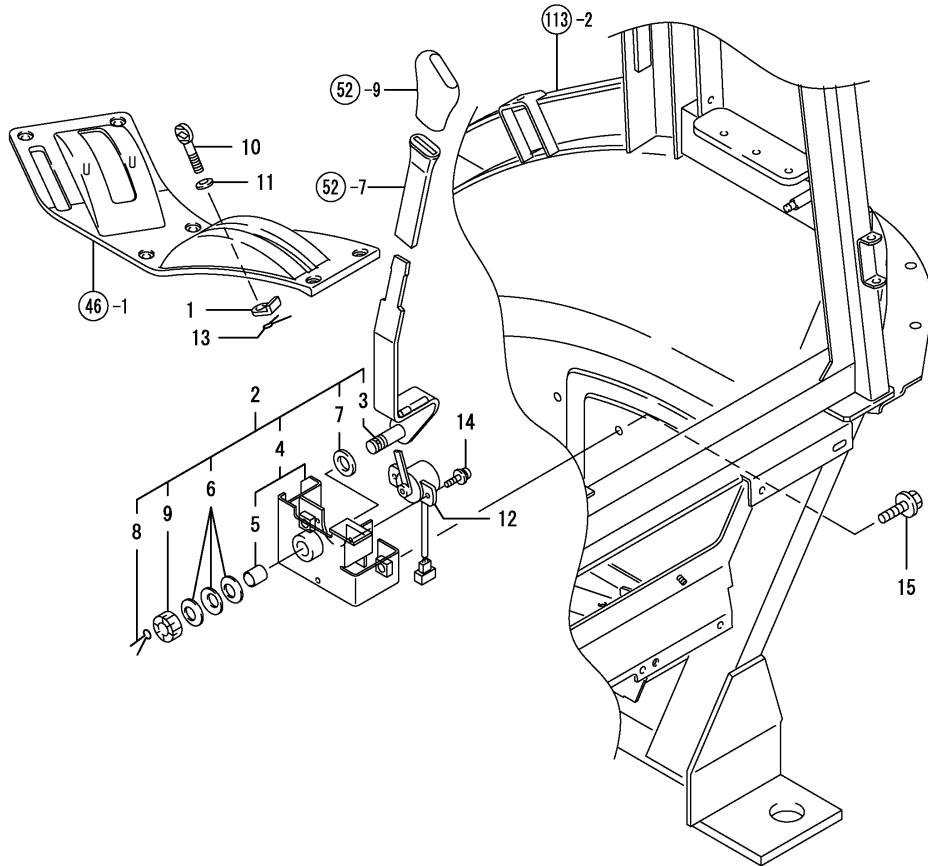
(D)=
(E)=
(F)=

No.	Lev.	Parts No.	Description	Q'ty						I	R
				(A)	(B)	(C)	(D)	(E)	(F)		
1	1	1A7640-47440	SPRING, RETURN	1	1						
2	1	198448-47510	ROD, FEEDBACK	1	1						
3	1	1A7640-47910	BRACKET ASSY, WIRE	1	1						
4	1	22137-050000	WASHER, 5	2	2						
5	1	22417-160180	PIN, COTTER 1.6X18	2	2						
6	1	26106-080162	BOLT, M8X 16 PLATED	2	2						



(A)=FK657
 (B)=FK663
 (C)=

(D)=
 (E)=
 (F)=

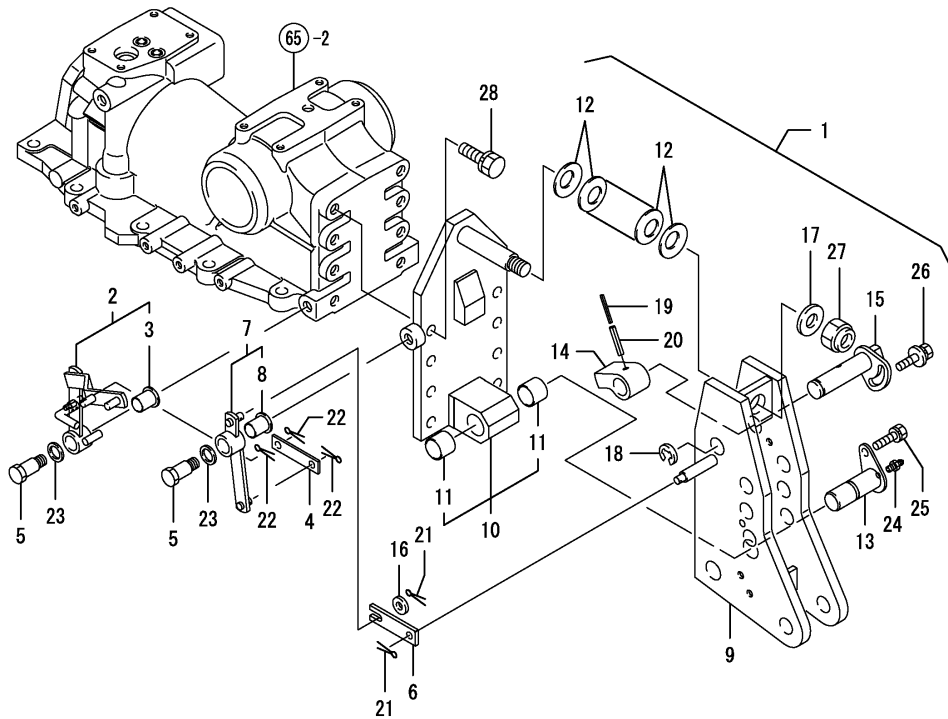


No.	Lev.	Parts No.	Description	Q'ty						I	R
				(A)	(B)	(C)	(D)	(E)	(F)		
1	1	194550-47110	STOPPER	1	1						
2	1	1A7600-47300	LEVER ASSY, POSITION	1	1						
3	2	1A7600-47310	LEVER, POSITION	1	1						
4	2	1A7600-47390	SUPPORT ASSY, LEVER	1	1						
5	3	24550-012150	BUSH, 12X15	1	1						
6	2	194151-47760	WASHER, 12	3	3						
7	2	194310-47790	PLATE, FRICTION	1	1						
8	2	22417-250250	PIN, COTTER 2.5X25	1	1						
9	2	26877-120002	NUT, CASTLE M12	1	1						
10	1	198071-47840	BOLT, WING M8X30	1	1						
11	1	194740-55430	WASHER, 8	1	1						
12	1	198290-78550	SENSOR, POSITION	1	1						
13	1	22417-200200	PIN, COTTER 2.0X20	1	1						
14	1	26023-040162	SCREW, M4X16	2	2						
15	1	26106-080162	BOLT, M8X 16 PLATED	2	2						

Fig.74. DRAFT CONTROL

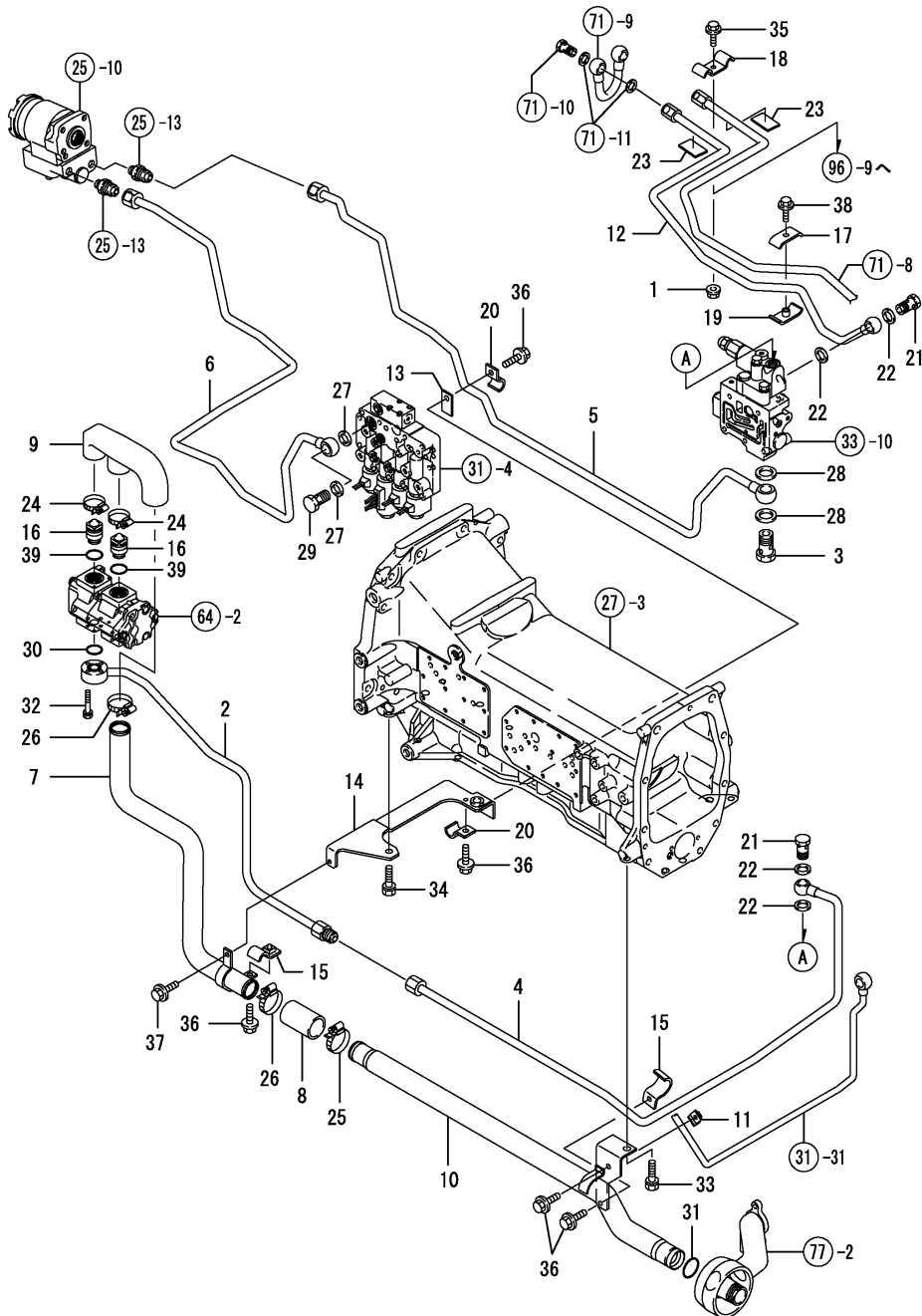
(A)=FK657
(B)=FK663
(C)=

(D)=
(E)=
(F)=



No.	Lev.	Parts No.	Description	Q'ty						I	R
				(A)	(B)	(C)	(D)	(E)	(F)		
1	1	1A7680-47000	DRAFT KIT,	1	1						
2	2	1A7680-47100	LINK ASSY, FEEDBACK	1	1						
3	3	1A7450-47970	BUSH, DRY 17X15X21	1	1						
4	2	198448-47160	PLATE	1	1						
5	2	1A7640-47170	BOLT, STEPPED M12	2	2						
6	2	198448-47190	PLATE, S	1	1						
7	2	1A7680-47200	LINK ASSY, FEEDBACK	1	1						
8	3	1A7450-47970	BUSH, DRY 17X15X21	1	1						
9	2	1A7680-47610	HINGE, TOP LINK	1	1						
10	2	1A7680-47700	SUPPORT ASSY, HINGE	1	1						
11	3	24550-022200	BUSH, 22X20	2	2						
12	2	198091-47790	SPRING, 20	23	23						
13	2	198448-47850	PIN, HINGE	1	1						
14	2	194640-47931	CAM, DRAFT LOCK	1	1						
15	2	194640-47961	SHAFT, LOCK	1	1						
16	2	22137-080000	WASHER, 8	1	1						
17	2	22137-160000	WASHER, 16	1	1						
18	2	22272-000150	RING, E-15	1	1						
19	2	22351-035032	PIN, SPRING 3.5X32	1	1						
20	2	22351-060032	PIN, SPRING 6.0X32	1	1						
21	2	22417-200200	PIN, COTTER 2.0X20	2	2						
22	2	22417-200200	PIN, COTTER 2.0X20	3	3						
23	2	23414-150019	GASKET, 15X1.0	2	2						
24	2	24761-010000	NIPPLE, GREASE M6F	1	1						
25	2	26013-080162	BOLT, M8X 16	1	1						
26	2	26014-080202	BOLT, M8X 20	1	1						
27	2	26356-160002	NUT, M16	1	1						
28	2	26013-120302	BOLT, M12X 30	8	8						

Fig.75. HYDRAULIC PIPING



(A)=FK657
(B)=FK663
(C)=

(D)=
(E)=
(F)=

No.	Lev.	Parts No.	Description	Q'ty						I	R
				(A)	(B)	(C)	(D)	(E)	(F)		
1	1	194990-22130	NUT, M6	1	1						
2	1	198448-48111	PIPE, PRESSURE F	1	1						
3	1	198448-48140	BOLT ASSY, JOINT	1	1						
4	1	1A7640-48170	PIPE, PRESSURE R	1	1						
4-1	1	1A7640-48171-1	LINE ASSY,PRESSURE	1	1						N
		(A=FXXXXX) (B=FXXXXX)									
5	1	1A7600-48260	PIPE ASSY, PRESSURE	1	1						
6	1	1A7600-48280	PIPE ASSY, PRESSURE	1	1						
7	1	1A7650-48300	PIPE, PRESSURE F	1	1						
8	1	1A7640-48340	HOSE, PRESSURE	1	1						
9	1	198448-48340	HOSE, PRESSURE	1	1						
10	1	1A7640-48350	PIPE, PRESSURE R-L	1	1						
10-1	1	1A7640-48351	LINE ASSY,LOW PRESS.	1	1						N
		(A=FXXXXX) (B=FXXXXX)									
11	1	1A7640-48410	CLAMP, 12M	1	1						
12	1	198535-48410	PIPE, PRESSURE	1	1						
13	1	1A7650-48420	STAY, CLAMP	1	1						
14	1	198448-48521	STAY ASSY, PIPE	1	1						
15	1	198448-48530	CLAMP, PIPE	2	2						
16	1	198448-48570	JOINT, PIPE	2	2						
17	1	194470-48630	CLAMP	1	1						
18	1	198535-48630	CLAMP, PIPE	1	1						
19	1	194470-48640	CLAMP, PIPE	1	1						
20	1	194450-48830	CLAMP	2	2						
21	1	23857-120000	BOLT, JOINT 12	2	2						
22	1	23414-180023	GASKET, 18X1.0	4	4						
23	1	198093-84810	SEAL, FENDER	2	2						
24	1	23000-041000	CLAMP, 41	2	2						
25	1	23000-048000	CLAMP, 48	1	1						
26	1	23000-048000	CLAMP, 48	2	2						
27	1	23414-200026	GASKET, 20X1.0	2	2						
28	1	23414-220029	GASKET, 22X1.0	2	2						
29	1	23857-150000	BOLT, JOINT 15	1	1						
30	1	24311-000220	O-RING, 1AP22.0	1	1						
31	1	24311-000340	O-RING, 1AP34.0	1	1						
32	1	26013-060352	BOLT, M6X 35	4	4						
33	1	26013-120202	BOLT, M12X 20	1	1						
34	1	26013-120252	BOLT, M12X 25	2	2						
35	1	26106-060252	BOLT, M6X 25 PLATED	1	1						
36	1	26106-080162	BOLT, M8X 16 PLATED	5	5						
37	1	26106-080162	BOLT, M8X 16 PLATED	1	1						
38	1	26106-080202	BOLT, M8X 20 PLATED	1	1						
39	1	41856-020230	PACKING, 2023	2	2						

Fig.76. HYDRAULIC PIPING

(A)=FK657
(B)=FK663
(C)=

(D)=
(E)=
(F)=

No.	Lev.	Parts No.	Description	Q'ty						I	R
				(A)	(B)	(C)	(D)	(E)	(F)		
1	1	1A7640-34220	PIPE, PRESSURE R	1	1						
2	1	194130-48650	BOLT, JOINT M12	1	1						
3	1	198448-49110	BOLT ASSY, JOINT	1	1						
4	1	23414-180023	GASKET, 18X1.0	2	2						
5	1	23414-200026	GASKET, 20X1.0	2	2						

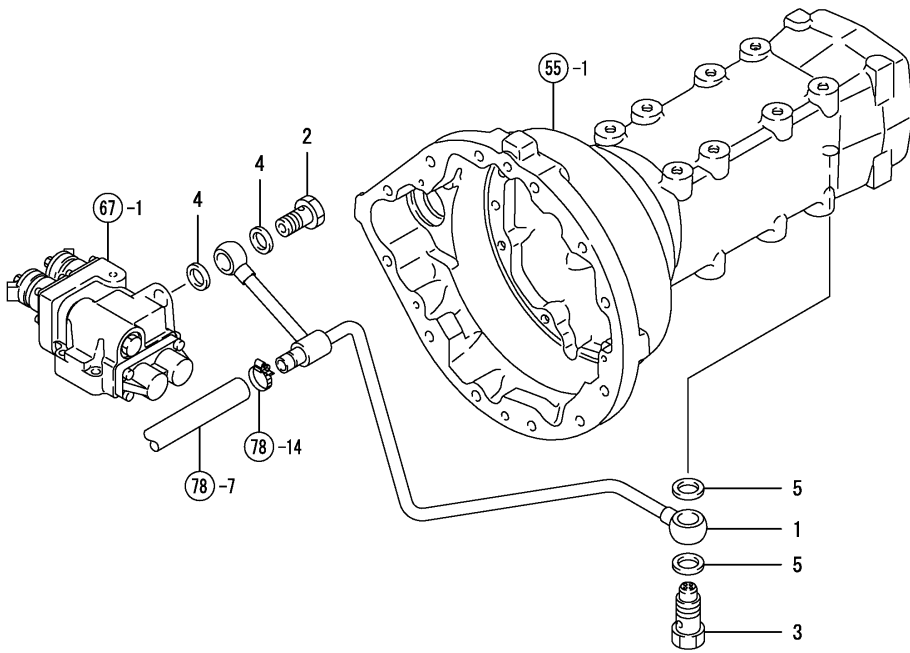


Fig.77. HYDRAULIC FILTER

(A)=FK657
(B)=FK663
(C)=

(D)=
(E)=
(F)=

No.	Lev.	Parts No.	Description	Q'ty						I	R
				(A)	(B)	(C)	(D)	(E)	(F)		
1	1	1A7640-48310	FILTER, HYDRAULIC	1	1						
2	1	1A7640-48330	COVER, FILTER	1	1						
3	1	198448-48980	COVER, FILTER	1	1						
4	1	24321-000350	O-RING, 1AG35.0	1	1						
5	1	26106-080122	BOLT, M8X 12 PLATED	2	2						
6	1	26106-080202	BOLT, M8X 20 PLATED	1	1						
7	1	26106-080602	BOLT, M8X 60 PLATED	1	1						

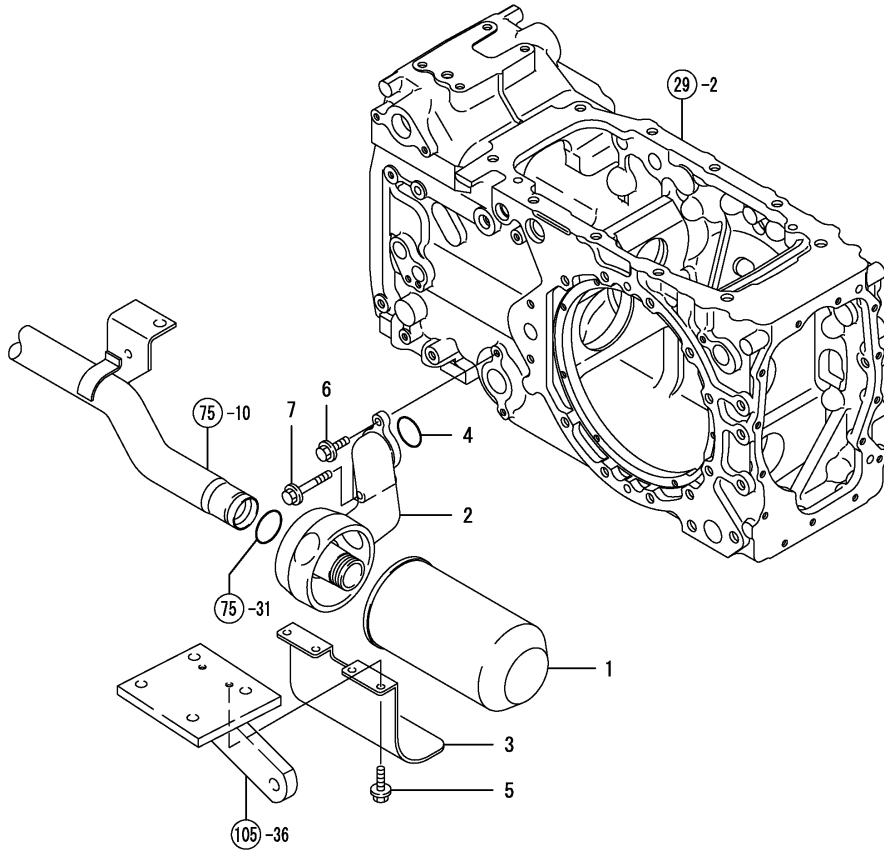
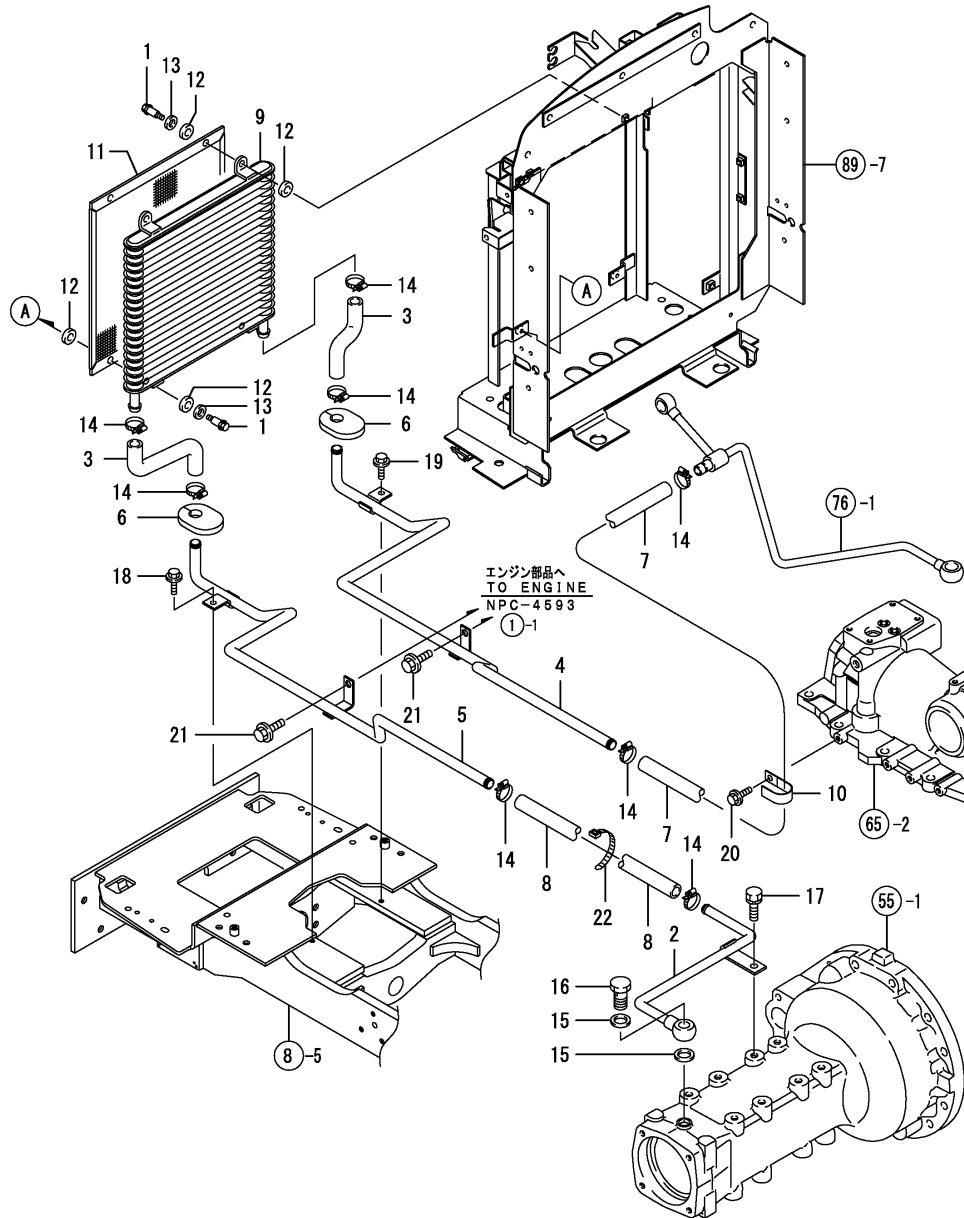


Fig.78. OIL COOLER



(A)=FK657
(B)=FK663
(C)=

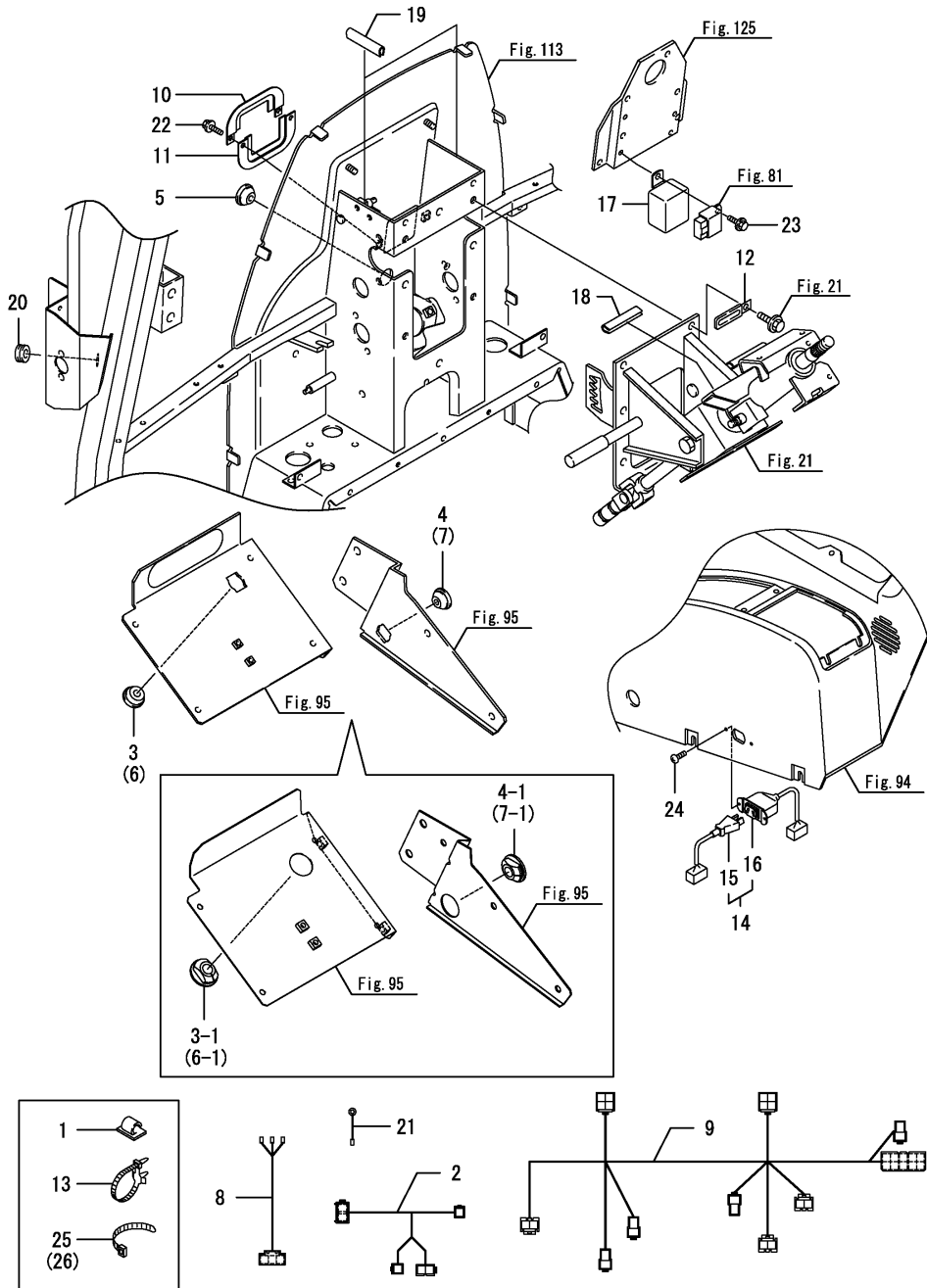
(D)=
(E)=
(F)=

No.	Lev.	Parts No.	Description	Q'ty						I	R
				(A)	(B)	(C)	(D)	(E)	(F)		
1	1	198133-02120	BOLT, STEPPED M6	4	4						
2	1	198448-34211	PIPE ASSY, PRESSURE	1	1						
3	1	1A7600-48820	HOSE, OIL COOLER	2	2						
4	1	1A7650-48830	PIPE, COOLER IN-F	1	1						
5	1	1A7650-48870	PIPE, COOLER OUT F	1	1						
6	1	198448-48941	SEAL, COOLER PIPE	2	2						
7	1	1A7640-48950	HOSE, RUBBER 1500	1	1						
8	1	1A7640-48960	HOSE, RUBBER 1160	1	1						
9	1	1A7600-49100	COOLER ASSY, OIL	1	1						
10	1	198448-51460	CLAMP, HARNESS	1	1						
11	1	1A7600-60830	SCREEN, OIL COOLER	1	1						
12	1	194420-62260	ABSORBER	8	8						
13	1	22137-100000	WASHER, 10	4	4						
14	1	23000-022000	CLAMP, 22	8	8						
15	1	23414-200026	GASKET, 20X1.0	2	2						
16	1	23857-150000	BOLT, JOINT 15	1	1						
17	1	26013-120202	BOLT, M12X 20	1	1						
18	1	26106-080162	BOLT, M8X 16 PLATED	1	1						
19	1	26106-080162	BOLT, M8X 16 PLATED	1	1						
20	1	26106-080162	BOLT, M8X 16 PLATED	1	1						
21	1	26106-100122	BOLT, M10X 12 PLATED	2	2						
22	1	29622-140001	BAND, RF140	1	1						

Fig.79. WIRE HARNESS

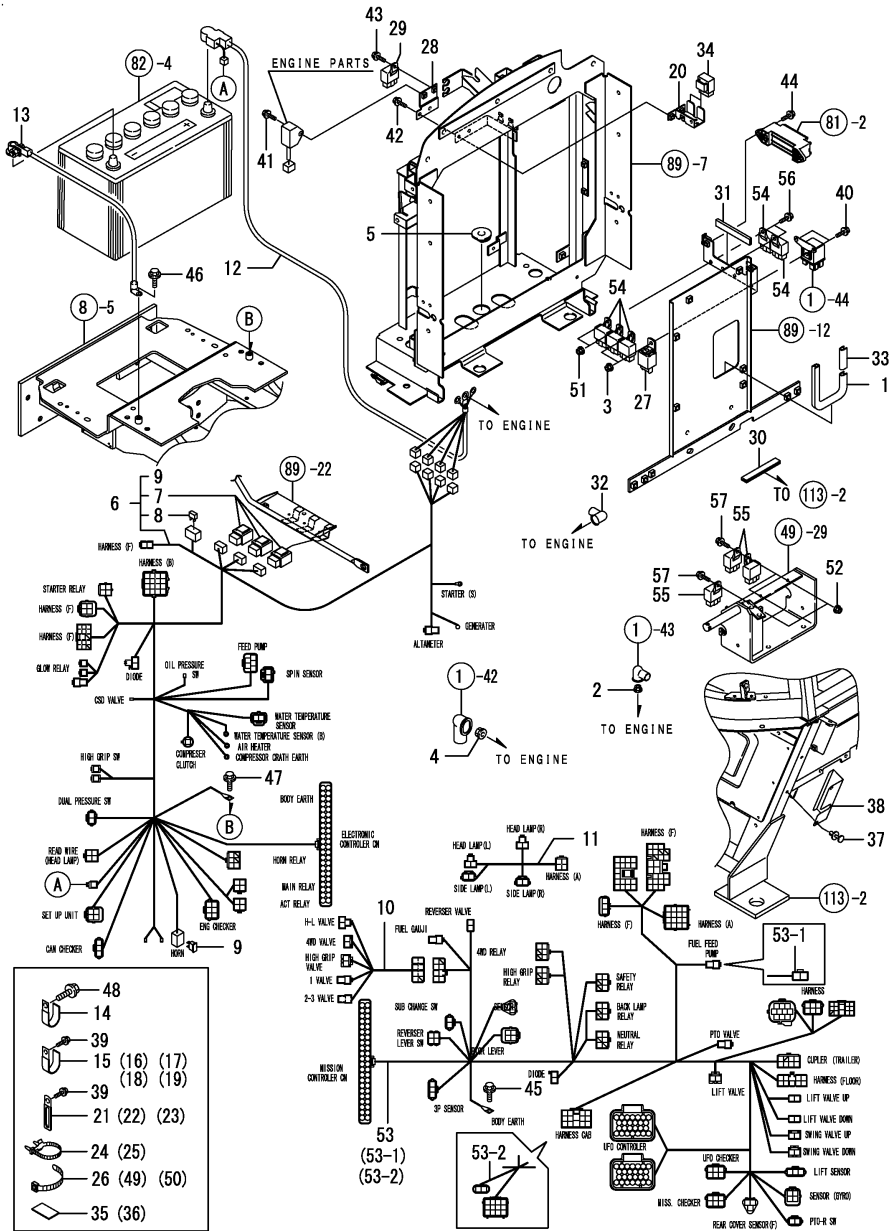
(A)=FK657
(B)=FK663
(C)=

(D)=
(E)=
(F)=



No.	Lev.	Parts No.	Description	Q'ty						I	R
				(A)	(B)	(C)	(D)	(E)	(F)		
1	1	172010-07810	STICKER, WIRE	4	4						
2	1	1A7450-51200	HARNESS, WIRE	1	1						
3	1	194170-51210	GROMMET	1	1						
3-1	1	194555-51210 (A=FZZZZZ) (B=FZZZZZ)	GROMMET, 35	1	1						S
4	1	194170-51210	GROMMET	1	1						
4-1	1	194555-51210 (A=FZZZZZ) (B=FZZZZZ)	GROMMET, 35	1	1						S
5	1	194275-51210	GROMMET	1	1						
6	1	198245-51210	GROMMET, 25/18	1	1						
6-1	1	1A7641-51410 (A=FZZZZZ) (B=FZZZZZ)	GROMMET, 35	1	1						S
7	1	198245-51210	GROMMET, 25/18	1	1						
7-1	1	1A7641-51410 (A=FZZZZZ) (B=FZZZZZ)	GROMMET, 35	1	1						S
8	1	198268-51220	WIRE, LEAD	2	2						
9	1	1A7640-51240	HARNESS, WIRE	1	1						
10	1	1A7000-51430	RETAINER, GROMMET FA	1	1						
11	1	1A7000-51440	RETAINER, GROMMET FB	1	1						
12	1	194180-51640	CLAMP, HARNESS	2	2						
13	1	194680-51670	BAND, CLIP	4	4						
14	1	198153-52150	CONSENT ASSY	1	1						
15	2	198153-51020	PLUG ASSY	1	1						
16	2	198153-51040	CONSENT ASSY	1	1						
17	1	1A7890-57200	LAMP ASSY, FLASHER	1	1						
18	1	198291-77870	COVER, GUARD	1	1						
19	1	198291-77870	COVER, GUARD	2	2						
20	1	197830-85490	GROMMET	2	2						
21	1	198093-86180	WIRE, WASHER LEAD	1	1						
22	1	26106-060122	BOLT, M6X 12 PLATED	2	2						
23	1	26106-060162	BOLT, M6X 16 PLATED	1	1						
24	1	26557-030162	SCREW, M3X16	2	2						
25	1	29622-140001	BAND, RF140	1	1						
26	1	29622-250001	BAND, RF250	2	2						

Fig.80. WIRE HARNESS



(A)=FK657
(B)=FK663
(C)=

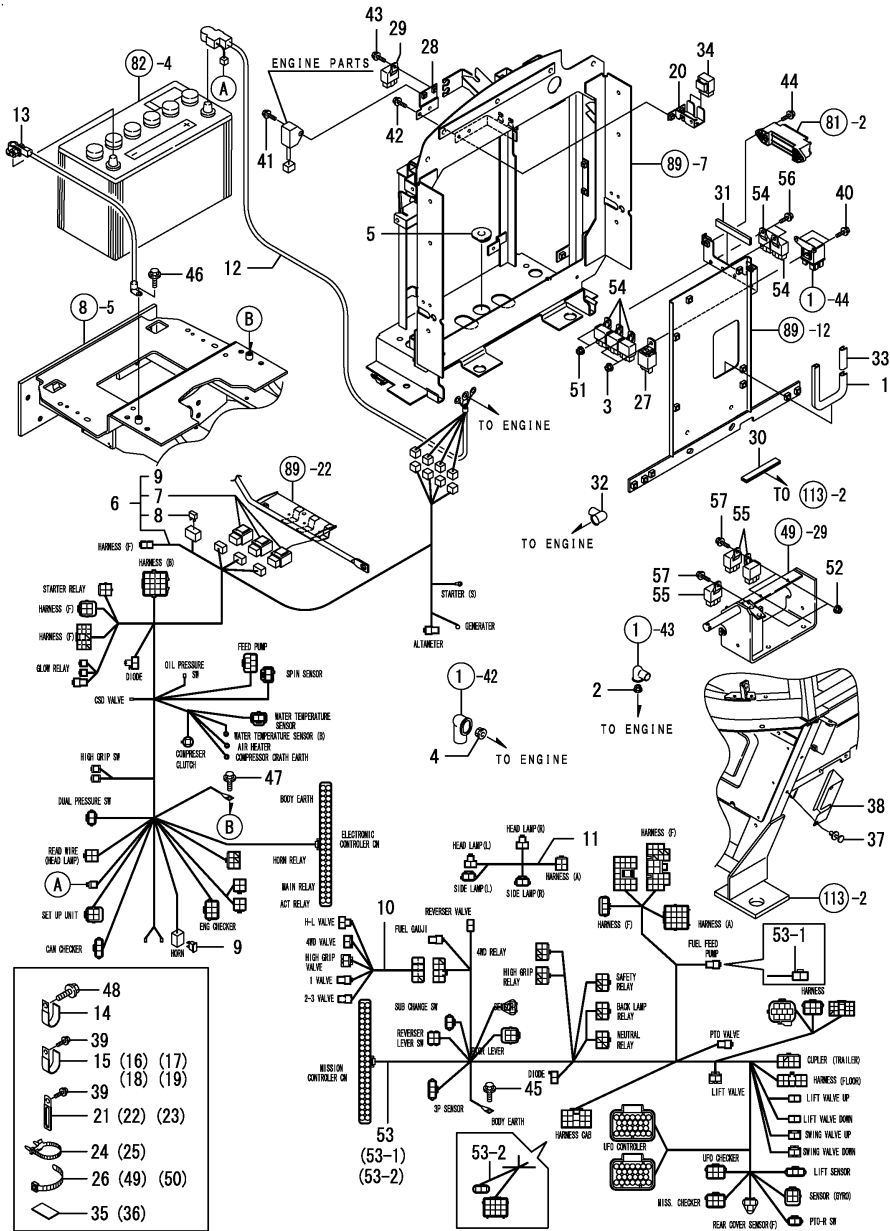
(D)=
(E)=
(F)=

No.	Lev.	Parts No.	Description	Q'ty						I	R
				(A)	(B)	(C)	(D)	(E)	(F)		
1	1	198071-04490	TRIM, TANK 240	1	1						
2	1	194990-22130	NUT, M6	1	1						
3	1	194990-22130	NUT, M6	2	2						
4	1	194990-22140	NUT, M8	1	1						
5	1	198448-48990	GROMMET, HOSE	1	1						
6	1	1A7630-51110	HARNESS ASSY, WIRE	1	1						
7	2	198153-51700	FUSE, SLOW BLOW 80A	3	3						
8	2	1A7000-52820	FUSE, SLOW BLOW 60A	1	1						
9	2	29420-150000	FUSE, B 15A	1	1						
10	1	1A7600-51190	HARNESS, WIRE	1	1						
11	1	1A7640-51270	HARNESS, WIRE	1	1						
12	1	1A7650-51350	CABLE ASSY, BATTERY	1	1						
13	1	1A7640-51420	CABLE, BATTERY EARTH	1	1						
14	1	198448-51450	CLAMP, HARNESS	1	1						
15	1	198448-51460	CLAMP, HARNESS	1	1						
16	1	198448-51460	CLAMP, HARNESS	1	1						
17	1	198448-51460	CLAMP, HARNESS	2	2						
18	1	198448-51460	CLAMP, HARNESS	2	2						
19	1	198448-51460	CLAMP, HARNESS	1	1						
20	1	1A7690-51550	STAY ASSY, RELAY	1	1						
21	1	194440-51620	CLAMP	1	1						
22	1	194440-51630	CLAMP, HARNESS	2	2						
23	1	194440-51630	CLAMP, HARNESS	1	1						
24	1	194680-51670	BAND, CLIP	1	1						
25	1	194680-51670	BAND, CLIP	2	2						
26	1	198220-51870	BAND, NYLON 200	1	1						
27	1	198220-52180	RELAY, STARTER	1	1						
28	1	198448-52310	BRACKET, RELAY	1	1						
29	1	198461-52950	RELAY, CA TYPE C	1	1						
30	1	198230-61560	GUIDE, HOSE	1	1						
31	1	198230-61560	GUIDE, HOSE	1	1						
32	1	124756-77040	COVER, TERMINAL	1	1						
33	1	198291-77870	COVER, GUARD	1	1						
34	1	1E6910-82500	RELAY, CA-1A	2	2						
35	1	198093-84810	SEAL, FENDER	1	1						
36	1	198093-84810	SEAL, FENDER	1	1						
37	1	198010-85810	RIVET, NYLON	4	4						
38	1	198463-86651	STAY, HARNESS REAR	2	2						
39	1	26106-060122	BOLT, M6X 12 PLATED	2	2						
40	1	26106-060162	BOLT, M6X 16 PLATED	2	2						
41	1	26106-060162	BOLT, M6X 16 PLATED	1	1						
42	1	26106-060162	BOLT, M6X 16 PLATED	2	2						
43	1	26106-060162	BOLT, M6X 16 PLATED	1	1						
44	1	26106-060162	BOLT, M6X 16 PLATED	2	2						
45	1	26106-080122	BOLT, M8X 12 PLATED	1	1						
46	1	26106-080162	BOLT, M8X 16 PLATED	1	1						
47	1	26106-080162	BOLT, M8X 16 PLATED	1	1						
48	1	26106-100162	BOLT, M10X 16 PLATED	1	1						
49	1	29622-140001	BAND, RF140	1	1						
50	1	29622-250001	BAND, RF250	1	1						
51	1	194990-22130	NUT, M6	2	2						

Remarks

- (1) Repair parts is shown in Fig.135.
- (2) Fig.81 No.14-13 interchangeable by set.

Fig.80. WIRE HARNESS



(A)=FK657
(B)=FK663
(C)=

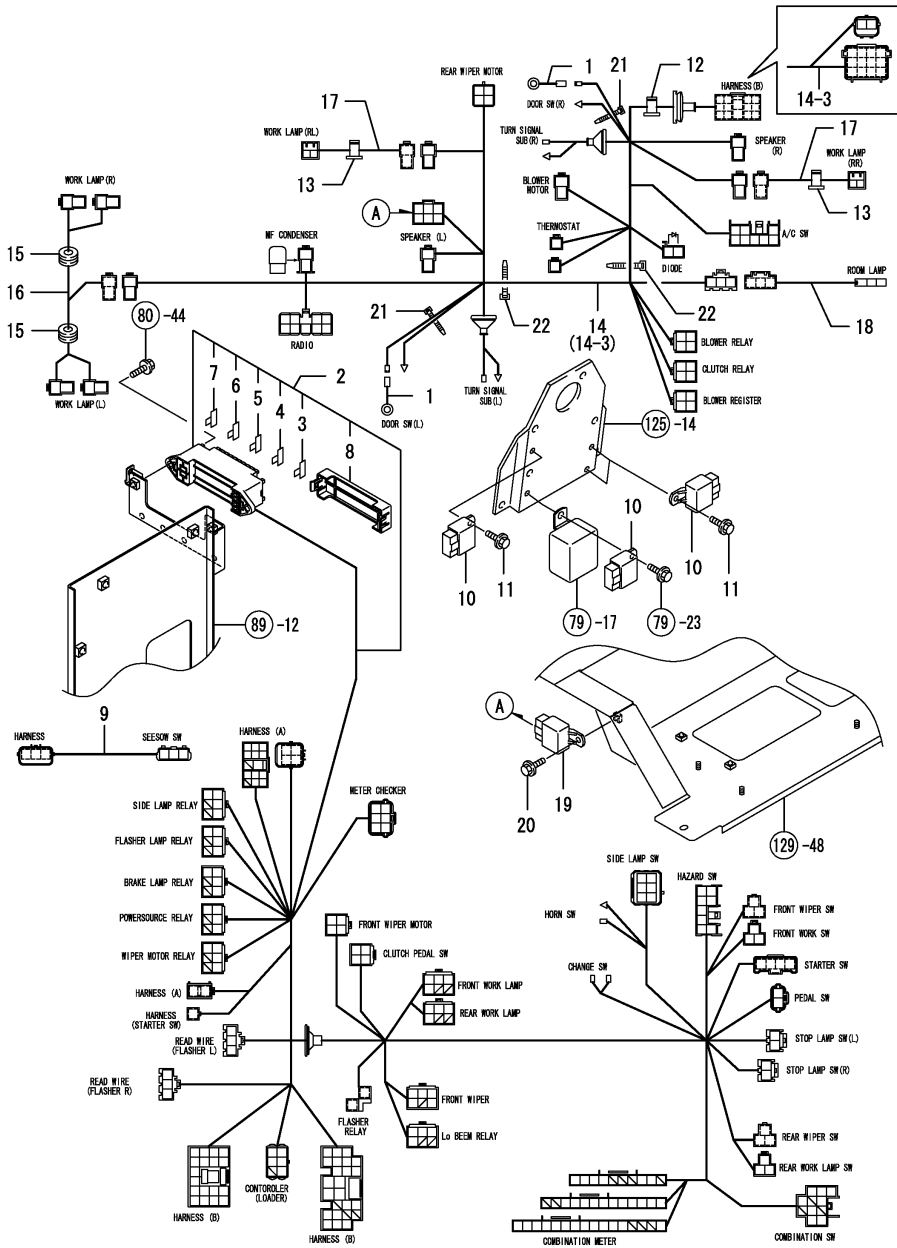
(D)=
(E)=
(F)=

No.	Lev.	Parts No.	Description	Q'ty						I	R
				(A)	(B)	(C)	(D)	(E)	(F)		
52	1	194990-22130	NUT, M6	3	3						
53	1	1A7630-51120	HARNESS ASSY, WIRE	1	1						1
53-1	1	1A7630-51121	HARNESS ASSY, WIRE B	1	1						S
(A="2008.08.) (B="2008.08.) (A=FXXXXX) (B=FXXXXX)											
53-2	1	1A7630-51122	WIRING HARNESS, B	1	1						S 2
54	1	198461-52950	RELAY, CA TYPE C	5	5						
55	1	198461-52950	RELAY, CA TYPE C	5	5						
56	1	26106-060162	BOLT, M6X 16 PLATED	2	2						
57	1	26106-060162	BOLT, M6X 16 PLATED	3	3						

Remarks

- (1) Repair parts is shown in Fig.135.
- (2) Fig.81 No.14-13 interchangeable by set.

Fig.81. WIRE HARNESS



(A)=FK657
(B)=FK663
(C)=

(D)=
(E)=
(F)=

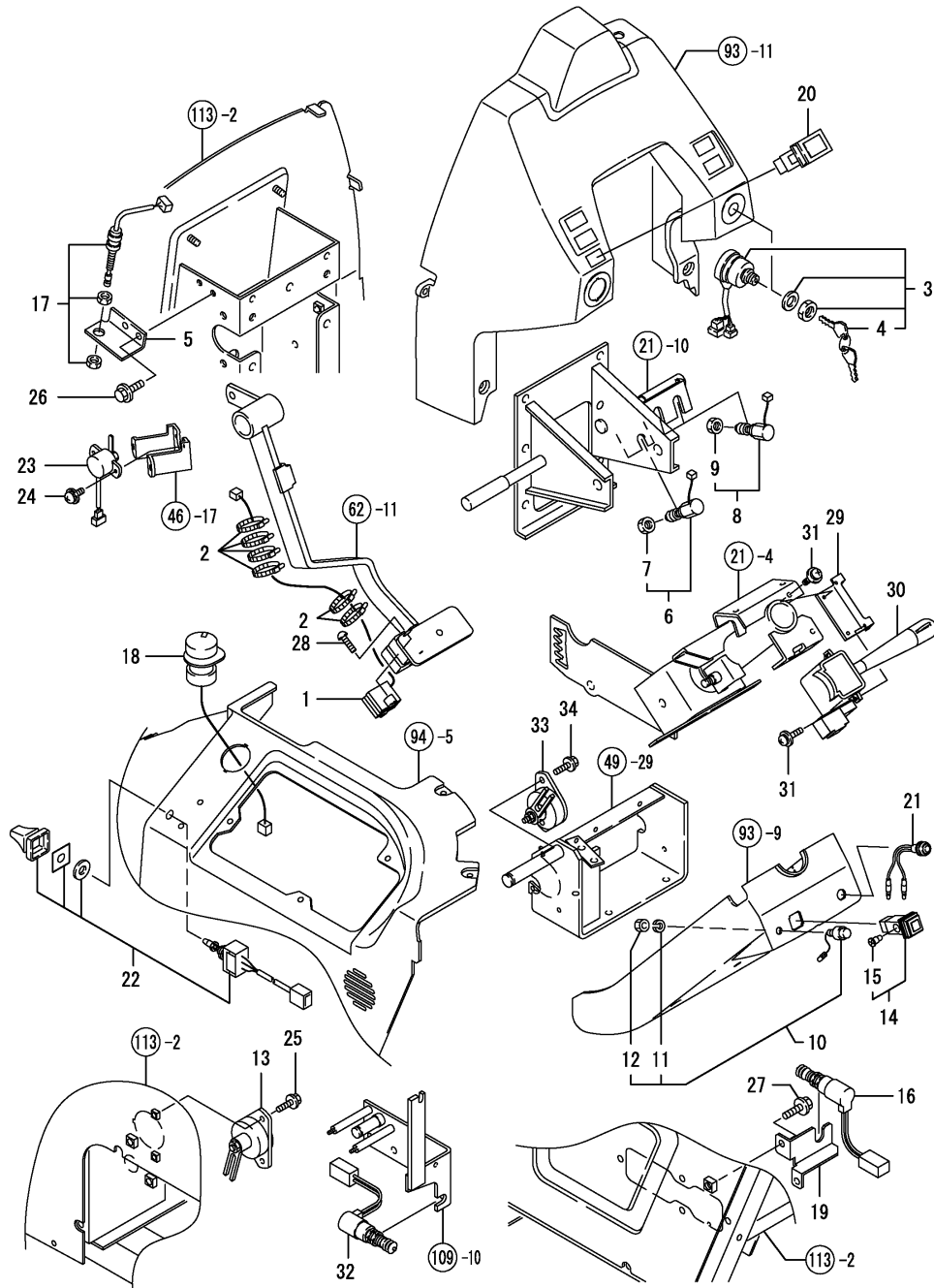
No.	Lev.	Parts No.	Description	Q'ty						I	R
				(A)	(B)	(C)	(D)	(E)	(F)		
1	1	198220-51140	WIRE, LEAD	2	2						
2	1	1A7630-51161	HARNESS ASSY, WIRE F	1	1						
3	2	198535-52110	FUSE, 5A	8	8						
4	2	198535-52120	FUSE, 10A	4	4						
5	2	198535-52130	FUSE, 15A	4	4						
6	2	198535-52140	FUSE, 20A	3	3						
7	2	1A7450-52180	FUSE, 25A	4	4						
8	2	198535-52410	COVER, FUSE BOX	1	1						
9	1	1A7640-51300	WIRE, SWITCH LEAD	1	1						
10	1	198461-52950	RELAY, CA TYPE C	4	4						
11	1	26106-060162	BOLT, M6X 16 PLATED	3	3						
12	1	172010-07810	STICKER, WIRE	1	1						
13	1	172010-07810	STICKER, WIRE	2	2						
14	1	1A7470-51210	HARNESS ASSY, WIRE	1	1						
14-1	1	1A7470-51211	HARNESS ASSY, WIRE	1	1						R
		(A=FZZZZZ) (B=FZZZZZ)									
14-2	1	1A7470-51212	HARNESS ASSY, WIRE	1	1						N
		(A=FXXXXX) (B=FXXXXX)									
14-3	1	1A7470-51213	WIRING HARNESS, CAB	1	1						S 1
		(A=FXXXXX) (B=FXXXXX)									
15	1	194170-51210	GROMMET	2	2						
16	1	1A7470-51280	WIRE, LEAD	1	1						
17	1	198268-51290	CABLE, WORK LAMP R	2	2						
18	1	1A7470-51380	CABLE, ROOM LAMP	1	1						
19	1	198461-52950	RELAY, CA TYPE C	1	1						
20	1	26106-060162	BOLT, M6X 16 PLATED	1	1						
21	1	29622-140001	BAND, RF140	2	2						
22	1	29622-250001	BAND, RF250	2	2						

Remarks

(1)Fig.80 No.53-2 interchangeable by set.

N:Old $\begin{matrix} \leftarrow \text{Yes} \\ \text{No} \end{matrix}$ New, Q:Old $\begin{matrix} \leftarrow \text{No} \\ \text{Yes} \end{matrix}$ New, R:Old $\begin{matrix} \leftarrow \text{Yes} \\ \text{Yes} \end{matrix}$ New, S:Old $\begin{matrix} \leftarrow \text{No} \\ \text{No} \end{matrix}$ New, W:Add, Z:Discontinued, F:Interchangeable by set, K:Q'ty Change

Fig.83. SWITCH



(A)=FK657
(B)=FK663
(C)=

(D)=
(E)=
(F)=

No.	Lev.	Parts No.	Description	Q'ty						I	R
				(A)	(B)	(C)	(D)	(E)	(F)		
1	1	1C6900-07200	SWITCH, COUPLING	1	1						
2	1	198153-51810	BAND, NYLON 150	6	6						
3	1	1A7450-52110	SWITCH ASSY, STARTER	1	1						
4	2	1A7450-52130	KEY ASSY	1	1						
5	1	198448-52110	STAY, SWITCH	1	1						
6	1	198223-52150	SWITCH, STOP LAMP	1	1						
7	2	26776-120002	NUT, LOCK M12	1	1						
8	1	198223-52150	SWITCH, STOP LAMP	2	2						
9	2	26776-120002	NUT, LOCK M12	2	2						
10	1	194150-52160	SWITCH, HORN	1	1						
11	2	22217-080000	WASHER, SPRING 8	1	1						
12	2	26736-080002	NUT, M8	1	1						
13	1	198072-52180	SWITCH, NR	1	1						
14	1	1A7450-52210	SWITCH ASSY	1	1						
15	2	1A7450-52230	BULB, WITH SOCKET	1	1						
16	1	1A7600-52220	SWITCH	1	1						
16-1	1	1A7600-52221	SWITCH	1	1						R
(A=FXXXXXX) (B=FXXXXXX)											
16-2	1	1A7600-52222	SWITCH	1	1						N
(A=*2006.10.) (B=*2006.10.)											
16-3	1	1A7600-52223	SWITCH, RANGE SHIFT	1	1						N
(A=*2009.01.) (B=*2009.01.)											
17	1	194065-52231	SWITCH, SAFETY	1	1						
18	1	1A7340-52290	SWITCH, PTO ON-OFF	1	1						
19	1	1A7600-52300	BRACKET, SWITCH	1	1						
20	1	1A7450-52450	SWITCH, HAZARD	1	1						
21	1	1A7450-52580	SWITCH, PUSH	1	1						
22	1	198121-55510	SWITCH ASSY	1	1						
23	1	198448-78560	SENSOR, LIFT ANGLE	1	1						
24	1	26023-040162	SCREW, M4X16	2	2						
25	1	26106-060162	BOLT, M6X 16 PLATED	2	2						
26	1	26106-080162	BOLT, M8X 16 PLATED	2	2						
27	1	26106-080162	BOLT, M8X 16 PLATED	1	1						
28	1	26557-050162	SCREW, M5X16	2	2						
29	1	198448-52130	STAY, SWITCH	1	1						
30	1	198448-52210	SWITCH ASSY, LIGHT	1	1						
31	1	26023-040102	SCREW, M4X10	4	4						
32	1	1A7600-52220	SWITCH	1	1						
32-1	1	1A7600-52221	SWITCH	1	1						R
(A=FXXXXXX) (B=FXXXXXX)											
32-2	1	1A7600-52222	SWITCH	1	1						N
(A=*2006.10.) (B=*2006.10.)											
32-3	1	1A7600-52223	SWITCH, RANGE SHIFT	1	1						N
(A=*2009.01.) (B=*2009.01.)											
33	1	198448-52250	SWITCH, PTO LEVER	1	1						
34	1	26106-060162	BOLT, M6X 16 PLATED	2	2						

Fig.84. SWITCH

(A)=FK657
(B)=FK663
(C)=

(D)=
(E)=
(F)=

No.	Lev.	Parts No.	Description	Q'ty						I	R
				(A)	(B)	(C)	(D)	(E)	(F)		
1	1	198141-19100	COVER, SWITCH	1	1						
2	1	198133-52170	TUBE, CORRUGATED 13	1	1						
3	1	1A7260-52190	SWITCH, HIGH GRIP	1	1						
4	1	24311-000180	O-RING, 1AP18.0	1	1						
5	1	26106-080162	BOLT, M8X 16 PLATED	2	2						

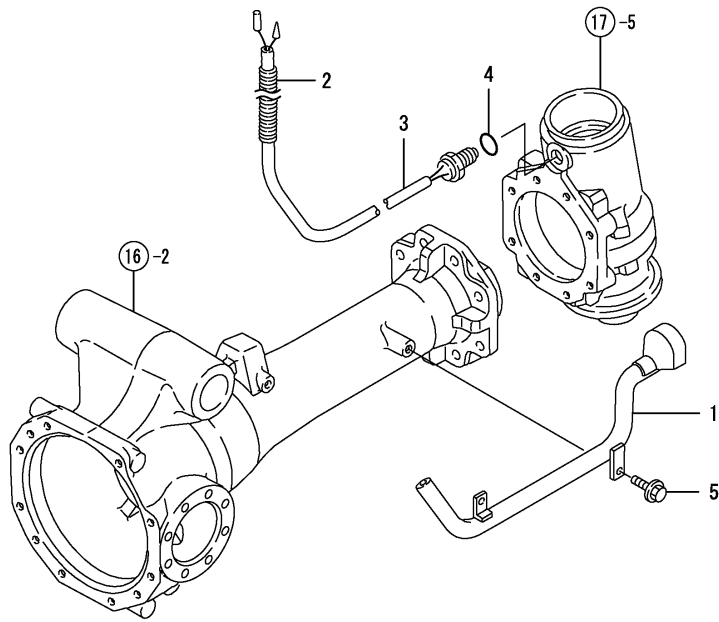
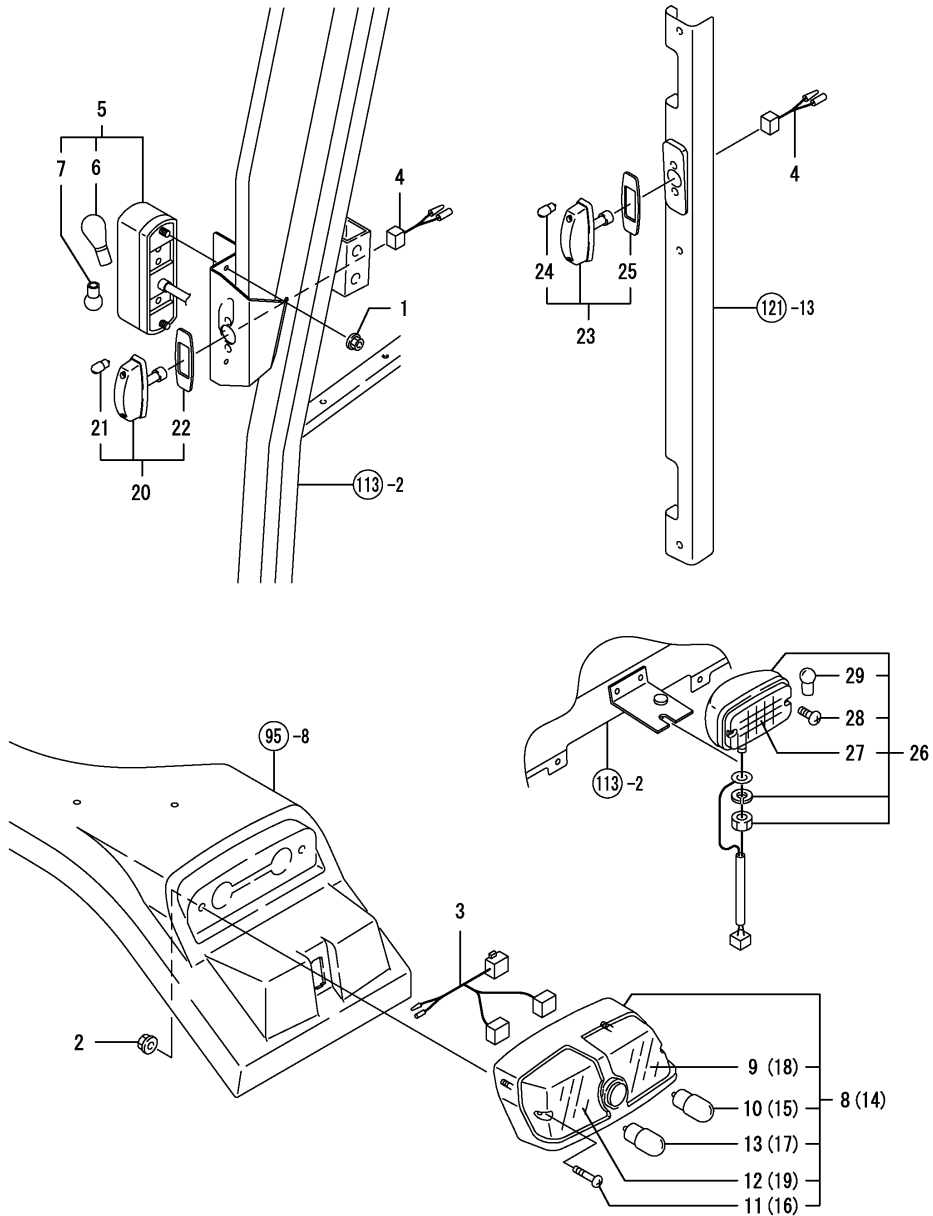


Fig.85. LAMP

(A)=FK657
(B)=FK663
(C)=

(D)=
(E)=
(F)=

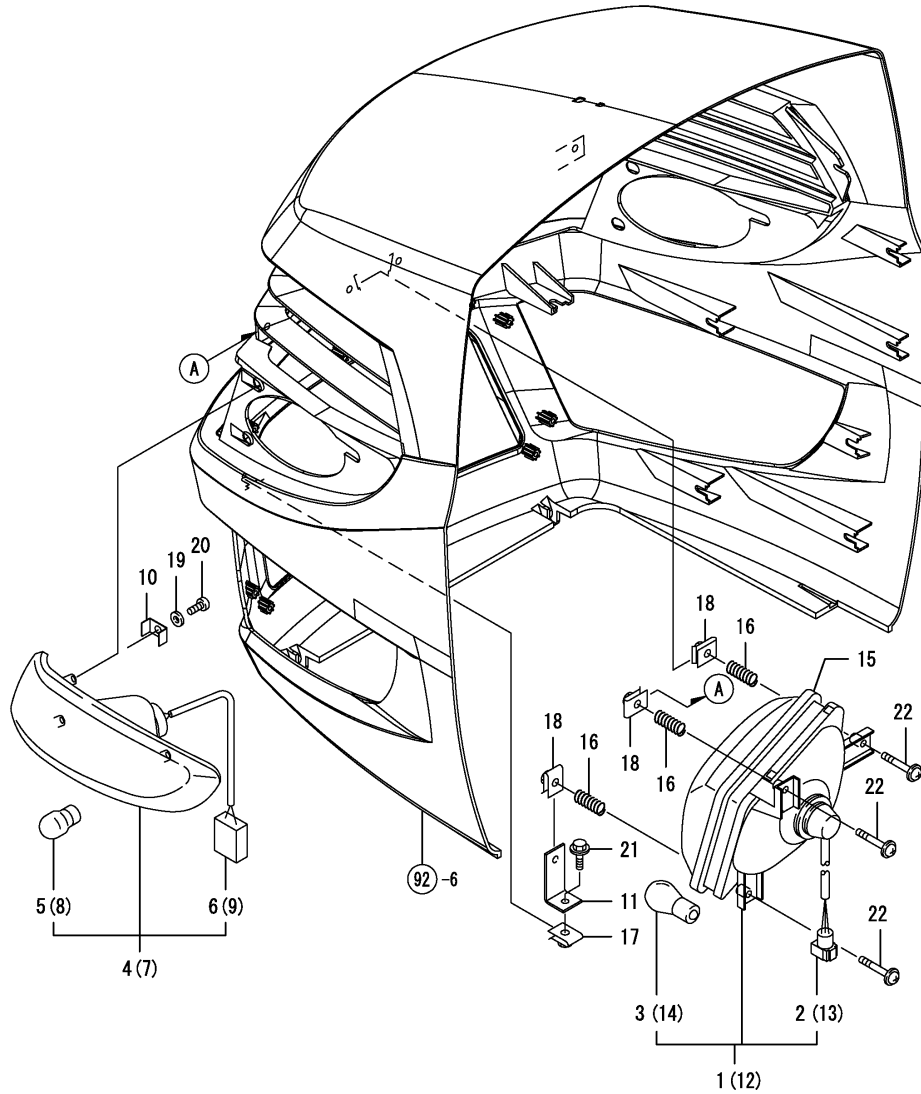


No.	Lev.	Parts No.	Description	Q'ty						I	R
				(A)	(B)	(C)	(D)	(E)	(F)		
1	1	194990-22120	NUT, M5	4	4						
2	1	194990-22130	NUT, M6	4	4						
3	1	1A7890-51220	WIRE, LEAD	2	2						
4	1	1A7890-51230	CABLE, SIDE FLASHER	4	4						
5	1	1A7890-53400	LAMP ASSY	2	2						
6	2	1A7890-53420	BULB, 12V21W	2	2						
7	2	198360-53630	BULB	2	2						
8	1	1A7890-53600	LAMP ASSY, L	1	1						
9	2	198071-53610	LENS, L	1	1						
10	2	1A7890-53630	BULB, 12V21W	1	1						
11	2	198071-53660	SCREW, TAPPING M5X25	2	2						
12	2	198071-53670	LENS, RED L	1	1						
13	2	1A7890-53680	BULB, 12V21/5W	1	1						
14	1	1A7890-53700	LAMP ASSY, R	1	1						
15	2	1A7890-53630	BULB, 12V21W	1	1						
16	2	198071-53660	SCREW, TAPPING M5X25	2	2						
17	2	1A7890-53680	BULB, 12V21/5W	1	1						
18	2	198071-53710	LENS, R	1	1						
19	2	198071-53770	LENS, RED R	1	1						
20	1	1A7890-53810	LAMP, TURN SIGNAL	2	2						
21	2	1A7890-53820	BULB, 12V/3W	2	2						
22	2	1A7890-53840	PACKING	2	2						
23	1	1A7890-53810	LAMP, TURN SIGNAL	2	2						
24	2	1A7890-53820	BULB, 12V/3W	2	2						
25	2	1A7890-53840	PACKING	2	2						
26	1	198535-54500	LAMP ASSY, BACK	1	1						
27	2	1A7020-54510	LENS	1	1						
28	2	1A7020-54540	SCREW	2	2						
29	2	1A7020-54560	BULB, 12V15W	1	1						

Fig.86. FRONT LAMP

(A)=FK657
(B)=FK663
(C)=

(D)=
(E)=
(F)=

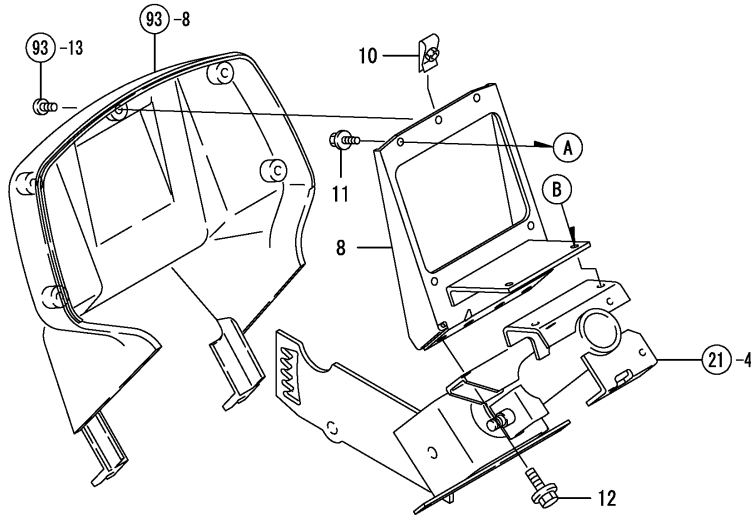
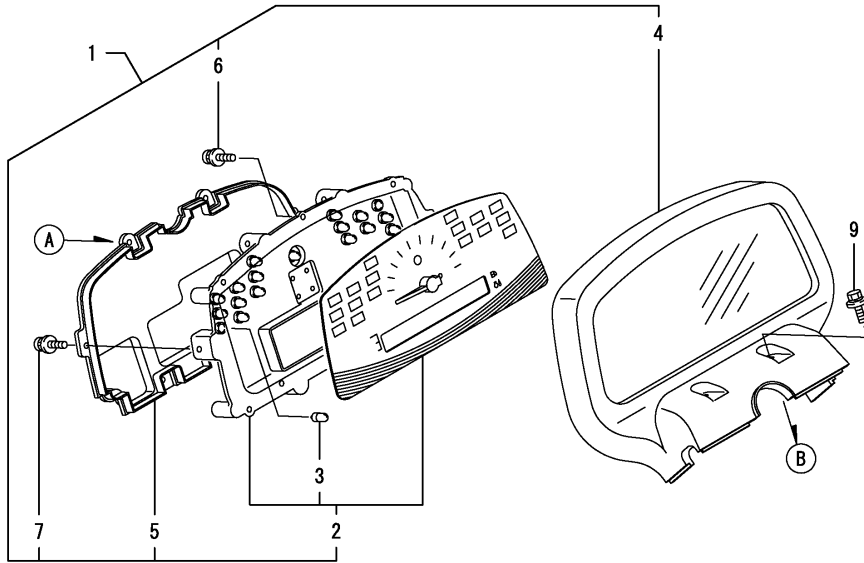


No.	Lev.	Parts No.	Description	Q'ty						I	R
				(A)	(B)	(C)	(D)	(E)	(F)		
1	1	1A7450-53200	LAMP ASSY, HEAD L	1	1						
2	2	1A7450-53230	WIRE ASSY, LEAD	1	1						
3	2	198448-53320	BULB, 12V45/45W	1	1						
4	1	1A7450-53252	LAMP ASSY, SIDE L	1	1						
5	2	1A7450-53370	BULB, 12V21W	1	1						
6	2	1A7450-53380	WIRE ASSY, LEAD	1	1						
7	1	1A7450-53262	LAMP ASSY, SIDE R	1	1						
8	2	1A7450-53370	BULB, 12V21W	1	1						
9	2	1A7450-53380	WIRE ASSY, LEAD	1	1						
10	1	1A7450-53290	BRACKET, SIDE LAMP	6	6						
11	1	1A7600-53290	STAY, HEAD LIGHT	2	2						
12	1	1A7450-53300	LAMP ASSY, HEAD R	1	1						
13	2	1A7450-53230	WIRE ASSY, LEAD	1	1						
14	2	198448-53320	BULB, 12V45/45W	1	1						
15	1	1A7260-53350	SEAL, HEAD LAMP	2	2						
16	1	198153-53410	SPRING, ADJUST	6	6						
17	1	198071-61890	NUT, SPEED M6	2	2						
18	1	198071-61890	NUT, SPEED M6	6	6						
19	1	22137-060000	WASHER, 6	6	6						
20	1	22857-600101	SCREW, 6X10	6	6						
21	1	26106-060122	BOLT, M6X 12 PLATED	2	2						
22	1	26557-060402	SCREW, M6X40	6	6						

Fig.87. METER

(A)=FK657
(B)=FK663
(C)=

(D)=
(E)=
(F)=

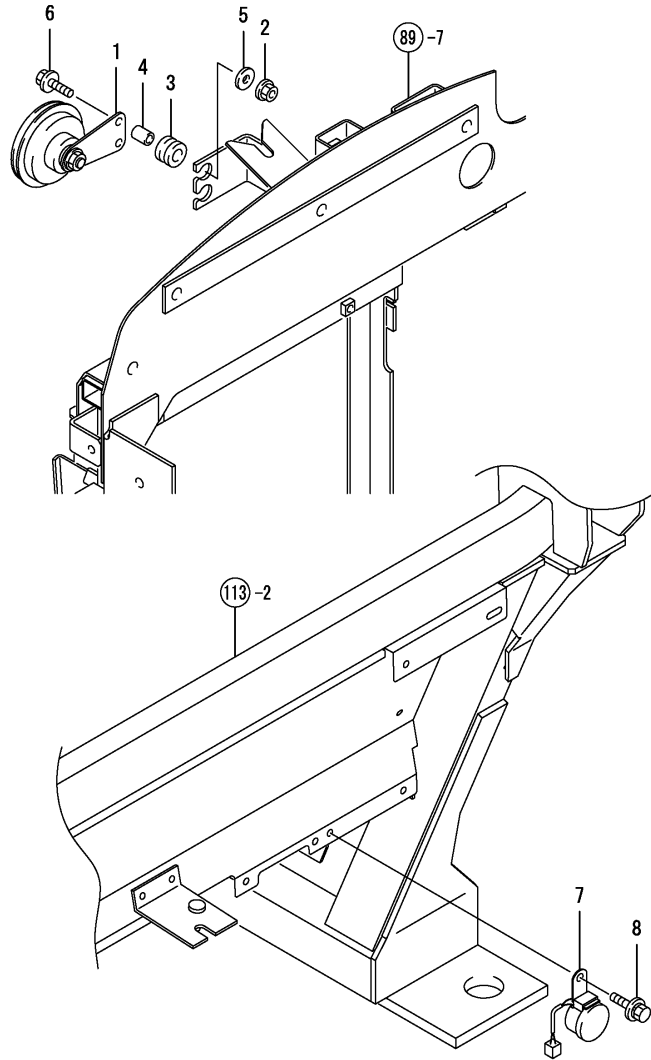


No.	Lev.	Parts No.	Description	Q'ty						I	R
				(A)	(B)	(C)	(D)	(E)	(F)		
1	1	1A7620-56010	METER ASSY	1	1						
2	2	1A7620-56110	TACHOMETER ASSY	1	1						
3	3	198448-56150	BULB, 14V-1.4W	18	18						
4	2	1A7450-56170	CASE, UPPER	1	1						
5	2	1A7450-56180	COVER	1	1						
6	2	129574-91580	SCREW 4X16	6	6						
7	2	129574-91580	SCREW 4X16	2	2						
8	1	198448-56050	BRACKET, METER	1	1						
8-1	1	198448-56051	BRACKET, METER	1	1						N
		(A=FXXXXX) (B=FXXXXX)									
8-2	1	1A6380-56050	BRACKET ASSY, METER	1	1						R
		(A=FXXXXX) (B=FXXXXX)									
9	1	198461-60590	BOLT, M6X20	2	2						
10	1	194167-61650	NUT, SPEED	1	1						
11	1	26106-060122	BOLT, M6X 12 PLATED	4	4						
12	1	26106-080162	BOLT, M8X 16 PLATED	2	2						

Fig.88. HORN & BUZZER

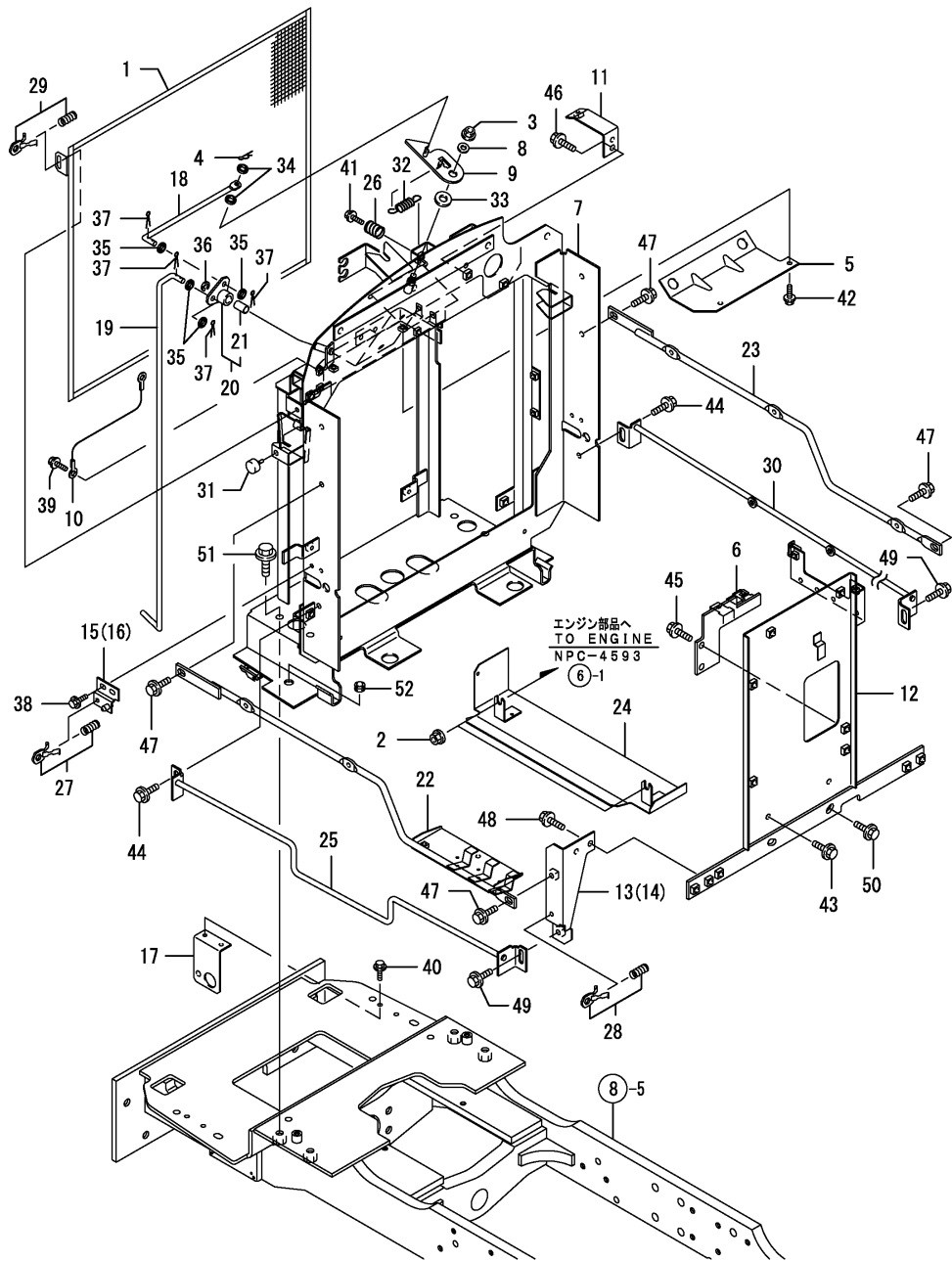
(A)=FK657
(B)=FK663
(C)=

(D)=
(E)=
(F)=



No.	Lev.	Parts No.	Description	Q'ty						I	R
				(A)	(B)	(C)	(D)	(E)	(F)		
1	1	1C7100-08150	HORN ASSY	1	1						
2	1	194990-22130	NUT, M6	2	2						
3	1	129467-44580	MOUNT, RUBBER	2	2						
4	1	1A7000-57210	COLLAR, 7X11X14	2	2						
5	1	22157-060000	WASHER, 6	2	2						
6	1	26106-060252	BOLT, M6X 25 PLATED	2	2						
7	1	198071-57110	BUZZER, BACK	1	1						
8	1	198093-85650	BOLT, M6X16	1	1						

Fig.89. FRONT FRAME



(A)=FK657
(B)=FK663
(C)=

(D)=
(E)=
(F)=

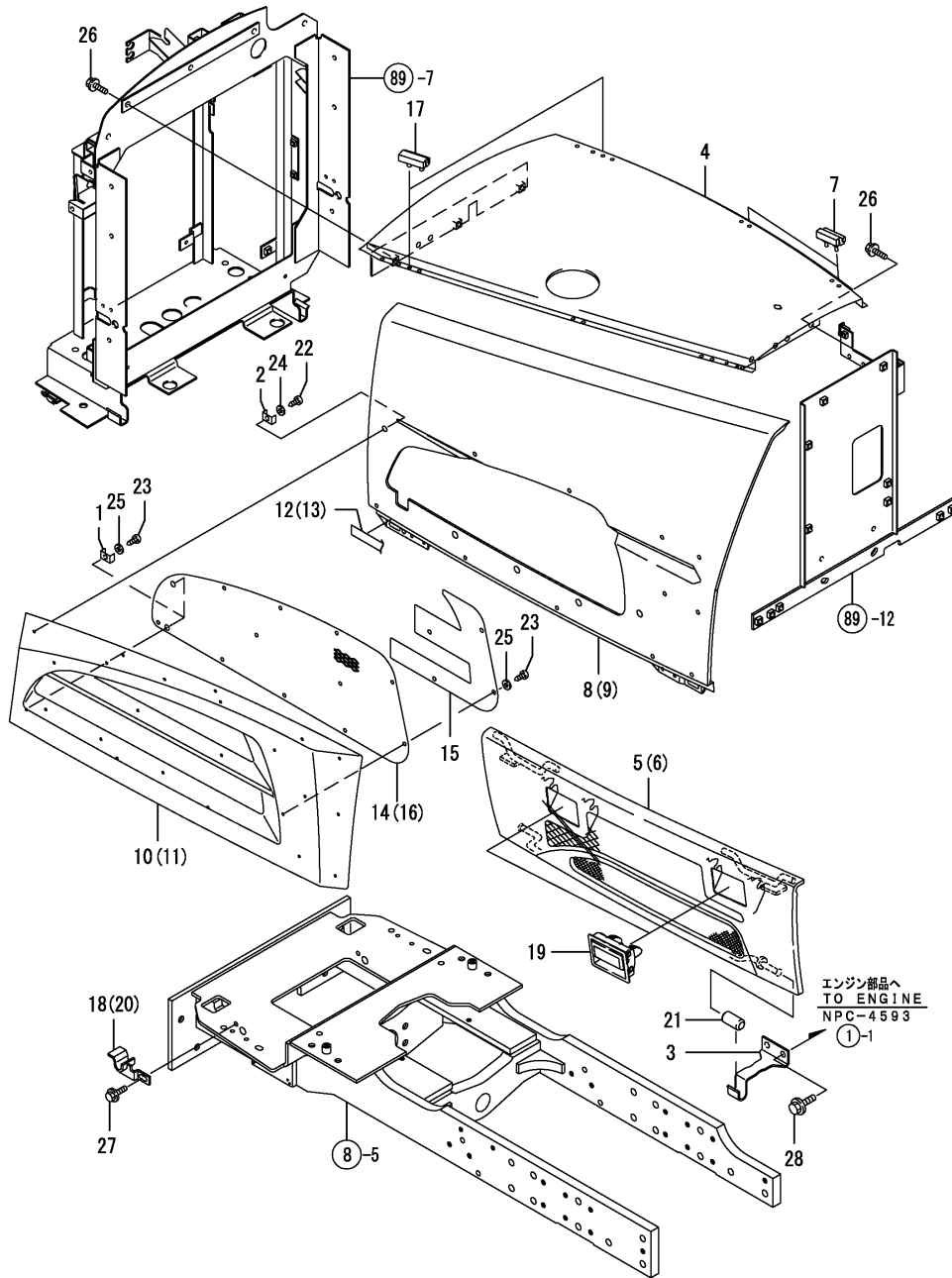
No.	Lev.	Parts No.	Description	Q'ty						I	R
				(A)	(B)	(C)	(D)	(E)	(F)		
1	1	1A7650-01250	SCREEN, RADIATOR	1	1						
2	1	194990-22140	NUT, M8	2	2						
3	1	194990-22140	NUT, M8	1	1						
4	1	1C6281-52310	PIN, SNAP 6	1	1						
5	1	1A7640-58110	BRACKET, CONTROLLER	1	1						
6	1	1A7600-58310	BRACKET, CONNECTOR	1	1						
7	1	1A7620-60010	FRAME ASSY, FRONT M	1	1						
8	1	1A7600-60300	WASHER, 8X18	1	1						
9	1	198535-60330	LOCK, GRILLE	1	1						
10	1	1A7640-60371	WIRE, GRILLE	1	1						
11	1	1A7650-60390	BRACKET	1	1						
12	1	1A7650-60500	FRAME ASSY, REAR	1	1						
13	1	1A7650-60530	STAY, BONNET SIDE L	1	1						
14	1	1A7650-60540	STAY, BONNET SIDE R	1	1						
15	1	1A7640-60640	BRACKET ASSY	1	1						
16	1	1A7640-60650	BRACKET ASSY	1	1						
17	1	1A7640-60700	BRACKET, VALVE	1	1						
18	1	1A7650-60700	ROD, GRILLE LOCK A	1	1						
19	1	1A7650-60710	ROD, GRILLE LOCK B	1	1						
20	1	1A7450-60720	ARM ASSY, LOCK	1	1						
21	2	24550-010200	BUSH, 10X20	1	1						
22	1	1A7650-60930	STAY, HARNESS L	1	1						
23	1	1A7650-60940	STAY, HARNESS R	1	1						
24	1	1A7650-60960	COVER, MOTOR	1	1						
25	1	1A7600-61280	ROD ASSY, STAY L	1	1						
26	1	198220-61340	SPRING	1	1						
27	1	198220-61351	LOCK ASSY, CAM	2	2						
28	1	198220-61351	LOCK ASSY, CAM	2	2						
29	1	198220-61351	LOCK ASSY, CAM	1	1						
30	1	1A7600-61380	ROD ASSY, STAY R	1	1						
31	1	194145-61560	RUBBER, ABSORBER	2	2						
32	1	198230-61960	SPRING	1	1						
33	1	22137-120000	WASHER, 12	1	1						
34	1	22190-060002	WASHER, SEAL 6	2	2						
35	1	22190-080002	WASHER, SEAL 6	4	4						
36	1	22272-000080	RING, E- 8	1	1						
37	1	22417-160180	PIN, COTTER 1.6X18	4	4						
38	1	26106-060122	BOLT, M6X 12 PLATED	4	4						
39	1	26106-060122	BOLT, M6X 12 PLATED	1	1						
40	1	26106-060162	BOLT, M6X 16 PLATED	2	2						
41	1	26106-060162	BOLT, M6X 16 PLATED	1	1						
42	1	26106-060162	BOLT, M6X 16 PLATED	2	2						
43	1	26106-080122	BOLT, M8X 12 PLATED	2	2						
44	1	26106-080122	BOLT, M8X 12 PLATED	2	2						
45	1	26106-080122	BOLT, M8X 12 PLATED	2	2						
46	1	26106-080162	BOLT, M8X 16 PLATED	1	1						
47	1	26106-080162	BOLT, M8X 16 PLATED	4	4						
48	1	26106-080162	BOLT, M8X 16 PLATED	4	4						
49	1	26106-080162	BOLT, M8X 16 PLATED	2	2						
50	1	26106-080162	BOLT, M8X 16 PLATED	2	2						
51	1	26106-100252	BOLT, M10X 25 PLATED	4	4						

N:Old $\begin{matrix} \text{Yes} \\ \text{No} \end{matrix}$ New, Q:Old $\begin{matrix} \text{No} \\ \text{Yes} \end{matrix}$ New, R:Old $\begin{matrix} \text{Yes} \\ \text{No} \end{matrix}$ New, S:Old $\begin{matrix} \text{No} \\ \text{Yes} \end{matrix}$ New, W:Add, Z:Discontinued, F:Interchangeable by set, K:Q'ty Change
 ++ CONTINUE ++
 Copyright (C) YANMAR CO., LTD. All Rights Reserved.

Fig.90. HOOD

(A)=FK657
(B)=FK663
(C)=

(D)=
(E)=
(F)=

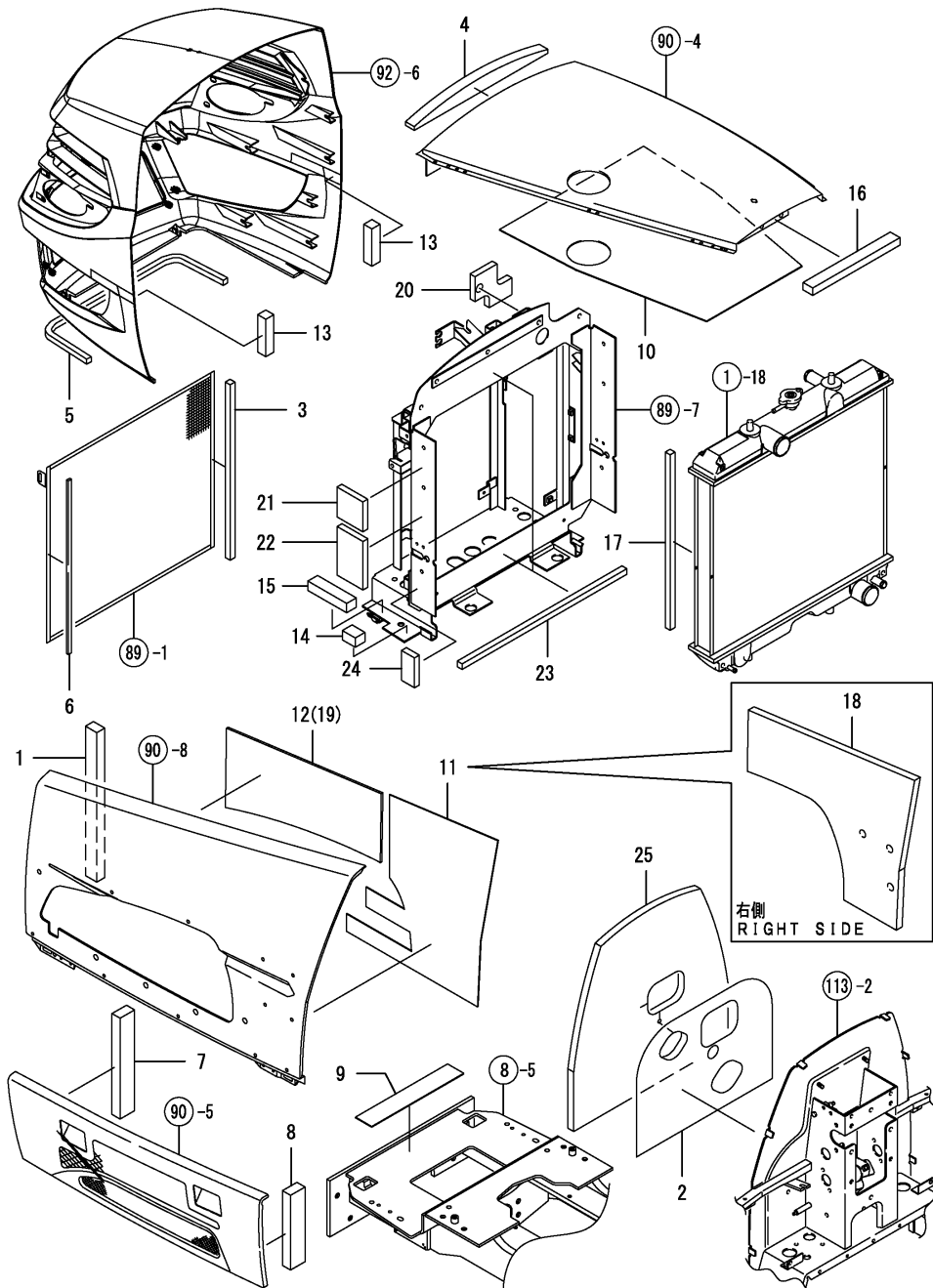


No.	Lev.	Parts No.	Description	Q'ty						I	R
				(A)	(B)	(C)	(D)	(E)	(F)		
1	1	1A7450-53290	BRACKET, SIDE LAMP	4	4						
2	1	1A7450-53290	BRACKET, SIDE LAMP	2	2						
3	1	1A7650-60910	STAY, LOWER COVER R	2	2						
4	1	1A7650-61010	BONNET ASSY, UPPER	1	1						
5	1	1A7620-61020	COVER ASSY, LOWER LM	1	1						
6	1	1A7620-61030	COVER ASSY, LOWER RM	1	1						
7	1	198151-61080	RUBBER, BONNET UPPER	4	4						
8	1	1A7450-61150	BONNET, SIDE UPPER L	1	1						
9	1	1A7450-61160	BONNET, SIDE UPPER R	1	1						
10	1	1A7600-61190	GRILLE, SIDE L	1	1						
11	1	1A7600-61200	GRILLE, SIDE R	1	1						
12	1	1A7600-61220	TAPE, BONNET SIDE L	1	1						
13	1	1A7600-61230	TAPE, BONNET SIDE R	1	1						
14	1	1A7640-61240	SCREEN, GRILLE L	1	1						
15	1	1A7600-61250	COVER, SIDE GRILLE	1	1						
16	1	1A7640-61250	SCREEN, GRILLE R	1	1						
17	1	198535-61260	RUBBER, BONNET UPPER	2	2						
18	1	198550-61410	HOOK, LOWER L	1	1						
19	1	172187-61421	HANDLE, LOCK	4	4						
20	1	198550-61420	HOOK, LOWER R	1	1						
21	1	198220-61800	RUBBER, CUSHION	4	4						
22	1	198071-78420	SCREW, TAPPING M5X10	20	20						
22-1	1	22857-500101	SCREW 5X10, TAPPING	20	20						N
		(A=FXXXXX) (B=FXXXXX)									
23	1	198071-78420	SCREW, TAPPING M5X10	24	24						
23-1	1	22857-500101	SCREW 5X10, TAPPING	24	24						N
		(A=FXXXXX) (B=FXXXXX)									
24	1	22137-050000	WASHER, 5	20	20						
24-1	1	22137-060000	WASHER, 6	20	20						N
		(A=FXXXXX) (B=FXXXXX)									
25	1	22137-060000	WASHER, 6	24	24						
26	1	26106-080162	BOLT, M8X 16 PLATED	5	5						
27	1	26106-080162	BOLT, M8X 16 PLATED	2	2						
28	1	26106-100202	BOLT, M10X 20 PLATED	4	4						

Fig.91. HOOD SEAL

(A)=FK657
(B)=FK663
(C)=

(D)=
(E)=
(F)=

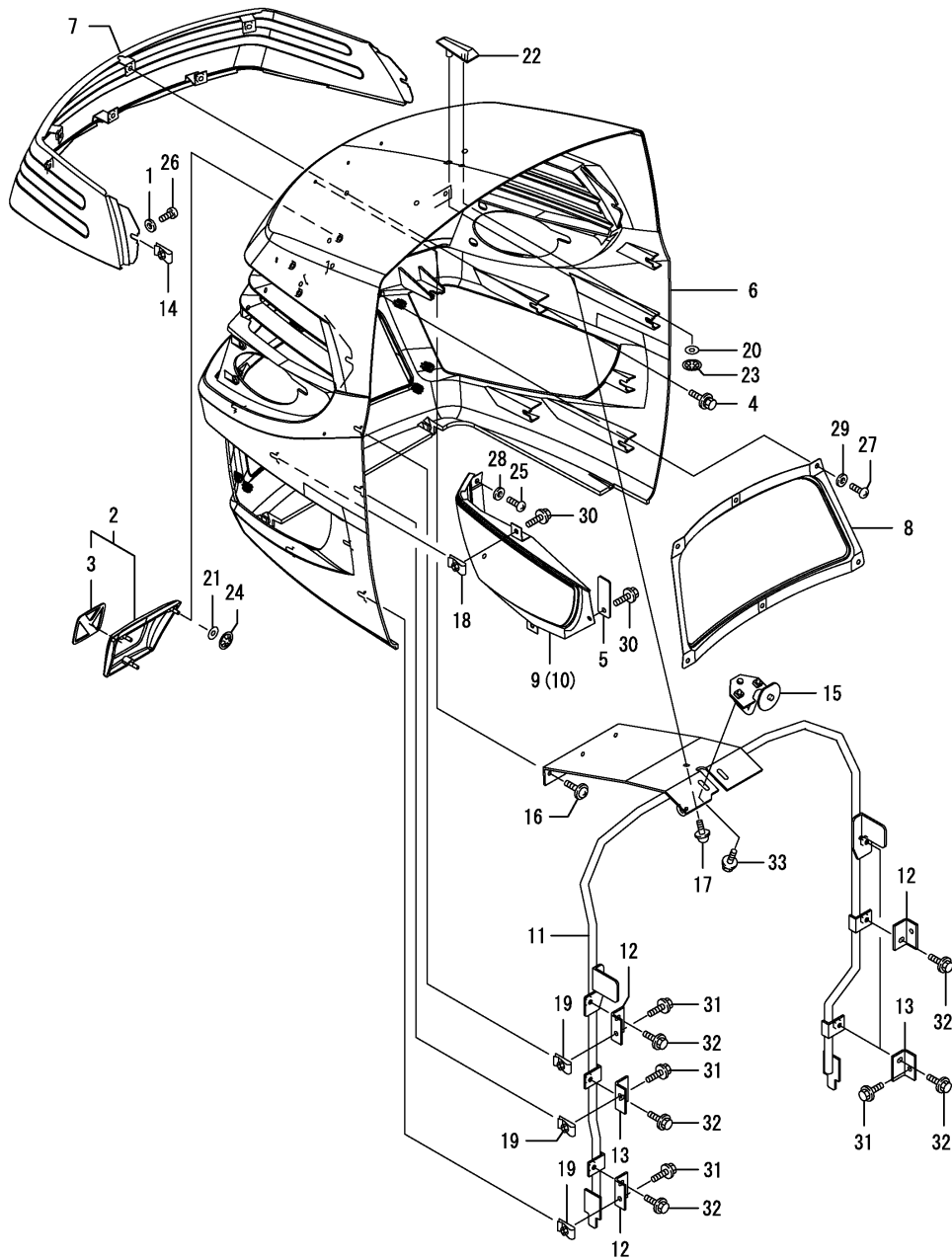


No.	Lev.	Parts No.	Description	Q'ty						I	R
				(A)	(B)	(C)	(D)	(E)	(F)		
1	1	198535-60640	URETHANE, SIDE UPPER	2	2						
2	1	198448-60680	MATERIAL, DAMPING	1	1						
3	1	198448-60710	URETHANE, 470	1	1						
4	1	198448-60730	URETHANE, UPPER F	1	1						
5	1	198448-60750	PAD	1	1						
6	1	198448-60760	URETHANE, SCREEN	1	1						
7	1	1A7640-60820	URETHANE, 25X45X270	2	2						
8	1	1A7640-60830	URETHANE, 25X45X200	2	2						
9	1	1A7640-61410	RUBBER, MASK	1	1						
10	1	1A7600-60610	URETHANE, BONNET U	1	1						
11	1	1A7600-60621	URETHANE, SIDE UPPER	1	1						
12	1	1A7650-60622	URETHANE, SIDE UPPER	1	1						
13	1	198550-60650	URETHANE, SIDE LOWER	2	2						
14	1	1A7600-60690	URETHANE, 40X30	2	2						
15	1	198448-60690	URETHANE, 120	2	2						
16	1	198448-60700	URETHANE, 20X30X270	1	1						
17	1	198448-60710	URETHANE, 470	2	2						
18	1	1A7650-60771	URETHANE, SIDE UPPER	1	1						
19	1	1A7650-60780	URETHANE, SIDE UPPER	1	1						
20	1	1A7650-60810	URETHANE, HOSE	1	1						
21	1	1A7650-60820	URETHANE, 80	2	2						
22	1	1A7650-60830	URETHANE, 130	2	2						
23	1	198268-61470	URETHANE, GRILLE 150	2	2						
24	1	1A7650-61810	URETHANE, 80X40X15	2	2						
25	1	198448-60671	URETHANE, PLATE	1	1						

Fig.92. FRONT GRILLE

(A)=FK657
(B)=FK663
(C)=

(D)=
(E)=
(F)=

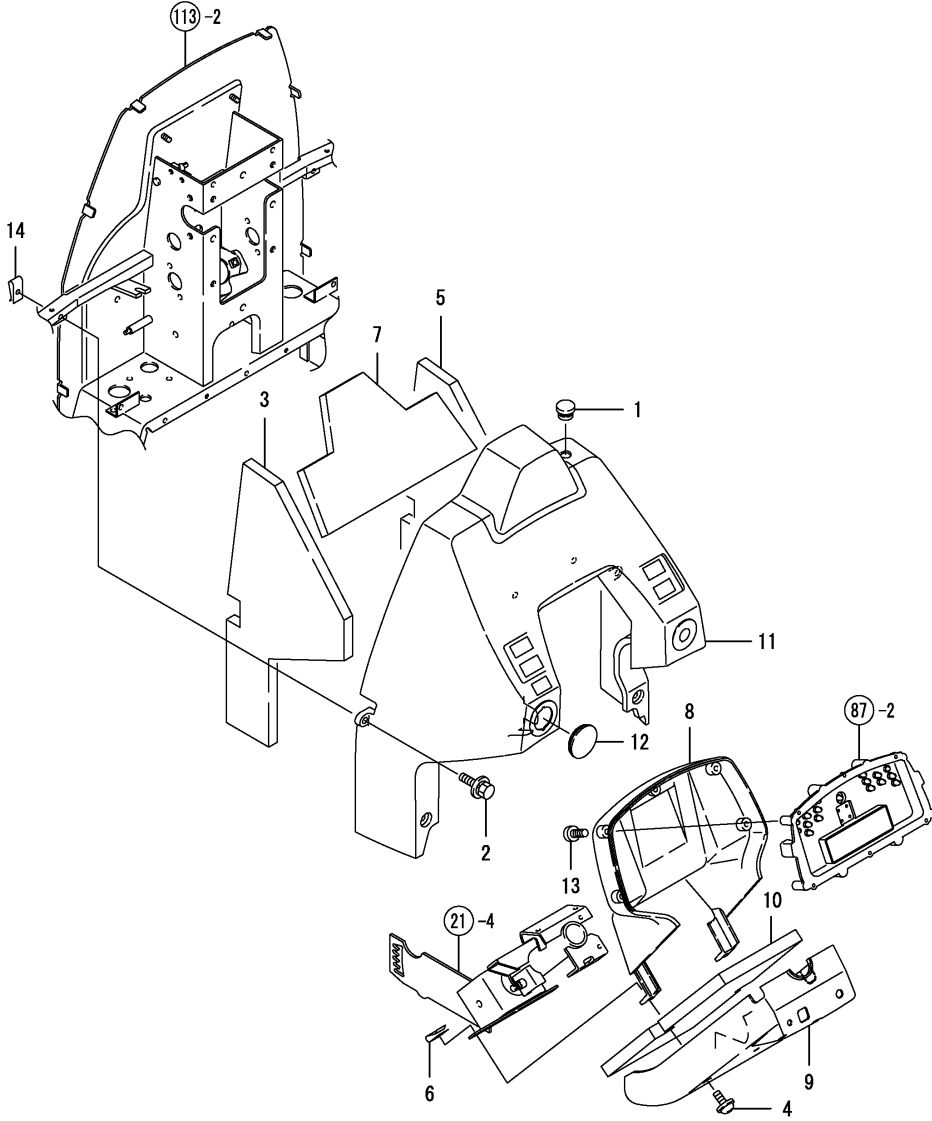


No.	Lev.	Parts No.	Description	(A)	(B)	Qty	(D)	(E)	(F)	I	R
1	1	194515-01190	WASHER, 6	2	2						
1-1	1	22157-060000	WASHER, 6	2	2						N
		(A=FXXXXX) (B=FXXXXX)									
2	1	1A7600-53242	LENS ASSY, CENTER	1	1						
3	2	198448-65010	MARK Y 60	1	1						
4	1	198072-60590	BOLT, M6X20	6	6						
5	1	1A7600-61120	PLATE	2	2						
6	1	1A7600-61310	GRILLE	1	1						
7	1	1A7600-61330	SCREEN ASSY, UPPER	1	1						
8	1	1A7640-61350	SCREEN, LOWER CENTER	1	1						
9	1	1A7640-61360	SCREEN ASSY, LOWER L	1	1						
10	1	1A7640-61370	SCREEN ASSY, LOWER R	1	1						
11	1	1A7600-61510	FRAME ASSY, GRILLE	1	1						
12	1	1A7600-61610	STAY, FRONT GRILLE A	3	3						
13	1	1A7600-61620	STAY, FRONT GRILLE B	3	3						
14	1	194145-61650	NUT, SPEED M5	2	2						
15	1	1A7640-61750	CATCH, LOCK	1	1						
16	1	194940-61790	SCREW, TAPPING M5X16	2	2						
16-1	1	194420-61640	SCREW, TAPPING M5X16	2	2						N
		(A=FXXXXX) (B=FXXXXX)									
17	1	194940-61790	SCREW, TAPPING M5X16	1	1						
17-1	1	194420-61640	SCREW, TAPPING M5X16	1	1						N
		(A=FXXXXX) (B=FXXXXX)									
18	1	198071-61890	NUT, SPEED M6	6	6						
19	1	198071-61890	NUT, SPEED M6	6	6						
20	1	198475-65030	CUSHION	1	1						
21	1	198475-65030	CUSHION	3	3						
22	1	198448-65590	MARK	1	1						
23	1	198071-65610	NUT, SPEED M5	1	1						
24	1	198071-65610	NUT, SPEED M5	3	3						
25	1	198071-78420	SCREW, TAPPING M5X10	4	4						
25-1	1	22857-500101	SCREW 5X10,TAPPING	4	4						N
		(A=FXXXXX) (B=FXXXXX)									
26	1	198071-78420	SCREW, TAPPING M5X10	2	2						
26-1	1	22857-500101	SCREW 5X10,TAPPING	2	2						N
		(A=FXXXXX) (B=FXXXXX)									
27	1	198071-78420	SCREW, TAPPING M5X10	6	6						
27-1	1	22857-500101	SCREW 5X10,TAPPING	6	6						N
		(A=FXXXXX) (B=FXXXXX)									
28	1	22137-060000	WASHER, 6	4	4						
29	1	22137-060000	WASHER, 6	6	6						
30	1	26106-060122	BOLT, M6X 12 PLATED	6	6						
31	1	26106-060122	BOLT, M6X 12 PLATED	6	6						
32	1	26106-060122	BOLT, M6X 12 PLATED	6	6						
33	1	26106-060162	BOLT, M6X 16 PLATED	2	2						

Fig.93. DASHBOARD

(A)=FK657
(B)=FK663
(C)=

(D)=
(E)=
(F)=

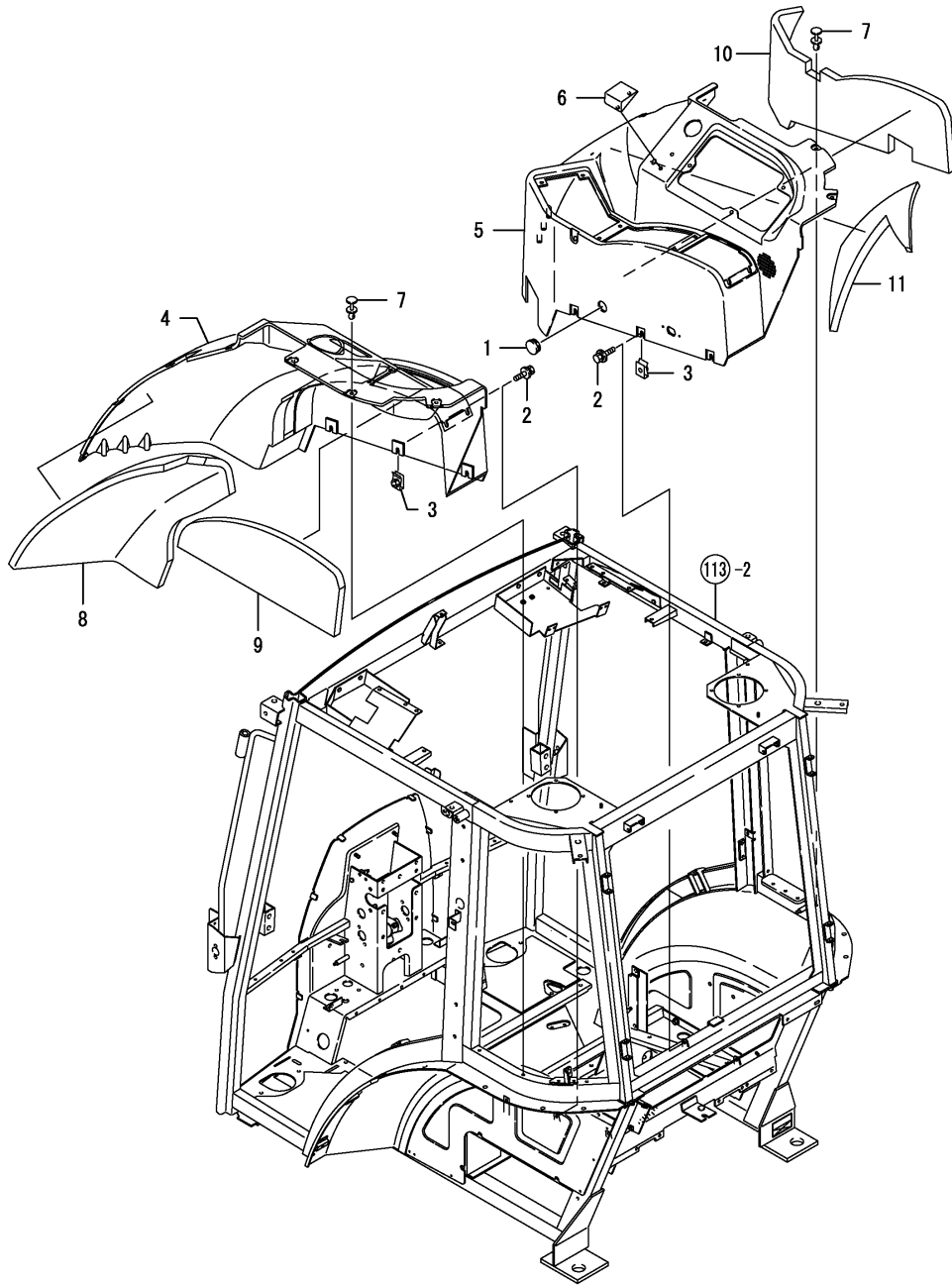


No.	Lev.	Parts No.	Description	Q'ty						I	R
				(A)	(B)	(C)	(D)	(E)	(F)		
1	1	1A1040-41610	PLUG, RUBBER	1	1						
2	1	198461-60590	BOLT, M6X20	6	6						
3	1	198463-61630	URETHANE, DASHBOARD	1	1						
4	1	194555-61640	SCREW, TAPPING M5X25	3	3						
5	1	198463-61640	URETHANE, DASHBOARD	1	1						
6	1	194167-61650	NUT, SPEED	3	3						
7	1	198463-61650	URETHANE, DASHBOARD	1	1						
8	1	198448-61660	COVER, COLUMN	1	1						
9	1	1A7450-61670	COVER, COLUMN R	1	1						
10	1	1A7680-61680	SEAT, COLUMN COVER	1	1						
11	1	1A7620-61780	DASHBOARD ASSY, M	1	1						
12	1	1A7450-61790	GROMMET, 40	1	1						
13	1	194940-61790	SCREW, TAPPING M5X16	5	5						
14	1	198071-61890	NUT, SPEED M6	6	6						

Fig.94. LEVER GUIDE

(A)=FK657
(B)=FK663
(C)=

(D)=
(E)=
(F)=

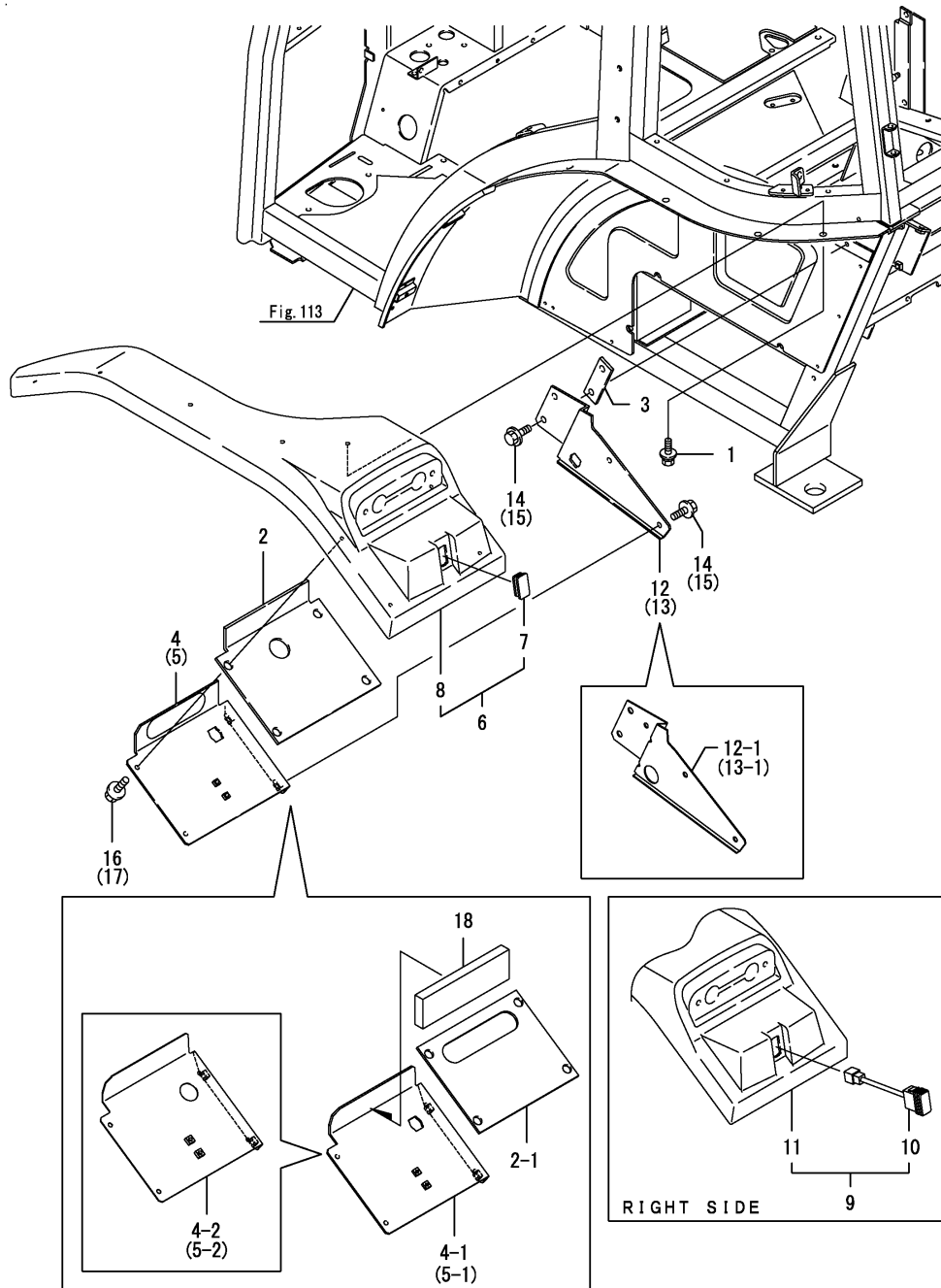


No.	Lev.	Parts No.	Description	Qty						I	R
				(A)	(B)	(C)	(D)	(E)	(F)		
1	1	194300-21460	CAP, RUBBER 25	1	1						
2	1	198461-60590	BOLT, M6X20	7	7						
3	1	198071-61890	NUT, SPEED M6	7	7						
4	1	1A7680-62270	GUIDE, LEVER L	1	1						
5	1	1A7640-62290	GUIDE, LEVER R	1	1						
6	1	1A7640-62310	RUBBER, CUSHION	1	1						
7	1	1A7450-62320	RIVET, NYLON	13	13						
8	1	198463-62320	URETHANE,LEVER GUIDE	1	1						
9	1	198463-62330	URETHANE,LEVER GUIDE	1	1						
10	1	198463-62341	URETHANE,LEVER GUIDE	1	1						
11	1	198463-62350	URETHANE,LEVER GUIDE	1	1						

Fig.95. OVER FENDER

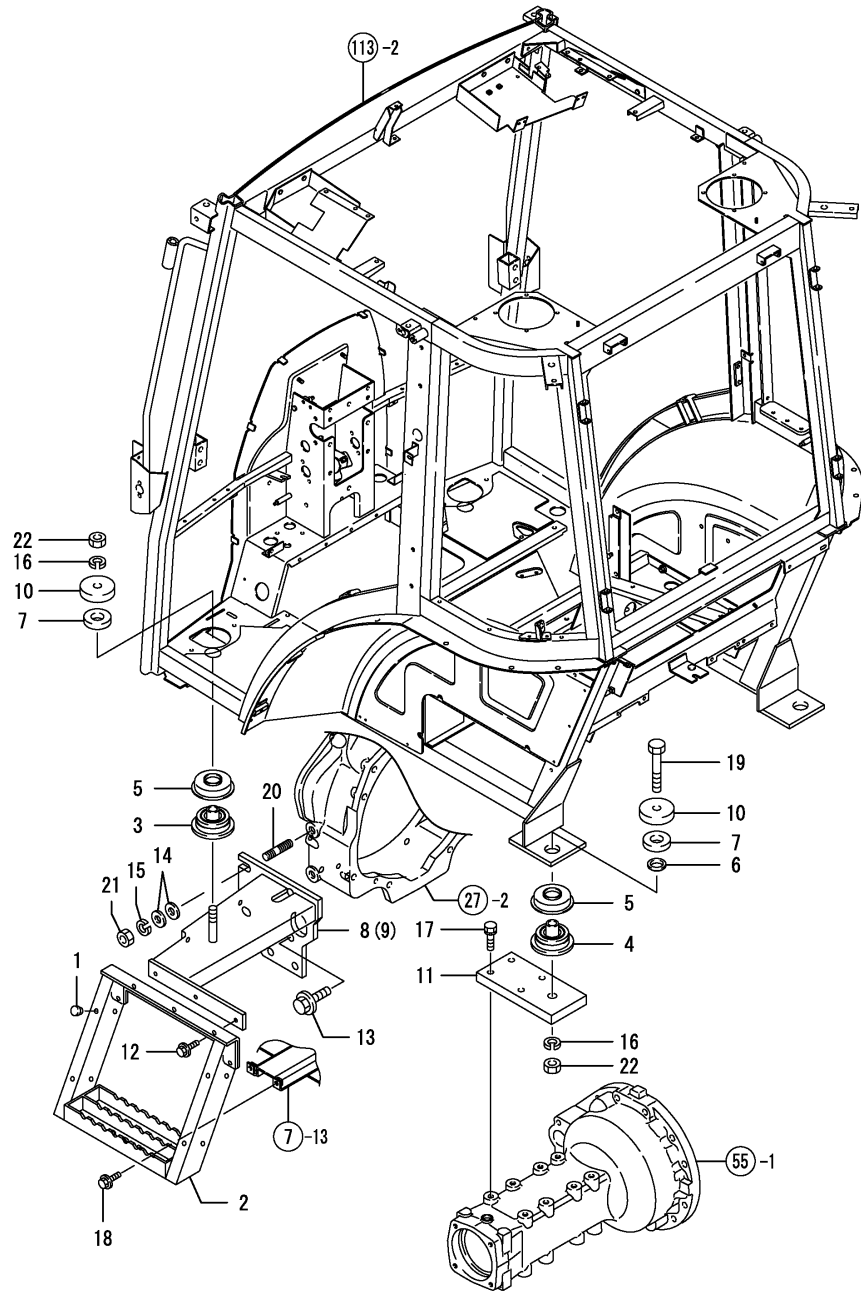
(A)=FK657
(B)=FK663
(C)=

(D)=
(E)=
(F)=



No.	Lev.	Parts No.	Description	Q'ty						I	R
				(A)	(B)	(C)	(D)	(E)	(F)		
1	1	194420-05210	BOLT, M6X16	10	10						
2	1	198463-62030	SEAL, MUDGUARD	2	2						
2-1	1	1A7470-62030	SEAL, MUDGUARD	2	2						S
(A=FZZZZZ) (B=FZZZZZ)											
3	1	198463-62040	SEAL, GUARD	2	2						
4	1	1A7470-62052	BRACKET, MUDGUARD L	1	1						
4-1	1	1A7470-62053	BRACKET, MUDGUARD L	1	1						S
(A=FZZZZZ) (B=FZZZZZ)											
4-2	1	1A7470-62054	BRACKET, MUDGUARD L	1	1						S
(A=FZZZZZ) (B=FZZZZZ)											
5	1	1A7470-62062	BRACKET, MUDGUARD R	1	1						
5-1	1	1A7470-62063	BRACKET, MUDGUARD	1	1						S
(A=FZZZZZ) (B=FZZZZZ)											
5-2	1	1A7470-62064	BRACKET, MUDGUARD R	1	1						S
(A=FZZZZZ) (B=FZZZZZ)											
6	1	1A7640-62201	FENDER, OVER L	1	1						
7	2	198153-52400	CAP, SWITCH	1	1						
8	2	1A7450-62211	FENDER ASSY, OVER L	1	1						
9	1	1A7450-62221	FENDER, OVER R	1	1						
10	2	1A6381-52520	SWITCH, SEESAW 3P	1	1						
11	2	1A7450-62231	FENDER ASSY, OVER R	1	1						
12	1	198463-62430	MUDGUARD, L	1	1						
12-1	1	198463-62431	MUDGUARD, L	1	1						S
(A=FZZZZZ) (B=FZZZZZ)											
13	1	198463-62440	MUDGUARD, R	1	1						
13-1	1	198463-62441	MUDGUARD, R	1	1						S
(A=FZZZZZ) (B=FZZZZZ)											
14	1	198460-83350	BOLT, M8X16	4	4						
15	1	198460-83350	BOLT, M8X16	4	4						
16	1	26106-060162	BOLT, M6X 16 PLATED	4	4						
17	1	26106-060162	BOLT, M6X 16 PLATED	4	4						
18	1	1A7470-62040	URETHANE, 220X65X20	2	2						W
(A=FZZZZZ) (B=FZZZZZ)											

Fig.96. FLOOR SUPPORT



(A)=FK657
(B)=FK663
(C)=

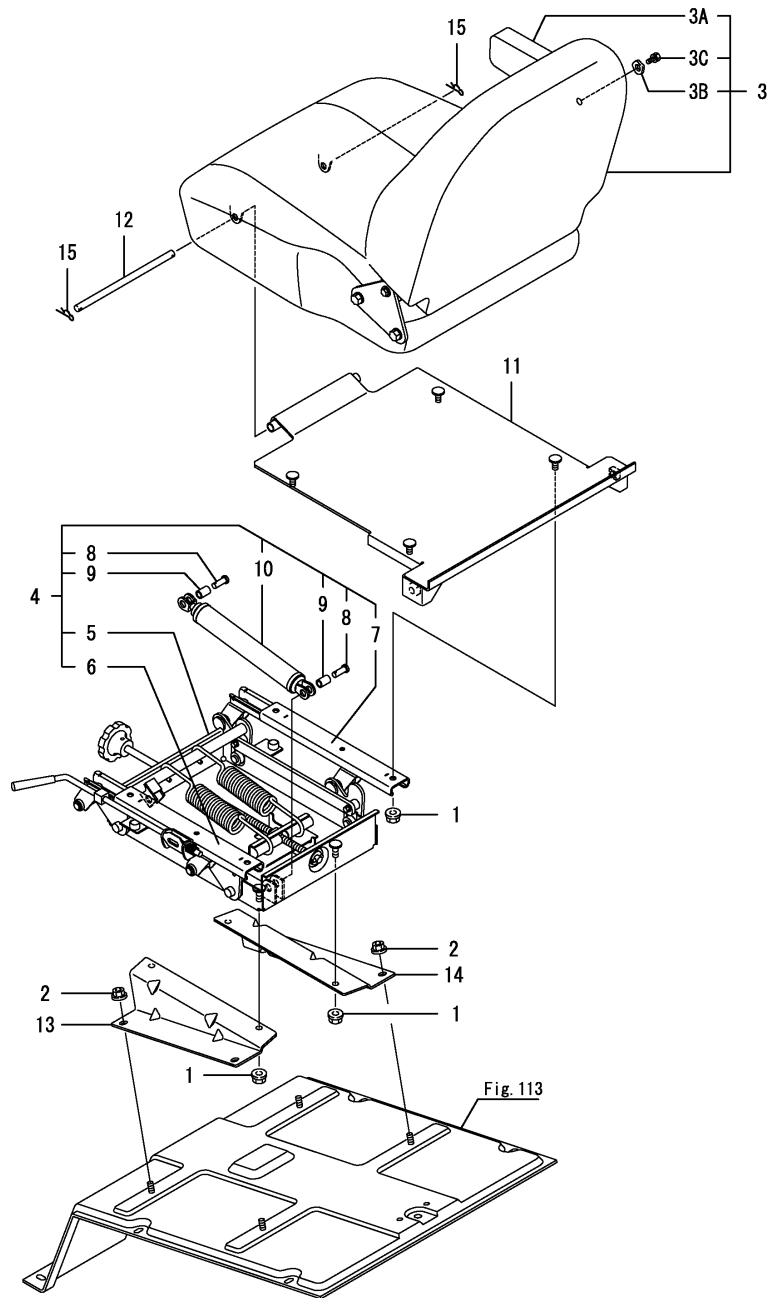
(D)=
(E)=
(F)=

No.	Lev.	Parts No.	Description	Q'ty						I	R
				(A)	(B)	(C)	(D)	(E)	(F)		
1	1	194555-56890	GROMMET, 15	3	3						
2	1	198448-62600	STEP ASSY, SUB	2	2						
3	1	198094-62720	MOUNT, LOWER F	2	2						
4	1	198094-62750	MOUNT, LOWER R	2	2						
5	1	198094-62770	STOPPER, MOUNT	4	4						
6	1	198094-62790	RUBBER, STOPPER	2	2						
7	1	1A7640-62800	MOUNT, UPPER	4	4						
8	1	198535-62850	SUPPORT, FRONT L	1	1						
9	1	198535-62860	SUPPORT, FRONT R	1	1						
10	1	198071-62890	STOPPER, U	4	4						
11	1	198463-80610	PLATE, REAR	2	2						
12	1	198460-83350	BOLT, M8X16	6	6						
13	1	198220-85290	BOLT, M16X40	4	4						
14	1	22137-160000	WASHER, 16	4	4						
15	1	22217-160000	WASHER, SPRING 16	2	2						
16	1	22217-160000	WASHER, SPRING 16	4	4						
17	1	26013-120452	BOLT, M12X 45	8	8						
18	1	26106-080162	BOLT, M8X 16 PLATED	4	4						
18-1	1	198460-83350	BOLT, M8X16	4	4						N
		(A="2008.10.) (B="2008.10.)									
19	1	26116-161002	BOLT, M16X100 PLATED	2	2						
20	1	26216-160452	STUD, M16X 45	4	4						
21	1	26716-160002	NUT, M16	2	2						
22	1	26716-160002	NUT, M16	4	4						

Fig.97. DRIVER SEAT

(A)=FK657
(B)=FK663
(C)=

(D)=
(E)=
(F)=



No.	Lev.	Parts No.	Description	Q'ty						I	R
				(A)	(B)	(C)	(D)	(E)	(F)		
1	1	194990-22140	NUT, M8	8	8						
2	1	194990-22140	NUT, M8	4	4						
3	1	1A7640-63110	SEAT ASSY, OPERATOR	1	1						
3A	2	1A7640-63130 (A=FXXXXX) (B=FXXXXX)	ARMREST ASSY	1	1						W
3B	2	1A7640-63310 (A=FXXXXX) (B=FXXXXX)	WASHER	1	1						W
3C	2	1A7640-63320 (A=FXXXXX) (B=FXXXXX)	BOLT	1	1						W
4	1	1A7600-63150	SUSPENSION ASSY, SEAT	1	1						
5	2	1A7600-63160	BODY, SUSPENSION	1	1						
6	2	1A7640-63170	RAIL ASSY, SEAT L	1	1						
7	2	1A7640-63180	RAIL ASSY, SEAT R	1	1						
8	2	1A7600-63190	PIN, DAMPER	2	2						
9	2	1A7600-63210	COLLAR	2	2						
10	2	198463-63360	DAMPER, SEAT	1	1						
11	1	1A7640-63200	SUPPORT ASSY, SEAT	1	1						
12	1	1A7640-63220	PIN, HINGE	1	1						
13	1	1A7640-63260	STAY, SEAT L	1	1						
14	1	1A7640-63270	STAY, SEAT R	1	1						
15	1	22372-120000	PIN, SNAP 12	2	2						

Fig.98. SEAT BELT

(A)=FK657
(B)=FK663
(C)=

(D)=
(E)=
(F)=

No.	Lev.	Parts No.	Description	Q'ty						I	R
				(A)	(B)	(C)	(D)	(E)	(F)		
1	1	195747-22360	COLLAR, EXTENSION	2	2						
2	1	198268-63120	BELT, SEAT	1	1						
3	1	22137-100000	WASHER, 10	2	2						
4	1	26106-100302	BOLT, M10X 30 PLATED	2	2						

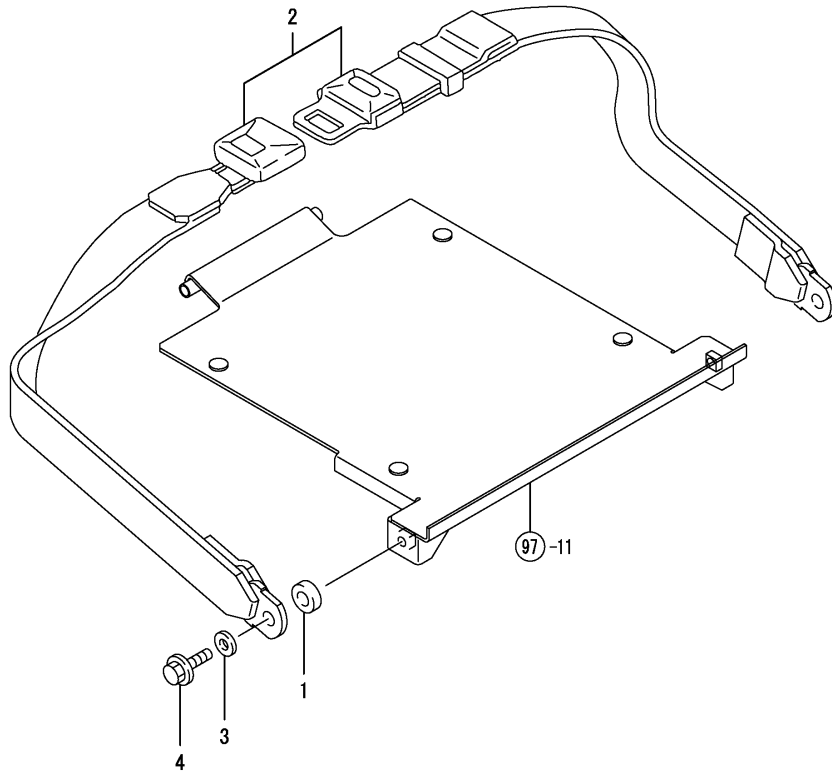
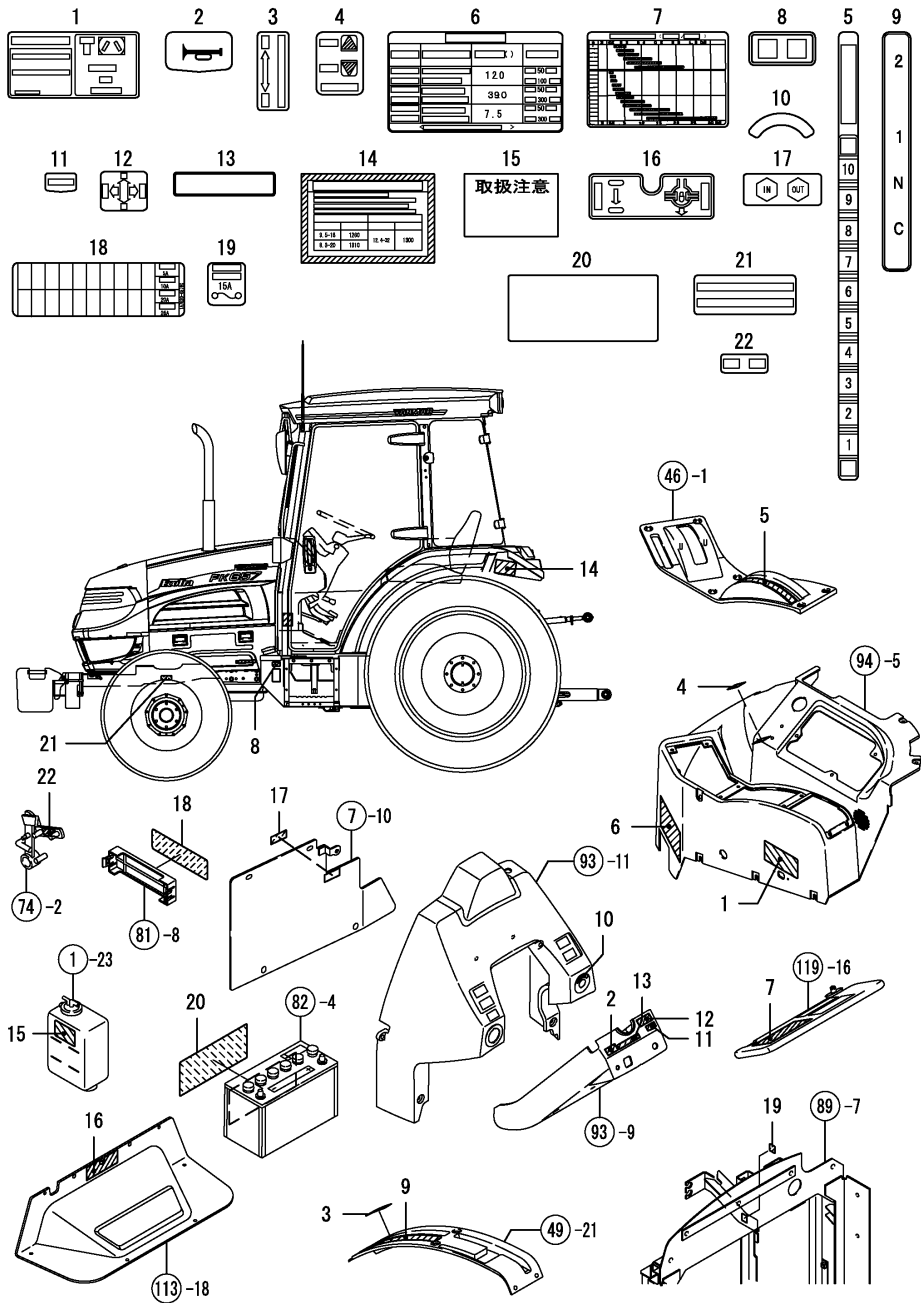


Fig.99. LABEL



(A)=FK657
(B)=FK663
(C)=

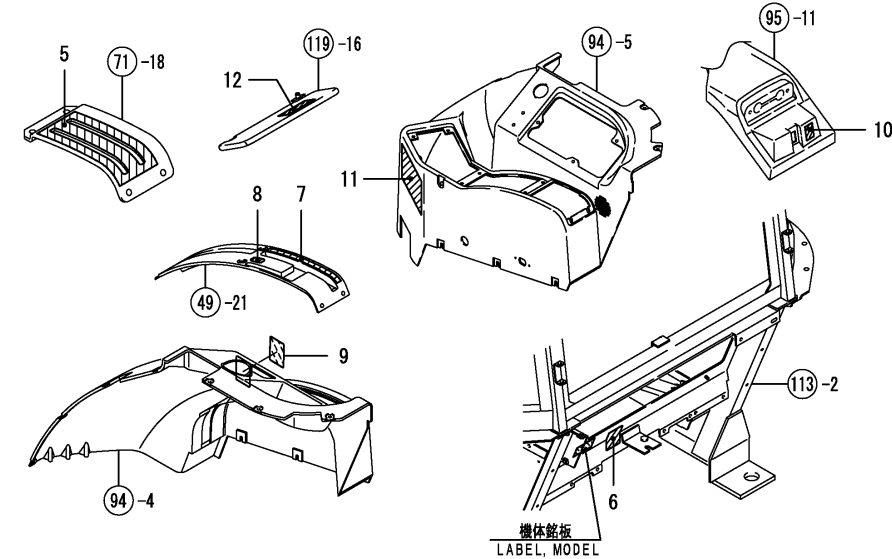
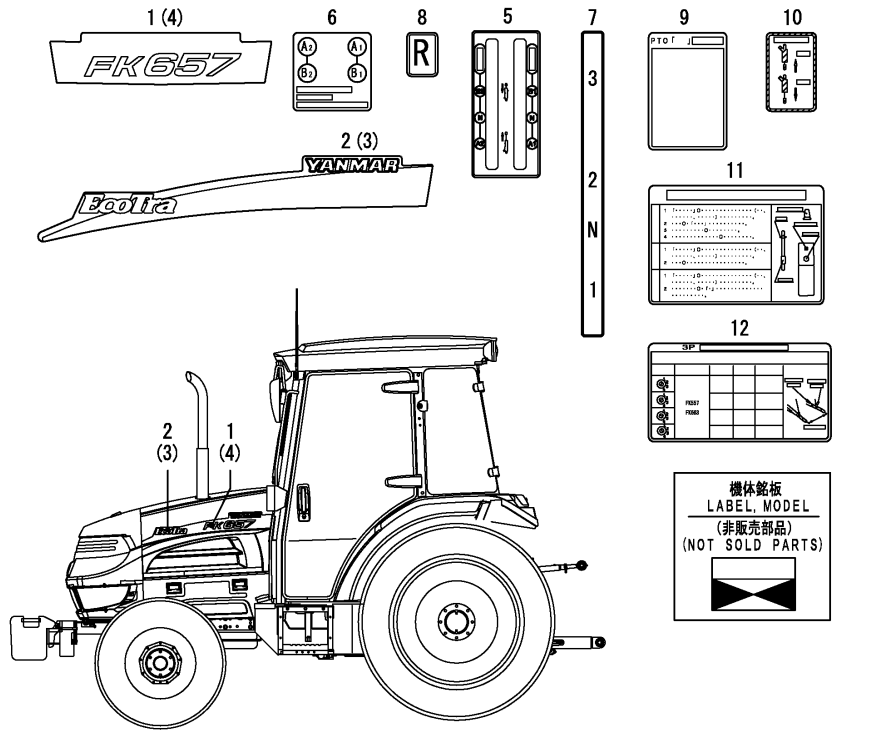
(D)=
(E)=
(F)=

No.	Lev.	Parts No.	Description	Q'ty						I	R
				(A)	(B)	(C)	(D)	(E)	(F)		
1	1	1A7620-64770	LABEL	1	1						
2	1	198153-65351	LABEL,HORN	1	1						
3	1	1A7620-65480	LABEL,	1	1						
4	1	1A7620-65510	LABEL	1	1						
5	1	1A7620-65520	LABEL	1	1						
6	1	1A7620-65550	LABEL	1	1						
7	1	1A7620-65560	LABEL	1	1						
8	1	1A7620-65650	LABEL	1	1						
9	1	198448-65660	LABEL, RANGE SHIFT	1	1						
10	1	1A7620-65720	LABEL	1	1						
11	1	1A7620-65750	LABEL,	1	1						
12	1	1A7620-65760	LABEL,	1	1						
13	1	1A7620-65850	LABEL	1	1						
14	1	1A7620-65930	LABEL,	1	1						
15	1	121470-44540	LABEL, SUB-TANK	1	1						
16	1	1A7620-65440	LABEL	1	1						
17	1	194640-65730	LABEL	1	1						
18	1	1A7620-65780	LABEL	1	1						
19	1	1A7620-65790	LABEL	1	1						
20	1	1A7640-65790	LABEL,	1	1						
21	1	1A7620-65950	LABEL	1	1						
22	1	1A7620-65990	LABEL	1	1						

Fig.100. LABEL

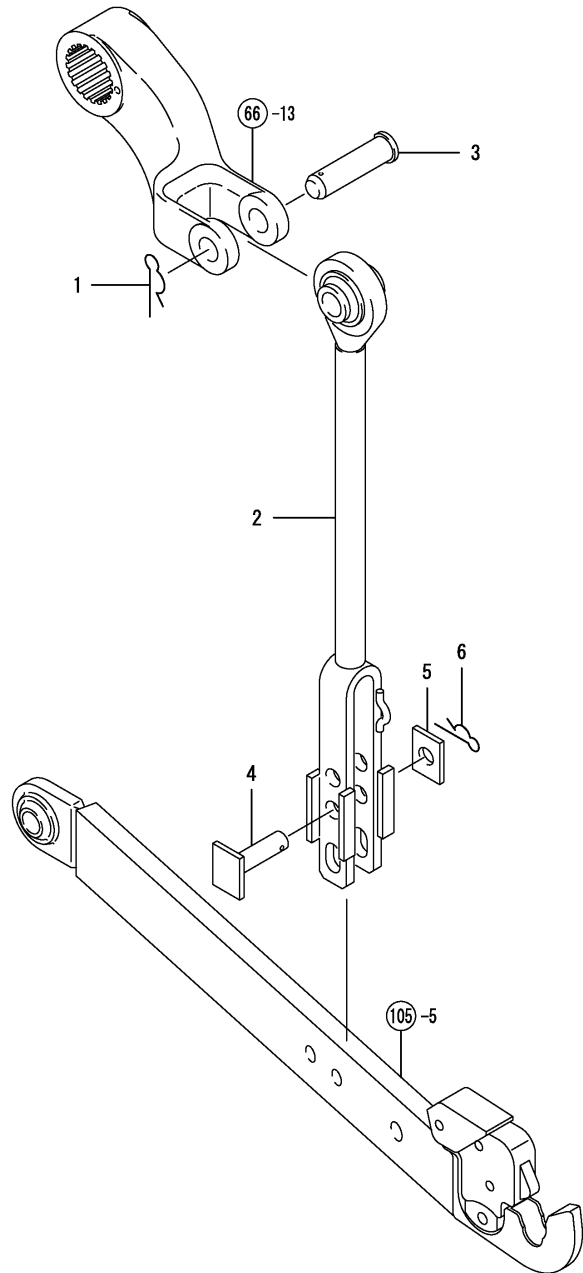
(A)=FK657
(B)=FK663
(C)=

(D)=
(E)=
(F)=



No.	Lev.	Parts No.	Description	Qty						I	R
				(A)	(B)	(C)	(D)	(E)	(F)		
1	1	1A7620-64750	LABEL,NAME	2							
2	1	1A7450-65580	LABEL,	1	1						
3	1	1A7450-65590	LABEL,	1	1						
4	1	1A7620-64760	LABEL,NAME			2					
5	1	1A7620-65680	LABEL	1	1						
6	1	1A7620-65670	LABEL	1	1						
7	1	1A7640-65670	LABEL,	1	1						
8	1	1A7640-65680	LABEL,	1	1						
9	1	1A7620-65690	LABEL	1	1						
10	1	1A7620-64860	LABEL	1	1						
11	1	1A7620-65620	LABEL	1	1						
12	1	1A7620-65940	LABEL	1	1						
12-1	1	1A7620-65941	LABEL,	1	1						R
		(A=FXXXXX) (B=FXXXXX)									

Fig.103. LIFT LINK

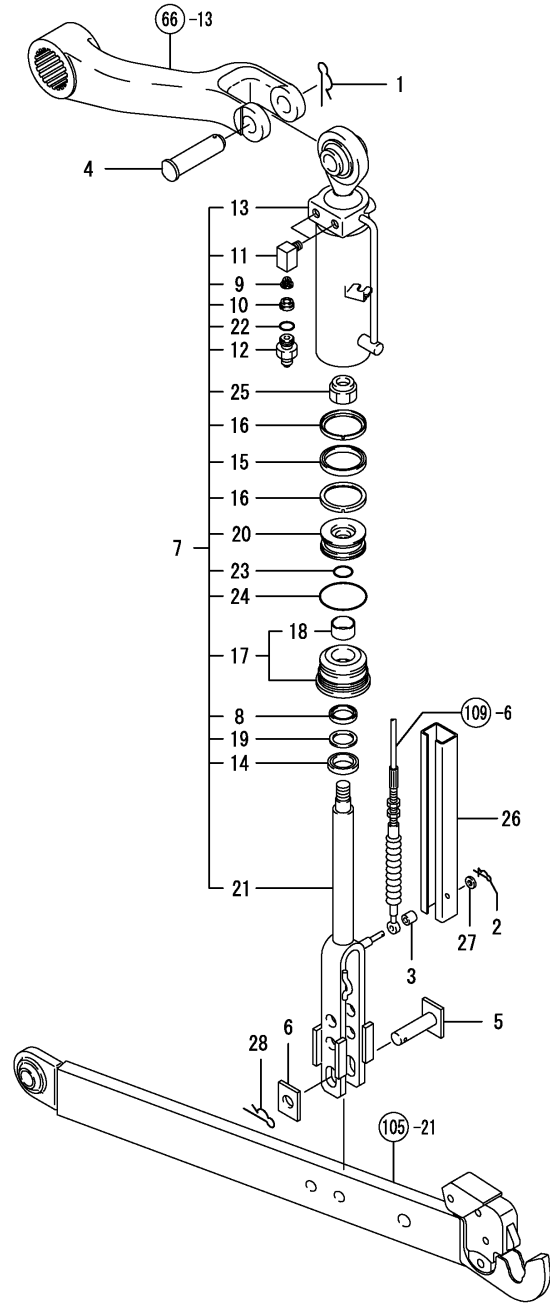


(A)=FK657
(B)=FK663
(C)=

(D)=
(E)=
(F)=

No.	Lev.	Parts No.	Description	Q'ty						I	R
				(A)	(B)	(C)	(D)	(E)	(F)		
1	1	195184-15360	PIN, SNAP 19	1	1						
2	1	1A7640-72300	LINK ASSY, LIFT L	1	1						
3	1	1A7640-72410	PIN, LIFT ARM	1	1						
4	1	194640-72550	PIN, LIFT YOKE	1	1						
5	1	194330-72560	STOPPER	1	1						
6	1	22372-160000	PIN, SNAP 16	1	1						

Fig.104. LIFTING CYLINDER

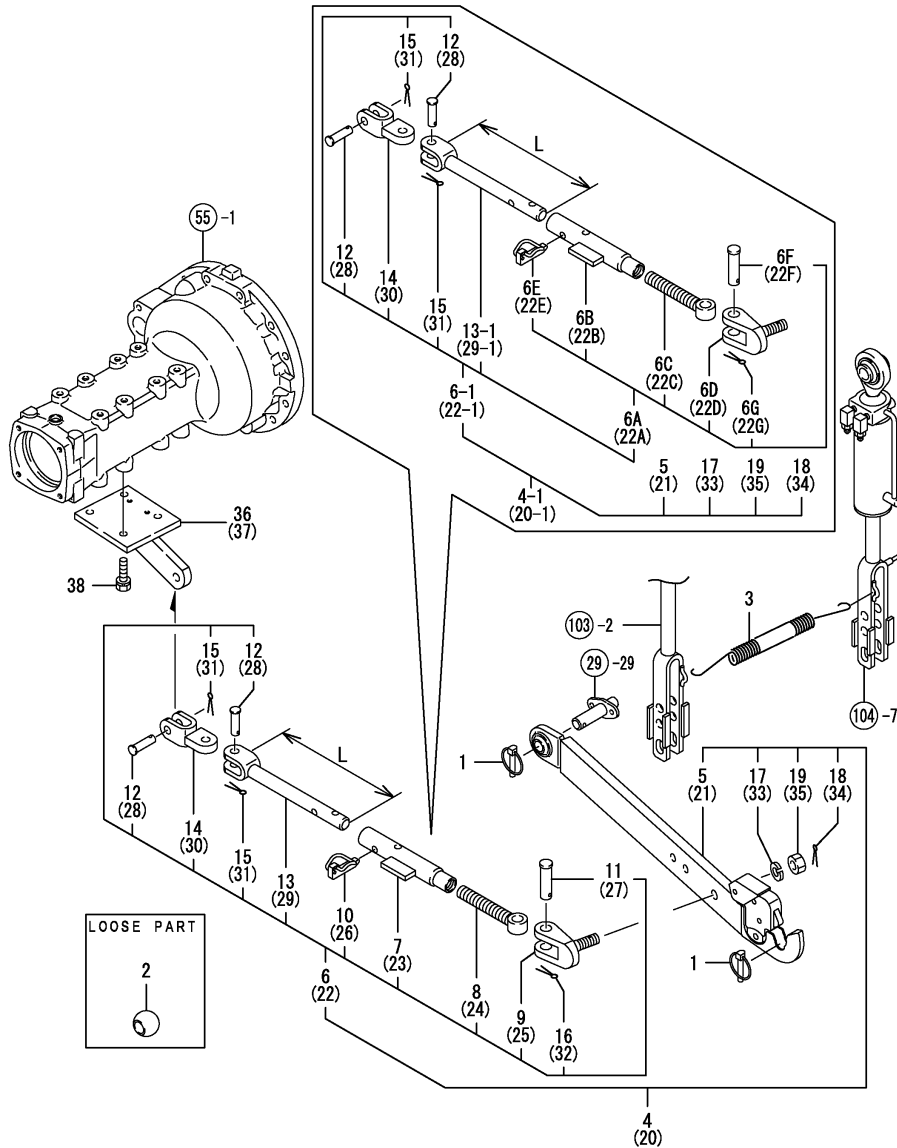


(A)=FK657
(B)=FK663
(C)=

(D)=
(E)=
(F)=

No.	Lev.	Parts No.	Description	Q'ty						I	R
				(A)	(B)	(C)	(D)	(E)	(F)		
1	1	195184-15360	PIN, SNAP 19	1	1						
2	1	1C6281-52310	PIN, SNAP 6	1	1						
3	1	198220-62220	COLLAR	1	1						
4	1	1A7640-72410	PIN, LIFT ARM	1	1						
5	1	194640-72550	PIN, LIFT YOKE	1	1						
6	1	194330-72560	STOPPER	1	1						
7	1	1A7640-72600	CYLINDER ASSY, LIFT	1	1						
8	2	194065-17470	PACKING, 25	1	1						
9	2	1A7260-43850	STRAINER	2	2						
10	2	1A7260-43860	RETAINER, STRAINER	2	2						
11	2	1A7260-43910	ADAPTER, 90-G1/4R1/8	2	2						
12	2	1A7260-43920	ADAPTER, G1/4XG1/8	2	2						
13	2	1A7640-72620	TUBE ASSY, CYLINDER	1	1						
14	2	198133-72670	SEAL, DUST 25	1	1						
15	2	1A7640-72680	PACKING, SEAL	1	1						
16	2	1A7640-72690	BEARING, SEAL PWL55	2	2						
17	2	1A7640-72700	CAP ASSY, CYLINDER	1	1						
18	3	24550-025150	BUSH, 25X15	1	1						
19	2	198448-72730	RING, BACK UP	1	1						
20	2	1A7640-72750	PISTON	1	1						
21	2	1A7640-72760	ROD ASSY	1	1						
22	2	24311-000110	O-RING, 1AP11.0	2	2						
23	2	24311-000180	O-RING, 1AP18.0	1	1						
24	2	24315-000500	O-RING, 1BP50.0	1	1						
25	2	26356-160002	NUT, M16	1	1						
26	1	198461-78510	COVER, WIRE	1	1						
27	1	22137-060000	WASHER, 6	1	1						
28	1	22372-160000	PIN, SNAP 16	1	1						

Fig.105. LOWER LINK & CHECK CHAIN



(A)=FK657
(B)=FK663
(C)=

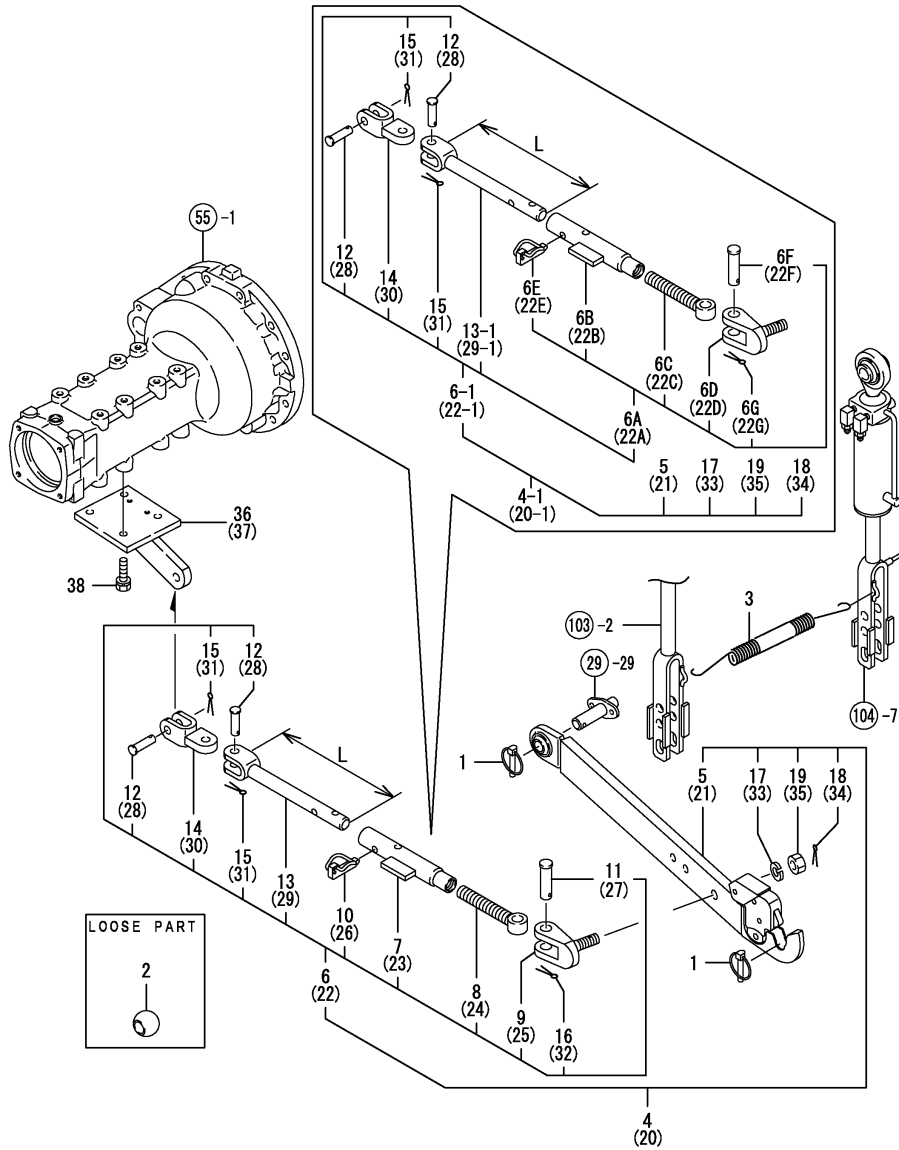
(D)=
(E)=
(F)=

No.	Lev.	Parts No.	Description	Q'ty						I	R
				(A)	(B)	(C)	(D)	(E)	(F)		
1	1	194130-71410	PIN ASSY, BALL	4	4						
2	1	194640-73120	SOCKET, BALL	2	2						
3	1	194145-73150	SPRING, LOCK	1	1						
4	1	1A7620-73600	LINK ASSY, LOWER L	1	1						
4-1	1	1A7620-73601	LINK ASSY, LOWER L	1	1						R
		(A=*2008.09.) (B=*2008.09.)									
5	2	1A7620-73500	LINK ASSY, LOWER L	1	1						
6	2	1A7620-74710	STABILIZER	1	1						
6-1	2	1A7620-74711	STABILIZER	1	1						R
		(A=*2008.09.) (B=*2008.09.)									
6A	3	1A7620-74750	STABILIZER ASSY, R	1	1						W
		(A=*2008.09.) (B=*2008.09.)									
6B	4	1A7620-74721	TURNBUCKLE	1	1						W
		(A=*2008.09.) (B=*2008.09.)									
6C	4	1A7620-74731	JOINT, LINK B	1	1						W
		(A=*2008.09.) (B=*2008.09.)									
6D	4	1A7620-74741	JOINT, LINK C	1	1						W
		(A=*2008.09.) (B=*2008.09.)									
6E	4	1A7620-74760	PIN, A	1	1						W
		(A=*2008.09.) (B=*2008.09.)									
6F	4	1A7620-74771	PIN, B	1	1						W
		(A=*2008.09.) (B=*2008.09.)									
6G	4	1A7620-74790	PIN, 5X36	1	1						W
		(A=*2008.09.) (B=*2008.09.)									
7	3	1A7620-74720	TURNBUCKLE	1	1						Z
		(A=*2008.09.) (B=*2008.09.)									
8	3	1A7620-74730	JOINT, LINK B	1	1						Z
		(A=*2008.09.) (B=*2008.09.)									
9	3	1A7620-74740	JOINT, LINK C	1	1						Z
		(A=*2008.09.) (B=*2008.09.)									
10	3	1A7620-74760	PIN, A	1	1						Z
		(A=*2008.09.) (B=*2008.09.)									
11	3	1A7620-74770	PIN, B	1	1						Z
		(A=*2008.09.) (B=*2008.09.)									
12	3	1A7620-74780	PIN, C	2	2						
13	3	1A7620-74810	JOINT, LINK A	1	1						
13-1	3	1A7620-74811	JOINT, LINK A	1	1						S 1
		(A=*2008.09.) (B=*2008.09.)									
14	3	1A7620-74850	JOINT, LINK D	1	1						
15	3	22417-400320	PIN, COTTER 4.0X32	2	2						
16	3	22417-500400	PIN, COTTER 5.0X40	1	1						Z
		(A=*2008.09.) (B=*2008.09.)									
17	2	22217-180000	WASHER, SPRING 18	1	1						
18	2	22417-400320	PIN, COTTER 4.0X32	1	1						
19	2	26736-180002	NUT, M18	1	1						
19-1	2	26737-180002	NUT, M18	1	1						R
		(A=*2008.09.) (B=*2008.09.)									
20	1	1A7620-73650	LINK ASSY, LOWER R	1	1						
20-1	1	1A7620-73651	LINK ASSY, LOWER R	1	1						R
		(A=*2008.09.) (B=*2008.09.)									
21	2	1A7620-73550	LINK ASSY, LOWER R	1	1						

Remarks

(1)L=No.13 & 29 : 265mm, No.13-1 & 29-1 : 248mm.

Fig.105. LOWER LINK & CHECK CHAIN



(A)=FK657
(B)=FK663
(C)=

(D)=
(E)=
(F)=

No.	Lev.	Parts No.	Description	Q'ty						I	R
				(A)	(B)	(C)	(D)	(E)	(F)		
22	2	1A7620-74710	STABILIZER	1	1						
22-1	2	1A7620-74711	STABILIZER	1	1						R
		(A=*2008.09.) (B=*2008.09.)									
22A	3	1A7620-74750	STABILIZER ASSY, R	1	1						W
		(A=*2008.09.) (B=*2008.09.)									
22B	4	1A7620-74721	TURNBUCKLE	1	1						W
		(A=*2008.09.) (B=*2008.09.)									
22C	4	1A7620-74731	JOINT, LINK B	1	1						W
		(A=*2008.09.) (B=*2008.09.)									
22D	4	1A7620-74741	JOINT, LINK C	1	1						W
		(A=*2008.09.) (B=*2008.09.)									
22E	4	1A7620-74760	PIN, A	1	1						W
		(A=*2008.09.) (B=*2008.09.)									
22F	4	1A7620-74771	PIN, B	1	1						W
		(A=*2008.09.) (B=*2008.09.)									
22G	4	1A7620-74790	PIN, 5X36	1	1						W
		(A=*2008.09.) (B=*2008.09.)									
23	3	1A7620-74720	TURNBUCKLE	1	1						Z
		(A=*2008.09.) (B=*2008.09.)									
24	3	1A7620-74730	JOINT, LINK B	1	1						Z
		(A=*2008.09.) (B=*2008.09.)									
25	3	1A7620-74740	JOINT, LINK C	1	1						Z
		(A=*2008.09.) (B=*2008.09.)									
26	3	1A7620-74760	PIN, A	1	1						Z
		(A=*2008.09.) (B=*2008.09.)									
27	3	1A7620-74770	PIN, B	1	1						Z
		(A=*2008.09.) (B=*2008.09.)									
28	3	1A7620-74780	PIN, C	2	2						
29	3	1A7620-74810	JOINT, LINK A	1	1						
29-1	3	1A7620-74811	JOINT, LINK A	1	1						S 1
		(A=*2008.09.) (B=*2008.09.)									
30	3	1A7620-74850	JOINT, LINK D	1	1						
31	3	22417-400320	PIN, COTTER 4.0X32	2	2						
32	3	22417-500400	PIN, COTTER 5.0X40	1	1						Z
		(A=*2008.09.) (B=*2008.09.)									
33	2	22217-180000	WASHER, SPRING 18	1	1						
34	2	22417-400320	PIN, COTTER 4.0X32	1	1						
35	2	26736-180002	NUT, M18	1	1						
35-1	2	26737-180002	NUT, M18	1	1						R
		(A=*2008.09.) (B=*2008.09.)									
36	1	198448-74100	BRACKET, CHAIN L	1	1						
37	1	198448-74200	BRACKET, CHAIN R	1	1						
38	1	26013-120302	BOLT, M12X 30	8	8						

Remarks

(1)L=No.13 & 29 : 265mm, No.13-1 & 29-1 : 248mm.

N:Old $\xrightarrow{\text{Yes}}$ New, Q:Old $\xrightarrow{\text{No}}$ New, R:Old $\xrightarrow{\text{Yes}}$ New, S:Old $\xrightarrow{\text{No}}$ New, W:Add, Z:Discontinued, F:Interchangeable by set, K:Q'ty Change

Fig.106. DRAWBAR PLATE

(A)=FK657
(B)=FK663
(C)=

(D)=
(E)=
(F)=

No.	Lev.	Parts No.	Description	Qty						I	R
				(A)	(B)	(C)	(D)	(E)	(F)		
1	1	198535-75140	PLATE, DRAWBAR	2	2						
2	1	26013-120302	BOLT, M12X 30	4	4						

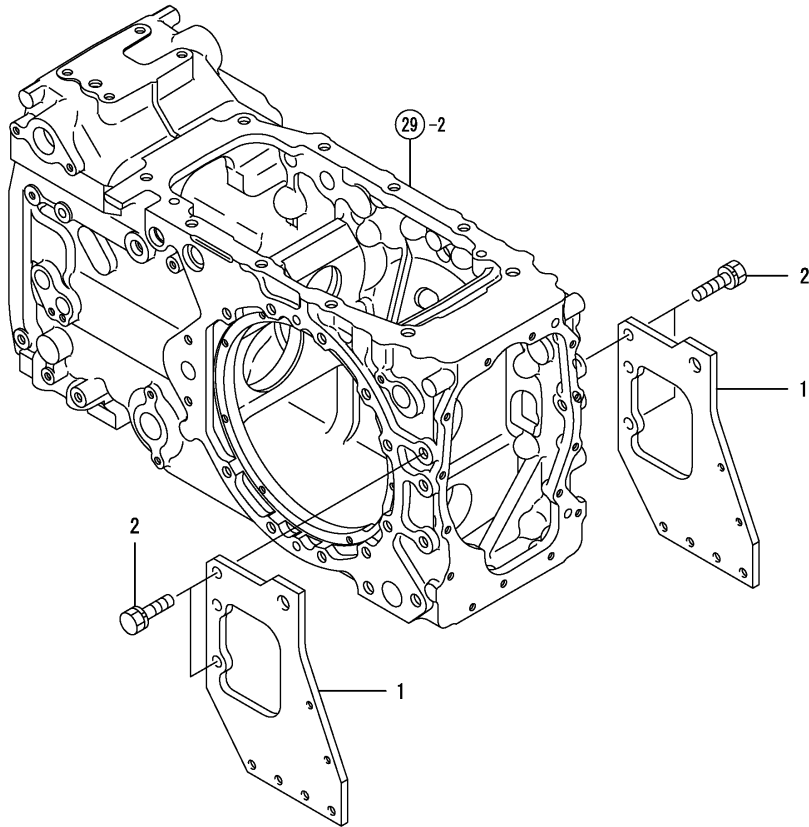
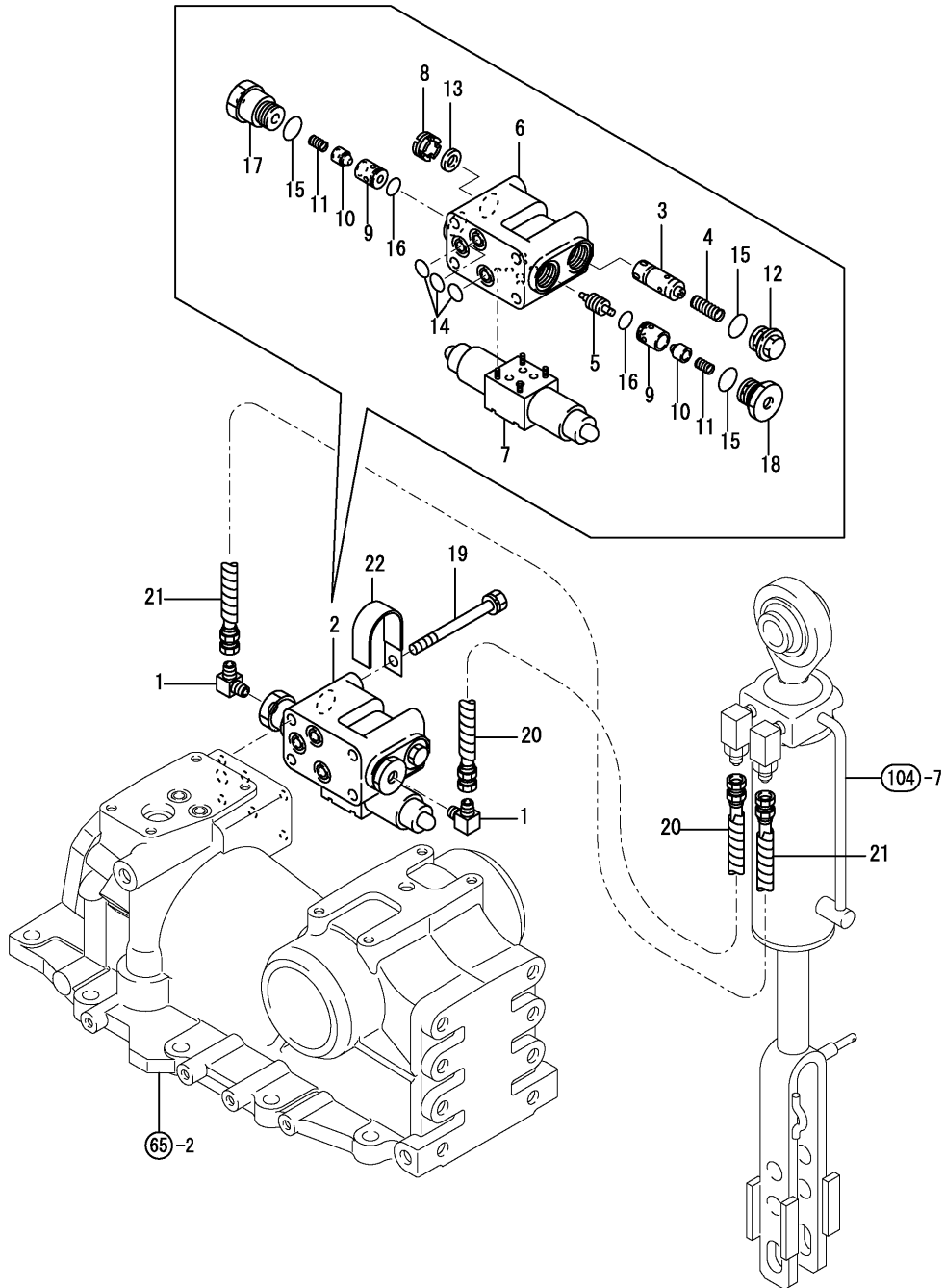


Fig.108. SWING VALVE

(A)=FK657
(B)=FK663
(C)=

(D)=
(E)=
(F)=

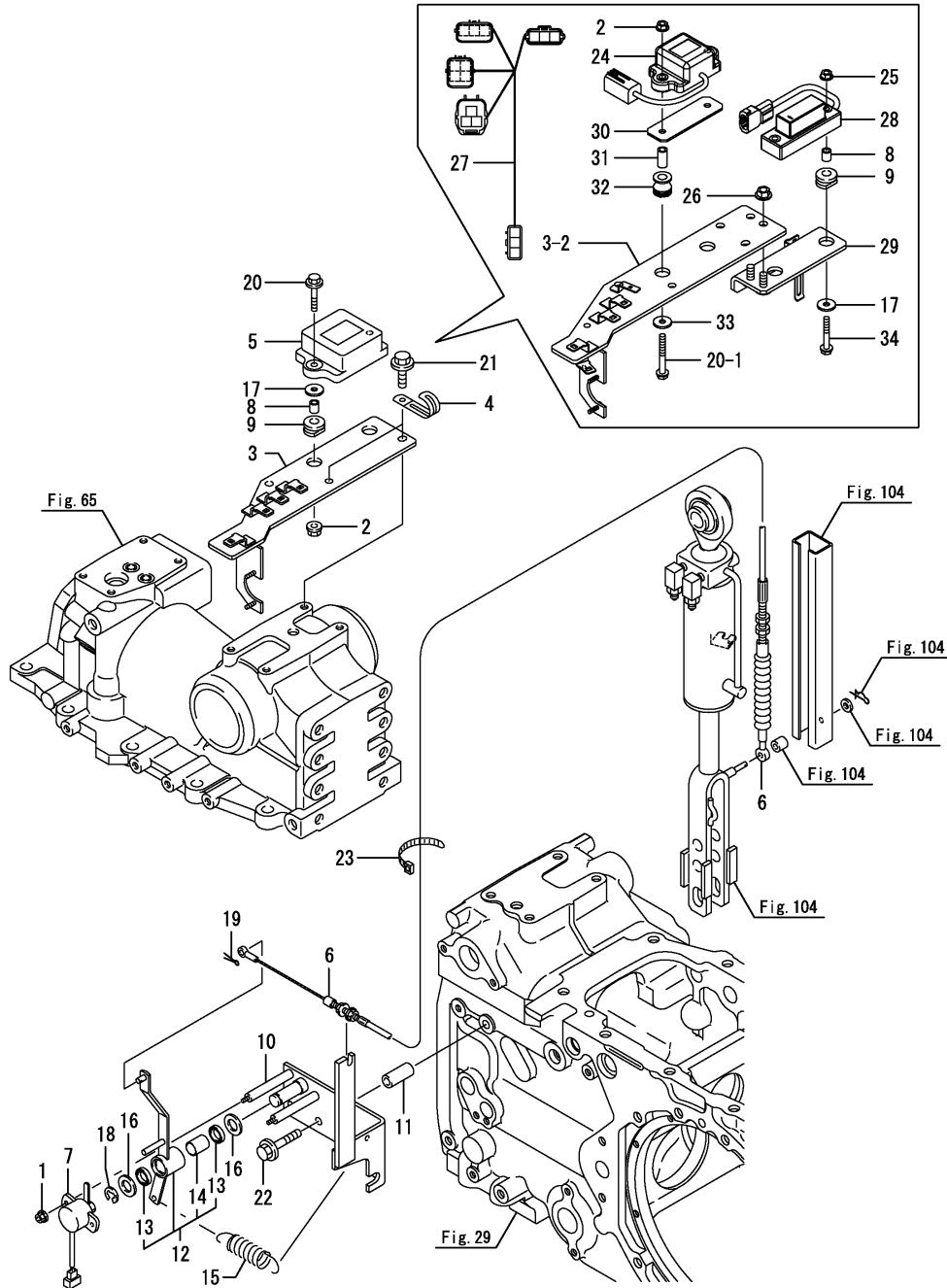


No.	Lev.	Parts No.	Description	Q'ty						I	R
				(A)	(B)	(C)	(D)	(E)	(F)		
1	1	194065-38350	ADAPTER, 1/8	2	2						
2	1	1A7640-77201	VALVE ASSY, SWING	1	1						
3	2	16826A-02050	SPOOL(FLOW CONT. 10B)	1	1						
4	2	178073-02220	SPRING, FLOW CONTROL	1	1						
5	2	178076-23300	PISTON,PILOT	1	1						
6	2	178076-25110	VALVEBODY	1	1						
7	2	178076-25300	VALVE ASSY, SOLENOID	1	1						
8	2	194275-45340	SCREW, VALVE SEAT	1	1						
9	2	194681-77141	SEAT, CHECK VALVE	2	2						
10	2	194681-77151	VALVE, CHECK	2	2						
11	2	198121-77280	SPRING, CHECK	2	2						
12	2	198121-77330	PLUG	1	1						
13	2	22117-100000	WASHER, 10	1	1						
14	2	24315-000140	O-RING, 1BP14.0	3	3						
15	2	24315-000180	O-RING, 1BP18.0	3	3						
16	2	24341-000140	O-RING, 1AS14.0	2	2						
17	1	16826A-03100	PLUG(3.0L)	1	1						
18	1	16826A-03110	PLUG(1.1)	1	1						
19	1	26013-080852	BOLT, M8X 85	4	4						
19-1	1	26106-080852	BOLT, M8X 85 PLATED	4	4						Q
		(A=FZZZZZ) (B=FZZZZZ)									
20	1	1A7640-77380	HOSE ASSY, HYDRAULIC	1	1						
21	1	198153-77381	HOSE ASSY, HYDRAULIC	1	1						
22	1	198448-51460	CLAMP, HARNESS	1	1						W
		(A=FXXXXXX) (B=FXXXXXX)									

Fig.109. SWING SENSOR

(A)=FK657
(B)=FK663
(C)=

(D)=
(E)=
(F)=

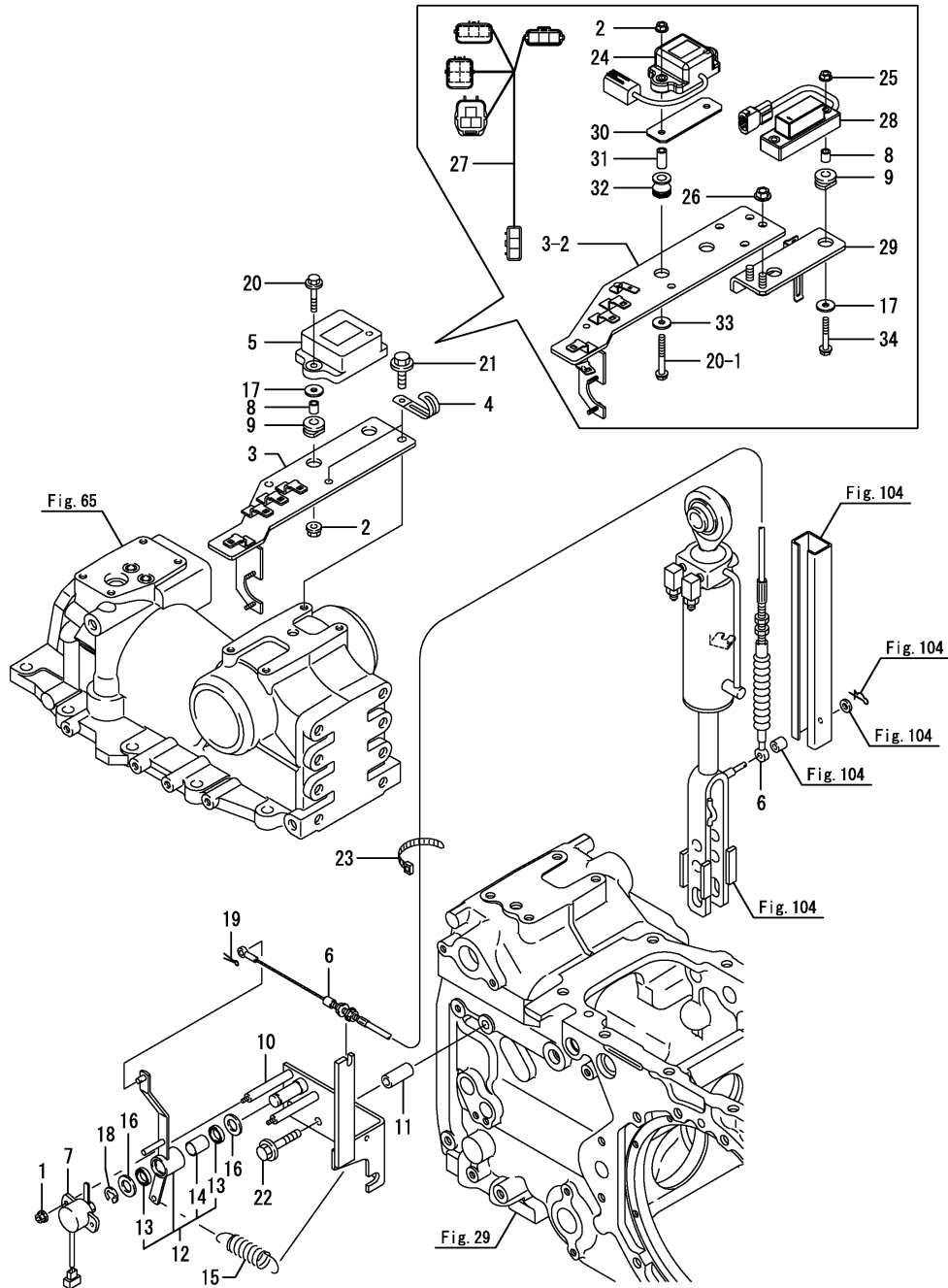


No.	Lev.	Parts No.	Description	Q'ty						I	R
				(A)	(B)	(C)	(D)	(E)	(F)		
1	1	194990-22110	NUT, M4	2	2						
2	1	194990-22130	NUT, M6	2	2						
3	1	1A7640-47950	BRACKET, SENSOR	1	1						
3-1	1	1A7640-47951 (A=FXXXXX) (B=FXXXXX)	BRACKET, SENSOR	1	1						R
3-2	1	1A7640-47952	BRACKET, SENSOR	1	1						S
		(A=*2015.05.) (B=*2015.05.)									
4	1	194440-51620	CLAMP, B	2	2						
5	1	1A7260-78150	SENSOR, SLOPE	1	1						Z
		(A=*2015.05.) (B=*2015.05.)									
6	1	1A7640-78480	WIRE, FEED BACK 1690	1	1						
7	1	198448-78560	SENSOR, LIFT ANGLE	1	1						
8	1	1A7260-78700	SPACER, 11.3	2	2						
9	1	198129-78720	GROMMET, 10-16	2	2						
10	1	1A7640-78811	SUPPORT, SENSOR ARM	1	1						
10-1	1	1A7640-78812 (A=FXXXXX) (B=FXXXXX)	SUPPORT, SENSOR ARM	1	1						N
11	1	1A7600-78880	SPACER, 8.4X15X34	2	2						
12	1	1A7640-78900	ARM, FEED BACK	1	1						
13	2	198071-78790	SEAL, OIL G142003	2	2						
14	2	24550-014200	BUSH, 14X20	1	1						
15	1	1A7640-78980	SPRING	1	1						
16	1	22117-140000	WASHER, 14	2	2						
17	1	22157-060000	WASHER, 6	2	2						
18	1	22272-000120	RING, E-12	1	1						
19	1	22417-160180	PIN, COTTER 1.6X18	1	1						
20	1	26106-060352	BOLT, M6X 35 PLATED	2	2						
20-1	1	26106-060502 (A=*2015.05.) (B=*2015.05.)	BOLT, M6X 50 PLATED	2	2						S
21	1	26106-080162	BOLT, M8X 16 PLATED	2	2						
22	1	26106-080452	BOLT, M8X 45 PLATED	2	2						
23	1	29622-140001	BAND, RF140	1	1						
24	1	1C7200-07101	SENSOR, ANGULAR SPEED	1	1						W
		(A=*2015.05.) (B=*2015.05.)									
25	1	194990-22130 (A=*2015.05.) (B=*2015.05.)	NUT, M6	2	2						W
26	1	194990-22140 (A=*2015.05.) (B=*2015.05.)	NUT, M8	2	2						W
27	1	1A7601-51080 (A=*2015.05.) (B=*2015.05.)	HARNES, GYRO	1	1						W
28	1	1A7870-78110 (A=*2015.05.) (B=*2015.05.)	SENSOR, SWING	1	1						W
29	1	1A7601-78200 (A=*2015.05.) (B=*2015.05.)	BRACKET ASSY, SENSOR	1	1						W
30	1	1A7601-78250 (A=*2015.05.) (B=*2015.05.)	PLATE, SENSOR	1	1						W
31	1	198200-78710 (A=*2015.05.) (B=*2015.05.)	COLLAR, 6.5X21X2	2	2						W
32	1	198200-78730 (A=*2015.05.) (B=*2015.05.)	MOUNT, SENSOR 45	2	2						W
33	1	22157-060000	WASHER, 6	2	2						W

Fig.109. SWING SENSOR

(A)=FK657
(B)=FK663
(C)=

(D)=
(E)=
(F)=

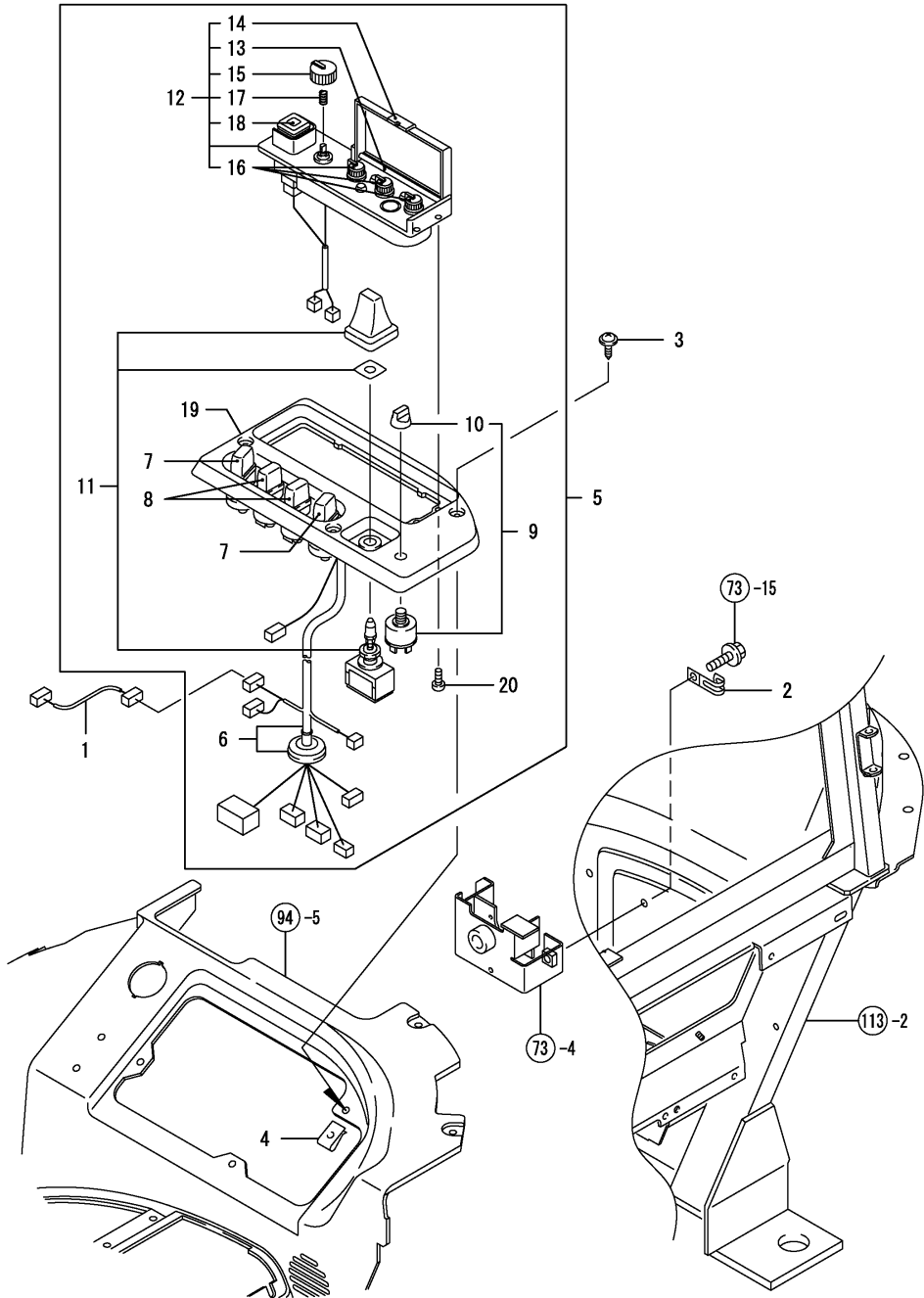


No.	Lev.	Parts No.	Description	Q'ty						I	R
				(A)	(B)	(C)	(D)	(E)	(F)		
34	1	26106-060402	BOLT, M6X 40 PLATED	2	2						W
		(A=*2015.05.) (B=*2015.05.)									
		(A=*2015.05.) (B=*2015.05.)									

Fig.110. CONTROL BOX

(A)=FK657
(B)=FK663
(C)=

(D)=
(E)=
(F)=



No.	Lev.	Parts No.	Description	Q'ty						I	R
				(A)	(B)	(C)	(D)	(E)	(F)		
1	1	1A7600-51270	HARNES, WIRE	1	1						
2	1	194440-51620	CLAMP	1	1						
3	1	194940-61790	SCREW, TAPPING M5X16	3	3						
4	1	198220-63850	NUT, M5	3	3						
5	1	1A7620-78300	CONTROLLER ASSY	1	1						
6	2	1A7600-51261	HARNES, WIRE	1	1						
7	2	198448-52260	SWITCH, SELECTOR 2	2	2						
8	2	198448-52280	SWITCH, SELECTOR 3	2	2						
9	2	1A7450-52310	SWITCH ASSY, SELECT	1	1						
10	3	1A7450-52330	KNOB	1	1						
11	2	198121-55510	SWITCH ASSY	1	1						
12	2	1A7620-78310	BOX ASSY, CONTROL	1	1						
13	3	198535-78420	SHAFT	1	1						
14	3	198535-78430	COVER	1	1						
15	3	198535-78440	KNOB ASSY, SWITCH 1	1	1						
16	3	198535-78450	KNOB ASSY, SWITCH 2	3	3						
17	3	198535-78460	SPRING	4	4						
18	3	198535-78470	SWITCH	1	1						
19	2	1A7620-78370	PANEL, OPERATION	1	1						
20	2	198071-78420	SCREW, TAPPING M5X10	2	2						

Fig.112. SENSOR

(A)=FK657
(B)=FK663
(C)=

(D)=
(E)=
(F)=

No.	Lev.	Parts No.	Description	Q'ty						I	R
				(A)	(B)	(C)	(D)	(E)	(F)		
1	1	194990-22110	NUT, M4	2	2						
2	1	194990-22110	NUT, M4	2	2						
3	1	198448-78560	SENSOR, LIFT ANGLE	1	1						
4	1	198360-78571	SENSOR, COVER F	1	1						
5	1	198094-78690	BRACKET, SENSOR	1	1						
6	1	26106-080162	BOLT, M8X 16 PLATED	2	2						

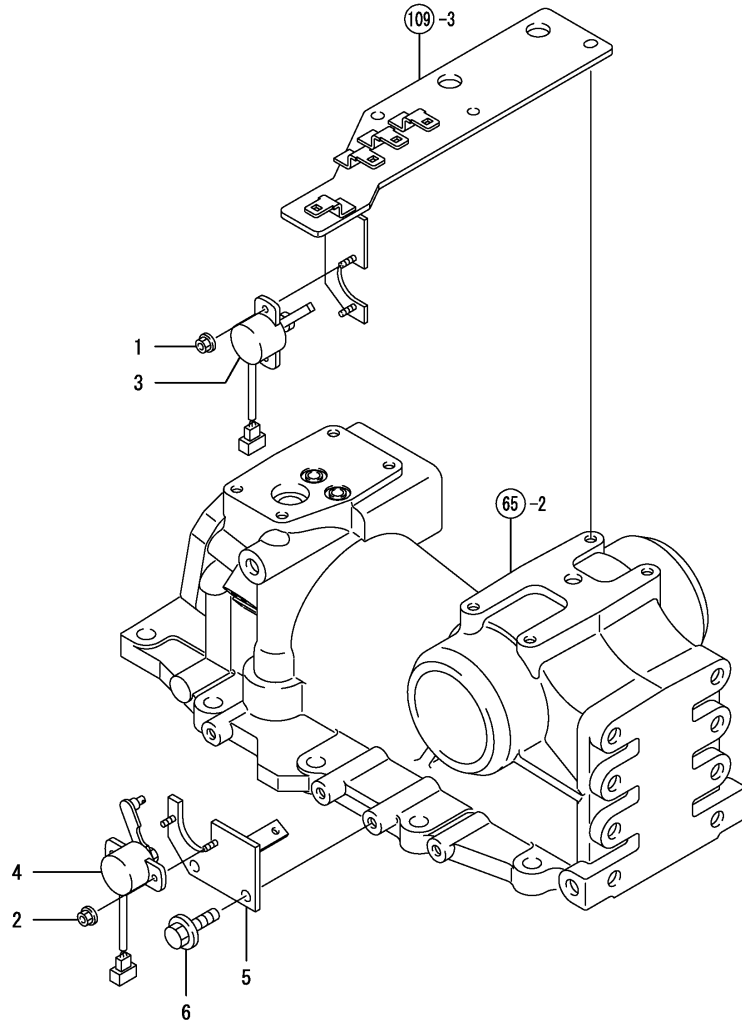
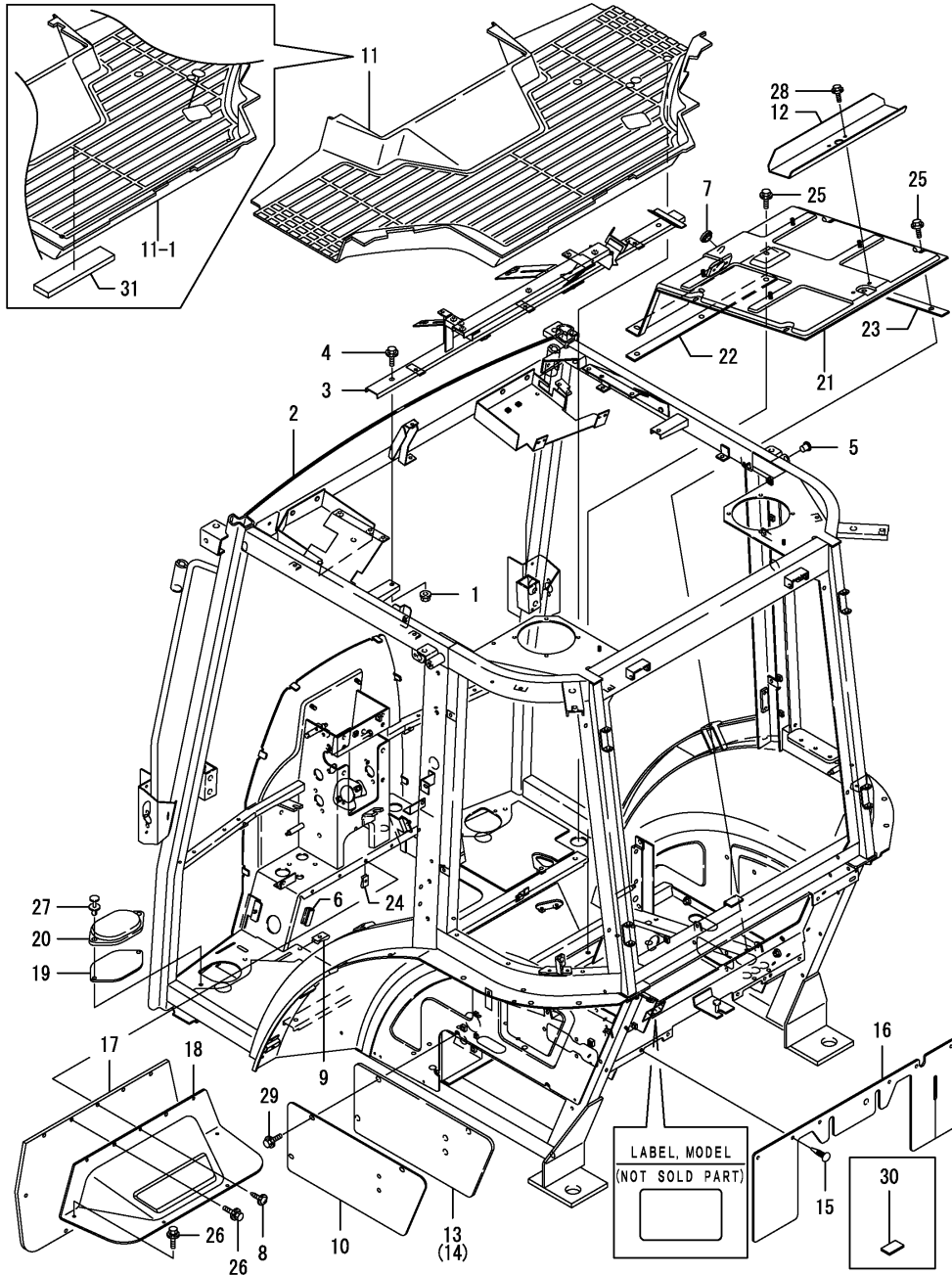


Fig.113. CABIN FRAME

(A)=FK657
(B)=FK663
(C)=

(D)=
(E)=
(F)=

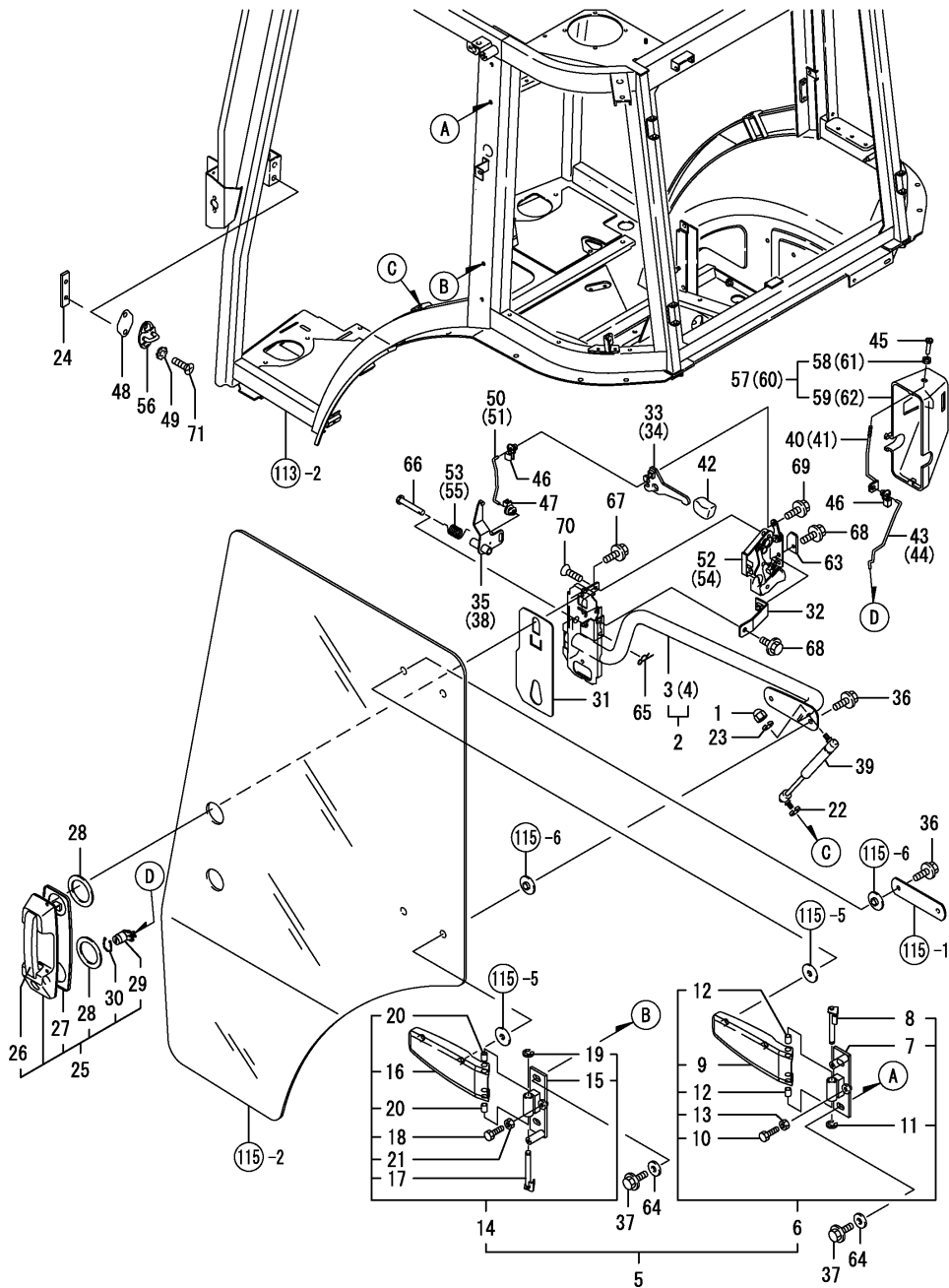


No.	Lev.	Parts No.	Description	Q'ty						I	R
				(A)	(B)	(C)	(D)	(E)	(F)		
1	1	194990-22140	NUT, M8	2	2						
2	1	1A7620-81050	FRAME ASSY, CABIN M	1	1						
3	1	1A7470-81190	FRAME ASSY, ROOF	1	1						
4	1	26106-080162	BOLT, M8X 16 PLATED	2	2						
5	1	194150-21910	PLUG, 11.2	2	2						
6	1	198448-60080	TRIM, 40	1	1						
7	1	194130-61570	GROMMET, 27	1	1						
8	1	194940-61790	SCREW, TAPPING M5X16	5	5						
9	1	198071-61890	NUT, SPEED M6	2	2						
10	1	198463-62170	COVER, FENDER	2	2						
11	1	1A7680-62360	MAT ASSY, FLOOR	1	1						
11-1	1	1A7680-62361	MAT ASSY, FLOOR	1	1						S
(A=*2009.04.) (B=*2009.04.)											
12	1	1A7640-62460	HOLDER, REAR	1	1						
13	1	198463-62460	SEAL, COVER	1	1						
14	1	198463-62470	SEAL, COVER	1	1						
15	1	194697-62560	CAP, HOLE	6	6						
16	1	1A7640-62610	PLATE, RUBBER	1	1						
17	1	198463-62660	SEAL, FLOOR COVER	1	1						
18	1	198268-62760	COVER, FLOOR	1	1						
19	1	198492-62780	URETHANE, COVER	2	2						
20	1	198071-62791	COVER, FLOOR	2	2						
21	1	1A7640-62910	COVER ASSY, DUST	1	1						
22	1	198463-62960	PACKING, A	2	2						
23	1	198463-62970	PACKING, B	2	2						
24	1	198220-63850	NUT, M5	5	5						
25	1	198460-83350	BOLT, M8X16	8	8						
26	1	198093-85650	BOLT, M6X16	4	4						
27	1	198010-85810	RIVET, NYLON	4	4						
28	1	26106-060122	BOLT, M6X 12 PLATED	2	2						
29	1	26106-080162	BOLT, M8X 16 PLATED	6	6						
30	1	198093-84810	SEAL, FENDER	2	2						W
(A=*2009.04.) (B=*2009.04.)											
31	1	1A7651-62120	URETAN	1	1						W
(A=*2009.04.) (B=*2009.04.)											

Fig.114. DOOR

(A)=FK657
(B)=FK663
(C)=

(D)=
(E)=
(F)=



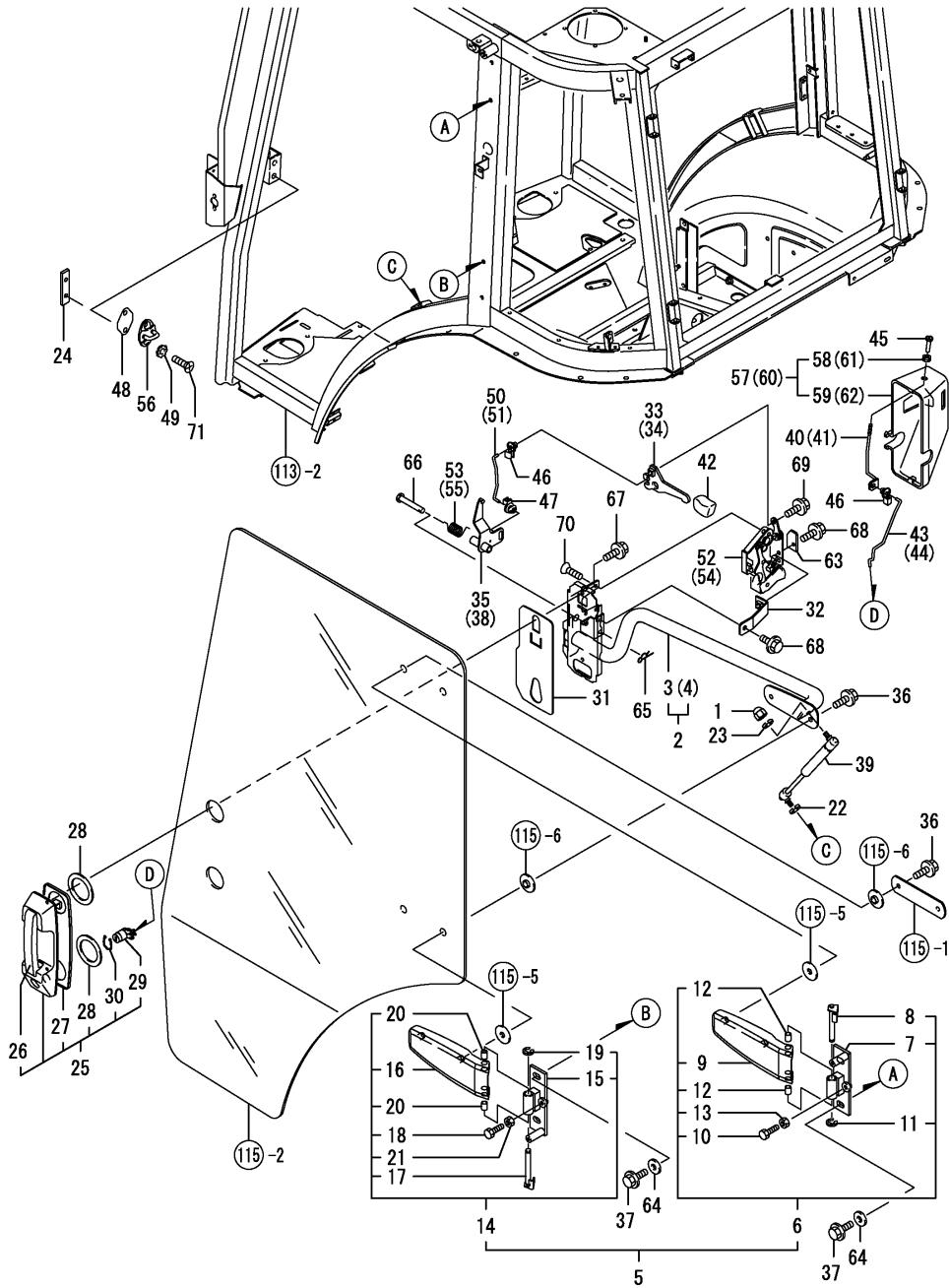
No.	Lev.	Parts No.	Description	(A)	(B)	(C)	(D)	(E)	(F)	Q'ty	I	R
1	1	194697-47150	NUT, CAP M8	2	2							
2	1	1A7470-82070	FRAME KIT, DOOR	1	1							
3	2	1A7470-82100	FRAME ASSY, DOOR L	1	1							
4	2	1A7470-82110	FRAME ASSY, DOOR R	1	1							
5	1	1A7470-82200	HINGE KIT	2	2							
6	2	1A7470-82270	HINGE ASSY, 1	2	2							
7	3	1A7470-82250	HINGE, B1	2	2							
8	3	1A7470-82370	PIN, HINGE A	2	2							
9	3	1A7320-82380	HINGE, DOOR A	2	2							
10	3	1A7320-82460	BOLT, M8X16	2	2							
11	3	22272-000100	RING, E-10	2	2							
12	3	24550-012150	BUSH, 12X15	4	4							
13	3	26756-080002	NUT, LOCK M8	2	2							
14	2	1A7470-82280	HINGE ASSY, 2	2	2							
15	3	1A7470-82260	HINGE, B2	2	2							
16	3	1A7320-82380	HINGE, DOOR A	2	2							
17	3	1A7470-82380	PIN, HINGE B	2	2							
18	3	1A7320-82460	BOLT, M8X16	2	2							
19	3	22272-000100	RING, E-10	2	2							
20	3	24550-012150	BUSH, 12X15	4	4							
21	3	26756-080002	NUT, LOCK M8	2	2							
22	1	198268-82270	WASHER, SPRING 8	2	2							
23	1	198268-82270	WASHER, SPRING 8	2	2							
24	1	198463-82350	PLATE, DOOR LOCK	2	2							
25	1	1A7470-82400	HANDLE ASSY, OUTER	2	2							
26	2	1A7470-82410	BODY, HANDLE	2	2							
27	2	1A7470-82420	SEAT, OUTER HANDLE	2	2							
28	2	1A7470-82580	SEAL, DOOR HANDLE	4	4							
29	2	1A7470-82880	CYLINDER ASSY, KEY	2	2							
30	2	1A7470-82890	PIN, CYLINDER	2	2							
31	1	1A7470-82440	PACKING, LATCH COVER	2	2							
32	1	1A7470-82450	STAY, DOOR LOCK	2	2							
33	1	1A7470-82470	LEVER, DOOR	1	1							
34	1	1A7470-82480	LEVER, DOOR INSIDE R	1	1							
35	1	1A7470-82510	LEVER, OPEN L	1	1							
36	1	198093-82510	BOLT, M8X25	8	8							
37	1	198093-82510	BOLT, M8X25	8	8							
38	1	1A7470-82520	LEVER, OPEN R	1	1							
39	1	198463-82550	DAMPER, GAS	2	2							
40	1	1A7470-82560	ROD, INSIDE LOCK L	1	1							
41	1	1A7470-82570	ROD, INSIDE LOCK R	1	1							
42	1	198492-82590	KNOB, HANDLE	2	2							
43	1	1A7470-82640	ROD, CYLINDER L	1	1							
44	1	1A7470-82650	ROD, CYLINDER R	1	1							
45	1	1A7470-82660	KNOB, LOCK	2	2							
46	1	1A7470-82670	BUSH, LINKAGE	4	4							
47	1	1A7470-82680	BUSH, LINKAGE	2	2							
48	1	198255-82690	SPACER, STRIKER	2	2							
49	1	198255-82700	WASHER, 8	4	4							
50	1	1A7470-82720	ROD, OPEN LEVER L	1	1							
51	1	1A7470-82730	ROD, OPEN LEVER R	1	1							

N:Old $\xrightarrow{\text{Yes}}$ New, Q:Old $\xrightarrow{\text{No}}$ New, R:Old $\xrightarrow{\text{Yes}}$ New, S:Old $\xrightarrow{\text{No}}$ New, W:Add, Z:Discontinued, F:Interchangeable by set, K:Q'ty Change
 ++ CONTINUE ++
 Copyright (C) YANMAR CO., LTD. All Rights Reserved.

Fig.114. DOOR

(A)=FK657
(B)=FK663
(C)=

(D)=
(E)=
(F)=



No.	Lev.	Parts No.	Description	Q'ty						I	R
				(A)	(B)	(C)	(D)	(E)	(F)		
52	1	1A7320-82750	LOCK ASSY, DOOR L	1	1						
53	1	1A7470-82750	SPRING, DOOR LOCK L	1	1						
54	1	1A7320-82760	LOCK ASSY, DOOR R	1	1						
55	1	1A7470-82760	SPRING, DOOR LOCK R	1	1						
56	1	1A7320-82770	STRIKER, DOOR LOCK	2	2						
57	1	1A7470-82800	COVER, LATCH L	1	1						
58	2	198071-58810	GROMMET, 8	1	1						
59	2	1A7470-82810	COVER, LATCH	1	1						
60	1	1A7470-82900	COVER, LATCH R	1	1						
61	2	198071-58810	GROMMET, 8	1	1						
62	2	1A7470-82820	COVER, LATCH	1	1						
63	1	1A7470-82950	PLATE, SUPPORT	2	2						
64	1	198255-83550	WASHER, 8	8	8						
65	1	22372-080000	PIN, SNAP 8	2	2						
66	1	22487-080450	PIN 8X 45	2	2						
67	1	26106-060122	BOLT, M6X 12 PLATED	4	4						
68	1	26106-060122	BOLT, M6X 12 PLATED	4	4						
69	1	26106-060122	BOLT, M6X 12 PLATED	2	2						
70	1	26577-060202	SCREW, M6X20	6	6						
71	1	26577-080252	SCREW, M8X25	4	4						

Fig.116. FRONT WINDOW

(A)=FK657
(B)=FK663
(C)=

(D)=
(E)=
(F)=

No.	Lev.	Parts No.	Description	Q'ty						I	R
				(A)	(B)	(C)	(D)	(E)	(F)		
1	1	198463-83110	GLASS, FRONT	1	1						
2	1	198463-83150	GLASS, FRONT LOWER L	1	1						
3	1	198463-83160	GLASS, FRONT LOWER R	1	1						
4	1	198463-83230	SEAL, FRONT GLASS	1	1						
5	1	198463-83250	MOLDINGS, GLASS 350	2	2						

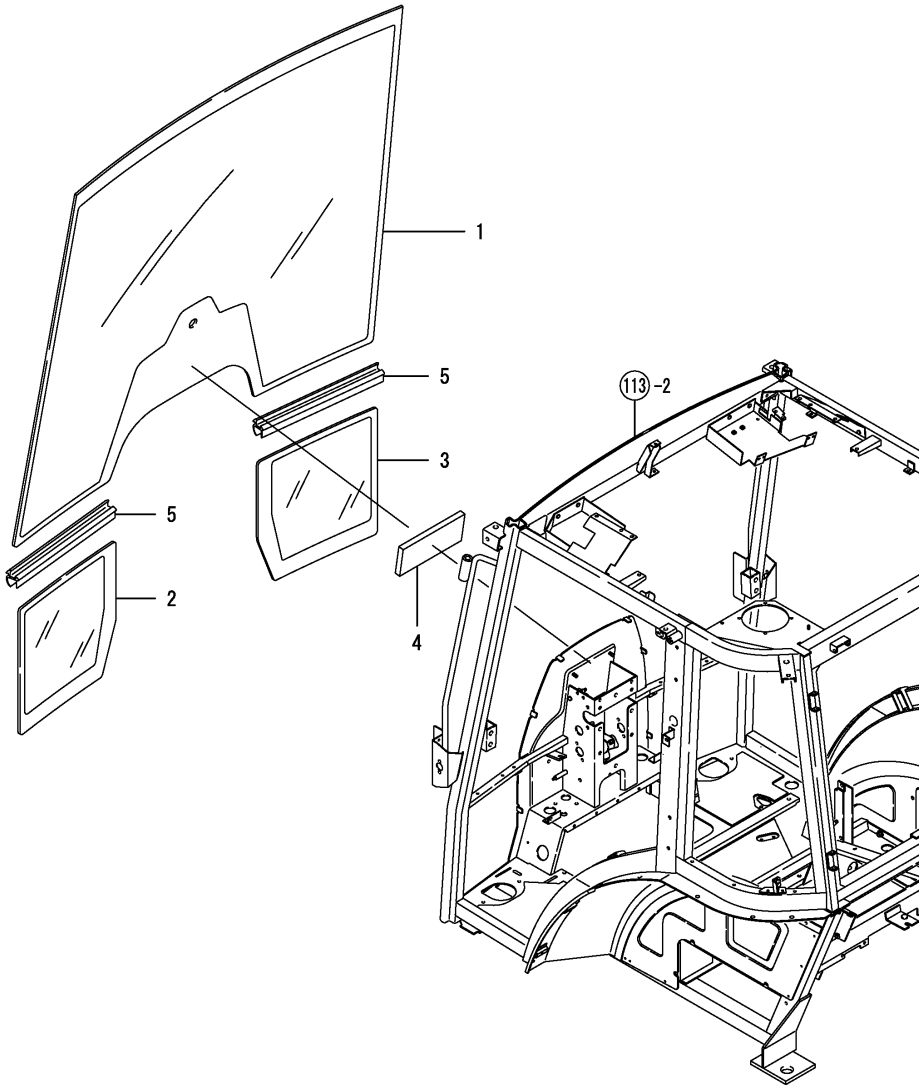
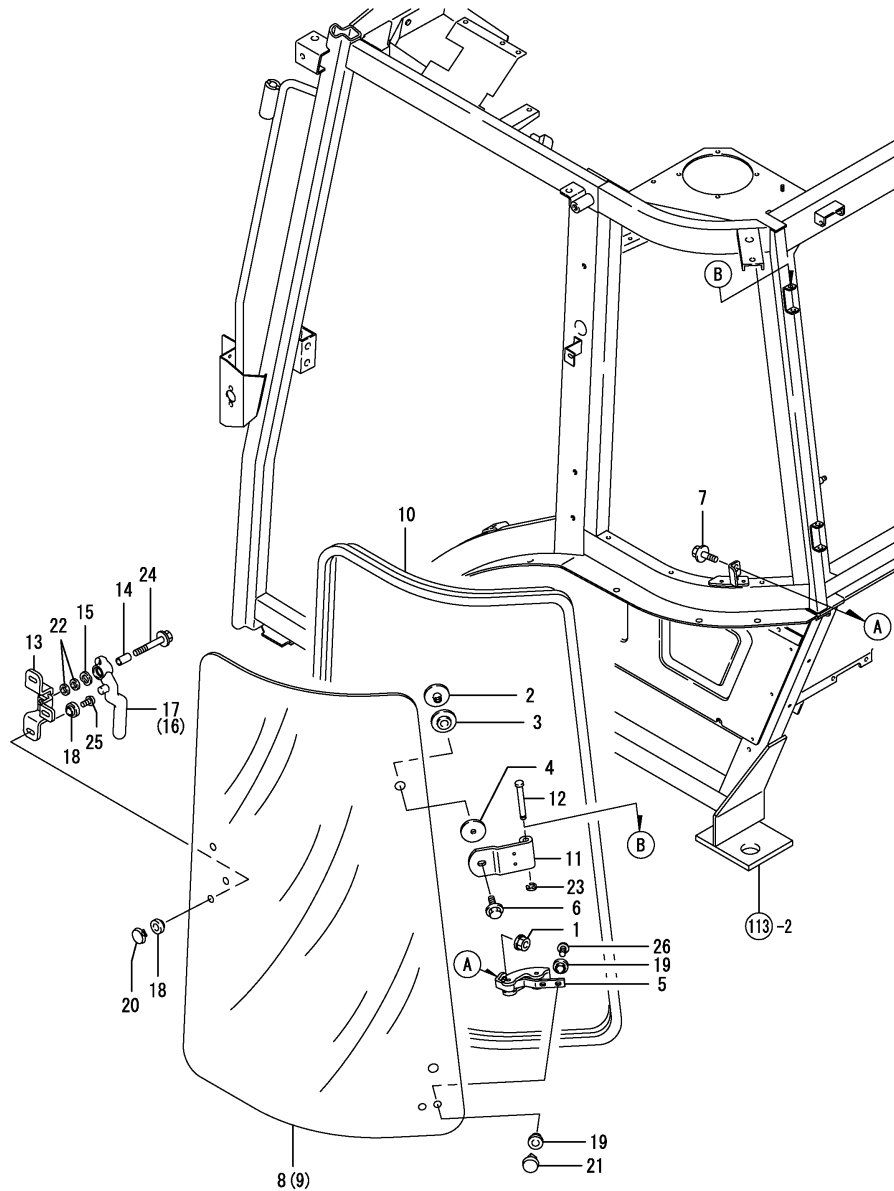


Fig.117. SIDE WINDOW



(A)=FK657
(B)=FK663
(C)=

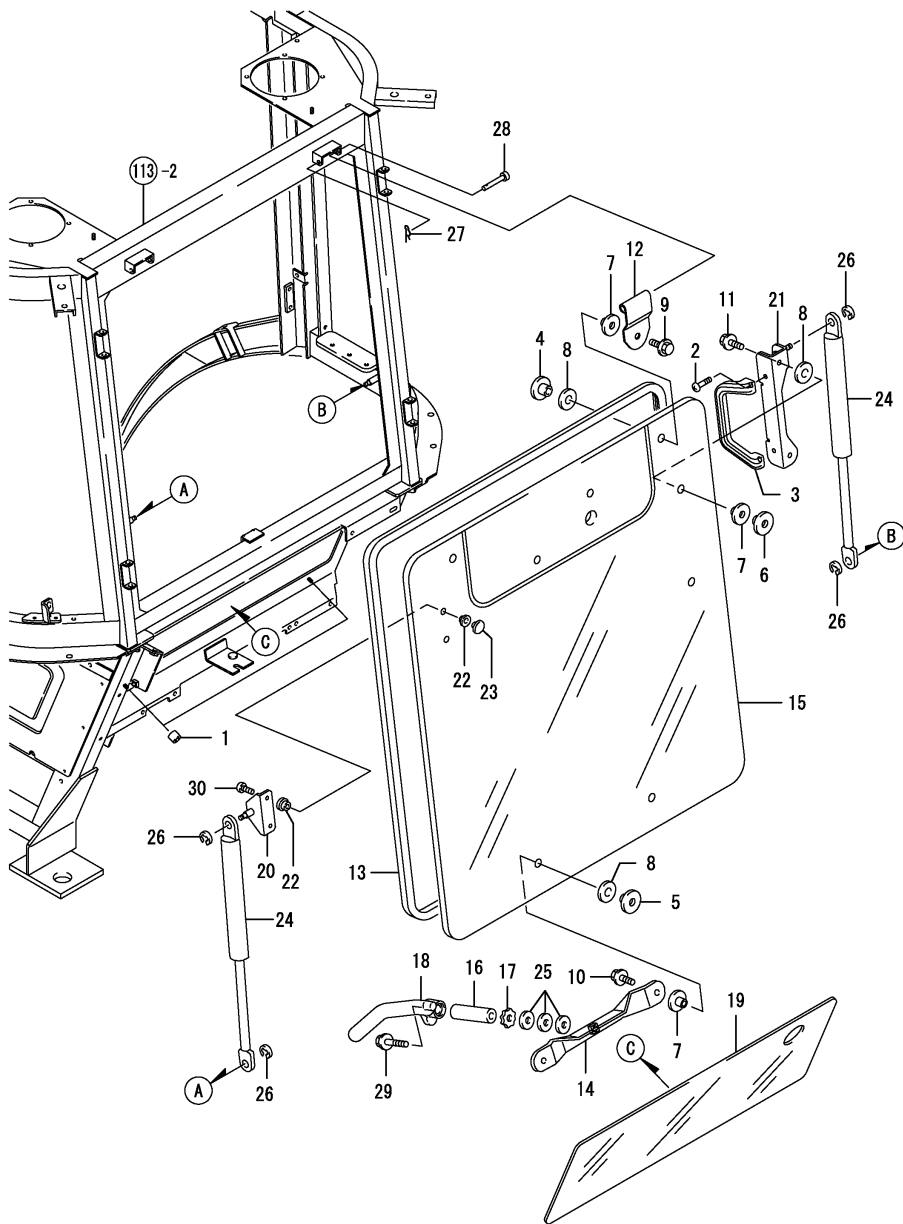
(D)=
(E)=
(F)=

No.	Lev.	Parts No.	Description	Q'ty						I	R
				(A)	(B)	(C)	(D)	(E)	(F)		
1	1	194990-22140	NUT, M8	2	2						
2	1	198094-82550	SCREW, M8	4	4						
3	1	198255-82650	RUBBER, CUSHION A	4	4						
4	1	198255-82660	RUBBER, CUSHION B	4	4						
5	1	198255-82850	LOCK ASSY	2	2						
6	1	198460-83350	BOLT, M8X16	4	4						
7	1	198460-83350	BOLT, M8X16	2	2						
8	1	198463-83411	GLASS, SIDE L	1	1						
9	1	198463-83421	GLASS, SIDE R	1	1						
10	1	198463-83432	WEATHER-STRIP, 2370	2	2						
11	1	198463-83451	HINGE, SIDE GLASS	4	4						
12	1	198463-83540	PIN, HINGE	4	4						
13	1	198463-83571	BRACKET, GLASS	2	2						
14	1	198153-83710	COLLAR, 8.4X12X22.5	2	2						
15	1	198153-83720	WASHER, 12	2	2						
16	1	198153-83730	HANDLE, REAR GLASS	1	1						
17	1	198463-83760	HANDLE, SIDE GLASS L	1	1						
18	1	197820-84740	LINER	12	12						
19	1	197820-84740	LINER	8	8						
20	1	197820-84750	FITTING	6	6						
20-1	1	1A8110-62250	BOLT, M6	6	6						F 1
		(A=FXXXXX)	(B=FXXXXX)								
21	1	197820-84750	FITTING	4	4						
21-1	1	1A8110-62250	BOLT, M6	4	4						F 2
		(A=FXXXXX)	(B=FXXXXX)								
22	1	22137-080000	WASHER, 8	6	6						
23	1	22272-000060	RING, E- 6	4	4						
24	1	26106-080452	BOLT, M8X 45 PLATED	2	2						
25	1	26589-060102	SCREW, M6	6	6						
25-1	1	194990-22130	NUT, M6	6	6						F 1
		(A=FXXXXX)	(B=FXXXXX)								
26	1	26589-060102	SCREW, M6	4	4						
26-1	1	194990-22130	NUT, M6	4	4						F 2
		(A=FXXXXX)	(B=FXXXXX)								

Remarks

- (1)Interchangeable by simultaneous replacement with No.20-1 & 25-1.
- (2)Interchangeable by simultaneous replacement with No.21-1 & 26-1.

Fig.118. REAR WINDOW



(A)=FK657
(B)=FK663
(C)=

(D)=
(E)=
(F)=

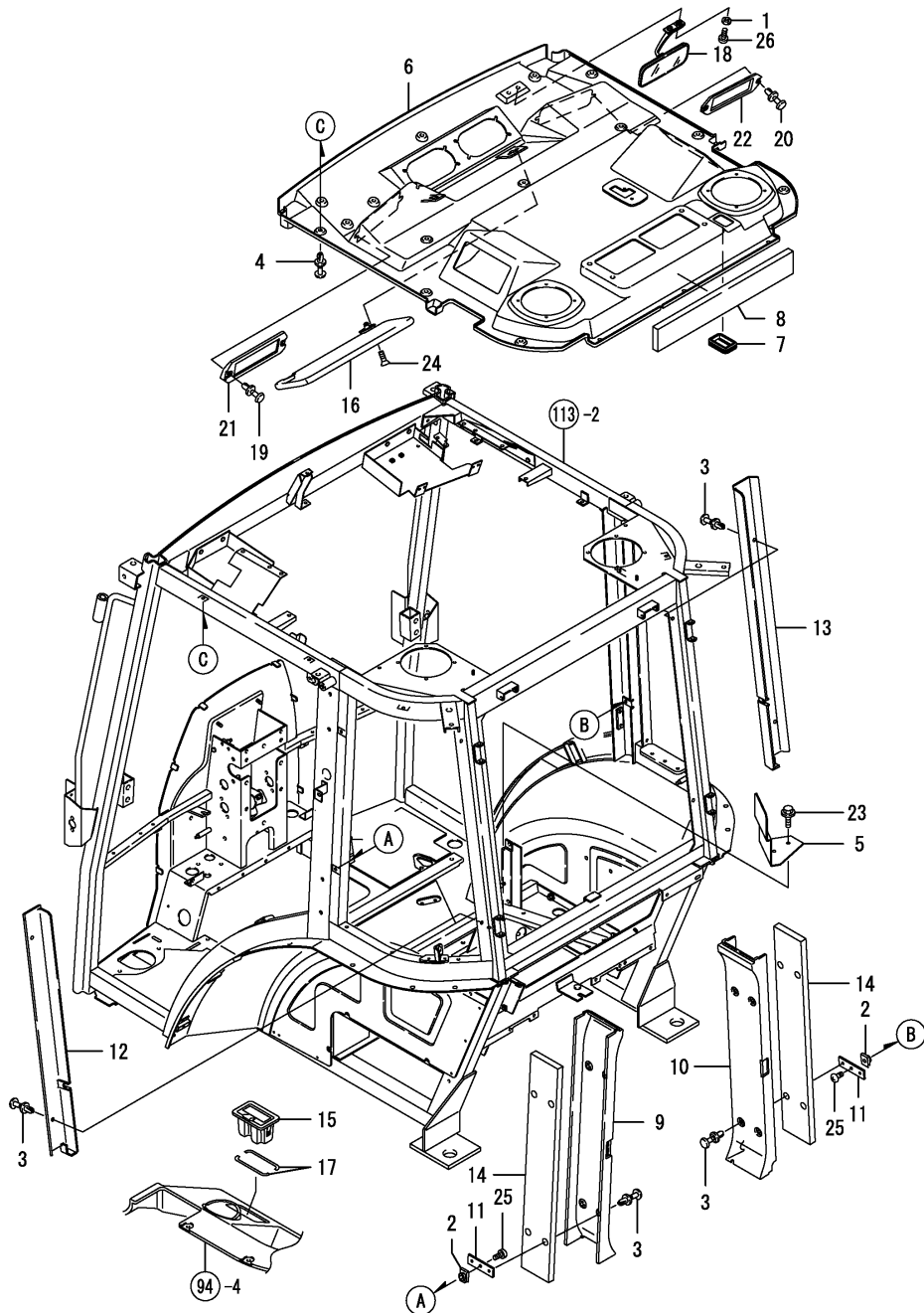
No.	Lev.	Parts No.	Description	Q'ty						I	R
				(A)	(B)	(C)	(D)	(E)	(F)		
1	1	194151-57210	SPACER	2	2						
2	1	194065-60580	SCREW, M6X25	2	2						
3	1	198094-82540	GRIP	1	1						
4	1	198094-82550	SCREW, M8	2	2						
5	1	198094-82550	SCREW, M8	2	2						
6	1	198094-82550	SCREW, M8	2	2						
7	1	198255-82650	RUBBER, CUSHION A	6	6						
8	1	198255-82660	RUBBER, CUSHION B	6	6						
9	1	198460-83350	BOLT, M8X16	2	2						
10	1	198460-83350	BOLT, M8X16	2	2						
11	1	198460-83350	BOLT, M8X16	2	2						
12	1	198463-83610	HINGE, REAR	2	2						
13	1	1A7270-83640	WEATHER-STRIP, 3030	1	1						
14	1	198094-83640	BRACKET, LOCK REAR	1	1						
15	1	198535-83650	GLASS, REAR	1	1						
16	1	198153-83710	COLLAR, 8.4X12X22.5	1	1						
17	1	198153-83720	WASHER, 12	1	1						
18	1	198153-83730	HANDLE, REAR GLASS	1	1						
19	1	198463-83740	GLASS, LOWER	1	1						
20	1	198463-83780	STAY, REAR GLASS L	1	1						
21	1	198463-83790	STAY, REAR GLASS R	1	1						
22	1	197820-84740	LINER	4	4						
23	1	197820-84750	FITTING	2	2						
23-1	1	1A8110-62250	BOLT, M6	2	2						F 1
(A=FXXXXX) (B=FXXXXX)											
24	1	198463-84750	SPRING, GAS	2	2						
25	1	22137-080000	WASHER, 8	3	3						
26	1	22272-000060	RING, E- 6	4	4						
27	1	22372-080000	PIN, SNAP 8	2	2						
28	1	22487-080600	PIN 8X 60	2	2						
29	1	26106-080452	BOLT, M8X 45 PLATED	1	1						
30	1	26589-060102	SCREW, M6	2	2						
30-1	1	194990-22130	NUT, M6	2	2						F 1
(A=FXXXXX) (B=FXXXXX)											

Remarks

(1)Interchangeable by simultaneous replacement with No.23-1 & 30-1.

N:Old $\begin{matrix} \leftarrow \text{Yes} \\ \text{No} \end{matrix}$ New, Q:Old $\begin{matrix} \leftarrow \text{No} \\ \text{Yes} \end{matrix}$ New, R:Old $\begin{matrix} \leftarrow \text{Yes} \\ \text{Yes} \end{matrix}$ New, S:Old $\begin{matrix} \leftarrow \text{No} \\ \text{No} \end{matrix}$ New, W:Add, Z:Discontinued, F:Interchangeable by set, K:Q'ty Change

Fig.119. INTERIORS



(A)=FK657
(B)=FK663
(C)=

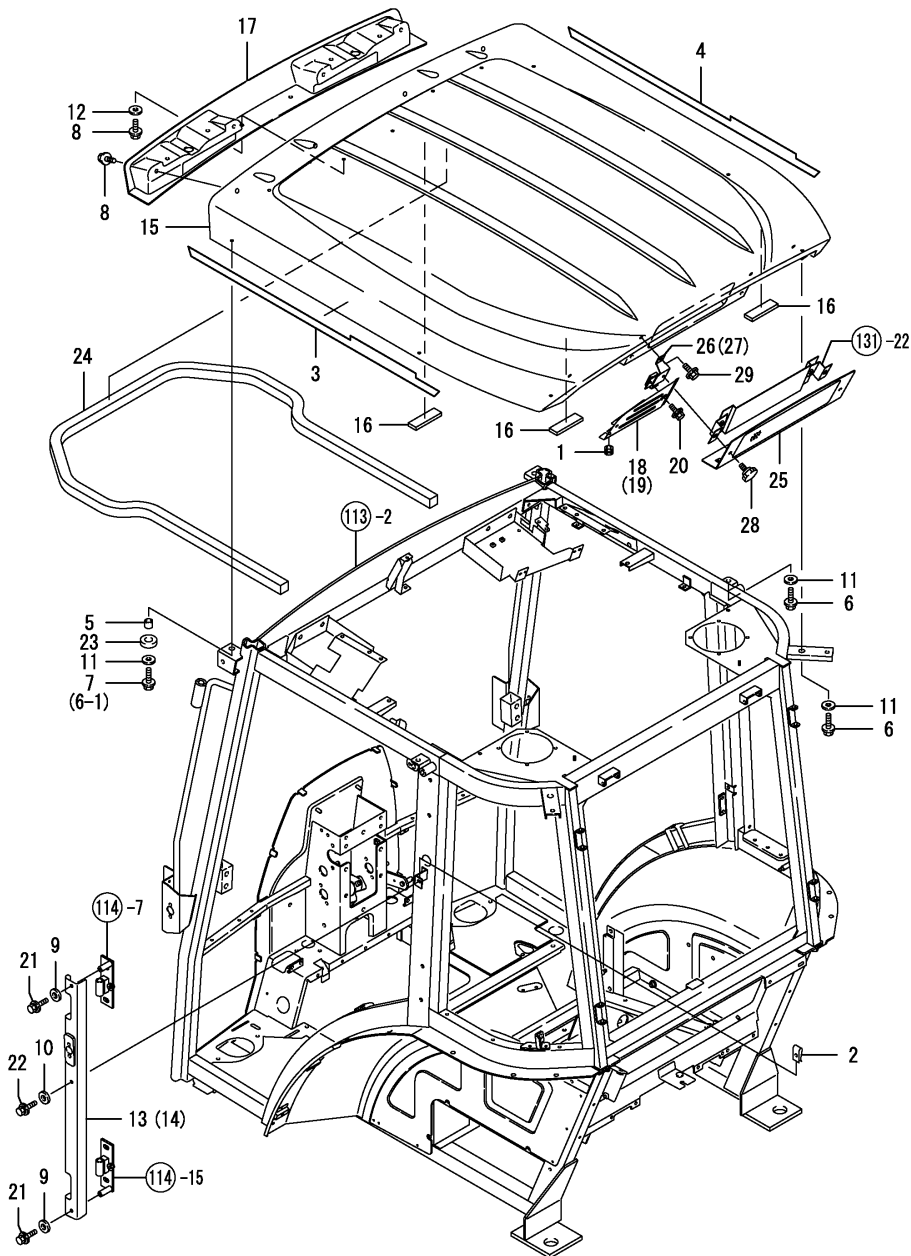
(D)=
(E)=
(F)=

No.	Lev.	Parts No.	Description	Q'ty						I	R
				(A)	(B)	(C)	(D)	(E)	(F)		
1	1	194515-01190	WASHER, 6	2	2						
2	1	198071-61890	NUT, SPEED M6	4	4						
3	1	1A7450-62320	RIVET, NYLON	12	12						
4	1	1A7450-62320	RIVET, NYLON	15	15						
5	1	198448-62520	STAY, FUSE BOX	1	1						
6	1	1A7470-84100	ROOF, INNER	1	1						
7	1	1A7030-84141	GROMMET, SWITCHING	1	1						
8	1	198463-84150	SEAL, INNER ROOF	1	1						
9	1	1A7620-84190	COVER, FRAME SIDE LM	1	1						
10	1	1A7470-84220	COVER, FRAME SIDE R	1	1						
11	1	198463-84250	STAY, SIDE COVER	4	4						
12	1	1A7620-84300	COVER ASSY, FRAME	1	1						
13	1	198463-84320	COVER, FRAME REAR R	1	1						
14	1	198463-84330	ACOUSTIC ABSORBENT	2	2						
15	1	198094-84710	ASHTRAY	1	1						
16	1	1A7620-84700	VISOR ASSY, SUN M	1	1						
17	1	198492-84720	PACKING, ASHTRAY	2	2						
18	1	198463-84760	MIRROR, ROOM	1	1						
19	1	198010-85810	RIVET, NYLON	2	2						
20	1	198010-85810	RIVET, NYLON	2	2						
21	1	198463-86850	COVER, RADIO	1	1						
22	1	1A7030-86870	COVER, PANEL	1	1						
23	1	26106-080162	BOLT, M8X 16 PLATED	2	2						
24	1	26577-050302	SCREW, M5X30	3	3						
25	1	26589-060102	SCREW, M6	4	4						
26	1	26589-060162	SCREW, M6	2	2						

Fig.121. ROOF

(A)=FK657
(B)=FK663
(C)=

(D)=
(E)=
(F)=

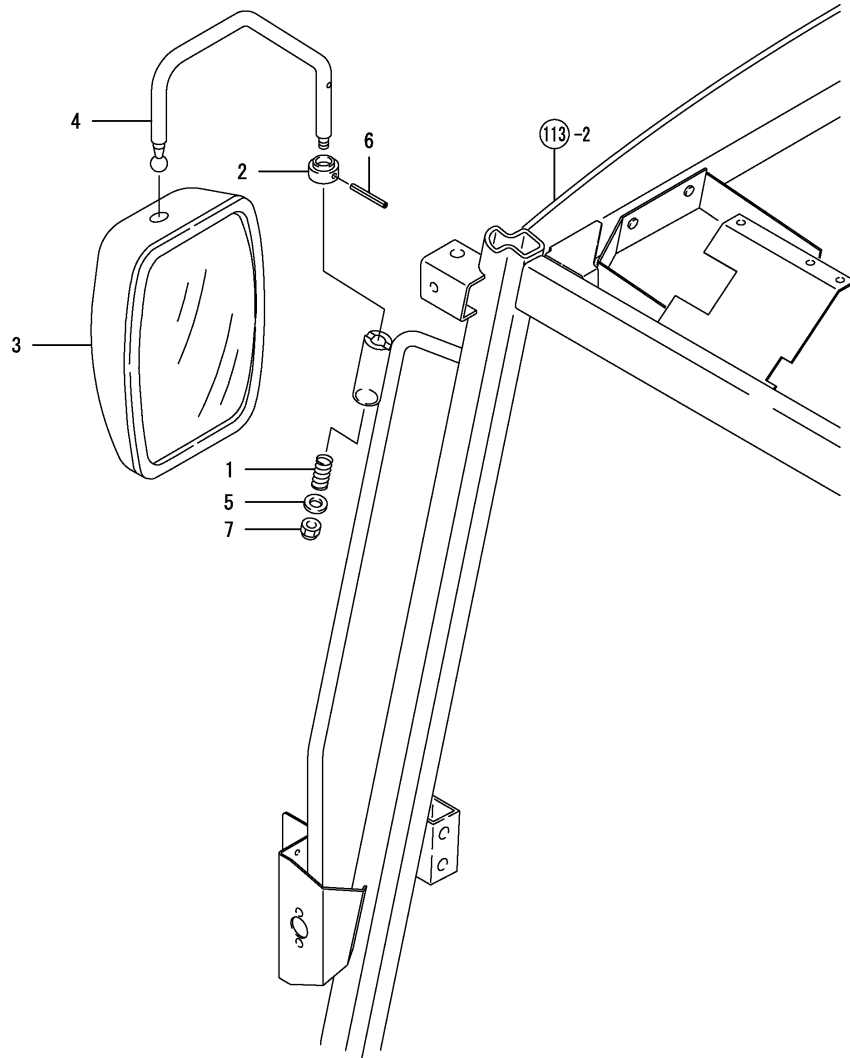


No.	Lev.	Parts No.	Description	Q'ty						I	R
				(A)	(B)	(C)	(D)	(E)	(F)		
1	1	198071-58810	GROMMET, 8	2	2						
2	1	198071-61890	NUT, SPEED M6	2	2						
3	1	198463-65610	LABEL,ROOF L	1	1						
4	1	198463-65620	LABEL,ROOF R	1	1						
5	1	198463-82230	SPACER	2	2						
6	1	198093-82510	BOLT, M8X25	4	4						
6-1	1	198093-82510	BOLT, M8X25	6	6						K
		(A=*2008.09.) (B=*2008.09.)									
7	1	198127-83150	BOLT, M8X30	2	2						Z
		(A=*2008.09.) (B=*2008.09.)									
8	1	198460-83350	BOLT, M8X16	6	6						
9	1	198255-83510	WASHER, 6	4	4						
10	1	198255-83510	WASHER, 6	2	2						
11	1	198255-83550	WASHER, 8	6	6						
12	1	198255-83550	WASHER, 8	2	2						
13	1	1A7750-85450	COVER, FRAME OUTER L	1	1						
14	1	1A7750-85460	COVER, FRAME OUTER R	1	1						
15	1	1A7470-85500	ROOF ASSY, OUTER	1	1						
16	1	198094-85570	SEAL, ROOF UPPER	3	3						
17	1	1A7470-85620	COVER, LAMP FRONT	1	1						
18	1	1A7470-85630	COVER, ROOF REAR	1	1						
19	1	1A7470-85640	COVER, ROOF REAR	1	1						
20	1	198093-85650	BOLT, M6X16	4	4						
21	1	198093-85650	BOLT, M6X16	4	4						
22	1	198093-85650	BOLT, M6X16	2	2						
23	1	198463-85870	RUBBER, CUSHION	2	2						
24	1	1A7470-87460	SEAL, ROOF	1	1						
25	1	1A7470-87770	COVER, FILTER	1	1						
26	1	1A7470-87810	STAY, FILTER COVER L	1	1						
27	1	1A7470-87830	STAY, FILTER COVER R	1	1						
28	1	26064-080151	BOLT, 8X 15	2	2						
29	1	26106-080162	BOLT, M8X 16 PLATED	4	4						

Fig.122. REARVIEW MIRROR

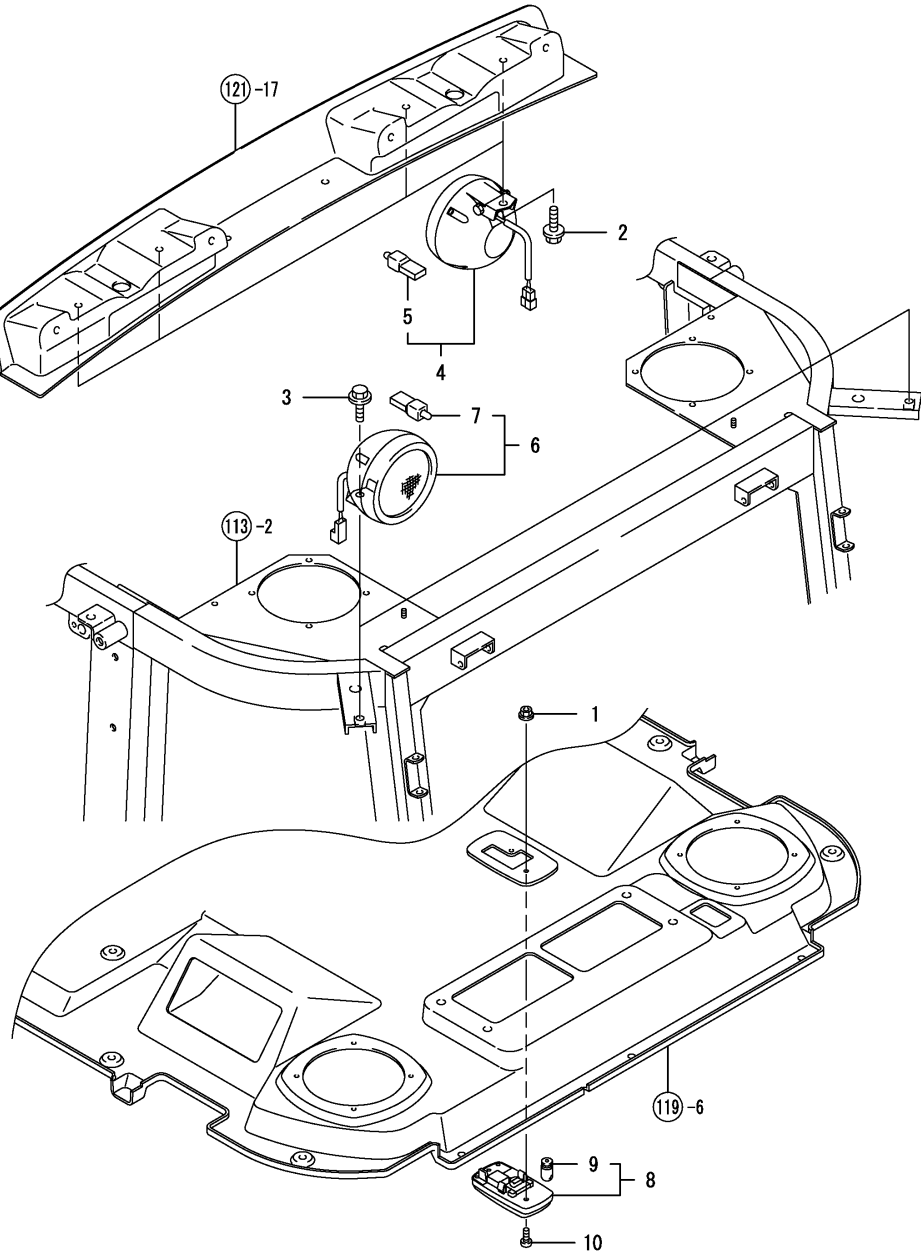
(A)=FK657
(B)=FK663
(C)=

(D)=
(E)=
(F)=



No.	Lev.	Parts No.	Description	Q'ty						I	R
				(A)	(B)	(C)	(D)	(E)	(F)		
1	1	198220-63340	SPRING, FRICTION	2	2						
2	1	198133-64400	GROMMET	2	2						
3	1	1A7320-64510	HEAD, MIRROR	2	2						
4	1	1A7320-85810	STAY, BACK MIRROR	2	2						
4-1	1	1A7611-85810	STAY, BACK MIRROR	2	2						N
		(A=FXXXXX) (B=FXXXXX)									
5	1	22137-120000	WASHER, 12	2	2						
5-1	1	22137-100000	WASHER, 10	2	2						N
		(A=FXXXXX) (B=FXXXXX)									
6	1	22351-060060	PIN, SPRING 6.0X60	2	2						
7	1	26346-100002	NUT, M10	2	2						

Fig.123. LAMP

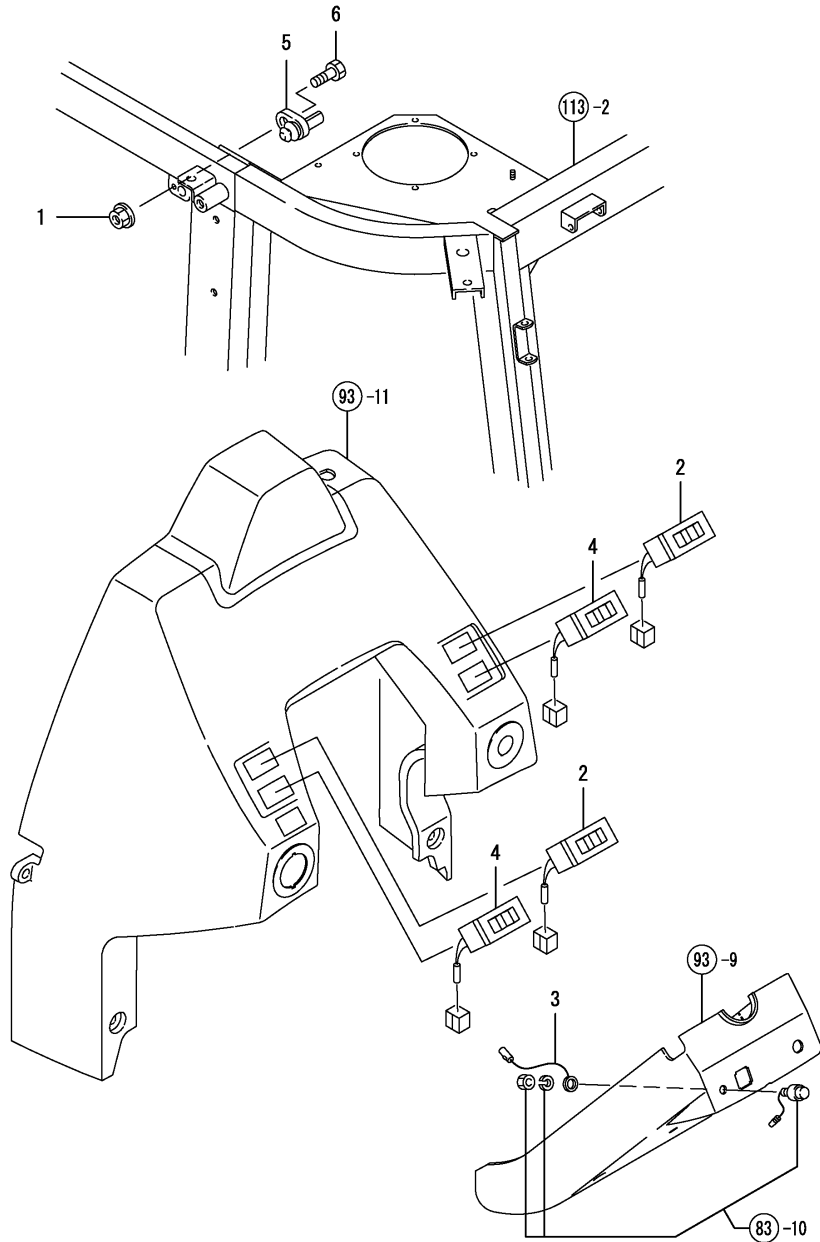


(A)=FK657
(B)=FK663
(C)=

(D)=
(E)=
(F)=

No.	Lev.	Parts No.	Description	Q'ty						I	R
				(A)	(B)	(C)	(D)	(E)	(F)		
1	1	194990-22120	NUT, M5	2	2						
2	1	198071-85440	BOLT, M10X20	4	4						
3	1	198071-85440	BOLT, M10X20	2	2						
4	1	1A7470-86250	LAMP ASSY, WORKING F	4	4						
5	2	1A7470-86270	BULB, 12V-35W	4	4						
6	1	1A7470-86350	LAMP ASSY, WORKING R	2	2						
7	2	1A7470-86270	BULB, 12V-35W	2	2						
8	1	1A7470-86750	LAMP ASSY, ROOM	1	1						
9	2	1A7470-86770	BULB, 12V/5W	1	1						
10	1	26557-050252	SCREW, M5X25	2	2						

Fig.124. SWITCH

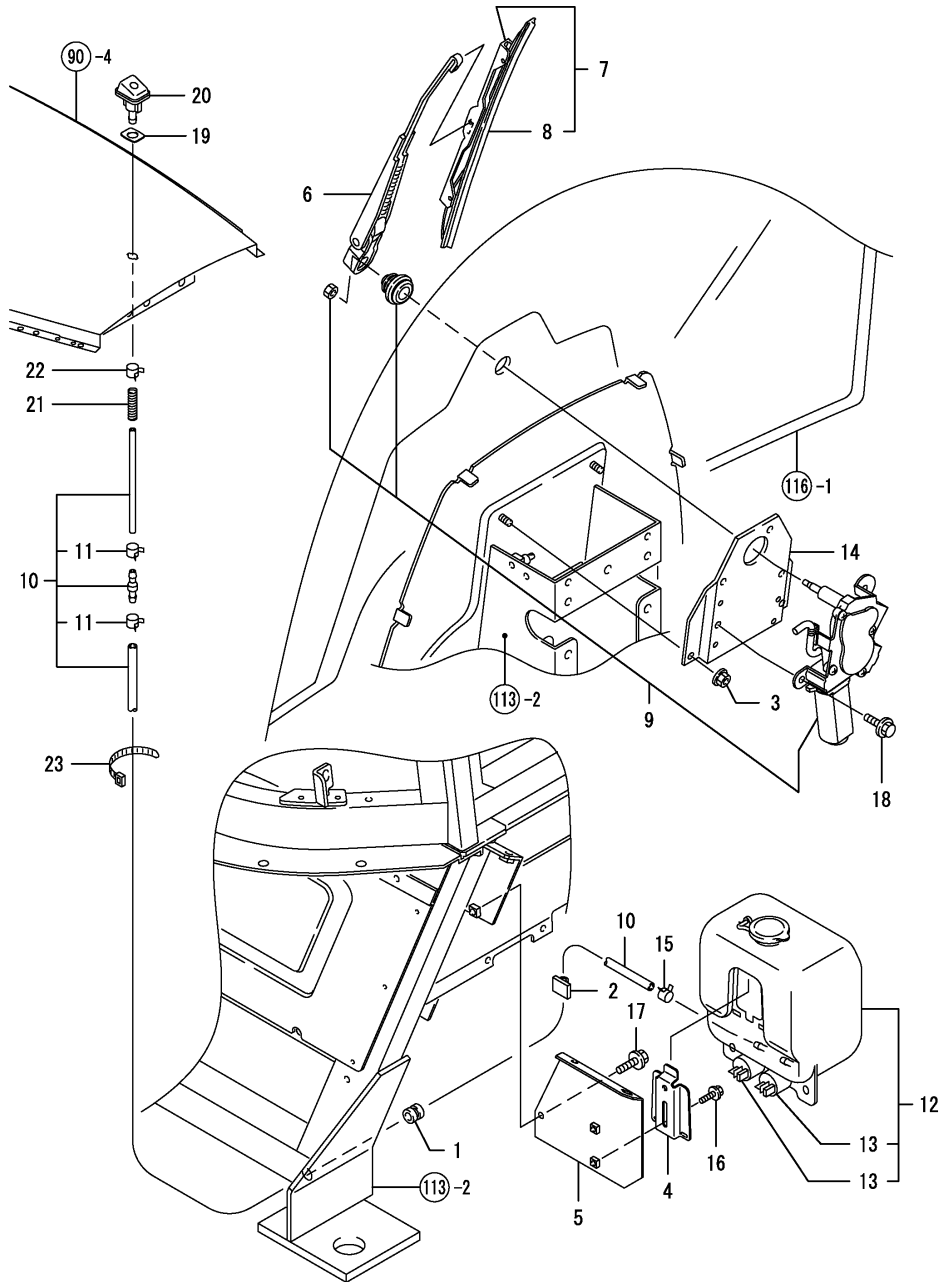


(A)=FK657
(B)=FK663
(C)=

(D)=
(E)=
(F)=

No.	Lev.	Parts No.	Description	Q'ty						I	R
				(A)	(B)	(C)	(D)	(E)	(F)		
1	1	194990-22120	NUT, M5	2	2						
2	1	197821-85430	SWITCH, WIPER	2	2						
3	1	198093-86180	WIRE, WASHER LEAD	1	1						
4	1	198094-86410	SWITCH, LAMP	2	2						
5	1	198463-86440	SWITCH, DOOR LAMP	2	2						
6	1	26116-050162	BOLT, M5X 16 PLATED	2	2						

Fig.125. FRONT WIPER



(A)=FK657
(B)=FK663
(C)=

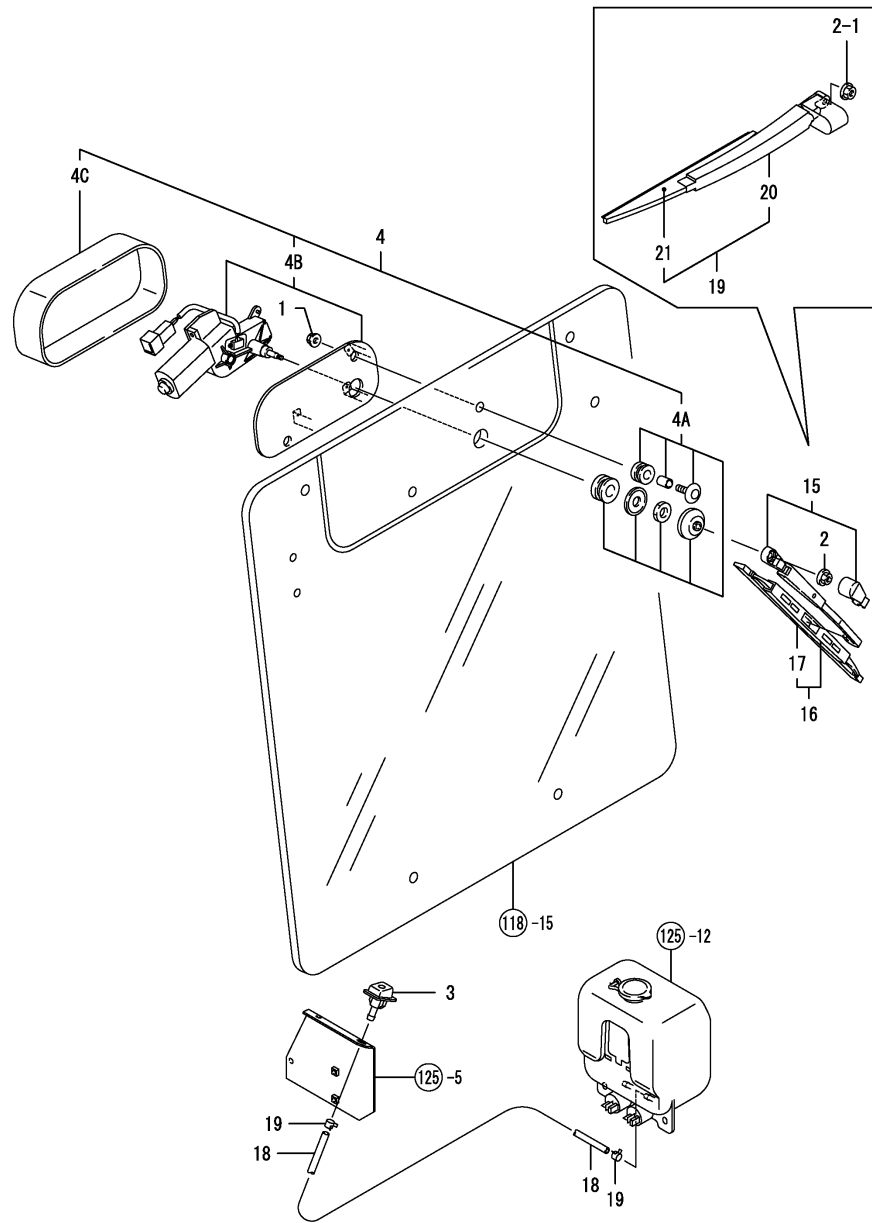
(D)=
(E)=
(F)=

No.	Lev.	Parts No.	Description	Q'ty						I	R
				(A)	(B)	(C)	(D)	(E)	(F)		
1	1	198360-03260	GROMMET, 12	1	1						
2	1	172010-07810	STICKER, WIRE	1	1						
3	1	194990-22140	NUT, M8	2	2						
4	1	120147-44810	BRACKET	1	1						
5	1	1A7470-86080	BRACKET, TANK	1	1						
6	1	198550-86540	ARM, WIPER	1	1						
7	1	198550-86590	BLADE, WIPER	1	1						
8	2	198550-86570	RUBBER	1	1						
9	1	198550-86610	MOTOR, WIPER	1	1						
10	1	198550-86640	HOSE ASSY, VINYL	1	1						
11	2	23080-007000	CLAMP, 7	2	2						
12	1	1A7320-86650	TANK ASSY, WASHER	1	1						
13	2	1A7320-86640	PUMP ASSY, WASHER	2	2						
14	1	198550-86680	BRACKET, WIPER MOTOR	1	1						
15	1	23080-007000	CLAMP, 7	1	1						
16	1	26106-060162	BOLT, M6X 16 PLATED	2	2						
17	1	26106-080162	BOLT, M8X 16 PLATED	2	2						
18	1	26106-080162	BOLT, M8X 16 PLATED	3	3						
19	1	1A7320-61140	SPACER, NOZZLE	1	1						
20	1	198094-86060	NOZZLE, WASHER	1	1						
21	1	198094-86560	SPRING, NOZZLE	1	1						
22	1	23080-007000	CLAMP, 7	1	1						
23	1	29622-140001	BAND, RF140	1	1						

Fig.126. REAR WIPER

(A)=FK657
(B)=FK663
(C)=

(D)=
(E)=
(F)=



No.	Lev.	Parts No.	Description	Q'ty						I	R
				(A)	(B)	(C)	(D)	(E)	(F)		
1	1	194990-22130	NUT, M6	2	2						
2	1	194990-22140	NUT, M8	1	1						
2-1	1	194990-22130	NUT, M6	1	1						N
		(A=FXXXXX) (B=FXXXXX)									
3	1	198094-86060	NOZZLE, WASHER	1	1						
4	1	198535-86300	MOTOR ASSY, WIPER	1	1						
4A	2	198535-86450	COVER KIT, MOTOR	1	1						
4B	2	198535-86470	MOTOR KIT, B	1	1						
4C	2	198535-86340	COVER, MOTOR	1	1						
15	1	198550-86410	ARM, WIPER	1	1						Z
		(A=FXXXXX) (B=FXXXXX)									
16	1	198550-86420	BLADE, WIPER	1	1						Z
		(A=FXXXXX) (B=FXXXXX)									
17	2	198550-86430	RUBBER	1	1						Z
		(A=FXXXXX) (B=FXXXXX)									
18	1	198094-86580	HOSE, WASHER 400	1	1						
19	1	23080-007000	CLAMP, 7	2	2						
20	1	1A8110-86400	ARM KIT, WIPER	1	1						W 1
		(A=FXXXXX) (B=FXXXXX)									
21	2	1A8110-86410	ARM, WIPER	1	1						W
		(A=FXXXXX) (B=FXXXXX)									
22	2	1A8110-86420	BLADE, WIPER	1	1						W
		(A=FXXXXX) (B=FXXXXX)									

Remarks

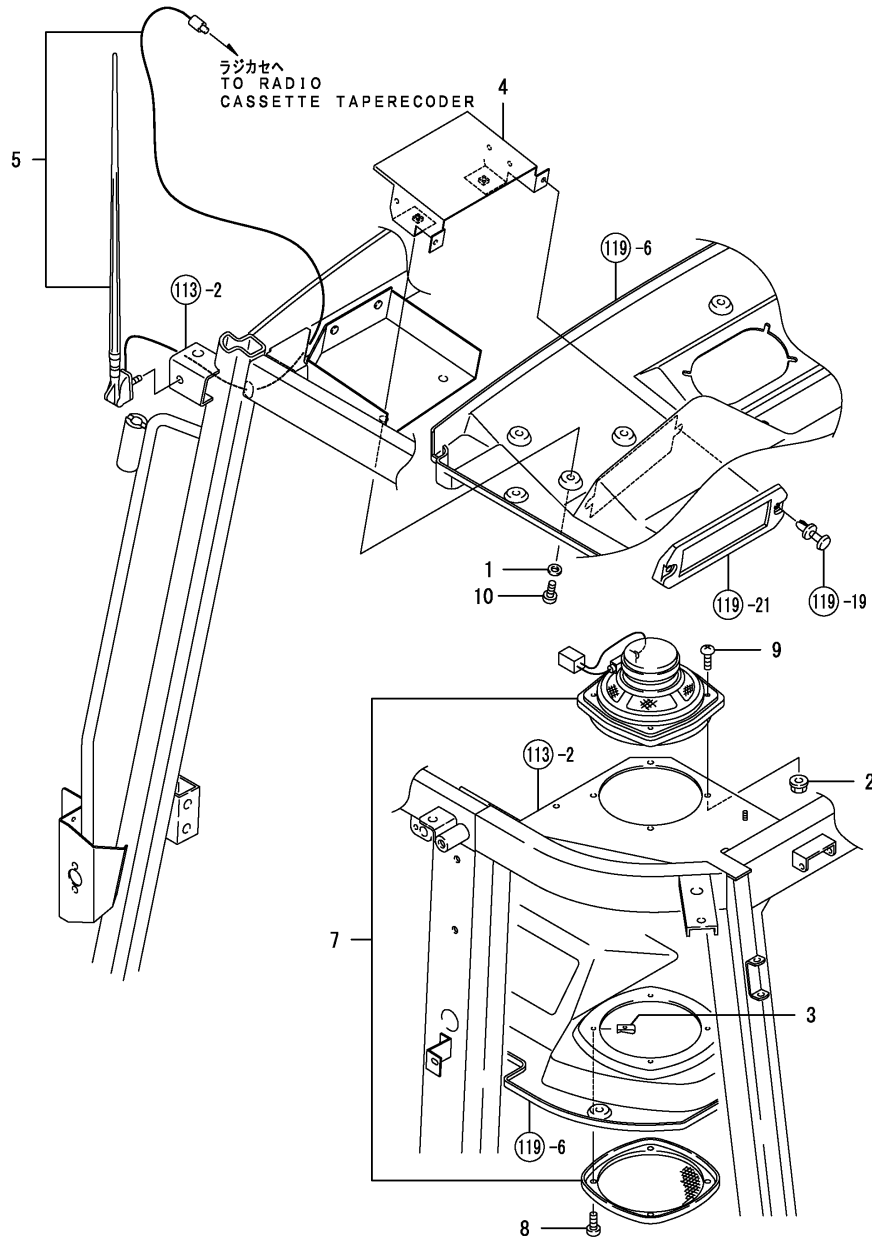
(1)No.15 & 16 is interchangeable with a set of No.20.

N:Old $\xrightarrow{\text{Yes}}$ New, Q:Old $\xrightarrow{\text{No}}$ New, R:Old $\xrightarrow{\text{Yes}}$ New, S:Old $\xrightarrow{\text{No}}$ New, W:Add, Z:Discontinued, F:Interchangeable by set, K:Q'ty Change

Fig.127. RADIO CASSETTE(WITHOUT)

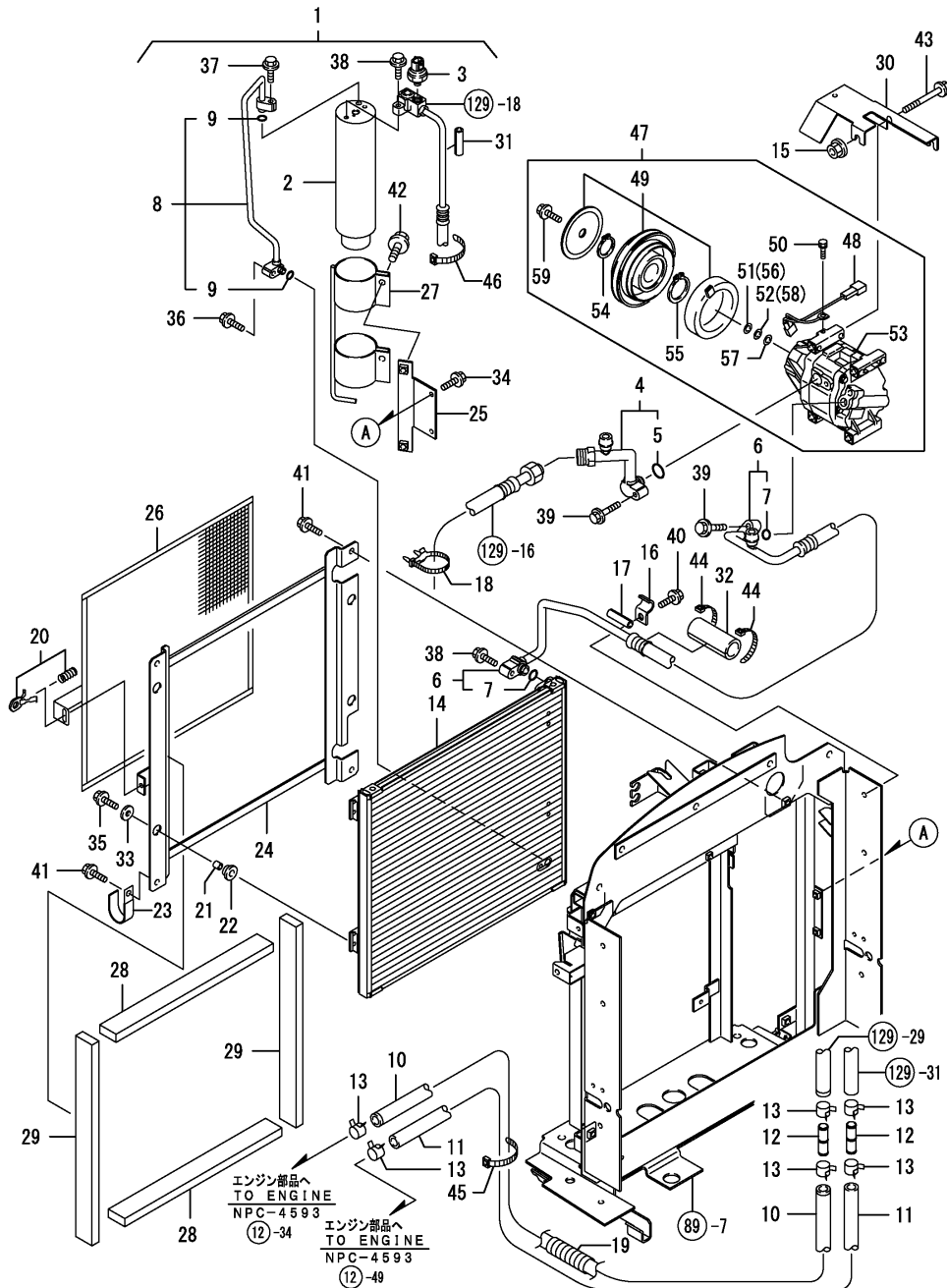
(A)=FK657
(B)=FK663
(C)=

(D)=
(E)=
(F)=



No.	Lev.	Parts No.	Description	Q'ty						I	R
				(A)	(B)	(C)	(D)	(E)	(F)		
1	1	194515-01190	WASHER, 6	2	2						
2	1	194990-22120	NUT, M5	8	8						
3	1	198220-63850	NUT, M5	8	8						
4	1	1A7470-86510	BRACKET, CASSETTE	1	1						
5	1	198463-86771	ANTENNA ASSY	1	1						
7	1	198463-86820	SPEAKER ASSY	2	2						
8	1	22859-500202	SCREW, 5X20	8	8						
9	1	26557-050162	SCREW, M5X16	8	8						
10	1	26589-060162	SCREW, M6	2	2						

Fig.128. AIR CONDITIONER(1)

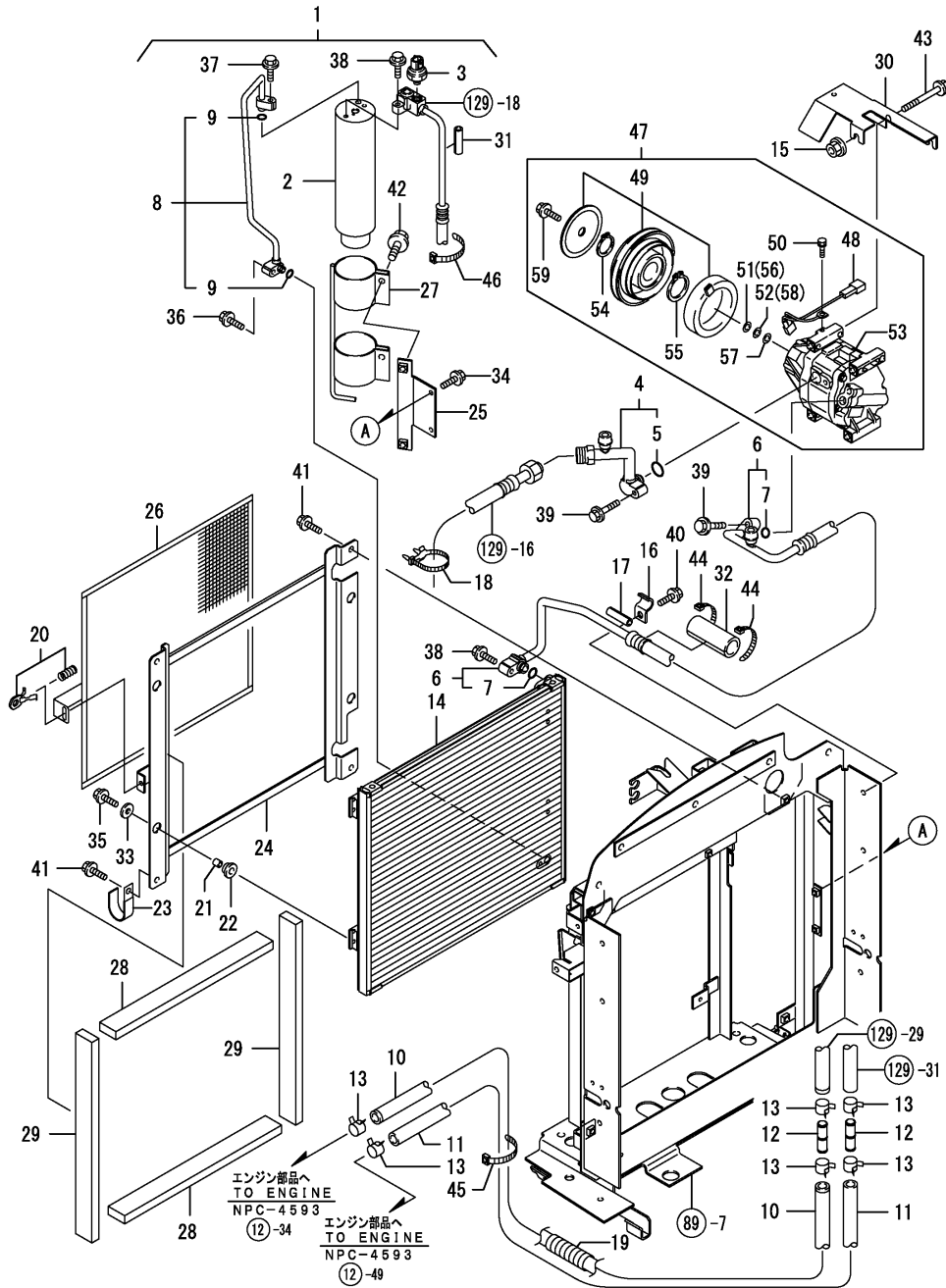


(A)=FK657
(B)=FK663
(C)=

(D)=
(E)=
(F)=

No.	Lev.	Parts No.	Description	Qty						I	R
				(A)	(B)	(C)	(D)	(E)	(F)		
1	1	1A7680-87020	CONDITIONER KIT, AIR	1	1						
2	2	1E8545-80210	DRIER, RECEIVER	1	1						
3	2	1A7030-87120	SWITCH, PRESSURE	1	1						
4	2	1A7680-87881	PIPE ASSY	1	1						
5	3	1A7030-88840	O-RING	1	1						
6	2	1A7680-87930	HOSE ASSY	1	1						
7	3	1A7030-88820	O-RING	2	2						
8	2	1A7680-87950	PIPE ASSY	1	1						
9	3	1A7030-88760	O-RING	2	2						
10	2	1A7680-88610	HOSE, HEATER IN A	1	1						
11	2	1A7680-88620	HOSE, HEATER OUT A	1	1						
12	2	1A7030-88660	PIPE, JOINT	2	2						
13	2	1A7030-88710	CLIP, HOSE	6	6						
14	1	1A7680-87110	CONDENSER ASSY	1	1						
15	1	194990-22140	NUT, M8	1	1						
16	1	198200-48810	CLAMP, PIPE	1	1						
17	1	194464-48850	RUBBER, ABSORBER	1	1						
18	1	194680-51670	BAND, CLIP	2	2						
19	1	198133-52170	TUBE, CORRUGATED 13	1	1						
20	1	198220-61351	LOCK ASSY, CAM	1	1						
21	1	198129-78710	SPACER, 6-10	4	4						
22	1	198129-78720	GROMMET, 10-16	4	4						
23	1	1E6102-83230	CLAMP, CABLE	1	1						
24	1	1A7680-87050	FRAME, CONDENSER	1	1						
25	1	1A7680-87120	STAY, RECEIVER	1	1						
26	1	1A7680-87130	SCREEN, CONDENSER	1	1						
27	1	1A7680-87140	BRACKET ASSY	1	1						
28	1	1A7680-87180	URETHANE, CONDENSER	2	2						
29	1	1A7470-87190	URETHANE, CONDENSER	2	2						
30	1	1A7680-87270	COVER, V BELT	1	1						
31	1	1A7030-88050	TUBE, CLAMP	1	1						
32	1	1A7680-88060	TUBE, INSULATION	1	1						
33	1	22157-060000	WASHER, 6	4	4						
34	1	26106-060122	BOLT, M6X 12 PLATED	2	2						
35	1	26106-060202	BOLT, M6X 20 PLATED	4	4						
36	1	26106-060252	BOLT, M6X 25 PLATED	1	1						
37	1	26106-060252	BOLT, M6X 25 PLATED	1	1						
38	1	26106-060252	BOLT, M6X 25 PLATED	2	2						
39	1	26106-060402	BOLT, M6X 40 PLATED	2	2						
40	1	26106-080122	BOLT, M8X 12 PLATED	1	1						
41	1	26106-080162	BOLT, M8X 16 PLATED	4	4						
42	1	26106-080202	BOLT, M8X 20 PLATED	2	2						
43	1	26106-080752	BOLT, M8X 75 PLATED	1	1						
44	1	29621-150001	BAND, TR150	2	2						
45	1	29622-250001	BAND, RF250	1	1						
46	1	29622-250001	BAND, RF250	3	3						
47	1	1A7320-89902	COMPRESSOR ASSY	1	1						
47-1	1	1A7471-89900	COMPRESSOR ASSY, S	1	1						N
				(A)=F050243)	(B)=F000388)						
48	2	1A7030-87911	HARNES, WIRE	1	1						
49	2	1A7320-87922	CLUTCH ASSY, MAGNET	1	1						

Fig.128. AIR CONDITIONER(1)

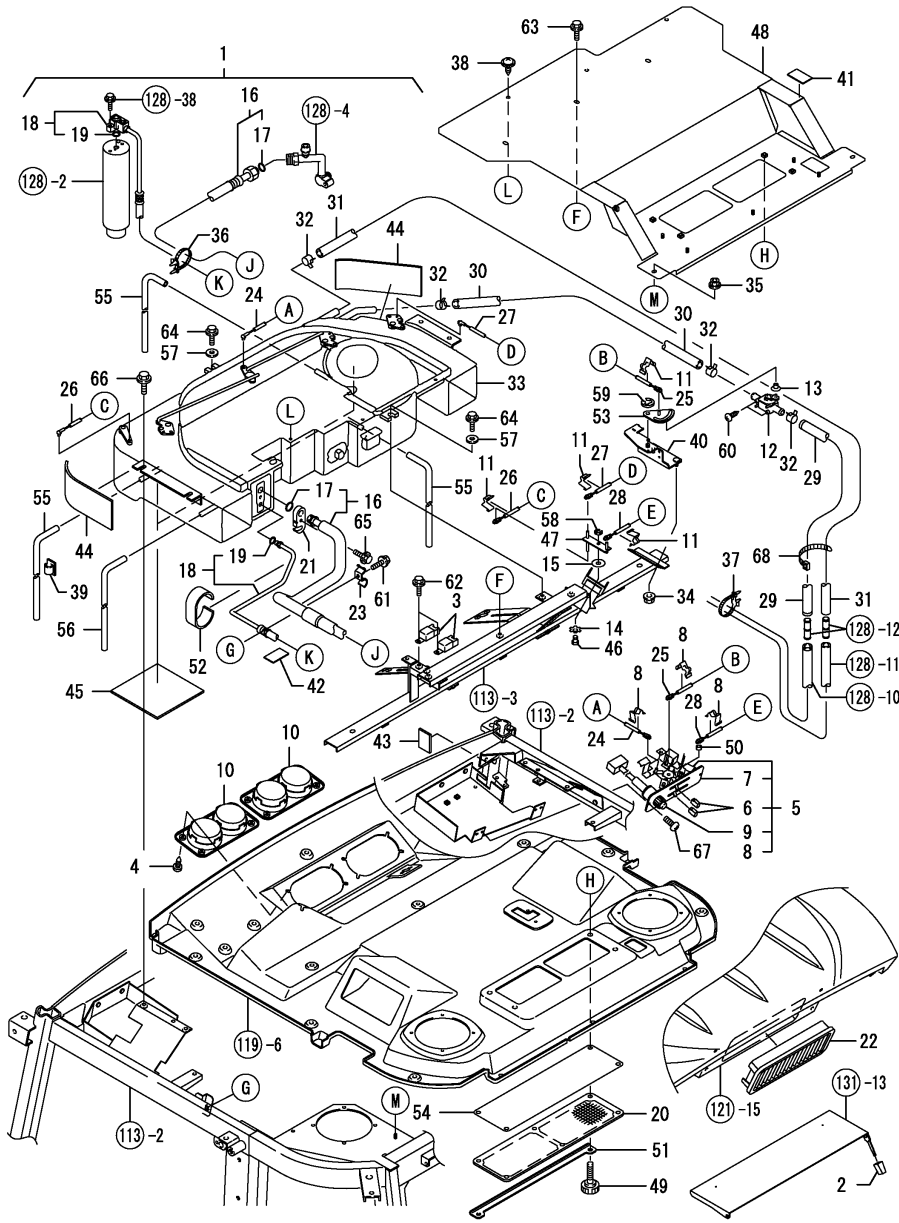


(A)=FK657
(B)=FK663
(C)=

(D)=
(E)=
(F)=

No.	Lev.	Parts No.	Description	Qty						I	R
				(A)	(B)	(C)	(D)	(E)	(F)		
49-1	2	1A7471-87920 (A=F050243) (B=F000388)	CLUTCH ASSY, MAGNET	1	1						N
50	2	1A7320-87990	BOLT, M5X8	1	1						
51	2	1A7030-89860	WASHER, 0.6	1	1						
52	2	1A7030-89870	WASHER, 1.0	1	1						
53	2	1A7320-89892	COMPRESSOR	1	1						
54	2	1A7030-89930	RING, SNAP	1	1						
55	2	1A7030-89940	RING, SNAP	1	1						
56	2	1A7030-89950	WASHER, 0.1	1	1						
57	2	1A7030-89960	WASHER, 0.15	1	1						
58	2	1A7030-89970	WASHER, 0.4	1	1						
59	2	1A7030-89980	BOLT, M6X16	1	1						

Fig.129. AIR CONDITIONER(2)



(A)=FK657
(B)=FK663
(C)=

(D)=
(E)=
(F)=

No.	Lev.	Parts No.	Description	Qty						I	R
				(A)	(B)	(C)	(D)	(E)	(F)		
1	1	1A7680-87030	CONDITIONER KIT, AIR	1	1						
2	2	1E8545-80080	KNOB, CONTROL	1	1						
3	2	1A7030-86980	RELAY	2	2						
4	2	1A7030-87040	SCREW, TAPPING M5X20	8	8						
5	2	1A7030-87151	CONTROLLER ASSY	1	1						
6	3	1E8545-80080	KNOB, CONTROL	2	2						
7	3	1A7030-87190	PANEL	1	1						
8	3	1A7030-87790	CLAMP, CABLE	4	4						
9	3	1A7030-88210	SWITCH ASSY	1	1						
10	2	198208-87410	GRILLE ASSY	2	2						
11	2	1A7030-87790	CLAMP, CABLE	4	4						
12	2	1A7030-87810	VALVE ASSY, WATER	1	1						
13	2	1A7030-87850	BUSH, VALVE	1	1						
14	2	1A7470-87910	WASHER	1	1						
15	2	1A7470-87920	WASHER	1	1						
16	2	1A7680-87940	HOSE ASSY	1	1						
17	3	1A7030-88840	O-RING	2	2						
18	2	1A7680-87960	HOSE ASSY	1	1						
19	3	1A7030-88760	O-RING	2	2						
20	2	1A7030-87970	FILTER	1	1						
21	2	198208-87980	CONNECTOR, HORSE	1	1						
22	2	1A7030-87990	FILTER	1	1						
23	2	1A7030-88060	CLAMP, HOSE	1	1						
24	2	1A7470-88410	CABLE, MIX	1	1						
25	2	1A7470-88420	CABLE, W/V	1	1						
26	2	1A7470-88430	CABLE, FACE	1	1						
27	2	1A7470-88440	CABLE, FACE	1	1						
28	2	1A7470-88450	CABLE, FACE	1	1						
29	2	1A7680-88630	HOSE, HEATER IN B	1	1						
30	2	1A7470-88640	HOSE, HEATER IN B	1	1						
31	2	1A7680-88640	HOSE, HEATER OUT B	1	1						
32	2	1A7030-88710	CLIP, HOSE	4	4						
33	1	1A7470-87200	CONDITIONER ASSY,AIR	1	1						1
34	1	194990-22130	NUT, M6	2	2						
35	1	194990-22130	NUT, M6	2	2						
36	1	194680-51670	BAND, CLIP	3	3						
37	1	194680-51670	BAND, CLIP	2	2						
38	1	194940-61790	SCREW, TAPPING M5X16	3	3						
39	1	194680-78350	STICKER, WIRE 18	1	1						
40	1	1A7030-80940	BRACKET, VALVE	1	1						
41	1	198093-84810	SEAL, FENDER	1	1						
42	1	198093-84810	SEAL, FENDER	1	1						
43	1	198463-85610	SEAL, FILTER	2	2						
44	1	1A7470-87220	PAD	2	2						
45	1	1A7470-87230	PAD	2	2						
46	1	1A7470-87350	PIN, LINK	1	1						
47	1	1A7470-87360	LINK	1	1						
48	1	1A7470-87600	PLATE ASSY, SEAL	1	1						
49	1	198463-87630	KNOB, FILTER	4	4						
50	1	1A7680-87650	SPACER	1	1						
51	1	1A7030-87720	STAY, FILTER	1	1						

Remarks

(1)Inner parts of the Air Conditioner unit(1A7470-87200) refer to Fig.130.

Fig.129. AIR CONDITIONER(2)

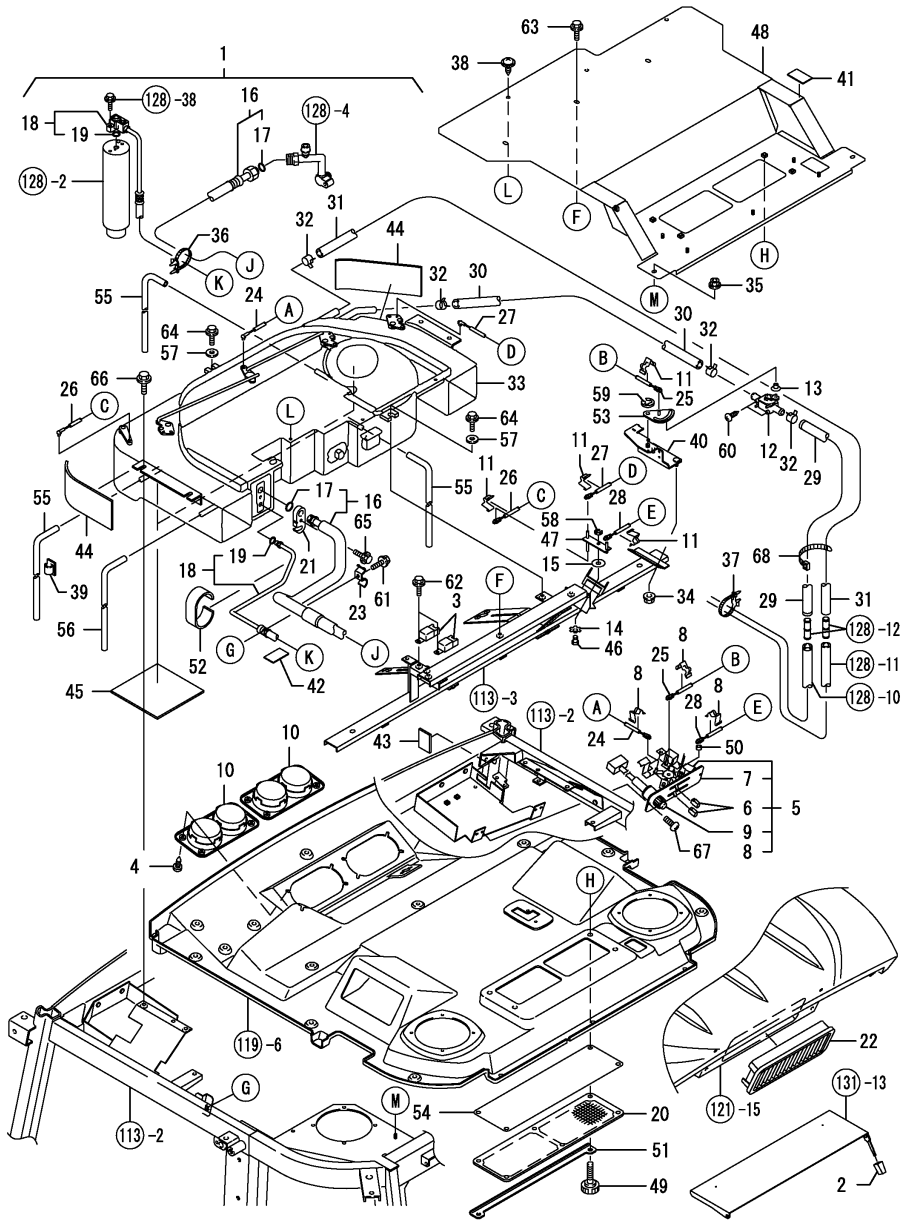
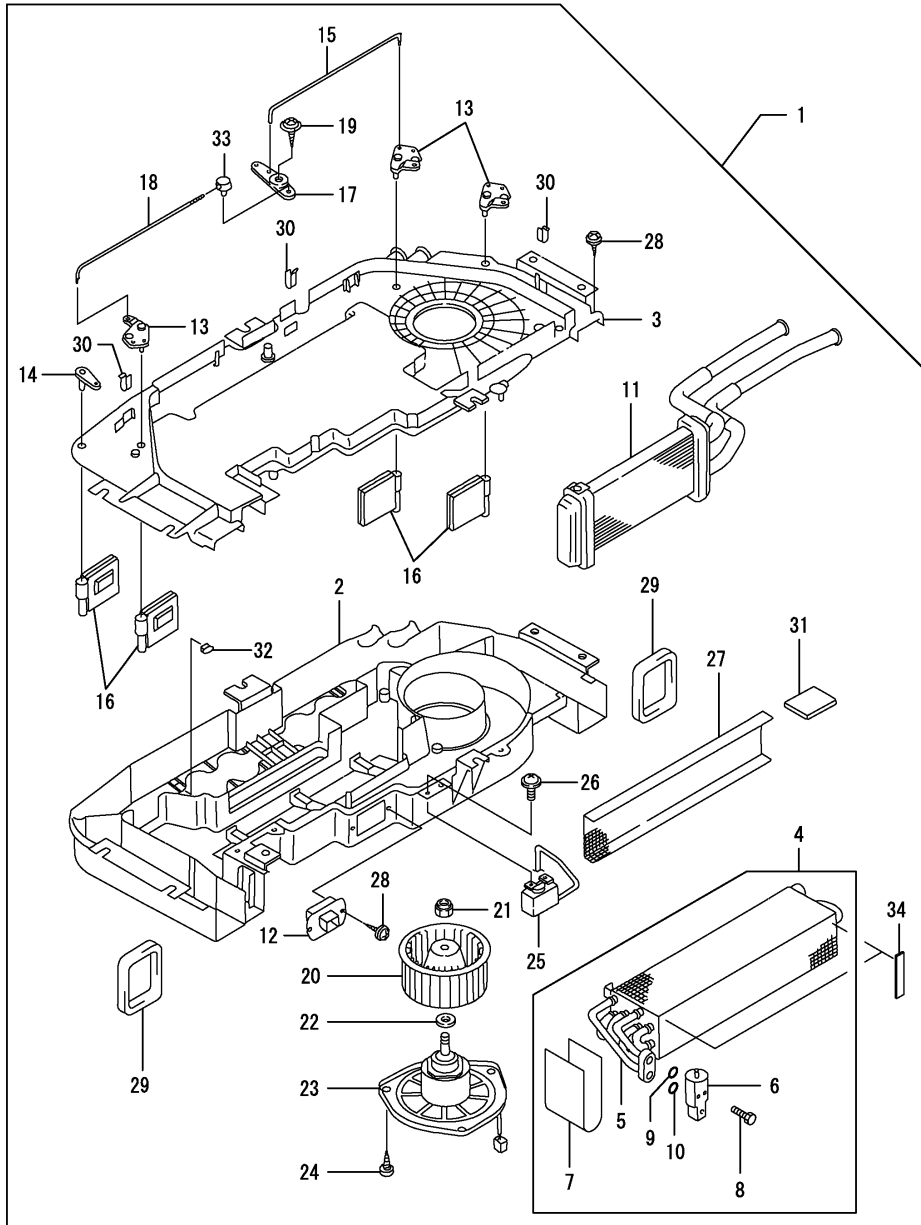


Fig.130. AIR CONDITIONER(UNIT)



(A)=FK657
(B)=FK663
(C)=

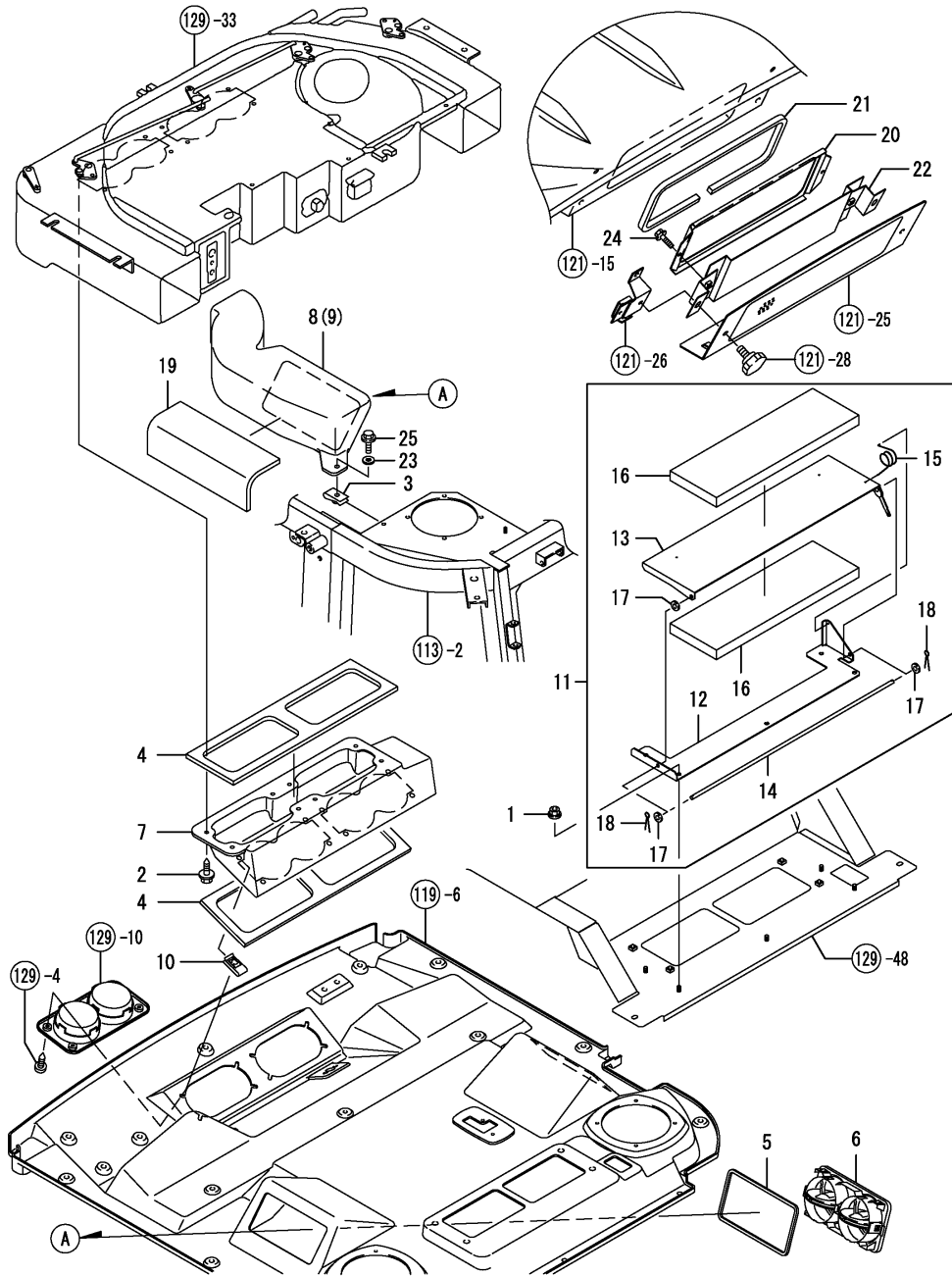
(D)=
(E)=
(F)=

No.	Lev.	Parts No.	Description	Q'ty						I	R
				(A)	(B)	(C)	(D)	(E)	(F)		
1	1	1A7470-87200	CONDITIONER ASSY,AIR	1	1						1
2	2	1A7030-87211	CASE, LOWER	1	1						
3	2	1A7030-87220	CASE	1	1						
4	2	1A7030-87230	EVAPORATOR ASSY	1	1						
5	3	1A7030-88180	EVAPORATOR ASSY	1	1						
6	3	1A7030-88190	VALVE, EXPANSION	1	1						
7	3	1A7030-88200	GASKET	1	1						
8	3	1A7030-88230	BOLT, M5X50	2	2						
9	3	1A7030-88820	O-RING	1	1						
10	3	1A7030-88840	O-RING	1	1						
11	2	1A7030-87240	CORE ASSY, HEATER	1	1						
12	2	1A7030-87251	REGISTER, BLOWER	1	1						
13	2	1A7030-87270	LEVER ASSY, MIX DOOR	3	3						
14	2	1A7030-87280	LEVER ASSY, DOOR	1	1						
15	2	1A7030-87290	SHAFT, MIX DOOR R	1	1						
16	2	1A7030-87300	DOOR ASSY, S/A	4	4						
17	2	1A7030-87310	LEVER ASSY, MIX LINK	1	1						
18	2	1A7030-87330	SHAFT, MIX DOOR L	1	1						
19	2	1A7030-87340	SCREW, TAPPING	1	1						
20	2	1A7030-87350	FAN, BLOWER	1	1						
21	2	1A7030-87360	NUT	1	1						
22	2	1A7030-88070	WASHER	1	1						
23	2	1A7470-88080	MOTOR ASSY, BLOWER	1	1						
24	2	1A7030-88090	SCREW, TAPPING	3	3						
25	2	1A7030-88100	THERMOSTAT ASSY	1	1						
26	2	1A7030-88110	SCREW	2	2						
27	2	1A7030-88120	SCREEN	1	1						
28	2	1A7030-88130	SCREW, TAPPING	22	22						
29	2	1A7030-88140	GASKET	2	2						
30	2	1A7030-88150	CLAMP, LOCK D6	3	3						
31	2	1A7030-88160	INSULATOR	2	2						
32	2	1A7030-88170	NUT, SPEED	8	8						
33	2	1A7030-88250	CLAMP	1	1						
34	2	1A7470-88280	PACKING, B	2	2						

Fig.131. AIR CONDITIONER DUCT

(A)=FK657
(B)=FK663
(C)=

(D)=
(E)=
(F)=



No.	Lev.	Parts No.	Description	Q'ty						I	R
				(A)	(B)	(C)	(D)	(E)	(F)		
1	1	194990-22130	NUT, M6	5	5						
2	1	198093-61560	SCREW, TAPPING M5X16	8	8						
3	1	198071-61890	NUT, SPEED M6	2	2						
4	1	1A7030-87260	SEAL, FRONT GRILLE	2	2						
5	1	1A7470-87320	SEAL, DUCT SIDE	2	2						
6	1	1A7030-87411	GRILLE ASSY	2	2						
7	1	1A7470-87420	DUCT, F	1	1						
8	1	1A7470-87430	DUCT, SIDE L	1	1						
9	1	1A7470-87440	DUCT, SIDE R	1	1						
10	1	1A7470-87450	NUT, SPEED M5	8	8						
11	1	1A7470-87500	SHUTTER	1	1						
12	2	1A7470-87511	BRACKET, SHUTTER	1	1						
13	2	1A7470-87561	SHUTTER ASSY	1	1						
14	2	1A7030-87590	SHAFT	1	1						
15	2	1A7470-87660	SPRING, TORSION 2.0	1	1						
16	2	1A7470-87860	SEAL, SHUTTER	2	2						
17	2	22190-060003	SEAL WASER 6	3	3						
18	2	22417-160160	PIN, COTTER 1.6X16	2	2						
19	1	198248-87651	FOAM, DUCT SIDE	2	2						
20	1	1A7470-87680	BRACKET, FILTER	1	1						
21	1	1A7470-87690	SEAL, BRACKET B	1	1						
22	1	1A7470-87710	BRACKET ASSY, FILTER	1	1						
23	1	22157-060000	WASHER, 6	2	2						
24	1	26106-060122	BOLT, M6X 12 PLATED	2	2						
25	1	26106-060202	BOLT, M6X 20 PLATED	2	2						

Fig.132. LABEL

(A)=FK657
(B)=FK663
(C)=

(D)=
(E)=
(F)=

No.	Lev.	Parts No.	Description	Q'ty						I	R
				(A)	(B)	(C)	(D)	(E)	(F)		
1	1	1A7690-65630	LABEL, YANMAR	1	1						
2	1	1A7620-65970	LABEL,	1	1						
3	1	1A7620-89530	LABEL,	1	1						
4	1	1A7620-89540	LABEL,	1	1						

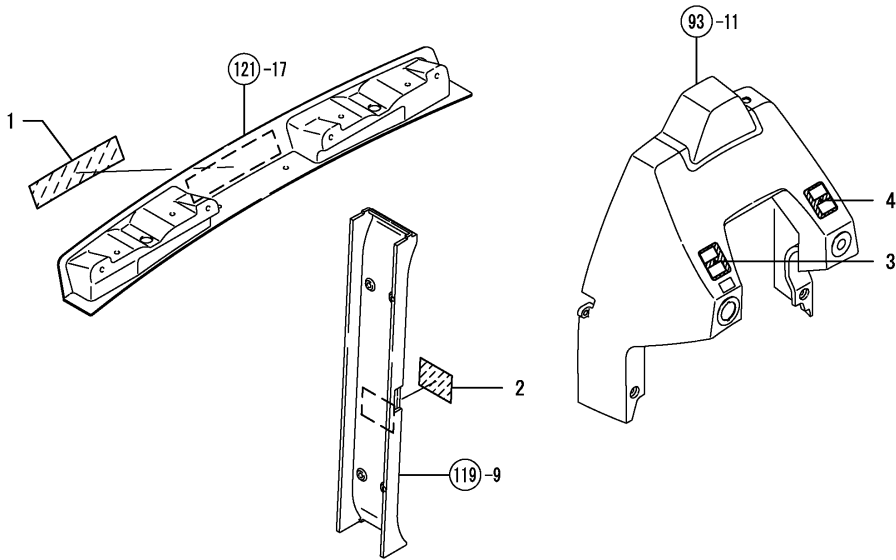
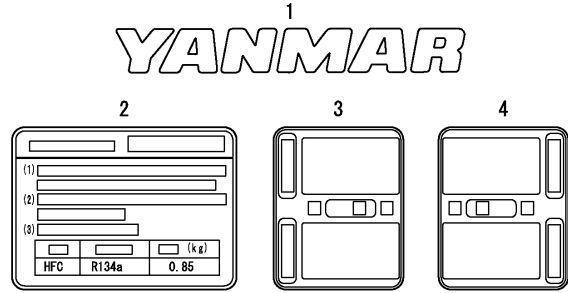
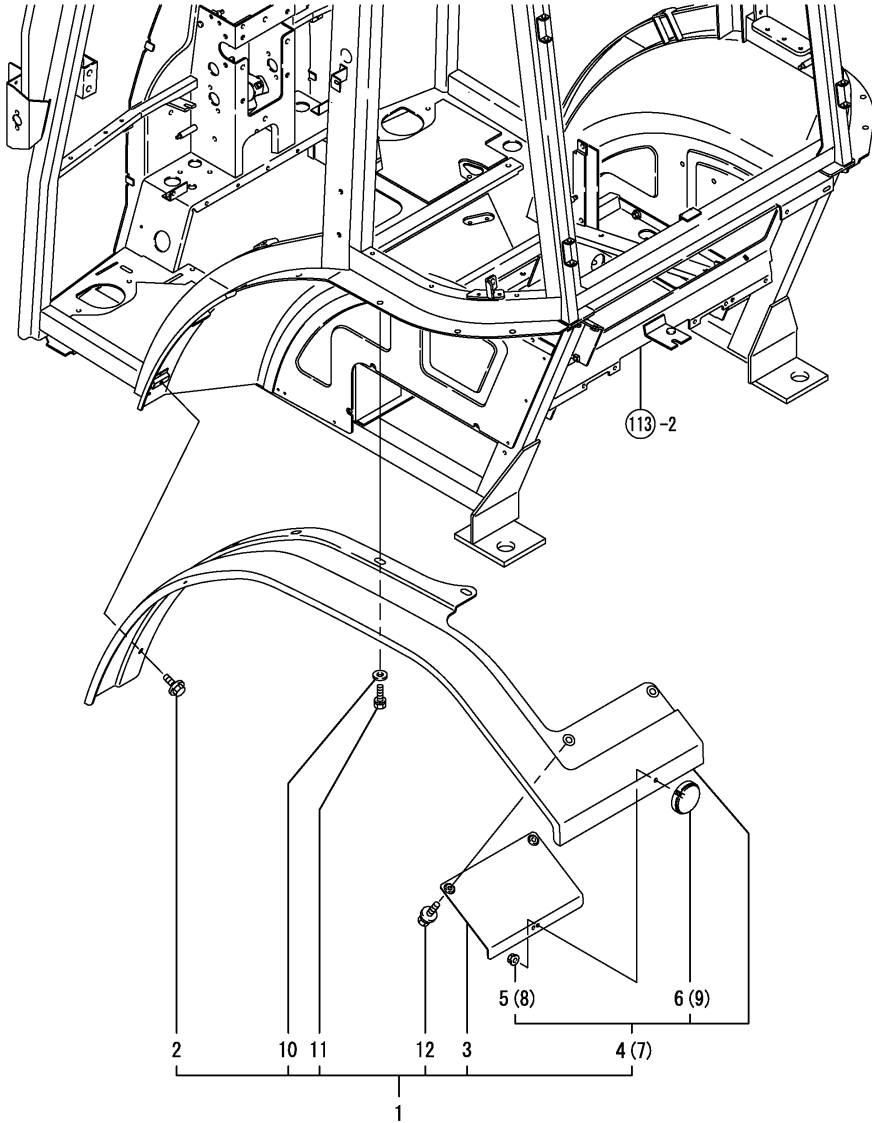


Fig.134. EXTENSION FENDER REAR

(A)=FK657
(B)=FK663
(C)=

(D)=
(E)=
(F)=



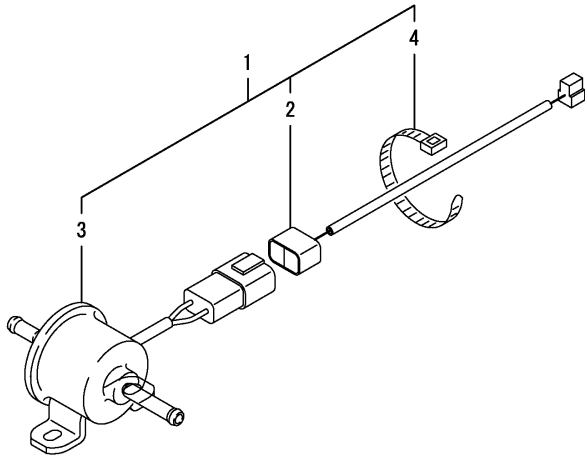
No.	Lev.	Parts No.	Description	Q'ty						I	R
				(A)	(B)	(C)	(D)	(E)	(F)		
1	1	1A7450-62411	FENDER KIT, REAR	1	1						
2	2	194420-05210	BOLT, M6X16	4	4						
3	2	1A7450-62390	PLATE, FENDER	2	2						
4	2	1A7450-62431	FENDER ASSY, REAR L	1	1						
5	3	194990-22120	NUT, M5	1	1						
6	3	1A6481-62650	REFLECTOR	1	1						
7	2	1A7450-62441	FENDER ASSY, REAR R	1	1						
8	3	194990-22120	NUT, M5	1	1						
9	3	1A6481-62650	REFLECTOR	1	1						
10	2	22157-060000	WASHER, 6	8	8						
11	2	26013-060202	BOLT, M6X 20	8	8						
12	2	26018-060202	BOLT, M6X 20	4	4						

Fig.135. REPAIR PARTS(FUEL INJECTION PUMP)

(A)=FK657
(B)=FK663
(C)=

(D)=
(E)=
(F)=

No.	Lev.	Parts No.	Description	Q'ty						I	R
				(A)	(B)	(C)	(D)	(E)	(F)		
1	1	1A7450-51900	PUMP KIT, FUEL FEED	1	1						
2	2	1A7450-51190	CABLE, FUEL PUMP	1	1						
3	2	129612-52100	PUMP ASSY, FUEL FEED	1	1						
4	2	29622-140001	BAND, RF140	1	1						



Parts No. Index

Parts No.	Fig. No.	Ref. No.
101504-55101	6	25
106990-44660	6	20
		21
119005-12571	1	15
119060-61990	3	5
119225-52102	1	35
119255-44660	1	31
119527-44610	1	29 A
119527-44630	1	29 B
119620-51350	33	28
119650-77910	1	44
119802-55710	1	37
119808-12540	1	13
120147-44810	125	4
121267-44590	1	26
121450-44531	1	24
121468-44540	1	27
121470-44540	99	15
121470-44581	1	28
124450-44560	1	25
124550-77030	1	42
124756-77040	1	43
	80	32
124766-59050	1	41
	2	16
		17
	6	26
		27
		28
		29
126650-12680	1	17
129005-12080	1	3
129054-77800	3	6
129054-77811	3	8
129054-77820	3	9
129054-77830	3	10
129062-12560	1	14
129100-55690	1	38
129150-49081	1	33
129457-12530	1	12
129457-44520	1	22
129457-44530	1	21
129461-59580	6	30
129466-44510	1	23
129467-44580	88	3
129550-49101	1	32
129574-91580	87	6
		7
129612-12650	1	16

Parts No.	Fig. No.	Ref. No.
129612-52100	1	46
	135	3
129906-55700	1	36
129956-12040	1	2
129956-12100	1	4
129956-12110	1	5
129956-12120	1	6
129956-12130	1	7
129956-12140	1	8
129956-12150	1	9
129956-12160	1	10
129963-12511	1	11
129963-44500	1	18
129963-44550	1	20
129963-44600	1	29
129963-44640	1	30
129963-49150	1	34
129972-13580	5	9
129972-13590	5	8
129972-44600	1	19
168000-01180	64	2 E-1
168201-01070	32	9
168201-01350	32	20
168201-01600	32	22
168202-01010	32	7
168202-01250	32	11
168202-01440	32	21
168211-01010	31	5
168211-01700	31	11
168227-01020	33	25
168227-01050	33	12
168227-02120	33	26
16826A-02050	108	3
16826A-03100	108	17
16826A-03110	108	18
172010-07810	2	11
	79	1
	81	12
		13
	125	2
172112-41980	47	26
172157-72710	24	21
172187-61421	90	19
172447-72130	24	20
172510-74410	70	19
		39
172510-74440	70	20
		40
172510-74450	70	21
		41

Parts No.	Fig. No.	Ref. No.
172510-74471	70	22
		42
174810-22130	14	9
174810-46270	71	3
174810-46410	71	4
174810-46420	71	5
175022-49700	6	22
175022-49740	6	23
178073-01200	31	6
	32	10
	33	11
	70	3
178073-02220	108	4
178076-00122	32	4
178076-00130	32	5
178076-00300	32	6
178076-01211	31	7
178076-01311	31	8
178076-01411	31	9
178076-01511	31	10
178076-02300	33	13
178076-02400	33	14
178076-02430	33	15
178076-02460	33	62
178076-04110	70	4
178076-04140	70	5
		8
178076-04150	70	6
		9
178076-04210	70	10
178076-04300	70	7
178076-04310	70	30
178076-12400	31	12
178076-23300	108	5
178076-25110	108	6
178076-25300	108	7
178077-00500	64	2 A
178077-15400	64	2 B
178077-15410	64	2 C
185100-50070	3	7
192157-24801	33	24
192157-26460	32	29
192160-34150	17	32
192180-24740	32	28
194065-17470	104	8
194065-34170	60	4
		14
194065-38350	108	1
194065-38380	24	19
194065-45610	33	45

Parts No.	Fig. No.	Ref. No.
194065-45620	33	46
194065-45630	33	47
194065-45640	33	48
194065-45650	33	49
194065-45660	33	50
194065-45670	33	51
194065-45680	33	52
194065-45690	33	53
194065-45710	33	54
194065-45730	33	55
194065-45740	33	56
194065-45750	33	57
194065-52231	83	17
194065-60570	4	12
194065-60580	118	2
194066-28260	36	21
194080-75790	107	9
194130-37730	63	9
		44
194130-37740	49	38
		60
		63
		45
194130-37750	49	39
194130-48650	76	2
194130-61570	113	7
194130-71410	105	1
194145-34390	59	6
194145-51550	82	7
194145-61560	89	31
194145-61570	46	19
194145-61650	92	14
194145-71600	102	5
194145-71700	102	6
194145-73150	105	3
194146-21150	27	5
194150-01270	2	7
		25
		1
		46
		9
194150-21910	8	11
	113	5
194150-22480	49	37
		45
		58
	63	4
		43
194150-24270	27	9
194150-45320	69	1
194150-52160	83	10
194151-04260	7	4
194151-47760	73	6

Parts No. Index

Parts No.	Fig. No.	Ref. No.
194151-57210	118	1
194151-63250	4	13
194167-61650	87	10
	93	6
194170-45370	33	27
194170-51210	79	3
	4	
	81	15
194171-13870	17	19
194180-12470	11	7
	24	1
194180-25550	37	2
194180-32640	55	2
194180-51640	79	12
194180-72950	102	13
194181-14180	60	3
		13
194190-34730	60	10
		20
194197-01160	46	7
194197-56350	120	1
194205-36320	61	6
194205-63550	6	37
	71	30
194235-29440	49	47
194250-11140	8	4
194250-25520	36	10
194250-47490	49	40
		61
194256-34160	60	25
194274-13580	17	1
194275-27750	17	20
194275-45340	108	8
194275-51210	79	5
194279-14220	20	8
	60	21
194300-21460	94	1
194300-25790	42	5
194301-12730	37	1
194305-32650	39	23
194310-24770	31	26
	33	1
	65	1
194310-25530	36	11
194310-47790	73	7
194312-25470	36	9
	40	2
194312-39480	71	16
194312-46750	65	19
194320-24930	49	1

Parts No.	Fig. No.	Ref. No.
194320-25650	36	15
194320-31560	54	5
194321-11940	16	4
194321-13230	13	2
194321-13250	13	4
194321-13270	13	6
194321-13680	17	2
194323-13290	13	7
194327-25660	36	17
194327-26430	36	20
	40	22
194330-62530	57	10
194330-72560	103	5
	104	6
194335-25640	36	14
194335-25650	36	16
194370-26350	45	4
194420-05210	95	1
	134	2
194420-39360	53	26
194420-39370	39	24
	53	27
194420-56620	6	9
194420-61640	92	16 -1
		17 -1
194420-62260	2	19
	78	12
194430-25460	36	8
	39	4
	41	7
	42	2
194430-25810	44	2
194440-25810	42	6
194440-51620	31	33
	80	21
	109	4
	110	2
194440-51630	80	22
		23
194450-11190	27	1
194450-12552	11	3
		9
194450-12561	11	4
		10
194450-12590	11	5
194450-21980	60	22
		23
194450-48830	75	20
194454-25770	36	18
	40	18

Parts No.	Fig. No.	Ref. No.
194454-25870	44	5
194464-33130	56	2
194464-48850	128	17
194465-13240	13	3
194465-13260	13	5
194470-48630	75	17
194470-48640	75	19
194478-34720	60	5
		15
194515-01190	5	3
	92	1
	119	1
	127	1
194515-25530	42	3
194515-25690	42	4
194521-41570	32	30
194550-47110	73	1
194555-25510	53	4
194555-25520	53	5
194555-25550	53	6
194555-25560	40	6
	53	7
194555-25570	53	8
194555-25620	53	11
194555-25760	53	12
194555-25790	40	20
	53	13
194555-25870	35	5
194555-26520	43	7
194555-42280	65	7
194555-46380	65	18
194555-46640	68	13
194555-51210	79	3 -1
		4 -1
194555-56890	96	1
	120	2
194555-61640	93	4
194555-77910	65	20
	70	67
		68
	71	11
194556-27340	46	11
194556-27350	46	12
194556-27360	46	14
194556-27370	46	15
194556-27380	46	16
194556-42220	31	13
194640-25550	36	12
194640-25860	37	15
194640-32650	55	4

Parts No.	Fig. No.	Ref. No.
194640-34140	59	3
194640-42140	65	3
194640-44250	66	11
194640-44260	66	12
194640-44540	66	15
194640-46420	69	5
194640-47931	74	14
194640-47961	74	15
194640-62960	120	8
194640-65730	99	17
194640-72550	103	4
	104	5
194640-73120	105	2
194640-73180	29	29
194641-13210	13	1
194641-13670	16	7
194641-13760	17	8
194641-13780	17	11
194641-13790	17	14
194641-13830	17	30
194641-13840	15	4
	17	31
194680-25820	44	3
194680-25840	44	4
194680-27540	48	6
	50	3
		4
194680-34730	60	6
		16
194680-34850	60	2
		12
194680-34890	60	8
		18
194680-51560	82	8
194680-51670	2	13
	4	21
	79	13
	80	24
		25
		18
	128	18
	129	36
		37
194680-78350	129	39
194681-77141	108	9
194681-77151	108	10
194697-47150	114	1
194697-62560	113	15
194740-00160	46	5
194740-55430	73	11
194800-24620	33	17

Parts No. Index

Parts No.	Fig. No.	Ref. No.
194800-25250	41	2
	44	1
194820-27370	47	25
194850-24630	33	18
194850-26330	36	19
194850-26340	42	14
194850-26370	42	17
194850-31380	43	8
194850-49340	70	11
		31
194850-49380	70	12
		32
194850-49400	70	13
		33
194850-49410	70	14
		34
194850-49440	70	15
		35
194850-49460	70	16
		36
194850-49480	70	17
		37
194850-49490	70	18
		38
194855-24290	10	4
194881-12650	20	7
		7 -1
194940-47341	71	7
194940-61790	46	29
	49	22
	71	29
	92	16
		17
	93	13
	110	3
	113	8
	129	38
194951-14430	53	2
194951-14440	53	3
194990-20170	47	24
194990-22110	109	1
	112	1
		2
194990-22120	6	6
	62	2
	85	1
	123	1
	124	1
	127	2
	134	5

Parts No.	Fig. No.	Ref. No.
194990-22120	134	8
194990-22130	2	12
		39
	3	4
	4	8
	6	7
	51	1
	75	1
	80	2
		3
		51
		52
	85	2
	88	2
	109	2
		25
	117	25 -1
		26 -1
	118	30 -1
	126	1
		2 -1
	129	34
		35
	131	1
194990-22140	4	9
	5	14
	47	43
	51	2
	63	1
	64	1
	80	4
	82	1
	89	2
		3
	97	1
		2
	109	26
	113	1
	117	1
	125	3
	126	2
	128	15
194990-22150	25	12
195184-15360	103	1
	104	1
195188-11210	14	2
		5
195397-27810	102	2
195747-22360	98	1
197820-84740	117	18

Parts No.	Fig. No.	Ref. No.
197820-84740	117	19
	118	22
197820-84750	117	20
		21
	118	23
197821-85430	124	2
197830-85490	79	20
198010-85810	6	38
	80	37
	113	27
	119	19
		20
198071-01340	4	5
198071-01390	4	6
198071-04331	6	15
198071-04490	7	12
	80	1
198071-13780	17	12
198071-15612	21	5
198071-15720	23	2
198071-15740	23	3
198071-17150	24	2
198071-17330	24	15
198071-17481	24	18
198071-18401	47	16
198071-18520	47	17
		18
198071-18530	47	19
		20
198071-21140	27	4
198071-24340	29	22
	30	1
198071-25590	40	9
	53	9
198071-25610	36	13
	53	10
198071-27470	50	2
198071-37510	62	13
198071-37781	63	36
198071-37791	63	37
198071-37820	63	38
198071-47840	73	10
198071-53610	85	9
198071-53660	85	11
		16
198071-53670	85	12
198071-53710	85	18
198071-53770	85	19
198071-56290	4	11
198071-57110	88	7

Parts No.	Fig. No.	Ref. No.
198071-58810	114	58
		61
	121	1
198071-61890	86	17
		18
	92	18
		19
	93	14
	94	3
	113	9
	119	2
	121	2
	131	3
198071-62791	113	20
198071-62890	96	10
198071-65610	46	31
	92	23
		24
198071-78420	90	22
		23
	92	25
		26
		27
	110	20
198071-78790	109	13
198071-85440	123	2
		3
198072-18320	47	28
	102	1
198072-25520	53	5 -1
198072-27650	32	44
	50	5
198072-52180	83	13
198072-60590	92	4
198075-18311	47	5
198084-71110	102	3
198091-25570	40	7
198091-25640	40	13
198091-47790	74	12
198092-71530	102	4
198092-71720	102	12
198092-71750	102	7
198093-61560	131	2
198093-82510	114	36
		37
	121	6
		6 -1
198093-84810	75	23
	80	35
		36

Parts No. Index

Parts No.	Fig. No.	Ref. No.
198093-84810	113	30
	129	41
		42
198093-85650	88	8
	113	26
	121	20
		21
		22
198093-86180	79	21
	124	3
198094-62720	96	3
198094-62750	96	4
198094-62770	96	5
198094-62790	96	6
198094-78690	112	5
198094-82540	118	3
198094-82550	117	2
	118	4
		5
		6
198094-83640	118	14
198094-84710	119	15
198094-85570	121	16
198094-86060	125	20
	126	3
198094-86410	124	4
198094-86560	125	21
198094-86580	126	18
198118-25550	40	5
198119-25510	40	3
198119-25520	40	4
198119-25620	40	11
198119-27150	48	1
	50	1
198121-48870	70	66
	71	10
198121-55510	83	22
	110	11
198121-77280	108	11
198121-77330	108	12
198121-78980	63	23
198127-83150	121	7
198129-78710	51	6
	128	21
198129-78720	109	9
	128	22
198133-02120	2	8
	78	1
198133-11132	8	7
198133-11500	9	1

Parts No.	Fig. No.	Ref. No.
198133-13760	17	9
198133-13780	17	13
198133-13790	17	15
198133-13810	12	3
198133-17210	11	8
	24	7
198133-17260	24	12
198133-17310	24	14
198133-17550	25	11
198133-22510	62	6
198133-22530	62	7
198133-25860	37	16
198133-27781	47	8
198133-27820	47	9
198133-34130	60	24
198133-34190	60	26
198133-52170	2	14
		15
	84	2
	128	19
198133-64400	122	2
198133-72670	104	14
198133-75750	107	8
198141-11111	8	6
198141-13600	16	2
198141-19100	84	1
198149-25700	37	7
198149-25780	37	8
198149-25880	37	17
198149-25890	37	9
198149-33410	58	1
198149-33420	58	2
198151-61080	90	7
198153-04290	6	5
198153-04670	7	16
198153-13521	15	2
198153-22250	49	44
198153-51020	79	15
198153-51040	79	16
198153-51510	82	2
198153-51540	82	6
198153-51700	80	7
198153-51810	83	2
198153-52150	79	14
198153-52400	95	7
198153-53410	86	16
198153-65351	99	2
198153-77381	108	21
198153-83710	117	14
	118	16

Parts No.	Fig. No.	Ref. No.
198153-83720	117	15
	118	17
198153-83730	117	16
	118	18
198153-83870	120	10
198153-86920	120	15
198200-18350	52	2
198200-34130	20	9
198200-34190	20	10
198200-48810	128	16
198200-78710	109	31
198200-78730	109	32
198208-11310	18	8 -2
198208-87410	129	10
198208-87980	129	21
198212-24140	29	12
198212-24281	32	1
198212-24750	34	3
198212-24910	33	2
198212-25150	39	3
198212-25680	37	6
198212-25690	39	5
198212-25720	34	6
198212-25770	39	8
198212-25790	39	9
198212-25810	39	11
198212-25820	39	12
198212-25830	39	13
198212-25840	39	14
198212-25850	39	15
198212-25860	39	16
198212-25870	39	17
198212-25880	39	18
198212-25890	39	19
198212-26240	42	9
198212-26260	42	11
198212-26290	42	13
198212-26380	42	18
198212-26440	42	19
198212-26580	42	20
198212-26590	42	21
198212-27350	29	7
198212-27521	48	5
198212-33150	56	4
198213-24370	32	23
198213-24390	32	24
198213-24400	32	25
198213-24420	32	26
198213-24441	32	27
198213-24700	33	19

Parts No.	Fig. No.	Ref. No.
198213-24710	33	20
198213-24720	33	21
198213-24740	33	22
198213-24750	33	23
198217-27570	48	7
198217-33650	58	12 -2
198220-11520	8	8
198220-11530	8	9
198220-22520	28	4
198220-25130	39	2
198220-25810	43	1
198220-25830	37	12
198220-25840	37	13
198220-37900	57	8
		14
	63	39
		40
		41
198220-46400	69	3
198220-46500	70	1
198220-48750	26	2
198220-51140	81	1
198220-51860	6	24
198220-51870	26	7
	80	26
198220-52180	80	27
198220-61340	89	26
198220-61351	89	27
		28
		29
	128	20
198220-61800	90	21
198220-62220	104	3
198220-63340	122	1
198220-63850	46	30
	49	23
	71	31
	110	4
	113	24
	127	3
198220-85290	96	13
198223-52150	83	6
		8
198230-61560	7	22
	21	19
	80	30
		31
198230-61960	89	32
198240-04710	31	1
198240-11540	9	3

Parts No. Index

Parts No.	Fig. No.	Ref. No.
198240-11550	9	4
198240-24120	29	3
198240-24530	29	6
198240-32640	55	3
198240-36310	61	2
198240-36320	61	3
198240-36351	61	4
198240-36380	61	7
198240-36520	61	5
198240-36700	61	11
198240-36710	61	12
198240-36720	61	13
198240-56630	6	10
198245-51210	79	6
		7
198248-87651	131	19
198250-32310	54	17
198251-11220	16	3
198251-13510	15	1
198251-13520	15	3
198251-13670	12	2
198251-13810	17	28
198251-13820	17	29
198255-24460	29	23
198255-82650	115	6
	117	3
	118	7
198255-82660	117	4
	118	8
198255-82690	114	48
198255-82700	114	49
198255-82850	117	5
198255-83510	121	9
		10
198255-83550	7	24
		25
	114	64
	121	11
		12
198266-24330	33	16
198268-34850	60	7
		17
198268-42922	6	36
198268-51220	79	8
198268-51290	81	17
198268-61470	91	23
198268-62760	113	18
198268-63120	98	2
198268-82270	114	22
		23

Parts No.	Fig. No.	Ref. No.
198273-01230	52	1
198273-27860	52	6
198273-27890	52	8
198290-37510	21	17
	28	13
	57	7
	63	2
198290-78550	73	12
198291-77870	6	31
	79	18
		19
	80	33
198320-31530	54	3
198320-31550	54	4
198320-31570	54	6
198320-31630	54	7
198320-31820	54	8
198320-32110	54	9
198320-32660	55	5
198320-33550	58	4
198320-33560	58	5
198320-33610	58	8
198320-36200	61	1
198320-36790	61	14
198321-32612	55	1
198327-04840	31	2
198327-51530	82	5
198360-03260	2	9
	7	1
	125	1
198360-03270	2	10
	7	2
198360-22550	39	1
	40	1
198360-53630	85	7
198360-78571	112	4
198361-48750	70	65
198390-25790	45	1
	54	1
198401-13720	17	6
198401-13750	17	7
198401-13770	17	10
198401-13790	17	16
198401-13850	17	18
198401-14110	18	1
198401-14120	18	2
198401-14150	18	4
198415-25840	37	14
198440-11080	8	3
198440-11090	8	2

Parts No.	Fig. No.	Ref. No.
198440-34130	59	2
198448-01110	46	6
198448-01172	46	8
198448-01390	3	1
198448-04211	6	11
198448-04250	6	12
198448-04270	6	13
198448-04280	6	14
	71	1
198448-04340	6	3
198448-04370	7	7
198448-04380	7	8
198448-04480	7	11
198448-04490	6	16
198448-04503	7	13
198448-04650	7	15
198448-04710	6	17
198448-04720	7	17
198448-04730	7	18
198448-04750	7	19
198448-04810	3	2
198448-04840	3	3
198448-04930	6	18
198448-11900	10	2
198448-12310	11	1
198448-12320	11	2
198448-13301	14	1
198448-13380	14	6
198448-13410	14	7
198448-13420	14	3
198448-13450	16	1
198448-13690	17	3
198448-13710	17	4
198448-13720	17	5
198448-14590	19	1
198448-14640	19	3
198448-14670	19	4
198448-14711	19	5
198448-14750	19	6
198448-15280	21	9
198448-15370	21	12
198448-15380	21	13
198448-15450	21	14
198448-15581	22	4
198448-15590	22	5
198448-15650	21	15
198448-15690	22	10
198448-15700	23	1
198448-15750	21	16
198448-17101	25	2

Parts No.	Fig. No.	Ref. No.
198448-17102	25	2 -1
198448-17103	25	2 -2
198448-17112	25	3
198448-17113	25	3 -1
198448-17114	25	3 -2
198448-17190	25	4
198448-18100	47	1
198448-18110	47	2
198448-18150	47	12
198448-18170	47	13
198448-18200	47	3
198448-18220	47	4
198448-18250	47	14
198448-18310	47	22
198448-18320	47	23
198448-18350	47	29
198448-18360	47	30
198448-18400	47	31
198448-18440	47	33
198448-18460	47	21
198448-18490	47	41
198448-18500	47	40
198448-18540	47	6
198448-18580	47	42
198448-21061	27	2
198448-21280	27	6
198448-21320	27	7
198448-22150	27	18
198448-22190	27	19
198448-22301	28	1
198448-22350	28	3
198448-22360	29	1
198448-22400	62	3
198448-22470	62	5
198448-22510	28	10
198448-22520	28	11
198448-22550	28	5
198448-22610	28	12
198448-24290	29	17
198448-24320	29	20
198448-24340	31	3
198448-24350	30	2
198448-24420	32	2
198448-24451	31	19
198448-24470	31	20
198448-24481	31	23
198448-24521	31	21
198448-24731	34	1
198448-24740	34	2
198448-24761	34	4

Parts No. Index

Parts No.	Fig. No.	Ref. No.
198448-24771	34	5
198448-25130	35	1
198448-25190	41	1
198448-25200	36	1
198448-25220	36	3
198448-25230	36	4
198448-25240	36	5
198448-25250	35	2
198448-25260	35	3
198448-25270	35	4
198448-25280	36	6
198448-25290	36	7
198448-25330	41	3
198448-25340	41	4
198448-25350	41	5
198448-25360	41	6
198448-25440	41	9
198448-25550	41	11
198448-25580	40	8
198448-25590	40	10
198448-25630	40	12
198448-25640	37	4
198448-25650	40	15
198448-25661	37	5
198448-25731	39	6
198448-25760	37	10
198448-25782	37	11
198448-25791	40	21
198448-25801	39	10
198448-25850	34	7
198448-25891	37	18
198448-25900	39	20
198448-25910	39	21
198448-26080	35	6
198448-26090	43	2
198448-26120	43	4
198448-26130	43	5
198448-26140	44	7
198448-26150	44	9
198448-26160	45	6
198448-26170	45	2
198448-26190	35	7
198448-26220	42	8
198448-26310	45	3
198448-26340	44	10
198448-26510	44	11
198448-26520	44	12
198448-26530	44	13
198448-27120	46	2
198448-27130	46	3

Parts No.	Fig. No.	Ref. No.
198448-27160	49	29
198448-27310	46	10
198448-27400	46	17
198448-27420	46	18
198448-27470	48	2
198448-27491	48	4
198448-27500	49	30
198448-27550	49	8
198448-27590	48	8
198448-27640	49	17
198448-27710	48	9
198448-27760	49	42
198448-27770	49	43
198448-27780	49	46
198448-28100	53	14
198448-28220	53	16
198448-28230	53	17
198448-28250	53	19
198448-28310	53	20
198448-28320	53	21
198448-28330	53	22
198448-28340	53	23
198448-28361	53	24
198448-28370	53	25
198448-28430	31	27
198448-28452	31	28
198448-28472	31	29
198448-31400	54	2
198448-33120	56	1
198448-33220	57	1
198448-33310	57	2
198448-33340	57	4
198448-33380	57	5
198448-33390	57	6
198448-34110	59	1
198448-34211	78	2
198448-36690	61	8
198448-36730	61	9
198448-36740	61	10
198448-37201	62	1
198448-37250	62	8
198448-37301	62	10
198448-37360	62	4
		9
		12
198448-37370	63	31
198448-37400	62	11
198448-37450	63	5
198448-37530	63	6
198448-37551	62	14

Parts No.	Fig. No.	Ref. No.
198448-37600	63	7
198448-37610	63	3
198448-37620	63	8
198448-38311	63	42
198448-38340	63	46
198448-38400	63	13
198448-38510	63	16
198448-38590	63	18
198448-38640	63	19
198448-38690	63	21
198448-43300	65	12
198448-43331	65	13
198448-43340	65	14
198448-44510	66	14
198448-45150	67	2
198448-46350	71	18
198448-46410	71	19
198448-46450	71	20
198448-46490	71	21
198448-46500	71	22
198448-46581	68	11
198448-46610	68	12
198448-46630	68	3
198448-46660	68	4
198448-46701	70	2
198448-46750	70	52
198448-46760	70	53
198448-46800	70	54
198448-46850	71	23
198448-46940	71	28
198448-46960	71	6
198448-46970	70	56
198448-46980	70	57
198448-47160	74	4
198448-47190	74	6
198448-47510	72	2
198448-47850	74	13
198448-48111	75	2
198448-48140	75	3
198448-48340	75	9
198448-48410	70	59
198448-48430	70	60
198448-48450	70	61
198448-48470	70	62
198448-48521	75	14
198448-48530	75	15
198448-48570	75	16
198448-48610	70	64
198448-48620	25	13
198448-48630	25	14

Parts No.	Fig. No.	Ref. No.
198448-48941	78	6
198448-48980	77	3
198448-48990	80	5
198448-49110	76	3
198448-51450	80	14
198448-51460	78	10
	80	15
		16
		17
		18
		19
	108	22
198448-51510	82	3
198448-52110	83	5
198448-52130	83	29
198448-52210	83	30
198448-52250	83	33
198448-52260	110	7
198448-52280	110	8
198448-52310	80	28
198448-53320	86	3
		14
198448-56050	87	8
198448-56051	87	8 -1
198448-56150	87	3
198448-56600	6	8
198448-60080	113	6
198448-60671	91	25
198448-60680	91	2
198448-60690	91	15
198448-60700	91	16
198448-60710	91	3
		17
198448-60730	91	4
198448-60750	91	5
198448-60760	91	6
198448-61660	93	8
198448-62520	119	5
198448-62600	96	2
198448-65010	92	3
198448-65590	92	22
198448-65660	99	9
198448-72730	104	19
198448-74100	105	36
198448-74200	105	37
198448-75111	107	2
198448-75130	107	3
198448-75250	107	4
198448-75320	107	5
198448-75440	107	7

Parts No. Index

Parts No.	Fig. No.	Ref. No.
198448-78560	83	23
	109	7
	112	3
198450-33540	58	3
198450-33570	58	6
198450-33590	58	7
198450-33610	58	9
198450-34150	59	4
198450-51510	82	4
198451-28750	39	22
	40	23
	42	22
198451-34940	60	9
		19
198460-46110	71	2
		17
198460-83350	7	23
	95	14
		15
	96	12
		18 -1
	113	25
	117	6
		7
	118	9
		10
		11
	121	8
198461-52950	80	29
		54
		55
	81	10
		19
198461-60590	87	9
	93	2
	94	2
198461-78510	104	26
198463-03140	5	6
198463-05551	8	1
198463-13100	12	1
198463-14610	19	2
198463-17911	26	6
198463-24940	32	12
198463-24950	32	13
198463-24960	32	14
198463-25750	40	16
198463-25760	40	17
198463-25770	40	19
198463-34700	60	1
198463-34800	60	11

Parts No.	Fig. No.	Ref. No.
198463-61630	93	3
198463-61640	93	5
198463-61650	93	7
198463-62030	95	2
198463-62040	95	3
198463-62170	113	10
198463-62320	94	8
198463-62330	94	9
198463-62341	94	10
198463-62350	94	11
198463-62430	95	12
198463-62431	95	12 -1
198463-62440	95	13
198463-62441	95	13 -1
198463-62460	113	13
198463-62470	113	14
198463-62660	113	17
198463-62960	113	22
198463-62970	113	23
198463-63360	97	10
198463-65610	121	3
198463-65620	121	4
198463-80610	96	11
198463-82230	121	5
198463-82350	114	24
198463-82550	114	39
198463-82632	115	4
198463-82640	115	5
198463-83110	116	1
198463-83150	116	2
198463-83160	116	3
198463-83230	116	4
198463-83250	116	5
198463-83411	117	8
198463-83421	117	9
198463-83432	117	10
198463-83451	117	11
198463-83540	117	12
198463-83571	117	13
198463-83610	118	12
198463-83740	118	19
198463-83760	117	17
198463-83780	118	20
198463-83790	118	21
198463-84150	119	8
198463-84250	119	11
198463-84320	119	13
198463-84330	119	14
198463-84750	118	24
198463-84760	119	18

Parts No.	Fig. No.	Ref. No.
198463-85610	120	13
	129	43
198463-85740	120	14
198463-85870	121	23
198463-86440	124	5
198463-86651	80	38
198463-86771	127	5
198463-86820	127	7
198463-86850	119	21
198463-87630	129	49
198475-37770	62	15
198475-37780	62	16
198475-42250	65	6
198475-65030	92	20
		21
198492-62780	113	19
198492-82590	114	42
198492-84720	119	17
198535-04050	7	3
198535-11890	10	1
198535-11920	10	3
198535-13790	17	17
198535-14130	18	3
198535-15301	21	10
198535-17270	24	3
198535-17401	24	16
198535-24120	29	11
198535-24230	29	16
198535-24290	29	18
198535-24310	29	19
198535-24330	29	21
198535-26100	44	6
198535-26110	43	3
198535-26210	43	6
198535-26320	44	8
198535-26580	44	14
198535-26591	44	15
198535-26830	44	16
198535-27460	49	12
198535-27590	49	13
198535-27600	49	14
198535-27700	49	18
198535-27740	49	36
198535-27770	49	57
198535-27780	49	59
198535-27890	50	8
198535-27920	50	9
198535-27930	44	17
198535-27941	44	18
198535-27950	50	11

Parts No.	Fig. No.	Ref. No.
198535-27990	50	12
198535-32660	55	6
198535-34360	59	5
198535-45600	33	44
198535-48410	75	12
198535-48430	71	8
198535-48630	75	18
198535-52110	81	3
198535-52120	81	4
198535-52130	81	5
198535-52140	81	6
198535-52410	81	8
198535-54500	85	26
198535-60330	89	9
198535-60640	91	1
198535-61260	90	17
198535-62850	96	8
198535-62860	96	9
198535-75140	106	1
198535-75700	107	1
198535-78420	110	13
198535-78430	110	14
198535-78440	110	15
198535-78450	110	16
198535-78460	110	17
198535-78470	110	18
198535-83650	118	15
198535-86300	126	4
198535-86340	126	4 C
198535-86450	126	4 A
198535-86470	126	4 B
198550-60650	91	13
198550-61410	90	18
198550-61420	90	20
198550-86410	126	15
198550-86420	126	16
198550-86430	126	17
198550-86540	125	6
198550-86570	125	8
198550-86590	125	7
198550-86610	125	9
198550-86640	125	10
198550-86680	125	14
1A1040-41610	93	1
1A6380-56050	87	8 -2
1A6381-52520	95	10
1A6481-62650	134	6
		9
1A7000-51430	79	10
1A7000-51440	79	11

Parts No. Index

Parts No.	Fig. No.	Ref. No.
1A7000-52820	80	8
1A7000-57210	88	4
1A7020-54510	85	27
1A7020-54540	85	28
1A7020-54560	85	29
1A7030-80940	129	40
1A7030-84141	119	7
1A7030-86870	119	22
1A7030-86980	129	3
1A7030-87040	129	4
1A7030-87120	128	3
1A7030-87151	129	5
1A7030-87190	129	7
1A7030-87211	130	2
1A7030-87220	130	3
1A7030-87230	130	4
1A7030-87240	130	11
1A7030-87251	130	12
1A7030-87260	131	4
1A7030-87270	130	13
1A7030-87280	130	14
1A7030-87290	130	15
1A7030-87300	130	16
1A7030-87310	130	17
1A7030-87330	130	18
1A7030-87340	130	19
1A7030-87350	130	20
1A7030-87360	130	21
1A7030-87411	131	6
1A7030-87590	131	14
1A7030-87720	129	51
1A7030-87730	129	52
1A7030-87790	129	8
	11	
1A7030-87810	129	12
1A7030-87820	129	53
1A7030-87850	129	13
1A7030-87911	128	48
1A7030-87970	129	20
1A7030-87990	129	22
1A7030-88050	128	31
1A7030-88060	129	23
1A7030-88070	130	22
1A7030-88090	130	24
1A7030-88100	130	25
1A7030-88110	130	26
1A7030-88120	130	27
1A7030-88130	130	28
1A7030-88140	130	29
1A7030-88150	130	30

Parts No.	Fig. No.	Ref. No.
1A7030-88160	130	31
1A7030-88170	130	32
1A7030-88180	130	5
1A7030-88190	130	6
1A7030-88200	130	7
1A7030-88210	129	9
1A7030-88230	130	8
1A7030-88250	130	33
1A7030-88660	128	12
1A7030-88680	129	54
1A7030-88710	128	13
	129	32
1A7030-88760	128	9
	129	19
1A7030-88820	128	7
	130	9
1A7030-88840	128	5
	129	17
	130	10
1A7030-89860	128	51
1A7030-89870	128	52
1A7030-89930	128	54
1A7030-89940	128	55
1A7030-89950	128	56
1A7030-89960	128	57
1A7030-89970	128	58
1A7030-89980	128	59
1A7260-24990	32	15
1A7260-42310	65	8
1A7260-43850	104	9
1A7260-43860	104	10
1A7260-43910	104	11
1A7260-43920	104	12
1A7260-45100	67	1
1A7260-52190	84	3
1A7260-53350	86	15
1A7260-78150	109	5
1A7260-78700	109	8
1A7270-83640	118	13
1A7320-61140	125	19
1A7320-64510	122	3
1A7320-82150	115	1
1A7320-82380	114	9
	16	
1A7320-82460	114	10
	18	
1A7320-82750	114	52
1A7320-82760	114	54
1A7320-82770	114	56
1A7320-85810	122	4

Parts No.	Fig. No.	Ref. No.
1A7320-86640	125	13
1A7320-86650	125	12
1A7320-87922	128	49
1A7320-87990	128	50
1A7320-89892	128	53
1A7320-89902	128	47
1A7340-52290	83	18
1A7350-25600	37	3
1A7350-26360	42	15
1A7350-33140	56	3
1A7450-01340	4	4
1A7450-01410	4	7
1A7450-03110	5	1
1A7450-03130	5	5
1A7450-03131	5	5 -1
1A7450-03170	5	7
1A7450-04400	6	4
1A7450-24170	29	4
1A7450-24180	29	5
1A7450-24190	29	15
1A7450-26190	42	7
1A7450-27850	52	5
1A7450-28100	53	14 -1
1A7450-28240	53	18
1A7450-47970	74	3
		8
1A7450-51190	135	2
1A7450-51200	79	2
1A7450-51900	135	1
1A7450-52110	83	3
1A7450-52130	83	4
1A7450-52180	81	7
1A7450-52210	83	14
1A7450-52230	83	15
1A7450-52310	110	9
1A7450-52330	110	10
1A7450-52450	83	20
1A7450-52510	51	5
1A7450-52580	83	21
1A7450-53200	86	1
1A7450-53230	86	2
		13
1A7450-53252	86	4
1A7450-53262	86	7
1A7450-53290	86	10
	90	1
		2
1A7450-53300	86	12
1A7450-53370	86	5
		8

Parts No.	Fig. No.	Ref. No.
1A7450-53380	86	6
		9
1A7450-56170	87	4
1A7450-56180	87	5
1A7450-60720	89	20
1A7450-61150	90	8
1A7450-61160	90	9
1A7450-61670	93	9
1A7450-61790	93	12
1A7450-62211	95	8
1A7450-62221	95	9
1A7450-62231	95	11
1A7450-62320	94	7
	119	3
		4
1A7450-62390	134	3
1A7450-62411	134	1
1A7450-62431	134	4
1A7450-62441	134	7
1A7450-65580	100	2
1A7450-65590	100	3
1A7470-51210	81	14
1A7470-51211	81	14 -1
1A7470-51212	81	14 -2
1A7470-51213	81	14 -3
1A7470-51280	81	16
1A7470-51380	81	18
1A7470-62030	95	2 -1
1A7470-62040	95	18
1A7470-62052	95	4
1A7470-62053	95	4 -1
1A7470-62054	95	4 -2
1A7470-62062	95	5
1A7470-62063	95	5 -1
1A7470-62064	95	5 -2
1A7470-81190	113	3
1A7470-82070	114	2
1A7470-82100	114	3
1A7470-82110	114	4
1A7470-82200	114	5
1A7470-82250	114	7
1A7470-82260	114	15
1A7470-82270	114	6
1A7470-82280	114	14
1A7470-82370	114	8
1A7470-82380	114	17
1A7470-82400	114	25
1A7470-82410	114	26
1A7470-82420	114	27
1A7470-82440	114	31

Parts No. Index

Parts No.	Fig. No.	Ref. No.
1A7470-82450	114	32
1A7470-82470	114	33
1A7470-82480	114	34
1A7470-82510	114	35
1A7470-82520	114	38
1A7470-82560	114	40
1A7470-82570	114	41
1A7470-82580	114	28
1A7470-82610	115	2
1A7470-82620	115	3
1A7470-82640	114	43
1A7470-82650	114	44
1A7470-82660	114	45
1A7470-82670	114	46
1A7470-82680	114	47
1A7470-82720	114	50
1A7470-82730	114	51
1A7470-82750	114	53
1A7470-82760	114	55
1A7470-82800	114	57
1A7470-82810	114	59
1A7470-82820	114	62
1A7470-82880	114	29
1A7470-82890	114	30
1A7470-82900	114	60
1A7470-82950	114	63
1A7470-84100	119	6
1A7470-84220	119	10
1A7470-84770	120	11
1A7470-84780	120	12
1A7470-85500	121	15
1A7470-85620	121	17
1A7470-85630	121	18
1A7470-85640	121	19
1A7470-86080	125	5
1A7470-86250	123	4
1A7470-86270	123	5
		7
1A7470-86350	123	6
1A7470-86510	127	4
1A7470-86750	123	8
1A7470-86770	123	9
1A7470-87190	128	29
1A7470-87200	129	33
	130	1
1A7470-87220	129	44
1A7470-87230	129	45
1A7470-87320	131	5
1A7470-87350	129	46
1A7470-87360	129	47

Parts No.	Fig. No.	Ref. No.
1A7470-87420	131	7
1A7470-87430	131	8
1A7470-87440	131	9
1A7470-87450	131	10
1A7470-87460	121	24
1A7470-87500	131	11
1A7470-87511	131	12
1A7470-87561	131	13
1A7470-87600	129	48
1A7470-87660	131	15
1A7470-87680	131	20
1A7470-87690	131	21
1A7470-87710	131	22
1A7470-87770	121	25
1A7470-87810	121	26
1A7470-87830	121	27
1A7470-87860	131	16
1A7470-87910	129	14
1A7470-87920	129	15
1A7470-88080	130	23
1A7470-88280	130	34
1A7470-88410	129	24
1A7470-88420	129	25
1A7470-88430	129	26
1A7470-88440	129	27
1A7470-88450	129	28
1A7470-88640	129	30
1A7470-88950	129	55
1A7471-87920	128	49 -1
1A7471-89900	128	47 -1
1A7600-21110	27	3
1A7600-24100	29	2
1A7600-24400	31	4
1A7600-24500	32	3
1A7600-25550	41	8
1A7600-25560	41	10
1A7600-25610	38	1
1A7600-25650	40	14
1A7600-25850	51	8
1A7600-25950	51	3
1A7600-25980	51	4
1A7600-27010	49	2
1A7600-27020	49	3
1A7600-27080	49	11
1A7600-27110	46	1
1A7600-27150	49	28
1A7600-27300	46	4
1A7600-27310	52	3
1A7600-27360	46	13
1A7600-27481	48	3

Parts No.	Fig. No.	Ref. No.
1A7600-27600	49	32
1A7600-27720	49	35
1A7600-27730	49	20
1A7600-27790	50	6
1A7600-27850	50	7
1A7600-37460	63	32
1A7600-37470	63	34
1A7600-38410	63	14
1A7600-38440	63	15
1A7600-38530	63	17
1A7600-47300	73	2
1A7600-47310	73	3
1A7600-47390	73	4
1A7600-48260	75	5
1A7600-48280	75	6
1A7600-48580	31	30
1A7600-48610	31	31
1A7600-48650	31	32
1A7600-48820	78	3
1A7600-49100	78	9
1A7600-51190	80	10
1A7600-51261	110	6
1A7600-51270	110	1
1A7600-52220	83	16
		32
1A7600-52221	83	16 -1
		32 -1
1A7600-52222	83	16 -2
		32 -2
1A7600-52223	83	16 -3
		32 -3
1A7600-52300	83	19
1A7600-53242	92	2
1A7600-53290	86	11
1A7600-58310	89	6
1A7600-60300	89	8
1A7600-60610	91	10
1A7600-60621	91	11
1A7600-60690	91	14
1A7600-60830	78	11
1A7600-61120	92	5
1A7600-61190	90	10
1A7600-61200	90	11
1A7600-61220	90	12
1A7600-61230	90	13
1A7600-61250	90	15
1A7600-61280	89	25
1A7600-61310	92	6
1A7600-61330	92	7
1A7600-61380	89	30

Parts No.	Fig. No.	Ref. No.
1A7600-61510	92	11
1A7600-61610	92	12
1A7600-61620	92	13
1A7600-63150	97	4
1A7600-63160	97	5
1A7600-63190	97	8
1A7600-63210	97	9
1A7600-78350	111	1
1A7600-78880	109	11
1A7601-13300	14	1 -1
1A7601-17190	25	4 -1
1A7601-32310	54	17 -1
1A7601-36200	61	1 -1
1A7601-36310	61	2 -1
1A7601-36320	61	3 -1
1A7601-36350	61	4 -1
1A7601-51080	109	27
1A7601-78200	109	29
1A7601-78250	109	30
1A7611-85810	122	4 -1
1A7620-01050	2	1
1A7620-04010	7	5
1A7620-11100	8	5
1A7620-14750	20	1
1A7620-14770	20	2
		5
1A7620-14780	20	3
		6
1A7620-14850	20	4
1A7620-26850	45	9
1A7620-26900	45	11
1A7620-27820	52	4
1A7620-47450	52	9
1A7620-56010	87	1
1A7620-56110	87	2
1A7620-60010	89	7
1A7620-61020	90	5
1A7620-61030	90	6
1A7620-61780	93	11
1A7620-64750	100	1
1A7620-64760	100	4
1A7620-64770	99	1
1A7620-64860	100	10
1A7620-65310	101	1
1A7620-65350	101	5
1A7620-65360	101	2
1A7620-65440	99	16
1A7620-65480	99	3
1A7620-65490	101	13
1A7620-65500	101	15

Parts No. Index

Parts No.	Fig. No.	Ref. No.
1A7620-65510	99	4
1A7620-65520	99	5
1A7620-65530	101	14
1A7620-65550	99	6
1A7620-65560	99	7
1A7620-65620	100	11
1A7620-65650	99	8
1A7620-65670	100	6
1A7620-65680	100	5
1A7620-65690	100	9
1A7620-65700	101	3
1A7620-65710	101	6
1A7620-65720	99	10
1A7620-65730	101	7
1A7620-65750	99	11
1A7620-65760	99	12
1A7620-65780	99	18
1A7620-65790	99	19
1A7620-65850	99	13
1A7620-65910	101	8
1A7620-65920	101	12
1A7620-65930	99	14
1A7620-65940	100	12
1A7620-65941	100	12 -1
1A7620-65950	99	21
1A7620-65970	132	2
1A7620-65990	99	22
1A7620-73500	105	5
1A7620-73550	105	21
1A7620-73600	105	4
1A7620-73601	105	4 -1
1A7620-73650	105	20
1A7620-73651	105	20 -1
1A7620-74710	105	6
		22
1A7620-74711	105	6 -1
		22 -1
1A7620-74720	105	7
		23
1A7620-74721	105	6 B
		22 B
1A7620-74730	105	8
		24
1A7620-74731	105	6 C
		22 C
1A7620-74740	105	9
		25
1A7620-74741	105	6 D
		22 D
1A7620-74750	105	6 A

Parts No.	Fig. No.	Ref. No.
1A7620-74750	105	22 A
1A7620-74760	105	6 E
		10
		22 E
		26
1A7620-74770	105	11
		27
1A7620-74771	105	6 F
		22 F
1A7620-74780	105	12
		28
1A7620-74790	105	6 G
		22 G
1A7620-74810	105	13
		29
1A7620-74811	105	13 -1
		29 -1
1A7620-74850	105	14
		30
1A7620-78300	110	5
1A7620-78310	110	12
1A7620-78370	110	19
1A7620-81050	113	2
1A7620-84190	119	9
1A7620-84300	119	12
1A7620-84700	119	16
1A7620-86720	101	9
1A7620-86780	101	10
1A7620-87100	101	4
1A7620-89530	132	3
1A7620-89540	132	4
1A7620-97220	101	11
1A7630-15100	21	1
1A7630-15200	21	2
1A7630-15600	21	4
1A7630-51110	80	6
1A7630-51120	80	53
1A7630-51121	80	53 -1
1A7630-51122	80	53 -2
1A7630-51161	81	2
1A7640-01151	4	1
1A7640-01200	4	3
1A7640-03100	5	4
1A7640-03101	5	4 -1
1A7640-03200	5	2
1A7640-03201	5	2 -1
1A7640-04100	6	1
1A7640-04300	6	2
1A7640-04370	7	6
1A7640-04400	7	9

Parts No.	Fig. No.	Ref. No.
1A7640-04450	7	10
1A7640-04600	7	14
1A7640-04770	7	20
1A7640-04780	7	21
1A7640-04940	6	19
1A7640-13610	16	5
1A7640-15310	21	3
1A7640-15520	22	2
1A7640-15521	22	2 -1
		3 -1
1A7640-17300	24	4
1A7640-17310	24	13
1A7640-17431	24	26
1A7640-24150	29	13
1A7640-24600	33	10
1A7640-24820	29	24
1A7640-24860	29	25
1A7640-24870	29	26
1A7640-24950	29	27
1A7640-24980	29	28
1A7640-26250	42	10
1A7640-26270	42	12
1A7640-27510	49	7
1A7640-27611	49	16
1A7640-27710	49	19
1A7640-27800	49	21
1A7640-27870	52	7
1A7640-27950	50	10
1A7640-33281	33	3
1A7640-34220	76	1
1A7640-42101	65	2
1A7640-42150	65	5
1A7640-43200	65	9
1A7640-43250	66	1
1A7640-43260	66	2
1A7640-43270	66	3
1A7640-43280	66	4
1A7640-43290	66	5
1A7640-43410	66	6
1A7640-43450	65	15
1A7640-43810	65	16
1A7640-43850	65	17
1A7640-44110	66	7
1A7640-44210	66	8
1A7640-44230	66	9
1A7640-44240	66	10
1A7640-44410	66	13
1A7640-45370	69	2
1A7640-46300	68	1
1A7640-46410	69	4

Parts No.	Fig. No.	Ref. No.
1A7640-46620	68	2
1A7640-46670	68	5
1A7640-46860	71	24
1A7640-46910	71	26
1A7640-47170	74	5
1A7640-47440	72	1
1A7640-47910	72	3
1A7640-47950	109	3
1A7640-47951	109	3 -1
1A7640-47952	109	3 -2
1A7640-48170	75	4
1A7640-48171-1	75	4 -1
1A7640-48230	70	58
1A7640-48310	77	1
1A7640-48330	77	2
1A7640-48340	75	8
1A7640-48350	75	10
1A7640-48351	75	10 -1
1A7640-48410	75	11
1A7640-48490	70	63
1A7640-48640	71	9
1A7640-48950	78	7
1A7640-48960	78	8
1A7640-51240	79	9
1A7640-51270	80	11
1A7640-51300	81	9
1A7640-51420	80	13
1A7640-58110	89	5
1A7640-60371	89	10
1A7640-60640	89	15
1A7640-60650	89	16
1A7640-60700	89	17
1A7640-60820	91	7
1A7640-60830	91	8
1A7640-61240	90	14
1A7640-61250	90	16
1A7640-61350	92	8
1A7640-61360	92	9
1A7640-61370	92	10
1A7640-61410	91	9
1A7640-61750	92	15
1A7640-62201	95	6
1A7640-62290	94	5
1A7640-62310	94	6
1A7640-62460	113	12
1A7640-62610	113	16
1A7640-62800	96	7
1A7640-62910	113	21
1A7640-63110	97	3
1A7640-63130	97	3 A

Parts No. Index

Parts No.	Fig. No.	Ref. No.
1A7640-63170	97	6
1A7640-63180	97	7
1A7640-63200	97	11
1A7640-63220	97	12
1A7640-63260	97	13
1A7640-63270	97	14
1A7640-63310	97	3 B
1A7640-63320	97	3 C
1A7640-65670	100	7
1A7640-65680	100	8
1A7640-65790	99	20
1A7640-71710	102	11
1A7640-72300	103	2
1A7640-72410	103	3
	104	4
1A7640-72600	104	7
1A7640-72620	104	13
1A7640-72680	104	15
1A7640-72690	104	16
1A7640-72700	104	17
1A7640-72750	104	20
1A7640-72760	104	21
1A7640-77201	108	2
1A7640-77380	108	20
1A7640-78410	111	2
1A7640-78480	109	6
1A7640-78811	109	10
1A7640-78812	109	10 -1
1A7640-78900	109	12
1A7640-78980	109	15
1A7641-51410	79	6 -1
		7 -1
1A7650-01210	2	2
1A7650-01220	2	3
1A7650-01230	2	4
1A7650-01250	89	1
1A7650-11640	8	10
1A7650-15510	22	1
1A7650-15511	22	1 -1
1A7650-15560	22	3
1A7650-48300	75	7
1A7650-48420	75	13
1A7650-48830	78	4
1A7650-48870	78	5
1A7650-51350	80	12
1A7650-60390	89	11
1A7650-60500	89	12
1A7650-60530	89	13
1A7650-60540	89	14
1A7650-60622	91	12

Parts No.	Fig. No.	Ref. No.
1A7650-60700	89	18
1A7650-60710	89	19
1A7650-60771	91	18
1A7650-60780	91	19
1A7650-60810	91	20
1A7650-60820	91	21
1A7650-60830	91	22
1A7650-60910	90	3
1A7650-60930	89	22
1A7650-60940	89	23
1A7650-60960	89	24
1A7650-61010	90	4
1A7650-61810	91	24
1A7651-62120	113	31
1A7670-01230	2	5
1A7670-01310	2	6
1A7670-17501	25	10
1A7670-17710	26	1
1A7670-22480	27	8
1A7670-24160	29	14
1A7670-41110	64	2
1A7670-41111	64	2 -1
1A7680-47000	74	1
1A7680-47100	74	2
1A7680-47200	74	7
1A7680-47610	74	9
1A7680-47700	74	10
1A7680-61680	93	10
1A7680-61810	120	3
1A7680-61820	120	4
1A7680-61840	120	5
1A7680-61850	120	6
1A7680-61860	120	7
1A7680-62270	94	4
1A7680-62360	113	11
1A7680-62361	113	11 -1
1A7680-83720	120	9
1A7680-87020	128	1
1A7680-87030	129	1
1A7680-87050	128	24
1A7680-87110	128	14
1A7680-87120	128	25
1A7680-87130	128	26
1A7680-87140	128	27
1A7680-87180	128	28
1A7680-87270	128	30
1A7680-87650	129	50
1A7680-87881	128	4
1A7680-87930	128	6
1A7680-87940	129	16

Parts No.	Fig. No.	Ref. No.
1A7680-87950	128	8
1A7680-87960	129	18
1A7680-88060	128	32
1A7680-88610	128	10
1A7680-88620	128	11
1A7680-88630	129	29
1A7680-88640	129	31
1A7680-88950	129	56
1A7690-51550	80	20
1A7690-65630	132	1
1A7750-85450	121	13
1A7750-85460	121	14
1A7790-01160	4	2
1A7870-78110	109	28
1A7890-51220	85	3
1A7890-51230	85	4
1A7890-53400	85	5
1A7890-53420	85	6
1A7890-53600	85	8
1A7890-53630	85	10
		15
1A7890-53680	85	13
		17
1A7890-53700	85	14
1A7890-53810	85	20
		23
1A7890-53820	85	21
		24
1A7890-53840	85	22
		25
1A7890-57200	79	17
1A8110-62250	117	20 -1
		21 -1
		23 -1
1A8110-86400	126	20
1A8110-86410	126	21
1A8110-86420	126	22
1A8275-36520	61	5 -1
1C6215-48870	4	10
1C6281-52310	21	18
	28	14
	89	4
	104	2
1C6281-52320	28	6
		15
	49	49
		50
		63
	57	9
		15

Parts No.	Fig. No.	Ref. No.
1C6281-52320	63	22
		48
		49
1C6460-14340	42	1
	53	1
1C6900-07200	83	1
1C6900-23020	16	16
1C7100-08150	88	1
1C7200-07101	109	24
1E6102-83230	128	23
1E6190-55660	31	34
	33	4
1E6190-55710	31	35
	33	5
1E6191-54330	36	2
	42	16
	53	15
1E6217-56170	31	14
1E6910-82500	80	34
1E8545-80080	129	2
		6
1E8545-80210	128	2
1R1012-00024	1	1
22117-060000	31	36
	33	6
22117-100000	5	10
	108	13
22117-140000	109	16
22137-050000	72	4
	90	24
22137-060000	4	14
		18
		21
		28
		28
		46
		86
		90
		24 -1
		25
		92
		28
		29
	104	27
22137-080000	28	7
		17
		47
		44
		63
		50
		51
		74
		16
		102
		14
		117
		22
		118
		25

Parts No. Index

Parts No.	Fig. No.	Ref. No.
22137-100000	2	20
	28	8
	47	35
	49	51
		52
		64
	63	24
	78	13
	98	3
	122	5 -1
22137-120000	89	33
	122	5
22137-140000	71	32
22137-160000	8	12
	21	21
	46	21
	74	17
	96	14
22137-200000	56	5
22157-060000	2	21
	88	5
	92	1 -1
	109	17
		33
	128	33
	129	57
	131	23
	134	10
	7	26
22157-080000	111	3
	89	34
22190-060002	131	17
22190-060003	34	8
22190-080000	89	35
22207-050320	24	22
22217-040000	67	3
22217-060000	102	8
22217-080000	22	11
	34	9
	64	3
	83	11
	5	11
	21	22
	29	30
54	10	
22217-100000	55	7
	10	5
	29	31
22217-120000		32
		33

Parts No.	Fig. No.	Ref. No.
22217-140000	24	27
	60	27
22217-160000	29	34
	96	15
		16
	107	10
22217-180000	105	17
		33
22242-000110	68	14
22242-000170	25	5
	50	13
		14
22242-000200	21	6
	41	12
22242-000290	61	15
22242-000300	24	17
	39	25
		26
	42	23
	70	69
22242-000350	36	22
	40	24
22242-000400	41	13
	42	24
	53	28
22242-000450	39	27
	40	25
	53	29
22242-000480	14	10
	24	23
22242-000500	36	23
	54	11
22252-000140	65	21
	33	29
22252-000180	65	22
22252-000190	39	28
22252-000200	22	6
	33	30
22252-000220	43	9
22252-000250	14	4
		8
22252-000320	64	2 D
22252-000370	25	6
22252-000400	25	7
22252-000420	21	7
22252-000470	44	19
22252-000550	39	29
	53	30
22252-000620	36	24
	40	26

Parts No.	Fig. No.	Ref. No.
22252-000620	45	7
	53	31
22252-000800	27	21
22252-000950	42	25
22252-001000	53	32
22252-001100	36	25
22272-000040	4	15
22272-000050	129	58
22272-000060	117	23
	118	26
	129	59
22272-000080	89	36
22272-000100	114	11
		19
22272-000120	46	22
	49	34
	109	18
22272-000150	74	18
22272-000190	62	17
22287-080000	70	43
22312-080180	34	10
22312-100180	10	6
	13	8
	27	10
	29	35
	55	8
	65	23
22312-100250	29	36
	58	10
22351-030016	68	6
22351-035032	13	9
	74	19
22351-035040	49	9
		24
	57	11
	63	25
22351-040024	102	9
22351-040032	48	10
22351-050040	56	6
22351-050070	66	16
22351-060012	66	17
22351-060025	69	6
22351-060028	68	7
22351-060032	13	10
	22	7
	32	45
	47	10
		34
	48	11
		12

Parts No.	Fig. No.	Ref. No.
22351-060032	50	15
	56	7
	74	20
22351-060040	44	20
	49	10
		25
	57	12
	63	26
	107	6
22351-060050	54	12
22351-060060	122	6
22351-080032	56	8
22351-080040	56	9
	58	11
22351-080070	66	18
22360-190000	107	11
22360-200000	8	13
22372-050000	70	70
	71	12
		33
22372-060000	4	19
		20
22372-080000	114	65
	118	27
22372-120000	97	15
	107	12
22372-160000	103	6
	104	28
22417-160160	131	18
22417-160180	4	16
	46	23
	72	5
	89	37
	109	19
22417-200100	31	37
	33	7
22417-200200	73	13
	74	21
		22
22417-200300	7	27
	28	9
	47	11
		45
	49	53
		54
	63	10
	70	71
22417-250250	73	8
22417-250300	63	52
22417-400320	105	15

Parts No. Index

Parts No.	Fig. No.	Ref. No.
22417-400320	105	18
		31
		34
22417-400400	11	13
		24
22417-500400	105	16
		32
22486-060160	70	72
		71
22487-080200	49	34
		55
		65
22487-080450	114	66
22487-080550	7	28
22487-080600	118	28
22487-120400	63	11
22512-070200	49	26
22512-070400	62	18
22635-600120	55	9
22685-320961	46	24
22857-400100	129	60
22857-500101	90	22 -1
		23 -1
		92 25 -1
		26 -1
		27 -1
22857-600101	86	20
22859-500202	127	8
23000-022000	78	14
23000-025000	2	22
23000-035000	2	23
		70
23000-041000	75	73
23000-048000	75	24
		25
		26
23000-054000	2	24
		25
		26
23000-060000	2	26
	19	7
23000-080000	1	45
23000-102000	19	8
23080-007000	125	11
		15
		22
		126 19
23414-120000	31	46
23414-120016	70	74
23414-140000	31	38
		33
23414-140018	31	48

Parts No.	Fig. No.	Ref. No.
23414-150019	74	23
23414-160000	42	26
23414-160021	31	52
23414-180023	26	3
		31
		50
	70	75
	71	14
	75	22
	76	4
23414-200026	29	37
		70
		75
	76	5
	78	15
23414-220029	75	28
23491-140002	16	8
		17
		21
	29	38
23857-060000	31	47
23857-080000	31	39
		49
23857-100000	31	53
23857-120000	31	51
	70	77
	71	15
	75	21
23857-150000	29	39
		75
		29
	78	16
23871-005000	53	33
23871-010000	31	24
23871-020000	29	40
23871-030000	33	32
23876-010000	17	22
		30
		3
	31	40
	34	11
		12
	65	10
23876-020000	65	4
		11
23876-040000	10	7
23897-030002	70	78
23980-730850	2	27
		28
		29
23980-730900	6	32
23980-731000	6	33
24101-060054	37	19
	44	21

Parts No.	Fig. No.	Ref. No.
24101-060064	53	34
24101-060074	36	26
		40
		27
24101-060104	13	11
		54
		13
24101-060114	59	7
24101-060124	12	4
24101-060144	18	5
24101-062034	39	30
24101-062064	39	31
		40
		28
	45	8
24101-062074	36	27
24101-062094	17	23
24101-062114	54	14
24101-062124	59	8
24101-062134	18	6
24101-063054	38	2
		43
	44	22
	45	5
24101-063064	38	3
24104-062030	25	8
24105-060040	21	8
24107-060064	39	32
		42
24161-253017	41	14
24161-303517	39	33
24161-323717	44	23
24163-205170	41	15
24163-250170	39	34
24165-000372	44	24
24190-050001	70	23
		44
24190-070001	70	24
		45
24190-080001	39	7
	48	13
	50	16
		17
24190-100001	32	31
24190-110001	46	25
24190-120002	31	15
24190-130003	65	24
24190-160001	65	25
	68	8
24190-180001	61	16
24311-000070	3	11
	33	36
24311-000090	68	15

Parts No.	Fig. No.	Ref. No.
24311-000100	31	16
24311-000110	25	15
		31
		17
	53	35
	104	22
24311-000125	32	32
24311-000140	25	16
		70
24311-000150	68	9
24311-000160	1	40
		16
		9
	17	24
	29	41
	48	14
	50	18
		19
24311-000180	10	8
	16	17
	32	33
	84	4
	104	23
24311-000200	33	39
24311-000210	50	20
24311-000220	26	4
		32
		34
	75	30
	107	13
24311-000290	32	35
24311-000340	75	31
24311-000400	66	19
24315-000110	68	10
24315-000120	69	7
24315-000140	65	26
		27
		28
		14
24315-000160	33	37
24315-000180	33	38
		65
		29
	69	8
	108	15
24315-000220	65	30
24315-000440	24	24
24315-000500	104	24
24321-000250	50	21
24321-000350	77	4
24321-000600	59	9
24321-000650	1	39
		29
		42
		66
		20

Parts No. Index

Parts No.	Fig. No.	Ref. No.
24321-000700	16	10
24321-001000	16	11
24321-001700	16	12
24321-002200	17	25
24325-000650	18	7
24325-000900	65	31
24341-000080	34	13
	42	28
	67	4
24341-000140	108	16
24341-000220	32	36
	33	40
24341-000224	32	37
	33	41
24341-000240	33	42
24341-000250	33	43
24341-000315	12	5
24341-000350	34	14
24341-000500	53	36
24351-010140	32	38
		39
24351-010160	65	32
24351-020400	53	37
24351-190180	32	16
24351-190200	32	17
24351-190220	32	18
24351-240300	29	43
		44
24351-240420	40	29
24351-240450	36	28
24361-090500	32	40
24365-091000	65	33
24421-173507	25	9
24421-183207	64	2 E
24421-203007	56	10
24421-304208	61	17
24421-456209	16	13
24550-010200	89	21
24550-012150	47	32
	70	55
	73	5
	114	12
		20
24550-014200	71	25
		27
	109	14
24550-015120	47	7
24550-015150	28	2
24550-016150	47	15
24550-017150	32	8

Parts No.	Fig. No.	Ref. No.
24550-017150	49	4
		15
		31
		33
	57	3
24550-020200	49	5
	63	20
24550-022200	74	11
24550-025150	104	18
24550-025200	62	4 -1
		9 -1
		12 -1
24550-030150	49	6
24761-010000	63	33
		35
	74	24
24761-050000	9	2
24761-060000	11	6
		11
	24	10
		25
26013-060129	46	26
26013-060202	134	11
26013-060352	26	5
	75	32
26013-080122	27	11
		12
	29	45
26013-080162	27	13
	50	22
	70	81 -1
	74	25
26013-080202	29	46
		47
	39	35
26013-080252	17	26
	29	48
		49
	50	23
	54	18
26013-080352	22	8
	31	41
	34	15
26013-080452	29	50
26013-080552	31	42
26013-080602	29	51
26013-080652	31	43
26013-080752	29	52
	31	44
26013-080802	32	46

Parts No.	Fig. No.	Ref. No.
26013-080802	33	8
26013-080852	33	9
	108	19
26013-080952	32	47
26013-100252	17	27
26013-100302	55	10
26013-100452	29	53
26013-120202	75	33
	78	17
26013-120252	7	29
	75	34
26013-120302	8	14
	16	14
	24	29
	74	28
	105	38
	106	2
26013-120352	9	5
	65	34
	66	21
26013-120402	55	11
	65	35
26013-120452	96	17
26013-120502	30	4
	55	12
26013-120652	65	36
26013-120702	7	30
26013-120802	10	9
	30	5
26013-120852	65	37
26013-121052	8	15
	19	9
26013-121202	10	10
26013-121302	7	31
26013-140352	29	54
26013-140452	107	14
26014-080202	74	26
26016-060162	32	41
		42
	33	33
26016-080302	32	43
26016-080652	2	30
26016-081052	64	2 F
26016-100452	33	34
26016-100802	33	35
26018-060202	134	12
26023-040102	83	31
26023-040162	73	14
	83	24
26023-040202	3	12

Parts No.	Fig. No.	Ref. No.
26064-080151	121	28
26106-060082	129	61
26106-060122	2	31
		32
	3	13
		14
	71	35
	79	22
	80	39
	86	21
	87	11
	89	38
		39
	92	30
		31
		32
	113	28
	114	67
		68
		69
	128	34
	129	62
		63
	131	24
26106-060162	2	33
	63	27
	68	16
	70	80
	79	23
	80	40
		41
		42
		43
		44
		56
		57
	81	11
		20
	83	25
		34
	89	40
		41
		42
	92	33
	95	16
		17
	125	16
	129	64
26106-060202	128	35
	129	65

Parts No. Index

Parts No.	Fig. No.	Ref. No.
26106-060202	131	25
26106-060252	51	7
	75	35
	88	6
	128	36
		37
		38
26106-060302	2	34
26106-060352	109	20
26106-060402	109	34
	128	39
26106-060452	111	4
26106-060502	109	20 -1
26106-080122	24	30
	45	10
	47	36
	77	5
	80	45
	89	43
		44
		45
	128	40
26106-080162	2	35
		36
	6	34
	7	32
		33
		34
		35
	8	16
	19	10
	21	23
	27	20
	46	32
	47	37
	48	15
	49	27
		56
	50	22 -1
	57	13
	63	28
		29
	70	81
	71	36
		37
	72	6
	73	15
	75	36
		37
	78	18

Parts No.	Fig. No.	Ref. No.
26106-080162	78	19
		20
	80	46
		47
		47
	83	26
		27
		27
	84	5
	87	12
	89	46
		47
		48
		49
		50
	90	26
		27
		18
	96	21
	109	21
	111	5
	112	6
	113	4
		29
	119	23
	121	29
	125	17
		18
		18
	128	41
	129	66
26106-080202	75	38
	77	6
	128	42
26106-080252	7	36
	22	12
	31	45
	50	23 -1
	54	18 -1
26106-080302	5	15
	8	17
26106-080352	45	12
	63	30
26106-080452	109	22
	117	24
	118	29
26106-080502	34	16
26106-080602	77	7
26106-080752	7	37
	128	43
26106-080802	33	8 -1
26106-080852	33	9 -1
	108	19 -1
26106-081102	34	17

Parts No.	Fig. No.	Ref. No.
26106-100122	78	21
26106-100162	80	48
26106-100202	7	38
		39
		39
	21	24
	25	17
	62	19
	90	28
	107	15
26106-100252	18	8 -1
	27	14
	70	82
		83
	89	51
26106-100302	55	10 -1
	98	4
26106-100652	5	12
26106-120302	66	21 -1
26106-120352	65	34 -1
26108-100852	55	13 -1
26108-120402	27	15
	55	11 -1
26108-120502	29	55
	55	12 -1
26108-120652	29	56
26108-120852	27	16
26116-050162	124	6
26116-080654	4	17
26116-081702	64	4
26116-100252	18	8
26116-100452	58	12
26116-100552	58	12 -1
26116-100852	55	13
26116-160502	107	16
26116-161002	96	19
26156-100252	54	15
26216-080302	34	18
26216-100252	25	18
26216-100902	29	8
26216-120252	29	9
26216-120352	29	10
26216-120502	10	11
26216-160452	96	20
26346-080002	22	9
	47	38
	102	15
26346-100002	21	11
	47	39
	122	7
26356-160002	21	25

Parts No.	Fig. No.	Ref. No.
26356-160002	74	27
	104	25
26366-080002	50	24
26450-040402	67	5
26450-050122	32	19
26450-050352	31	18
26450-060102	70	25
		46
26450-060802	70	26
		47
26450-080252	16	15
	53	38
26450-080352	67	6
26450-080652	70	48
26557-030162	79	24
26557-050162	83	28
	127	9
26557-050252	123	10
26557-060062	102	10
26557-060402	86	22
26559-050162	129	67
26577-050302	119	24
26577-060202	114	70
26577-080252	114	71
26589-060102	117	25
		26
	118	30
	119	25
26589-060162	119	26
	127	10
26711-100002	5	13
26716-080002	7	40
	29	57
	34	19
	47	27
	82	9
26716-100002	29	58
	46	28 -1
	49	41
		48
		62
	63	12
		47
	68	17
26716-120002	10	12
	29	59
		60
		61
26716-160002	96	21
		22

Parts No. Index

Parts No.	Fig. No.	Ref. No.
26736-080002	83	12
26736-180002	105	19
		35
26737-180002	105	19 -1
		35 -1
26756-080002	114	13
		21
26756-100002	46	27
26776-120002	83	7
		9
26776-200002	11	12
26877-120002	73	9
26986-100002	46	28
27260-550000	27	17
29420-150000	80	9
29621-100000	2	37
29621-150001	128	44
29622-140001	2	38
	78	22
	79	25
	80	49
	81	21
	109	23
	125	23
	135	4
29622-250001	4	22
	6	35
	79	26
	80	50
	81	22
	128	45
		46
	129	68
41812-011952	133	1
41850-000080	33	58
41850-000110	30	6
41850-000120	31	25
41850-000140	70	27
		49
41850-000180	31	22
41851-000090	33	59
41851-000140	70	28
		50
41851-000220	33	60
41856-010150	33	61
41856-020230	75	39
41856-020530	70	29
		51
794251-13910	54	16
794321-13660	16	6

Parts No.	Fig. No.	Ref. No.
933160-09240	89	52
981083-20710	36	29

Parts No.	Fig. No.	Ref. No.
-----------	----------	----------

Parts No.	Fig. No.	Ref. No.
-----------	----------	----------