

0CNP4-M53200EN

Contents

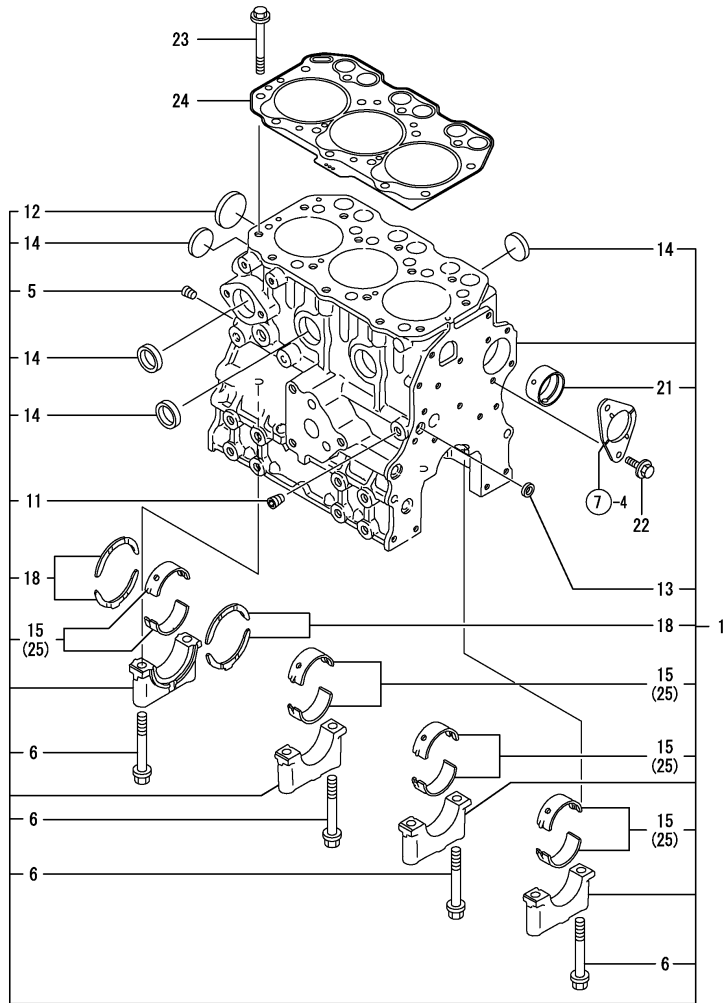
OCNP4-M53200

Fig. No.	Fig. Name	Fig. No.	Fig. Name
ENGINE SECTION			
1.	CYLINDER BLOCK		
2.	GEAR HOUSING		
3.	MOUNTING FLANGE & OIL SUMP		
4.	CYLINDER HEAD & BONNET		
5.	SUCTION MANIFOLD & AIR CLEANER		
6.	EXHAUST MANIFOLD & SILENCER		
7.	CAMSHAFT & DRIVING GEAR		
8.	CRANKSHAFT & PISTON		
9.	LUB.OIL SYSTEM		
10.	COOLING WATER SYSTEM		
11.	FUEL INJECTION PUMP		
12.	GOVERNOR		
13.	FUEL INJECTION VALVE		
14.	STARTING MOTOR		
15.	GENERATOR		

Fig.1. CYLINDER BLOCK

(A)=3TNE74-UK2P
(B)=
(C)=

(D)=
(E)=
(F)=



No.	Lev.	Parts No.	Description	Q'ty						I	R
				(A)	(B)	(C)	(D)	(E)	(F)		
1	1	719623-01560	BLOCK ASSY, CYLINDER	1							
5	2	119600-01050	PLUG, PT1/4	1							
6	2	119620-02020	BOLT, METAL CAP	8							
11	2	23876-010000	PLUG, R01	1							
12	2	119623-01250	PLUG, 45	1							
13	2	27241-120000	PLUG, 12	1							
14	2	27241-300000	PLUG 30	6							
15	2	719620-02800	BEARING, MAIN	4							
18	2	719620-02930	BEARING, THRUST	2							
21	2	119624-02410	BUSH	1							
22	1	26106-060122	BOLT, M6X 12 PLATED	2							
23	1	119620-01200	BOLT, HEAD	14							
24	1	119623-01340	GASKET, HEAD	1							
25	1	719620-02870	BEARING, 0.25 US	4							1

Remarks
(1) UNDER-SIZE(U.S=0.25)PART.
(REMARKS)"EFFECTIVE MACHINE NO." OF
ENGINE IS INDICATED ON THE
ENGINE LABEL WHICH IS SHOWN
IN FIG.4.

Fig.2. GEAR HOUSING

(A)=3TNE74-UK2P

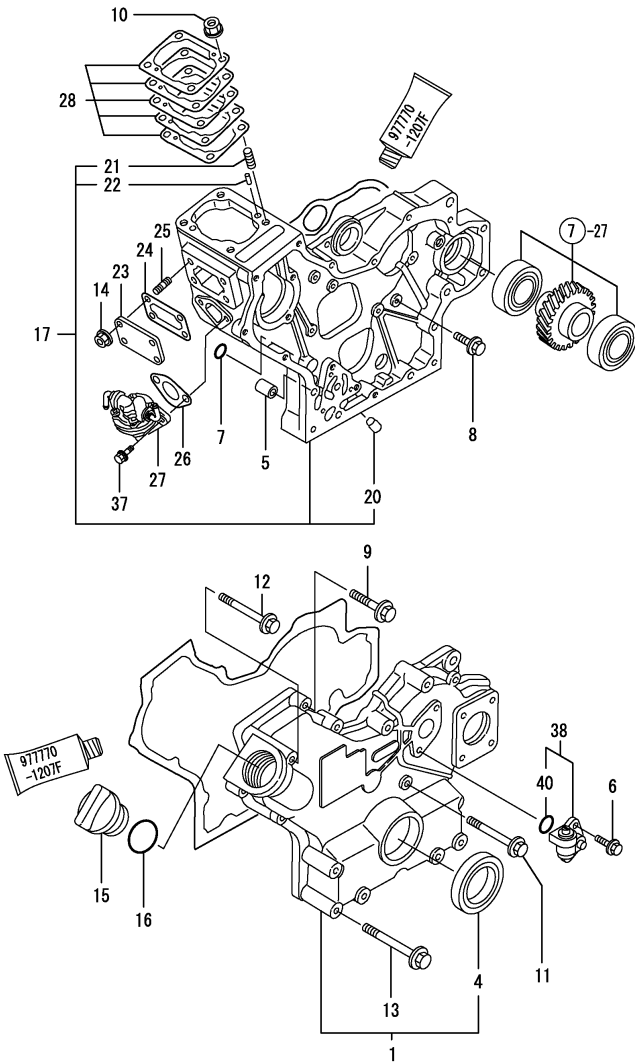
(B)=

(C)=

(D)=

(E)=

(F)=



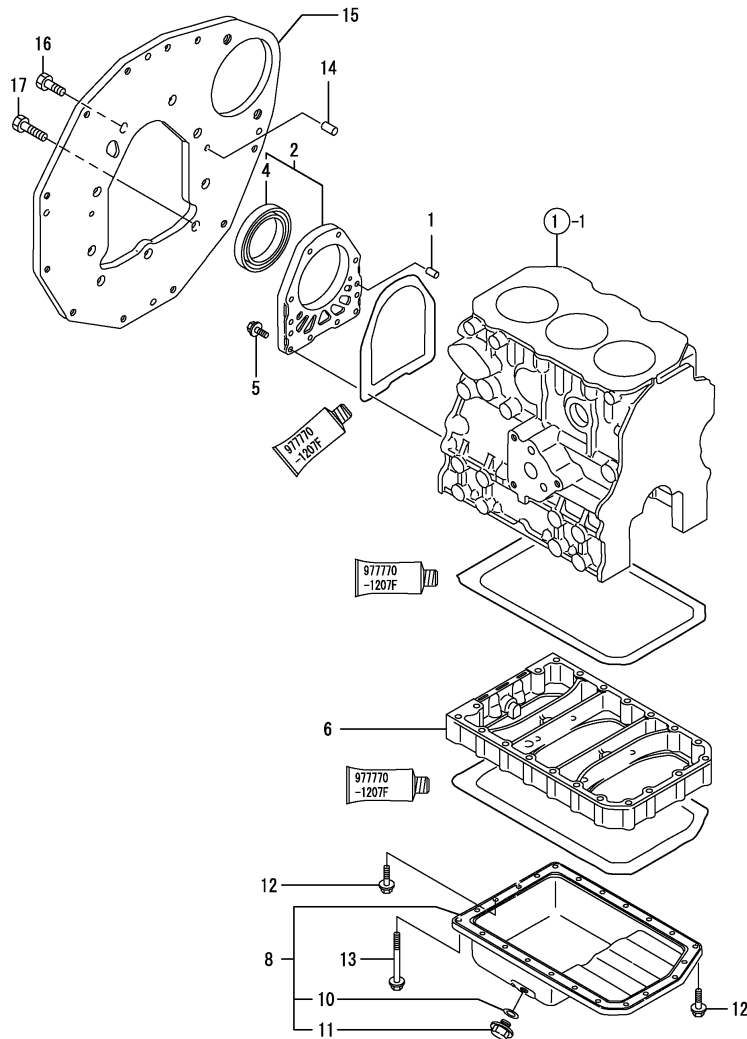
No.	Lev.	Parts No.	Description	Q'ty						I	R
				(A)	(B)	(C)	(D)	(E)	(F)		
1	1	119660-01590	COVER ASSY,GEAR CASE	1							
4	2	119620-01800	SEAL, OIL	1							
5	1	119660-01911	PIPE, KNOCK	4							
6	1	26106-060162	BOLT, M6X 16 PLATED	2							
7	1	119624-32040	O-RING, P12.0	2							
8	1	26106-060162	BOLT, M6X 16 PLATED	7							
9	1	26106-060302	BOLT, M6X 30 PLATED	6							
10	1	194990-22050	NUT, M8	4							
11	1	26106-060602	BOLT, M6X 60 PLATED	3							
12	1	26106-060602	BOLT, M6X 60 PLATED	1							
13	1	26106-060802	BOLT, M6X 80 PLATED	6							
14	1	26366-060002	NUT, M6	4							
15	1	124160-01751	COVER, FILLER	1							
16	1	24311-000320	O-RING, 1AP32.0	1							
17	1	119660-01492	CASE ASSY, GEAR	1							
20	2	119660-01510	PLUG, 10X14	1							
21	2	121450-01560	STUD, M8X22	4							
22	2	22351-040010	PIN, SPRING 4.0X10	2							
23	1	119660-01551	COVER	1							
24	1	119660-01562	GASKET	1							
25	1	119660-01570	STUD, M6X12	4							
26	1	121520-01851	GASKET	1							
27	1	119668-52020	PUMP ASSY, FUEL FEED	1							
28	1	119623-01950	SHIM SET, ADJUSTING	1							
37	1	26014-060202	BOLT, M6X 20	2							
38	1	129150-91400	GEAR	1							
40	2	24341-000240	O-RING, 1AS24.0	1							

Remarks
 (REMARKS)"EFFECTIVE MACHINE NO." OF
 ENGINE IS INDICATED ON THE
 ENGINE LABEL WHICH IS SHOWN
 IN FIG.4.

Fig.3. MOUNTING FLANGE & OIL SUMP

(A)=3TNE74-UK2P
(B)=
(C)=

(D)=
(E)=
(F)=



No.	Lev.	Parts No.	Description	Q'ty						I	R
				(A)	(B)	(C)	(D)	(E)	(F)		
1	1	119620-01620	PIN, M6X10	2							
2	1	119660-01640	CASE ASSY, OIL SEAL	1							
4	2	124085-02220	SEAL, OIL	1							
5	1	26106-060222	BOLT, M6X 22 PLATED	10							
6	1	119600-01722	SPACER, OIL SUMP	1							
8	1	119650-01770	SUMP ASSY, OIL	1							
10	2	22190-120002	WASHER, SEAL 12	1							
11	2	129054-01640	PLUG, DRAIN 12	1							
12	1	26106-060122	BOLT, M6X 12 PLATED	3							
13	1	26106-060452	BOLT, M6X 45 PLATED	20							
14	1	129100-01580	PIN, M8X16	2							
15	1	119462-01602	FLANGE, MOUNTING	1							
16	1	26206-100202	BOLT, M10X 20 PLATED	6							
17	1	26206-100252	BOLT, M10X 25 PLATED	3							

Remarks
(REMARKS)"EFFECTIVE MACHINE NO." OF
ENGINE IS INDICATED ON THE
ENGINE LABEL WHICH IS SHOWN
IN FIG.4.

Fig.4. CYLINDER HEAD & BONNET

(A)=3TNE74-UK2P

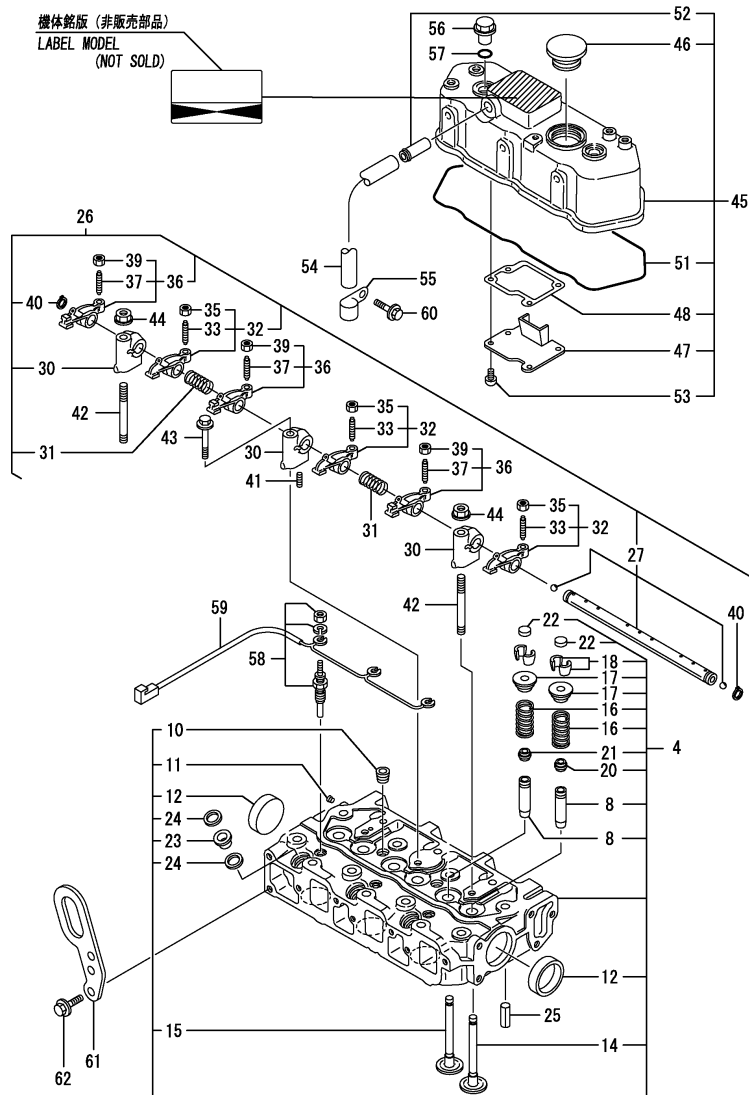
(B)=

(C)=

(D)=

(E)=

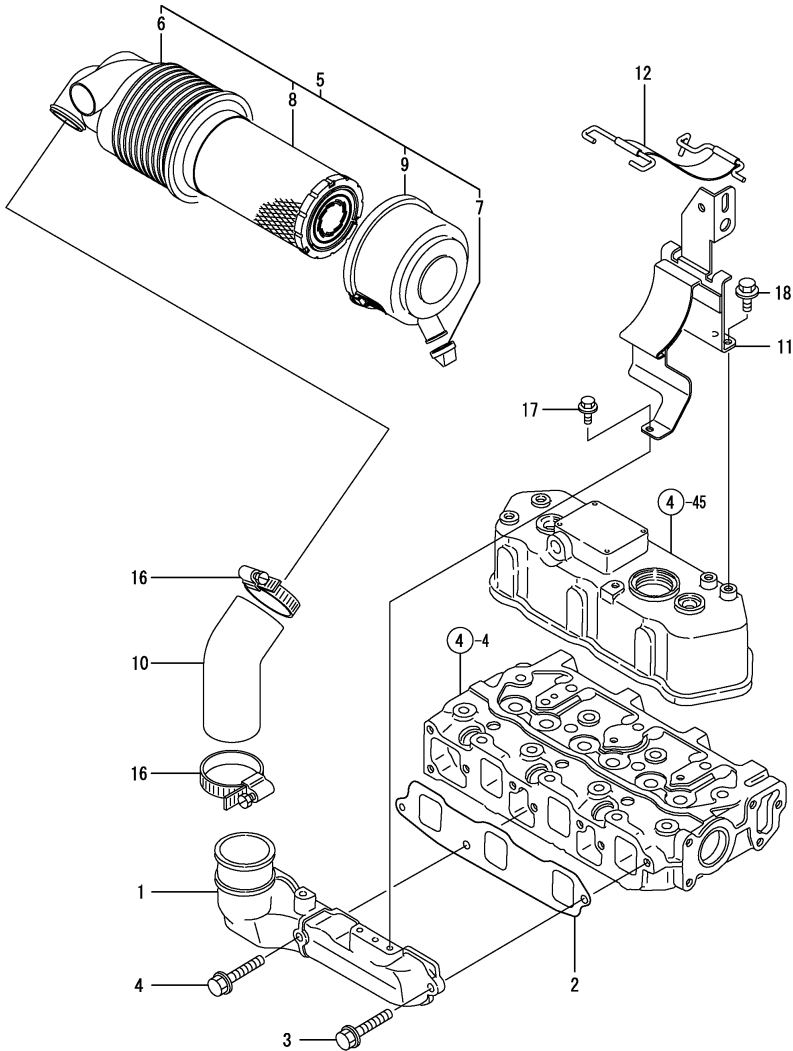
(F)=



No.	Lev.	Parts No.	Description	Q'ty						I	R
				(A)	(B)	(C)	(D)	(E)	(F)		
4	1	119626-11000	HEAD ASSY, CYLINDER	1							
8	2	119620-11801	GUIDE, VALVE	6							1
10	2	23876-020000	PLUG, R02	2							
11	2	27221-050080	PLUG, 5X 8	1							
12	2	27241-400000	PLUG, 40	2							
14	2	119623-11100	VALVE, INTAKE	3							
15	2	119620-11110	VALVE, EXHAUST	3							
16	2	119620-11120	SPRING, VALVE	6							
17	2	119620-11180	RETAINER, SPRING	6							
18	2	27310-070001	COTTER, 7	6							
20	2	124160-11340	SEAL, VALVE STEM	3							
21	2	124950-11340	SEAL, VALVE STEM	3							
22	2	104211-11370	CAP, VALVE	6							
23	2	119600-11450	PROTECTOR, NOZZLE	3							
24	2	119600-11460	GASKET, NOZZLE	6							
25	1	22351-060012	PIN, SPRING 6.0X12	2							
26	1	119620-11200	SUPPORT ASSY, ARM	1							
27	2	119620-11240	SHAFT ASSY, ROCKER	1							
30	2	119620-11260	SUPPORT, ROCKER ARM	3							
31	2	119620-11280	SPRING	2							
32	2	719620-11650	ARM ASSY, ROCKER	3							
33	3	105010-11230	SCREW, VALVE ADJUST	3							
35	3	26856-060002	NUT, M6	3							
36	2	719620-11660	ARM ASSY, ROCKER	3							
37	3	105010-11230	SCREW, VALVE ADJUST	3							
39	3	26856-060002	NUT, M6	3							
40	2	22242-000120	RING, 12	2							
41	2	26979-050162	SCREW, M5X16	1							
42	1	119620-11350	STUD	2							
43	1	26106-080452	BOLT, M8X 45 PLATED	1							
44	1	26306-080002	NUT, M8	2							
45	1	119657-11351	BONNET ASSY, HEAD	1							
46	2	119807-11770	PLUG	1							
47	2	119620-03020	PLATE, SHELTER	1							
48	2	119620-03031	GASKET	1							
51	2	119620-11310	GASKET, BONNET	1							
52	2	118400-03060	JOINT, BREATHER	1							
53	2	22857-500100	SCREW, 5X10	4							
54	1	23065-120500	PIPE, 12X 500	1							
55	1	124160-01650	CLAMP, PIPE	1							
56	1	124160-11360	KNOB	2							
57	1	24311-000120	O-RING, 1AP12.0	2							
58	1	129155-77801	PLUG, GLOW	3							
59	1	119645-77820	CONNECTOR, GLOW PLUG	1							
60	1	26106-080122	BOLT, M8X 12 PLATED	1							
61	1	119260-07900	LIFTER	1							
62	1	26106-080142	BOLT, M8X 14 PLATED	2							

Remarks
 (1) REPAIR PART.
 (REMARKS)"EFFECTIVE MACHINE NO." OF
 ENGINE IS INDICATED ON THE
 ENGINE LABEL WHICH IS SHOWN
 IN FIG.4.

Fig.5. SUCTION MANIFOLD & AIR CLEANER



(A)=3TNE74-UK2P
(B)=
(C)=

(D)=
(E)=
(F)=

No.	Lev.	Parts No.	Description	Q'ty						I	R
				(A)	(B)	(C)	(D)	(E)	(F)		
1	1	119660-12101	MANIFOLD, AIR INTAKE	1							
2	1	119660-12111	GASKET, MANIFOLD	1							
3	1	26106-060162	BOLT, M6X 16 PLATED	2							
4	1	26106-060402	BOLT, M6X 40 PLATED	1							
5	1	119668-12500	CLEANER ASSY, AIR	1							
6	2	119668-12520	BODY	1							
7	2	119808-12540	VALVE, UNLOADER	1							
8	2	119655-12560	ELEMENT	1							
9	2	105027-12570	COVER, AIR CLEANER	1							
10	1	119652-12550	PIPE, AIR INTAKE	1							
11	1	119652-12601	SUPPORT, AIR CLEANER	1							
12	1	119865-12600	BAND ASSY, CLEANER	1							
16	1	23000-054000	CLAMP, 54	2							
17	1	26106-060122	BOLT, M6X 12 PLATED	1							
18	1	26106-080122	BOLT, M8X 12 PLATED	2							

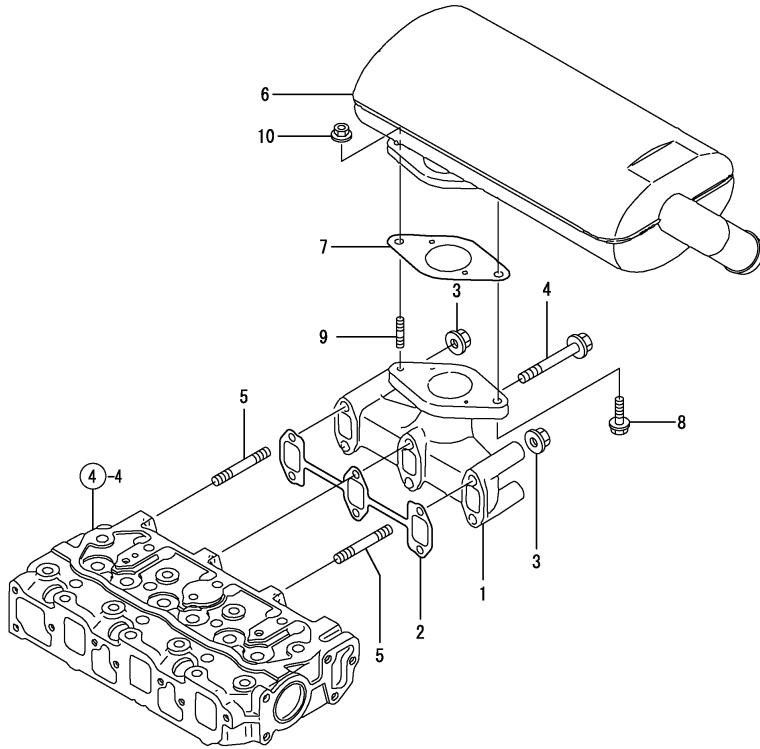
Remarks
(REMARKS)"EFFECTIVE MACHINE NO." OF
ENGINE IS INDICATED ON THE
ENGINE LABEL WHICH IS SHOWN
IN FIG.4.

Fig.6. EXHAUST MANIFOLD & SILENCER

(A)=3TNE74-UK2P
(B)=
(C)=

(D)=
(E)=
(F)=

No.	Lev.	Parts No.	Description	Q'ty						I	R
				(A)	(B)	(C)	(D)	(E)	(F)		
1	1	119650-13101	MANIFOLD, EXHAUST	1							
2	1	119620-13110	GASKET	1							
3	1	26306-080002	NUT, M8	2							
4	1	123900-13620	BOLT, M8X70	4							
5	1	123900-13600	STUD, M8X70	2							
6	1	119626-13510	SILENCER	1							
7	1	129107-13540	GASKET, SILENCER	1							
8	1	26106-080352	BOLT, M8X 35 PLATED	1							
9	1	119131-18320	STUD, M8X22	1							
10	1	26306-080002	NUT, M8	1							



Remarks
(REMARKS)"EFFECTIVE MACHINE NO." OF
ENGINE IS INDICATED ON THE
ENGINE LABEL WHICH IS SHOWN
IN FIG.4.

Fig.7. CAMSHAFT & DRIVING GEAR

(A)=3TNE74-UK2P

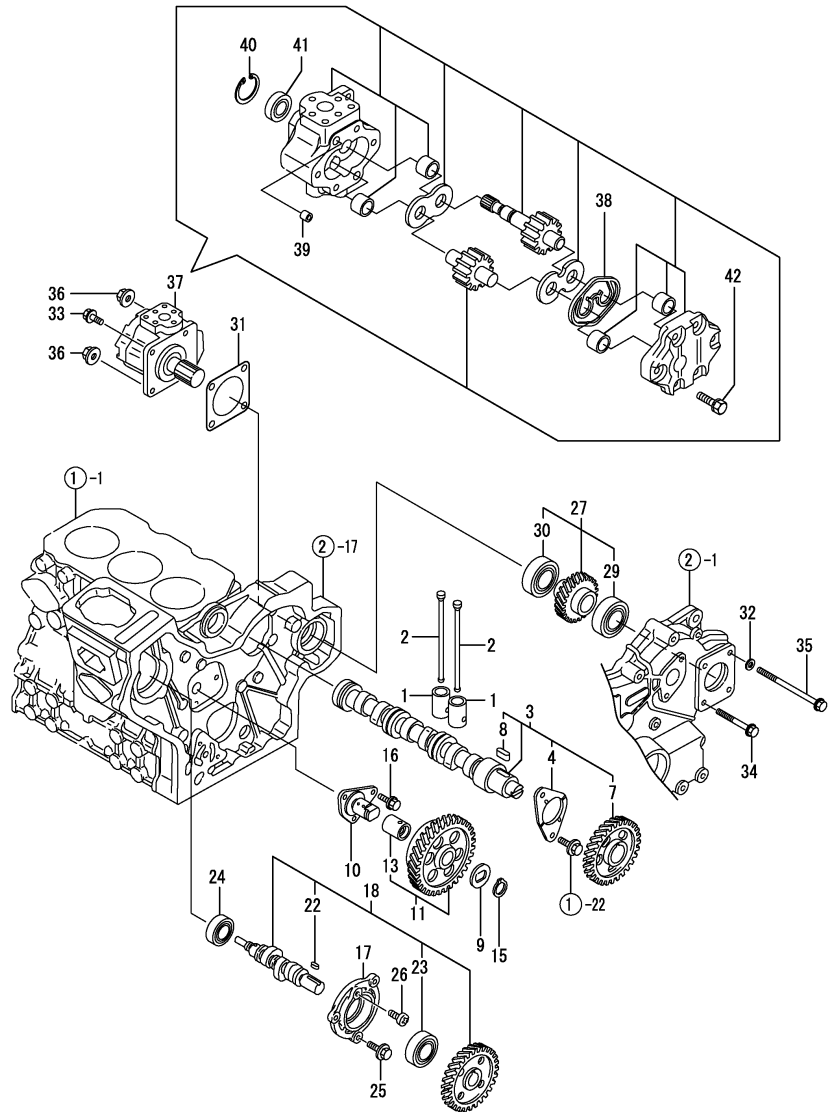
(B)=

(C)=

(D)=

(E)=

(F)=



No.	Lev.	Parts No.	Description	Q'ty						I	R
				(A)	(B)	(C)	(D)	(E)	(F)		
1	1	119620-14200	TAPPET	6							
2	1	119620-14401	ROD, PUSH	6							
3	1	119629-14580	CAMSHAFT ASSY	1							
4	2	119620-02450	BEARING, THRUST	1							
7	2	119620-14100	GEAR, CAMSHAFT	1							
8	2	22512-040120	KEY, 4X 12	1							
9	1	119660-25022	RETAINER	1							
10	1	119660-25052	SHAFT, IDLE	1							
11	1	119620-25102	GEAR ASSY, IDLE	1							
13	2	119620-25912	BUSH	1							1
15	1	22242-000200	RING, 20	1							
16	1	26106-060122	BOLT, M6X 12 PLATED	3							
17	1	119660-01821	BEARING, FUEL CAM	1							
18	1	719660-14590	CAMSHAFT	1							
22	2	22512-040120	KEY, 4X 12	1							
23	2	24102-063034	BEARING, BALL 6303U	1							
24	1	24101-062034	BEARING, BALL 6203	1							
25	1	26106-060162	BOLT, M6X 16 PLATED	3							
26	1	26587-080102	SCREW, M8X10	1							
27	1	119650-26001	GEAR ASSY, PUMP	1							
29	2	129350-26490	BEARING, BALL 16005	1							
30	2	24104-060054	BEARING, BALL 6005UU	1							
31	1	124240-01883	GASKET	1							
32	1	22137-080000	WASHER, 8	2							
33	1	26106-080202	BOLT, M8X 20 PLATED	1							
34	1	26106-080752	BOLT, M8X 75 PLATED	1							
35	1	26116-081302	BOLT, M8X130 PLATED	2							
36	1	26306-080002	NUT, M8	3							
37	1	119668-26010	PUMP ASSY, HYDRAULIC	1							
38	2	178070-10401	RING	1							
39	2	194521-41570	PIN, 11X7	2							
40	2	22252-000320	RING, 32	1							
41	2	24421-153207	SEAL, OIL TC153207	1							
42	2	26016-080352	BOLT, M8X 35	4							

Remarks
 (1) REPAIR PART.
 (REMARKS)"EFFECTIVE MACHINE NO." OF
 ENGINE IS INDICATED ON THE
 ENGINE LABEL WHICH IS SHOWN
 IN FIG.4.

Fig.8. CRANKSHAFT & PISTON

(A)=3TNE74-UK2P

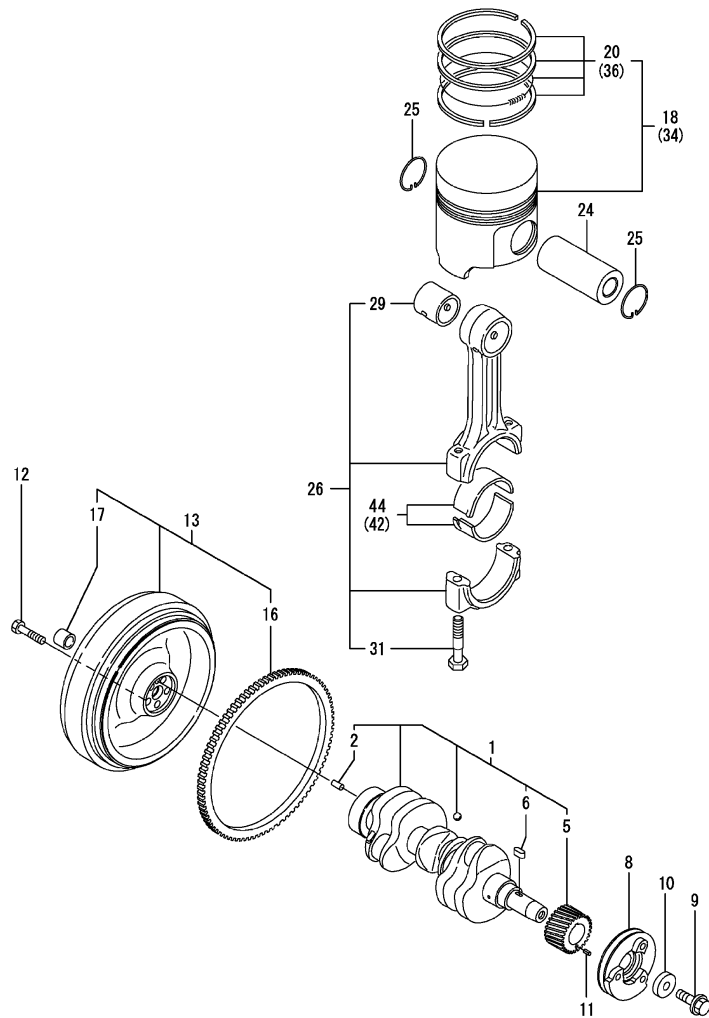
(B)=

(C)=

(D)=

(E)=

(F)=



No.	Lev.	Parts No.	Description	Q'ty						I	R
				(A)	(B)	(C)	(D)	(E)	(F)		
1	1	119623-21700	CRANKSHAFT ASSY	1							
2	2	129100-01580	PIN, M8X16	1							
5	2	119644-21200	GEAR, CRANKSHAFT	1							
6	2	22512-040120	KEY, 4X 12	1							
8	1	119653-21650	V-PULLEY	1							
9	1	119621-21680	BOLT, FLANGE 12X1.25	1							
10	1	119620-21941	WASHER	1							
11	1	22351-030012	PIN, SPRING 3.0X12	1							
12	1	105225-21501	BOLT, FLYWHEEL	5							
13	1	119659-21590	FLYWHEEL ASSY	1							
16	2	124060-21600	GEAR, RING	1							
17	2	124950-21230	BUSH	1							
18	1	119624-22082	PISTON ASSY	3							
20	2	119623-22500	RING SET, PISTON	3							
24	1	114399-22300	PIN, PISTON D=21	3							
25	1	22252-000210	RING, 21	6							
26	1	719620-23100	ROD ASSY, CONNECTING	3							
29	2	119620-23910	BEARING, PISTON PIN	3							1
31	2	105225-23200	BOLT, CONNECTING ROD	6							
34	1	119624-22900	PISTON ASSY, 0.25 OS	3							2
36	2	119623-22950	RING SET, 0.25 OS	3							2
42	1	719620-23610	BEARING ASSY, 0.25	3							3
44	1	719620-23600	BEARING, CRANK PIN	1							

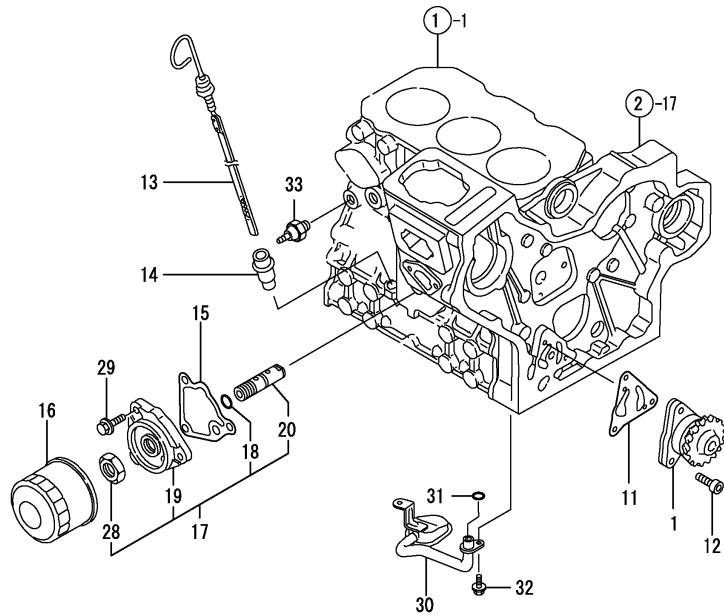
Remarks

- (1) REPAIR PART.
- (2) OVER-SIZE(O.S=0.25)PART.
- (3) UNDER-SIZE(U.S=0.25)PART.
- (REMARKS)"EFFECTIVE MACHINE NO." OF ENGINE IS INDICATED ON THE ENGINE LABEL WHICH IS SHOWN IN FIG.4.

Fig.9. LUB.OIL SYSTEM

(A)=3TNE74-UK2P
(B)=
(C)=

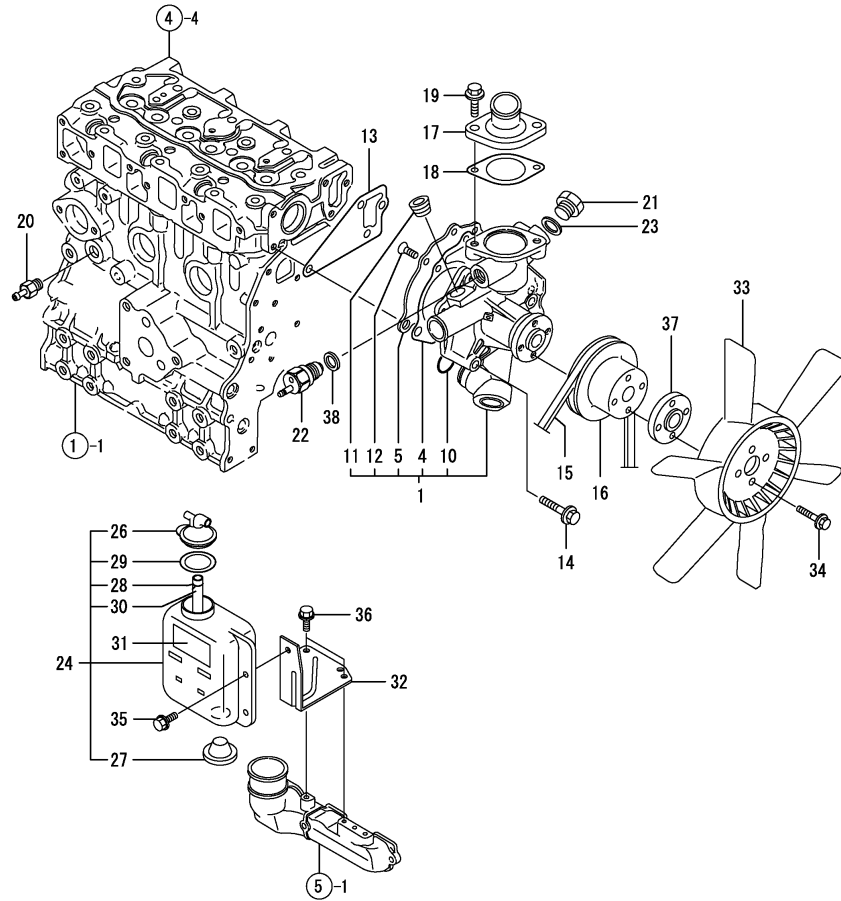
(D)=
(E)=
(F)=



No.	Lev.	Parts No.	Description	Q'ty						I	R
				(A)	(B)	(C)	(D)	(E)	(F)		
1	1	119660-32001	PUMP ASSY, OIL	1							
11	1	119660-32020	GASKET, PUMP	1							
12	1	26450-060202	BOLT, M6X 20	3							
13	1	119462-34800	DIPSTICK, OIL	1							
14	1	119860-34810	GUIDE, DIPSTICK	1							
15	1	119660-35113	GASKET	1							
16	1	119305-35170	FILTER ASSY, D68XL65	1							1
17	1	119609-35000	BRACKET ASSY, FILTER	1							
18	2	119609-32040	O-RING, P16	1							
19	2	119660-35102	BRACKET, FILTER	1							
20	2	119609-35300	VALVE ASSY, CONTROL	1							
28	2	129150-35350	NUT	1							
29	1	26106-080202	BOLT, M8X 20 PLATED	3							
30	1	119600-35081	PIPE ASSY, OIL INLET	1							
31	1	119209-35030	O-RING, P11	1							
32	1	26106-060102	BOLT, M6X 10 PLATED	2							
33	1	114250-39450	SWITCH, 0.5KG	1							

Remarks
(1) REPAIR PART.

Fig.10. COOLING WATER SYSTEM



(A)=3TNE74-UK2P

(B)=

(C)=

(D)=

(E)=

(F)=

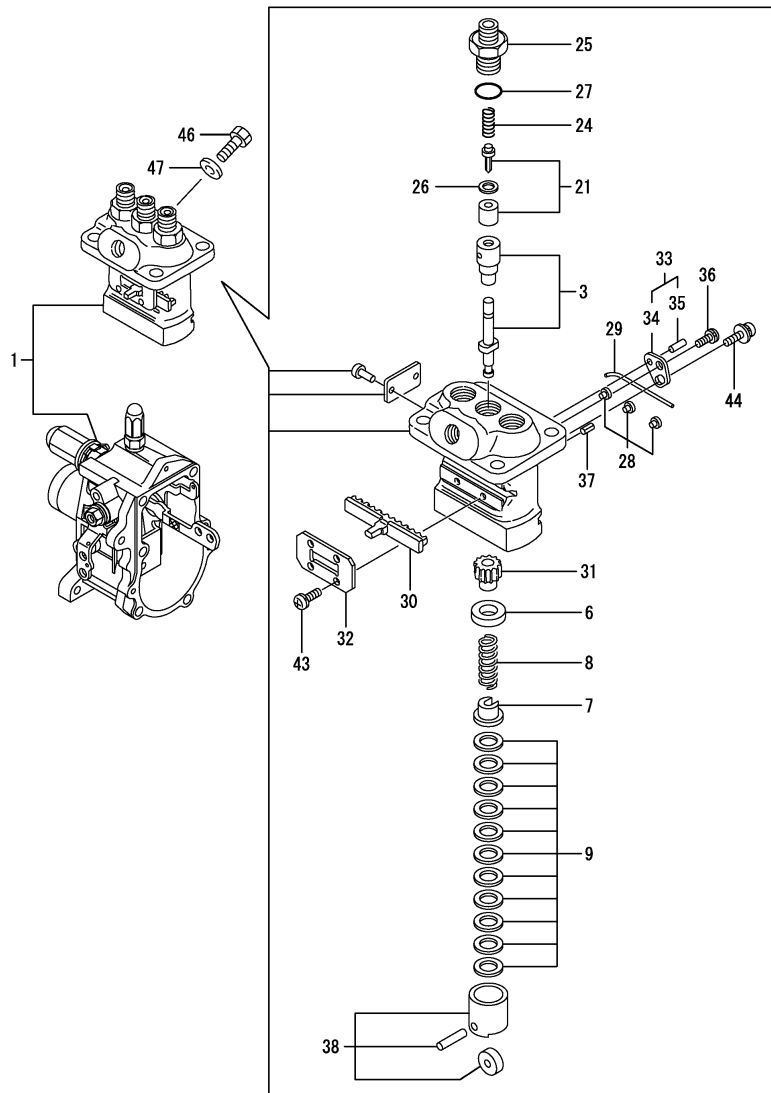
No.	Lev.	Parts No.	Description	Q'ty						I	R
				(A)	(B)	(C)	(D)	(E)	(F)		
1	1	119660-42008	PUMP ASSY, WATER	1							
4	2	119660-42052	GASKET, WATER PUMP	1							
5	2	119660-42121	PLATE	1							
10	2	119609-42320	O-RING	1							
11	2	23876-030000	PLUG, R03	1							
12	2	26577-060122	SCREW, M6X12	5							
13	1	119620-42021	GASKET, WATER PUMP	1							
14	1	26106-080452	BOLT, M8X 45 PLATED	4							
15	1	119650-42291	V-BELT, 35	1							
15-1	1	25157-003500	V-BELT, M35	1							R
		(A=E89302)									
16	1	119660-42350	V-PULLEY	1							
17	1	119660-49530	COVER, THERMOSTAT	1							
18	1	129350-49541	GASKET	1							
19	1	26106-080202	BOLT, M8X 20 PLATED	2							
20	1	121550-49111	JOINT, PT1/4	1							
21	1	121450-42450	PLUG, M16	1							
22	1	121250-44901	SWITCH, 110	1							
23	1	124465-44950	GASKET, 16	1							
24	1	121468-44510	SUB-TANK ASSY	1							
26	2	121450-44531	CAP	1							
27	2	121468-44540	PLUG, SUB-TANK	1							
28	2	124450-44560	RETAINER	1							
29	2	121470-44581	GASKET	1							
30	2	23065-070130	PIPE, 7X 130	1							
31	1	121470-44540	LABEL, SUB-TANK	1							
32	1	119462-44600	BRACKET, SUB TANK	1							
33	1	119653-44740	FAN, COOLING D=320	1							
34	1	26014-060252	BOLT, M6X 25	4							
35	1	26106-060122	BOLT, M6X 12 PLATED	2							
36	1	26106-060122	BOLT, M6X 12 PLATED	2							
37	1	124574-44761	SPACER, FAN	1							
38	1	124465-44950	GASKET, 16	1							

Remarks
 (REMARKS)"EFFECTIVE MACHINE NO." OF
 ENGINE IS INDICATED ON THE
 ENGINE LABEL WHICH IS SHOWN
 IN FIG.4.

Fig.11. FUEL INJECTION PUMP

(A)=3TNE74-UK2P
(B)=
(C)=

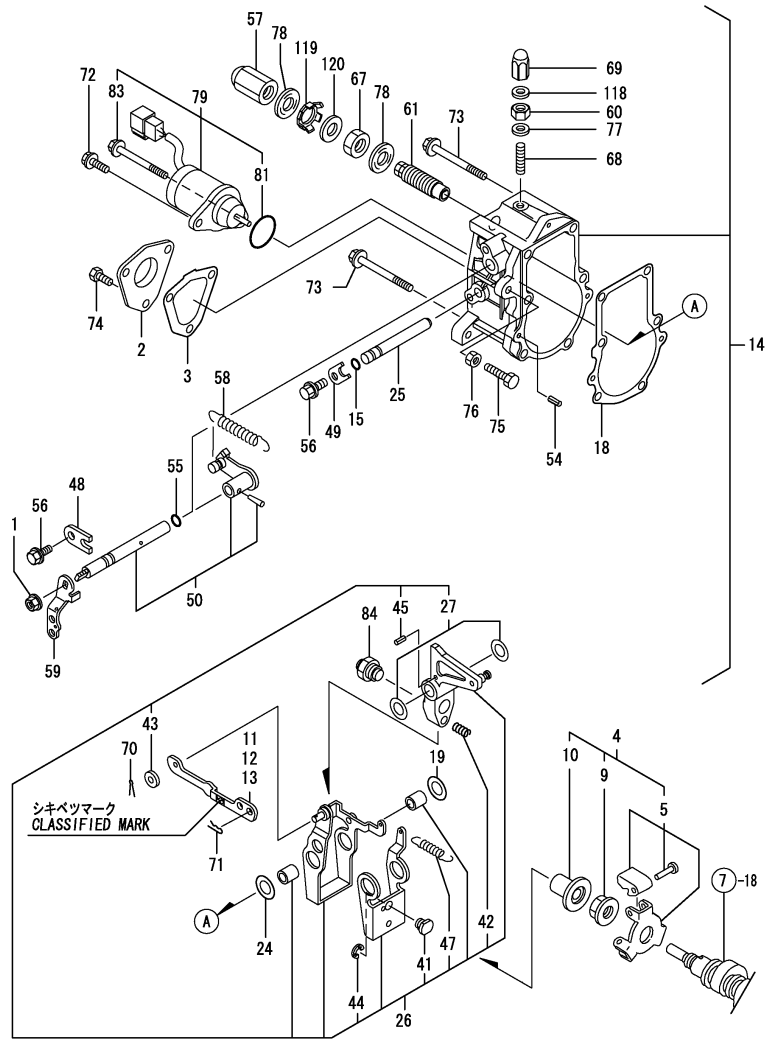
(D)=
(E)=
(F)=



No.	Lev.	Parts No.	Description	Q'ty						I	R
				(A)	(B)	(C)	(D)	(E)	(F)		
1	1	719624-51100	PUMP ASSY, INJECTION	1							
3	2	119620-51101	PLUNGER ASSY	3							
6	2	119620-51170	RETAINER, SPRING A	3							
7	2	119620-51180	RETAINER, SPRING B	3							
8	2	119620-51190	SPRING, PLUNGER	3							
9	2	119620-51250	SHIM SET	3							
21	2	119620-51300	VALVE ASSY, DELIVERY	3							
24	2	105546-51330	SPRING, DELIVERY	3							
25	2	119620-51340	HOLDER, DELIVERY	3							
26	2	119620-51350	GASKET	3							
27	2	119620-51370	O-RING	3							
28	2	119620-51450	PIECE	3							
29	2	119620-51461	PIN	1							
30	2	119660-51500	RACK, CONTROL	1							
31	2	119620-51510	PINION	3							
32	2	119660-51530	RETAINER, RACK	1							
33	2	119620-51640	PLATE ASSY, ADJUST	2							
34	3	119620-51650	PLATE	2							
35	3	119620-51670	PIN	2							
36	2	119620-51660	SCREW	2							
37	2	119620-51680	PIN	1							
38	2	119620-51700	TAPPET ASSY	3							
43	2	26022-040082	SCREW, M4X 8	4							
44	2	26033-040102	SCREW, M4X10	2							
46	1	119266-51900	BOLT	1							
47	1	22190-080002	WASHER, SEAL 6	1							

Remarks
(REMARKS)"EFFECTIVE MACHINE NO." OF
ENGINE IS INDICATED ON THE
ENGINE LABEL WHICH IS SHOWN
IN FIG.4.

Fig.12. GOVERNOR



(A)=3TNE74-UK2P

(B)=

(C)=

(D)=

(E)=

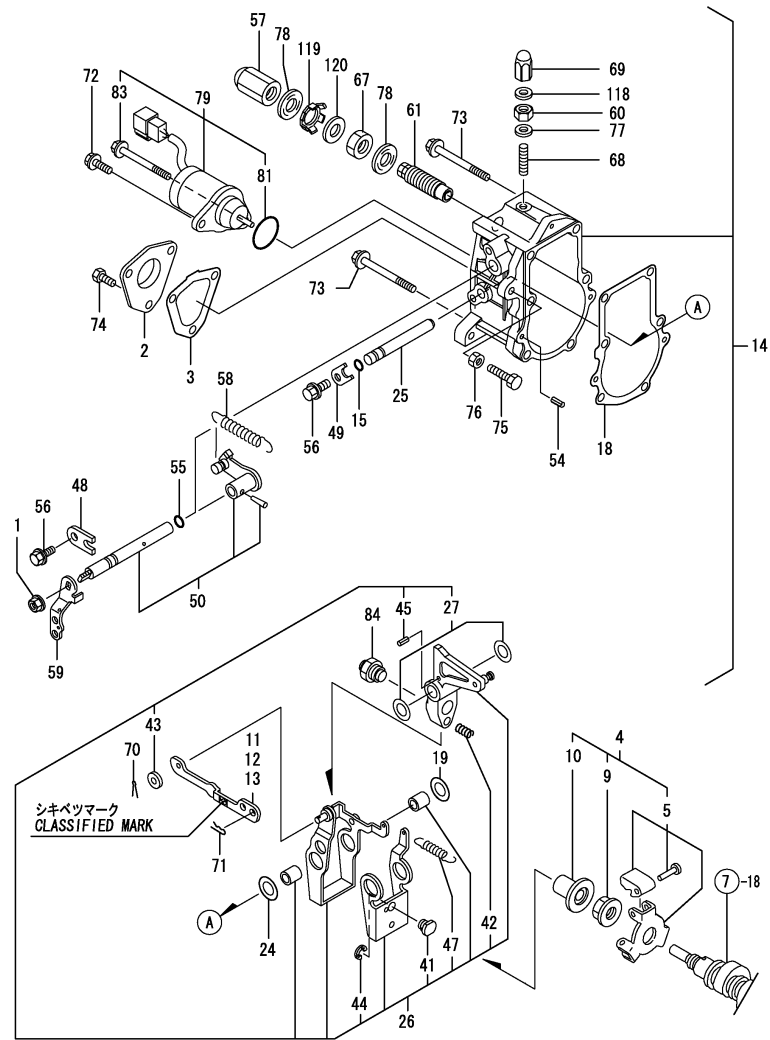
(F)=

No.	Lev.	Parts No.	Description	Qty						I	R
				(A)	(B)	(C)	(D)	(E)	(F)		
1	1	26366-080002	NUT, M8	1							
2	1	119660-61060	COVER, GOVERNOR CASE	1							
3	1	119660-61071	GASKET	1							
4	1	119600-61100	DRIVE ASSY	1							
5	2	119600-61200	WEIGHT ASSY,GOVERNOR	1							
9	2	119660-61300	NUT	1							
10	2	119660-61341	SLEEVE	1							
11	1	119660-61122	LINK, NO MARK	1							1
12	1	119660-61141	LINK, MARK A	1							1
13	1	119660-61151	LINK, MARK :B	1							1
14	1	119632-61200	CASE ASSY, GOVERNOR	1							
15	2	129155-51280	O-RING, S6	1							
18	2	119660-61054	GASKET	1							
19	2	119632-61500	SHIM SET	1							
24	2	129156-61500	SHIM, T=0.5	1							
25	2	119660-61590	SHAFT	1							
26	2	119232-61510	LEVER ASSY, GOVERNOR	1							
27	3	174307-51700	SHIM SET	2							
41	3	119600-61541	SHIFTER	1							
42	3	119660-61651	SPRING, STARTING	1							
43	3	22117-040000	WASHER, 4	1							
44	3	22272-000040	RING, E- 4	1							
45	3	22351-030014	PIN, SPRING 3.0X14	1							
47	3	119232-61540	SPRING	1							
48	2	119600-61900	RETAINER, SHAFT	1							
49	2	119660-61901	RETAINER, SHAFT	1							
50	2	119285-66080	SHAFT ASSY	1							
54	2	22351-040010	PIN, SPRING 4.0X10	2							
55	2	24341-000070	O-RING, 1AS7.0	2							
56	2	26106-060102	BOLT, M6X 10 PLATED	2							
57	1	26687-120002	NUT, CAP M12	1							
58	1	119645-66020	SPRING, REGULATOR	1							
59	1	119621-66051	LEVER, REGULATOR	1							
60	1	26857-060002	NUT, M6	1							
61	1	119653-66520	LIMITER ASSY, FUEL	1							
67	1	26736-120002	NUT, M12	1							
68	1	121575-66830	SCREW	1							
69	1	119285-66600	NUT, CAP M6	1							
70	1	22360-040000	PIN, SNAP 4	1							
71	1	22360-060000	PIN, SNAP 6	1							
72	1	121465-59950	BOLT, M6X16	1							
73	1	26106-060702	BOLT, M6X 70 PLATED	5							
74	1	26116-050102	BOLT, M5X 10 PLATED	3							
75	1	119266-61460	BOLT	1							
76	1	26756-060002	NUT, LOCK M6	1							
77	1	22190-060003	SEAL WASER 6	1							
78	1	22190-120002	WASHER, SEAL 12	2							
79	1	119653-66500	STOPPER ASSY	1							
81	2	24341-000280	O-RING, 1AS28.0	1							
83	2	119620-01530	BOLT	1							
84	1	119610-66700	ANGLEICH ASSY	1							

Remarks

(1) SELECTIVE PARTS: CERTAIN THE CLASSIFICATION MARK, THEN PLACE YOUR ORDER.(REF. TO ILLUSTRATION) (REMARKS)"EFFECTIVE MACHINE NO." OF ENGINE IS INDICATED ON THE ENGINE LABEL WHICH IS SHOWN IN FIG.4.

Fig.12. GOVERNOR



(A)=3TNE74-UK2P
(B)=
(C)=

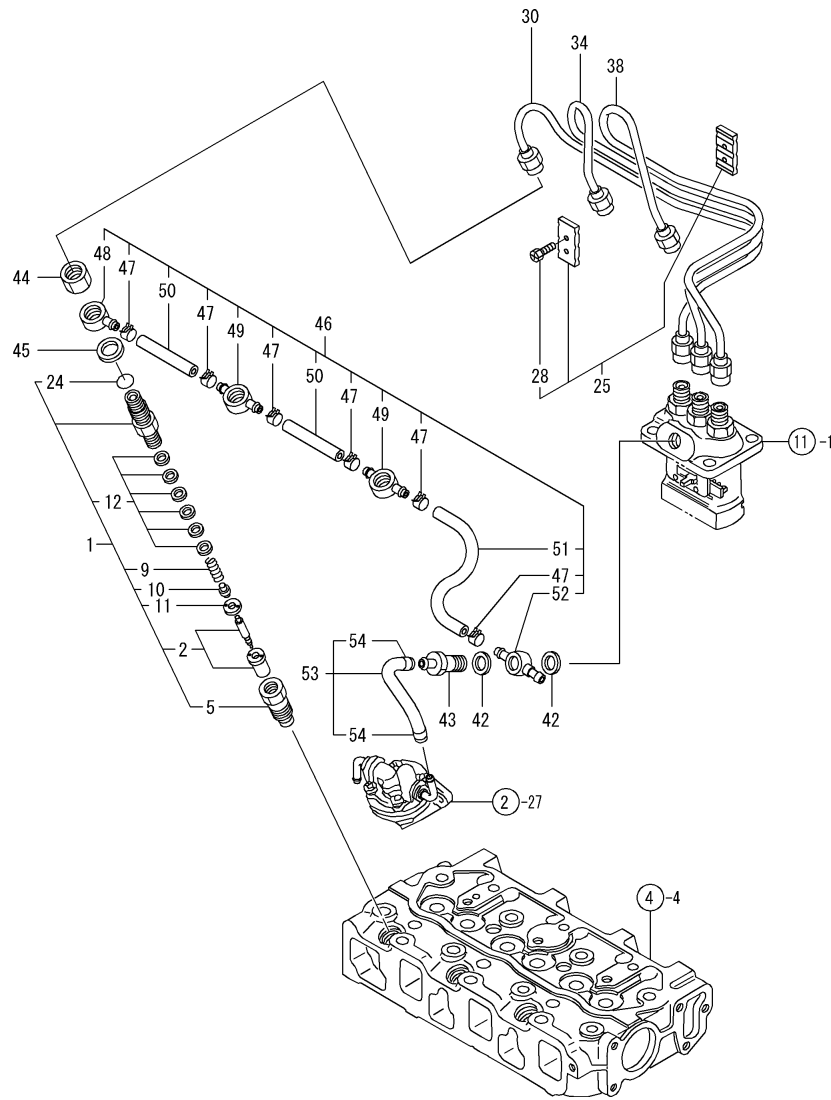
(D)=
(E)=
(F)=

No.	Lev.	Parts No.	Description	Q'ty						I	R
				(A)	(B)	(C)	(D)	(E)	(F)		
118	1	119285-66620	GASKET	1							
119	1	129209-61970	PLATE	1							
120	1	23414-120016	GASKET, 12X1.0	1							

Remarks

(1) SELECTIVE PARTS: CERTAIN THE CLASSIFICATION MARK, THEN PLACE YOUR ORDER.(REF. TO ILLUSTRATION) (REMARKS)"EFFECTIVE MACHINE NO." OF ENGINE IS INDICATED ON THE ENGINE LABEL WHICH IS SHOWN IN FIG.4.

Fig.13. FUEL INJECTION VALVE



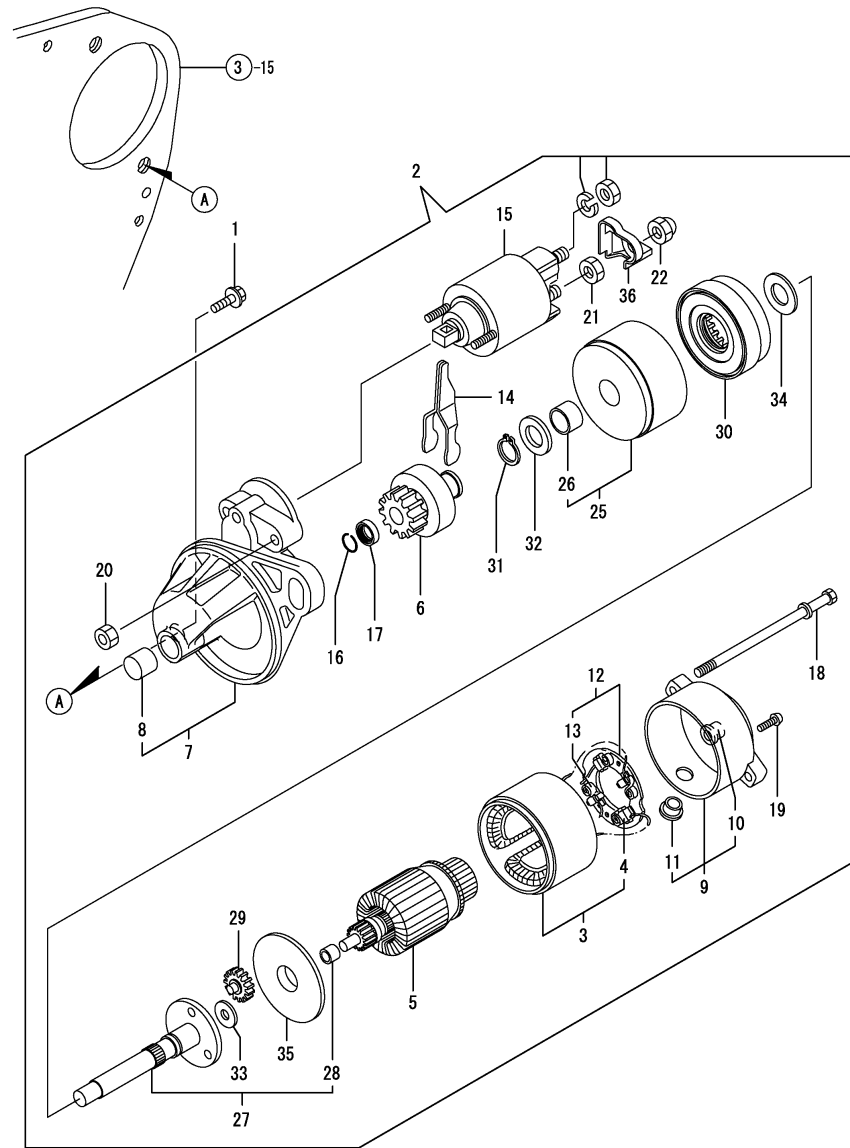
(A)=3TNE74-UK2P
(B)=
(C)=

(D)=
(E)=
(F)=

No.	Lev.	Parts No.	Description	Qty						I	R
				(A)	(B)	(C)	(D)	(E)	(F)		
1	1	719255-53100	VALVE ASSY,INJECTION	3							
2	2	119620-53000	VALVE ASSY,INJECTION	3							
5	2	119620-53080	NUT, NOZZLE	3							
9	2	119620-53120	SPRING, NOZZLE	3							
10	2	114250-53130	SEAT, SPRING	3							
11	2	119620-53140	SPACER, VALVE STOP	3							
12	2	114250-53400	SHIM SET	3							
24	2	129155-61830	O-RING, S10	3							
25	1	129150-59120	RETAINER, PIPE	1							
28	2	129150-59131	BOLT, M4X14	2							
30	1	119620-59811	PIPE ASSY, INJECTION	1							
34	1	119620-59821	PIPE ASSY, INJECTION	1							
38	1	119620-59831	PIPE ASSY, INJECTION	1							
42	1	22190-120002	WASHER, SEAL 12	2							
43	1	119668-59190	JOINT ASSY	1							
44	1	119620-59700	NUT, NOZZLE	3							
45	1	22190-140002	WASHER, SEAL 14	3							
46	1	119668-59540	PIPE ASSY, RETURN	1							
47	2	124066-59100	CLIP, HOSE 8	6							
48	2	119260-59520	JOINT	1							
49	2	119260-59530	JOINT	2							
50	2	105025-59550	PIPE, FUEL RETURN	2							
51	2	129100-59560	PIPE, FUEL RETURN	1							
52	2	129100-59991	JOINT, OVER FLOW	1							
53	1	119668-59010	PIPE ASSY, FUEL	1							
54	2	124766-59050	CLIP, HOSE 12	2							

Remarks
(REMARKS)"EFFECTIVE MACHINE NO." OF
ENGINE IS INDICATED ON THE
ENGINE LABEL WHICH IS SHOWN
IN FIG.4.

Fig.14. STARTING MOTOR



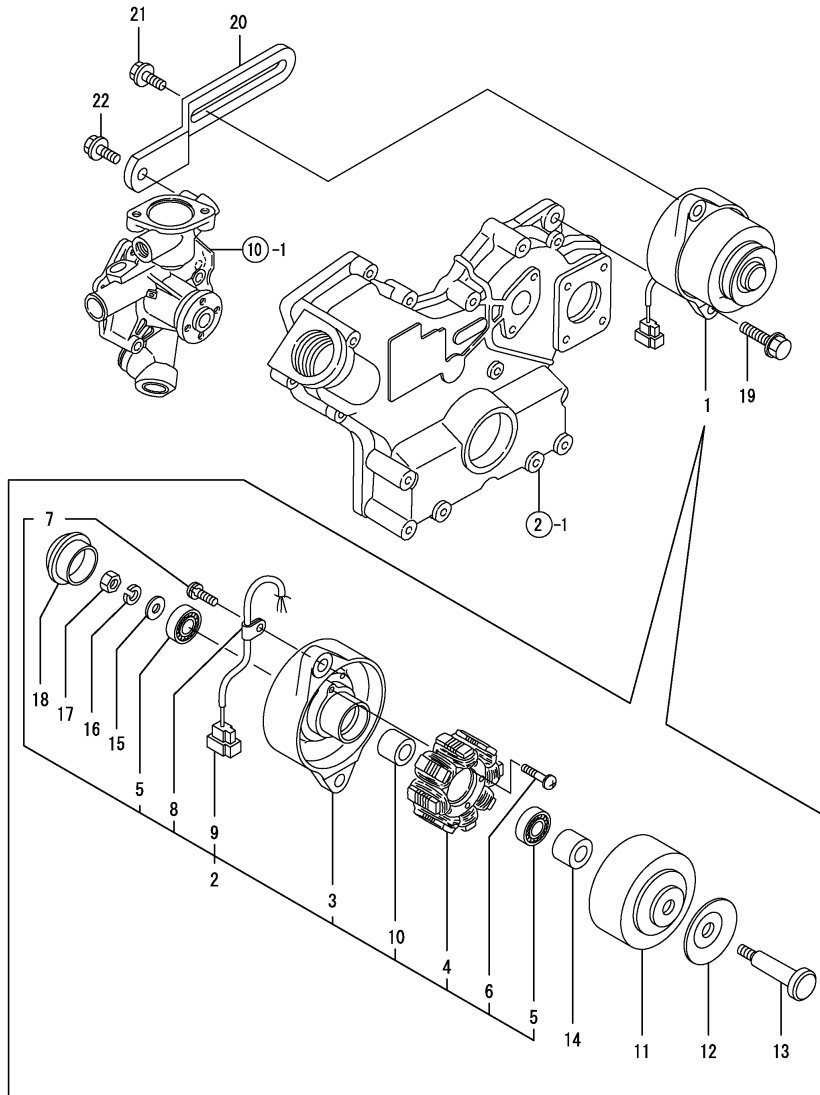
(A)=3TNE74-UK2P
(B)=
(C)=

(D)=
(E)=
(F)=

No.	Lev.	Parts No.	Description	Q'ty						I	R
				(A)	(B)	(C)	(D)	(E)	(F)		
1	1	26106-100402	BOLT, M10X 40 PLATED	2							
2	1	119853-77010	STARTER, P1.1	1							
3	2	X0281007750	YOKE ASSY	1							
4	3	X0280996180	STARTER KIT	2							
5	2	X0282005991	ARMATURE ASSY	1							
6	2	X0283006960	CLUTCH ASSY	1							
7	2	X2284006080	HOUSING ASSY	1							
8	3	X9491050100	BEARING, NEEDLE	1							
9	2	X0285005750	FRAME ASSY	1							
10	3	X9491040990	BEARING	1							
11	3	X0280626010	COVER	1							
12	2	X0285105190	HOLDER ASSY	1							
13	3	X0285205030	SPRING	4							
14	2	X0287405140	LEVER	1							
15	2	X0534007800	SWITCH ASSY	1							
16	2	X9490721360	RING	1							
17	2	X0280210331	NUT	1							
18	2	X9490423420	BOLT, THROUGH	2							
19	2	X9490665670	SCREW, M4X6	2							
20	2	X9490560750	NUT	2							
21	2	X9490562360	NUT	1							
22	2	X1289510130	NUT	1							
25	2	X0284105040	BEARING ASSY	1							
26	3	X9491034330	BEARING	1							
27	2	X0286105010	SHAFT ASSY	1							
28	3	X9491034320	BEARING	1							
29	2	X0286305010	GEAR	3							
30	2	X0286355010	GEAR	1							
31	2	X9055715000	RING	1							
32	2	X9490138110	WASHER	1							
33	2	X9490138090	WASHER	1							
34	2	X9490138100	WASHER	1							
35	2	X0284525010	PLATE	1							
36	2	X0280335350	COVER, TERMINAL	1							

Remarks
(REMARKS)"EFFECTIVE MACHINE NO." OF
ENGINE IS INDICATED ON THE
ENGINE LABEL WHICH IS SHOWN
IN FIG.4.

Fig.15. GENERATOR



(A)=3TNE74-UK2P
(B)=
(C)=

(D)=
(E)=
(F)=

No.	Lev.	Parts No.	Description	Q'ty						I	R
				(A)	(B)	(C)	(D)	(E)	(F)		
1	1	119663-77200	DYNAMO	1							
2	2	X2A09922KA	PLATE ASSY	1							
3	3	X2A07071KA	PLATE, COIL	1							
4	3	X4A07023KC	STATOR ASSY	1							
5	3	24104-062010	BEARING, 6201UUC3	2							
6	3	XYSPS402400	SCREW	2							
7	3	XYSPS400800	SCREW	1							
8	3	XM069000000	CLAMP	1							
9	3	XM178780000	COUPLER	1							
10	3	XM329830000	COLLAR	1							
11	2	X3A08344KB	FLYWHEEL	1							
12	2	XM721740000	PULLEY	1							
13	2	X4A07130K01	SHAFT	1							
14	2	X4A04060K01	COLLAR	1							
15	2	XM860250000	WASHER 10	1							
16	2	XM219230000	WASHER, SPRING	1							
17	2	XM863720000	NUT	1							
18	2	XM771870000	CAP	1							
19	1	26106-100402	BOLT, M10X 40 PLATED	1							
20	1	119660-77330	ADJUSTER	1							
21	1	26014-080252	BOLT, M8X 25	1							
22	1	26106-080162	BOLT, M8X 16 PLATED	1							

Remarks
(REMARKS)"EFFECTIVE MACHINE NO." OF
ENGINE IS INDICATED ON THE
ENGINE LABEL WHICH IS SHOWN
IN FIG.4.

Parts No. Index

Parts No.	Fig. No.	Ref. No.
104211-11370	4	22
105010-11230	4	33
		37
105025-59550	13	50
105027-12570	5	9
105225-21501	8	12
105225-23200	8	31
105546-51330	11	24
114250-39450	9	33
114250-53130	13	10
114250-53400	13	12
114399-22300	8	24
118400-03060	4	52
119131-18320	6	9
119209-35030	9	31
119232-61510	12	26
119232-61540	12	47
119260-07900	4	61
119260-59520	13	48
119260-59530	13	49
119266-51900	11	46
119266-61460	12	75
119285-66080	12	50
119285-66600	12	69
119285-66620	12	118
119305-35170	9	16
119462-01602	3	15
119462-34800	9	13
119462-44600	10	32
119600-01050	1	5
119600-01722	3	6
119600-11450	4	23
119600-11460	4	24
119600-35081	9	30
119600-61100	12	4
119600-61200	12	5
119600-61541	12	41
119600-61900	12	48
119609-32040	9	18
119609-35000	9	17
119609-35300	9	20
119609-42320	10	10
119610-66700	12	84
119620-01200	1	23
119620-01530	12	83
119620-01620	3	1
119620-01800	2	4
119620-02020	1	6
119620-02450	7	4
119620-03020	4	47

Parts No.	Fig. No.	Ref. No.
119620-03031	4	48
119620-11110	4	15
119620-11120	4	16
119620-11180	4	17
119620-11200	4	26
119620-11240	4	27
119620-11260	4	30
119620-11280	4	31
119620-11310	4	51
119620-11350	4	42
119620-11801	4	8
119620-13110	6	2
119620-14100	7	7
119620-14200	7	1
119620-14401	7	2
119620-21941	8	10
119620-23910	8	29
119620-25102	7	11
119620-25912	7	13
119620-42021	10	13
119620-51101	11	3
119620-51170	11	6
119620-51180	11	7
119620-51190	11	8
119620-51250	11	9
119620-51300	11	21
119620-51340	11	25
119620-51350	11	26
119620-51370	11	27
119620-51450	11	28
119620-51461	11	29
119620-51510	11	31
119620-51640	11	33
119620-51650	11	34
119620-51660	11	36
119620-51670	11	35
119620-51680	11	37
119620-51700	11	38
119620-53000	13	2
119620-53080	13	5
119620-53120	13	9
119620-53140	13	11
119620-59700	13	44
119620-59811	13	30
119620-59821	13	34
119620-59831	13	38
119621-21680	8	9
119621-66051	12	59
119623-01250	1	12
119623-01340	1	24

Parts No.	Fig. No.	Ref. No.
119623-01950	2	28
119623-11100	4	14
119623-21700	8	1
119623-22500	8	20
119623-22950	8	36
119624-02410	1	21
119624-22082	8	18
119624-22900	8	34
119624-32040	2	7
119626-11000	4	4
119626-13510	6	6
119629-14580	7	3
119632-61200	12	14
119632-61500	12	19
119644-21200	8	5
119645-66020	12	58
119645-77820	4	59
119650-01770	3	8
119650-13101	6	1
119650-26001	7	27
119650-42291	10	15
119652-12550	5	10
119652-12601	5	11
119653-21650	8	8
119653-44740	10	33
119653-66500	12	79
119653-66520	12	61
119655-12560	5	8
119657-11351	4	45
119659-21590	8	13
119660-01492	2	17
119660-01510	2	20
119660-01551	2	23
119660-01562	2	24
119660-01570	2	25
119660-01590	2	1
119660-01640	3	2
119660-01821	7	17
119660-01911	2	5
119660-12101	5	1
119660-12111	5	2
119660-25022	7	9
119660-25052	7	10
119660-32001	9	1
119660-32020	9	11
119660-35102	9	19
119660-35113	9	15
119660-42008	10	1
119660-42052	10	4
119660-42121	10	5

Parts No.	Fig. No.	Ref. No.
119660-42350	10	16
119660-49530	10	17
119660-51500	11	30
119660-51530	11	32
119660-61054	12	18
119660-61060	12	2
119660-61071	12	3
119660-61122	12	11
119660-61141	12	12
119660-61151	12	13
119660-61300	12	9
119660-61341	12	10
119660-61590	12	25
119660-61651	12	42
119660-61901	12	49
119660-77330	15	20
119663-77200	15	1
119668-12500	5	5
119668-12520	5	6
119668-26010	7	37
119668-52020	2	27
119668-59010	13	53
119668-59190	13	43
119668-59540	13	46
119807-11770	4	46
119808-12540	5	7
119853-77010	14	2
119860-34810	9	14
119865-12600	5	12
121250-44901	10	22
121450-01560	2	21
121450-42450	10	21
121450-44531	10	26
121465-59950	12	72
121468-44510	10	24
121468-44540	10	27
121470-44540	10	31
121470-44581	10	29
121520-01851	2	26
121550-49111	10	20
121575-66830	12	68
123900-13600	6	5
123900-13620	6	4
124060-21600	8	16
124066-59100	13	47
124085-02220	3	4
124160-01650	4	55
124160-01751	2	15
124160-11340	4	20
124160-11360	4	56

Parts No. Index

Parts No.	Fig. No.	Ref. No.
124240-01883	7	31
124450-44560	10	28
124465-44950	10	23
		38
124574-44761	10	37
124766-59050	13	54
124950-11340	4	21
124950-21230	8	17
129054-01640	3	11
129100-01580	3	14
	8	2
129100-59560	13	51
129100-59991	13	52
129107-13540	6	7
129150-35350	9	28
129150-59120	13	25
129150-59131	13	28
129150-91400	2	38
129155-51280	12	15
129155-61830	13	24
129155-77801	4	58
129156-61500	12	24
129209-61970	12	119
129350-26490	7	29
129350-49541	10	18
174307-51700	12	27
178070-10401	7	38
194521-41570	7	39
194990-22050	2	10
22117-040000	12	43
22137-080000	7	32
22190-060003	12	77
22190-080002	11	47
22190-120002	3	10
	12	78
	13	42
22190-140002	13	45
22242-000120	4	40
22242-000200	7	15
22252-000210	8	25
22252-000320	7	40
22272-000040	12	44
22351-030012	8	11
22351-030014	12	45
22351-040010	2	22
	12	54
22351-060012	4	25
22360-040000	12	70
22360-060000	12	71
22512-040120	7	8

Parts No.	Fig. No.	Ref. No.
22512-040120	7	22
	8	6
22857-500100	4	53
23000-054000	5	16
23065-070130	10	30
23065-120500	4	54
23414-120016	12	120
23876-010000	1	11
23876-020000	4	10
23876-030000	10	11
24101-062034	7	24
24102-063034	7	23
24104-060054	7	30
24104-062010	15	5
24311-000120	4	57
24311-000320	2	16
24341-000070	12	55
24341-000240	2	40
24341-000280	12	81
24421-153207	7	41
25157-003500	10	15 -1
26014-060202	2	37
26014-060252	10	34
26014-080252	15	21
26016-080352	7	42
26022-040082	11	43
26033-040102	11	44
26106-060102	9	32
	12	56
26106-060122	1	22
	3	12
	5	17
	7	16
	10	35
		36
26106-060162	2	6
		8
	5	3
	7	25
26106-060222	3	5
26106-060302	2	9
26106-060402	5	4
26106-060452	3	13
26106-060602	2	11
		12
26106-060702	12	73
26106-060802	2	13
26106-080122	4	60
	5	18
26106-080142	4	62

Parts No.	Fig. No.	Ref. No.
26106-080162	15	22
26106-080202	7	33
	9	29
	10	19
26106-080352	6	8
26106-080452	4	43
	10	14
26106-080752	7	34
26106-100402	14	1
	15	19
26116-050102	12	74
26116-081302	7	35
26206-100202	3	16
26206-100252	3	17
26306-080002	4	44
	6	3
		10
	7	36
26366-060002	2	14
26366-080002	12	1
26450-060202	9	12
26577-060122	10	12
26587-080102	7	26
26687-120002	12	57
26736-120002	12	67
26756-060002	12	76
26856-060002	4	35
		39
26857-060002	12	60
26979-050162	4	41
27221-050080	4	11
27241-120000	1	13
27241-300000	1	14
27241-400000	4	12
27310-070001	4	18
719255-53100	13	1
719620-02800	1	15
719620-02870	1	25
719620-02930	1	18
719620-11650	4	32
719620-11660	4	36
719620-23100	8	26
719620-23600	8	44
719620-23610	8	42
719623-01560	1	1
719624-51100	11	1
719660-14590	7	18
X0280210331	14	17
X0280335350	14	36
X0280626010	14	11

Parts No.	Fig. No.	Ref. No.
X0280996180	14	4
X0281007750	14	3
X0282005991	14	5
X0283006960	14	6
X0284105040	14	25
X0284525010	14	35
X0285005750	14	9
X0285105190	14	12
X0285205030	14	13
X0286105010	14	27
X0286305010	14	29
X0286355010	14	30
X0287405140	14	14
X0534007800	14	15
X1289510130	14	22
X2284006080	14	7
X2A07071KA	15	3
X2A09922KA	15	2
X3A08344KB	15	11
X4A04060K01	15	14
X4A07023KC	15	4
X4A07130K01	15	13
X9055715000	14	31
X9490065670	14	19
X9490138090	14	33
X9490138100	14	34
X9490138110	14	32
X9490423420	14	18
X9490560750	14	20
X9490562360	14	21
X9490721360	14	16
X9491034320	14	28
X9491034330	14	26
X9491040990	14	10
X9491050100	14	8
XM069000000	15	8
XM178780000	15	9
XM219230000	15	16
XM329830000	15	10
XM721740000	15	12
XM771870000	15	18
XM860250000	15	15
XM863720000	15	17
XYSPS400800	15	7
XYSPS402400	15	6