

0CNP4-M53100EN

Contents

OCNP4-M53100

Fig. No. Fig. Name

ENGINE CONTROL SECTION

1. ENGINE ACCESSORIES
2. ACCEL LEVER
3. FUEL TANK
4. BELT COVER

FRONT AXLE SECTION

5. FRONT BRACKET
6. TIE ROD
7. DRIVE PINION
8. PROPELLER SHAFT
9. FRONT AXLE CASE
10. FRONT GEAR CASE
11. FRONT SHAFT (2
12. INPUT SHAFT
13. FRONT SPINDLE
14. FRONT WHEEL TIRE
15. STEERING WHEEL
16. P.S.T. PIPING

TRANSMISSION SECTION

17. CLUTCH HOUSING
18. CLUTCH PEDAL
19. TRANSMISSION CASE
20. INPUT SHAFT

Fig. No. Fig. Name

21. MAIN SHAFT
22. COUNTER SHAFT
23. P.T.O. DRIVE SHAFT
24. MAIN CHANGE
25. SUB CHANGE
26. P.T.O. CHANGE

REAR AXLE SECTION

27. RING GEAR
28. REAR HOUSING
29. DIFFERENTIAL LOCK
30. FINAL PINION & REAR AXLE
31. REAR WHEEL TIRE
32. DISK BRAKE
33. BRAKE PEDAL

HYDRAULIC CONTROL SECTION

34. HYDRAULIC CYLINDER CASE
35. HYDRAULIC SIDE COVER
36. PISTON & LIFT CRANK
37. CONTROL VALVE
38. RELIEF VALVE
39. HYDRAULIC CONTROL
40. HYDRAULIC PIPING

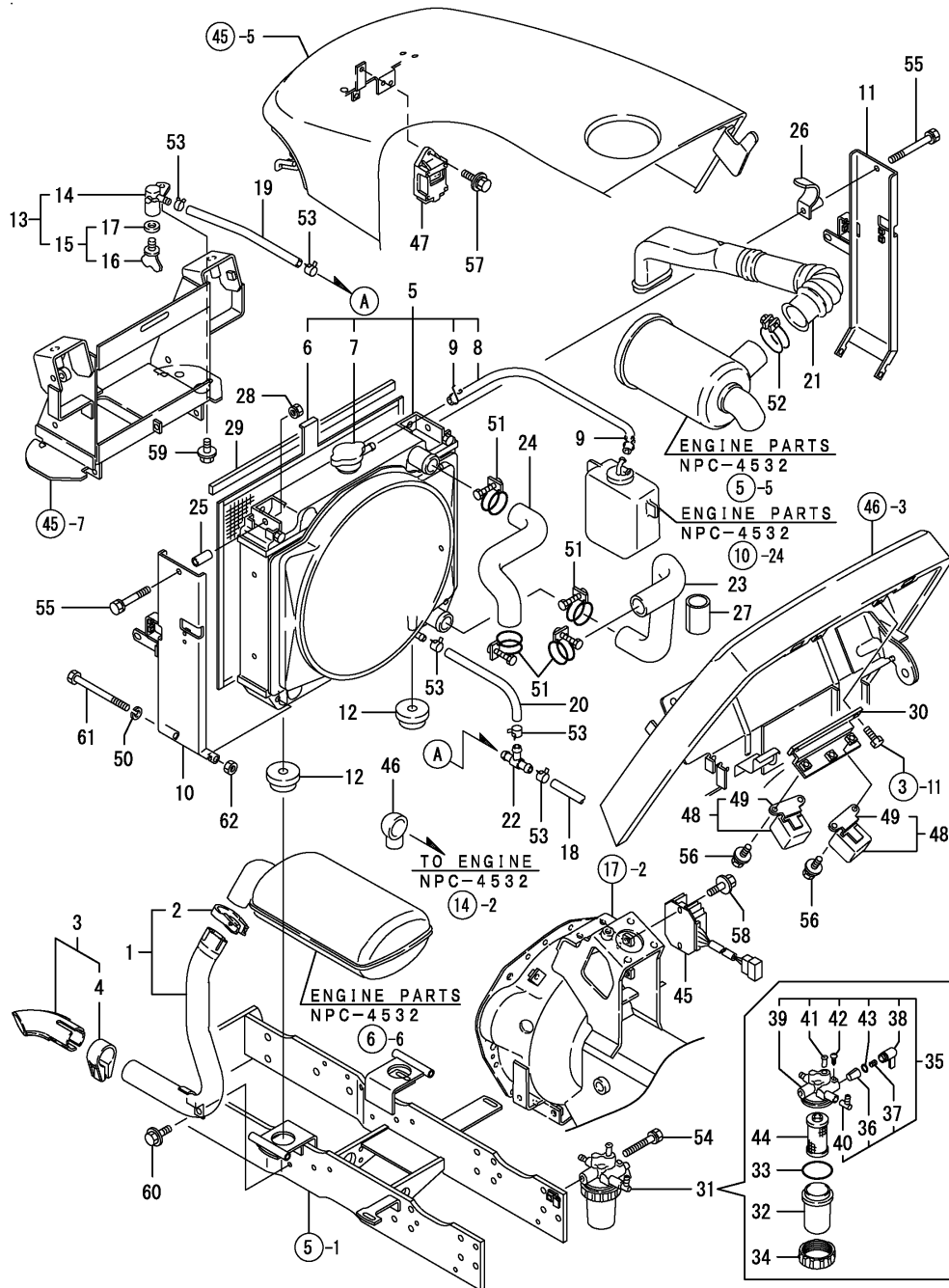
Contents

OCNP4-M53100

Fig. No.	Fig. Name
ELECTRICAL PARTS SECTION	
41.	WIRE HARNESS
42.	BATTERY & SWITCHES
43.	LAMPS & HORN
44.	METER
FITTINGS SECTION	
45.	HOOD
46.	DASH BOARD
47.	FENDER
48.	STEP
49.	OPERATOR SEAT
50.	BACK MIRROR
51.	LABELS
52.	LABELS(SAFETY)
ACCESSORIES SECTION	
53.	BALANCE WEIGHT
54.	JOINT FRAME & LOWER FRAME
OPTIONAL SECTION	
55.	OPTION

Fig. No.	Fig. Name
----------	-----------

Fig.1. ENGINE ACCESSORIES



(A)=KE-60

(B)=

(C)=

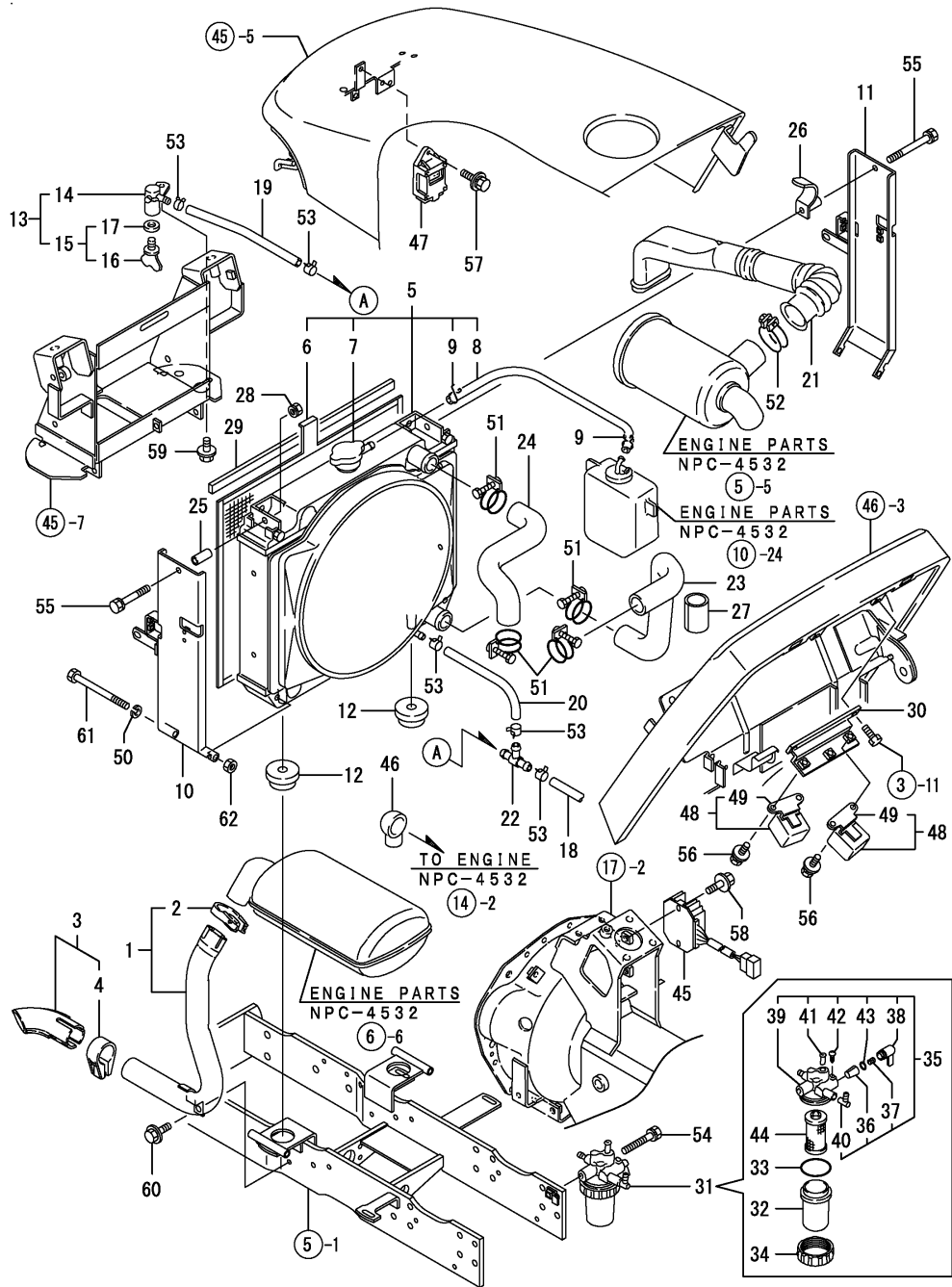
(D)=

(E)=

(F)=

No.	Lev.	Parts No.	Description	Q'ty						I	R
				(A)	(B)	(C)	(D)	(E)	(F)		
1	1	198162-00510	PIPE, EXHAUST	1							
2	2	119650-13620	CLAMP, EXHAUST PIPE	1							
3	1	198162-00520	EXTENSION, END	1							
4	2	119650-13620	CLAMP, EXHAUST PIPE	1							
5	1	198164-00600	RADIATOR ASSY	1							
6	2	198162-00860	SCREEN, DUSTPROOF	1							
7	2	129107-44590	CAP, RADIATOR	1							
8	2	119462-44550	HOSE,RUBBER	1							
9	2	121250-44590	CLAMP	2							
10	1	198164-00620	SUPPORT ASSY, L	1							
11	1	198164-00630	SUPPORT ASSY, R	1							
12	1	198162-00640	SUPPORT, RADIATOR	2							
13	1	198421-00640	COCK ASSY, 2-WAY	1							
14	2	198421-00650	BODY, 2-WAY COCK	1							
15	2	129150-49080	COCK, DRAIN	1							
16	3	119629-49070	COCK, DRAIN	1							
17	3	119629-49080	GASKET	1							
18	1	198162-00660	PIPE, DRAIN 350	1							
19	1	198162-00670	PIPE, DRAIN 250	1							
20	1	198421-00670	PIPE, DRAIN B	1							
21	1	198421-00681	PIPE, EXTENSION	1							
22	1	198162-00710	PIPE, 3-WAY	1							
23	1	198164-00720	PIPE, WATER L 72	1							
24	1	198164-00730	PIPE, WATER U 72	1							
25	1	198162-00770	PIPE, 30	1							
26	1	198163-00770	STAY, EXTENSION PIPE	1							
27	1	1C6860-06980	GUARD, HARNESS	1							
28	1	194990-22050	NUT, M8	2							
29	1	121454-44590	PAD, URETHANE	1							
30	1	198163-51310	STAY, RELAY	1							
31	1	119462-55620	STRAINER, FUEL	1							
32	2	124064-55510	COVER	1							
33	2	102103-55520	O-RING	1							
34	2	110250-55610	RING, RETAINING	1							
35	2	119626-55690	BODY,FO FILTER	1							
36	3	104200-55321	VALVE, TAPER	1							
37	3	104200-55330	SPRING, VALVE	1							
38	3	119810-55340	LEVER	1							
39	3	119865-55660	BODY	1							
40	3	171125-55730	L JOINT	1							
41	3	129155-55740	JOINT	1							
42	3	104200-55750	SCREW, M4	1							
43	3	24311-240100	O-RING, 1AP10A	1							
44	2	104500-55710	ELEMENT	1							
45	1	198162-58800	REGULATOR	1							
46	1	124160-77020	COVER, TERMINAL	1							
47	1	119650-77902	CONTROLLER	1							
48	1	119650-77910	RELAY ASSY, GLOW	2							
49	2	119650-77930	BRACKET, RELAY	2							
50	1	22287-080000	WASHER, 8	2							
51	1	23010-038000	CLAMP, 38	4							

Fig.1. ENGINE ACCESSORIES

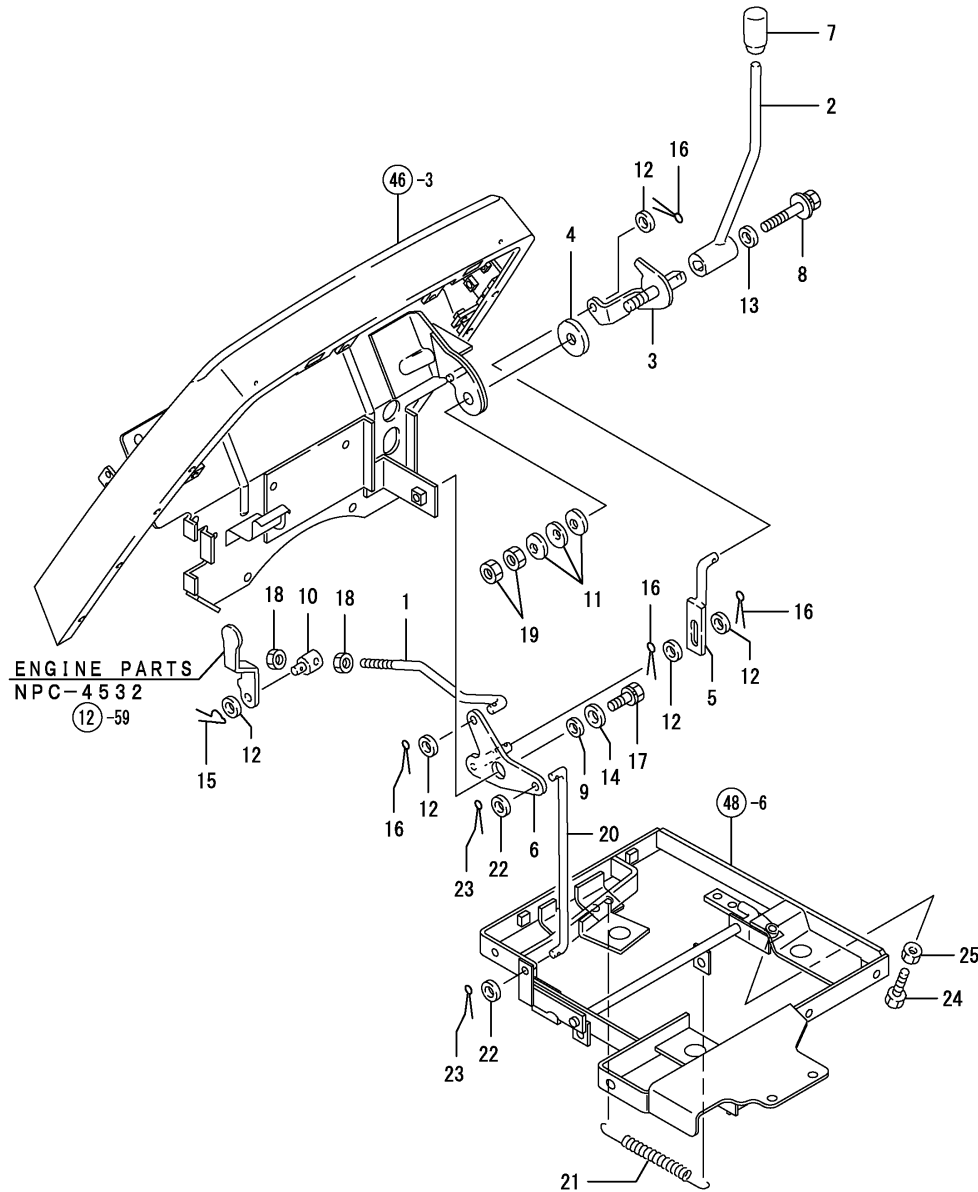


(A)=KE-60
(B)=
(C)=

(D)=
(E)=
(F)=

No.	Lev.	Parts No.	Description	Q'ty						I	R
				(A)	(B)	(C)	(D)	(E)	(F)		
52	1	23010-050000	CLAMP, 50	1							
53	1	23080-012000	CLAMP, 12	6							
54	1	26013-080652	BOLT, M8X 65	1							
55	1	26016-080502	BOLT M 8X 50	2							
56	1	26018-060162	BOLT, M6X 16	3							
57	1	26018-060252	BOLT, M6X 25	1							
58	1	26018-060252	BOLT, M6X 25	2							
59	1	26018-080162	BOLT, M8X 16	1							
60	1	26018-080202	BOLT, M8X 20	1							
61	1	26116-081052	BOLT, M8X105 PLATED	2							
62	1	26716-080002	NUT, M8	2							

Fig.2. ACCEL LEVER

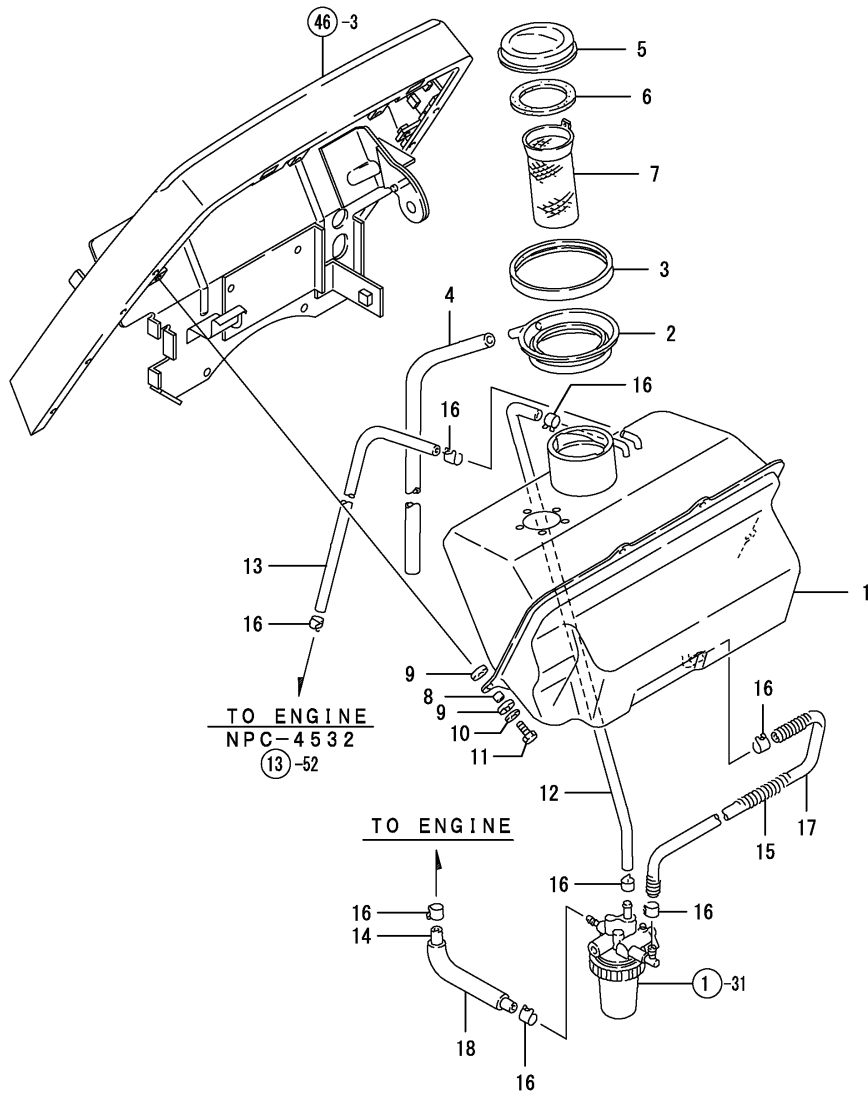


(A)=KE-60
(B)=
(C)=

(D)=
(E)=
(F)=

No.	Lev.	Parts No.	Description	Qty						I	R
				(A)	(B)	(C)	(D)	(E)	(F)		
1	1	198163-00850	LINK, ACCELERATOR	1							
2	1	198421-01110	LEVER, ACCELERATOR	1							
3	1	198421-01120	SHAFT, ACCELERATOR	1							
4	1	198165-01130	PLATE, FRICTION	1							
5	1	198421-01130	LINK, LEVER	1							
6	1	198421-01140	PLATE, LOCK	1							
7	1	194150-01190	KNOB, LEVER	1							
8	1	198421-01250	BOLT, M6X40	1							
9	1	194150-01270	SPACER, 20	1							
10	1	194150-01370	ADJUSTER	1							
11	1	194151-47760	WASHER, 12	3							
12	1	22117-080000	WASHER, 8	5							
13	1	22157-060000	WASHER, 6	1							
14	1	22157-100000	WASHER, 10	1							
15	1	22372-080000	PIN, SNAP 8	1							
16	1	22417-160160	PIN, COTTER 1.6X16	4							
17	1	26016-100202	BOLT	1							
18	1	26716-080002	NUT, M8	2							
19	1	26716-120002	NUT, M12	2							
20	1	198162-01210	ROD, ACCELERATOR	1							
21	1	198421-01220	SPRING, RETURN	1							
22	1	22117-080000	WASHER, 8	2							
23	1	22417-160160	PIN, COTTER 1.6X16	2							
24	1	26116-080402	BOLT, M8X 40 PLATED	1							
25	1	26716-080002	NUT, M8	1							

Fig.3. FUEL TANK

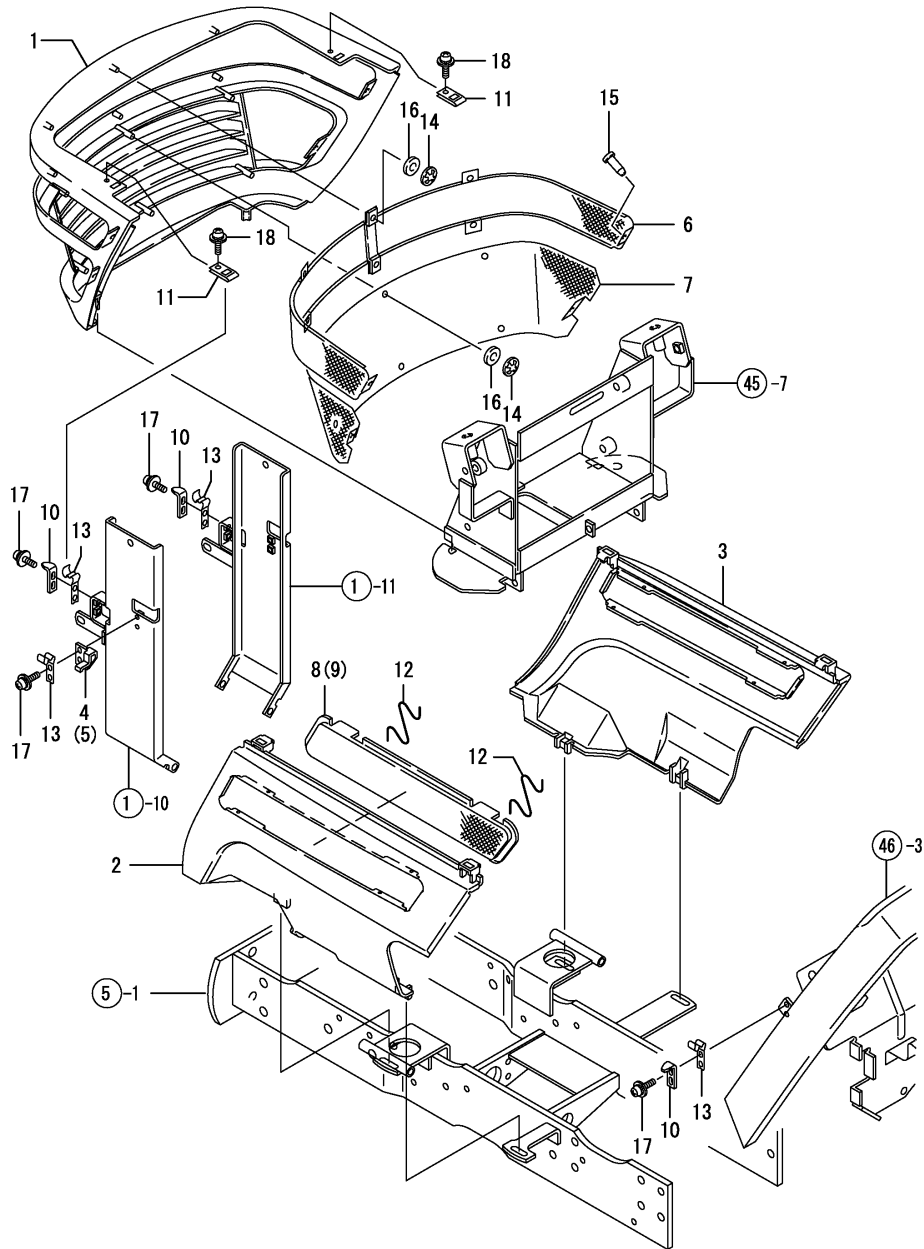


(A)=KE-60
(B)=
(C)=

(D)=
(E)=
(F)=

No.	Lev.	Parts No.	Description	Q'ty						I	R
				(A)	(B)	(C)	(D)	(E)	(F)		
1	1	198162-04111	TANK, FUEL 13	1							
2	1	194940-04240	SUMP, TANK	1							
3	1	194940-04250	PACKING, FUEL SUMP	1							
4	1	198421-04430	PIPE, FUEL SUMP	1							
5	1	105015-55040	CAP, FUEL TANK	1							
6	1	101504-55051	GASKET	1							
7	1	101504-55101	STRAINER, FUEL	1							
8	1	194215-04220	SPACER, 8X10X10	4							
9	1	194420-62260	RUBBER, CUSHION	8							
10	1	22157-060000	WASHER, 6	4							
11	1	26116-060252	BOLT, M6X 25 PLATED	4							
12	1	198421-04400	HOSE, AIR VENT	1							
13	1	198421-04410	HOSE, FUEL 7X500	1							
14	1	198421-04420	HOSE, FUEL LOWER	1							
15	1	194215-04430	PROTECTOR, HOSE	1							
16	1	194300-04440	CLAMP, HOSE 10.5	8							
17	1	198421-04440	HOSE, FUEL 7X450	1							
18	1	198421-04450	TUBE, PROTECT 13X100	1							

Fig.4. BELT COVER



(A)=KE-60
(B)=
(C)=

(D)=
(E)=
(F)=

No.	Lev.	Parts No.	Description	Q'ty						I	R
				(A)	(B)	(C)	(D)	(E)	(F)		
1	1	198162-05350	COVER, LOWER F	1							
2	1	798163-05380	COVER ASSY, LOWER L	1							
3	1	798163-05370	COVER ASSY, LOWER R	1							
4	1	198162-05381	HOLDER, COVER L	1							
5	1	198162-05391	HOLDER, COVER R	1							
6	1	198162-05410	NET, LCF UPPER	1							
7	1	198162-05420	NET, LCF LOWER	1							
8	1	198162-05430	NET ASSY, LCL	1							
9	1	198162-05440	NET ASSY, LCR	1							
10	1	198162-05462	STAY, LCF	4							
11	1	198162-05470	COVER, LCF	2							
12	1	198162-05480	CLIP, NET	4							
13	1	198162-05491	SPRING, HOOK	6							
14	1	1C6460-38240	NUT 5,PUSH	16							
15	1	198421-61280	PIN, FIXED	4							
16	1	194555-65130	CUSHION	16							
17	1	26023-050162	SCREW, M5X16	12							
18	1	26023-050162	SCREW, M5X16	2							

Fig.5. FRONT BRACKET

(A)=KE-60
(B)=
(C)=

(D)=
(E)=
(F)=

No.	Lev.	Parts No.	Description	Q'ty						I	R
				(A)	(B)	(C)	(D)	(E)	(F)		
1	1	198164-11140	BRACKET ASSY, AXLE M	1							
2	1	26013-100252	BOLT, M10X 25	16							
3	1	194301-11340	SHIM, T=0.2	4							
4	1	194301-11350	SHIM, T=0.5	2							
5	1	198162-11510	PIN, CENTER	1							
6	1	194215-11540	BUSH, PIN	1							
7	1	198435-16230	NIPPLE, GRESAE 6	1							
8	1	26013-080202	BOLT, M8X 20	4							

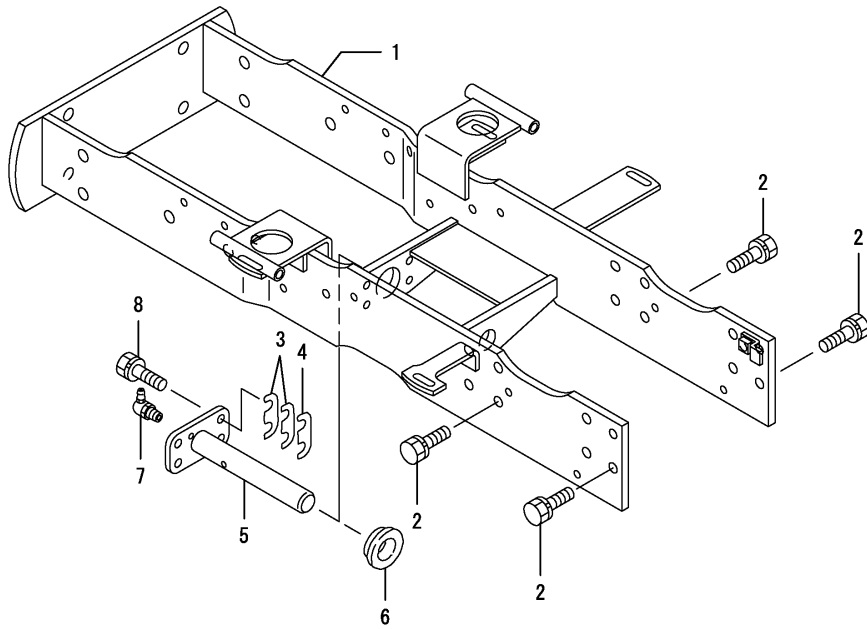
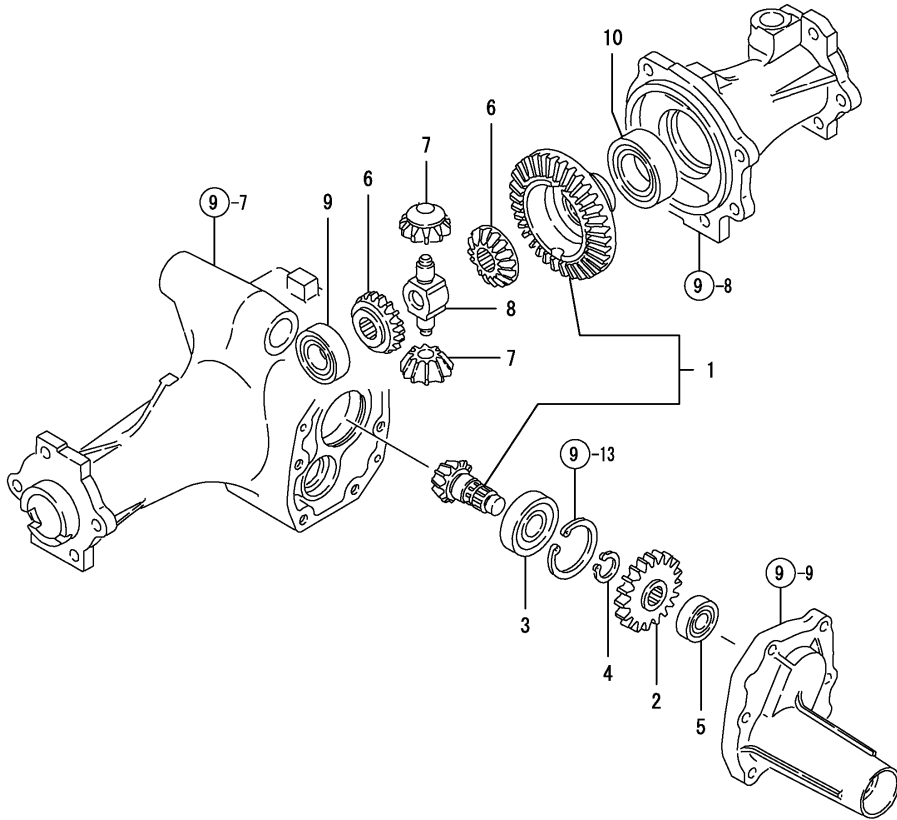


Fig.7. DRIVE PINION

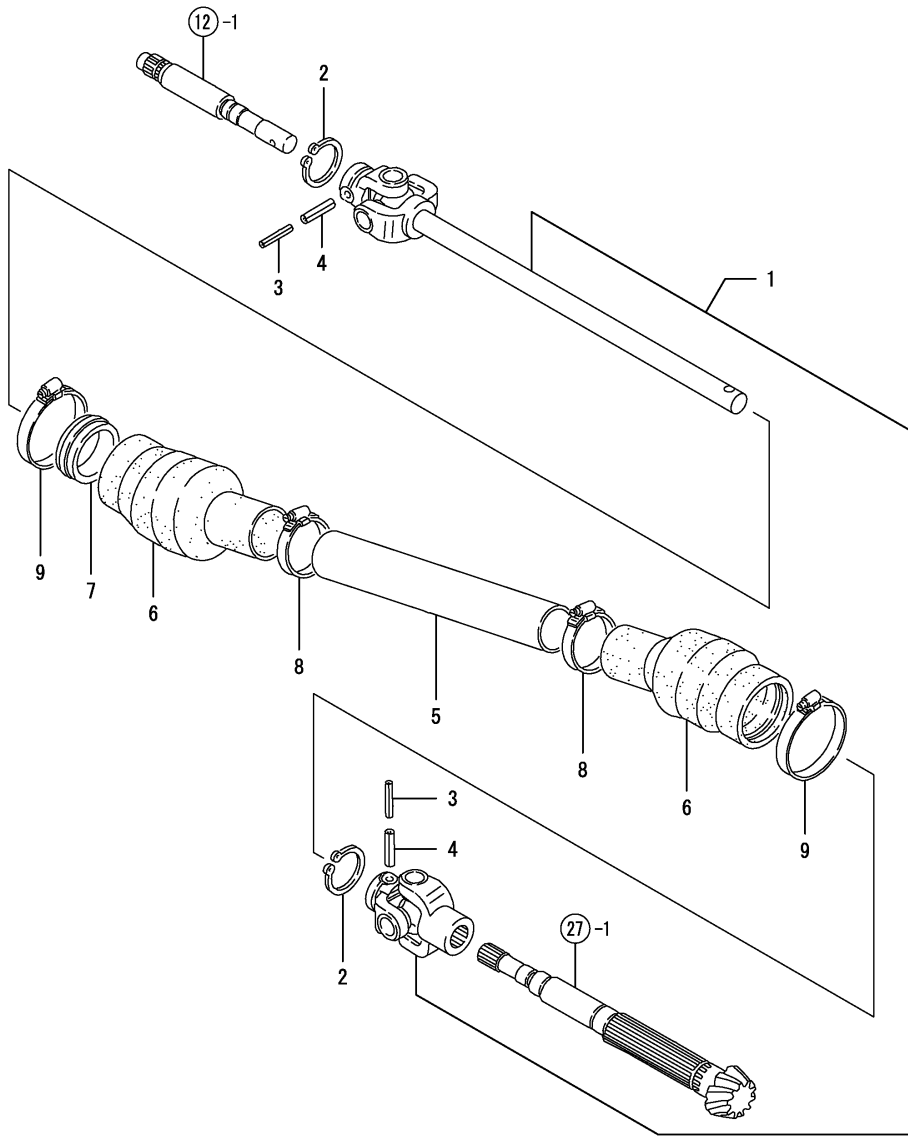
(A)=KE-60
(B)=
(C)=

(D)=
(E)=
(F)=



No.	Lev.	Parts No.	Description	Q'ty						I	R
				(A)	(B)	(C)	(D)	(E)	(F)		
1	1	198165-13101	PINION KIT, DRIVE	1							
2	1	198421-13120	GEAR, FRONT 25T	1							
3	1	194447-13860	BEARING, TMB304CX1	1							
4	1	22242-000200	RING, 20	1							
5	1	24101-062024	BEARING, BALL 6202	1							
6	1	198421-13221	GEAR, DIFFERENTIAL	2							
7	1	1A7050-13230	PINION, DIFFERENTIAL	2							
8	1	198421-13240	SHAFT, DIFFERENTIAL	1							
9	1	24101-060054	BEARING, BALL 6005	1							
10	1	24101-060074	BEARING, BALL 6007	1							

Fig.8. PROPELLER SHAFT

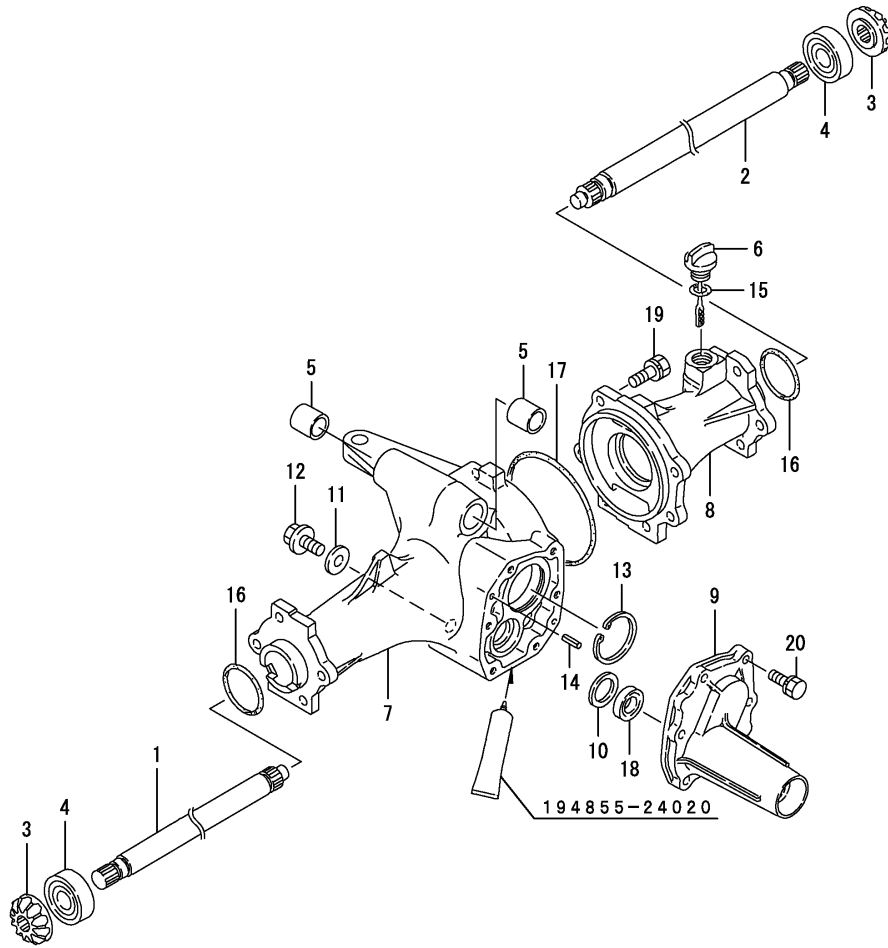


(A)=KE-60
(B)=
(C)=

(D)=
(E)=
(F)=

No.	Lev.	Parts No.	Description	Q'ty						I	R
				(A)	(B)	(C)	(D)	(E)	(F)		
1	1	198162-13350	SHAFT ASSY,PROPELLER	1							
2	1	22242-000260	RING, 26	2							
3	1	22351-035025	PIN, SPRING 3.5X25	2							
4	1	22351-060025	PIN, SPRING 6.0X25	2							
5	1	198421-14610	COVER, SHAFT	1							
6	1	198421-14620	BOOT, RUBBER	2							
7	1	198421-14630	COLLAR, BOOT	1							
8	1	23000-048000	CLAMP, 48	2							
9	1	23000-070000	CLAMP, 70	2							

Fig.9. FRONT AXLE CASE

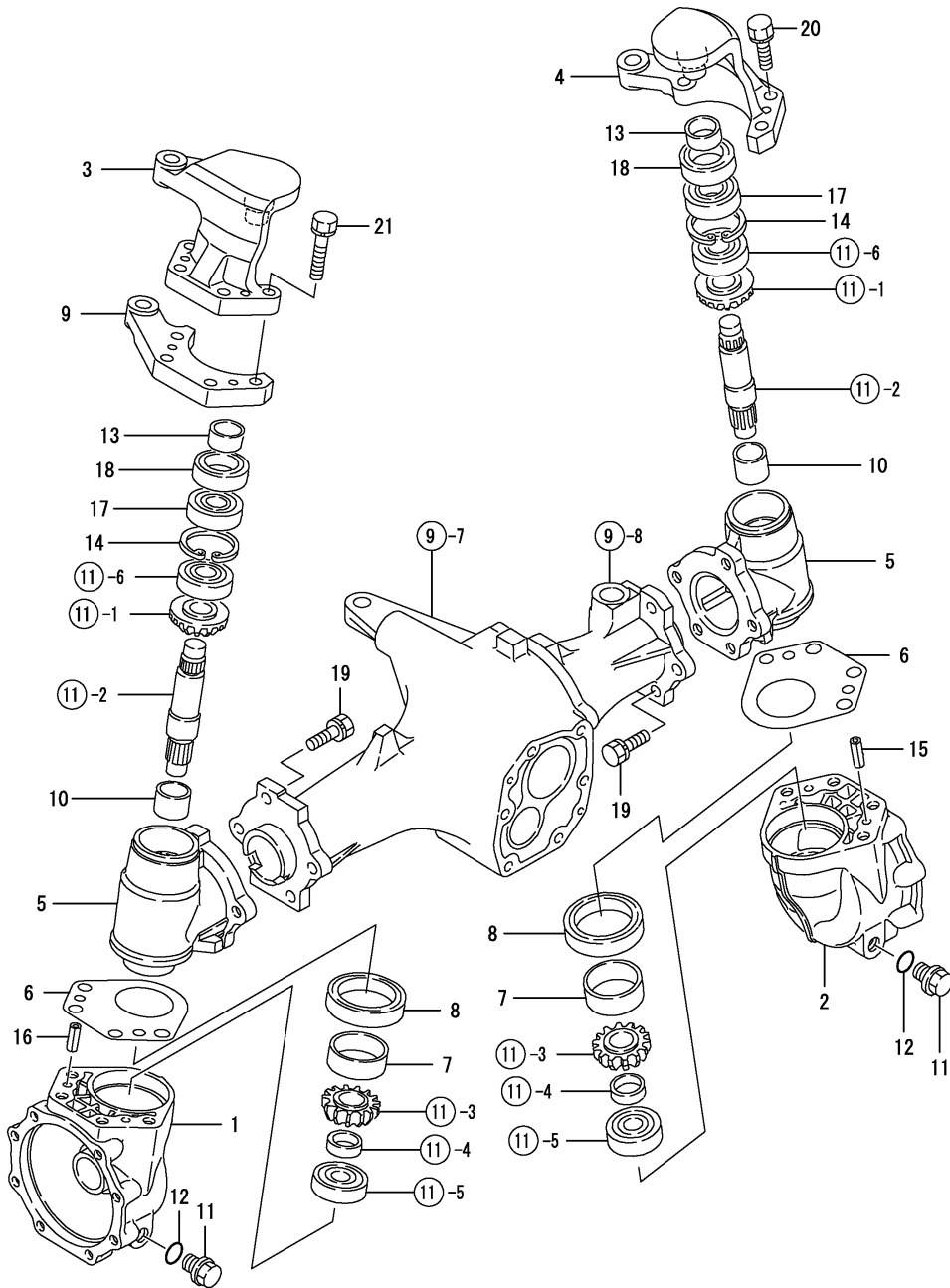


(A)=KE-60
(B)=
(C)=

(D)=
(E)=
(F)=

No.	Lev.	Parts No.	Description	Q'ty						I	R
				(A)	(B)	(C)	(D)	(E)	(F)		
1	1	198421-13510	SHAFT, FRONT 1ST L	1							
2	1	198421-13520	SHAFT, FRONT 1ST R	1							
3	1	198421-13530	GEAR, FRONT SHAFT	2							
4	1	24101-063044	BEARING, BALL 6304	2							
5	1	194200-11570	BUSH	2							
6	1	194447-13490	GAUGE, OIL LEVEL	1							
7	1	198164-13610	CASE, FRONT AXLE L	1							
8	1	198425-13620	HOUSING, AXLE R	1							
9	1	198421-13630	COVER, AXLE CASE	1							
10	1	198421-13650	WASHER, 25X34X1.2	1							
11	1	198165-24440	GASKET, 20X12X2	1							
12	1	198165-24490	BOLT, M12X12	1							
13	1	22252-000520	RING, 52	1							
14	1	22351-060020	PIN, SPRING 6.0X20	2							
15	1	24311-000180	O-RING, 1AP18.0	1							
16	1	24321-000500	O-RING, 1AG50.0	2							
17	1	24321-001150	O-RING, 1AG115.0	1							
18	1	24421-173007	SEAL, OIL TC173007	1							
19	1	26013-100302	BOLT, M10X 30	6							
19-1	1	26106-100302 (A=FZZZZZ)	BOLT, M10X 30 PLATED	6							R
19-2	1	26106-100252 (A=FXXXXX)	BOLT, M10X 25 PLATED	6							N
20	1	26016-080302	BOLT, M8X 30	6							
20-1	1	26106-080252 (A=FXXXXX)	BOLT, M8X 25 PLATED	6							R

Fig.10. FRONT GEAR CASE



(A)=KE-60
(B)=
(C)=

(D)=
(E)=
(F)=

No.	Lev.	Parts No.	Description	Q'ty						I	R
				(A)	(B)	(C)	(D)	(E)	(F)		
1	1	198421-13730	BOX, GEAR L	1							
2	1	198421-13740	BOX, GEAR R	1							
3	1	198164-13760	SUPPORT, KING PIN L	1							
4	1	198164-13770	SUPPORT, KING PIN R	1							
5	1	198421-13710	CASE, FRONT GEAR	2							
6	1	198421-13750	SHIM, T=0.1	2							
7	1	194516-13770	SLEEVE, SI 45X50X16	2							
8	1	194516-13780	SEAL TC6Y 506812.5	2							
9	1	198164-13780	ARM, TIE-ROD	1							
10	1	198165-13830	BUSH, 25X1.5	2							
11	1	1C6900-23120	BOLT, DRAIN M14X10	2							
12	1	1C6900-23150	WASHER, PLUG	2							
13	1	1E6190-54080	SLEEVE SI25X30X13	2							
14	1	22252-000470	RING, 47	2							
15	1	22351-080020	PIN, SPRING 8.0X20	2							
16	1	22351-080040	PIN, SPRING 8.0X40	2							
17	1	24104-062044	BEARING, BALL 6204UU	2							
18	1	24421-304708	SEAL, OIL TC304708	2							
19	1	26013-100302	BOLT, M10X 30	10							
20	1	26013-100352	BOLT, M10X 35	4							
21	1	26013-100502	BOLT, M10X 50	4							

Fig.12. INPUT SHAFT

(A)=KE-60
(B)=
(C)=

(D)=
(E)=
(F)=

No.	Lev.	Parts No.	Description	Q'ty						I	R
				(A)	(B)	(C)	(D)	(E)	(F)		
1	1	198421-13910	SHAFT, INPUT F	1							
2	1	198421-13920	GEAR, FRONT 15T	1							
3	1	22242-000200	RING, 20	1							
4	1	24101-060034	BEARING, BALL 6003	1							
5	1	24101-062024	BEARING, BALL 6202	1							

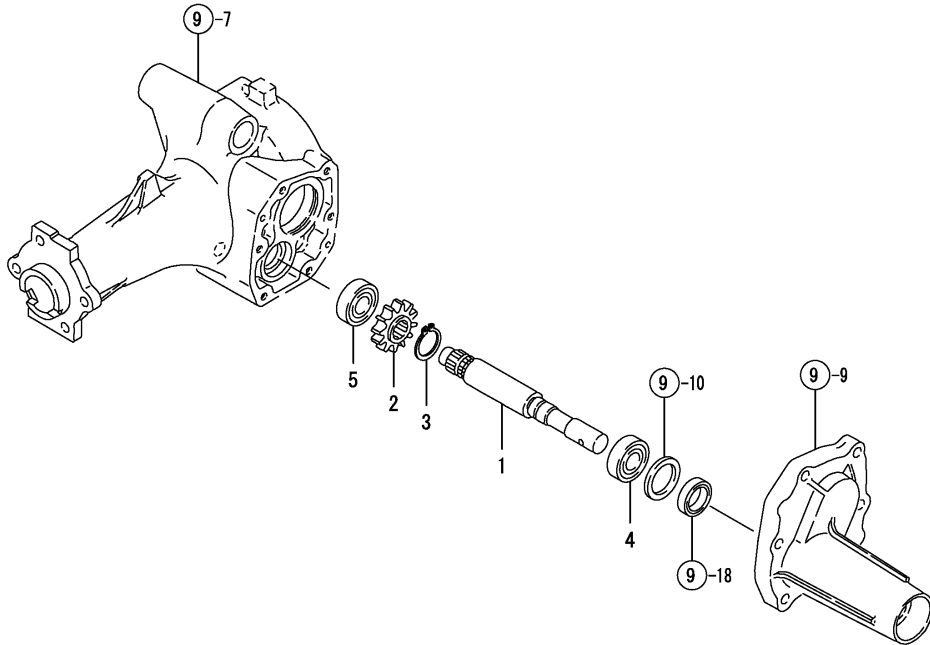
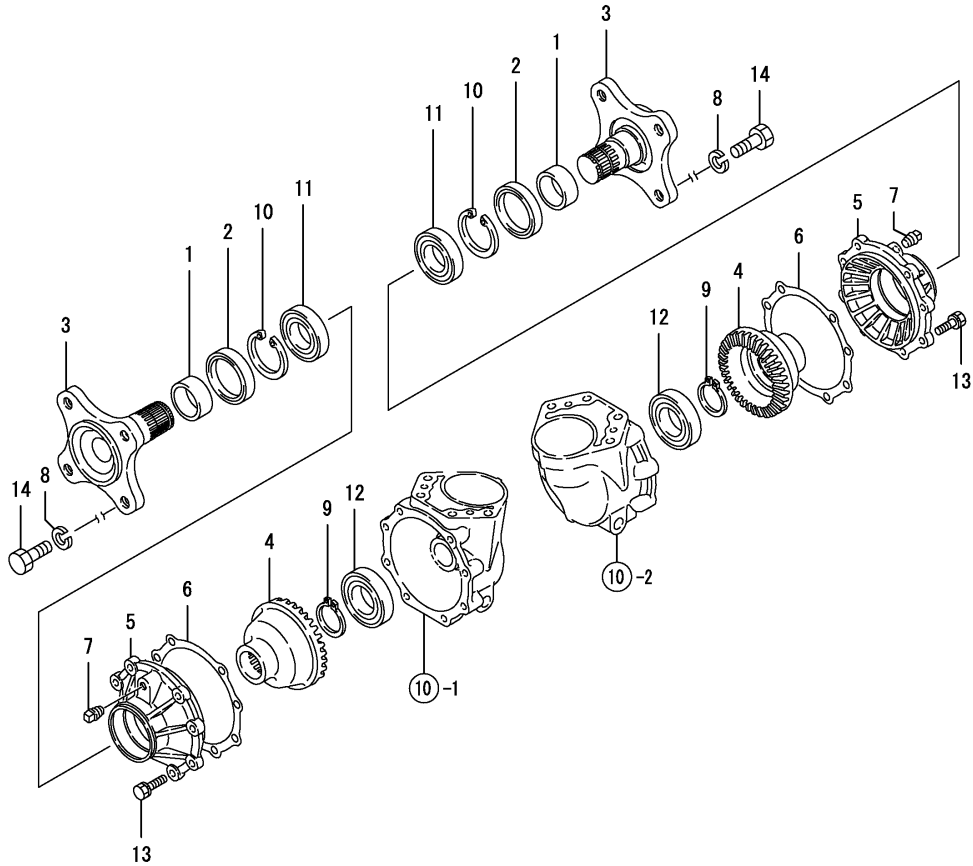


Fig.13. FRONT SPINDLE

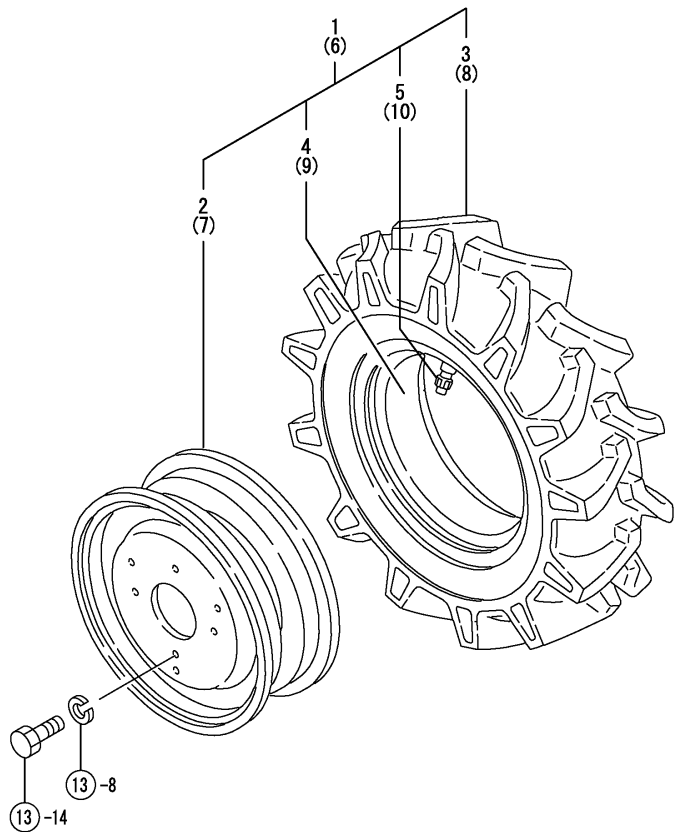
(A)=KE-60
(B)=
(C)=

(D)=
(E)=
(F)=



No.	Lev.	Parts No.	Description	Q'ty						I	R
				(A)	(B)	(C)	(D)	(E)	(F)		
1	1	194314-11880	SLEEVE, SI 40X45X18	2							
2	1	194314-12720	SEAL, OIL TC6Y456214	2							
3	1	198421-14110	SPINDLE, FRONT	2							
4	1	198421-14120	GEAR, FRONT SHAFT	2							
5	1	198421-14130	CASE, FRONT BEARING	2							
6	1	198421-14142	GASKET, BEARING CASE	2							
7	1	194151-36670	PLUG, PF02	2							
8	1	22217-140000	WASHER, SPRING 14	8							
9	1	22242-000350	RING, 35	2							
10	1	22252-000620	RING, 62	2							
11	1	24101-060074	BEARING, BALL 6007	2							
12	1	24101-060084	BEARING, BALL 6008	2							
13	1	26016-080252	BOLT, M8X 25	16							
14	1	26156-140252	BOLT, M14X 25 PLATED	8							

Fig.14. FRONT WHEEL TIRE

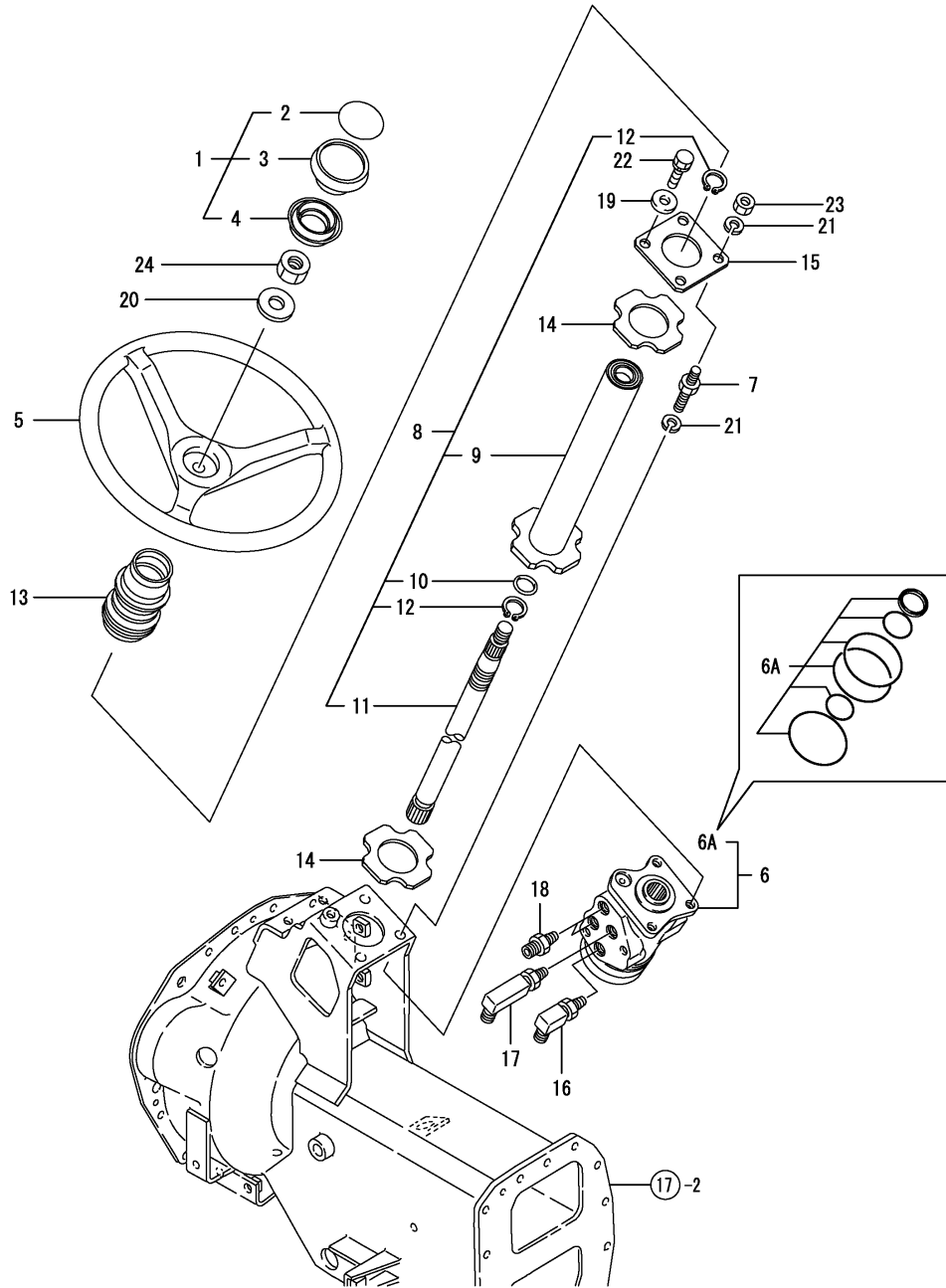


(A)=KE-60
(B)=
(C)=

(D)=
(E)=
(F)=

No.	Lev.	Parts No.	Description	Q'ty						I	R
				(A)	(B)	(C)	(D)	(E)	(F)		
1	1	798531-14710	TIRE KIT, FRONT L	1							
2	2	198531-14720	WHEEL, DC3.00DX12	1							
3	2	198531-14740	TIRE, FRONT 5.00-12	1							
4	2	198531-14750	TUBE	1							
5	2	194190-34730	HOUSING, CORE	1							
6	1	798531-14810	TIRE KIT, FRONT R	1							
7	2	198531-14720	WHEEL, DC3.00DX12	1							
8	2	198531-14740	TIRE, FRONT 5.00-12	1							
9	2	198531-14750	TUBE	1							
10	2	194190-34730	HOUSING, CORE	1							

Fig.15. STEERING WHEEL

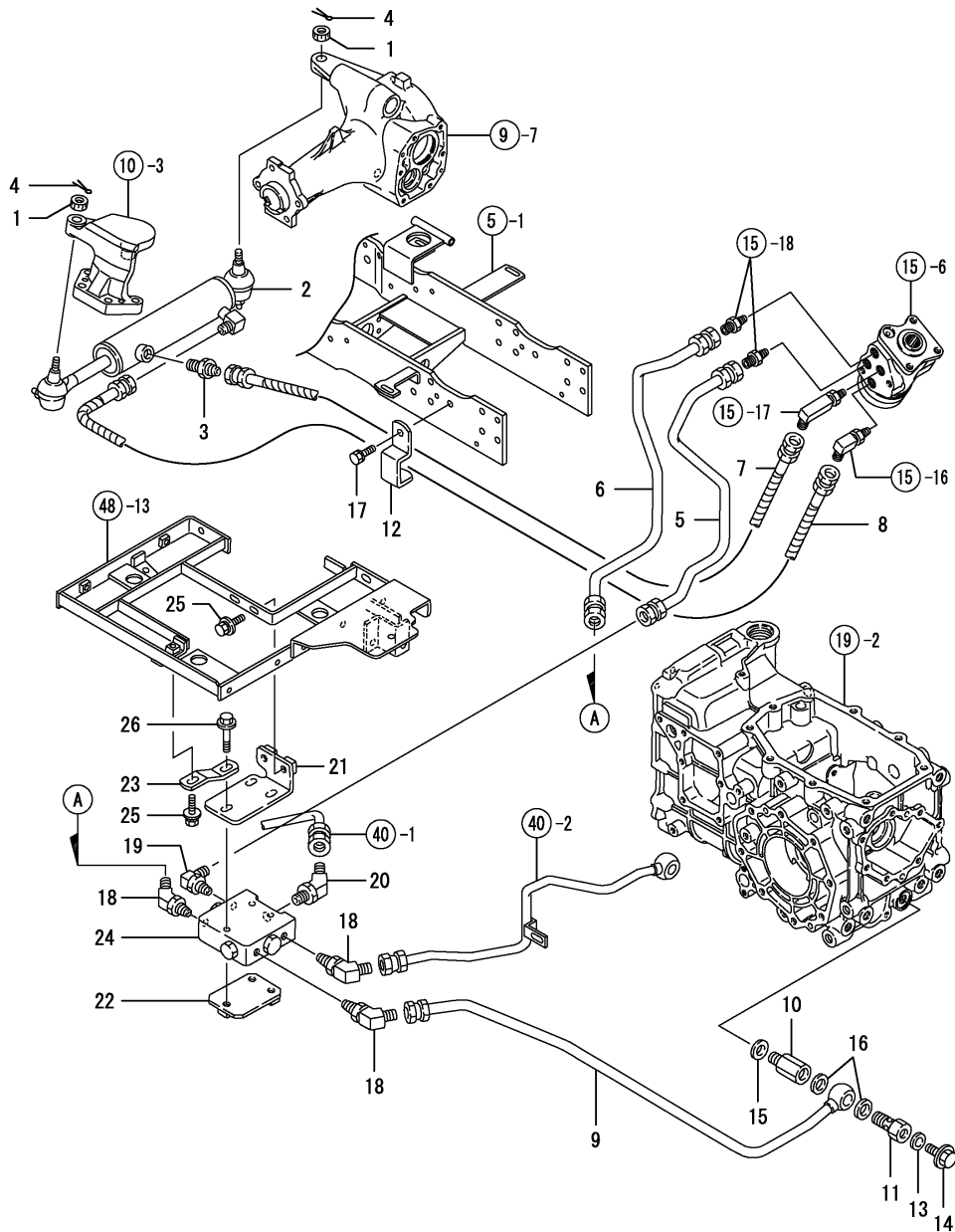


(A)=KE-60
(B)=
(C)=

(D)=
(E)=
(F)=

No.	Lev.	Parts No.	Description	Q'ty						I	R
				(A)	(B)	(C)	(D)	(E)	(F)		
1	1	198164-15750	CAP KIT, WHEEL	1							
2	2	198164-15780	MARK,STEERING	1							
3	2	198164-15760	CAP, WHEEL	1							
4	2	198164-15770	WHEEL CAP S, INNER	1							
5	1	1C1100-21010	WHEEL, STEERING	1							
6	1	198167-17300	VALVE, STEERING H	1							
6A	2	198165-17350	SEAL KIT	1							
7	1	198165-17310	BOLT, COLUMN M10	3							
8	1	198164-17410	COLUMN SET, STEERING	1							
9	2	198164-17420	COLUMN ASSY,STEERING	1							
10	2	198164-17450	PACKING	1							
11	2	198164-17461	SHAFT, STEERING	1							
12	2	22242-000200	RING, 20	2							
13	1	198164-17470	BOOT ASSY, STEERING	1							
14	1	198165-17481	RUBBER, COLUMN	2							
15	1	198164-17500	PLATE, KEEP	1							
16	1	198165-17731	ELBOW, 1/4X9/16	1							
17	1	198165-17741	ELBOW, 1/4X9/16	1							
18	1	198165-17790	CONNECTOR, 1/4-9/16	2							
19	1	22137-100000	WASHER, 10	1							
20	1	22137-160000	WASHER, 16	1							
21	1	22217-100000	WASHER, SPRING 10	6							
22	1	26016-100162	BOLT, M10X 16	1							
23	1	26736-100002	NUT, M10	3							
24	1	26776-160002	NUT, LOCK M16	1							

Fig.16. P.S.T. PIPING

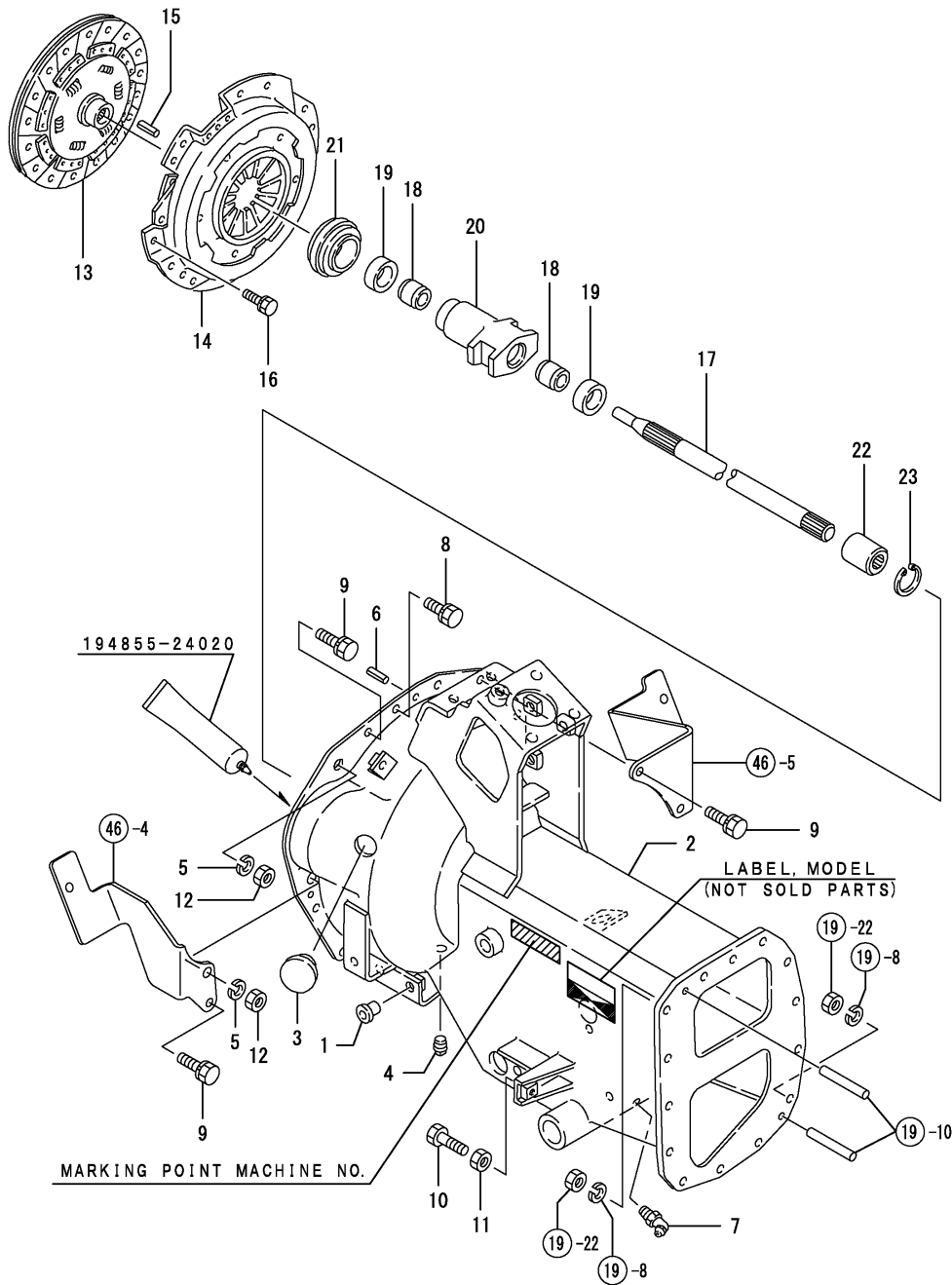


(A)=KE-60
(B)=
(C)=

(D)=
(E)=
(F)=

No.	Lev.	Parts No.	Description	Q'ty						I	R
				(A)	(B)	(C)	(D)	(E)	(F)		
1	1	194215-12340	NUT, CASTLE M10	2							
2	1	198164-17540	CYLINDER ASSY	1							
3	1	172520-76210	FITTING 1/4	1							
4	1	22417-250250	PIN, COTTER 2.5X25	2							
5	1	198164-17660	PIPE, PRESSURE PS	1							
6	1	198164-17670	PIPE, DRAIN PS	1							
7	1	198164-17710	HOSE, HYDRAULIC A	1							
8	1	198164-17720	HOSE, HYDRAULIC B	1							
9	1	198163-17752	PIPE, DRAIN PS	1							
10	1	198163-17760	ADAPTER	1							
11	1	198163-17771	BOLT, JOINT M18	1							
12	1	198164-17780	CLAMP, HOSE	1							
13	1	198165-24440	GASKET, 20X12X2	1							
14	1	198165-24490	BOLT, M12X12	1							
15	1	23414-140018	GASKET, 14X1.0	1							
16	1	23414-180023	GASKET, 18X1.0	2							
17	1	26016-080122	BOLT, M8X 12	1							
18	1	198165-17711	ELBOW, 45	3							
19	1	198165-17781	ELBOW, 1/4X1/4	1							
20	1	198164-17810	ELBOW, 45 3/8	1							
21	1	198164-17830	BRACKET ASSY	1							
22	1	198164-17850	PLATE ASS, FD	1							
23	1	198163-17870	STAY, FD	1							
24	1	198164-17900	DIVIDER ASSY, FLOW	1							
25	1	26018-080252	BOLT, M8X 25	3							
26	1	26106-080502	BOLT, M8X 50 PLATED	3							

Fig.17. CLUTCH HOUSING



(A)=KE-60
(B)=
(C)=

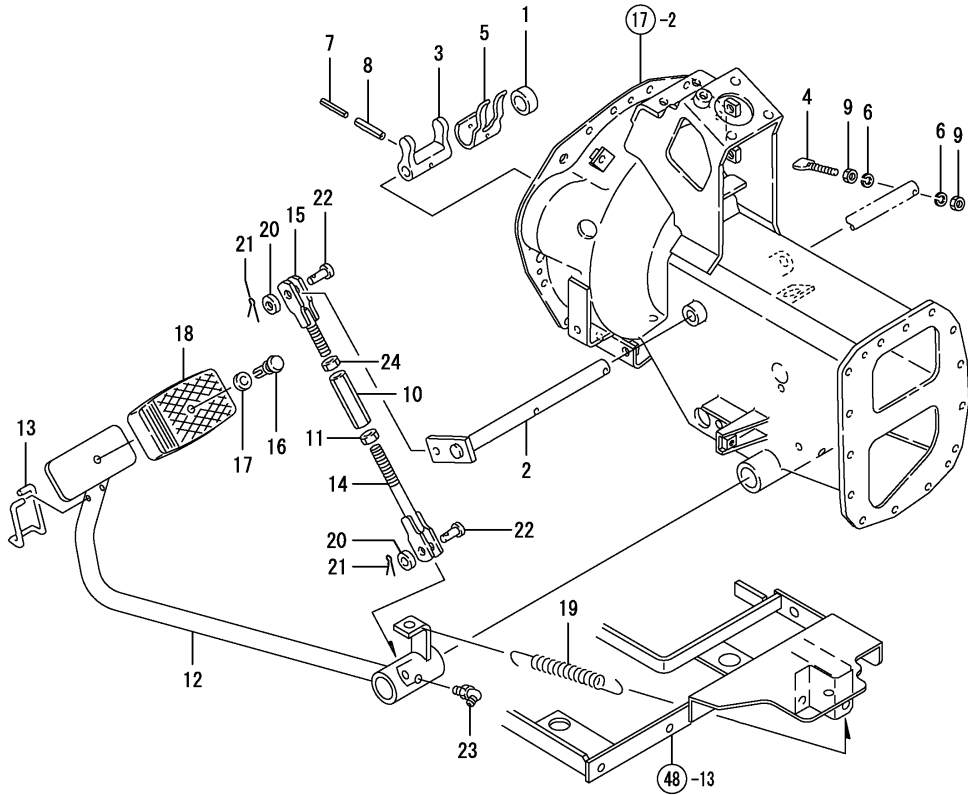
(D)=
(E)=
(F)=

No.	Lev.	Parts No.	Description	Q'ty						I	R
				(A)	(B)	(C)	(D)	(E)	(F)		
1	1	194201-11230	CAP. SCREW 12.0	4							
2	1	198163-21100	HOUSING ASSY, CLUTCH	1							
3	1	194300-21460	CAP, RUBBER 25	1							
4	1	194151-36670	PLUG, PF02	1							
5	1	22217-100000	WASHER, SPRING 10	2							
6	1	22351-080016	PIN, SPRING 8.0X16	2							
7	1	24761-040000	NIPPLE, GREASE B	1							
8	1	26013-080122	BOLT, M8X 12	2							
9	1	26013-080202	BOLT, M8X 20	9							
10	1	26116-100352	BOLT, M10X 35 PLATED	1							
11	1	26716-100002	NUT, M10	1							
12	1	26716-100002	NUT, M10	2							
13	1	198165-21450	DISK, CLUTCH EX-1A	1							
14	1	194215-21701	PLATE, PRESSURE	1							
15	1	22351-080016	PIN, SPRING 8.0X16	3							
16	1	26013-080162	BOLT, M8X 16	6							
17	1	198421-22110	SHAFT, MAIN DRIVE	1							
18	1	194215-22210	BUSH, 20.4X25X20	2							
19	1	194215-22220	FELT, 9X3.5X90	2							
20	1	194215-22230	SLEEVE, BEARING	1							
21	1	194300-22240	BEARING, RCT3558ARUS	1							
22	1	194310-25100	JOINT	1							
23	1	22252-000170	RING, 17	1							

Fig.18. CLUTCH PEDAL

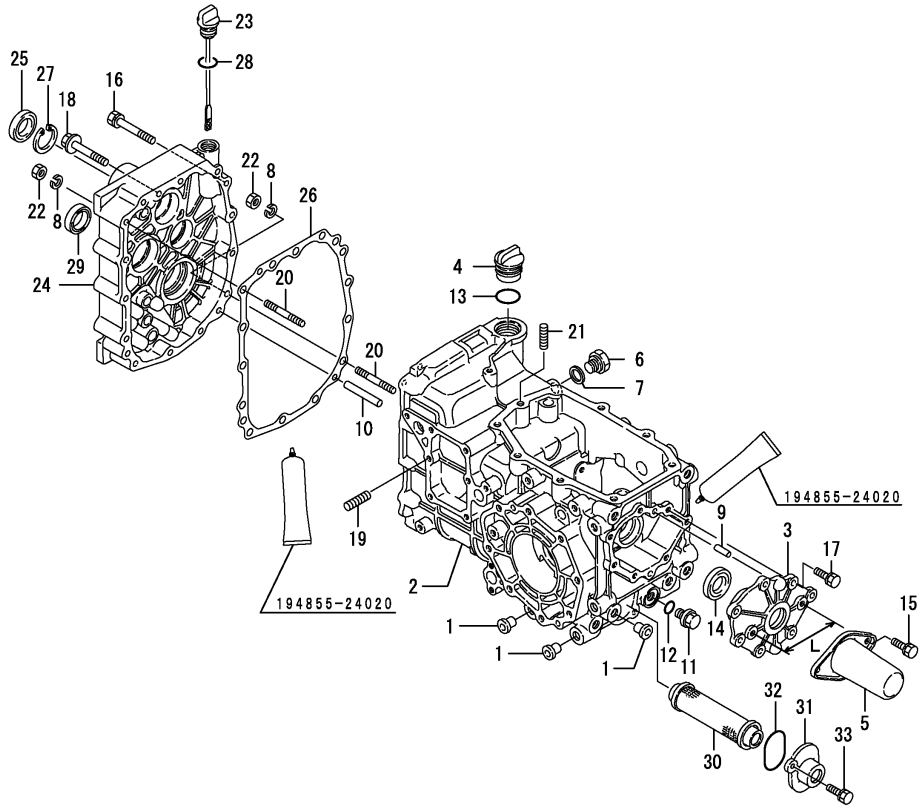
(A)=KE-60
(B)=
(C)=

(D)=
(E)=
(F)=



No.	Lev.	Parts No.	Description	Q'ty						I	R
				(A)	(B)	(C)	(D)	(E)	(F)		
1	1	1C6560-13470	COLLAR, 17X26X9	1							
2	1	198421-22151	SHAFT, RELEASE	1							
2-1	1	198421-22152	SHAFT, RELEASE	1							R
(A=*2009.03.)											
3	1	194300-22160	YOKE, CLUTCH SHIFT	1							
4	1	194215-22190	LEVER, START	1							
5	1	194300-22910	SPRING	1							
6	1	22217-060000	WASHER, SPRING 6	2							
7	1	22351-035040	PIN, SPRING 3.5X40	1							
8	1	22351-060040	PIN, SPRING 6.0X40	1							
9	1	26716-060002	NUT, M6	2							
10	1	194740-00322	ADJUSTER	1							
11	1	194990-20170	NUT, M8	1							
12	1	198162-22410	PEDAL ASSY, CLUTCH	1							
13	1	198421-22440	LEVER, CLUTCH LOCK	1							
14	1	198425-22450	ROD ASSY, CLUTCH L	1							
15	1	198425-22480	ROD ASSY, CLUTCH R	1							
16	1	198133-22510	RIVET, PEDAL HEAD	1							
17	1	198133-22530	WASHER, RIVET	1							
18	1	198071-37510	COVER, HEAD	1							
19	1	198421-37511	SPRING, RETURN	1							
20	1	22137-080000	WASHER, 8	2							
21	1	22417-200200	PIN, COTTER 2.0X20	2							
22	1	22487-080160	PIN, H 8X 16	2							
23	1	24761-040000	NIPPLE, GREASE B	1							
24	1	26716-080002	NUT, M8	1							

Fig.19. TRANSMISSION CASE



(A)=KE-60

(B)=

(C)=

(D)=

(E)=

(F)=

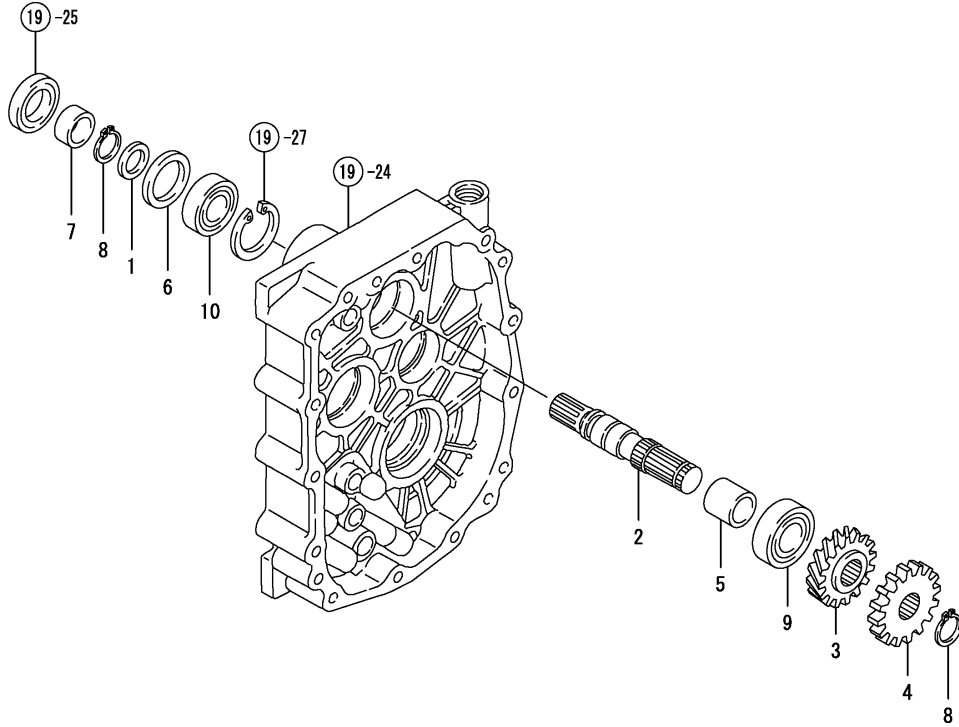
No.	Lev.	Parts No.	Description	Q'ty						I	R
				(A)	(B)	(C)	(D)	(E)	(F)		
1	1	194201-11230	CAP, SCREW 12.0	6							
2	1	198425-24110	HOUSING, MISSION	1							
3	1	198165-24120	COVER, CASE REAR	1							
3-1	1	198165-24121	COVER, CASE REAR	1						S	1
		(A=*2010.05)									
4	1	198435-24280	PLUG, OIL 33	1							
5	1	198290-26860	COVER, PTO SHAFT	1							
6	1	194312-46750	PLUG, PF3/8	1							
7	1	194555-77910	GASKET, 17	1							
8	1	22217-080000	WASHER, SPRING 8	2							
9	1	22312-080160	PIN, PARALLEL M8X16	2							
10	1	22312-080630	PIN, PARALLEL M8X63	2							
11	1	23491-140002	PLUG, 14	1							
12	1	24311-000160	O-RING, 1AP16.0	1							
13	1	24351-020300	O-RING 1A 2030	1							
14	1	24421-284008	SEAL, OIL TC284008	1							
15	1	26013-080162	BOLT, SPRING M8X 16	2							
16	1	26013-080702	BOLT, SPRING M8X 70	9							
17	1	26016-080252	BOLT, M8X 25	7							
18	1	26106-080702	BOLT, M8X 70 PLATED	3							
19	1	26226-080252	STUD, M8X 25	1							
20	1	26226-080652	STUD, M8X 65	2							
21	1	26226-100252	STUD, M10X 25	1							
22	1	26716-080002	NUT, M8	2							
23	1	198435-24290	GAUGE, OIL LEVEL	1							
24	1	198163-24321	PLATE, CENTER	1							
25	1	198165-24330	SEAL, OIL TC254208	1							
26	1	198164-24510	GASKET, MISSION CASE	1							
27	1	22252-000420	RING, 42	1							
28	1	24311-000180	O-RING, 1AP18.0	1							
29	1	24421-173508	SEAL, OIL TC173508	1							
30	1	198421-24910	STRAINER, OIL	1							
31	1	194215-24970	COVER, OIL STRAINER	1							
32	1	24341-000500	O-RING, 1AS50.0	1							
32-1	1	1A7542-24980	O-RING,SACTION	1							N
		(A=*2013.06.)									
33	1	26013-080202	BOLT, SPRING M8X 20	2							

Remarks

(1) L= Ref.No.3 92M/M,3-1 90M/M.

N:Old $\begin{matrix} \leftarrow \text{Yes} \\ \text{No} \end{matrix}$ New, Q:Old $\begin{matrix} \leftarrow \text{No} \\ \text{Yes} \end{matrix}$ New, R:Old $\begin{matrix} \leftarrow \text{Yes} \\ \text{Yes} \end{matrix}$ New, S:Old $\begin{matrix} \leftarrow \text{No} \\ \text{No} \end{matrix}$ New, W:Add, Z:Discontinued, F:Interchangeable by set, K:Q'ty Change

Fig.20. INPUT SHAFT

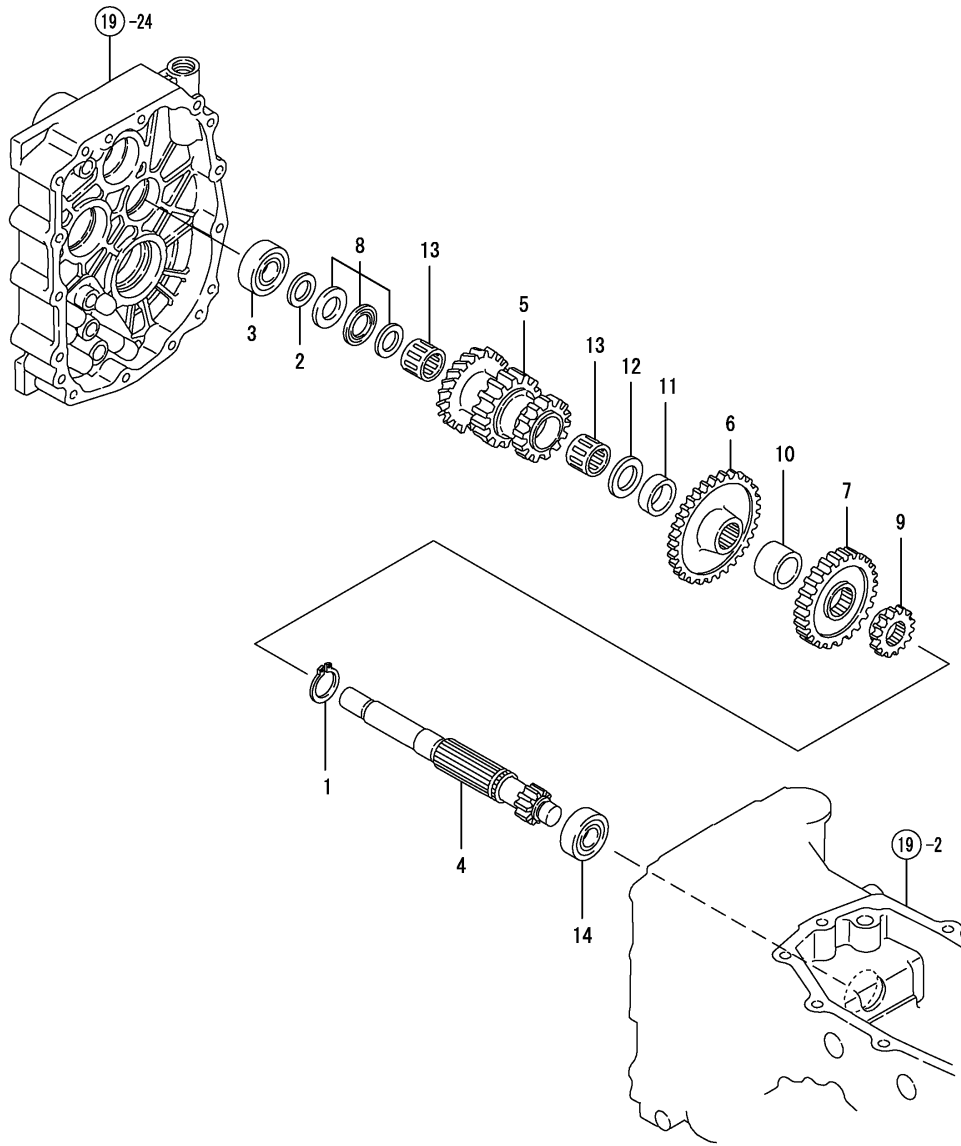


(A)=KE-60
(B)=
(C)=

(D)=
(E)=
(F)=

No.	Lev.	Parts No.	Description	Q'ty						I	R
				(A)	(B)	(C)	(D)	(E)	(F)		
1	1	194305-24310	COLLAR, 20X25X2	1							
2	1	198163-25111	SHAFT, INPUT	1							
3	1	198163-25120	GEAR, MAIN DRIVE 18								
4	1	198163-25131	GEAR, REVERSE 16								
5	1	198435-25130	COLLAR, 20.8X25.4X19	1							
6	1	198163-25280	COLLAR, 31X42X5	1							
7	1	194855-25290	SLEEVE, SI 202513	1							
8	1	194859-34150	RING, C20	2							
9	1	24101-062044	BEARING, BALL 6204	1							
10	1	24104-060044	BEARING, BALL 6004UU	1							

Fig.21. MAIN SHAFT

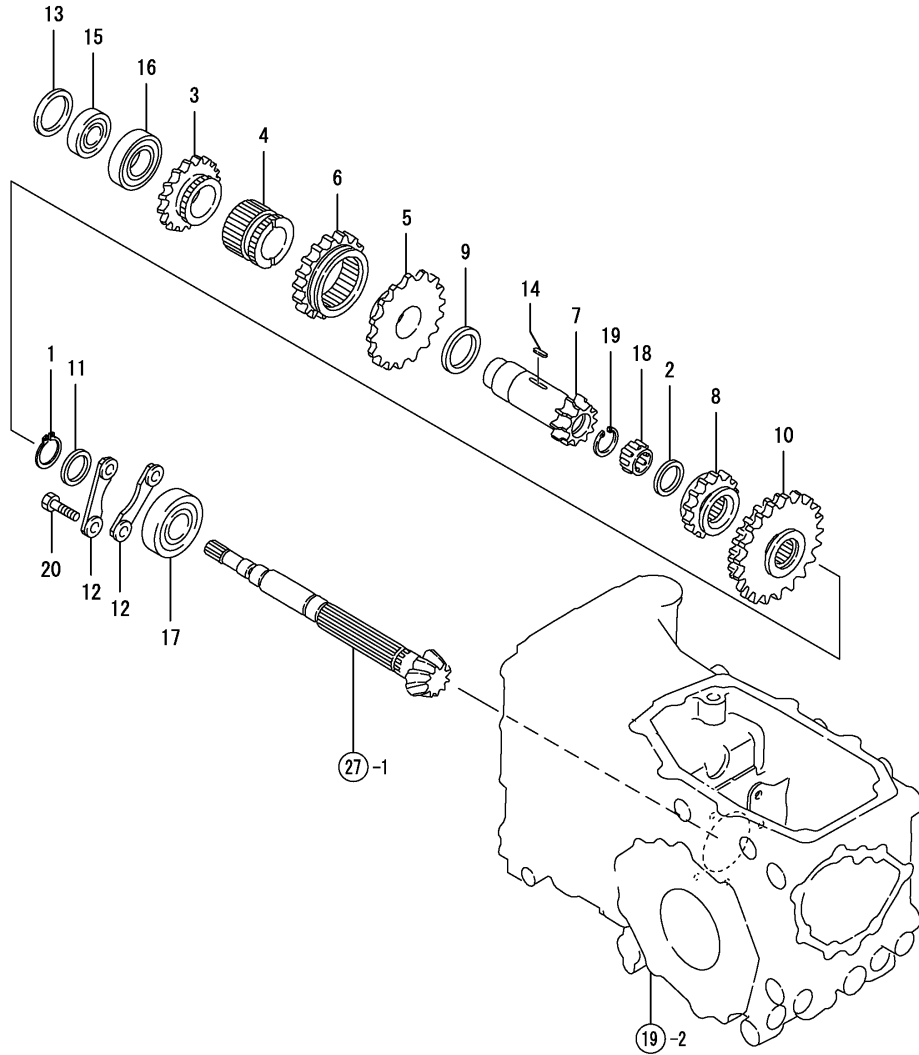


(A)=KE-60
(B)=
(C)=

(D)=
(E)=
(F)=

No.	Lev.	Parts No.	Description	Q'ty						I	R
				(A)	(B)	(C)	(D)	(E)	(F)		
1	1	194306-13140	CIRCLIP, C24-S	1							
2	1	1E4070-14040	LINER, 17.1X25X1	1							
3	1	194305-25160	BEARING, BALL TMB203	1							
4	1	198163-25210	SHAFT, MAIN	1							
5	1	198163-25221	GEAR, MAIN 25-19-18	1							
6	1	198421-25231	GEAR, MAIN 43	1							
7	1	198435-25240	GEAR, MAIN 31	1							
8	1	198163-25250	BEARING ASSY, THRUST	1							
9	1	198421-25250	GEAR, MAIN 16	1							
10	1	198435-25280	SPACER, 30X20.2	1							
11	1	198435-25310	SPACER, 30X7.75	1							
12	1	194856-25330	WASHER, 22X32X2.5	1							
13	1	194856-25340	BEARING, 222817	2							
14	1	24101-062034	BEARING, BALL 6203	1							

Fig.22. COUNTER SHAFT

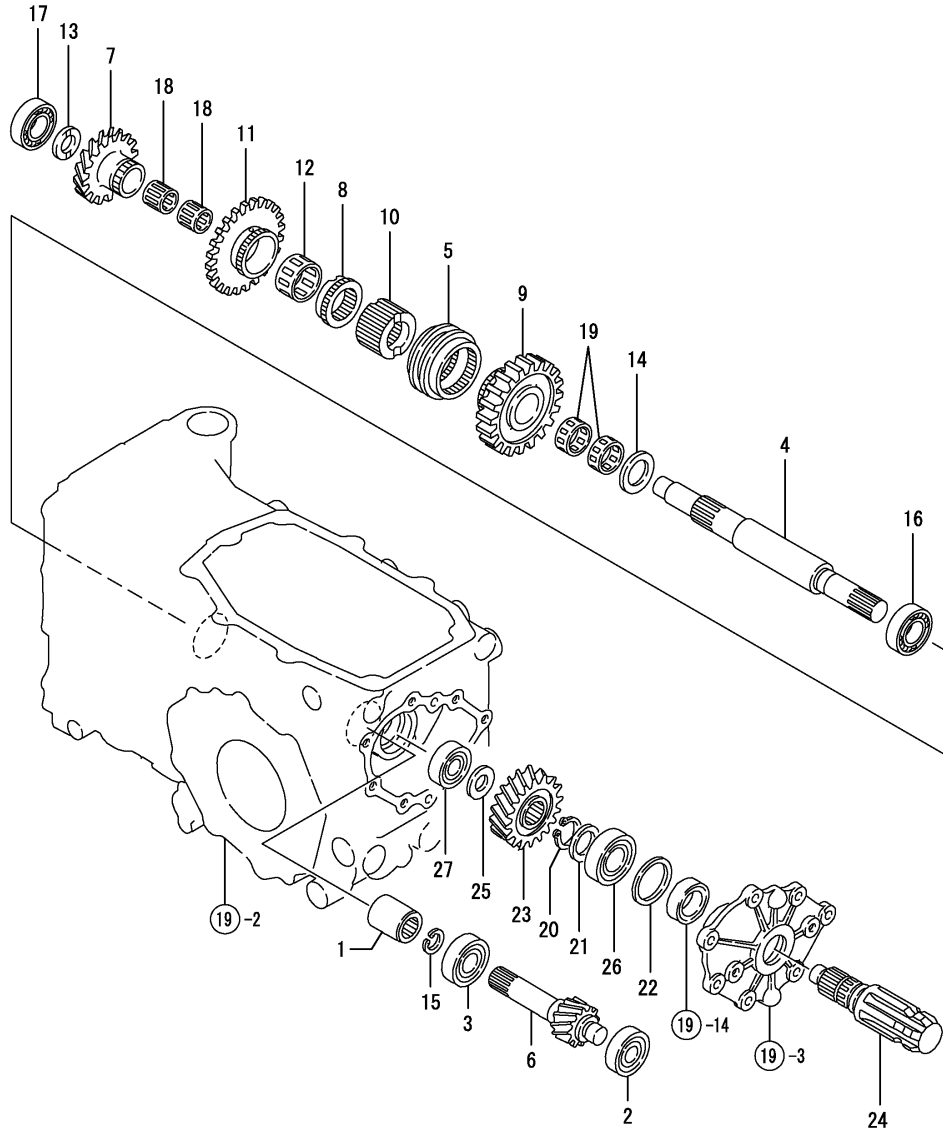


(A)=KE-60
(B)=
(C)=

(D)=
(E)=
(F)=

No.	Lev.	Parts No.	Description	Q'ty						I	R
				(A)	(B)	(C)	(D)	(E)	(F)		
1	1	194306-13140	CIRCLIP, C24-S	1							
2	1	194856-25330	WASHER, 22X32X2.5	1							
3	1	198435-25720	GEAR, COUNTER 26	1							
4	1	198435-25730	COLLAR, SPLINE	1							
5	1	198163-25740	GEAR, COUNTER 36	1							
6	1	198163-25750	GEAR, COUNTER 30	1							
7	1	198163-25770	GEAR, COUNTER 17	1							
8	1	198435-25790	GEAR, SLIDE 24	1							
9	1	198421-25800	WASHER, 35X47X2.5	1							
10	1	198435-25801	GEAR, SLIDE 38-56	1							
11	1	198421-25810	COLLAR, 25X36X4.5	1							
12	1	198435-25810	HOLDER, BEARING	2							
13	1	198421-25820	COLLAR, 32X41.5X1	1							
14	1	22551-050180	KEY, 5X 18	1							
15	1	24101-060044	BEARING, BALL 6004	1							
16	1	24101-060064	BEARING, BALL 6006	1							
17	1	24101-063054	BEARING, BALL 6305	1							
18	1	24161-222610	BEARING, 222610	1							
19	1	24165-000262	CIRCLIP 26	1							
20	1	26116-080202	BOLT, M8X 20 PLATED	4							

Fig.23. P.T.O. DRIVE SHAFT

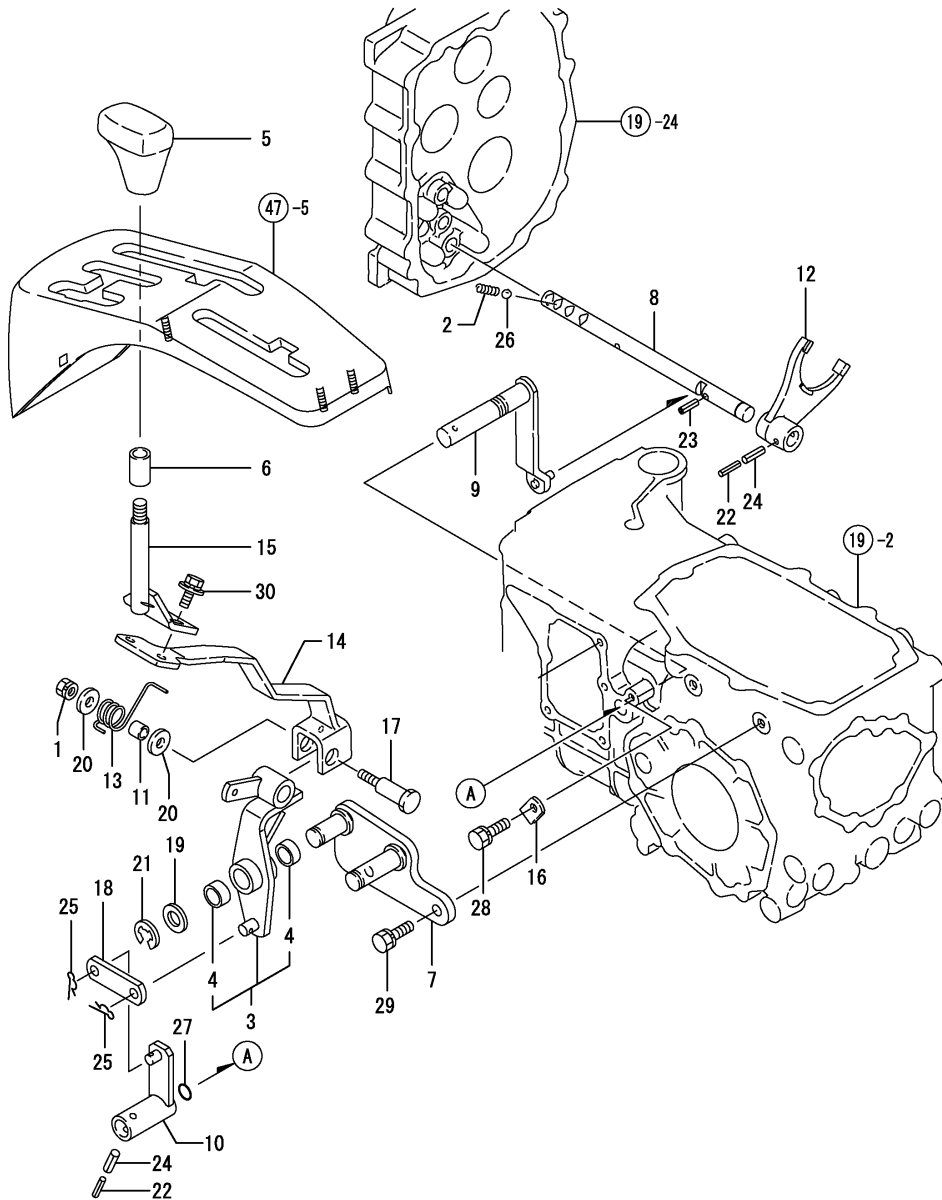


(A)=KE-60
(B)=
(C)=

(D)=
(E)=
(F)=

No.	Lev.	Parts No.	Description	Q'ty						I	R
				(A)	(B)	(C)	(D)	(E)	(F)		
1	1	194310-25100	JOINT	1							
2	1	198165-26270	BEARING, TMB302	1							
3	1	194515-25180	BEARING, BALL TMB004	1							
4	1	198163-26112	SHAFT, PTO DRIVE	1							
5	1	198163-26121	GEAR, PTO SLIDE	1							
6	1	198162-26130	GEAR, PTO 11	1							
7	1	198163-26153	GEAR, PTO DRIVE 24	1							
8	1	198163-26162	GEAR, SPLINE COLLAR	1							
9	1	198163-26180	GEAR, PTO DRIVE 28	1							
10	1	198163-26190	COLLAR, PTO SPLINE	1							
11	1	198163-26212	GEAR, REVERSE 29T	1							
12	1	198163-26240	NEEDLE, 323615	1							
13	1	198163-26410	WASHER, THRUST	1							
14	1	194191-28540	WASHER, 25X38X2.5	1							
15	1	22252-000170	RING, 17	1							
16	1	24104-060044	BEARING, BALL 6004UU	1							
17	1	24104-063034	BEARING, BALL 6303UU	1							
18	1	24161-202417	BEARING, 202417	2							
19	1	24161-252910	BEARING, 252910	2							
20	1	194306-13140	CIRCLIP, C24-S	1							
21	1	198421-13650	WASHER, 25X34X1.2	1							
22	1	194855-24150	WASHER, 36X45.5X1.2	1							
23	1	198163-26230	GEAR, PTO 21	1							
24	1	198531-26310	SHAFT, PTO	1							
25	1	1E6190-54160	WASHER 17.2X30X1.5	1							
26	1	24101-060054	BEARING, BALL 6005	1							
27	1	24101-062034	BEARING, BALL 6203	1							

Fig.24. MAIN CHANGE

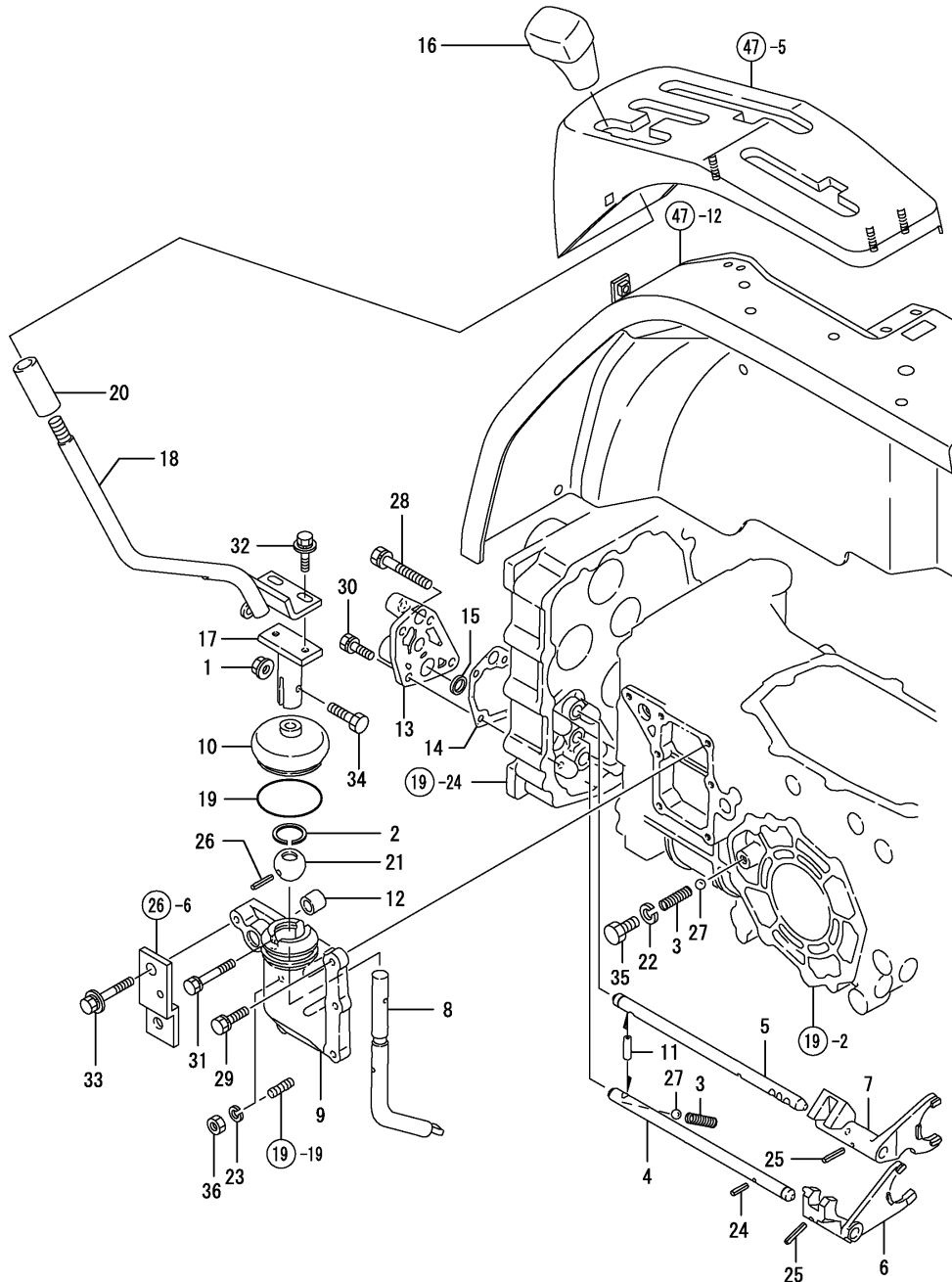


(A)=KE-60
(B)=
(C)=

(D)=
(E)=
(F)=

No.	Lev.	Parts No.	Description	Qty						I	R
				(A)	(B)	(C)	(D)	(E)	(F)		
1	1	194990-22050	NUT, M8	1							
2	1	198421-27110	SPRING, 38.4	1							
3	1	198163-27200	LEVER KIT, SHIFT	1							
4	2	24550-018100	BUSH, 18X10	2							
5	1	198421-27240	KNOB, LEVER	1							
6	1	198165-27350	TUBE, LEVER 17X70	1							
7	1	198163-27510	BRACKET, LEVER	1							
8	1	198163-27520	SHAFT, CHANGE FORK	1							
9	1	198421-27521	ARM, SHIFT	1							
10	1	198163-27531	LEVER, MAIN CHANGE A	1							
11	1	198163-27540	COLLAR, 9.2X13.8X12	1							
12	1	198435-27551	FORK, SHIFT	1							
13	1	198163-27560	SPRING, LEVER	1							
14	1	198163-27572	LEVER, MAIN CHANGE	1							
15	1	198163-27630	LEVER, MAIN CHANGE	1							
16	1	194197-27681	PLATE, KEEP	1							
17	1	198163-27910	PIN, SHIFT	1							
18	1	198327-47930	PLATE, LINK	1							
19	1	22137-180000	WASHER, 18	1							
20	1	22157-080000	WASHER, 8	2							
21	1	22272-000150	RING, E-15	1							
22	1	22351-035025	PIN, SPRING 3.5X25	2							
23	1	22351-060020	PIN, SPRING 6.0X20	1							
24	1	22351-060025	PIN, SPRING 6.0X25	2							
25	1	22360-100000	PIN, SNAP 10	2							
26	1	24190-100001	BALL, STEEL 5/16	1							
27	1	24311-000125	O-RING, 1AP12.5	1							
28	1	26013-080202	BOLT, M8X 20	1							
29	1	26013-080252	BOLT, M8X 25	2							
30	1	26018-080202	BOLT, M8X 20	2							

Fig.25. SUB CHANGE

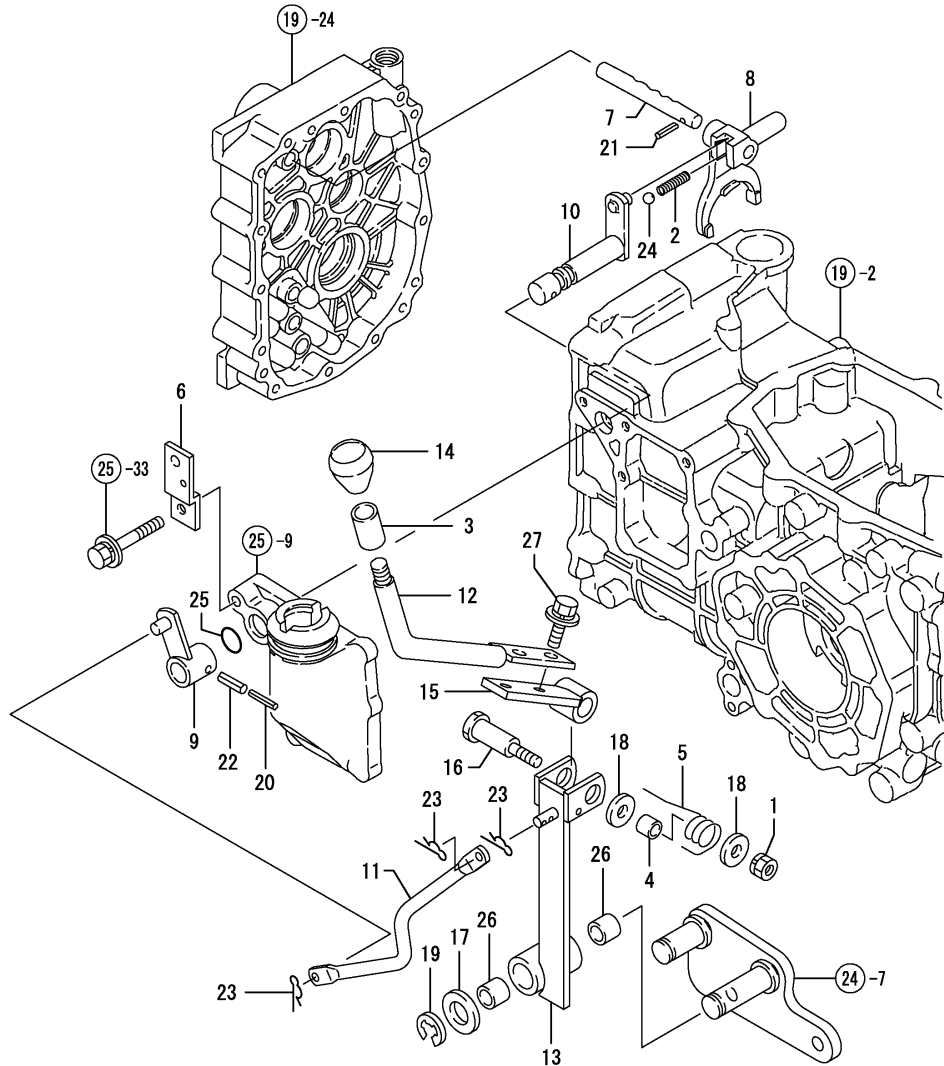


(A)=KE-60
(B)=
(C)=

(D)=
(E)=
(F)=

No.	Lev.	Parts No.	Description	Qty						I	R
				(A)	(B)	(C)	(D)	(E)	(F)		
1	1	194990-22140	NUT, M8	1							
2	1	1A1040-26320	CIRCLIP, 30-H	1							
3	1	198421-27110	SPRING, 38.4	2							
4	1	198163-27120	SHAFT, FORK H	1							
5	1	198163-27130	SHAFT, FORK L	1							
6	1	198435-27142	FORK, SHIFT H	1							
7	1	198435-27151	FORK, SHIFT L	1							
8	1	198421-27160	ARM, MAIN SHIFT	1							
9	1	198421-27170	CASE, MAIN CHANGE	1							
10	1	198421-27180	BOOT, RUBBER	1							
11	1	198421-27190	SPINDLE, 8X16	1							
12	1	198421-27200	BUSH, 17X19X15	1							
13	1	198425-27213	CASE, FORK SHAFT	1							
14	1	198421-27220	PACKING,FORK SHFT.CS	1							
15	1	198425-27230	COLLAR, CASE	1							
16	1	198421-27240	KNOB, LEVER	1							
17	1	198435-27260	LEVER, CHANGE LOWER	1							
18	1	198163-27270	LEVER, CHANGE UPPER	1							
19	1	198425-27290	O-RING, 35	1							
20	1	198165-27360	TUBE, LEVER 17X130	1							
21	1	1E6140-56230	BALL, SHIFTER	1							
22	1	22217-100000	WASHER, SPRING 10	1							
23	1	22287-080000	WASHER, 8	1							
24	1	22351-050020	PIN, SPRING 5.0X20	1							
25	1	22351-050025	PIN, SPRING 5.0X25	2							
26	1	22351-060040	PIN, SPRING 6.0X40	1							
27	1	24190-100001	BALL, STEEL 5/16	2							
28	1	26013-080552	BOLT, M8X 55	1							
29	1	26016-080252	BOLT, M8X 25	4							
30	1	26016-080252	BOLT, M8X 25	3							
31	1	26016-080402	BOLT, M8X 40	1							
32	1	26018-080202	BOLT, M8X 20	2							
33	1	26018-080452	BOLT, M8X 45	1							
34	1	26116-080304	BOLT, M8X 30 PLATED	1							
35	1	26116-100122	BOLT, M10X 12 PLATED	1							
36	1	26716-080002	NUT, M8	1							

Fig.26. P.T.O. CHANGE



(A)=KE-60
(B)=
(C)=

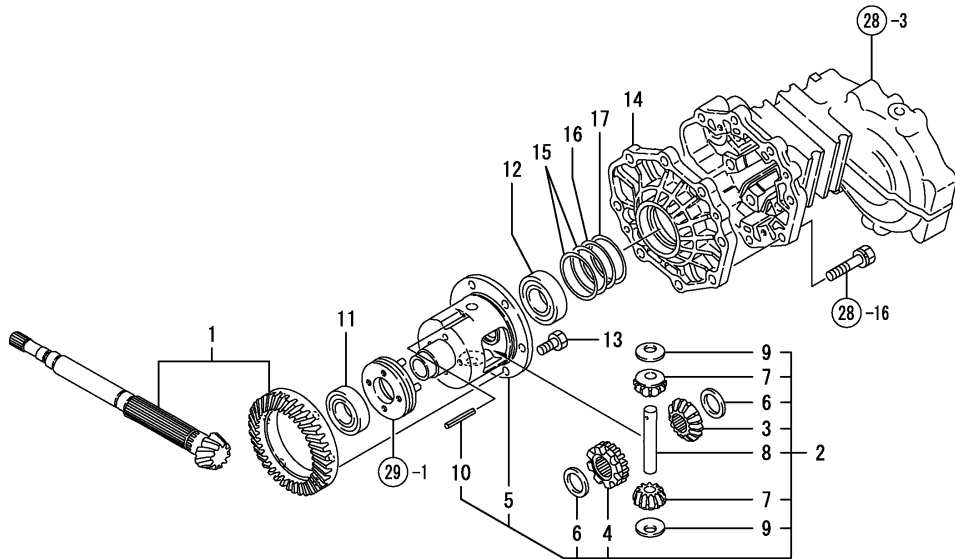
(D)=
(E)=
(F)=

No.	Lev.	Parts No.	Description	Q'ty						I	R
				(A)	(B)	(C)	(D)	(E)	(F)		
1	1	194990-22050	NUT, M8	1							
2	1	198421-27110	SPRING, 38.4	1							
3	1	198165-27350	TUBE, LEVER 17X70	1							
4	1	198163-27540	COLLAR, 9.2X13.8X12	1							
5	1	198163-27560	SPRING, LEVER	1							
6	1	198163-27870	PLATE ASSY, KEEP	1							
7	1	198163-27711	SHAFT, FORK	1							
8	1	198163-27720	FORK, PTO SHIFT	1							
9	1	198163-27730	ARM, SHIFT	1							
10	1	198435-27740	ARM, PTO	1							
11	1	198163-27760	LINK, PTO SHIFT	1							
12	1	198163-27770	LEVER, PTO UPPER	1							
13	1	198163-27790	LEVER, PTO LOWER	1							
13-1	1	198163-27791	LEVER, PTO LOWER	1							N
(A=*2009.02.)											
14	1	194420-27810	KNOB, PTO	1							
15	1	198163-27840	LEVER, PTO INNER	1							
16	1	198163-27910	PIN, SHIFT	1							
17	1	22137-180000	WASHER, 18	1							
18	1	22157-080000	WASHER, 8	2							
19	1	22272-000150	RING, E-15	1							
20	1	22351-035025	PIN, SPRING 3.5X25	1							
21	1	22351-050020	PIN, SPRING 5.0X20	1							
22	1	22351-060025	PIN, SPRING 6.0X25	1							
23	1	22360-080000	SNAP PIN 8	3							
23-1	1	1C6281-52320	PIN, SNAP 8	3							R
(A=*2009.02.)											
24	1	24190-100001	BALL, STEEL 5/16	1							
25	1	24311-000125	O-RING, 1AP12.5	1							
26	1	24550-018100	BUSH, 18X10	2							
27	1	26018-080202	BOLT, M8X 20	2							

Fig.27. RING GEAR

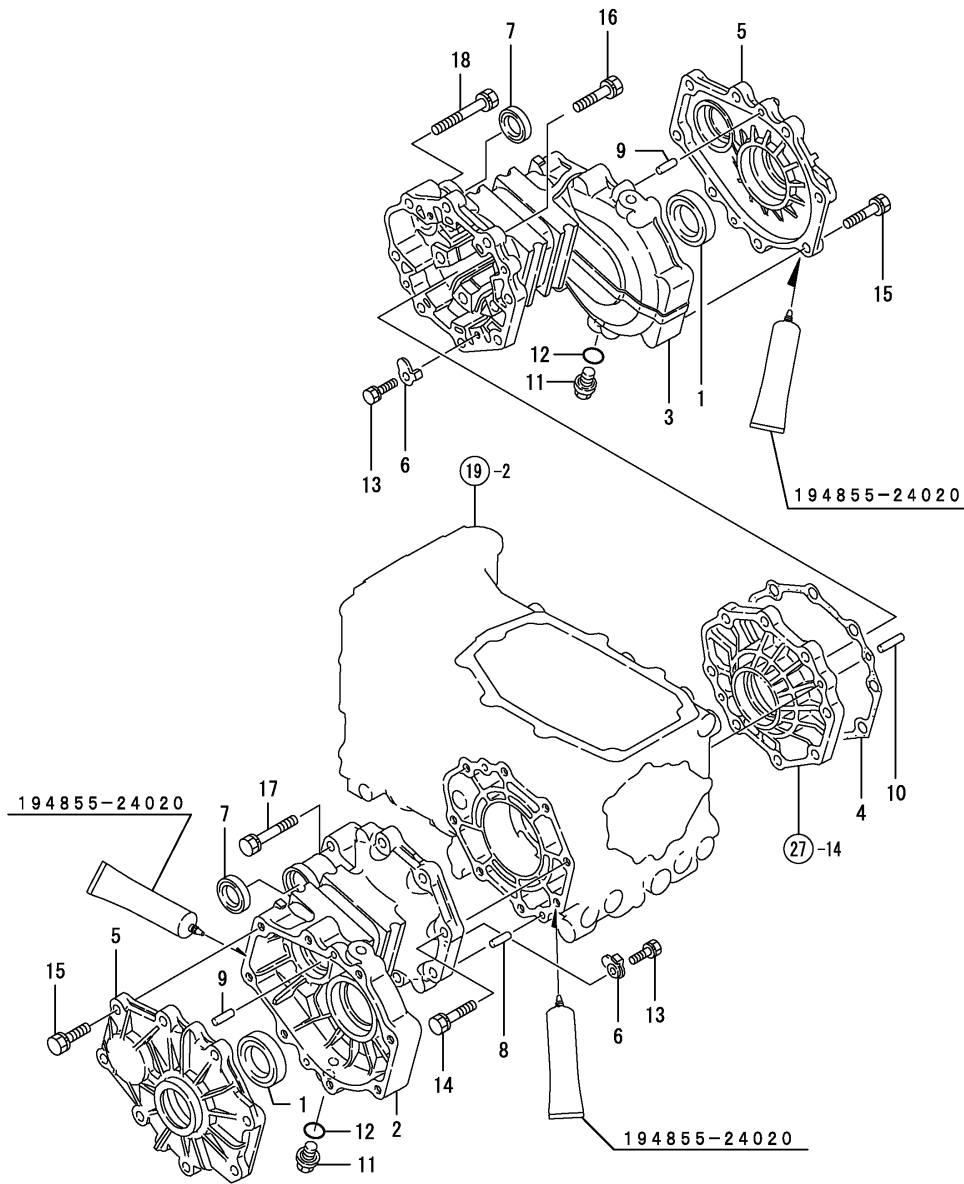
(A)=KE-60
(B)=
(C)=

(D)=
(E)=
(F)=



No.	Lev.	Parts No.	Description	Qty						I	R
				(A)	(B)	(C)	(D)	(E)	(F)		
1	1	198164-31340	GEAR ASSY, RING S	1							
2	1	1A6780-31500	HOUSING ASSY, B	1							
3	2	198421-31510	GEAR, DIFFERENTIAL	1							
4	2	1A6780-31520	GEAR, DIFFERENTIAL	1							
5	2	198421-31530	CASE, DIFFERENTIAL	1							
6	2	198421-31550	WASHER, DIFFERENTIAL	2							
7	2	194300-31560	GEAR, PINION	2							
8	2	194300-31570	SHAFT, DIFFERENTIAL	1							
9	2	194300-31620	WASHER, DIFFERENTIAL	2							
10	2	22351-040040	PIN, SPRING 4.0X40	1							
11	1	24101-060064	BEARING, BALL 6006	1							
12	1	24101-060074	BEARING, BALL 6007	1							
13	1	26156-100162	BOLT, M10X 16 PLATED	6							
14	1	198165-32311	CARRIER	1							
15	1	198421-32320	SHIM, T=0.1	2							
16	1	198421-32330	SHIM, T=0.3	1							
17	1	198421-32340	SHIM, T=0.5	1							

Fig.28. REAR HOUSING



(A)=KE-60
(B)=
(C)=

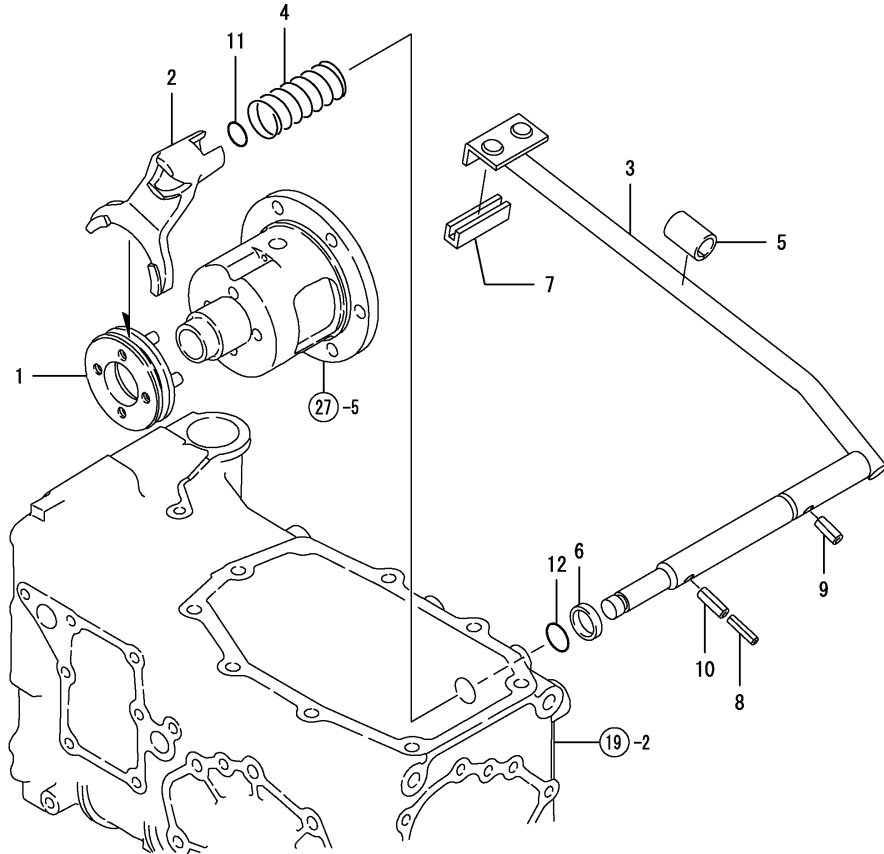
(D)=
(E)=
(F)=

No.	Lev.	Parts No.	Description	Q'ty						I	R
				(A)	(B)	(C)	(D)	(E)	(F)		
1	1	194447-13650	SEAL, TC6Y445711.5	2							
2	1	198165-32610	HOUSING, REAR AXLE L	1							
3	1	198165-32620	HOUSING, REAR AXLE R	1							
4	1	198421-32630	GASKET, HOUSING	1							
5	1	198425-32640	COVER, REAR AXLE	2							
6	1	198421-32660	STOPPER, PLATE	4							
7	1	198290-32750	SEAL, OIL TC253506	2							
8	1	22312-080180	PIN, PARALLEL M8X18	2							
9	1	22312-080200	PIN, PARALLEL M8X20	4							
10	1	22312-080320	PIN, PARALLEL M8X32	2							
11	1	23491-140002	PLUG, 14	2							
12	1	24311-000160	O-RING, 1AP16.0	2							
13	1	26013-080202	BOLT, M8X 20	4							
14	1	26013-100402	BOLT, M10X 40	6							
15	1	26013-100402	BOLT, M10X 40	16							
16	1	26013-100502	BOLT, M10X 50	6							
17	1	26013-100552	BOLT, M10X 55	2							
18	1	26013-100652	BOLT, M10X 65	2							

Fig.29. DIFFERENTIAL LOCK

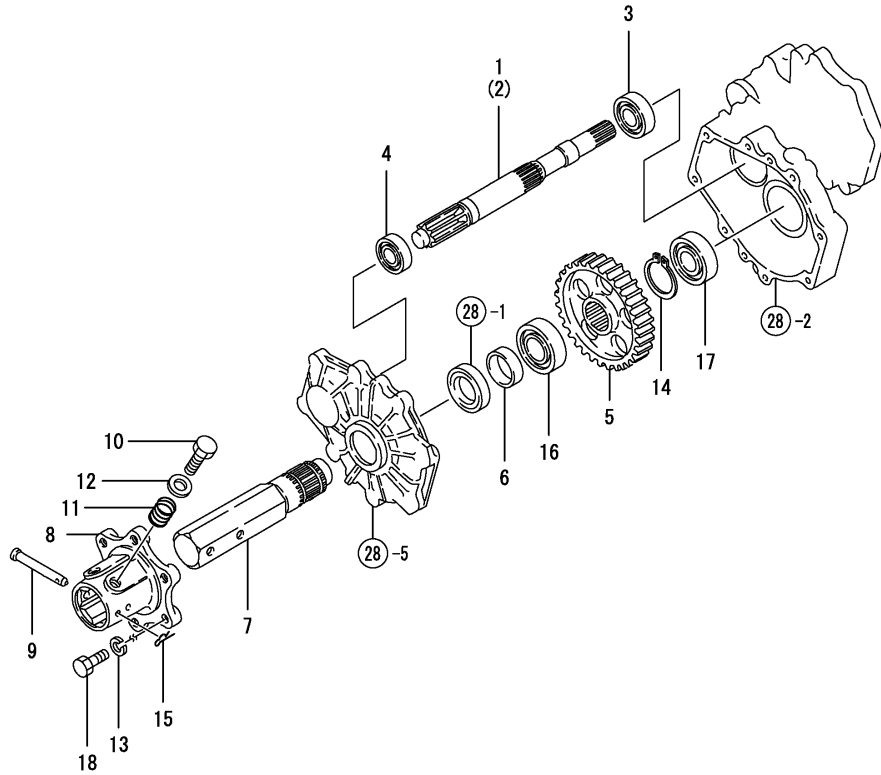
(A)=KE-60
(B)=
(C)=

(D)=
(E)=
(F)=



No.	Lev.	Parts No.	Description	Q'ty						I	R
				(A)	(B)	(C)	(D)	(E)	(F)		
1	1	198421-33110	SLIDER, LOCK	1							
2	1	198421-33120	FORK, SHIFT	1							
3	1	198162-33130	PEDAL, LOCK	1							
4	1	198421-33140	SPRING	1							
5	1	198421-33150	HOSE, VINYL 15X35	1							
6	1	198421-33170	SPACER, 20X25X3.2	1							
7	1	1A6750-61830	RUBBER, EDGE	1							
8	1	22351-050040	PIN, SPRING 5.0X40	1							
9	1	22351-080032	PIN, SPRING 8.0X32	1							
10	1	22351-080040	PIN, SPRING 8.0X40	1							
11	1	24311-000110	O-RING, 1AP11.0	1							
12	1	24311-000160	O-RING, 1AP16.0	1							

Fig.30. FINAL PINION & REAR AXLE



(A)=KE-60
(B)=
(C)=

(D)=
(E)=
(F)=

No.	Lev.	Parts No.	Description	Q'ty						I	R
				(A)	(B)	(C)	(D)	(E)	(F)		
1	1	198164-33410	PINION, FINAL L S	1							
2	1	198164-33420	PINION, FINAL R S	1							
3	1	24101-060060	BEARING, BALL 6006C3	2							
4	1	24101-062040	BEARING, BALL 6204C3	2							
5	1	198164-33510	GEAR, FINAL 46S	2							
6	1	194447-13640	SLEEVE, SI 40X44X15	2							
7	1	198421-34110	SHAFT, REAR AXLE	2							
8	1	198425-34730	HUB, REAR WHEEL	2							
9	1	194200-34750	PIN, 10X78	2							
10	1	1A1040-36010	BOLT, FLANGE	4							
11	1	1A1040-36040	SPRING, FLANGE BOLT	4							
12	1	22137-160000	WASHER, 16	4							
13	1	22217-120000	WASHER, SPRING 12	12							
14	1	22242-000400	RING, 40	2							
15	1	22372-100000	PIN, SNAP 10	2							
16	1	24101-060080	BEARING, BALL 6008C3	2							
17	1	24101-062060	BEARING, BALL 6206C3	2							
18	1	26156-120252	BOLT, M12X 25 PLATED	12							

Fig.32. DISK BRAKE

(A)=KE-60
(B)=
(C)=

(D)=
(E)=
(F)=

No.	Lev.	Parts No.	Description	Q'ty						I	R
				(A)	(B)	(C)	(D)	(E)	(F)		
1	1	198421-36310	ACTUATOR	1							
2	1	198421-36321	PLATE, STEEL	2							
3	1	198421-36330	SHAFT, CAM LEVER L	1							
4	1	198162-36380	PLATE, FRICTION 116P	2							
5	1	22242-000250	RING, 25	1							
6	1	24190-160001	BALL, STEEL 1/2	6							
7	1	198421-36321	PLATE, STEEL	2							
8	1	198162-36380	PLATE, FRICTION 116P	2							
9	1	198421-36410	ACTUATOR	1							
10	1	198421-36430	SHAFT, CAM LEVER R	1							
11	1	22242-000250	RING, 25	1							
12	1	24190-160001	BALL, STEEL 1/2	6							

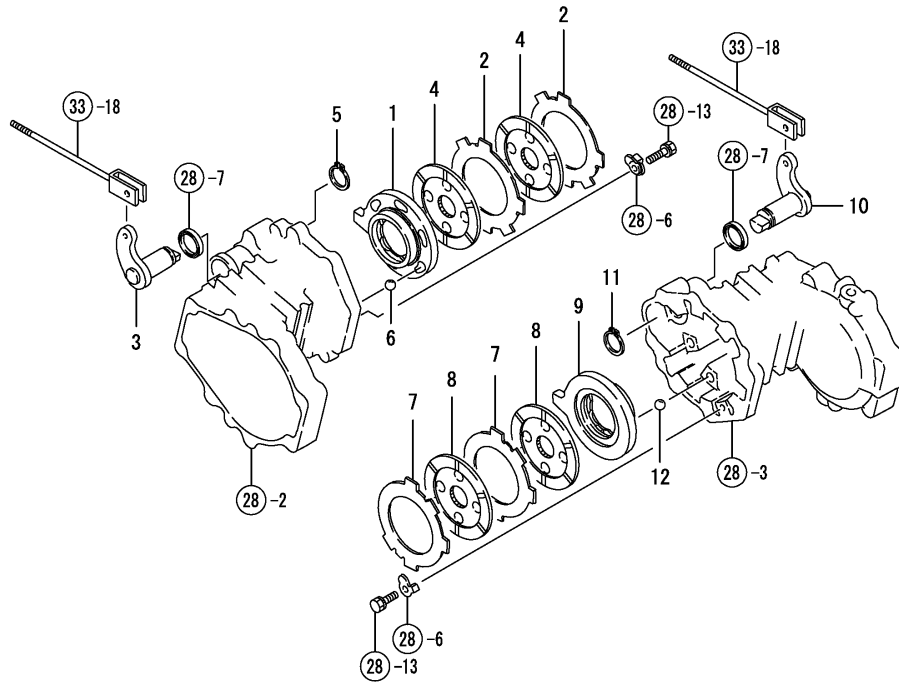
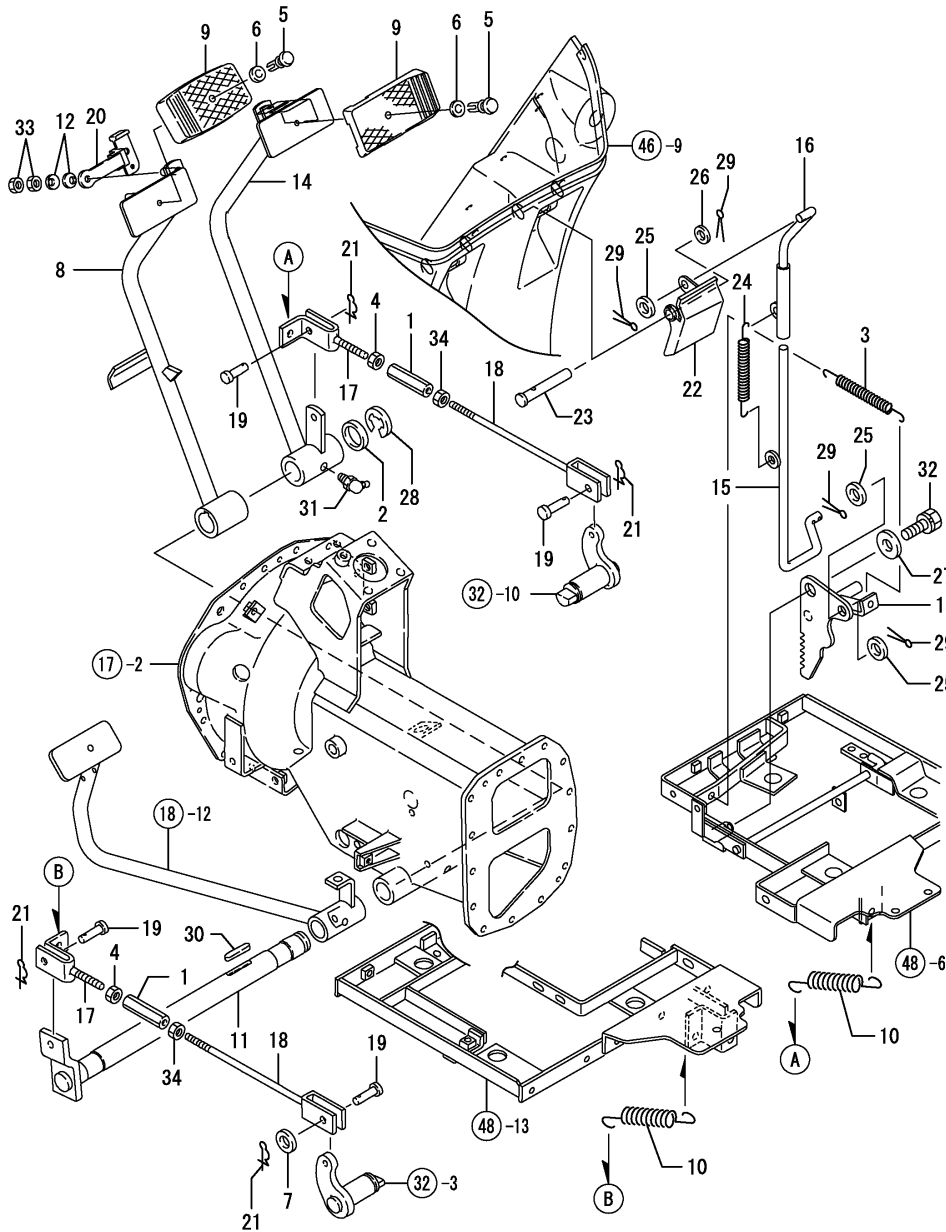


Fig.33. BRAKE PEDAL

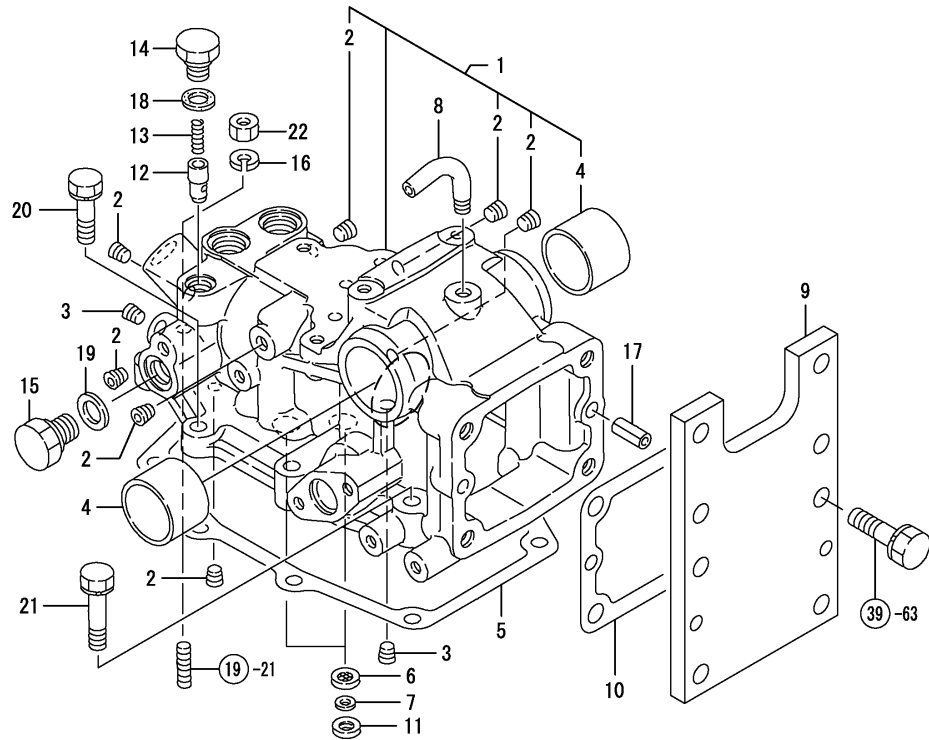


(A)=KE-60
(B)=
(C)=

(D)=
(E)=
(F)=

No.	Lev.	Parts No.	Description	Q'ty						I	R
				(A)	(B)	(C)	(D)	(E)	(F)		
1	1	194740-00322	ADJUSTER	2							
2	1	1C6140-14050	SPACER, 25.2X34X2	1							
3	1	1C6320-16440	SPRING, 11X55.5	1							
4	1	194990-20170	NUT, M8	2							
5	1	198133-22510	RIVET, PEDAL HEAD	2							
6	1	198133-22530	WASHER, RIVET	2							
7	1	1C6053-32020	WASHER, 8.5X20X3.2	1							
8	1	198162-37302	PEDAL ASSY, BRAKE L	1							
9	1	198071-37510	COVER, HEAD	2							
10	1	198421-37511	SPRING, RETURN	2							
11	1	198421-37550	SHAFT, BRAKE PEDAL	1							
12	1	194300-37570	SPRING	2							
13	1	198162-37641	LEVER, BRAKE LOCK	1							
14	1	198164-37651	PEDAL ASSY, BRAKE R	1							
15	1	198162-37670	ROD, BRAKE	1							
16	1	198162-37681	ROD, PARKING BRAKE B	1							
17	1	198421-37750	ROD, BRAKE L	2							
18	1	198425-37760	ROD, BRAKE R	2							
19	1	194080-37781	PIN, 8X25	4							
20	1	1C6950-45410	CONNECTOR, BRAKE	1							
21	1	1C6281-52320	PIN, SNAP 8	4							
22	1	198162-61661	LEVER, BRAKE	1							
23	1	198162-61670	PIN, LEVER	1							
24	1	1C6360-82210	SPRING, MARKER LOCK	1							
25	1	22117-100000	WASHER, 10	3							
26	1	22137-120000	WASHER, 12	1							
27	1	22157-080000	WASHER, 8	1							
28	1	22272-000190	RING, E-19	1							
29	1	22417-200320	PIN, COTTER 2.0X32	1							
30	1	22512-070400	KEY, 7X 40	1							
31	1	24761-040000	NIPPLE, GREASE B	1							
32	1	26013-080202	BOLT, M8X 20	1							
33	1	26716-080002	NUT, M8	2							
34	1	26716-080002	NUT, M8	2							

Fig.34. HYDRAULIC CYLINDER CASE



(A)=KE-60
(B)=
(C)=

(D)=
(E)=
(F)=

No.	Lev.	Parts No.	Description	Q'ty						I	R
				(A)	(B)	(C)	(D)	(E)	(F)		
1	1	198421-42102	HOUSING ASSY	1							
2	2	23871-010000	PLUG, R01	7							
3	2	23871-020000	PLUG, R02	2							
4	2	24550-040300	BUSH, 40X30	2							
5	1	198165-42120	GASKET, HOUSING	1							
6	1	194850-42180	STRAINER	2							
7	1	194850-42190	SPACER	2							
8	1	194205-42280	PIPE, AIR BREATHER	1							
9	1	198162-42810	BASE, TOP LINK	1							
10	1	194151-42832	GASKET, HINGE	1							
11	1	194630-43230	PACKING	2							
12	1	194310-46350	POPPET, CHECK	1							
13	1	194310-46380	SPRING	1							
14	1	194310-46730	PLUG, 14	1							
15	1	194312-46750	PLUG, PF3/8	1							
16	1	22217-100000	WASHER, SPRING 10	1							
17	1	22351-100025	PIN, SPRING 10.0X25	2							
18	1	23414-140018	GASKET, 14X1.0	1							
19	1	23414-170022	GASKET, 17X1.0	1							
20	1	26016-100352	BOLT, M10X 35	4							
21	1	26016-100452	BOLT, M10X 45	4							
22	1	26716-100002	NUT, M10	1							

Fig.35. HYDRAULIC SIDE COVER

(A)=KE-60
(B)=
(C)=

(D)=
(E)=
(F)=

No.	Lev.	Parts No.	Description	Q'ty						I	R
				(A)	(B)	(C)	(D)	(E)	(F)		
1	1	198425-42220	COVER, CASE	1							
2	1	23871-010000	PLUG, R01	1							
3	1	24315-000110	O-RING, 1BP11.0	3							
4	1	26013-080252	BOLT, M8X 25	3							

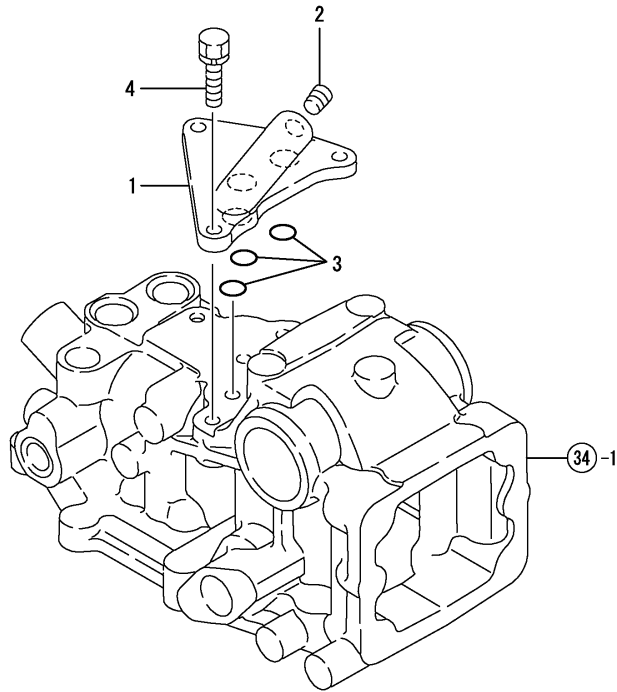


Fig.36. PISTON & LIFT CRANK

(A)=KE-60
(B)=
(C)=

(D)=
(E)=
(F)=

No.	Lev.	Parts No.	Description	Q'ty						I	R
				(A)	(B)	(C)	(D)	(E)	(F)		
1	1	198163-43310	PISTON, HYDRAULIC	1							
2	1	24315-000460	O-RING, 1BP46.0	1							
3	1	24372-000460	RING, BACK UP T2P46	1							
4	1	198421-43410	ROD, PISTON	1							
5	1	198421-44110	CRANK, LIFT	1							
6	1	198421-44211	SHAFT, LIFT	1							
7	1	198421-44230	LINER, 30X55X3	2							
8	1	198421-44250	SLEEVE, LIFT SHAFT	2							
9	1	198421-44410	ARM, LIFT	2							
10	1	194197-44610	WASHER, 10X50X6	1							
11	1	22351-050040	PIN, SPRING 5.0X40	1							
12	1	24311-000224	O-RING, 1AP22.4	1							
13	1	24341-000315	O-RING, 1AS31.5	2							
14	1	24351-020400	O-RING 1A 2040	4							
15	1	26013-100252	BOLT, M10X 25	2							

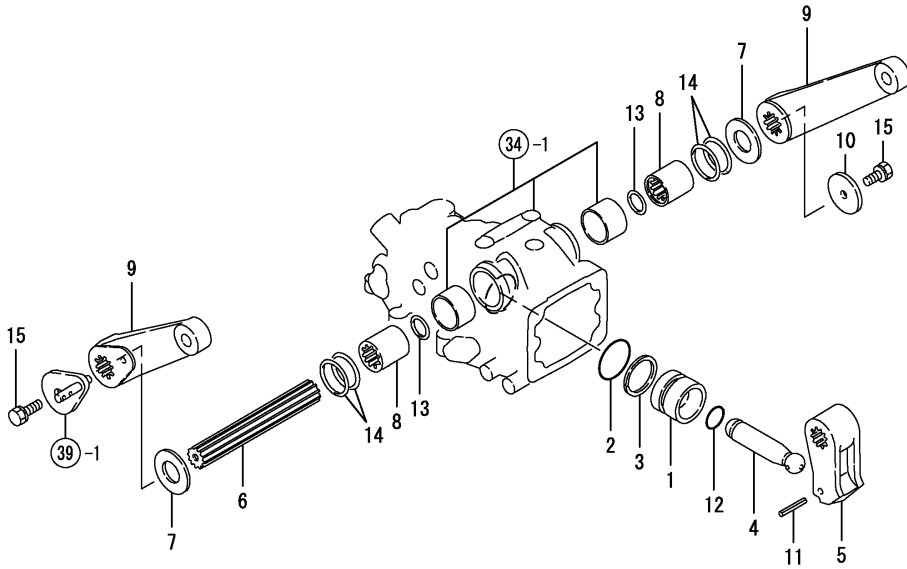
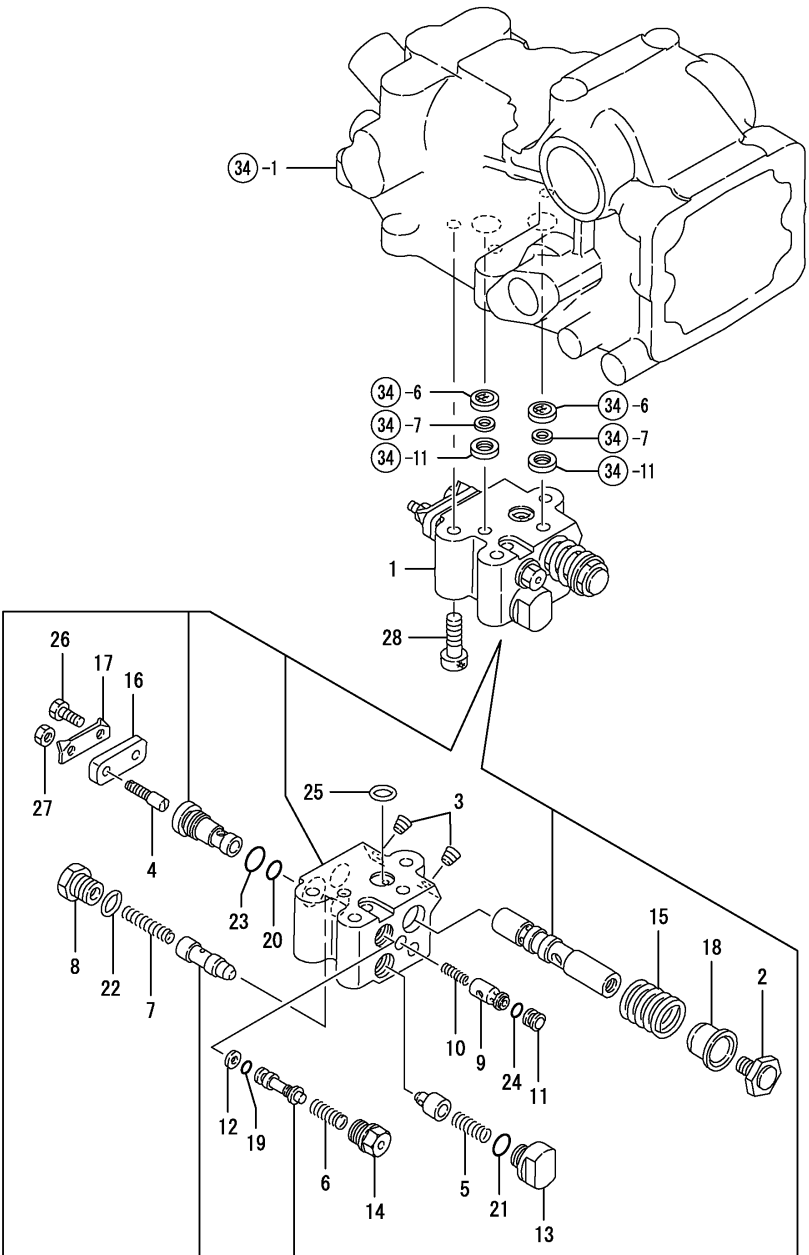


Fig.37. CONTROL VALVE

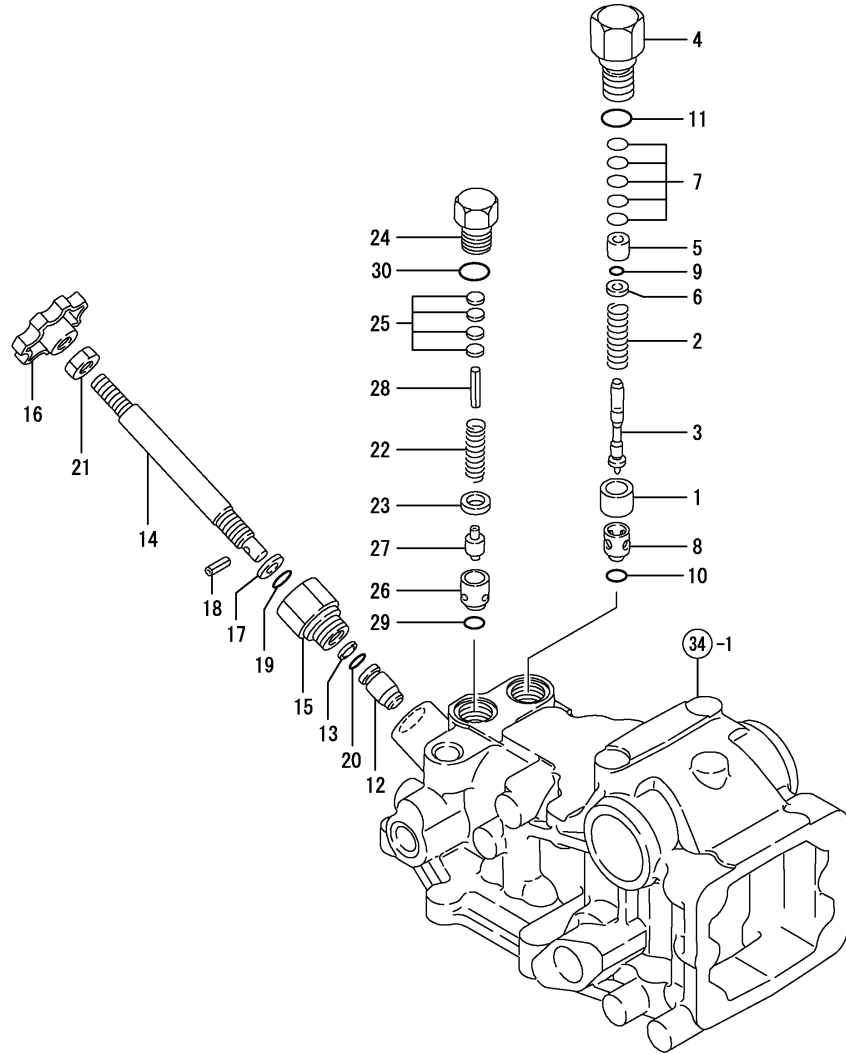


(A)=KE-60
(B)=
(C)=

(D)=
(E)=
(F)=

No.	Lev.	Parts No.	Description	Q'ty						I	R
				(A)	(B)	(C)	(D)	(E)	(F)		
1	1	198435-45101	VALVE ASSY, CONTROL	1							
2	2	194940-45540	PIN, SPOOL	1							
3	2	23871-010000	PLUG, R01	2							
4	2	194170-45220	BAR, PUSH	1							
5	2	1A6640-45230	SPRING, VALVE	1							
6	2	194170-45230	SPRING	1							
7	2	194170-45321	SPRING	1							
8	2	194850-45330	PLUG	1							
9	2	194170-45350	SPOOL	1							
10	2	194170-45360	SPRING	1							
11	2	194170-45370	PLUG	1							
12	2	194170-45430	RING, BACK UP	1							
13	2	194170-45440	PLUG	1							
14	2	198421-45440	HOLDER	1							
15	2	194940-45520	SPRING, SPOOL	1							
16	2	194170-45550	BAR, SPOOL	1							
17	2	194170-45560	WASHER, 12X40X0.6	1							
18	2	198431-45560	RETAINER, SPRING	1							
19	2	24311-000050	O-RING, 1AP5.0	1							
20	2	24311-000100	O-RING, 1AP10.0	1							
21	2	24311-000120	O-RING, 1AP12.0	1							
22	2	24311-000120	O-RING, 1AP12.0	1							
23	2	24311-000140	O-RING, 1AP14.0	1							
24	2	24315-000070	O-RING, 1BP7.0	1							
25	2	24315-000110	O-RING, 1BP11.0	1							
26	2	26116-060162	BOLT, M6X 16 PLATED	1							
27	2	26756-060002	NUT, LOCK M6	1							
28	1	26450-080252	BOLT, M8X 25	3							

Fig.38. RELIEF VALVE

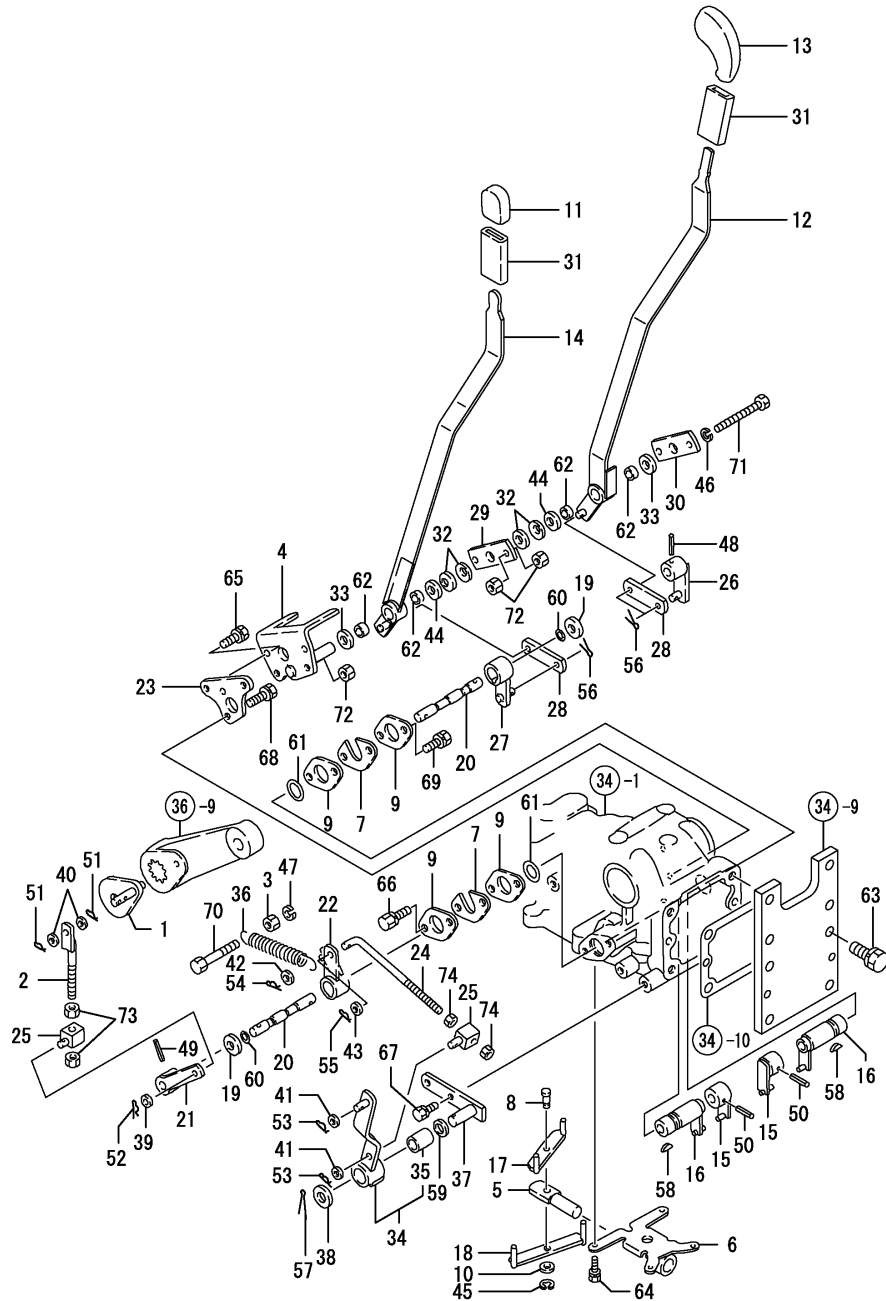


(A)=KE-60
(B)=
(C)=

(D)=
(E)=
(F)=

No.	Lev.	Parts No.	Description	Q'ty						I	R
				(A)	(B)	(C)	(D)	(E)	(F)		
1	1	198220-45340	COLLAR, VALVE	1							
2	1	198163-45610	SPRING, RELIEF VALVE	1							
3	1	194195-45620	POPPET	1							
4	1	198220-45630	PLUG, RELIEF VALVE	1							
5	1	194195-45640	SEAT, 6.6X13X12.5	1							
6	1	194195-45650	WASHER, 6.6X13X3,2	1							
7	1	194850-45700	SHIM SET	1							
8	1	194195-46260	SEAT, RELIEF VALVE	1							
9	1	194850-49230	O-RING, 6X1.8 70	1							
10	1	24311-000120	O-RING, 1AP12.0	1							
11	1	24311-000180	O-RING, 1AP18.0	1							
12	1	198421-46302	VALVE, STOP	1							
13	1	194180-46320	RING, BACK UP	1							
14	1	194640-46620	BOLT, STOP	1							
15	1	194312-46630	HOLDER, VALVE	1							
16	1	194555-46640	KNOB, STOP	1							
17	1	22117-080000	WASHER, 8	1							
18	1	22351-040012	PIN, SPRING 4.0X12	1							
19	1	24311-000120	O-RING, 1AP12.0	1							
20	1	24315-000100	O-RING, 1BP10.0	1							
21	1	26716-100002	NUT, M10	1							
22	1	194150-45320	SPRING, RELIEF VALVE	1							
23	1	198220-45350	COLLAR, VALVE	1							
24	1	198220-45370	PLUG, SAFETY VALVE	1							
25	1	198220-46400	SHIM SET	1							
26	1	194640-46410	SEAT, SAFETY VALVE	1							
27	1	194640-46420	POPPET	1							
28	1	22351-060028	PIN, SPRING 6.0X28	1							
29	1	24311-000120	O-RING, 1AP12.0	1							
30	1	24311-000180	O-RING, 1AP18.0	1							

Fig.39. HYDRAULIC CONTROL

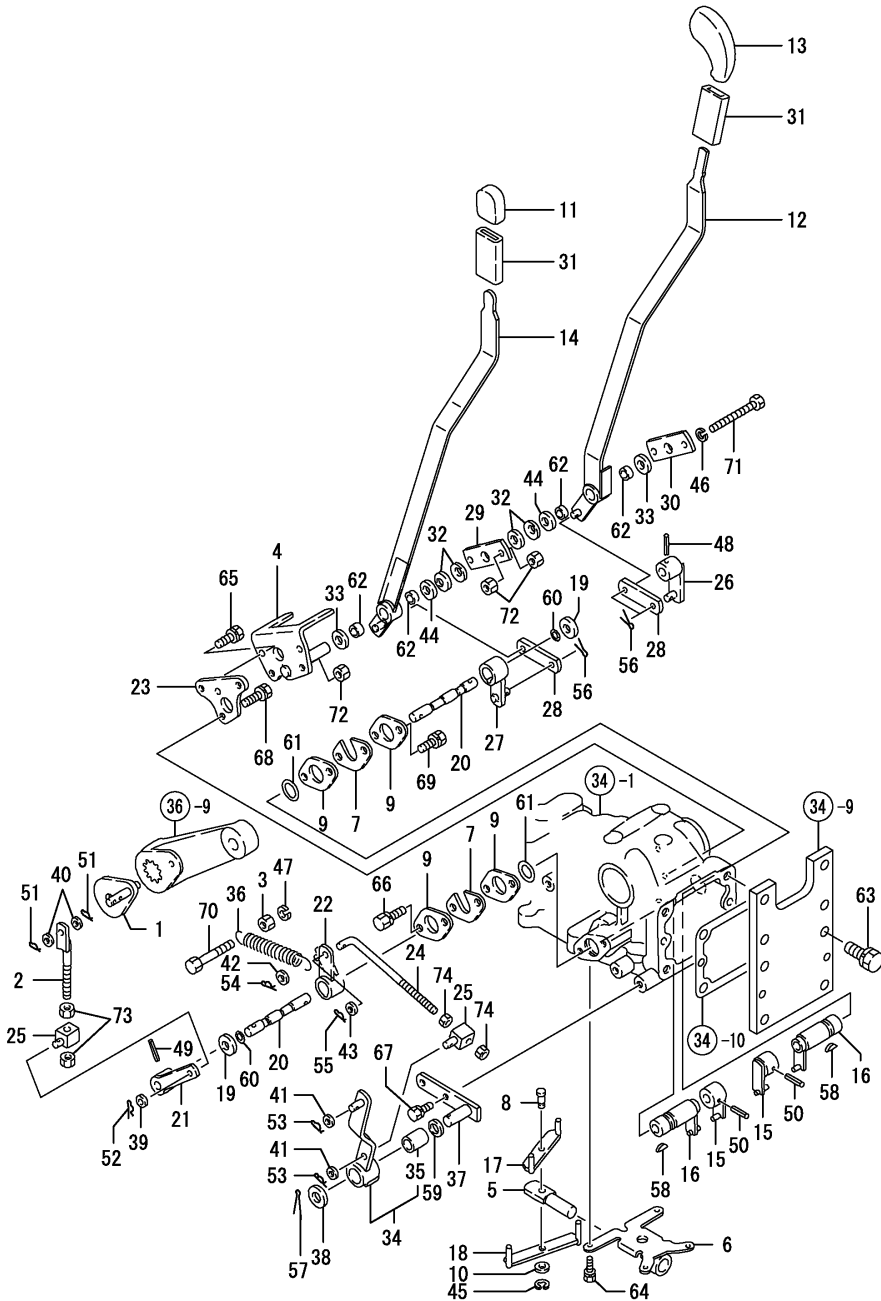


(A)=KE-60
(B)=
(C)=

(D)=
(E)=
(F)=

No.	Lev.	Parts No.	Description	Q'ty						I	R
				(A)	(B)	(C)	(D)	(E)	(F)		
1	1	198431-44510	ARM, FEEDBACK	1							
2	1	194208-47510	ROD, FEEDBACK	1							
3	1	26716-080002	NUT, M8	1							
4	1	198435-47310	STOPPER, CONTROL	1							
5	1	198431-47320	ROD, CONTROL	1							
6	1	198431-47330	PLATE, CONTROL	1							
7	1	194555-47340	PLATE, A	2							
8	1	198431-47340	PIN, CONTROL	1							
9	1	194555-47350	PLATE, B	4							
10	1	198431-47350	WASHER, 8.4X17X1.6	1							
11	1	198435-47350	KNOB, ROTARY	1							
12	1	198163-47360	LEVER, CONTROL	1							
13	1	194420-47370	KNOB, LEVER	1							
14	1	198163-47370	LEVER, CONTROL	1							
15	1	198431-47390	ARM SET, POSITION	2							
16	1	198431-47400	ARM, DRAFT SET	2							
17	1	198431-47420	BAR, CONTROL	1							
18	1	198431-47430	BAR, CONTROL	1							
19	1	194180-47440	GASKET, 12	2							
20	1	194208-47450	SHAFT, FEEDBACK	2							
21	1	198431-47470	ARM, FEEDBACK	1							
22	1	198431-47480	ARM, FEEDBACK	1							
23	1	198435-47490	BASE, STOPPER	1							
24	1	198431-47520	ROD, FEEDBACK	1							
25	1	194208-47530	ADJUSTER	2							
26	1	198435-47530	ARM, CONTROL	1							
27	1	198435-47540	ARM, CONTROL	1							
28	1	198435-47550	LINK, CONTROL	2							
29	1	198435-47560	PLATE	1							
30	1	198435-47580	PLATE	1							
31	1	198162-47630	TUBE, PROTECT 60	2							
32	1	194151-47760	WASHER, 12	4							
33	1	194310-47790	PLATE, FRICTION	2							
34	1	198163-47800	ARM ASSY, FEEDBACK	1							
35	2	194310-21210	BUSH, 15X20X25	1							
36	1	194215-47840	SPRING, RETURN	1							
37	1	198431-47870	PLATE, FEEDBACK	1							
38	1	194550-47910	SPACER, 15X28X2	1							
39	1	22137-080000	WASHER, 8	1							
40	1	22137-080000	WASHER, 8	2							
41	1	22137-080000	WASHER, 8	2							
42	1	22137-080000	WASHER, 8	1							
43	1	22137-080000	WASHER, 8	1							
44	1	22137-120000	WASHER, 12	2							
45	1	22272-000060	RING, E-6	1							
46	1	22287-080000	WASHER, 8	2							
47	1	22287-080000	WASHER, 8	1							
48	1	22351-050025	PIN, SPRING 5.0X25	1							
49	1	22351-050025	PIN, SPRING 5.0X25	1							
50	1	22351-050025	PIN, SPRING 5.0X25	2							
51	1	22372-080000	PIN, SNAP 8	2							

Fig.39. HYDRAULIC CONTROL

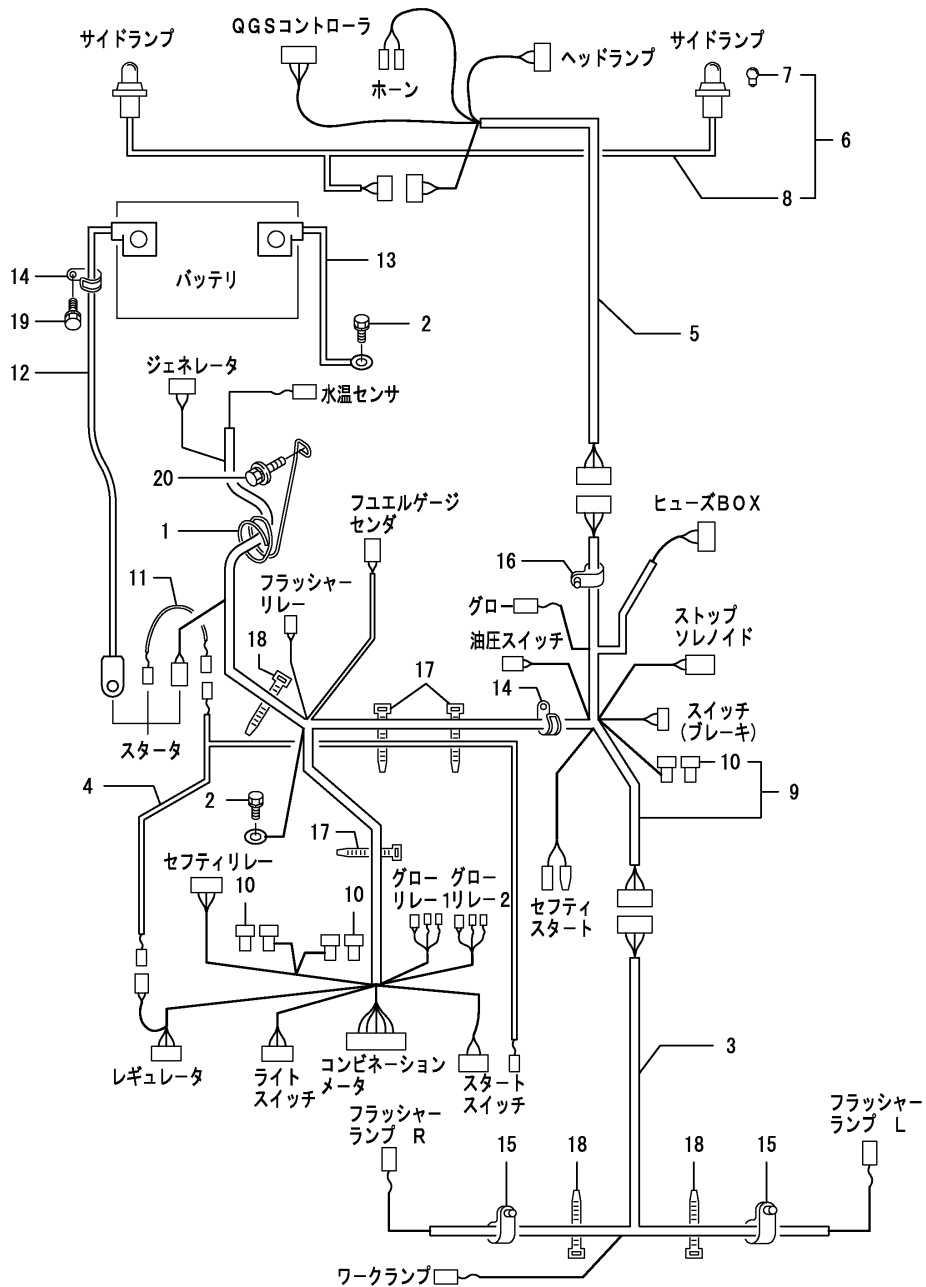


(A)=KE-60
(B)=
(C)=

(D)=
(E)=
(F)=

No.	Lev.	Parts No.	Description	Q'ty						I	R
				(A)	(B)	(C)	(D)	(E)	(F)		
52	1	22372-080000	PIN, SNAP 8	1							
53	1	22372-080000	PIN, SNAP 8	2							
54	1	22372-080000	PIN, SNAP 8	1							
55	1	22372-080000	PIN, SNAP 8	1							
56	1	22417-200160	PIN, COTTER 2.0X16	4							
57	1	22417-250320	PIN, COTTER 2.5X32	1							
58	1	22522-030130	KEY, WOODRUFF 3X13	2							
59	1	23414-150000	GASKET, 15X1.0	1							
60	1	24311-000090	O-RING, 1AP9.0	2							
61	1	24311-000200	O-RING, 1AP20.0	2							
62	1	24550-012060	BUSH, 12X 6	4							
63	1	26013-120352	BOLT, M12X 35	4							
64	1	26016-060162	BOLT, M6X 16	4							
65	1	26016-080122	BOLT, M8X 12	2							
66	1	26016-080202	BOLT, M8X 20	2							
67	1	26016-080202	BOLT, M8X 20	2							
68	1	26016-080202	BOLT, M8X 20	2							
69	1	26016-080202	BOLT, M8X 20	2							
70	1	26116-080552	BOLT, M8X 55 PLATED	1							
71	1	26116-080804	BOLT, M8X 80 PLATED	2							
72	1	26716-080002	NUT, M8	6							
73	1	26716-080002	NUT, M8	2							
74	1	26716-080002	NUT, M8	2							

Fig.41. WIRE HARNESS

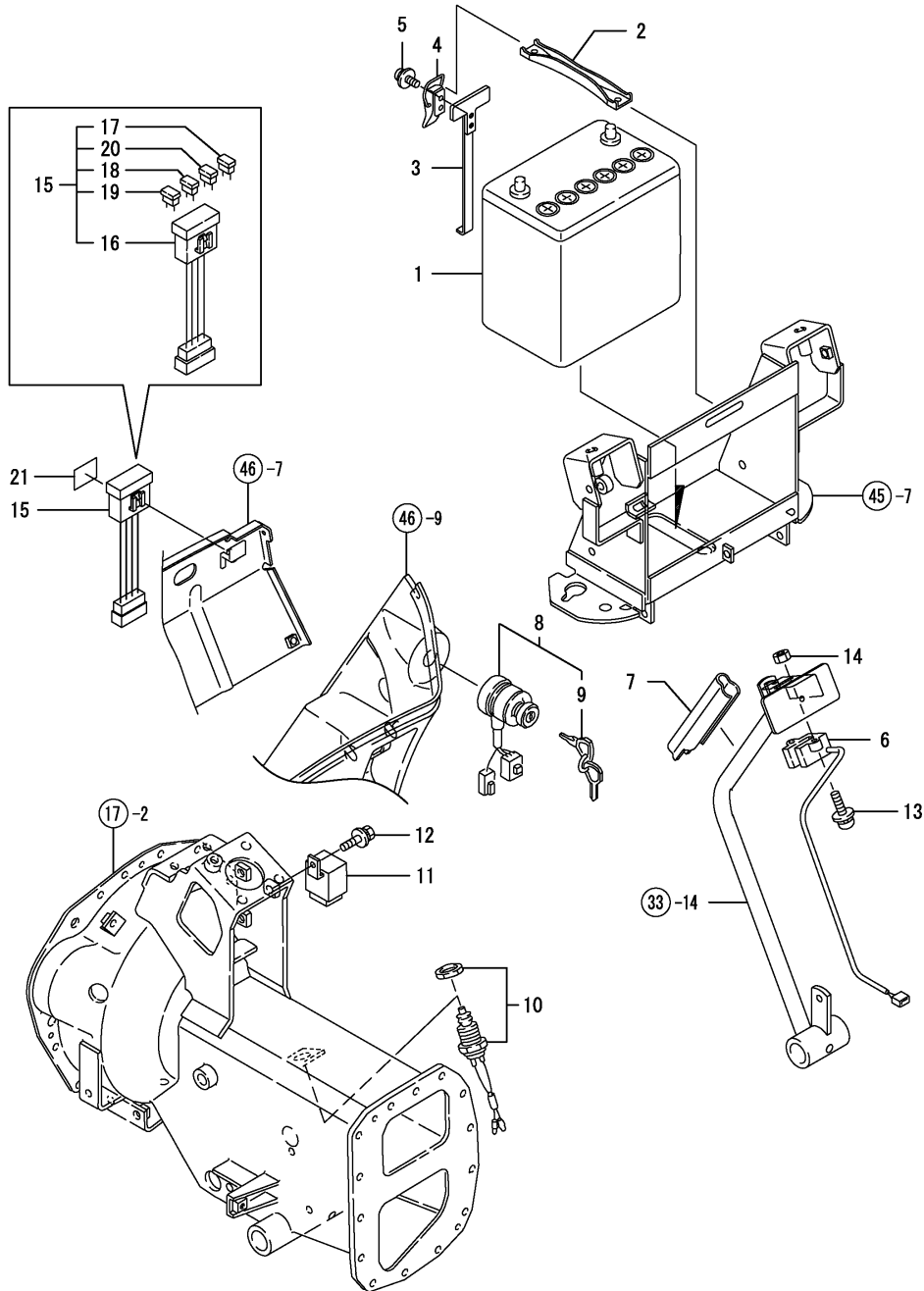


(A)=KE-60
(B)=
(C)=

(D)=
(E)=
(F)=

No.	Lev.	Parts No.	Description	Q'ty						I	R
				(A)	(B)	(C)	(D)	(E)	(F)		
1	1	1C6560-05450	CLAMP, HOSE	1							
2	1	1C6560-06300	BOLT, EARTH M8X16	2							
2-1	1	26106-080162	BOLT, M8X 16 PLATED	2							R
(A=*2008.11.)											
3	1	198162-51130	HARNESS, WIRE 3	1							
4	1	198162-51150	HARNESS, WIRE	1							
5	1	198162-51170	HARNESS, WIRE	1							
6	1	198425-51180	HARNESS, WIRE	1							
7	2	198425-51190	BULB, 12V/10W	2							
8	2	198425-51200	LEAD ASSY	1							
9	1	198164-51211	HARNESS, WIRE	1							
10	2	119643-66900	DIODE	3							
11	1	194550-51220	LINK, FUSIBLE 0.85	1							
12	1	198162-51410	CABLE, BATTERY	1							
13	1	198162-51420	CABLE, BATTERY EARTH	1							
14	1	194440-51620	CLAMP	2							
15	1	194197-51630	CLAMP, SPEED 43	3							
16	1	194250-51650	CLAMP, SPEED 63	1							
17	1	194250-51660	BAND 250	3							
18	1	121750-59890	BAND, 140	3							
19	1	26013-080122	BOLT, M8X 12	1							
20	1	26018-080202	BOLT, M8X 20	1							

Fig.42. BATTERY & SWITCHES

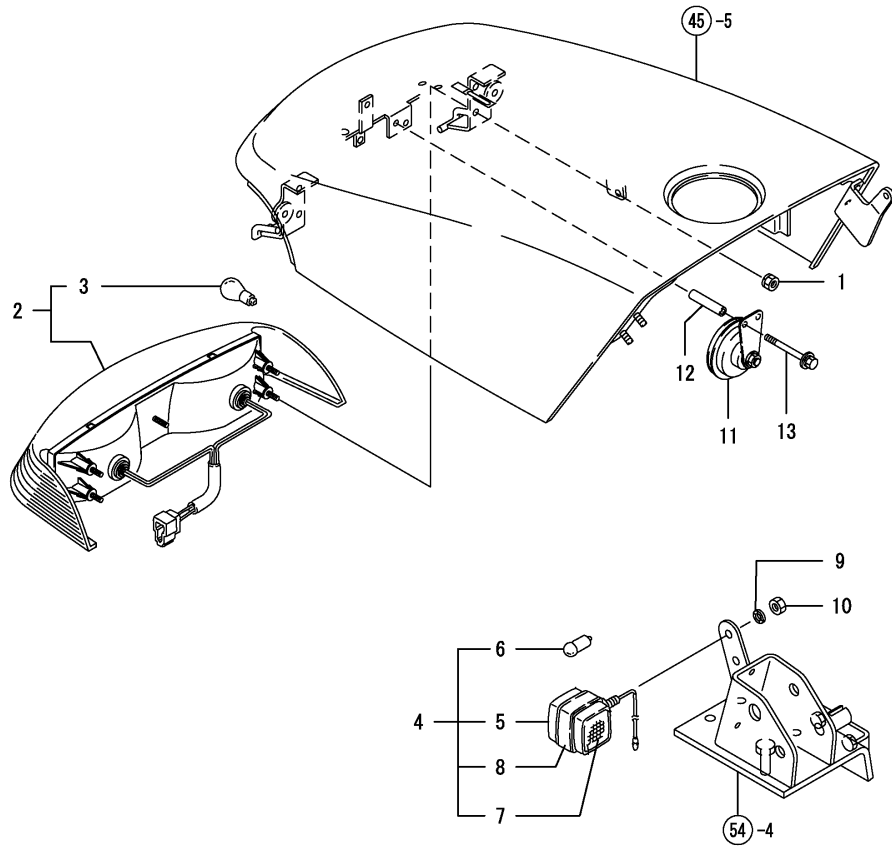


(A)=KE-60
(B)=
(C)=

(D)=
(E)=
(F)=

No.	Lev.	Parts No.	Description	Q'ty						I	R
				(A)	(B)	(C)	(D)	(E)	(F)		
1	1	198164-51500	BATTERY	1							
2	1	198162-58110	CLAMP, BATTERY	1							
3	1	198162-58140	ROD, BATTERY CLAMP	1							
4	1	1E6210-82580	FASTENER	1							
5	1	26023-050122	SCREW, M5X12	2							
6	1	1C6900-07200	SWITCH, COUPLING	1							
7	1	198164-51310	COVER, HARNESS	1							
8	1	198162-52110	SWITCH, STARTING	1							
9	2	198162-52150	KEY ASSY	1							
10	1	198421-52190	SWITCH, SAFETY	1							
11	1	119247-77100	RELAY, SAFETY	1							
12	1	26018-060162	BOLT, M6X 16	1							
13	1	26023-050202	SCREW, M5X20	2							
14	1	26716-050002	NUT, M5	2							
15	1	198162-52410	BOX, FUSE	1							
16	2	198162-52420	HOLDER, FUSE	1							
17	2	29420-050000	FUSE, B 5A	1							
18	2	29420-100000	FUSE, B 10A	1							
19	2	29420-150000	FUSE, B 15A	1							
20	2	29420-200000	FUSE, B 20A	1							
21	1	198162-65890	LABEL,FUSE	1							

Fig.43. LAMPS & HORN

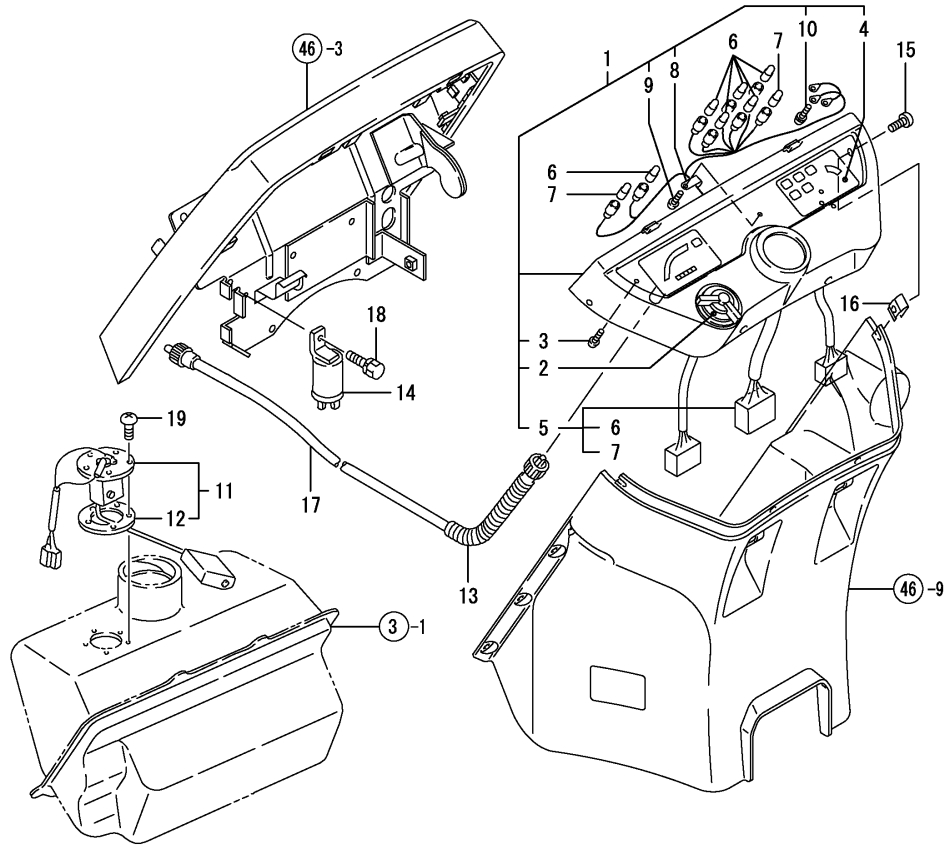


(A)=KE-60
(B)=
(C)=

(D)=
(E)=
(F)=

No.	Lev.	Parts No.	Description	Q'ty						I	R
				(A)	(B)	(C)	(D)	(E)	(F)		
1	1	194990-22130	NUT, M6	5							
2	1	198162-53100	LAMP ASSY, HEAD	1							
3	2	198425-53110	BULB, 12V25/25W	2							
4	1	198425-53150	LAMP, FLUSHER	2							
5	2	198425-53160	BODY COMPL.	2							
6	2	194200-53400	BULB, 12V-20W	2							
7	2	198511-53430	LENS	4							
8	2	198511-53450	GASKET	2							
9	1	22222-100000	WASHER, SPRING 10	2							
10	1	26776-100002	NUT, LOCK M10	2							
11	1	1C7100-08150	HORN ASSY	1							
12	1	1C6820-42520	COLLAR, 6X10X46	2							
13	1	26018-060602	BOLT, M6X 60	2							

Fig.44. METER

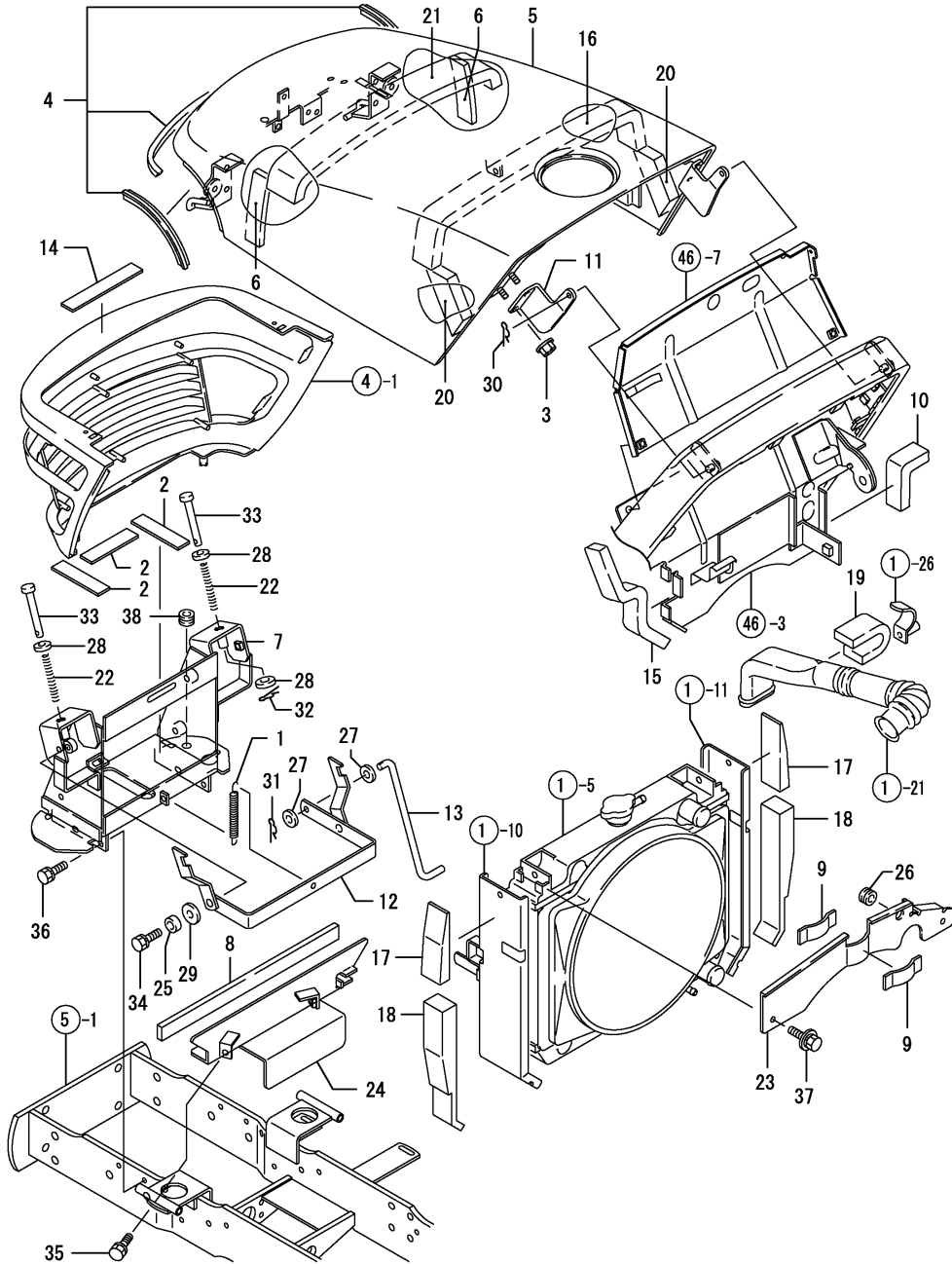


(A)=KE-60
(B)=
(C)=

(D)=
(E)=
(F)=

No.	Lev.	Parts No.	Description	Q'ty						I	R
				(A)	(B)	(C)	(D)	(E)	(F)		
1	1	198164-56600	PANEL ASSY, S	1							
2	2	1W3852-00940	SWITCH	1							
3	2	1C6460-36151	SCREW, M4X16	8							
4	2	198164-56120	METER ASSY, FUEL OIL	1							
5	2	198164-56140	CORD ASSY	1							
6	3	194555-55820	BULB, 12V1.7W	6							
7	3	198421-56150	BULB, 12V-3.4WHD	2							
8	2	198421-56190	CLAMP	1							
9	2	198421-56200	SCREW, M4X10	1							
10	2	26022-030222	SCREW, M3X22	3							
11	1	198421-56601	GAUGE ASSY, FUEL	1							
12	2	194420-56620	GASKET	1							
13	1	198421-56910	TUBE, PROTECT	1							
14	1	194555-57200	RELAY, FLASHER	1							
15	1	194145-61640	SCREW, TAPPING M5X16	4							
16	1	194167-61650	NUT 5008	4							
17	1	123440-91140	CABLE	1							
18	1	26016-060122	BOLT, M6X 12	1							
19	1	26557-050122	SCREW, M5X12	5							

Fig.45. HOOD

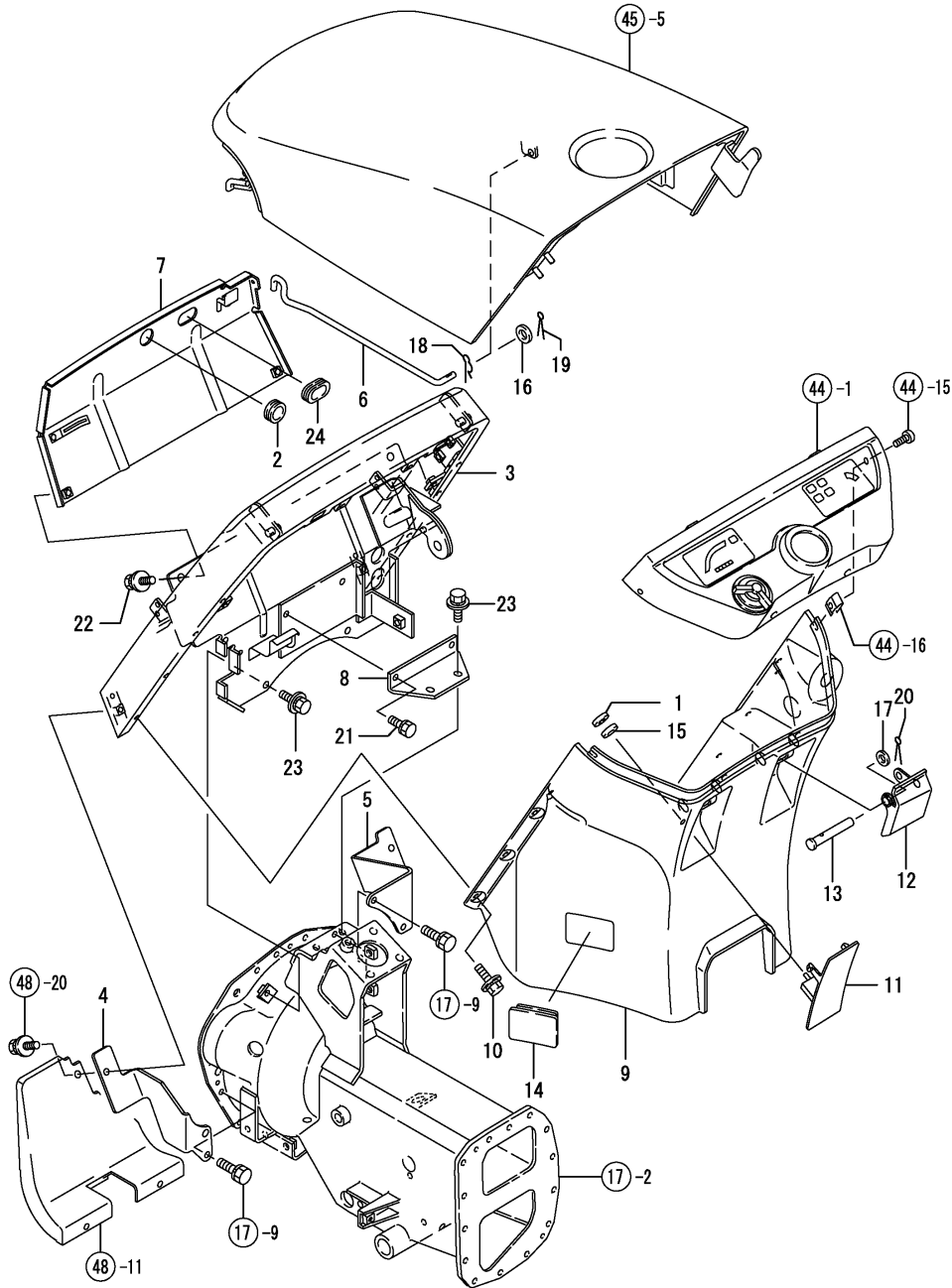


(A)=KE-60
(B)=
(C)=

(D)=
(E)=
(F)=

No.	Lev.	Parts No.	Description	Qty						I	R
				(A)	(B)	(C)	(D)	(E)	(F)		
1	1	194200-01680	SPRING	1							
2	1	198165-04380	RUBBER, 100X25X3	3							
3	1	194990-22130	NUT, M6	2							
4	1	1A7720-53200	SEAL KIT, HEAD LAMP	1							
5	1	198164-61100	BONNET ASSY, M	1							
6	1	198162-61250	SEAL, BONNET SA	2							
7	1	198162-61310	STAY, BONNET	1							
8	1	198162-61340	SEAL, RADIATOR LOWER	1							
9	1	198162-61370	SEAL, RADIATOR E	2							
10	1	198421-61380	URETHANE,CS20X25X200	1							
11	1	198162-61410	HINGE, BONNET L	1							
12	1	198162-61430	HOOK, BONNET	1							
13	1	198162-61440	LINK, HOOK	1							
14	1	198162-61460	SEAL, BONNET FRONT	1							
15	1	198421-61460	FOAM, CS20X25X300	1							
16	1	198421-61470	FOAM, CS40X20X630	1							
17	1	198162-61480	FOAM, URETHANE	2							
18	1	198162-61490	FOAM, URETHANE	2							
19	1	198421-61510	FOAM, URETHANE	1							
20	1	198421-61540	PAD	2							
21	1	198165-61810	SEAL, BONNET UPPER	1							
22	1	198165-61850	SPRING, BONNET	2							
23	1	198162-61910	PLATE, PROTECT UPPER	1							
24	1	198162-61930	PLATE, PROTECT LOWER	1							
25	1	1C6560-75311	COLLAR, 8.8X12X8	2							
26	1	172026-81740	GROMMET, 16X22X8	1							
27	1	22137-080000	WASHER, 8	2							
28	1	22157-060000	WASHER, 6	4							
29	1	22157-080000	WASHER, 8	2							
30	1	22360-080000	SNAP PIN 8	1							
31	1	22360-080000	SNAP PIN 8	1							
32	1	22372-060000	PIN, SNAP 6	2							
33	1	22487-060800	PIN, H 6X 80	2							
34	1	26013-080202	BOLT, M8X 20	2							
35	1	26016-080202	BOLT, M8X 20	2							
36	1	26016-080202	BOLT, M8X 20	4							
37	1	26018-080202	BOLT, M8X 20	2							
38	1	29311-092000	GROMMET, 8.5X2	1							

Fig.46. DASH BOARD

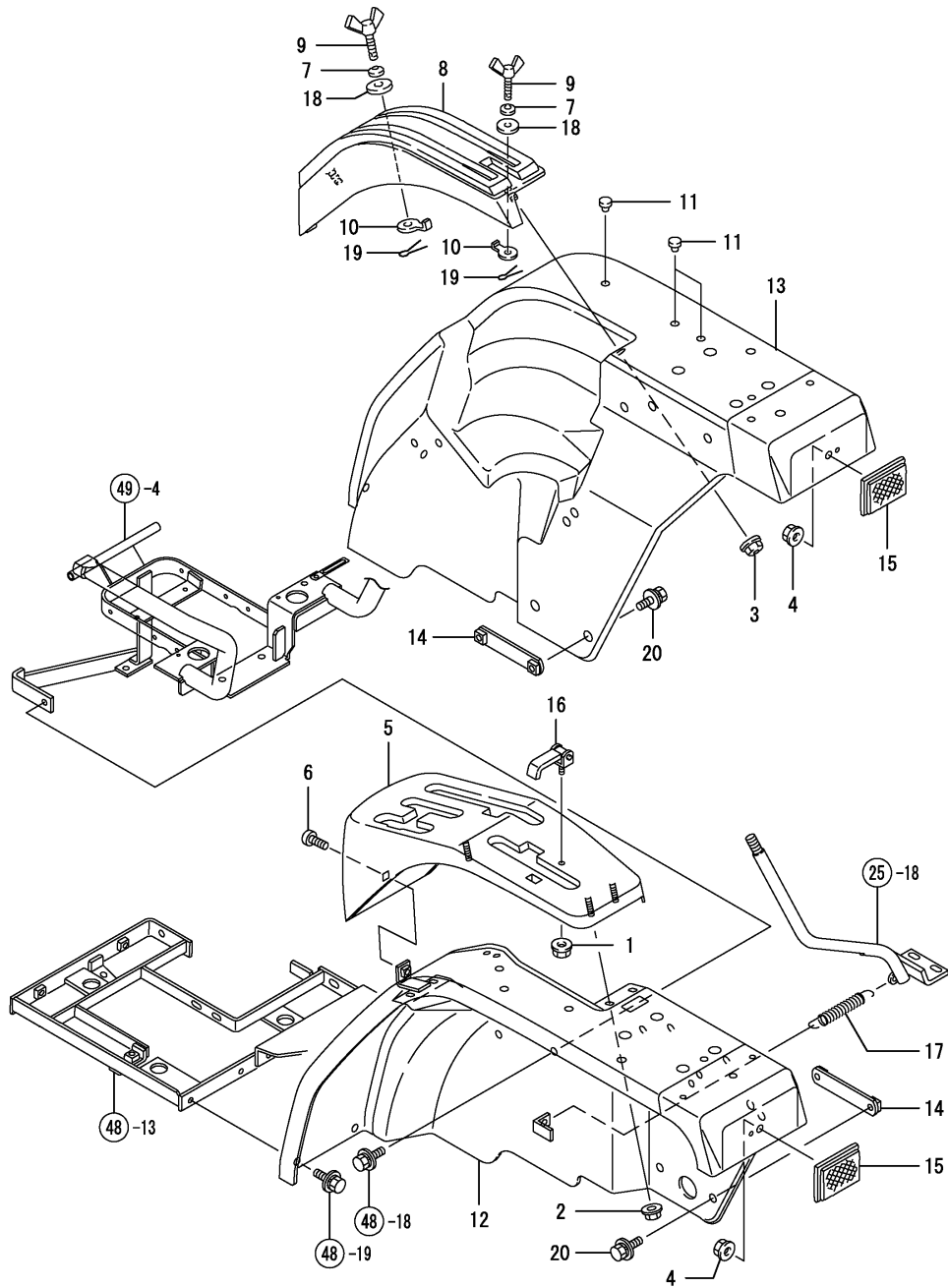


(A)=KE-60
(B)=
(C)=

(D)=
(E)=
(F)=

No.	Lev.	Parts No.	Description	Q'ty						I	R
				(A)	(B)	(C)	(D)	(E)	(F)		
1	1	1C6460-38240	NUT 5,PUSH	1							
2	1	194162-58830	GROMMET, 20	1							
3	1	798163-61540	STAY ASSY, DASHBOARD	1							
4	1	198162-61530	BRACKET, L	1							
5	1	198162-61540	BRACKET, R	1							
6	1	198162-61551	ROD, BONNET	1							
7	1	198162-61570	PLATE, AIR SHIELD	1							
8	1	198164-61580	STAY, AIR CUT PLATE	1							
9	1	198162-61611	DASHBOARD	1							
10	1	198421-61620	BOLT, M6X20	8							
11	1	198162-61630	COVER, DASHBOARD	1							
12	1	198162-61661	LEVER, BRAKE	1							
13	1	198162-61670	PIN, LEVER	1							
14	1	194802-62310	CAP, RUBBER	1							
15	1	194555-65130	CUSHION	1							
16	1	22117-080000	WASHER, 8	1							
17	1	22137-120000	WASHER, 12	1							
18	1	22360-080000	SNAP PIN 8	1							
19	1	22417-200160	PIN, COTTER 2.0X16	1							
20	1	22417-200320	PIN, COTTER 2.0X32	1							
21	1	26016-080202	BOLT, M8X 20	2							
22	1	26018-080162	BOLT, M8X 16	2							
23	1	26018-080202	BOLT, M8X 20	4							
24	1	29311-252000	GROMMET, 25.0X2	1							

Fig.47. FENDER

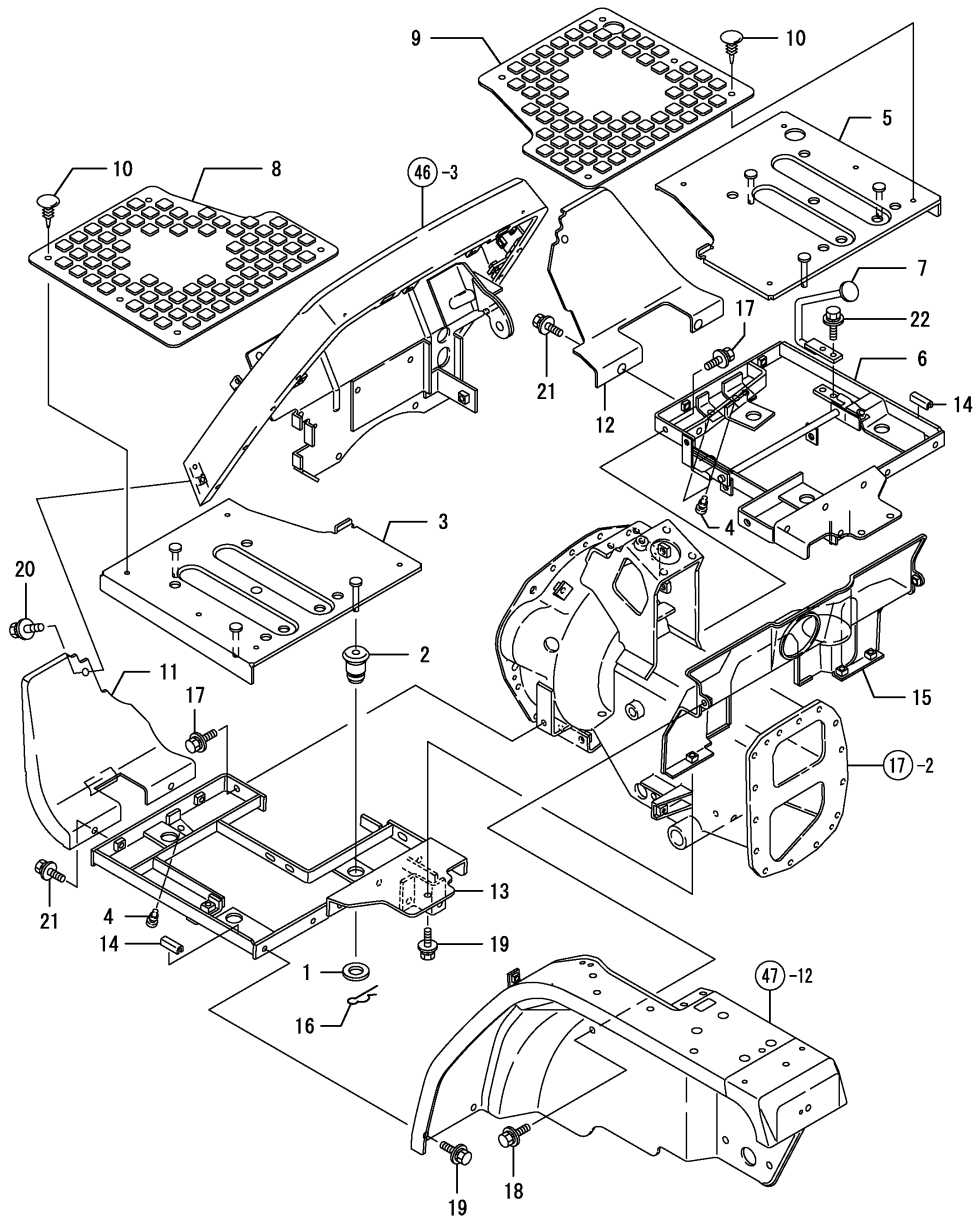


(A)=KE-60
(B)=
(C)=

(D)=
(E)=
(F)=

No.	Lev.	Parts No.	Description	Q'ty						I	R
				(A)	(B)	(C)	(D)	(E)	(F)		
1	1	194990-22130	NUT, M6	1							
2	1	194990-22130	NUT, M6	3							
3	1	194990-22130	NUT, M6	2							
4	1	194990-22130	NUT, M6	2							
5	1	198163-27480	GUIDE, CHANGE LEVER	1							
6	1	1C6650-35150	SCREW, M6X16	1							
7	1	194300-37570	SPRING	2							
8	1	198435-47710	GUIDE, LEVER	1							
9	1	198431-47750	BOLT, WING	2							
10	1	198431-47760	STOPPER, LEVER	2							
11	1	194310-61610	GROMMET, 9	3							
12	1	198163-62110	FENDER (L)	1							
13	1	1A7740-62100	FENDER ASSY, R M	1							
14	1	198162-62210	CLAMP, FENDER	2							
15	1	1A6750-62300	REFLECTOR	2							
16	1	198164-62330	STOPPER ASSY, PTO	1							
17	1	198421-62410	SPRING, 14X81.4	1							
18	1	22157-080000	WASHER, 8	2							
19	1	22417-200160	PIN, COTTER 2.0X16	2							
20	1	26018-080252	BOLT, M8X 25	4							

Fig.48. STEP

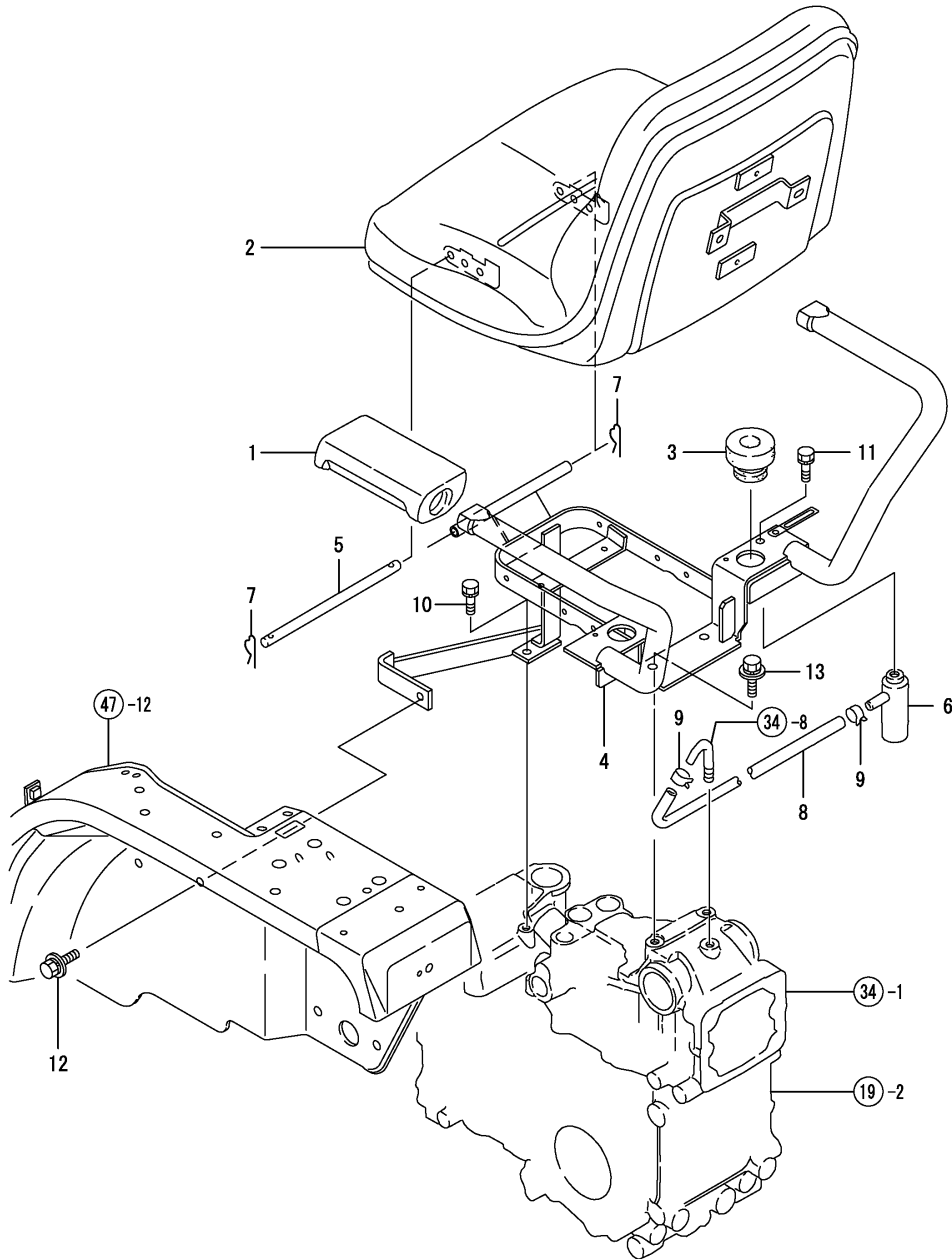


(A)=KE-60
(B)=
(C)=

(D)=
(E)=
(F)=

No.	Lev.	Parts No.	Description	Qty						I	R
				(A)	(B)	(C)	(D)	(E)	(F)		
1	1	198220-62150	WASHER	6							
2	1	198240-62451	ABSORBER, STEP	6							
3	1	198162-62510	STEP ASSY, L	1							
4	1	194330-62530	STOPPER, PEDAL	3							
5	1	198162-62560	STEP ASSY, R	1							
6	1	198162-62580	FRAME, STEP R	1							
7	1	198162-62590	PEDAL, ACCELERATOR	1							
8	1	198162-62610	RUBBER, STEP L	1							
9	1	198162-62620	RUBBER, STEP R	1							
10	1	198162-62630	FASNER	10							
11	1	198162-62650	COVER, FOOT L	1							
12	1	798163-62670	COVER ASSY, FOOT R	1							
13	1	198163-62700	FRAME, STEP L	1							
14	1	198220-62890	RUBBER, STOPPER	8							
15	1	198162-62950	COVER, MISSION	1							
16	1	22372-080000	PIN, SNAP 8	6							
17	1	26018-080202	BOLT, M8X 20	4							
18	1	26018-080202	BOLT, M8X 20	5							
19	1	26018-080202	BOLT, M8X 20	4							
20	1	26018-080202	BOLT, M8X 20	2							
21	1	26018-080202	BOLT, M8X 20	4							
22	1	26018-080202	BOLT, M8X 20	2							

Fig.49. OPERATOR SEAT



(A)=KE-60
(B)=
(C)=

(D)=
(E)=
(F)=

No.	Lev.	Parts No.	Description	Q'ty						I	R
				(A)	(B)	(C)	(D)	(E)	(F)		
1	1	198435-62410	GRIP, ASSIST BAR	2							
2	1	198162-63010	SEAT ASSY, OPERATOR	1							
3	1	198421-63140	RUBBER, CUSHION	2							
4	1	198163-63212	SEAT ASSY, BRACKET	1							
5	1	198425-63270	PIN, 8X190	1							
6	1	194205-63550	BREATHER, AIR	1							
7	1	22372-080000	PIN, SNAP 8	2							
8	1	23065-090210	PIPE, 9X 210	1							
9	1	23080-012000	CLAMP, 12	2							
10	1	26013-080202	BOLT, M8X 20	1							
11	1	26018-080162	BOLT, M8X 16	1							
12	1	26018-080202	BOLT, M8X 20	2							
13	1	26018-080252	BOLT, M8X 25	2							

Fig.50. BACK MIRROR

(A)=KE-60
(B)=
(C)=

(D)=
(E)=
(F)=

No.	Lev.	Parts No.	Description	Q'ty						I	R
				(A)	(B)	(C)	(D)	(E)	(F)		
1	1	198425-64101	MIRROR ASSY, BACK	1							
2	1	198421-64150	BOLT, M8X20	2							

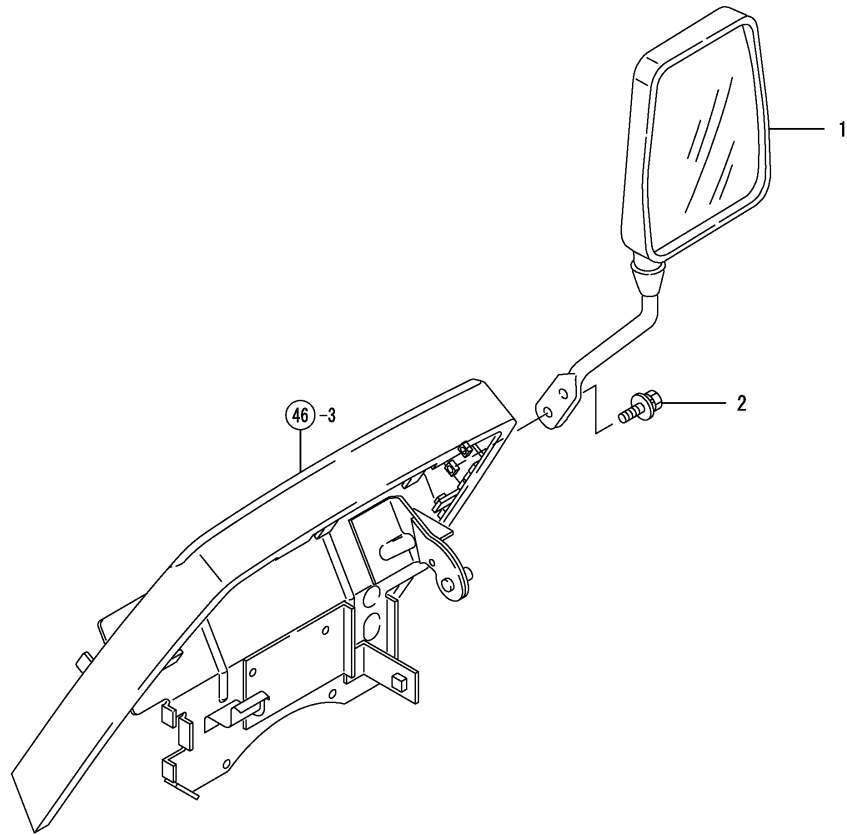
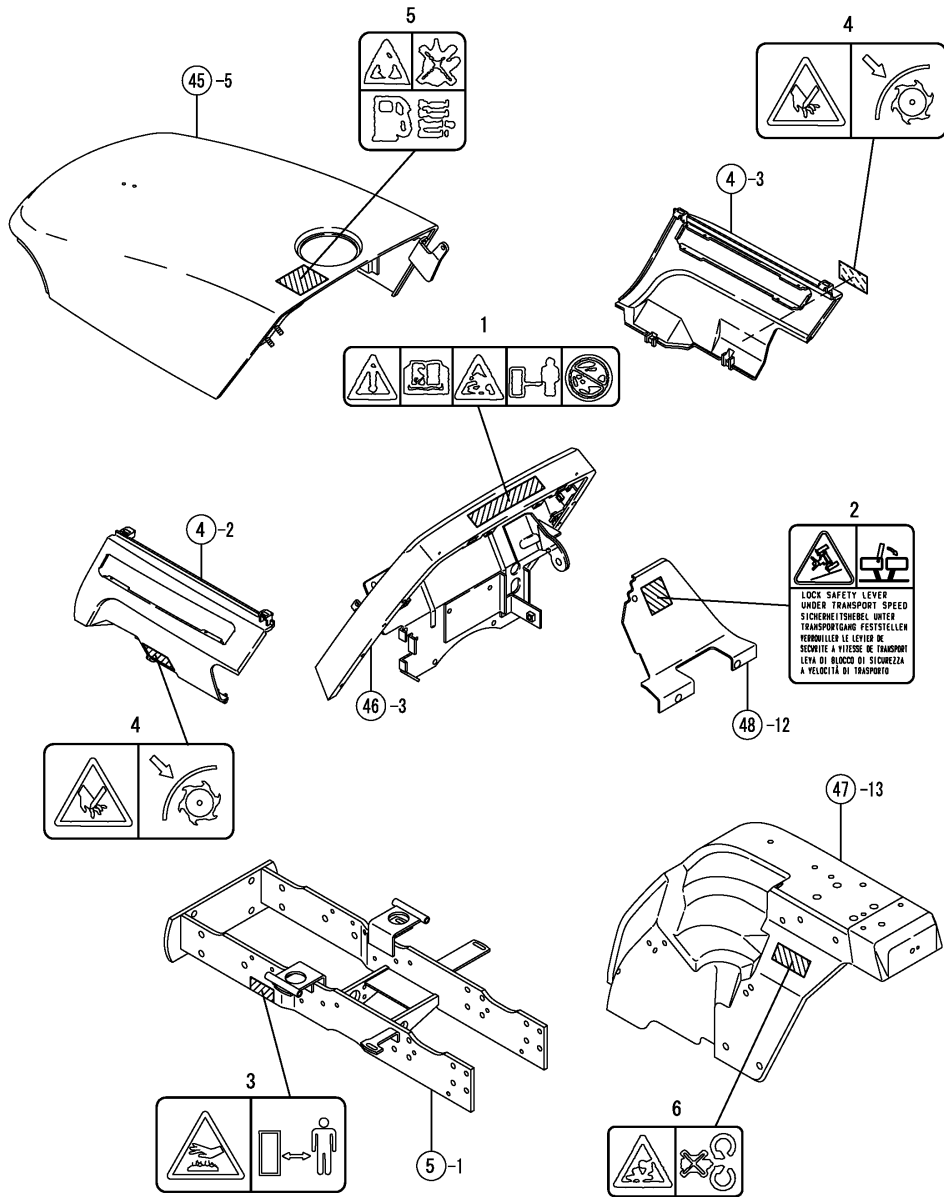


Fig.52. LABELS(SAFETY)



(A)=KE-60
(B)=
(C)=

(D)=
(E)=
(F)=

No.	Lev.	Parts No.	Description	Q'ty						I	R
				(A)	(B)	(C)	(D)	(E)	(F)		
1	1	198163-65310	LABEL, SAFETY	1							
2	1	198163-65780	LABEL,BRAKE COUPLING	1							
3	1	198163-65930	CAUTION,MUFFLER	1							
4	1	198163-65940	CAUTION,SAFETY COVER	2							
5	1	1A6150-91251	LABEL,RAKE CAUTION	1							
6	1	1A6150-93151	LABEL,COVER	1							

Fig.53. BALANCE WEIGHT

(A)=KE-60
(B)=
(C)=

(D)=
(E)=
(F)=

No.	Lev.	Parts No.	Description	Q'ty						I	R
				(A)	(B)	(C)	(D)	(E)	(F)		
1	1	198164-81411	WEIGHT, BALANCE	1							
2	1	26013-120302	BOLT, M12X 30	4							

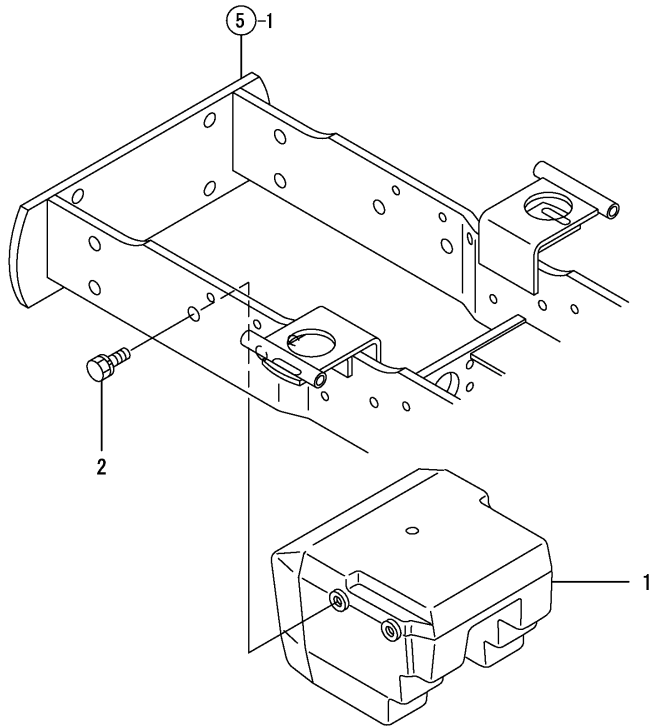
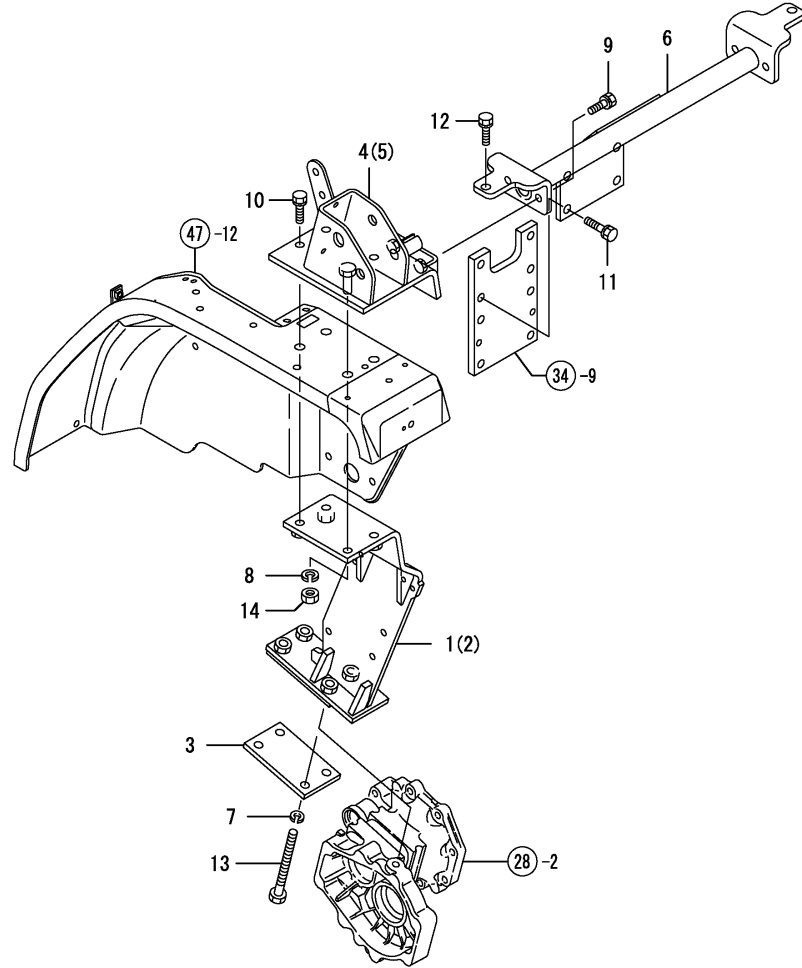
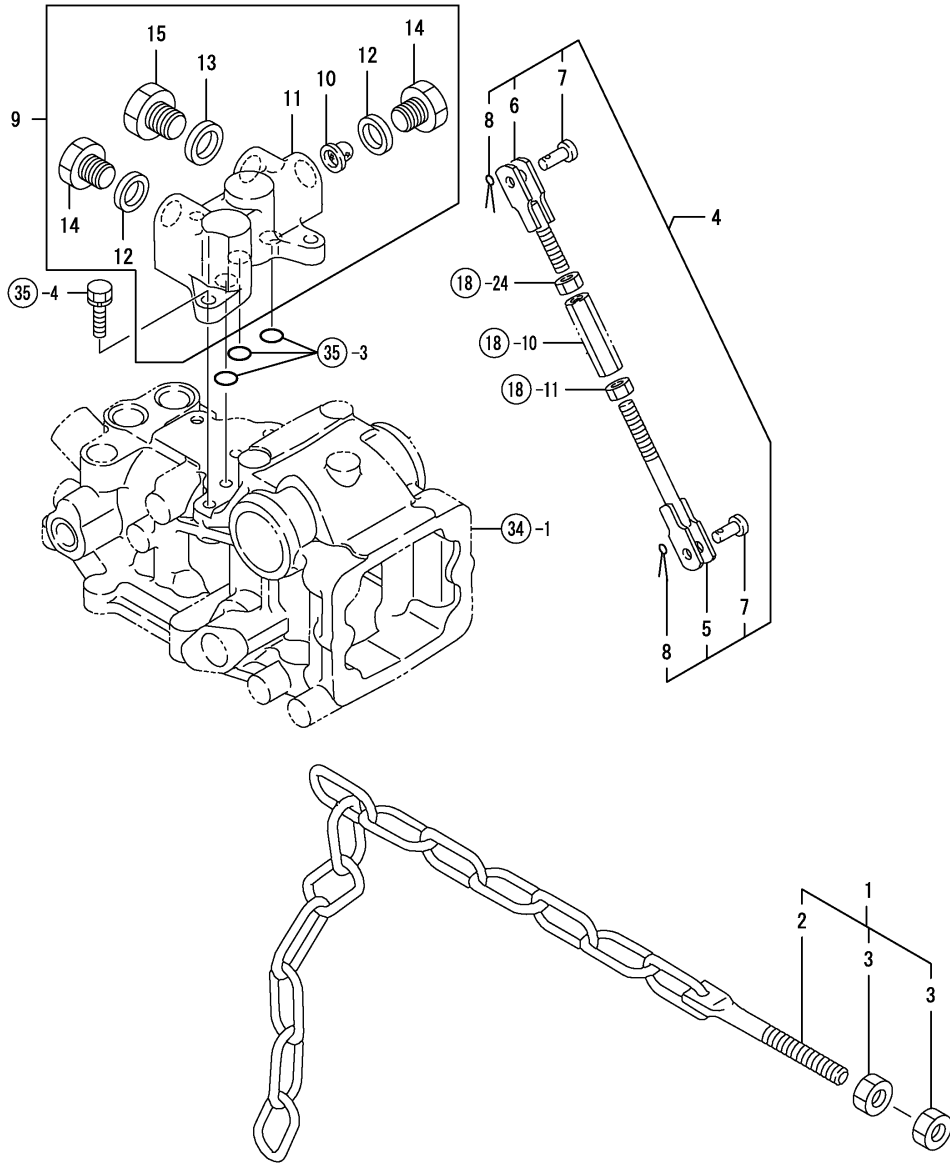


Fig.54. JOINT FRAME & LOWER FRAME



No.	Lev.	Parts No.	Description	Q'ty						I	R
				(A)	(B)	(C)	(D)	(E)	(F)		
1	1	198163-85301	FRAME ASSY, LOWER CL	1							
2	1	198163-85351	FRAME ASSY, LOWER CR	1							
3	1	198162-85360	PLATE, LOWER L	2							
4	1	198162-85500	STAY ASSY, UPPER L	1							
5	1	198162-85550	STAY ASSY, UPPER R	1							
6	1	198163-85701	FRAME, JOINT	1							
7	1	22217-120000	WASHER, SPRING 12	8							
8	1	22217-120000	WASHER, SPRING 12	2							
9	1	26013-100302	BOLT, M10X 30	2							
10	1	26013-120352	BOLT, M12X 35	4							
11	1	26013-120352	BOLT, M12X 35	4							
12	1	26013-120452	BOLT, M12X 45	2							
13	1	26116-121302	BOLT, M12X130 PLATED	8							
14	1	26717-120002	NUT, M12	2							

Fig.55. OPTION



No.	Lev.	Parts No.	Description	Q'ty						I	R
				(A)	(B)	(C)	(D)	(E)	(F)		
1	1	795450-27900	CHAIN ASSY	1							
2	2	195450-27950	HOOK, ROTOR FIX CHAIN	1							
3	2	26716-120002	NUT, M12	2							
4	1	198425-22500	ROD KIT, CLUTCH	1							
5	2	198425-22450	ROD ASSY, CLUTCH L	1							
6	2	198425-22480	ROD ASSY, CLUTCH R	1							
7	2	198425-22510	PIN 7X16, FLUSH HEAD	2							
8	2	22417-200200	PIN, COTTER 2.0X20	2							
9	1	198421-42200	COVER ASSY	1							
10	2	194556-42220	STRAINER, A	1							
11	2	198421-42220	COVER, TAKE OFF	1							
12	2	23414-180023	GASKET, 18X1.0	2							
13	2	23414-200026	GASKET, 20X1.0	1							
14	2	23887-180002	PLUG, 18	2							
15	2	23887-200002	PLUG, 20	1							

Parts No. Index

Parts No.	Fig. No.	Ref. No.
101504-55051	3	6
101504-55101	3	7
102103-55520	1	33
104200-55321	1	36
104200-55330	1	37
104200-55750	1	42
104500-55710	1	44
105015-55040	3	5
110250-55610	1	34
119247-77100	42	11
119462-44550	1	8
119462-55620	1	31
119626-55690	1	35
119629-49070	1	16
119629-49080	1	17
119643-66900	41	10
119650-13620	1	2
		4
119650-77902	1	47
119650-77910	1	48
119650-77930	1	49
119810-55340	1	38
119865-55660	1	39
121250-44590	1	9
121454-44590	1	29
121750-59890	41	18
123440-91140	44	17
124064-55510	1	32
124160-77020	1	46
129107-44590	1	7
129150-49080	1	15
129155-55740	1	41
171125-55730	1	40
172026-81740	45	26
172520-76210	16	3
194080-37781	33	19
194130-48650	40	6
194145-61640	44	15
194150-01190	2	7
194150-01270	2	9
194150-01370	2	10
194150-45320	38	22
194151-36670	13	7
	17	4
194151-42832	34	10
194151-47760	2	11
	39	32
194162-58830	46	2
194167-61650	44	16
194170-45220	37	4

Parts No.	Fig. No.	Ref. No.
194170-45230	37	6
194170-45321	37	7
194170-45350	37	9
194170-45360	37	10
194170-45370	37	11
194170-45430	37	12
194170-45440	37	13
194170-45550	37	16
194170-45560	37	17
194180-46320	38	13
194180-47440	39	19
194190-34730	14	5
		10
	31	4
		8
194191-28540	23	14
194195-45620	38	3
194195-45640	38	5
194195-45650	38	6
194195-46260	38	8
194197-27681	24	16
194197-44610	36	10
194197-51630	41	15
194200-01680	45	1
194200-11570	9	5
194200-34750	30	9
194200-53400	43	6
194200-65610	51	9
194201-11230	17	1
	19	1
194205-42280	34	8
194205-63550	49	6
194208-47450	39	20
194208-47510	39	2
194208-47530	39	25
194215-04220	3	8
194215-04430	3	15
194215-11540	5	6
194215-12340	16	1
194215-12341	6	2
		6
194215-21701	17	14
194215-22190	18	4
194215-22210	17	18
194215-22220	17	19
194215-22230	17	20
194215-24970	19	31
194215-47840	39	36
194240-65441	51	17
194250-51650	41	16

Parts No.	Fig. No.	Ref. No.
194250-51660	41	17
194300-04440	3	16
194300-13340	6	3
		7
194300-21460	17	3
194300-22160	18	3
194300-22240	17	21
194300-22910	18	5
194300-31560	27	7
194300-31570	27	8
194300-31620	27	9
194300-37570	33	12
	47	7
194301-11340	5	3
194301-11350	5	4
194305-24310	20	1
194305-25160	21	3
194306-13140	21	1
	22	1
	23	20
194310-21210	39	35
194310-25100	17	22
	23	1
194310-46350	34	12
194310-46380	34	13
194310-46730	34	14
194310-47790	39	33
194310-61610	47	11
194312-46630	38	15
194312-46750	19	6
	34	15
194314-11880	13	1
194314-12720	13	2
194330-62530	48	4
194420-27810	26	14
194420-47370	39	13
194420-56620	44	12
194420-62260	3	9
194440-51620	41	14
194447-13490	9	6
194447-13640	30	6
194447-13650	28	1
194447-13860	7	3
194515-25180	23	3
194516-13770	10	7
194516-13780	10	8
194550-47910	39	38
194550-51220	41	11
194555-46640	38	16
194555-47340	39	7

Parts No.	Fig. No.	Ref. No.
194555-47350	39	9
194555-55820	44	6
194555-57200	44	14
194555-65130	4	16
	46	15
	51	4
194555-77910	19	7
194556-42220	55	10
194630-43230	34	11
194640-46410	38	26
194640-46420	38	27
194640-46620	38	14
194670-25370	11	5
194740-00322	18	10
	33	1
194766-65170	51	5
194802-62310	46	14
194850-42180	34	6
194850-42190	34	7
194850-45330	37	8
194850-45700	38	7
194850-49230	38	9
194855-24150	23	22
194855-25290	20	7
194856-25330	21	12
	22	2
194856-25340	21	13
194859-34150	20	8
194940-04240	3	2
194940-04250	3	3
194940-45520	37	15
194940-45540	37	2
194990-20170	18	11
	33	4
194990-22050	1	28
	24	1
	26	1
194990-22130	43	1
	45	3
	47	1
		2
		3
		4
194990-22140	25	1
195450-27950	55	2
198010-65720	51	20
198036-65420	51	16
198071-37510	18	18
	33	9
198133-22510	18	16

Parts No. Index

Parts No.	Fig. No.	Ref. No.
198133-22510	33	5
198133-22530	18	17
	33	6
198162-00510	1	1
198162-00520	1	3
198162-00640	1	12
198162-00660	1	18
198162-00670	1	19
198162-00710	1	22
198162-00770	1	25
198162-00860	1	6
198162-01210	2	20
198162-04111	3	1
198162-05350	4	1
198162-05381	4	4
198162-05391	4	5
198162-05410	4	6
198162-05420	4	7
198162-05430	4	8
198162-05440	4	9
198162-05462	4	10
198162-05470	4	11
198162-05480	4	12
198162-05491	4	13
198162-11510	5	5
198162-13350	8	1
198162-22410	18	12
198162-26130	23	6
198162-33130	29	3
198162-36380	32	4
		8
198162-37302	33	8
198162-37641	33	13
198162-37670	33	15
198162-37681	33	16
198162-42810	34	9
198162-47630	39	31
198162-51130	41	3
198162-51150	41	4
198162-51170	41	5
198162-51410	41	12
198162-51420	41	13
198162-52110	42	8
198162-52150	42	9
198162-52410	42	15
198162-52420	42	16
198162-53100	43	2
198162-58110	42	2
198162-58140	42	3
198162-58800	1	45

Parts No.	Fig. No.	Ref. No.
198162-61250	45	6
198162-61310	45	7
198162-61340	45	8
198162-61370	45	9
198162-61410	45	11
198162-61430	45	12
198162-61440	45	13
198162-61460	45	14
198162-61480	45	17
198162-61490	45	18
198162-61530	46	4
198162-61540	46	5
198162-61551	46	6
198162-61570	46	7
198162-61611	46	9
198162-61630	46	11
198162-61661	33	22
	46	12
198162-61670	33	23
	46	13
198162-61910	45	23
198162-61930	45	24
198162-62210	47	14
198162-62510	48	3
198162-62560	48	5
198162-62580	48	6
198162-62590	48	7
198162-62610	48	8
198162-62620	48	9
198162-62630	48	10
198162-62650	48	11
198162-62950	48	15
198162-63010	49	2
198162-65110	51	2
198162-65120	51	3
198162-65890	42	21
198162-85360	54	3
198162-85500	54	4
198162-85550	54	5
198163-00770	1	26
198163-00850	2	1
198163-17752	16	9
198163-17760	16	10
198163-17771	16	11
198163-17870	16	23
198163-21100	17	2
198163-24321	19	24
198163-25111	20	2
198163-25120	20	3
198163-25131	20	4

Parts No.	Fig. No.	Ref. No.
198163-25210	21	4
198163-25221	21	5
198163-25250	21	8
198163-25280	20	6
198163-25740	22	5
198163-25750	22	6
198163-25770	22	7
198163-26112	23	4
198163-26121	23	5
198163-26153	23	7
198163-26162	23	8
198163-26180	23	9
198163-26190	23	10
198163-26212	23	11
198163-26230	23	23
198163-26240	23	12
198163-26410	23	13
198163-27120	25	4
198163-27130	25	5
198163-27200	24	3
198163-27270	25	18
198163-27420	51	10
198163-27480	47	5
198163-27510	24	7
198163-27520	24	8
198163-27531	24	10
198163-27540	24	11
	26	4
198163-27560	24	13
	26	5
198163-27572	24	14
198163-27630	24	15
198163-27711	26	7
198163-27720	26	8
198163-27730	26	9
198163-27760	26	11
198163-27770	26	12
198163-27790	26	13
198163-27791	26	13 -1
198163-27840	26	15
198163-27870	26	6
198163-27910	24	17
	26	16
198163-43310	36	1
198163-45610	38	2
198163-47360	39	12
198163-47370	39	14
198163-47800	39	34
198163-48170	40	2
198163-51310	1	30

Parts No.	Fig. No.	Ref. No.
198163-62110	47	12
198163-62700	48	13
198163-63212	49	4
198163-65270	51	14
		15
198163-65310	52	1
198163-65780	52	2
198163-65930	52	3
198163-65940	52	4
198163-85301	54	1
198163-85351	54	2
198163-85701	54	6
198164-00600	1	5
198164-00620	1	10
198164-00630	1	11
198164-00720	1	23
198164-00730	1	24
198164-11140	5	1
198164-12310	6	1
198164-13610	9	7
198164-13760	10	3
198164-13770	10	4
198164-13780	10	9
198164-15750	15	1
198164-15760	15	3
198164-15770	15	4
198164-15780	15	2
198164-17410	15	8
198164-17420	15	9
198164-17450	15	10
198164-17461	15	11
198164-17470	15	13
198164-17500	15	15
198164-17540	16	2
198164-17660	16	5
198164-17670	16	6
198164-17710	16	7
198164-17720	16	8
198164-17780	16	12
198164-17810	16	20
198164-17830	16	21
198164-17850	16	22
198164-17900	16	24
198164-24510	19	26
198164-31340	27	1
198164-33410	30	1
198164-33420	30	2
198164-33510	30	5
198164-34700	31	1
198164-34710	31	2

Parts No. Index

Parts No.	Fig. No.	Ref. No.
198164-34710	31	6
198164-34750	31	5
198164-37651	33	14
198164-48160	40	1
198164-51211	41	9
198164-51310	42	7
198164-51500	42	1
198164-56120	44	4
198164-56140	44	5
198164-56600	44	1
198164-61100	45	5
198164-61580	46	8
198164-62330	47	16
198164-65190	51	6
198164-65220	51	7
198164-81411	53	1
198165-01130	2	4
198165-04380	45	2
198165-13101	7	1
198165-13830	10	10
198165-17310	15	7
198165-17350	15	6 A
198165-17481	15	14
198165-17711	16	18
198165-17731	15	16
198165-17741	15	17
198165-17781	16	19
198165-17790	15	18
198165-21450	17	13
198165-24120	19	3
198165-24121	19	3 -1
198165-24330	19	25
198165-24440	9	11
	16	13
198165-24490	9	12
	16	14
198165-26270	23	2
198165-27350	24	6
	26	3
198165-27360	25	20
198165-32311	27	14
198165-32610	28	2
198165-32620	28	3
198165-42120	34	5
198165-61810	45	21
198165-61850	45	22
198167-17300	15	6
198220-45340	38	1
198220-45350	38	23
198220-45370	38	24

Parts No.	Fig. No.	Ref. No.
198220-45630	38	4
198220-46400	38	25
198220-62150	48	1
198220-62890	48	14
198240-62451	48	2
198290-26860	19	5
198290-32750	28	7
198327-47930	24	18
198421-00640	1	13
198421-00650	1	14
198421-00670	1	20
198421-00681	1	21
198421-01110	2	2
198421-01120	2	3
198421-01130	2	5
198421-01140	2	6
198421-01220	2	21
198421-01250	2	8
198421-04400	3	12
198421-04410	3	13
198421-04420	3	14
198421-04430	3	4
198421-04440	3	17
198421-04450	3	18
198421-13120	7	2
198421-13221	7	6
198421-13240	7	8
198421-13510	9	1
198421-13520	9	2
198421-13530	9	3
	11	1
198421-13630	9	9
198421-13650	9	10
	23	21
198421-13710	10	5
198421-13730	10	1
198421-13740	10	2
198421-13750	10	6
198421-13810	11	2
198421-13820	11	3
198421-13830	11	4
198421-13910	12	1
198421-13920	12	2
198421-14110	13	3
198421-14120	13	4
198421-14130	13	5
198421-14142	13	6
198421-14610	8	5
198421-14620	8	6
198421-14630	8	7

Parts No.	Fig. No.	Ref. No.
198421-22110	17	17
198421-22151	18	2
198421-22152	18	2 -1
198421-22440	18	13
198421-24910	19	30
198421-25231	21	6
198421-25250	21	9
198421-25800	22	9
198421-25810	22	11
198421-25820	22	13
198421-27110	24	2
	25	3
	26	2
198421-27160	25	8
198421-27170	25	9
198421-27180	25	10
198421-27190	25	11
198421-27200	25	12
198421-27220	25	14
198421-27240	24	5
	25	16
198421-27521	24	9
198421-31510	27	3
198421-31530	27	5
198421-31550	27	6
198421-32320	27	15
198421-32330	27	16
198421-32340	27	17
198421-32630	28	4
198421-32660	28	6
198421-33110	29	1
198421-33120	29	2
198421-33140	29	4
198421-33150	29	5
198421-33170	29	6
198421-34110	30	7
198421-36310	32	1
198421-36321	32	2
		7
198421-36330	32	3
198421-36410	32	9
198421-36430	32	10
198421-37511	18	19
	33	10
198421-37550	33	11
198421-37750	33	17
198421-42102	34	1
198421-42200	55	9
198421-42220	55	11
198421-43410	36	4

Parts No.	Fig. No.	Ref. No.
198421-44110	36	5
198421-44211	36	6
198421-44230	36	7
198421-44250	36	8
198421-44410	36	9
198421-45440	37	14
198421-46302	38	12
198421-48240	40	5
198421-52190	42	10
198421-56150	44	7
198421-56190	44	8
198421-56200	44	9
198421-56601	44	11
198421-56910	44	13
198421-61280	4	15
198421-61380	45	10
198421-61460	45	15
198421-61470	45	16
198421-61510	45	19
198421-61540	45	20
198421-61620	46	10
198421-62410	47	17
198421-63140	49	3
198421-64150	50	2
198421-65030	51	1
198425-13620	9	8
198425-22450	18	14
	55	5
198425-22480	18	15
	55	6
198425-22500	55	4
198425-22510	55	7
198425-24110	19	2
198425-27213	25	13
198425-27230	25	15
198425-27290	25	19
198425-32640	28	5
198425-34730	30	8
198425-37760	33	18
198425-42220	35	1
198425-51180	41	6
198425-51190	41	7
198425-51200	41	8
198425-53110	43	3
198425-53150	43	4
198425-53160	43	5
198425-63270	49	5
198425-64101	50	1
198431-44510	39	1
198431-45560	37	18

Parts No. Index

Parts No.	Fig. No.	Ref. No.
198431-47320	39	5
198431-47330	39	6
198431-47340	39	8
198431-47350	39	10
198431-47390	39	15
198431-47400	39	16
198431-47420	39	17
198431-47430	39	18
198431-47470	39	21
198431-47480	39	22
198431-47520	39	24
198431-47750	47	9
198431-47760	47	10
198431-47870	39	37
198431-48220	40	3
198435-16230	5	7
198435-24280	19	4
198435-24290	19	23
198435-25130	20	5
198435-25240	21	7
198435-25280	21	10
198435-25310	21	11
198435-25720	22	3
198435-25730	22	4
198435-25790	22	8
198435-25801	22	10
198435-25810	22	12
198435-27142	25	6
198435-27151	25	7
198435-27260	25	17
198435-27551	24	12
198435-27740	26	10
198435-45101	37	1
198435-47310	39	4
198435-47350	39	11
198435-47490	39	23
198435-47530	39	26
198435-47540	39	27
198435-47550	39	28
198435-47560	39	29
198435-47580	39	30
198435-47710	47	8
198435-48231	40	4
198435-62410	49	1
198435-65220	51	11
198435-65230	51	12
198435-65240	51	13
198511-53430	43	7
198511-53450	43	8
198531-14720	14	2

Parts No.	Fig. No.	Ref. No.
198531-14720	14	7
198531-14740	14	3
		8
198531-14750	14	4
		9
198531-26310	23	24
198531-34730	31	3
		7
1A1040-26320	25	2
1A1040-36010	30	10
1A1040-36040	30	11
1A6150-91251	52	5
1A6150-93151	52	6
1A6640-45230	37	5
1A6640-65530	51	18
1A6750-61830	29	7
1A6750-62300	47	15
1A6750-65590	51	8
1A6770-65630	51	19
1A6780-31500	27	2
1A6780-31520	27	4
1A7050-13230	7	7
1A7542-24980	19	32 -1
1A7720-53200	45	4
1A7740-62100	47	13
1C1100-21010	15	5
1C6053-32020	33	7
1C6140-14050	33	2
1C6281-52320	26	23 -1
	33	21
1C6320-16440	33	3
1C6360-82210	33	24
1C6460-36151	44	3
1C6460-38240	4	14
	46	1
1C6560-05450	41	1
1C6560-06300	41	2
1C6560-13470	18	1
1C6560-75311	45	25
1C6650-35150	47	6
1C6820-42520	43	12
1C6860-06980	1	27
1C6900-07200	42	6
1C6900-23120	10	11
1C6900-23150	10	12
1C6950-45410	33	20
1C7100-08150	43	11
1E4070-14040	21	2
1E6140-56230	25	21
1E6190-54080	10	13

Parts No.	Fig. No.	Ref. No.
1E6190-54160	23	25
1E6210-82580	42	4
1W3852-00940	44	2
22117-080000	2	12
		22
	38	17
	46	16
22117-100000	33	25
22137-080000	18	20
	39	39
		40
		41
		42
		43
	45	27
22137-100000	15	19
22137-120000	33	26
	39	44
	46	17
22137-160000	15	20
	30	12
22137-180000	24	19
	26	17
22157-060000	2	13
	3	10
	45	28
22157-080000	24	20
	26	18
	33	27
	45	29
	47	18
22157-100000	2	14
22217-060000	18	6
22217-080000	19	8
22217-100000	15	21
	17	5
	25	22
	34	16
22217-120000	30	13
	54	7
		8
22217-140000	13	8
22222-100000	43	9
22242-000200	7	4
	12	3
	15	12
22242-000250	32	5
		11
22242-000260	8	2
22242-000350	13	9

Parts No.	Fig. No.	Ref. No.
22242-000400	30	14
22252-000170	17	23
	23	15
22252-000420	19	27
22252-000470	10	14
22252-000520	9	13
22252-000620	13	10
22272-000060	39	45
22272-000150	24	21
	26	19
22272-000190	33	28
22287-080000	1	50
	25	23
	39	46
		47
22312-080160	19	9
22312-080180	28	8
22312-080200	28	9
22312-080320	28	10
22312-080630	19	10
22351-035025	8	3
	24	22
	26	20
22351-035040	18	7
22351-040012	38	18
22351-040040	27	10
22351-050020	25	24
	26	21
22351-050025	25	25
	39	48
		49
		50
22351-050040	29	8
	36	11
22351-060020	9	14
	24	23
22351-060025	8	4
	24	24
	26	22
22351-060028	38	28
22351-060040	18	8
	25	26
22351-080016	17	6
		15
22351-080020	10	15
22351-080032	29	9
22351-080040	10	16
	29	10
22351-100025	34	17
22360-080000	26	23

Parts No. Index

Parts No.	Fig. No.	Ref. No.
22360-080000	45	30
		31
	46	18
22360-100000	24	25
22372-060000	45	32
22372-080000	2	15
	39	51
		52
		53
		54
		55
	48	16
	49	7
22372-100000	30	15
22417-160160	2	16
		23
22417-200160	39	56
	46	19
	47	19
22417-200200	18	21
	55	8
22417-200320	33	29
	46	20
22417-250250	6	4
		8
	16	4
22417-250320	39	57
22487-060800	45	33
22487-080160	18	22
22512-070400	33	30
22522-030130	39	58
22551-050180	22	14
23000-048000	8	8
23000-070000	8	9
23010-030000	40	7
23010-038000	1	51
23010-050000	1	52
23065-090210	49	8
23080-012000	1	53
	49	9
23414-140018	16	15
	34	18
23414-150000	39	59
23414-170022	34	19
23414-180023	16	16
	40	8
	55	12
23414-200026	55	13
23491-140002	19	11
	28	11

Parts No.	Fig. No.	Ref. No.
23871-010000	34	2
	35	2
	37	3
23871-020000	34	3
23887-180002	55	14
23887-200002	55	15
24101-060034	12	4
24101-060044	22	15
24101-060054	7	9
	23	26
24101-060060	30	3
24101-060064	22	16
	27	11
24101-060074	7	10
	13	11
	27	12
24101-060080	30	16
24101-060084	13	12
24101-062024	7	5
	12	5
24101-062034	21	14
	23	27
24101-062040	30	4
24101-062044	20	9
24101-062060	30	17
24101-063044	9	4
24101-063054	22	17
24104-060044	20	10
	23	16
24104-062044	10	17
24104-063034	11	6
	23	17
24161-202417	23	18
24161-222610	22	18
24161-252910	23	19
24165-000262	22	19
24190-100001	24	26
	25	27
	26	24
24190-160001	32	6
		12
24311-000050	37	19
24311-000090	39	60
24311-000100	37	20
24311-000110	29	11
24311-000120	37	21
		22
	38	10
		19
		19
		29

Parts No.	Fig. No.	Ref. No.
24311-000125	24	27
	26	25
24311-000140	37	23
24311-000160	19	12
	28	12
	29	12
24311-000180	9	15
	19	28
	38	11
		30
24311-000200	39	61
	40	9
24311-000220	40	10
24311-000224	36	12
24311-240100	1	43
24315-000070	37	24
24315-000100	38	20
24315-000110	35	3
	37	25
24315-000460	36	2
24321-000500	9	16
24321-001150	9	17
24341-000315	36	13
24341-000500	19	32
24351-020300	19	13
24351-020400	36	14
24372-000460	36	3
24421-173007	9	18
24421-173508	19	29
24421-284008	19	14
24421-304708	10	18
24550-012060	39	62
24550-018100	24	4
	26	26
24550-040300	34	4
24761-040000	17	7
	18	23
	33	31
24761-060000	6	5
		9
26013-060322	40	11
26013-060402	40	12
26013-060452	40	13
26013-080122	17	8
	41	19
26013-080162	17	16
	19	15
26013-080202	5	8
	17	9
	19	33

Parts No.	Fig. No.	Ref. No.
26013-080202	24	28
	28	13
	33	32
	45	34
	49	10
26013-080252	24	29
	35	4
26013-080552	25	28
26013-080652	1	54
26013-080702	19	16
26013-100252	5	2
	36	15
26013-100302	9	19
	10	19
	54	9
26013-100352	10	20
26013-100402	28	14
		15
26013-100502	10	21
	28	16
26013-100552	28	17
26013-100652	28	18
26013-120302	53	2
26013-120352	39	63
	54	10
		11
26013-120452	54	12
26016-060122	44	18
26016-060162	39	64
26016-080122	16	17
	39	65
26016-080202	39	66
		67
		68
		69
	45	35
		36
	46	21
26016-080252	13	13
	19	17
	25	29
		30
26016-080302	9	20
26016-080402	25	31
26016-080502	1	55
26016-100162	15	22
26016-100202	2	17
26016-100352	34	20
26016-100452	34	21
26018-060162	1	56

Parts No. Index

Parts No.	Fig. No.	Ref. No.
26018-060162	42	12
26018-060252	1	57
		58
26018-060602	43	13
26018-080162	1	59
	40	14
	46	22
	49	11
26018-080202	1	60
	24	30
	25	32
	26	27
	40	15
	41	20
	45	37
	46	23
	48	17
		18
		19
		20
		21
		22
	49	12
26018-080252	16	25
	47	20
	49	13
26018-080452	25	33
26022-030222	44	10
26023-050122	42	5
26023-050162	4	17
		18
26023-050202	42	13
26106-080162	41	2 -1
26106-080252	9	20 -1
26106-080502	16	26
26106-080702	19	18
26106-100252	9	19 -2
26106-100302	9	19 -1
26116-060162	37	26
26116-060252	3	11
26116-080202	22	20
26116-080304	25	34
26116-080402	2	24
26116-080552	39	70
26116-080804	39	71
26116-081052	1	61
26116-100122	25	35
26116-100352	17	10
26116-121302	54	13
26156-100162	27	13

Parts No.	Fig. No.	Ref. No.
26156-120252	30	18
26156-140252	13	14
26226-080252	19	19
26226-080652	19	20
26226-100252	19	21
26450-080252	37	28
26557-050122	44	19
26716-050002	42	14
26716-060002	18	9
26716-080002	1	62
	2	18
		25
		24
	18	24
	19	22
	25	36
	33	33
		34
	39	3
		72
		73
		74
26716-100002	17	11
		12
	34	22
	38	21
26716-120002	2	19
	55	3
26717-120002	54	14
26736-100002	15	23
26756-060002	37	27
26776-100002	43	10
26776-160002	15	24
29311-092000	45	38
29311-252000	46	24
29420-050000	42	17
29420-100000	42	18
29420-150000	42	19
29420-200000	42	20
795450-27900	55	1
798163-05370	4	3
798163-05380	4	2
798163-61540	46	3
798163-62670	48	12
798531-14710	14	1
798531-14810	14	6

Parts No.	Fig. No.	Ref. No.
-----------	----------	----------

Parts No.	Fig. No.	Ref. No.
-----------	----------	----------