

0CNP4-M50301EN

Contents

OCNP4-M50301

Fig. No. Fig. Name

ENGINE CONTROL

1. ENGINE ACCESSORIES
2. ACCEL LEVER & FOOT ACCELERATOR
3. EXHAUST PORT
4. FUEL TANK
5. FUEL PIPE
6. AIR CLEANER

FRONT AXLE

7. FRONT BRACKET
8. FRONT SUPPORT
9. TIE ROD
10. RING GEAR
11. DIFFERENTIAL GEAR
12. PROPELLER SHAFT
13. FRONT SHAFT
14. FRONT AXLE CASE
15. FRONT GEAR CASE
16. FRONT SPINDLE
17. FRONT WHEEL TIRE
90. FRONT WHEEL TIRE(ADD.ITEM)
18. STEERING
19. P.S.T. CYLINDER
20. P.S.T. VALVE
21. P.S.T. HOSE

Fig. No. Fig. Name

TRANSMISSION

22. CLUTCH HOUSING
23. CLUTCH & CLUTCH SHAFT
24. CLUTCH RELEASE
25. TRANSMISSION CASE
26. CENTER PLATE
27. REVERSE HOUSING
28. MAIN DRIVE SHAFT
29. MAIN SHAFT
30. REVERSER SHAFT
31. REDUCTION SHAFT
32. COUNTER SHAFT
33. REVERSER IDLE SHAFT
34. P.T.O. DRIVE SHAFT
35. P.T.O. SHAFT
36. MAIN SHIFT
37. MAIN SHIFT LEVER
38. REVERSER SHIFT
39. REVERSER LEVER
40. SUB SHIFT
41. SHIFT LINK
42. P.T.O. SHIFT
43. SUB SHIFT LEVER & P.T.O. LEVER
44. SHIFT KNOB

Contents

OCNP4-M50301

Fig. No. Fig. Name

45. FRONT DRIVE

46. FRONT SHIFT

47. 4WD LEVER

REAR AXLE

48. RING GEAR & DIFFERENTIAL GEAR

49. REAR HOUSING

50. DIFFERENTIAL LOCK

51. FINAL PINION & FINAL GEAR

52. REAR AXLE SHAFT

53. REAR WHEEL TIRE

91. REAR WHEEL TIRE(ADD.ITEM)

54. BRAKE

55. PEDAL

56. BRAKE LINK

57. PARKING BRAKE

HYDRAULIC CONTROL

58. HYDRAULIC PUMP

59. HYDRAULIC CYLINDER CASE

60. PISTON & LIFT CRANK

61. CONTROL VALVE

62. RELIEF VALVE

63. HYDRAULIC CONTROL

64. HYDRAULIC PIPING

Fig. No. Fig. Name

ELECTRICAL PARTS

65. WIRE HARNESS

66. WIRE HARNESS

67. SWITCH

68. LAMP & REFLECTOR

69. METER

70. HORN

FITTINGS

71. HOOD

72. SIDE COVER

73. DASHBOARD

74. CURRENT PLATE

75. FENDER

76. LEVER GUIDE

77. FLOOR COVER

78. FLOOR

79. DRIVER SEAT

80. LABEL

81. LABEL(SAFETY)

96. SEAT BELT

HITCH

82. TOP LINK

Contents

OCNP4-M50301

Fig. No. Fig. Name

- 83. LIFT LINK(RIGHT)
- 84. LIFT LINK(LEFT)
- 85. LOWER LINK & CHECK CHAIN
- 89. THREE POINT LINK(ADD.ITEM)
- 92. DRAWBAR HITCH(ADD.ITEM)
- 97. REAR ROPS

Fig. No. Fig. Name

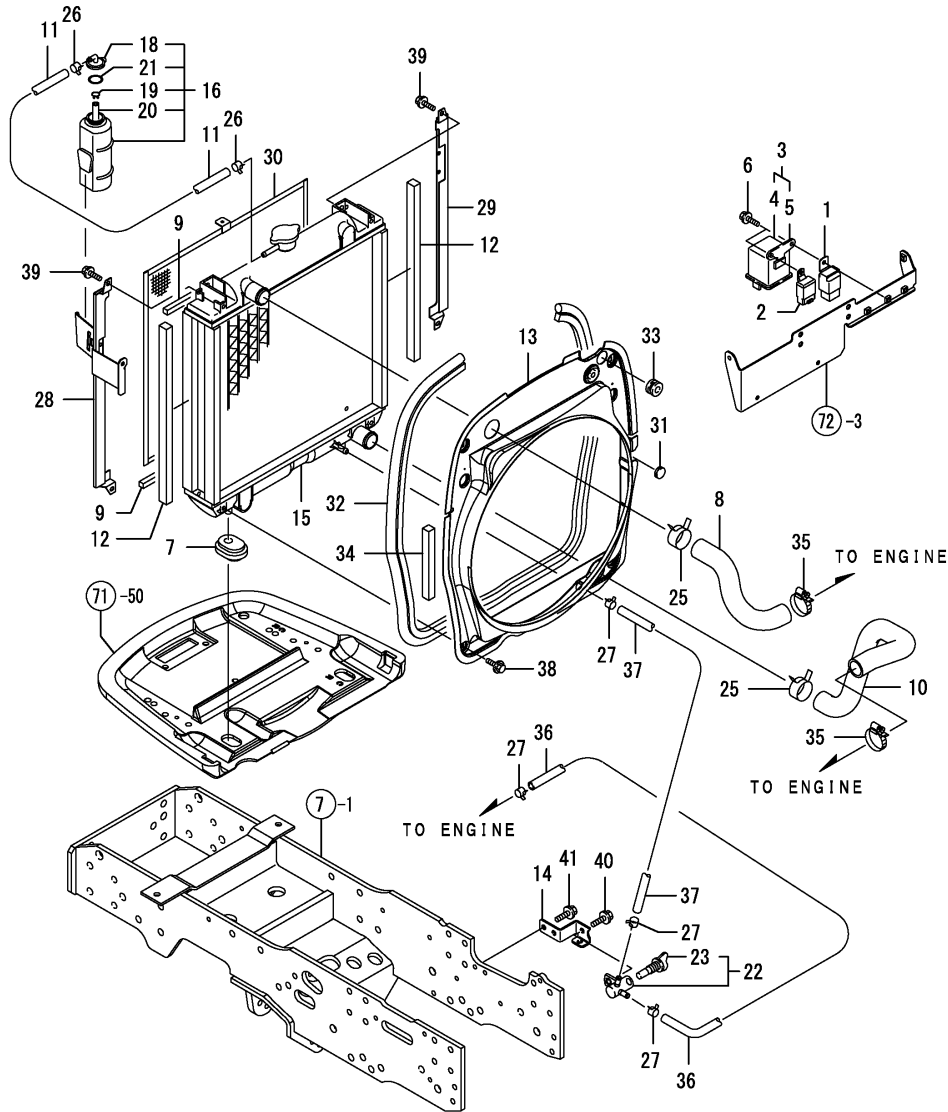
ACCESSORIES

- 86. ACCESSORY

OPTIONAL

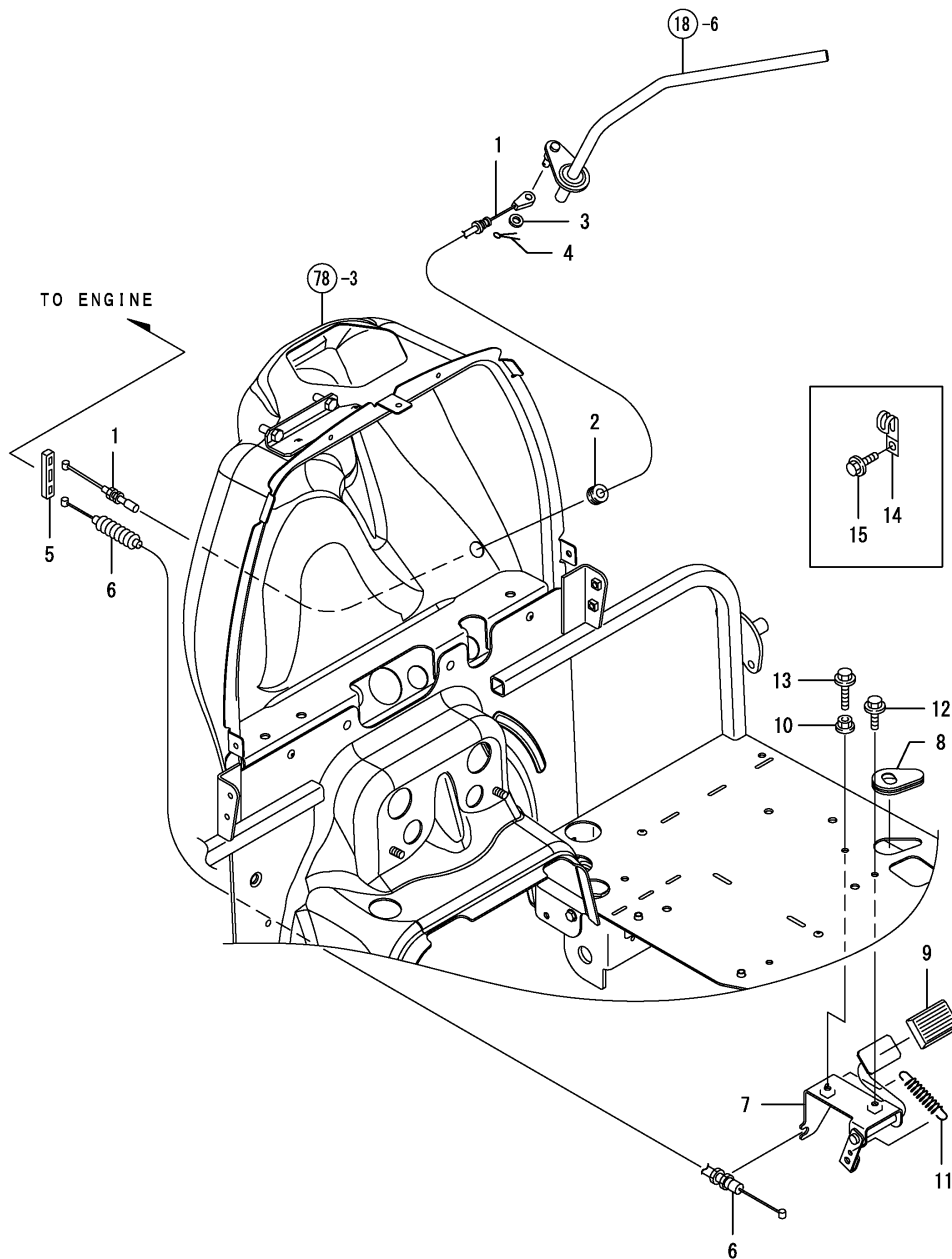
- 87. BRACKET(FRONT WEIGHT)
- 88. REAR ROPS
- 93. EXTEND EXHAUST(ADD.ITEM)
- 94. FUEL HOSE(ADD.ITEM)
- 95. KARTE(CENTER PLATE)
- 98. REAR HOUSING(REPAIR PARTS)
- 99. GEAR KIT(DRIVEN 20)
- 100. GEAR KIT(DRIVEN 21)
- 101. GEAR KIT(REVERSER)

Fig.1. ENGINE ACCESSORIES



No.	Lev.	Parts No.	Description	Q'ty						I	R
				(A)	(B)	(C)	(D)	(E)	(F)		
1	1	198220-52180	RELAY, STARTER	1	1						
2	1	198461-52950	RELAY, CA TYPE C	1	1						
3	1	119650-77910	RELAY ASSY, GLOW	1	1						
4	2	129052-77920	BODY, RELAY	1	1						
5	2	119650-77930	BRACKET, RELAY	1	1						
6	1	26106-060162	BOLT, M6X 16 PLATED	2	2						
7	1	198200-00610	RUBBER, ABSORBER	2	2						
8	1	198208-01410	HOSE, WATER A	1	1						
9	1	198200-01440	SEAL, RADIATOR	2	2						
10	1	198208-01451	HOSE, WATER B	1	1						
11	1	198280-01470	PIPE, WATER DRAIN	1	1						
12	1	198208-01480	URETHANE, RADIATOR	2	2						
13	1	198208-01510	SHROUD ASSY, FAN	1	1						
14	1	198200-11351	STAY ASSY, COCK	1	1						
15	1	129055-44501	RADIATOR ASSY	1	1						
16	1	129263-44510	TANK ASSY, SUB	1	1						
18	2	121450-44531	CAP	1	1						
19	2	124450-44560	RETAINER	1	1						
20	2	23065-070180	PIPE, 7X 180	1	1						
21	2	121470-44581	GASKET	1	1						
22	1	129150-49101	COCK ASSY, 3-WAY	1	1						
23	2	129150-49081	COCK, DRAIN	1	1						
25	1	175022-49730	CRIP 31, HOSE	2	2						
26	1	124766-59050	CLIP, HOSE 12	2	2						
27	1	124766-59050	CLIP, HOSE 12	4	4						
28	1	198206-60710	GUIDE ASSY, SCREEN L	1	1						
29	1	198206-60760	GUIDE, SCREEN R	1	1						
30	1	198206-60950	SCREEN, RADIATOR	1	1						
31	1	198448-61620	CAP, RUBBER	1	1						
32	1	198200-61950	WEATHER-STRIP, 1740	1	1						
33	1	194180-61980	GROMMET, 24	1	1						
34	1	198200-61980	SEAL, RADIATOR L	1	1						
35	1	23000-035000	CLAMP, 35	2	2						
36	1	23980-730250	HOSE, 7.3X 250	1	1						
37	1	23980-730510	HOSE, 7.3X 510	1	1						
38	1	26106-060122	BOLT, M6X 12 PLATED	4	4						
39	1	26106-060122	BOLT, M6X 12 PLATED	4	4						
40	1	26106-080162	BOLT, M8X 16 PLATED	1	1						
41	1	26106-080162	BOLT, M8X 16 PLATED	2	2						

Fig.2. ACCEL LEVER & FOOT ACCELERATOR

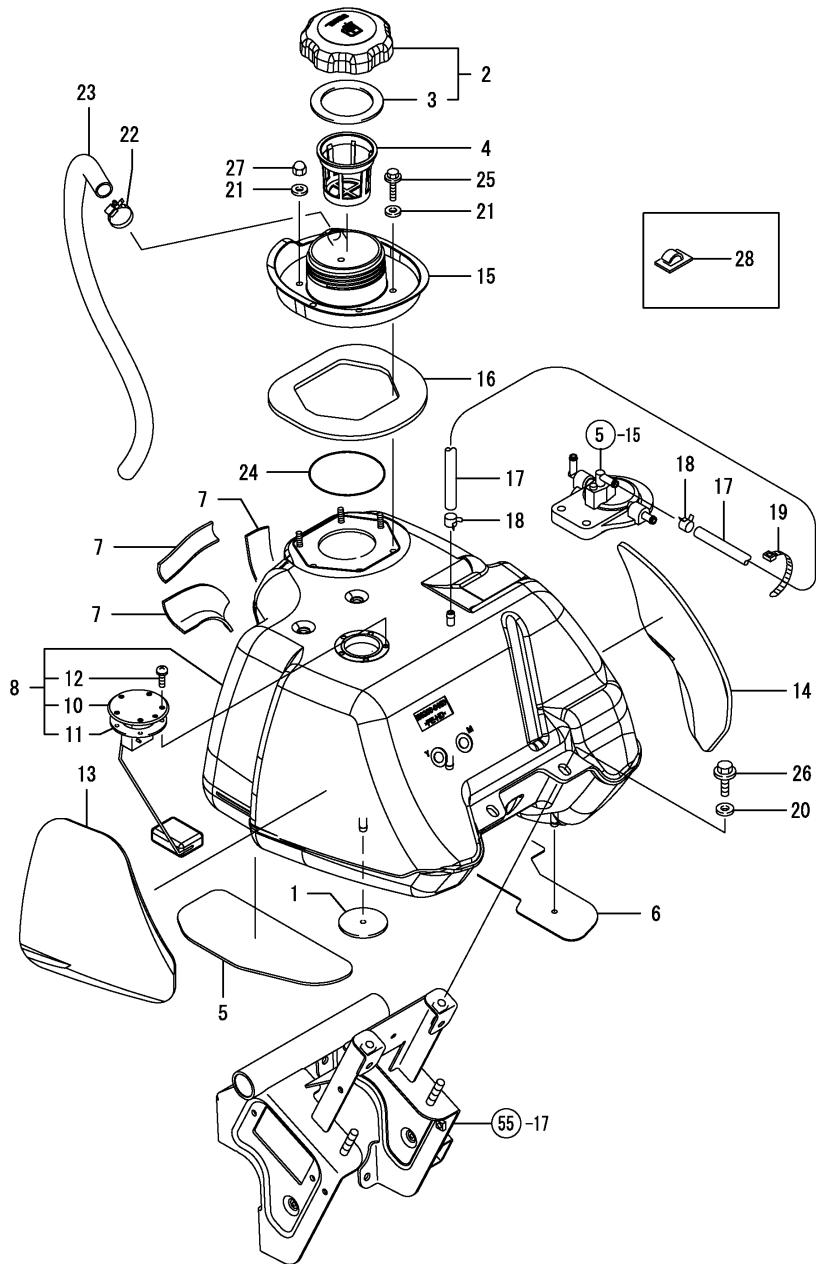


(A)=EF312T
(B)=EF352T
(C)=

(D)=
(E)=
(F)=

No.	Lev.	Parts No.	Description	Q'ty						I	R
				(A)	(B)	(C)	(D)	(E)	(F)		
1	1	198200-01150	WIRE ASSY, THROTTLE	1	1						
2	1	198071-58810	GROMMET, 8	1	1						
3	1	22137-060000	WASHER, 6	1	1						
4	1	22417-160180	PIN, COTTER 1.6X18	1	1						
5	1	198071-01160	RUBBER	1	1						
6	1	198200-01210	WIRE ASSY	1	1						
7	1	198200-01300	ACCELERATOR, FOOT	1	1						
8	1	198071-01390	GROMMET	1	1						
9	1	1W3981-14050	RUBBER	1	1						
10	1	194990-22130	NUT, M6	1	1						
11	1	198360-55630	SPRING, RETURN	1	1						
12	1	26106-060122	BOLT, M6X 12 PLATED	1	1						
13	1	26106-060402	BOLT, M6X 40 PLATED	1	1						
13-1	1	26116-060404	BOLT, M6X 40 PLATED	1	1						N
(A=FXXXXXX) (B=FXXXXXX)											
14	1	194440-51630	CLAMP, HARNESS	1	1						W
(A=F110244) (B=F110317)											
15	1	26106-060122	BOLT, M6X 12 PLATED	1	1						W
(A=F110244) (B=F110317)											

Fig.4. FUEL TANK

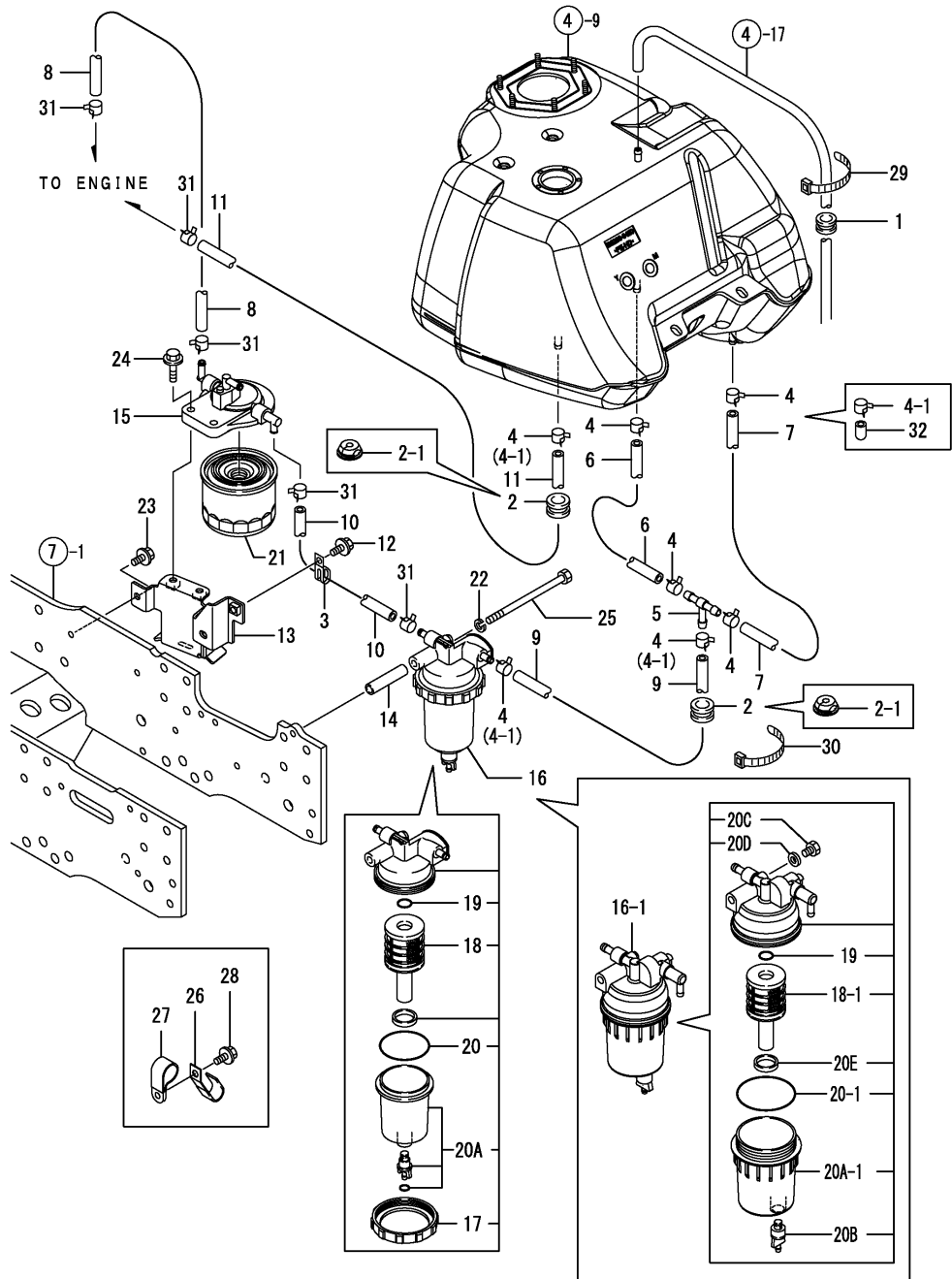


(A)=EF312T
(B)=EF352T
(C)=

(D)=
(E)=
(F)=

No.	Lev.	Parts No.	Description	Q'ty						I	R
				(A)	(B)	(C)	(D)	(E)	(F)		
1	1	198200-04020	INSULATOR, TANK R	1	1						
2	1	198200-04030	CAP ASSY, FILLER	1	1						
3	2	198200-04040	GASKET, FUEL CAP	1	1						
4	1	198200-04061	STRAINER, FUEL	1	1						
5	1	198200-04070	INSULATOR, TANK	1	1						
6	1	198200-04080	INSULATOR, TANK L	1	1						
7	1	198200-04090	CUSHION, TANK F	3	3						
8	1	198200-04101	TANK ASSY, FUEL	1	1						
8-1	1	1A8071-04100	TANK ASSY, FUEL	1	1						N
		(A=*2012.04)	(B=F116380)								
10	2	198200-56600	GAUGE ASSY, FUEL	1	1						
11	2	198200-56630	GASKET, GAUGE	1	1						
12	2	26022-050102	SCREW, M5X10	5	5						
13	1	198200-04120	CUSHION, TANK L	1	1						
14	1	198200-04130	CUSHION, TANK R	1	1						
15	1	198200-04210	PAN, DRIP	1	1						
16	1	198200-04260	GASKET, SUMP	1	1						
17	1	198200-04270	HOSE, AIR VENT	1	1						
18	1	124766-59050	CLIP, HOSE 12	2	2						
18-1	1	114270-59010	CLIP, HOSE 12	2	2						R
		(A=F110773)	(B=F116278)								
19	1	1E6102-84970	BAND 140,WIRE LOCK	1	1						Z
		(A=F110244)	(B=F110317)								
20	1	22157-080000	WASHER, 8	2	2						
21	1	22190-060000	WASHER, SEAL 6	6	6						
22	1	23000-019000	CLAMP, 19	1	1						
23	1	23065-160650	PIPE, 16X 650	1	1						
24	1	24311-000850	O-RING, 1AP85.0	1	1						
25	1	26106-060252	BOLT, M6X 25 PLATED	3	3						
26	1	26106-080162	BOLT, M8X 16 PLATED	2	2						
27	1	26657-060002	NUT, CAP M6	3	3						
28	1	172010-07810	STICKER, WIRE	1	1						W
		(A=F110467)	(B=F114137)								

Fig.5. FUEL PIPE



(A)=EF312T
(B)=EF352T
(C)=

(D)=
(E)=
(F)=

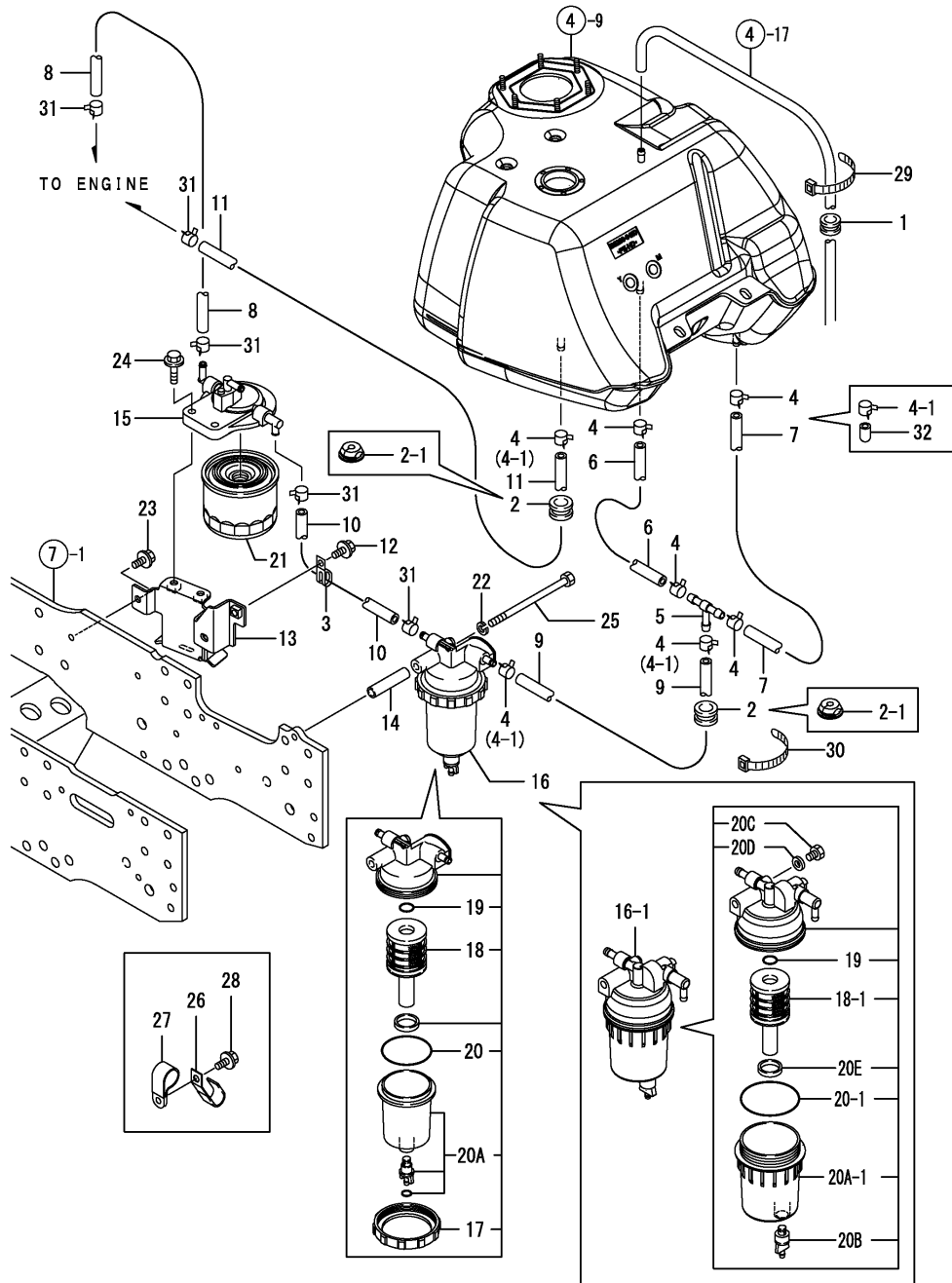
No.	Lev.	Parts No.	Description	Q'ty						I	R
				(A)	(B)	(C)	(D)	(E)	(F)		
1	1	1E8050-05510	GROMMET, SLIT 16X3	1	1						
2	1	194170-51210	GROMMET	2	2						
2-1	1	198245-51210	GROMMET, 25/18	2	2						S
3	1	194440-51620	CLAMP	1	1						
4	1	124766-59050	CLIP, HOSE 12	7	7						
4-1	1	124766-59050	CLIP, HOSE 12	4	4						K
5	1	119629-59910	JOINT, 3-WAY	1	1						Z
6	1	23980-730060	HOSE, 7.3X 60	1	1						Z
7	1	23980-730180	HOSE, 7.3X 180	1	1						Z
8	1	23980-730340	HOSE, 7.3X 340	1	1						
8-1	1	23980-730310	HOSE, 7.3X 310	1	1						N
9	1	23980-730400	HOSE, 7.3X 400	1	1						
9-1	1	23980-730450	HOSE, 7.3X 450	1	1						N
9-2	1	23980-730510	HOSE, 7.3X 510	1	1						S
10	1	23980-730500	HOSE, 7.3X 500	1	1						
11	1	23980-730730	HOSE, 7.3X 730	1	1						
12	1	26106-080122	BOLT, M8X 12 PLATED	1	1						
13	1	198200-11250	STAY ASSY, FILTER	1	1						
14	1	198280-11370	COLLAR, 9.2X13.8X60	1	1						
15	1	119852-55611	BRACKET, FILTER	1	1						
15-1	1	119852-55612	BRACKET, FILTER	1	1						N
16	1	119802-55700	SEPARATOR ASSY	1	1						
16-1	1	129055-55700	SEPARATOR ASSY	1	1						N
17	2	129100-55690	RING, RETAINING	1	1						Z
18	2	119802-55710	ELEMENT	1	1						
18-1	2	129242-55730	ELEMENT	1	1						S
19	2	24311-000160	O-RING, 1AP16.0	1	1						
20	2	24321-000650	O-RING, 1AG65.0	1	1						
20-1	2	24321-000750	O-RING, 1AG75.0	1	1						S
20A	2	119802-55730	CUP ASSY	1	1						W
20A-1	2	129938-55720	CUP	1	1						S
20B	2	129242-55740	PLUG, DRAIN	1	1						W
20C	2	129242-55750	VALVE, AIR VENT	1	1						W
20D	2	129242-55760	GASKET	1	1						W

N:Old $\xrightarrow{\text{Yes}}$ New, Q:Old $\xrightarrow{\text{No}}$ New, R:Old $\xrightarrow{\text{Yes}}$ New, S:Old $\xrightarrow{\text{No}}$ New, W:Add, Z:Discontinued, F:Interchangeable by set, K:Q'ty Change
 ++ CONTINUE ++
 Copyright (C) YANMAR CO., LTD. All Rights Reserved.

Fig.5. FUEL PIPE

(A)=EF312T
(B)=EF352T
(C)=

(D)=
(E)=
(F)=

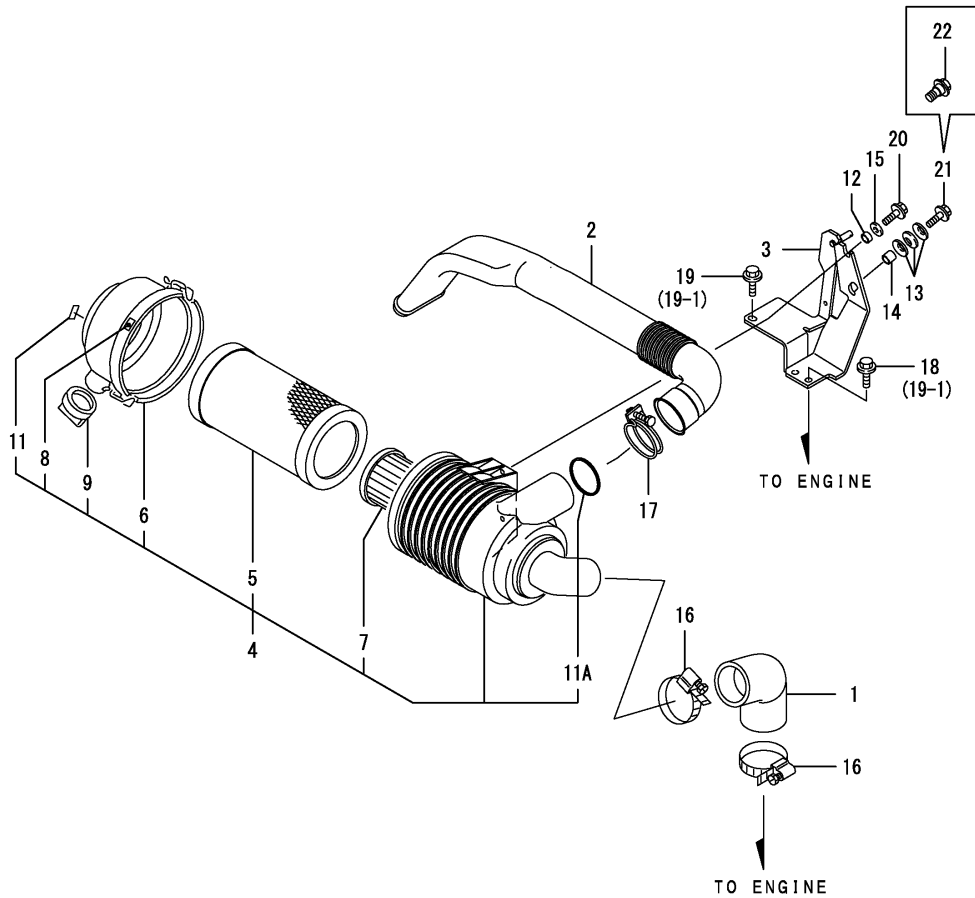


No.	Lev.	Parts No.	Description	Q'ty						I	R
				(A)	(B)	(C)	(D)	(E)	(F)		
20E	2	(A=F110563) (B=F114609) 129242-55770	FLOAT	1	1						W
		(A=F110563) (B=F114609)									
21	1	129004-55810	FILTER, FUEL	1	1						
22	1	22217-080000	WASHER, SPRING 8	1	1						
23	1	26106-080162	BOLT, M8X 16 PLATED	2	2						
24	1	26106-080252	BOLT, M8X 25 PLATED	2	2						
25	1	26116-081302	BOLT, M8X130 PLATED	1	1						
26	1	198082-17880	CLAMP, HOSE	1	1						W
27	1	(A=F110244) (B=F110317) 1E6213-83410	CLIP, HARNESS 18	1	1						W
		(A=F110244) (B=F110317)									
28	1	26106-080122	BOLT, M8X 12 PLATED	1	1						W
29	1	(A=F110244) (B=F110317) 1E6102-84970	BAND 140,WIRE LOCK	1	1						W
		(A=F110244) (B=F110317)									
29-1	1	(A=F110244) (B=F110317) 29622-140001	BAND, RF140	1	1						N
		(A=F110563) (B=F114609)									
30	1	29622-250001	BAND, RF250	1	1						
31	1	124766-59050	CLIP, HOSE 12	5	5						
31-1	1	114270-59010	CLIP, HOSE 12	5	5						R
32	1	(A=F110773) (B=F116278) 129461-59580	CAP, FUEL OIL	1	1						W
		(A=FZZZZZ) (B=FZZZZZ)									

Fig.6. AIR CLEANER

(A)=EF312T
(B)=EF352T
(C)=

(D)=
(E)=
(F)=

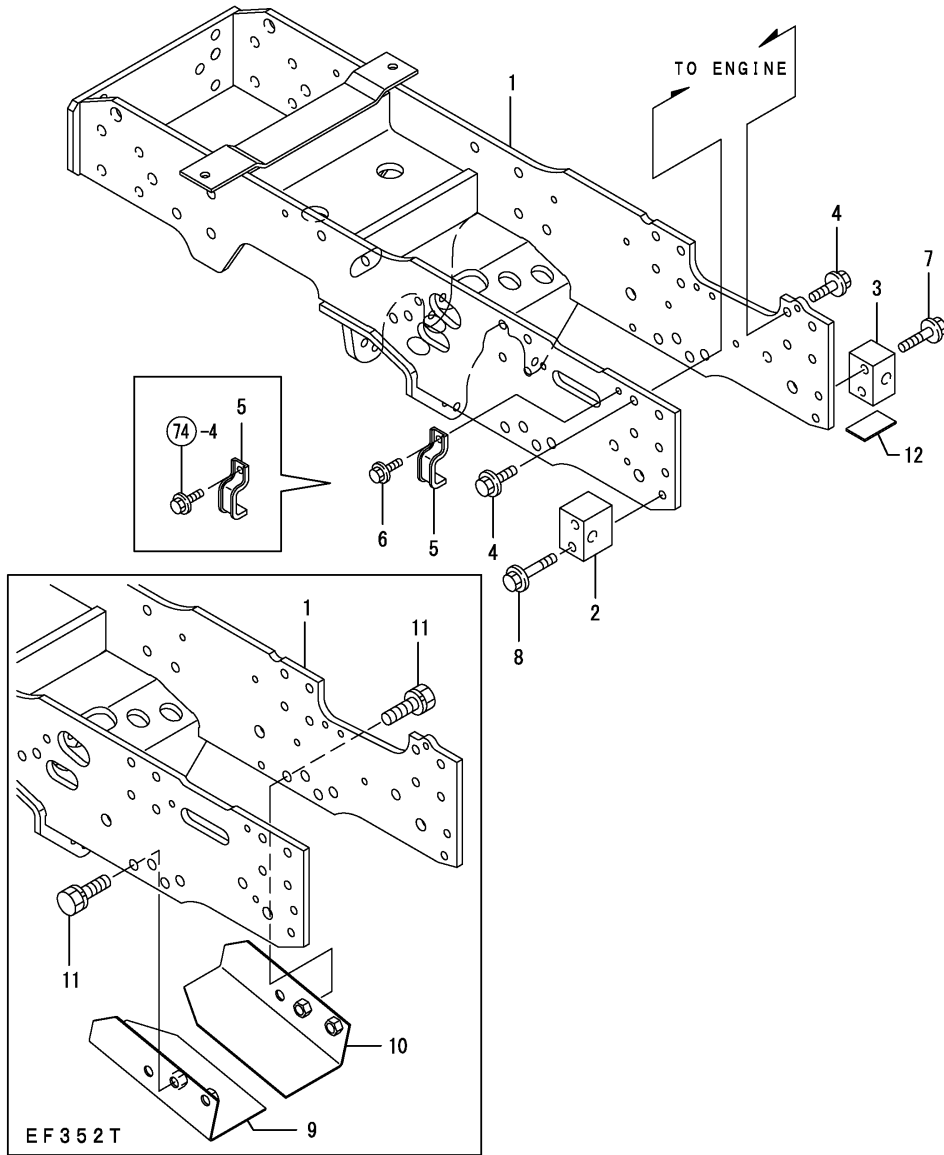


No.	Lev.	Parts No.	Description	Q'ty						I	R
				(A)	(B)	(C)	(D)	(E)	(F)		
1	1	198208-06010	HOSE, AIR INTAKE	1	1						
2	1	198200-06150	PIPE, AIR INTAKE	1	1						
3	1	198287-06200	BRACKET, AIR CLEANER	1	1						
4	1	198287-06300	CLEANER ASSY, AIR	1	1						
5	2	119808-12520	ELEMENT	1	1						
6	2	119866-12530	COVER ASSY	1	1						
7	2	129051-12530	ELEMENT	1	1						
8	2	129418-12530	LABEL, MARK	1	1						
9	2	119808-12540	VALVE, UNLOADER	1	1						
11	2	129612-12650	LABEL, MARKING	1	1						
11A	2	129259-12570	RING	1	1						W
		(A=F110467) (B=F114111)									
12	1	198280-06410	COLLAR	1	1						Z
		(A=F110261) (B=F110425)									
13	1	198072-18320	SPRING, 12	3	3						Z
		(A=F110261) (B=F110425)									
14	1	198092-71720	COLLAR, 8.1X10.5X9.3	1	1						Z
		(A=F110261) (B=F110425)									
15	1	22157-080000	WASHER, 8	1	1						Z
		(A=F110261) (B=F110425)									
16	1	23000-070000	CLAMP, 70	2	2						
17	1	23010-055000	CLAMP, 55	1	1						
17-1	1	23000-060000	CLAMP, 60	1	1						R
		(A=F110467) (B=F114239)									
18	1	26106-080122	BOLT, M8X 12 PLATED	2	2						Z
		(A=F110299) (B=F111801)									
19	1	26106-080162	BOLT, M8X 16 PLATED	1	1						
19-1	1	26106-080162	BOLT, M8X 16 PLATED	3	3						K
		(A=F110261) (B=F110425)									
20	1	26106-080162	BOLT, M8X 16 PLATED	1	1						Z
		(A=F110261) (B=F110425)									
21	1	26106-080202	BOLT, M8X 20 PLATED	1	1						Z
		(A=F110261) (B=F110425)									
22	1	198280-06450	BOLT, M8X16	2	2						W
		(A=F110261) (B=F110425)									

Fig.7. FRONT BRACKET

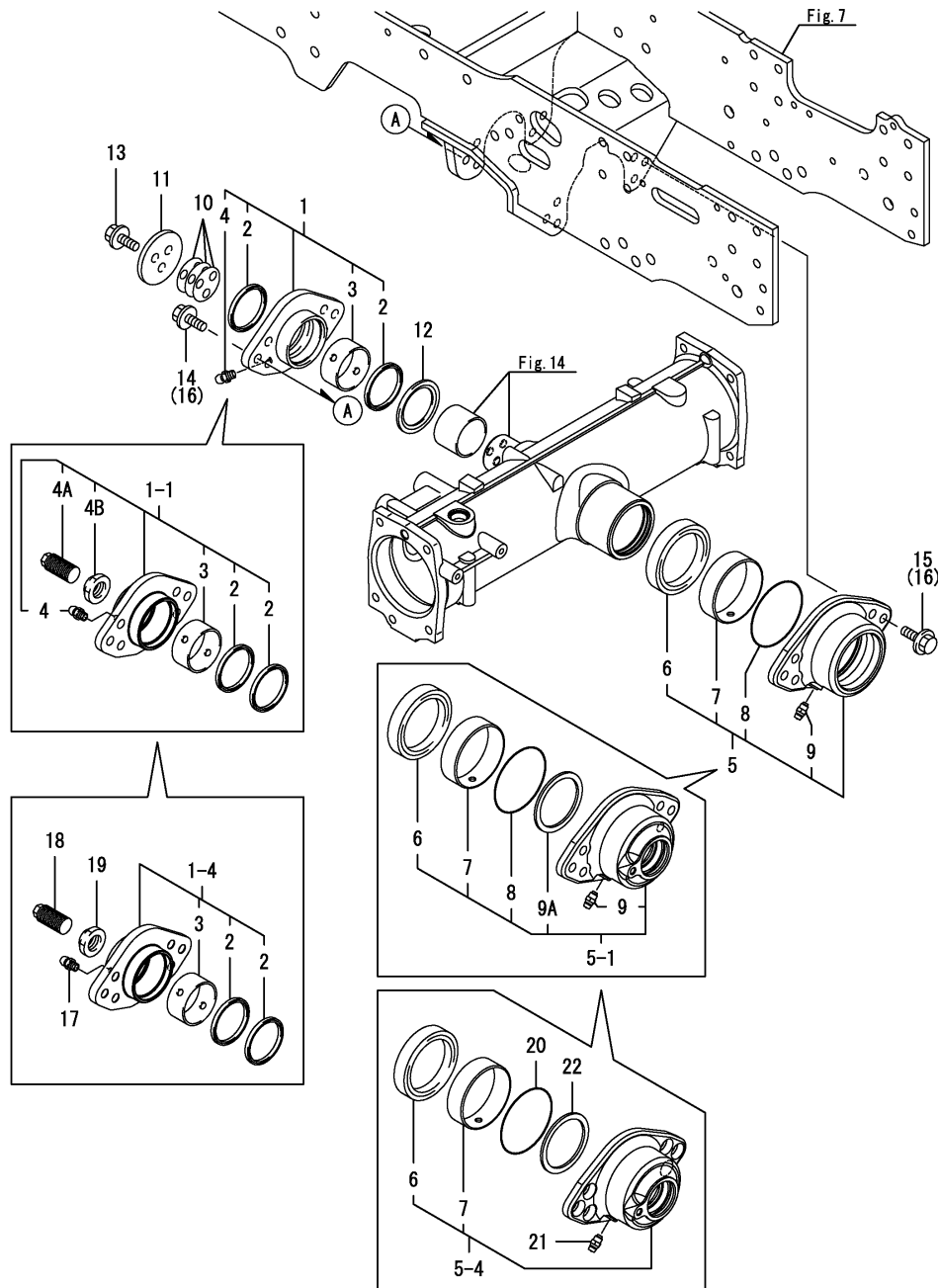
(A)=EF312T
(B)=EF352T
(C)=

(D)=
(E)=
(F)=



No.	Lev.	Parts No.	Description	Q'ty						I	R
				(A)	(B)	(C)	(D)	(E)	(F)		
1	1	198283-11100	BRACKET, AXLE M	1	1						
2	1	198208-11210	STAY, L	1	1						
2-1	1	1A8115-11210	STAY, L	1	1						R
3	1	198208-11220	STAY, R	1	1						
3-1	1	1A8115-11220	STAY, R	1	1						R
4	1	198208-11310	BOLT, M10X 25	16	16						
5	1	198200-17950	CLAMP, HOSE	1	1						
6	1	26106-080122	BOLT, M8X 12 PLATED	1	1						Z
7	1	26106-100452	BOLT, M10X 45 PLATED	2	2						
8	1	26106-100552	BOLT, M10X 55 PLATED	2	2						
9	1	198287-11210	PLATE, OIL SUMP L								
10	1	198287-11230	PLATE, OIL SUMP R								
11	1	26013-120252	BOLT, M12X 25		4						
12	1	198093-84810	SEAL, FENDER	1	1						W

Fig.8. FRONT SUPPORT



(A)=EF312T
(B)=EF352T
(C)=

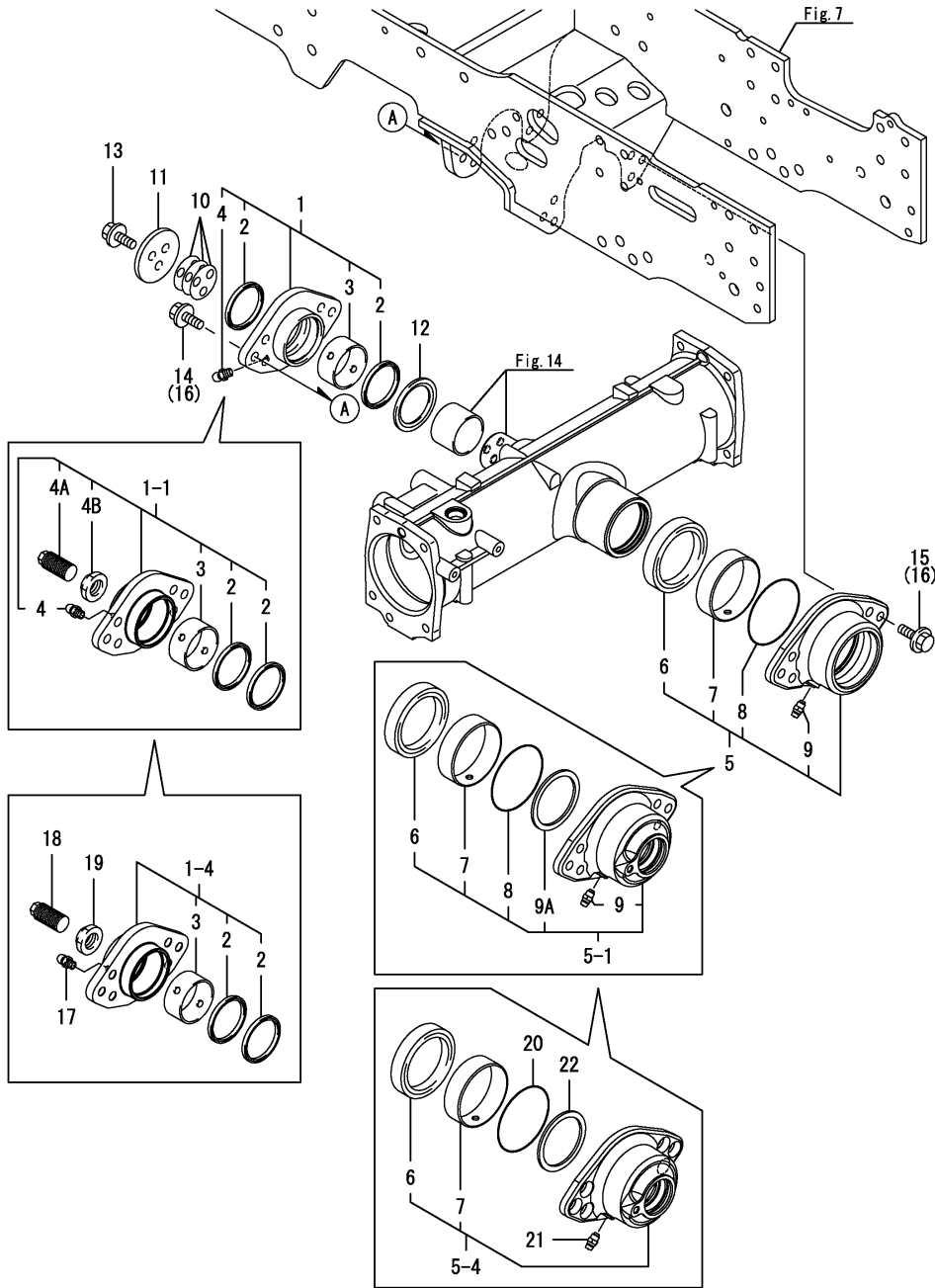
(D)=
(E)=
(F)=

No.	Lev.	Parts No.	Description	Q'ty						I	R
				(A)	(B)	(C)	(D)	(E)	(F)		
1	1	198283-13050	SUPPORT ASSY, PIN	1	1						
1-1	1	198283-13150	SUPPORT ASSY, PIN	1	1						S
		(A=FXXXXXX) (B=FXXXXXX)									
1-2	1	198283-13150-1	SUPPORT ASSY, PIN F	1	1						S
		(A=F110563) (B=F114609)									
1-3	1	198283-13151	SUPPORT ASSY, PIN F	1	1						N
		(A=F110773) (B=F116253)									
1-4	1	198283-13220	SUPPORT ASSY, F	1	1						N
		(A=FXXXXXX) (B=FXXXXXX)									
2	2	198172-11640	SEAL, OIL G50X58X4	2	2						
3	2	198283-13380	BUSH, 50X55X25	1	1						
4	2	24761-010000	NIPPLE, GREASE M6F	1	1						Z
		(A=FXXXXXX) (B=FXXXXXX)									
4A	2	198283-13450	BOLT, M20	1	1						W
		(A=FXXXXXX) (B=FXXXXXX)									
4A-1	2	198283-13450	BOLT, M20	1	1						Z
		(A=FXXXXXX) (B=FXXXXXX)									
4B	2	26776-200002	NUT, LOCK M20	1	1						W
		(A=FXXXXXX) (B=FXXXXXX)									
4B-1	2	198283-13460	NUT, LOCK	1	1						N
		(A=FXXXXXX) (B=FXXXXXX)									
4B-2	2	198283-13460	NUT, LOCK	1	1						Z
		(A=FXXXXXX) (B=FXXXXXX)									
5	1	198200-13060	SUPPORT ASSY, PIN	1	1						
5-1	1	198283-13160	SUPPORT ASSY, PIN	1	1						S
		(A=FXXXXXX) (B=FXXXXXX)									
5-2	1	198283-13160-1	SUPPORT ASSY, PIN R	1	1						S
		(A=F110563) (B=F114609)									
5-3	1	198283-13161	SUPPORT ASSY, PIN R	1	1						N
		(A=F110773) (B=F116253)									
5-4	1	198283-13230	SUPPORT ASSY, R	1	1						N
		(A=FXXXXXX) (B=FXXXXXX)									
6	2	194181-11560	SEAL, OIL VB75856.5	1	1						
7	2	194641-11630	BUSH, 75X80X25	1	1						
8	2	24321-000750	O-RING, 1AG75.0	1	1						Z
		(A=FXXXXXX) (B=FXXXXXX)									
9	2	24761-010000	NIPPLE, GREASE M6F	1	1						Z
		(A=FXXXXXX) (B=FXXXXXX)									
9A	2	198283-13480	WASHER, 62X75X3	1	1						W
		(A=FXXXXXX) (B=FXXXXXX)									
9A-1	2	198283-13480	WASHER, 62X75X3	1	1						Z
		(A=FXXXXXX) (B=FXXXXXX)									
10	1	198200-13320	SHIM	3	3						Z
		(A=FXXXXXX) (B=FXXXXXX)									
11	1	198283-13330	PLATE, THRUST	1	1						Z
		(A=FXXXXXX) (B=FXXXXXX)									
12	1	198200-13350	WASHER, 48X66X3.2	1	1						Z
		(A=FXXXXXX) (B=FXXXXXX)									
13	1	26106-100252	BOLT, M10X 25 PLATED	3	3						Z
		(A=FXXXXXX) (B=FXXXXXX)									
14	1	26106-100252	BOLT, M10X 25 PLATED	6	6						

Fig.8. FRONT SUPPORT

(A)=EF312T
(B)=EF352T
(C)=

(D)=
(E)=
(F)=

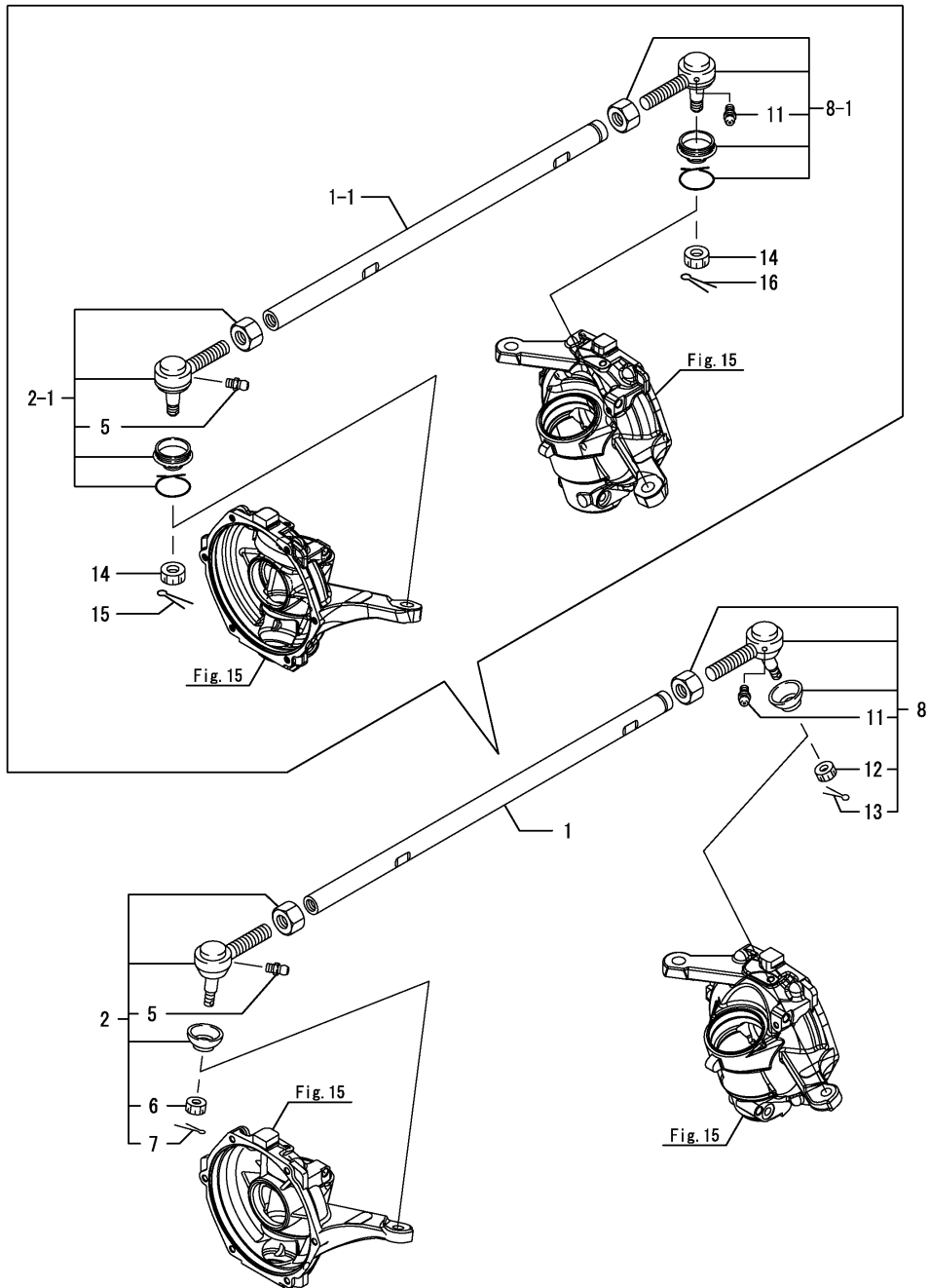


No.	Lev.	Parts No.	Description	Q'ty						I	R
				(A)	(B)	(C)	(D)	(E)	(F)		
14-1	1	198208-11310 (A=F110597) (B=F115248)	BOLT, M10X 25	6	6						N
14-2	1	198208-11310 (A=F110773) (B=F116253)	BOLT, M10X 25	6	6						Z
15	1	26106-100252	BOLT, M10X 25 PLATED	6	6						
15-1	1	198208-11310 (A=F110597) (B=F115248)	BOLT, M10X 25	6	6						N
15-2	1	198208-11310 (A=F110773) (B=F116253)	BOLT, M10X 25	6	6						Z
16	1	198208-11310 (A=F110773) (B=F116253)	BOLT, M10X 25	12	12						W
17	1	24761-010000 (A=FXXXXXX) (B=FXXXXXX)	NIPPLE, GREASE M6F	1	1						W
18	1	198283-13450 (A=FXXXXXX) (B=FXXXXXX)	BOLT, M20	1	1						W
19	1	198283-13460 (A=FXXXXXX) (B=FXXXXXX)	NUT, LOCK	1	1						W
20	1	24321-000750 (A=FXXXXXX) (B=FXXXXXX)	O-RING, 1AG75.0	1	1						W
21	1	24761-010000 (A=FXXXXXX) (B=FXXXXXX)	NIPPLE, GREASE M6F	1	1						W
22	1	198283-13480 (A=FXXXXXX) (B=FXXXXXX)	WASHER, 62X75X3	1	1						W

Fig.9. TIE ROD

(A)=EF312T
(B)=EF352T
(C)=

(D)=
(E)=
(F)=



No.	Lev.	Parts No.	Description	Q'ty						I	R
				(A)	(B)	(C)	(D)	(E)	(F)		
1	1	198127-12310	TIE-ROD	1	1						
1-1	1	198220-12310	TIE-ROD	1	1						S
		(A=F110563) (B=F114609)									
2	1	198240-18130	END KIT, TIE-ROD RL	1	1						
2-1	1	198283-12510	END ASSY, TIE-ROD RH	1	1						S
		(A=F110563) (B=F114609)									
5	2	24761-060000	NIPPLE, GREASE MT6X1	1	1						
6	2	198240-12590	NUT, M12	1	1						Z
		(A=F110563) (B=F114609)									
7	2	22417-300250	PIN, COTTER 3.0X25	1	1						Z
		(A=F110563) (B=F114609)									
8	1	198240-18120	END KIT, TIE-ROD LR	1	1						
8-1	1	198283-12550	END ASSY, TIE-ROD LH	1	1						S
		(A=F110563) (B=F114609)									
11	2	24761-060000	NIPPLE, GREASE MT6X1	1	1						
12	2	198240-12590	NUT, M12	1	1						Z
		(A=F110563) (B=F114609)									
13	2	22417-300250	PIN, COTTER 3.0X25	1	1						Z
		(A=F110563) (B=F114609)									
14	1	194180-12471	NUT, CASTLE M16	2	2						W
		(A=F110563) (B=F114609)									
15	1	22417-400400	PIN, COTTER 4.0X40	1	1						W
		(A=F110563) (B=F114609)									
16	1	22417-400400	PIN, COTTER 4.0X40	1	1						W
		(A=F110563) (B=F114609)									

Fig.10. RING GEAR

(A)=EF312T
(B)=EF352T
(C)=

(D)=
(E)=
(F)=

No.	Lev.	Parts No.	Description	Q'ty						I	R
				(A)	(B)	(C)	(D)	(E)	(F)		
1	1	198200-13100	GEAR ASSY, RING	1	1						
2	1	1E6190-54080	SLEEVE SI25X30X13	1	1						
3	1	22242-000300	RING, 30	1	1						
4	1	24101-062064	BEARING, BALL 6206	1	1						
4-1	1	194640-26440 (A=F110547) (B=F110580)	BEARING, BALL TMB206	1	1						R
5	1	24101-063054	BEARING, BALL 6305	1	1						

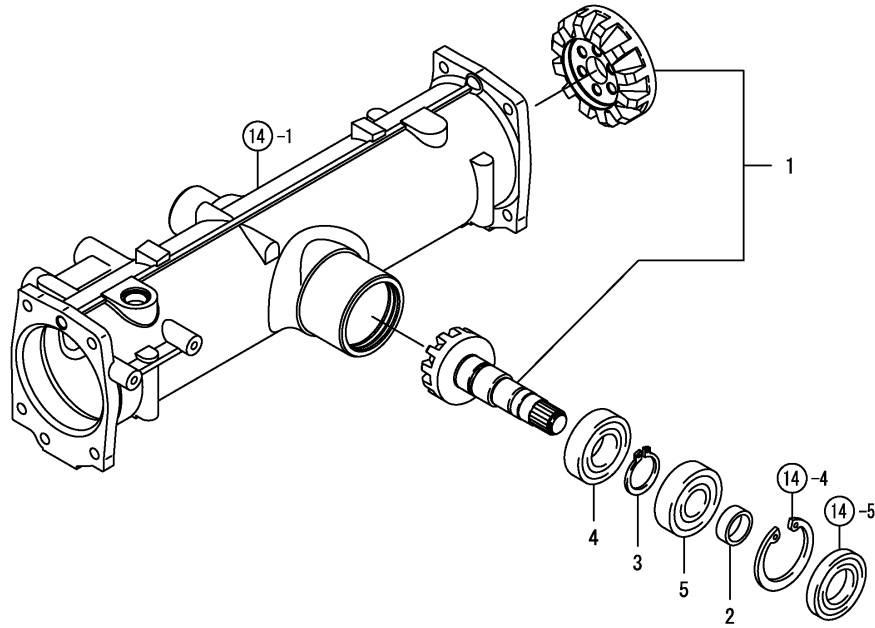
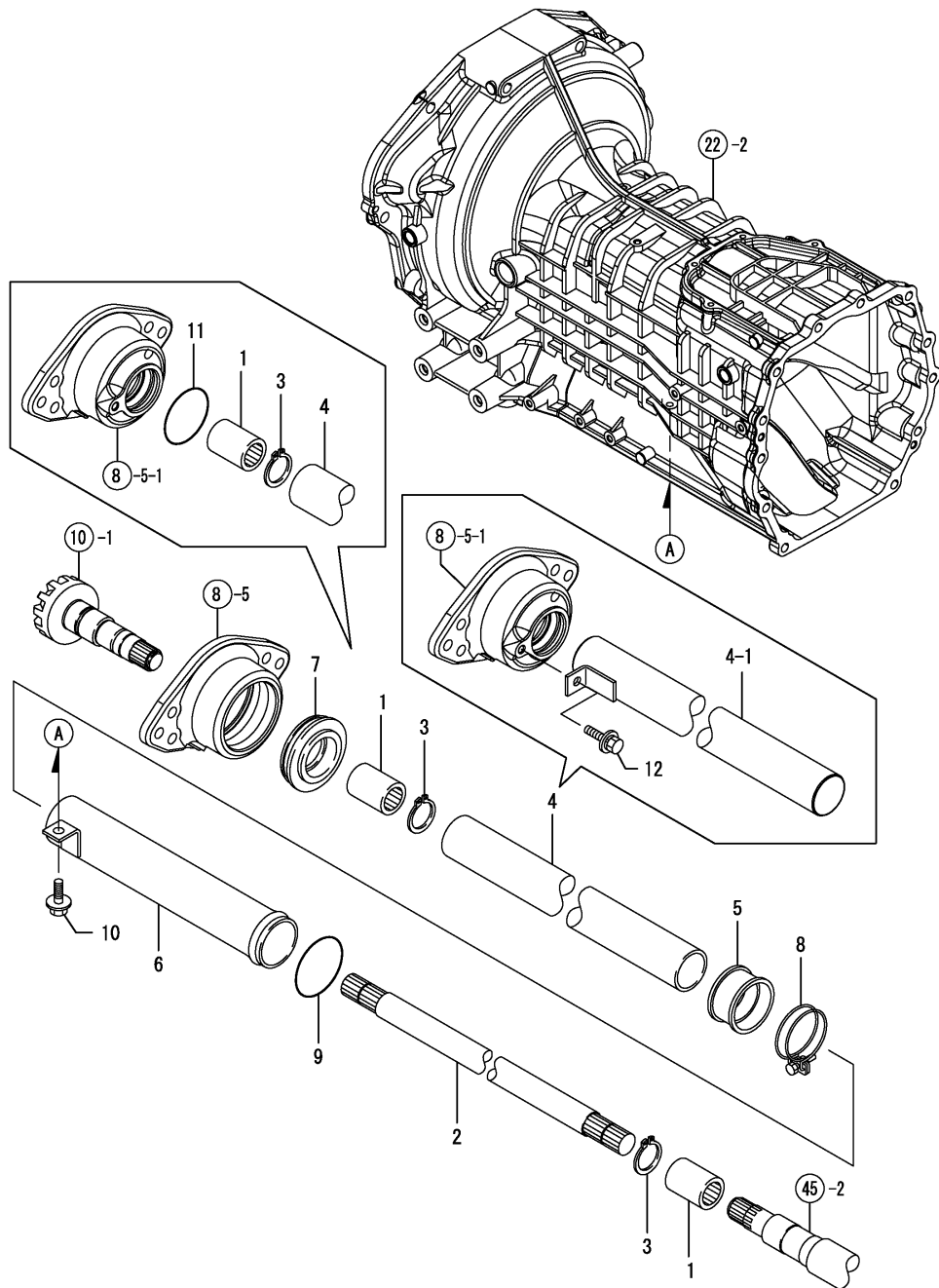


Fig.12. PROPELLER SHAFT



(A)=EF312T
(B)=EF352T
(C)=

(D)=
(E)=
(F)=

No.	Lev.	Parts No.	Description	Q'ty						I	R
				(A)	(B)	(C)	(D)	(E)	(F)		
1	1	198200-13280	COUPLING	2	2						
2	1	198280-13310	SHAFT, PROPELLER	1	1						
3	1	22242-000220	RING, 22	2	2						
4	1	198280-14630	COVER, SHAFT FRONT	1	1						
4-1	1	1A8115-14630 (A=F110517) (B=F114520)	COVER ASSY, SHAFT	1	1						N
5	1	198071-14650	BOOT, SHAFT COVER	1	1						
5-1	1	1A8115-14650 (A=F110517) (B=F114520)	BOOT, SHAFT COVER	1	1						N
6	1	198200-14670	COVER, SHAFT REAR	1	1						
6-1	1	1A8115-14671 (A=F110517) (B=F114520)	COVER, SHAFT REAR	1	1						N
7	1	198200-14910 (A=FXXXXXXX) (B=FXXXXXXX)	SEAL, COVER	1	1						Z
8	1	23010-055000	CLAMP, 55	1	1						
8-1	1	23000-054000 (A=F110517) (B=F114520)	CLAMP, 54	2	2						N
9	1	24321-000450	O-RING, 1AG45.0	1	1						
10	1	26106-080162	BOLT, M8X 16 PLATED	1	1						
11	1	24311-000420 (A=FXXXXXXX) (B=FXXXXXXX)	O-RING, 1AP42.0	1	1						W
12	1	26106-080162 (A=F110517) (B=F114520)	BOLT, M8X 16 PLATED	1	1						W

Fig.13. FRONT SHAFT

(A)=EF312T
(B)=EF352T
(C)=

(D)=
(E)=
(F)=

No.	Lev.	Parts No.	Description	Q'ty						I	R
				(A)	(B)	(C)	(D)	(E)	(F)		
1	1	198208-13510	SHAFT, 1ST FRONT 242	1	1						
2	1	198200-13520	PINION, SHAFT	2	2						
3	1	198208-13530	SHAFT, 1ST FRONT 435	1	1						
4	1	24101-062074	BEARING, BALL 6207	2	2						

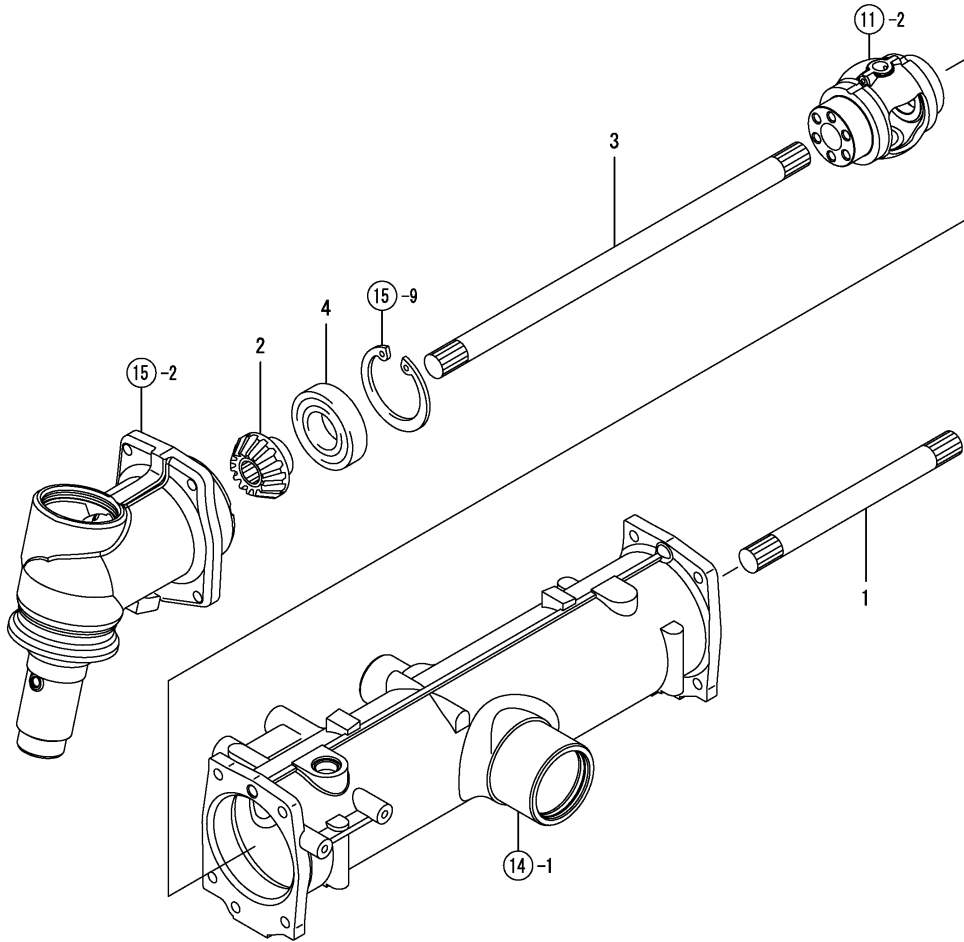
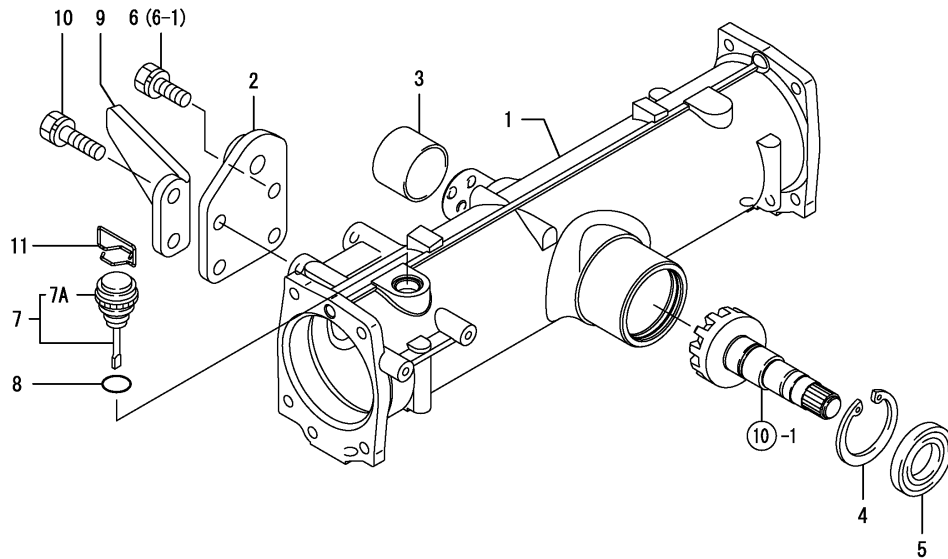


Fig.14. FRONT AXLE CASE

(A)=EF312T
(B)=EF352T
(C)=

(D)=
(E)=
(F)=

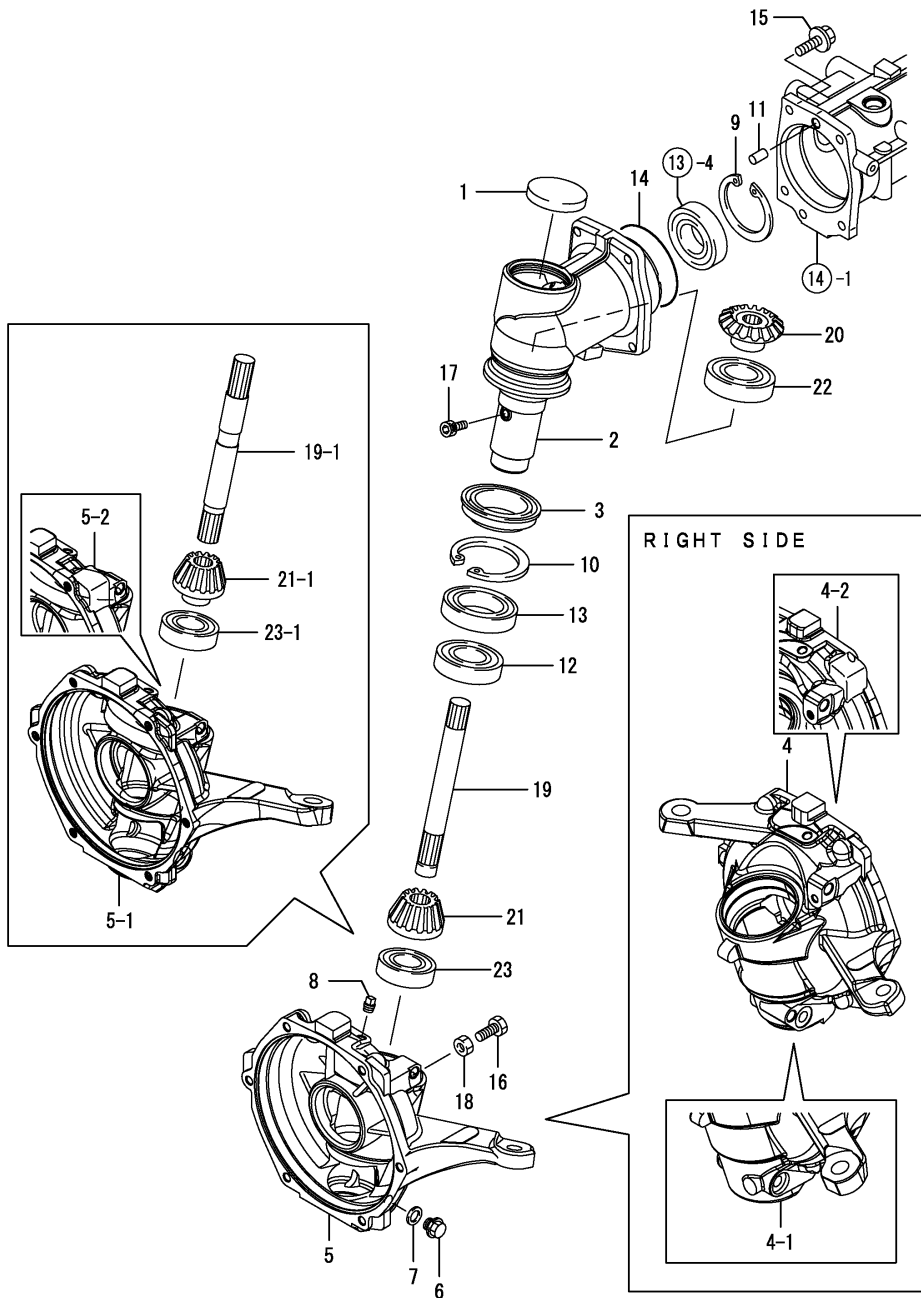


No.	Lev.	Parts No.	Description	Q'ty						I	R
				(A)	(B)	(C)	(D)	(E)	(F)		
1	1	198200-13611	HOUSING, FRONT AXLE	1	1						
1-1	1	198200-13611-1	HOUSING, FRONT AXLE	1	1						S
		(A=F110563) (B=F114609)									
2	1	198208-17210	BRACKET, CYLINDER	1	1						
2-1	1	198208-17210-1	BRACKET, CYLINDER	1	1						S
		(A=F110563) (B=F114609)									
3	1	192180-26380	BUSHING 45X50X35	1	1						
4	1	22252-000620	RING, 62	1	1						
5	1	24421-306210	SEAL, OIL TC306210	1	1						
6	1	26013-120302	BOLT, M12X 30	4	4						
6-1	1	26013-120302	BOLT, M12X 30	2	2						K
		(A=F110563) (B=F114609)									
7	1	1C6900-23020	BREATHER	1	1						
7A	2	1E8660-53100	BREATHER	1	1						W
		(A=F110101) (B=F110101)									
8	1	24311-000180	O-RING, 1AP18.0	1	1						
9	1	198283-17220	STAY, GUARD	1	1						W
		(A=F110563) (B=F114609)									
10	1	26013-120402	BOLT, M12X 40	2	2						W
		(A=F110563) (B=F114609)									
11	1	198283-13850	HOLDER, BREATHER	1	1						W
		(A=F110517) (B=F114520)									

Fig.15. FRONT GEAR CASE

(A)=EF312T
(B)=EF352T
(C)=

(D)=
(E)=
(F)=

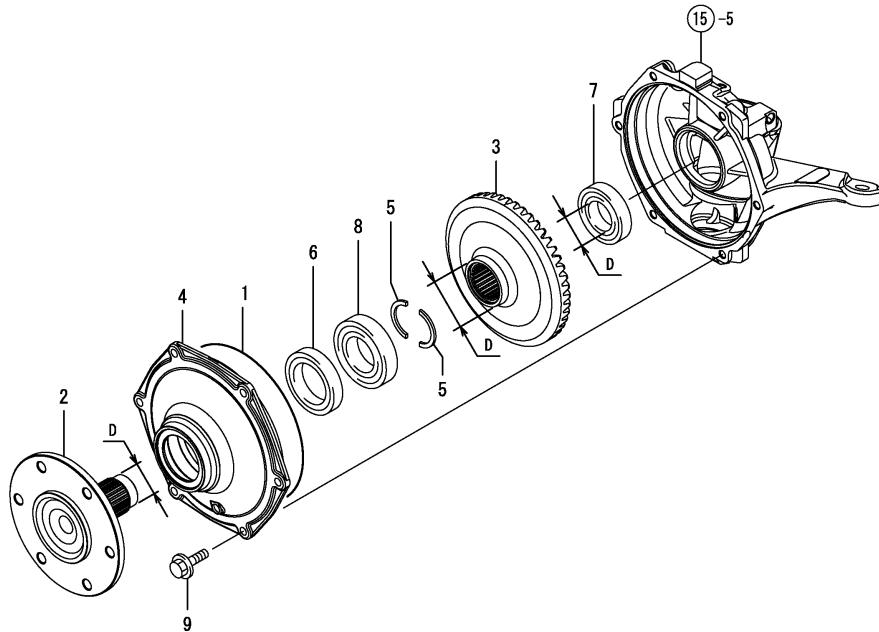


No.	Lev.	Parts No.	Description	Q'ty						I	R
				(A)	(B)	(C)	(D)	(E)	(F)		
1	1	177432-03450	PLUG	2	2						
2	1	198208-13720	HOUSING, FRONT GEAR	2	2						
2-1	1	198208-13721	HOUSING, FRONT GEAR	2	2						R
2-2	1	198208-13721-1	HOUSING, FRONT GEAR	2	2						S
		(A=F110502) (B=F114480)									
		(A=F110563) (B=F114609)									
3	1	198071-13760	SEAL, QLF578016.5	2	2						
3-1	1	198483-32660	SEAL, QLF578015	2	2						R
		(A=F110502) (B=F114480)									
4	1	198200-13780	BOX, GEAR R	1	1						
4-1	1	198283-14240	BOX, GEAR	1	1						S
		(A=F110563) (B=F114609)									
4-2	1	198283-14241	BOX, GEAR R	1	1						S
		(A=F110749) (B=F116195)									
5	1	198200-13791	BOX, GEAR L	1	1						
5-1	1	198283-14250	BOX, GEAR	1	1						S
		(A=F110563) (B=F114609)									
5-2	1	198283-14251	BOX, GEAR L	1	1						S
		(A=F110749) (B=F116195)									
6	1	1C6900-23120	BOLT, DRAIN M14X10	2	2						
7	1	1C6900-23150	WASHER, PLUG	2	2						
8	1	194151-36670	PLUG, PF02	2	2						
9	1	22252-000720	RING, 72	2	2						
10	1	22252-000800	RING, 80	2	2						
11	1	22312-100180	PIN, PARALLEL M10X18	2	2						
12	1	24101-060084	BEARING, BALL 6008	2	2						
13	1	24101-060104	BEARING, BALL 6010	2	2						
14	1	24321-000950	O-RING, 1AG95.0	2	2						
15	1	26106-100302	BOLT, M10X 30 PLATED	10	10						
16	1	26116-100352	BOLT, M10X 35 PLATED	2	2						
16-1	1	198283-13970	BOLT, M10X40	2	2						N
		(A=F110563) (B=F114609)									
17	1	26450-080122	BOLT, M8X 12	2	2						
18	1	26716-100002	NUT, M10	2	2						
19	1	198200-13810	SHAFT, FRONT 2ND	2	2						
19-1	1	198283-14270	SHAFT, FRONT 2ND	2	2						S
		(A=F110563) (B=F114609)									
20	1	198200-13820	GEAR, SHAFT	2	2						
20-1	1	198200-13821	GEAR, FRONT SHAFT	2	2						R
		(A=F110547) (B=F110580)									
21	1	198200-13830	PINION, FINAL Z=11	2	2						
21-1	1	198283-14280	PINION, FINAL Z=11	2	2						S
		(A=F110563) (B=F114609)									
22	1	24101-062064	BEARING, BALL 6206	2	2						
23	1	24101-063044	BEARING, BALL 6304	2	2						
23-1	1	24104-062064	BEARING, BALL 6206UU	2	2						S
		(A=F110563) (B=F114609)									

Fig.16. FRONT SPINDLE

(A)=EF312T
(B)=EF352T
(C)=

(D)=
(E)=
(F)=



No.	Lev.	Parts No.	Description	Q'ty						I	R
				(A)	(B)	(C)	(D)	(E)	(F)		
1	1	194556-13790	O-RING, 190X2.7	2	2						
2	1	198200-14110	SPINDLE, FRONT	2	2						
2-1	1	198283-14310	SPINDLE, FRONT	2	2					S	1
3	1	198200-14120	GEAR, FINAL 48	2	2						
3-1	1	198283-14290	GEAR, FINAL 51	2	2					S	2
4	1	198200-14130	COVER, GEAR BOX	2	2						
4-1	1	198200-14130-1	COVER, GEAR BOX	2	2					S	
5	1	198200-14210	RING, HALF	4	4						
6	1	198475-32660	SEAL, QLN527514.5	2	2						
7	1	24101-060084	BEARING, BALL 6008	2	2						
7-1	1	24101-062074	BEARING, BALL 6207	2	2					S	1
8	1	24101-062094	BEARING, BALL 6209	2	2						
9	1	26106-100252	BOLT, M10X 25 PLATED	12	12						

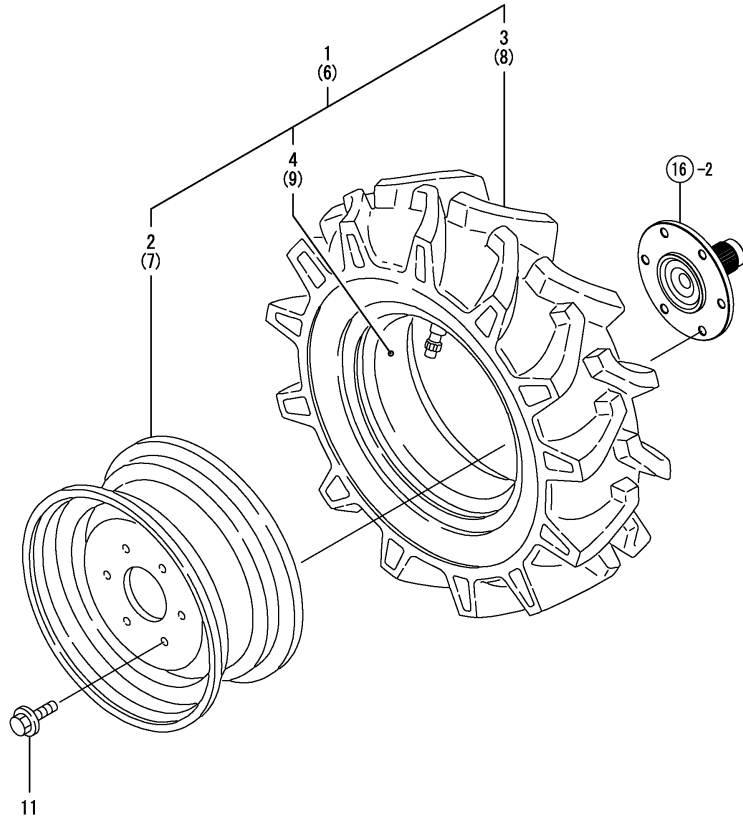
Remarks

(1)D=No.2 & 7 : 40mm, No.2-1 & 7-1 : 35mm.
(2)D=No.3 : 60mm, No.3-1 : 62mm.

Fig.17. FRONT WHEEL TIRE

(A)=EF312T
(B)=EF352T
(C)=

(D)=
(E)=
(F)=



No.	Lev.	Parts No.	Description	Q'ty						I	R
				(A)	(B)	(C)	(D)	(E)	(F)		
1	1	198127-14700	TIRE KIT, FRONT L	1	1						1
1-1	1	1A7300-14850	TIRE KIT, FRONT L BS	1	1						S
		(A=F110563) (B=F114609)									
2	2	198031-14710	WHEEL, 5JAX14WDC	1	1						1
2-1	2	1A7300-14720	WHEEL, 5JAX16	1	1						S
		(A=F110563) (B=F114609)									
3	2	194171-14810	TIRE, 7-14 4 FSLM	1	1						1
3-1	3	194321-14860	TIRE, 7-16 4 FSLM	1	1						S
		(A=F110563) (B=F114609)									
4	2	194171-14820	TUBE, 7-14	1	1						1
4-1	3	194321-14820	TUBE	1	1						S
		(A=F110563) (B=F114609)									
6	1	198127-14800	TIRE KIT, FRONT R	1	1						1
6-1	1	1A7300-14860	TIRE KIT, FRONT R	1	1						S
		(A=F110563) (B=F114609)									
7	2	198031-14710	WHEEL, 5JAX14WDC	1	1						1
7-1	2	1A7300-14720	WHEEL, 5JAX16	1	1						S
		(A=F110563) (B=F114609)									
8	2	194171-14810	TIRE, 7-14 4 FSLM	1	1						1
8-1	3	194321-14860	TIRE, 7-16 4 FSLM	1	1						S
		(A=F110563) (B=F114609)									
9	2	194171-14820	TUBE, 7-14	1	1						1
9-1	3	194321-14820	TUBE	1	1						S
		(A=F110563) (B=F114609)									
11	1	194881-12650	BOLT, M14X24	12	12						

Remarks

(1)Model EF312T Serial No. to 110562, Model EF352T Serial No. to 114608.

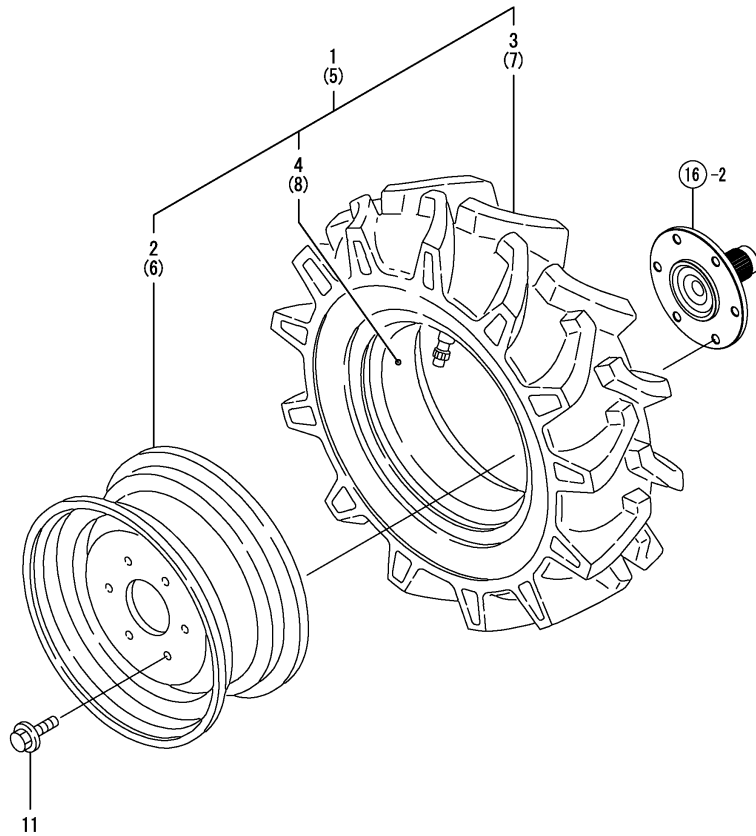
* It is made by BRIDGESTONE.

N:Old $\begin{matrix} \leftarrow \text{Yes} \\ \text{No} \end{matrix}$ New, Q:Old $\begin{matrix} \leftarrow \text{No} \\ \text{Yes} \end{matrix}$ New, R:Old $\begin{matrix} \leftarrow \text{Yes} \\ \text{Yes} \end{matrix}$ New, S:Old $\begin{matrix} \leftarrow \text{No} \\ \text{No} \end{matrix}$ New, W:Add, Z:Discontinued, F:Interchangeable by set, K:Q'ty Change

Fig.90. FRONT WHEEL TIRE(ADD.ITEM)

(A)=EF312T
(B)=EF352T
(C)=

(D)=
(E)=
(F)=

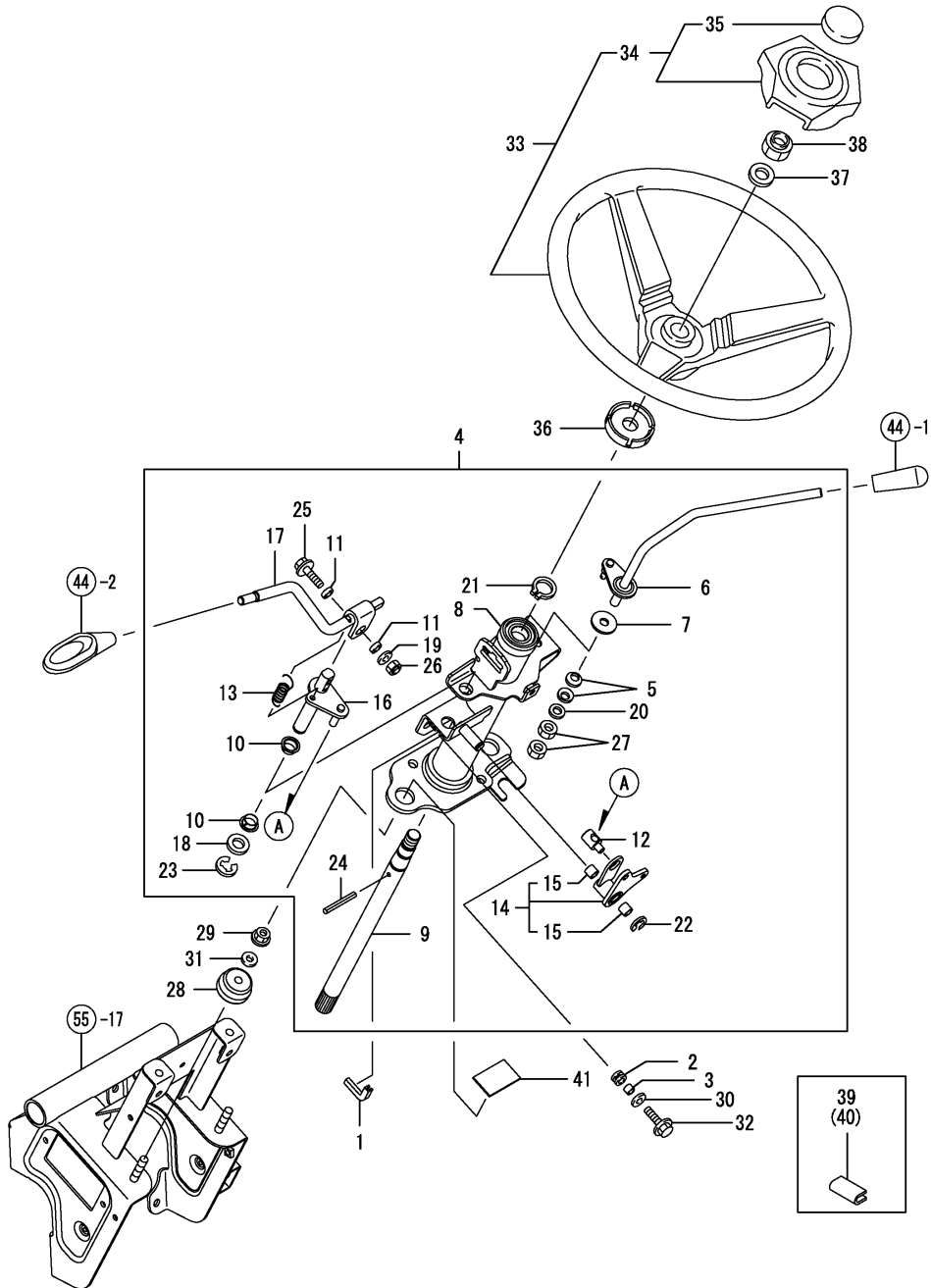


No.	Lev.	Parts No.	Description	Q'ty						I	R
				(A)	(B)	(C)	(D)	(E)	(F)		
1	1	198206-14750	TIRE KIT, FRONT L	1	1						
2	2	198031-14710	WHEEL, 5JAX14WDC	1	1						
3	2	1A7000-14720	TIRE, 7-14-4 AR-2	1	1						
4	2	1A7000-14730	TUBE, 7-14	1	1						
5	1	198206-14850	TIRE KIT, FRONT R	1	1						
6	2	198031-14710	WHEEL, 5JAX14WDC	1	1						
7	2	1A7000-14720	TIRE, 7-14-4 AR-2	1	1						
8	2	1A7000-14730	TUBE, 7-14	1	1						
9	1	194881-12650	BOLT, M14X24	12	12						

Remarks

* It is made by FALKEN.

Fig.18. STEERING

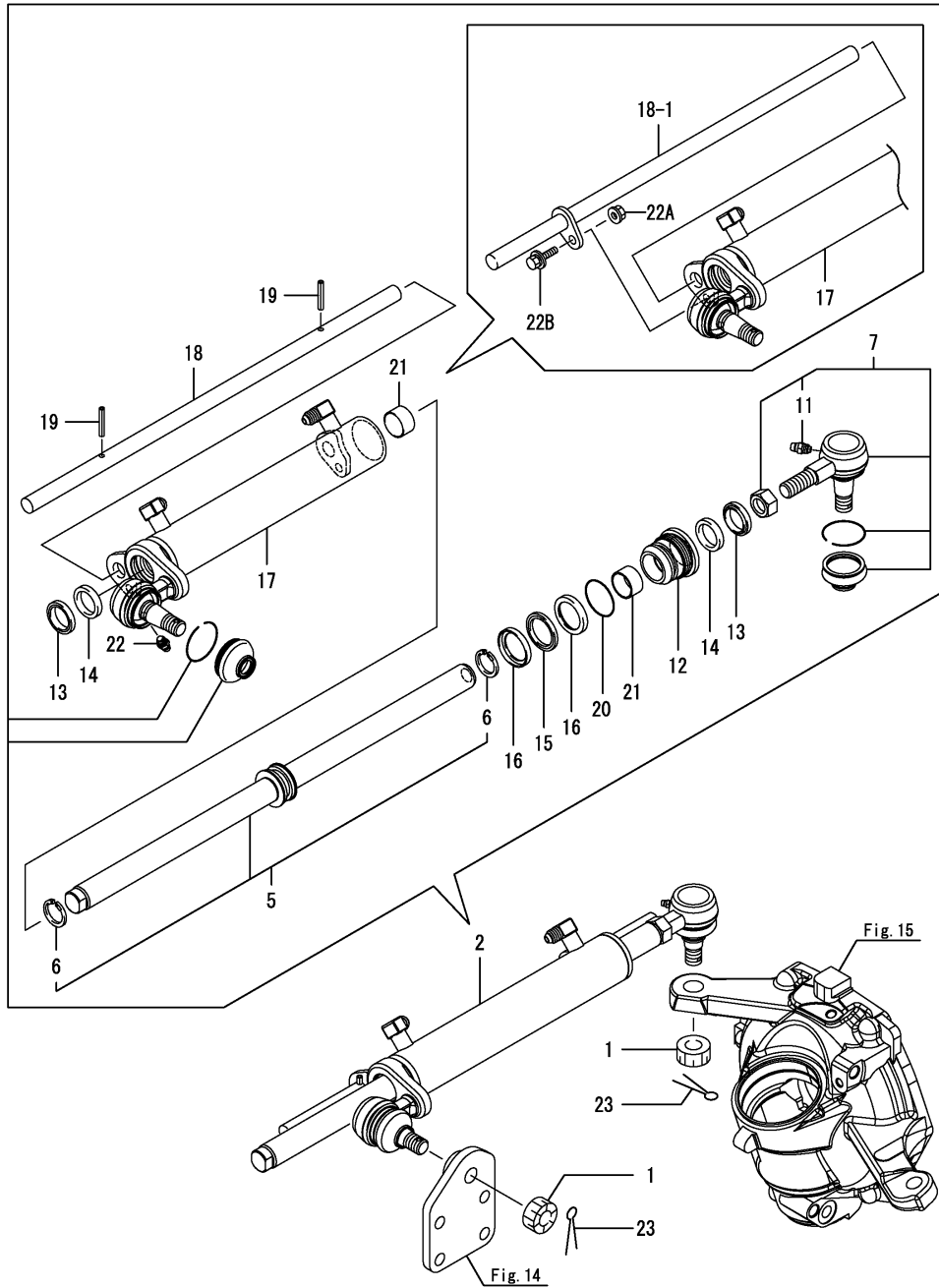


(A)=EF312T
(B)=EF352T
(C)=

(D)=
(E)=
(F)=

No.	Lev.	Parts No.	Description	Qty						I	R
				(A)	(B)	(C)	(D)	(E)	(F)		
1	1	198200-01170	SEAL, WIRE	1	1						
2	1	198360-03260	GROMMET, 12	2	2						
3	1	198360-03270	SPACER	2	2						
4	1	198200-15091	COLUMN, STEERING	1	1						
5	2	194740-00160	SPRING, 10	2	2						
6	2	198200-01110	LEVER ASSY	1	1						
7	2	198200-01260	PLATE, FRICTION	1	1						
8	2	198200-15101	COLUMN ASSY,STEERING	1	1						
9	2	198200-15180	SHAFT, STEERING	1	1						
10	2	198200-27000	BUSH, 15X16X8	2	2						
11	2	198200-27030	COLLAR, 9X14X4.7	2	2						
12	2	198200-27090	PIN, CONNECTING	1	1						
13	2	198200-27240	SPRING, RETURN	1	1						
14	2	198200-27250	PLATE ASSY, ARM	1	1						
15	3	24550-012100	BUSH 12X10	2	2						
16	2	198200-27400	SHAFT, REVERSER	1	1						
17	2	198200-27460	LEVER, REVERSER	1	1						
18	2	22117-140000	WASHER, 14	1	1						
19	2	22137-080000	WASHER, 8	1	1						
20	2	22137-100000	WASHER, 10	1	1						
21	2	22242-000200	RING, 20	1	1						
22	2	22272-000090	RING, E-9	1	1						
23	2	22272-000120	RING, E-12	1	1						
24	2	22351-040032	PIN, SPRING 4.0X32	1	1						
25	2	26106-080352	BOLT, M8X 35 PLATED	1	1						
26	2	26346-080002	NUT, M8	1	1						
27	2	26716-100002	NUT, M10	2	2						
28	1	198200-15250	MOUNT, STEERING	2	2						
29	1	194990-22140	NUT, M8	2	2						
30	1	22157-080000	WASHER, 8	2	2						
31	1	22157-080000	WASHER, 8	2	2						
32	1	26106-080252	BOLT, M8X 25 PLATED	2	2						
33	1	198133-15700	WHEEL ASSY, STEERING	1	1						
34	2	198133-15740	CAP ASSY, STEERING	1	1						
35	3	198133-15780	NAMEPLATE,HANDLE	1	1						
36	1	1A7000-15720	COVER, STEERING	1	1						
37	1	22137-160000	WASHER, 16	1	1						
38	1	26356-160002	NUT, M16	1	1						
39	1	198093-84810	SEAL, FENDER	1	1						W
(A)=FXXXXXX (B)=FXXXXXX)											
40	1	198093-84810	SEAL, FENDER	1	1						W
(A=F110467) (B=F114241)											
41	1	198093-84810	SEAL, FENDER	1	1						W
(A)=FXXXXXX (B)=FXXXXXX)											

Fig.19. P.S.T. CYLINDER

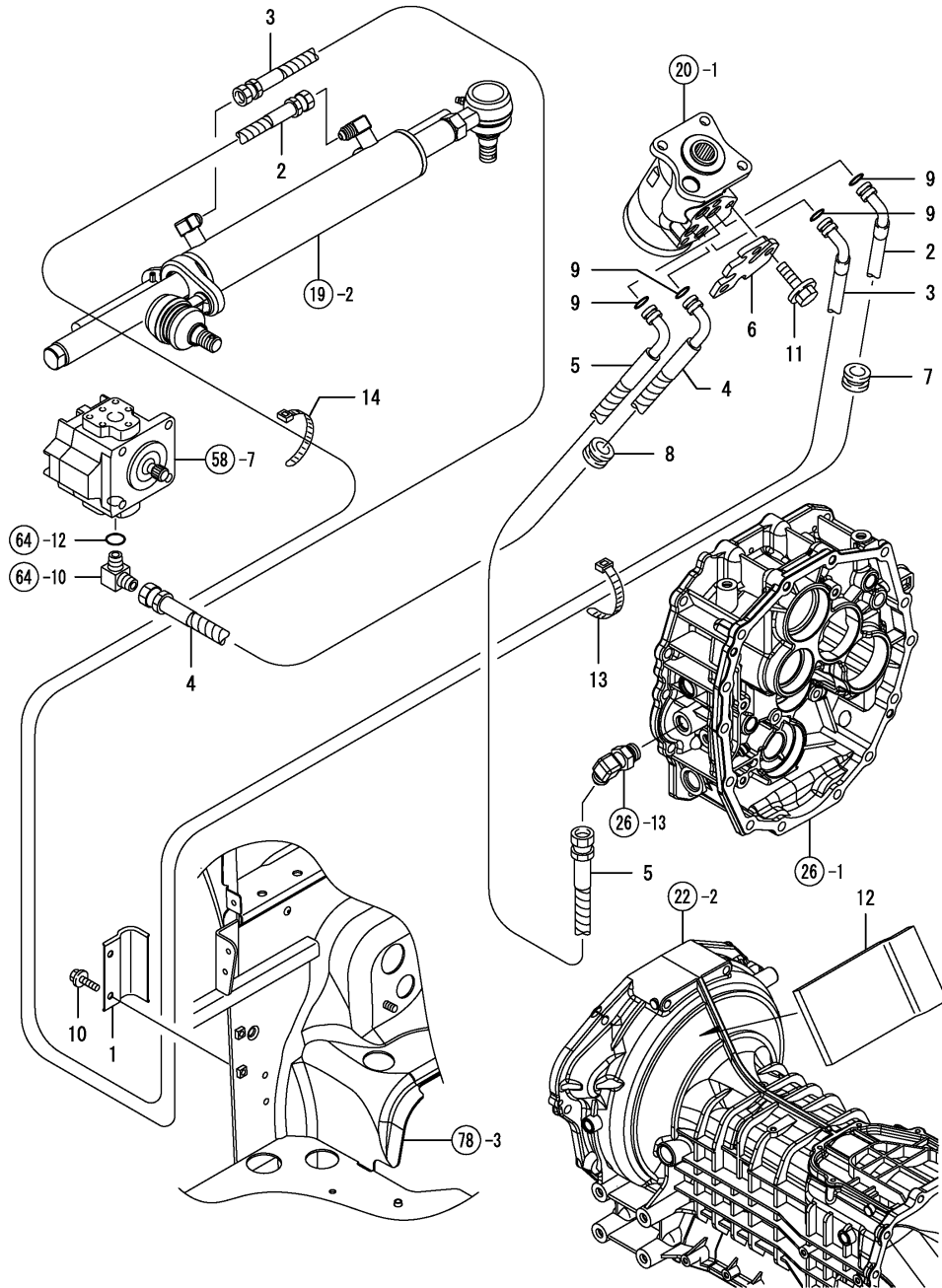


(A)=EF312T
(B)=EF352T
(C)=

(D)=
(E)=
(F)=

No.	Lev.	Parts No.	Description	Q'ty						I	R
				(A)	(B)	(C)	(D)	(E)	(F)		
1	1	194180-12470	NUT, CASTLE	2	2						
1-1	1	194180-12471	NUT, CASTLE M16	2	2						R
		(A=F110466)	(B=F113368)								
2	1	198283-17300	CYLINDER KIT	1	1						
5	2	198200-17050	ROD ASSY, STEERING	1	1						
6	3	22292-000250	RING, S-25	2	2						
7	2	198200-17070	END ASSY, ROD R	1	1						
11	3	24761-060000	NIPPLE, GREASE MT6X1	1	1						
12	2	198200-17120	CAP, CYLINDER	1	1						
13	2	198200-17140	SEAL, DUST 25	2	2						
14	2	198200-17150	PACKING, 25	2	2						
15	2	198200-17160	PACKING, PISTON	1	1						
16	2	198200-17170	BEARING, PWL40	2	2						
17	2	198283-17350	TUBE ASSY, CYLINDER	1	1						
18	2	198283-17870	BAR, GUARD	1	1						
18-1	2	198283-17640	BAR, GUARD	1	1						N
		(A=F110563)	(B=F114609)								
19	2	22351-050032	PIN, SPRING 5.0X32	2	2						Z
		(A=F110563)	(B=F114609)								
20	2	24315-000350	O-RING, 1BP35.0	1	1						
21	2	24550-025150	BUSH, 25X15	2	2						
22	2	24761-060000	NIPPLE, GREASE MT6X1	1	1						
22A	2	194990-22140	NUT, M8	1	1						W
		(A=F110563)	(B=F114609)								
22B	2	26106-080202	BOLT, M8X 20 PLATED	1	1						W
		(A=F110563)	(B=F114609)								
23	1	22417-400250	PIN, COTTER 4.0X25	2	2						

Fig.21. P.S.T. HOSE

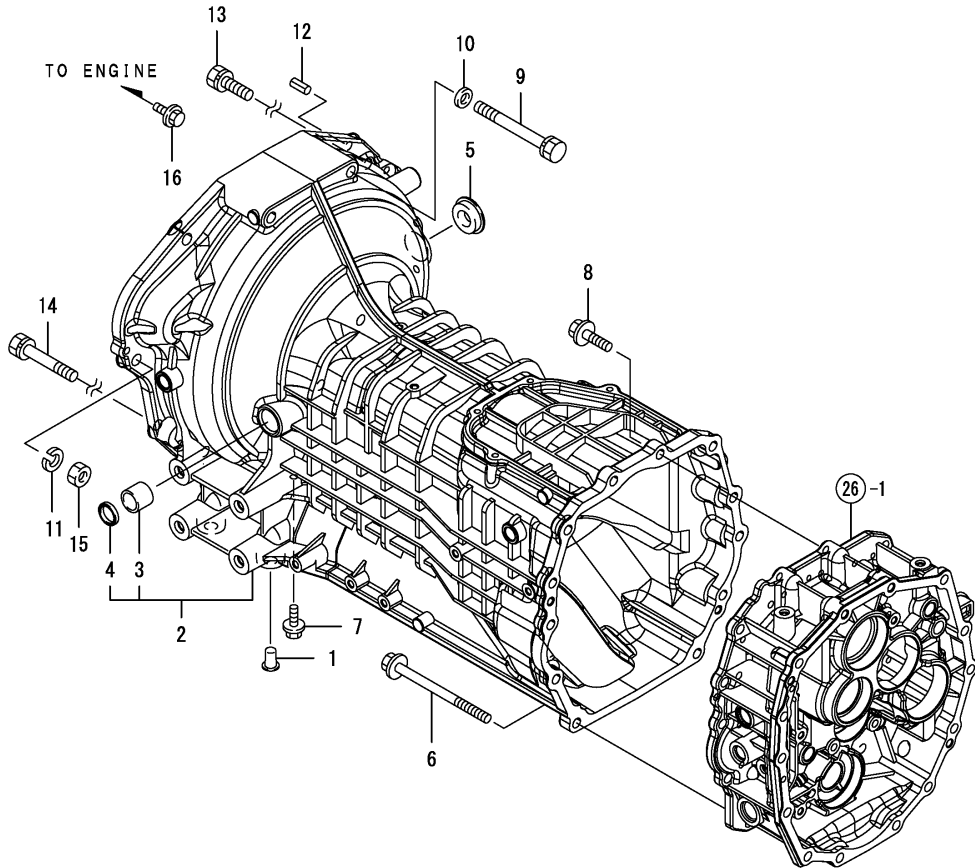


(A)=EF312T
(B)=EF352T
(C)=

(D)=
(E)=
(F)=

No.	Lev.	Parts No.	Description	Q'ty						I	R
				(A)	(B)	(C)	(D)	(E)	(F)		
1	1	198200-17750	CLAMP	1	1						
2	1	198280-17810	HOSE, PRESSURE L	1	1						
3	1	198280-17820	HOSE, PRESSURE R	1	1						
4	1	198200-17830	HOSE, PRESSURE	1	1						
5	1	198200-17840	HOSE, PRESSURE	1	1						
6	1	198200-17910	PLATE, RETAINER	1	1						
7	1	194170-51210	GROMMET	1	1						
8	1	198245-51210	GROMMET, 25/18	1	1						
9	1	24311-000120	O-RING, 1AP12.0	4	4						
9-1	1	24315-000120	O-RING, 1BP12.0	4	4						R
		(A=F110208) (B=F110264)									
10	1	26106-060122	BOLT, M6X 12 PLATED	2	2						
11	1	26136-100162	BOLT, M10X 16 PLATED	3	3						
12	1	198280-04450	SEAL, FUEL HOSE	1	1						W
		(A=FXXXXXX) (B=FXXXXXX)									
13	1	29622-140001	BAND, RF140	1	1						W
		(A=FXXXXXX) (B=FXXXXXX)									
14	1	29622-250001	BAND, RF250	1	1						W
		(A=FXXXXXX) (B=FXXXXXX)									

Fig.22. CLUTCH HOUSING

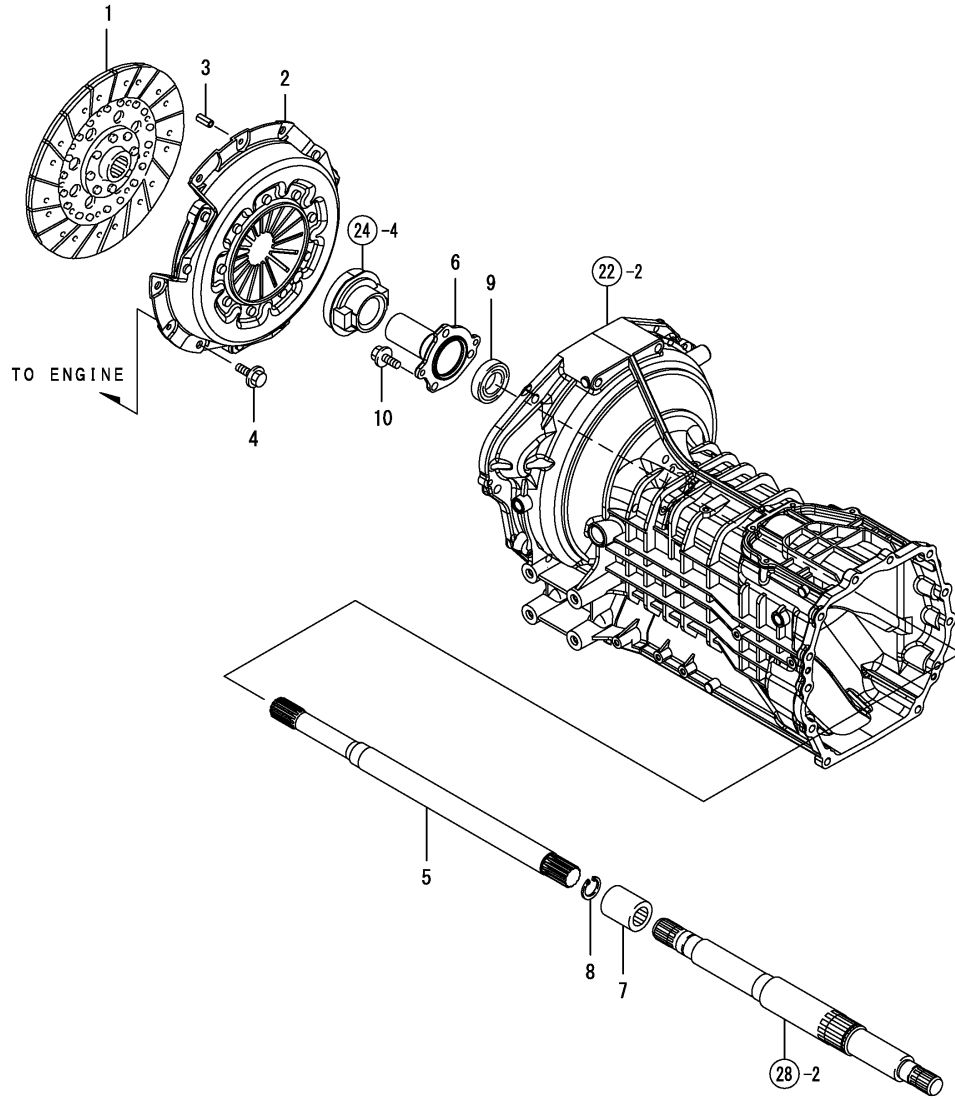


(A)=EF312T
(B)=EF352T
(C)=

(D)=
(E)=
(F)=

No.	Lev.	Parts No.	Description	Qty						I	R
				(A)	(B)	(C)	(D)	(E)	(F)		
1	1	194201-11230	CAP. SCREW 12.0	4	4						
2	1	198200-21100	HOUSING ASSY, CLUTCH	1	1						
2-1	1	198200-21100-1	HOUSING ASSY, CLUTCH	1	1						S
		(A=F110563) (B=F114609)									
3	2	194680-22280	BUSH, 20X26X22	2	2						
3-1	2	24550-020200	BUSH, 20X20	2	2						S
		(A=FXXXXX) (B=FXXXXX)									
4	2	194680-22290	SEAL, OIL G202604	2	2						
4-1	2	24421-203007	SEAL, OIL TC203007	2	2						S
		(A=FXXXXX) (B=FXXXXX)									
5	1	198200-21120	PLUG, BORE 35	1	1						
5-1	1	27260-350000	PLUG, 35	1	1						S
		(A=FXXXXX) (B=FXXXXX)									
6	1	198200-21140	BOLT, M10X135	10	10						
7	1	26106-080162	BOLT, M8X 16 PLATED	1	1						
8	1	26106-100352	BOLT, M10X 35 PLATED	2	2						
9	1	198206-21220	BOLT, M12X110	2	2						
10	1	198206-21230	COLLAR	2	2						
11	1	22217-120000	WASHER, SPRING 12	1	1						
12	1	22351-080018	PIN, SPRING 8.0X18	2	2						
13	1	26013-120352	BOLT, M12X 35	4	4						
14	1	26013-120702	BOLT, M12X 70	2	2						
14-1	1	26108-120702	BOLT, M12X 70 PLATED	2	2						N
		(A=FXXXXXX) (B=FXXXXXX)									
14-2	1	192180-32231	BOLT 12X70	2	2						R
		(A=F110773) (B=F116278)									
15	1	26716-120002	NUT, M12	1	1						
16	1	26106-080122	BOLT, M8X 12 PLATED	1	1						W
		(A=F110306) (B=F111912)									
16-1	1	26106-080122	BOLT, M8X 12 PLATED	2	2						K
		(A=FXXXXXX) (B=FXXXXXX)									

Fig.23. CLUTCH & CLUTCH SHAFT

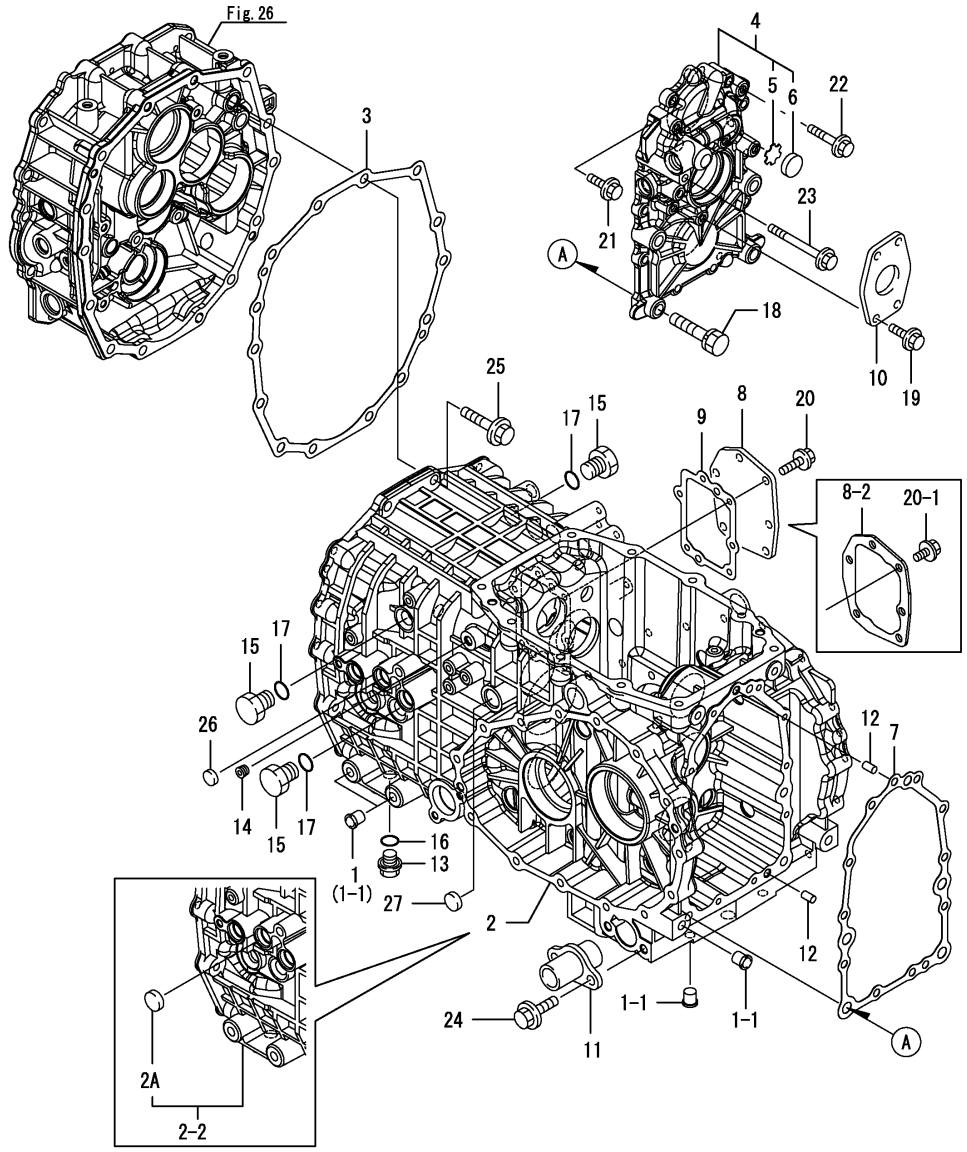


(A)=EF312T
(B)=EF352T
(C)=

(D)=
(E)=
(F)=

No.	Lev.	Parts No.	Description	Q'ty						I	R
				(A)	(B)	(C)	(D)	(E)	(F)		
1	1	198287-21510	DISK, CLUTCH 225	1	1						
2	1	198287-21700	PLATE, PRESSURE	1	1						
3	1	22351-080018	PIN, SPRING 8.0X18	3	3						
4	1	26106-080162	BOLT, M8X 16 PLATED	6	6						
5	1	198200-22111	SHAFT, MAIN DRIVE	1	1						
6	1	198200-22531	SLEEVE, BEARING	1	1						
7	1	194555-26520	COUPLING, PTO	1	1						
8	1	22252-000220	RING, 22	1	1						
9	1	24104-060054	BEARING, BALL 6005UU	1	1						
10	1	26106-080202	BOLT, M8X 20 PLATED	3	3						

Fig.25. TRANSMISSION CASE



(A)=EF312T
(B)=EF352T
(C)=

(D)=
(E)=
(F)=

No.	Lev.	Parts No.	Description	Q'ty						I	R
				(A)	(B)	(C)	(D)	(E)	(F)		
1	1	194150-21910	PLUG, 11.2	4	4						
1-1	1	194150-21910	PLUG, 11.2	10	10						K
		(A)=FXXXXXX (B)=FXXXXXX									
2	1	198282-24110	CASE, TRANSMISSION	1	1						
2-1	1	198282-24111	CASE, TRANSMISSION	1	1						N
		(A=F110357) (B=F112274)									
2-2	1	198282-24010	HOUSING ASSY	1	1						N
		(A=FXXXXXX) (B=FXXXXXX)									
2-3	1	198282-24010-1	HOUSING ASSY	1	1						S
		(A=F110563) (B=F114609)									
2A	2	27260-220000	PLUG, 22	1	1						W
		(A=FXXXXXX) (B=FXXXXXX)									
3	1	198200-24120	GASKET, MISSION CASE	1	1						
4	1	198282-24150	COVER, TRANSMISSION	1	1						
4-1	1	198280-24152	COVER ASSY, MISSION	1	1						R
		(A=FXXXXXX) (B=FXXXXXX)									
4-2	1	198280-24152-1	COVER ASSY, MISSION	1	1						S
		(A=F110563) (B=F114609)									
5	2	198071-24350	PLATE, WINDOW	1	1						
6	2	1A1040-28470	WINDOW, OIL CHECK 25	1	1						
7	1	198200-24170	GASKET, MISSION	1	1						
8	1	198280-24180	COVER, MISSION	1	1						
8-1	1	198280-24180-1	COVER, MISSION	1	1						S
		(A=F110563) (B=F114609)									
8-2	1	1A8100-24180	COVER, XMSN. SIDE	1	1						S
		(A=FXXXXXX) (B=FXXXXXX)									
9	1	198200-24190	GASKET, HOUSING	1	1						Z
		(A=FXXXXXX) (B=FXXXXXX)									
10	1	198255-24460-2	PLATE, OIL SEAL	1	1						
10-1	1	198255-24460-3	PLATE, OIL SEAL	1	1						S
		(A=F110563) (B=F114609)									
11	1	198200-73170	SUPPORT, LOWER LINK	2	2						
11-1	1	198200-73170-1	SUPPORT, LOWER LINK	2	2						S
		(A=F110563) (B=F114609)									
12	1	22312-080140	PIN, PARALLEL M8X14	2	2						
13	1	23491-140002	PLUG, 14	1	1						
14	1	23871-010000	PLUG, R01	1	1						
15	1	23887-180002	PLUG, 18	3	3						
16	1	24311-000160	O-RING, 1AP16.0	1	1						
17	1	24311-000180	O-RING, 1AP18.0	3	3						
18	1	26013-120552	BOLT, M12X 55	2	2						
19	1	26106-080162	BOLT, M8X 16 PLATED	2	2						
20	1	26106-080202	BOLT, M8X 20 PLATED	6	6						
20-1	1	26106-080162	BOLT, M8X 16 PLATED	6	6						S
		(A=FXXXXXX) (B=FXXXXXX)									
21	1	26106-080252	BOLT, M8X 25 PLATED	8	8						
22	1	26106-080452	BOLT, M8X 45 PLATED	1	1						
23	1	26106-080802	BOLT, M8X 80 PLATED	1	1						
24	1	26106-100252	BOLT, M10X 25 PLATED	4	4						
25	1	26106-100502	BOLT, M10X 50 PLATED	2	2						
26	1	27260-170000	PLUG, 17	1	1						Z

N:Old $\begin{matrix} \leftarrow \text{Yes} \\ \text{No} \end{matrix}$ New, Q:Old $\begin{matrix} \leftarrow \text{No} \\ \text{Yes} \end{matrix}$ New, R:Old $\begin{matrix} \leftarrow \text{Yes} \\ \text{Yes} \end{matrix}$ New, S:Old $\begin{matrix} \leftarrow \text{No} \\ \text{No} \end{matrix}$ New, W:Add, Z:Discontinued, F:Interchangeable by set, K:Q'ty Change
 ++ CONTINUE ++
 Copyright (C) YANMAR CO., LTD. All Rights Reserved.

Fig.25. TRANSMISSION CASE

(A)=EF312T
(B)=EF352T
(C)=

(D)=
(E)=
(F)=

No.	Lev.	Parts No.	Description	Q'ty						I	R
				(A)	(B)	(C)	(D)	(E)	(F)		
		(A=FXXXXXX) (B=FXXXXXX)									
27	1	27260-200000	PLUG, 20	1	1						W
		(A=FXXXXXX) (B=FXXXXXX)									

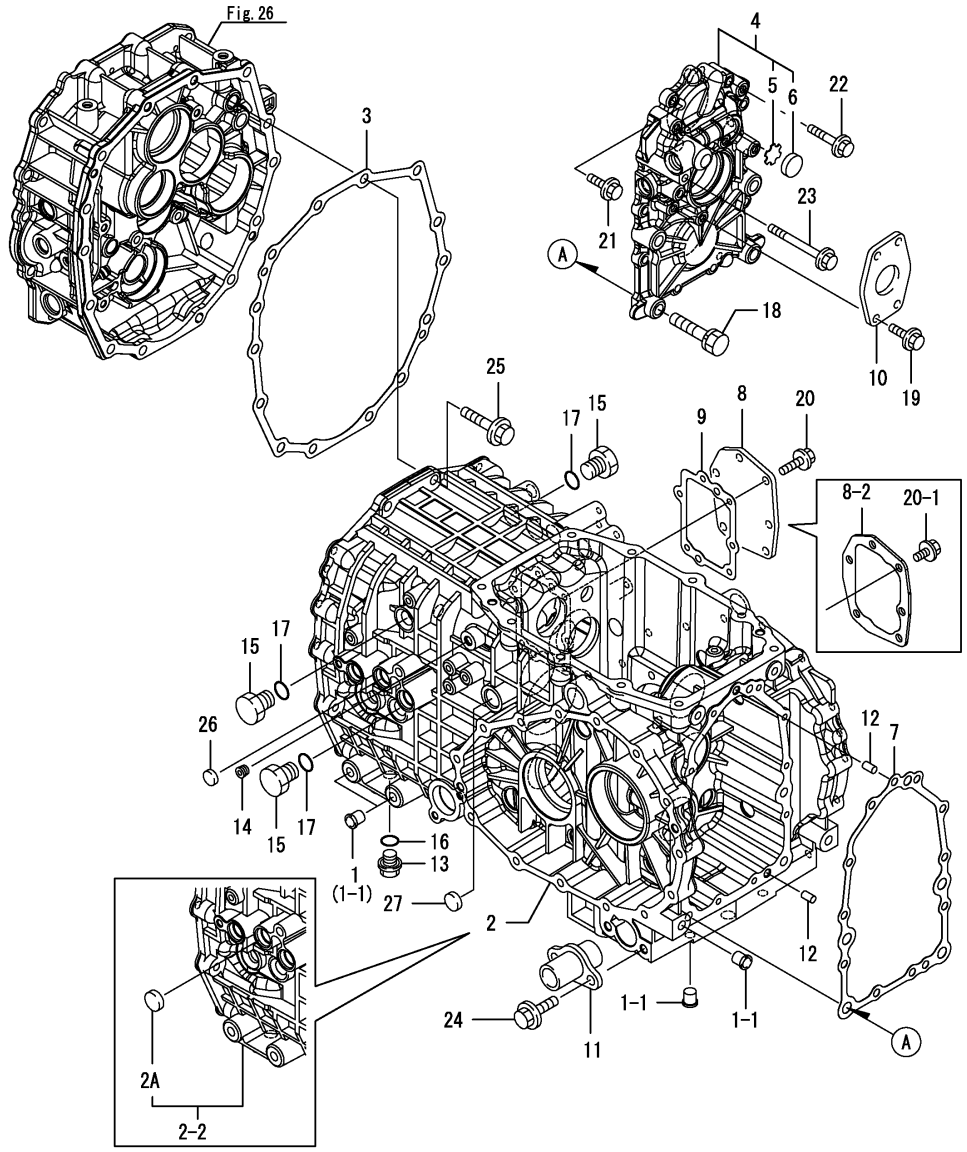
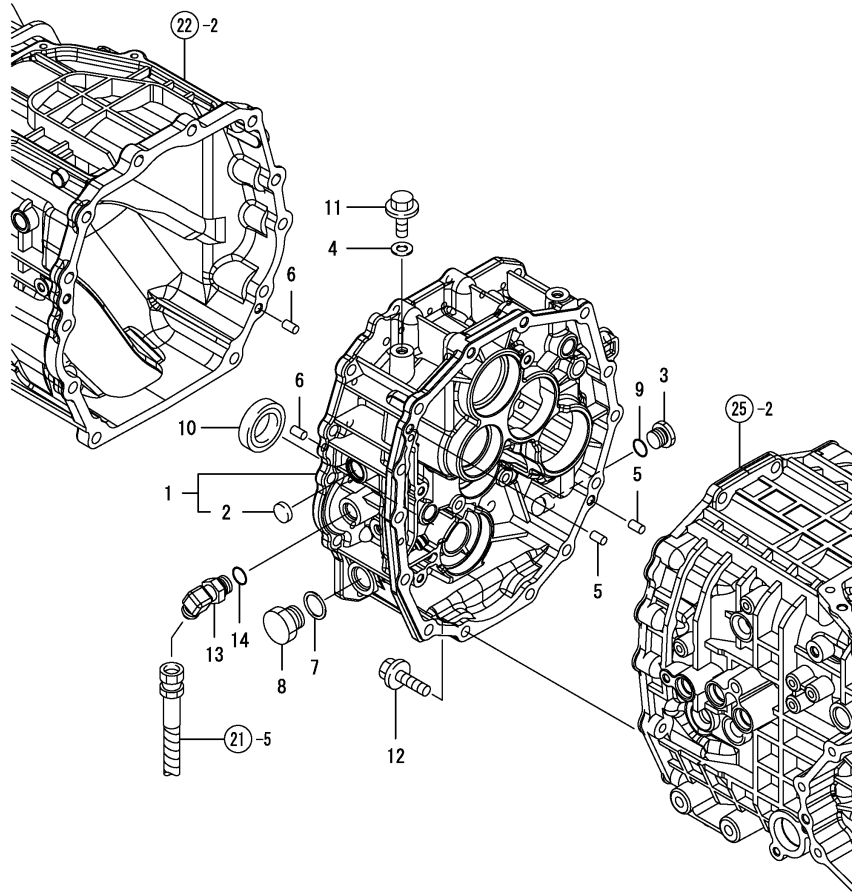


Fig.26. CENTER PLATE

(A)=EF312T
(B)=EF352T
(C)=

(D)=
(E)=
(F)=



No.	Lev.	Parts No.	Description	Q'ty						I	R
				(A)	(B)	(C)	(D)	(E)	(F)		
1	1	198282-24300	PLATE ASSY	1	1						
1-1	1	198282-24300-1 (A=F110563) (B=F114609)	PLATE ASSY, CENTER	1	1						S
1-2	1	198282-24301 (A=F110773) (B=F116278)	PLATE ASSY, CENTER	1	1						N 1
2	2	198282-24330	PLUG, BORE 19	1	1						
3	1	192167-24600	PLUG	1	1						
4	1	22190-100000	WASHER, SEAL 10	1	1						
5	1	22312-080140	PIN, PARALLEL M8X14	2	2						
6	1	22312-080140	PIN, PARALLEL M8X14	2	2						
7	1	23414-220000	GASKET, 22X1.0	1	1						
8	1	23887-220002	PLUG M22,HEX.	1	1						
9	1	24311-000140	O-RING, 1AP14.0	1	1						
10	1	24421-305011	SEAL, OIL TC305011	1	1						
11	1	26106-100162	BOLT, M10X 16 PLATED	1	1						
12	1	26106-100302	BOLT, M10X 30 PLATED	2	2						
13	1	1E6680-66470	ELBOW, 3/8	1	1						
14	1	24311-000140	O-RING, 1AP14.0	1	1						

Remarks

(1)Repair parts is shown in Fig.95.

N:Old $\xrightarrow{\text{Yes}}$ New, Q:Old $\xrightarrow{\text{No}}$ New, R:Old $\xrightarrow{\text{Yes}}$ New, S:Old $\xrightarrow{\text{No}}$ New, W:Add, Z:Discontinued, F:Interchangeable by set, K:Q'ty Change

Fig.27. REVERSE HOUSING

(A)=EF312T
(B)=EF352T
(C)=

(D)=
(E)=
(F)=

No.	Lev.	Parts No.	Description	Q'ty						I	R
				(A)	(B)	(C)	(D)	(E)	(F)		
1	1	198200-24320	SEAL, OIL TC304508	1	1						
2	1	198200-24410	CASE, REVERSER	1	1						
2-1	1	198200-24410-1	CASE, REVERSER	1	1						S
3	1	(A=F110563) 198200-24420	(B=F114609) GASKET, HOUSING	1	1						
4	1	22312-080140	PIN, PARALLEL M8X14	2	2						
5	1	26106-080252	BOLT, M8X 25 PLATED	13	13						

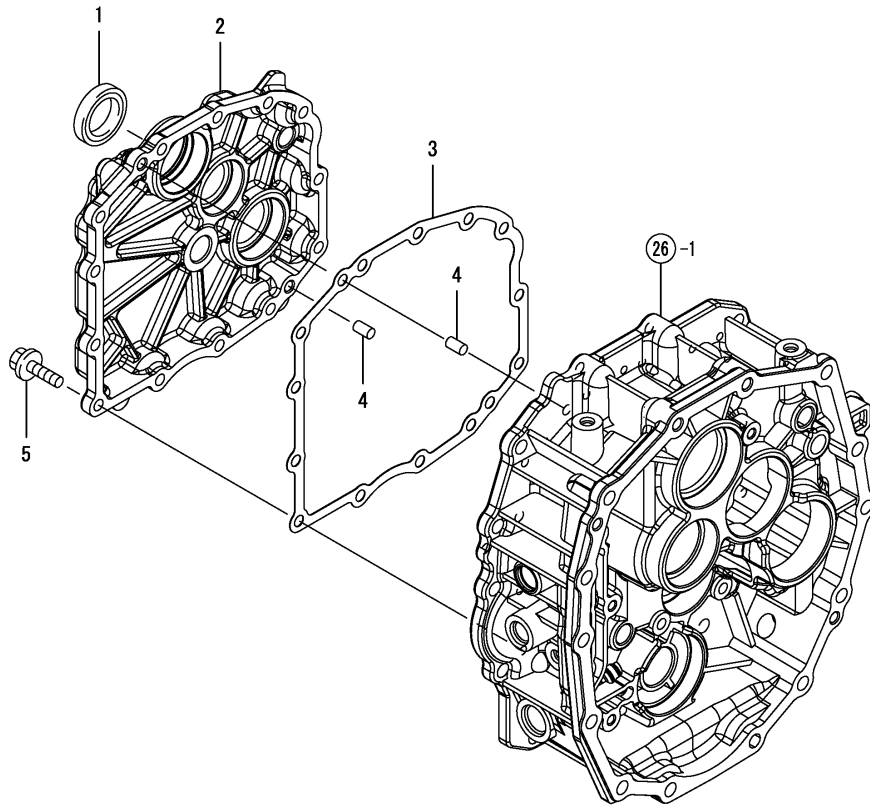


Fig.28. MAIN DRIVE SHAFT

(A)=EF312T
(B)=EF352T
(C)=

(D)=
(E)=
(F)=

No.	Lev.	Parts No.	Description	Q'ty						I	R
				(A)	(B)	(C)	(D)	(E)	(F)		
1	1	1D2180-22130	BEARING, BALL 63/22	1	1						
2	1	198282-25110	SHAFT, DRIVE	1	1						
3	1	198282-25130	GEAR, MAIN DRIVE 26	1	1						
4	1	1E6190-54080	SLEEVE SI25X30X13	1	1						
5	1	22242-000340	RING, 34	1	1						
6	1	24101-060054	BEARING, BALL 6005	1	1						
7	1	24101-062064	BEARING, BALL 6206	1	1						

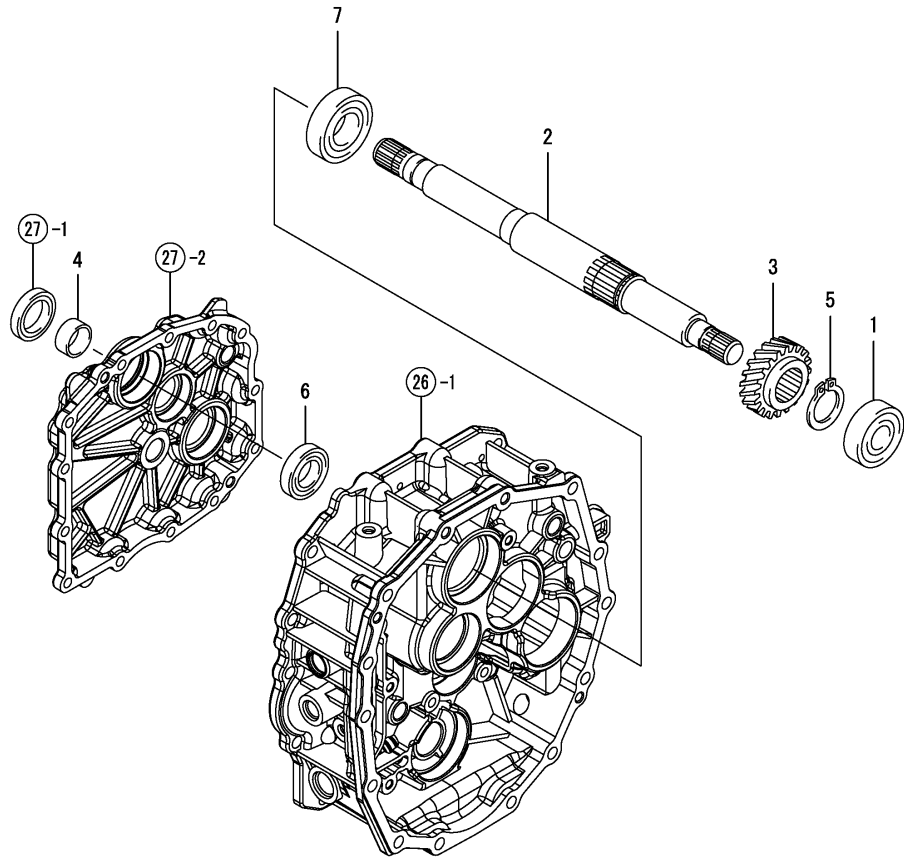


Fig.29. MAIN SHAFT

(A)=EF312T
(B)=EF352T
(C)=

(D)=
(E)=
(F)=

No.	Lev.	Parts No.	Description	Q'ty						I	R
				(A)	(B)	(C)	(D)	(E)	(F)		
1	1	198200-25120	GEAR, MAIN 40	1	1						
2	1	198200-25210	SHAFT, MAIN	1	1						
3	1	24101-063044	BEARING, BALL 6304	2	2						

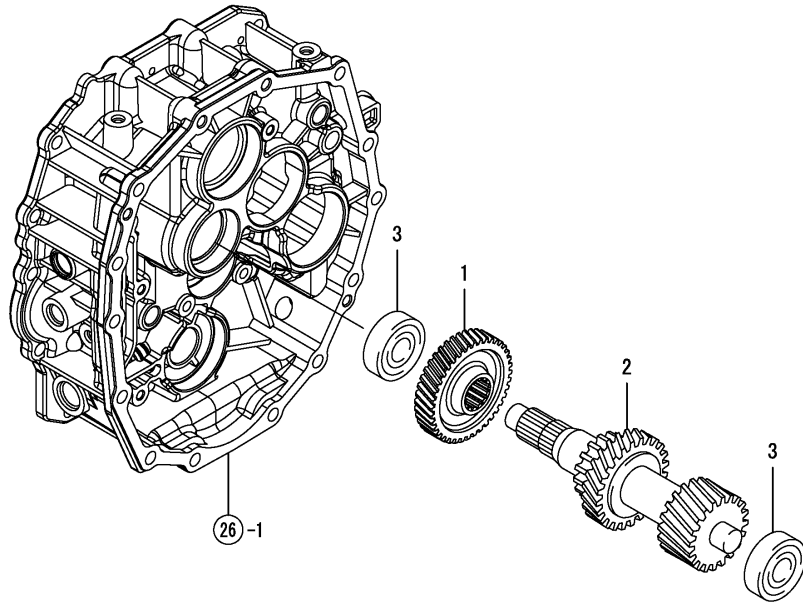
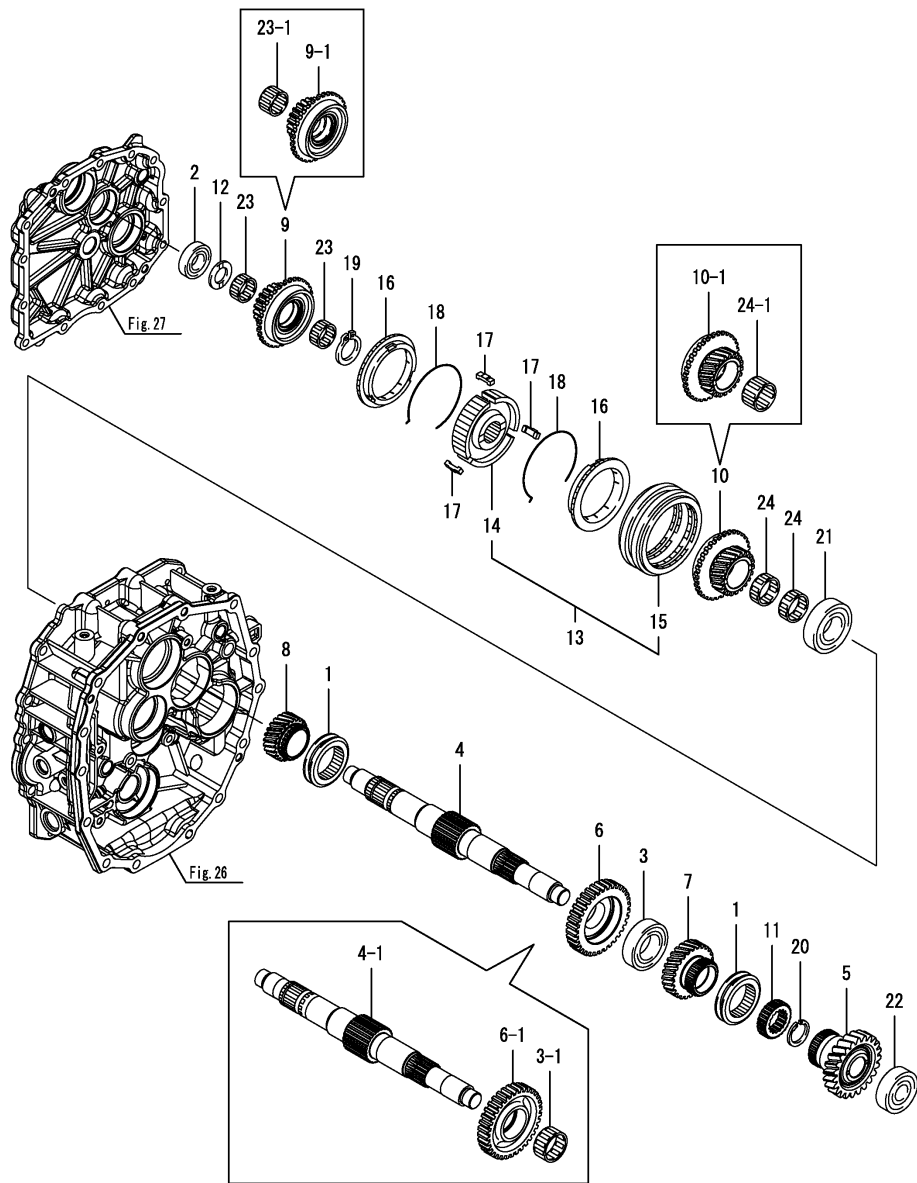


Fig.30. REVERSER SHAFT



(A)=EF312T
(B)=EF352T
(C)=

(D)=
(E)=
(F)=

No.	Lev.	Parts No.	Description	Q'ty						I	R
				(A)	(B)	(C)	(D)	(E)	(F)		
1	1	198200-25150	SHIFTER, MAIN SHIFT	2	2						
2	1	194515-25180	BEARING, BALL TMB004	1	1						
2-1	1	24101-060044	BEARING, BALL 6004	1	1						R
(A=FZZZZZ) (B=FZZZZZ)											
3	1	194800-25250	BEARING, BALL 60/32	1	1						1
3-1	1	24161-323717	BEARING, 323717	1	1						S
(A=FXXXXX) (B=FXXXXX)											
4	1	198200-25410	SHAFT, REVERSER	1	1						1
4-1	1	198200-25411	SHAFT, REVERSER	1	1						S
(A=FXXXXX) (B=FXXXXX)											
5	1	198200-25420	GEAR, SHIFT 31	1	1						
6	1	198200-25430	GEAR, SHIFT 34	1	1						1
6-1	1	198200-25431	GEAR, MAIN SHIFT	1	1						S
(A=FXXXXX) (B=FXXXXX)											
7	1	198200-25440	GEAR, SHIFT 26	1	1						
8	1	198200-25450	GEAR, SHIFT 23	1	1						
9	1	198200-25460	GEAR, DRIVEN 20	1	1						1
9-1	1	198200-25461	GEAR, DRIVEN	1	1						S
(A=FZZZZZ) (B=FZZZZZ)											
10	1	198200-25470	GEAR, DRIVEN 21	1	1						1
10-1	1	198200-25471	GEAR, DRIVEN21	1	1						S
(A=FZZZZZ) (B=FZZZZZ)											
11	1	198200-25480	COLLAR, SPLINE 25	1	1						
12	1	198200-25490	WASHER, 20	1	1						
13	1	198121-25800	HUB ASSY, SYNCHRO	1	1						
14	2	198121-25820	HUB, SYNCHRO	1	1						
15	2	198121-25830	SLIDER	1	1						
16	1	198121-25840	RING, SYNCHRONIZER	2	2						
17	1	198121-25850	KEY, SYNCHRONIZER	3	3						
18	1	198121-25870	SPRING, SYNCHRO	2	2						
19	1	22242-000290	RING, 29	1	1						
20	1	22292-000280	RING, S-28	1	1						
21	1	24101-062064	BEARING, BALL 6206	1	1						
22	1	24101-063044	BEARING, BALL 6304	1	1						
23	1	24161-253013	BEARING, 253013	2	2						1
23-1	1	24161-253017	BEARING, 253017	1	1						S
(A=FZZZZZ) (B=FZZZZZ)											
24	1	24161-303513	BEARING, 303513	2	2						1
24-1	1	24161-303520	BEARING, 303520	1	1						S
(A=FZZZZZ) (B=FZZZZZ)											

Remarks

(1) Spare parts is shown in Fig.101.

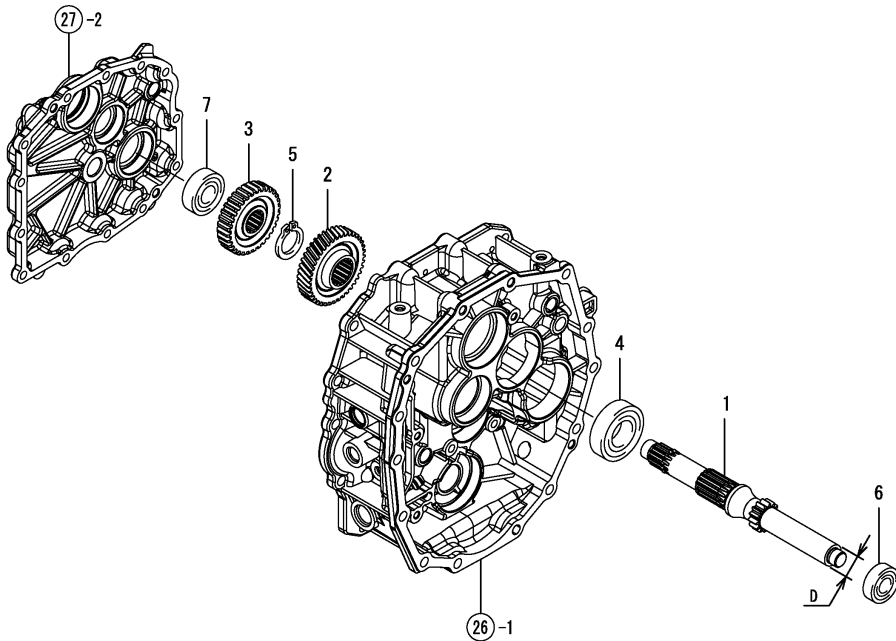
N:Old $\xrightarrow{\text{Yes}}$ New, Q:Old $\xrightarrow{\text{No}}$ New, R:Old $\xrightarrow{\text{Yes}}$ New, S:Old $\xrightarrow{\text{No}}$ New, W:Add, Z:Discontinued, F:Interchangeable by set, K:Q'ty Change

Fig.31. REDUCTION SHAFT

(A)=EF312T
(B)=EF352T
(C)=

(D)=
(E)=
(F)=

No.	Lev.	Parts No.	Description	Q'ty						I	R
				(A)	(B)	(C)	(D)	(E)	(F)		
1	1	198200-25510	SHAFT, REDUCTION	1	1						
1-1	1	1A8115-25510	SHAFT, REDUCTION	1	1						S 1
		(A=F110563) (B=F114609)									
2	1	198200-25650	GEAR, DRIVE 33	1	1						
3	1	198200-25660	GEAR, REVERSE R 32	1	1						
4	1	194640-26440	BEARING, BALL TMB206	1	1						
5	1	22242-000290	RING, 29	1	1						
6	1	24101-062034	BEARING, BALL 6203	1	1						
7	1	24101-062044	BEARING, BALL 6204	1	1						



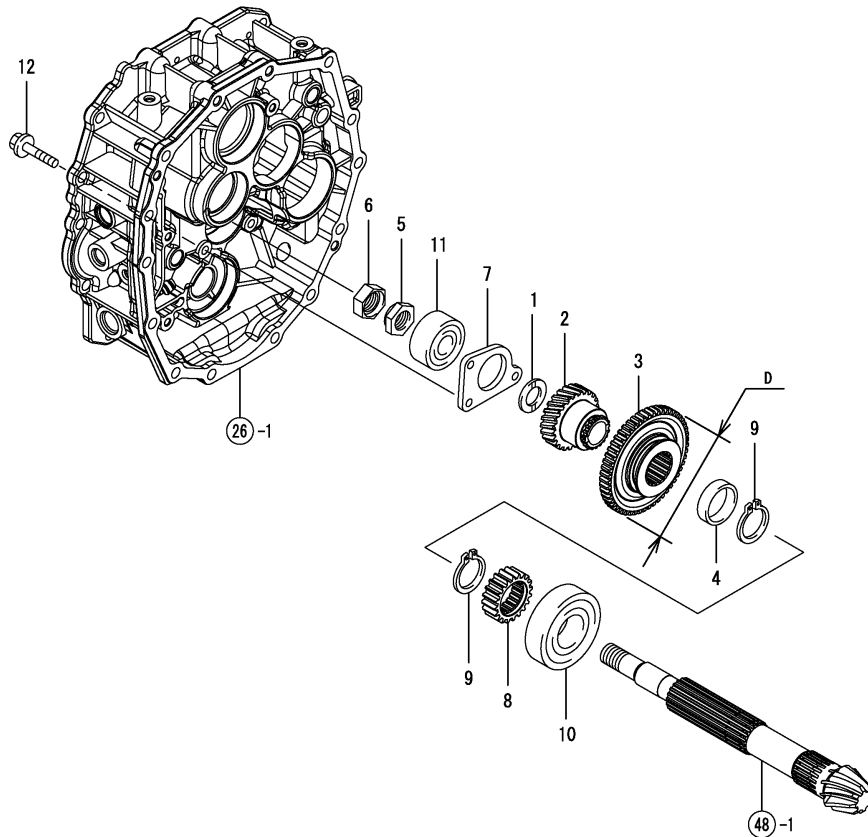
Remarks

(1)D=No.1 : 24mm, No.1-1 : 30mm.

Fig.32. COUNTER SHAFT

(A)=EF312T
(B)=EF352T
(C)=

(D)=
(E)=
(F)=



No.	Lev.	Parts No.	Description	Q'ty						I	R
				(A)	(B)	(C)	(D)	(E)	(F)		
1	1	198200-25490	WASHER, 20	1	1						
2	1	198200-25520	GEAR, COUNTER 24	1	1						
3	1	198200-25530	GEAR, SLIDE 53	1	1						
3-1	1	1A8115-25530 (A=F110563) (B=F114609)	GEAR, SLIDE 49	1	1						S 1
4	1	198282-25540	COLLAR, 36X43X11	1	1						
5	1	198200-25550 (A=FZZZZZ) (B=FZZZZZ)	NUT, LOCK M20	1	1						Z
6	1	198200-25560 (A=FZZZZZ) (B=FZZZZZ)	NUT, LOCK M20	1	1						Z
7	1	198200-25590 (A=FZZZZZ) (B=FZZZZZ)	PLATE, KEEP	1	1						Z
8	1	198200-28250	GEAR, DRIVE 20	1	1						
8-1	1	198200-28251 (A=FZZZZZ) (B=FZZZZZ)	GEAR, FRONT DRIVE	1	1						N
9	1	22242-000340	RING, 34	2	2						
10	1	24101-063074	BEARING, BALL 6307	1	1						
11	1	24512-053044	BEARING, BALL 5304	1	1						
12	1	26106-080402	BOLT, M8X 40 PLATED	3	3						
12-1	1	26106-080502 (A=F110773) (B=F116278)	BOLT, M8X 50 PLATED	3	3						N 2
12-2	1	26106-080502 (A=FZZZZZ) (B=FZZZZZ)	BOLT, M8X 50 PLATED	3	3						Z 2

Remarks

- (1)D=No.3 : 110.8mm, No.3-1 : 103mm.
- (2)Repair parts is shown in Fig.95.

Fig.33. REVERSER IDLE SHAFT

(A)=EF312T
(B)=EF352T
(C)=

(D)=
(E)=
(F)=

No.	Lev.	Parts No.	Description	Q'ty						I	R
				(A)	(B)	(C)	(D)	(E)	(F)		
1	1	198200-25490	WASHER, 20	1	1						
2	1	198172-25630	NUT, LOCK M12	1	1						
3	1	198172-25640	NUT, LOCK M12	1	1						
4	1	198200-25910	SHAFT, REVERSE IDLE	1	1						
5	1	198200-25930	GEAR, IDLE 21	1	1						
6	1	22137-120000	WASHER, 12	1	1						
7	1	24161-253017	BEARING, 253017	1	1						
8	1	24311-000160	O-RING, 1AP16.0	1	1						

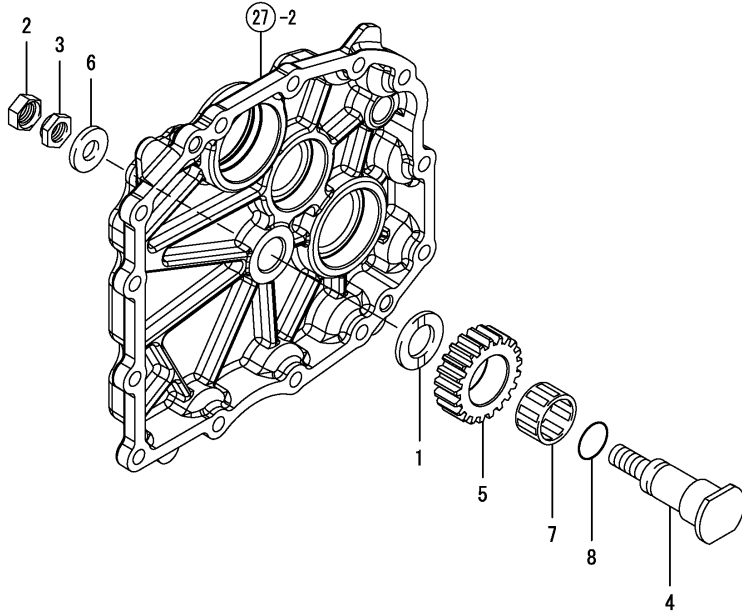


Fig.34. P.T.O. DRIVE SHAFT

(A)=EF312T
(B)=EF352T
(C)=

(D)=
(E)=
(F)=

No.	Lev.	Parts No.	Description	Q'ty						I	R
				(A)	(B)	(C)	(D)	(E)	(F)		
1	1	198212-25150	COUPLING, 13X16/32	1	1						
2	1	194640-25390	BEARING, BALL TMB205	1	1						
3	1	198282-26250	SHAFT, PTO PINION	1	1						
4	1	22252-000190	RING, 19	1	1						
5	1	24101-063054	BEARING, BALL 6305	1	1						

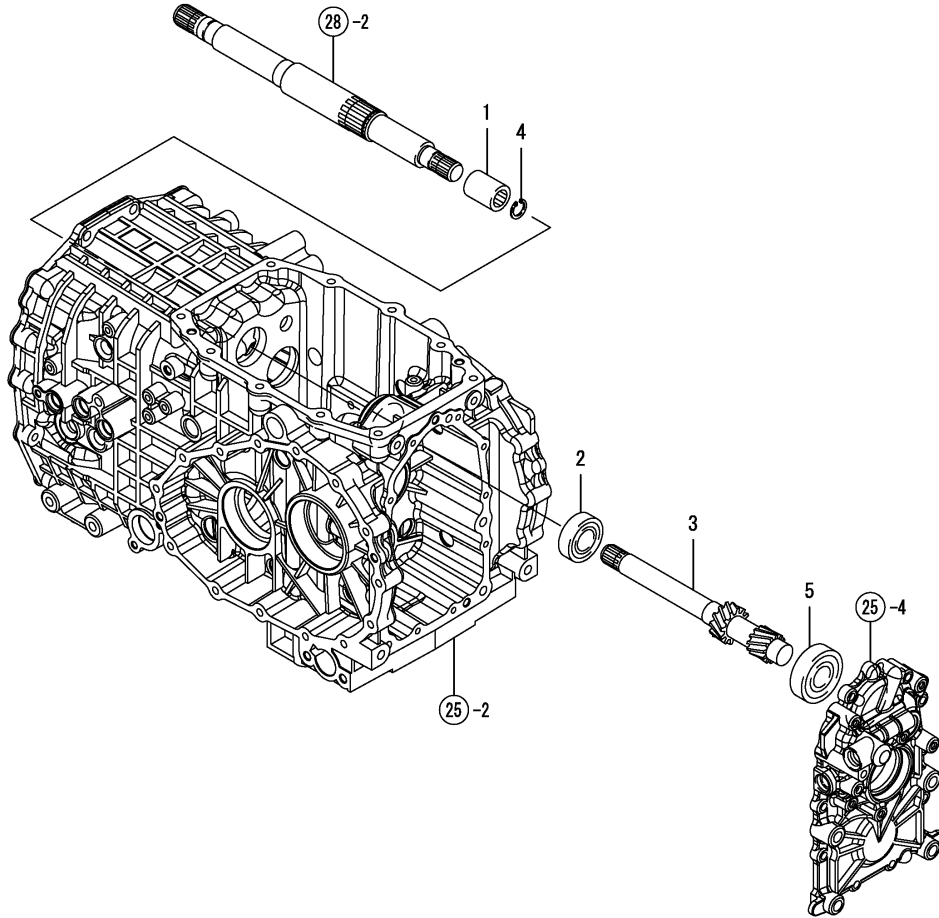
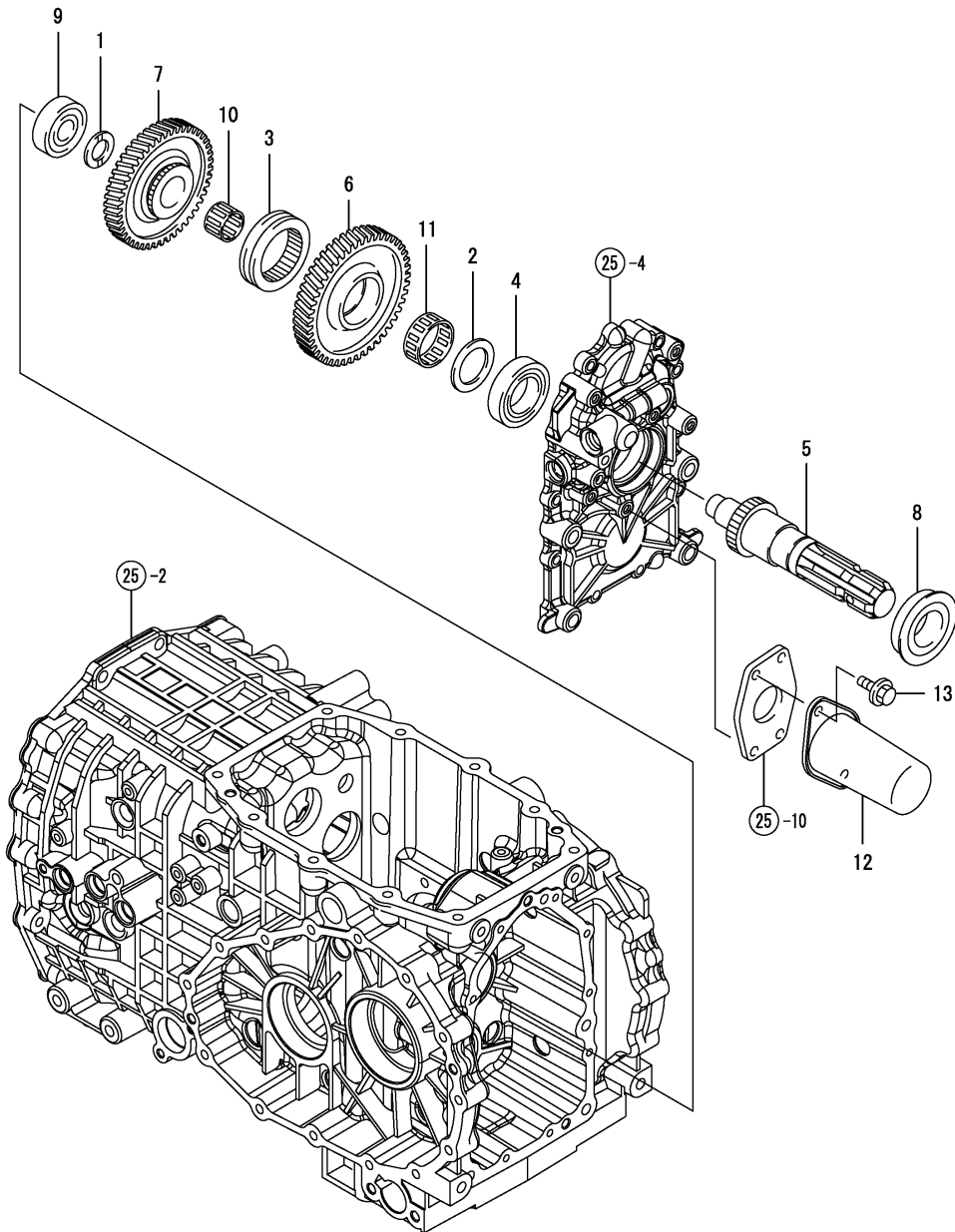


Fig.35. P.T.O. SHAFT

(A)=EF312T
(B)=EF352T
(C)=

(D)=
(E)=
(F)=

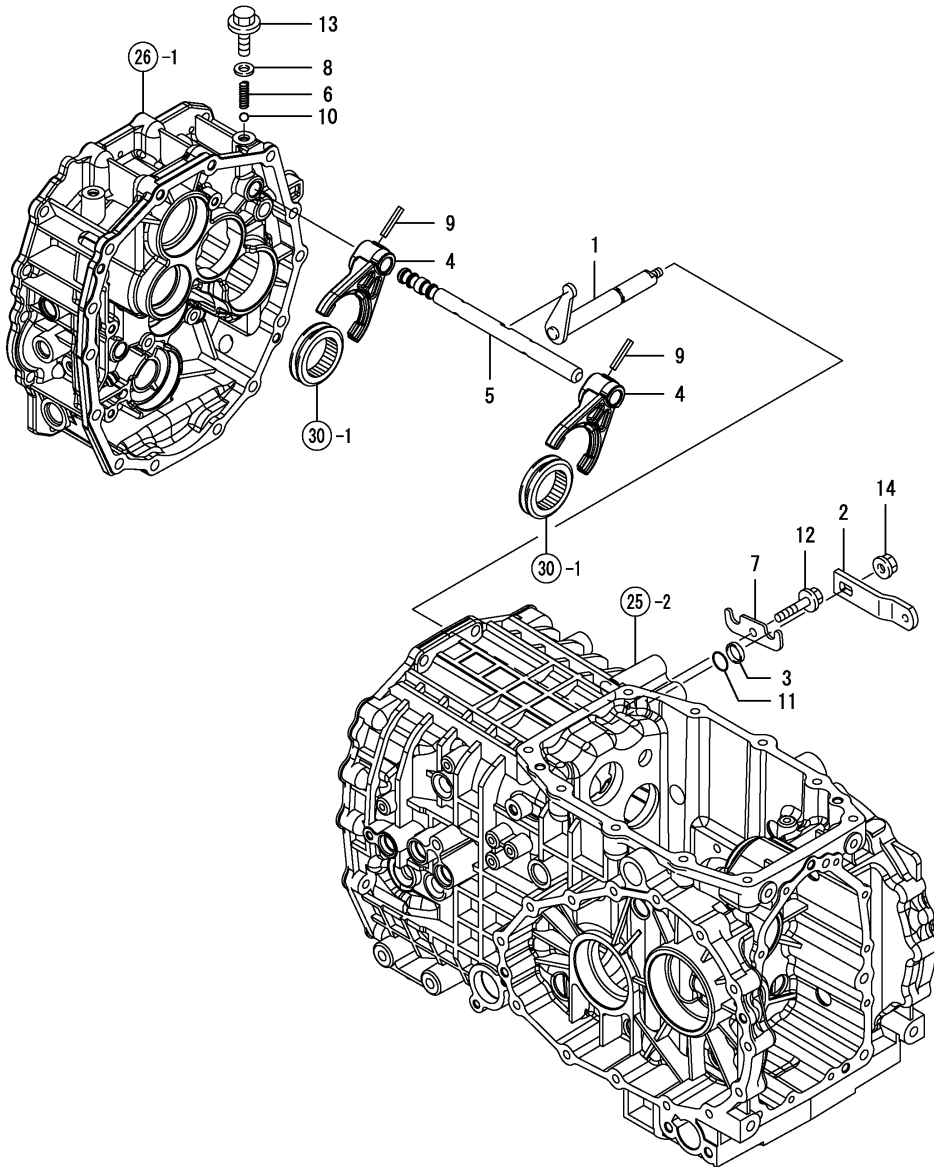


No.	Lev.	Parts No.	Description	Q'ty						I	R
				(A)	(B)	(C)	(D)	(E)	(F)		
1	1	198200-25490	WASHER, 20	1	1						
2	1	194180-25550	WASHER, 35X50X3	1	1						
3	1	198149-25890	SHIFTER	1	1						
4	1	194680-25940	BEARING	1	1						
5	1	198282-26310	SHAFT, PTO	1	1						
6	1	198282-26320	GEAR, PTO DRIVEN 50	1	1						
7	1	198282-26330	GEAR, PTO DRIVEN 47	1	1						
8	1	194370-26350	SEAL, OIL QLF356019	1	1						
9	1	24101-063044	BEARING, BALL 6304	1	1						
10	1	24161-253020	BEARING, 253020	1	1						
11	1	24161-404517	BEARING, 404517	1	1						
12	1	1A7100-26850	COVER ASSY, SHAFT M	1	1						
13	1	26106-080122	BOLT, M8X 12 PLATED	2	2						

Fig.36. MAIN SHIFT

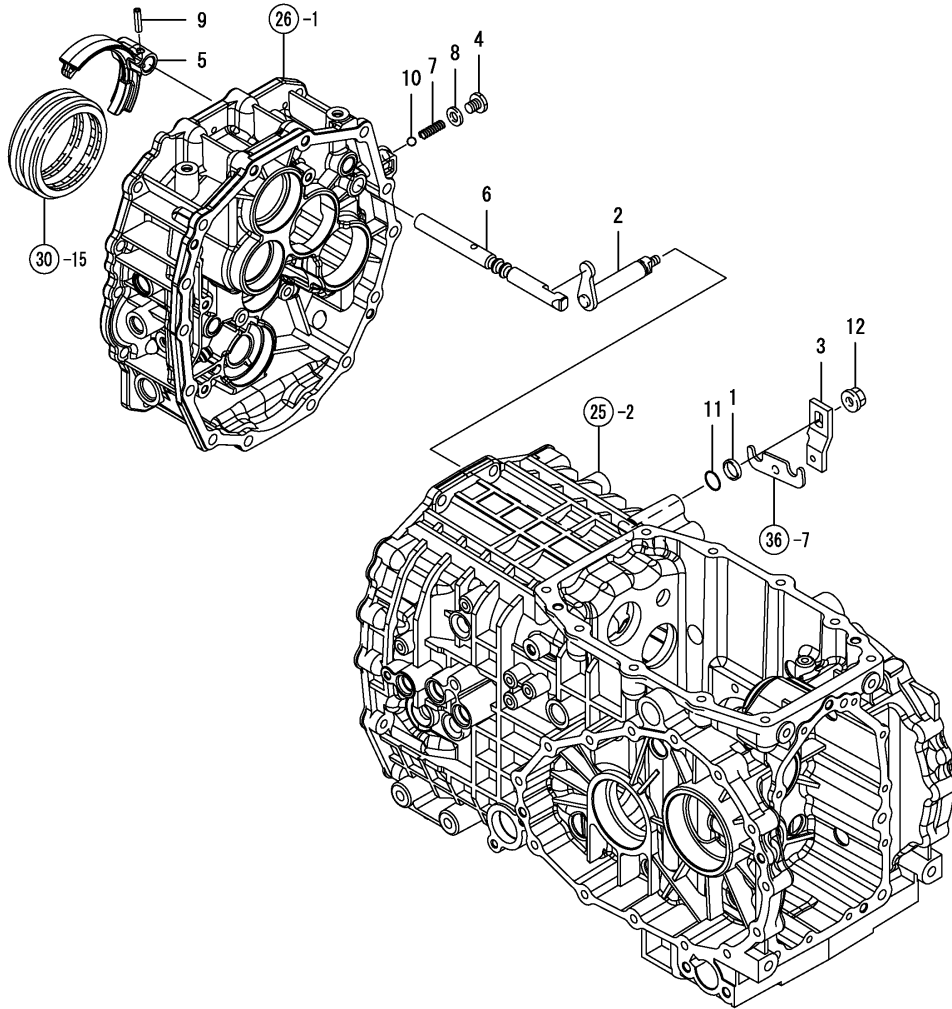
(A)=EF312T
(B)=EF352T
(C)=

(D)=
(E)=
(F)=



No.	Lev.	Parts No.	Description	Q'ty						I	R
				(A)	(B)	(C)	(D)	(E)	(F)		
1	1	198200-27110	ARM, SHIFT	1	1						
2	1	198200-27141	ARM, CHANGE	1	1						
2-1	1	198200-27141-1	ARM, CHANGE	1	1						S
3	1	(A=F110563) 198119-27150 (B=F114609)	COLLAR, ARM	1	1						
4	1	198200-27170	FORK, SHIFT	2	2						
5	1	198200-27180	SHAFT, MAIN FORK	1	1						
6	1	194145-27450	SPRING	1	1						
7	1	198200-27740	PLATE, KEEP B	1	1						
7-1	1	198200-27740-1	PLATE, KEEP B	1	1						S
8	1	(A=F110563) 22190-100000 (B=F114609)	WASHER, SEAL 10	1	1						
9	1	22351-060032	PIN, SPRING 6.0X32	2	2						
10	1	24190-100001	BALL, STEEL 5/16	1	1						
11	1	24311-000160	O-RING, 1AP16.0	1	1						
12	1	26106-080402	BOLT, M8X 40 PLATED	1	1						
13	1	26106-100162	BOLT, M10X 16 PLATED	1	1						
14	1	26366-080002	NUT, M8	1	1						

Fig.38. REVERSER SHIFT



(A)=EF312T
(B)=EF352T
(C)=

(D)=
(E)=
(F)=

No.	Lev.	Parts No.	Description	Q'ty						I	R
				(A)	(B)	(C)	(D)	(E)	(F)		
1	1	198119-27150	COLLAR, ARM	1	1						
2	1	198200-27310	ARM, SHIFT	1	1						
3	1	198200-27340	ARM, CHANGE	1	1						
3-1	1	198200-27340-1 (A=F110563) (B=F114609)	ARM, CHANGE	1	1						S
4	1	198200-27360	PLUG, 10	1	1						
5	1	198200-27370	FORK, REVERSER SHIFT	1	1						
6	1	198200-27380	SHAFT, REVERSER FORK	1	1						
7	1	194145-27450	SPRING	1	1						
8	1	22190-100000	WASHER, SEAL 10	1	1						
9	1	22351-060025	PIN, SPRING 6.0X25	1	1						
10	1	24190-100001	BALL, STEEL 5/16	1	1						
11	1	24311-000160	O-RING, 1AP16.0	1	1						
12	1	26366-080002	NUT, M8	1	1						

Fig.39. REVERSER LEVER

(A)=EF312T
(B)=EF352T
(C)=

(D)=
(E)=
(F)=

No.	Lev.	Parts No.	Description	Q'ty						I	R
				(A)	(B)	(C)	(D)	(E)	(F)		
1	1	198200-27530	WIRE ASSY, REVERSER	1	1						
2	1	22137-060000	WASHER, 6	2	2						
3	1	22417-160180	PIN, COTTER 1.6X18	2	2						
3-1	1	1C6281-52310 (A=F110467) (B=F114127)	PIN, SNAP 6	2	2						R
4	1	22487-060160	PIN, H 6X 16	2	2						

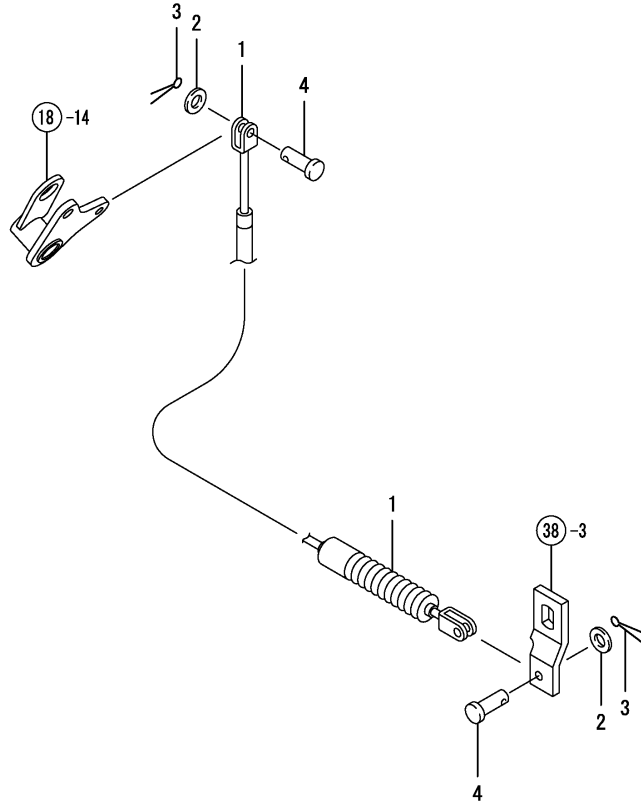
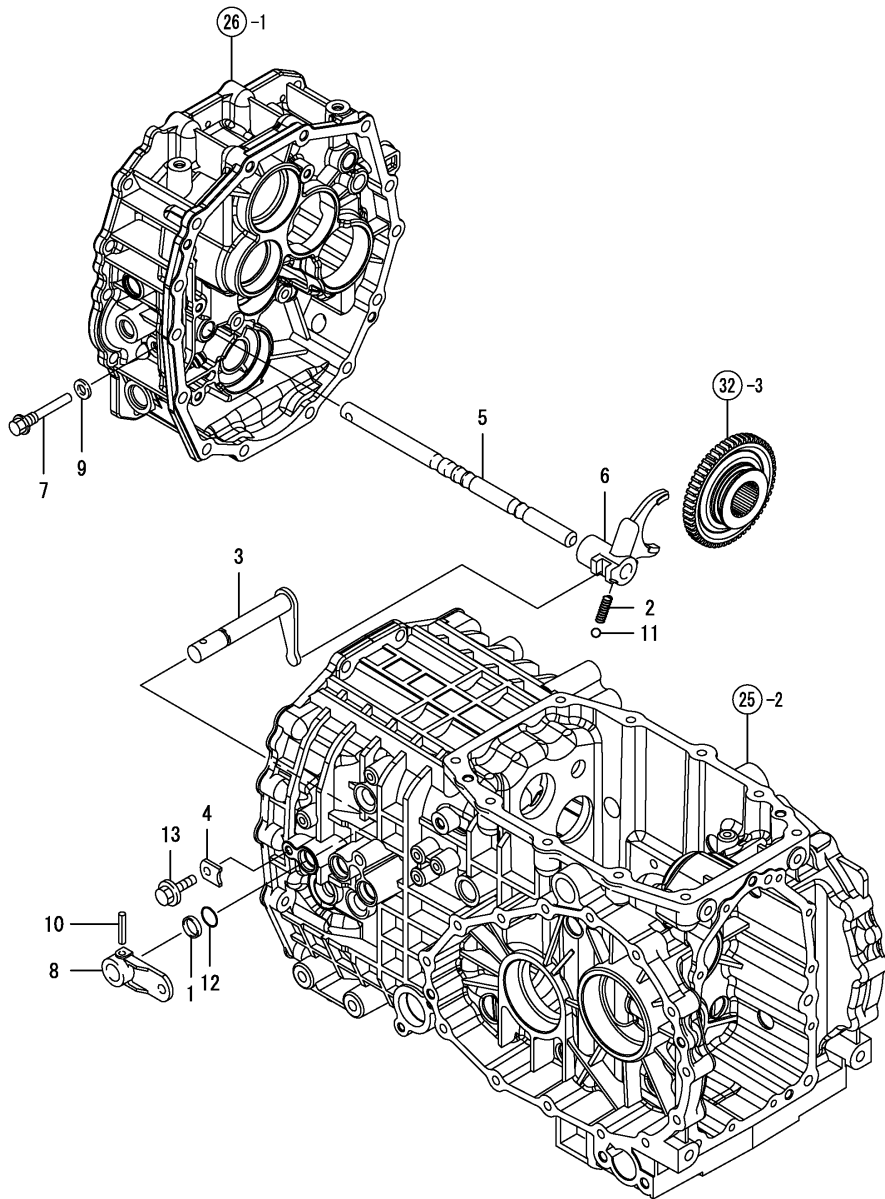


Fig.40. SUB SHIFT

(A)=EF312T
(B)=EF352T
(C)=

(D)=
(E)=
(F)=

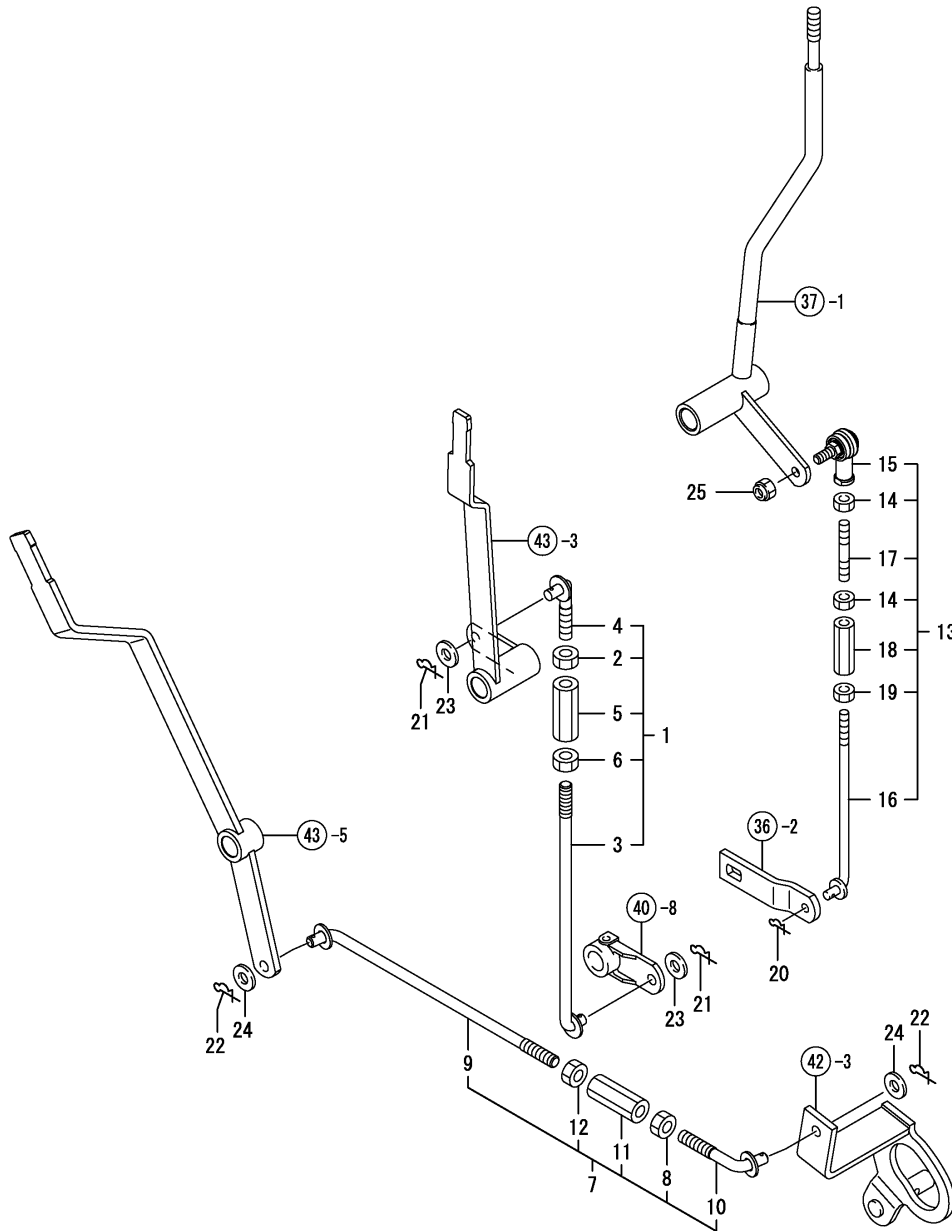


No.	Lev.	Parts No.	Description	Q'ty						I	R
				(A)	(B)	(C)	(D)	(E)	(F)		
1	1	198119-27150	COLLAR, ARM	1	1						
2	1	194145-27450	SPRING	1	1						
3	1	198282-27520	ARM, SHIFT	1	1						
4	1	198119-27570	PLATE, KEEP	1	1						
4-1	1	198119-27570-1	PLATE, KEEP	1	1						S
		(A=F110563) (B=F114609)									
5	1	198282-27570	SHAFT, FORK	1	1						
6	1	198282-27580	FORK, SHIFT	1	1						
7	1	198282-27590	BOLT, SET M10	1	1						
8	1	198072-27650-1	ARM, CHANGE	1	1						
8-1	1	198072-27650-2	ARM, CHANGE	1	1						S
		(A=F110563) (B=F114609)									
9	1	22190-100000	WASHER, SEAL 10	1	1						
10	1	22351-060032	PIN, SPRING 6.0X32	1	1						
11	1	24190-100001	BALL, STEEL 5/16	1	1						
12	1	24311-000160	O-RING, 1AP16.0	1	1						
13	1	26106-080162	BOLT, M8X 16 PLATED	1	1						

Fig.41. SHIFT LINK

(A)=EF312T
(B)=EF352T
(C)=

(D)=
(E)=
(F)=



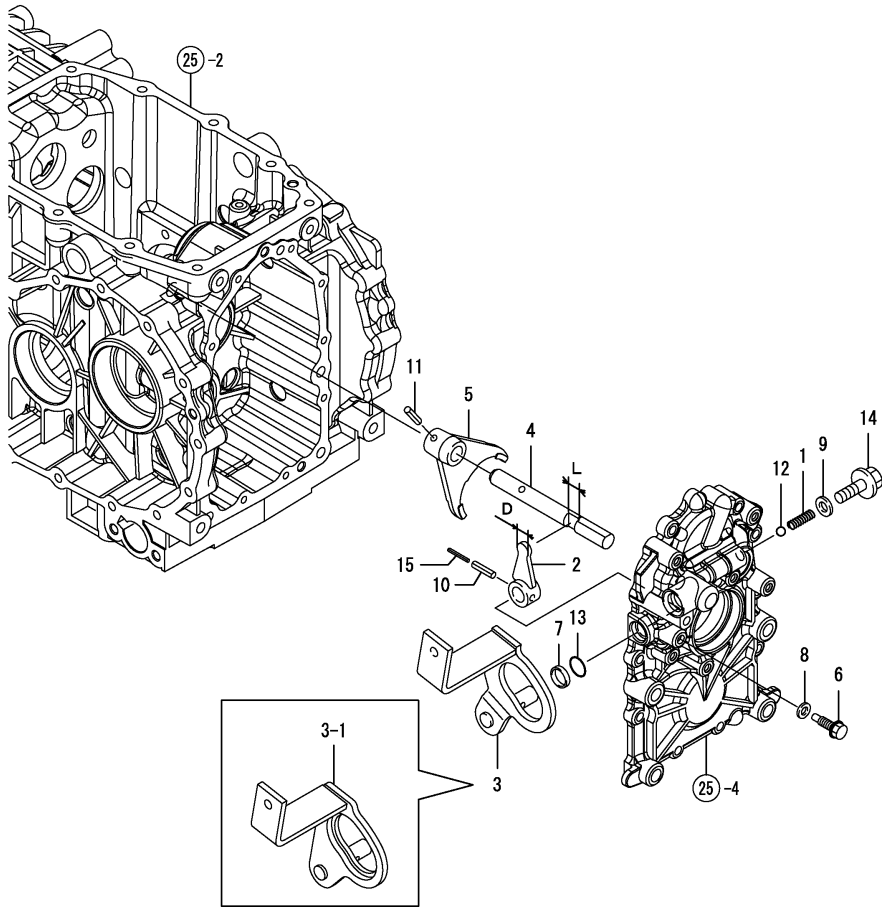
No.	Lev.	Parts No.	Description	Q'ty						I	R
				(A)	(B)	(C)	(D)	(E)	(F)		
1	1	198280-27650	ROD ASSY	1	1						
2	2	194150-22480	NUT, M10 L	1	1						
3	2	198280-27660	ROD ASSY, M10	1	1						
4	2	198121-28160	ROD, M10	1	1						
5	2	194250-47490	TURNBUCKLE	1	1						
6	2	26716-100002	NUT, M10	1	1						
7	1	198282-27960	ROD, PTO	1	1						
8	2	194150-22480	NUT, M10 L	1	1						
9	2	198282-27970	ROD ASSY, PTO A	1	1						
10	2	198280-28000	BOLT, M10L	1	1						
11	2	194250-47490	TURNBUCKLE	1	1						
12	2	26716-100002	NUT, M10	1	1						
13	1	198200-28051	END ASSY, ROD	1	1						
14	2	194990-20170	NUT, M8	2	2						
15	2	194820-27370	END, ROD L	1	1						
16	2	198200-28061	ROD, SHIFT	1	1						
17	2	198200-28080	ROD	1	1						
18	2	1C6140-43442	TURNBUCKLE, 8X46	1	1						
19	2	26716-080002	NUT, M8	1	1						
20	1	1C6281-52320	PIN, SNAP 8	1	1						
21	1	1C6360-65700	PIN, SNAP 10	2	2						
22	1	1C6360-65700	PIN, SNAP 10	2	2						
23	1	22137-100000	WASHER, 10	2	2						
24	1	22137-100000	WASHER, 10	2	2						
25	1	26346-080002	NUT, M8	1	1						

Fig.42. P.T.O. SHIFT

(A)=EF312T
(B)=EF352T
(C)=

(D)=
(E)=
(F)=

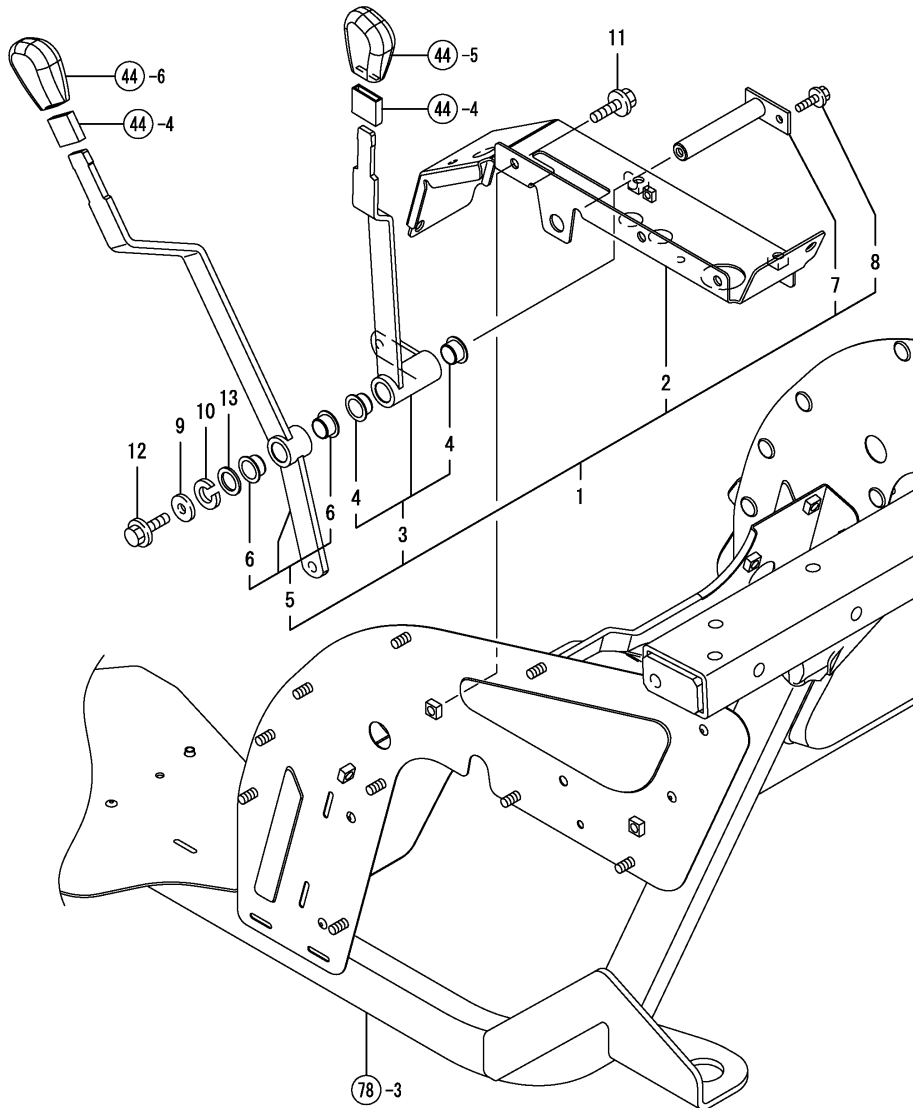
No.	Lev.	Parts No.	Description	Q'ty						I	R
				(A)	(B)	(C)	(D)	(E)	(F)		
1	1	194680-27540	SPRING, FORK LOCK	1	1						
2	1	198280-27710	ARM, SHIFT	1	1						
2-1	1	198280-27711	ARM, SHIFT	1	1						S 1
		(A=F110121) (B=F110124)									
3	1	198282-27740	ARM, CHANGE	1	1						
3-1	1	198282-27741	ARM, CHANGE	1	1						S
		(A=F110101) (B=F110101)									
3-2	1	198282-27742	ARM, CHANGE	1	1						N
		(A=F110121) (B=F110124)									
3-3	1	198282-27742-1	ARM, CHANGE	1	1						S
		(A=F110563) (B=F114609)									
4	1	198280-27770	SHAFT, PTO FORK	1	1						
4-1	1	198280-27771	SHAFT, PTO FORK	1	1						S 2
		(A=F110121) (B=F110124)									
5	1	198282-27780	FORK, PTO SHIFT	1	1						
6	1	198280-27790	BOLT, SET M8	1	1						
7	1	198121-28380	COLLAR, ARM	1	1						
8	1	22190-080000	WASHER, SEAL 8	1	1						
9	1	22190-100000	WASHER, SEAL 10	1	1						
10	1	22351-060025	PIN, SPRING 6.0X25	1	1						
11	1	22351-060025	PIN, SPRING 6.0X25	1	1						
12	1	24190-080001	BALL, STEEL 1/4	1	1						
13	1	24311-000150	O-RING, 1AP15.0	1	1						
14	1	26106-100302	BOLT, M10X 30 PLATED	1	1						
15	1	22351-035025	PIN, SPRING 3.5X25	1	1						W
		(A=F110121) (B=F110124)									



Remarks

(1)D=No.2 : 14mm, No.2-1 : 18mm.
(2)L=No.4 : 14mm, No.4-1 : 18mm.

Fig.43. SUB SHIFT LEVER & P.T.O. LEVER



(A)=EF312T
(B)=EF352T
(C)=

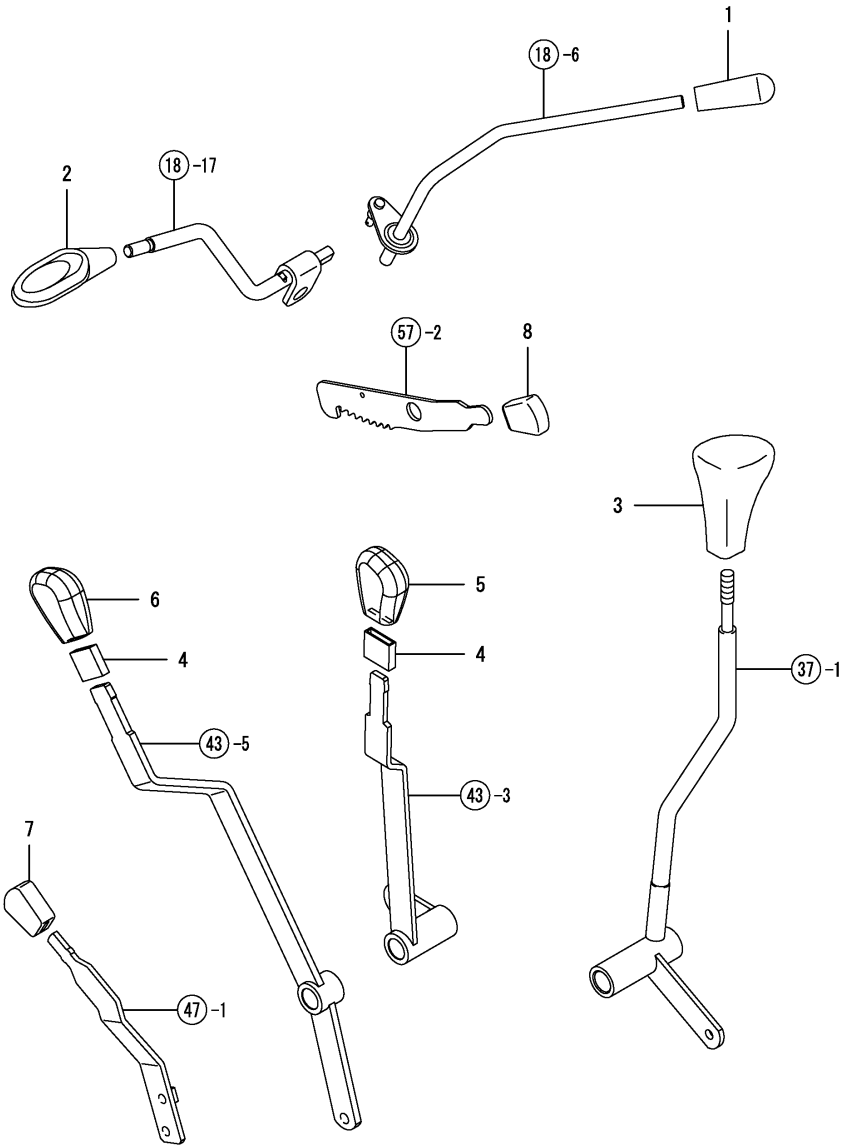
(D)=
(E)=
(F)=

No.	Lev.	Parts No.	Description	Q'ty						I	R
				(A)	(B)	(C)	(D)	(E)	(F)		
1	1	198282-27801	LEVER, PTO	1	1						
1-1	1	198282-27802	LEVER, PTO	1	1						N
		(A=F110306) (B=F111880)									
2	2	198200-27640	BRACKET, LEVER L	1	1						
2-1	2	198200-27641	BRACKET, LEVER L	1	1						N
		(A=F110306) (B=F111880)									
3	2	198282-27820	LEVER ASSY, SHIFT	1	1						
4	3	1S6489-63330	BUSH, LFF1610	2	2						
5	2	198282-27881	LEVER ASSY, PTO	1	1						
6	3	1S6489-63330	BUSH, LFF1610	2	2						
7	2	198200-28660	SHAFT, LEVER	1	1						
8	2	26116-060122	BOLT, M6X 12 PLATED	1	1						
9	1	22157-080000	WASHER, 8	1	1						
10	1	22217-160000	WASHER, SPRING 16	1	1						
11	1	26106-080162	BOLT, M8X 16 PLATED	4	4						
12	1	26106-080162	BOLT, M8X 16 PLATED	1	1						
13	1	1A7550-35570	COLLAR, 25X17X2	1	1						W
		(A=F110467) (B=F114089)									

Fig.44. SHIFT KNOB

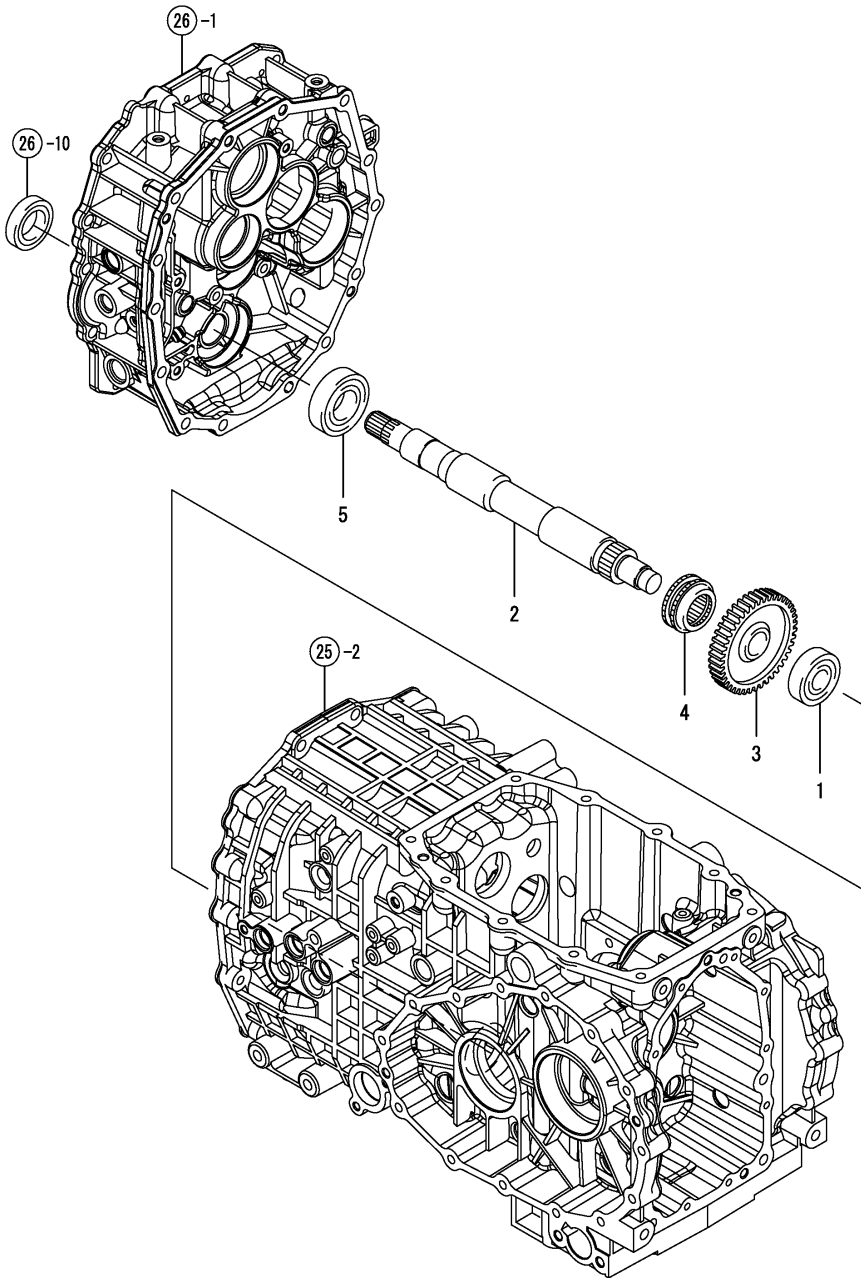
(A)=EF312T
(B)=EF352T
(C)=

(D)=
(E)=
(F)=



No.	Lev.	Parts No.	Description	Q'ty						I	R
				(A)	(B)	(C)	(D)	(E)	(F)		
1	1	194464-01190	KNOB, LEVER	1	1						
1-1	1	198253-01190	KNOB, LEVER	1	1						R
		(A=F110467) (B=F114087)									
2	1	198200-18350	KNOB, LEVER	1	1						
3	1	1A7600-27310	KNOB, MAIN SHIFT	1	1						
4	1	174845-27700	BOOT, SHAFT	2	2						
5	1	198200-27810	KNOB	1	1						
5-1	1	198200-27811	KNOB, ORANGE	1	1						N
		(A=F110773) (B=F116278)									
6	1	198200-27910	KNOB, YELLOW	1	1						
6-1	1	198200-27911	KNOB, YELLOW	1	1						N
		(A=F110773) (B=F116278)									
7	1	198273-28520	KNOB, PARKING BRAKE	1	1						
7-1	1	198273-28521	KNOB, PARKING BRAKE	1	1						N
		(A=F110773) (B=F116278)									
8	1	198331-28520	KNOB, HIGH GRIP	1	1						
8-1	1	198273-28520	KNOB, PARKING BRAKE	1	1						R
		(A=F110467) (B=F114087)									
8-2	1	198273-28521	KNOB, PARKING BRAKE	1	1						N
		(A=F110773) (B=F116278)									

Fig.45. FRONT DRIVE

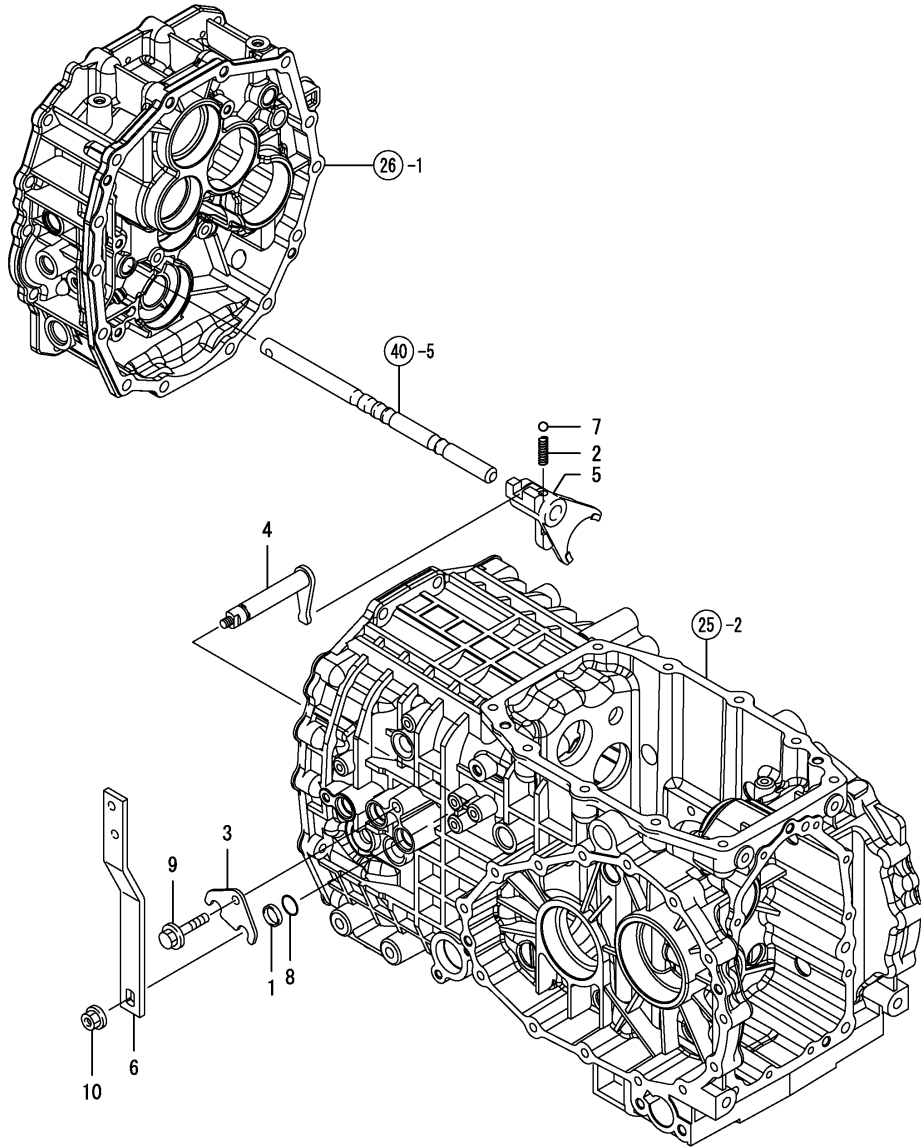


(A)=EF312T
(B)=EF352T
(C)=

(D)=
(E)=
(F)=

No.	Lev.	Parts No.	Description	Q'ty						I	R
				(A)	(B)	(C)	(D)	(E)	(F)		
1	1	194447-13860	BEARING, TMB304CX1	1	1						
2	1	198282-28180	SHAFT, FRONT DRIVE	1	1						
3	1	198282-28340	GEAR, DRIVE 43	1	1						
4	1	198282-28360	SHIFTER	1	1						
5	1	24101-062064	BEARING, BALL 6206	1	1						

Fig.46. FRONT SHIFT



(A)=EF312T
(B)=EF352T
(C)=

(D)=
(E)=
(F)=

No.	Lev.	Parts No.	Description	Q'ty						I	R
				(A)	(B)	(C)	(D)	(E)	(F)		
1	1	198119-27150	COLLAR, ARM	1	1						
2	1	194145-27450	SPRING	1	1						
3	1	198200-27730	PLATE, KEEP A	1	1						
3-1	1	198200-27730-1 (A=F110563) (B=F114609)	PLATE, KEEP A	1	1						S
4	1	198282-28410	ARM, SHIFT	1	1						
5	1	198282-28430	FORK, 4WD SHIFT	1	1						
6	1	198282-28440	ARM, CHANGE	1	1						
6-1	1	198282-28440-1 (A=F110563) (B=F114609)	ARM, CHANGE	1	1						S
7	1	24190-100001	BALL, STEEL 5/16	1	1						
8	1	24311-000160	O-RING, 1AP16.0	1	1						
9	1	26106-080402	BOLT, M8X 40 PLATED	1	1						
10	1	26366-080002	NUT, M8	1	1						

Fig.47. 4WD LEVER

(A)=EF312T
(B)=EF352T
(C)=

(D)=
(E)=
(F)=

No.	Lev.	Parts No.	Description	Qty						I	R
				(A)	(B)	(C)	(D)	(E)	(F)		
1	1	198282-28460	LEVER, 4WD	1	1						
2	1	26106-080202	BOLT, M8X 20 PLATED	2	2						

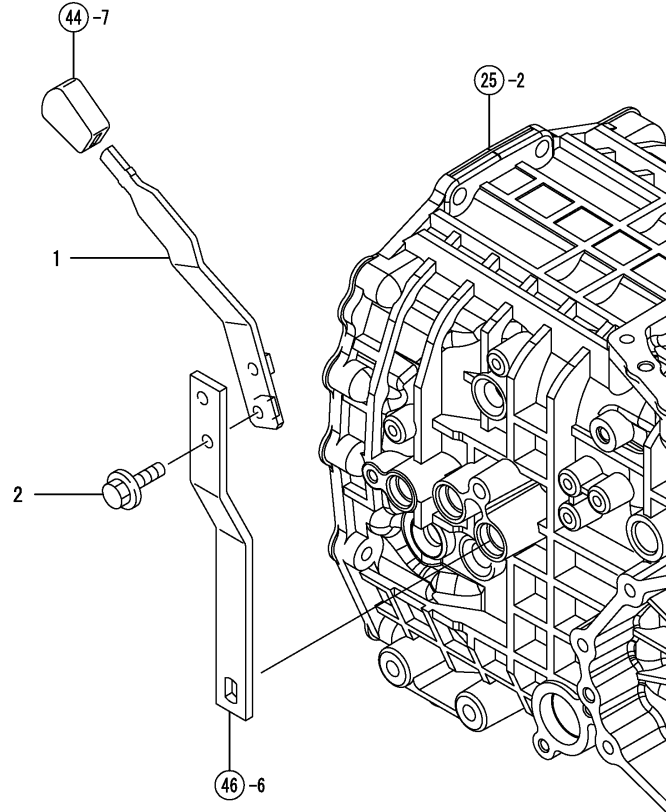
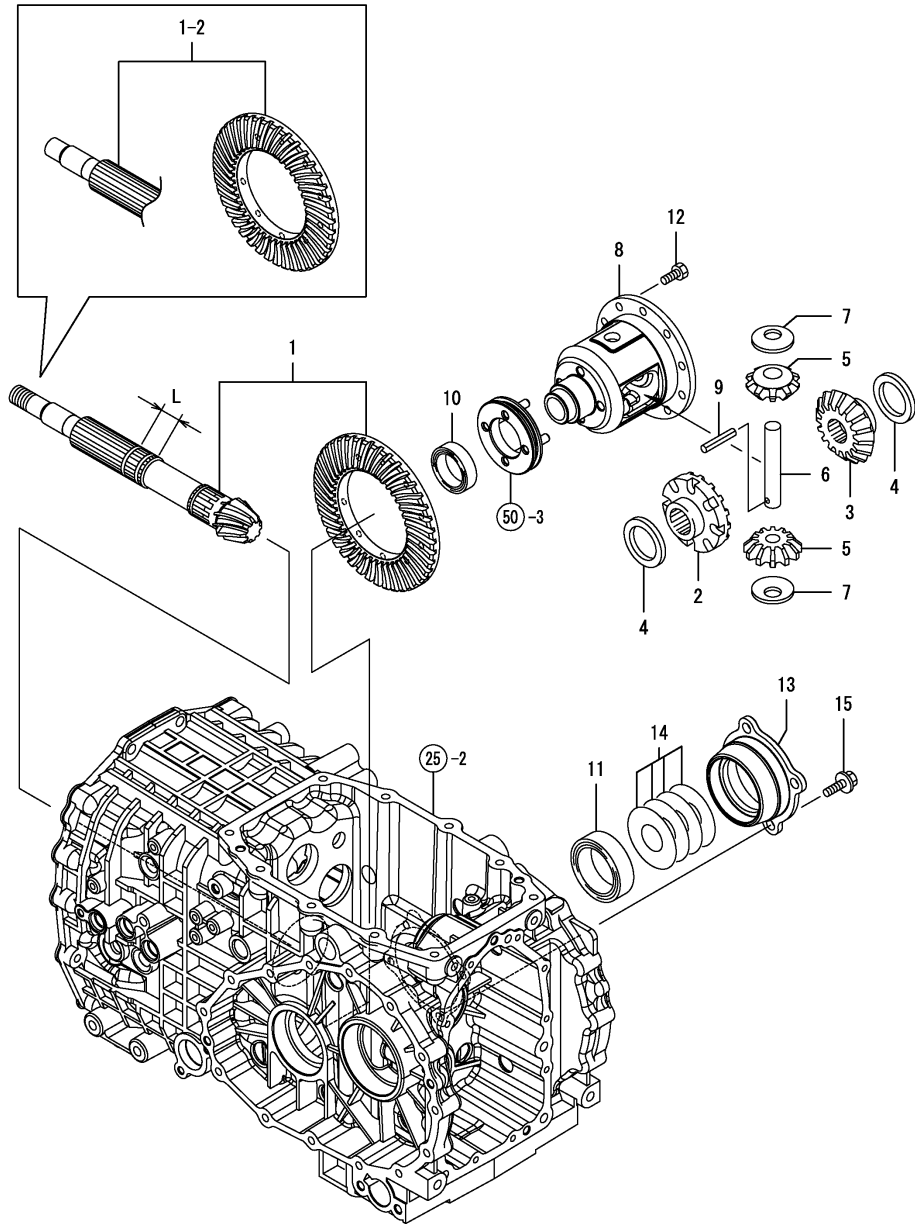


Fig.48. RING GEAR & DIFFERENTIAL GEAR



(A)=EF312T
(B)=EF352T
(C)=

(D)=
(E)=
(F)=

No.	Lev.	Parts No.	Description	Q'ty						I	R
				(A)	(B)	(C)	(D)	(E)	(F)		
1	1	198200-31400	GEAR ASSY, RING	1	1						
1-1	1	198200-31401	GEAR ASSY, RING	1	1						S 1
(A=FZZZZZ) (B=FZZZZZ)											
1-2	1	198200-31402	GEAR ASSY, RING	1	1						S
(A=FZZZZZ) (B=FZZZZZ)											
2	1	198200-31510	GEAR, DIFFERENTIAL L	1	1						
3	1	194525-31520	GEAR, DIFFERENTIAL R	1	1						
4	1	194515-31610	WASHER, DIFFERENTIAL	2	2						
5	1	198200-31810	PINION, DIFFERENTIAL	2	2						
6	1	198200-31820	SHAFT, DIFFERENTIAL	1	1						
7	1	194515-31850	WASHER, DIFFERENTIAL	2	2						
8	1	198200-32110	CASE, DIFFERENTIAL	1	1						
9	1	22351-040040	PIN, SPRING 4.0X40	1	1						
10	1	24101-060074	BEARING, BALL 6007	1	1						
11	1	24101-062074	BEARING, BALL 6207	1	1						
12	1	26116-080162	BOLT, M8X 16 PLATED	10	10						
13	1	198200-32320	CARRIER	1	1						
14	1	194850-32340	SHIM SET	1	1						
15	1	26106-100252	BOLT, M10X 25 PLATED	4	4						

Remarks

(1)L=No.1 : 20.8mm, No.1-1 : 14.6mm.

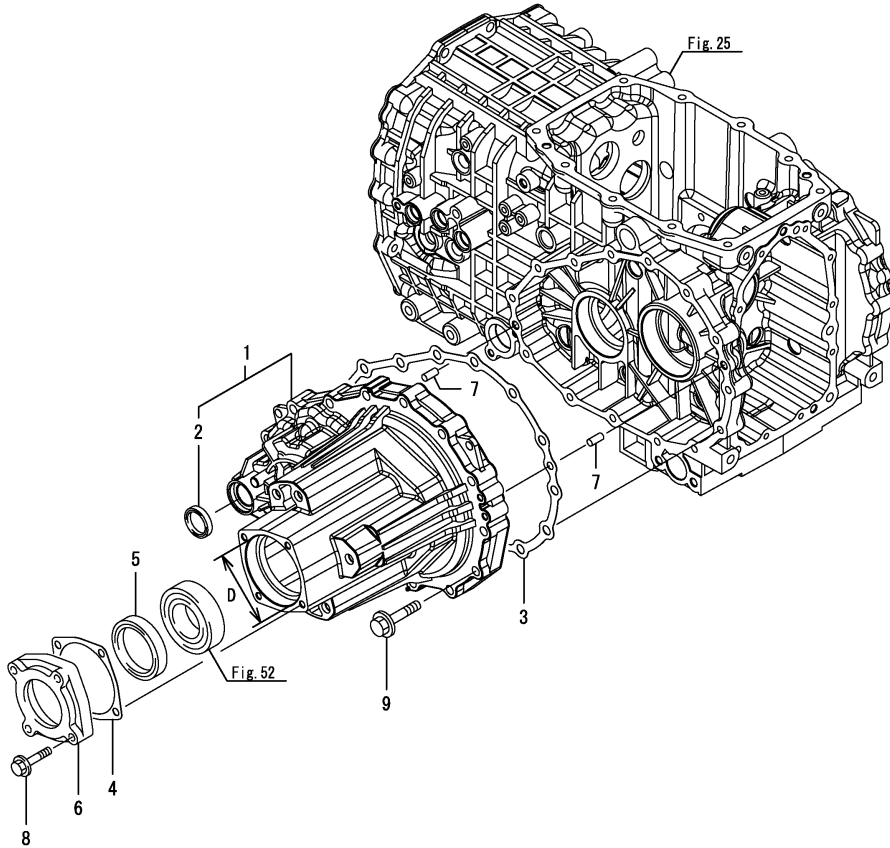
N:Old $\begin{matrix} \leftarrow \text{Yes} \\ \text{No} \end{matrix}$ New, Q:Old $\begin{matrix} \leftarrow \text{No} \\ \text{Yes} \end{matrix}$ New, R:Old $\begin{matrix} \leftarrow \text{Yes} \\ \text{Yes} \end{matrix}$ New, S:Old $\begin{matrix} \leftarrow \text{No} \\ \text{No} \end{matrix}$ New, W:Add, Z:Discontinued, F:Interchangeable by set, K:Q'ty Change

Fig.49. REAR HOUSING

(A)=EF312T
(B)=EF352T
(C)=

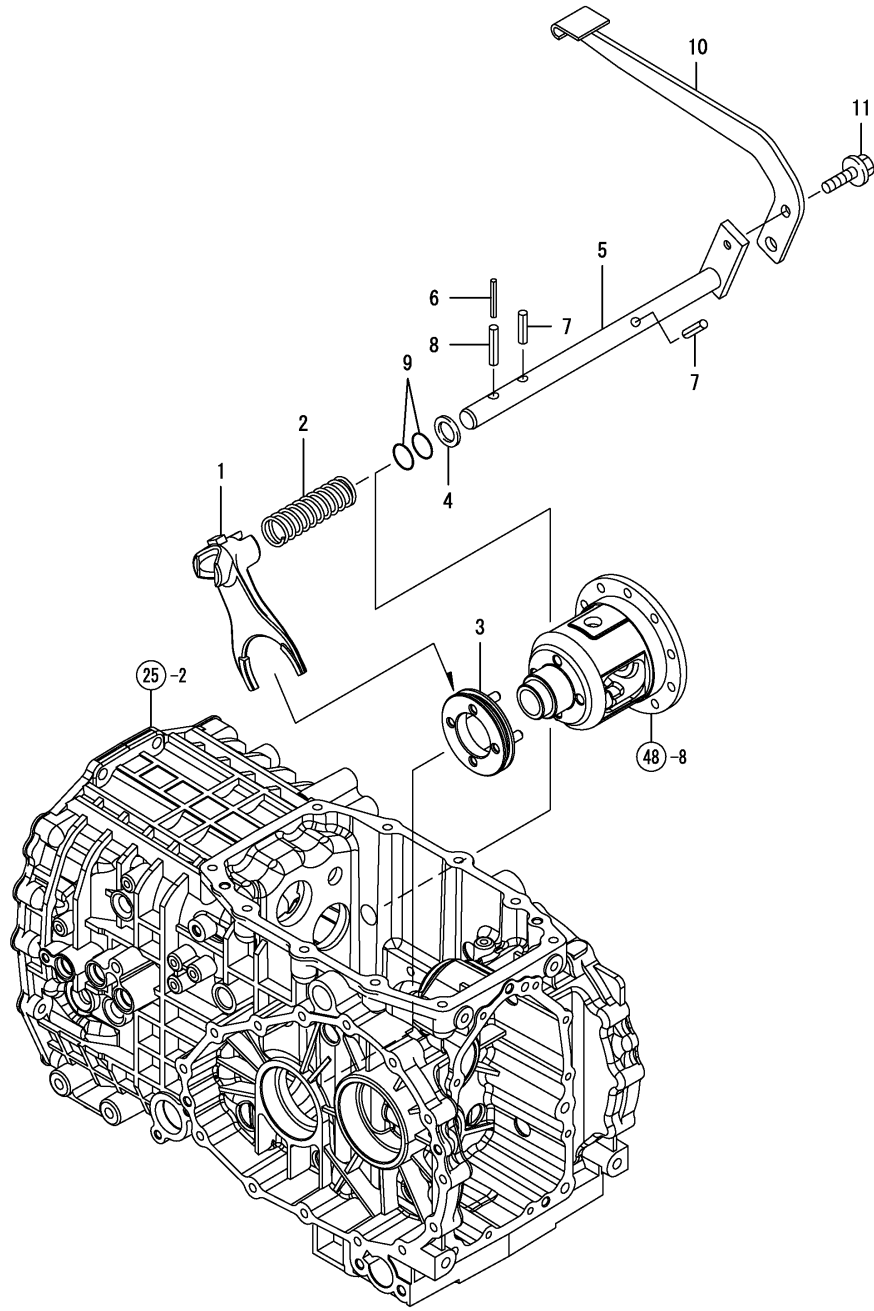
(D)=
(E)=
(F)=

No.	Lev.	Parts No.	Description	Q'ty						I	R
				(A)	(B)	(C)	(D)	(E)	(F)		
1	1	198200-32600	HOUSING ASSY, AXLE	2	2						
1-1	1	198200-32600-1	HOUSING ASSY, AXLE	2	2						S
		(A=F110563) (B=F114609)									
1-2	1	198200-32601	HOUSING ASSY, AXLE	2	2						S 1
		(A=FZZZZZ) (B=FZZZZZ)									
2	2	198290-32750	SEAL, OIL TC253506	2	2						
3	1	198200-32630	GASKET, REAR AXLE	2	2						
4	1	198200-32660	GASKET, SEAL CASE	2	2						
5	1	198475-32660	SEAL, QLNY527514.5	2	2						
6	1	198200-32731	CASE, OIL SEAL	2	2						
6-1	1	198200-32731-1	CASE, OIL SEAL	2	2						S
		(A=F110563) (B=F114609)									
7	1	22312-080140	PIN, PARALLEL M8X14	4	4						
8	1	26106-080402	BOLT, M8X 40 PLATED	8	8						
9	1	26106-100502	BOLT, M10X 50 PLATED	28	28						



Remarks
(1)D=No.1-1 : 75mm, No.1-2 : 75.4mm.
Repair parts is shown in Fig.98.

Fig.50. DIFFERENTIAL LOCK



(A)=EF312T
(B)=EF352T
(C)=

(D)=
(E)=
(F)=

No.	Lev.	Parts No.	Description	Q'ty						I	R
				(A)	(B)	(C)	(D)	(E)	(F)		
1	1	198200-33111	FORK, LOCK	1	1						
2	1	194420-33150	SPRING, RETURN	1	1						
3	1	198200-33150	SLIDER, LOCK	1	1						
4	1	194300-33200	SPACER, 20X32X3.2	1	1						
5	1	198200-33211	SHAFT ASSY, LOCK	1	1						
6	1	22351-050040	PIN, SPRING 5.0X40	1	1						
7	1	22351-080032	PIN, SPRING 8.0X32	2	2						
8	1	22351-080040	PIN, SPRING 8.0X40	1	1						
9	1	24311-000200	O-RING, 1AP20.0	2	2						
10	1	198200-33250-1	PEDAL, LOCK	1	1						
11	1	26106-100202	BOLT, M10X 20 PLATED	1	1						

Fig.51. FINAL PINION & FINAL GEAR

(A)=EF312T
(B)=EF352T
(C)=

(D)=
(E)=
(F)=

No.	Lev.	Parts No.	Description	Q'ty						I	R
				(A)	(B)	(C)	(D)	(E)	(F)		
1	1	198200-33410	PINION, FINAL L 9T	1	1						
2	1	198200-33420	PINION, FINAL R 9T	1	1						
3	1	24101-063064	BEARING, BALL 6306	4	4						
4	1	198200-33511	GEAR, FINAL 56T	2	2						

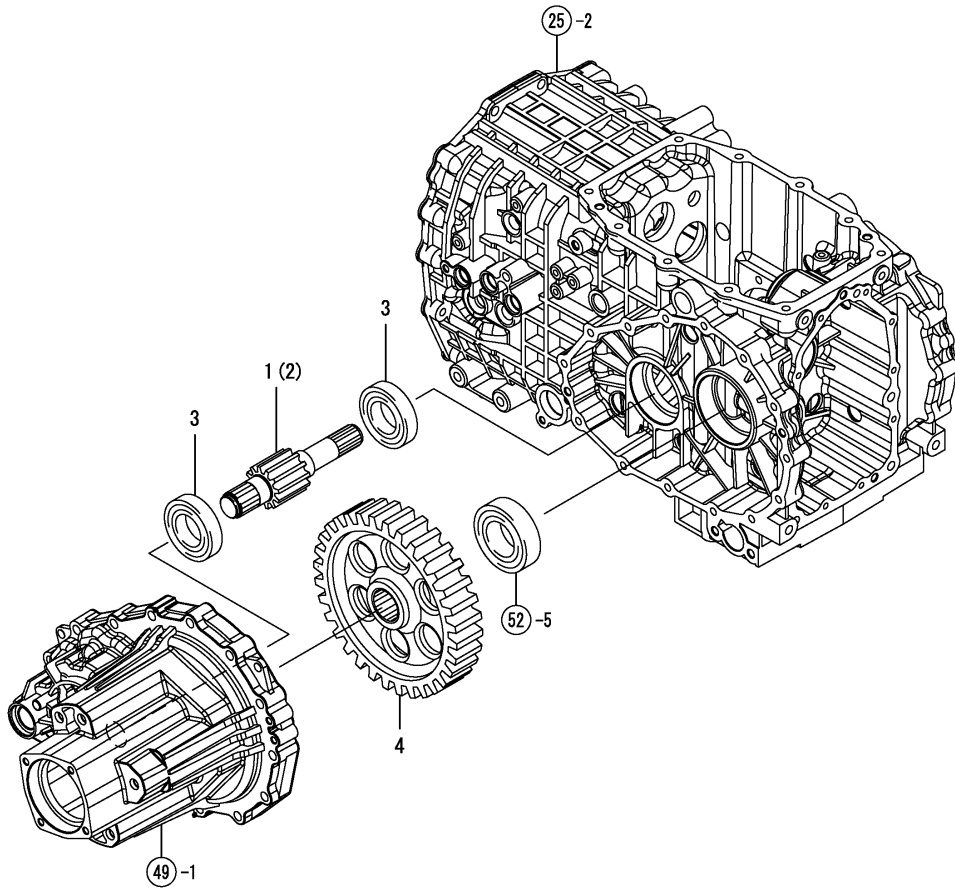


Fig.52. REAR AXLE SHAFT

(A)=EF312T
(B)=EF352T
(C)=

(D)=
(E)=
(F)=

No.	Lev.	Parts No.	Description	Q'ty						I	R
				(A)	(B)	(C)	(D)	(E)	(F)		
1	1	194440-32580	COLLAR, 45X55X20	2	2						
2	1	198206-34112	SHAFT, AXLE	2	2						
2-1	1	198283-34110	SHAFT, REAR AXLE	2	2						N
2-2	1	198283-34110-1	SHAFT, REAR AXLE	2	2						S
		(A=F110563) (B=F114609)									
3	1	198196-34140	RING, 45	4	4						
4	1	24101-062094	BEARING, BALL 6209	2	2						
5	1	24101-063074	BEARING, BALL 6307	2	2						

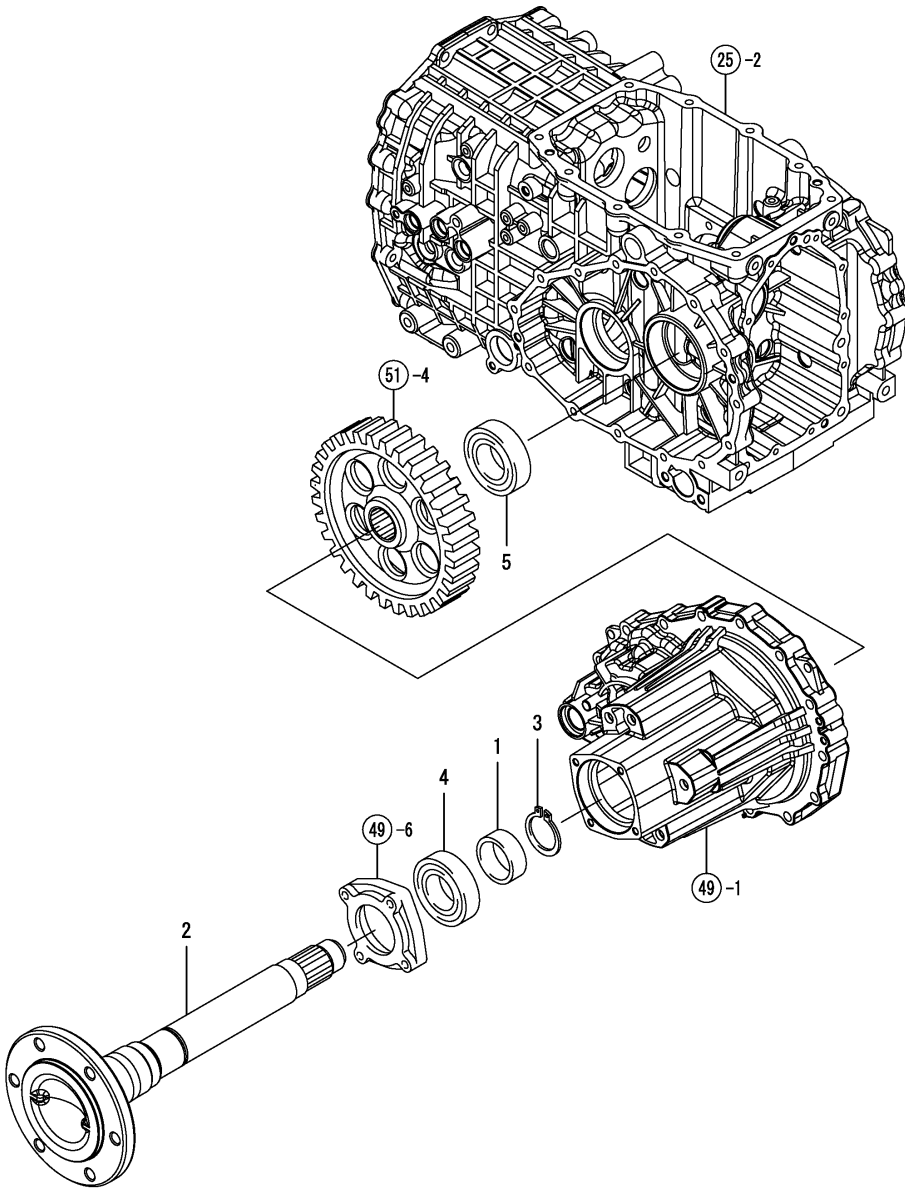
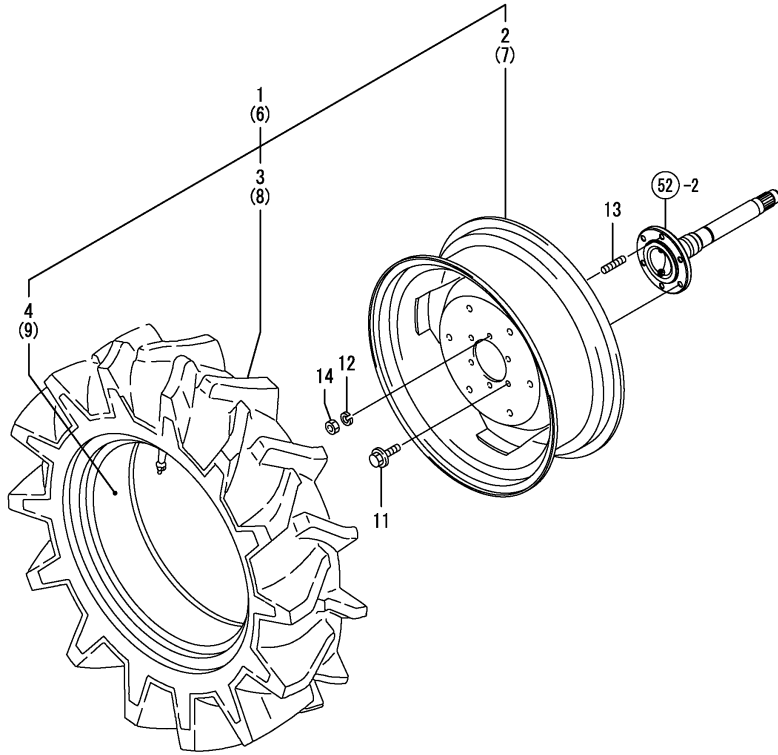


Fig.53. REAR WHEEL TIRE

(A)=EF312T
(B)=EF352T
(C)=

(D)=
(E)=
(F)=



No.	Lev.	Parts No.	Description	Qty						I	R
				(A)	(B)	(C)	(D)	(E)	(F)		
1	1	198283-34700	TIRE KIT, 11.2-24L	1	1						
2	2	198282-34650	WHEEL, W9X24	1	1						
3	2	198128-34910	TIRE, REAR	1	1						
4	2	198128-34920	TUBE, 11.2-24	1	1						
6	1	198283-34800	TIRE KIT, 11.2-24 R	1	1						
7	2	198282-34650	WHEEL, W9X24	1	1						
8	2	198128-34910	TIRE, REAR	1	1						
9	2	198128-34920	TUBE, 11.2-24	1	1						
11	1	194881-12650	BOLT, M14X24	8	8						
12	1	194279-14220	WASHER, 14	4	4						
13	1	198200-34130	STUD, M14X31	4	4						
14	1	198200-34190	NUT, M14	4	4						

Remarks

* It is made by BRIDGESTONE.

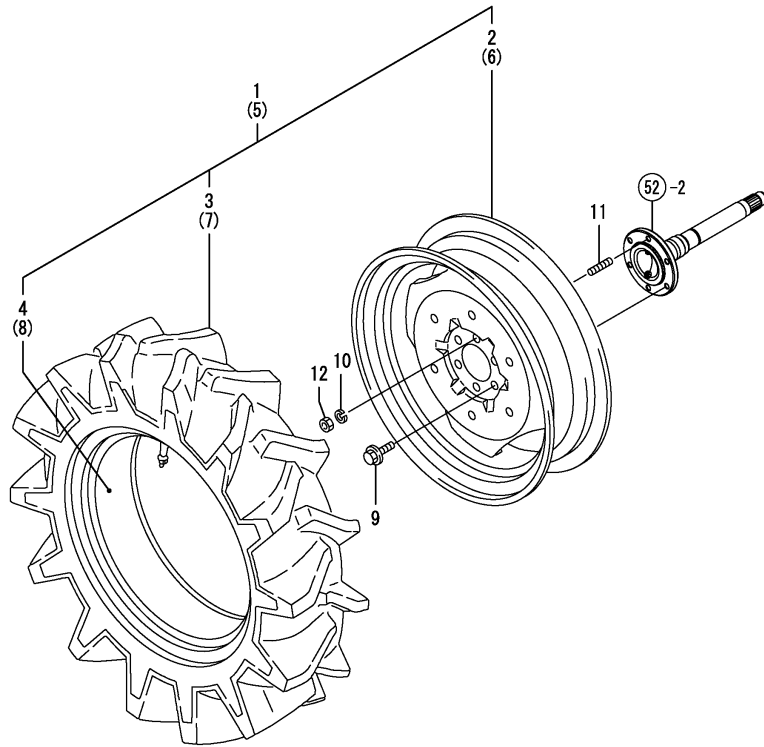
N:Old $\xrightarrow{\text{Yes}}$ New, Q:Old $\xrightarrow{\text{No}}$ New, R:Old $\xrightarrow{\text{Yes}}$ New, S:Old $\xrightarrow{\text{No}}$ New, W:Add, Z:Discontinued, F:Interchangeable by set, K:Qty Change

Fig.91. REAR WHEEL TIRE(ADD.ITEM)

(A)=EF312T
(B)=EF352T
(C)=

(D)=
(E)=
(F)=

No.	Lev.	Parts No.	Description	Q'ty						I	R
				(A)	(B)	(C)	(D)	(E)	(F)		
1	1	198210-34720	TIRE, REAR 11.2-24HL	1	1						
2	2	198282-34650	WHEEL, W9X24	1	1						
3	2	1A7000-34960	TIRE, REAR 11.2-24-4	1	1						
4	2	1A7000-34970	TUBE, 11.2-24	1	1						
5	1	198210-34820	TIRE, REAR 11.2-24RR	1	1						
6	2	198282-34650	WHEEL, W9X24	1	1						
7	2	1A7000-34960	TIRE, REAR 11.2-24-4	1	1						
8	2	1A7000-34970	TUBE, 11.2-24	1	1						
9	1	194881-12650	BOLT, M14X24	8	8						
10	1	194279-14220	WASHER, 14	4	4						
11	1	198200-34130	STUD, M14X31	4	4						
12	1	198200-34190	NUT, M14	4	4						



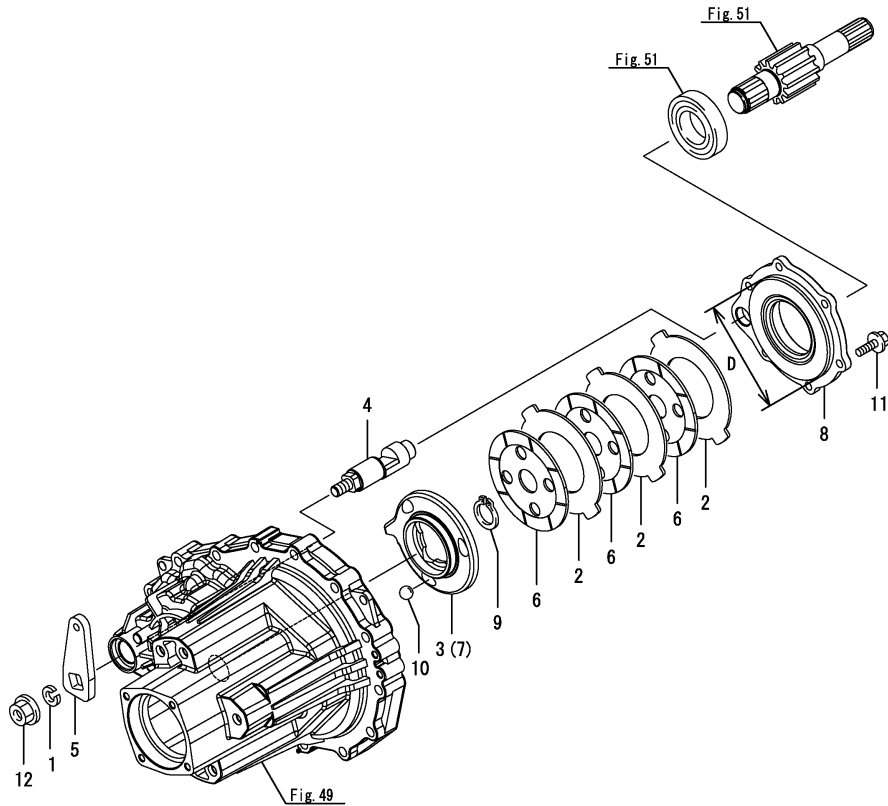
Remarks
* It is made by FALKEN.

Fig.54. BRAKE

(A)=EF312T
(B)=EF352T
(C)=

(D)=
(E)=
(F)=

No.	Lev.	Parts No.	Description	Q'ty						I	R
				(A)	(B)	(C)	(D)	(E)	(F)		
1	1	194274-13580	WASHER, SPRING 12	2	2						
2	1	1C6560-15071	PLATE STEEL	6	6						
2-1	1	198200-36390	PLATE, STEEL	6	6						R
3	1	(A=F110101) 198200-36310	ACTUATOR	1	1						
4	1	(B=F110101) 198200-36341	CAMSHAFT	2	2						
5	1	198200-36350	ARM, BRAKE	2	2						
5-1	1	(A=F110563) 198200-36350-2	ARM, BRAKE	2	2						S
6	1	(B=F114609) 198200-36380	PLATE, FRICTION 114	6	6						
7	1	198200-36410	ACTUATOR	1	1						
8	1	198200-36421	HOLDER, BEARING	2	2						
8-1	1	(A=FZZZZZ) 198200-36422	HOLDER, BEARING	2	2						S 1
9	1	(B=FZZZZZ) 22242-000260	RING, 26	2	2						
10	1	24190-170001	BALL, STEEL 17/32	6	6						
11	1	26106-080252	BOLT, M8X 25 PLATED	12	12						
12	1	26376-120002	NUT, M12	2	2						



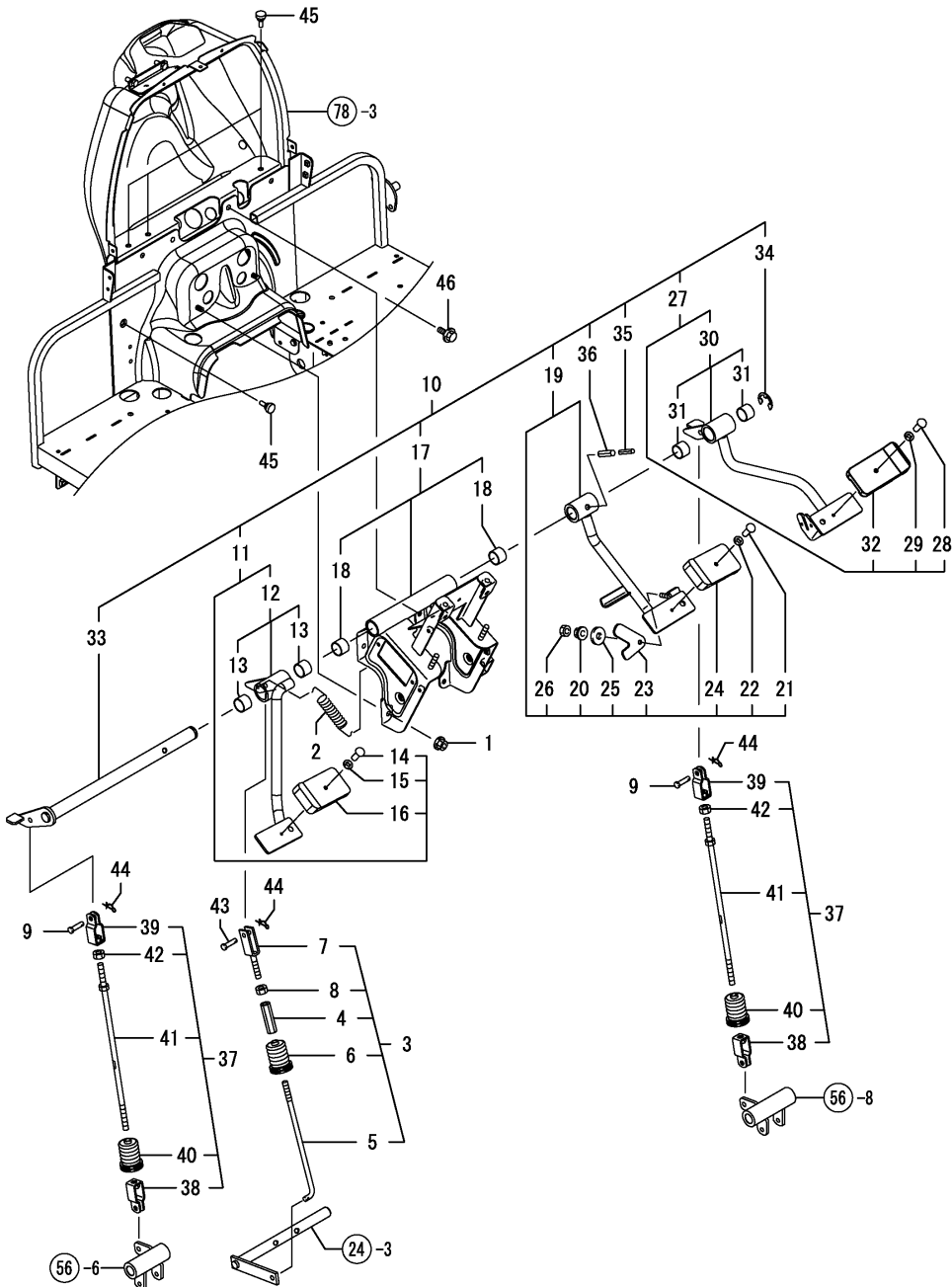
Remarks

(1)D=No.8 : 118.5mm, No.8-1 : 120.4mm.
Repair parts is shown in Fig.98.

Fig.55. PEDAL

(A)=EF312T
(B)=EF352T
(C)=

(D)=
(E)=
(F)=



No.	Lev.	Parts No.	Description	Q'ty						I	R
				(A)	(B)	(C)	(D)	(E)	(F)		
1	1	194990-22140	NUT, M8	2	2						
2	1	198200-22510	SPRING, RETURN	1	1						
2-1	1	1A8115-22510	SPRING, RETURN	1	1						N
(A=FZZZZZ) (B=FZZZZZ)											
3	1	198200-22650	ROD ASSY, CLUTCH	1	1						
4	2	194300-22260	TURNBUCKLE, M10	1	1						
5	2	198200-22690	ROD, CLUTCH	1	1						
6	2	198448-37450	BOOT, ROD	1	1						
7	2	194130-37750	JOINT, 2-WAY	1	1						
8	2	26716-100002	NUT, M10	1	1						
9	1	194312-27780	PIN, 8,9	2	2						
10	1	198282-37200	PEDAL	1	1						
11	2	198200-22380	PEDAL, CLUTCH	1	1						
12	3	198200-22400	PEDAL ASSY, CLUTCH	1	1						
13	4	198448-37360	BUSH, 25X28X20	2	2						
13-1	4	24550-025200	BUSH, 25X20	2	2						R
(A=FZZZZZ) (B=FZZZZZ)											
14	3	198133-22510	RIVET, PEDAL HEAD	1	1						
15	3	198133-22530	WASHER, RIVET	1	1						
16	3	198071-37510	COVER, HEAD	1	1						
17	2	198200-37270	BRACKET, PEDAL	1	1						
18	3	198448-37360	BUSH, 25X28X20	2	2						
18-1	3	24550-025200	BUSH, 25X20	2	2						R
(A=FZZZZZ) (B=FZZZZZ)											
19	2	198200-37290	PEDAL, BRAKE L	1	1						
20	3	194990-22140	NUT, M8	1	1						
21	3	198133-22510	RIVET, PEDAL HEAD	1	1						
22	3	198133-22530	WASHER, RIVET	1	1						
23	3	198200-37240	CONNECTOR	1	1						
24	3	198071-37510	COVER, HEAD	1	1						
25	3	22157-080000	WASHER, 8	1	1						
26	3	26716-080002	NUT, M8	1	1						
27	2	198282-37490	PEDAL, BRAKE R	1	1						
28	3	198133-22510	RIVET, PEDAL HEAD	1	1						
29	3	198133-22530	WASHER, RIVET	1	1						
30	3	198282-37400	PEDAL ASSY, BRAKE R	1	1						
31	4	198448-37360	BUSH, 25X28X20	2	2						
31-1	4	24550-025200	BUSH, 25X20	2	2						R
(A=FZZZZZ) (B=FZZZZZ)											
32	3	198071-37510	COVER, HEAD	1	1						
33	2	198282-37550	SHAFT ASSY, BRAKE	1	1						
34	2	22272-000190	RING, E-19	1	1						
35	2	22351-050045	PIN, SPRING 5.0X45	1	1						
36	2	22351-080045	PIN, SPRING 8.0X45	1	1						
37	1	198200-37610	ROD ASSY, BRAKE F	2	2						
38	2	198310-27370	JOINT, 2-WAY	2	2						
39	2	194312-27770	JOINT, 2-WAY	2	2						
40	2	198448-37450	BOOT, ROD	2	2						
41	2	198200-37660	ROD ASSY, BRAKE	2	2						
42	2	26716-100002	NUT, M10	2	2						
43	1	198220-37900	PIN, 8X24	1	1						

Fig.55. PEDAL

(A)=EF312T
(B)=EF352T
(C)=

(D)=
(E)=
(F)=

No.	Lev.	Parts No.	Description	Q'ty						I	R
				(A)	(B)	(C)	(D)	(E)	(F)		
44	1	1C6281-52320	PIN, SNAP 8	3	3						
45	1	194330-62530	STOPPER, PEDAL	4	4						
46	1	26106-080162	BOLT, M8X 16 PLATED	2	2						

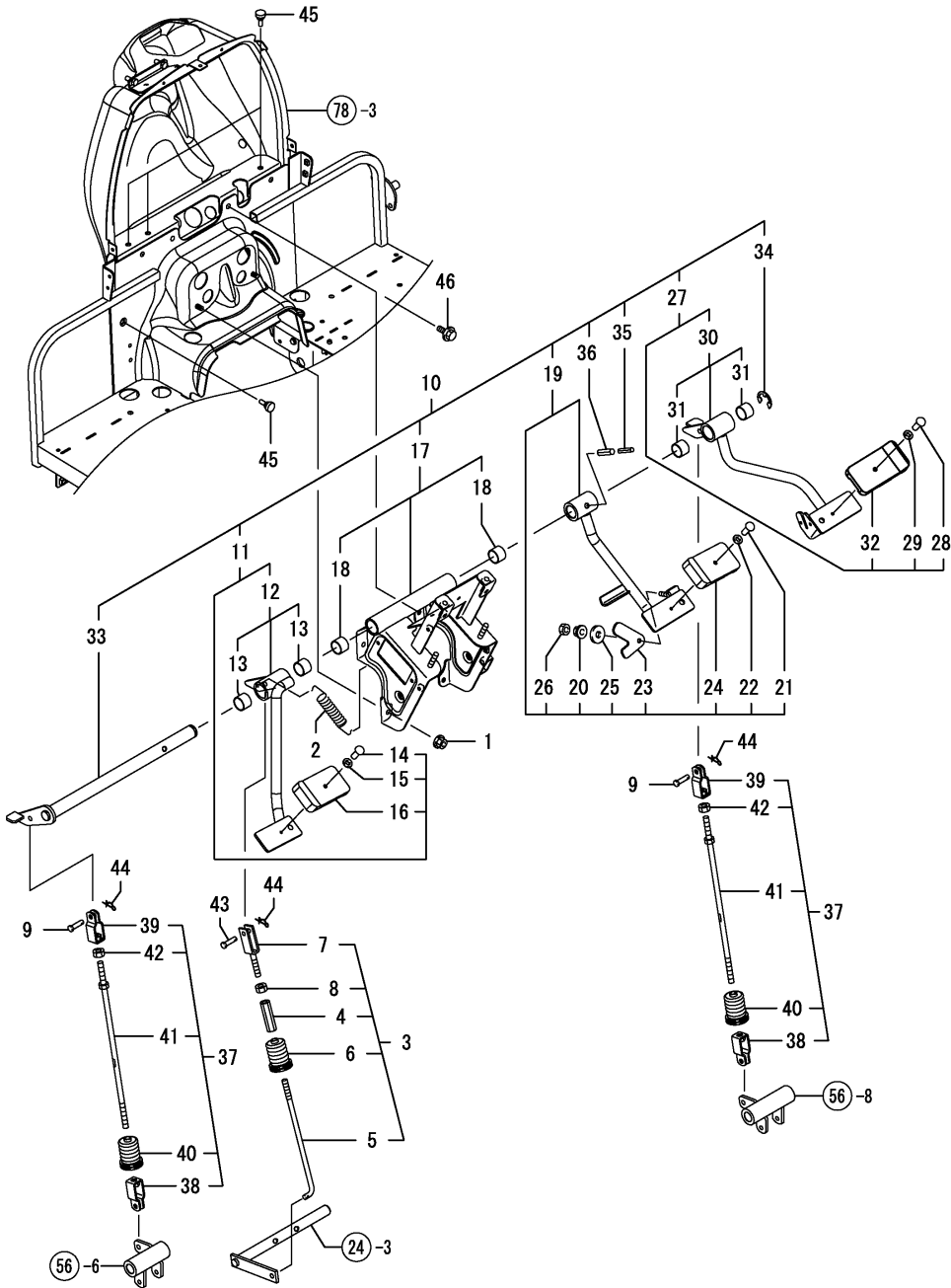
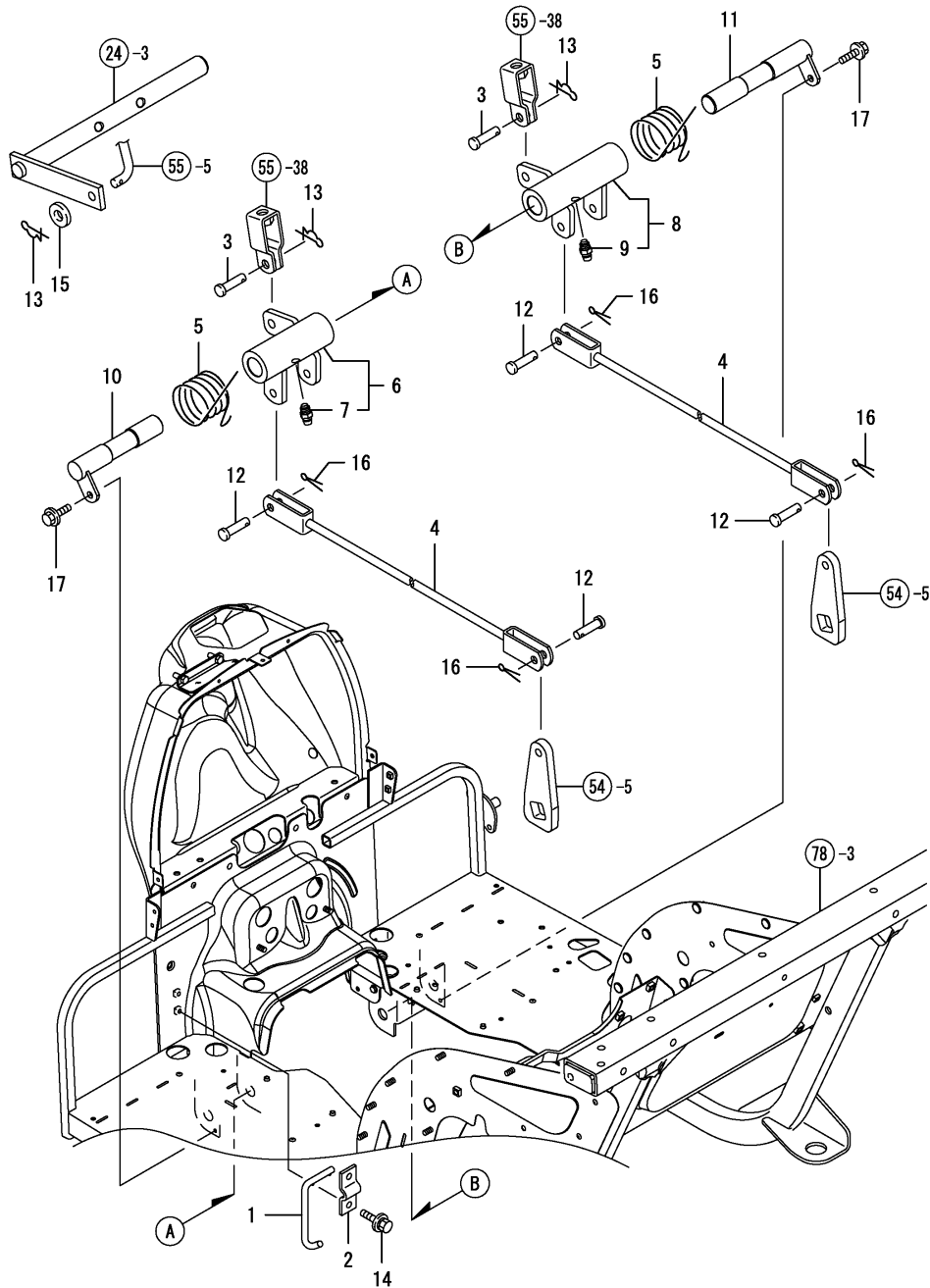


Fig.56. BRAKE LINK



(A)=EF312T
(B)=EF352T
(C)=

(D)=
(E)=
(F)=

No.	Lev.	Parts No.	Description	Q'ty						I	R
				(A)	(B)	(C)	(D)	(E)	(F)		
1	1	198200-22460	LEVER, PEDAL LOCK	1	1						
2	1	198200-22470	HINGE, LEVER	1	1						
3	1	194312-27780	PIN, 8.9	2	2						
4	1	198200-37370	ROD ASSY, BRAKE	2	2						
5	1	198200-37460	SPRING, BRAKE PEDAL	2	2						
6	1	198200-37700	ARM ASSY, BRAKE L	1	1						
7	2	24761-010000	NIPPLE, GREASE M6F	1	1						
8	1	198200-37710	ARM ASSY, BRAKE R	1	1						
9	2	24761-010000	NIPPLE, GREASE M6F	1	1						
10	1	198200-37740	SHAFT ASSY, L	1	1						
11	1	198200-37840	SHAFT ASSY	1	1						
12	1	198220-37900	PIN, 8X24	4	4						
13	1	1C6281-52320	PIN, SNAP 8	3	3						
14	1	198093-85650	BOLT, M6X16	2	2						
15	1	22137-100000	WASHER, 10	1	1						
16	1	22417-250300	PIN, COTTER 2.5X30	4	4						
17	1	26106-060122	BOLT, M6X 12 PLATED	2	2						

Fig.57. PARKING BRAKE

(A)=EF312T
(B)=EF352T
(C)=

(D)=
(E)=
(F)=

No.	Lev.	Parts No.	Description	Q'ty						I	R
				(A)	(B)	(C)	(D)	(E)	(F)		
1	1	198200-37640	COLLAR	1	1						
2	1	198200-37650	LEVER, BRAKE LOCK	1	1						
3	1	198475-37690	SPRING, LOCK	1	1						
4	1	22157-080000	WASHER, 8	2	2						
5	1	26106-080202	BOLT, M8X 20 PLATED	1	1						

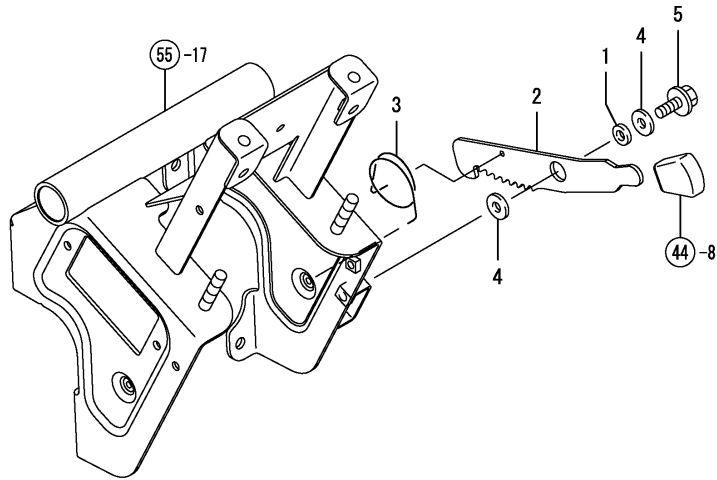
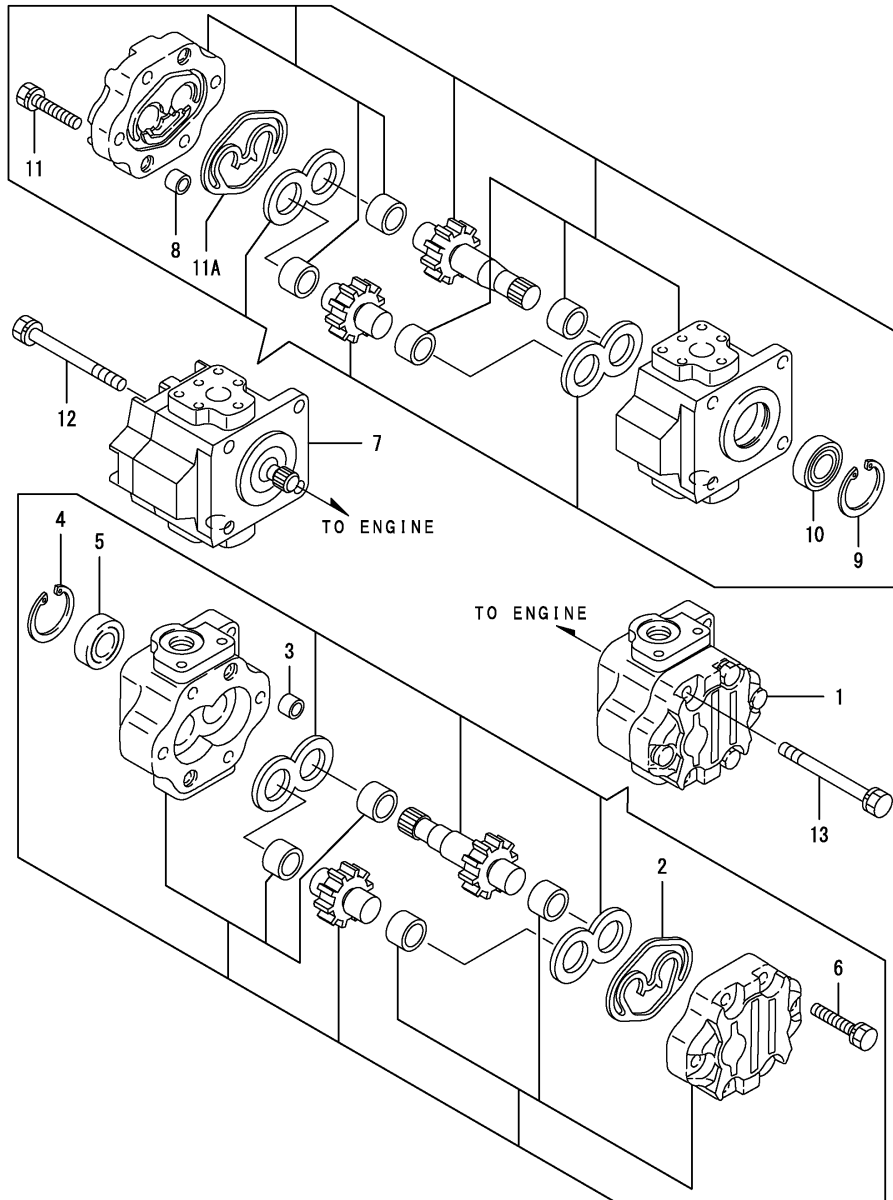


Fig.58. HYDRAULIC PUMP



(A)=EF312T
(B)=EF352T
(C)=

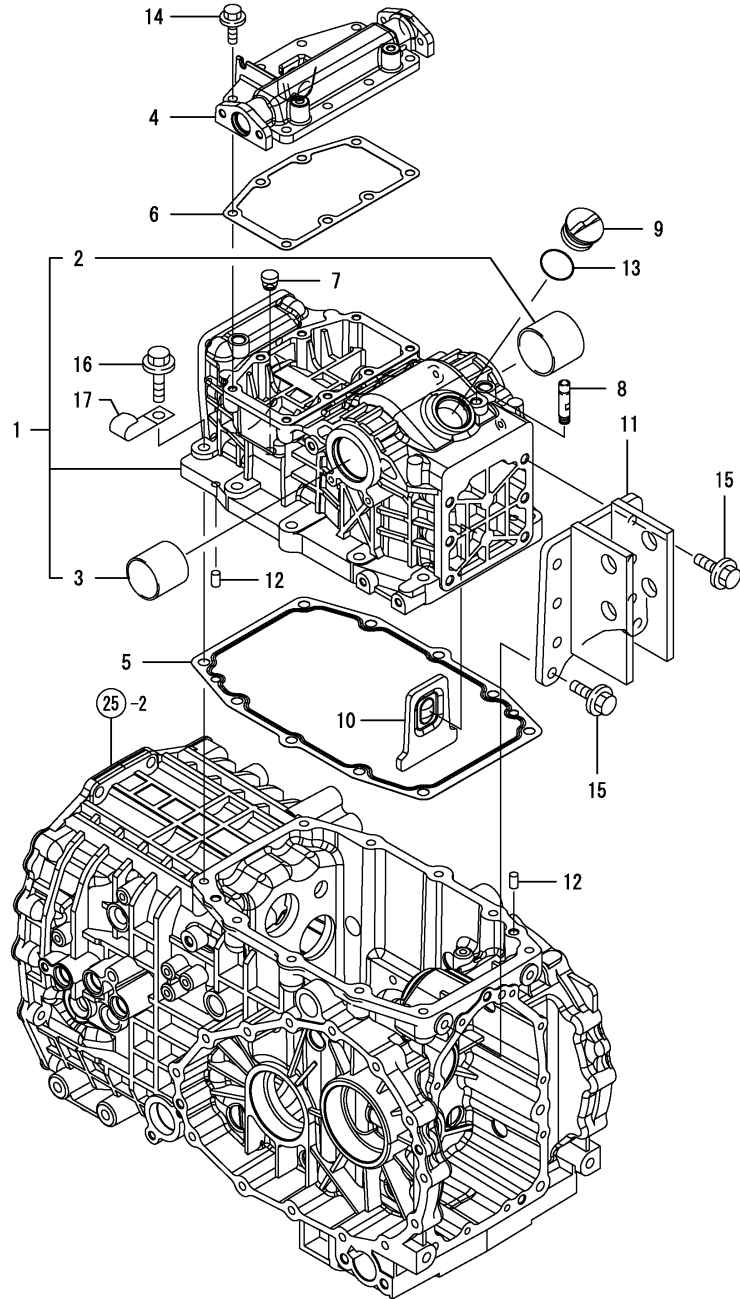
(D)=
(E)=
(F)=

No.	Lev.	Parts No.	Description	Q'ty						I	R
				(A)	(B)	(C)	(D)	(E)	(F)		
1	1	198172-41110	PUMP, HYDRAULIC	1	1						
2	2	178070-10401	RING	1	1						
3	2	194521-41570	PIN, 11X7	2	2						
4	2	22252-000320	RING, 32	1	1						
5	2	24421-153207	SEAL, OIL TC153207	1	1						
6	2	26016-080352	BOLT, M8X 35	4	4						
7	1	198200-41110	PUMP ASSY, HYDRAULIC	1	1						
8	2	194521-41570	PIN, 11X7	2	2						
9	2	22252-000320	RING, 32	1	1						
10	2	24421-153207	SEAL, OIL TC153207	1	1						
11	2	26016-080352	BOLT, M8X 35	4	4						
11A	2	178070-10401	RING	1	1						
12	1	26013-080802	BOLT, M8X 80	2	2						
13	1	26013-080802	BOLT, M8X 80	2	2						

Fig.59. HYDRAULIC CYLINDER CASE

(A)=EF312T
(B)=EF352T
(C)=

(D)=
(E)=
(F)=

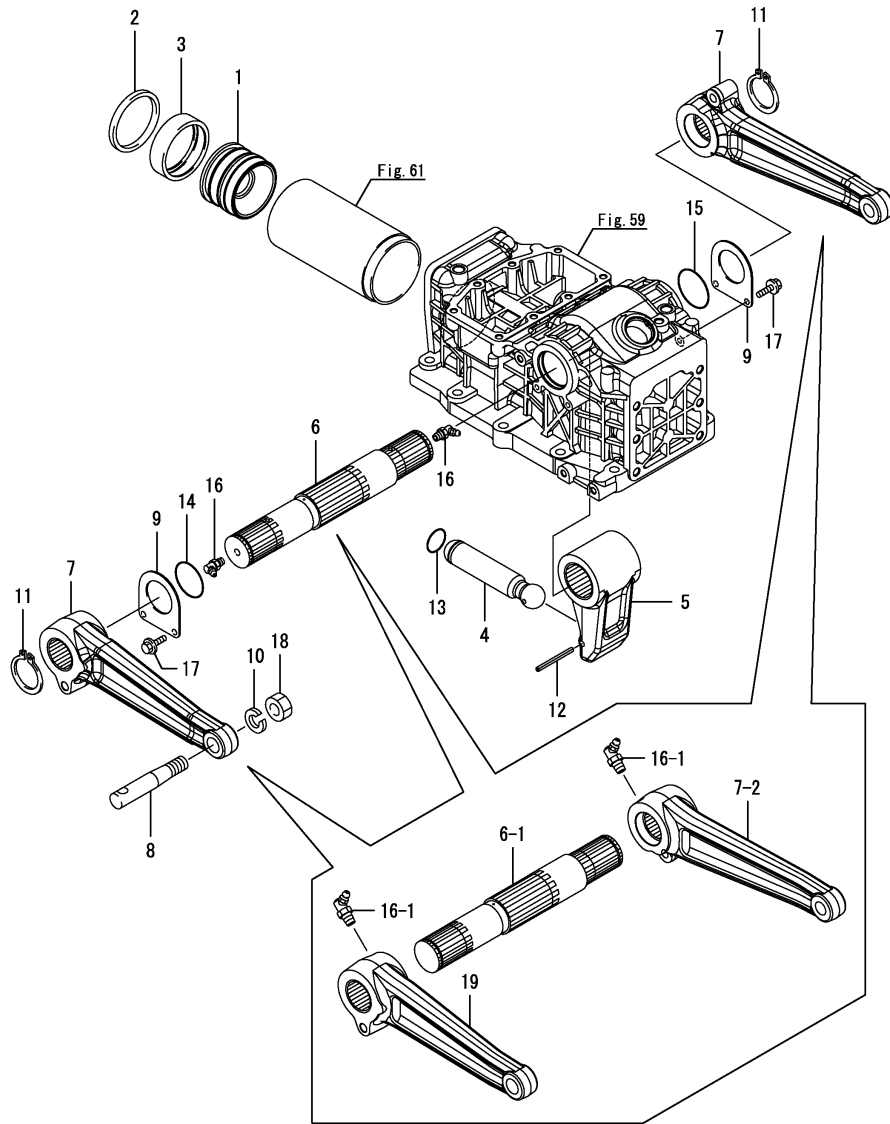


No.	Lev.	Parts No.	Description	Q'ty						I	R
				(A)	(B)	(C)	(D)	(E)	(F)		
1	1	198200-42101	HOUSING ASSY, LIFT	1	1						
1-1	1	198200-42101-1	HOUSING ASSY, LIFT	1	1						S
		(A=F110563) (B=F114609)									
2	2	198200-42130	BUSH, 45X40	1	1						
3	2	198200-42140	BUSH, 40X40	1	1						
4	1	198200-42150	CASE, LINK	1	1						
4-1	1	198200-42150-1	CASE, LINK	1	1						S
		(A=F110563) (B=F114609)									
5	1	198200-42180	GASKET, HOUSING	1	1						
6	1	198200-42190	GASKET, HOUSING	1	1						
7	1	198280-42250	PLUG, CASE	1	1						Z
		(A=FXXXXXXX) (B=FXXXXXXX)									
8	1	194555-42280	BREATHER, AIR	1	1						
9	1	194850-42500	CAP, OIL M33	1	1						
10	1	198200-42710	PLATE, STOPPER	1	1						
11	1	198280-42810	HINGE ASSY, TOP LINK	1	1						
11-1	1	198280-42810-1	HINGE ASSY, TOP LINK	1	1						S
		(A=F110563) (B=F114609)									
12	1	22312-080140	PIN, PARALLEL M8X14	2	2						
13	1	24351-020300	O-RING 1A 2030	1	1						
14	1	26106-080252	BOLT, M8X 25 PLATED	8	8						
15	1	26106-100252	BOLT, M10X 25 PLATED	8	8						
16	1	26106-100402	BOLT, M10X 40 PLATED	10	10						
17	1	194180-51640	CLAMP, HARNESS	1	1						W
		(A=F110511) (B=F114500)									

Fig.60. PISTON & LIFT CRANK

(A)=EF312T
(B)=EF352T
(C)=

(D)=
(E)=
(F)=

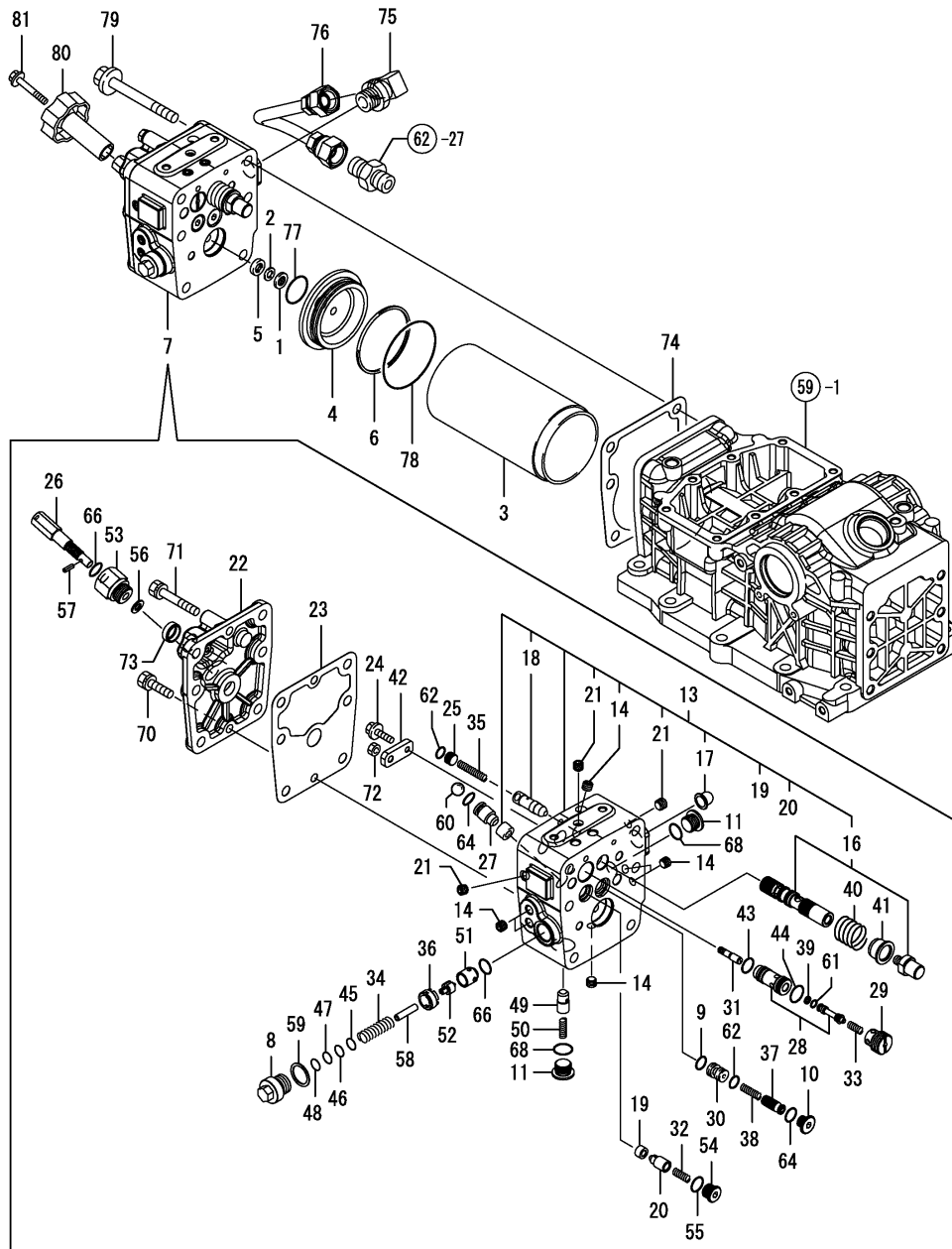


No.	Lev.	Parts No.	Description	Q'ty						I	R
				(A)	(B)	(C)	(D)	(E)	(F)		
1	1	198200-43310	PISTON, HYDRAULIC 75	1	1						
2	1	198071-43320	PACKING, 75	1	1						
3	1	198071-43330	WEARING	1	1						
4	1	198200-43410	ROD, PISTON	1	1						
5	1	198200-44110	CRANK, LIFT	1	1						
6	1	198283-44210	SHAFT, LIFTING	1	1						
6-1	1	198283-44211	SHAFT, LIFT	1	1					F	1
		(A=*2012.05) (B=*2012.05)									
7	1	198283-44420	ARM, LIFT R	2	2						
7-1	1	198283-44420-1	ARM, LIFT R	2	2					S	
		(A=F110563) (B=F114609)									
7-2	1	1A8310-44420	ARM, LIFT R	1	1					S	
		(A=*2012.05) (B=*2012.05)									
8	1	194130-44480	PIN, LIFT ARM	2	2						
8-1	1	194130-44480-1	PIN, LIFT ARM	2	2					S	
		(A=F110563) (B=F114609)									
9	1	198283-44510	WASHER, THRUST	2	2						
9-1	1	198283-44510-1	WASHER, THRUST	2	2					S	
		(A=F110563) (B=F114609)									
10	1	22217-160000	WASHER, SPRING 16	2	2						
11	1	22242-000400	RING, 40	2	2						
12	1	22351-050056	PIN, SPRING 5.0X56	1	1						
13	1	24311-000260	O-RING, 1AP26.0	1	1						
14	1	24311-000400	O-RING, 1AP40.0	1	1						
15	1	24311-000440	O-RING, 1AP44.0	1	1						
16	1	24761-040000	NIPPLE, GREASE B	2	2						
16-1	1	24761-050000	NIPPLE, GREASE C	2	2					N	
		(A=*2012.05) (B=*2012.05)									
17	1	26106-060122	BOLT, M6X 12 PLATED	4	4						
18	1	26736-160002	NUT, M16	2	2						
19	1	1A8310-44410	ARM, LIFT L	1	1					W	
		(A=*2012.05) (B=*2012.05)									

Remarks

(1)No.6, 7, 16 is interchangeable with a set of No.6-1, 7-2, 16-1 & 19.

Fig.61. CONTROL VALVE

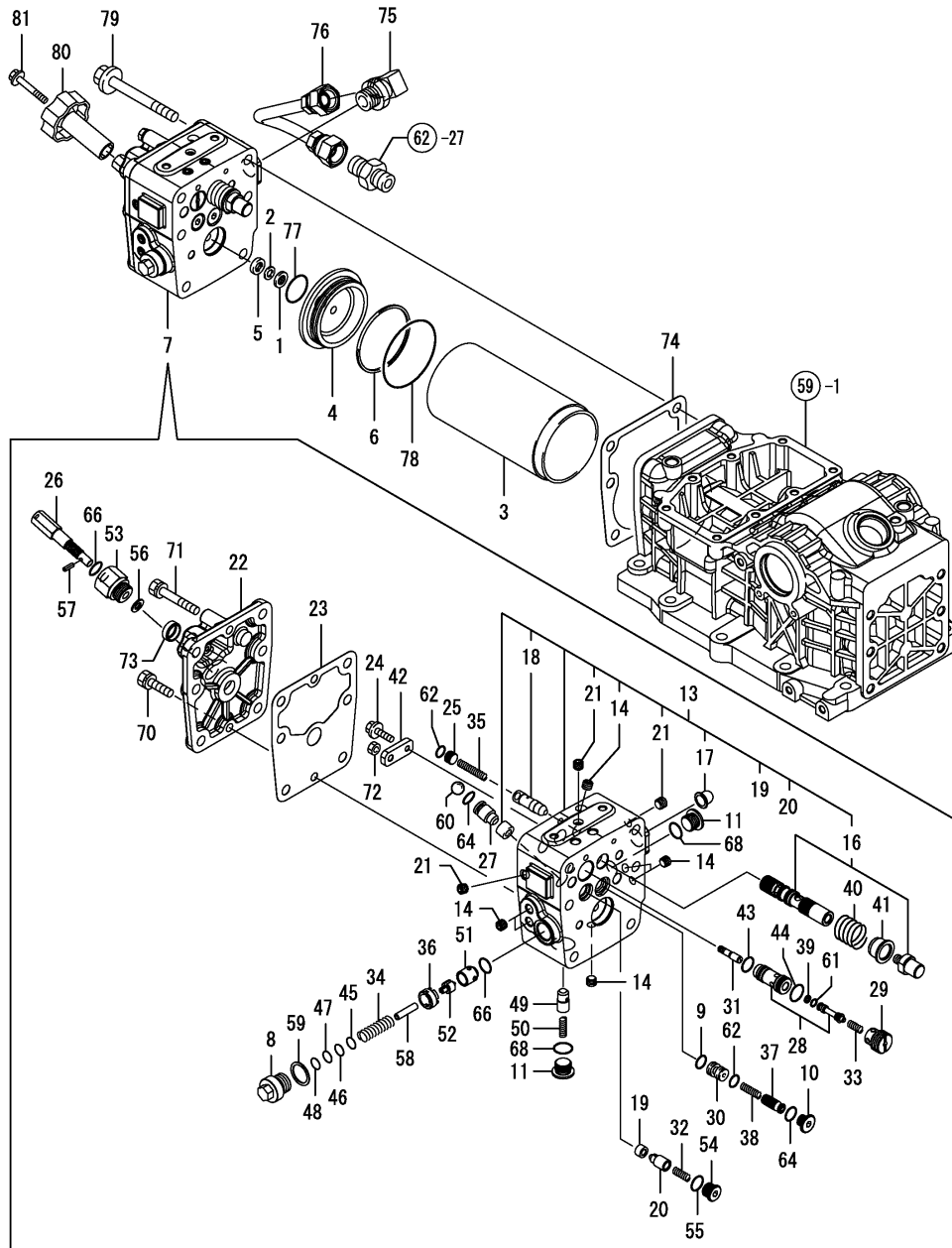


(A)=EF312T
(B)=EF352T
(C)=

(D)=
(E)=
(F)=

No.	Lev.	Parts No.	Description	Q'ty						I	R
				(A)	(B)	(C)	(D)	(E)	(F)		
1	1	194850-42180	STRAINER	1	1						
2	1	194850-42190	SPACER	1	1						
3	1	198200-43110	LINER, CYLINDER	1	1						
4	1	198200-43211	HEAD, CYLINDER	1	1						
5	1	194630-43230	PACKING	1	1						
6	1	198200-43250	RING, BACK UP G70	1	1						
7	1	198200-45102	VALVE ASSY, LIFT	1	1						
7-1	1	198200-45102-1 (A=F110563) (B=F114609)	VALVE ASSY, LIFT	1	1						S
8	2	178076-02230	PLUG, RELIEF VALVE	1	1						
9	2	178076-40610	PACKING, 1B	1	1						
10	2	178076-12400	PLUG, G1/4	1	1						
11	2	1A6750-29850	PLUG, G3/8	2	2						
13	2	178076-40011	VALVEBODY CMP	1	1						
13-1	2	178076-40011-1 (A=F110563) (B=F114609)	VALVEBODY CMP	1	1						S
14	3	178073-01200	PLUG PT 1/8	6	6						
16	3	178076-40200	SPOOL ASSY, MAIN	1	1						
17	3	194556-42220	STRAINER, A	1	1						
18	3	194170-45310	POPPET	1	1						
19	3	198435-45410	SEAT, CHECK	1	1						
20	3	194170-45420	POPPET, L CHECK	1	1						
21	3	194555-77120	PLUG, 1/16	3	3						
22	2	178076-40100	COVER,	1	1						
22-1	2	178076-40100-1 (A=F110563) (B=F114609)	COVER,	1	1						S
23	2	178076-40110	GASKET, COVER	1	1						
24	2	178076-40250	BOLT, 6 X 16	1	1						
25	2	178076-40300	PLUG, 12	1	1						
26	2	178076-40400	BOLT, STOP	1	1						
27	2	178076-40410	STOP VALVE	1	1						
28	2	178076-40501	VALVE ASSY, CHECK	1	1						
29	2	178076-40531	RETAINER, SEAT	1	1						
30	2	178076-40600	PLUG,	1	1						
31	2	194170-45220	BAR, PUSH	1	1						
32	2	1A6640-45230	SPRING, VALVE	1	1						
33	2	194170-45230	SPRING	1	1						
34	2	194150-45320	SPRING, RELIEF VALVE	1	1						
35	2	194170-45321	SPRING	1	1						
36	2	194275-45340	SCREW, VALVE SEAT	1	1						
37	2	194170-45350	SPOOL, CONTROL	1	1						
38	2	194170-45360	SPRING	1	1						
39	2	194170-45430	RING, BACK UP	1	1						
40	2	194170-45520	SPRING, SPOOL	1	1						
41	2	194170-45530	STOPPER, SPOOL	1	1						
42	2	194170-45550	BAR, SPOOL	1	1						
43	2	194327-45640	O-RING, 1AS14.0	1	1						
44	2	194327-45650	O-RING, 1BS16.0	1	1						
45	2	194170-45710	SHIM, T=0.2	1	1						
46	2	194170-45720	SHIM, T=0.3	1	1						
47	2	194170-45730	SHIM, T=0.5	1	1						

Fig.61. CONTROL VALVE

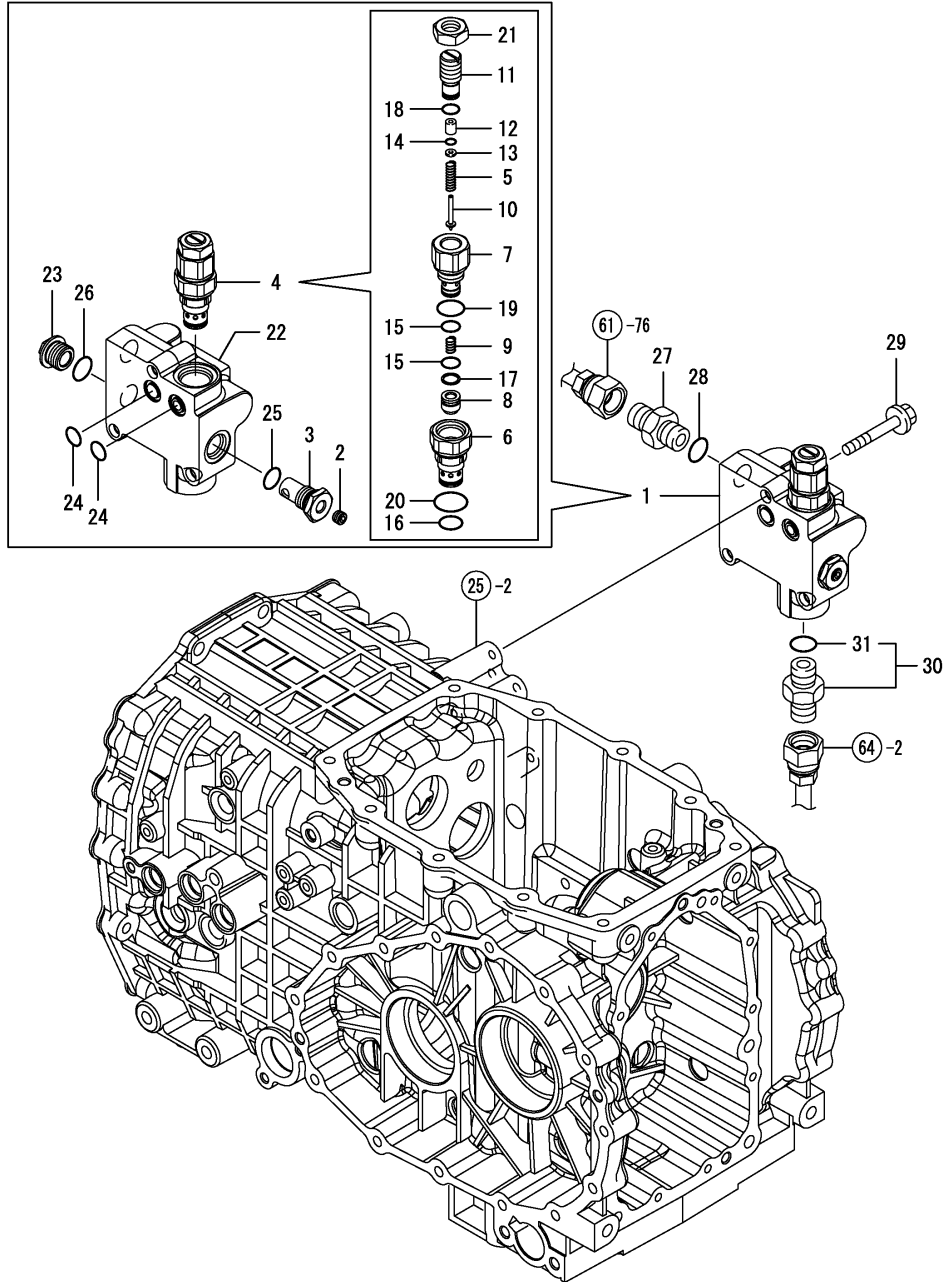


(A)=EF312T
(B)=EF352T
(C)=

(D)=
(E)=
(F)=

No.	Lev.	Parts No.	Description	Q'ty						I	R
				(A)	(B)	(C)	(D)	(E)	(F)		
48	2	194170-45740	SHIM, T=1.0	1	1						
49	2	194310-46350	POPPET, CHECK	1	1						
50	2	194310-46380	SPRING	1	1						
51	2	194640-46410	SEAT, SAFETY VALVE	1	1						
52	2	194640-46420	POPPET	1	1						
53	2	194312-46630	HOLDER, VALVE	1	1						
54	2	198165-48560	PLUG, 9/16	1	1						
55	2	194850-49290	PACKING, 6-1	1	1						
56	2	22117-080000	WASHER, 8	1	1						
57	2	22351-040012	PIN, SPRING 4.0X12	1	1						
58	2	22351-060028	PIN, SPRING 6.0X28	1	1						
59	2	23414-200026	GASKET, 20X1.0	1	1						
60	2	24190-160001	BALL, STEEL 1/2	1	1						
61	2	24311-000050	O-RING, 1AP5.0	1	1						
62	2	24315-000090	O-RING, 1BP9.0	2	2						
64	2	24315-000110	O-RING, 1BP11.0	2	2						
66	2	24315-000120	O-RING, 1BP12.0	2	2						
68	2	24315-000140	O-RING, 1BP14.0	2	2						
70	2	26016-080252	BOLT, M8X 25	1	1						
71	2	26016-080502	BOLT M 8X 50	1	1						
72	2	26756-060002	NUT, LOCK M6	1	1						
73	2	27260-200000	PLUG, 20	1	1						
74	1	198200-45150	GASKET, LIFT VALVE	1	1						
75	1	194765-46980	ELBOW, PF1/2	1	1						
76	1	198200-48140	PIPE, PRESSURE	1	1						
77	1	24325-000250	O-RING, 1BG25.0	1	1						
78	1	24325-000700	O-RING, 1BG70.0	1	1						
79	1	26106-100902	BOLT, M10X 90 PLATED	6	6						
80	1	1A7260-46640	KNOB, VALVE	1	1						
81	1	1A7260-46650	BOLT, M6X40	1	1						

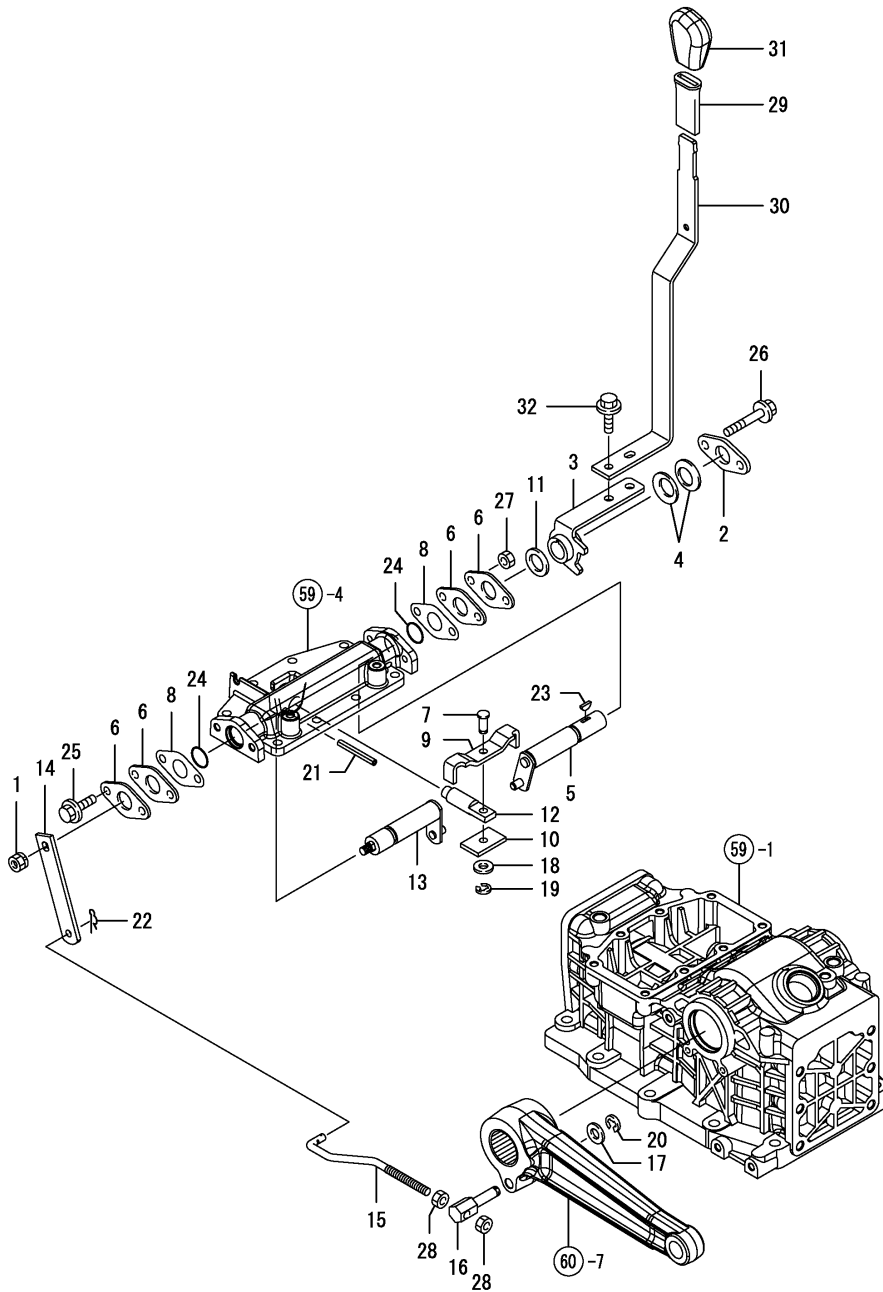
Fig.62. RELIEF VALVE



(A)=EF312T
(B)=EF352T
(C)=

(D)=
(E)=
(F)=

No.	Lev.	Parts No.	Description	Q'ty						I	R
				(A)	(B)	(C)	(D)	(E)	(F)		
1	1	198200-48500	HOUSING ASSY, VALVE	1	1						
1-1	1	198200-48500-1	HOUSING ASSY, VALVE	1	1						S
		(A=F110563) (B=F114609)									
2	2	178073-01200	PLUG PT 1/8	1	1						Z
		(A=F110713) (B=F116148)									
3	2	178076-38210	PLUG,	1	1						
3-1	2	168371-01100	PLUG(M18	1	1						N
		(A=F110713) (B=F116148)									
4	2	198200-45510	VALVE ASSY, RELIEF	1	1						
4-1	2	198200-45510-1	VALVE ASSY, RELIEF	1	1						S
		(A=F110563) (B=F114609)									
5	3	178073-04310	SP(PILOT	1	1						
6	3	178076-26100	HOLDER, RELIEF	1	1						
7	3	178076-26110	HOLDER, RELIEF PILOT	1	1						
8	3	178076-26120	VALVE, RELIEF	1	1						
9	3	178076-26130	SPRING	1	1						
10	3	178076-26140	VALVE, PILOT	1	1						
11	3	178076-26160	SCREW, ADJUSTMENT	1	1						
12	3	178076-26170	GUIDE, RELIEF VALVE	1	1						
13	3	178076-26180	SPACER,	1	1						
14	3	178076-26190	PACKING, P 3	1	1						
15	3	194327-45630	O-RING, 1BS12.0	2	2						
16	3	194327-45650	O-RING, 1BS16.0	1	1						
17	3	172510-74530	RING, BACK UP	1	1						
18	3	24315-000100	O-RING, 1BP10.0	1	1						
19	3	24315-000180	O-RING, 1BP18.0	1	1						
20	3	24315-000220	O-RING, 1BP22.0	1	1						
21	3	26776-160002	NUT, LOCK M16	1	1						
22	2	198200-48510	CASE, VALVE	1	1						
22-1	2	198200-48510-1	CASE, VALVE	1	1						S
		(A=F110563) (B=F114609)									
23	2	198121-77330	PLUG	1	1						
24	2	24311-000140	O-RING, 1AP14.0	2	2						
25	2	24315-000160	O-RING, 1BP16.0	1	1						
26	2	24315-000180	O-RING, 1BP18.0	1	1						
27	1	172112-77360	CONNECTOR,PF1/2PF1/2	1	1						
28	1	24311-000180	O-RING, 1AP18.0	1	1						
29	1	26106-080552	BOLT, M8X 55 PLATED	3	3						
30	1	198265-48200	ADAPTER ASSY	1	1						
31	2	24311-000180	O-RING, 1AP18.0	1	1						

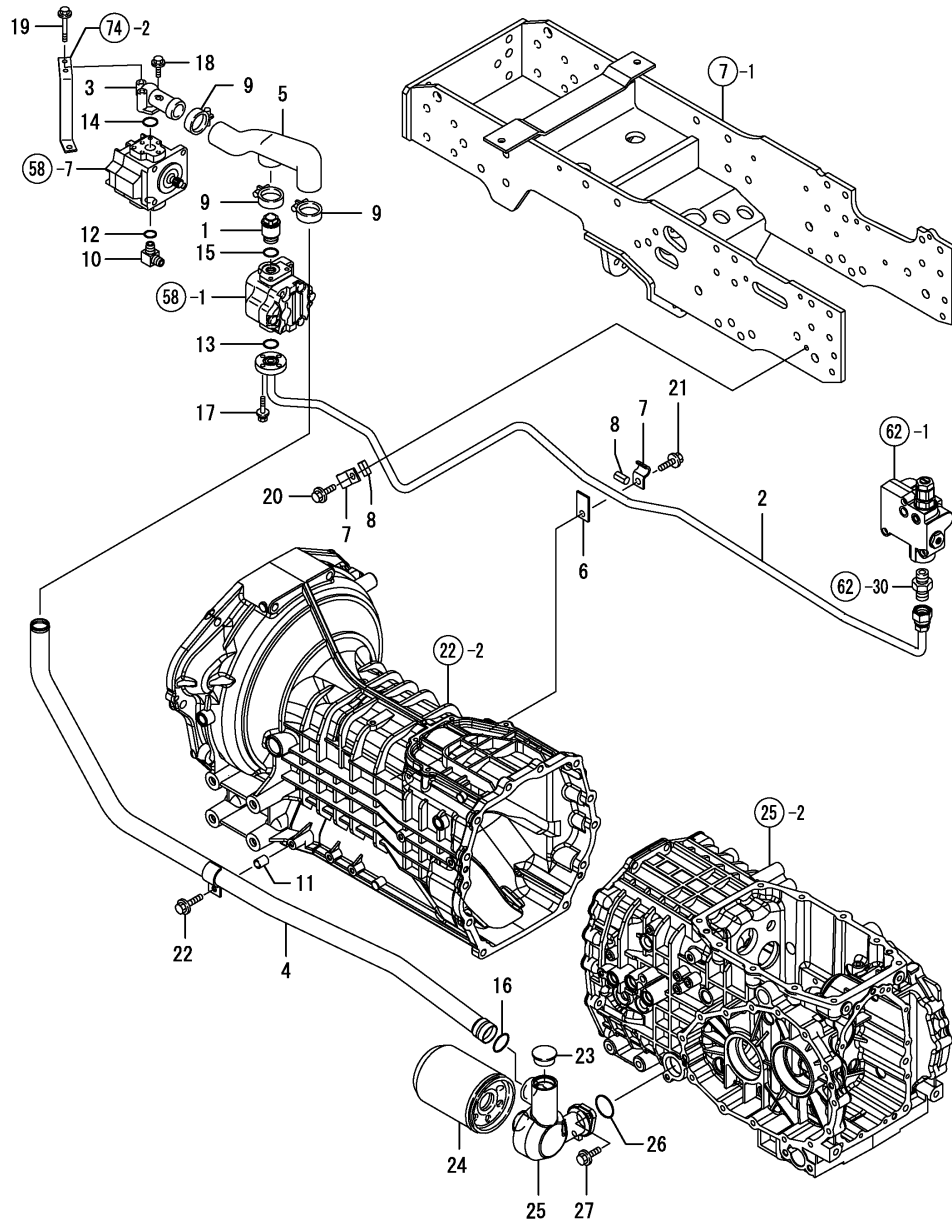


(A)=EF312T
 (B)=EF352T
 (C)=

(D)=
 (E)=
 (F)=

No.	Lev.	Parts No.	Description	Q'ty						I	R
				(A)	(B)	(C)	(D)	(E)	(F)		
1	1	194990-22050	NUT, M8	1	1						
2	1	194940-47210	PLATE	1	1						
2-1	1	194940-47210-1	PLATE	1	1						S
3	1	(A=F110563) 198280-47210	(B=F114609) ARM, LEVER	1	1						
3-1	1	198280-47210-1	ARM, LEVER	1	1						S
3-2	1	(A=F110563) 198280-47710-1	(B=F114609) ARM, P LEVER	1	1						N
		(A=FZZZZZ)	(B=FZZZZZ)								
4	1	194940-47220	WASHER, 20	2	2						
5	1	198280-47310	SHAFT, P LEVER	1	1						
6	1	194555-47340	PLATE, A	4	4						
6-1	1	194555-47340-1	PLATE, A	4	4						S
7	1	(A=F110563) 198431-47340	(B=F114609) PIN, CONTROL	1	1						
8	1	194555-47350	PLATE, B	2	2						
8-1	1	194555-47350-1	PLATE, B	2	2						S
		(A=F110563)	(B=F114609)								
9	1	198200-47411	LINK, CONTROL	1	1						
10	1	198280-47430	PLATE	1	1						
11	1	194170-47440	PLATE, FRICTION	1	1						
12	1	198200-47460	ROD, CONTROL	1	1						
13	1	198280-47500	SHAFT, FEEDBACK	1	1						
14	1	198200-47510	ARM, FEEDBACK	1	1						
14-1	1	198200-47510-1	ARM, FEEDBACK	1	1						S
15	1	(A=F110563) 198280-47540	(B=F114609) ROD, FEEDBACK	1	1						
15-1	1	198200-47540	ROD, FEEDBACK	1	1						N
		(A=FXXXXXX)	(B=FXXXXXX)								
16	1	198283-47650	PIN, ADJUST	1	1						
17	1	22117-100000	WASHER, 10	1	1						
18	1	22137-080000	WASHER, 8	1	1						
19	1	22272-000060	RING, E- 6	1	1						
20	1	22272-000080	RING, E- 8	1	1						
21	1	22351-060050	PIN, SPRING 6.0X50	1	1						
22	1	22372-080000	PIN, SNAP 8	1	1						
23	1	22522-030130	KEY, WOODRUFF 3X13	1	1						
24	1	24311-000200	O-RING, 1AP20.0	2	2						
25	1	26106-080162	BOLT, M8X 16 PLATED	2	2						
26	1	26106-080502	BOLT, M8X 50 PLATED	2	2						
27	1	26716-080002	NUT, M8	2	2						
28	1	26716-080002	NUT, M8	2	2						
29	1	198072-27880	BOOT, SHAFT	1	1						
30	1	198200-47110	LEVER, POSITION	1	1						
31	1	198200-47810	KNOB, BLACK	1	1						
32	1	26106-080162	BOLT, M8X 16 PLATED	2	2						

Fig.64. HYDRAULIC PIPING

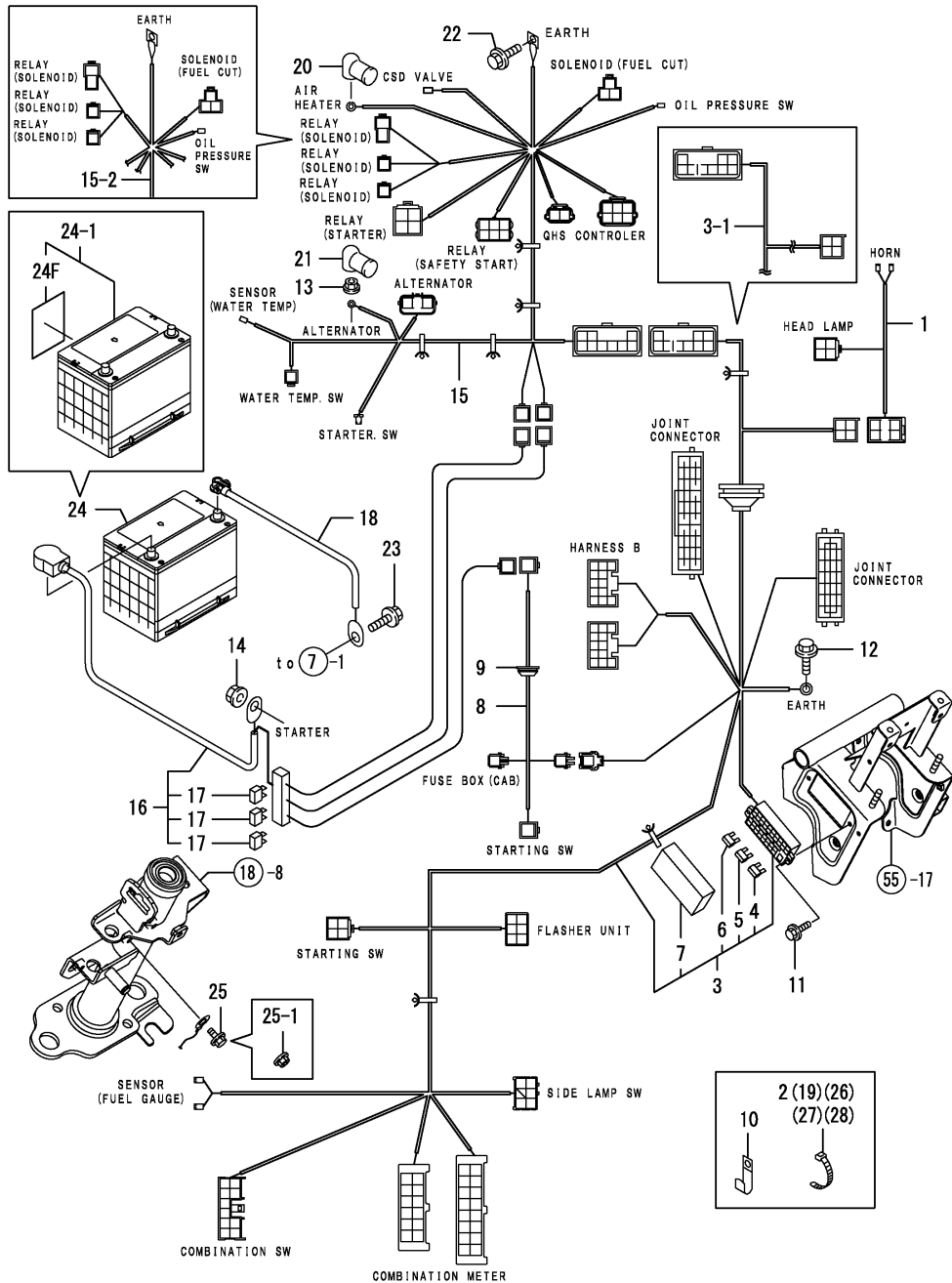


(A)=EF312T
(B)=EF352T
(C)=

(D)=
(E)=
(F)=

No.	Lev.	Parts No.	Description	Q'ty						I	R
				(A)	(B)	(C)	(D)	(E)	(F)		
1	1	198010-41211	JOINT, M22	1	1						
2	1	198208-48110	PIPE, PRESSURE	1	1						
2-1	1	198208-48111	LINE ASSY,PRESSURE	1	1						N
				(A=FZZZZZ)	(B=FZZZZZ)						
3	1	198220-48140	FLANGE, PIPE P	1	1						
4	1	198208-48160	PIPE, PRESSURE	1	1						
5	1	198072-48340	TUBE, PRESSURE	1	1						
6	1	198330-48410	CLAMP	1	1						
7	1	198200-48810	CLAMP, PIPE	2	2						
8	1	198240-48850	CLAMP, ABSORBER	2	2						
9	1	175022-49730	CRIP 31, HOSE	3	3						
10	1	1E6680-66470	ELBOW, 3/8	1	1						
11	1	198360-86840	COLLAR, 8.4X12X15	1	1						
12	1	24311-000140	O-RING, 1AP14.0	1	1						
13	1	24311-000200	O-RING, 1AP20.0	1	1						
14	1	24311-000200	O-RING, 1AP20.0	1	1						
15	1	24311-000200	O-RING, 1AP20.0	1	1						
16	1	24311-000260	O-RING, 1AP26.0	1	1						
17	1	26018-060252	BOLT, M6X 25	4	4						
18	1	26106-060202	BOLT, M6X 20 PLATED	1	1						
19	1	26106-060452	BOLT, M6X 45 PLATED	2	2						
20	1	26106-080162	BOLT, M8X 16 PLATED	1	1						
21	1	26106-080202	BOLT, M8X 20 PLATED	1	1						
22	1	26106-080302	BOLT, M8X 30 PLATED	1	1						
23	1	1A6660-24250	PLUG, BORE 32	1	1						
23-1	1	27260-320000	PLUG, 32	1	1						R
				(A=FXXXXX)	(B=FXXXXX)						
24	1	198119-48310	FILTER	1	1						
25	1	198200-48350	COVER, FILTER	1	1						
26	1	24311-000340	O-RING, 1AP34.0	1	1						
27	1	26106-080252	BOLT, M8X 25 PLATED	2	2						

Fig.65. WIRE HARNESS

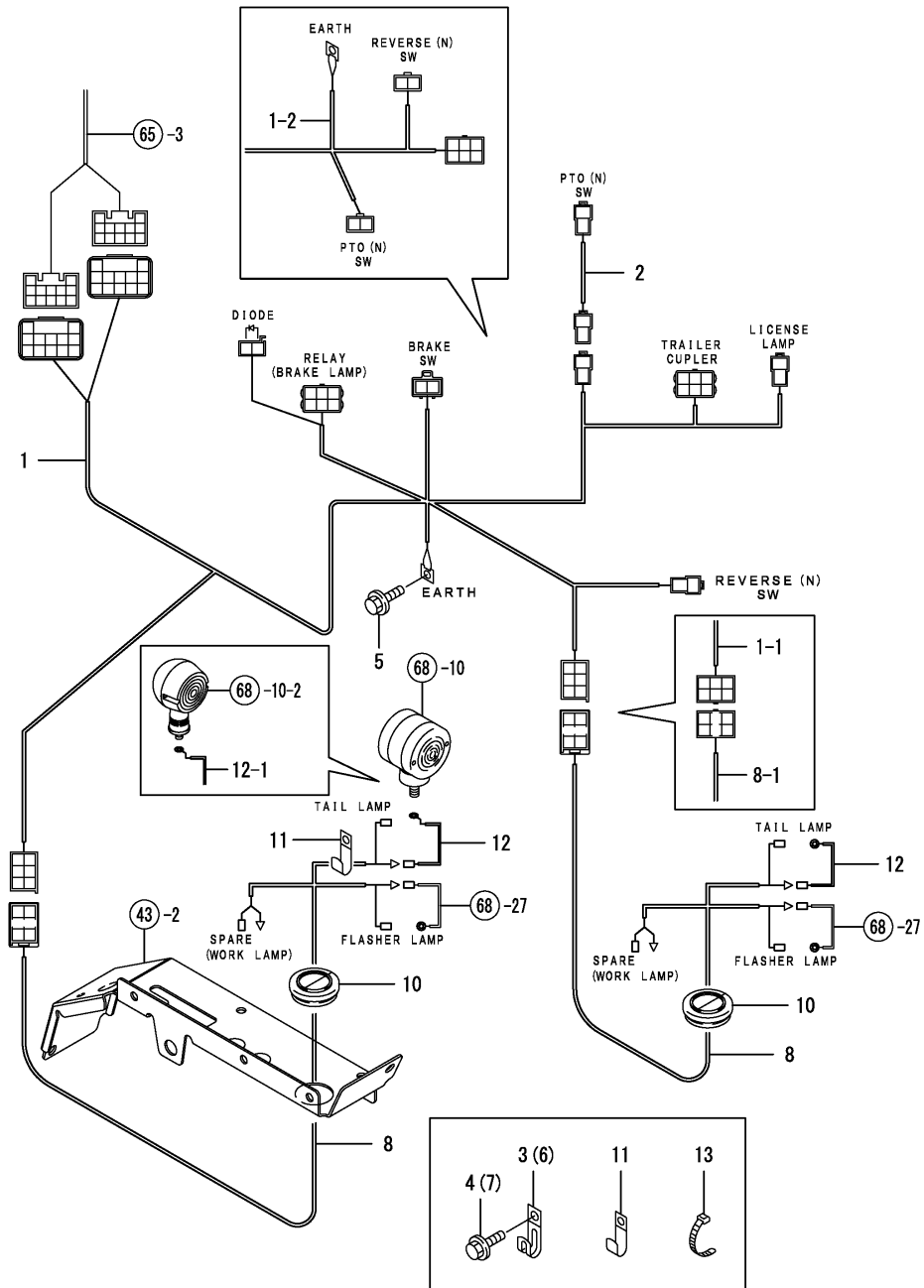


(A)=EF312T
(B)=EF352T
(C)=

(D)=
(E)=
(F)=

No.	Lev.	Parts No.	Description	Q'ty						I	R
				(A)	(B)	(C)	(D)	(E)	(F)		
1	1	198200-51170	HARNESS, WIRE	1	1						
2	1	29622-250001	BAND, RF250	1	1						
3	1	198283-51150	HARNESS ASSY, WIRE F	1	1						
3-1	1	198283-51151	HARNESS ASSY, WIRE F	1	1						S
		(A=F110261) (B=F110342)									
4	2	198535-52110	FUSE, 5A	4	4						
5	2	198535-52120	FUSE, 10A	4	4						
6	2	198535-52130	FUSE, 15A	2	2						
7	2	198200-52520	COVER, FUSE BOX	1	1						
8	1	198280-51200	CABLE, STARTER	1	1						
9	1	194170-51210	GROMMET	1	1						
10	1	194242-51660	CLAMP, HARNESS	1	1						
11	1	26106-060122	BOLT, M6X 12 PLATED	2	2						
12	1	26106-080122	BOLT, M8X 12 PLATED	1	1						
13	1	194990-22130	NUT, M6	1	1						
14	1	194990-22140	NUT, M8	1	1						
15	1	198282-51110	HARNESS, WIRE	1	1						
15-1	1	198282-51111	HARNESS, WIRE	1	1						R
		(A=F110261) (B=F110342)									
15-2	1	198283-51110	HARNESS, WIRE	1	1						S
		(A=FXXXXXXX) (B=FXXXXXXX)									
16	1	198280-51410	CABLE, BATTERY	1	1						
17	2	1A7000-52820	FUSE, SLOW BLOW 60A	3	3						
18	1	194250-51420	CABLE, BATTERY EARTH	1	1						
19	1	198220-51870	BAND, NYLON 200	2	2						
20	1	124756-77040	COVER, TERMINAL	1	1						
20-1	1	124550-77030	COVER, TERMINAL	1	1						N
		(A=FXXXXXXX) (B=FXXXXXXX)									
21	1	124756-77040	COVER, TERMINAL	1	1						
22	1	26106-080122	BOLT, M8X 12 PLATED	1	1						
23	1	26106-080162	BOLT, M8X 16 PLATED	1	1						
24	1	198280-51540	BATTERY	1	1						
24-1	1	198280-51900	BATTERY KIT, 80D26R	1	1						N
		(A=F110773) (B=F116278)									
24F	2	1A7550-91900	LABEL,CROSSED OUT PB	1	1						W
		(A=F110773) (B=F116278)									
25	1	26106-060122	BOLT, M6X 12 PLATED	1	1						W
		(A=F110283) (B=F111552)									
25-1	1	194990-22130	NUT, M6	1	1						N
		(A=FXXXXXXX) (B=FXXXXXXX)									
26	1	29622-250001	BAND, RF250	1	1						W
		(A=F110283) (B=F111552)									
27	1	198220-51870	BAND, NYLON 200	1	1						W
		(A=F110262) (B=F111053)									
28	1	29622-140001	BAND, RF140	1	1						W
		(A=F110230) (B=F110296)									

Fig.66. WIRE HARNESS

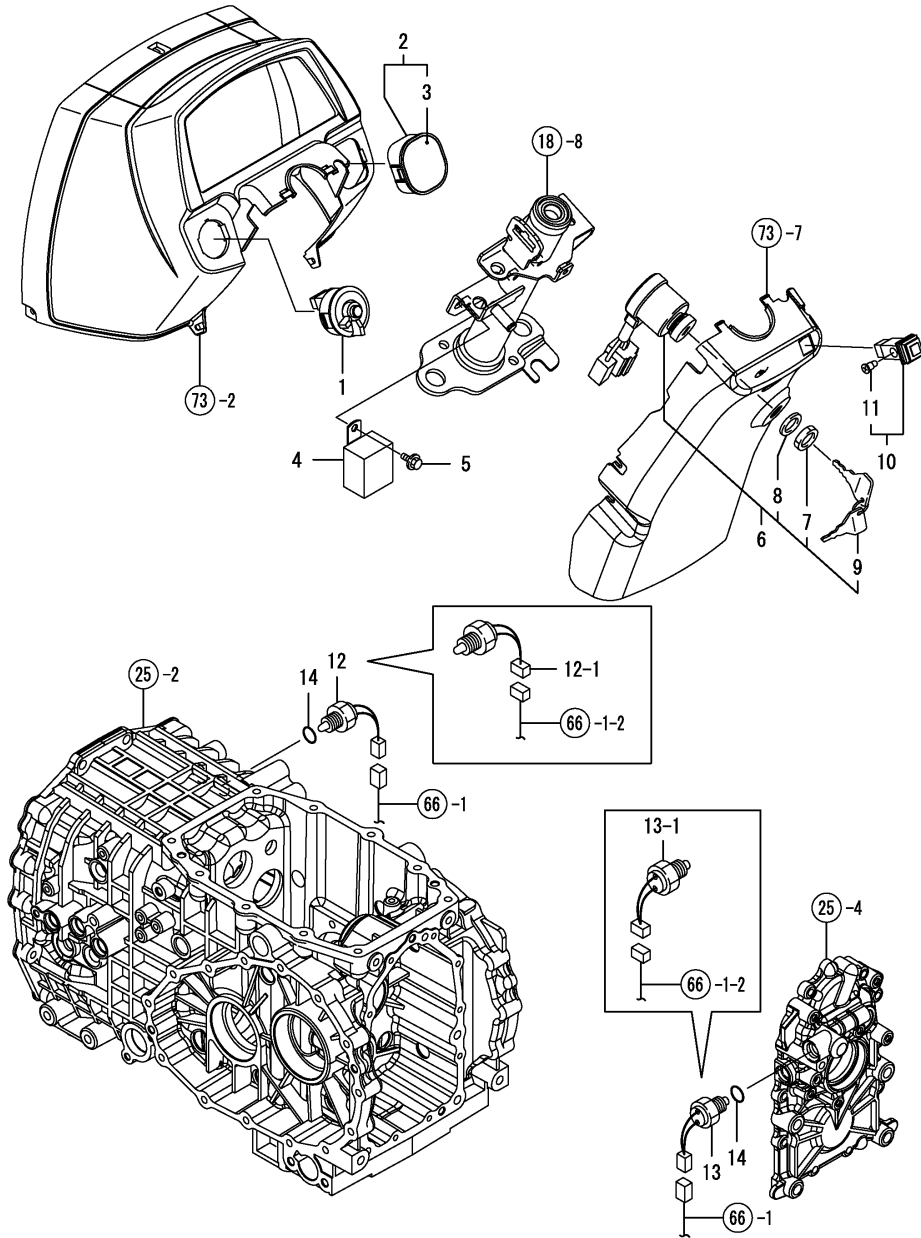


(A)=EF312T
(B)=EF352T
(C)=

(D)=
(E)=
(F)=

No.	Lev.	Parts No.	Description	Q'ty						I	R
				(A)	(B)	(C)	(D)	(E)	(F)		
1	1	198282-51130	HARNESS, WIRE	1	1						
1-1	1	198282-51131	HARNESS, WIRE	1	1						R
		(A=F110261) (B=F110342)									
1-2	1	198283-51130	HARNESS, WIRE	1	1						S
		(A=FXXXXXX) (B=FXXXXXX)									
2	1	198282-51230	HARNESS, WIRE	1	1						Z
		(A=F110231) (B=F110297)									
3	1	194440-51620	CLAMP	1	1						
4	1	26106-080122	BOLT, M8X 12 PLATED	1	1						
5	1	26106-080122	BOLT, M8X 12 PLATED	1	1						
6	1	1E6102-83230	CLAMP, CABLE	3	3						
7	1	26106-080122	BOLT, M8X 12 PLATED	3	3						
8	1	198283-51180	HARNESS, WIRE	2	2						
8-1	1	198283-51181	HARNESS, WIRE	2	2						S
		(A=F110231) (B=F110297)									
10	1	198133-51350	GROMMET, 38A	2	2						
11	1	194180-51640	CLAMP, HARNESS	2	2						
12	1	198146-86160	WIRE, FLASHER EARTH	2	2						
12-1	1	198121-51190	HARNESS, WIRE	2	2						S
		(A=F110321) (B=F112070)									
12-2	1	198121-51190	HARNESS, WIRE	2	2						Z
		(A=FXXXXXX) (B=FXXXXXX)									
13	1	29622-250001	BAND, RF250	1	1						

Fig.67. SWITCH

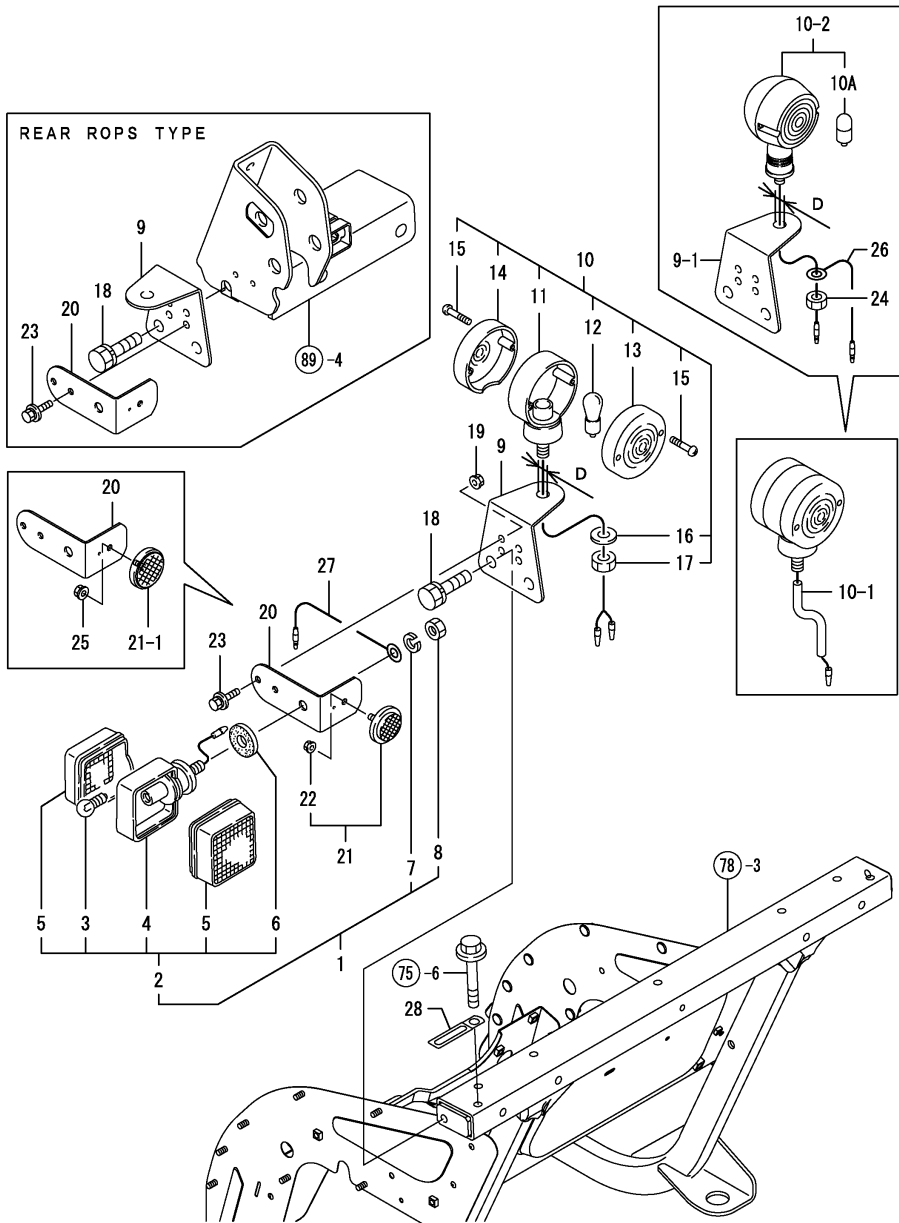


(A)=EF312T
(B)=EF352T
(C)=

(D)=
(E)=
(F)=

No.	Lev.	Parts No.	Description	Q'ty						I	R
				(A)	(B)	(C)	(D)	(E)	(F)		
1	1	198200-52140	SWITCH, COMBINATION	1	1						
2	1	198280-52450	COVER, BOX	1	1						
3	2	198280-52460	LABEL,	1	1						
4	1	198200-57200	RELAY, FLASHER	1	1						
4-1	1	1E6650-82400	RELAY	1	1						N
		(A=FXXXXXX) (B=FXXXXXX)									
5	1	26106-060122	BOLT, M6X 12 PLATED	1	1						
6	1	194940-52110	SWITCH, STARTING	1	1						
7	2	198360-52320	NUT, RING	1	1						
8	2	198360-52330	WASHER	1	1						
9	2	198360-52160	KEY ASSY	1	1						
10	1	1A7450-52210	SWITCH ASSY	1	1						
11	2	1A7450-52230	BULB, WITH SOCKET	1	1						
12	1	194464-52190	SWITCH, SAFETY START	1	1						
12-1	1	198269-52190	SWITCH, SAFETY	1	1						S
		(A=F110231) (B=F110297)									
13	1	194464-52190	SWITCH, SAFETY START	1	1						
13-1	1	198269-52190	SWITCH, SAFETY	1	1						S
		(A=F110231) (B=F110297)									
14	1	24311-000180	O-RING, 1AP18.0	2	2						

Fig.68. LAMP & REFLECTOR



(A)=EF312T
(B)=EF352T
(C)=

(D)=
(E)=
(F)=

No.	Lev.	Parts No.	Description	Q'ty						I	R
				(A)	(B)	(C)	(D)	(E)	(F)		
1	1	198010-53400	LAMP ASSY, FLASHER	2	2						
2	2	198010-53420	LAMP, FLASHER	2	2						
3	3	194200-53400	BULB, 12V-20W	2	2						
4	3	198010-53410	BODY ASSY	2	2						
5	3	198511-53430	LENS	4	4						
6	3	198511-53450	GASKET	2	2						
7	2	22217-100000	WASHER, SPRING 10	2	2						
8	2	26776-100002	NUT, LOCK M10	2	2						
9	1	198283-53500	STAY, TAIL LAMP	2	2						
9-1	1	198283-53501	STAY, TAIL LAMP	2	2						S 1
		(A=F110321) (B=F112070)									
10	1	198172-53600	LAMP ASSY, STOP	2	2						
10-1	1	198283-53600	LAMP ASSY, STOP	2	2						S
		(A=F110231) (B=F110297)									
10-2	1	198283-53810	LAMP, POSITION	2	2						S
		(A=F110321) (B=F112070)									
10A	2	1A7450-53820	BULB, 12V/10W	2	2						W
		(A=F110321) (B=F112070)									
11	2	194242-53610	BODY, LAMP	2	2						Z
		(A=F110321) (B=F112070)									
12	2	194242-53620	BULB, 12V21W/5W	2	2						Z
		(A=F110321) (B=F112070)									
13	2	194242-53630	LENS, RED	2	2						Z
		(A=F110321) (B=F112070)									
14	2	194242-53640	LENS, CLEAR	2	2						Z
		(A=F110321) (B=F112070)									
15	2	194242-55430	SCREW	8	8						Z
		(A=F110321) (B=F112070)									
16	2	194242-55440	WASHER, 12	2	2						Z
		(A=F110321) (B=F112070)									
17	2	26776-120002	NUT, LOCK M12	2	2						Z
		(A=F110321) (B=F112070)									
18	1	26013-120352	BOLT, M12X 35	2	2						
19	1	194990-22130	NUT, M6	2	2						
20	1	198200-53401	STAY, REFLECTOR	2	2						
21	1	194740-76200	REFLECTOR ASSY	2	2						
21-1	1	1A6481-62650	REFLECTOR	2	2						R
		(A=FXXXXXX) (B=FXXXXXX)									
22	2	194990-22120	NUT, M5	2	2						Z
		(A=FXXXXXX) (B=FXXXXXX)									
23	1	198093-85650	BOLT, M6X16	4	4						
24	1	26776-100002	NUT, LOCK M10	2	2						W
		(A=F110321) (B=F112070)									
25	1	194990-22120	NUT, M5	2	2						W
		(A=FXXXXXX) (B=FXXXXXX)									
26	1	198121-51190	HARNES, WIRE	2	2						W
		(A=FXXXXXX) (B=FXXXXXX)									
27	1	198121-51190	HARNES, WIRE	2	2						
28	1	194180-51640	CLAMP, HARNES	2	2						

Remarks

(1)D=No.9 : 13mm, No.9-1 : 11mm.

N:Old $\begin{matrix} \leftarrow \text{Yes} \\ \text{No} \end{matrix}$ New, Q:Old $\begin{matrix} \leftarrow \text{No} \\ \text{Yes} \end{matrix}$ New, R:Old $\begin{matrix} \leftarrow \text{Yes} \\ \text{No} \end{matrix}$ New, S:Old $\begin{matrix} \leftarrow \text{No} \\ \text{Yes} \end{matrix}$ New, W:Add, Z:Discontinued, F:Interchangeable by set, K:Q'ty Change

Fig.69. METER

(A)=EF312T
(B)=EF352T
(C)=

(D)=
(E)=
(F)=

No.	Lev.	Parts No.	Description	Q'ty						I	R
				(A)	(B)	(C)	(D)	(E)	(F)		
1	1	198280-56011	METER ASSY	1	1						
1-1	1	198280-56012	METER ASSY	1	1						N
		(A=FXXXXXX) (B=FXXXXXX)									
1-2	1	198280-56013	METER ASSY	1	1						R
		(A=FXXXXXX) (B=FXXXXXX)									
5	2	1C6920-36260	LAMP ASSY, SOCKET	1	1						
6	2	198200-56050	BULB, 14V-1.7W	10	10						
7	2	198448-56150	BULB, 14V-1.4W	5	5						
8	2	198200-56060	GLASS	1	1						
11	1	194940-61790	SCREW, TAPPING M5X16	4	4						

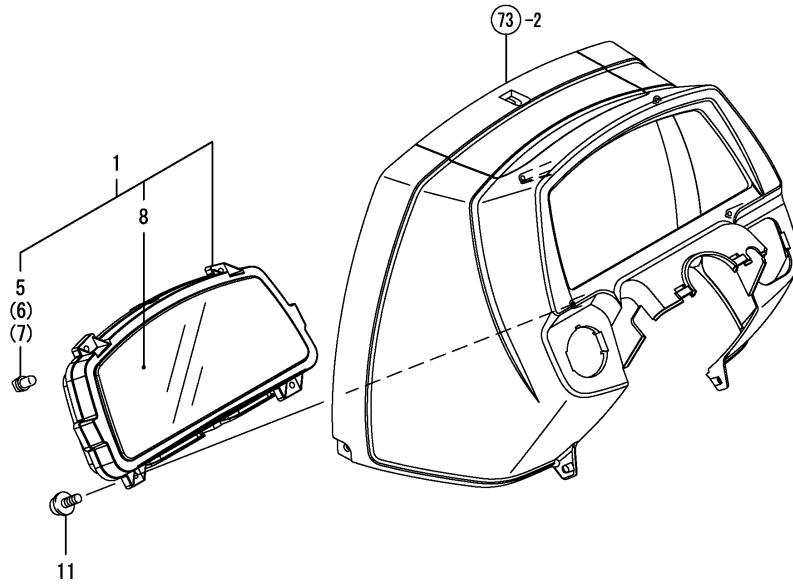


Fig.70. HORN

(A)=EF312T
(B)=EF352T
(C)=

(D)=
(E)=
(F)=

No.	Lev.	Parts No.	Description	Q'ty						I	R
				(A)	(B)	(C)	(D)	(E)	(F)		
1	1	1C7100-08150	HORN ASSY	1	1						
2	1	26106-060082	BOLT, M6X 8 PLATED	1	1						

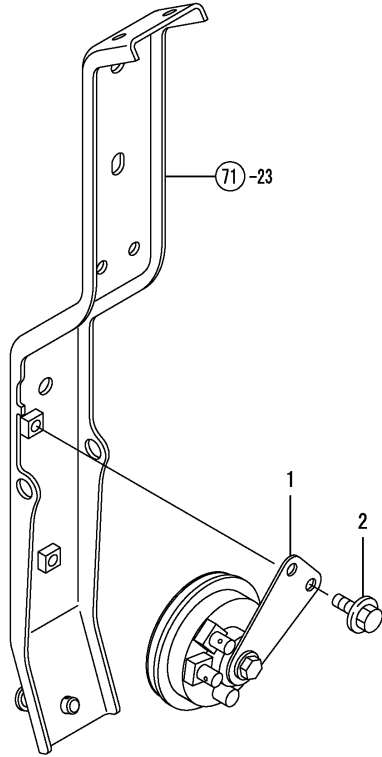
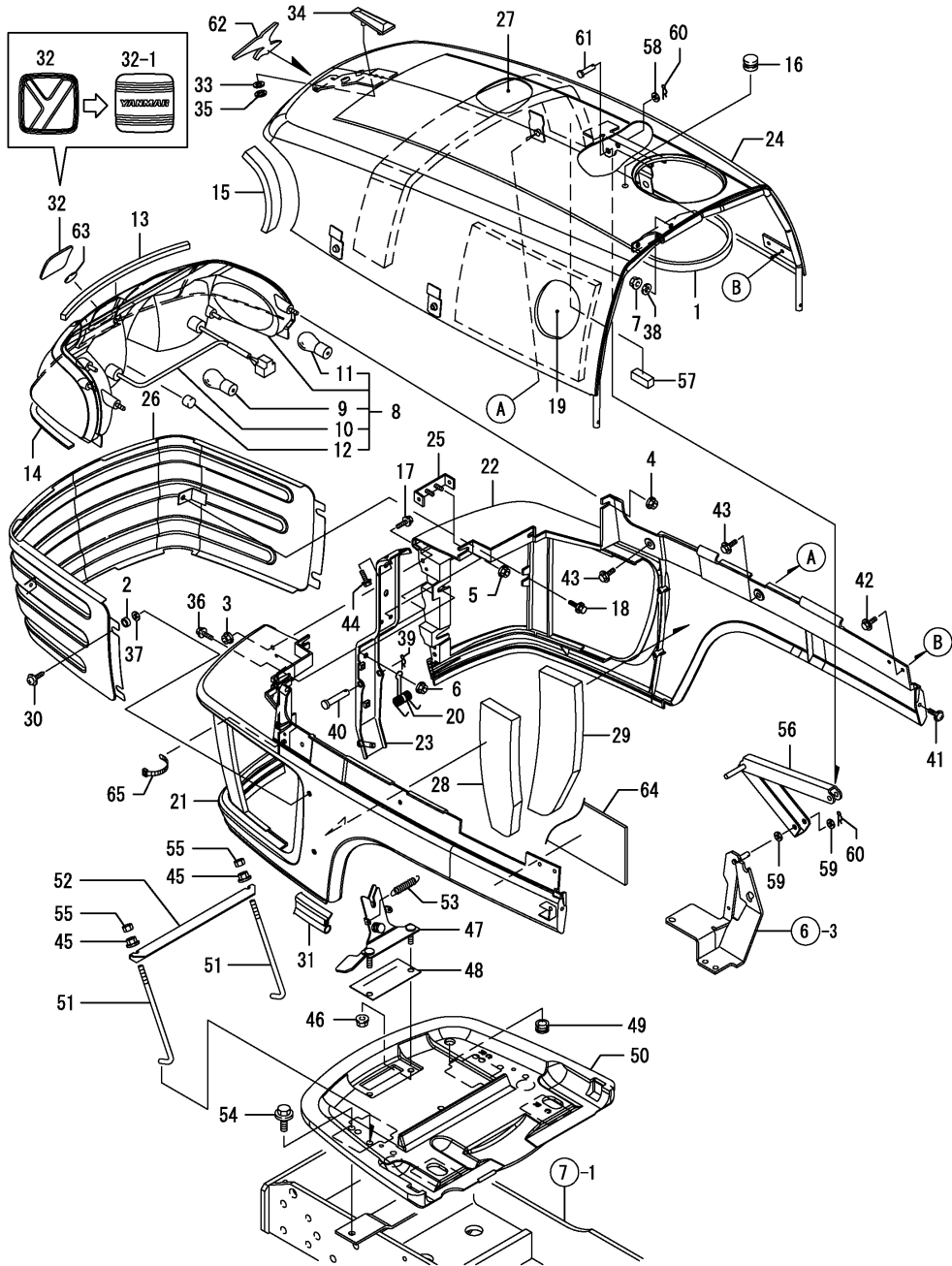


Fig.71. HOOD



(A)=EF312T
(B)=EF352T
(C)=

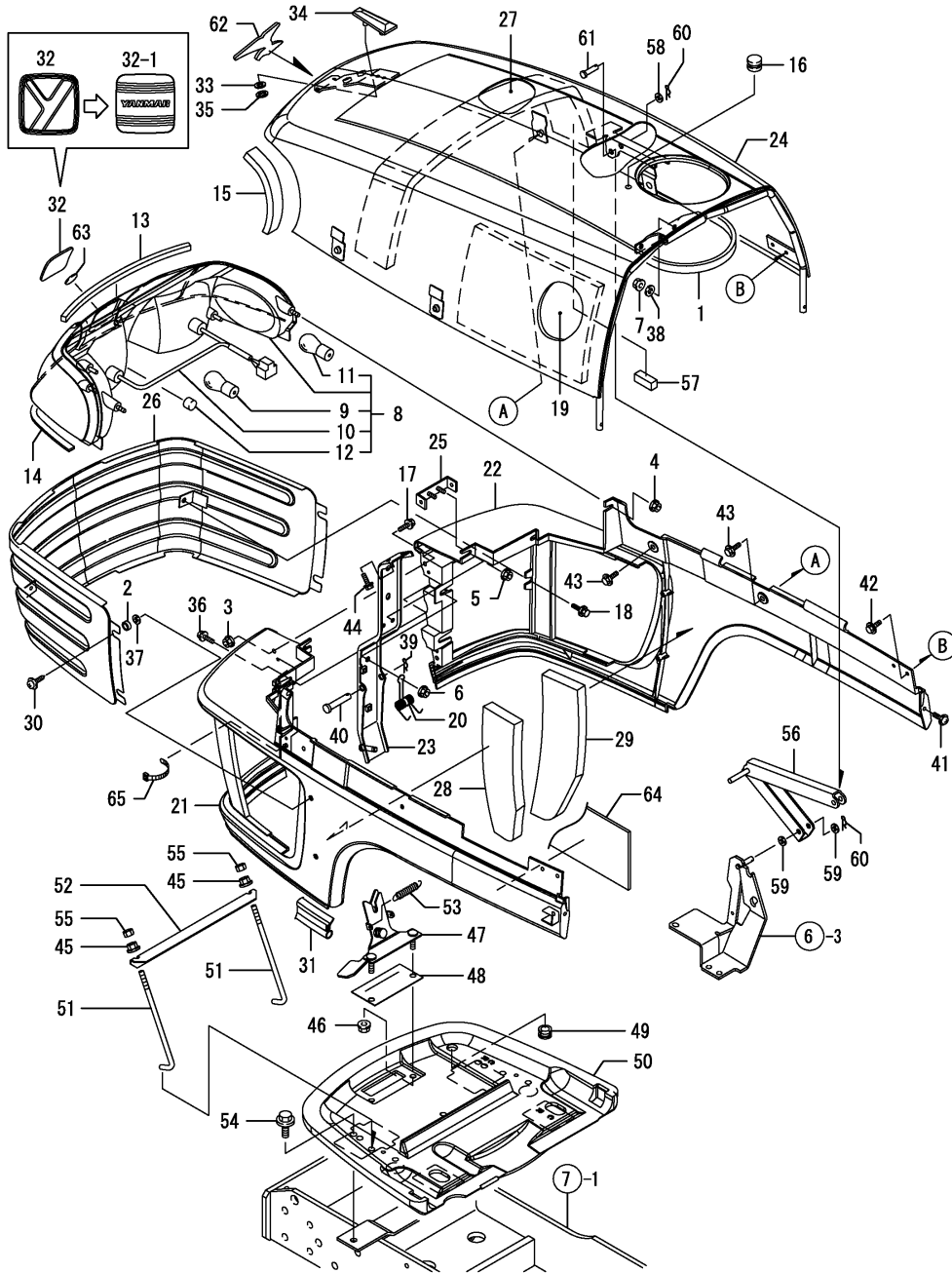
(D)=
(E)=
(F)=

No.	Lev.	Parts No.	Description	Q'ty						I	R
				(A)	(B)	(C)	(D)	(E)	(F)		
1	1	198200-04251	GASKET, SUMP	1	1						
1-1	1	1A8070-04250	GASKET, SUMP UPPER	1	1						R
		(A=F110467) (B=F114127)									
2	1	174501-07060	COLLAR, 10X15X6	4	4						
3	1	194990-22130	NUT, M6	2	2						
3-1	1	194990-22130	NUT, M6	1	1						K
		(A=F110295) (B=F111785)									
4	1	194990-22130	NUT, M6	5	5						
5	1	194990-22130	NUT, M6	2	2						
6	1	194990-22140	NUT, M8	1	1						
7	1	194990-22140	NUT, M8	2	2						
8	1	198200-53100	LAMP ASSY, HEAD	1	1						
9	2	198425-53110	BULB, 12V25/25W	2	2						
10	2	198200-53120	WIRE, HEAD LAMP	1	1						
11	2	198200-53130	BULB	2	2						
12	2	1A7260-53220	CAP	1	1						
13	1	198200-53210	SEAL, HEAD LAMP	1	1						
14	1	198200-53220	SEAL, HEAD LAMP	1	1						
15	1	198200-53230	SEAL, HEAD LAMP	2	2						
16	1	194197-56350	GROMMET	1	1						
17	1	198461-60590	BOLT, M6X20	3	3						
17-1	1	198461-60590	BOLT, M6X20	2	2						K
		(A=F110295) (B=F111785)									
18	1	198461-60590	BOLT, M6X20	2	2						
19	1	1A7260-60890	URETHANE, BONNET UL	1	1						
20	1	198200-60910	SPRING	1	1						
21	1	198283-61150	HOOD	1	1						
21-1	1	198283-61151	BONNET, LOWER L	1	1						R
		(A=F110368) (B=F112300)									
22	1	198283-61160	HOOD	1	1						
22-1	1	198283-61161	BONNET, LOWER R	1	1						R
		(A=F110368) (B=F112300)									
23	1	198280-61210	STAY ASSY, BONNET	1	1						
24	1	198280-61260	BONNET ASSY, UPPER M	1	1						
25	1	198200-61300	GUIDE, BONNET	1	1						
26	1	198200-61340	NET ASSY, BONNET	1	1						
27	1	198200-61410	URETHANE, BONNET U	1	1						
28	1	198200-61420	URETHANE, BONNET LL	1	1						
29	1	198200-61430	URETHANE, BONNET LR	1	1						
30	1	194420-61640	SCREW, TAPPING M5X16	4	4						
31	1	198133-61950	WEATHER-STRIP, 950	1	1						
32	1	198421-65030	MARK 50, YANMAR	1	1						
32-1	1	198208-65250	LABEL, YANMAR 50	1	1						S
		(A=F110291) (B=F111712)									
33	1	194555-65130	CUSHION	2	2						
34	1	194940-65590	MARK, TOP	1	1						
35	1	198071-65610	NUT, SPEED M5	2	2						
36	1	198093-82510	BOLT, M8X25	1	1						
37	1	22137-060000	WASHER, 6	4	4						
38	1	22137-080000	WASHER, 8	2	2						
39	1	22372-100000	PIN, SNAP 10	1	1						

Fig.71. HOOD

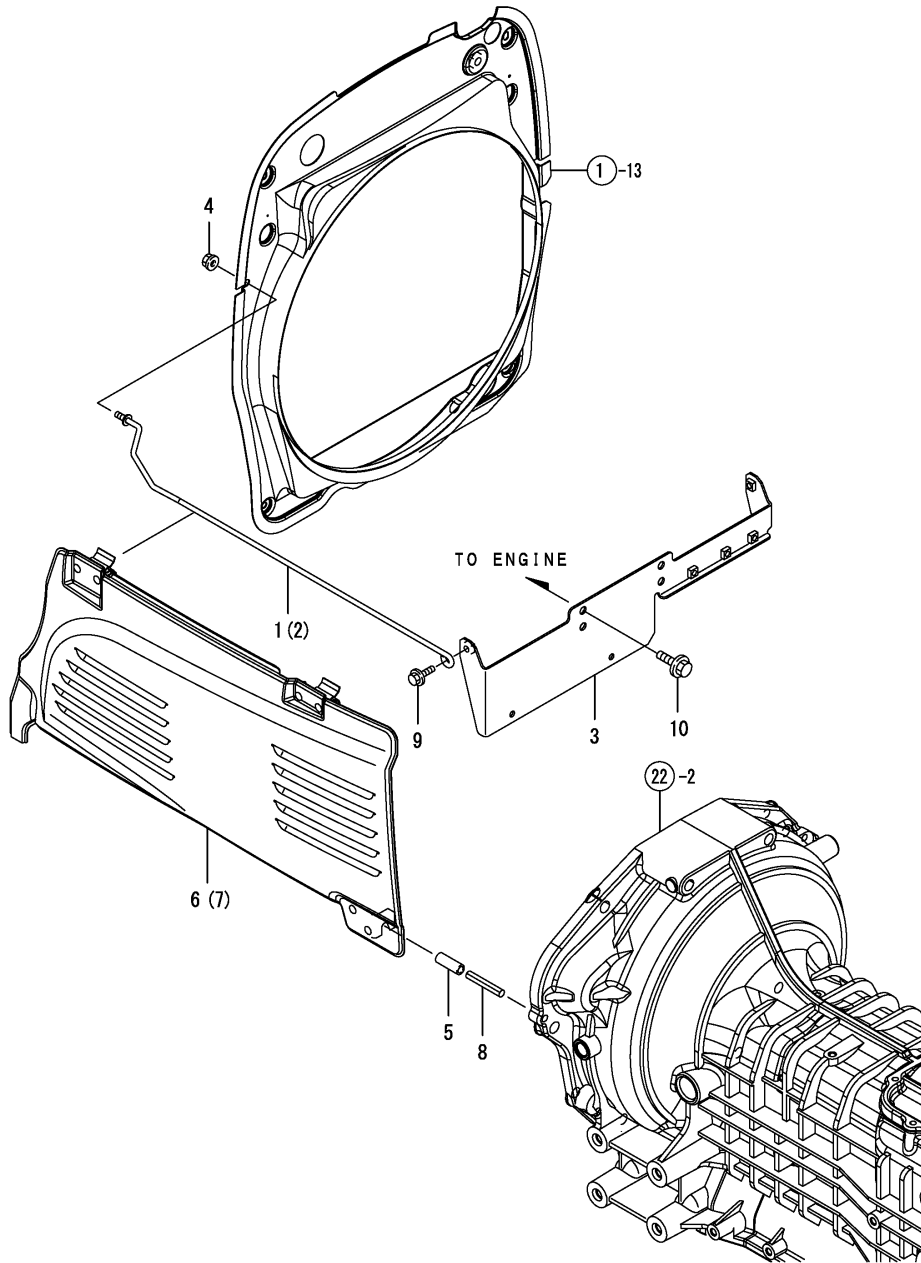
(A)=EF312T
(B)=EF352T
(C)=

(D)=
(E)=
(F)=



No.	Lev.	Parts No.	Description	Qty						I	R
				(A)	(B)	(C)	(D)	(E)	(F)		
40	1	22487-100550	PIN 10X 55	1	1						
41	1	26021-050122	SCREW, M5X12	2	2						
42	1	26106-060082	BOLT, M6X 8 PLATED	2	2						
43	1	26106-060122	BOLT, M6X 12 PLATED	4	4						
44	1	26106-060122	BOLT, M6X 12 PLATED	2	2						
45	1	194990-22140	NUT, M8	2	2						
46	1	194990-22140	NUT, M8	2	2						
47	1	198200-61250	LOCK ASSY, HOOD	1	1						
47-1	1	198200-61251	LOCK ASSY, BONNET	1	1						N
		(A=F110324) (B=F112080)									
48	1	198200-61320	GASKET, BONNET LOCK	1	1						
49	1	198200-61490	GROMMET, 8	1	1						
50	1	198280-61500	SUPPORT, BATTERY	1	1						
50-1	1	198200-61501	SUPPORT, BATTERY	1	1						R
		(A=F110139) (B=F110101)									
51	1	198200-61530	ROD, BATTERY CLAMP	2	2						
51-1	1	198220-51570	ROD, BATTERY	2	2						N
		(A=FXXXXXX) (B=FXXXXXX)									
52	1	198200-61580	CLAMP, BATTERY	1	1						
53	1	198230-61960	SPRING	1	1						
54	1	26106-100302	BOLT, M10X 30 PLATED	2	2						
55	1	26716-080002	NUT, M8	2	2						
56	1	198200-61400	STAND ASSY	1	1						
57	1	198200-61550	STOPPER, STAND	3	3						
58	1	22137-080000	WASHER, 8	1	1						
58-1	1	22190-080000	WASHER, SEAL 8	1	1						N
		(A=FXXXXXX) (B=FXXXXXX)									
59	1	22190-080000	WASHER, SEAL 8	2	2						
60	1	22372-080000	PIN, SNAP 8	2	2						
61	1	22487-080300	PIN, H 8X 30	1	1						
62	1	198200-65010	MARK, BRAN 63-R400	1	1						W
		(A=F110291) (B=F111712)									
63	1	198208-65260	SEAT, PROTECTOR	1	1						W
		(A=FXXXXXX) (B=FXXXXXX)									
64	1	198283-60100	URETHANE, BONNET LL	1	1						W
		(A=F110567) (B=F114825)									
65	1	1C6280-61100	BAND 70	1	1						W
		(A=F110295) (B=F111785)									

Fig.72. SIDE COVER



(A)=EF312T
(B)=EF352T
(C)=

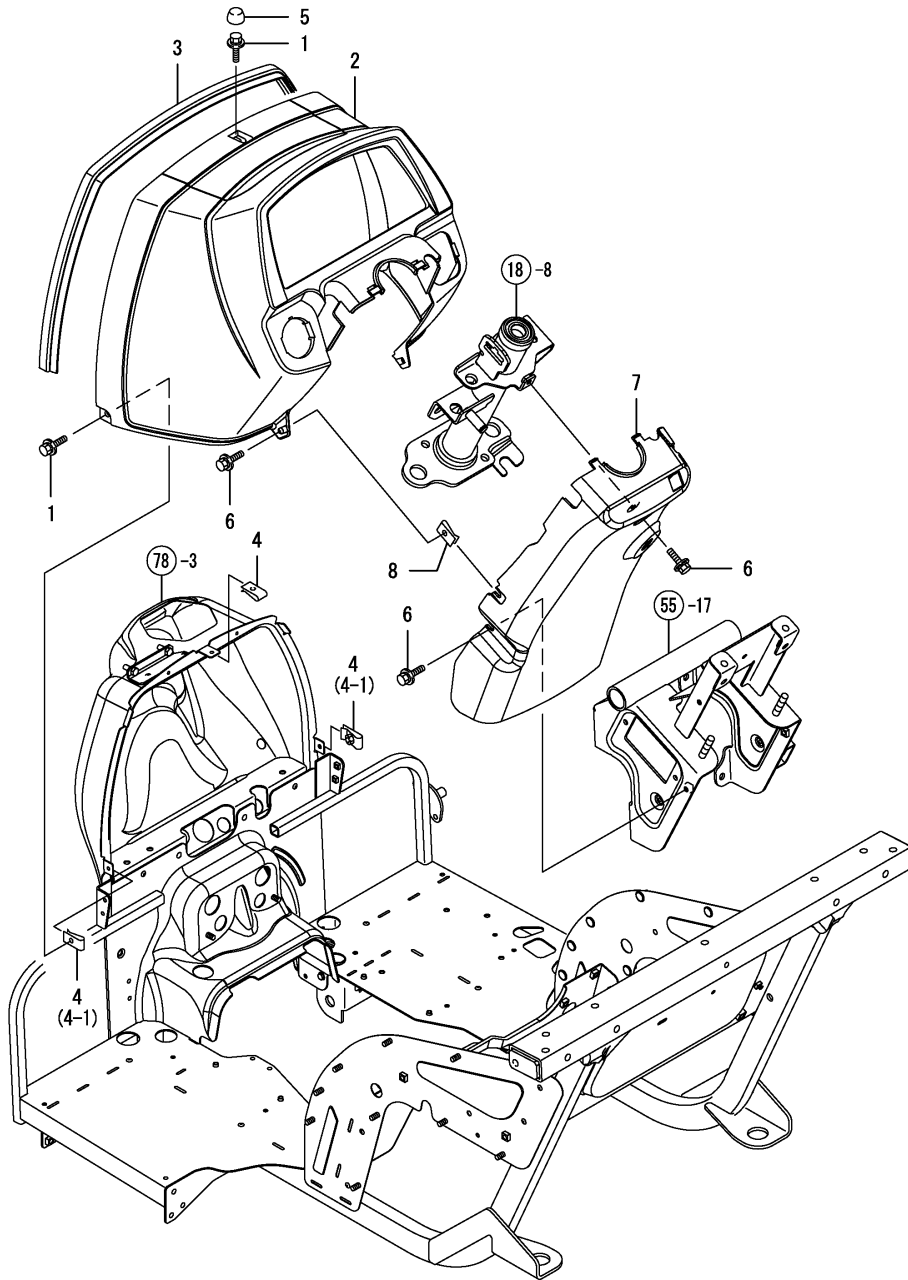
(D)=
(E)=
(F)=

No.	Lev.	Parts No.	Description	Q'ty						I	R
				(A)	(B)	(C)	(D)	(E)	(F)		
1	1	198200-01570	STAY ASSY, COVER L	1	1						
2	1	198200-01580	STAY ASSY, COVER R	1	1						
3	1	198200-01600	STAY ASSY, REAR	1	1						
4	1	194990-22130	NUT, M6	2	2						
5	1	198200-60990	PIPE, GUARD	2	2						
6	1	198280-61000-1	COVER ASSY, SIDE L M	1	1						
7	1	198280-61010-1	COVER ASSY, SIDE R M	1	1						
8	1	22351-080050	PIN, SPRING 8.0X50	2	2						
9	1	26106-060162	BOLT, M6X 16 PLATED	2	2						
10	1	26106-080122	BOLT, M8X 12 PLATED	2	2						

Fig.73. DASHBOARD

(A)=EF312T
(B)=EF352T
(C)=

(D)=
(E)=
(F)=



No.	Lev.	Parts No.	Description	Q'ty						I	R
				(A)	(B)	(C)	(D)	(E)	(F)		
1	1	198072-60590	BOLT, M6X20	3	3						
2	1	198200-61600	COVER, DASHBOARD	1	1						
3	1	198200-61620	TRIM, 920	1	1						
3-1	1	1A8115-61620 (A=F110773)	WEATHER-STRIP, 920 (B=F116278)	1	1						N
4	1	198071-61890	NUT, SPEED M6	3	3						
4-1	1	198071-61890 (A=F110773)	NUT, SPEED M6 (B=F116278)	2	2						K
5	1	198200-63620	CAP, BOLT 6	1	1						
6	1	198461-60590	BOLT, M6X20	5	5						
7	1	198200-61670	COVER, COLUMN R	1	1						
7-1	1	198200-61680 (A=FXXXXXX)	COVER ASSY, COLUMN R (B=FXXXXXX)	1	1						N
8	1	198071-61890	NUT, SPEED M6	2	2						

Fig.74. CURRENT PLATE

(A)=EF312T
(B)=EF352T
(C)=

(D)=
(E)=
(F)=

No.	Lev.	Parts No.	Description	Q'ty						I	R
				(A)	(B)	(C)	(D)	(E)	(F)		
1	1	198280-61910	PLATE, CURRENT	1	1						
1-1	1	198280-61911	PLATE, CURRENT	1	1						N
		(A=F110467) (B=F114089)									
1-2	1	198280-61912	PLATE, CURRENT	1	1						N
		(A=F110467) (B=F114125)									
1-3	1	198283-61910	PLATE, CURRENT	1	1						N
		(A=F110563) (B=F114609)									
2	1	198208-61930	BRACKET	1	1						
3	1	26106-060126	BOLT, M6X 12 PLATED	1	1						
3-1	1	198093-85650	BOLT, M6X16	1	1						N
		(A=F110467) (B=F114137)									
4	1	26106-080102	BOLT, M8X 10 PLATED	1	1						W
		(A=F110467) (B=F114137)									

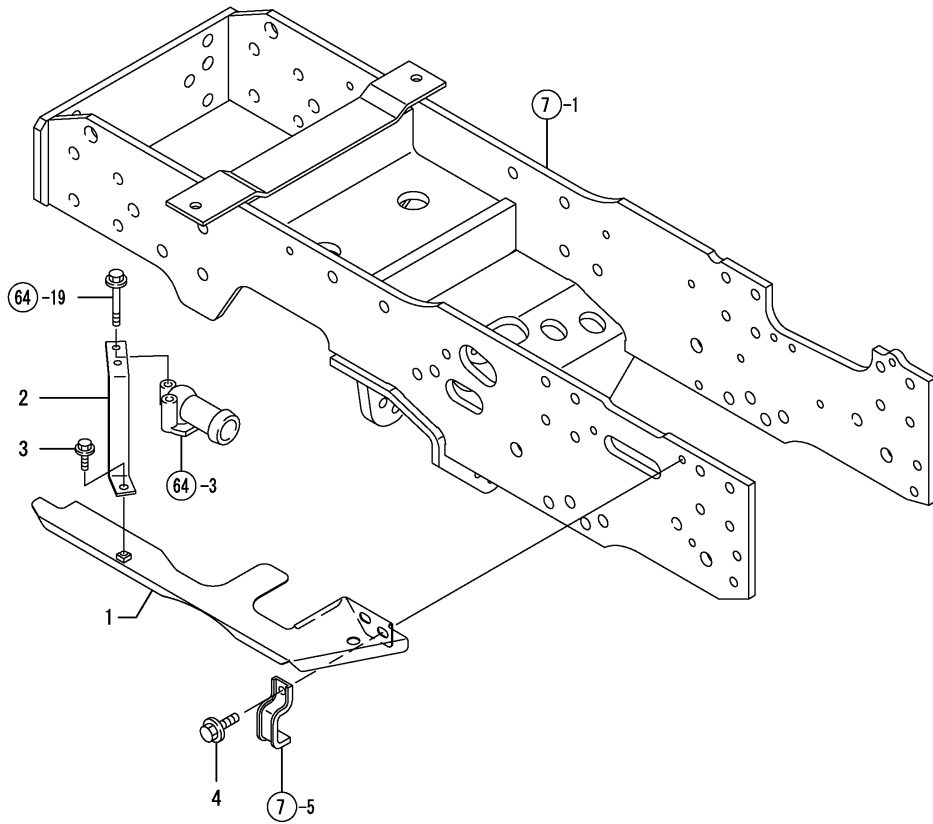
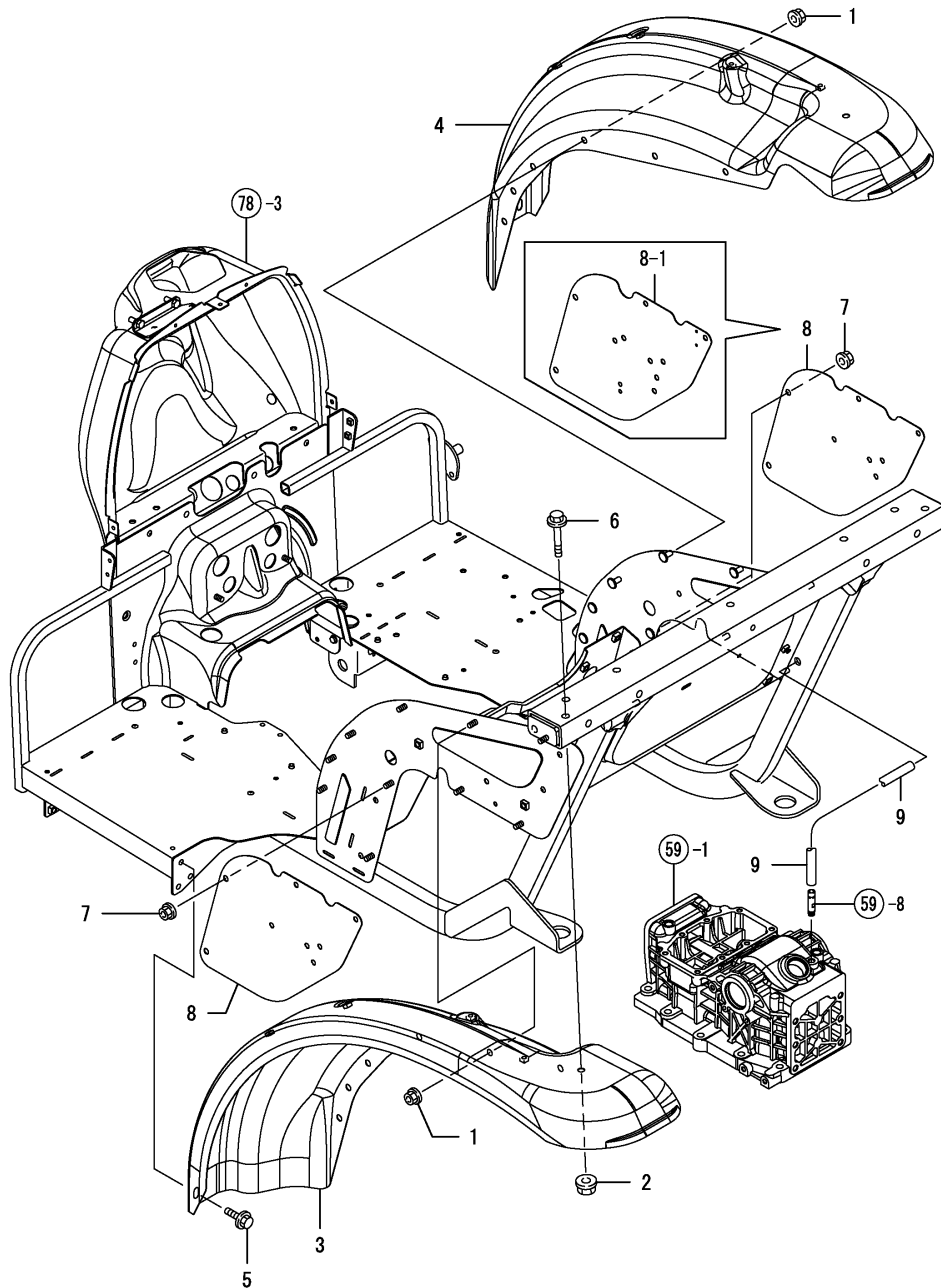


Fig.75. FENDER

(A)=EF312T
(B)=EF352T
(C)=

(D)=
(E)=
(F)=

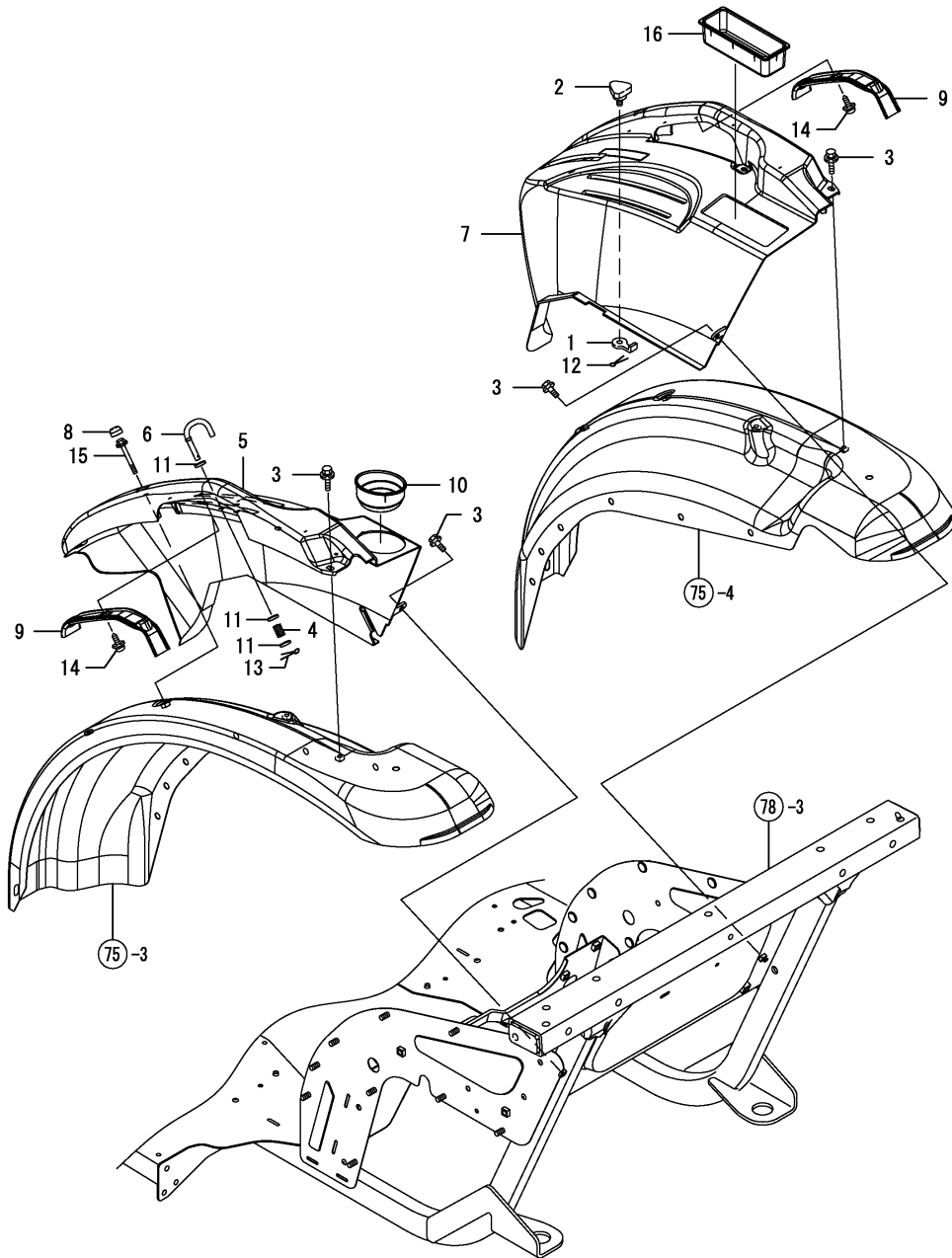


No.	Lev.	Parts No.	Description	Q'ty						I	R
				(A)	(B)	(C)	(D)	(E)	(F)		
1	1	194990-22140	NUT, M8	12	12						
2	1	194990-22150	NUT, M10	2	2						
3	1	198206-62101	FENDER ASSYL L	1	1						
4	1	198206-62111	FENDER ASSY	1	1						
4-1	1	198206-62112	FENDER ASSYL R	1	1						N
		(A=F110467) (B=F114137)									
4-2	1	1A8090-62110	FENDER ASSYL R	1	1						R
		(A=F110467) (B=F114089)									
5	1	26106-080162	BOLT, M8X 16 PLATED	2	2						
6	1	26106-100652	BOLT, M10X 65 PLATED	2	2						
7	1	194990-22140	NUT, M8	8	8						
8	1	198280-62180	COVER, FENDER LOWER	2	2						
8-1	1	198280-62181	COVER, FENDER LOWER	2	2						S
		(A=F110467) (B=F114089)									
9	1	198121-63560	PIPE, BREATHER 320	1	1						

Fig.76. LEVER GUIDE

(A)=EF312T
(B)=EF352T
(C)=

(D)=
(E)=
(F)=

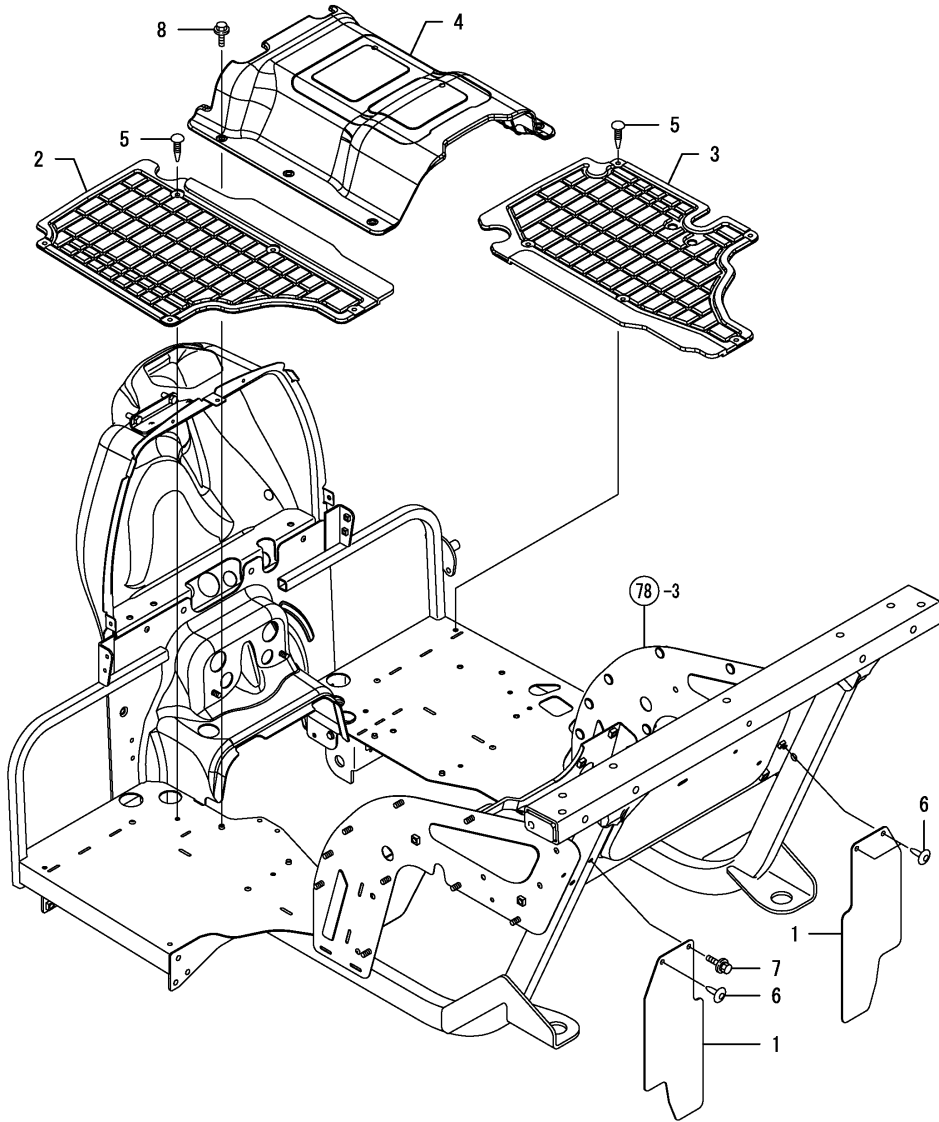


No.	Lev.	Parts No.	Description	Q'ty						I	R
				(A)	(B)	(C)	(D)	(E)	(F)		
1	1	198121-47110	STOPPER, LEVER	1	1						
1-1	1	198121-47111	STOPPER, LEVER	1	1						N
		(A=FZZZZZ) (B=FZZZZZ)									
2	1	194130-47851	BOLT, M6X15	1	1						
3	1	198461-60590	BOLT, M6X20	8	8						
4	1	198220-61371	SPRING, LOCK	1	1						Z
		(A=F110231) (B=F110297)									
5	1	198200-63500	GUIDE, LEVER L	1	1						
6	1	198121-63510	STOPPER	1	1						Z
		(A=F110231) (B=F110297)									
7	1	198283-62580	GUIDE ASSY, LEVER RM	1	1						
7-1	1	198283-62590	GUIDE ASSY, LEVER RM	1	1						N
		(A=FZZZZZ) (B=FZZZZZ)									
8	1	198200-63620	CAP, BOLT 6	2	2						
9	1	198200-63640	COVER, GRIP	2	2						
10	1	198200-63660	HOLDER, CUP	1	1						
11	1	22137-060000	WASHER, 6	3	3						Z
		(A=F110231) (B=F110297)									
12	1	22417-200200	PIN, COTTER 2.0X20	1	1						
13	1	22417-200200	PIN, COTTER 2.0X20	1	1						Z
		(A=F110231) (B=F110297)									
14	1	22857-600160	SCREW, 6X16	6	6						
15	1	26106-060552	BOLT, M6X 55 PLATED	2	2						
16	1	198200-63670	COVER, LEVER GUIDE	1	1						
16-1	1	198200-63671	COVER, LEVER GUIDE	1	1						N
		(A=F110467) (B=F114280)									

Fig.77. FLOOR COVER

(A)=EF312T
(B)=EF352T
(C)=

(D)=
(E)=
(F)=

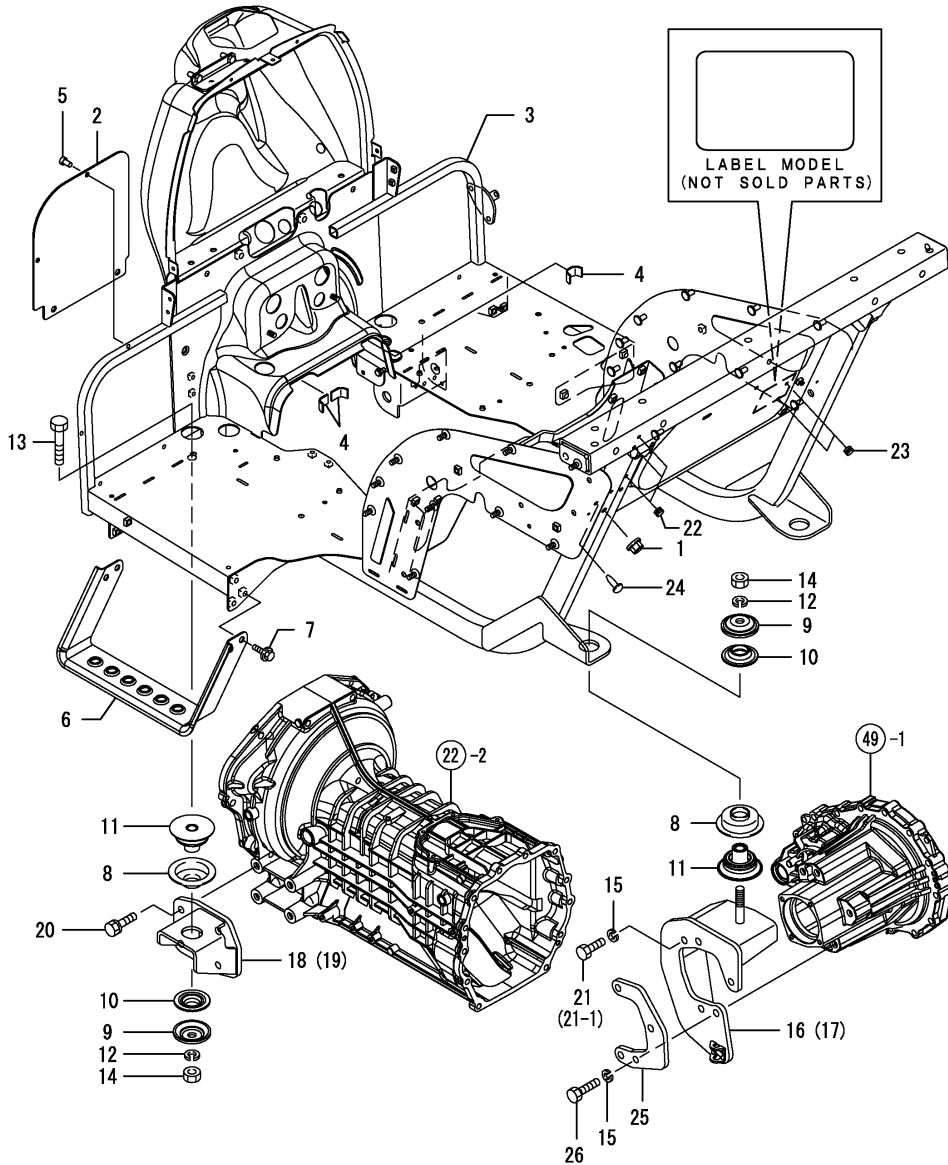


No.	Lev.	Parts No.	Description	Q'ty						I	R
				(A)	(B)	(C)	(D)	(E)	(F)		
1	1	198200-62310 (A=FXXXXXX) (B=FXXXXXX)	COVER, DUST REAR	2	2						Z
2	1	198200-62320	MAT, FLOOR L	1	1						
3	1	198200-62330	MAT, FLOOR R	1	1						
4	1	198200-62350	COVER, FLOOR	1	1						
5	1	194697-62560	CAP, HOLE	10	10						
6	1	1E6760-74150 (A=FXXXXXX) (B=FXXXXXX)	CAP, HOLE 8	3	3						Z
7	1	198093-85650 (A=FXXXXXX) (B=FXXXXXX)	BOLT, M6X16	1	1						Z
8	1	26106-060122	BOLT, M6X 12 PLATED	6	6						

Fig.78. FLOOR

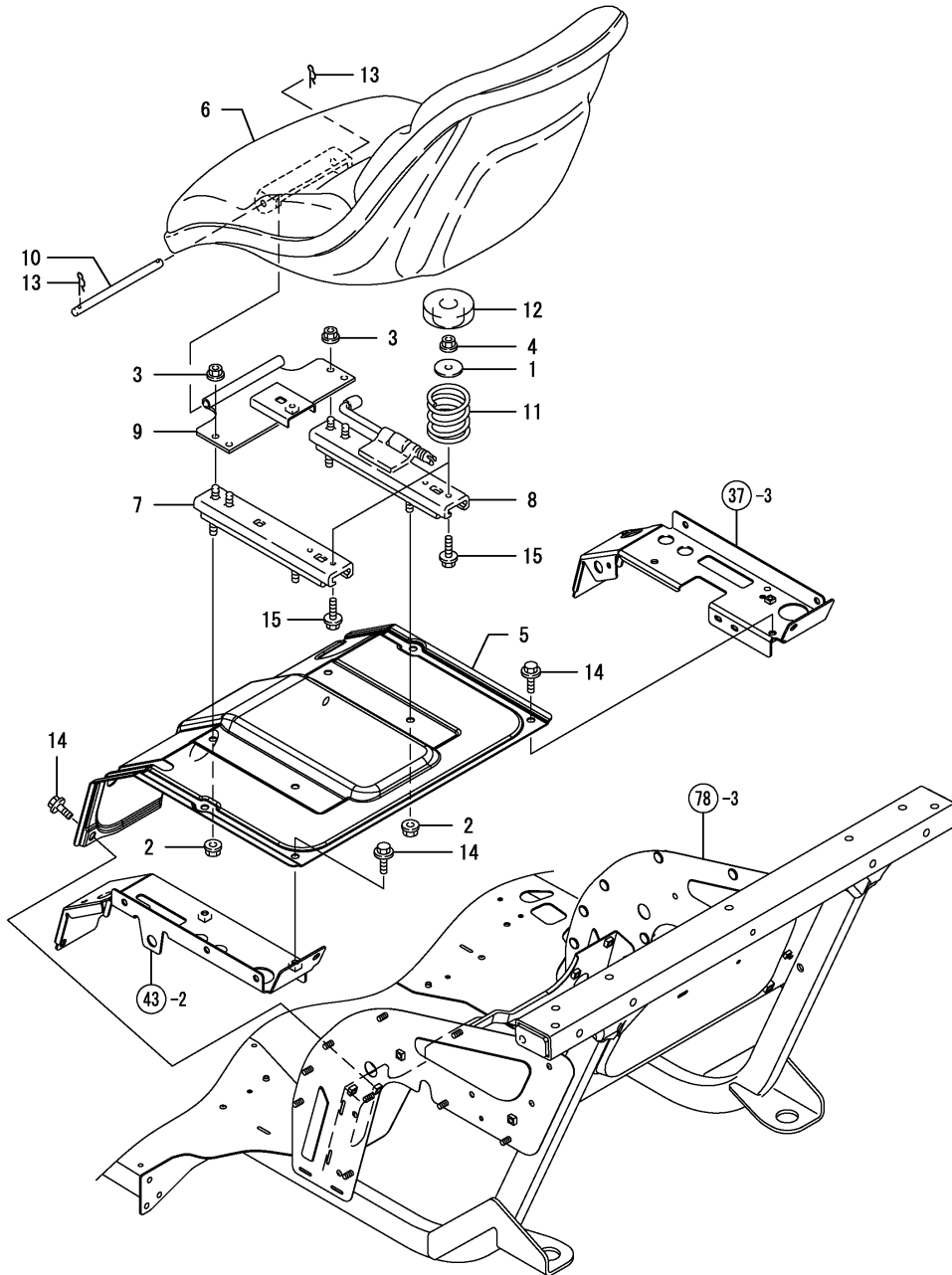
(A)=EF312T
(B)=EF352T
(C)=

(D)=
(E)=
(F)=



No.	Lev.	Parts No.	Description	Qty						I	R
				(A)	(B)	(C)	(D)	(E)	(F)		
1	1	194990-22150	NUT, M10	1	1						
2	1	198200-62300	GUARD, DUST	2	2						Z
		(A=FXXXXXX) (B=FXXXXXX)									
3	1	198283-62490	FLOOR ASSY, M	1	1						
4	1	198093-84810	SEAL, FENDER	3	3						
5	1	197810-84840	RIVET, NYLON	8	8						Z
		(A=FXXXXXX) (B=FXXXXXX)									
6	1	198200-62560	STEP, SUB	1	1						
7	1	26106-080162	BOLT, M8X 16 PLATED	4	4						
8	1	198071-62900	STOPPER, MOUNT	4	4						
9	1	198200-62910	STOPPER, U	4	4						
10	1	198200-62970	MOUNT, UPPER	4	4						
11	1	198200-62990	MOUNT, LOWER	4	4						
12	1	22217-140000	WASHER, SPRING 14	4	4						
13	1	26116-140752	BOLT, M14X 75 PLATED	2	2						
14	1	26716-140002	NUT, M14	4	4						
15	1	194274-13580	WASHER, SPRING 12	10	10						
16	1	198200-62631	MOUNT ASSY	1	1						
16-1	1	198200-62632	MOUNT ASSY, REAR L	1	1						N
		(A=F110467) (B=F114147)									
17	1	198200-62641	MOUNT ASSY	1	1						
17-1	1	198200-62642	MOUNT ASSY, REAR R	1	1						N
		(A=F110467) (B=F114147)									
18	1	198200-62850	MOUNT ASSY, FRONT L	1	1						
19	1	198200-62860	MOUNT ASSY, FRONT R	1	1						
20	1	26013-120402	BOLT, M12X 40	8	8						
21	1	26116-120402	BOLT, M12X 40 PLATED	10	10						
21-1	1	26116-120402	BOLT, M12X 40 PLATED	2	2						K
		(A=F110108) (B=F110107)									
22	1	1C6053-26020	CAP, RUBBER 8X3	3	3						W
		(A=F110467) (B=F114147)									
23	1	1C6053-26020	CAP, RUBBER 8X3	2	2						W
		(A=F110467) (B=F114147)									
24	1	1E6760-74150	CAP, HOLE 8	2	2						W
		(A=FXXXXXX) (B=FXXXXXX)									
25	1	198283-62760	PLATE, MOUNT	2	2						W
		(A=F110108) (B=F110107)									
26	1	26116-120502	BOLT, M12X 50 PLATED	8	8						W
		(A=F110108) (B=F110107)									

Fig.79. DRIVER SEAT



(A)=EF312T
(B)=EF352T
(C)=

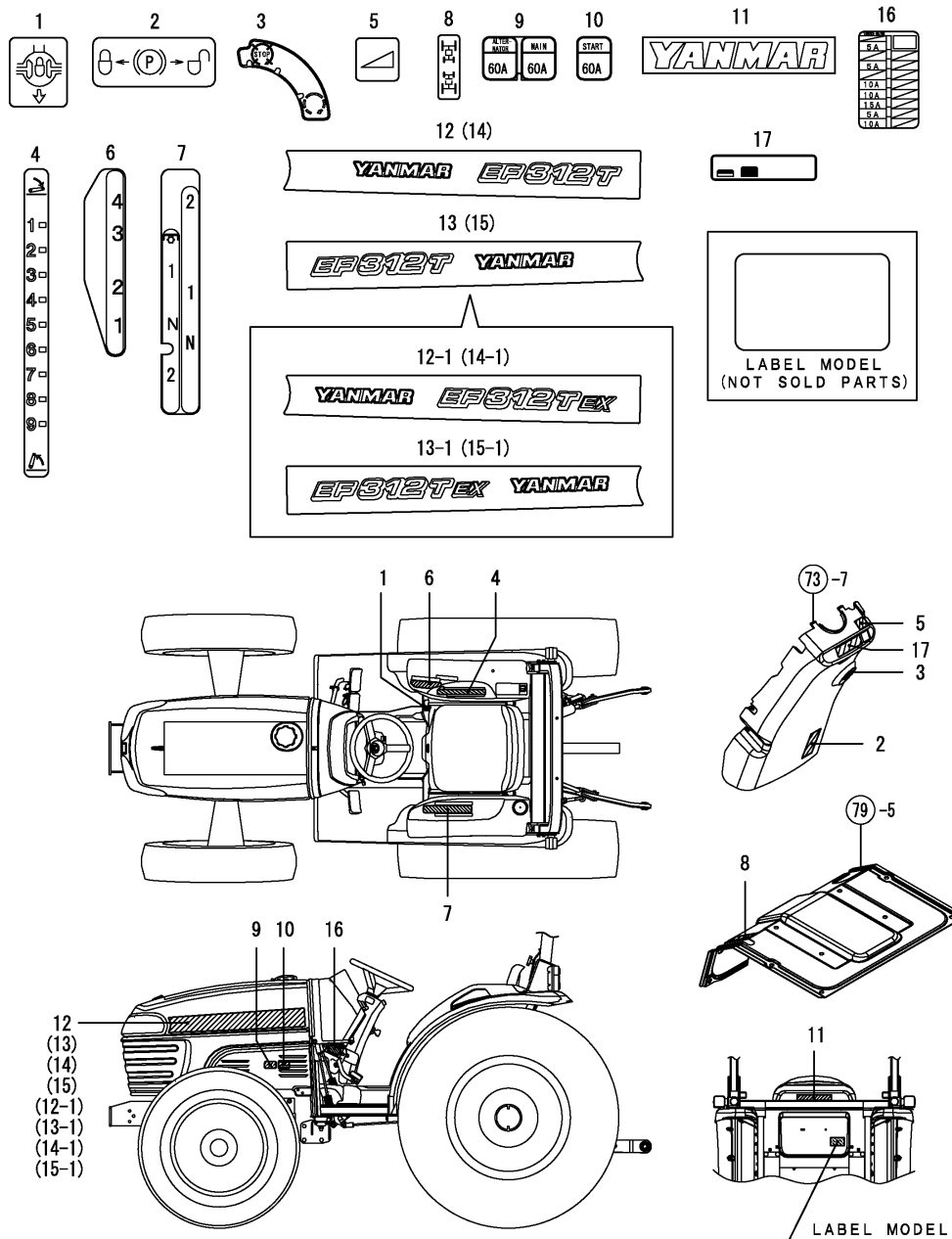
(D)=
(E)=
(F)=

No.	Lev.	Parts No.	Description	Q'ty						I	R
				(A)	(B)	(C)	(D)	(E)	(F)		
1	1	1C6140-12060	SPACER, 9X36X3.2	2	2						
1-1	1	1C6140-47210-1	WASHER, 9X32X3.2	2	2						N
		(A=FXXXXX) (B=FXXXXX)									
2	1	194990-22140	NUT, M8	4	4						
3	1	194990-22140	NUT, M8	4	4						
4	1	194990-22140	NUT, M8	2	2						
5	1	198284-62920	COVER, DUST B	1	1						
5-1	1	198284-62910	COVER ASSY, DUST B M	1	1						N
		(A=F110467) (B=F114120)									
6	1	198200-63110	SEAT ASSY	1	1						
7	1	198360-63150	RAIL, L	1	1						
8	1	198360-63160	RAIL, R	1	1						
9	1	1A7000-63210	BRACKET, SEAT	1	1						
10	1	194151-63222	PIN, HINGE	1	1						
11	1	198176-63260	SPRING, CUSHION	2	2						
12	1	198284-63270	STOPPER, SEAT	2	2						
13	1	22372-080000	PIN, SNAP 8	2	2						
14	1	26106-080122	BOLT, M8X 12 PLATED	6	6						
15	1	26106-080202	BOLT, M8X 20 PLATED	2	2						

Fig.80. LABEL

(A)=EF312T
(B)=EF352T
(C)=

(D)=
(E)=
(F)=

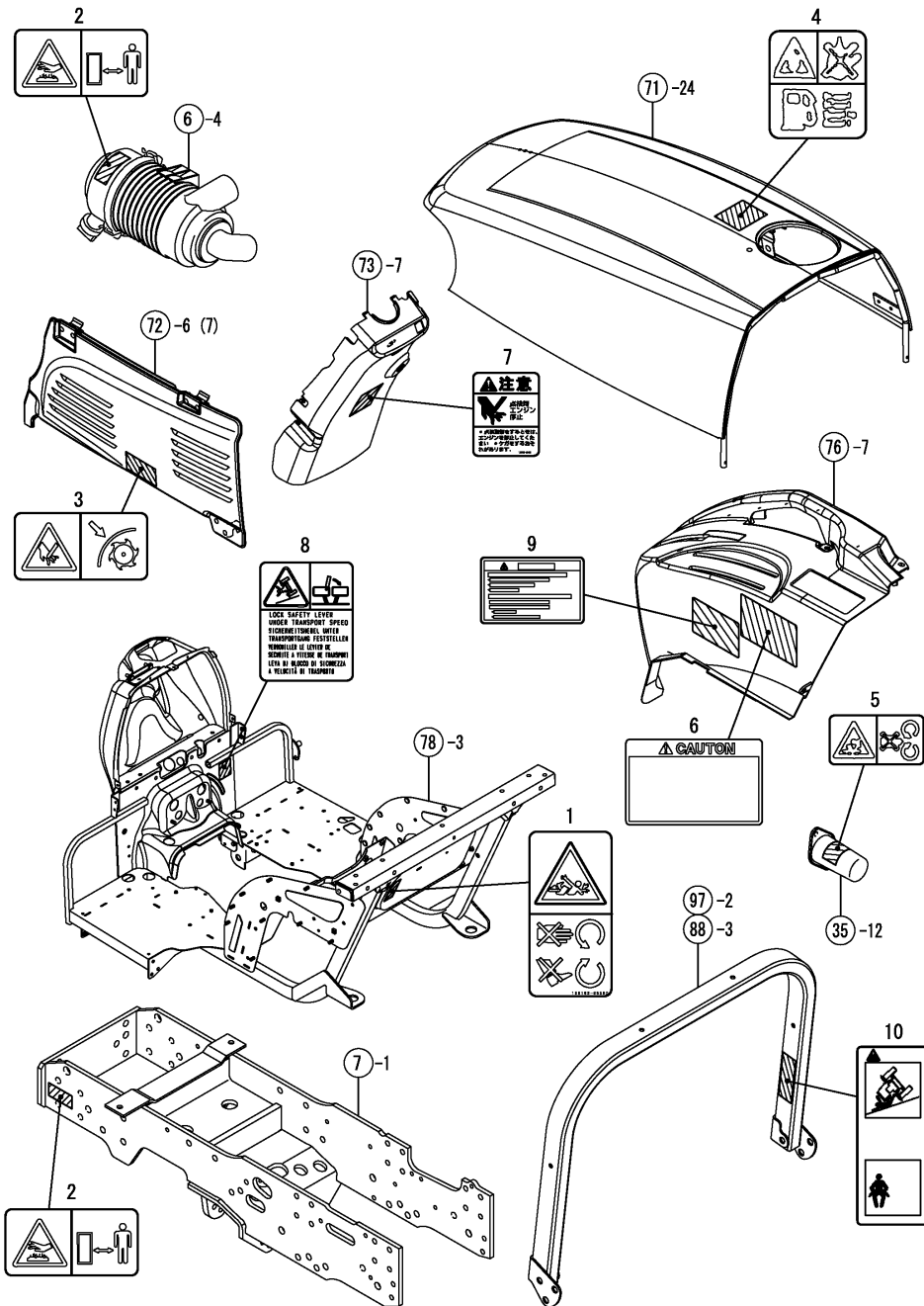


No.	Lev.	Parts No.	Description	Q'ty						I	R
				(A)	(B)	(C)	(D)	(E)	(F)		
1	1	194240-65441	LABEL, DIFF. LOCK	1	1						
2	1	198036-65470	LABEL, BRAKE LOCK	1	1						
3	1	1A6640-65510	LABEL,KEY SWITCH	1	1						
3-1	1	198283-65510 (A=F110563) (B=F114609)	LABEL,KEY SWITCH	1	1						N
4	1	198280-65510	LABEL, POSITION	1	1						
5	1	1A6640-65530	LABEL,THROTTLE	1	1						
6	1	198282-65650	LABEL, MAIN SHIFT	1	1						
7	1	198282-65671	LABEL, RANGE-PTO	1	1						
8	1	198221-65740	LABEL, MFWD	1	1						
9	1	198280-65770	LABEL,	1	1						
10	1	198280-65790	LABEL,	1	1						
11	1	198208-65890	LABEL, ROOF	1	1						
12	1	198282-65160	LABEL, NAME	1							
12-1	1	198282-65180	LABEL, NAME	1							S
13	1	198282-65170	LABEL, NAME	1							
13-1	1	198282-65190	LABEL, NAME	1							S
14	1	198283-65110	LABEL, NAME		1						
14-1	1	198283-65180	LABEL, NAME		1						S
15	1	198283-65120	LABEL, NAME		1						
15-1	1	198283-65190	LABEL, NAME		1						S
16	1	198283-65780	LABEL, FUSE	1	1						
17	1	198200-65850	LABEL,SIDE LAMP	1	1						W
17-1	1	198283-65850	LABEL,SIDE LAMP	1	1						N

Fig.81. LABEL(SAFETY)

(A)=EF312T
(B)=EF352T
(C)=

(D)=
(E)=
(F)=



No.	Lev.	Parts No.	Description	Q'ty						I	R
				(A)	(B)	(C)	(D)	(E)	(F)		
1	1	198163-65350	DANGER, ROTAT. SHAFT	1	1						
2	1	198163-65930	CAUTION, MUFFLER	2	2						
3	1	198163-65940	CAUTION, SAFETY COVER	2	2						
4	1	1A6150-91251	LABEL, RAKE CAUTION	1	1						
4-1	1	198283-65250	LABEL, RAKE CAUTION	1	1						N
		(A=F110563) (B=F114609)									
5	1	1A6150-93151	LABEL, COVER	1	1						
6	1	198122-65730	LABEL, CAUTION	1	1						W
		(A=F110101) (B=F110101)									
6-1	1	198283-65310	LABEL, CAUTION	1	1						N
		(A=F110563) (B=F114609)									
7	1	1A6750-65490	CAUTION, ENGINE STOP	1	1						W
		(A=FXXXXXX) (B=FXXXXXX)									
7-1	1	1A6750-65490	CAUTION, ENGINE STOP	1	1						Z
		(A=F110563) (B=F114609)									
8	1	198163-65780	LABEL, BRAKE COUPLING	1	1						W
		(A=F110101) (B=F110101)									
8-1	1	198283-65360	LABEL, BREAKE PEDAL	1	1						N
		(A=F110563) (B=F114609)									
9	1	1A7680-65350	LABEL, WARNING, ROPS	1	1						W
		(A=FZZZZZ) (B=FZZZZZ)									
10	1	1A7680-65910	LABEL, ROPS WARNING	1	1						W
		(A=FZZZZZ) (B=FZZZZZ)									

Fig.96. SEAT BELT

(A)=EF312T
(B)=EF352T
(C)=

(D)=
(E)=
(F)=

No.	Lev.	Parts No.	Description	Q'ty						I	R
				(A)	(B)	(C)	(D)	(E)	(F)		
1	1	194180-63150	BELT ASSY, SEAT	1	1						
2	1	26106-100202	BOLT, M10X 20 PLATED	2	2						

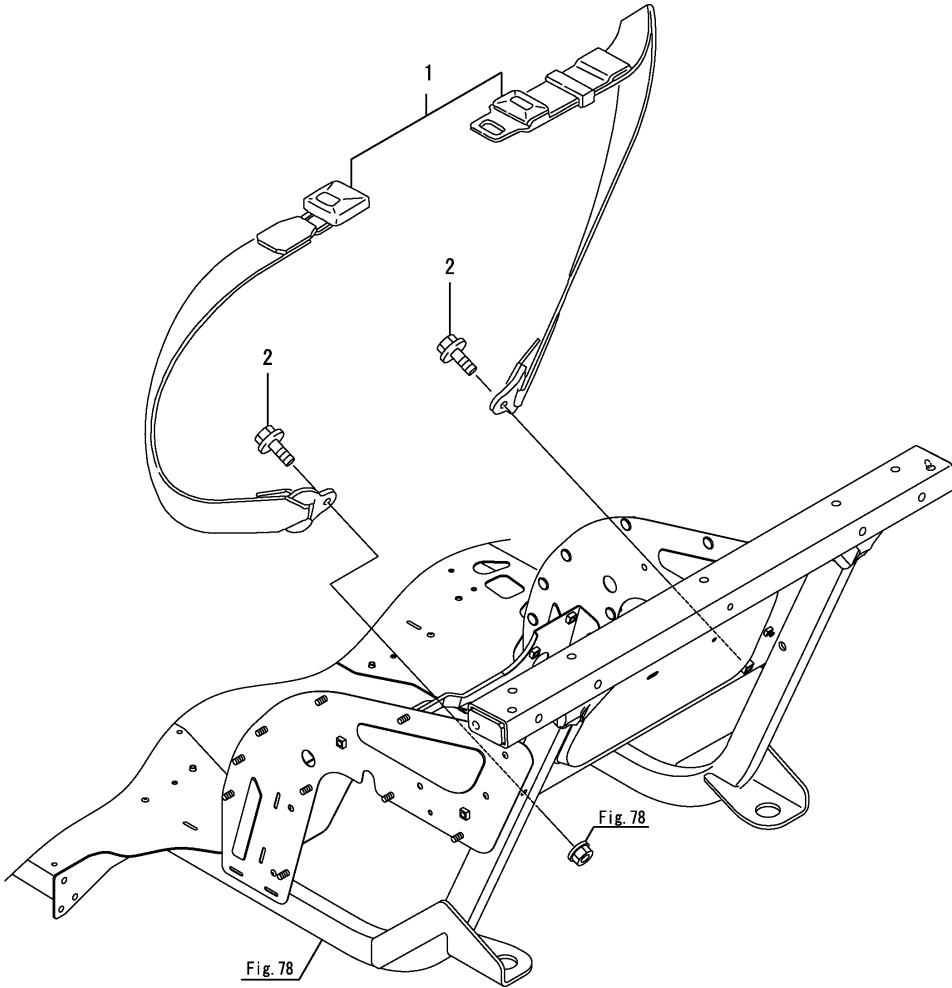


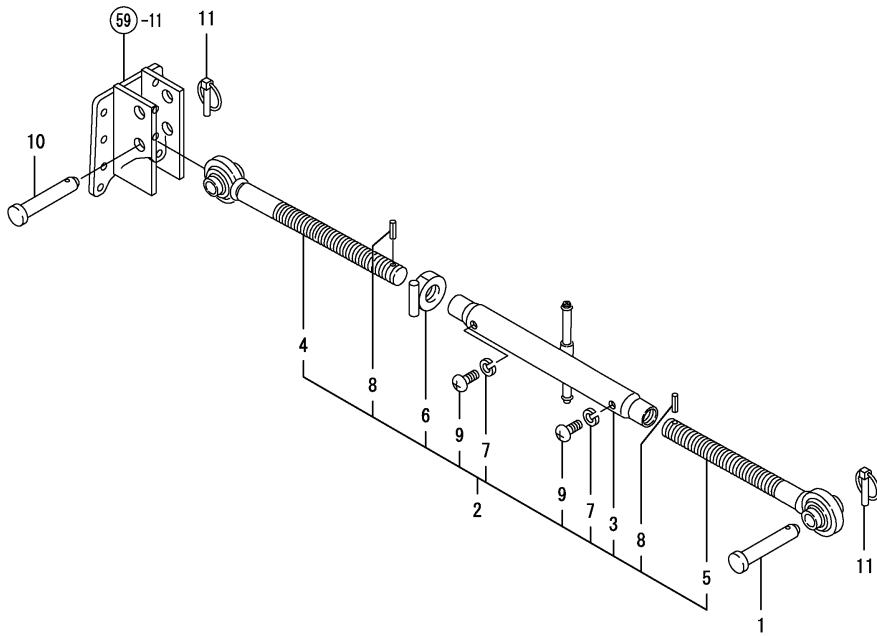
Fig.82. TOP LINK

(A)=EF312T
(B)=EF352T
(C)=

(D)=
(E)=
(F)=

EF312T SERIAL NO. TO 110305
EF352T SERIAL NO. TO 111879

No.	Lev.	Parts No.	Description	Q'ty						I	R
				(A)	(B)	(C)	(D)	(E)	(F)		
1	1	195080-15060	PIN, HITCH	1	1						
2	1	198220-71100-1	LINK KIT, TOP	1	1						
3	2	194275-71500	TURNBUCKLE	1	1						
4	2	194145-71600	LINK ASSY, TOP R	1	1						
5	2	194145-71700	LINK ASSY, TOP L	1	1						
6	2	198092-71750	NUT ASSY, M24	1	1						
7	2	22217-060000	WASHER, SPRING 6	2	2						
8	2	22351-040024	PIN, SPRING 4.0X24	2	2						
9	2	26557-060062	SCREW, M6X 6	2	2						
10	1	194150-71230	PIN, LINK	1	1						
11	1	794130-71410	PIN ASSY, BALL	2	2						



Remarks

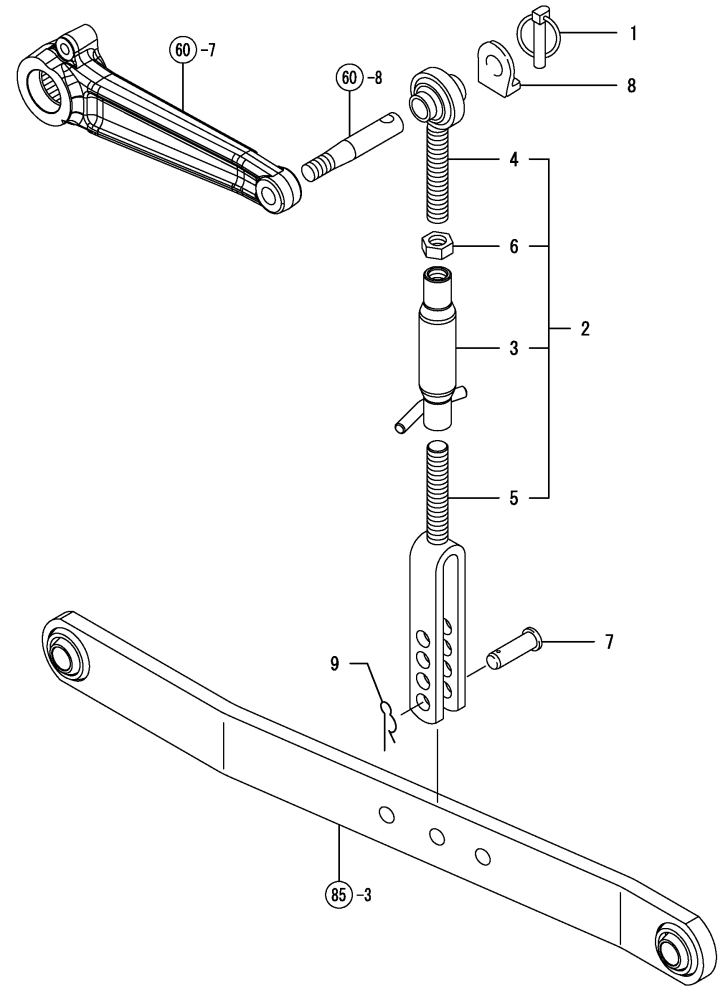
* This figure is for model EF312T Serial No. to 110305, Model EF352T Serial No. To 111879.
Refer Fig.89 for model EF312T Serial No. from 110306, Model EF352T Serial No. from 111880.

Fig.83. LIFT LINK(RIGHT)

(A)=EF312T
(B)=EF352T
(C)=

(D)=
(E)=
(F)=

EF312T SERIAL NO. TO 110305
EF352T SERIAL NO. TO 111879

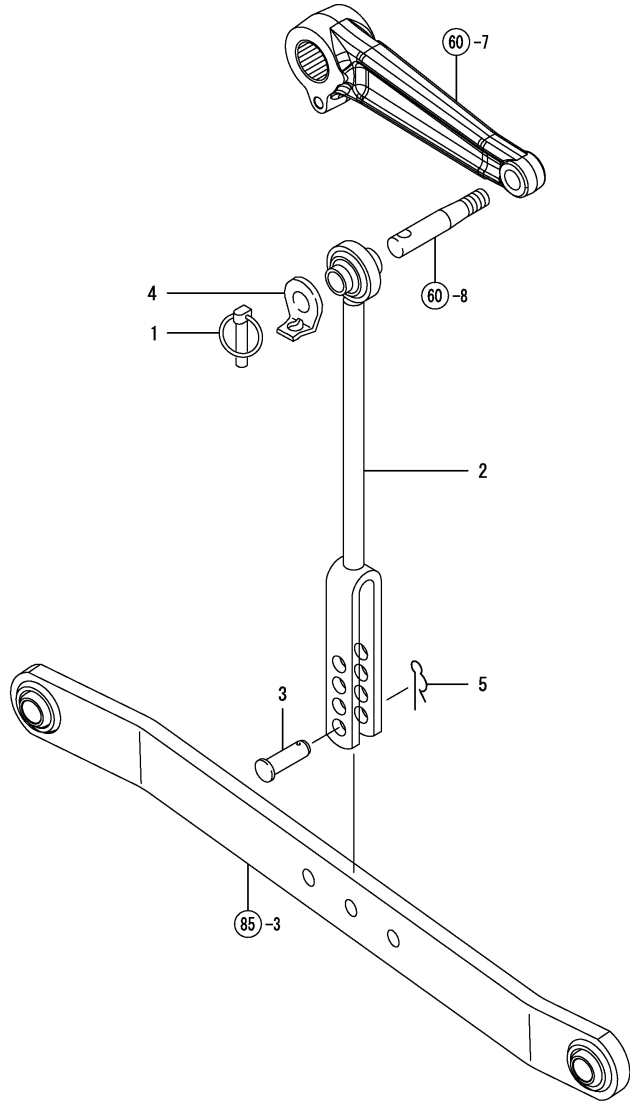


No.	Lev.	Parts No.	Description	Q'ty						I	R
				(A)	(B)	(C)	(D)	(E)	(F)		
1	1	794130-71410	PIN ASSY, BALL	1	1						
2	1	198200-72101	LINK KIT, LIFT R	1	1						
3	2	198200-72210	TURNBUCKLE	1	1						
4	2	198200-72250	BOLT ASSY, EYE	1	1						
5	2	198200-72451	YOKE, LIFT LINK	1	1						
6	2	26777-180002	NUT, LOCK M18	1	1						
7	1	194150-72460	PIN, YOKE	1	1						
8	1	198071-74970	COLLAR, BALL SOCKET	1	1						
9	1	22372-160000	PIN, SNAP 16	1	1						

Remarks
* This figure is for model EF312T Serial No. to 110305, Model EF352T Serial No. To 111879.
Refer Fig.89 for model EF312T Serial No. from 110306, Model EF352T Serial No. from 111880.

Fig.84. LIFT LINK(LEFT)

EF312T SERIAL NO. TO 110305
 EF352T SERIAL NO. TO 111879



(A)=EF312T
 (B)=EF352T
 (C)=

(D)=
 (E)=
 (F)=

No.	Lev.	Parts No.	Description	Q'ty						I	R
				(A)	(B)	(C)	(D)	(E)	(F)		
1	1	794130-71410	PIN ASSY, BALL	1	1						
2	1	198200-72300	LINK ASSY, LIFT L	1	1						
3	1	194150-72460	PIN, YOKE	1	1						
4	1	198071-74970	COLLAR, BALL SOCKET	1	1						
5	1	22372-160000	PIN, SNAP 16	1	1						

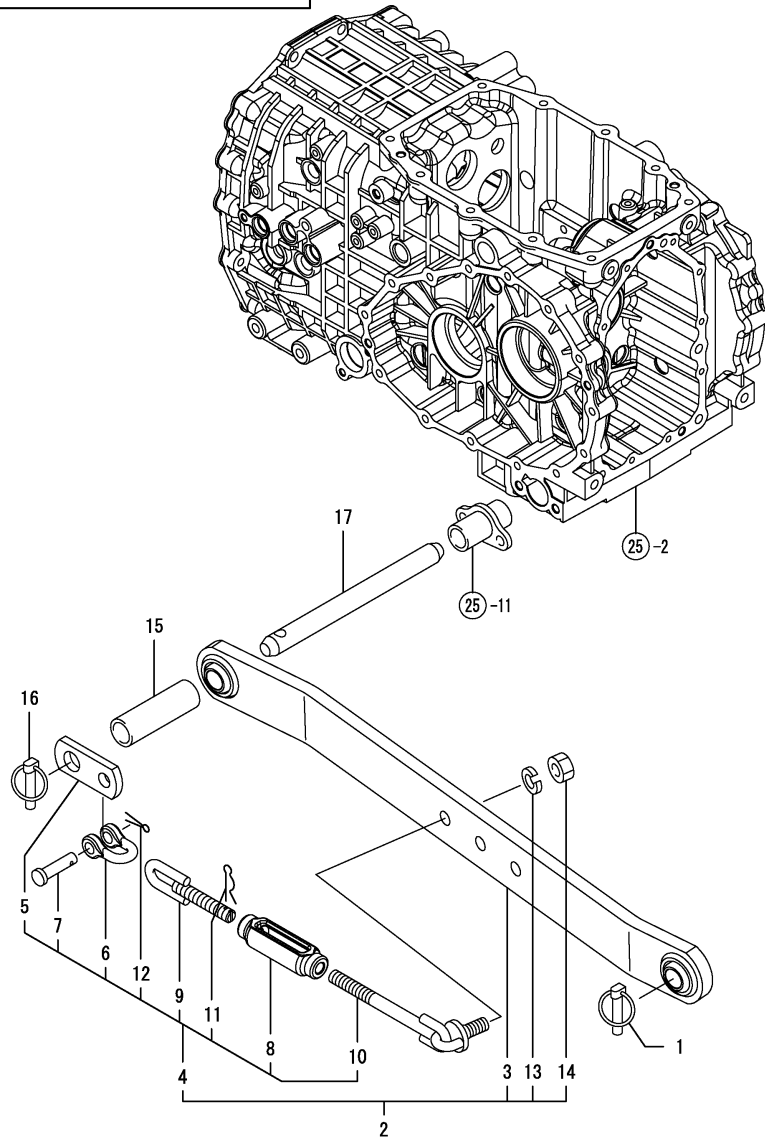
Remarks

* This figure is for model EF312T Serial No. to 110305, Model EF352T Serial No. To 111879.
 Refer Fig.89 for model EF312T Serial No. from 110306, Model EF352T Serial No. from 111880.

N:Old $\xrightarrow{\text{Yes}}$ New, Q:Old $\xrightarrow{\text{No}}$ New, R:Old $\xrightarrow{\text{Yes}}$ New, S:Old $\xrightarrow{\text{No}}$ New, W:Add, Z:Discontinued, F:Interchangeable by set, K:Q'ty Change

Fig.85. LOWER LINK & CHECK CHAIN

EF312T SERIAL NO. TO 110305
 EF352T SERIAL NO. TO 111879



(A)=EF312T
 (B)=EF352T
 (C)=

(D)=
 (E)=
 (F)=

No.	Lev.	Parts No.	Description	Q'ty						I	R
				(A)	(B)	(C)	(D)	(E)	(F)		
1	1	794130-71410	PIN ASSY, BALL	2	2						
2	1	198280-73100	LINK KIT, LOWER	2	2						
3	2	198280-73500	LINK ASSY, LOWER	2	2						
4	2	198280-74100	CHAIN ASSY, CHECK	2	2						
5	3	198280-74550	HINGE, CHECK CHAIN	2	2						
6	3	194080-74621	SHACKLE	2	2						
7	3	194080-74631	PIN, SHACKLE SA10	2	2						
8	3	198360-74670	TURNBUCKLE, CHAIN	2	2						
8-1	3	1A8070-74670	TURNBUCKLE ASSY,	2	2						N
		(A=FZZZZZ)	(B=FZZZZZ)								
9	3	198121-74720	BOLT, EYE	2	2						
10	3	198280-74800	BOLT ASSY, EYE R	2	2						
11	3	22360-200000	PIN, SNAP 20	2	2						
12	3	22417-320320	PIN, COTTER 3.2X32	2	2						
13	2	22217-140000	WASHER, SPRING 14	2	2						
14	2	26716-140002	NUT, M14	2	2						
15	1	198200-73210	COLLAR, 31.8X98	2	2						
16	1	794130-71410	PIN ASSY, BALL	2	2						
17	1	198200-73150	PIN, LOWER LINK	2	2						

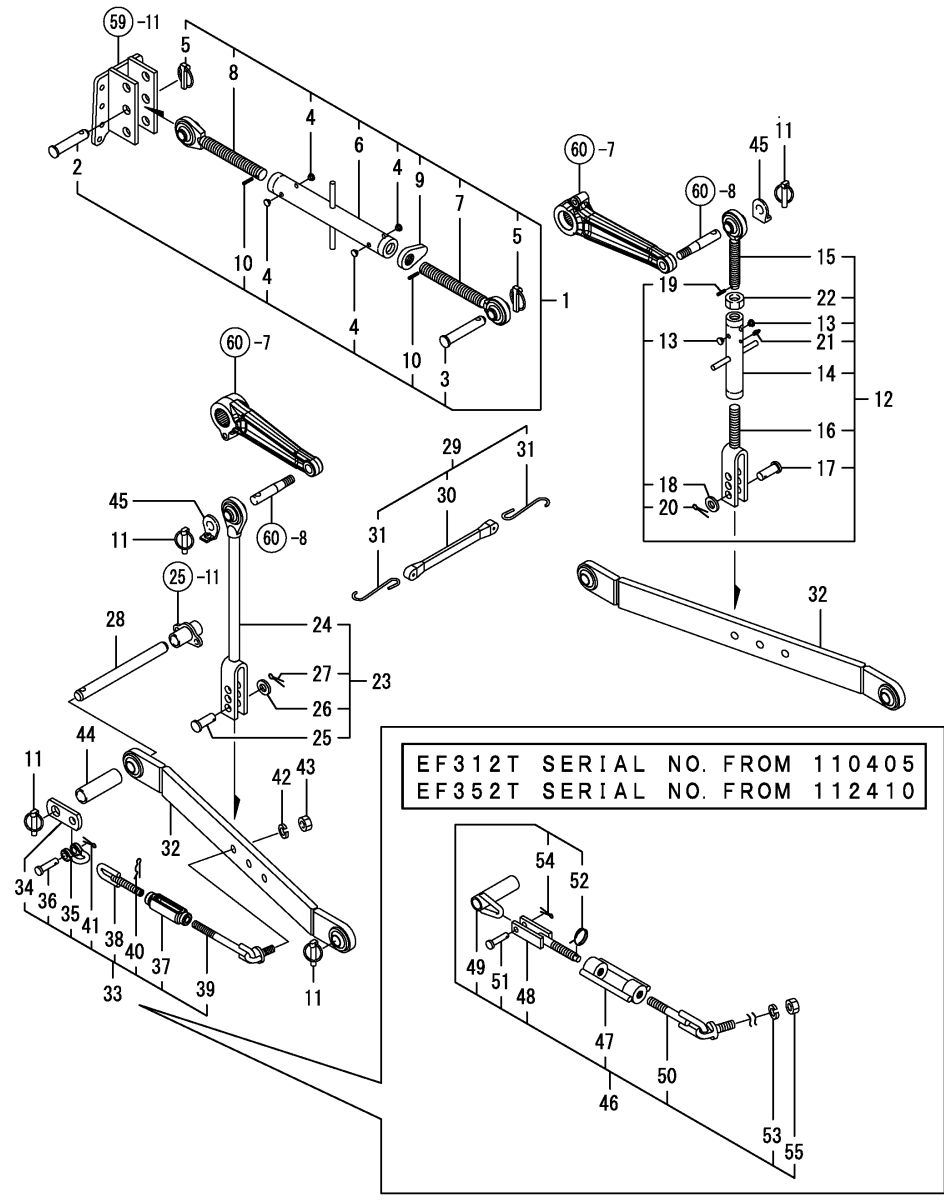
Remarks

* This figure is for model EF312T Serial No. to 110305, Model EF352T Serial No. To 111879.
 Refer Fig.89 for model EF312T Serial No. from 110306, Model EF352T Serial No. from 111880.

N:Old $\xrightarrow{\text{Yes}}$ New, Q:Old $\xrightarrow{\text{No}}$ New, R:Old $\xrightarrow{\text{Yes}}$ New, S:Old $\xrightarrow{\text{No}}$ New, W:Add, Z:Discontinued, F:Interchangeable by set, K:Q'ty Change

Fig.89. THREE POINT LINK(ADD.ITEM)

EF312T SERIAL NO. FROM 110306
EF352T SERIAL NO. FROM 111880



EF312T SERIAL NO. FROM 110405
EF352T SERIAL NO. FROM 112410

(A)=EF312T
(B)=EF352T
(C)=

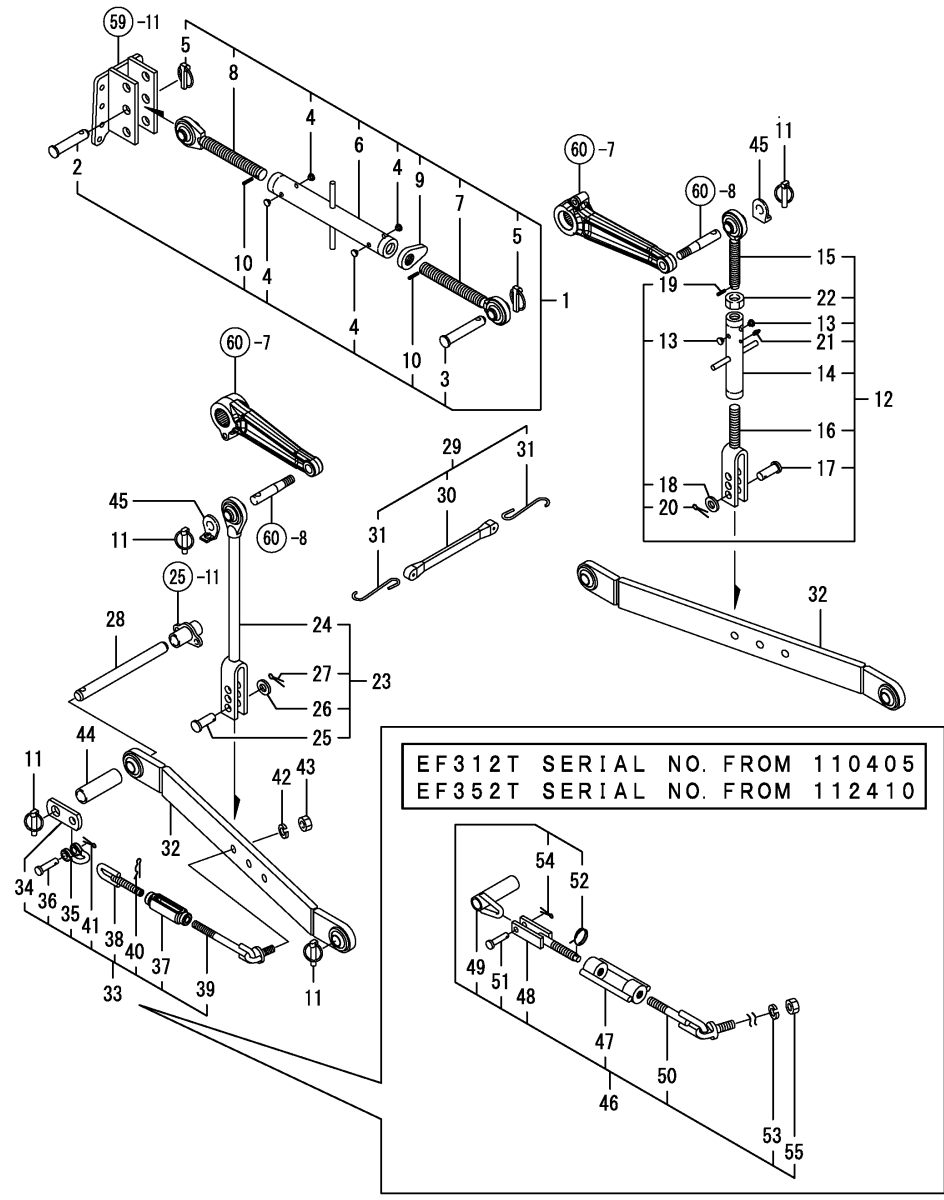
(D)=
(E)=
(F)=

No.	Lev.	Parts No.	Description	(A)	(B)	Q'ty						I	R
						(C)	(D)	(E)	(F)				
1	1	198254-71100	LINK KIT, TOP	1	1								
2	2	1A7335-71230	PIN, LINK	1	1								
3	2	1A7335-71240	PIN, HITCH	1	1								
4	2	1A7335-71250	CAP	4	4								
5	2	1A7335-71410	PIN ASSY, BALL	2	2								
6	2	198254-71500	TURNBUCKLE ASSY	1	1								
7	2	198254-71600	LINK ASSY, TOP R	1	1								
8	2	198254-71700	LINK ASSY, TOP L	1	1								
9	2	1A7335-71750	NUT, LOCK M24	1	1								
10	2	22351-050025	PIN, SPRING 5.0X25	2	2								
10-1	2	1A7335-71760	PIN, SPRING 5.0X25	2	2							R	
		(A=FXXXXXX)	(B=FXXXXXX)										
11	1	1A7335-71410	PIN ASSY, BALL	6	6								
12	1	198283-72100	LINK KIT, LIFT R	1	1								
12-1	1	198283-72101	LINK KIT, LIFT R	1	1							R	
		(A=FZZZZZ)	(B=FZZZZZ)										
13	2	1A7335-71250	CAP	2	2								
14	2	198283-72150	TURNBUCKLE ASSY	1	1								
14-1	2	198283-72151	ADJ,TUBE ASSY	1	1							R	
		(A=FZZZZZ)	(B=FZZZZZ)										
15	2	198283-72200	BOLT, EYE	1	1								
15-1	2	198283-72201	EYEBOLT ASSY,	1	1							R	
		(A=FZZZZZ)	(B=FZZZZZ)										
16	2	198283-72250	YOKE ASSY, LINK R	1	1								
16-1	2	198283-72251	YORK ASSY, LIFT LINK	1	1							R	
		(A=FZZZZZ)	(B=FZZZZZ)										
17	2	198234-72550	PIN, 16X44	1	1								
18	2	22137-160000	WASHER, 16	1	1								
19	2	22351-050020	PIN, SPRING 5.0X20	1	1								
20	2	22417-320320	PIN, COTTER 3.2X32	1	1								
20-1	2	1A8275-72180	SNAP PIN 13-19	1	1							R	
		(A=FZZZZZ)	(B=FZZZZZ)										
21	2	24761-060000	NIPPLE, GREASE MT6X1	1	1								
22	2	26757-200002	NUT, LOCK M20	1	1								
23	1	198283-72300	LINK KIT, LIFT L	1	1								
23-1	1	198283-72301	LINK KIT,LIFT L.H.	1	1							R	
		(A=FZZZZZ)	(B=FZZZZZ)										
24	2	198283-72310	LINK ASSY, LIFT L	1	1								
24-1	2	198283-72311	LINK ASSY,LIFT L.H.	1	1							R	
		(A=FZZZZZ)	(B=FZZZZZ)										
25	2	198234-72550	PIN, 16X44	1	1								
26	2	22137-160000	WASHER, 16	1	1								
27	2	22417-320320	PIN, COTTER 3.2X32	1	1								
27-1	2	1A8275-72180	SNAP PIN 13-19	1	1							R	
		(A=FZZZZZ)	(B=FZZZZZ)										
28	1	1A7530-73120	PIN, HINGE	2	2								
29	1	198283-73310	STRAP, LINK	1	1								
30	2	1A7500-73320	STRAP	1	1								
31	2	198283-73330	HOOK, S	2	2								
32	1	198283-73500	LINK ASSY, LOWER	2	2								
33	1	198280-74100	CHAIN ASSY, CHECK	2	2								

N:Old $\xrightarrow{\text{Yes}}$ New, Q:Old $\xrightarrow{\text{No}}$ New, R:Old $\xrightarrow{\text{Yes}}$ New, S:Old $\xrightarrow{\text{No}}$ New, W:Add, Z:Discontinued, F:Interchangeable by set, K:Q'ty Change
 ++ CONTINUE ++
 Copyright (C) YANMAR CO., LTD. All Rights Reserved.

Fig.89. THREE POINT LINK(ADD.ITEM)

EF312T SERIAL NO. FROM 110306
EF352T SERIAL NO. FROM 111880

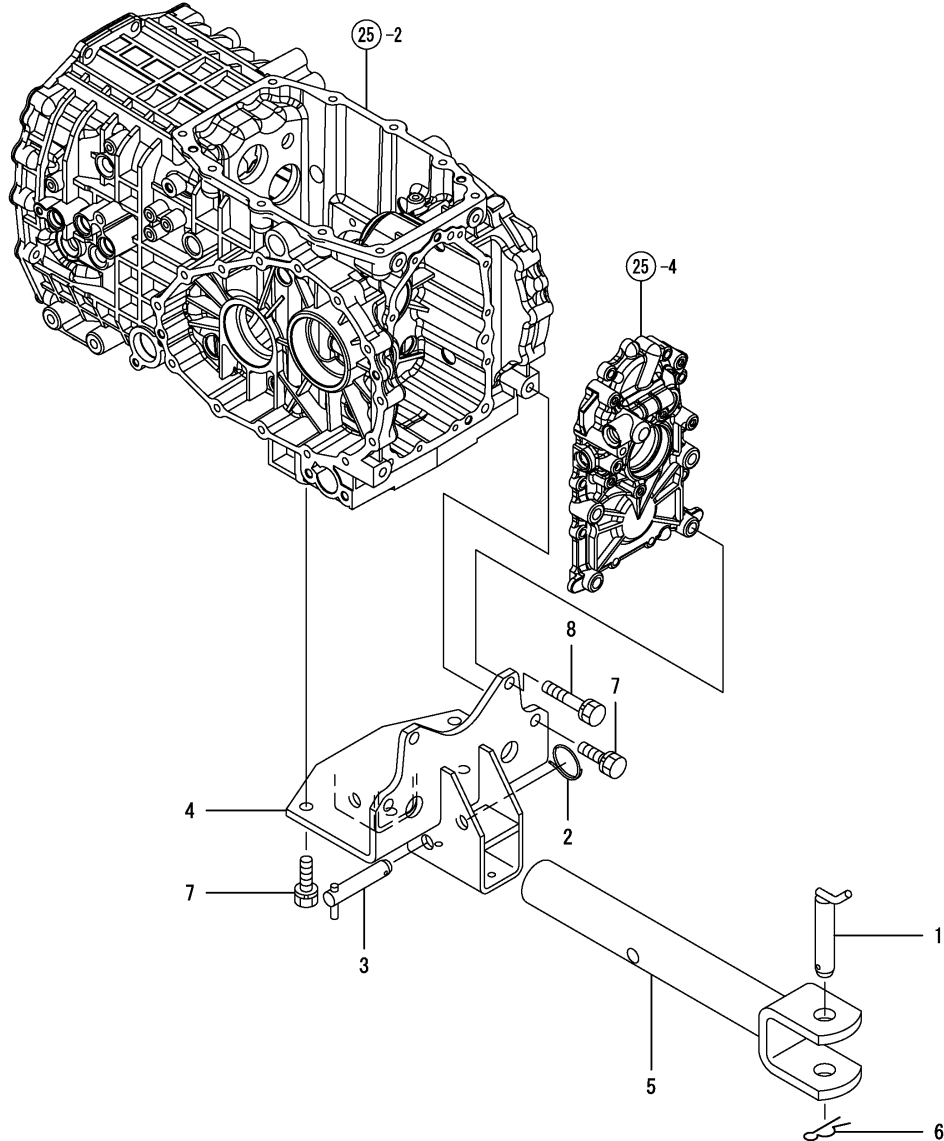


(A)=EF312T
(B)=EF352T
(C)=

(D)=
(E)=
(F)=

No.	Lev.	Parts No.	Description	Q'ty						I	R
				(A)	(B)	(C)	(D)	(E)	(F)		
34	2	198280-74550	HINGE, CHECK CHAIN	2	2						
35	2	194080-74621	SHACKLE	2	2						
36	2	194080-74631	PIN, SHACKLE SA10	2	2						
37	2	198360-74670	TURNBUCKLE, CHAIN	2	2						
37-1	2	1A8070-74670	TURNBUCKLE ASSY,	2	2						N
		(A=FZZZZZ) (B=FZZZZZ)									
38	2	198121-74720	BOLT, EYE	2	2						
39	2	198280-74800	BOLT ASSY, EYE R	2	2						
40	2	22360-200000	PIN, SNAP 20	2	2						
41	2	22417-320320	PIN, COTTER 3.2X32	2	2						
42	1	22217-140000	WASHER, SPRING 14	2	2						
43	1	26716-140002	NUT, M14	2	2						
44	1	198200-73210	COLLAR, 31.8X98	2	2						
45	1	198071-74970	COLLAR, BALL SOCKET	2	2						
46	1	198283-74100	CHAIN KIT, CHECK	2	2						
47	2	198283-74150	TURNBUCKLE, M16	2	2						
48	2	198283-74200	CHAIN ASSY, CHECK F	2	2						
49	2	198283-74250	HOOK ASSY, V	2	2						
50	2	198283-74300	CHAIN ASSY, CHECK R	2	2						
51	2	198283-74350	PIN, 11	2	2						
52	2	198283-74370	RING	2	2						
53	2	22217-160000	WASHER, SPRING 16	2	2						
54	2	22417-400250	PIN, COTTER 4.0X25	2	2						
55	2	26736-160002	NUT, M16	2	2						

Fig.92. DRAWBAR HITCH(ADD.ITEM)



(A)=EF312T
(B)=EF352T
(C)=

(D)=
(E)=
(F)=

No.	Lev.	Parts No.	Description	Q'ty						I	R
				(A)	(B)	(C)	(D)	(E)	(F)		
1	1	194145-75240	PIN, HITCH 22	1	1						
2	1	194145-75250	RING, STOPPER	1	1						
3	1	194150-75740	PIN, HITCH 16	1	1						
4	1	198283-75750	BRACKET, HITCH	1	1						
5	1	198283-75860	HITCH ASSY, DRAWBAR	1	1						
6	1	22360-200000	PIN, SNAP 20	1	1						
7	1	26013-120352	BOLT, M12X 35	6	6						
8	1	26013-120652	BOLT, M12X 65	2	2						

Fig.97. REAR ROPS

(A)=EF312T
(B)=EF352T
(C)=

(D)=
(E)=
(F)=

No.	Lev.	Parts No.	Description	Q'ty						I	R
				(A)	(B)	(C)	(D)	(E)	(F)		
1	1	194740-00160	SPRING, 10	2	2						
2	1	198283-85090	FRAME ASSY, UPPER M	1	1						
3	1	198202-85250	HOLDER, L	1	1						
4	1	198200-85320	PLATE, PRESSURE	2	2						
5	1	198202-85350	HOLDER, R	1	1						
6	1	198200-85400	BOLT, M16X80	2	2						
7	1	198101-85541	SPRING	2	2						
8	1	198200-85581	PIN, HOLD	2	2						
9	1	22137-100000	WASHER, 10	2	2						
10	1	22272-000120	RING, E-12	2	2						
11	1	26013-120352	BOLT, M12X 35	6	6						
12	1	26062-100251	BOLT, 10X 25	2	2						
13	1	26356-160002	NUT, M16	2	2						

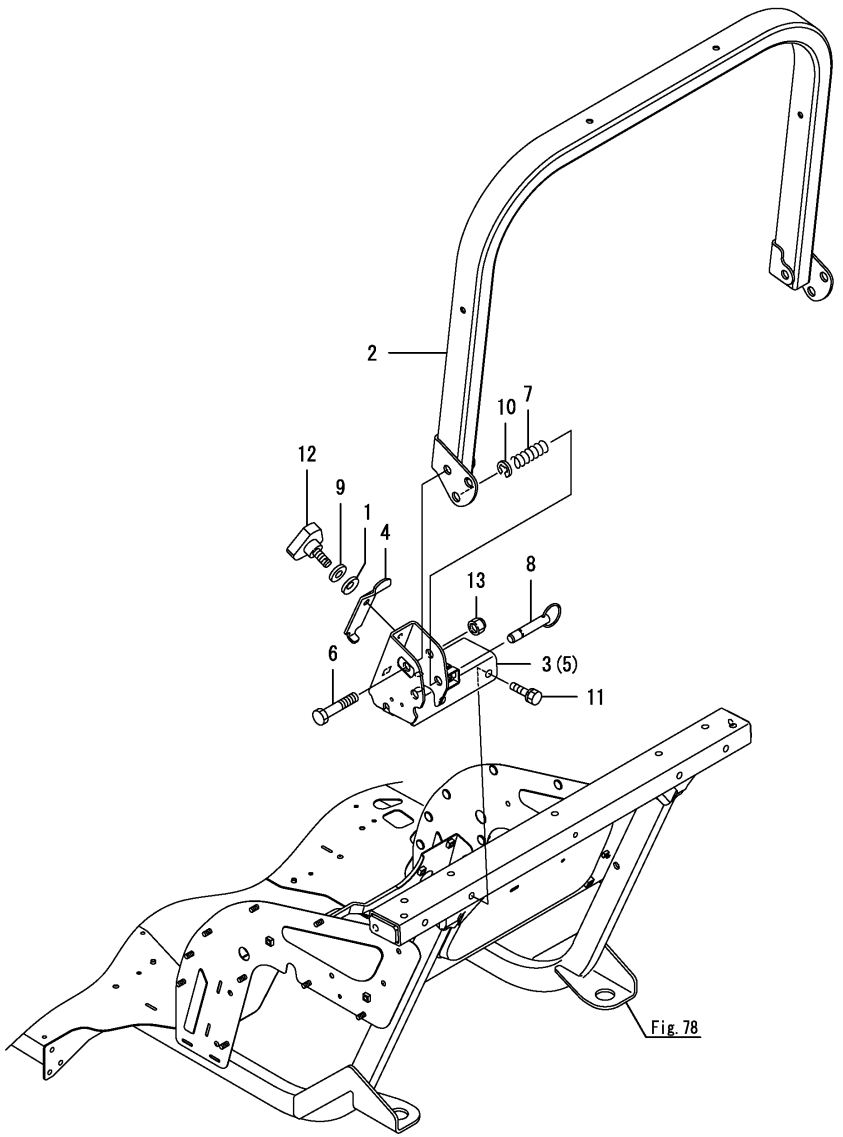
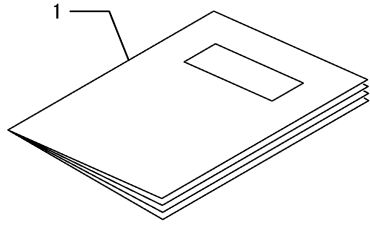


Fig.86. ACCESSORY

(A)=EF312T
(B)=EF352T
(C)=

(D)=
(E)=
(F)=

No.	Lev.	Parts No.	Description	Q'ty						I	R
				(A)	(B)	(C)	(D)	(E)	(F)		
1	1	41812-012020	OPERATION MANUAL	1	1						
1-1	1	41812-012120	MANUAL, OPERATOR	1	1						S 1
		(A=SEE NOTE) (B=SEE NOTE)									
1-2	1	41812-012121	MANUAL, OPERATOR	1	1						S 1
		(A=SEE NOTE) (B=SEE NOTE)									
1-3	1	41812-012122	MANUAL, OPERATOR	1	1						S 1
		(A=SEE NOTE) (B=SEE NOTE)									
1-4	1	41812-012123	MANUAL, OPERATOR	1	1						S 1
		(A=FZZZZZ) (B=FZZZZZ)									



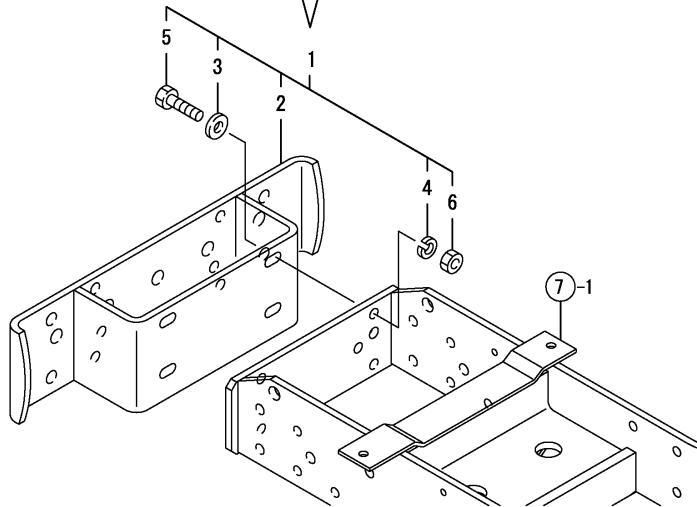
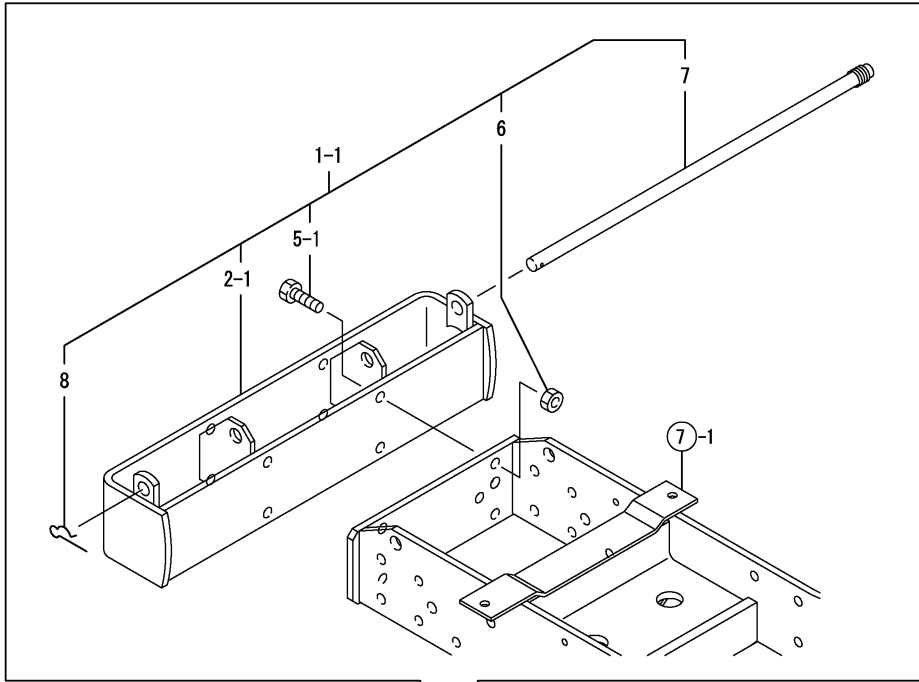
Remarks

(1)There is parts number mention.

Fig.87. BRACKET(FRONT WEIGHT)

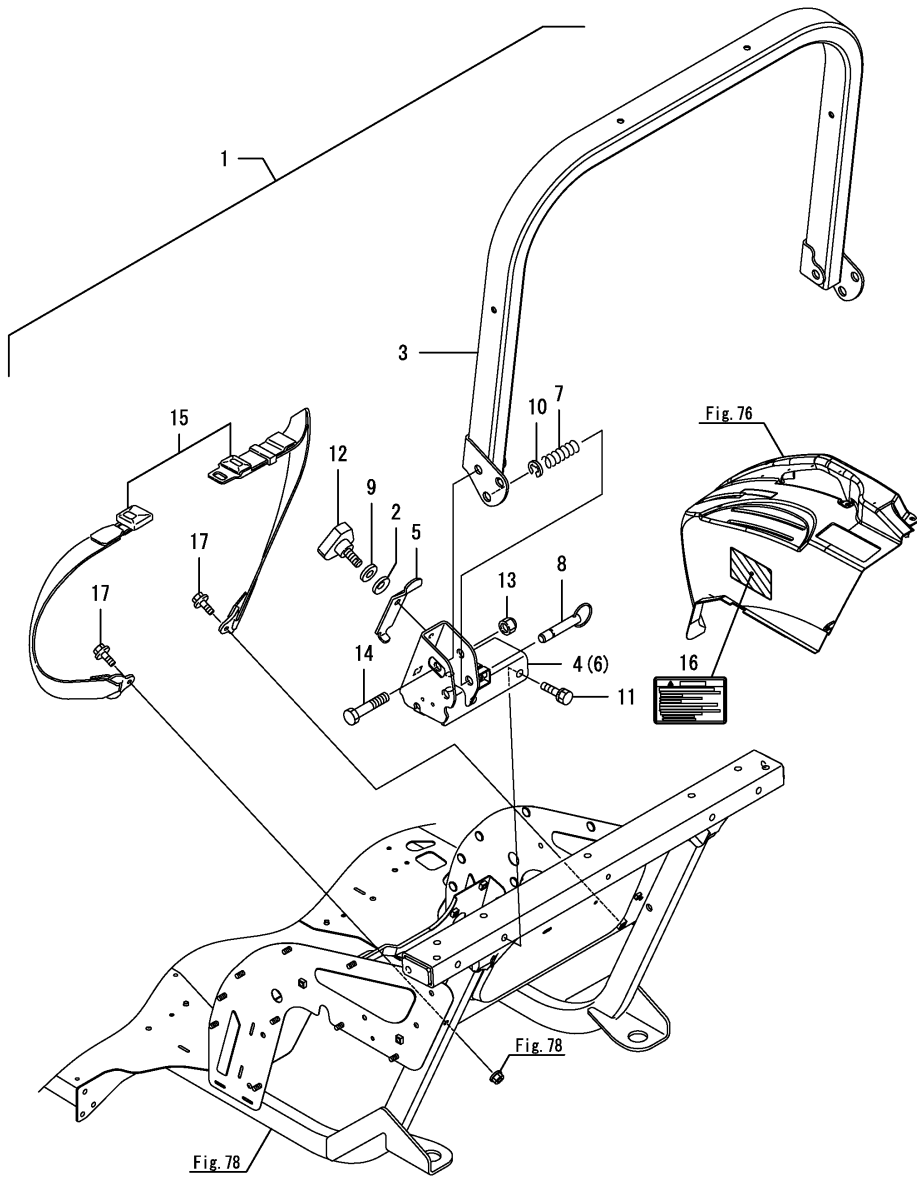
(A)=EF312T
(B)=EF352T
(C)=

(D)=
(E)=
(F)=



No.	Lev.	Parts No.	Description	Q'ty						I	R
				(A)	(B)	(C)	(D)	(E)	(F)		
1	1	198200-10640	BRACKET KIT, WEIGHT	1	1						
1-1	1	198280-10640	BRACKET KIT, WEIGHT	1	1						N
		(A=FXXXXXX) (B=FXXXXXX)									
2	2	198200-10650	BRACKET ASSY, WEIGHT	1	1						
2-1	2	198280-10650	BRACKET ASSY, WEIGHT	1	1						S
		(A=FXXXXXX) (B=FXXXXXX)									
3	2	22137-120000	WASHER, 12	4	4						Z
		(A=FXXXXXX) (B=FXXXXXX)									
4	2	22217-120000	WASHER, SPRING 12	4	4						Z
		(A=FXXXXXX) (B=FXXXXXX)									
5	2	26116-120402	BOLT, M12X 40 PLATED	4	4						
5-1	2	26013-120352	BOLT, M12X 35	4	4						S
		(A=FXXXXXX) (B=FXXXXXX)									
6	2	26716-120002	NUT, M12	4	4						
7	2	198280-11210	PIN ASSY, LOCK	1	1						W
		(A=FXXXXXX) (B=FXXXXXX)									
8	2	22360-200000	PIN, SNAP 20	1	1						W
		(A=FXXXXXX) (B=FXXXXXX)									

Fig.88. REAR ROPS



(A)=EF312T
(B)=EF352T
(C)=

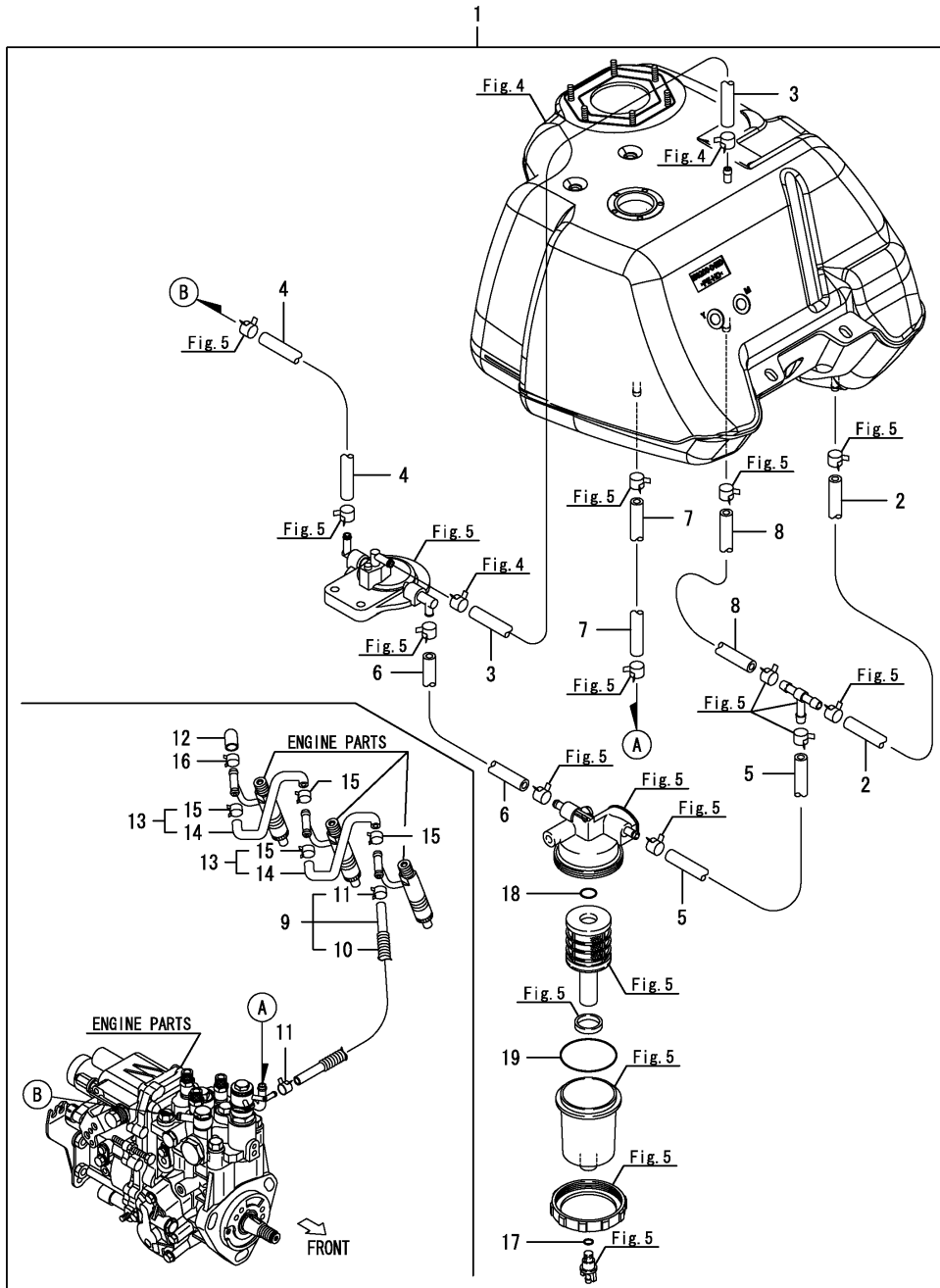
(D)=
(E)=
(F)=

No.	Lev.	Parts No.	Description	Q'ty						I	R
				(A)	(B)	(C)	(D)	(E)	(F)		
1	1	198283-85050	ROPS KIT, REAR	1	1						
1-1	1	198283-85060	REAR ROPS KIT	1	1						N
		(A=FZZZZZ) (B=FZZZZZ)									
2	2	194740-00160	SPRING, 10	2	2						
3	2	198200-85100	FRAME ASSY, UPPER	1	1						
3-1	2	198283-85090	FRAME ASSY, UPPER M	1	1						N
		(A=FZZZZZ) (B=FZZZZZ)									
4	2	198202-85250	HOLDER, L	1	1						
5	2	198200-85320	PLATE, PRESSURE	2	2						
6	2	198202-85350	HOLDER, R	1	1						
7	2	198101-85541	SPRING	2	2						
8	2	198200-85581	PIN, HOLD	2	2						
9	2	22137-100000	WASHER, 10	2	2						
10	2	22272-000120	RING, E-12	2	2						
11	2	26013-120352	BOLT, M12X 35	6	6						
12	2	26062-100251	BOLT, 10X 25	2	2						
13	2	26356-160002	NUT, M16	2	2						
14	2	198200-85400	BOLT, M16X80	2	2						
15	2	194180-63150	BELT ASSY, SEAT	1	1						W
		(A=FZZZZZ) (B=FZZZZZ)									
16	2	1A7680-65350	LABEL,WARNING,ROPS	1	1						W
		(A=FZZZZZ) (B=FZZZZZ)									
17	2	26106-100202	BOLT, M10X 20 PLATED	2	2						W
		(A=FZZZZZ) (B=FZZZZZ)									

Fig.94. FUEL HOSE(ADD.ITEM)

(A)=EF312T
(B)=EF352T
(C)=

(D)=
(E)=
(F)=



No.	Lev.	Parts No.	Description	Qty						I	R
				(A)	(B)	(C)	(D)	(E)	(F)		
1	1	198280-04250	HOSE KIT, FUEL	1	1						
2	2	198280-04260	HOSE, FUEL	2	2						
3	2	198280-04270	HOSE, AIR VENT	1	1						
4	2	198280-04280	HOSE, FUEL	1	1						
5	2	198280-04290	HOSE, FUEL	1	1						
6	2	198280-04300	HOSE, FUEL	1	1						
7	2	198280-04310	HOSE, FUEL	1	1						
8	2	198280-04320	HOSE, FUEL	1	1						
9	2	129268-59551	PIPE ASSY, RETURN	1	1						
10	3	129237-59120	PROTECTOR,HOSE	1	1						
11	3	124060-77680	CLIP, HOSE 10	2	2						
12	2	119593-59581	CAP	1	1						
13	2	129486-59581	HOSE, FUEL	2	2						
14	3	129486-59521	PIPE, FUEL RETURN	2	2						
15	3	124060-77680	CLIP, HOSE 10	4	4						
16	2	124060-77680	CLIP, HOSE 10	1	1						
17	2	24316-000070	O-RING, 4DP7.0	1	1						
18	2	24316-000160	O-RING, 4DP16.0	1	1						
19	2	24326-000650	O-RING, 4DG65.0	1	1						

Fig.95. KARTE(CENTER PLATE)

(A)=EF312T
(B)=EF352T
(C)=

(D)=
(E)=
(F)=

No.	Lev.	Parts No.	Description	Qty						I	R
				(A)	(B)	(C)	(D)	(E)	(F)		
1	1	198283-24330	PLATE KIT, CENTER	1	1						
2	2	198282-24301	PLATE ASSY, CENTER	1	1						
3	3	198200-24311	PLATE, CENTER	1	1						
4	3	198282-24330	PLUG, BORE 19	1	1						
5	2	26106-080502	BOLT, M8X 50 PLATED	3	3						

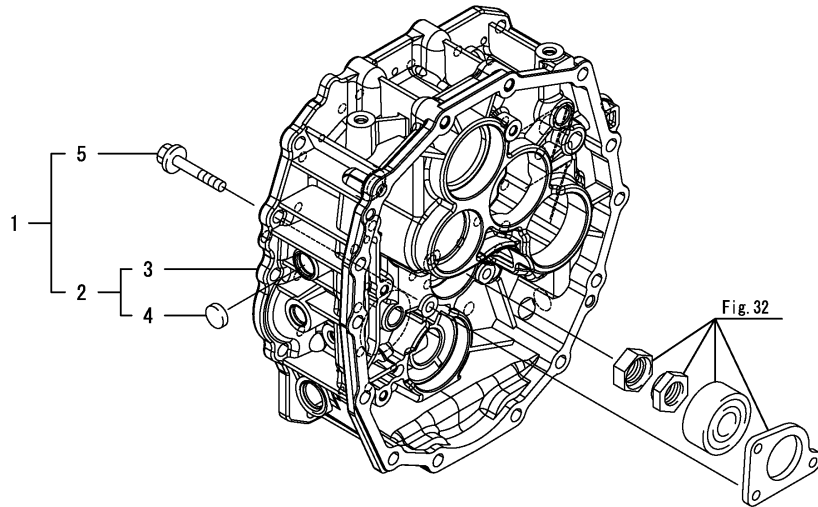
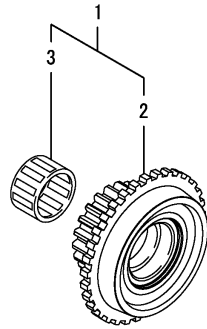


Fig.99. GEAR KIT(DRIVEN 20)

(A)=EF312T
(B)=EF352T
(C)=

(D)=
(E)=
(F)=

No.	Lev.	Parts No.	Description	Q'ty						I	R
				(A)	(B)	(C)	(D)	(E)	(F)		
1	1	1A8070-25460	GEAR KIT, DRIVEN 20	1	1						
2	2	198200-25461	GEAR, DRIVEN	1	1						
3	2	24161-253017	BEARING, 253017	1	1						



Remarks

* Refer to Fig.101 for this item by change.

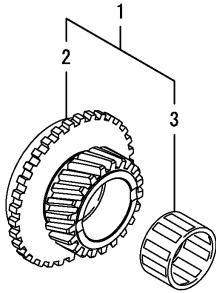
N:Old $\xrightarrow{\text{Yes}}$ New, Q:Old $\xrightarrow{\text{No}}$ New, R:Old $\xrightarrow{\text{Yes}}$ New, S:Old $\xrightarrow{\text{No}}$ New, W:Add, Z:Discontinued, F:Interchangeable by set, K:Q'ty Change

Fig.100. GEAR KIT(DRIVEN 21)

(A)=EF312T
(B)=EF352T
(C)=

(D)=
(E)=
(F)=

No.	Lev.	Parts No.	Description	Q'ty						I	R
				(A)	(B)	(C)	(D)	(E)	(F)		
1	1	1A8070-25470	GEAR KIT, DRIVEN 21	1	1						
2	2	198200-25471	GEAR, DRIVEN21	1	1						
3	2	24161-303520	BEARING, 303520	1	1						



Remarks

* Refer to Fig.101 for this item by change.

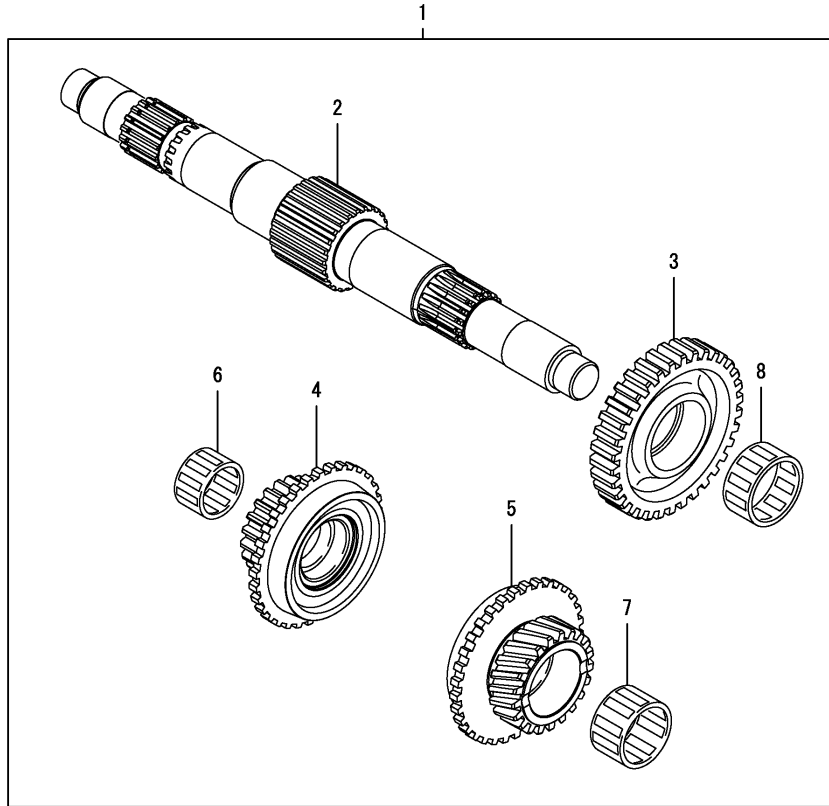
N:Old $\xrightarrow{\text{Yes}}$ New, Q:Old $\xrightarrow{\text{No}}$ New, R:Old $\xrightarrow{\text{Yes}}$ New, S:Old $\xrightarrow{\text{No}}$ New, W:Add, Z:Discontinued, F:Interchangeable by set, K:Q'ty Change

Fig.101. GEAR KIT(REVERSER)

(A)=EF312T
(B)=EF352T
(C)=

(D)=
(E)=
(F)=

No.	Lev.	Parts No.	Description	Q'ty						I	R
				(A)	(B)	(C)	(D)	(E)	(F)		
1	1	1A8070-25410	GEAR KIT, REVERSER	1	1						
2	2	198200-25411	SHAFT, REVERSER	1	1						
3	2	198200-25431	GEAR, MAIN SHIFT	1	1						
4	2	198200-25461	GEAR, DRIVEN	1	1						
5	2	198200-25471	GEAR, DRIVEN21	1	1						
6	2	24161-253017	BEARING, 253017	1	1						
7	2	24161-303520	BEARING, 303520	1	1						
8	2	24161-323717	BEARING, 323717	1	1						



Parts No. Index

Parts No.	Fig. No.	Ref. No.
114270-59010	4	18 -1
	5	31 -1
119593-59581	94	12
119629-59910	5	5
119650-77910	1	3
119650-77930	1	5
119802-55700	5	16
119802-55710	5	18
119802-55730	5	20 A
119808-12520	6	5
119808-12540	6	9
119852-55611	5	15
119852-55612	5	15 -1
119866-12530	6	6
121450-44531	1	18
121470-44581	1	21
124060-77680	94	11
		15
		16
124450-44560	1	19
124550-77030	65	20 -1
124756-77040	65	20
		21
124766-59050	1	26
		27
	4	18
	5	4
		4 -1
		31
129004-55810	5	21
129051-12530	6	7
129052-13550	3	3
129052-77920	1	4
129055-44501	1	15
129055-55700	5	16 -1
129100-55690	5	17
129150-49081	1	23
129150-49101	1	22
129237-59120	94	10
129242-55730	5	18 -1
129242-55740	5	20 B
129242-55750	5	20 C
129242-55760	5	20 D
129242-55770	5	20 E
129259-12570	6	11 A
129263-44510	1	16
129268-59551	94	9
129418-12530	6	8
129461-59580	5	32
129486-59521	94	14

Parts No.	Fig. No.	Ref. No.
129486-59581	94	13
129612-12650	6	11
129938-55720	5	20 A-1
168371-01100	62	3 -1
172010-07810	4	28
172112-77360	62	27
172510-74530	62	17
174501-07060	71	2
174845-27700	44	4
175022-49730	1	25
	64	9
177432-03450	15	1
178070-10401	58	2
		11 A
178073-01200	61	14
	62	2
178073-04310	62	5
178076-02230	61	8
178076-12400	61	10
178076-26100	62	6
178076-26110	62	7
178076-26120	62	8
178076-26130	62	9
178076-26140	62	10
178076-26160	62	11
178076-26170	62	12
178076-26180	62	13
178076-26190	62	14
178076-38210	62	3
178076-40011	61	13
178076-40011-1	61	13 -1
178076-40100	61	22
178076-40100-1	61	22 -1
178076-40110	61	23
178076-40200	61	16
178076-40250	61	24
178076-40300	61	25
178076-40400	61	26
178076-40410	61	27
178076-40501	61	28
178076-40531	61	29
178076-40600	61	30
178076-40610	61	9
192167-24600	26	3
192180-26380	14	3
192180-32231	22	14 -2
194080-74621	85	6
	89	35
194080-74631	85	7
	89	36

Parts No.	Fig. No.	Ref. No.
194130-37750	55	7
194130-44480	60	8
194130-44480-1	60	8 -1
194130-47851	76	2
194145-27450	36	6
	38	7
	40	2
	46	2
194145-71600	82	4
194145-71700	82	5
194145-75240	92	1
194145-75250	92	2
194150-21910	25	1
		1 -1
194150-22480	41	2
		8
194150-45320	61	34
194150-71230	82	10
194150-72460	83	7
	84	3
194150-75740	92	3
194151-36670	15	8
194151-63222	79	10
194170-45220	61	31
194170-45230	61	33
194170-45310	61	18
194170-45321	61	35
194170-45350	61	37
194170-45360	61	38
194170-45420	61	20
194170-45430	61	39
194170-45520	61	40
194170-45530	61	41
194170-45550	61	42
194170-45710	61	45
194170-45720	61	46
194170-45730	61	47
194170-45740	61	48
194170-47440	63	11
194170-51210	5	2
	21	7
	65	9
194171-14810	17	3
		8
194171-14820	17	4
		9
194180-12470	19	1
194180-12471	9	14
	19	1 -1
194180-25550	35	2

Parts No.	Fig. No.	Ref. No.
194180-51640	59	17
	66	11
	68	28
194180-61980	1	33
194180-63150	88	15
	96	1
194181-11560	8	6
194197-56350	71	16
194200-53400	68	3
194201-11230	22	1
194240-65441	80	1
194242-51660	65	10
194242-53610	68	11
194242-53620	68	12
194242-53630	68	13
194242-53640	68	14
194242-55430	68	15
194242-55440	68	16
194250-47490	41	5
		11
194250-51420	65	18
194274-13580	54	1
	78	15
194275-45340	61	36
194275-71500	82	3
194279-14220	53	12
	91	10
194300-22260	55	4
194300-31550	11	4
194300-31560	11	5
194300-31610	11	6
194300-31620	11	7
194300-33200	50	4
194310-46350	61	49
194310-46380	61	50
194312-27770	55	39
194312-27780	55	9
	56	3
194312-46630	61	53
194321-14820	17	4 -1
		9 -1
194321-14860	17	3 -1
		8 -1
194327-45630	62	15
194327-45640	61	43
194327-45650	61	44
	62	16
194330-62530	55	45
194370-26350	35	8
194420-33150	50	2

Parts No. Index

Parts No.	Fig. No.	Ref. No.
194420-61640	71	30
194421-13640	11	10
194440-32580	52	1
194440-51620	5	3
	66	3
194440-51630	2	14
194447-13860	45	1
194464-01190	44	1
194464-52190	67	12
		13
194515-25180	30	2
194515-31610	48	4
194515-31850	48	7
194521-41570	58	3
		8
194525-31520	48	3
194555-26520	23	7
194555-42280	59	8
194555-47340	63	6
194555-47340-1	63	6 -1
194555-47350	63	8
194555-47350-1	63	8 -1
194555-65130	71	33
194555-77120	61	21
194556-13790	16	1
194556-42220	61	17
194630-43230	61	5
194640-25390	34	2
194640-26440	10	4 -1
	31	4
194640-46410	61	51
194640-46420	61	52
194641-11630	8	7
194680-22280	22	3
194680-22290	22	4
194680-25940	35	4
194680-27540	42	1
194697-62560	77	5
194740-00160	18	5
	88	2
	97	1
194740-76200	68	21
194765-46980	61	75
194800-22480	24	6
194800-25250	30	3
194820-27370	41	15
194850-32340	48	14
194850-42180	61	1
194850-42190	61	2
194850-42500	59	9

Parts No.	Fig. No.	Ref. No.
194850-49290	61	55
194881-12650	17	11
	53	11
	90	9
	91	9
194940-47210	63	2
194940-47210-1	63	2 -1
194940-47220	63	4
194940-52110	67	6
194940-61790	69	11
194940-65590	71	34
194990-20170	41	14
194990-22050	63	1
194990-22120	68	22
		25
194990-22130	2	10
	65	13
		25 -1
	68	19
	71	3
		3 -1
		4
		5
	72	4
194990-22140	3	4
	18	29
	19	22 A
	55	1
		20
	65	14
	71	6
		7
		45
		46
	75	1
		7
	79	2
		3
		4
	93	3
194990-22150	75	2
	78	1
195080-15060	82	1
197810-84840	78	5
198010-41211	64	1
198010-53400	68	1
198010-53410	68	4
198010-53420	68	2
198031-14710	17	2
		7

Parts No.	Fig. No.	Ref. No.
198031-14710	90	2
		6
198036-65470	80	2
198071-01160	2	5
198071-01390	2	8
198071-13760	15	3
198071-14650	12	5
198071-22310	24	1
198071-22311	24	1 -1
198071-22320	24	2
198071-24350	25	5
198071-37510	55	16
		24
		32
198071-43320	60	2
198071-43330	60	3
198071-58810	2	2
198071-61890	73	4
		4 -1
		8
198071-62900	78	8
198071-65610	71	35
198071-74970	83	8
	84	4
	89	45
198072-17550	20	1 A
198072-18320	6	13
198072-27650-1	40	8
198072-27650-2	40	8 -1
198072-27880	63	29
198072-48340	64	5
198072-60590	73	1
198082-17880	5	26
198092-71720	6	14
198092-71750	82	6
198093-82510	71	36
198093-84810	7	12
	18	39
		40
		41
	78	4
198093-85650	56	14
	68	23
	74	3 -1
	77	7
198101-85541	88	7
	97	7
198119-27150	36	3
	38	1
	40	1

Parts No.	Fig. No.	Ref. No.
198119-27150	46	1
198119-27570	40	4
198119-27570-1	40	4 -1
198119-48310	64	24
198121-25800	30	13
198121-25820	30	14
198121-25830	30	15
198121-25840	30	16
198121-25850	30	17
198121-25870	30	18
198121-28160	41	4
198121-28380	42	7
198121-47110	76	1
198121-47111	76	1 -1
198121-51190	66	12 -1
		12 -2
	68	26
		27
198121-63510	76	6
198121-63560	75	9
198121-74720	85	9
	89	38
198121-77330	62	23
198122-65730	81	6
198127-12310	9	1
198127-14700	17	1
198127-14800	17	6
198128-34910	53	3
		8
198128-34920	53	4
		9
198133-15700	18	33
198133-15740	18	34
198133-15780	18	35
198133-22510	55	14
		21
		28
198133-22530	55	15
		22
		29
198133-51350	66	10
198133-61950	71	31
198146-86160	66	12
198149-25890	35	3
198163-65350	81	1
198163-65780	81	8
198163-65930	81	2
198163-65940	81	3
198165-48560	61	54
198172-11640	8	2

Parts No. Index

Parts No.	Fig. No.	Ref. No.
198172-25630	33	2
198172-25640	33	3
198172-41110	58	1
198172-53600	68	10
198176-63260	79	11
198196-34140	52	3
198200-00610	1	7
198200-01110	18	6
198200-01150	2	1
198200-01170	18	1
198200-01210	2	6
198200-01260	18	7
198200-01300	2	7
198200-01440	1	9
198200-01570	72	1
198200-01580	72	2
198200-01600	72	3
198200-04020	4	1
198200-04030	4	2
198200-04040	4	3
198200-04061	4	4
198200-04070	4	5
198200-04080	4	6
198200-04090	4	7
198200-04101	4	8
198200-04120	4	13
198200-04130	4	14
198200-04210	4	15
198200-04251	71	1
198200-04260	4	16
198200-04270	4	17
198200-06150	6	2
198200-10640	87	1
198200-10650	87	2
198200-11250	5	13
198200-11351	1	14
198200-13060	8	5
198200-13100	10	1
198200-13200	11	1
198200-13210	11	2
198200-13220	11	3
198200-13250	11	9
198200-13280	12	1
198200-13320	8	10
198200-13350	8	12
198200-13520	13	2
198200-13611	14	1
198200-13611-1	14	1 -1
198200-13780	15	4
198200-13791	15	5

Parts No.	Fig. No.	Ref. No.
198200-13810	15	19
198200-13820	15	20
198200-13821	15	20 -1
198200-13830	15	21
198200-14110	16	2
198200-14120	16	3
198200-14130	16	4
198200-14130-1	16	4 -1
198200-14210	16	5
198200-14670	12	6
198200-14910	12	7
198200-15091	18	4
198200-15101	18	8
198200-15180	18	9
198200-15250	18	28
198200-17050	19	5
198200-17070	19	7
198200-17120	19	12
198200-17140	19	13
198200-17150	19	14
198200-17160	19	15
198200-17170	19	16
198200-17500	20	1
198200-17750	21	1
198200-17830	21	4
198200-17840	21	5
198200-17910	21	6
198200-17950	7	5
198200-18350	44	2
198200-21100	22	2
198200-21100-1	22	2 -1
198200-21120	22	5
198200-21140	22	6
198200-22111	23	5
198200-22330	24	3
198200-22330-1	24	3 -1
198200-22380	55	11
198200-22400	55	12
198200-22460	56	1
198200-22470	56	2
198200-22510	55	2
198200-22531	23	6
198200-22650	55	3
198200-22690	55	5
198200-24120	25	3
198200-24170	25	7
198200-24190	25	9
198200-24311	95	3
198200-24320	27	1
198200-24410	27	2

Parts No.	Fig. No.	Ref. No.
198200-24410-1	27	2 -1
198200-24420	27	3
198200-25120	29	1
198200-25150	30	1
198200-25210	29	2
198200-25410	30	4
198200-25411	30	4 -1
	101	2
198200-25420	30	5
198200-25430	30	6
198200-25431	30	6 -1
	101	3
198200-25440	30	7
198200-25450	30	8
198200-25460	30	9
198200-25461	30	9 -1
	99	2
	101	4
198200-25470	30	10
198200-25471	30	10 -1
	100	2
	101	5
198200-25480	30	11
198200-25490	30	12
	32	1
	33	1
	35	1
198200-25510	31	1
198200-25520	32	2
198200-25530	32	3
198200-25550	32	5
198200-25560	32	6
198200-25590	32	7
198200-25650	31	2
198200-25660	31	3
198200-25910	33	4
198200-25930	33	5
198200-27000	18	10
198200-27030	18	11
198200-27090	18	12
198200-27110	36	1
198200-27141	36	2
198200-27141-1	36	2 -1
198200-27170	36	4
198200-27180	36	5
198200-27240	18	13
198200-27250	18	14
198200-27310	38	2
198200-27340	38	3
198200-27340-1	38	3 -1

Parts No.	Fig. No.	Ref. No.
198200-27360	38	4
198200-27370	38	5
198200-27380	38	6
198200-27400	18	16
198200-27460	18	17
198200-27530	39	1
198200-27640	43	2
198200-27641	43	2 -1
198200-27730	46	3
198200-27730-1	46	3 -1
198200-27740	36	7
198200-27740-1	36	7 -1
198200-27810	44	5
198200-27811	44	5 -1
198200-27910	44	6
198200-27911	44	6 -1
198200-28051	41	13
198200-28061	41	16
198200-28080	41	17
198200-28101	37	1
198200-28160	37	3
198200-28250	32	8
198200-28251	32	8 -1
198200-28650	37	5
198200-28660	43	7
198200-31400	48	1
198200-31401	48	1 -1
198200-31402	48	1 -2
198200-31510	48	2
198200-31810	48	5
198200-31820	48	6
198200-32110	48	8
198200-32320	48	13
198200-32590	98	1
198200-32600	49	1
198200-32600-1	49	1 -1
198200-32601	49	1 -2
	98	2
198200-32630	49	3
198200-32660	49	4
198200-32731	49	6
198200-32731-1	49	6 -1
198200-33111	50	1
198200-33150	50	3
198200-33211	50	5
198200-33250-1	50	10
198200-33410	51	1
198200-33420	51	2
198200-33511	51	4
198200-34130	53	13

Parts No. Index

Parts No.	Fig. No.	Ref. No.
198200-34130	91	11
198200-34190	53	14
	91	12
198200-36310	54	3
198200-36341	54	4
198200-36350	54	5
198200-36350-2	54	5 -1
198200-36380	54	6
198200-36390	54	2 -1
198200-36410	54	7
198200-36421	54	8
198200-36422	54	8 -1
	98	4
198200-37240	55	23
198200-37270	55	17
198200-37290	55	19
198200-37370	56	4
198200-37460	56	5
198200-37610	55	37
198200-37640	57	1
198200-37650	57	2
198200-37660	55	41
198200-37700	56	6
198200-37710	56	8
198200-37740	56	10
198200-37840	56	11
198200-41110	58	7
198200-42101	59	1
198200-42101-1	59	1 -1
198200-42130	59	2
198200-42140	59	3
198200-42150	59	4
198200-42150-1	59	4 -1
198200-42180	59	5
198200-42190	59	6
198200-42710	59	10
198200-43110	61	3
198200-43211	61	4
198200-43250	61	6
198200-43310	60	1
198200-43410	60	4
198200-44110	60	5
198200-45102	61	7
198200-45102-1	61	7 -1
198200-45150	61	74
198200-45510	62	4
198200-45510-1	62	4 -1
198200-47110	63	30
198200-47411	63	9
198200-47460	63	12

Parts No.	Fig. No.	Ref. No.
198200-47510	63	14
198200-47510-1	63	14 -1
198200-47540	63	15 -1
198200-47810	63	31
198200-48140	61	76
198200-48350	64	25
198200-48500	62	1
198200-48500-1	62	1 -1
198200-48510	62	22
198200-48510-1	62	22 -1
198200-48810	64	7
198200-51170	65	1
198200-52140	67	1
198200-52520	65	7
198200-53100	71	8
198200-53120	71	10
198200-53130	71	11
198200-53210	71	13
198200-53220	71	14
198200-53230	71	15
198200-53401	68	20
198200-56050	69	6
198200-56060	69	8
198200-56600	4	10
198200-56630	4	11
198200-57200	67	4
198200-60910	71	20
198200-60990	72	5
198200-61250	71	47
198200-61251	71	47 -1
198200-61300	71	25
198200-61320	71	48
198200-61340	71	26
198200-61400	71	56
198200-61410	71	27
198200-61420	71	28
198200-61430	71	29
198200-61490	71	49
198200-61501	71	50 -1
198200-61530	71	51
198200-61550	71	57
198200-61580	71	52
198200-61600	73	2
198200-61620	73	3
198200-61670	73	7
198200-61680	73	7 -1
198200-61950	1	32
198200-61980	1	34
198200-62300	78	2
198200-62310	77	1

Parts No.	Fig. No.	Ref. No.
198200-62320	77	2
198200-62330	77	3
198200-62350	77	4
198200-62560	78	6
198200-62631	78	16
198200-62632	78	16 -1
198200-62641	78	17
198200-62642	78	17 -1
198200-62850	78	18
198200-62860	78	19
198200-62910	78	9
198200-62970	78	10
198200-62990	78	11
198200-63110	79	6
198200-63500	76	5
198200-63620	73	5
	76	8
198200-63640	76	9
198200-63660	76	10
198200-63670	76	16
198200-63671	76	16 -1
198200-65010	71	62
198200-65850	80	17
198200-72101	83	2
198200-72210	83	3
198200-72250	83	4
198200-72300	84	2
198200-72451	83	5
198200-73150	85	17
198200-73170	25	11
198200-73170-1	25	11 -1
198200-73210	85	15
	89	44
198200-85100	88	3
198200-85320	88	5
	97	4
198200-85400	88	14
	97	6
198200-85581	88	8
	97	8
198202-85250	88	4
	97	3
198202-85350	88	6
	97	5
198206-14750	90	1
198206-14850	90	5
198206-21220	22	9
198206-21230	22	10
198206-34112	52	2
198206-60710	1	28

Parts No.	Fig. No.	Ref. No.
198206-60760	1	29
198206-60950	1	30
198206-62101	75	3
198206-62111	75	4
198206-62112	75	4 -1
198208-01410	1	8
198208-01451	1	10
198208-01480	1	12
198208-01510	1	13
198208-03111	3	1
198208-03112	3	1 -1
198208-06010	6	1
198208-11210	7	2
198208-11220	7	3
198208-11310	7	4
	8	14 -1
		14 -2
		15 -1
		15 -2
		16
198208-13510	13	1
198208-13530	13	3
198208-13720	15	2
198208-13721	15	2 -1
198208-13721-1	15	2 -2
198208-17210	14	2
198208-17210-1	14	2 -1
198208-48110	64	2
198208-48111	64	2 -1
198208-48160	64	4
198208-61930	74	2
198208-65250	71	32 -1
198208-65260	71	63
198208-65890	80	11
198210-34720	91	1
198210-34820	91	5
198212-25150	34	1
198220-12310	9	1 -1
198220-37900	55	43
	56	12
198220-48140	64	3
198220-51570	71	51 -1
198220-51870	65	19
		27
198220-52180	1	1
198220-61371	76	4
198220-71100-1	82	2
198221-28450	37	4
198221-65740	80	8
198230-61960	71	53

Parts No. Index

Parts No.	Fig. No.	Ref. No.
198234-72550	89	17
		25
198240-12590	9	6
		12
198240-18120	9	8
198240-18130	9	2
198240-48850	64	8
198245-51210	5	2 -1
	21	8
198253-01190	44	1 -1
198254-71100	89	1
198254-71500	89	6
198254-71600	89	7
198254-71700	89	8
198255-24460-2	25	10
198255-24460-3	25	10 -1
198265-48200	62	30
198269-52190	67	12 -1
		13 -1
198273-28520	44	7
		8 -1
198273-28521	44	7 -1
		8 -2
198280-01470	1	11
198280-04250	94	1
198280-04260	94	2
198280-04270	94	3
198280-04280	94	4
198280-04290	94	5
198280-04300	94	6
198280-04310	94	7
198280-04320	94	8
198280-04450	21	12
198280-05510	3	2
198280-06410	6	12
198280-06450	6	22
198280-10640	87	1 -1
198280-10650	87	2 -1
198280-11210	87	7
198280-11370	5	14
198280-13310	12	2
198280-14630	12	4
198280-17810	21	2
198280-17820	21	3
198280-24152	25	4 -1
198280-24152-1	25	4 -2
198280-24180	25	8
198280-24180-1	25	8 -1
198280-27650	41	1
198280-27660	41	3

Parts No.	Fig. No.	Ref. No.
198280-27710	42	2
198280-27711	42	2 -1
198280-27770	42	4
198280-27771	42	4 -1
198280-27790	42	6
198280-28000	41	10
198280-42250	59	7
198280-42810	59	11
198280-42810-1	59	11 -1
198280-47210	63	3
198280-47210-1	63	3 -1
198280-47310	63	5
198280-47430	63	10
198280-47500	63	13
198280-47540	63	15
198280-47710-1	63	3 -2
198280-51200	65	8
198280-51410	65	16
198280-51540	65	24
198280-51900	65	24 -1
198280-52450	67	2
198280-52460	67	3
198280-56011	69	1
198280-56012	69	1 -1
198280-56013	69	1 -2
198280-61000-1	72	6
198280-61010-1	72	7
198280-61210	71	23
198280-61260	71	24
198280-61500	71	50
198280-61910	74	1
198280-61911	74	1 -1
198280-61912	74	1 -2
198280-62180	75	8
198280-62181	75	8 -1
198280-65510	80	4
198280-65770	80	9
198280-65790	80	10
198280-73100	85	2
198280-73500	85	3
198280-74100	85	4
	89	33
198280-74550	85	5
	89	34
198280-74800	85	10
	89	39
198282-24010	25	2 -2
198282-24010-1	25	2 -3
198282-24110	25	2
198282-24111	25	2 -1

Parts No.	Fig. No.	Ref. No.
198282-24150	25	4
198282-24300	26	1
198282-24300-1	26	1 -1
198282-24301	26	1 -2
	95	2
198282-24330	26	2
	95	4
198282-25110	28	2
198282-25130	28	3
198282-25540	32	4
198282-26250	34	3
198282-26310	35	5
198282-26320	35	6
198282-26330	35	7
198282-27520	40	3
198282-27570	40	5
198282-27580	40	6
198282-27590	40	7
198282-27740	42	3
198282-27741	42	3 -1
198282-27742	42	3 -2
198282-27742-1	42	3 -3
198282-27780	42	5
198282-27801	43	1
198282-27802	43	1 -1
198282-27820	43	3
198282-27881	43	5
198282-27960	41	7
198282-27970	41	9
198282-28180	45	2
198282-28340	45	3
198282-28360	45	4
198282-28410	46	4
198282-28430	46	5
198282-28440	46	6
198282-28440-1	46	6 -1
198282-28460	47	1
198282-34650	53	2
		7
	91	2
		6
198282-37200	55	10
198282-37400	55	30
198282-37490	55	27
198282-37550	55	33
198282-51110	65	15
198282-51111	65	15 -1
198282-51130	66	1
198282-51131	66	1 -1
198282-51230	66	2

Parts No.	Fig. No.	Ref. No.
198282-65160	80	12
198282-65170	80	13
198282-65180	80	12 -1
198282-65190	80	13 -1
198282-65650	80	6
198282-65671	80	7
198283-03350	93	2
198283-11100	7	1
198283-12510	9	2 -1
198283-12550	9	8 -1
198283-13050	8	1
198283-13150	8	1 -1
198283-13150-1	8	1 -2
198283-13151	8	1 -3
198283-13160	8	5 -1
198283-13160-1	8	5 -2
198283-13161	8	5 -3
198283-13220	8	1 -4
198283-13230	8	5 -4
198283-13330	8	11
198283-13380	8	3
198283-13450	8	4 A
		4 A-1
		18
198283-13460	8	4 B-1
		4 B-2
		19
198283-13480	8	9 A
		9 A-1
		22
198283-13850	14	11
198283-13970	15	16 -1
198283-14240	15	4 -1
198283-14241	15	4 -2
198283-14250	15	5 -1
198283-14251	15	5 -2
198283-14270	15	19 -1
198283-14280	15	21 -1
198283-14290	16	3 -1
198283-14310	16	2 -1
198283-17220	14	9
198283-17300	19	2
198283-17350	19	17
198283-17640	19	18 -1
198283-17870	19	18
198283-24330	95	1
198283-34110	52	2 -1
198283-34110-1	52	2 -2
198283-34700	53	1
198283-34800	53	6

Parts No. Index

Parts No.	Fig. No.	Ref. No.
198283-44210	60	6
198283-44211	60	6 -1
198283-44420	60	7
198283-44420-1	60	7 -1
198283-44510	60	9
198283-44510-1	60	9 -1
198283-47650	63	16
198283-51110	65	15 -2
198283-51130	66	1 -2
198283-51150	65	3
198283-51151	65	3 -1
198283-51180	66	8
198283-51181	66	8 -1
198283-53500	68	9
198283-53501	68	9 -1
198283-53600	68	10 -1
198283-53810	68	10 -2
198283-60100	71	64
198283-61150	71	21
198283-61151	71	21 -1
198283-61160	71	22
198283-61161	71	22 -1
198283-61910	74	1 -3
198283-62490	78	3
198283-62580	76	7
198283-62590	76	7 -1
198283-62760	78	25
198283-65110	80	14
198283-65120	80	15
198283-65180	80	14 -1
198283-65190	80	15 -1
198283-65250	81	4 -1
198283-65310	81	6 -1
198283-65360	81	8 -1
198283-65510	80	3 -1
198283-65780	80	16
198283-65850	80	17 -1
198283-72100	89	12
198283-72101	89	12 -1
198283-72150	89	14
198283-72151	89	14 -1
198283-72200	89	15
198283-72201	89	15 -1
198283-72250	89	16
198283-72251	89	16 -1
198283-72300	89	23
198283-72301	89	23 -1
198283-72310	89	24
198283-72311	89	24 -1
198283-73310	89	29

Parts No.	Fig. No.	Ref. No.
198283-73330	89	31
198283-73500	89	32
198283-74100	89	46
198283-74150	89	47
198283-74200	89	48
198283-74250	89	49
198283-74300	89	50
198283-74350	89	51
198283-74370	89	52
198283-75750	92	4
198283-75860	92	5
198283-85050	88	1
198283-85060	88	1 -1
198283-85090	88	3 -1
	97	2
198284-62910	79	5 -1
198284-62920	79	5
198284-63270	79	12
198287-06200	6	3
198287-06300	6	4
198287-11210	7	9
198287-11230	7	10
198287-21510	23	1
198287-21700	23	2
198290-32750	49	2
	98	3
198310-27370	55	38
198330-48410	64	6
198331-28520	44	8
198360-03260	18	2
198360-03270	18	3
198360-22210	24	4
198360-22250	24	5
198360-52160	67	9
198360-52320	67	7
198360-52330	67	8
198360-55630	2	11
198360-63150	79	7
198360-63160	79	8
198360-74670	85	8
	89	37
198360-86840	64	11
198421-65030	71	32
198425-53110	71	9
198431-47340	63	7
198435-45410	61	19
198448-37360	55	13
		18
		31
198448-37450	55	6

Parts No.	Fig. No.	Ref. No.
198448-37450	55	40
198448-56150	69	7
198448-61620	1	31
198461-52950	1	2
198461-60590	71	17
		17 -1
		18
	73	6
	76	3
198475-32660	16	6
	49	5
198475-37690	57	3
198483-32660	15	3 -1
198511-53430	68	5
198511-53450	68	6
198535-52110	65	4
198535-52120	65	5
198535-52130	65	6
1A1040-28470	25	6
1A6150-91251	81	4
1A6150-93151	81	5
1A6481-62650	68	21 -1
1A6640-45230	61	32
1A6640-65510	80	3
1A6640-65530	80	5
1A6660-24250	64	23
1A6750-29850	61	11
1A6750-65490	81	7
		7 -1
1A7000-14720	90	3
		7
1A7000-14730	90	4
		8
1A7000-15720	18	36
1A7000-34960	91	3
		7
1A7000-34970	91	4
		8
1A7000-52820	65	17
1A7000-63210	79	9
1A7100-26850	35	12
1A7260-46640	61	80
1A7260-46650	61	81
1A7260-53220	71	12
1A7260-60890	71	19
1A7300-14720	17	2 -1
		7 -1
1A7300-14850	17	1 -1
1A7300-14860	17	6 -1
1A7335-71230	89	2

Parts No.	Fig. No.	Ref. No.
1A7335-71240	89	3
1A7335-71250	89	4
		13
1A7335-71410	89	5
		11
1A7335-71750	89	9
1A7335-71760	89	10 -1
1A7450-52210	67	10
1A7450-52230	67	11
1A7450-53820	68	10 A
1A7500-73320	89	30
1A7530-73120	89	28
1A7550-35570	43	13
1A7550-91900	65	24 F
1A7600-27310	44	3
1A7680-65350	81	9
	88	16
1A7680-65910	81	10
1A8070-04250	71	1 -1
1A8070-25410	101	1
1A8070-25460	99	1
1A8070-25470	100	1
1A8070-28160	37	3 -1
1A8070-74670	85	8 -1
	89	37 -1
1A8071-04100	4	8 -1
1A8090-62110	75	4 -2
1A8100-24180	25	8 -2
1A8115-11210	7	2 -1
1A8115-11220	7	3 -1
1A8115-14630	12	4 -1
1A8115-14650	12	5 -1
1A8115-14671	12	6 -1
1A8115-22510	55	2 -1
1A8115-25510	31	1 -1
1A8115-25530	32	3 -1
1A8115-61620	73	3 -1
1A8275-72180	89	20 -1
		27 -1
1A8310-22480	24	6 -1
1A8310-44410	60	19
1A8310-44420	60	7 -2
1C6053-26020	78	22
		23
1C6140-12060	79	1
1C6140-43442	41	18
1C6140-47210-1	79	1 -1
1C6280-61100	71	65
1C6281-52310	39	3 -1
1C6281-52320	41	20

Parts No. Index

Parts No.	Fig. No.	Ref. No.
1C6281-52320	55	44
	56	13
1C6360-65700	41	21
		22
1C6560-15071	54	2
1C6900-23020	14	7
1C6900-23120	15	6
1C6900-23150	15	7
1C6920-36260	69	5
1C7100-08150	70	1
1D2180-22130	28	1
1E6102-83230	66	6
1E6102-84970	4	19
	5	29
1E6190-54080	10	2
	28	4
1E6213-83410	5	27
1E6650-82400	67	4 -1
1E6680-66470	26	13
	64	10
1E6760-74150	77	6
	78	24
1E8050-05510	5	1
1E8660-53100	14	7 A
1S6489-63330	43	4
		6
1W3981-14050	2	9
22117-080000	61	56
22117-100000	63	17
22117-140000	18	18
22137-060000	2	3
	39	2
	71	37
	76	11
22137-080000	18	19
	63	18
	71	38
		58
22137-100000	18	20
	41	23
		24
	56	15
	88	9
	97	9
22137-120000	33	6
	87	3
22137-160000	18	37
	89	18
		26
22157-080000	3	5

Parts No.	Fig. No.	Ref. No.
22157-080000	4	20
	6	15
	18	30
		31
	43	9
	55	25
	57	4
22190-060000	4	21
22190-080000	42	8
	71	58 -1
		59
22190-100000	26	4
	36	8
	38	8
	40	9
	42	9
22217-060000	82	7
22217-080000	5	22
22217-100000	68	7
22217-120000	22	11
	87	4
22217-140000	78	12
	85	13
	89	42
22217-160000	43	10
	60	10
	89	53
22242-000200	18	21
22242-000220	12	3
22242-000260	54	9
22242-000290	30	19
	31	5
22242-000300	10	3
22242-000340	28	5
	32	9
22242-000400	60	11
22252-000190	34	4
22252-000220	23	8
22252-000320	58	4
		9
22252-000620	14	4
22252-000720	15	9
22252-000800	15	10
22272-000060	63	19
22272-000080	63	20
22272-000090	18	22
22272-000120	18	23
	88	10
	97	10
22272-000190	55	34

Parts No.	Fig. No.	Ref. No.
22292-000250	19	6
22292-000280	30	20
22312-080140	25	12
	26	5
		6
	27	4
	49	7
	59	12
22312-100180	15	11
22351-035025	42	15
22351-040012	61	57
22351-040024	82	8
22351-040032	18	24
22351-040040	11	8
	48	9
22351-050020	89	19
22351-050025	89	10
22351-050032	19	19
22351-050040	50	6
22351-050045	55	35
22351-050056	60	12
22351-060025	38	9
	42	10
		11
22351-060028	61	58
22351-060032	36	9
	40	10
22351-060050	63	21
22351-080018	22	12
	23	3
22351-080032	50	7
22351-080040	50	8
22351-080045	55	36
22351-080050	72	8
22360-200000	85	11
	87	8
	89	40
	92	6
22372-080000	63	22
	71	60
	79	13
22372-100000	71	39
22372-160000	83	9
	84	5
22417-160180	2	4
	39	3
22417-200200	76	12
		13
22417-250300	56	16
22417-300250	9	7

Parts No.	Fig. No.	Ref. No.
22417-300250	9	13
22417-320320	85	12
	89	20
		27
		41
22417-400250	19	23
	89	54
22417-400400	9	15
		16
22487-060160	39	4
22487-080300	71	61
22487-100550	71	40
22522-030130	63	23
22857-600160	76	14
23000-019000	4	22
23000-035000	1	35
23000-054000	12	8 -1
23000-060000	6	17 -1
23000-070000	6	16
23010-055000	6	17
	12	8
23065-070180	1	20
23065-160650	4	23
23414-200026	61	59
23414-220000	26	7
23491-140002	25	13
23871-010000	25	14
23887-180002	25	15
23887-220002	26	8
23980-730060	5	6
23980-730180	5	7
23980-730250	1	36
23980-730310	5	8 -1
23980-730340	5	8
23980-730400	5	9
23980-730450	5	9 -1
23980-730500	5	10
23980-730510	1	37
	5	9 -2
23980-730730	5	11
24101-060044	30	2 -1
24101-060054	28	6
24101-060074	48	10
24101-060084	15	12
	16	7
24101-060104	15	13
24101-060114	11	11
24101-062034	31	6
24101-062044	31	7
24101-062064	10	4

Parts No. Index

Parts No.	Fig. No.	Ref. No.
24101-062064	15	22
	28	7
	30	21
	45	5
24101-062074	13	4
	16	7 -1
	48	11
24101-062094	16	8
	52	4
24101-063044	15	23
	29	3
	30	22
	35	9
24101-063054	10	5
	34	5
24101-063064	51	3
24101-063074	32	10
	52	5
24104-060054	23	9
24104-062064	15	23 -1
24161-253013	30	23
24161-253017	30	23 -1
	33	7
	99	3
	101	6
24161-253020	35	10
24161-303513	30	24
24161-303520	30	24 -1
	100	3
	101	7
24161-323717	30	3 -1
	101	8
24161-404517	35	11
24190-080001	42	12
24190-100001	36	10
	38	10
	40	11
	46	7
24190-160001	61	60
24190-170001	54	10
24311-000050	61	61
24311-000120	21	9
24311-000140	26	9
		14
	62	24
	64	12
24311-000150	42	13
24311-000160	5	19
	25	16
	33	8

Parts No.	Fig. No.	Ref. No.
24311-000160	36	11
	38	11
	40	12
	46	8
24311-000180	14	8
	25	17
	62	28
		31
	67	14
24311-000200	50	9
	63	24
	64	13
		14
		15
24311-000260	60	13
	64	16
24311-000340	64	26
24311-000400	60	14
24311-000420	12	11
24311-000440	60	15
24311-000850	4	24
24315-000090	61	62
24315-000100	62	18
24315-000110	61	64
24315-000120	21	9 -1
	61	66
24315-000140	61	68
24315-000160	62	25
24315-000180	62	19
		26
24315-000220	62	20
24315-000350	19	20
24316-000070	94	17
24316-000160	94	18
24321-000450	12	9
24321-000650	5	20
24321-000750	5	20 -1
	8	8
		20
24321-000950	15	14
24325-000250	61	77
24325-000700	61	78
24326-000650	94	19
24351-020300	59	13
24421-153207	58	5
		10
24421-203007	22	4 -1
24421-305011	26	10
24421-306210	14	5
24512-053044	32	11

Parts No.	Fig. No.	Ref. No.
24550-012100	18	15
24550-016100	37	2
24550-020200	22	3 -1
24550-025150	19	21
24550-025200	55	13 -1
		18 -1
		31 -1
24761-010000	8	4
		9
		17
		21
	56	7
		9
24761-040000	60	16
24761-050000	60	16 -1
24761-060000	9	5
		11
	19	11
		22
	89	21
26013-080802	58	12
		13
26013-120252	7	11
26013-120302	14	6
		6 -1
26013-120352	22	13
	68	18
	87	5 -1
	88	11
	92	7
	97	11
26013-120402	14	10
	78	20
26013-120552	25	18
26013-120652	92	8
26013-120702	22	14
26016-080252	61	70
26016-080352	58	6
		11
26016-080502	61	71
26018-060252	64	17
26021-050122	71	41
26022-050102	4	12
26062-100251	88	12
	97	12
26106-060082	70	2
	71	42
26106-060122	1	38
		39
	2	12

Parts No.	Fig. No.	Ref. No.
26106-060122	2	15
	21	10
	37	6
	56	17
	60	17
	65	11
		25
	67	5
	71	43
		44
	77	8
26106-060126	74	3
26106-060162	1	6
	72	9
26106-060202	64	18
26106-060252	4	25
26106-060402	2	13
26106-060452	64	19
26106-060552	76	15
26106-080102	74	4
26106-080122	5	12
		28
	6	18
	7	6
	22	16
		16 -1
	35	13
	65	12
		22
	66	4
		5
		7
	72	10
	79	14
26106-080162	1	40
		41
	3	6
	4	26
	5	23
	6	19
		19 -1
		20
	12	10
		12
	22	7
	23	4
	25	19
		20 -1
	37	7
	40	13

Parts No. Index

Parts No.	Fig. No.	Ref. No.	
26106-080162	43	11	
		12	
	55	46	
	63	25	
		32	
	64	20	
	65	23	
	75	5	
	78	7	
	26106-080202	6	21
19		22 B	
23		10	
25		20	
47		2	
57		5	
64		21	
79		15	
93		4	
26106-080252		3	7
	5	24	
	18	32	
	25	21	
	27	5	
	54	11	
	59	14	
	64	27	
	26106-080302	64	22
	26106-080352	18	25
26106-080402	32	12	
	36	12	
	46	9	
	49	8	
	26106-080452	25	22
		26106-080502	32
			12 -2
		63	26
		95	5
	26106-080552	62	29
26106-080802	25	23	
26106-100162	26	11	
	36	13	
	50	11	
26106-100202	88	17	
	96	2	
	26106-100252	8	13
		14	
		15	
16		9	
25		24	
48		15	

Parts No.	Fig. No.	Ref. No.
26106-100252	59	15
26106-100302	15	15
	26	12
	42	14
	71	54
	22	8
26106-100352	22	8
26106-100402	59	16
26106-100452	7	7
26106-100502	25	25
	49	9
26106-100552	7	8
26106-100652	75	6
26106-100902	61	79
26108-120702	22	14 -1
26116-060122	43	8
26116-060404	2	13 -1
26116-080162	48	12
26116-081302	5	25
26116-100352	15	16
26116-120402	78	21
		21 -1
	87	5
26116-120502	78	26
26116-140752	78	13
26136-100162	20	2
	21	11
26346-080002	18	26
	41	25
26356-160002	18	38
	88	13
	97	13
	36	14
	38	12
26366-080002	46	10
26376-120002	54	12
26450-080122	15	17
26450-080402	24	2 -1
26557-060062	82	9
26657-060002	4	27
26716-080002	41	19
	55	26
	63	27
		28
	71	55
26716-100002	15	18
	18	27
	41	6
		12
	55	8
		42

Parts No.	Fig. No.	Ref. No.
26716-120002	22	15
	87	6
26716-140002	78	14
	85	14
	89	43
	60	18
26736-160002	89	55
	61	72
26756-060002	61	72
26757-200002	89	22
26776-100002	68	8
		24
26776-120002	68	17
26776-160002	62	21
26776-200002	8	4 B
26777-180002	83	6
27260-170000	25	26
27260-200000	25	27
	61	73
27260-220000	25	2 A
27260-320000	64	23 -1
27260-350000	22	5 -1
	5	29 -1
29622-140001	21	13
	65	28
29622-250001	5	30
	21	14
	65	2
		26
	66	13
41812-012020	86	1
41812-012120	86	1 -1
41812-012121	86	1 -2
41812-012122	86	1 -3
41812-012123	86	1 -4
794130-71410	82	11
	83	1
	84	1
	85	1
		16

Parts No.	Fig. No.	Ref. No.
-----------	----------	----------