

0CNP4-M43700EN

Main unit and engine correspondence table

EF230E ~ F110119

EF233E ~ F110009

Main unit			Engine		
Model	PCNo.	Position	Model	PCNo.	Position
EF227E	0CNP4-G43700	A	3TNV82A-NRE	0CNP4-G31900	A
EF230E		B	3TNV84-NRE	0CNP4-G32000	A
EF233E		C	3TNV88-NRE	0CNP4-G32100	A

EF230E F110120 ~

EF233E F110010 ~

Main unit			Engine		
Model	PCNo.	Position	Model	PCNo.	Position
EF227E	0CNP4-G43700	A	3TNV82A-NRE	0CNP4-G31900	A
EF230E		B	3TNV84-XRE	0CNP5-G33800	A
EF233E		C	3TNV88-XRE1	0CNP5-G07100	A

# Contents

OCNP4-M43700

Fig. No.	Fig. Name
ENGINE CONTROL SECTION	
1.	ENGINE ACCESSORIES
2.	ACCEL LEVER & FOOT ACCELERATOR
3.	EXHAUST
4.	FUEL TANK
5.	FUEL PIPE
6.	AIR CLEANER
107.	EXTEND EXHAUST

FRONT AXLE SECTION	
7.	FRONT BLACKET
8.	FRONT SUPPORT
9.	FRONT HITCH
10.	TIE ROD
11.	RING GEAR
12.	DIFFERENTIAL GEAR
13.	PROPELLER SHAFT
14.	FRONT SHAFT
15.	FRONT AXLE CASE
16.	FRONT GEAR CASE
17.	FRONT SPINDLE
18.	FRONT WHEEL TIRE
19.	STEERING
20.	P.S.T. CYLINDER
21.	P.S.T. VALVE

Fig. No.	Fig. Name
22.	P.S.T. HOSE
TRANSMISSION SECTION	
23.	CLUTCH HOUSING
24.	CLUTCH & CLUTCH SHAFT
25.	CLUTCH RELEASE
26.	TRANSMISSION CASE
27.	CENTER PLATE
28.	REVERSE HOUSING
29.	MAIN DRIVE SHAFT
30.	MAIN SHAFT
31.	REVERSE SHAFT
32.	REDUCTION SHAFT
33.	COUNTER SHAFT
34.	REVERSE IDLE SHAFT
35.	P.T.O. DRIVE SHAFT
36.	P.T.O. SHAFT
37.	MAIN CHANGE SHIFT
38.	MAIN CHANGE LEVER
39.	REVERSE SHIFT
40.	REVERSE LEVER
41.	SUB CHANGE SHIFT
42.	SHIFT LINK
43.	P.T.O. SHIFT
44.	SUB CHANGE & P.T.O. LEVER

# Contents

0CNP4-M43700

Fig. No. Fig. Name

- 45. KNOB
- 46. FRONT DRIVE
- 47. FRONT SHIFT
- 48. 4WD LEVER

## REAR AXLE SECTION

- 49. RING GEAR & DIFFERENTIAL GEAR
- 50. REAR HOUSING
- 51. DIFFERENTIAL LOCK
- 52. FINAL PINION & FINAL GEAR
- 53. REAR AXLE SHAFT
- 54. REAR WHEEL TIRE
- 55. REAR WHEEL TIRE
- 56. BRAKE
- 57. PEDAL
- 58. BRAKE LINK
- 59. PARKING BRAKE

## HYDRAULIC CONTROL SECTION

- 60. HYDRAULIC PUMP
- 61. HYDRAULIC CYLINDER CASE
- 62. HYDRAULIC CYLINDER CASE (DRAFT
- 63. PISTON & LIFT CRANK
- 64. CONTRPL VALVE
- 65. RELIEF VALVE

Fig. No. Fig. Name

- 66. SUB VALVE
- 67. S.C.V. PIPING
- 68. S.C.V. CONTROL
- 69. HYDRAULIC CONTROL
- 70. HYDRAULIC CONTROL (DRAFT
- 71. DRAFT CONTROL
- 72. HYDRAULIC PIPING

## ELECTRICAL PARTS SECTION

- 73. WIRE HARNESS
- 74. WIRE HARNESS
- 75. SWITCH
- 76. LAMP
- 77. LICENCE LAMP
- 78. METER
- 79. HORN
- 80. COUPLER

## FITTINGS SECTION

- 81. HOOD
- 82. SIDE COVER
- 83. DASHBOARD
- 84. CURRENT PLATE
- 85. FENDER
- 86. LEVER GUIDE

# Contents

OCNP4-M43700

Fig. No. Fig. Name

87. FLOOR COVER

88. FLOOR

89. DRIVER SEAT

90. BACK MIRROR

91. LABELS

92. LABELS (SAFETY)

## HITCH SECTION

93. TOP LINK

94. LIFT LINK (R)

95. LIFT LINK (L)

96. LOWER LINK & CHECK CHAIN

97. DRAWBAR HITCH

98. CONTROL BOX

99. SAFETY FRAME (REAR)

100. SAFETY FRAME (FRONT)

## ACCESSORIES SECTION

101. ACCESSORIES

## OPTION SECTION

102. LOCK PIN

103. DRAFT CONTROL

104. FUEL HOSE

105. KARTE(CENTER PLATE

Fig. No. Fig. Name

106. REAR HOUSING(REPAIR PART

108. GEAR KIT, DRIVEN 20

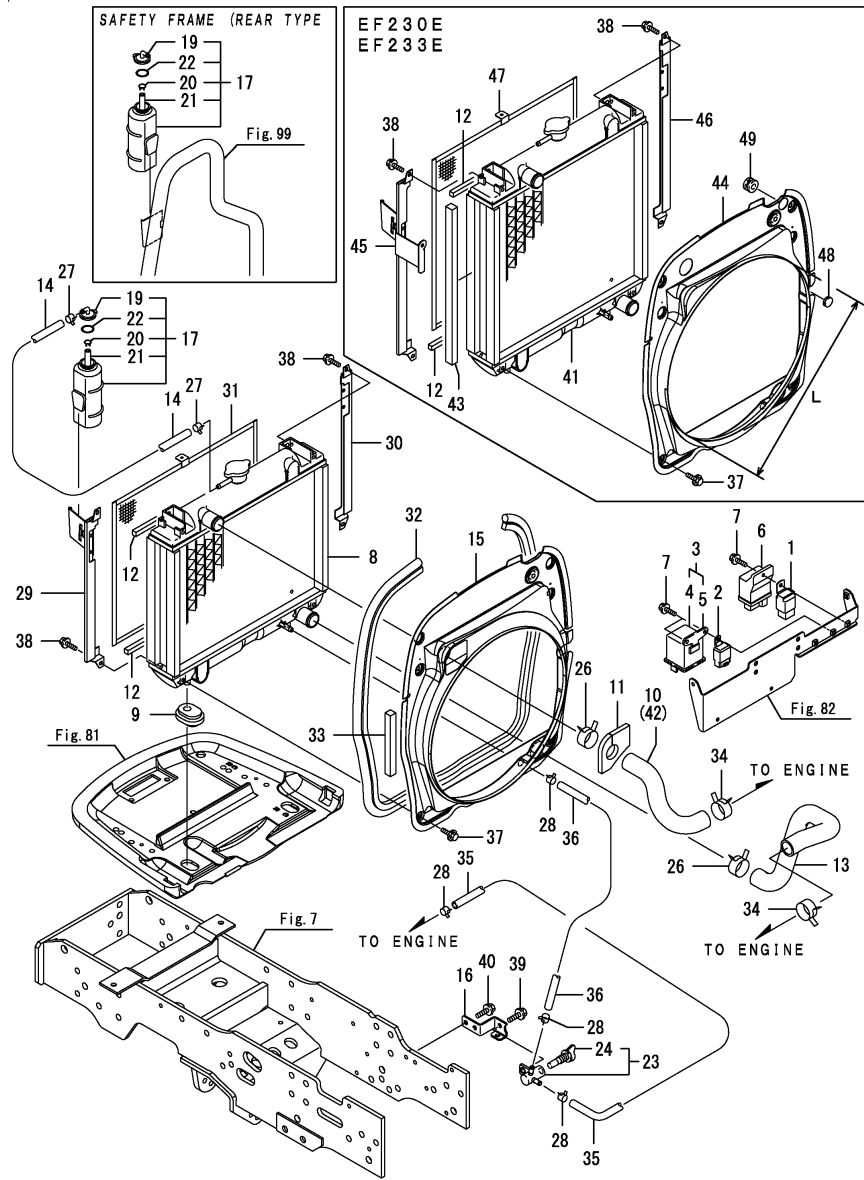
109. GEAR KIT, DRIVEN 21

110. GEAR KIT, REVERSER

Fig.1. ENGINE ACCESSORIES

(A)=EF227E  
(B)=EF230E  
(C)=EF233E

(D)=  
(E)=  
(F)=



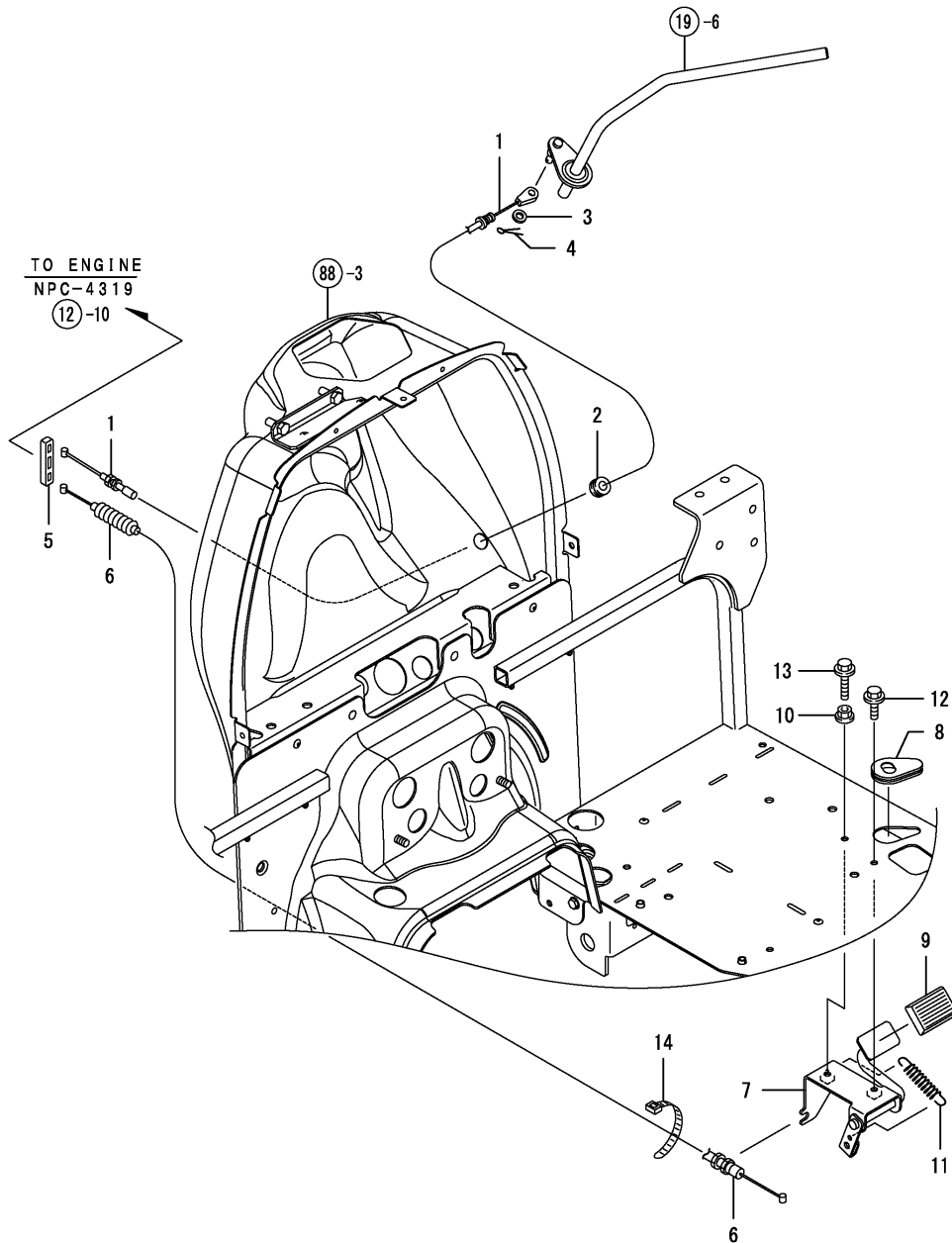
No.	Lev.	Parts No.	Description	Q'ty						I	R
				(A)	(B)	(C)	(D)	(E)	(F)		
1	1	198220-52180	RELAY, STARTER	1	1	1					
2	1	198461-52950	RELAY, CA TYPE C	1	1	1					
3	1	119650-77910	RELAY ASSY, GLOW	1	1	1					
4	2	129052-77920	BODY, RELAY	1	1	1					
5	2	119650-77930	BRACKET, RELAY	1	1	1					
6	1	119852-77910	CONTROLLER	1	1	1					
7	1	26106-060162	BOLT, M6X 16 PLATED	3	3	3					
8	1	119852-44500	RADIATOR ASSY	1							
9	1	198200-00610	RUBBER, ABSORBER	2	2	2					
10	1	198200-01410	HOSE, WATER A	1							
11	1	198200-01430	SEAL, WATER HOSE	1							
12	1	198200-01440	SEAL, RADIATOR	2	2	2					
13	1	198208-01451	HOSE, WATER B	1	1	1					
14	1	198280-01470	PIPE, WATER DRAIN	1	1	1					
15	1	198200-01510	SHROUD ASSY, FAN	1							
16	1	198200-11351	STAY ASSY, COCK	1	1	1					
17	1	129263-44510	TANK ASSY, SUB	1	1	1					
19	2	121450-44531	CAP	1	1	1					
20	2	124450-44560	RETAINER	1	1	1					
21	2	23065-070180	PIPE, 7X 180	1	1	1					
22	2	121470-44581	GASKET	1	1	1					
23	1	129150-49101	COCK ASSY, 3-WAY	1	1	1					
24	2	129150-49081	COCK, DRAIN	1	1	1					
26	1	175022-49730	CRIP 31, HOSE	2	2	2					
27	1	124766-59050	CLIP, HOSE 12	2	2	2					
28	1	124766-59050	CLIP, HOSE 12	4	4	4					
29	1	198200-60710	GUIDE ASSY, SCREEN L	1							
30	1	198200-60760	GUIDE, SCREEN R	1							
31	1	198200-60950	SCREEN, RADIATOR	1							
32	1	198200-61950	WEATHER-STRIP, 1740	1	1	1					
33	1	198200-61980	SEAL, RADIATOR L	1	1	1					
34	1	23000-035000	CLAMP, 35	2	2	2					
35	1	23980-730250	HOSE, 7.3X 250	1	1	1					
36	1	23980-730510	HOSE, 7.3X 510	1	1	1					
37	1	26106-060122	BOLT, M6X 12 PLATED	4	4	4					
38	1	26106-060122	BOLT, M6X 12 PLATED	4	4	4					
39	1	26106-080162	BOLT, M8X 16 PLATED	1	1	1					
40	1	26106-080162	BOLT, M8X 16 PLATED	2	2	2					
41	1	129055-44501	RADIATOR ASSY	1	1	1					
42	1	198208-01410	HOSE, WATER A	1	1	1					
43	1	198208-01480	URETHANE, RADIATOR	2	2	2					
44	1	198208-01510	SHROUD ASSY, FAN	1	1	1					
44-1	1	198282-01510	SHROUD ASSY, FAN (B=F110120) (C=F110010)	1	1	1				S	1
45	1	198206-60710	GUIDE ASSY, SCREEN L	1	1	1					
46	1	198206-60760	GUIDE, SCREEN R	1	1	1					
47	1	198206-60950	SCREEN, RADIATOR	1	1	1					
48	1	198448-61620	CAP	1	1	1					
49	1	194180-61980	GROMMET, 24	1	1	1					

Remarks  
Please refer to [main unit and engine  
correspondence table] for loaded  
engine.  
(1)L=Ref.No.44 397.5M/M,44-1 377M/M.

Fig.2. ACCEL LEVER & FOOT ACCELERATOR

(A)=EF227E  
(B)=EF230E  
(C)=EF233E

(D)=  
(E)=  
(F)=



No.	Lev.	Parts No.	Description	Qty						I	R
				(A)	(B)	(C)	(D)	(E)	(F)		
1	1	198200-01150	WIRE ASSY, THROTTLE	1	1	1					
2	1	198071-58810	GROMMET, 8	1	1	1					
3	1	22137-060000	WASHER, 6	1	1	1					
4	1	22417-160180	PIN, COTTER 1.6X18	1	1	1					
5	1	198071-01160	RUBBER	1	1	1					
6	1	198200-01210	WIRE ASSY	1	1	1					
7	1	198200-01300	ACCELERATOR, FOOT	1	1	1					
8	1	198071-01390	GROMMET	1	1	1					
9	1	1W3981-14050	RUBBER	1	1	1					
10	1	194990-22130	NUT, M6	1	1	1					
11	1	198360-55630	SPRING, RETURN	1	1	1					
12	1	26106-060122	BOLT, M6X 12 PLATED	1	1	1					
13	1	26106-060402	BOLT, M6X 40 PLATED	1	1	1					
14	1	1C6280-61100	BAND 70	1	1	1					W
				(A=FXXXXX)	(B=FXXXXX)	(C=FXXXXX)					

Fig.3. EXHAUST

(A)=EF227E  
(B)=EF230E  
(C)=EF233E

(D)=  
(E)=  
(F)=

No.	Lev.	Parts No.	Description	Q'ty						I	R
				(A)	(B)	(C)	(D)	(E)	(F)		
1	1	198200-03110	PIPE, EXHAUST	1							
2	1	198280-05510	PLATE, SHUTTER	1	1	1					
3	1	129052-13550	GASKET	1	1	1					
4	1	194990-22140	NUT, M8	2	2	2					
5	1	22157-080000	WASHER, 8	1	1	1					
6	1	26106-080162	BOLT, M8X 16 PLATED	1	1	1					
7	1	26106-080252	BOLT, M8X 25 PLATED	2	2	2					
8	1	198208-03111	PIPE, EXHAUST	1	1						

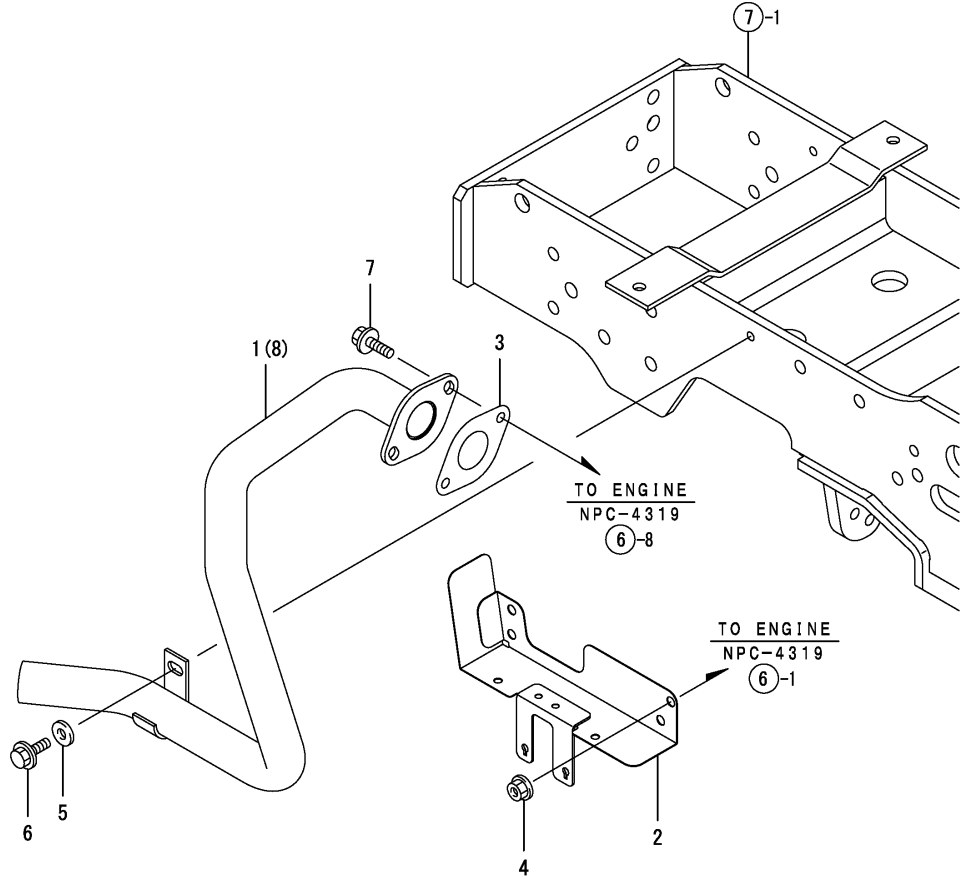
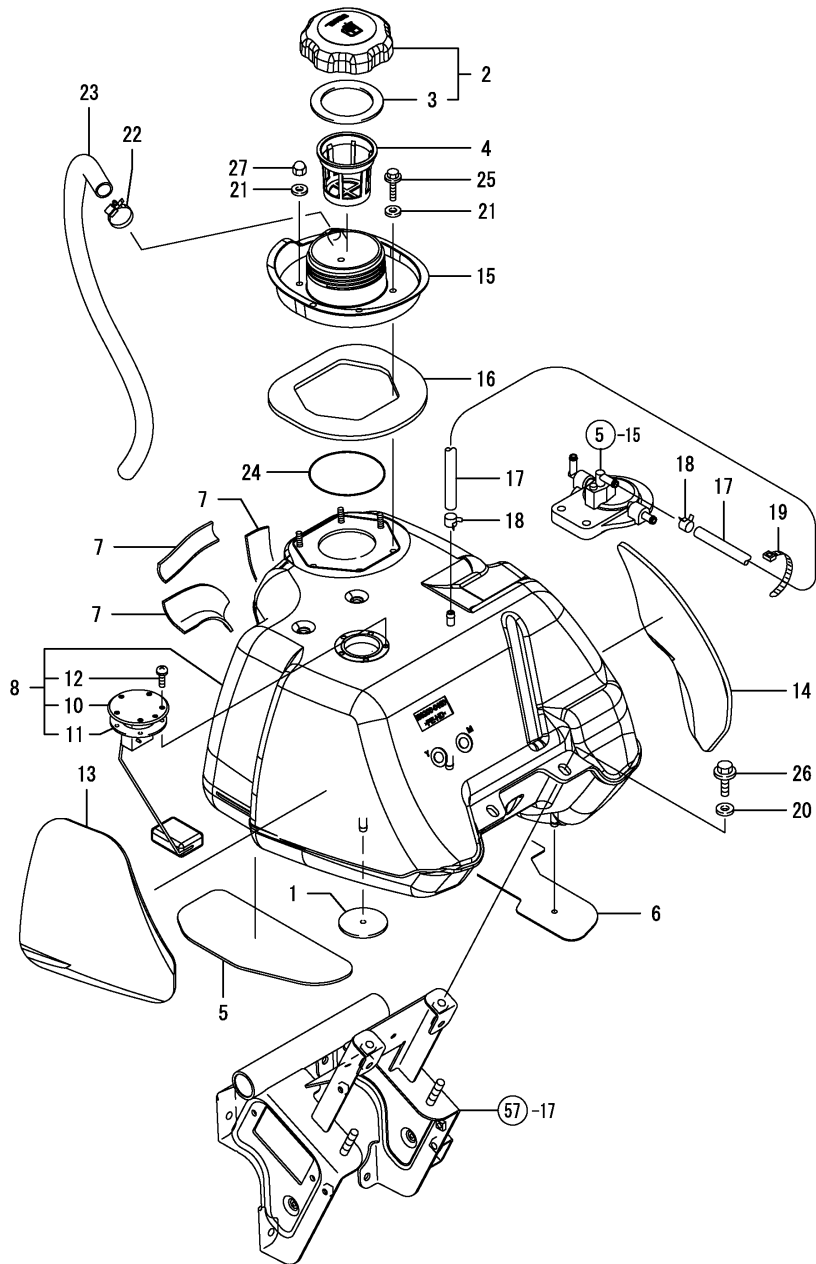




Fig.4. FUEL TANK

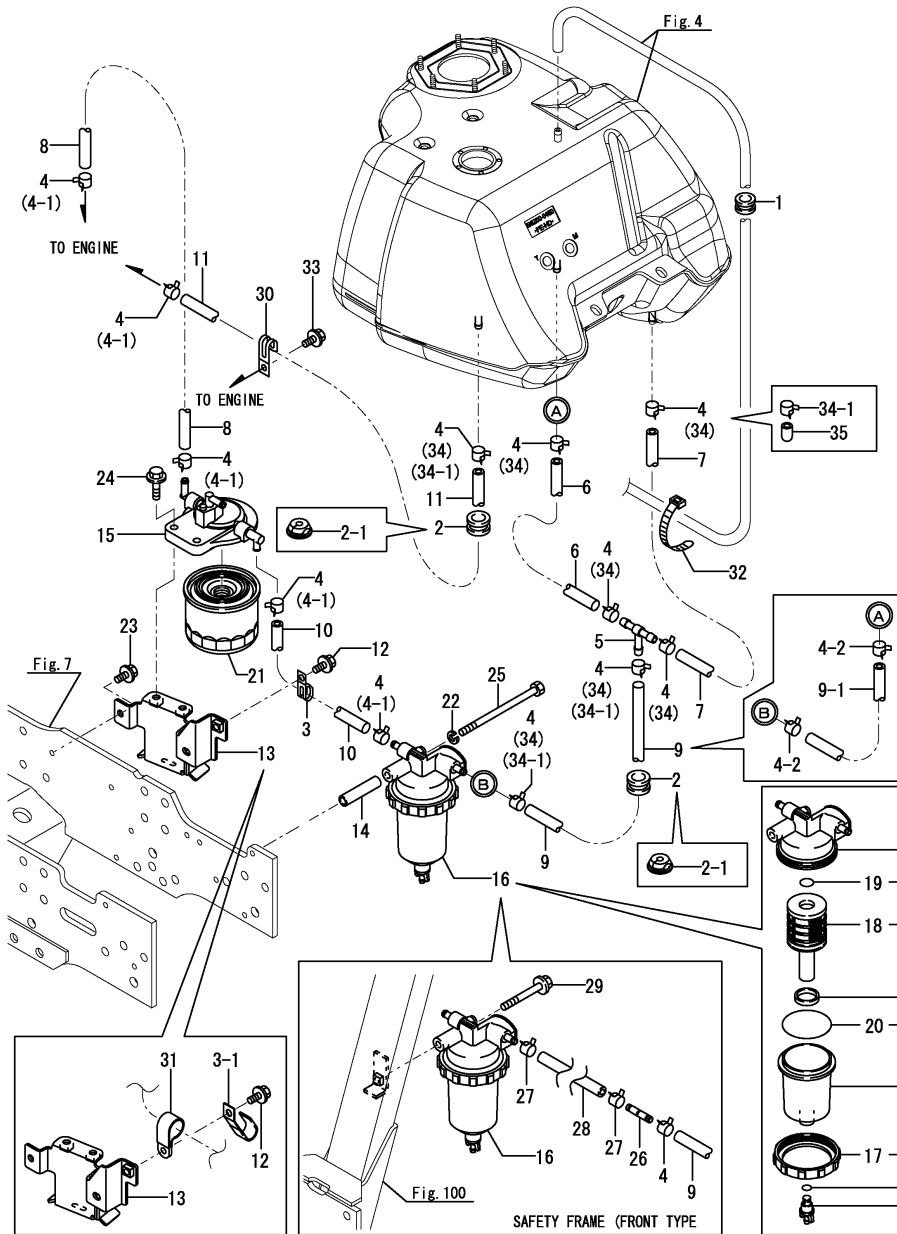


(A)=EF227E  
(B)=EF230E  
(C)=EF233E

(D)=  
(E)=  
(F)=

No.	Lev.	Parts No.	Description	Qty						I	R
				(A)	(B)	(C)	(D)	(E)	(F)		
1	1	198200-04020	INSULATOR, TANK R	1	1	1					
2	1	198200-04030	CAP ASSY, FILLER	1	1	1					
3	2	198200-04040	GASKET, FUEL CAP	1	1	1					
4	1	198200-04061	STRAINER, FUEL	1	1	1					
5	1	198200-04070	INSULATOR, TANK	1	1	1					
6	1	198200-04080	INSULATOR, TANK L	1	1	1					
7	1	198200-04090	CUSHION, TANK F	3	3	3					
8	1	198200-04101	TANK ASSY, FUEL	1	1	1					
8-1	1	1A8071-04100	TANK ASSY, FUEL	1	1	1					N
		(A=F110340) (B=*2012.04) (C=F110526)									
10	2	198200-56600	GAUGE ASSY, FUEL	1	1	1					
11	2	198200-56630	GASKET, GAUGE	1	1	1					
12	2	26022-050102	SCREW, M5X10	5	5	5					
13	1	198200-04120	CUSHION, TANK L	1	1	1					
14	1	198200-04130	CUSHION, TANK R	1	1	1					
15	1	198200-04210	PAN, DRIP	1	1	1					
16	1	198200-04260	GASKET, SUMP	1	1	1					
17	1	198200-04270	HOSE, AIR VENT	1	1	1					
18	1	124766-59050	CLIP, HOSE 12	2	2	2					
18-1	1	114270-59010	CLIP, HOSE 12	2	2	2					R
		(A=FXXXXX) (B=FXXXXX) (C=FXXXXX)									
19	1	1E6102-84970	BAND 140,WIRE LOCK	1	1	1					
20	1	22157-080000	WASHER, 8	2	2	2					
21	1	22190-060000	WASHER, SEAL 6	6	6	6					
22	1	23000-019000	CLAMP, 19	1	1	1					
23	1	23065-160650	PIPE, 16X 650	1	1	1					
24	1	24311-000850	O-RING, 1AP85.0	1	1	1					
25	1	26106-060252	BOLT, M6X 25 PLATED	3	3	3					
26	1	26106-080162	BOLT, M8X 16 PLATED	2	2	2					
27	1	26657-060002	NUT, CAP M6	3	3	3					

Fig.5. FUEL PIPE



(A)=EF227E  
(B)=EF230E  
(C)=EF233E

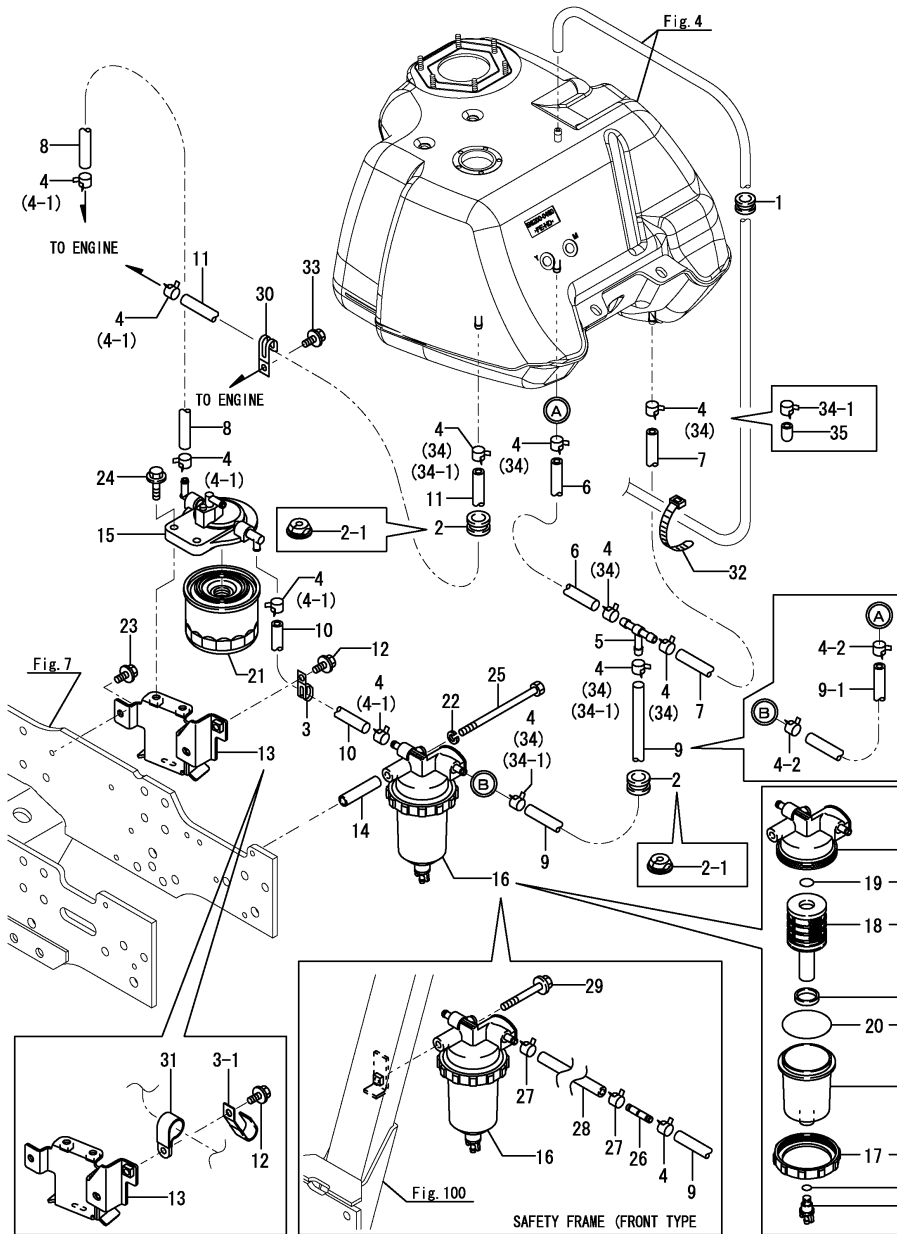
(D)=  
(E)=  
(F)=

No.	Lev.	Parts No.	Description	Q'ty						I	R
				(A)	(B)	(C)	(D)	(E)	(F)		
1	1	1E8050-05510	GROMMET, SLIT 16X3	1	1	1					
2	1	194170-51210	GROMMET	2	2	2					
2-1	1	198245-51210	GROMMET, 25/18	2	2	2					S
3	1	194440-51620	CLAMP	1	1	1					
3-1	1	198082-17880	CLAMP, HOSE	1	1	1					R
4	1	124766-59050	CLIP, HOSE 12	12	12	12					
4-1	1	124766-59050	CLIP, HOSE 12	5	5	5					K
4-2	1	114270-59010	CLIP, HOSE 12	5	5	5					R
5	1	119629-59910	JOINT, 3-WAY	1	1	1					Z
6	1	23980-730060	HOSE, 7.3X 60	1	1	1					Z
7	1	23980-730180	HOSE, 7.3X 180	1	1	1					Z
8	1	23980-730340	HOSE, 7.3X 340	1	1	1					
8-1	1	23980-730310	HOSE, 7.3X 310	1	1	1					N
9	1	23980-730400	HOSE, 7.3X 400	1	1	1					
9-1	1	23980-730510	HOSE, 7.3X 510	1	1	1					R
10	1	23980-730500	HOSE, 7.3X 500	1	1	1					
10-1	1	23980-730400	HOSE, 7.3X 400	1	1	1					R
10-2	1	23980-730510	HOSE, 7.3X 510	1	1	1					S
11	1	23980-730730	HOSE, 7.3X 730	1	1	1					
12	1	26106-080122	BOLT, M8X 12 PLATED	1	1	1					
13	1	198200-11250	STAY ASSY, FILTER	1	1	1					
14	1	198280-11370	COLLAR, 9.2X13.8X60	1	1	1					
15	1	119852-55611	BRACKET, FILTER	1	1	1					
15-1	1	119852-55612	BRACKET, FILTER	1	1	1					R
16	1	119802-55700	SEPARATOR ASSY	1	1	1					
17	2	129100-55690	RING, RETAINING	1	1	1					
18	2	119802-55710	ELEMENT	1	1	1					
19	2	24311-000160	O-RING, 1AP16.0	1	1	1					
20	2	24321-000650	O-RING, 1AG65.0	1	1	1					
21	1	119802-55810	FILTER,FO	1	1	1					
22	1	22217-080000	WASHER, SPRING 8	1	1	1					
23	1	26106-080162	BOLT, M8X 16 PLATED	2	2	2					
24	1	26106-080252	BOLT, M8X 25 PLATED	2	2	2					
25	1	26116-081302	BOLT, M8X130 PLATED	1	1	1					
26	1	198280-04470	JOINT, HOSE	1	1	1					1
26-1	1	1A7180-04850	JOINT, FO HOSE	1	1	1					R 1
27	1	124766-59050	CLIP, HOSE 12	2	2	2					1
28	1	23980-730180	HOSE, 7.3X 180	1	1	1					1

Remarks

(1) FOR TYPE SAFETY FRAME (FRONT)

Fig.5. FUEL PIPE



(A)=EF227E  
(B)=EF230E  
(C)=EF233E

(D)=  
(E)=  
(F)=

No.	Lev.	Parts No.	Description	Qty						I	R
				(A)	(B)	(C)	(D)	(E)	(F)		
29	1	26106-080652	BOLT, M8X 65 PLATED	1	1	1					1
30	1	194440-51620	CLAMP	1	1	1					W
		(A=FZZZZZ) (B=FZZZZZ) (C=FZZZZZ)									
31	1	1E6213-83410	CLIP, HARNESS 18	1	1	1					W
		(A=FZZZZZ) (B=FZZZZZ) (C=FZZZZZ)									
32	1	1E6102-84970	BAND 140,WIRE LOCK	1	1	1					W
		(A=FZZZZZ) (B=FZZZZZ) (C=FZZZZZ)									
32-1	1	29622-140001	BAND, RF140	1	1	1					N
		(A=FZZZZZ) (B=FZZZZZ) (C=FZZZZZ)									
33	1	26106-080122	BOLT, M8X 12 PLATED	1	1	1					W
		(A=FZZZZZ) (B=FZZZZZ) (C=FZZZZZ)									
34	1	124766-59050	CLIP, HOSE 12	7	7	7					W
		(A=FXXXXX) (B=FXXXXX) (C=FXXXXX)									
34-1	1	124766-59050	CLIP, HOSE 12	4	4	4					K
		(A=FZZZZZ) (B=FZZZZZ) (C=FZZZZZ)									
34-2	1	124766-59050	CLIP, HOSE 11.5	3	3	3					K
		(A=F110340) (B=*2012.04) (C=F110526)									
35	1	129461-59580	CAP, FUEL OIL	1	1	1					W
		(A=FZZZZZ) (B=FZZZZZ) (C=FZZZZZ)									
35-1	1	129461-59580	CAP, FUEL OIL	1	1	1					Z
		(A=F110340) (B=*2012.04) (C=F110526)									

Remarks  
(1) FOR TYPE SAFETY FRAME (FRONT)

Fig.6. AIR CLEANER

(A)=EF227E

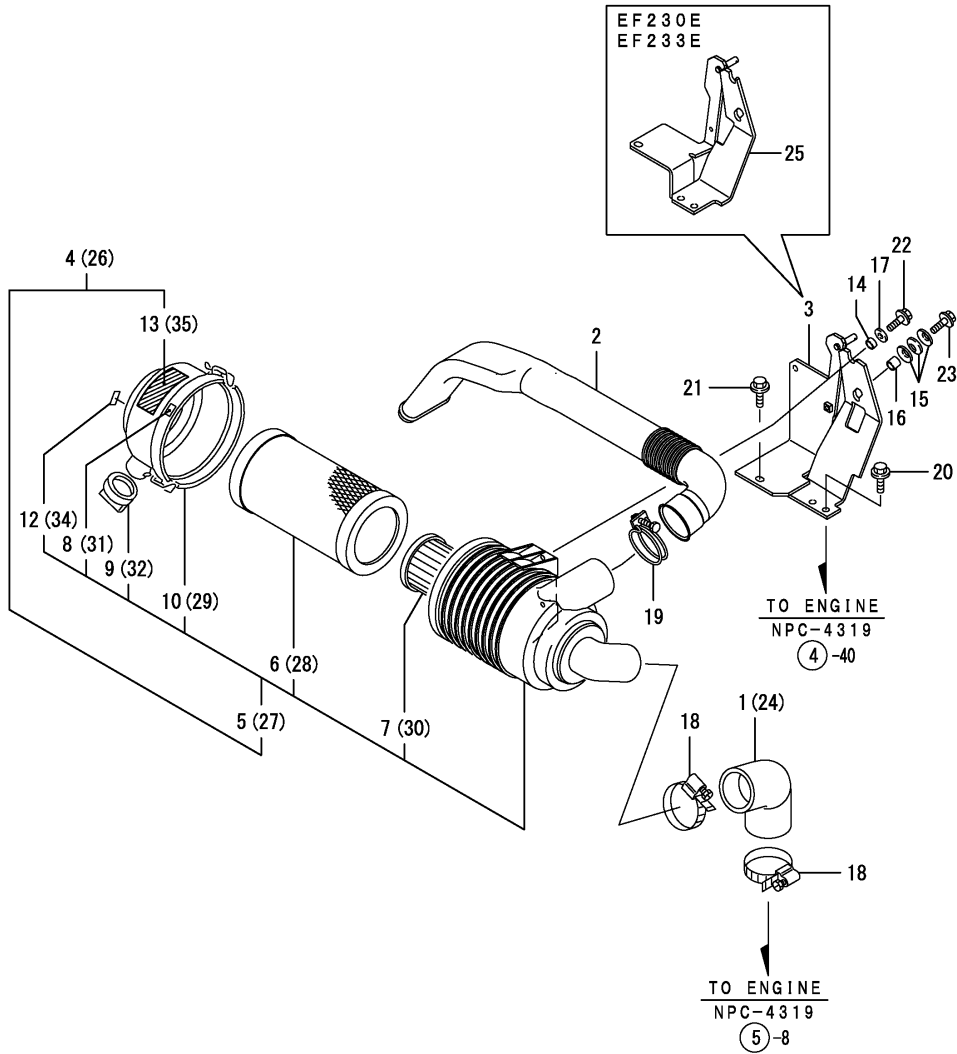
(B)=EF230E

(C)=EF233E

(D)=

(E)=

(F)=



No.	Lev.	Parts No.	Description	Qty						I	R
				(A)	(B)	(C)	(D)	(E)	(F)		
1	1	198200-06010	HOSE, AIR INTAKE	1							
2	1	198200-06150	PIPE, AIR INTAKE	1	1	1					
3	1	198280-06200	BRACKET, AIR CLEANER	1							
4	1	198280-06300	CLEANER ASSY, AIR	1							
5	2	119852-12510	CLEANER ASSY, AIR	1							
6	3	119808-12520	ELEMENT	1							
7	3	129051-12530	ELEMENT	1							
8	3	129418-12530	LABEL, MARK	1							
9	3	119808-12540	VALVE, UNLOADER	1							
10	3	119866-12540	COVER ASSY	1							
12	3	129612-12650	LABEL, MARKING	1							
13	2	198163-65930	CAUTION,MUFFLER	1							
14	1	198280-06410	COLLAR	1	1	1					
15	1	198072-18320	SPRING, 12	3	3	3					
16	1	198092-71720	COLLAR, 8.1X10.5X9.3	1	1	1					
17	1	22157-080000	WASHER, 8	1	1	1					
18	1	23000-070000	CLAMP, 70	2	2	2					
19	1	23010-055000	CLAMP, 55	1	1	1					
20	1	26106-080122	BOLT, M8X 12 PLATED	2	2	2					
21	1	26106-080162	BOLT, M8X 16 PLATED	1	1	1					
22	1	26106-080162	BOLT, M8X 16 PLATED	1	1	1					
23	1	26106-080202	BOLT, M8X 20 PLATED	1	1	1					
24	1	198208-06010	HOSE, AIR INTAKE	1	1						
25	1	198287-06200	BRACKET, AIR CLEANER	1	1						
26	1	198287-06300	CLEANER ASSY, AIR	1	1						
27	2	129055-12510	CLEANER ASSY, AIR	1	1						
28	3	119808-12520	ELEMENT	1	1						
29	3	119866-12530	COVER ASSY	1	1						
30	3	129051-12530	ELEMENT	1	1						
31	3	129418-12530	LABEL, MARK	1	1						
32	3	119808-12540	VALVE, UNLOADER	1	1						
34	3	129612-12650	LABEL, MARKING	1	1						
35	2	198163-65930	CAUTION,MUFFLER	1	1						

Fig.107. EXTEND EXHAUST

(A)=EF227E  
(B)=EF230E  
(C)=EF233E

(D)=  
(E)=  
(F)=

No.	Lev.	Parts No.	Description	Qty						I	R
				(A)	(B)	(C)	(D)	(E)	(F)		
1	1	198283-03350	PIPE, EXTENSION	1	1	1					
2	1	194990-22140	NUT, M8	1	1	1					
3	1	26106-080202	BOLT, M8X 20 PLATED	1	1	1					

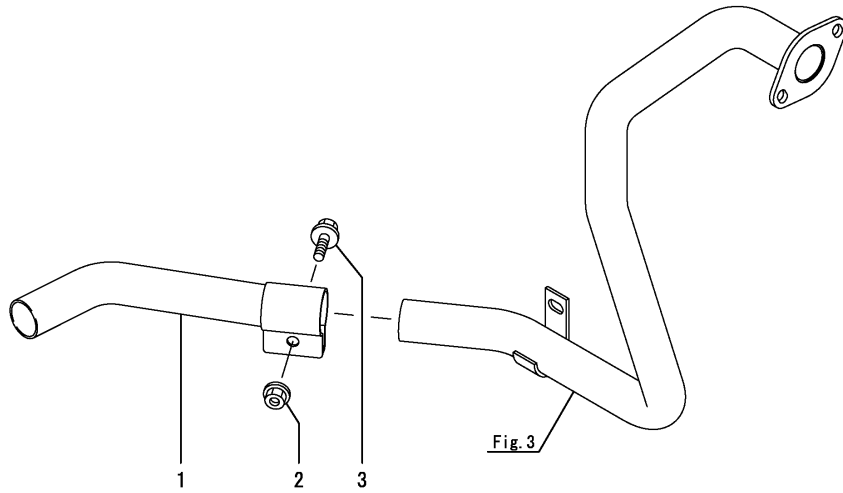


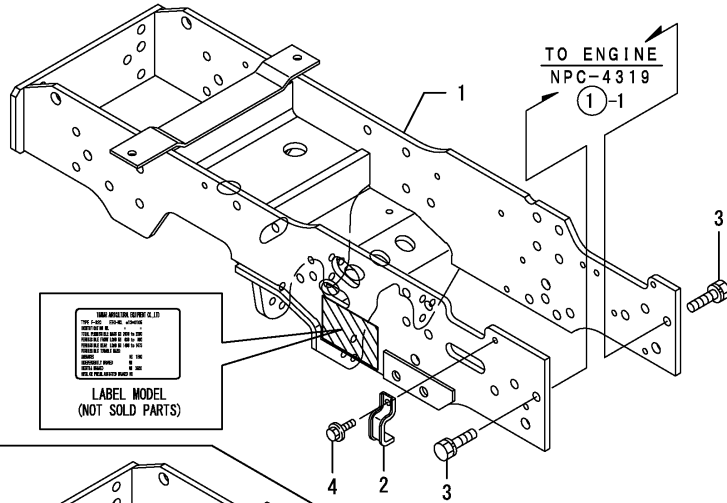
Fig.7. FRONT BLACKET

(A)=EF227E  
(B)=EF230E  
(C)=EF233E

(D)=  
(E)=  
(F)=

No.	Lev.	Parts No.	Description	Q'ty						I	R
				(A)	(B)	(C)	(D)	(E)	(F)		
1	1	198280-11100	BRACKET MASSY, AXLE	1							
2	1	198200-17950	CLAMP, HOSE	1	1	1					
3	1	26013-120302	BOLT, M12X 30	12							
4	1	26106-080122	BOLT, M8X 12 PLATED	1	1	1					
5	1	198287-11100	BRACKET ASSY, AXLE M		1	1					
6	1	198208-11210	STAY, L		1	1					
6-1	1	1A8115-11210	STAY, L (B=*2008.11.) (C=*2008.11.)		1	1					R
7	1	198208-11220	STAY, R		1	1					
7-1	1	1A8115-11220	STAY, R (B=*2008.11.) (C=*2008.11.)		1	1					R
8	1	198208-11310	BOLT, M10X 25		16	16					
9	1	26106-100452	BOLT, M10X 45 PLATED		2	2					
10	1	26106-100552	BOLT, M10X 55 PLATED		2	2					
11	1	198287-11210	PLATE, OIL SUMP L								1
12	1	198287-11230	PLATE, OIL SUMP R								1
13	1	26013-120252	BOLT, M12X 25								4
14	1	198093-84810	SEAL, FENDER		1	1					1
			(B=*2008.01.) (C=*2008.01.)								

EF227E



EF230E  
EF233E

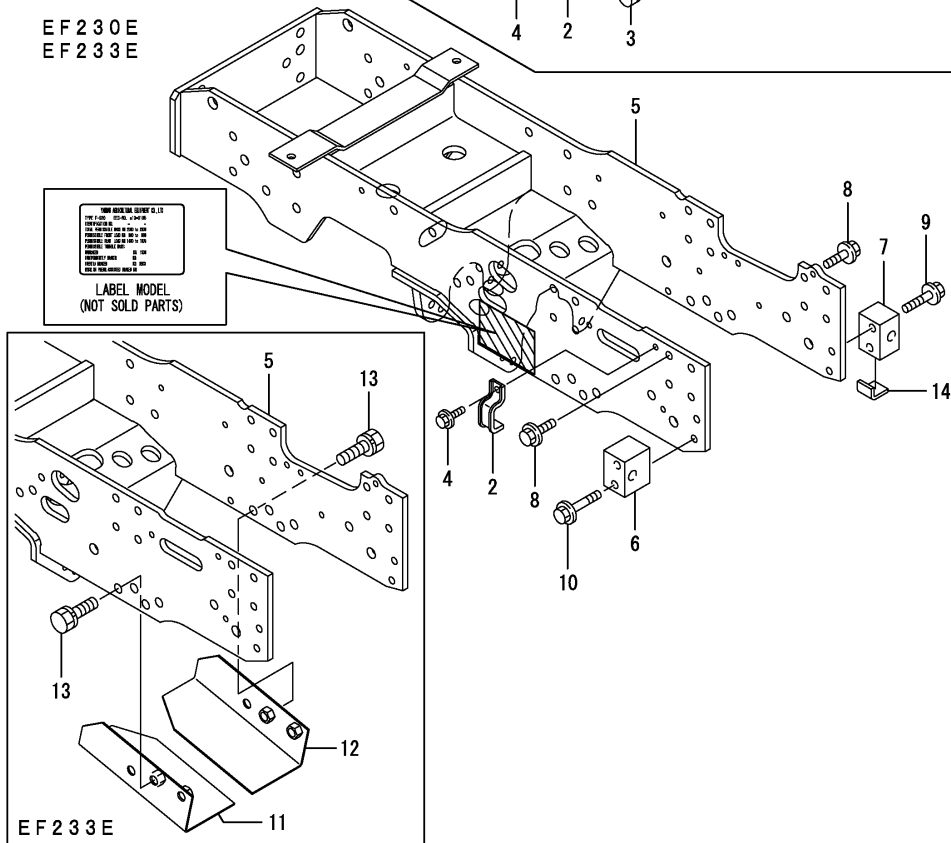
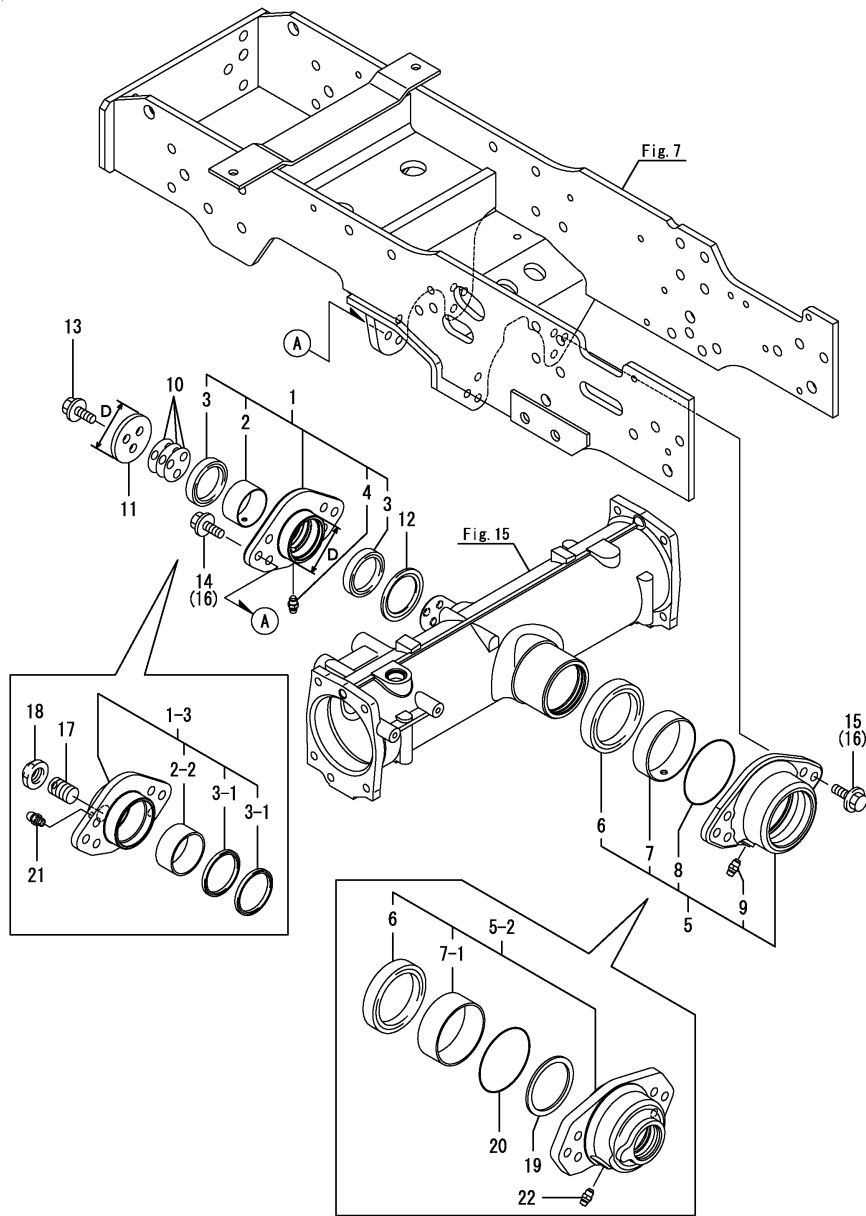


Fig.8. FRONT SUPPORT



(A)=EF227E  
(B)=EF230E  
(C)=EF233E

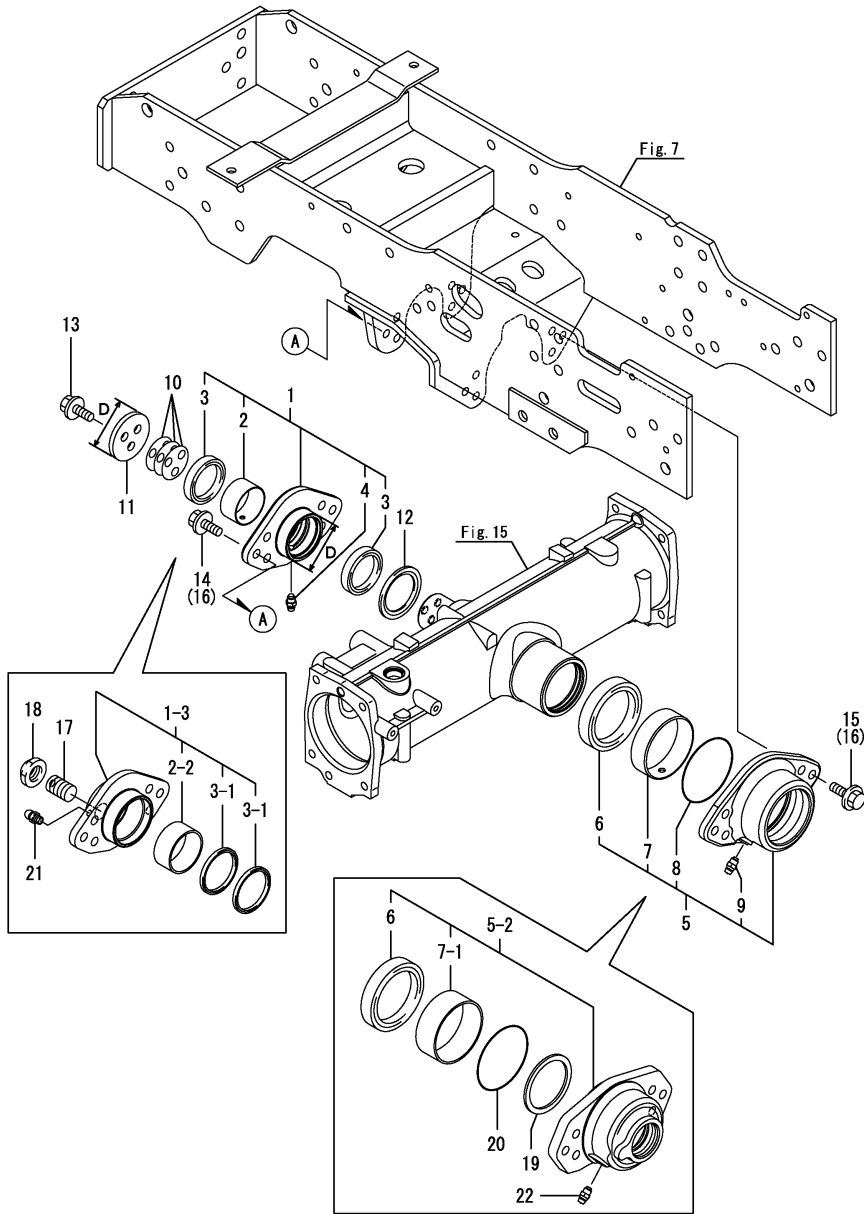
(D)=  
(E)=  
(F)=

No.	Lev.	Parts No.	Description	Qty						I	R
				(A)	(B)	(C)	(D)	(E)	(F)		
1	1	198200-13050	SUPPORT ASSY, PIN F	1	1	1					
1-1	1	198283-13050-1	SUPPORT ASSY, PIN	1	1	1					S 1
		(A=*2005.12.) (B=*2005.12.) (C=*2005.12.)									
1-2	1	198283-13051-1	SUPPORT ASSY, PIN	1	1	1					N
		(A=F110211) (B=F110365) (C=F110273)									
1-3	1	1A8071-13220	SUPPORT ASSY, F	1	1	1					S
		(A=F112001) (B=F112001) (C=F112001)									
2	2	194451-11960	BUSH, 45X49X25	1	1	1					
2-1	2	198283-13380	BUSH, 50X55X25	1	1	1					S
		(A=*2005.12.) (B=*2005.12.) (C=*2005.12.)									
2-2	2	1A8071-11620	BUSH, 50X55X25	1	1	1					S
		(A=F112001) (B=F112001) (C=F112001)									
3	2	198291-13240	SEAL, OIL G455204	2	2	2					
3-1	2	198172-11640	SEAL, OIL G50X58X4	2	2	2					S
		(A=*2005.12.) (B=*2005.12.) (C=*2005.12.)									
4	2	24761-010000	NIPPLE, GREASE M6F	1	1	1					
4-1	2	194850-13690	NIPPLE, GRESAE M6F45	1	1	1					R
		(A=F110056) (B=F110140) (C=F110011)									
4-2	2	194850-13690	NIPPLE, GRESAE M6F45	1	1	1					Z
		(A=F112001) (B=F112001) (C=F112001)									
5	1	198200-13060-1	SUPPORT ASSY, PIN	1	1	1					
5-1	1	198200-13061	SUPPORT ASSY, PIN R	1	1	1					N
		(A=F110211) (B=F110365) (C=F110273)									
5-2	1	1A8071-13230	SUPPORT ASSY, R	1	1	1					S
		(A=F112001) (B=F112001) (C=F112001)									
6	2	194181-11560	SEAL, OIL VB75856.5	1	1	1					
7	2	194641-11630	BUSH, 75X80X25	1	1	1					
7-1	2	1A8071-11630	BUSH, 75X80X30	1	1	1					S
		(A=F112001) (B=F112001) (C=F112001)									
8	2	24321-000750	O-RING, 1AG75.0	1	1	1					Z
		(A=F112001) (B=F112001) (C=F112001)									
9	2	24761-010000	NIPPLE, GREASE M6F	1	1	1					
9-1	2	194850-13690	NIPPLE, GRESAE M6F45	1	1	1					R
		(A=F110056) (B=F110140) (C=F110011)									
9-2	2	194850-13690	NIPPLE, GRESAE M6F45	1	1	1					Z
		(A=F112001) (B=F112001) (C=F112001)									
10	1	198200-13320	SHIM	3	3	3					Z
		(A=F112001) (B=F112001) (C=F112001)									
11	1	198200-13330	PLATE, THRUST	1	1	1					
11-1	1	198283-13330-1	PLATE, THRUST	1	1	1					S 1
		(A=*2005.12.) (B=*2005.12.) (C=*2005.12.)									
11-2	1	198283-13330-1	PLATE, THRUST	1	1	1					Z
		(A=F112001) (B=F112001) (C=F112001)									
12	1	198200-13350	WASHER, 48X66X3.2	1	1	1					Z
		(A=F112001) (B=F112001) (C=F112001)									
13	1	26106-100252	BOLT, M10X 25 PLATED	3	3	3					Z
		(A=F112001) (B=F112001) (C=F112001)									
14	1	26106-100252	BOLT, M10X 25 PLATED	6	6	6					Z
		(A=F110211) (B=F110365) (C=F110273)									
15	1	26106-100252	BOLT, M10X 25 PLATED	6	6	6					Z
		(A=F110211) (B=F110365) (C=F110273)									

Remarks

(1)D=No.1 : 60.5mm, No.1-1 : 65.5mm.  
D=No.11 : 60mm, No.11-1 : 66mm.

Fig.8. FRONT SUPPORT



(A)=EF227E  
(B)=EF230E  
(C)=EF233E

(D)=  
(E)=  
(F)=

No.	Lev.	Parts No.	Description	Qty						I	R
				(A)	(B)	(C)	(D)	(E)	(F)		
16	1	198208-11310	BOLT, M10X 25 (A=F110211) (B=F110365) (C=F110273)	12	12	12					W
17	1	1A8071-13450	BOLT, ADJUST (A=F112001) (B=F112001) (C=F112001)	1	1	1					W
18	1	198283-13460	NUT, LOCK 20 (A=F112001) (B=F112001) (C=F112001)	1	1	1					W
19	1	198283-13480	WASHER, 62X75X3 (A=F112001) (B=F112001) (C=F112001)	1	1	1					W
20	1	24321-000750	O-RING, 1AG75.0 (A=F112001) (B=F112001) (C=F112001)	1	1	1					W
21	1	24761-010000	NIPPLE, GREASE M6F (A=F112001) (B=F112001) (C=F112001)	1	1	1					W
22	1	24761-010000	NIPPLE, GREASE M6F (A=F112001) (B=F112001) (C=F112001)	1	1	1					W

Remarks  
(1)D=No.1 : 60.5mm, No.1-1 : 65.5mm.  
D=No.11 : 60mm, No.11-1 : 66mm.



Fig.9. FRONT HITCH

(A)=EF227E  
(B)=EF230E  
(C)=EF233E

(D)=  
(E)=  
(F)=

No.	Lev.	Parts No.	Description	Q'ty						I	R
				(A)	(B)	(C)	(D)	(E)	(F)		
1	1	198280-11810	HITCH, FRONT	1	1	1					
1-1	1	198280-11811	HITCH, FRONT	1	1	1					N
		(A=FZZZZZ)	(B=FZZZZZ)	(C=FZZZZZ)							
2	1	198280-11830	PIN, HITCH	1	1	1					
3	1	198280-11840	PIN ASSY, LOCK	1	1	1					
4	1	198535-62780	SPACER	1	1	1					
5	1	26013-120352	BOLT, M12X 35	4	4	4					
6	1	26106-060102	BOLT, M6X 10 PLATED	1	1	1					
7	1	26716-120002	NUT, M12	4	4	4					

---

---

---

---

---

---

---

---

---

---

---

---

---

---

---

---

---

---

---

---

---

---

---

---

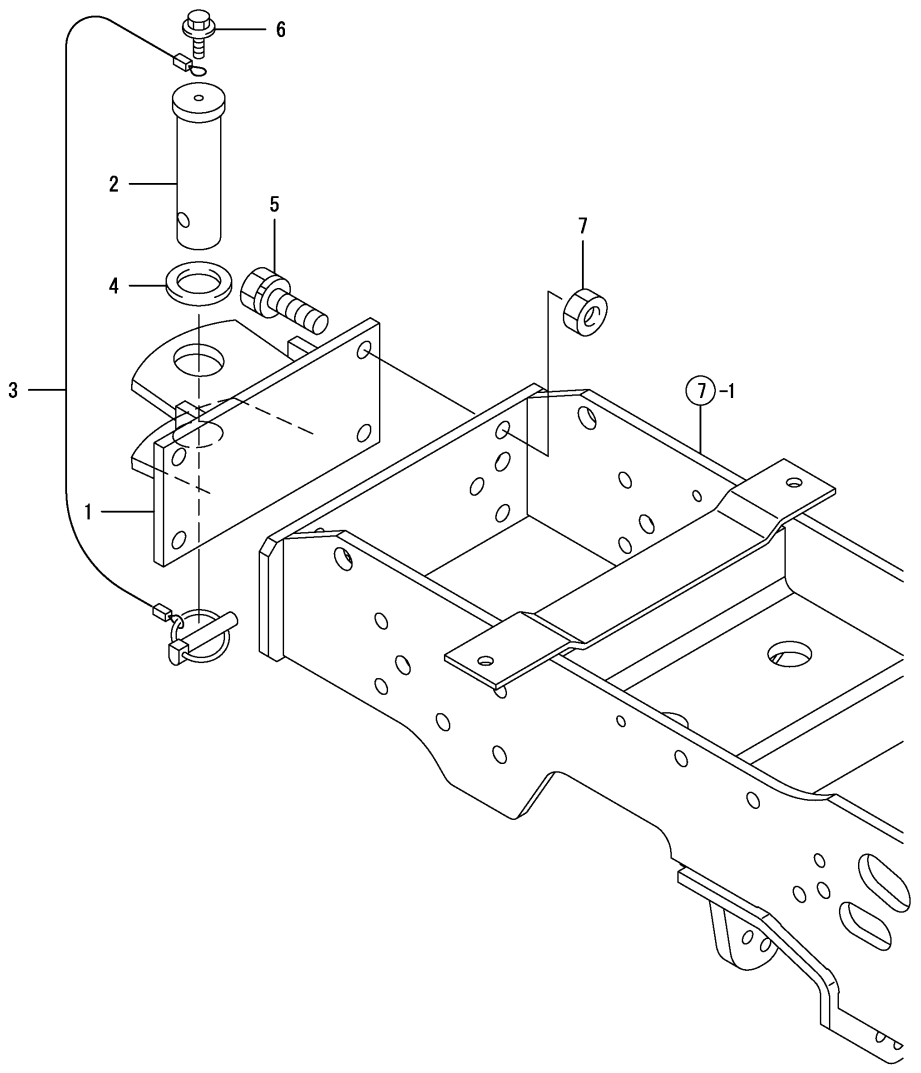
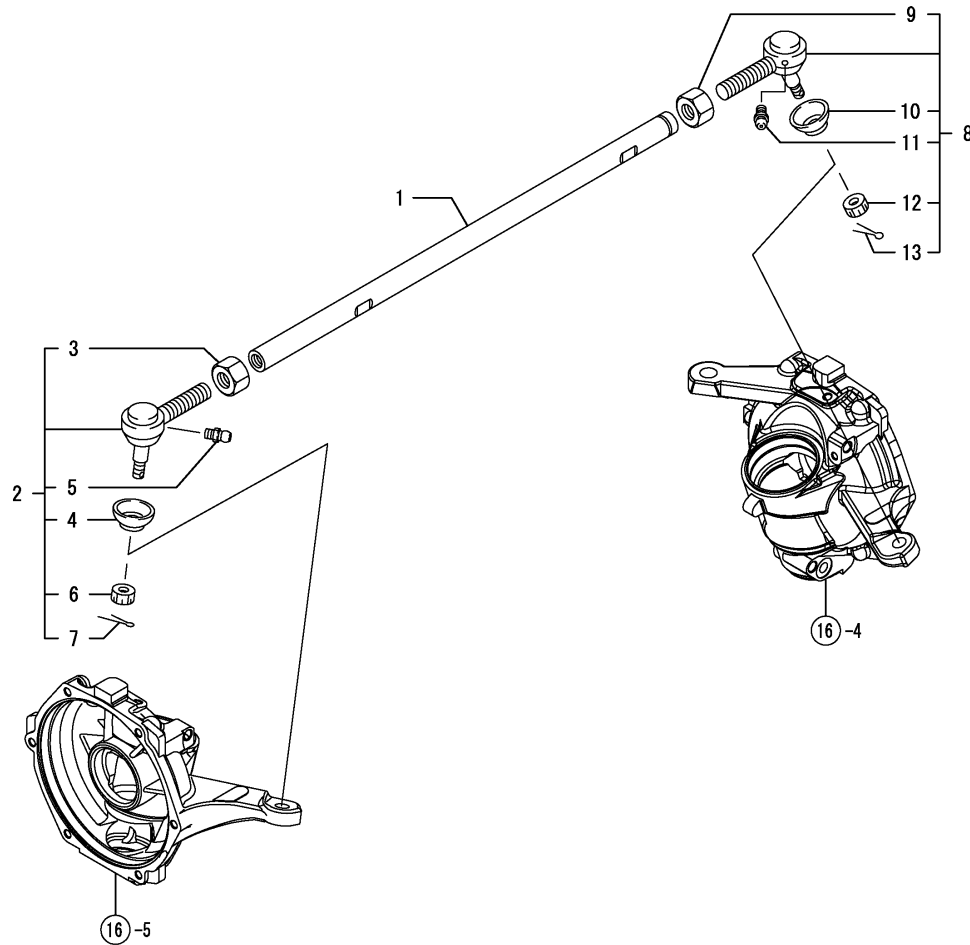


Fig.10. TIE ROD

(A)=EF227E  
(B)=EF230E  
(C)=EF233E

(D)=  
(E)=  
(F)=



No.	Lev.	Parts No.	Description	Qty						I	R
				(A)	(B)	(C)	(D)	(E)	(F)		
1	1	198127-12310	TIE-ROD	1	1	1					
2	1	198240-18130	END KIT, TIE-ROD RL	1	1	1					
3	2	194990-22840	NUT M17	1	1	1					
4	2	194730-57220	COVER, DUCT	1	1	1					
5	2	24761-060000	NIPPLE, GREASE MT6X1	1	1	1					
6	2	198240-12590	NUT, M12	1	1	1					
7	2	22417-300250	PIN, COTTER 3.0X25	1	1	1					
8	1	198240-18120	END KIT, TIE-ROD LR	1	1	1					
9	2	194990-22830	NUT M17	1	1	1					
10	2	194730-57220	COVER, DUCT	1	1	1					
11	2	24761-060000	NIPPLE, GREASE MT6X1	1	1	1					
12	2	198240-12590	NUT, M12	1	1	1					
13	2	22417-300250	PIN, COTTER 3.0X25	1	1	1					

Fig.11. RING GEAR

(A)=EF227E  
(B)=EF230E  
(C)=EF233E

(D)=  
(E)=  
(F)=

No.	Lev.	Parts No.	Description	Qty						I	R
				(A)	(B)	(C)	(D)	(E)	(F)		
1	1	198200-13100	GEAR ASSY, RING	1	1	1					
1A	2	198200-13110	PINION, DRIVE Z=17	1	1	1					
1B	2	198200-13120	GEAR, RING 25	1	1	1					
2	1	1E6190-54080	SLEEVE SI25X30X13	1	1	1					
3	1	22242-000300	RING, 30	1	1	1					
4	1	24101-062064	BEARING, BALL 6206	1	1	1					
5	1	24101-063054	BEARING, BALL 6305	1	1	1					

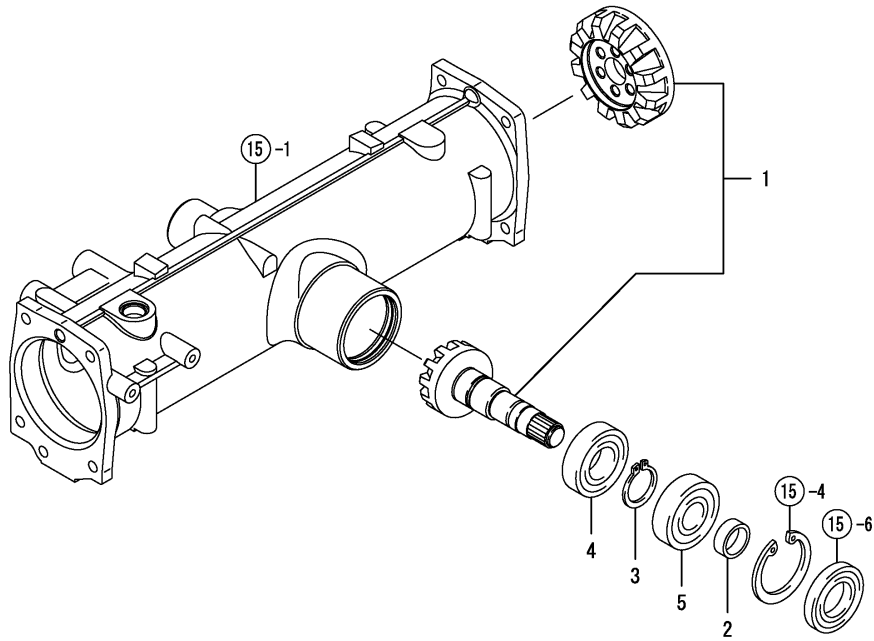


Fig.12. DIFFERENTIAL GEAR

(A)=EF227E  
(B)=EF230E  
(C)=EF233E

(D)=  
(E)=  
(F)=

No.	Lev.	Parts No.	Description	Qty						I	R
				(A)	(B)	(C)	(D)	(E)	(F)		
1	1	198200-13200	HOUSING ASSY	1	1	1					
2	2	198200-13210	CASE, DIFFERENTIAL	1	1	1					
3	2	198200-13220	SHAFT, DIFFERENTIAL	1	1	1					
4	2	194300-31550	GEAR, DIFFERENTIAL	2	2	2					
5	2	194300-31560	GEAR, PINION	2	2	2					
6	2	194300-31610	WASHER, DIFFERENTIAL	2	2	2					
7	2	194300-31620	WASHER, DIFFERENTIAL	2	2	2					
8	2	22351-040040	PIN, SPRING 4.0X40	1	1	1					
9	1	198200-13250	COLLAR	1	1	1					
10	1	194421-13640	BOLT, M8X22	6	6	6					
11	1	24101-060114	BEARING, BALL 6011	2	2	2					

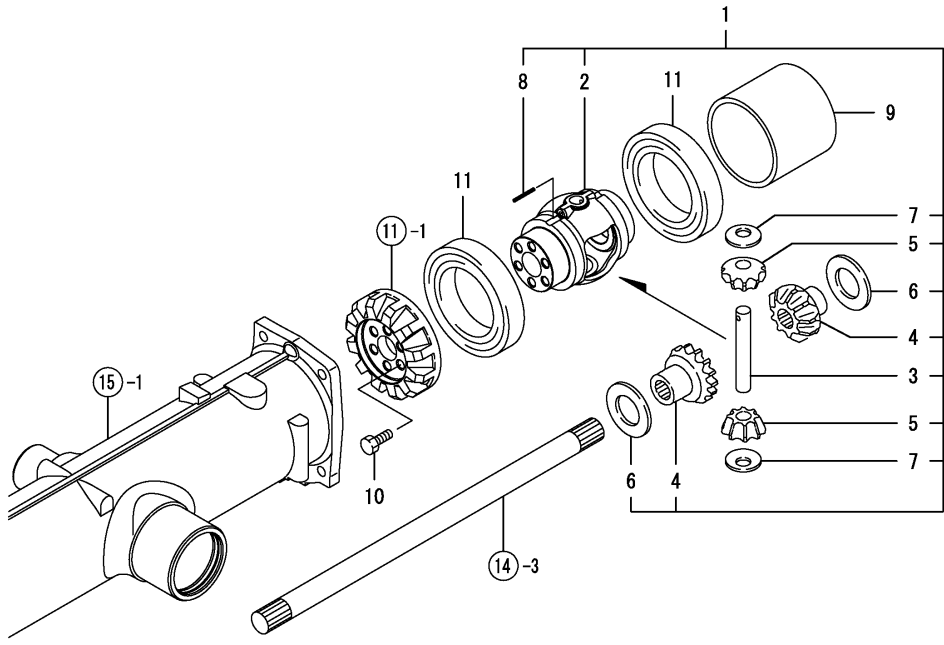
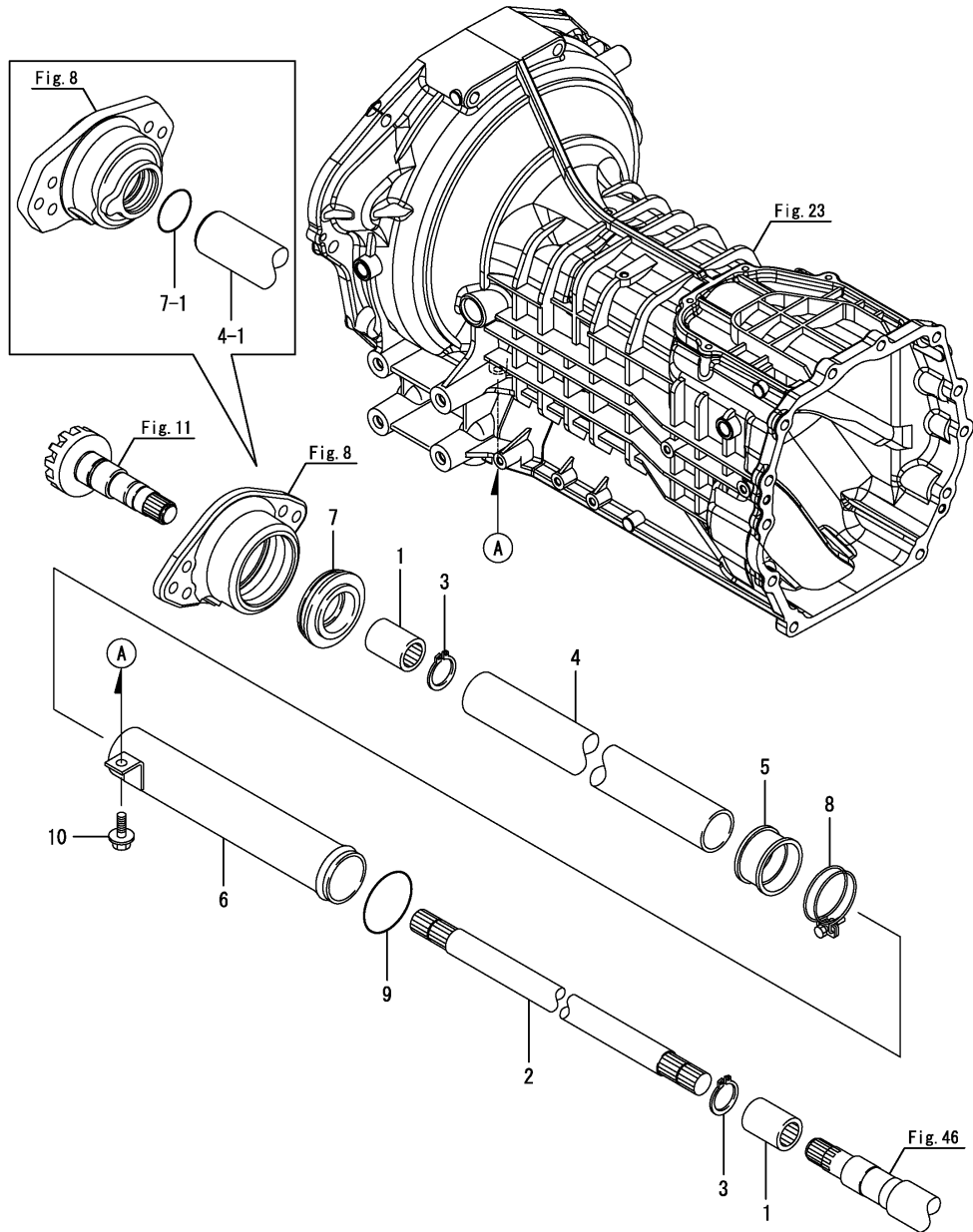


Fig.13. PROPELLER SHAFT

(A)=EF227E  
(B)=EF230E  
(C)=EF233E

(D)=  
(E)=  
(F)=



No.	Lev.	Parts No.	Description	Qty						I	R
				(A)	(B)	(C)	(D)	(E)	(F)		
1	1	198200-13280	COUPLING, FRONT	2	2	2					
2	1	198280-13310	SHAFT, PROPELLER	1	1	1					
3	1	22242-000220	RING, 22	2	2	2					
4	1	198280-14630-1	COVER, FRONT SHAFT	1	1	1					
4-1	1	1A8081-14630	COVER, DRIVE SHAFT	1	1	1					S
		(A=F112001) (B=F112001) (C=F112001)									
5	1	198071-14650	BOOT, SHAFT COVER	1	1	1					
6	1	198200-14670	COVER, REAR SHAFT	1	1	1					
7	1	198200-14910	SEAL, SHAFT COVER	1	1	1					
7-1	1	24311-000420	O-RING, 1AP42.0	1	1	1					S
		(A=F112001) (B=F112001) (C=F112001)									
8	1	23010-055000	CLAMP, 55	1	1	1					
9	1	24321-000450	O-RING, 1AG45.0	1	1	1					
10	1	26106-080162	BOLT, M8X 16 PLATED	1	1	1					

Fig.14. FRONT SHAFT

(A)=EF227E  
(B)=EF230E  
(C)=EF233E

(D)=  
(E)=  
(F)=

No.	Lev.	Parts No.	Description	Q'ty						I	R
				(A)	(B)	(C)	(D)	(E)	(F)		
1	1	198208-13510	SHAFT, 1ST FRONT 242	1	1	1					
2	1	198200-13520	PINION, SHAFT	2	2	2					
3	1	198208-13530	SHAFT, 1ST FRONT 435	1	1	1					
4	1	24101-062074	BEARING, BALL 6207	2	2	2					

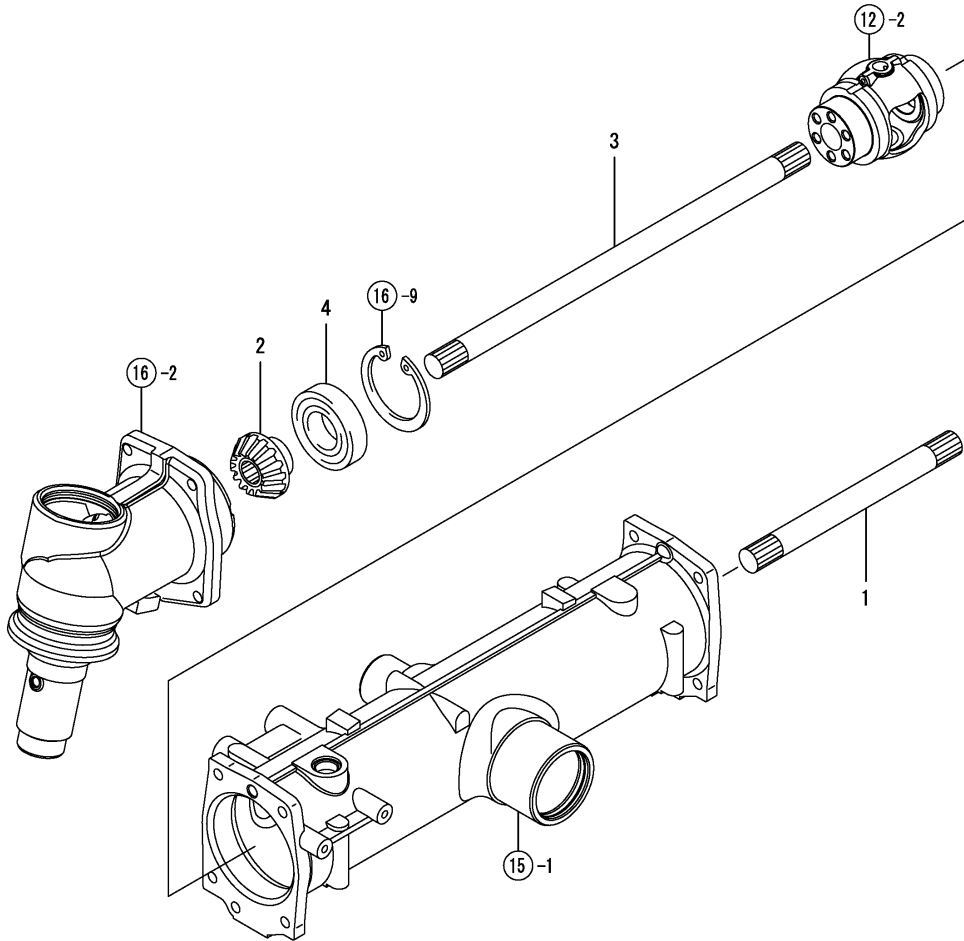


Fig.15. FRONT AXLE CASE

(A)=EF227E  
(B)=EF230E  
(C)=EF233E

(D)=  
(E)=  
(F)=

No.	Lev.	Parts No.	Description	Qty						I	R
				(A)	(B)	(C)	(D)	(E)	(F)		
1	1	198200-13611	HOUSING, FRONT AXLE	1	1	1					
2	1	198208-17210	BRACKET, CYLINDER	1	1	1					
3	1	1C6900-23020	BREATHER	1	1	1					
4	1	22252-000620	RING, 62	1	1	1					
5	1	24311-000180	O-RING, 1AP18.0	1	1	1					
6	1	24421-306210	SEAL, OIL TC306210	1	1	1					
7	1	26013-120302	BOLT, M12X 30	4	4	4					

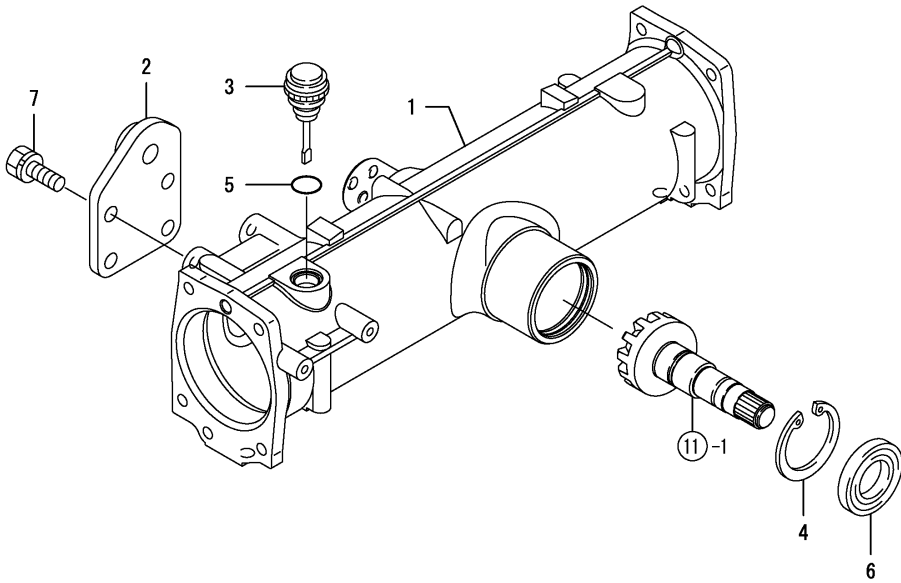


Fig.16. FRONT GEAR CASE

(A)=EF227E

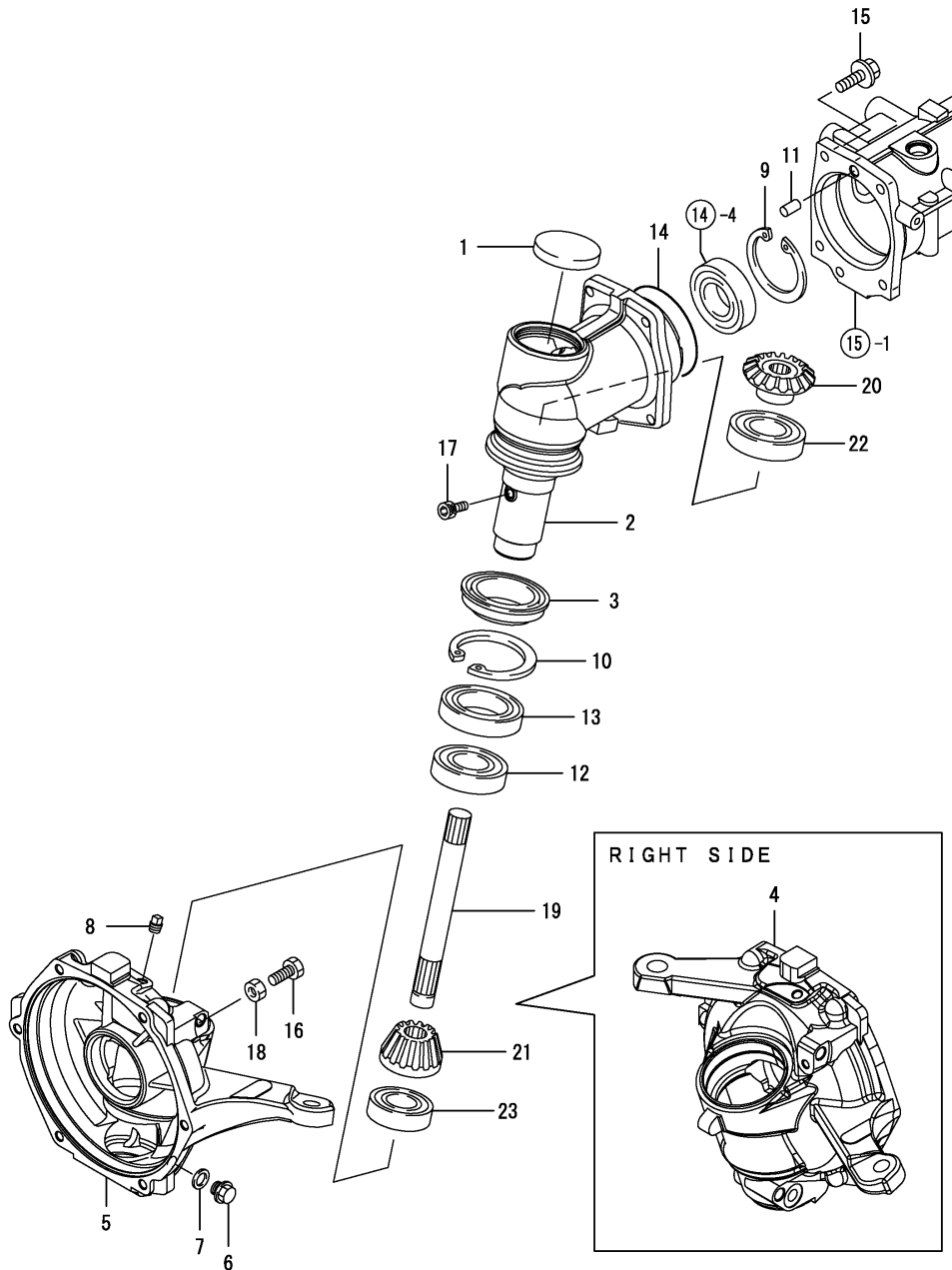
(B)=EF230E

(C)=EF233E

(D)=

(E)=

(F)=



No.	Lev.	Parts No.	Description	Qty						I	R
				(A)	(B)	(C)	(D)	(E)	(F)		
1	1	177432-03450	PLUG	2	2	2					
2	1	198208-13720	HOUSING, FRONT GEAR	2	2	2					
3	1	198071-13760	SEAL, QLF578016.5	2	2	2					
4	1	198200-13780	BOX, GEAR R	1	1	1					
5	1	198200-13791	BOX, GEAR L	1	1	1					
6	1	1C6900-23120	BOLT, DRAIN M14X10	2	2	2					
7	1	1C6900-23150	WASHER, PLUG	2	2	2					
8	1	194151-36670	PLUG, PF02	2	2	2					
9	1	22252-000720	RING, 72	2	2	2					
10	1	22252-000800	RING, 80	2	2	2					
11	1	22312-100180	PIN, PARALLEL M10X18	2	2	2					
12	1	24101-060084	BEARING, BALL 6008	2	2	2					
13	1	24101-060104	BEARING, BALL 6010	2	2	2					
14	1	24321-000950	O-RING, 1AG95.0	2	2	2					
15	1	26106-100302	BOLT, M10X 30 PLATED	10	10	10					
16	1	26116-100352	BOLT, M10X 35 PLATED	2	2	2					
17	1	26450-080122	BOLT, M8X 12	2	2	2					
18	1	26716-100002	NUT, M10	2	2	2					
19	1	198200-13810	SHAFT, FRONT 2ND	2	2	2					
20	1	198200-13820	GEAR, 2ND SHAFT	2	2	2					
21	1	198200-13830	PINION, FINAL Z=11	2	2	2					
22	1	24101-062064	BEARING, BALL 6206	2	2	2					
23	1	24101-063044	BEARING, BALL 6304	2	2	2					



Fig.17. FRONT SPINDLE

(A)=EF227E  
 (B)=EF230E  
 (C)=EF233E

(D)=  
 (E)=  
 (F)=

No.	Lev.	Parts No.	Description	Q'ty						I	R
				(A)	(B)	(C)	(D)	(E)	(F)		
1	1	194556-13790	O-RING, 190X2.7	2	2	2					
2	1	198200-14110	SPINDLE, FRONT	2	2	2					
3	1	198200-14120	GEAR, FINAL 48	2	2	2					
4	1	198200-14130	COVER, GEAR BOX	2	2	2					
5	1	198200-14210	RING, HALF	4	4	4					
6	1	198475-32660	SEAL, QLNY527514.5	2	2	2					
7	1	24101-060084	BEARING, BALL 6008	2	2	2					
8	1	24101-062094	BEARING, BALL 6209	2	2	2					
9	1	26106-100252	BOLT, M10X 25 PLATED	12	12	12					

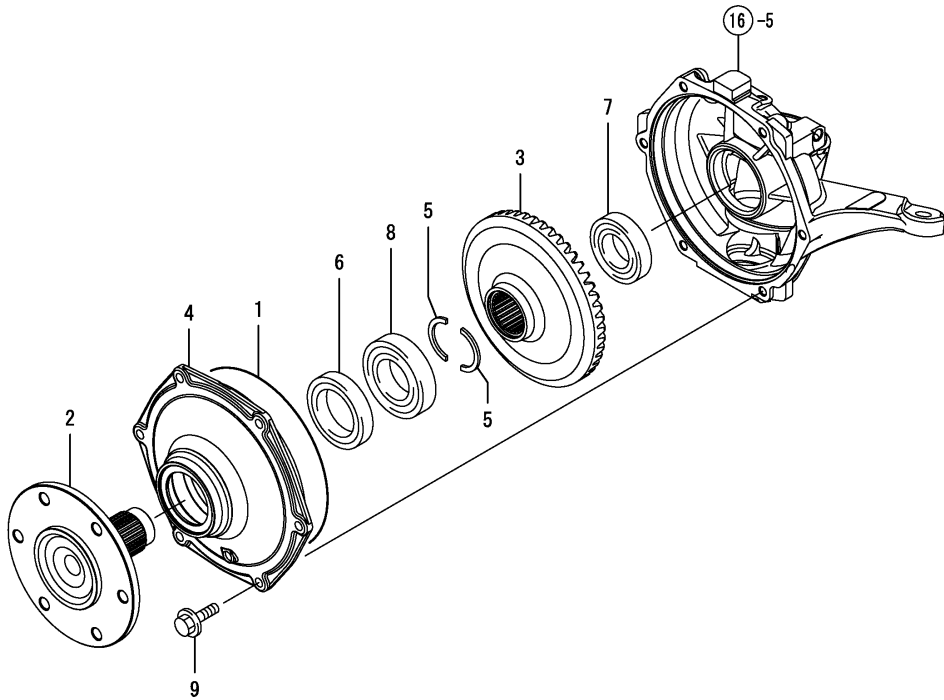
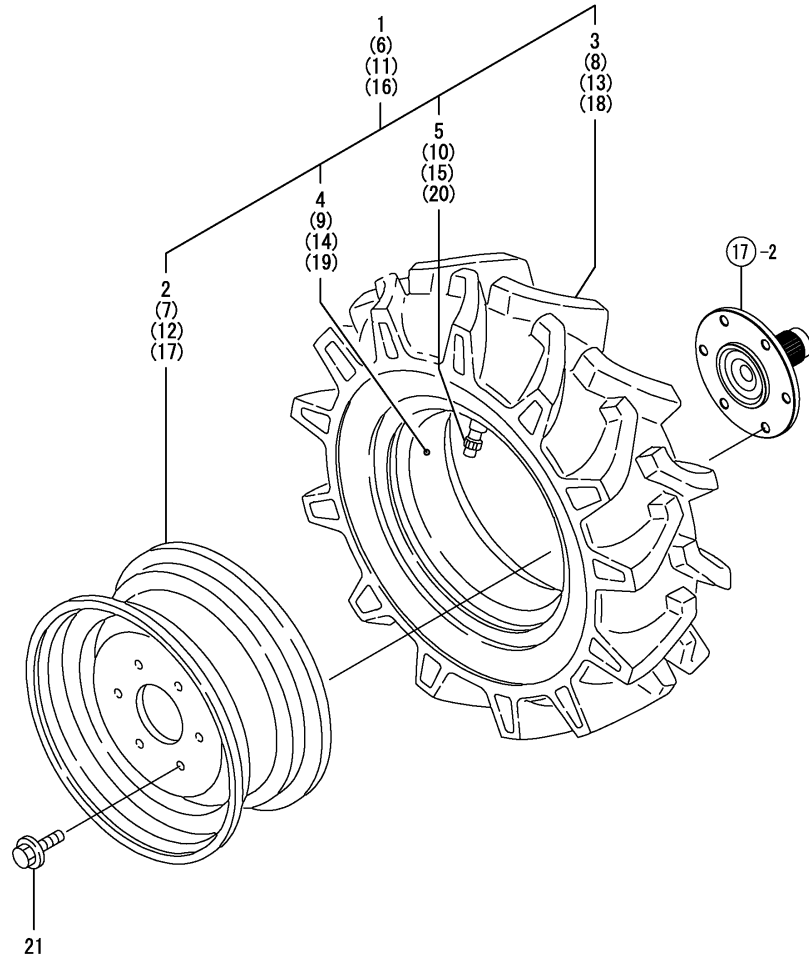


Fig.18. FRONT WHEEL TIRE

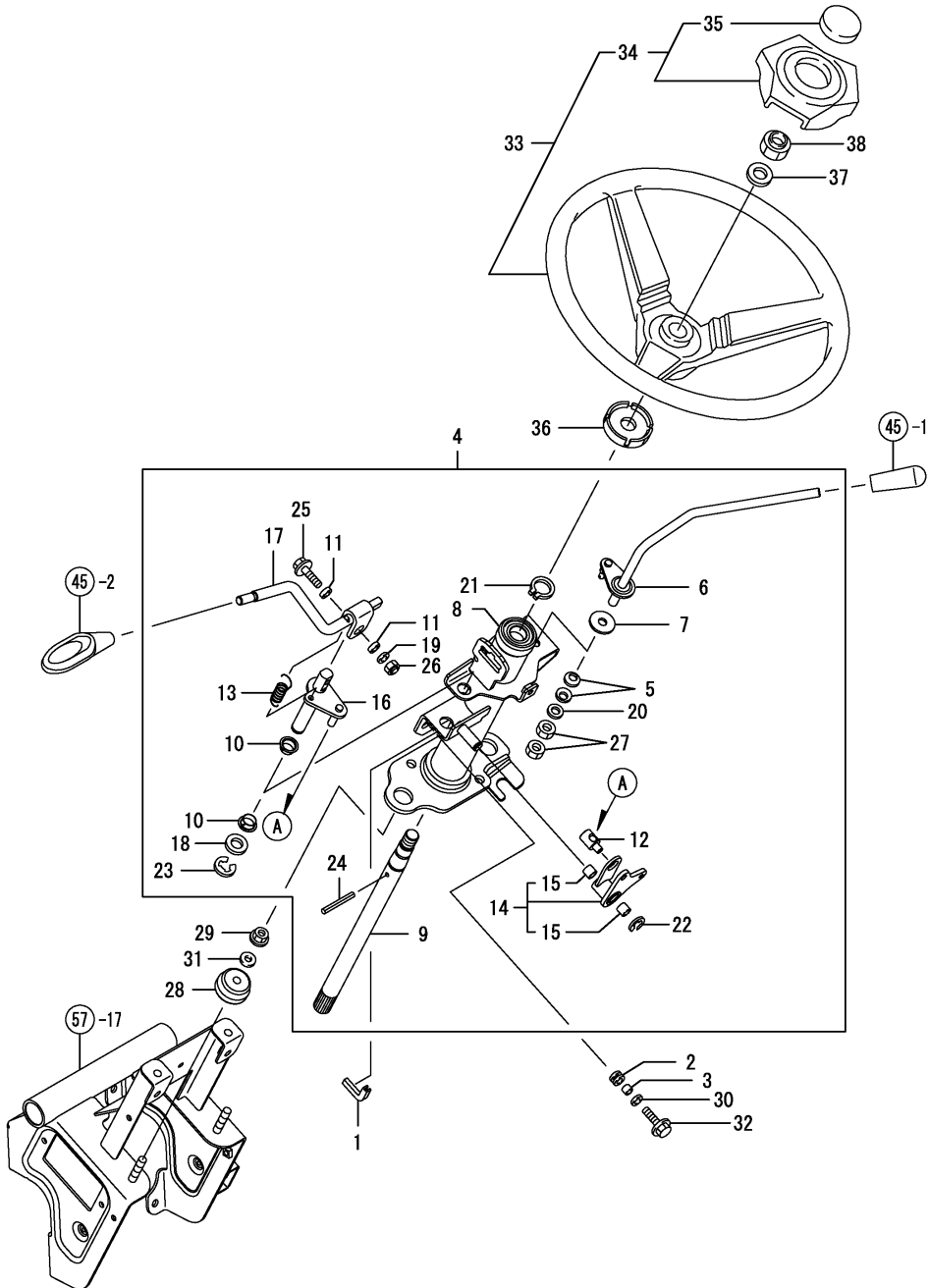
(A)=EF227E  
(B)=EF230E  
(C)=EF233E

(D)=  
(E)=  
(F)=



No.	Lev.	Parts No.	Description	Qty						I	R
				(A)	(B)	(C)	(D)	(E)	(F)		
1	1	198031-14700	TIRE KIT, FRONT L	1	1	1					
2	2	198031-14710	WHEEL, 5JAX14WDC	1	1	1					
3	2	194166-14810	TIRE, 6-14 4 FSLM	1	1	1					
4	2	194166-14820	TUBE, 6-14	1	1	1					
5	2	194190-34730	HOUSING, CORE	1	1	1					
6	1	198031-14800	TIRE KIT, FRONT R	1	1	1					
7	2	198031-14710	WHEEL, 5JAX14WDC	1	1	1					
8	2	194166-14810	TIRE, 6-14 4 FSLM	1	1	1					
9	2	194166-14820	TUBE, 6-14	1	1	1					
10	2	194190-34730	HOUSING, CORE	1	1	1					
11	1	198127-14700	TIRE KIT, FRONT L	1	1	1					
12	2	198031-14710	WHEEL, 5JAX14WDC	1	1	1					
13	2	194171-14810	TIRE, 7-14 4 FSLM	1	1	1					
14	2	194171-14820	TUBE, 7-14	1	1	1					
15	2	194190-34730	HOUSING, CORE	1	1	1					
16	1	198127-14800	TIRE KIT, FRONT R	1	1	1					
17	2	198031-14710	WHEEL, 5JAX14WDC	1	1	1					
18	2	194171-14810	TIRE, 7-14 4 FSLM	1	1	1					
19	2	194171-14820	TUBE, 7-14	1	1	1					
20	2	194190-34730	HOUSING, CORE	1	1	1					
21	1	194881-12650	BOLT, M14X24	12	12	12					

Fig.19. STEERING



(A)=EF227E  
(B)=EF230E  
(C)=EF233E

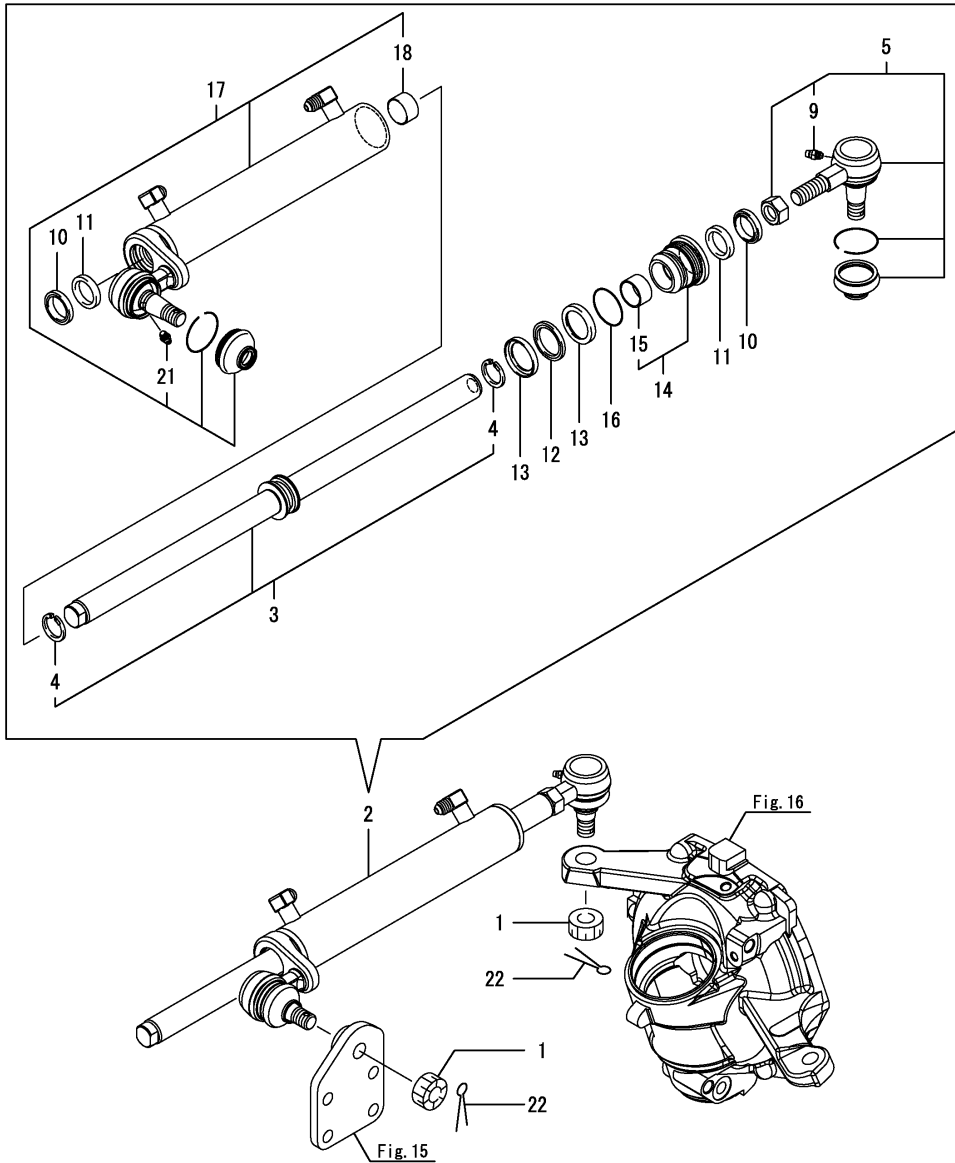
(D)=  
(E)=  
(F)=

No.	Lev.	Parts No.	Description	Qty						I	R
				(A)	(B)	(C)	(D)	(E)	(F)		
1	1	198200-01170	SEAL, WIRE	1	1	1					
2	1	198360-03260	GROMMET, 12	2	2	2					
3	1	198360-03270	SPACER	2	2	2					
4	1	198200-15090	COLUMN, STEERING	1	1	1					
5	2	194740-00160	SPRING, 10	2	2	2					
6	2	198200-01110	LEVER ASSY	1	1	1					
7	2	198200-01260	PLATE, FRICTION	1	1	1					
8	2	198200-15100	COLUMN ASSY,	1	1	1					
9	2	198200-15180	SHAFT, STEERING	1	1	1					
10	2	198200-27000	BUSH, 15X16X8	2	2	2					
11	2	198200-27030	COLLAR, 9X14X4.7	2	2	2					
12	2	198200-27090	PIN, CONNECTING	1	1	1					
13	2	198200-27240	SPRING, RETURN	1	1	1					
14	2	198200-27250	PLATE ASSY, ARM	1	1	1					
15	3	24550-012100	BUSH 12X10	2	2	2					
16	2	198200-27400	SHAFT, REVERSER	1	1	1					
17	2	198200-27460	LEVER, REVERSER	1	1	1					
18	2	22117-140000	WASHER, 14	1	1	1					
19	2	22137-080000	WASHER, 8	1	1	1					
20	2	22137-100000	WASHER, 10	1	1	1					
21	2	22242-000200	RING, 20	1	1	1					
22	2	22272-000090	RING, E-9	1	1	1					
23	2	22272-000120	RING, E-12	1	1	1					
24	2	22351-040032	PIN, SPRING 4.0X32	1	1	1					
25	2	26106-080352	BOLT, M8X 35 PLATED	1	1	1					
26	2	26346-080002	NUT, M8	1	1	1					
27	2	26716-100002	NUT, M10	2	2	2					
28	1	198200-15250	MOUNT, STEERING	2	2	2					
29	1	194990-22140	NUT, M8	2	2	2					
30	1	22157-080000	WASHER, 8	2	2	2					
31	1	22157-080000	WASHER, 8	2	2	2					
32	1	26106-080252	BOLT, M8X 25 PLATED	2	2	2					
33	1	198133-15700	WHEEL ASSY, STEERING	1	1	1					
34	2	198133-15740	CAP ASSY, STEERING	1	1	1					
35	3	198133-15780	NAMEPLATE, HANDLE	1	1	1					
36	1	1A7000-15720	COVER, STEERING	1	1	1					
37	1	22137-160000	WASHER, 16	1	1	1					
38	1	26356-160002	NUT, M16	1	1	1					

Fig.20. P.S.T. CYLINDER

(A)=EF227E  
(B)=EF230E  
(C)=EF233E

(D)=  
(E)=  
(F)=

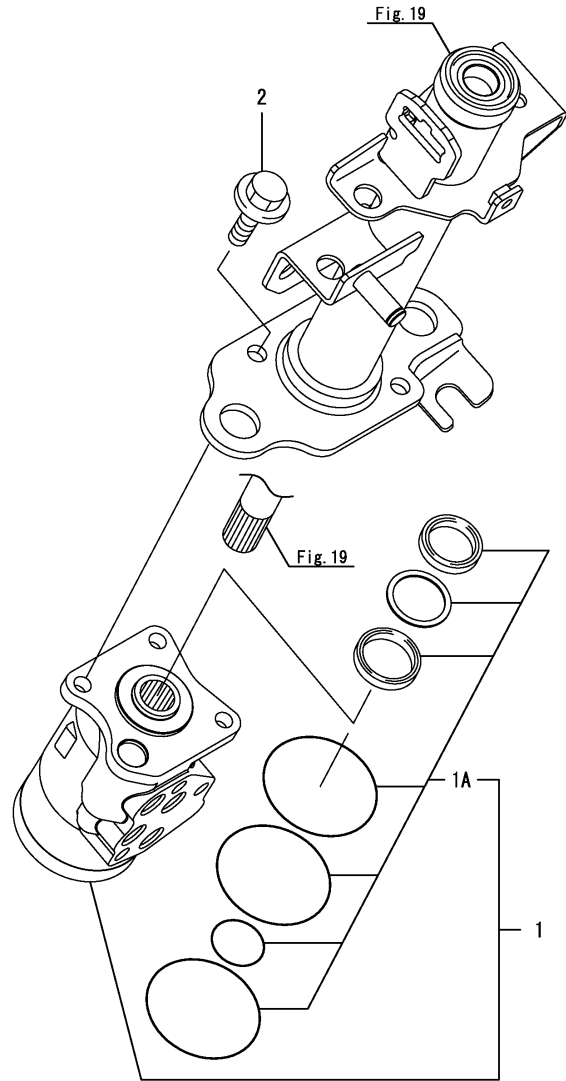


No.	Lev.	Parts No.	Description	Qty						I	R
				(A)	(B)	(C)	(D)	(E)	(F)		
1	1	194180-12470	NUT, CASTLE	2	2	2					
2	1	198200-17010	CYLINDER KIT	1	1	1					
3	2	198200-17050	ROD ASSY, STEERING	1	1	1					
4	3	22292-000250	RING, S-25	2	2	2					
5	2	198200-17070	END ASSY, ROD R	1	1	1					
9	3	24761-060000	NIPPLE, GREASE MT6X1	1	1	1					
10	2	198200-17140	SEAL, DUST 25	2	2	2					
11	2	198200-17150	PACKING, 25	2	2	2					
12	2	198200-17160	PACKING, PISTON	1	1	1					
13	2	198200-17170	BEARING, PWL40	2	2	2					
14	2	198200-17250	CAP ASSY	1	1	1					
15	3	24550-025150	BUSH, 25X15	1	1	1					
16	2	24315-000350	O-RING, 1BP35.0	1	1	1					
17	2	198200-17240	TUBE ASSY, CYLINDER	1	1	1					
18	3	24550-025150	BUSH, 25X15	1	1	1					
21	3	24761-060000	NIPPLE, GREASE MT6X1	1	1	1					
22	1	22417-400250	PIN, COTTER 4.0X25	2	2	2					

Fig.21. P.S.T. VALVE

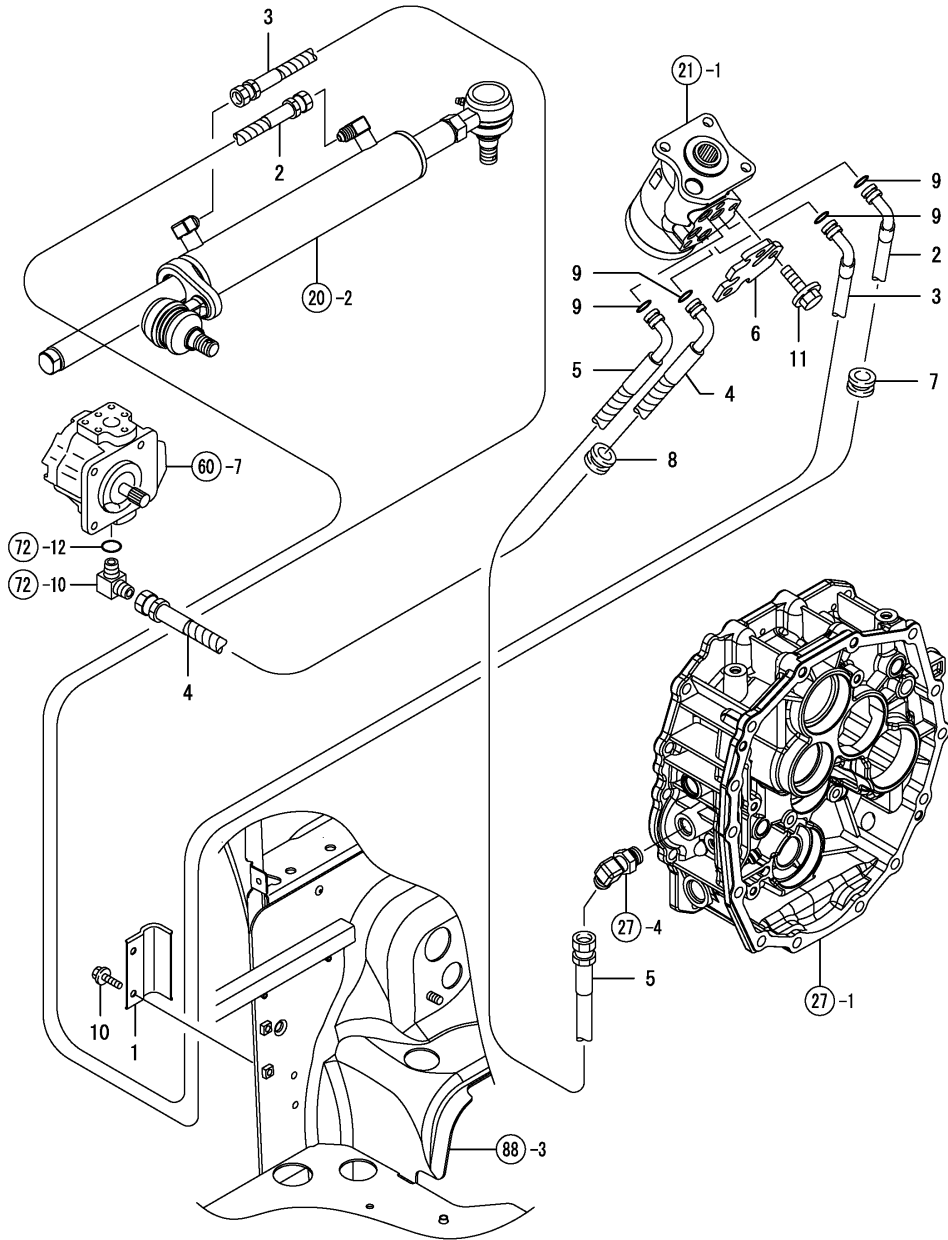
(A)=EF227E  
 (B)=EF230E  
 (C)=EF233E

(D)=  
 (E)=  
 (F)=



No.	Lev.	Parts No.	Description	Q'ty						I	R
				(A)	(B)	(C)	(D)	(E)	(F)		
1	1	198200-17500	VALVE ASSY, STEERING	1	1	1					
1A	2	198072-17550	SEAL KIT	1	1	1					W
		(A=*2008.04.)	(B=*2008.04.)	(C=*2008.04.)							
2	1	26136-100162	BOLT, M10X 16 PLATED	3	3	3					

Fig.22. P.S.T. HOSE



(A)=EF227E  
(B)=EF230E  
(C)=EF233E

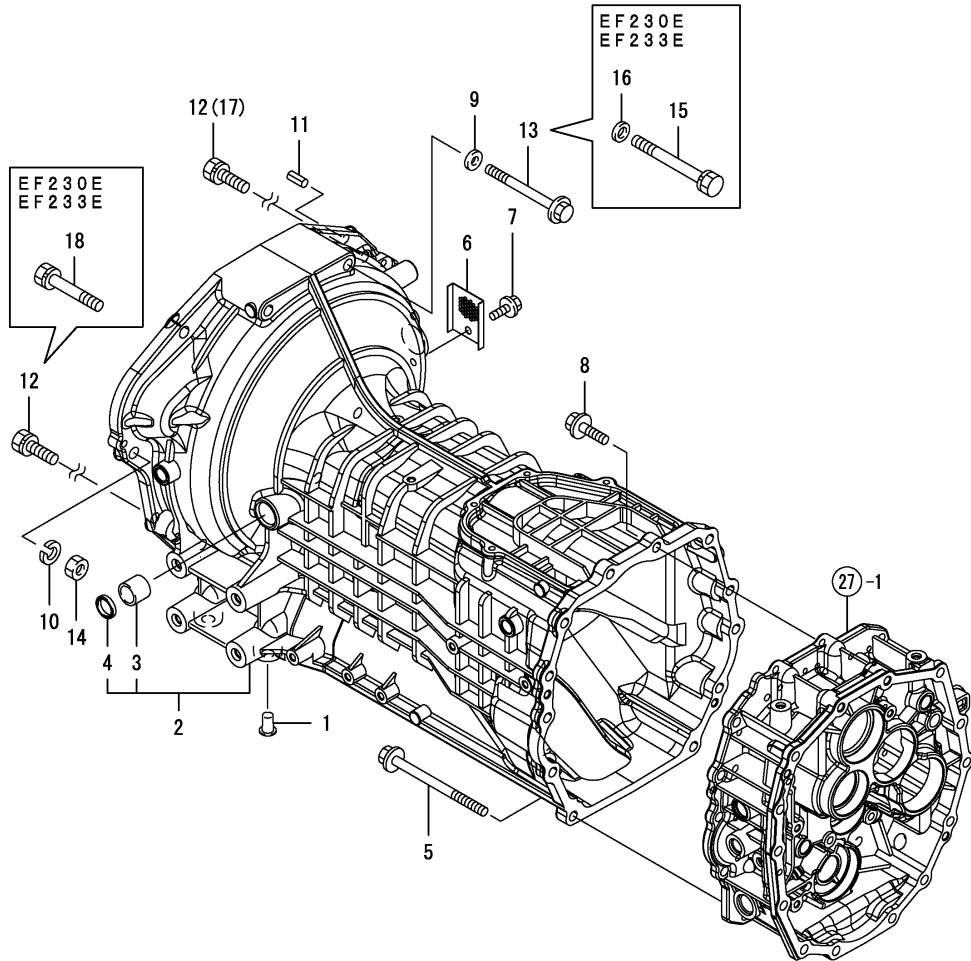
(D)=  
(E)=  
(F)=

No.	Lev.	Parts No.	Description	Qty						I	R
				(A)	(B)	(C)	(D)	(E)	(F)		
1	1	198200-17750	CLAMP	1	1	1					
2	1	198280-17810	HOSE, PRESSURE L	1	1	1					
3	1	198280-17820	HOSE, PRESSURE R	1	1	1					
4	1	198200-17830	HOSE, PRESSURE	1	1	1					
5	1	198200-17840	HOSE, PRESSURE	1	1	1					
6	1	198200-17910	PLATE, RETAINER	1	1	1					
7	1	194170-51210	GROMMET 25	1	1	1					
8	1	198245-51210	GROMMET, 25/18	1	1	1					
9	1	24311-000120	O-RING, 1AP12.0	4	4	4					
10	1	26106-060122	BOLT, M6X 12 PLATED	2	2	2					
11	1	26136-100162	BOLT, M10X 16 PLATED	3	3	3					

Fig.23. CLUTCH HOUSING

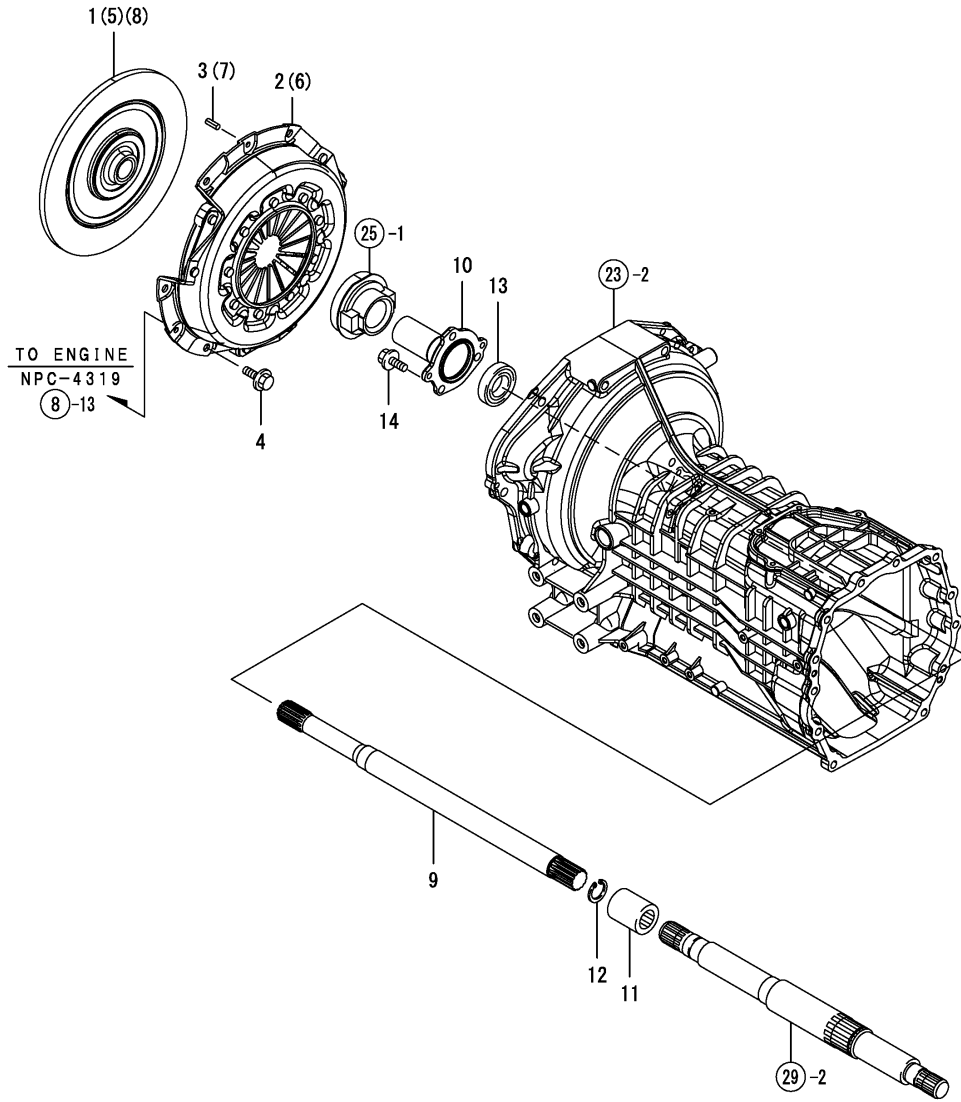
(A)=EF227E  
(B)=EF230E  
(C)=EF233E

(D)=  
(E)=  
(F)=



No.	Lev.	Parts No.	Description	Qty						I	R
				(A)	(B)	(C)	(D)	(E)	(F)		
1	1	194201-11230	CAP. SCREW 12.0	4	4	4					
2	1	198200-21100	HOUSING ASSY, CLUTCH	1	1	1					
3	2	194680-22280	BUSH, 20X26X22	2	2	2					
4	2	194680-22290	SEAL, OIL G202604	2	2	2					
5	1	198200-21140	BOLT, M10X135	10	10	10					
6	1	198280-21170	COVER, SIDE	1	1	1					
7	1	26106-080122	BOLT, M8X 12 PLATED	1	1	1					
8	1	26106-100352	BOLT, M10X 35 PLATED	2	2	2					
9	1	198200-21160	WASHER, 10	2							
10	1	22217-120000	WASHER, SPRING 12	1	1	1					
11	1	22351-080018	PIN, SPRING 8.0X18	2	2	2					
12	1	26013-120352	BOLT, M12X 35	6							
13	1	26106-101052	BOLT, M10X105 PLATED	2							
14	1	26716-120002	NUT, M12	1	1	1					
15	1	198206-21220	BOLT, M12X110		2	2					
16	1	198206-21230	COLLAR		2	2					
17	1	26013-120352	BOLT, M12X 35		4	4					
18	1	26013-120702	BOLT, M12X 70		2	2					

Fig.24. CLUTCH & CLUTCH SHAFT



(A)=EF227E  
(B)=EF230E  
(C)=EF233E

(D)=  
(E)=  
(F)=

No.	Lev.	Parts No.	Description	Q'ty						I	R
				(A)	(B)	(C)	(D)	(E)	(F)		
1	1	198200-21510	DISK, CLUTCH 215	1							
2	1	194320-21700	PLATE, PRESSURE	1							
3	1	22351-060016	PIN, SPRING 6.0X16	3							
4	1	26106-080162	BOLT, M8X 16 PLATED	6	6	6					
5	2	198208-21510	DISK, CLUTCH 225		1						
6	1	194220-21700	PLATE, PRESSURE		1	1					
7	1	22351-080018	PIN, SPRING 8.0X18			3	3				
8	1	1A7000-21410	DISK, CLUTCH 225				1				
9	1	198200-22111	SHAFT, MAIN DRIVE	1	1	1					
10	1	198200-22531	SLEEVE, BEARING	1	1	1					
11	1	194555-26520	COUPLING, PTO	1	1	1					
12	1	22252-000220	RING, 22	1	1	1					
13	1	24104-060054	BEARING, BALL 6005UU	1	1	1					
14	1	26106-080202	BOLT, M8X 20 PLATED	3	3	3					



Fig.25. CLUTCH RELEASE

(A)=EF227E  
(B)=EF230E  
(C)=EF233E

(D)=  
(E)=  
(F)=

No.	Lev.	Parts No.	Description	Q'ty						I	R
				(A)	(B)	(C)	(D)	(E)	(F)		
1	1	198360-22210	BEARING, RELEASE	1	1	1					
2	1	198360-22250	HOOK, SPRING	1	1	1					
3	1	198071-22310	YOKE, CLUTCH SHAFT	1	1	1					
4	1	198071-22320	BOLT, M8X40	2	2	2					
4-1	1	26450-080402	BOLT, M8X 40	2	2	2					R
		(A=FXXXXX)	(B=FXXXXX)	(C=FXXXXX)							
5	1	198200-22330	SHAFT,CLUTCH RELEASE	1	1	1					
6	1	194800-22480	SPRING, 58	2	2	2					

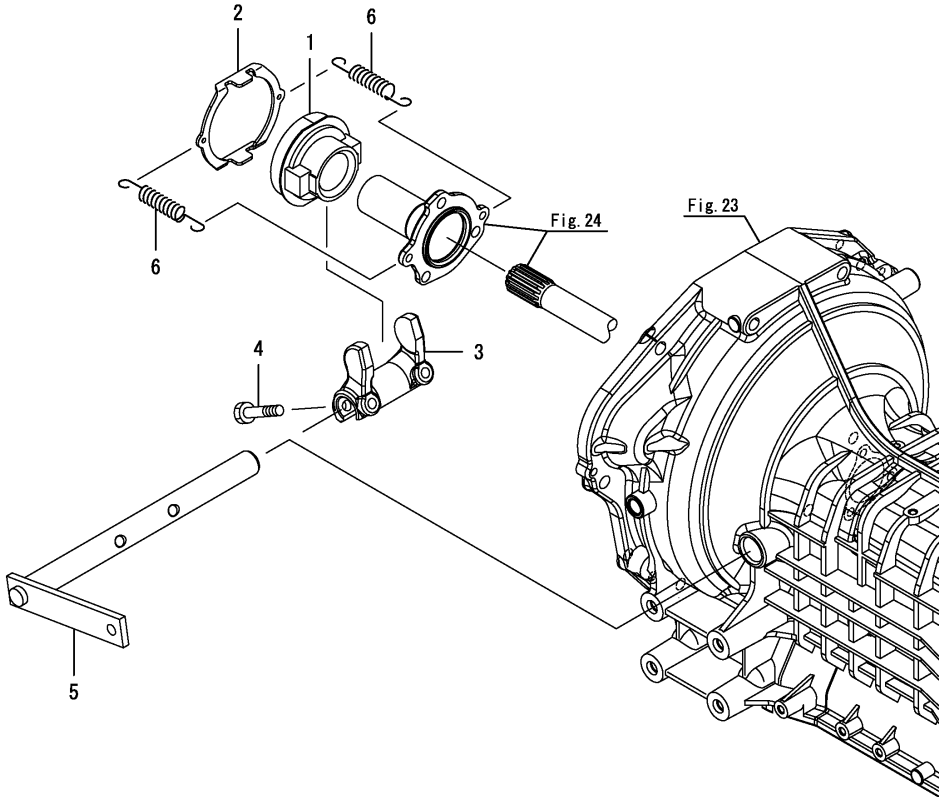
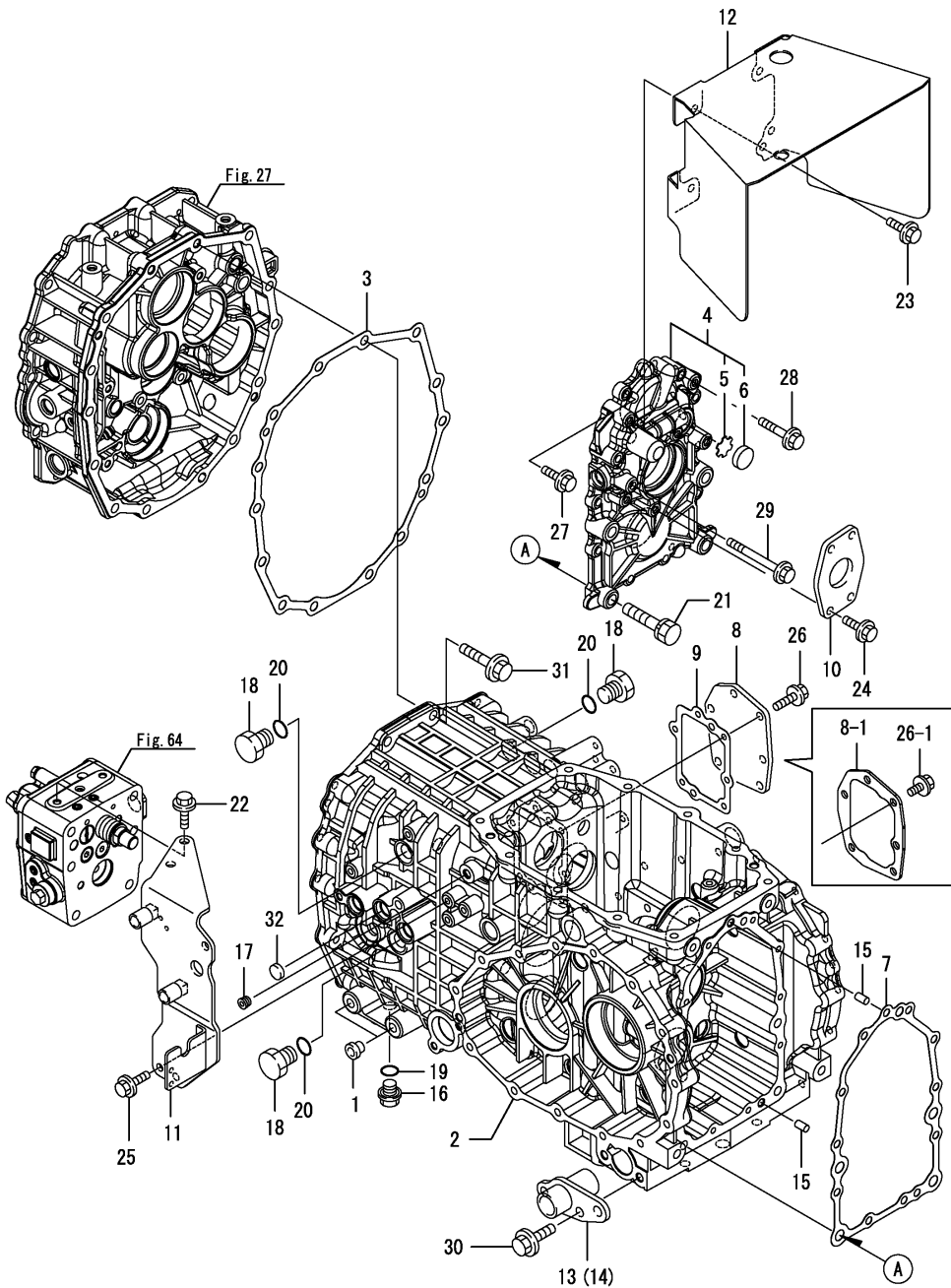


Fig.26. TRANSMISSION CASE



(A)=EF227E  
(B)=EF230E  
(C)=EF233E

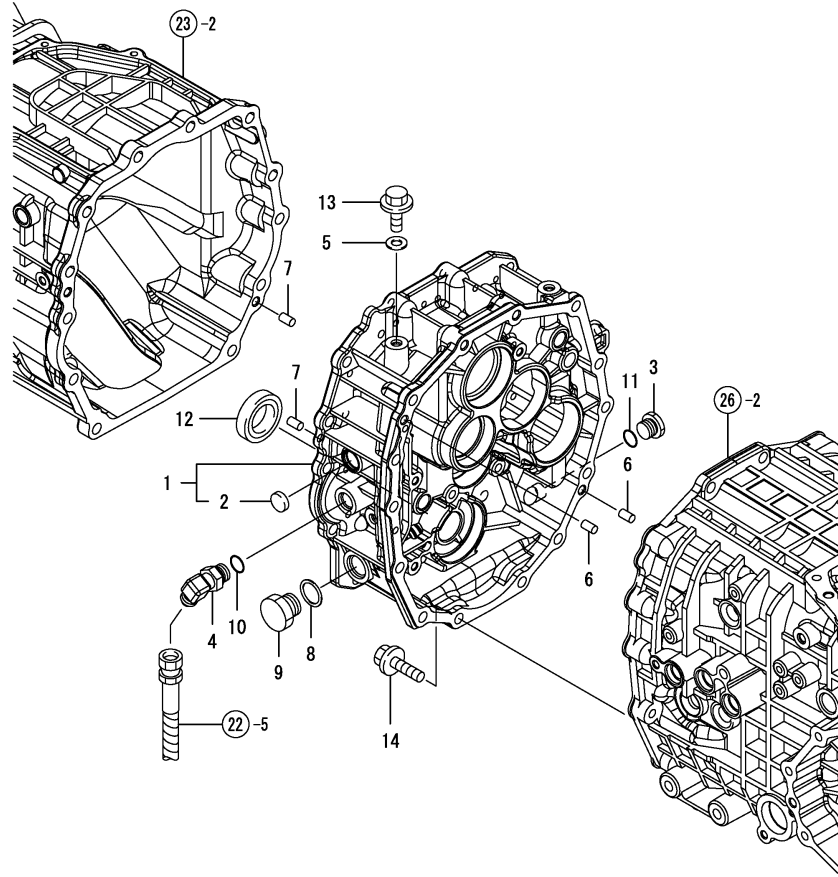
(D)=  
(E)=  
(F)=

No.	Lev.	Parts No.	Description	Qty						I	R
				(A)	(B)	(C)	(D)	(E)	(F)		
1	1	194150-21910	PLUG, 11.2	4	4	4					
2	1	198282-24110	HOUSING, XMSN.	1	1	1					
3	1	198200-24120	GASKET, MISSION CASE	1	1	1					
4	1	198282-24150	COVER ASSY, XMSN.	1	1	1					
5	2	198071-24350	PLATE, WINDOW	1	1	1					
6	2	1A1040-28470	WINDOW, OIL CHECK 25	1	1	1					
7	1	198200-24170	GASKET, MISSION	1	1	1					
8	1	198280-24180	COVER, MISSION	1	1	1					
8-1	1	1A8100-24180	COVER, XMSN. SIDE	1	1	1					S
		(A=FXXXXX) (B=FXXXXX) (C=FXXXXX)									
9	1	198200-24190	GASKET, HOUSING	1	1	1					Z
		(A=FXXXXX) (B=FXXXXX) (C=FXXXXX)									
10	1	198255-24460	PLATE, OIL SEAL	1	1	1					
11	1	198282-26710	STAY ASSY, LEVER	1	1	1					
12	1	198280-26901	GUARD M ASSY,PTO	1	1	1					
13	1	198280-73170	SUPPORT, LOWER LINK	1	1	1					
14	1	198280-73250	SUPPORT, LOWER LINK	1	1	1					
15	1	22312-080140	PIN, PARALLEL M8X14	2	2	2					
16	1	23491-140002	PLUG, 14	1	1	1					
17	1	23871-010000	PLUG, R01	1	1	1					
18	1	23887-180002	PLUG, 18	3	3	3					
19	1	24311-000160	O-RING, 1AP16.0	1	1	1					
20	1	24311-000180	O-RING, 1AP18.0	3	3	3					
21	1	26013-120552	BOLT, M12X 55	2	2	2					
22	1	26106-080162	BOLT, M8X 16 PLATED	2	2	2					
23	1	26106-080162	BOLT, M8X 16 PLATED	4	4	4					
24	1	26106-080162	BOLT, M8X 16 PLATED	2	2	2					
25	1	26106-080202	BOLT, M8X 20 PLATED	2	2	2					
26	1	26106-080202	BOLT, M8X 20 PLATED	6	6	6					
26-1	1	26106-080162	BOLT, M8X 16 PLATED	6	6	6					S
		(A=FXXXXX) (B=FXXXXX) (C=FXXXXX)									
27	1	26106-080252	BOLT, M8X 25 PLATED	8	8	8					
28	1	26106-080452	BOLT, M8X 45 PLATED	1	1	1					
29	1	26106-080802	BOLT, M8X 80 PLATED	1	1	1					
30	1	26106-100252	BOLT, M10X 25 PLATED	4	4	4					
31	1	26106-100502	BOLT, M10X 50 PLATED	2	2	2					
32	1	27260-170000	PLUG, 17	1	1	1					

Fig.27. CENTER PLATE

(A)=EF227E  
(B)=EF230E  
(C)=EF233E

(D)=  
(E)=  
(F)=



No.	Lev.	Parts No.	Description	Qty						I	R
				(A)	(B)	(C)	(D)	(E)	(F)		
1	1	198282-24300	PLATE ASSY, CENTER	1	1	1					
1-1	1	198282-24301	PLATE ASSY, CENTER	1	1	1					N 1
		(A=FZZZZZ) (B=FZZZZZ) (C=FZZZZZ)									
2	2	198282-24330	PLUG, BORE 19	1	1	1					
3	1	192167-24600	PLUG	1	1	1					
4	1	1E6680-66470	ELBOW, 3/8	1	1	1					
5	1	22190-100000	WASHER, SEAL 10	1	1	1					
6	1	22312-080140	PIN, PARALLEL M8X14	2	2	2					
7	1	22312-080140	PIN, PARALLEL M8X14	2	2	2					
8	1	23414-220000	GASKET, 22X1.0	1	1	1					
9	1	23887-220002	PLUG M22,HEX.	1	1	1					
10	1	24311-000140	O-RING, 1AP14.0	1	1	1					
11	1	24311-000140	O-RING, 1AP14.0	1	1	1					
12	1	24421-305011	SEAL, OIL TC305011	1	1	1					
13	1	26106-100162	BOLT, M10X 16 PLATED	1	1	1					
14	1	26106-100302	BOLT, M10X 30 PLATED	2	2	2					

Remarks  
(1) Refer to Fig.105 for the Repair part.

Fig.28. REVERSE HOUSING

(A)=EF227E  
(B)=EF230E  
(C)=EF233E

(D)=  
(E)=  
(F)=

No.	Lev.	Parts No.	Description	Qty						I	R
				(A)	(B)	(C)	(D)	(E)	(F)		
1	1	198200-24320	SEAL, OIL TC304508	1	1	1					
2	1	198200-24410	CASE, REVERSER	1	1	1					
3	1	198200-24420	GASKET, HOUSING	1	1	1					
4	1	22312-080140	PIN, PARALLEL M8X14	2	2	2					
5	1	26106-080252	BOLT, M8X 25 PLATED	13	13	13					

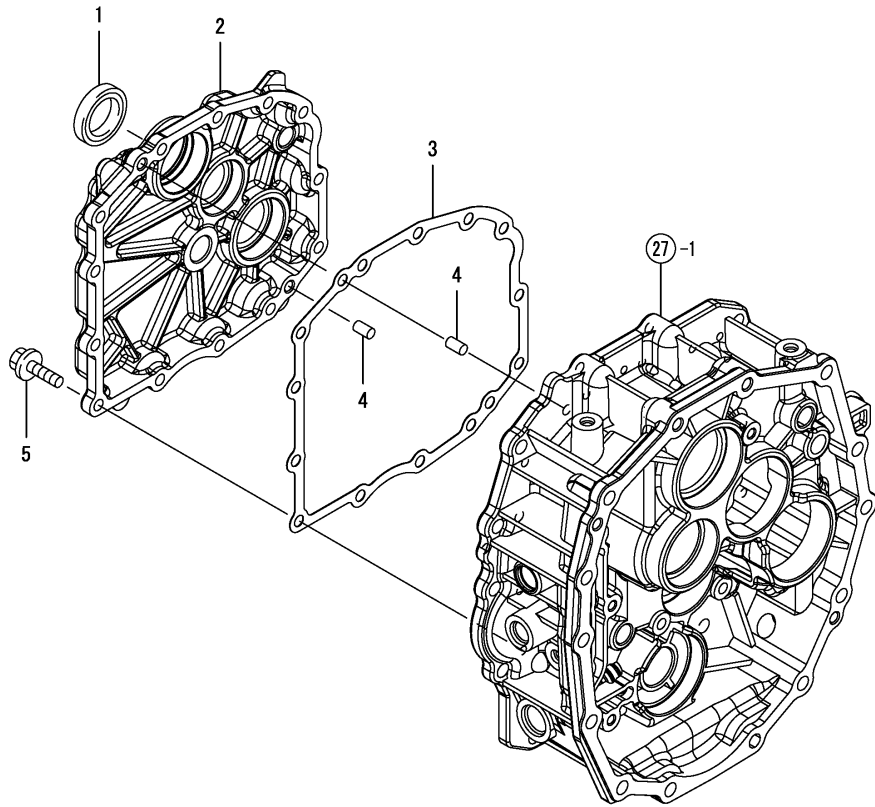


Fig.29. MAIN DRIVE SHAFT

(A)=EF227E  
(B)=EF230E  
(C)=EF233E

(D)=  
(E)=  
(F)=

No.	Lev.	Parts No.	Description	Q'ty						I	R
				(A)	(B)	(C)	(D)	(E)	(F)		
1	1	1D2180-22130	BEARING, BALL 63/22	1	1	1					
2	1	198282-25110	SHAFT, DRIVE	1	1	1					
3	1	198282-25130	GEAR, MAIN DRIVE 26	1	1	1					
4	1	1E6190-54080	SLEEVE SI25X30X13	1	1	1					
5	1	22242-000340	RING, 34	1	1	1					
6	1	24101-060054	BEARING, BALL 6005	1	1	1					
7	1	24101-062064	BEARING, BALL 6206	1	1	1					

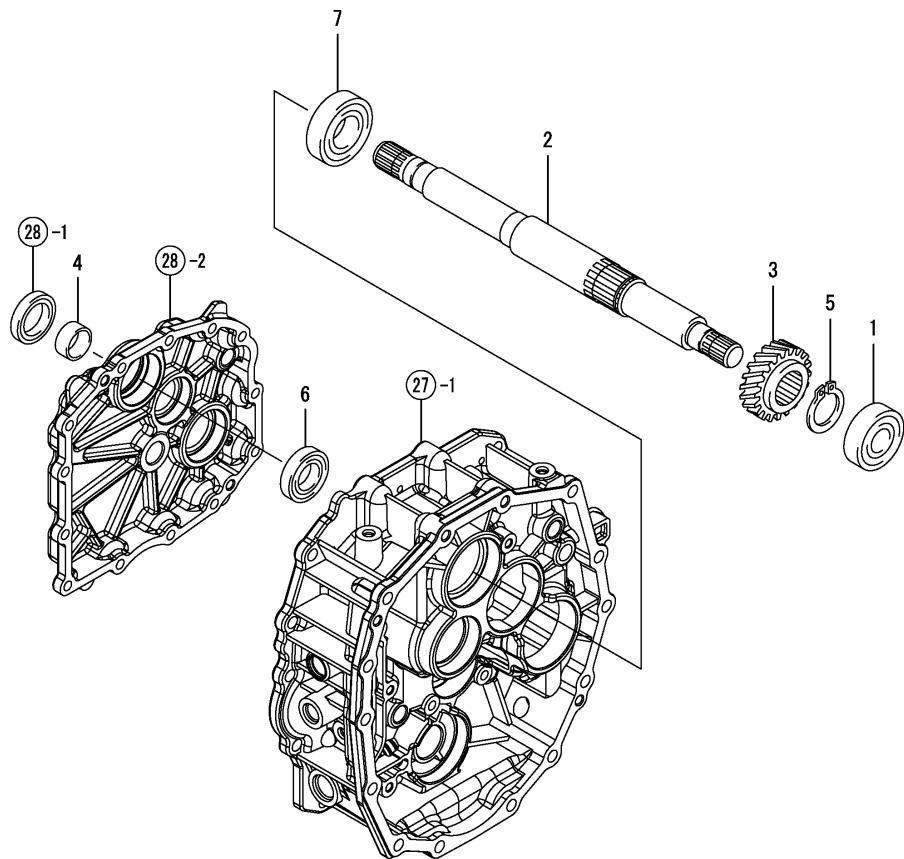


Fig.30. MAIN SHAFT

(A)=EF227E  
(B)=EF230E  
(C)=EF233E

(D)=  
(E)=  
(F)=

No.	Lev.	Parts No.	Description	Q'ty						I	R
				(A)	(B)	(C)	(D)	(E)	(F)		
1	1	198200-25120	GEAR, MAIN 40	1	1	1					
2	1	198200-25210	SHAFT, MAIN	1	1	1					
3	1	24101-063044	BEARING, BALL 6304	2	2	2					

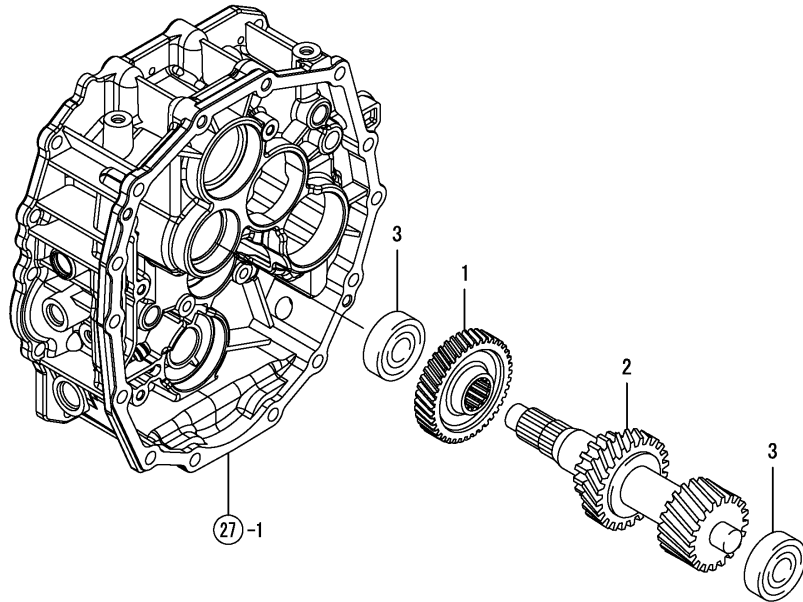
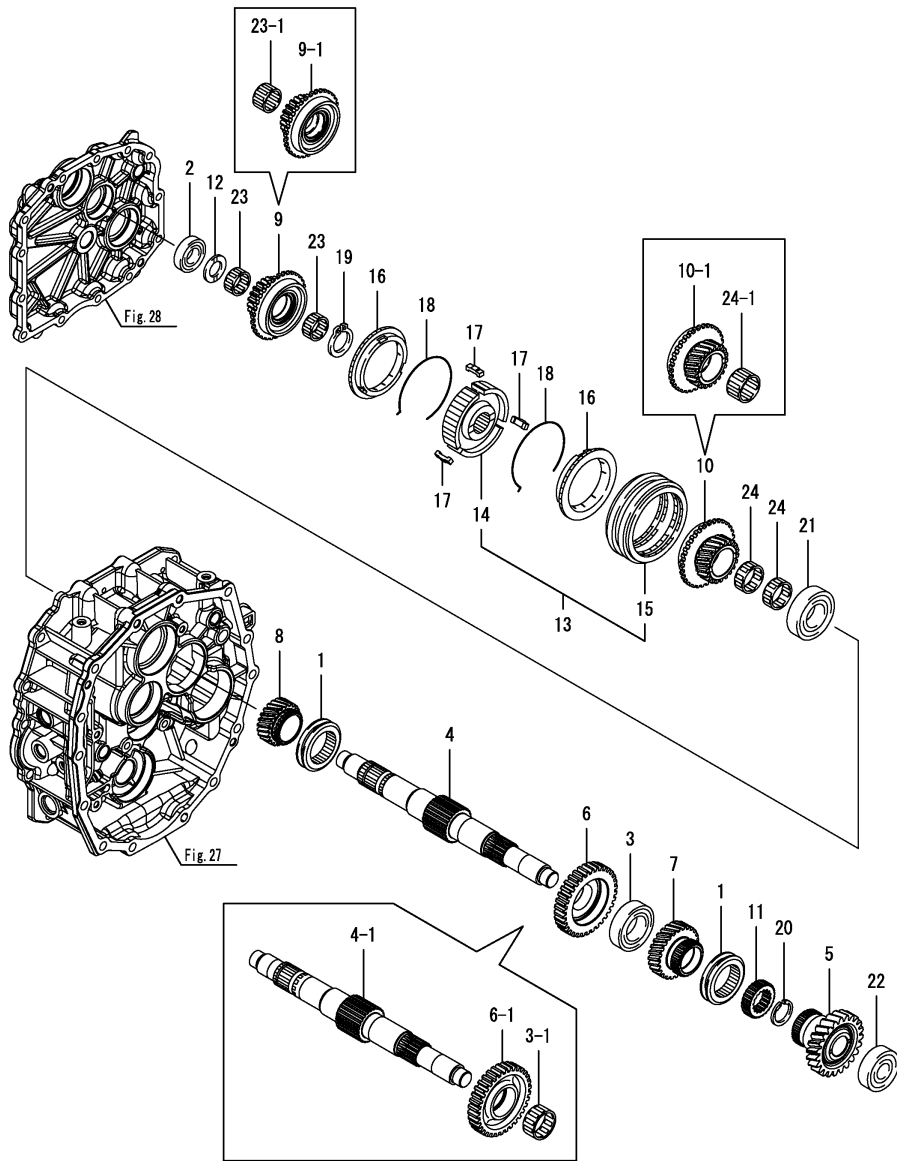


Fig.31. REVERSE SHAFT



(A)=EF227E  
(B)=EF230E  
(C)=EF233E

(D)=  
(E)=  
(F)=

No.	Lev.	Parts No.	Description	Q'ty						I	R
				(A)	(B)	(C)	(D)	(E)	(F)		
1	1	198200-25150	SHIFTER, MAIN SHIFT	2	2	2					
2	1	194515-25180	BEARING, BALL TMB004	1	1	1					
2-1	1	24101-060044	BEARING, BALL 6004	1	1	1					R
(A=FZZZZZ) (B=FZZZZZ) (C=FZZZZZ)											
3	1	194800-25250	BEARING, BALL 60/32	1	1	1					1
3-1	1	24161-323717	BEARING, 323717	1	1	1					S
(A=FXXXXX) (B=FXXXXX) (C=FXXXXX)											
4	1	198200-25410	SHAFT, REVERSER	1	1	1					1
4-1	1	198200-25411	SHAFT, REVERSER	1	1	1					S
(A=FXXXXX) (B=FXXXXX) (C=FXXXXX)											
5	1	198200-25420	GEAR, SHIFT 31	1	1	1					
6	1	198200-25430	GEAR, SHIFT 34	1	1	1					1
6-1	1	198200-25431	GEAR, MAIN SHIFT	1	1	1					S
(A=FXXXXX) (B=FXXXXX) (C=FXXXXX)											
7	1	198200-25440	GEAR, SHIFT 26	1	1	1					
8	1	198200-25450	GEAR, SHIFT 23	1	1	1					
9	1	198200-25460	GEAR, DRIVEN 20	1	1	1					1
9-1	1	198200-25461	GEAR, DRIVEN	1	1	1					S
(A=FZZZZZ) (B=FZZZZZ) (C=FZZZZZ)											
10	1	198200-25470	GEAR, DRIVEN 21	1	1	1					1
10-1	1	198200-25471	GEAR, DRIVEN21	1	1	1					S
(A=FZZZZZ) (B=FZZZZZ) (C=FZZZZZ)											
11	1	198200-25480	COLLAR, SPLINE 25	1	1	1					
12	1	198200-25490	WASHER, 20	1	1	1					
13	1	198121-25800	HUB ASSY, SYNCHRO	1	1	1					
14	2	198121-25820	HUB, SYNCHRO	1	1	1					
15	2	198121-25830	SLIDER	1	1	1					
16	1	198121-25840	RING, SYNCHRONIZER	2	2	2					
17	1	198121-25850	KEY, SYNCHRONIZER	3	3	3					
18	1	198121-25870	SPRING, SYNCHRO	2	2	2					
19	1	22242-000290	RING, 29	1	1	1					
20	1	22292-000280	RING, S-28	1	1	1					
21	1	24101-062064	BEARING, BALL 6206	1	1	1					
22	1	24101-063044	BEARING, BALL 6304	1	1	1					
23	1	24161-253013	BEARING, 253013	2	2	2					1
23-1	1	24161-253017	BEARING, 253017	1	1	1					S
(A=FZZZZZ) (B=FZZZZZ) (C=FZZZZZ)											
24	1	24161-303513	BEARING, 303513	2	2	2					1
24-1	1	24161-303520	BEARING, 303520	1	1	1					S
(A=FZZZZZ) (B=FZZZZZ) (C=FZZZZZ)											

Remarks  
(1) Refer to Fig.110 for the spare part.

Fig.32. REDUCTION SHAFT

(A)=EF227E  
 (B)=EF230E  
 (C)=EF233E

(D)=  
 (E)=  
 (F)=

No.	Lev.	Parts No.	Description	Qty						I	R
				(A)	(B)	(C)	(D)	(E)	(F)		
1	1	198200-25510	SHAFT, REDUCTION	1	1	1					
2	1	198200-25650	GEAR, DRIVE 33	1	1	1					
3	1	198200-25660	GEAR, REVERSE R 32	1	1	1					
4	1	194640-26440	BEARING, BALL TMB206	1	1	1					
5	1	22242-000290	RING, 29	1	1	1					
6	1	24101-062034	BEARING, BALL 6203	1	1	1					
7	1	24101-062044	BEARING, BALL 6204	1	1	1					

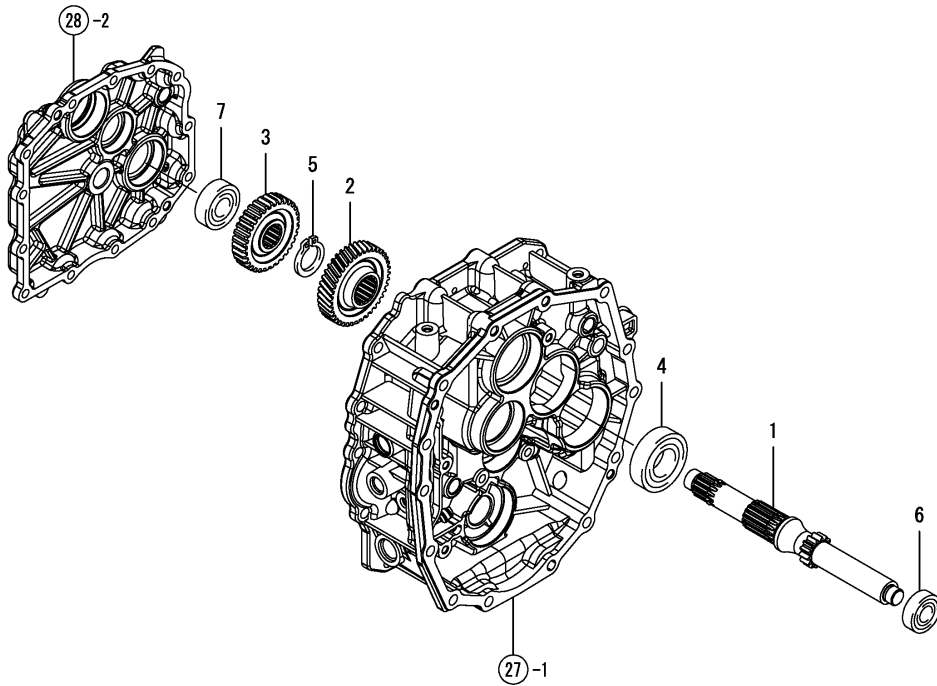
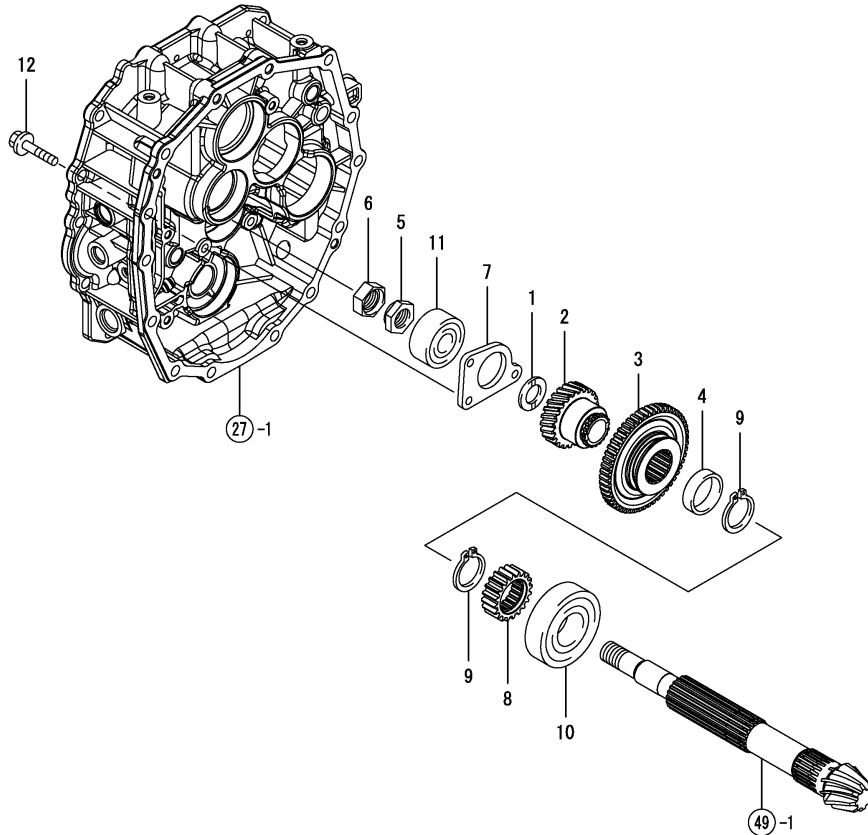




Fig.33. COUNTER SHAFT

(A)=EF227E  
(B)=EF230E  
(C)=EF233E

(D)=  
(E)=  
(F)=



No.	Lev.	Parts No.	Description	Qty						I	R
				(A)	(B)	(C)	(D)	(E)	(F)		
1	1	198200-25490	WASHER, 20	1	1	1					
2	1	198200-25520	GEAR, COUNTER 24	1	1	1					
3	1	198200-25530	GEAR, SLIDE 53	1	1	1					
4	1	198282-25540	COLLAR, 36X43X11	1	1	1					
5	1	198200-25550	NUT, LOCK M20	1	1	1					Z
		(A=FZZZZZ) (B=FZZZZZ) (C=FZZZZZ)									
6	1	198200-25560	NUT, LOCK M20	1	1	1					Z
		(A=FZZZZZ) (B=FZZZZZ) (C=FZZZZZ)									
7	1	198200-25590	PLATE, KEEP	1	1	1					Z
		(A=FZZZZZ) (B=FZZZZZ) (C=FZZZZZ)									
8	1	198200-28250	GEAR, DRIVE 20	1	1	1					
8-1	1	198200-28251	GEAR, FRONT DRIVE	1	1	1					N
		(A=FZZZZZ) (B=FZZZZZ) (C=FZZZZZ)									
9	1	22242-000340	RING, 34	2	2	2					
10	1	24101-063074	BEARING, BALL 6307	1	1	1					
11	1	24512-053044	BEARING, BALL 5304	1	1	1					
12	1	26106-080402	BOLT, M8X 40 PLATED	3	3	3					
12-1	1	26106-080502	BOLT, M8X 50 PLATED	3	3	3					N 1
		(A=FZZZZZ) (B=FZZZZZ) (C=FZZZZZ)									
12-2	1	26106-080502	BOLT, M8X 50 PLATED	3	3	3					Z 1
		(A=FZZZZZ) (B=FZZZZZ) (C=FZZZZZ)									

Remarks  
(1) Refer to Fig.105 for the Repair part.

Fig.34. REVERSE IDLE SHAFT

(A)=EF227E  
(B)=EF230E  
(C)=EF233E

(D)=  
(E)=  
(F)=

No.	Lev.	Parts No.	Description	Q'ty						I	R
				(A)	(B)	(C)	(D)	(E)	(F)		
1	1	198200-25490	WASHER, 20	1	1	1					
2	1	198172-25630	NUT, LOCK M12	1	1	1					
3	1	198172-25640	NUT, LOCK M12	1	1	1					
4	1	198200-25910	SHAFT, REVERSE IDLE	1	1	1					
5	1	198200-25930	GEAR, IDLE 21	1	1	1					
6	1	22137-120000	WASHER, 12	1	1	1					
7	1	24161-253017	BEARING, 253017	1	1	1					
8	1	24311-000160	O-RING, 1AP16.0	1	1	1					

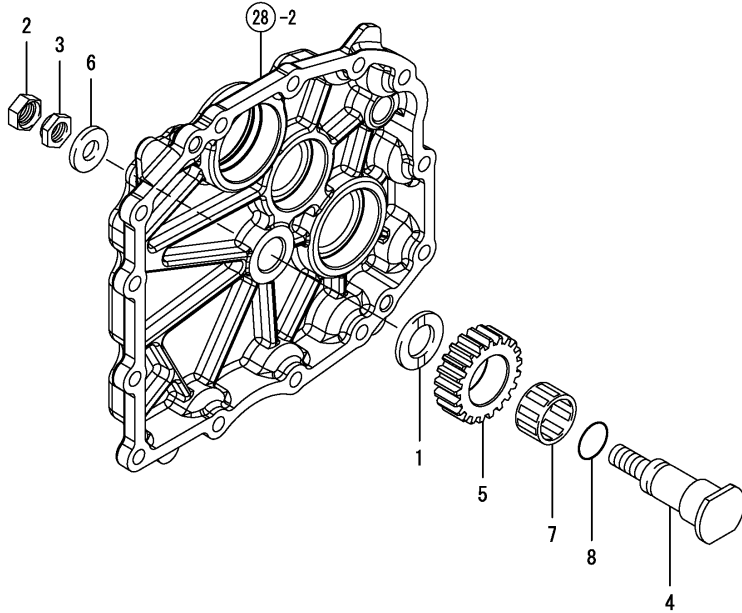


Fig.35. P.T.O. DRIVE SHAFT

(A)=EF227E  
(B)=EF230E  
(C)=EF233E

(D)=  
(E)=  
(F)=

No.	Lev.	Parts No.	Description	Q'ty						I	R
				(A)	(B)	(C)	(D)	(E)	(F)		
1	1	198212-25150	COUPLING, 13X16/32	1	1	1					
2	1	194640-25390	BEARING, BALL TMB205	1	1	1					
3	1	198282-26250	SHAFT, PTO PINION	1	1	1					
4	1	22252-000190	RING, 19	1	1	1					
5	1	24101-063054	BEARING, BALL 6305	1	1	1					

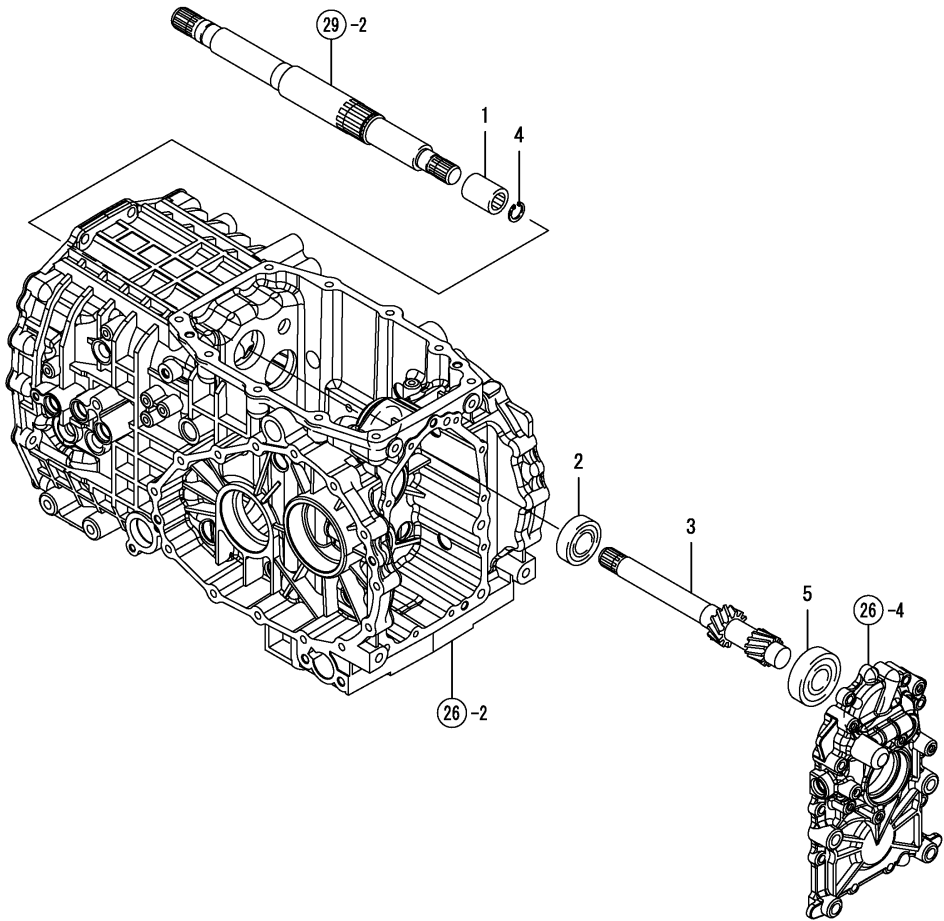
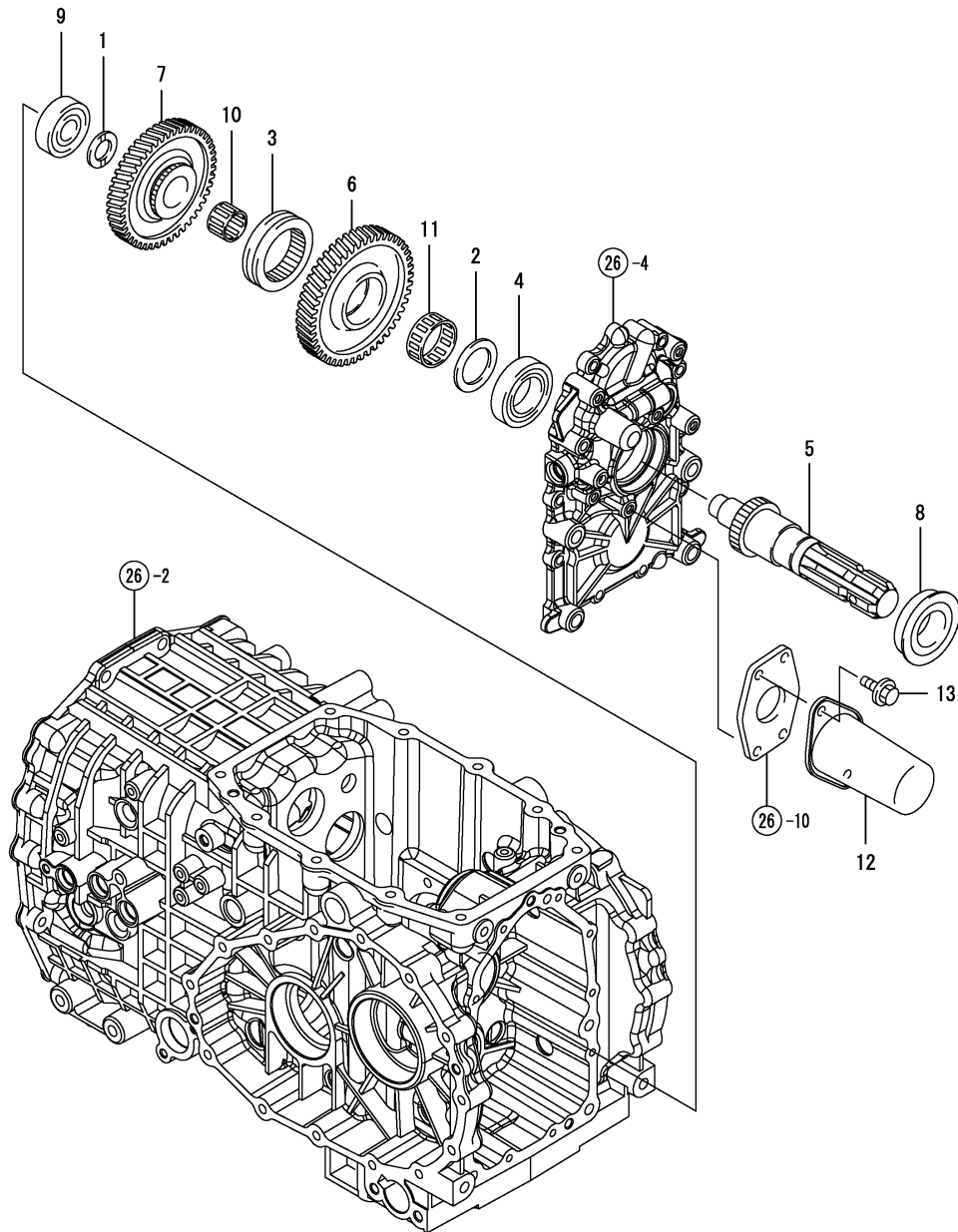


Fig.36. P.T.O. SHAFT



(A)=EF227E  
(B)=EF230E  
(C)=EF233E

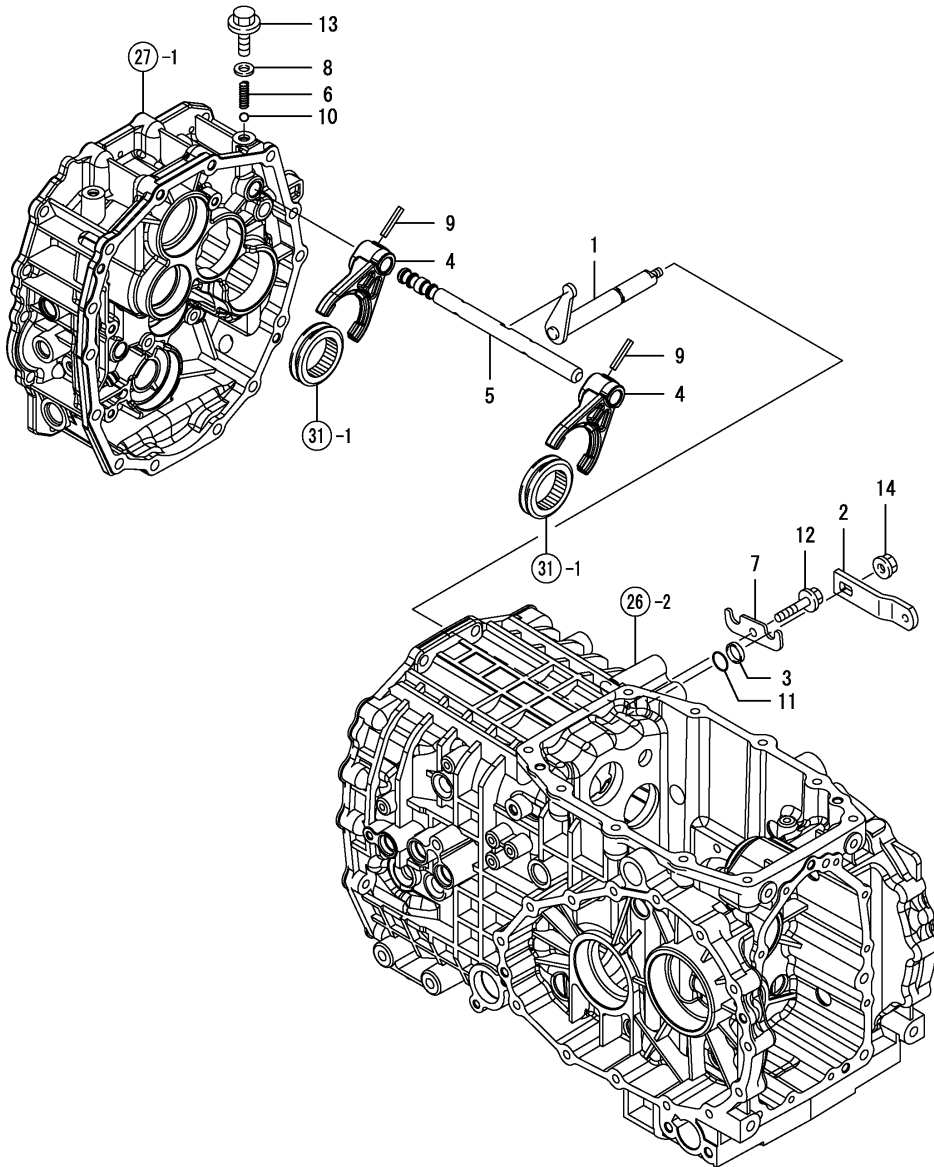
(D)=  
(E)=  
(F)=

No.	Lev.	Parts No.	Description	Qty						I	R
				(A)	(B)	(C)	(D)	(E)	(F)		
1	1	198200-25490	WASHER, 20	1	1	1					
2	1	194180-25550	WASHER, 35X50X3	1	1	1					
3	1	198149-25890	SHIFTER	1	1	1					
4	1	194680-25940	BEARING (TMB007)	1	1	1					
5	1	198282-26310	SHAFT, PTO	1	1	1					
6	1	198282-26320	GEAR, PTO DRIVEN 50	1	1	1					
7	1	198282-26330	GEAR, PTO DRIVEN 47	1	1	1					
8	1	194370-26350	SEAL, OIL QLF356019	1	1	1					
9	1	24101-063044	BEARING, BALL 6304	1	1	1					
10	1	24161-253020	BEARING, 253020	1	1	1					
11	1	24161-404517	BEARING, 404517	1	1	1					
12	1	1A7100-26850	COVER ASSY, SHAFT M	1	1	1					
13	1	26106-080122	BOLT, M8X 12 PLATED	2	2	2					

Fig.37. MAIN CHANGE SHIFT

(A)=EF227E  
(B)=EF230E  
(C)=EF233E

(D)=  
(E)=  
(F)=



No.	Lev.	Parts No.	Description	Qty						I	R
				(A)	(B)	(C)	(D)	(E)	(F)		
1	1	198200-27110	ARM, SHIFT	1	1	1					
2	1	198200-27141	ARM, CHANGE	1	1	1					
3	1	198119-27150	COLLAR, ARM	1	1	1					
4	1	198200-27170	FORK, SHIFT	2	2	2					
5	1	198200-27180	SHAFT, MAIN FORK	1	1	1					
6	1	194145-27450	SPRING	1	1	1					
7	1	198200-27740	PLATE, KEEP B	1	1	1					
8	1	22190-100000	WASHER, SEAL 10	1	1	1					
9	1	22351-060032	PIN, SPRING 6.0X32	2	2	2					
10	1	24190-100001	BALL, STEEL 5/16	1	1	1					
11	1	24311-000160	O-RING, 1AP16.0	1	1	1					
12	1	26106-080402	BOLT, M8X 40 PLATED	1	1	1					
13	1	26106-100162	BOLT, M10X 16 PLATED	1	1	1					
14	1	26366-080002	NUT, M8	1	1	1					

Fig.38. MAIN CHANGE LEVER

(A)=EF227E  
(B)=EF230E  
(C)=EF233E

(D)=  
(E)=  
(F)=

No.	Lev.	Parts No.	Description	Q'ty						I	R
				(A)	(B)	(C)	(D)	(E)	(F)		
1	1	198200-28101	LEVER ASSY, CHANGE	1	1	1					
2	2	24550-016100	BUSH, 16X10	2	2	2					
3	1	198200-28160	BRACKET, LEVER R	1	1	1					
4	1	198221-28450	WASHER, 16	1	1	1					
5	1	198200-28650	SHAFT, LEVER	1	1	1					
6	1	26106-060122	BOLT, M6X 12 PLATED	1	1	1					
7	1	26106-080162	BOLT, M8X 16 PLATED	3	3	3					

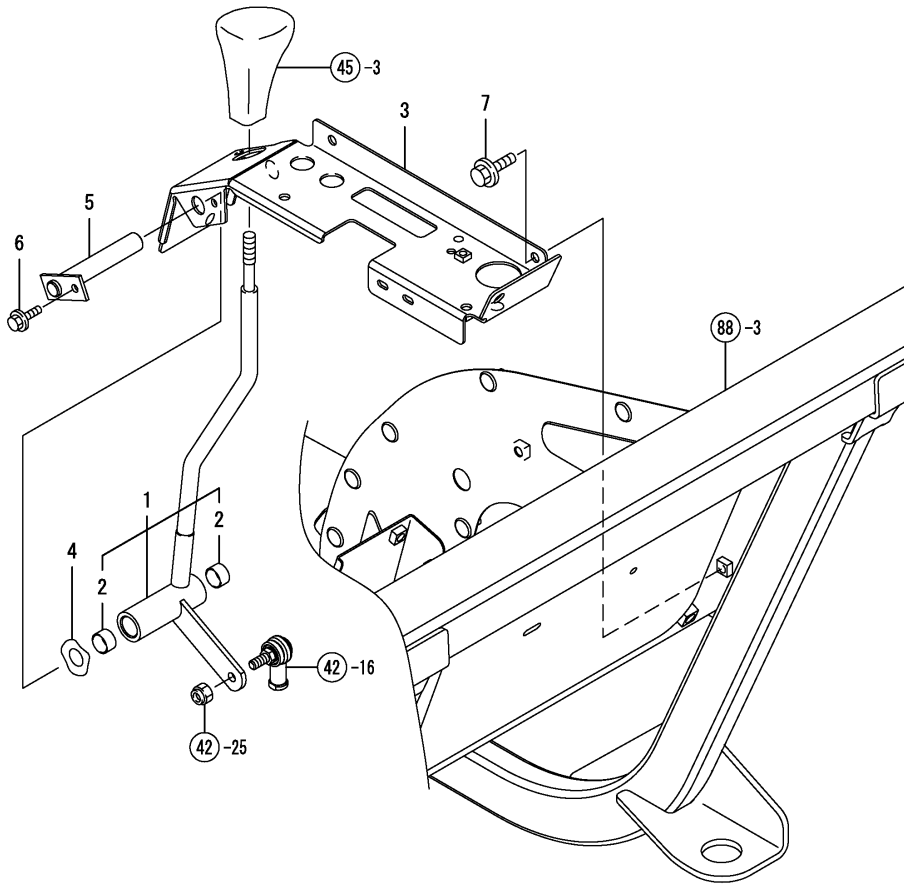
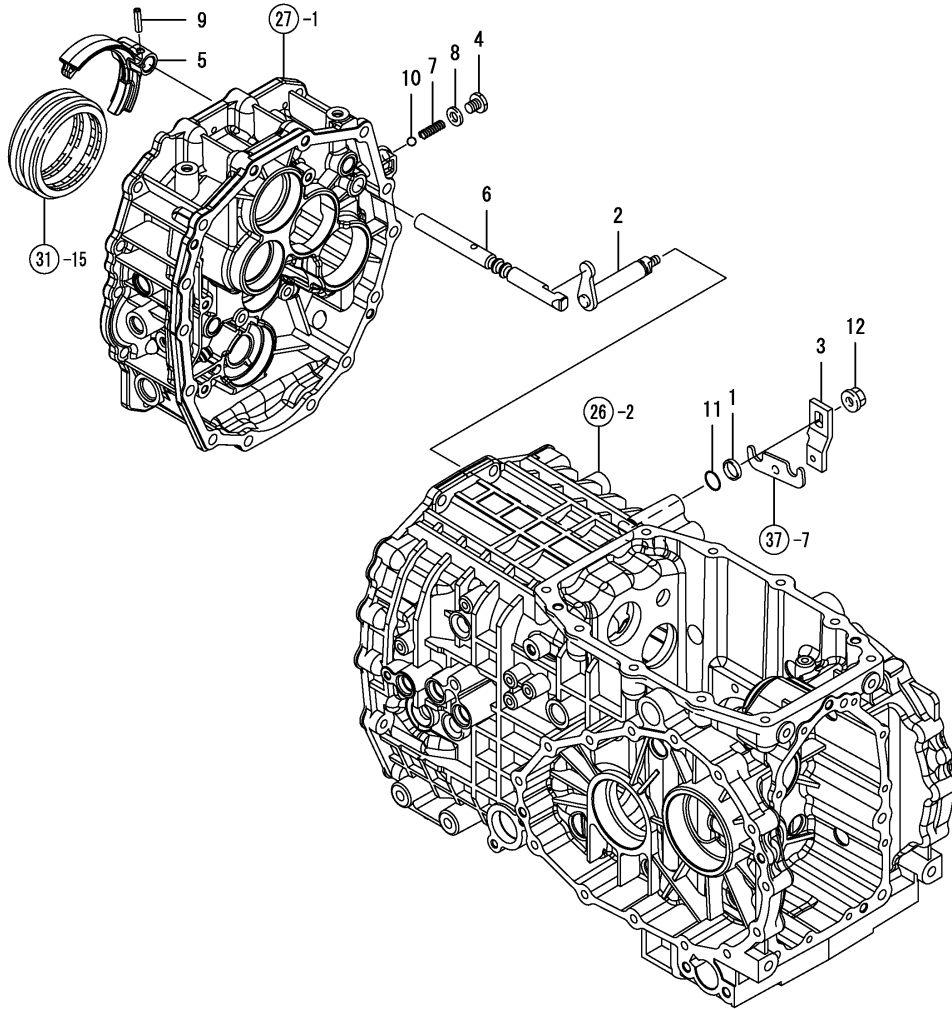


Fig.39. REVERSE SHIFT

(A)=EF227E  
(B)=EF230E  
(C)=EF233E

(D)=  
(E)=  
(F)=



No.	Lev.	Parts No.	Description	Qty						I	R
				(A)	(B)	(C)	(D)	(E)	(F)		
1	1	198119-27150	COLLAR, ARM	1	1	1					
2	1	198200-27310	ARM, SHIFT	1	1	1					
3	1	198200-27340	ARM, CHANGE	1	1	1					
4	1	198200-27360	PLUG, 10	1	1	1					
5	1	198200-27370	FORK, REVERSER SHIFT	1	1	1					
6	1	198200-27380	SHAFT, REVERSER FORK	1	1	1					
7	1	194145-27450	SPRING	1	1	1					
8	1	22190-100000	WASHER, SEAL 10	1	1	1					
9	1	22351-060025	PIN, SPRING 6.0X25	1	1	1					
10	1	24190-100001	BALL, STEEL 5/16	1	1	1					
11	1	24311-000160	O-RING, 1AP16.0	1	1	1					
12	1	26366-080002	NUT, M8	1	1	1					

Fig.40. REVERSE LEVER

(A)=EF227E  
(B)=EF230E  
(C)=EF233E

(D)=  
(E)=  
(F)=

No.	Lev.	Parts No.	Description	Q'ty						I	R
				(A)	(B)	(C)	(D)	(E)	(F)		
1	1	198200-27530	WIRE ASSY, REVERSER	1	1	1					
2	1	22137-060000	WASHER, 6	2	2	2					
3	1	22417-160180	PIN, COTTER 1.6X18	2	2	2					
4	1	22487-060160	PIN, H 6X 16	2	2	2					

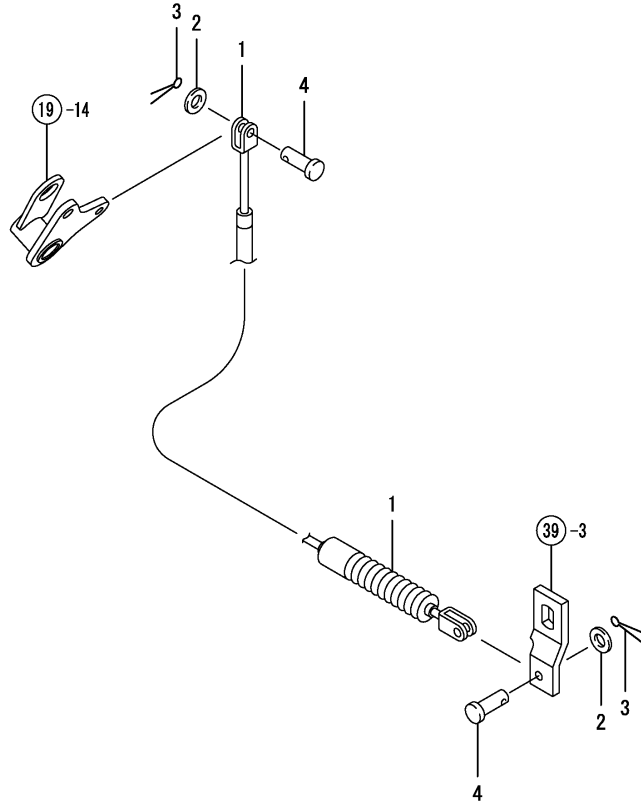




Fig.41. SUB CHANGE SHIFT

(A)=EF227E  
(B)=EF230E  
(C)=EF233E

(D)=  
(E)=  
(F)=

No.	Lev.	Parts No.	Description	Q'ty						I	R
				(A)	(B)	(C)	(D)	(E)	(F)		
1	1	198119-27150	COLLAR, ARM	1	1	1					
2	1	194145-27450	SPRING	1	1	1					
3	1	198282-27520	ARM, SHIFT	1	1	1					
4	1	198119-27570	PLATE, KEEP	1	1	1					
5	1	198282-27570	SHAFT, FORK	1	1	1					
6	1	198282-27580	FORK, SHIFT	1	1	1					
7	1	198282-27590	BOLT, SET M10	1	1	1					
8	1	198072-27650	ARM, CHANGE	1	1	1					
9	1	22190-100000	WASHER, SEAL 10	1	1	1					
10	1	22351-060032	PIN, SPRING 6.0X32	1	1	1					
11	1	24190-100001	BALL, STEEL 5/16	1	1	1					
12	1	24311-000160	O-RING, 1AP16.0	1	1	1					
13	1	26106-080162	BOLT, M8X 16 PLATED	1	1	1					

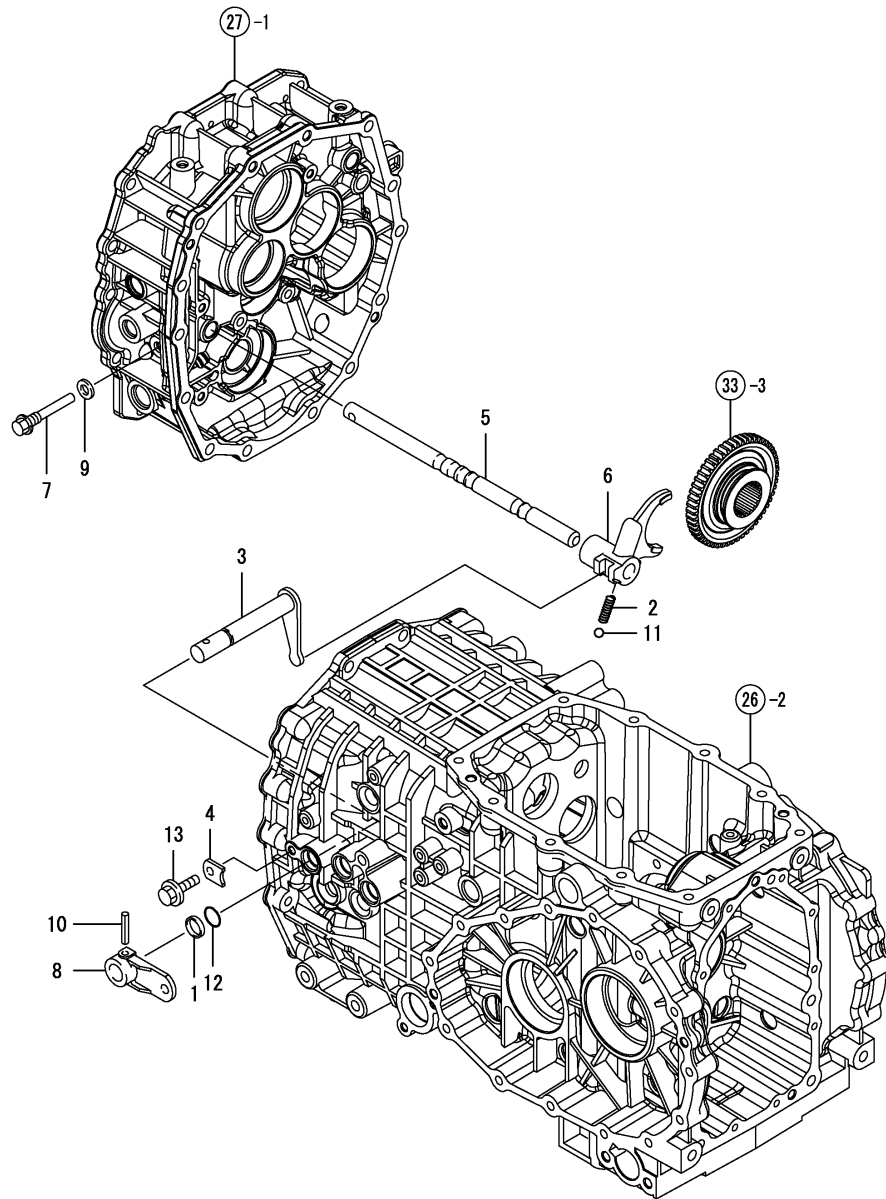
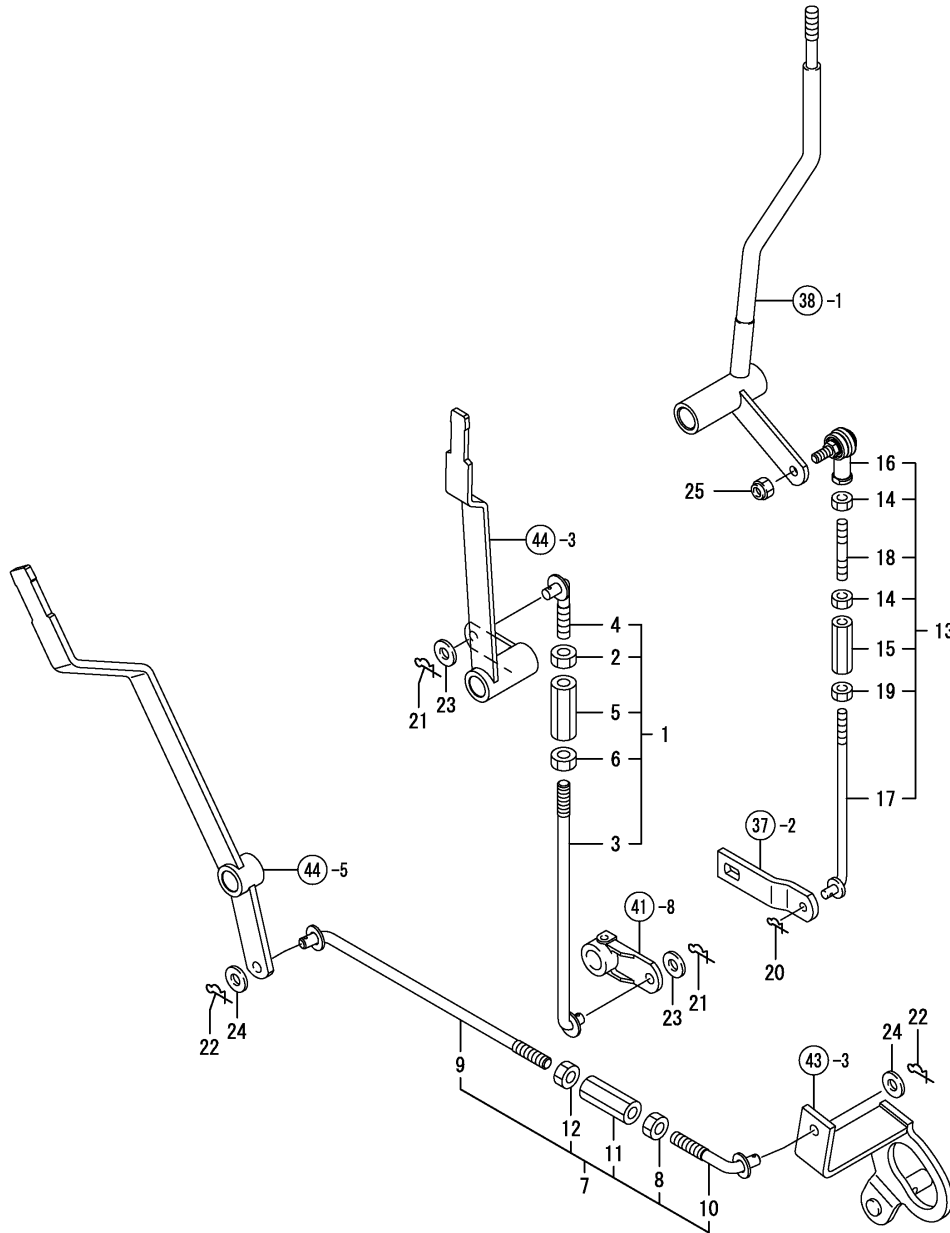


Fig.42. SHIFT LINK

(A)=EF227E  
(B)=EF230E  
(C)=EF233E

(D)=  
(E)=  
(F)=



No.	Lev.	Parts No.	Description	Qty						I	R
				(A)	(B)	(C)	(D)	(E)	(F)		
1	1	198280-27650	ROD ASSY	1	1	1					
2	2	194150-22480	NUT, M10 L	1	1	1					
3	2	198280-27660	ROD ASSY, M10	1	1	1					
4	2	198121-28160	ROD, M10	1	1	1					
5	2	194250-47490	TURNBUCKLE 10X50	1	1	1					
6	2	26716-100002	NUT, M10	1	1	1					
7	1	198282-27960	ROD, PTO	1	1	1					
8	2	194150-22480	NUT, M10 L	1	1	1					
9	2	198282-27970	ROD ASSY, PTO A	1	1	1					
10	2	198280-28000	BOLT, M10L	1	1	1					
11	2	194250-47490	TURNBUCKLE 10X50	1	1	1					
12	2	26716-100002	NUT, M10	1	1	1					
13	1	198200-28051	END ASSY, ROD	1	1	1					
14	2	194990-20170	NUT, M8	2	2	2					
15	2	1C6140-43442	TURNBUCKLE, 8X46	1	1	1					
16	2	194820-27370	END, ROD L	1	1	1					
17	2	198200-28061	ROD, SHIFT	1	1	1					
18	2	198200-28080	ROD	1	1	1					
19	2	26716-080002	NUT, M8	1	1	1					
20	1	1C6281-52320	PIN, SNAP 8	1	1	1					
21	1	1C6360-65700	PIN, SNAP 10	2	2	2					
22	1	1C6360-65700	PIN, SNAP 10	2	2	2					
23	1	22137-100000	WASHER, 10	2	2	2					
24	1	22137-100000	WASHER, 10	2	2	2					
25	1	26346-080002	NUT, M8	1	1	1					

Fig.43. P.T.O. SHIFT

(A)=EF227E  
(B)=EF230E  
(C)=EF233E

(D)=  
(E)=  
(F)=

No.	Lev.	Parts No.	Description	Qty						I	R
				(A)	(B)	(C)	(D)	(E)	(F)		
1	1	194680-27540	SPRING, FORK LOCK	1	1	1					
2	1	198280-27710	ARM, SHIFT	1	1	1					
3	1	198282-27740	ARM, PTO. SHIFT	1	1	1					
4	1	198280-27770	SHAFT, PTO FORK	1	1	1					
5	1	198282-27780	FORK, PTO SHIFT	1	1	1					
6	1	198280-27790	BOLT, SET M8	1	1	1					
7	1	198121-28380	COLLAR, ARM	1	1	1					
8	1	22190-080000	WASHER, SEAL 8	1	1	1					
9	1	22190-100000	WASHER, SEAL 10	1	1	1					
10	1	22351-060025	PIN, SPRING 6.0X25	1	1	1					
11	1	22351-060025	PIN, SPRING 6.0X25	1	1	1					
12	1	24190-080001	BALL, STEEL 1/4	1	1	1					
13	1	24311-000150	O-RING, 1AP15.0	1	1	1					
14	1	26106-100302	BOLT, M10X 30 PLATED	1	1	1					

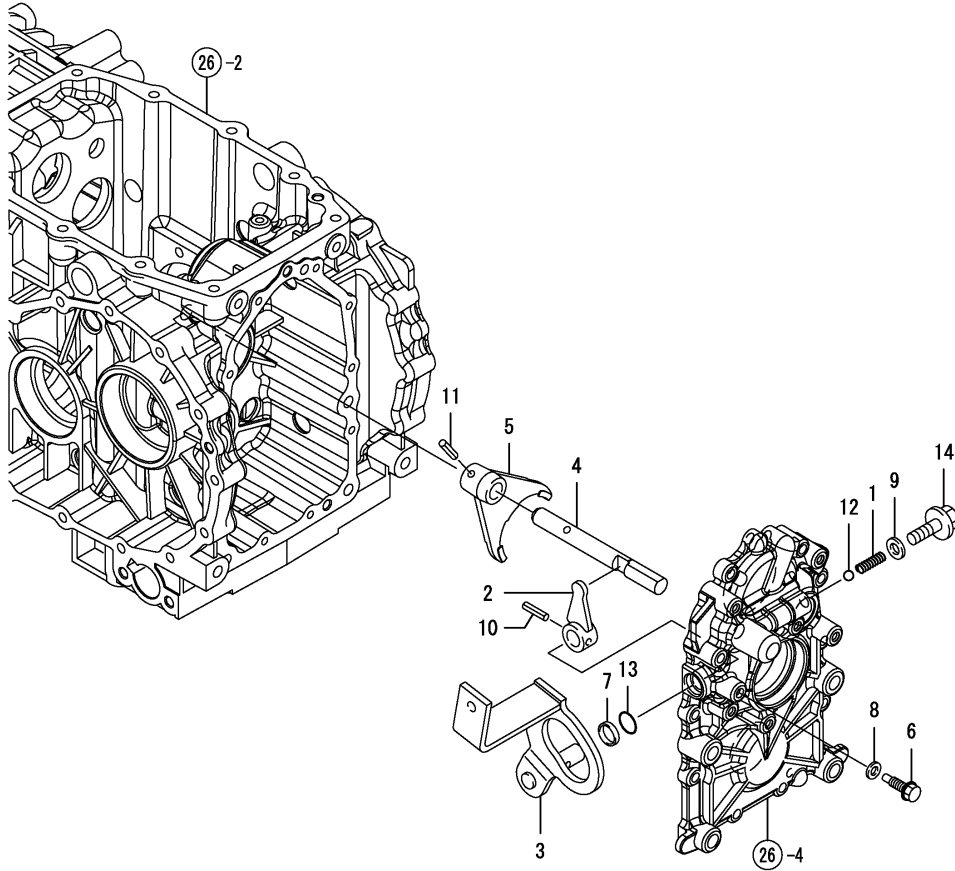
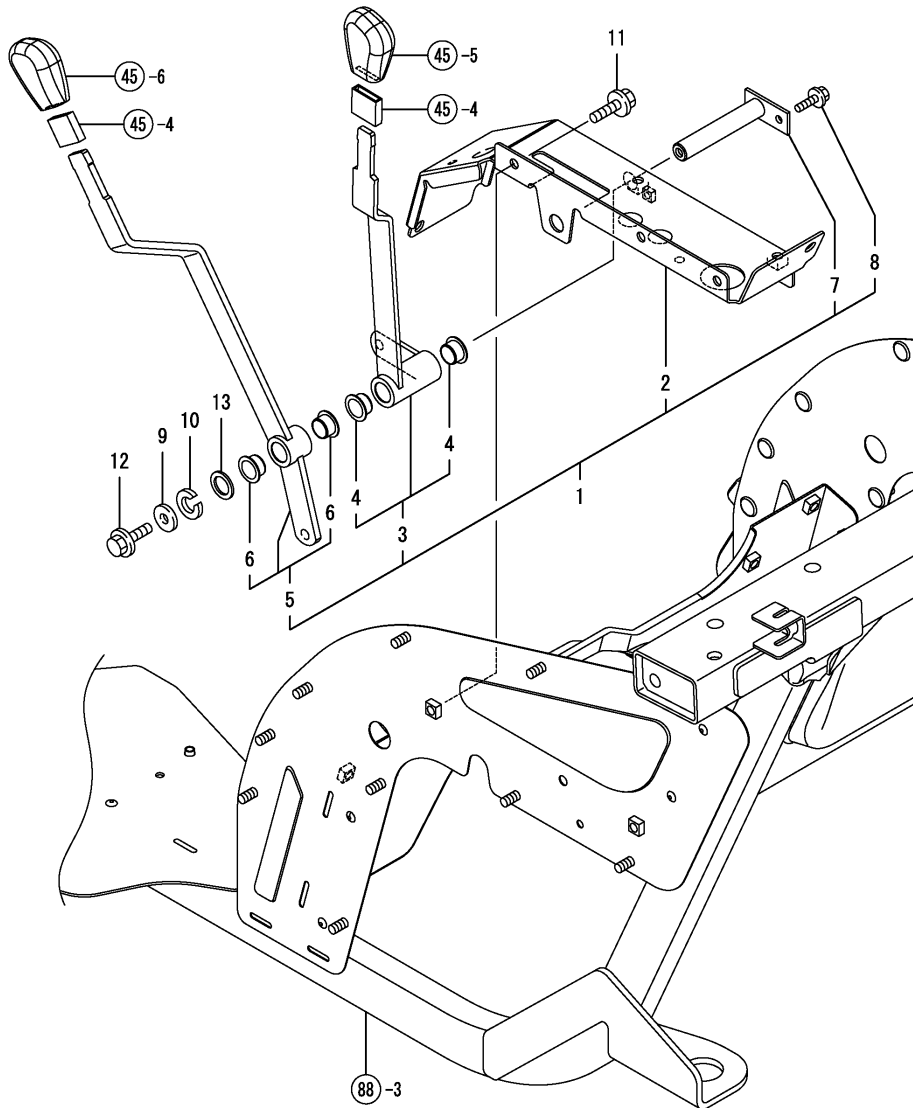


Fig.44. SUB CHANGE & P.T.O. LEVER



(A)=EF227E  
(B)=EF230E  
(C)=EF233E

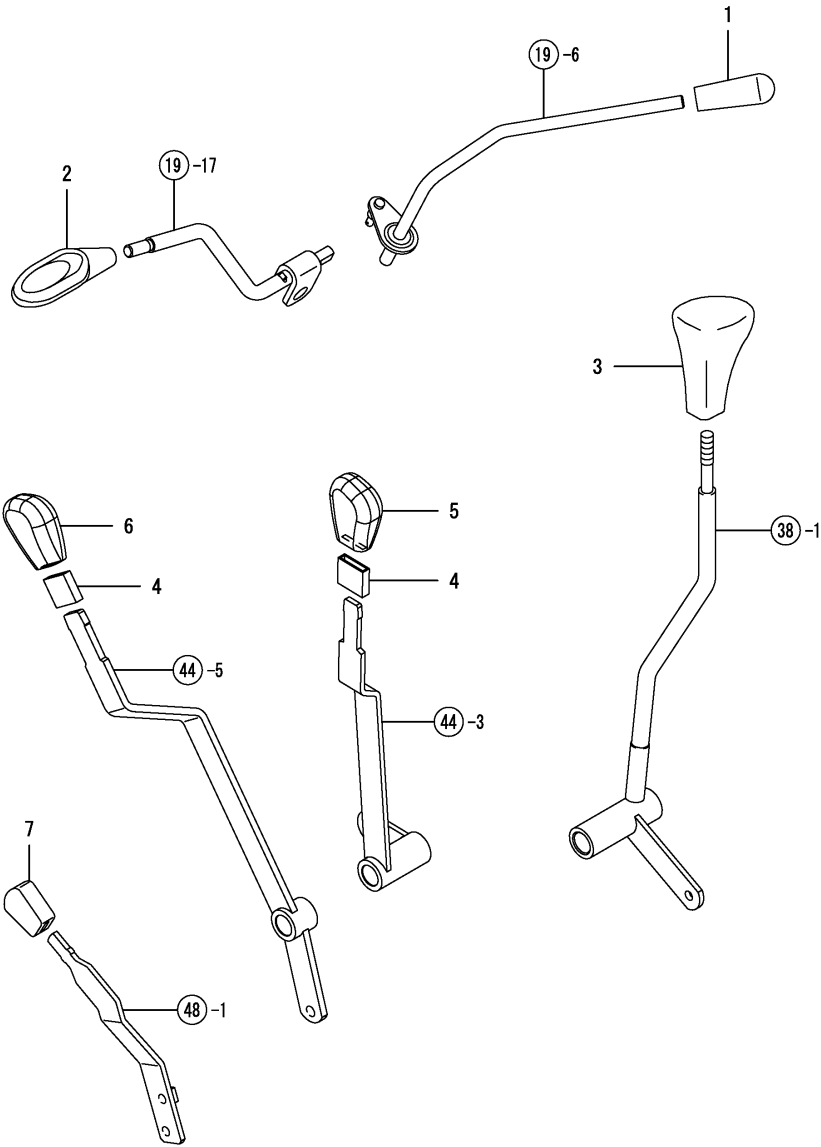
(D)=  
(E)=  
(F)=

No.	Lev.	Parts No.	Description	Q'ty						I	R
				(A)	(B)	(C)	(D)	(E)	(F)		
1	1	198282-27800	LEVER ASSY	1	1	1					
1-1	1	198282-27801	LEVER ASSY	1	1	1					N
		(A=FZZZZZ) (B=FZZZZZ) (C=FZZZZZ)									
1-2	1	198282-27802	LEVER, PTO	1	1	1					N
		(A=FZZZZZ) (B=FZZZZZ) (C=FZZZZZ)									
2	2	198200-27640	BRACKET, LEVER L	1	1	1					
2-1	2	198200-27641	BRACKET, LEVER L	1	1	1					N
		(A=FZZZZZ) (B=FZZZZZ) (C=FZZZZZ)									
3	2	198282-27820	LEVER ASSY, SHIFT	1	1	1					
4	3	1S6489-63330	BUSH, LFF1610	2	2	2					
5	2	198282-27880	LEVER ASSY, PTO SHIF	1	1	1					
5-1	2	198282-27881	LEVER ASSY, PTO	1	1	1					N
		(A=FZZZZZ) (B=FZZZZZ) (C=FZZZZZ)									
6	3	1S6489-63330	BUSH, LFF1610	2	2	2					
7	2	198200-28660	SHAFT, LEVER	1	1	1					
8	2	26116-060122	BOLT, M6X 12 PLATED	1	1	1					
9	1	22157-080000	WASHER, 8	1	1	1					
10	1	22217-160000	WASHER, SPRING 16	1	1	1					
11	1	26106-080162	BOLT, M8X 16 PLATED	4	4	4					
12	1	26106-080162	BOLT, M8X 16 PLATED	1	1	1					
13	1	1A7550-35570	COLLAR, 25X17X2	1	1	1					W
		(A=FZZZZZ) (B=FZZZZZ) (C=FZZZZZ)									

Fig.45. KNOB

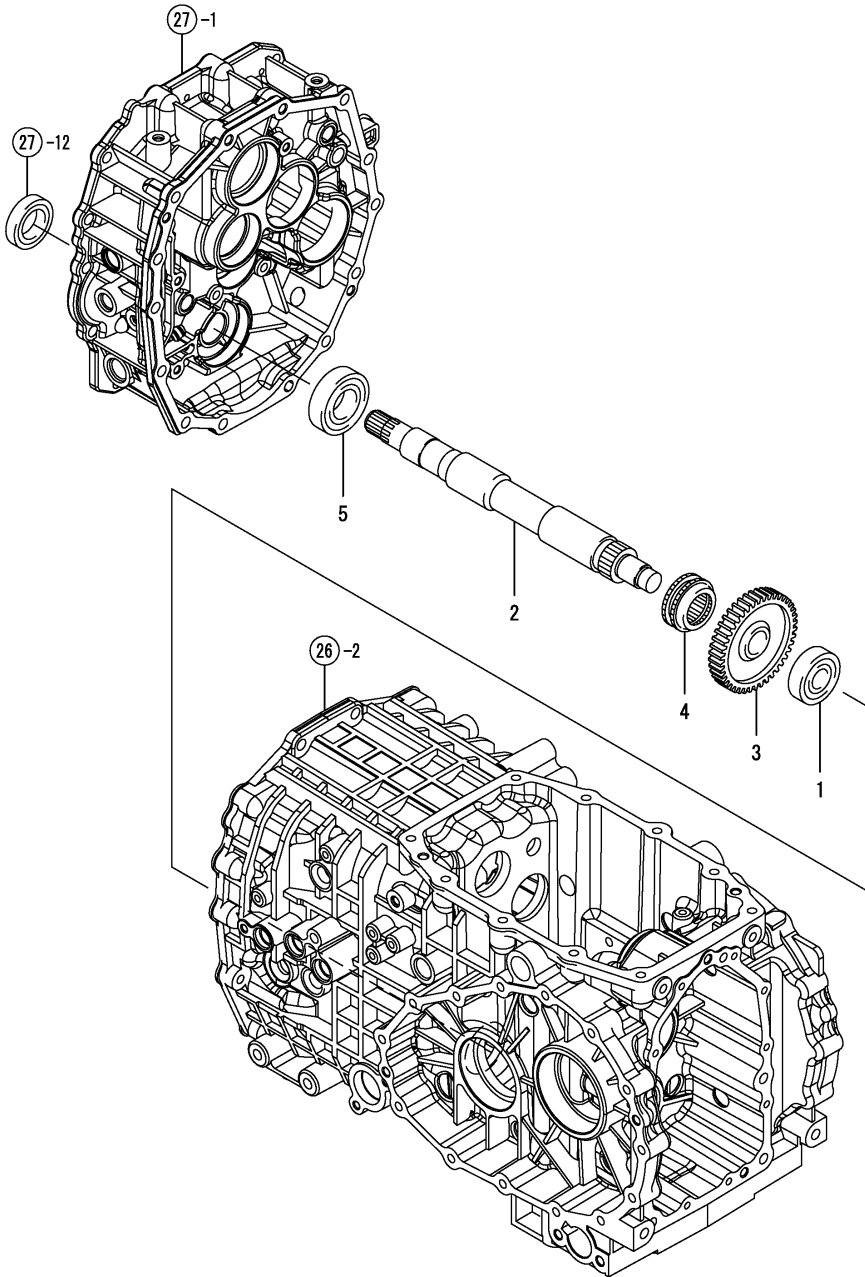
(A)=EF227E  
(B)=EF230E  
(C)=EF233E

(D)=  
(E)=  
(F)=



No.	Lev.	Parts No.	Description	Qty						I	R
				(A)	(B)	(C)	(D)	(E)	(F)		
1	1	194464-01190	KNOB, LEVER	1	1	1					
2	1	198273-18350	KNOB, LEVER	1	1	1					
3	1	1A7600-27310	KNOB, MAIN SHIFT	1	1	1					
4	1	174845-27700	BOOT, SHAFT	2	2	2					
5	1	198200-27810	KNOB, ORANGE	1	1	1					
5-1	1	198200-27811	KNOB, ORANGE	1	1	1					N
(A=FZZZZZ) (B=FZZZZZ) (C=FZZZZZ)											
6	1	198200-27910	KNOB, YELLOW	1	1	1					
6-1	1	198200-27911	KNOB, YELLOW	1	1	1					N
(A=FZZZZZ) (B=FZZZZZ) (C=FZZZZZ)											
7	1	198273-28520	KNOB, PARKING BRAKE	1	1	1					
7-1	1	198273-28521	KNOB, PARKING BRAKE	1	1	1					N
(A=FZZZZZ) (B=FZZZZZ) (C=FZZZZZ)											

Fig.46. FRONT DRIVE

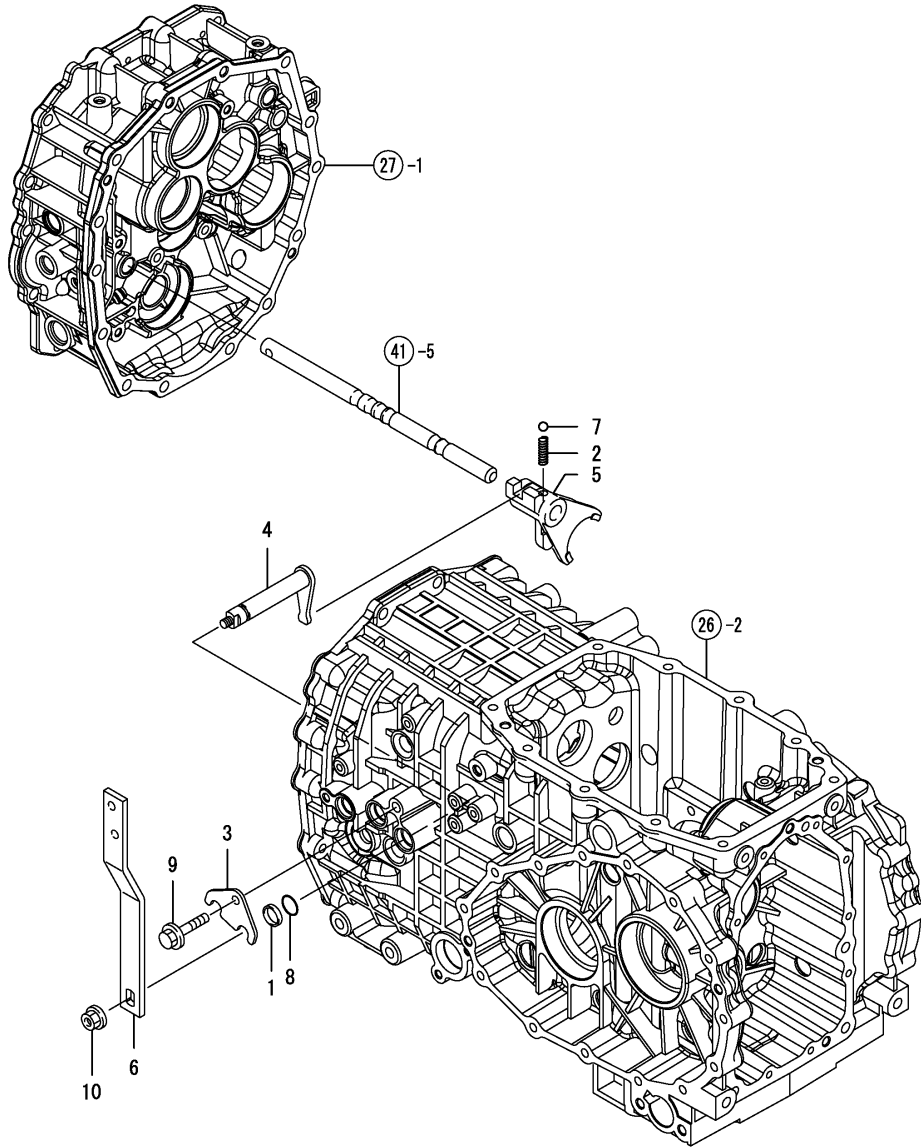


(A)=EF227E  
(B)=EF230E  
(C)=EF233E

(D)=  
(E)=  
(F)=

No.	Lev.	Parts No.	Description	Q'ty						I	R
				(A)	(B)	(C)	(D)	(E)	(F)		
1	1	194447-13860	BEARING, TMB304CX1	1	1	1					
2	1	198282-28180	SHAFT, FRONT DRIVE	1	1	1					
3	1	198282-28340	GEAR, DRIVE 43	1	1	1					
4	1	198282-28360	SHIFTER	1	1	1					
5	1	24101-062064	BEARING, BALL 6206	1	1	1					

Fig.47. FRONT SHIFT



(A)=EF227E  
(B)=EF230E  
(C)=EF233E

(D)=  
(E)=  
(F)=

No.	Lev.	Parts No.	Description	Q'ty						I	R
				(A)	(B)	(C)	(D)	(E)	(F)		
1	1	198119-27150	COLLAR, ARM	1	1	1					
2	1	194145-27450	SPRING	1	1	1					
3	1	198200-27730	PLATE, KEEP A	1	1	1					
4	1	198282-28410	ARM, SHIFT	1	1	1					
5	1	198282-28430	FORK, 4WD SHIFT	1	1	1					
6	1	198282-28440	ARM, CHANGE	1	1	1					
7	1	24190-100001	BALL, STEEL 5/16	1	1	1					
8	1	24311-000160	O-RING, 1AP16.0	1	1	1					
9	1	26106-080402	BOLT, M8X 40 PLATED	1	1	1					
10	1	26366-080002	NUT, M8	1	1	1					

Fig.48. 4WD LEVER

(A)=EF227E  
 (B)=EF230E  
 (C)=EF233E

(D)=  
 (E)=  
 (F)=

No.	Lev.	Parts No.	Description	Qty						I	R
				(A)	(B)	(C)	(D)	(E)	(F)		
1	1	198282-28460	LEVER, 4WD	1	1	1					
2	1	26106-080202	BOLT, M8X 20 PLATED	2	2	2					

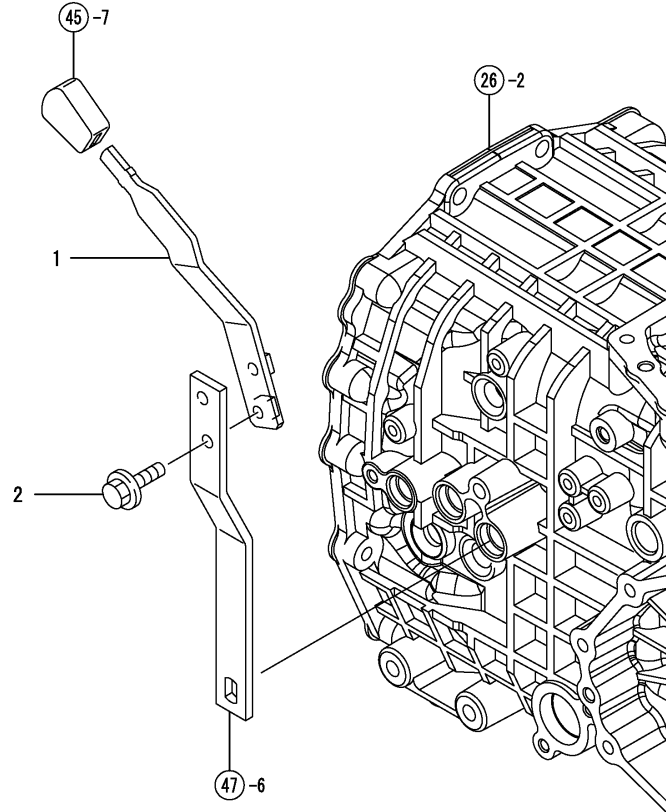
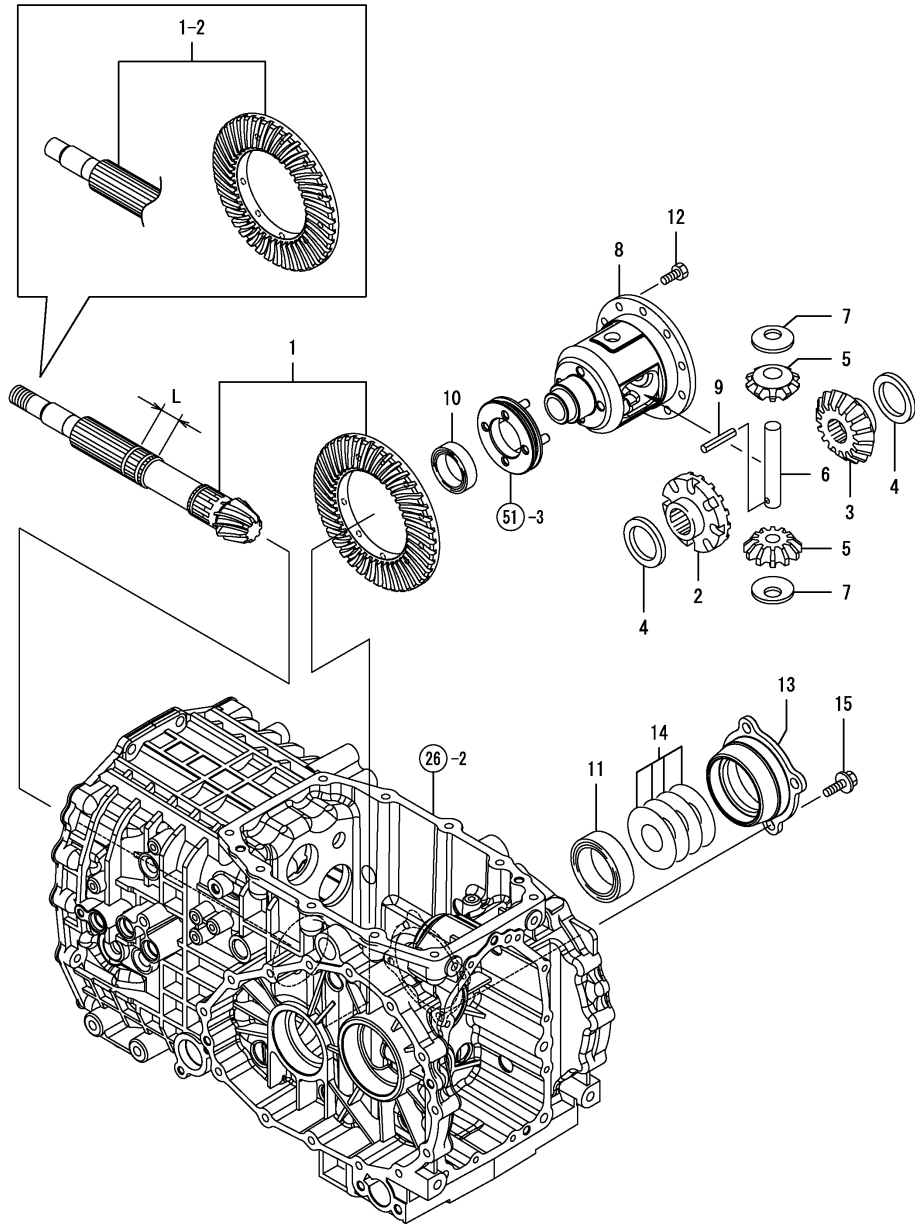




Fig.49. RING GEAR & DIFFERENTIAL GEAR



(A)=EF227E  
(B)=EF230E  
(C)=EF233E

(D)=  
(E)=  
(F)=

No.	Lev.	Parts No.	Description	Qty						I	R
				(A)	(B)	(C)	(D)	(E)	(F)		
1	1	198200-31400	GEAR ASSY, RING	1	1	1					
1-1	1	198200-31401	GEAR ASSY, RING	1	1	1					S 1
		(A=FZZZZZ) (B=FZZZZZ) (C=FZZZZZ)									
1-2	1	198200-31402	GEAR ASSY, RING	1	1	1					S
		(A=FZZZZZ) (B=FZZZZZ) (C=FZZZZZ)									
2	1	198200-31510	GEAR, DIFFERENTIAL L	1	1	1					
3	1	194525-31520	GEAR, DIFFERENTIAL R	1	1	1					
4	1	194515-31610	WASHER, DIFFERENTIAL	2	2	2					
5	1	198200-31810	PINION, DIFFERENTIAL	2	2	2					
6	1	198200-31820	SHAFT, DIFFERENTIAL	1	1	1					
7	1	194515-31850	WASHER, DIFFERENTIAL	2	2	2					
8	1	198200-32110	CASE, DIFFERENTIAL	1	1	1					
9	1	22351-040040	PIN, SPRING 4.0X40	1	1	1					
10	1	24101-060074	BEARING, BALL 6007	1	1	1					
11	1	24101-062074	BEARING, BALL 6207	1	1	1					
12	1	26116-080162	BOLT, M8X 16 PLATED	10	10	10					
13	1	198200-32320	CARRIER	1	1	1					
14	1	194850-32340	SHIM SET	1	1	1					
15	1	26106-100252	BOLT, M10X 25 PLATED	4	4	4					

Remarks

(1) L= Ref.No.1 20.8mm, 1-1 14.6mm.

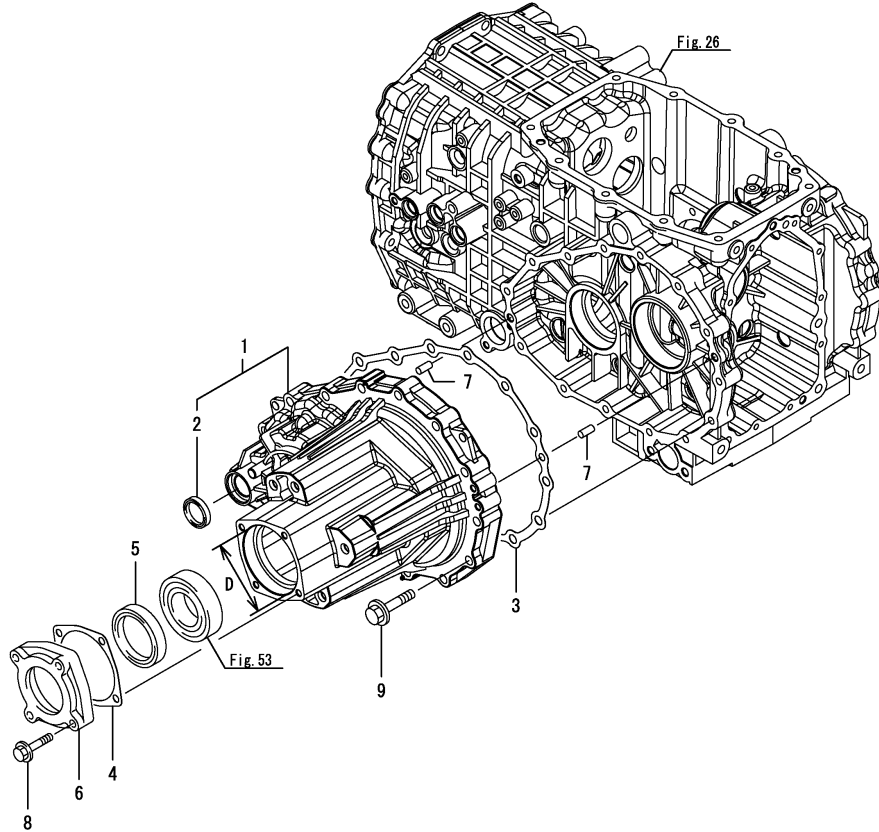
N:Old  $\xrightarrow{\text{Yes}}$  New, Q:Old  $\xrightarrow{\text{No}}$  New, R:Old  $\xrightarrow{\text{Yes}}$  New, S:Old  $\xrightarrow{\text{No}}$  New, W:Add, Z:Discontinued, F:Interchangeable by set, K:Qty Change

Fig.50. REAR HOUSING

(A)=EF227E  
(B)=EF230E  
(C)=EF233E

(D)=  
(E)=  
(F)=

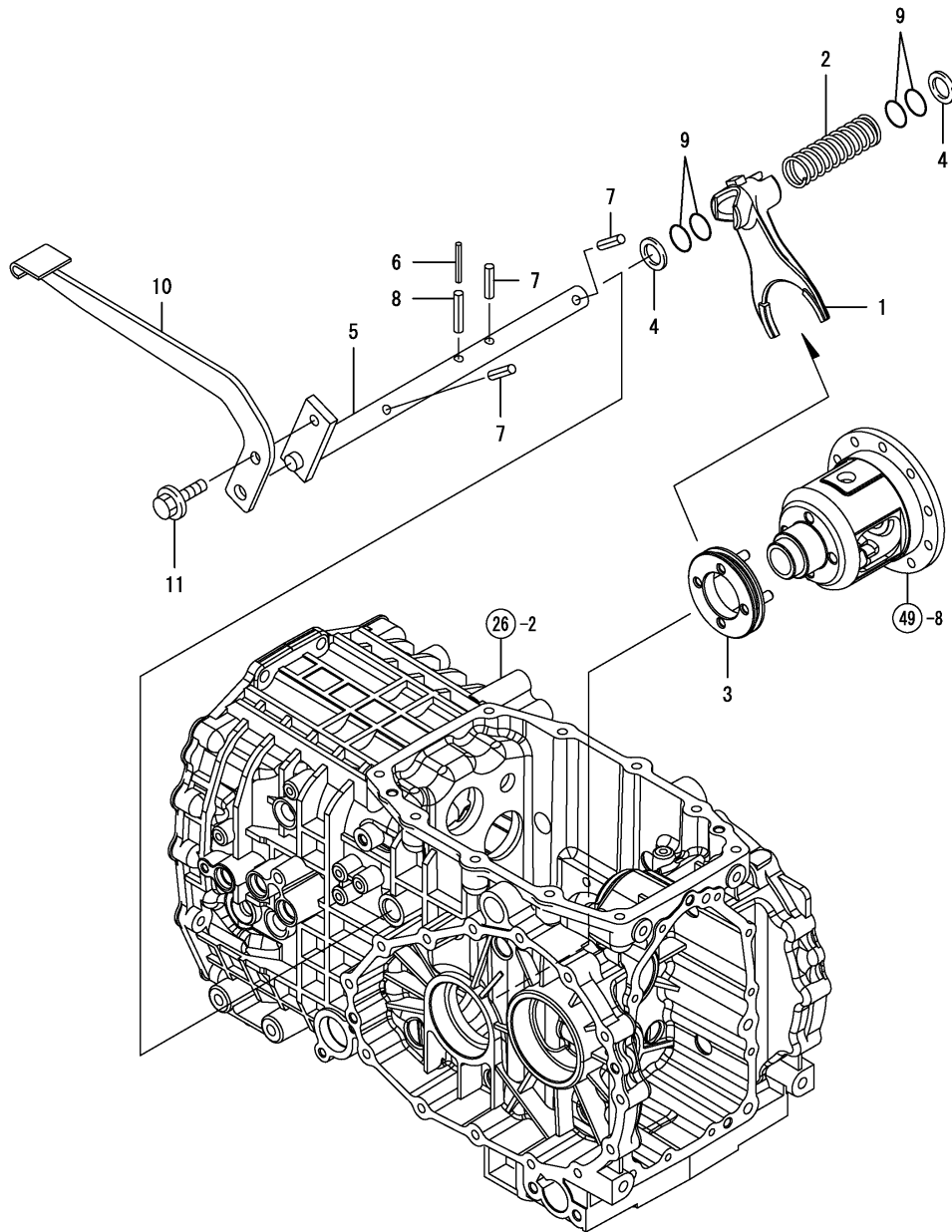
No.	Lev.	Parts No.	Description	Q'ty						I	R
				(A)	(B)	(C)	(D)	(E)	(F)		
1	1	198200-32600	HOUSING ASSY, AXLE	2	2	2					
1-1	1	198200-32601-1	HOUSING ASSY, AXLE	2	2	2				S	1
		(A=FZZZZZ) (B=FZZZZZ) (C=FZZZZZ)									
2	2	198290-32750	SEAL, OIL TC253506	2	2	2					
3	1	198200-32630	GASKET, REAR AXLE	2	2	2					
4	1	198200-32660	GASKET, SEAL CASE	2	2	2					
5	1	198475-32660	SEAL, QLN527514.5	2	2	2					
6	1	198200-32731	CASE, OIL SEAL	2	2	2					
7	1	22312-080140	PIN, PARALLEL M8X14	4	4	4					
8	1	26106-080402	BOLT, M8X 40 PLATED	8	8	8					
9	1	26106-100502	BOLT, M10X 50 PLATED	28	28	28					



Remarks

(1) D=Ref.No.1 75mm, 1-1 75.4mm.  
Refer to Fig.106 for the repair part.

Fig.51. DIFFERENTIAL LOCK



(A)=EF227E  
(B)=EF230E  
(C)=EF233E

(D)=  
(E)=  
(F)=

No.	Lev.	Parts No.	Description	Qty						I	R
				(A)	(B)	(C)	(D)	(E)	(F)		
1	1	198200-33111	FORK, LOCK	1	1	1					
2	1	194420-33150	SPRING, RETURN	1	1	1					
3	1	198200-33150	SLIDER, LOCK	1	1	1					
4	1	194300-33200	SPACER, 20X32X3.2	2	2	2					
5	1	198280-33210	SHAFT ASSY, LOCK	1	1	1					
6	1	22351-050040	PIN, SPRING 5.0X40	1	1	1					
7	1	22351-080032	PIN, SPRING 8.0X32	3	3	3					
8	1	22351-080040	PIN, SPRING 8.0X40	1	1	1					
9	1	24311-000200	O-RING, 1AP20.0	4	4	4					
10	1	198200-33250	PEDAL, LOCK	1	1	1					
11	1	26106-100202	BOLT, M10X 20 PLATED	1	1	1					

Fig.52. FINAL PINION & FINAL GEAR

(A)=EF227E  
(B)=EF230E  
(C)=EF233E

(D)=  
(E)=  
(F)=

No.	Lev.	Parts No.	Description	Q'ty						I	R
				(A)	(B)	(C)	(D)	(E)	(F)		
1	1	198200-33410	PINION, FINAL L 9T	1	1	1					
2	1	198200-33420	PINION, FINAL R 9T	1	1	1					
3	1	24101-063064	BEARING, BALL 6306	4	4	4					
4	1	198200-33511	GEAR, FINAL 56T	2	2	2					

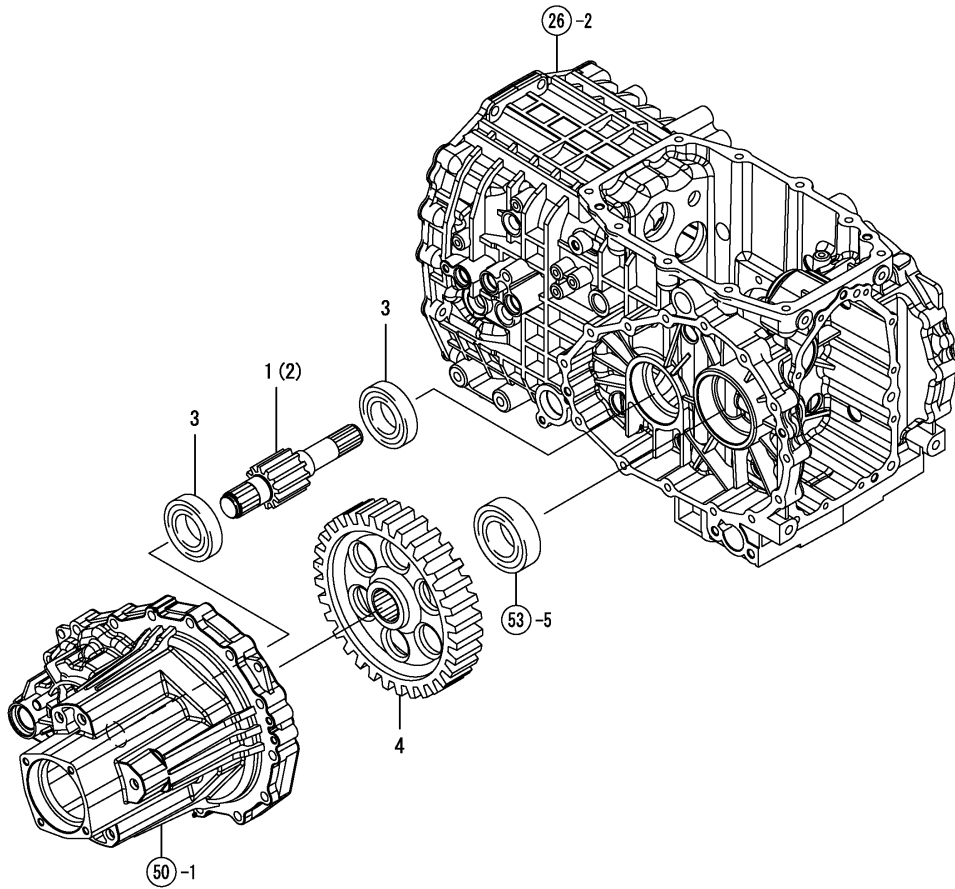


Fig.53. REAR AXLE SHAFT

(A)=EF227E  
(B)=EF230E  
(C)=EF233E

(D)=  
(E)=  
(F)=

No.	Lev.	Parts No.	Description	Qty						I	R
				(A)	(B)	(C)	(D)	(E)	(F)		
1	1	194440-32580	COLLAR, 45X55X20	2	2	2					
2	1	198206-34112	SHAFT, REAR AXLE	2	2	2					
3	1	198196-34140	RING, 45	4	4	4					
4	1	24101-062094	BEARING, BALL 6209	2	2	2					
5	1	24101-063074	BEARING, BALL 6307	2	2	2					

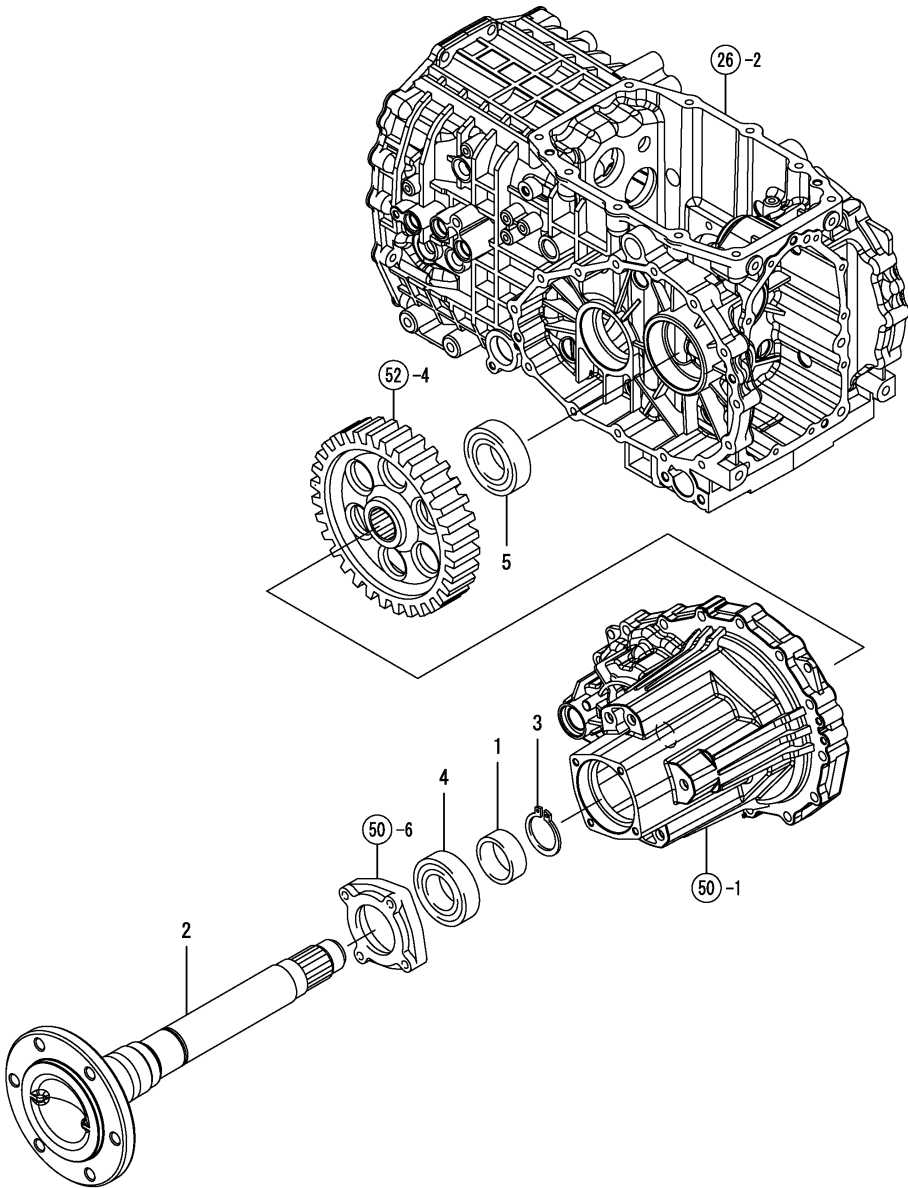


Fig.54. REAR WHEEL TIRE

(A)=EF227E  
(B)=EF230E  
(C)=EF233E

(D)=  
(E)=  
(F)=

No.	Lev.	Parts No.	Description	Q'ty						I	R
				(A)	(B)	(C)	(D)	(E)	(F)		
1	1	198282-34700	TIRE, REAR 9.5-24HL	1	1	1					
2	2	198206-34650	WHEEL, W7X24	1	1	1					
3	2	194433-34910	TIRE, 9.5-24 4 FSLF	1	1	1					
4	2	194433-34920	TUBE	1	1	1					
5	2	194190-34730	HOUSING, CORE	1	1	1					
6	1	198282-34800	TIRE, REAR 9.5-24HR	1	1	1					
7	2	198206-34650	WHEEL, W7X24	1	1	1					
8	2	194433-34910	TIRE, 9.5-24 4 FSLF	1	1	1					
9	2	194433-34920	TUBE	1	1	1					
10	2	194190-34730	HOUSING, CORE	1	1	1					
11	1	194881-12650	BOLT, M14X24	8	8	8					
12	1	194279-14220	WASHER, 14	4	4	4					
13	1	198200-34130	STUD, M14X31	4	4	4					
14	1	198200-34190	NUT, M14	4	4	4					

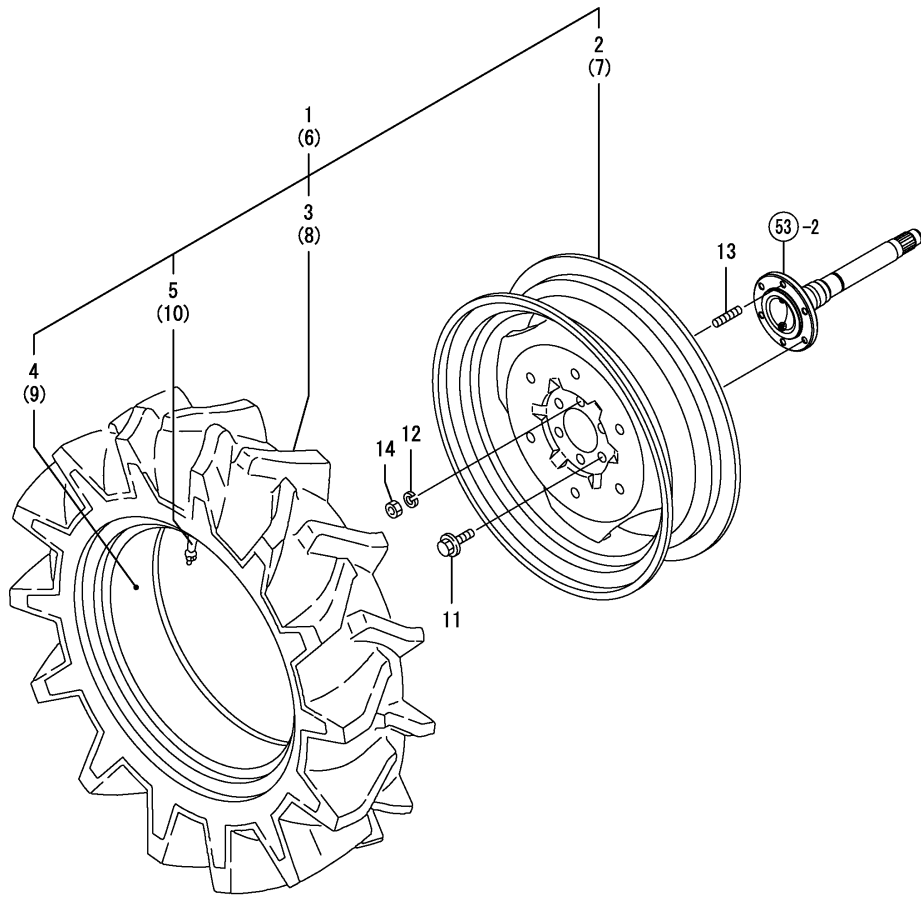
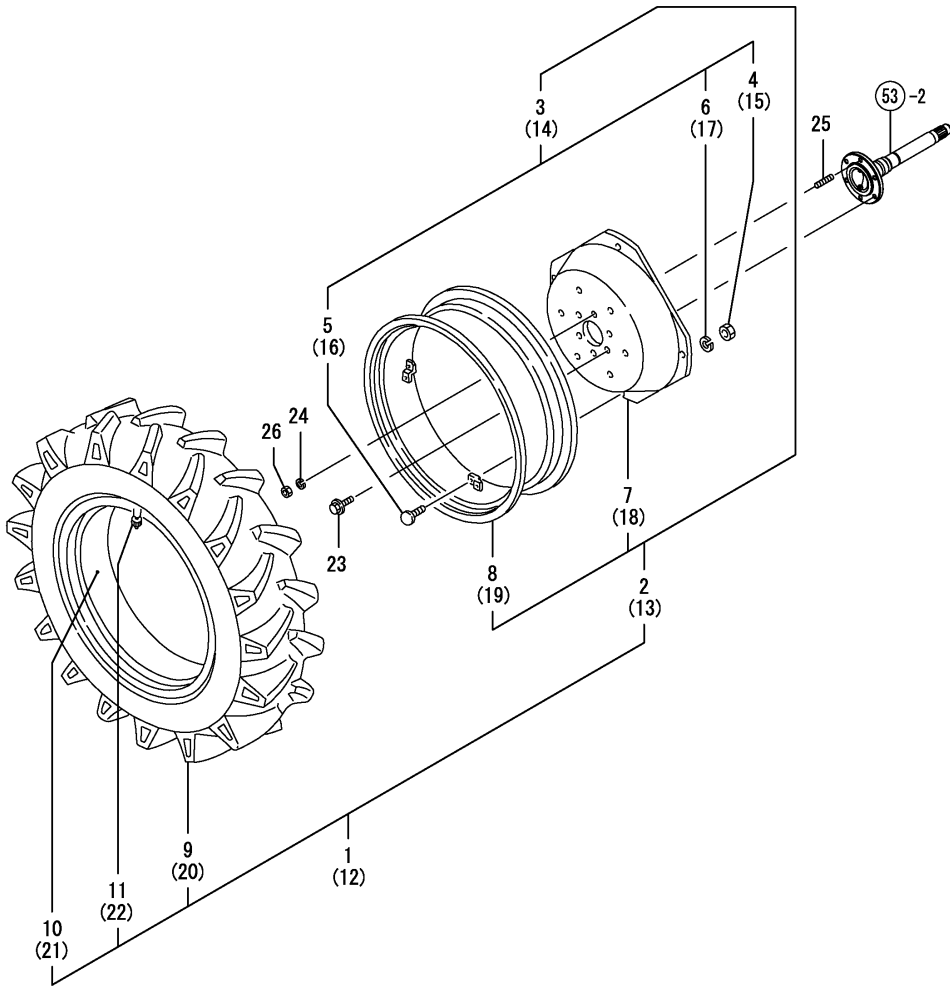


Fig.55. REAR WHEEL TIRE



(A)=EF227E  
(B)=EF230E  
(C)=EF233E

(D)=  
(E)=  
(F)=

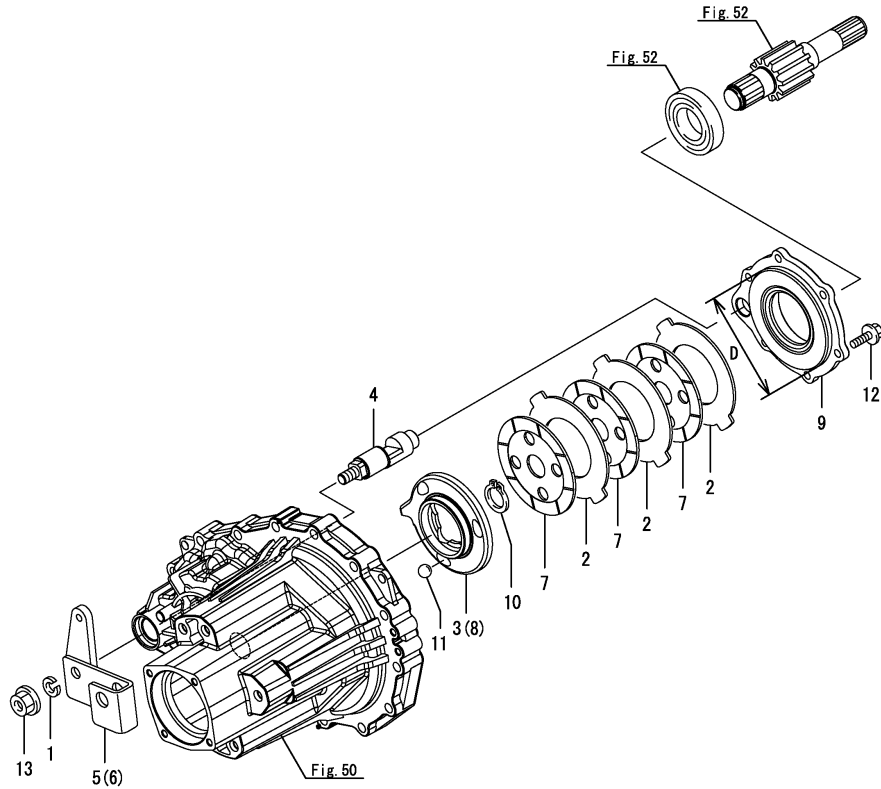
No.	Lev.	Parts No.	Description	Qty						I	R
				(A)	(B)	(C)	(D)	(E)	(F)		
1	1	198287-34700	TIRE, REAR 11.2-24L	1	1	1					
2	2	198287-34650	WHEEL ASSY, DCW9X34W	1	1	1					
3	3	198255-34100	BOLT KIT, M16X35	1	1	1					
4	4	194181-14180	NUT, M16	4	4	4					
5	4	194681-14790	BOLT, M16X35	4	4	4					
6	4	194065-34170	WASHER, 16	4	4	4					
7	3	198287-34810	WHEEL, W9X24D	1	1	1					
8	3	194130-34891	RIM W9X24	1	1	1					
9	2	194432-34910	TIRE	1	1	1					
10	2	194432-34920	TUBE	1	1	1					
11	2	194190-34730	HOUSING, CORE	1	1	1					
12	1	198287-34800	TIRE, REAR 11.2-24R	1	1	1					
13	2	198287-34650	WHEEL ASSY, DCW9X34W	1	1	1					
14	3	198255-34100	BOLT KIT, M16X35	1	1	1					
15	4	194181-14180	NUT, M16	4	4	4					
16	4	194681-14790	BOLT, M16X35	4	4	4					
17	4	194065-34170	WASHER, 16	4	4	4					
18	3	198287-34810	WHEEL, W9X24D	1	1	1					
19	3	194130-34891	RIM W9X24	1	1	1					
20	2	194432-34910	TIRE	1	1	1					
21	2	194432-34920	TUBE	1	1	1					
22	2	194190-34730	HOUSING, CORE	1	1	1					
23	1	194881-12650	BOLT, M14X24	8	8	8					
24	1	194279-14220	WASHER, 14	4	4	4					
25	1	198200-34130	STUD, M14X31	4	4	4					
26	1	198200-34190	NUT, M14	4	4	4					

Fig.56. BRAKE

(A)=EF227E  
(B)=EF230E  
(C)=EF233E

(D)=  
(E)=  
(F)=

No.	Lev.	Parts No.	Description	Qty						I	R
				(A)	(B)	(C)	(D)	(E)	(F)		
1	1	194274-13580	WASHER, SPRING 12	2	2	2					
2	1	1C6560-15071	PLATE STEEL	6	6	6					
2-1	1	198200-36390	PLATE, STEEL	6	6	6					R
				(A=FXXXXX)		(B=FXXXXX)		(C=FXXXXX)			
3	1	198200-36310	ACTUATOR	1	1	1					
4	1	198200-36340	CAMSHAFT	2	2	2					
5	1	198280-36350	ARM, BRAKE L	1	1	1					
6	1	198280-36360	ARM, BRAKE R	1	1	1					
7	1	198200-36380	PLATE, FRICTION 114	6	6	6					
8	1	198200-36410	ACTUATOR	1	1	1					
9	1	198200-36421	HOLDER, BEARING	2	2	2					
9-1	1	198200-36422	HOLDER, BEARING	2	2	2					S 1
				(A=FZZZZZ)		(B=FZZZZZ)		(C=FZZZZZ)			
10	1	22242-000260	RING, 26	2	2	2					
11	1	24190-170001	BALL, STEEL 17/32	6	6	6					
12	1	26106-080252	BOLT, M8X 25 PLATED	12	12	12					
13	1	26376-120002	NUT, M12	2	2	2					



Remarks

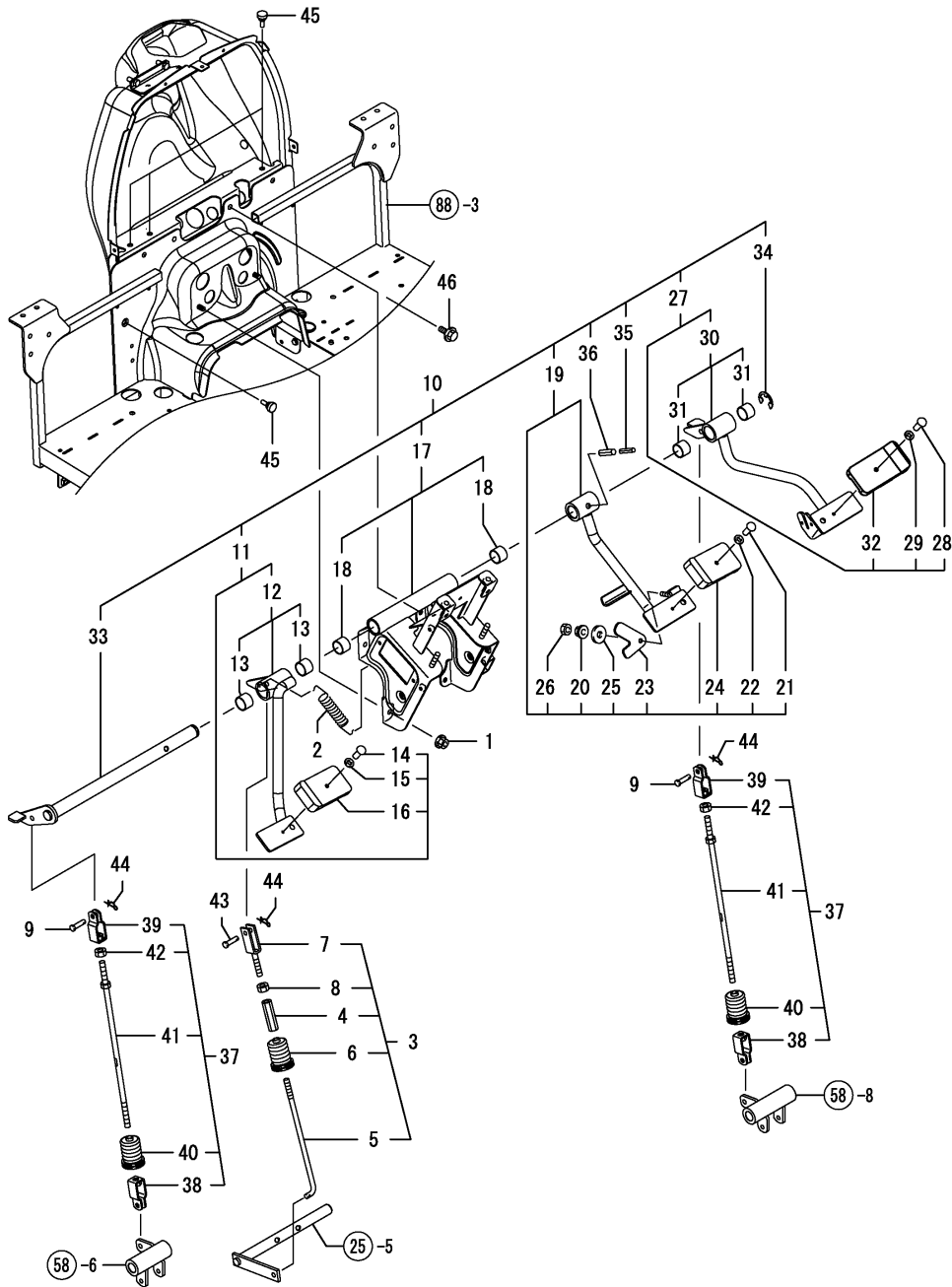
(1) D=Ref.No.9 118.5mm, 9-1 120.4mm.  
Refer to Fig.106 for the repair part.



Fig.57. PEDAL

(A)=EF227E  
(B)=EF230E  
(C)=EF233E

(D)=  
(E)=  
(F)=



No.	Lev.	Parts No.	Description	Q'ty						I	R
				(A)	(B)	(C)	(D)	(E)	(F)		
1	1	194990-22140	NUT, M8	2	2	2					
2	1	198200-22510	SPRING, RETURN	1	1	1					
2-1	1	1A8115-22510	SPRING, RETURN	1	1	1					N
				(A=FZZZZZ)	(B=FZZZZZ)	(C=FZZZZZ)					
3	1	198200-22650	ROD ASSY, CLUTCH	1	1	1					
4	2	194300-22260	TURNBUCKLE, M10	1	1	1					
5	2	198200-22690	ROD, CLUTCH	1	1	1					
6	2	198448-37450	BOOT, ROD	1	1	1					
7	2	194130-37750	JOINT, 2-WAY	1	1	1					
8	2	26716-100002	NUT, M10	1	1	1					
9	1	194312-27780	PIN, 8,9	2	2	2					
10	1	198282-37200	PEDAL	1	1	1					
11	2	198200-22380	PEDAL, CLUTCH	1	1	1					
12	3	198200-22400	PEDAL ASSY, CLUTCH	1	1	1					
13	4	198448-37360	BUSH, 25X28X20	2	2	2					
13-1	3	24550-025200	BUSH, 25X20	2	2	2					R
				(A=FZZZZZ)	(B=FZZZZZ)	(C=FZZZZZ)					
14	3	198133-22510	RIVET, PEDAL HEAD	1	1	1					
15	3	198133-22530	WASHER, RIVET	1	1	1					
16	3	198071-37510	COVER, HEAD	1	1	1					
17	2	198200-37270	BRACKET, PEDAL	1	1	1					
18	3	198448-37360	BUSH, 25X28X20	2	2	2					
18-1	3	24550-025200	BUSH, 25X20	2	2	2					R
				(A=FZZZZZ)	(B=FZZZZZ)	(C=FZZZZZ)					
19	2	198200-37290	PEDAL, BRAKE L	1	1	1					
20	3	194990-22140	NUT, M8	1	1	1					
21	3	198133-22510	RIVET, PEDAL HEAD	1	1	1					
22	3	198133-22530	WASHER, RIVET	1	1	1					
23	3	198200-37240	CONNECTOR	1	1	1					
24	3	198071-37510	COVER, HEAD	1	1	1					
25	3	22157-080000	WASHER, 8	1	1	1					
26	3	26716-080002	NUT, M8	1	1	1					
27	2	198282-37490	PEDAL, BRAKE R	1	1	1					
28	3	198133-22510	RIVET, PEDAL HEAD	1	1	1					
29	3	198133-22530	WASHER, RIVET	1	1	1					
30	3	198282-37400	PEDAL ASSY, BRAKE R	1	1	1					
31	4	198448-37360	BUSH, 25X28X20	2	2	2					
31-1	3	24550-025200	BUSH, 25X20	2	2	2					R
				(A=FZZZZZ)	(B=FZZZZZ)	(C=FZZZZZ)					
32	3	198071-37510	COVER, HEAD	1	1	1					
33	2	198282-37550	SHAFT ASSY, BRAKE	1	1	1					
34	2	22272-000190	RING, E-19	1	1	1					
35	2	22351-050045	PIN, SPRING 5.0X45	1	1	1					
36	2	22351-080045	PIN, SPRING 8.0X45	1	1	1					
37	1	198200-37610	ROD ASSY, BRAKE F	2	2	2					
38	2	198310-27370	JOINT, 2-WAY	2	2	2					
39	2	194312-27770	JOINT, 2-WAY	2	2	2					
40	2	198448-37450	BOOT, ROD	2	2	2					
41	2	198200-37660	ROD ASSY, BRAKE	2	2	2					
42	2	26716-100002	NUT, M10	2	2	2					
43	1	198220-37900	PIN, 8X24	1	1	1					

N:Old  $\frac{Yes}{No}$  New, Q:Old  $\frac{No}{Yes}$  New, R:Old  $\frac{Yes}{Yes}$  New, S:Old  $\frac{No}{No}$  New, W:Add, Z:Discontinued, F:Interchangeable by set, K:Q'ty Change  
 ++ CONTINUE ++  
 Copyright (C) YANMAR CO., LTD. All Rights Reserved.

Fig.57. PEDAL

(A)=EF227E  
(B)=EF230E  
(C)=EF233E

(D)=  
(E)=  
(F)=

No.	Lev.	Parts No.	Description	Q'ty						I	R
				(A)	(B)	(C)	(D)	(E)	(F)		
44	1	1C6281-52320	PIN, SNAP 8	3	3	3					
45	1	194330-62530	STOPPER, PEDAL	4	4	4					
46	1	26106-080162	BOLT, M8X 16 PLATED	2	2	2					

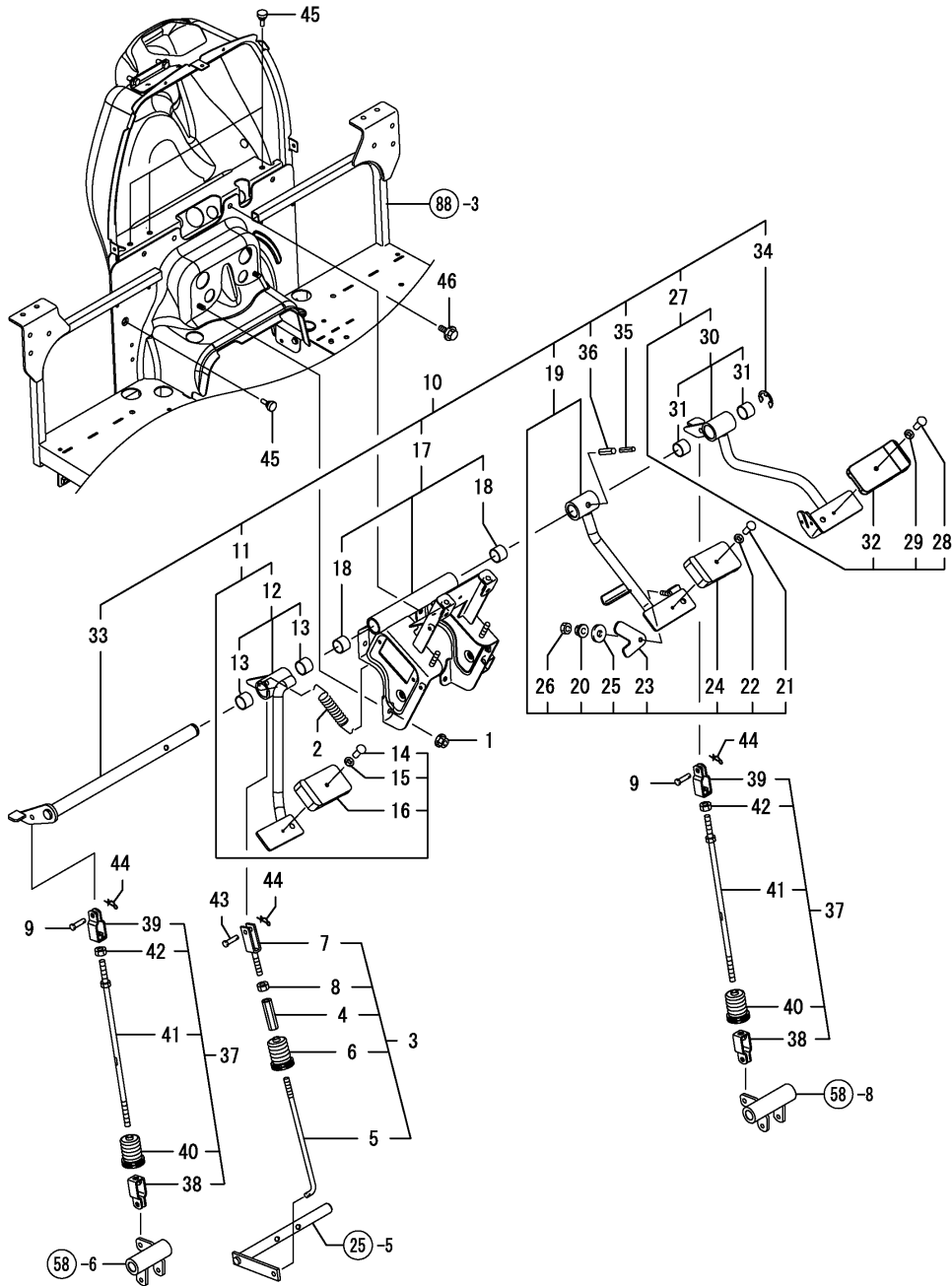
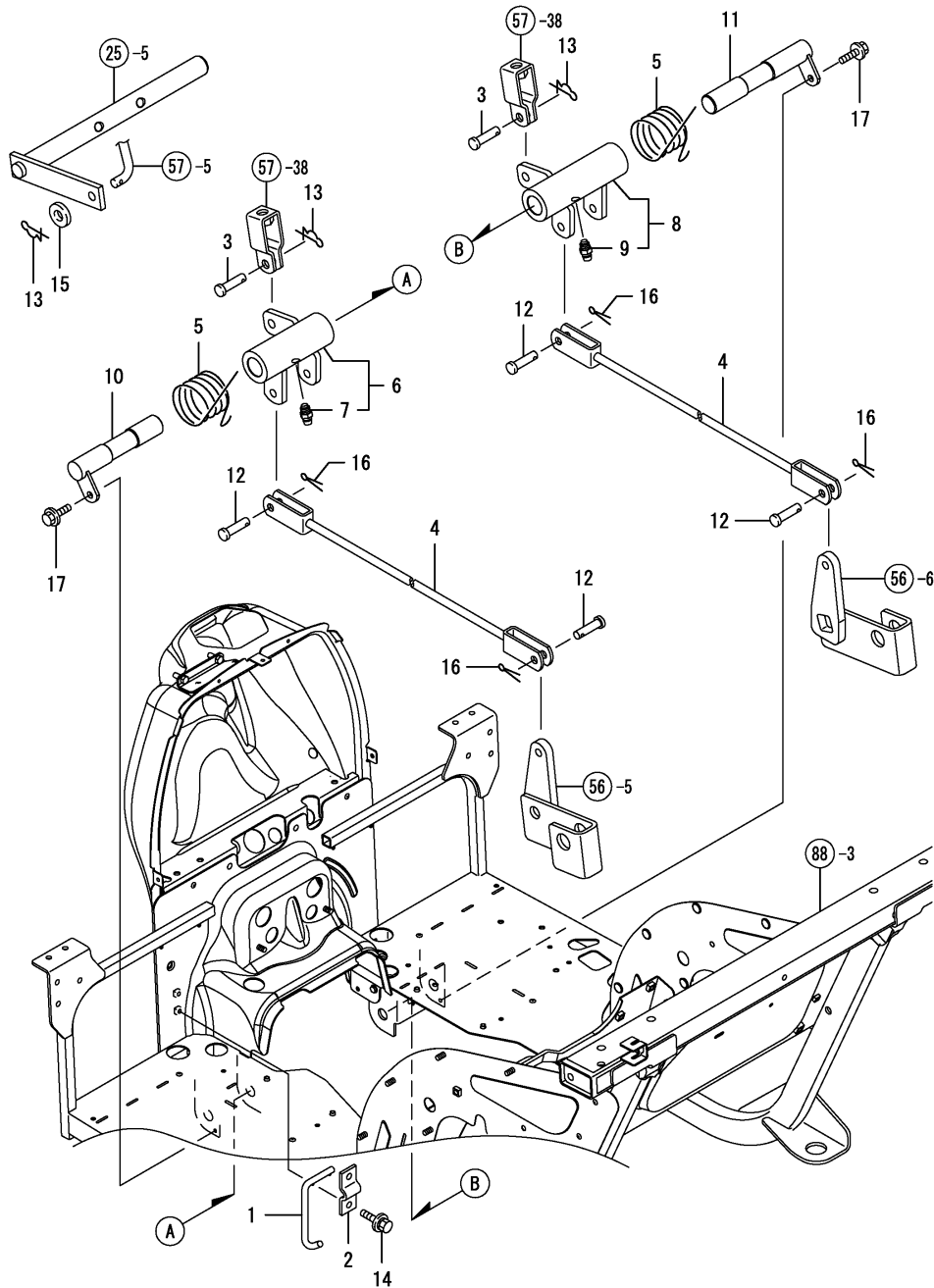


Fig.58. BRAKE LINK

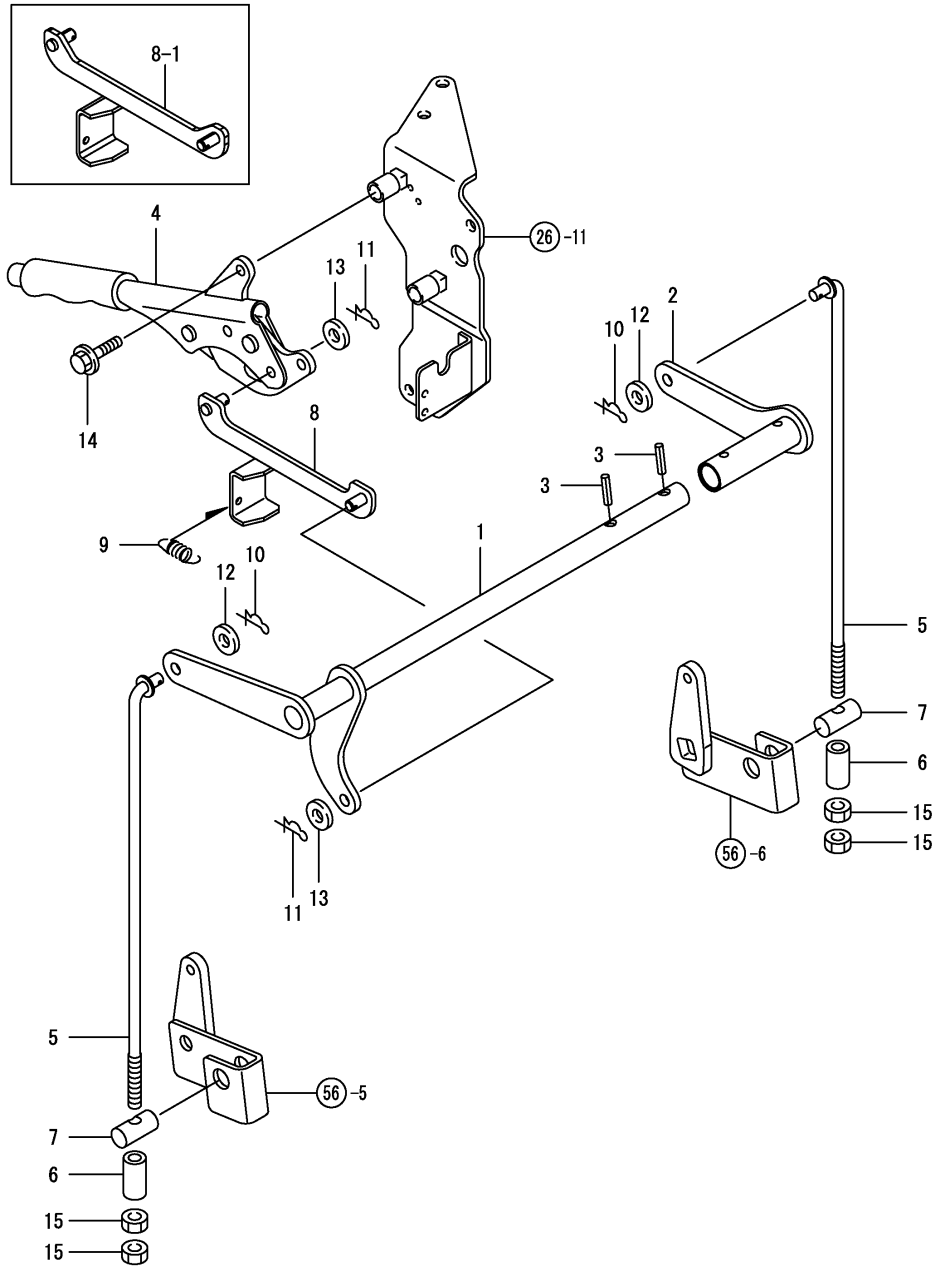


(A)=EF227E  
(B)=EF230E  
(C)=EF233E

(D)=  
(E)=  
(F)=

No.	Lev.	Parts No.	Description	Qty						I	R
				(A)	(B)	(C)	(D)	(E)	(F)		
1	1	198200-22460	LEVER, PEDAL LOCK	1	1	1					
2	1	198200-22470	HINGE, LEVER	1	1	1					
3	1	194312-27780	PIN, 8.9	2	2	2					
4	1	198200-37370	ROD ASSY, BRAKE	2	2	2					
5	1	198200-37460	SPRING, BRAKE PEDAL	2	2	2					
6	1	198200-37700	ARM ASSY, BRAKE L	1	1	1					
7	2	24761-010000	NIPPLE, GREASE M6F	1	1	1					
8	1	198200-37710	ARM ASSY, BRAKE R	1	1	1					
9	2	24761-010000	NIPPLE, GREASE M6F	1	1	1					
10	1	198200-37740	SHAFT ASSY, L	1	1	1					
11	1	198200-37840	SHAFT ASSY	1	1	1					
12	1	198220-37900	PIN, 8X24	4	4	4					
13	1	1C6281-52320	PIN, SNAP 8	3	3	3					
14	1	198093-85650	BOLT, M6X16	2	2	2					
15	1	22137-100000	WASHER, 10	1	1	1					
16	1	22417-250300	PIN, COTTER 2.5X30	4	4	4					
17	1	26106-060122	BOLT, M6X 12 PLATED	2	2	2					

Fig.59. PARKING BRAKE



(A)=EF227E  
(B)=EF230E  
(C)=EF233E

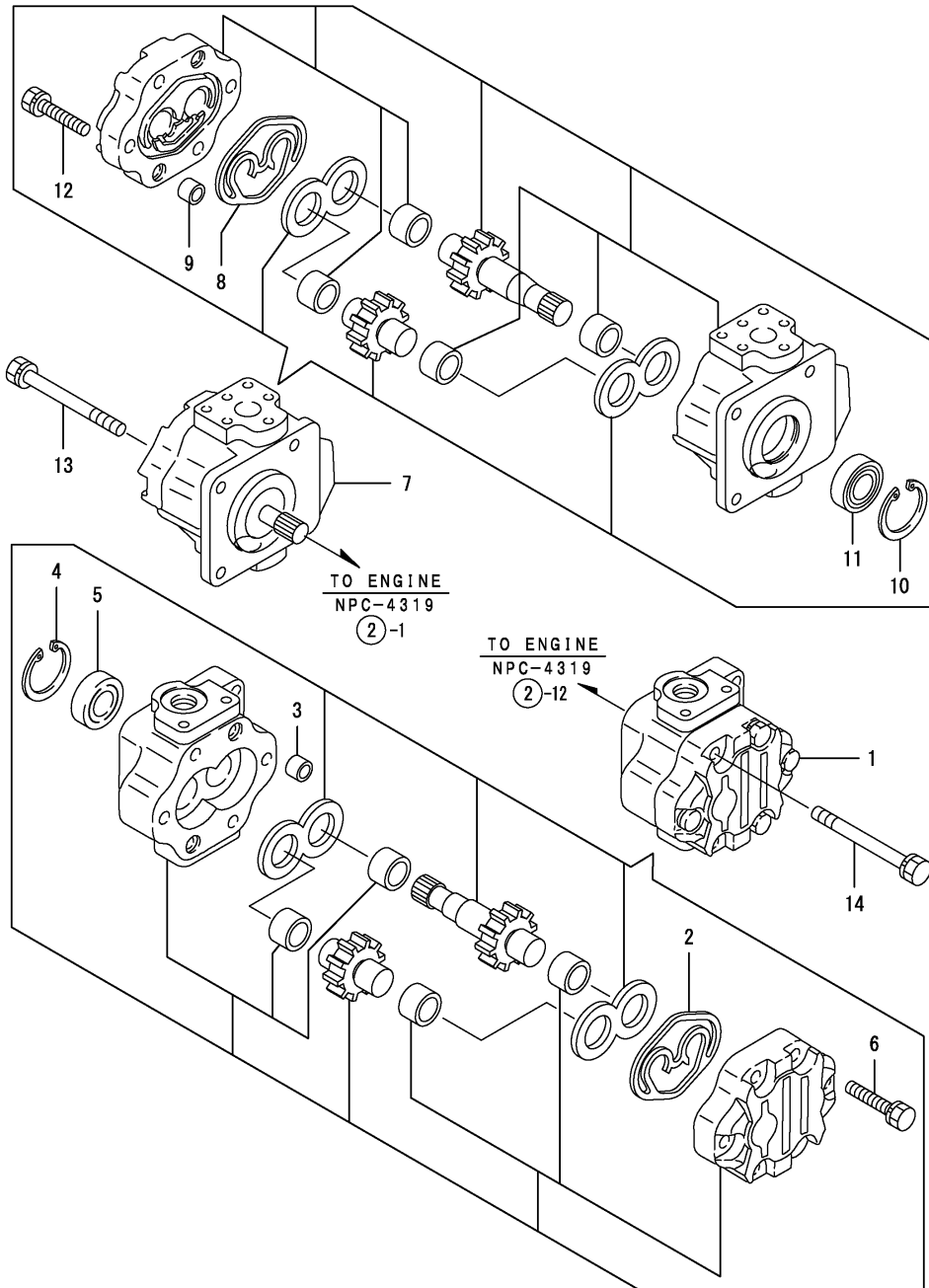
(D)=  
(E)=  
(F)=

No.	Lev.	Parts No.	Description	Q'ty						I	R
				(A)	(B)	(C)	(D)	(E)	(F)		
1	1	198280-38510	ARM, BRAKE	1	1	1					
2	1	198280-38710	ARM, BRAKE	1	1	1					
3	1	22351-060032	PIN, SPRING 6.0X32	2	2	2					
4	1	198448-38400	BRAKE ASSY, PARKING	1	1	1					
5	1	198280-38810	ROD, BRAKE	2	2	2					
6	1	198280-38840	PIPE, 10.9X17.3X35	2	2	2					
7	1	198280-38850	PIN, 17X36	2	2	2					
8	1	198280-38910	PLATE, LEVER	1	1	1					
8-1	1	198280-38911	PLATE, PARKING LEVER	1	1	1					N
				(A=FXXXXX)	(B=FXXXXX)	(C=FXXXXX)					
9	1	198280-38950	SPRING, BRAKE	1	1	1					
10	1	1C6360-65700	PIN, SNAP 10	2	2	2					
11	1	1C6360-65700	PIN, SNAP 10	2	2	2					
12	1	22137-100000	WASHER, 10	2	2	2					
13	1	22137-100000	WASHER, 10	2	2	2					
14	1	26106-080352	BOLT, M8X 35 PLATED	2	2	2					
15	1	26716-100002	NUT, M10	4	4	4					

Fig.60. HYDRAULIC PUMP

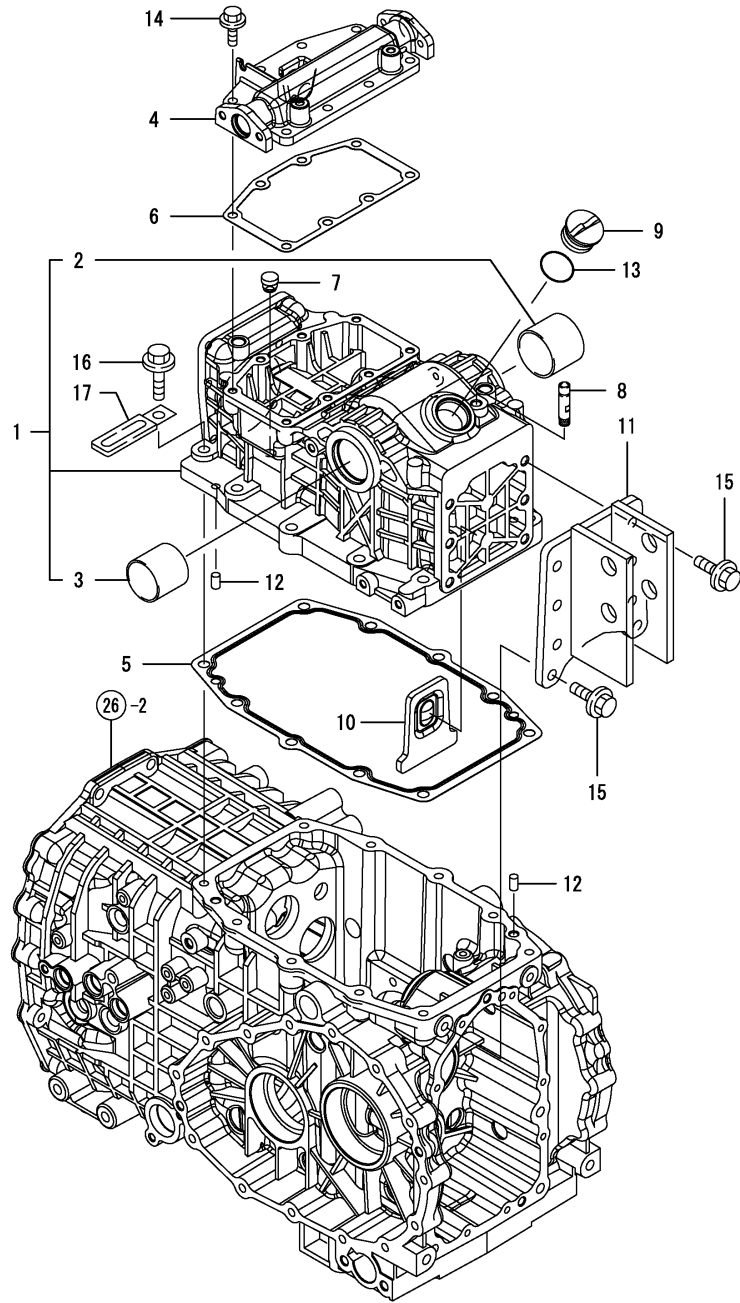
(A)=EF227E  
(B)=EF230E  
(C)=EF233E

(D)=  
(E)=  
(F)=



No.	Lev.	Parts No.	Description	Qty						I	R
				(A)	(B)	(C)	(D)	(E)	(F)		
1	1	198172-41110	PUMP, HYDRAULIC	1	1	1					
2	2	178070-10401	RING	1	1	1					
3	2	194521-41570	PIN, 11X7	2	2	2					
4	2	22252-000320	RING, 32	1	1	1					
5	2	24421-153207	SEAL, OIL TC153207	1	1	1					
6	2	26016-080352	BOLT, M8X 35	4	4	4					
7	1	198280-41150	PUMP ASSY, HYDRAULIC	1	1	1					
8	2	178070-10401	RING	1	1	1					
9	2	194521-41570	PIN, 11X7	2	2	2					
10	2	22252-000320	RING, 32	1	1	1					
11	2	24421-153207	SEAL, OIL TC153207	1	1	1					
12	2	26016-080352	BOLT, M8X 35	4	4	4					
13	1	26013-080802	BOLT, M8X 80	2	2	2					
14	1	26013-080802	BOLT, M8X 80	2	2	2					

Fig.61. HYDRAULIC CYLINDER CASE

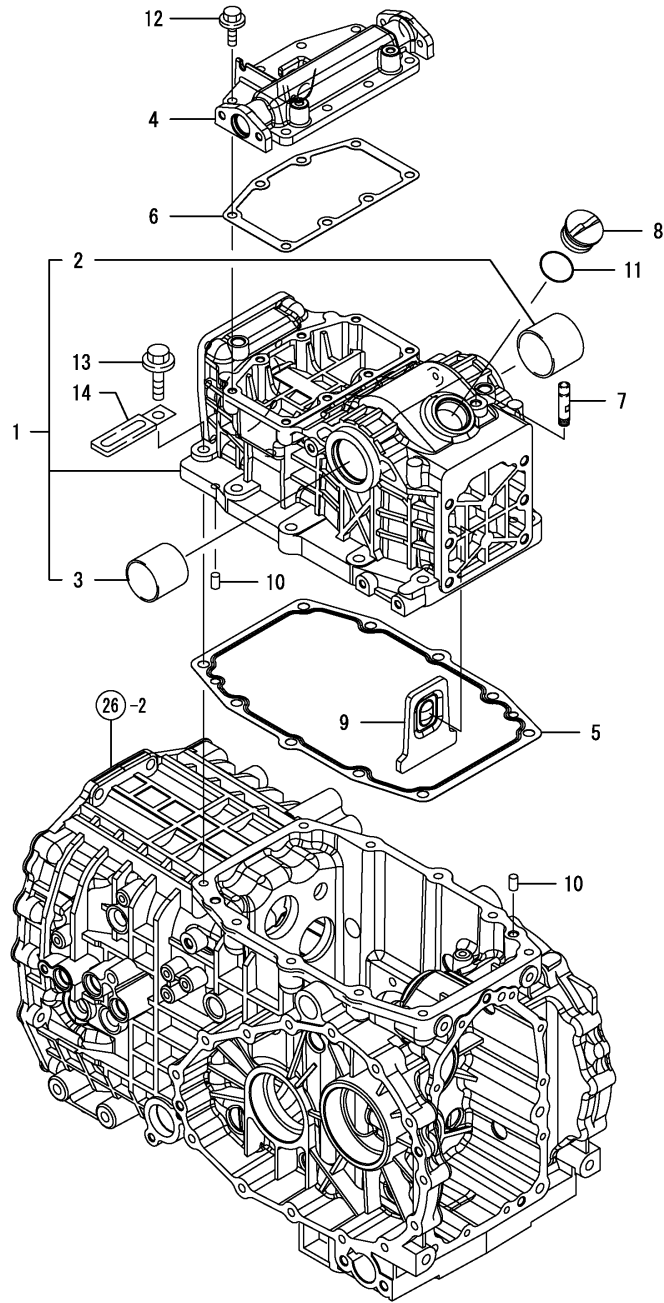


(A)=EF227E  
(B)=EF230E  
(C)=EF233E

(D)=  
(E)=  
(F)=

No.	Lev.	Parts No.	Description	Qty						I	R
				(A)	(B)	(C)	(D)	(E)	(F)		
1	1	198200-42100	HOUSING ASSY, LIFT	1	1	1					
2	2	198200-42130	BUSH, 45X40	1	1	1					
3	2	198200-42140	BUSH, 40X40	1	1	1					
4	1	198200-42150	CASE, LINK	1	1	1					
5	1	198200-42180	GASKET, HOUSING	1	1	1					
6	1	198200-42190	GASKET, HOUSING	1	1	1					
7	1	198280-42250	PLUG, CASE	1	1	1					
8	1	194555-42280	BREATHER, AIR	1	1	1					
9	1	194850-42500	CAP, OIL M33	1	1	1					
10	1	198200-42710	PLATE, STOPPER	1	1	1					
11	1	198280-42810	HINGE ASSY, TOP LINK	1	1	1					
12	1	22312-080140	PIN, PARALLEL M8X14	2	2	2					
13	1	24351-020300	O-RING 1A 2030	1	1	1					
14	1	26106-080252	BOLT, M8X 25 PLATED	8	8	8					
15	1	26106-100252	BOLT, M10X 25 PLATED	8	8	8					
16	1	26106-100402	BOLT, M10X 40 PLATED	10	10	10					
17	1	194180-51640	CLAMP, HARNESS	1	1	1					W
				(A=FXXXXXX)	(B=FXXXXXX)	(C=FXXXXXX)					

Fig.62. HYDRAULIC CYLINDER CASE (DRAFT)

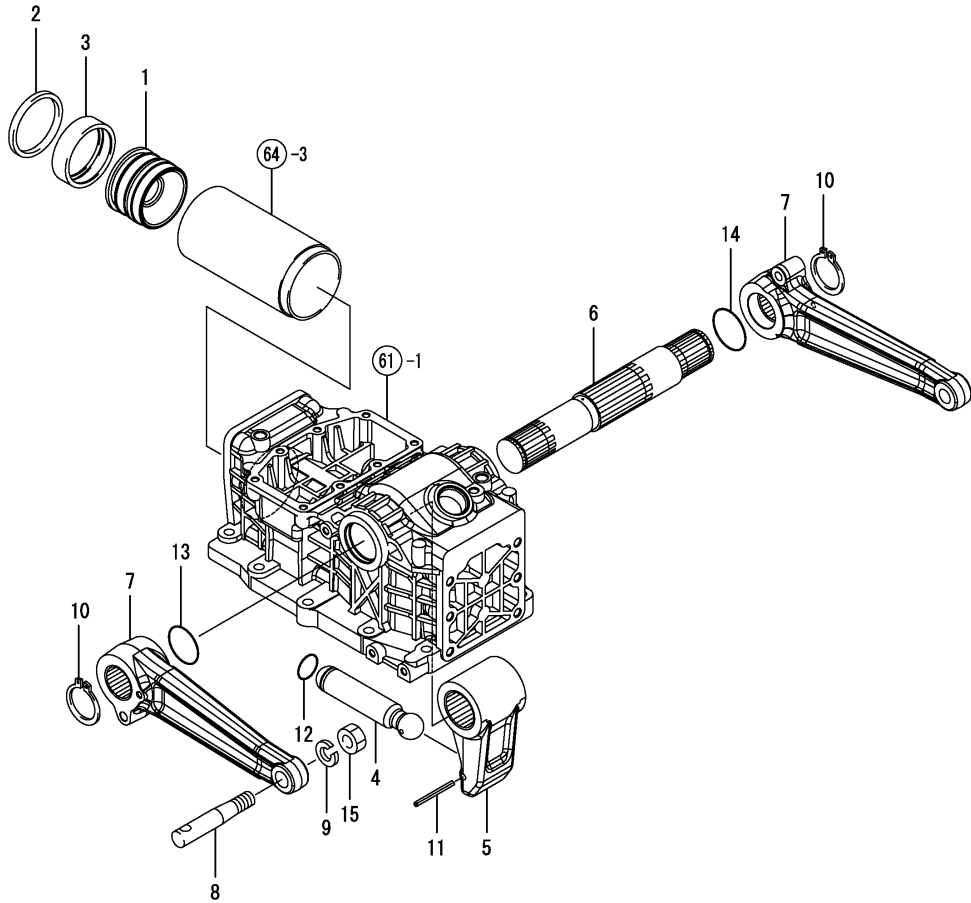


(A)=EF227E  
(B)=EF230E  
(C)=EF233E

(D)=  
(E)=  
(F)=

No.	Lev.	Parts No.	Description	Qty						I	R
				(A)	(B)	(C)	(D)	(E)	(F)		
1	1	198200-42100	HOUSING ASSY, LIFT	1	1	1					
2	2	198200-42130	BUSH, 45X40	1	1	1					
3	2	198200-42140	BUSH, 40X40	1	1	1					
4	1	198200-42150	CASE, LINK	1	1	1					
5	1	198200-42180	GASKET, HOUSING	1	1	1					
6	1	198200-42190	GASKET, HOUSING	1	1	1					
7	1	194555-42280	BREATHER, AIR	1	1	1					
8	1	194850-42500	CAP, OIL M33	1	1	1					
9	1	198200-42710	PLATE, STOPPER	1	1	1					
10	1	22312-080140	PIN, PARALLEL M8X14	2	2	2					
11	1	24351-020300	O-RING 1A 2030	1	1	1					
12	1	26106-080252	BOLT, M8X 25 PLATED	8	8	8					
13	1	26106-100402	BOLT, M10X 40 PLATED	10	10	10					
14	1	194180-51640	CLAMP, HARNESS	1	1	1					W
(A)=FXXXXXX (B)=FXXXXXX (C)=FXXXXXX)											

Fig.63. PISTON & LIFT CRANK



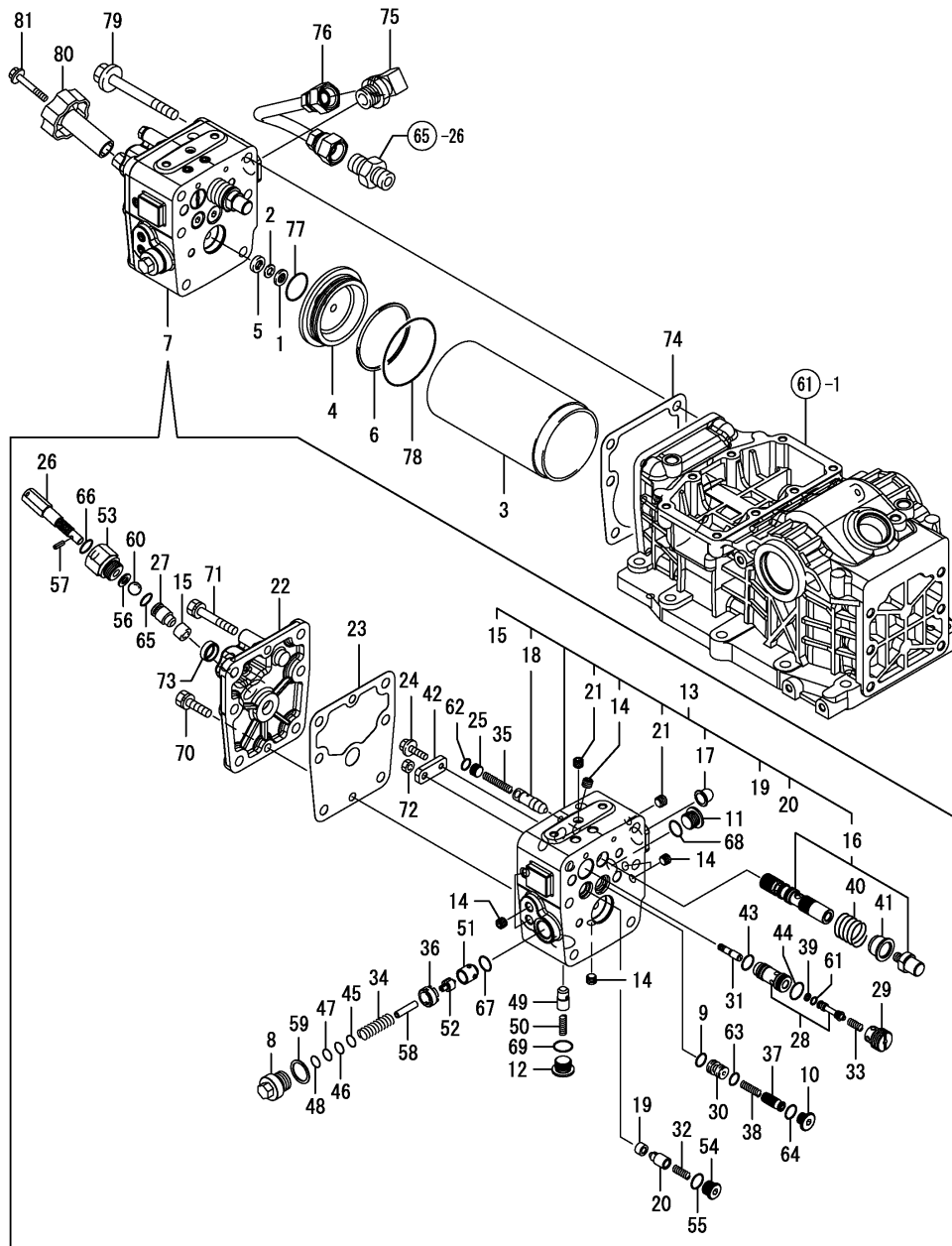
(A)=EF227E  
(B)=EF230E  
(C)=EF233E

(D)=  
(E)=  
(F)=

No.	Lev.	Parts No.	Description	Q'ty						I	R
				(A)	(B)	(C)	(D)	(E)	(F)		
1	1	198200-43310	PISTON, HYDRAULIC 75	1	1	1					
2	1	198071-43320	PACKING, 75	1	1	1					
3	1	198071-43330	WEARING	1	1	1					
4	1	198200-43410	ROD, PISTON	1	1	1					
5	1	198200-44110	CRANK, LIFT	1	1	1					
6	1	198200-44210	SHAFT, LIFTING	1	1	1					
7	1	198200-44420	ARM, LIFT	2	2	2					
8	1	194130-44480	PIN, LIFT ARM	2	2	2					
9	1	22217-160000	WASHER, SPRING 16	2	2	2					
10	1	22242-000400	RING, 40	2	2	2					
11	1	22351-050056	PIN, SPRING 5.0X56	1	1	1					
12	1	24311-000260	O-RING, 1AP26.0	1	1	1					
13	1	24311-000400	O-RING, 1AP40.0	1	1	1					
14	1	24311-000440	O-RING, 1AP44.0	1	1	1					
15	1	26736-160002	NUT, M16	2	2	2					



Fig.64. CONTRPL VALVE



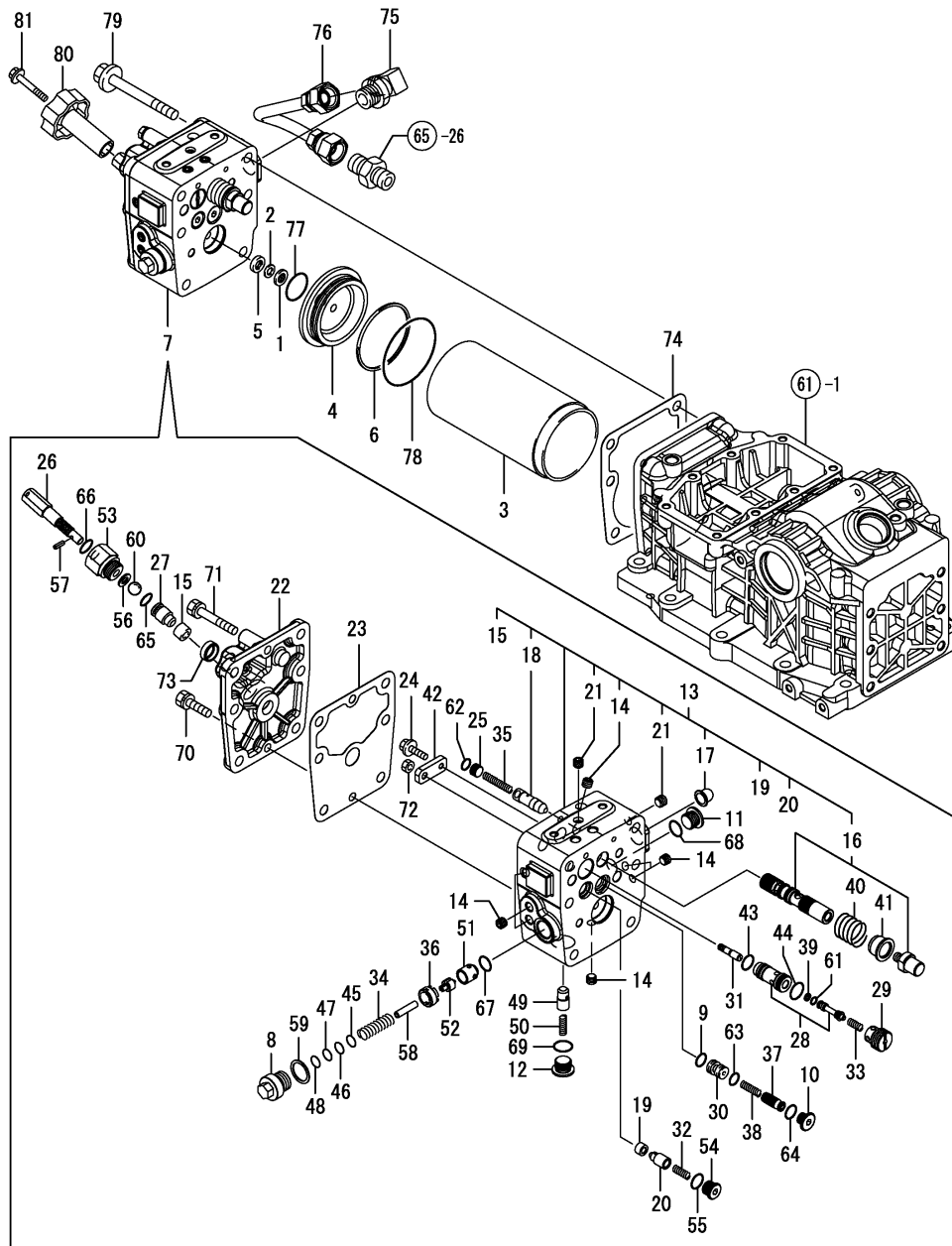
(A)=EF227E  
(B)=EF230E  
(C)=EF233E

(D)=  
(E)=  
(F)=

No.	Lev.	Parts No.	Description	Q'ty						I	R
				(A)	(B)	(C)	(D)	(E)	(F)		
1	1	194850-42180	STRAINER	1	1	1					
2	1	194850-42190	SPACER	1	1	1					
3	1	198200-43110	LINER, CYLINDER	1	1	1					
4	1	198200-43211	HEAD, CYLINDER	1	1	1					
5	1	194630-43230	PACKING	1	1	1					
6	1	198200-43250	RING, BACK UP G70	1	1	1					
7	1	198200-45101	VALVE ASSY, LIFT	1	1	1					
8	2	178076-02230	PLUG, RELIEF VALVE	1	1	1					
9	2	178076-04610	PACKING, 1B	1	1	1					
10	2	178076-12400	PLUG, G1/4	1	1	1					
11	2	1A6750-29850	PLUG, G3/8	1	1	1					
12	2	1A6750-29850	PLUG, G3/8	1	1	1					
13	2	178076-40011	VALVEBODY CMP	1	1	1					
14	3	178073-01200	PLUG PT 1/8	7	7	7					
15	3	178076-40030	SEAT(STOP	1	1	1					
16	3	178076-40200	SPOOL ASSY, MAIN	1	1	1					
17	3	194556-42220	STRAINER, A	1	1	1					
18	3	194170-45310	POPPET	1	1	1					
19	3	198435-45410	SEAT, CHECK	1	1	1					
20	3	194170-45420	POPPET, L CHECK	1	1	1					
21	3	194555-77120	PLUG, 1/16	2	2	2					
22	2	178076-40100	COVER,	1	1	1					
23	2	178076-40110	GASKET, COVER	1	1	1					
24	2	178076-40250	BOLT, 6 X 16	1	1	1					
25	2	178076-40300	PLUG, 12	1	1	1					
26	2	178076-40400	BOLT, STOP	1	1	1					
27	2	178076-40410	STOP VALVE	1	1	1					
28	2	178076-40500	VALVE ASSY, CHECK	1	1	1					
29	2	178076-40530	RETAINER, SEAT	1	1	1					
30	2	178076-40600	PLUG,	1	1	1					
31	2	194170-45220	BAR, PUSH	1	1	1					
32	2	1A6640-45230	SPRING, VALVE	1	1	1					
33	2	194170-45230	SPRING	1	1	1					
34	2	194150-45320	SPRING, RELIEF VALVE	1	1	1					
35	2	194170-45321	SPRING	1	1	1					
36	2	194275-45340	SCREW, VALVE SEAT	1	1	1					
37	2	194170-45350	SPOOL	1	1	1					
38	2	194170-45360	SPRING	1	1	1					
39	2	194170-45430	RING, BACK UP	1	1	1					
40	2	194170-45520	SPRING, SPOOL	1	1	1					
41	2	194170-45530	STOPPER, SPOOL	1	1	1					
42	2	194170-45550	BAR, SPOOL	1	1	1					
43	2	194327-45640	O-RING, 1AS14.0	1	1	1					
44	2	194327-45650	O-RING, 1BS16.0	1	1	1					
45	2	194170-45710	SHIM, T=0.2	1	1	1					
46	2	194170-45720	SHIM, T=0.3	1	1	1					
47	2	194170-45730	SHIM, T=0.5	1	1	1					
48	2	194170-45740	SHIM, T=1.0	1	1	1					
49	2	194310-46350	POPPET, CHECK	1	1	1					
50	2	194310-46380	SPRING	1	1	1					
51	2	194640-46410	SEAT, SAFETY VALVE	1	1	1					

N:Old  $\xrightarrow{\text{Yes}}$  New, Q:Old  $\xrightarrow{\text{No}}$  New, R:Old  $\xrightarrow{\text{Yes}}$  New, S:Old  $\xrightarrow{\text{No}}$  New, W:Add, Z:Discontinued, F:Interchangeable by set, K:Q'ty Change  
 ++ CONTINUE ++  
 Copyright (C) YANMAR CO., LTD. All Rights Reserved.

Fig.64. CONTRPL VALVE

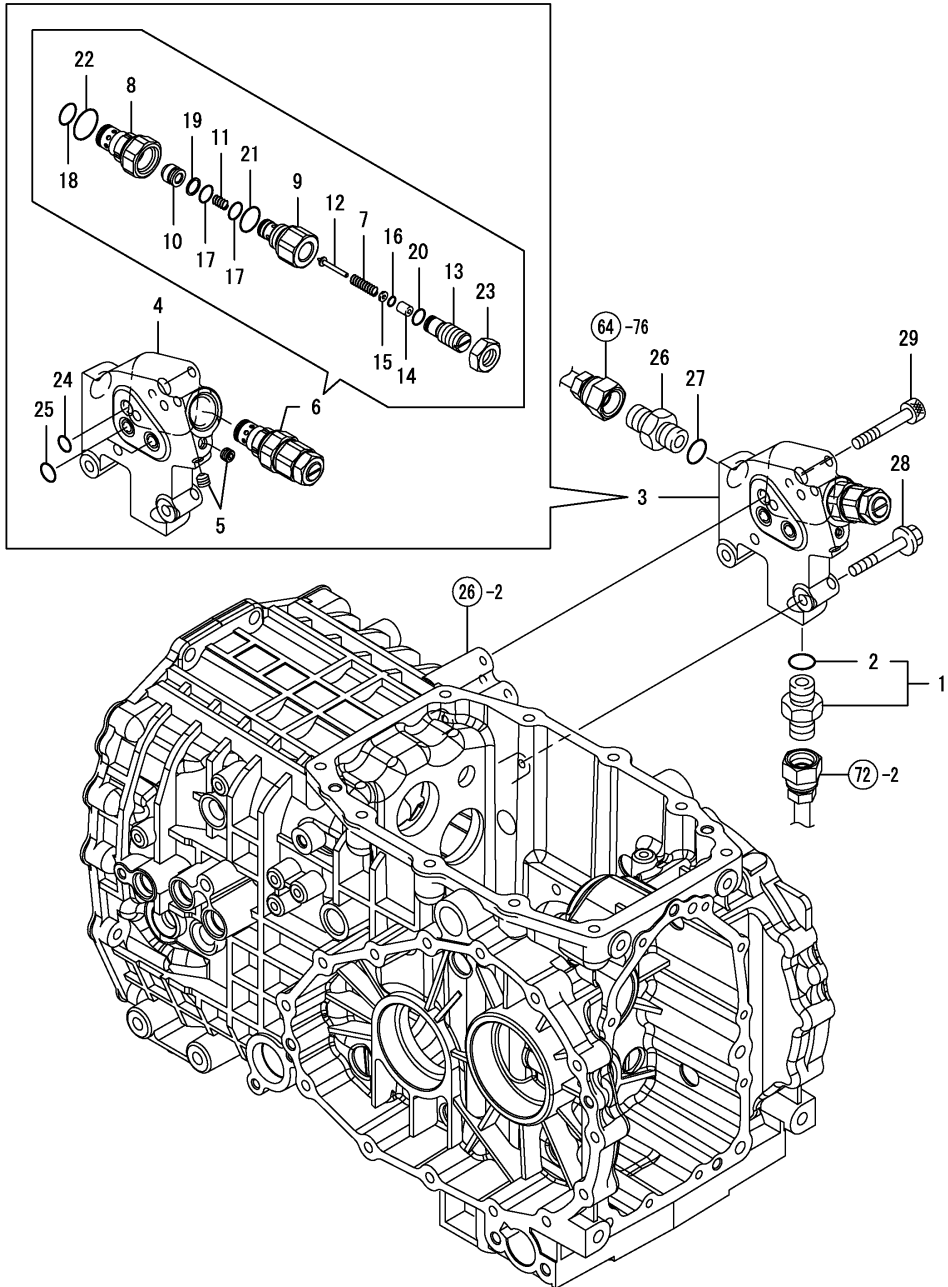


(A)=EF227E  
(B)=EF230E  
(C)=EF233E

(D)=  
(E)=  
(F)=

No.	Lev.	Parts No.	Description	Qty						I	R
				(A)	(B)	(C)	(D)	(E)	(F)		
52	2	194640-46420	POPPET	1	1	1					
53	2	194312-46630	HOLDER, VALVE	1	1	1					
54	2	198165-48560	PLUG, 9/16	1	1	1					
55	2	194850-49290	PACKING, 6-1	1	1	1					
56	2	22117-080000	WASHER, 8	1	1	1					
57	2	22351-040012	PIN, SPRING 4.0X12	1	1	1					
58	2	22351-060028	PIN, SPRING 6.0X28	1	1	1					
59	2	23414-200026	GASKET, 20X1.0	1	1	1					
60	2	24190-160001	BALL, STEEL 1/2	1	1	1					
61	2	24311-000050	O-RING, 1AP5.0	1	1	1					
62	2	24315-000090	O-RING, 1BP9.0	1	1	1					
63	2	24315-000090	O-RING, 1BP9.0	1	1	1					
64	2	24315-000110	O-RING, 1BP11.0	1	1	1					
65	2	24315-000110	O-RING, 1BP11.0	1	1	1					
66	2	24315-000120	O-RING, 1BP12.0	1	1	1					
67	2	24315-000120	O-RING, 1BP12.0	1	1	1					
68	2	24315-000140	O-RING, 1BP14.0	1	1	1					
69	2	24315-000140	O-RING, 1BP14.0	1	1	1					
70	2	26016-080252	BOLT, M8X 25	1	1	1					
71	2	26016-080502	BOLT M 8X 50	1	1	1					
72	2	26756-060002	NUT, LOCK M6	1	1	1					
73	2	27260-200000	PLUG, 20	1	1	1					
74	1	198200-45150	GASKET, LIFT VALVE	1	1	1					
75	1	194765-46980	ELBOW, PF1/2	1	1	1					
76	1	198200-48140	PIPE, PRESSURE	1	1	1					
77	1	24325-000250	O-RING, 1BG25.0	1	1	1					
78	1	24325-000700	O-RING, 1BG70.0	1	1	1					
79	1	26106-100902	BOLT, M10X 90 PLATED	6	6	6					
80	1	1A7260-46640	KNOB, VALVE	1	1	1					
81	1	1A7260-46650	BOLT, M6X40	1	1	1					

Fig.65. RELIEF VALVE



(A)=EF227E  
(B)=EF230E  
(C)=EF233E

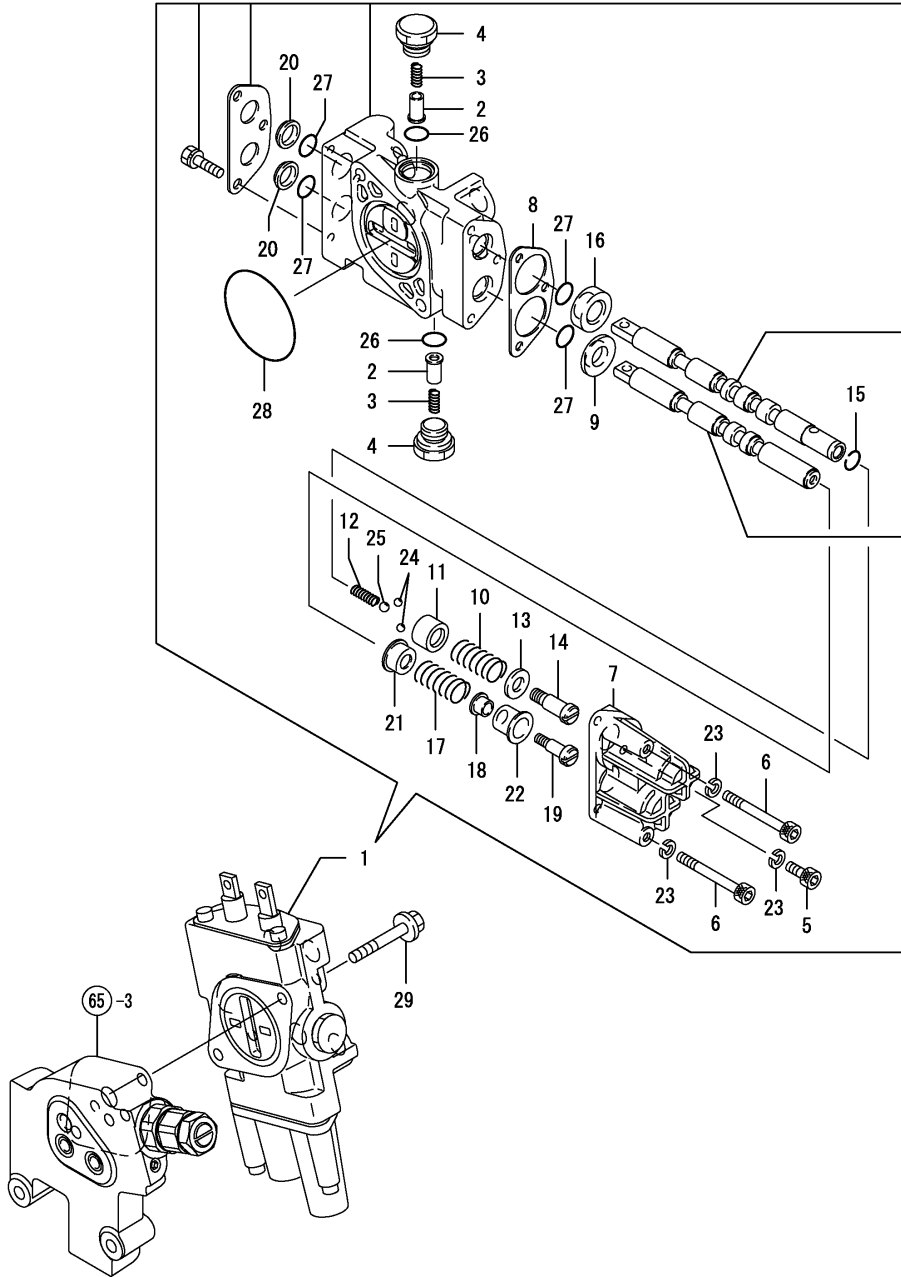
(D)=  
(E)=  
(F)=

No.	Lev.	Parts No.	Description	Q'ty						I	R
				(A)	(B)	(C)	(D)	(E)	(F)		
1	1	198265-48200	ADAPTER ASSY	1	1	1					
2	2	24311-000180	O-RING, 1AP18.0	1	1	1					
3	1	198280-48500	HOUSING ASSY, VALVE	1	1	1					
4	2	1682B4-01020	CASE(RELIEFVALVE	1	1	1					
5	2	178073-01200	PLUG PT 1/8	2	2	2					
6	2	198200-45510	VALVE ASSY, RELIEF	1	1	1					
7	3	178073-04310	SP(PILOT	1	1	1					
8	3	178076-26100	HOLDER, RELIEF	1	1	1					
9	3	178076-26110	HOLDER, RELIEF PILOT	1	1	1					
10	3	178076-26120	VALVE, RELIEF	1	1	1					
11	3	178076-26130	SPRING	1	1	1					
12	3	178076-26140	VALVE, PILOT	1	1	1					
13	3	178076-26160	SCREW, ADJUSTMENT	1	1	1					
14	3	178076-26170	GUIDE, RELIEF VALVE	1	1	1					
15	3	178076-26180	SPACER,	1	1	1					
16	3	178076-26190	PACKING, P 3	1	1	1					
17	3	194327-45630	O-RING, 1BS12.0	2	2	2					
18	3	194327-45650	O-RING, 1BS16.0	1	1	1					
19	3	172510-74530	RING, BACK UP	1	1	1					
20	3	24315-000100	O-RING, 1BP10.0	1	1	1					
21	3	24315-000180	O-RING, 1BP18.0	1	1	1					
22	3	24315-000220	O-RING, 1BP22.0	1	1	1					
23	3	26776-160002	NUT, LOCK M16	1	1	1					
24	2	24311-000110	O-RING, 1AP11.0	1	1	1					
25	2	24311-000140	O-RING, 1AP14.0	2	2	2					
26	1	172112-77360	CONNECTOR,PF1/2PF1/2	1	1	1					
27	1	24311-000180	O-RING, 1AP18.0	1	1	1					
28	1	26106-080452	BOLT, M8X 45 PLATED	2	2	2					
29	1	26450-080402	BOLT, M8X 40	1	1	1					

Fig.66. SUB VALVE

(A)=EF227E  
(B)=EF230E  
(C)=EF233E

(D)=  
(E)=  
(F)=

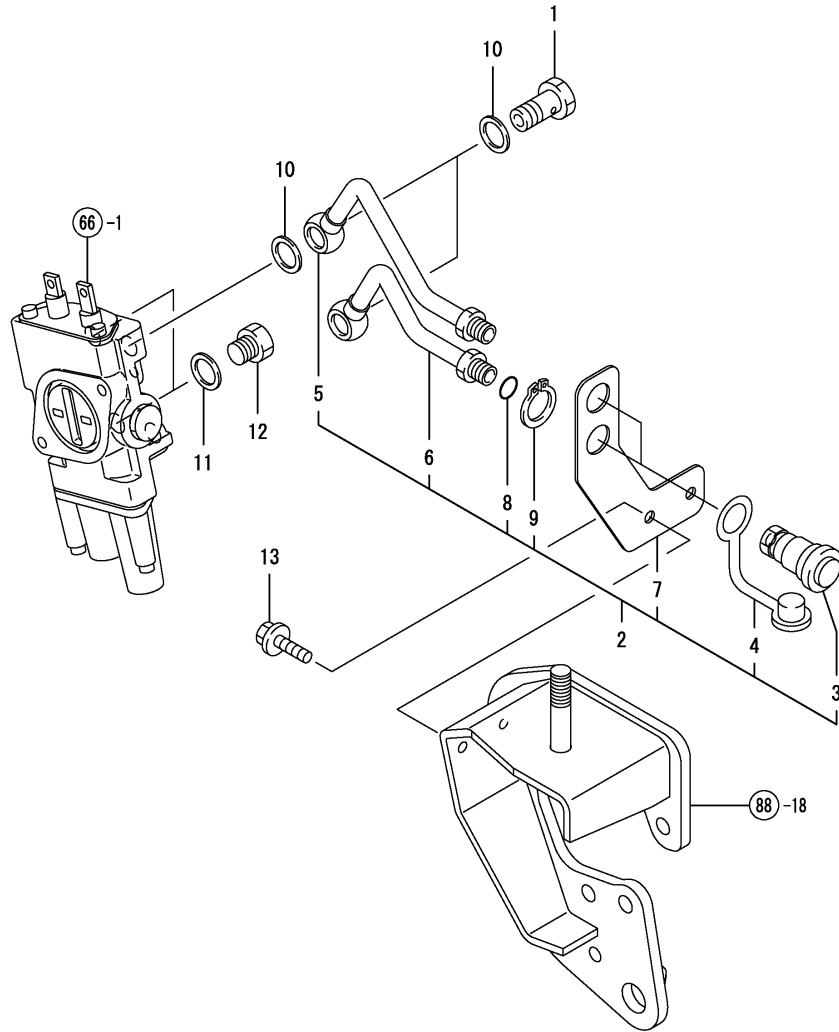


No.	Lev.	Parts No.	Description	Q'ty						I	R
				(A)	(B)	(C)	(D)	(E)	(F)		
1	1	198280-46110	CONTROL ASSY, SUB	1	1	1					
2	2	198165-46130	VALVE, CHECK	2	2	2					
3	2	198165-46140	SPRING	2	2	2					
4	2	198165-46150	PLUG, CHECK	2	2	2					
5	2	1A6780-46160	BOLT, M6X25	1	1	1					
6	2	1A6780-46170	BOLT, M6X55	2	2	2					
7	2	198165-46200	COVER, SPOOL	1	1	1					
8	2	198165-46210	GASKET	1	1	1					
9	2	198165-46220	ADAPTER	1	1	1					
10	2	198165-46310	SPRING	1	1	1					
11	2	198165-46320	HOLDER	1	1	1					
12	2	198165-46330	SPRING	1	1	1					
13	2	198165-46340	HOLDER, SPRING	1	1	1					
14	2	198165-46350	BOLT	1	1	1					
15	2	198165-46360	RING, 12.2	1	1	1					
16	2	198165-46370	DETENT	1	1	1					
17	2	198165-46410	SPRING	1	1	1					
18	2	198165-46420	STOPPER, RG	1	1	1					
19	2	198165-46450	BOLT	1	1	1					
20	2	172510-74410	SEAL, DUST	2	2	2					
21	2	172510-74440	RETAINER, SPRING	1	1	1					
22	2	172510-74450	RETAINER, SPRING	1	1	1					
23	2	22287-060000	WASHER 6	3	3	3					
24	2	24190-070001	BALL, STEEL 7/32	2	2	2					
25	2	24190-080001	BALL, STEEL 1/4	1	1	1					
26	2	24311-000140	O-RING, 1AP14.0	2	2	2					
27	2	24311-000140	O-RING, 1AP14.0	4	4	4					
28	2	24321-000500	O-RING, 1AG50.0	1	1	1					
29	1	26106-080402	BOLT, M8X 40 PLATED	2	2	2					

Fig.67. S.C.V. PIPING

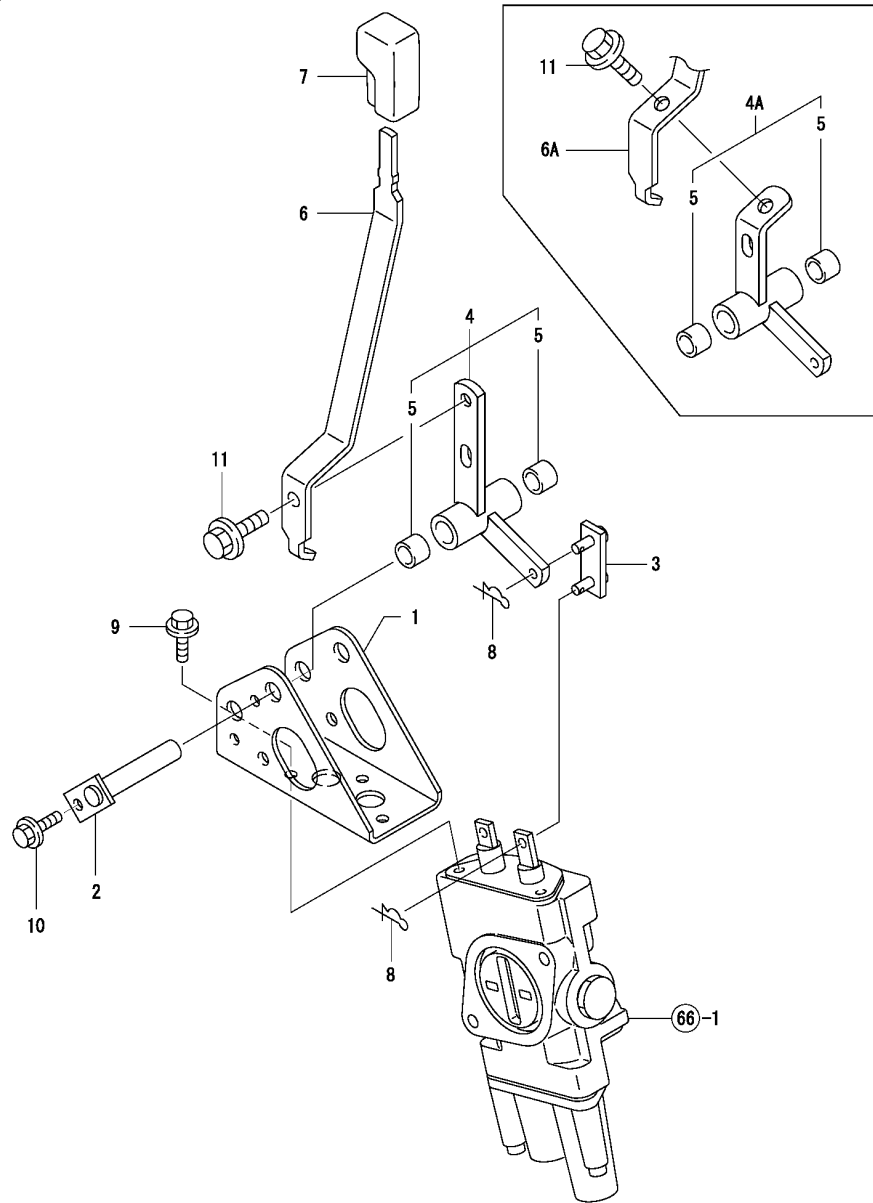
(A)=EF227E  
(B)=EF230E  
(C)=EF233E

(D)=  
(E)=  
(F)=



No.	Lev.	Parts No.	Description	Qty						I	R
				(A)	(B)	(C)	(D)	(E)	(F)		
1	1	194321-17870	BOLT 10, PIPE JOINT	2	2	2					
2	1	198287-46500	PIPE, SCV	1	1	1					
2-1	1	198287-46501	PIPE, SCV	1	1	1					N
3	2	198223-46250	COUPLER, QUICK (A=*2010.05.) (B=*2010.05.) (C=*2010.05.)	2	2	2					
4	2	198223-46280	DUST PLUG	2	2	2					
4-1	2	1A7336-47590	PLUG, DUST BLACK (A=*2010.05.) (B=*2010.05.) (C=*2010.05.)	2	2	2					N
5	2	198287-46510	PIPE, PRESSURE A1	1	1	1					
6	2	198287-46610	PIPE, PRESSURE B1	1	1	1					
7	2	198280-46750	STAY	1	1	1					
8	2	194850-49290	PACKING, 6-1	2	2	2					
9	2	22242-000220	RING, 22	2	2	2					
10	1	23414-160021	GASKET, 16X1.0	4	4	4					
11	1	23414-160021	GASKET, 16X1.0	2	2	2					
12	1	23887-160002	PLUG, 16	2	2	2					
13	1	26106-080122	BOLT, M8X 12 PLATED	2	2	2					

Fig.68. S.C.V. CONTROL



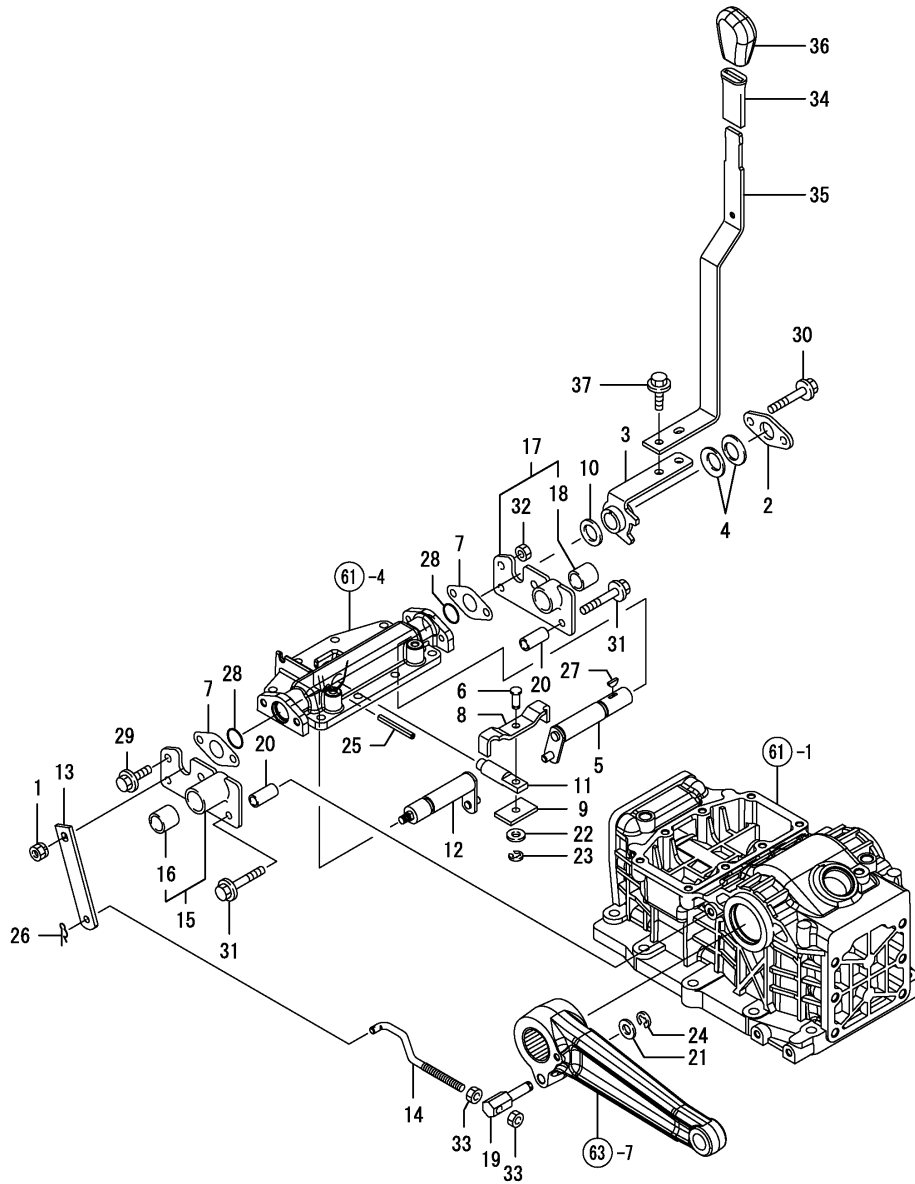
(A)=EF227E  
(B)=EF230E  
(C)=EF233E

(D)=  
(E)=  
(F)=

No.	Lev.	Parts No.	Description	Q'ty						I	R
				(A)	(B)	(C)	(D)	(E)	(F)		
1	1	198280-46810	BRACKET, SCV LEVER	1	1	1					
2	1	198280-46870	PIN ASSY, HINGE	1	1	1					
3	1	198133-46890	LINK, LEVER	1	1	1					
4	1	198287-46910	LINK, LEVER	1	1	1					
4A	1	198284-46910	LINK ASSY, LEVER	1	1	1				S	1
(A=FZZZZZ) (B=FZZZZZ) (C=FZZZZZ)											
5	2	24550-012100	BUSH 12X10	2	2	2					
6	1	198287-46950	LEVER, SCV	1	1	1					
6A	1	198284-46950	LEVER, SCV	1	1	1				S	1
(A=FZZZZZ) (B=FZZZZZ) (C=FZZZZZ)											
7	1	194940-47341	KNOB, LEVER	1	1	1					
8	1	1C6281-52310	PIN, SNAP 6	2	2	2					
9	1	26106-060122	BOLT, M6X 12 PLATED	3	3	3					
10	1	26106-060122	BOLT, M6X 12 PLATED	1	1	1					
11	1	26106-080162	BOLT, M8X 16 PLATED	1	1	1					

Remarks  
(1) Interchangeable by simultaneous replacement with Fig.89 Ref.1-1.

Fig.69. HYDRAULIC CONTROL

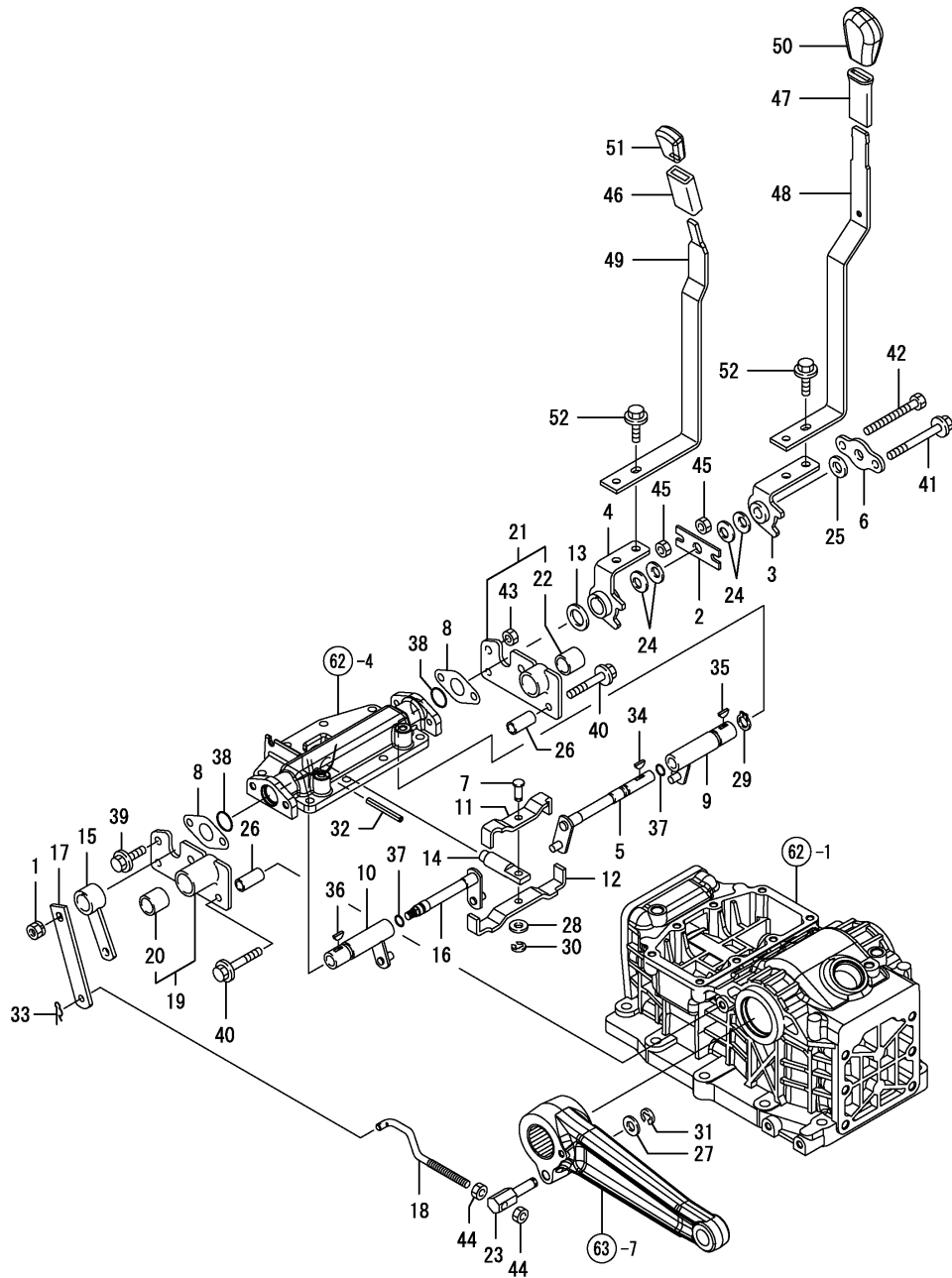


(A)=EF227E  
(B)=EF230E  
(C)=EF233E

(D)=  
(E)=  
(F)=

No.	Lev.	Parts No.	Description	Qty						I	R
				(A)	(B)	(C)	(D)	(E)	(F)		
1	1	194990-22050	NUT, M8	1	1	1					
2	1	194940-47210	PLATE	1	1	1					
3	1	198280-47210	ARM, LEVER	1	1	1					
3-1	1	198280-47710	ARM, P LEVER	1	1	1					N
		(A=FXXXXX) (B=FXXXXX) (C=FXXXXX)									
4	1	194940-47220	WASHER, 20	2	2	2					
5	1	198280-47310	SHAFT, P LEVER	1	1	1					
6	1	198431-47340	PIN, CONTROL	1	1	1					
7	1	194555-47350	PLATE, B	2	2	2					
8	1	198200-47411	LINK, CONTROL	1	1	1					
9	1	198280-47430	PLATE	1	1	1					
10	1	194170-47440	PLATE, FRICTION	1	1	1					
11	1	198200-47460	ROD, CONTROL	1	1	1					
12	1	198280-47500	SHAFT, FEEDBACK	1	1	1					
13	1	198200-47510	ARM, FEEDBACK	1	1	1					
14	1	198280-47540	ROD, FEEDBACK	1	1	1					
15	1	198280-47550	STAY ASSY, LINK L	1	1	1					
16	2	24550-020200	BUSH, 20X20	1	1	1					
17	1	198280-47580	STAY ASSY, LINK R	1	1	1					
18	2	24550-020200	BUSH, 20X20	1	1	1					
19	1	198200-47650	PIN, ADJUST	1	1	1					
20	1	1C6280-62240	COLLAR, 9.2X13.8X30	2	2	2					
21	1	22117-100000	WASHER, 10	1	1	1					
22	1	22137-080000	WASHER, 8	1	1	1					
23	1	22272-000060	RING, E- 6	1	1	1					
24	1	22272-000080	RING, E- 8	1	1	1					
25	1	22351-060050	PIN, SPRING 6.0X50	1	1	1					
26	1	22372-080000	PIN, SNAP 8	1	1	1					
27	1	22522-030130	KEY, WOODRUFF 3X13	1	1	1					
28	1	24311-000200	O-RING, 1AP20.0	2	2	2					
29	1	26106-080162	BOLT, M8X 16 PLATED	2	2	2					
30	1	26106-080502	BOLT, M8X 50 PLATED	2	2	2					
31	1	26106-080502	BOLT, M8X 50 PLATED	2	2	2					
32	1	26716-080002	NUT, M8	2	2	2					
33	1	26716-080002	NUT, M8	2	2	2					
34	1	198072-27880	BOOT, SHAFT	1	1	1					
35	1	198200-47110	LEVER, POSITION	1	1	1					
36	1	198200-47810	KNOB, BLACK	1	1	1					
37	1	26106-080162	BOLT, M8X 16 PLATED	2	2	2					

Fig.70. HYDRAULIC CONTROL (DRAFT)

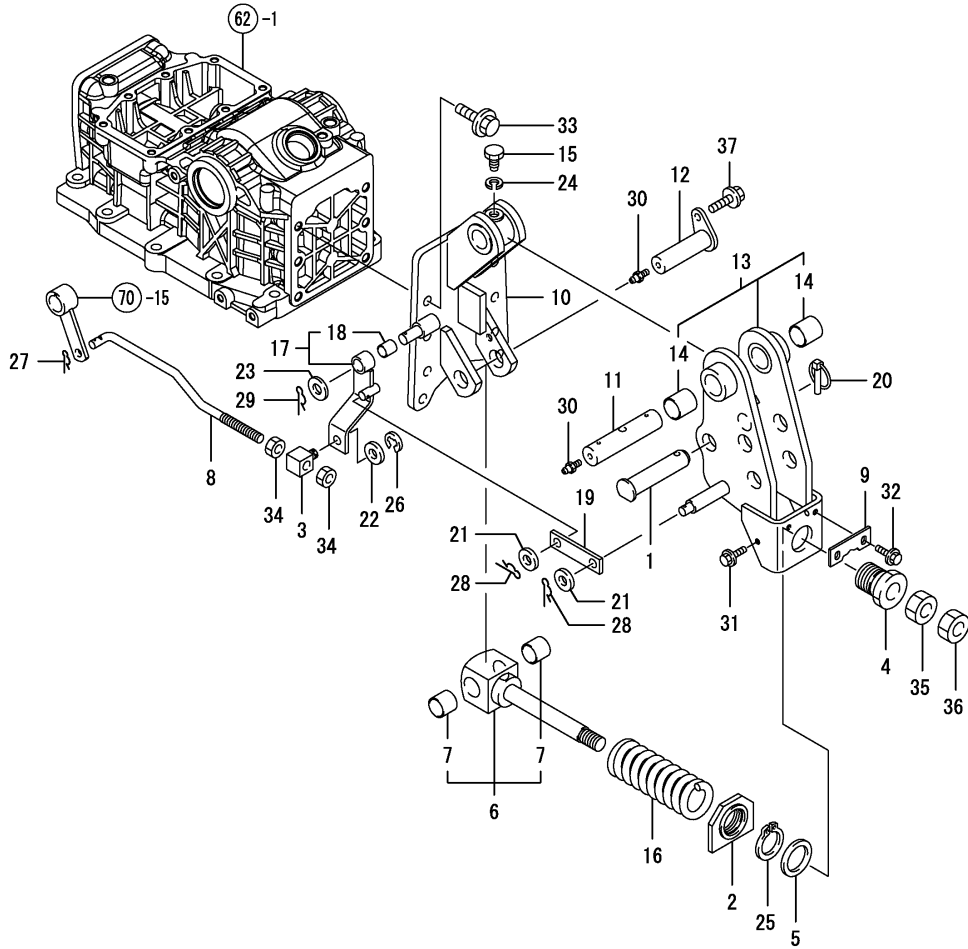


No.	Lev.	Parts No.	Description	Q'ty						I	R
				(A)	(B)	(C)	(D)	(E)	(F)		
1	1	194990-22050	NUT, M8	1	1	1					
2	1	198287-47150	PLATE, GUIDE	1	1	1					
3	1	198287-47210	ARM, LEVER	1	1	1					
4	1	198200-47250	ARM, LEVER	1	1	1					
5	1	198287-47310	SHAFT, P LEVER	1	1	1					
6	1	194170-47320	PLATE	1	1	1					
7	1	198431-47340	PIN, CONTROL	1	1	1					
8	1	194555-47350	PLATE, B	2	2	2					
9	1	198287-47360	SHAFT, D LEVER	1	1	1					
10	1	198287-47390	SHAFT, D FEEDBACK	1	1	1					
11	1	198200-47411	LINK, CONTROL	1	1	1					
12	1	198200-47431	LINK, CONTROL	1	1	1					
13	1	194170-47440	PLATE, FRICTION	1	1	1					
14	1	198200-47460	ROD, CONTROL	1	1	1					
15	1	198287-47470	ARM, FEEDBACK	1	1	1					
16	1	198200-47500	SHAFT, FEEDBACK	1	1	1					
17	1	198200-47510	ARM, FEEDBACK	1	1	1					
18	1	198280-47540	ROD, FEEDBACK	1	1	1					
19	1	198280-47550	STAY ASSY, LINK L	1	1	1					
20	2	24550-020200	BUSH, 20X20	1	1	1					
21	1	198280-47580	STAY ASSY, LINK R	1	1	1					
22	2	24550-020200	BUSH, 20X20	1	1	1					
23	1	198200-47650	PIN, ADJUST	1	1	1					
24	1	194151-47760	WASHER, 12	4	4	4					
25	1	194310-47790	PLATE, FRICTION	1	1	1					
26	1	1C6280-62240	COLLAR, 9.2X13.8X30	2	2	2					
27	1	22117-100000	WASHER, 10	1	1	1					
28	1	22137-080000	WASHER, 8	1	1	1					
29	1	22242-000120	RING, 12	1	1	1					
30	1	22272-000060	RING, E- 6	1	1	1					
31	1	22272-000080	RING, E- 8	1	1	1					
32	1	22351-060050	PIN, SPRING 6.0X50	1	1	1					
33	1	22372-080000	PIN, SNAP 8	1	1	1					
34	1	22522-030130	KEY, WOODRUFF 3X13	1	1	1					
35	1	22522-030130	KEY, WOODRUFF 3X13	1	1	1					
36	1	22522-030130	KEY, WOODRUFF 3X13	1	1	1					
37	1	24311-000090	O-RING, 1AP9.0	2	2	2					
38	1	24311-000200	O-RING, 1AP20.0	2	2	2					
39	1	26106-080162	BOLT, M8X 16 PLATED	2	2	2					
40	1	26106-080502	BOLT, M8X 50 PLATED	2	2	2					
41	1	26106-080752	BOLT, M8X 75 PLATED	1	1	1					
42	1	26116-080754	BOLT, M8X 75 PLATED	1	1	1					
43	1	26716-080002	NUT, M8	2	2	2					
44	1	26716-080002	NUT, M8	2	2	2					
45	1	26716-080002	NUT, M8	2	2	2					
46	1	174845-27700	BOOT, SHAFT	1	1	1					
47	1	198072-27880	BOOT, SHAFT	1	1	1					
48	1	198200-47110	LEVER, POSITION	1	1	1					
49	1	198200-47120	LEVER, AUTO	1	1	1					
50	1	198200-47810	KNOB, BLACK	1	1	1					
51	1	194273-47910	KNOB, LEVER	1	1	1					





Fig.71. DRAFT CONTROL

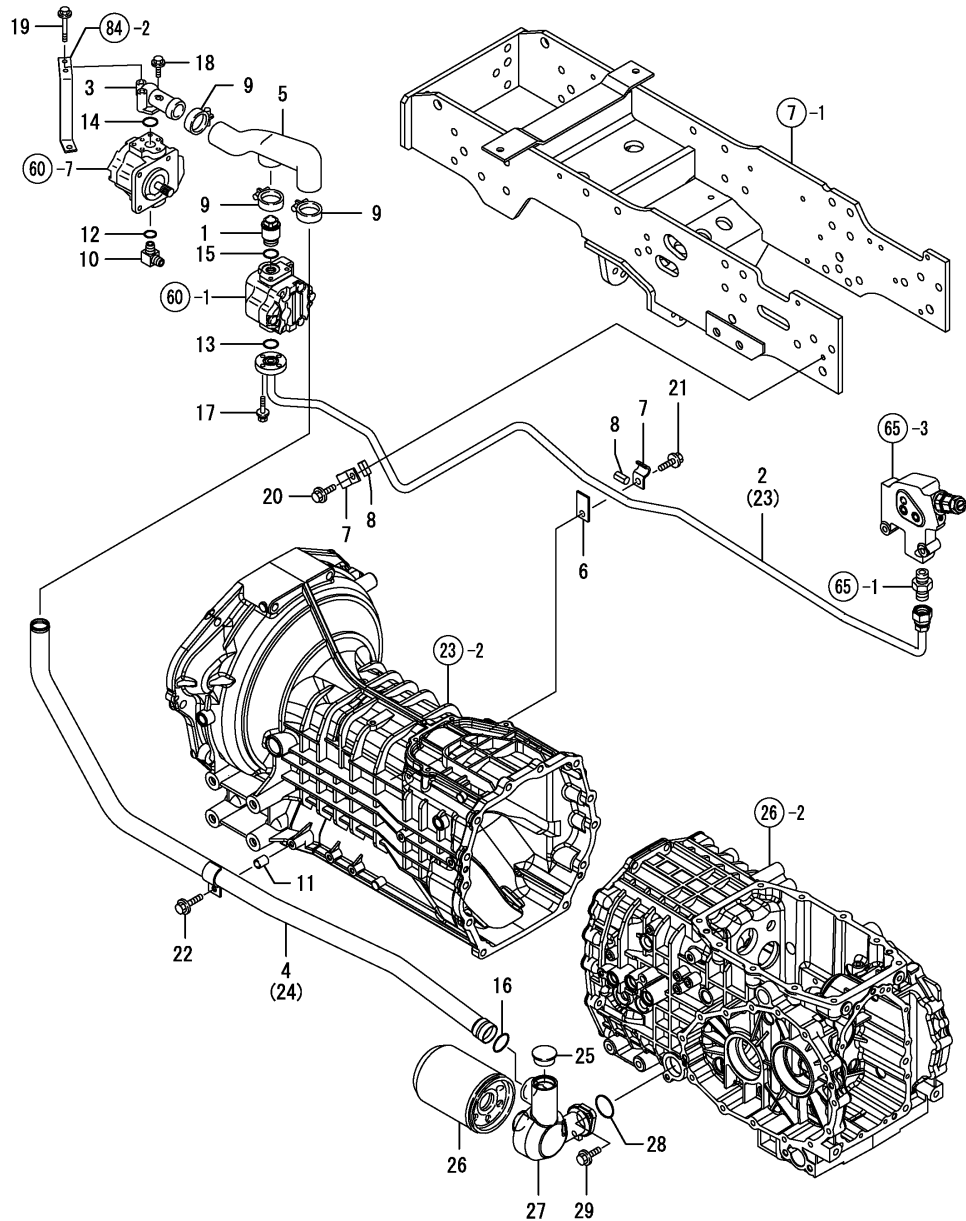


(A)=EF227E  
(B)=EF230E  
(C)=EF233E

(D)=  
(E)=  
(F)=

No.	Lev.	Parts No.	Description	Q'ty						I	R
				(A)	(B)	(C)	(D)	(E)	(F)		
1	1	195385-27810	PIN, 19X87	1	1	1					
2	1	198287-47510	HOLDER, SPRING	1	1	1					
3	1	194550-47530	ADJUSTER	1	1	1					
4	1	198287-47550	BOLT, ADJUST	1	1	1					
5	1	198287-47570	SPACER	1	1	1					
6	1	198287-47600	BOLT ASSY, SETTING	1	1	1					
7	2	194640-47720	BUSH, 20X23X20	2	2	2					
8	1	198287-47660	ROD, FEEDBACK	1	1	1					
9	1	198287-47680	PLATE	1	1	1					
10	1	198287-47720	SUPPORT, HINGE	1	1	1					
11	1	194320-47760	PIN, 22	1	1	1					
12	1	194640-47790	PIN, HINGE	1	1	1					
13	1	198287-47800	HINGE ASSY, TOP LINK	1	1	1					
14	2	194190-11520	BUSH, 22X25X25	2	2	2					
15	1	194320-47860	BOLT, LOCK M10	1	1	1					
16	1	198172-47890	SPRING, COIL	1	1	1					
17	1	198287-47900	LINK ASSY, D	1	1	1					
18	2	24550-012150	BUSH, 12X15	1	1	1					
19	1	198287-47960	PLATE, LINK	1	1	1					
20	1	194180-72950	PIN ASSY, LOCK	1	1	1					
21	1	22117-100000	WASHER, 10	2	2	2					
22	1	22117-100000	WASHER, 10	1	1	1					
23	1	22117-120000	WASHER, 12	1	1	1					
24	1	22217-100000	WASHER, SPRING 10	1	1	1					
25	1	22242-000300	RING, 30	1	1	1					
26	1	22272-000070	RING, E- 7	1	1	1					
27	1	22372-080000	PIN, SNAP 8	1	1	1					
28	1	22372-100000	PIN, SNAP 10	2	2	2					
29	1	22372-100000	PIN, SNAP 10	1	1	1					
30	1	24761-010000	NIPPLE, GREASE M6F	2	2	2					
31	1	26106-060102	BOLT, M6X 10 PLATED	2	2	2					
32	1	26106-060122	BOLT, M6X 12 PLATED	2	2	2					
33	1	26106-100252	BOLT, M10X 25 PLATED	8	8	8					
34	1	26716-100002	NUT, M10	2	2	2					
35	1	26716-160002	NUT, M16	1	1	1					
36	1	26756-160002	NUT, LOCK M16	1	1	1					
37	1	26106-080122	BOLT, M8X 12 PLATED	1	1	1					

Fig.72. HYDRAULIC PIPING

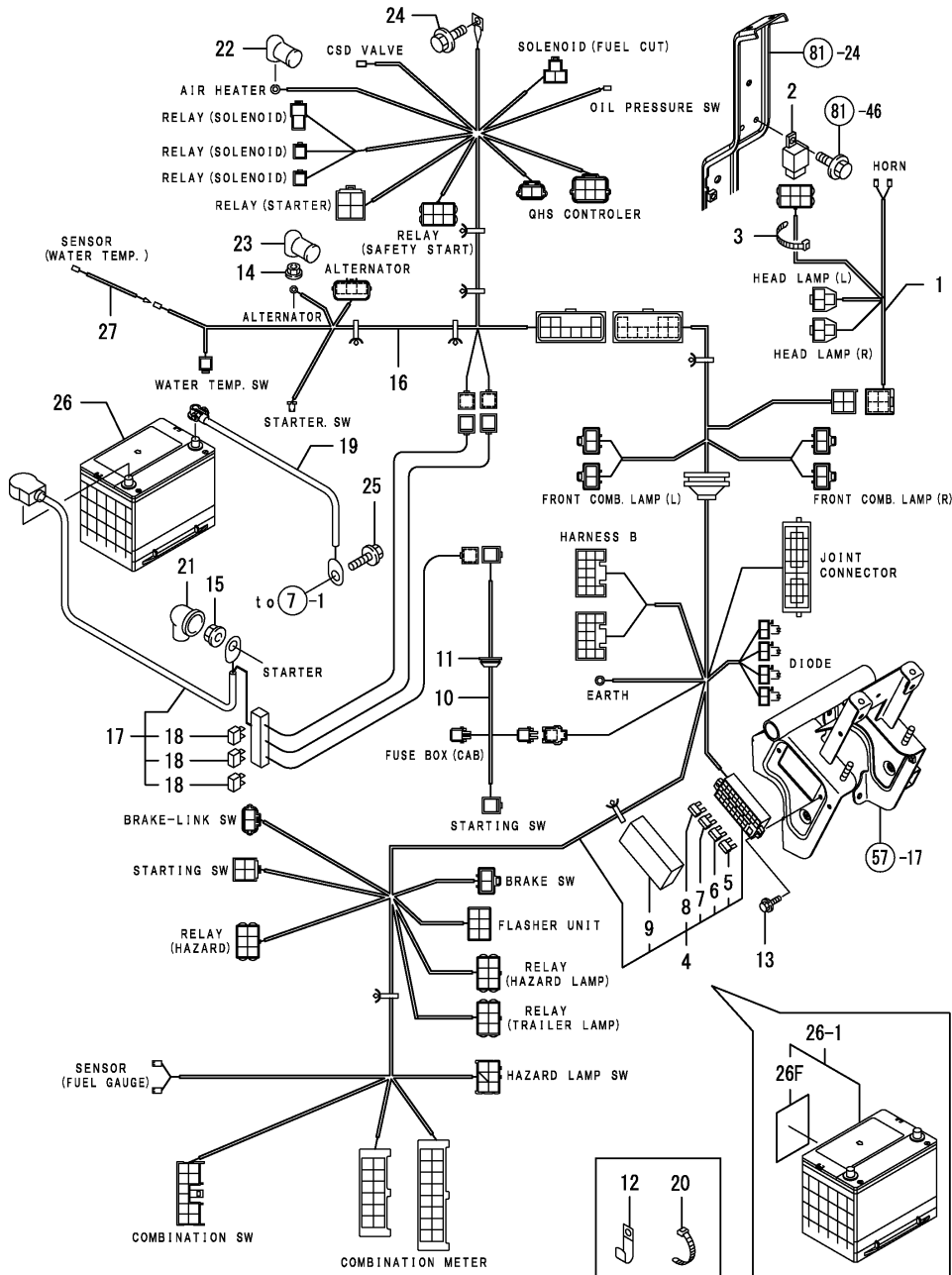


(A)=EF227E  
(B)=EF230E  
(C)=EF233E

(D)=  
(E)=  
(F)=

No.	Lev.	Parts No.	Description	Qty						I	R
				(A)	(B)	(C)	(D)	(E)	(F)		
1	1	198010-41211	JOINT, M22	1	1	1					
2	1	198200-48110	PIPE, PRESSURE	1							
2-1	1	198200-48111	LINE ASSY,PRESSURE	1							N
(A=FZZZZZ)											
3	1	198220-48140	FLANGE, PIPE P	1	1	1					
4	1	198200-48160	LINE ASSY,LOW PRESS.	1							
5	1	198072-48340	TUBE, PRESSURE	1	1	1					
6	1	198330-48410	CLAMP	1	1	1					
7	1	198200-48810	CLAMP, PIPE	2	2	2					
8	1	198240-48850	CLAMP, ABSORBER	2	2	2					
9	1	175022-49730	CRIP 31, HOSE	3	3	3					
10	1	1E6680-66470	ELBOW, 3/8	1	1	1					
11	1	198360-86840	COLLAR, 8.4X12X15	1	1	1					
12	1	24311-000140	O-RING, 1AP14.0	1	1	1					
13	1	24311-000200	O-RING, 1AP20.0	1	1	1					
14	1	24311-000200	O-RING, 1AP20.0	1	1	1					
15	1	24311-000200	O-RING, 1AP20.0	1	1	1					
16	1	24311-000260	O-RING, 1AP26.0	1	1	1					
17	1	26018-060252	BOLT, M6X 25	4	4	4					
18	1	26106-060202	BOLT, M6X 20 PLATED	1	1	1					
19	1	26106-060452	BOLT, M6X 45 PLATED	2	2	2					
20	1	26106-080162	BOLT, M8X 16 PLATED	1	1	1					
21	1	26106-080202	BOLT, M8X 20 PLATED	1	1	1					
22	1	26106-080302	BOLT, M8X 30 PLATED	1	1	1					
23	1	198208-48110	PIPE, PRESSURE		1	1					
23-1	1	198208-48111	LINE ASSY,PRESSURE		1	1					N
(B=FZZZZZ) (C=FZZZZZ)											
24	1	198208-48160	PIPE, PRESSURE		1	1					
25	1	1A6660-24250	PLUG, BORE 32	1	1	1					
25-1	1	27260-320000	PLUG, 32	1	1	1					R
(A=FXXXXX) (B=FXXXXX) (C=FXXXXX)											
26	1	198119-48310	FILTER	1	1	1					
27	1	198200-48350	COVER, FILTER	1	1	1					
28	1	24311-000340	O-RING, 1AP34.0	1	1	1					
29	1	26106-080252	BOLT, M8X 25 PLATED	2	2	2					

Fig.73. WIRE HARNESS

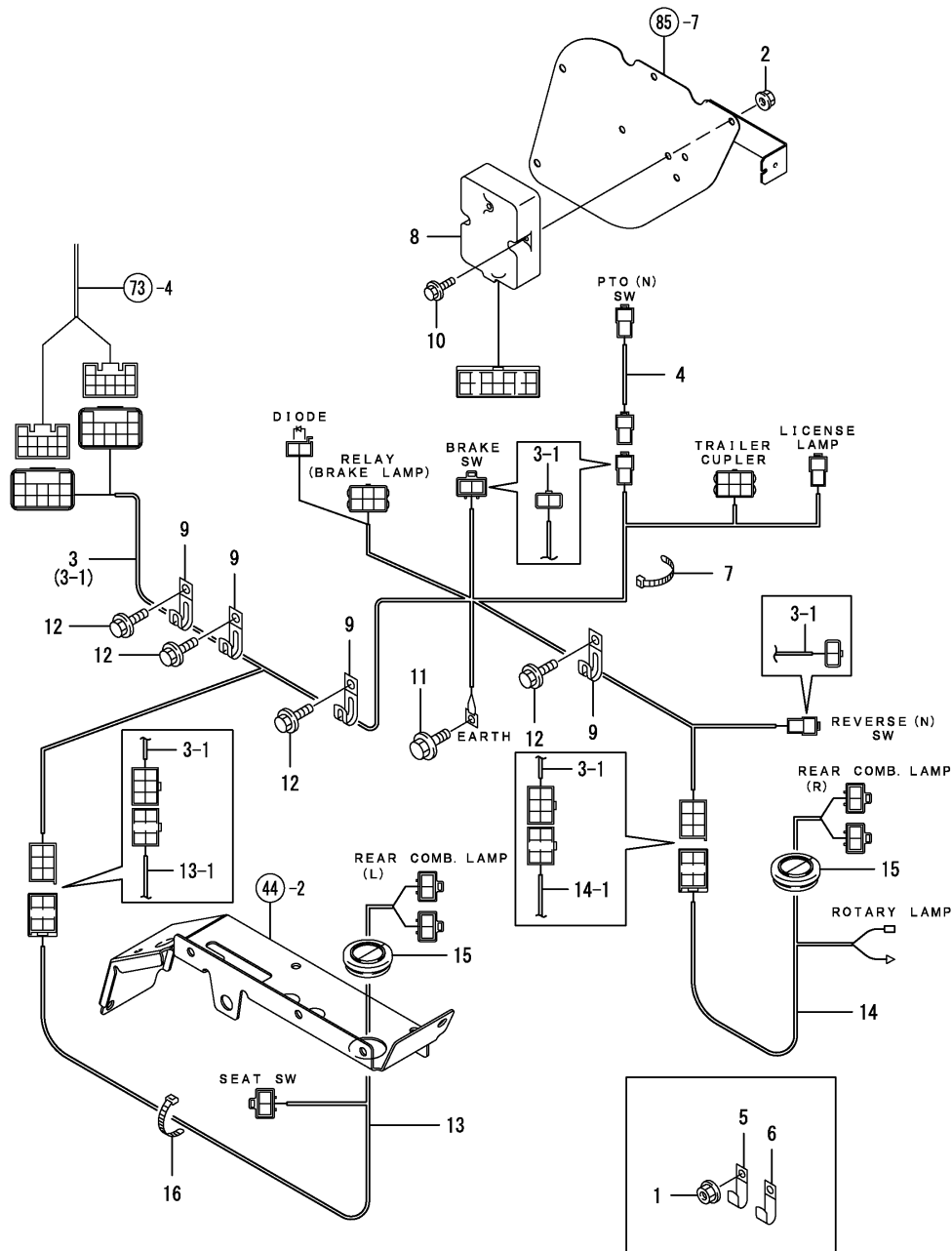


(A)=EF227E  
(B)=EF230E  
(C)=EF233E

(D)=  
(E)=  
(F)=

No.	Lev.	Parts No.	Description	Qty						I	R
				(A)	(B)	(C)	(D)	(E)	(F)		
1	1	198280-51170	HARNESS, WIRE	1	1	1					
2	1	198461-52950	RELAY, CA TYPE C	1	1	1					
3	1	29622-250001	BAND, RF250	1	1	1					
4	1	198282-51150	WIRING HARNESS, F	1	1	1					
5	2	198535-52110	FUSE, 5A	3	3	3					
6	2	198535-52120	FUSE, 10A	4	4	4					
7	2	198535-52130	FUSE, 15A	3	3	3					
8	2	198535-52140	FUSE, 20A	3	3	3					
9	2	198200-52520	COVER, FUSE BOX	1	1	1					
10	1	198280-51200	CABLE, STARTER	1	1	1					
11	1	194170-51210	GROMMET 25	1	1	1					
12	1	194242-51660	CLAMP, WIRE HARNESS	1	1	1					
13	1	26106-060122	BOLT, M6X 12 PLATED	2	2	2					
14	1	194990-22130	NUT, M6	1	1	1					
15	1	194990-22140	NUT, M8	1	1	1					
16	1	198282-51110	HARNESS, WIRE	1	1	1					
17	1	198280-51410	CABLE, BATTERY	1	1	1					
18	2	1A7000-52820	FUSE, SLOW BLOW 60A	3	3	3					
19	1	194250-51420	CABLE, BATTERY EARTH	1	1	1					
20	1	198220-51870	BAND, NYLON 200	3	3	3					
21	1	124550-77030	COVER, TERMINAL	1	1	1					
22	1	124756-77040	COVER, TERMINAL	1	1	1					
23	1	124756-77040	COVER, TERMINAL	1	1	1					
24	1	26106-080122	BOLT, M8X 12 PLATED	1	1	1					
25	1	26106-080162	BOLT, M8X 16 PLATED	1	1	1					
26	1	198280-51540	BATTERY,	1	1	1					
26-1	1	198280-51900	BATTERY KIT, 80D26R	1	1	1					N
26F	2	1A7550-91900	LABEL, CROSSED OUT PB	1	1	1					W
27	1	198200-51510	CORD, WATER TEMP	1							

Fig.74. WIRE HARNESS



(A)=EF227E  
(B)=EF230E  
(C)=EF233E

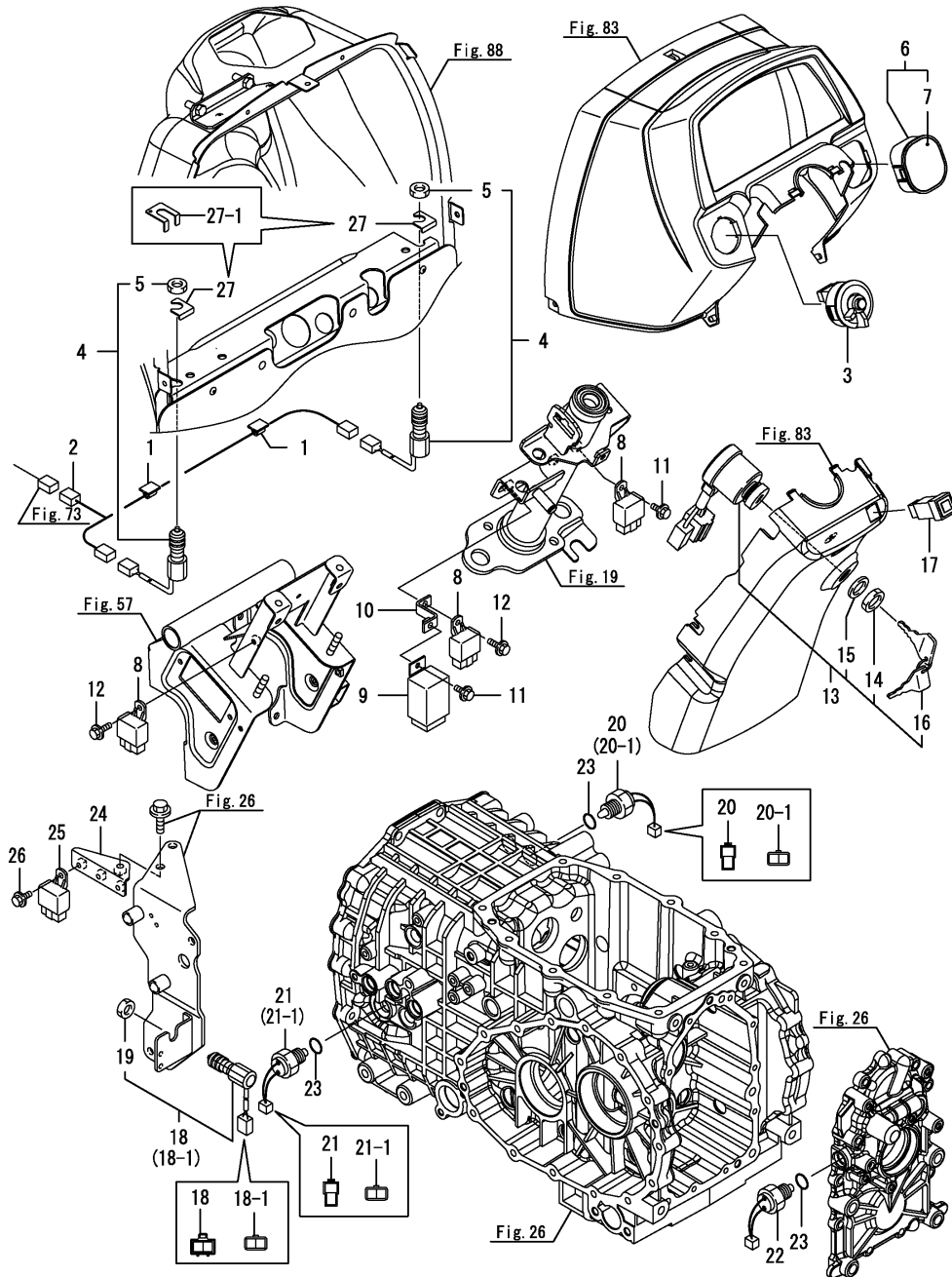
(D)=  
(E)=  
(F)=

No.	Lev.	Parts No.	Description	Q'ty						I	R
				(A)	(B)	(C)	(D)	(E)	(F)		
1	1	194990-22130	NUT, M6	1	1	1					
2	1	194990-22130	NUT, M6	2	2	2					
3	1	198282-51130	WIRING HARNESS, B	1	1	1					
3-1	1	198282-51131	HARNESS, WIRE (A=*2005.10.) (B=*2005.10.) (C=*2005.10.)	1	1	1					S
4	1	198282-51230	HARNESS, WIRE (A=*2005.10.) (B=*2005.10.) (C=*2005.10.)	1	1	1					Z
5	1	194440-51630	CLAMP, HARNESS	1	1	1					
6	1	194180-51640	CLAMP, HARNESS	2	2	2					
7	1	198220-51870	BAND, NYLON 200	1	1	1					
8	1	198165-52600	CONTROLLER, CHAIN	1	1	1					
9	1	1E6102-83230	CLAMP, CABLE	4	4	4					
10	1	26106-060202	BOLT, M6X 20 PLATED	2	2	2					
11	1	26106-080122	BOLT, M8X 12 PLATED	1	1	1					
12	1	26106-080122	BOLT, M8X 12 PLATED	4	4	4					
13	1	198280-51180	HARNESS, WIRE	1	1	1					
13-1	1	198280-51181	HARNESS, WIRE (A=*2005.10.) (B=*2005.10.) (C=*2005.10.)	1	1	1					S
14	1	198280-51190	HARNESS, WIRE	1	1	1					
14-1	1	198280-51191	HARNESS, WIRE (A=*2005.10.) (B=*2005.10.) (C=*2005.10.)	1	1	1					S
15	1	198133-51350	GROMMET, 38A	2	2	2					
16	1	29622-250001	BAND, RF250	1	1	1					

Fig.75. SWITCH

(A)=EF227E  
(B)=EF230E  
(C)=EF233E

(D)=  
(E)=  
(F)=

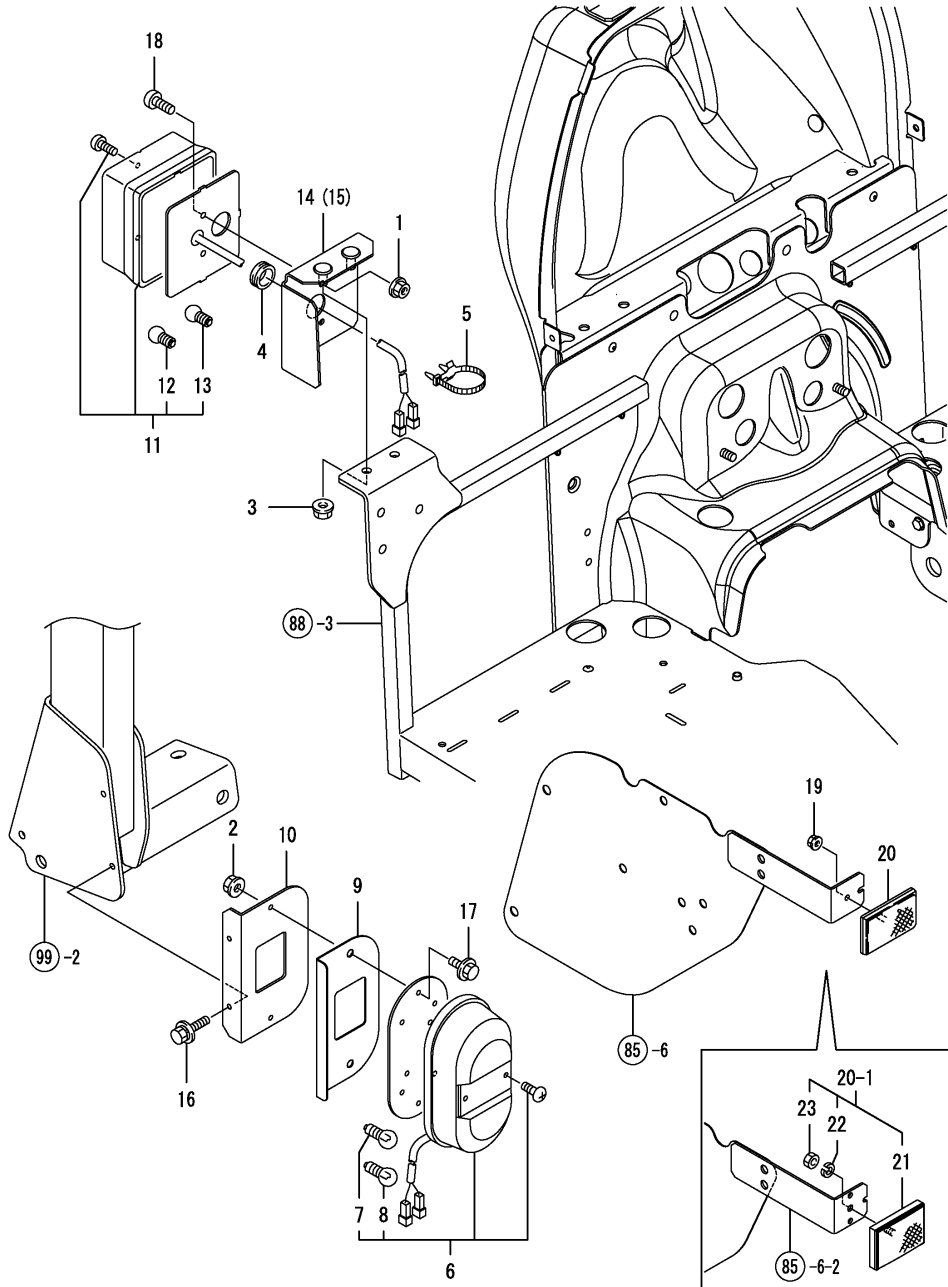


No.	Lev.	Parts No.	Description	Qty						I	R
				(A)	(B)	(C)	(D)	(E)	(F)		
1	1	172010-07810	STICKER, WIRE	2	2	2					
2	1	198282-51270	HARNESS, WIRE	1	1	1					
3	1	198200-52140	SWITCH, COMBINATION	1	1	1					
4	1	198223-52150	SWITCH, STOP LAMP	2	2	2					
5	2	26776-120002	NUT, LOCK M12	2	2	2					
6	1	198280-52450	COVER, BOX	1	1	1					
7	2	198280-52460	LABEL,	1	1	1					
8	1	198461-52950	RELAY, CA TYPE C	3	3	3					
9	1	198282-57200	FLASHER RELAY	1	1	1					
10	1	198282-57250	STAY, RELAY	1	1	1					
11	1	26106-060122	BOLT, M6X 12 PLATED	2	2	2					
12	1	26106-060162	BOLT, M6X 16 PLATED	2	2	2					
13	1	194940-52110	SWITCH, STARTING	1	1	1					
14	2	198360-52320	NUT, RING	1	1	1					
15	2	198360-52330	WASHER	1	1	1					
16	2	198360-52160	KEY ASSY	1	1	1					
17	1	1A7335-52120	SWITCH, HAZARD	1	1	1					
18	1	198223-52150	SWITCH, STOP LAMP	1	1	1					
18-1	1	198280-52130	SWITCH ASSY, LAMP	1	1	1					S
		(A="2005.10.) (B="2005.10.) (C="2005.10.)									
19	2	26776-120002	NUT, LOCK M12	1	1	1					
20	1	194464-52190	SWITCH, SAFETY START	1	1	1					
20-1	1	198269-52190	SWITCH, SAFETY	1	1	1					S
		(A="2005.10.) (B="2005.10.) (C="2005.10.)									
21	1	194464-52190	SWITCH, SAFETY START	1	1	1					
21-1	1	198269-52190	SWITCH, SAFETY	1	1	1					S
		(A="2005.10.) (B="2005.10.) (C="2005.10.)									
22	1	194464-52190	SWITCH, SAFETY START	1	1	1					
23	1	24311-000180	O-RING, 1AP18.0	3	3	3					
24	1	198280-58100	STAY, RELAY	1	1	1					
25	1	198461-52950	RELAY, CA TYPE C	1	1	1					
26	1	26106-060122	BOLT, M6X 12 PLATED	1	1	1					
27	1	198280-52090	STAY, BRAKE SWITCH	2	2	2					W
		(A=FXXXXX) (B=FXXXXX) (C=FXXXXX)									
27-1	1	198280-52091	STAY, BRAKE SWITCH	2	2	2					N
		(A=FXXXXX) (B=FXXXXX) (C=FXXXXX)									

Fig.76. LAMP

(A)=EF227E  
(B)=EF230E  
(C)=EF233E

(D)=  
(E)=  
(F)=



No.	Lev.	Parts No.	Description	Q'ty						I	R
				(A)	(B)	(C)	(D)	(E)	(F)		
1	1	194990-22120	NUT, M5	4	4	4					
2	1	194990-22130	NUT, M6	4	4	4					
3	1	194990-22140	NUT, M8	4	4	4					
4	1	198448-33390	GROMMET, CABLE	2	2	2					
5	1	194680-51670	BAND, CLIP	6	6	6					Z
		(A=FZZZZZ) (B=FZZZZZ) (C=FZZZZZ)									
6	1	198280-53300	LAMP ASSY	2	2	2					
7	2	1A7100-53220	BULB, 12VP21W	2	2	2					
8	2	198280-53330	BULB, 12VP21/5W	2	2	2					
9	1	198280-53350	PLATE, REAR LAMP	2	2	2					
10	1	198280-53360	STAY, REAR LAMP	2	2	2					
11	1	198280-53400	LAMP ASSY	2	2	2					
12	2	1A7100-53220	BULB, 12VP21W	2	2	2					
13	2	1A7100-53230	BULB, 12VR5W	2	2	2					
14	1	198280-53510	BRACKET	1	1	1					
15	1	198280-53520	BRACKET	1	1	1					
16	1	198461-60590	BOLT, M6X20	4	4	4					
17	1	26106-060162	BOLT, M6X 16 PLATED	4	4	4					
18	1	26557-050122	SCREW, M5X12	4	4	4					
19	1	194990-22120	NUT, M5	2	2	2					Z
		(A=FZZZZZ) (B=FZZZZZ) (C=FZZZZZ)									
20	1	198280-62250	REFLECTOR	2	2	2					
20-1	1	198280-62260	REFLECTOR ASSY	2	2	2					S
		(A=FZZZZZ) (B=FZZZZZ) (C=FZZZZZ)									
21	2	198280-62270	REFLECTOR	1	1	1					W
		(A=FZZZZZ) (B=FZZZZZ) (C=FZZZZZ)									
22	2	22217-060000	WASHER, SPRING 6	1	1	1					W
		(A=FZZZZZ) (B=FZZZZZ) (C=FZZZZZ)									
23	2	26716-060002	NUT, M6	1	1	1					W
		(A=FZZZZZ) (B=FZZZZZ) (C=FZZZZZ)									

Fig.77. LICENCE LAMP

(A)=EF227E  
(B)=EF230E  
(C)=EF233E

(D)=  
(E)=  
(F)=

No.	Lev.	Parts No.	Description	Qty						I	R
				(A)	(B)	(C)	(D)	(E)	(F)		
1	1	194990-22130	NUT, M6	1	1	1					
2	1	1C6650-37480	SCREW, TAPPING M6X16	2	2	2					
3	1	194440-51630	CLAMP, HARNESS	1	1	1					
4	1	1A7100-53400	LAMP ASSY, LICENSE	1	1	1					
5	2	1A7100-53420	BULB, 12VC5W	1	1	1					
6	1	198280-53710	BRACKET ASSY, PLATE	1	1	1					
7	1	198280-53750	SEAL, LICENCE LAMP	1	1	1					
8	1	198093-85650	BOLT, M6X16	2	2	2					

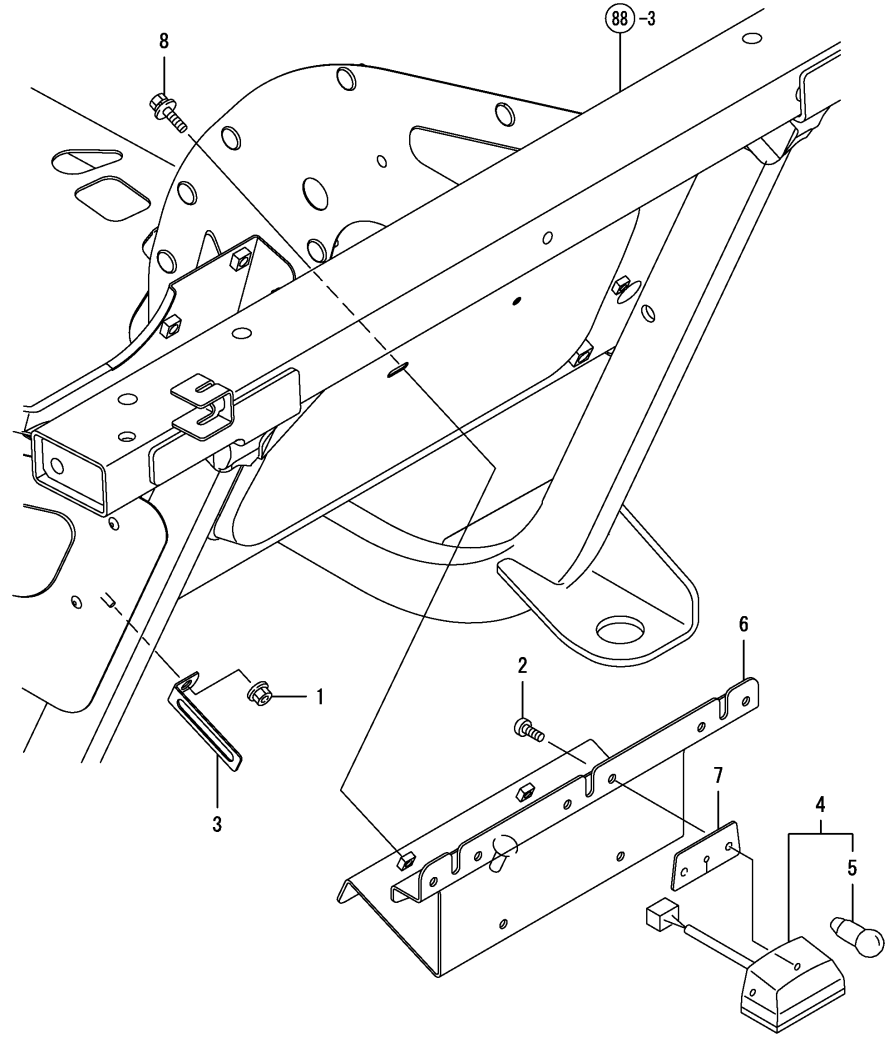




Fig.78. METER

(A)=EF227E  
(B)=EF230E  
(C)=EF233E

(D)=  
(E)=  
(F)=

No.	Lev.	Parts No.	Description	Qty						I	R
				(A)	(B)	(C)	(D)	(E)	(F)		
1	1	198280-56011	METER ASSY,	1	1	1					
1-1	1	198280-56012	METER ASSY	1	1	1					N
		(A=FXXXXXX) (B=FXXXXXX) (C=FXXXXXX)									
1-2	1	198280-56013	METER ASSY	1	1	1					R
		(A=FXXXXXX) (B=FXXXXXX) (C=FXXXXXX)									
5	2	1C6920-36260	LAMP ASSY, SOCKET	1	1	1					
6	2	198200-56050	BULB, 14V-1.7W	10	10	10					
7	2	198448-56150	BULB, 14V-1.4W	5	5	5					
8	2	198200-56060	GLASS	1	1	1					
11	1	194940-61790	SCREW, TAPPING M5X16	4	4	4					

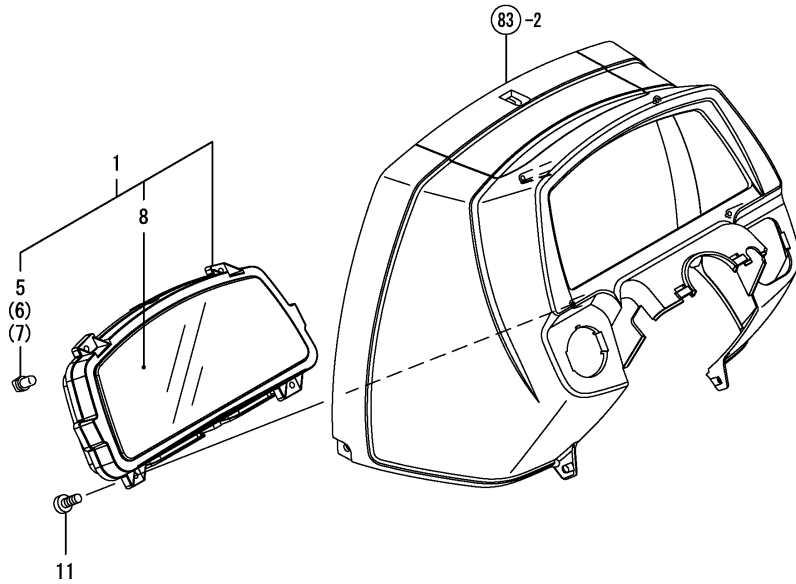


Fig.79. HORN

(A)=EF227E  
(B)=EF230E  
(C)=EF233E

(D)=  
(E)=  
(F)=

No.	Lev.	Parts No.	Description	Q'ty						I	R
				(A)	(B)	(C)	(D)	(E)	(F)		
1	1	1C7100-08150	HORN ASSY	1	1	1					
2	1	26106-060082	BOLT, M6X 8 PLATED	1	1	1					

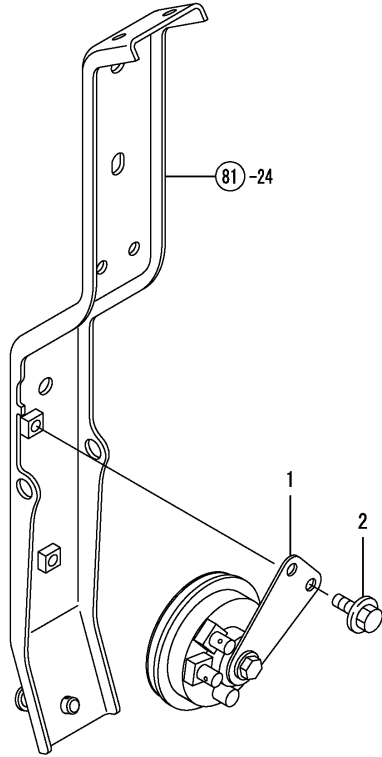


Fig.80. COUPLER

(A)=EF227E  
(B)=EF230E  
(C)=EF233E

(D)=  
(E)=  
(F)=

No.	Lev.	Parts No.	Description	Q'ty						I	R
				(A)	(B)	(C)	(D)	(E)	(F)		
1	1	194990-22120	NUT, M5	3	3	3					
2	1	198163-52150	COUPLER SET, TRAILER	1	1	1					
3	2	198163-52110	COUPLER ASSY	1	1	1					
4	2	198163-52120	BOOT, COUPLER	1	1	1					
5	1	26557-050352	SCREW, M5X35	3	3	3					
6	1	194990-22150	NUT, M10	1	1	1					
7	1	198280-57340	BRACKET, COUPLER	1	1	1					
8	1	26106-060122	BOLT, M6X 12 PLATED	1	1	1					

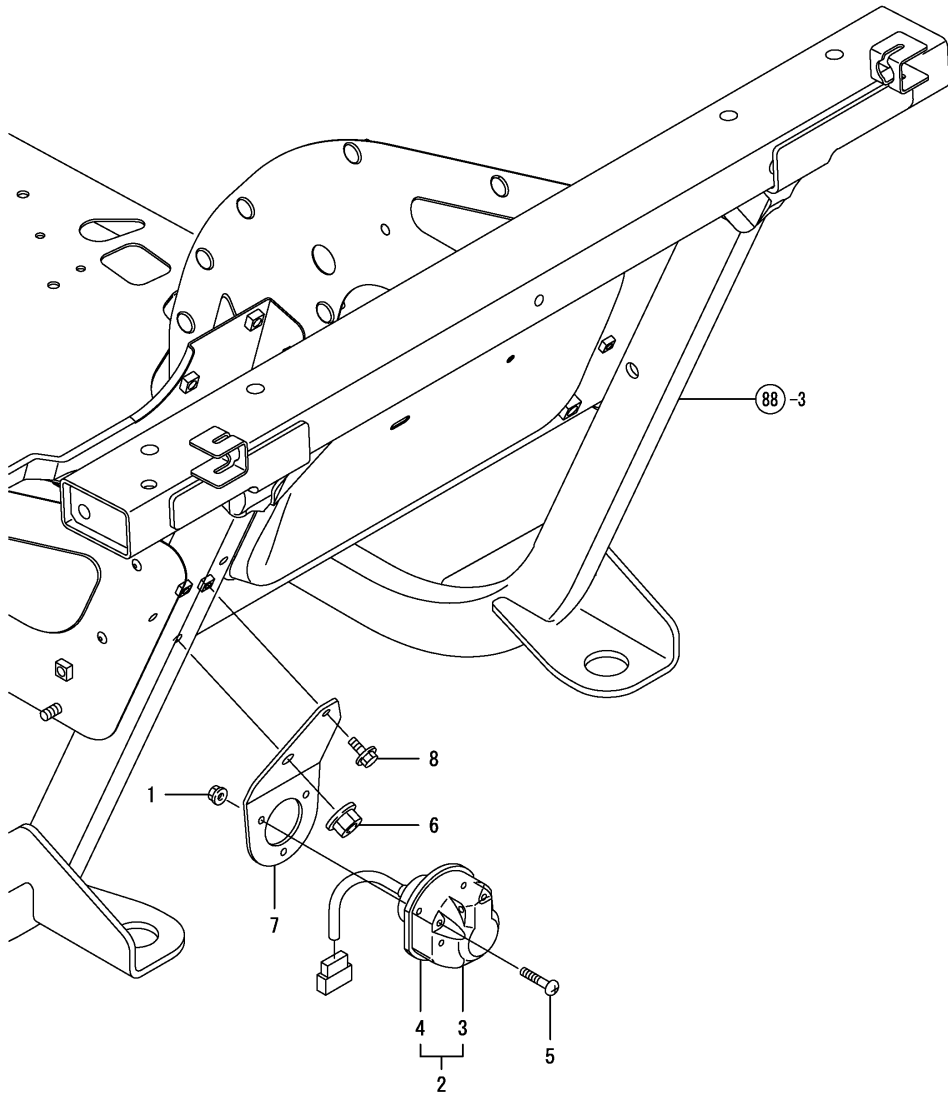
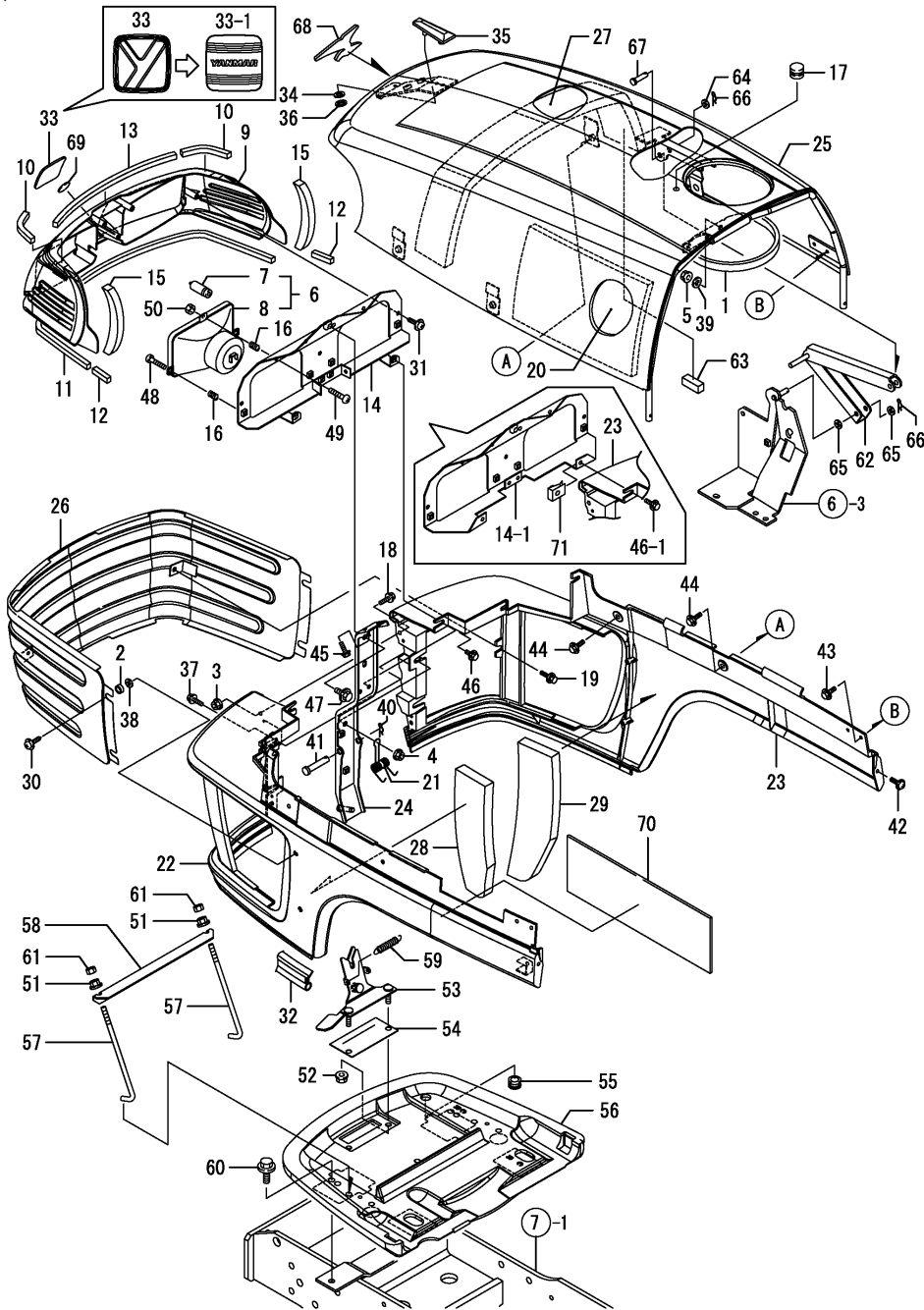
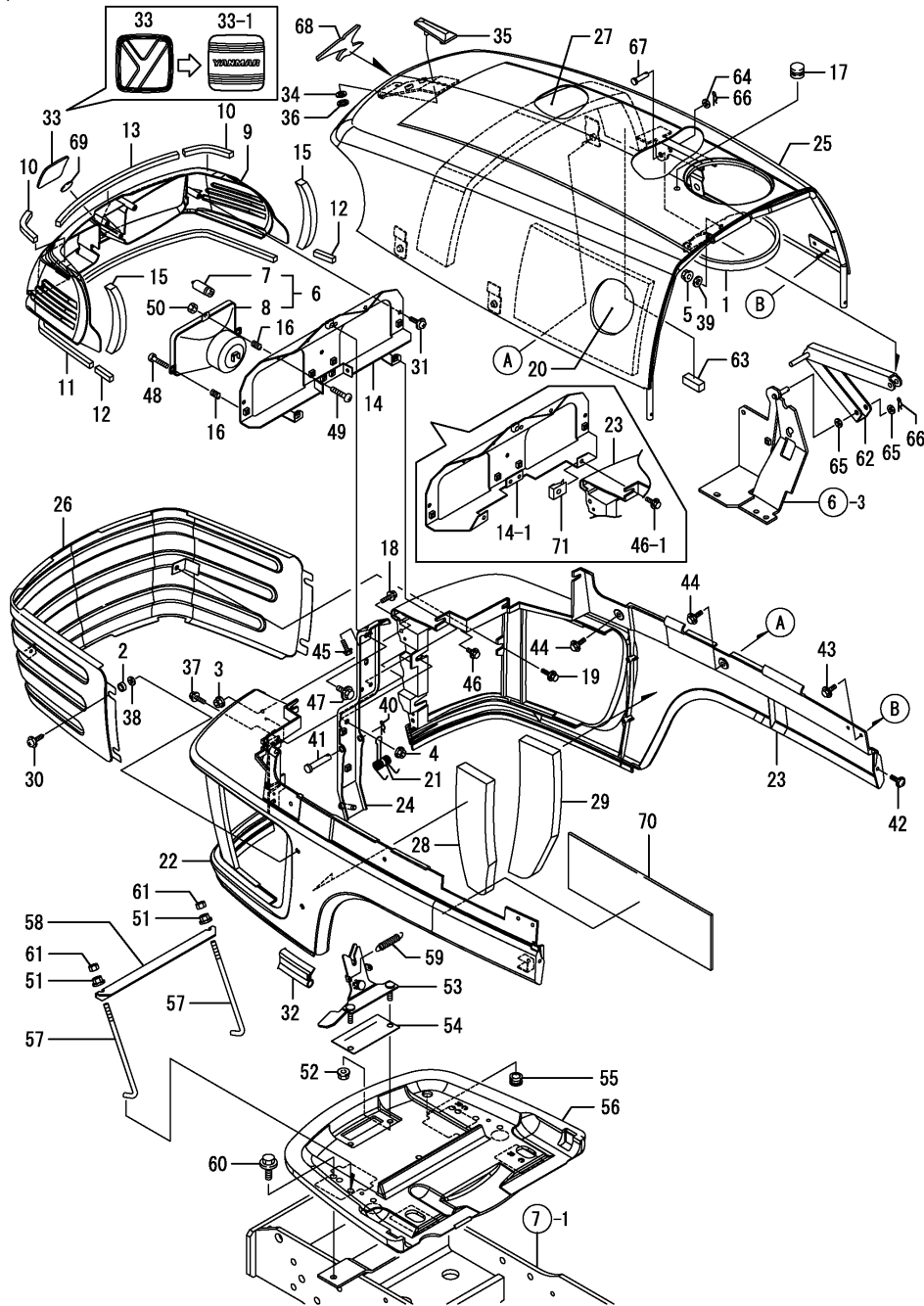


Fig.81. HOOD



No.	Lev.	Parts No.	Description	Qty						I	R	
				(A)	(B)	(C)	(D)	(E)	(F)			
1	1	198200-04251	GASKET, SUMP	1	1	1						
2	1	174501-07060	COLLAR, 10X15X6	4	4	4						
3	1	194990-22130	NUT, M6	2	2	2						
4	1	194990-22140	NUT, M8	1	1	1						
5	1	194990-22140	NUT, M8	2	2	2						
6	1	1A7100-53100	LAMP ASSY, HEAD	2	2	2						
7	2	1A7100-53130	BULB, H4-12V60/55W	2	2	2						
8	2	1A7100-53140	COVER	2	2	2						
9	1	198280-53150	COVER, LAMP	1	1	1						
10	1	198280-53170	SEAL, COVER A	2	2	2						
11	1	198280-53180	SEAL, COVER B	1	1	1						
12	1	198280-53190	SEAL, COVER C	2	2	2						
13	1	198200-53210	SEAL, HEAD LAMP	1	1	1						
14	1	198280-53210	BRACKET ASSY, LAMP	1	1	1						
14-1	1	198280-53211	BRACKET ASSY, LAMP	1	1	1					S	
(A=FXXXXX) (B=FXXXXX) (C=FXXXXX)												
15	1	198200-53230	SEAL, HEAD LAMP	2	2	2						
16	1	198327-53280	SPRING, 1.2	6	6	6						
17	1	194197-56350	GROMMET	1	1	1						
18	1	198461-60590	BOLT, M6X20	3	3	3						
19	1	198461-60590	BOLT, M6X20	2	2	2						
20	1	1A7260-60890	URETHANE, BONNET UL	1	1	1						
21	1	198200-60910	SPRING	1	1	1						
22	1	198200-61152	HOOD, LOWER L	1	1	1						
23	1	198200-61162	HOOD, LOWER R	1	1	1						
24	1	198280-61210	STAY ASSY, BONNET	1	1	1						
25	1	198280-61260	BONNET ASSY, UPPER M	1	1	1						
26	1	198200-61340	NET ASSY, BONNET	1	1	1						
27	1	198200-61410	URETHANE, BONNET U	1	1	1						
28	1	198200-61420	URETHANE, BONNET LL	1	1	1						
29	1	198200-61430	URETHANE, BONNET LR	1	1	1						
30	1	194420-61640	SCREW, TAPPING M5X16	4	4	4						
31	1	194420-61640	SCREW, TAPPING M5X16	4	4	4						
32	1	198133-61950	WEATHER-STRIP, 950	1	1	1						
33	1	198421-65030	MARK 50, YANMAR	1	1	1						
33-1	1	198200-65250	LABEL, YANMAR	1	1	1					S	
(A=*2006.05) (B=*2006.05) (C=*2006.05)												
34	1	194555-65130	CUSHION	2	2	2						
35	1	194940-65590	MARK, TOP	1	1	1						
36	1	198071-65610	NUT, SPEED M5	2	2	2						
37	1	198093-82510	BOLT, M8X25	1	1	1						
38	1	22137-060000	WASHER, 6	4	4	4						
39	1	22137-080000	WASHER, 8	2	2	2						
40	1	22372-100000	PIN, SNAP 10	1	1	1						
41	1	22487-100550	PIN 10X 55	1	1	1						
42	1	26021-050122	SCREW, M5X12	2	2	2						
43	1	26106-060082	BOLT, M6X 8 PLATED	2	2	2						
44	1	26106-060122	BOLT, M6X 12 PLATED	4	4	4						
45	1	26106-060122	BOLT, M6X 12 PLATED	2	2	2						
46	1	26106-060162	BOLT, M6X 16 PLATED	4	4	4						
46-1	1	26106-060202	BOLT, M6X 20 PLATED	4	4	4					S	

Fig.81. HOOD

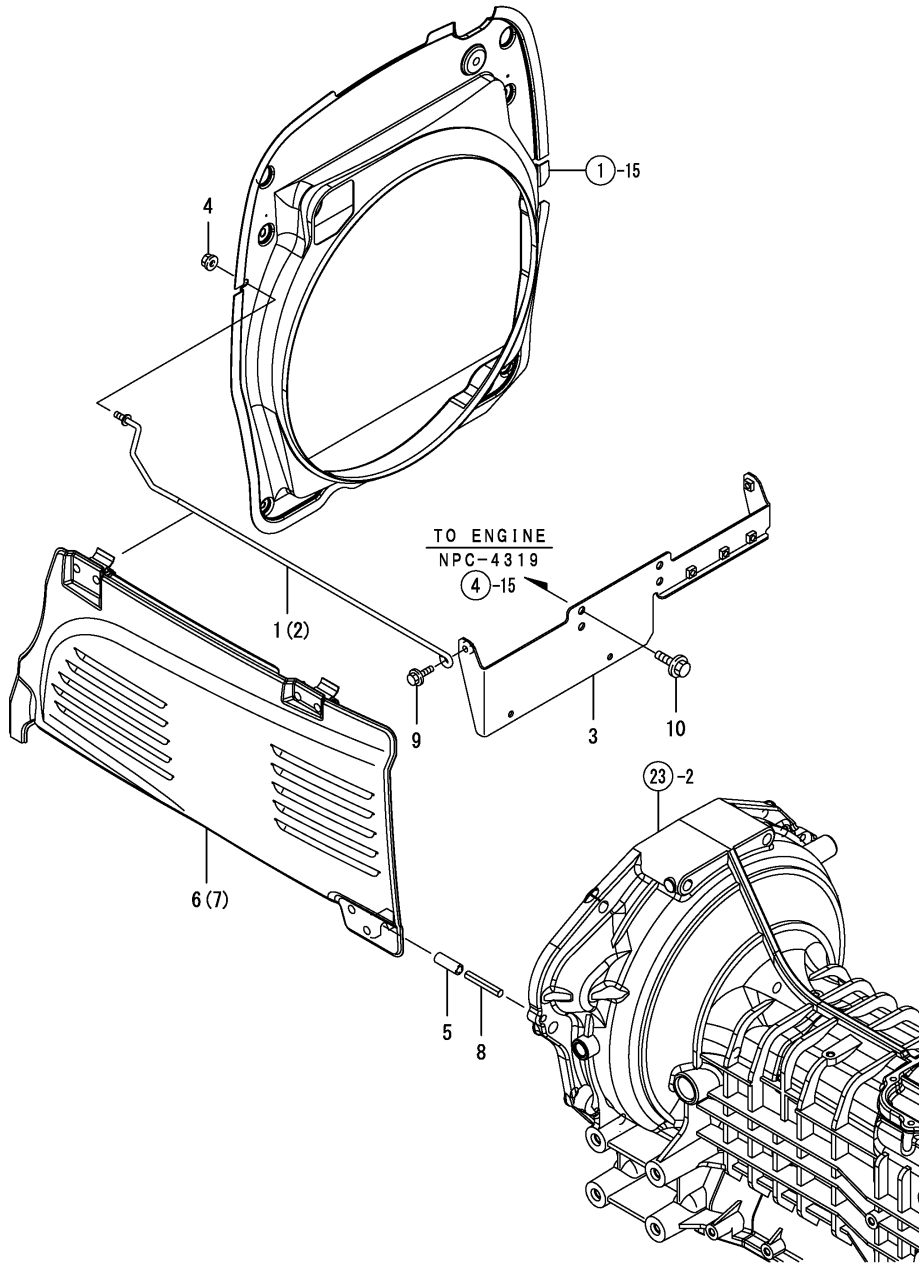


(A)=EF227E  
(B)=EF230E  
(C)=EF233E

(D)=  
(E)=  
(F)=

No.	Lev.	Parts No.	Description	Qty						I	R
				(A)	(B)	(C)	(D)	(E)	(F)		
		(A=FXXXXX) (B=FXXXXX) (C=FXXXXX)									
47	1	26106-080162	BOLT, M8X 16 PLATED	1	1	1					
48	1	26557-060302	SCREW, M6X30	4	4	4					
49	1	26587-040202	SCREW, M4X20	2	2	2					
50	1	26716-040002	NUT, M4	2	2	2					
51	1	194990-22140	NUT, M8	2	2	2					
52	1	194990-22140	NUT, M8	2	2	2					
53	1	198200-61250	LOCK ASSY, HOOD	1	1	1					
54	1	198200-61320	GASKET, BONNET LOCK	1	1	1					
55	1	198200-61490	GROMMET, 8	1	1	1					
56	1	198280-61500	SUPPORT, BATTERY	1	1	1					
57	1	198200-61530	ROD, BATTERY CLAMP	2	2	2					
57-1	1	198220-51570	ROD, BATTERY	2	2	2					N
		(A=FXXXXX) (B=FXXXXX) (C=FXXXXX)									
58	1	198200-61580	CLAMP, BATTERY	1	1	1					
59	1	198230-61960	SPRING	1	1	1					
60	1	26106-100302	BOLT, M10X 30 PLATED	2	2	2					
61	1	26716-080002	NUT, M8	2	2	2					
62	1	198200-61400	STAND ASSY	1	1	1					
63	1	198200-61550	STOPPER, STAND	3	3	3					
64	1	22137-080000	WASHER, 8	1	1	1					
64-1	1	22190-080000	WASHER, SEAL 8	1	1	1					N
		(A=FXXXXXX) (B=FXXXXXX) (C=FXXXXXX)									
65	1	22190-080000	WASHER, SEAL 8	2	2	2					
66	1	22372-080000	PIN, SNAP 8	2	2	2					
67	1	22487-080300	PIN, H 8X 30	1	1	1					
68	1	198200-65010	MARK, BRAN 63-R400	1	1	1					W
		(A=*2006.05.) (B=*2006.05.) (C=*2006.05.)									
69	1	198208-65260	SEAT, PROTECTOR	1	1	1					W
		(A=*2006.05.) (B=*2006.05.) (C=*2006.05.)									
70	1	198283-60100	URETHANE, BONNET LL	1	1	1					W
		(A=*2008.08.) (B=*2008.08.) (C=*2008.08.)									
71	1	198071-61890	NUT, SPEED M6	4	4	4					W
		(A=FXXXXX) (B=FXXXXX) (C=FXXXXX)									

Fig.82. SIDE COVER



(A)=EF227E  
(B)=EF230E  
(C)=EF233E

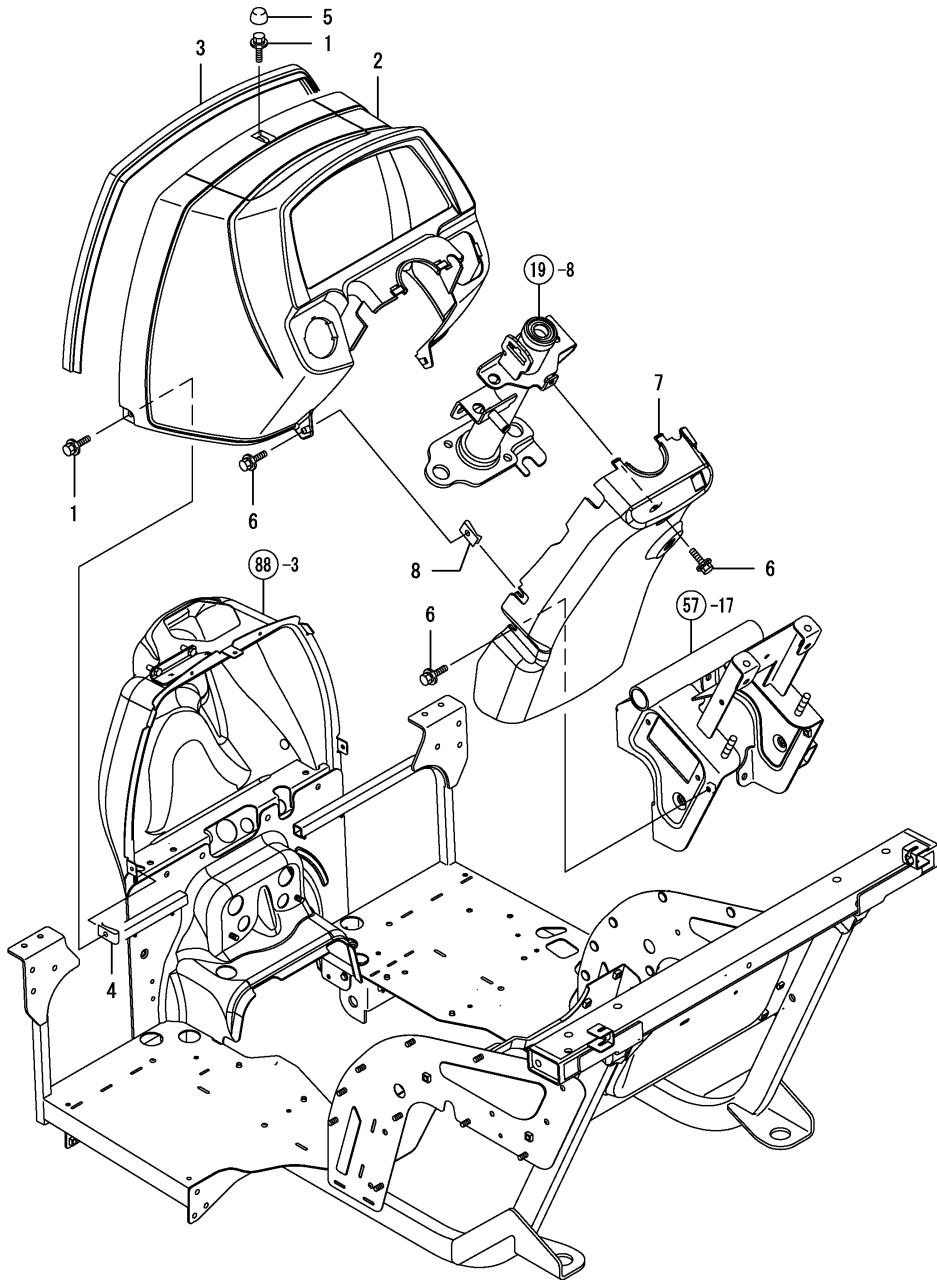
(D)=  
(E)=  
(F)=

No.	Lev.	Parts No.	Description	Qty						I	R
				(A)	(B)	(C)	(D)	(E)	(F)		
1	1	198200-01570	STAY ASSY, COVER L	1	1	1					
2	1	198200-01580	STAY ASSY, COVER R	1	1	1					
3	1	198200-01600	STAY ASSY, REAR	1	1	1					
4	1	194990-22130	NUT, M6	2	2	2					
5	1	198200-60990	PIPE, GUARD	2	2	2					
6	1	198280-61000	COVER ASSY, SIDE L M	1	1	1					
7	1	198280-61010	COVER ASSY, SIDE R M	1	1	1					
8	1	22351-080050	PIN, SPRING 8.0X50	2	2	2					
9	1	26106-060162	BOLT, M6X 16 PLATED	2	2	2					
10	1	26106-080122	BOLT, M8X 12 PLATED	2	2	2					

Fig.83. DASHBOARD

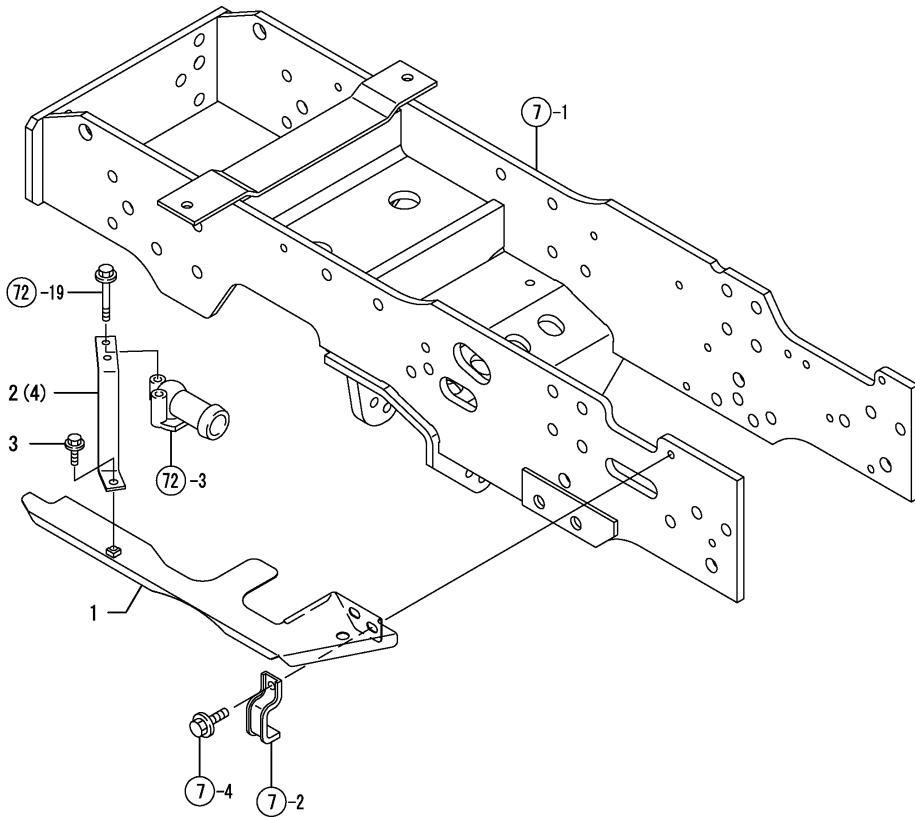
(A)=EF227E  
(B)=EF230E  
(C)=EF233E

(D)=  
(E)=  
(F)=



No.	Lev.	Parts No.	Description	Qty						I	R
				(A)	(B)	(C)	(D)	(E)	(F)		
1	1	198072-60590	BOLT, M6X20	3	3	3					
2	1	198282-61590	COVER, DASHBOARD M	1	1	1					
3	1	198200-61620	TRIM, 920	1	1	1					
3-1	1	1A8115-61620 (A=*2009.02.)	WEATHER-STRIP, 920 (B=*2009.02.)	1	1	1					N
4	1	198071-61890	NUT, SPEED M6 (C=*2009.02.)	3	3	3					
5	1	198200-63620	CAP, BOLT 6	1	1	1					
6	1	198461-60590	BOLT, M6X20	5	5	5					
7	1	198282-61680	COVER ASSY, COLUMN R	1	1	1					
8	1	198071-61890	NUT, SPEED M6	2	2	2					

Fig.84. CURRENT PLATE



(A)=EF227E  
(B)=EF230E  
(C)=EF233E

(D)=  
(E)=  
(F)=

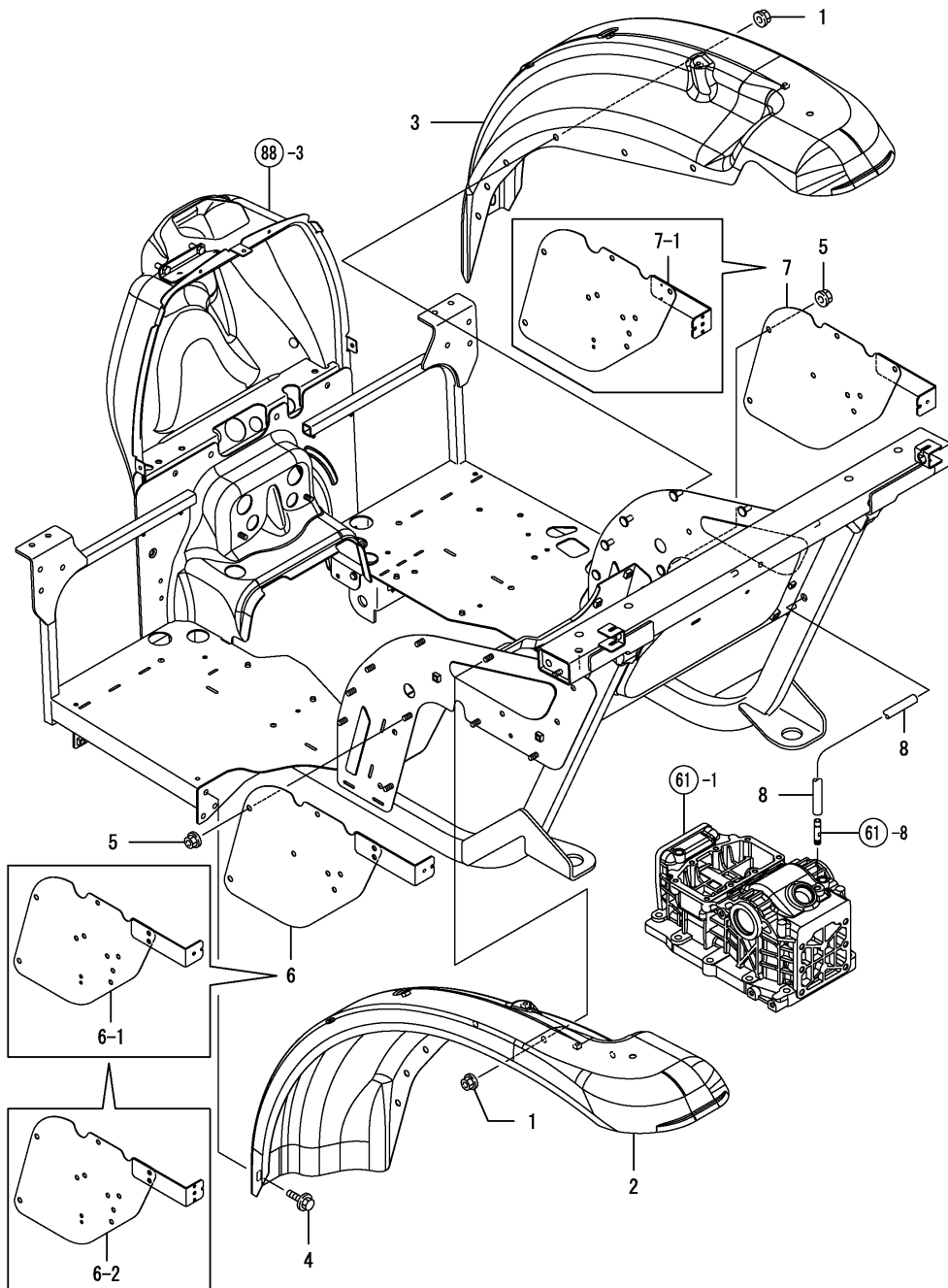
No.	Lev.	Parts No.	Description	Q'ty						I	R
				(A)	(B)	(C)	(D)	(E)	(F)		
1	1	198280-61910	CURRENT PLATE	1	1	1					
2	1	198200-61930	BRACKET		1						
3	1	26106-060126	BOLT, M6X 12 PLATED		1	1	1				
4	1	198208-61930	BRACKET			1	1				



Fig.85. FENDER

(A)=EF227E  
(B)=EF230E  
(C)=EF233E

(D)=  
(E)=  
(F)=

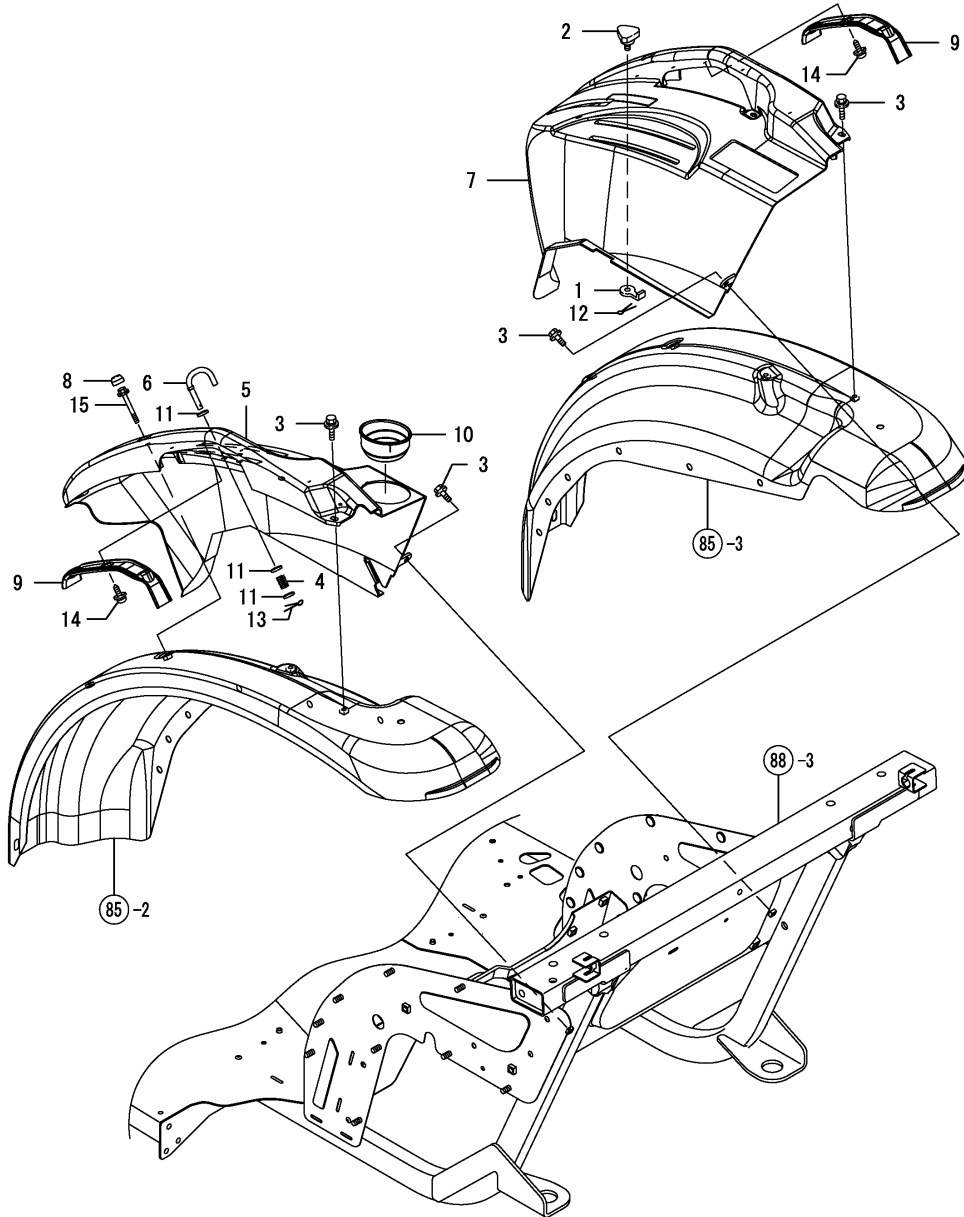


No.	Lev.	Parts No.	Description	Qty						I	R
				(A)	(B)	(C)	(D)	(E)	(F)		
1	1	194990-22140	NUT, M8	12	12	12					
2	1	198206-62101	FENDER ASSYL L	1	1	1					
3	1	198206-62111	FENDER ASSY, R	1	1	1					
4	1	26106-080162	BOLT, M8X 16 PLATED	2	2	2					
5	1	194990-22140	NUT, M8	8	8	8					
6	1	198280-62210	COVER, FENDER LOWER	1	1	1					
6-1	1	198280-62211	COVER, FENDER LOWER	1	1	1					S
		(A=FZZZZZ) (B=FZZZZZ) (C=FZZZZZ)									
6-2	1	198280-62212	COVER, FENDER LOWER	1	1	1					S
		(A=FZZZZZ) (B=FZZZZZ) (C=FZZZZZ)									
7	1	198280-62220	COVER, R LOWER	1	1	1					
7-1	1	198280-62221	COVER, FENDER LOWER	1	1	1					S
		(A=FZZZZZ) (B=FZZZZZ) (C=FZZZZZ)									
8	1	198121-63560	PIPE, BREATHER 320	1	1	1					

Fig.86. LEVER GUIDE

(A)=EF227E  
(B)=EF230E  
(C)=EF233E

(D)=  
(E)=  
(F)=



No.	Lev.	Parts No.	Description	Qty						I	R
				(A)	(B)	(C)	(D)	(E)	(F)		
1	1	198121-47110	STOPPER, LEVER	1	1	1					
1-1	1	198121-47111	STOPPER, LEVER	1	1	1					N
		(A=FZZZZZ) (B=FZZZZZ) (C=FZZZZZ)									
2	1	194130-47851	BOLT, M6X15	1	1	1					
3	1	198461-60590	BOLT, M6X20	8	8	8					
4	1	198220-61371	SPRING, LOCK	1	1	1					
5	1	198200-63500	GUIDE, LEVER L	1	1	1					
6	1	198121-63510	STOPPER	1	1	1					
7	1	198200-63600	GUIDE, LEVER R	1	1	1					
8	1	198200-63620	CAP, BOLT 6	2	2	2					
9	1	198200-63640	COVER, GRIP	2	2	2					
10	1	198200-63660	HOLDER, CUP	1	1	1					
11	1	22137-060000	WASHER, 6	3	3	3					
12	1	22417-200200	PIN, COTTER 2.0X20	1	1	1					
13	1	22417-200200	PIN, COTTER 2.0X20	1	1	1					
14	1	22857-600160	SCREW, 6X16	6	6	6					
15	1	26106-060552	BOLT, M6X 55 PLATED	2	2	2					

Fig.87. FLOOR COVER

(A)=EF227E  
(B)=EF230E  
(C)=EF233E

(D)=  
(E)=  
(F)=

No.	Lev.	Parts No.	Description	Qty						I	R
				(A)	(B)	(C)	(D)	(E)	(F)		
1	1	198200-62320	MAT, FLOOR L	1	1	1					
2	1	198200-62330	MAT, FLOOR R	1	1	1					
3	1	198200-62350	COVER, FLOOR	1	1	1					
4	1	194697-62560	CAP, HOLE	10	10	10					
5	1	26106-060122	BOLT, M6X 12 PLATED	6	6	6					

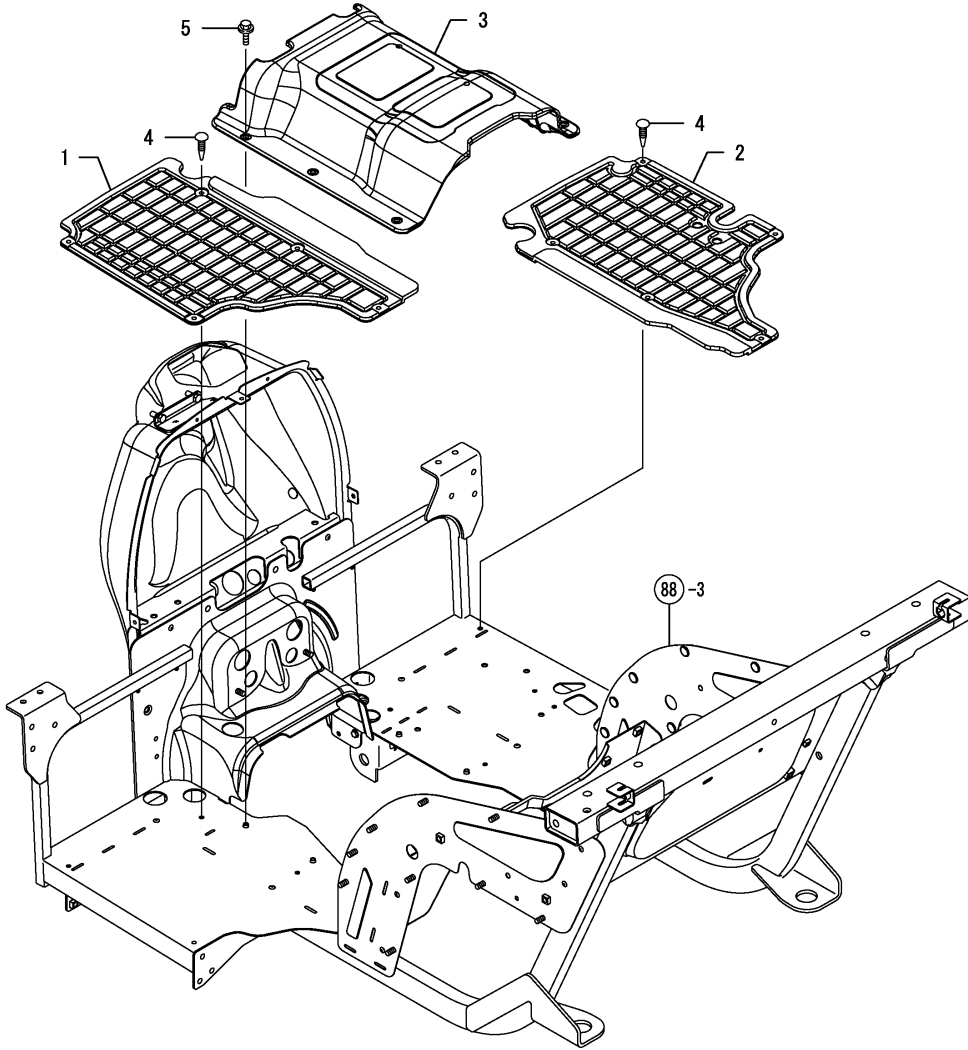
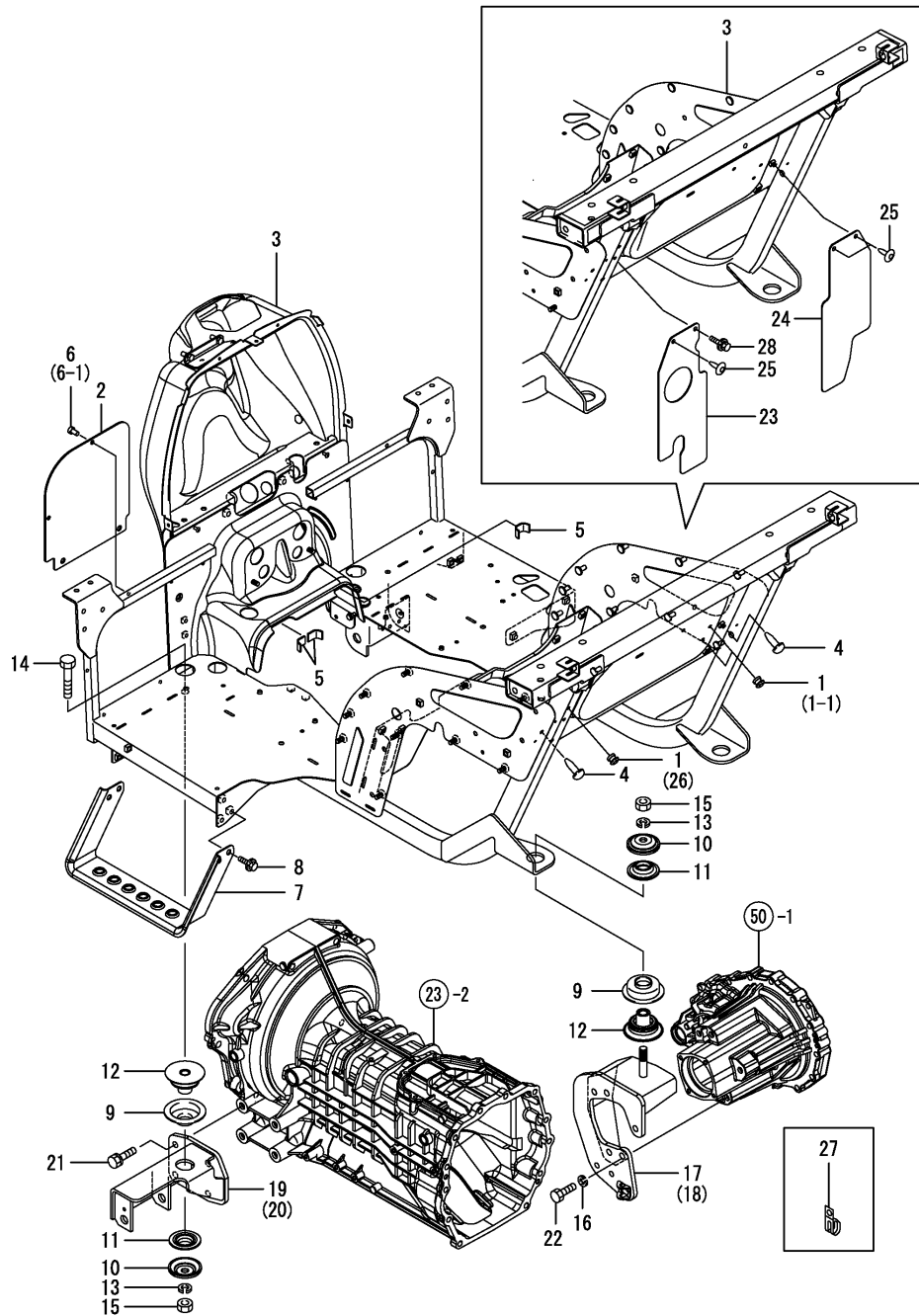


Fig.88. FLOOR



(A)=EF227E  
(B)=EF230E  
(C)=EF233E

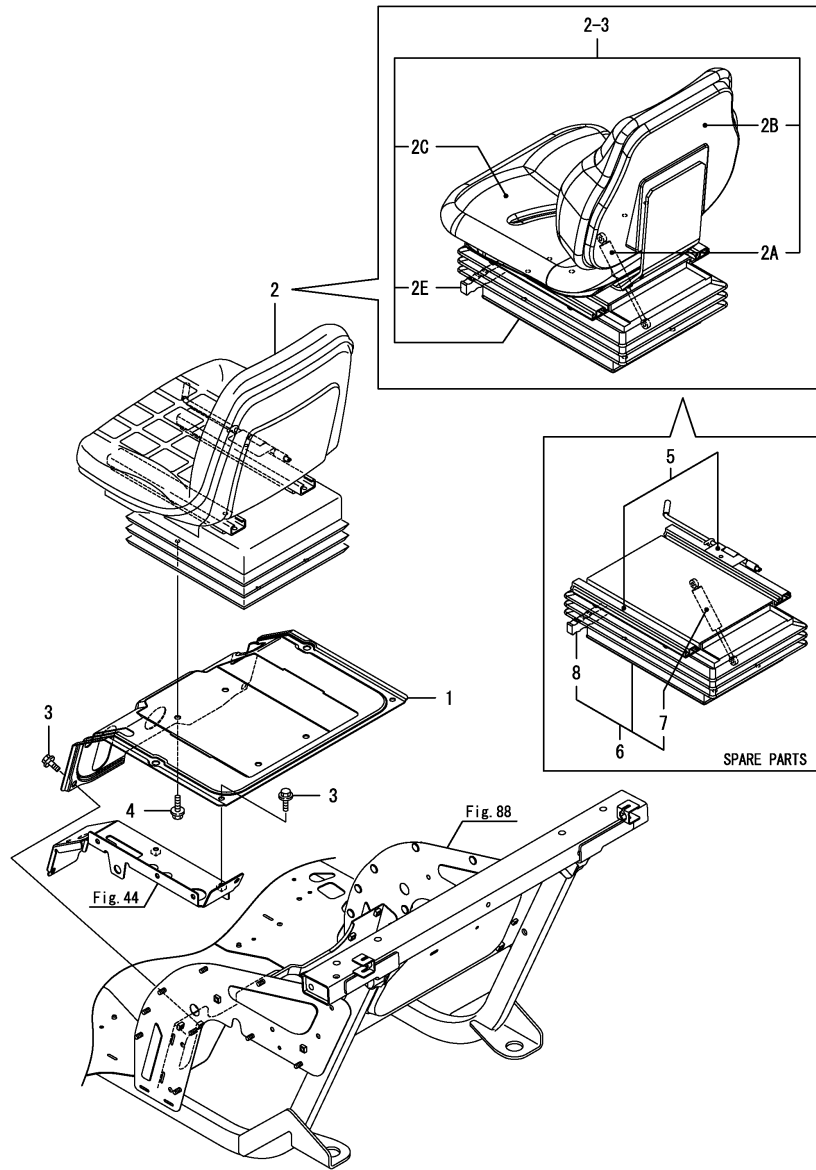
(D)=  
(E)=  
(F)=

No.	Lev.	Parts No.	Description	Qty						I	R
				(A)	(B)	(C)	(D)	(E)	(F)		
1	1	1C6053-26020	CAP, RUBBER 8X3	3	3	3					
1-1	1	1C6053-26020	CAP, RUBBER 8X3	2	2	2					K
		(A=FZZZZZ) (B=FZZZZZ) (C=FZZZZZ)									
2	1	198200-62300	GUARD, DUST	2	2	2					
3	1	198280-62490	FLOOR ASSY, M	1	1	1					Z
4	1	1E6760-74150	CAP, HOLE 8	2	2	2					
		(A=FZZZZZ) (B=FZZZZZ) (C=FZZZZZ)									
5	1	198093-84810	SEAL, FENDER	3	3	3					
6	1	197810-84840	RIVET, NYLON	2	2	2					
6-1	1	197810-84840	RIVET, NYLON	8	8	8					K
		(A=FZZZZZ) (B=FZZZZZ) (C=FZZZZZ)									
7	1	198200-62560	STEP, SUB	1	1	1					
8	1	26106-080162	BOLT, M8X 16 PLATED	4	4	4					
9	1	198071-62900	STOPPER, MOUNT	4	4	4					
10	1	198200-62910	STOPPER, U	4	4	4					
11	1	198200-62970	MOUNT, UPPER	4	4	4					
12	1	198200-62990	MOUNT, LOWER	4	4	4					
13	1	22217-140000	WASHER, SPRING 14	4	4	4					
14	1	26116-140752	BOLT, M14X 75 PLATED	2	2	2					
15	1	26716-140002	NUT, M14	4	4	4					
16	1	194274-13580	WASHER, SPRING 12	10	10	10					
17	1	198280-62630	MOUNT ASSY, REAR L	1	1	1					
18	1	198280-62640	MOUNT ASSY, REAR R	1	1	1					
19	1	198280-62850	MOUNT ASSY, FRONT L	1	1	1					
20	1	198280-62860	MOUNT ASSY, FRONT R	1	1	1					
21	1	26013-120402	BOLT, M12X 40	8	8	8					
22	1	26116-120402	BOLT, M12X 40 PLATED	10	10	10					
23	1	198280-62300	COVER, DUST REAR L	1	1	1					W
		(A=FZZZZZ) (B=FZZZZZ) (C=FZZZZZ)									
24	1	198200-62310	COVER, DUST REAR	1	1	1					W
		(A=FZZZZZ) (B=FZZZZZ) (C=FZZZZZ)									
25	1	1E6760-74150	CAP, HOLE 8	3	3	3					W
		(A=FZZZZZ) (B=FZZZZZ) (C=FZZZZZ)									
26	1	1C6053-26020	CAP, RUBBER 8X3	2	2	2					W
		(A=FZZZZZ) (B=FZZZZZ) (C=FZZZZZ)									
27	1	194440-51620	CLAMP	6	6	6					W
		(A=FZZZZZ) (B=FZZZZZ) (C=FZZZZZ)									
28	1	198093-85650	BOLT, M6X16	1	1	1					W
		(A=FZZZZZ) (B=FZZZZZ) (C=FZZZZZ)									

Fig.89. DRIVER SEAT

(A)=EF227E  
(B)=EF230E  
(C)=EF233E

(D)=  
(E)=  
(F)=



No.	Lev.	Parts No.	Description	Qty						I	R
				(A)	(B)	(C)	(D)	(E)	(F)		
1	1	198282-62910	COVER ASSY, DUST B	1	1	1					
1-1	1	198282-62911	COVER ASSY, DUST	1	1	1				F	1
		(A=*2005.09) (B=*2005.09) (C=*2005.09)									
1-2	1	198282-62912	COVER ASSY, DUST B	1	1	1					N
		(A=*2005.11) (B=*2005.11) (C=F110021)									
1-3	1	198282-62913	COVER ASSY, DUST B	1	1	1					N 2
		(A=F110177) (B=F110347) (C=F110190)									
2	1	198282-63110	SEAT ASSY, OPERATOR	1	1	1					
2-1	1	198280-63111	SEAT ASSY, OPERATOR	1	1	1					F 1
		(A=F110080) (B=F110175) (C=F110023)									
2-2	1	198282-63111	SEAT ASSY, OPERATOR	1	1	1					N
		(A=F110177) (B=F110347) (C=F110021)									
2-3	1	198282-63112	SEAT ASSY, OPERATOR	1	1	1					N
		(A=F110217) (B=F110395) (C=F110430)									
2A	2	198280-63150	SHOCK ABSORBER,	1	1	1					W
		(A=F110217) (B=F110395) (C=F110430)									
2B	2	198280-63160	BACKREST, PVC	1	1	1					W
		(A=F110217) (B=F110395) (C=F110430)									
2C	2	198280-63180	CUSION, PVC	1	1	1					W
		(A=F110217) (B=F110395) (C=F110430)									
2E	2	198280-63340	LEVER, ADJUSTING	1	1	1					W
		(A=F110217) (B=F110395) (C=F110430)									
3	1	26106-080122	BOLT, M8X 12 PLATED	6	6	6					
4	1	26106-080162	BOLT, M8X 16 PLATED	4	4	4					
5	1	198280-63250	RAIL KIT, SLIDE	1	1	1					3
6	1	198280-63260	SUSPENSION KIT,	1	1	1					3
7	2	198280-63150	SHOCK ABSORBER,	1	1	1					3
8	2	198280-63340	LEVER, ADJUSTING	1	1	1					3

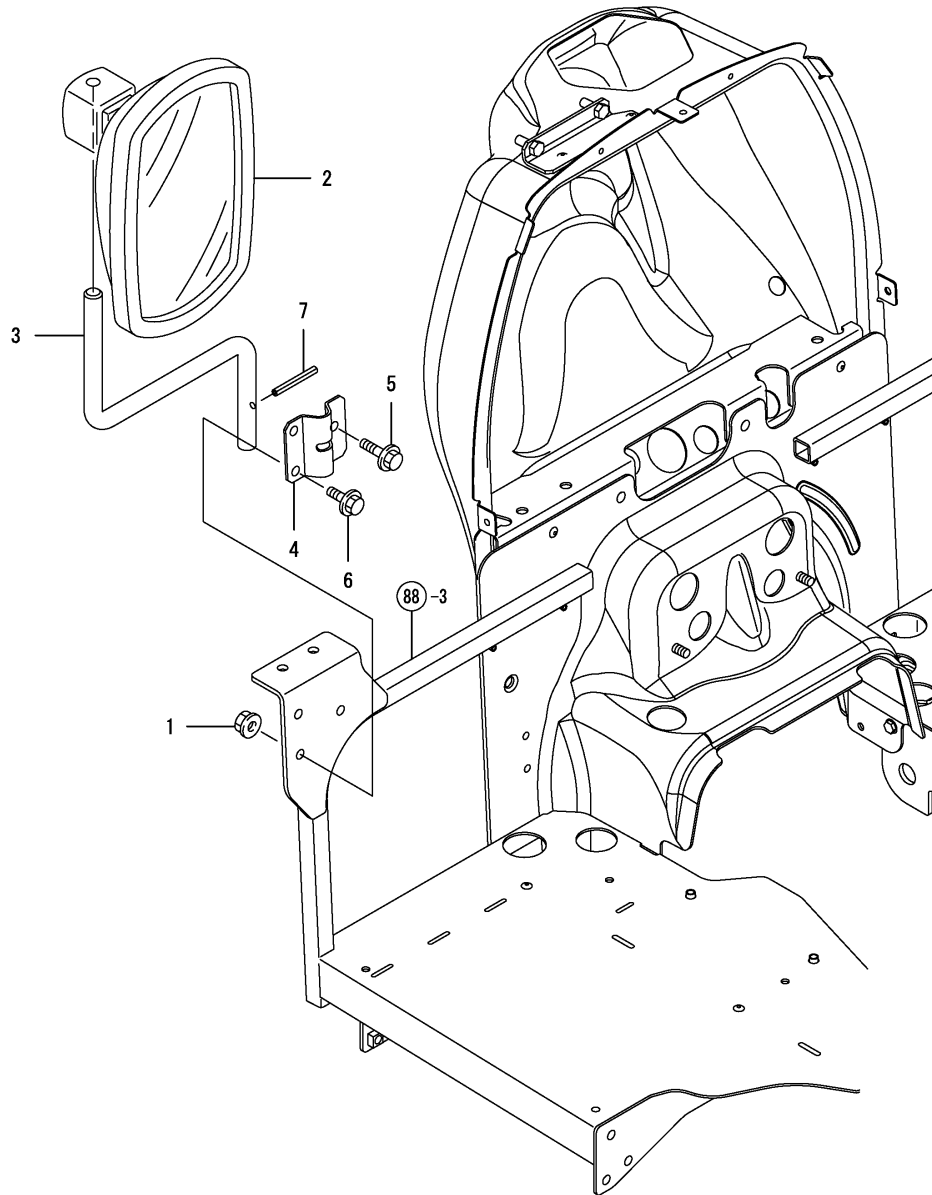
Remarks

- (1) Interchangeable by simultaneous replacement with No.1-1 & 2-1.
- (2) Interchangeable by simultaneous replacement with No.1-3, Fig.68 No.4A & 6A.
- (3) Spare parts.

Fig.90. BACK MIRROR

(A)=EF227E  
(B)=EF230E  
(C)=EF233E

(D)=  
(E)=  
(F)=

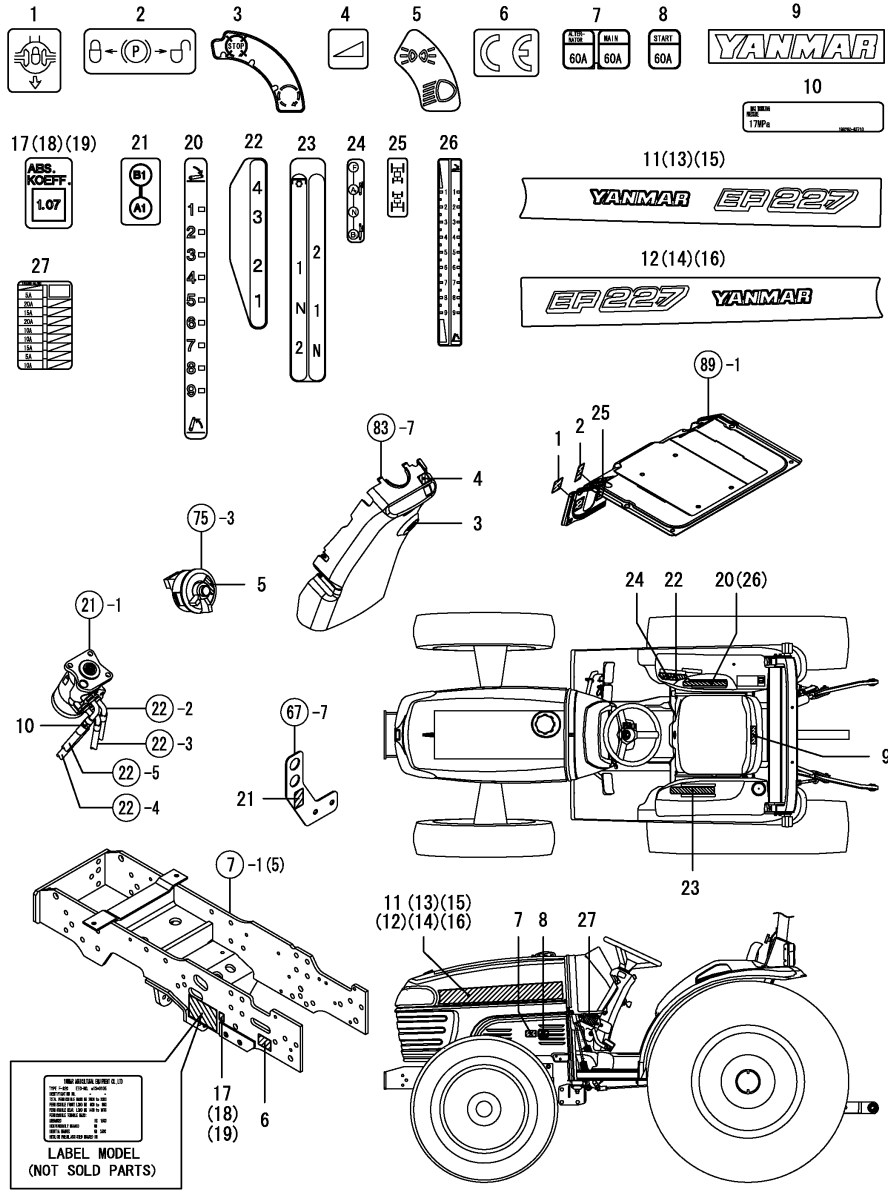


No.	Lev.	Parts No.	Description	Qty						I	R
				(A)	(B)	(C)	(D)	(E)	(F)		
1	1	194990-22140	NUT, M8	1	1	1					
2	1	1A7100-64110	MIRROR ASSY, BACK	1	1	1					
3	1	198280-64120	SHAFT, MIRROR	1	1	1					
4	1	198280-64150	STAY, MIRROR	1	1	1					
5	1	198093-82510	BOLT, M8X25	1	1	1					
6	1	198460-83350	BOLT, M8X16	2	2	2					
7	1	22351-060032	PIN, SPRING 6.0X32	1	1	1					

Fig.91. LABELS

(A)=EF227E  
(B)=EF230E  
(C)=EF233E

(D)=  
(E)=  
(F)=



No.	Lev.	Parts No.	Description	Q'ty						I	R
				(A)	(B)	(C)	(D)	(E)	(F)		
1	1	194240-65441	LABEL, DIFF. LOCK	1	1	1					
2	1	198036-65470	LABEL, BRAKE LOCK	1	1	1					
3	1	1A6640-65510	LABEL,KEY SWITCH	1	1	1					
3-1	1	1A6640-65511 (A=FZZZZZ) (B=FZZZZZ) (C=FZZZZZ)	LABEL, KEY SWITCH	1	1	1					N
4	1	1A6640-65530	LABEL,THROTTLE	1	1	1					
5	1	198280-65580	LABEL,	1	1	1					
6	1	198165-65590	DECAL,CE	1	1	1					
7	1	198280-65770	LABEL,	1	1	1					
8	1	198280-65790	LABEL,	1	1	1					
9	1	198208-65890	LABEL, ROOF	1	1	1					
10	1	198280-65710	LABEL, H.P. HOSE	4	4	4					
11	1	198280-65110	LABEL, NAME	1							
12	1	198280-65120	LABEL, NAME	1							
13	1	198282-65110	LABEL, NAME			1					
14	1	198282-65120	LABEL, NAME			1					
15	1	198284-65110	LABEL, NAME							1	
16	1	198284-65120	LABEL, NAME							1	
17	1	198280-65570	LABEL,		1						
18	1	198282-65570	LABEL,			1					
19	1	198284-65570	LABEL,							1	
20	1	198280-65510	LABEL, POSITION	1	1	1					
21	1	198280-65640	LABEL,SCV COUPLER	1	1	1					
22	1	198282-65650	LABEL, MAIN SHIFT	1	1	1					
23	1	198282-65670	LABEL, RANGE-PTO	1	1	1					
24	1	198282-65690	LABEL,	1	1	1					
25	1	198221-65740	LABEL, MFWD	1	1	1					
26	1	198282-65520	LABEL, LIFT	1	1	1					1
27	1	198280-65780	LABEL,	1	1	1					

Remarks  
(1) FOR TYPE DRAFT

Fig.92. LABELS (SAFETY)

(A)=EF227E

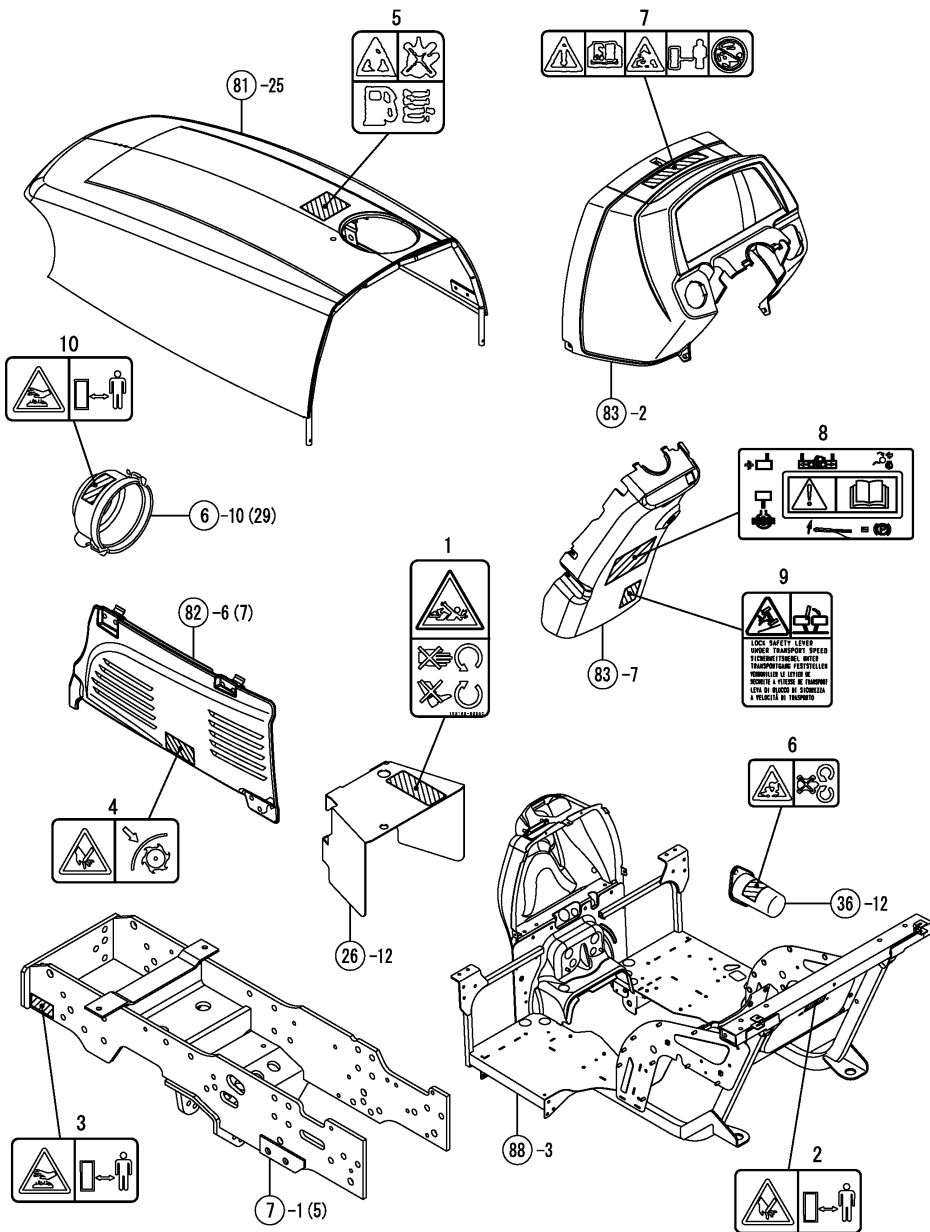
(B)=EF230E

(C)=EF233E

(D)=

(E)=

(F)=



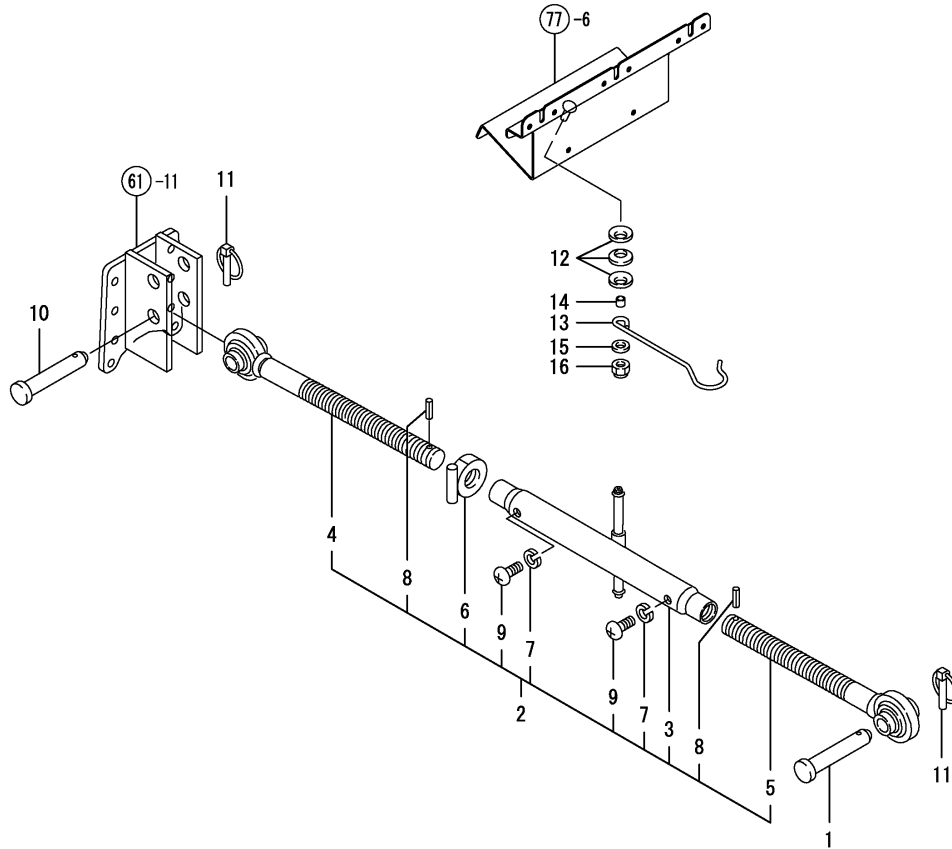
No.	Lev.	Parts No.	Description	Q'ty						I	R
				(A)	(B)	(C)	(D)	(E)	(F)		
1	1	198163-65350	DANGER,ROTAT.SHAFT	1	1	1					
2	1	198280-65610	LABEL,3P	1	1	1					
3	1	198163-65930	CAUTION,MUFFLER	1	1	1					
4	1	198163-65940	CAUTION,SAFETY COVER	2	2	2					
5	1	1A6150-91251	LABEL,RAKE CAUTION	1	1	1					
6	1	1A6150-93151	LABEL,COVER	1	1	1					
7	1	198163-65310	LABEL, SAFETY	1	1	1					
8	1	198282-65300	LABEL,OPERATION G	1	1	1					
9	1	198163-65780	LABEL,BRAKE COUPLING	1	1	1					
10	1	198163-65930	CAUTION,MUFFLER	1	1	1					



Fig.93. TOP LINK

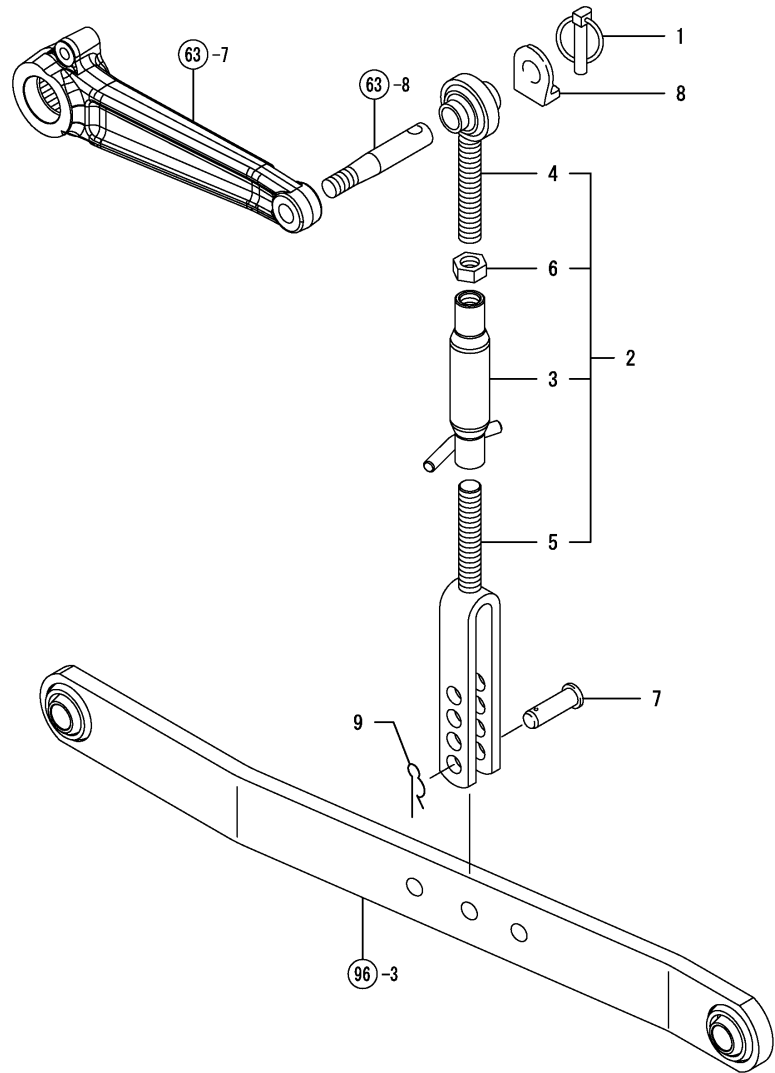
(A)=EF227E  
(B)=EF230E  
(C)=EF233E

(D)=  
(E)=  
(F)=



No.	Lev.	Parts No.	Description	Qty						I	R
				(A)	(B)	(C)	(D)	(E)	(F)		
1	1	195080-15060	PIN, HITCH	1	1	1					
2	1	198220-71100	LINK ASSY, TOP	1	1	1					
3	2	194275-71500	TURNBUCKLE	1	1	1					
4	2	194145-71600	LINK ASSY, TOP R	1	1	1					
5	2	194145-71700	LINK ASSY, TOP L	1	1	1					
6	2	198092-71750	NUT ASSY, M24	1	1	1					
7	2	22217-060000	WASHER, SPRING 6	2	2	2					
8	2	22351-040024	PIN, SPRING 4.0X24	2	2	2					
9	2	26557-060062	SCREW, M6X 6	2	2	2					
10	1	194150-71230	PIN, LINK	1	1	1					
11	1	794130-71410	PIN ASSY, BALL	2	2	2					
12	1	198072-18320	SPRING, 12	3	3	3					
13	1	198280-71710	HOOK, TOP LINK	1	1	1					
14	1	198092-71720	COLLAR, 8.1X10.5X9.3	1	1	1					
15	1	22137-080000	WASHER, 8	1	1	1					
16	1	26346-080002	NUT, M8	1	1	1					

Fig.94. LIFT LINK (R)



(A)=EF227E  
(B)=EF230E  
(C)=EF233E

(D)=  
(E)=  
(F)=

No.	Lev.	Parts No.	Description	Qty						I	R
				(A)	(B)	(C)	(D)	(E)	(F)		
1	1	794130-71410	PIN ASSY, BALL	1	1	1					
2	1	198200-72101	LINK KIT, LIFT R	1	1	1					
3	2	198200-72210	TURNBUCKLE	1	1	1					
4	2	198200-72250	BOLT ASSY, EYE	1	1	1					
5	2	198200-72451	YOKE, LIFT LINK	1	1	1					
6	2	26777-180002	NUT, LOCK M18	1	1	1					
7	1	194150-72460	PIN, LIFT YOKE	1	1	1					
8	1	198071-74970	COLLAR, BALL SOCKET	1	1	1					
9	1	22372-160000	PIN, SNAP 16	1	1	1					

---

---

---

---

---

---

---

---

---

---

---

---

---

---

---

---

---

---

---

---

---

---

---

---

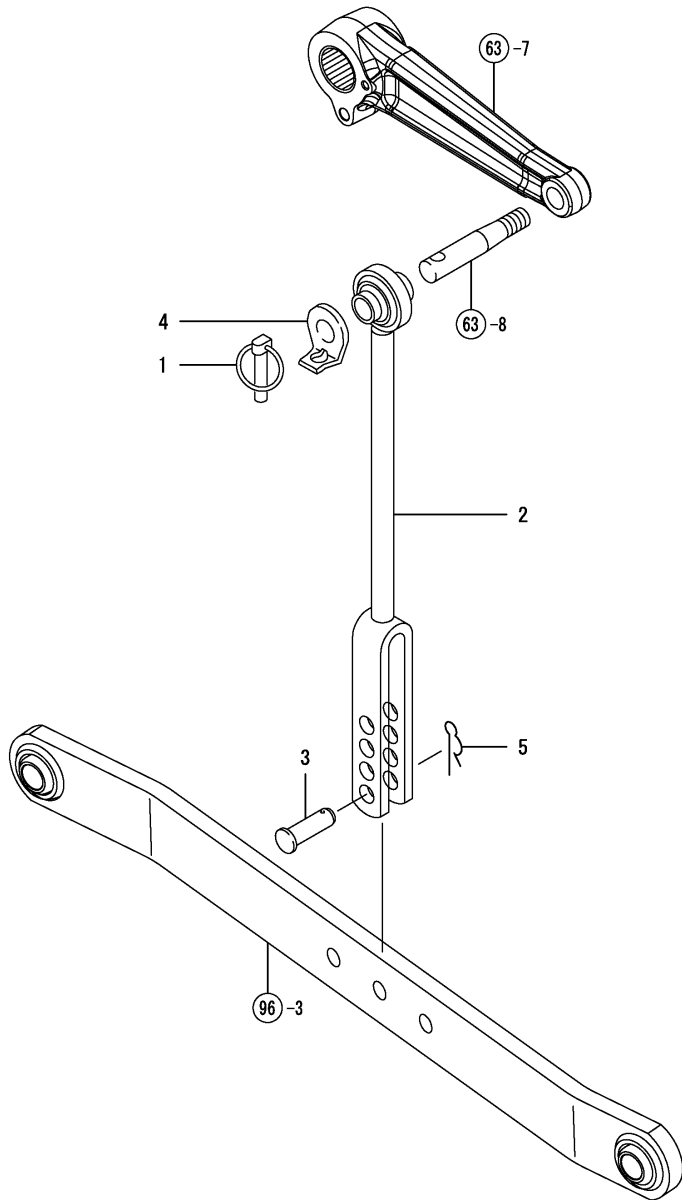
---

N:Old ~~Yes~~/~~No~~ New, Q:Old ~~No~~/~~Yes~~ New, R:Old ~~Yes~~/~~Yes~~ New, S:Old ~~No~~/~~No~~ New, W:Add, Z:Discontinued, F:Interchangeable by set, K:Qty Change  
Copyright (C) YANMAR CO., LTD. All Rights Reserved.

Fig.95. LIFT LINK (L)

(A)=EF227E  
 (B)=EF230E  
 (C)=EF233E

(D)=  
 (E)=  
 (F)=

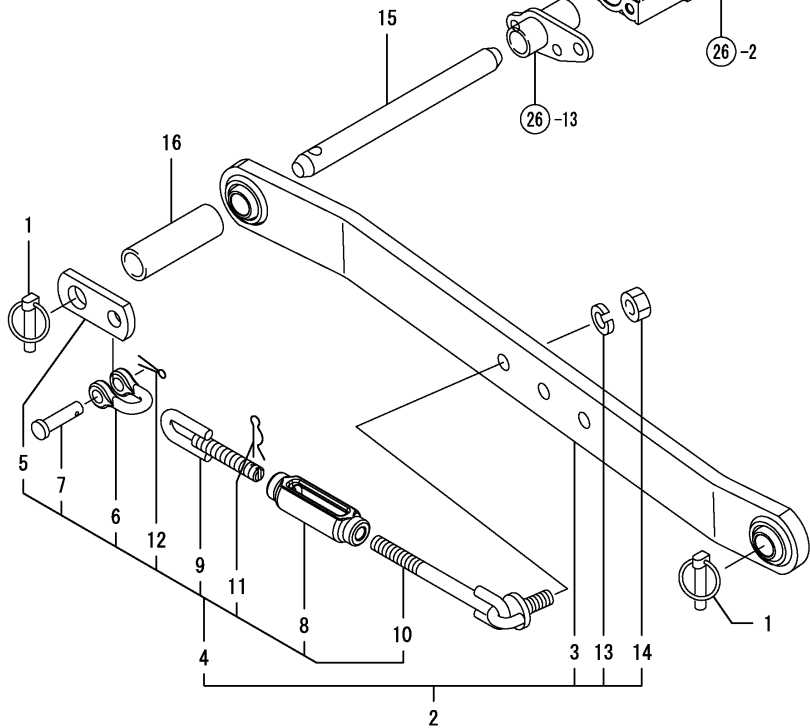
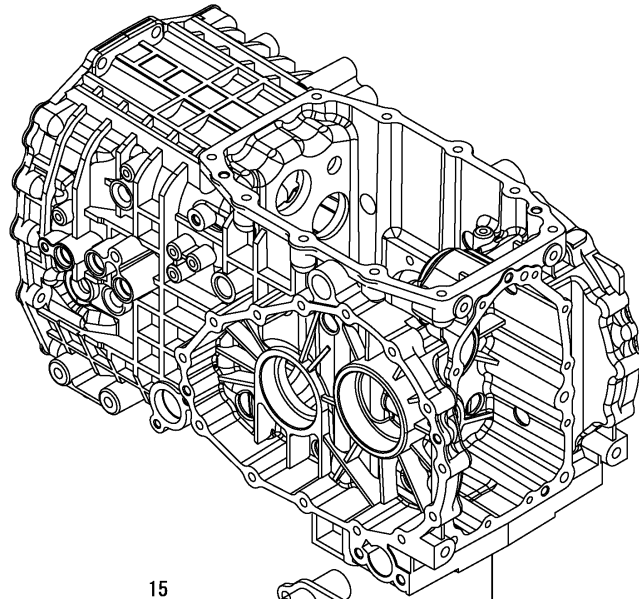


No.	Lev.	Parts No.	Description	Q'ty						I	R
				(A)	(B)	(C)	(D)	(E)	(F)		
1	1	794130-71410	PIN ASSY, BALL	1	1	1					
2	1	198200-72300	LINK ASSY, LIFT L	1	1	1					
3	1	194150-72460	PIN, LIFT YOKE	1	1	1					
4	1	198071-74970	COLLAR, BALL SOCKET	1	1	1					
5	1	22372-160000	PIN, SNAP 16	1	1	1					

Fig.96. LOWER LINK & CHECK CHAIN

(A)=EF227E  
(B)=EF230E  
(C)=EF233E

(D)=  
(E)=  
(F)=

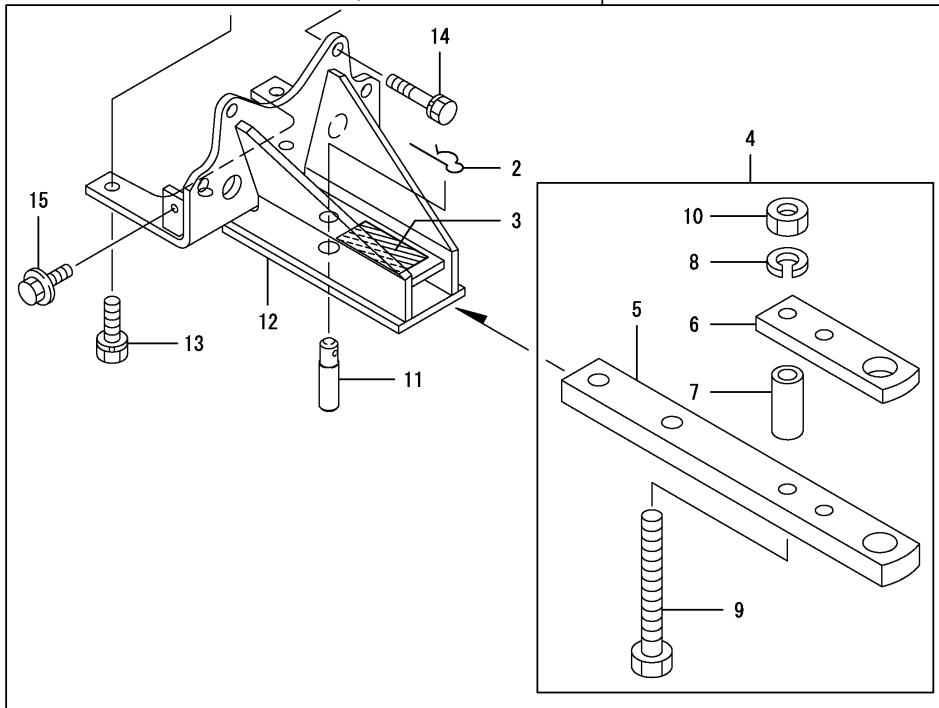
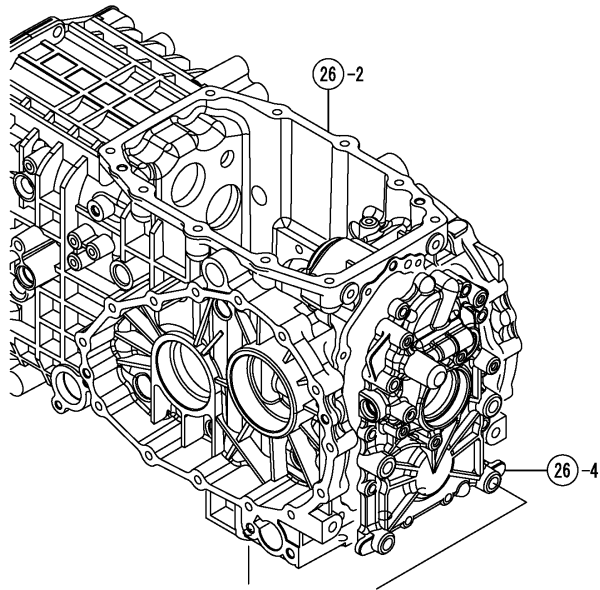


No.	Lev.	Parts No.	Description	Qty						I	R
				(A)	(B)	(C)	(D)	(E)	(F)		
1	1	794130-71410	PIN ASSY, BALL	4	4	4					
2	1	198280-73100	LINK KIT, LOWER	2	2	2					
3	2	198280-73500	LINK ASSY, LOWER	2	2	2					
4	2	198280-74100	CHAIN ASSY, CHECK	2	2	2					
5	3	198280-74550	HINGE, CHECK CHAIN	2	2	2					
6	3	194080-74621	BODY (SA10), SHACKLE	2	2	2					
7	3	194080-74631	PIN, SHACKLE SA10	2	2	2					
8	3	198360-74670	TURNBUCKLE, CHAIN	2	2	2					
8-1	3	1A8070-74670	TURNBUCKLE ASSY,	2	2	2					N
		(A=FZZZZZ)	(B=FZZZZZ)	(C=FZZZZZ)							
9	3	198121-74720	BOLT, EYE	2	2	2					
10	3	198280-74800	BOLT ASSY, EYE R	2	2	2					
11	3	22360-200000	PIN, SNAP 20	2	2	2					
12	3	22417-320320	PIN, COTTER 3.2X32	2	2	2					
13	2	22217-140000	WASHER, SPRING 14	2	2	2					
14	2	26716-140002	NUT, M14	2	2	2					
15	1	198200-73150	PIN, LOWER LINK	2	2	2					
16	1	198200-73210	COLLAR, 31.8X98	2	2	2					

Fig.97. DRAWBAR HITCH

(A)=EF227E  
(B)=EF230E  
(C)=EF233E

(D)=  
(E)=  
(F)=



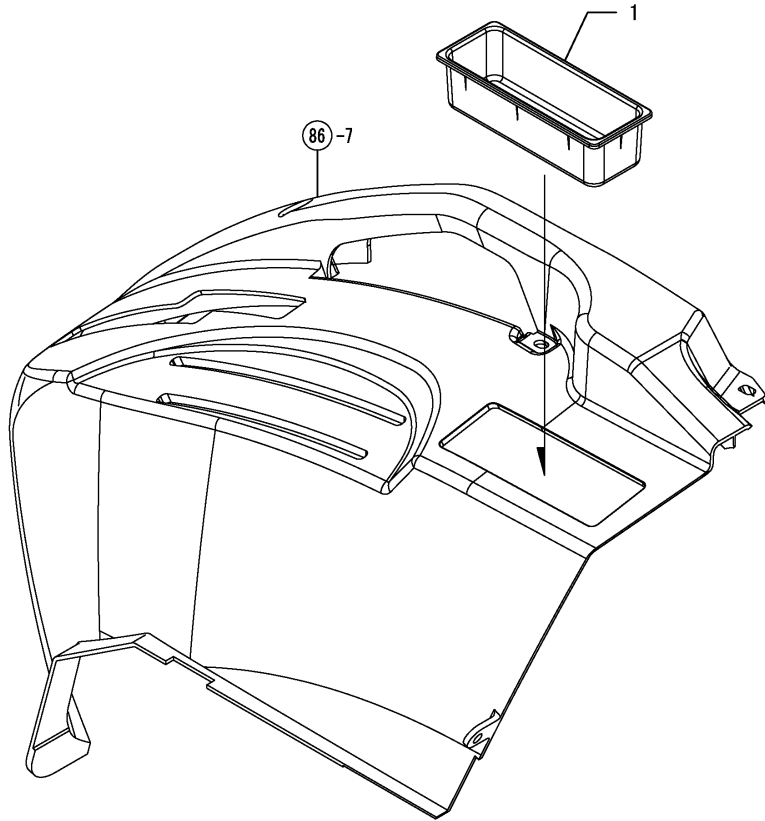
No.	Lev.	Parts No.	Description	Qty						I	R
				(A)	(B)	(C)	(D)	(E)	(F)		
1	1	198280-75700	HITCH KIT, DRAWBAR	1	1	1					
2	2	195230-17260	PIN, SNAP 22S	1	1	1					
3	2	198280-65210	LABEL,	1	1	1					
4	2	198280-75200	HITCH KIT, DRAWBAR	1	1	1					
5	3	198280-75210	DRAWBAR	1	1	1					
6	3	198280-75250	PLATE, CLEVIS	1	1	1					
7	3	198280-75260	SPACER, CLEVIS	2	2	2					
8	3	22217-160000	WASHER, SPRING 16	2	2	2					
9	3	26116-161302	BOLT, M16X130 PLATED	2	2	2					
10	3	26716-160002	NUT, M16	2	2	2					
11	2	198253-75430	PIN, HITCH	1	1	1					
12	2	198280-75750	BRACKET, HITCH	1	1	1					
13	2	26013-120352	BOLT, M12X 35	5	5	5					
14	2	26013-120652	BOLT, M12X 65	2	2	2					
15	2	26106-100202	BOLT, M10X 20 PLATED	2	2	2					

Fig.98. CONTROL BOX

(A)=EF227E  
(B)=EF230E  
(C)=EF233E

(D)=  
(E)=  
(F)=

No.	Lev.	Parts No.	Description	Q'ty						I	R
				(A)	(B)	(C)	(D)	(E)	(F)		
1	1	198200-63670	COVER, LEVER GUIDE	1	1	1					




---

---

---

---

---

---

---

---

---

---

---

---

---

---

---

---

---

---

---

---

---

---

---

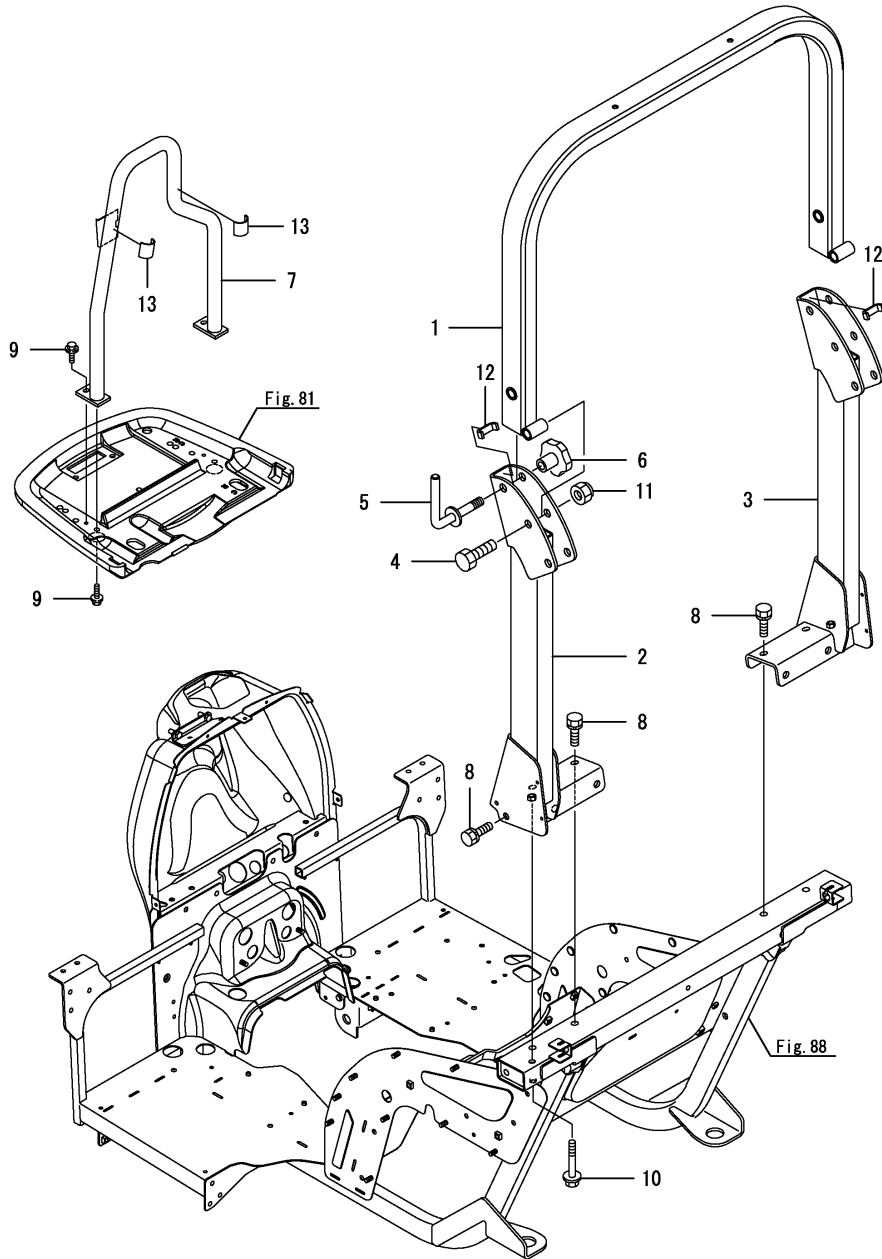
---

---

Fig.99. SAFETY FRAME (REAR)

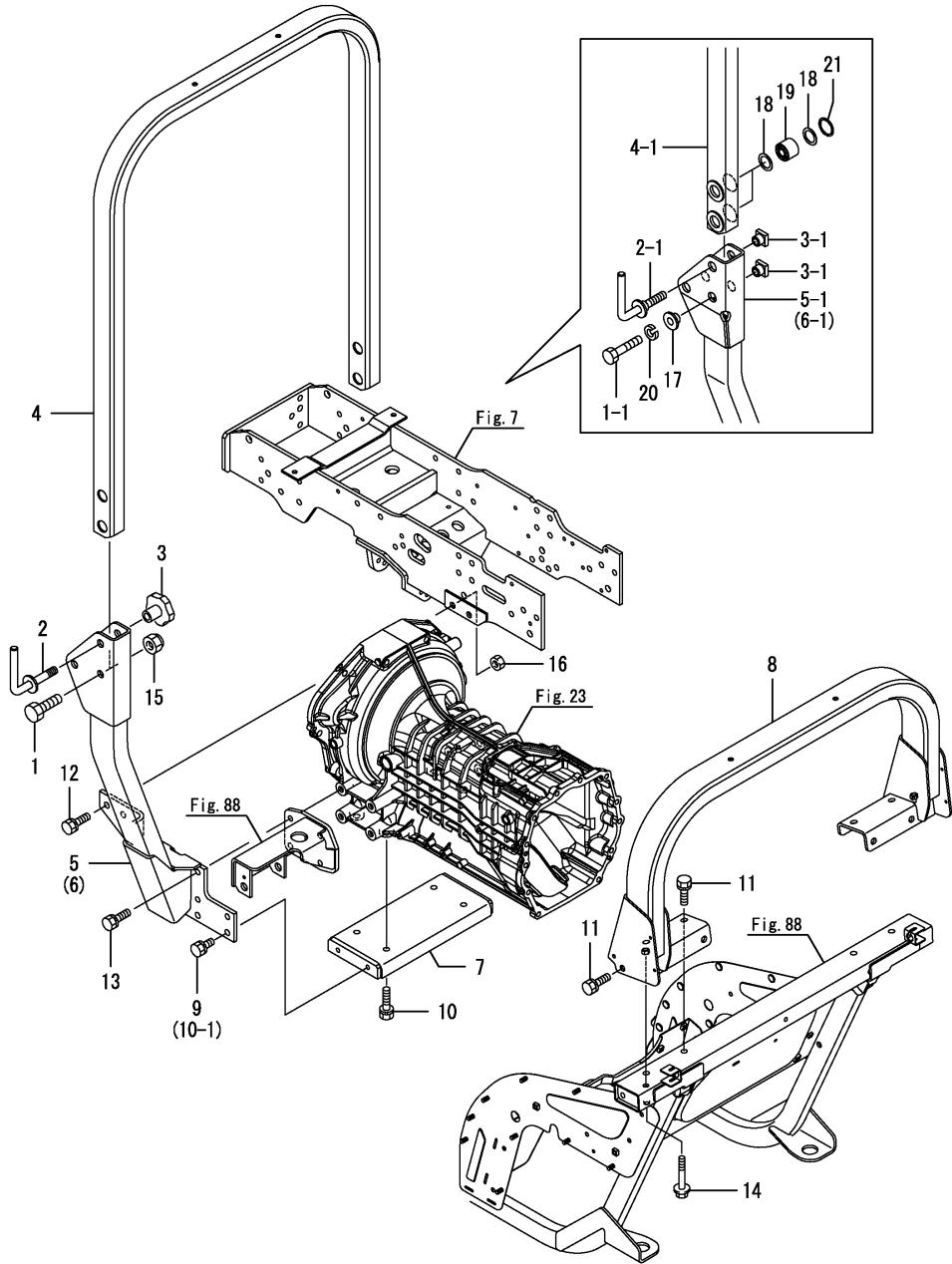
(A)=EF227E  
(B)=EF230E  
(C)=EF233E

(D)=  
(E)=  
(F)=



No.	Lev.	Parts No.	Description	Q'ty						I	R
				(A)	(B)	(C)	(D)	(E)	(F)		
1	1	198280-85100	FRAME ASSY, UPPER	1	1	1					
2	1	198280-85150	FRAME ASSY, LOWER L	1	1	1					
3	1	198280-85160	FRAME ASSY, LOWER R	1	1	1					
4	1	198200-85400	BOLT, M16X80	2	2	2					
5	1	198280-85410	HANDLE ASSY	2	2	2					
6	1	198163-85630	KNOB, M16	2	2	2					
7	1	198280-85710	FRAME ASSY, FRONT	1	1	1					
8	1	26013-120352	BOLT, M12X 35	10	10	10					
9	1	26106-080202	BOLT, M8X 20 PLATED	4	4	4					
10	1	26106-100652	BOLT, M10X 65 PLATED	2	2	2					
11	1	26356-160002	NUT, M16	2	2	2					
12	1	198162-61370	SEAL, RADIATOR E	2	2	2					W
		(A=*2008.06.) (B=*2008.06.) (C=*2008.06.)									
13	1	198093-84810	SEAL, FENDER	2	2	2					W
		(A=FXXXXX) (B=FXXXXX) (C=FXXXXX)									

Fig.100. SAFETY FRAME (FRONT)



(A)=EF227E  
(B)=EF230E  
(C)=EF233E

(D)=  
(E)=  
(F)=

No.	Lev.	Parts No.	Description	Qty						I	R
				(A)	(B)	(C)	(D)	(E)	(F)		
1	1	198200-85400	BOLT, M16X80	2	2	2					
1-1	1	26156-160802	BOLT, M16X 80 PLATED	2	2	2					S
		(A=F110177) (B=F110347) (C=F110065)									
2	1	198280-85410	HANDLE ASSY	2	2	2					
2-1	1	198282-85410	HANDLE ASSY	2	2	2					S
		(A=F110177) (B=F110347) (C=F110065)									
3	1	198163-85630	KNOB, M16	2	2	2					
3-1	1	198282-85760	NUT, M16	4	4	4					S
		(A=F110177) (B=F110347) (C=F110065)									
4	1	198282-85800	FRAME ASSY, UPPER	1	1	1					
4-1	1	198282-85801	FRAME ASSY, UPPER	1	1	1					S
		(A=F110177) (B=F110347) (C=F110065)									
5	1	198282-85820	FRAME ASSY, MAIN L	1	1	1					
5-1	1	198282-85821	FRAME ASSY, MAIN L	1	1	1					S
		(A=F110177) (B=F110347) (C=F110065)									
6	1	198282-85830	FRAME ASSY, MAIN R	1	1	1					
6-1	1	198282-85831	FRAME ASSY, MAIN R	1	1	1					S
		(A=F110177) (B=F110347) (C=F110065)									
7	1	198282-85900	PLATE ASSY, UNDER	1	1	1					
8	1	198282-85950	GUARD ASSY, REAR	1	1	1					
9	1	26013-120252	BOLT, M12X 25	4	4	4					Z
		(A=F110177) (B=F110347) (C=F110065)									
10	1	26013-120352	BOLT, M12X 35	4	4	4					
10-1	1	26013-120352	BOLT, M12X 35	8	8	8					K
		(A=F110177) (B=F110347) (C=F110065)									
11	1	26013-120352	BOLT, M12X 35	10	10	10					
12	1	26013-120402	BOLT, M12X 40	4	4	4					
13	1	26013-120452	BOLT, M12X 45	6	6	6					
14	1	26106-100652	BOLT, M10X 65 PLATED	2	2	2					
15	1	26356-160002	NUT, M16	2	2	2					Z
		(A=F110177) (B=F110347) (C=F110065)									
16	1	26716-120002	NUT, M12	4	4	4					
17	1	198282-85430	BOSS	2	2	2					W
		(A=F110177) (B=F110347) (C=F110065)									
18	1	198282-85790	PAD	8	8	8					W
		(A=F110177) (B=F110347) (C=F110065)									
19	1	198282-85930	RUBBER, ABSORBER	4	4	4					W
		(A=F110177) (B=F110347) (C=F110065)									
20	1	22217-160000	WASHER, SPRING 16	2	2	2					W
		(A=F110177) (B=F110347) (C=F110065)									
21	1	22252-000401	RING, 40	4	4	4					W
		(A=F110177) (B=F110347) (C=F110065)									



Fig.101. ACCESSORIES

(A)=EF227E  
(B)=EF230E  
(C)=EF233E

(D)=  
(E)=  
(F)=

No.	Lev.	Parts No.	Description	Qty						I	R
				(A)	(B)	(C)	(D)	(E)	(F)		
1	1	41812-012020	OPERATION MANUAL	1	1	1					

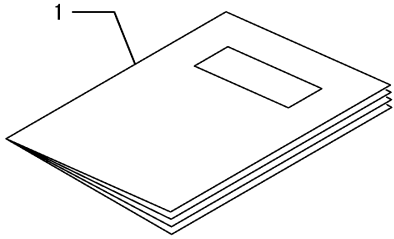
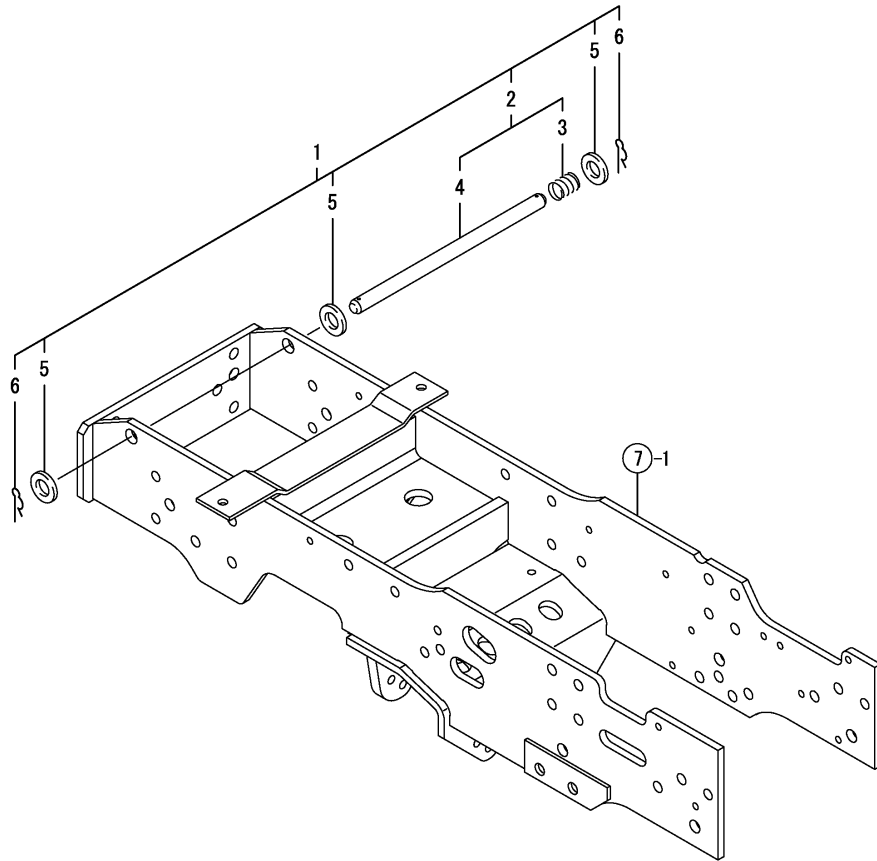


Fig.102. LOCK PIN

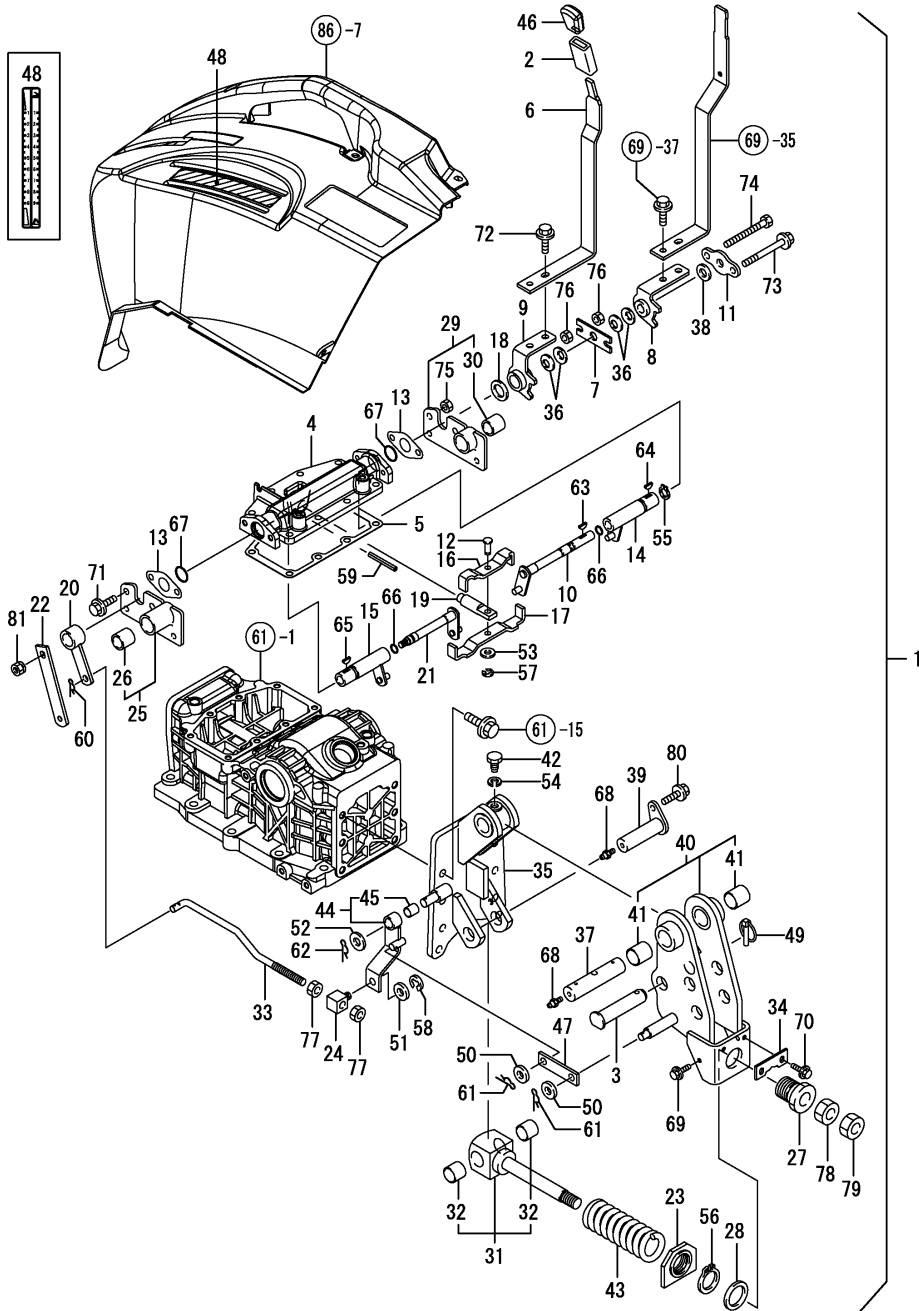
(A)=EF227E  
(B)=EF230E  
(C)=EF233E

(D)=  
(E)=  
(F)=



No.	Lev.	Parts No.	Description	Q'ty						I	R
				(A)	(B)	(C)	(D)	(E)	(F)		
1	1	198280-11710	PIN KIT, LOCK	1	1	1					
2	2	198280-11240	PIN ASSY, LOCK	1	1	1					
3	3	194250-11140	SPRING	1	1	1					
4	3	198280-11250	PIN, LOCK	1	1	1					
5	2	22137-160000	WASHER, 16	3	3	3					
5-1	2	194197-25930	WASHER, 17X24X1.6	3	3	3					N
		(A=FZZZZZ)	(B=FZZZZZ)	(C=FZZZZZ)							
6	2	22360-160000	PIN, SNAP 16	2	2	2					

Fig.103. DRAFT CONTROL

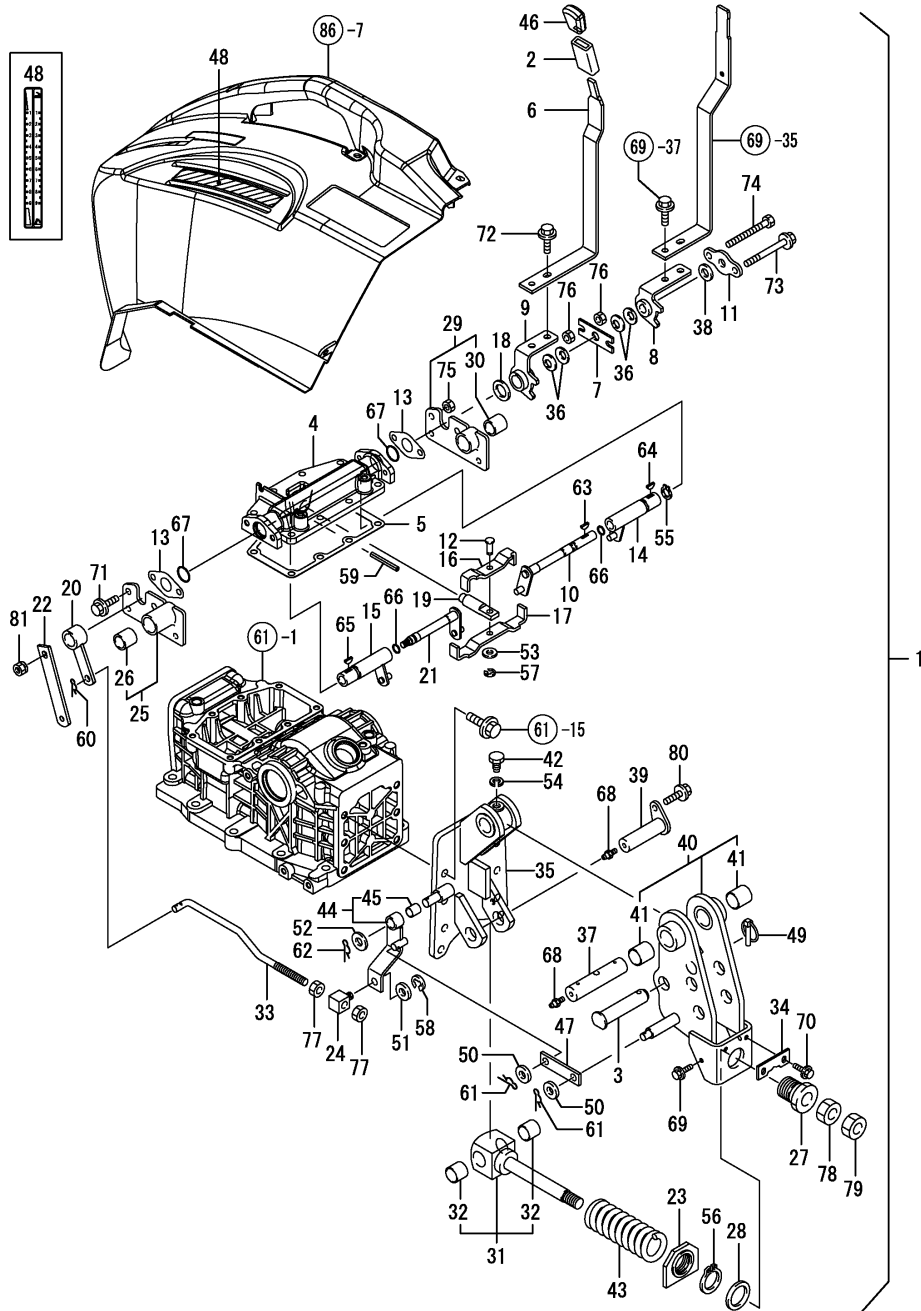


(A)=EF227E  
(B)=EF230E  
(C)=EF233E

(D)=  
(E)=  
(F)=

No.	Lev.	Parts No.	Description	Q'ty						I	R
				(A)	(B)	(C)	(D)	(E)	(F)		
1	1	198287-47100	CONTROLLER KIT	1	1	1					
2	2	174845-27700	BOOT, SHAFT	1	1	1					
3	2	195385-27810	PIN, 19X87	1	1	1					
4	2	198200-42150	CASE, LINK	1	1	1					
5	2	198200-42190	GASKET, HOUSING	1	1	1					
6	2	198200-47120	LEVER, AUTO	1	1	1					
7	2	198287-47150	PLATE, GUIDE	1	1	1					
8	2	198287-47210	ARM, LEVER	1	1	1					
9	2	198200-47250	ARM, LEVER	1	1	1					
10	2	198287-47310	SHAFT, P LEVER	1	1	1					
11	2	194170-47320	PLATE	1	1	1					
12	2	198431-47340	PIN, CONTROL	1	1	1					
13	2	194555-47350	PLATE, B	2	2	2					
14	2	198287-47360	SHAFT, D LEVER	1	1	1					
15	2	198287-47390	SHAFT, D FEEDBACK	1	1	1					
16	2	198200-47411	LINK, CONTROL	1	1	1					
17	2	198200-47431	LINK, CONTROL	1	1	1					
18	2	194170-47440	PLATE, FRICTION	1	1	1					
19	2	198200-47460	ROD, CONTROL	1	1	1					
20	2	198287-47470	ARM, FEEDBACK	1	1	1					
21	2	198200-47500	SHAFT, FEEDBACK	1	1	1					
22	2	198200-47510	ARM, FEEDBACK	1	1	1					
23	2	198287-47510	HOLDER, SPRING	1	1	1					
24	2	194550-47530	ADJUSTER	1	1	1					
25	2	198280-47550	STAY ASSY, LINK L	1	1	1					
26	3	24550-020200	BUSH, 20X20	1	1	1					
27	2	198287-47550	BOLT, ADJUST	1	1	1					
28	2	198287-47570	SPACER	1	1	1					
29	2	198280-47580	STAY ASSY, LINK R	1	1	1					
30	3	24550-020200	BUSH, 20X20	1	1	1					
31	2	198287-47600	BOLT ASSY, SETTING	1	1	1					
32	3	194640-47720	BUSH, 20X23X20	2	2	2					
33	2	198287-47660	ROD, FEEDBACK	1	1	1					
34	2	198287-47680	PLATE	1	1	1					
35	2	198287-47720	SUPPORT, HINGE	1	1	1					
36	2	194151-47760	WASHER, 12	4	4	4					
37	2	194320-47760	PIN, 22	1	1	1					
38	2	194310-47790	PLATE, FRICTION	1	1	1					
39	2	194640-47790	PIN, HINGE	1	1	1					
40	2	198287-47800	HINGE ASSY, TOP LINK	1	1	1					
41	3	194190-11520	BUSH, 22X25X25	2	2	2					
42	2	194320-47860	BOLT, LOCK M10	1	1	1					
43	2	198172-47890	SPRING, COIL	1	1	1					
44	2	198287-47900	LINK ASSY, D	1	1	1					
45	3	24550-012150	BUSH, 12X15	1	1	1					
46	2	194273-47910	KNOB, LEVER	1	1	1					
47	2	198287-47960	PLATE, LINK	1	1	1					
48	2	198282-65520	LABEL, LIFT	1	1	1					
49	2	194180-72950	PIN ASSY, LOCK	1	1	1					
50	2	22117-100000	WASHER, 10	2	2	2					
51	2	22117-100000	WASHER, 10	1	1	1					

Fig.103. DRAFT CONTROL



(A)=EF227E  
(B)=EF230E  
(C)=EF233E

(D)=  
(E)=  
(F)=

No.	Lev.	Parts No.	Description	Q'ty						I	R
				(A)	(B)	(C)	(D)	(E)	(F)		
52	2	22117-120000	WASHER, 12	1	1	1					
53	2	22137-080000	WASHER, 8	1	1	1					
54	2	22217-100000	WASHER, SPRING 10	1	1	1					
55	2	22242-000120	RING, 12	1	1	1					
56	2	22242-000300	RING, 30	1	1	1					
57	2	22272-000060	RING, E- 6	1	1	1					
58	2	22272-000070	RING, E- 7	1	1	1					
59	2	22351-060050	PIN, SPRING 6.0X50	1	1	1					
60	2	22372-080000	PIN, SNAP 8	1	1	1					
61	2	22372-100000	PIN, SNAP 10	2	2	2					
62	2	22372-100000	PIN, SNAP 10	1	1	1					
63	2	22522-030130	KEY, WOODRUFF 3X13	1	1	1					
64	2	22522-030130	KEY, WOODRUFF 3X13	1	1	1					
65	2	22522-030130	KEY, WOODRUFF 3X13	1	1	1					
66	2	24311-000090	O-RING, 1AP9.0	2	2	2					
67	2	24311-000200	O-RING, 1AP20.0	2	2	2					
68	2	24761-010000	NIPPLE, GREASE M6F	2	2	2					
69	2	26106-060102	BOLT, M6X 10 PLATED	2	2	2					
70	2	26106-060122	BOLT, M6X 12 PLATED	2	2	2					
71	2	26106-080162	BOLT, M8X 16 PLATED	2	2	2					
72	2	26106-080162	BOLT, M8X 16 PLATED	2	2	2					
73	2	26106-080752	BOLT, M8X 75 PLATED	1	1	1					
74	2	26116-080754	BOLT, M8X 75 PLATED	1	1	1					
75	2	26716-080002	NUT, M8	2	2	2					
76	2	26716-080002	NUT, M8	2	2	2					
77	2	26716-100002	NUT, M10	2	2	2					
78	2	26716-160002	NUT, M16	1	1	1					
79	2	26756-160002	NUT, LOCK M16	1	1	1					
80	2	26106-080102	BOLT, M8X 10 PLATED	1	1	1					
81	2	194990-22050	NUT, M8	1	1	1					

Fig.104. FUEL HOSE

(A)=EF227E

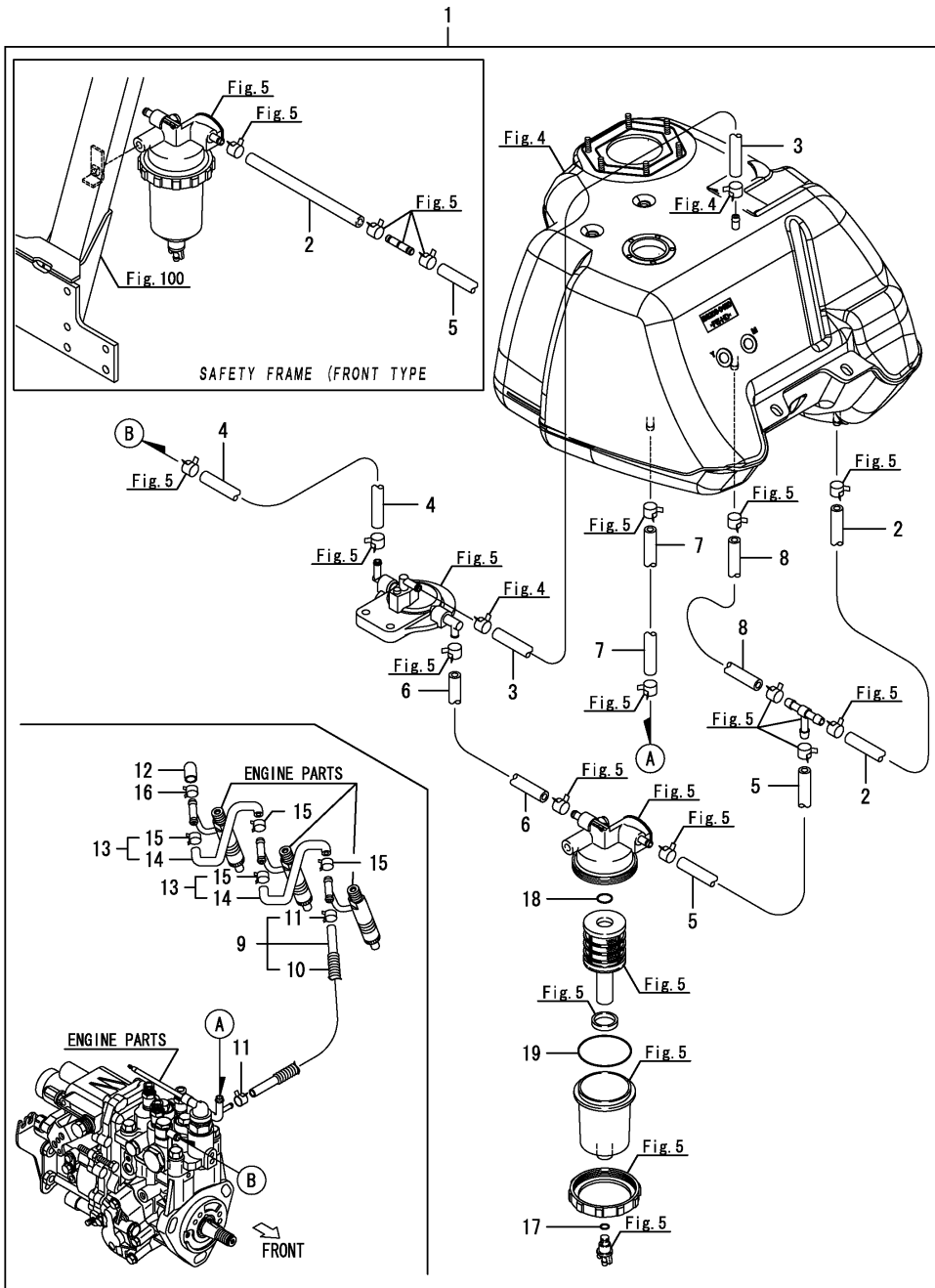
(B)=EF230E

(C)=EF233E

(D)=

(E)=

(F)=



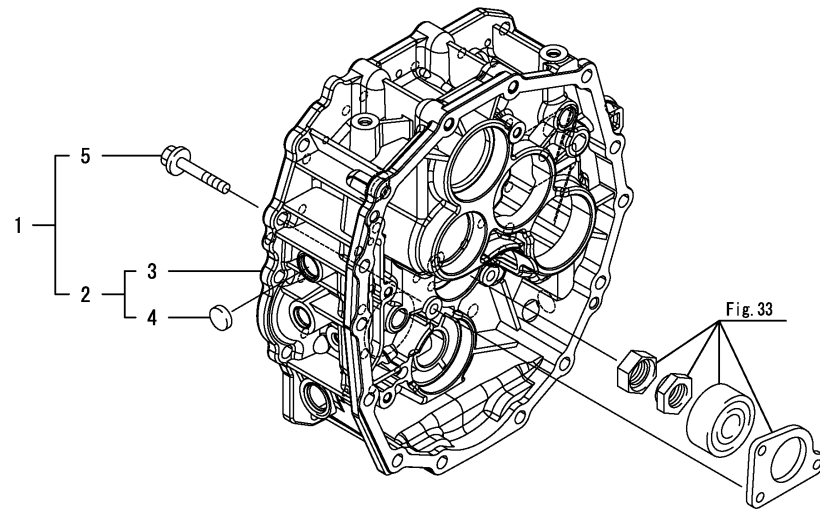
No.	Lev.	Parts No.	Description	Qty						I	R
				(A)	(B)	(C)	(D)	(E)	(F)		
1	1	198280-04250	HOSE KIT, FUEL	1	1	1					
2	2	198280-04260	HOSE, FUEL	2	2	2					
3	2	198280-04270	HOSE, AIR VENT	1	1	1					
4	2	198280-04280	HOSE, FUEL	1	1	1					
5	2	198280-04290	HOSE, FUEL	1	1	1					
6	2	198280-04300	HOSE, FUEL	1	1	1					
7	2	198280-04310	HOSE, FUEL	1	1	1					
8	2	198280-04320	HOSE, FUEL	1	1	1					
9	2	129268-59551	PIPE ASSY, RETURN	1	1	1					
10	3	129237-59120	PROTECTOR,HOSE	1	1	1					
11	3	124060-77680	CLIP, HOSE 10	2	2	2					
12	2	119593-59581	CAP	1	1	1					
13	2	129486-59581	HOSE, FUEL	2	2	2					
14	3	129486-59521	PIPE, FUEL RETURN	2	2	2					
15	3	124060-77680	CLIP, HOSE 10	4	4	4					
16	2	124060-77680	CLIP, HOSE 10	1	1	1					
17	2	24316-000070	O-RING, 4DP7.0	1	1	1					
18	2	24316-000160	O-RING, 4DP16.0	1	1	1					
19	2	24326-000650	O-RING, 4DG65.0	1	1	1					

Fig.105. KARTE(CENTER PLATE

(A)=EF227E  
(B)=EF230E  
(C)=EF233E

(D)=  
(E)=  
(F)=

No.	Lev.	Parts No.	Description	Qty						I	R
				(A)	(B)	(C)	(D)	(E)	(F)		
1	1	198283-24330	PLATE KIT, CENTER	1	1	1					
2	2	198282-24301	PLATE ASSY, CENTER	1	1	1					
3	3	198200-24311	PLATE, CENTER	1	1	1					
4	3	198282-24330	PLUG, BORE 19	1	1	1					
5	2	26106-080502	BOLT, M8X 50 PLATED	3	3	3					



### Fig.106. REAR HOUSING(REPAIR PART)

(A)=EF227E  
(B)=EF230E  
(C)=EF233E

(D)=  
(E)=  
(F)=

No.	Lev.	Parts No.	Description	Q'ty						I	R
				(A)	(B)	(C)	(D)	(E)	(F)		
1	1	198200-32590	HOUSING KIT, AXLE	2	2	2					
2	2	198200-32601	HOUSING ASSY, AXLE	2	2	2					
3	3	198290-32750	SEAL, OIL TC253506	2	2	2					
4	2	198200-36422	HOLDER, BEARING	2	2	2					

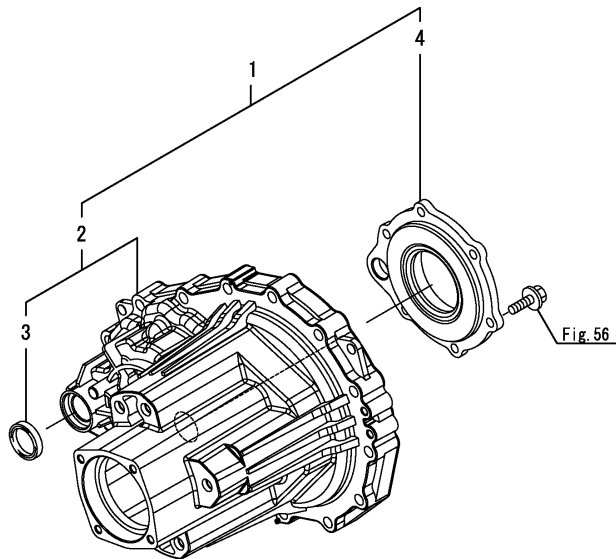
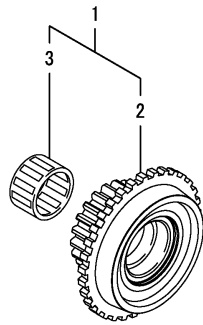


Fig.108. GEAR KIT, DRIVEN 20

(A)=EF227E  
(B)=EF230E  
(C)=EF233E

(D)=  
(E)=  
(F)=

No.	Lev.	Parts No.	Description	Q'ty						I	R
				(A)	(B)	(C)	(D)	(E)	(F)		
1	1	1A8070-25460	GEAR KIT, DRIVEN 20	1	1	1					
2	2	198200-25461	GEAR, DRIVEN	1	1	1					
3	2	24161-253017	BEARING, 253017	1	1	1					



Remarks  
\* Refer to Fig.110 for this item by change.

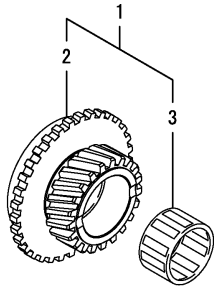


Fig.109. GEAR KIT, DRIVEN 21

(A)=EF227E  
(B)=EF230E  
(C)=EF233E

(D)=  
(E)=  
(F)=

No.	Lev.	Parts No.	Description	Q'ty						I	R
				(A)	(B)	(C)	(D)	(E)	(F)		
1	1	1A8070-25470	GEAR KIT, DRIVEN 21	1	1	1					
2	2	198200-25471	GEAR, DRIVEN21	1	1	1					
3	2	24161-303520	BEARING, 303520	1	1	1					



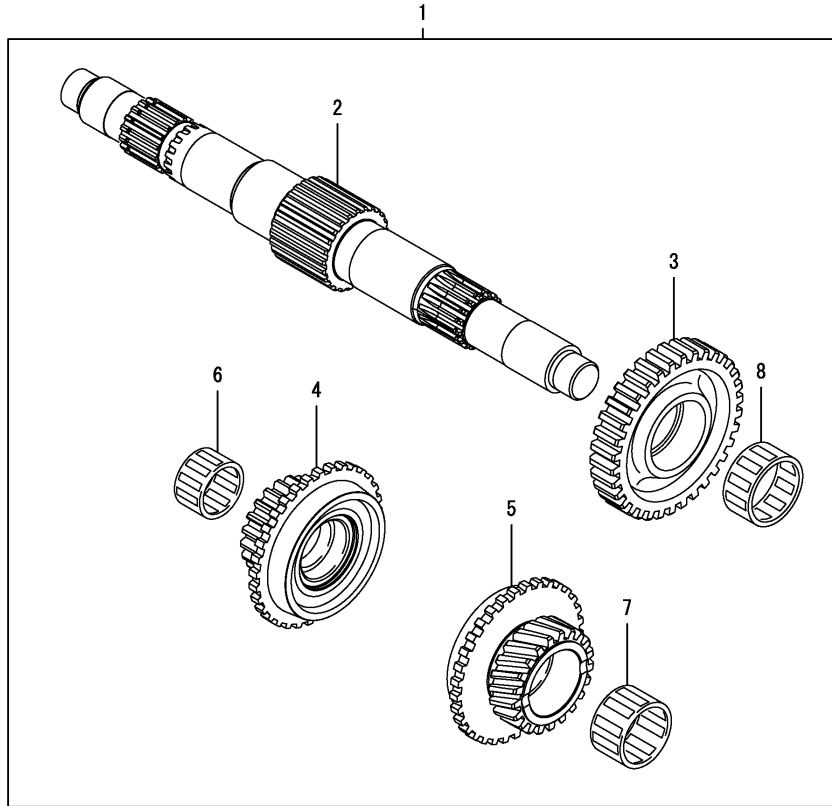
Remarks  
\* Refer to Fig.110 for this item by change.

Fig.110. GEAR KIT, REVERSER

(A)=EF227E  
(B)=EF230E  
(C)=EF233E

(D)=  
(E)=  
(F)=

No.	Lev.	Parts No.	Description	Qty						I	R
				(A)	(B)	(C)	(D)	(E)	(F)		
1	1	1A8070-25410	GEAR KIT, REVERSER	1	1	1					
2	2	198200-25411	SHAFT, REVERSER	1	1	1					
3	2	198200-25431	GEAR, MAIN SHIFT	1	1	1					
4	2	198200-25461	GEAR, DRIVEN	1	1	1					
5	2	198200-25471	GEAR, DRIVEN21	1	1	1					
6	2	24161-253017	BEARING, 253017	1	1	1					
7	2	24161-303520	BEARING, 303520	1	1	1					
8	2	24161-323717	BEARING, 323717	1	1	1					



## Parts No. Index

Parts No.	Fig. No.	Ref. No.
114270-59010	4	18 -1
	5	4 -2
119593-59581	104	12
119629-59910	5	5
119650-77910	1	3
119650-77930	1	5
119802-55700	5	16
119802-55710	5	18
119802-55810	5	21
119808-12520	6	6
		28
119808-12540	6	9
		32
119852-12510	6	5
119852-44500	1	8
119852-55611	5	15
119852-55612	5	15 -1
119852-77910	1	6
119866-12530	6	29
119866-12540	6	10
121450-44531	1	19
121470-44581	1	22
124060-77680	104	11
		15
		16
124450-44560	1	20
124550-77030	73	21
124756-77040	73	22
		23
124766-59050	1	27
		28
	4	18
	5	4
		4 -1
		27
		34
		34 -1
		34 -2
129051-12530	6	7
		30
129052-13550	3	3
129052-77920	1	4
129055-12510	6	27
129055-44501	1	41
129100-55690	5	17
129150-49081	1	24
129150-49101	1	23
129237-59120	104	10
129263-44510	1	17
129268-59551	104	9

Parts No.	Fig. No.	Ref. No.
129418-12530	6	8
		31
129461-59580	5	35
		35 -1
129486-59521	104	14
129486-59581	104	13
129612-12650	6	12
		34
1682B4-01020	65	4
172010-07810	75	1
172112-77360	65	26
172510-74410	66	20
172510-74440	66	21
172510-74450	66	22
172510-74530	65	19
174501-07060	81	2
174845-27700	45	4
	70	46
	103	2
175022-49730	1	26
	72	9
177432-03450	16	1
178070-10401	60	2
		8
178073-01200	64	14
	65	5
178073-04310	65	7
178076-02230	64	8
178076-04610	64	9
178076-12400	64	10
178076-26100	65	8
178076-26110	65	9
178076-26120	65	10
178076-26130	65	11
178076-26140	65	12
178076-26160	65	13
178076-26170	65	14
178076-26180	65	15
178076-26190	65	16
178076-40011	64	13
178076-40030	64	15
178076-40100	64	22
178076-40110	64	23
178076-40200	64	16
178076-40250	64	24
178076-40300	64	25
178076-40400	64	26
178076-40410	64	27
178076-40500	64	28
178076-40530	64	29

Parts No.	Fig. No.	Ref. No.
178076-40600	64	30
192167-24600	27	3
194065-34170	55	6
		17
194080-74621	96	6
194080-74631	96	7
194130-34891	55	8
		19
194130-37750	57	7
194130-44480	63	8
194130-47851	86	2
194145-27450	37	6
	39	7
	41	2
	47	2
194145-71600	93	4
194145-71700	93	5
194150-21910	26	1
194150-22480	42	2
		8
194150-45320	64	34
194150-71230	93	10
194150-72460	94	7
	95	3
194151-36670	16	8
194151-47760	70	24
	103	36
194166-14810	18	3
		8
194166-14820	18	4
		9
194170-45220	64	31
194170-45230	64	33
194170-45310	64	18
194170-45321	64	35
194170-45350	64	37
194170-45360	64	38
194170-45420	64	20
194170-45430	64	39
194170-45520	64	40
194170-45530	64	41
194170-45550	64	42
194170-45710	64	45
194170-45720	64	46
194170-45730	64	47
194170-45740	64	48
194170-47320	70	6
	103	11
194170-47440	69	10
	70	13

Parts No.	Fig. No.	Ref. No.
194170-47440	103	18
194170-51210	5	2
	22	7
	73	11
194171-14810	18	13
		18
194171-14820	18	14
		19
194180-12470	20	1
194180-25550	36	2
194180-51640	61	17
	62	14
	74	6
194180-61980	1	49
194180-72950	71	20
	103	49
194181-11560	8	6
194181-14180	55	4
		15
194190-11520	71	14
	103	41
194190-34730	18	5
		10
		15
		20
	54	5
		10
	55	11
		22
194197-25930	102	5 -1
194197-56350	81	17
194201-11230	23	1
194220-21700	24	6
194240-65441	91	1
194242-51660	73	12
194250-11140	102	3
194250-47490	42	5
		11
194250-51420	73	19
194273-47910	70	51
	103	46
194274-13580	56	1
	88	16
194275-45340	64	36
194275-71500	93	3
194279-14220	54	12
	55	24
194300-22260	57	4
194300-31550	12	4
194300-31560	12	5

## Parts No. Index

Parts No.	Fig. No.	Ref. No.
194300-31610	12	6
194300-31620	12	7
194300-33200	51	4
194310-46350	64	49
194310-46380	64	50
194310-47790	70	25
	103	38
194312-27770	57	39
194312-27780	57	9
	58	3
194312-46630	64	53
194320-21700	24	2
194320-47760	71	11
	103	37
194320-47860	71	15
	103	42
194321-17870	67	1
194327-45630	65	17
194327-45640	64	43
194327-45650	64	44
	65	18
194330-62530	57	45
194370-26350	36	8
194420-33150	51	2
194420-61640	81	30
		31
194421-13640	12	10
194432-34910	55	9
		20
194432-34920	55	10
		21
194433-34910	54	3
		8
194433-34920	54	4
		9
194440-32580	53	1
194440-51620	5	3
		30
		88
		27
194440-51630	74	5
	77	3
194447-13860	46	1
194451-11960	8	2
194464-01190	45	1
194464-52190	75	20
		21
		22
194515-25180	31	2
194515-31610	49	4
194515-31850	49	7

Parts No.	Fig. No.	Ref. No.
194521-41570	60	3
		9
194525-31520	49	3
194550-47530	71	3
	103	24
194555-26520	24	11
194555-42280	61	8
	62	7
194555-47350	69	7
	70	8
	103	13
194555-65130	81	34
194555-77120	64	21
194556-13790	17	1
194556-42220	64	17
194630-43230	64	5
194640-25390	35	2
194640-26440	32	4
194640-46410	64	51
194640-46420	64	52
194640-47720	71	7
	103	32
194640-47790	71	12
	103	39
194641-11630	8	7
194680-22280	23	3
194680-22290	23	4
194680-25940	36	4
194680-27540	43	1
194680-51670	76	5
194681-14790	55	5
		16
194697-62560	87	4
194730-57220	10	4
		10
194740-00160	19	5
194765-46980	64	75
194800-22480	25	6
194800-25250	31	3
194820-27370	42	16
194850-13690	8	4 -1
		4 -2
		9 -1
		9 -2
194850-32340	49	14
194850-42180	64	1
194850-42190	64	2
194850-42500	61	9
	62	8
194850-49290	64	55

Parts No.	Fig. No.	Ref. No.
194850-49290	67	8
194881-12650	18	21
	54	11
	55	23
194940-47210	69	2
194940-47220	69	4
194940-47341	68	7
194940-52110	75	13
194940-61790	78	11
194940-65590	81	35
194990-20170	42	14
194990-22050	69	1
	70	1
	103	81
194990-22120	76	1
		19
	80	1
194990-22130	2	10
	73	14
	74	1
		2
	76	2
	77	1
	81	3
	82	4
194990-22140	3	4
	19	29
	57	1
		20
	73	15
	76	3
	81	4
		5
		51
		52
	85	1
		5
	90	1
	107	2
194990-22150	80	6
194990-22830	10	9
194990-22840	10	3
195080-15060	93	1
195230-17260	97	2
195385-27810	71	1
	103	3
197810-84840	88	6
		6 -1
198010-41211	72	1
198031-14700	18	1

Parts No.	Fig. No.	Ref. No.
198031-14710	18	2
		7
		12
		17
198031-14800	18	6
198036-65470	91	2
198071-01160	2	5
198071-01390	2	8
198071-13760	16	3
198071-14650	13	5
198071-22310	25	3
198071-22320	25	4
198071-24350	26	5
198071-37510	57	16
		24
		32
198071-43320	63	2
198071-43330	63	3
198071-58810	2	2
198071-61890	81	71
	83	4
		8
198071-62900	88	9
198071-65610	81	36
198071-74970	94	8
	95	4
198072-17550	21	1 A
198072-18320	6	15
	93	12
198072-27650	41	8
198072-27880	69	34
	70	47
198072-48340	72	5
198072-60590	83	1
198082-17880	5	3 -1
198092-71720	6	16
	93	14
198092-71750	93	6
198093-82510	81	37
	90	5
198093-84810	7	14
	88	5
	99	13
198093-85650	58	14
	77	8
	88	28
198119-27150	37	3
	39	1
	41	1
	47	1

## Parts No. Index

Parts No.	Fig. No.	Ref. No.
198119-27570	41	4
198119-48310	72	26
198121-25800	31	13
198121-25820	31	14
198121-25830	31	15
198121-25840	31	16
198121-25850	31	17
198121-25870	31	18
198121-28160	42	4
198121-28380	43	7
198121-47110	86	1
198121-47111	86	1 -1
198121-63510	86	6
198121-63560	85	8
198121-74720	96	9
198127-12310	10	1
198127-14700	18	11
198127-14800	18	16
198133-15700	19	33
198133-15740	19	34
198133-15780	19	35
198133-22510	57	14
		21
		28
198133-22530	57	15
		22
		29
198133-46890	68	3
198133-51350	74	15
198133-61950	81	32
198149-25890	36	3
198162-61370	99	12
198163-52110	80	3
198163-52120	80	4
198163-52150	80	2
198163-65310	92	7
198163-65350	92	1
198163-65780	92	9
198163-65930	6	13
		35
	92	3
		10
198163-65940	92	4
198163-85630	99	6
	100	3
198165-46130	66	2
198165-46140	66	3
198165-46150	66	4
198165-46200	66	7
198165-46210	66	8

Parts No.	Fig. No.	Ref. No.
198165-46220	66	9
198165-46310	66	10
198165-46320	66	11
198165-46330	66	12
198165-46340	66	13
198165-46350	66	14
198165-46360	66	15
198165-46370	66	16
198165-46410	66	17
198165-46420	66	18
198165-46450	66	19
198165-48560	64	54
198165-52600	74	8
198165-65590	91	6
198172-11640	8	3 -1
198172-25630	34	2
198172-25640	34	3
198172-41110	60	1
198172-47890	71	16
	103	43
198196-34140	53	3
198200-00610	1	9
198200-01110	19	6
198200-01150	2	1
198200-01170	19	1
198200-01210	2	6
198200-01260	19	7
198200-01300	2	7
198200-01410	1	10
198200-01430	1	11
198200-01440	1	12
198200-01510	1	15
198200-01570	82	1
198200-01580	82	2
198200-01600	82	3
198200-03110	3	1
198200-04020	4	1
198200-04030	4	2
198200-04040	4	3
198200-04061	4	4
198200-04070	4	5
198200-04080	4	6
198200-04090	4	7
198200-04101	4	8
198200-04120	4	13
198200-04130	4	14
198200-04210	4	15
198200-04251	81	1
198200-04260	4	16
198200-04270	4	17

Parts No.	Fig. No.	Ref. No.
198200-06010	6	1
198200-06150	6	2
198200-11250	5	13
198200-11351	1	16
198200-13050	8	1
198200-13060-1	8	5
198200-13061	8	5 -1
198200-13100	11	1
198200-13110	11	1 A
198200-13120	11	1 B
198200-13200	12	1
198200-13210	12	2
198200-13220	12	3
198200-13250	12	9
198200-13280	13	1
198200-13320	8	10
198200-13330	8	11
198200-13350	8	12
198200-13520	14	2
198200-13611	15	1
198200-13780	16	4
198200-13791	16	5
198200-13810	16	19
198200-13820	16	20
198200-13830	16	21
198200-14110	17	2
198200-14120	17	3
198200-14130	17	4
198200-14210	17	5
198200-14670	13	6
198200-14910	13	7
198200-15090	19	4
198200-15100	19	8
198200-15180	19	9
198200-15250	19	28
198200-17010	20	2
198200-17050	20	3
198200-17070	20	5
198200-17140	20	10
198200-17150	20	11
198200-17160	20	12
198200-17170	20	13
198200-17240	20	17
198200-17250	20	14
198200-17500	21	1
198200-17750	22	1
198200-17830	22	4
198200-17840	22	5
198200-17910	22	6
198200-17950	7	2

Parts No.	Fig. No.	Ref. No.
198200-21100	23	2
198200-21140	23	5
198200-21160	23	9
198200-21510	24	1
198200-22111	24	9
198200-22330	25	5
198200-22380	57	11
198200-22400	57	12
198200-22460	58	1
198200-22470	58	2
198200-22510	57	2
198200-22531	24	10
198200-22650	57	3
198200-22690	57	5
198200-24120	26	3
198200-24170	26	7
198200-24190	26	9
198200-24311	105	3
198200-24320	28	1
198200-24410	28	2
198200-24420	28	3
198200-25120	30	1
198200-25150	31	1
198200-25210	30	2
198200-25410	31	4
198200-25411	31	4 -1
	110	2
198200-25420	31	5
198200-25430	31	6
198200-25431	31	6 -1
	110	3
198200-25440	31	7
198200-25450	31	8
198200-25460	31	9
198200-25461	31	9 -1
	108	2
	110	4
198200-25470	31	10
198200-25471	31	10 -1
	109	2
	110	5
198200-25480	31	11
198200-25490	31	12
	33	1
	34	1
	36	1
198200-25510	32	1
198200-25520	33	2
198200-25530	33	3
198200-25550	33	5

## Parts No. Index

Parts No.	Fig. No.	Ref. No.
198200-25560	33	6
198200-25590	33	7
198200-25650	32	2
198200-25660	32	3
198200-25910	34	4
198200-25930	34	5
198200-27000	19	10
198200-27030	19	11
198200-27090	19	12
198200-27110	37	1
198200-27141	37	2
198200-27170	37	4
198200-27180	37	5
198200-27240	19	13
198200-27250	19	14
198200-27310	39	2
198200-27340	39	3
198200-27360	39	4
198200-27370	39	5
198200-27380	39	6
198200-27400	19	16
198200-27460	19	17
198200-27530	40	1
198200-27640	44	2
198200-27641	44	2 -1
198200-27730	47	3
198200-27740	37	7
198200-27810	45	5
198200-27811	45	5 -1
198200-27910	45	6
198200-27911	45	6 -1
198200-28051	42	13
198200-28061	42	17
198200-28080	42	18
198200-28101	38	1
198200-28160	38	3
198200-28250	33	8
198200-28251	33	8 -1
198200-28650	38	5
198200-28660	44	7
198200-31400	49	1
198200-31401	49	1 -1
198200-31402	49	1 -2
198200-31510	49	2
198200-31810	49	5
198200-31820	49	6
198200-32110	49	8
198200-32320	49	13
198200-32590	106	1
198200-32600	50	1

Parts No.	Fig. No.	Ref. No.
198200-32601	106	2
198200-32601-1	50	1 -1
198200-32630	50	3
198200-32660	50	4
198200-32731	50	6
198200-33111	51	1
198200-33150	51	3
198200-33250	51	10
198200-33410	52	1
198200-33420	52	2
198200-33511	52	4
198200-34130	54	13
	55	25
198200-34190	54	14
	55	26
198200-36310	56	3
198200-36340	56	4
198200-36380	56	7
198200-36390	56	2 -1
198200-36410	56	8
198200-36421	56	9
198200-36422	56	9 -1
	106	4
198200-37240	57	23
198200-37270	57	17
198200-37290	57	19
198200-37370	58	4
198200-37460	58	5
198200-37610	57	37
198200-37660	57	41
198200-37700	58	6
198200-37710	58	8
198200-37740	58	10
198200-37840	58	11
198200-42100	61	1
	62	1
198200-42130	61	2
	62	2
198200-42140	61	3
	62	3
198200-42150	61	4
	62	4
	103	4
198200-42180	61	5
	62	5
198200-42190	61	6
	62	6
	103	5
198200-42710	61	10
	62	9

Parts No.	Fig. No.	Ref. No.
198200-43110	64	3
198200-43211	64	4
198200-43250	64	6
198200-43310	63	1
198200-43410	63	4
198200-44110	63	5
198200-44210	63	6
198200-44420	63	7
198200-45101	64	7
198200-45150	64	74
198200-45510	65	6
198200-47110	69	35
	70	48
198200-47120	70	49
	103	6
198200-47250	70	4
	103	9
198200-47411	69	8
	70	11
	103	16
198200-47431	70	12
	103	17
198200-47460	69	11
	70	14
	103	19
198200-47500	70	16
	103	21
198200-47510	69	13
	70	17
	103	22
198200-47650	69	19
	70	23
198200-47810	69	36
	70	50
198200-48110	72	2
198200-48111	72	2 -1
198200-48140	64	76
198200-48160	72	4
198200-48350	72	27
198200-48810	72	7
198200-51510	73	27
198200-52140	75	3
198200-52520	73	9
198200-53210	81	13
198200-53230	81	15
198200-56050	78	6
198200-56060	78	8
198200-56600	4	10
198200-56630	4	11
198200-60710	1	29

Parts No.	Fig. No.	Ref. No.
198200-60760	1	30
198200-60910	81	21
198200-60950	1	31
198200-60990	82	5
198200-61152	81	22
198200-61162	81	23
198200-61250	81	53
198200-61320	81	54
198200-61340	81	26
198200-61400	81	62
198200-61410	81	27
198200-61420	81	28
198200-61430	81	29
198200-61490	81	55
198200-61530	81	57
198200-61550	81	63
198200-61580	81	58
198200-61620	83	3
198200-61930	84	2
198200-61950	1	32
198200-61980	1	33
198200-62300	88	2
198200-62310	88	24
198200-62320	87	1
198200-62330	87	2
198200-62350	87	3
198200-62560	88	7
198200-62910	88	10
198200-62970	88	11
198200-62990	88	12
198200-63500	86	5
198200-63600	86	7
198200-63620	83	5
	86	8
198200-63640	86	9
198200-63660	86	10
198200-63670	98	1
198200-65010	81	68
198200-65250	81	33 -1
198200-72101	94	2
198200-72210	94	3
198200-72250	94	4
198200-72300	95	2
198200-72451	94	5
198200-73150	96	15
198200-73210	96	16
198200-85400	99	4
	100	1
198206-21220	23	15
198206-21230	23	16

## Parts No. Index

Parts No.	Fig. No.	Ref. No.
198206-34112	53	2
198206-34650	54	2
		7
198206-60710	1	45
198206-60760	1	46
198206-60950	1	47
198206-62101	85	2
198206-62111	85	3
198208-01410	1	42
198208-01451	1	13
198208-01480	1	43
198208-01510	1	44
198208-03111	3	8
198208-06010	6	24
198208-11210	7	6
198208-11220	7	7
198208-11310	7	8
	8	16
198208-13510	14	1
198208-13530	14	3
198208-13720	16	2
198208-17210	15	2
198208-21510	24	5
198208-48110	72	23
198208-48111	72	23 -1
198208-48160	72	24
198208-61930	84	4
198208-65260	81	69
198208-65890	91	9
198212-25150	35	1
198220-37900	57	43
	58	12
198220-48140	72	3
198220-51570	81	57 -1
198220-51870	73	20
	74	7
198220-52180	1	1
198220-61371	86	4
198220-71100	93	2
198221-28450	38	4
198221-65740	91	25
198223-46250	67	3
198223-46280	67	4
198223-52150	75	4
		18
198230-61960	81	59
198240-12590	10	6
		12
198240-18120	10	8
198240-18130	10	2

Parts No.	Fig. No.	Ref. No.
198240-48850	72	8
198245-51210	5	2 -1
	22	8
198253-75430	97	11
198255-24460	26	10
198255-34100	55	3
		14
198265-48200	65	1
198269-52190	75	20 -1
		21 -1
198273-18350	45	2
198273-28520	45	7
198273-28521	45	7 -1
198280-01470	1	14
198280-04250	104	1
198280-04260	104	2
198280-04270	104	3
198280-04280	104	4
198280-04290	104	5
198280-04300	104	6
198280-04310	104	7
198280-04320	104	8
198280-04470	5	26
198280-05510	3	2
198280-06200	6	3
198280-06300	6	4
198280-06410	6	14
198280-11100	7	1
198280-11240	102	2
198280-11250	102	4
198280-11370	5	14
198280-11710	102	1
198280-11810	9	1
198280-11811	9	1 -1
198280-11830	9	2
198280-11840	9	3
198280-13310	13	2
198280-14630-1	13	4
198280-17810	22	2
198280-17820	22	3
198280-21170	23	6
198280-24180	26	8
198280-26901	26	12
198280-27650	42	1
198280-27660	42	3
198280-27710	43	2
198280-27770	43	4
198280-27790	43	6
198280-28000	42	10
198280-33210	51	5

Parts No.	Fig. No.	Ref. No.
198280-36350	56	5
198280-36360	56	6
198280-38510	59	1
198280-38710	59	2
198280-38810	59	5
198280-38840	59	6
198280-38850	59	7
198280-38910	59	8
198280-38911	59	8 -1
198280-38950	59	9
198280-41150	60	7
198280-42250	61	7
198280-42810	61	11
198280-46110	66	1
198280-46750	67	7
198280-46810	68	1
198280-46870	68	2
198280-47210	69	3
198280-47310	69	5
198280-47430	69	9
198280-47500	69	12
198280-47540	69	14
	70	18
198280-47550	69	15
	70	19
	103	25
198280-47580	69	17
	70	21
	103	29
198280-47710	69	3 -1
198280-48500	65	3
198280-51170	73	1
198280-51180	74	13
198280-51181	74	13 -1
198280-51190	74	14
198280-51191	74	14 -1
198280-51200	73	10
198280-51410	73	17
198280-51540	73	26
198280-51900	73	26 -1
198280-52090	75	27
198280-52091	75	27 -1
198280-52130	75	18 -1
198280-52450	75	6
198280-52460	75	7
198280-53150	81	9
198280-53170	81	10
198280-53180	81	11
198280-53190	81	12
198280-53210	81	14

Parts No.	Fig. No.	Ref. No.
198280-53211	81	14 -1
198280-53300	76	6
198280-53330	76	8
198280-53350	76	9
198280-53360	76	10
198280-53400	76	11
198280-53510	76	14
198280-53520	76	15
198280-53710	77	6
198280-53750	77	7
198280-56011	78	1
198280-56012	78	1 -1
198280-56013	78	1 -2
198280-57340	80	7
198280-58100	75	24
198280-61000	82	6
198280-61010	82	7
198280-61210	81	24
198280-61260	81	25
198280-61500	81	56
198280-61910	84	1
198280-62210	85	6
198280-62211	85	6 -1
198280-62212	85	6 -2
198280-62220	85	7
198280-62221	85	7 -1
198280-62250	76	20
198280-62260	76	20 -1
198280-62270	76	21
198280-62300	88	23
198280-62490	88	3
198280-62630	88	17
198280-62640	88	18
198280-62850	88	19
198280-62860	88	20
198280-63111	89	2 -1
198280-63150	89	2 A
		7
198280-63160	89	2 B
198280-63180	89	2 C
198280-63250	89	5
198280-63260	89	6
198280-63340	89	2 E
		8
198280-64120	90	3
198280-64150	90	4
198280-65110	91	11
198280-65120	91	12
198280-65210	97	3
198280-65510	91	20

## Parts No. Index

Parts No.	Fig. No.	Ref. No.
198280-65570	91	17
198280-65580	91	5
198280-65610	92	2
198280-65640	91	21
198280-65710	91	10
198280-65770	91	7
198280-65780	91	27
198280-65790	91	8
198280-71710	93	13
198280-73100	96	2
198280-73170	26	13
198280-73250	26	14
198280-73500	96	3
198280-74100	96	4
198280-74550	96	5
198280-74800	96	10
198280-75200	97	4
198280-75210	97	5
198280-75250	97	6
198280-75260	97	7
198280-75700	97	1
198280-75750	97	12
198280-85100	99	1
198280-85150	99	2
198280-85160	99	3
198280-85410	99	5
	100	2
198280-85710	99	7
198282-01510	1	44 -1
198282-24110	26	2
198282-24150	26	4
198282-24300	27	1
198282-24301	27	1 -1
	105	2
198282-24330	27	2
	105	4
198282-25110	29	2
198282-25130	29	3
198282-25540	33	4
198282-26250	35	3
198282-26310	36	5
198282-26320	36	6
198282-26330	36	7
198282-26710	26	11
198282-27520	41	3
198282-27570	41	5
198282-27580	41	6
198282-27590	41	7
198282-27740	43	3
198282-27780	43	5

Parts No.	Fig. No.	Ref. No.
198282-27800	44	1
198282-27801	44	1 -1
198282-27802	44	1 -2
198282-27820	44	3
198282-27880	44	5
198282-27881	44	5 -1
198282-27960	42	7
198282-27970	42	9
198282-28180	46	2
198282-28340	46	3
198282-28360	46	4
198282-28410	47	4
198282-28430	47	5
198282-28440	47	6
198282-28460	48	1
198282-34700	54	1
198282-34800	54	6
198282-37200	57	10
198282-37400	57	30
198282-37490	57	27
198282-37550	57	33
198282-51110	73	16
198282-51130	74	3
198282-51131	74	3 -1
198282-51150	73	4
198282-51230	74	4
198282-51270	75	2
198282-57200	75	9
198282-57250	75	10
198282-61590	83	2
198282-61680	83	7
198282-62910	89	1
198282-62911	89	1 -1
198282-62912	89	1 -2
198282-62913	89	1 -3
198282-63110	89	2
198282-63111	89	2 -2
198282-63112	89	2 -3
198282-65110	91	13
198282-65120	91	14
198282-65300	92	8
198282-65520	91	26
	103	48
198282-65570	91	18
198282-65650	91	22
198282-65670	91	23
198282-65690	91	24
198282-85410	100	2 -1
198282-85430	100	17
198282-85760	100	3 -1

Parts No.	Fig. No.	Ref. No.
198282-85790	100	18
198282-85800	100	4
198282-85801	100	4 -1
198282-85820	100	5
198282-85821	100	5 -1
198282-85830	100	6
198282-85831	100	6 -1
198282-85900	100	7
198282-85930	100	19
198282-85950	100	8
198283-03350	107	1
198283-13050-1	8	1 -1
198283-13051-1	8	1 -2
198283-13330-1	8	11 -1
		11 -2
198283-13380	8	2 -1
198283-13460	8	18
198283-13480	8	19
198283-24330	105	1
198283-60100	81	70
198284-46910	68	4 A
198284-46950	68	6 A
198284-65110	91	15
198284-65120	91	16
198284-65570	91	19
198287-06200	6	25
198287-06300	6	26
198287-11100	7	5
198287-11210	7	11
198287-11230	7	12
198287-34650	55	2
		13
198287-34700	55	1
198287-34800	55	12
198287-34810	55	7
		18
198287-46500	67	2
198287-46501	67	2 -1
198287-46510	67	5
198287-46610	67	6
198287-46910	68	4
198287-46950	68	6
198287-47100	103	1
198287-47150	70	2
	103	7
198287-47210	70	3
	103	8
198287-47310	70	5
	103	10
198287-47360	70	9

Parts No.	Fig. No.	Ref. No.
198287-47360	103	14
198287-47390	70	10
	103	15
198287-47470	70	15
	103	20
198287-47510	71	2
	103	23
198287-47550	71	4
	103	27
198287-47570	71	5
	103	28
198287-47600	71	6
	103	31
198287-47660	71	8
	103	33
198287-47680	71	9
	103	34
198287-47720	71	10
	103	35
198287-47800	71	13
	103	40
198287-47900	71	17
	103	44
198287-47960	71	19
	103	47
198290-32750	50	2
	106	3
198291-13240	8	3
198310-27370	57	38
198327-53280	81	16
198330-48410	72	6
198360-03260	19	2
198360-03270	19	3
198360-22210	25	1
198360-22250	25	2
198360-52160	75	16
198360-52320	75	14
198360-52330	75	15
198360-55630	2	11
198360-74670	96	8
198360-86840	72	11
198421-65030	81	33
198431-47340	69	6
	70	7
	103	12
198435-45410	64	19
198448-33390	76	4
198448-37360	57	13
		18
		31



## Parts No. Index

Parts No.	Fig. No.	Ref. No.
198448-37450	57	6
		40
198448-38400	59	4
198448-56150	78	7
198448-61620	1	48
198460-83350	90	6
198461-52950	1	2
	73	2
	75	8
		25
198461-60590	76	16
	81	18
		19
	83	6
	86	3
198475-32660	17	6
	50	5
198535-52110	73	5
198535-52120	73	6
198535-52130	73	7
198535-52140	73	8
198535-62780	9	4
1A1040-28470	26	6
1A6150-91251	92	5
1A6150-93151	92	6
1A6640-45230	64	32
1A6640-65510	91	3
1A6640-65511	91	3 -1
1A6640-65530	91	4
1A6660-24250	72	25
1A6750-29850	64	11
		12
1A6780-46160	66	5
1A6780-46170	66	6
1A7000-15720	19	36
1A7000-21410	24	8
1A7000-52820	73	18
1A7100-26850	36	12
1A7100-53100	81	6
1A7100-53130	81	7
1A7100-53140	81	8
1A7100-53220	76	7
		12
1A7100-53230	76	13
1A7100-53400	77	4
1A7100-53420	77	5
1A7100-64110	90	2
1A7180-04850	5	26 -1
1A7260-46640	64	80
1A7260-46650	64	81

Parts No.	Fig. No.	Ref. No.
1A7260-60890	81	20
1A7335-52120	75	17
1A7336-47590	67	4 -1
1A7550-35570	44	13
1A7550-91900	73	26 F
1A7600-27310	45	3
1A8070-25410	110	1
1A8070-25460	108	1
1A8070-25470	109	1
1A8070-74670	96	8 -1
1A8071-04100	4	8 -1
1A8071-11620	8	2 -2
1A8071-11630	8	7 -1
1A8071-13220	8	1 -3
1A8071-13230	8	5 -2
1A8071-13450	8	17
1A8081-14630	13	4 -1
1A8100-24180	26	8 -1
1A8115-11210	7	6 -1
1A8115-11220	7	7 -1
1A8115-22510	57	2 -1
1A8115-61620	83	3 -1
1C6053-26020	88	1 -1
		26
1C6140-43442	42	15
1C6280-61100	2	14
1C6280-62240	69	20
	70	26
1C6281-52310	68	8
1C6281-52320	42	20
	57	44
	58	13
1C6360-65700	42	21
		22
	59	10
		11
1C6560-15071	56	2
1C6650-37480	77	2
1C6900-23020	15	3
1C6900-23120	16	6
1C6900-23150	16	7
1C6920-36260	78	5
1C7100-08150	79	1
1D2180-22130	29	1
1E6102-83230	74	9
1E6102-84970	4	19
	5	32
1E6190-54080	11	2
	29	4

Parts No.	Fig. No.	Ref. No.
1E6213-83410	5	31
1E6680-66470	27	4
	72	10
1E6760-74150	88	4
		25
1E8050-05510	5	1
1S6489-63330	44	4
		6
1W3981-14050	2	9
22117-080000	64	56
22117-100000	69	21
	70	27
	71	21
		22
	103	50
		51
22117-120000	71	23
	103	52
22117-140000	19	18
22137-060000	2	3
	40	2
	81	38
	86	11
22137-080000	19	19
	69	22
	70	28
	81	39
		64
	93	15
	103	53
22137-100000	19	20
	42	23
		24
	58	15
	59	12
		13
22137-120000	34	6
22137-160000	19	37
	102	5
22157-080000	3	5
	4	20
	6	17
	19	30
		31
	44	9
	57	25
22190-060000	4	21
22190-080000	43	8
	81	64 -1
		65

Parts No.	Fig. No.	Ref. No.
22190-100000	27	5
	37	8
	39	8
	41	9
	43	9
22217-060000	76	22
	93	7
22217-080000	5	22
22217-100000	71	24
	103	54
22217-120000	23	10
22217-140000	88	13
	96	13
22217-160000	44	10
	63	9
	97	8
	100	20
22242-000120	70	29
	103	55
22242-000200	19	21
22242-000220	13	3
	67	9
22242-000260	56	10
22242-000290	31	19
	32	5
22242-000300	11	3
	71	25
	103	56
22242-000340	29	5
	33	9
22242-000400	63	10
22252-000190	35	4
22252-000220	24	12
22252-000320	60	4
		10
22252-000401	100	21
22252-000620	15	4
22252-000720	16	9
22252-000800	16	10
22272-000060	69	23
	70	30
	103	57
22272-000070	71	26
	103	58
22272-000080	69	24
	70	31
22272-000090	19	22
22272-000120	19	23
22272-000190	57	34
22287-060000	66	23

## Parts No. Index

Parts No.	Fig. No.	Ref. No.
22292-000250	20	4
22292-000280	31	20
22312-080140	26	15
	27	6
		7
	28	4
	50	7
	61	12
	62	10
22312-100180	16	11
22351-040012	64	57
22351-040024	93	8
22351-040032	19	24
22351-040040	12	8
	49	9
22351-050040	51	6
22351-050045	57	35
22351-050056	63	11
22351-060016	24	3
22351-060025	39	9
	43	10
		11
22351-060028	64	58
22351-060032	37	9
	41	10
	59	3
	90	7
22351-060050	69	25
	70	32
	103	59
22351-080018	23	11
	24	7
22351-080032	51	7
22351-080040	51	8
22351-080045	57	36
22351-080050	82	8
22360-160000	102	6
22360-200000	96	11
22372-080000	69	26
	70	33
	71	27
	81	66
	103	60
22372-100000	71	28
		29
	81	40
	103	61
		62
22372-160000	94	9
	95	5

Parts No.	Fig. No.	Ref. No.
22417-160180	2	4
	40	3
22417-200200	86	12
		13
22417-250300	58	16
22417-300250	10	7
		13
22417-320320	96	12
22417-400250	20	22
22487-060160	40	4
22487-080300	81	67
22487-100550	81	41
22522-030130	69	27
	70	34
		35
		36
	103	63
		64
		65
22857-600160	86	14
23000-019000	4	22
23000-035000	1	34
23000-070000	6	18
23010-055000	6	19
	13	8
23065-070180	1	21
23065-160650	4	23
23414-160021	67	10
		11
23414-200026	64	59
23414-220000	27	8
23491-140002	26	16
23871-010000	26	17
23887-160002	67	12
23887-180002	26	18
23887-220002	27	9
23980-730060	5	6
23980-730180	5	7
		28
23980-730250	1	35
23980-730310	5	8 -1
23980-730340	5	8
23980-730400	5	9
		10 -1
23980-730500	5	10
23980-730510	1	36
	5	9 -1
		10 -2
23980-730730	5	11
24101-060044	31	2 -1

Parts No.	Fig. No.	Ref. No.
24101-060054	29	6
24101-060074	49	10
24101-060084	16	12
	17	7
24101-060104	16	13
24101-060114	12	11
24101-062034	32	6
24101-062044	32	7
24101-062064	11	4
	16	22
	29	7
	31	21
	46	5
24101-062074	14	4
	49	11
24101-062094	17	8
	53	4
24101-063044	16	23
	30	3
	31	22
	36	9
24101-063054	11	5
	35	5
24101-063064	52	3
24101-063074	33	10
	53	5
24104-060054	24	13
24161-253013	31	23
24161-253017	31	23 -1
	34	7
	108	3
	110	6
24161-253020	36	10
24161-303513	31	24
24161-303520	31	24 -1
	109	3
	110	7
24161-323717	31	3 -1
	110	8
24161-404517	36	11
24190-070001	66	24
24190-080001	43	12
	66	25
24190-100001	37	10
	39	10
	41	11
	47	7
24190-160001	64	60
24190-170001	56	11
24311-000050	64	61

Parts No.	Fig. No.	Ref. No.
24311-000090	70	37
	103	66
24311-000110	65	24
24311-000120	22	9
24311-000140	27	10
		11
	65	25
	66	26
		27
	72	12
24311-000150	43	13
24311-000160	5	19
	26	19
	34	8
	37	11
	39	11
	41	12
	47	8
24311-000180	15	5
	26	20
	65	2
		27
	75	23
24311-000200	51	9
	69	28
	70	38
	72	13
		14
		15
	103	67
24311-000260	63	12
	72	16
24311-000340	72	28
24311-000400	63	13
24311-000420	13	7 -1
24311-000440	63	14
24311-000850	4	24
24315-000090	64	62
		63
24315-000100	65	20
24315-000110	64	64
		65
24315-000120	64	66
		67
24315-000140	64	68
		69
24315-000180	65	21
24315-000220	65	22
24315-000350	20	16
24316-000070	104	17

## Parts No. Index

Parts No.	Fig. No.	Ref. No.
24316-000160	104	18
24321-000450	13	9
24321-000500	66	28
24321-000650	5	20
24321-000750	8	8
		20
24321-000950	16	14
24325-000250	64	77
24325-000700	64	78
24326-000650	104	19
24351-020300	61	13
	62	11
24421-153207	60	5
		11
24421-305011	27	12
24421-306210	15	6
24512-053044	33	11
24550-012100	19	15
	68	5
24550-012150	71	18
	103	45
24550-016100	38	2
24550-020200	69	16
		18
	70	20
		22
	103	26
		30
24550-025150	20	15
		18
24550-025200	57	13 -1
		18 -1
		31 -1
24761-010000	8	4
		9
		21
		22
	58	7
		9
	71	30
	103	68
24761-060000	10	5
		11
	20	9
		21
26013-080802	60	13
		14
26013-120252	7	13
	100	9
26013-120302	7	3

Parts No.	Fig. No.	Ref. No.
26013-120302	15	7
26013-120352	9	5
	23	12
		17
	97	13
	99	8
	100	10
		10 -1
		11
26013-120402	88	21
	100	12
26013-120452	100	13
26013-120552	26	21
26013-120652	97	14
26013-120702	23	18
26016-080252	64	70
26016-080352	60	6
		12
26016-080502	64	71
26018-060252	72	17
26021-050122	81	42
26022-050102	4	12
26106-060082	79	2
	81	43
26106-060102	9	6
	71	31
	103	69
26106-060122	1	37
		38
	2	12
	22	10
	38	6
	58	17
	68	9
		10
	71	32
	73	13
	75	11
		26
	80	8
	81	44
		45
	87	5
	103	70
26106-060126	84	3
26106-060162	1	7
	75	12
	76	17
	81	46
	82	9

Parts No.	Fig. No.	Ref. No.
26106-060202	72	18
	74	10
	81	46 -1
26106-060252	4	25
26106-060402	2	13
26106-060452	72	19
26106-060552	86	15
26106-080102	103	80
26106-080122	5	12
		33
	6	20
	7	4
	23	7
	36	13
	67	13
	71	37
	73	24
	74	11
		12
	82	10
	89	3
26106-080162	1	39
		40
	3	6
	4	26
	5	23
	6	21
		22
	13	10
	24	4
	26	22
		23
		24
		26 -1
	38	7
	41	13
	44	11
		12
	57	46
	68	11
	69	29
		37
	70	39
		52
	72	20
	73	25
	81	47
	85	4
	88	8
	89	4

Parts No.	Fig. No.	Ref. No.
26106-080162	103	71
		72
26106-080202	6	23
	24	14
	26	25
		26
	48	2
	72	21
	99	9
	107	3
26106-080252	3	7
	5	24
	19	32
	26	27
	28	5
	56	12
	61	14
	62	12
	72	29
26106-080302	72	22
26106-080352	19	25
	59	14
26106-080402	33	12
	37	12
	47	9
	50	8
	66	29
26106-080452	26	28
	65	28
26106-080502	33	12 -1
		12 -2
	69	30
		31
	70	40
	105	5
26106-080652	5	29
26106-080752	70	41
	103	73
26106-080802	26	29
26106-100162	27	13
	37	13
26106-100202	51	11
	97	15
26106-100252	8	13
		14
		15
	17	9
	26	30
	49	15
	61	15

## Parts No. Index

Parts No.	Fig. No.	Ref. No.
26106-100252	71	33
26106-100302	16	15
	27	14
	43	14
	81	60
26106-100352	23	8
26106-100402	61	16
	62	13
26106-100452	7	9
26106-100502	26	31
	50	9
26106-100552	7	10
26106-100652	99	10
	100	14
26106-100902	64	79
26106-101052	23	13
26116-060122	44	8
26116-080162	49	12
26116-080754	70	42
	103	74
26116-081302	5	25
26116-100352	16	16
26116-120402	88	22
26116-140752	88	14
26116-161302	97	9
26136-100162	21	2
	22	11
26156-160802	100	1 -1
26346-080002	19	26
	42	25
	93	16
26356-160002	19	38
	99	11
	100	15
26366-080002	37	14
	39	12
	47	10
26376-120002	56	13
26450-080122	16	17
26450-080402	25	4 -1
	65	29
26557-050122	76	18
26557-050352	80	5
26557-060062	93	9
26557-060302	81	48
26587-040202	81	49
26657-060002	4	27
26716-040002	81	50
26716-060002	76	23
26716-080002	42	19

Parts No.	Fig. No.	Ref. No.
26716-080002	57	26
	69	32
		33
	70	43
		44
		45
	81	61
	103	75
		76
26716-100002	16	18
	19	27
	42	6
		12
	57	8
		42
	59	15
	71	34
	103	77
26716-120002	9	7
	23	14
	100	16
26716-140002	88	15
	96	14
26716-160002	71	35
	97	10
	103	78
26736-160002	63	15
26756-060002	64	72
26756-160002	71	36
	103	79
26776-120002	75	5
		19
26776-160002	65	23
26777-180002	94	6
27260-170000	26	32
27260-200000	64	73
27260-320000	72	25 -1
29622-140001	5	32 -1
29622-250001	73	3
	74	16
41812-012020	101	1
794130-71410	93	11
	94	1
	95	1
	96	1

Parts No.	Fig. No.	Ref. No.
-----------	----------	----------

Parts No.	Fig. No.	Ref. No.
-----------	----------	----------