

0CNP4-M35901EN

Contents

OCNP4-M35901

Fig. No. Fig. Name

ENGINE CONTROL SECTION

1. ENGINE ACCESSORIES
2. ACCEL LEVER
3. FUEL TANK
4. SIDE COVER

FRONT AXLE SECTION

5. FRONT BRACKET
6. TIE ROD
7. DRIVE PINION
8. PROPELLER SHAFT
9. FRONT AXLE CASE
10. FRONT GEAR CASE
11. FRONT SHAFT (2
12. INPUT SHAFT
13. FRONT SPINDLE
14. FRONT WHEEL TIRE
15. STEERING WHEEL
16. P.S.T. PIPING

TRANSMISSION SECTION

17. CLUTCH HOUSING
18. CLUTCH PEDAL
19. TRANSMISSION CASE
20. INPUT SHAFT

Fig. No. Fig. Name

21. MAIN SHAFT
22. COUNTER SHAFT
23. P.T.O. DRIVE SHAFT
24. MAIN CHANGE
25. SUB CHANGE
26. P.T.O. CHANGE

REAR AXLE SECTION

27. RING GEAR
28. REAR HOUSING
29. DIFFERENTIAL LOCK
30. FINAL PINION & REAR AXLE SHAFT
31. REAR WHEEL TIRE
32. DISK BRAKE
33. BRAKE PEDAL

HYDRAULIC CONTROL SECTION

34. HYDRAULIC CYLINDER CASE
35. HYDRAULIC SIDE COVER
36. PISTON & LIFT CRANK
37. CONTROL VALVE
38. RELIEF VALVE
39. HYDRAULIC CONTROL
40. HYDRAULIC PIPING

Contents

OCNP4-M35901

Fig. No. Fig. Name

ELECTRICAL PARTS SECTION

- 41. WIRE HARNESS
- 42. BATTERY & SWITCHES
- 43. LAMPS & HORN
- 44. METER

FITTINGS SECTION

- 45. HOOD
- 46. DASH BOARD
- 47. FENDER
- 48. STEP
- 49. OPERATOR SEAT
- 50. BACK MIRROR
- 51. LABELS
- 52. LABELS(SAFETY)

HITCH SECTION

- 53. THREE POINTS HITCH
- 54. REAR HITCH & DRAWBAR HITCH

ACCESSORIES SECTION

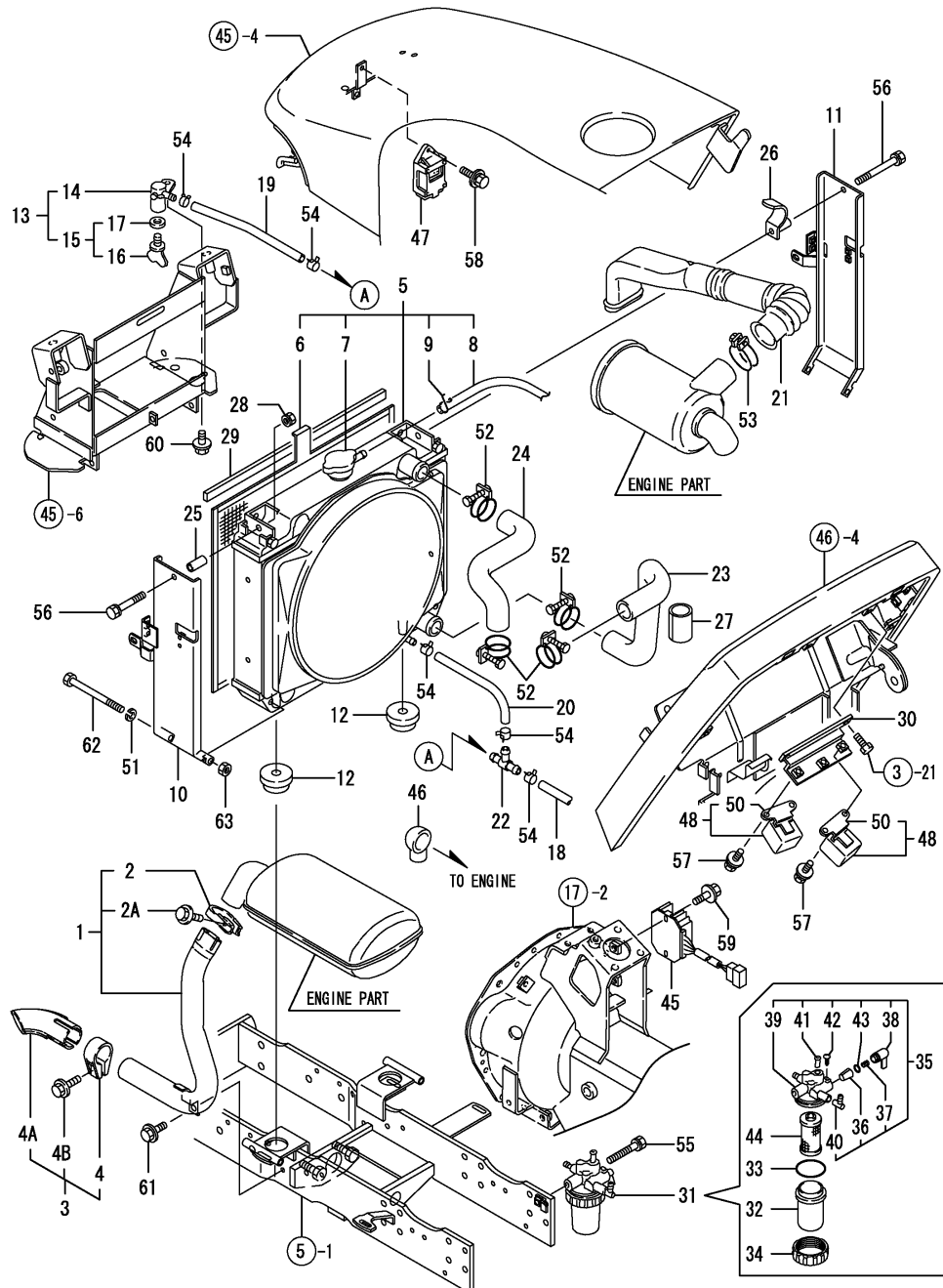
- 55. BALANCE WEIGHT
- 56. JOINT FRAME & LOWER FRAME
- 58. ROPS
- 59. DOCUMENT

Fig. No. Fig. Name

OPTIONAL SECTION

- 57. TOOL BOX

Fig.1. ENGINE ACCESSORIES



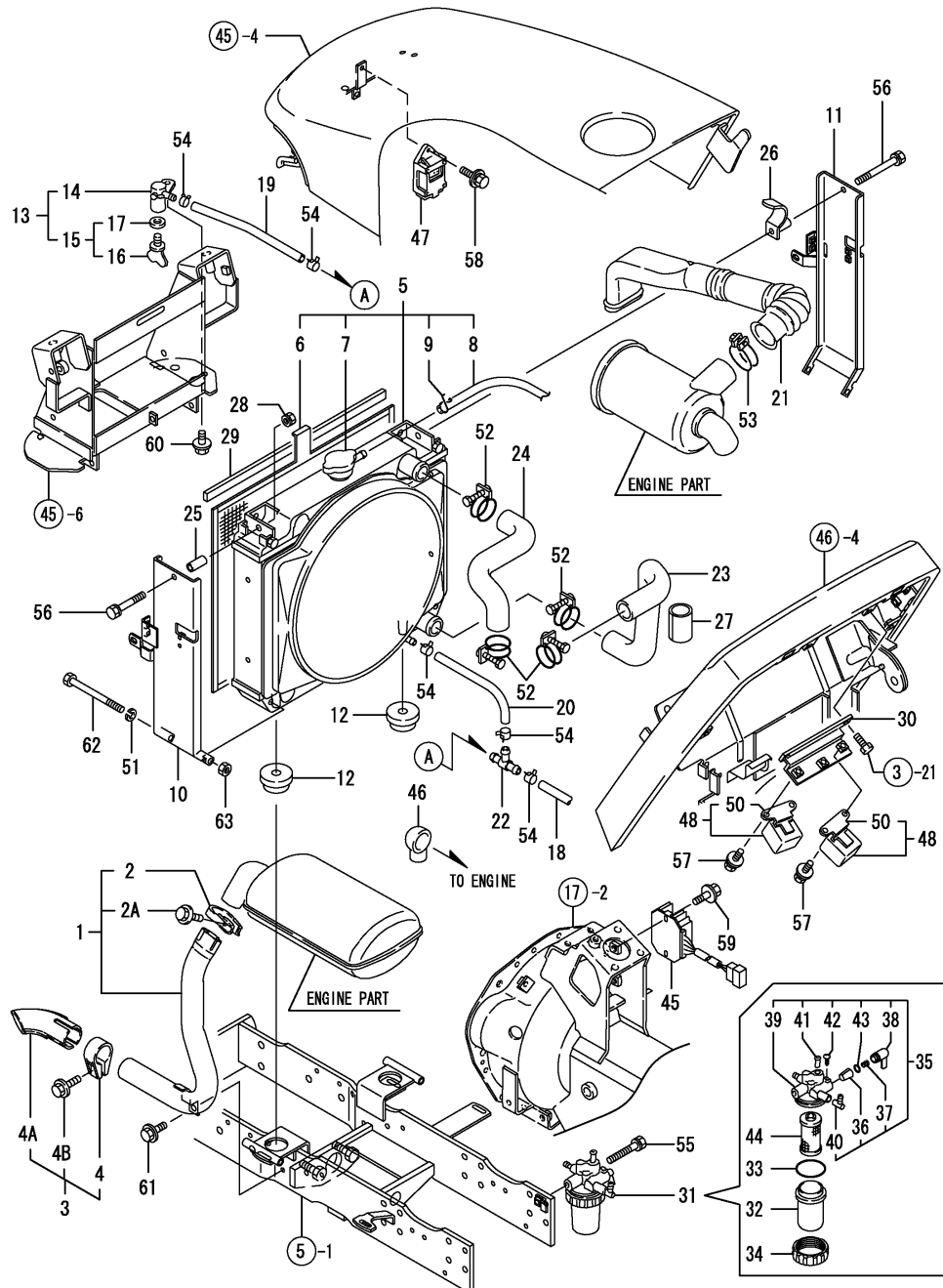
(A)=KE-20T
(B)=
(C)=

(D)=
(E)=
(F)=

No.	Lev.	Parts No.	Description	Qty						I	R
				(A)	(B)	(C)	(D)	(E)	(F)		
1	1	198162-00510	PIPE, EXHAUST	1							
2	2	119650-13620	CLAMP, EXHAUST PIPE	1							
2A	2	26106-080252	BOLT, M8X 25 PLATED	1							
3	1	198162-00520	EXTENSION, END	1							
4	2	119650-13620	CLAMP, EXHAUST PIPE	1							
4A	1	198162-00530	EXTENSION, END	1							
4B	2	26106-080252	BOLT, M8X 25 PLATED	1							
5	1	1A7740-00600	RADIATOR ASSY	1							
5-1	1	1A7740-00601	RADIATOR ASSY	1							N
(A=F010101)											
6	2	198162-00860	SCREEN, DUSTPROOF	1							
7	2	129107-44590	CAP, RADIATOR	1							
8	2	119462-44550	HOSE,RUBBER	1							
9	2	121250-44590	CLAMP	2							
10	1	198164-00620	SUPPORT ASSY, L	1							
11	1	198164-00630	SUPPORT ASSY, R	1							
12	1	198162-00640	SUPPORT, RADIATOR	2							
13	1	198421-00640	COCK ASSY, 2-WAY	1							
14	2	198421-00650	BODY, 2-WAY COCK	1							
15	2	129150-49080	COCK, DRAIN	1							
16	3	119629-49070	COCK, DRAIN	1							
17	3	119629-49080	GASKET	1							
18	1	198162-00660	PIPE, DRAIN 350	1							
19	1	198162-00670	PIPE, DRAIN 250	1							
20	1	198421-00670	PIPE, DRAIN B	1							
21	1	198421-00681	PIPE, EXTENSION	1							
22	1	198162-00710	PIPE, 3-WAY	1							
23	1	198164-00720	PIPE, WATER L 72	1							
24	1	198164-00730	PIPE, WATER U 72	1							
25	1	198162-00770	PIPE, 30	1							
26	1	198163-00770	STAY, EXTENSION PIPE	1							
27	1	1C6860-06980	GUARD, HARNESS	1							
28	1	194990-22050	NUT, M8	2							
29	1	121454-44590	PAD, URETHANE	1							
30	1	198163-51310	STAY, RELAY	1							
31	1	119462-55620	STRAINER, FUEL	1							
32	2	124064-55510	COVER	1							
33	2	102103-55520	O-RING	1							
34	2	110250-55610	RING, RETAINING	1							
35	2	119626-55690	BODY,FO FILTER	1							
36	3	104200-55321	VALVE, TAPER	1							
37	3	104200-55330	SPRING, VALVE	1							
38	3	119810-55340	LEVER	1							
39	3	119865-55660	BODY	1							
40	3	171125-55730	L JOINT	1							
41	3	129155-55740	JOINT	1							
42	3	104200-55750	SCREW, M4	1							
43	3	24311-240100	O-RING, 1AP10A	1							
44	2	104500-55710	ELEMENT	1							
45	1	198162-58800	REGULATOR	1							
46	1	124160-77020	COVER, TERMINAL	1							

N:Old $\begin{matrix} \leftarrow \text{Yes} \\ \text{No} \end{matrix}$ New, Q:Old $\begin{matrix} \leftarrow \text{No} \\ \text{Yes} \end{matrix}$ New, R:Old $\begin{matrix} \leftarrow \text{Yes} \\ \text{Yes} \end{matrix}$ New, S:Old $\begin{matrix} \leftarrow \text{No} \\ \text{No} \end{matrix}$ New, W:Add, Z:Discontinued, F:Interchangeable by set, K:Q'ty Change
++ CONTINUE ++
Copyright (C) YANMAR CO., LTD. All Rights Reserved.

Fig.1. ENGINE ACCESSORIES

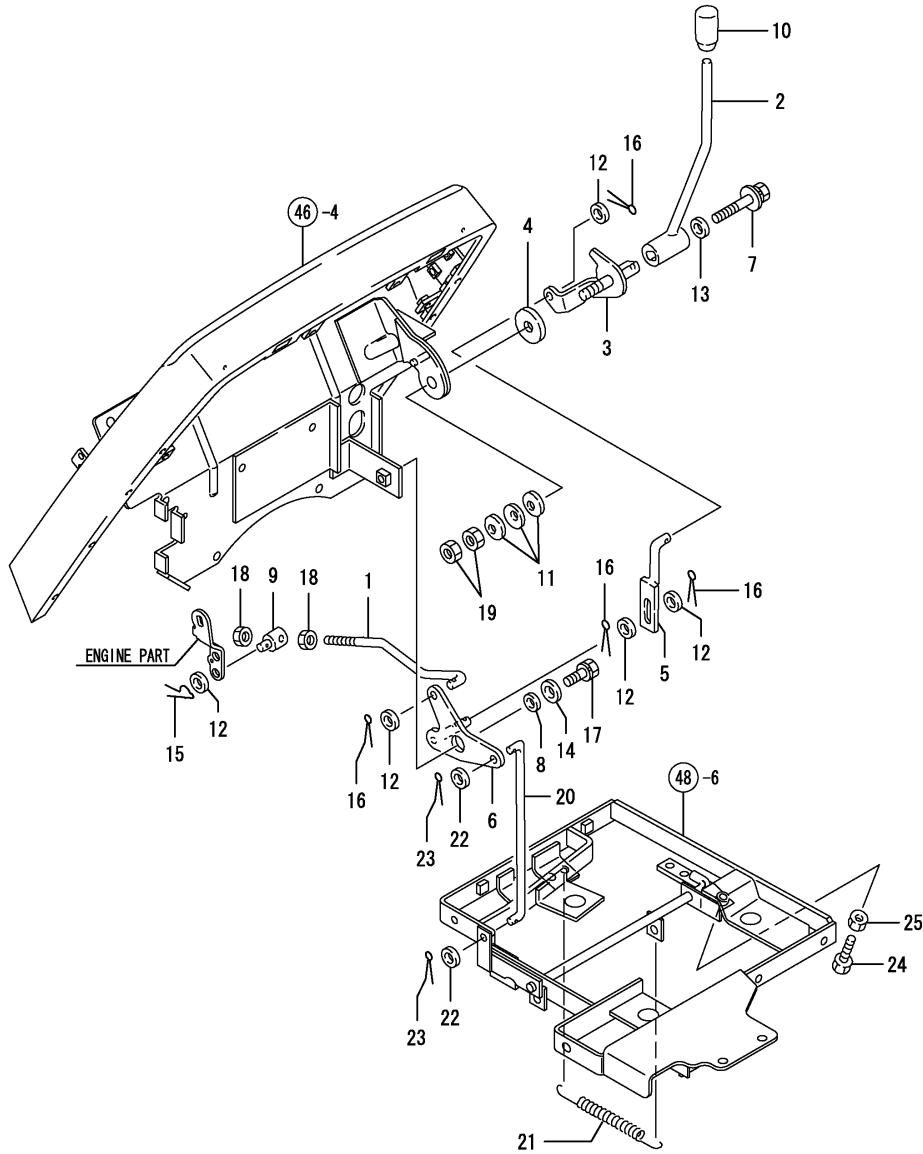


(A)=KE-20T
(B)=
(C)=

(D)=
(E)=
(F)=

No.	Lev.	Parts No.	Description	Q'ty						I	R
				(A)	(B)	(C)	(D)	(E)	(F)		
47	1	119650-77902	CONTROLLER	1							
48	1	119650-77910	RELAY ASSY, GLOW	2							
50	2	119650-77930	BRACKET, RELAY	2							
51	1	22287-080000	WASHER, 8	2							
52	1	23010-038000	CLAMP, 38	4							
53	1	23010-050000	CLAMP, 50	1							
54	1	23080-012000	CLAMP, 12	6							
55	1	26013-080652	BOLT, M8X 65	1							
56	1	26016-080502	BOLT M 8X 50	2							
57	1	26018-060162	BOLT, M6X 16	3							
58	1	26018-060252	BOLT, M6X 25	1							
59	1	26018-060252	BOLT, M6X 25	2							
60	1	26018-080162	BOLT, M8X 16	1							
61	1	26018-080202	BOLT, M8X 20	1							
62	1	26116-081052	BOLT, M8X105 PLATED	2							
63	1	26716-080002	NUT, M8	2							

Fig.2. ACCEL LEVER

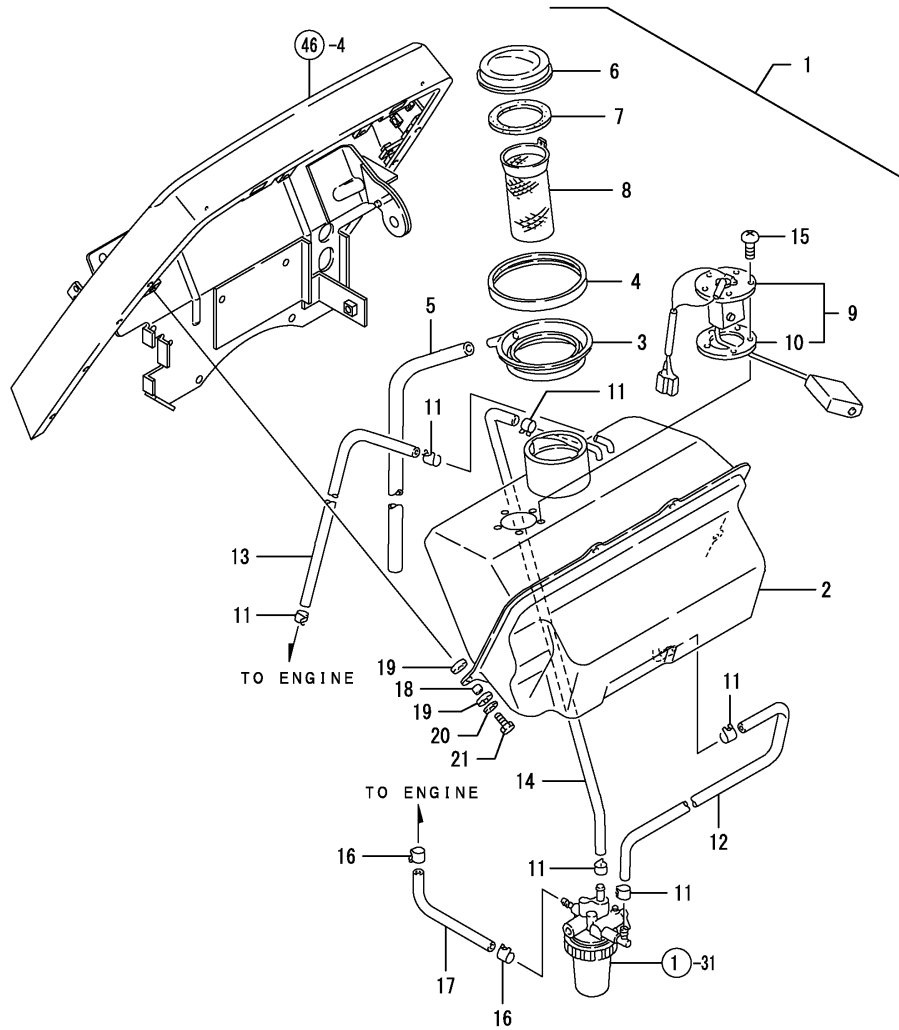


(A)=KE-20T
(B)=
(C)=

(D)=
(E)=
(F)=

No.	Lev.	Parts No.	Description	Q'ty						I	R
				(A)	(B)	(C)	(D)	(E)	(F)		
1	1	198163-00850	LINK, ACCELERATOR	1							
2	1	198421-01110	LEVER, ACCELERATOR	1							
3	1	198421-01120	SHAFT, ACCELERATOR	1							
4	1	198165-01130	PLATE, FRICTION	1							
5	1	198421-01130	LINK, LEVER	1							
6	1	198421-01140	PLATE, LOCK	1							
7	1	198421-01250	BOLT, M6X40	1							
8	1	194150-01270	SPACER, 20	1							
9	1	194150-01370	ADJUSTER	1							
10	1	1A6750-37200	KNOB, PARKING BRAKE	1							
11	1	194151-47760	WASHER, 12	3							
12	1	22117-080000	WASHER, 8	5							
13	1	22157-060000	WASHER, 6	1							
14	1	22157-100000	WASHER, 10	1							
15	1	22372-080000	PIN, SNAP 8	1							
15-1	1	1C6281-52320	PIN, SNAP 8	1							R
(A=F010101)											
16	1	22417-160160	PIN, COTTER 1.6X16	4							
17	1	26016-100202	BOLT	1							
18	1	26716-080002	NUT, M8	2							
19	1	26716-120002	NUT, M12	2							
20	1	198162-01210	ROD, ACCELERATOR	1							
21	1	198421-01220	SPRING, RETURN	1							
22	1	22117-080000	WASHER, 8	2							
23	1	22417-160160	PIN, COTTER 1.6X16	2							
24	1	26116-080402	BOLT, M8X 40 PLATED	1							
25	1	26716-080002	NUT, M8	1							

Fig.3. FUEL TANK

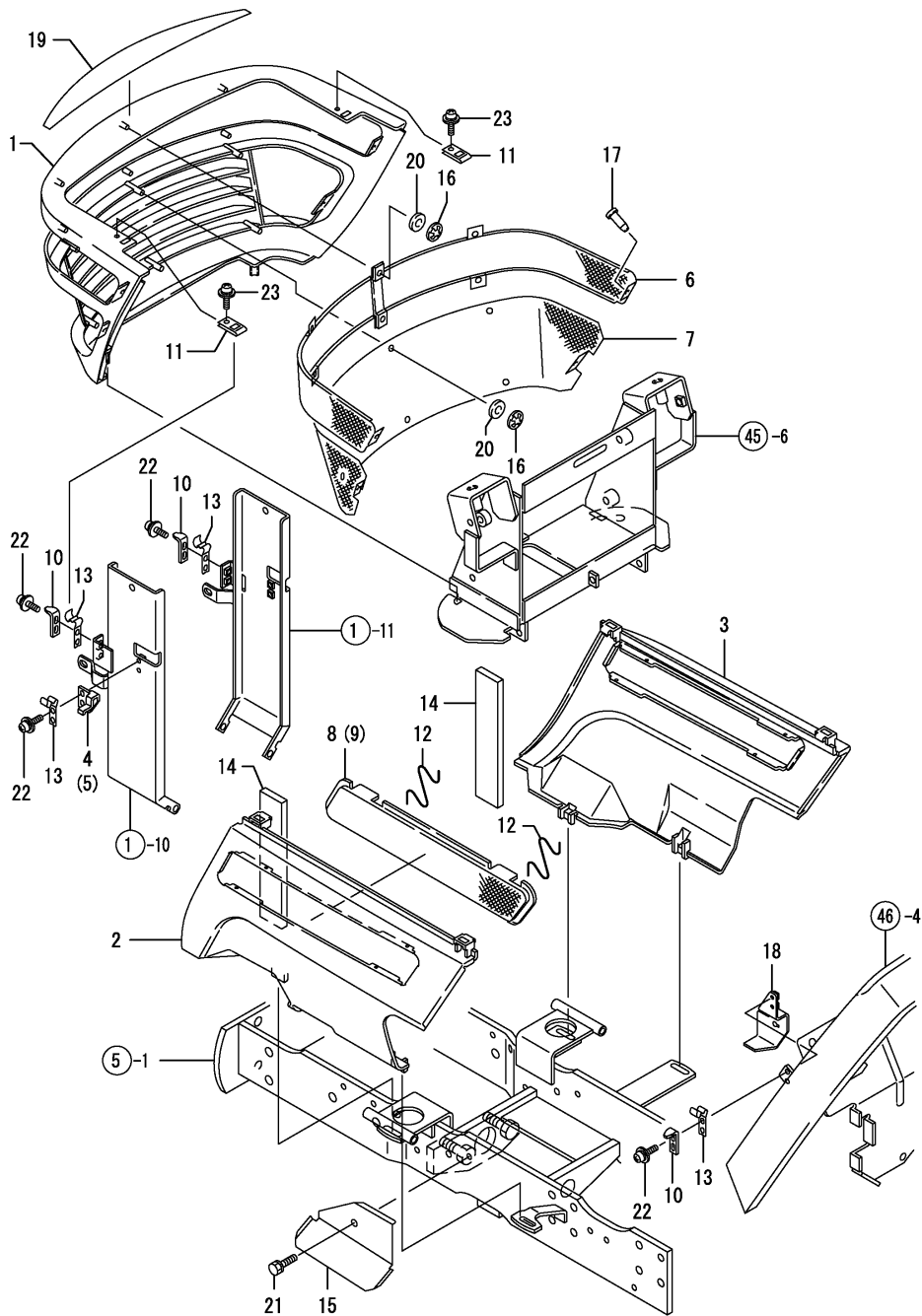


(A)=KE-20T
(B)=
(C)=

(D)=
(E)=
(F)=

No.	Lev.	Parts No.	Description	Qty						I	R
				(A)	(B)	(C)	(D)	(E)	(F)		
1	1	1A7720-04100	TANK KIT, FUEL	1							
2	2	198162-04111	TANK, FUEL 13	1							
3	2	194940-04240	SUMP, TANK	1							
4	2	194940-04250	PACKING, FUEL SUMP	1							
5	2	198421-04430	PIPE, FUEL SUMP	1							
6	2	105015-55040	CAP, FUEL TANK	1							
7	2	101504-55051	GASKET	1							
8	2	101504-55101	STRAINER, FUEL	1							
9	2	198421-56601	GAUGE ASSY, FUEL	1							
10	3	194420-56620	GASKET	1							
11	2	23080-012000	CLAMP, 12	6							
12	2	23980-730450	HOSE, 7.3X 450	1							
13	2	23980-730500	HOSE, 7.3X 500	1							
14	2	23980-730600	HOSE, 7.3X 600	1							
15	2	26022-050122	SCREW, M5X12	5							
16	1	23080-012000	CLAMP, 12	2							
17	1	23980-730220	HOSE, 7.3X 220	1							
18	1	194215-04220	SPACER, 8X10X10	4							
19	1	194420-62260	RUBBER, CUSHION	8							
20	1	22157-060000	WASHER, 6	4							
21	1	26116-060252	BOLT, M6X 25 PLATED	4							

Fig.4. SIDE COVER



(A)=KE-20T

(B)=

(C)=

(D)=

(E)=

(F)=

No.	Lev.	Parts No.	Description	Q'ty						I	R
				(A)	(B)	(C)	(D)	(E)	(F)		
1	1	1A7720-05350	COVER, LOWER F	1							
2	1	1A7740-05330	COVER ASSY, LOWER LM	1							
3	1	1A7740-05340	COVER ASSY, LOWER RM	1							
4	1	198162-05381	HOLDER, COVER L	1							
5	1	198162-05391	HOLDER, COVER R	1							
6	1	198162-05410	NET, LCF UPPER	1							
7	1	1A7720-05420	NET, LCF LOWER	1							
8	1	198162-05430	NET ASSY, LCL	1							
9	1	198162-05440	NET ASSY, LCR	1							
10	1	198162-05462	STAY, LCF	4							
11	1	198162-05470	COVER, LCF	2							
12	1	198162-05480	CLIP, NET	4							
13	1	198162-05491	SPRING, HOOK	6							
14	1	1A7720-05510	SEAL, LOWER COVER	2							
15	1	1A7720-05580	PLATE, SHUTTER	1							
16	1	1C6460-38240	NUT 5,PUSH	16							
17	1	198421-61280	PIN, FIXED	4							
18	1	1A7720-61530	STAY ASSY, FUSE BOX	1							
18-1	1	1A7720-61531	STAY ASSY, FUSE BOX	1							N
		(A=F010101)									
19	1	1A7720-65050	LABEL,COVER F	1							
20	1	194555-65130	CUSHION	16							
21	1	26016-080202	BOLT, M8X 20	1							
22	1	26023-050162	SCREW, M5X16	12							
23	1	26023-050162	SCREW, M5X16	2							

Fig.5. FRONT BRACKET

(A)=KE-20T
(B)=
(C)=

(D)=
(E)=
(F)=

No.	Lev.	Parts No.	Description	Q'ty						I	R
				(A)	(B)	(C)	(D)	(E)	(F)		
1	1	1A7740-11100	BRACKET ASSY, AXLE M	1							
2	1	26013-100252	BOLT, M10X 25	16							
3	1	198165-11500	SHIM SET, CENTER PIN	1							
4	1	198165-11510	PIN, CENTER	1							
5	1	198165-11540	BUSH, PIN	1							
6	1	198164-11550	PLATE	1							
7	1	198164-11570	NIPPLE, GRESAE 6	1							
8	1	22217-120000	WASHER, SPRING 12	2							
9	1	26716-120002	NUT, M12	2							

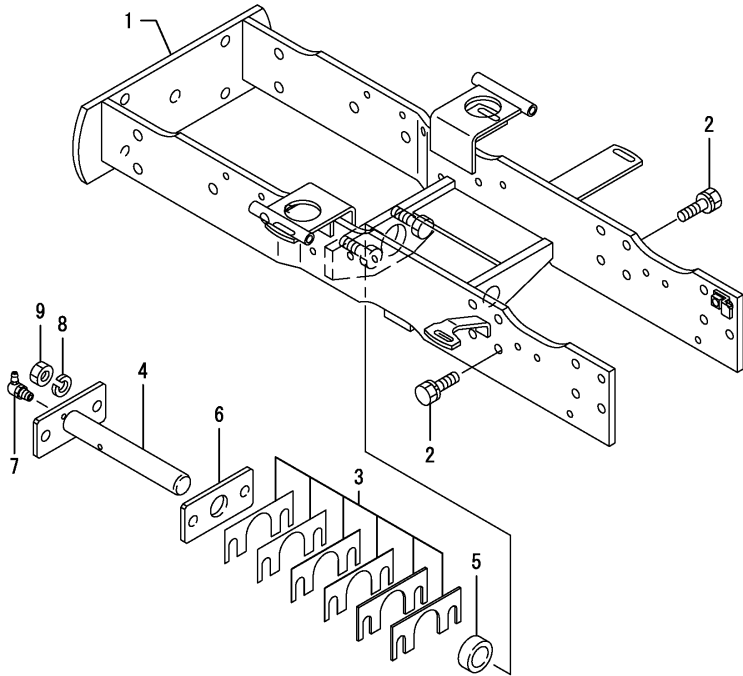


Fig.6. TIE ROD

(A)=KE-20T
(B)=
(C)=

(D)=
(E)=
(F)=

No.	Lev.	Parts No.	Description	Q'ty						I	R
				(A)	(B)	(C)	(D)	(E)	(F)		
1	1	1A6641-12310	TIE-ROD ASSY	1							
1-1	1	1A6641-12311	TIE-ROD ASSY	1							N
(A=F010279)											
2	2	194300-13340	COVER, DUCT	2							
3	2	24761-060000	NIPPLE, GREASE MT6X1	2							
4	1	194215-12340	NUT, CASTLE M10	2							
5	1	22417-250250	PIN, COTTER 2.5X25	2							

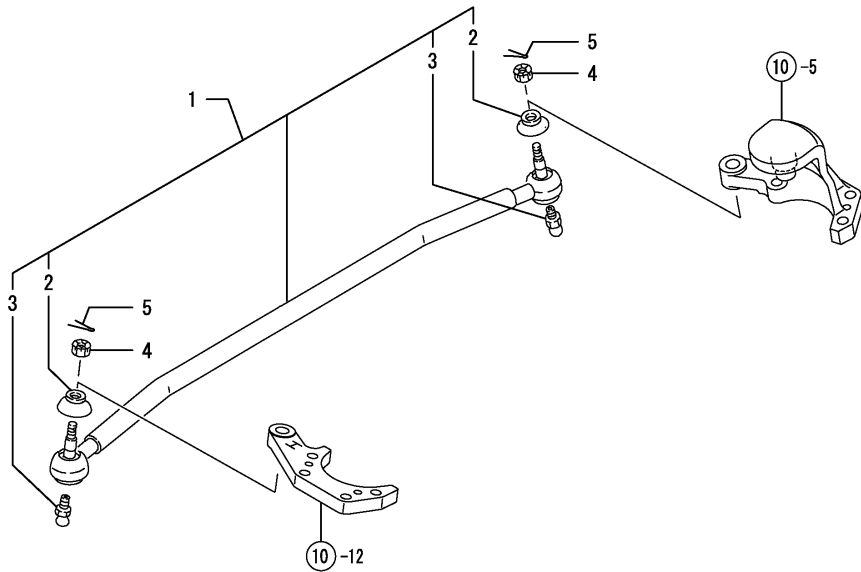
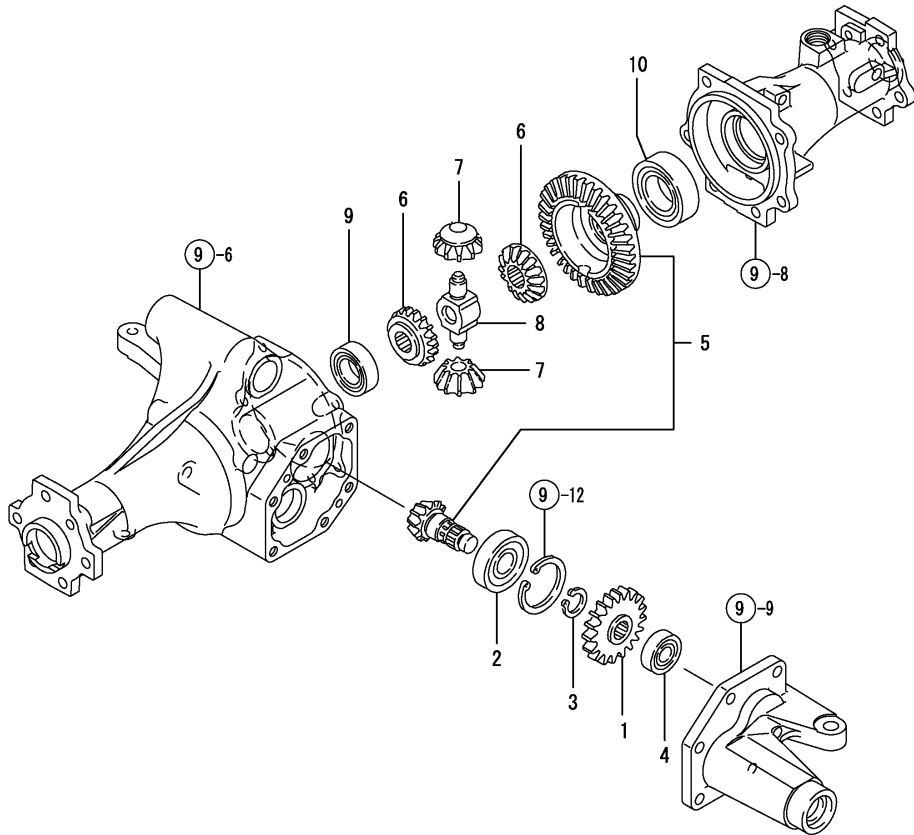


Fig.7. DRIVE PINION



(A)=KE-20T
(B)=
(C)=

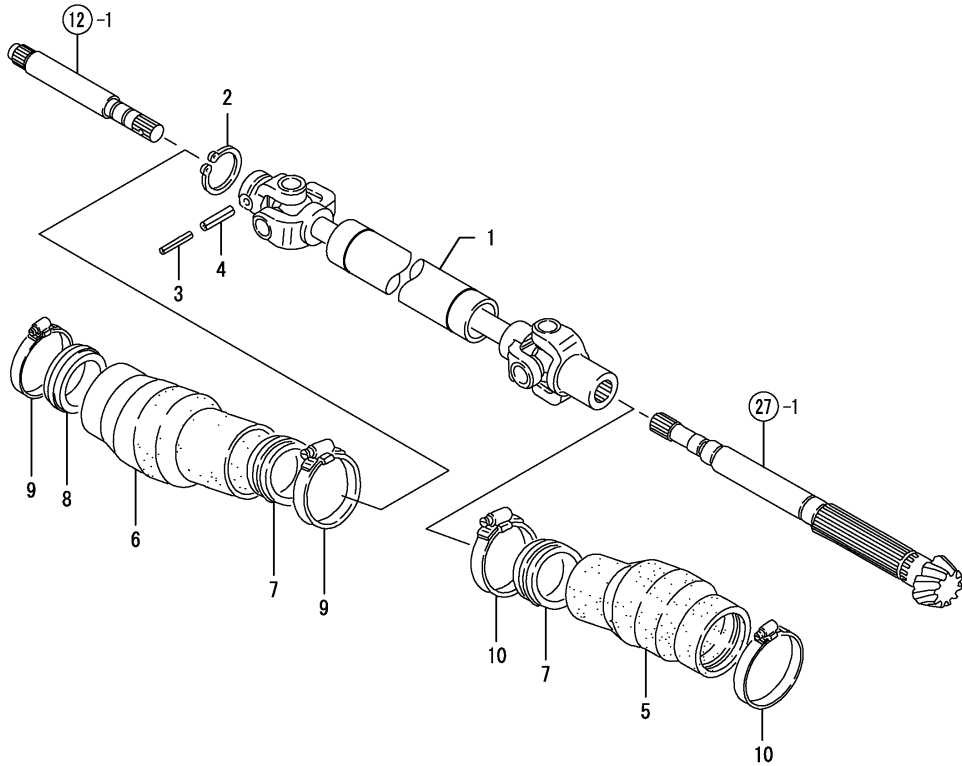
(D)=
(E)=
(F)=

No.	Lev.	Parts No.	Description	Q'ty						I	R
				(A)	(B)	(C)	(D)	(E)	(F)		
1	1	198165-13120	GEAR, FRONT 19T	1							
2	1	194447-13860	BEARING, TMB304CX1	1							
3	1	22242-000200	RING, 20	1							
4	1	24101-062024	BEARING, BALL 6202	1							
5	1	198165-13101	PINION KIT, DRIVE	1							
6	1	198421-13221	GEAR, DIFFERENTIAL	2							
7	1	1A7050-13230	PINION, DIFFERENTIAL	2							
8	1	198421-13240	SHAFT, DIFFERENTIAL	1							
9	1	24101-060054	BEARING, BALL 6005	1							
10	1	24101-060074	BEARING, BALL 6007	1							

Fig.8. PROPELLER SHAFT

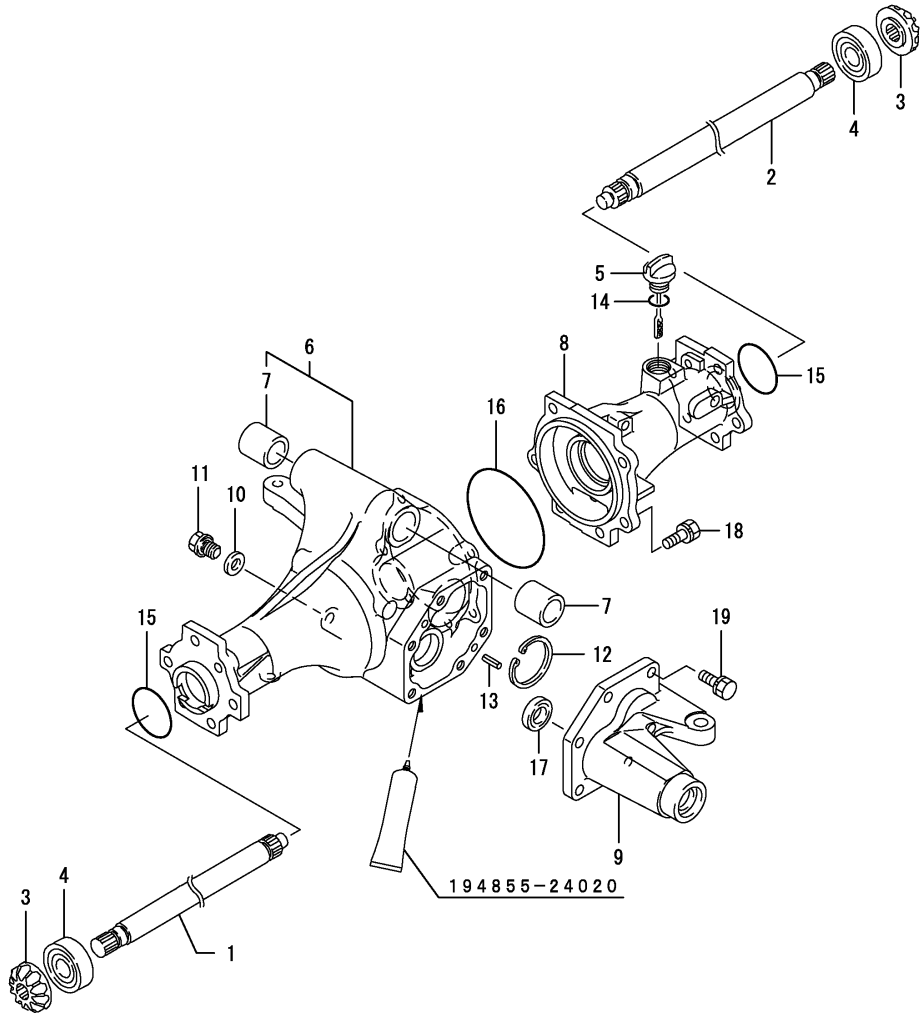
(A)=KE-20T
(B)=
(C)=

(D)=
(E)=
(F)=



No.	Lev.	Parts No.	Description	Q'ty						I	R
				(A)	(B)	(C)	(D)	(E)	(F)		
1	1	198164-13310	SHAFT ASSY,PROPELLER	1							
2	1	22242-000360	RING, 36	1							
3	1	22351-035032	PIN, SPRING 3.5X32	1							
4	1	22351-060032	PIN, SPRING 6.0X32	1							
5	1	198164-14620	BOOT, RUBBER	1							
6	1	198165-14620	BOOT, RUBBER	1							
7	1	198165-14630	COLLAR, BOOT	2							
8	1	198421-14630	COLLAR, BOOT	1							
9	1	23000-070000	CLAMP, 70	2							
10	1	23000-070000	CLAMP, 70	2							

Fig.9. FRONT AXLE CASE

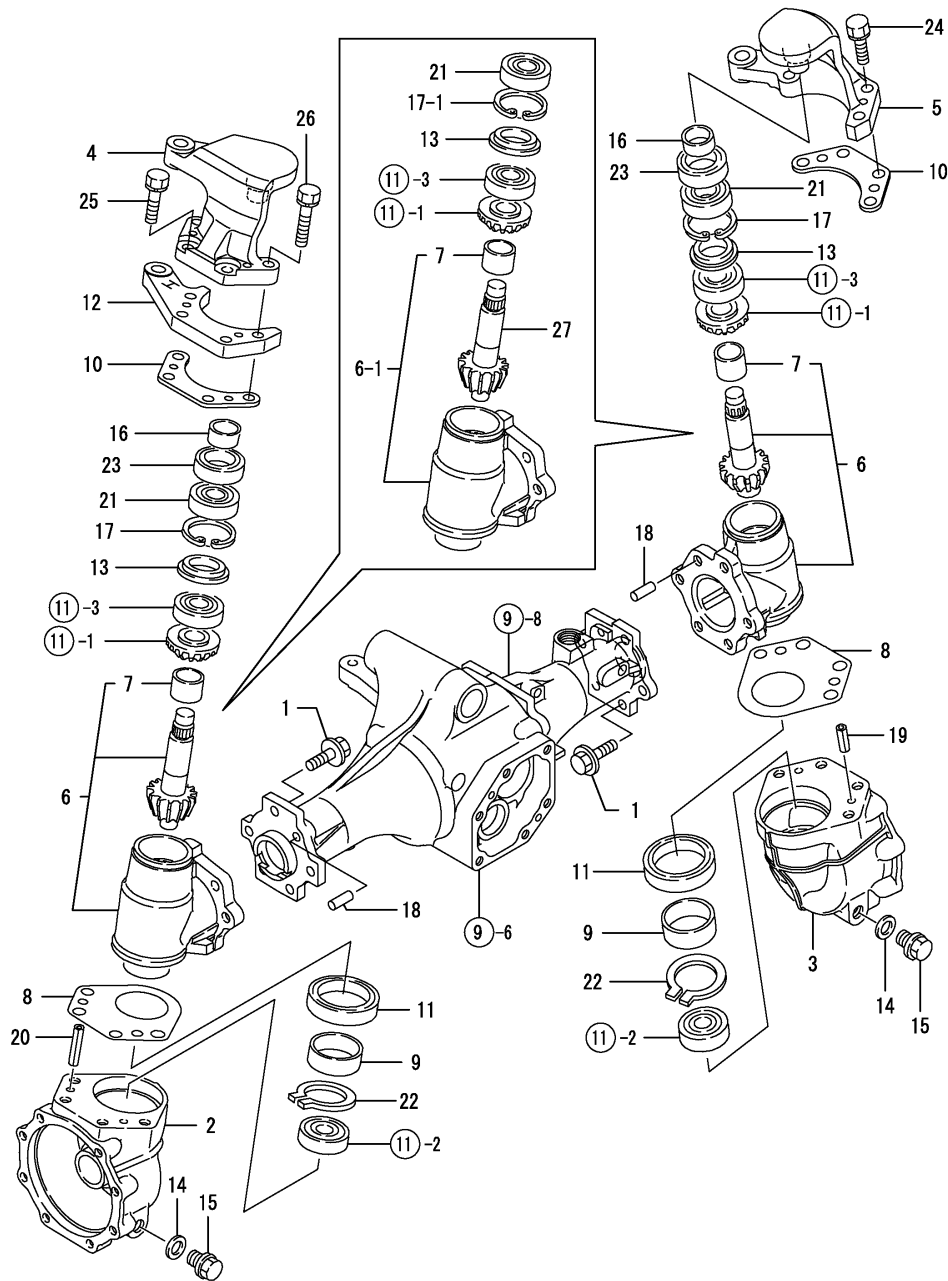


(A)=KE-20T
(B)=
(C)=

(D)=
(E)=
(F)=

No.	Lev.	Parts No.	Description	Q'ty						I	R
				(A)	(B)	(C)	(D)	(E)	(F)		
1	1	198165-13511	SHAFT, FRONT 1ST L	1							
2	1	198165-13521	SHAFT, FRONT 1ST R	1							
3	1	198165-13532	GEAR, FRONT SHAFT	2							
4	1	24101-062054	BEARING, BALL 6205	2							
5	1	194447-13490	GAUGE, OIL LEVEL	1							
6	1	1A6641-13600	HOUSING ASSY, AXLE L	1							
7	2	194850-13660	BUSH, 25X32X35	2							
8	1	198165-13620-1	HOUSING, AXLE R	1							
9	1	198165-13631	COVER, AXLE CASE	1							
10	1	198165-24440	GASKET, 20X12X2	1							
11	1	198165-24490	BOLT, M12X12	1							
12	1	22252-000520	RING, 52	1							
13	1	22351-080020	PIN, SPRING 8.0X20	2							
14	1	24311-000180	O-RING, 1AP18.0	1							
15	1	24321-000500	O-RING, 1AG50.0	2							
16	1	24321-001150	O-RING, 1AG115.0	1							
17	1	24421-173007	SEAL, OIL TC173007	1							
18	1	26013-100302	BOLT, M10X 30	6							
18-1	1	26106-100302	BOLT, M10X 30 PLATED	6							R
(A=FZZZZZ)											
18-2	1	26106-100252	BOLT, M10X 25 PLATED	6							N
(A=FXXXXX)											
19	1	26016-100302	BOLT, M10X 30	6							
19-1	1	26106-100252	BOLT, M10X 25 PLATED	6							R
(A=FXXXXX)											

Fig.10. FRONT GEAR CASE



(A)=KE-20T
(B)=
(C)=

(D)=
(E)=
(F)=

No.	Lev.	Parts No.	Description	Qty						I	R
				(A)	(B)	(C)	(D)	(E)	(F)		
1	1	198165-11350	BOLT, M10X25	10							
1-1	1	1A7531-11350	BOLT, M10X25	10							N
(A=F010201)											
2	1	198165-13730-1	BOX, GEAR L	1							
3	1	198165-13740-1	BOX, GEAR R	1							
4	1	1A6641-13760-1	SUPPORT, KING PIN L	1							
5	1	198164-13770-1	SUPPORT, KING PIN R	1							
6	1	198165-13700	CASE, SIDE GEAR KIT	2							
6-1	1	1A6780-13700	CASE ASSY, GEAR	2							N
(A=F010201)											
7	2	198165-13841	BUSH, 27X1.5	2							
8	1	198165-13750	SHIM, T=0.1	2							
9	1	194516-13770	SLEEVE, SI 45X50X16	2							
10	1	1A6641-13780	SPACER, 4.5	2							
11	1	194516-13780	SEAL TC6Y 506812.5	2							
12	1	1A6641-13830	ARM, TIE-ROD	1							
13	1	1D4110-13870	WASHER	2							
14	1	198165-24440	GASKET, 20X12X2	2							
15	1	198165-24490	BOLT, M12X12	2							
16	1	1E6190-54080	SLEEVE SI25X30X13	2							
17	1	22252-000470	RING, 47	2							
17-1	1	1A6780-13890	RING, 47H	2							S
(A=F010201)											
18	1	22312-100200	PIN, PARALLEL M10X20	2							
19	1	22351-080020	PIN, SPRING 8.0X20	2							
20	1	22351-080045	PIN, SPRING 8.0X45	2							
21	1	24104-062044	BEARING, BALL 6204UU	2							
22	1	24164-000452	CIRCLIP, 45	2							
23	1	24421-304708	SEAL, OIL TC304708	2							
24	1	26013-100352	BOLT, M10X 35	4							
24-1	1	26106-100352	BOLT, M10X 35 PLATED	4							R
(A=FXXXXX)											
25	1	26013-100452	BOLT, M10X 45	2							
25-1	1	26106-100452	BOLT, M10X 45 PLATED	2							R
(A=FXXXXX)											
26	1	26013-100502	BOLT, M10X 50	2							
26-1	1	26106-100502	BOLT, M10X 50 PLATED	2							R
(A=FXXXXX)											
27	1	198165-13815	PINION, FRONT FINAL	2							W
(A=F010201)											

Fig.11. FRONT SHAFT (2)

(A)=KE-20T
(B)=
(C)=

(D)=
(E)=
(F)=

No.	Lev.	Parts No.	Description	Q'ty						I	R
				(A)	(B)	(C)	(D)	(E)	(F)		
1	1	198165-13532	GEAR, FRONT SHAFT	2							
2	1	194670-25370	BEARING, BALL TMB303	2							
3	1	24104-063034	BEARING, BALL 6303UU	2							

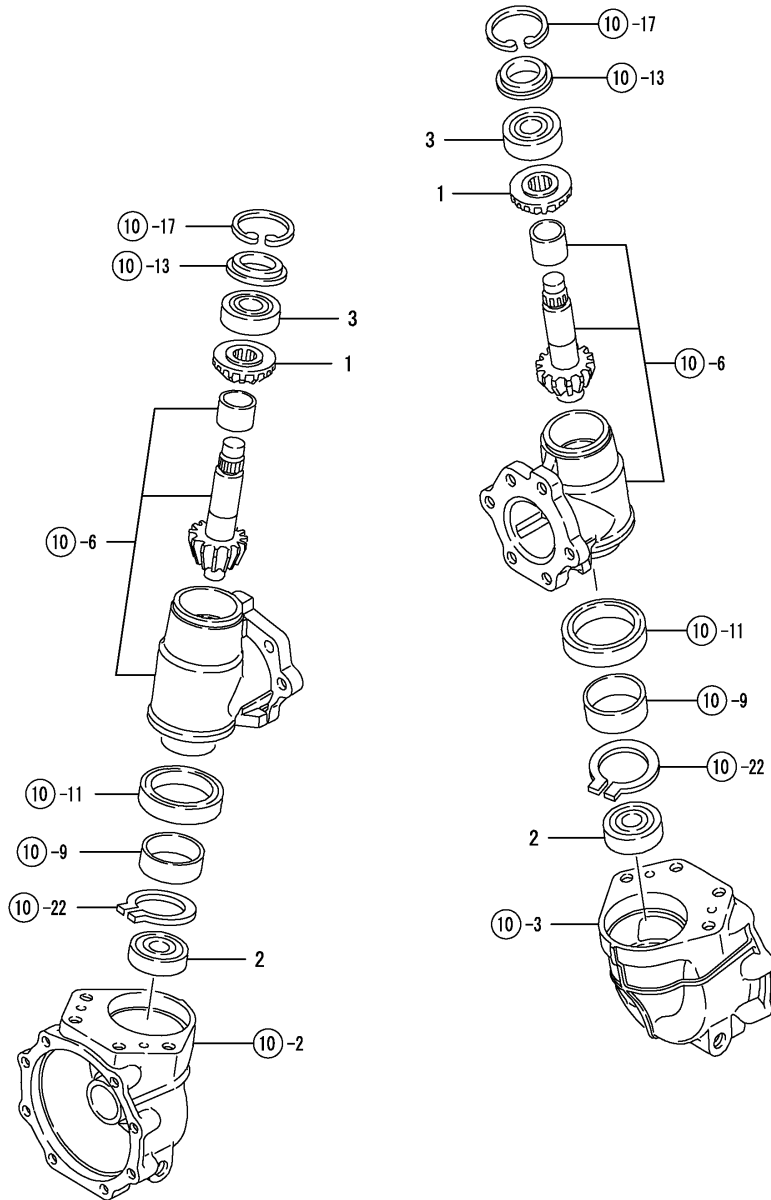


Fig.12. INPUT SHAFT

(A)=KE-20T
(B)=
(C)=

(D)=
(E)=
(F)=

No.	Lev.	Parts No.	Description	Q'ty						I	R
				(A)	(B)	(C)	(D)	(E)	(F)		
1	1	198165-13910	SHAFT, INPUT F	1							
2	1	198165-13920	GEAR, FRONT 21T	1							
3	1	24101-060034	BEARING, BALL 6003	1							
4	1	24101-062024	BEARING, BALL 6202	1							

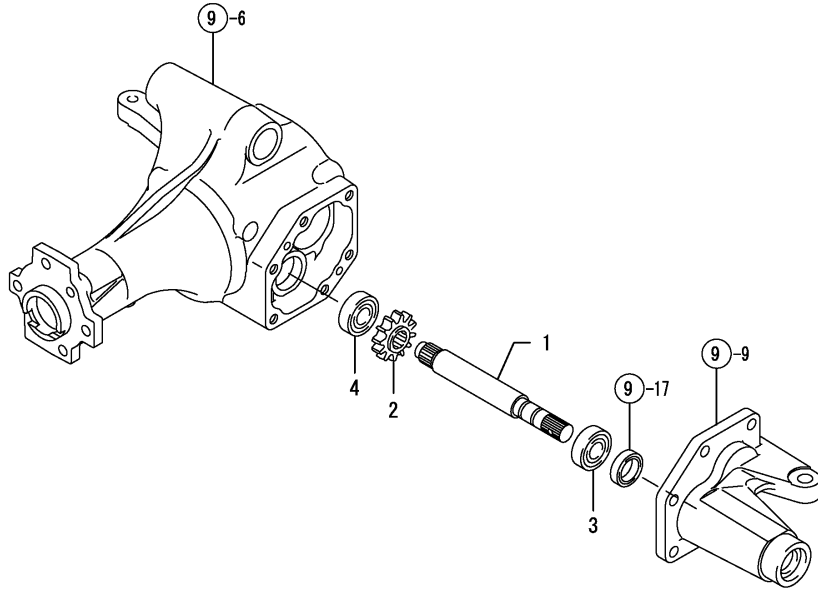
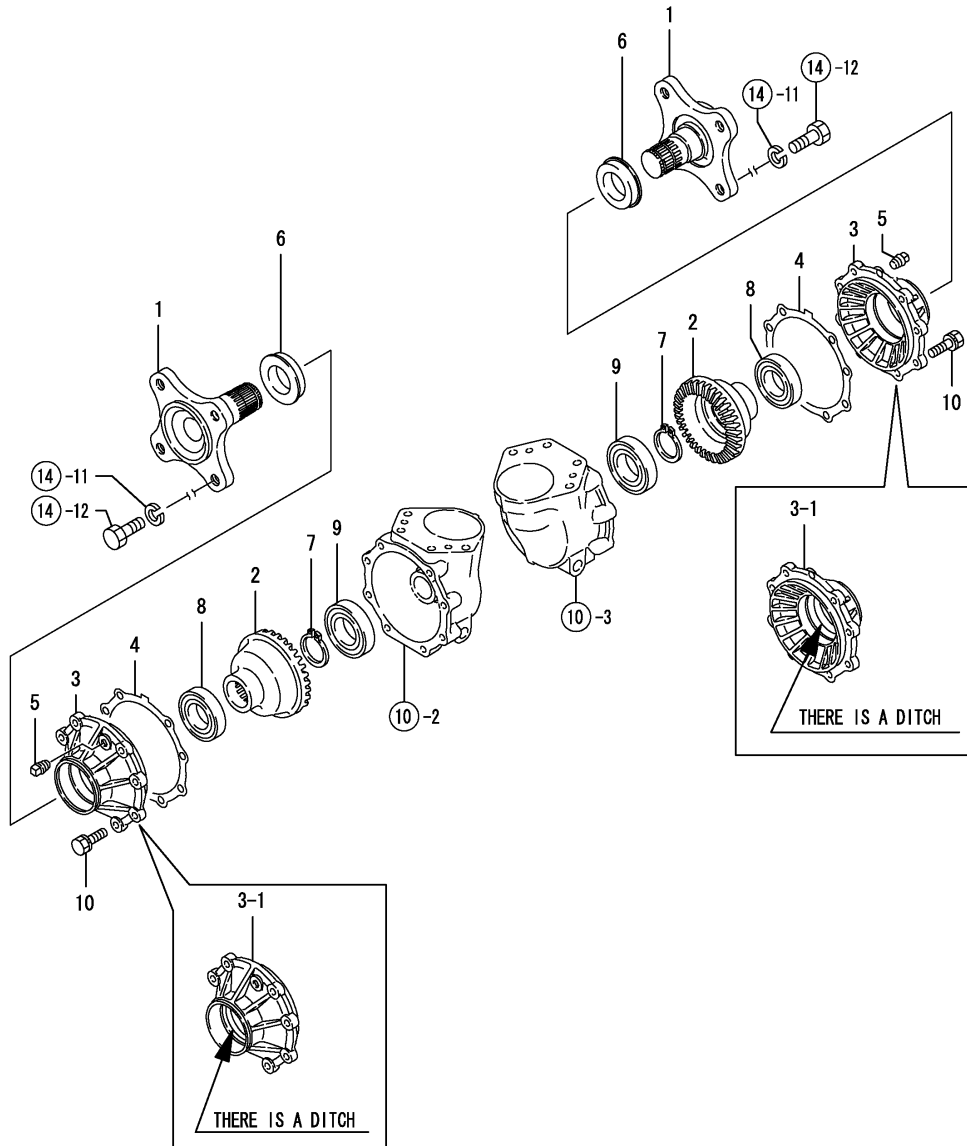


Fig.13. FRONT SPINDLE



(A)=KE-20T
(B)=
(C)=

(D)=
(E)=
(F)=

No.	Lev.	Parts No.	Description	Q'ty						I	R
				(A)	(B)	(C)	(D)	(E)	(F)		
1	1	1A6780-14110-1	SPINDLE, FRONT	2							
2	1	198165-14120	GEAR, FRONT SHAFT	2							
3	1	1A6780-14130	CASE, FRONT BEARING	2							
3-1	1	1A6780-14131-1 (A=FXXXXXX)	CASE, FRONT BEARING	2							S
4	1	198165-14140	GASKET, BEARING CASE	2							
5	1	194151-36670	PLUG, PF02	2							
6	1	1E8420-55430	SEAL, QLFY40X62X14	2							
7	1	22242-000350	RING, 35	2							
8	1	24101-060084	BEARING, BALL 6008	2							
9	1	24101-062074	BEARING, BALL 6207	2							
10	1	26016-080252	BOLT, M8X 25	16							

Fig.14. FRONT WHEEL TIRE

(A)=KE-20T
(B)=
(C)=

(D)=
(E)=
(F)=

No.	Lev.	Parts No.	Description	Qty						I	R
				(A)	(B)	(C)	(D)	(E)	(F)		
1	1	798531-14710	TIRE KIT, FRONT L	1							
2	2	198531-14720	WHEEL, DC3.00DX12	1							
3	2	198531-14740	TIRE, FRONT 5.00-12	1							
4	2	198531-14750	TUBE	1							
6	1	798531-14810	TIRE KIT, FRONT R	1							
7	2	198531-14720	WHEEL, DC3.00DX12	1							
8	2	198531-14740	TIRE, FRONT 5.00-12	1							
9	2	198531-14750	TUBE	1							
11	1	22217-140000	WASHER, SPRING 14	8							
12	1	26156-140252	BOLT, M14X 25 PLATED	8							
12-1	1	26086-140252	BOLT, 10.914X 25	8							N
(A=FXXXXXX)											

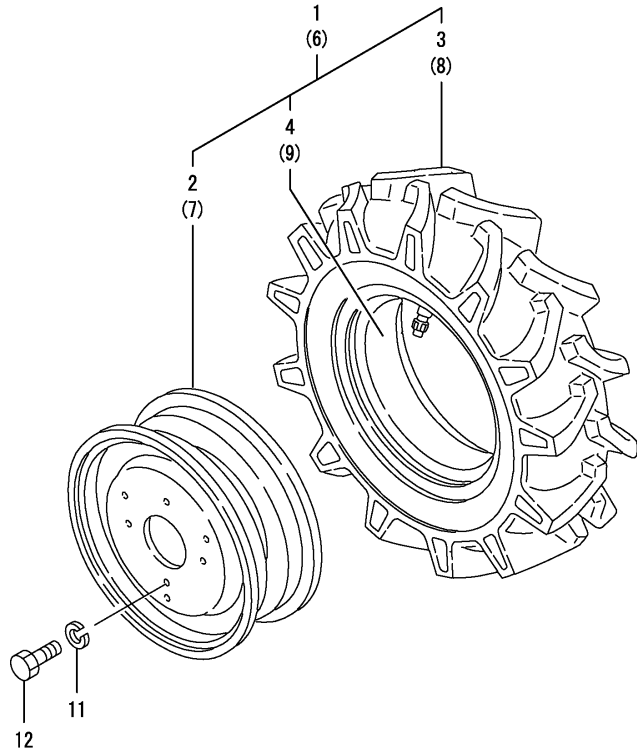
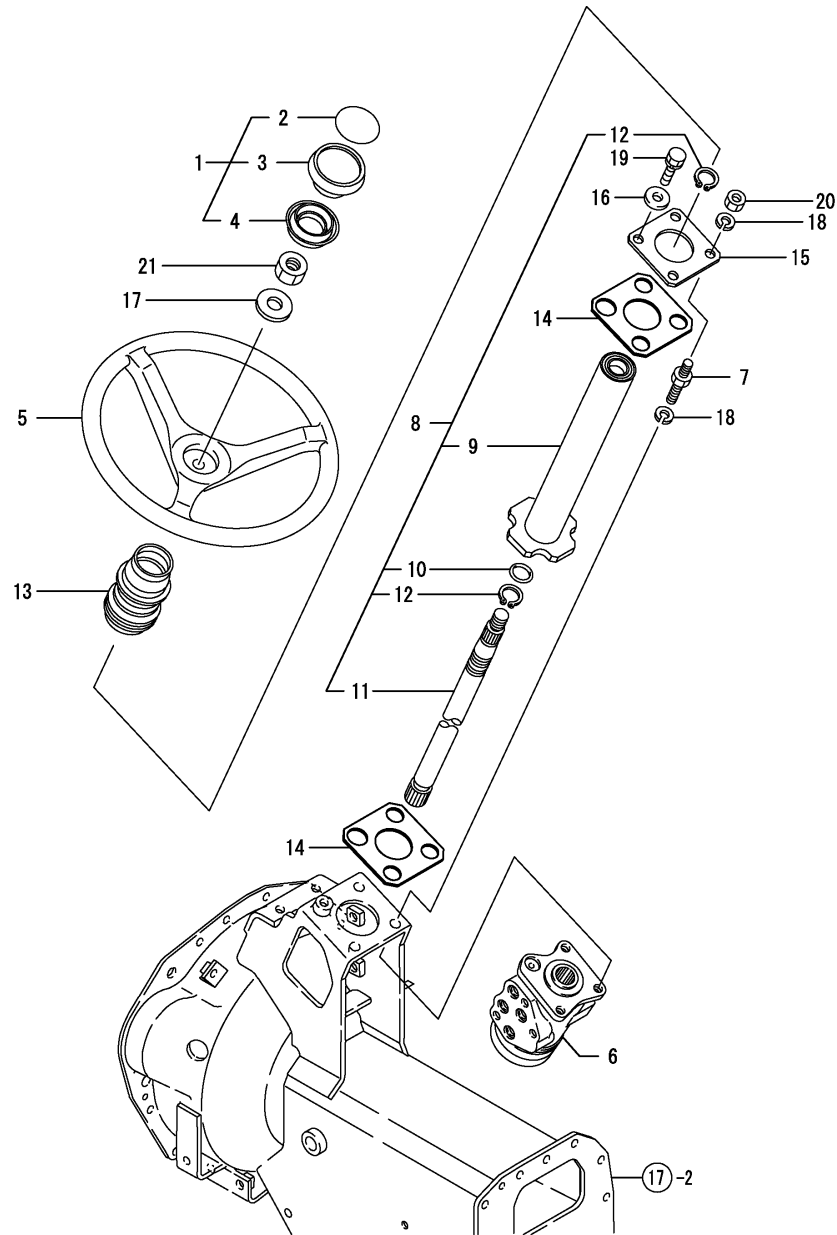


Fig.15. STEERING WHEEL

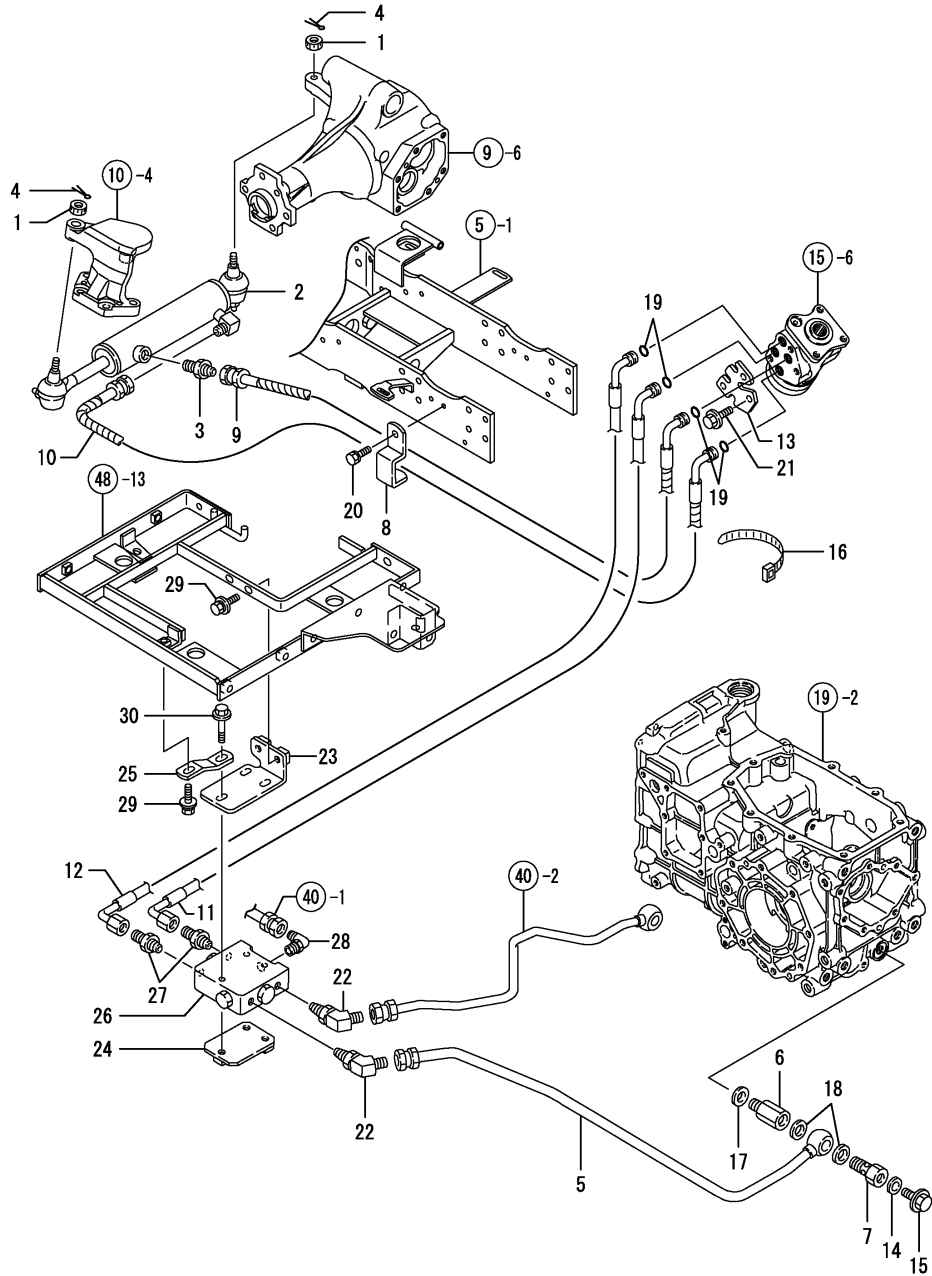


(A)=KE-20T
(B)=
(C)=

(D)=
(E)=
(F)=

No.	Lev.	Parts No.	Description	Q'ty						I	R
				(A)	(B)	(C)	(D)	(E)	(F)		
1	1	198164-15750	CAP KIT, WHEEL	1							
2	2	198164-15780	MARK,STEERING	1							
3	2	198164-15760	CAP, WHEEL	1							
4	2	198164-15770	WHEEL CAP S, INNER	1							
5	1	1C1100-21010	WHEEL, STEERING	1							
6	1	1A7720-17300	VALVE ASSY, STEERING	1							
7	1	198165-17310	BOLT, COLUMN M10	3							
8	1	198164-17410	COLUMN SET, STEERING	1							
9	2	198164-17420	COLUMN ASSY,STEERING	1							
10	2	198164-17450	PACKING	1							
11	2	198164-17461	SHAFT, STEERING	1							
12	2	22242-000200	RING, 20	2							
13	1	198164-17470	BOOT ASSY, STEERING	1							
14	1	198165-17481	RUBBER, COLUMN	2							
15	1	198164-17500	PLATE, KEEP	1							
16	1	22137-100000	WASHER, 10	1							
17	1	22137-160000	WASHER, 16	1							
18	1	22217-100000	WASHER, SPRING 10	6							
19	1	26016-100162	BOLT, M10X 16	1							
20	1	26736-100002	NUT, M10	3							
21	1	26776-160002	NUT, LOCK M16	1							

Fig.16. P.S.T. PIPING

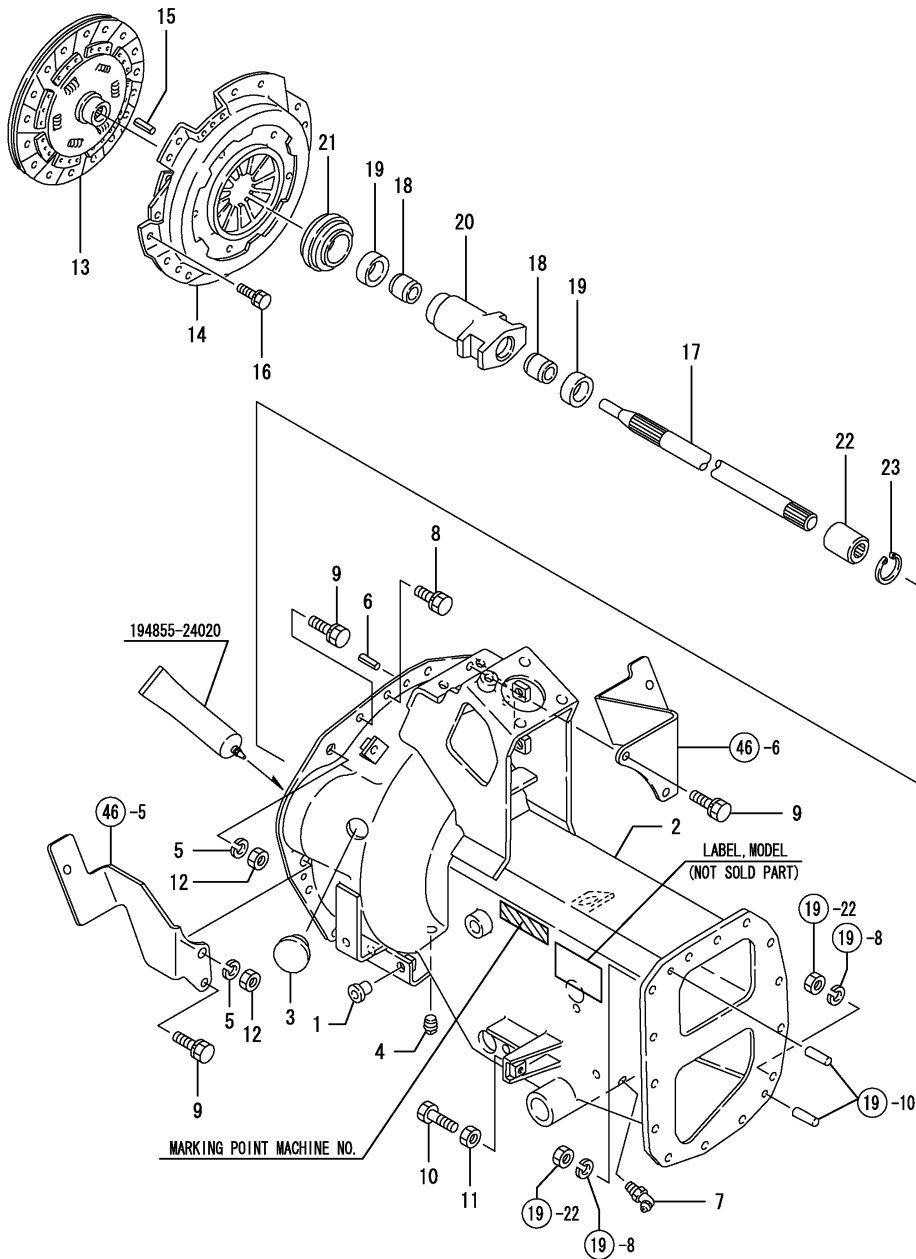


(A)=KE-20T
(B)=
(C)=

(D)=
(E)=
(F)=

No.	Lev.	Parts No.	Description	Q'ty						I	R
				(A)	(B)	(C)	(D)	(E)	(F)		
1	1	194215-12340	NUT, CASTLE M10	2							
2	1	198164-17540	CYLINDER ASSY	1							
3	1	172520-76210	FITTING 1/4	1							
4	1	22417-250250	PIN, COTTER 2.5X25	2							
5	1	198163-17752	PIPE, DRAIN PS	1							
6	1	198163-17760	ADAPTER	1							
7	1	198163-17771	BOLT, JOINT M18	1							
8	1	198164-17780	CLAMP, HOSE	1							
9	1	1A7720-17811	HOSE, PRESSURE L	1							
10	1	1A7720-17821	HOSE, PRESSURE R	1							
11	1	1A7720-17830	HOSE, PRESSURE	1							
12	1	1A7720-17840	HOSE, PRESSURE	1							
13	1	198200-17910	PLATE, RETAINER	1							
14	1	198165-24440	GASKET, 20X12X2	1							
15	1	198165-24490	BOLT, M12X12	1							
16	1	194250-51660	BAND 250	2							
17	1	23414-140018	GASKET, 14X1.0	1							
18	1	23414-180023	GASKET, 18X1.0	2							
19	1	24311-000120	O-RING, 1AP12.0	4							
20	1	26016-080122	BOLT, M8X 12	1							
21	1	26136-100162	BOLT, M10X 16 PLATED	3							
22	1	198165-17711	ELBOW, 45	2							
23	1	198164-17830	BRACKET ASSY	1							
24	1	198164-17850	PLATE ASS, FD	1							
25	1	198163-17870	STAY, FD	1							
26	1	198164-17900	DIVIDER ASSY, FLOW	1							
27	1	172520-76210	FITTING 1/4	2							
28	1	172510-76310	ELBOW	1							
29	1	26018-080252	BOLT, M8X 25	3							
30	1	26106-080502	BOLT, M8X 50 PLATED	3							

Fig.17. CLUTCH HOUSING



(A)=KE-20T
(B)=
(C)=

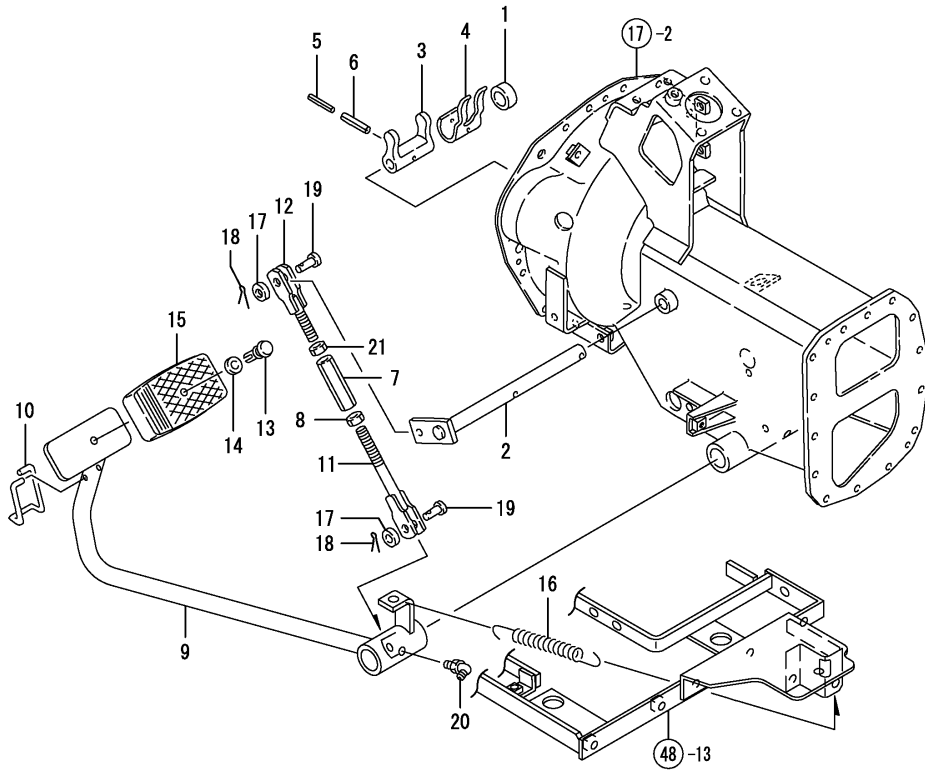
(D)=
(E)=
(F)=

No.	Lev.	Parts No.	Description	Q'ty						I	R
				(A)	(B)	(C)	(D)	(E)	(F)		
1	1	194201-11230	CAP. SCREW 12.0	4							
2	1	198163-21100	HOUSING ASSY, CLUTCH	1							
3	1	194300-21460	CAP. RUBBER 25	1							
4	1	194151-36670	PLUG, PF02	1							
5	1	22217-100000	WASHER, SPRING 10	2							
6	1	22351-080016	PIN, SPRING 8.0X16	2							
7	1	24761-040000	NIPPLE, GREASE B	1							
8	1	26013-080122	BOLT, M8X 12	2							
9	1	26013-080202	BOLT, M8X 20	9							
10	1	26116-100352	BOLT, M10X 35 PLATED	1							
11	1	26716-100002	NUT, M10	1							
12	1	26716-100002	NUT, M10	2							
13	1	198165-21450	DISK, CLUTCH EX-1A	1							
14	1	194215-21701	PLATE, PRESSURE	1							
15	1	22351-080016	PIN, SPRING 8.0X16	3							
16	1	26013-080162	BOLT, M8X 16	6							
17	1	198421-22110	SHAFT, MAIN DRIVE	1							
18	1	194215-22210	BUSH, 20.4X25X20	2							
19	1	194215-22220	FELT, 9X3.5X90	2							
20	1	194215-22230	SLEEVE, BEARING	1							
21	1	194300-22240	BEARING, RCT3558ARUS	1							
22	1	194310-25100	JOINT	1							
23	1	22252-000170	RING, 17	1							

Fig.18. CLUTCH PEDAL

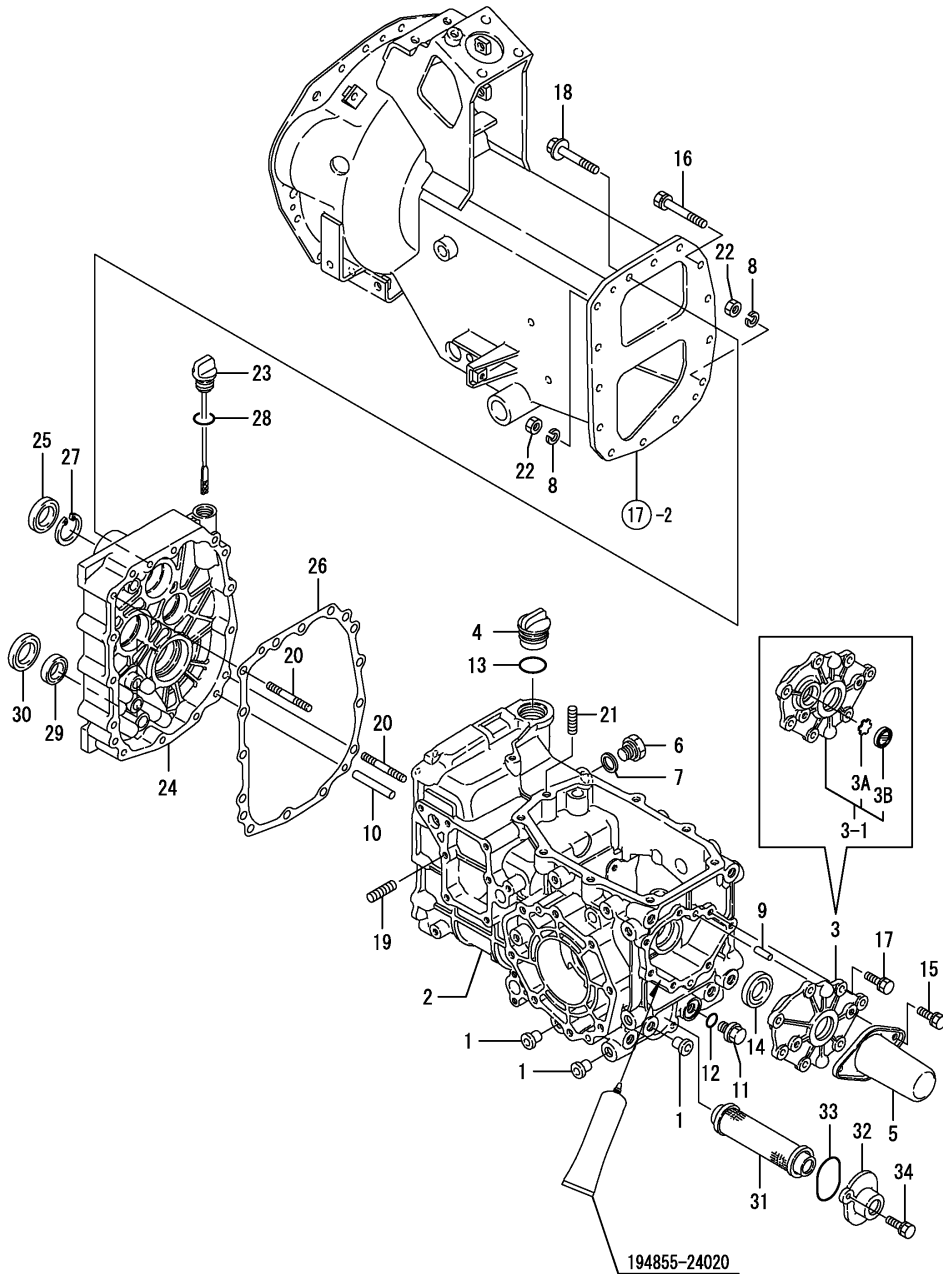
(A)=KE-20T
(B)=
(C)=

(D)=
(E)=
(F)=



No.	Lev.	Parts No.	Description	Q'ty						I	R
				(A)	(B)	(C)	(D)	(E)	(F)		
1	1	1C6560-13470	COLLAR, 17X26X9	1							
2	1	198421-22151	SHAFT, RELEASE	1							
3	1	194300-22160	YOKE, CLUTCH SHIFT	1							
4	1	194300-22910	SPRING	1							
5	1	22351-035040	PIN, SPRING 3.5X40	1							
6	1	22351-060040	PIN, SPRING 6.0X40	1							
7	1	194740-00322	ADJUSTER	1							
8	1	194990-20170	NUT, M8	1							
9	1	198162-22410	PEDAL ASSY, CLUTCH	1							
10	1	198421-22440	LEVER, CLUTCH LOCK	1							
11	1	198425-22450	ROD ASSY, CLUTCH L	1							
12	1	198425-22480	ROD ASSY, CLUTCH R	1							
13	1	198133-22510	RIVET, PEDAL HEAD	1							
14	1	198133-22530	WASHER, RIVET	1							
15	1	198071-37510	COVER, HEAD	1							
16	1	198421-37511	SPRING, RETURN	1							
17	1	22137-080000	WASHER, 8	2							
18	1	22417-200200	PIN, COTTER 2.0X20	2							
19	1	22487-080160	PIN, H 8X 16	2							
20	1	24761-040000	NIPPLE, GREASE B	1							
21	1	26716-080002	NUT, M8	1							

Fig.19. TRANSMISSION CASE



(A)=KE-20T
(B)=
(C)=

(D)=
(E)=
(F)=

No.	Lev.	Parts No.	Description	Q'ty						I	R
				(A)	(B)	(C)	(D)	(E)	(F)		
1	1	194201-11230	CAP, SCREW 12.0	6							
2	1	198425-24110-1	HOUSING, MISSION	1							
3	1	198165-24120-2	COVER, CASE REAR	1							
3-1	1	1A6680-24110 (A=F010279)	COVER ASSY, CASE R	1							S
3A	2	198071-24350 (A=F010279)	PLATE, WINDOW	1							W
3B	2	1A1040-28470 (A=F010279)	WINDOW, OIL CHECK 25	1							W
4	1	198435-24280	PLUG, OIL 33	1							
4-1	1	194855-24290 (A=*2008.08)	CAP, OIL M20	1							N
5	1	198290-26850	COVER ASSY, SHAFT M	1							
6	1	194312-46750	PLUG, PF3/8	1							
7	1	194555-77910	GASKET, 17	1							
8	1	22217-080000	WASHER, SPRING 8	2							
9	1	22312-080160	PIN, PARALLEL M8X16	2							
10	1	22312-080630	PIN, PARALLEL M8X63	2							
11	1	23491-140002	PLUG, 14	1							
12	1	24311-000160	O-RING, 1AP16.0	1							
13	1	24351-020300	O-RING 1A 2030	1							
13-1	1	24311-000180 (A=*2008.08)	O-RING, 1AP18.0	1							N
14	1	24421-284008	SEAL, OIL TC284008	1							
15	1	26106-080122	BOLT, M8X 12 PLATED	2							
16	1	26013-080702	BOLT, SPRING M8X 70	9							
17	1	26016-080252	BOLT, M8X 25	7							
18	1	26106-080702	BOLT, M8X 70 PLATED	3							
19	1	26226-080252	STUD, M8X 25	1							
20	1	26226-080652	STUD, M8X 65	2							
21	1	26226-100252	STUD, M10X 25	1							
22	1	26716-080002	NUT, M8	2							
23	1	198435-24290	GAUGE, OIL LEVEL	1							
24	1	1A7740-24320	PLATE, CENTER	1							
24-1	1	198163-24321 (A=F010101)	PLATE, CENTER	1							R
25	1	198165-24330	SEAL, OIL TC254208	1							
26	1	198164-24510	GASKET, MISSION CASE	1							
27	1	22252-000420	RING, 42	1							
28	1	24311-000180	O-RING, 1AP18.0	1							
29	1	24421-173508	SEAL, OIL TC173508	1							
30	1	24430-305005	SEAL, OIL VC305005	1							
31	1	198421-24910	STRAINER, OIL	1							
32	1	194215-24970-1	COVER, OIL STRAINER	1							
33	1	24341-000500	O-RING, 1AS50.0	1							
33-1	1	1A7542-24980 (A=*2013.06.)	O-RING,SACTION	1							N
34	1	26013-080202	BOLT, SPRING M8X 20	2							
34-1	1	26013-080252 (A=*2007.06)	BOLT, SPRING M8X 25	2							N

Fig.20. INPUT SHAFT

(A)=KE-20T
(B)=
(C)=

(D)=
(E)=
(F)=

No.	Lev.	Parts No.	Description	Q'ty						I	R
				(A)	(B)	(C)	(D)	(E)	(F)		
1	1	194305-24310	COLLAR, 20X25X2	1							
2	1	198163-25111	SHAFT, INPUT	1							
3	1	1A7740-25130	COLLAR	1							
4	1	198435-25130	COLLAR, 20.8X25.4X19	1							
5	1	198164-25150	GEAR, MAIN DRIVE 17	1							
6	1	198163-25280	COLLAR, 31X42X5	1							
7	1	194855-25290	SLEEVE, SI 202513	1							
8	1	194859-34150	RING, C20	2							
9	1	24101-062044	BEARING, BALL 6204	1							
10	1	24104-060044	BEARING, BALL 6004UU	1							

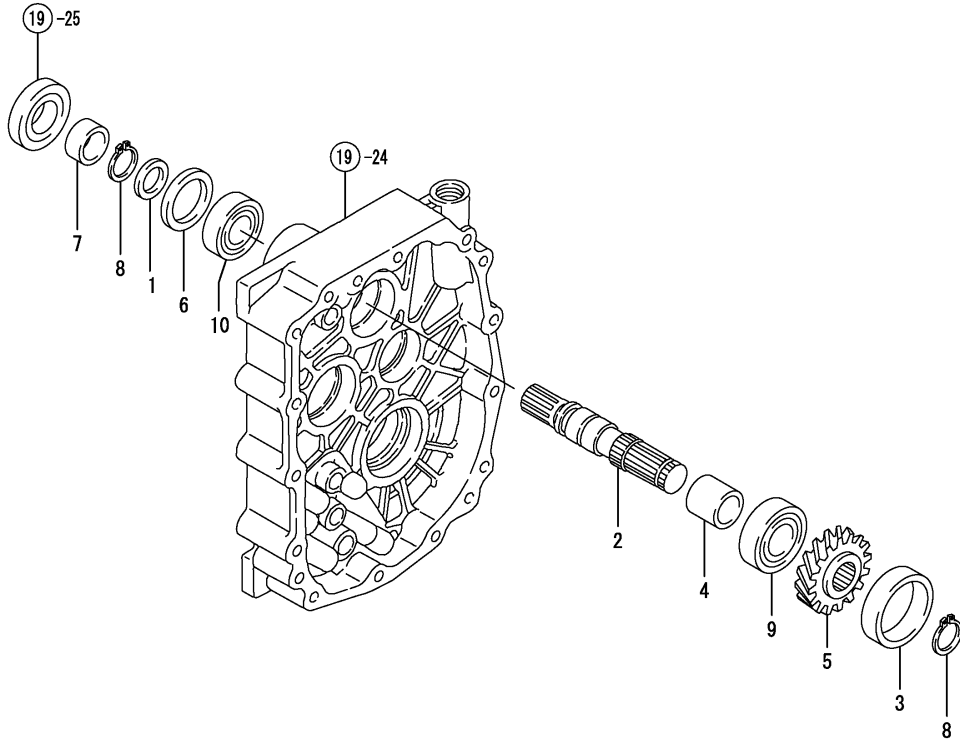
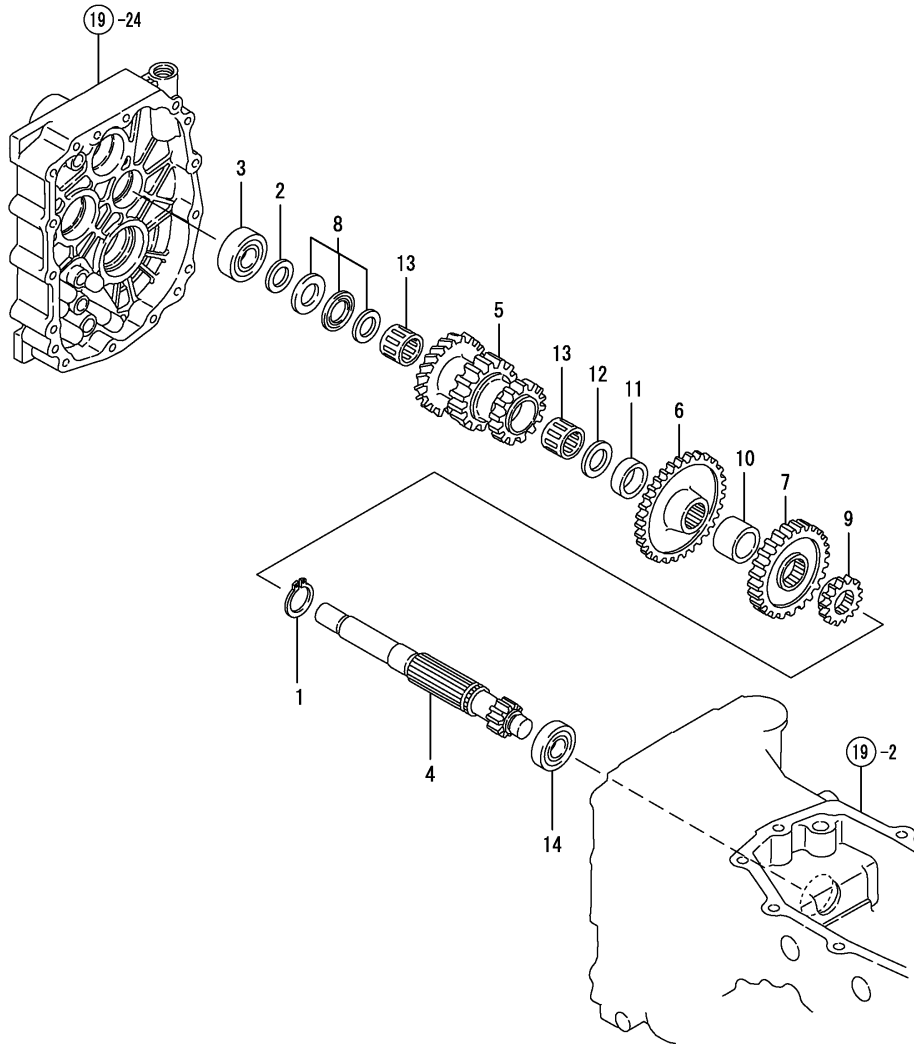


Fig.21. MAIN SHAFT



(A)=KE-20T
(B)=
(C)=

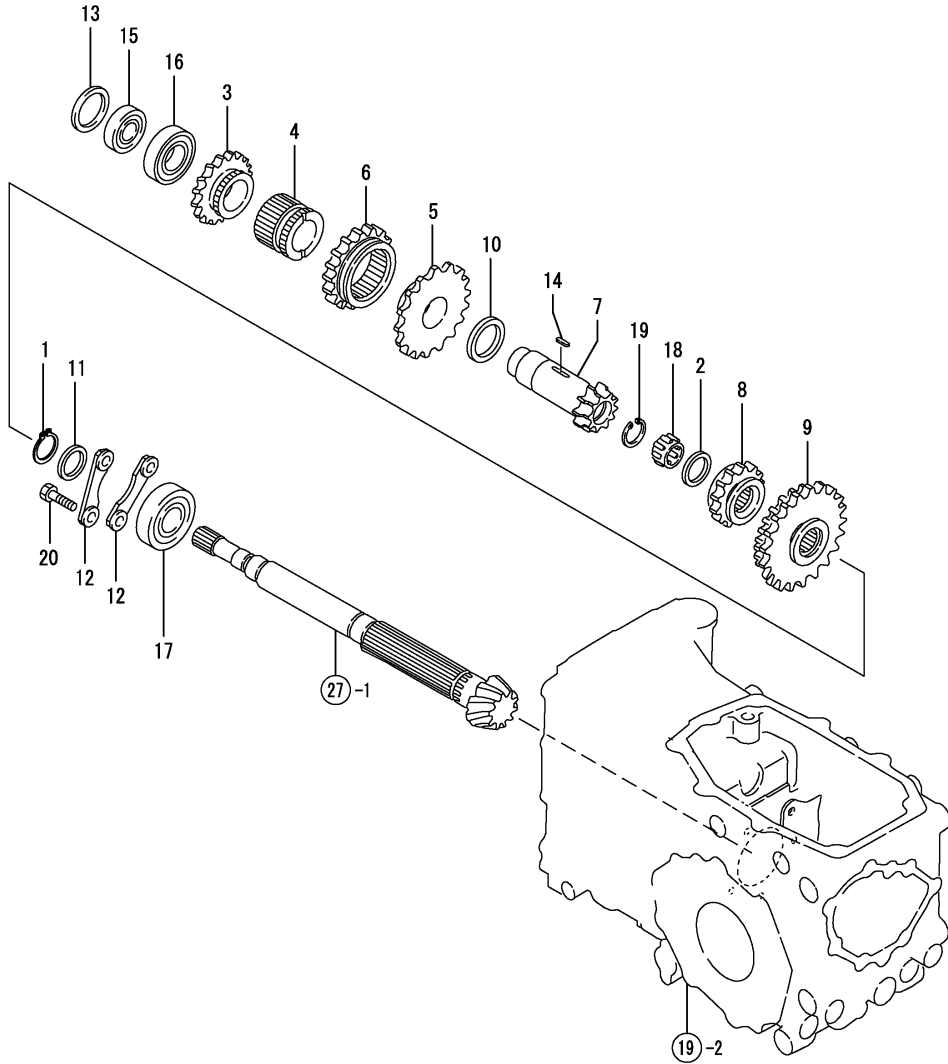
(D)=
(E)=
(F)=

No.	Lev.	Parts No.	Description	Q'ty						I	R
				(A)	(B)	(C)	(D)	(E)	(F)		
1	1	194306-13140	CIRCLIP, C24-S	1							
2	1	1E4070-14040	LINER, 17.1X25X1	1							
3	1	194305-25160	BEARING, BALL TMB203	1							
4	1	198164-25210	SHAFT, MAIN	1							
5	1	198163-25221	GEAR, MAIN 25-19-18	1							
6	1	198164-25230	GEAR, MAIN 44	1							
7	1	198435-25240	GEAR, MAIN 31	1							
8	1	198163-25250	BEARING ASSY, THRUST	1							
9	1	198421-25250	GEAR, MAIN 16	1							
10	1	198435-25280	SPACER, 30X20.2	1							
11	1	198435-25310	SPACER, 30X7.75	1							
12	1	194856-25330	WASHER, 22X32X2.5	1							
13	1	194856-25340	BEARING, 222817	2							
14	1	24101-062034	BEARING, BALL 6203	1							

Fig.22. COUNTER SHAFT

(A)=KE-20T
(B)=
(C)=

(D)=
(E)=
(F)=



No.	Lev.	Parts No.	Description	Qty						I	R
				(A)	(B)	(C)	(D)	(E)	(F)		
1	1	194306-13140	CIRCLIP, C24-S	1							
2	1	194856-25330	WASHER, 22X32X2.5	1							
3	1	198435-25720	GEAR, COUNTER 26								
4	1	198435-25730	COLLAR, SPLINE	1							
5	1	198163-25740	GEAR, COUNTER 36	1							
6	1	198163-25750	GEAR, COUNTER 30	1							
7	1	198164-25770	GEAR, COUNTER 16	1							
8	1	198164-25790	GEAR, SLIDE 24	1							
9	1	198164-25800	GEAR, SLIDE 38-58	1							
10	1	198421-25800	WASHER, 35X47X2.5	1							
11	1	198421-25810	COLLAR, 25X36X4.5	1							
12	1	198435-25810	HOLDER, BEARING	2							
13	1	198421-25820	COLLAR, 32X41.5X1	1							
14	1	22551-050180	KEY, 5X 18	1							
15	1	24101-060044	BEARING, BALL 6004	1							
16	1	24101-060064	BEARING, BALL 6006	1							
17	1	24101-063054	BEARING, BALL 6305	1							
18	1	24161-222610	BEARING, 222610	1							
19	1	24165-000262	CIRCLIP 26	1							
20	1	26116-080202	BOLT, M8X 20 PLATED	4							

Fig.23. P.T.O. DRIVE SHAFT

(A)=KE-20T

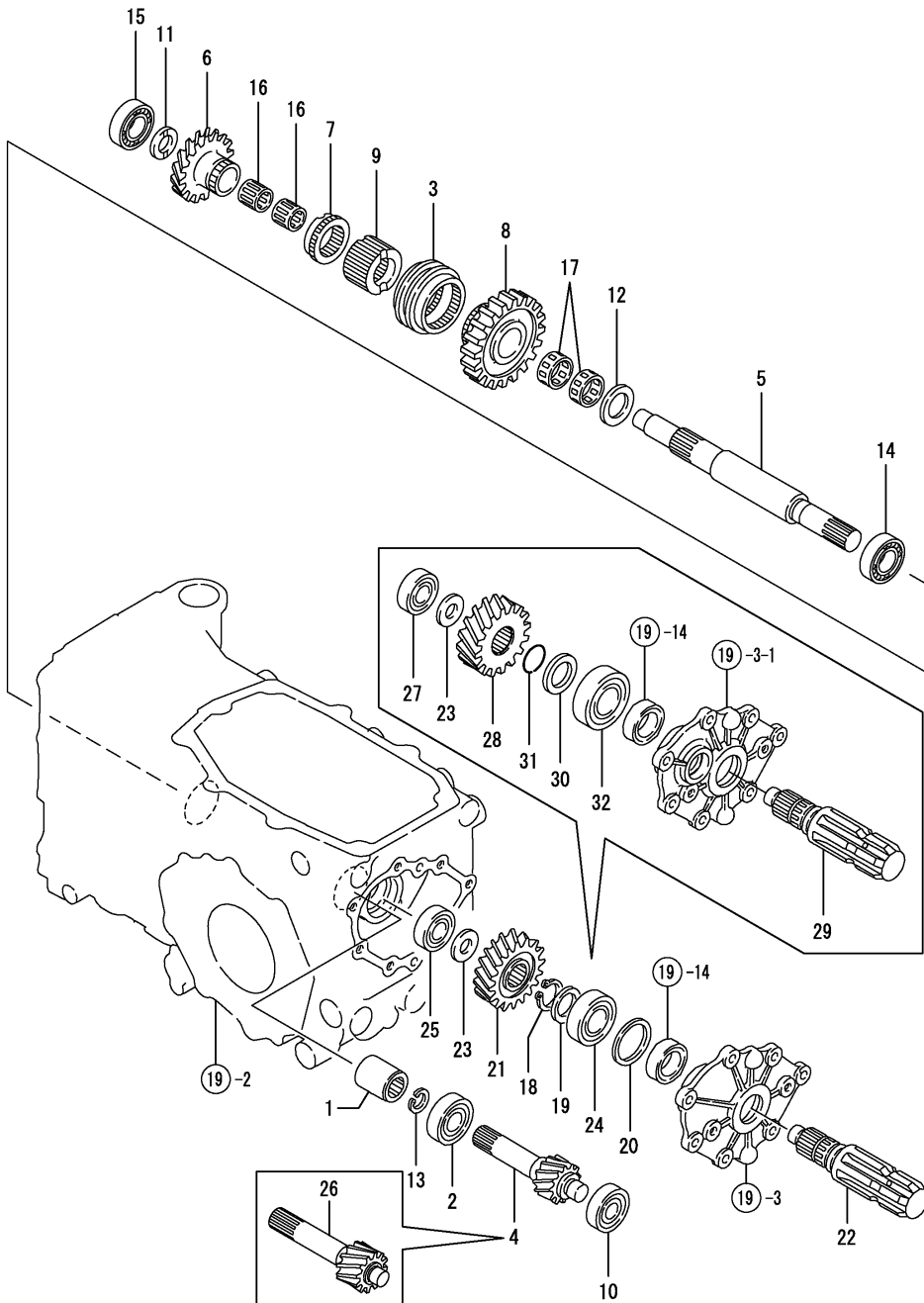
(B)=

(C)=

(D)=

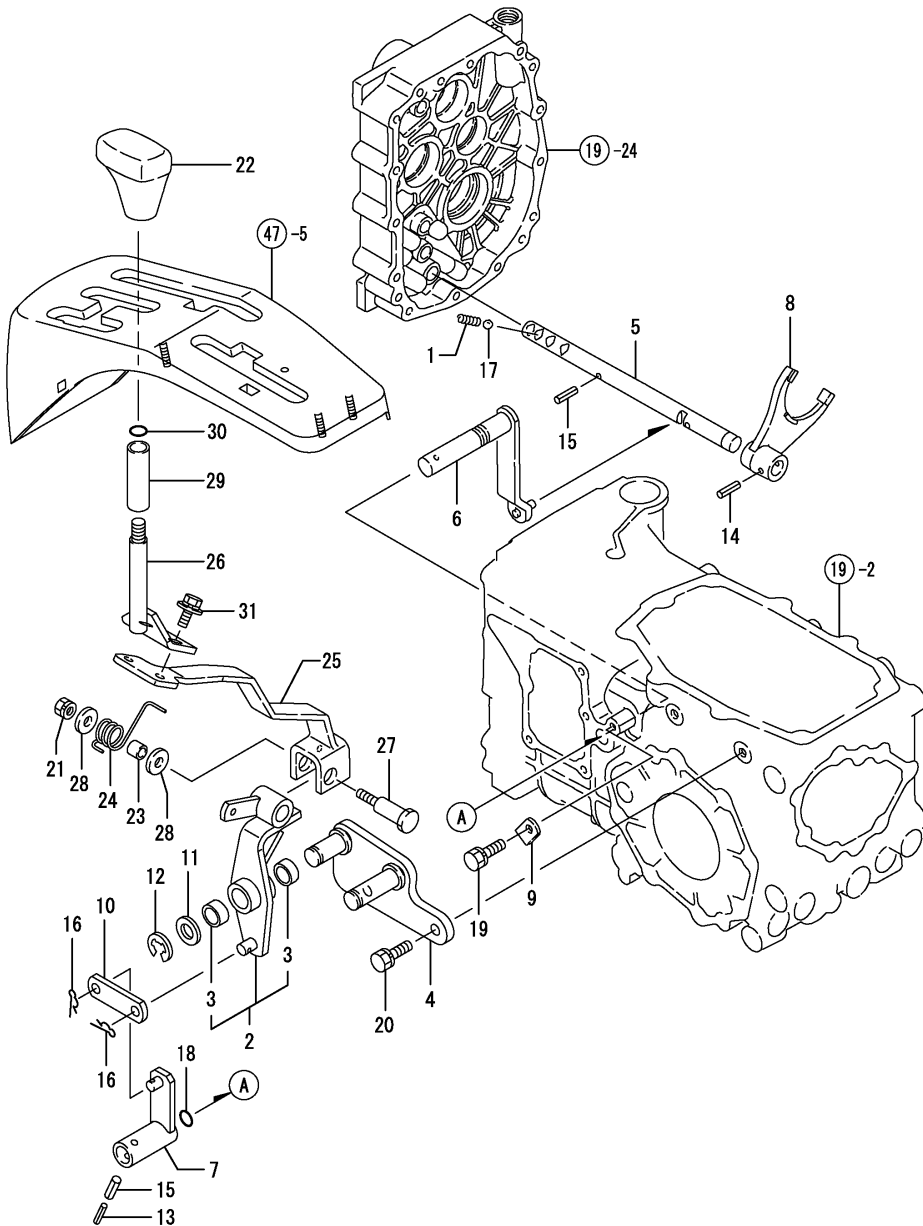
(E)=

(F)=



No.	Lev.	Parts No.	Description	Q'ty						I	R
				(A)	(B)	(C)	(D)	(E)	(F)		
1	1	194310-25100	JOINT	1							
2	1	194515-25180	BEARING, BALL TMB004	1							
3	1	198163-26121	GEAR, PTO SLIDE	1							
4	1	198162-26130	GEAR, PTO 11	1							Z
		(A=F010279)									
5	1	198164-26140	SHAFT, PTO DRIVE	1							
6	1	198163-26153	GEAR, PTO DRIVE 24	1							
7	1	198163-26162	GEAR, SPLINE COLLAR	1							
8	1	1A7720-26180	GEAR, PTO DRIVE 29	1							
9	1	198163-26190	COLLAR, PTO SPLINE	1							
10	1	198165-26270	BEARING, TMB302	1							
11	1	198163-26410	WASHER, THRUST	1							
12	1	194191-28540	WASHER, 25X38X2.5	1							
13	1	22252-000170	RING, 17	1							
14	1	24104-060044	BEARING, BALL 6004UU	1							
15	1	24104-063034	BEARING, BALL 6303UU	1							
16	1	24161-202417	BEARING, 202417	2							
17	1	24161-252910	BEARING, 252910	2							
18	1	194306-13140	CIRCLIP, C24-S	1							Z
		(A=F010279)									
19	1	198421-13650	WASHER, 25X34X1.2	1							Z
		(A=F010279)									
20	1	194855-24150	WASHER, 36X45.5X1.2	1							Z
		(A=F010279)									
21	1	198163-26230	GEAR, PTO 21	1							Z
		(A=F010279)									
22	1	198531-26310	SHAFT, PTO	1							
23	1	1E6190-54160	WASHER 17.2X30X1.5	1							
24	1	24101-060054	BEARING, BALL 6005	1							Z
		(A=F010279)									
25	1	24101-062034	BEARING, BALL 6203	1							Z
		(A=F010279)									
26	1	1A7740-26130	GEAR, PTO 11T	1							W
		(A=F010279)									
27	1	194850-25760	BEARING, BALL 6203	1							W
		(A=F010279)									
28	1	1A7740-26230	GEAR, PTO 21	1							W
		(A=F010279)									
29	1	1A7740-26370	SHAFT, PTO T	1							W
		(A=F010279)									
30	1	1A7740-26390	COLLAR, 25X38X5	1							W
		(A=F010279)									
31	1	22207-025230	RING, 25X2.3	1							W
		(A=F010279)									
32	1	24101-062054	BEARING, BALL 6205	1							W
		(A=F010279)									

Fig.24. MAIN CHANGE

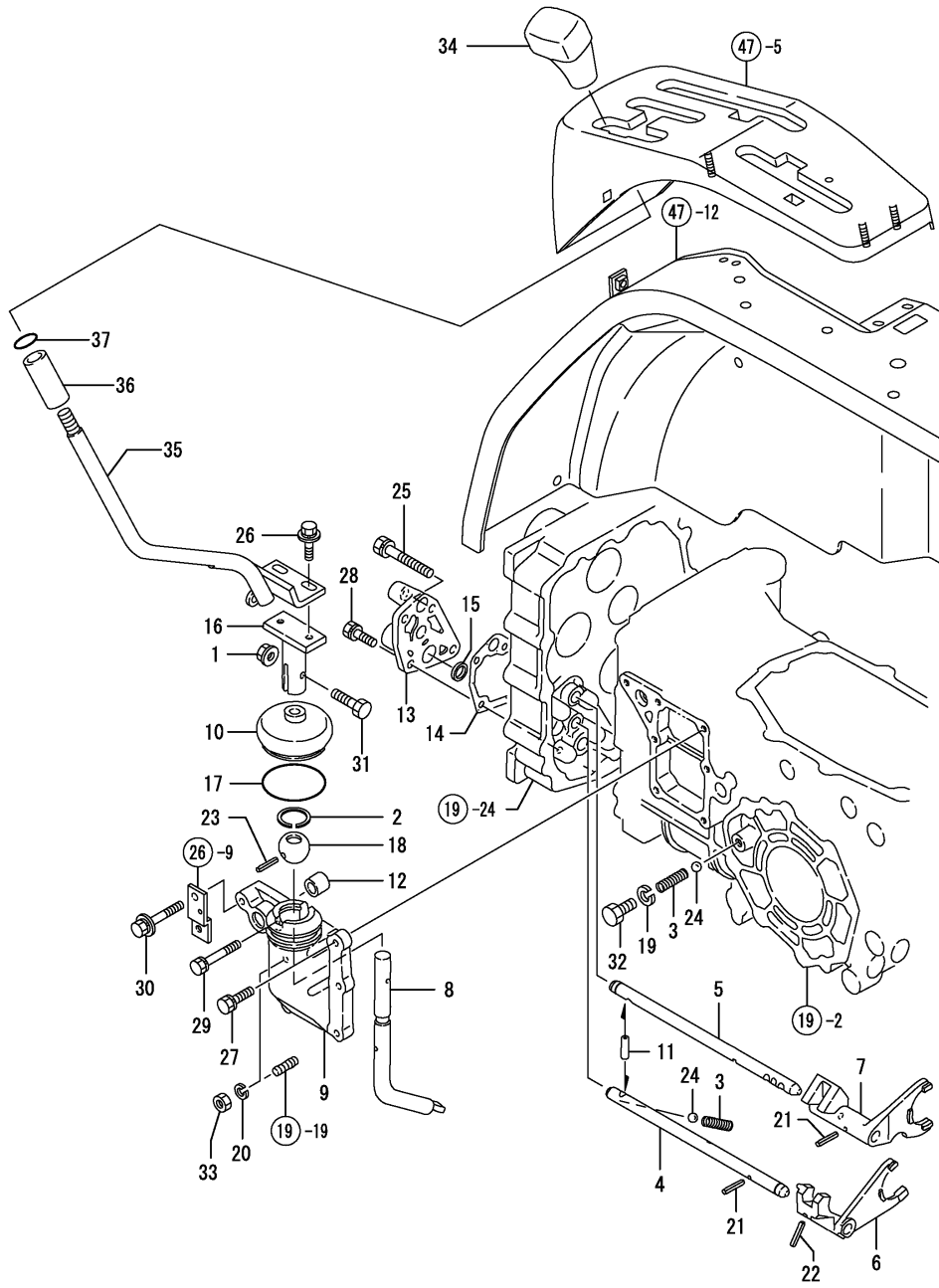


(A)=KE-20T
(B)=
(C)=

(D)=
(E)=
(F)=

No.	Lev.	Parts No.	Description	Q'ty						I	R
				(A)	(B)	(C)	(D)	(E)	(F)		
1	1	198421-27110	SPRING, 38.4	1							
2	1	198163-27200	LEVER KIT, SHIFT	1							
3	2	24550-018100	BUSH, 18X10	2							
4	1	198163-27510	BRACKET, LEVER	1							
5	1	198163-27520	SHAFT, CHANGE FORK	1							
6	1	198421-27521	ARM, SHIFT	1							
7	1	198163-27531	LEVER, MAIN CHANGE A	1							
8	1	198435-27551	FORK, SHIFT	1							
9	1	194197-27681	PLATE, KEEP	1							
10	1	198327-47930	PLATE, LINK	1							
11	1	22137-180000	WASHER, 18	1							
12	1	22272-000150	RING, E-15	1							
13	1	22351-035025	PIN, SPRING 3.5X25	1							
14	1	22351-060020	PIN, SPRING 6.0X20	1							
15	1	22351-060025	PIN, SPRING 6.0X25	2							
16	1	22360-100000	PIN, SNAP 10	2							
17	1	24190-100001	BALL, STEEL 5/16	1							
18	1	24311-000125	O-RING, 1AP12.5	1							
19	1	26013-080202	BOLT, M8X 20	1							
20	1	26013-100252	BOLT, M10X 25	2							
21	1	194990-22050	NUT, M8	1							
22	1	1A7720-27240	KNOB	1							
23	1	198163-27540	COLLAR, 9.2X13.8X12	1							
24	1	198163-27560	SPRING, LEVER	1							
25	1	198163-27572	LEVER, MAIN CHANGE	1							
26	1	198163-27630	LEVER, MAIN CHANGE	1							
27	1	198163-27910	PIN, SHIFT	1							
28	1	22157-080000	WASHER, 8	2							
29	1	23061-150065	PIPE, 15X 65	1							
30	1	24311-000110	O-RING, 1AP11.0	1							
31	1	26018-080202	BOLT, M8X 20	2							

Fig.25. SUB CHANGE

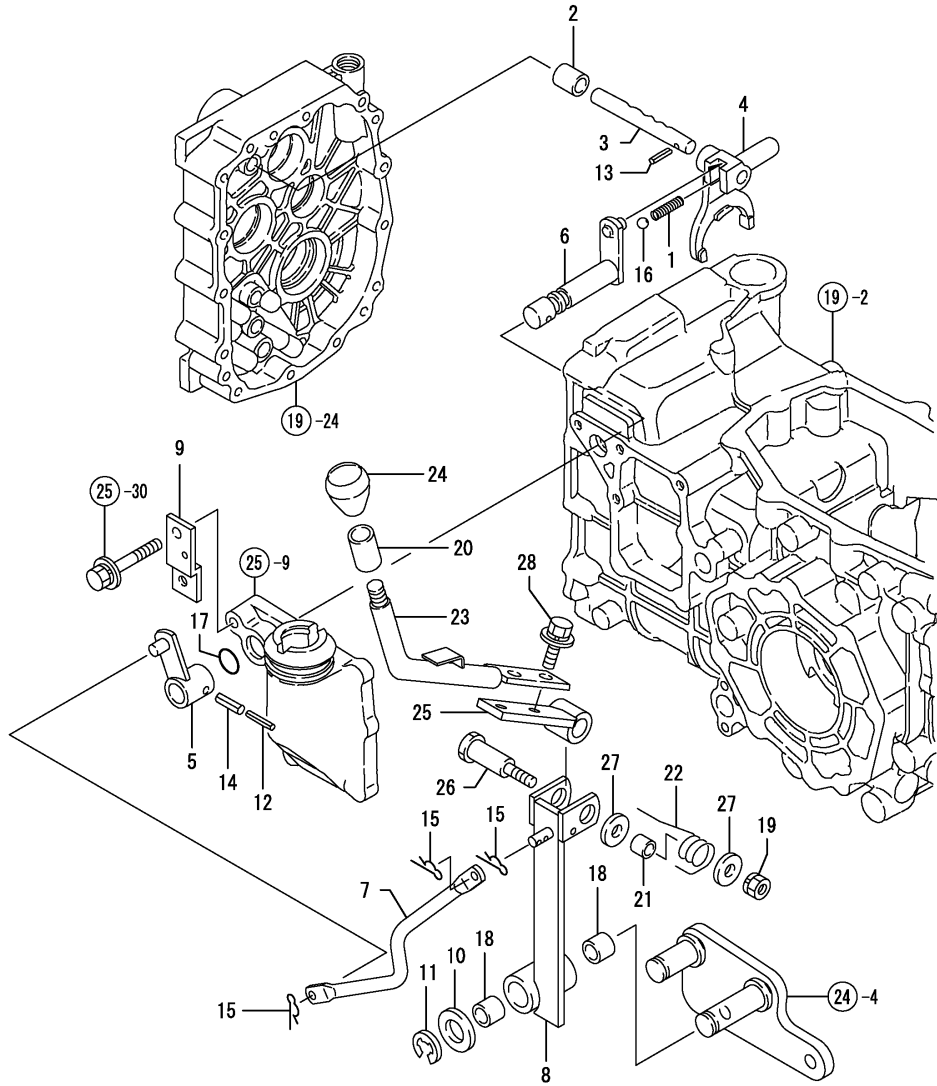


(A)=KE-20T
(B)=
(C)=

(D)=
(E)=
(F)=

No.	Lev.	Parts No.	Description	Qty						I	R
				(A)	(B)	(C)	(D)	(E)	(F)		
1	1	194990-22140	NUT, M8	1							
2	1	1A1040-26320	CIRCLIP, 30-H	1							
3	1	198421-27110	SPRING, 38.4	2							
4	1	198163-27120	SHAFT, FORK H	1							
5	1	198163-27130	SHAFT, FORK L	1							
6	1	198435-27142	FORK, SHIFT H	1							
7	1	198164-27150	FORK, SHIFT L	1							
8	1	198421-27160	ARM, MAIN SHIFT	1							
9	1	198421-27170-1	CASE, MAIN CHANGE	1							
10	1	198421-27180	BOOT, RUBBER	1							
11	1	198421-27190	SPINDLE, 8X16	1							
11-1	1	1A7720-27190	SPINDLE, S 8X19	1							N
(A=F010101)											
12	1	198421-27200	BUSH, 17X19X15	1							
13	1	198425-27213	CASE, FORK SHAFT	1							
14	1	198421-27220	GASKET, CASE	1							
14-1	1	198421-27221	GASKET, CASE	1							N
(A=FXXXXXX)											
15	1	198425-27230	COLLAR, CASE	1							
16	1	198435-27260-1	LEVER, CHANGE LOWER	1							
17	1	198425-27290	O-RING, 35	1							
18	1	1E6140-56230	BALL, SHIFTER	1							
19	1	22217-100000	WASHER, SPRING 10	1							
20	1	22287-080000	WASHER, 8	1							
21	1	22351-050020	PIN, SPRING 5.0X20	2							
22	1	22351-050025	PIN, SPRING 5.0X25	1							
23	1	22351-060040	PIN, SPRING 6.0X40	1							
24	1	24190-100001	BALL, STEEL 5/16	2							
25	1	26013-080552	BOLT, M8X 55	1							
26	1	26018-080202	BOLT, M8X 20	2							
27	1	26016-080252	BOLT, M8X 25	4							
28	1	26016-080252	BOLT, M8X 25	3							
29	1	26016-080402	BOLT, M8X 40	1							
30	1	26018-080452	BOLT, M8X 45	1							
31	1	26116-080304	BOLT, M8X 30 PLATED	1							
32	1	26116-100122	BOLT, M10X 12 PLATED	1							
33	1	26716-080002	NUT, M8	1							
34	1	1A7720-27240	KNOB	1							
35	1	198163-27270	LEVER, CHANGE UPPER	1							
36	1	198165-27360	TUBE, LEVER 17X130	1							
37	1	24311-000110	O-RING, 1AP11.0	1							

Fig.26. P.T.O. CHANGE



(A)=KE-20T
(B)=
(C)=

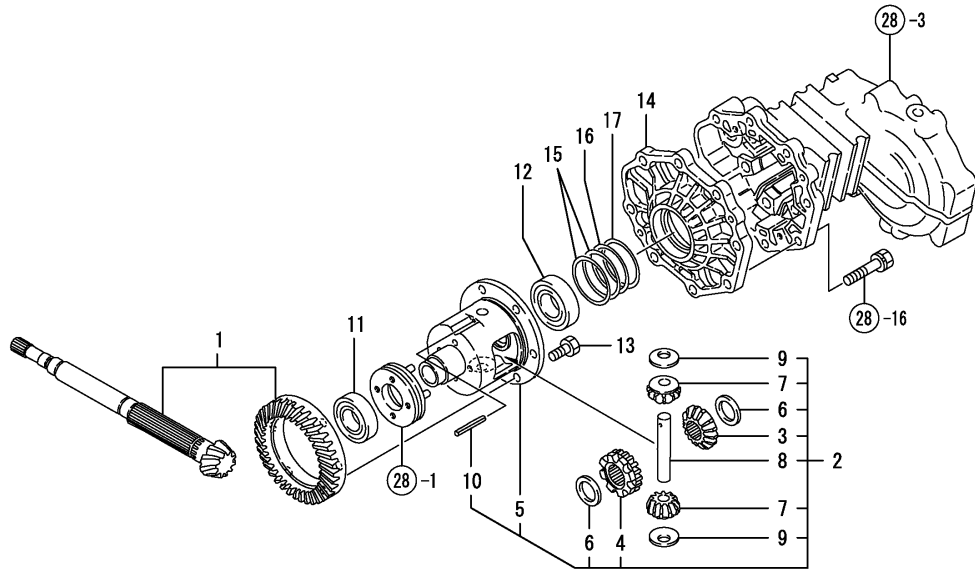
(D)=
(E)=
(F)=

No.	Lev.	Parts No.	Description	Qty						I	R
				(A)	(B)	(C)	(D)	(E)	(F)		
1	1	198421-27110	SPRING, 38.4	1							
2	1	1A7740-27710	COLLAR, STOPPER	1							
3	1	198163-27711	SHAFT, FORK	1							
4	1	198163-27720	FORK, PTO SHIFT	1							
5	1	198163-27730	ARM, SHIFT	1							
6	1	198435-27740	ARM, PTO	1							
7	1	198163-27760	LINK, PTO SHIFT	1							
8	1	198163-27790	LEVER, PTO LOWER	1							
9	1	198163-27870	PLATE ASSY, KEEP	1							
10	1	22137-180000	WASHER, 18	1							
11	1	22272-000150	RING, E-15	1							
12	1	22351-035025	PIN, SPRING 3.5X25	1							
13	1	22351-050020	PIN, SPRING 5.0X20	1							
14	1	22351-060025	PIN, SPRING 6.0X25	1							
15	1	22360-080000	SNAP PIN 8	3							
16	1	24190-100001	BALL, STEEL 5/16	1							
17	1	24311-000125	O-RING, 1AP12.5	1							
18	1	24550-018100	BUSH, 18X10	2							
19	1	194990-22050	NUT, M8	1							
20	1	198165-27350	TUBE, LEVER 17X70	1							
21	1	198163-27540	COLLAR, 9.2X13.8X12	1							
22	1	198163-27560	SPRING, LEVER	1							
23	1	1A7720-27750	LEVER ASSY, PTO	1							
24	1	1A7720-27810	KNOB, PTO	1							
25	1	198163-27840	LEVER, PTO INNER	1							
26	1	198163-27910	PIN, SHIFT	1							
27	1	22157-080000	WASHER, 8	2							
28	1	26018-080202	BOLT, M8X 20	2							

Fig.27. RING GEAR

(A)=KE-20T
(B)=
(C)=

(D)=
(E)=
(F)=

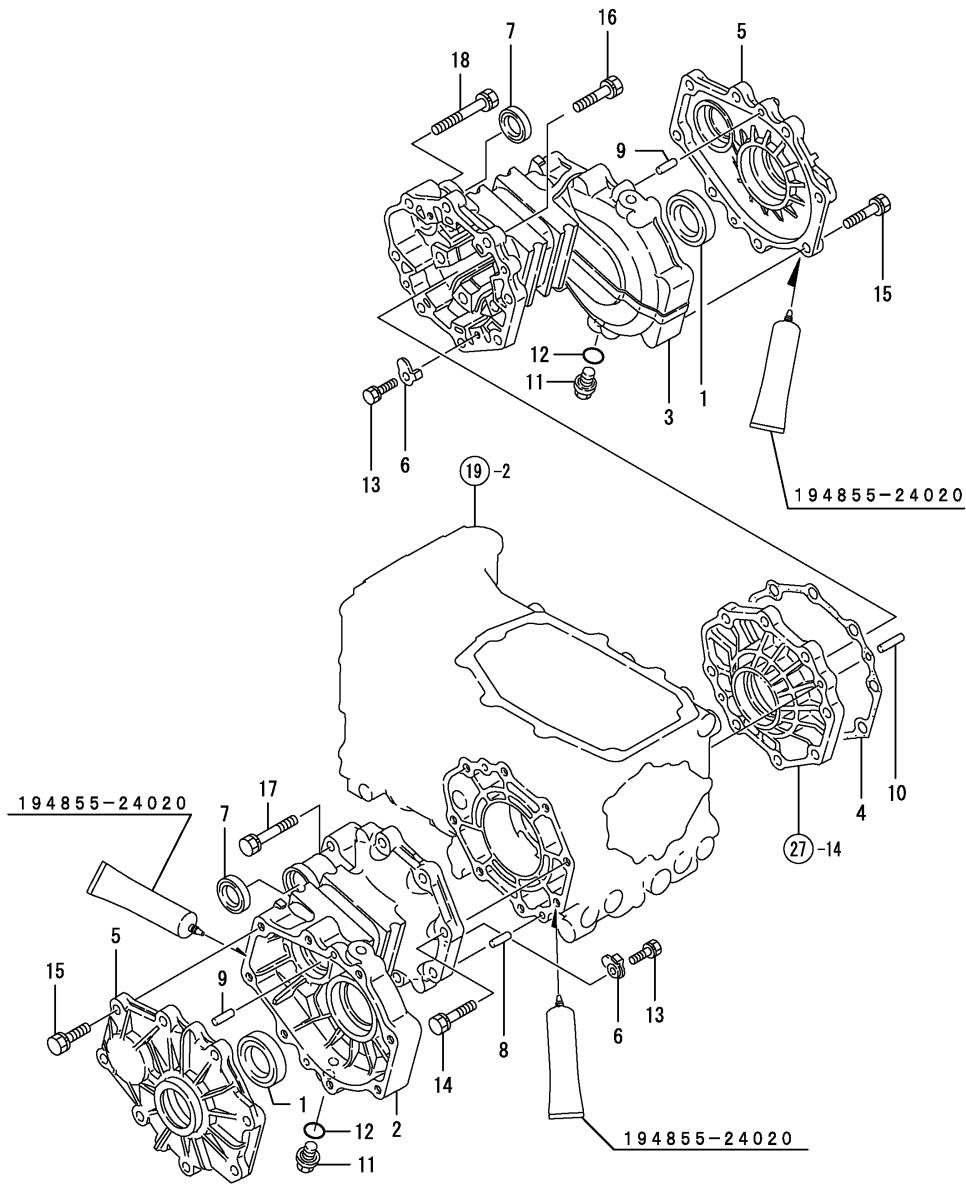


No.	Lev.	Parts No.	Description	Qty						I	R
				(A)	(B)	(C)	(D)	(E)	(F)		
1	1	198164-31340	GEAR ASSY, RING S	1							
2	1	1A6780-31500	HOUSING ASSY, B	1							
3	2	198421-31510	GEAR, DIFFERENTIAL	1							
4	2	1A6780-31520	GEAR, DIFFERENTIAL	1							
5	2	198421-31530	CASE, DIFFERENTIAL	1							
6	2	198421-31550	WASHER, DIFFERENTIAL	2							
7	2	194300-31560	GEAR, PINION	2							
8	2	194300-31570	SHAFT, DIFFERENTIAL	1							
9	2	194300-31620	WASHER, DIFFERENTIAL	2							
10	2	22351-040040	PIN, SPRING 4.0X40	1							
11	1	24101-060064	BEARING, BALL 6006	1							
12	1	24101-060074	BEARING, BALL 6007	1							
13	1	26156-100162	BOLT, M10X 16 PLATED	6							
14	1	198165-32311	CARRIER	1							
15	1	198421-32320	SHIM, T=0.1	2							
16	1	198421-32330	SHIM, T=0.3	1							
17	1	198421-32340	SHIM, T=0.5	1							

Fig.28. REAR HOUSING

(A)=KE-20T
(B)=
(C)=

(D)=
(E)=
(F)=

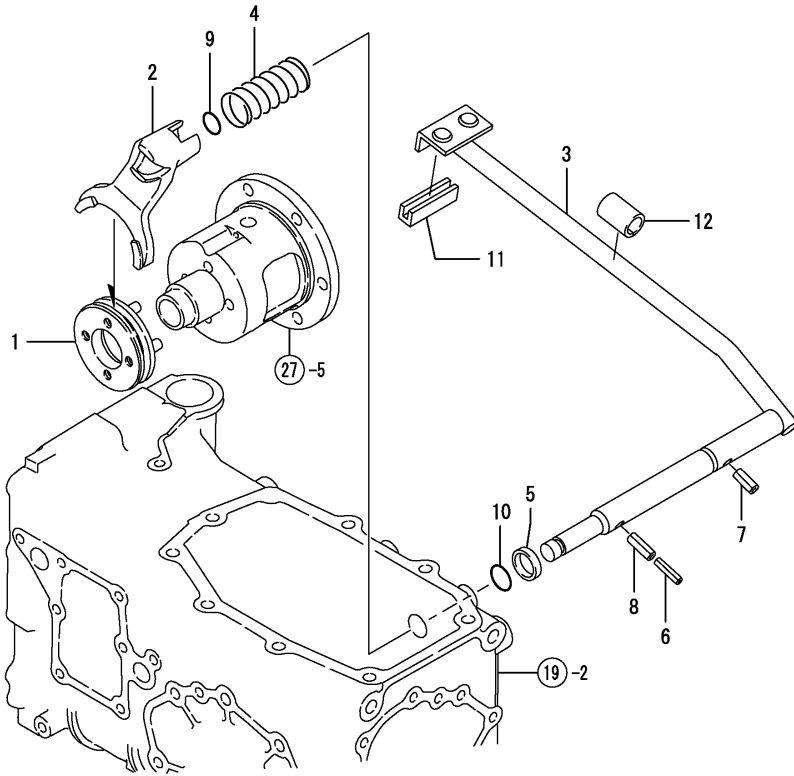


No.	Lev.	Parts No.	Description	Q'ty						I	R
				(A)	(B)	(C)	(D)	(E)	(F)		
1	1	194447-13650	SEAL, TC6Y445711.5	2							
2	1	198165-32610-2	HOUSING, REAR AXLE L	1							
3	1	198165-32620-2	HOUSING, REAR AXLE R	1							
4	1	198421-32630	GASKET, HOUSING	1							
5	1	198425-32640	COVER, REAR AXLE	2							
6	1	198421-32660	STOPPER, PLATE	4							
7	1	198290-32750	SEAL, OIL TC253506	2							
8	1	22312-080180	PIN, PARALLEL M8X18	2							
9	1	22312-080200	PIN, PARALLEL M8X20	4							
10	1	22312-080320	PIN, PARALLEL M8X32	2							
11	1	23491-140002	PLUG, 14	2							
12	1	24311-000160	O-RING, 1AP16.0	2							
13	1	26013-080202	BOLT, M8X 20	4							
14	1	26013-100402	BOLT, M10X 40	6							
15	1	26013-100402	BOLT, M10X 40	16							
16	1	26013-100502	BOLT, M10X 50	6							
17	1	26013-100552	BOLT, M10X 55	2							
18	1	26013-100652	BOLT, M10X 65	2							

Fig.29. DIFFERENTIAL LOCK

(A)=KE-20T
(B)=
(C)=

(D)=
(E)=
(F)=



No.	Lev.	Parts No.	Description	Q'ty						I	R
				(A)	(B)	(C)	(D)	(E)	(F)		
1	1	198421-33110	SLIDER, LOCK	1							
2	1	198421-33120	FORK, SHIFT	1							
3	1	198162-33130	PEDAL, LOCK	1							
4	1	198421-33140	SPRING	1							
5	1	198421-33170	SPACER, 20X25X3.2	1							
6	1	22351-050040	PIN, SPRING 5.0X40	1							
7	1	22351-080032	PIN, SPRING 8.0X32	1							
8	1	22351-080040	PIN, SPRING 8.0X40	1							
9	1	24311-000110	O-RING, 1AP11.0	1							
10	1	24311-000160	O-RING, 1AP16.0	1							
11	1	198162-33140	RUBBER, EDGE	1							
11-1	1	1A6750-61830	RUBBER, EDGE	1							R
(A=FXXXXXX)											
12	1	198421-33150	HOSE, VINYL 15X35	1							

Fig.30. FINAL PINION & REAR AXLE SHAFT

(A)=KE-20T
(B)=
(C)=

(D)=
(E)=
(F)=

No.	Lev.	Parts No.	Description	Q'ty						I	R
				(A)	(B)	(C)	(D)	(E)	(F)		
1	1	198164-33410	PINION, FINAL L S	1							
2	1	198164-33420	PINION, FINAL R S	1							
3	1	24101-060060	BEARING, BALL 6006C3	2							
4	1	24101-062040	BEARING, BALL 6204C3	2							
5	1	198164-33510	GEAR, FINAL 46S	2							
6	1	194447-13640	SLEEVE, SI 40X44X15	2							
7	1	198421-34110	SHAFT, REAR AXLE	2							
8	1	22242-000400	RING, 40	2							
9	1	24101-060080	BEARING, BALL 6008C3	2							
10	1	24101-062060	BEARING, BALL 6206C3	2							

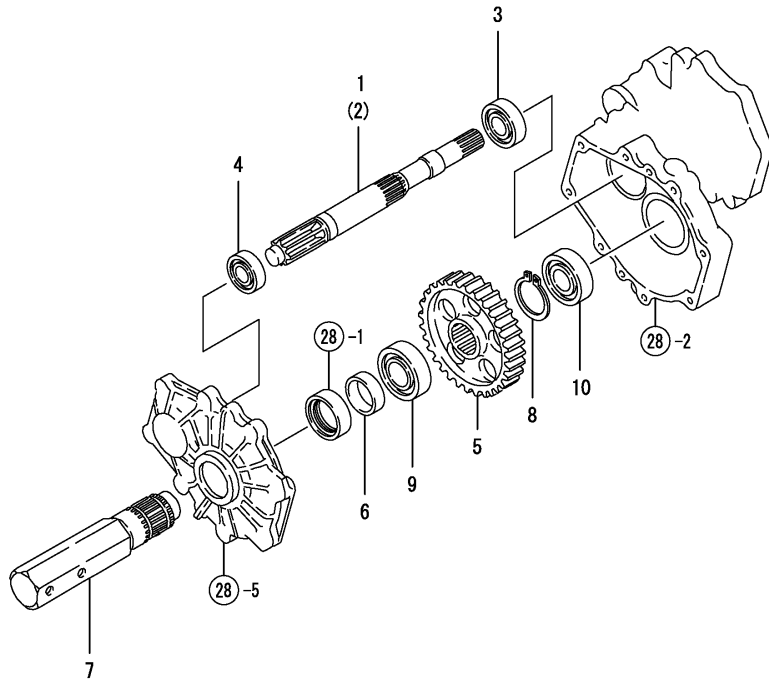


Fig.31. REAR WHEEL TIRE

(A)=KE-20T
(B)=
(C)=

(D)=
(E)=
(F)=

No.	Lev.	Parts No.	Description	Qty						I	R
				(A)	(B)	(C)	(D)	(E)	(F)		
1	1	198164-34700	TIRE KIT, T13H L	1							
2	2	198164-34710	TIRE ASSY, REAR T13H	1							
3	2	198531-34730	WHEEL, W6X18	1							
5	1	198164-34750	TIRE KIT, T13H R	1							
6	2	198164-34710	TIRE ASSY, REAR T13H	1							
7	2	198531-34730	WHEEL, W6X18	1							
9	1	198425-34730	HUB, REAR WHEEL	2							
10	1	194200-34750	PIN, 10X78	2							
11	1	1A1040-36010	BOLT, FLANGE	4							
12	1	1A1040-36040	SPRING, FLANGE BOLT	4							
13	1	22137-160000	WASHER, 16	4							
14	1	22217-120000	WASHER, SPRING 12	12							
15	1	22372-100000	PIN, SNAP 10	2							
16	1	26156-120252	BOLT, M12X 25 PLATED	12							

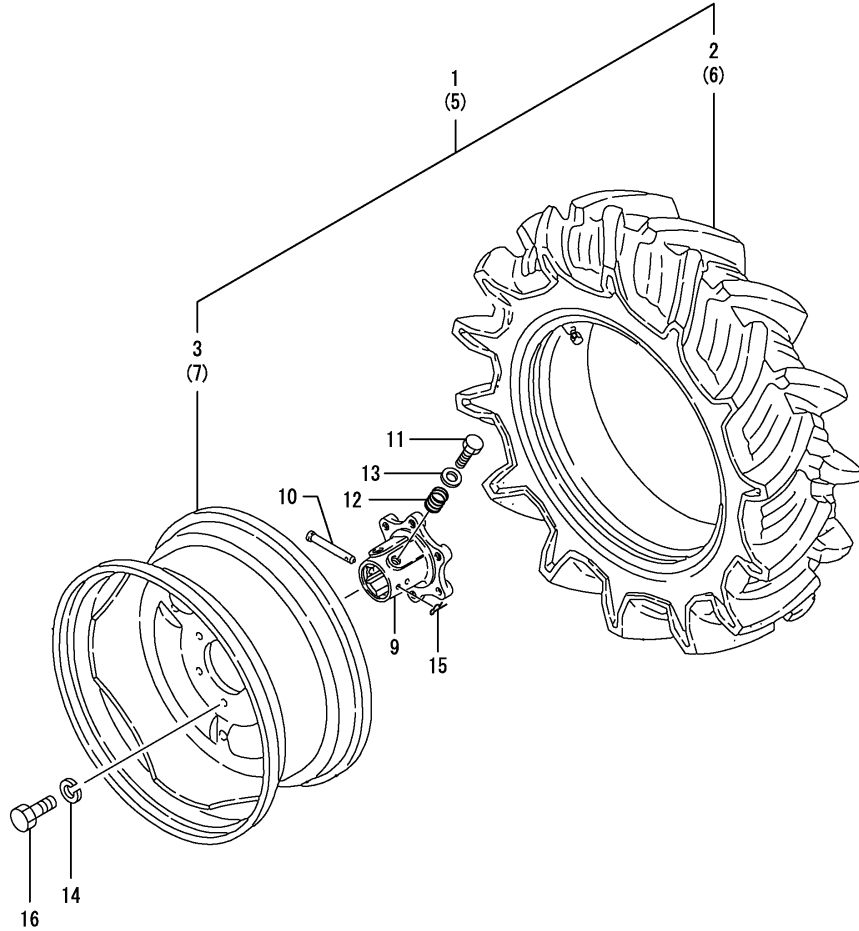


Fig.32. DISK BRAKE

(A)=KE-20T
(B)=
(C)=

(D)=
(E)=
(F)=

No.	Lev.	Parts No.	Description	Q'ty						I	R
				(A)	(B)	(C)	(D)	(E)	(F)		
1	1	198162-36080	BRAKE KIT, DISK	1							
2	2	198421-36310	ACTUATOR	1							
3	2	198421-36321	PLATE, STEEL	4							
4	2	198421-36330	SHAFT, CAM LEVER L	1							
5	2	198162-36380	PLATE, FRICTION 116P	4							
6	2	198421-36410	ACTUATOR	1							
7	2	198421-36430	SHAFT, CAM LEVER R	1							
8	1	22242-000250	RING, 25	2							
9	1	24190-160001	BALL, STEEL 1/2	12							

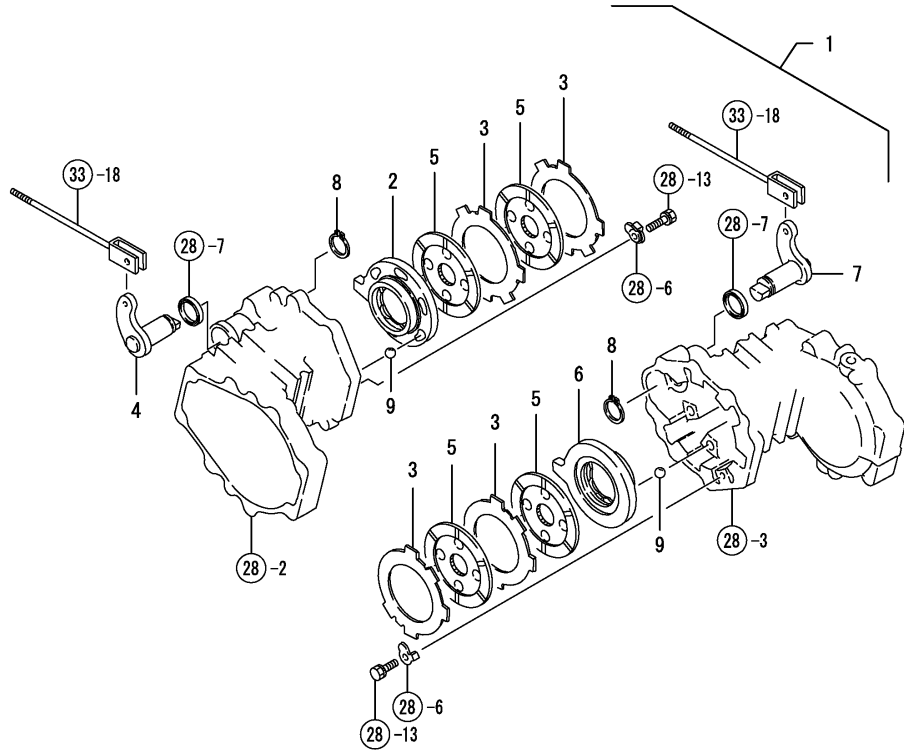
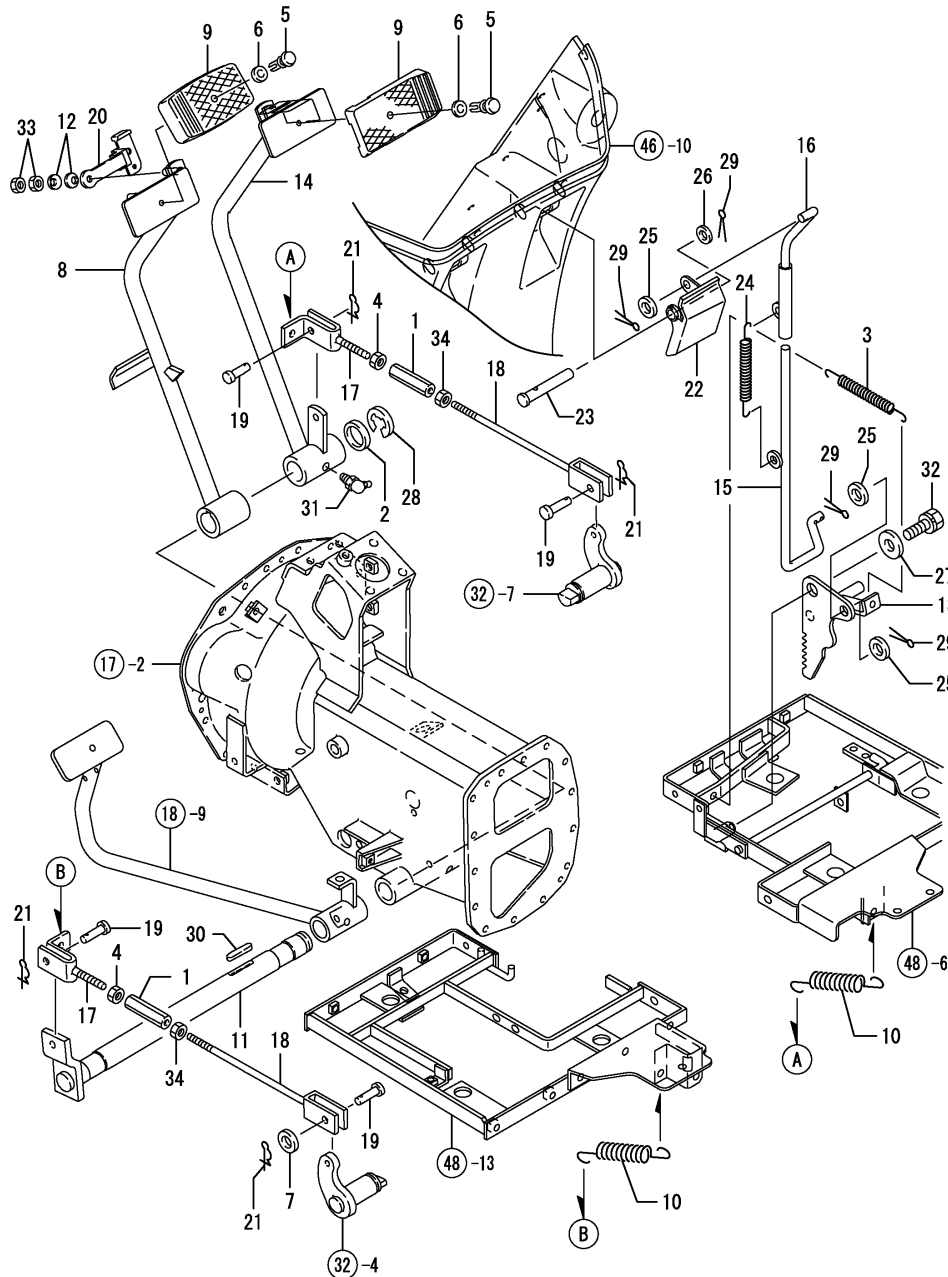


Fig.33. BRAKE PEDAL

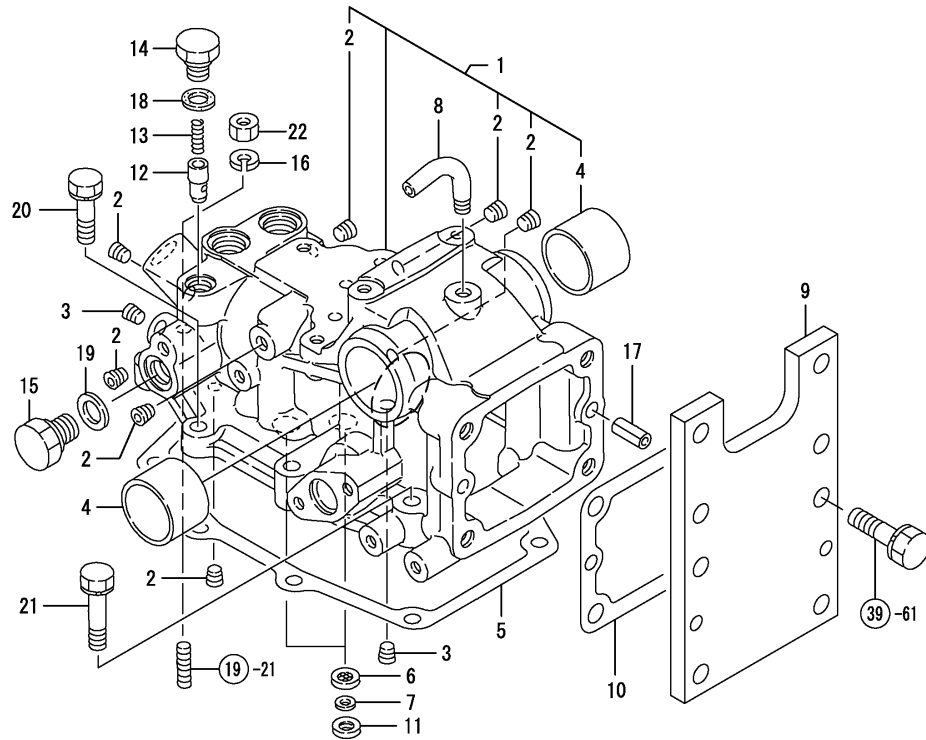


(A)=KE-20T
(B)=
(C)=

(D)=
(E)=
(F)=

No.	Lev.	Parts No.	Description	Q'ty						I	R
				(A)	(B)	(C)	(D)	(E)	(F)		
1	1	194740-00322	ADJUSTER	2							
2	1	1C6140-14050	SPACER, 25.2X34X2	1							
3	1	1C6320-16440	SPRING, 11X55.5	1							
4	1	194990-20170	NUT, M8	2							
5	1	198133-22510	RIVET, PEDAL HEAD	2							
6	1	198133-22530	WASHER, RIVET	2							
7	1	1C6053-32020	WASHER, 8.5X20X3.2	1							
8	1	198162-37302	PEDAL ASSY, BRAKE L	1							
9	1	198071-37510	COVER, HEAD	2							
10	1	198421-37511	SPRING, RETURN	2							
11	1	198421-37550	SHAFT, BRAKE PEDAL	1							
12	1	194300-37570	SPRING	2							
13	1	198162-37641	LEVER, BRAKE LOCK	1							
14	1	198164-37651	PEDAL ASSY, BRAKE R	1							
15	1	198162-37670	ROD, BRAKE	1							
16	1	198162-37681	ROD, PARKING BRAKE B	1							
17	1	198421-37750	ROD, BRAKE L	2							
18	1	198425-37760	ROD, BRAKE R	2							
19	1	194080-37781	PIN, 8X25	4							
20	1	1C6950-45410	CONNECTOR, BRAKE	1							
21	1	1C6281-52320	PIN, SNAP 8	4							
22	1	198162-61661	LEVER, BRAKE	1							
23	1	198162-61670	PIN, LEVER	1							
24	1	1C6360-82210	SPRING, MARKER LOCK	1							
25	1	22117-100000	WASHER, 10	3							
26	1	22137-120000	WASHER, 12	1							
27	1	22157-080000	WASHER, 8	1							
28	1	22272-000190	RING, E-19	1							
29	1	22417-200320	PIN, COTTER 2.0X32	4							
30	1	22512-070400	KEY, 7X 40	1							
31	1	24761-040000	NIPPLE, GREASE B	1							
32	1	26013-080202	BOLT, M8X 20	1							
33	1	26716-080002	NUT, M8	2							
34	1	26716-080002	NUT, M8	2							

Fig.34. HYDRAULIC CYLINDER CASE



(A)=KE-20T
(B)=
(C)=

(D)=
(E)=
(F)=

No.	Lev.	Parts No.	Description	Q'ty						I	R
				(A)	(B)	(C)	(D)	(E)	(F)		
1	1	198421-42102-1	HOUSING ASSY	1							
2	2	23871-010000	PLUG, R01	7							
3	2	23871-020000	PLUG, R02	2							
4	2	24550-040300	BUSH, 40X30	2							
5	1	198165-42120	GASKET, HOUSING	1							
6	1	194850-42180	STRAINER	2							
7	1	194850-42190	SPACER	2							
8	1	194205-42280	PIPE, AIR BREATHER	1							
9	1	198162-42810-1	BASE, TOP LINK	1							
10	1	194151-42832	GASKET, HINGE	1							
11	1	194630-43230	PACKING	2							
12	1	194310-46350	POPPET, CHECK	1							
13	1	194310-46380	SPRING	1							
14	1	194310-46730	PLUG, 14	1							
15	1	194312-46750	PLUG, PF3/8	1							
16	1	22217-100000	WASHER, SPRING 10	1							
17	1	22351-100025	PIN, SPRING 10.0X25	2							
18	1	23414-140018	GASKET, 14X1.0	1							
19	1	23414-170022	GASKET, 17X1.0	1							
20	1	26016-100352	BOLT, M10X 35	4							
21	1	26016-100452	BOLT, M10X 45	4							
22	1	26716-100002	NUT, M10	1							

Fig.35. HYDRAULIC SIDE COVER

(A)=KE-20T
(B)=
(C)=

(D)=
(E)=
(F)=

No.	Lev.	Parts No.	Description	Q'ty						I	R
				(A)	(B)	(C)	(D)	(E)	(F)		
1	1	198425-42220-1	COVER, CASE	1							
2	1	23871-010000	PLUG, R01	1							
3	1	24315-000110	O-RING, 1BP11.0	3							
4	1	26013-080252	BOLT, M8X 25	3							

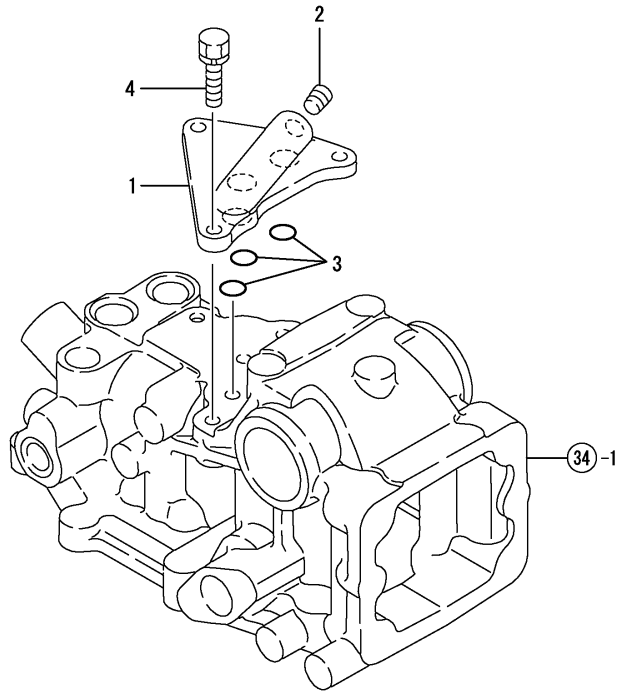


Fig.36. PISTON & LIFT CRANK

(A)=KE-20T
(B)=
(C)=

(D)=
(E)=
(F)=

No.	Lev.	Parts No.	Description	Q'ty						I	R
				(A)	(B)	(C)	(D)	(E)	(F)		
1	1	198163-43310	PISTON, HYDRAULIC	1							
2	1	24315-000460	O-RING, 1BP46.0	1							
3	1	24372-000460	RING, BACK UP T2P46	1							
4	1	198421-43410	ROD, PISTON	1							
5	1	198421-44110	CRANK, LIFT	1							
6	1	198421-44211	SHAFT, LIFT	1							
7	1	198421-44230	LINER, 30X55X3	2							
8	1	198421-44250	SLEEVE, LIFT SHAFT	2							
9	1	198421-44410-1	ARM, LIFT	2							
10	1	194197-44610	WASHER, 10X50X6	1							
11	1	22351-050040	PIN, SPRING 5.0X40	1							
12	1	24311-000224	O-RING, 1AP22.4	1							
13	1	24341-000315	O-RING, 1AS31.5	2							
14	1	24351-020400	O-RING 1A 2040	4							
15	1	26013-100252	BOLT, M10X 25	2							

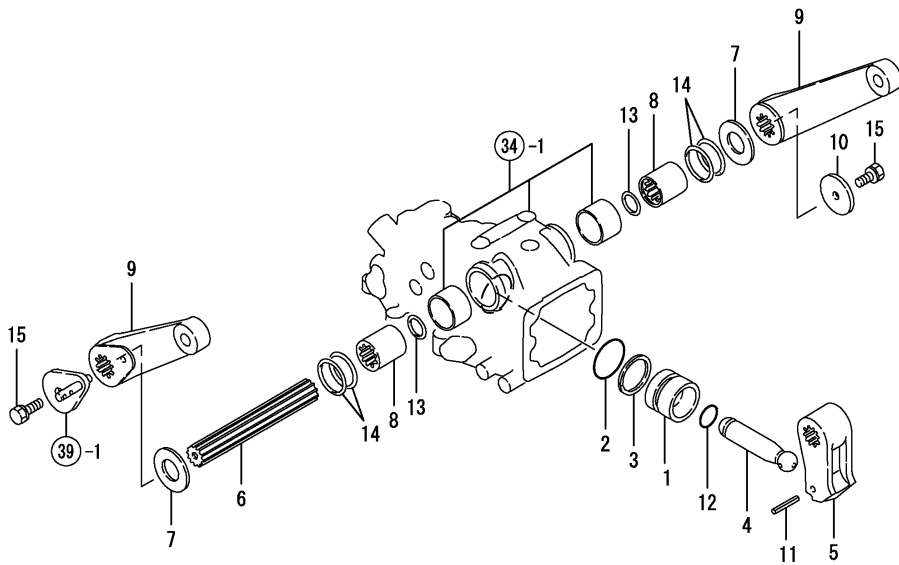


Fig.37. CONTROL VALVE

(A)=KE-20T
(B)=
(C)=

(D)=
(E)=
(F)=

No.	Lev.	Parts No.	Description	Q'ty						I	R
				(A)	(B)	(C)	(D)	(E)	(F)		
1	1	198435-45101	VALVE ASSY, CONTROL	1							
2	2	24315-000110	O-RING, 1BP11.0	1							
3	1	26450-080252	BOLT, M8X 25	3							

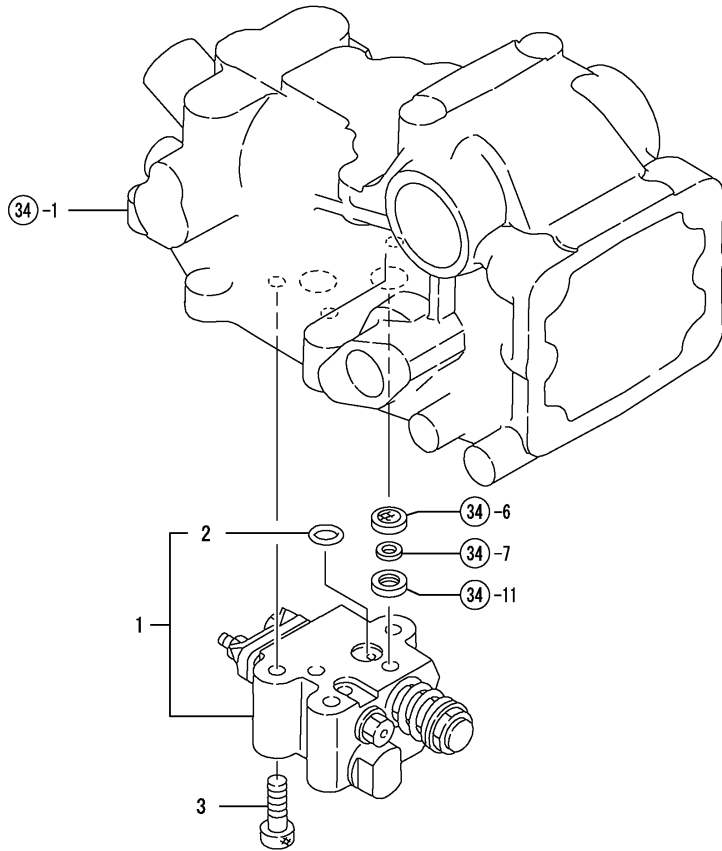
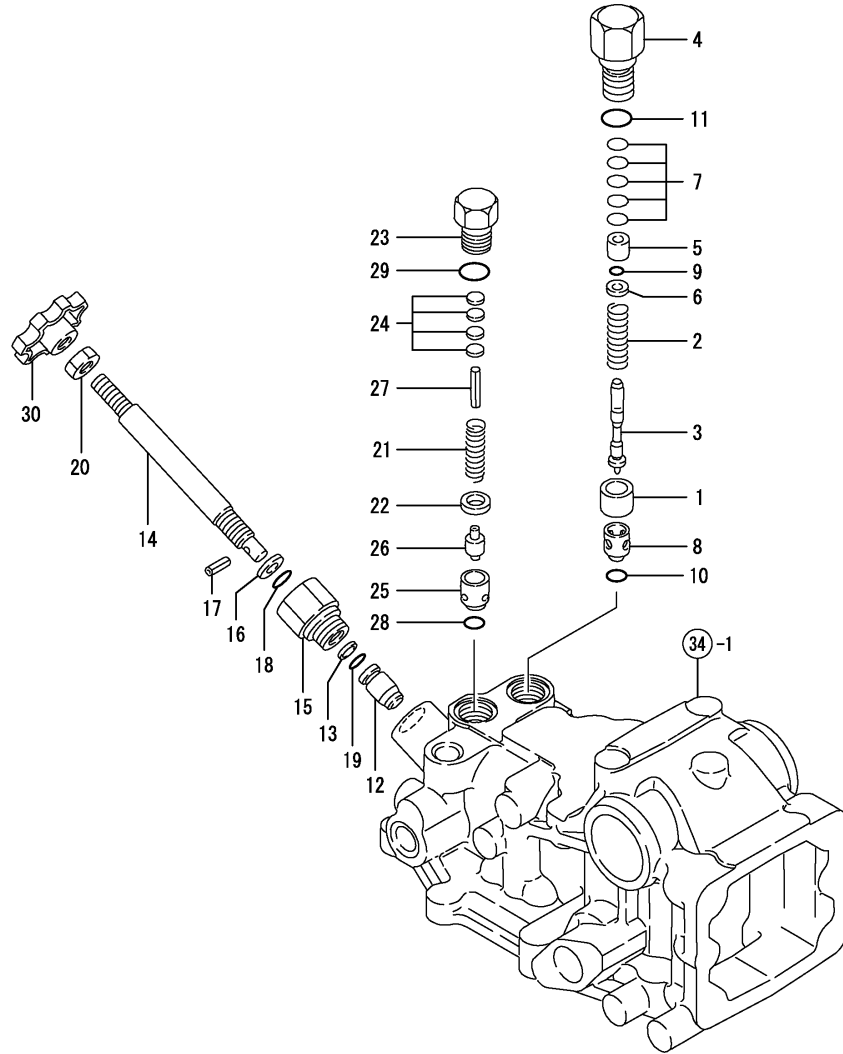


Fig.38. RELIEF VALVE

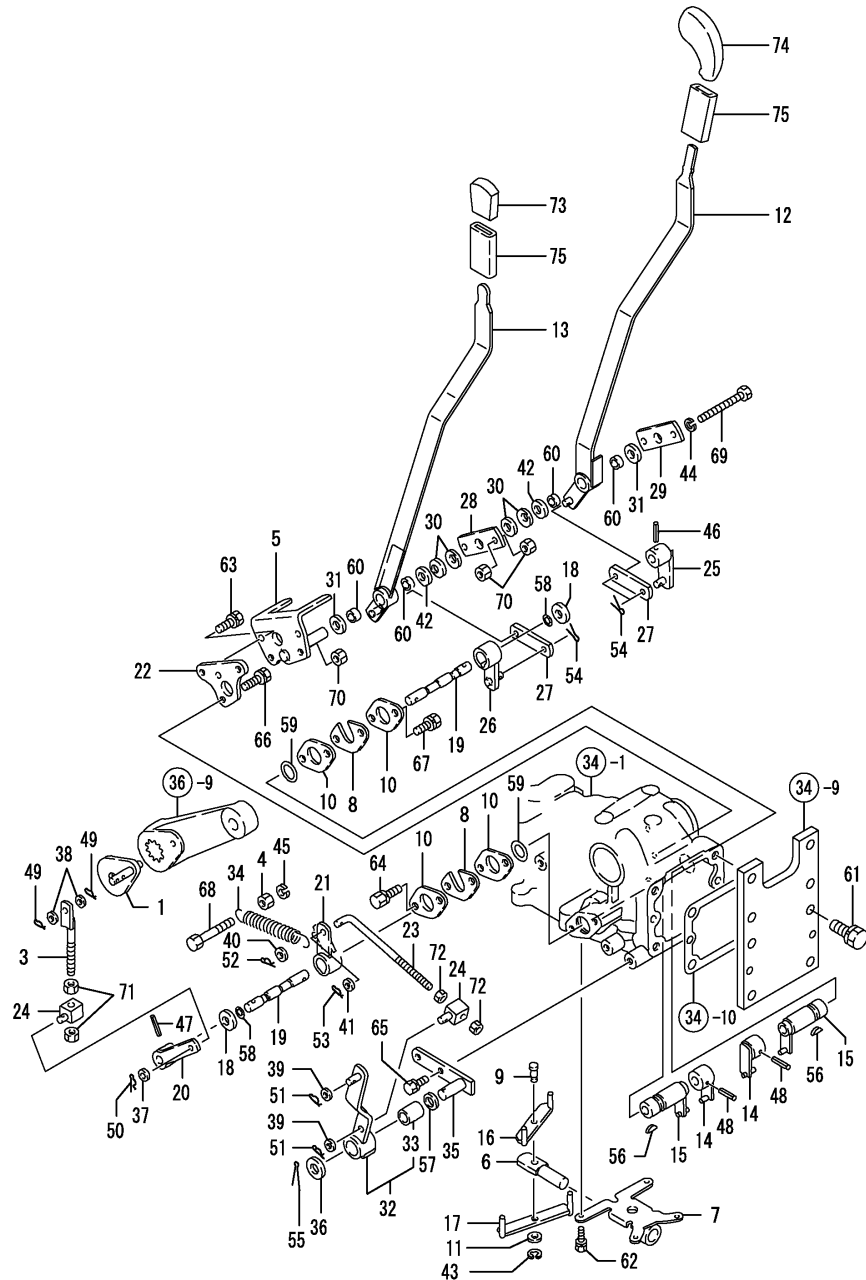
(A)=KE-20T
(B)=
(C)=

(D)=
(E)=
(F)=



No.	Lev.	Parts No.	Description	Q'ty						I	R
				(A)	(B)	(C)	(D)	(E)	(F)		
1	1	198220-45340	COLLAR, VALVE	1							
2	1	198163-45610	SPRING, RELIEF VALVE	1							
3	1	194195-45620	POPPET	1							
4	1	198220-45630	PLUG, RELIEF VALVE	1							
5	1	194195-45640	SEAT, 6.6X13X12.5	1							
6	1	194195-45650	WASHER, 6.6X13X3,2	1							
7	1	194850-45700	SHIM SET	1							
8	1	194195-46260	SEAT, RELIEF VALVE	1							
9	1	194850-49230	O-RING, 6X1.8 70	1							
10	1	24311-000120	O-RING, 1AP12.0	1							
11	1	24311-000180	O-RING, 1AP18.0	1							
12	1	198421-46302	VALVE, STOP	1							
13	1	194180-46320	RING, BACK UP	1							
14	1	194640-46620	BOLT, STOP	1							
15	1	194312-46630	HOLDER, VALVE	1							
16	1	22117-080000	WASHER, 8	1							
17	1	22351-040012	PIN, SPRING 4.0X12	1							
18	1	24311-000120	O-RING, 1AP12.0	1							
19	1	24315-000100	O-RING, 1BP10.0	1							
20	1	26716-100002	NUT, M10	1							
21	1	194150-45320	SPRING, RELIEF VALVE	1							
22	1	198220-45350	COLLAR, VALVE	1							
23	1	198220-45370	PLUG, SAFETY VALVE	1							
24	1	198220-46400	SHIM SET	1							
25	1	194640-46410	SEAT, SAFETY VALVE	1							
26	1	194640-46420	POPPET	1							
27	1	22351-060028	PIN, SPRING 6.0X28	1							
28	1	24311-000120	O-RING, 1AP12.0	1							
29	1	24311-000180	O-RING, 1AP18.0	1							
30	1	194555-46640	KNOB, STOP	1							

Fig.39. HYDRAULIC CONTROL

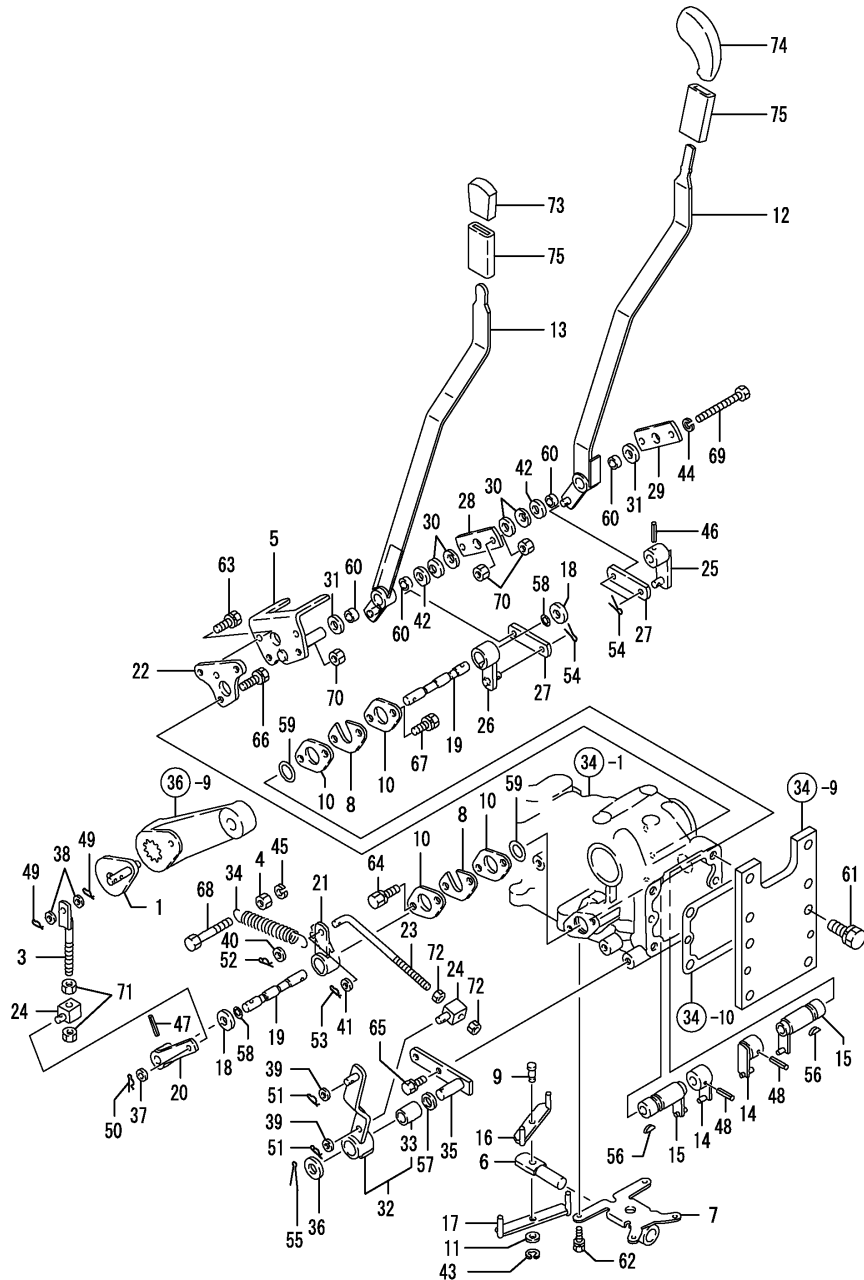


(A)=KE-20T
(B)=
(C)=

(D)=
(E)=
(F)=

No.	Lev.	Parts No.	Description	Q'ty						I	R
				(A)	(B)	(C)	(D)	(E)	(F)		
1	1	198431-44510	ARM, FEEDBACK	1							
3	1	194208-47510	ROD, FEEDBACK	1							
4	1	26716-080002	NUT, M8	1							
5	1	198435-47310	STOPPER, CONTROL	1							
6	1	198431-47320	ROD, CONTROL	1							
7	1	198431-47330	PLATE, CONTROL	1							
8	1	194555-47340	PLATE, A	2							
9	1	198431-47340	PIN, CONTROL	1							
10	1	194555-47350	PLATE, B	4							
11	1	198431-47350	WASHER, 8.4X17X1.6	1							
12	1	198163-47360	LEVER, CONTROL	1							
13	1	198163-47370	LEVER, CONTROL	1							
14	1	198431-47390	ARM SET, POSITION	2							
15	1	198431-47400	ARM,DRAFT SET	2							
16	1	198431-47420	BAR, CONTROL	1							
17	1	198431-47430	BAR, CONTROL	1							
18	1	194180-47440	GASKET, 12	2							
19	1	194208-47450	SHAFT, FEEDBACK	2							
20	1	198431-47470	ARM, FEEDBACK	1							
21	1	198431-47480	ARM, FEEDBACK	1							
22	1	198435-47490	BASE, STOPPER	1							
23	1	198431-47520	ROD, FEEDBACK	1							
24	1	194208-47530	ADJUSTER	2							
25	1	198435-47530	ARM, CONTROL	1							
26	1	198435-47540	ARM, CONTROL	1							
27	1	198435-47550	LINK, CONTROL	2							
28	1	198435-47560	PLATE	1							
29	1	198435-47580	PLATE	1							
30	1	194151-47760	WASHER, 12	4							
31	1	194310-47790	PLATE, FRICTION	2							
32	1	198163-47800	ARM ASSY, FEEDBACK	1							
33	2	194310-21210	BUSH, 15X20X25	1							
34	1	194215-47840	SPRING, RETURN	1							
35	1	198431-47870	PLATE, FEEDBACK	1							
36	1	194550-47910	SPACER, 15X28X2	1							
37	1	22137-080000	WASHER, 8	1							
38	1	22137-080000	WASHER, 8	2							
39	1	22137-080000	WASHER, 8	2							
40	1	22137-080000	WASHER, 8	1							
41	1	22137-080000	WASHER, 8	1							
42	1	22137-120000	WASHER, 12	2							
43	1	22272-000060	RING, E- 6	1							
44	1	22287-080000	WASHER, 8	2							
45	1	22287-080000	WASHER, 8	1							
46	1	22351-050025	PIN, SPRING 5.0X25	1							
47	1	22351-050025	PIN, SPRING 5.0X25	1							
48	1	22351-050025	PIN, SPRING 5.0X25	2							
49	1	22372-080000	PIN, SNAP 8	2							
50	1	22372-080000	PIN, SNAP 8	1							
51	1	22372-080000	PIN, SNAP 8	2							
52	1	22372-080000	PIN, SNAP 8	1							

Fig.39. HYDRAULIC CONTROL

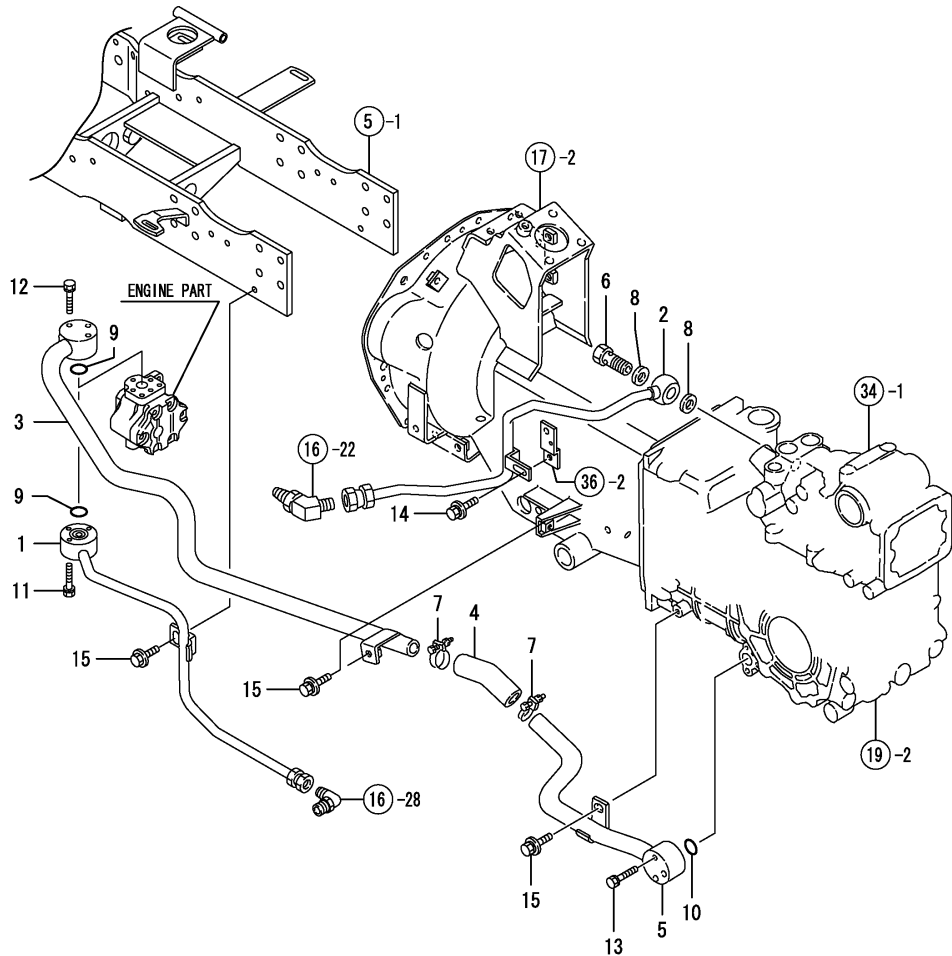


(A)=KE-20T
(B)=
(C)=

(D)=
(E)=
(F)=

No.	Lev.	Parts No.	Description	Q'ty						I	R
				(A)	(B)	(C)	(D)	(E)	(F)		
53	1	22372-080000	PIN, SNAP 8	1							
54	1	22417-200160	PIN, COTTER 2.0X16	4							
55	1	22417-250320	PIN, COTTER 2.5X32	1							
56	1	22522-030130	KEY, WOODRUFF 3X13	2							
57	1	23414-150000	GASKET, 15X1.0	1							
58	1	24311-000090	O-RING, 1AP9.0	2							
59	1	24311-000200	O-RING, 1AP20.0	2							
60	1	24550-012060	BUSH, 12X 6	4							
61	1	26013-120352	BOLT, M12X 35	4							
62	1	26016-060162	BOLT, M6X 16	4							
63	1	26016-080122	BOLT, M8X 12	2							
64	1	26016-080202	BOLT, M8X 20	2							
65	1	26016-080202	BOLT, M8X 20	2							
66	1	26016-080202	BOLT, M8X 20	2							
67	1	26016-080202	BOLT, M8X 20	2							
68	1	26116-080552	BOLT, M8X 55 PLATED	1							
69	1	26116-080804	BOLT, M8X 80 PLATED	2							
70	1	26716-080002	NUT, M8	6							
71	1	26716-080002	NUT, M8	2							
72	1	26716-080002	NUT, M8	2							
73	1	194273-47910	KNOB, LEVER	1							
74	1	194420-47370	KNOB, LEVER	1							
75	1	198162-47630	TUBE, PROTECT 60	2							

Fig.40. HYDRAULIC PIPING

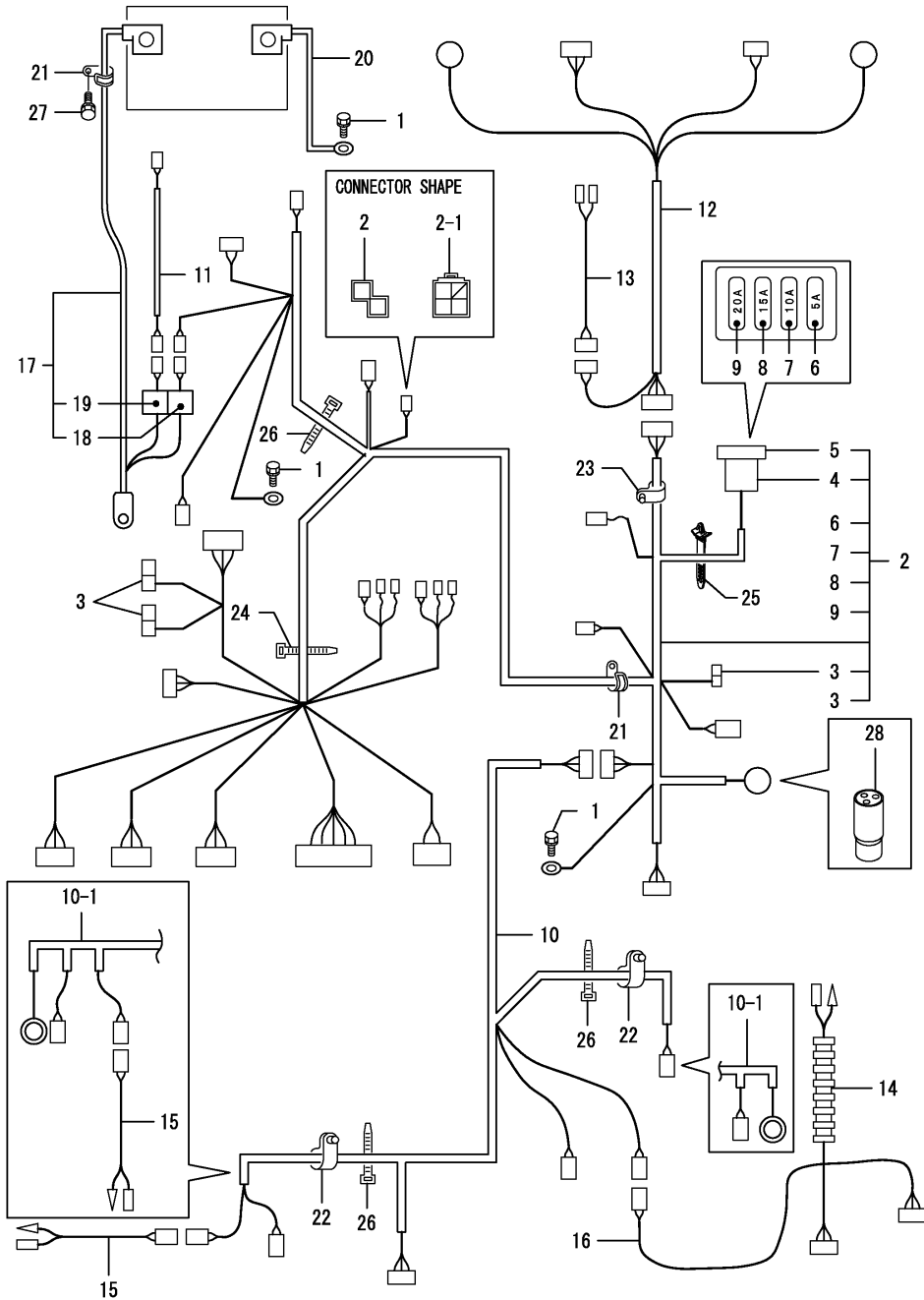


(A)=KE-20T
(B)=
(C)=

(D)=
(E)=
(F)=

No.	Lev.	Parts No.	Description	Q'ty						I	R
				(A)	(B)	(C)	(D)	(E)	(F)		
1	1	1A7730-48160	PIPE, HIGH PRESS. F	1							
1-1	1	1A7730-48161	PIPE, PRESSURE F	1							N
(A=F010101)											
2	1	198163-48170	PIPE, PRESSURE R	1							
3	1	198431-48220	PIPE, PRESSURE F	1							
4	1	198421-48240	HOSE, PRESSURE	1							
5	1	198163-48280	PIPE ASSY, PRESSURE	1							
6	1	198220-48750	BOLT ASSY, JOINT	1							
7	1	23010-030000	CLAMP, 30	2							
8	1	23414-180023	GASKET, 18X1.0	2							
9	1	24311-000200	O-RING, 1AP20.0	2							
10	1	24311-000220	O-RING, 1AP22.0	1							
11	1	26013-060322	BOLT, M6X 32	3							
12	1	26013-060402	BOLT, M6X 40	3							
13	1	26013-060452	BOLT, M6X 45	3							
14	1	26018-080162	BOLT, M8X 16	1							
15	1	26018-080202	BOLT, M8X 20	3							

Fig.41. WIRE HARNESS

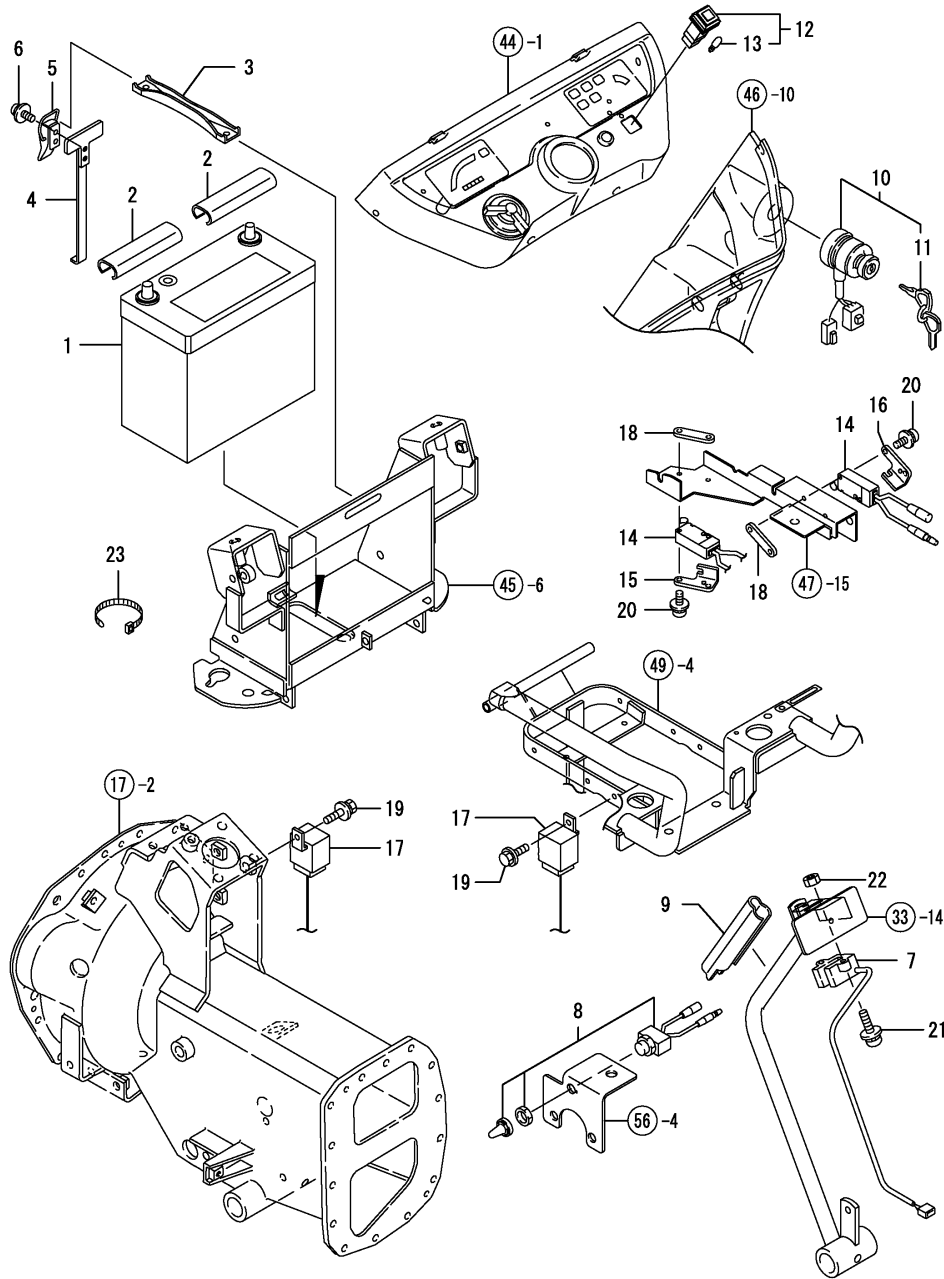


(A)=KE-20T
(B)=
(C)=

(D)=
(E)=
(F)=

No.	Lev.	Parts No.	Description	Q'ty						I	R
				(A)	(B)	(C)	(D)	(E)	(F)		
1	1	1C6560-06300	BOLT, EARTH M8X16	3							
2	1	1A7720-51112	HARNESS, WIRE	1							
2-1	1	1A7720-51113	HARNESS, WIRE	1							S
(A=F010101)											
3	2	198165-51130	DIODE, 3A	3							
4	2	198162-52430	FUSE, 4P	1							
5	2	198162-52440	COVER, FUSE 4P	1							
6	2	29420-050000	FUSE, B 5A	1							
7	2	29420-100000	FUSE, B 10A	1							
8	2	29420-150000	FUSE, B 15A	1							
9	2	29420-200000	FUSE, B 20A	1							
10	1	1A7720-51131	HARNESS, WIRE 3	1							
10-1	1	1A7720-51132	HARNESS, WIRE 3	1							S
(A=F010101)											
11	1	1A7720-51151	HARNESS, WIRE	1							
12	1	1A7720-51172	HARNESS, WIRE	1							
13	1	1A7720-51180	HARNESS, WIRE	1							
14	1	1A7740-51210	TUBE, D7X110	1							
15	1	1A7720-51250	HARNESS, WIRE	1							
16	1	1A7740-51280	HARNESS, WIRE R	1							
16-1	1	1A7740-51281	HARNESS, WIRE	1							R
(A=F010101)											
17	1	1A7720-51411	CABLE, BATTERY	1							
18	2	1A6750-51170	FUSE, SLOW BLOW 20A	1							
19	2	1E8450-83120	FUSE, SLOW BLOW 40A	1							
20	1	1A7720-51420	CABLE, BATTERY EARTH	1							
21	1	194440-51620	CLAMP	2							
22	1	194197-51630	CLAMP, SPEED 43	3							
23	1	194250-51650	CLAMP, SPEED 63	1							
24	1	194250-51660	BAND 250	3							
25	1	194680-51670	BAND, CLIP	3							
26	1	121750-59890	BAND, 140	7							
27	1	26013-080122	BOLT, M8X 12	1							
28	1	1A7740-51100	SEAL ASSY	1							W
(A=F010101)											

Fig.42. BATTERY & SWITCHES

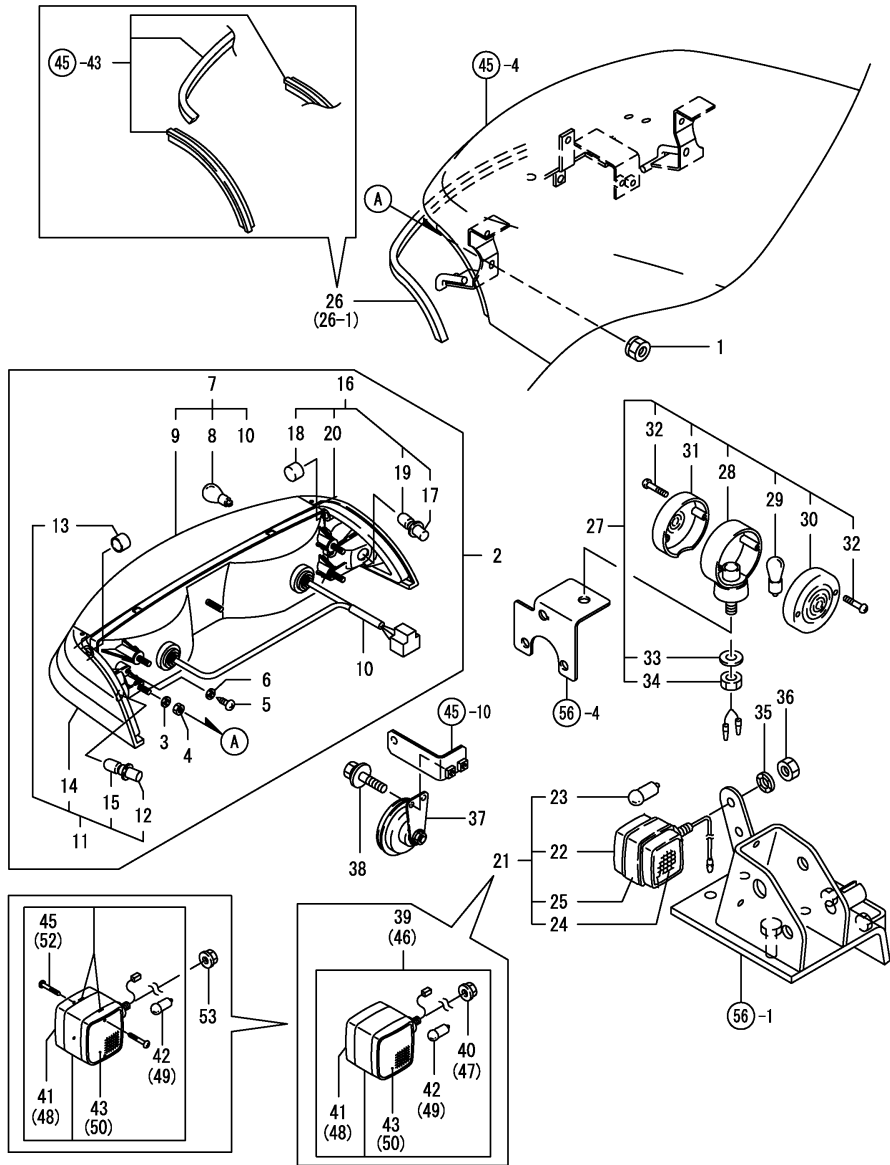


(A)=KE-20T
(B)=
(C)=

(D)=
(E)=
(F)=

No.	Lev.	Parts No.	Description	Q'ty						I	R
				(A)	(B)	(C)	(D)	(E)	(F)		
1	1	198164-51500	BATTERY	1							
2	1	1A7740-51550	COVER, BATTERY	2							
3	1	198162-58110	CLAMP, BATTERY	1							
4	1	198162-58140	ROD, BATTERY CLAMP	1							
5	1	1E6210-82580	FASTENER	1							
6	1	26023-050122	SCREW, M5X12	2							
7	1	1C6900-07200	SWITCH, COUPLING	1							
8	1	1C6380-07250	SWITCH, SEEDLING	1							
9	1	198164-51310	COVER, HARNESS	1							
10	1	198162-52110	SWITCH, STARTING	1							
10-1	1	194940-52110	SWITCH, STARTING	1							R
(A=F010151)											
11	2	198162-52150	KEY ASSY	1							
11-1	2	198360-52160	KEY ASSY	1							R
(A=F010151)											
12	1	1A7450-52210	SWITCH ASSY	1							
13	2	1A7450-52230	BULB, WITH SOCKET	1							
14	1	1A7720-52240	SWITCH, NEUTRAL	2							
15	1	1A7720-52260	FITTING, RETAIN L	1							
16	1	1A7720-52270	FITTING, RETAIN R	1							
17	1	119247-77100	RELAY, SAFETY	2							
18	1	1E6460-84220	NUT, SWITCH 2-M3	2							
19	1	26018-060162	BOLT, M6X 16	2							
20	1	26023-030202	SCREW, M3X20	4							
21	1	26023-050202	SCREW, M5X20	2							
22	1	26716-050002	NUT, M5	2							
23	1	29621-150000	BAND, TR150	1							

Fig.43. LAMPS & HORN



(A)=KE-20T
(B)=
(C)=

(D)=
(E)=
(F)=

No.	Lev.	Parts No.	Description	Q'ty						I	R
				(A)	(B)	(C)	(D)	(E)	(F)		
1	1	194990-22130	NUT, M6	5							
2	1	1A7720-53050	LAMP ASSY, HEAD	1							
3	2	1A7720-53060	WASHER, 6	2							
4	2	1A7720-53070	NUT, M6	2							
5	2	1A7720-53080	SCREW, TAPPING M4X12	2							
6	2	1A7720-53090	WASHER	2							
7	2	1A7720-53100	LAMP ASSY, HEAD	1							
8	3	1W3851-20700	BULB 23W	2							
9	3	1A7720-53110	CASE ASSY, HEAD LAMP	1							
10	3	1A7720-53140	HARNASS, LAMP	1							
11	2	1A7720-53300	LAMP ASSY, SIDE L	1							
12	3	1C6860-08160	SOCKET ASSY	1							
13	3	1A7260-53220	CAP	1							
14	3	1A7720-53310	CASE ASSY, LAMP L	1							
15	3	1A7720-53340	BULB, 12V/18W	1							
16	2	1A7720-53350	LAMP ASSY, SIDE R	1							
17	3	1C6860-08160	SOCKET ASSY	1							
18	3	1A7260-53220	CAP	1							
19	3	1A7720-53340	BULB, 12V/18W	1							
20	3	1A7720-53360	CASE ASSY, LAMP R	1							
21	1	198425-53150	LAMP, FLUSHER	2							Z
		(A=F010101)									
22	2	198425-53160	BODY COMPL.	2							Z
		(A=F010101)									
23	2	194200-53400	BULB, 12V-20W	2							Z
		(A=F010101)									
24	2	198511-53430	LENS	4							Z
		(A=F010101)									
25	2	198511-53450	GASKET	2							Z
		(A=F010101)									
26	1	1A7720-53221	SEAL, HEAD LAMP	1							
26-1	1	1A7720-53222	SEAL, HEAD LAMP	1							S 1
		(A=F010101)									
26-2	1	1A7720-53222	SEAL, HEAD LAMP	1							Z
		(A=F010101)									
27	1	194242-53600	LAMP ASSY, STOP	2							
28	2	194242-53610	BODY, LAMP	2							
29	2	194242-53620	BULB, 12V21W/5W	2							
30	2	194242-53630	LENS, RED	2							
31	2	194242-53640	LENS, CLEAR	2							
32	2	194242-55430	SCREW	8							
33	2	194242-55440	WASHER, 12	2							
34	2	26776-120002	NUT, LOCK M12	2							
35	1	22222-100000	WASHER, SPRING 10	2							Z
		(A=F010101)									
36	1	26776-100002	NUT, LOCK M10	2							Z
		(A=F010101)									
37	1	1C7100-08150	HORN ASSY	1							
38	1	26018-060162	BOLT, M6X 16	2							
39	1	198200-53510	LAMP, FLASHER L	1							W
		(A=F010101)									

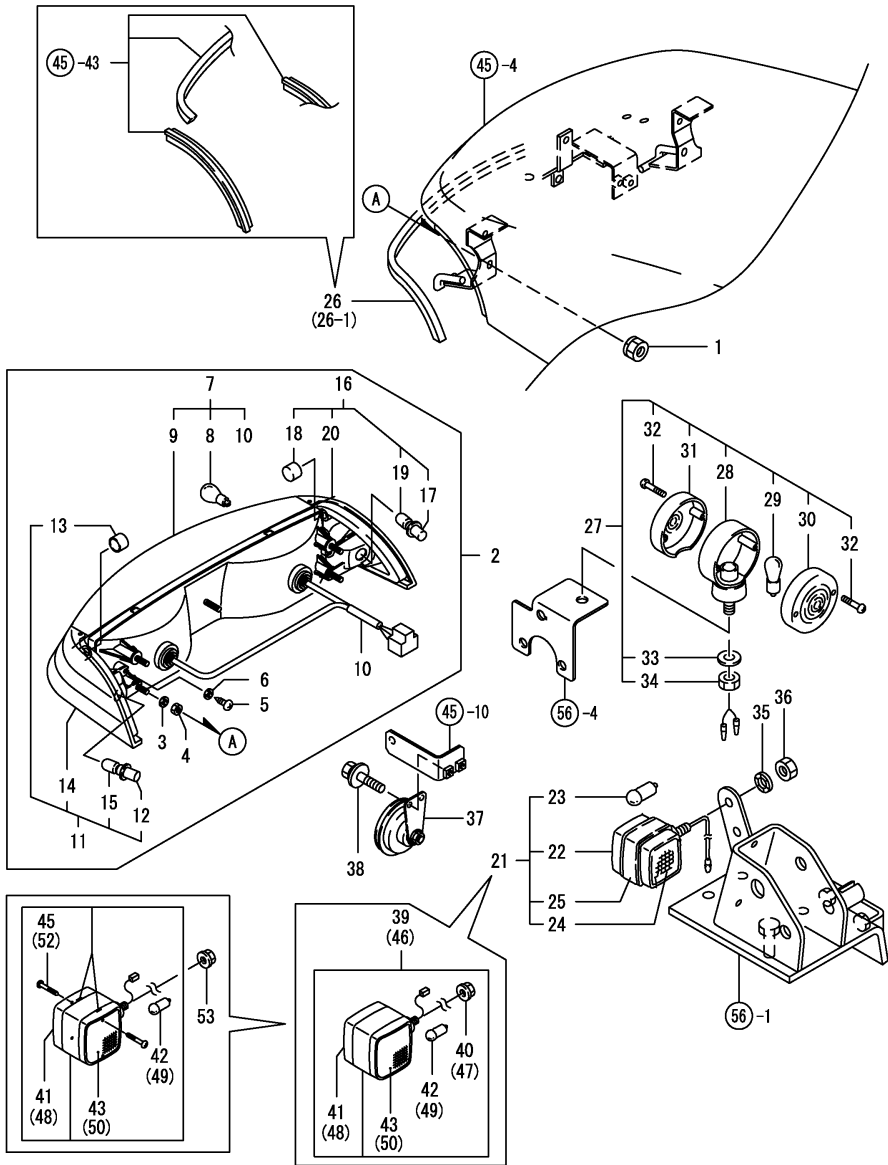
Remarks

(1) LENGTH(FULL LENGTH)= REF.NO.26
400M/M, REF.NO.26-1 470M/M

Fig.43. LAMPS & HORN

(A)=KE-20T
(B)=
(C)=

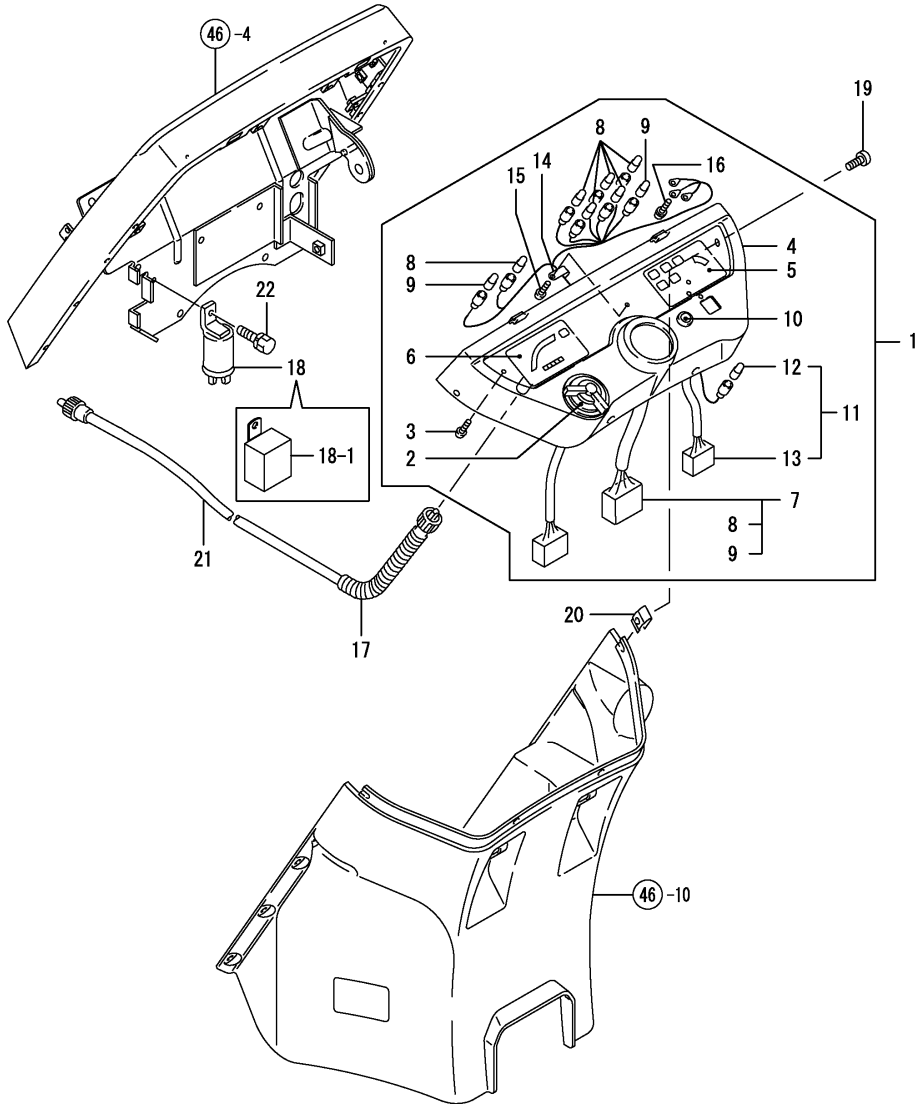
(D)=
(E)=
(F)=



No.	Lev.	Parts No.	Description	Qty						I	R
				(A)	(B)	(C)	(D)	(E)	(F)		
39-1	1	198200-53511 (A=FXXXXXX)	LAMP ASSY, FLASHER L	1							N
40	2	198200-53560 (A=F010101)	NUT, FLANGE M12X1.25	1							W
40-1	2	198200-53560 (A=FXXXXXX)	NUT, FLANGE M12X1.25	1							Z
41	2	1E9170-81260 (A=F010101)	LENS, FRONT	1							W
42	2	1E9170-81270 (A=F010101)	VALVE, 12V 21W	1							W
43	2	1E9170-81280 (A=F010101)	LENS, REAR	1							W
45	2	198200-53580 (A=FXXXXXX)	SCREW	4							W
46	1	198200-53520 (A=F010101)	LAMP,FLASHER R	1							W
46-1	1	198200-53521 (A=FXXXXXX)	LAMP ASSY, FLASHER R	1							N
47	2	198200-53560 (A=F010101)	NUT, FLANGE M12X1.25	1							W
47-1	2	198200-53560 (A=FXXXXXX)	NUT, FLANGE M12X1.25	1							Z
48	2	1E9170-81260 (A=F010101)	LENS, FRONT	1							W
49	2	1E9170-81270 (A=F010101)	VALVE, 12V 21W	1							W
50	2	1E9170-81280 (A=F010101)	LENS, REAR	1							W
52	2	198200-53580 (A=FXXXXXX)	SCREW	4							W
53	1	26376-120002 (A=FXXXXXX)	NUT, M12	2							W

Remarks
(1) LENGTH(FULL LENGTH)= REF.NO.26
400M/M, REF.NO.26-1 470M/M

Fig.44. METER

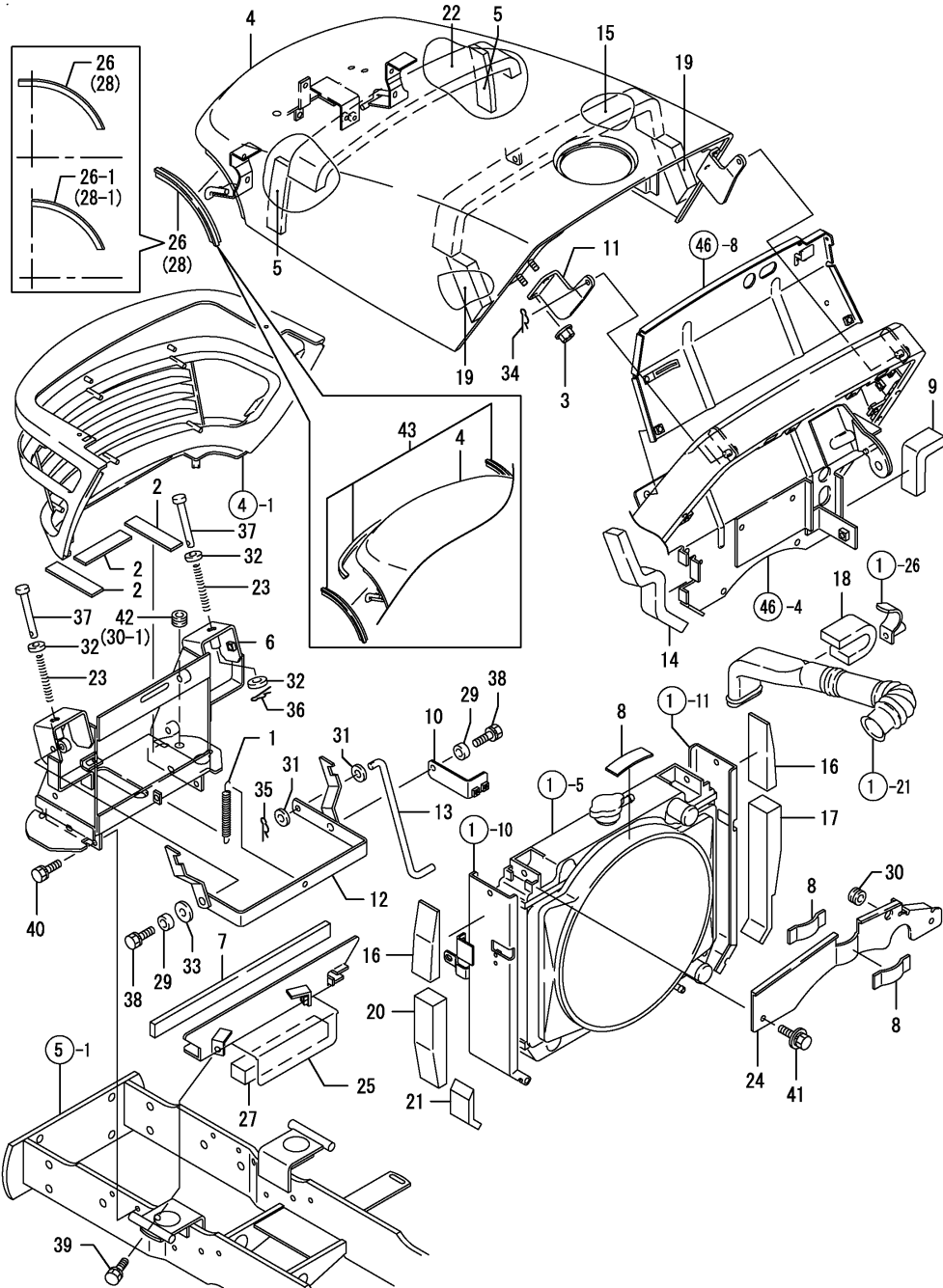


(A)=KE-20T
(B)=
(C)=

(D)=
(E)=
(F)=

No.	Lev.	Parts No.	Description	Q'ty						I	R
				(A)	(B)	(C)	(D)	(E)	(F)		
1	1	1A7720-56100	PANEL ASSY, METER	1							
2	2	1W3852-00940	SWITCH	1							
3	2	1C6460-36151	SCREW, M4X16	8							
4	2	1A7720-56110	VISOR	1							
5	2	198164-56120	METER ASSY, FUEL OIL	1							
6	2	1A7720-56130	METER, HOUR	1							
7	2	198164-56140	CORD ASSY	1							
8	3	194555-55820	BULB, 12V1.7W	6							
9	3	198421-56150	BULB, 12V-3.4WHD	2							
10	2	198164-56170	LENS ASSY, PARKING	1							
11	2	1A7720-56180	CORD ASSY, LAMP	1							
12	3	194555-55820	BULB, 12V1.7W	1							
13	3	1A7720-56190	CORD ASSY	1							
14	2	198421-56190	CLAMP	1							
15	2	198421-56200	SCREW, M4X10	1							
16	2	26022-030222	SCREW, M3X22	3							
17	1	198421-56910	TUBE, PROTECT	1							
18	1	194555-57200	RELAY, FLASHER	1							
18-1	1	198200-57200	RELAY,FLASHER	1							S
		(A=F010101)									
19	1	194145-61640	SCREW, TAPPING M5X16	4							
20	1	194167-61650	NUT 5008	4							
21	1	123440-91140	CABLE	1							
22	1	26016-060122	BOLT, M6X 12	1							

Fig.45. HOOD



(A)=KE-20T

(B)=

(C)=

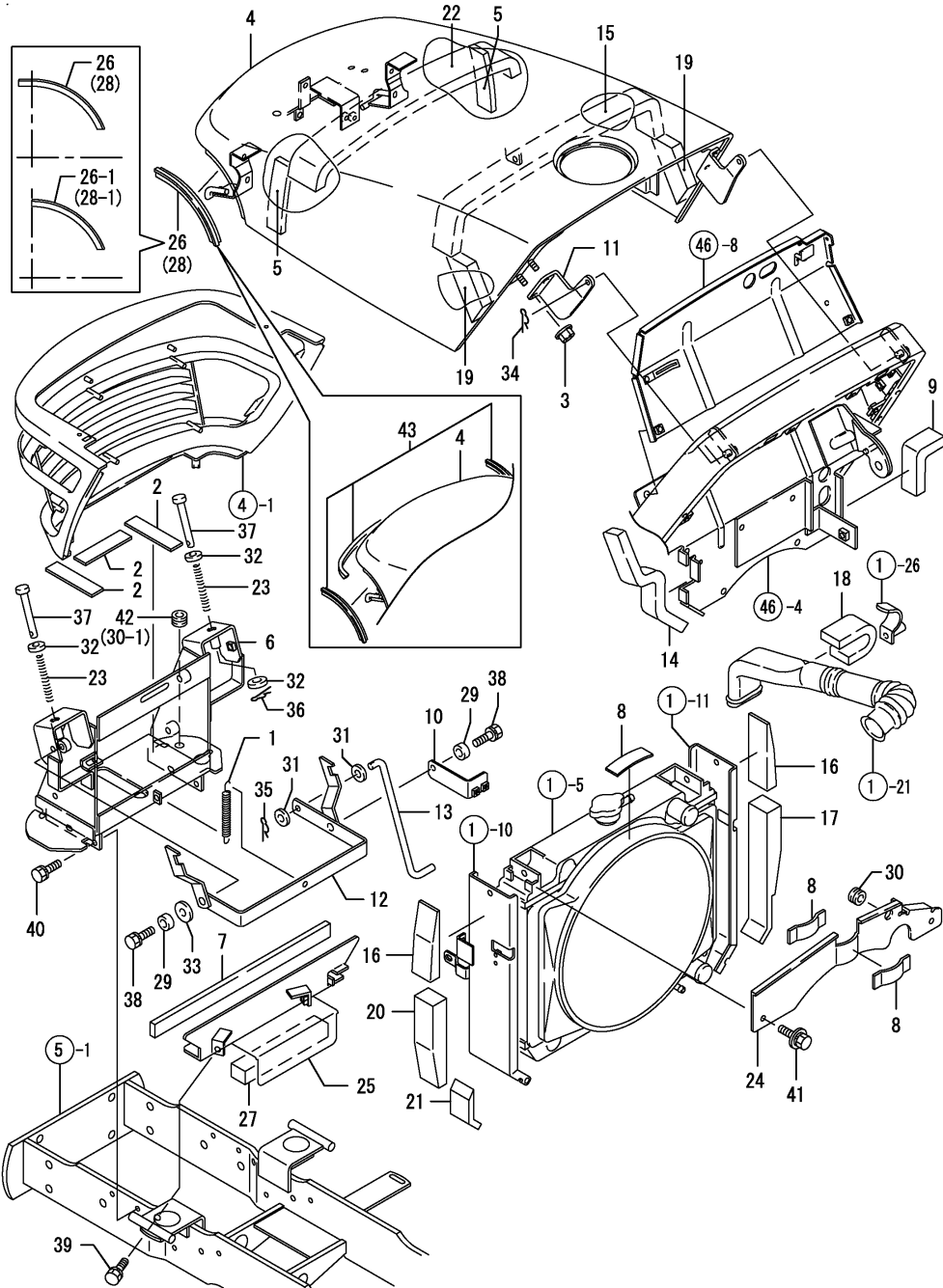
(D)=

(E)=

(F)=

No.	Lev.	Parts No.	Description	Qty						I	R
				(A)	(B)	(C)	(D)	(E)	(F)		
1	1	194200-01680	SPRING	1							
2	1	198165-04380	RUBBER, 100X25X3	3							
3	1	194990-22130	NUT, M6								
4	1	1A7740-61100	BONNET ASSY, M	1							
5	1	198162-61250	SEAL, BONNET SA	2							
6	1	198162-61310	STAY, BONNET	1							
7	1	198162-61340	SEAL, RADIATOR LOWER	1							
8	1	198162-61370	SEAL, RADIATOR E	3							
9	1	198421-61380	URETHANE,CS20X25X200	1							
10	1	1A7720-61400	STAY, HORN	1							
11	1	198162-61410	HINGE, BONNET L	1							
12	1	198162-61430	HOOK, BONNET	1							
13	1	198162-61440	LINK, HOOK	1							
14	1	198421-61460	FOAM, CS20X25X300	1							
15	1	198421-61470	FOAM, CS40X20X630	1							
16	1	198162-61480	FOAM, URETHANE	2							
17	1	198162-61490	FOAM, URETHANE	1							
18	1	198421-61510	FOAM, URETHANE	1							
19	1	198421-61540	PAD	2							
20	1	198163-61680	URETHANE	1							
21	1	198163-61690	URETHANE	1							
22	1	1A7720-61810	SEAL, BONNET UPPER	1							
23	1	198165-61850	SPRING, BONNET	2							
24	1	198162-61910	PLATE, PROTECT UPPER	1							
25	1	198162-61930	PLATE, PROTECT LOWER	1							
26	1	198162-61950	SEAL, LAMP SIDE L	1							
26-1	1	198162-61951	SEAL, LAMP SIDE L	1							S
26-2	1	198162-61951	SEAL, LAMP SIDE L	1							Z
27	1	198164-61950	SEAL, PLATE	1							
28	1	198162-61960	SEAL, LAMP SIDE R	1							
28-1	1	198162-61961	SEAL, LAMP SIDE R	1							S
28-2	1	198162-61961	SEAL, LAMP SIDE R	1							Z
29	1	1C6560-75311	COLLAR, 8.8X12X8	2							
30	1	172026-81740	GROMMET, 16X22X8	1							
30-1	1	172026-81740	GROMMET, 16X22X8	2							K
31	1	22137-080000	WASHER, 8	2							
32	1	22157-060000	WASHER, 6	4							
33	1	22157-080000	WASHER, 8	1							
34	1	22360-080000	SNAP PIN 8	1							
34-1	1	22372-080000	PIN, SNAP 8	1							N
35	1	22360-080000	SNAP PIN 8	1							
35-1	1	22372-080000	PIN, SNAP 8	1							N
36	1	22372-060000	PIN, SNAP 6	2							
37	1	22487-060800	PIN, H 6X 80	2							

Fig.45. HOOD

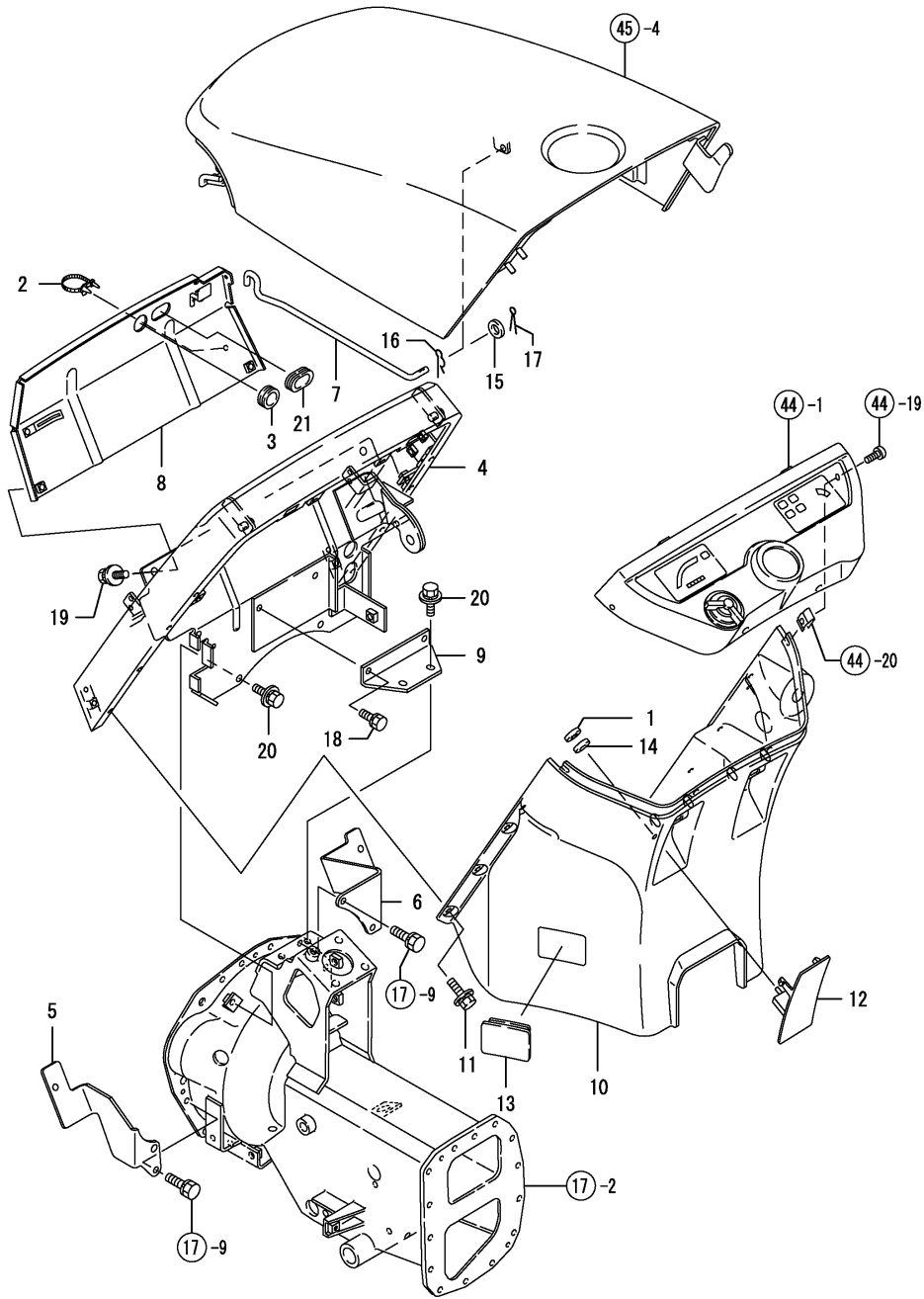


(A)=KE-20T
(B)=
(C)=

(D)=
(E)=
(F)=

No.	Lev.	Parts No.	Description	Q'ty						I	R
				(A)	(B)	(C)	(D)	(E)	(F)		
38	1	26013-080202	BOLT, M8X 20	2							
39	1	26016-080202	BOLT, M8X 20	2							
40	1	26016-080202	BOLT, M8X 20	4							
41	1	26018-080202	BOLT, M8X 20	2							
42	1	29311-092000	GROMET, 8.5X2	1							Z
(A=FXXXXXX)											
43	1	1A7720-53200	SEAL KIT, HEAD LAMP	1							W
(A=F010101)											

Fig.46. DASH BOARD



(A)=KE-20T
(B)=
(C)=

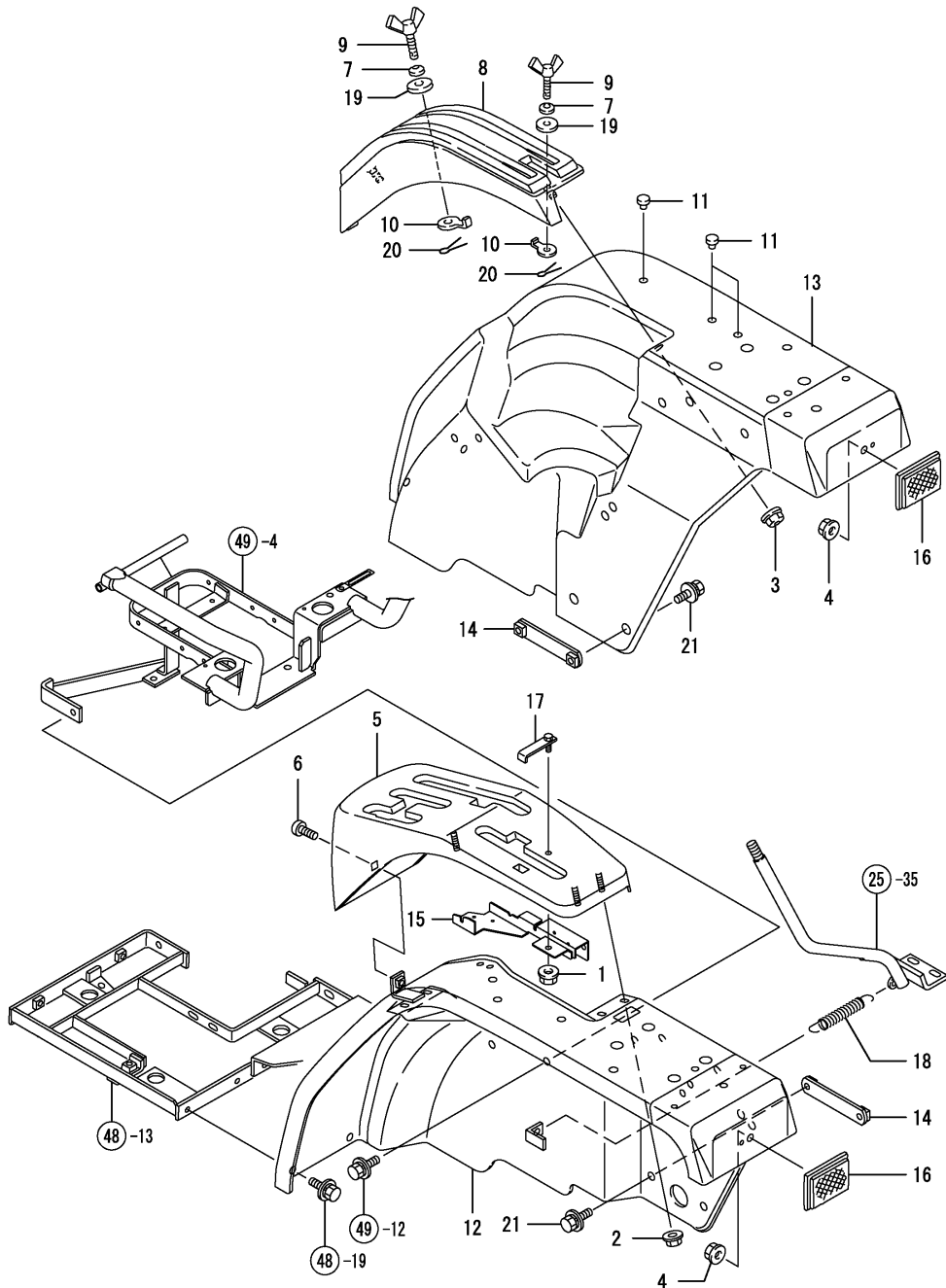
(D)=
(E)=
(F)=

No.	Lev.	Parts No.	Description	Q'ty						I	R
				(A)	(B)	(C)	(D)	(E)	(F)		
1	1	1C6460-38240	NUT 5,PUSH	1							
2	1	194680-51670	BAND, CLIP	1							
3	1	194162-58830	GROMMET, 20	2							
4	1	1A7740-61500	STAY ASSY, DASHBOARD	1							
5	1	198162-61530	BRACKET, L	1							
6	1	198162-61540	BRACKET, R	1							
7	1	198162-61551	ROD, BONNET	1							
8	1	198162-61570	PLATE, AIR SHIELD	1							
9	1	198164-61580	STAY, AIR CUT PLATE	1							
10	1	198162-61611	DASHBOARD	1							
11	1	198421-61620	BOLT, M6X20	8							
12	1	198162-61630	COVER, DASHBOARD	1							
13	1	194802-62310	CAP, RUBBER	1							
14	1	194555-65130	CUSHION	1							
15	1	22117-080000	WASHER, 8	1							
16	1	22360-080000	SNAP PIN 8	1							
16-1	1	22372-080000	PIN, SNAP 8	1							N
(A=F010101)											
17	1	22417-200160	PIN, COTTER 2.0X16	1							
18	1	26016-080202	BOLT, M8X 20	2							
19	1	26018-080162	BOLT, M8X 16	2							
20	1	26018-080202	BOLT, M8X 20	4							
21	1	29311-252000	GROMMET, 25.0X2	1							

Fig.47. FENDER

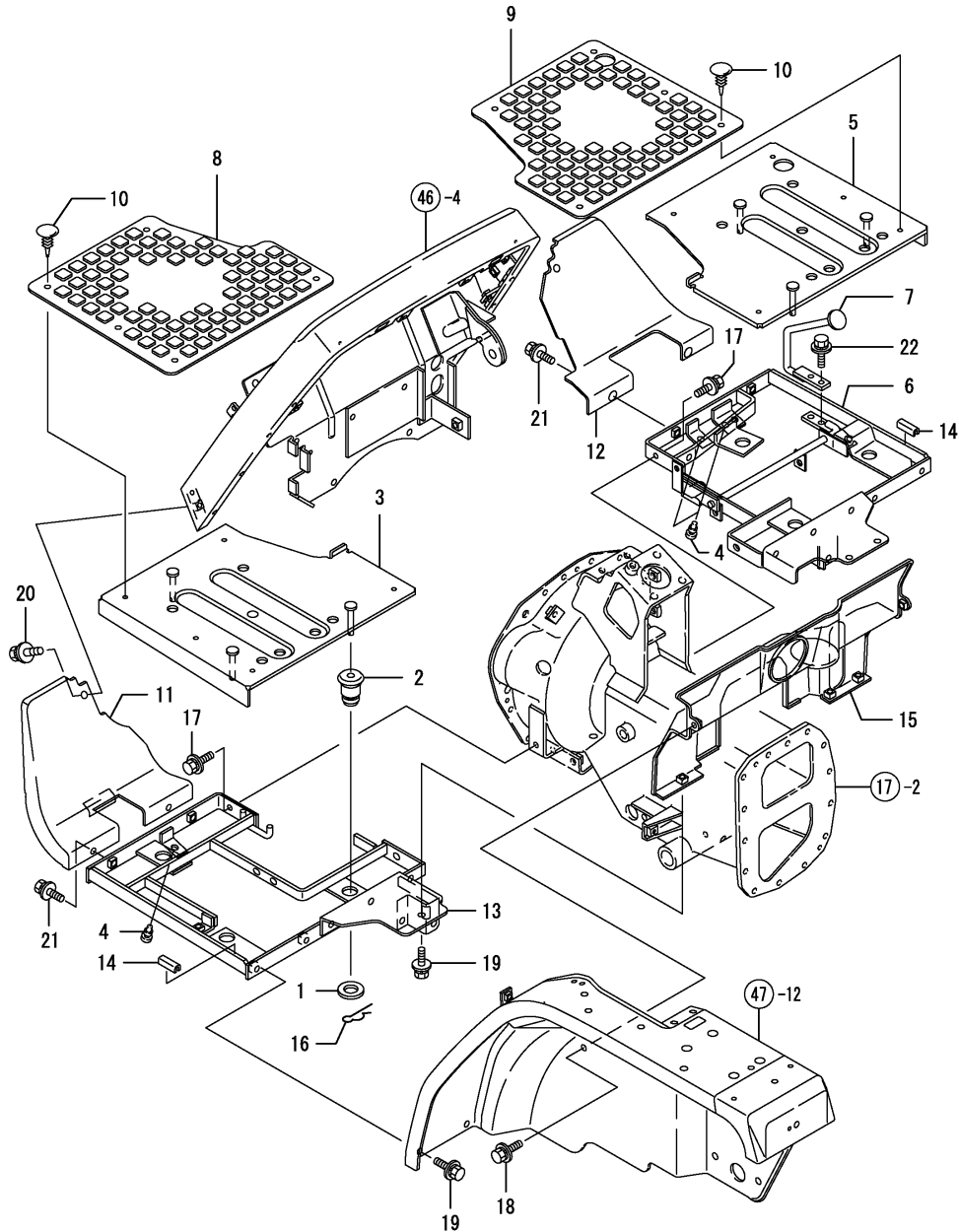
(A)=KE-20T
(B)=
(C)=

(D)=
(E)=
(F)=



No.	Lev.	Parts No.	Description	Q'ty						I	R
				(A)	(B)	(C)	(D)	(E)	(F)		
1	1	194990-22130	NUT, M6	1							
2	1	194990-22130	NUT, M6	3							
3	1	194990-22130	NUT, M6	2							
4	1	194990-22130	NUT, M6	2							
5	1	198163-27480	GUIDE, CHANGE LEVER	1							
6	1	1C6650-35150	SCREW, M6X16	1							
7	1	194300-37570	SPRING	2							
8	1	198435-47710	GUIDE, LEVER	1							
9	1	198431-47750	BOLT, WING	2							
10	1	198431-47760	STOPPER, LEVER	2							
11	1	194310-61610	GROMMET, 9	3							
12	1	198163-62110	FENDER (L)	1							
13	1	1A7740-62100	FENDER ASSY, R M	1							
14	1	198162-62210	CLAMP, FENDER	2							
15	1	1A7720-62250	BRACKET, SWITCH ASSY	1							
15-1	1	1C1280-62250	BRACKET, SWITCH ASSY	1							N
(A=F010264)											
16	1	1A6750-62300	REFLECTOR	2							
16-1	1	1A7720-62300	REFLECTOR	2							N
(A=F010101)											
17	1	1A7740-62300	STOPPER, LEVER	1							
18	1	198421-62410	SPRING, 14X81.4	1							
19	1	22157-080000	WASHER, 8	2							
20	1	22417-200160	PIN, COTTER 2.0X16	2							
21	1	26018-080252	BOLT, M8X 25	4							

Fig.48. STEP



(A)=KE-20T
(B)=
(C)=

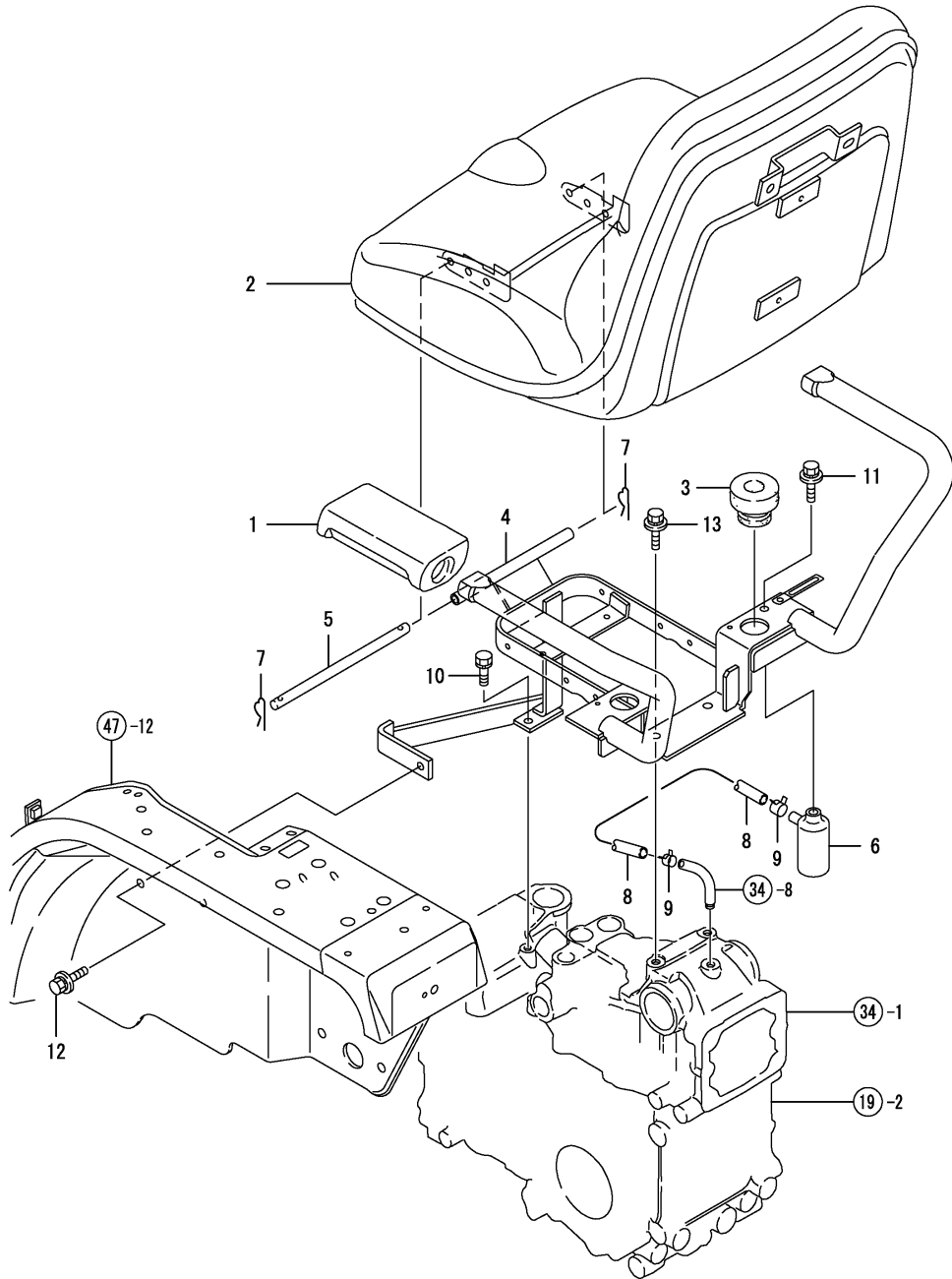
(D)=
(E)=
(F)=

No.	Lev.	Parts No.	Description	Q'ty						I	R
				(A)	(B)	(C)	(D)	(E)	(F)		
1	1	198220-62150	WASHER	6							
2	1	198240-62451	ABSORBER, STEP	6							
3	1	198162-62510	STEP ASSY, L	1							
4	1	194330-62530	STOPPER, PEDAL	3							
5	1	198162-62560	STEP ASSY, R	1							
6	1	198162-62580	FRAME, STEP R	1							
7	1	198162-62590	PEDAL, ACCELERATOR	1							
8	1	198162-62610	RUBBER, STEP L	1							
9	1	198162-62620	RUBBER, STEP R	1							
10	1	198162-62630	FASNER	10							
11	1	198162-62650	COVER, FOOT L	1							
12	1	798163-62670	COVER ASSY, FOOT R	1							
13	1	1A7720-62600	FRAME ASSY, STEP L	1							
14	1	198220-62890	RUBBER, STOPPER	8							
15	1	198162-62950	COVER, MISSION	1							
16	1	22372-080000	PIN, SNAP 8	6							
17	1	26018-080202	BOLT, M8X 20	4							
18	1	26018-080202	BOLT, M8X 20	5							
19	1	26018-080202	BOLT, M8X 20	4							
20	1	26018-080202	BOLT, M8X 20	2							
21	1	26018-080202	BOLT, M8X 20	4							
22	1	26018-080202	BOLT, M8X 20	2							

Fig.49. OPERATOR SEAT

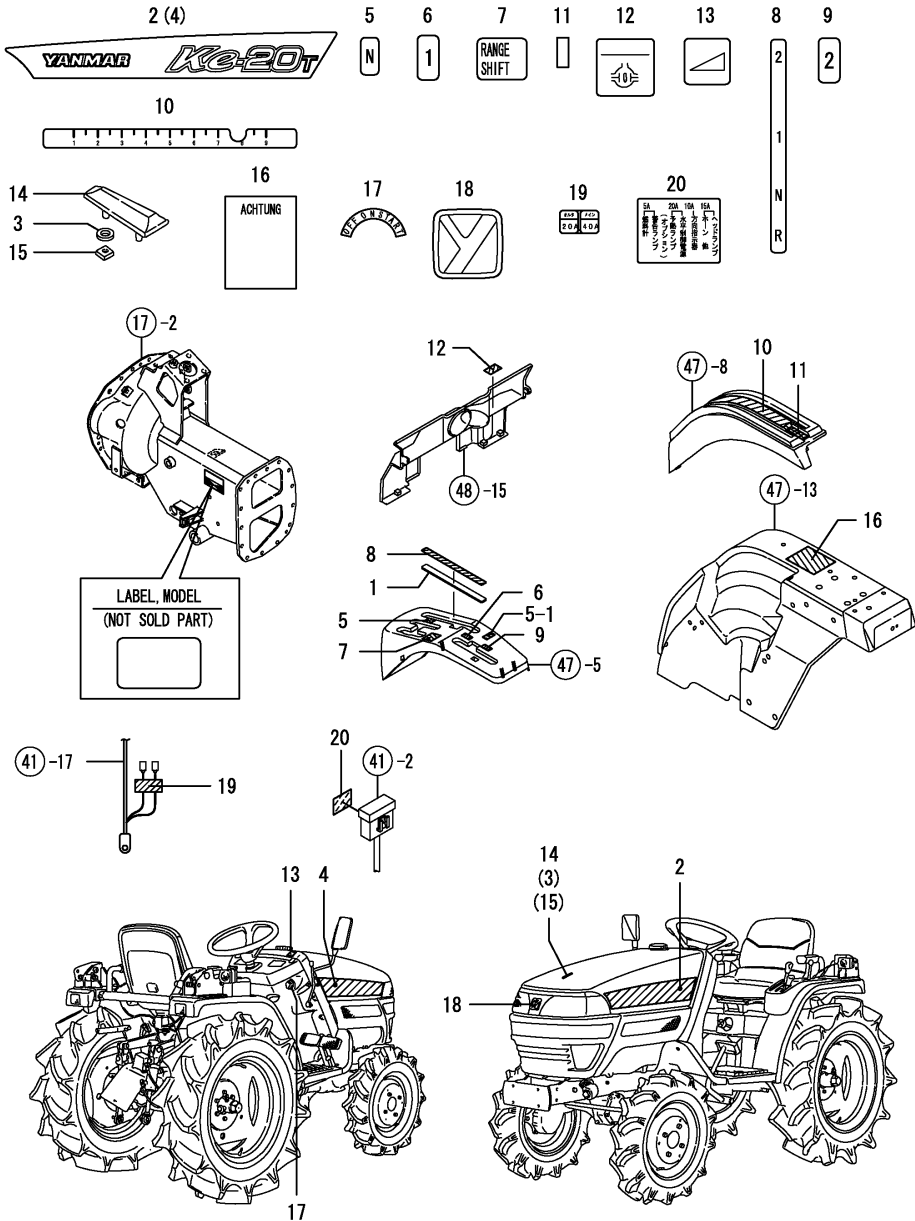
(A)=KE-20T
(B)=
(C)=

(D)=
(E)=
(F)=



No.	Lev.	Parts No.	Description	Q'ty						I	R
				(A)	(B)	(C)	(D)	(E)	(F)		
1	1	198435-62410	GRIP, ASSIST BAR	2							
2	1	1A7720-63010	SEAT ASSY, OPERATOR	1							
3	1	198421-63140	RUBBER, CUSHION	2							
4	1	198163-63212	SEAT ASSY, BRACKET	1							
4-1	1	198163-63213	BRACKET ASSY, SEAT	1							R
(A=F010101)											
5	1	198425-63270	PIN, 8X190	1							
6	1	194205-63550	BREATHER, AIR	1							
7	1	22372-080000	PIN, SNAP 8	2							
8	1	23065-090400	PIPE, 9X 400	1							
9	1	23080-012000	CLAMP, 12	2							
10	1	26013-080202	BOLT, M8X 20	1							
11	1	26018-080162	BOLT, M8X 16	1							
12	1	26018-080202	BOLT, M8X 20	2							
13	1	26018-080252	BOLT, M8X 25	2							

Fig.51. LABELS

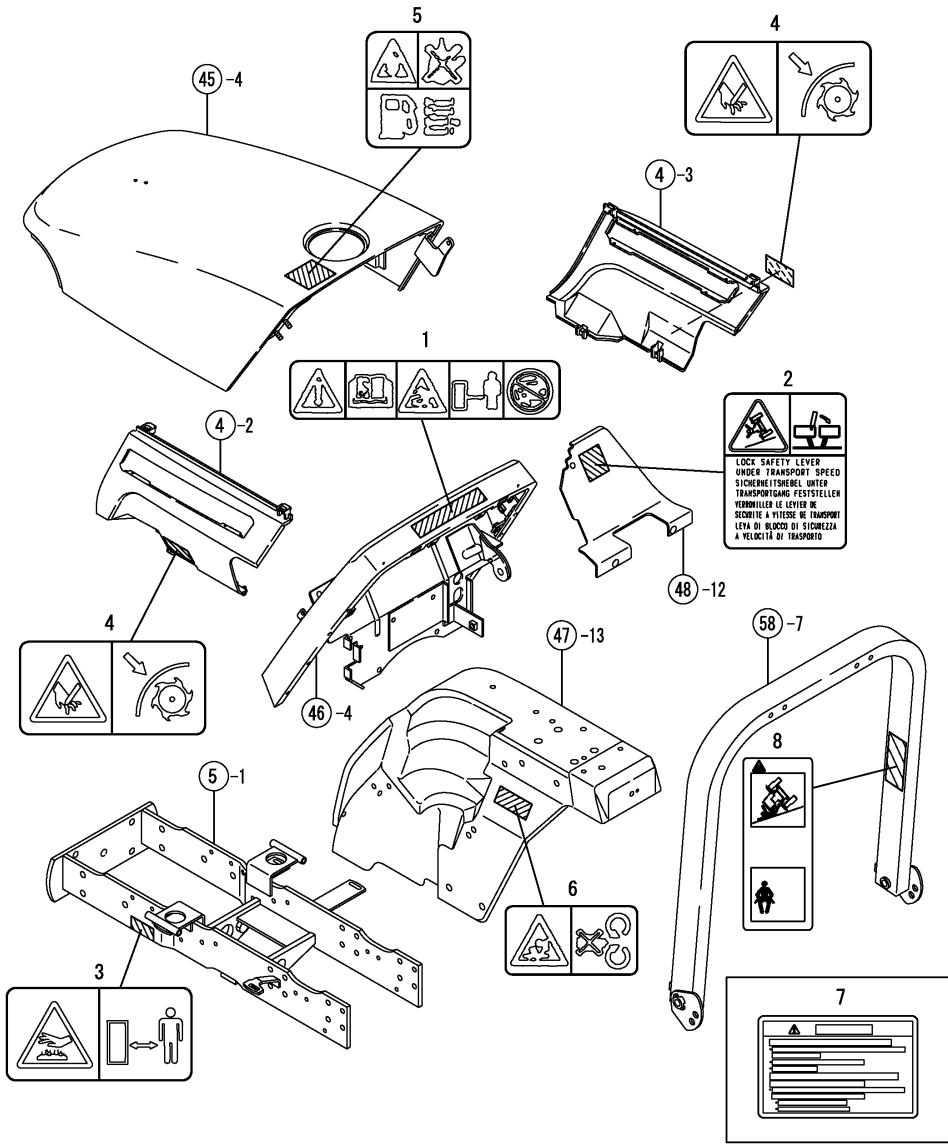


(A)=KE-20T
(B)=
(C)=

(D)=
(E)=
(F)=

No.	Lev.	Parts No.	Description	Q'ty						I	R
				(A)	(B)	(C)	(D)	(E)	(F)		
1	1	198163-27420	PLATE ASSY, GUIDE	1							
2	1	1A7740-65130	LABEL, NAME	1							
2-1	1	1A7740-65131	LABEL, NAME	1							R
(A=F010101)											
3	1	194555-65130	CUSHION	2							
4	1	1A7740-65140	LABEL, NAME	1							
4-1	1	1A7740-65141	LABEL, NAME	1							R
(A=F010101)											
5	1	198435-65220	LABEL,N	1							
5-1	1	198435-65220	LABEL,N	2							K
(A=F010101)											
6	1	1A7740-65200	LABEL, 1	1							
7	1	198435-65240	LABEL,SUB-CHANGE	1							
8	1	198163-65270	LABEL,MAIN CHANGE	1							
9	1	1A7740-65210	LABEL, 2	1							
10	1	198036-65420	LABEL,HYDROOLIFT	1							
11	1	198421-65430	LABEL,	1							
12	1	194240-65441	LABEL, DIFF. LOCK	1							
13	1	1A6640-65530	LABEL,THROTTLE	1							
14	1	1A6750-65590	MARK, TOP	1							
15	1	194200-65611	NUT, M5	2							
16	1	1A6770-65630	LABEL (PINCH CLEARE.	1							
17	1	198010-65720	LABEL	1							
18	1	198421-65030	MARK 50,YANMAR	1							
19	1	1A7720-65770	LABEL,	1							W
(A=FXXXXXX)											
20	1	198162-65890	LABEL,FUSE	1							W
(A=FXXXXXX)											

Fig.52. LABELS(SAFETY)

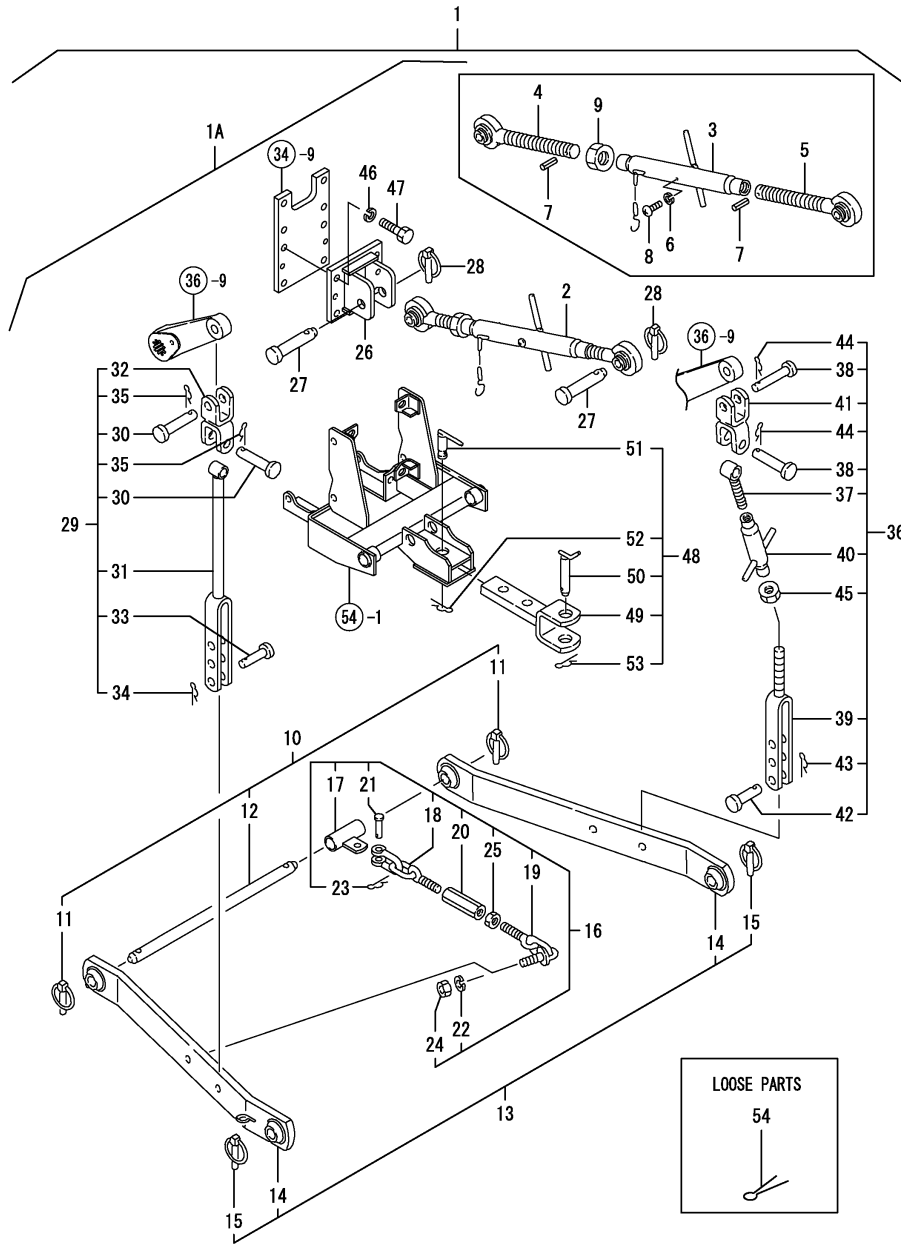


(A)=KE-20T
 (B)=
 (C)=

(D)=
 (E)=
 (F)=

No.	Lev.	Parts No.	Description	Q'ty						I	R
				(A)	(B)	(C)	(D)	(E)	(F)		
1	1	198163-65310	LABEL, SAFETY	1							
2	1	198163-65780	LABEL,BRAKE COUPLING	1							
3	1	198163-65930	CAUTION,MUFFLER	1							
4	1	198163-65940	CAUTION,SAFETY COVER	2							
5	1	1A6150-91251	LABEL,RAKE CAUTION	1							
6	1	1A6150-93151	LABEL,COVER	1							
7	1	1A7680-65350	LABEL,WARNING,ROPS	1							
8	1	1A7680-65910	LABEL,ROPS WARNING	1							

Fig.53. THREE POINTS HITCH



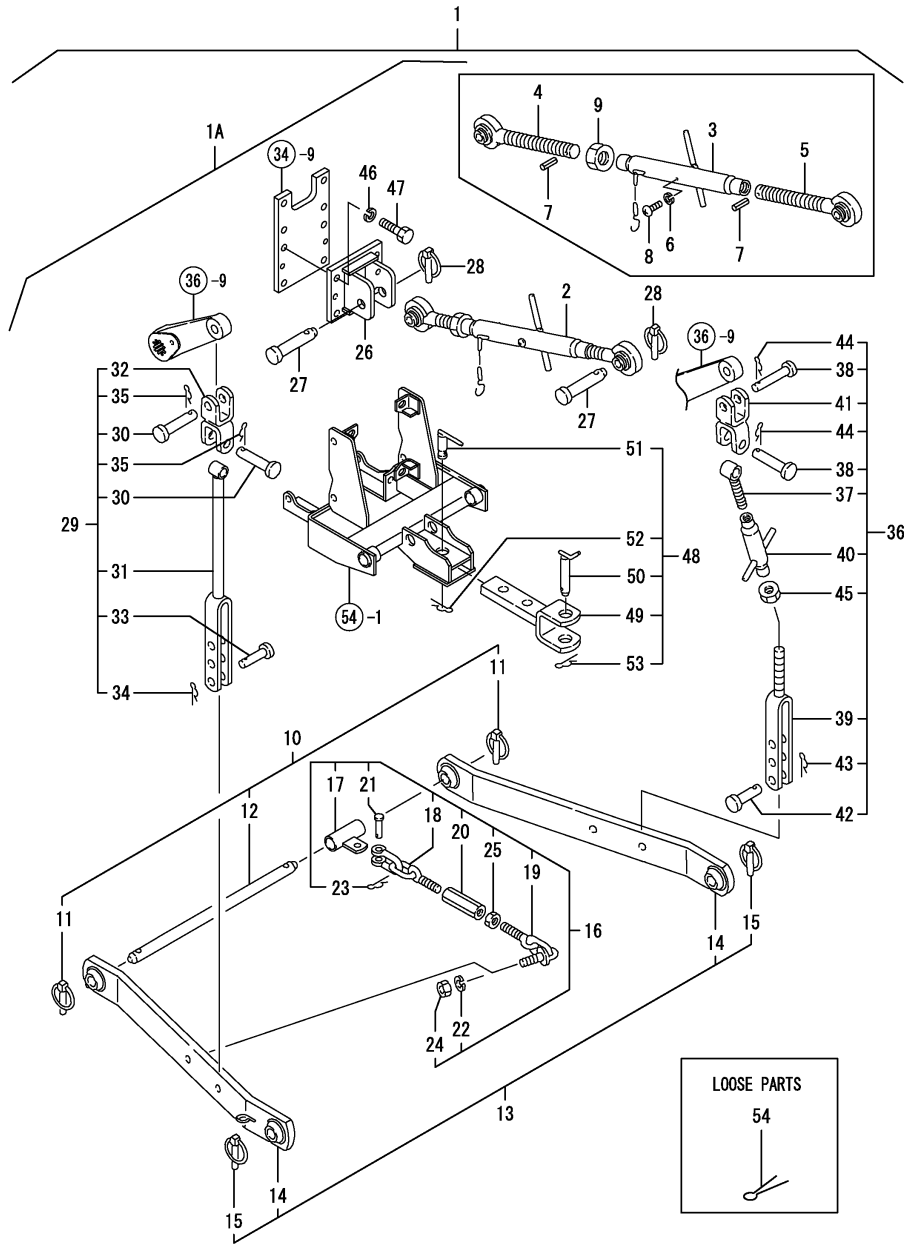
(A)=KE-20T
(B)=
(C)=

(D)=
(E)=
(F)=

No.	Lev.	Parts No.	Description	(A)	(B)	(C)	(D)	(E)	(F)	Q'ty	I	R
1	1	7A7740-71000	DRAWBAR KIT, 3P							1		
1A	2	7A7740-71100	HITCH KIT, 3-POINT							1		
2	3	7T6963-01100	LIK-ASSY, TOP T-710							1		
3	4	194555-71500	TURNBUCKLE							1		
4	4	194145-71600	LINK ASSY, TOP R							1		
5	4	194145-71700	LINK ASSY, TOP L							1		
6	4	22217-060000	WASHER, SPRING 6							1		
7	4	22351-040024	PIN, SPRING 4.0X24							2		
8	4	26557-060102	SCREW, M6X10							1		
9	4	26756-240002	NUT, LOCK M24							1		
10	3	7T6962-10000	HINGE F13, LOWER LINK							1		
11	4	794130-71410	PIN ASSY, BALL							2		
12	4	194193-73160	PIN, HINGE							1		
13	3	7T6964-18600	LINK ASSY., LOWER							1		
14	4	1T6964-18610	LINK ASSY, LOWER							2		
15	4	794130-71410	PIN ASSY, BALL							2		
16	3	7T6964-18700	CHECK CHAIN ASY							1		
17	4	1T6962-10250	SUPPORTER,CHK.CHAIN							2		
18	4	1T6964-18710	CHAIN COMP.,FRNT.CHK							2		
19	4	1T6964-18760	CHAIN COMP.,REAR CHK							2		
20	4	1T6964-18790	NUT 10							2		
21	4	194150-74630	PIN, SHACKLE							2		
22	4	22217-160000	WASHER, SPRING 16							2		
23	4	22360-140000	PIN, SNAP 14							2		
24	4	26716-160002	NUT, M16							2		
25	4	26756-140002	NUT, LOCK M14							2		
26	3	1T6964-19510	HINGE ASSY, TOP LIN							1		
27	3	194150-71230	PIN, LINK							2		
28	3	794130-71410	PIN ASSY, BALL							2		
29	3	1A7740-72000	LINK ASSY, LIFT L							1		
30	4	195165-17390	PIN, 16X48							2		
31	4	1A7740-72100	LINK ASSY, LIFT L							1		
32	4	194193-72410	JOINT ASSY, LINK							1		
33	4	194150-72460	PIN, LIFT YOKE							1		
34	4	22360-140000	PIN, SNAP 14							1		
35	4	22360-160000	PIN, SNAP 16							2		
36	3	1A7740-72200	LINK ASSY, LIFT R							1		
37	4	1T6961-10300	LINK R,LIFT UPPER							1		
38	4	195165-17390	PIN, 16X48							2		
39	4	1A7740-72210	LINK ASSY, LIFT R							1		
40	4	194190-72231	TURNBUCKLE,LIFT LINK							1		
41	4	194193-72410	JOINT ASSY, LINK							1		
42	4	194150-72460	PIN, LIFT YOKE							1		
43	4	22360-140000	PIN, SNAP 14							1		
44	4	22360-160000	PIN, SNAP 16							2		
45	4	26756-180002	NUT, LOCK M18							1		
46	3	22217-120000	WASHER, SPRING 12							4		
47	3	26116-120452	BOLT, M12X 45 PLATED							4		
48	2	7A7740-75100	HITCH KIT, DRAWBAR							1		
49	3	1T6964-18810	HITCH, DRAWBER							1		
50	3	194145-75240	PIN, HITCH 22							1		

Remarks
(1) LOOSE PARTS

Fig.53. THREE POINTS HITCH



(A)=KE-20T
(B)=
(C)=

(D)=
(E)=
(F)=

No.	Lev.	Parts No.	Description	Q'ty						I	R
				(A)	(B)	(C)	(D)	(E)	(F)		
51	3	194340-75530	PIN, HITCH	1							
52	3	22360-200000	PIN, SNAP 20	1							
53	3	22360-200000	PIN, SNAP 20	1							
54	1	22417-320250	PIN, COTTER 3.2X25	2							1

Remarks
(1) LOOSE PARTS

Fig.54. REAR HITCH & DRAWBAR HITCH

(A)=KE-20T
(B)=
(C)=

(D)=
(E)=
(F)=

No.	Lev.	Parts No.	Description	Q'ty						I	R
				(A)	(B)	(C)	(D)	(E)	(F)		
1	1	7A7740-75200	HITCH KIT, REAR	1							
2	2	1A7740-75210	HITCH ASSY, REAR	1							
2-1	2	1A7740-75211	HITCH ASSY, REAR	1							N
			(A=F010201)								
3	2	26013-120302	BOLT, M12X 30	14							

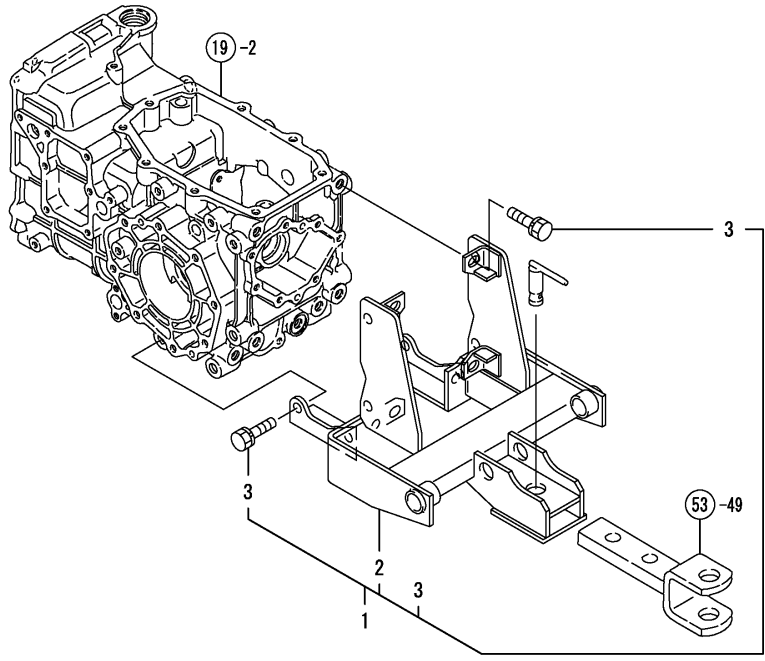
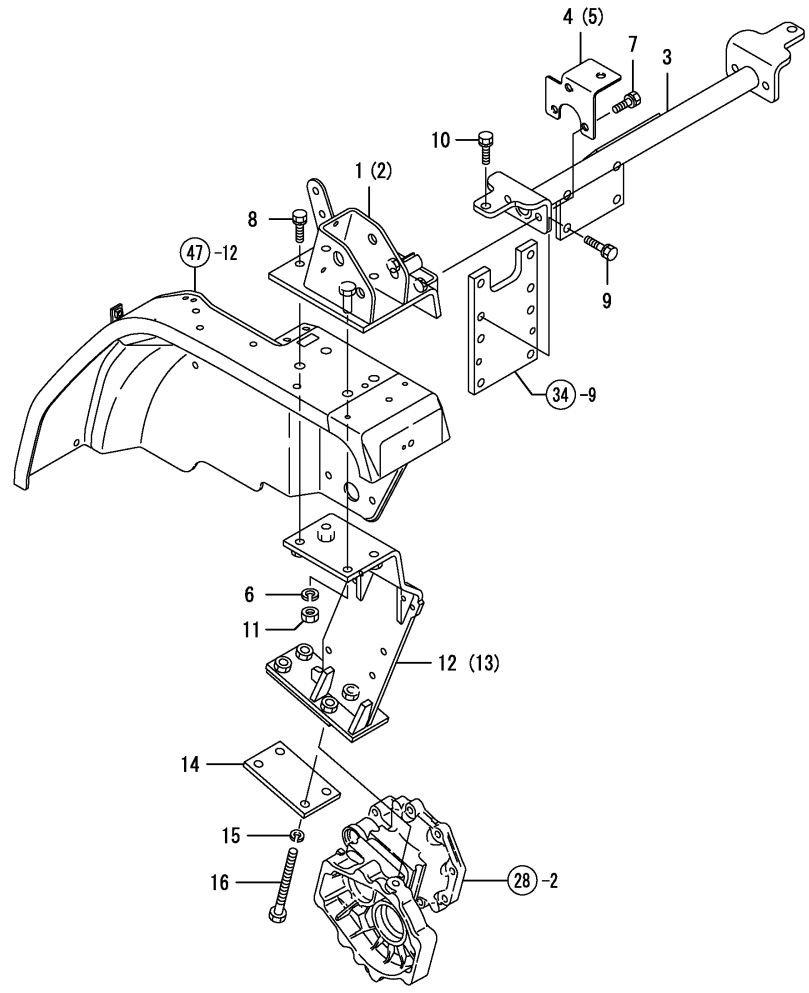
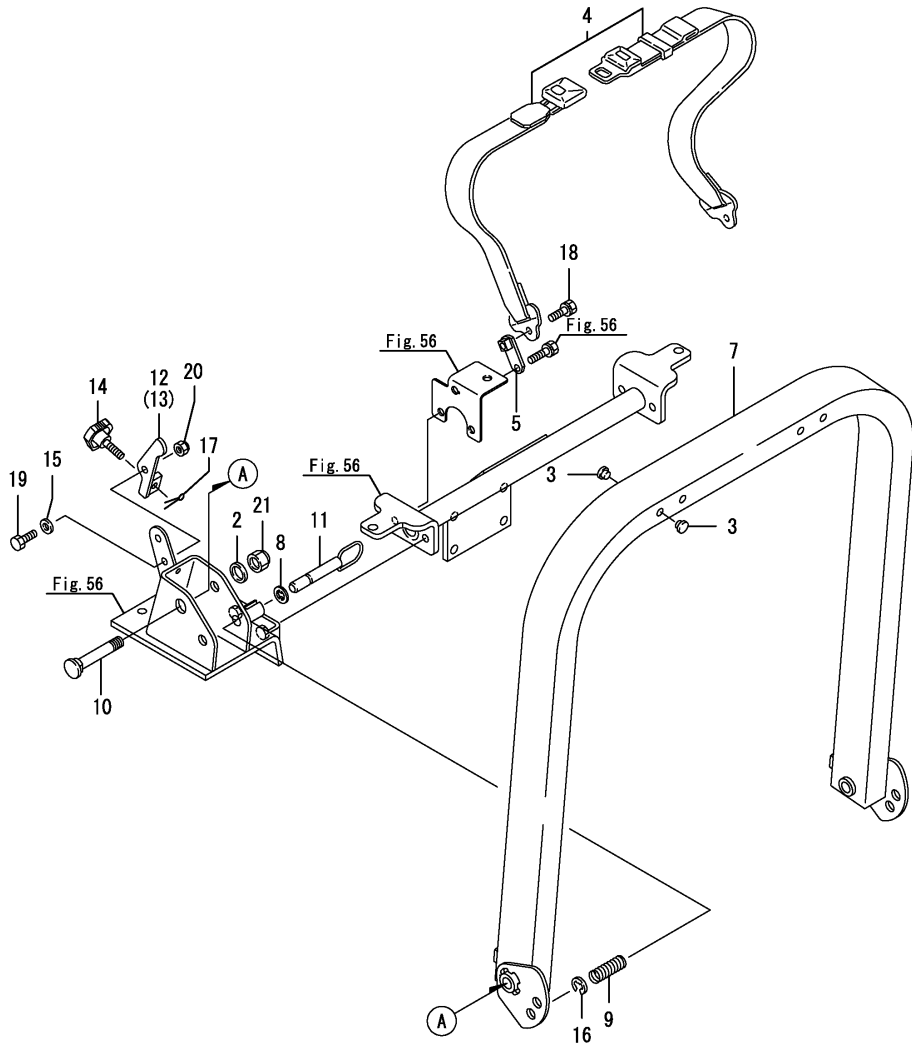


Fig.56. JOINT FRAME & LOWER FRAME



No.	Lev.	Parts No.	Description	Q'ty						I	R
				(A)	(B)	(C)	(D)	(E)	(F)		
1	1	198162-85500	STAY ASSY, UPPER L	1							
1-1	1	198162-85501	STAY ASSY, UPPER L	1							N
(A=F010101)											
2	1	198162-85550	STAY ASSY, UPPER R	1							
2-1	1	198162-85551	STAY ASSY, UPPER R	1							N
(A=F010101)											
3	1	198163-85701	FRAME, JOINT	1							
4	1	1A7740-85710	STAY, REAR LAMP L	1							
5	1	1A7740-85720	STAY, REAR LAMP R	1							
6	1	22217-120000	WASHER, SPRING 12	2							
7	1	26013-100302	BOLT, M10X 30	4							
8	1	26013-120352	BOLT, M12X 35	4							
9	1	26013-120352	BOLT, M12X 35	4							
10	1	26013-120452	BOLT, M12X 45	2							
11	1	26717-120002	NUT, M12	2							
12	1	198163-85301	FRAME ASSY, LOWER CL	1							
13	1	198163-85351	FRAME ASSY, LOWER CR	1							
14	1	198162-85360	PLATE, LOWER L	2							
15	1	22217-120000	WASHER, SPRING 12	8							
16	1	26116-121302	BOLT, M12X130 PLATED	8							

Fig.58. ROPS



(A)=KE-20T
(B)=
(C)=

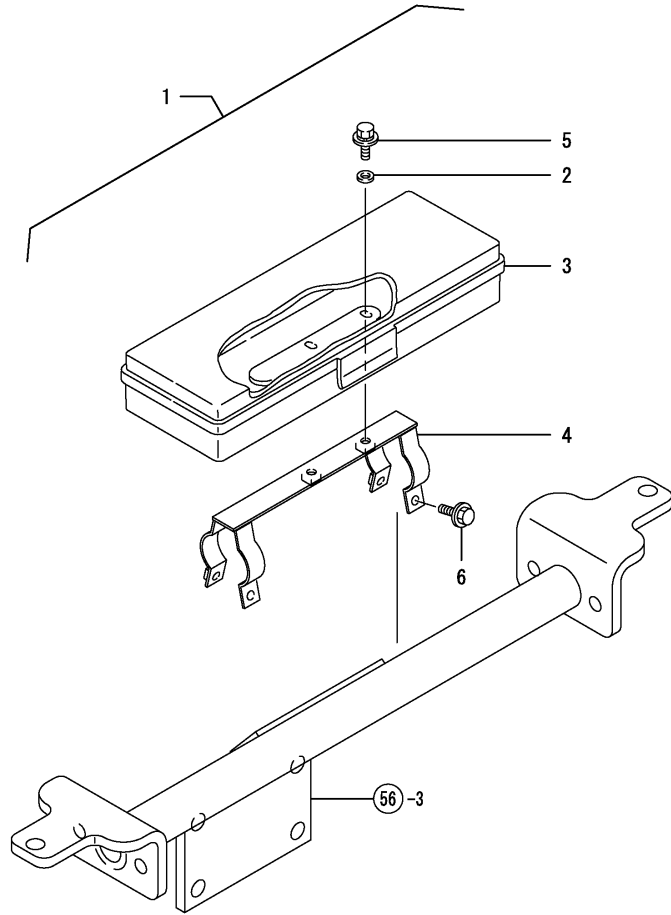
(D)=
(E)=
(F)=

No.	Lev.	Parts No.	Description	Qty						I	R
				(A)	(B)	(C)	(D)	(E)	(F)		
2	1	194197-25930	WASHER, 17X24X1.6	2							
3	1	194630-62360	GROMMET	8							
4	1	1A6750-63050	BELT, SEAT	1							
5	1	198162-63161	STAY, SEAT BELT	2							
7	1	1A7740-85130	FRAME ASSY, UPPER D	1							
8	1	198121-85150	SEAT, PIN	2							
9	1	198162-85400	SPRING, 1.4	2							
10	1	198101-85411	PIN, 16	2							
11	1	198162-85580	PIN, HOLD	2							
12	1	198162-85830	STOPPER, L	1							
13	1	198162-85840	STOPPER, R	1							
14	1	198162-85850	BOLT, M6X15	2							
15	1	22137-100000	WASHER, 10	4							
16	1	22272-000120	RING, E-12	2							
17	1	22417-200160	PIN, COTTER 2.0X16	2							
18	1	26013-100202	BOLT, M10X 20	2							
19	1	26116-100302	BOLT, M10X 30 PLATED	2							
20	1	26346-100002	NUT, M10	2							
21	1	26356-160002	NUT, M16	2							

Fig.57. TOOL BOX

(A)=KE-20T
(B)=
(C)=

(D)=
(E)=
(F)=



No.	Lev.	Parts No.	Description	Q'ty						I	R
				(A)	(B)	(C)	(D)	(E)	(F)		
1	1	1A7720-92200	BOX KIT, TOOL	1							
1-1	1	1A7720-92201	TOOLBOX KIT,	1							N
(A=FXXXXX)											
2	2	198255-63860	WASHER	1							
3	2	198093-84800	BOX, TOOL	1							
3-1	1	198093-84801	TOOLBOX,	1							N
(A=FXXXXX)											
4	2	1A7720-92210	BRACKET, TOOL BOX	1							
5	2	26106-060162	BOLT, M6X 16 PLATED	2							
6	2	26106-060252	BOLT, M6X 25 PLATED	2							

Parts No. Index

Parts No.	Fig. No.	Ref. No.
0A041-B00100	59	1
101504-55051	3	7
101504-55101	3	8
102103-55520	1	33
104200-55321	1	36
104200-55330	1	37
104200-55750	1	42
104500-55710	1	44
105015-55040	3	6
110250-55610	1	34
119247-77100	42	17
119462-44550	1	8
119462-55620	1	31
119626-55690	1	35
119629-49070	1	16
119629-49080	1	17
119650-13620	1	2
		4
119650-77902	1	47
119650-77910	1	48
119650-77930	1	50
119810-55340	1	38
119865-55660	1	39
121250-44590	1	9
121454-44590	1	29
121750-59890	41	26
123440-91140	44	21
124064-55510	1	32
124160-77020	1	46
129107-44590	1	7
129150-49080	1	15
129155-55740	1	41
171125-55730	1	40
172026-81740	45	30
		30 -1
172510-76310	16	28
172520-76210	16	3
		27
194080-37781	33	19
194145-61640	44	19
194145-71600	53	4
194145-71700	53	5
194145-75240	53	50
194150-01270	2	8
194150-01370	2	9
194150-45320	38	21
194150-71230	53	27
194150-72460	53	33
		42
194150-74630	53	21

Parts No.	Fig. No.	Ref. No.
194151-36670	13	5
	17	4
194151-42832	34	10
194151-47760	2	11
	39	30
194162-58830	46	3
194167-61650	44	20
194180-46320	38	13
194180-47440	39	18
194190-72231	53	40
194191-28540	23	12
194193-72410	53	32
		41
194193-73160	53	12
194195-45620	38	3
194195-45640	38	5
194195-45650	38	6
194195-46260	38	8
194197-25930	58	2
194197-27681	24	9
194197-44610	36	10
194197-51630	41	22
194200-01680	45	1
194200-34750	31	10
194200-53400	43	23
194200-65611	51	15
194201-11230	17	1
	19	1
194205-42280	34	8
194205-63550	49	6
194208-47450	39	19
194208-47510	39	3
194208-47530	39	24
194215-04220	3	18
194215-12340	6	4
	16	1
194215-21701	17	14
194215-22210	17	18
194215-22220	17	19
194215-22230	17	20
194215-24970-1	19	32
194215-47840	39	34
194240-65441	51	12
194242-53600	43	27
194242-53610	43	28
194242-53620	43	29
194242-53630	43	30
194242-53640	43	31
194242-55430	43	32
194242-55440	43	33

Parts No.	Fig. No.	Ref. No.
194250-51650	41	23
194250-51660	16	16
	41	24
194273-47910	39	73
194300-13340	6	2
194300-21460	17	3
194300-22160	18	3
194300-22240	17	21
194300-22910	18	4
194300-31560	27	7
194300-31570	27	8
194300-31620	27	9
194300-37570	33	12
	47	7
194305-24310	20	1
194305-25160	21	3
194306-13140	21	1
	22	1
	23	18
194310-21210	39	33
194310-25100	17	22
	23	1
194310-46350	34	12
194310-46380	34	13
194310-46730	34	14
194310-47790	39	31
194310-61610	47	11
194312-46630	38	15
194312-46750	19	6
	34	15
194330-62530	48	4
194340-75530	53	51
194420-47370	39	74
194420-56620	3	10
194420-62260	3	19
194440-51620	41	21
194447-13490	9	5
194447-13640	30	6
194447-13650	28	1
194447-13860	7	2
194515-25180	23	2
194516-13770	10	9
194516-13780	10	11
194550-47910	39	36
194555-46640	38	30
194555-47340	39	8
194555-47350	39	10
194555-55820	44	8
		12
194555-57200	44	18

Parts No.	Fig. No.	Ref. No.
194555-65130	4	20
	46	14
	51	3
194555-71500	53	3
194555-77910	19	7
194630-43230	34	11
194630-62360	58	3
194640-46410	38	25
194640-46420	38	26
194640-46620	38	14
194670-25370	11	2
194680-51670	41	25
	46	2
194740-00322	18	7
	33	1
194802-62310	46	13
194850-13660	9	7
194850-25760	23	27
194850-42180	34	6
194850-42190	34	7
194850-45700	38	7
194850-49230	38	9
194855-24150	23	20
194855-24290	19	4 -1
194855-25290	20	7
194856-25330	21	12
	22	2
194856-25340	21	13
194859-34150	20	8
194940-04240	3	3
194940-04250	3	4
194940-52110	42	10 -1
194990-20170	18	8
	33	4
194990-22050	1	28
	24	21
	26	19
194990-22130	43	1
	45	3
	47	1
		2
		3
		4
194990-22140	25	1
195165-17390	53	30
		38
198010-65720	51	17
198036-65420	51	10
198071-24350	19	3 A
198071-37510	18	15

Parts No. Index

Parts No.	Fig. No.	Ref. No.
198071-37510	33	9
198093-84800	57	3
198093-84801	57	3 -1
198101-85411	58	10
198121-85150	58	8
198133-22510	18	13
	33	5
198133-22530	18	14
	33	6
198162-00510	1	1
198162-00520	1	3
198162-00530	1	4 A
198162-00640	1	12
198162-00660	1	18
198162-00670	1	19
198162-00710	1	22
198162-00770	1	25
198162-00860	1	6
198162-01210	2	20
198162-04111	3	2
198162-05381	4	4
198162-05391	4	5
198162-05410	4	6
198162-05430	4	8
198162-05440	4	9
198162-05462	4	10
198162-05470	4	11
198162-05480	4	12
198162-05491	4	13
198162-22410	18	9
198162-26130	23	4
198162-33130	29	3
198162-33140	29	11
198162-36080	32	1
198162-36380	32	5
198162-37302	33	8
198162-37641	33	13
198162-37670	33	15
198162-37681	33	16
198162-42810-1	34	9
198162-47630	39	75
198162-52110	42	10
198162-52150	42	11
198162-52430	41	4
198162-52440	41	5
198162-58110	42	3
198162-58140	42	4
198162-58800	1	45
198162-61250	45	5
198162-61310	45	6

Parts No.	Fig. No.	Ref. No.
198162-61340	45	7
198162-61370	45	8
198162-61410	45	11
198162-61430	45	12
198162-61440	45	13
198162-61480	45	16
198162-61490	45	17
198162-61530	46	5
198162-61540	46	6
198162-61551	46	7
198162-61570	46	8
198162-61611	46	10
198162-61630	46	12
198162-61661	33	22
198162-61670	33	23
198162-61910	45	24
198162-61930	45	25
198162-61950	45	26
198162-61951	45	26 -1
		26 -2
198162-61960	45	28
198162-61961	45	28 -1
		28 -2
198162-62210	47	14
198162-62510	48	3
198162-62560	48	5
198162-62580	48	6
198162-62590	48	7
198162-62610	48	8
198162-62620	48	9
198162-62630	48	10
198162-62650	48	11
198162-62950	48	15
198162-63161	58	5
198162-65890	51	20
198162-85360	56	14
198162-85400	58	9
198162-85500	56	1
198162-85501	56	1 -1
198162-85550	56	2
198162-85551	56	2 -1
198162-85580	58	11
198162-85830	58	12
198162-85840	58	13
198162-85850	58	14
198163-00770	1	26
198163-00850	2	1
198163-17752	16	5
198163-17760	16	6
198163-17771	16	7

Parts No.	Fig. No.	Ref. No.
198163-17870	16	25
198163-21100	17	2
198163-24321	19	24 -1
198163-25111	20	2
198163-25221	21	5
198163-25250	21	8
198163-25280	20	6
198163-25740	22	5
198163-25750	22	6
198163-26121	23	3
198163-26153	23	6
198163-26162	23	7
198163-26190	23	9
198163-26230	23	21
198163-26410	23	11
198163-27120	25	4
198163-27130	25	5
198163-27200	24	2
198163-27270	25	35
198163-27420	51	1
198163-27480	47	5
198163-27510	24	4
198163-27520	24	5
198163-27531	24	7
198163-27540	24	23
	26	21
198163-27560	24	24
	26	22
198163-27572	24	25
198163-27630	24	26
198163-27711	26	3
198163-27720	26	4
198163-27730	26	5
198163-27760	26	7
198163-27790	26	8
198163-27840	26	25
198163-27870	26	9
198163-27910	24	27
	26	26
198163-43310	36	1
198163-45610	38	2
198163-47360	39	12
198163-47370	39	13
198163-47800	39	32
198163-48170	40	2
198163-48280	40	5
198163-51310	1	30
198163-61680	45	20
198163-61690	45	21
198163-62110	47	12

Parts No.	Fig. No.	Ref. No.
198163-63212	49	4
198163-63213	49	4 -1
198163-65270	51	8
198163-65310	52	1
198163-65780	52	2
198163-65930	52	3
198163-65940	52	4
198163-85301	56	12
198163-85351	56	13
198163-85701	56	3
198164-00620	1	10
198164-00630	1	11
198164-00720	1	23
198164-00730	1	24
198164-11550	5	6
198164-11570	5	7
198164-13310	8	1
198164-13770-1	10	5
198164-14620	8	5
198164-15750	15	1
198164-15760	15	3
198164-15770	15	4
198164-15780	15	2
198164-17410	15	8
198164-17420	15	9
198164-17450	15	10
198164-17461	15	11
198164-17470	15	13
198164-17500	15	15
198164-17540	16	2
198164-17780	16	8
198164-17830	16	23
198164-17850	16	24
198164-17900	16	26
198164-24510	19	26
198164-25150	20	5
198164-25210	21	4
198164-25230	21	6
198164-25770	22	7
198164-25790	22	8
198164-25800	22	9
198164-26140	23	5
198164-27150	25	7
198164-31340	27	1
198164-33410	30	1
198164-33420	30	2
198164-33510	30	5
198164-34700	31	1
198164-34710	31	2
		6

Parts No. Index

Parts No.	Fig. No.	Ref. No.
198164-34750	31	5
198164-37651	33	14
198164-51310	42	9
198164-51500	42	1
198164-56120	44	5
198164-56140	44	7
198164-56170	44	10
198164-61580	46	9
198164-61950	45	27
198164-81411	55	1
198164-81412	55	1 -1
198165-01130	2	4
198165-04380	45	2
198165-11350	10	1
198165-11500	5	3
198165-11510	5	4
198165-11540	5	5
198165-13101	7	5
198165-13120	7	1
198165-13511	9	1
198165-13521	9	2
198165-13532	9	3
	11	1
198165-13620-1	9	8
198165-13631	9	9
198165-13700	10	6
198165-13730-1	10	2
198165-13740-1	10	3
198165-13750	10	8
198165-13815	10	27
198165-13841	10	7
198165-13910	12	1
198165-13920	12	2
198165-14120	13	2
198165-14140	13	4
198165-14620	8	6
198165-14630	8	7
198165-17310	15	7
198165-17481	15	14
198165-17711	16	22
198165-21450	17	13
198165-24120-2	19	3
198165-24330	19	25
198165-24440	9	10
	10	14
	16	14
198165-24490	9	11
	10	15
	16	15
198165-26270	23	10

Parts No.	Fig. No.	Ref. No.
198165-27350	26	20
198165-27360	25	36
198165-32311	27	14
198165-32610-2	28	2
198165-32620-2	28	3
198165-42120	34	5
198165-51130	41	3
198165-61850	45	23
198200-17910	16	13
198200-53510	43	39
198200-53511	43	39 -1
198200-53520	43	46
198200-53521	43	46 -1
198200-53560	43	40
		40 -1
		47
		47 -1
198200-53580	43	45
		52
198200-57200	44	18 -1
198220-45340	38	1
198220-45350	38	22
198220-45370	38	23
198220-45630	38	4
198220-46400	38	24
198220-48750	40	6
198220-62150	48	1
198220-62890	48	14
198240-62451	48	2
198255-63860	57	2
198290-26850	19	5
198290-32750	28	7
198327-47930	24	10
198360-52160	42	11 -1
198421-00640	1	13
198421-00650	1	14
198421-00670	1	20
198421-00681	1	21
198421-01110	2	2
198421-01120	2	3
198421-01130	2	5
198421-01140	2	6
198421-01220	2	21
198421-01250	2	7
198421-04430	3	5
198421-13221	7	6
198421-13240	7	8
198421-13650	23	19
198421-14630	8	8
198421-22110	17	17

Parts No.	Fig. No.	Ref. No.
198421-22151	18	2
198421-22440	18	10
198421-24910	19	31
198421-25250	21	9
198421-25800	22	10
198421-25810	22	11
198421-25820	22	13
198421-27110	24	1
	25	3
	26	1
198421-27160	25	8
198421-27170-1	25	9
198421-27180	25	10
198421-27190	25	11
198421-27200	25	12
198421-27220	25	14
198421-27221	25	14 -1
198421-27521	24	6
198421-31510	27	3
198421-31530	27	5
198421-31550	27	6
198421-32320	27	15
198421-32330	27	16
198421-32340	27	17
198421-32630	28	4
198421-32660	28	6
198421-33110	29	1
198421-33120	29	2
198421-33140	29	4
198421-33150	29	12
198421-33170	29	5
198421-34110	30	7
198421-36310	32	2
198421-36321	32	3
198421-36330	32	4
198421-36410	32	6
198421-36430	32	7
198421-37511	18	16
	33	10
198421-37550	33	11
198421-37750	33	17
198421-42102-1	34	1
198421-43410	36	4
198421-44110	36	5
198421-44211	36	6
198421-44230	36	7
198421-44250	36	8
198421-44410-1	36	9
198421-46302	38	12
198421-48240	40	4

Parts No.	Fig. No.	Ref. No.
198421-56150	44	9
198421-56190	44	14
198421-56200	44	15
198421-56601	3	9
198421-56910	44	17
198421-61280	4	17
198421-61380	45	9
198421-61460	45	14
198421-61470	45	15
198421-61510	45	18
198421-61540	45	19
198421-61620	46	11
198421-62410	47	18
198421-63140	49	3
198421-64150	50	2
198421-65030	51	18
198421-65430	51	11
198425-22450	18	11
198425-22480	18	12
198425-24110-1	19	2
198425-27213	25	13
198425-27230	25	15
198425-27290	25	17
198425-32640	28	5
198425-34730	31	9
198425-37760	33	18
198425-42220-1	35	1
198425-53150	43	21
198425-53160	43	22
198425-63270	49	5
198425-64101	50	1
198431-44510	39	1
198431-47320	39	6
198431-47330	39	7
198431-47340	39	9
198431-47350	39	11
198431-47390	39	14
198431-47400	39	15
198431-47420	39	16
198431-47430	39	17
198431-47470	39	20
198431-47480	39	21
198431-47520	39	23
198431-47750	47	9
198431-47760	47	10
198431-47870	39	35
198431-48220	40	3
198435-24280	19	4
198435-24290	19	23
198435-25130	20	4

Parts No. Index

Parts No.	Fig. No.	Ref. No.
198435-25240	21	7
198435-25280	21	10
198435-25310	21	11
198435-25720	22	3
198435-25730	22	4
198435-25810	22	12
198435-27142	25	6
198435-27260-1	25	16
198435-27551	24	8
198435-27740	26	6
198435-45101	37	1
198435-47310	39	5
198435-47490	39	22
198435-47530	39	25
198435-47540	39	26
198435-47550	39	27
198435-47560	39	28
198435-47580	39	29
198435-47710	47	8
198435-62410	49	1
198435-65220	51	5
		5 -1
198435-65240	51	7
198511-53430	43	24
198511-53450	43	25
198531-14720	14	2
		7
198531-14740	14	3
		8
198531-14750	14	4
		9
198531-26310	23	22
198531-34730	31	3
		7
1A1040-26320	25	2
1A1040-28470	19	3 B
1A1040-36010	31	11
1A1040-36040	31	12
1A6150-91251	52	5
1A6150-93151	52	6
1A6640-65530	51	13
1A6641-12310	6	1
1A6641-12311	6	1 -1
1A6641-13600	9	6
1A6641-13760-1	10	4
1A6641-13780	10	10
1A6641-13830	10	12
1A6680-24110	19	3 -1
1A6750-37200	2	10
1A6750-51170	41	18

Parts No.	Fig. No.	Ref. No.
1A6750-61830	29	11 -1
1A6750-62300	47	16
1A6750-63050	58	4
1A6750-65590	51	14
1A6770-65630	51	16
1A6780-13700	10	6 -1
1A6780-13890	10	17 -1
1A6780-14110-1	13	1
1A6780-14130	13	3
1A6780-14131-1	13	3 -1
1A6780-31500	27	2
1A6780-31520	27	4
1A7050-13230	7	7
1A7260-53220	43	13
		18
1A7450-52210	42	12
1A7450-52230	42	13
1A7531-11350	10	1 -1
1A7542-24980	19	33 -1
1A7680-65350	52	7
1A7680-65910	52	8
1A7720-04100	3	1
1A7720-05350	4	1
1A7720-05420	4	7
1A7720-05510	4	14
1A7720-05580	4	15
1A7720-17300	15	6
1A7720-17811	16	9
1A7720-17821	16	10
1A7720-17830	16	11
1A7720-17840	16	12
1A7720-26180	23	8
1A7720-27190	25	11 -1
1A7720-27240	24	22
	25	34
1A7720-27750	26	23
1A7720-27810	26	24
1A7720-51112	41	2
1A7720-51113	41	2 -1
1A7720-51131	41	10
1A7720-51132	41	10 -1
1A7720-51151	41	11
1A7720-51172	41	12
1A7720-51180	41	13
1A7720-51250	41	15
1A7720-51411	41	17
1A7720-51420	41	20
1A7720-52240	42	14
1A7720-52260	42	15
1A7720-52270	42	16

Parts No.	Fig. No.	Ref. No.
1A7720-53050	43	2
1A7720-53060	43	3
1A7720-53070	43	4
1A7720-53080	43	5
1A7720-53090	43	6
1A7720-53100	43	7
1A7720-53110	43	9
1A7720-53140	43	10
1A7720-53200	45	43
1A7720-53221	43	26
1A7720-53222	43	26 -1
		26 -2
1A7720-53300	43	11
1A7720-53310	43	14
1A7720-53340	43	15
		19
1A7720-53350	43	16
1A7720-53360	43	20
1A7720-56100	44	1
1A7720-56110	44	4
1A7720-56130	44	6
1A7720-56180	44	11
1A7720-56190	44	13
1A7720-61400	45	10
1A7720-61530	4	18
1A7720-61531	4	18 -1
1A7720-61810	45	22
1A7720-62250	47	15
1A7720-62300	47	16 -1
1A7720-62600	48	13
1A7720-63010	49	2
1A7720-65050	4	19
1A7720-65770	51	19
1A7720-92200	57	1
1A7720-92201	57	1 -1
1A7720-92210	57	4
1A7730-48160	40	1
1A7730-48161	40	1 -1
1A7740-00600	1	5
1A7740-00601	1	5 -1
1A7740-05330	4	2
1A7740-05340	4	3
1A7740-11100	5	1
1A7740-24320	19	24
1A7740-25130	20	3
1A7740-26130	23	26
1A7740-26230	23	28
1A7740-26370	23	29
1A7740-26390	23	30
1A7740-27710	26	2

Parts No.	Fig. No.	Ref. No.
1A7740-51100	41	28
1A7740-51210	41	14
1A7740-51280	41	16
1A7740-51281	41	16 -1
1A7740-51550	42	2
1A7740-61100	45	4
1A7740-61500	46	4
1A7740-62100	47	13
1A7740-62300	47	17
1A7740-65130	51	2
1A7740-65131	51	2 -1
1A7740-65140	51	4
1A7740-65141	51	4 -1
1A7740-65200	51	6
1A7740-65210	51	9
1A7740-72000	53	29
1A7740-72100	53	31
1A7740-72200	53	36
1A7740-72210	53	39
1A7740-75210	54	2
1A7740-75211	54	2 -1
1A7740-85130	58	7
1A7740-85710	56	4
1A7740-85720	56	5
1C1100-21010	15	5
1C1280-62250	47	15 -1
1C6053-32020	33	7
1C6140-14050	33	2
1C6281-52320	2	15 -1
	33	21
1C6320-16440	33	3
1C6360-82210	33	24
1C6380-07250	42	8
1C6460-36151	44	3
1C6460-38240	4	16
	46	1
1C6560-06300	41	1
1C6560-13470	18	1
1C6560-75311	45	29
1C6650-35150	47	6
1C6860-06980	1	27
1C6860-08160	43	12
		17
1C6900-07200	42	7
1C6950-45410	33	20
1C7100-08150	43	37
1D4110-13870	10	13
1E4070-14040	21	2
1E6140-56230	25	18
1E6190-54080	10	16

Parts No. Index

Parts No.	Fig. No.	Ref. No.
1E6190-54160	23	23
1E6210-82580	42	5
1E6460-84220	42	18
1E8420-55430	13	6
1E8450-83120	41	19
1E9170-81260	43	41
		48
1E9170-81270	43	42
		49
1E9170-81280	43	43
		50
1T6961-10300	53	37
1T6962-10250	53	17
1T6964-18610	53	14
1T6964-18710	53	18
1T6964-18760	53	19
1T6964-18790	53	20
1T6964-18810	53	49
1T6964-19510	53	26
1W3851-20700	43	8
1W3852-00940	44	2
22117-080000	2	12
		22
	38	16
	46	15
22117-100000	33	25
22137-080000	18	17
	39	37
		38
		39
		40
		41
	45	31
22137-100000	15	16
	58	15
22137-120000	33	26
	39	42
22137-160000	15	17
	31	13
22137-180000	24	11
	26	10
22157-060000	2	13
	3	20
	45	32
22157-080000	24	28
	26	27
	33	27
	45	33
	47	19
22157-100000	2	14

Parts No.	Fig. No.	Ref. No.
22207-025230	23	31
22217-060000	53	6
22217-080000	19	8
22217-100000	15	18
	17	5
	25	19
	34	16
22217-120000	5	8
	31	14
	53	46
	56	6
		15
22217-140000	14	11
22217-160000	53	22
22222-100000	43	35
22242-000200	7	3
	15	12
22242-000250	32	8
22242-000350	13	7
22242-000360	8	2
22242-000400	30	8
22252-000170	17	23
	23	13
22252-000420	19	27
22252-000470	10	17
22252-000520	9	12
22272-000060	39	43
22272-000120	58	16
22272-000150	24	12
	26	11
22272-000190	33	28
22287-080000	1	51
	25	20
	39	44
		45
22312-080160	19	9
22312-080180	28	8
22312-080200	28	9
22312-080320	28	10
22312-080630	19	10
22312-100200	10	18
22351-035025	24	13
	26	12
22351-035032	8	3
22351-035040	18	5
22351-040012	38	17
22351-040024	53	7
22351-040040	27	10
22351-050020	25	21
	26	13

Parts No.	Fig. No.	Ref. No.
22351-050025	25	22
	39	46
		47
		48
22351-050040	29	6
	36	11
22351-060020	24	14
22351-060025	24	15
	26	14
22351-060028	38	27
22351-060032	8	4
22351-060040	18	6
	25	23
22351-080016	17	6
		15
22351-080020	9	13
	10	19
22351-080032	29	7
22351-080040	29	8
22351-080045	10	20
22351-100025	34	17
22360-080000	26	15
	45	34
		35
	46	16
22360-100000	24	16
22360-140000	53	23
		34
		43
22360-160000	53	35
		44
22360-200000	53	52
		53
22372-060000	45	36
22372-080000	2	15
	39	49
		50
		51
		52
		53
	45	34 -1
		35 -1
	46	16 -1
	48	16
	49	7
22372-100000	31	15
22417-160160	2	16
		23
22417-200160	39	54
	46	17

Parts No.	Fig. No.	Ref. No.
22417-200160	47	20
	58	17
22417-200200	18	18
22417-200320	33	29
22417-250250	6	5
	16	4
22417-250320	39	55
22417-320250	53	54
22487-060800	45	37
22487-080160	18	19
22512-070400	33	30
22522-030130	39	56
22551-050180	22	14
23000-070000	8	9
		10
23010-030000	40	7
23010-038000	1	52
23010-050000	1	53
23061-150065	24	29
23065-090400	49	8
23080-012000	1	54
	3	11
		16
	49	9
23414-140018	16	17
	34	18
23414-150000	39	57
23414-170022	34	19
23414-180023	16	18
	40	8
23491-140002	19	11
	28	11
23871-010000	34	2
	35	2
23871-020000	34	3
23980-730220	3	17
23980-730450	3	12
23980-730500	3	13
23980-730600	3	14
24101-060034	12	3
24101-060044	22	15
24101-060054	7	9
	23	24
24101-060060	30	3
24101-060064	22	16
	27	11
24101-060074	7	10
	27	12
24101-060080	30	9
24101-060084	13	8

Parts No. Index

Parts No.	Fig. No.	Ref. No.
24101-062024	7	4
	12	4
24101-062034	21	14
	23	25
24101-062040	30	4
24101-062044	20	9
24101-062054	9	4
	23	32
24101-062060	30	10
24101-062074	13	9
24101-063054	22	17
24104-060044	20	10
	23	14
24104-062044	10	21
24104-063034	11	3
	23	15
	23	16
24161-222610	22	18
24161-252910	23	17
24164-000452	10	22
24165-000262	22	19
24190-100001	24	17
	25	24
	26	16
24190-160001	32	9
24311-000090	39	58
24311-000110	24	30
	25	37
	29	9
24311-000120	16	19
	38	10
		18
		28
24311-000125	24	18
	26	17
24311-000160	19	12
	28	12
	29	10
24311-000180	9	14
	19	13 -1
		28
	38	11
		29
24311-000200	39	59
	40	9
24311-000220	40	10
24311-000224	36	12
24311-240100	1	43
24315-000100	38	19
24315-000110	35	3

Parts No.	Fig. No.	Ref. No.
24315-000110	37	2
24315-000460	36	2
24321-000500	9	15
24321-001150	9	16
24341-000315	36	13
24341-000500	19	33
24351-020300	19	13
24351-020400	36	14
24372-000460	36	3
24421-173007	9	17
24421-173508	19	29
24421-284008	19	14
24421-304708	10	23
24430-305005	19	30
24550-012060	39	60
24550-018100	24	3
	26	18
24550-040300	34	4
24761-040000	17	7
	18	20
	33	31
24761-060000	6	3
26013-060322	40	11
26013-060402	40	12
26013-060452	40	13
26013-080122	17	8
	41	27
26013-080162	17	16
26013-080202	17	9
	19	34
	24	19
	28	13
	33	32
	45	38
	49	10
26013-080252	19	34 -1
	35	4
26013-080552	25	25
26013-080652	1	55
26013-080702	19	16
26013-100202	58	18
26013-100252	5	2
	24	20
	36	15
26013-100302	9	18
	56	7
26013-100352	10	24
26013-100402	28	14
		15
26013-100452	10	25

Parts No.	Fig. No.	Ref. No.
26013-100502	10	26
	28	16
26013-100552	28	17
26013-100652	28	18
26013-120302	54	3
	55	2
26013-120352	39	61
	56	8
		9
26013-120452	56	10
26016-060122	44	22
26016-060162	39	62
26016-080122	16	20
	39	63
26016-080202	4	21
	39	64
		65
		66
		67
	45	39
		40
	46	18
26016-080252	13	10
	19	17
	25	27
		28
26016-080402	25	29
26016-080502	1	56
26016-100162	15	19
26016-100202	2	17
26016-100302	9	19
26016-100352	34	20
26016-100452	34	21
26018-060162	1	57
	42	19
	43	38
26018-060252	1	58
		59
26018-080162	1	60
	40	14
	46	19
	49	11
26018-080202	1	61
	24	31
	25	26
	26	28
	40	15
	45	41
	46	20
	48	17

Parts No.	Fig. No.	Ref. No.
26018-080202	48	18
		19
		20
		21
		22
	49	12
26018-080252	16	29
	47	21
	49	13
26018-080452	25	30
26022-030222	44	16
26022-050122	3	15
26023-030202	42	20
26023-050122	42	6
26023-050162	4	22
		23
26023-050202	42	21
26086-140252	14	12 -1
26106-060162	57	5
26106-060252	57	6
26106-080122	19	15
26106-080252	1	2 A
		4 B
26106-080502	16	30
26106-080702	19	18
26106-100252	9	18 -2
		19 -1
26106-100302	9	18 -1
26106-100352	10	24 -1
26106-100452	10	25 -1
26106-100502	10	26 -1
26116-060252	3	21
26116-080202	22	20
26116-080304	25	31
26116-080402	2	24
26116-080552	39	68
26116-080804	39	69
26116-081052	1	62
26116-100122	25	32
26116-100302	58	19
26116-100352	17	10
26116-120452	53	47
26116-121302	56	16
26136-100162	16	21
26156-100162	27	13
26156-120252	31	16
26156-140252	14	12
26226-080252	19	19
26226-080652	19	20
26226-100252	19	21

Parts No. Index

Parts No.	Fig. No.	Ref. No.
26346-100002	58	20
26356-160002	58	21
26376-120002	43	53
26450-080252	37	3
26557-060102	53	8
26716-050002	42	22
26716-080002	1	63
	2	18
		25
	18	21
	19	22
	25	33
	33	33
		34
	39	4
		70
		71
		72
26716-100002	17	11
		12
	34	22
	38	20
26716-120002	2	19
	5	9
26716-160002	53	24
26717-120002	56	11
26736-100002	15	20
26756-140002	53	25
26756-180002	53	45
26756-240002	53	9
26776-100002	43	36
26776-120002	43	34
26776-160002	15	21
29311-092000	45	42
29311-252000	46	21
29420-050000	41	6
29420-100000	41	7
29420-150000	41	8
29420-200000	41	9
29621-150000	42	23
794130-71410	53	11
		15
		28
798163-62670	48	12
798531-14710	14	1
798531-14810	14	6
7A7740-71000	53	1
7A7740-71100	53	1 A
7A7740-75100	53	48
7A7740-75200	54	1

Parts No.	Fig. No.	Ref. No.
7T6962-10000	53	10
7T6963-01100	53	2
7T6964-18600	53	13
7T6964-18700	53	16

Parts No.	Fig. No.	Ref. No.
-----------	----------	----------

Parts No.	Fig. No.	Ref. No.
-----------	----------	----------