

0CNP4-M35800EN

## Directions for the Parts Catalog.

1. This Parts Catalog shows both standard and optional parts.
2. Parts may change without prior notice.
3. The following is an example of the Parts Catalog format.

REF.	LEV.	PARTS NO.	DESCRIPTION	Q'TY						I	R
				(A)	(B)	(C)	(D)	(E)	(F)		
1	1	729595-51390	FUEL INJECTION PUMP	1	1	1	1	1			1
1-1	1	729595-51391	FUEL INJECTION PUMP	1	1	1	1	1		N	1
		(A=E00185) (B=E00200)									
3	2	26022-060162	SCREW M 6X 16	9	9	9	9	9			
3-1	2	26022-060162	SCREW M 6X 16	4	4	4	4	4		K	
		(A=E00156) (B=E00156) (C=E00156) (D=E00156) (E=E00156)									
4	2	129470-51040	CAMSHAFT	1	1	1	1	1			
5	2	122710-51050	BEARING, ROLLER	2	2	2	2	2			
6	2	129470-51060	RETAINER	1	1	1	1	1			

Remarks
(1) BOOST COMPEMSATOR TYPE. OPTIONAL PART, TO E00155,(4JH-DT, 4JH-DTZ

### ① Ref. No.

The Ref. No. listed may not be in accordance with the illustration Ref. No.

(Ex.) Illustration No.

List Ref No.

1

1

(Before change)

1-1

(After change)

For interchangeable symbols N, R and K, illustrations for new parts may be abbreviated.

### ② Lev. (Level)

Level indication

The numbers below indicate the level of relativity towards the main part.

1 ----- Main parts (Assembly parts)

2 ----- Sub component included in " 1 ".

3 ----- Sub component included in " 2 ".

Note) Parts that are not for sale are partially illustrated but not listed.

### ③ Interchangeability Symbol

When a part change takes place, one of the following interchangeability symbols is indicated beside the part.

Symbol	Interchangeability	Contents note
N	Old $\begin{matrix} \leftarrow \text{Yes} \\ \text{No} \rightarrow \end{matrix}$ New	New Part is interchangeable for Old Part but Old Part is not interchangeable for New Part.
Q	Old $\begin{matrix} \leftarrow \text{No} \\ \text{Yes} \rightarrow \end{matrix}$ New	New Part is not interchangeable for Old Part but Old Part is interchangeable for New Part.
R	Old $\begin{matrix} \leftarrow \text{Yes} \\ \text{Yes} \rightarrow \end{matrix}$ New	New/ Old Parts are both interchangeable.
S	Old $\begin{matrix} \leftarrow \text{No} \\ \text{No} \rightarrow \end{matrix}$ New	New/ Old Parts are both not interchangeable.
W		Part newly added.
Z		Part discontinued.
F		Not interchangeable by a single part but interchangeable together with related parts.
K		Changes only for used parts quantities.

### ④ Effective Machine No.

When a part changes, the effective Machine No. will be indicated in the (A)-(F) column.

Product Symbol	Product No.	Product Symbol	Product No.
C	Clutch No. Compressor No.	F	Machine No. (Agricultural Equip.)
D	Drive No.	M	Machine No.
E	Engine No.		

Note 1) A date may follow the symbol. (Ex.) 1996.01

Note 2) "XXXXX" and "ZZZZZ" are for parts that could not be predicted or for engine models that could not be identified.

Note 3) (A=E00185) is the E (Engine Serial Number) for the column (A) model (in this case 4JH-DT) after the parts design change.

### ⑤ Remarks

Figures or alphabets (symbols) are entered in the remarks column.

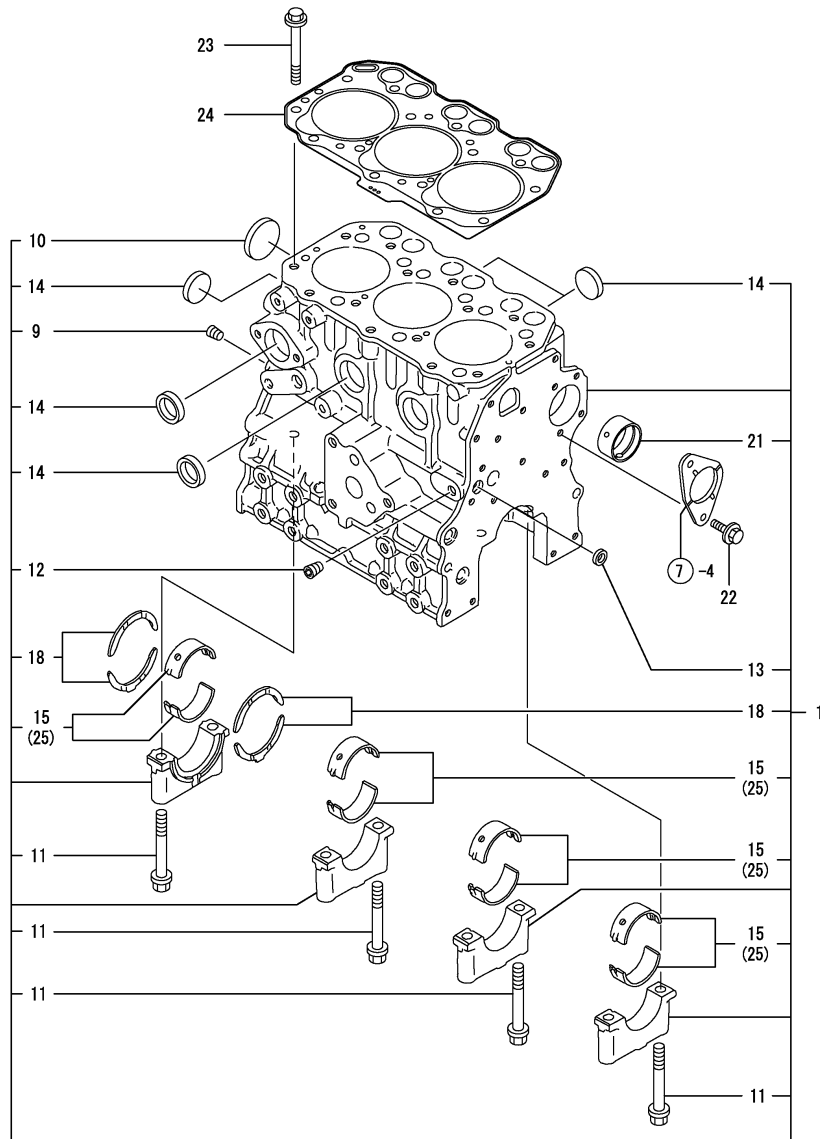
The comments (remarks) on parts that are indicated at the bottom of the illustration are the same symbols as those stated above.

# Contents

OCNP4-M35800

Fig. No.	Fig. Name	Fig. No.	Fig. Name
ENGINE SECTION(3TNE74-UK2Y)			
1.	CYLINDER BLOCK		
2.	GEAR HOUSING		
3.	MOUNTING FLANGE & OIL SUMP		
4.	CYLINDER HEAD & BONNET		
5.	SUCTION MANIFOLD & AIR CLEANER		
6.	EXHAUST MANIFOLD & SILENCER		
7.	CAMSHAFT & DRIVING GEAR		
8.	CRANKSHAFT & PISTON		
9.	HYDRAULIC PUMP		
10.	LUB.OIL SYSTEM		
11.	COOLING WATER SYSTEM		
12.	FUEL INJECTION PUMP		
13.	GOVERNOR		
14.	FUEL INJECTION VALVE		
15.	STARTING MOTOR		
16.	GENERATOR		

Fig.1. CYLINDER BLOCK



(A)=3TNE74-UK2Y  
(B)=  
(C)=

(D)=  
(E)=  
(F)=

No.	Lev.	Parts No.	Description	Q'ty						I	R
				(A)	(B)	(C)	(D)	(E)	(F)		
1	1	719623-01560	BLOCK ASSY, CYLINDER	1							
9	2	119600-01050	PLUG, PT1/4	1							
10	2	119623-01250	PLUG, 45	1							
11	2	119620-02020	BOLT, METAL CAP	8							
12	2	23876-010000	PLUG, R01	1							
13	2	27241-120000	PLUG, 12	1							
14	2	27241-300000	PLUG 30	6							
15	2	719620-02800	BEARING, MAIN	4							
18	2	719620-02930	BEARING, THRUST	2							
21	2	119624-02410	BUSH	1							
22	1	26106-060122	BOLT, M6X 12 PLATED	2							
23	1	119620-01200	BOLT, HEAD	14							
24	1	119623-01340	GASKET, HEAD	1							
25	1	719620-02870	BEARING, 0.25 US	4							1

Remarks  
(1) UNDER-SIZE(U.S=0.25)PART.  
(REMARKS)"EFFECTIVE MACHINE NO." OF  
ENGINE IS INDICATED ON THE  
ENGINE LABEL WHICH IS SHOWN  
IN FIG.4.

Fig.2. GEAR HOUSING

(A)=3TNE74-UK2Y

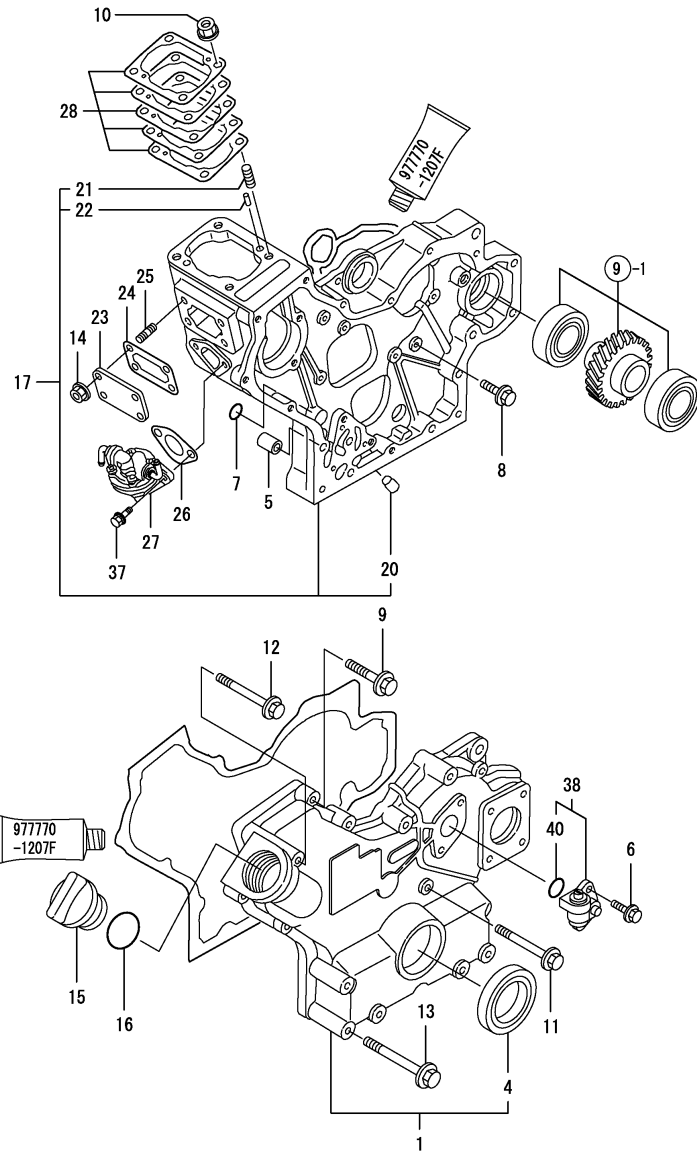
(B)=

(C)=

(D)=

(E)=

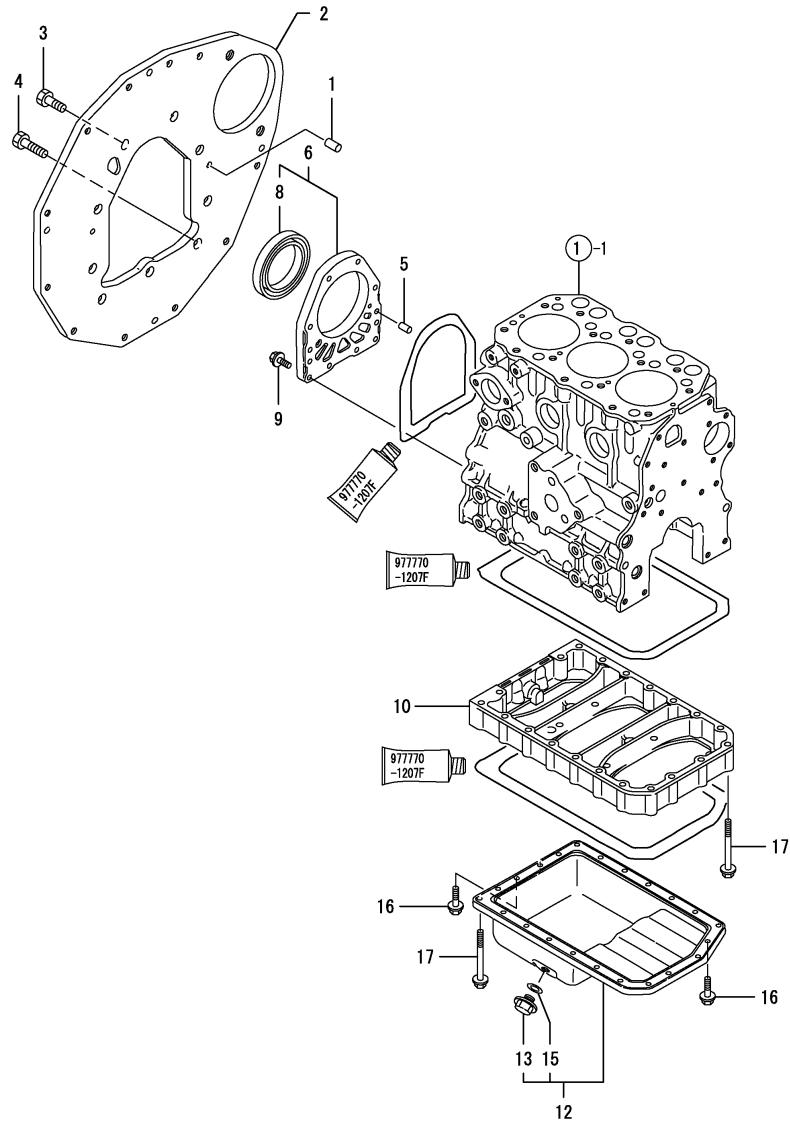
(F)=



No.	Lev.	Parts No.	Description	Q'ty						I	R
				(A)	(B)	(C)	(D)	(E)	(F)		
1	1	119660-01590	COVER ASSY,GEAR CASE	1							
4	2	119620-01800	SEAL, OIL	1							
5	1	119660-01911	PIPE, KNOCK	4							
6	1	26106-060162	BOLT, M6X 16 PLATED	2							
7	1	119624-32040	O-RING, P12.0	2							
8	1	26106-060162	BOLT, M6X 16 PLATED	7							
9	1	26106-060302	BOLT, M6X 30 PLATED	6							
10	1	194990-22050	NUT, M8	4							
11	1	26106-060602	BOLT, M6X 60 PLATED	3							
12	1	26106-060602	BOLT, M6X 60 PLATED	1							
13	1	26106-060802	BOLT, M6X 80 PLATED	6							
14	1	26366-060002	NUT, M6	4							
15	1	124160-01751	COVER, FILLER	1							
16	1	24311-000320	O-RING, 1AP32.0	1							
17	1	119660-01492	CASE ASSY, GEAR	1							
20	2	119660-01510	PLUG, 10X14	1							
21	2	121450-01560	STUD, M8X22	4							
22	2	22351-040010	PIN, SPRING 4.0X10	2							
23	1	119660-01551	COVER	1							
24	1	119660-01562	GASKET	1							
25	1	119660-01570	STUD, M6X12	4							
26	1	121520-01851	GASKET	1							
27	1	119668-52020	PUMP ASSY, FUEL FEED	1							
28	1	119623-01950	SHIM SET, ADJUSTING	1							
37	1	26014-060202	BOLT, M6X 20	2							
38	1	129150-91400	GEAR	1							
40	2	24341-000240	O-RING, 1AS24.0	1							

Remarks  
 (REMARKS)"EFFECTIVE MACHINE NO." OF  
 ENGINE IS INDICATED ON THE  
 ENGINE LABEL WHICH IS SHOWN  
 IN FIG.4.

Fig.3. MOUNTING FLANGE & OIL SUMP



(A)=3TNE74-UK2Y  
(B)=  
(C)=

(D)=  
(E)=  
(F)=

No.	Lev.	Parts No.	Description	Q'ty						I	R
				(A)	(B)	(C)	(D)	(E)	(F)		
1	1	129100-01580	PIN, M8X16	2							
2	1	119462-01602	FLANGE, MOUNTING	1							
3	1	26206-100202	BOLT, M10X 20 PLATED	6							
4	1	26206-100252	BOLT, M10X 25 PLATED	3							
5	1	119620-01620	PIN, M6X10	2							
6	1	119660-01640	CASE ASSY, OIL SEAL	1							
8	2	124085-02220	SEAL, OIL	1							
9	1	26106-060222	BOLT, M6X 22 PLATED	10							
10	1	119600-01722	SPACER, OIL SUMP	1							
12	1	119650-01770	SUMP ASSY, OIL	1							
13	2	129054-01640	PLUG, DRAIN 12	1							
15	2	22190-120002	WASHER, SEAL 12	1							
16	1	26106-060122	BOLT, M6X 12 PLATED	3							
17	1	26106-060452	BOLT, M6X 45 PLATED	20							

Remarks  
(REMARKS)"EFFECTIVE MACHINE NO." OF  
ENGINE IS INDICATED ON THE  
ENGINE LABEL WHICH IS SHOWN  
IN FIG.4.

Fig.4. CYLINDER HEAD & BONNET

(A)=3TNE74-UK2Y

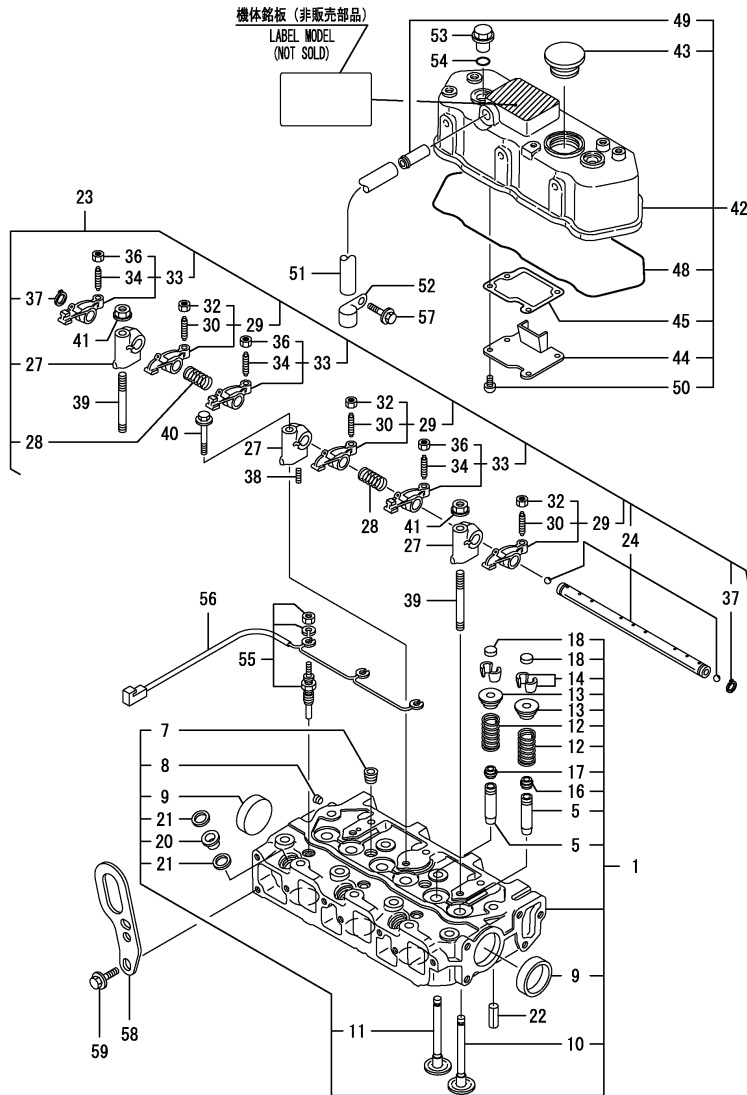
(B)=

(C)=

(D)=

(E)=

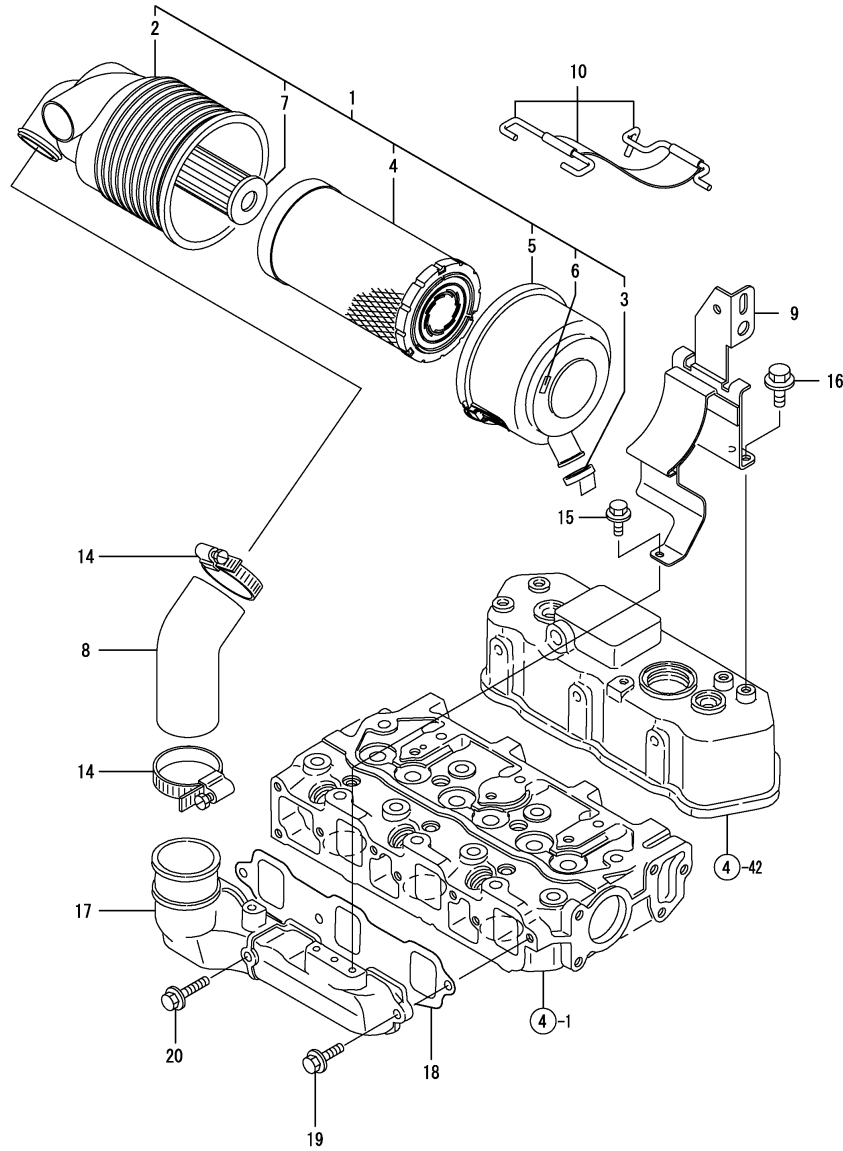
(F)=



No.	Lev.	Parts No.	Description	Q'ty						I	R
				(A)	(B)	(C)	(D)	(E)	(F)		
1	1	119626-11000	HEAD ASSY, CYLINDER	1							
5	2	119620-11801	GUIDE, VALVE	6							1
7	2	23876-020000	PLUG, R02	2							
8	2	27221-050080	PLUG, 5X 8	1							
9	2	27241-400000	PLUG, 40	2							
10	2	119623-11100	VALVE, INTAKE	3							
11	2	119620-11110	VALVE, EXHAUST	3							
12	2	119620-11120	SPRING, VALVE	6							
13	2	119620-11180	RETAINER, SPRING	6							
14	2	27310-070001	COTTER, 7	6							
16	2	124160-11340	SEAL, VALVE STEM	3							
17	2	124950-11340	SEAL, VALVE STEM	3							
18	2	104211-11370	CAP, VALVE	6							
20	2	119600-11450	PROTECTOR, NOZZLE	3							
21	2	119600-11460	GASKET, NOZZLE	6							
22	1	22351-060012	PIN, SPRING 6.0X12	2							
23	1	119620-11200	SUPPORT ASSY, ARM	1							
24	2	119620-11240	SHAFT ASSY, ROCKER	1							
27	2	119620-11260	SUPPORT, ROCKER ARM	3							
28	2	119620-11280	SPRING	2							
29	2	719620-11650	ARM ASSY, ROCKER	3							
30	3	105010-11230	SCREW, VALVE ADJUST	3							
32	3	26856-060002	NUT, M6	3							
33	2	719620-11660	ARM ASSY, ROCKER	3							
34	3	105010-11230	SCREW, VALVE ADJUST	3							
36	3	26856-060002	NUT, M6	3							
37	2	22242-000120	RING, 12	2							
38	2	26979-050162	SCREW, M5X16	1							
39	1	119620-11350	STUD	2							
40	1	26106-080452	BOLT, M8X 45 PLATED	1							
41	1	26306-080002	NUT, M8	2							
42	1	119657-11351	BONNET ASSY, HEAD	1							
43	2	119807-11770	PLUG	1							
44	2	119620-03020	PLATE, SHELTER	1							
45	2	119620-03031	GASKET	1							
48	2	119620-11310	GASKET, BONNET	1							
49	2	118400-03060	JOINT, BREATHER	1							
50	2	22857-500100	SCREW, 5X10	4							
51	1	23065-120500	PIPE, 12X 500	1							
52	1	124160-01650	CLAMP, PIPE	1							
53	1	124160-11360	KNOB	2							
54	1	24311-000120	O-RING, 1AP12.0	2							
55	1	129155-77801	PLUG, GLOW	3							
56	1	119645-77820	CONNECTOR, GLOW PLUG	1							
57	1	26106-080122	BOLT, M8X 12 PLATED	1							
58	1	119260-07900	LIFTER	1							
58-1	1	119626-07900	LIFTER	1							N
(A=EA4353)											
59	1	26106-080142	BOLT, M8X 14 PLATED	2							

Remarks  
 (1) REPAIR PART.  
 (REMARKS)"EFFECTIVE MACHINE NO." OF  
 ENGINE IS INDICATED ON THE  
 ENGINE LABEL WHICH IS SHOWN  
 IN FIG.4.

Fig.5. SUCTION MANIFOLD & AIR CLEANER



(A)=3TNE74-UK2Y  
(B)=  
(C)=

(D)=  
(E)=  
(F)=

No.	Lev.	Parts No.	Description	Q'ty						I	R
				(A)	(B)	(C)	(D)	(E)	(F)		
1	1	119668-12510	CLEANER ASSY, AIR	1							
2	2	119668-12520	BODY	1							
3	2	119808-12540	VALVE, UNLOADER	1							
4	2	119655-12560	ELEMENT	1							
5	2	105027-12570	COVER, AIR CLEANER	1							
6	2	129612-12650	MARKING,(W)	1							
7	2	119233-12700	ELEMENT	1							
8	1	119652-12550	PIPE, AIR INTAKE	1							
9	1	119652-12601	SUPPORT, AIR CLEANER	1							
10	1	119865-12600	BAND ASSY, CLEANER	1							
14	1	23000-054000	CLAMP, 54	2							
15	1	26106-060122	BOLT, M6X 12 PLATED	1							
16	1	26106-080122	BOLT, M8X 12 PLATED	2							
17	1	119660-12101	MANIFOLD, AIR INTAKE	1							
18	1	119660-12111	GASKET, MANIFOLD	1							
19	1	26106-060162	BOLT, M6X 16 PLATED	2							
20	1	26106-060402	BOLT, M6X 40 PLATED	1							

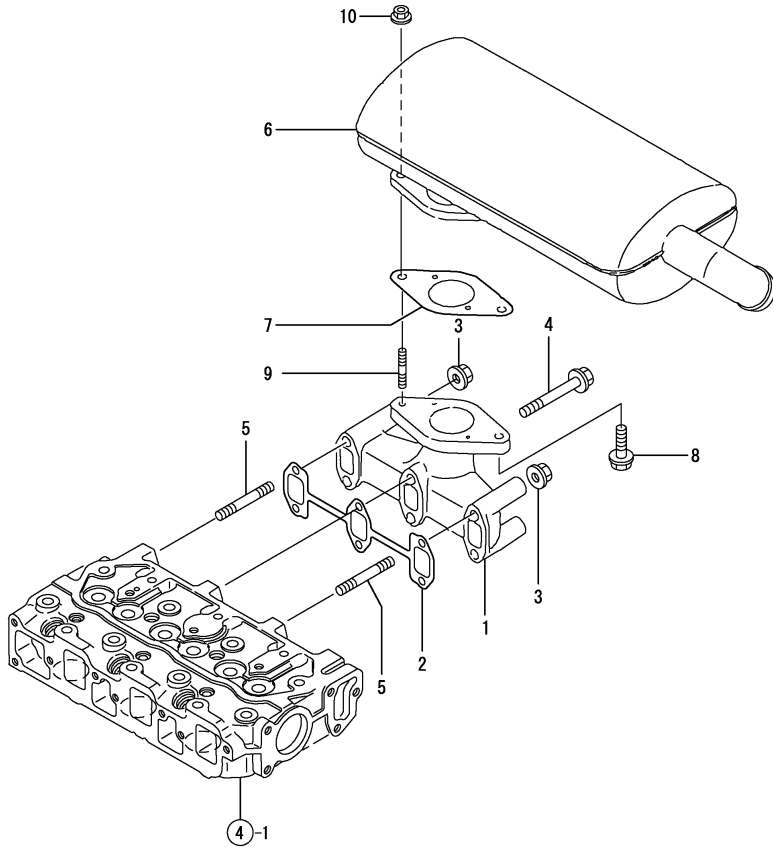
Remarks  
(REMARKS)"EFFECTIVE MACHINE NO." OF  
ENGINE IS INDICATED ON THE  
ENGINE LABEL WHICH IS SHOWN  
IN FIG.4.



Fig.6. EXHAUST MANIFOLD & SILENCER

(A)=3TNE74-UK2Y  
(B)=  
(C)=

(D)=  
(E)=  
(F)=



No.	Lev.	Parts No.	Description	Q'ty						I	R
				(A)	(B)	(C)	(D)	(E)	(F)		
1	1	119650-13101	MANIFOLD, EXHAUST	1							
2	1	119620-13110	GASKET	1							
3	1	26306-080002	NUT, M8	2							
4	1	123900-13620	BOLT, M8X70	4							
5	1	123900-13600	STUD, M8X70	2							
6	1	119626-13510	SILENCER	1							
7	1	129107-13540	GASKET, SILENCER	1							
8	1	26106-080352	BOLT, M8X 35 PLATED	1							
9	1	119131-18320	STUD, M8X22	1							
10	1	26306-080002	NUT, M8	1							

Remarks  
(REMARKS)"EFFECTIVE MACHINE NO." OF  
ENGINE IS INDICATED ON THE  
ENGINE LABEL WHICH IS SHOWN  
IN FIG.4.

Fig.7. CAMSHAFT & DRIVING GEAR

(A)=3TNE74-UK2Y

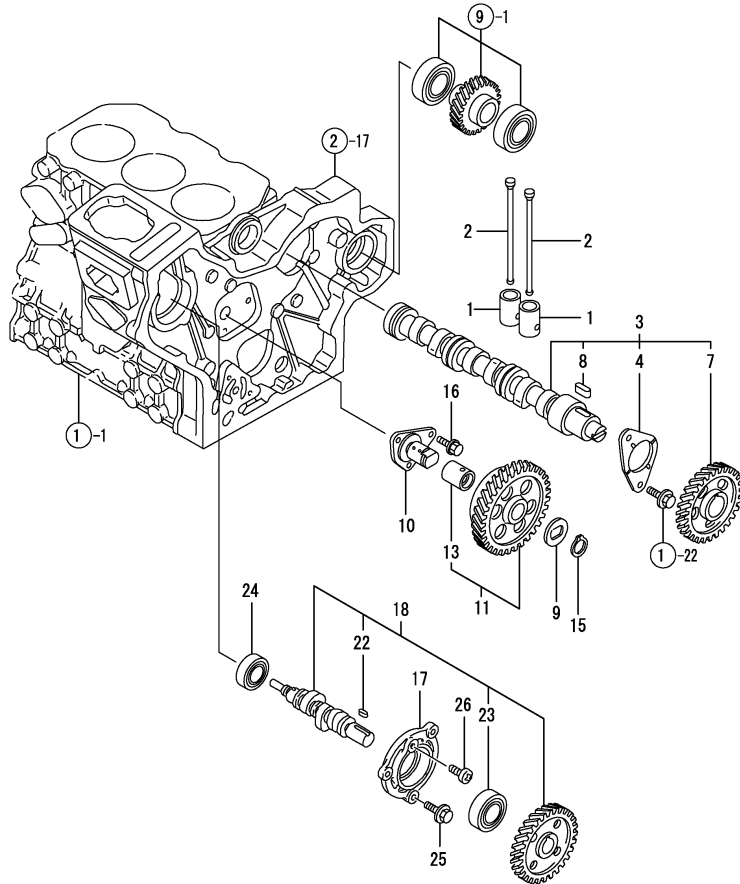
(B)=

(C)=

(D)=

(E)=

(F)=



No.	Lev.	Parts No.	Description	Q'ty						I	R
				(A)	(B)	(C)	(D)	(E)	(F)		
1	1	119620-14200	TAPPET	6							
2	1	119620-14401	ROD, PUSH	6							
3	1	119629-14580	CAMSHAFT ASSY	1							
4	2	119620-02450	BEARING, THRUST	1							
7	2	119620-14100	GEAR, CAMSHAFT	1							
8	2	22512-040120	KEY, 4X 12	1							
9	1	119660-25022	RETAINER	1							
10	1	119660-25052	SHAFT, IDLE	1							
11	1	119620-25102	GEAR ASSY, IDLE	1							
13	2	119620-25912	BUSH	1							1
15	1	22242-000200	RING, 20	1							
16	1	26106-060122	BOLT, M6X 12 PLATED	3							
17	1	119660-01821	BEARING, FUEL CAM	1							
18	1	719660-14590	CAMSHAFT	1							
22	2	22512-040120	KEY, 4X 12	1							
23	2	24102-063034	BEARING, BALL 6303U	1							
24	1	24101-062034	BEARING, BALL 6203	1							
25	1	26106-060162	BOLT, M6X 16 PLATED	3							
26	1	26587-080102	SCREW, M8X10	1							

Remarks

(1) REPAIR PART.  
 (REMARKS)"EFFECTIVE MACHINE NO." OF  
 ENGINE IS INDICATED ON THE  
 ENGINE LABEL WHICH IS SHOWN  
 IN FIG.4.

Fig.8. CRANKSHAFT & PISTON

(A)=3TNE74-UK2Y

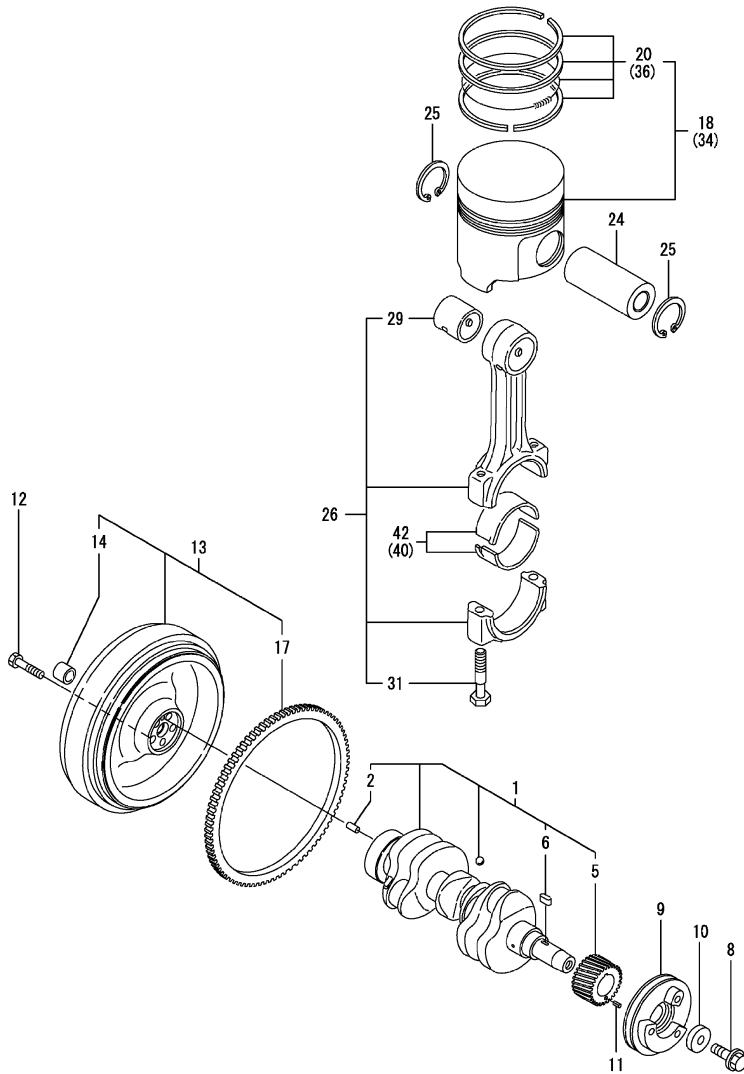
(B)=

(C)=

(D)=

(E)=

(F)=



No.	Lev.	Parts No.	Description	Q'ty						I	R
				(A)	(B)	(C)	(D)	(E)	(F)		
1	1	119623-21700	CRANKSHAFT ASSY	1							
2	2	129100-01580	PIN, M8X16	1							
5	2	119644-21200	GEAR, CRANKSHAFT	1							
6	2	22512-040120	KEY, 4X 12	1							
8	1	119621-21680	BOLT, FLANGE 12X1.25	1							
9	1	119653-21680	V-PULLEY	1							
10	1	119620-21941	WASHER	1							
11	1	22351-030012	PIN, SPRING 3.0X12	1							
12	1	105225-21501	BOLT, FLYWHEEL	5							
13	1	119659-21590	FLYWHEEL ASSY	1							
14	2	124950-21230	BUSH	1							
17	2	124060-21600	GEAR, RING	1							
18	1	119624-22082	PISTON ASSY	3							
20	2	119623-22500	RING SET, PISTON	3							
24	1	114399-22300	PIN, PISTON D=21	3							
25	1	22252-000210	RING, 21	6							
26	1	719620-23100	ROD ASSY, CONNECTING	3							
29	2	119620-23910	BEARING, PISTON PIN	3							1
31	2	105225-23200	BOLT, CONNECTING ROD	6							
34	1	119624-22900	PISTON ASSY, 0.25 OS	3							2
36	2	119623-22950	RING SET, 0.25 OS	3							2
40	1	719620-23610	BEARING ASSY, 0.25	3							3
42	1	719620-23600	BEARING, CRANK PIN	3							

Remarks

- (1) REPAIR PART.
  - (2) OVER-SIZE(O.S=0.25)PART.
  - (3) UNDER-SIZE(U.S=0.25)PART.
- (REMARKS)"EFFECTIVE MACHINE NO." OF ENGINE IS INDICATED ON THE ENGINE LABEL WHICH IS SHOWN IN FIG.4.

Fig.9. HYDRAULIC PUMP

(A)=3TNE74-UK2Y

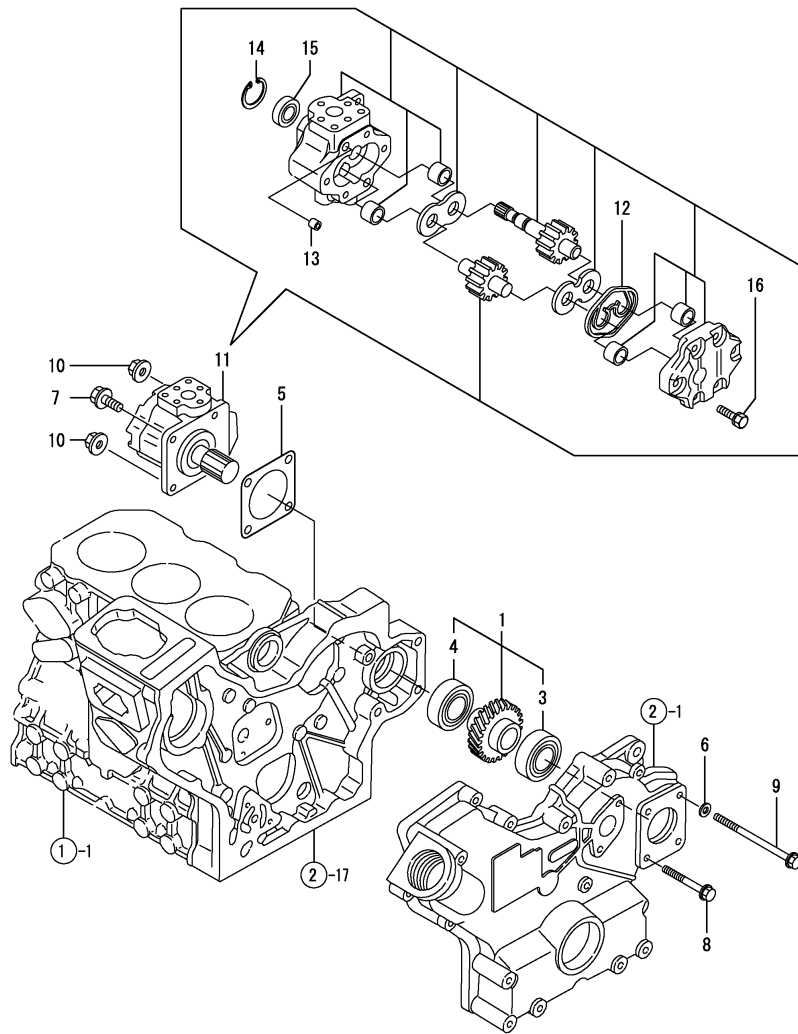
(B)=

(C)=

(D)=

(E)=

(F)=



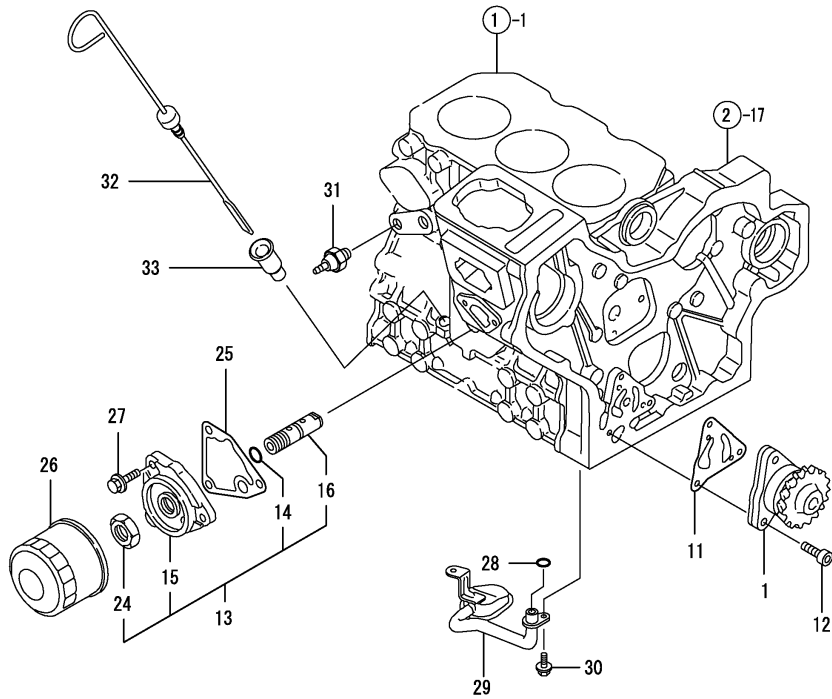
No.	Lev.	Parts No.	Description	Q'ty						I	R
				(A)	(B)	(C)	(D)	(E)	(F)		
1	1	119650-26001	GEAR ASSY, PUMP	1							
3	2	129350-26490	BEARING, BALL 16005	1							
4	2	24104-060054	BEARING, BALL 6005UU	1							
5	1	124240-01883	GASKET	1							
6	1	22137-080000	WASHER, 8	2							
7	1	26106-080202	BOLT, M8X 20 PLATED	1							
8	1	26106-080752	BOLT, M8X 75 PLATED	1							
9	1	26116-081302	BOLT, M8X130 PLATED	2							
10	1	26306-080002	NUT, M8	3							
11	1	119668-26010	PUMP ASSY, HYDRAULIC	1							
11-1	1	119668-26011	PUMP ASSY, HYDRAULIC	1							N
		(A=EA8088)									
11-2	1	119668-26012	PUMP ASSY, HYDRAULIC	1							R
		(A=EXXXXX)									
12	2	178070-10401	RING	1							
12-1	2	178077-15400	SEAL RING	1							N
		(A="2009.02.)									
13	2	194521-41570	PIN, 11X7	2							
14	2	22252-000320	RING, 32	1							
15	2	24421-153207	SEAL, OIL TC153207	1							
16	2	26016-080352	BOLT, M8X 35	4							

Remarks  
 (REMARKS)"EFFECTIVE MACHINE NO." OF  
 ENGINE IS INDICATED ON THE  
 ENGINE LABEL WHICH IS SHOWN  
 IN FIG.4.

Fig.10. LUB.OIL SYSTEM

(A)=3TNE74-UK2Y  
(B)=  
(C)=

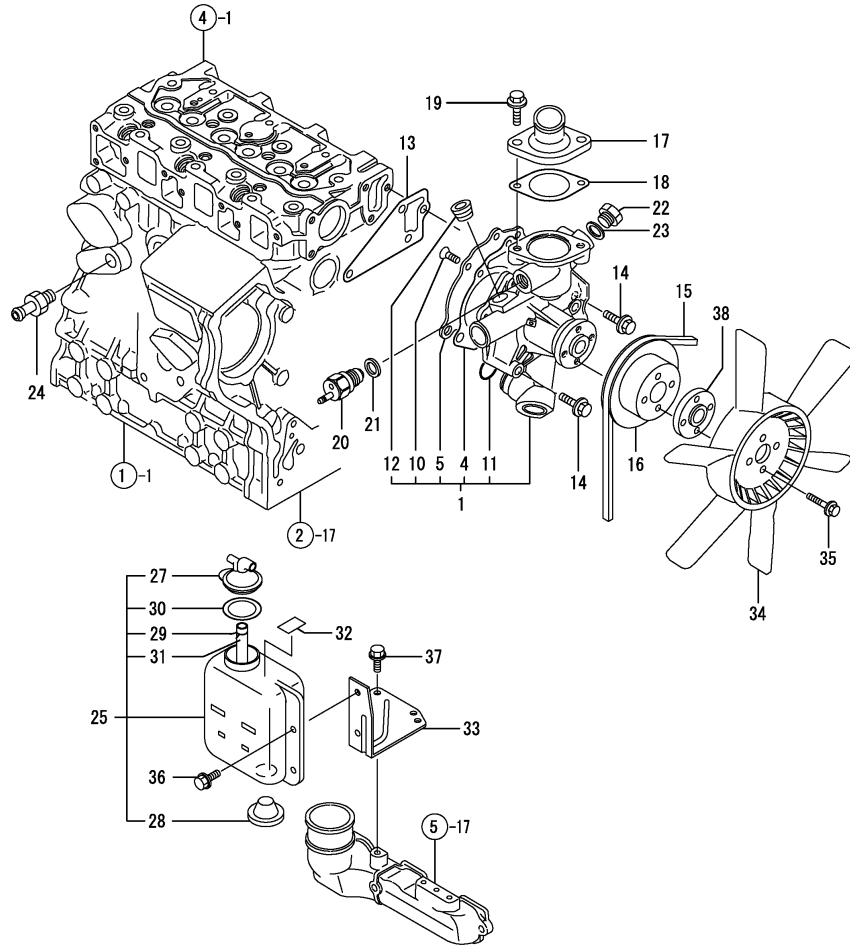
(D)=  
(E)=  
(F)=



No.	Lev.	Parts No.	Description	Q'ty						I	R
				(A)	(B)	(C)	(D)	(E)	(F)		
1	1	119660-32001	PUMP ASSY, OIL	1							
11	1	119660-32020	GASKET, PUMP	1							
12	1	26450-060202	BOLT, M6X 20	3							
13	1	119609-35000	BRACKET ASSY, FILTER	1							
14	2	119609-32040	O-RING, P16	1							
15	2	119660-35102	BRACKET, FILTER	1							
16	2	119609-35300	VALVE ASSY, CONTROL	1							
24	2	129150-35350	NUT	1							
25	1	119660-35113	GASKET	1							
26	1	119305-35170	FILTER ASSY, D68XL65	1							1
27	1	26106-080202	BOLT, M8X 20 PLATED	3							
28	1	119209-35030	O-RING, P11	1							
29	1	119600-35081	PIPE ASSY, OIL INLET	1							
30	1	26106-060102	BOLT, M6X 10 PLATED	2							
31	1	114250-39450	SWITCH, 0.5KG	1							
32	1	119462-34800	DIPSTICK, OIL	1							
33	1	119860-34810	GUIDE, DIPSTICK	1							

Remarks  
(1) REPAIR PART.

Fig.11. COOLING WATER SYSTEM



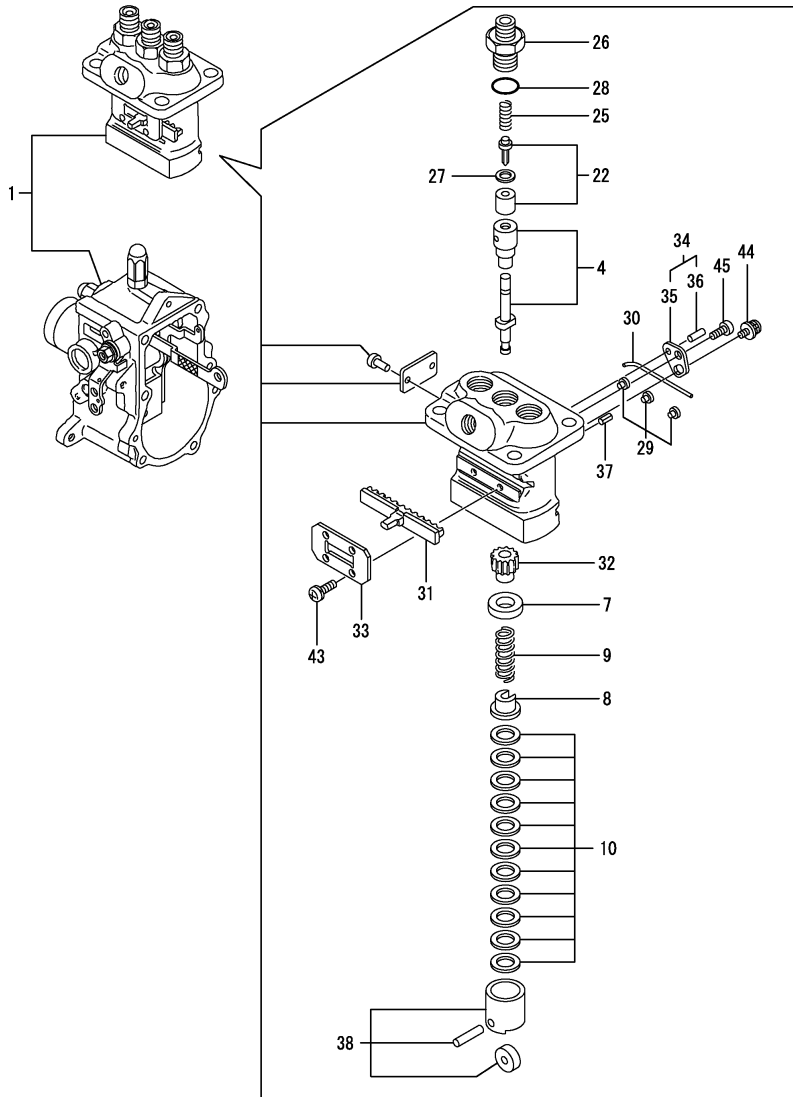
(A)=3TNE74-UK2Y  
(B)=  
(C)=

(D)=  
(E)=  
(F)=

No.	Lev.	Parts No.	Description	Q'ty						I	R
				(A)	(B)	(C)	(D)	(E)	(F)		
1	1	119660-42008	PUMP ASSY, WATER	1							
4	2	119660-42052	GASKET, WATER PUMP	1							
5	2	119660-42121	PLATE	1							
10	2	26577-060122	SCREW, M6X12	5							
11	2	119609-42320	O-RING	1							
12	2	23876-030000	PLUG, R03	1							
13	1	119620-42021	GASKET, WATER PUMP	1							
14	1	26106-080452	BOLT, M8X 45 PLATED	4							
15	1	25157-003500	V-BELT, M35	1							
16	1	119660-42350	V-PULLEY	1							
17	1	119660-49530	COVER, THERMOSTAT	1							
18	1	129350-49541	GASKET	1							
19	1	26106-080202	BOLT, M8X 20 PLATED	2							
20	1	121250-44901	SWITCH, 110	1							
21	1	124465-44950	GASKET, 16	1							
22	1	121450-42450	PLUG, M16	1							
23	1	124465-44950	GASKET, 16	1							
24	1	121550-49111	JOINT, PT1/4	1							
25	1	121468-44510	SUB-TANK ASSY	1							
25-1	1	121468-44520 (A=EA8088)	TANK ASSY, SUB	1							R
27	2	121450-44531	CAP	1							
28	2	121468-44540 (A=EA8088)	PLUG, SUB-TANK	1							Z
29	2	124450-44560	RETAINER	1							
30	2	121470-44581	GASKET	1							
31	2	23065-070130	PIPE, 7X 130	1							
32	1	124764-44810	LABEL, SUB-TANK	1							
33	1	119462-44600	BRACKET, SUB TANK	1							
34	1	119653-44740	FAN, COOLING D=320	1							
35	1	26014-060252	BOLT, M6X 25	4							
36	1	26106-060122	BOLT, M6X 12 PLATED	2							
37	1	26106-060122	BOLT, M6X 12 PLATED	2							
38	1	124574-44761	SPACER, FAN	1							

Remarks  
(REMARKS)"EFFECTIVE MACHINE NO." OF  
ENGINE IS INDICATED ON THE  
ENGINE LABEL WHICH IS SHOWN  
IN FIG.4.

Fig.12. FUEL INJECTION PUMP



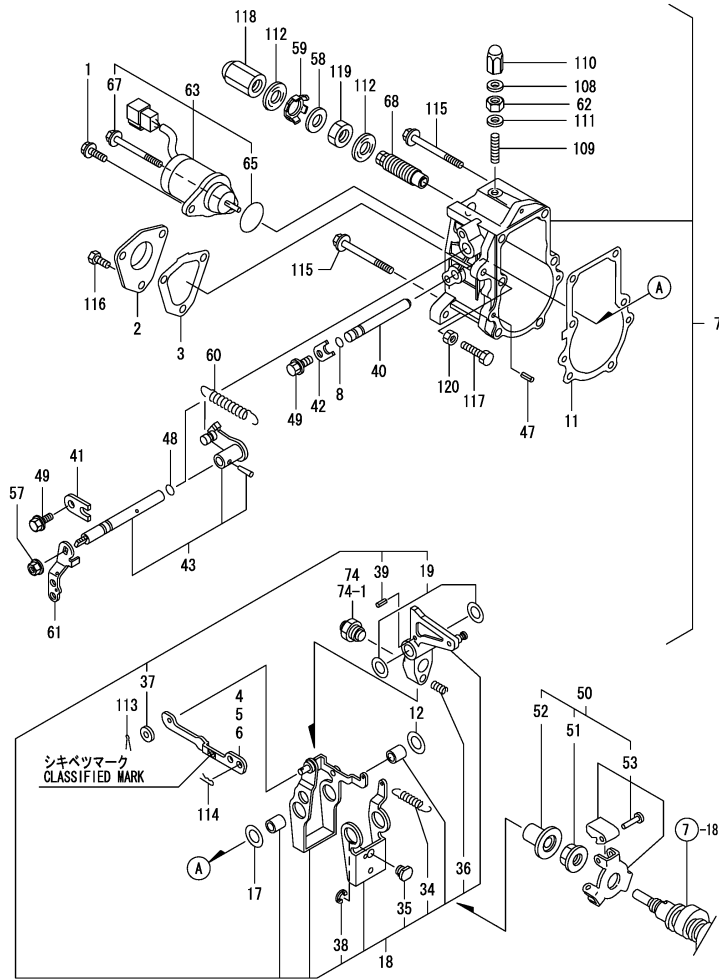
(A)=3TNE74-UK2Y  
(B)=  
(C)=

(D)=  
(E)=  
(F)=

No.	Lev.	Parts No.	Description	Q'ty						I	R
				(A)	(B)	(C)	(D)	(E)	(F)		
1	1	719624-51100	PUMP ASSY, INJECTION	1							
4	2	119620-51101	PLUNGER ASSY	3							
7	2	119620-51170	RETAINER, SPRING A	3							
8	2	119620-51180	RETAINER, SPRING B	3							
9	2	119620-51190	SPRING, PLUNGER	3							
10	2	119620-51250	SHIM SET	3							
22	2	119620-51300	VALVE ASSY, DELIVERY	3							
25	2	105546-51330	SPRING, DELIVERY	3							
26	2	119620-51340	HOLDER, DELIVERY	3							
27	2	119620-51350	GASKET	3							
28	2	119620-51370	O-RING	3							
28-1	2	24316-000125	O-RING, 4DP12.5	3							N
(A=EA4353)											
29	2	119620-51450	PIECE	3							
30	2	119620-51461	PIN	1							
31	2	119660-51500	RACK, CONTROL	1							
32	2	119620-51510	PINION	3							
33	2	119660-51530	RETAINER, RACK	1							
34	2	119620-51640	PLATE ASSY, ADJUST	2							
35	3	119620-51650	PLATE	2							
36	3	119620-51670	PIN	2							
37	2	119620-51680	PIN	1							
38	2	119620-51700	TAPPET ASSY	3							
43	2	26022-040082	SCREW, M4X 8	4							
44	2	26033-040102	SCREW, M4X10	2							
45	2	119620-51660	SCREW	2							

Remarks  
(REMARKS)"EFFECTIVE MACHINE NO." OF  
ENGINE IS INDICATED ON THE  
ENGINE LABEL WHICH IS SHOWN  
IN FIG.4.

Fig.13. GOVERNOR



(A)=3TNE74-UK2Y  
(B)=  
(C)=

(D)=  
(E)=  
(F)=

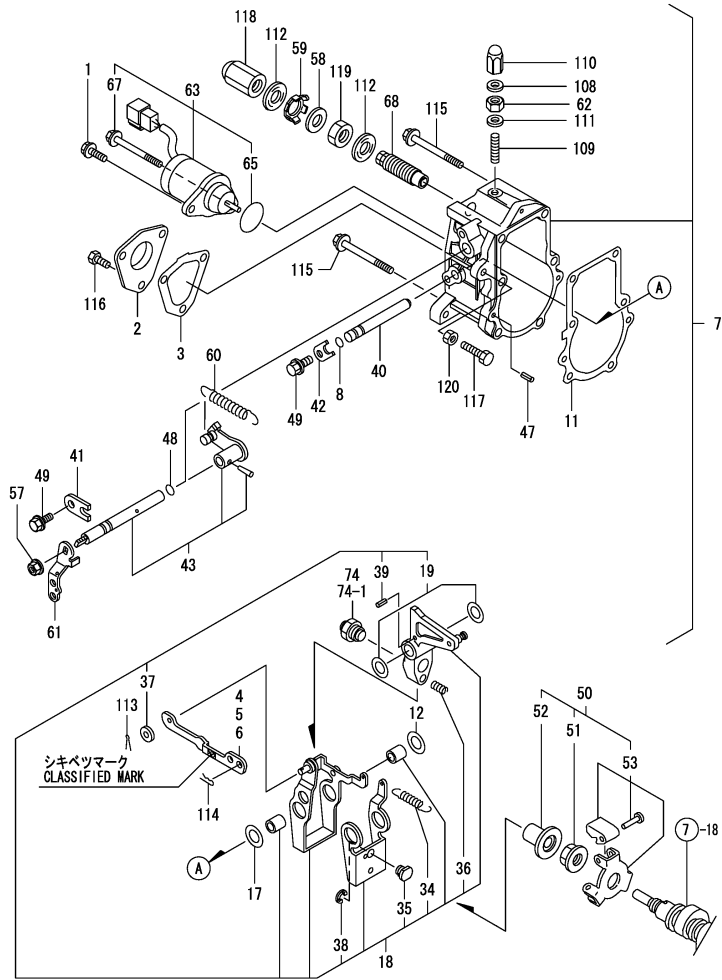
No.	Lev.	Parts No.	Description	Q'ty						I	R
				(A)	(B)	(C)	(D)	(E)	(F)		
1	1	121465-59950	BOLT, M6X16	1							
2	1	119660-61060	COVER, GOVERNOR CASE	1							
3	1	119660-61071	GASKET	1							
4	1	119660-61122	LINK, NO MARK	1							1
5	1	119660-61141	LINK, MARK A	1							1
6	1	119660-61151	LINK, MARK :B	1							1
7	1	119632-61200	CASE ASSY, GOVERNOR	1							
8	2	129155-51280	O-RING, S6	1							
11	2	119660-61054	GASKET	1							
12	2	119632-61500	SHIM SET	1							
17	2	129156-61500	SHIM, T=0.5	1							
18	2	119232-61510	LEVER ASSY, GOVERNOR	1							
19	3	174307-51700	SHIM SET	2							
34	3	119232-61540	SPRING	1							
35	3	119600-61541	SHIFTER	1							
36	3	119660-61651	SPRING, STARTING	1							
37	3	22117-040000	WASHER, 4	1							
38	3	22272-000040	RING, E- 4	1							
39	3	22351-030014	PIN, SPRING 3.0X14	1							
40	2	119660-61590	SHAFT	1							
41	2	119600-61900	RETAINER, SHAFT	1							
42	2	119660-61901	RETAINER, SHAFT	1							
43	2	119285-66080	SHAFT ASSY	1							
47	2	22351-040010	PIN, SPRING 4.0X10	2							
48	2	24341-000070	O-RING, 1AS7.0	1							
49	2	26106-060102	BOLT, M6X 10 PLATED	2							
50	1	119600-61100	DRIVE ASSY	1							
51	2	119660-61300	NUT	1							
51-1	2	129008-61301	NUT	1							R
(A=EXXX)											
52	2	119660-61341	SLEEVE	1							
53	2	119600-61200	WEIGHT ASSY,GOVERNOR	1							
57	1	26366-080002	NUT, M8	1							
58	1	23414-120016	GASKET, 12X1.0	1							
59	1	129209-61970	PLATE	1							
60	1	119645-66020	SPRING, REGULATOR	1							
61	1	119621-66051	LEVER, REGULATOR	1							
62	1	26857-060002	NUT, M6	1							
63	1	119653-66500	STOPPER ASSY	1							
65	2	24341-000280	O-RING, 1AS28.0	1							
65-1	2	158552-61900	O-RING	1							R
(A=EA8088)											
67	2	119620-01530	BOLT	1							
68	1	119653-66520	LIMITER ASSY, FUEL	1							
74	1	119610-66700	ANGLEICH ASSY	1							
74-1	1	129601-61550	ANGLEICH ASSY	1							S
(A=EZZZZZ)											
108	1	119285-66620	GASKET	1							
109	1	121575-66830	SCREW	1							
110	1	119285-66600	NUT, CAP M6	1							
111	1	22190-060003	SEAL WASER 6	1							

Remarks

(1) SELECTIVE PARTS: CERTAIN THE CLASSIFICATION MARK, THEN PLACE YOUR ORDER.(REFER TO ILLUSTRATION ).  
(REMARKS)"EFFECTIVE MACHINE NO." OF ENGINE IS INDICATED ON THE ENGINE LABEL WHICH IS SHOWN IN FIG.4.



Fig.13. GOVERNOR



(A)=3TNE74-UK2Y  
(B)=  
(C)=

(D)=  
(E)=  
(F)=

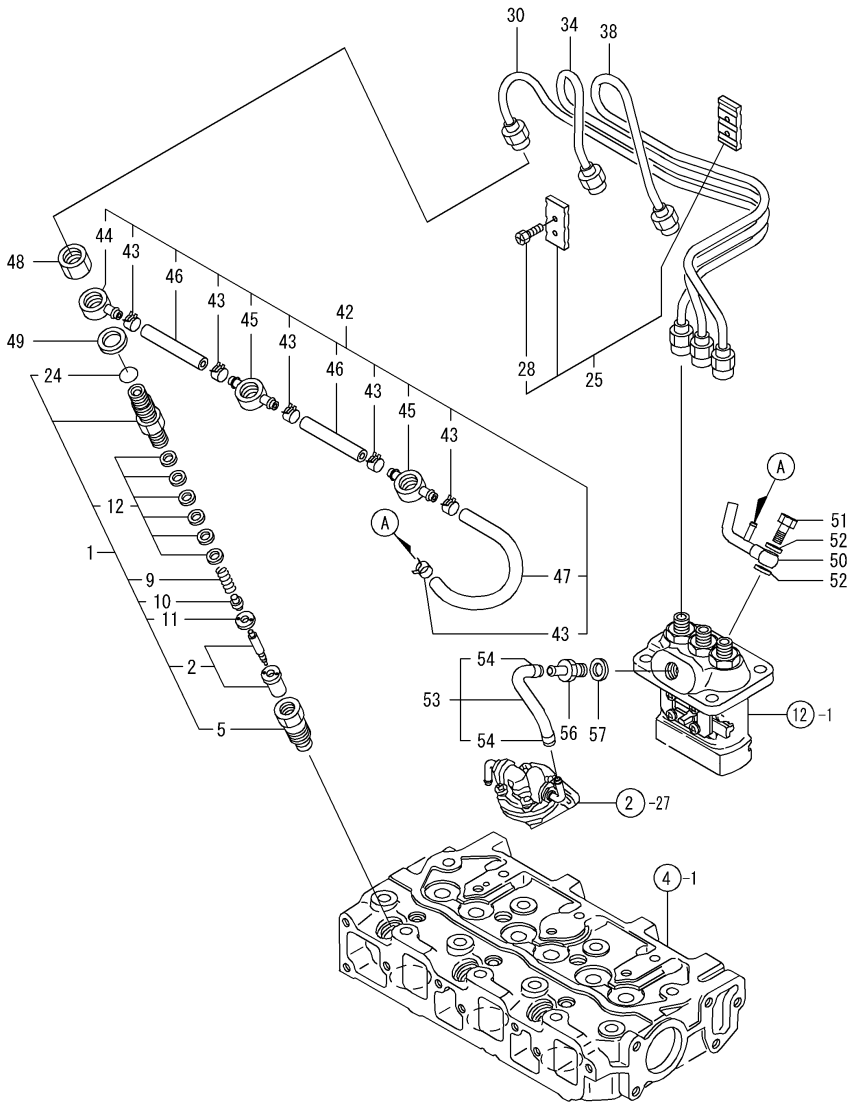
No.	Lev.	Parts No.	Description	Q'ty						I	R
				(A)	(B)	(C)	(D)	(E)	(F)		
112	1	22190-120002	WASHER, SEAL 12	2							
113	1	22360-040000	PIN, SNAP 4	1							
114	1	22360-060000	PIN, SNAP 6	1							
115	1	26106-060702	BOLT, M6X 70 PLATED	5							
116	1	26106-050102	BOLT, M5X 10 PLATED	3							
117	1	119266-61460	BOLT	1							
118	1	26687-120002	NUT, CAP M12	1							
119	1	26736-120002	NUT, M12	1							
119-1	1	129209-61920	NUT, ARB	1							N
(A=EXXX)											
120	1	26756-060002	NUT, LOCK M6	1							

Remarks

(1) SELECTIVE PARTS: CERTAIN THE CLASSIFICATION MARK, THEN PLACE YOUR ORDER.(REFER TO ILLUSTRATION).

(REMARKS)"EFFECTIVE MACHINE NO." OF ENGINE IS INDICATED ON THE ENGINE LABEL WHICH IS SHOWN IN FIG.4.

Fig.14. FUEL INJECTION VALVE



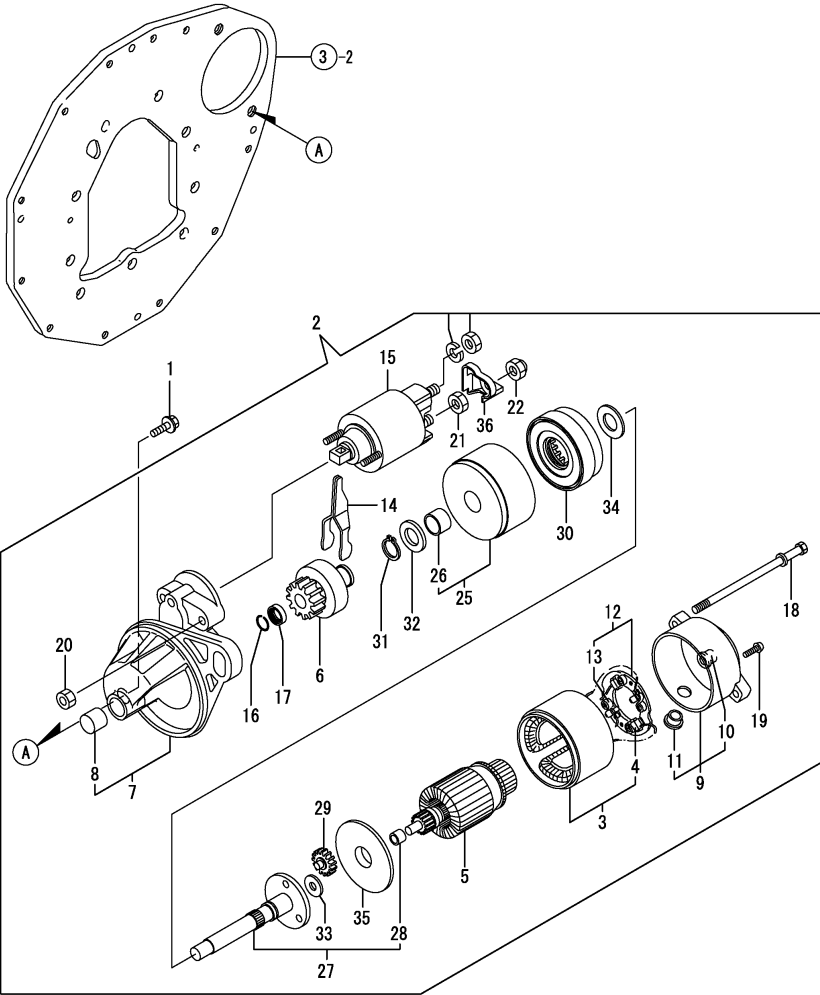
(A)=3TNE74-UK2Y  
(B)=  
(C)=

(D)=  
(E)=  
(F)=

No.	Lev.	Parts No.	Description	Qty						I	R
				(A)	(B)	(C)	(D)	(E)	(F)		
1	1	719255-53100	VALVE ASSY,INJECTION	3							
2	2	119620-53000	VALVE ASSY,INJECTION	3							
5	2	119620-53080	NUT, NOZZLE	3							
9	2	119620-53120	SPRING, NOZZLE	3							
10	2	114250-53130	SEAT, SPRING	3							
11	2	119620-53140	SPACER, VALVE STOP	3							
12	2	114250-53400	SHIM SET	3							
24	2	129155-61830	O-RING, S10	3							
24-1	2	158552-51930	O-RING, 4D S10	3							N
(A=EXXX)											
25	1	129150-59120	RETAINER, PIPE	1							
28	2	129150-59131	BOLT, M4X14	2							
30	1	119620-59811	PIPE ASSY, INJECTION	1							
34	1	119620-59821	PIPE ASSY, INJECTION	1							
38	1	119620-59831	PIPE ASSY, INJECTION	1							
42	1	119266-59540	PIPE ASSY, FUEL	1							
43	2	124066-59100	CLIP, HOSE 8	6							
44	2	119260-59520	JOINT	1							
45	2	119260-59530	JOINT	2							
46	2	105025-59550	PIPE, FUEL RETURN	2							
47	2	119000-59560	PIPE, FUEL RETURN	1							
48	1	119620-59700	NUT, NOZZLE	3							
49	1	22190-140002	WASHER, SEAL 14	3							
50	1	119356-59571	JOINT, OVER FLOW	1							
51	1	119266-59580	BOLT, PIPE JOINT M8	1							
52	1	22190-080002	WASHER, SEAL 6	2							
53	1	119668-59010	PIPE ASSY, FUEL	1							
54	2	124766-59050	CLIP, HOSE 12	2							
56	1	119462-59150	JOINT ASSY, PIPE	1							
56-1	1	119462-59151	JOINT ASSY	1							N
(A=EA8088)											
57	1	104200-59170	GASKET, 12	1							
57-1	1	22190-120002	WASHER, SEAL 12	1							N
(A=EA8088)											

Remarks  
(REMARKS)"EFFECTIVE MACHINE NO." OF  
ENGINE IS INDICATED ON THE  
ENGINE LABEL WHICH IS SHOWN  
IN FIG.4.

Fig.15. STARTING MOTOR



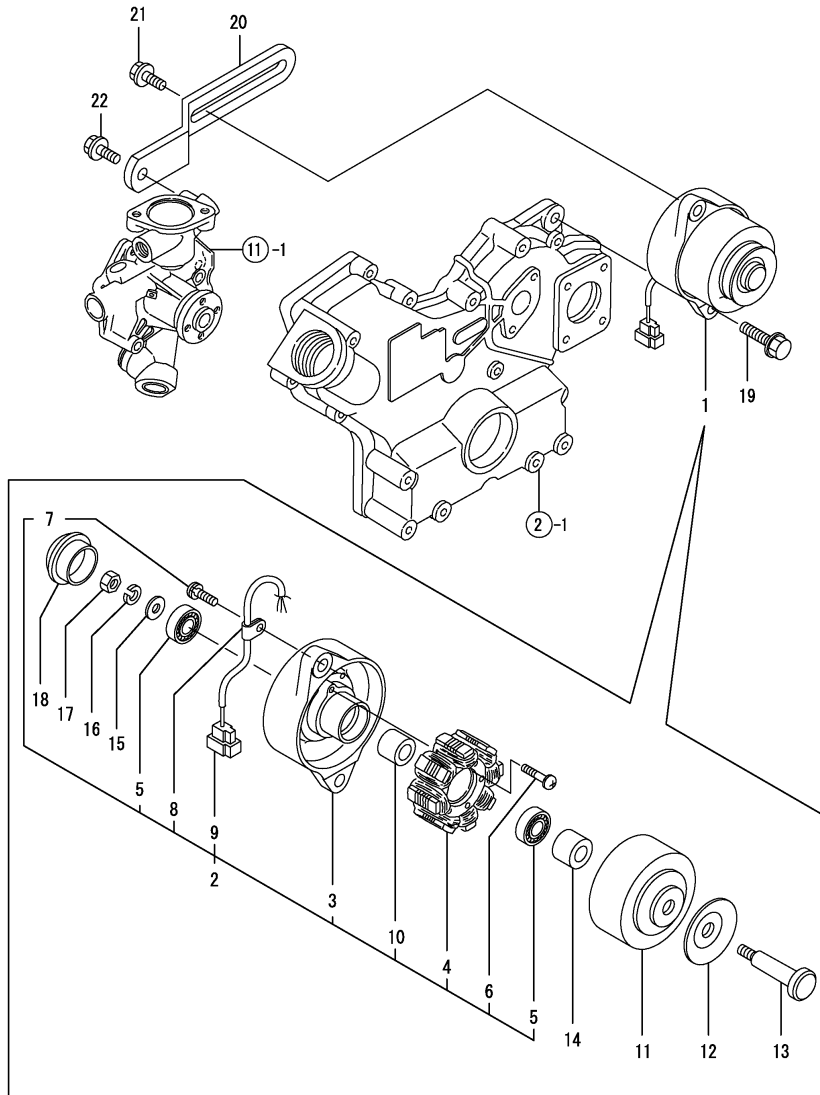
(A)=3TNE74-UK2Y  
(B)=  
(C)=

(D)=  
(E)=  
(F)=

No.	Lev.	Parts No.	Description	Q'ty						I	R
				(A)	(B)	(C)	(D)	(E)	(F)		
1	1	26106-100402	BOLT, M10X 40 PLATED	2							
2	1	119853-77010	STARTER, P1.1	1							
3	2	X0281007750	YOKE ASSY	1							
4	3	X0280996180	STARTER KIT	2							
5	2	X0282005991	ARMATURE ASSY	1							
6	2	X0283006960	CLUTCH ASSY	1							
7	2	X2284006080	HOUSING ASSY	1							
8	3	X9491050100	BEARING, NEEDLE	1							
9	2	X0285005750	FRAME ASSY	1							
10	3	X9491040990	BEARING	1							
11	3	X0280626010	COVER	1							
12	2	X0285105190	HOLDER ASSY	1							
13	3	X0285205030	SPRING	4							
14	2	X0287405140	LEVER	1							
15	2	X0534007800	SWITCH ASSY	1							
16	2	X9490721360	RING	1							
17	2	X0280210331	NUT	1							
18	2	X9490423420	BOLT, THROUGH	2							
19	2	X949065670	SCREW, M4X6	2							
20	2	X9490560750	NUT	2							
21	2	X9490562360	NUT	1							
22	2	X1289510130	NUT	1							
25	2	X0284105040	BEARING ASSY	1							
26	3	X9491034330	BEARING	1							
27	2	X0286105010	SHAFT ASSY	1							
28	3	X9491034320	BEARING	1							
29	2	X0286305010	GEAR	3							
30	2	X0286355010	GEAR	1							
31	2	X9055715000	RING	1							
32	2	X9490138110	WASHER	1							
33	2	X9490138090	WASHER	1							
34	2	X9490138100	WASHER	1							
35	2	X0284525010	PLATE	1							
36	2	X0280335350	COVER, TERMINAL	1							

Remarks  
(REMARKS)"EFFECTIVE MACHINE NO." OF  
ENGINE IS INDICATED ON THE  
ENGINE LABEL WHICH IS SHOWN  
IN FIG.4.

Fig.16. GENERATOR



(A)=3TNE74-UK2Y  
(B)=  
(C)=

(D)=  
(E)=  
(F)=

No.	Lev.	Parts No.	Description	Q'ty						I	R
				(A)	(B)	(C)	(D)	(E)	(F)		
1	1	119663-77200	DYNAMO	1							
2	2	X2A09922KA	PLATE ASSY	1							
3	3	X2A07071KA	PLATE, COIL	1							
4	3	X4A07023KC	STATOR ASSY	1							
5	3	24104-062010	BEARING, 6201UUC3	2							
6	3	XYSPS402400	SCREW	2							
7	3	XYSPS400800	SCREW	1							
8	3	XM069000000	CLAMP	1							
9	3	XM178780000	COUPLER	1							
10	3	XM329830000	COLLAR	1							
11	2	X3A08344KB	FLYWHEEL	1							
12	2	XM721740000	PULLEY	1							
13	2	X4A07130K01	SHAFT	1							
14	2	X4A04060K01	COLLAR	1							
15	2	XM860250000	WASHER 10	1							
16	2	XM219230000	WASHER, SPRING	1							
17	2	XM863720000	NUT	1							
18	2	XM771870000	CAP	1							
19	1	26106-100402	BOLT, M10X 40 PLATED	1							
20	1	119660-77330	ADJUSTER	1							
21	1	26014-080252	BOLT, M8X 25	1							
22	1	26106-080162	BOLT, M8X 16 PLATED	1							

Remarks  
(REMARKS)"EFFECTIVE MACHINE NO." OF  
ENGINE IS INDICATED ON THE  
ENGINE LABEL WHICH IS SHOWN  
IN FIG.4.

## Parts No. Index

Parts No.	Fig. No.	Ref. No.
104200-59170	14	57
104211-11370	4	18
105010-11230	4	30
		34
105025-59550	14	46
105027-12570	5	5
105225-21501	8	12
105225-23200	8	31
105546-51330	12	25
114250-39450	10	31
114250-53130	14	10
114250-53400	14	12
114399-22300	8	24
118400-03060	4	49
119000-59560	14	47
119131-18320	6	9
119209-35030	10	28
119232-61510	13	18
119232-61540	13	34
119233-12700	5	7
119260-07900	4	58
119260-59520	14	44
119260-59530	14	45
119266-59540	14	42
119266-59580	14	51
119266-61460	13	117
119285-66080	13	43
119285-66600	13	110
119285-66620	13	108
119305-35170	10	26
119356-59571	14	50
119462-01602	3	2
119462-34800	10	32
119462-44600	11	33
119462-59150	14	56
119462-59151	14	56 -1
119600-01050	1	9
119600-01722	3	10
119600-11450	4	20
119600-11460	4	21
119600-35081	10	29
119600-61100	13	50
119600-61200	13	53
119600-61541	13	35
119600-61900	13	41
119609-32040	10	14
119609-35000	10	13
119609-35300	10	16
119609-42320	11	11
119610-66700	13	74

Parts No.	Fig. No.	Ref. No.
119620-01200	1	23
119620-01530	13	67
119620-01620	3	5
119620-01800	2	4
119620-02020	1	11
119620-02450	7	4
119620-03020	4	44
119620-03031	4	45
119620-11110	4	11
119620-11120	4	12
119620-11180	4	13
119620-11200	4	23
119620-11240	4	24
119620-11260	4	27
119620-11280	4	28
119620-11310	4	48
119620-11350	4	39
119620-11801	4	5
119620-13110	6	2
119620-14100	7	7
119620-14200	7	1
119620-14401	7	2
119620-21941	8	10
119620-23910	8	29
119620-25102	7	11
119620-25912	7	13
119620-42021	11	13
119620-51101	12	4
119620-51170	12	7
119620-51180	12	8
119620-51190	12	9
119620-51250	12	10
119620-51300	12	22
119620-51340	12	26
119620-51350	12	27
119620-51370	12	28
119620-51450	12	29
119620-51461	12	30
119620-51510	12	32
119620-51640	12	34
119620-51650	12	35
119620-51660	12	45
119620-51670	12	36
119620-51680	12	37
119620-51700	12	38
119620-53000	14	2
119620-53080	14	5
119620-53120	14	9
119620-53140	14	11
119620-59700	14	48

Parts No.	Fig. No.	Ref. No.
119620-59811	14	30
119620-59821	14	34
119620-59831	14	38
119621-21680	8	8
119621-66051	13	61
119623-01250	1	10
119623-01340	1	24
119623-01950	2	28
119623-11100	4	10
119623-21700	8	1
119623-22500	8	20
119623-22950	8	36
119624-02410	1	21
119624-22082	8	18
119624-22900	8	34
119624-32040	2	7
119626-07900	4	58 -1
119626-11000	4	1
119626-13510	6	6
119629-14580	7	3
119632-61200	13	7
119632-61500	13	12
119644-21200	8	5
119645-66020	13	60
119645-77820	4	56
119650-01770	3	12
119650-13101	6	1
119650-26001	9	1
119652-12550	5	8
119652-12601	5	9
119653-21680	8	9
119653-44740	11	34
119653-66500	13	63
119653-66520	13	68
119655-12560	5	4
119657-11351	4	42
119659-21590	8	13
119660-01492	2	17
119660-01510	2	20
119660-01551	2	23
119660-01562	2	24
119660-01570	2	25
119660-01590	2	1
119660-01640	3	6
119660-01821	7	17
119660-01911	2	5
119660-12101	5	17
119660-12111	5	18
119660-25022	7	9
119660-25052	7	10

Parts No.	Fig. No.	Ref. No.
119660-32001	10	1
119660-32020	10	11
119660-35102	10	15
119660-35113	10	25
119660-42008	11	1
119660-42052	11	4
119660-42121	11	5
119660-42350	11	16
119660-49530	11	17
119660-51500	12	31
119660-51530	12	33
119660-61054	13	11
119660-61060	13	2
119660-61071	13	3
119660-61122	13	4
119660-61141	13	5
119660-61151	13	6
119660-61300	13	51
119660-61341	13	52
119660-61590	13	40
119660-61651	13	36
119660-61901	13	42
119660-77330	16	20
119663-77200	16	1
119668-12510	5	1
119668-12520	5	2
119668-26010	9	11
119668-26011	9	11 -1
119668-26012	9	11 -2
119668-52020	2	27
119668-59010	14	53
119807-11770	4	43
119808-12540	5	3
119853-77010	15	2
119860-34810	10	33
119865-12600	5	10
121250-44901	11	20
121450-01560	2	21
121450-42450	11	22
121450-44531	11	27
121465-59950	13	1
121468-44510	11	25
121468-44520	11	25 -1
121468-44540	11	28
121470-44581	11	30
121520-01851	2	26
121550-49111	11	24
121575-66830	13	109
123900-13600	6	5
123900-13620	6	4

## Parts No. Index

Parts No.	Fig. No.	Ref. No.
124060-21600	8	17
124066-59100	14	43
124085-02220	3	8
124160-01650	4	52
124160-01751	2	15
124160-11340	4	16
124160-11360	4	53
124240-01883	9	5
124450-44560	11	29
124465-44950	11	21
		23
124574-44761	11	38
124764-44810	11	32
124766-59050	14	54
124950-11340	4	17
124950-21230	8	14
129008-61301	13	51 -1
129054-01640	3	13
129100-01580	3	1
	8	2
129107-13540	6	7
129150-35350	10	24
129150-59120	14	25
129150-59131	14	28
129150-91400	2	38
129155-51280	13	8
129155-61830	14	24
129155-77801	4	55
129156-61500	13	17
129209-61920	13	119 -1
129209-61970	13	59
129350-26490	9	3
129350-49541	11	18
129601-61550	13	74 -1
129612-12650	5	6
158552-51930	14	24 -1
158552-61900	13	65 -1
174307-51700	13	19
178070-10401	9	12
178077-15400	9	12 -1
194521-41570	9	13
194990-22050	2	10
22117-040000	13	37
22137-080000	9	6
22190-060003	13	111
22190-080002	14	52
22190-120002	3	15
	13	112
	14	57 -1
22190-140002	14	49

Parts No.	Fig. No.	Ref. No.
22242-000120	4	37
22242-000200	7	15
22252-000210	8	25
22252-000320	9	14
22272-000040	13	38
22351-030012	8	11
22351-030014	13	39
22351-040010	2	22
	13	47
22351-060012	4	22
22360-040000	13	113
22360-060000	13	114
22512-040120	7	8
		22
	8	6
22857-500100	4	50
23000-054000	5	14
23065-070130	11	31
23065-120500	4	51
23414-120016	13	58
23876-010000	1	12
23876-020000	4	7
23876-030000	11	12
24101-062034	7	24
24102-063034	7	23
24104-060054	9	4
24104-062010	16	5
24311-000120	4	54
24311-000320	2	16
24316-000125	12	28 -1
24341-000070	13	48
24341-000240	2	40
24341-000280	13	65
24421-153207	9	15
25157-003500	11	15
26014-060202	2	37
26014-060252	11	35
26014-080252	16	21
26016-080352	9	16
26022-040082	12	43
26033-040102	12	44
26106-050102	13	116
26106-060102	10	30
	13	49
26106-060122	1	22
	3	16
	5	15
	7	16
	11	36
		37

Parts No.	Fig. No.	Ref. No.
26106-060162	2	6
		8
	5	19
	7	25
26106-060222	3	9
26106-060302	2	9
26106-060402	5	20
26106-060452	3	17
26106-060602	2	11
		12
26106-060702	13	115
26106-060802	2	13
26106-080122	4	57
	5	16
26106-080142	4	59
26106-080162	16	22
26106-080202	9	7
	10	27
	11	19
26106-080352	6	8
26106-080452	4	40
	11	14
26106-080752	9	8
26106-100402	15	1
	16	19
26116-081302	9	9
26206-100202	3	3
26206-100252	3	4
26306-080002	4	41
	6	3
	9	10
26366-060002	2	14
26366-080002	13	57
26450-060202	10	12
26577-060122	11	10
26587-080102	7	26
26687-120002	13	118
26736-120002	13	119
26756-060002	13	120
26856-060002	4	32
		36
26857-060002	13	62
26979-050162	4	38
27221-050080	4	8
27241-120000	1	13
27241-300000	1	14
27241-400000	4	9
27310-070001	4	14
719255-53100	14	1

Parts No.	Fig. No.	Ref. No.
719620-02800	1	15
719620-02870	1	25
719620-02930	1	18
719620-11650	4	29
719620-11660	4	33
719620-23100	8	26
719620-23600	8	42
719620-23610	8	40
719623-01560	1	1
719624-51100	12	1
719660-14590	7	18
X0280210331	15	17
X0280335350	15	36
X0280626010	15	11
X0280996180	15	4
X0281007750	15	3
X0282005991	15	5
X0283006960	15	6
X0284105040	15	25
X0284525010	15	35
X0285005750	15	9
X0285105190	15	12
X0285205030	15	13
X0286105010	15	27
X0286305010	15	29
X0286355010	15	30
X0287405140	15	14
X0534007800	15	15
X1289510130	15	22
X2284006080	15	7
X2A07071KA	16	3
X2A09922KA	16	2
X3A08344KB	16	11
X4A04060K01	16	14
X4A07023KC	16	4
X4A07130K01	16	13
X9055715000	15	31
X9490065670	15	19
X9490138090	15	33
X9490138100	15	34
X9490138110	15	32
X9490423420	15	18
X9490560750	15	20
X9490562360	15	21
X9490721360	15	16
X9491034320	15	28
X9491034330	15	26
X9491040990	15	10
X9491050100	15	8
XM069000000	16	8

# Parts No. Index

Parts No.	Fig. No.	Ref. No.
XM178780000	16	9
XM219230000	16	16
XM329830000	16	10
XM721740000	16	12
XM771870000	16	18
XM860250000	16	15
XM863720000	16	17
XYSPS400800	16	7
XYSPS402400	16	6

Parts No.	Fig. No.	Ref. No.
-----------	----------	----------

Parts No.	Fig. No.	Ref. No.
-----------	----------	----------

Parts No.	Fig. No.	Ref. No.
-----------	----------	----------