

0CNP4-M32200EN

Main unit and engine correspondence table

EF230EH ~ F110118

EF233EH ~ F110009

EF235EH ~ F110139

Main unit			Engine		
Model	PCNo.	Position	Model	PCNo.	Position
EF227EH	0CNP4-G32200	A	3TNV82A-NRE	0CNP4-G31900	A
EF230EH		B	3TNV84-NRE	0CNP4-G32000	A
EF233EH		C	3TNV88-NRE	0CNP4-G32100	A
EF235EH		D	3TNV88-MRE		B

EF230EH F110119 ~

EF233EH F110010 ~

EF235EH F110140 ~

Main unit			Engine		
Model	PCNo.	Position	Model	PCNo.	Position
EF227EH	0CNP4-G32200	A	3TNV82A-NRE	0CNP4-G31900	A
EF230EH		B	3TNV84-XRE	0CNP5-G33800	A
EF233EH		C	3TNV88-XRE1	0CNP5-G07100	A
EF235EH		D	3TNV88-XRE2	0CNP5-G33900	A

Contents

OCNP4-M32200

Fig. No.	Fig. Name
ENGINE CONTROL SECTION	
1.	ENGINE ACCESSORIES
2.	HEATER ACCESSORIES
3.	ACCEL LEVER
4.	EXHAUST
5.	FUEL TANK
6.	FUEL PIPE
7.	FUEL PIPE
8.	AIR CLEANER
FRONT AXLE SECTION	
9.	FRONT BRACKET
10.	CENTER PIN SUPPORT
11.	WEIGHT LOCK PIN
12.	FRONT HITCH
13.	TIE ROD
14.	RING GEAR
15.	DIFFERENTIAL GEAR
16.	PROPELLER SHAFT
17.	FRONT SHAFT (1
18.	FRONT AXLE CASE
19.	FRONT GEAR CASE
20.	FRONT SPINDLE
21.	FRONT WHEEL TIRE
123.	FRONT WHEEL TIRE

Fig. No.	Fig. Name
22.	STEERING
23.	P.S.T. CYLINDER
24.	P.S.T. VALVE
25.	P.S.T. PIPING
TRANSMISSION SECTION	
26.	CLUTCH HOUSING
27.	COUPLING & CLUTCH SHAFT
28.	TRANSMISSION CASE
29.	CENTER PLATE
30.	REDUCTION SHAFT
31.	COUNTER SHAFT
32.	P.T.O. CLUTCH
33.	P.T.O. DRIVE SHAFT
34.	P.T.O. SHAFT
35.	MID P.T.O.
36.	CLUTCH LINK
37.	CLUTCH LEVER
38.	LEVER BRACKET(RIGHT)
39.	SUB CHANGE SHIFT
40.	CHANGE LINK
41.	P.T.O. SHIFT
42.	SUB CHANGE LEVER & P.T.O.LEVER
43.	FRONT DRIVE
44.	HIGH-GRIP VALVE

Contents

OCNP4-M32200

Fig. No. Fig. Name

- 45. H.S.T.
- 46. H.S.T. PEDAL
- 47. H.S.T. CRUISE A
- 48. H.S.T. LINK
- 49. H.S.T. CRUISE B

REAR AXLE SECTION

- 50. RING GEAR & DIFFERENTIAL GEAR
- 51. REAR HOUSING
- 52. DIFFERENTIAL LOCK
- 53. FINAL PINION & FINAL GEAR
- 54. REAR AXLE SHAFT
- 55. REAR WHEEL TIRE
- 56. BRAKE
- 57. PEDAL
- 58. BRAKE LINK
- 59. PARKING BRAKE

HYDRAULIC CONTROL SECTION

- 60. HYDRAULIC PUMP
- 61. HYDRAULIC CYLINDER CASE
- 62. PISTON & LIFT CRANK
- 63. CONTROL VALVE
- 64. RELIEF VALVE
- 65. SUB VALVE

Fig. No. Fig. Name

- 66. S.C.V. PIPING
- 67. S.C.V. CONTROL
- 68. HYDRAULIC CONTROL
- 69. HYDRAULIC PIPING
- 70. OIL COOLER
- 71. H.S.T. PIPING

ELECTRICAL PARTS SECTION

- 72. WIRE HARNESS(FLOOR)
- 73. WIRE HARNESS(FLOOR(CABIN))
- 74. WIRE HARNESS(TRANSMISSION)
- 75. SWITCHES
- 76. LAMPS
- 77. LAMP(CABIN)
- 78. LICENCE
- 79. METER
- 80. HORN
- 81. TRAILER COUPLER

FITTINGS SECTION

- 82. HOOD
- 83. SIDE COVER
- 84. DASHBOARD
- 85. FENDER
- 86. LEVER GUIDE

Contents

OCNP4-M32200

Fig. No. Fig. Name

- 126. LEVER GUIDE(CABIN
- 87. FLOOR COVER
- 88. OVER FENDER
- 89. FLOOR
- 90. DRIVER SEAT
- 125. DRIVER SEAT(CABIN)
- 91. BACK MIRROR
- 92. LABELS
- 93. LABELS(SAFETY)

HITCH SECTION

- 94. TOP LINK
- 95. LIFT LINK R
- 96. LIFT LINK
- 97. LOWER LINK & CHECK CHAIN
- 98. DRAWBAR HITCH
- 99. CONTROL BOX

CABIN SECTION

- 100. CABIN FRAME
- 101. DOOR
- 102. FRONT WINDOW
- 103. REAR WINDOW
- 104. INTERIORS
- 105. CABIN SEAL

Fig. No. Fig. Name

- 106. SAFETY FRAME(REAR)
- 107. SAFETY FRAME(FRONT)
- 108. ROOF
- 109. BACK MIRROR
- 110. LABELS(CABIN)
- 111. WIRE HARNESS(CABIN)
- 112. LAMPS
- 113. SWITCHES(CABIN)
- 114. FRONT WIPER
- 115. DUCT
- 116. OUTSIDE AIR INTAKE
- 117. HEATER

ACCESSORIES SECTION

- 118. ACCESSORIES

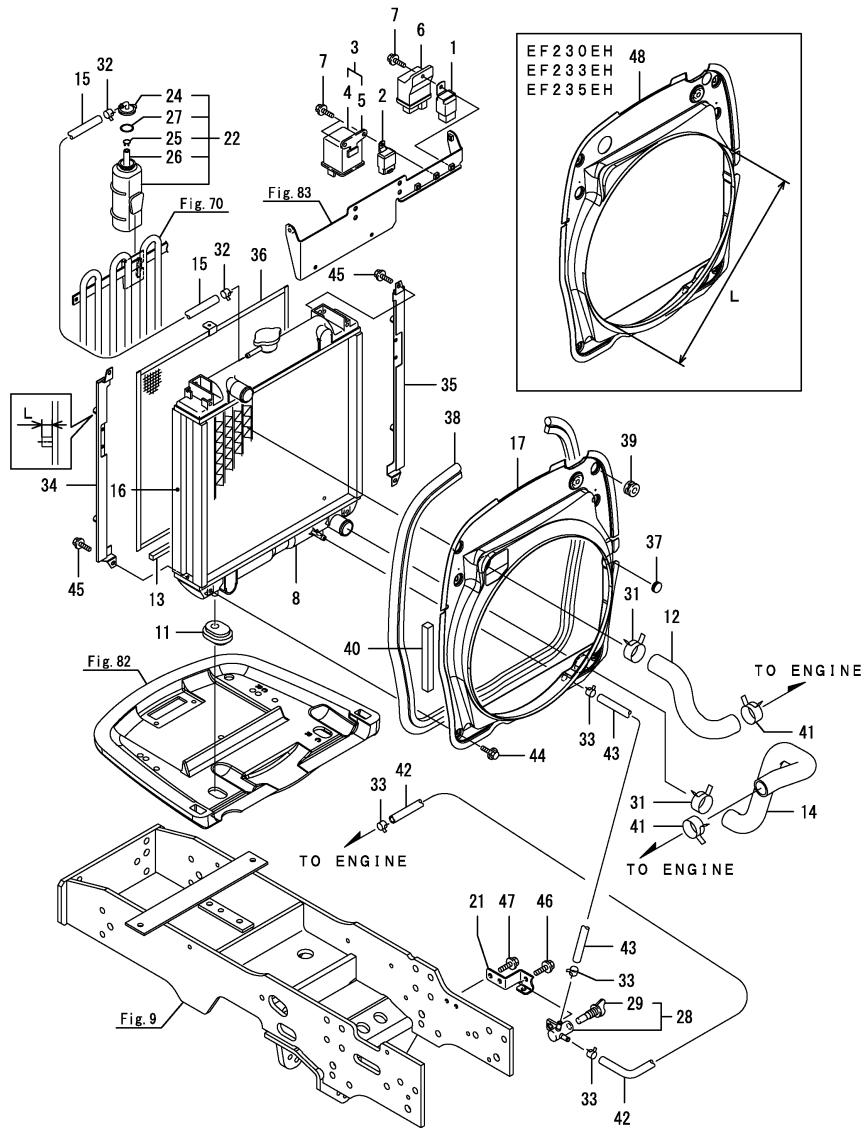
OPTIONAL SECTION

- 119. WORKING LAMP
- 120. FUEL HOSE(ROPS
- 121. FUEL HOSE(CABIN
- 122. REAR HOUSING(REPAIR PART
- 124. OIL COOLER(SRARE PART
- 127. H.S.T. INTERLOCK(REPAIR PARTS)

Fig.1. ENGINE ACCESSORIES

(A)=EF227EH
(B)=EF230EH
(C)=EF233EH

(D)=EF235EH
(E)=
(F)=



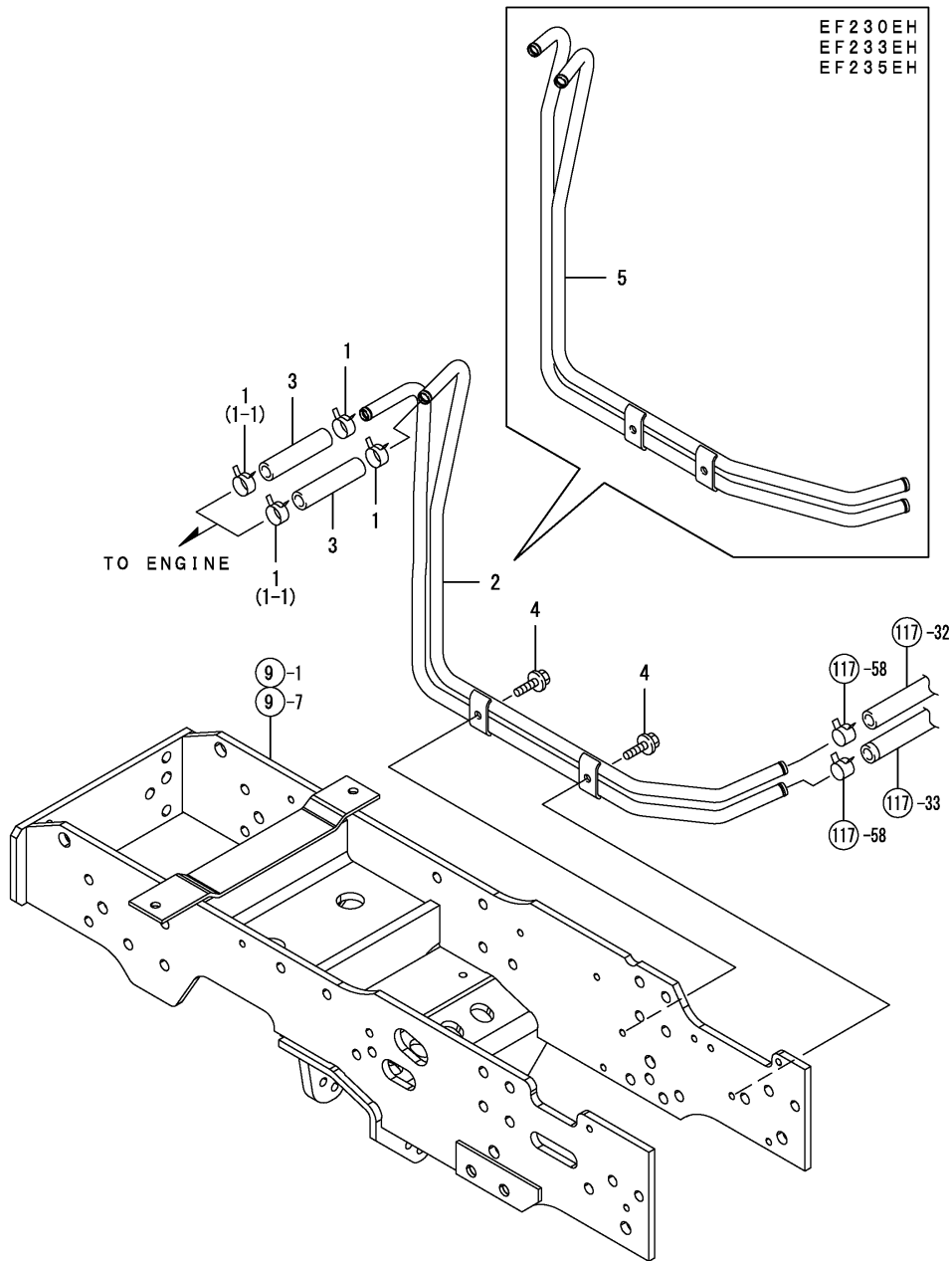
No.	Lev.	Parts No.	Description	Q'ty						I	R
				(A)	(B)	(C)	(D)	(E)	(F)		
1	1	198220-52180	RELAY, STARTER	1	1	1	1				
2	1	198461-52950	RELAY, CA TYPE C	1	1	1	1				
3	1	119650-77910	RELAY ASSY, GLOW	1	1	1	1				
4	2	129052-77920	BODY, RELAY	1	1	1	1				
5	2	119650-77930	BRACKET, RELAY	1	1	1	1				
6	1	119852-77910	CONTROLLER	1	1	1	1				
7	1	26106-060162	BOLT, M6X 16 PLATED	3	3	3	3				
8	1	129055-44501	RADIATOR ASSY	1	1	1	1				
11	1	198200-00610	RUBBER, ABSORBER	2	2	2	2				
12	1	198204-01410	HOSE, WATER A	1	1	1	1				
13	1	198200-01440	SEAL, RADIATOR	2	2	2	2				
14	1	198208-01451	HOSE, WATER B	1	1	1	1				
15	1	198280-01470	PIPE, WATER DRAIN	1	1	1	1				
16	1	198208-01480	URETHANE, RADIATOR	2	2	2	2				
17	1	198204-01510	SHROUD ASSY, FAN	1							
21	1	198200-11351	STAY ASSY, COCK	1	1	1	1				
22	1	129263-44510	TANK ASSY, SUB	1	1	1	1				
24	2	121450-44531	CAP	1	1	1	1				
25	2	124450-44560	RETAINER	1	1	1	1				
26	2	23065-070180	PIPE, 7X 180	1	1	1	1				
27	2	121470-44581	GASKET	1	1	1	1				
28	1	129150-49101	COCK ASSY, 3-WAY	1	1	1	1				
29	2	129150-49081	COCK, DRAIN	1	1	1	1				
31	1	175022-49730	CRIP 31, HOSE	2	2	2	2				
32	1	124766-59050	CLIP, HOSE 12	2	2	2	2				
33	1	124766-59050	CLIP, HOSE 12	4	4	4	4				
34	1	198280-60710	GUIDE ASSY, SCREEN L	1	1	1	1				
34-1	1	1A8100-60710	GUIDE ASSY, SCREEN L	1	1	1	1			S	2
		(A=FXXXXX) (B=FXXXXX) (C=FXXXXX) (D=FXXXXX)									
35	1	198280-60750	GUIDE ASSY, SCREEN R	1	1	1	1				
35-1	1	1A8100-60750	GUIDE ASSY, SCREEN R	1	1	1	1			S	2
		(A=FXXXXX) (B=FXXXXX) (C=FXXXXX) (D=FXXXXX)									
36	1	198206-60950	SCREEN, RADIATOR	1	1	1	1				
37	1	198448-61620	CAP,	1	1	1	1				
38	1	198200-61950	WEATHER-STRIP, 1740	1	1	1	1				
39	1	194180-61980	GROMMET, 24	1	1	1	1				
40	1	198200-61980	SEAL, RADIATOR L	1	1	1	1				
41	1	23000-035000	CLAMP, 35	2	2	2	2				
42	1	23980-730250	HOSE, 7.3X 250	1	1	1	1				
43	1	23980-730510	HOSE, 7.3X 510	1	1	1	1				
44	1	26106-060122	BOLT, M6X 12 PLATED	4	4	4	4				
45	1	26106-060122	BOLT, M6X 12 PLATED	4	4	4	4				
46	1	26106-080162	BOLT, M8X 16 PLATED	1	1	1	1				
47	1	26106-080162	BOLT, M8X 16 PLATED	2	2	2	2				
48	1	198208-01510	SHROUD ASSY, FAN	1	1	1	1				
48-1	1	198282-01510	SHROUD ASSY, FAN	1	1	1	1			S	1
		(B=F110119) (C=F110010) (D=F110140)									

Remarks
Please refer to [main unit and engine
correspondence table] for loaded
engine.
(1)L=Ref.No.48 397.5M/M,48-1 377M/M.
(2)L=Ref.No.34,35 13M/M,34-1,35-1
14.5M/M.

Fig.2. HEATER ACCESSORIES

(A)=EF227EH
(B)=EF230EH
(C)=EF233EH

(D)=EF235EH
(E)=
(F)=

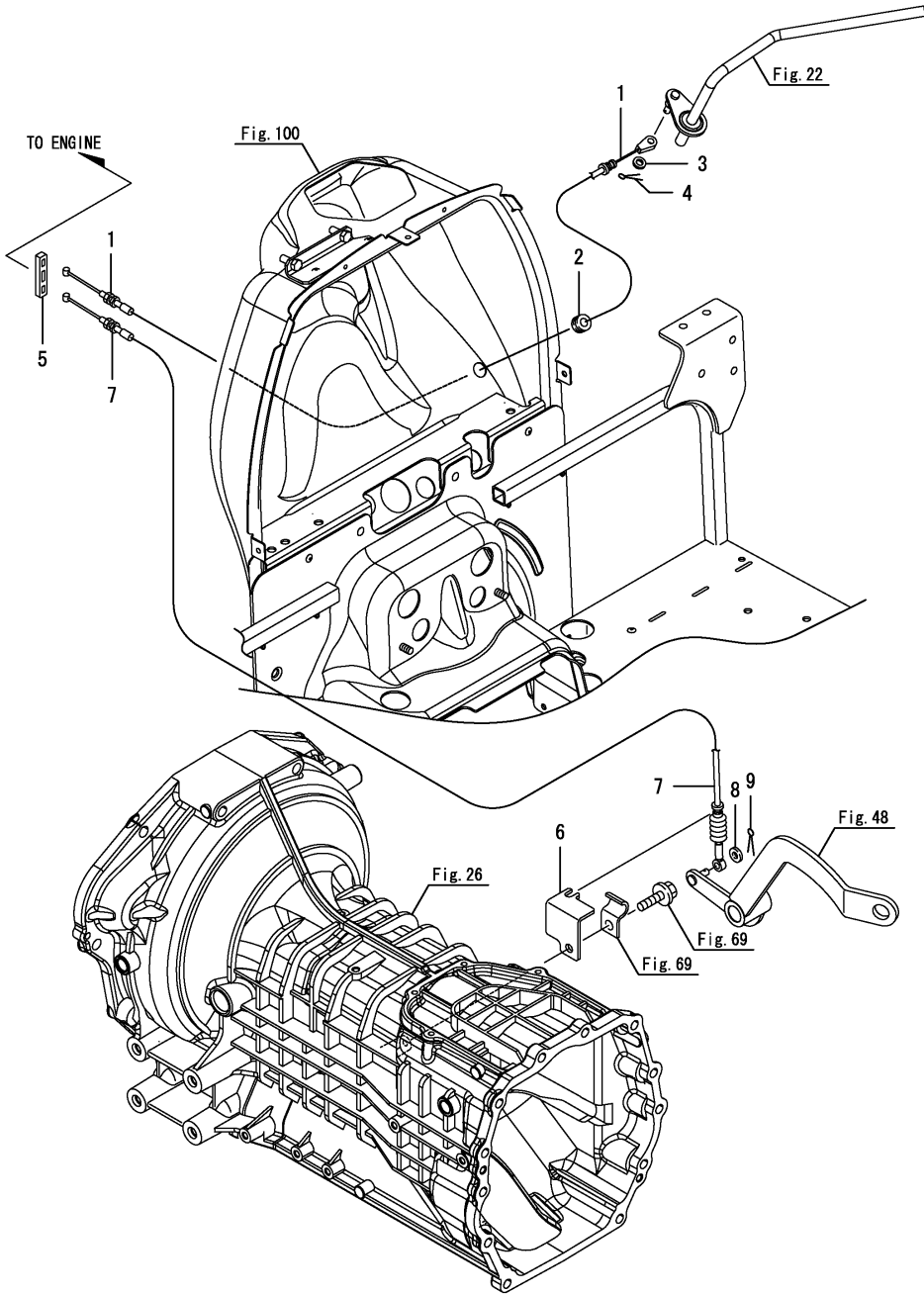


No.	Lev.	Parts No.	Description	Q'ty						I	R
				(A)	(B)	(C)	(D)	(E)	(F)		
1	1	1A7030-88710	CLIP, HOSE	4	4	4	4				
1-1	1	23000-019000	CLAMP, 19	2	2	2	2				N
		(A=FXXXXXX) (B=FXXXXXX) (C=FXXXXXX) (D=FXXXXXX)									
2	1	198280-89500	PIPE ASSY, HEATER	1							
3	1	198208-89530	HOSE, HEATER	2	2	2	2				
4	1	26106-080302	BOLT, M8X 30 PLATED	2	2	2	2				
5	1	198287-89500	PIPE ASSY, HEATER		1	1	1				

Fig.3. ACCEL LEVER

(A)=EF227EH
(B)=EF230EH
(C)=EF233EH

(D)=EF235EH
(E)=
(F)=

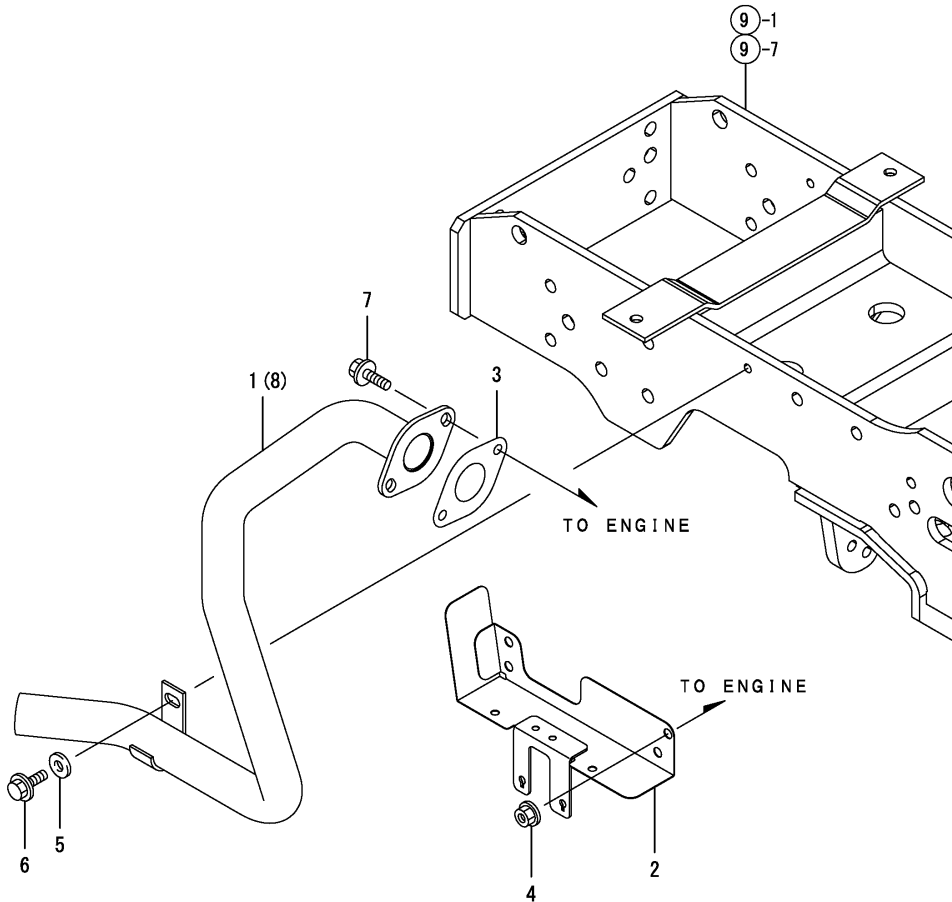


No.	Lev.	Parts No.	Description	Q'ty						I	R
				(A)	(B)	(C)	(D)	(E)	(F)		
1	1	198200-01150	WIRE ASSY, THROTTLE	1	1	1	1				
2	1	198071-58810	GROMMET, 8	1	1	1	1				
3	1	22137-060000	WASHER, 6	1	1	1	1				
4	1	22417-160180	PIN, COTTER 1.6X18	1	1	1	1				
5	1	198071-01160	RUBBER	1	1	1	1				
6	1	198280-29770	STAY, WIRE	1	1	1	1				W
		(A=F110111) (B=F110192) (C=*2006.03) (D=F110257)									
7	1	198280-29780	CABLE ASSY	1	1	1	1				W
		(A=F110111) (B=F110192) (C=*2006.03) (D=F110257)									
8	1	22137-060000	WASHER, 6	1	1	1	1				W
		(A=F110111) (B=F110192) (C=*2006.03) (D=F110257)									
9	1	22417-160180	PIN, COTTER 1.6X18	1	1	1	1				W
		(A=F110111) (B=F110192) (C=*2006.03) (D=F110257)									

Fig.4. EXHAUST

(A)=EF227EH
(B)=EF230EH
(C)=EF233EH

(D)=EF235EH
(E)=
(F)=

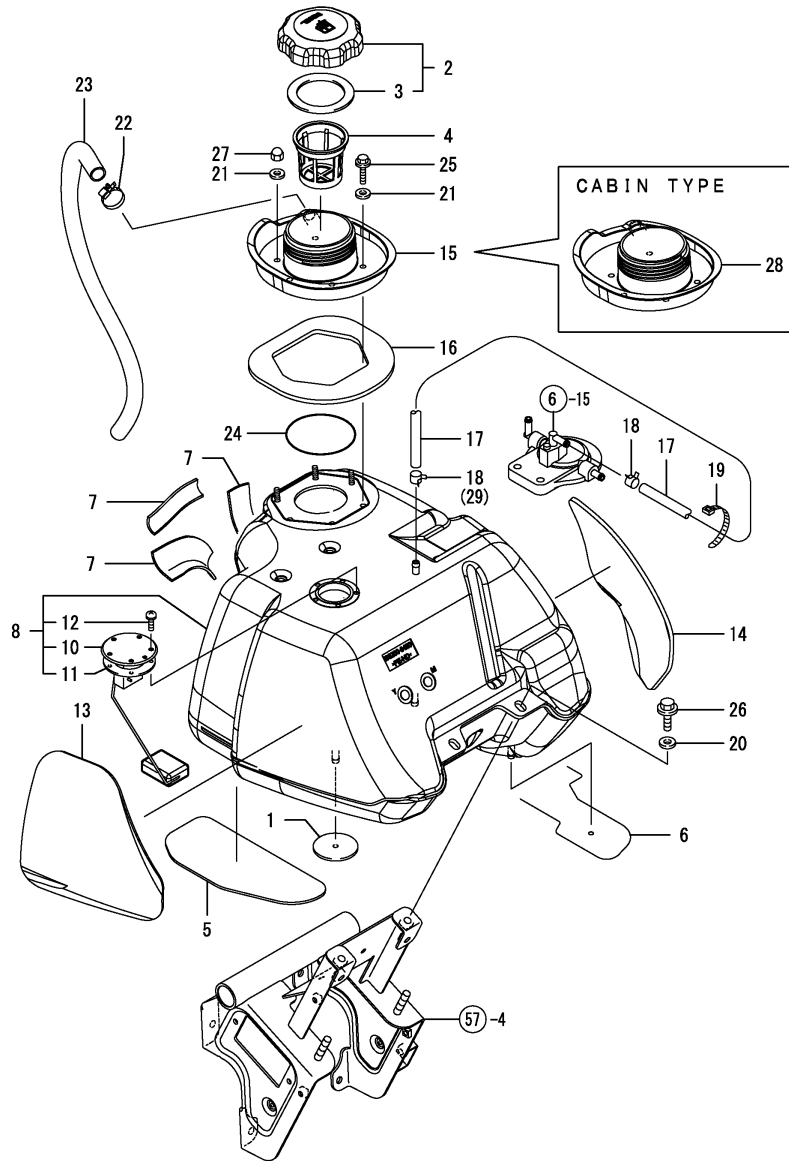


No.	Lev.	Parts No.	Description	Q'ty						I	R
				(A)	(B)	(C)	(D)	(E)	(F)		
1	1	198200-03110	PIPE, EXHAUST	1							
2	1	198280-05510	PLATE, SHUTTER	1	1	1	1				
3	1	129052-13550	GASKET,NOZZLE	1	1	1	1				
4	1	194990-22140	NUT, M8	2	2	2	2				
5	1	22157-080000	WASHER, 8	1	1	1	1				
6	1	26106-080162	BOLT, M8X 16 PLATED	1	1	1	1				
7	1	26106-080252	BOLT, M8X 25 PLATED	2	2	2	2				
8	1	198208-03111	PIPE, EXHAUST	1	1	1					

Fig.5. FUEL TANK

(A)=EF227EH
(B)=EF230EH
(C)=EF233EH

(D)=EF235EH
(E)=
(F)=

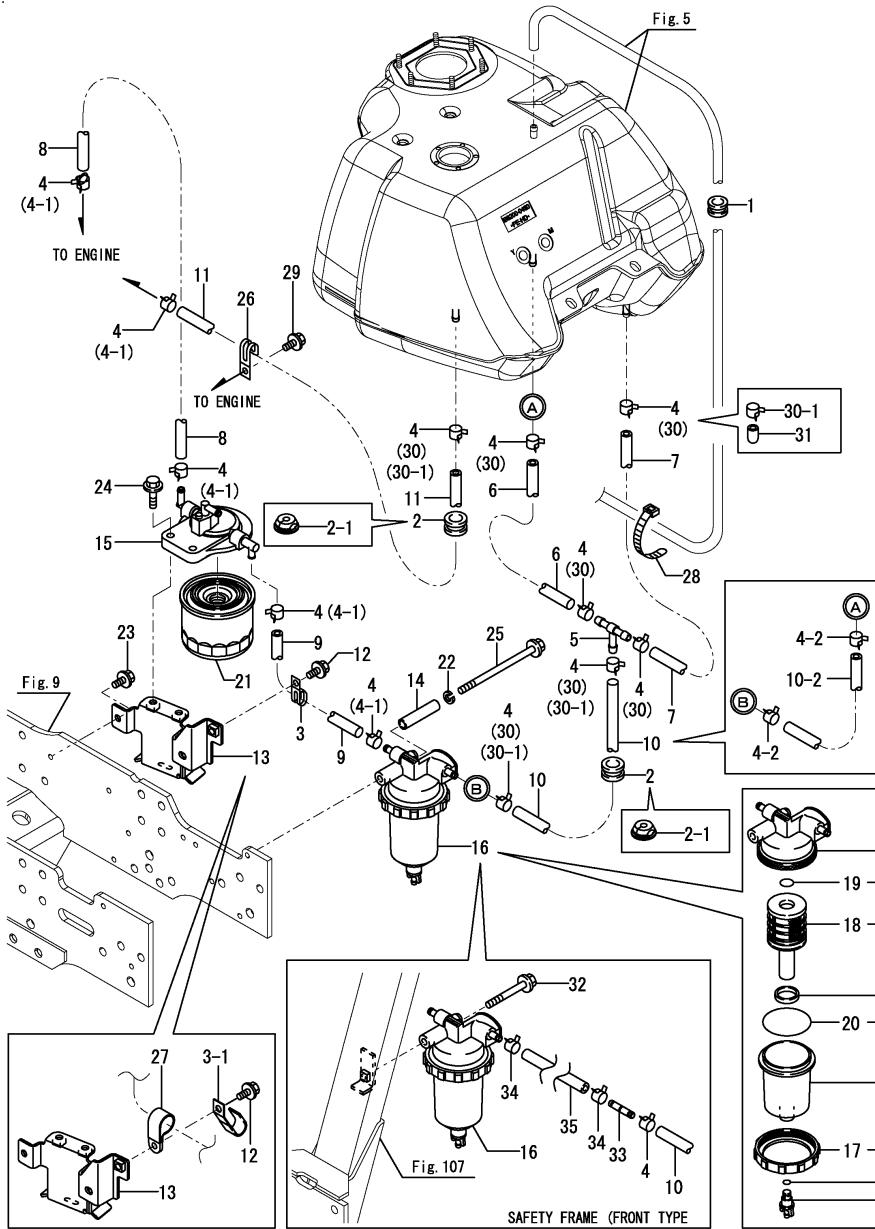


No.	Lev.	Parts No.	Description	Q'ty						I	R
				(A)	(B)	(C)	(D)	(E)	(F)		
1	1	198200-04020	INSULATOR, TANK R	1	1	1	1				
2	1	198200-04030	CAP ASSY, FILLER	1	1	1	1				
3	2	198200-04040	GASKET, FUEL CAP	1	1	1	1				
4	1	198200-04061	STRAINER, FUEL	1	1	1	1				
5	1	198200-04070	INSULATOR, TANK	1	1	1	1				
6	1	198200-04080	INSULATOR, TANK L	1	1	1	1				
7	1	198200-04090	CUSHION, TANK F	3	3	3	3				
8	1	198200-04101	TANK ASSY, FUEL	1	1	1	1				
8-1	1	1A8071-04100	TANK ASSY, FUEL	1	1	1	1				N
		(A=F110320) (B=F110431) (C=*2012.04) (D=F110996)									
10	2	198200-56600	GAUGE ASSY, FUEL	1	1	1	1				
11	2	198200-56630	GASKET, GAUGE	1	1	1	1				
12	2	26022-050102	SCREW, M5X10	5	5	5	5				
13	1	198200-04120	CUSHION, TANK L	1	1	1	1				
14	1	198200-04130	CUSHION, TANK R	1	1	1	1				
15	1	198200-04210	PAN, DRIP	1	1	1	1				1
16	1	198200-04260	GASKET, SUMP	1	1	1	1				
17	1	198200-04270	HOSE, AIR VENT	1	1	1	1				
18	1	124766-59050	CLIP, HOSE 12	2	2	2	2				
18-1	1	114270-59010	CLIP, HOSE 12	2	2	2	2				R
		(A=FXXXXX) (B=FXXXXX) (C=FXXXXX) (D=FXXXXX)									
19	1	1E6102-84970	BAND 140,WIRE LOCK	1	1	1	1				
20	1	22157-080000	WASHER, 8	2	2	2	2				
21	1	22190-060000	WASHER, SEAL 6	6	6	6	6				
22	1	23000-019000	CLAMP, 19	1	1	1	1				
23	1	23065-160650	PIPE, 16X 650	1	1	1	1				
24	1	24311-000850	O-RING, 1AP85.0	1	1	1	1				
25	1	26106-060252	BOLT, M6X 25 PLATED	3	3	3	3				
26	1	26106-080162	BOLT, M8X 16 PLATED	2	2	2	2				
27	1	26657-060002	NUT, CAP M6	3	3	3	3				
28	1	198208-04210	PAN, DRIP	1	1	1	1				2
29	1	124766-59050	CLIP, HOSE 12	1	1	1	1				2
29-1	1	114270-59010	CLIP, HOSE 12	1	1	1	1				R 2
		(A=FXXXXX) (B=FXXXXX) (C=FXXXXX) (D=FXXXXX)									

Remarks

- (1) FOR TYPE ROPS
- (2) FOR TYPE CABIN

Fig.6. FUEL PIPE



(A)=EF227EH
(B)=EF230EH
(C)=EF233EH

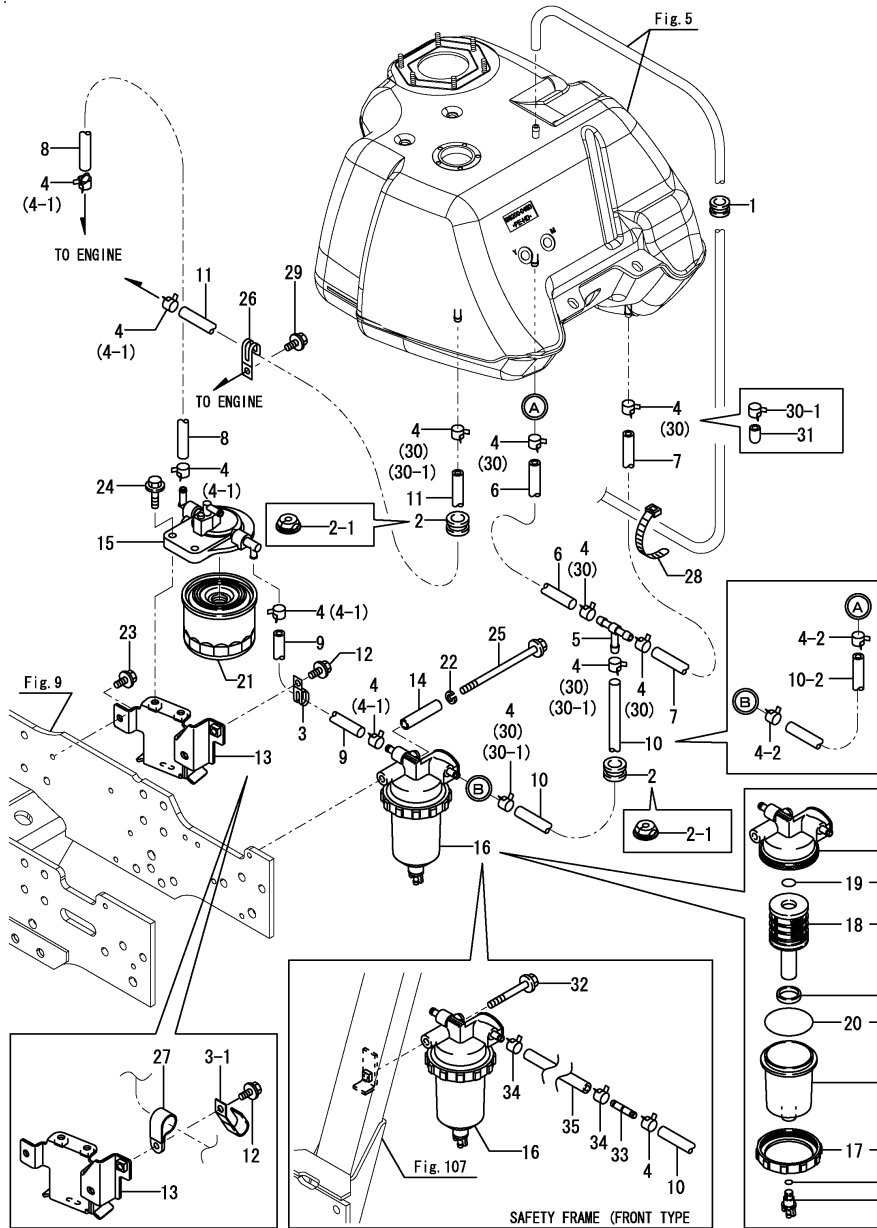
(D)=EF235EH
(E)=
(F)=

No.	Lev.	Parts No.	Description	Qty						I	R
				(A)	(B)	(C)	(D)	(E)	(F)		
1	1	1E8050-05510	GROMMET, SLIT 16X3	1	1	1	1				
2	1	194170-51210	GROMMET	2	2	2	2				
2-1	1	198245-51210	GROMMET, 25/18	2	2	2	2				S
		(A=FZZZZZ) (B=FZZZZZ) (C=FZZZZZ) (D=FZZZZZ)									
3	1	194440-51620	CLAMP	1	1	1	1				
3-1	1	198082-17880	CLAMP, HOSE	1	1	1	1				R
		(A=FZZZZZ) (B=FZZZZZ) (C=FZZZZZ) (D=FZZZZZ)									
4	1	124766-59050	CLIP, HOSE 12	12	12	12	12				
4-1	1	124766-59050	CLIP, HOSE 12	5	5	5	5				K
		(A=FXXXXX) (B=FXXXXX) (C=FXXXXX) (D=FXXXXX)									
4-2	1	114270-59010	CLIP, HOSE 12	5	5	5	5				R
		(A=FXXXXX) (B=FXXXXX) (C=FXXXXX) (D=FXXXXX)									
5	1	119629-59910	JOINT, 3-WAY	1	1	1	1				Z
		(A=FZZZZZ) (B=FZZZZZ) (C=FZZZZZ) (D=FZZZZZ)									
6	1	23980-730060	HOSE, 7.3X 60	1	1	1	1				Z
		(A=FZZZZZ) (B=FZZZZZ) (C=FZZZZZ) (D=FZZZZZ)									
7	1	23980-730180	HOSE, 7.3X 180	1	1	1	1				Z
		(A=FZZZZZ) (B=FZZZZZ) (C=FZZZZZ) (D=FZZZZZ)									
8	1	23980-730340	HOSE, 7.3X 340	1	1	1	1				
8-1	1	23980-730310	HOSE, 7.3X 310	1	1	1	1				N
		(A=FZZZZZ) (B=FZZZZZ) (C=FZZZZZ) (D=FZZZZZ)									
9	1	23980-730500	HOSE, 7.3X 500	1	1	1	1				
9-1	1	23980-730510	HOSE, 7.3X 510	1	1	1	1				R
		(A=FZZZZZ) (B=FZZZZZ) (C=FZZZZZ) (D=FZZZZZ)									
10	1	23980-730500	HOSE, 7.3X 500	1	1	1	1				
10-1	1	23980-730400	HOSE, 7.3X 400	1	1	1	1				R
		(A=FZZZZZ) (B=FZZZZZ) (C=FZZZZZ) (D=FZZZZZ)									
10-2	1	23980-730510	HOSE, 7.3X 510	1	1	1	1				S
		(A=FZZZZZ) (B=FZZZZZ) (C=FZZZZZ) (D=FZZZZZ)									
11	1	23980-730730	HOSE, 7.3X 730	1	1	1	1				
12	1	26106-080122	BOLT, M8X 12 PLATED	1	1	1	1				
13	1	198200-11250	STAY ASSY, FILTER	1	1	1	1				
14	1	198280-11370	COLLAR, 9.2X13.8X60	1	1	1	1				
15	1	119852-55611	BRACKET, FILTER	1	1	1	1				
15-1	1	119852-55612	BRACKET, FILTER	1	1	1	1				R
		(A=FXXXXX) (B=FXXXXX) (C=FXXXXX) (D=FXXXXX)									
16	1	119802-55700	SEPARATOR ASSY	1	1	1	1				
17	2	129100-55690	RING, RETAINING	1	1	1	1				
18	2	119802-55710	ELEMENT	1	1	1	1				
19	2	24311-000160	O-RING, 1AP16.0	1	1	1	1				
20	2	24321-000650	O-RING, 1AG65.0	1	1	1	1				
21	1	119802-55810	FILTER,FO	1	1	1	1				
22	1	22217-080000	WASHER, SPRING 8	1	1	1	1				
23	1	26106-080162	BOLT, M8X 16 PLATED	2	2	2	2				
24	1	26106-080252	BOLT, M8X 25 PLATED	2	2	2	2				
25	1	26116-081302	BOLT, M8X130 PLATED	1	1	1	1				
26	1	194440-51620	CLAMP	1	1	1	1				W
		(A=FZZZZZ) (B=FZZZZZ) (C=FZZZZZ) (D=FZZZZZ)									
27	1	1E6213-83410	CLIP, HARNESS 18	1	1	1	1				W
		(A=FZZZZZ) (B=FZZZZZ) (C=FZZZZZ) (D=FZZZZZ)									
28	1	1E6102-84970	BAND 140,WIRE LOCK	1	1	1	1				W

Remarks
* Figure for type Rops.
(1) For type Safety Frame (Front)

N:Old $\begin{matrix} \text{Yes} \\ \text{No} \end{matrix}$ New, Q:Old $\begin{matrix} \text{No} \\ \text{Yes} \end{matrix}$ New, R:Old $\begin{matrix} \text{Yes} \\ \text{No} \end{matrix}$ New, S:Old $\begin{matrix} \text{No} \\ \text{Yes} \end{matrix}$ New, W:Add, Z:Discontinued, F:Interchangeable by set, K:Qty Change
++ CONTINUE ++
Copyright (C) YANMAR CO., LTD. All Rights Reserved.

Fig.6. FUEL PIPE



(A)=EF227EH
(B)=EF230EH
(C)=EF233EH

(D)=EF235EH
(E)=
(F)=

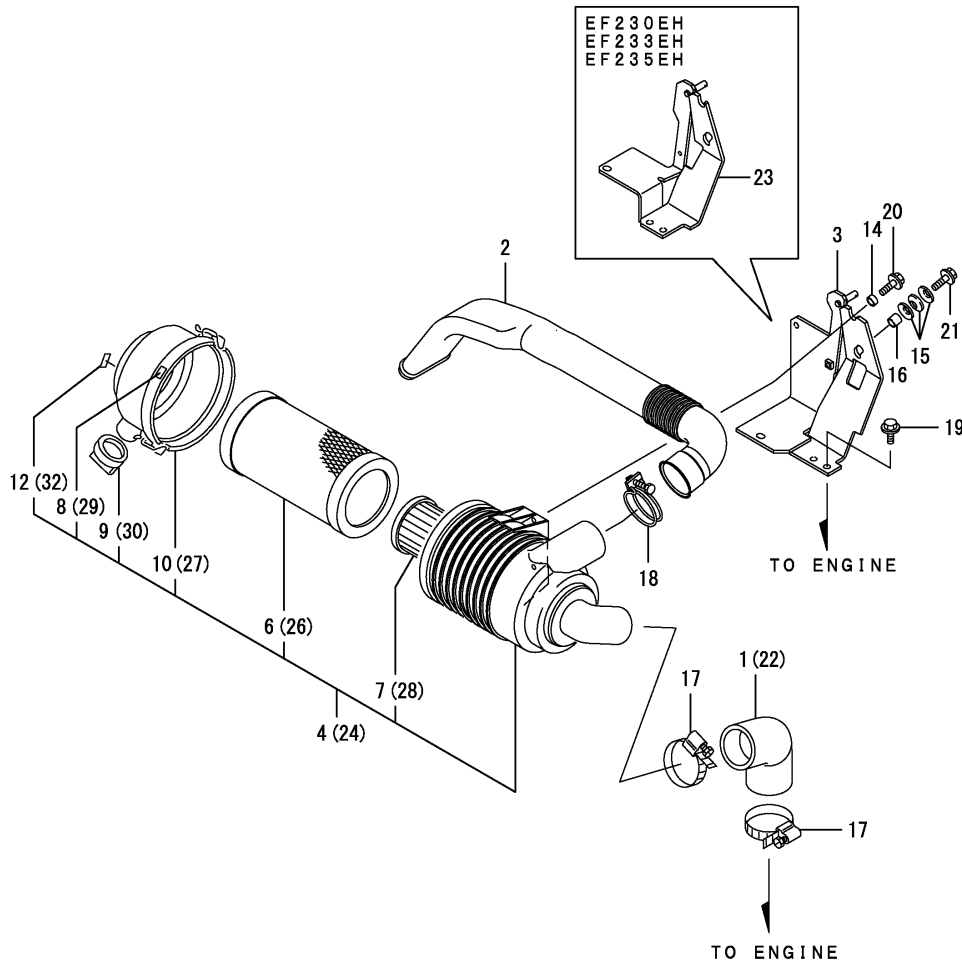
No.	Lev.	Parts No.	Description	Q'ty						I	R
				(A)	(B)	(C)	(D)	(E)	(F)		
28-1	1	(A=FZZZZZ) 29622-140001	(B=FZZZZZ) BAND, RF140	(C=FZZZZZ)	(D=FZZZZZ)	1	1	1	1		N
		(A=FZZZZZ)	(B=FZZZZZ)	(C=FZZZZZ)	(D=FZZZZZ)						
29	1	26106-080122	BOLT, M8X 12 PLATED			1	1	1	1		W
		(A=FZZZZZ)	(B=FZZZZZ)	(C=FZZZZZ)	(D=FZZZZZ)						
30	1	124766-59050	CLIP, HOSE 12			7	7	7	7		W
		(A=FXXXXX)	(B=FXXXXX)	(C=FXXXXX)	(D=FXXXXX)						
30-1	1	124766-59050	CLIP, HOSE 12			4	4	4	4		K
		(A=FZZZZZ)	(B=FZZZZZ)	(C=FZZZZZ)	(D=FZZZZZ)						
30-2	1	124766-59050	CLIP, HOSE 11.5			3	3	3	3		K
		(A=F110320)	(B=F110431)	(C=*2012.04)	(D=F110996)						
31	1	129461-59580	CAP, FUEL OIL			1	1	1	1		W
		(A=FZZZZZ)	(B=FZZZZZ)	(C=FZZZZZ)	(D=FZZZZZ)						
31-1	1	129461-59580	CAP, FUEL OIL			1	1	1	1		Z
		(A=F110320)	(B=F110431)	(C=*2014.04)	(D=F110996)						
32	1	26106-080652	BOLT, M8X 65 PLATED			1	1	1	1		W 1
		(A=FZZZZZ)	(B=FZZZZZ)	(C=FZZZZZ)	(D=FZZZZZ)						
33	1	198280-04470	JOINT, HOSE			1	1	1	1		W 1
		(A=FZZZZZ)	(B=FZZZZZ)	(C=FZZZZZ)	(D=FZZZZZ)						
33-1	1	1A7180-04850	JOINT, FO HOSE			1	1	1	1		R 1
		(A=FXXXXX)	(B=FXXXXX)	(C=FXXXXX)	(D=FXXXXX)						
34	1	124766-59050	CLIP, HOSE 12			2	2	2	2		W 1
		(A=FZZZZZ)	(B=FZZZZZ)	(C=FZZZZZ)	(D=FZZZZZ)						
35	1	23980-730180	HOSE, 7.3X 180			1	1	1	1		W 1
		(A=FZZZZZ)	(B=FZZZZZ)	(C=FZZZZZ)	(D=FZZZZZ)						

Remarks
* Figure for type Rops.
(1) For type Safety Frame (Front)

Fig.8. AIR CLEANER

(A)=EF227EH
(B)=EF230EH
(C)=EF233EH

(D)=EF235EH
(E)=
(F)=

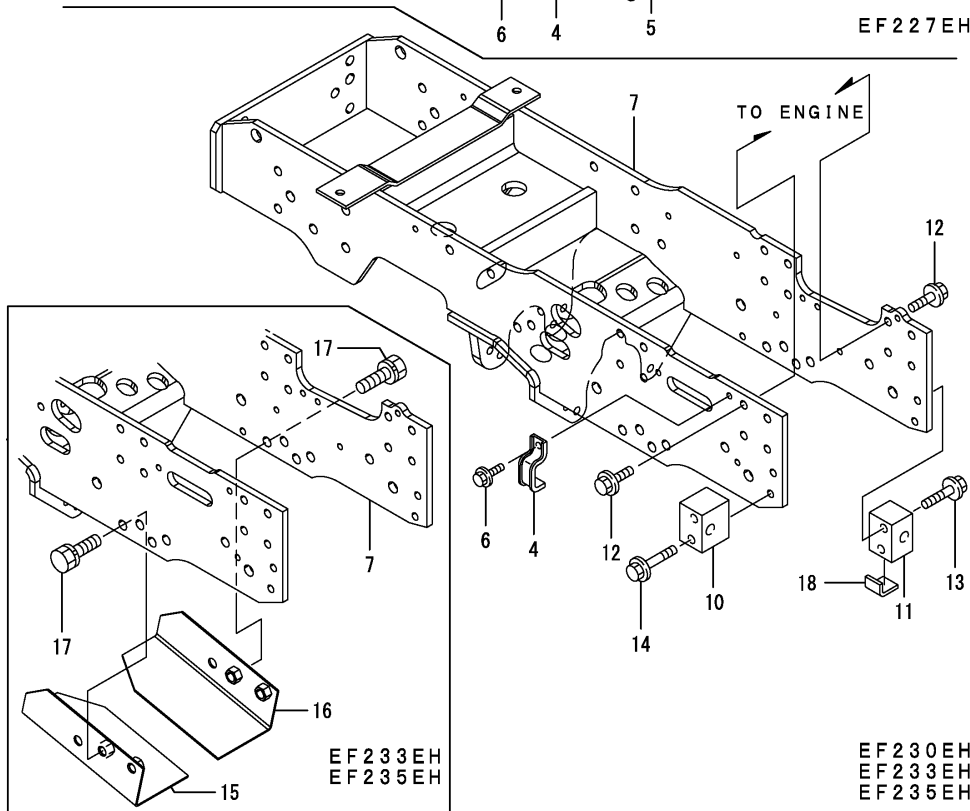
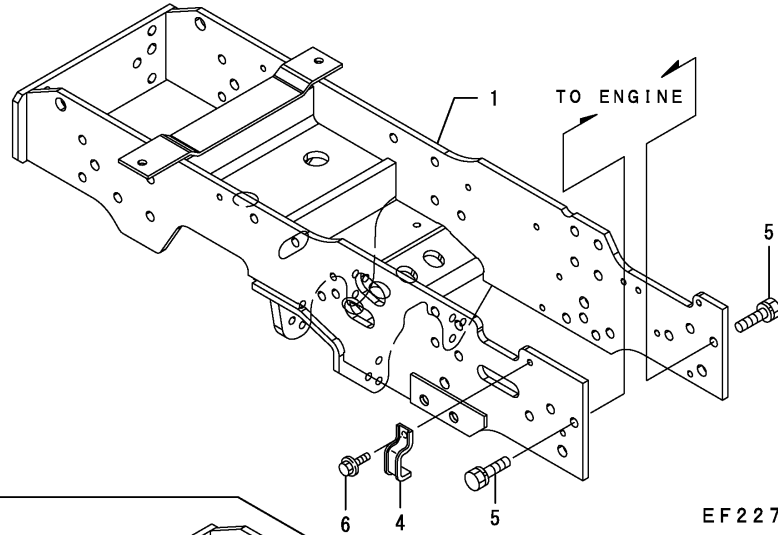


No.	Lev.	Parts No.	Description	Q'ty						I	R
				(A)	(B)	(C)	(D)	(E)	(F)		
1	1	198200-06010	HOSE, AIR INTAKE	1							
2	1	198200-06150	PIPE, AIR INTAKE	1	1	1	1				
3	1	198280-06200	BRACKET, AIR CLEANER	1							
4	1	198280-06300	CLEANER ASSY, AIR	1							
6	2	119808-12520	ELEMENT	1							
7	2	129051-12530	ELEMENT	1							
8	2	129418-12530	MARK	1							
9	2	119808-12540	VALVE, UNLOADER	1							
10	2	119866-12540	COVER ASSY	1							
12	2	129612-12650	MARKING,(W)	1							
14	1	198280-06410	COLLAR	1	1	1	1				
15	1	198072-18320	SPRING, 12	3	3	3	3				
16	1	198092-71720	COLLAR, 8.1X10.5X9.3	1	1	1	1				
17	1	23000-070000	CLAMP, 70	2	2	2	2				
18	1	23010-055000	CLAMP, 55	1	1	1	1				
19	1	26106-080122	BOLT, M8X 12 PLATED	2	2	2	2				
20	1	26106-080162	BOLT, M8X 16 PLATED	1	1	1	1				
21	1	26106-080202	BOLT, M8X 20 PLATED	1	1	1	1				
22	1	198208-06010	HOSE, AIR INTAKE		1	1	1				
23	1	198287-06200	BRACKET, AIR CLEANER		1	1	1				
24	1	198287-06300	CLEANER ASSY, AIR		1	1	1				
26	2	119808-12520	ELEMENT		1	1	1				
27	2	119866-12530	COVER ASSY		1	1	1				
28	2	129051-12530	ELEMENT		1	1	1				
29	2	129418-12530	MARK		1	1	1				
30	2	119808-12540	VALVE, UNLOADER		1	1	1				
32	2	129612-12650	MARKING,(W)		1	1	1				

Fig.9. FRONT BRACKET

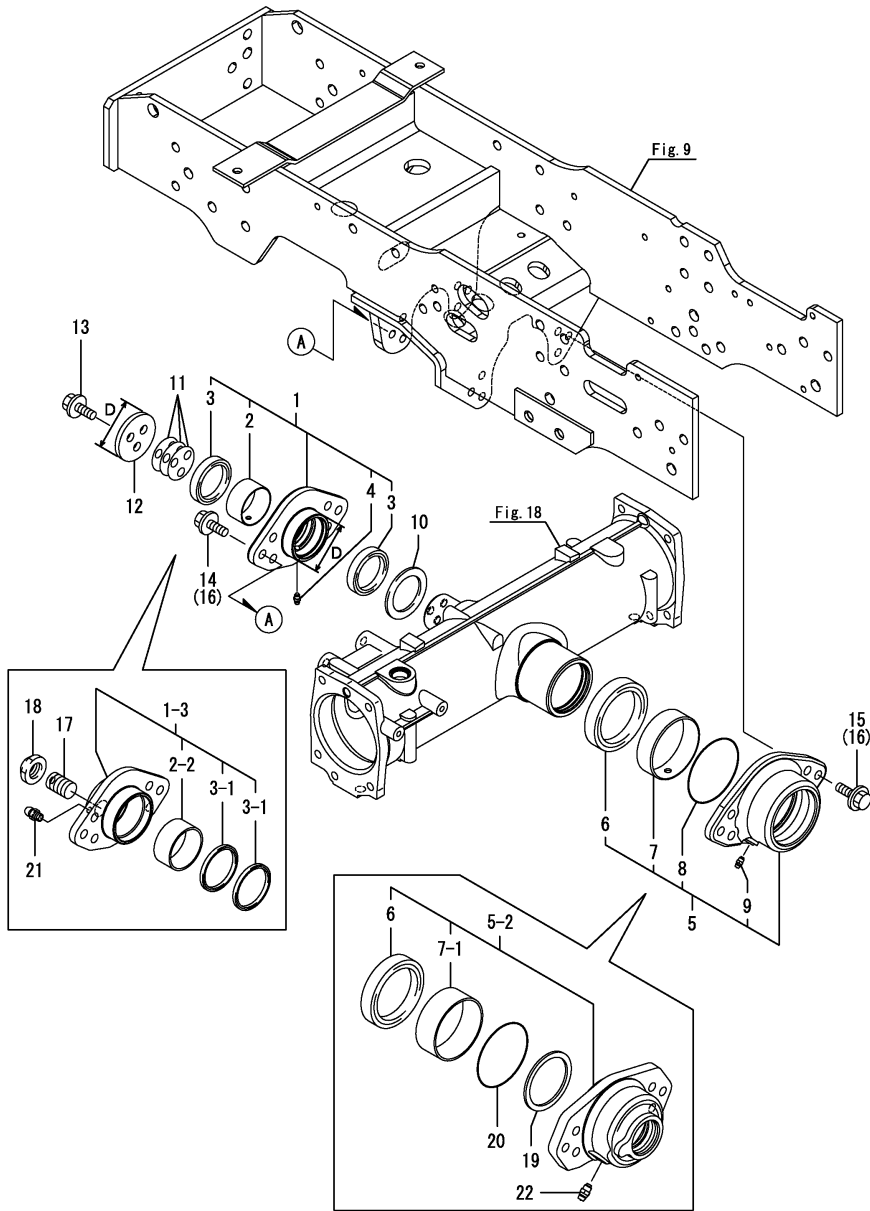
(A)=EF227EH
(B)=EF230EH
(C)=EF233EH

(D)=EF235EH
(E)=
(F)=



No.	Lev.	Parts No.	Description	Q'ty						I	R
				(A)	(B)	(C)	(D)	(E)	(F)		
1	1	198280-11100	BRACKET MASSY, AXLE	1							
4	1	198200-17950	CLAMP, HOSE	1	1	1	1				
5	1	26013-120302	BOLT, M12X 30	12							
6	1	26106-080162	BOLT, M8X 16 PLATED	1	1	1	1				
7	1	198287-11100	BRACKET ASSY, AXLE M		1	1	1				
10	1	198208-11210	STAY, L		1	1	1				
10-1	1	1A8115-11210	STAY, L		1	1	1				R
		(B=*2008.11.)	(C=*2008.11)	(D=*2008.11)							
11	1	198208-11220	STAY, R		1	1	1				
11-1	1	1A8115-11220	STAY, R		1	1	1				R
		(B=*2008.11.)	(C=*2008.11.)	(D=*2008.11.)							
12	1	198208-11310	BOLT, M10X 25		16	16	16				
13	1	26106-100452	BOLT, M10X 45 PLATED		2	2	2				
14	1	26106-100552	BOLT, M10X 55 PLATED		2	2	2				
15	1	198287-11210	PLATE, OIL SUMP L			1	1				
16	1	198287-11230	PLATE, OIL SUMP R			1	1				
17	1	26013-120252	BOLT, M12X 25			4	4				
18	1	198093-84810	SEAL, FENDER		1	1	1				W
		(B=*2008.01.)	(C=*2008.01.)	(D=*2008.01.)							

Fig.10. CENTER PIN SUPPORT



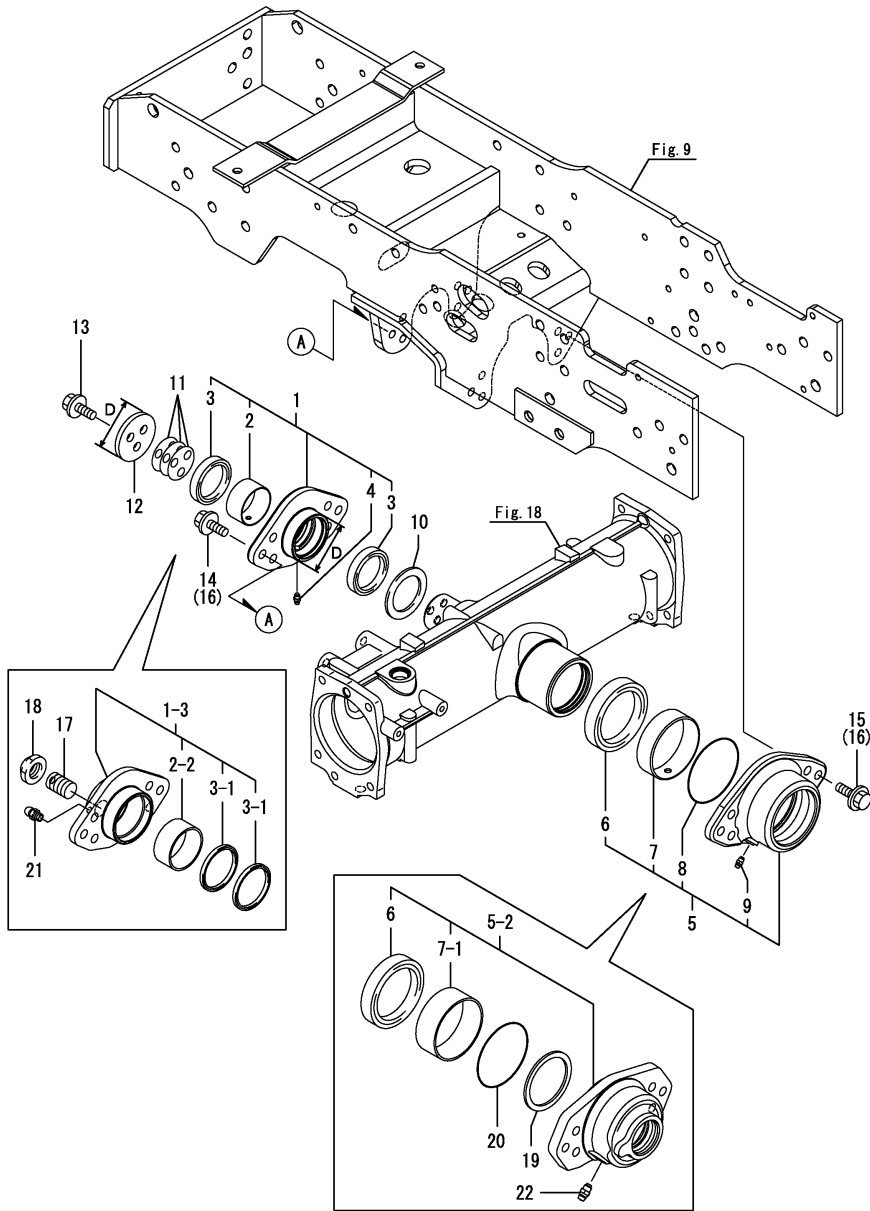
(A)=EF227EH
(B)=EF230EH
(C)=EF233EH

(D)=EF235EH
(E)=
(F)=

No.	Lev.	Parts No.	Description	Q'ty						I	R
				(A)	(B)	(C)	(D)	(E)	(F)		
1	1	198200-13050	SUPPORT ASSY, PIN F	1	1	1	1				
1-1	1	198283-13050-1	SUPPORT ASSY, PIN	1	1	1	1			S	1
		(A=*2005.12.) (B=*2005.12.) (C=*2005.12.) (D=*2005.12.)									
1-2	1	198283-13051-1	SUPPORT ASSY, PIN	1	1		1			N	
		(A=F110218) (B=F110366) (D=F110522)									
1-3	1	1A8071-13220	SUPPORT ASSY, F	1	1		1			S	
		(A=F112001) (B=F112001) (D=F112001)									
2	2	194451-11960	BUSH, 45X49X25	1	1	1	1				
2-1	2	198283-13380	BUSH, 50X55X25	1	1	1	1			S	
		(A=*2005.12.) (B=*2005.12.) (C=*2005.12.) (D=*2005.12.)									
2-2	2	1A8071-11620	BUSH, 50X55X25	1	1		1			S	
		(A=F112001) (B=F112001) (D=F112001)									
3	2	198291-13240	SEAL, OIL G455204	2	2	2	2				
3-1	2	198172-11640	SEAL, OIL G50X58X4	2	2	2	2			S	
		(A=*2005.12.) (B=*2005.12.) (C=*2005.12.) (D=*2005.12.)									
4	2	24761-010000	NIPPLE, GREASE M6F	1	1	1	1				
4-1	2	194850-13690	NIPPLE, GRESAE M6F45	1	1		1			R	
		(A=F110053) (B=F110121) (D=F110150)									
4-2	2	194850-13690	NIPPLE, GRESAE M6F45	1	1		1			Z	
		(A=F112001) (B=F112001) (D=F112001)									
5	1	198200-13060-1	SUPPORT ASSY, PIN	1	1	1	1				
5-1	1	198200-13061	SUPPORT ASSY, PIN R	1	1		1			N	
		(A=F110218) (B=F110366) (D=F110522)									
5-2	1	1A8071-13230	SUPPORT ASSY, R	1	1		1			S	
		(A=F112001) (B=F112001) (D=F112001)									
6	2	194181-11560	SEAL, OIL VB75856.5	1	1	1	1				
7	2	194641-11630	BUSH, 75X80X25	1	1	1	1				
7-1	2	1A8071-11630	BUSH, 75X80X30	1	1		1			S	
		(A=F112001) (B=F112001) (D=F112001)									
8	2	24321-000750	O-RING, 1AG75.0	1	1	1	1			Z	
		(A=F112001) (B=F112001) (D=F112001)									
9	2	24761-010000	NIPPLE, GREASE M6F	1	1	1	1			Z	
		(A=F112001) (B=F112001) (D=F112001)									
10	1	198190-13240	WASHER, 46X65X3.2	1	1	1	1				
10-1	1	198200-13350	WASHER, 48X66X3.2	1	1	1	1			S	
		(A=*2004.07.) (B=*2004.07.) (C=*2004.07.) (D=*2004.07.)									
10-2	1	198200-13350	WASHER, 48X66X3.2	1	1		1			Z	
		(A=F112001) (B=F112001) (D=F112001)									
11	1	198200-13320	SHIM	3	3	3	3			Z	
		(A=F112001) (B=F112001) (D=F112001)									
12	1	198200-13330	PLATE, THRUST	1	1	1	1				
12-1	1	198283-13330-1	PLATE, THRUST	1	1	1	1			S	1
		(A=*2005.12.) (B=*2005.12.) (C=*2005.12.) (D=*2005.12.)									
12-2	1	198283-13330-1	PLATE, THRUST	1	1		1			Z	
		(A=F112001) (B=F112001) (D=F112001)									
13	1	26106-100252	BOLT, M10X 25 PLATED	3	3	3	3			Z	
		(A=F112001) (B=F112001) (D=F112001)									
14	1	26106-100252	BOLT, M10X 25 PLATED	6	6	6	6			Z	
		(A=F110218) (B=F110366) (D=F110522)									
15	1	26106-100252	BOLT, M10X 25 PLATED	6	6	6	6			Z	
		(A=F110218) (B=F110366) (D=F110522)									

Remarks
(1)D=No.1 : 60.5mm, No.1-1 : 65.5mm.
D=No.12 : 60mm, No.12-1 : 66mm.

Fig.10. CENTER PIN SUPPORT



(A)=EF227EH
(B)=EF230EH
(C)=EF233EH

(D)=EF235EH
(E)=
(F)=

No.	Lev.	Parts No.	Description	Q'ty						I	R
				(A)	(B)	(C)	(D)	(E)	(F)		
16	1	198208-11310 (A=F110218) (B=F110366)	BOLT, M10X 25 (D=F110522)	12	12		12				W
17	1	1A8071-13450	BOLT, ADJUST (D=F112001)	1	1		1				W
18	1	198283-13460 (A=F112001) (B=F112001)	NUT, LOCK 20 (D=F112001)	1	1		1				W
19	1	198283-13480 (A=F112001) (B=F112001)	WASHER, 62X75X3 (D=F112001)	1	1		1				W
20	1	24321-000750 (A=F112001) (B=F112001)	O-RING, 1AG75.0 (D=F112001)	1	1		1				W
21	1	24761-010000 (A=F112001) (B=F112001)	NIPPLE, GREASE M6F (D=F112001)	1	1		1				W
22	1	24761-010000 (A=F112001) (B=F112001)	NIPPLE, GREASE M6F (D=F112001)	1	1		1				W

Remarks
(1)D=No.1 : 60.5mm, No.1-1 : 65.5mm.
D=No.12 : 60mm, No.12-1 : 66mm.

Fig.11. WEIGHT LOCK PIN

(A)=EF227EH
(B)=EF230EH
(C)=EF233EH

(D)=EF235EH
(E)=
(F)=

No.	Lev.	Parts No.	Description	Q'ty						I	R
				(A)	(B)	(C)	(D)	(E)	(F)		
1	1	198280-11710	PIN KIT, LOCK	1	1	1	1				
2	2	198280-11240	PIN ASSY, LOCK	1	1	1	1				
3	3	194250-11140	SPRING	1	1	1	1				
4	3	198280-11250	PIN, LOCK	1	1	1	1				
5	2	22137-160000	WASHER, 16	3	3	3	3				
5-1	2	194197-25930	WASHER, 17X24X1.6	3	3	3	3				N
6	2	22360-160000	PIN, SNAP 16	2	2	2	2				

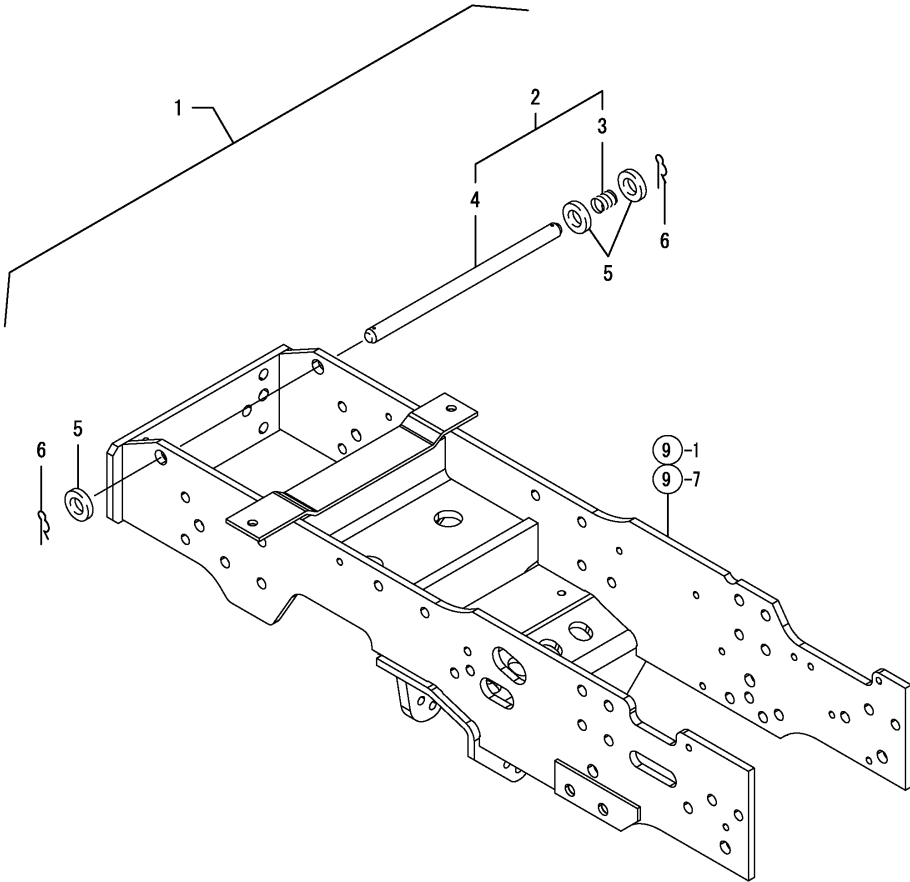
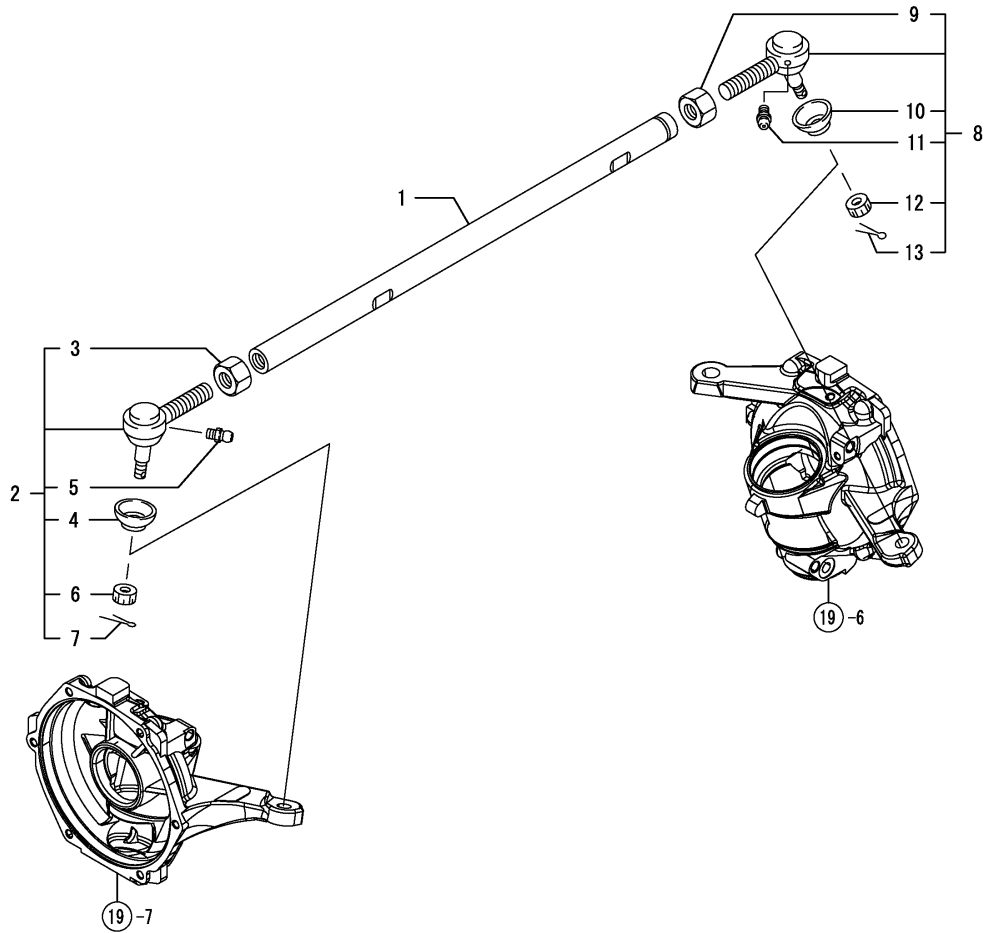


Fig.13. TIE ROD

(A)=EF227EH
(B)=EF230EH
(C)=EF233EH

(D)=EF235EH
(E)=
(F)=



No.	Lev.	Parts No.	Description	Qty						I	R
				(A)	(B)	(C)	(D)	(E)	(F)		
1	1	198220-12310	TIE-ROD	1	1	1	1				
2	1	198240-18130	END KIT, TIE-ROD RL	1	1	1	1				
3	2	194990-22840	NUT M17	1	1	1	1				
4	2	194730-57220	COVER, DUCT	1	1	1	1				
5	2	24761-060000	NIPPLE, GREASE MT6X1	1	1	1	1				
6	2	198240-12590	NUT, M12	1	1	1	1				
7	2	22417-300250	PIN, COTTER 3.0X25	1	1	1	1				
8	1	198240-18120	END KIT, TIE-ROD LR	1	1	1	1				
9	2	194990-22830	NUT M17	1	1	1	1				
10	2	194730-57220	COVER, DUCT	1	1	1	1				
11	2	24761-060000	NIPPLE, GREASE MT6X1	1	1	1	1				
12	2	198240-12590	NUT, M12	1	1	1	1				
13	2	22417-300250	PIN, COTTER 3.0X25	1	1	1	1				

Fig.14. RING GEAR

(A)=EF227EH
 (B)=EF230EH
 (C)=EF233EH

(D)=EF235EH
 (E)=
 (F)=

No.	Lev.	Parts No.	Description	Q'ty						I	R
				(A)	(B)	(C)	(D)	(E)	(F)		
1	1	198200-13170	GEAR ASSY, RING	1	1	1	1				
2	1	1E6190-54080	SLEEVE SI25X30X13	1	1	1	1				
3	1	22242-000300	RING, 30	1	1	1	1				
4	1	24101-062064	BEARING, BALL 6206	1	1	1	1				
5	1	24101-063054	BEARING, BALL 6305	1	1	1	1				

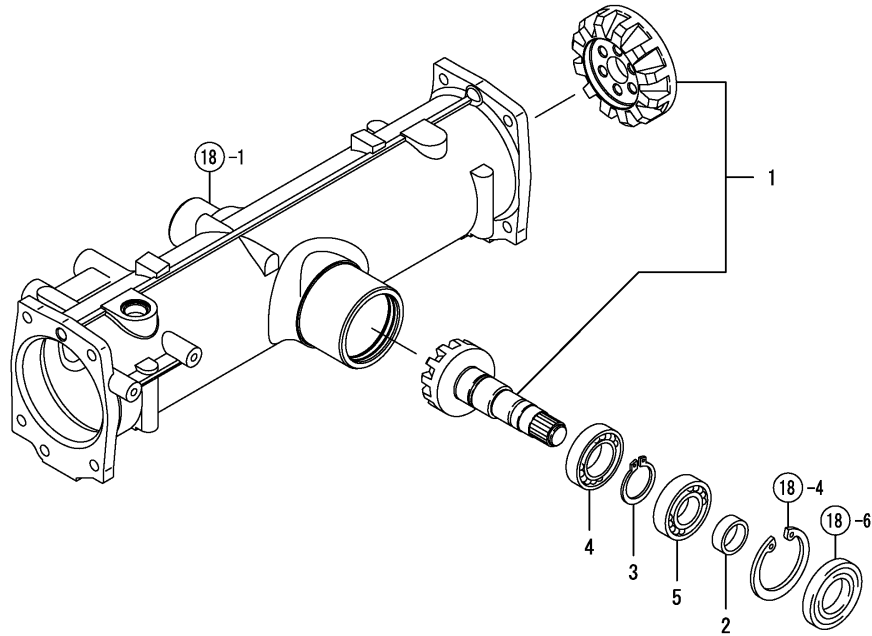
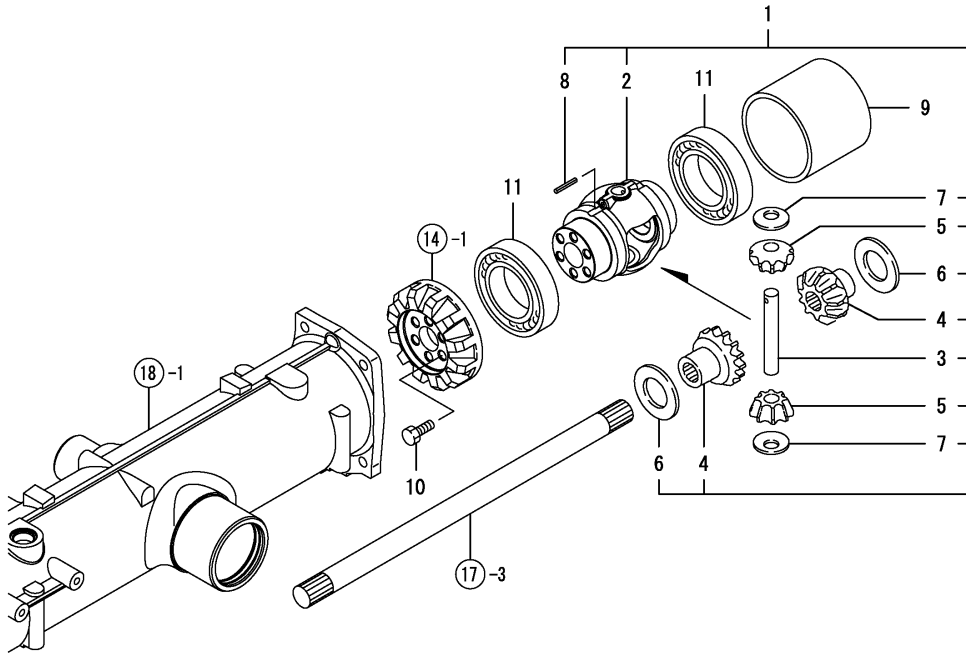


Fig.15. DIFFERENTIAL GEAR

(A)=EF227EH
(B)=EF230EH
(C)=EF233EH

(D)=EF235EH
(E)=
(F)=

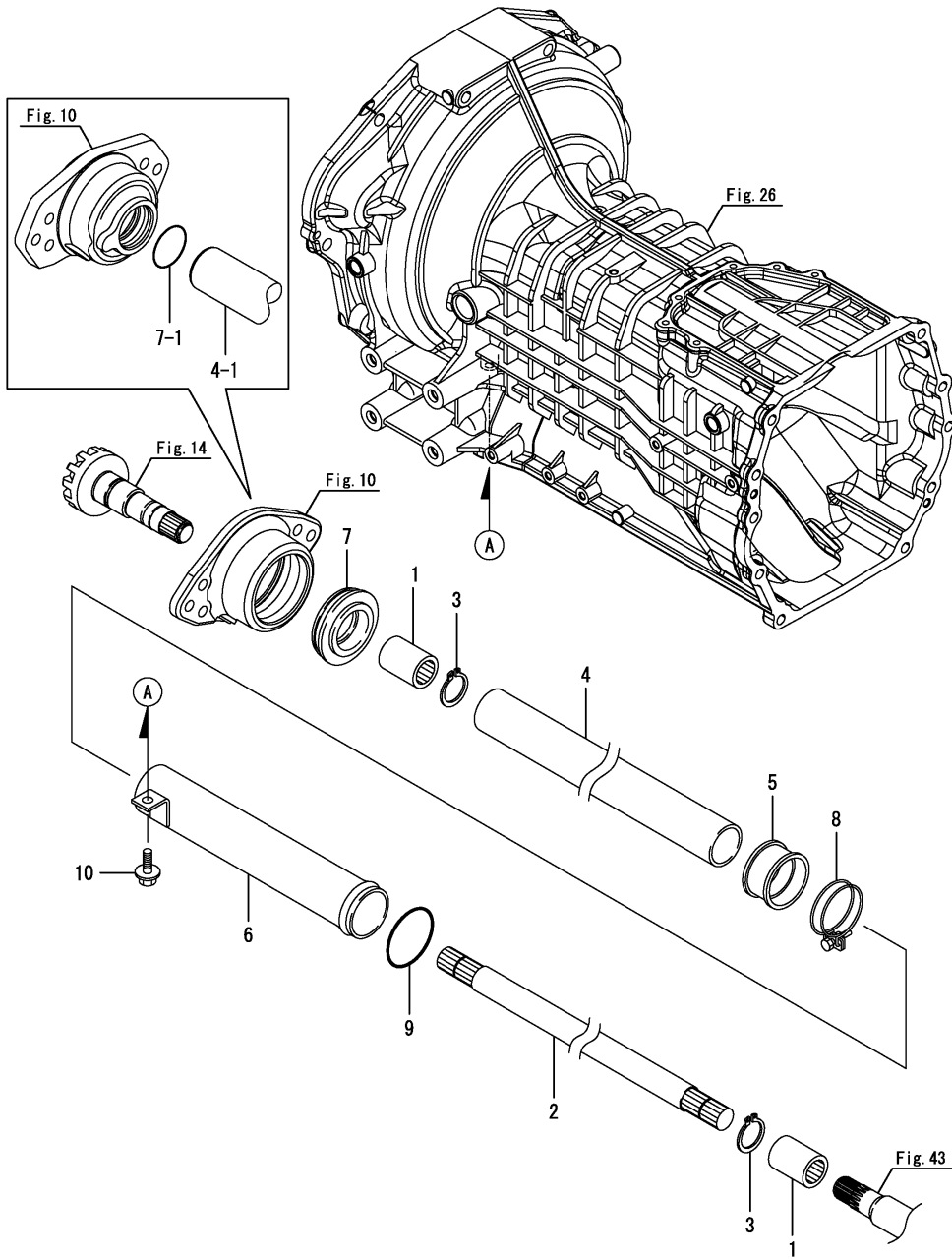


No.	Lev.	Parts No.	Description	Qty						I	R
				(A)	(B)	(C)	(D)	(E)	(F)		
1	1	198200-13200	HOUSING ASSY	1	1	1	1				
2	2	198200-13210	CASE, DIFFERENTIAL	1	1	1	1				
3	2	198200-13220	SHAFT, DIFFERENTIAL	1	1	1	1				
4	2	194300-31550	GEAR, DIFFERENTIAL	2	2	2	2				
5	2	194300-31560	GEAR, PINION	2	2	2	2				
6	2	194300-31610	WASHER, DIFFERENTIAL	2	2	2	2				
7	2	194300-31620	WASHER, DIFFERENTIAL	2	2	2	2				
8	2	22351-040040	PIN, SPRING 4.0X40	1	1	1	1				
9	1	198200-13250	COLLAR	1	1	1	1				
10	1	194421-13640	BOLT, M8X22	6	6	6	6				
11	1	24101-060114	BEARING, BALL 6011	2	2	2	2				

Fig.16. PROPELLER SHAFT

(A)=EF227EH
(B)=EF230EH
(C)=EF233EH

(D)=EF235EH
(E)=
(F)=

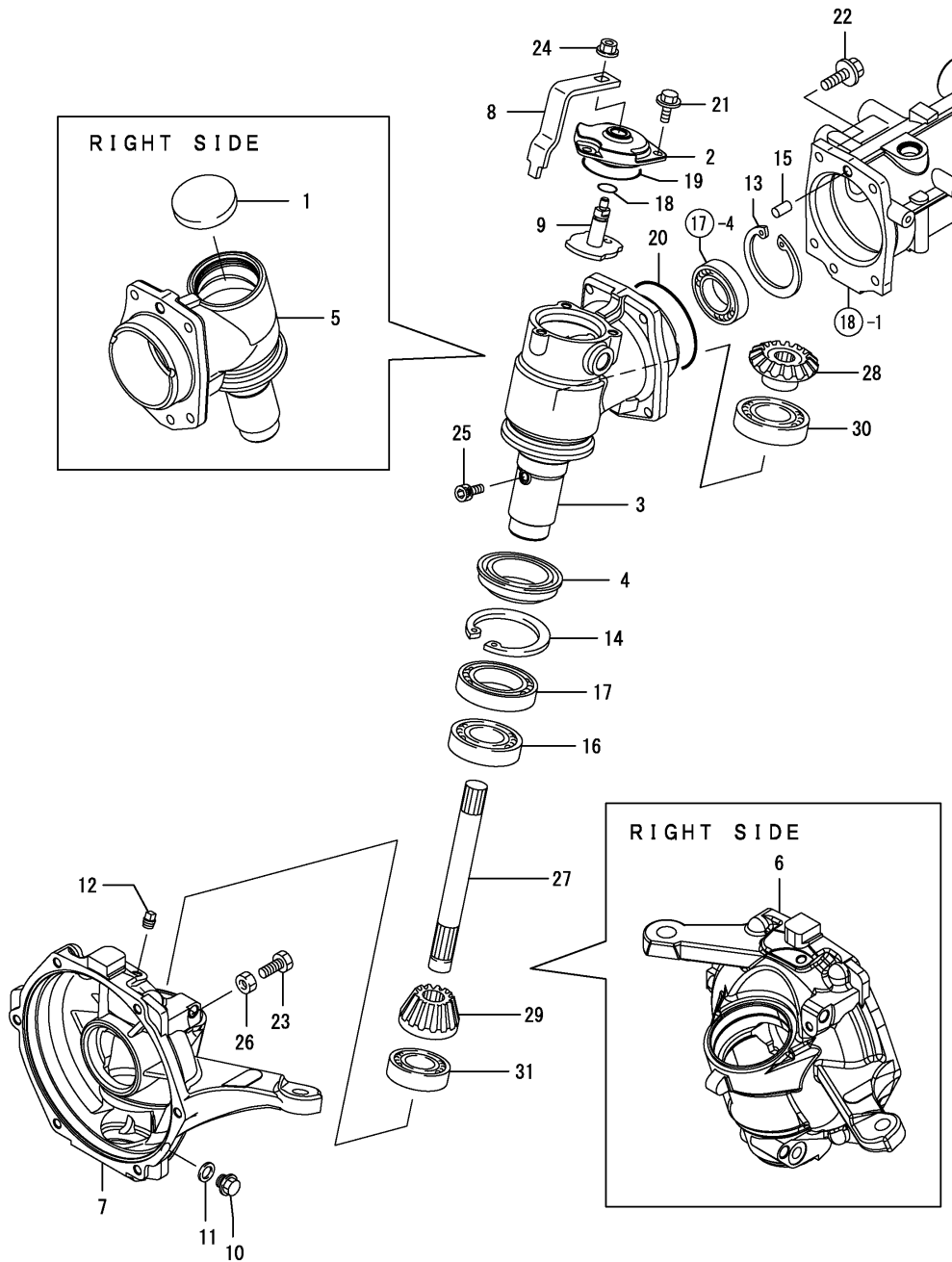


No.	Lev.	Parts No.	Description	Qty						I	R
				(A)	(B)	(C)	(D)	(E)	(F)		
1	1	198200-13280	COUPLING, FRONT	2	2	2	2				
2	1	198280-13310	SHAFT, PROPELLER	1	1	1	1				
3	1	22242-000220	RING, 22	2	2	2	2				
4	1	198280-14630-1	COVER, FRONT SHAFT	1	1	1	1				
4-1	1	1A8081-14630	COVER, DRIVE SHAFT	1	1		1				S
		(A=F112001) (B=F112001)	(D=F112001)								
5	1	198071-14650	BOOT, SHAFT COVER	1	1	1	1				
6	1	198200-14670	COVER, REAR SHAFT	1	1	1	1				
7	1	198200-14910	SEAL, SHAFT COVER	1	1	1	1				
7-1	1	24311-000420	O-RING, 1AP42.0	1	1		1				S
		(A=F112001) (B=F112001)	(D=F112001)								
8	1	23010-055000	CLAMP, 55	1	1	1	1				
9	1	24321-000450	O-RING, 1AG45.0	1	1	1	1				
10	1	26106-080162	BOLT, M8X 16 PLATED	1	1	1	1				

Fig.19. FRONT GEAR CASE

(A)=EF227EH
(B)=EF230EH
(C)=EF233EH

(D)=EF235EH
(E)=
(F)=

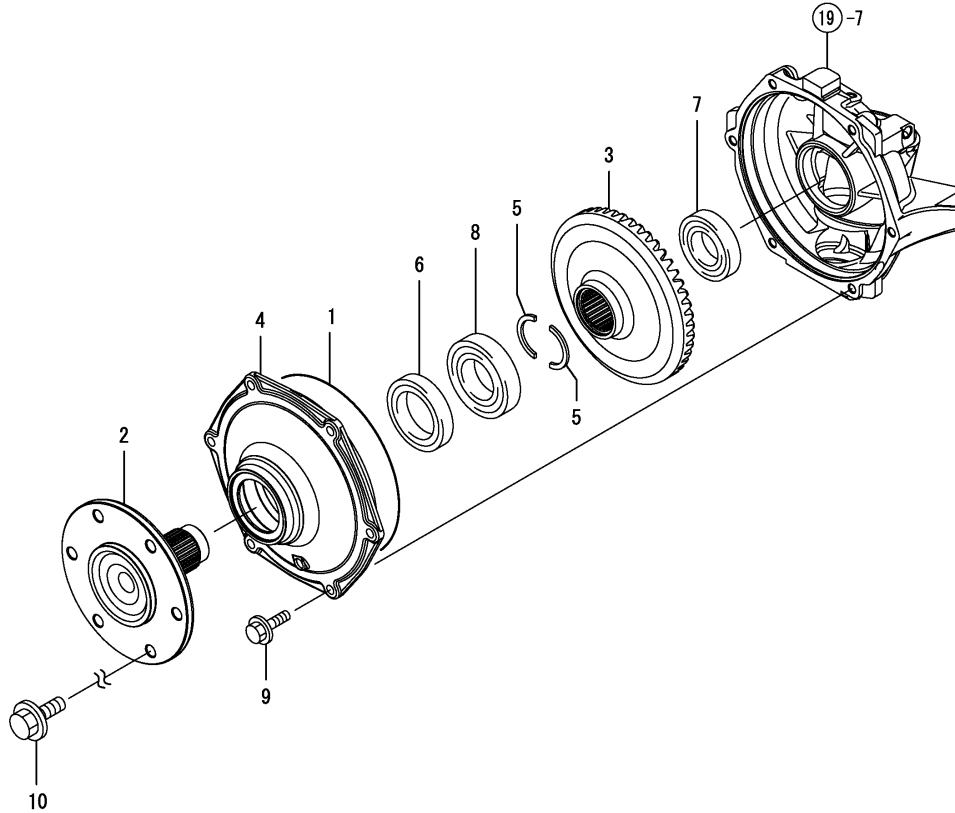


No.	Lev.	Parts No.	Description	Qty						I	R
				(A)	(B)	(C)	(D)	(E)	(F)		
1	1	177432-03450	PLUG	1	1	1	1				
2	1	198200-13730	COVER, GEAR CASE	1	1	1	1				
3	1	198200-13750	HOUSING, FRONT GEAR	1	1	1	1				
4	1	198071-13760	SEAL, QLF578016.5	2	2	2	2				
5	1	198200-13760	HOUSING, FRONT GEAR	1	1	1	1				
6	1	198200-13780	BOX, GEAR R	1	1	1	1				
7	1	198200-13791	BOX, GEAR L	1	1	1	1				
8	1	198200-13911	LINK, HI-GRIP	1	1	1	1				
9	1	198280-13920	ARM, SWITCH	1	1	1	1				
10	1	1C6900-23120	BOLT, DRAIN M14X10	2	2	2	2				
11	1	1C6900-23150	WASHER, PLUG	2	2	2	2				
12	1	194151-36670	PLUG, PF02	2	2	2	2				
13	1	22252-000720	RING, 72	2	2	2	2				
14	1	22252-000800	RING, 80	2	2	2	2				
15	1	22312-100180	PIN, PARALLEL M10X18	2	2	2	2				
16	1	24101-060084	BEARING, BALL 6008	2	2	2	2				
17	1	24101-060104	BEARING, BALL 6010	2	2	2	2				
18	1	24311-000110	O-RING, 1AP11.0	1	1	1	1				
19	1	24321-000600	O-RING, 1AG60.0	1	1	1	1				
20	1	24321-000950	O-RING, 1AG95.0	2	2	2	2				
21	1	26106-080162	BOLT, M8X 16 PLATED	3	3	3	3				
22	1	26106-100302	BOLT, M10X 30 PLATED	10	10	10	10				
23	1	26116-100352	BOLT, M10X 35 PLATED	2	2	2	2				
24	1	26366-080002	NUT, M8	1	1	1	1				
25	1	26450-080122	BOLT, M8X 12	2	2	2	2				
26	1	26716-100002	NUT, M10	2	2	2	2				
27	1	198200-13810	SHAFT, FRONT 2ND	2	2	2	2				
28	1	198200-13820	GEAR, 2ND SHAFT	2	2	2	2				
29	1	198200-13830	PINION, FINAL Z=11	2	2	2	2				
30	1	24101-062064	BEARING, BALL 6206	2	2	2	2				
31	1	24101-063044	BEARING, BALL 6304	2	2	2	2				

Fig.20. FRONT SPINDLE

(A)=EF227EH
(B)=EF230EH
(C)=EF233EH

(D)=EF235EH
(E)=
(F)=

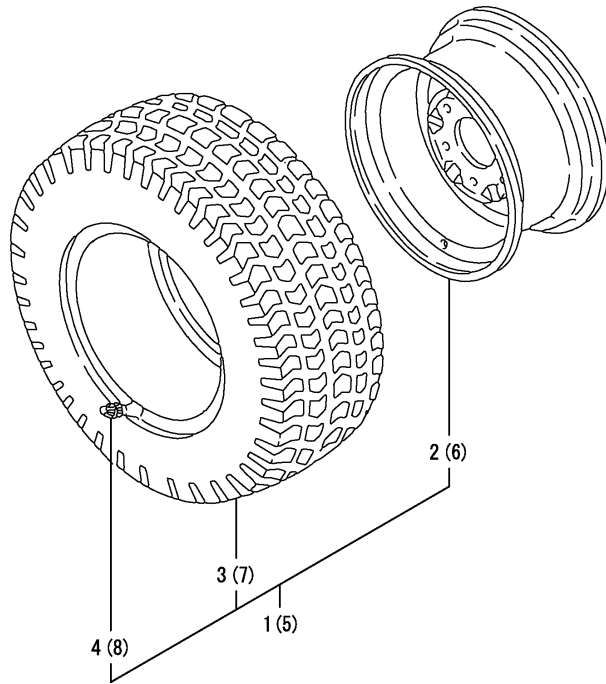


No.	Lev.	Parts No.	Description	Q'ty						I	R
				(A)	(B)	(C)	(D)	(E)	(F)		
1	1	194556-13790	O-RING, 190X2.7	2	2	2	2				
2	1	198200-14110	SPINDLE, FRONT	2	2	2	2				
3	1	198200-14120	GEAR, FINAL 48	2	2	2	2				
4	1	198200-14130	COVER, GEAR BOX	2	2	2	2				
5	1	198200-14210	RING, HALF	4	4	4	4				
6	1	198475-32660	SEAL, QLN527514.5	2	2	2	2				
7	1	24101-060084	BEARING, BALL 6008	2	2	2	2				
8	1	24101-062094	BEARING, BALL 6209	2	2	2	2				
9	1	26106-100252	BOLT, M10X 25 PLATED	12	12	12	12				
10	1	194881-12650	BOLT, M14X24	12	12	12	12				

Fig.123. FRONT WHEEL TIRE

(A)=EF227EH
 (B)=EF230EH
 (C)=EF233EH

(D)=EF235EH
 (E)=
 (F)=

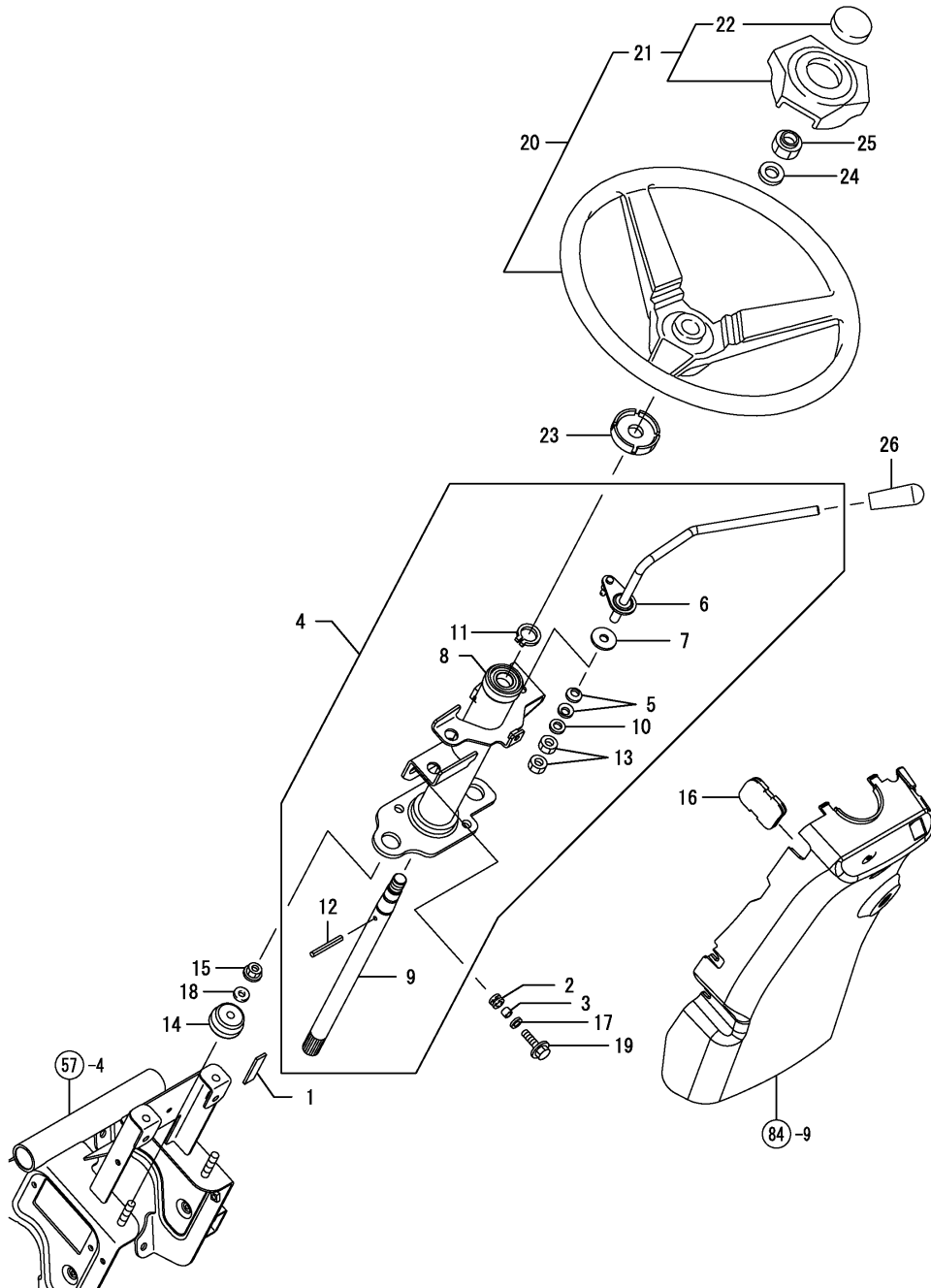


No.	Lev.	Parts No.	Description	Q'ty						I	R
				(A)	(B)	(C)	(D)	(E)	(F)		
1	1	794361-14701	TIRE KIT, 24X8.5 L				1				
2	2	194361-12811	WHEEL ASSY,7JAX14WDC				1				
3	2	194361-12850	TIRE, 25X8.50-14				1				
4	2	194136-12880	VALVE, TR413				1				
5	1	794361-14801	TIRE KIT, 24X8.5 R				1				
6	2	194361-12811	WHEEL ASSY,7JAX14WDC				1				
7	2	194361-12850	TIRE, 25X8.50-14				1				
8	2	194136-12880	VALVE, TR413				1				

Fig.22. STEERING

(A)=EF227EH
(B)=EF230EH
(C)=EF233EH

(D)=EF235EH
(E)=
(F)=

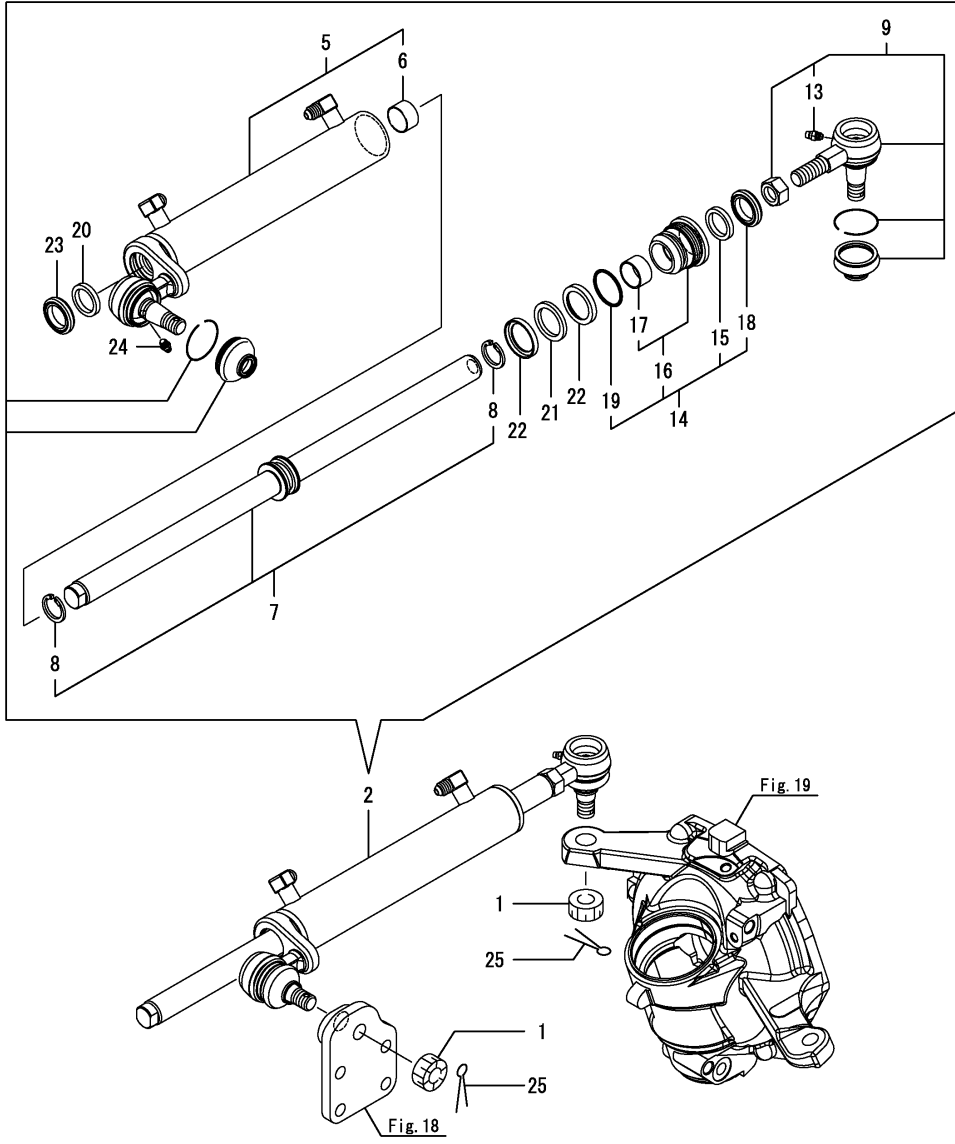


No.	Lev.	Parts No.	Description	Qty						I	R
				(A)	(B)	(C)	(D)	(E)	(F)		
1	1	198200-01170	SEAL, WIRE	1	1	1	1				
2	1	198360-03260	GROMMET, 12	2	2	2	2				
3	1	198360-03270	SPACER	2	2	2	2				
4	1	198280-15090	COLUMN, STEERING	1	1	1	1				
5	2	194740-00160	SPRING, 10	2	2	2	2				
6	2	198200-01110	LEVER ASSY	1	1	1	1				
7	2	198200-01260	PLATE, FRICTION	1	1	1	1				
8	2	198280-15100	COLUMN ASSY, STEERING	1	1	1	1				
9	2	198200-15180	SHAFT, STEERING	1	1	1	1				
10	2	22137-100000	WASHER, 10	1	1	1	1				
11	2	22242-000200	RING, 20	1	1	1	1				
12	2	22351-040032	PIN, SPRING 4.0X32	1	1	1	1				
13	2	26716-100002	NUT, M10	2	2	2	2				
14	1	198200-15250	MOUNT, STEERING	2	2	2	2				
15	1	194990-22140	NUT, M8	2	2	2	2				
16	1	174840-61680	GROMMET, LEVER	1	1	1	1				
17	1	22157-080000	WASHER, 8	2	2	2	2				
18	1	22157-080000	WASHER, 8	2	2	2	2				
19	1	26106-080252	BOLT, M8X 25 PLATED	2	2	2	2				
20	1	198133-15700	WHEEL ASSY, STEERING	1	1	1	1				
21	2	198133-15740	CAP ASSY, STEERING	1	1	1	1				
22	3	198133-15780	NAMEPLATE, HANDLE	1	1	1	1				
23	1	1A7000-15720	COVER, STEERING	1	1	1	1				
24	1	22137-160000	WASHER, 16	1	1	1	1				
25	1	26356-160002	NUT, M16	1	1	1	1				
26	1	194464-01190	KNOB, LEVER	1	1	1	1				

Fig.23. P.S.T. CYLINDER

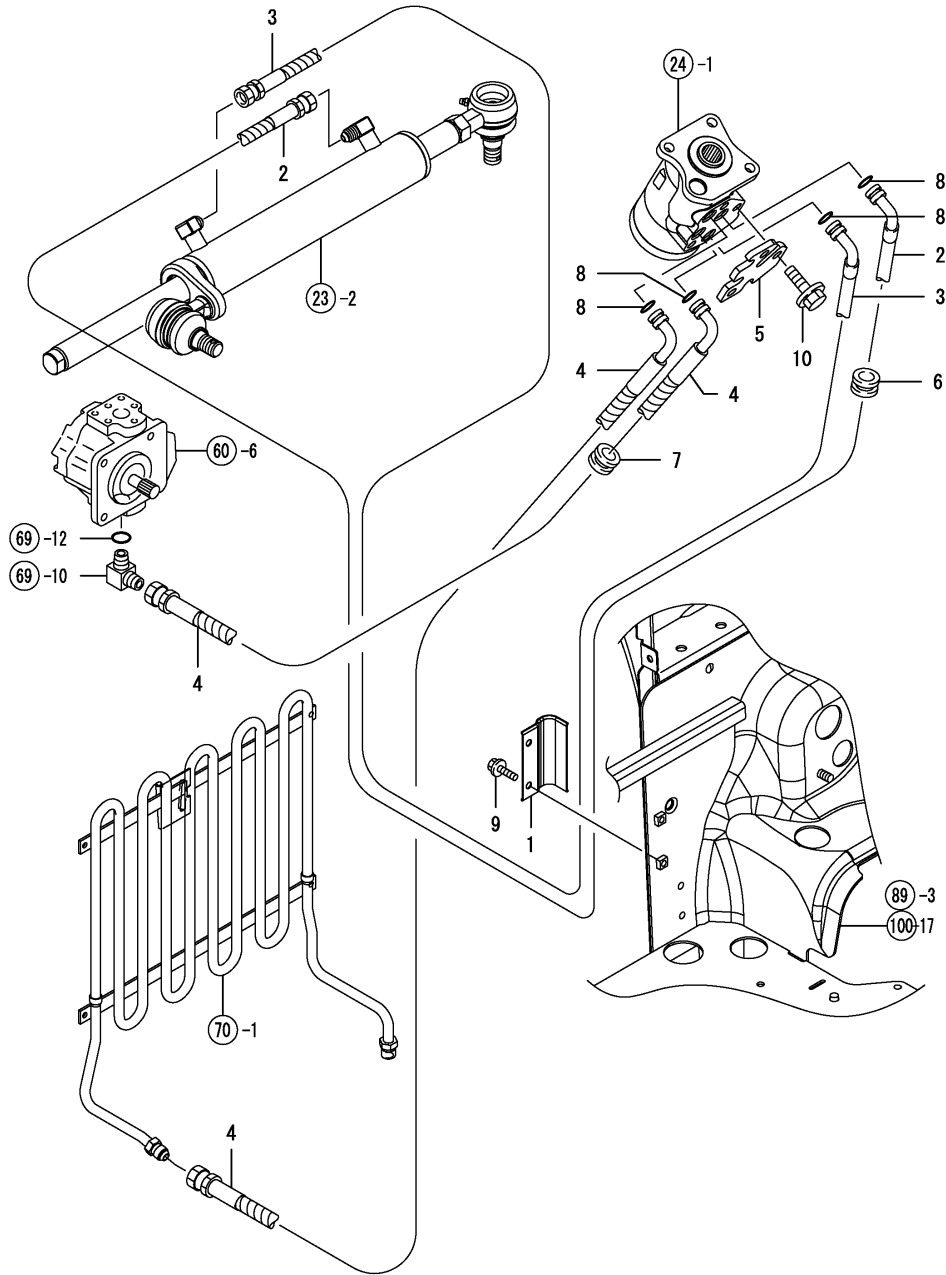
(A)=EF227EH
(B)=EF230EH
(C)=EF233EH

(D)=EF235EH
(E)=
(F)=



No.	Lev.	Parts No.	Description	Qty						I	R
				(A)	(B)	(C)	(D)	(E)	(F)		
1	1	194180-12470	NUT, CASTLE	2	2	2	2				
2	1	198200-17300	CYLINDER KIT, ST.	1	1	1	1				
5	2	198200-17340	TUBE ASSY, CYLINDER	1	1	1	1				
6	3	24550-025150	BUSH, 25X15	1	1	1	1				
7	2	198200-17410	ROD ASSY, STEERING	1	1	1	1				
8	3	22292-000250	RING, S-25	2	2	2	2				
9	2	198200-17440	END ASSY, ROD R	1	1	1	1				
13	3	24761-060000	NIPPLE, GREASE MT6X1	1	1	1	1				
14	2	198200-17450	CAP ASSY, CYLINDER	1	1	1	1				
15	3	194065-17470	PACKING, 25	1	1	1	1				
16	3	198200-17470	CAP ASSY	1	1	1	1				
17	4	24550-025150	BUSH, 25X15	1	1	1	1				
18	3	198133-72670	SEAL, DUST 25	1	1	1	1				
19	3	24315-000340	O-RING, 1BP34.0	1	1	1	1				
20	2	194065-17470	PACKING, 25	1	1	1	1				
21	2	172156-72330	PACKING	1	1	1	1				
22	2	172156-72340	BEARING	2	2	2	2				
23	2	198133-72670	SEAL, DUST 25	1	1	1	1				
24	2	24761-060000	NIPPLE, GREASE MT6X1	1	1	1	1				
25	1	22417-400250	PIN, COTTER 4.0X25	2	2	2	2				

Fig.25. P.S.T. PIPING

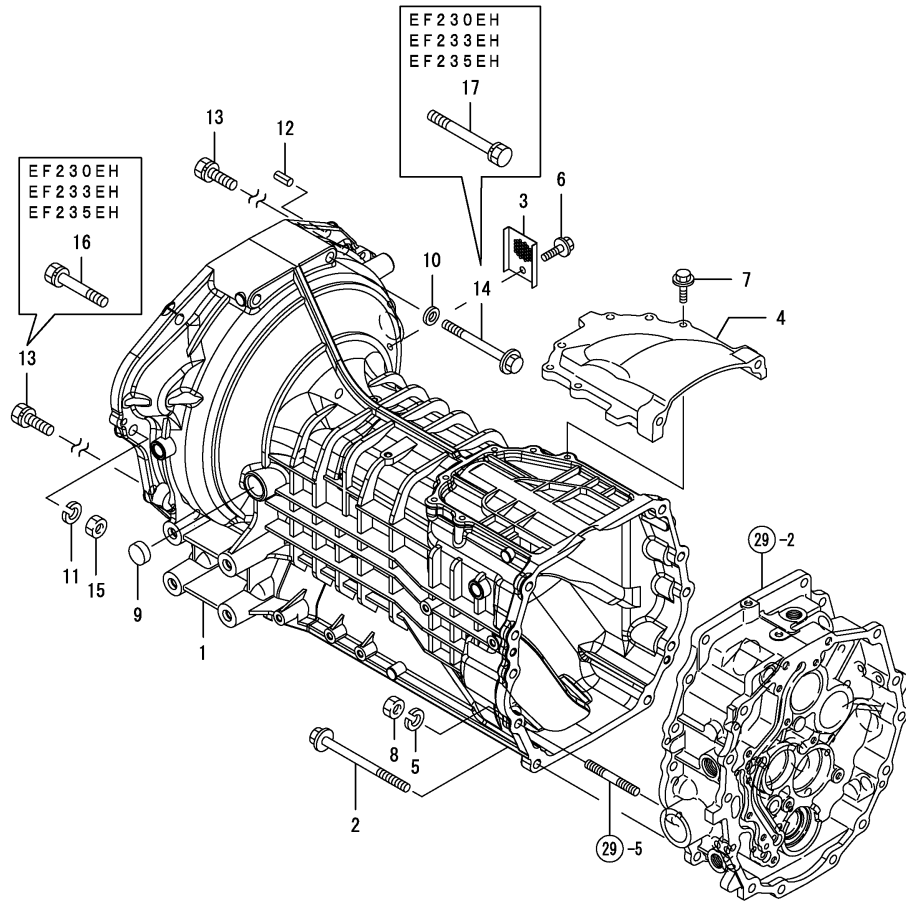


(A)=EF227EH
(B)=EF230EH
(C)=EF233EH

(D)=EF235EH
(E)=
(F)=

No.	Lev.	Parts No.	Description	Q'ty						I	R
				(A)	(B)	(C)	(D)	(E)	(F)		
1	1	198200-17750	CLAMP	1	1	1	1				
2	1	198280-17810	HOSE, PRESSURE L	1	1	1	1				
3	1	198280-17820	HOSE, PRESSURE R	1	1	1	1				
4	1	198200-17830	HOSE, PRESSURE	2	2	2	2				
5	1	198200-17910	PLATE, RETAINER	1	1	1	1				
6	1	194170-51210	GROMMET 25	1	1	1	1				
7	1	198245-51210	GROMMET, 25/18	1	1	1	1				
8	1	24311-000120	O-RING, 1AP12.0	4	4	4	4				
9	1	26106-060122	BOLT, M6X 12 PLATED	2	2	2	2				
10	1	26136-100162	BOLT, M10X 16 PLATED	3	3	3	3				

Fig.26. CLUTCH HOUSING



(A)=EF227EH
(B)=EF230EH
(C)=EF233EH

(D)=EF235EH
(E)=
(F)=

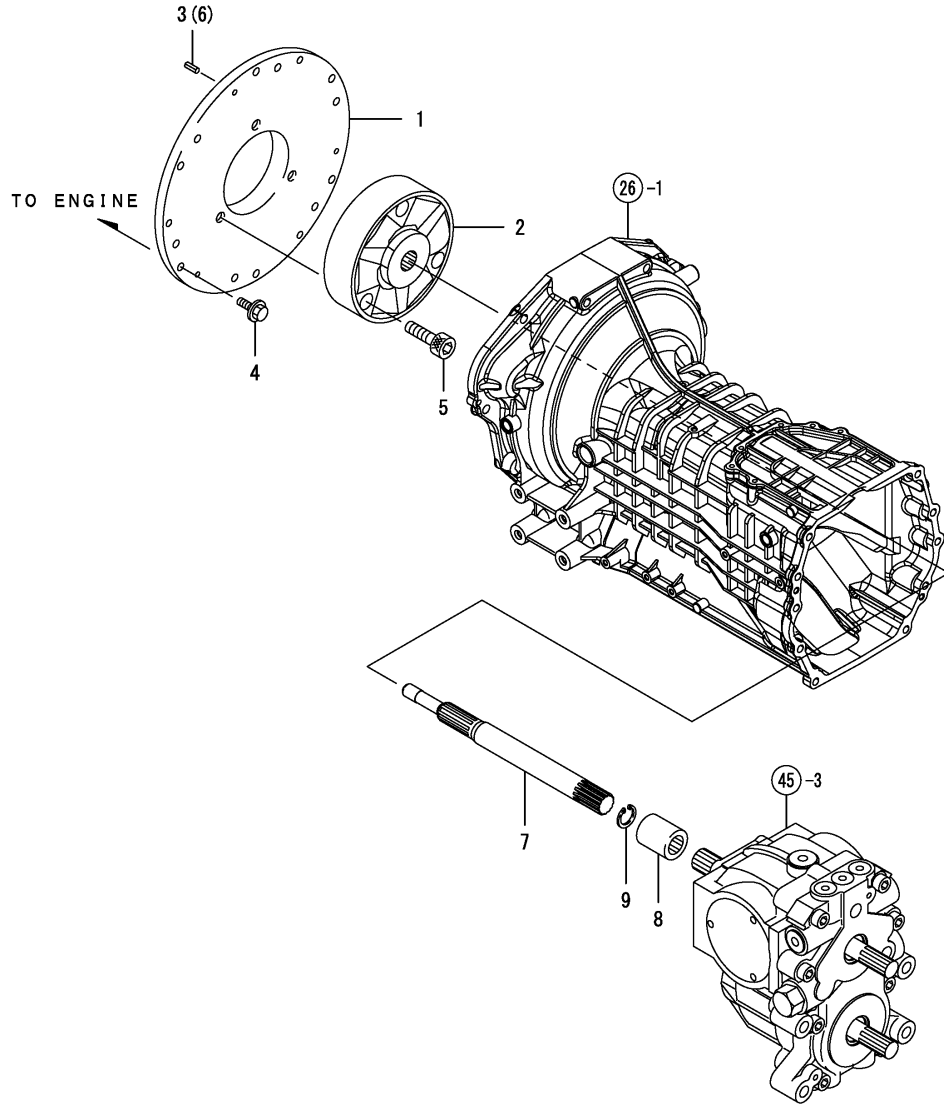
No.	Lev.	Parts No.	Description	Qty						I	R
				(A)	(B)	(C)	(D)	(E)	(F)		
1	1	198280-21110	HOUSING, CLUTCH	1	1	1	1				
1-1	1	198280-21111	HOUSING, CLUTCH	1	1	1	1			F	1
		(A=FXXXXX) (B=FXXXXX) (C=FXXXXX) (D=FXXXXX)									
2	1	198200-21140	BOLT, M10X135	9	9	9	9				
3	1	198280-21170	COVER, SIDE	1	1	1	1				
4	1	198280-21520	COVER, HOUSING	1	1	1	1				
5	1	22217-100000	WASHER, SPRING 10	1	1	1	1				
6	1	26106-080122	BOLT, M8X 12 PLATED	1	1	1	1				
7	1	26106-080252	BOLT, M8X 25 PLATED	6	6	6	6				
8	1	26716-100002	NUT, M10	1	1	1	1				
9	1	27260-260000	PLUG, 26	2	2	2	2				
9-1	1	27260-300000	PLUG, 30	2	2	2	2			F	1
		(A=FXXXXX) (B=FXXXXX) (C=FXXXXX) (D=FXXXXX)									
10	1	22137-100000	WASHER, 10	2							
11	1	22217-120000	WASHER, SPRING 12	1	1	1	1				
12	1	22351-080018	PIN, SPRING 8.0X18	2	2	2	2				
13	1	26013-120352	BOLT, M12X 35	6	4	4	4				
14	1	26106-101052	BOLT, M10X105 PLATED	2							
15	1	26716-120002	NUT, M12	1	1	1	1				
16	1	26013-120702	BOLT, M12X 70		2	2	2				
17	1	26013-121052	BOLT, M12X105		2	2	2				

Remarks
(1)Ref.No.1-1 & 9-1 Interchangeable by set.

Fig.27. COUPLING & CLUTCH SHAFT

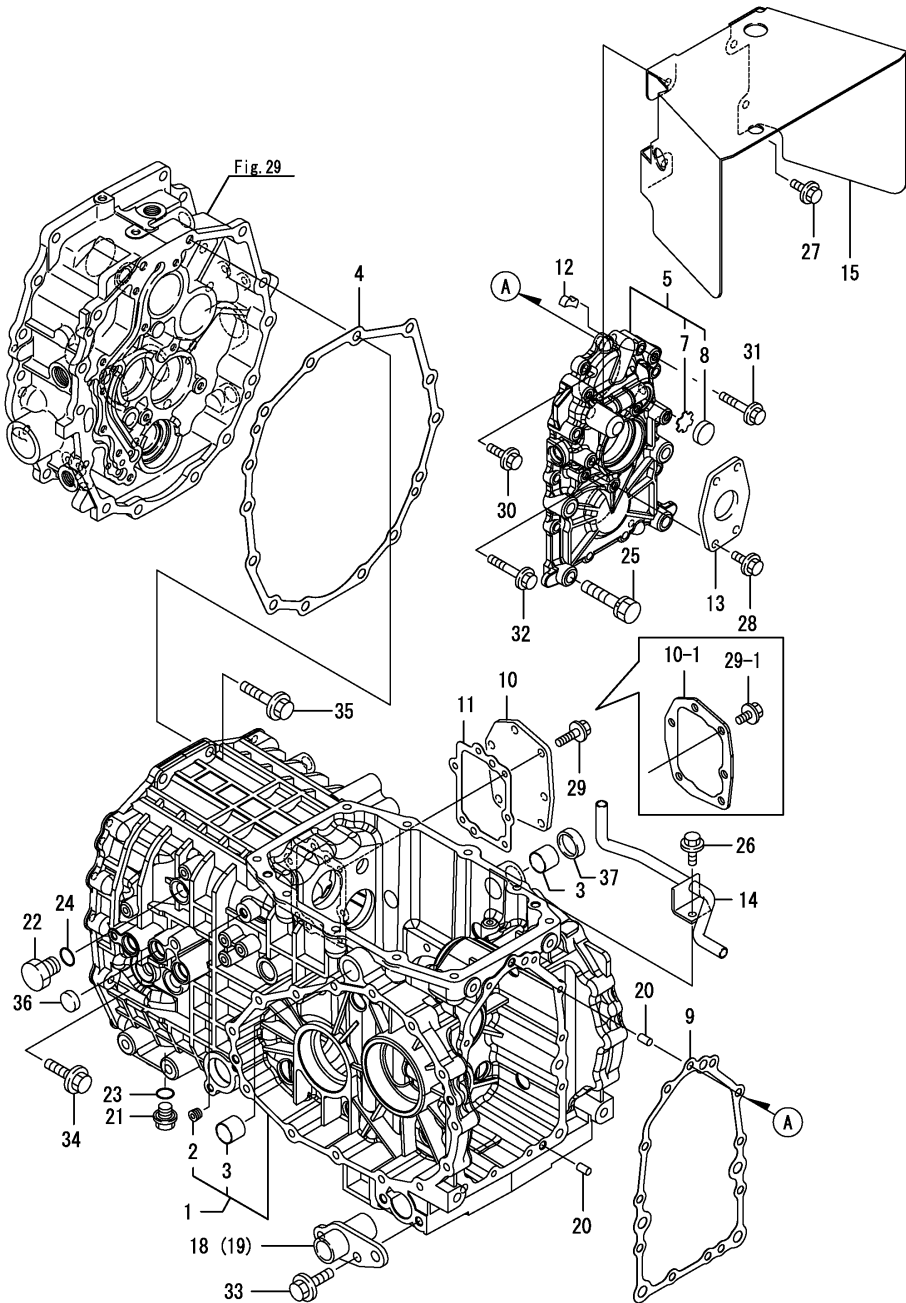
(A)=EF227EH
(B)=EF230EH
(C)=EF233EH

(D)=EF235EH
(E)=
(F)=



No.	Lev.	Parts No.	Description	Q'ty						I	R
				(A)	(B)	(C)	(D)	(E)	(F)		
1	1	198280-21250	PLATE, COUPLING	1	1	1	1				
2	1	172165-71200	COUPLING	1	1	1	1				
3	1	22351-060016	PIN, SPRING 6.0X16			3					
4	1	26106-080252	BOLT, M8X 25 PLATED	6	6	6	6				
5	1	26450-120402	BOLT, M12X 40	3	3	3	3				
6	1	22351-080018	PIN, SPRING 8.0X18			3	3	3			
7	1	198280-22110	SHAFT, MAIN DRIVE	1	1	1	1				
8	1	194555-26520	COUPLING, PTO	1	1	1	1				
9	1	22252-000220	RING, 22	1	1	1	1				

Fig.28. TRANSMISSION CASE

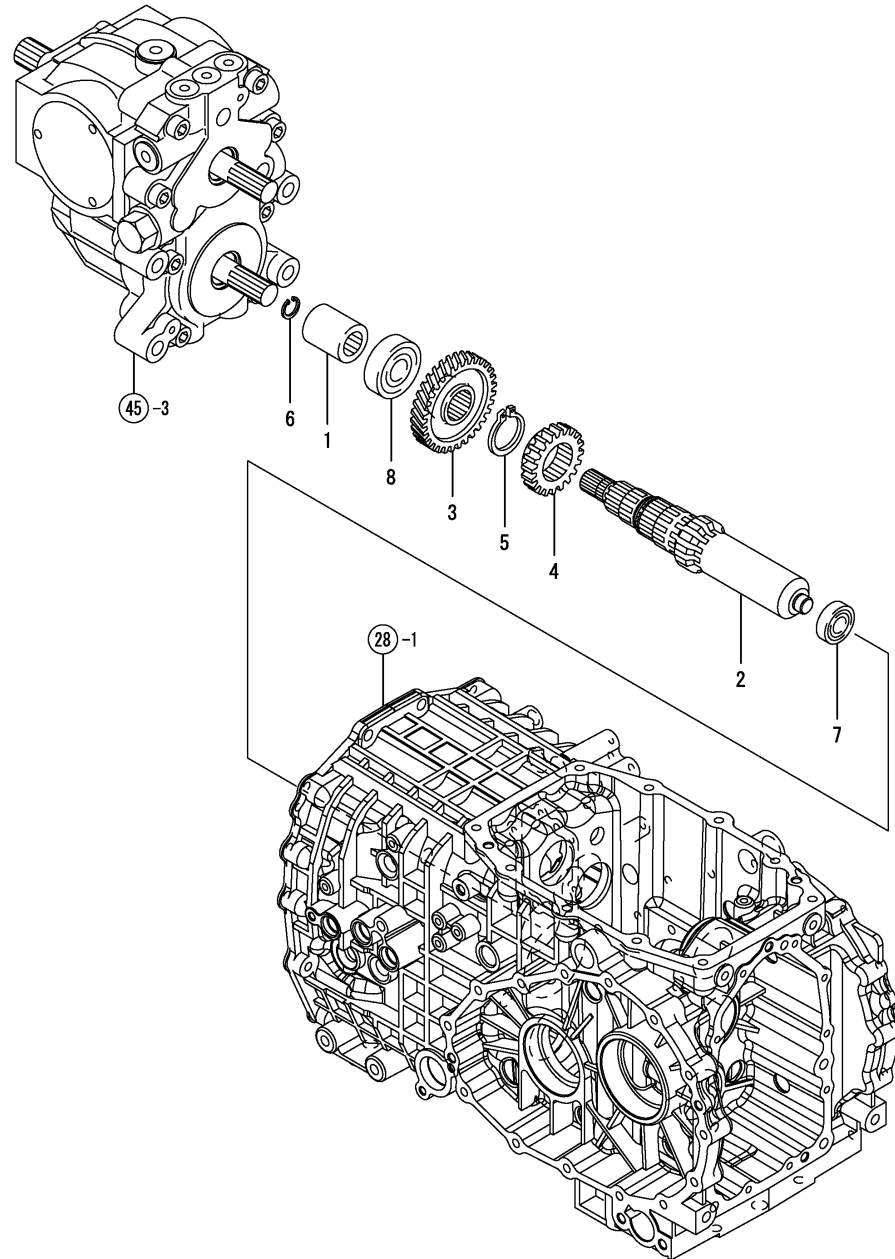


(A)=EF227EH
(B)=EF230EH
(C)=EF233EH

(D)=EF235EH
(E)=
(F)=

No.	Lev.	Parts No.	Description	Qty						I	R
				(A)	(B)	(C)	(D)	(E)	(F)		
1	1	198280-24100	HOUSING ASSY	1	1	1	1				
2	2	23875-010000	PLUG, R01	1	1	1	1				
2-1	2	23871-010000	PLUG, R01	1	1	1	1				N
		(A=FXXXXX) (B=FXXXXX) (C=FXXXXX) (D=FXXXXX)									
3	2	24550-022200	BUSH, 22X20	2	2	2	2				
4	1	198200-24120	GASKET, MISSION CASE	1	1	1	1				
5	1	198280-24150	COVER ASSY, XMSN.	1	1	1	1				
7	2	198071-24350	PLATE, WINDOW	1	1	1	1				
8	2	1A1040-28470	WINDOW, OIL CHECK 25	1	1	1	1				
9	1	198200-24170	GASKET, MISSION	1	1	1	1				
10	1	198280-24180	COVER, MISSION	1	1	1	1				
10-1	1	1A8100-24180	COVER, XMSN. SIDE	1	1	1	1				S
		(A=FXXXXX) (B=FXXXXX) (C=FXXXXX) (D=FXXXXX)									
11	1	198200-24190	GASKET, HOUSING	1	1	1	1				Z
		(A=FXXXXX) (B=FXXXXX) (C=FXXXXX) (D=FXXXXX)									
12	1	198280-24250	SEAL, REAR COVER	1	1	1	1				
13	1	198255-24460	PLATE, OIL SEAL	1	1	1	1				
14	1	198280-24510	PIPE, OIL	1	1	1	1				
15	1	198280-26900	GUARD M ASSY,PTO	1	1	1	1				
18	1	198280-73170	SUPPORT, LOWER LINK	1	1	1	1				
19	1	198280-73250	SUPPORT, LOWER LINK	1	1	1	1				
20	1	22312-080140	PIN, PARALLEL M8X14	2	2	2	2				
21	1	23491-140002	PLUG, 14	1	1	1	1				
22	1	23887-180002	PLUG, 18	3	3	3	3				
23	1	24311-000160	O-RING, 1AP16.0	1	1	1	1				
24	1	24311-000180	O-RING, 1AP18.0	3	3	3	3				
25	1	26013-120552	BOLT, M12X 55	2	2	2	2				
26	1	26106-080162	BOLT, M8X 16 PLATED	1	1	1	1				
27	1	26106-080162	BOLT, M8X 16 PLATED	4	4	4	4				
28	1	26106-080162	BOLT, M8X 16 PLATED	1	1	1	1				
29	1	26106-080202	BOLT, M8X 20 PLATED	6	6	6	6				
29-1	1	26106-080162	BOLT, M8X 16 PLATED	6	6	6	6				S
		(A=FXXXXX) (B=FXXXXX) (C=FXXXXX) (D=FXXXXX)									
30	1	26106-080252	BOLT, M8X 25 PLATED	8	8	8	8				
31	1	26106-080452	BOLT, M8X 45 PLATED	1	1	1	1				
32	1	26106-080502	BOLT, M8X 50 PLATED	1	1	1	1				
33	1	26106-100252	BOLT, M10X 25 PLATED	4	4	4	4				
34	1	26106-100402	BOLT, M10X 40 PLATED	1	1	1	1				
35	1	26106-100502	BOLT, M10X 50 PLATED	2	2	2	2				
36	1	27260-220000	PLUG, 22	4	4	4	4				
37	1	27260-260000	PLUG, 26	1	1	1	1				

Fig.30. REDUCTION SHAFT



(A)=EF227EH
(B)=EF230EH
(C)=EF233EH

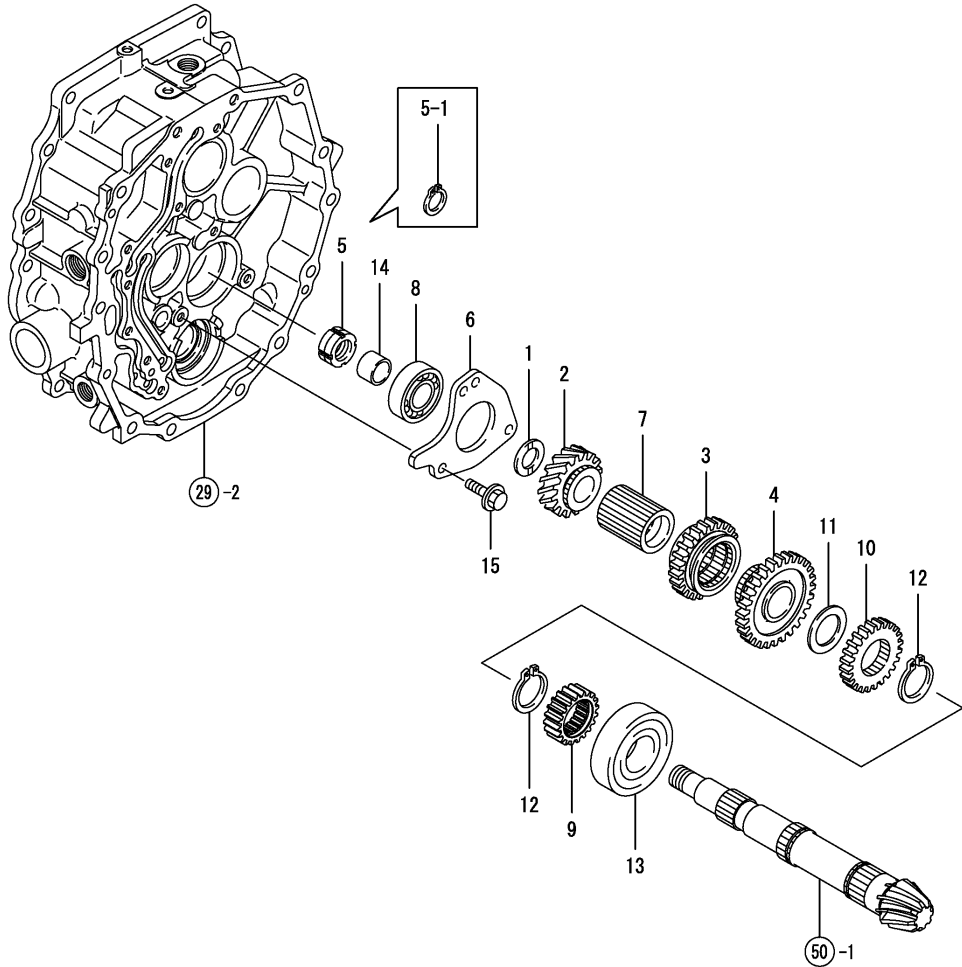
(D)=EF235EH
(E)=
(F)=

No.	Lev.	Parts No.	Description	Q'ty						I	R
				(A)	(B)	(C)	(D)	(E)	(F)		
1	1	194310-25100	JOINT	1	1	1	1				
2	1	198280-25420	SHAFT, REDUCTION	1	1	1	1				
3	1	198280-25650	GEAR, REDUCTION 34	1	1	1	1				
4	1	198280-25660	GEAR, REDUCTION 20	1	1	1	1				
5	1	22242-000340	RING, 34	1	1	1	1				
6	1	22252-000170	RING, 17	1	1	1	1				
7	1	24101-062024	BEARING, BALL 6202	1	1	1	1				
8	1	24101-063044	BEARING, BALL 6304	1	1	1	1				

Fig.31. COUNTER SHAFT

(A)=EF227EH
(B)=EF230EH
(C)=EF233EH

(D)=EF235EH
(E)=
(F)=

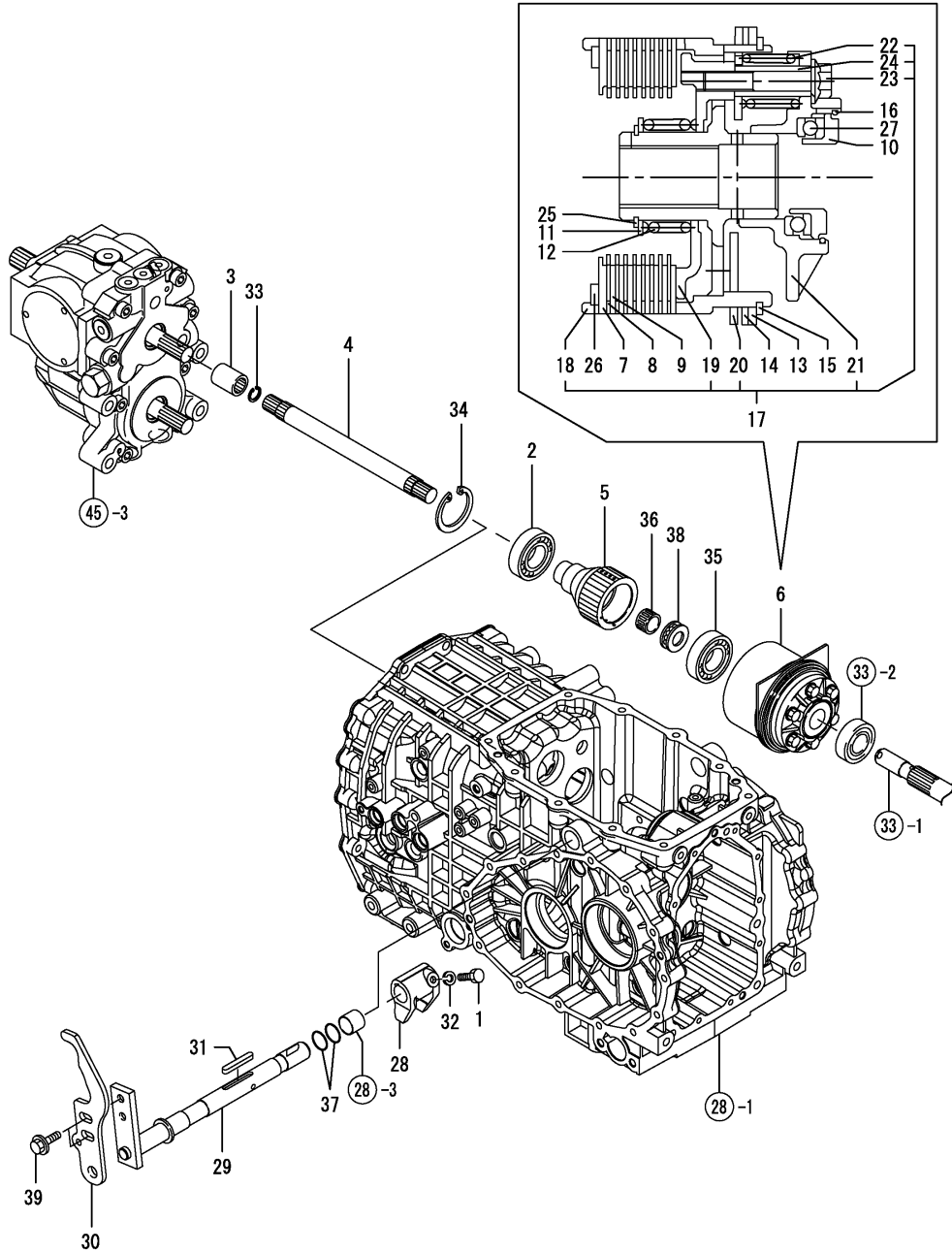


No.	Lev.	Parts No.	Description	Qty						I	R
				(A)	(B)	(C)	(D)	(E)	(F)		
1	1	198200-25490	WASHER, 20	1	1	1	1				
2	1	198280-25520	GEAR, COUNTER 17	1	1	1	1				
3	1	198280-25530	GEAR, SLIDE 24	1	1	1	1				
4	1	198280-25540	GEAR, COUNTER 37	1	1	1	1				
5	1	198280-25550	NUT, LOCK M20	1	1	1	1				
5-1	1	24164-000202	CIRCLIP, 20	1	1	1	1				S
		(A=FZZZZZ)	(B=FZZZZZ)	(C=FZZZZZ)	(D=FZZZZZ)						
6	1	198280-25590	PLATE, KEEP	1	1	1	1				
7	1	198280-25810	COLLAR, SPLINE	1	1	1	1				
8	1	194555-25880	BEARING, BALL TMB305	1	1	1	1				
9	1	198200-28250	GEAR, DRIVE 20	1	1	1	1				
9-1	1	198200-28251	GEAR, FRONT DRIVE	1	1	1	1				N
		(A=FZZZZZ)	(B=FZZZZZ)	(C=FZZZZZ)	(D=FZZZZZ)						
10	1	198280-28260	GEAR, DRIVE 24	1	1	1	1				
11	1	194191-28350	WASHER, 30X45X2.5	1	1	1	1				
12	1	22242-000340	RING, 34	2	2	2	2				
13	1	24101-063074	BEARING, BALL 6307	1	1	1	1				
14	1	24163-205170	RING, INNER 202517	1	1	1	1				
15	1	26106-080162	BOLT, M8X 16 PLATED	3	3	3	3				

Fig.32. P.T.O. CLUTCH

(A)=EF227EH
(B)=EF230EH
(C)=EF233EH

(D)=EF235EH
(E)=
(F)=



No.	Lev.	Parts No.	Description	Q'ty						I	R
				(A)	(B)	(C)	(D)	(E)	(F)		
1	1	198221-13410	BOLT, M8	1	1	1	1				
2	1	194430-24190	BEARING, BALL 62/28	1	1	1	1				
3	1	194310-25100	JOINT	1	1	1	1				
4	1	198280-26010	SHAFT, CONNECTING	1	1	1	1				
5	1	198280-26020	HUB, CLUTCH	1	1	1	1				
6	1	198280-26030	CLUTCH ASSY,PTO	1	1	1	1				
7	2	198287-26110	PLATE, BACK	1	1	1	1				
8	2	198287-26120	PLATE, DISK	8	8	8	8				
9	2	198287-26130	PLATE	8	8	8	8				
10	2	198287-26140	HOLDER, BEARING	1	1	1	1				
11	2	198287-26150	WASHER, SPRING	1	1	1	1				
12	2	198287-26160	SPRING, BRAKE	1	1	1	1				
13	2	198287-26170	BRAKE, PRESSURE	1	1	1	1				
14	2	198287-26180	DISK, BRAKE	1	1	1	1				
15	2	198287-26190	RING, SNAP	1	1	1	1				
16	2	198287-26200	CIRCLIP	1	1	1	1				
17	2	198287-26210	HOUSING ASSY, CLUTCH	1	1	1	1				
18	3	198287-26220	CASE, CLUTCH	1	1	1	1				
19	3	198287-26230	METAL, PRESSURE	1	1	1	1				
20	3	198287-26240	PLATE, BACK	1	1	1	1				
21	3	198287-26250	LIFTER, CLUTCH	1	1	1	1				
22	3	198287-26260	SPRING, CLUTCH	6	6	6	6				
23	3	198287-26270	BOLT	6	6	6	6				
24	3	198287-26280	COLLAR	6	6	6	6				
25	2	22242-000350	RING, 35	1	1	1	1				
26	2	22252-001000	RING, 100	1	1	1	1				
27	2	24520-511060	BEARING,THRUST 51106	1	1	1	1				
28	1	198280-26040	YOKE, CLUTCH SHIFT	1	1	1	1				
29	1	198280-26050	SHAFT,CLUTCH RELEASE	1	1	1	1				
30	1	198280-26090	ARM, CLUTCH	1	1	1	1				
31	1	194850-26330	KEY, 7X5.8X40	1	1	1	1				
32	1	22217-080000	WASHER, SPRING 8	1	1	1	1				
33	1	22252-000170	RING, 17	1	1	1	1				
34	1	22252-000580	RING, 58	1	1	1	1				
35	1	24101-062044	BEARING, BALL 6204	1	1	1	1				
36	1	24162-202616	BEARING, 202616	1	1	1	1				
37	1	24311-000220	O-RING, 1AP22.0	2	2	2	2				
38	1	24520-511040	BEARING,THRUST 51104	1	1	1	1				
39	1	26106-100202	BOLT, M10X 20 PLATED	1	1	1	1				

Fig.33. P.T.O. DRIVE SHAFT

(A)=EF227EH
 (B)=EF230EH
 (C)=EF233EH

(D)=EF235EH
 (E)=
 (F)=

No.	Lev.	Parts No.	Description	Q'ty						I	R
				(A)	(B)	(C)	(D)	(E)	(F)		
1	1	198280-26250	SHAFT, PTO PINION	1	1	1	1				
2	1	24101-062054	BEARING, BALL 6205	1	1	1	1				
3	1	24104-063054	BEARING, BALL 6305UU	1	1	1	1				

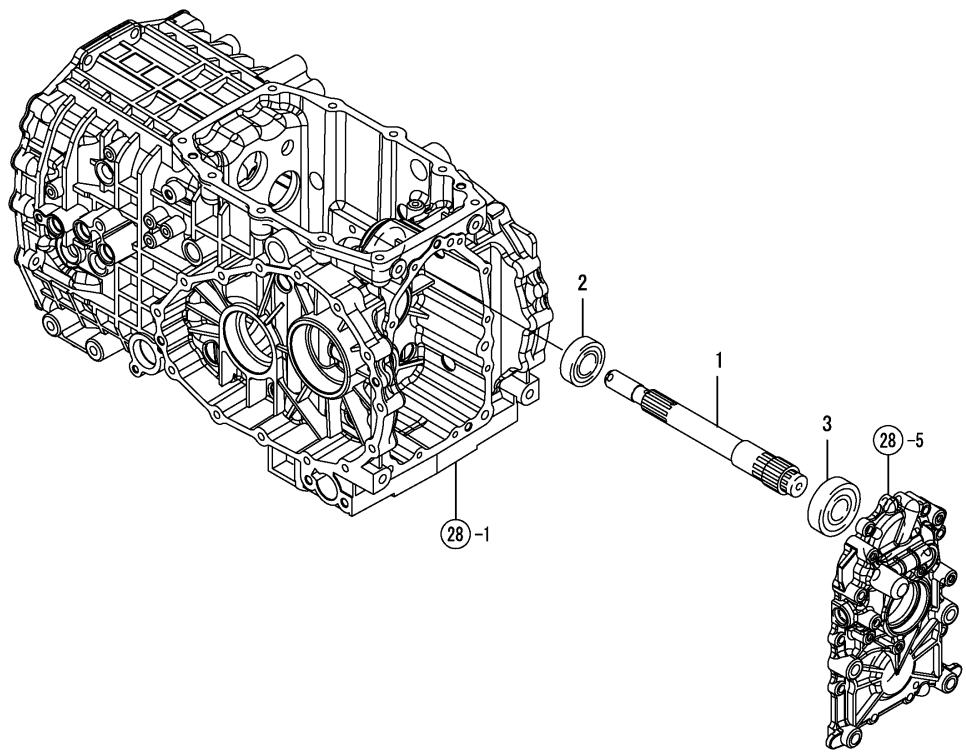
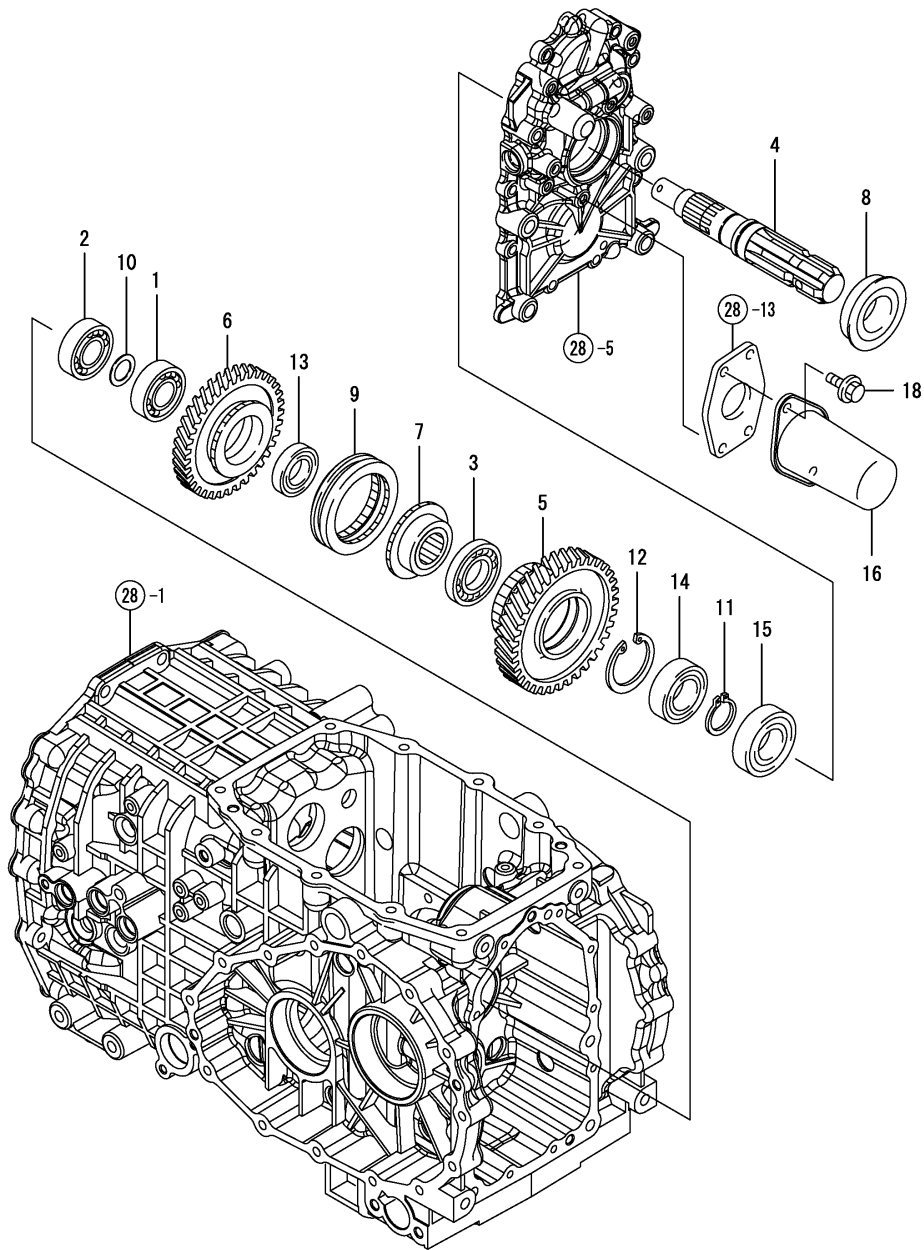


Fig.34. P.T.O. SHAFT



(A)=EF227EH
(B)=EF230EH
(C)=EF233EH

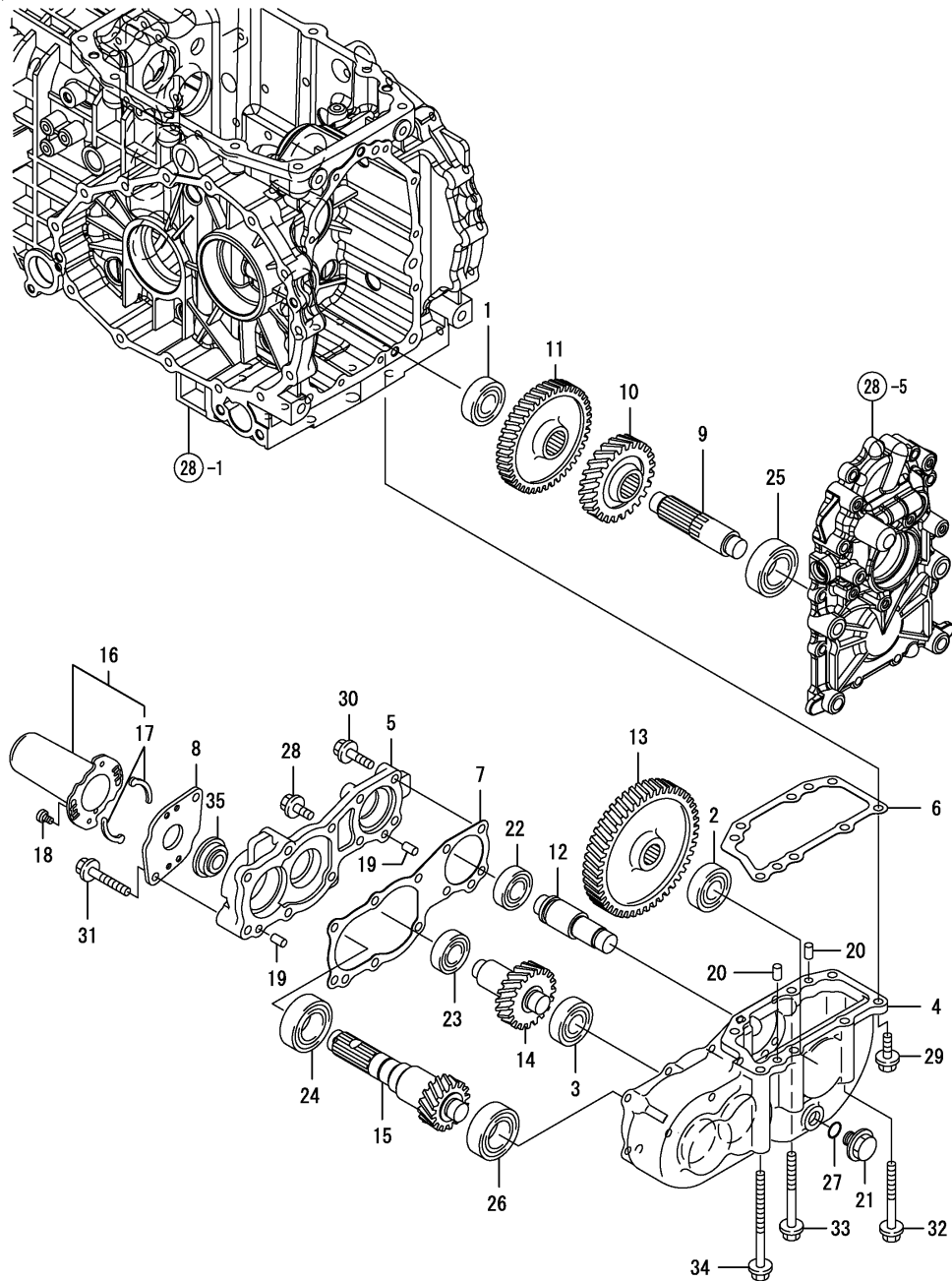
(D)=EF235EH
(E)=
(F)=

No.	Lev.	Parts No.	Description	Qty						I	R
				(A)	(B)	(C)	(D)	(E)	(F)		
1	1	194447-13860	BEARING, TMB304CX1	1	1	1	1				
2	1	194447-13860	BEARING, TMB304CX1	1	1	1	1				
3	1	194430-25460	BEARING, BALL 16006	1	1	1	1				
4	1	198280-26310	SHAFT, PTO	1	1	1	1				
5	1	198280-26320	GEAR, PTO 55	1	1	1	1				
6	1	198280-26330	GEAR, PTO PINION 37	1	1	1	1				
7	1	198280-26340	COLLAR, SPLINE	1	1	1	1				
8	1	194370-26350	SEAL, OIL QLF356019	1	1	1	1				
9	1	198280-26350	SHIFTER, 72	1	1	1	1				
10	1	1E6440-54430	THRUST WASHER B	1	1	1	1				
11	1	22242-000300	RING, 30	1	1	1	1				
12	1	22252-000550	RING, 55	1	1	1	1				
13	1	24101-060054	BEARING, BALL 6005	1	1	1	1				
14	1	24101-060064	BEARING, BALL 6006	1	1	1	1				
15	1	24101-062064	BEARING, BALL 6206	1	1	1	1				
16	1	1A7100-26850	COVER ASSY, SHAFT M	1	1	1	1				
18	1	26106-080122	BOLT, M8X 12 PLATED	2	2	2	2				

Fig.35. MID P.T.O.

(A)=EF227EH
(B)=EF230EH
(C)=EF233EH

(D)=EF235EH
(E)=
(F)=



No.	Lev.	Parts No.	Description	Q'ty						I	R
				(A)	(B)	(C)	(D)	(E)	(F)		
1	1	194447-13860	BEARING, TMB304CX1	1	1	1	1				
2	1	194447-13860	BEARING, TMB304CX1	1	1	1	1				
3	1	194447-13860	BEARING, TMB304CX1	1	1	1	1				
4	1	198280-26410	CASE, MID PTO	1	1	1	1				
5	1	198280-26420	COVER, CASE	1	1	1	1				
6	1	198280-26430	GASKET, CASE	1	1	1	1				
7	1	198280-26440	GASKET, COVER	1	1	1	1				
8	1	198280-26450	PLATE	1	1	1	1				
9	1	198280-26510	SHAFT, IDLE	1	1	1	1				
10	1	198280-26520	GEAR, IDLE 24	1	1	1	1				
11	1	198280-26530	GEAR, IDLE 41	1	1	1	1				
12	1	198280-26540	SHAFT, IDLE	1	1	1	1				
13	1	198280-26550	GEAR, IDLE 51	1	1	1	1				
14	1	198280-26560	SHAFT, IDLE	1	1	1	1				
15	1	198280-26580	SHAFT, MID PTO	1	1	1	1				
16	1	194850-26850	COVER ASSY, SHAFT	1	1	1	1				
17	2	194850-26870	SPRING, PLATE	2	2	2	2				
18	1	194250-32530	PIN, HOOK	2	2	2	2				
19	1	22312-080140	PIN, PARALLEL M8X14	2	2	2	2				
20	1	22312-080140	PIN, PARALLEL M8X14	2	2	2	2				
21	1	23491-140002	PLUG, 14	1	1	1	1				
22	1	24101-060044	BEARING, BALL 6004	1	1	1	1				
23	1	24101-060044	BEARING, BALL 6004	1	1	1	1				
24	1	24101-060064	BEARING, BALL 6006	1	1	1	1				
25	1	24101-062044	BEARING, BALL 6204	1	1	1	1				
26	1	24101-062044	BEARING, BALL 6204	1	1	1	1				
27	1	24311-000160	O-RING, 1AP16.0	1	1	1	1				
28	1	26106-080202	BOLT, M8X 20 PLATED	4	4	4	4				
29	1	26106-080252	BOLT, M8X 25 PLATED	2	2	2	2				
30	1	26106-080302	BOLT, M8X 30 PLATED	4	4	4	4				
31	1	26106-080502	BOLT, M8X 50 PLATED	2	2	2	2				
32	1	26106-080752	BOLT, M8X 75 PLATED	2	2	2	2				
33	1	26106-080852	BOLT, M8X 85 PLATED	2	2	2	2				
34	1	26106-081102	BOLT, M8X110 PLATED	2	2	2	2				
35	1	933147-10350	SEAL, QLF25471121	1	1	1	1				

Fig.37. CLUTCH LEVER

(A)=EF227EH
(B)=EF230EH
(C)=EF233EH

(D)=EF235EH
(E)=
(F)=

No.	Lev.	Parts No.	Description	Q'ty						I	R
				(A)	(B)	(C)	(D)	(E)	(F)		
1	1	198280-26610	LEVER, PTO CLUTCH	1	1	1	1				
2	1	26106-080202	BOLT, M8X 20 PLATED	2	2	2	2				
3	1	174845-27700	BOOT, SHAFT	1	1	1	1				
4	1	198200-27910	KNOB, YELLOW	1	1	1	1				
4-1	1	198200-27911	KNOB, YELLOW	1	1	1	1				N
		(A=FZZZZZ)	(B=FZZZZZ)	(C=FZZZZZ)	(D=FZZZZZ)						

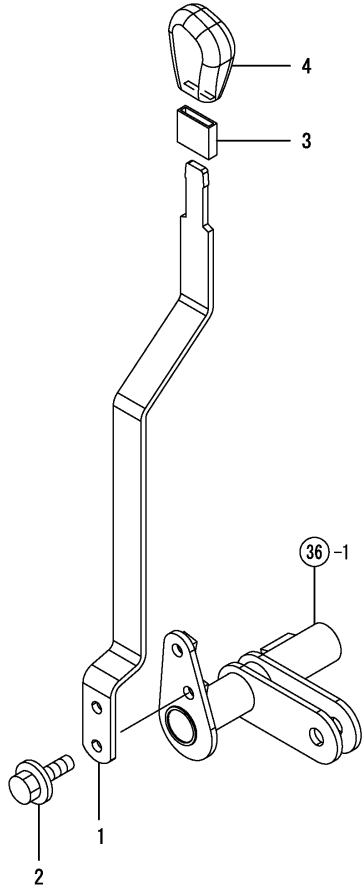


Fig.38. LEVER BRACKET(RIGHT)

(A)=EF227EH
(B)=EF230EH
(C)=EF233EH

(D)=EF235EH
(E)=
(F)=

No.	Lev.	Parts No.	Description	Q'ty						I	R
				(A)	(B)	(C)	(D)	(E)	(F)		
1	1	198280-28160	BRACKET, LEVER R	1	1	1	1				
2	1	26106-080162	BOLT, M8X 16 PLATED	3	3	3	3				
3	1	26106-100202	BOLT, M10X 20 PLATED	1	1	1	1				

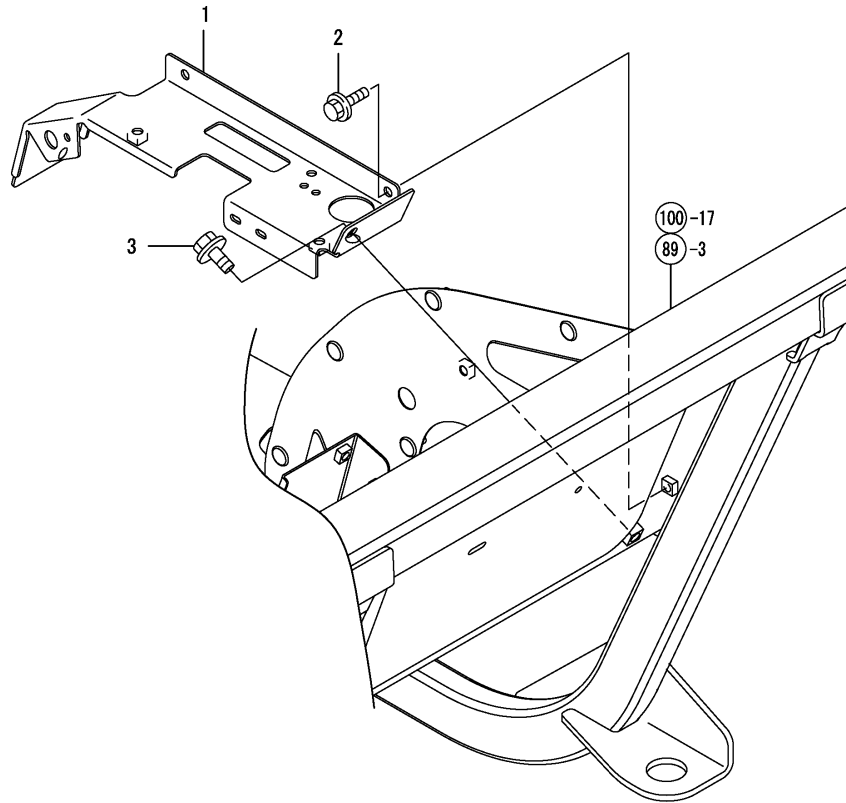
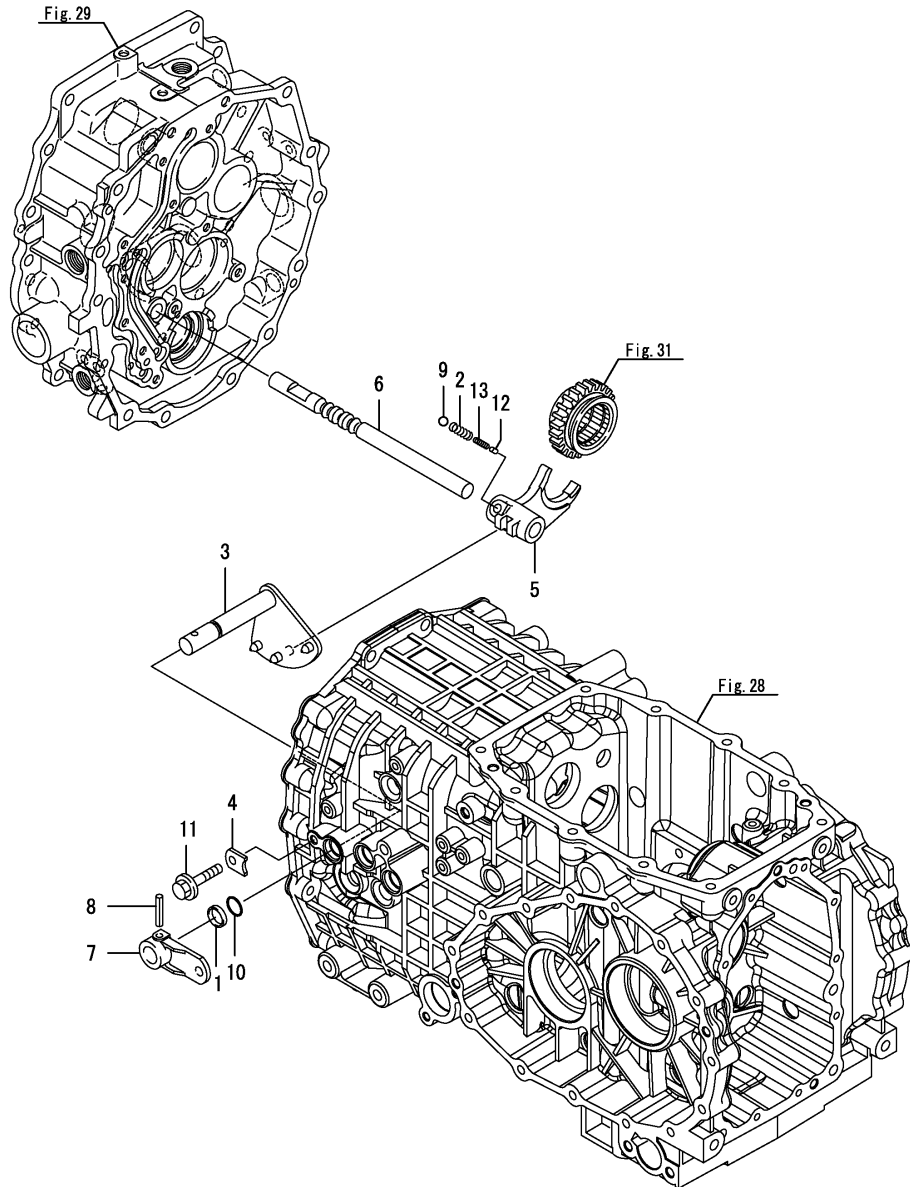


Fig.39. SUB CHANGE SHIFT

(A)=EF227EH
(B)=EF230EH
(C)=EF233EH

(D)=EF235EH
(E)=
(F)=

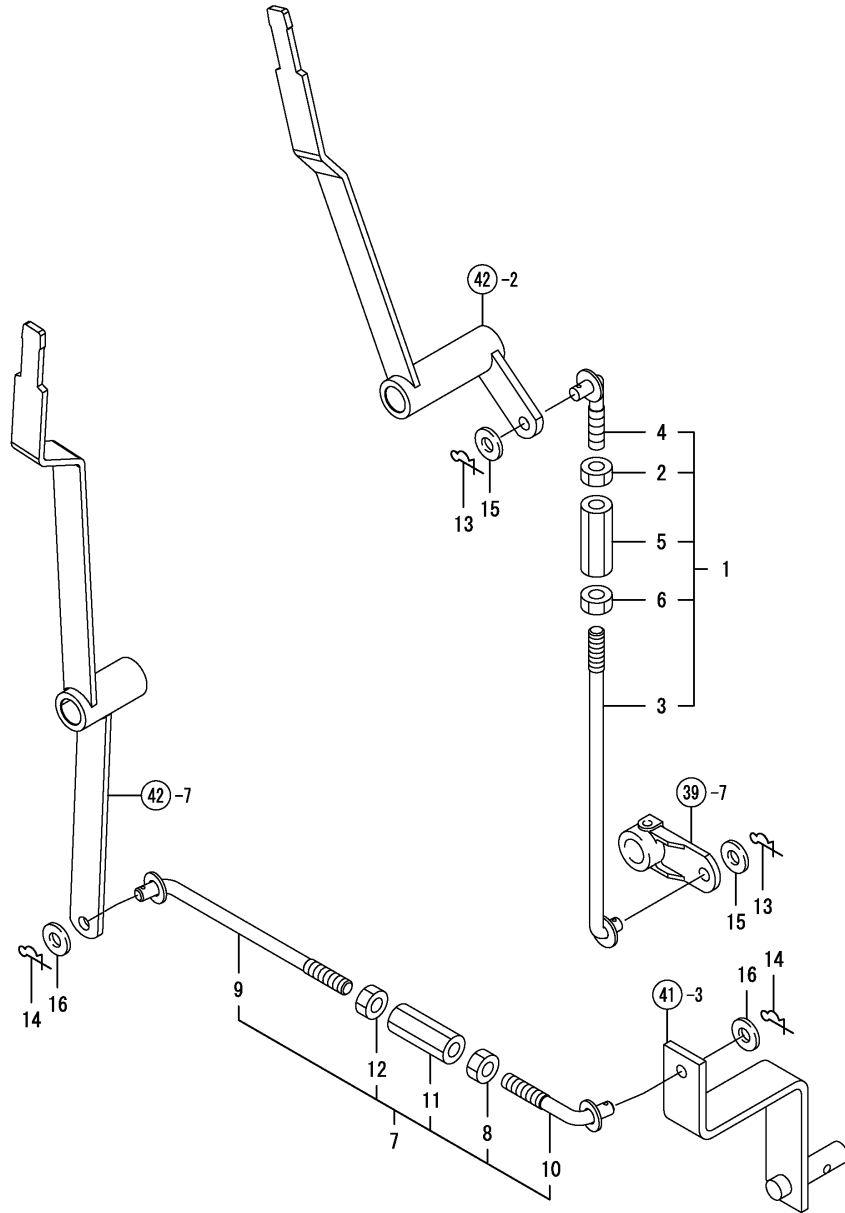


No.	Lev.	Parts No.	Description	Qty						I	R
				(A)	(B)	(C)	(D)	(E)	(F)		
1	1	198119-27150	COLLAR, ARM	1	1	1	1				
2	1	194145-27450	SPRING	1	1	1	1				
3	1	198280-27520	ARM, SHIFT	1	1	1	1				
4	1	198119-27570	PLATE, KEEP	1	1	1	1				
5	1	198280-27570	FORK, SHIFT	1	1	1	1				
5-1	1	198280-27571	FORK, SHIFT	1	1	1	1				R
		(A=FXXXXX)	(B=FXXXXX)	(C=FXXXXX)	(D=FXXXXX)						
5-2	1	198280-27572	FORK, SHIFT	1	1	1	1				N
		(A=FZZZZZ)	(B=FZZZZZ)	(C=FZZZZZ)	(D=FZZZZZ)						
6	1	198280-27580	SHAFT, FORK	1	1	1	1				
7	1	198072-27650	ARM, CHANGE	1	1	1	1				
8	1	22351-060032	PIN, SPRING 6.0X32	1	1	1	1				
9	1	24190-100001	BALL, STEEL 5/16	1	1	1	1				
10	1	24311-000160	O-RING, 1AP16.0	1	1	1	1				
11	1	26106-080162	BOLT, M8X 16 PLATED	1	1	1	1				
12	1	198280-25950	PIN	1	1	1	1				W
		(A=FZZZZZ)	(B=FZZZZZ)	(C=FZZZZZ)	(D=FZZZZZ)						
13	1	194065-27200	SPRING, 21.5	1	1	1	1				W
		(A=FZZZZZ)	(B=FZZZZZ)	(C=FZZZZZ)	(D=FZZZZZ)						

Fig.40. CHANGE LINK

(A)=EF227EH
(B)=EF230EH
(C)=EF233EH

(D)=EF235EH
(E)=
(F)=

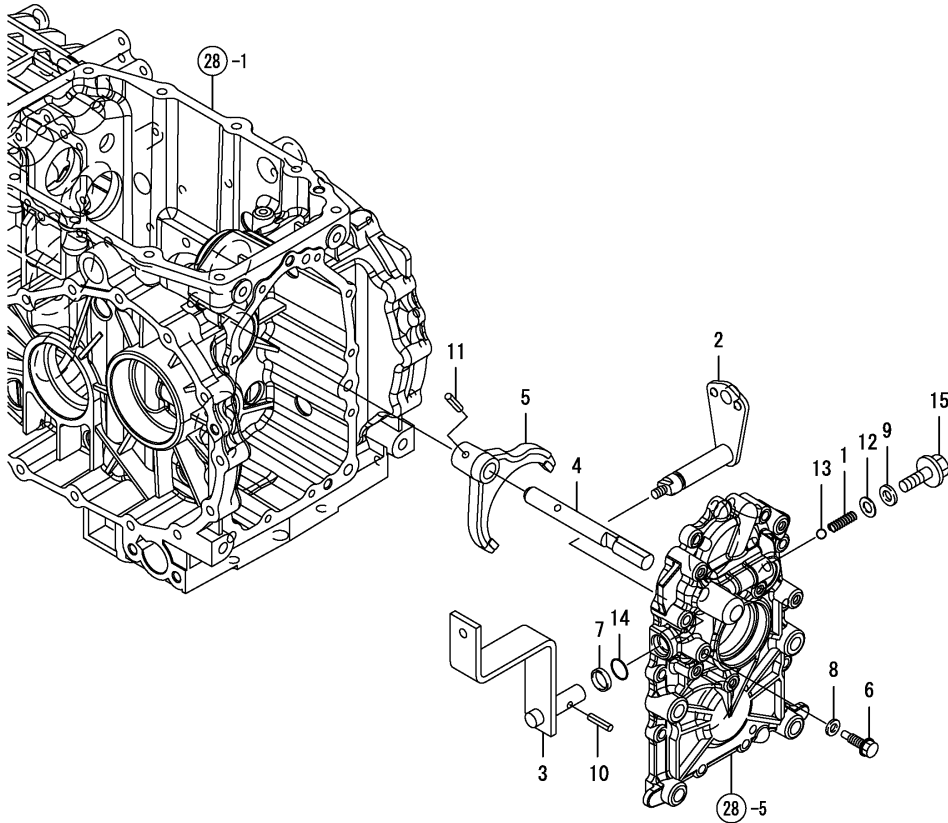


No.	Lev.	Parts No.	Description	Qty						I	R
				(A)	(B)	(C)	(D)	(E)	(F)		
1	1	198280-27650	ROD ASSY	1	1	1	1				
2	2	194150-22480	NUT, M10 L	1	1	1	1				
3	2	198280-27660	ROD ASSY, M10	1	1	1	1				
4	2	198121-28160	ROD, M10	1	1	1	1				
5	2	194250-47490	TURNBUCKLE 10X50	1	1	1	1				
6	2	26716-100002	NUT, M10	1	1	1	1				
7	1	198280-27960	ROD	1	1	1	1				
8	2	194150-22480	NUT, M10 L	1	1	1	1				
9	2	198280-27970	ROD ASSY, MBR A	1	1	1	1				
10	2	198280-28000	BOLT, M10L	1	1	1	1				
11	2	194250-47490	TURNBUCKLE 10X50	1	1	1	1				
12	2	26716-100002	NUT, M10	1	1	1	1				
13	1	1C6360-65700	PIN, SNAP 10	2	2	2	2				
14	1	1C6360-65700	PIN, SNAP 10	2	2	2	2				
15	1	22137-100000	WASHER, 10	2	2	2	2				
16	1	22137-100000	WASHER, 10	2	2	2	2				

Fig.41. P.T.O. SHIFT

(A)=EF227EH
(B)=EF230EH
(C)=EF233EH

(D)=EF235EH
(E)=
(F)=

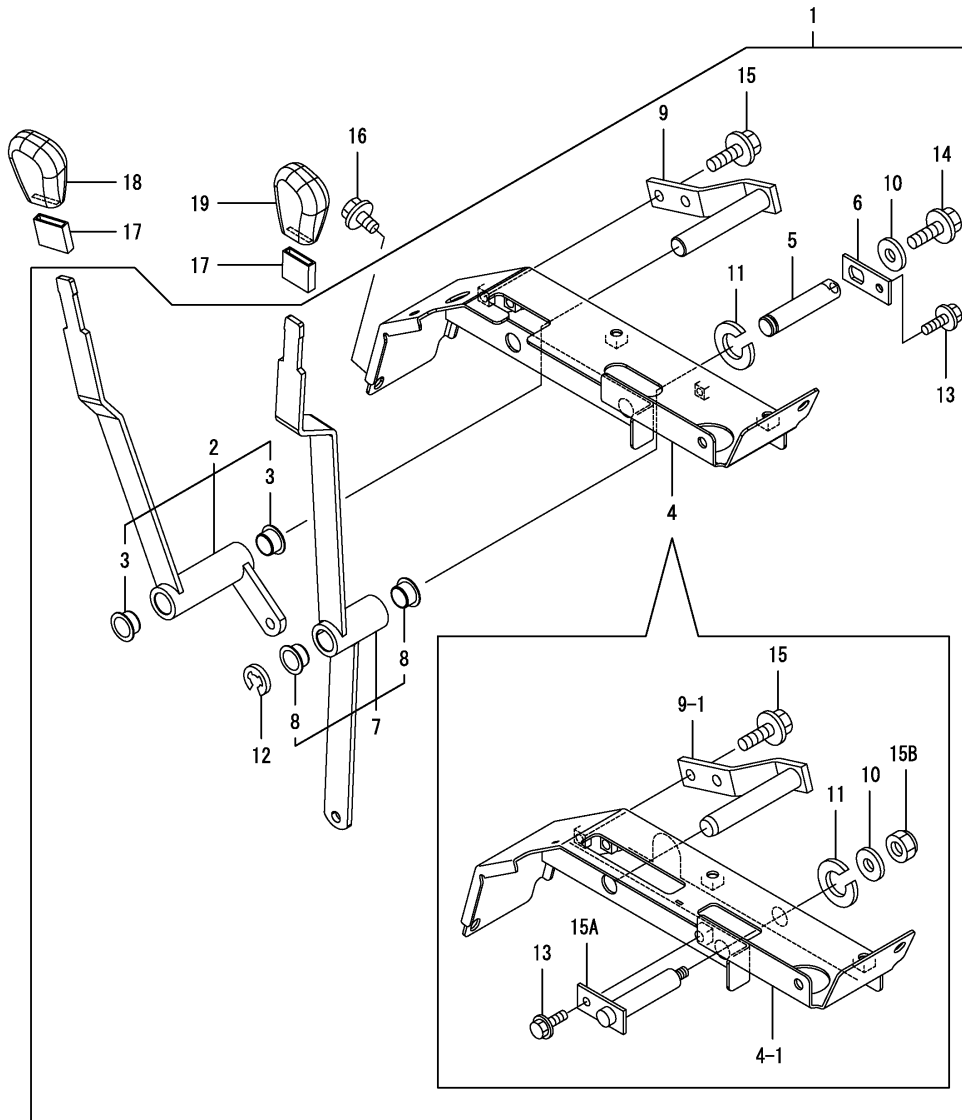


No.	Lev.	Parts No.	Description	Q'ty						I	R
				(A)	(B)	(C)	(D)	(E)	(F)		
1	1	194680-27540	SPRING, FORK LOCK	1	1	1	1				
2	1	198280-27710	ARM, SHIFT	1	1	1	1				
3	1	198280-27740	ARM, CHANGE	1	1	1	1				
4	1	198280-27770	SHAFT, PTO FORK	1	1	1	1				
5	1	198280-27780	FORK, PTO SHIFT	1	1	1	1				
6	1	198280-27790	BOLT, SET M8	1	1	1	1				
7	1	198121-28380	COLLAR, ARM	1	1	1	1				
8	1	22190-080000	WASHER, SEAL 8	1	1	1	1				
9	1	22190-100000	WASHER, SEAL 10	1	1	1	1				
10	1	22351-060025	PIN, SPRING 6.0X25	1	1	1	1				
11	1	22351-060025	PIN, SPRING 6.0X25	1	1	1	1				
12	1	23414-100000	GASKET, 10X1.0	1	1	1	1				
13	1	24190-080001	BALL, STEEL 1/4	1	1	1	1				
14	1	24311-000150	O-RING, 1AP15.0	1	1	1	1				
15	1	26106-100302	BOLT, M10X 30 PLATED	1	1	1	1				

Fig.42. SUB CHANGE LEVER & P.T.O.LEVER

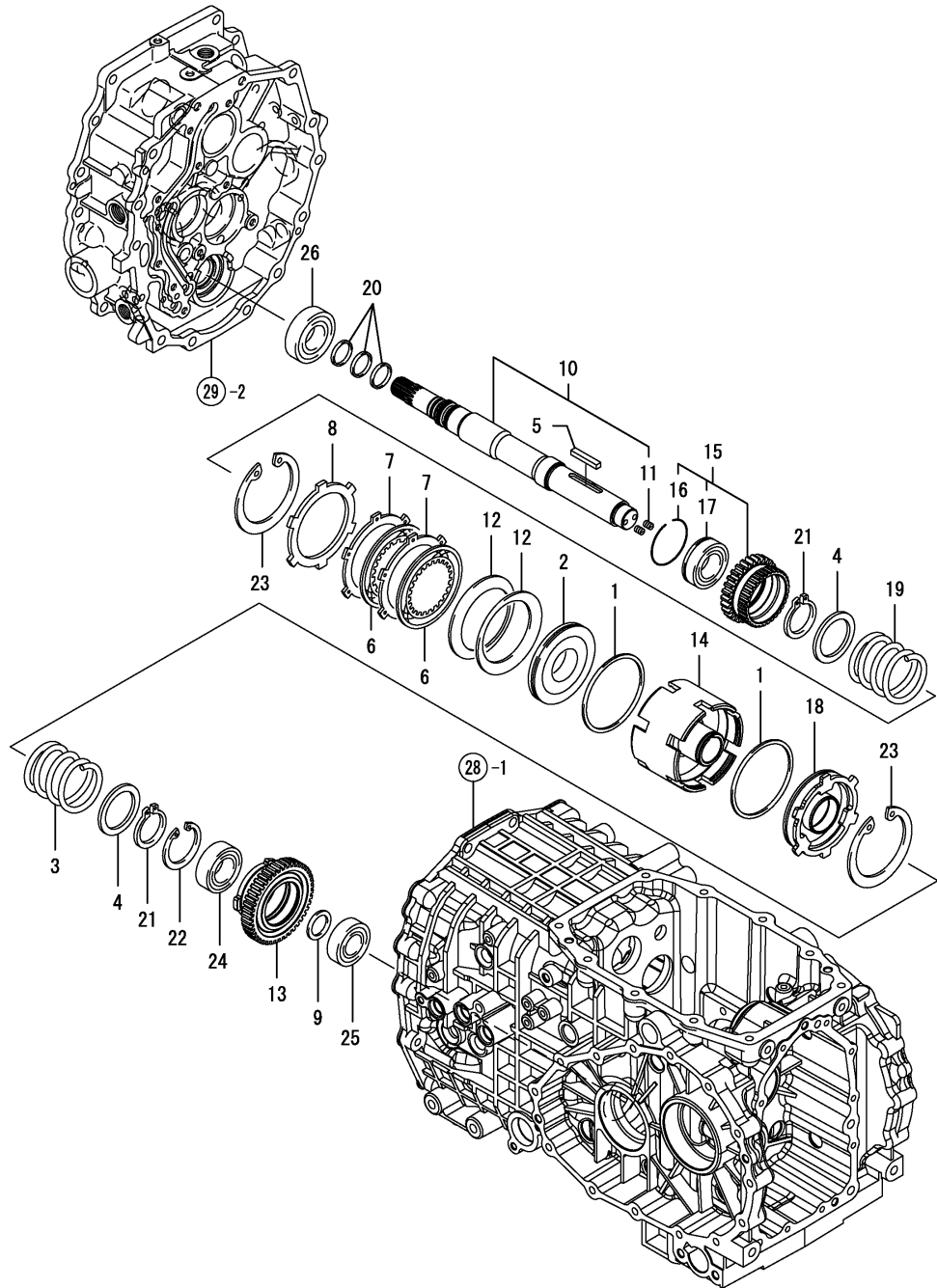
(A)=EF227EH
(B)=EF230EH
(C)=EF233EH

(D)=EF235EH
(E)=
(F)=



No.	Lev.	Parts No.	Description	Q'ty						I	R
				(A)	(B)	(C)	(D)	(E)	(F)		
1	1	198280-27800	LEVER, PTO	1	1	1	1				
1-1	1	198280-27801	SUB SHIFT PTO LEVER	1	1	1	1				N
		(A=FZZZZZ) (B=FZZZZZ) (C=FZZZZZ) (D=FZZZZZ)									
2	2	198280-27610	LEVER ASSY, SHIFT	1	1	1	1				
3	3	1S6489-63330	BUSH, LFF1610	2	2	2	2				
4	2	198280-27810	BRACKET ASSY, LEVER	1	1	1	1				
4-1	2	198280-27811	BRACKET ASSY, LEVER L	1	1	1	1				S
		(A=FZZZZZ) (B=FZZZZZ) (C=FZZZZZ) (D=FZZZZZ)									
5	2	198280-27860	PIN	1	1	1	1				Z
		(A=FZZZZZ) (B=FZZZZZ) (C=FZZZZZ) (D=FZZZZZ)									
6	2	198280-27870	PLATE	1	1	1	1				Z
		(A=FZZZZZ) (B=FZZZZZ) (C=FZZZZZ) (D=FZZZZZ)									
7	2	198280-27880	LEVER ASSY, MBR	1	1	1	1				
8	3	1S6489-63330	BUSH, LFF1610	2	2	2	2				
9	2	198280-28700	SHAFT, SUB CHANGE	1	1	1	1				
9-1	2	198280-28701	SHAFT, SUB SHIFT	1	1	1	1				S
		(A=FZZZZZ) (B=FZZZZZ) (C=FZZZZZ) (D=FZZZZZ)									
10	2	22157-080000	WASHER, 8	1	1	1	1				
11	2	22217-160000	WASHER, SPRING 16	1	1	1	1				
12	2	22272-000120	RING, E-12	1	1	1	1				Z
		(A=FZZZZZ) (B=FZZZZZ) (C=FZZZZZ) (D=FZZZZZ)									
13	2	26106-060122	BOLT, M6X 12 PLATED	1	1	1	1				
14	2	26106-080122	BOLT, M8X 12 PLATED	1	1	1	1				Z
		(A=FZZZZZ) (B=FZZZZZ) (C=FZZZZZ) (D=FZZZZZ)									
15	2	26106-080162	BOLT, M8X 16 PLATED	2	2	2	2				
15A	2	198280-27930	SHAFT, PTO LEVER	1	1	1	1				W
		(A=FZZZZZ) (B=FZZZZZ) (C=FZZZZZ) (D=FZZZZZ)									
15B	2	26346-080002	NUT, M8	1	1	1	1				W
		(A=FZZZZZ) (B=FZZZZZ) (C=FZZZZZ) (D=FZZZZZ)									
16	1	26106-080162	BOLT, M8X 16 PLATED	2	2	2	2				
17	1	174845-27700	BOOT, SHAFT	2	2	2	2				
18	1	198200-27810	KNOB, ORANGE	1	1	1	1				
18-1	1	198200-27811	KNOB, ORANGE	1	1	1	1				N
		(A=FZZZZZ) (B=FZZZZZ) (C=FZZZZZ) (D=FZZZZZ)									
19	1	198200-27910	KNOB, YELLOW	1	1	1	1				
19-1	1	198200-27911	KNOB, YELLOW	1	1	1	1				N
		(A=FZZZZZ) (B=FZZZZZ) (C=FZZZZZ) (D=FZZZZZ)									

Fig.43. FRONT DRIVE



(A)=EF227EH
(B)=EF230EH
(C)=EF233EH

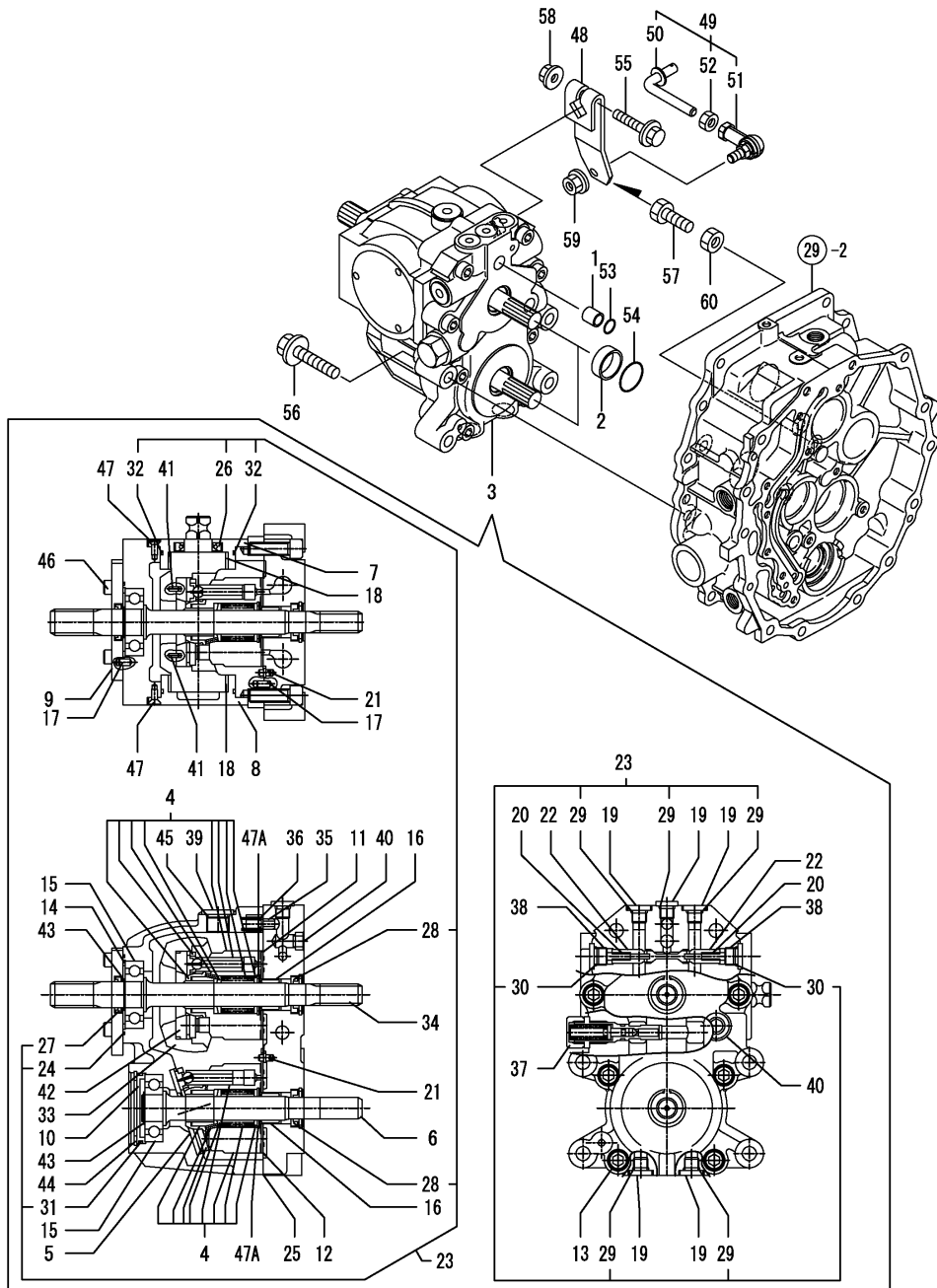
(D)=EF235EH
(E)=
(F)=

No.	Lev.	Parts No.	Description	Qty						I	R
				(A)	(B)	(C)	(D)	(E)	(F)		
1	1	194515-25530	RING, 95	2	2	2	2				
2	1	194515-25540	PISTON, CLUTCH 95	1	1	1	1				
3	1	194300-25790	SPRING	1	1	1	1				
4	1	194440-25810	RETAINER, 40X54X2.3	2	2	2	2				
5	1	194850-26330	KEY, 7X5.8X40	1	1	1	1				
6	1	194850-26340	PLATE, FRICTION 95P	2	2	2	2				
7	1	194850-26360	PLATE, STEEL 1.2P	2	2	2	2				
8	1	194850-26370	PLATE, STEEL 3.2P	1	1	1	1				
9	1	194190-26840	SPACER, 25X35X1.6	1	1	1	1				
10	1	198280-28190	SHAFT ASSY, DRIVE	1	1	1	1				
11	2	1E6191-54330	SCREW 7X8	2	2	2	2				
12	1	198072-28260	SPRING, 75	2	2	2	2				
13	1	198208-28311	GEAR, CLUTCH 42	1	1	1	1				
14	1	198200-28322	CYLINDER, CLUTCH	1	1	1	1				
15	1	198280-28350	GEAR ASSY, CLUTCH	1	1	1	1				
16	2	198200-28340	RING, 55	1	1	1	1				
17	2	24111-060064	BEARING, BALL 6006N	1	1	1	1				
18	1	198200-28390	PISTON, CLUTCH FRONT	1	1	1	1				
19	1	198200-28450	SPRING, RETURN	1	1	1	1				
20	1	198451-28750	RING, 26.27X30.07X3	3	3	3	3				
21	1	22242-000400	RING, 40	2	2	2	2				
22	1	22252-000550	RING, 55	1	1	1	1				
23	1	22252-000950	RING, 95	2	2	2	2				
24	1	24101-060064	BEARING, BALL 6006	1	1	1	1				
25	1	24101-060064	BEARING, BALL 6006	1	1	1	1				
26	1	24101-062054	BEARING, BALL 6205	1	1	1	1				

Fig.45. H.S.T.

(A)=EF227EH
(B)=EF230EH
(C)=EF233EH

(D)=EF235EH
(E)=
(F)=



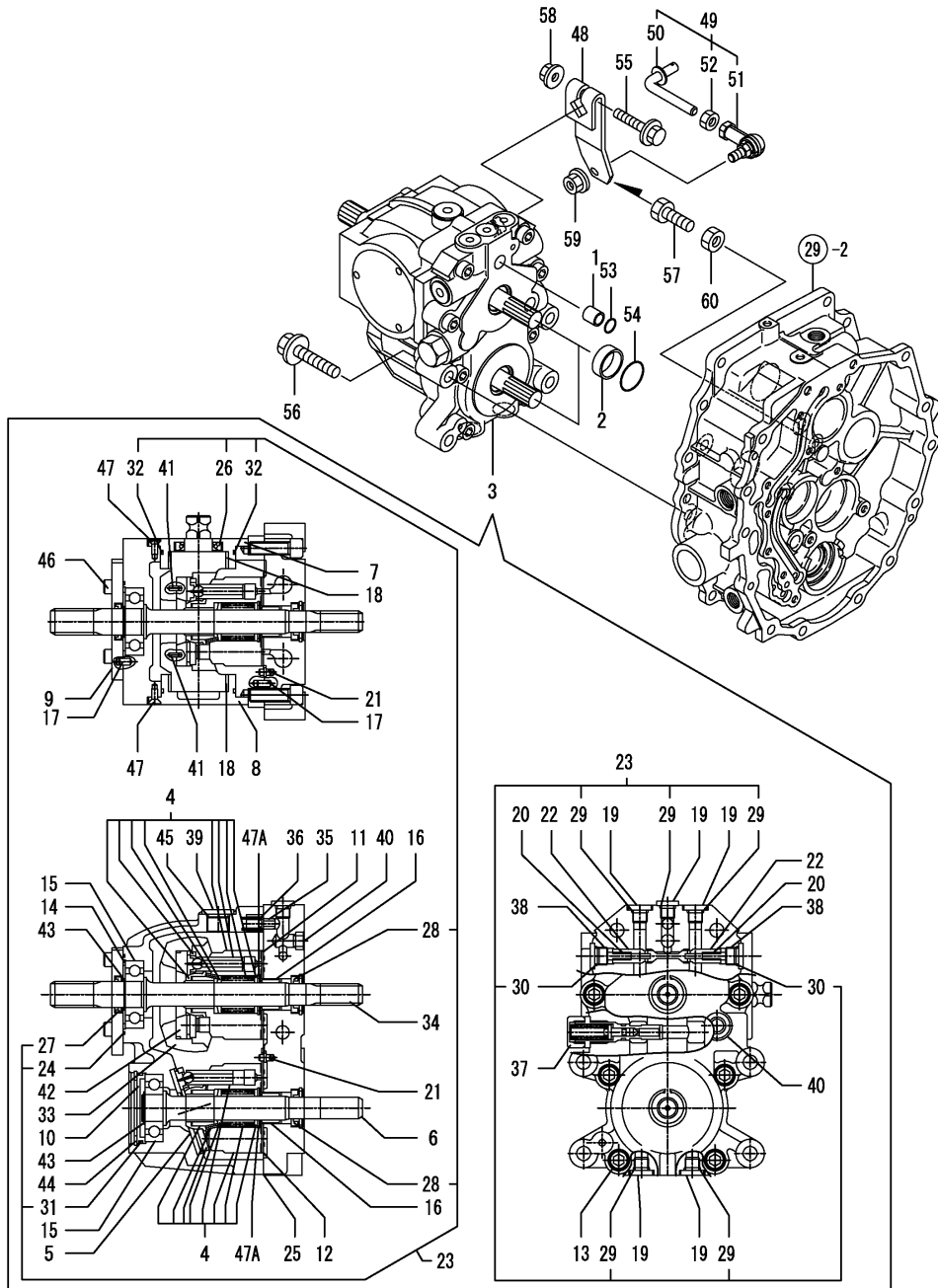
No.	Lev.	Parts No.	Description	Q'ty						I	R
				(A)	(B)	(C)	(D)	(E)	(F)		
1	1	198280-24340	COLLAR, 12X16X17	2	2	2	2				
2	1	198280-24350	COLLAR, 32X35X12	2	2	2	2				
3	1	198280-25150	HST	1	1	1	1				
4	2	1A7400-29260	BLOCK ASSY, CYLINDER	2	2	2	2				
5	2	1A7400-29310	PLATE, THRUST	1	1	1	1				
6	2	1A7400-29330	SHAFT	1	1	1	1				
7	2	1A7400-29340	COVER	1	1	1	1				
8	2	1A7400-29350	COVER	1	1	1	1				
9	2	1A7400-29360	COVER	1	1	1	1				
10	2	1A7400-29370	CAP	1	1	1	1				
11	2	1A7400-29380	PLATE, VALVE	1	1	1	1				
12	2	1A7400-29390	PLATE, VALVE	1	1	1	1				
13	2	1A7400-29430	BOLT	8	8	8	8				
14	2	1A7400-29460	COLLAR	1	1	1	1				
15	2	1A7400-29470	BEARING, BALL	2	2	2	2				
16	2	1A7400-29480	BEARING, NEEDLE	2	2	2	2				
17	2	1A7400-29660	PIN	4	4	4	4				
18	2	1A7400-29670	BUSH	2	2	2	2				
19	2	1A7400-29730	PLUG	5	5	5	5				
19-1	2	172148-70301	PLUG	5	5	5	5				R
		(A=FXXXXX) (B=FXXXXX) (C=FXXXXX) (D=FXXXXX)									
20	2	1A7400-29790	SPRING	2	2	2	2				
20-1	2	172638-73470	SPRING	2	2	2	2				R
		(A=FXXXXX) (B=FXXXXX) (C=FXXXXX) (D=FXXXXX)									
21	2	1A7400-29800	PIN	2	2	2	2				
22	2	1A7400-29810	POPPET	2	2	2	2				
22-1	2	1A7400-29780	POPPET	2	2	2	2				N
		(A=FXXXXX) (B=FXXXXX) (C=FXXXXX) (D=FXXXXX)									
23	2	198280-29830	REPAIR KIT	1	1	1	1				
24	3	1A7400-29450	O-RING	1	1	1	1				
25	3	1A7400-29420	GASKET	1	1	1	1				
26	3	198280-29880	SEAL, OIL	1	1	1	1				
27	3	198280-29930	OIL SEAL	1	1	1	1				
27-1	3	172460-73190	SEAL, OIL	1	1	1	1				R
		(A=FXXXXX) (B=FXXXXX) (C=FXXXXX) (D=FXXXXX)									
28	3	198280-29960	SEAL, OIL	2	2	2	2				
29	3	24315-000110	O-RING, 1BP11.0	5	5	5	5				
30	3	24315-000140	O-RING, 1BP14.0	2	2	2	2				
31	3	24321-000600	O-RING, 1AG60.0	1	1	1	1				
32	3	24321-000650	O-RING, 1AG65.0	2	2	2	2				
33	2	198280-29840	PLATE, SWASH	1	1	1	1				
34	2	198280-29850	SHAFT	1	1	1	1				
35	2	198280-29860	VALVE	1	1	1	1				
35-1	2	172638-73490	VALVE	1	1	1	1				R
		(A=FXXXXX) (B=FXXXXX) (C=FXXXXX) (D=FXXXXX)									
36	2	198280-29870	SPRING	1	1	1	1				
37	2	198280-29890	VALVE ASSY	1	1	1	1				
38	2	198280-29900	PLUG	2	2	2	2				
38-1	2	172147-70500	PLUG	2	2	2	2				R
		(A=FXXXXX) (B=FXXXXX) (C=FXXXXX) (D=FXXXXX)									
39	2	198280-29910	PLUG	1	1	1	1				

N:Old $\frac{Yes}{No}$ New, Q:Old $\frac{No}{Yes}$ New, R:Old $\frac{Yes}{Yes}$ New, S:Old $\frac{No}{No}$ New, W:Add, Z:Discontinued, F:Interchangeable by set, K:Q'ty Change
 ++ CONTINUE ++
 Copyright (C) YANMAR CO., LTD. All Rights Reserved.

Fig.45. H.S.T.

(A)=EF227EH
(B)=EF230EH
(C)=EF233EH

(D)=EF235EH
(E)=
(F)=

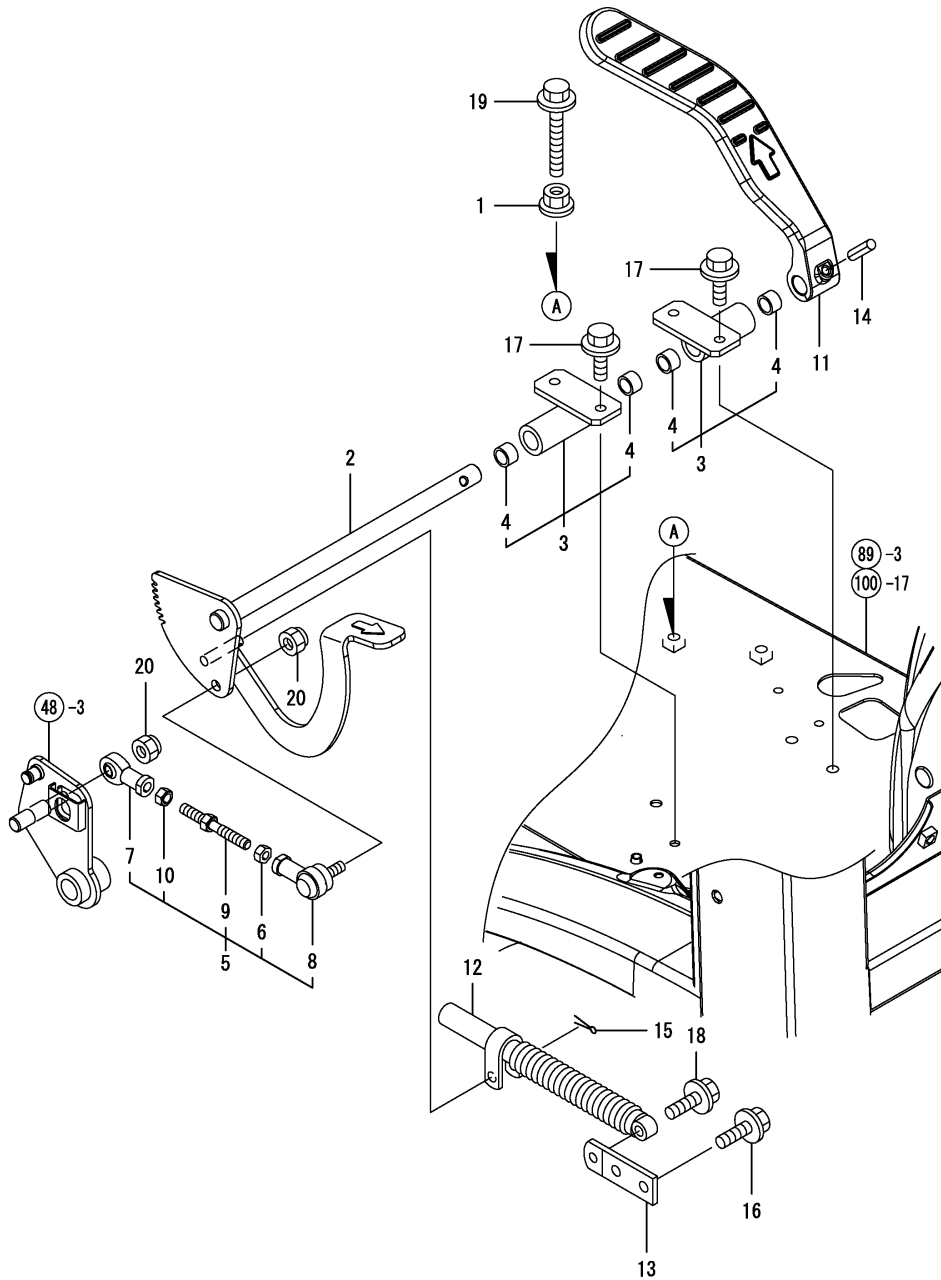


No.	Lev.	Parts No.	Description	Qty						I	R
				(A)	(B)	(C)	(D)	(E)	(F)		
39-1	2	1A7400-29740	PLUG	1	1	1	1				R
		(A=FXXXXX) (B=FXXXXX) (C=FXXXXX) (D=FXXXXX)									
40	2	198280-29920	PLUG, SHIPPING	2	2	2	2				
40-1	2	1A7400-29751	PLUG, SHIPPING	2	2	2	2				R
		(A=FXXXXX) (B=FXXXXX) (C=FXXXXX) (D=FXXXXX)									
41	2	198280-29940	ORIFICE	2	2	2	2				
42	2	198280-29950	PLATE, THRUST	1	1	1	1				
43	2	22242-000250	RING, 25	2	2	2	2				
44	2	22252-000650	RING, 65	1	1	1	1				
45	2	24315-000180	O-RING, 1BP18.0	1	1	1	1				
46	2	26455-080202	BOLT, M8X20	4	4	4	4				
47	2	26577-060142	SCREW M 6X 14	6	6	6	6				
47A	2	22252-000350	RING, 35	4	4	4	4				W
		(A=FXXXXX) (B=FXXXXX) (C=FXXXXX) (D=FXXXXX)									
48	1	198280-27220	ARM, TRUNNION	1	1	1	1				
49	1	198280-29030	ROD ASSY, A	1	1	1	1				
50	2	198280-29040	PIN ASSY, A	1	1	1	1				
51	2	1C6720-47170	LINK, BALL BL10BD	1	1	1	1				
52	2	26716-100002	NUT, M10	1	1	1	1				
53	1	24311-000160	O-RING, 1AP16.0	2	2	2	2				
54	1	24311-000340	O-RING, 1AP34.0	2	2	2	2				
55	1	26106-080502	BOLT, M8X 50 PLATED	1	1	1	1				
56	1	26106-120552	BOLT, M12X 55 PLATED	4	4	4	4				
57	1	26116-100602	BOLT, M10X 60 PLATED	1	1	1	1				
58	1	26366-080002	NUT, M8	1	1	1	1				
59	1	26366-100002	NUT, M10	1	1	1	1				
60	1	26716-100002	NUT, M10	1	1	1	1				

Fig.46. H.S.T. PEDAL

(A)=EF227EH
(B)=EF230EH
(C)=EF233EH

(D)=EF235EH
(E)=
(F)=

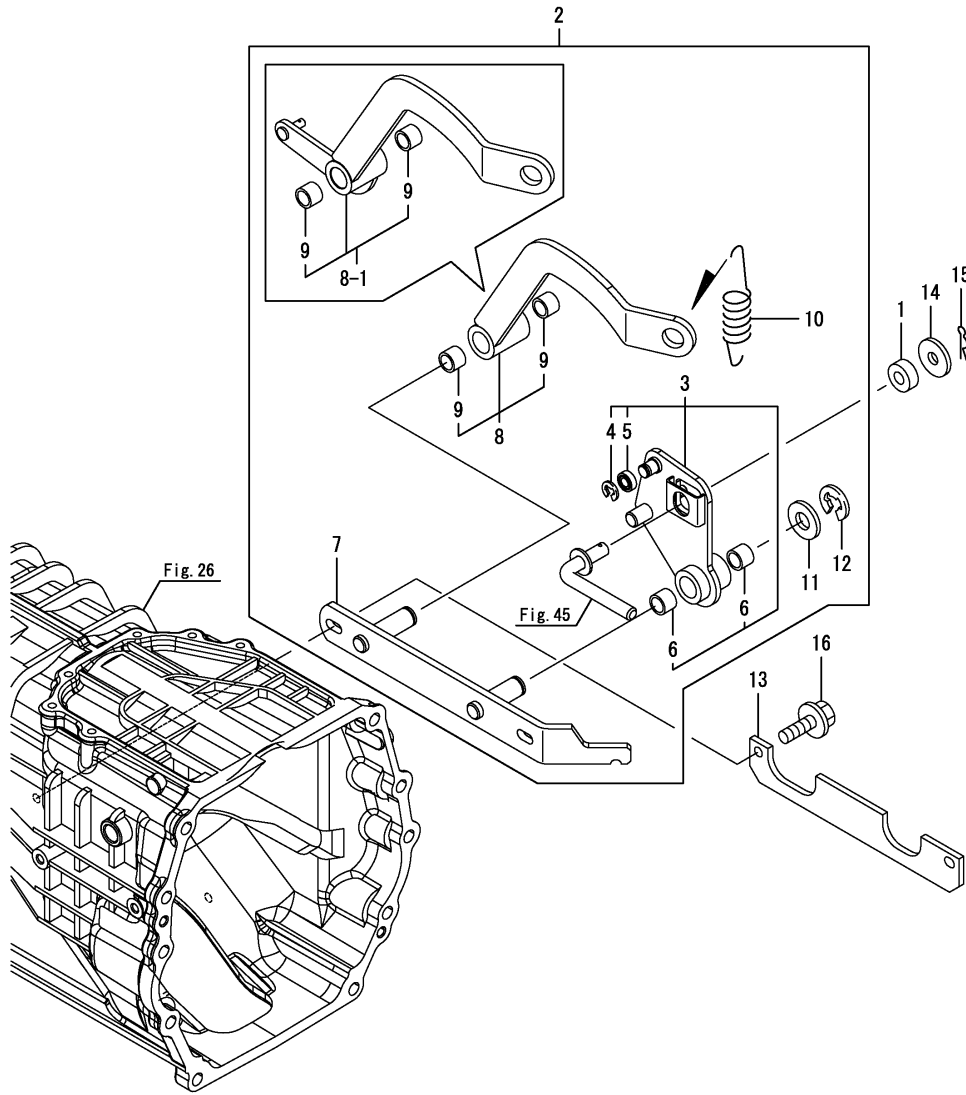


No.	Lev.	Parts No.	Description	Qty						I	R
				(A)	(B)	(C)	(D)	(E)	(F)		
1	1	194990-22140	NUT, M8	1	1	1	1				
2	1	198280-29250	PLATE ASSY, LOCK	1	1	1	1				
3	1	198280-29340	BRACKET ASSY	2	2	2	2				
4	2	24550-015120	BUSH, 15X12	2	2	2	2				
5	1	198280-29390	ROD ASSY, B	1	1	1	1				
6	2	194990-20170	NUT, M8	1	1	1	1				
7	2	198129-27290	END, ROD 8	1	1	1	1				
8	2	194820-27370	END, ROD L	1	1	1	1				
9	2	198280-29400	ROD ASSY, B	1	1	1	1				
10	2	26716-080002	NUT, M8	1	1	1	1				
11	1	198280-29430	HEAD, PEDAL	1	1	1	1				
12	1	194697-29580	DAMPER	1	1	1	1				
13	1	198280-29700	STAY, DAMPER	1	1	1	1				
14	1	22351-060040	PIN, SPRING 6.0X40	1	1	1	1				
15	1	22417-200300	PIN, COTTER 2.0X30	1	1	1	1				
16	1	26106-080162	BOLT, M8X 16 PLATED	2	2	2	2				
17	1	26106-080162	BOLT, M8X 16 PLATED	4	4	4	4				
18	1	26106-080252	BOLT, M8X 25 PLATED	1	1	1	1				
19	1	26106-080552	BOLT, M8X 55 PLATED	1	1	1	1				
20	1	26346-080002	NUT, M8	2	2	2	2				

Fig.48. H.S.T. LINK

(A)=EF227EH
(B)=EF230EH
(C)=EF233EH

(D)=EF235EH
(E)=
(F)=

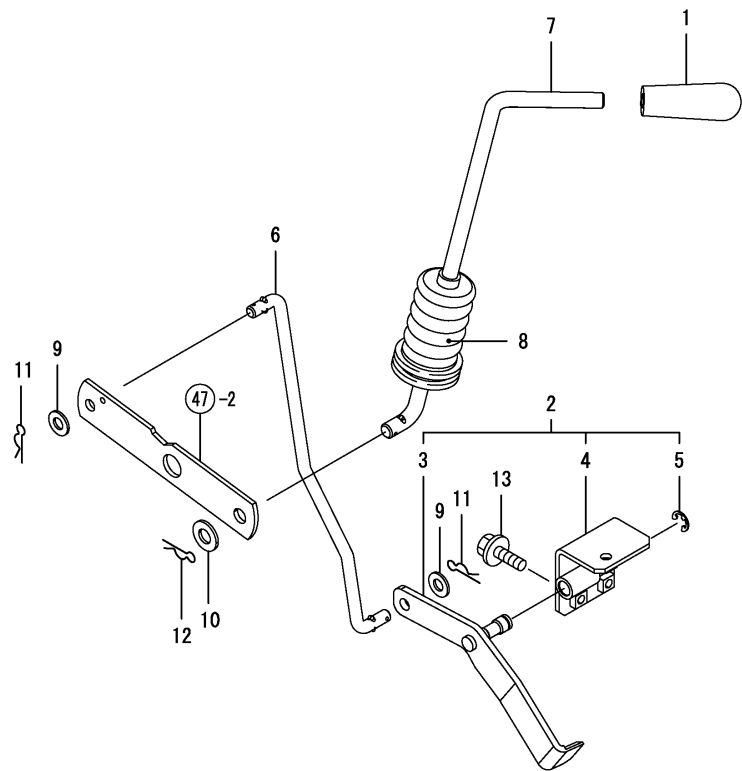


No.	Lev.	Parts No.	Description	Q'ty						I	R
				(A)	(B)	(C)	(D)	(E)	(F)		
1	1	198129-27281	ROLLER, CAM	1	1	1	1				
2	1	198280-29000	PEDAL ASSY, HST A	1	1	1	1				
2-1	1	198280-29001	PEDAL ASSY, HST A	1	1	1	1				N
		(A=F110112) (B=F110192) (C=*2006.03) (D=F110257)									
3	2	198280-29080	ARM ASSY	1	1	1	1				
4	3	22272-000070	RING, E- 7	1	1	1	1				
5	3	24104-060000	BEARING, 6000UUC3	1	1	1	1				
6	3	24550-015120	BUSH, 15X12	2	2	2	2				
7	2	198280-29150	BRACKET ASSY	1	1	1	1				
8	2	198280-29200	ARM ASSY, RETURN	1	1	1	1				
8-1	2	198280-29201	ARM ASSY, RETURN	1	1	1	1				N
		(A=F110112) (B=F110192) (C=*2006.03) (D=F110257)									
9	3	24550-015120	BUSH, 15X12	2	2	2	2				
10	2	198280-29490	SPRING	1	1	1	1				
11	2	22137-140000	WASHER, 14	2	2	2	2				
12	2	22272-000120	RING, E-12	2	2	2	2				
13	1	198280-29810	PLATE, BRACKET	1	1	1	1				
14	1	22157-100000	WASHER, 10	1	1	1	1				
15	1	22372-100000	PIN, SNAP 10	1	1	1	1				
16	1	26106-080202	BOLT, M8X 20 PLATED	2	2	2	2				

Fig.49. H.S.T. CRUISE B

(A)=EF227EH
(B)=EF230EH
(C)=EF233EH

(D)=EF235EH
(E)=
(F)=

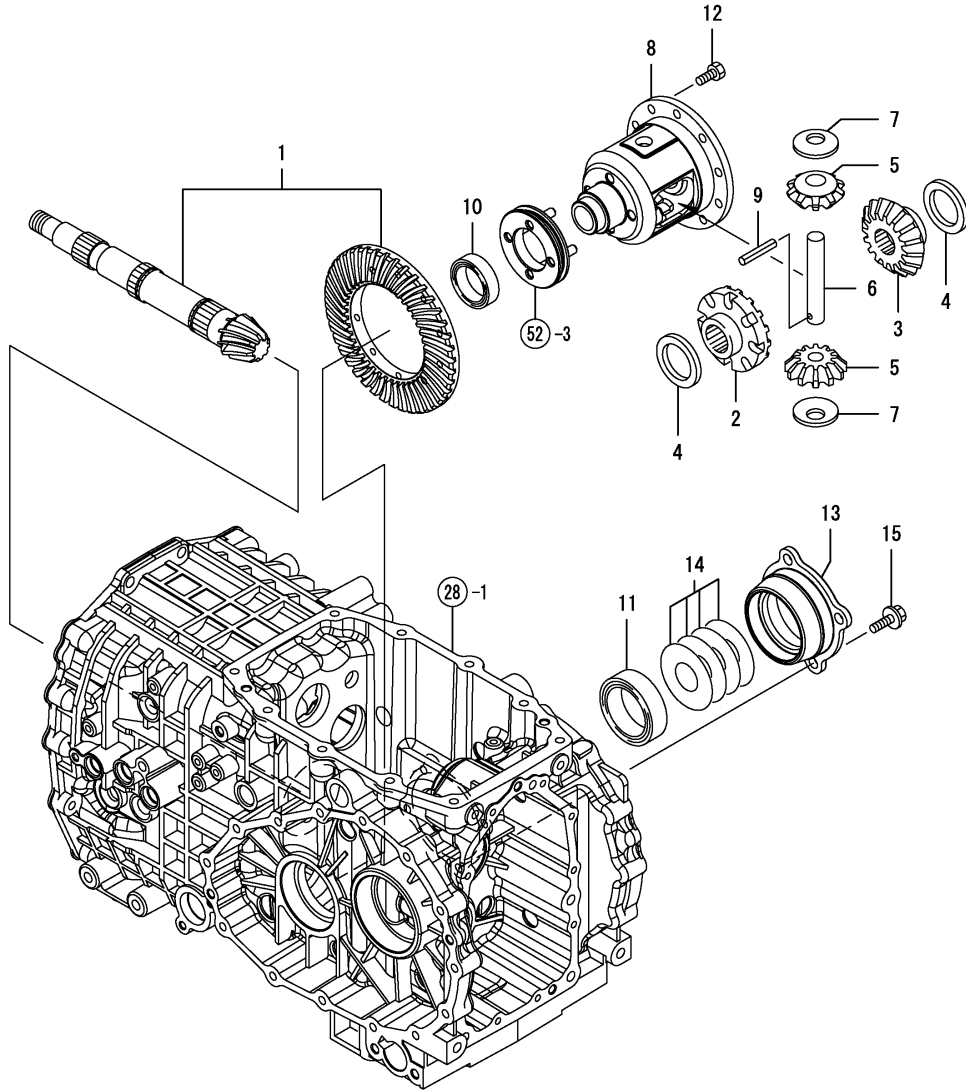


No.	Lev.	Parts No.	Description	Qty						I	R
				(A)	(B)	(C)	(D)	(E)	(F)		
1	1	194464-01190	KNOB, LEVER	1	1	1	1				
2	1	198280-27400	LEVER, CRUISE	1	1	1	1				
3	2	198280-27410	PLATE ASSY, CRUISE	1	1	1	1				
4	2	198280-27440	BRACKET ASSY, CRUISE	1	1	1	1				
5	2	22272-000070	RING, E- 7	1	1	1	1				
6	1	198280-27500	ROD, CRUISE	1	1	1	1				
7	1	198280-27510	LEVER, CRUISE	1	1	1	1				
8	1	198448-37450	BOOT, ROD	1	1	1	1				
9	1	22137-080000	WASHER, 8	2	2	2	2				
10	1	22137-100000	WASHER, 10	1	1	1	1				
11	1	22372-080000	PIN, SNAP 8	2	2	2	2				
12	1	22372-100000	PIN, SNAP 10	1	1	1	1				
13	1	26106-060162	BOLT, M6X 16 PLATED	3	3	3	3				

Fig.50. RING GEAR & DIFFERENTIAL GEAR

(A)=EF227EH
(B)=EF230EH
(C)=EF233EH

(D)=EF235EH
(E)=
(F)=



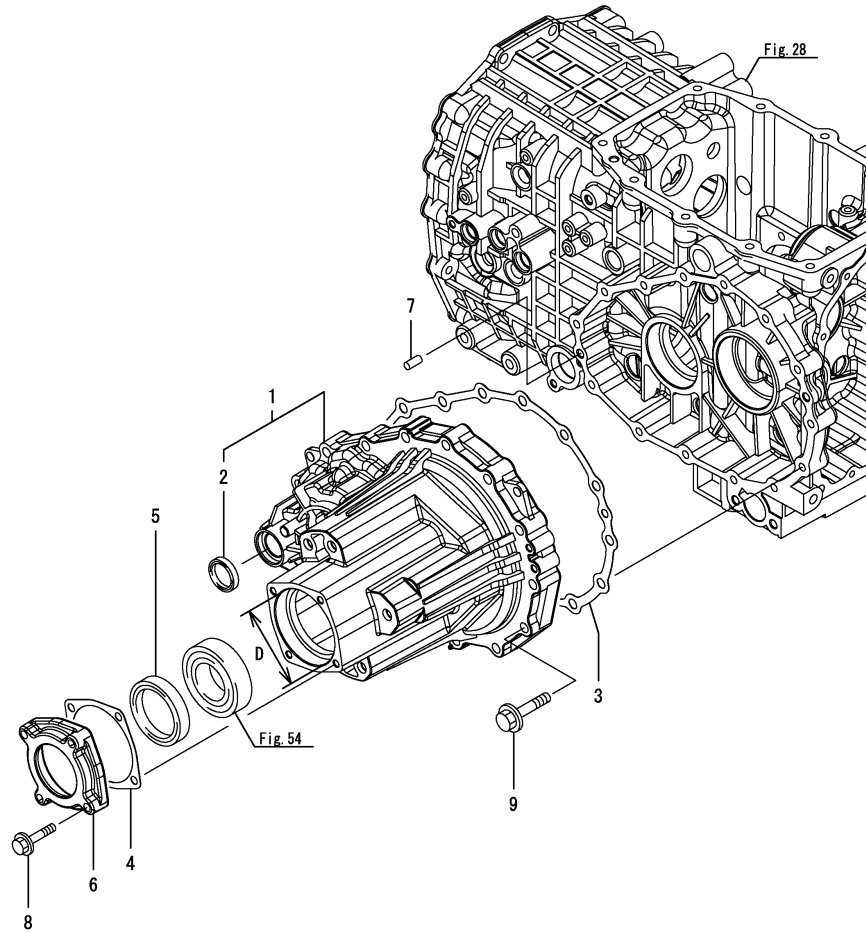
No.	Lev.	Parts No.	Description	Q'ty						I	R
				(A)	(B)	(C)	(D)	(E)	(F)		
1	1	198280-31400	GEAR ASSY, RING	1	1	1	1				
2	1	198200-31510	GEAR, DIFFERENTIAL L	1	1	1	1				
3	1	194525-31520	GEAR, DIFFERENTIAL R	1	1	1	1				
4	1	194515-31610	WASHER, DIFFERENTIAL	2	2	2	2				
5	1	198200-31810	PINION, DIFFERENTIAL	2	2	2	2				
6	1	198200-31820	SHAFT, DIFFERENTIAL	1	1	1	1				
7	1	194515-31850	WASHER, DIFFERENTIAL	2	2	2	2				
8	1	198200-32110	CASE, DIFFERENTIAL	1	1	1	1				
9	1	22351-040040	PIN, SPRING 4.0X40	1	1	1	1				
10	1	24101-060074	BEARING, BALL 6007	1	1	1	1				
11	1	24101-062074	BEARING, BALL 6207	1	1	1	1				
12	1	26116-080162	BOLT, M8X 16 PLATED	10	10	10	10				
13	1	198200-32320	CARRIER	1	1	1	1				
14	1	194850-32340	SHIM SET	1	1	1	1				
15	1	26106-100252	BOLT, M10X 25 PLATED	4	4	4	4				

Fig.51. REAR HOUSING

(A)=EF227EH
(B)=EF230EH
(C)=EF233EH

(D)=EF235EH
(E)=
(F)=

No.	Lev.	Parts No.	Description	Qty						I	R
				(A)	(B)	(C)	(D)	(E)	(F)		
1	1	198200-32600	HOUSING ASSY, AXLE	2	2	2	2				
1-1	1	198200-32601-1	HOUSING ASSY, AXLE	2	2	2	2			S	1
		(A=FZZZZZ) (B=FZZZZZ) (C=FZZZZZ) (D=FZZZZZ)									
2	2	198290-32750	SEAL, OIL TC253506	2	2	2	2				
3	1	198200-32630	GASKET, REAR AXLE	2	2	2	2				
4	1	198200-32660	GASKET, SEAL CASE	2	2	2	2				
5	1	198475-32660	SEAL, QLNY527514.5	2	2	2	2				
6	1	198200-32730	HOUSING, SEAL	2	2	2	2				
7	1	22312-080140	PIN, PARALLEL M8X14	4	4	4	4				
8	1	26106-080402	BOLT, M8X 40 PLATED	8	8	8	8				
9	1	26106-100502	BOLT, M10X 50 PLATED	28	28	28	28				

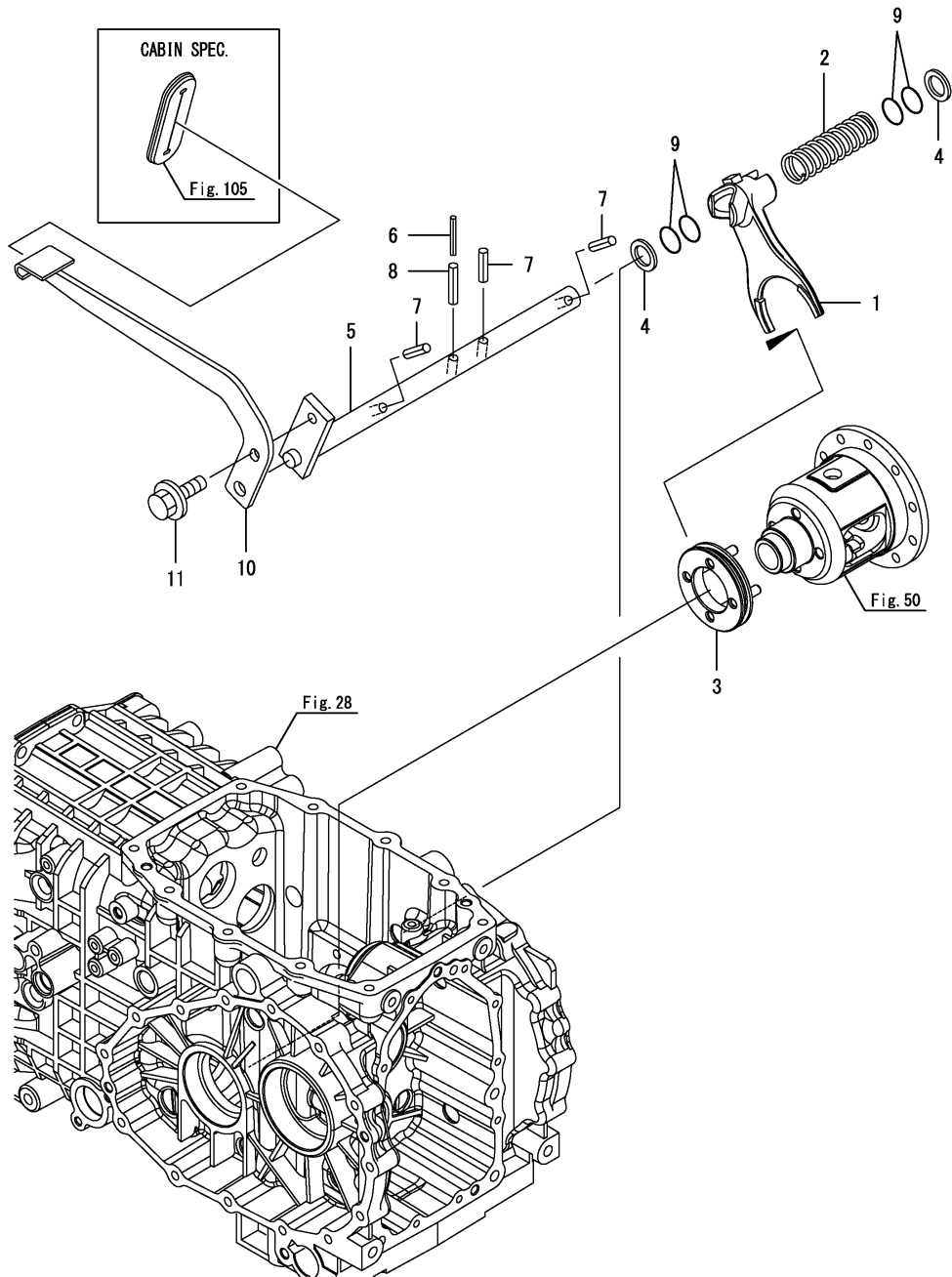


Remarks
(1) D=Ref.No.1 75mm, 1-1 75.4mm.
Refer to Fig.122 for the repair part.

Fig.52. DIFFERENTIAL LOCK

(A)=EF227EH
 (B)=EF230EH
 (C)=EF233EH

(D)=EF235EH
 (E)=
 (F)=



No.	Lev.	Parts No.	Description	Qty						I	R
				(A)	(B)	(C)	(D)	(E)	(F)		
1	1	198200-33111	FORK, DIFF.LOCK	1	1	1	1				
2	1	194420-33150	SPRING, RETURN	1	1	1	1				
3	1	198200-33150	SLIDER, DIFF.LOCK	1	1	1	1				
4	1	194300-33200	SPACER, 20X32X3.2	2	2	2	2				
5	1	198280-33210	SHAFT ASSY, LOCK	1	1	1	1				
6	1	22351-050040	PIN, SPRING 5.0X40	1	1	1	1				
7	1	22351-080032	PIN, SPRING 8.0X32	3	3	3	3				
8	1	22351-080040	PIN, SPRING 8.0X40	1	1	1	1				
9	1	24311-000200	O-RING, 1A20.0	4	4	4	4				
10	1	198200-33250	PEDAL, DIFF.LOCK	1	1	1	1				
11	1	26106-100202	BOLT, M10X 20 PLATED	1	1	1	1				

Fig.53. FINAL PINION & FINAL GEAR

(A)=EF227EH
(B)=EF230EH
(C)=EF233EH

(D)=EF235EH
(E)=
(F)=

No.	Lev.	Parts No.	Description	Q'ty						I	R
				(A)	(B)	(C)	(D)	(E)	(F)		
1	1	198200-33410	PINION, FINAL L 9T	1	1	1	1				
2	1	198200-33420	PINION, FINAL R 9T	1	1	1	1				
3	1	24101-063064	BEARING, BALL 6306	4	4	4	4				
4	1	198200-33510	GEAR, FINAL 56T	2	2	2	2				

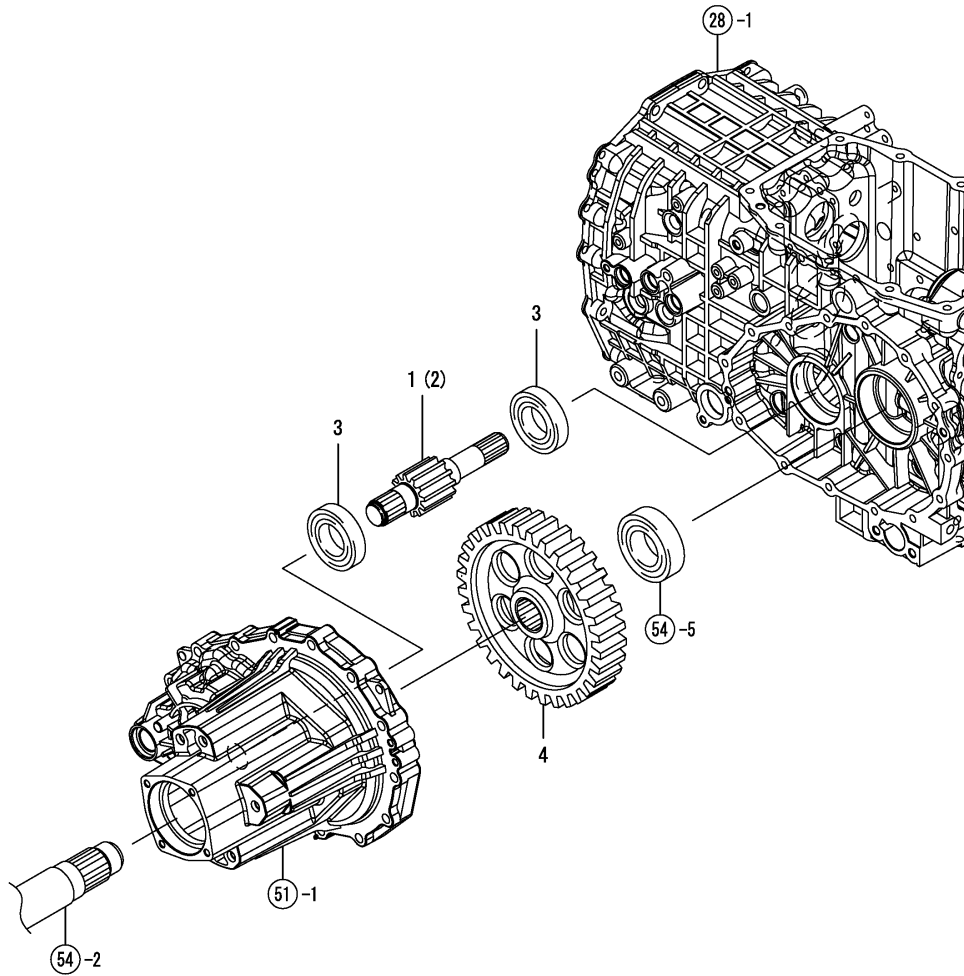


Fig.55. REAR WHEEL TIRE

(A)=EF227EH
(B)=EF230EH
(C)=EF233EH

(D)=EF235EH
(E)=
(F)=

No.	Lev.	Parts No.	Description	Qty						I	R
				(A)	(B)	(C)	(D)	(E)	(F)		
1	1	198280-34720	TIRE, 315/80D16	2	2	2	2				
2	2	198200-34741	WHEEL, 16X10LB	2	2	2	2				
3	2	198280-34760	TIRE, 315/80D16-6	2	2	2	2				
4	2	194136-12880	VALVE, TR413	2	2	2	2				

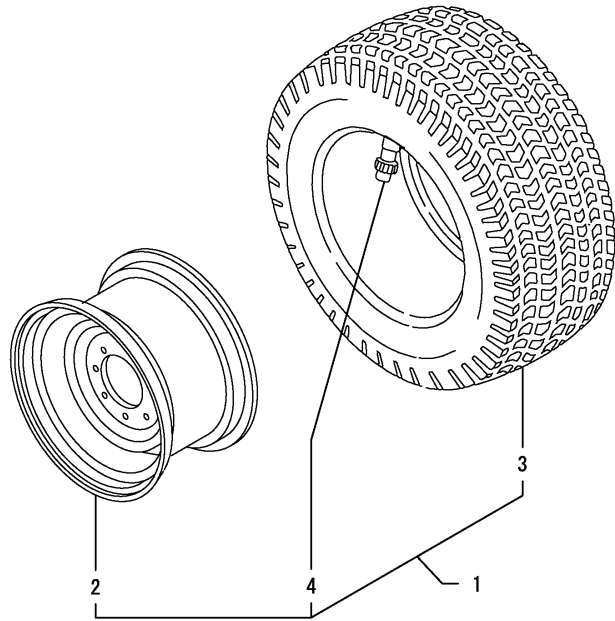
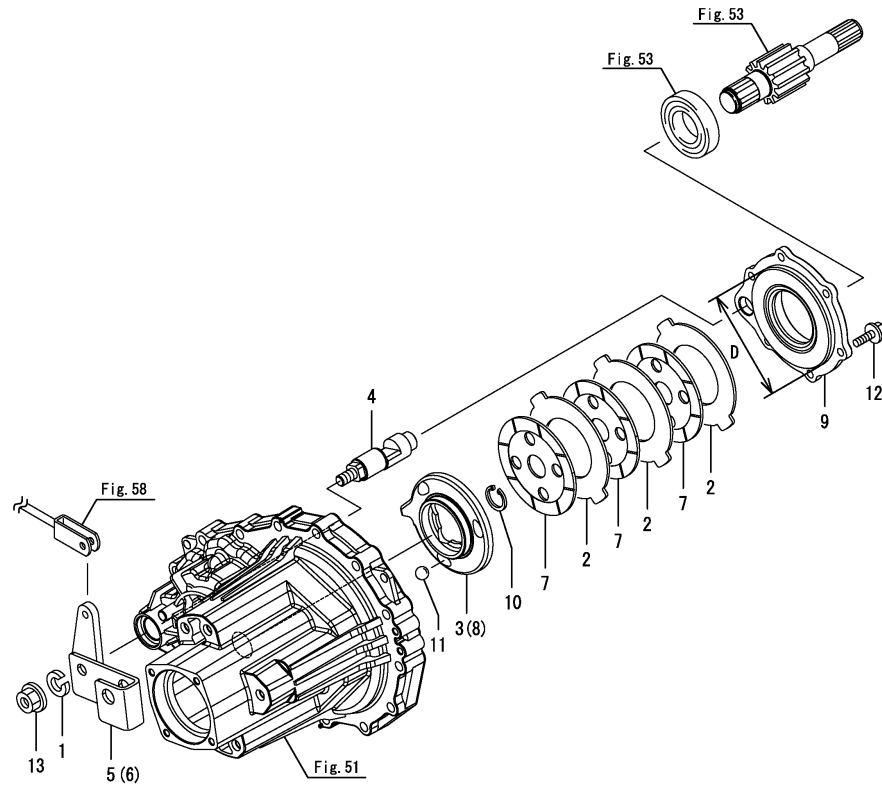


Fig.56. BRAKE

(A)=EF227EH
(B)=EF230EH
(C)=EF233EH

(D)=EF235EH
(E)=
(F)=

No.	Lev.	Parts No.	Description	Q'ty						I	R
				(A)	(B)	(C)	(D)	(E)	(F)		
1	1	194274-13580	WASHER, SPRING 12	2	2	2	2				
2	1	1C6560-15071	PLATE STEEL	6	6	6	6				
2-1	1	198200-36390	PLATE, STEEL	6	6	6	6				R
		(A=FXXXXX) (B=FXXXXX) (C=FXXXXX) (D=FXXXXX)									
3	1	198200-36310	ACTUATOR	1	1	1	1				
4	1	198200-36340	CAMSHAFT	2	2	2	2				
5	1	198280-36350	ARM, BRAKE L	1	1	1	1				
6	1	198280-36360	ARM, BRAKE R	1	1	1	1				
7	1	198200-36380	PLATE, FRICTION 114	6	6	6	6				
8	1	198200-36410	ACTUATOR	1	1	1	1				
9	1	198200-36421	HOLDER, BEARING	2	2	2	2				
9-1	1	198200-36422	HOLDER, BEARING	2	2	2	2				S 1
		(A=FZZZZZ) (B=FZZZZZ) (C=FZZZZZ) (D=FZZZZZ)									
10	1	22242-000260	RING, 26	2	2	2	2				
11	1	24190-170001	BALL, STEEL 17/32	6	6	6	6				
12	1	26106-080252	BOLT, M8X 25 PLATED	12	12	12	12				
13	1	26376-120002	NUT, M12	2	2	2	2				



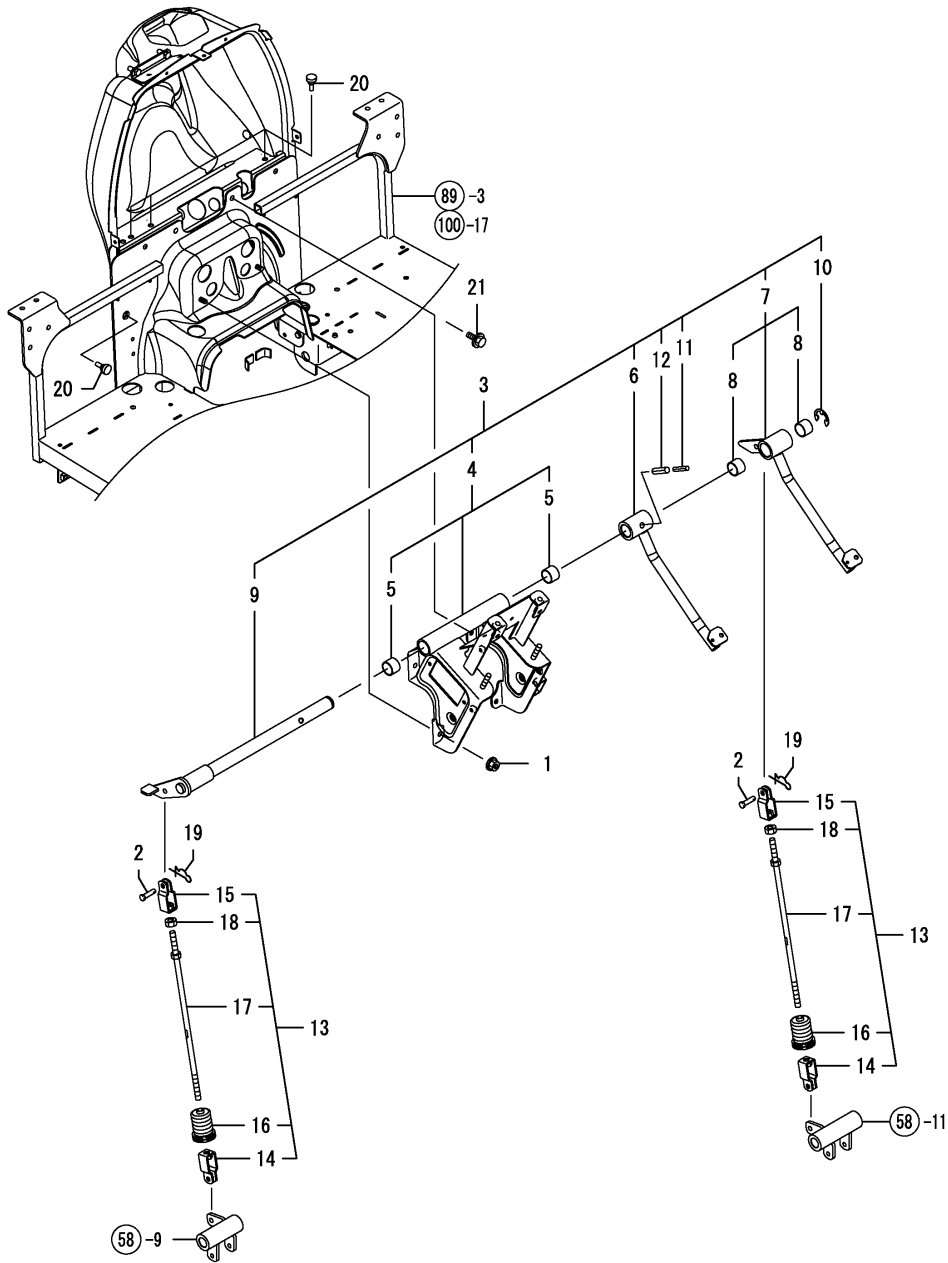
Remarks

(1) D=Ref.No.9 118.5mm, 9-1 120.4mm.
Refer to Fig.122 for the repair part.

Fig.57. PEDAL

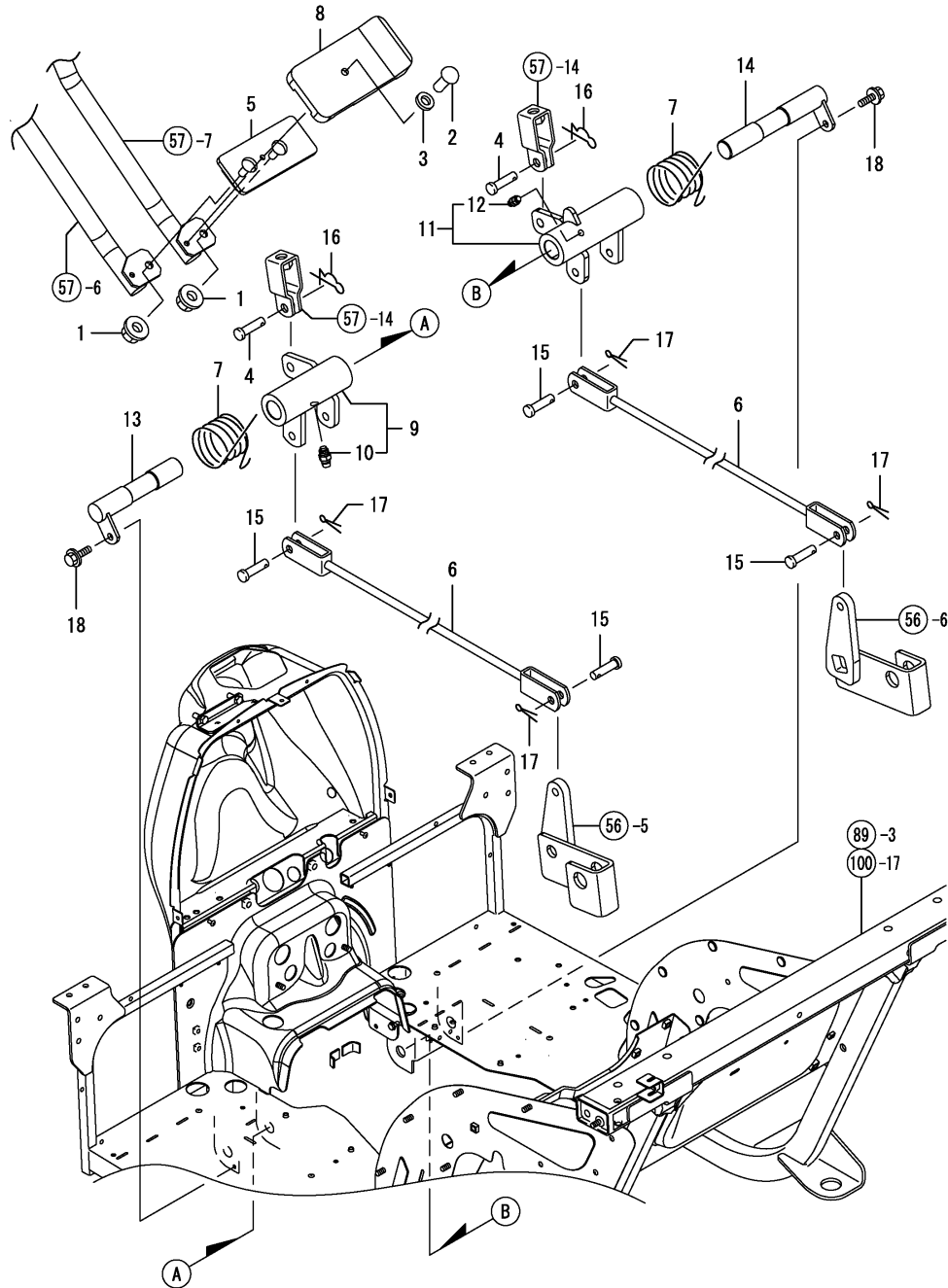
(A)=EF227EH
(B)=EF230EH
(C)=EF233EH

(D)=EF235EH
(E)=
(F)=



No.	Lev.	Parts No.	Description	Q'ty						I	R
				(A)	(B)	(C)	(D)	(E)	(F)		
1	1	194990-22140	NUT, M8	2	2	2	2				
2	1	194312-27780	PIN, 8.9	2	2	2	2				
3	1	198280-37200	PEDAL	1	1	1	1				
4	2	198200-37270	BRACKET, PEDAL	1	1	1	1				
5	3	198448-37360	BUSH, 25X28X20	2	2	2	2				
5-1	3	24550-025200	BUSH, 25X20	2	2	2	2				R
6	2	198280-37300	PEDAL ASSY, BRAKE L	1	1	1	1				
7	2	198280-37400	PEDAL ASSY, BRAKE R	1	1	1	1				
8	3	198448-37360	BUSH, 25X28X20	2	2	2	2				
8-1	3	24550-025200	BUSH, 25X20	2	2	2	2				R
9	2	198280-37550	SHAFT ASSY, BRAKE	1	1	1	1				
10	2	22272-000190	RING, E-19	1	1	1	1				
11	2	22351-050045	PIN, SPRING 5.0X45	1	1	1	1				
12	2	22351-080045	PIN, SPRING 8.0X45	1	1	1	1				
13	1	198200-37610	ROD ASSY, BRAKE F	2	2	2	2				
14	2	198310-27370	JOINT, 2-WAY	2	2	2	2				
15	2	194312-27770	JOINT, 2-WAY	2	2	2	2				
16	2	198448-37450	BOOT, ROD	2	2	2	2				
17	2	198200-37660	ROD ASSY, BRAKE	2	2	2	2				
18	2	26716-100002	NUT, M10	2	2	2	2				
19	1	1C6281-52320	PIN, SNAP 8	2	2	2	2				
20	1	194330-62530	STOPPER, PEDAL	4	4	4	4				
21	1	26106-080162	BOLT, M8X 16 PLATED	2	2	2	2				

Fig.58. BRAKE LINK



(A)=EF227EH
(B)=EF230EH
(C)=EF233EH

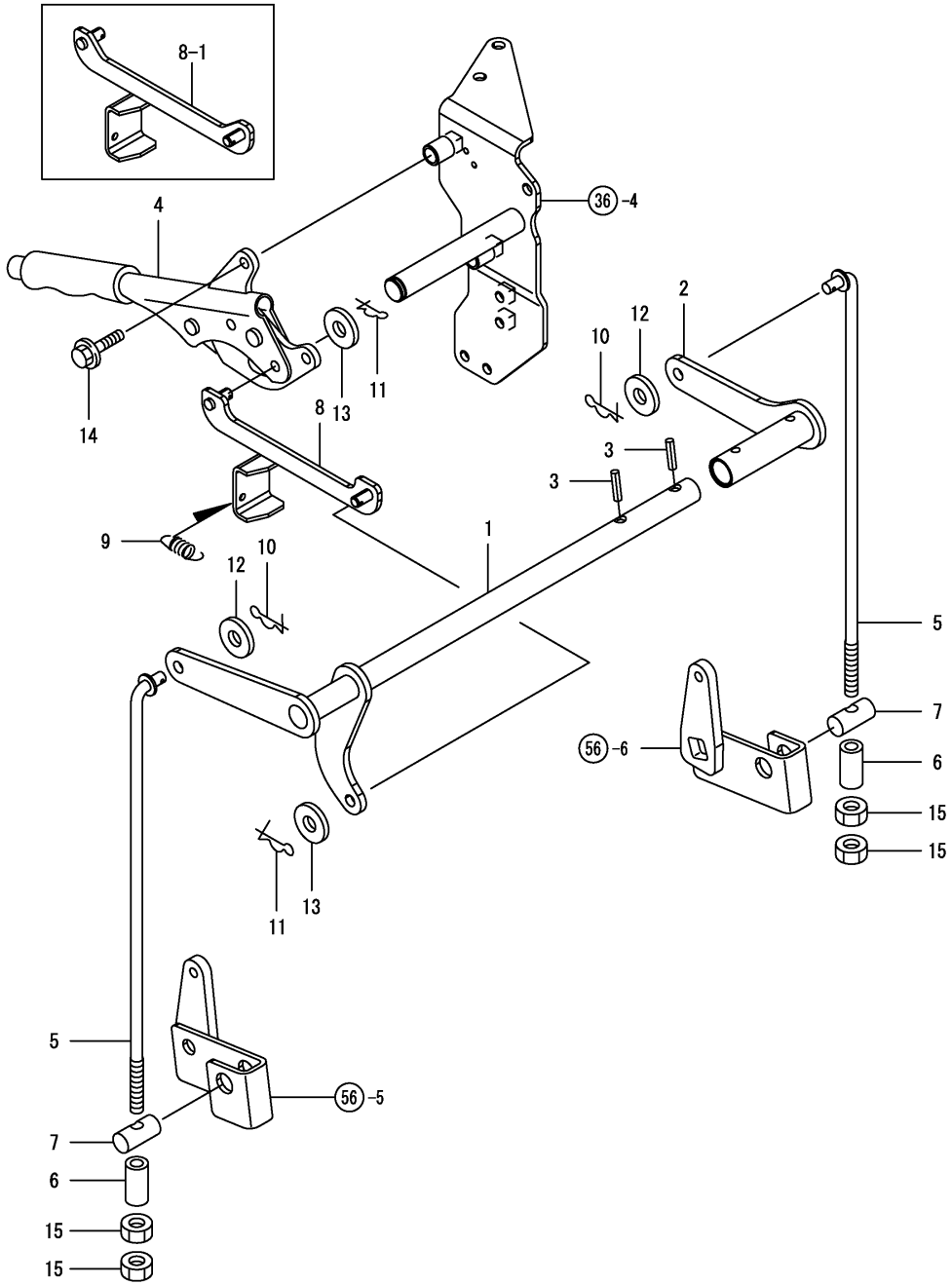
(D)=EF235EH
(E)=
(F)=

No.	Lev.	Parts No.	Description	Q'ty						I	R
				(A)	(B)	(C)	(D)	(E)	(F)		
1	1	194990-22130	NUT, M6	2	2	2	2				
2	1	198133-22510	RIVET, PEDAL HEAD	1	1	1	1				
3	1	198133-22530	WASHER, RIVET	1	1	1	1				
4	1	194312-27780	PIN, 8,9	2	2	2	2				
5	1	198280-37220	HEAD ASSY, PEDAL	1	1	1	1				
6	1	198200-37370	ROD ASSY, BRAKE	2	2	2	2				
7	1	198200-37460	SPRING, BRAKE PEDAL	2	2	2	2				
8	1	198071-37510	COVER, HEAD	1	1	1	1				
9	1	198200-37700	ARM ASSY, BRAKE L	1	1	1	1				
10	2	24761-010000	NIPPLE, GREASE M6F	1	1	1	1				
11	1	198280-37710	ARM ASSY, BRAKE R	1	1	1	1				
12	2	24761-010000	NIPPLE, GREASE M6F	1	1	1	1				
13	1	198200-37740	SHAFT ASSY, L	1	1	1	1				
14	1	198200-37840	SHAFT ASSY	1	1	1	1				
15	1	198220-37900	PIN, 8X24	4	4	4	4				
16	1	1C6281-52320	PIN, SNAP 8	2	2	2	2				
17	1	22417-250300	PIN, COTTER 2.5X30	4	4	4	4				
18	1	26106-060122	BOLT, M6X 12 PLATED	2	2	2	2				

Fig.59. PARKING BRAKE

(A)=EF227EH
(B)=EF230EH
(C)=EF233EH

(D)=EF235EH
(E)=
(F)=

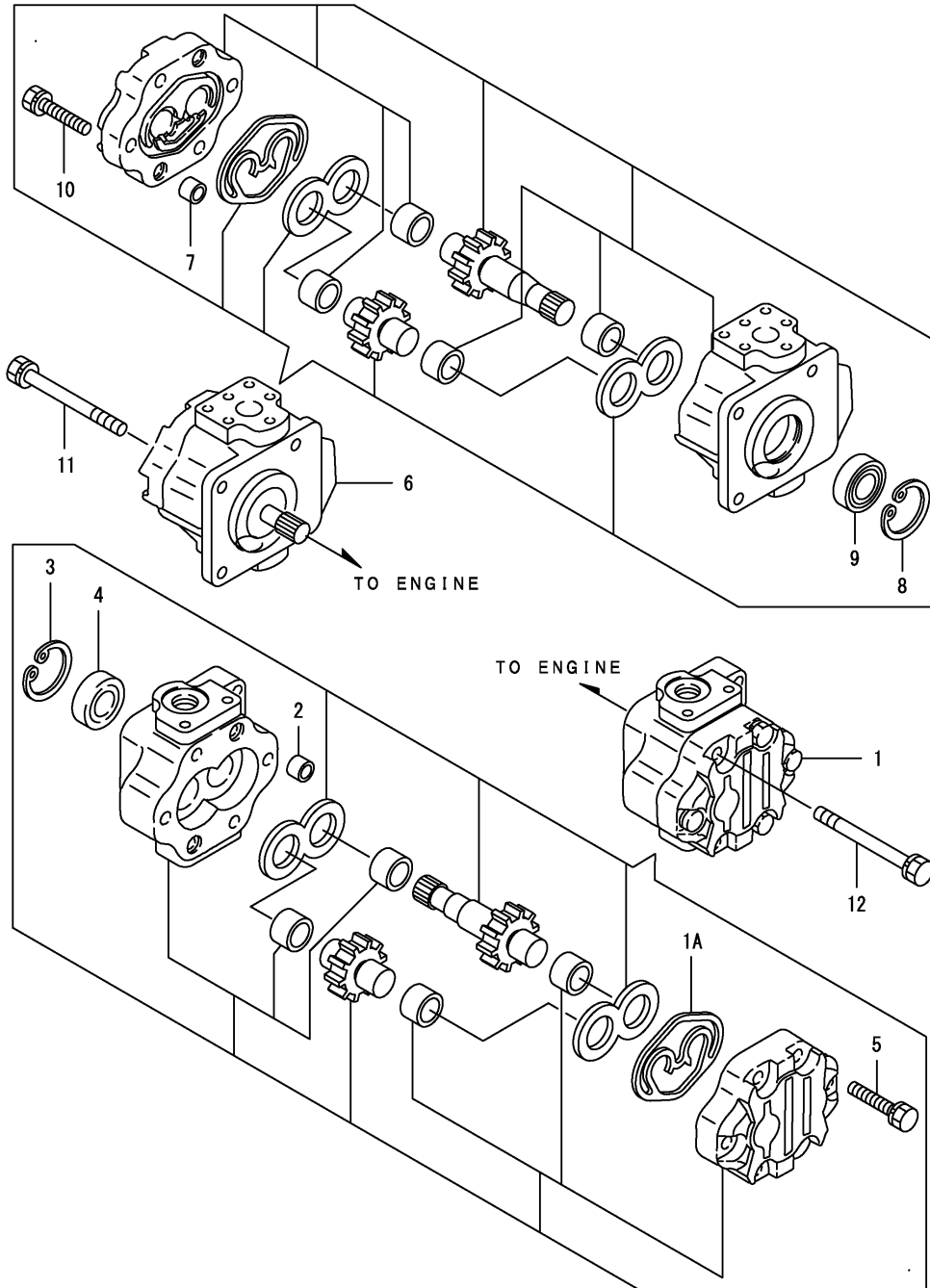


No.	Lev.	Parts No.	Description	Qty						I	R
				(A)	(B)	(C)	(D)	(E)	(F)		
1	1	198280-38510	ARM, BRAKE	1	1	1	1				
2	1	198280-38710	ARM, BRAKE	1	1	1	1				
3	1	22351-060032	PIN, SPRING 6.0X32	2	2	2	2				
4	1	198448-38400	BRAKE ASSY, PARKING	1	1	1	1				
5	1	198280-38810	ROD, BRAKE	2	2	2	2				
6	1	198280-38840	PIPE, 10.9X17.3X35	2	2	2	2				
7	1	198280-38850	PIN, 17X36	2	2	2	2				
8	1	198280-38910	PLATE, LEVER	1	1	1	1				
8-1	1	198280-38911	PLATE, PARKING LEVER	1	1	1	1				N
(A=FXXXXX) (B=FXXXXX) (C=FXXXXX) (D=FXXXXX)											
9	1	198280-38950	SPRING, BRAKE	1	1	1	1				
10	1	1C6360-65700	PIN, SNAP 10	2	2	2	2				
11	1	1C6360-65700	PIN, SNAP 10	2	2	2	2				
12	1	22137-100000	WASHER, 10	2	2	2	2				
13	1	22137-100000	WASHER, 10	2	2	2	2				
14	1	26106-080352	BOLT, M8X 35 PLATED	2	2	2	2				
15	1	26716-100002	NUT, M10	4	4	4	4				

Fig.60. HYDRAULIC PUMP

(A)=EF227EH
(B)=EF230EH
(C)=EF233EH

(D)=EF235EH
(E)=
(F)=

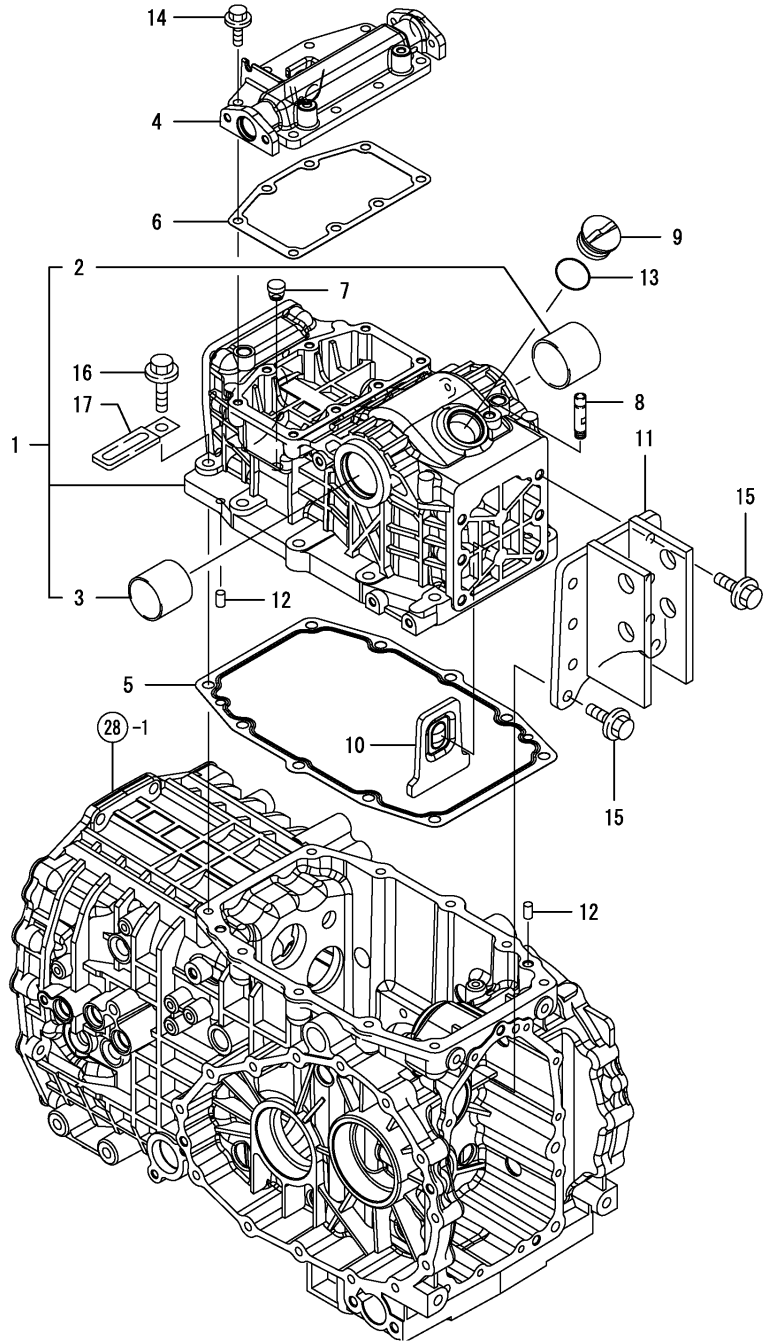


No.	Lev.	Parts No.	Description	Q'ty						I	R
				(A)	(B)	(C)	(D)	(E)	(F)		
1	1	198172-41110	PUMP, HYDRAULIC	1	1	1	1				
1A	2	178070-10401	RING	1	1	1	1				
2	2	194521-41570	PIN, 11X7	2	2	2	2				
3	2	22252-000320	RING, 32	1	1	1	1				
4	2	24421-153207	SEAL, OIL TC153207	1	1	1	1				
5	2	26016-080352	BOLT, M8X 35	4	4	4	4				
6	1	198280-41150	PUMP ASSY, HYDRAULIC	1	1	1	1				
7	2	194521-41570	PIN, 11X7	2	2	2	2				
8	2	22252-000320	RING, 32	1	1	1	1				
9	2	24421-153207	SEAL, OIL TC153207	1	1	1	1				
10	2	26016-080352	BOLT, M8X 35	4	4	4	4				
11	1	26013-080802	BOLT, M8X 80	2	2	2	2				
12	1	26013-080802	BOLT, M8X 80	2	2	2	2				

Fig.61. HYDRAULIC CYLINDER CASE

(A)=EF227EH
(B)=EF230EH
(C)=EF233EH

(D)=EF235EH
(E)=
(F)=

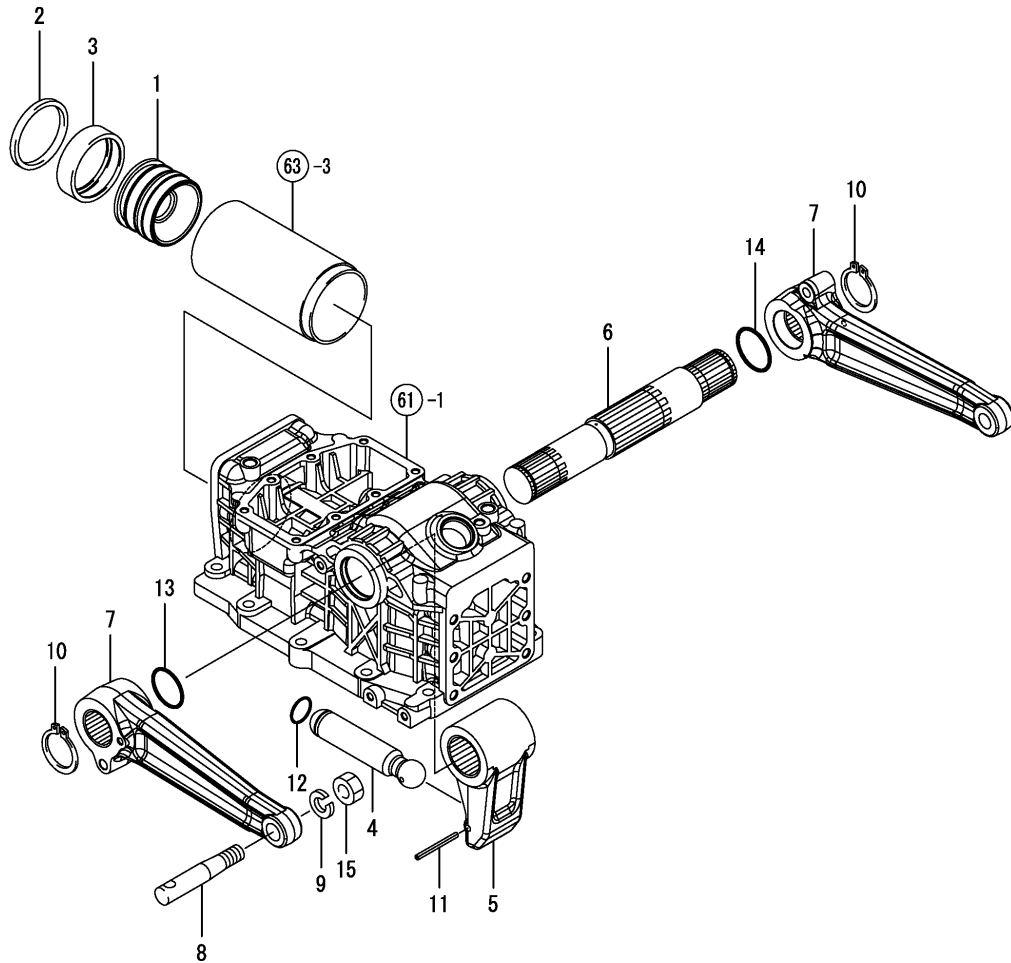


No.	Lev.	Parts No.	Description	Qty						I	R
				(A)	(B)	(C)	(D)	(E)	(F)		
1	1	198200-42100	HOUSING ASSY, LIFT	1	1	1	1				
2	2	198200-42130	BUSH, 45X40	1	1	1	1				
3	2	198200-42140	BUSH, 40X40	1	1	1	1				
4	1	198200-42150	CASE, LINK	1	1	1	1				
5	1	198200-42180	GASKET, HOUSING	1	1	1	1				
6	1	198200-42190	GASKET, HOUSING	1	1	1	1				
7	1	198280-42250	PLUG, CASE	1	1	1	1				
8	1	194555-42280	BREATHER, AIR	1	1	1	1				
9	1	194850-42500	CAP, OIL M33	1	1	1	1				
10	1	198200-42710	PLATE, STOPPER	1	1	1	1				
11	1	198280-42810	HINGE ASSY, TOP LINK	1	1	1	1				
12	1	22312-080140	PIN, PARALLEL M8X14	2	2	2	2				
13	1	24351-020300	O-RING 1A 2030	1	1	1	1				
14	1	26106-080252	BOLT, M8X 25 PLATED	8	8	8	8				
15	1	26106-100252	BOLT, M10X 25 PLATED	8	8	8	8				
16	1	26106-100402	BOLT, M10X 40 PLATED	10	10	10	10				
17	1	194180-51640	CLAMP, HARNESS	1	1	1	1				W
				(A=FXXXXXX)	(B=FXXXXXX)	(C=FXXXXXX)	(D=FXXXXXX)				

Fig.62. PISTON & LIFT CRANK

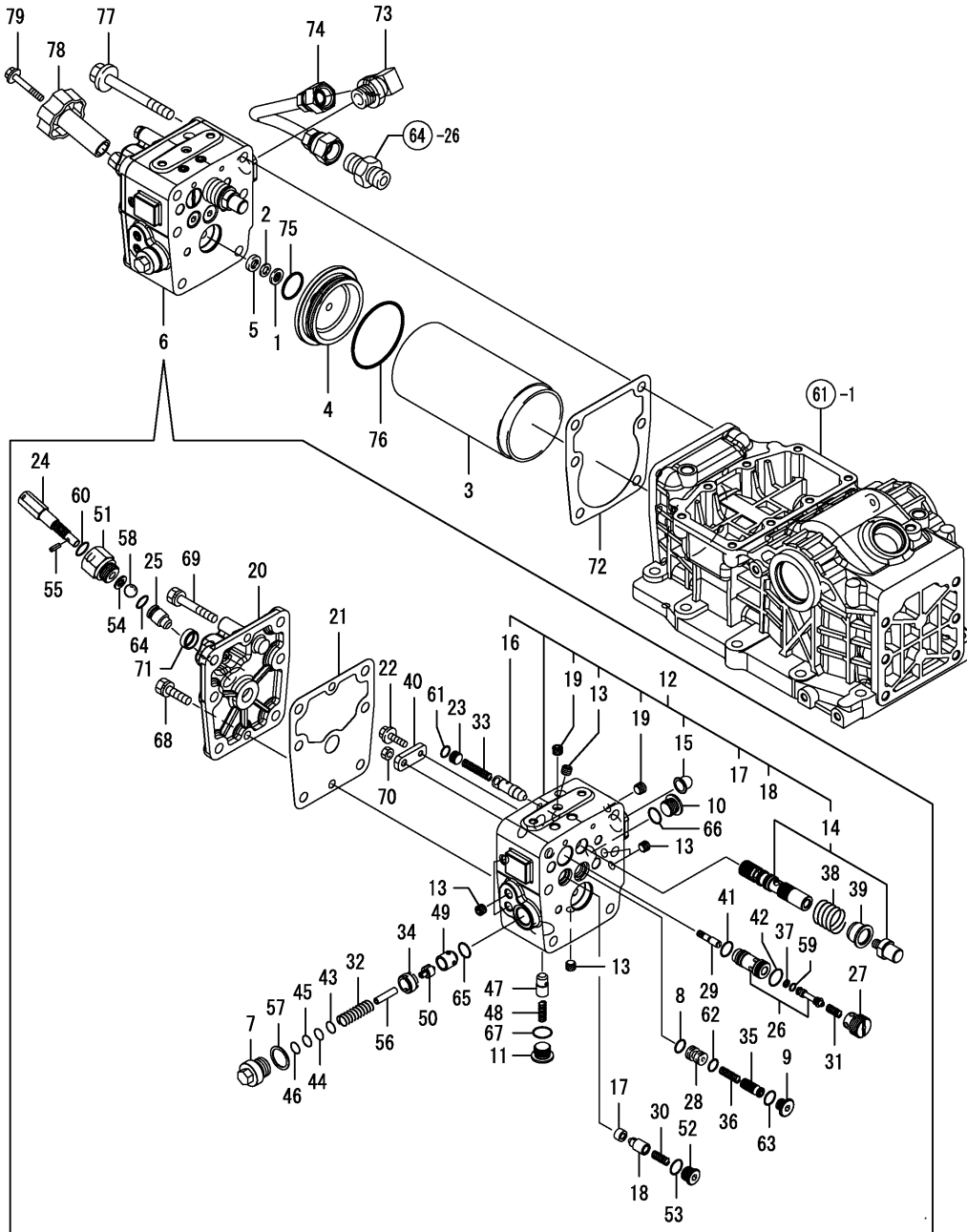
(A)=EF227EH
(B)=EF230EH
(C)=EF233EH

(D)=EF235EH
(E)=
(F)=



No.	Lev.	Parts No.	Description	Qty						I	R
				(A)	(B)	(C)	(D)	(E)	(F)		
1	1	198200-43310	PISTON, HYDRAULIC 75	1	1	1	1				
2	1	198071-43320	PACKING, 75	1	1	1	1				
3	1	198071-43330	WEARING	1	1	1	1				
4	1	198200-43410	ROD, PISTON	1	1	1	1				
5	1	198200-44110	CRANK, LIFT	1	1	1	1				
6	1	198200-44210	SHAFT, LIFTING	1	1	1	1				
7	1	198200-44420	ARM, LIFT	2	2	2	2				
8	1	194130-44480	PIN, LIFT ARM	2	2	2	2				
9	1	22217-160000	WASHER, SPRING 16	2	2	2	2				
10	1	22242-000400	RING, 40	2	2	2	2				
11	1	22351-050056	PIN, SPRING 5.0X56	1	1	1	1				
12	1	24311-000260	O-RING, 1AP26.0	1	1	1	1				
13	1	24311-000400	O-RING, 1AP40.0	1	1	1	1				
14	1	24311-000440	O-RING, 1AP44.0	1	1	1	1				
15	1	26736-160002	NUT, M16	2	2	2	2				

Fig.63. CONTROL VALVE



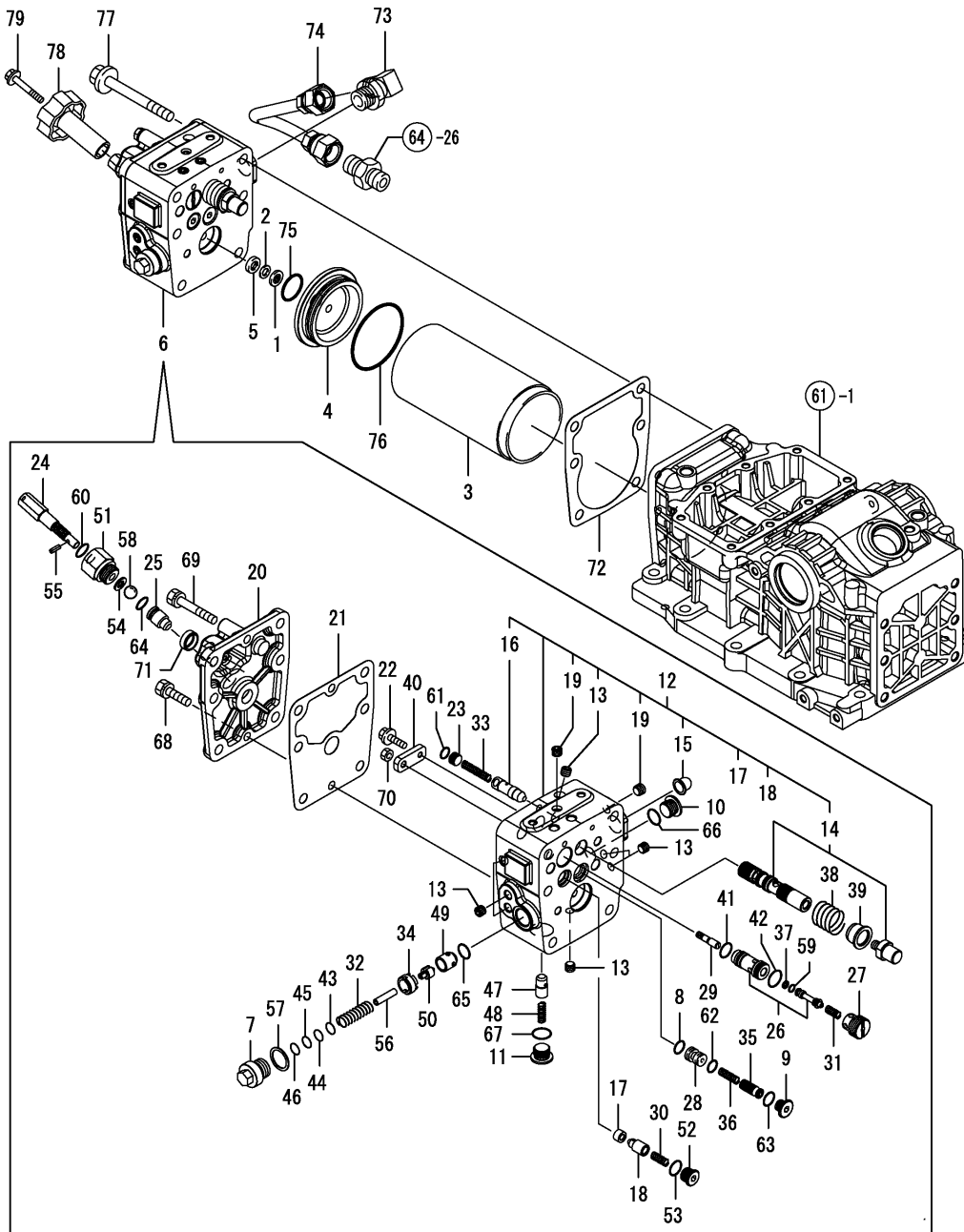
(A)=EF227EH
(B)=EF230EH
(C)=EF233EH

(D)=EF235EH
(E)=
(F)=

No.	Lev.	Parts No.	Description	Q'ty						I	R
				(A)	(B)	(C)	(D)	(E)	(F)		
1	1	194850-42180	STRAINER	1	1	1	1				
2	1	194850-42190	SPACER	1	1	1	1				
3	1	198200-43110	LINER, CYLINDER	1	1	1	1				
4	1	198200-43210	HEAD, CYLINDER	1	1	1	1				
5	1	194630-43230	PACKING	1	1	1	1				
6	1	198200-45100	VALVE ASSY, LIFT	1	1	1	1				
7	2	178076-02230	PLUG, RELIEF VALVE	1	1	1	1				
8	2	178076-04610	PACKING, 1B	1	1	1	1				
9	2	178076-12400	PLUG, G1/4	1	1	1	1				
10	2	1A6750-29850	PLUG, G3/8	1	1	1	1				
11	2	1A6750-29850	PLUG, G3/8	1	1	1	1				
12	2	178076-40010	VALVEBODY CMP	1	1	1	1				
13	3	178073-01200	PLUG PT 1/8	7	7	7	7				
14	3	178076-40200	SPOOL ASSY, MAIN	1	1	1	1				
15	3	194556-42220	STRAINER, A	1	1	1	1				
16	3	194170-45310	POPPET	1	1	1	1				
17	3	198435-45410	SEAT, CHECK	1	1	1	1				
18	3	194170-45420	POPPET, L CHECK	1	1	1	1				
19	3	194555-77120	PLUG, 1/16	2	2	2	2				
20	2	178076-40100	COVER,	1	1	1	1				
21	2	178076-40110	GASKET, COVER	1	1	1	1				
22	2	178076-40250	BOLT, 6 X 16	1	1	1	1				
23	2	178076-40300	PLUG, 12	1	1	1	1				
24	2	178076-40400	BOLT, STOP	1	1	1	1				
25	2	178076-40410	STOP VALVE	1	1	1	1				
26	2	178076-40500	VALVE ASSY, CHECK	1	1	1	1				
27	2	178076-40530	RETAINER, SEAT	1	1	1	1				
28	2	178076-40600	PLUG,	1	1	1	1				
29	2	194170-45220	BAR, PUSH	1	1	1	1				
30	2	194170-45230	SPRING	1	1	1	1				
31	2	194170-45230	SPRING	1	1	1	1				
32	2	194150-45320	SPRING, RELIEF VALVE	1	1	1	1				
33	2	194170-45321	SPRING	1	1	1	1				
34	2	194275-45340	SCREW, VALVE SEAT	1	1	1	1				
35	2	194170-45350	SPOOL	1	1	1	1				
36	2	194170-45360	SPRING	1	1	1	1				
37	2	194170-45430	RING, BACK UP	1	1	1	1				
38	2	194170-45520	SPRING, SPOOL	1	1	1	1				
39	2	194170-45530	STOPPER, SPOOL	1	1	1	1				
40	2	194170-45550	BAR, SPOOL	1	1	1	1				
41	2	194327-45640	O-RING, 1AS14.0	1	1	1	1				
42	2	194327-45650	O-RING, 1BS16.0	1	1	1	1				
43	2	194170-45710	SHIM, T=0.2	1	1	1	1				
44	2	194170-45720	SHIM, T=0.3	1	1	1	1				
45	2	194170-45730	SHIM, T=0.5	1	1	1	1				
46	2	194170-45740	SHIM, T=1.0	1	1	1	1				
47	2	194310-46350	POPPET, CHECK	1	1	1	1				
48	2	194310-46380	SPRING	1	1	1	1				
49	2	194640-46410	SEAT, SAFETY VALVE	1	1	1	1				
50	2	194640-46420	POPPET	1	1	1	1				
51	2	194312-46630	HOLDER, VALVE	1	1	1	1				

N:Old $\begin{matrix} \text{Yes} \\ \text{No} \end{matrix}$ New, Q:Old $\begin{matrix} \text{No} \\ \text{Yes} \end{matrix}$ New, R:Old $\begin{matrix} \text{Yes} \\ \text{No} \end{matrix}$ New, S:Old $\begin{matrix} \text{No} \\ \text{Yes} \end{matrix}$ New, W:Add, Z:Discontinued, F:Interchangeable by set, K:Q'ty Change
 ++ CONTINUE ++
 Copyright (C) YANMAR CO., LTD. All Rights Reserved.

Fig.63. CONTROL VALVE



(A)=EF227EH
(B)=EF230EH
(C)=EF233EH

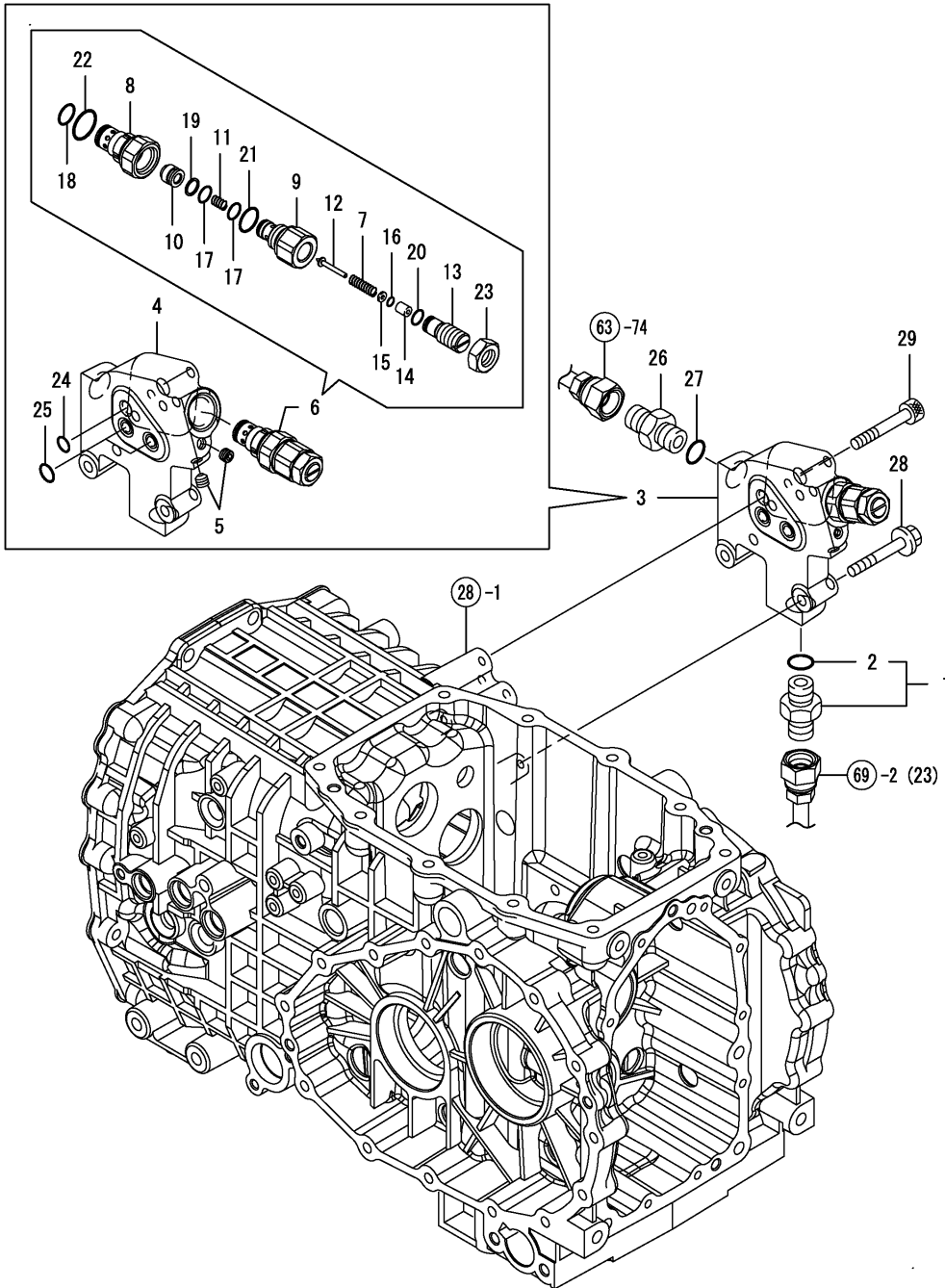
(D)=EF235EH
(E)=
(F)=

No.	Lev.	Parts No.	Description	Q'ty						I	R
				(A)	(B)	(C)	(D)	(E)	(F)		
52	2	198165-48560	PLUG, 9/16	1	1	1	1				
53	2	194850-49290	PACKING, 6-1	1	1	1	1				
54	2	22117-080000	WASHER, 8	1	1	1	1				
55	2	22351-040012	PIN, SPRING 4.0X12	1	1	1	1				
56	2	22351-060028	PIN, SPRING 6.0X28	1	1	1	1				
57	2	23414-200026	GASKET, 20X1.0	1	1	1	1				
58	2	24190-160001	BALL, STEEL 1/2	1	1	1	1				
59	2	24311-000050	O-RING, 1AP5.0	1	1	1	1				
60	2	24311-000120	O-RING, 1AP12.0	1	1	1	1				
61	2	24315-000090	O-RING, 1BP9.0	1	1	1	1				
62	2	24315-000090	O-RING, 1BP9.0	1	1	1	1				
63	2	24315-000110	O-RING, 1BP11.0	1	1	1	1				
64	2	24315-000110	O-RING, 1BP11.0	1	1	1	1				
65	2	24315-000120	O-RING, 1BP12.0	1	1	1	1				
66	2	24315-000140	O-RING, 1BP14.0	1	1	1	1				
67	2	24315-000140	O-RING, 1BP14.0	1	1	1	1				
68	2	26016-080252	BOLT, M8X 25	1	1	1	1				
69	2	26016-080502	BOLT M 8X 50	1	1	1	1				
70	2	26756-060002	NUT, LOCK M6	1	1	1	1				
71	2	27260-200000	PLUG, 20	1	1	1	1				
72	1	198200-45150	GASKET, LIFT VALVE	1	1	1	1				
73	1	194765-46980	ELBOW, PF1/2	1	1	1	1				
74	1	198200-48140	PIPE, PRESSURE	1	1	1	1				
75	1	24321-000250	O-RING, 1AG25.0	1	1	1	1				
76	1	24321-000700	O-RING, 1AG70.0	1	1	1	1				
77	1	26106-100902	BOLT, M10X 90 PLATED	6	6	6	6				
78	1	1A7260-46640	KNOB, VALVE	1	1	1	1				
79	1	1A7260-46650	BOLT, M6X40	1	1	1	1				

Fig.64. RELIEF VALVE

(A)=EF227EH
(B)=EF230EH
(C)=EF233EH

(D)=EF235EH
(E)=
(F)=

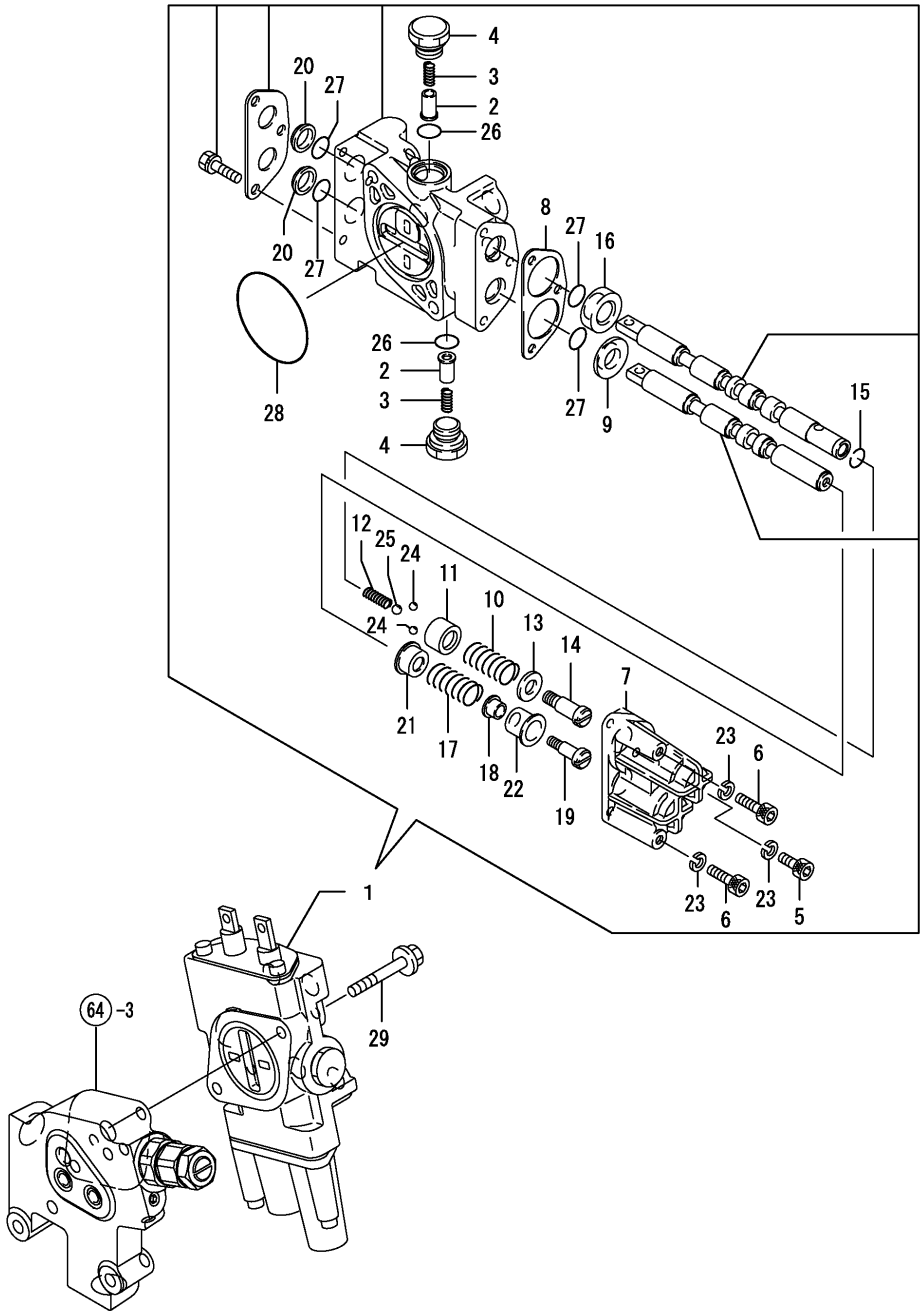


No.	Lev.	Parts No.	Description	Q'ty						I	R
				(A)	(B)	(C)	(D)	(E)	(F)		
1	1	198265-48200	ADAPTER ASSY	1	1	1	1				
2	2	24311-000180	O-RING, 1AP18.0	1	1	1	1				
3	1	198280-48500	HOUSING ASSY, VALVE	1	1	1	1				
4	2	1682B4-01020	CASE(RELIEFVALVE	1	1	1	1				
5	2	178073-01200	PLUG PT 1/8	2	2	2	2				
6	2	198200-45510	VALVE ASSY, RELIEF	1	1	1	1				
7	3	178073-04310	SPRING, PILOT	1	1	1	1				
8	3	178076-26100	HOLDER, RELIEF	1	1	1	1				
9	3	178076-26110	HOLDER, RELIEF PILOT	1	1	1	1				
10	3	178076-26120	VALVE, RELIEF	1	1	1	1				
11	3	178076-26130	SPRING	1	1	1	1				
12	3	178076-26140	VALVE, PILOT	1	1	1	1				
13	3	178076-26160	SCREW, ADJUSTMENT	1	1	1	1				
14	3	178076-26170	GUIDE, RELIEF VALVE	1	1	1	1				
15	3	178076-26180	SPACER,	1	1	1	1				
16	3	178076-26190	PACKING, P 3	1	1	1	1				
17	3	194327-45630	O-RING, 1BS12.0	2	2	2	2				
18	3	194327-45650	O-RING, 1BS16.0	1	1	1	1				
19	3	172510-74530	RING, BACK UP	1	1	1	1				
20	3	24315-000100	O-RING, 1BP10.0	1	1	1	1				
21	3	24315-000180	O-RING, 1BP18.0	1	1	1	1				
22	3	24315-000220	O-RING, 1BP22.0	1	1	1	1				
23	3	26776-160002	NUT, LOCK M16	1	1	1	1				
24	2	24311-000110	O-RING, 1AP11.0	1	1	1	1				
25	2	24311-000140	O-RING, 1AP14.0	2	2	2	2				
26	1	172112-77360	CONNECTOR,PF1/2PF1/2	1	1	1	1				
27	1	24311-000180	O-RING, 1AP18.0	1	1	1	1				
28	1	26106-080452	BOLT, M8X 45 PLATED	2	2	2	2				
29	1	26450-080402	BOLT, M8X 40	1	1	1	1				

Fig.65. SUB VALVE

(A)=EF227EH
(B)=EF230EH
(C)=EF233EH

(D)=EF235EH
(E)=
(F)=

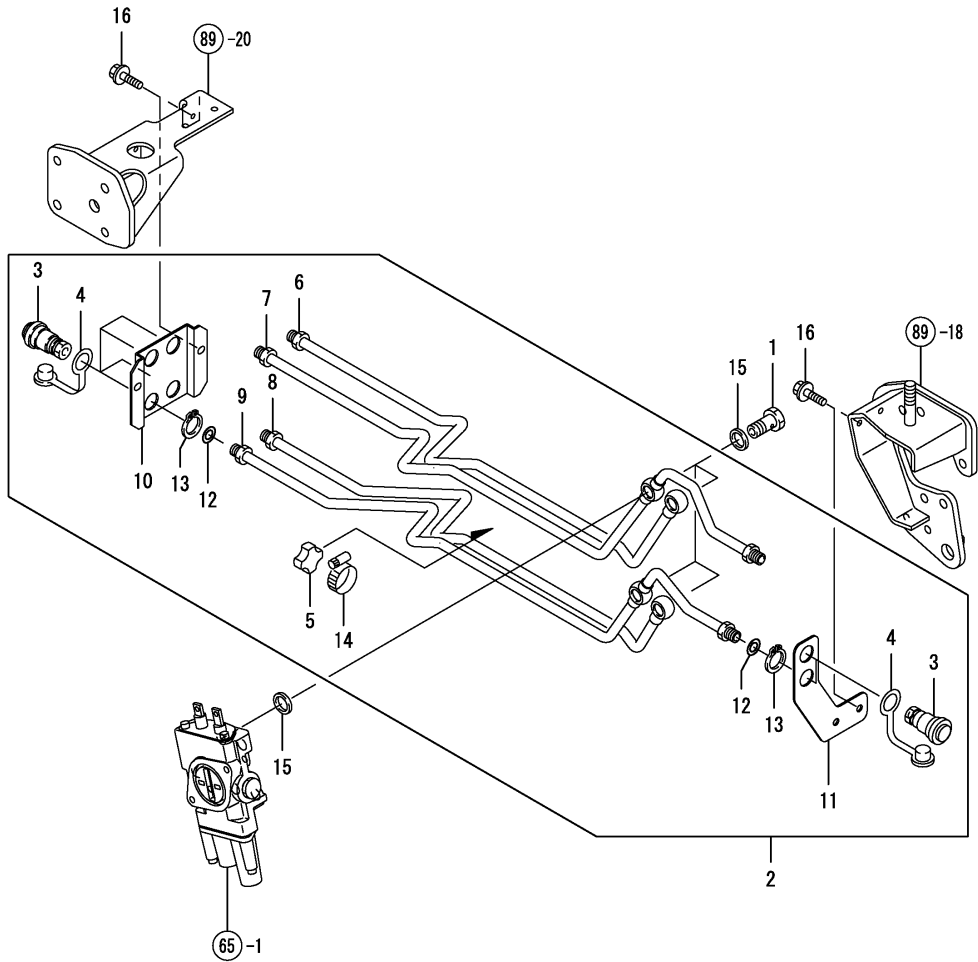


No.	Lev.	Parts No.	Description	Q'ty						I	R
				(A)	(B)	(C)	(D)	(E)	(F)		
1	1	198280-46110	CONTROL ASSY, SUB	1	1	1	1				
2	2	198165-46130	VALVE, CHECK	2	2	2	2				
3	2	198165-46140	SPRING	2	2	2	2				
4	2	198165-46150	PLUG, CHECK	2	2	2	2				
5	2	1A6780-46160	BOLT, M6X25	1	1	1	1				
6	2	1A6780-46170	BOLT, M6X55	2	2	2	2				
7	2	198165-46200	COVER, SPOOL	1	1	1	1				
8	2	198165-46210	GASKET	1	1	1	1				
9	2	198165-46220	ADAPTER	1	1	1	1				
10	2	198165-46310	SPRING	1	1	1	1				
11	2	198165-46320	HOLDER	1	1	1	1				
12	2	198165-46330	SPRING	1	1	1	1				
13	2	198165-46340	HOLDER, SPRING	1	1	1	1				
14	2	198165-46350	BOLT	1	1	1	1				
15	2	198165-46360	RING, 12.2	1	1	1	1				
16	2	198165-46370	DETENT	1	1	1	1				
17	2	198165-46410	SPRING	1	1	1	1				
18	2	198165-46420	STOPPER, RG	1	1	1	1				
19	2	198165-46450	BOLT	1	1	1	1				
20	2	172510-74410	SEAL, DUST	2	2	2	2				
21	2	172510-74440	RETAINER, SPRING	1	1	1	1				
22	2	172510-74450	RETAINER, SPRING	1	1	1	1				
23	2	22287-060000	WASHER 6	3	3	3	3				
24	2	24190-070001	BALL, STEEL 7/32	2	2	2	2				
25	2	24190-080001	BALL, STEEL 1/4	1	1	1	1				
26	2	24311-000140	O-RING, 1AP14.0	2	2	2	2				
27	2	24311-000140	O-RING, 1AP14.0	4	4	4	4				
28	2	24321-000500	O-RING, 1AG50.0	1	1	1	1				
29	1	26106-080402	BOLT, M8X 40 PLATED	2	2	2	2				

Fig.66. S.C.V. PIPING

(A)=EF227EH
(B)=EF230EH
(C)=EF233EH

(D)=EF235EH
(E)=
(F)=

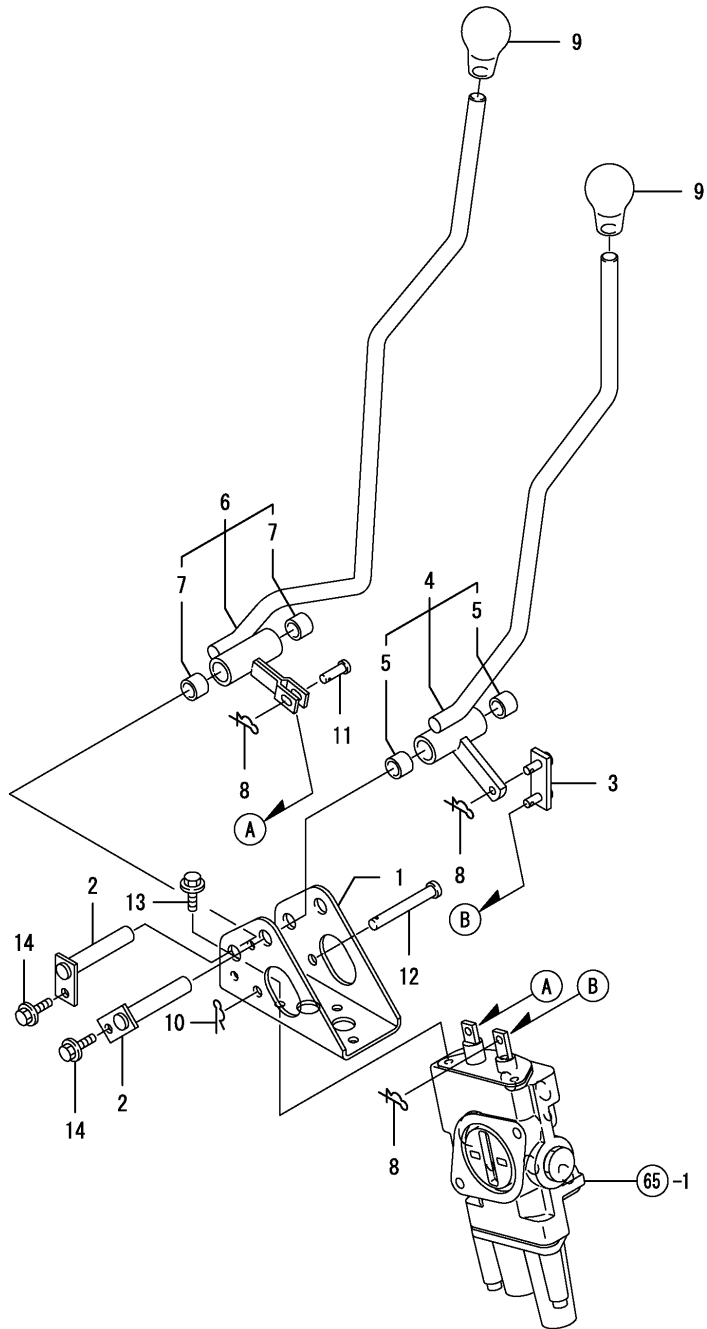


No.	Lev.	Parts No.	Description	Qty						I	R
				(A)	(B)	(C)	(D)	(E)	(F)		
1	1	194321-17870	BOLT 10, PIPE JOINT	4	4	4	4				
2	1	198280-46500	PIPE, SCV	1	1	1	1				
2-1	1	198280-46501	PIPE, SCV	1	1	1	1				N
		(A=*2009.03.) (B=*2009.03.) (C=*2009.03.) (D=*2009.03.)									
2-2	1	198280-46502	PIPE, SCV	1	1	1	1				N
		(A=*2010.05.) (B=*2010.05.) (C=*2010.05.) (D=*2010.05.)									
3	2	198223-46250	COUPLER, QUICK	6	6	6	6				
4	2	198223-46280	DUST PLUG	6	6	6	6				
4-1	2	1A7336-47590	PLUG, DUST BLACK	6	6	6	6				N
		(A=*2010.05.) (B=*2010.05.) (C=*2010.05.) (D=*2010.05.)									
5	2	198220-46500	CLAMP	1	1	1	1				
6	2	198280-46510	PIPE, PRESSURE A1	1	1	1	1				
7	2	198280-46560	PIPE, PRESSURE A2	1	1	1	1				
8	2	198280-46610	PIPE, PRESSURE B1	1	1	1	1				
8-1	2	198280-46611	LINE ASSY,SCV-B1	1	1	1	1				N
		(A=*2009.03.) (B=*2009.03.) (C=*2009.03.) (D=*2009.03.)									
9	2	198280-46660	PIPE, PRESSURE B2	1	1	1	1				
10	2	198280-46710	STAY	1	1	1	1				
11	2	198280-46750	STAY	1	1	1	1				
12	2	194850-49290	PACKING, 6-1	6	6	6	6				
13	2	22242-000220	RING, 22	6	6	6	6				
14	2	23000-035000	CLAMP, 35	1	1	1	1				
15	1	23414-160021	GASKET, 16X1.0	8	8	8	8				
16	1	26106-080122	BOLT, M8X 12 PLATED	4	4	4	4				

Fig.67. S.C.V. CONTROL

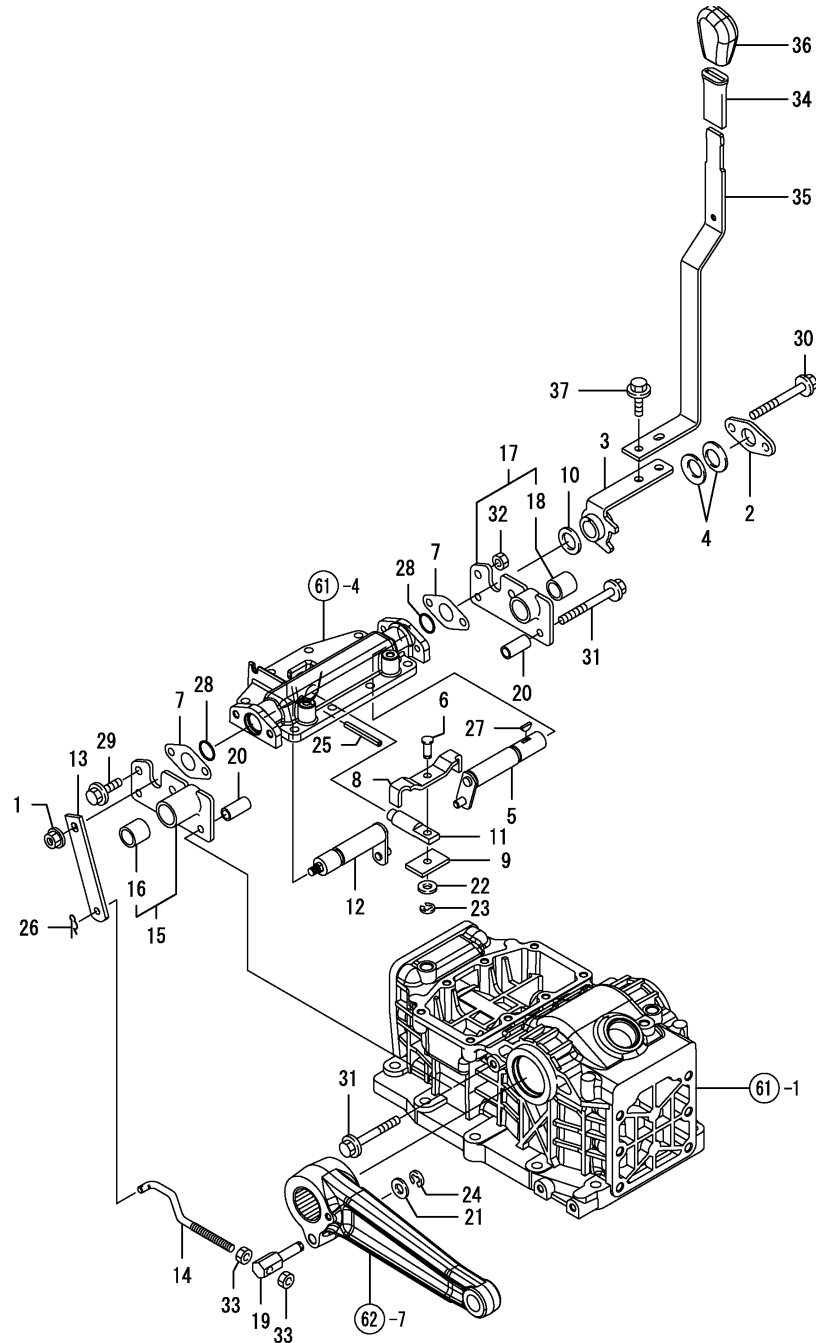
(A)=EF227EH
(B)=EF230EH
(C)=EF233EH

(D)=EF235EH
(E)=
(F)=



No.	Lev.	Parts No.	Description	Qty						I	R
				(A)	(B)	(C)	(D)	(E)	(F)		
1	1	198280-46810	BRACKET, SCV LEVER	1	1	1	1				
2	1	198280-46870	PIN ASSY, HINGE	2	2	2	2				
3	1	198133-46890	LINK, LEVER	1	1	1	1				
4	1	198280-46910	LEVER ASSY, SCV 1	1	1	1	1				
5	2	24550-012100	BUSH 12X10	2	2	2	2				
6	1	198280-46940	LEVER ASSY, SCV 2	1	1	1	1				
7	2	24550-012100	BUSH 12X10	2	2	2	2				
8	1	1C6281-52310	PIN, SNAP 6	3	3	3	3				
9	1	194990-85561	KNOB, HIGH/LOW	2	2	2	2				
10	1	22372-080000	PIN, SNAP 8	1	1	1	1				
11	1	22486-060160	PIN, H 6X 16	1	1	1	1				
12	1	22486-080600	PIN, H 8X 60	1	1	1	1				
13	1	26106-060122	BOLT, M6X 12 PLATED	3	3	3	3				
14	1	26106-060122	BOLT, M6X 12 PLATED	2	2	2	2				

Fig.68. HYDRAULIC CONTROL

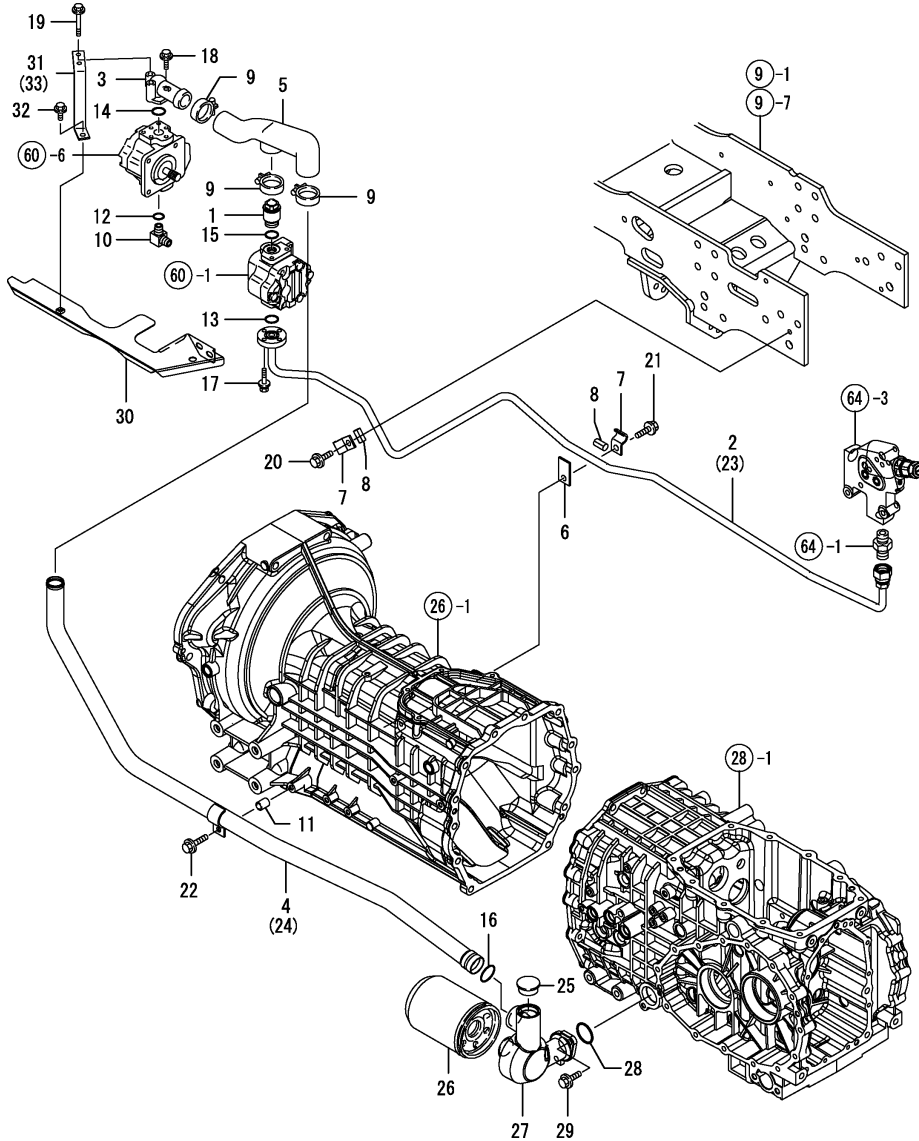


(A)=EF227EH
(B)=EF230EH
(C)=EF233EH

(D)=EF235EH
(E)=
(F)=

No.	Lev.	Parts No.	Description	Q'ty						I	R
				(A)	(B)	(C)	(D)	(E)	(F)		
1	1	194990-22050	NUT, M8	1	1	1	1				
2	1	194940-47210	PLATE	1	1	1	1				
3	1	198280-47210	ARM, LEVER	1	1	1	1				
3-1	1	198280-47710	ARM, P LEVER	1	1	1	1				N
		(A=FXXXXX) (B=FXXXXX) (C=FXXXXX) (D=FXXXXX)									
4	1	194940-47220	WASHER, 20	2	2	2	2				
5	1	198280-47310	SHAFT, P LEVER	1	1	1	1				
6	1	198431-47340	PIN, CONTROL	1	1	1	1				
7	1	194555-47350	PLATE, B	2	2	2	2				
8	1	198200-47411	LINK, CONTROL	1	1	1	1				
9	1	198280-47430	PLATE	1	1	1	1				
10	1	194170-47440	PLATE, FRICTION	1	1	1	1				
11	1	198200-47460	ROD, CONTROL	1	1	1	1				
12	1	198280-47500	SHAFT, FEEDBACK	1	1	1	1				
13	1	198200-47510	ARM, FEEDBACK	1	1	1	1				
14	1	198280-47540	ROD, FEEDBACK	1	1	1	1				
15	1	198280-47550	STAY ASSY, LINK L	1	1	1	1				
16	2	24550-020200	BUSH, 20X20	1	1	1	1				
17	1	198280-47580	STAY ASSY, LINK R	1	1	1	1				
18	2	24550-020200	BUSH, 20X20	1	1	1	1				
19	1	198200-47650	PIN, ADJUST	1	1	1	1				
20	1	1C6280-62240	COLLAR, 9.2X13.8X30	2	2	2	2				
21	1	22117-100000	WASHER, 10	1	1	1	1				
22	1	22137-080000	WASHER, 8	1	1	1	1				
23	1	22272-000060	RING, E- 6	1	1	1	1				
24	1	22272-000080	RING, E- 8	1	1	1	1				
25	1	22351-060050	PIN, SPRING 6.0X50	1	1	1	1				
26	1	22372-080000	PIN, SNAP 8	1	1	1	1				
27	1	22522-030130	KEY, WOODRUFF 3X13	1	1	1	1				
28	1	24311-000200	O-RING, 1AP20.0	2	2	2	2				
29	1	26106-080162	BOLT, M8X 16 PLATED	2	2	2	2				
30	1	26106-080502	BOLT, M8X 50 PLATED	2	2	2	2				
31	1	26106-080502	BOLT, M8X 50 PLATED	2	2	2	2				
32	1	26716-080002	NUT, M8	2	2	2	2				
33	1	26716-080002	NUT, M8	2	2	2	2				
34	1	198072-27880	BOOT, SHAFT	1	1	1	1				
35	1	198200-47110	LEVER, POSITION	1	1	1	1				
36	1	198200-47810	KNOB, BLACK	1	1	1	1				
37	1	26106-080162	BOLT, M8X 16 PLATED	2	2	2	2				

Fig.69. HYDRAULIC PIPING



(A)=EF227EH
(B)=EF230EH
(C)=EF233EH

(D)=EF235EH
(E)=
(F)=

No.	Lev.	Parts No.	Description	Qty						I	R
				(A)	(B)	(C)	(D)	(E)	(F)		
1	1	198010-41211	JOINT, M22	1	1	1	1				
2	1	198200-48110	PIPE, PRESSURE	1							
2-1	1	198200-48111	LINE ASSY,PRESSURE	1							N
(A=F110263)											
3	1	198220-48140	FLANGE, PIPE P	1	1	1	1				
4	1	198200-48160	PIPE, PRESSURE	1							
5	1	198072-48340	TUBE, PRESSURE	1	1	1	1				
6	1	198330-48410	CLAMP	1	1	1	1				Z 1
(A=F110112) (B=F110192) (C=*2006.03) (D=F110257)											
7	1	198200-48810	CLAMP, PIPE	2	2	2	2				
8	1	198240-48850	CLAMP, ABSORBER	2	2	2	2				
9	1	175022-49730	CRIP 31, HOSE	3	3	3	3				
10	1	1E6680-66470	ELBOW, 3/8	1	1	1	1				
11	1	198360-86840	COLLAR, 8.4X12X15	1	1	1	1				
12	1	24311-000140	O-RING, 1AP14.0	1	1	1	1				
13	1	24311-000200	O-RING, 1AP20.0	1	1	1	1				
14	1	24311-000200	O-RING, 1AP20.0	1	1	1	1				
15	1	24311-000200	O-RING, 1AP20.0	1	1	1	1				
16	1	24311-000260	O-RING, 1AP26.0	1	1	1	1				
17	1	26018-060252	BOLT, M6X 25	4	4	4	4				
18	1	26106-060202	BOLT, M6X 20 PLATED	1	1	1	1				
19	1	26106-060452	BOLT, M6X 45 PLATED	2	2	2	2				
20	1	26106-080162	BOLT, M8X 16 PLATED	1	1	1	1				
21	1	26106-080202	BOLT, M8X 20 PLATED	1	1	1	1				
22	1	26106-080302	BOLT, M8X 30 PLATED	1	1	1	1				
23	1	198208-48110	PIPE, PRESSURE	1	1	1	1				
23-1	1	198208-48111	LINE ASSY,PRESSURE	1	1	1	1				N
(B=F110390) (C=F110452) (D=F110671)											
24	1	198208-48160	PIPE, PRESSURE		1	1	1				
25	1	1A6660-24250	PLUG, BORE 32	1	1	1	1				
25-1	1	27260-320000	PLUG, 32	1	1	1	1				R
(A=*2010.03) (B=*2010.03) (C=*2010.03) (D=*2010.03)											
26	1	198119-48310	FILTER	1	1	1	1				
27	1	198200-48350	COVER, FILTER	1	1	1	1				
28	1	24311-000340	O-RING, 1AP34.0	1	1	1	1				
29	1	26106-080252	BOLT, M8X 25 PLATED	2	2	2	2				
30	1	198280-61910	PLATE, CURRENT	1	1	1	1				
31	1	198200-61930	BRACKET	1							
32	1	26106-060126	BOLT, M6X 12 PLATED	1	1	1	1				
33	1	198208-61930	BRACKET		1	1	1				

Remarks

(1)Repair parts is shown in Fig.127.

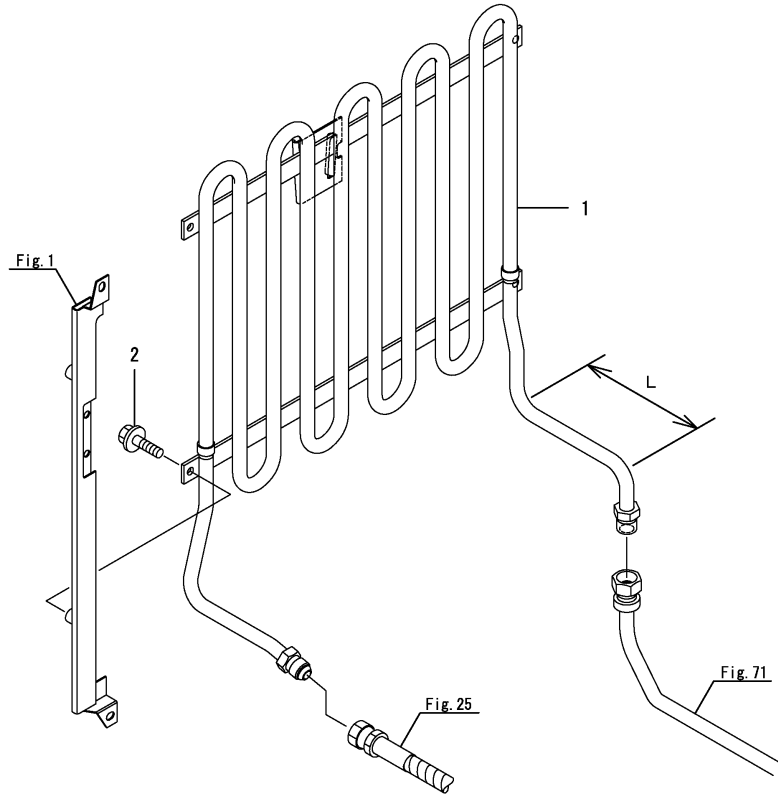
N:Old $\begin{matrix} \leftarrow \text{Yes} \\ \text{No} \rightarrow \end{matrix}$ New, Q:Old $\begin{matrix} \leftarrow \text{No} \\ \text{Yes} \rightarrow \end{matrix}$ New, R:Old $\begin{matrix} \leftarrow \text{Yes} \\ \text{Yes} \rightarrow \end{matrix}$ New, S:Old $\begin{matrix} \leftarrow \text{No} \\ \text{No} \rightarrow \end{matrix}$ New, W:Add, Z:Discontinued, F:Interchangeable by set, K:Qty Change

Fig.70. OIL COOLER

(A)=EF227EH
(B)=EF230EH
(C)=EF233EH

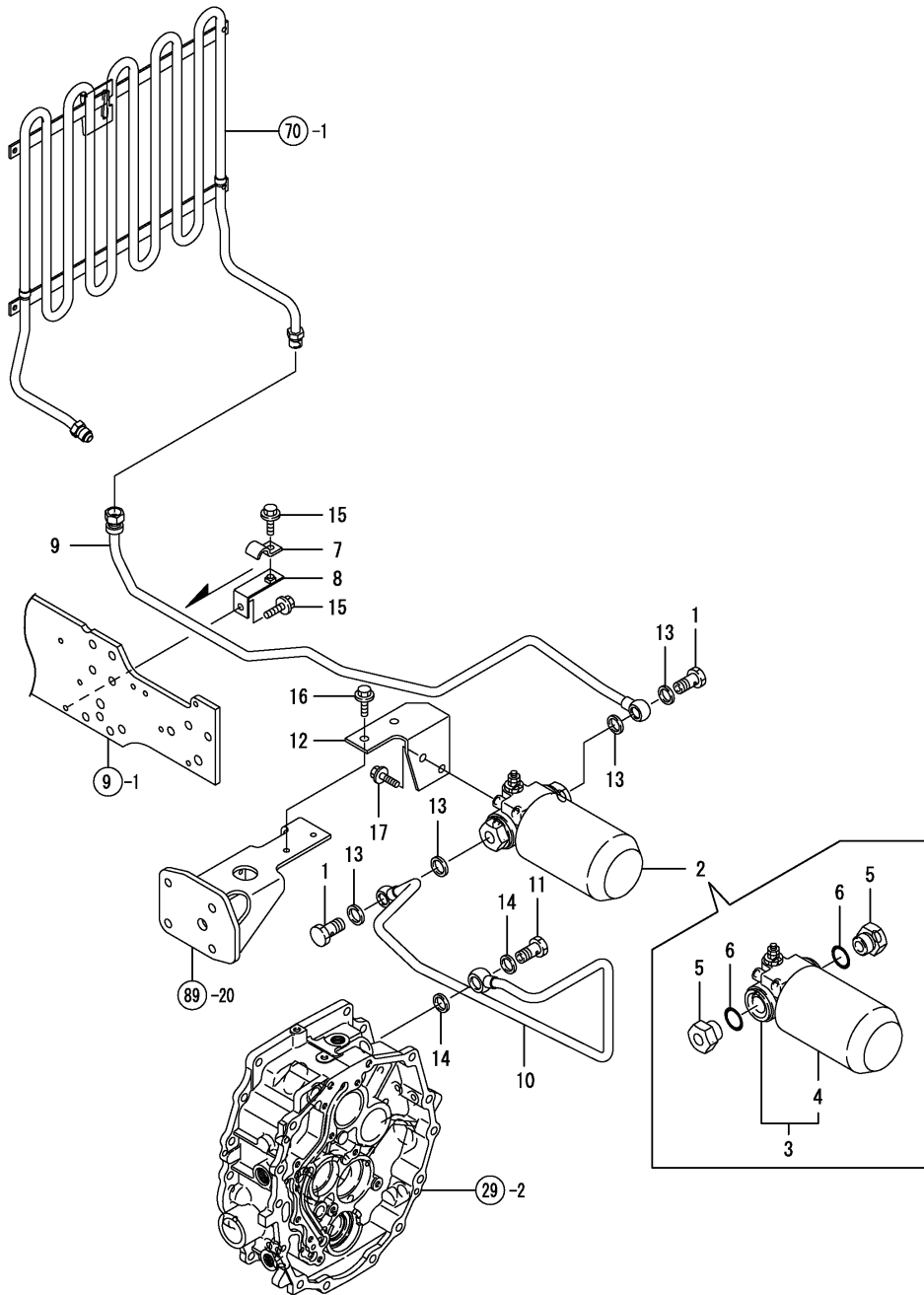
(D)=EF235EH
(E)=
(F)=

No.	Lev.	Parts No.	Description	Qty						I	R
				(A)	(B)	(C)	(D)	(E)	(F)		
1	1	198280-49100	COOLER ASSY, OIL	1	1	1	1				
1-1	1	198280-49101	COOLER ASSY, OIL	1	1	1	1			S	1
		(A=FXXXXX) (B=FXXXXX) (C=FXXXXX) (D=FXXXXX)									
2	1	26106-060122	BOLT, M6X 12 PLATED	4	4	4	4				



Remarks
(1)L=Ref.No.1 130M/M,1-1 131.5M/M.
Spare parts refer to Fig.124.

Fig.71. H.S.T. PIPING

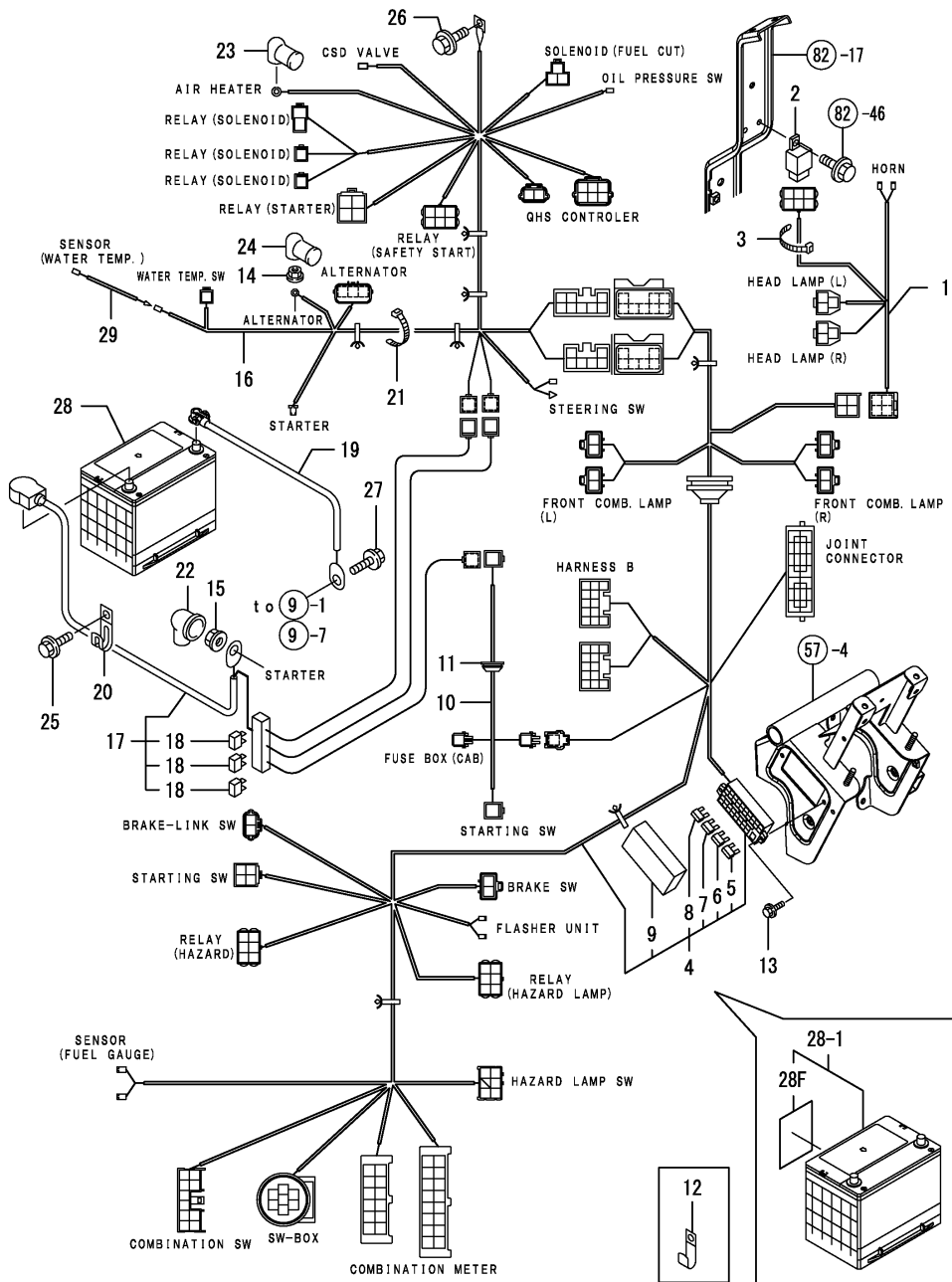


(A)=EF227EH
(B)=EF230EH
(C)=EF233EH

(D)=EF235EH
(E)=
(F)=

No.	Lev.	Parts No.	Description	Qty						I	R
				(A)	(B)	(C)	(D)	(E)	(F)		
1	1	194321-17870	BOLT 10, PIPE JOINT	2	2	2	2				
2	1	198280-48300	FILTER ASSY	1	1	1	1				
3	2	198129-29300	FILTER ASSY, OIL	1	1	1	1				
4	3	198129-29310	FILTER, 10	1	1	1	1				
5	2	198280-48950	PLUG, JOINT G3/4	2	2	2	2				
6	2	24311-000240	O-RING, 1AP24.0	2	2	2	2				
7	1	198071-48390	CLAMP, 12M	1	1	1	1				
8	1	198280-48410	PLATE, CLAMP	1	1	1	1				
9	1	198280-48610	PIPE ASSY, FILTER	1	1	1	1				
10	1	198280-48650	PIPE ASSY, CHARGE	1	1	1	1				
11	1	198220-48750	BOLT ASSY, JOINT	1	1	1	1				
12	1	198280-48960	BRACKET, FILTER	1	1	1	1				
13	1	23414-160021	GASKET, 16X1.0	4	4	4	4				
14	1	23414-180023	GASKET, 18X1.0	2	2	2	2				
15	1	26106-080162	BOLT, M8X 16 PLATED	2	2	2	2				
16	1	26106-100162	BOLT, M10X 16 PLATED	2	2	2	2				
17	1	26106-100202	BOLT, M10X 20 PLATED	2	2	2	2				

Fig.72. WIRE HARNESS(FLOOR)

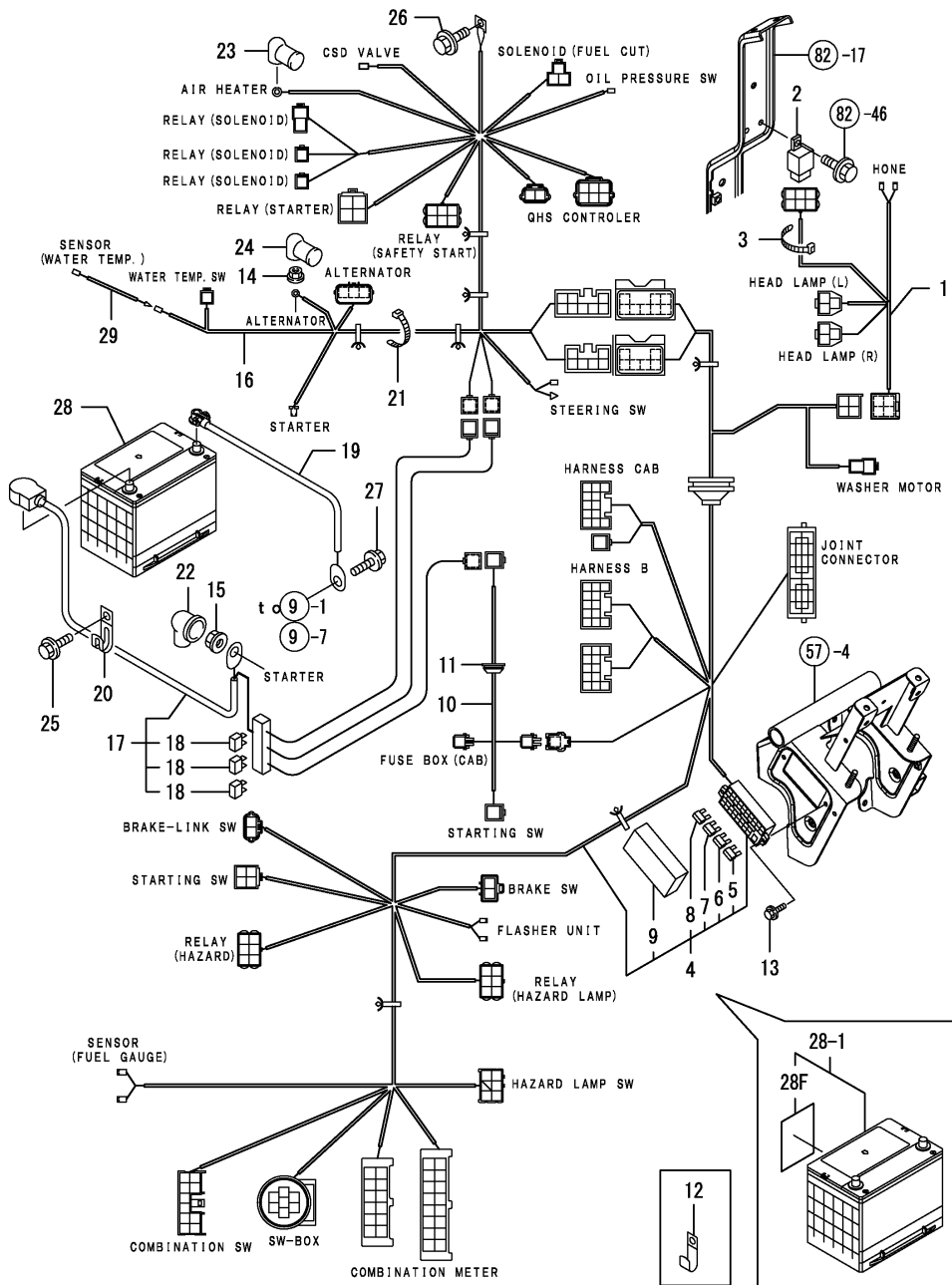


(A)=EF227EH
(B)=EF230EH
(C)=EF233EH

(D)=EF235EH
(E)=
(F)=

No.	Lev.	Parts No.	Description	Q'ty						I	R
				(A)	(B)	(C)	(D)	(E)	(F)		
1	1	198280-51170	HARNESS, WIRE	1	1	1	1				
2	1	198461-52950	RELAY, CA TYPE C	1	1	1	1				
3	1	29622-250001	BAND, RF250	1	1	1	1				
4	1	198280-51150	HARNESS ASSY, WIRE F	1	1	1	1				
5	2	198535-52110	FUSE, 5A	3	3	3	3				
6	2	198535-52120	FUSE, 10A	5	5	5	5				
7	2	198535-52130	FUSE, 15A	2	2	2	2				
8	2	198535-52140	FUSE, 20A	3	3	3	3				
9	2	198200-52520	COVER, FUSE BOX	1	1	1	1				
10	1	198280-51200	CABLE, STARTER	1	1	1	1				
11	1	194170-51210	GROMMET 25	1	1	1	1				
12	1	194242-51660	CLAMP, WIRE HARNESS	1	1	1	1				
13	1	26106-060122	BOLT, M6X 12 PLATED	2	2	2	2				
14	1	194990-22130	NUT, M6	1	1	1	1				
15	1	194990-22140	NUT, M8	1	1	1	1				
16	1	198280-51110	WIRING HARNESS, A	1	1	1	1				
17	1	198280-51410	CABLE, BATTERY	1	1	1	1				
18	2	1A7000-52820	FUSE, SLOW BLOW 60A	3	3	3	3				
19	1	194250-51420	CABLE, BATTERY EARTH	1	1	1	1				
20	1	194440-51620	CLAMP		1	1	1				
21	1	198220-51870	BAND, NYLON 200	1							
22	1	124550-77030	COVER, TERMINAL	1	1	1	1				
23	1	124756-77040	COVER, TERMINAL	1	1	1	1				
24	1	124756-77040	COVER, TERMINAL	1	1	1	1				
25	1	26106-080122	BOLT, M8X 12 PLATED		1	1	1				
26	1	26106-080122	BOLT, M8X 12 PLATED	1	1	1	1				
27	1	26106-080162	BOLT, M8X 16 PLATED	1	1	1	1				
28	1	198280-51540	BATTERY,	1	1	1	1				
28-1	1	198280-51900	BATTERY KIT, 80D26R	1	1	1	1				N
		(A=*2009.03.)	(B=*2009.03.)	(C=*2009.03.)	(D=*2009.03.)						
28F	2	1A7550-91900	LABEL,CROSSED OUT PB	1	1	1	1				W
		(A=*2009.03.)	(B=*2009.03.)	(C=*2009.03.)	(D=*2009.03.)						
29	1	198200-51510	CORD, WATER TEMP	1							

Fig.73. WIRE HARNESS(FLOOR(CABIN))



(A)=EF227EH
(B)=EF230EH
(C)=EF233EH

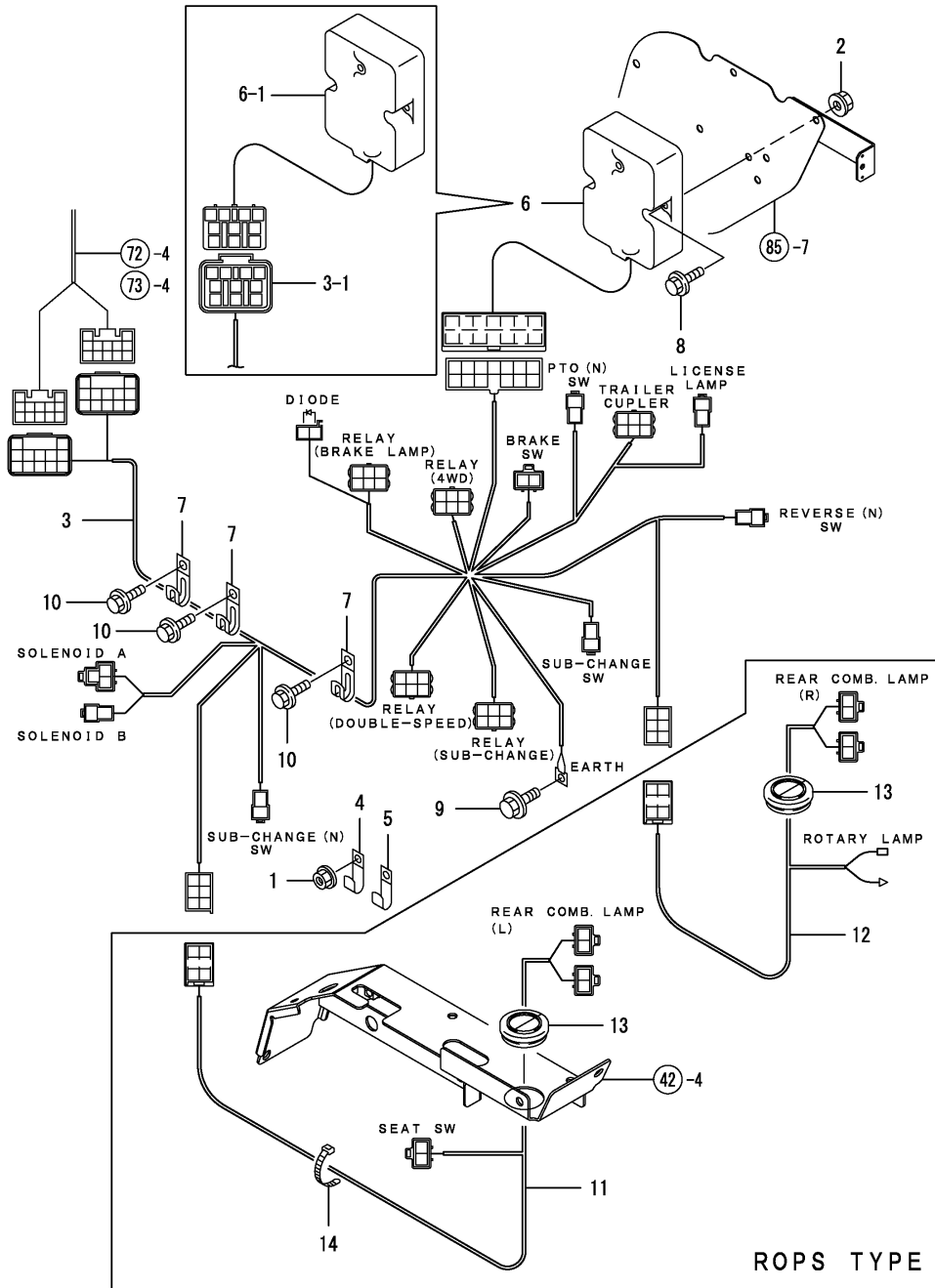
(D)=EF235EH
(E)=
(F)=

No.	Lev.	Parts No.	Description	Q'ty						I	R
				(A)	(B)	(C)	(D)	(E)	(F)		
1	1	198280-51170	HARNESS, WIRE	1	1	1	1				
2	1	198461-52950	RELAY, CA TYPE C	1	1	1	1				
3	1	29622-250001	BAND, RF250	1	1	1	1				
4	1	198287-51150	WIRING HARNESS, F	1	1	1	1				
5	2	198535-52110	FUSE, 5A	5	5	5	5				
6	2	198535-52120	FUSE, 10A	6	6	6	6				
7	2	198535-52130	FUSE, 15A	4	4	4	4				
8	2	198535-52140	FUSE, 20A	3	3	3	3				
9	2	198200-52520	COVER, FUSE BOX	1	1	1	1				
10	1	198280-51200	CABLE, STARTER	1	1	1	1				
11	1	194170-51210	GROMMET 25	1	1	1	1				
12	1	194242-51660	CLAMP, WIRE HARNESS	1	1	1	1				
13	1	26106-060122	BOLT, M6X 12 PLATED	2	2	2	2				
14	1	194990-22130	NUT, M6	1	1	1	1				
15	1	194990-22140	NUT, M8	1	1	1	1				
16	1	198280-51110	WIRING HARNESS, A	1	1	1	1				
17	1	198280-51410	CABLE, BATTERY	1	1	1	1				
18	2	1A7000-52820	FUSE, SLOW BLOW 60A	3	3	3	3				
19	1	194250-51420	CABLE, BATTERY EARTH	1	1	1	1				
20	1	194440-51620	CLAMP		1	1	1				
21	1	198220-51870	BAND, NYLON 200	1	1	1	1				
22	1	124550-77030	COVER, TERMINAL	1	1	1	1				
23	1	124756-77040	COVER, TERMINAL	1	1	1	1				
24	1	124756-77040	COVER, TERMINAL	1	1	1	1				
25	1	26106-080122	BOLT, M8X 12 PLATED		1	1	1				
26	1	26106-080122	BOLT, M8X 12 PLATED	1	1	1	1				
27	1	26106-080162	BOLT, M8X 16 PLATED	1	1	1	1				
28	1	198280-51540	BATTERY,	1	1	1	1				
28-1	1	198280-51900	BATTERY KIT, 80D26R	1	1	1	1				N
		(A=*2009.03.)	(B=*2009.03.)	(C=*2009.03.)	(D=*2009.03.)						
28F	2	1A7550-91900	LABEL,CROSSED OUT PB	1	1	1	1				W
		(A=*2009.03.)	(B=*2009.03.)	(C=*2009.03.)	(D=*2009.03.)						
29	1	198200-51510	CORD, WATER TEMP	1							

Fig.74. WIRE HARNESS(TRANSMISSION)

(A)=EF227EH
(B)=EF230EH
(C)=EF233EH

(D)=EF235EH
(E)=
(F)=

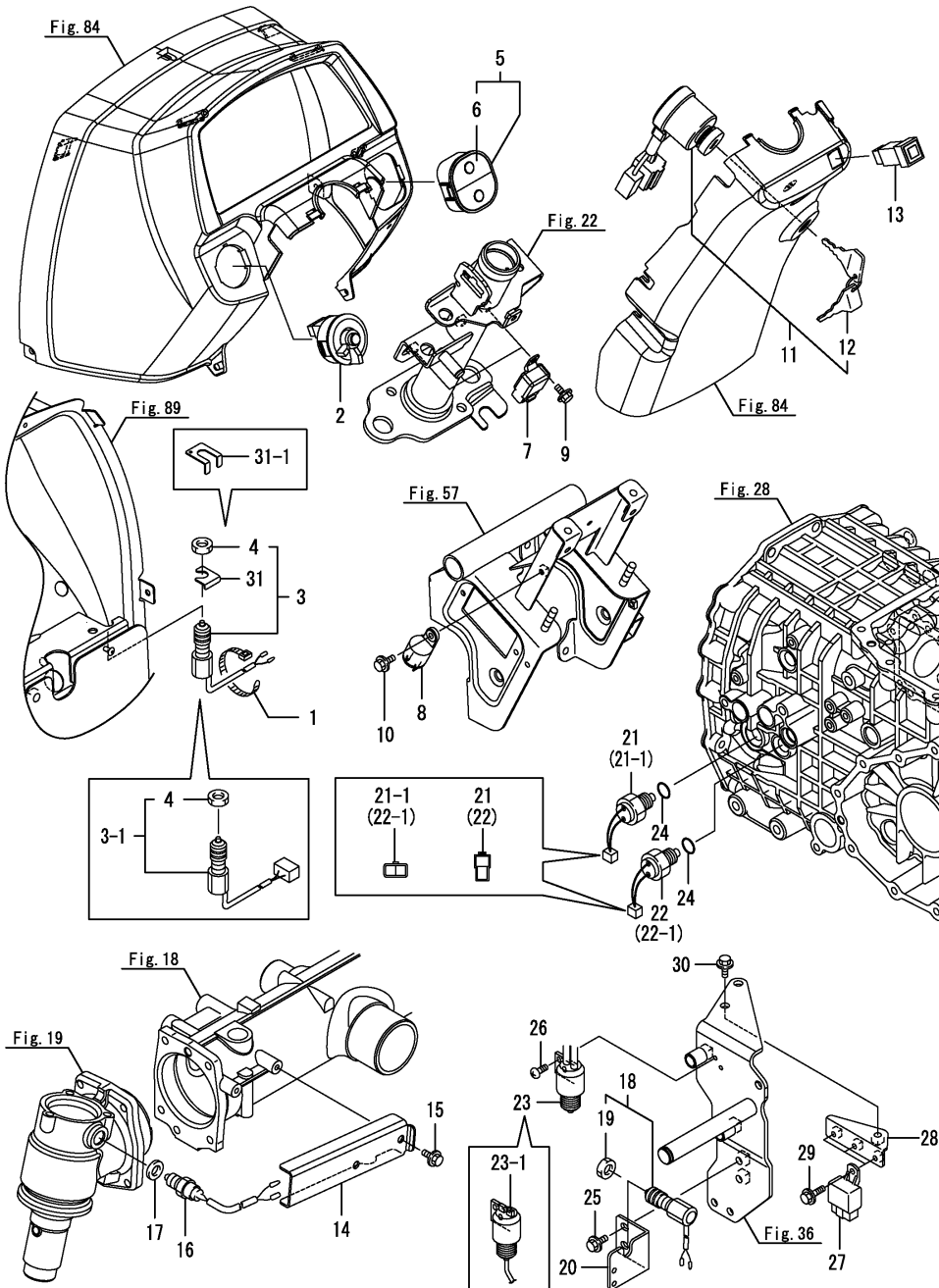


No.	Lev.	Parts No.	Description	Qty						I	R
				(A)	(B)	(C)	(D)	(E)	(F)		
1	1	194990-22130	NUT, M6	1	1	1	1				
2	1	194990-22130	NUT, M6	2	2	2	2				
3	1	198280-51130	HARNESS, WIRE	1	1	1	1				S
3-1	1	198280-51131	HARNESS, WIRE (A=*2005.10.) (B=*2005.10.) (C=*2005.10.) (D=*2005.10.)	1	1	1	1				
4	1	194440-51630	CLAMP, HARNESS	1	1	1	1				
5	1	194180-51640	CLAMP, HARNESS	2	2	2	2				
6	1	198165-52600	CONTROLLER, CHAIN	1	1	1	1				
6-1	1	198280-52600	CONTROLLER, CHAIN	1	1	1	1				S
7	1	1E6102-83230	CLAMP, CABLE (A=*2005.10.) (B=*2005.10.) (C=*2005.10.) (D=*2005.10.)	3	3	3	3				
8	1	26106-060202	BOLT, M6X 20 PLATED	2	2	2	2				
9	1	26106-080122	BOLT, M8X 12 PLATED	1	1	1	1				
10	1	26106-080122	BOLT, M8X 12 PLATED	3	3	3	3				
11	1	198280-51180	HARNESS, WIRE	1	1	1	1				
12	1	198280-51190	HARNESS, WIRE	1	1	1	1				
13	1	198133-51350	GROMMET, 38A	2	2	2	2				
14	1	29622-250001	BAND, RF250	1	1	1	1				

Fig.75. SWITCHES

(A)=EF227EH
(B)=EF230EH
(C)=EF233EH

(D)=EF235EH
(E)=
(F)=

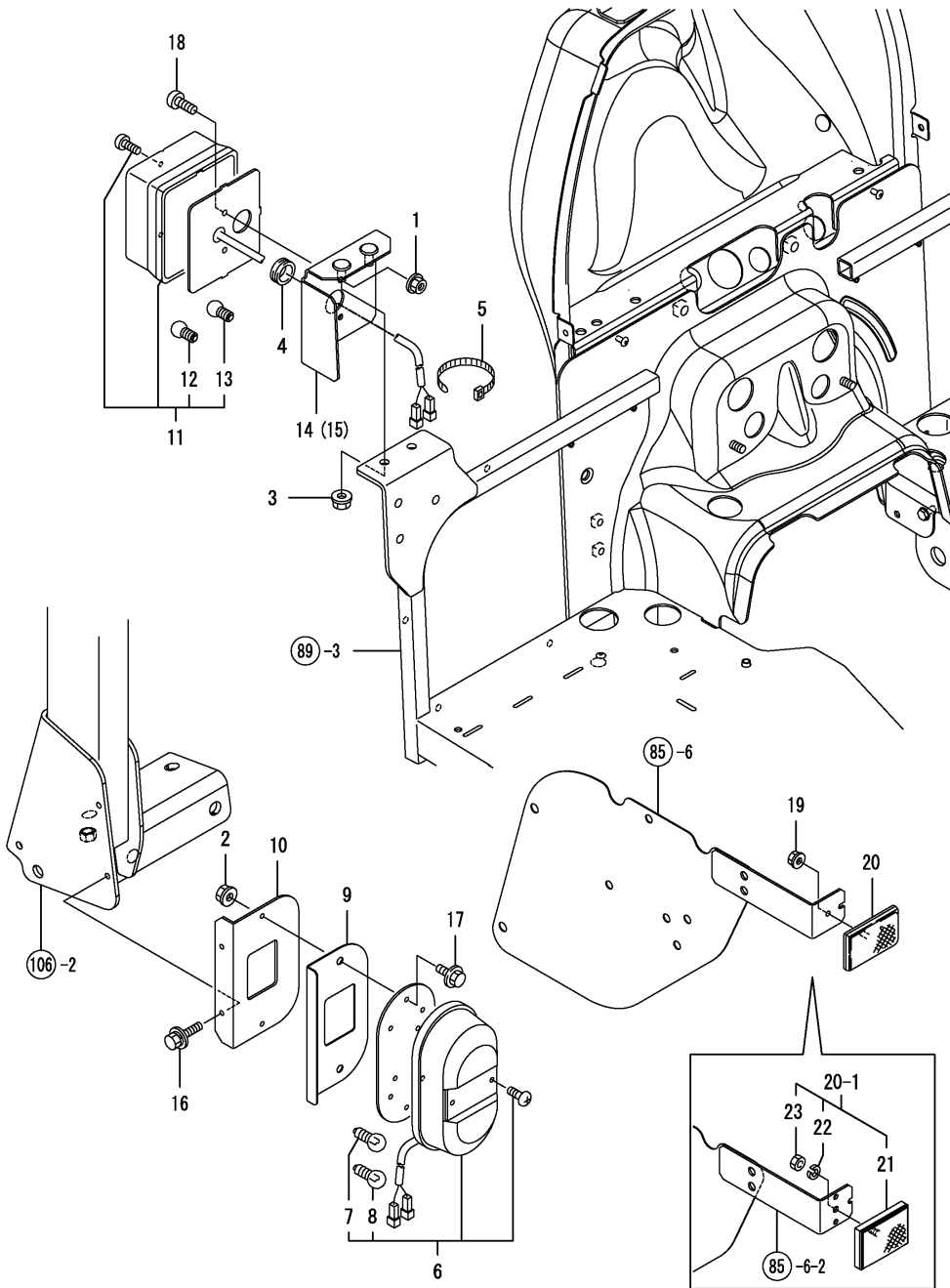


No.	Lev.	Parts No.	Description	Qty						I	R
				(A)	(B)	(C)	(D)	(E)	(F)		
1	1	194242-51660	CLAMP, WIRE HARNESS	1	1	1	1				
2	1	198200-52140	SWITCH, COMBINATION	1	1	1	1				
3	1	198223-52150	SWITCH, STOP LAMP	1	1	1	1				
3-1	1	198280-52130	SWITCH ASSY, LAMP	1	1	1	1				S
		(A=*2005.10.) (B=*2005.10.) (C=*2005.10.) (D=*2005.10.)									
4	2	26776-120002	NUT, LOCK M12	1	1	1	1				
5	1	198280-52200	BOX, SWITCH 2SW	1	1	1	1				
6	2	198280-52210	LABEL,	1	1	1	1				
7	1	198461-52950	RELAY, CA TYPE C	2	2	2	2				
8	1	198327-57200	RELAY, FLASHER	1	1	1	1				
9	1	26106-060122	BOLT, M6X 12 PLATED	2	2	2	2				
10	1	26106-060162	BOLT, M6X 16 PLATED	1	1	1	1				
11	1	194940-52110	SWITCH, STARTING	1	1	1	1				
12	2	198360-52160	KEY ASSY	1	1	1	1				
13	1	1A7335-52120	SWITCH, HAZARD	1	1	1	1				
14	1	198200-19130	COVER, SWITCH	1	1	1	1				
15	1	26106-080122	BOLT, M8X 12 PLATED	2	2	2	2				
16	1	198071-52190	SWITCH, HIGH GRIP	1	1	1	1				
17	1	23414-180000	GASKET, 18X1.0	1	1	1	1				
18	1	198223-52150	SWITCH, STOP LAMP	1	1	1	1				
19	2	26776-120002	NUT, LOCK M12	1	1	1	1				
20	1	198280-52160	STAY, BRAKE SWITCH	1	1	1	1				
21	1	194464-52190	SWITCH, SAFETY START	1	1	1	1				
21-1	1	198269-52190	SWITCH, SAFETY	1	1	1	1				S
		(A=*2005.10.) (B=*2005.10.) (C=*2005.10.) (D=*2005.10.)									
22	1	194464-52190	SWITCH, SAFETY START	1	1	1	1				
22-1	1	198269-52190	SWITCH, SAFETY	1	1	1	1				S
		(A=*2005.10.) (B=*2005.10.) (C=*2005.10.) (D=*2005.10.)									
23	1	194940-52300	SWITCH, BUZZER	1	1	1	1				
23-1	1	1E8770-81320	SWITCH, PUSH R	1	1	1	1				S
		(A=*2005.10.) (B=*2005.10.) (C=*2005.10.) (D=*2005.10.)									
24	1	24311-000180	O-RING, 1AP18.0	2	2	2	2				
25	1	26106-080162	BOLT, M8X 16 PLATED	2	2	2	2				
26	1	26557-050102	SCREW, M5X10	2	2	2	2				
27	1	198461-52950	RELAY, CA TYPE C	4	4	4	4				
28	1	198280-58100	STAY, RELAY	1	1	1	1				
29	1	26106-060122	BOLT, M6X 12 PLATED	3	3	3	3				
30	1	26106-080162	BOLT, M8X 16 PLATED	1	1	1	1				
31	1	198280-52090	STAY, BRAKE SWITCH	1	1	1	1				W
		(A=FXXXXX) (B=FXXXXX) (C=FXXXXX) (D=FXXXXX)									
31-1	1	198280-52091	STAY, BRAKE SWITCH	1	1	1	1				N
		(A=FXXXXX) (B=FXXXXX) (C=FXXXXX) (D=FXXXXX)									

Fig.76. LAMPS

(A)=EF227EH
(B)=EF230EH
(C)=EF233EH

(D)=EF235EH
(E)=
(F)=

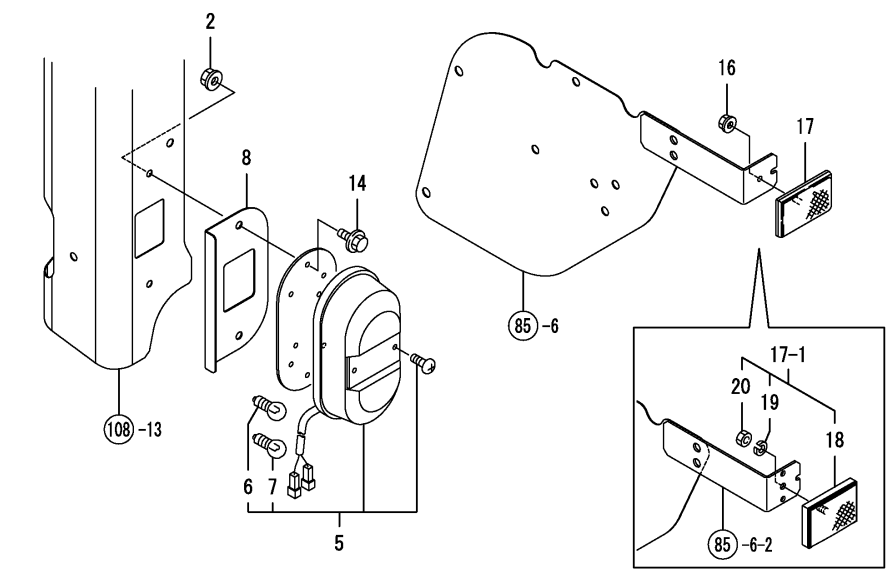
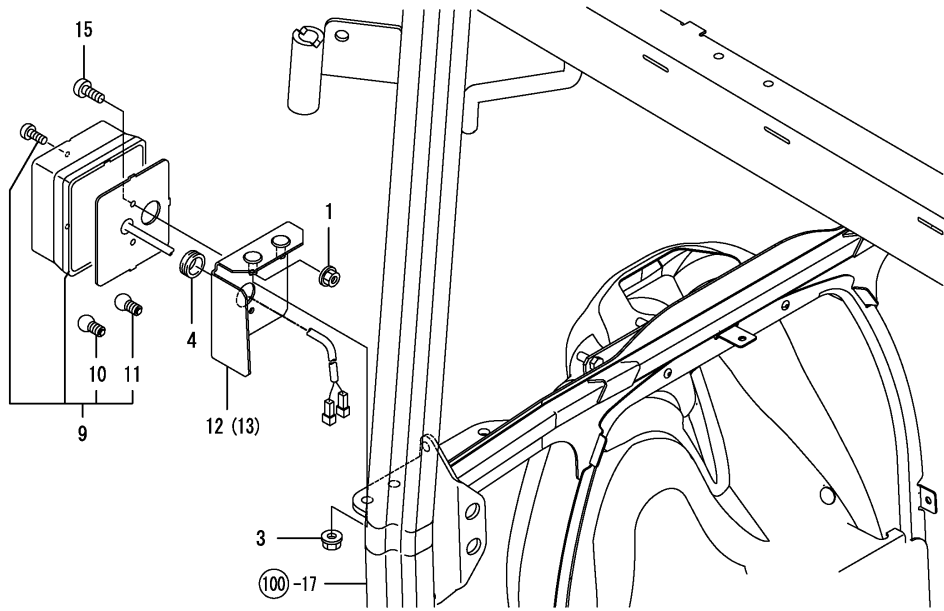


No.	Lev.	Parts No.	Description	Qty						I	R
				(A)	(B)	(C)	(D)	(E)	(F)		
1	1	194990-22120	NUT, M5	4	4	4	4				
2	1	194990-22130	NUT, M6	4	4	4	4				
3	1	194990-22140	NUT, M8	4	4	4	4				
4	1	198448-33390	GROMMET, CABLE	2	2	2	2				
5	1	194680-51670	BAND, CLIP	6	6	6	6				
6	1	198280-53300	LAMP ASSY	2	2	2	2				
7	2	1A7100-53220	BULB, 12VP21W	2	2	2	2				
8	2	198280-53330	BULB, 12VP21/5W	2	2	2	2				
9	1	198280-53350	PLATE, REAR LAMP	2	2	2	2				
10	1	198280-53360	STAY, REAR LAMP	2	2	2	2				
11	1	198280-53400	LAMP ASSY	2	2	2	2				
12	2	1A7100-53220	BULB, 12VP21W	2	2	2	2				
13	2	1A7100-53230	BULB, 12VR5W	2	2	2	2				
14	1	198280-53510	BRACKET	1	1	1	1				
15	1	198280-53520	BRACKET	1	1	1	1				
16	1	198461-60590	BOLT, M6X20	4	4	4	4				
17	1	26106-060162	BOLT, M6X 16 PLATED	4	4	4	4				
18	1	26557-050122	SCREW, M5X12	4	4	4	4				
19	1	194990-22120	NUT, M5	2	2	2	2				Z
		(A=FZZZZZ) (B=FZZZZZ) (C=FZZZZZ) (D=FZZZZZ)									
20	1	198280-62250	REFLECTOR	2	2	2	2				
20-1	1	198280-62260	REFLECTOR ASSY	2	2	2	2				S
		(A=FZZZZZ) (B=FZZZZZ) (C=FZZZZZ) (D=FZZZZZ)									
21	2	198280-62270	REFLECTOR	1	1	1	1				W
		(A=FZZZZZ) (B=FZZZZZ) (C=FZZZZZ) (D=FZZZZZ)									
22	2	22217-060000	WASHER, SPRING 6	1	1	1	1				W
		(A=FZZZZZ) (B=FZZZZZ) (C=FZZZZZ) (D=FZZZZZ)									
23	2	26716-060002	NUT, M6	1	1	1	1				W
		(A=FZZZZZ) (B=FZZZZZ) (C=FZZZZZ) (D=FZZZZZ)									

Fig.77. LAMP(CABIN)

(A)=EF227EH
(B)=EF230EH
(C)=EF233EH

(D)=EF235EH
(E)=
(F)=

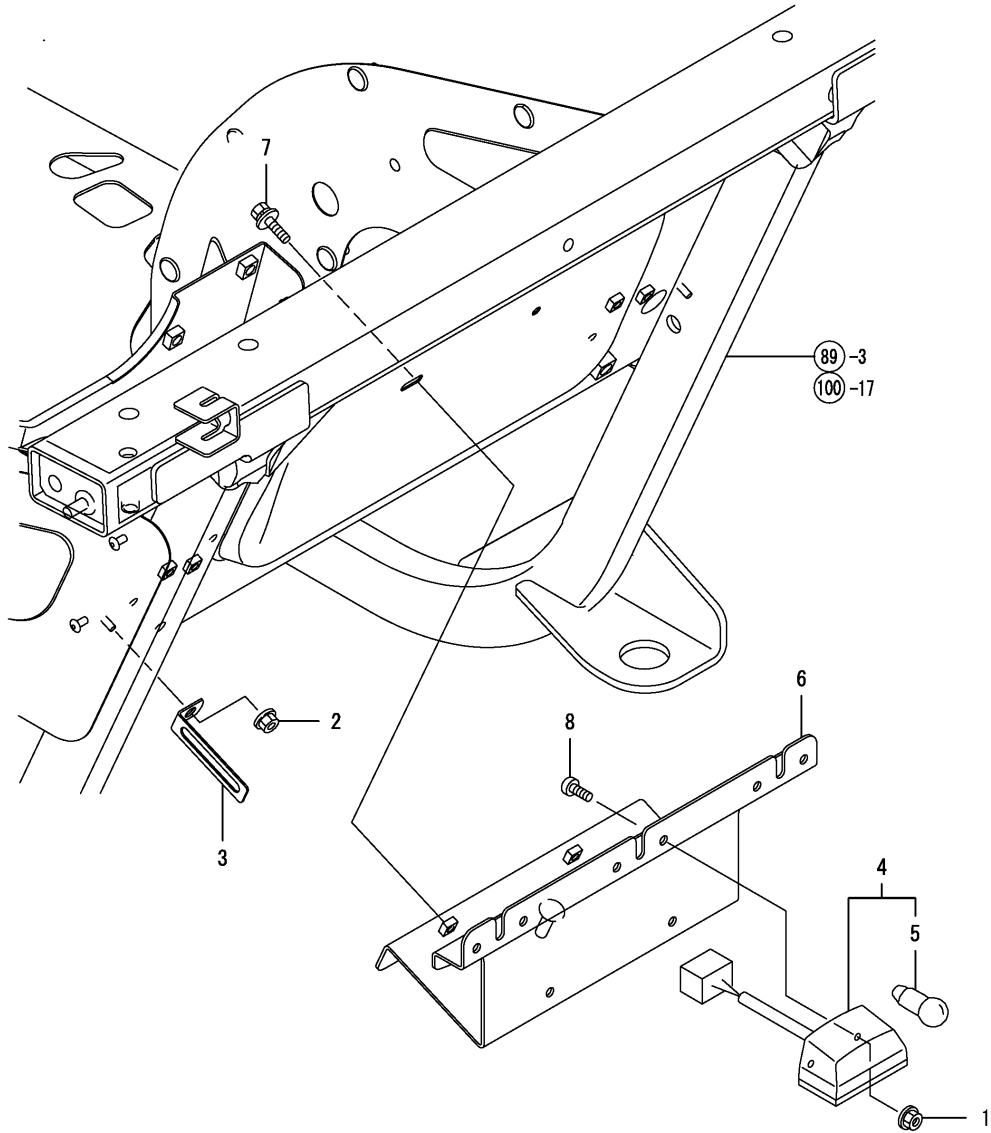


No.	Lev.	Parts No.	Description	Q'ty						I	R
				(A)	(B)	(C)	(D)	(E)	(F)		
1	1	194990-22120	NUT, M5	4	4	4	4				
2	1	194990-22130	NUT, M6	4	4	4	4				
3	1	194990-22140	NUT, M8	4	4	4	4				
4	1	198448-33390	GROMMET, CABLE	2	2	2	2				
5	1	198280-53300	LAMP ASSY	2	2	2	2				
6	2	1A7100-53220	BULB, 12VP21W	2	2	2	2				
7	2	198280-53330	BULB, 12VP21/5W	2	2	2	2				
8	1	198280-53350	PLATE, REAR LAMP	2	2	2	2				
9	1	198280-53400	LAMP ASSY	2	2	2	2				
10	2	1A7100-53220	BULB, 12VP21W	2	2	2	2				
11	2	1A7100-53230	BULB, 12VR5W	2	2	2	2				
12	1	198280-53510	BRACKET	1	1	1	1				
13	1	198280-53520	BRACKET	1	1	1	1				
14	1	26106-060162	BOLT, M6X 16 PLATED	4	4	4	4				
15	1	26557-050122	SCREW, M5X12	4	4	4	4				
16	1	194990-22120	NUT, M5	2	2	2	2				Z
		(A=FZZZZZ) (B=FZZZZZ) (C=FZZZZZ) (D=FZZZZZ)									
17	1	198280-62250	REFLECTOR	2	2	2	2				
17-1	1	198280-62260	REFLECTOR ASSY	2	2	2	2				S
		(A=FZZZZZ) (B=FZZZZZ) (C=FZZZZZ) (D=FZZZZZ)									
18	2	198280-62270	REFLECTOR	1	1	1	1				W
		(A=FZZZZZ) (B=FZZZZZ) (C=FZZZZZ) (D=FZZZZZ)									
19	2	22217-060000	WASHER, SPRING 6	1	1	1	1				W
		(A=FZZZZZ) (B=FZZZZZ) (C=FZZZZZ) (D=FZZZZZ)									
20	2	26716-060002	NUT, M6	1	1	1	1				W
		(A=FZZZZZ) (B=FZZZZZ) (C=FZZZZZ) (D=FZZZZZ)									

Fig.78. LICENCE

(A)=EF227EH
(B)=EF230EH
(C)=EF233EH

(D)=EF235EH
(E)=
(F)=



No.	Lev.	Parts No.	Description	Q'ty						I	R
				(A)	(B)	(C)	(D)	(E)	(F)		
1	1	194990-22120	NUT, M5	2	2	2	2				
2	1	194990-22130	NUT, M6	1	1	1	1				
3	1	194440-51630	CLAMP, HARNESS	1	1	1	1				
4	1	1A7100-53400	LAMP ASSY, LICENSE	1	1	1	1				
5	2	1A7100-53420	BULB, 12VC5W	1	1	1	1				
6	1	198280-53710	BRACKET ASSY, PLATE	1	1	1	1				
7	1	198093-85650	BOLT, M6X16	2	2	2	2				
8	1	26557-050162	SCREW, M5X16	2	2	2	2				

Fig.79. METER

(A)=EF227EH
(B)=EF230EH
(C)=EF233EH

(D)=EF235EH
(E)=
(F)=

No.	Lev.	Parts No.	Description	Q'ty						I	R
				(A)	(B)	(C)	(D)	(E)	(F)		
1	1	198280-56010	METER ASSY,	1	1	1	1				
1-1	1	198280-56011	METER ASSY,	1	1	1	1				N
		(A=*2005.04.) (B=*2005.04.) (C=*2005.04.) (D=*2005.04.)									
1-2	1	198280-56012	METER ASSY	1	1	1	1				N
		(A=*2008.05.) (B=*2008.05.) (C=*2008.05.) (D=*2008.05.)									
1-3	1	198280-56013	METER ASSY	1	1	1	1				R
		(A=*2008.11.) (B=*2008.11.) (C=*2008.11.) (D=*2008.11.)									
5	2	1C6920-36260	LAMP ASSY, SOCKET	1	1	1	1				
6	2	198200-56050	BULB, 14V-1.7W	9	9	9	9				
7	2	198448-56150	BULB, 14V-1.4W	5	5	5	5				
8	2	198200-56060	GLASS	1	1	1	1				
11	1	194940-61790	SCREW, TAPPING M5X16	4	4	4	4				

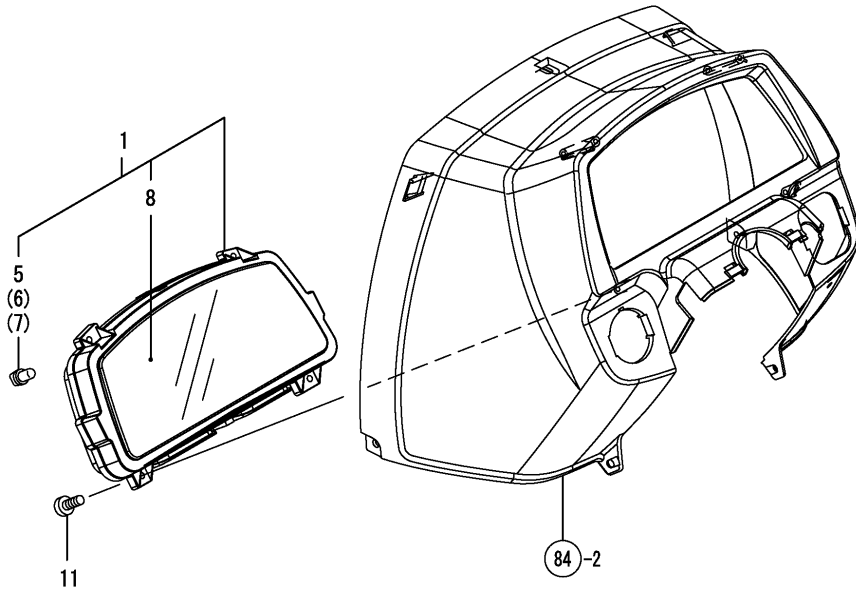
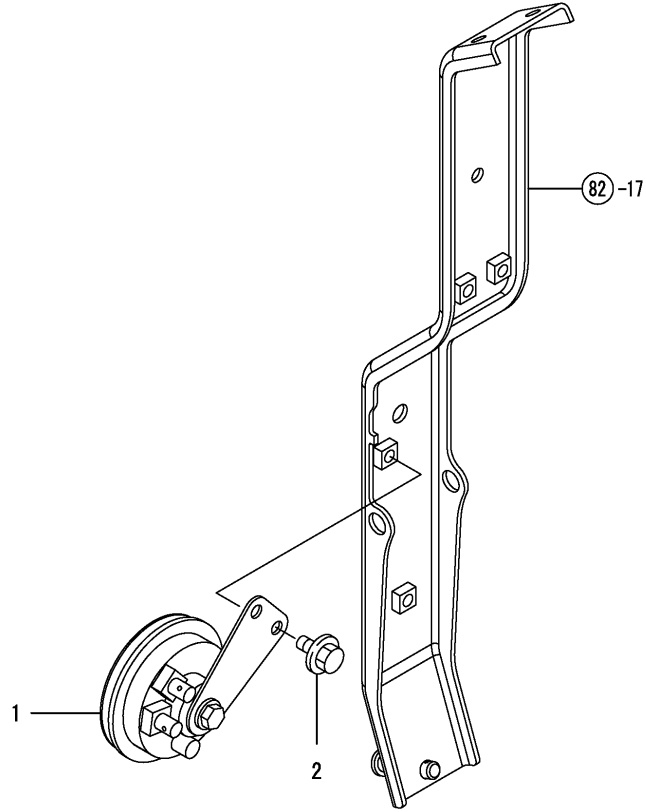


Fig.80. HORN

(A)=EF227EH
 (B)=EF230EH
 (C)=EF233EH

(D)=EF235EH
 (E)=
 (F)=

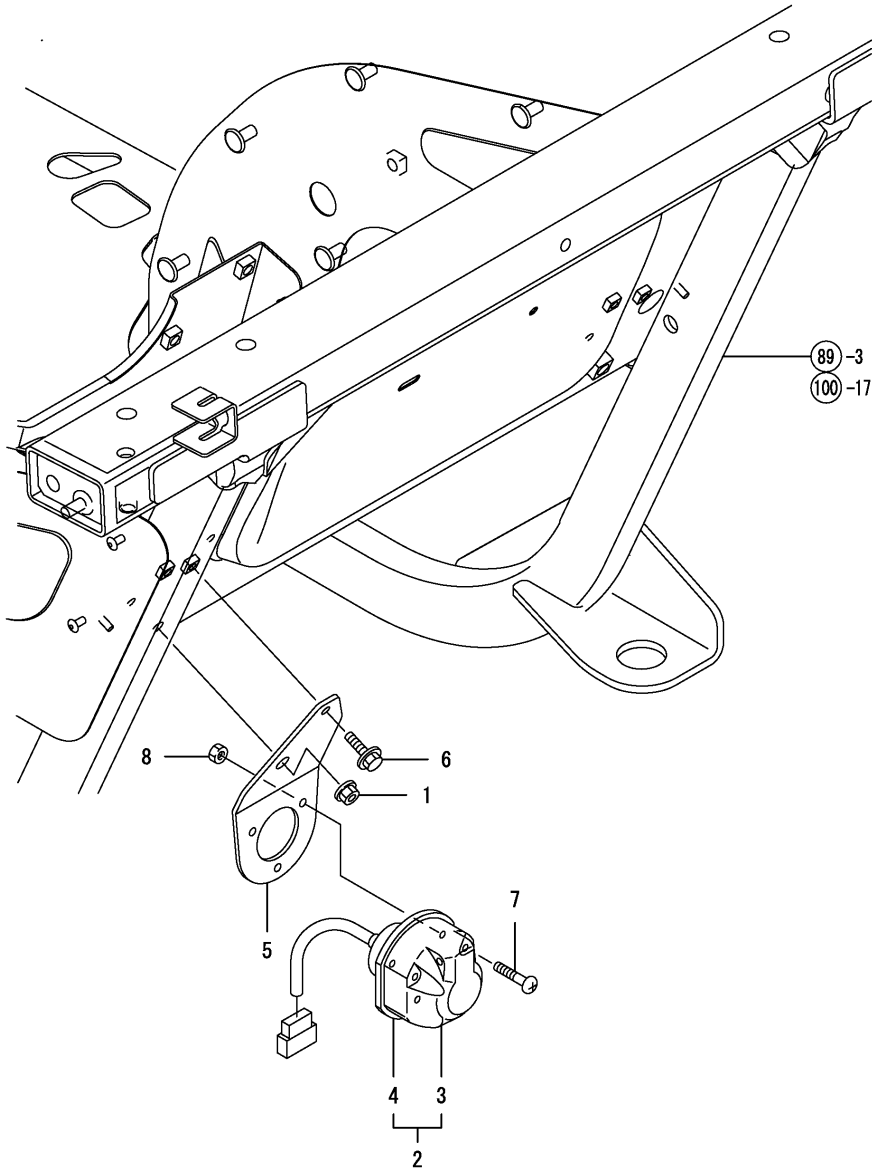


No.	Lev.	Parts No.	Description	Q'ty						I	R
				(A)	(B)	(C)	(D)	(E)	(F)		
1	1	1C7100-08150	HORN ASSY	1	1	1	1				
2	1	26106-060082	BOLT, M6X 8 PLATED	1	1	1	1				

Fig.81. TRAILER COUPLER

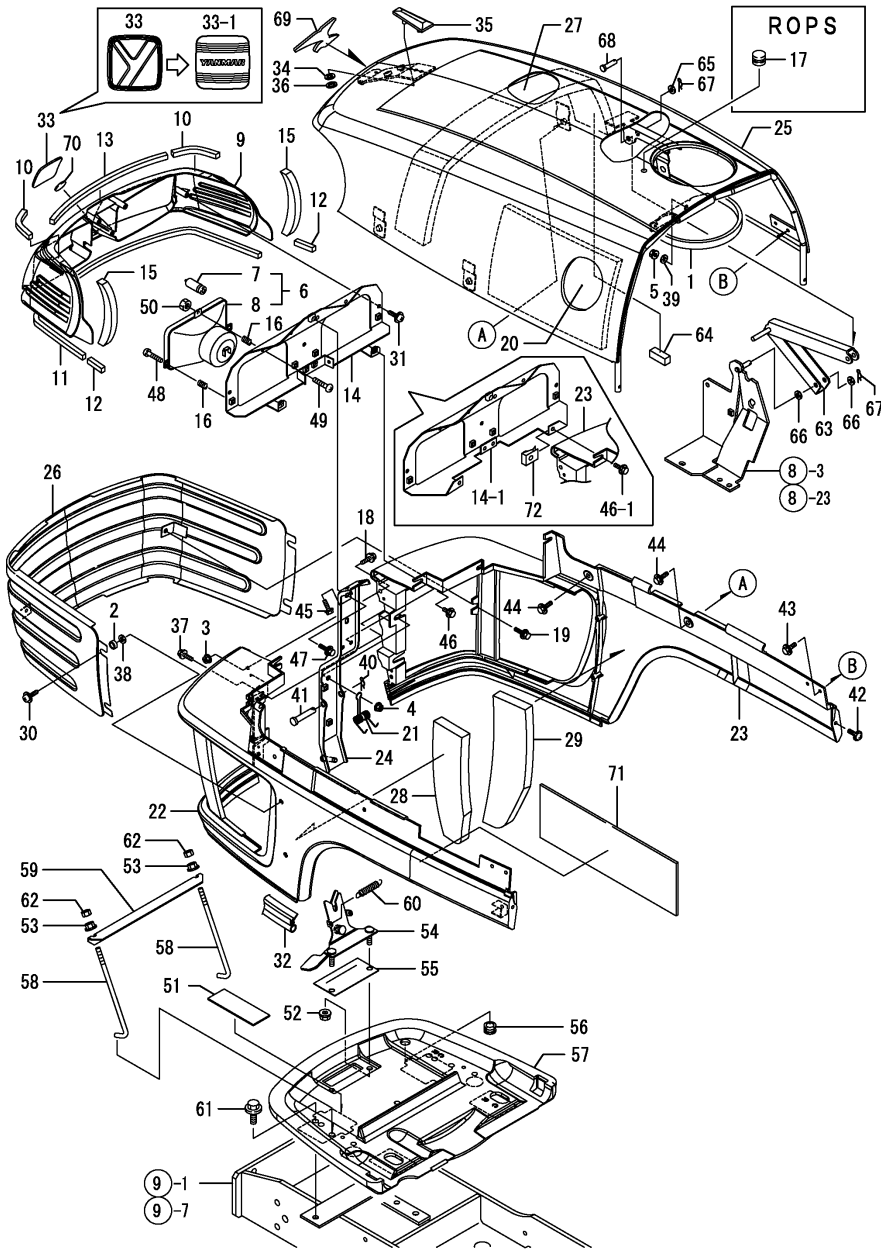
(A)=EF227EH
(B)=EF230EH
(C)=EF233EH

(D)=EF235EH
(E)=
(F)=



No.	Lev.	Parts No.	Description	Qty						I	R
				(A)	(B)	(C)	(D)	(E)	(F)		
1	1	194990-22150	NUT, M10	1	1	1	1				
2	1	198163-52150	COUPLER SET, TRAILER	1	1	1	1				
2-1	1	198280-52150	COUPLER SET, TRAILER	1	1	1	1				S
		(A=FZZZZZ)	(B=FZZZZZ)	(C=FZZZZZ)	(D=FZZZZZ)						
3	2	198163-52110	COUPLER ASSY	1	1	1	1				
4	2	198163-52120	BOOT, COUPLER	1	1	1	1				
5	1	198280-57340	BRACKET, COUPLER	1	1	1	1				
6	1	26106-060122	BOLT, M6X 12 PLATED	1	1	1	1				
7	1	26557-050352	SCREW, M5X35	3	3	3	3				
8	1	26716-050002	NUT, M5	3	3	3	3				
8-1	1	194990-22120	NUT, M5	3	3	3	3				S
		(A=FZZZZZ)	(B=FZZZZZ)	(C=FZZZZZ)	(D=FZZZZZ)						

Fig.82. HOOD



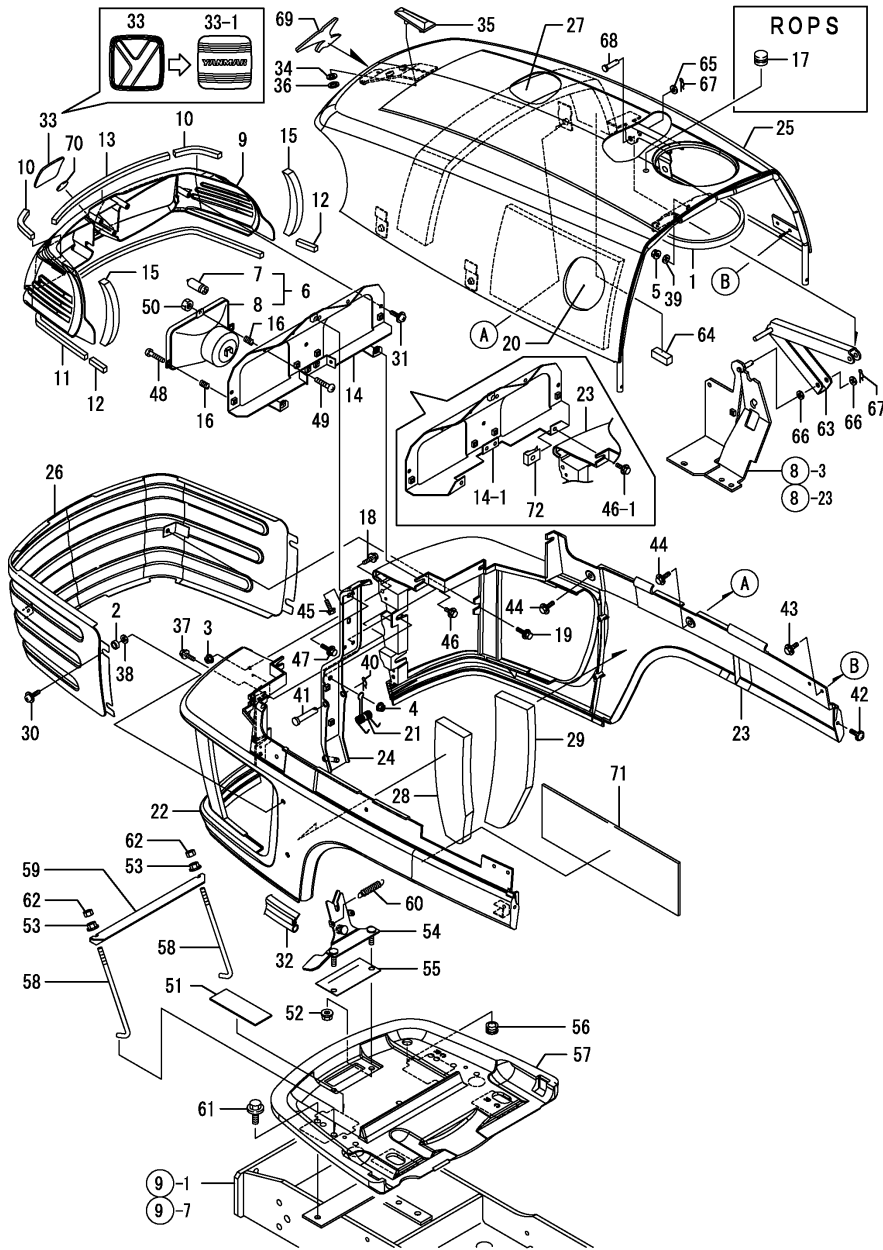
(A)=EF227EH
(B)=EF230EH
(C)=EF233EH

(D)=EF235EH
(E)=
(F)=

No.	Lev.	Parts No.	Description	Q'ty						I	R
				(A)	(B)	(C)	(D)	(E)	(F)		
1	1	198200-04251	GASKET, SUMP	1	1	1	1				
2	1	174501-07060	COLLAR, 10X15X6	4	4	4	4				
3	1	194990-22130	NUT, M6	2	2	2	2				
4	1	194990-22140	NUT, M8	1	1	1	1				
5	1	194990-22140	NUT, M8	2	2	2	2				
6	1	1A7100-53100	LAMP ASSY, HEAD	2	2	2	2				
7	2	1A7100-53130	BULB, H4-12V60/55W	2	2	2	2				
8	2	1A7100-53140	COVER	2	2	2	2				
9	1	198280-53150	COVER, LAMP	1	1	1	1				
10	1	198280-53170	SEAL, COVER A	2	2	2	2				
11	1	198280-53180	SEAL, COVER B	1	1	1	1				
12	1	198280-53190	SEAL, COVER C	2	2	2	2				
13	1	198200-53210	SEAL, HEAD LAMP	1	1	1	1				
14	1	198280-53210	BRACKET ASSY, LAMP	1	1	1	1				
14-1	1	198280-53211	BRACKET ASSY, LAMP	1	1	1	1				S
(A=FXXXXX) (B=FXXXXX) (C=FXXXXX) (D=FXXXXX)											
15	1	198200-53230	SEAL, HEAD LAMP	2	2	2	2				
16	1	198327-53280	SPRING, 1.2	6	6	6	6				
17	1	194197-56350	GROMMET	1	1	1	1				1
18	1	198461-60590	BOLT, M6X20	3	3	3	3				
19	1	198461-60590	BOLT, M6X20	2	2	2	2				
20	1	1A7260-60890	URETHANE, BONNET UL	1	1	1	1				
21	1	198200-60910	SPRING	1	1	1	1				
22	1	198200-61152	HOOD, LOWER L	1	1	1	1				
23	1	198200-61162	HOOD, LOWER R	1	1	1	1				
24	1	198280-61210	STAY ASSY, BONNET	1	1	1	1				
25	1	198280-61260	BONNET ASSY, UPPER M	1	1	1	1				
26	1	198200-61340	NET ASSY, BONNET	1	1	1	1				
27	1	198200-61410	URETHANE, BONNET U	1	1	1	1				
28	1	198200-61420	URETHANE, BONNET LL	1	1	1	1				
29	1	198200-61430	URETHANE, BONNET LR	1	1	1	1				
30	1	194420-61640	SCREW, TAPPING M5X16	4	4	4	4				
31	1	194420-61640	SCREW, TAPPING M5X16	4	4	4	4				
32	1	198133-61950	WEATHER-STRIP, 950	1	1	1	1				
33	1	198421-65030	MARK 50, YANMAR	1	1	1	1				
33-1	1	198208-65250	LABEL, YANMAR 50	1	1	1	1				S
(A=2006.5) (B=2006.5) (C=2006.5) (D=2006.5)											
34	1	194555-65130	CUSHION	2	2	2	2				
35	1	194940-65590	MARK, TOP	1	1	1	1				
36	1	198071-65610	NUT, SPEED M5	2	2	2	2				
37	1	198093-82510	BOLT, M8X25	1	1	1	1				
38	1	22137-060000	WASHER, 6	4	4	4	4				
39	1	22137-080000	WASHER, 8	2	2	2	2				
40	1	22372-100000	PIN, SNAP 10	1	1	1	1				
41	1	22487-100500	PIN, H10X 50	1	1	1	1				
42	1	26021-050122	SCREW, M5X12	2	2	2	2				
43	1	26106-060082	BOLT, M6X 8 PLATED	2	2	2	2				
44	1	26106-060122	BOLT, M6X 12 PLATED	4	4	4	4				
45	1	26106-060122	BOLT, M6X 12 PLATED	2	2	2	2				
46	1	26106-060162	BOLT, M6X 16 PLATED	4	4	4	4				
46-1	1	26106-060202	BOLT, M6X 20 PLATED	4	4	4	4				S

Remarks
(1) FOR TYPE ROPS

Fig.82. HOOD



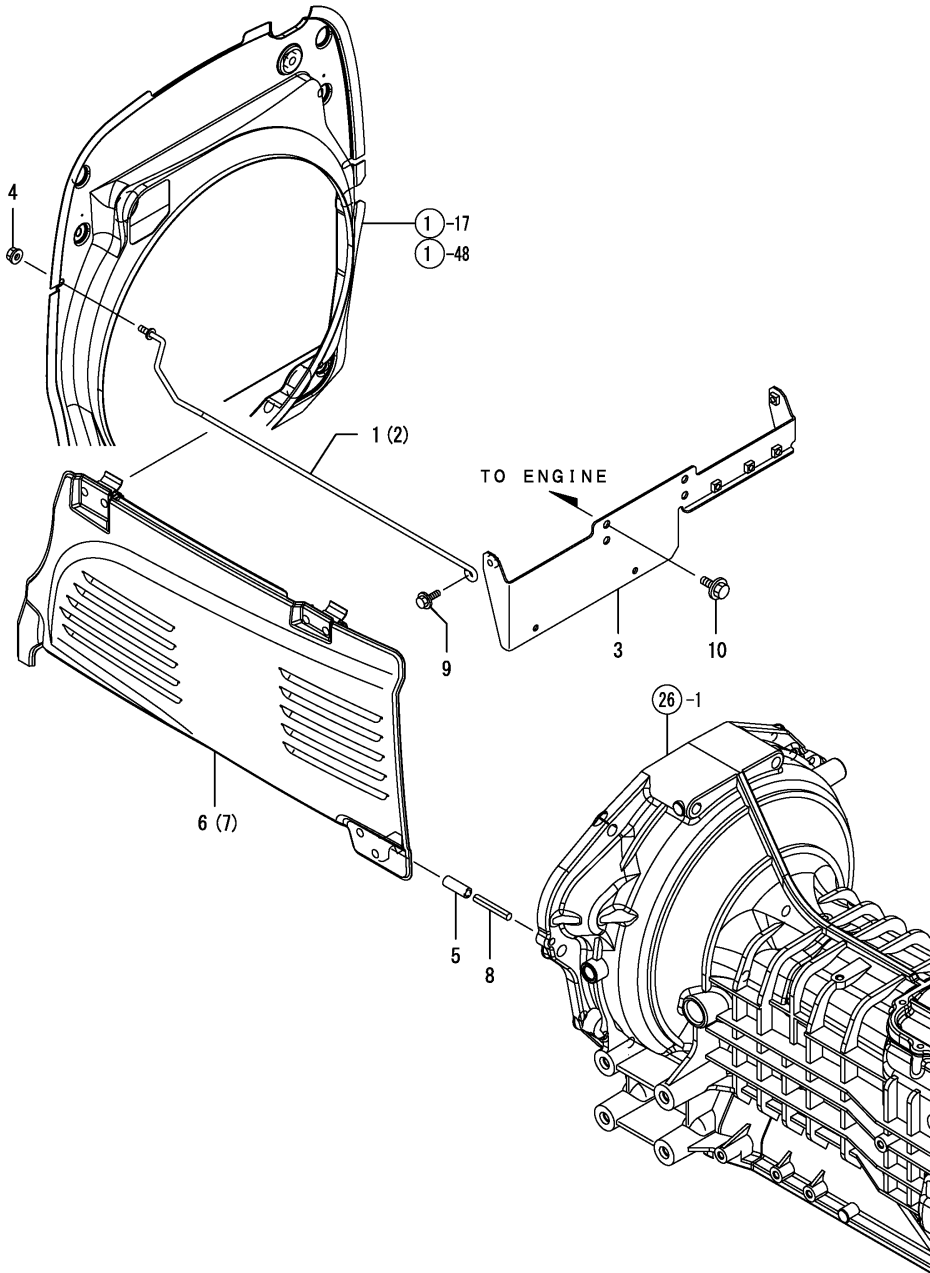
(A)=EF227EH
(B)=EF230EH
(C)=EF233EH

(D)=EF235EH
(E)=
(F)=

No.	Lev.	Parts No.	Description	Qty						I	R
				(A)	(B)	(C)	(D)	(E)	(F)		
		(A=FXXXXX) (B=FXXXXX) (C=FXXXXX) (D=FXXXXX)									
47	1	26106-080162	BOLT, M8X 16 PLATED	1	1	1	1				
48	1	26557-060302	SCREW, M6X30	4	4	4	4				
49	1	26587-040202	SCREW, M4X20	2	2	2	2				
50	1	26716-040002	NUT, M4	2	2	2	2				
51	1	194151-04260	GASKET, FUEL TANK	2	2	2	2				
52	1	194990-22140	NUT, M8	2	2	2	2				
53	1	194990-22140	NUT, M8	2	2	2	2				
54	1	198200-61250	LOCK ASSY, HOOD	1	1	1	1				
55	1	198200-61320	GASKET, BONNET LOCK	1	1	1	1				
56	1	198200-61490	GROMMET, 8	1	1	1	1				
57	1	198280-61500	SUPPORT, BATTERY	1	1	1	1				
58	1	198200-61530	ROD, BATTERY CLAMP	2	2	2	2				
58-1	1	198220-51570	ROD, BATTERY	2	2	2	2				N
		(A=FXXXXX) (B=FXXXXX) (C=FXXXXX) (D=FXXXXX)									
59	1	198200-61580	CLAMP, BATTERY	1	1	1	1				
60	1	198230-61960	SPRING	1	1	1	1				
61	1	26106-100302	BOLT, M10X 30 PLATED	2	2	2	2				
62	1	26716-080002	NUT, M8	2	2	2	2				
63	1	198200-61400	STAND ASSY	1	1	1	1				
64	1	198200-61550	STOPPER, STAND	3	3	3	3				
65	1	22137-080000	WASHER, 8	1	1	1	1				
65-1	1	22190-080000	WASHER, SEAL 8	1	1	1	1				N
		(A=FXXXXXX) (B=FXXXXXX) (C=FXXXXXX) (D=FXXXXXX)									
66	1	22190-080000	WASHER, SEAL 8	2	2	2	2				
67	1	22372-080000	PIN, SNAP 8	2	2	2	2				
68	1	22487-080300	PIN, H 8X 30	1	1	1	1				
69	1	198200-65010	MARK, BRAN 63-R400	1	1	1	1				W
		(A=2006.5) (B=2006.5) (C=2006.5) (D=2006.5)									
70	1	198208-65260	SEAT, PROTECTOR	1	1	1	1				W
		(A=2006.5) (B=2006.5) (C=2006.5) (D=2006.5)									
71	1	198283-60100	URETHANE, BONNET LL	1	1	1	1				W
		(A=*2008.08.) (B=*2008.08.) (C=*2008.08.) (D=*2008.08.)									
72	1	198071-61890	NUT, SPEED M6	4	4	4	4				W
		(A=FXXXXX) (B=FXXXXX) (C=FXXXXX) (D=FXXXXX)									

Remarks
(1) FOR TYPE ROPS

Fig.83. SIDE COVER



(A)=EF227EH
(B)=EF230EH
(C)=EF233EH

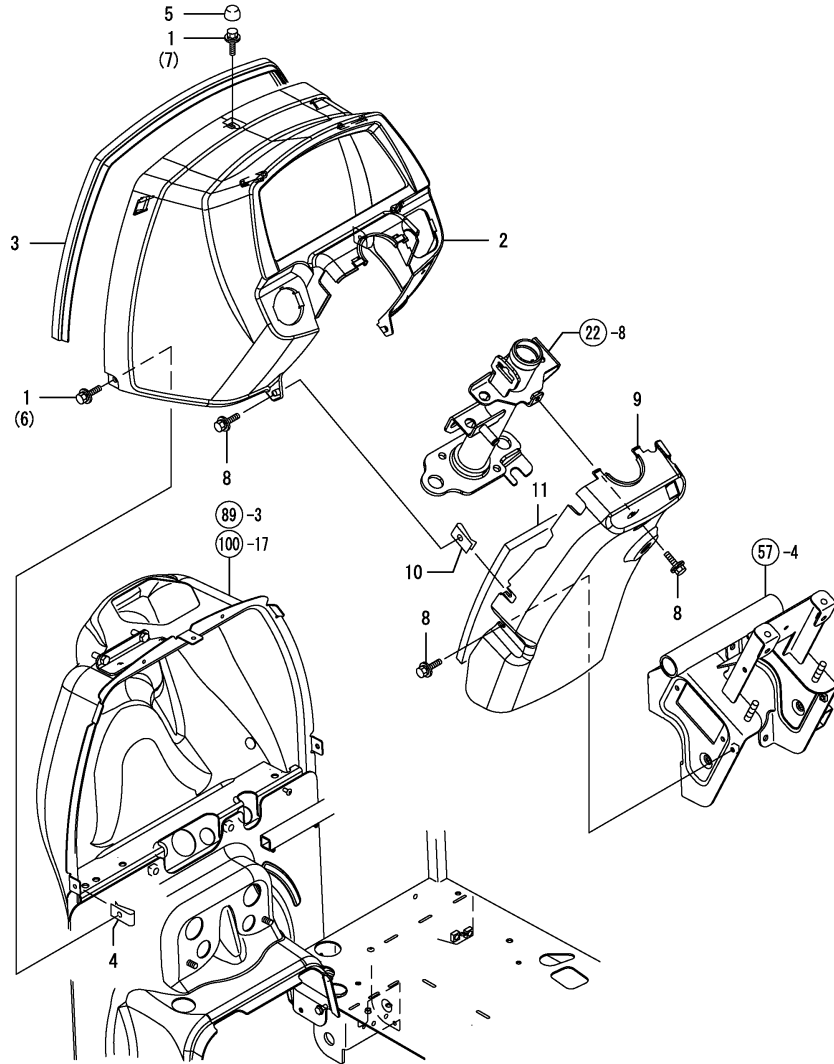
(D)=EF235EH
(E)=
(F)=

No.	Lev.	Parts No.	Description	Q'ty						I	R
				(A)	(B)	(C)	(D)	(E)	(F)		
1	1	198200-01570	STAY ASSY, COVER L	1	1	1	1				
2	1	198200-01580	STAY ASSY, COVER R	1	1	1	1				
3	1	198200-01600	STAY ASSY, REAR	1	1	1	1				
4	1	194990-22130	NUT, M6	2	2	2	2				
5	1	198200-60990	PIPE, GUARD	2	2	2	2				
6	1	198280-61000	COVER ASSY, SIDE L M	1	1	1	1				
7	1	198280-61010	COVER ASSY, SIDE R M	1	1	1	1				
8	1	22351-080050	PIN, SPRING 8.0X50	2	2	2	2				
9	1	26106-060162	BOLT, M6X 16 PLATED	2	2	2	2				
10	1	26106-080122	BOLT, M8X 12 PLATED	2	2	2	2				

Fig.84. DASHBOARD

(A)=EF227EH
(B)=EF230EH
(C)=EF233EH

(D)=EF235EH
(E)=
(F)=



No.	Lev.	Parts No.	Description	Qty						I	R
				(A)	(B)	(C)	(D)	(E)	(F)		
1	1	198072-60590	BOLT, M6X20	3	3	3	3				1
2	1	198280-61600	COVER, DASHBOARD	1	1	1	1				
3	1	198200-61620	TRIM, 920	1	1	1	1				1
3-1	1	1A8115-61620	WEATHER-STRIP, 920	1	1	1	1				N 1
		(A=*2009.02.)	(B=*2009.02.)	(C=*2009.02.)	(D=*2009.02.)						
4	1	198071-61890	NUT, SPEED M6	3	3	3	3				
5	1	198200-63620	CAP, BOLT 6	1	1	1	1				
6	1	198072-60590	BOLT, M6X20	2	2	2	2				2
7	1	26589-060162	SCREW, M6	1	1	1	1				2
8	1	198461-60590	BOLT, M6X20	5	5	5	5				
9	1	198200-61670	COVER, COLUMN R	1	1	1	1				
10	1	198071-61890	NUT, SPEED M6	2	2	2	2				
11	1	198208-84590	SEAT, COLUMN COVER	1	1	1	1				2

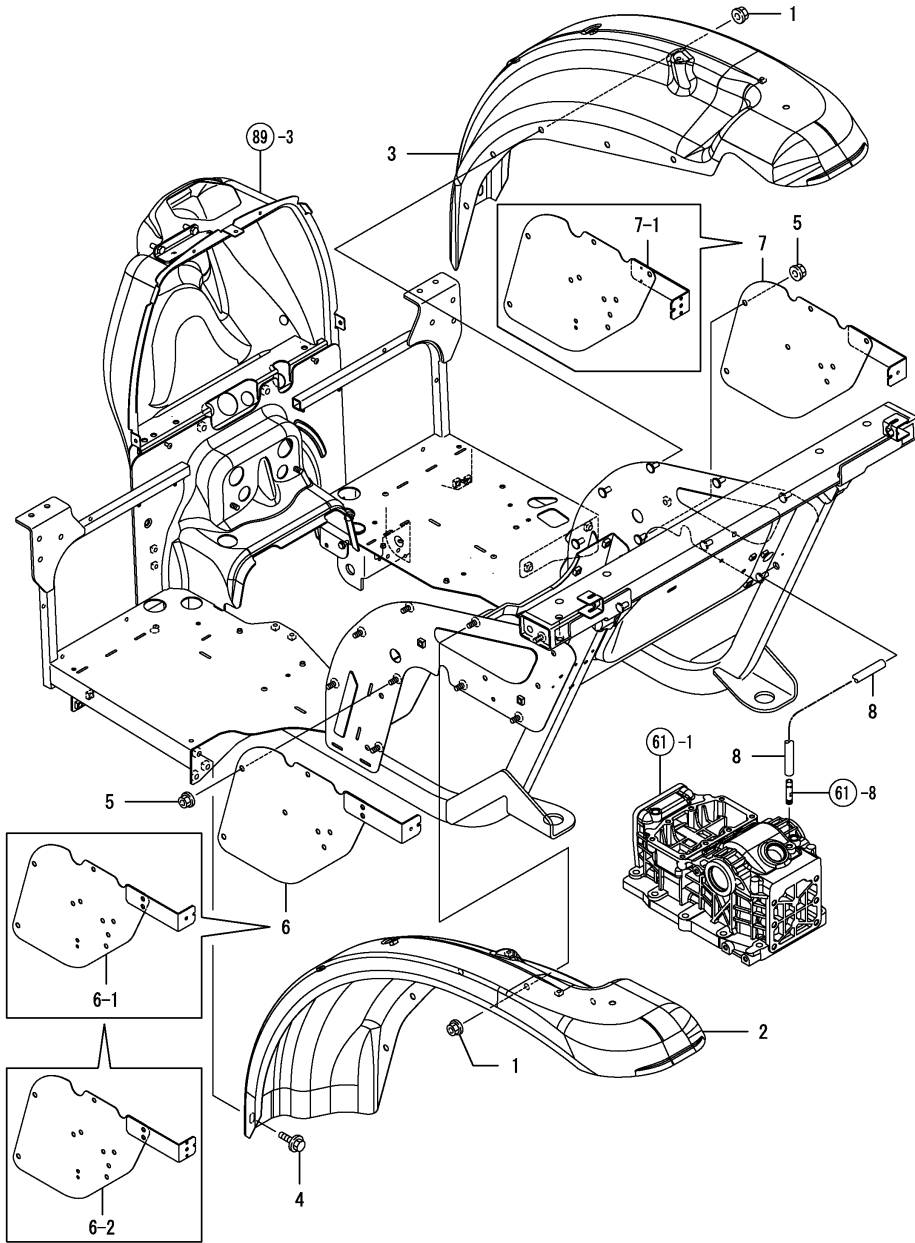
Remarks

- (1) FOR TYPE ROPS
- (2) FOR TYPE CABIN

Fig.85. FENDER

(A)=EF227EH
(B)=EF230EH
(C)=EF233EH

(D)=EF235EH
(E)=
(F)=



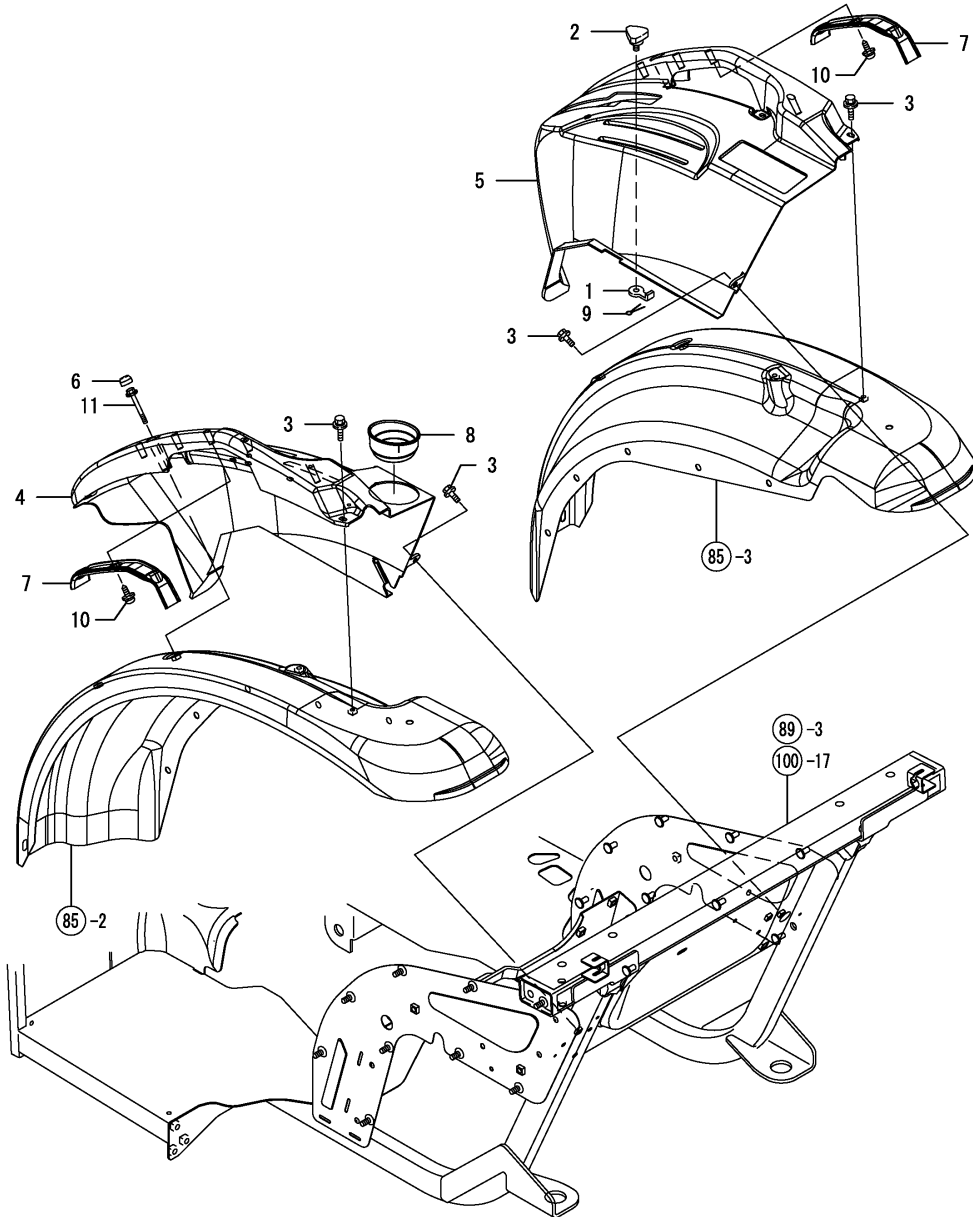
No.	Lev.	Parts No.	Description	Qty						I	R
				(A)	(B)	(C)	(D)	(E)	(F)		
1	1	194990-22140	NUT, M8	10	10	10	10				1
2	1	198200-62100	FENDER ASSY L	1	1	1	1				1
3	1	198200-62110	FENDER ASSYL R	1	1	1	1				1
4	1	26106-080162	BOLT, M8X 16 PLATED	2	2	2	2				1
5	1	194990-22140	NUT, M8	8	8	8	8				
6	1	198280-62210	COVER, FENDER LOWER	1	1	1	1				
6-1	1	198280-62211	COVER, FENDER LOWER	1	1	1	1				S
		(A=FZZZZZ) (B=FZZZZZ) (C=FZZZZZ) (D=FZZZZZ)									
6-2	1	198280-62212	COVER, FENDER LOWER	1	1	1	1				S
		(A=FZZZZZ) (B=FZZZZZ) (C=FZZZZZ) (D=FZZZZZ)									
7	1	198280-62220	COVER, R LOWER	1	1	1	1				
7-1	1	198280-62221	COVER, FENDER LOWER	1	1	1	1				S
		(A=FZZZZZ) (B=FZZZZZ) (C=FZZZZZ) (D=FZZZZZ)									
8	1	198121-63560	PIPE, BREATHER 320	1	1	1	1				

Remarks
(1) FOR TYPE ROPS

Fig.86. LEVER GUIDE

(A)=EF227EH
(B)=EF230EH
(C)=EF233EH

(D)=EF235EH
(E)=
(F)=



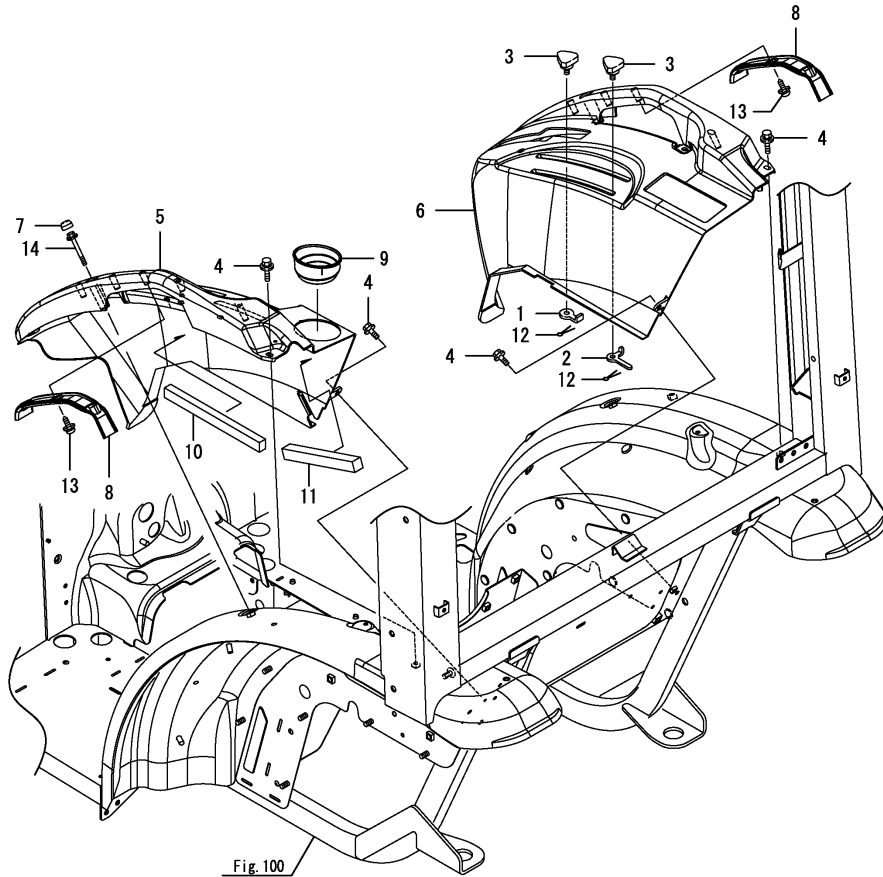
No.	Lev.	Parts No.	Description	Qty						I	R
				(A)	(B)	(C)	(D)	(E)	(F)		
1	1	198121-47110	STOPPER, LEVER	1	1	1	1				
1-1	1	198121-47111	STOPPER, LEVER	1	1	1	1				N
		(A=FZZZZZ) (B=FZZZZZ) (C=FZZZZZ) (D=FZZZZZ)									
2	1	194130-47851	BOLT, M6X15	1	1	1	1				
3	1	198461-60590	BOLT, M6X20	8	8	8	8				
4	1	198280-63500	GUIDE, LEVER L	1	1	1	1				
5	1	198280-63600	GUIDE, LEVER R	1	1	1	1				
6	1	198200-63620	CAP, BOLT 6	2	2	2	2				
7	1	198200-63640	COVER, GRIP	2	2	2	2				
8	1	198200-63660	HOLDER, CUP	1	1	1	1				
9	1	22417-200200	PIN, COTTER 2.0X20	1	1	1	1				
10	1	22857-600160	SCREW, 6X16	6	6	6	6				
11	1	26106-060552	BOLT, M6X 55 PLATED	2	2	2	2				

Fig.126. LEVER GUIDE(CABIN)

(A)=EF227EH
(B)=EF230EH
(C)=EF233EH

(D)=EF235EH
(E)=
(F)=

No.	Lev.	Parts No.	Description	Qty						I	R
				(A)	(B)	(C)	(D)	(E)	(F)		
1	1	198121-47111	STOPPER, LEVER	1	1	1	1				
2	1	198280-47171	STOPPER, LEVER	1	1	1	1				
3	1	194130-47851	BOLT, M6X15	2	2	2	2				
4	1	198461-60590	BOLT, M6X20	8	8	8	8				
5	1	198280-63490	GUIDE ASSY, LEVER LM	1	1	1	1				
6	1	198280-63600	GUIDE, LEVER R	1	1	1	1				
7	1	198200-63620	CAP, BOLT 6	2	2	2	2				
8	1	198200-63640	COVER, GRIP	2	2	2	2				
9	1	198200-63660	HOLDER, CUP	1	1	1	1				
10	1	198280-63821	SPONGE, 20X15X260	1	1	1	1				
11	1	198280-63830	SPONGE, 20X20X180	1	1	1	1				
12	1	22417-200200	PIN, COTTER 2.0X20	2	2	2	2				
13	1	22857-600160	SCREW, 6X16	6	6	6	6				
14	1	26106-060552	BOLT, M6X 55 PLATED	2	2	2	2				

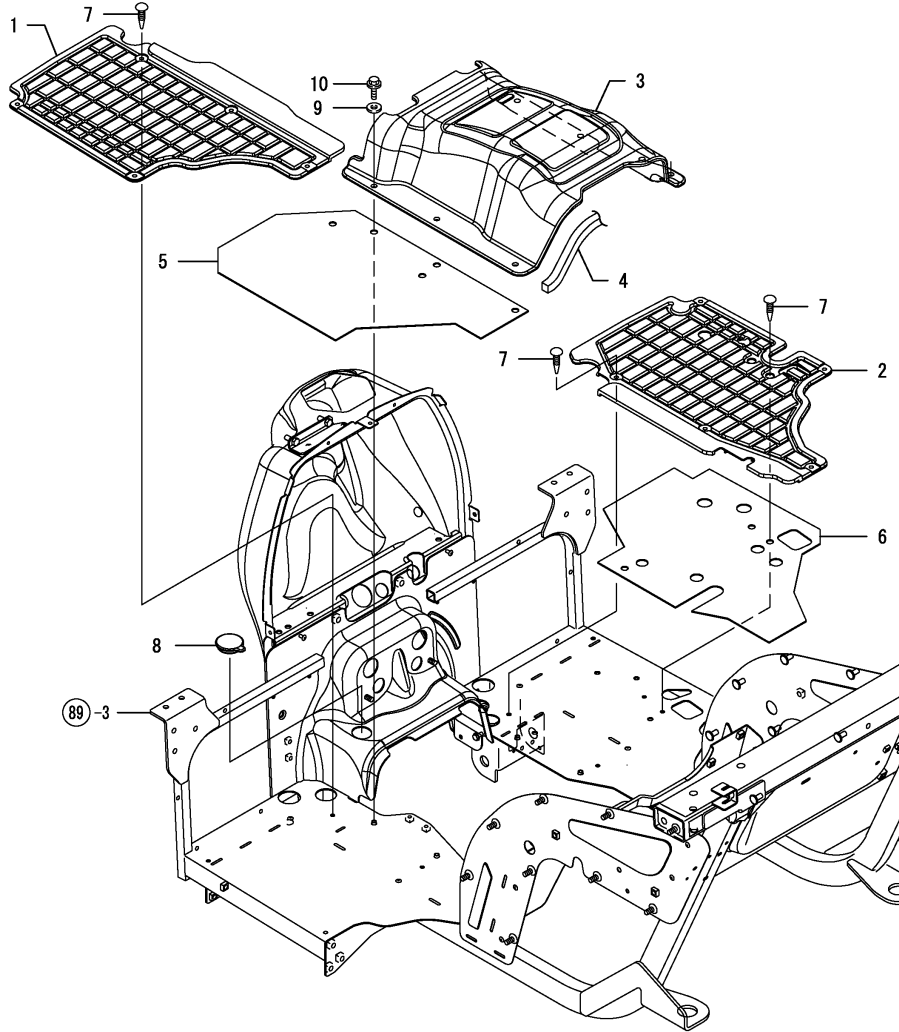


Remarks
* Figure for type Cabin.

Fig.87. FLOOR COVER

(A)=EF227EH
(B)=EF230EH
(C)=EF233EH

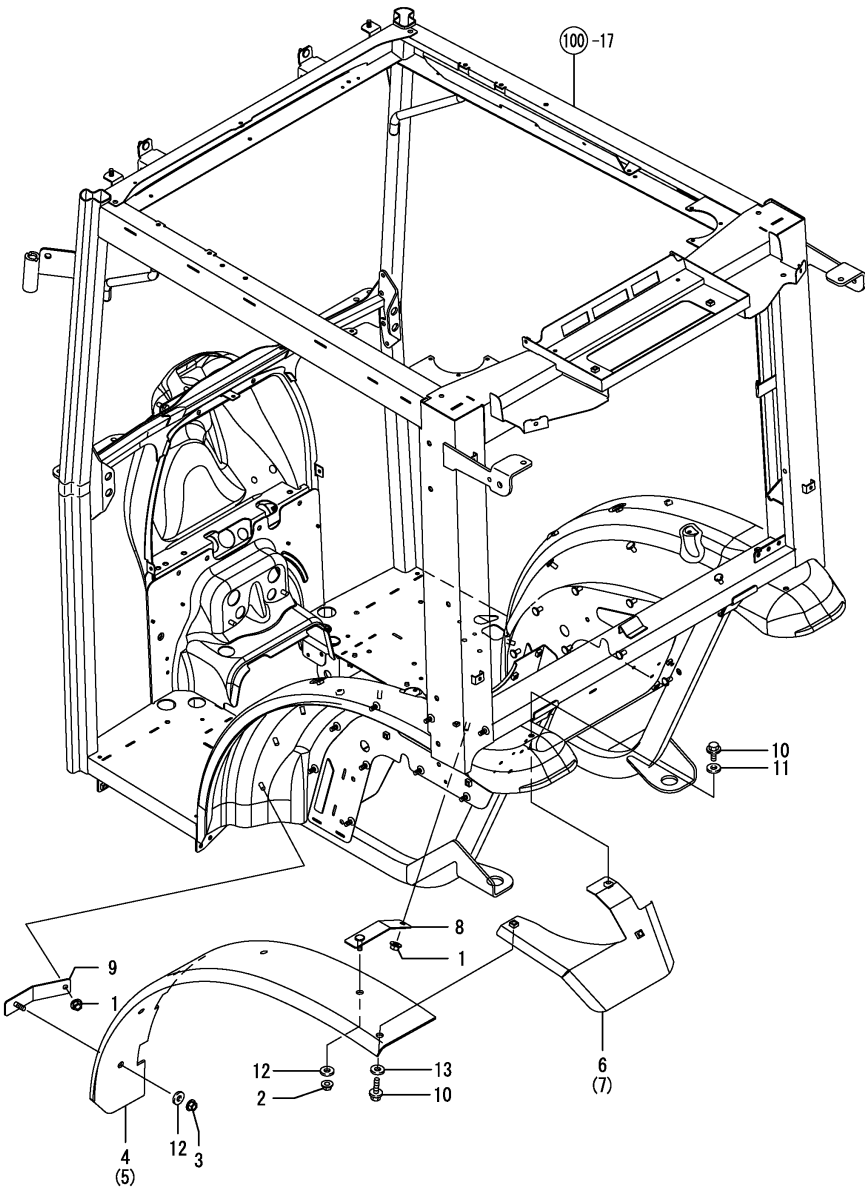
(D)=EF235EH
(E)=
(F)=



No.	Lev.	Parts No.	Description	Q'ty						I	R
				(A)	(B)	(C)	(D)	(E)	(F)		
1	1	198200-62320	MAT, FLOOR L	1	1	1	1				
2	1	198280-62330	MAT, FLOOR R	1	1	1	1				
3	1	198280-62350	COVER, FLOOR	1	1	1	1				
4	1	198280-62360	SEAL, FLOOR COVER A	2	2	2	2				
5	1	198287-62360	MATERIAL, DAMPING L	1	1	1	1				1
6	1	198287-62370	MATERIAL, DAMPING R	1	1	1	1				1
7	1	194697-62560	CAP, HOLE	12	12	12	12				
8	1	198094-85710	GROMMET, 38	1	1	1	1				
9	1	22157-060000	WASHER, 6	6	6	6	6				
10	1	26106-060122	BOLT, M6X 12 PLATED	6	6	6	6				

Remarks
(1) FOR TYPE ROPS

Fig.88. OVER FENDER



(A)=EF227EH
(B)=EF230EH
(C)=EF233EH

(D)=EF235EH
(E)=
(F)=

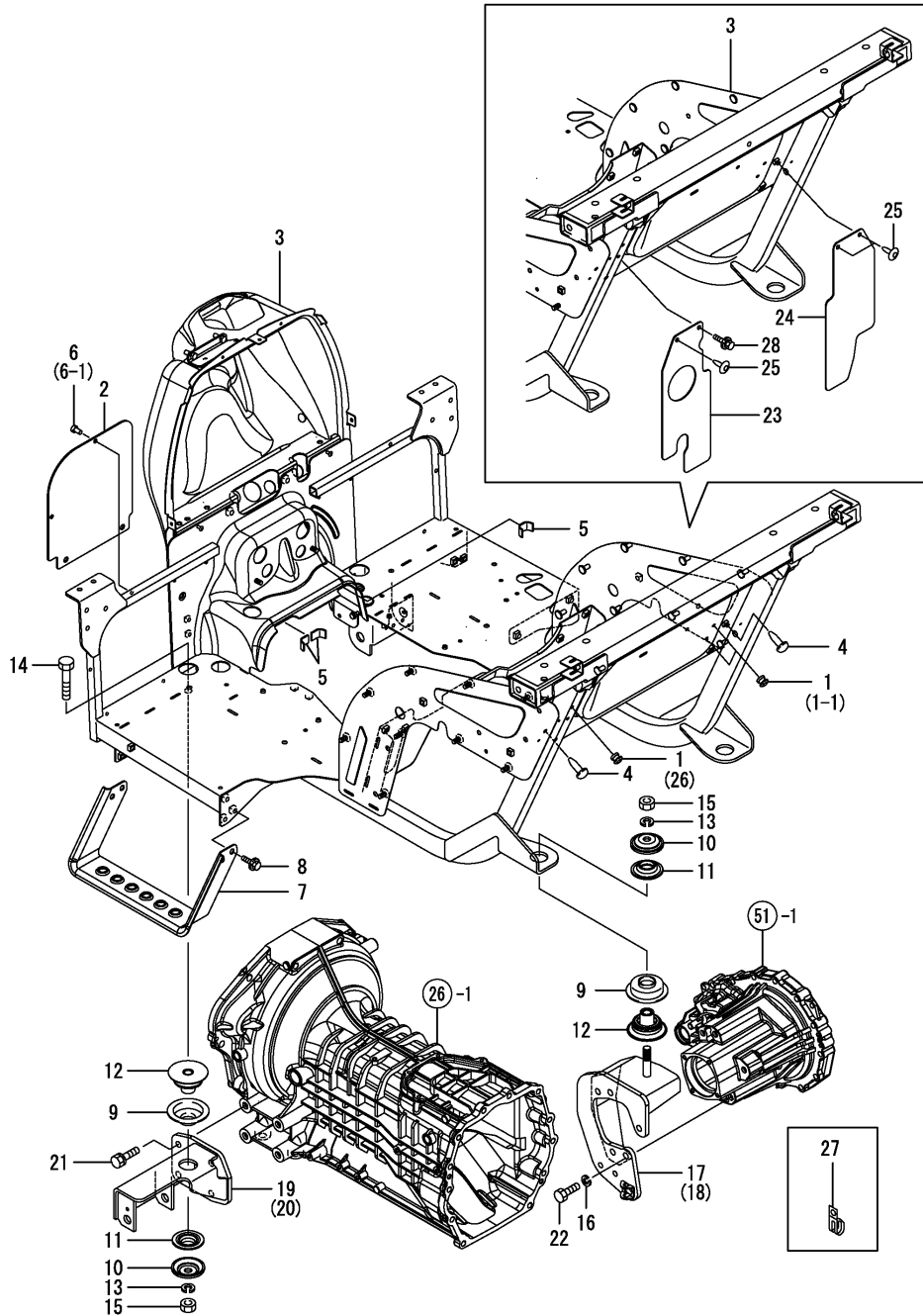
No.	Lev.	Parts No.	Description	Qty						I	R
				(A)	(B)	(C)	(D)	(E)	(F)		
1	1	194990-22140	NUT, M8	10	10	10	10				
2	1	194990-22140	NUT, M8	2	2	2	2				
3	1	194990-22140	NUT, M8	8	8	8	8				
4	1	198287-62210	FENDER, OVER L	1	1	1	1				
5	1	198287-62220	FENDER, OVER R	1	1	1	1				
6	1	198287-62230	FENDER, REAR L	1	1	1	1				
7	1	198287-62240	FENDER, REAR R	1	1	1	1				
8	1	198208-62270	STAY, OVER FENDER A	2	2	2	2				
9	1	198208-62290	STAY, OVER FENDER B	8	8	8	8				
10	1	198460-83350	BOLT, M8X16	6	6	6	6				
11	1	198255-83550	WASHER, 8	2	2	2	2				
12	1	22157-080000	WASHER, 8	10	10	10	10				
13	1	22157-080000	WASHER, 8	2	2	2	2				

Remarks
* FIGURE FOR TYPE CABIN

Fig.89. FLOOR

(A)=EF227EH
(B)=EF230EH
(C)=EF233EH

(D)=EF235EH
(E)=
(F)=

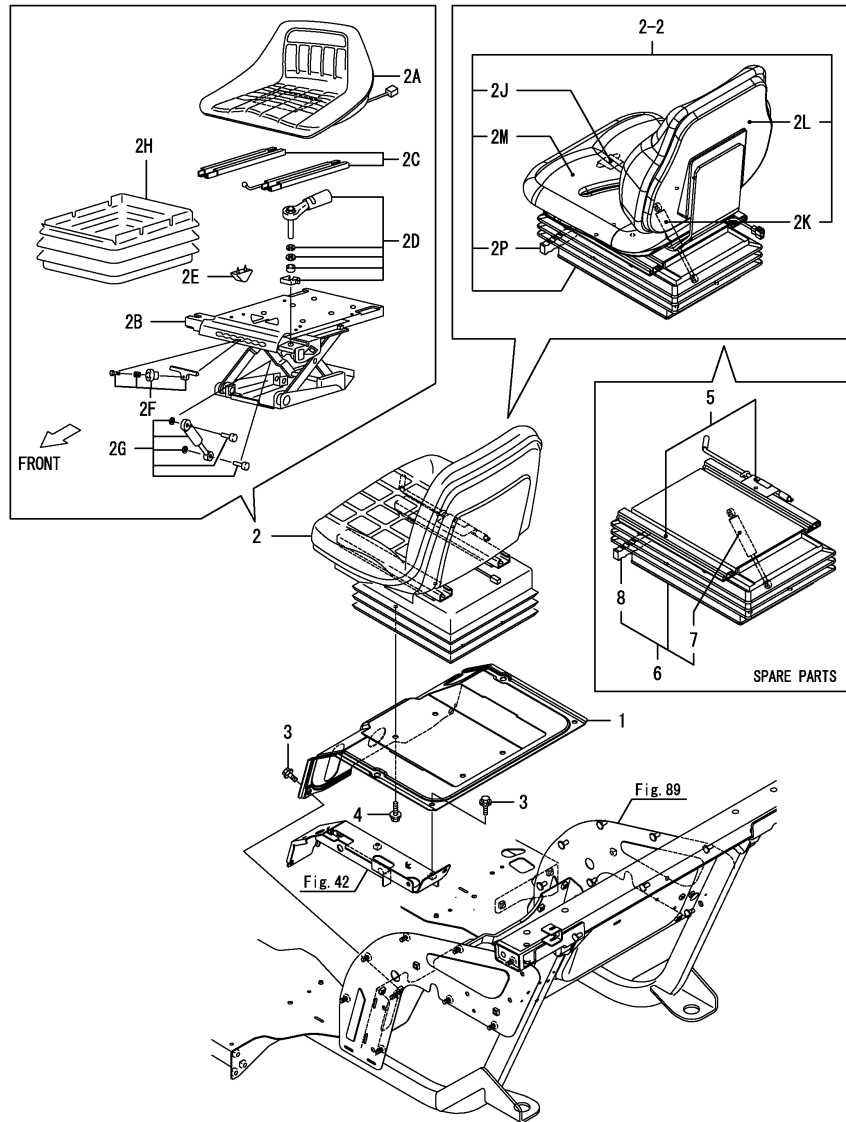


No.	Lev.	Parts No.	Description	Qty						I	R
				(A)	(B)	(C)	(D)	(E)	(F)		
1	1	1C6053-26020	CAP, RUBBER 8X3	3	3	3	3				
1-1	1	1C6053-26020	CAP, RUBBER 8X3	2	2	2	2				K
		(A=FZZZZZ) (B=FZZZZZ) (C=FZZZZZ) (D=FZZZZZ)									
2	1	198200-62300	GUARD, DUST	2	2	2	2				
3	1	198280-62490	FLOOR ASSY, M	1	1	1	1				
4	1	1E6760-74150	CAP, HOLE 8	2	2	2	2				Z
		(A=FZZZZZ) (B=FZZZZZ) (C=FZZZZZ) (D=FZZZZZ)									
5	1	198093-84810	SEAL, FENDER	3	3	3	3				
6	1	197810-84840	RIVET, NYLON	2	2	2	2				
6-1	1	197810-84840	RIVET, NYLON	8	8	8	8				K
		(A=FZZZZZ) (B=FZZZZZ) (C=FZZZZZ) (D=FZZZZZ)									
7	1	198200-62560	STEP, SUB	1	1	1	1				
8	1	26106-080162	BOLT, M8X 16 PLATED	4	4	4	4				
9	1	198071-62900	STOPPER, MOUNT	4	4	4	4				
10	1	198200-62910	STOPPER, U	4	4	4	4				
11	1	198200-62970	MOUNT, UPPER	4	4	4	4				
12	1	198200-62990	MOUNT, LOWER	4	4	4	4				
13	1	22217-140000	WASHER, SPRING 14	4	4	4	4				
14	1	26116-140752	BOLT, M14X 75 PLATED	2	2	2	2				
15	1	26716-140002	NUT, M14	4	4	4	4				
16	1	194274-13580	WASHER, SPRING 12	10	10	10	10				
17	1	198280-62630	MOUNT ASSY, REAR L	1	1	1	1				
18	1	198280-62640	MOUNT ASSY, REAR R	1	1	1	1				
19	1	198280-62850	MOUNT ASSY, FRONT L	1	1	1	1				
20	1	198280-62860	MOUNT ASSY, FRONT R	1	1	1	1				
21	1	26013-120402	BOLT, M12X 40	8	8	8	8				
22	1	26116-120402	BOLT, M12X 40 PLATED	10	10	10	10				
23	1	198280-62300	COVER, DUST REAR L	1	1	1	1				W
		(A=FZZZZZ) (B=FZZZZZ) (C=FZZZZZ) (D=FZZZZZ)									
24	1	198200-62310	COVER, DUST REAR	1	1	1	1				W
		(A=FZZZZZ) (B=FZZZZZ) (C=FZZZZZ) (D=FZZZZZ)									
25	1	1E6760-74150	CAP, HOLE 8	3	3	3	3				W
		(A=FZZZZZ) (B=FZZZZZ) (C=FZZZZZ) (D=FZZZZZ)									
26	1	1C6053-26020	CAP, RUBBER 8X3	2	2	2	2				W
		(A=FZZZZZ) (B=FZZZZZ) (C=FZZZZZ) (D=FZZZZZ)									
27	1	194440-51620	CLAMP	6	6	6	6				W
		(A=FZZZZZ) (B=FZZZZZ) (C=FZZZZZ) (D=FZZZZZ)									
28	1	198093-85650	BOLT, M6X16	1	1	1	1				W
		(A=FZZZZZ) (B=FZZZZZ) (C=FZZZZZ) (D=FZZZZZ)									

Fig.90. DRIVER SEAT

(A)=EF227EH
(B)=EF230EH
(C)=EF233EH

(D)=EF235EH
(E)=
(F)=



No.	Lev.	Parts No.	Description	Qty						I	R
				(A)	(B)	(C)	(D)	(E)	(F)		
1	1	198280-62910	COVER ASSY, DUST B	1	1	1	1				
1-1	1	198280-62911	COVER ASSY, DUST	1	1	1	1			F	1
		(A=*2005.09) (B=*2005.09) (C=*2005.09) (D=F110224)									
1-2	1	198280-62912	COVER ASSY, DUST B	1	1	1	1				N
		(A=F110218) (B=F110400) (C=*2007.06) (D=F110571)									
2	1	198280-63110	SEAT ASSY, OPERATOR	1	1	1	1				2
2-2	1	198280-63112	SEAT ASSY, OPERATOR	1	1	1	1			F	1
		(A=F110218) (B=F110400) (C=*2007.06) (D=F110571)									
2A	2	198280-63130	SEAT,	1	1	1	1				Z
		(A=F110218) (B=F110400) (C=*2007.06) (D=F110571)									
2B	2	198174-63200	SUSPENSION ASSY,SEAT	1	1	1	1				Z
		(A=F110218) (B=F110400) (C=*2007.06) (D=F110571)									
2C	2	198174-63210	ADJUSTER	1	1	1	1				Z
		(A=F110218) (B=F110400) (C=*2007.06) (D=F110571)									
2D	2	198174-63220	ADJUSTER	1	1	1	1				Z
		(A=F110218) (B=F110400) (C=*2007.06) (D=F110571)									
2E	2	198174-63230	STOPPER	1	1	1	1				Z
		(A=F110218) (B=F110400) (C=*2007.06) (D=F110571)									
2F	2	198174-63240	ADJUSTER	1	1	1	1				Z
		(A=F110218) (B=F110400) (C=*2007.06) (D=F110571)									
2G	2	198174-63250	DAMPER	1	1	1	1				Z
		(A=F110218) (B=F110400) (C=*2007.06) (D=F110571)									
2H	2	198174-63260	COVER, SUSPENSION	1	1	1	1				Z
		(A=F110218) (B=F110400) (C=*2007.06) (D=F110571)									
2J	2	198280-63140	SWITCH, SEAT	1	1	1	1				W
		(A=F110218) (B=F110400) (C=*2007.06) (D=F110571)									
2K	2	198280-63150	SHOCK ABSORBER,	1	1	1	1				W
		(A=F110218) (B=F110400) (C=*2007.06) (D=F110571)									
2L	2	198280-63160	BACKREST, PVC	1	1	1	1				W
		(A=F110218) (B=F110400) (C=*2007.06) (D=F110571)									
2M	2	198280-63180	CUSION, PVC	1	1	1	1				W
		(A=F110218) (B=F110400) (C=*2007.06) (D=F110571)									
2P	2	198280-63340	LEVER, ADJUSTING	1	1	1	1				W
		(A=F110218) (B=F110400) (C=*2007.06) (D=F110571)									
3	1	26106-080122	BOLT, M8X 12 PLATED	6	6	6	6				
4	1	26106-080162	BOLT, M8X 16 PLATED	4	4	4	4				
5	1	198280-63250	RAIL KIT, SLIDE	1	1	1	1				3
6	1	198280-63260	SUSPENSION KIT,	1	1	1	1				3
7	2	198280-63150	SHOCK ABSORBER,	1	1	1	1				3
8	2	198280-63340	LEVER, ADJUSTING	1	1	1	1				3

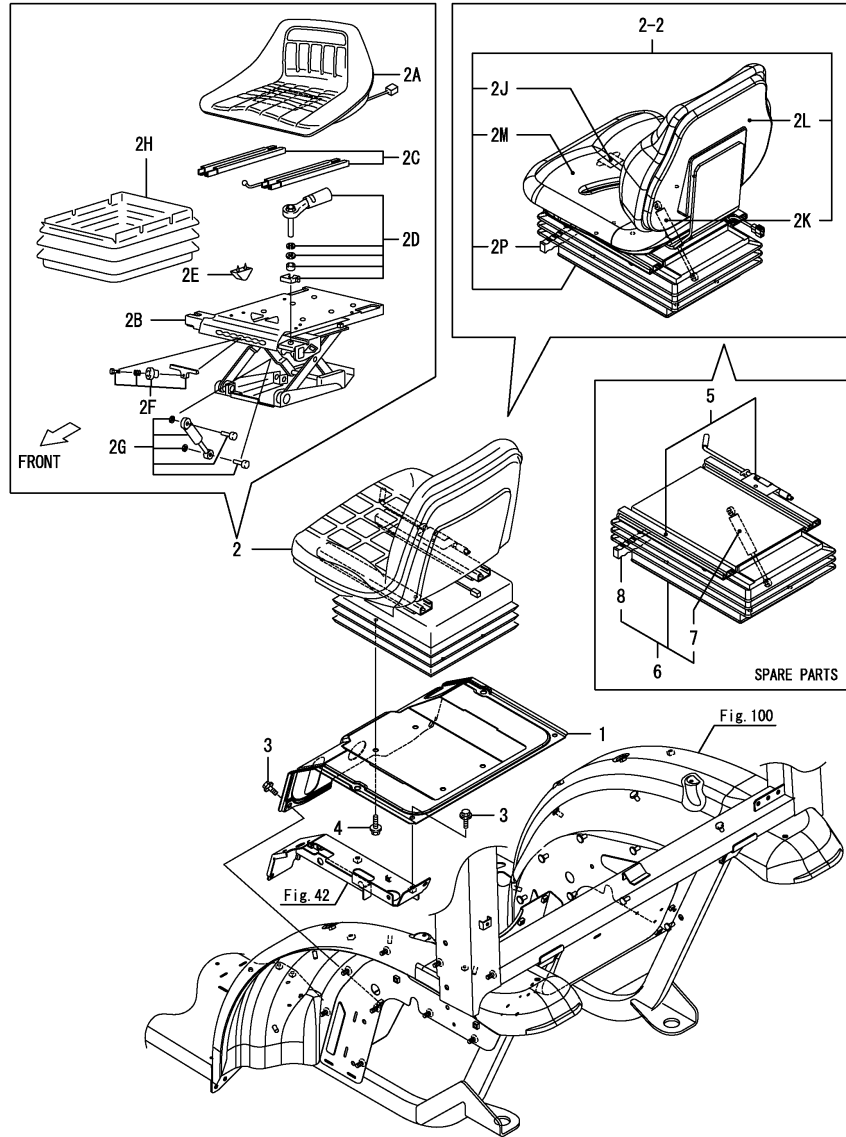
Remarks

- (1)Interchangeable by simultaneous replacement with No.1-1 & 2-2.
- (2)A seat switch is included in a seat (No.2A), and it cannot be supplied singly.
- (3)Spare parts.

Fig.125. DRIVER SEAT(CABIN)

(A)=EF227EH
(B)=EF230EH
(C)=EF233EH

(D)=EF235EH
(E)=
(F)=



No.	Lev.	Parts No.	Description	Q'ty						I	R
				(A)	(B)	(C)	(D)	(E)	(F)		
1	1	198280-62910	COVER ASSY, DUST B	1	1	1	1				
1-1	1	198280-62911	COVER ASSY, DUST	1	1	1	1			F	1
		(A=*2005.09)	(B=*2005.09)	(C=*2005.09)	(D=F110224)						
1-2	1	198280-62912	COVER ASSY, DUST B	1	1	1	1				N
		(A=F110266)	(B=F110329)	(C=*2007.06)	(D=F110462)						
2	1	198280-63110	SEAT ASSY, OPERATOR	1	1	1	1				2
2-2	1	198287-63111	SEAT ASSY, OPERATOR	1	1	1	1			F	1
		(A=F110266)	(B=F110329)	(C=*2007.06)	(D=F110462)						
2A	2	198280-63130	SEAT,	1	1	1	1				Z
		(A=F110266)	(B=F110329)	(C=*2007.06)	(D=F110462)						
2B	2	198174-63200	SUSPENSION ASSY,SEAT	1	1	1	1				Z
		(A=F110266)	(B=F110329)	(C=*2007.06)	(D=F110462)						
2C	2	198174-63210	ADJUSTER	1	1	1	1				Z
		(A=F110266)	(B=F110329)	(C=*2007.06)	(D=F110462)						
2D	2	198174-63220	ADJUSTER	1	1	1	1				Z
		(A=F110266)	(B=F110329)	(C=*2007.06)	(D=F110462)						
2E	2	198174-63230	STOPPER	1	1	1	1				Z
		(A=F110266)	(B=F110329)	(C=*2007.06)	(D=F110462)						
2F	2	198174-63240	ADJUSTER	1	1	1	1				Z
		(A=F110266)	(B=F110329)	(C=*2007.06)	(D=F110462)						
2G	2	198174-63250	DAMPER	1	1	1	1				Z
		(A=F110266)	(B=F110329)	(C=*2007.06)	(D=F110462)						
2H	2	198174-63260	COVER, SUSPENSION	1	1	1	1				Z
		(A=F110266)	(B=F110329)	(C=*2007.06)	(D=F110462)						
2J	2	198280-63140	SWITCH, SEAT	1	1	1	1				W
		(A=F110266)	(B=F110329)	(C=*2007.06)	(D=F110462)						
2K	2	198280-63150	SHOCK ABSORBER,	1	1	1	1				W
		(A=F110266)	(B=F110329)	(C=*2007.06)	(D=F110462)						
2L	2	198280-63170	BACKREST, FABRIC	1	1	1	1				W
		(A=F110266)	(B=F110329)	(C=*2007.06)	(D=F110462)						
2M	2	198280-63190	CUSION, FABRIC	1	1	1	1				W
		(A=F110266)	(B=F110329)	(C=*2007.06)	(D=F110462)						
2P	2	198280-63340	LEVER, ADJUSTING	1	1	1	1				W
		(A=F110218)	(B=F110400)	(C=*2007.06)	(D=F110571)						
3	1	26106-080122	BOLT, M8X 12 PLATED	6	6	6	6				
4	1	26106-080162	BOLT, M8X 16 PLATED	4	4	4	4				
5	1	198280-63250	RAIL KIT, SLIDE	1	1	1	1				3
6	1	198280-63260	SUSPENSION KIT,	1	1	1	1				3
7	2	198280-63150	SHOCK ABSORBER,	1	1	1	1				3
8	2	198280-63340	LEVER, ADJUSTING	1	1	1	1				3

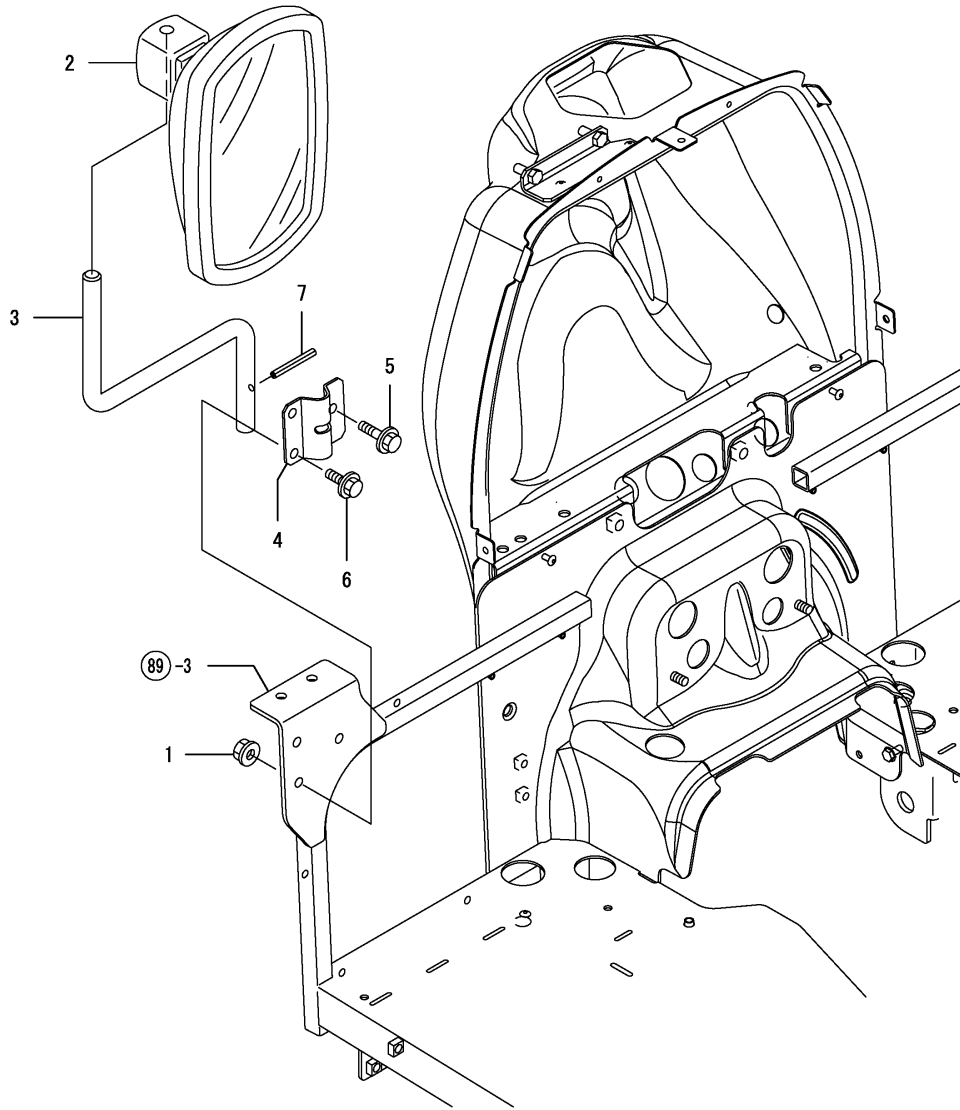
Remarks

- (1)Interchangeable by simultaneous replacement with No.1-1 & 2-2.
- (2)The seat switch does not supply seat (No.2A), and it cannot be supplied singly.
- (3)Spare parts.

Fig.91. BACK MIRROR

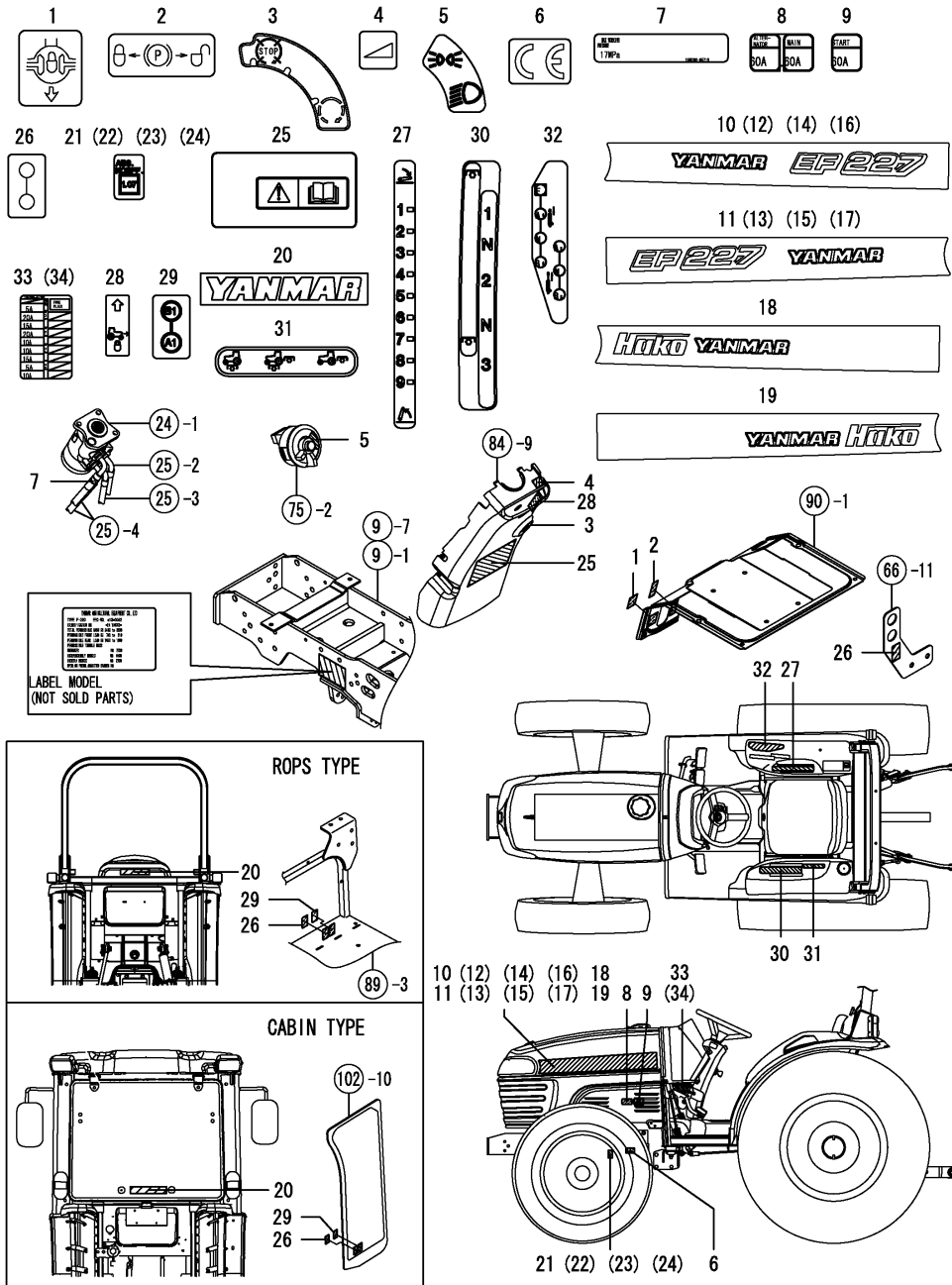
(A)=EF227EH
(B)=EF230EH
(C)=EF233EH

(D)=EF235EH
(E)=
(F)=



No.	Lev.	Parts No.	Description	Q'ty						I	R
				(A)	(B)	(C)	(D)	(E)	(F)		
1	1	194990-22140	NUT, M8	1	1	1	1				
2	1	1A7100-64110	MIRROR ASSY, BACK	1	1	1	1				
3	1	198280-64120	SHAFT, MIRROR	1	1	1	1				
4	1	198280-64150	STAY, MIRROR	1	1	1	1				
5	1	198093-82510	BOLT, M8X25	1	1	1	1				
6	1	198460-83350	BOLT, M8X16	2	2	2	2				
7	1	22351-060032	PIN, SPRING 6.0X32	1	1	1	1				

Fig.92. LABELS



(A)=EF227EH
(B)=EF230EH
(C)=EF233EH

(D)=EF235EH
(E)=
(F)=

No.	Lev.	Parts No.	Description	Qty						I	R
				(A)	(B)	(C)	(D)	(E)	(F)		
1	1	194240-65441 (A=FXXXXX)	LABEL, DIFF. LOCK (B=FXXXXX) (C=FXXXXX) (D=FXXXXX)	1	1	1	1				Z
2	1	198036-65470	LABEL, BRAKE LOCK	1	1	1	1				
3	1	1A6640-65510	LABEL, KEY SWITCH	1	1	1	1				
3-1	1	1A6640-65511 (A=FZZZZZ) (B=FZZZZZ) (C=FZZZZZ) (D=FZZZZZ)	LABEL, KEY SWITCH	1	1	1	1				N
4	1	1A6640-65530	LABEL, THROTTLE	1	1	1	1				
5	1	198280-65580 (A=FXXXXX) (B=FXXXXX) (C=FXXXXX) (D=FXXXXX)	LABEL,	1	1	1	1				Z
6	1	198165-65590	DECAL, CE	1	1	1	1				
7	1	198280-65710	LABEL, H.P. HOSE	4	4	4	4				
8	1	198280-65770	LABEL,	1	1	1	1				
9	1	198280-65790	LABEL,	1	1	1	1				
10	1	198280-65110	LABEL, NAME	1							
11	1	198280-65120	LABEL, NAME	1							
12	1	198282-65110	LABEL, NAME		1						
13	1	198282-65120	LABEL, NAME		1						
14	1	198284-65110	LABEL, NAME				1				
15	1	198284-65120	LABEL, NAME				1				
16	1	198287-65110	LABEL, NAME						1		
17	1	198287-65120	LABEL, NAME						1		
18	1	198280-65160	LABEL, NAME HAKO L	1	1	1	1				
19	1	198280-65170	LABEL, NAME HAKO R	1	1	1	1				
20	1	198208-65890	LABEL, ROOF	1	1	1	1				
21	1	198280-65570	LABEL,	1							
22	1	198282-65570	LABEL,		1						
23	1	198284-65570	LABEL,				1				
24	1	198287-65570	LABEL,						1		
25	1	198280-65300	LABEL, OPERATION G	1	1	1	1				
26	1	1A6641-65470	LABEL, SCV REAR	2	2	2	2				
27	1	198280-65510	LABEL, POSITION	1	1	1	1				
28	1	198280-65630	LABEL,	1	1	1	1				
29	1	198280-65640	LABEL, SCV COUPLER	1	1	1	1				
30	1	198280-65660	LABEL, RANGE-PTO	1	1	1	1				
31	1	198280-65670	LABEL, MBR	1	1	1	1				
32	1	198280-65680	LABEL,	1	1	1	1				
33	1	198280-65780	LABEL,	1	1	1	1				
34	1	198287-65780	LABEL,	1	1	1	1				

Fig.93. LABELS(SAFETY)

(A)=EF227EH
(B)=EF230EH
(C)=EF233EH

(D)=EF235EH
(E)=
(F)=

No.	Lev.	Parts No.	Description	Q'ty						I	R
				(A)	(B)	(C)	(D)	(E)	(F)		
1	1	198163-65310	LABEL, SAFETY	1	1	1	1				
2	1	198163-65350	DANGER, ROTAT. SHAFT	1	1	1	1				
3	1	198163-65930	CAUTION, MUFFLER	1	1	1	1				
4	1	198163-65940	CAUTION, SAFETY COVER	2	2	2	2				
5	1	1A6150-91251	LABEL, RAKE CAUTION	1	1	1	1				
6	1	1A6150-93151	LABEL, COVER	1	1	1	1				
7	1	198280-65610	LABEL, 3P	1	1	1	1				

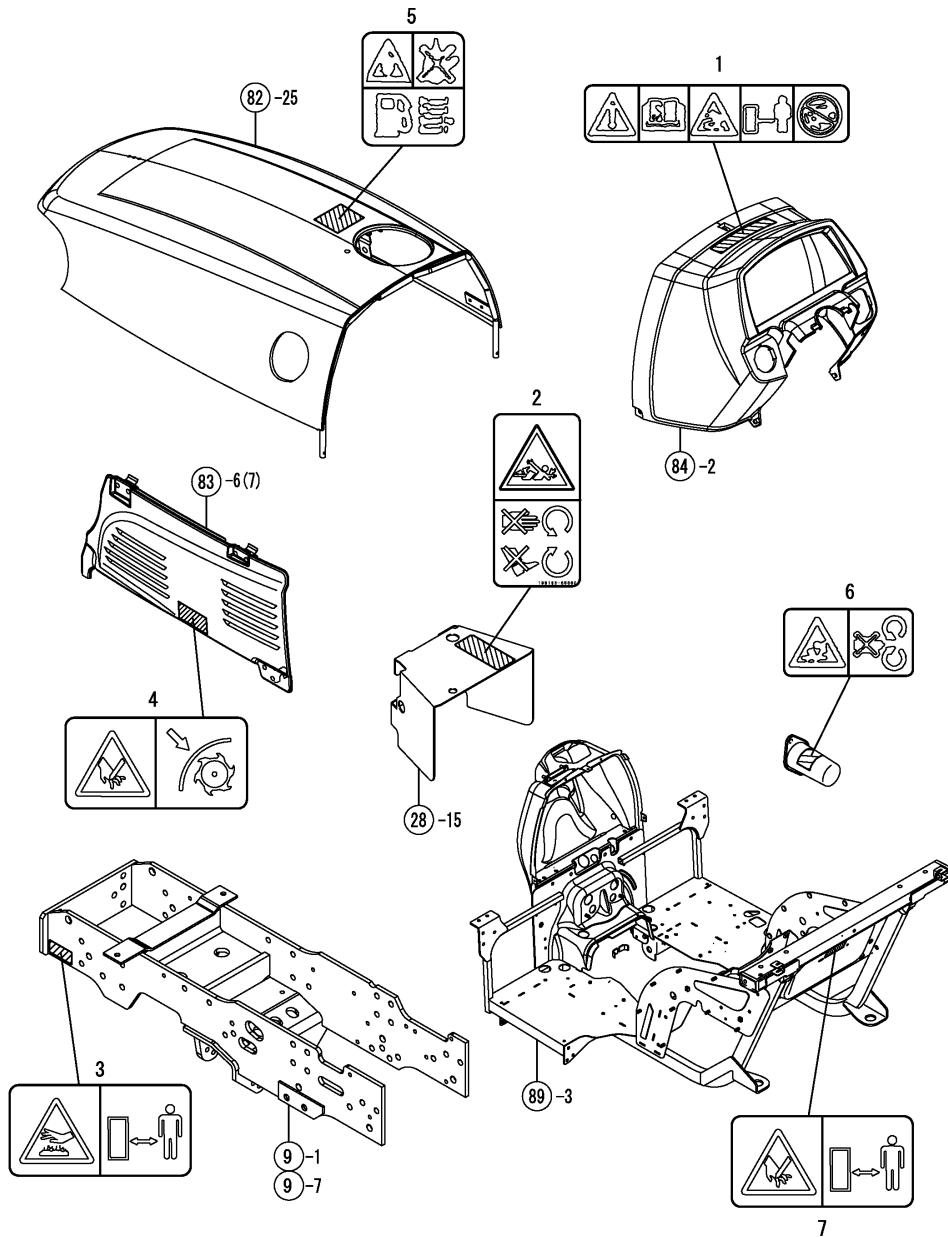
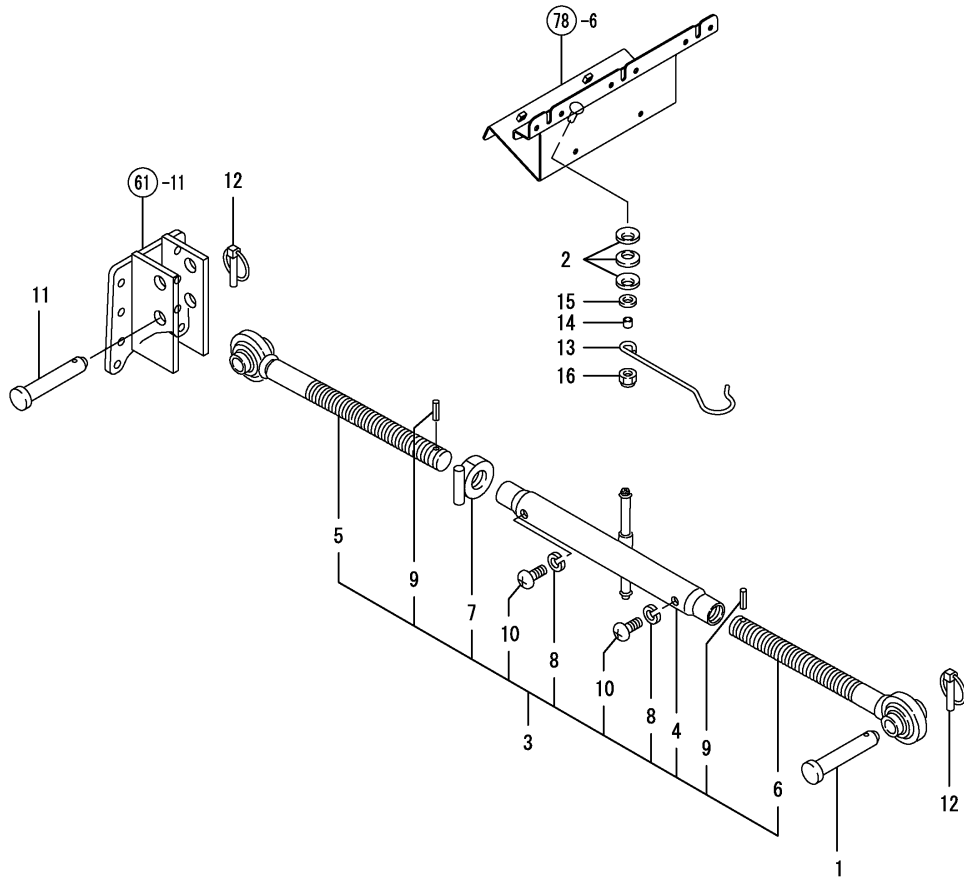


Fig.94. TOP LINK

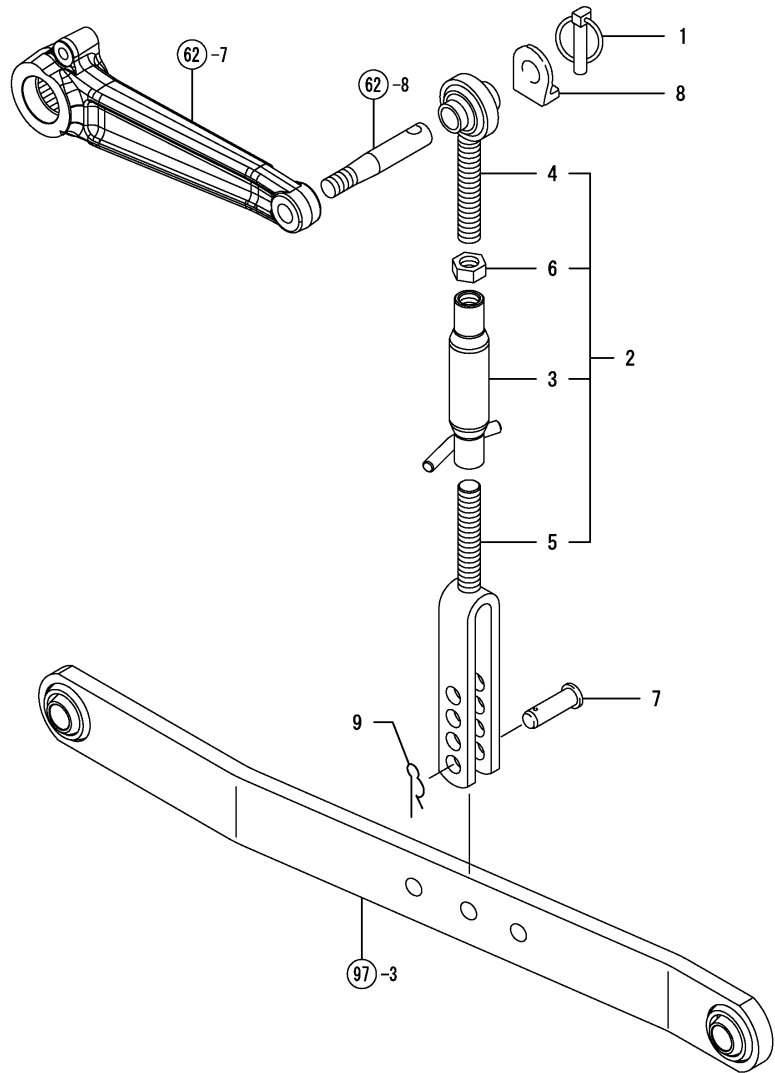
(A)=EF227EH
(B)=EF230EH
(C)=EF233EH

(D)=EF235EH
(E)=
(F)=



No.	Lev.	Parts No.	Description	Qty						I	R
				(A)	(B)	(C)	(D)	(E)	(F)		
1	1	195080-15060	PIN, HITCH	1	1	1	1				
2	1	198072-18320	SPRING, 12	3	3	3	3				
3	1	198220-71100	LINK ASSY, TOP	1	1	1	1				
4	2	194275-71500	TURNBUCKLE	1	1	1	1				
5	2	194145-71600	LINK ASSY, TOP R	1	1	1	1				
6	2	194145-71700	LINK ASSY, TOP L	1	1	1	1				
7	2	198092-71750	NUT ASSY, M24	1	1	1	1				
8	2	22217-060000	WASHER, SPRING 6	2	2	2	2				
9	2	22351-040024	PIN, SPRING 4.0X24	2	2	2	2				
10	2	26557-060062	SCREW, M6X 6	2	2	2	2				
11	1	194150-71230	PIN, LINK	1	1	1	1				
12	1	198220-71410	PIN ASSY, BALL	2	2	2	2				
13	1	198280-71710	HOOK, TOP LINK	1	1	1	1				
14	1	198092-71720	COLLAR, 8.1X10.5X9.3	1	1	1	1				
15	1	22137-080000	WASHER, 8	1	1	1	1				
16	1	26346-080002	NUT, M8	1	1	1	1				

Fig.95. LIFT LINK R



(A)=EF227EH
(B)=EF230EH
(C)=EF233EH

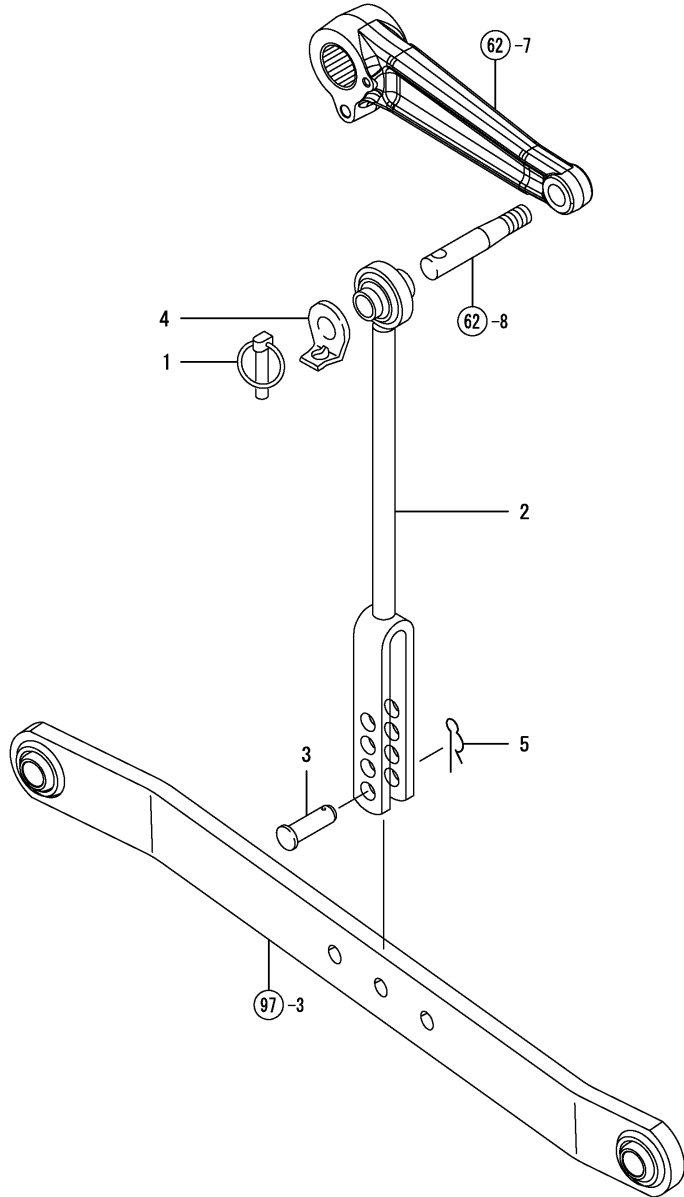
(D)=EF235EH
(E)=
(F)=

No.	Lev.	Parts No.	Description	Q'ty						I	R
				(A)	(B)	(C)	(D)	(E)	(F)		
1	1	194130-71410	PIN ASSY,BALL SOCKET	1	1	1	1				
2	1	198200-72101	LINK KIT, LIFT R	1	1	1	1				
3	2	198200-72210	TURNBUCKLE	1	1	1	1				
4	2	198200-72250	BOLT ASSY, EYE	1	1	1	1				
5	2	198200-72451	YOKE, LIFT LINK	1	1	1	1				
6	2	26777-180002	NUT, LOCK M18	1	1	1	1				
7	1	194150-72460	PIN, LIFT YOKE	1	1	1	1				
8	1	198071-74970	COLLAR, BALL SOCKET	1	1	1	1				
9	1	22372-160000	PIN, SNAP 16	1	1	1	1				

Fig.96. LIFT LINK

(A)=EF227EH
(B)=EF230EH
(C)=EF233EH

(D)=EF235EH
(E)=
(F)=

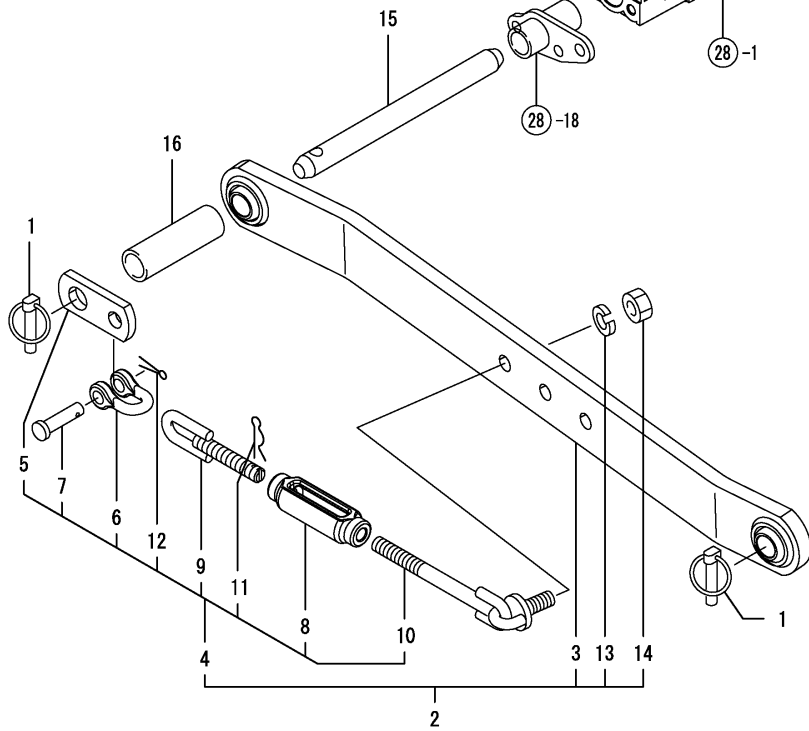
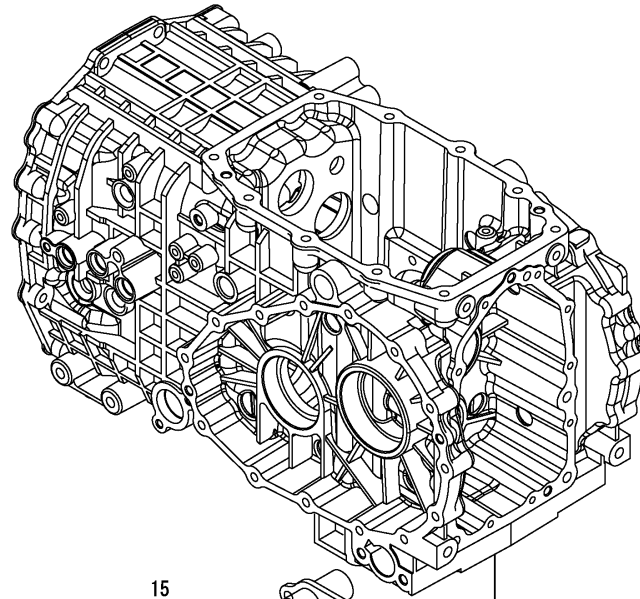


No.	Lev.	Parts No.	Description	Q'ty						I	R
				(A)	(B)	(C)	(D)	(E)	(F)		
1	1	194130-71410	PIN ASSY,BALL SOCKET	1	1	1	1				
2	1	198200-72300	LINK ASSY, LIFT L	1	1	1	1				
3	1	194150-72460	PIN, LIFT YOKE	1	1	1	1				
4	1	198071-74970	COLLAR, BALL SOCKET	1	1	1	1				
5	1	22372-160000	PIN, SNAP 16	1	1	1	1				

Fig.97. LOWER LINK & CHECK CHAIN

(A)=EF227EH
(B)=EF230EH
(C)=EF233EH

(D)=EF235EH
(E)=
(F)=

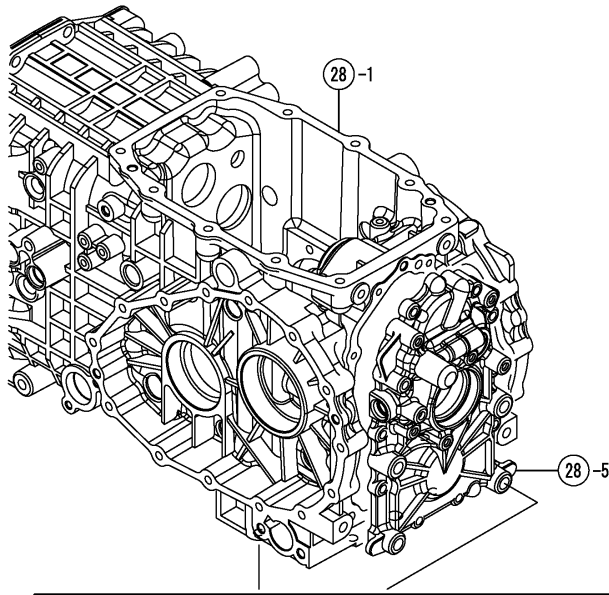


No.	Lev.	Parts No.	Description	Q'ty						I	R
				(A)	(B)	(C)	(D)	(E)	(F)		
1	1	794130-71410	PIN ASSY, BALL	4	4	4	4				
2	1	198280-73100	LINK KIT, LOWER	2	2	2	2				
3	2	198280-73500	LINK ASSY, LOWER	2	2	2	2				
4	2	198280-74100	CHAIN ASSY, CHECK	2	2	2	2				
5	3	198280-74550	HINGE, CHECK CHAIN	2	2	2	2				
6	3	194080-74621	BODY (SA10), SHACKLE	2	2	2	2				
7	3	194080-74631	PIN, SHACKLE SA10	2	2	2	2				
8	3	198360-74670	TURNBUCKLE, CHAIN	2	2	2	2				
8-1	3	1A8070-74670	TURNBUCKLE ASSY,	2	2	2	2				N
		(A=FZZZZZ)	(B=FZZZZZ)	(C=FZZZZZ)	(D=FZZZZZ)						
9	3	198121-74720	BOLT, EYE	2	2	2	2				
10	3	198280-74800	BOLT ASSY, EYE R	2	2	2	2				
11	3	22360-200000	PIN, SNAP 20	2	2	2	2				
12	3	22417-320320	PIN, COTTER 3.2X32	2	2	2	2				
13	2	22217-140000	WASHER, SPRING 14	2	2	2	2				
14	2	26716-140002	NUT, M14	2	2	2	2				
15	1	198200-73150	PIN, LOWER LINK	2	2	2	2				
16	1	198200-73210	COLLAR, 31.8X98	2	2	2	2				

Fig.98. DRAWBAR HITCH

(A)=EF227EH
(B)=EF230EH
(C)=EF233EH

(D)=EF235EH
(E)=
(F)=



No.	Lev.	Parts No.	Description	Qty						I	R
				(A)	(B)	(C)	(D)	(E)	(F)		
1	1	198280-75700	HITCH KIT, DRAWBAR	1	1	1	1				
2	2	195230-17260	PIN, SNAP 22S	1	1	1	1				
3	2	198280-75200	HITCH KIT, DRAWBAR	1	1	1	1				
4	3	198280-75210	DRAWBAR	1	1	1	1				
5	3	198280-75250	PLATE, CLEVIS	1	1	1	1				
6	3	198280-75260	SPACER, CLEVIS	2	2	2	2				
7	3	22217-160000	WASHER, SPRING 16	2	2	2	2				
8	3	26116-161302	BOLT, M16X130 PLATED	2	2	2	2				
9	3	26716-160002	NUT, M16	2	2	2	2				
10	2	198253-75430	PIN, HITCH	1	1	1	1				
11	2	198280-75750	BRACKET, HITCH	1	1	1	1				
12	2	26013-120352	BOLT, M12X 35	5	5	5	5				
13	2	26013-120652	BOLT, M12X 65	2	2	2	2				
14	2	26106-100202	BOLT, M10X 20 PLATED	2	2	2	2				

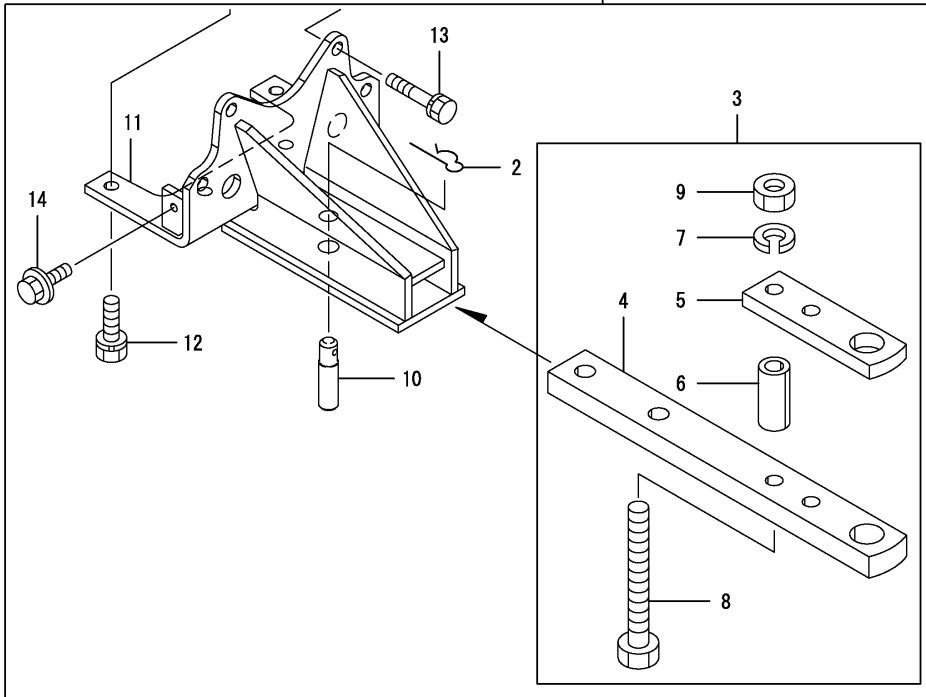
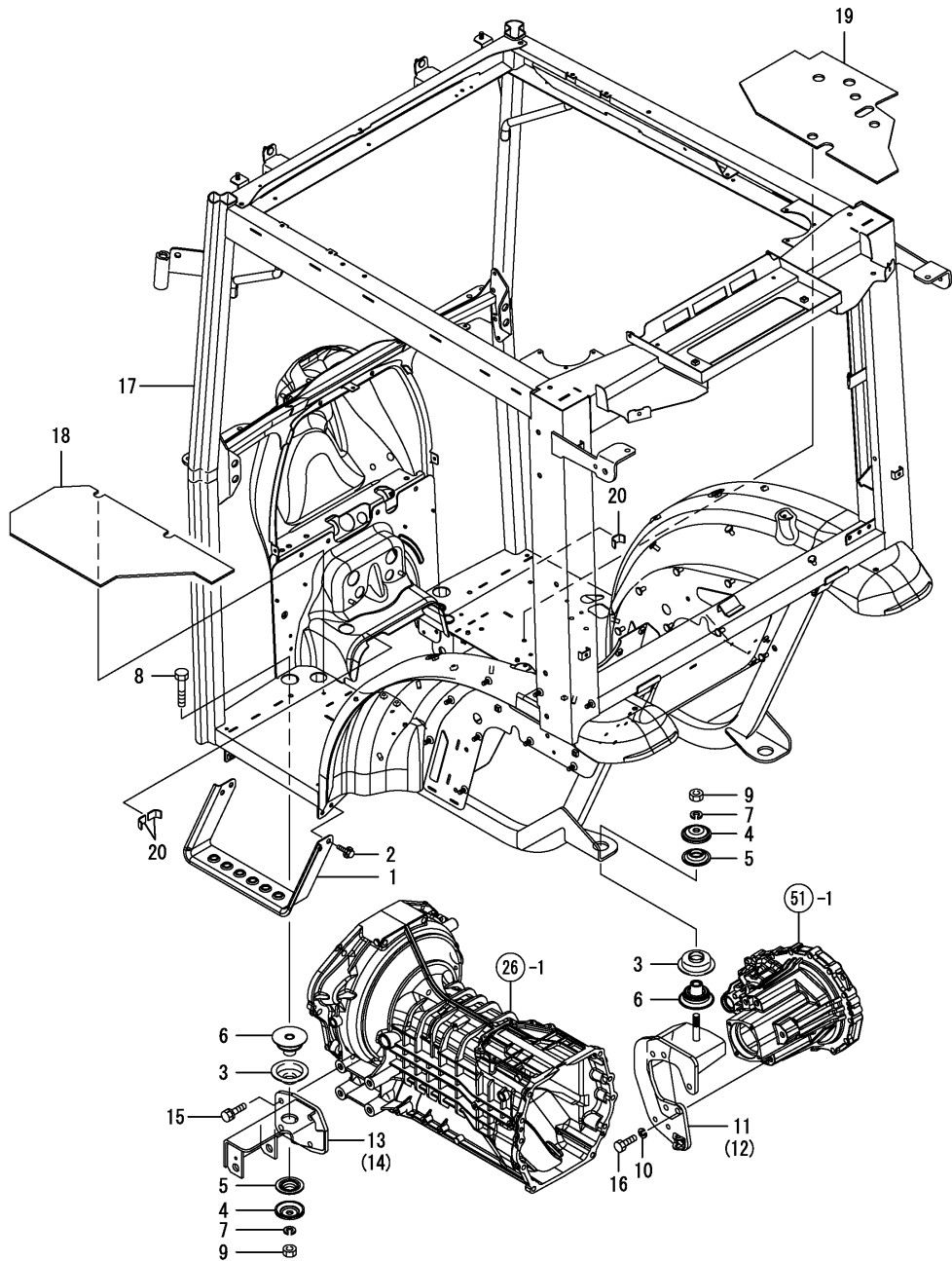


Fig.100. CABIN FRAME

(A)=EF227EH
(B)=EF230EH
(C)=EF233EH

(D)=EF235EH
(E)=
(F)=

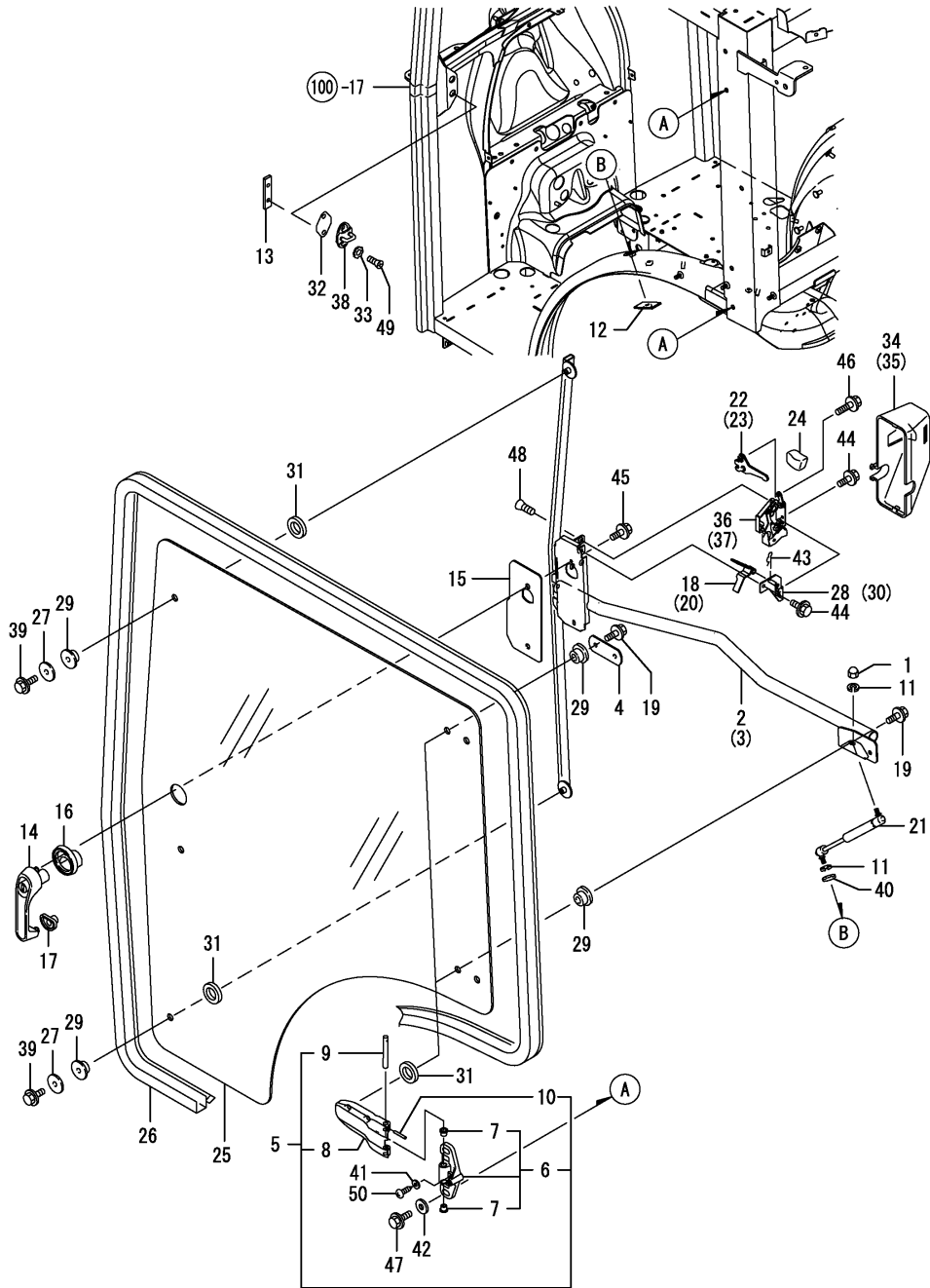


No.	Lev.	Parts No.	Description	Q'ty						I	R
				(A)	(B)	(C)	(D)	(E)	(F)		
1	1	198200-62560	STEP, SUB	1	1	1	1				
2	1	26106-080162	BOLT, M8X 16 PLATED	4	4	4	4				
3	1	198071-62900	STOPPER, MOUNT	4	4	4	4				
4	1	198200-62910	STOPPER, U	4	4	4	4				
5	1	198200-62970	MOUNT, UPPER	4	4	4	4				
6	1	198208-62990	MOUNT, LOWER	4	4	4	4				
7	1	22217-140000	WASHER, SPRING 14	4	4	4	4				
8	1	26116-140752	BOLT, M14X 75 PLATED	2	2	2	2				
9	1	26716-140002	NUT, M14	4	4	4	4				
10	1	194274-13580	WASHER, SPRING 12	10	10	10	10				
11	1	198280-62630	MOUNT ASSY, REAR L	1	1	1	1				
12	1	198280-62640	MOUNT ASSY, REAR R	1	1	1	1				
13	1	198280-62850	MOUNT ASSY, FRONT L	1	1	1	1				
14	1	198280-62860	MOUNT ASSY, FRONT R	1	1	1	1				
15	1	26013-120402	BOLT, M12X 40	8	8	8	8				
16	1	26116-120402	BOLT, M12X 40 PLATED	10	10	10	10				
17	1	198287-80090	FRAME ASSY, CABIN M	1	1	1	1				
18	1	198287-84280	MATERIAL, DAMPING L	1	1	1	1				
19	1	198287-84290	MATERIAL, DAMPING R	1	1	1	1				
20	1	198093-84810	SEAL, FENDER	3	3	3	3				

Fig.101. DOOR

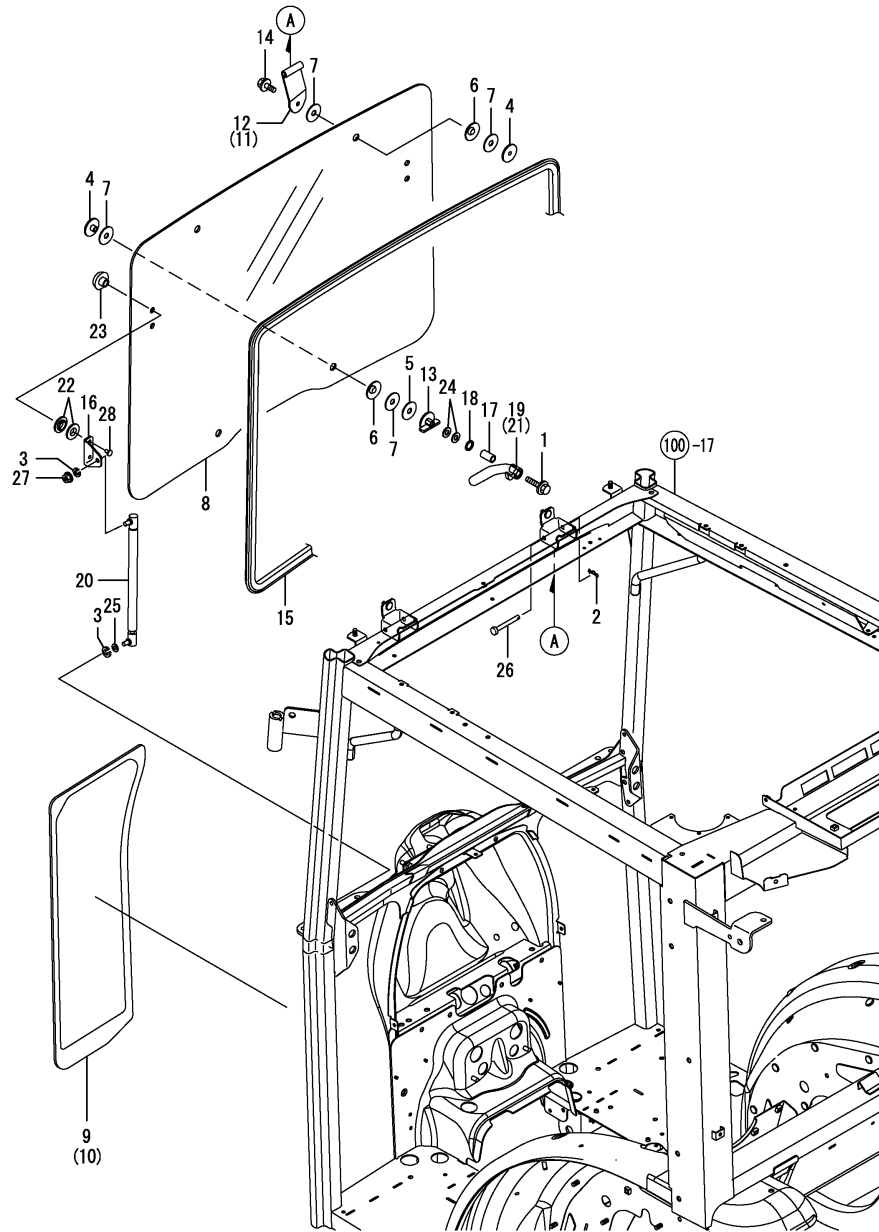
(A)=EF227EH
(B)=EF230EH
(C)=EF233EH

(D)=EF235EH
(E)=
(F)=



No.	Lev.	Parts No.	Description	Qty						I	R
				(A)	(B)	(C)	(D)	(E)	(F)		
1	1	194697-47150	NUT, CAP M8	2	2	2	2				
2	1	198208-82110	FRAME ASSY, DOOR L	1	1	1	1				
3	1	198208-82120	FRAME ASSY, DOOR R	1	1	1	1				
4	1	198492-82150	PLATE, DOOR FRAME	2	2	2	2				
5	1	198208-82200	HINGE ASSY, DOOR	4	4	4	4				
6	2	198208-82220	HINGE ASSY, DOOR B	4	4	4	4				
7	3	1C1011-33990	BUSH, 10	8	8	8	8				
8	2	198208-82250	HINGE, DOOR A	4	4	4	4				
9	2	198208-82260	PIN, HINGE	4	4	4	4				
10	2	22351-030020	PIN, SPRING 3.0X20	4	4	4	4				
11	1	198268-82270	WASHER, SPRING 8	4	4	4	4				
12	1	198208-82320	STAY, DOOR DAMPER	2	2	2	2				
13	1	198463-82350	PLATE, DOOR LOCK	2	2	2	2				
14	1	1A7320-82400	HANDLE ASSY, OUTER	2	2	2	2				
15	1	1A7320-82440	GASKET, COVER	2	2	2	2				
16	1	198153-82470	PACKING, HANDLE A	2	2	2	2				
17	1	198153-82480	PACKING, HANDLE B	2	2	2	2				
18	1	1A7320-82510	LEVER, OPEN L	1	1	1	1				
19	1	198093-82510	BOLT, M8X25	8	8	8	8				
20	1	1A7320-82520	LEVER, OPEN R	1	1	1	1				
21	1	198463-82550	DAMPER, GAS	2	2	2	2				
22	1	1A7320-82570	LEVER, DOOR INSIDE L	1	1	1	1				
23	1	1A7320-82580	LEVER, DOOR INSIDE R	1	1	1	1				
24	1	198492-82590	KNOB, HANDLE	2	2	2	2				
25	1	198287-82610	GLASS, DOOR	2	2	2	2				
26	1	198287-82630	WEATHER-STRIP, DG	2	2	2	2				
27	1	198255-82640	STAY, PLATE	4	4	4	4				
28	1	1A7320-82650	BRACKET, LEVER L	1	1	1	1				
29	1	198255-82650	RUBBER, CUSHION A	12	12	12	12				
30	1	1A7320-82660	BRACKET, LEVER R	1	1	1	1				
31	1	198255-82660	RUBBER, CUSHION B	12	12	12	12				
32	1	198255-82690	SPACER, STRIKER	2	2	2	2				
33	1	198255-82700	WASHER, 8	4	4	4	4				
34	1	1A7320-82710	COVER, LATCH L	1	1	1	1				
35	1	1A7320-82720	COVER, LATCH R	1	1	1	1				
36	1	1A7320-82750	LOCK ASSY, DOOR L	1	1	1	1				
37	1	1A7320-82760	LOCK ASSY, DOOR R	1	1	1	1				
38	1	1A7320-82770	STRIKER, DOOR LOCK	2	2	2	2				
39	1	198460-83350	BOLT, M8X16	4	4	4	4				
40	1	198255-83350	WASHER, 8	2	2	2	2				
41	1	22117-060000	WASHER, 6	4	4	4	4				
42	1	22137-100000	WASHER, 10	8	8	8	8				
43	1	22372-080000	PIN, SNAP 8	2	2	2	2				
44	1	26106-060122	BOLT, M6X 12 PLATED	4	4	4	4				
45	1	26106-060122	BOLT, M6X 12 PLATED	4	4	4	4				
46	1	26106-060252	BOLT, M6X 25 PLATED	2	2	2	2				
47	1	26106-100252	BOLT, M10X 25 PLATED	8	8	8	8				
48	1	26577-060202	SCREW, M6X20	6	6	6	6				
49	1	26577-080252	SCREW, M8X25	4	4	4	4				
50	1	26587-060122	SCREW, M6X12	4	4	4	4				

Fig.102. FRONT WINDOW



(A)=EF227EH
(B)=EF230EH
(C)=EF233EH

(D)=EF235EH
(E)=
(F)=

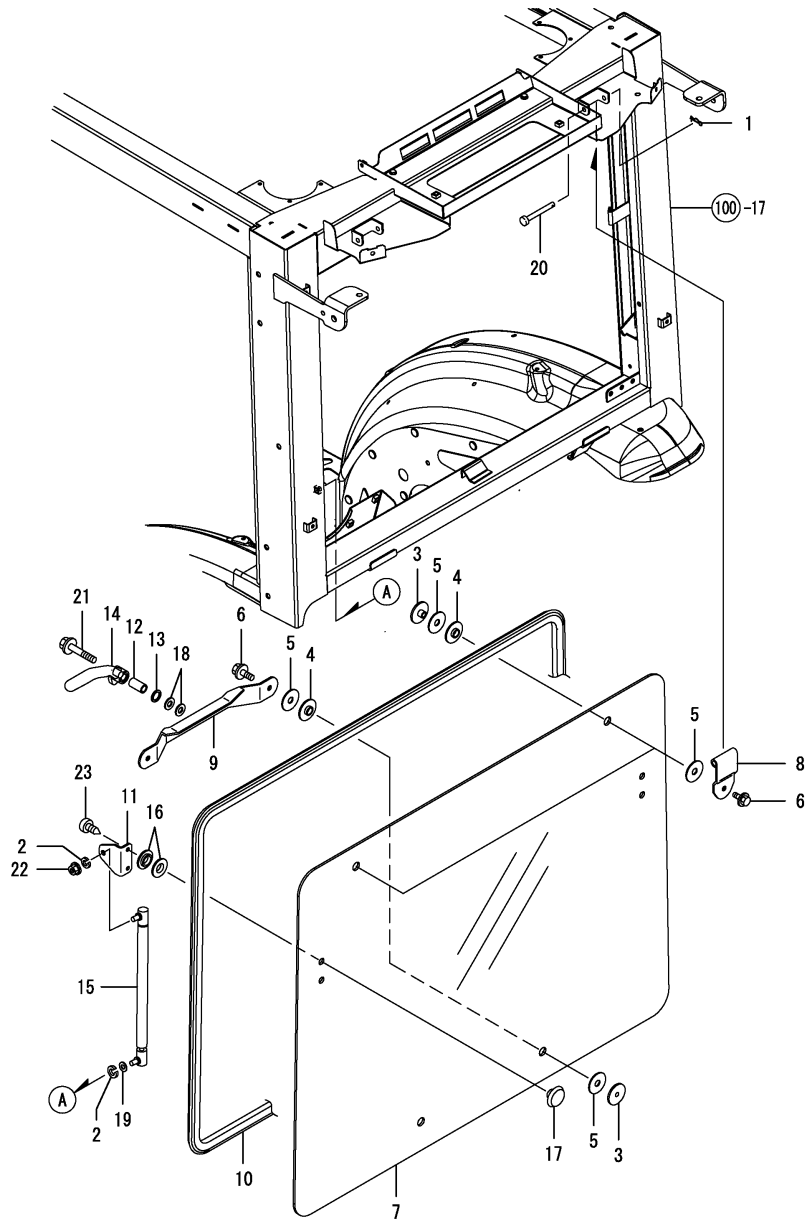
No.	Lev.	Parts No.	Description	Q'ty						I	R
				(A)	(B)	(C)	(D)	(E)	(F)		
1	1	194697-28270	BOLT, M8X35	2	2	2	2				
2	1	1C6281-52310	PIN, SNAP 6	2	2	2	2				
3	1	198268-82270	WASHER, SPRING 8	4	4	4	4				
4	1	198094-82550	SCREW, M8	2	2	2	2				
5	1	198255-82640	STAY, PLATE	2	2	2	2				
6	1	198255-82650	RUBBER, CUSHION A	4	4	4	4				
7	1	198255-82660	RUBBER, CUSHION B	8	8	8	8				
8	1	198287-83110	GLASS, FRONT	1	1	1	1				
9	1	198208-83120	GLASS, FRONT LOWER L	1	1	1	1				
10	1	198208-83130	GLASS, FRONT LOWER R	1	1	1	1				
11	1	198287-83150	HINGE, L FRONT	1	1	1	1				
12	1	198287-83160	HINGE, R FRONT	1	1	1	1				
13	1	198287-83340	BRACKET, LOCK	2	2	2	2				
14	1	198460-83350	BOLT, M8X16	4	4	4	4				
15	1	198208-83640	WEATHER-STRIP, 2960	1	1	1	1				
16	1	198208-83650	STAY, GUS SPRING	2	2	2	2				
17	1	198153-83710	COLLAR, 8.4X12X22.5	2	2	2	2				
18	1	198153-83720	WASHER, 12	2	2	2	2				
19	1	198153-83730	HANDLE, REAR GLASS	1	1	1	1				
20	1	198093-83751	SPRING, GAS	2	2	2	2				
21	1	198463-83760	HANDLE, SIDE GLASS L	1	1	1	1				
22	1	197820-84740	LINER	8	8	8	8				
23	1	197820-84750	FITTING	4	4	4	4				
23-1	1	1A8110-62250	BOLT, M6	4	4	4	4				F 1
		(A=FXXXXX)	(B=FXXXXX)	(C=FXXXXX)	(D=FXXXXX)						
24	1	22137-080000	WASHER, 8	4	4	4	4				
25	1	22137-080000	WASHER, 8	2	2	2	2				
26	1	22487-080600	PIN 8X 60	2	2	2	2				
27	1	26366-080002	NUT, M8	2	2	2	2				
28	1	26589-060102	SCREW, M6	4	4	4	4				
28-1	1	194990-22130	NUT, M6	4	4	4	4				F 1
		(A=FXXXXX)	(B=FXXXXX)	(C=FXXXXX)	(D=FXXXXX)						

Remarks
(1)Ref.No.23-1 & 28-1 Interchangeable by set.

Fig.103. REAR WINDOW

(A)=EF227EH
(B)=EF230EH
(C)=EF233EH

(D)=EF235EH
(E)=
(F)=



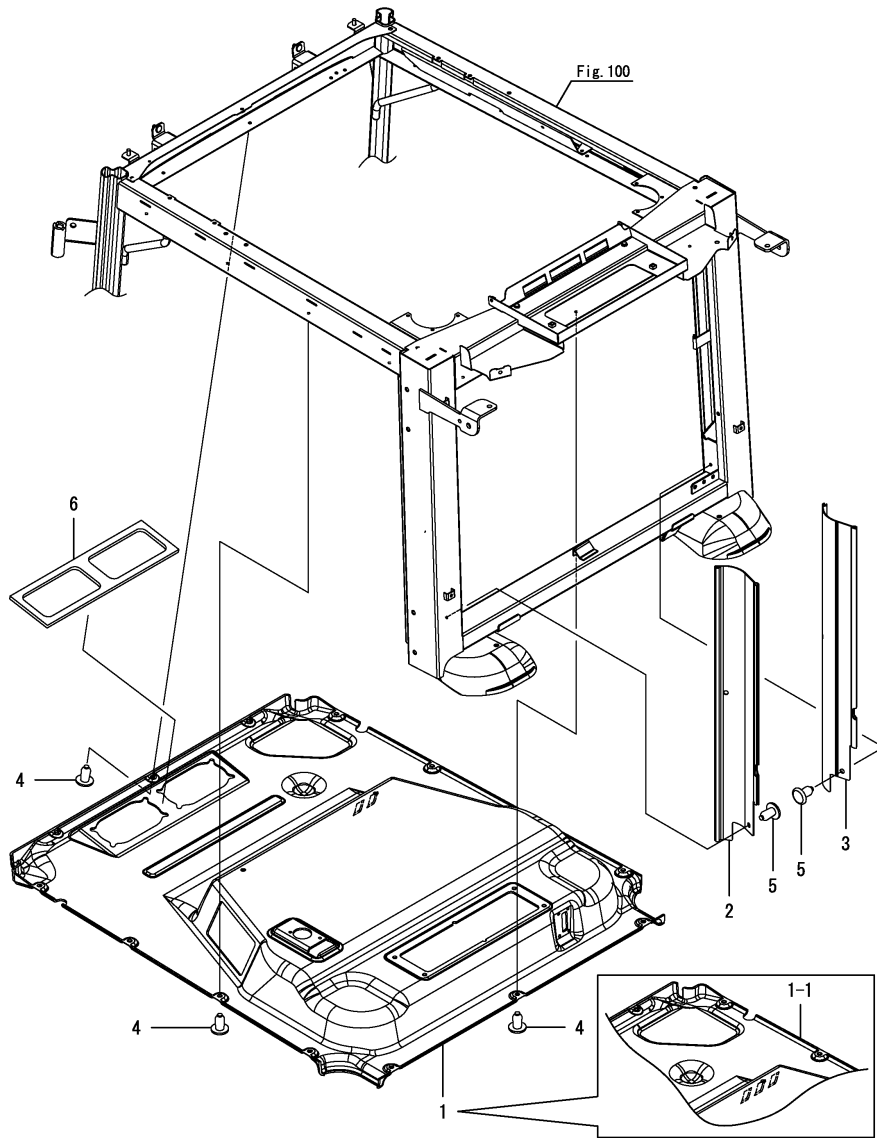
No.	Lev.	Parts No.	Description	Q'ty						I	R
				(A)	(B)	(C)	(D)	(E)	(F)		
1	1	1C6281-52310	PIN, SNAP 6	2	2	2	2				
2	1	198268-82270	WASHER, SPRING 8	4	4	4	4				
3	1	198094-82550	SCREW, M8	4	4	4	4				
4	1	198255-82650	RUBBER, CUSHION A	4	4	4	4				
5	1	198255-82660	RUBBER, CUSHION B	8	8	8	8				
6	1	198460-83350	BOLT, M8X16	4	4	4	4				
7	1	198287-83610	GLASS, REAR	1	1	1	1				
8	1	198208-83630	HINGE	2	2	2	2				
9	1	198094-83640	BRACKET, LOCK REAR	1	1	1	1				
10	1	198287-83640	WEATHER-STRIP, RG	1	1	1	1				
11	1	198208-83650	STAY, GUS SPRING	2	2	2	2				
12	1	198153-83710	COLLAR, 8.4X12X22.5	1	1	1	1				
13	1	198153-83720	WASHER, 12	1	1	1	1				
14	1	198153-83730	HANDLE, REAR GLASS	1	1	1	1				
15	1	198093-83751	SPRING, GAS	2	2	2	2				
16	1	197820-84740	LINER	8	8	8	8				
17	1	197820-84750	FITTING	4	4	4	4				
17-1	1	1A8110-62250	BOLT, M6	4	4	4	4				F 1
(A=FXXXXX) (B=FXXXXX) (C=FXXXXX) (D=FXXXXX)											
18	1	22137-080000	WASHER, 8	2	2	2	2				
19	1	22137-080000	WASHER, 8	2	2	2	2				
20	1	22487-080600	PIN 8X 60	2	2	2	2				
21	1	26106-080452	BOLT, M8X 45 PLATED	1	1	1	1				
22	1	26366-080002	NUT, M8	2	2	2	2				
23	1	26589-060102	SCREW, M6	4	4	4	4				
23-1	1	194990-22130	NUT, M6	4	4	4	4				F 1
(A=FXXXXX) (B=FXXXXX) (C=FXXXXX) (D=FXXXXX)											

Remarks
(1)Ref.No.17-1 & 23-1 Interchangeable by set.

Fig.104. INTERIORS

(A)=EF227EH
(B)=EF230EH
(C)=EF233EH

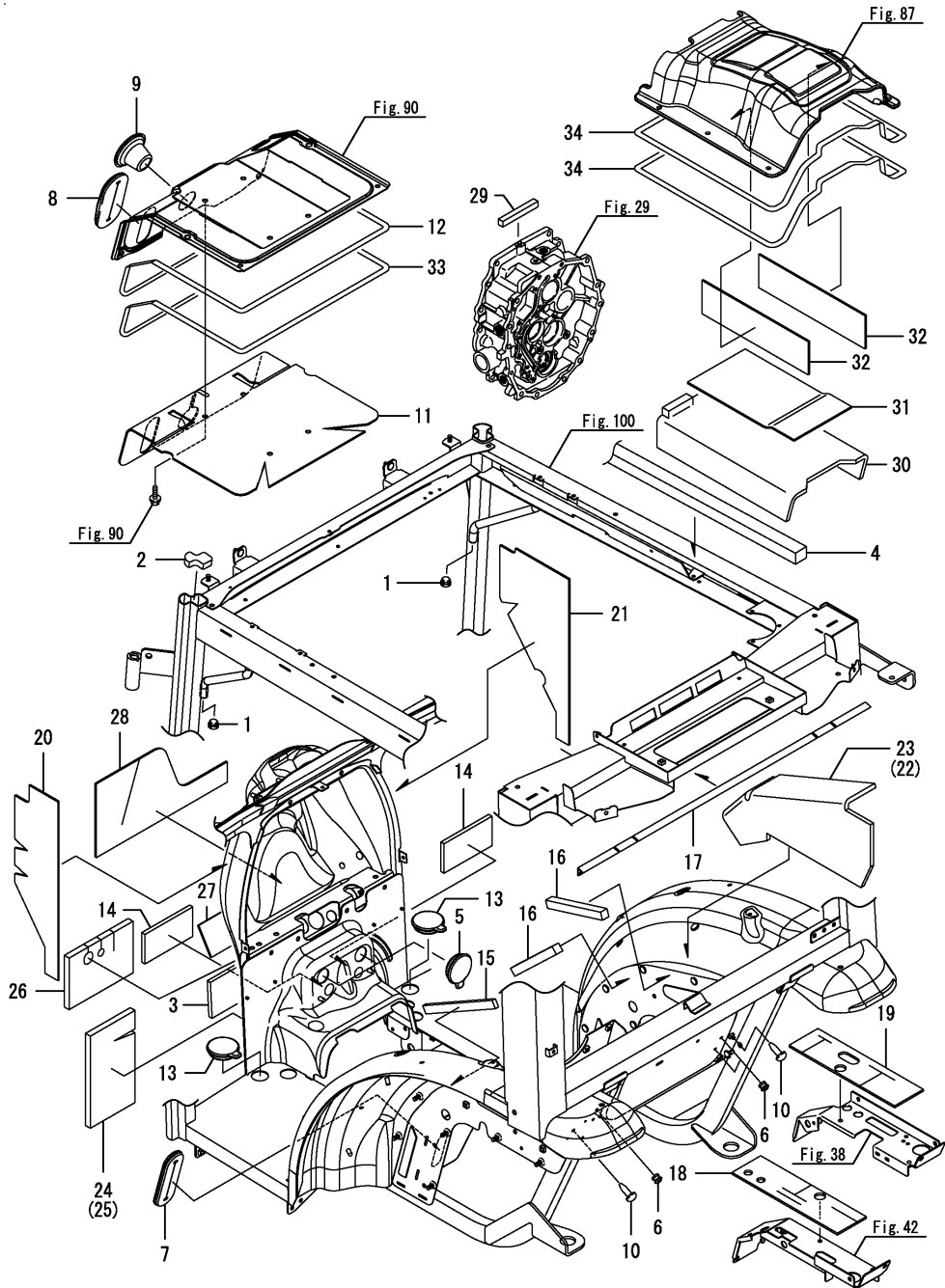
(D)=EF235EH
(E)=
(F)=



No.	Lev.	Parts No.	Description	Qty						I	R
				(A)	(B)	(C)	(D)	(E)	(F)		
1	1	198287-84100	ROOF, INNER	1	1	1	1				
1-1	1	198287-84101	ROOF, INNER	1	1	1	1				F 1
		(A=FXXXXX) (B=FXXXXX) (C=FXXXXX) (D=FXXXXX)									
2	1	198287-85480	COVER, REAR PILLAR L	1	1	1	1				
3	1	198287-85490	COVER, REAR PILLAR R	1	1	1	1				
4	1	198010-85810	RIVET, NYLON	16	16	16	16				
5	1	198010-85810	RIVET, NYLON	4	4	4	4				
6	1	1A7030-87260	SEAL, FRONT GRILLE	1	1	1	1				

Remarks
(1)Ref.No.1 is interchangeable with a set of 1-1, Fig.111 No.2-1 & Fig.113 No.6.

Fig.105. CABIN SEAL



(A)=EF227EH
(B)=EF230EH
(C)=EF233EH

(D)=EF235EH
(E)=
(F)=

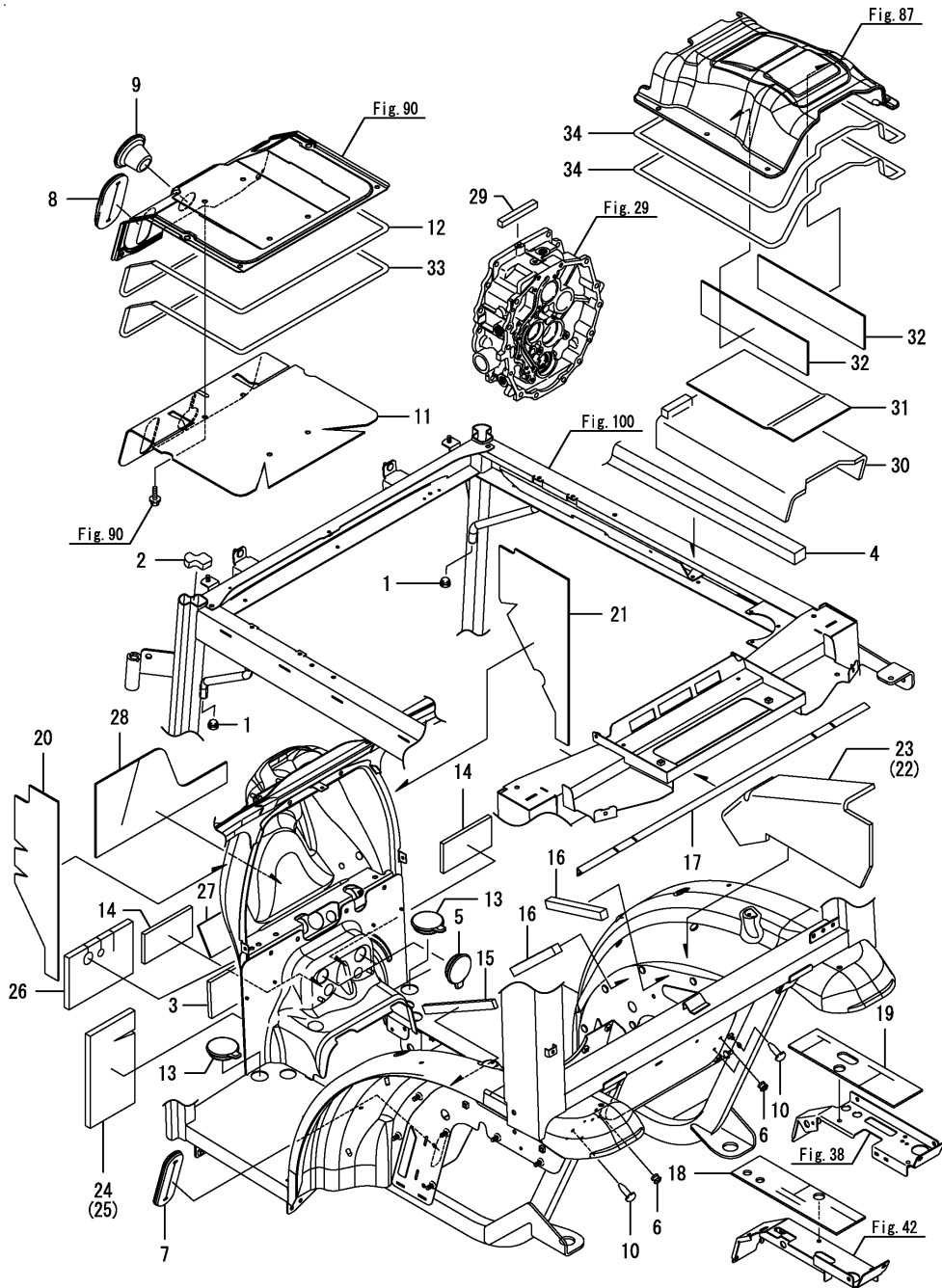
No.	Lev.	Parts No.	Description	Qty						I	R
				(A)	(B)	(C)	(D)	(E)	(F)		
1	1	194145-64430	GROMMET	2	2	2	2				
2	1	198208-84190	SEAL, FRONT PIPE	2	2	2	2				
3	1	198208-84570	SEAL, AIR SHIELD	1	1	1	1				
4	1	198208-85590	SEAL, OUTER ROOF	1	1	1	1				
5	1	198094-85710	GROMMET, 38	2	2	2	2				
6	1	1C6053-26020	CAP, RUBBER 8X3	2	2	2	2				
7	1	198208-62810	GROMMET, PEDAL	1	1	1	1				
8	1	198287-62810	GROMMET, BRAKE	1	1	1	1				
9	1	198208-62920	BOOT, STOP LEVER	1	1	1	1				
10	1	1E6760-74150	CAP, HOLE 8	2	2	2	2				
11	1	198287-84540	MATERIAL, DAMPING B	1	1	1	1				
12	1	1A7320-84650	GASKET, DUST COVER	1	1	1	1				
13	1	198094-85710	GROMMET, 38	2	2	2	2				
14	1	198280-04450	SEAL, FUEL HOSE	2	2	2	2				W
		(A=FXXXXX) (B=FXXXXX) (C=FXXXXX) (D=FXXXXX)									
15	1	198280-63810	RUBBER, 20X10X250	1	1	1	1				W
		(A=FXXXXX) (B=FXXXXX) (C=FXXXXX) (D=FXXXXX)									
16	1	198280-63830	RUBBER, 20X20X180	2	2	2	2				W
		(A=FXXXXX) (B=FXXXXX) (C=FXXXXX) (D=FXXXXX)									
17	1	198208-83720	SEAL, REAR GLASS	1	1	1	1				W
		(A=FXXXXX) (B=FXXXXX) (C=FXXXXX) (D=FXXXXX)									
18	1	1A8110-84350	SEAL, LEVER L	1	1	1	1				W
		(A=FXXXXX) (B=FXXXXX) (C=FXXXXX) (D=FXXXXX)									
19	1	1A8110-84360	SEAL, LEVER R	1	1	1	1				W
		(A=FXXXXX) (B=FXXXXX) (C=FXXXXX) (D=FXXXXX)									
20	1	1A8110-84410	MATERIAL, DAMPING L	1	1	1	1				W
		(A=FXXXXX) (B=FXXXXX) (C=FXXXXX) (D=FXXXXX)									
21	1	1A8110-84420	MATERIAL, DAMPING R	1	1	1	1				W
		(A=FXXXXX) (B=FXXXXX) (C=FXXXXX) (D=FXXXXX)									
22	1	1A8110-84460	MATERIAL, ACOUSTIC L	1	1	1	1				W
		(A=FXXXXX) (B=FXXXXX) (C=FXXXXX) (D=FXXXXX)									
23	1	1A8110-84470	MATERIAL, ACOUSTIC R	1	1	1	1				W
		(A=FXXXXX) (B=FXXXXX) (C=FXXXXX) (D=FXXXXX)									
24	1	1A8110-84540	SEAL, AIR SHIELD L	1	1	1	1				W
		(A=FXXXXX) (B=FXXXXX) (C=FXXXXX) (D=FXXXXX)									
25	1	1A8110-84550	SEAL, AIR SHIELD R	1	1	1	1				W
		(A=FXXXXX) (B=FXXXXX) (C=FXXXXX) (D=FXXXXX)									
26	1	1A8110-84570	SEAL, FUEL HOSE	1	1	1	1				W
		(A=FXXXXX) (B=FXXXXX) (C=FXXXXX) (D=FXXXXX)									
27	1	198208-84620	COVER, FUEL HOSE	1	1	1	1				W
		(A=FXXXXX) (B=FXXXXX) (C=FXXXXX) (D=FXXXXX)									
28	1	1A8110-84620	SEAL, AIR SHIELD	1	1	1	1				W
		(A=FXXXXX) (B=FXXXXX) (C=FXXXXX) (D=FXXXXX)									
29	1	1A8100-21180	SEAL, HOUSING COVER	1	1	1	1				W
		(A=FXXXXX) (B=FXXXXX) (C=FXXXXX) (D=FXXXXX)									
30	1	198208-84560	SEAL, FLOOR	1	1	1	1				W
		(A=FXXXXX) (B=FXXXXX) (C=FXXXXX) (D=FXXXXX)									
31	1	198208-62380	MATERIAL, DAMPING	1	1	1	1				W
		(A=FXXXXX) (B=FXXXXX) (C=FXXXXX) (D=FXXXXX)									
32	1	198287-62380	ISOLATOR, COVER	2	2	2	2				W
		(A=FXXXXX) (B=FXXXXX) (C=FXXXXX) (D=FXXXXX)									

N:Old $\frac{Yes}{No}$ New, Q:Old $\frac{No}{Yes}$ New, R:Old $\frac{Yes}{Yes}$ New, S:Old $\frac{No}{No}$ New, W:Add, Z:Discontinued, F:Interchangeable by set, K:Q'ty Change
 ++ CONTINUE ++
 Copyright (C) YANMAR CO., LTD. All Rights Reserved.

Fig.105. CABIN SEAL

(A)=EF227EH
 (B)=EF230EH
 (C)=EF233EH

(D)=EF235EH
 (E)=
 (F)=

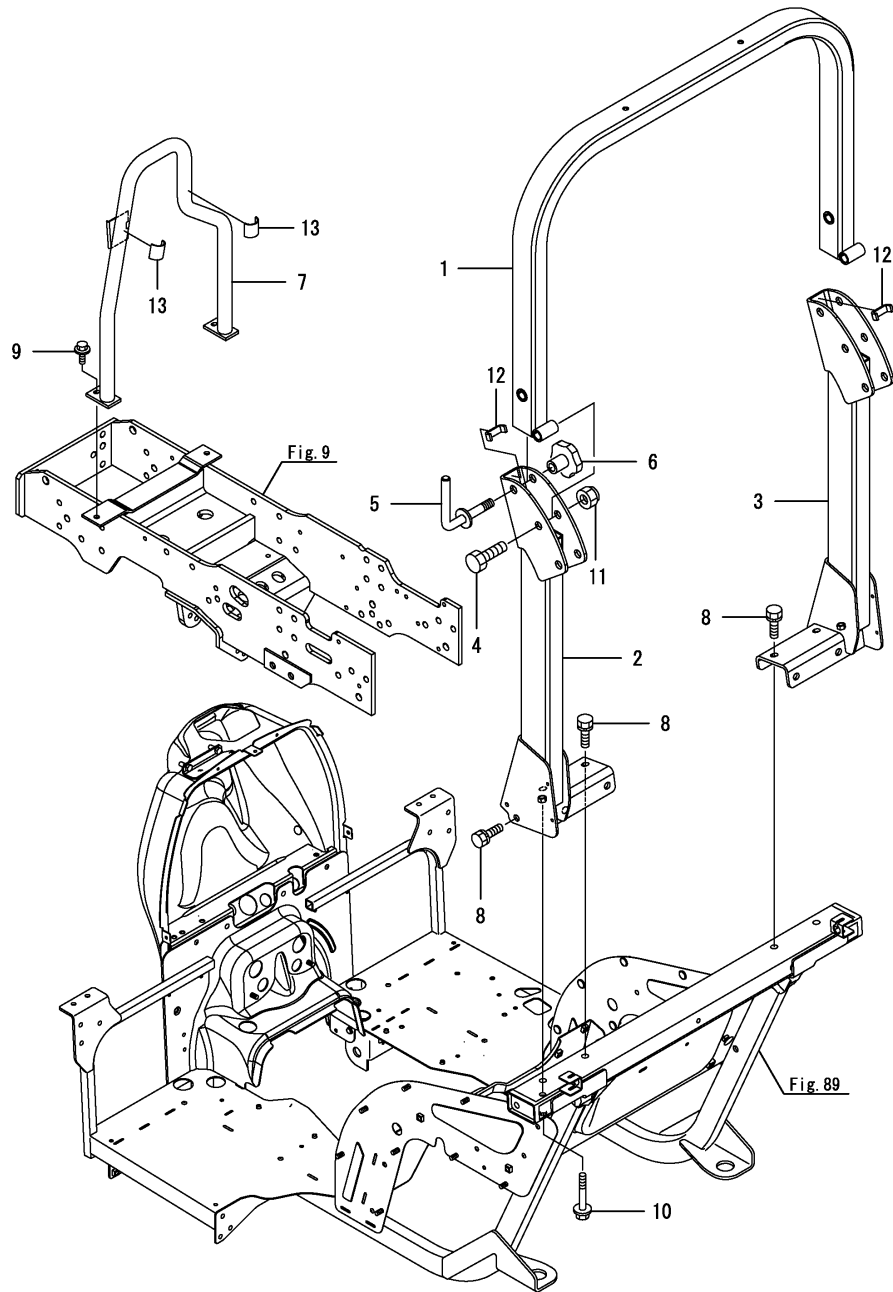


No.	Lev.	Parts No.	Description	Qty						I	R
				(A)	(B)	(C)	(D)	(E)	(F)		
33	1	1A8110-62390	SEAL, FLOOR COVER A (A=FXXXXX) (B=FXXXXX) (C=FXXXXX) (D=FXXXXX)	1	1	1	1				W
34	1	1A8110-62390	SEAL, FLOOR COVER A (A=FXXXXX) (B=FXXXXX) (C=FXXXXX) (D=FXXXXX)	2	2	2	2				W

Fig.106. SAFETY FRAME(REAR)

(A)=EF227EH
(B)=EF230EH
(C)=EF233EH

(D)=EF235EH
(E)=
(F)=

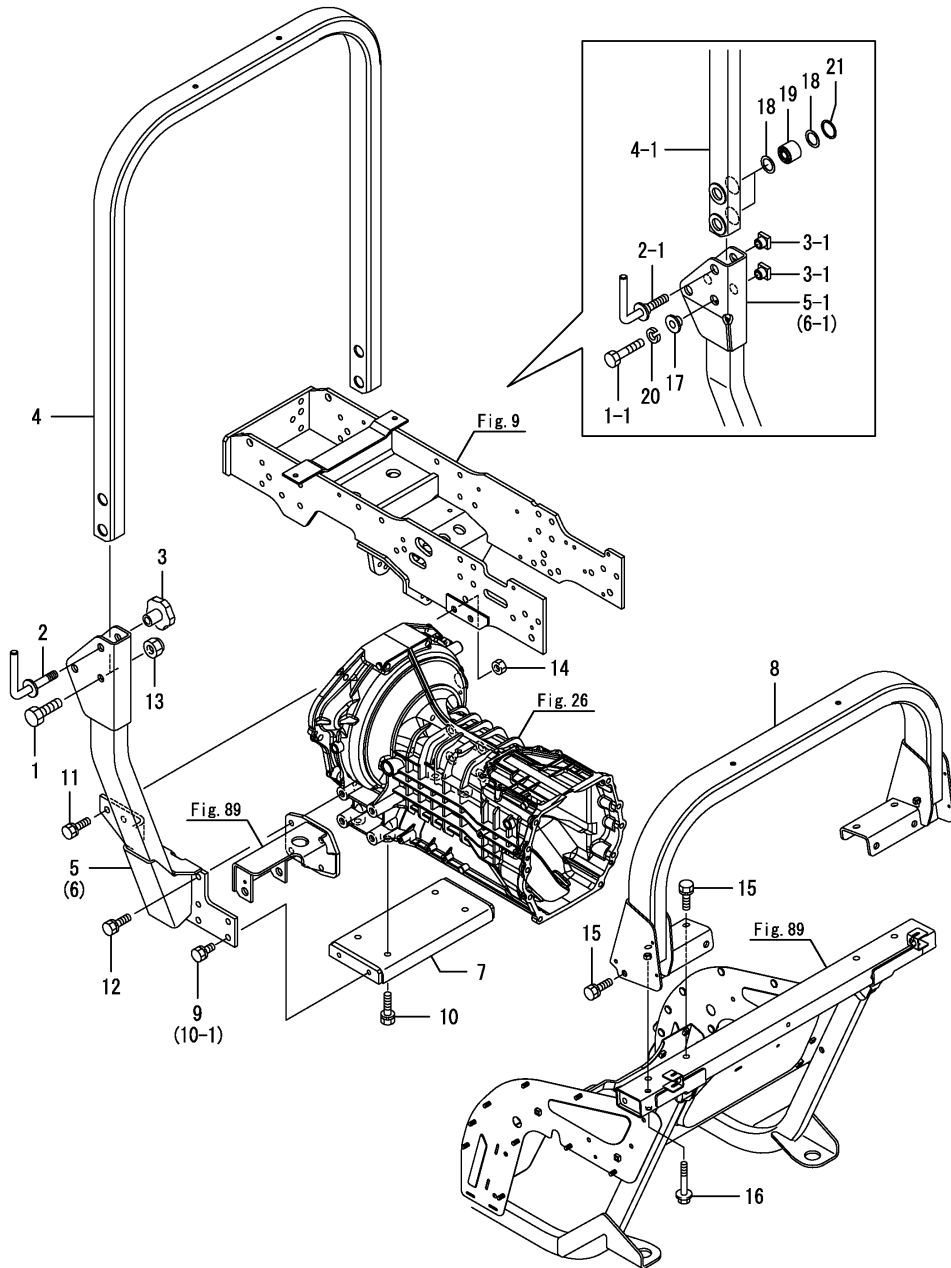


No.	Lev.	Parts No.	Description	Qty						I	R
				(A)	(B)	(C)	(D)	(E)	(F)		
1	1	198280-85100	FRAME ASSY, UPPER	1	1	1	1				
2	1	198280-85150	FRAME ASSY, LOWER L	1	1	1	1				
3	1	198280-85160	FRAME ASSY, LOWER R	1	1	1	1				
4	1	198200-85400	BOLT, M16X80	2	2	2	2				
5	1	198280-85410	HANDLE ASSY	2	2	2	2				
6	1	198163-85630	KNOB, M16	2	2	2	2				
7	1	198280-85710	FRAME ASSY, FRONT	1	1	1	1				
8	1	26013-120352	BOLT, M12X 35	10	10	10	10				
9	1	26106-080202	BOLT, M8X 20 PLATED	4	4	4	4				
10	1	26106-100652	BOLT, M10X 65 PLATED	2	2	2	2				
11	1	26356-160002	NUT, M16	2	2	2	2				
12	1	198162-61370	SEAL, RADIATOR E	2	2	2	2				W
		(A=*2008.06.)	(B=*2008.06.)	(C=*2008.06.)	(D=*2008.06.)						
13	1	198093-84810	SEAL, FENDER	2	2	2	2				W
		(A=FXXXXX)	(B=FXXXXX)	(C=FXXXXX)	(D=FXXXXX)						

Fig.107. SAFETY FRAME(FRONT)

(A)=EF227EH
(B)=EF230EH
(C)=EF233EH

(D)=EF235EH
(E)=
(F)=

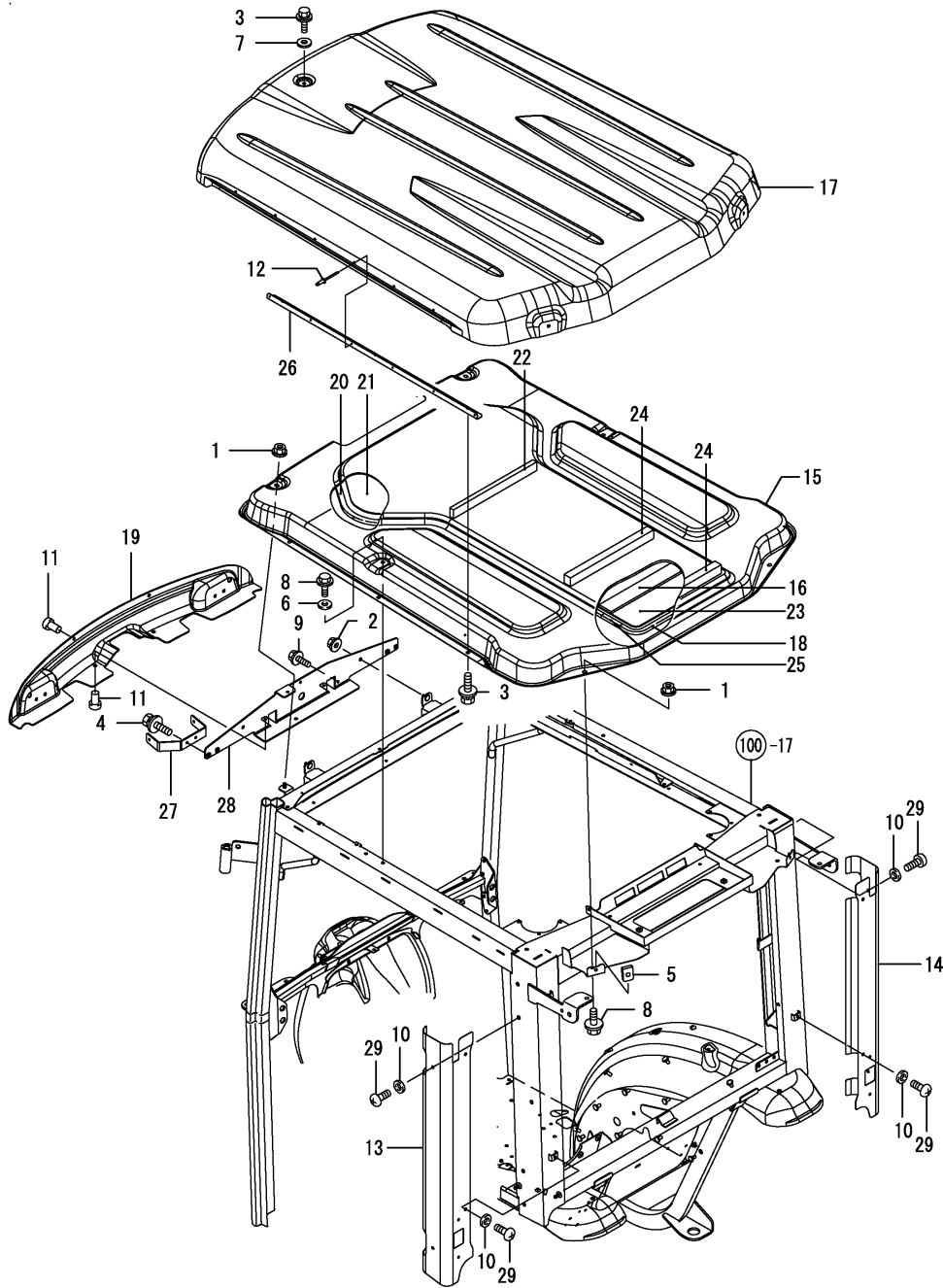


No.	Lev.	Parts No.	Description	Qty						I	R
				(A)	(B)	(C)	(D)	(E)	(F)		
1	1	198200-85400	BOLT, M16X80	2	2	2	2				
1-1	1	26156-160802	BOLT, M16X 80 PLATED	2	2	2					S
		(A=F110177) (B=F110347) (C=F110065)									
2	1	198280-85410	HANDLE ASSY	2	2	2	2				
2-1	1	198282-85410	HANDLE ASSY	2	2	2					S
		(A=F110177) (B=F110347) (C=F110065)									
3	1	198163-85630	KNOB, M16	2	2	2	2				
3-1	1	198282-85760	NUT, M16	4	4	4					S
		(A=F110177) (B=F110347) (C=F110065)									
4	1	198282-85800	FRAME ASSY, UPPER	1	1	1	1				
4-1	1	198282-85801	FRAME ASSY, UPPER	1	1	1					S
		(A=F110177) (B=F110347) (C=F110065)									
5	1	198282-85820	FRAME ASSY, MAIN L	1	1	1	1				
5-1	1	198282-85821	FRAME ASSY, MAIN L	1	1	1					S
		(A=F110177) (B=F110347) (C=F110065)									
6	1	198282-85830	FRAME ASSY, MAIN R	1	1	1	1				
6-1	1	198282-85831	FRAME ASSY, MAIN R	1	1	1					S
		(A=F110177) (B=F110347) (C=F110065)									
7	1	198282-85900	PLATE ASSY, UNDER	1	1	1	1				
8	1	198282-85950	GUARD ASSY, REAR	1	1	1	1				
9	1	26013-120252	BOLT, M12X 25	4	4	4	4				Z
		(A=F110177) (B=F110347) (C=F110065)									
10	1	26013-120352	BOLT, M12X 35	4	4	4	4				
10-1	1	26013-120352	BOLT, M12X 35	8	8	8					K
		(A=F110177) (B=F110347) (C=F110065)									
11	1	26013-120402	BOLT, M12X 40	4	4	4	4				
12	1	26013-120452	BOLT, M12X 45	6	6	6	6				
13	1	26356-160002	NUT, M16	2	2	2	2				Z
		(A=F110177) (B=F110347) (C=F110065)									
14	1	26716-120002	NUT, M12	4	4	4	4				
15	1	26013-120352	BOLT, M12X 35	10	10	10	10				
16	1	26106-100652	BOLT, M10X 65 PLATED	2	2	2	2				
17	1	198282-85430	BOSS	2	2	2					W
		(A=F110177) (B=F110347) (C=F110065)									
18	1	198282-85790	PAD	8	8	8					W
		(A=F110177) (B=F110347) (C=F110065)									
19	1	198282-85930	RUBBER, ABSORBER	4	4	4					W
		(A=F110177) (B=F110347) (C=F110065)									
20	1	22217-160000	WASHER, SPRING 16	2	2	2					W
		(A=F110177) (B=F110347) (C=F110065)									
21	1	22252-000401	RING, 40	4	4	4					W
		(A=F110177) (B=F110347) (C=F110065)									

Fig.108. ROOF

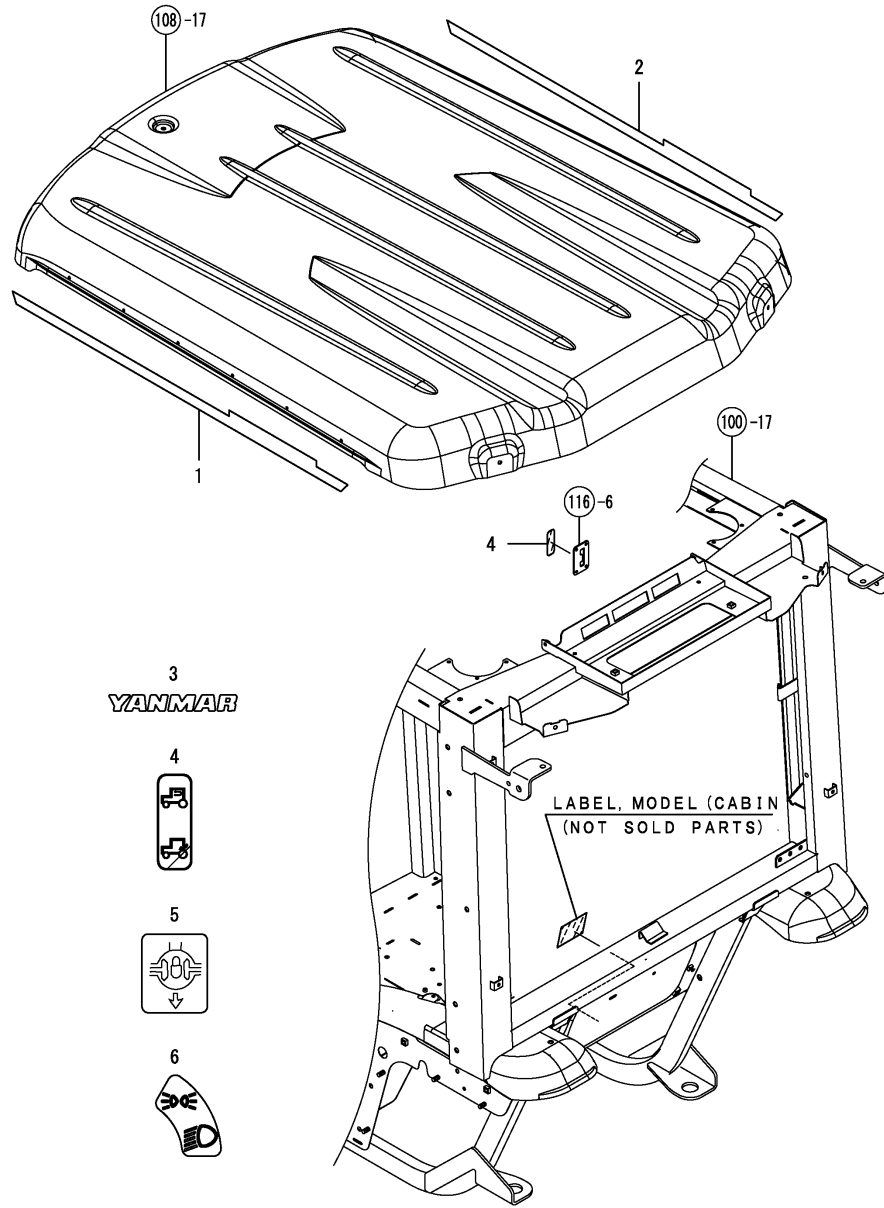
(A)=EF227EH
(B)=EF230EH
(C)=EF233EH

(D)=EF235EH
(E)=
(F)=



No.	Lev.	Parts No.	Description	Q'ty						I	R
				(A)	(B)	(C)	(D)	(E)	(F)		
1	1	194990-22140	NUT, M8	4	4	4	4				
2	1	194990-22140	NUT, M8	2	2	2	2				
3	1	198461-60590	BOLT, M6X20	9	9	9	9				
4	1	198461-60590	BOLT, M6X20	4	4	4	4				
5	1	198071-61890	NUT, SPEED M6	2	2	2	2				
6	1	198220-62150	WASHER	2	2	2	2				
7	1	198220-62150	WASHER	1	1	1	1				
8	1	198460-83350	BOLT, M8X16	4	4	4	4				
9	1	198460-83350	BOLT, M8X16	1	1	1	1				
10	1	198255-83510	WASHER, 6	8	8	8	8				
11	1	197810-84840	RIVET, NYLON	4	4	4	4				
12	1	198287-85320	RIVET, BLACK	12	12	12	12				
13	1	198287-85450	COVER, REAR PILLAR L	1	1	1	1				
14	1	198287-85460	COVER, REAR PILLAR R	1	1	1	1				
15	1	198287-85550	ROOF, OUTER	1	1	1	1				
16	1	198208-85570	SEAL, AIR	1	1	1	1				
17	1	198287-85570	COVER, OUTER	1	1	1	1				
18	1	198208-85580	SEAL, ROOF REAR	1	1	1	1				
19	1	198287-85590	COVER, FRONT	1	1	1	1				
20	1	198208-85600	SEAL, A	1	1	1	1				
21	1	198208-85610	INSULATOR, A	1	1	1	1				
22	1	198287-85610	URETHANE, ROOF A	1	1	1	1				
23	1	198208-85620	INSULATOR, B	1	1	1	1				
24	1	198287-85620	URETHANE, ROOF B	2	2	2	2				
25	1	198208-85630	SEAL, ROOF SIDE	2	2	2	2				
26	1	198287-85650	STAY ASSY, COVER	2	2	2	2				
27	1	198287-86260	STAY, WORK LAMP	2	2	2	2				
28	1	198287-86350	STAY ASSY, WIPER	1	1	1	1				
29	1	26589-060102	SCREW, M6	8	8	8	8				

Fig.110. LABELS(CABIN)



(A)=EF227EH
(B)=EF230EH
(C)=EF233EH

(D)=EF235EH
(E)=
(F)=

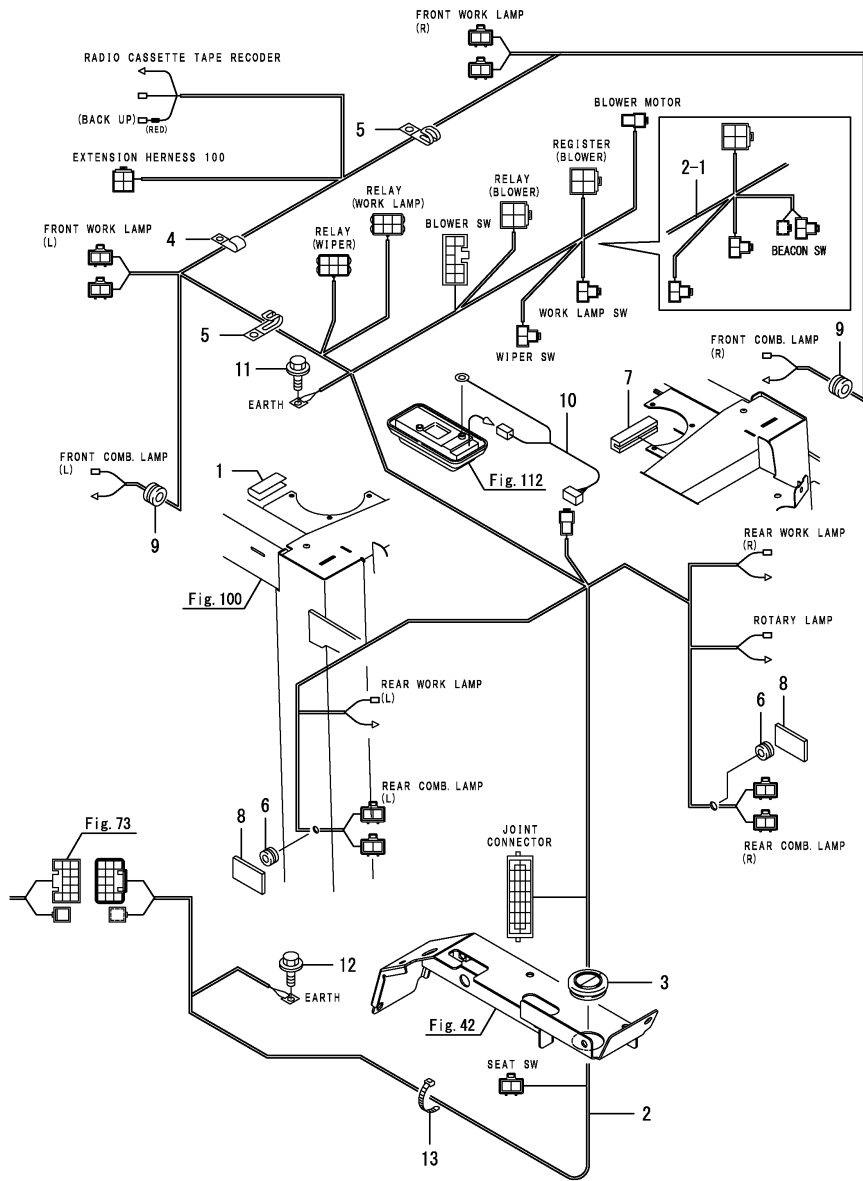
No.	Lev.	Parts No.	Description	Q'ty						I	R
				(A)	(B)	(C)	(D)	(E)	(F)		
1	1	198463-65610	LABEL,ROOF L (A=FZZZZZ) (B=FZZZZZ) (C=FZZZZZ) (D=FZZZZZ)	1	1	1	1				Z
2	1	198463-65620	LABEL,ROOF R (A=FZZZZZ) (B=FZZZZZ) (C=FZZZZZ) (D=FZZZZZ)	1	1	1	1				Z
3	1	198124-65630	MARK (YANMAR) (A=FZZZZZ) (B=FZZZZZ) (C=FZZZZZ) (D=FZZZZZ)	1	1	1	1				Z
4	1	198208-65790	LABEL, (A=FXXXXX) (B=FXXXXX) (C=FXXXXX) (D=FXXXXX)	1	1	1	1				1
5	1	194240-65441	LABEL, DIFF. LOCK (A=FXXXXX) (B=FXXXXX) (C=FXXXXX) (D=FXXXXX)	1	1	1	1				W
6	1	198280-65580	LABEL, (A=FXXXXX) (B=FXXXXX) (C=FXXXXX) (D=FXXXXX)	1	1	1	1				W

Remarks
(1) For type Cabin.

Fig.111. WIRE HARNESS(CABIN)

(A)=EF227EH
(B)=EF230EH
(C)=EF233EH

(D)=EF235EH
(E)=
(F)=



No.	Lev.	Parts No.	Description	Q'ty						I	R
				(A)	(B)	(C)	(D)	(E)	(F)		
1	1	195616-24930	TRIM	1	1	1	1				
2	1	198287-51250	WIRING HARNESS, CAB	1	1	1	1				
2-1	1	198287-51251	WIRING HARNESS, CAB	1	1	1	1				F 1
		(A=FXXXXX) (B=FXXXXX) (C=FXXXXX) (D=FXXXXX)									
3	1	198133-51350	GROMMET, 38A	1	1	1	1				
4	1	194197-51630	CLAMP, SPEED 43	1	1	1	1				
5	1	194440-51630	CLAMP, HARNESS	2	2	2	2				
6	1	198071-58810	GROMMET, 8	2	2	2	2				
7	1	198230-61560	GUIDE, HOSE	1	1	1	1				
8	1	198093-84810	SEAL, FENDER	2	2	2	2				
9	1	197830-85490	GROMMET	2	2	2	2				
10	1	198146-86120	WIRE, LEAD	1	1	1	1				
11	1	26106-080122	BOLT, M8X 12 PLATED	1	1	1	1				
12	1	26106-080122	BOLT, M8X 12 PLATED	1	1	1	1				
13	1	29622-250001	BAND, RF250	2	2	2	2				

Remarks

(1)Ref.No.2 is interchangeable with a set of 2-1, Fig.104 No.1-1 & Fig.113 No.6.

Fig.112. LAMPS

(A)=EF227EH
(B)=EF230EH
(C)=EF233EH

(D)=EF235EH
(E)=
(F)=

No.	Lev.	Parts No.	Description	Q'ty						I	R
				(A)	(B)	(C)	(D)	(E)	(F)		
1	1	194990-22120	NUT, M5	2	2	2	2				
2	1	198208-84260	SEAL, ROOM LAMP	1	1	1	1				
3	1	197820-88750	LAMP ASSY, ROOM	1	1	1	1				
4	2	197820-88770	BULB, 12V/8W	1	1	1	1				
5	2	197820-88780	LENS	1	1	1	1				
6	1	26557-050252	SCREW, M5X25	2	2	2	2				
7	1	198461-60590	BOLT, M6X20	4	4	4	4				
8	1	198255-86250	LAMP ASSY, WORKING	2	2	2	2				
9	2	198255-86270	BULB, 14V/35W	2	2	2	2				

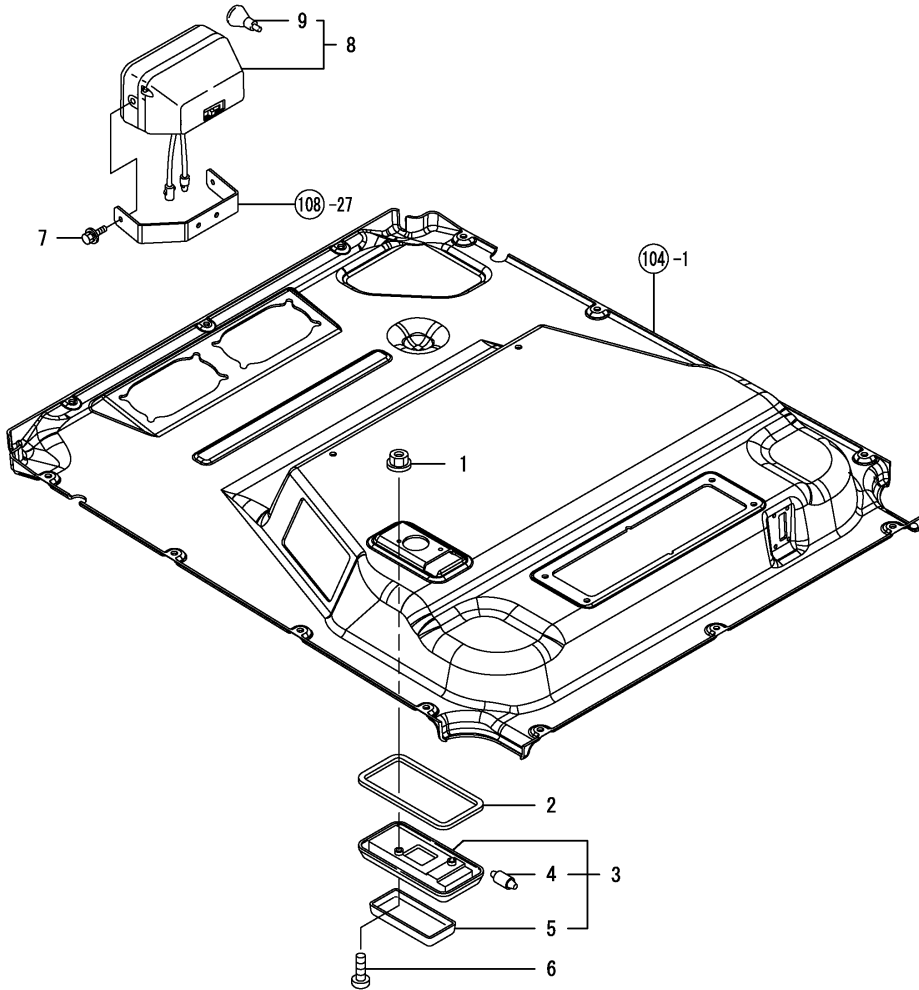


Fig.114. FRONT WIPER

(A)=EF227EH
(B)=EF230EH
(C)=EF233EH

(D)=EF235EH
(E)=
(F)=

No.	Lev.	Parts No.	Description	Qty						I	R
				(A)	(B)	(C)	(D)	(E)	(F)		
1	1	194990-22130	NUT, M6	2	2	2	2				
2	1	194990-22130	NUT, M6	1	1	1	1				
3	1	198287-51270	HARNESS, WIRE 100	1	1	1	1				
4	1	1A7320-86300	MOTOR ASSY, WIPER	1	1	1	1				
4A	2	198535-86450	COVER KIT, MOTOR	1	1	1	1				
4B	2	198535-86460	MOTOR KIT, A	1	1	1	1				
7	2	198535-86340	COVER, MOTOR	1	1	1	1				
12	1	198550-86540	ARM, WIPER	1	1	1	1				
13	1	198550-86590	BLADE, WIPER	1	1	1	1				
14	2	198550-86570	RUBBER	1	1	1	1				
15	1	26106-060162	BOLT, M6X 16 PLATED	2	2	2	2				
16	1	172010-07810	STICKER, WIRE	1	1	1	1				
17	1	195715-22590	COLLAR, STAY	1	1	1	1				
18	1	194242-51660	CLAMP, WIRE HARNESS	1	1	1	1				
19	1	1A7320-61140	SPACER, NOZZLE	1	1	1	1				
20	1	198094-86060	NOZZLE, WASHER	1	1	1	1				
21	1	198094-86560	SPRING, NOZZLE	1	1	1	1				
22	1	198287-86570	PIPE, FRONT WASHER	1	1	1	1				
23	1	1A7030-86651	TANK ASSY, WASHER	1	1	1	1				
24	2	198127-86710	PUMP, WASHER	1	1	1	1				
25	1	23080-007000	CLAMP, 7	1	1	1	1				
26	1	26106-060452	BOLT, M6X 45 PLATED	1	1	1	1				

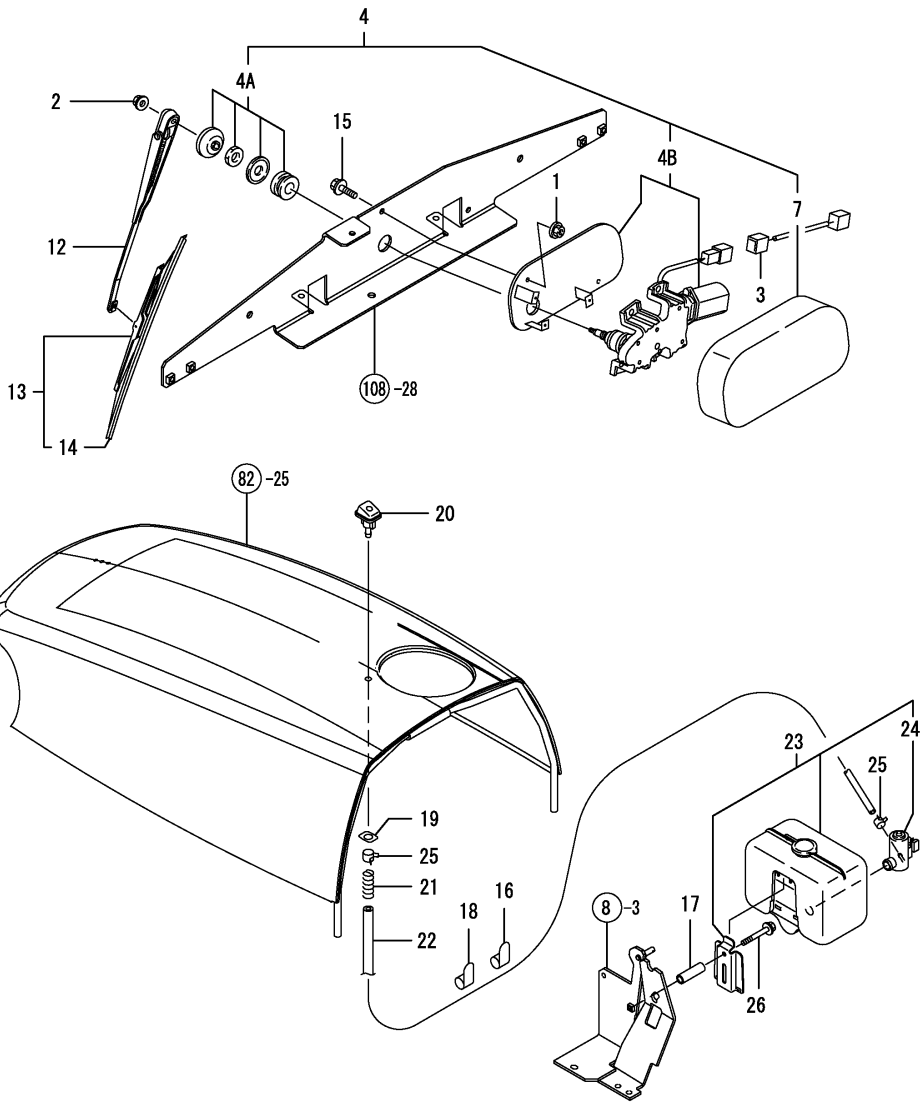


Fig.115. DUCT

(A)=EF227EH
 (B)=EF230EH
 (C)=EF233EH

(D)=EF235EH
 (E)=
 (F)=

No.	Lev.	Parts No.	Description	Qty						I	R
				(A)	(B)	(C)	(D)	(E)	(F)		
1	1	198208-87360	DUCT ASSY, SIDE L	1	1	1	1				
2	2	1A7030-87320	SEAL, DUCT SIDE	1	1	1	1				
3	2	198208-87380	FORM, DUCT SIDE L	1	1	1	1				
5	1	198208-87370	DUCT ASSY, SIDE R	1	1	1	1				
6	2	1A7030-87320	SEAL, DUCT SIDE	1	1	1	1				
7	2	198208-87390	FORM, DUCT SIDE R	1	1	1	1				
9	1	1A7030-87411	GRILLE ASSY	2	2	2	2				
10	1	26106-060162	BOLT, M6X 16 PLATED	2	2	2	2				

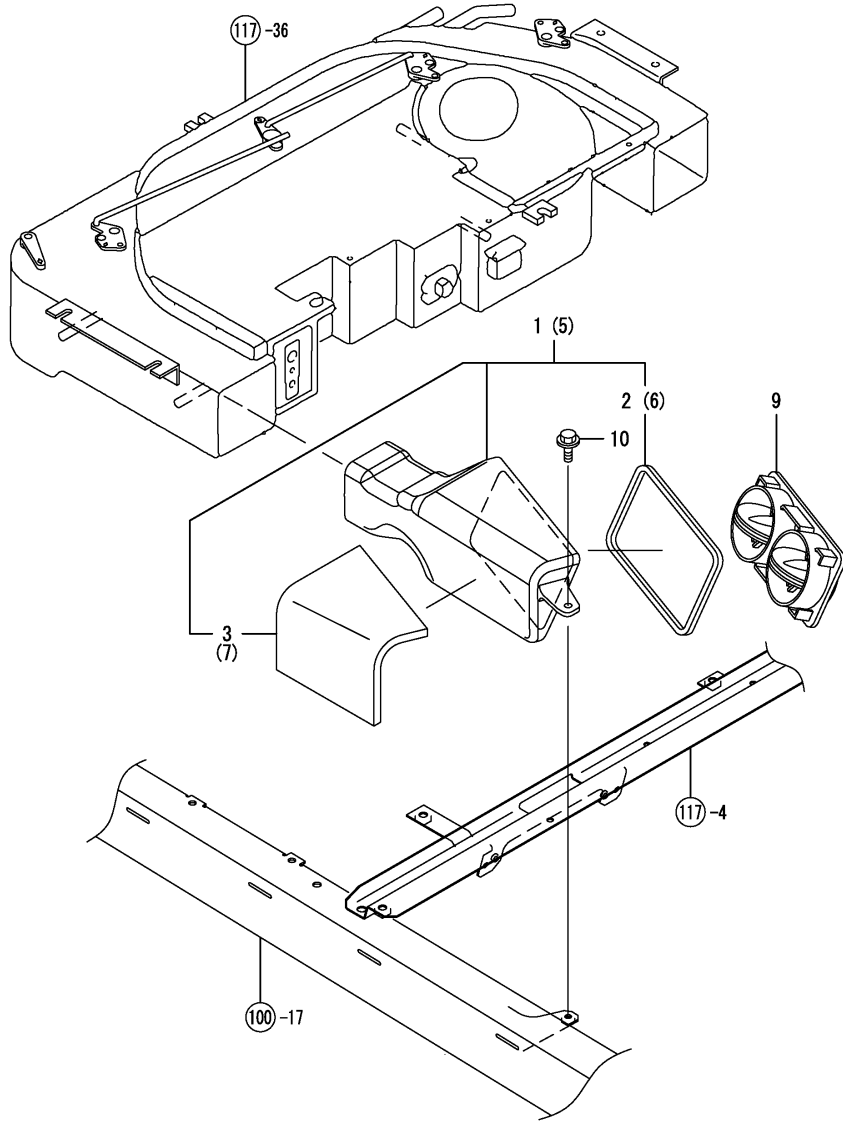
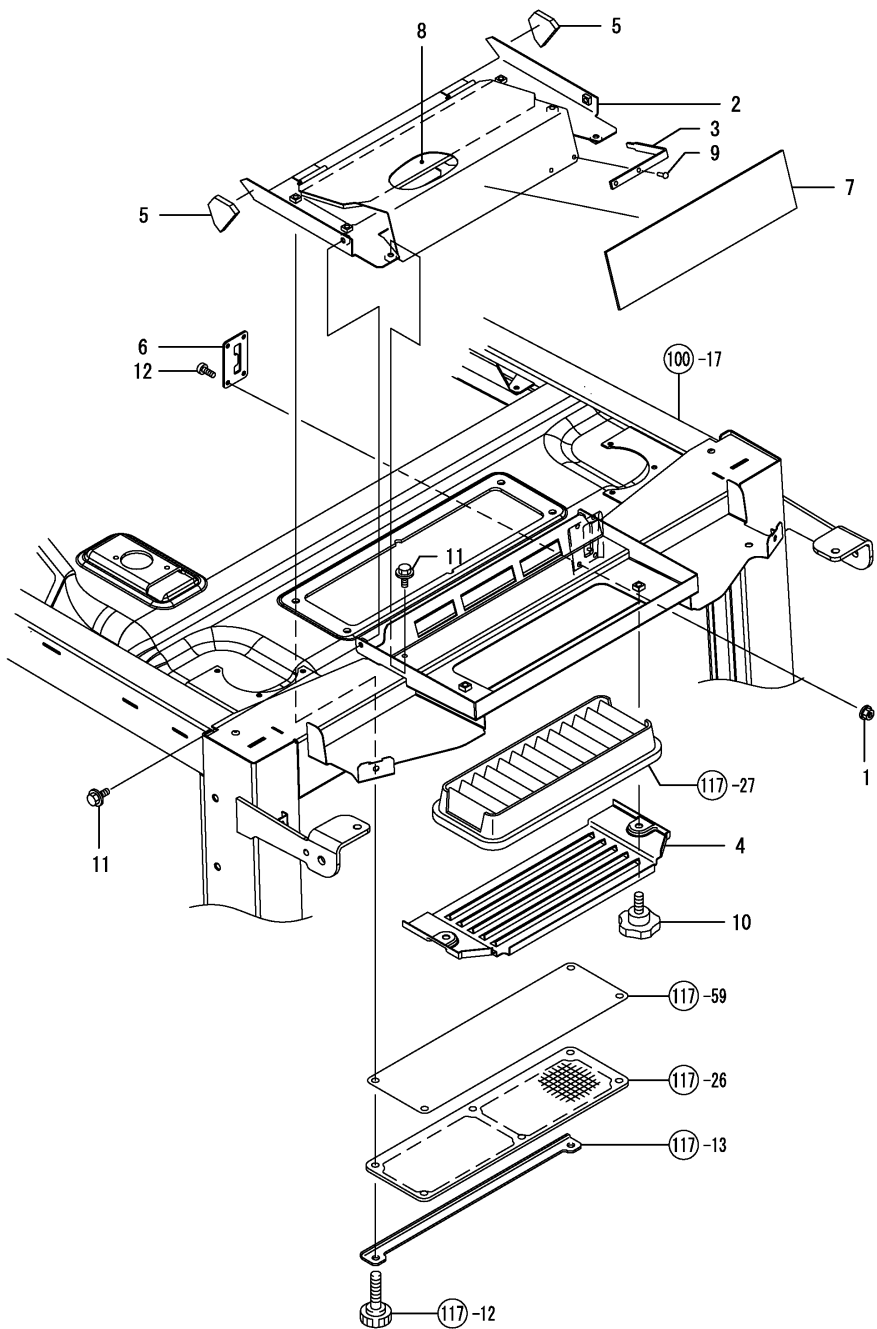


Fig.116. OUTSIDE AIR INTAKE

(A)=EF227EH
(B)=EF230EH
(C)=EF233EH

(D)=EF235EH
(E)=
(F)=

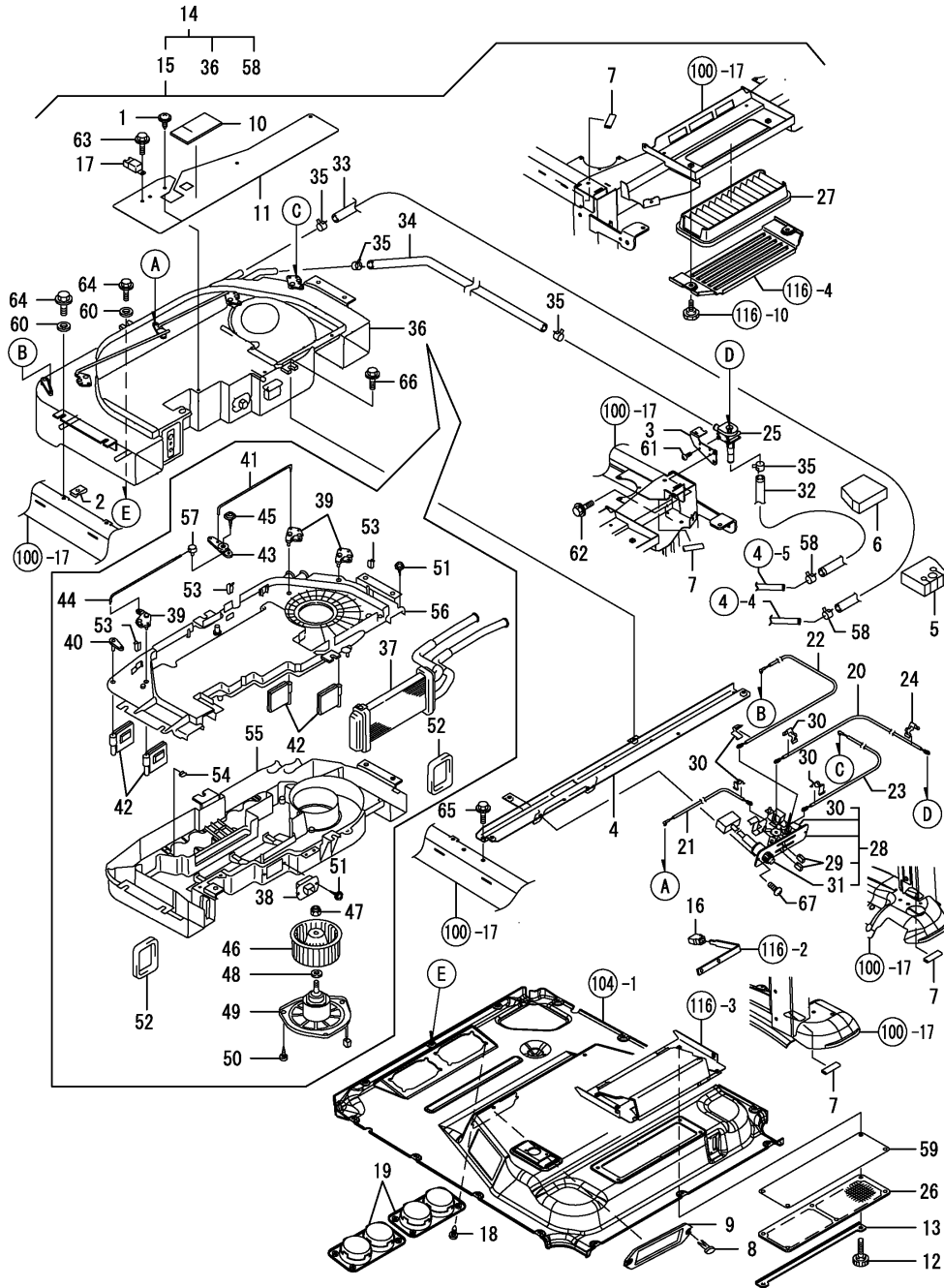


No.	Lev.	Parts No.	Description	Q'ty						I	R
				(A)	(B)	(C)	(D)	(E)	(F)		
1	1	194990-22120	NUT, M5	4	4	4	4				
2	1	198208-87560	SHUTTER ASSY,	1	1	1	1				
3	1	198208-87610	ARM	1	1	1	1				
4	1	1A7030-87650	COVER, FILTER	1	1	1	1				
5	1	198208-87840	URETHANE, SHUTTER	2	2	2	2				
6	1	198208-87850	GUIDE, SHIFT	1	1	1	1				
7	1	198208-87860	URETHANE, OUTSIDE	1	1	1	1				
8	1	198208-87870	URETHANE, SHYNESS	1	1	1	1				
9	1	22697-480641	RIVET, 4.8X 6.4	2	2	2	2				
10	1	26064-080201	BOLT, 8X 20	2	2	2	2				
11	1	26106-060122	BOLT, M6X 12 PLATED	4	4	4	4				
12	1	26559-050162	SCREW, M5X16	4	4	4	4				

Fig.117. HEATER

(A)=EF227EH
(B)=EF230EH
(C)=EF233EH

(D)=EF235EH
(E)=
(F)=

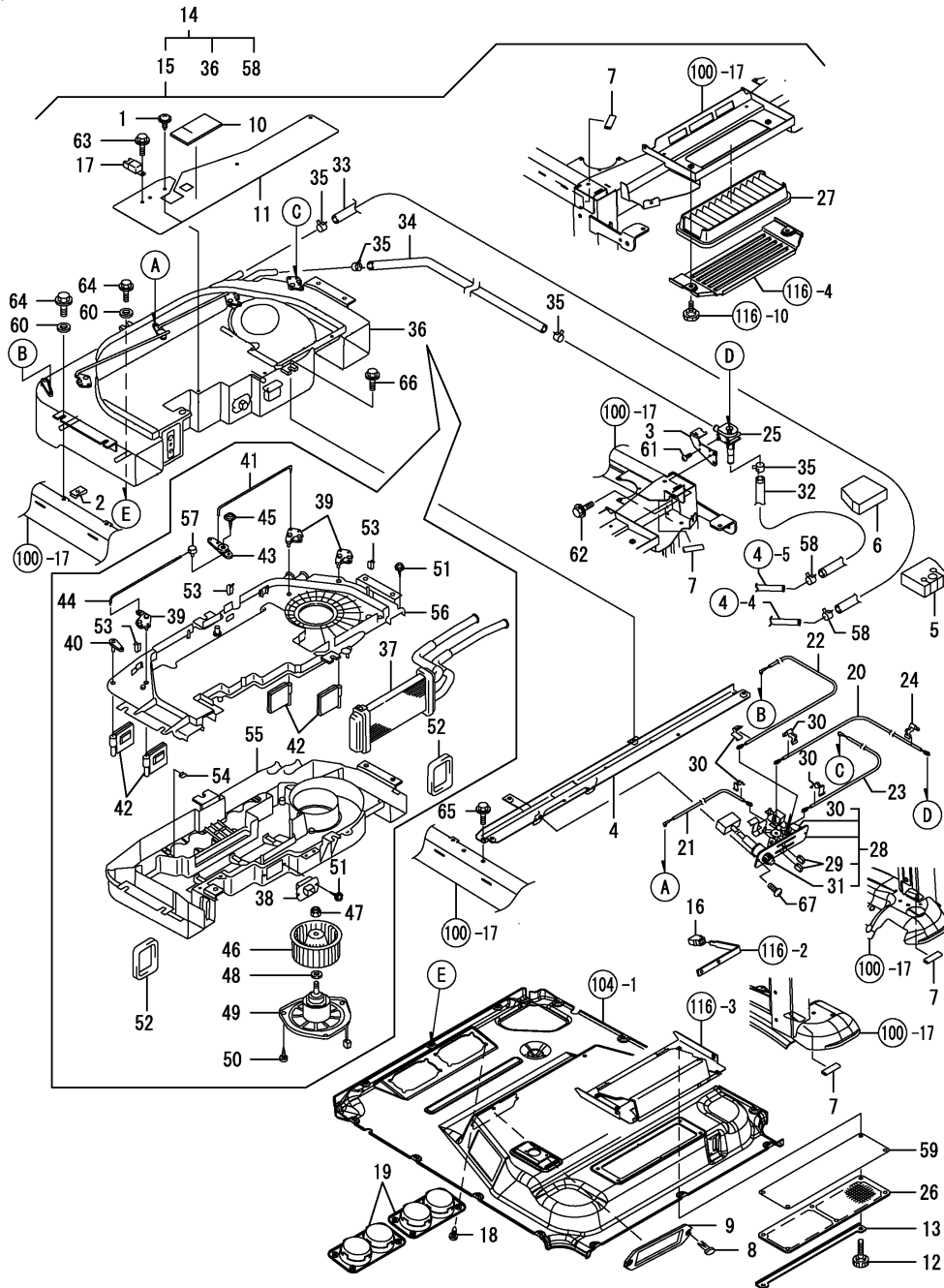


No.	Lev.	Parts No.	Description	Qty						I	R
				(A)	(B)	(C)	(D)	(E)	(F)		
1	1	194940-61790	SCREW, TAPPING M5X16	3	3	3	3				
2	1	198071-61890	NUT, SPEED M6	4	4	4	4				
3	1	198208-80950	BRACKET ASSY, VALVE	1	1	1	1				
4	1	198208-81190	STAY ASSY, CONTROL	1	1	1	1				
5	1	198208-84170	SEAL, HOSE	2	2	2	2				
6	1	198287-84170	SEAL, HOSE	1	1	1	1				
7	1	198093-84810	SEAL, FENDER	3	3	3	3				
8	1	198010-85810	RIVET, NYLON	2	2	2	2				
9	1	1A7030-86870	COVER, PANEL	1	1	1	1				
10	1	198208-87280	SEAL, PANEL	1	1	1	1				
11	1	198208-87450	PLATE, SEAL	1	1	1	1				
12	1	198463-87630	KNOB, FILTER	4	4	4	4				
13	1	1A7030-87720	STAY, FILTER	1	1	1	1				
14	1	198287-88000	HEATER KIT, SYSTEM	1	1	1	1				
15	2	198287-88030	HEATER KIT, SYSTEM B	1	1	1	1				
16	3	1E8545-80080	KNOB, CONTROL	1	1	1	1				
17	3	1A7030-86980	RELAY	1	1	1	1				
18	3	1A7030-87040	SCREW, TAPPING M5X20	8	8	8	8				
19	3	198208-87410	GRILLE ASSY	2	2	2	2				
20	3	198208-87740	CABLE, W/W	1	1	1	1				
21	3	198208-87760	CABLE, MIX	1	1	1	1				
22	3	198208-87770	CABLE, FACE	1	1	1	1				
23	3	198208-87780	CABLE, FACE	1	1	1	1				
24	3	1A7030-87790	CLAMP, CABLE	1	1	1	1				
25	3	198208-87810	VALVE ASSY, WATER	1	1	1	1				
26	3	1A7030-87970	FILTER	1	1	1	1				
27	3	1A7030-87990	FILTER	1	1	1	1				
28	3	198287-88150	CONTROLLER ASSY	1	1	1	1				
29	4	1E8545-80080	KNOB, CONTROL	2	2	2	2				
30	4	1A7030-87790	CLAMP, CABLE	4	4	4	4				
31	4	198287-88180	SWITCH ASSY, HEATER	1	1	1	1				
32	3	198208-88630	HOSE, HEATER	1	1	1	1				
33	3	198208-88640	HOSE, HEATER	1	1	1	1				
34	3	198208-88650	HOSE, HEATER	1	1	1	1				
35	3	1A7030-88710	CLIP, HOSE	4	4	4	4				
36	2	198287-88200	HEATER ASSY	1	1	1	1				
37	3	1A7030-87240	CORE ASSY, HEATER	1	1	1	1				
38	3	1A7030-87250	RESISTOR	1	1	1	1				
39	3	1A7030-87270	LEVER ASSY, MIX DOOR	3	3	3	3				
40	3	1A7030-87280	LEVER ASSY, DOOR	1	1	1	1				
41	3	1A7030-87290	SHAFT, MIX DOOR R	1	1	1	1				
42	3	1A7030-87300	DOOR ASSY, S/A	4	4	4	4				
43	3	1A7030-87310	LEVER ASSY, MIX LINK	1	1	1	1				
44	3	1A7030-87330	SHAFT, MIX DOOR L	1	1	1	1				
45	3	1A7030-87340	SCREW, TAPPING	1	1	1	1				
46	3	1A7030-87350	FAN, BLOWER	1	1	1	1				
47	3	1A7030-87360	NUT	1	1	1	1				
48	3	1A7030-88070	WASHER	1	1	1	1				
49	3	198287-88080	MOTOR ASSY, BLOWER	1	1	1	1				
50	3	1A7030-88090	SCREW, TAPPING	3	3	3	3				
51	3	1A7030-88130	SCREW, TAPPING	22	22	22	22				

Fig.117. HEATER

(A)=EF227EH
(B)=EF230EH
(C)=EF233EH

(D)=EF235EH
(E)=
(F)=

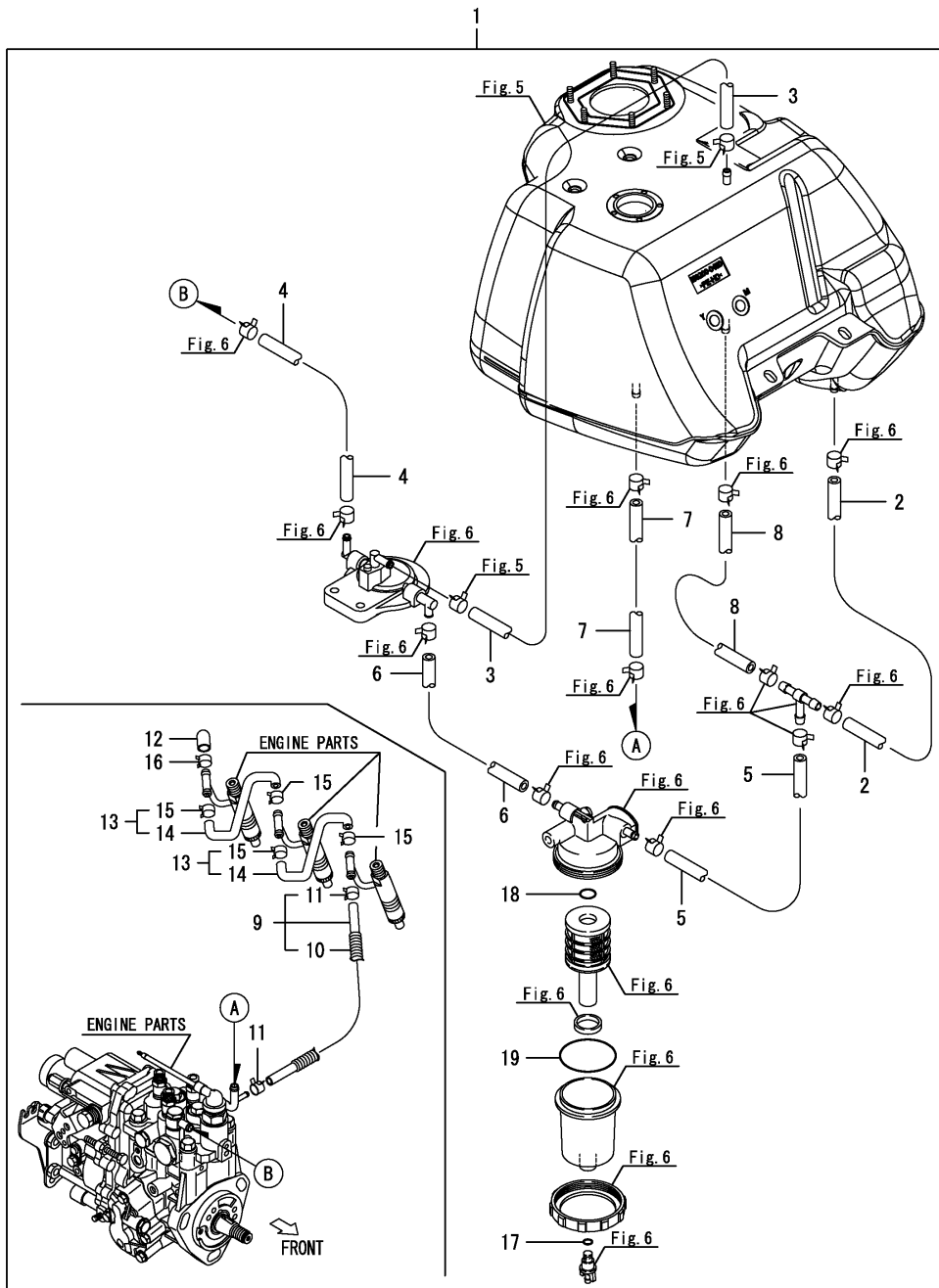


No.	Lev.	Parts No.	Description	Qty						I	R
				(A)	(B)	(C)	(D)	(E)	(F)		
52	3	1A7030-88140	GASKET	2	2	2	2				
53	3	1A7030-88150	CLAMP, LOCK D6	3	3	3	3				
54	3	1A7030-88170	NUT, SPEED	8	8	8	8				
55	3	198287-88210	CASE, LOWER	1	1	1	1				
56	3	198287-88220	CASE, UPPER	1	1	1	1				
57	3	1A7030-88250	CLAMP	1	1	1	1				
58	2	1A7030-88710	CLIP, HOSE	4	4	4	4				
59	1	1A7030-88680	FILTER	1	1	1	1				
60	1	22157-060000	WASHER, 6	5	5	5	5				
61	1	22857-400100	SCREW, 4X10	2	2	2	2				
62	1	26106-060122	BOLT, M6X 12 PLATED	2	2	2	2				
63	1	26106-060162	BOLT, M6X 16 PLATED	1	1	1	1				
64	1	26106-060202	BOLT, M6X 20 PLATED	5	5	5	5				
65	1	26106-080162	BOLT, M8X 16 PLATED	2	2	2	2				
66	1	26106-080202	BOLT, M8X 20 PLATED	2	2	2	2				
67	1	26559-050162	SCREW, M5X16	2	2	2	2				

Fig.120. FUEL HOSE(ROPS)

(A)=EF227EH
(B)=EF230EH
(C)=EF233EH

(D)=EF235EH
(E)=
(F)=

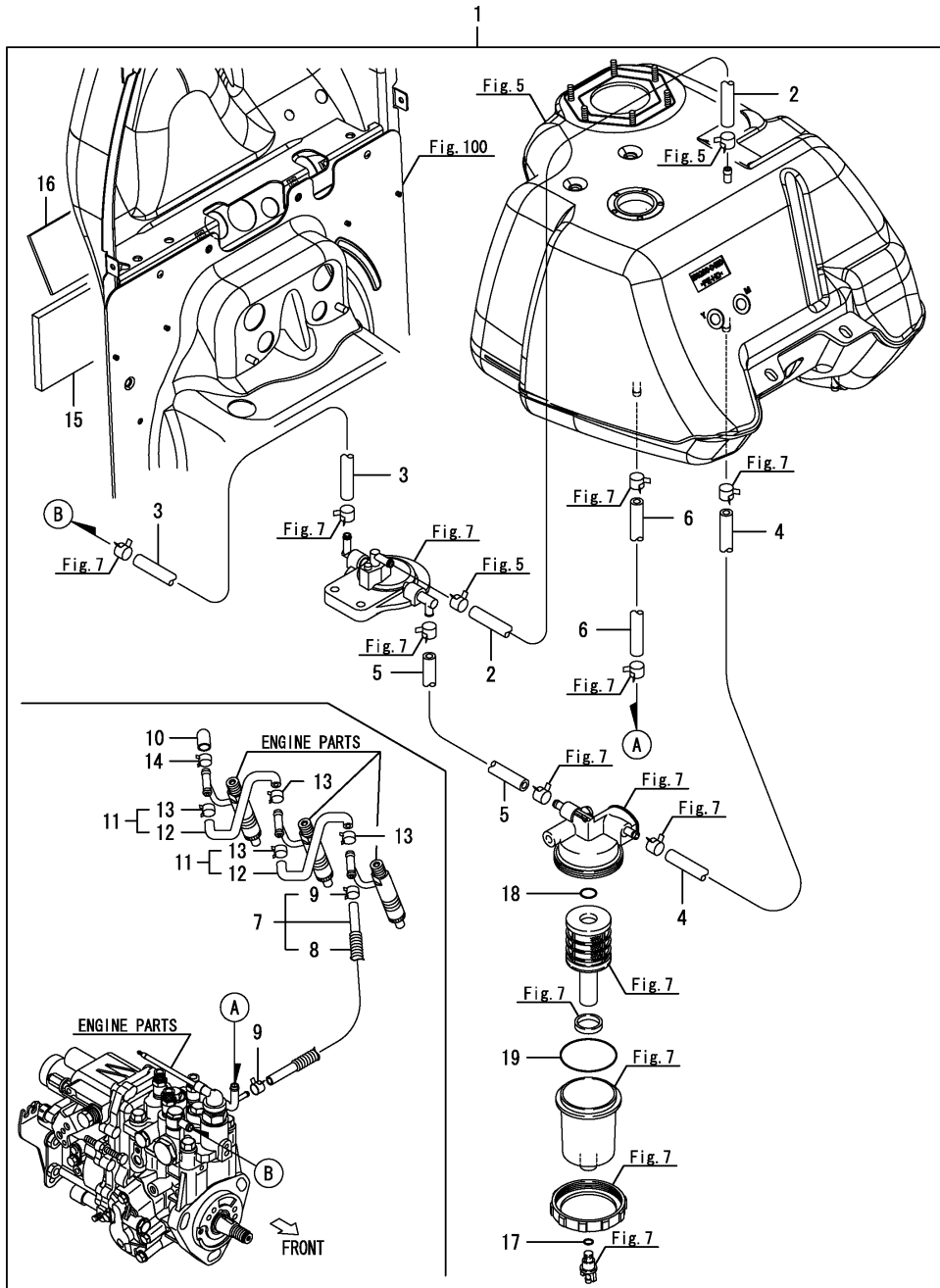


No.	Lev.	Parts No.	Description	Qty						I	R
				(A)	(B)	(C)	(D)	(E)	(F)		
1	1	198280-04250	HOSE KIT, FUEL	1	1	1	1				
2	2	198280-04260	HOSE, FUEL	2	2	2	2				
3	2	198280-04270	HOSE, AIR VENT	1	1	1	1				
4	2	198280-04280	HOSE, FUEL	1	1	1	1				
5	2	198280-04290	HOSE, FUEL	1	1	1	1				
6	2	198280-04300	HOSE, FUEL	1	1	1	1				
7	2	198280-04310	HOSE, FUEL	1	1	1	1				
8	2	198280-04320	HOSE, FUEL	1	1	1	1				
9	2	129268-59551	PIPE ASSY, RETURN	1	1	1	1				
10	3	129237-59120	PROTECTOR,HOSE	1	1	1	1				
11	3	124060-77680	CLIP, HOSE 10	2	2	2	2				
12	2	119593-59581	CAP	1	1	1	1				
13	2	129486-59581	HOSE, FUEL	2	2	2	2				
14	3	129486-59521	PIPE, FUEL RETURN	2	2	2	2				
15	3	124060-77680	CLIP, HOSE 10	4	4	4	4				
16	2	124060-77680	CLIP, HOSE 10	1	1	1	1				
17	2	24316-000070	O-RING, 4DP7.0	1	1	1	1				
18	2	24316-000160	O-RING, 4DP16.0	1	1	1	1				
19	2	24326-000650	O-RING, 4DG65.0	1	1	1	1				

Fig.121. FUEL HOSE(CABIN)

(A)=EF227EH
(B)=EF230EH
(C)=EF233EH

(D)=EF235EH
(E)=
(F)=



No.	Lev.	Parts No.	Description	Qty						I	R
				(A)	(B)	(C)	(D)	(E)	(F)		
1	1	198287-04250	HOSE KIT, FUEL	1	1	1	1				
2	2	198280-04270	HOSE, AIR VENT	1	1	1	1				
3	2	198280-04280	HOSE, FUEL	1	1	1	1				
4	2	198280-04290	HOSE, FUEL	1	1	1	1				
5	2	198280-04300	HOSE, FUEL	1	1	1	1				
6	2	198280-04310	HOSE, FUEL	1	1	1	1				
7	2	129268-59551	PIPE ASSY, RETURN	1	1	1	1				
8	3	129237-59120	PROTECTOR,HOSE	1	1	1	1				
9	3	124060-77680	CLIP, HOSE 10	2	2	2	2				
10	2	119593-59581	CAP	1	1	1	1				
11	2	129486-59581	HOSE, FUEL	2	2	2	2				
12	3	129486-59521	PIPE, FUEL RETURN	2	2	2	2				
13	3	124060-77680	CLIP, HOSE 10	4	4	4	4				
14	2	124060-77680	CLIP, HOSE 10	1	1	1	1				
15	2	198208-84570	SEAL, AIR CUT	1	1	1	1				
16	2	198208-84620	COVER, FUEL HOSE	1	1	1	1				
17	2	24316-000070	O-RING, 4DP7.0	1	1	1	1				
18	2	24316-000160	O-RING, 4DP16.0	1	1	1	1				
19	2	24326-000650	O-RING, 4DG65.0	1	1	1	1				

Fig.122. REAR HOUSING(REPAIR PART)

(A)=EF227EH
(B)=EF230EH
(C)=EF233EH

(D)=EF235EH
(E)=
(F)=

No.	Lev.	Parts No.	Description	Q'ty						I	R
				(A)	(B)	(C)	(D)	(E)	(F)		
1	1	198200-32590	HOUSING KIT, AXLE	2	2	2	2				
2	2	198200-32601	HOUSING ASSY, AXLE	2	2	2	2				
3	3	198290-32750	SEAL, OIL TC253506	2	2	2	2				
4	2	198200-36422	HOLDER, BEARING	2	2	2	2				

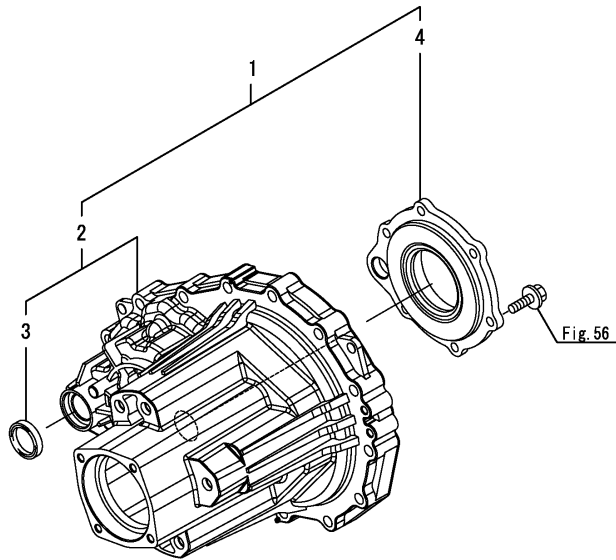


Fig.124. OIL COOLER(SRARE PART

(A)=EF227EH
(B)=EF230EH
(C)=EF233EH

(D)=EF235EH
(E)=
(F)=

No.	Lev.	Parts No.	Description	Q'ty						I	R
				(A)	(B)	(C)	(D)	(E)	(F)		
1	1	198280-49090	COOLER KIT, OIL	1	1	1	1				
2	2	198280-49101	COOLER ASSY, OIL	1	1	1	1				
3	2	1A8100-60710	GUIDE ASSY, SCREEN L	1	1	1	1				
4	2	1A8100-60750	GUIDE ASSY, SCREEN R	1	1	1	1				
5	2	198093-84810	SEAL, FENDER	2	2	2	2				

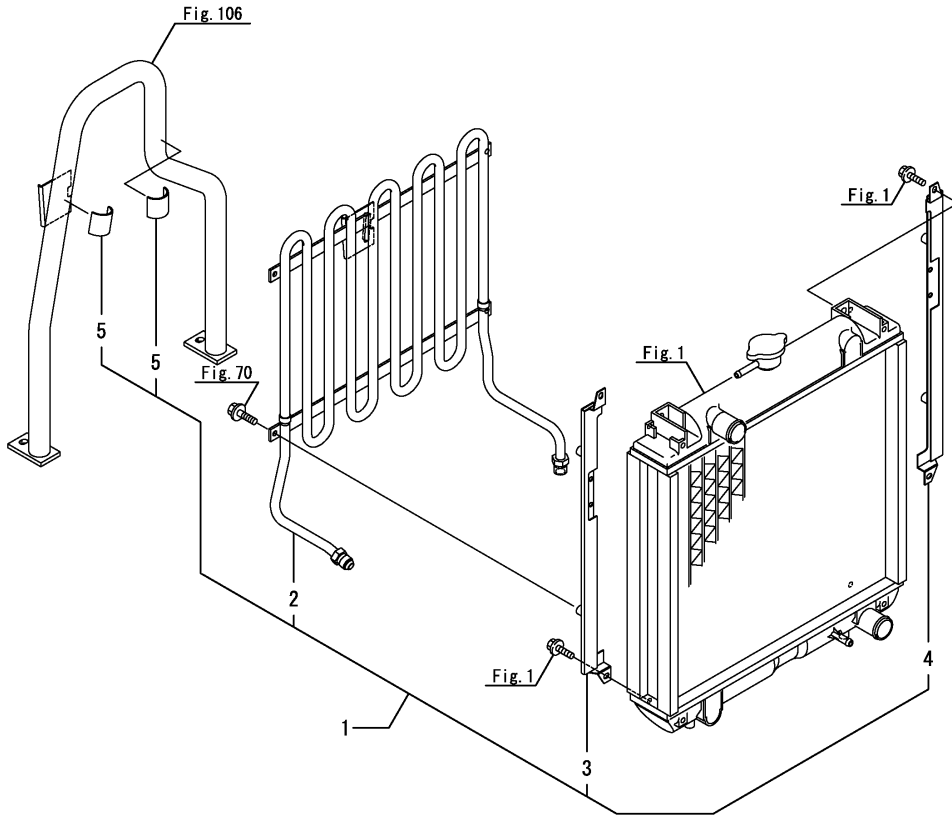
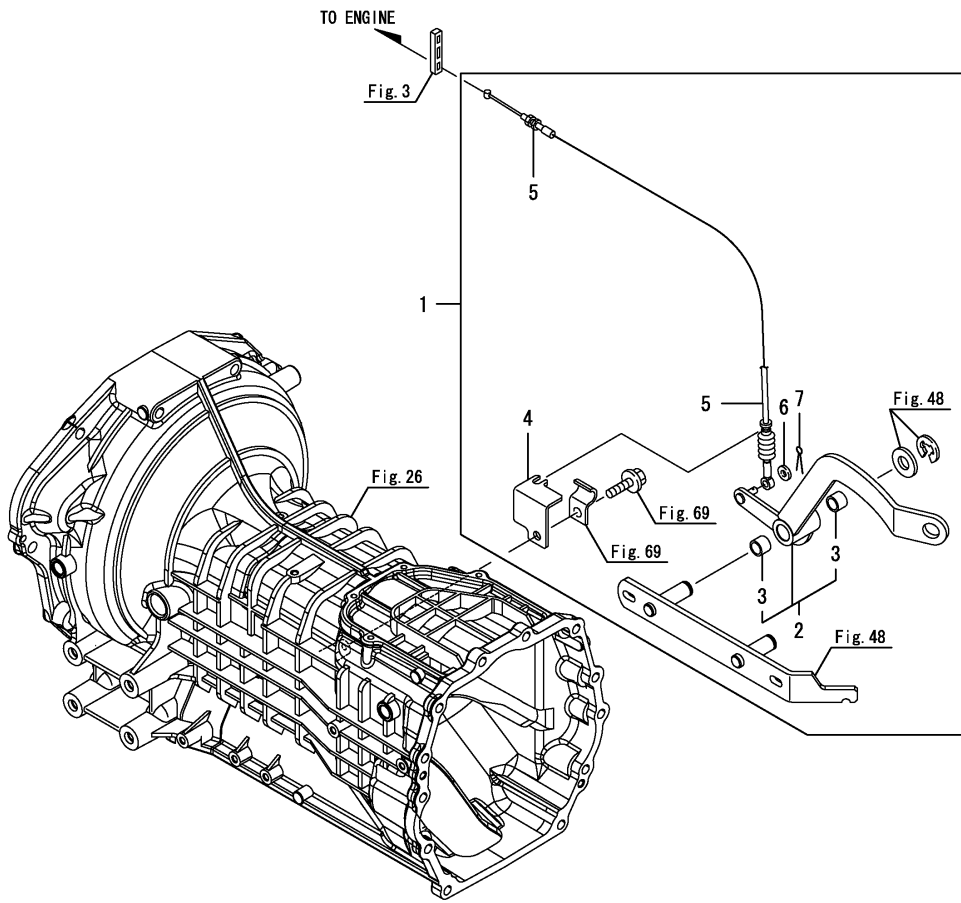


Fig.127. H.S.T. INTERLOCK(REPAIR PARTS)

(A)=EF227EH
(B)=EF230EH
(C)=EF233EH

(D)=EF235EH
(E)=
(F)=



No.	Lev.	Parts No.	Description	Q'ty						I	R
				(A)	(B)	(C)	(D)	(E)	(F)		
1	1	198280-29190	INTERLOCK KIT	1	1	1	1				
2	2	198280-29201	ARM ASSY, RETURN	1	1	1	1				
3	3	24550-015120	BUSH, 15X12	2	2	2	2				
4	2	198280-29770	STAY, WIRE	1	1	1	1				
5	2	198280-29780	CABLE ASSY	1	1	1	1				
6	2	22137-060000	WASHER, 6	1	1	1	1				
7	2	22417-160180	PIN, COTTER 1.6X18	1	1	1	1				

Parts No. Index

Parts No.	Fig. No.	Ref. No.	
114270-59010	5	18 -1	
		29 -1	
	6	4 -2	
		7 6 -2	
119593-59581	120	12	
	121	10	
119629-59910	6	5	
119650-77910	1	3	
119650-77930	1	5	
119802-55700	6	16	
		7 17	
119802-55710	6	18	
		7 19	
119802-55800	7	22	
119802-55810	6	21	
119808-12520	8	6	
		26	
119808-12540	8	9	
		30	
119852-55611	6	15	
		7 16	
119852-55612	6	15 -1	
119852-77910	1	6	
119866-12530	8	27	
119866-12540	8	10	
121450-44531	1	24	
121470-44581	1	27	
124060-77680	120	11	
		15	
		16	
		121 9	
	121	13	
		14	
		25	
		72 22	
		73 22	
		73 23	
124450-44560	72	23	
		24	
	73	23	
		24	
	124756-77040	72	23
			24
		73	23
			24
			32
			33
124766-59050	1	32	
		33	
	5	18	
		29	
		4	
	6	4 -1	
		30	
		30 -1	
		30 -2	
		34	

Parts No.	Fig. No.	Ref. No.	
124766-59050	7	6	
		6 -1	
129051-12530	8	7	
		28	
		7	
129052-13550	4	3	
129052-77920	1	4	
129055-44501	1	8	
129100-55690	6	17	
		7 18	
129150-49081	1	29	
129150-49101	1	28	
129237-59120	120	10	
		121 8	
129263-44510	1	22	
129268-59551	120	9	
129418-12530	8	7	
		8	
129461-59580	6	29	
		31	
129486-59521	120	31 -1	
		7 7	
		14	
129486-59581	120	12	
		13	
129612-12650	8	11	
		12	
1682B4-01020	64	4	
		16	
	172010-07810	114	26
			26
	172112-77360	64	26
	172147-70500	45	38 -1
	172148-70301	45	19 -1
	172156-72330	23	21
	172156-72340	23	22
	172165-71200	27	2
172460-73190	45	27 -1	
172510-74410	65	20	
172510-74440	65	21	
172510-74450	65	22	
172510-74530	64	19	
172638-73470	45	20 -1	
172638-73490	45	35 -1	
174501-07060	82	2	
174840-61680	22	16	
174845-27700	37	3	
175022-49730	1	42 17	
		31	
		9	
177432-03450	19	1	
178070-10401	60	1 A	

Parts No.	Fig. No.	Ref. No.
178073-01200	63	13
		5
178073-04310	64	7
178076-02230	63	7
178076-04610	63	8
178076-07210	44	1
178076-12400	63	9
178076-26100	64	8
178076-26110	64	9
178076-26120	64	10
178076-26130	64	11
178076-26140	64	12
178076-26160	64	13
178076-26170	64	14
178076-26180	64	15
178076-26190	64	16
178076-40010	63	12
178076-40100	63	20
178076-40110	63	21
178076-40200	63	14
178076-40250	63	22
178076-40300	63	23
178076-40400	63	24
178076-40410	63	25
178076-40500	63	26
178076-40530	63	27
178076-40600	63	28
194065-17470	23	15
		20
194065-27200	39	13
194080-74621	97	6
194080-74631	97	7
194130-44480	62	8
194130-47851	86	2
		126 3
194130-71410	95	1
		96 1
194136-12880	21	4
		55 4
		123 4
194145-27450	39	8
		2
194145-64430	105	1
194145-71600	94	5
194145-71700	94	6
194150-22480	40	2
		8
194150-45320	63	32
194150-71230	94	11
194150-72460	95	7

Parts No.	Fig. No.	Ref. No.
194150-72460	96	3
194151-04260	82	51
194151-36670	19	12
194170-45220	63	29
194170-45230	63	30
		31
194170-45310	63	16
194170-45321	63	33
194170-45350	63	35
194170-45360	63	36
194170-45420	63	18
194170-45430	63	37
194170-45520	63	38
194170-45530	63	39
194170-45550	63	40
194170-45710	63	43
194170-45720	63	44
194170-45730	63	45
194170-45740	63	46
194170-47440	68	10
194170-51210	6	2
		25 6
		72 11
194180-12470	23	11
		1
194180-51640	61	17
194180-61980	74	5
		39
194181-11560	10	6
194190-26840	43	9
194191-28350	31	11
194197-25930	11	5 -1
194197-51630	111	4
194197-56350	82	17
194240-65441	92	1
		5
194242-51660	72	12
		12
		1
194250-11140	11	3
		18
194250-32530	35	18
194250-47490	40	5
		11
194250-51420	72	19
194274-13580	56	1
		16
194275-45340	63	10
		34

Parts No. Index

Parts No.	Fig. No.	Ref. No.
194275-71500	94	4
194279-14220	54	7
194300-25790	43	3
194300-31550	15	4
194300-31560	15	5
194300-31610	15	6
194300-31620	15	7
194300-33200	52	4
194310-25100	30	1
	32	3
194310-46350	63	47
194310-46380	63	48
194312-27770	57	15
194312-27780	57	2
	58	4
194312-46630	63	51
194321-17870	66	1
	71	1
194327-45630	64	17
194327-45640	63	41
194327-45650	63	42
	64	18
194330-62530	57	20
194361-12811	123	2
		6
194361-12850	123	3
		7
194370-26350	34	8
194420-33150	52	2
194420-61640	82	30
		31
194421-13640	15	10
194430-24190	32	2
194430-25460	34	3
194440-25810	43	4
194440-32580	54	1
194440-51620	6	3
		26
	7	5
	72	20
	73	20
	89	27
194440-51630	74	4
	78	3
	111	5
194447-13860	34	1
		2
	35	1
		2
		3

Parts No.	Fig. No.	Ref. No.
194450-21980	54	8
194451-11960	10	2
194464-01190	22	26
	49	1
194464-52190	75	21
		22
194515-25530	43	1
194515-25540	43	2
194515-31610	50	4
194515-31850	50	7
194521-41570	60	2
		7
194525-31520	50	3
194555-25880	31	8
194555-26520	27	8
194555-42280	61	8
194555-47350	68	7
194555-65130	82	34
194555-77120	63	19
194556-13790	20	1
194556-42220	63	15
194630-43230	63	5
194640-46410	63	49
194640-46420	63	50
194641-11630	10	7
194680-27540	41	1
194680-51670	76	5
194697-28270	102	1
194697-29580	46	12
194697-47150	101	1
194697-62560	87	7
194730-57220	13	4
		10
194740-00160	22	5
194765-46980	63	73
194820-27370	46	8
194850-13690	10	4 -1
		4 -2
194850-26330	32	31
	43	5
194850-26340	43	6
194850-26360	43	7
194850-26370	43	8
194850-26850	35	16
194850-26870	35	17
194850-32340	50	14
194850-42180	63	1
194850-42190	63	2
194850-42500	61	9
194850-49290	63	53

Parts No.	Fig. No.	Ref. No.
194850-49290	66	12
194881-12650	20	10
	54	6
194940-47210	68	2
194940-47220	68	4
194940-52110	75	11
194940-52300	75	23
194940-61790	79	11
	117	1
194940-65590	82	35
194990-20170	46	6
194990-22050	68	1
194990-22120	76	1
		19
	77	1
		16
	78	1
	81	8 -1
	112	1
	116	1
194990-22130	58	1
	72	14
	73	14
	74	1
		2
	76	2
	77	2
	78	2
	82	3
	83	4
	102	28 -1
	103	23 -1
	113	1
	114	1
		2
194990-22140	4	4
	22	15
	46	1
	57	1
	72	15
	73	15
	76	3
	77	3
	82	4
		5
		52
		53
	85	1
		5
	88	1

Parts No.	Fig. No.	Ref. No.
194990-22140	88	2
		3
	91	1
	108	1
		2
194990-22150	81	1
194990-22830	13	9
194990-22840	13	3
194990-85561	67	9
195080-15060	94	1
195230-17260	98	2
195616-24930	111	1
195715-22590	114	17
197810-84840	89	6
		6 -1
	108	11
197820-84740	102	22
	103	16
197820-84750	102	23
	103	17
197820-88750	112	3
197820-88770	112	4
197820-88780	112	5
197821-85430	113	3
197830-85490	111	9
198010-41211	69	1
198010-85810	104	4
		5
	117	8
198036-65470	92	2
198071-01160	3	5
198071-13760	19	4
198071-14650	16	5
198071-24350	28	7
198071-37510	58	8
198071-43320	62	2
198071-43330	62	3
198071-48390	71	7
198071-52190	75	16
198071-58810	3	2
	111	6
198071-61890	82	72
	84	4
		10
	108	5
	117	2
198071-62900	89	9
	100	3
198071-65610	82	36
198071-74970	95	8

Parts No. Index

Parts No.	Fig. No.	Ref. No.
198071-74970	96	4
198072-17550	24	1 A
198072-18320	8	15
	94	2
198072-27650	39	7
198072-27880	68	34
198072-28260	43	12
198072-48340	69	5
198072-60590	84	1
	6	6
198082-17880	6	3 -1
198092-71720	8	16
	94	14
198092-71750	94	7
198093-82510	82	37
	91	5
	101	19
198093-83751	102	20
	103	15
198093-84810	9	18
	89	5
	100	20
	106	13
	111	8
	117	7
	124	5
198093-85650	78	7
	89	28
198094-82550	102	4
	103	3
198094-83640	103	9
198094-85710	87	8
	105	5
		13
198094-86060	114	20
198094-86410	113	4
198094-86560	114	21
198119-27150	39	1
198119-27570	39	4
198119-48310	69	26
198121-28160	40	4
198121-28380	41	7
198121-47110	86	1
198121-47111	86	1 -1
	126	1
198121-63560	85	8
198121-74720	97	9
198124-65630	110	3
198127-86710	114	24
198129-27281	48	1

Parts No.	Fig. No.	Ref. No.
198129-27290	46	7
198129-29300	71	3
198129-29310	71	4
198133-15700	22	20
198133-15740	22	21
198133-15780	22	22
198133-22510	58	2
198133-22530	58	3
198133-46890	67	3
198133-51350	74	13
	111	3
198133-61950	82	32
198133-72670	23	18
		23
198146-86120	111	10
198153-82470	101	16
198153-82480	101	17
198153-83710	102	17
	103	12
198153-83720	102	18
	103	13
198153-83730	102	19
	103	14
198162-61370	106	12
198163-52110	81	3
198163-52120	81	4
198163-52150	81	2
198163-65310	93	1
198163-65350	93	2
198163-65930	93	3
198163-65940	93	4
198163-85630	106	6
	107	3
198165-46130	65	2
198165-46140	65	3
198165-46150	65	4
198165-46200	65	7
198165-46210	65	8
198165-46220	65	9
198165-46310	65	10
198165-46320	65	11
198165-46330	65	12
198165-46340	65	13
198165-46350	65	14
198165-46360	65	15
198165-46370	65	16
198165-46410	65	17
198165-46420	65	18
198165-46450	65	19
198165-48560	63	52

Parts No.	Fig. No.	Ref. No.
198165-52600	74	6
198165-65590	92	6
198172-11640	10	3 -1
198172-41110	60	1
198174-63200	90	2 B
	125	2 B
198174-63210	90	2 C
	125	2 C
198174-63220	90	2 D
	125	2 D
198174-63230	90	2 E
	125	2 E
198174-63240	90	2 F
	125	2 F
198174-63250	90	2 G
	125	2 G
198174-63260	90	2 H
	125	2 H
198190-13240	10	10
198196-34140	54	3
198200-00610	1	11
198200-01110	22	6
198200-01150	3	1
198200-01170	22	1
198200-01260	22	7
198200-01440	1	13
198200-01570	83	1
198200-01580	83	2
198200-01600	83	3
198200-03110	4	1
198200-04020	5	1
198200-04030	5	2
198200-04040	5	3
198200-04061	5	4
198200-04070	5	5
198200-04080	5	6
198200-04090	5	7
198200-04101	5	8
198200-04120	5	13
198200-04130	5	14
198200-04210	5	15
198200-04251	82	1
198200-04260	5	16
198200-04270	5	17
198200-06010	8	1
198200-06150	8	2
198200-11250	6	13
	7	14
198200-11351	1	21
198200-13050	10	1

Parts No.	Fig. No.	Ref. No.
198200-13060-1	10	5
198200-13061	10	5 -1
198200-13170	14	1
198200-13200	15	1
198200-13210	15	2
198200-13220	15	3
198200-13250	15	9
198200-13280	16	1
198200-13320	10	11
198200-13330	10	12
198200-13350	10	10 -1
		10 -2
198200-13520	17	1
198200-13570	17	2
198200-13580	17	3
198200-13610	18	1
198200-13730	19	2
198200-13750	19	3
198200-13760	19	5
198200-13780	19	6
198200-13791	19	7
198200-13810	19	27
198200-13820	19	28
198200-13830	19	29
198200-13911	19	8
198200-14110	20	2
198200-14120	20	3
198200-14130	20	4
198200-14210	20	5
198200-14670	16	6
198200-14741	21	2
198200-14910	16	7
198200-15180	22	9
198200-15250	22	14
198200-17230	18	2
198200-17300	23	2
198200-17340	23	5
198200-17410	23	7
198200-17440	23	9
198200-17450	23	14
198200-17470	23	16
198200-17500	24	1
198200-17750	25	1
198200-17830	25	4
198200-17910	25	5
198200-17950	9	4
198200-19130	75	14
198200-21140	26	2
198200-24120	28	4
198200-24170	28	9

Parts No. Index

Parts No.	Fig. No.	Ref. No.
198200-24190	28	11
198200-25490	31	1
198200-27810	42	18
198200-27811	42	18 -1
198200-27910	37	4
	42	19
198200-27911	37	4 -1
	42	19 -1
198200-28250	31	9
198200-28251	31	9 -1
198200-28322	43	14
198200-28340	43	16
198200-28390	43	18
198200-28450	43	19
198200-31510	50	2
198200-31810	50	5
198200-31820	50	6
198200-32110	50	8
198200-32320	50	13
198200-32590	122	1
198200-32600	51	1
198200-32601	122	2
198200-32601-1	51	1 -1
198200-32630	51	3
198200-32660	51	4
198200-32730	51	6
198200-33111	52	1
198200-33150	52	3
198200-33250	52	10
198200-33410	53	1
198200-33420	53	2
198200-33510	53	4
198200-34130	54	9
198200-34741	55	2
198200-36310	56	3
198200-36340	56	4
198200-36380	56	7
198200-36390	56	2 -1
198200-36410	56	8
198200-36421	56	9
198200-36422	56	9 -1
	122	4
198200-37270	57	4
198200-37370	58	6
198200-37460	58	7
198200-37610	57	13
198200-37640	47	3
198200-37660	57	17
198200-37700	58	9
198200-37740	58	13

Parts No.	Fig. No.	Ref. No.
198200-37840	58	14
198200-42100	61	1
198200-42130	61	2
198200-42140	61	3
198200-42150	61	4
198200-42180	61	5
198200-42190	61	6
198200-42710	61	10
198200-43110	63	3
198200-43210	63	4
198200-43310	62	1
198200-43410	62	4
198200-44110	62	5
198200-44210	62	6
198200-44420	62	7
198200-45100	63	6
198200-45150	63	72
198200-45510	64	6
198200-47110	68	35
198200-47411	68	8
198200-47460	68	11
198200-47510	68	13
198200-47650	68	19
198200-47810	68	36
198200-48110	69	2
198200-48111	69	2 -1
198200-48140	63	74
198200-48160	69	4
198200-48350	69	27
198200-48810	69	7
198200-51510	72	29
	73	29
198200-52140	75	2
198200-52520	72	9
	73	9
198200-53210	82	13
198200-53230	82	15
198200-56050	79	6
198200-56060	79	8
198200-56600	5	10
198200-56630	5	11
198200-60910	82	21
198200-60990	83	5
198200-61152	82	22
198200-61162	82	23
198200-61250	82	54
198200-61320	82	55
198200-61340	82	26
198200-61400	82	63
198200-61410	82	27

Parts No.	Fig. No.	Ref. No.
198200-61420	82	28
198200-61430	82	29
198200-61490	82	56
198200-61530	82	58
198200-61550	82	64
198200-61580	82	59
198200-61620	84	3
198200-61670	84	9
198200-61930	69	31
198200-61950	1	38
198200-61980	1	40
198200-62100	85	2
198200-62110	85	3
198200-62300	89	2
198200-62310	89	24
198200-62320	87	1
198200-62560	89	7
	100	1
198200-62910	89	10
	100	4
198200-62970	89	11
	100	5
198200-62990	89	12
198200-63620	84	5
	86	6
	126	7
198200-63640	86	7
	126	8
198200-63660	86	8
	126	9
198200-63670	99	1
198200-65010	82	69
198200-72101	95	2
198200-72210	95	3
198200-72250	95	4
198200-72300	96	2
198200-72451	95	5
198200-73150	97	15
198200-73210	97	16
198200-85400	106	4
	107	1
198204-01410	1	12
198204-01510	1	17
198206-34111	54	2
198206-60950	1	36
198208-01451	1	14
198208-01480	1	16
198208-01510	1	48
198208-03111	4	8
198208-04210	5	28

Parts No.	Fig. No.	Ref. No.
198208-06010	8	22
198208-11210	9	10
198208-11220	9	11
198208-11310	9	12
	10	16
198208-28311	43	13
198208-48110	69	23
198208-48111	69	23 -1
198208-48160	69	24
198208-61930	69	33
198208-62270	88	8
198208-62290	88	9
198208-62380	105	31
198208-62810	105	7
198208-62920	105	9
198208-62990	100	6
198208-65250	82	33 -1
198208-65260	82	70
198208-65790	110	4
198208-65890	92	20
198208-80950	117	3
198208-81190	117	4
198208-82110	101	2
198208-82120	101	3
198208-82200	101	5
198208-82220	101	6
198208-82250	101	8
198208-82260	101	9
198208-82320	101	12
198208-83120	102	9
198208-83130	102	10
198208-83630	103	8
198208-83640	102	15
198208-83650	102	16
	103	11
198208-83720	105	17
198208-84170	117	5
198208-84190	105	2
198208-84260	112	2
198208-84560	105	30
198208-84570	105	3
	121	15
198208-84590	84	11
198208-84620	105	27
	121	16
198208-85570	108	16
198208-85580	108	18
198208-85590	105	4
198208-85600	108	20
198208-85610	108	21

Parts No. Index

Parts No.	Fig. No.	Ref. No.
198208-85620	108	23
198208-85630	108	25
198208-87280	117	10
198208-87360	115	1
198208-87370	115	5
198208-87380	115	3
198208-87390	115	7
198208-87410	117	19
198208-87450	117	11
198208-87560	116	2
198208-87610	116	3
198208-87740	117	20
198208-87760	117	21
198208-87770	117	22
198208-87780	117	23
198208-87810	117	25
198208-87840	116	5
198208-87850	116	6
198208-87860	116	7
198208-87870	116	8
198208-88630	117	32
198208-88640	117	33
198208-88650	117	34
198208-89530	2	3
198220-12310	13	1
198220-37900	58	15
198220-46500	66	5
198220-48140	69	3
198220-48750	71	11
198220-51570	82	58 -1
198220-51870	72	21
	73	21
198220-52180	1	1
198220-62150	108	6
		7
198220-63340	109	1
198220-71100	94	3
198220-71410	94	12
198221-13410	32	1
198223-46250	66	3
198223-46280	66	4
198223-52150	75	3
		18
198230-61560	111	7
198230-61960	82	60
198240-12590	13	6
		12
198240-18120	13	8
198240-18130	13	2
198240-48850	69	8

Parts No.	Fig. No.	Ref. No.
198245-51210	6	2 -1
	25	7
198253-75430	98	10
198255-24460	28	13
198255-82640	101	27
	102	5
198255-82650	101	29
	102	6
	103	4
198255-82660	101	31
	102	7
	103	5
198255-82690	101	32
198255-82700	101	33
198255-83510	108	10
198255-83550	88	11
	101	40
198255-86250	112	8
	119	4
198255-86270	112	9
	119	5
198265-48200	64	1
198268-82270	101	11
	102	3
	103	2
198269-52190	75	21 -1
		22 -1
198280-01470	1	15
198280-04250	120	1
198280-04260	120	2
198280-04270	120	3
	121	2
198280-04280	120	4
	121	3
198280-04290	120	5
	121	4
198280-04300	120	6
	121	5
198280-04310	120	7
	121	6
198280-04320	120	8
198280-04330	7	1
198280-04370	7	2
198280-04410	7	3
198280-04450	105	14
198280-04470	6	33
198280-05510	4	2
198280-06200	8	3
198280-06300	8	4
198280-06410	8	14

Parts No.	Fig. No.	Ref. No.
198280-11100	9	1
198280-11240	11	2
198280-11250	11	4
198280-11370	6	14
	7	15
198280-11710	11	1
198280-11810	12	1
198280-11811	12	1 -1
198280-11830	12	2
198280-11840	12	3
198280-13310	16	2
198280-13920	19	9
198280-14630-1	16	4
198280-14740	21	1
198280-14760	21	3
198280-15090	22	4
198280-15100	22	8
198280-17810	25	2
198280-17820	25	3
198280-21110	26	1
198280-21111	26	1 -1
198280-21170	26	3
198280-21250	27	1
198280-21520	26	4
198280-22110	27	7
198280-24100	28	1
198280-24150	28	5
198280-24180	28	10
198280-24250	28	12
198280-24300	29	2
198280-24340	45	1
198280-24350	45	2
198280-24380	29	6
198280-24390	29	7
198280-24510	28	14
198280-25150	45	3
198280-25420	30	2
198280-25520	31	2
198280-25530	31	3
198280-25540	31	4
198280-25550	31	5
198280-25590	31	6
198280-25650	30	3
198280-25660	30	4
198280-25810	31	7
198280-25950	39	12
198280-26010	32	4
198280-26020	32	5
198280-26030	32	6
198280-26040	32	28

Parts No.	Fig. No.	Ref. No.
198280-26050	32	29
198280-26090	32	30
198280-26250	33	1
198280-26310	34	4
198280-26320	34	5
198280-26330	34	6
198280-26340	34	7
198280-26350	34	9
198280-26410	35	4
198280-26420	35	5
198280-26430	35	6
198280-26440	35	7
198280-26450	35	8
198280-26510	35	9
198280-26520	35	10
198280-26530	35	11
198280-26540	35	12
198280-26550	35	13
198280-26560	35	14
198280-26580	35	15
198280-26600	36	1
198280-26610	37	1
198280-26710	36	4
198280-26900	28	15
198280-27220	45	48
198280-27400	49	2
198280-27410	49	3
198280-27440	49	4
198280-27470	47	1
198280-27490	47	2
198280-27500	49	6
198280-27510	49	7
198280-27520	39	3
198280-27570	39	5
198280-27571	39	5 -1
198280-27572	39	5 -2
198280-27580	39	6
198280-27610	42	2
198280-27650	40	1
198280-27660	40	3
198280-27710	41	2
198280-27740	41	3
198280-27770	41	4
198280-27780	41	5
198280-27790	41	6
198280-27800	42	1
198280-27801	42	1 -1
198280-27810	42	4
198280-27811	42	4 -1
198280-27860	42	5

Parts No. Index

Parts No.	Fig. No.	Ref. No.
198280-27870	42	6
198280-27880	42	7
198280-27930	42	15 A
198280-27960	40	7
198280-27970	40	9
198280-28000	40	10
198280-28160	38	1
198280-28190	43	10
198280-28260	31	10
198280-28350	43	15
198280-28530	44	2
198280-28550	44	1 -1
198280-28700	42	9
198280-28701	42	9 -1
198280-29000	48	2
198280-29001	48	2 -1
198280-29030	45	49
198280-29040	45	50
198280-29080	48	3
198280-29150	48	7
198280-29190	127	1
198280-29200	48	8
198280-29201	48	8 -1
	127	2
198280-29250	46	2
198280-29340	46	3
198280-29390	46	5
198280-29400	46	9
198280-29430	46	11
198280-29490	48	10
198280-29700	46	13
198280-29770	3	6
	127	4
198280-29780	3	7
	127	5
198280-29810	48	13
198280-29830	45	23
198280-29840	45	33
198280-29850	45	34
198280-29860	45	35
198280-29870	45	36
198280-29880	45	26
198280-29890	45	37
198280-29900	45	38
198280-29910	45	39
198280-29920	45	40
198280-29930	45	27
198280-29940	45	41
198280-29950	45	42
198280-29960	45	28

Parts No.	Fig. No.	Ref. No.
198280-31400	50	1
198280-33210	52	5
198280-34720	55	1
198280-34760	55	3
198280-36350	56	5
198280-36360	56	6
198280-37200	57	3
198280-37220	58	5
198280-37300	57	6
198280-37400	57	7
198280-37550	57	9
198280-37710	58	11
198280-38510	59	1
198280-38710	59	2
198280-38810	59	5
198280-38840	59	6
198280-38850	59	7
198280-38910	59	8
198280-38911	59	8 -1
198280-38950	59	9
198280-41150	60	6
198280-42250	61	7
198280-42810	61	11
198280-46110	65	1
198280-46500	66	2
198280-46501	66	2 -1
198280-46502	66	2 -2
198280-46510	66	6
198280-46560	66	7
198280-46610	66	8
198280-46611	66	8 -1
198280-46660	66	9
198280-46710	66	10
198280-46750	66	11
198280-46810	67	1
198280-46870	67	2
198280-46910	67	4
198280-46940	67	6
198280-47171	126	2
198280-47210	68	3
198280-47310	68	5
198280-47430	68	9
198280-47500	68	12
198280-47540	68	14
198280-47550	68	15
198280-47580	68	17
198280-47710	68	3 -1
198280-48300	71	2
198280-48410	71	8
198280-48500	64	3

Parts No.	Fig. No.	Ref. No.
198280-48610	71	9
198280-48650	71	10
198280-48950	71	5
198280-48960	71	12
198280-49090	124	1
198280-49100	70	1
198280-49101	70	1 -1
	124	2
198280-51110	72	16
	73	16
198280-51130	74	3
198280-51131	74	3 -1
198280-51150	72	4
198280-51170	72	1
	73	1
198280-51180	74	11
198280-51190	74	12
198280-51200	72	10
	73	10
198280-51410	72	17
	73	17
198280-51540	72	28
	73	28
198280-51900	72	28 -1
	73	28 -1
198280-52090	75	31
198280-52091	75	31 -1
198280-52130	75	3 -1
198280-52150	81	2 -1
198280-52160	75	20
198280-52200	75	5
198280-52210	75	6
198280-52600	74	6 -1
198280-53150	82	9
198280-53170	82	10
198280-53180	82	11
198280-53190	82	12
198280-53210	82	14
198280-53211	82	14 -1
198280-53300	76	6
	77	5
198280-53330	76	8
	77	7
198280-53350	76	9
	77	8
198280-53360	76	10
198280-53400	76	11
	77	9
198280-53510	76	14
	77	12

Parts No.	Fig. No.	Ref. No.
198280-53520	76	15
	77	13
198280-53710	78	6
198280-56010	79	1
198280-56011	79	1 -1
198280-56012	79	1 -2
198280-56013	79	1 -3
198280-57340	81	5
198280-58100	75	28
198280-60710	1	34
198280-60750	1	35
198280-61000	83	6
198280-61010	83	7
198280-61210	82	24
198280-61260	82	25
198280-61500	82	57
198280-61600	84	2
198280-61910	69	30
198280-62210	85	6
198280-62211	85	6 -1
198280-62212	85	6 -2
198280-62220	85	7
198280-62221	85	7 -1
198280-62250	76	20
	77	17
198280-62260	76	20 -1
	77	17 -1
198280-62270	76	21
	77	18
198280-62300	89	23
198280-62330	87	2
198280-62350	87	3
198280-62360	87	4
198280-62490	89	3
198280-62630	89	17
	100	11
198280-62640	89	18
	100	12
198280-62850	89	19
	100	13
198280-62860	89	20
	100	14
198280-62910	90	1
	125	1
198280-62911	90	1 -1
	125	1 -1
198280-62912	90	1 -2
	125	1 -2
198280-63110	90	2
	125	2

Parts No. Index

Parts No.	Fig. No.	Ref. No.
198280-63112	90	2 -2
198280-63130	90	2 A
	125	2 A
198280-63140	90	2 J
	125	2 J
198280-63150	90	2 K
	7	7
	125	2 K
	7	7
198280-63160	90	2 L
198280-63170	125	2 L
198280-63180	90	2 M
198280-63190	125	2 M
198280-63250	90	5
	125	5
198280-63260	90	6
	125	6
198280-63340	90	2 P
	8	8
	125	2 P
	8	8
198280-63490	126	5
198280-63500	86	4
198280-63600	86	5
	126	6
198280-63810	105	15
198280-63821	126	10
198280-63830	105	16
	126	11
198280-64120	91	3
198280-64150	91	4
198280-65110	92	10
198280-65120	92	11
198280-65160	92	18
198280-65170	92	19
198280-65300	92	25
198280-65510	92	27
198280-65570	92	21
198280-65580	92	5
	110	6
198280-65610	93	7
198280-65630	92	28
198280-65640	92	29
198280-65660	92	30
198280-65670	92	31
198280-65680	92	32
198280-65710	92	7
198280-65770	92	8
198280-65780	92	33
198280-65790	92	9

Parts No.	Fig. No.	Ref. No.
198280-71710	94	13
198280-73100	97	2
198280-73170	28	18
198280-73250	28	19
198280-73500	97	3
198280-74100	97	4
198280-74550	97	5
198280-74800	97	10
198280-75200	98	3
198280-75210	98	4
198280-75250	98	5
198280-75260	98	6
198280-75700	98	1
198280-75750	98	11
198280-85100	106	1
198280-85150	106	2
198280-85160	106	3
198280-85410	106	5
	107	2
198280-85710	106	7
198280-86410	113	6
198280-89500	2	2
198282-01510	1	48 -1
198282-65110	92	12
198282-65120	92	13
198282-65570	92	22
198282-85410	107	2 -1
198282-85430	107	17
198282-85760	107	3 -1
198282-85790	107	18
198282-85800	107	4
198282-85801	107	4 -1
198282-85820	107	5
198282-85821	107	5 -1
198282-85830	107	6
198282-85831	107	6 -1
198282-85900	107	7
198282-85930	107	19
198282-85950	107	8
198283-13050-1	10	1 -1
198283-13051-1	10	1 -2
198283-13330-1	10	12 -1
		12 -2
198283-13380	10	2 -1
198283-13460	10	18
198283-13480	10	19
198283-60100	82	71
198284-65110	92	14
198284-65120	92	15
198284-65570	92	23

Parts No.	Fig. No.	Ref. No.
198287-04250	121	1
198287-06200	8	23
198287-06300	8	24
198287-11100	9	7
198287-11210	9	15
198287-11230	9	16
198287-26110	32	7
198287-26120	32	8
198287-26130	32	9
198287-26140	32	10
198287-26150	32	11
198287-26160	32	12
198287-26170	32	13
198287-26180	32	14
198287-26190	32	15
198287-26200	32	16
198287-26210	32	17
198287-26220	32	18
198287-26230	32	19
198287-26240	32	20
198287-26250	32	21
198287-26260	32	22
198287-26270	32	23
198287-26280	32	24
198287-51150	73	4
198287-51250	111	2
198287-51251	111	2 -1
198287-51270	114	3
198287-62210	88	4
198287-62220	88	5
198287-62230	88	6
198287-62240	88	7
198287-62360	87	5
198287-62370	87	6
198287-62380	105	32
198287-62810	105	8
198287-63111	125	2 -2
198287-65110	92	16
198287-65120	92	17
198287-65570	92	24
198287-65780	92	34
198287-80090	100	17
198287-82610	101	25
198287-82630	101	26
198287-83110	102	8
198287-83150	102	11
198287-83160	102	12
198287-83340	102	13
198287-83610	103	7
198287-83640	103	10

Parts No.	Fig. No.	Ref. No.
198287-84100	104	1
198287-84101	104	1 -1
198287-84170	117	6
198287-84280	100	18
198287-84290	100	19
198287-84540	105	11
198287-85320	108	12
198287-85450	108	13
198287-85460	108	14
198287-85480	104	2
198287-85490	104	3
198287-85550	108	15
198287-85570	108	17
198287-85590	108	19
198287-85610	108	22
198287-85620	108	24
198287-85650	108	26
198287-85830	109	3
198287-86100	119	1
198287-86260	108	27
198287-86350	108	28
198287-86570	114	22
198287-88000	117	14
198287-88030	117	15
198287-88080	117	49
198287-88150	117	28
198287-88180	117	31
198287-88200	117	36
198287-88210	117	55
198287-88220	117	56
198287-89500	2	5
198290-32750	51	2
	122	3
198291-13240	10	3
198310-27370	57	14
198327-53280	82	16
198327-57200	75	8
198330-48410	69	6
198360-03260	22	2
198360-03270	22	3
198360-52160	75	12
198360-74670	97	8
198360-86840	69	11
198421-65030	82	33
198431-47340	68	6
198435-45410	63	17
198448-33390	76	4
	77	4
198448-37360	57	5
		8

Parts No. Index

Parts No.	Fig. No.	Ref. No.
198448-37450	49	8
	57	16
198448-38400	59	4
198448-56150	79	7
198448-61620	1	37
198451-28750	43	20
198460-83350	88	10
	91	6
	101	39
	102	14
	103	6
	108	8
		9
	119	3
198461-52950	1	2
	72	2
	73	2
	75	7
		27
	113	2
198461-60590	47	5
	76	16
	82	18
		19
	84	8
	86	3
	108	3
		4
	112	7
	119	2
	126	4
198463-65610	110	1
198463-65620	110	2
198463-82350	101	13
198463-82550	101	21
198463-83760	102	21
198463-86260	119	6
198463-87630	117	12
198475-32660	20	6
	51	5
198475-37690	47	4
198492-82150	101	4
198492-82590	101	24
198535-52110	72	5
	73	5
198535-52120	72	6
	73	6
198535-52130	72	7
	73	7
198535-52140	72	8

Parts No.	Fig. No.	Ref. No.
198535-52140	73	8
198535-62780	12	4
198535-86340	114	7
198535-86450	114	4 A
198535-86460	114	4 B
198550-86540	114	12
198550-86570	114	14
198550-86590	114	13
1A1040-28470	28	8
1A6150-91251	93	5
1A6150-93151	93	6
1A6640-65510	92	3
1A6640-65511	92	3 -1
1A6640-65530	92	4
1A6641-65470	92	26
1A6660-24250	29	1
	69	25
1A6750-29850	63	10
		11
1A6780-46160	65	5
1A6780-46170	65	6
1A7000-15720	22	23
1A7000-52820	72	18
	73	18
1A7030-86651	114	23
1A7030-86870	117	9
1A7030-86980	117	17
1A7030-87040	117	18
1A7030-87240	117	37
1A7030-87250	117	38
1A7030-87260	104	6
1A7030-87270	117	39
1A7030-87280	117	40
1A7030-87290	117	41
1A7030-87300	117	42
1A7030-87310	117	43
1A7030-87320	115	2
		6
1A7030-87330	117	44
1A7030-87340	117	45
1A7030-87350	117	46
1A7030-87360	117	47
1A7030-87411	115	9
1A7030-87650	116	4
1A7030-87720	117	13
1A7030-87790	117	24
		30
1A7030-87970	117	26
1A7030-87990	117	27
1A7030-88070	117	48

Parts No.	Fig. No.	Ref. No.
1A7030-88090	117	50
1A7030-88130	117	51
1A7030-88140	117	52
1A7030-88150	117	53
1A7030-88170	117	54
1A7030-88250	117	57
1A7030-88680	117	59
1A7030-88710	2	1
	117	35
		58
1A7100-26850	34	16
1A7100-53100	82	6
1A7100-53130	82	7
1A7100-53140	82	8
1A7100-53220	76	7
		12
	77	6
		10
1A7100-53230	76	13
	77	11
1A7100-53400	78	4
1A7100-53420	78	5
1A7100-64110	91	2
	109	2
1A7180-04850	6	33 -1
1A7260-46640	63	78
1A7260-46650	63	79
1A7260-60890	82	20
1A7320-61140	114	19
1A7320-82400	101	14
1A7320-82440	101	15
1A7320-82510	101	18
1A7320-82520	101	20
1A7320-82570	101	22
1A7320-82580	101	23
1A7320-82650	101	28
1A7320-82660	101	30
1A7320-82710	101	34
1A7320-82720	101	35
1A7320-82750	101	36
1A7320-82760	101	37
1A7320-82770	101	38
1A7320-84650	105	12
1A7320-86300	114	4
1A7335-52120	75	13
1A7336-47590	66	4 -1
1A7400-29260	45	4
1A7400-29310	45	5
1A7400-29330	45	6
1A7400-29340	45	7

Parts No.	Fig. No.	Ref. No.
1A7400-29350	45	8
1A7400-29360	45	9
1A7400-29370	45	10
1A7400-29380	45	11
1A7400-29390	45	12
1A7400-29420	45	25
1A7400-29430	45	13
1A7400-29450	45	24
1A7400-29460	45	14
1A7400-29470	45	15
1A7400-29480	45	16
1A7400-29660	45	17
1A7400-29670	45	18
1A7400-29730	45	19
1A7400-29740	45	39 -1
1A7400-29751	45	40 -1
1A7400-29780	45	22 -1
1A7400-29790	45	20
1A7400-29800	45	21
1A7400-29810	45	22
1A7550-91900	72	28 F
	73	28 F
1A8070-74670	97	8 -1
1A8071-04100	5	8 -1
1A8071-11620	10	2 -2
1A8071-11630	10	7 -1
1A8071-13220	10	1 -3
1A8071-13230	10	5 -2
1A8071-13450	10	17
1A8081-14630	16	4 -1
1A8100-21180	105	29
1A8100-24180	28	10 -1
1A8100-60710	1	34 -1
	124	3
1A8100-60750	1	35 -1
	124	4
1A8110-62250	102	23 -1
	103	17 -1
1A8110-62390	105	33
		34
1A8110-84350	105	18
1A8110-84360	105	19
1A8110-84410	105	20
1A8110-84420	105	21
1A8110-84460	105	22
1A8110-84470	105	23
1A8110-84540	105	24
1A8110-84550	105	25
1A8110-84570	105	26
1A8110-84620	105	28

Parts No. Index

Parts No.	Fig. No.	Ref. No.
1A8115-11210	9	10 -1
1A8115-11220	9	11 -1
1A8115-61620	84	3 -1
1C1011-33990	101	7
1C6053-26020	89	1
		1 -1
		26
	105	6
1C6280-62240	68	20
1C6281-52310	67	8
	102	2
	103	1
1C6281-52320	57	19
	58	16
1C6360-65700	40	13
		14
	59	10
		11
1C6560-15071	56	2
1C6720-47170	45	51
1C6900-23020	18	3
1C6900-23120	19	10
1C6900-23150	19	11
1C6920-36260	79	5
1C7100-08150	80	1
1E6102-83230	74	7
1E6102-84970	5	19
	6	28
1E6190-54080	14	2
1E6191-54330	43	11
1E6213-83410	6	27
1E6440-54430	34	10
1E6680-66470	69	10
1E6760-74150	89	4
		25
	105	10
1E8050-05510	6	1
	7	4
1E8545-80080	117	16
		29
1E8770-81320	75	23 -1
1S6489-63330	42	3
		8
22117-060000	101	41
22117-080000	63	54
22117-100000	68	21
22137-060000	3	3
		8
	82	38
	127	6

Parts No.	Fig. No.	Ref. No.
22137-080000	49	9
	68	22
	82	39
		65
	94	15
	102	24
		25
	103	18
		19
22137-100000	22	10
	26	10
	40	15
		16
	49	10
	59	12
		13
	101	42
22137-120000	109	4
22137-140000	48	11
22137-160000	11	5
	22	24
22157-060000	87	9
	117	60
22157-080000	4	5
	5	20
	22	17
		18
	42	10
	47	6
	88	12
		13
22157-100000	48	14
22190-060000	5	21
22190-080000	41	8
	82	65 -1
		66
22190-100000	41	9
22217-060000	76	22
	77	19
	94	8
22217-080000	6	22
	7	23
	32	32
22217-100000	26	5
22217-120000	26	11
22217-140000	89	13
	97	13
	100	7
22217-160000	42	11
	62	9

Parts No.	Fig. No.	Ref. No.
22217-160000	98	7
	107	20
22242-000200	22	11
	36	5
22242-000220	16	3
	66	13
22242-000250	45	43
22242-000260	56	10
22242-000300	14	3
	34	11
22242-000340	30	5
	31	12
22242-000350	32	25
22242-000400	43	21
	62	10
22252-000170	30	6
	32	33
22252-000220	27	9
22252-000320	60	3
		8
22252-000350	45	47 A
22252-000401	107	21
22252-000550	34	12
	43	22
22252-000580	32	34
22252-000620	18	4
22252-000650	45	44
22252-000720	19	13
22252-000800	19	14
22252-000950	43	23
22252-001000	32	26
22272-000060	68	23
22272-000070	48	4
	49	5
22272-000080	68	24
22272-000120	42	12
	48	12
22272-000190	57	10
22287-060000	65	23
22292-000250	23	8
22312-080140	28	20
	29	8
		9
	35	19
		20
	51	7
	61	12
22312-100180	19	15
22351-030020	101	10
22351-040012	63	55

Parts No.	Fig. No.	Ref. No.
22351-040024	94	9
22351-040032	22	12
22351-040040	15	8
	50	9
22351-050040	52	6
22351-050045	57	11
22351-050056	62	11
22351-060016	27	3
22351-060025	41	10
		11
22351-060028	63	56
22351-060032	39	8
	59	3
	91	7
22351-060040	46	14
22351-060050	68	25
	109	5
22351-080018	26	12
	27	6
22351-080032	52	7
22351-080040	52	8
22351-080045	57	12
22351-080050	83	8
22360-160000	11	6
22360-200000	97	11
22372-080000	49	11
	67	10
	68	26
	82	67
	101	43
22372-100000	48	15
	49	12
	82	40
22372-120000	36	6
22372-160000	95	9
	96	5
22417-160180	3	4
		9
	127	7
22417-200200	86	9
	126	12
22417-200300	46	15
22417-250300	58	17
22417-300250	13	7
		13
22417-320320	97	12
22417-400250	23	25
22486-060160	67	11
22486-080600	67	12
22487-080300	82	68

Parts No. Index

Parts No.	Fig. No.	Ref. No.
22487-080600	102	26
	103	20
22487-100500	82	41
22487-120240	36	7
22522-030130	68	27
22697-480641	116	9
22857-400100	117	61
22857-600160	86	10
	126	13
23000-019000	2	1 -1
	5	22
23000-035000	1	41
	66	14
23000-070000	8	17
23010-055000	8	18
	16	8
23065-070180	1	26
23065-160650	5	23
23080-007000	114	25
23414-100000	41	12
23414-160021	66	15
	71	13
23414-180000	29	10
	44	3
	75	17
23414-180023	71	14
23414-200026	63	57
23491-140002	28	21
	35	21
23871-010000	28	2 -1
	29	3 -1
23875-010000	28	2
	29	3
23887-180002	28	22
	29	11
	44	4
23980-730060	6	6
23980-730180	6	7
		35
23980-730250	1	42
23980-730310	6	8 -1
23980-730340	6	8
	7	8
23980-730400	6	10 -1
23980-730500	6	9
		10
	7	9
		10
23980-730510	1	43
	6	9 -1

Parts No.	Fig. No.	Ref. No.
23980-730510	6	10 -2
23980-730730	6	11
	7	11
24101-060044	35	22
		23
24101-060054	34	13
24101-060064	34	14
	35	24
	43	24
		25
24101-060074	50	10
24101-060084	19	16
	20	7
24101-060104	19	17
24101-060114	15	11
24101-062024	30	7
24101-062044	32	35
	35	25
		26
24101-062054	33	2
	43	26
24101-062064	14	4
	19	30
	34	15
24101-062074	17	4
	50	11
24101-062094	20	8
	54	4
24101-063044	19	31
	30	8
24101-063054	14	5
24101-063064	53	3
24101-063074	31	13
	54	5
24104-060000	48	5
24104-063014	36	8
24104-063054	33	3
24111-060064	43	17
24162-202616	32	36
24163-205170	31	14
24164-000202	31	5 -1
24190-070001	65	24
24190-080001	41	13
	65	25
24190-100001	39	9
24190-160001	63	58
24190-170001	56	11
24311-000050	63	59
24311-000110	19	18
	64	24

Parts No.	Fig. No.	Ref. No.
24311-000120	25	8
	63	60
24311-000140	64	25
	65	26
		27
	69	12
24311-000150	41	14
24311-000160	6	19
	7	20
	28	23
	35	27
	39	10
	45	53
24311-000180	18	5
	28	24
	64	2
		27
	75	24
24311-000200	52	9
	68	28
	69	13
		14
		15
24311-000220	32	37
24311-000240	71	6
24311-000260	62	12
	69	16
24311-000340	45	54
	69	28
24311-000400	62	13
24311-000420	16	7 -1
24311-000440	62	14
24311-000850	5	24
24315-000090	63	61
		62
24315-000100	64	20
24315-000110	45	29
	63	63
		64
24315-000120	63	65
24315-000140	45	30
	63	66
		67
24315-000180	45	45
	64	21
24315-000220	64	22
24315-000340	23	19
24316-000070	120	17
	121	17
24316-000160	120	18

Parts No.	Fig. No.	Ref. No.
24316-000160	121	18
24321-000250	63	75
24321-000450	16	9
24321-000500	65	28
24321-000600	19	19
	45	31
24321-000650	6	20
	7	21
	45	32
24321-000700	63	76
24321-000750	10	8
		20
24321-000950	19	20
24326-000650	120	19
	121	19
24351-020300	61	13
24421-153207	60	4
		9
24421-305011	29	12
24421-306210	18	6
24520-511040	32	38
24520-511060	32	27
24550-012100	67	5
		7
24550-015120	46	4
	48	6
		9
	127	3
24550-020200	68	16
		18
24550-020300	36	3
24550-022200	28	3
24550-025150	23	6
		17
24550-025200	57	5 -1
		8 -1
24550-032300	29	4
24761-010000	10	4
		9
		21
		22
	58	10
		12
24761-060000	13	5
		11
	23	13
		24
26013-080802	60	11
		12
26013-120252	9	17

Parts No. Index

Parts No.	Fig. No.	Ref. No.
26013-120252	107	9
26013-120302	9	5
	18	7
26013-120352	12	5
	26	13
	98	12
	106	8
	107	10
		10 -1
		15
26013-120402	89	21
	100	15
	107	11
26013-120452	107	12
26013-120552	28	25
26013-120652	98	13
26013-120702	26	16
26013-121052	26	17
26016-080252	63	68
26016-080352	60	5
		10
26016-080502	63	69
26018-060252	69	17
26021-050122	82	42
26022-050102	5	12
26064-080201	116	10
26106-060082	80	2
	82	43
26106-060102	12	6
26106-060122	1	44
		45
	7	12
	25	9
	42	13
	58	18
	67	13
		14
	70	2
	72	13
	73	13
	75	9
		29
	81	6
	82	44
		45
	87	10
	101	44
		45
	116	11
	117	62

Parts No.	Fig. No.	Ref. No.
26106-060126	69	32
26106-060162	1	7
	49	13
	75	10
	76	17
	77	14
	82	46
	83	9
	113	5
	114	15
	115	10
	117	63
26106-060202	69	18
	74	8
	82	46 -1
	117	64
26106-060252	5	25
	101	46
26106-060452	69	19
	114	26
26106-060552	86	11
	126	14
26106-080122	6	12
		29
	7	13
	8	19
	26	6
	34	18
	42	14
	66	16
	72	25
		26
	73	25
		26
	74	9
		10
	75	15
	83	10
	90	3
	111	11
		12
	125	3
26106-080162	1	46
		47
	4	6
	5	26
	6	23
	7	24
	8	20
	9	6

Parts No.	Fig. No.	Ref. No.
26106-080162	16	10
	19	21
	28	26
		27
		28
		29 -1
	31	15
	36	9
	38	2
	39	11
	42	15
		16
	46	16
		17
	57	21
	68	29
		37
	69	20
	71	15
	72	27
	73	27
	75	25
		30
	82	47
	85	4
	89	8
	90	4
	100	2
	117	65
	125	4
26106-080202	8	21
	28	29
	29	13
	35	28
	36	10
	37	2
	47	7
	48	16
	69	21
	106	9
	117	66
26106-080252	4	7
	6	24
	7	25
	22	19
	26	7
	27	4
	28	30
	35	29
	46	18

Parts No.	Fig. No.	Ref. No.
26106-080252	56	12
	61	14
	69	29
26106-080302	2	4
	35	30
	69	22
26106-080352	59	14
26106-080402	51	8
	65	29
26106-080452	28	31
	64	28
	103	21
26106-080502	28	32
	35	31
	45	55
	68	30
		31
26106-080552	46	19
26106-080652	6	32
26106-080752	35	32
26106-080852	35	33
26106-081102	35	34
26106-100162	71	16
26106-100202	32	39
	38	3
	52	11
	71	17
	98	14
26106-100252	10	13
		14
		15
	20	9
	28	33
	50	15
	61	15
	101	47
26106-100302	19	22
	29	14
		15
	41	15
	82	61
26106-100402	28	34
	61	16
26106-100452	9	13
26106-100502	28	35
	51	9
26106-100552	9	14
26106-100652	106	10
	107	16
26106-100902	63	77

Parts No. Index

Parts No.	Fig. No.	Ref. No.
26106-101052	26	14
26106-120552	45	56
26116-080162	50	12
26116-081302	6	25
	7	26
26116-100352	19	23
26116-100602	45	57
26116-120402	89	22
	100	16
26116-140752	89	14
	100	8
26116-161302	98	8
26136-100162	24	2
	25	10
26156-160802	107	1 -1
26216-100302	29	5
26346-080002	42	15 B
	46	20
	94	16
26346-100002	109	6
26356-160002	22	25
	106	11
	107	13
26366-080002	19	24
	45	58
	102	27
	103	22
26366-100002	45	59
26376-120002	56	13
26450-080122	19	25
26450-080402	64	29
26450-120402	27	5
26455-080202	45	46
26557-050102	75	26
26557-050122	76	18
	77	15
26557-050162	78	8
26557-050252	112	6
26557-050352	81	7
26557-060062	94	10
26557-060302	82	48
26559-050162	116	12
	117	67
26577-060142	45	47
26577-060202	101	48
26577-080252	101	49
26587-040202	82	49
26587-060122	101	50
26589-060102	102	28
	103	23

Parts No.	Fig. No.	Ref. No.
26589-060102	108	29
26589-060162	84	7
26657-060002	5	27
26716-040002	82	50
26716-050002	81	8
26716-060002	76	23
	77	20
26716-080002	46	10
	68	32
		33
	82	62
26716-100002	19	26
	22	13
	26	8
	40	6
		12
	45	52
		60
	57	18
	59	15
26716-120002	12	7
	26	15
	107	14
26716-140002	89	15
	97	14
	100	9
26716-160002	98	9
26736-160002	62	15
26756-060002	63	70
26776-120002	75	4
		19
26776-160002	64	23
26777-180002	95	6
27260-200000	63	71
27260-220000	28	36
27260-260000	26	9
	28	37
27260-300000	26	9 -1
27260-320000	69	25 -1
29622-140001	6	28 -1
29622-250001	72	3
	73	3
	74	14
	111	13
41812-011980	118	1
794130-71410	97	1
794361-14701	123	1
794361-14801	123	5
933147-10350	35	35

Parts No.	Fig. No.	Ref. No.
-----------	----------	----------

Parts No.	Fig. No.	Ref. No.
-----------	----------	----------