

0CNP4-M32000EN

## Directions for the Parts Catalog.

1. This Parts Catalog shows both standard and optional parts.
2. Parts may change without prior notice.
3. The following is an example of the Parts Catalog format.

REF.	LEV.	PARTS NO.	DESCRIPTION	Q'TY						I	R
				(A)	(B)	(C)	(D)	(E)	(F)		
1	1	729595-51390	FUEL INJECTION PUMP	1	1	1	1	1			1
1-1	1	729595-51391	FUEL INJECTION PUMP	1	1	1	1	1		N	1
		(A=E00185) (B=E00200)									
3	2	26022-060162	SCREW M 6X 16	9	9	9	9	9			
3-1	2	26022-060162	SCREW M 6X 16	4	4	4	4	4		K	
		(A=E00156) (B=E00156) (C=E00156) (D=E00156) (E=E00156)									
4	2	129470-51040	CAMSHAFT	1	1	1	1	1			
5	2	122710-51050	BEARING, ROLLER	2	2	2	2	2			
6	2	129470-51060	RETAINER	1	1	1	1	1			

Remarks
(1) BOOST COMPEMSATOR TYPE. OPTIONAL PART, TO E00155,(4JH-DT, 4JH-DTZ

### ① Ref. No.

The Ref. No. listed may not be in accordance with the illustration Ref. No.

(Ex.) Illustration No.

List Ref No.

1

1

(Before change)

1-1

(After change)

For interchangeable symbols N, R and K, illustrations for new parts may be abbreviated.

### ② Lev. (Level)

Level indication

The numbers below indicate the level of relativity towards the main part.

1 ----- Main parts (Assembly parts)

2 ----- Sub component included in " 1 ".

3 ----- Sub component included in " 2 ".

Note) Parts that are not for sale are partially illustrated but not listed.

### ③ Interchangeability Symbol

When a part change takes place, one of the following interchangeability symbols is indicated beside the part.

Symbol	Interchangeability	Contents note
N	Old $\begin{matrix} \leftarrow \text{Yes} \\ \text{No} \rightarrow \end{matrix}$ New	New Part is interchangeable for Old Part but Old Part is not interchangeable for New Part.
Q	Old $\begin{matrix} \leftarrow \text{No} \\ \text{Yes} \rightarrow \end{matrix}$ New	New Part is not interchangeable for Old Part but Old Part is interchangeable for New Part.
R	Old $\begin{matrix} \leftarrow \text{Yes} \\ \text{Yes} \rightarrow \end{matrix}$ New	New/ Old Parts are both interchangeable.
S	Old $\begin{matrix} \leftarrow \text{No} \\ \text{No} \rightarrow \end{matrix}$ New	New/ Old Parts are both not interchangeable.
W		Part newly added.
Z		Part discontinued.
F		Not interchangeable by a single part but interchangeable together with related parts.
K		Changes only for used parts quantities.

### ④ Effective Machine No.

When a part changes, the effective Machine No. will be indicated in the (A)-(F) column.

Product Symbol	Product No.	Product Symbol	Product No.
C	Clutch No. Compressor No.	F	Machine No. (Agricultural Equip.)
D	Drive No.	M	Machine No.
E	Engine No.		

Note 1) A date may follow the symbol. (Ex.) 1996.01

Note 2) "XXXXX" and "ZZZZZ" are for parts that could not be predicted or for engine models that could not be identified.

Note 3) (A=E00185) is the E (Engine Serial Number) for the column (A) model (in this case 4JH-DT) after the parts design change.

### ⑤ Remarks

Figures or alphabets (symbols) are entered in the remarks column.

The comments (remarks) on parts that are indicated at the bottom of the illustration are the same symbols as those stated above.

# Contents

OCNP4-M32000

Fig. No.    Fig. Name

Fig. No.    Fig. Name

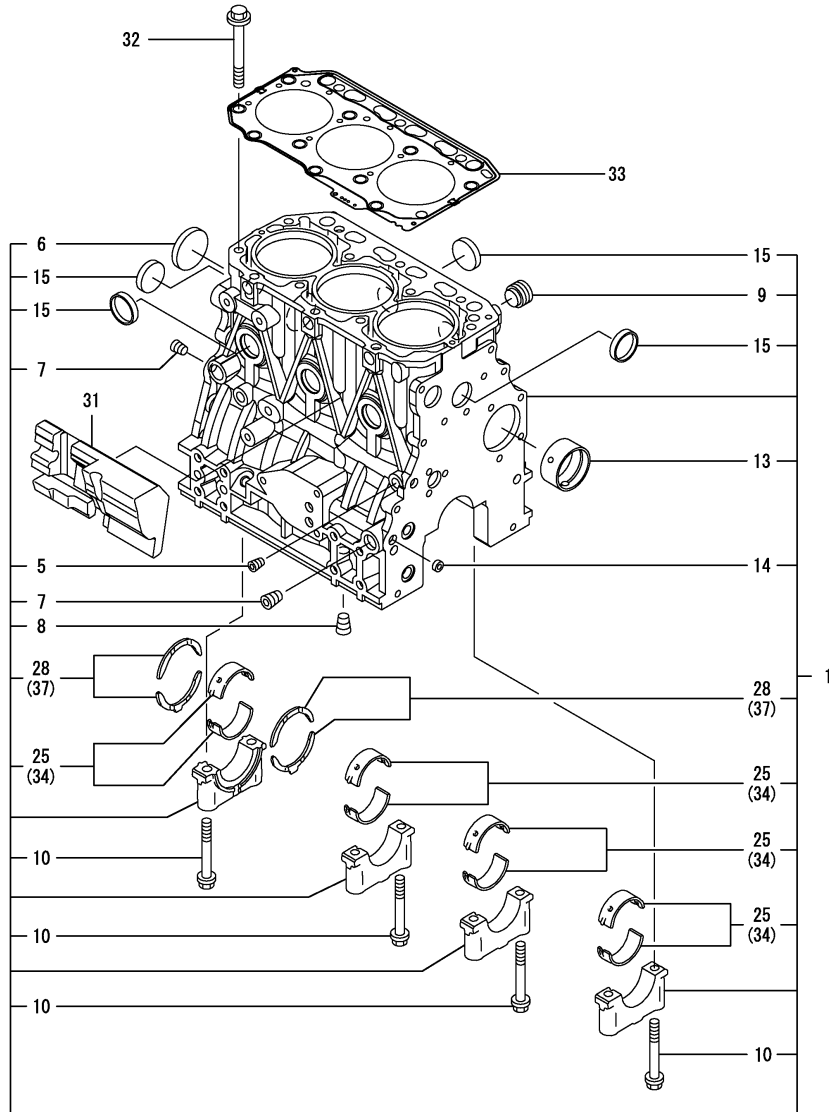
## ENGINE SECTION

1. CYLINDER BLOCK
2. GEAR HOUSING
3. MOUNTING FLANGE & OIL SUMP
4. CYLINDER HEAD & BONNET
5. SUCTION MANIFOLD
6. EXHAUST MANIFOLD & SILENCER
7. CAMSHAFT & DRIVING GEAR
8. CRANKSHAFT & PISTON
9. HYDRAULIC PUMP
10. LUB.OIL SYSTEM
11. COOLING WATER SYSTEM
12. FUEL INJECTION PUMP
13. FUEL INJECTION VALVE
14. STARTING MOTOR
15. GENERATOR

Fig.1. CYLINDER BLOCK

(A)=3TNV84-NRE  
(B)=  
(C)=

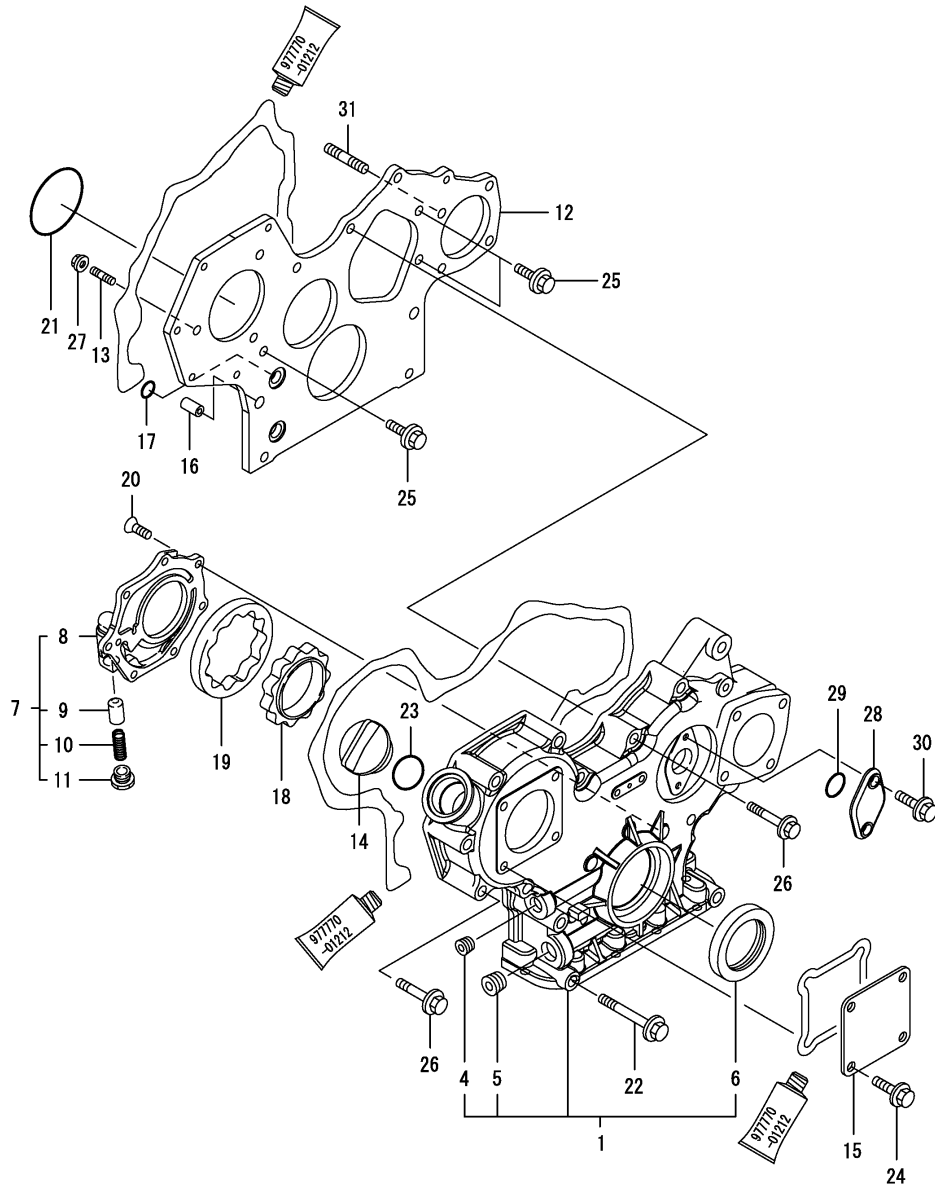
(D)=  
(E)=  
(F)=



No.	Lev.	Parts No.	Description	Q'ty						I	R
				(A)	(B)	(C)	(D)	(E)	(F)		
1	1	729004-01560	BLOCK ASSY, CYLINDER	1							
5	2	124060-01050	PLUG, PT1/8	1							
6	2	129001-01250	PLUG, 50	1							
7	2	124160-01910	PLUG, PT1/4	2							
8	2	124160-01910	PLUG, PT1/4	1							
9	2	171051-01921	PLUG, NPTF1	1							
10	2	129150-02020	BOLT, METAL CAP	8							
13	2	129795-02411	BUSH, CAMSHAFT	1							
14	2	27241-120000	PLUG, 12	2							
15	2	27241-300000	PLUG 30	6							
25	2	129001-02930	BEARING, MAIN	4							3
28	2	129150-02930	BEARING, THRUST	2							
31	1	129004-01190	SPACER	1							
32	1	129150-01200	BOLT, HEAD	14							
33	1	129002-01331	GASKET, HEAD	1							
34	1	129150-02870	BEARING, 0.25 US	4							1
37	1	129150-02940	BEARING, THRUST 0.25	1							2

Remarks  
 (1) UNDER-SIZE(U.S=0.25)PART.  
 (2) OVER-SIZE(O.S=0.25)PART.  
 (3) REPAIR PART.  
 (REMARKS)"EFFECTIVE MACHINE NO." OF ENGINE IS INDICATED ON THE ENGINE LABEL WHICH IS SHOWN IN FIG.4.

Fig.2. GEAR HOUSING



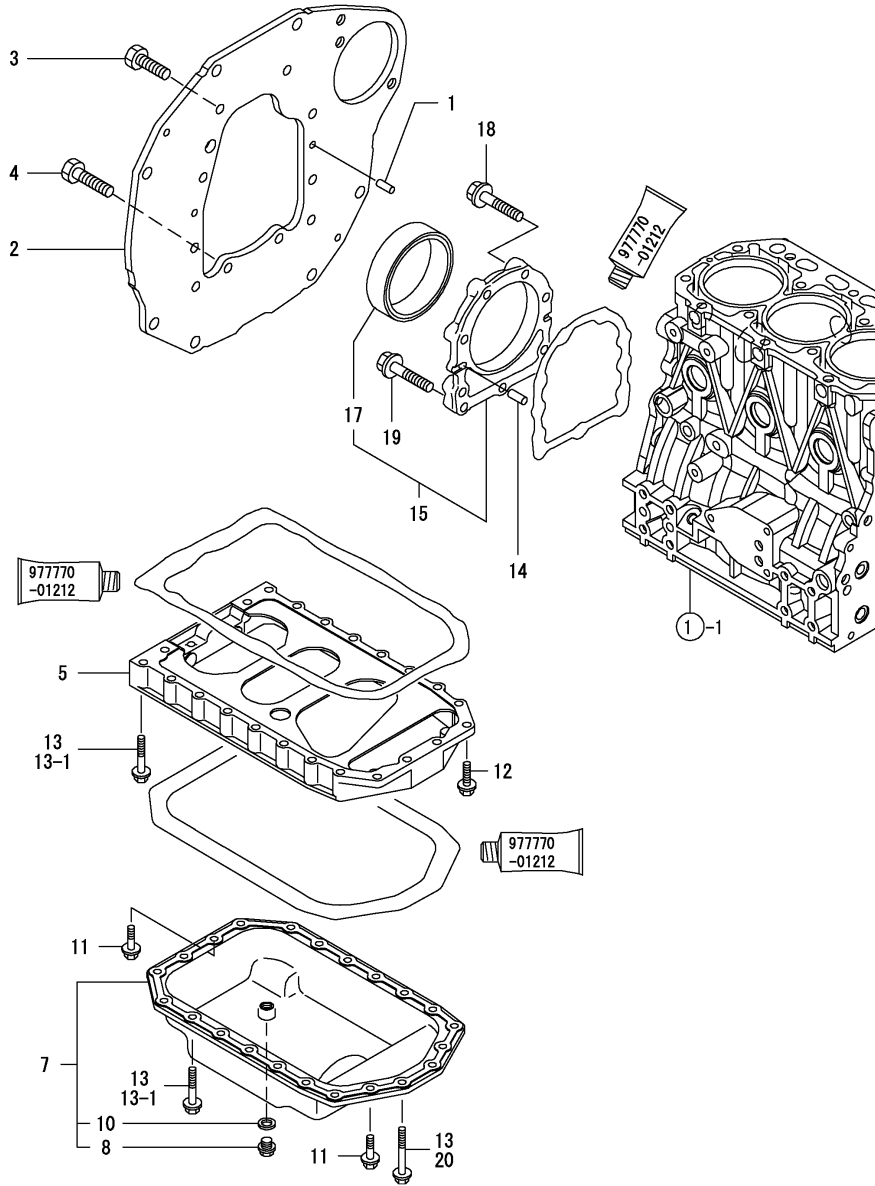
(A)=3TNV84-NRE  
(B)=  
(C)=

(D)=  
(E)=  
(F)=

No.	Lev.	Parts No.	Description	Q'ty						I	R
				(A)	(B)	(C)	(D)	(E)	(F)		
1	1	729004-01500	CASE ASSY, GEAR	1							
4	2	23876-030000	PLUG, R03	1							
5	2	23876-040000	PLUG, R04	1							
6	2	129795-01800	SEAL, OIL	1							
7	1	119802-32100	COVER ASSY	1							
8	2	119802-32070	COVER	1							
9	2	129900-32130	VALVE, RELIEF	1							
10	2	129418-32320	SPRING	1							
11	2	129001-32330	PLUG	1							
12	1	129004-01520	FLANGE, GEAR CASE	1							
13	1	119802-01560	STUD, M8X25	3							
14	1	124160-01751	COVER, FILLER	1							
15	1	124240-01871	COVER	1							
16	1	129795-01950	PIPE, KNOCK L=18	2							
17	1	119609-32040	O-RING, P16	4							
18	1	119802-32111	ROTOR, INNER	1							
19	1	119802-32120	ROTOR, OUTER	1							
20	1	119802-32130	SCREW, M6X16	7							
21	1	121850-51960	O-RING	1							
22	1	129001-91841	BOLT, M8X85	3							
23	1	24311-000320	O-RING, 1AP32.0	1							
24	1	26106-080162	BOLT, M8X 16 PLATED	4							
25	1	26106-080162	BOLT, M8X 16 PLATED	3							
26	1	26106-080552	BOLT, M8X 55 PLATED	11							
27	1	26306-080002	NUT, M8	3							
28	1	121023-01550	COVER	1							
29	1	24341-000240	O-RING, 1AS24.0	1							
30	1	26106-060162	BOLT, M6X 16 PLATED	2							
31	1	129150-01580	STUD, M8X30	1							

Remarks  
(REMARKS)"EFFECTIVE MACHINE NO." OF  
ENGINE IS INDICATED ON THE  
ENGINE LABEL WHICH IS SHOWN  
IN FIG.4.

Fig.3. MOUNTING FLANGE & OIL SUMP



(A)=3TNV84-NRE

(B)=

(C)=

(D)=

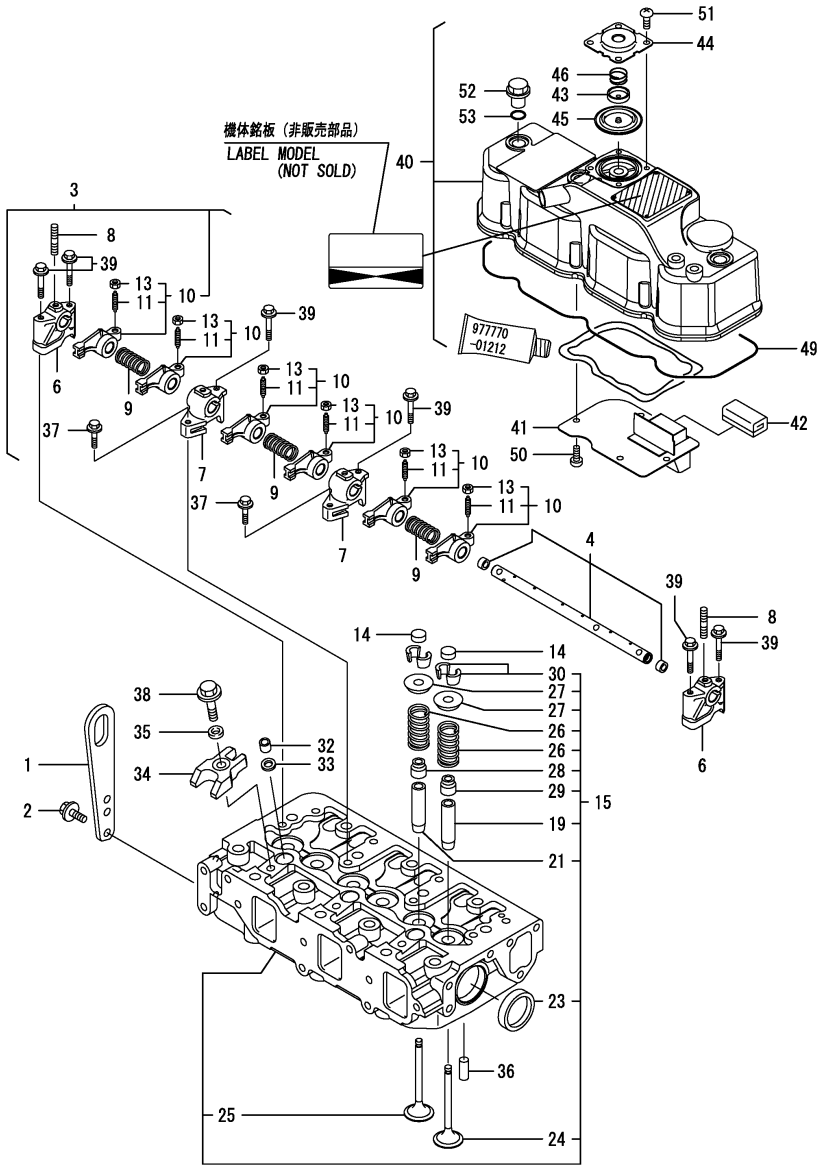
(E)=

(F)=

No.	Lev.	Parts No.	Description	Q'ty						I	R
				(A)	(B)	(C)	(D)	(E)	(F)		
1	1	129100-01580	PIN, M8X16	2							
2	1	119852-01600	FLANGE, MOUNTING	1							
3	1	26206-100202	BOLT, M10X 20 PLATED	6							
4	1	26206-100252	BOLT, M10X 25 PLATED	4							
5	1	129100-01730	SPACER, OIL SUMP	1							
7	1	129055-01770	SUMP ASSY, OIL	1							
8	2	129054-01640	PLUG, DRAIN 12	1							
10	2	22190-120002	WASHER, SEAL 12	1							
11	1	26106-080162	BOLT, M8X 16 PLATED	4							
12	1	26106-080252	BOLT, M8X 25 PLATED	2							
13	1	26106-080452	BOLT, M8X 45 PLATED	20							
13-1	1	26106-080452	BOLT, M8X 45 PLATED	16							K
(A=FROM 1ST)											
14	1	129100-01580	PIN, M8X16	2							
15	1	129100-01640	CASE ASSY, OIL SEAL	1							
17	2	129795-01780	SEAL, OIL	1							
18	1	129486-01670	BOLT, M8X30	6							
19	1	26106-080352	BOLT, M8X 35 PLATED	3							
20	1	26106-080502	BOLT, M8X 50 PLATED	4							W
(A=FROM 1ST)											

Remarks  
 (REMARKS)"EFFECTIVE MACHINE NO." OF  
 ENGINE IS INDICATED ON THE  
 ENGINE LABEL WHICH IS SHOWN  
 IN FIG.4.

Fig.4. CYLINDER HEAD & BONNET



(A)=3TNV84-NRE

(B)=

(C)=

(D)=

(E)=

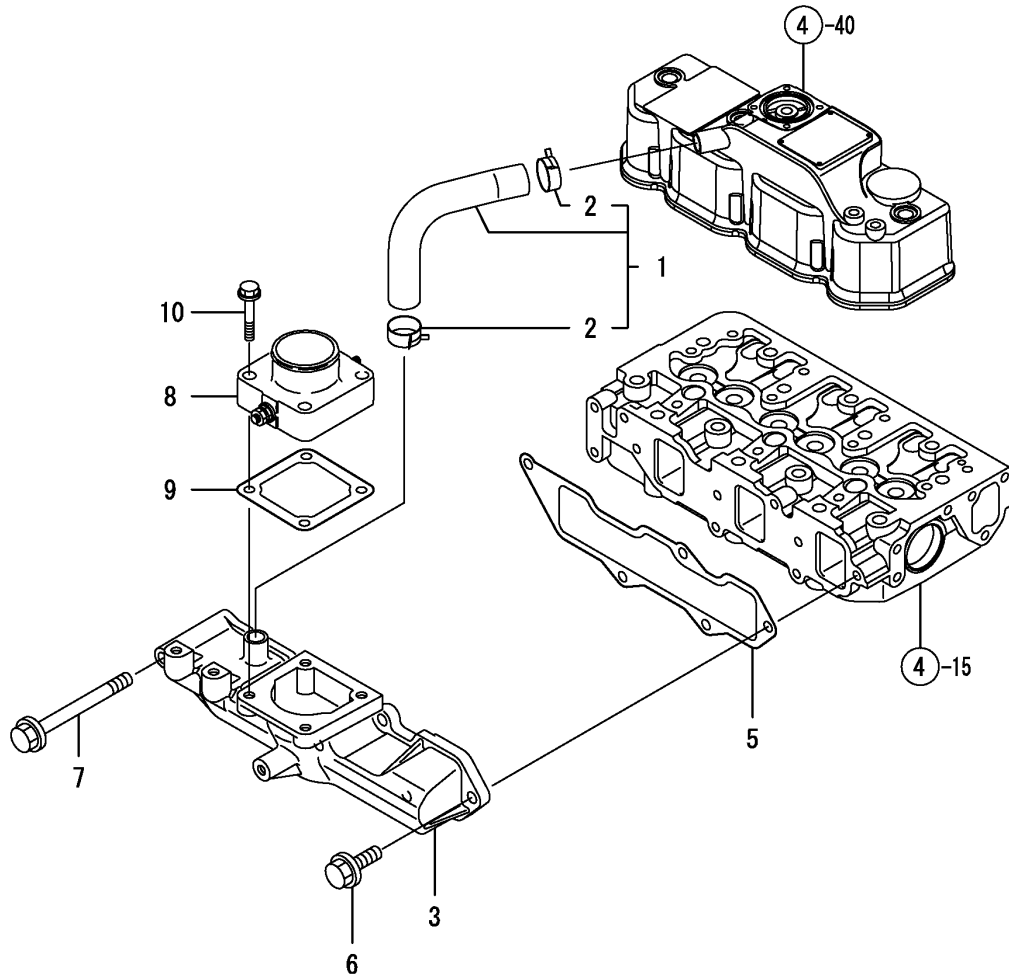
(F)=

No.	Lev.	Parts No.	Description	Qty						I	R
				(A)	(B)	(C)	(D)	(E)	(F)		
1	1	129900-07900	LIFTER	1							
2	1	26106-080142	BOLT, M8X 14 PLATED	2							
3	1	129004-11241	SHAFT ASSY, ROCKER	1							
4	2	129004-11251	SHAFT, ROCKER ARM	1							
6	2	119802-11260	SUPPORT, ROCKER ARM	2							
7	2	119802-11270	SUPPORT, ROCKER ARM	2							
8	2	119802-11280	STUD	3							
9	2	129150-11280	SPRING	3							
10	2	129004-11650	ARM, ROCKER	6							
11	3	129150-11230	SCREW, VALVE ADJUST	6							
13	3	129150-11750	NUT, M8	6							
14	1	129150-11370	CAP, VALVE	6							
15	1	129004-11700	HEAD ASSY, CYLINDER	1							
19	2	120130-11860	GUIDE, VALVE	3							1
21	2	129150-11810	GUIDE, VALVE	3							1
23	2	27241-400000	PLUG, 40	2							
24	2	129004-11101	VALVE, INTAKE	3							
25	2	129100-11111	VALVE, EXHAUST	3							
26	2	129795-11120	SPRING, VALVE	6							
27	2	129795-11180	RETAINER, SPRING	6							
28	2	121400-11340	SEAL, VALVE STEM	3							
29	2	124460-11340	SEAL, VALVE STEM	3							
30	2	27310-080001	COTTER, 8	6							
32	1	119802-11870	PROTECTOR, NOZZLE	3							
33	1	119625-11880	SEAT, NOZZLE	3							
34	1	129004-11900	RETAINER, NOZZLE	3							
35	1	120270-54410	WASHER, INJECTOR	3							
36	1	22351-060012	PIN, SPRING 6.0X12	2							
37	1	26106-080252	BOLT, M8X 25 PLATED	2							
38	1	26106-080352	BOLT, M8X 35 PLATED	3							
39	1	26106-080502	BOLT, M8X 50 PLATED	6							
40	1	129055-11350	BONNET ASSY, HEAD	1							
41	2	129004-03010	PLATE	1							
42	2	129150-03070	BAFFLE, BREATHER	1							
43	2	119802-03110	PLATE	1							
44	2	119802-03121	COVER, DIAPHRAGM	1							
45	2	119802-03130	DIAPHRAGM	1							
46	2	119802-03141	SPRING, DIAPHRAGM	1							
49	2	129004-11310	GASKET, BONNET	1							
50	2	22857-500100	SCREW, 5X10	4							
51	2	22857-500100	SCREW, 5X10	4							
52	1	124160-11360	KNOB	3							
53	1	24311-000120	O-RING, 1AP12.0	3							

Remarks

(1) REPAIR PART.  
 (REMARKS)"EFFECTIVE MACHINE NO." OF  
 ENGINE IS INDICATED ON THE  
 ENGINE LABEL WHICH IS SHOWN  
 IN FIG.4.

Fig.5. SUCTION MANIFOLD



(A)=3TNV84-NRE  
(B)=  
(C)=

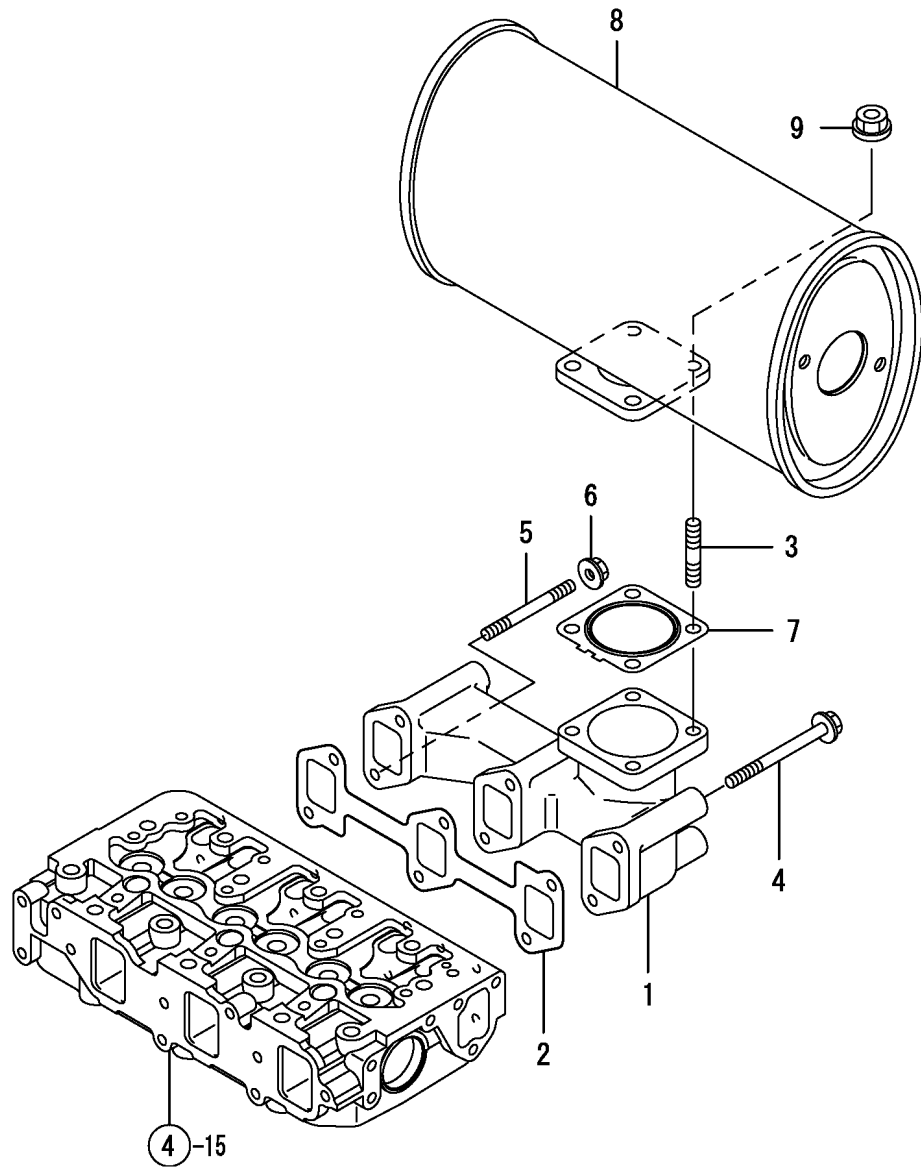
(D)=  
(E)=  
(F)=

No.	Lev.	Parts No.	Description	Q'ty						I	R
				(A)	(B)	(C)	(D)	(E)	(F)		
1	1	129005-03080	PIPE , BREATHER	1							
2	2	129410-03990	CLIP	2							
3	1	129005-12100	MANIFOLD, AIR INTAKE	1							
5	1	129001-12110	GASKET, MANIFOLD	1							
6	1	26106-080202	BOLT, M8X 20 PLATED	4							
7	1	26106-080802	BOLT, M8X 80 PLATED	1							
8	1	129120-77501	HEATER	1							
9	1	129150-77511	GASKET	1							
10	1	26106-080352	BOLT, M8X 35 PLATED	4							

Remarks  
(REMARKS)"EFFECTIVE MACHINE NO." OF  
ENGINE IS INDICATED ON THE  
ENGINE LABEL WHICH IS SHOWN  
IN FIG.4.



Fig.6. EXHAUST MANIFOLD & SILENCER



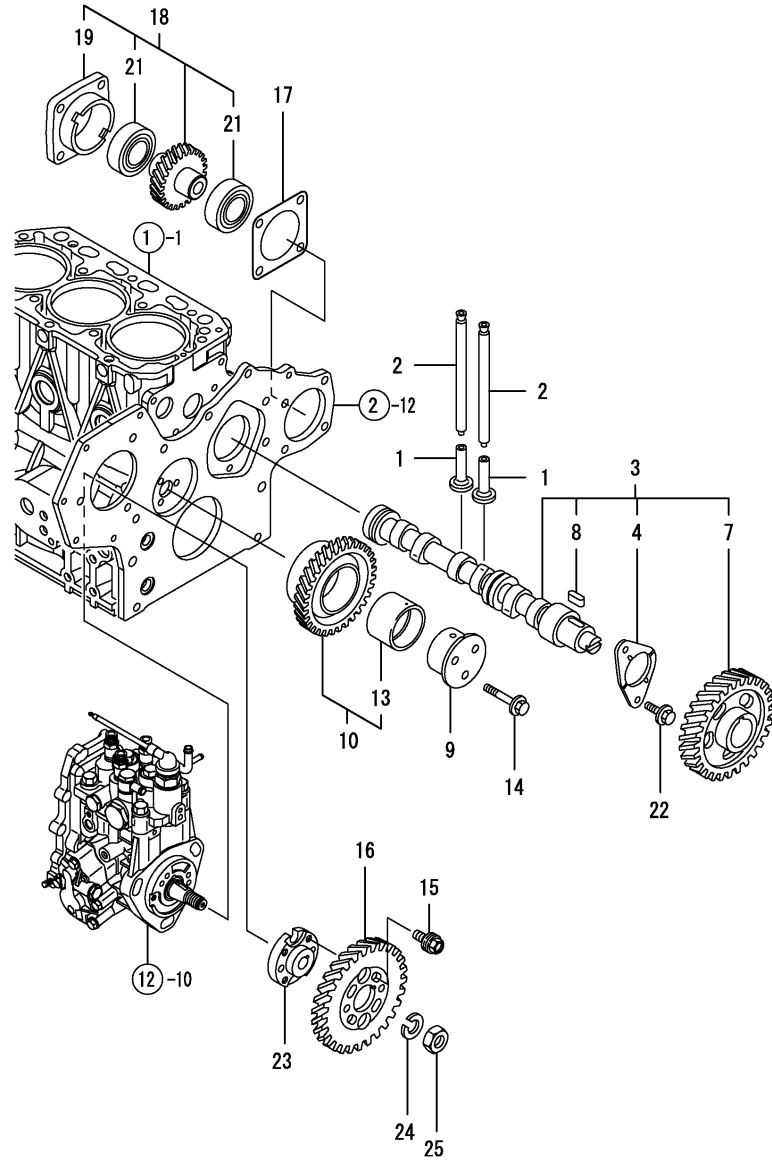
(A)=3TNV84-NRE  
(B)=  
(C)=

(D)=  
(E)=  
(F)=

No.	Lev.	Parts No.	Description	Q'ty						I	R
				(A)	(B)	(C)	(D)	(E)	(F)		
1	1	171350-13100	MANIFOLD, EXHAUST	1							
2	1	129150-13110	GASKET	1							
3	1	119131-18320	STUD, M8X22	4							
4	1	123900-13630	BOLT, M8X80	4							
5	1	129263-13220	STUD, M8X95	2							
6	1	26306-080002	NUT, M8	2							
7	1	129004-13200	GASKET, SILENCER	1							
8	1	129055-13521	SILENCER	1							
9	1	26306-080002	NUT, M8	4							

Remarks  
(REMARKS)"EFFECTIVE MACHINE NO." OF  
ENGINE IS INDICATED ON THE  
ENGINE LABEL WHICH IS SHOWN  
IN FIG.4.

Fig.7. CAMSHAFT & DRIVING GEAR



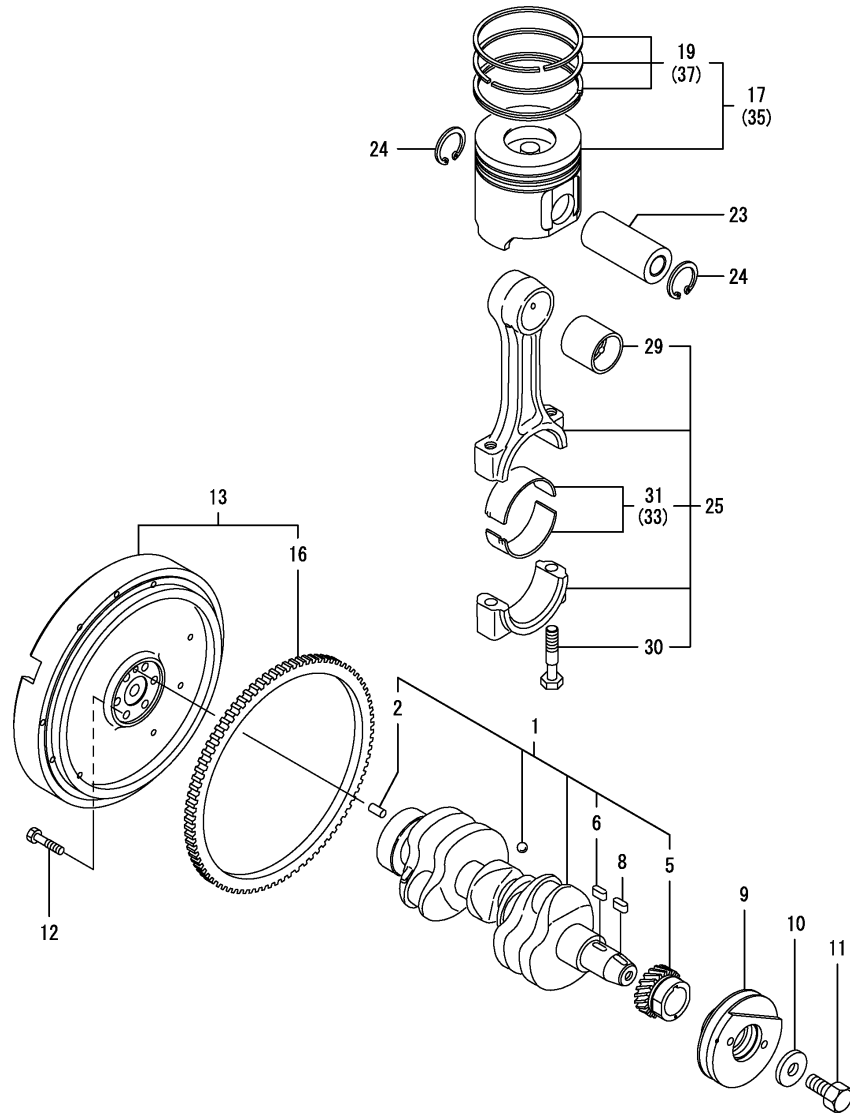
(A)=3TNV84-NRE  
(B)=  
(C)=

(D)=  
(E)=  
(F)=

No.	Lev.	Parts No.	Description	Q'ty						I	R
				(A)	(B)	(C)	(D)	(E)	(F)		
1	1	129150-14200	TAPPET	6							
2	1	129150-14400	ROD, PUSH L=178	6							
3	1	129129-14580	CAMSHAFT ASSY	1							
4	2	129150-02450	BEARING, THRUST	1							
7	2	129150-14101	GEAR, CAMSHAFT	1							
8	2	22512-070140	KEY, 7X 14	1							
9	1	119802-25051	SHAFT, IDLE	1							
10	1	119802-25100	GEAR ASSY, IDLE	1							
13	2	119802-25070	BUSH, IDLE GEAR	1							1
14	1	26106-080402	BOLT, M8X 40 PLATED	3							
15	1	129150-25301	BOLT	4							
16	1	119802-25901	GEAR, PUMP	1							
17	1	129150-01881	GASKET	1							
18	1	129150-26000	DRIVE ASSY, PUMP	1							
19	2	129150-26050	BRACKET, PUMP	1							
21	2	24105-060064	BEARING, BALL 6006Z	2							
22	1	26106-080142	BOLT, M8X 14 PLATED	2							
23	1	158552-51151	FLANGE	1							
24	1	22217-140000	WASHER, SPRING 14	1							
25	1	26776-140002	NUT, LOCK M14	1							

Remarks  
(1) REPAIR PART.  
(REMARKS)"EFFECTIVE MACHINE NO." OF  
ENGINE IS INDICATED ON THE  
ENGINE LABEL WHICH IS SHOWN  
IN FIG.4.

Fig.8. CRANKSHAFT & PISTON



(A)=3TNV84-NRE  
(B)=  
(C)=

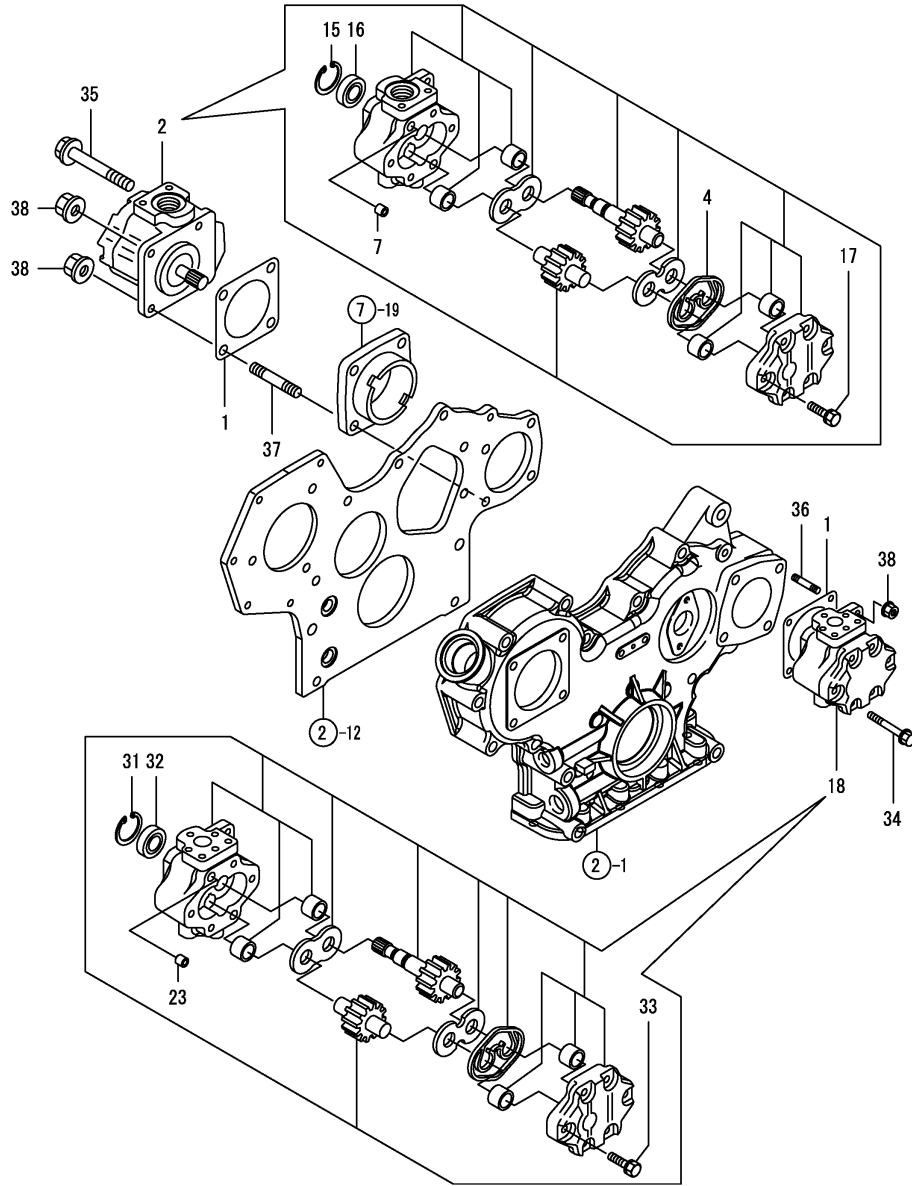
(D)=  
(E)=  
(F)=

No.	Lev.	Parts No.	Description	Q'ty						I	R
				(A)	(B)	(C)	(D)	(E)	(F)		
1	1	129004-21002	CRANKSHAFT ASSY	1							
2	2	129100-01580	PIN, M8X16	1							
5	2	119802-21202	GEAR, CRANKSHAFT	1							
6	2	22512-070140	KEY, 7X 14	1							
8	1	22512-070140	KEY, 7X 14	1							
9	1	129055-21650	V-PULLEY, 120	1							
10	1	129795-21661	WASHER	1							
11	1	121850-21680	BOLT	1							
12	1	121111-21501	BOLT, FLYWHEEL	6							
13	1	129055-21592	FLYWHEEL ASSY	1							
16	2	124550-21600	GEAR, RING	1							
17	1	129004-22080	PISTON ASSY	3							
19	2	129004-22500	RING SET, PISTON	3							
23	1	129202-22300	PIN, PISTON D26 L70	3							
24	1	22252-000260	RING, 26	6							
25	1	729402-23100	ROD ASSY, CONNECTING	3							
29	2	129100-23910	BEARING, PISTON PIN	3							1
30	2	121550-23200	BOLT, CONNECTING ROD	6							
31	2	129150-23600	BEARING, CRANK PIN	3							
33	1	129150-23610	BEARING, 0.25 US	3							2
35	1	129004-22900	PISTON ASSY, 0.25 OS	3							3
37	2	129004-22950	RING SET, 0.25 OS	3							3

Remarks

- (1) REPAIR PART.
  - (2) UNDER-SIZE(U.S=0.25)PART.
  - (3) OVER-SIZE(O.S=0.25)PART.
- (REMARKS)"EFFECTIVE MACHINE NO." OF ENGINE IS INDICATED ON THE ENGINE LABEL WHICH IS SHOWN IN FIG.4.

Fig.9. HYDRAULIC PUMP



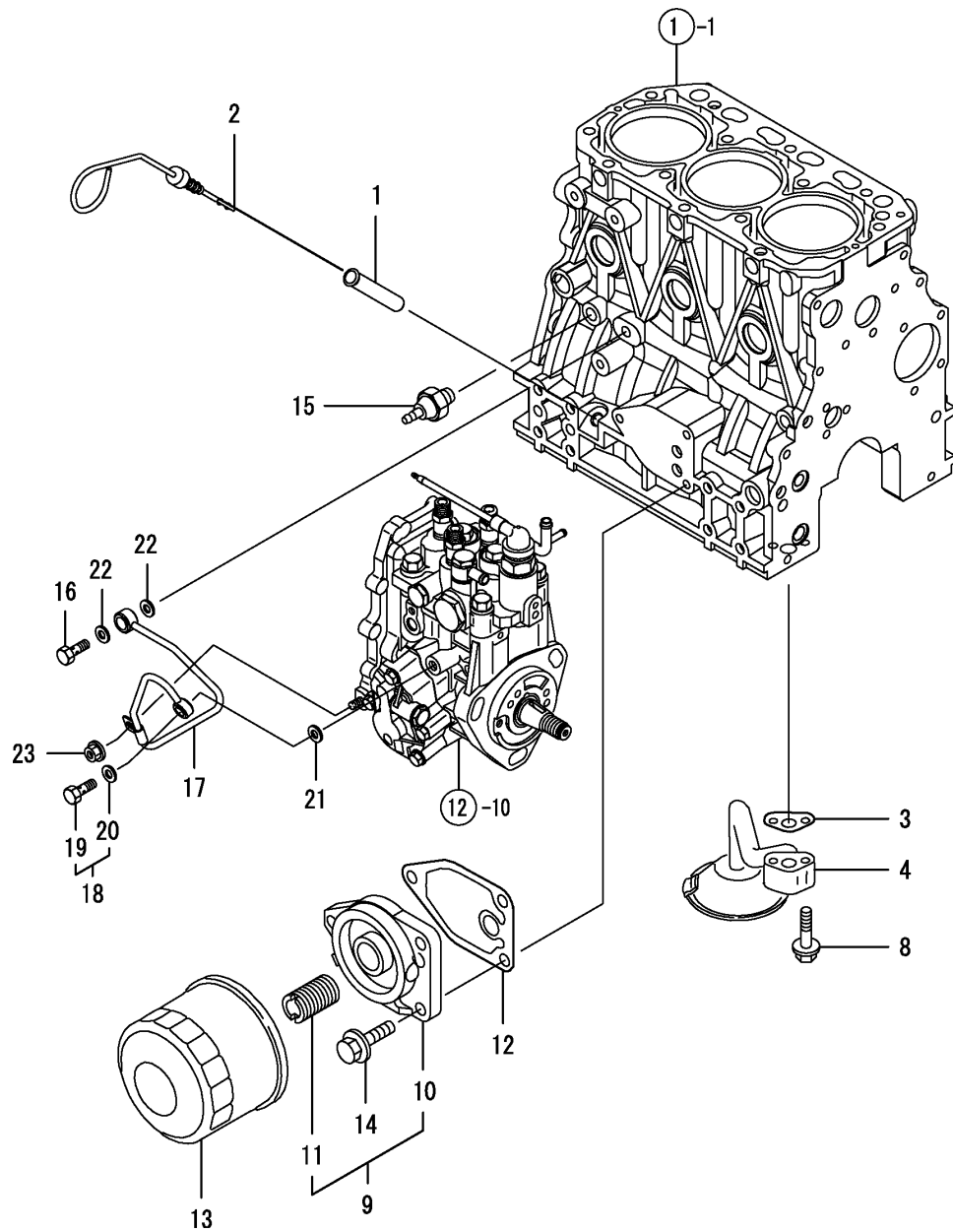
(A)=3TNV84-NRE  
(B)=  
(C)=

(D)=  
(E)=  
(F)=

No.	Lev.	Parts No.	Description	Qty						I	R
				(A)	(B)	(C)	(D)	(E)	(F)		
1	1	124240-01883	GASKET	2							
2	1	198172-41110	PUMP, HYDRAULIC	1							
4	2	178070-10401	RING	1							
7	2	194521-41570	PIN, 11X7	2							
15	2	22252-000320	RING, 32	1							
16	2	24421-153207	SEAL, OIL TC153207	1							
17	2	26016-080352	BOLT, M8X 35	4							
18	1	198280-41150	PUMP ASSY, HYDRAULIC	1							
23	2	194521-41570	PIN, 11X7	2							
31	2	22252-000320	RING, 32	1							
32	2	24421-153207	SEAL, OIL TC153207	1							
33	2	26016-080352	BOLT, M8X 35	4							
34	1	26106-080802	BOLT, M8X 80 PLATED	2							
35	1	26106-080952	BOLT, M8X 95 PLATED	2							
36	1	26216-080222	STUD, M8X 22	2							
37	1	26216-080402	STUD, M8X 40	1							
38	1	26306-080002	NUT, M8	4							

Remarks  
(REMARKS)"EFFECTIVE MACHINE NO." OF  
ENGINE IS INDICATED ON THE  
ENGINE LABEL WHICH IS SHOWN  
IN FIG.4.

Fig.10. LUB.OIL SYSTEM



(A)=3TNV84-NRE

(B)=

(C)=

(D)=

(E)=

(F)=

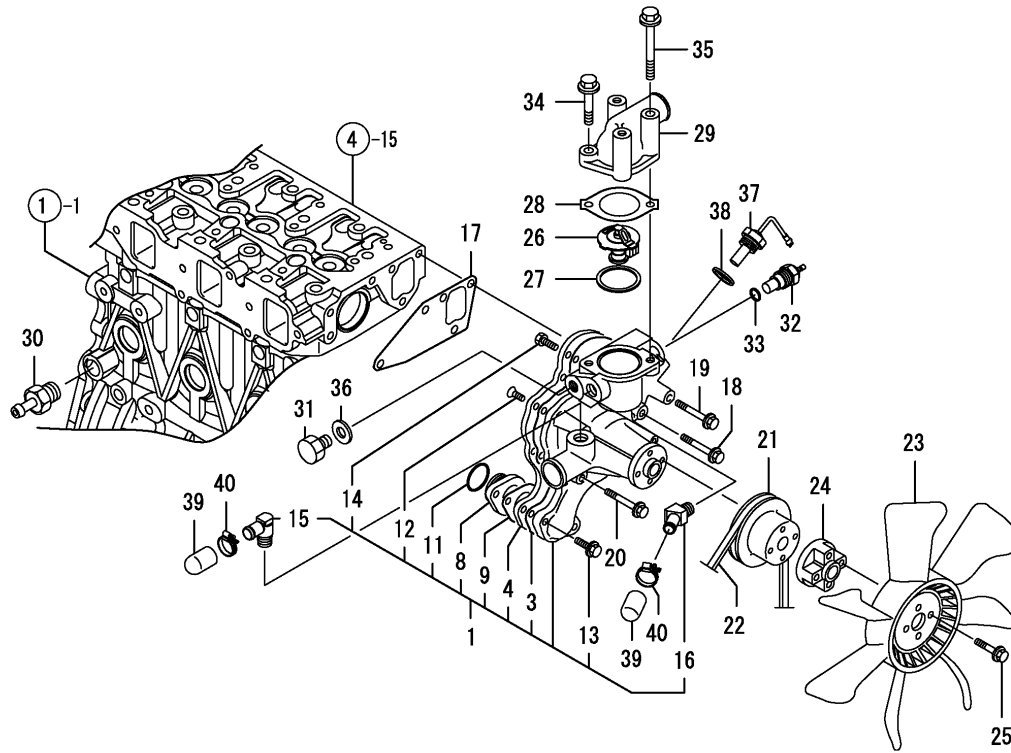
No.	Lev.	Parts No.	Description	Q'ty						I	R
				(A)	(B)	(C)	(D)	(E)	(F)		
1	1	121520-34810	GUIDE, DIPSTICK	1							
2	1	129055-34811	DIPSTICK, OIL	1							
3	1	129150-35042	GASKET	1							
4	1	129150-35091	PIPE ASSY, OIL INLET	1							
8	1	26106-080352	BOLT, M8X 35 PLATED	2							
9	1	119802-35100	BRACKET ASSY, FILTER	1							
10	2	119802-35110	BRACKET, FILTER	1							
11	2	129100-35140	STUD	1							
12	1	129150-35111	GASKET	1							
13	1	129150-35170	FILTER,LO	1							1
14	1	26106-080202	BOLT, M8X 20 PLATED	3							
15	1	114250-39450	SWITCH, 0.5KG	1							
16	1	124160-39140	BOLT, PIPE JOINT M10	1							
17	1	119802-39450	PIPE ASSY, OIL	1							
18	1	129005-59830	BOLT ASSY, JOINT M8	1							
19	2	23857-030000	BOLT, JOINT 3	1							
20	2	22190-080002	WASHER, SEAL 6	1							
21	1	22190-080002	WASHER, SEAL 6	1							
22	1	22190-100002	WASHER, SEAL 10	2							
23	1	26366-060002	NUT, M6	1							

Remarks

(1) REPAIR PART.

N:Old  $\xrightarrow{\text{Yes}}$  New, Q:Old  $\xrightarrow{\text{No}}$  New, R:Old  $\xrightarrow{\text{Yes}}$  New, S:Old  $\xrightarrow{\text{No}}$  New, W:Add, Z:Discontinued, F:Interchangeable by set, K:Q'ty Change

Fig.11. COOLING WATER SYSTEM



(A)=3TNV84-NRE

(B)=

(C)=

(D)=

(E)=

(F)=

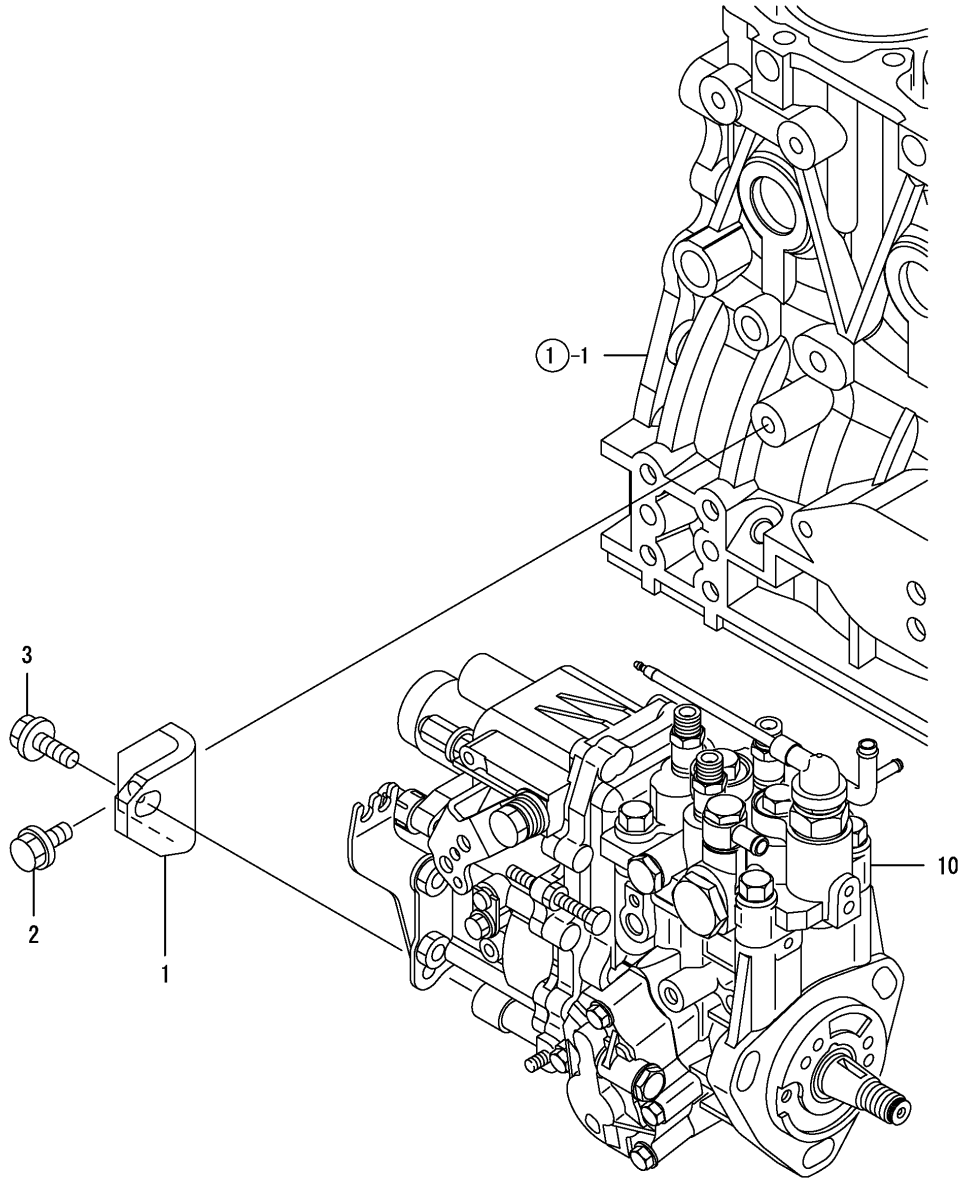
No.	Lev.	Parts No.	Description	Q'ty						I	R
				(A)	(B)	(C)	(D)	(E)	(F)		
1	1	129055-42010	PUMP ASSY, WATER	1							
3	2	129457-42050	GASKET	1							
4	2	129457-42120	PLATE	1							
8	2	129150-42300	FLANGE	1							
9	2	129150-42311	GASKET	1							
11	2	129054-42320	O-RING	1							
12	2	121850-42410	SCREW	1							
13	2	26106-060202	BOLT, M6X 20 PLATED	2							
14	2	26116-060162	BOLT, M6X 16 PLATED	5							
15	2	119852-49300	ELBOW, R3/8	1							
16	2	129055-49300	ELBOW, R3/8	1							
17	1	129486-42050	GASKET, WATER PUMP	1							
18	1	26106-080552	BOLT, M8X 55 PLATED	2							
19	1	26106-080602	BOLT, M8X 60 PLATED	1							
20	1	26106-080702	BOLT, M8X 70 PLATED	1							
21	1	129550-42350	V-PULLEY, D=120	1							
22	1	25132-003900	V-BELT, A39	1							
22-1	1	129044-42290	V-BELT, A38.5	1							S
(A=EXXXXX)											
23	1	129556-44740	FAN, COOLING	1							
24	1	171353-44760	SPACER, FAN	1							
25	1	26106-060402	BOLT, M6X 40 PLATED	4							
26	1	129457-49801	THERMOSTAT, 82	1							
27	1	129150-49811	GASKET, THERMOSTAT	1							
28	1	129795-49551	GASKET	1							
29	1	119852-49530	COVER, THERMOSTAT	1							
30	1	121550-49111	JOINT, PT1/4	1							
31	1	129054-42450	PLUG, M12X1.5	1							
32	1	124250-49351	SENSOR	1							
33	1	129150-49360	GASKET	1							
34	1	26106-080282	BOLT, M8X 28 PLATED	1							
35	1	26106-080652	BOLT, M8X 65 PLATED	1							
36	1	22190-120002	WASHER, SEAL 12	1							
37	1	129107-44901	SENSOR	1							
38	1	124465-44950	GASKET, 16	1							
39	1	129055-49320	CAP	2							
40	1	23000-022000	CLAMP, 22	2							

Remarks  
 (REMARKS)"EFFECTIVE MACHINE NO." OF  
 ENGINE IS INDICATED ON THE  
 ENGINE LABEL WHICH IS SHOWN  
 IN FIG.4.

Fig.12. FUEL INJECTION PUMP

(A)=3TNV84-NRE  
(B)=  
(C)=

(D)=  
(E)=  
(F)=



No.	Lev.	Parts No.	Description	Q'ty						I	R
				(A)	(B)	(C)	(D)	(E)	(F)		
1	1	119802-51250	RETAINER, PUMP	1							
2	1	26106-080162	BOLT, M8X 16 PLATED	1							
3	1	26106-080202	BOLT, M8X 20 PLATED	1							
10	1	729055-51350	PUMP ASSY, INJECTION	1							

Remarks  
(REMARKS)"EFFECTIVE MACHINE NO." OF  
ENGINE IS INDICATED ON THE  
ENGINE LABEL WHICH IS SHOWN  
IN FIG.4.

Fig.13. FUEL INJECTION VALVE

(A)=3TNV84-NRE

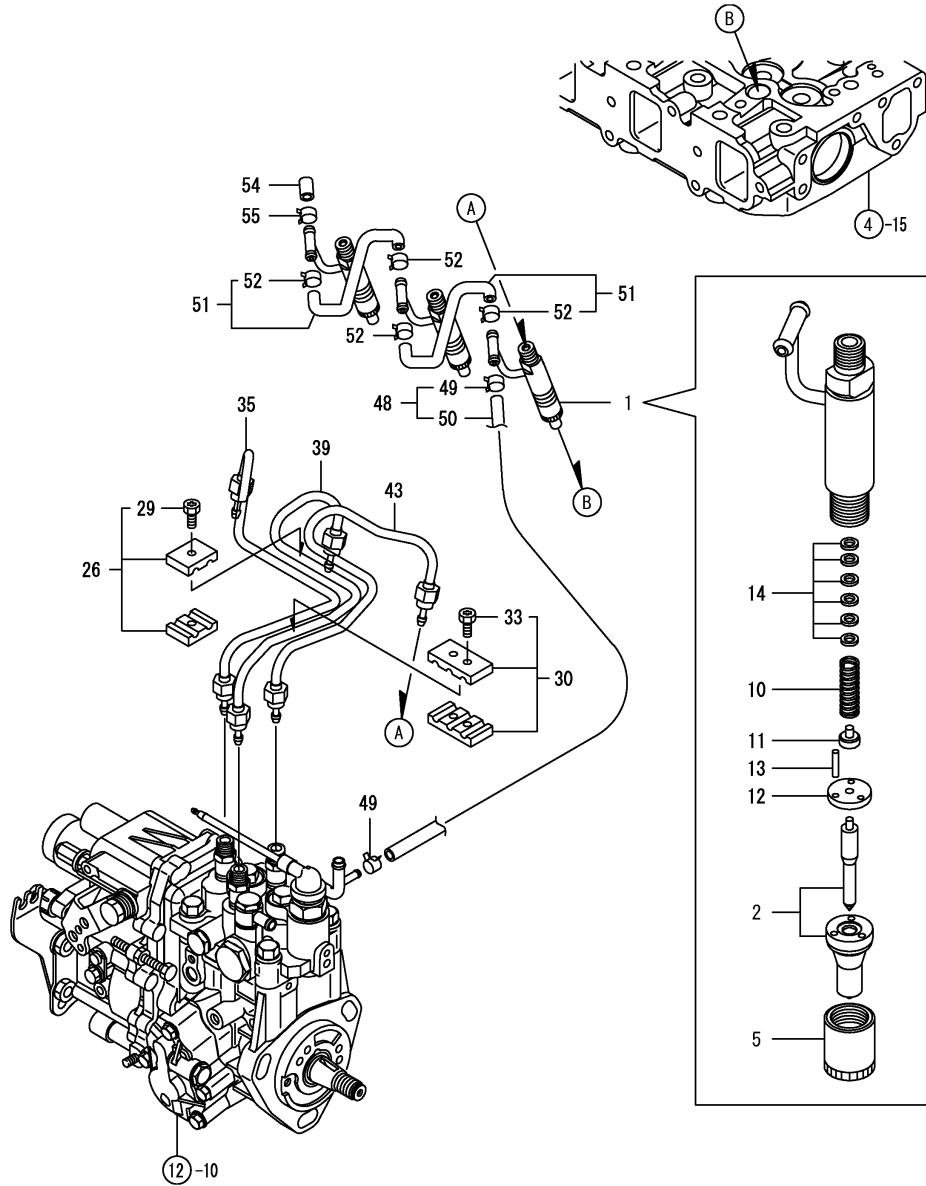
(B)=

(C)=

(D)=

(E)=

(F)=

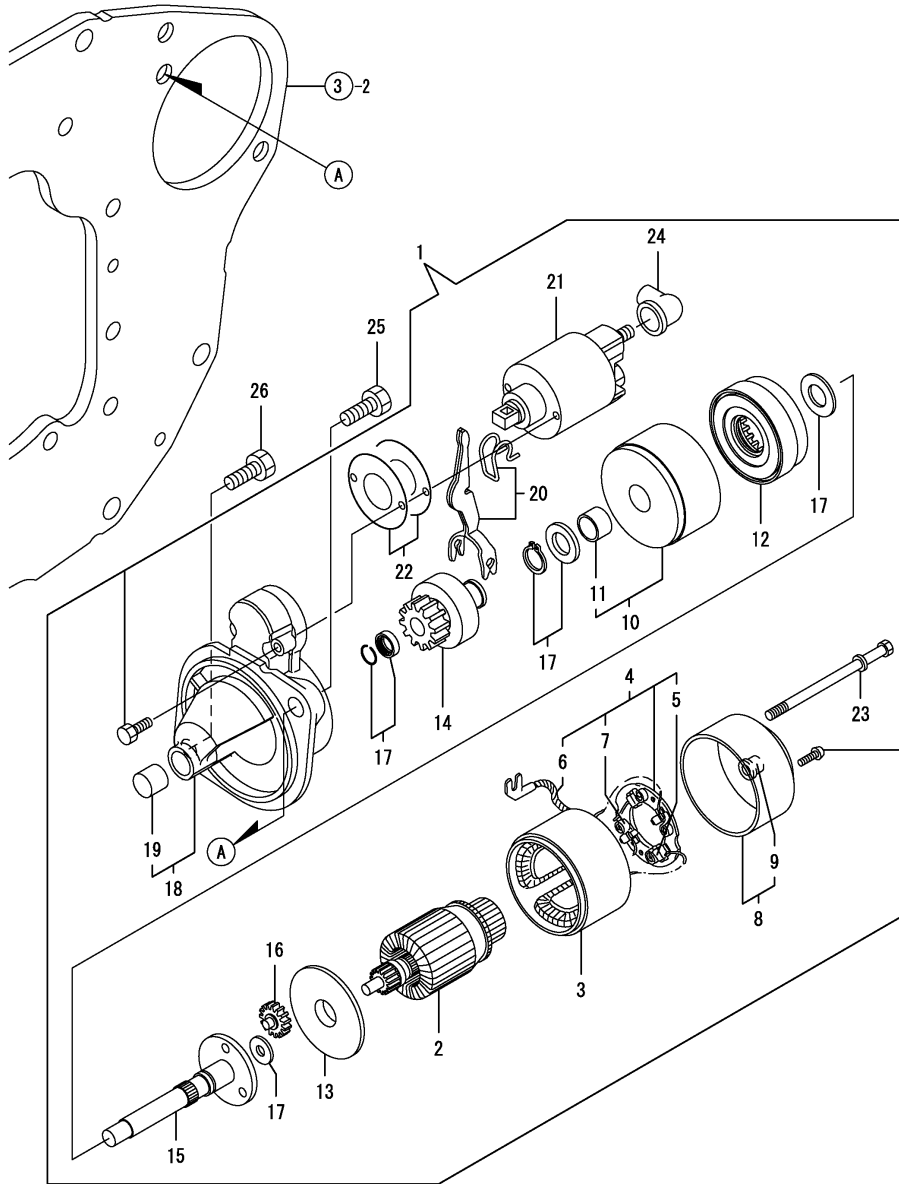


No.	Lev.	Parts No.	Description	Q'ty						I	R
				(A)	(B)	(C)	(D)	(E)	(F)		
1	1	729244-53100	VALVE ASSY,INJECTION	3							
2	2	129234-53001	VALVE ASSY,INJECTION	3							
5	2	114250-53080	NUT, NOZZLE D16.95	3							
10	2	114250-53120	SPRING, NOZZLE	3							
11	2	114250-53130	SEAT, SPRING	3							
12	2	114250-53140	PLATE	3							
13	2	114250-53210	PIN	6							
14	2	114250-53400	SHIM SET	3							
26	1	119305-59120	RETAINER, PIPE	1							
29	2	129150-59131	BOLT, M4X14	1							
30	1	129150-59120	RETAINER, PIPE	1							
33	2	129150-59131	BOLT, M4X14	2							
35	1	129004-59810	PIPE ASSY, INJECTION	1							
39	1	129004-59820	PIPE ASSY, INJECTION	1							
43	1	129004-59830	PIPE ASSY, INJECTION	1							
48	1	119802-59550	PIPE ASSY, RETURN	1							
49	2	124722-59050	CLIP, HOSE 9	2							
50	2	119802-59560	PIPE, FUEL RETURN	1							
51	1	129486-59551	PIPE ASSY, RETURN	2							
52	2	124722-59050	CLIP, HOSE 9	4							
54	1	119593-59580	CAP	1							
55	1	124060-77680	CLIP, HOSE 10	1							

Remarks  
 (REMARKS)"EFFECTIVE MACHINE NO." OF  
 ENGINE IS INDICATED ON THE  
 ENGINE LABEL WHICH IS SHOWN  
 IN FIG.4.



Fig.14. STARTING MOTOR



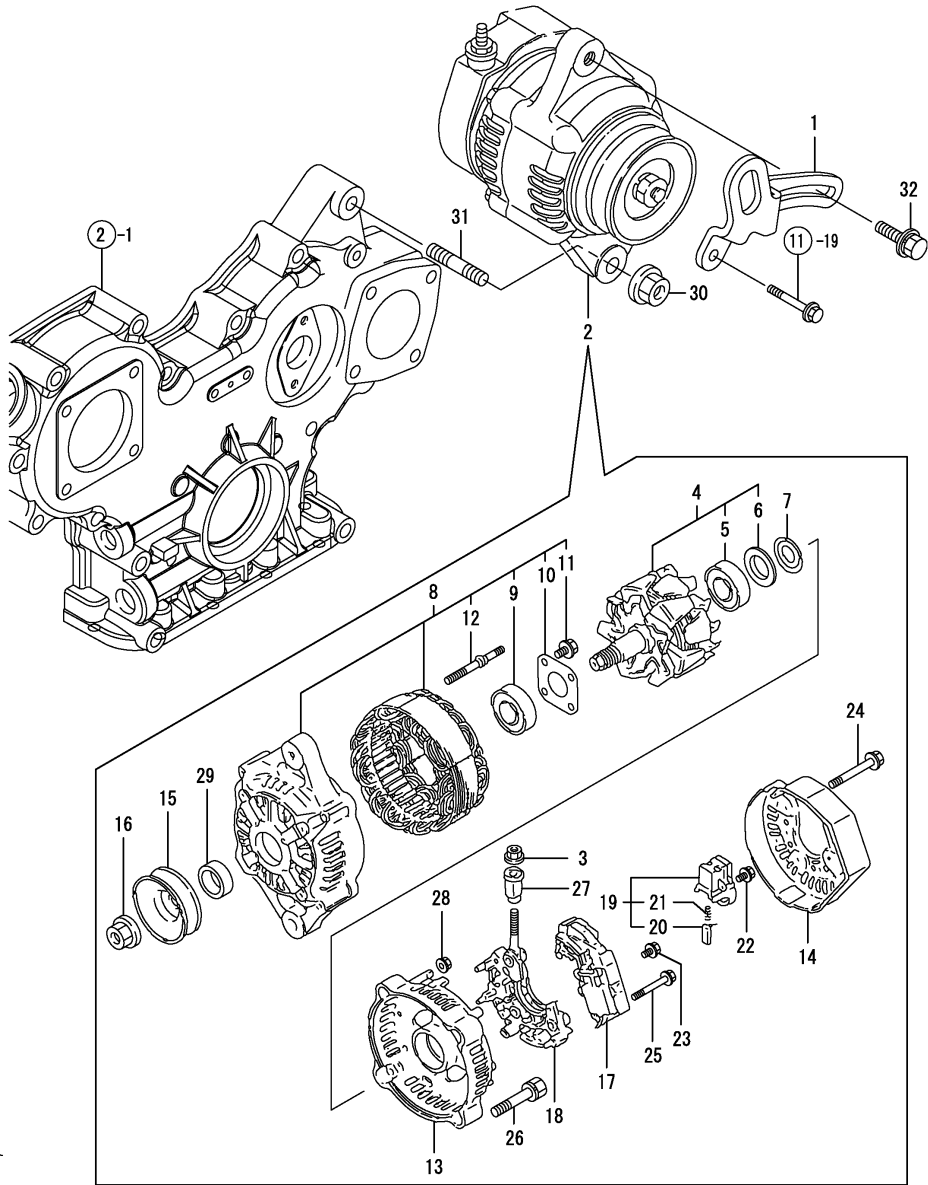
(A)=3TNV84-NRE  
(B)=  
(C)=

(D)=  
(E)=  
(F)=

No.	Lev.	Parts No.	Description	Q'ty						I	R
				(A)	(B)	(C)	(D)	(E)	(F)		
1	1	129052-77010	STARTER, CR1.2	1							
2	2	129698-77101	ARMATURE ASSY	1							
3	2	129698-77110	YOKE ASSY	1							
4	2	129698-77120	HOLDER ASSY, BRUSH	1							
5	3	129698-77130	BRUSH	2							
6	3	129698-77140	BRUSH SET	1							
7	3	129698-77150	SPRING, BRUSH	4							
8	2	129698-77161	COVER ASSY	1							
9	3	129698-77170	BEARING	1							
10	2	129698-77180	BRACKET	1							
11	3	129698-77190	BRACKET	1							
12	2	129698-77200	GEAR, INTERNAL	1							
13	2	129698-77210	BRACKET	1							
14	2	129698-77220	PINION ASSY	1							
15	2	129698-77230	SHAFT	1							
16	2	129698-77240	GEAR	3							
17	2	129698-77250	WASHER SET	1							
18	2	129052-77030	HOUSING ASSY, GEARS	1							
19	3	X2114535200	METAL, STARTER	1							
20	2	129698-77270	LEVER SET, SHIFT	1							
21	2	129698-77020	SWITCH ASSY	1							
22	2	129698-77280	COVER KIT	1							
23	2	124195-77770	BOLT, THROUGH	2							
24	2	X2114274200	COVER	1							
25	1	129155-77060	BOLT	1							
26	1	26116-120202	BOLT, M12X 20 PLATED	1							

Remarks  
(REMARKS)"EFFECTIVE MACHINE NO." OF  
ENGINE IS INDICATED ON THE  
ENGINE LABEL WHICH IS SHOWN  
IN FIG.4.

Fig.15. GENERATOR



(A)=3TNV84-NRE

(B)=

(C)=

(D)=

(E)=

(F)=

No.	Lev.	Parts No.	Description	Q'ty						I	R
				(A)	(B)	(C)	(D)	(E)	(F)		
1	1	129263-77330	ADJUSTER	1							
2	1	129423-77200	GENERATOR, 12V-40A	1							
3	2	X9490561001	NUT	1							
4	2	119620-77380	ROTOR ASSY	1							
5	3	123501-79240	BEARING, BALL	1							
6	3	119620-79250	COVER	1							
7	2	119620-79360	WASHER, THRUST	1							
8	2	119620-77421	FRAME ASSY, DRIVE	1							
9	3	119620-79200	BEARING, BALL	1							
10	3	119620-79210	PLATE, RETAINER	1							
11	3	119620-79220	SCREW	4							
12	3	119620-79230	STUD	2							
13	2	119620-77440	FRAME ASSY	1							
14	2	129240-79300	COVER	1							
15	2	119620-77461	PULLEY	1							
16	2	119620-77471	NUT	1							
17	2	129423-77710	REGULATOR ASSY	1							
18	2	119620-79260	HOLDER	1							
19	2	129052-79270	HOLDER, BRUSH	1							
20	3	119620-77480	BRUSH ASSY	2							
21	3	119620-79280	SPRING	2							
22	2	119620-79290	SCREW	1							
23	2	119620-79300	SCREW	1							
24	2	119620-79310	BOLT	3							
25	2	119620-79320	SCREW	2							
26	2	119620-79330	BOLT	2							
27	2	119620-79340	BUSH, INSULATION	1							
28	2	119620-79350	NUT	2							
29	2	119620-77490	COLLAR	1							
30	1	26306-100002	NUT, M10	1							
31	1	129795-01900	STUD	1							
32	1	119810-77340	BOLT, ADJUSTER	1							

Remarks  
 (REMARKS)"EFFECTIVE MACHINE NO." OF  
 ENGINE IS INDICATED ON THE  
 ENGINE LABEL WHICH IS SHOWN  
 IN FIG.4.

## Parts No. Index

Parts No.	Fig. No.	Ref. No.
114250-39450	10	15
114250-53080	13	5
114250-53120	13	10
114250-53130	13	11
114250-53140	13	12
114250-53210	13	13
114250-53400	13	14
119131-18320	6	3
119305-59120	13	26
119593-59580	13	54
119609-32040	2	17
119620-77380	15	4
119620-77421	15	8
119620-77440	15	13
119620-77461	15	15
119620-77471	15	16
119620-77480	15	20
119620-77490	15	29
119620-79200	15	9
119620-79210	15	10
119620-79220	15	11
119620-79230	15	12
119620-79250	15	6
119620-79260	15	18
119620-79280	15	21
119620-79290	15	22
119620-79300	15	23
119620-79310	15	24
119620-79320	15	25
119620-79330	15	26
119620-79340	15	27
119620-79350	15	28
119620-79360	15	7
119625-11880	4	33
119802-01560	2	13
119802-03110	4	43
119802-03121	4	44
119802-03130	4	45
119802-03141	4	46
119802-11260	4	6
119802-11270	4	7
119802-11280	4	8
119802-11870	4	32
119802-21202	8	5
119802-25051	7	9
119802-25070	7	13
119802-25100	7	10
119802-25901	7	16
119802-32070	2	8
119802-32100	2	7

Parts No.	Fig. No.	Ref. No.
119802-32111	2	18
119802-32120	2	19
119802-32130	2	20
119802-35100	10	9
119802-35110	10	10
119802-39450	10	17
119802-51250	12	1
119802-59550	13	48
119802-59560	13	50
119810-77340	15	32
119852-01600	3	2
119852-49300	11	15
119852-49530	11	29
120130-11860	4	19
120270-54410	4	35
121023-01550	2	28
121111-21501	8	12
121400-11340	4	28
121520-34810	10	1
121550-23200	8	30
121550-49111	11	30
121850-21680	8	11
121850-42410	11	12
121850-51960	2	21
123501-79240	15	5
123900-13630	6	4
124060-01050	1	5
124060-77680	13	55
124160-01751	2	14
124160-01910	1	7
		8
124160-11360	4	52
124160-39140	10	16
124195-77770	14	23
124240-01871	2	15
124240-01883	9	1
124250-49351	11	32
124460-11340	4	29
124465-44950	11	38
124550-21600	8	16
124722-59050	13	49
		52
129001-01250	1	6
129001-02930	1	25
129001-12110	5	5
129001-32330	2	11
129001-91841	2	22
129002-01331	1	33
129004-01190	1	31
129004-01520	2	12

Parts No.	Fig. No.	Ref. No.
129004-03010	4	41
129004-11101	4	24
129004-11241	4	3
129004-11251	4	4
129004-11310	4	49
129004-11650	4	10
129004-11700	4	15
129004-11900	4	34
129004-13200	6	7
129004-21002	8	1
129004-22080	8	17
129004-22500	8	19
129004-22900	8	35
129004-22950	8	37
129004-59810	13	35
129004-59820	13	39
129004-59830	13	43
129005-03080	5	1
129005-12100	5	3
129005-59830	10	18
129044-42290	11	22 -1
129052-77010	14	1
129052-77030	14	18
129052-79270	15	19
129054-01640	3	8
129054-42320	11	11
129054-42450	11	31
129055-01770	3	7
129055-11350	4	40
129055-13521	6	8
129055-21592	8	13
129055-21650	8	9
129055-34811	10	2
129055-42010	11	1
129055-49300	11	16
129055-49320	11	39
129100-01580	3	1
		14
		2
129100-01640	3	15
129100-01730	3	5
129100-11111	4	25
129100-23910	8	29
129100-35140	10	11
129107-44901	11	37
129120-77501	5	8
129129-14580	7	3
129150-01200	1	32
129150-01580	2	31
129150-01881	7	17

Parts No.	Fig. No.	Ref. No.
129150-02020	1	10
129150-02450	7	4
129150-02870	1	34
129150-02930	1	28
129150-02940	1	37
129150-03070	4	42
129150-11230	4	11
129150-11280	4	9
129150-11370	4	14
129150-11750	4	13
129150-11810	4	21
129150-13110	6	2
129150-14101	7	7
129150-14200	7	1
129150-14400	7	2
129150-23600	8	31
129150-23610	8	33
129150-25301	7	15
129150-26000	7	18
129150-26050	7	19
129150-35042	10	3
129150-35091	10	4
129150-35111	10	12
129150-35170	10	13
129150-42300	11	8
129150-42311	11	9
129150-49360	11	33
129150-49811	11	27
129150-59120	13	30
129150-59131	13	29
		33
129150-77511	5	9
129155-77060	14	25
129202-22300	8	23
129234-53001	13	2
129240-79300	15	14
129263-13220	6	5
129263-77330	15	1
129410-03990	5	2
129418-32320	2	10
129423-77200	15	2
129423-77710	15	17
129457-42050	11	3
129457-42120	11	4
129457-49801	11	26
129486-01670	3	18
129486-42050	11	17
129486-59551	13	51
129550-42350	11	21
129556-44740	11	23

## Parts No. Index

Parts No.	Fig. No.	Ref. No.
129698-77020	14	21
129698-77101	14	2
129698-77110	14	3
129698-77120	14	4
129698-77130	14	5
129698-77140	14	6
129698-77150	14	7
129698-77161	14	8
129698-77170	14	9
129698-77180	14	10
129698-77190	14	11
129698-77200	14	12
129698-77210	14	13
129698-77220	14	14
129698-77230	14	15
129698-77240	14	16
129698-77250	14	17
129698-77270	14	20
129698-77280	14	22
129795-01780	3	17
129795-01800	2	6
129795-01900	15	31
129795-01950	2	16
129795-02411	1	13
129795-11120	4	26
129795-11180	4	27
129795-21661	8	10
129795-49551	11	28
129900-07900	4	1
129900-32130	2	9
158552-51151	7	23
171051-01921	1	9
171350-13100	6	1
171353-44760	11	24
178070-10401	9	4
194521-41570	9	7
		23
198172-41110	9	2
198280-41150	9	18
22190-080002	10	20
		21
22190-100002	10	22
22190-120002	3	10
	11	36
22217-140000	7	24
22252-000260	8	24
22252-000320	9	15
		31
22351-060012	4	36
22512-070140	7	8

Parts No.	Fig. No.	Ref. No.
22512-070140	8	6
		8
22857-500100	4	50
		51
23000-022000	11	40
23857-030000	10	19
23876-030000	2	4
23876-040000	2	5
24105-060064	7	21
24311-000120	4	53
24311-000320	2	23
24341-000240	2	29
24421-153207	9	16
		32
25132-003900	11	22
26016-080352	9	17
		33
26106-060162	2	30
26106-060202	11	13
26106-060402	11	25
26106-080142	4	2
	7	22
26106-080162	2	24
		25
	3	11
	12	2
26106-080202	5	6
	10	14
	12	3
26106-080252	3	12
	4	37
26106-080282	11	34
26106-080352	3	19
	4	38
	5	10
	10	8
26106-080402	7	14
26106-080452	3	13
		13 -1
26106-080502	3	20
	4	39
26106-080552	2	26
	11	18
26106-080602	11	19
26106-080652	11	35
26106-080702	11	20
26106-080802	5	7
	9	34
	9	35
26106-080952	9	35
26116-060162	11	14

Parts No.	Fig. No.	Ref. No.
26116-120202	14	26
26206-100202	3	3
26206-100252	3	4
26216-080222	9	36
26216-080402	9	37
26306-080002	2	27
	6	6
		9
	9	38
26306-100002	15	30
26366-060002	10	23
26776-140002	7	25
27241-120000	1	14
27241-300000	1	15
27241-400000	4	23
27310-080001	4	30
729004-01500	2	1
729004-01560	1	1
729055-51350	12	10
729244-53100	13	1
729402-23100	8	25
X2114274200	14	24
X2114535200	14	19
X9490561001	15	3

Parts No.	Fig. No.	Ref. No.
-----------	----------	----------